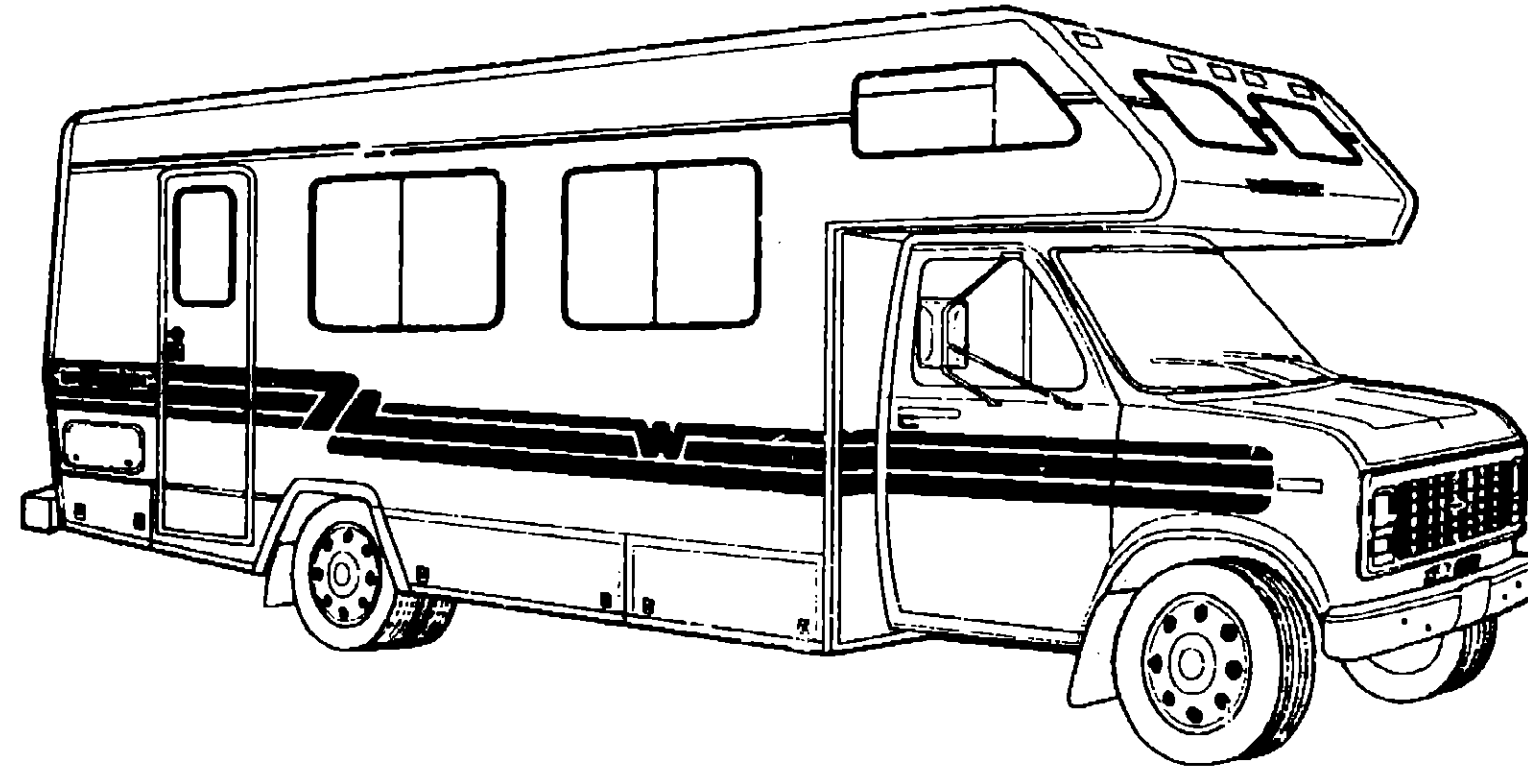


**1991 WINNEBAGO  
TABLE OF CONTENTS**

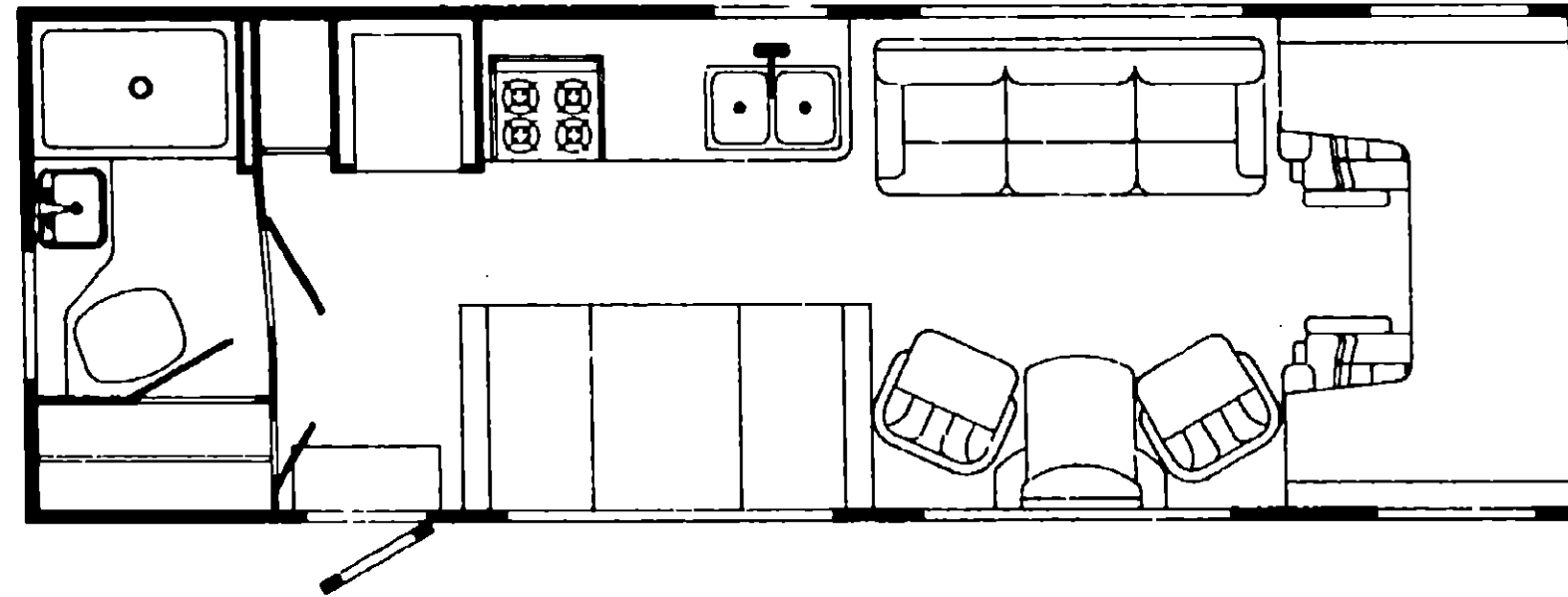
INTRODUCTION	A-01 - A-02
ABBREVIATIONS	A-03
ALPHABETICAL/GROUP REFERENCE	A-04 - A-06
WF327RT	A-07 - D-12
WF327RB	D-13 - G-08
WF327RO	G-09 - J-12



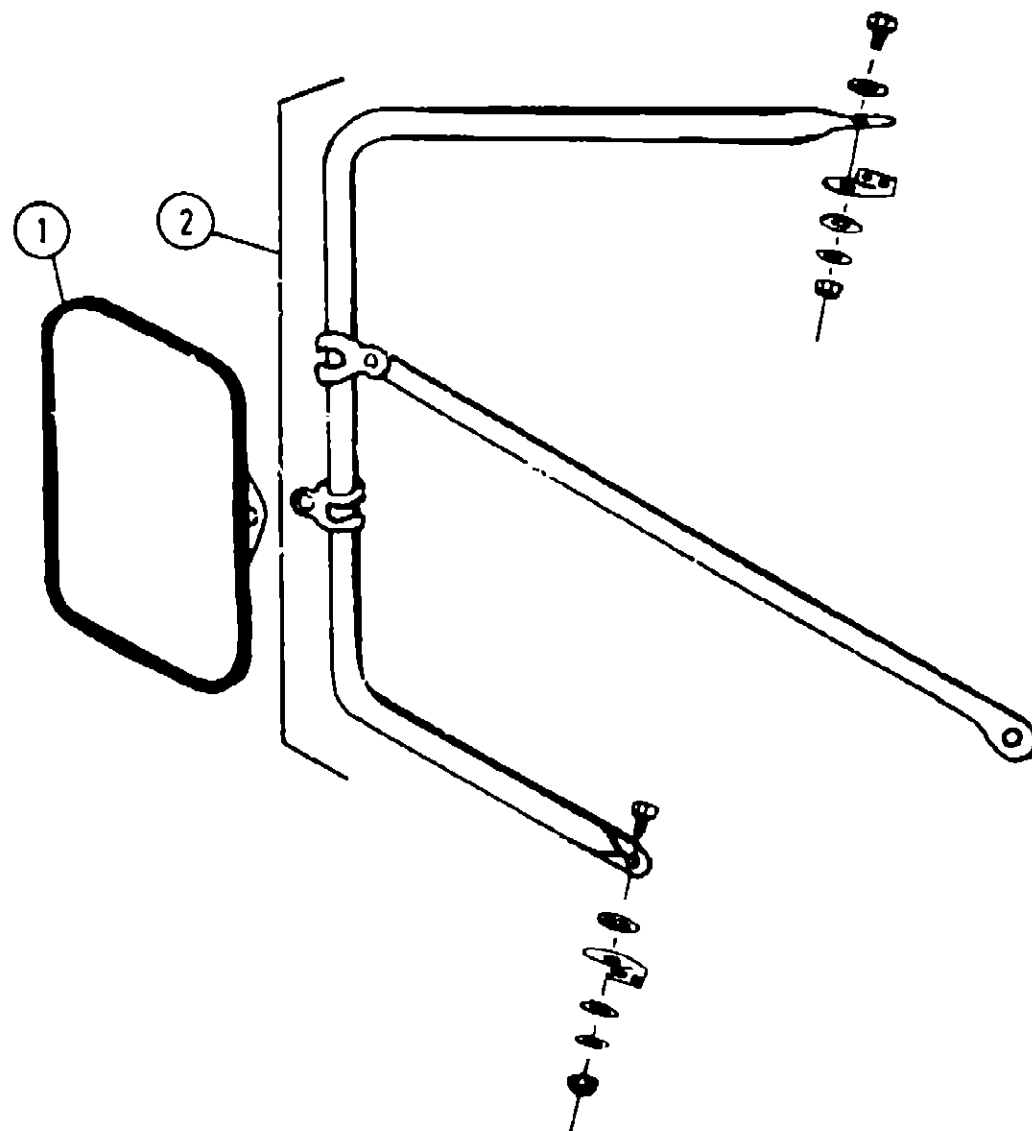
**1991  
WF327RB**

**1991 WF327RB INDEX**

Floor Plan	D-13 - D-14
Accessories Group	D-15 - D-18
Bath Group	D-19 - D-20
Chassis Group	D-21 - D-24
Curtain, Cushion & Pad Group	E-01 - E-07
Dinette Group	E-08 - E-09
Driver's Compartment Group	E-10 - E-12
Electrical Group	E-13 - E-15
Exterior Body Group	E-16 - E-20
Galley Group	E-21 - E-24
Heating & Air Conditioning Group	F-01 - F-02
Interior Finish Group	F-03 - F-05
Labels Group	F-06 - F-14
LP Group	F-15
Lounge Group	F-16 - F-18
Sealants & Fasteners Group	F-19 - F-20
Water & Sewage Group	F-21 - F-22
Window, Vent & Exterior Door Group	F-23 - G-08



## ACCESSORIES GROUP



### EXTERIOR MIRRORS

Key	Part Number	U/M	Description
1	049347-01-000	EA	Mirror Head - 7 1/2" x 10 1/2" - Stainless Steel
*1	049347-03-000	EA	Mirror Head - 7 1/2" x 10 1/2" - Black
2	062047-01-000	EA	Arm - West Coast Mirror - Stainless Steel
	006043-01-000	EA	Mirror - Convex - Adhesive Back

\* These parts were used from 5/26/91 on.

### WHEEL COVER & MOUNTING HARDWARE

Key	Part Number	U/M	Description
	083181-01-000	EA	Wheel Cover - 16" (Set/4)
	083181-01-700	EA	Wheel Cover - 16" (1)
	083181-04-702	EA	Nut Cover

## ACCESSORIES GROUP (CONTINUED)

### MISCELLANEOUS ACCESSORIES

Key	Part Number	U/M	Description
	054185-63-000	EA	Owner's Manual - 1991 - Warrior
	092318-01-000	EA	Binder - 3 Ring - Vendor Manual
	092319-01-000	EA	Page - Plastic Packet
	098084-05-000	EA	Cassette - Winnebago Warrior
	094499-01-000	EA	Fire Extinguisher - IA 10BC (UL)
	094499-02-000	EA	Fire Extinguisher - IA 10BC (CSA)
	094499-01-7C3	EA	Bracket - Mounting w/Plastic Strap - Fire Extinguisher
	072852-01-000	EA	Smoke Detector w/9 Volt Battery
	098855-01-AA3	EA	Tire Cover - Off White
	104764-01-01A	EA	Wall Clock - Spartus

### TV ANTENNA (OPTION 193)

Key	Part Number	U/M	Description
	076319-13-000	EA	Antenna - TV Roof Mount - 44.5"
	076319-13-700	EA	Head - Antenna - Non-Amplified
	076319-01-701	EA	Gear - Elevating - Plastic
	076319-01-702	EA	Shaft Asm. - Elevating
	076319-01-703	EA	Bearing - Nylon - .5" OD
	076319-01-704	EA	Bearing - Nylon - 1.25" OD
	076319-01-705	EA	Grommet - Nylon - 7/8" ID
	076319-01-706	EA	Crank - Elevating w/Set Screw
	076319-01-707	EA	Spring - Handle
	076319-01-708	EA	Decal - Crank
	076319-06-000	EA	Adaptor - Cable Roof Plate
	093252-01-01A	EA	Wallplate/Cable - Beige
	076319-11-000	EA	Adapter - Coax w/Splitter
	076319-03-000	FT	Cable - Coaxial - 1000' Roll
	076319-12-000	EA	Connector - Coaxial
	076319-04-000	EA	Connector w/Ferrule
	080734-02-000	EA	Clip - Wire Nylon

NOTE: Items indented below assemblies are serviceable parts for that assembly.

### TV/VCR & RELATED COMPONENTS

Key	Part Number	U/M	Description
	098447-01-000	EA	TV - 13" Color w/Remote - Magnavox (US)
	098447-02-000	EA	TV - 13" Color w/Remote - Magnavox (CSA)
	098447-01-700	EA	Remote Control - TV
	098446-01-000	EA	VCR - VHS - Cable Ready w/Remote - Magnavox 9815
	098446-01-700	EA	Remote Control - VCR
	098446-02-000	EA	VCR - VHS - Cable Ready w/Remote - Magnavox 9912
	098446-02-700	EA	Remote Control - VCR
	099856-01-000	EA	TV Tiedown
	098819-01-000	EA	Speaker - 2 Watt - 8 OHM - 4"
	074979-12-000	EA	Cover - Speaker - Off White - Plastic

\* Include make & model number of TV & VCR when ordering this part.

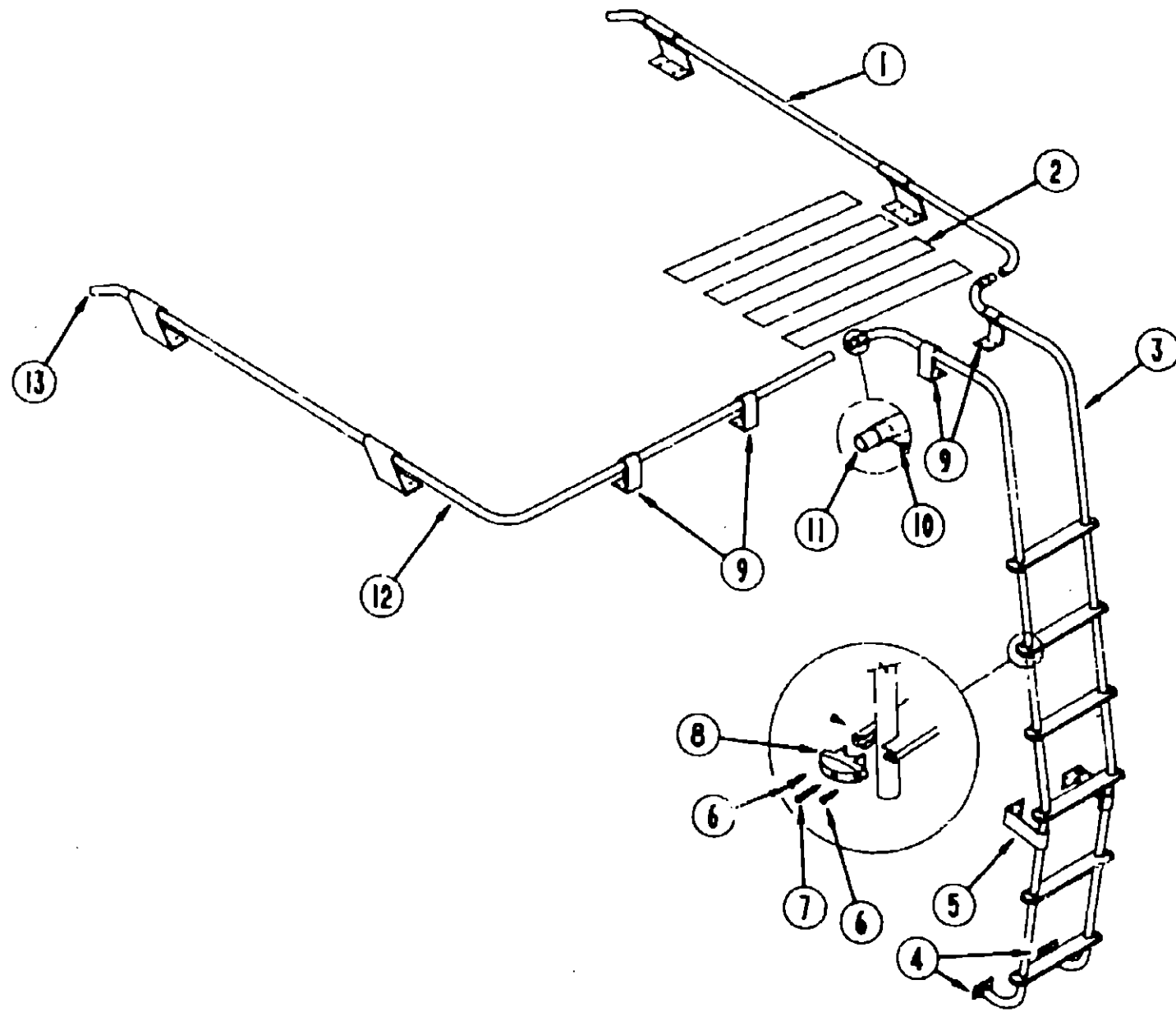
## 1991 WINNEBAGO TABLE OF CONTENTS

INTRODUCTION	A-01 - A-02
ABBREVIATIONS	A-03
ALPHABETICAL/GROUP REFERENCE	A-04 - A-06
WF327RT	A-07 - D-12
WF327HB	D-13 - G-08
WF327RQ	G-09 - J-12

## 1991 WF327RB INDEX

Floor Plan	D-13 - D-14
Accessories Group	D-15 - D-18
Bath Group	D-19 - D-20
Chassis Group	D-21 - D-24
Curtain, Cushion & Pad Group	E-01 - E-07
Dinette Group	E-08 - E-09
Driver's Compartment Group	E-10 - E-12
Electrical Group	E-13 - E-15
Exterior Body Group	E-16 - E-20
Galley Group	E-21 - E-24
Heating & Air Conditioning Group	F-01 - F-02
Interior Finish Group	F-03 - F-05
Labels Group	F-05 - F-11
LP Group	F-15
Lounge Group	F-16 - F-18
Sealants & Fasteners Group	F-19 - F-20
Water & Sewage Group	F-21 - F-22
Window, Vent & Exterior Door Group	F-23 - G-08

## ACCESSORIES GROUP (CONTINUED)



**RACK & LADDER COMPONENTS (OPTION L502)**

Key	Part Number	U/M	Description
1	081026-01-T03	EA	Rack Asm. - Passenger Side w/2 Angled Standoff
2	038327-01-000	EA	Tape - Anti-Slip - 2" x 60"
3	081016-04-AA3	EA	Ladder
4	067165-01-000	EA	Mounting Bracket - Ladder - Lower
5	067125-01-000	EA	Standoff - Ladder - Bright Dipped - Lower
6	000G39-06-10T	EA	Screw - SF/DR - 6 - 20 x 5/8" PPH - Black
7	000G68-10-36T	EA	Screw - 10 - 12 x 2.25" POH - Black
8	076980-02-000	EA	End Cap - Step - Black
9	091085-02-000	EA	Standoff - Rack & Ladder - Bright Dipped
10	000G39-08-08E	EA	Screw - SF/DR - 8 - 18 x 50 PPH
11	082891-51-002	EA	Splice
12	081026-13-AA3	EA	Rack Asm. - Driver Side w/2 Angled & 2 Straight Standoff
13	081114-01-000	EA	Cap - Insert - Round - 1" Dia.

## ACCESSORIES GROUP (CONTINUED)

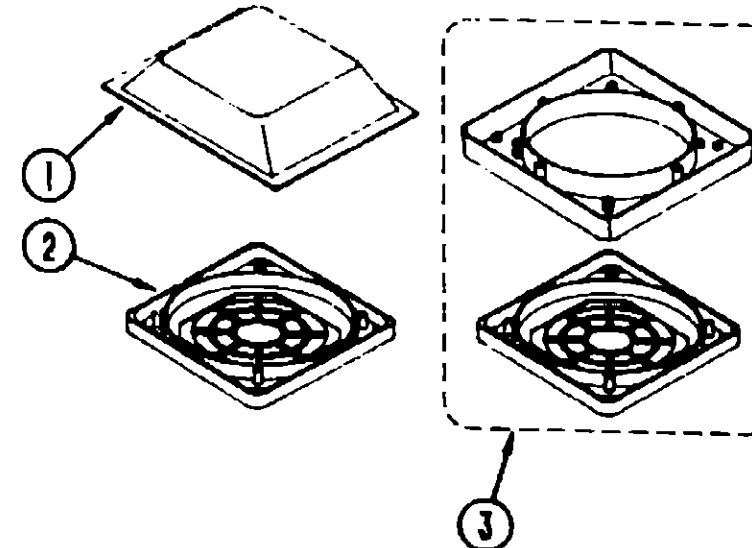
### GENERATORS & COMPONENTS (OPTION L39E)

Key	Part Number	U/M	Description
	100974-03-000	EA	Generator - Emerald - 4.0 kw
	082273-01-000	EA	Exhaust Pipe - Generator (CSA)
	079654-05-000	EA	Exhaust Pipe - Generator - w/2 Bolt Hole Flange
	081364-01-000	EA	Muffler - Generator - Emerald
	081364-02-000	EA	Muffler - Generator
	093591-02-000	EA	Pipe - Exhaust - Generator - 1.5" O.D.
	082272-01-000	EA	Muffler - Generator (CSA)
	007067-01-000	SF	Insulation - Fiberglass - 1"
	078045-01-000	EA	Strap - Support - Generator - 4 Hole
	084365-01-000	EA	Strap - Support - Generator - 2 Hole
	079654-01-700	EA	Hinge Kit - Emerald Generator
	007063-01-000	EA	Hose - Gas - 1/4" ID x 1/2" OD
	007125-04-000	EA	Clamp - Muffler - 1.5" Dia.
	007161-01-000	EA	Clamp - Hose - Spring Type - 1/2"
	092615-01-000	EA	Converter - 40 Amp. w/Charger
	007125-01-000	EA	Clamp - Muffler - 1.62" Dia.

These parts are used from 6/20/90 on.

### EXPORT GENERATORS (3.5KW)

Key	Part Number	U/M	Description
	100974-05-000	EA	Generator - Onan - 4.0kw
	079654-05-000	EA	Exhaust Pipe - Generator
	081364-01-000	EA	Muffler - Generator - 3.5KW
	007125-01-000	EA	Clamp - Muffler - 1.62" Dia.
	093591-02-000	EA	Pipe - Exhaust - Generator - 1.5" O.D.
	081634-02-700	EA	LP System - For Onan Conversion
	078045-01-000	EA	Strap - Support - Generator - 4 Hole
	084365-01-000	EA	Strap - Support - Generator - 2 Hole
	007067-01-000	SF	Insulation - Fiberglass - 1"
	079654-01-700	EA	Hinge Kit - Emerald Generator
	007063-01-000	EA	Hose - Gas - 1/4" ID x 1/2" OD
	007125-04-000	EA	Clamp - Muffler - 1.1" Dia.
	007161-01-000	EA	Clamp - Hose - Spring Type - 1/2"
	094059-01-000	EA	Spacer - Generator



**RADIO & RELATED COMPONENTS**

Key	Part Number	U/M	Description
1	074979-01-000	EA	Speaker Cover Protector - Plastic
2	089340-01-000	EA	Speaker - Grille - 6.50" - Square
3	089340-02-000	EA	Speaker Grille & Adapter - 6.5" Square
	090982-01-000	EA	Radio - AM/FM Stereo - w/Cassette
	081082-01-000	EA	Plaque - Mounting Switch
	079385-02-000	EA	Radio Mounting Kit
	094097-01-000	EA	Speaker - 5.25" - w/o Grille
	081059-02-000	EA	Wire Asm. - 9 Pin - Audio,ox Radio

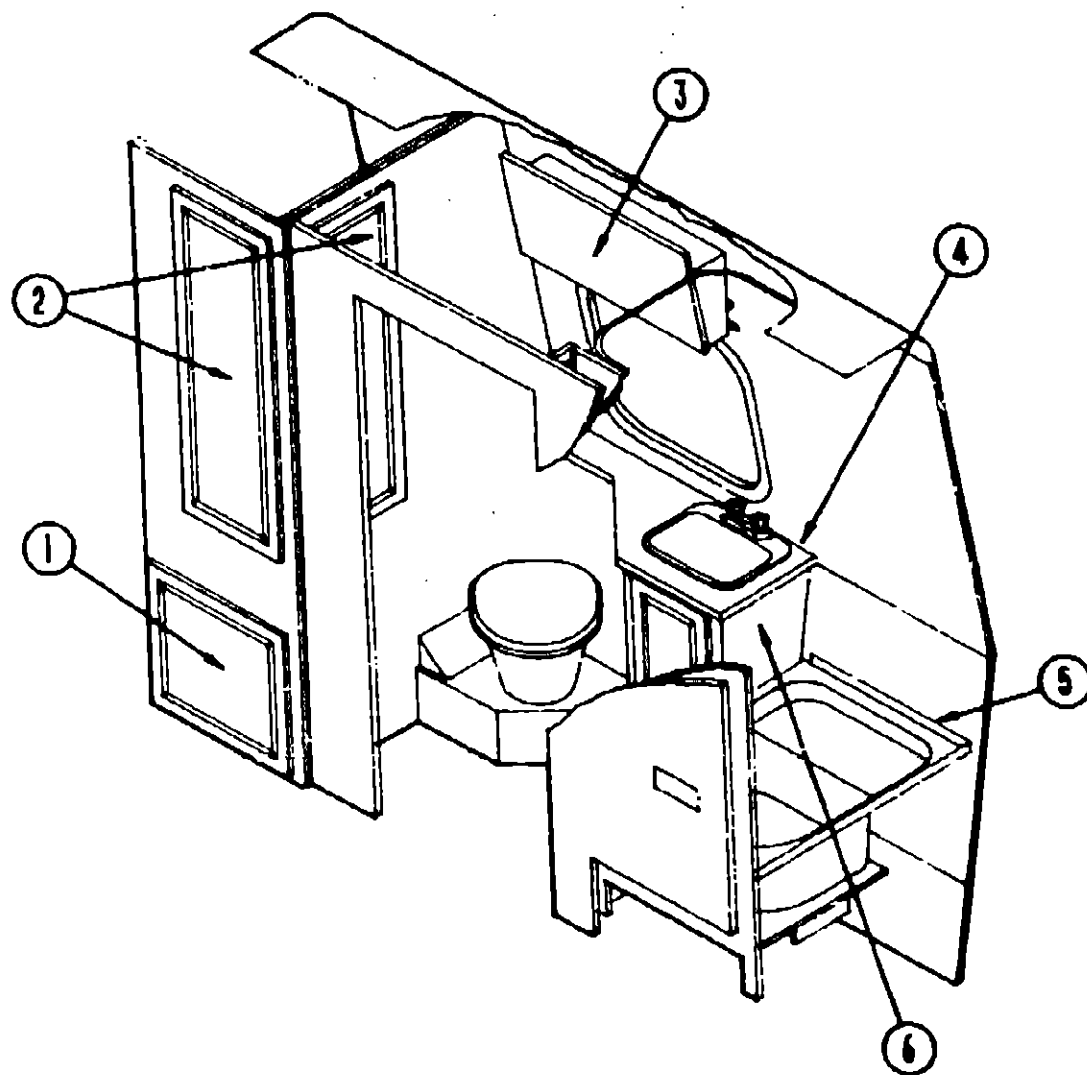
## 1991 WINNEBAGO TABLE OF CONTENTS

INTRODUCTION	A-01 - A-02
ABBREVIATIONS	A-03
ALPHABETICAL/GROUP REFERENCE	A-04 - A-06
WF327RT	A-07 - D-12
WF327RB	D-13 - G-08
WF327RQ	G-09 - J-12

## 1991 WF327RB INDEX

Floor Plan	D-13 - D-14
Accessories Group	D-15 - D-18
Bath Group	D-19 - D-20
Chassis Group	D-21 - D-24
Curtain, Cushion & Pad Group	E-01 - E-07
Dinette Group	E-08 - E-09
Driver's Compartment Group	E-10 - E-12
Electrical Group	E-13 - E-15
Exterior Body Group	E-16 - E-20
Galley Group	E-21 - E-24
Heating & Air Conditioning Group	F-01 - F-02
Interior Finish Group	F-03 - F-05
Labels Group	F-06 - F-14
LP Group	F-15
Lounge Group	F-16 - F-18
Sealants & Fasteners Group	F-19 - F-20
Water & Sewage Group	F-21 - F-22
Window, Vent & Exterior Door Group	F-23 - G-08

## BATH GROUP



### BATH CABINERY

Key	Part Number	U/M	Description
1	P00099-58-B05	EA	Door Asm. - Wardrobe Cabinet - 21.8" x 19.8" - w/o Hardware
	077404-02-000	EA	Drawer - Plastic - 20" x 12.7"
2	P00099-09-B42	EA	Door Asm. - Wardrobe Cabinet - 45" x 16" - w/o Hardware
	058331-04-000	EA	Mirror - Safety Glass
3	093446-06-Y15	EA	Mirror Asm. - Medicine Cabinet
	058331-32-000	EA	Mirror - Safety Glass
	076073-01-000	EA	Cabinet - Medicine
	076073-01-700	EA	Travel Lock - Medicine Cabinet
4	098726-11-B05	EA	Countertop - Lavatory Cabinet
5	M02630-13-AA3	EA	Shower Pan Asm.
6	M98726-01-B05	EA	Cabinet Asm. - Lavatory
	P00099-05-B42	EA	Door Asm. - Lavatory Cabinet - 12" x 25.9" - w/o Hardware
	M82429-05-X81	EA	Door Asm. - Bath - 73.8" x 30" - w/o Hardware
	093446-01-X81	EA	Mirror Asm. - Bath Door
	058331-20-000	EA	Mirror - Safety Glass - 44.5" x 13.2"

## BATH GROUP (CONTINUED)

### BATH & WARDROBE HARDWARE

Key	Part Number	U/M	Description
	M02630-13-AA3	EA	Shower Pan Asm.
	057671-01-000	EA	Cover - Screw Off White
	084481-11-000	EA	Shower Curtain - 60" x 62" - Vinyl
	083801-01-000	FT	Track - Shower Curtain - Off White
	075242-04-000	EA	Faucet - Shower - Bone
..	011048-02-000	EA	Shower Head - w/60" Hose (US)
	011048-05-000	EA	Shower Head - w/60" Hose (CSA)
	075606-01-000	EA	Shower Panel - Faucet - Plastic
	066729-01-000	EA	Strainer - Shower Pan Asm.
	069735-01-000	EA	Washer - Tailpiece - 1.5" Plastic - Shower Pan Asm.
	066436-01-000	EA	Slip Nut - 1.5" Tailpiece - Shower Pan Asm.
	011069-02-000	EA	Tailpiece - 1 1/2" x 1 1/4" x 4" - Brass
	075240-06-000	EA	Faucet - Lavatory - Bone
	091253-01-000	EA	Gasket - Lavatory Faucet
	081614-02-000	EA	Basin Dish w/Plastic Cover - Brass
	096927-01-01A	EA	Sink - Lavatory - Rectangular - Plastic - Bone (US)
	096927-01-700	EA	Sink - Stopper
	096927-01-701	EA	Tailpiece - Sink
	067487-01-000	EA	Toilet - Thetford - Aqua Magic
	067487-01-700	EA	C.L.F.L. Seal & Bolt Package
	067487-01-701	EA	Water Saver Package
	067487-01-702	EA	Clamp
	063740-01-710	EA	Link
	063740-01-711	EA	Spring - Return Lever
	063740-01-716	EA	Seal - w/Cover
	063740-01-700	EA	Lever - Water
	063740-01-701	EA	Lever - Flush
	063740-01-713	EA	Seal - Ball Valve to Bowl
	063740-01-714	EA	Valve Asm. - Water
	063740-01-707	EA	Seal - Closet Flange
	063740-01-706	EA	Bolt Package - Closet
	063740-01-717	EA	Flush Tube
	024676-01-000	EA	Closet Flange - 4" x 3" (US)
	024676-02-000	EA	Closet Flange - 4" x 3" (CSA)
	075452-02-000	EA	Tissue Holder - Brass
	075453-02-000	EA	Towel Bar - 18" - Brass
	075454-02-000	EA	Ring - Towel - Brass
	058335-02-000	EA	Latch - Shower/Bath Door
	009151-01-000	EA	Warp Guard - Shower/Bath Door - 48"
	059777-02-000	EA	Hinge - Cabinet Door - Burnished Brass
	059783-01-000	FT	Clothes Rod - Aluminum Slotted - 7'
	077409-02-000	EA	Slide - Plastic Drawer - 20.75"
	094067-01-01A	EA	Divider - Drawer - LT Oak

.. The illustrated parts breakdown for this item is provided on the Common Items Fiche.  
NOTE: Items indented below assemblies are serviceable parts for that assembly.

## 1991 WINNEBAGO TABLE OF CONTENTS

INTRODUCTION	A-01 - A-02
ABBREVIATIONS	A-03
ALPHABETICAL/GROUP REFERENCE	A-04 - A-06
WF327RT	A-07 - D-12
WF327RB	D-13 - G-08
WF327RQ	G-09 - J-12

## 1991 WF327RB INDEX

Floor Plan	D-13 - D-14
Accessories Group	D-15 - D-18
Bath Group	D-19 - D-20
Chassis Group	D-21 - D-24
Curtain, Cushion & Pad Group	E-01 - E-07
Dinette Group	E-08 - E-09
Driver's Compartment Group	E-10 - E-12
Electrical Group	E-13 - E-15
Exterior Body Group	E-16 - E-20
Galley Group	E-21 - E-24
Heating & Air Conditioning Group	F-01 - F-02
Interior Finish Group	F-03 - F-05
Labels Group	F-06 - F-14
LP Group	F-15
Lounge Group	F-16 - F-18
Sealants & Fasteners Group	F-19 - F-20
Water & Sewage Group	F-21 - F-22
Window, Vent & Exterior Door Group	F-23 - G-08

## CHASSIS GROUP

### MISCELLANEOUS CHASSIS PARTS

Key	Part Number	U/M	Description
	065450-05-000	EA	Tiedown - Battery
	010497-01-000	EA	Clamp - Closed - 5/8 ID
	007161-01-000	EA	Clamp - Hose - Spring Type 112
	062401-01-000	EA	Clamp - Hose - Wormgear - .22" ID - 1" ID
	062401-02-000	EA	Clamp - Hose - Wormgear - 1.56" - 2.5" ID
	062401-03-000	EA	Clamp - Hose - Wormgear - .25" ID - 1" ID
	062401-04-000	EA	Clamp - Hose - Wormgear - .69" ID - 1.25" ID
	062401-06-000	EA	Clamp - Hose - Wormgear - .22" ID - .62" ID
	023146-01-000	EA	Clamp - Screw Type - 4"
	091952-02-000	EA	Clip - Gripper - 3/4" (Tire Iron)
	061420-01-000	EA	Plug - Plastic - 1.75" - Storage Compartment
	007063-01-000	FT	Hose - Gas - 1/4 ID x 1/2 OD
	007108-01-000	FT	Hose - Heater - 5/8 ID
	017516-01-000	EA	Mud Flap w/Holes - 14" x 18" - Black
	064089-01-700	EA	Splash Guard - Black Rubber (Set of 2)
	045731-04-000	EA	Rock Guard
	072884-20-000	EA	Running Boards - Ford - 40" (Option 66R)
	094795-01-000	EA	Speedometer - Kilometer
	077848-02-000	EA	Step Asm. - Pullout
	096322-01-000	EA	Wheelwell - Plastic
	008343-01-000	EA	Wire Tie - 6"

NOTE: Remainder of exhaust components available from Chassis Service Center.

### GENERATORS & COMPONENTS (OPTION L39E)

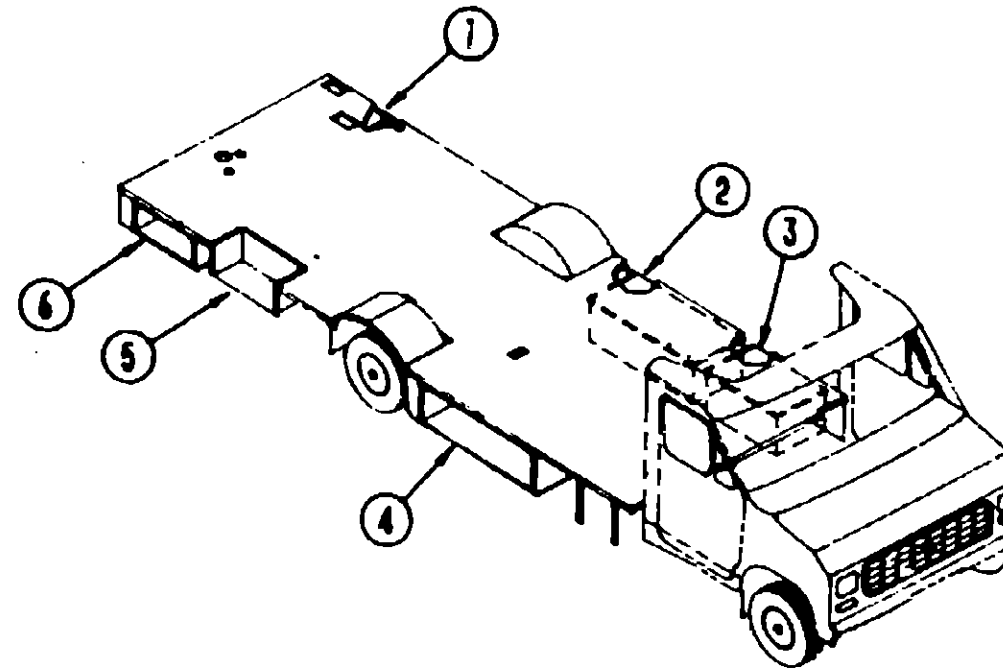
Key	Part Number	U/M	Description
	100974-03-000	EA	Generator - Emerald - 4.0 kw
	082273-01-000	EA	Exhaust Pipe - Generator (CSA)
	079654-05-000	EA	Exhaust Pipe - Generator - Angled w/Flange
	081364-01-000	EA	Muffler - Generator - Emerald
	081364-02-000	EA	Muffler - Generator
	093591-02-000	EA	Exhaust Pipe - Generator
	082272-01-000	EA	Muffler - Generator (CSA)
	007067-01-000	SF	Insulation - Fiberglass - 1"
	078045-01-000	EA	Strap - Support - Generator - 4 Hole
	084365-01-000	EA	Strap - Support - Generator - 2 Hole
	079654-01-700	EA	Hinge Kit - Emerald Generator
	007063-01-000	EA	Hose - Gas - 1/4" ID x 1/2" OD
	007125-04-000	EA	Clamp - Muffler - 1.1" Dia.
	007125-01-000	EA	Clamp - Muffler - 1.62" Dia.
	007161-01-000	EA	Clamp - Hose - Spring Type - 1/2"
	008052-01-000	EA	Power Cord - 10-3 Wire - 30 Amp. - 25' (CSA)

These are parts used from 6/20/90 on.

### EXPORT GENERATORS (3.5KW) (OPTION 3831A)

Key	Part Number	U/M	Description
	100974-05-000	EA	Generator - Onan - 4.0 kw
	008054-01-000	EA	Power Cord - 10-3 - 30 Amp. - 25'
	079654-05-000	EA	Exhaust Pipe - Generator
	081364-01-000	EA	Muffler - Generator - 3.5KW
	081634-02-700	EA	LP System - For Onan Conversion
	078045-01-000	EA	Strap - Support - Generator - 4 Hole
	084365-01-000	EA	Strap - Support - Generator - 2 Hole
	007067-01-000	EA	Insulation - Fiberglass - 1"
	079654-01-700	EA	Hinge Kit - Emerald Generator
	007063-01-000	FT	Hose - Gas - 1/4" ID x 1/2" OD
	007125-04-000	EA	Clamp - Muffler - 1.1" Dia.
	007161-01-000	EA	Clamp - Hose - Spring Type - 1/2"
	007125-01-000	EA	Clamp - Muffler - 1.62" Dia.
	094059-01-000	EA	Spacer - Generator

## CHASSIS GROUP (CONTINUED)



## 1991 WINNEBAGO TABLE OF CONTENTS

INTRODUCTION	A-01 - A-02
ABBREVIATIONS	A-03
ALPHABETICAL/GROUP REFERENCE	A-04 - A-06
WF327RT	A-07 - D-12
WF327RB	D-13 - G-08
WF327RC	G-09 - J-12

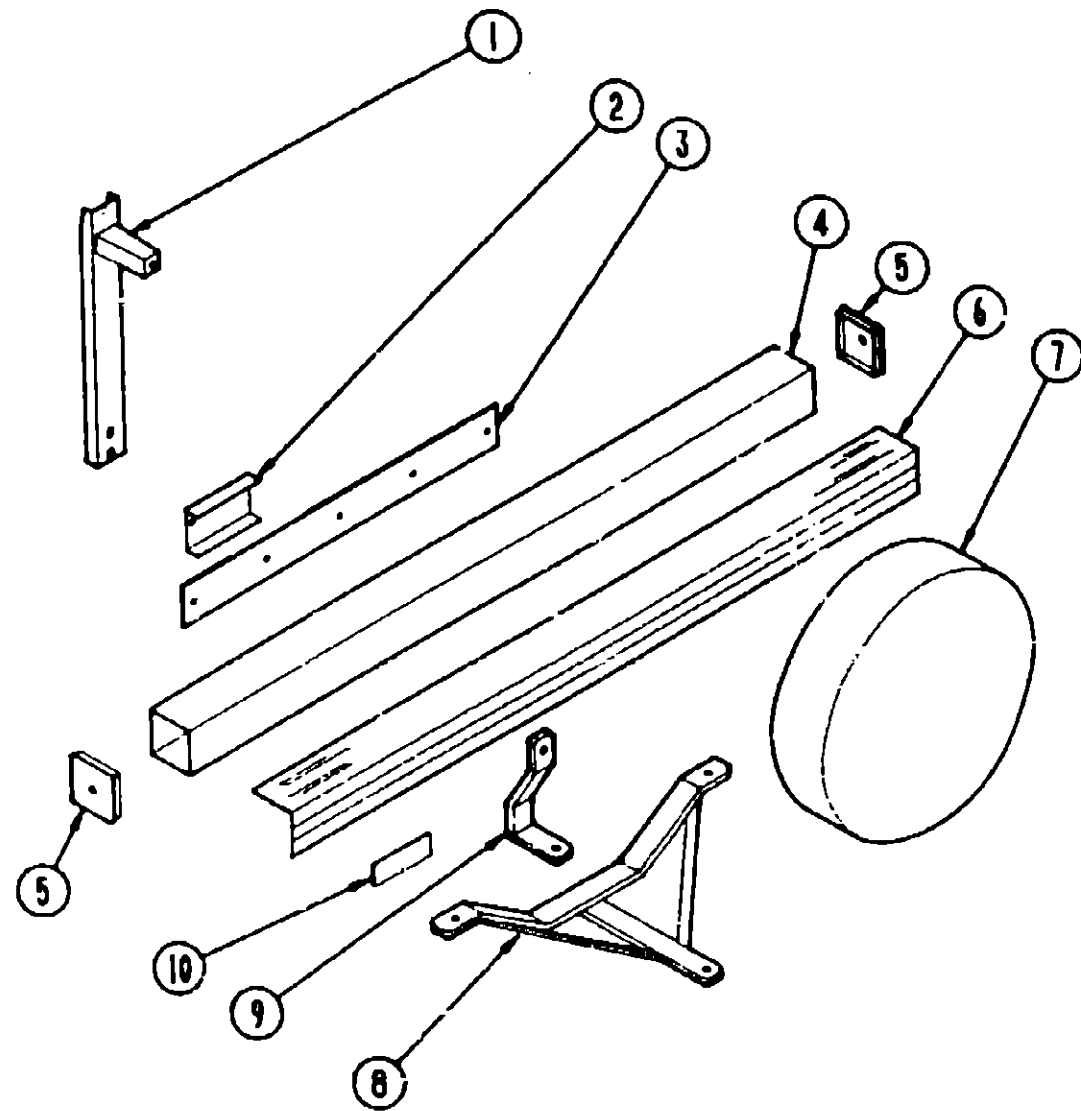
### COMPARTMENTS & COMPONENTS

Key	Part Number	U/M	Description
1	101572-01-000	EA	Compartment Asm. - Power Cord
	000C18-05-40A	EA	Bolt
	000D34-05-00C	EA	Nut
	101578-01-000	EA	Filler Panel
	000G39-10-12B	EA	Screw
	092908-02-000	EA	Grommet - Edging - Black
2	096020-02-000	EA	Compartment Asm. - Storage - 46.4" Wide x 20.6" Deep
3	078137-02-000	EA	Tray - Storage Compartment - 27.18" Wide x 21" Deep
	000C26-04-14B	EA	Bolt
	000G39-10-12B	EA	Screw
4	096020-07-000	EA	Compartment Asm. - Storage - 52.36" Wide x 20.6" High
5	076241-01-000	EA	Box - Support - Step Asm.
	077848-02-000	EA	Step Asm. - Pullout
	000G39-10-12B	EA	Screw
	000D39-05-00B	EA	Nut
6	096020-09-000	EA	Compartment Asm. - Storage - 29.2" x 20.6"
	064075-07-000	FT	Seal - Bulb - Rubber - Black
	061420-01-000	EA	Plug - Plastic - 1.75" - Brown
	096646-01-000	EA	Angle - Strike
	000C26-04-10B	EA	Bolt
	000D39-04-00B	EA	Nut

### 1991 WF327RB INDEX

Floor Plan	D-13 - D-14
Accessories Group	D-15 - D-18
Bath Group	D-19 - D-20
Chassis Group	D-21 - D-24
Curtain, Cushion & Pad Group	E-01 - E-07
Dinette Group	E-08 - E-09
Driver's Compartment Group	E-10 - E-12
Electrical Group	E-13 - E-15
Exterior Body Group	E-16 - E-20
Galley Group	E-21 - E-24
Heating & Air Conditioning Group	F-01 - F-02
Interior Finish Group	F-03 - F-05
Labels Group	F-06 - F-14
LP Group	F-15
Lounge Group	F-16 - F-18
Sealants & Fasteners Group	F-19 - F-20
Water & Sewage Group	F-21 - F-22
Window, Vent & Exterior Door Group	F-23 - G-08

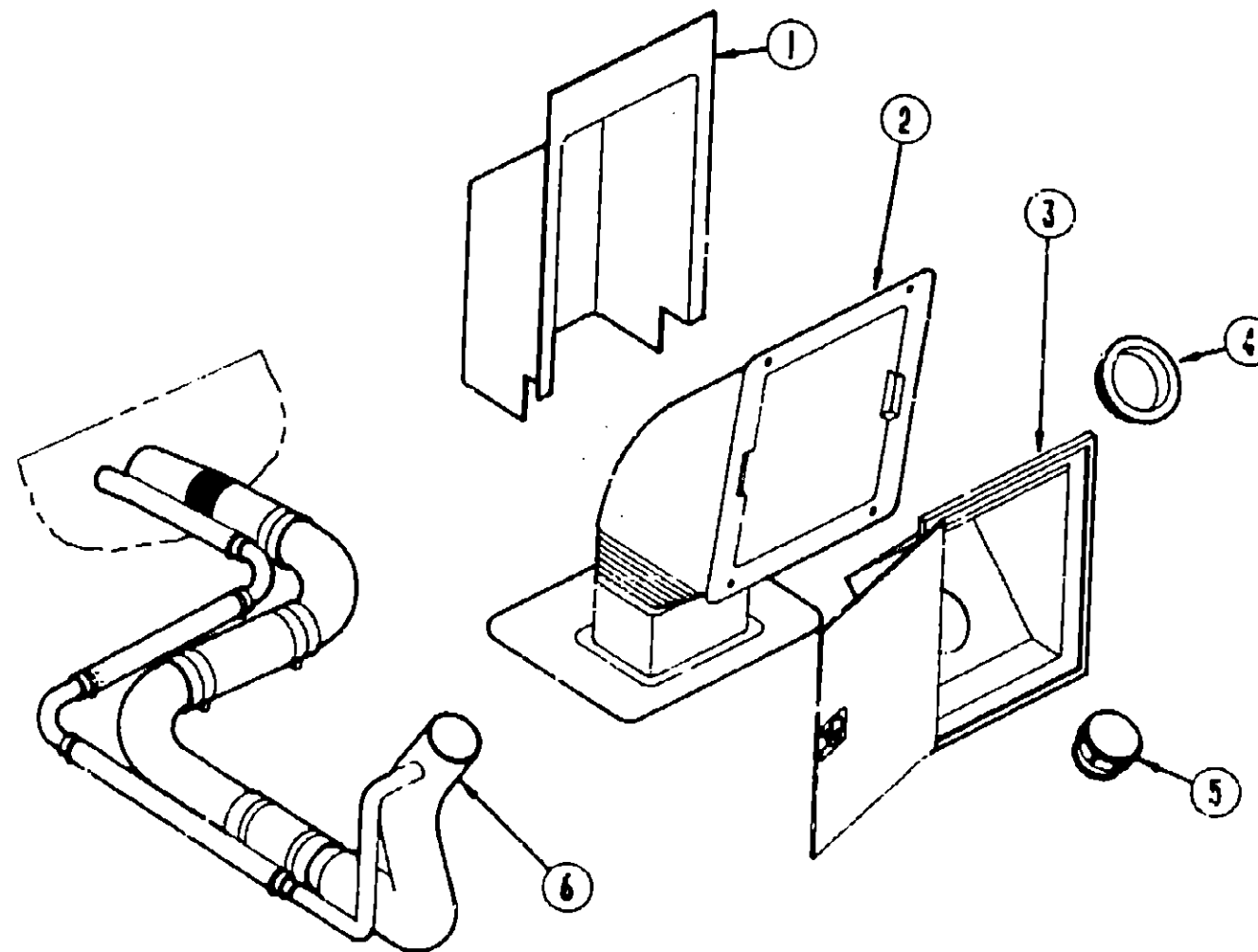
### CHASSIS GROUP (CONTINUED)



#### SPARE TIRE, HITCH & REAR BUMPER

Key	Part Number	U/M	Description
1	079027-01-000	EA	Bracket Asm. - Tire Carrier
2	M64600-02-000	EA	Mount Support - Tire Carrier
3	M22150-01-000	EA	Bracket - Rear Bumper
4	064602-01-000	EA	Bumper Asm. - Square - Off White
5	039779-01-000	EA	Bumper Cap - Black Rubber - 4" x 4"
6	041332-03-000	EA	Cover - Bumper - w/o Reflector - 4" Square x 92"
7	098855-01-AA3	EA	Cover - Spare Tire - Vinyl - Off White
8	D64833-03-000	EA	Trailer Hitch Asm.
9	D64824-02-000	EA	Support - Trailer Hitch
10	041332-02-000	EA	Reflector - Bumper Cover - Self-Adhesive - 6 1/2" x 3/4"
	070917-02-000	EA	Tire - Michelin - Radial
	070917-04-000	EA	Tire - Firestone - Radial
	083617-01-000	EA	Wheel - Steel - 6" x 16" - 8 Hole
	051377-01-000	EA	Valve Stem Asm.

### CHASSIS GROUP (CONTINUED)



#### FUEL FILL COMPONENTS

Key	Part Number	U/M	Description
1	078040-02-000	EA	Struct - Fuel Fill - Upper
2	083578-01-000	EA	Boot - Fuel Fill
	084235-01-000	EA	Support Flange - Fuel Fill Boot
3	078010-03-000	EA	Door Asm. - Fuel Fill - Off White
4	078200-01-000	EA	Gasket - Fuel Fill
5	NOTE	EA	Fuel Cap
6	099273-01-000	EA	Filler Neck - Fuel Fill

\* NOTE. This item is chassis supplied.

### 1991 WINNEBAGO TABLE OF CONTENTS

INTRODUCTION	A-01 - A-02
ABBREVIATIONS	A-03
ALPHABETICAL/GROUP REFERENCE	A-01 - A-06
WF327RT	A-07 - D-12
WF327RB	D-13 - G-08
WF327RQ	G-09 - J-12

### 1991 WF327RB INDEX

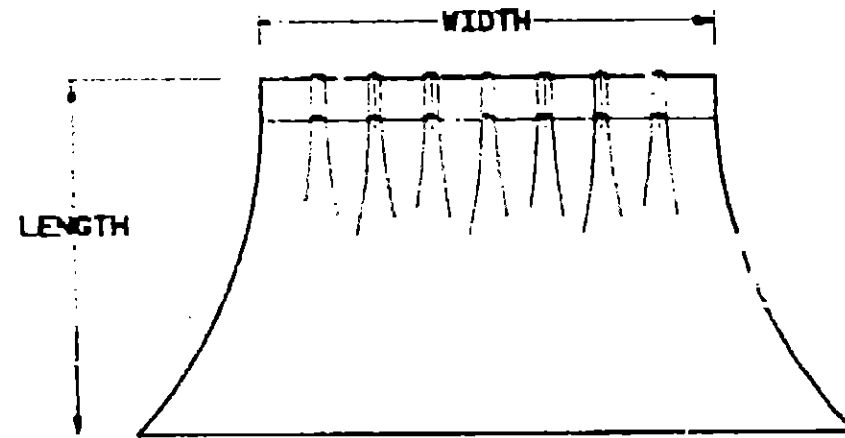
Floor Plan	D-13 - D-14
Accessories Group	D-15 - D-18
Bath Group	D-19 - D-20
Chassis Group	D-21 - D-24
Curtain, Cushion & Pad Group	E-01 - E-07
Dinette Group	E-08 - E-09
Driver's Compartment Group	E-10 - E-12
Electrical Group	E-13 - E-15
Exterior Body Group	E-16 - E-20
Galley Group	E-21 - E-24
Heating & Air Conditioning Group	F-01 - F-02
Interior Finish Group	F-03 - F-05
Labels Group	F-06 - F-11
LP Group	F-15
Lounge Group	F-16 - F-18
Sealants & Fasteners Group	F-19 - F-20
Water & Sewage Group	F-21 - F-22
Window, Vent & Exterior Door Group	F-23 - G-08

## CURTAIN, CUSHION & PAD GROUP

### NOTICE

In order to assist our Part Sales Dept. in providing interior software items, please include the serial number and the color code number from the vehicle certification label when ordering. This label is located on the left sidewall at the end of the dash (A-Body), or on the driver's door latch plate (C-Body).

An example of a color code number is P31, which designates an overall color scheme of a particular unit. The color listed after the item description on the microfiche, indicates the overall unit color. Order the item you desire according to unit color code.



NOTE: Use this illustration when determining length and width measurements for curtains. You will note the width measurement is taken on the top of the curtain with the curtain fully extended. The length measurement is taken from top to bottom.

### FABRICS & CARPETS

Key	Part Number	U/M	Description
	072333-75-000	YD	Fabric - Drapery - Beige (Privacy)
	096008-41-000	YD	Fabric - Upholstery - Main - Patterned (B05)
	096008-49-000	YD	Fabric - Upholstery - Main - Patterned (B06)
	096008-40-000	YD	Fabric - Upholstery - Accent - Plain (B05)
	096008-47-000	YD	Fabric - Upholstery - Accent - Plain (B06)
	096008-39-000	YD	Fabric - Upholstery - Accent - Patterned (B05)
	096008-48-000	YD	Fabric - Upholstery - Accent - Patterned (B06)
	072333-57-000	YD	Fabric - Speaker Cover
	075244-02-000	YD	Vinyl - Shower Curtain - Beige
	079680-07-000	YD	Vinyl - Beige
	079680-09-000	YD	Vinyl - Off White
	096060-15-000	YD	Carpet - Sand (B05)
	096060-16-000	YD	Carpet - Teal (B06)
	047034-02-000	SF	Plastic Runner - Carpet - 4" Wide - Clear
	085746-01-000	FY	Trim - "J" - Carpet - PVC - Beige

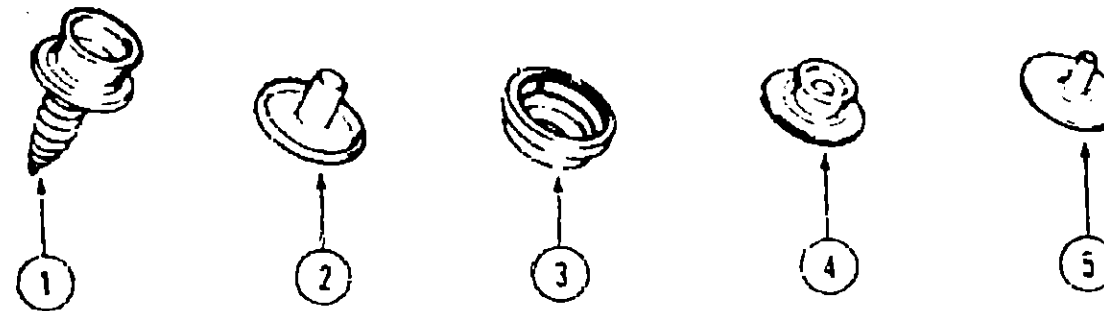
These parts are used from 6/1/90 on.  
NOTE: Replace vinyl flooring locally.

## CURTAIN, CUSHION & PAD GROUP (CONTINUED)

### CURTAIN & CUSHION HARDWARE

Key	Part Number	U/M	Description
	093801-04-000	EA	Track - Shower Curtain - Off White
	009701-01-000	EA	Carrier - Shower Curtain
	009702-01-000	EA	End - Stop - Curtain Carrier - Shower
	046867-01-000	EA	Grommet - Brass - 7/16" ID x 1" OD (Shower Curtain)
	009136-01-000	EA	Pin - Shower Curtain
	029092-01-000	EA	Stud - Nickel Finish
	029093-01-000	EA	Eyelet - Nickel Finish
	029155-01-000	EA	Cap - Snap
	029156-01-000	EA	Socket - Snap Fastener
	068792-02-000	YD	Velcro Tape - Adhesive Backed - Loop - 3/4" - Beige
	048394-02-000	YD	Velcro Tape - Adhesive Backed - Hook - 3/4" - Beige
	089916-01-000	EA	Mount - Window Leg - Black
	091904-01-000	FT	Track - Curtain - Plastic - Light Beige (Blackout)
	101032-01-000	FT	Track - Curtain - Ceiling Mount - White (Valance)
	101033-01-000	FT	Track - Curtain - Low Profile - White
	101033-02-000	EA	End Cap - Track - Clear
	101031-01-000	EA	Tape - Glide - .25" Spacing
	095591-02-000	EA	Bracket - Blind - Hold Down w/Pin
	092239-02-000	EA	Brace - Window Valance - Beige
	075943-01-000	EA	Brace - Window Valance - Beige
	083170-01-000	EA	Bracket - Blind - Right
	083170-02-000	EA	Bracket - Blind - Left
	093475-01-700	EA	Wand - Blind w/Metal Clip - 8' Long
	093475-01-701	EA	End Cap - Blind w/Stud
	089522-04-000	EA	Panel - Leg - Window - 2.5" Face
	057534-01-000	EA	Tieback - Door - 6" - Clear Plastic
	059797-02-000	EA	Button Shell - #30 - Plastic
	059734-01-000	EA	Button Back - #30
	078155-01-000	EA	Strap - Snap - Backrest Cushion

These parts were used from 5/14/90 on.



Key	Part Number	U/M	Description
1	029130-01-000	EA	Socket - Snap Fastener
2	029155-01-000	EA	Cap - Snap - .156" Dia. x 17" Barrel
3	029156-01-000	EA	Socket - Snap Fastener
4	029092-01-000	EA	Stud - Nickel Finish
5	029093-01-000	EA	Eyelet - Nickel Finish

## 1991 WINNEBAGO TABLE OF CONTENTS

INTRODUCTION	A-01 - A-02
ABBREVIATIONS	A-03
ALPHABETICAL/GROUP REFERENCE	A-04 - A-06
WF327RT	A-07 - D-12
WF327RB	D-13 - G-08
WF327RO	G-09 - J-12

## 1991 WF327RB INDEX

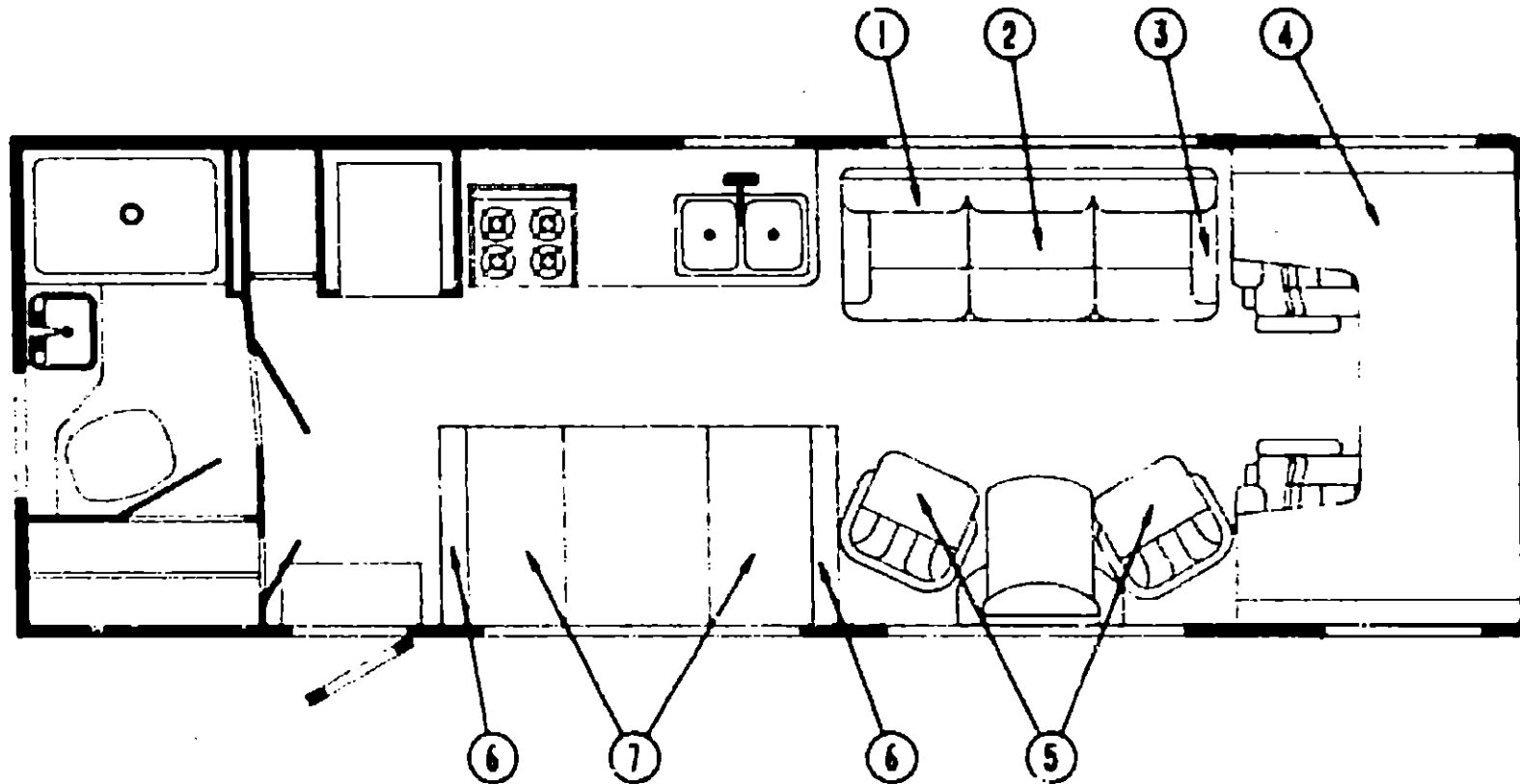
Floor Plan	D-13 - D-14
Accessories Group	D-15 - D-18
Bath Group	D-19 - D-20
Chassis Group	D-21 - D-24
Curtain, Cushion & Pad Group	E-01 - E-07
Dinette Group	E-08 - E-09
Driver's Compartment Group	E-10 - E-12
Electrical Group	E-13 - E-15
Exterior Body Group	E-16 - E-20
Galley Group	E-21 - E-24
Heating & Air Conditioning Group	F-01 - F-02
Interior Finish Group	F-03 - F-05
Labels Group	F-06 - F-14
LP Group	F-15
Lounge Group	F-16 - F-18
Sealants & Fasteners Group	F-19 - F-20
Water & Sewage Group	F-21 - F-22
Window, Vent & Exterior Door Group	F-23 - G-08

**CURTAIN, CUSHION & PAD GROUP (CONTINUED)**

**CURTAIN, CUSHION & PAD GROUP (CONTINUED)**

**FRONT BUNK**

**1991 WINNEBAGO  
TABLE OF CONTENTS**



**PRESTO BED COUCH**

Key	Part Number	U/M	Description
1	100032-05-B05	EA	Presto Bed - Couch Back
1	100032-05-B06	EA	Presto Bed - Couch Back
	P00032-05-B05	EA	Cover Asm. - Presto Bed Back
	P00032-05-B06	EA	Cover Asm. - Presto Bed Back
2	100032-06-B05	EA	Presto Bed - Couch Seat
2	100032-06-B06	EA	Presto Bed - Couch Seat
	P00032-06-B05	EA	Cover Asm. - Presto Bed Seat
	P00032-06-B06	EA	Cover Asm. - Presto Bed Seat
3	101236-01-B05	EA	Armrest - Presto Bed - Rear
3	101236-01-B06	EA	Armrest - Presto Bed - Rear
	P01236-01-B05	EA	Cover - Armrest Presto Bed - Rear
	P01236-01-B06	EA	Cover - Armrest Presto Bed - Rear
	101236-02-B05	EA	Armrest - Presto Bed - Front
	101236-02-B06	EA	Armrest - Presto Bed - Front
	P01236-02-B05	EA	Cover - Armrest Presto Bed - Front
	P01236-02-B06	EA	Cover - Armrest Presto Bed - Front
*3	101236-03-B05	EA	Armrest - Presto Bed - Rear
*3	101236-03-B06	EA	Armrest - Presto Bed - Rear
	P01236-03-B05	EA	Cover - Armrest - Presto Bed - Rear
	P01236-03-B06	EA	Cover - Armrest - Presto Bed - Rear
	101236-04-B05	EA	Armrest - Presto Bed - Front
	101236-04-B06	EA	Armrest - Presto Bed - Front
	P01236-04-B05	EA	Cover - Armrest - Presto Bed - Front
	P01236-04-B06	EA	Cover - Armrest - Presto Bed - Front
	101085-06-000	EA	Frame - Base - 74.75"
	101085-04-000	EA	Frame - Seat - 74.75"
	101085-05-000	EA	Frame - Back - 74.25"
	101085-07-000	EA	Frame - Armrest - Rear
	101085-08-000	EA	Frame - Armrest - Front
	101568-03-000	EA	Bracket Asm. - Armrest - Rear
	101568-04-000	EA	Bracket Asm. - Armrest - Front

These parts were used from 6/4/90 on.

Key	Part Number	U/M	Description
4	084753-16-B05	EA	Cushion - "U" Shaped - 57" x 90" x 5"
4	084753-16-B06	EA	Cushion - "U" Shaped - 57" x 90" x 5"
*4	084753-22-B05	EA	Cushion - "U" Shaped - 57" x 90" x 5"
*4	084753-22-B06	EA	Cushion - "U" Shaped - 57" x 90" x 5"
	M84753-16-B05	EA	Cover - "U" Shaped Cushion
	M84753-16-B06	EA	Cover - "U" Shaped Cushion
	M84753-22-B05	EA	Cover - "U" Shaped Cushion
	M84753-22-B06	EA	Cover - "U" Shaped Cushion
	084753-17-B05	EA	Cushion - Filler - 55" x 27.5" x 5"
	084753-17-B06	EA	Cushion - Filler - 55" x 27.5" x 5"
	084753-19-B05	EA	Cushion - Filler - 55" x 27.5" x 5"
	084753-19-B06	EA	Cushion - Filler - 55" x 27.5" x 5"
	M84753-17-B05	EA	Cover - Filler Cushion
	M84753-17-B06	EA	Cover - Filler Cushion
	M84753-19-B05	EA	Cover - Filler Cushion
	M84753-19-B06	EA	Cover - Filler Cushion
	096008-39-000	YD	Fabric - Front Bunk Cushion (B05)
	096008-48-000	YD	Fabric - Front Bunk Cushion (B06)
	079145-07-000	EA	Cushion Asm. - Front Bunk - 27.5" x 74" x 3.5" (L43V)
	M79145-07-000	EA	Cover Asm. - Front Bunk (L43V)

These parts are used from 8/12/90 on.

**SWIVEL CHAIR**

Key	Part Number	U/M	Description
5	096429-04-B05	EA	Swivel Chair
5	096429-04-B06	EA	Swivel Chair
	M96429-04-B05	EA	Cover - Swivel Chair
	M86428-04-B06	EA	Cover - Swivel Chair
*5	096429-06-B05	EA	Swivel Chair
*5	096429-06-B06	EA	Swivel Chair
	M96429-06-B05	EA	Cover - Swivel Chair
	M96429-06-B06	EA	Cover - Swivel Chair
	099202-01-B05	EA	Skirt - Swivel Chair
	099202-01-B06	EA	Skirt - Swivel Chair
	069246-06-000	EA	Adjuster Asm. - Swivel Chair - Manual
	069246-07-000	EA	Adjuster Asm. - Swivel Chair - Manual w/Hand
	088245-01-000	EA	Base - Swivel Chair w/Legs
	088245-03-000	EA	Plate - Top - Swivel w/o Tilt - w/Lock
	088245-06-000	EA	Extension - 7" - Base To Top Plate
	088245-07-000	EA	Extension - 6" - Base To Top Plate
	069705-02-000	EA	Bar - Seat Belt - 2.5" x 12.75"

These parts were used from 6/11/90 on.

**DINETTE CUSHION**

Key	Part Number	U/M	Description
6	088927-80-B05	EA	Cushion Asm. - 14.5" x 38" x 5" - Back
6	088927-80-B06	EA	Cushion Asm. - 14.5" x 38" x 5" - Back
	M88927-80-B05	EA	Cover Asm. - Back - Dinette Cushion
	M88927-80-B06	EA	Cover Asm. - Back - Dinette Cushion
7	088927-82-B05	EA	Cushion Asm. - 22" x 38" x 5" - Seat
7	088927-82-B06	EA	Cushion Asm. - 22" x 38" x 5" - Seat
	M88927-82-B05	EA	Cover Asm. - Seat - Dinette Cushion
	M88927-82-B06	EA	Cover Asm. - Seat - Dinette Cushion
*7	088927-87-B05	EA	Cushion Asm. - 23" x 38" x 5" - Seat
*7	088927-87-B06	EA	Cushion Asm. - 23" x 38" x 5" - Seat
	M88927-87-B05	EA	Cover Asm. - Seat - Dinette Cushion
	M88927-87-B06	EA	Cover Asm. - Seat - Dinette Cushion
	078155-01-000	EA	Strap Asm. - Cushion Snap
	096008-41-000	YD	Fabric - Dinette Cushion (B05)
	096008-49-000	YD	Fabric - Dinette Cushion (B06)

These parts were used from 6/27/90 on.

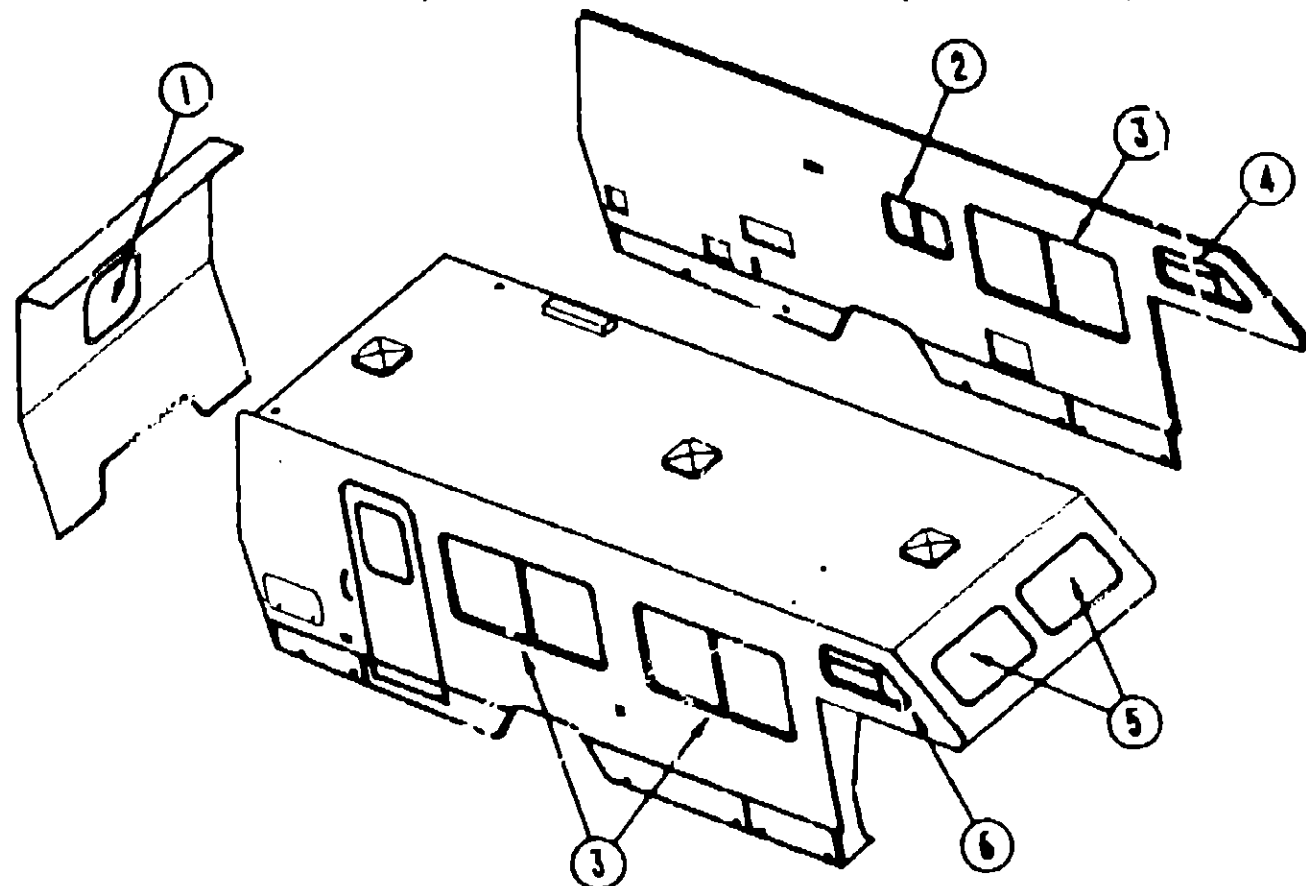
INTRODUCTION	A-01 - A-02
ABBREVIATIONS	A-03
ALPHABETICAL/GROUP REFERENCE	A-04 - A-06
WF327RT	A-07 - D-12
WF327RB	D-13 - G-08
WF327RD	G-09 - J-12

**1991 WF327RB INDEX**

Floor Plan	D-13 - D-14
Accessories Group	D-15 - D-18
Bath Group	D-19 - D-20
Chassis Group	D-21 - D-24
Curtain, Cushion & Pad Group	E-01 - E-07
Dinette Group	E-08 - E-09
Driver's Compartment Group	E-10 - E-12
Electrical Group	E-13 - E-15
Exterior Body Group	E-16 - E-20
Galley Group	E-21 - E-24
Heating & Air Conditioning Group	F-01 - F-02
Interior Finish Group	F-03 - F-05
Labels Group	F-06 - F-14
LP Group	F-15
Lounge Group	F-16 - F-18
Sealants & Fasteners Group	F-19 - F-20
Water & Sewage Group	F-21 - F-22
Window, Vent & Exterior Door Group	F-23 - G-08



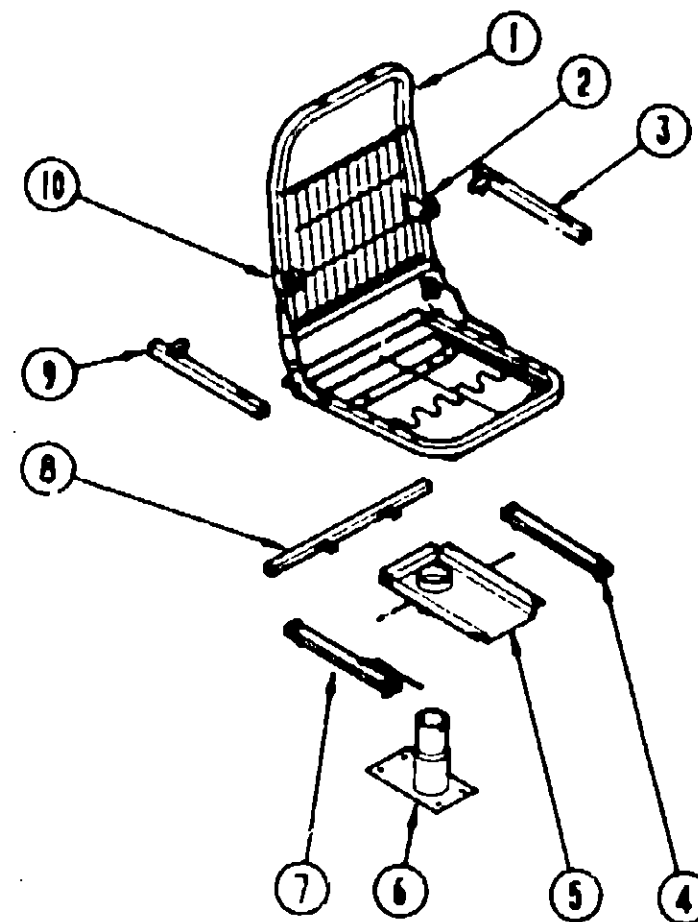
**CURTAIN, CUSHION & PAD GROUP (CONTINUED)**



**CURTAINS, BLINDS, VALANCES & TIEBACKS**

Key	Part Number	U/M	Description
1	100280-12-B05	EA	Valance Asm. w/Wood Trim - 30.5"
1	100280-12-B06	EA	Valance Asm. w/Wood Trim - 30.5"
*1	101753-12-B05	EA	Valance Asm. w/Wood Trim - 30.5"
*1	101753-12-B06	EA	Valance Asm. w/Wood Trim - 30.5"
1	093475-52-01A	EA	Mini Blind - 25.5" x 28" Drop - Beige
2	093475-34-07A	EA	Mini Blind - 26" x 18" Drop - Beige
3	100280-09-B05	EA	Valance Asm. w/Wood Trim - 62"
3	100280-09-B06	EA	Valance Asm. w/Wood Trim - 62"
*3	101753-09-B05	EA	Valance Asm. w/Wood Trim - 62"
*3	101753-09-B06	EA	Valance Asm. w/Wood Trim - 62"
3	100281-01-B05	EA	Leg Asm. - Window - 29" - Right
3	100281-01-B06	EA	Leg Asm. - Window - 29" - Right
3	100281-02-B05	EA	Leg Asm. - Window - 29" - Left
3	100281-02-B06	EA	Leg Asm. - Window - 29" - Left
3	093475-49-01A	EA	Mini Blind - 58" x 32" Drop - Beige
4	097878-17-B05	EA	Valance Asm. w/Wood Trim - 43"
4	097878-17-B06	EA	Valance Asm. w/Wood Trim - 43"
4	101034-01-B05	EA	Curtain - Tape Top - 16" x 25" - Beige
5	097878-16-B05	EA	Valance Asm. w/Wood Trim - 85.5"
5	097878-16-B06	EA	Valance Asm. w/Wood Trim - 85.5"
5	101034-02-B05	EA	Curtain - Tape Top - 22" x 45" - Beige
6	097878-18-B05	EA	Valance Asm. w/Wood Trim - 43"
6	097878-18-B06	EA	Valance Asm. w/Wood Trim - 43"
6	101034-01-B05	EA	Curtain - Tape Top - 16" x 25" - Beige
	073304-70-B05	EA	Curtain Asm. w/Snap Top - 30" x 50" - Left
	073304-69-B05	EA	Curtain Asm. w/Snap Top - 30" x 50" - Right
	101666-06-B03	EA	Curtain Asm. - Tape Top - 30" x 50" - Left
	101668-05-B03	EA	Curtain Asm. - Tape Top - 30" x 50" - Right
	076892-06-B05	EA	Curtain w/Snap Top - 40" x 72" - Privacy
	073260-23-B05	EA	Tieback Asm. - 3" x 18"
	073260-26-B05	EA	Tieback Asm. - 3" x 16"
	084481-11-000	EA	Curtain - Shower - 60" x 62"
* These parts were used from 5/14/90 on.			

**CURTAIN, CUSHION & PAD GROUP (CONTINUED)**



**BUCKET SEAT HARDWARE**

Key	Part Number	U/M	Description
**1	M80906-01-000	EA	Frame Asm. - Seat, Back & Spring
*1	M80906-05-000	EA	Frame Asm. - Seat, Back & Spring
2	081362-02-000	EA	Bracket - Armrest - Left Hand
3	081268-02-000	EA	Rod & Channel - Armrest - Left - Metal
4	069246-02-000	EA	Adjuster - Bucket Seat w/o Lock - Forward & Back
5	093481-04-000	EA	Top Plate - Pedestal - Bucket Seats
6	069585-03-000	EA	Base - Bucket Seats - Bolts to Floor - Vertical - 8"
**7	069246-01-000	EA	Adjuster - Bucket Seat w/Lock - Forward & Back
*7	069246-05-000	EA	Adjuster - Bucket Seat w/Remote
8	069585-29-000	EA	Bar - Seat Belt - Bucket Seats - 20"
9	081268-01-000	EA	Rod & Channel - Armrest - Right - Metal
10	081362-01-000	EA	Bracket - Armrest - Right Hand
	069246-05-700	EA	Spring for Slide Adjuster
	069246-05-701	EA	Clip Only For Cable Asm.
**	080730-02-000	EA	Recliner - Seat Back - Left Hand
*	101125-01-000	EA	Recliner - Seat Back - Left Hand
*	080731-02-000	EA	Slave Hinge - Recliner - Left Hand
*	089368-04-000	EA	Frame - Cable - Remote Swivel
*	089368-05-000	EA	Frame - Cable - Remote Recliner
*	081361-01-000	EA	Rod - Armrest - Metal
**	080730-03-700	EA	Handle Kit - Recliner
**	080730-04-000	EA	Screw - Recliner Handle
**	080730-05-000	EA	Shield - Recliner
*	097683-02-000	EA	Bracket - Mount - Remote
*	097683-03-000	EA	Bracket - Remote - Side Mount
* These parts are used from 7/9/90 on.			
** These parts were used until 7/8/90.			

NOTE: Items indented below assemblies are serviceable parts for that assembly.

**1991 WINNEBAGO  
TABLE OF CONTENTS**

INTRODUCTION	A-01 - A-02
ABBREVIATIONS	A-03
ALPHABETICAL/GROUP REFERENCE	A-04 - A-06
WF327RT	A-07 - C-12
WF327RB	D-13 - G-08
WF327RO	G-09 - J-12

**1991 WF327RB INDEX**

Floor Plan	D-13 - D-14
Accessories Group	D-15 - D-18
Bath Group	D-19 - D-20
Chassis Group	D-21 - D-24
Curtain, Cushion & Pad Group	E-01 - E-07
Dinette Group	E-08 - E-09
Driver's Compartment Group	E-10 - E-12
Electrical Group	E-13 - E-15
Exterior Body Group	E-16 - E-20
Galley Group	E-21 - E-24
Heating & Air Conditioning Group	F-01 - F-02
Interior Finish Group	F-03 - F-05
Labels Group	F-06 - F-14
LP Group	F-15
Lounge Group	F-16 - F-18
Sealants & Fasteners Group	F-19 - F-20
Water & Sewage Group	F-21 - F-22
Window, Vent & Exterior Door Group	F-23 - G-08

## CURTAIN, CUSHION & PAD GROUP (CONTINUED)

### BUCKET SEAT CUSHIONS

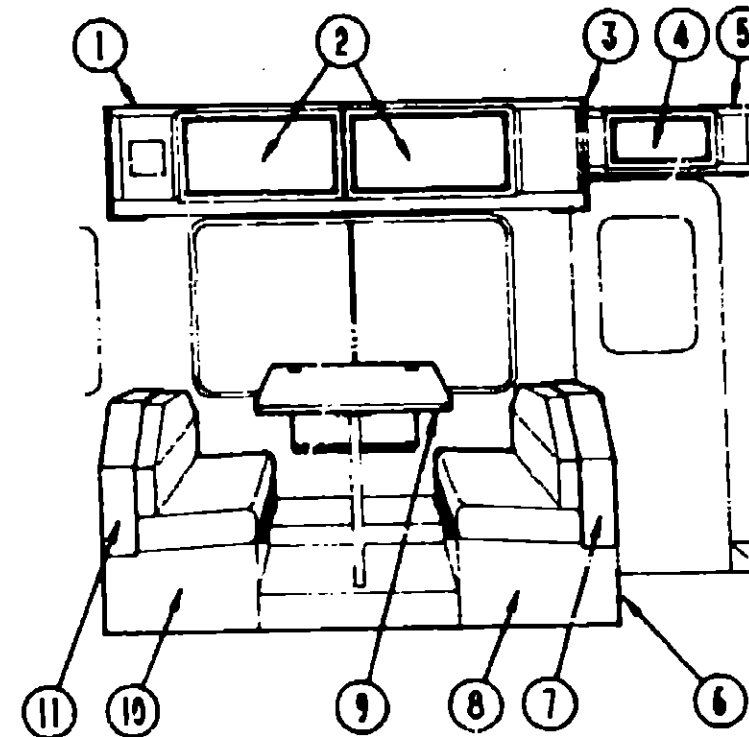
Key	Part Number	U/M	Description
	093450-10-B05	EA	Seat Asm. - Bucket
	093450-10-B06	EA	Seat Asm. - Bucket
*	093450-17-B05	EA	Seat Asm. - Bucket - Driver
*	093450-17-B06	EA	Seat Asm. - Bucket - Driver
*	093450-18-B05	EA	Seat Asm. - Bucket - Passenger
*	093450-18-B06	EA	Seat Asm. - Bucket - Passenger
	M03445-23-B05	EA	Cover - Seat - Bucket Seat
	M03445-23-B06	EA	Cover - Seat - Bucket Seat
	M03445-22-B05	EA	Cover - Back - Bucket Seat
	M03445-22-B06	EA	Cover - Back - Bucket Seat
	080243-41-B05	EA	Armrest - Bucket Seat - Right Hand
	080243-41-B06	EA	Armrest - Bucket Seat - Right Hand
	M80243-41-B05	EA	Cover - Right Armrest - Bucket Seat
	M80243-41-B06	EA	Cover - Right Armrest - Bucket Seat
	080243-42-B05	EA	Armrest - Bucket Seat - Left Hand
	080243-42-B06	EA	Armrest - Bucket Seat - Left Hand
	M80243-42-B05	EA	Cover - Left Armrest - Bucket Seat
	M80243-42-B06	EA	Cover - Left Armrest - Bucket Seat
	071126-24-B03	EA	Skirt Asm. - Single Bucket (B05)
	071126-24-B04	EA	Skirt Asm. - Single Bucket (B06)

These parts are used from 7/9/90 on.

### TRIMS & PADS

Key	Part Number	U/M	Description
	070578-06-B05	EA	Button Asm. - Snap Top - #30 - Vinyl
	070578-01-B05	EA	Button Asm. - Snap Top - #30 - Accent - Plain (Ford)
	070578-01-B06	EA	Button Asm. - Snap Top - #30 - Accent - Plain (Ford)
	059797-02-000	EA	Shell - Upholstery Button - #30
	069734-01-000	EA	Back - Upholstery Button - #30
	078155-01-000	EA	Strap Asm. - Cushion (Dinette Cushion)
	081519-10-B05	EA	Pad Asm. - Dinette - Rear
	081519-10-B06	EA	Pad Asm. - Dinette - Rear
	081519-11-B05	EA	Pad Asm. - Dinette - Front
	061519-11-B06	EA	Pad Asm. - Dinette - Front
	069885-16-B05	EA	Motor Cover w/Map Pocket (Ford)
	069885-16-B06	EA	Motor Cover w/Map Pocket (Ford)
	079349-01-B03	YD	Wetling - Skirt (B05)
	079349-01-B04	YD	Wetling - Skirt (B06)

## DINETTE GROUP



### DINETTE CABINETRY

Key	Part Number	U/M	Description
	1 P00206-01-B05	EA	Cabinet Asm. - Dinette Overhead - w/o Doors or Hardware
	2 P00099-32-B05	EA	Door Asm. - Dinette Overhead - 14.4" x 26.8" - w/o Hardware
	3 081280-21-B05	EA	End Cap - Overhead Cabinet
	4 P00099-42-B05	EA	Door Asm. - Entrance Overhead - 10" x 19" - w/o Hardware
	5 P00205-01-B05	EA	Cabinet Asm. - Entrance Overhead - w/o Door or Hardware
	6 P00099-59-B05	EA	Door Asm. - Dinette Cabinet - 14.3" x 26.7" - w/o Hardware
	7 081519-10-B05	EA	Pad - Backrest
	7 081519-10-B06	EA	Pad - Backrest
	7 M04123-01-B05	EA	Cabinet Asm. - Seat Back
	8 M04124-01-B05	EA	Cabinet Asm. - Seat Base
	*9 M99464-01-B05	EA	Table Asm. - Dinette - w/o Hardware
	10 M04124-02-B05	EA	Cabinet Asm. - Seat Base
	11 081519-11-B05	EA	Pad - Backrest
	11 081519-11-B06	EA	Pad - Backrest
	11 M04123-02-B05	EA	Cabinet Asm. - Seat Back

\* See the next page for the breakdown of this item.

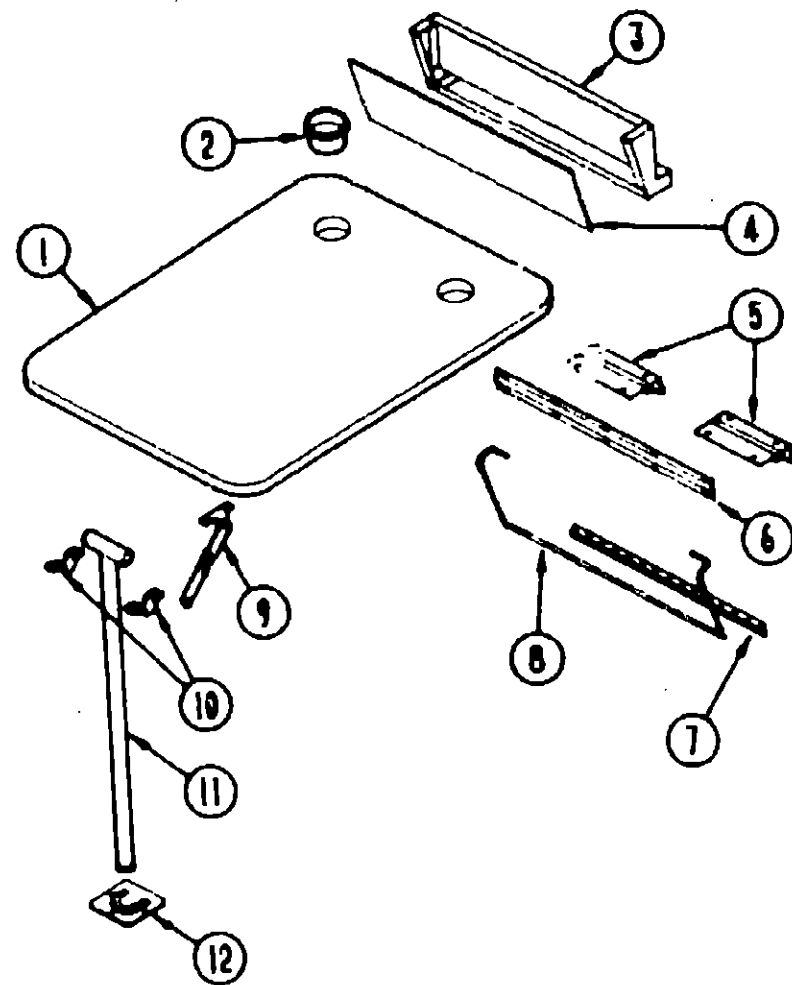
## 1991 WINNEBAGO TABLE OF CONTENTS

INTRODUCTION	A-01 - A-02
ABBREVIATIONS	A-03
ALPHABETICAL/GROUP REFERENCE	A-04 - A-06
WF327RT	A-07 - D-12
WF327RB	D-13 - G-08
WF327RQ	G-09 - J-12

## 1991 WF327RB INDEX

Floor Plan	D-13 - D-14
Accessories Group	D-15 - D-18
Bath Group	D-19 - D-20
Chassis Group	D-21 - D-24
Curtain, Cushion & Pad Group	E-01 - E-07
Dinette Group	E-08 - E-09
Driver's Compartment Group	E-10 - E-12
Electrical Group	E-13 - E-15
Exterior Body Group	E-16 - E-20
Galley Group	E-21 - E-24
Heating & Air Conditioning Group	F-01 - F-02
Interior Finish Group	F-03 - F-05
Labels Group	F-06 - F-14
LP Group	F-15
Lounge Group	F-16 - F-18
Sealants & Fasteners Group	F-19 - F-20
Water & Sewage Group	F-21 - F-22
Window, Vent & Exterior Door Group	F-23 - G-08

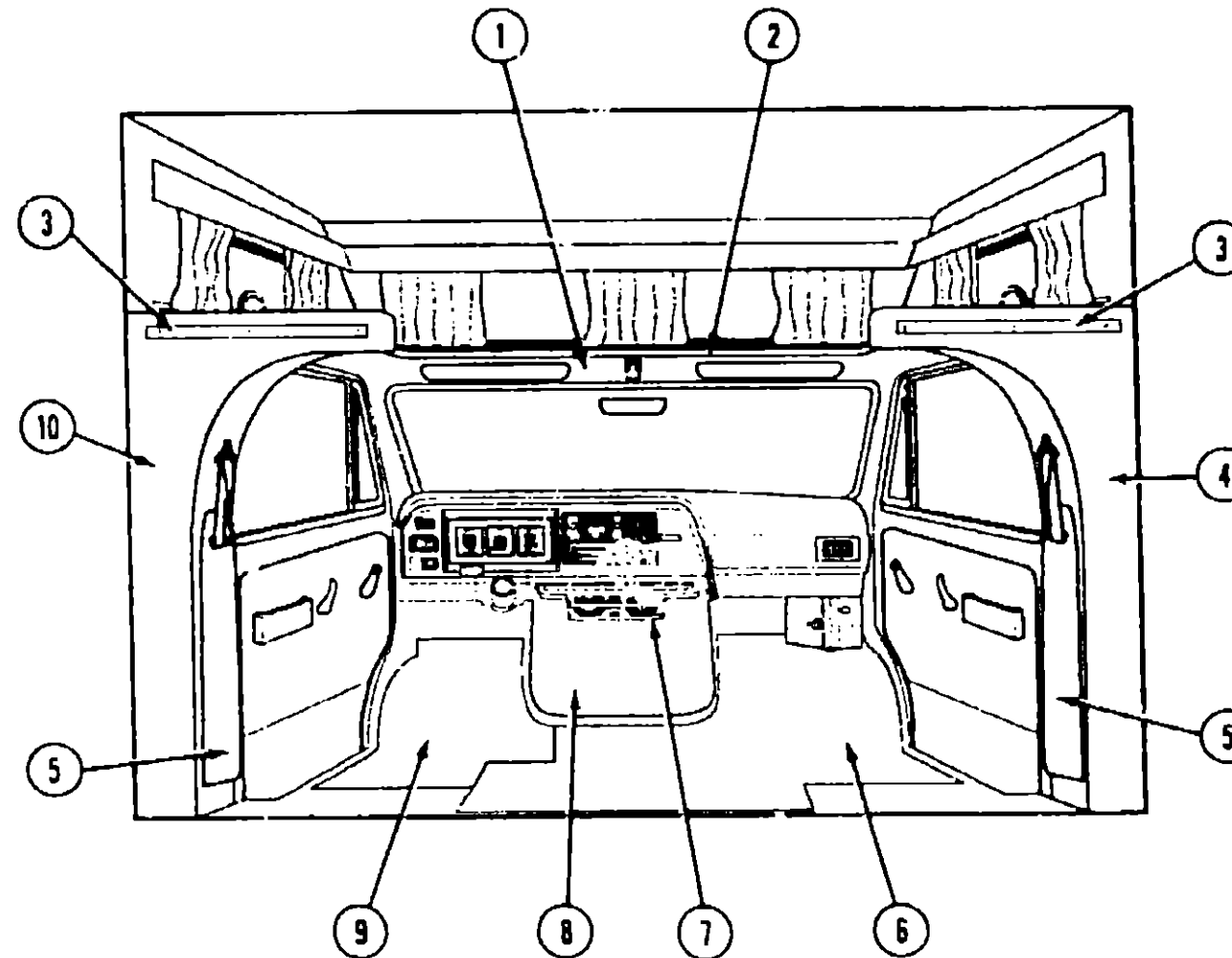
### DINETTE GROUP (CONTINUED)



#### DINETTE & TABLE HARDWARE

Key	Part Number	U/M	Description
1	M99464-01-B05	EA	Table Asm. - Dinette - w/o Hardware
2	064781-06-000	EA	Cup Holder - Two-Stage - Colonial White
3	099463-01-01A	EA	Support Table - 22.8" x 6.4" - Metal - Beige
4	082071-11-B05	EA	Cover Asm. - Table Support Pad
5	088410-01-000	EA	Hanger - Table - Beige
6	053200-05-000	EA	Support - Table - 23.5" - Beige
7	024281-07-000	EA	Bracket - Table Lift - Beige
8	024275-05-000	EA	Rod - Table Lift - Beige
9	024282-01-000	EA	Brace - Table Leg
10	064050-03-000	EA	Clamp - Table Leg - Beige
11	024276-21-000	EA	Leg Asm. - Table - Beige
12	049493-11-700	EA	Catch - Table Leg
	024283-01-000	EA	Clip - Leg - 1" x 1.125" O.D. - Black

### DRIVER'S COMPARTMENT GROUP



#### MISCELLANEOUS DRIVER'S COMPARTMENT COMPONENTS

Key	Part Number	U/M	Description
1	091831-01-B05	EA	Headliner - Front - Off White Vinyl
	091825-02-A93	EA	Headliner - Sides - Off White Vinyl
	096208-01-B05	EA	Cabinet Asm. - Headboard
	098703-01-B05	EA	Sleeper Board Asm.
	079800-04-000	EA	Trim - Front Sleeper Board - Metal - Off White
2	080742-03-000	FT	Accent Trim - Off White Vinyl
3	082069-03-Y05	EA	Wood Trim - Wingwall - 15.8"
	074045-07-000	EA	Oak Plug - 1/2"
4	096244-01-B05	EA	Wingwall Asm. - Inner - Passenger - Off White
5	091871-05-000	EA	Seat Belt Cover - Off White
6	083219-01-000	EA	Floor Mat - Passenger
7	099857-01-AA5	EA	Beverage Tray
8	069885-16-B05	EA	Motor Cover w/Pocket
8	069885-16-B06	EA	Motor Cover w/Pocket
9	083219-02-000	EA	Floor Mat - Driver
10	096244-02-B05	EA	Wingwall Asm. - Inner - Driver - Off White
	094795-02-000	EA	Speedometer - Kilometer

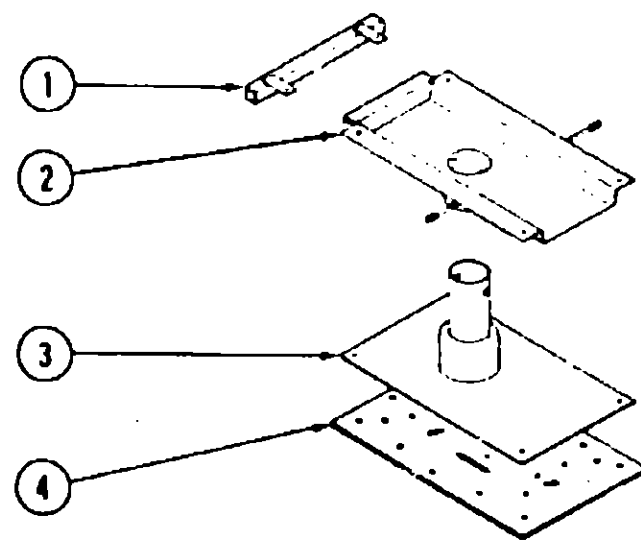
### 1991 WINNEBAGO TABLE OF CONTENTS

INTRODUCTION	A-01 - A-02
ABBREVIATIONS	A-03
ALPHABETICAL/GROUP REFERENCE	A-04 - A-06
WF327RT	A-07 - D-12
WF327RB	D-13 - G-08
WF327RQ	G-09 - J-12

### 1991 WF327RB INDEX

Floor Plan	D-13 - D-14
Accessories Group	D-15 - D-18
Bath Group	D-19 - D-20
Chassis Group	D-21 - D-24
Curtain, Cushion & Pad Group	E-01 - E-07
Dinette Group	E-08 - E-09
Driver's Compartment Group	E-10 - E-12
Electrical Group	E-13 - E-15
Exterior Body Group	E-16 - E-20
Galley Group	E-21 - E-24
Heating & Air Conditioning Group	F-01 - F-02
Interior Finish Group	F-03 - F-05
Labels Group	F-06 - F-14
LP Group	F-15
Lounge Group	F-16 - F-18
Sealants & Fasteners Group	F-19 - F-20
Water & Sewage Group	F-21 - F-22
Window, Vent & Exterior Door Group	F-23 - G-08

**DRIVER'S COMPARTMENT GROUP (CONTINUED)**

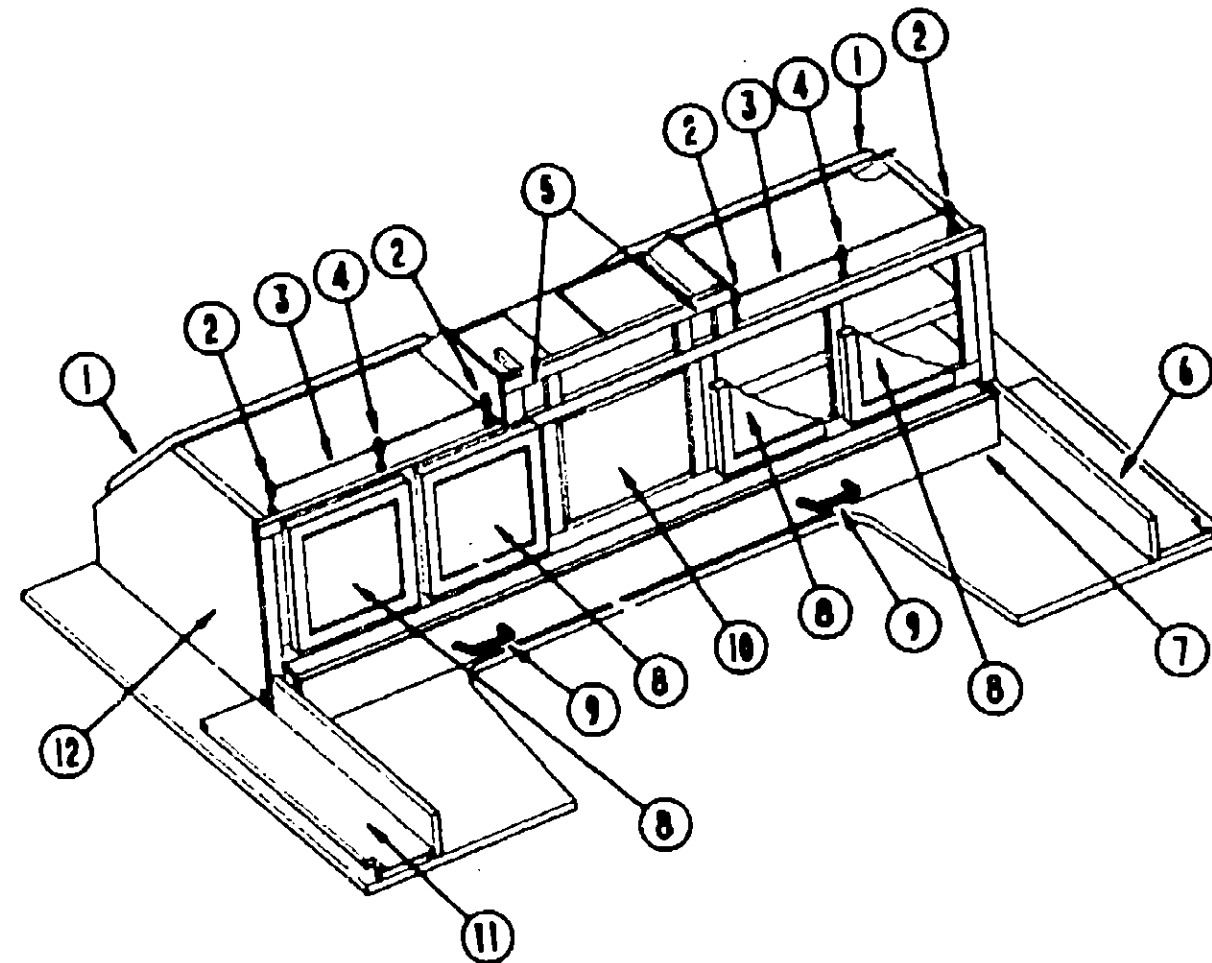


**BUCKET SEAT PEDESTAL**

Key	Part Number	U/M	Description
1	069585-29-000	EA	Bar - Seat Belt - 20"
2	093481-04-000	EA	Plate - Top - Pedestal Asm.
3	069585-03-000	EA	Plate - Sub - Pedestal Asm.
4	069585-02-000	EA	Plate - Base - Pedestal Asm. - Bucket Seat
	069246-02-000	EA	Adjuster Asm. - Seat - w/o Lock
	069246-01-000	EA	Adjuster Asm. - Seat - w/Lock
	069246-05-000	EA	Adjuster Asm. w/Remote
	069246-05-700	E/A	Spring For Slide Adjuster
	069246-05-701	EA	Clip - For Cable Asm. Only

\* These parts were used from 7/9/90 on.

**DRIVER'S COMPARTMENT GROUP (CONTINUED)**



**TV & ENTERTAINMENT CABINETS (OPTION L43V & L49F)**

Key	Part Number	U/M	Description
1	099879-01-01A	EA	Panel - Window - Black Plastic
2	084070-02-000	EA	Post - End - Brass
3	084071-06-000	EA	Rod - Brass - 25"
4	084070-01-000	EA	Post - Center - Brass
5	072333-67-000	YD	Fabric - Speaker Cover
	098819-01-000	EA	Speaker - 2 Watt - 8 OHM - 4"
	074979-11-000	EA	Cover - Speaker - Plastic - Off White
6	099687-01-B05	EA	Cabinet - Headboard - Passenger
7	099639-01-B05	EA	Drawer - Entertainment - Front
*	079145-07-000	EA	Cushion - Front Bunk - 28" x 75" x 2.5"
8	P00099-70-B05	EA	Door - Cabinet - 13.9" x 13.9" - w/o Hardware
9	100030-01-000	EA	Pull - Drawer - Polished Brass
10	098447-01-000	EA	TV - 13" Color w/Remote (USA)
10	098447-02-000	EA	TV - 13" Color w/Remote (CSA)
**	098447-01-700	EA	Remote Control
	099856-01-000	EA	TV - Tiedown
11	099687-02-B05	EA	Cabinet - Headboard - Driver
12	099445-01-B05	EA	Cabinet - Entertainment - Front
	098446-01-000	EA	VCR - VHS Cable Ready - w/Remote - Magnavox #9815
**	098446-01-700	EA	Remote Control - VCR
	098446-02-000	EA	VCR - VHS Cable Ready w/Remote - Magnavox #9812
**	098446-02-700	EA	Remote Control - VCR

\* See Curtain, Cushion & Pad Group for further breakdown of this item.

\*\* Include make & model number of TV/VCR when ordering this part.

**1991 WINNEBAGO  
TABLE OF CONTENTS**

INTRODUCTION	A-01 - A-02
ABBREVIATIONS	A-03
ALPHABETICAL/GROUP REFERENCE	A-04 - A-06
WF327RT	A-07 - D-12
WF327RB	D-13 - G-08
WF327RQ	G-09 - J-12

**1991 WF327RB INDEX**

Floor Plan	D-13 - D-14
Accessories Group	D-15 - D-18
Bath Group	D-19 - D-20
Chassis Group	D-21 - D-24
Curtain, Cushion & Pad Group	E-01 - E-07
Dinette Group	E-08 - E-09
Driver's Compartment Group	E-10 - E-12
Electrical Group	E-13 - E-15
Exterior Body Group	E-16 - E-20
Galley Group	E-21 - E-24
Heating & Air Conditioning Group	F-01 - F-02
Interior Finish Group	F-03 - F-05
Labels Group	F-06 - F-14
LP Group	F-15
Lounge Group	F-16 - F-18
Sealants & Fasteners Group	F-19 - F-20
Water & Sewage Group	F-21 - F-22
Window, Vent & Exterior Door Group	F-23 - G-08

## ELECTRICAL GROUP

### MISCELLANEOUS ELECTRICAL COMPONENTS

Key	Part Number	U/M	Description
	072852-01-000	EA	Smoke Detector w/9 Volt Battery
	092615-01-000	EA	Converter - 40 Amp. w/Charger (Export)
	034809-01-000	EA	Load Center - 240 Volt - 125 Amp. (Export)
	083208-01-000	EA	Control Center - 32 Amp. - 120V/12V

### WIRES, SWITCHES, & RECEPTACLES

Key	Part Number	U/M	Description
	008288-01-000	EA	Box - Electrical - 3" x 3.5" - Plastic
	091910-01-000	EA	Box - Electrical - 3.75" x 3.5" x 1.75" - Plastic
	093603-01-000	EA	Box - Electrical - 4" x 2 1/8" x 2 1/8"
	008289-01-000	EA	Box - Electrical - 4" x 4" - 1/2 & 3/4 Steel
	008289-02-000	EA	Box - Electrical - 4" x 4" (CSA)
	041953-01-000	FT	Conduit - Convolute Slit - .5" ID
	041953-03-000	FT	Conduit - Convolute Slit - 1" ID
	041953-06-000	FT	Conduit - Convolute Slit - .375"
	041953-07-000	FT	Conduit - Convolute Slit - .25" ID
	008355-01-000	EA	Connector - Cable Clamping - 3/4"
	008356-01-000	EA	Connector - Plastic - 3/8" Avg.
	058028-01-000	EA	Connector - Pigtail - Clear Nylon
	008311-01-000	EA	Connector - Wire Nut - Red
	008314-01-000	EA	Connector - Wire Nut - Gray
	008054-01-000	EA	Cord - Power - 10-3 30 Amp. - 25'
	008052-01-000	EA	Cord - Power - 10-3 30 Amp. (CSA)
	069238-01-000	EA	Cover - Electrical Box - w/4ole - 4" x 4" - Gray
	100258-10-01A	EA	Hourmeter
	063910-01-000	EA	Housing - Relay
	088474-08-000	EA	Housing - Socket - 4 Position (Single Row)
	088474-09-000	EA	Housing - Socket
	097744-02-000	EA	Housing - Trailer Pin - 45"
	064398-01-000	EA	Housing - Trailer Receptacle
	064450-01-000	EA	Housing - Trailer Plug
	097746-01-000	EA	Housing Asm. - Trailer Cap
	097745-01-000	EA	Housing Asm. - Trailer Receptacle - 12"
	097745-02-000	EA	Housing Asm. - Trailer Receptacle - 48"
	088473-05-000	EA	Housing Pin - 6 Position In Line
	088473-06-000	EA	Housing Pin - 6 Position
	088473-01-000	EA	Housing Pin - 4 Rows of 3
	088473-09-000	EA	Housing Pin - 3 Position
	088473-10-000	EA	Housing Pin - 2 Position
	088475-01-000	EA	Pin - Connector
	075736-02-000	EA	Receptacle/Cover Asm. - Off White (Exterior)
	084077-01-000	EA	Receptacle Cover - Ivory (Ground Fault Interrupter)
	084076-01-000	EA	Receptacle - 15 Amp. - 125 Volt - Ivory (Ground Fault Interrupter)
	024924-02-000	EA	Receptacle - Power Cord
	058707-01-000	EA	Receptacle - Single - Brown
	007940-01-000	EA	Receptacle - Slide - 16 to 12 Awg.
	058708-01-000	EA	Receptacle - Double Electrical - Brown
	058708-02-000	EA	Receptacle - Double Electrical - Ivory
	097734-01-01A	EA	Receptacle - Extension - 3.2" x 5" x 7" - Plastic - Ivory
	095188-01-01A	EA	Spacer - Switch - 2.3" x 3.4" - Dark Brown
	102568-01-B10	EA	Spacer - Receptacle - Wood

\* These parts are used from 9/2/90 on.

## ELECTRICAL GROUP (CONTINUED)

### WIRES, SWITCHES & RECEPTACLES (CONTINUED)

Key	Part Number	U/M	Description
	088474-05-000	EA	Socket Housing - 6 Position
	088476-01-000	EA	Socket - Connector
	008168-01-000	EA	Solenoid - 3 Post - Battery Change Over
	090971-01-000	EA	Splice - Cable - 110V
	090971-02-000	EA	Splice - Cable - 110V - Tap
	024401-01-000	EA	Switch - Battery
	098351-02-01A	EA	Switch Plate - 2 Gang - Polished Brass
	079364-01-000	EA	Switch - On/Off Flocker - Brown
	007942-01-000	EA	Tab - 18 to 14 Avg. Wire
	007949-01-000	EA	Tab - 14 to 10 Avg. Wire
	047443-01-000	EA	Terminal - .250 Receptacle Fit - Insulated - 16/14 AWG
	047443-02-000	EA	Terminal - .250 Receptacle Fit - Insulated - 12/10 AWG
	008326-01-000	EA	Terminal Ring - 16/14 Wire - 3/8" Stud
	035416-04-000	EA	Terminal Ring - #10 Stud Fit
	008328-01-000	EA	Terminal Ring - 12/10 Wire
	008348-01-000	EA	Terminal Ring - 2 - 3/8 Stud
	008331-01-000	EA	Terminal Ring - 4 - 3/8 Stud
	093252-01-01A	EA	Wall Plate - Cable - Beige
	008026-01-000	FT	Wire - 12/2 Romex w/Ground
	008343-01-000	EA	Wire Tie - 6"
	097618-01-000	EA	Wire Asm. - Monitor Panel - w/4 Wires and Black Resistor

### EXTERIOR LIGHTS

Key	Part Number	U/M	Description
	042405-01-000	EA	Lens - Side Marker/Clearance Light - w/Reflex - Red
	042405-02-000	EA	Lens - Side Marker Light - w/Reflex - Amber
	042405-03-000	EA	Base - Clearance Light - Rectangular
	091983-01-000	EA	Gasket - Light - Side Marker
	006213-01-000	EA	Bulb - 12 Volt - #57
	062740-04-000	EA	Wedge - Tail Light - Plastic - Passenger Side - Off White
	062742-04-000	EA	Wedge - Tail Light - Plastic - Driver Side - Off White
	007309-01-000	EA	Light - License Plate
	059540-01-000	EA	Bracket - License Plate
	058032-02-000	EA	Tail Lamp - 2 Bulb - Black Bezel
	058032-02-700	EA	Lens - Tail Lamp - w/Backup - Red
	058032-02-701	EA	Lens - Tail Lamp - w/o Backup - Red
	037935-01-000	EA	Bulb - Tail Lamp - #1157 - 12 Volt
	097917-01-01A	EA	Light - Porch/Entry Door - Off White (US)
	097917-01-700	EA	Lens - Porch Light
	100138-01-000	EA	Module - Daytime Running Lights (CSA)
	100159-02-000	EA	Wire Asm. - Daytime Running Lights - w/Fuse (CSA)

NOTE: Items indented below assemblies are serviceable parts for that assembly.

### INTERIOR LIGHTS

Key	Part Number	U/M	Description
	007309-01-000	EA	Light - Step Well - Round - 12V
	098024-01-01A	EA	Dome Light - 1 Bulb - Ivory
	098024-03-01A	EA	Dome Light - 2 Bulb - Ivory
	098024-01-700	EA	Lens - Dome Light
	008218-01-000	EA	Bulb - Dome Light - 12 Volt - #1141
	086280-01-000	EA	Light - Surface Mount - 12 Volt
	086280-01-700	EA	Bulb - 12 Volt - 6 Watt

NOTE: Items indented below assemblies are serviceable parts for that assembly.

## 1991 WINNEBAGO TABLE OF CONTENTS

INTRODUCTION	A-01 - A-02
ABBREVIATIONS	A-03
ALPHABETICAL/GROUP REFERENCE	A-04 - A-06
WF327RT	A-07 - D-12
WF327RB	D-13 - G-08
WF327RQ	G-09 - J-12

## 1991 WF327RB INDEX

Floor Plan	D-13 - D-14
Accessories Group	D-15 - D-18
Bath Group	D-19 - D-20
Chassis Group	D-21 - D-24
Curtain, Cushion & Pad Group	E-01 - E-07
Dinette Group	E-08 - E-09
Driver's Compartment Group	E-10 - E-12
Electrical Group	E-13 - E-15
Exterior Body Group	E-16 - E-20
Galley Group	E-21 - E-24
Heating & Air Conditioning Group	F-01 - F-02
Interior Finish Group	F-03 - F-05
Labels Group	F-06 - F-14
LP Group	F-15
Lounge Group	F-16 - F-18
Sealants & Fasteners Group	F-19 - F-20
Water & Sewage Group	F-21 - F-22
Window, Vent & Exterior Door Group	F-23 - G-08

## ELECTRICAL GROUP (CONTINUED)

### BULBS

Key	Part Number	U/M	Description
	092696-01-709	EA	Bulb - 912 (Stove Hood)
	008215-01-000	EA	Bulb - 1003 (Porch Light)
	008218-01-000	EA	Bulb - 1141 (Dome Light)
	037934-01-000	EA	Bulb - 1156 (Back-Up Light)
	037935-01-000	EA	Bulb - 1157 (Tail Lamp)
	094880-01-706	EA	Bulb - DC Light (Refrigerator) (Export)
	088737-01-710	EA	Bulb - 30W (Microwave Oven)
	008213-01-000	EA	Bulb - 12 Volt - #57 (Clearance Light)
	086280-01-700	EA	Bulb - 12 Volt - 6 Watt (Surface Light)

### FUSES & CIRCUIT BREAKERS

Key	Part Number	U/M	Description
	008235-01-000	EA	Fuse - 12 Volt - 15 Amp.
	062901-05-000	EA	Fuse - 15 Amp. - Automotive
	008211-01-000	EA	Circuit Breaker - 6 Amp. - 12 Volt
	083209-01-000	EA	Circuit Breaker - 15 Amp. 120 Volt
	033573-02-000	EA	Circuit Breaker w/Mount - 15 Amp. - 12 V
	083209-02-000	EA	Circuit Breaker - 15/15 Amp. - 120 Volt
	083209-03-000	EA	Circuit Breaker - 15/20 mp. - 120 Volt
	033573-01-000	EA	Circuit Breaker - 20 Amp. - 12 Volt
	094811-01-000	EA	Circuit Breaker - 20/20 Amp. - 120 Volt
	008268-01-000	EA	Circuit Breaker - 30 Amp. - 12 Volt
	083209-04-000	EA	Circuit Breaker - 20 Amp. - 120 Volt
	083209-06-000	EA	Circuit Breaker - 30/15 Amp. - 120 Volt
	094810-01-000	EA	Circuit Breaker - 30/30 Amp. - 120 Volt (Export)
	083209-08-000	EA	Circuit Breaker Blank
	050283-02-000	EA	Circuit Breaker - Buss Bar
	100341-01-000	EA	Fuse Holder - In Line Type

## EXTERIOR BODY GROUP

### MISCELLANEOUS EXTERNALLY MOUNTED PARTS

Key	Part Number	U/M	Description
	083558-03-000	EA	Plumbing Seal - Roof Vent - 1.5
	009126-02-000	EA	Assist Handle - Black
	087659-04-000	EA	Fill - City Water - Off White
	069362-06-000	EA	Tube - Support - Floor to Valance - 17"
	075736-02-000	EA	Cover - Exterior Receptacle - Off White
	102768-01-000	EA	Holder - Compartment Door - Metal
	049347-01-000	EA	Head - Mirror - 7.5" x 10.59" - Stainless Steel
	062047-01-000	EA	Arm - West Coast Mirror
	006043-01-000	EA	Mirror - Exterior - Convex - Adhesive Backed

### SHEET FIBERGLASS, ALUMINUM & STYROFOAM

Key	Part Number	U/M	Description
	044487-01-001	EA	Aluminum - Mill Finish - No Design - 96" x 360" (Roof)
	001054-01-011	EA	Aluminum Sheet - 48" x 96" - Flat - Off White
	000868-01-000	SF	Styrofoam - 3/4" x 24" x 96"
	000870-03-000	SF	Styrofoam - 1.34" x 48" x 96"
	000870-05-000	SF	Styrofoam - .50" x 24" x 96"
	076054-C9-001	EA	Fiberglass Sheet - 36" x 240" - Off White
	076054-D3-006	EA	Fiberglass Sheet - 48" x 298" - Off White

## 1991 WINNEBAGO TABLE OF CONTENTS

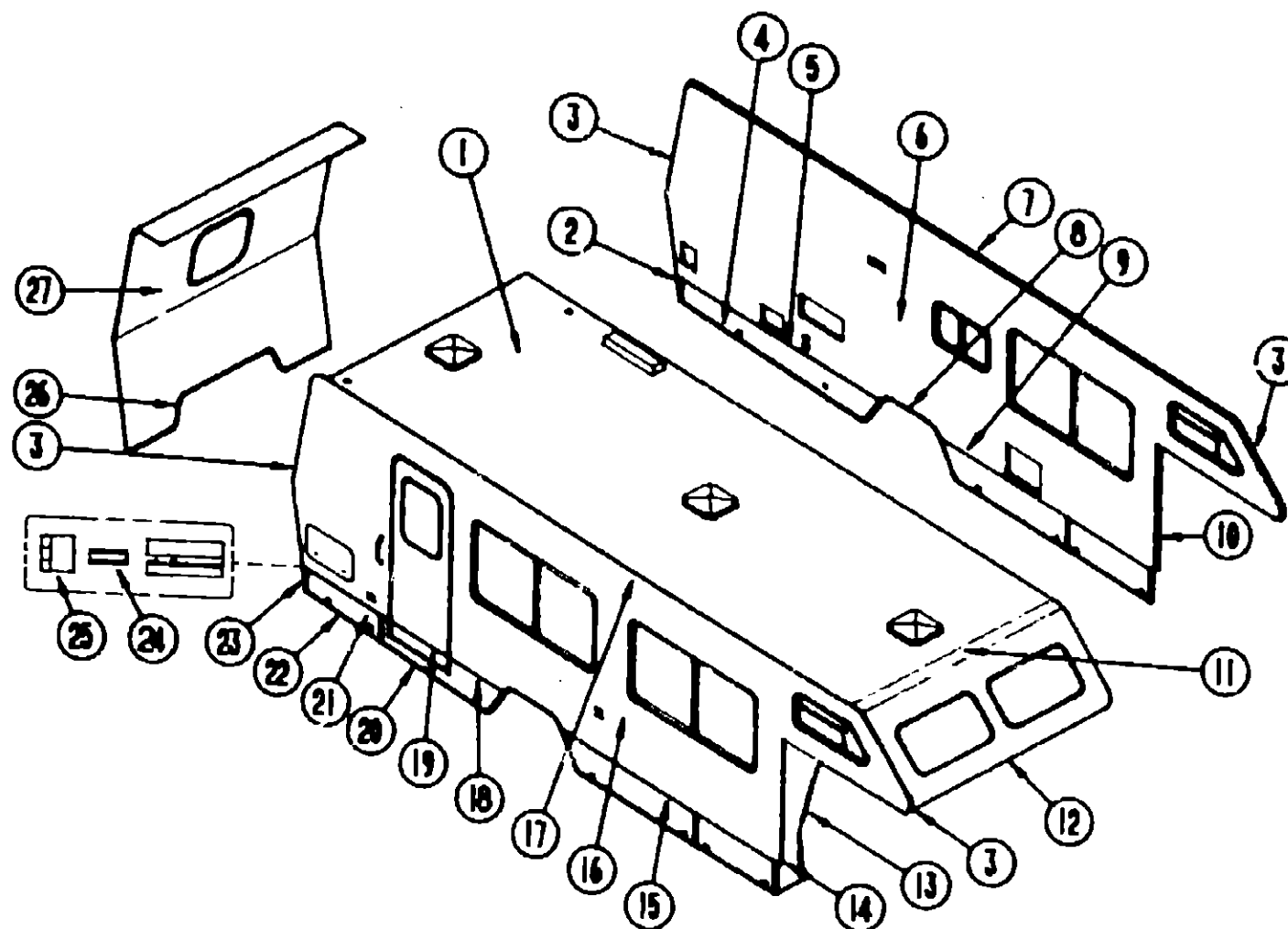
INTRODUCTION	A-01 - A-02
ABBREVIATIONS	A-03
ALPHABETICAL/GROUP REFERENCE	A-04 - A-06
WF327RT	A-07 - D-12
WF327RB	D-13 - G-08
WF327RO	G-09 - J-12

## 1991 WF327RB INDEX

Floor Plan	D-13 - D-14
Accessories Group	D-15 - D-18
Bath Group	D-19 - D-20
Chassis Group	D-21 - D-24
Curtain, Cushion & Pad Group	E-01 - E-07
Dinette Group	E-08 - E-09
Driver's Compartment Group	E-10 - E-12
Electrical Group	E-13 - E-15
Exterior Body Group	E-16 - E-20
Galley Group	E-21 - E-24
Heating & Air Conditioning Group	F-01 - F-02
Interior Finish Group	F-03 - F-05
Labels Group	F-05 - F-14
LP Group	F-15
Lounge Group	F-16 - F-18
Sealants & Fasteners Group	F-19 - F-20
Water & Sewage Group	F-21 - F-22
Window, Vent & Exterior Door Group	F-23 - G-08

## EXTERIOR BODY GROUP (CONTINUED)

### EXTERIOR BODY PANELS



Key	Part Number	U/M	Description
1	M98700-01-B05	EA	Roof Asm. (Special Order Item)
**1	M98700-02-B05	EA	Roof Asm. (Special Order Item)
2	097907-05-02A	EA	Filler - Valance Panel - Rear - Off White
3	096854-01-01A	EA	Trim - Contour - Off White
4	096393-10-B05	EA	Valance Asm. - Rear (Hinged)
*5	096816-02-01A	EA	Trim - Sidewall - Lower - 75.2" - Off White
6	P00499-01-B05	EA	Sidewall Asm. - Driver (Special Order Item)
7	096864-01-01A	EA	Trim - Contour - Roof - Off White
8	096215-01-01A	EA	Trim - Wheelwell - Rear - Metal - Off White
*9	096817-01-01A	EA	Trim - Sidewall - To Valance - 102.9" - Off White
10	096970-02-01A	EA	Trim - Wingwall - Off White
	079280-01-01A	FT	Vinyl Insert - Contour Trim - 72" - Off White
	M96154-02-B05	EA	Wingwall - Driver Side w/Gusset (Ford)
	079203-03-000	EA	Trim - Wingwall - 14.2" - Off White
	096945-02-01A	EA	Trim - "L" Angled - Driver Wingwall - Off White
	089334-01-000	FT	Vinyl - Exterior Trim - Between Wingwall & Cab Seal - White
11	078580-01-000	EA	Trim - Roof to Front Cab
	039644-09-000	EA	Trim - Sleeper Board - Off White
	M76177-01-700	EA	Front Cap - w/o Windows
13	M96154-01-B05	EA	Wingwall - Passenger Side w/Gusset (Ford)
	079203-03-000	EA	Trim - Wingwall - 14.2" - Off White
	096945-01-01A	EA	Trim - "L" Angled - Passenger Wingwall - Off White
	089334-01-000	FT	Vinyl - Exterior Trim - Between Wingwall & Cab Seal - White

Key	Part Number	U/M	Description
14	096970-01-01A	EA	Trim - Wingwall - Off White
*15	096818-06-01A	EA	Trim - Sidewall - To Valance - 102.6" - Off White
16	M98638-01-B05	EA	Sidewall Asm. - Passenger (Special Order Item)
17	100483-01-01A	EA	Trim - Contour - Roof (Awning) - Off White
18	096817-06-01A	EA	Trim - Sidewall - To Valance - 26.3" - Off White
19	002444-04-002	EA	Feature Strip w/o Insert - 15' Long - Off White
	001030-02-003	EA	Insert - Feature Strip - Stucco
	009731-01-000	EA	End Cap - Feature Strip
20	096698-02-B05	EA	Valance - Entry Door
21	096816-07-01A	EA	Trim - Sidewall - To Valance - 40.7" - Off White
22	096217-55-001	EA	U-Channel - Extrusion - 17.5" - Off White
23	097907-04-02A	EA	Filler - Valance Panel - Rear - Off White
24	001030-02-003	EA	Insert - Lower Sidewall Trim
25	098424-02-01A	EA	End Cap - Sidewall Trim - Rear (Passenger Side) & Front (Driver Side)
	098424-01-01A	EA	End Cap - Sidewall Trim - Rear (Driver Side) & Front (Passenger Side)
26	096197-02-01A	EA	Trim - Backwall - Lower - U-Channel - 1" Wide - Off White
27	P00382-01-B05	EA	Backwall Asm. (Special Order Item)
-			See the inset illustration for additional parts.
**			These parts were used from 10/1/90 on.

## 1991 WINNEBAGO TABLE OF CONTENTS

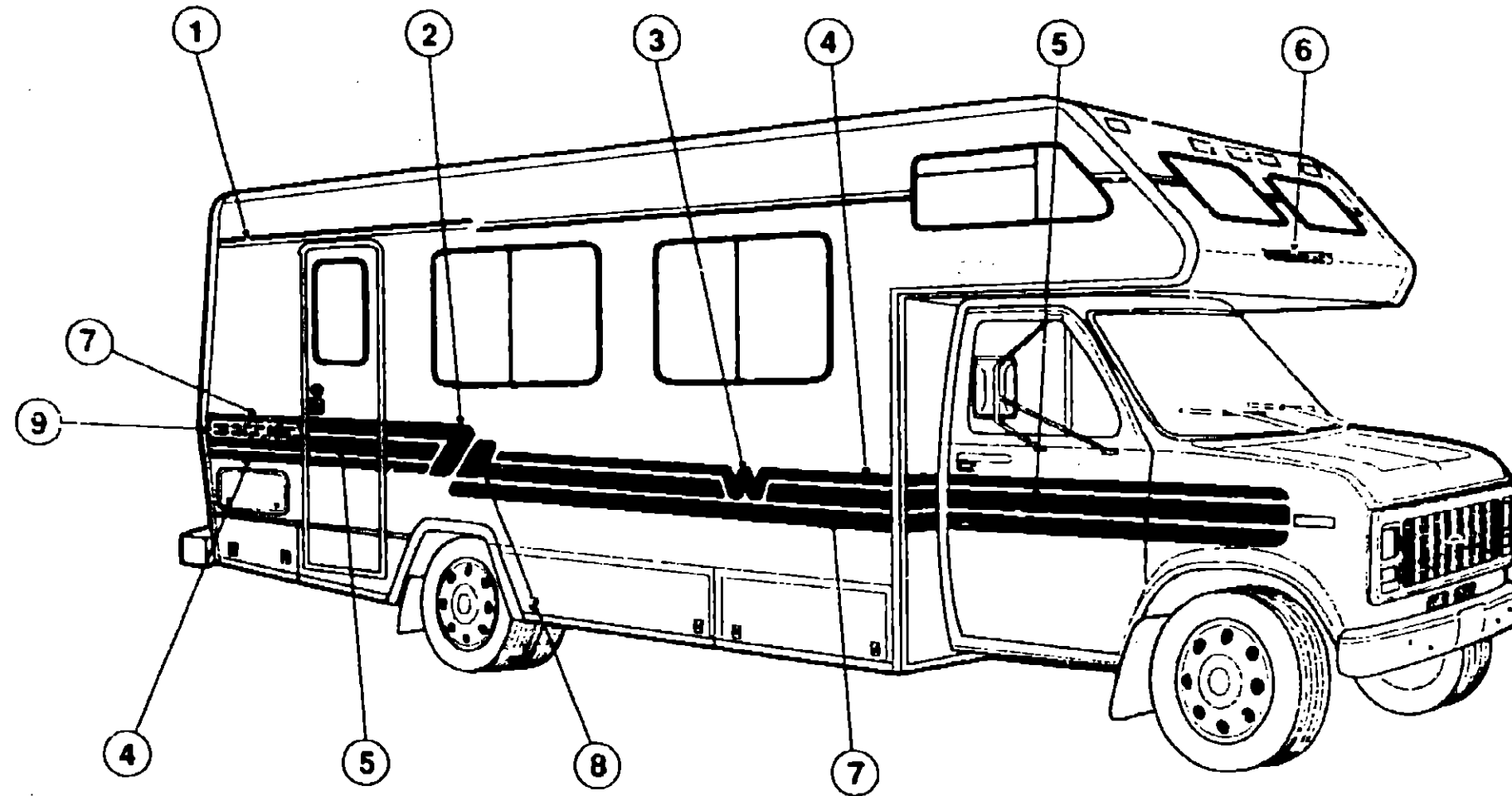
INTRODUCTION	A-01 - A-02
ABBREVIATIONS	A-03
ALPHABETICAL/GROUP REFERENCE	A-04 - A-06
WF327RT	A-07 - D-12
WF327RB	D-13 - G-08
WF327RQ	G-09 - J-12

## 1991 WF327RB INDEX

Floor Plan	D-13 - D-14
Accessories Group	D-15 - D-18
Bath Group	D-19 - D-20
Chassis Group	D-21 - D-24
Curtain, Cushion & Pad Group	E-01 - E-07
Dinette Group	E-08 - E-09
Driver's Compartment Group	E-10 - E-12
Electrical Group	E-13 - E-15
Exterior Body Group	E-16 - E-20
Galley Group	E-21 - E-24
Heating & Air Conditioning Group	F-01 - F-02
Interior Finish Group	F-03 - F-05
Labels Group	F-06 - F-14
LP Group	F-15
Lounge Group	F-16 - F-18
Sealants & Fasteners Group	F-19 - F-20
Water & Sewage Group	F-21 - F-22
Window, Vent & Exterior Door Group	F-23 - G-08

## EXTERIOR BODY GROUP (CONTINUED)

### DECALS & FILM STRIPE



Key	Part Number	U/M	Description
1	093680-22-01A	FT	Multistripe - 2 Lines - 2.6" Wide - Dark Plum/Light Wine
1	093680-22-02A	FT	Multistripe - 2 Lines - 2.6" Wide - Green/Aqua
2	099984-01-01A	EA	Decal - Angle - Passenger Side - Rear - 11" High - Dark Plum
2	099984-01-02A	EA	Decal - Angle - Passenger Side - Rear - 11" High - Hunter Green
	099984-02-01A	EA	Decal - Angle - Driver Side - Rear - 11" High - Dark Plum
	099984-02-02A	EA	Decal - Angle - Driver Side - Rear - 11" High - Hunter Green
3	093691-03-01A	EA	Decal - Flying "W" - Dark Plum
3	093691-03-02A	EA	Decal - Flying "W" - Hunter Green
4	093681-14-01A	FT	Film - 1.5" x 150' - Dark Plum
4	093681-14-03A	FT	Film - 1.5" x 150' - Hunter Green
5	093681-15-02A	FT	Film - 4" x 150' - Light Wine
5	093681-15-04A	FT	Film - 4" x 150' - Aqua
6	050313-39-000	EA	Decal - Logo - "Winnebago" - 2.8" - Dark Plum
6	050313-43-000	EA	Decal - Logo - "Winnebago" - 2.8" - Hunter Green
7	093681-15-01A	FT	Film - 4" x 150' - Dark Plum
7	093681-15-03A	FT	Film - 4" x 150' - Hunter Green
8	099983-01-01A	EA	Decal - Angle - Passenger Side - Front - 8.9" High - Light Wine
8	099983-01-02A	EA	Decal - Angle - Passenger Side - Front - 8.9" High - Aqua
	099983-02-01A	EA	Decal - Angle - Driver Side - Front - 8.9" High - Light Wine
	099983-02-02A	EA	Decal - Angle - Driver Side - Front - 8.9" High - Aqua
9	099999-01-02A	EA	Decal - Logo "Warrior" - Off White/Dark Plum
9	099999-01-05A	EA	Decal - Logo "Warrior" - Off White/Hunter Green

For your convenience here are the Dupont color codes that you can purchase locally:

Dark Plum K9455  
 Light Wine K9466  
 Hunter Green K9480  
 Aqua K9481  
 Off White L8723  
 Black 99A

## 1991 WINNEBAGO TABLE OF CONTENTS

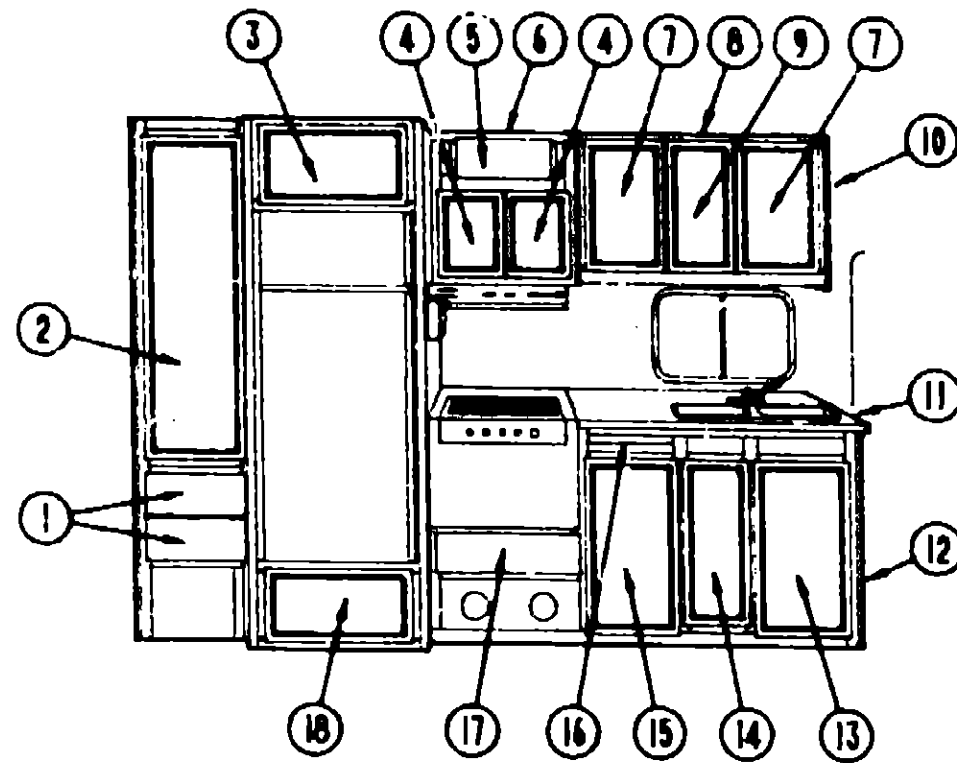
INTRODUCTION	A-01 - A-02
ABBREVIATIONS	A-03
ALPHABETICAL/GROUP REFERENCE	A-04 - A-06
WF327RT	A-07 - D-12
WF327RB	D-13 - G-08
WF327RO	G-09 - J-12

## 1991 WF327RB INDEX

Floor Plan	D-13 - D-14
Accessories Group	D-15 - D-18
Bath Group	D-19 - D-20
Chassis Group	D-21 - D-24
Curtain, Cushion & Pad Group	E-01 - E-07
Dinette Group	E-08 - E-09
Driver's Compartment Group	E-10 - E-12
Electrical Group	E-13 - E-15
Exterior Body Group	E-16 - E-20
Galley Group	E-21 - E-24
Heating & Air Conditioning Group	F-01 - F-02
Interior Finish Group	F-03 - F-05
Labels Group	F-06 - F-14
LP Group	F-15
Lounge Group	F-16 - F-18
Sealants & Fasteners Group	F-19 - F-20
Water & Sewage Group	F-21 - F-22
Window, Vent & Exterior Door Group	F-23 - G-08



## GALLEY GROUP



**GALLEY CABINETRY**

Key	Part Number	U/M	Description
1	P00145-07-B05	EA	Drawer Asm. - Pantry Cabinet - w/o Hardware
†1	P03397-49-B05	EA	Drawer Asm. - Pantry Cabinet - w/o Hardware
2	P00099-61-B05	EA	Door Asm. - Pantry Cabinet - 15.3" x 49.2" - w/o Hardware
3	P00099-27-B05	EA	Door Asm. - Refrigerator Cabinet - 12" x 22" - w/o Hardware
4	P00099-24-B05	EA	Door Asm. - Galley Overhead - 14.4" x 10.8" - w/o Hardware
5	P00099-88-B03	EA	Door Asm. - Galley Overhead - 7.8" x 21.85" - w/o Hardware
6	MC4168-01-B05	EA	Cabinet Asm. - Over Range - w/o Doors or Hardware
6	MC4168-03-B05	EA	Cabinet Asm. - Microwave - w/o Doors or Hardware
	081280-33-B05	EA	End Cap - Microwave Cabinet
7	P00099-55-B05	EA	Door Asm. - Galley Overhead - 21.8" x 13.4" - w/o Hardware
8	P00208-01-B05	EA	Cabinet Asm. - Overhead - w/o Doors or Hardware
9	P00099-40-B05	EA	Door Asm. - Galley Overhead - 11" x 21.9" - w/o Hardware
10	081280-35-B05	EA	End Cap - Galley Overhead Cabinet
11	098731-11-B05	EA	Countertop - Galley Cabinet
12	M98731-01-B05	EA	Cabinet Asm. - Galley - w/Countertop - w/o Doors or Hardware
13	P00099-13-B05	EA	Door Asm. - Galley Cabinet - 26.7" x 14.4" - w/o Hardware
14	P00099-87-B05	EA	Door Asm. - Galley Cabinet - 10" x 25" - w/o Hardware
15	P00099-14-B05	EA	Door Asm. - Galley Cabinet - 14.4" x 26.7" - w/o Hardware
16	099441-01-B05	EA	Cutting Board - Fullout
17	P00145-05-B05	EA	Drawer Asm. - Galley Cabinet
†17	P03397-50-B05	EA	Drawer Asm. - Galley Cabinet
18	P00099-74-B05	EA	Door Asm. - Furnace - 10" x 25.2" - w/o Hardware

† These parts are used from 3/31/91 on.

## GALLEY GROUP (CONTINUED)

### GALLEY APPLIANCES

Key	Part Number	U/M	Description
	088248-02-000	EA	Refrigerator - 2 Way (Norcold B76-EG2)
	084879-03-700	EA	Cooling Unit - Horizontal Burner
	064473-03-719	EA	Flue - Horizontal Burner
	088248-01-709	EA	Heater - AC (Horizontal)
	075217-01-737	EA	Control Module
	088248-01-701	EA	Insert - Control Panel (3 Way)
	084880-01-715	EA	Valve - Shut Off Manual
	084880-01-713	EA	Connector - Male Insert Fitting
	084880-01-705	EA	Orifice
	088248-01-706	EA	Burner (Horizontal)
	088248-01-708	EA	Electrode - Ignition
	088248-01-712	EA	Frame - Door - Lower
	075217-01-700	EA	Trim - Shelf - Upper Door
	064472-01-744	EA	Dairy Keeper
	064472-02-716	EA	Trim - Cabinet Top - Brown
	064472-01-727	EA	Hinge - Upper - Right
	046955-01-713	EA	Pin - Hinge
	088248-01-715	EA	Tray - Drip - Almond
	064472-03-700	EA	Pin - Hinge - Bottom
	064472-01-728	EA	Hinge - Lower - Right
	064472-01-731	EA	Cover - Crisper
	075217-01-713	EA	Drawer - Crisper
	064472-01-726	EA	Frame - Strip - Cabinet - Left
	088248-01-714	EA	Cabinet Asm. - Foamed - Almond
	064472-01-727	EA	Hinge - Upper - Right
	064472-01-728	EA	Hinge - Lower - Right
	088248-02-700	EA	PrC Board - 2 Way
	088248-02-701	EA	Insert - Control Panel - Lower
	100258-01-01A	EA	Hood Range - w/o Monitor Panel - (US)
	100258-02-01A	EA	Hood Range - w/o Monitor Panel - (CSA) (Option L265)
	100258-03-01A	EA	Hood Range - w/o Monitor Panel - (Used with generator options)
	092696-01-710	EA	Socket - Light
	092696-01-709	EA	Bulb - #912
	090973-01-700	EA	Motor
	090973-01-702	EA	Blade - Fan
	096983-01-707	EA	Filter - Grease - 8" x 8"
	100258-10-01A	EA	Hourmeter (CSA)
	096983-01-702	EA	Switch - 2 Way - Momentary
	096983-01-700	EA	Switch - On/Off
	096983-01-708	EA	Lens Lamp
	097618-01-000	EA	Wire Asm. - Monitor Panel

## 1991 WINNEBAGO TABLE OF CONTENTS

INTRODUCTION	A-01 - A-02
ABBREVIATIONS	A-03
ALPHABETICAL/GROUP REFERENCE	A-04 - A-06
WF327RT	A-07 - D-12
WF327RB	D-13 - G-08
WF327RQ	G-09 - J-12

## 1991 WF327RB INDEX

Floor Plan	D-13 - D-14
Accessories Group	D-15 - D-18
Bath Group	D-19 - D-20
Chassis Group	D-21 - D-24
Curtain, Cushion & Pad Group	E-01 - E-07
Dinette Group	E-08 - E-09
Driver's Compartment Group	E-10 - E-12
Electrical Group	E-13 - E-15
Exterior Body Group	E-16 - E-20
Galley Group	E-21 - E-24
Heating & Air Conditioning Group	F-01 - F-02
Interior Finish Group	F-03 - F-05
Labels Group	F-06 - F-14
LP Group	F-15
Lounge Group	F-16 - F-18
Sealants & Fasteners Group	F-19 - F-20
Water & Sewage Group	F-21 - F-22
Window, Vent & Exterior Door Group	F-23 - G-08

## GALLEY GROUP (CONTINUED)

### GALLEY APPLIANCES (CONTINUED)

Key	Part Number	U/M	Description
	091269-04-000	EA	Oven - Microwave - Magic Chef
	055282-04-000	EA	Range - 4 Burner w/Oven - Magic Chef
	055282-03-708	EA	Bumper - Main Top - Plastic Plug
	049045-01-742	EA	Burner Asm. - Oven
	064782-02-715	EA	Clip - Grate
	055282-03-702	EA	Knob - Thermostat
	081374-02-701	EA	Regulator - Pressure
	055282-03-700	EA	Thermostat
	049045-01-703	EA	Valve - Top - Burner
	064782-02-705	EA	Handle - Oven Door - Black
	049045-01-728	EA	Broiler Pan - w/o Insert
	098507-02-700	EA	Filter - Pilot
	098507-02-701	EA	Insert - Burner (Slotted Vent)
	064782-02-701	EA	Shield - Deflector Flue - Black
	049045-01-741	EA	Insert - Broiler Pan
	064782-02-710	EA	Bracket - Front Glass
	064782-02-712	EA	Grate - Top - Burner - Square Holes
	064782-02-714	EA	Fitting - Pipe Nipple - 1/8"
	098507-01-701	EA	Top - Main - Almond
	064782-02-708	EA	Valve - Mercury Control
	055282-04-700	EA	Panel - Oven Door - Almond
	098507-02-707	EA	Top - Main - Ebony
	063752-01-000	EA	Shroud Asm. - Range
	037617-01-01A	EA	Panel - Monitor - Almond
	097617-01-700	EA	Plate - Cover
	097617-01-701	EA	Switch - On/Off - Almond
	097617-01-702	EA	Switch - 1 Way - Almond
	097617-01-703	EA	Circuit Board
	097618-01-000	EA	Wire Asm. - Monitor Panel - w/4 Wires & Black Resistor
	102022-01-01A	EA	Range - 4 Burner - Magic Chef - BT16RA-4-49
	102022-01-02A	EA	Range - 4 Burner - Magic Chef - BT16RA-4Z
	102020-01-701	EA	Handle, Door
	102020-01-702	EA	Panel, Mainfold
	102022-01-700	EA	Panel, Door (Black) Spec 49 (BT16RA-4-49)
	055282-04-700	EA	Panel - Oven Door - Almond (BT16RA-4Z)
	102020-01-700	EA	Shelf - Oven
	055282-03-707	EA	Trim (Right)
	102022-01-707	EA	Trim (Right) Flat
	055282-03-705	EA	Trim (Left)
	102022-01-706	EA	Trim (Left) - Flat
	102020-01-708	EA	Burner Assembly (Oven)
	102020-01-709	EA	Bumper, Grate
	102020-01-711	EA	Grate, Top
	102020-01-712	EA	Knob - Burner Valve
	102020-01-713	EA	Knob - Thermostat
	102020-01-714	EA	Pilot - Oven
	102022-01-702	EA	Pipe - Manifold
	102022-01-703	EA	Regulator - Pressure
	102022-01-704	EA	Glass - Outer (BT16RA-4Z)
	102020-01-717	EA	Thermostat
	102020-01-718	EA	Top - Main (Almond)
	102020-01-720	EA	Valve - Mercury Control
	102020-01-721	EA	Valve - Shut Off
	102020-01-722	EA	Valve - Top Burner
	102020-01-724	EA	Bumper - Main Top

\* These parts are used from 3/11/91 on.

NOTE: Items indented below assemblies are serviceable parts for that assembly.

## GALLEY GROUP (CONTINUED)

### GALLEY HARDWARE

Key	Part Number	U/M	Description
	094745-01-01A	EA	Trim - Microwave - Lower
	094774-01-01A	EA	Trim - Microwave - Either Side - 5"
	094774-03-01A	EA	Trim - Microwave - Either Side - 1.5"
	082363-02-000	EA	Bracket - Microwave
	094750-01-000	EA	Bracket - Microwave - 90°
	098916-03-01A	EA	Brace - Microwave Cabinet - Left
	098916-04-01A	EA	Brace - Microwave Cabinet - Right
	084073-03-000	EA	Vent - Refrigerator - Roof - Off White
	084073-04-000	EA	Base - Roof Vent - No Cold Refrigerator - Black
	054450-01-000	EA	Level - Refrigerator
	084878-09-000	EA	Vent - Range Hood - Short
	066437-01-000	EA	Strainer - w/Basket - Sink
	066437-01-700	EA	Basket - Strainer
	011053-04-000	EA	Faucet - w/Swing Spout - 8"
	011053-01-700	EA	Aerator - Swing Spout Faucet
	091253-01-000	EA	Gasket - Faucet
	090329-01-000	FT	Seal - Refrigerator Cabinet
	098654-01-000	EA	Sink - Galley - Double w/Mounting Hardware - Stainless Steel
	081530-01-805	EA	Sink Cover
	037638-03-000	EA	Glide - Center (Drawer)
	100030-01-000	EA	Pull - Cabinet
	077409-02-000	EA	Slide - Plastic Drawer - 20.75"
	102827-03-000	EA	Rollers - Nylon
	102827-04-000	EA	Bracket - Rear Mounting
	102827-05-000	EA	Track - Drawer - 22.5"

## 1991 WINNEBAGO TABLE OF CONTENTS

INTRODUCTION	A-01 - A-02
ABBREVIATIONS	A-03
ALPHABETICAL/GROUP REFERENCE	A-04 - A-06
WF327RT	A-07 - D-12
WF327RB	D-13 - G-08
WF327RO	G-09 - J-12

## 1991 WF327RB INDEX

Floor Plan	D-13 - D-14
Accessories Group	D-15 - D-18
Bath Group	D-19 - D-20
Chassis Group	D-21 - D-24
Curtain, Cushion & Pad Group	E-01 - E-07
Dinette Group	E-08 - E-09
Driver's Compartment Group	E-10 - E-12
Electrical Group	E-13 - E-15
Exterior Body Group	E-16 - E-20
Galley Group	E-21 - E-24
Heating & Air Conditioning Group	F-01 - F-02
Interior Finish Group	F-03 - F-05
Labels Group	F-06 - F-14
I/P Group	F-15
Lounge Group	F-16 - F-18
Sealants & Fasteners Group	F-19 - F-20
Water & Sewage Group	F-21 - F-22
Window, Vent & Exterior Door Group	F-23 - G-08

## HEATING & AIR CONDITIONING GROUP

## HEATING & AIR CONDITIONING GROUP (CONTINUED)

### ROOF AIR CONDITIONER & PARTS

Key	Part Number	U/M	Description
	093764-01-000	EA	Ceiling Asm. - Air Conditioner - Cool Only (Option 29)
	042204-01-709	EA	Thermostat In - 64, Out - 58
	042205-01-702	EA	Thermostat In - 89, Out - 58
	073742-01-701	EA	Selector Switch (5 - Terminal)
	073742-01-702	EA	Decal - Cool Only
	073742-01-703	EA	Decal - Heat & Cool
	091605-01-708	EA	Limit Switch (Open 160, Close 110)
	091225-01-713	EA	Knob (2 Per Package)
	076303-01-707	EA	Filter - 6" x 14 3/4" x 1 1/2" (12 Per Package)
	091225-01-717	EA	Decal (Thermostat) Cool Only
	081606-01-712	EA	Ceiling Shroud (Ivory)
	093763-01-705	EA	Decal - Heat/Cool - Thermostat
	093763-01-706	EA	Heat Element
	093763-01-710	EA	Single Parts Package
	093763-01-01A	EA	Air Conditioner - 110 Volt - Roof Mount - 13,500 BTU - Off White (Option 29)
	093763-04-700	EA	Shroud - Roof A/C - w/o Logos
	093763-01-711	EA	Gasket - Package
	093763-01-712	EA	Fan Blade - Condenser
	093305-01-701	EA	Decal Package - Left & Right
	073742-02-704	EA	Run Capacitor (Compressor)
	091225-01-710	EA	Start Capacitor
	091225-01-709	EA	Start Relay
	076303-01-712	EA	Motor
	093763-01-702	EA	Overload
	093763-01-703	EA	Impeller - 7" Dia x 2.8" Wide
	093763-01-704	EA	Capacitor - Fan
	093763-01-707	EA	Evaporator Coil
	093763-01-708	EA	Condenser Coil
	093763-01-713	EA	Compressor - E Series
	102289-01-000	EA	Spring - Screw - Roof A/C Gasket
	094077-03-000	EA	Cover - Blank - Roof A/C - Ivory
	092441-01-000	EA	Ceiling Asm. - Air Conditioner - 220 Volt (European) (Option 29)
	092440-01-000	EA	Air Conditioner - 220 Volt - Roof Mount - 13,500 BTU (European) (Option 29)

NOTE: Items indented below assemblies are serviceable parts for that assembly.

### REAR HEATER (OPTION 53G)

Key	Part Number	U/M	Description
	064405-01-000	EA	Rear Heater Asm. - w/o Switch
	064405-01-700	EA	Heater Core
	064405-01-701	EA	Fan Blades
	064405-01-702	EA	Motor Asm.
	064404-01-000	EA	Switch - Off/Low/Medium/High - Heater
	062401-04-000	EA	Clamp - Hose - Wormgear
	007100-01-000	EA	Hose - Heater - 5/8 ID SAE
	083031-01-000	EA	Hose Formed
	076775-01-000	EA	Tee - Barb - 5/8" x 5/8" x 5/8"
	083610-01-000	EA	Clamp - Wire Dual - Unequal Diameters - .75" x 1.25"
	099195-01-000	FT	Duct - Heat Flexible - 4" ID
	023146-01-000	EA	Clamp - Screw Type - 4"
	069636-02-000	EA	Connector - Duct - 4" ID
	007109-01-000	EA	Heater Hose - 5/8" ID
	009200-01-000	EA	Furnace Tape - 1 1/2"
	050464-05-000	EA	Register - Plastic - w/o Damper - 4" Dia. - Golden
	059753-01-000	EA	Tube - Aluminumized Steel - 5/8" - 16 Gauge
	097987-01-000	EA	Switch - Off/Low/Medium/High - Heater
	064410-01-000	EA	Decal - Rear Auto Heater
	098076-01-000	EA	Decal - Auto Air & Rear Heater
	064374-01-000	EA	Bracket - Switch - Heater
	064374-02-000	EA	Bracket - Switch - Heater

NOTE: Items indented below assemblies are serviceable parts for that assembly.

### FURNACES & REPAIR PARTS

Key	Part Number	U/M	Description
	098668-02-000	EA	Furnace - 30,000 BTU - Suburban
	098668-02-700	EA	Burner Asm. - Complete
	098668-01-702	EA	Electrode
	069634-01-733	EA	Relay - Time Delay
	098668-01-709	EA	Motor Asm.
	098668-01-711	EA	Wheel - Room Air
	092300-02-702	EA	Microswitch Asm.
	098668-01-706	EA	Wheel - Combustion Air
	098668-01-707	EA	Vent Cap & Exhaust Tube Asm.
	098668-01-704	EA	Valve
	098668-01-701	EA	Cabinet Asm.
	098668-01-700	EA	Cabinet - Front
	098668-01-705	EA	Switch - Limit
	092300-02-701	EA	Orifice - Main Burner
	092300-01-704	EA	Gasket - Electrode
	098668-01-712	EA	Board Module
	075695-02-709	EA	Disc - Glass
	098668-01-710	EA	Blower Asm. (Room Air)
	098668-01-708	EA	Blower Asm. (Combustion Air)
	075695-02-703	EA	Collar - Duct
	093365-01-000	EA	Thermostat - Wall - Furnace

NOTE: Items indented below assemblies are serviceable parts for that assembly.

## 1991 WINNEBAGO TABLE OF CONTENTS

INTRODUCTION	A-01 - A-02
ABBREVIATIONS	A-03
ALPHABETICAL/GROUP REFERENCE	A-04 - A-06
WF327RT	A-07 - D-12
WF327RB	D-13 - G-08
WF327RO	G-09 - J-12

## 1991 WF327RB INDEX

Floor Plan	D-13 - D-14
Accessories Group	A-15 - D-18
Bath Group	D-19 - D-20
Chassis Group	D-21 - D-24
Curtain, Cushion & Pad Group	E-01 - E-07
Dinette Group	E-08 - E-09
Driver's Compartment Group	E-10 - E-12
Electrical Group	E-13 - E-15
Exterior Body Group	E-16 - E-20
Galley Group	E-21 - E-24
Heating & Air Conditioning Group	F-01 - F-02
Interior Finish Group	F-03 - F-05
Label's Group	F-06 - F-14
LP Group	F-15
Lounges Group	F-16 - F-18
Sealants & Fasteners Group	F-19 - F-20
Water & Sewage Group	F-21 - F-22
Window, Vent & Exterior Door Group	F-23 - G-08

**INTERIOR FINISH GROUP**

**INTERIOR MOLDINGS & TRIMS**

Key	Part Number	U/M	Description
	081294-02-000	EA	Molding - Shelf - Knotted Wood - 8' Long
	083620-01-000	FT	T-Molding - End Cap - Edge - 3/4" - Brown
	083620-07-000	FT	T-Molding - End Cap - Edge - 3/4" - Pecan
	029815-09-000	FT	T-Molding - .75" - Ivory
	009609-23-000	EA	Molding - Outside - Corner - 1" x 7" - Ivory
	009812-17-000	EA	Molding - Plastic Corner - Outside - 1/2" - Oak
	009812-25-000	EA	Molding - Plastic Corner - Outside - 1/2" - Pecan
	022992-11-000	FT	Molding - Reverse Cove T-Shaped - Vinyl - Ivory
	042357-17-000	EA	Molding - Outside Corner - 1 5" x 7" - Pecan
	009778-13-000	FT	U-Channel - 1" - Pecan
	009778-07-000	FT	U-Channel - 1" - Light Oak
	076504-20-000	FT	U-Channel - .815" - Oak
	009767-12-000	FT	Wetting - Antique White (Ceiling to Wall)
	092331-F2-134	EA	Molding - Vinyl Wrapped - 2 5" x 7'
	092330-03-000	EA	Lumber - Vinyl Wrapped - 2" x 8'
	092330-D2-438	EA	Lumber - Vinyl Wrapped - 1.5" x 6'
	0740-5-07-050	EA	Plug - Wood - 1/2"

**BATT STRIPS**

Key	Part Number	U/M	Description
	069733-70-000	EA	Batt Strip - Oak - 8'
	079653-04-000	EA	Batt Strip - Kerfed - Regal Oak
	085254-03-000	FT	Batt Strip - Oak - Tape Adhesive
	095284-03-700	FT	Batt Strip - Oak - Tape Adhesive - 3" x 25"
	088263-49-000	EA	Batt Strip - Decorative - Plain - 8' (Wall)
	085284-37-000	FT	Batt Strip - Decorative - Plain - Tape Adhesive (Wall)
	068263-47-000	EA	Batt Strip - Decorative w/Blossoms
	065284-36-000	FT	Batt Strip - Decorative w/Blossoms - Adhesive Back
	065284-38-000	FT	Batt Strip - Bone - 8' - Tape Adhesive (Wall)
	068263-51-000	EA	Batt Strip - Crosshik Spatter - Beige (Ceiling)
	068263-50-000	EA	Batt Strip - Shower - 8' - Off White

**PANELING & COUNTERTOP MATERIAL**

Key	Part Number	U/M	Description
	074497-10-000	SF	Paneling - Oak - 34" x 84" (28 SF) (Cabinets)
	074497-18-000	SF	Paneling - Crosshik - 48" x 96" (32 SF) (Ceiling)
	089351-03-000	YD	Vinyl - Ceiling Diamond Design - 54" Wide
	068272-71-000	SF	Paneling - Decorative - Plain - 48" x 84" (28 SF) (Wall)
	068272-59-000	SF	Paneling - Decorative - Patterned w/Blossoms - 48" x 84" (28 SF) (Wall)
	059272-72-000	SF	Paneling - Travertine White - 48" x 84" (28 SF) (Shower)
	074498-36-000	SF	Plastic Laminate - Rose - 48" x 96" (32 SF)
	076325-28-000	FT	Molding - Edge Band - Beige
	076325-30-000	FT	Molding - Edge Band - Rose

**INTERIOR FINISH GROUP (CONTINUED)**

**FABRICS & CARPETS**

Key	Part Number	U/M	Description
	072333-75-000	YD	Fabric - Drapery - Beige (Privacy)
	096008-41-000	YD	Fabric - Upholstery - Main - Patterned (B05)
	096008-49-000	YD	Fabric - Upholstery - Main - Patterned (B06)
	096008-40-000	YD	Fabric - Upholstery - Accent - Plain (B05)
	096008-47-000	YD	Fabric - Upholstery - Accent - Plain (B06)
	096008-35-000	YD	Fabric - Upholstery - Accent - Patterned (B05)
	096008-48-000	YD	Fabric - Upholstery - Accent - Patterned (B06)
	072333-67-000	YD	Fabric - Speaker Cover
	075244-02-000	YD	Vinyl - Shower Curtain - Beige
	075244-03-000	YD	Vinyl - Shower Curtain - Almond
	079680-07-000	YD	Vinyl - Beige
	079680-08-000	YD	Vinyl - Off White
	096060-15-000	YD	Carpet - Sand (B05)
	096060-16-000	YD	Carpet - Teal (B06)
	047034-02-000	SF	Plastic Runner - Carpet - 4' Wide - Clear
	078539-01-000	EA	Trim - Carpet - Cab - Passenger - 29" Long
	078539-02-000	EA	Trim - Carpet - Cab - Driver - 29" Long
	093873-01-02A	EA	Trim - "J" - 12" Long - Vinyl - T
	095746-01-000	FT	Trim - "J" - Carpet - PVC - Beige - 10' Long

\* These parts are used from 6/1/90 on.

NOTE Replace vinyl flooring locally.

**CURTAIN & CUSHION HARDWARE**

Key	Part Number	U/M	Description
	033801-01-000	EA	Track - Shower Curtain - Off White
	039701-01-000	EA	Carrier - Shower Curtain
	009702-01-000	EA	End - Stop - Curtain Carrier - Shower
	046657-01-000	EA	Grommet - Brass - 7/16" ID x 1" OD (Shower Curtain)
	009136-01-000	EA	Pin - Shower Curtain
	029092-01-000	EA	Stud - Nickel Finish
	029093-01-000	EA	Eyelet - Nickel Finish
	029155-01-000	EA	Cap - Snap
	029156-01-000	EA	Socket - Snap Fastener
	039916-01-000	EA	Mount - Window Leg - Black
	039522-04-000	EA	Panel - Window Leg - 2 5" Face - 31.5" Long
	091904-01-000	FT	Track - Curtain - Plastic - Beige
	101032-01-000	FT	Track - Curtain - Ceiling Mount - White (Valance)
	101033-01-000	FT	Track - Curtain - Low Profile - White
	101033-02-000	EA	End Cap - Track - Clear
	101031-01-000	EA	Tape - Glide - 4 25" Spacing
	095591-02-000	EA	Bracket - Blind - Hold Down w/Pin
	062239-02-000	EA	Brace - Window Valance - Beige
	075943-01-000	EA	Brace - Window Valance - Beige
	083170-01-000	EA	Bracket - Blind - Right
	083170-02-000	EA	Bracket - Blind - Left
	093475-01-700	EA	Wand - Blind w/Metal Clip - 8" Long
	093475-01-701	EA	End Cap - Blind w/Stud
	078155-01-000	EA	Strap - Back Cushion
	057534-01-000	EA	Tieback - 6" - Clear Plastic
	085774-01-000	FT	Fastener - Dual Hook - 1" Wide - Adhesive Back - Black
	085774-02-000	FT	Fastener - Dual Loop - 1" Wide - Adhesive Back - Black
	089792-02-000	YD	Velcro Tape - Adhesive Back - Loop - 3/4" Wide
	048394-02-000	YD	Velcro Tape - Adhesive Back - Hook - 3/4" Wide
	088792-03-000	YD	Velcro - Loop - 3/4"

\* These parts were used from 5/14/90 on.

**1991 WINNEBAGO  
TABLE OF CONTENTS**

INTRODUCTION	A-01 - A-02
ABBREVIATIONS	A-03
ALPHABETICAL/GROUP REFERENCE	A-04 - A-05
WF327RT	A-07 - D-12
WF327RB	D-13 - G-08
WF327RQ	G-09 - J-12

**1991 WF327RB INDEX**

Floor Plan	D-13 - D-14
Accessories Group	D-15 - D-18
Bain Group	D-19 - D-20
Chassis Group	D-21 - D-24
Curtain, Cushion & Pad Group	E-01 - E-07
Dinette Group	E-08 - E-09
Driver's Compartment Group	E-10 - E-12
Electrical Group	E-13 - E-15
Exterior Body Group	E-16 - E-20
Galley Group	E-21 - E-24
Heating & Air Conditioning Group	F-01 - F-02
Interior Finish Group	F-03 - F-05
Labels Group	F-05 - F-14
LP Group	F-15
Lounge Group	F-15 - F-18
Sealants & Fasteners Group	F-19 - F-20
Water & Sewage Group	F-21 - F-22
Window, Vent & Exterior Door Group	F-23 - G-08

**INTERIOR FINISH GROUP (CONTINUED)**

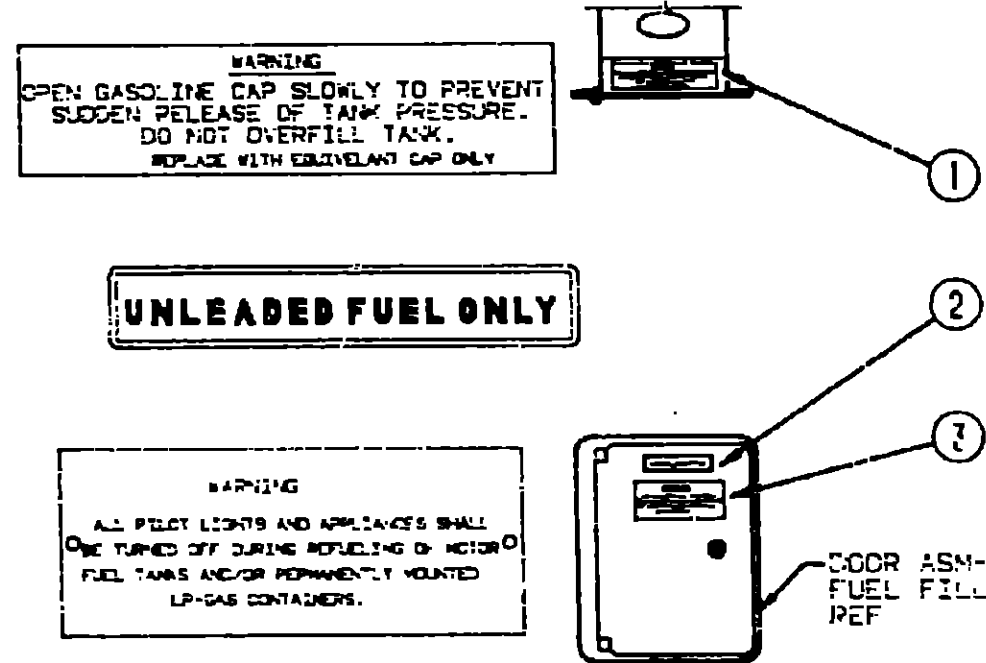
**CABINETS & TABLE HARDWARE**

Key	Part Number	U/M	Description
	053200-05-000	EA	Bracket - Table Support - Upper Wall Mount - 23.5" - Beige
	024275-05-000	EA	Rod - Table Lift - 8" x 23.5" - Beige
	064781-06-000	EA	Cup Holdr - Two Stage - Beige
	088410-01-000	EA	Bracket - Lift - Table Mounted - Beige
	024281-07-000	EA	Bracket - Lift - Rod - Lower Wall Mount - Beige
	024276-21-000	EA	Leg Asm. - Table - Beige
	049493-01-000	EA	Catch - Table Leg - Floor Mounted - Beige
	064050-03-000	EA	Clamp - Saddle - Leg Hinge - Tan
	024282-01-000	EA	Brace - Table Leg - Hinged
	024283-01-000	EA	Clip - Leg - 1" x 1.12" OD - Black
	059777-02-000	EA	Hinge - Antique Light Brass
	100030-01-000	EA	Pull - Cabinet Door
	098979-01-000	EA	Clip - Adjustable Shelf
	098980-04-000	EA	Pilaster - Adjustable Shelf
	074493-02-000	EA	Support - Sprung - Door
	004354-01-000	EA	Bumper - Cabinet Door - Rubber - Brown
	093586-03-000	EA	Catch - Spring - Roller
	093586-04-000	EA	Strike - Spring Steel
	072369-42-000	EA	Mesh - Expanded Aluminum - 18.3" x 7.5" - Bronze
	084070-01-000	EA	Center Post - Brass
	084070-02-000	EA	End Post - Brass
	084071-06-000	EA	Rod - Brass - 25"
	084071-05-000	EA	Rod - Brass - 15" (Pullout Table)
	080728-01-000	EA	Pull Handle - Table Top
	009059-01-000	EA	Hinge - Brass (Pullout Table)
	077409-02-000	EA	Slide - Drawer - Plastic - 20 7/8"
	077404-02-000	EA	Plastic Drawer - 20" x 12 7/8" - Beige
	047744-01-000	EA	Glide - Center Drawer
	094067-01-01A	EA	Divder - Plastic Drawer
	065740-01-000	EA	Brace - Cabinet Corner - Plastic
	088252-02-000	FT	Trim - Chrome - 1" Wide w/Pressure Sensitive Backing
	074045-07-000	EA	Wooden Plug - 1/2"
	079321-01-000	EA	Roller - Nylon w/Steel Shaft - Barbed
	037688-01-000	FT	Pad - Drawer Guide "V"
	037688-03-000	EA	Glide - Center Drawer
	037688-04-000	EA	Bracket - Rail Mounting - Front
	037688-05-000	EA	Bracket - Rail Mounting - Rear

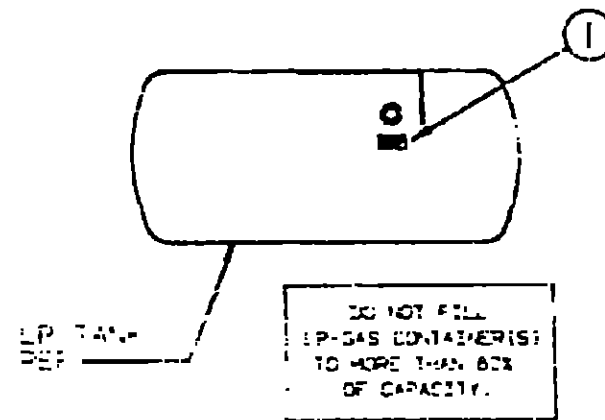
**MISCELLANEOUS PARTS**

Key	Part Number	U/M	Description
	050552-02-AA8	EA	Handle Asm - Interior Assist
	000D20-07-00B	EA	Nut - Acorn - Assist Handle - 7/16" x 14 Z11
	000C16-07-16B	EA	Bolt - Carriage - Assist Handle - 7/16" - 14 x 1" Z11
	069178-02-000	EA	Bracket - Mounting - Assist Handle
	094499-02-000	EA	Fire Extinguisher - Dry IA 10BC
	094499-01-000	EA	Fire Extinguisher w/Mounting Bracket - Dry IA 10BC
	094499-01-700	EA	Bracket - Mounting - w/Plastic Strap
	072852-01-000	EA	Smoke Detector w/9 Volt Battery
	054135-63-000	EA	Owners Manual - 1991 Warrior
	092318-01-000	EA	Binder - 3-Ring - Motor Home Manual
	092319-01-000	EA	Pocket Page - 3-Ring Binder - Plastic
	095084-05-000	EA	Cassette - Winnebago "Warrior"
	100503-01-01A	EA	Wall Clock - Round Bezel
	104764-01-01A	EA	Wall Clock - Spartus
	083219-01-000	EA	Floor Mat - w/"Winnebago" Logo - Passenger
	083219-02-000	EA	Floor Mat - w/"Winnebago" Logo - Driver
	007038-01-000	EA	Floor Mat - w/"Winnebago" Logo - 10 5/8" x 26" - Black Rubber

**LABELS GROUP**



Key	Part Number	U/M	Description
1	087207-05-000	EA	Label - Fuel Cap Removal
2	052043-01-000	EA	Label - Unleaded Fuel
3	005040-01-000	EA	Tag - Gas Refueling Warning
3	006040-02-000	EA	Tag - Gas Refueling Warning (CSA)



Key	Part Number	U/M	Description
1	079985-01-000	EA	Label - LPG - 80% Capacity

**MISCELLANEOUS LABELS**

Key	Part Number	U/M	Description
	005054-01-000	EA	Label - Seat - w/o Seat Belt
	091243-01-000	EA	Label - A/C Cover
	031224-02-000	EA	Label - Trailer Lighting

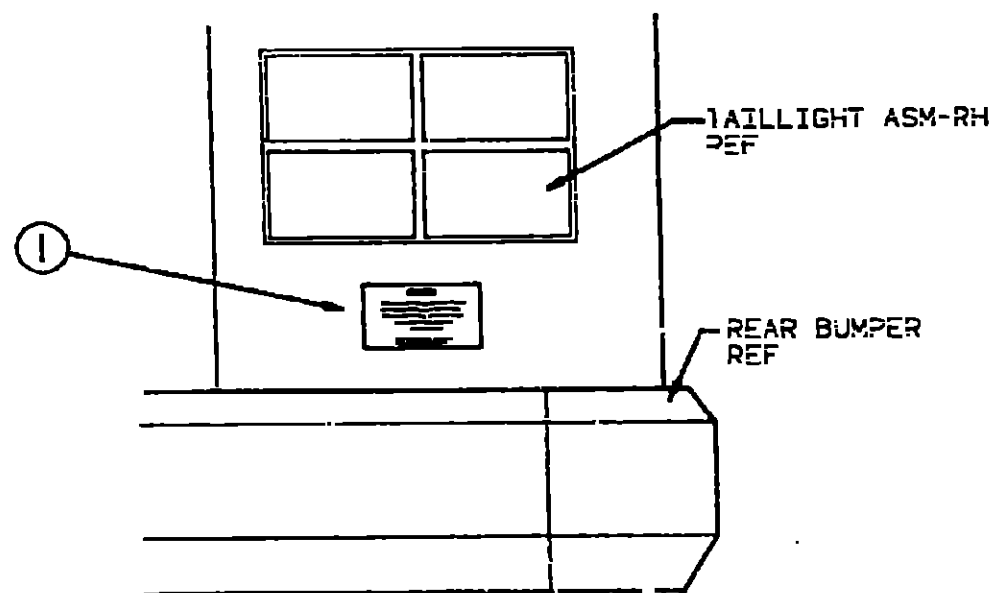
**1991 WINNEBAGO  
TABLE OF CONTENTS**

INTRODUCTION	A-01 - A-02
ABBREVIATIONS	A-03
ALPHABETICAL/GROUP REFERENCE	A-04 - A-06
WF327RT	A-07 - D-12
WF327RB	D-13 - G-08
WF327RQ	G-09 - J-12

**1991 WF327RB INDEX**

Floor Plan	D-13 - D-14
Accessories Group	D-15 - D-18
Bath Group	D-19 - D-20
Chassis Group	D-21 - D-24
Curtain, Cushion & Pad Group	E-01 - E-07
Dinette Group	E-08 - E-09
Driver's Compartment Group	E-10 - E-12
Electrical Group	E-13 - E-15
Exterior Body Group	E-16 - E-20
Galley Group	E-21 - E-24
Heating & Air Conditioning Group	F-01 - F-02
Interior Finish Group	F-03 - F-05
Labels Group	F-06 - F-14
LP Group	F-15
Lounge Group	F-16 - F-18
Sealants & Fasteners Group	F-19 - F-20
Water & Sewage Group	F-21 - F-22
Window, Vent & Exterior Door Group	F-23 - G-03

**LABELS GROUP (CONTINUED)**

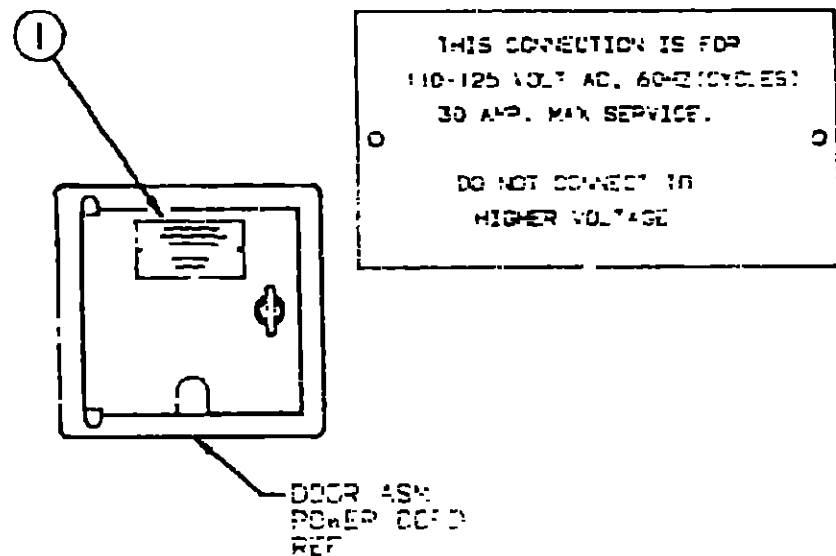


**WARNING**

DO NOT EXCEED THE VEHICLE WEIGHT RATINGS OR LOADING RECOMMENDATIONS (E.G. GROSS VEHICLE, GROSS AXLE, GROSS COMBINED) OF THE CHASSIS MANUFACTURER OR WINNEBAGO INC.

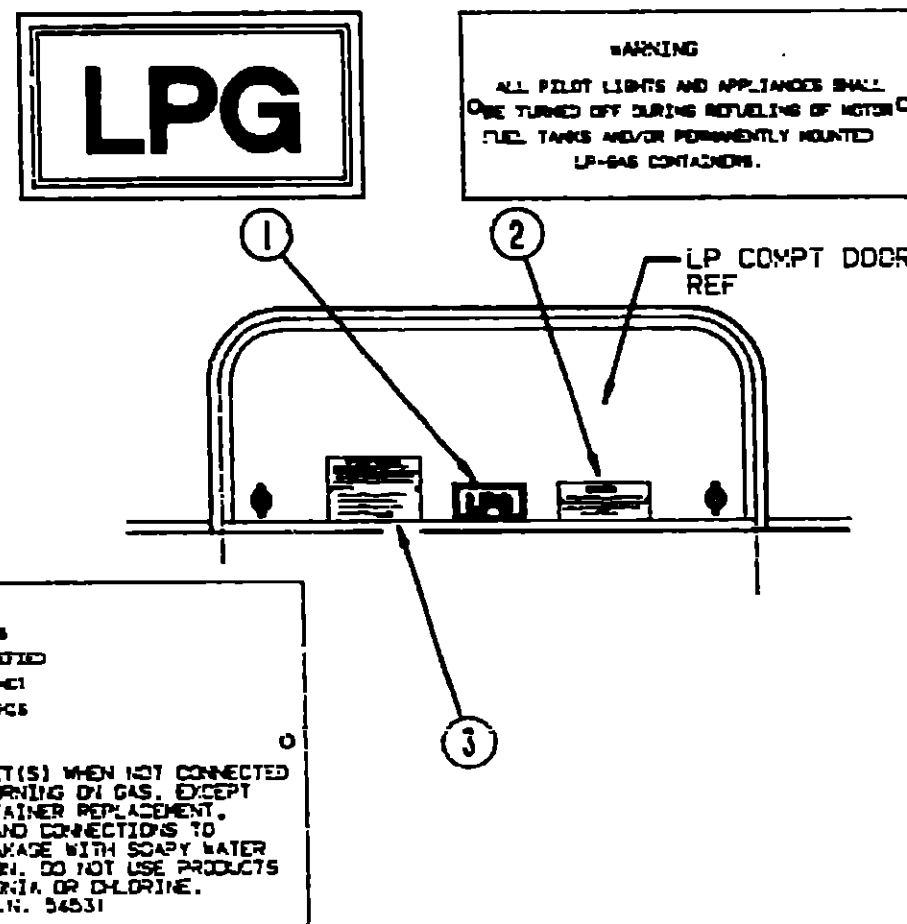
REFER TO YOUR OWNERS MANUAL, BEFORE LOADING OR TOWING.

Key	Part Number	U/M	Description
1	075220-01-000	EA	Label - Warning - Exterior Load

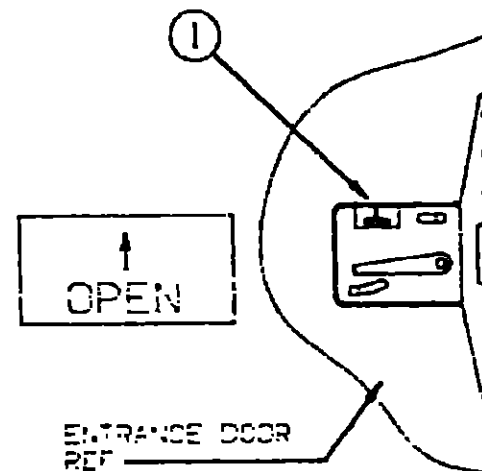


Key	Part Number	U/M	Description
1	006062-01-000	EA	Tag - Electrical - 110 Volt Connection

**LABELS GROUP (CONTINUED)**



Key	Part Number	U/M	Description
1	074559-01-000	EA	Label - "LPG" - 3.3" x 1.75" (California Code)
2	006040-01-000	EA	Tag - Gas Refueling Warning
2	006040-02-000	EA	Tag - Gas Refueling Warning (CSA)
3	054531-01-000	EA	Label - LP Gas Only



Key	Part Number	U/M	Description
1	040944-01-000	EA	Label - Open - Entrance Door

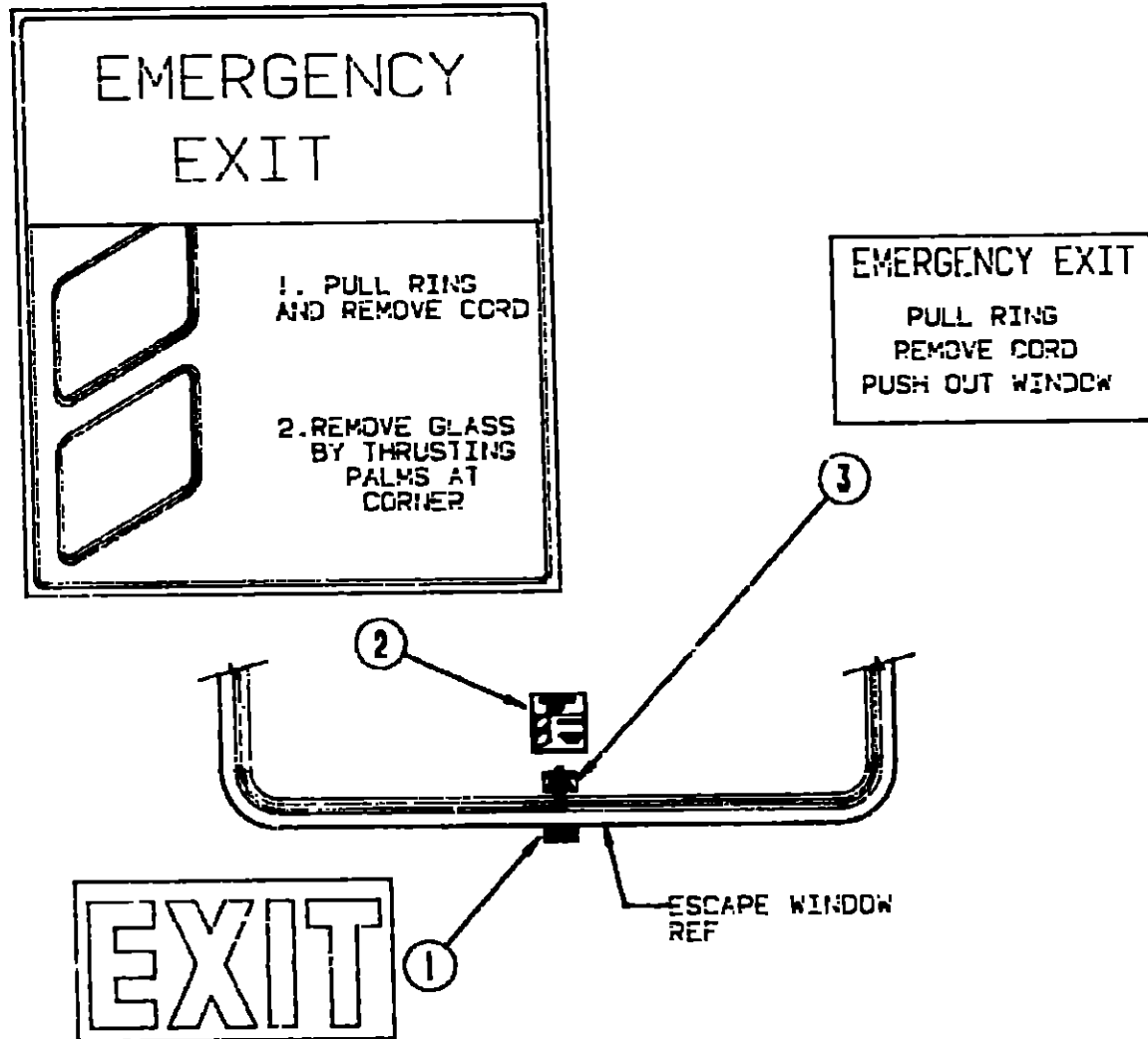
**1991 WINNEBAGO  
TABLE OF CONTENTS**

INTRODUCTION	A-01 - A-02
ABBREVIATIONS	A-03
ALPHABETICAL/GROUP REFERENCE	A-04 - A-06
WF327RT	A-07 - D-12
WF327RB	D-13 - G-08
WF327RQ	G-09 - J-12

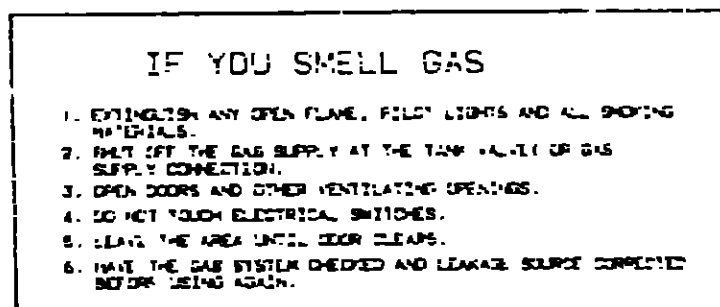
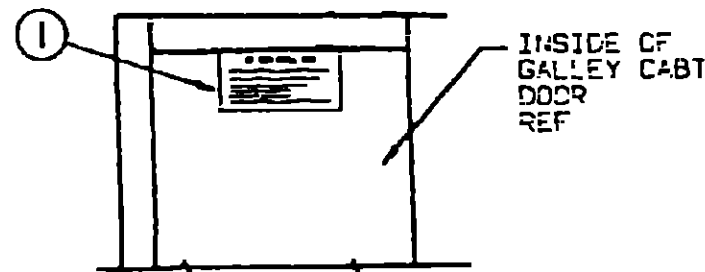
**1991 WF327RB INDEX**

Floor Plan	D-13 - D-14
Accessories Group	D-15 - D-18
Bath Group	D-19 - D-20
Chassis Group	D-21 - D-24
Curtain, Cushion & Pad Group	E-01 - E-07
Dinette Group	E-08 - E-09
Driver's Compartment Group	E-10 - E-12
Electrical Group	E-13 - E-15
Exterior Body Group	E-16 - E-20
Galley Group	E-21 - E-24
Heating & Air Conditioning Group	F-01 - F-02
Interior Finish Group	F-03 - F-05
Labels Group	F-06 - F-14
LP Group	F-15
Lounge Group	F-16 - F-18
Sealants & Fasteners Group	F-19 - F-20
Water & Sewage Group	F-21 - F-22
Window, Vent & Exterior Door Group	F-23 - G-08

**LABELS GROUP (CONTINUED)**

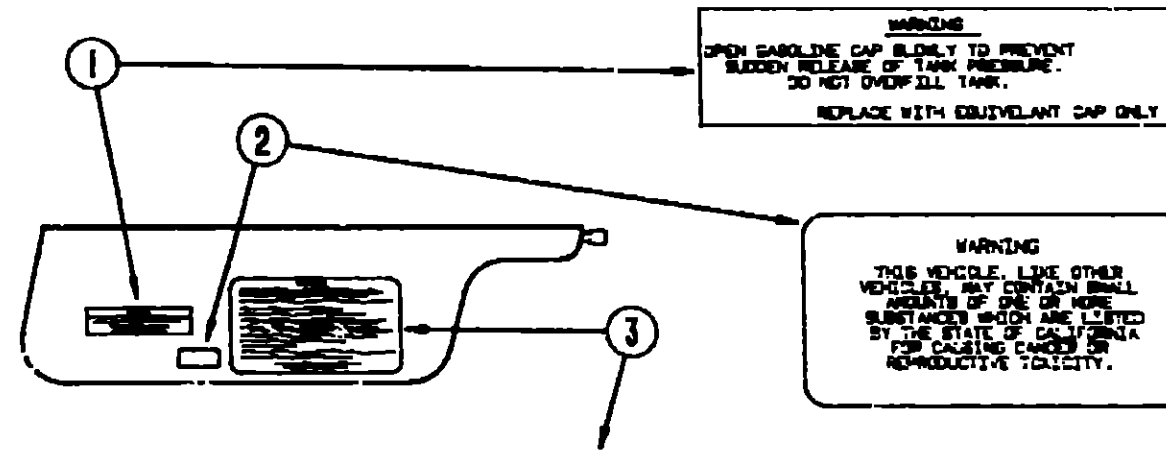


Key	Part Number	U/M	Description
1	039290-01-000	EA	Label - Warning - Exit
2	047731-01-000	EA	Label - Emergency Exit
3	005199-01-000	EA	Label - Exit - Escape Window

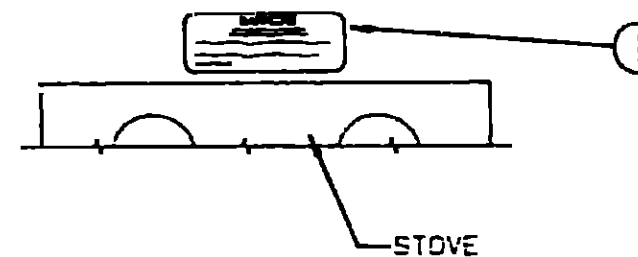
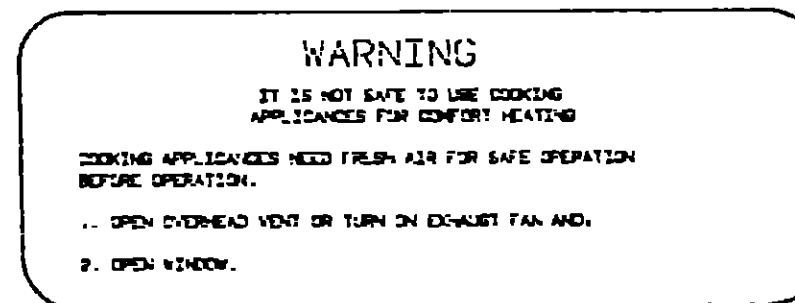


Key	Part Number	U/M	Description
1	073998-01-000	EA	Label - LPG - Odor Warning (US)
1	023769-01-000	EA	Label - LPG - Odor Warning (CSA)

**LABELS GROUP (CONTINUED)**



Key	Part Number	U/M	Description
1	087207-05-000	EA	Label - Fuel Cap Removal
2	099689-01-000	EA	Label - Warning - Cancer/Toxicity
3	056259-01-000	EA	Label - Safety Check List



Key	Part Number	U/M	Description
1	050225-01-000	EA	Label - Warning - Stove Vent

**1991 WINNEBAGO TABLE OF CONTENTS**

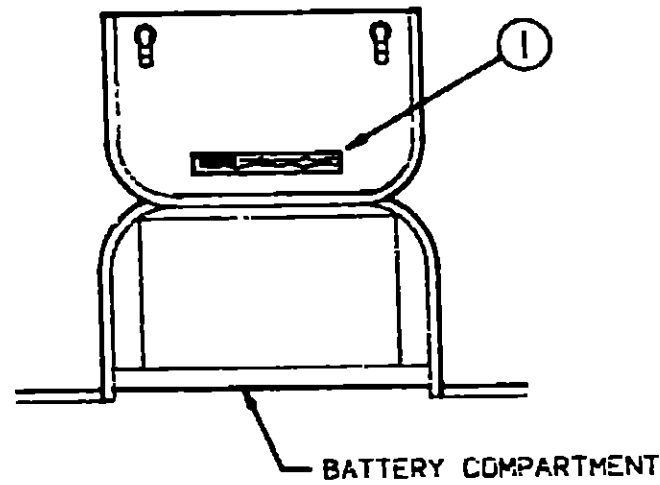
INTRODUCTION	A-01 - A-02
ABBREVIATIONS	A-03
ALPHABETICAL/GROUP REFERENCE	A-04 - A-06
WF327RT	A-07 - D-12
WF327RB	D-13 - G-08
WF327RQ	G-09 - J-12

**1991 WF327RB INDEX**

Floor Plan	D-13 - D-14
Accessories Group	A-15 - C-18
Bath Group	D-19 - D-20
Chassis Group	D-21 - D-24
Curtain, Cushion & Pad Group	E-01 - E-07
Dirette Group	E-08 - E-09
Driver's Compartment Group	E-10 - E-12
Electrical Group	E-13 - E-15
Exterior Body Group	E-16 - E-20
Galley Group	E-21 - E-24
Heating & Air Conditioning Group	F-01 - F-02
Interior Finish Group	F-03 - F-05
Labels Group	F-05 - F-14
LP Group	F-15
Lounge Group	F-16 - F-18
Sealants & Fasteners Group	F-19 - F-20
Water & Sewage Group	F-21 - F-22
Window, Vent & Exterior Door Group	F-23 - G-08

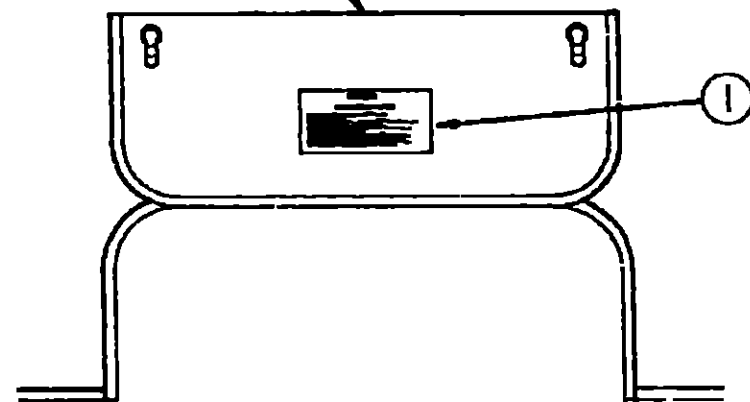
**LABELS GROUP (CONTINUED)**

**WARNING** DISCONNECT BATTERIES BEFORE CONNECTING EXTERNAL CHARGING EQUIPMENT.



Key	Part Number	U/M	Description
1	065748-01-000	EA	Label - Caution - Battery Charging

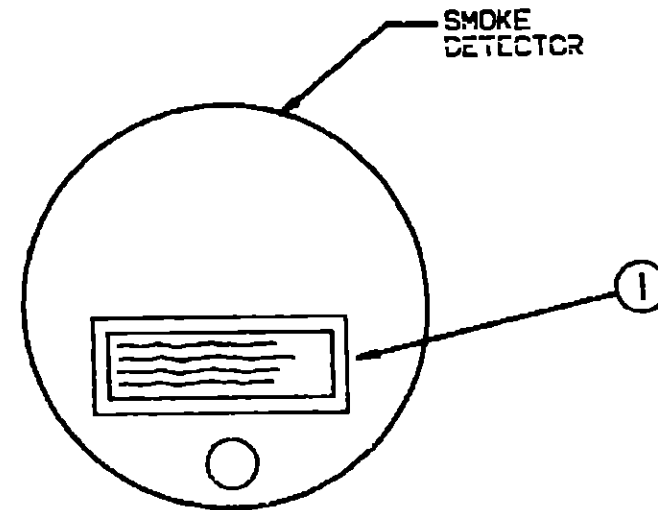
GENERATOR COMP  
DOOR REF



**WARNING**  
WHEN ADDING A GENERATOR SET:  
HIGH VOLTAGE—USE EXTREME CAUTION WHEN WORKING ON ELECTRICAL COMPONENTS.  
HAVE ALL ELECTRICAL INSTALLATION PERFORMED BY A QUALIFIED LICENSED ELECTRICIAN—FOLLOW ALL STATE AND LOCAL CODES.  
ONLY INSTALL GENERATOR SET APPROVED FOR R.V. APPLICATION. HAVE INSTALLED BY QUALIFIED TECHNICIAN.  
TO AVOID HEAT BUILD-UP AND TO GUARANTEE AN ADEQUATE AIR SUPPLY TO THE GENERATOR CARBURETOR, FOLLOW INSTALLATION INSTRUCTIONS.  
GENERATOR ENGINE EXHAUST GASES ARE TOXIC AND MUST NOT TERMINATE UNDER THE VEHICLE—DISCHARGE EXHAUST AWAY FROM VEHICLE.

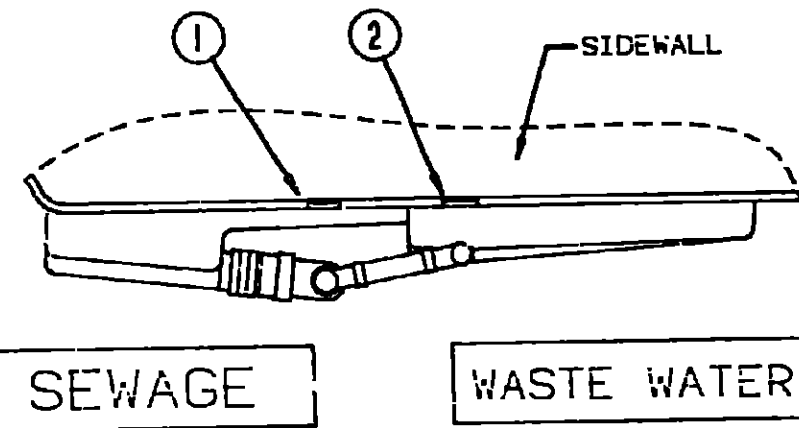
Key	Part Number	U/M	Description
1	077510-01-000	EA	Label - Generator Prep

**LABELS GROUP (CONTINUED)**



**WARNING:** TEST SMOKE DETECTOR OPERATION AFTER VEHICLE HAS BEEN IN STORAGE. BEFORE EACH TRIP AND AT LEAST ONCE PER WEEK DURING USE.

Key	Part Number	U/M	Description
1	077956-01-000	EA	Label - Warning - Smoke Detector



Key	Part Number	U/M	Description
1	006187-01-000	EA	Label - Sewage
2	006188-01-000	EA	Label - Waste Water

**1991 WINNEBAGO  
TABLE OF CONTENTS**

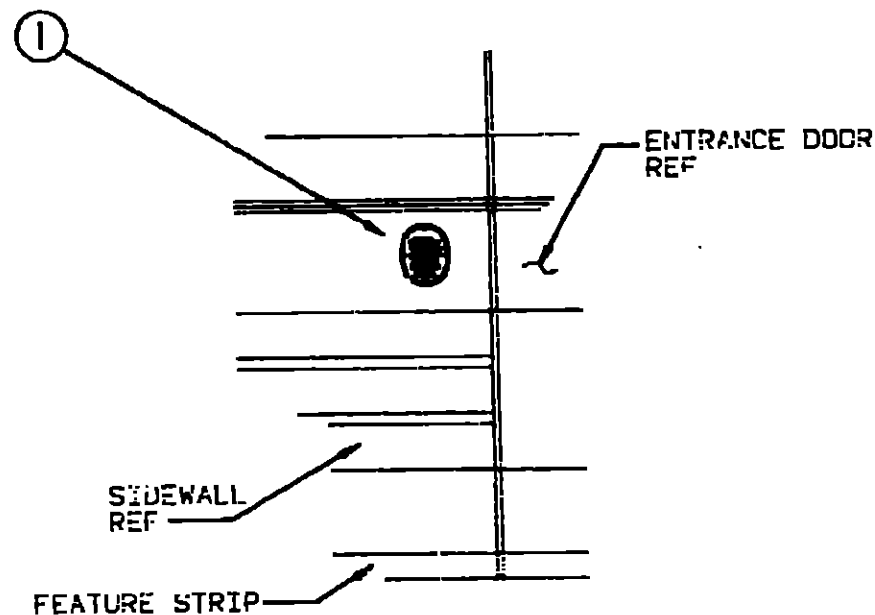
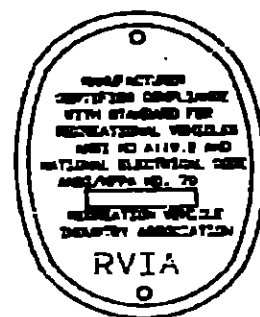
INTRODUCTION	A-01 - A-02
ABBREVIATIONS	A-03
ALPHABETICAL/GROUP REFERENCE	A-04 - A-06
WF327RT	A-07 - D-12
WF327RB	D-13 - G-08
WF327RQ	G-09 - J-12

**1991 WF327RB INDEX**

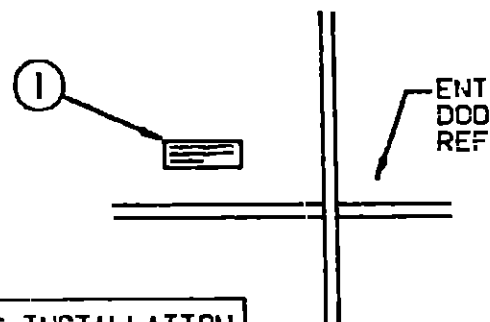
Floor Plan	D-13 - D-14
Accessories Group	A-15 - D-18
Bath Group	D-19 - D-20
Chassis Group	D-21 - D-24
Curtain, Cushion & Pad Group	E-01 - E-07
Dinette Group	E-08 - E-09
Driver's Compartment Group	E-10 - E-12
Electrical Group	E-13 - E-15
Exterior Body Group	E-16 - E-20
Galley Group	E-21 - E-24
Heating & Air Conditioning Group	F-01 - F-02
Interior Finish Group	F-03 - F-05
Labels Group	F-06 - F-14
LP Group	F-15
Lounge Group	F-16 - F-18
Sealants & Fasteners Group	F-19 - F-20
Water & Sewage Group	F-21 - F-22
Window, Vent & Exterior Door Group	F-23 - G-08



**LABELS GROUP (CONTINUED)**



Key	Part Number	U/M	Description
1	006019-01-000	EA	Tag - RVI Approved - Plastic

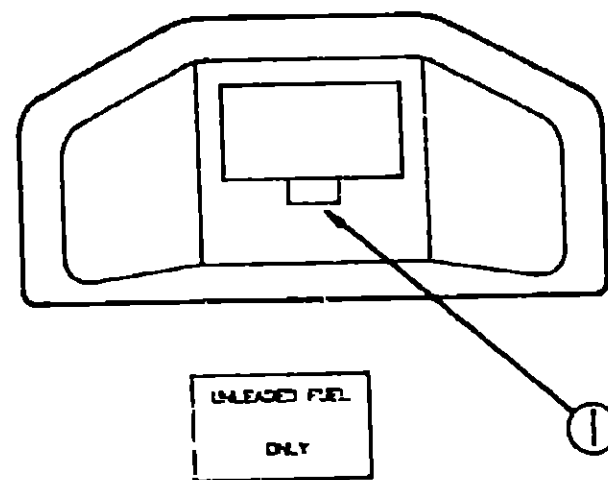


FOR AWNING INSTALLATION  
CONTACT YOUR MOTORHOME  
DEALERSHIP

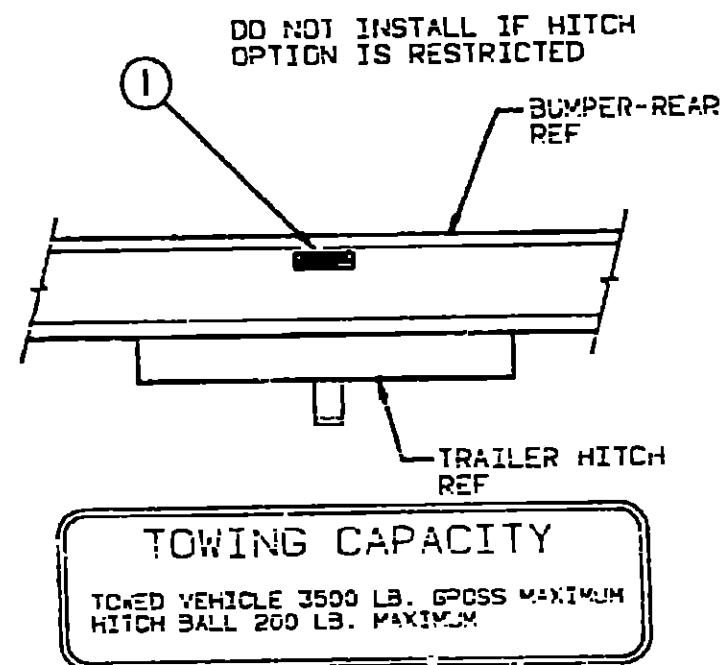
Key	Part Number	U/M	Description
1	099505-01-000	EA	Label - Awning Installation

**LABELS GROUP (CONTINUED)**

DASH I. P.



Key	Part Number	U/M	Description
1	098641-01-000	EA	Label - Unleaded Fuel (Dash)



Key	Part Number	U/M	Description
1	075221-01-000	EA	Label - Towing Capacity

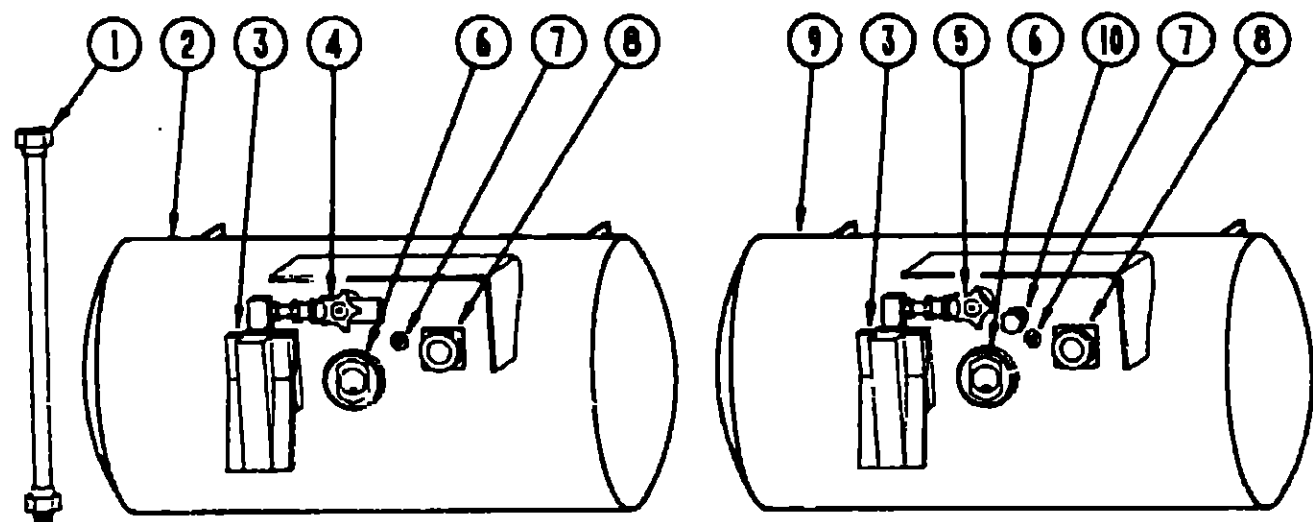
**1991 WINNEBAGO  
TABLE OF CONTENTS**

INTRODUCTION	A-01 - A-02
ABBREVIATIONS	A-03
ALPHABETICAL/GROUP REFERENCE	A-04 - A-06
WF327RT	A-07 - D-12
WF327RB	D-13 - G-08
WF327RQ	G-09 - J-12

**1991 WF327RB INDEX**

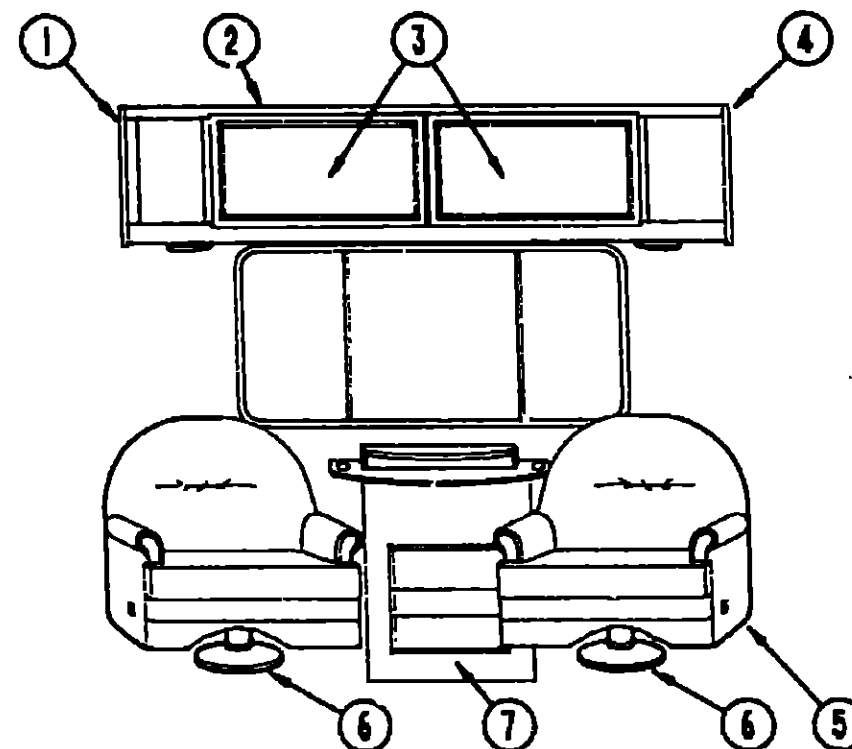
Floor Plan	D-13 - D-14
Accessories Group	A-15 - D-18
Bath Group	D-19 - D-20
Chassis Group	D-21 - D-24
Curtain, Cushion & Pad Group	E-01 - E-07
Dinette Group	E-08 - E-09
Driver's Compartment Group	E-10 - E-12
Electrical Group	E-13 - E-15
Exterior Body Group	E-16 - E-20
Galley Group	E-21 - E-24
Heating & Air Conditioning Group	F-01 - F-02
Interior Finish Group	F-03 - F-05
Labels Group	F-06 - F-14
LP Group	F-15
Lounge Group	F-16 - F-18
Sealants & Fasteners Group	F-19 - F-20
Water & Sewage Group	F-21 - F-22
Window, Vent & Exterior Door Group	F-23 - G-08

## LP GROUP



Key	Part Number	U/M	Description
1	045703-01-000	EA	Hose Asm. - LP - 3/8" ID x 24" (US)
1	045703-02-000	EA	Hose Asm. - LP - 3.8" ID x 24" (CSA)
2	074142-01-000	EA	Tank Asm. - LP - 80 Pound - 13" Dia. x 44"
3	081938-01-000	EA	Cover - LP Regulator
	076301-01-000	EA	Regulator - Two Stage
4	040421-01-703	EA	Service Valve - w/Vapor Relief (Used on Tank 074142-01-000)
5	040421-01-712	EA	Service Valve (Used on Tank 097821-01-000)
	040421-01-708	EA	Handwheel - Service Valve
6	040421-01-707	EA	Float Gauge - Threaded - Screw On (Used on Tank 097821-01-000)
6	074142-01-700	EA	Float Gauge - Bolt On (Used on Tank 074142-01-000)
	040440-02-000	EA	Dial - Visible Face - Float Gauge
7	040421-01-700	EA	Liquid Level Valve - 20% LP
8	040421-01-701	EA	Filler Valve - LP
8	040421-01-702	EA	Cap - Plastic - Filler Valve
8	040421-01-711	EA	Valve - 20% w/Float Plate, Bolts & Gasket
9	097821-01-000	EA	Tank Asm. - LP - 60 Pound - 14" Diameter x 30"
10	040421-01-713	EA	Pressure Relief Valve (Used on Tank 097821-01-000)
	065741-01-000	EA	Gauge - Diaphragm Pressure - Test Leak
	065318-02-000	EA	Elbow - 90° - 3/8" MPT x 3/8" FPT
	065742-01-000	EA	Tee - .38 F x .37 F x .25 FPT
	008042-01-000	FL	Tubing - Vinyl - .65" ID
	010377-01-000	EA	Nut - 3/8" F - Brass
	010380-02-000	EA	Nut - 1/2" F - Brass - Forged
	010377-02-000	EA	Nut - 3/8" F - Brass - Forged
	010323-01-000	EA	Adapter - Brass - 3/8" F x 1/2" MPT (Ford)
	016188-03-000	EA	Grommet - LP Line - 3/8" Hole x 2 1/2" Dia. - Rubber
	094884-01-000	EA	Brass - Plug - 3/8"

## LOUNGE GROUP



### SWIVEL CHAIRS CABINERY

Key	Part Number	U/M	Description
1	081280-18-B05	EA	End Cap - Overhead
2	P00207-01-B05	EA	Cabinet Asm. - Front Overhead - w/o Doors or Hardware
3	P00099-32-B05	EA	Door Asm. - Overhead Cabinet - w/o Hardware
4	081280-21-B05	EA	End Cap - Overhead
*5	096429-04-B05	EA	Swivel Chair
*5	096429-04-B06	EA	Swivel Chair
†	096429-06-B05	EA	Swivel Chair
†	096429-06-B06	EA	Swivel Chair
*6	088245-01-000	EA	Base - Swivel Chair w/Legs
**7	096928-04-B05	EA	Table Asm. - Pull Out
	007021-01-000	EA	Seat Belt - 2" x 90" - Black
	057759-01-000	EA	Washer Bracket - Seat Belt - 4" Dia.
			* See Curtain, Cushion & Pad Group for breakdown of this item.
			** See the following page for a breakdown of this item.
			† These parts were used from 6/11/90 on.

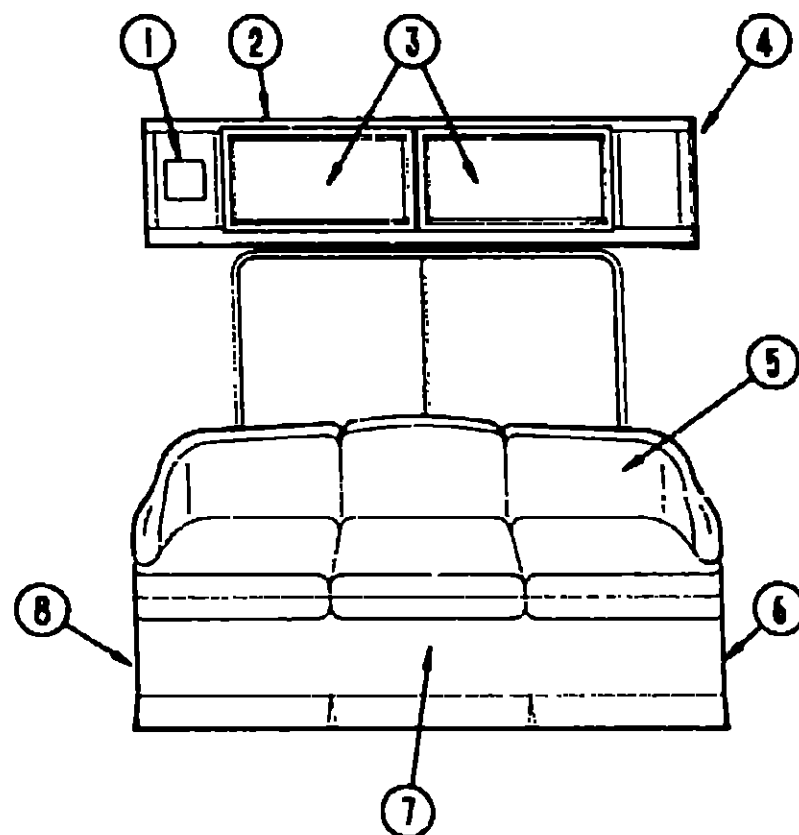
## 1991 WINNEBAGO TABLE OF CONTENTS

INTRODUCTION	A-01 - A-02
ABBREVIATIONS	A-03
ALPHABETICAL/GROUP REFERENCE	A-04 - A-06
WF327RT	A-07 - D-12
WF327RB	D-13 - G-08
WF327RQ	G-09 - J-12

## 1991 WF327RB INDEX

Floor Plan	D-13 - D-14
Accessories Group	A-15 - D-18
Bath Group	D-19 - D-20
Chassis Group	D-21 - D-24
Curtain, Cushion & Pad Group	E-01 - E-07
Dinette Group	E-08 - E-09
Driver's Compartment Group	E-10 - E-12
Electrical Group	E-13 - E-15
Exterior Body Group	E-16 - E-20
Galley Group	E-21 - E-24
Heating & Air Conditioning Group	F-01 - F-02
Interior Finish Group	F-03 - F-05
Labels Group	F-06 - F-14
LP Group	F-15
Lounge Group	F-16 - F-18
Sealants & Fasteners Group	F-19 - F-20
Water & Sewage Group	F-21 - F-22
Window, Vent & Exterior Door Group	F-23 - G-08

**LOUNGE GROUP (CONTINUED)**

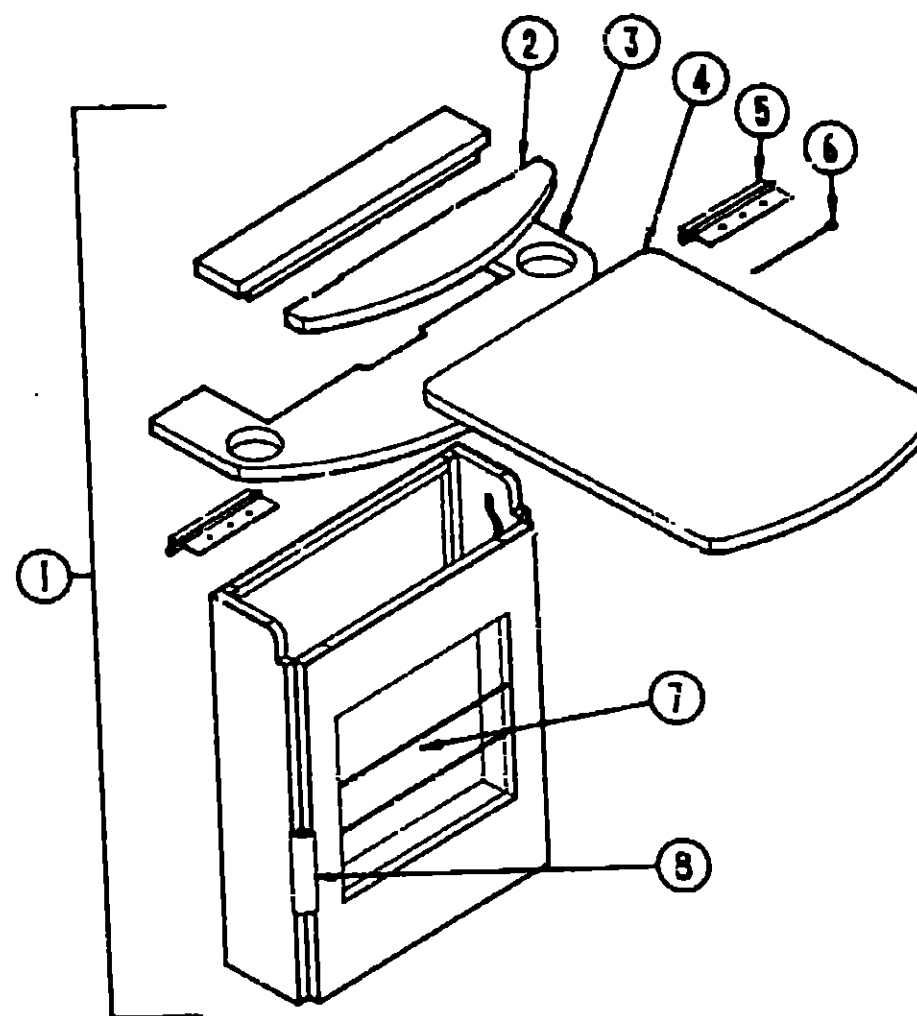


**LOUNGE CABINETRY & HARDWARE**

Key	Part Number	U/M	Description
1	089340-01-000	EA	Grille - Speaker - 6.5" Square - Tan
**1	089340-02-000	EA	Grille - Speaker - 6.5" Square - Brown
	094097-01-000	EA	Speaker - Radio w/o Grill - 5.25" Dia.
	J74979-01-000	EA	Shield - Speaker Back - Molded Plastic - Beige
2	P00206-02-B05	EA	Cabinet Asm. - Overhead - w/o Doors or Hardware
3	P00099-32-B05	EA	Door Asm. - Overhead Cabinet - w/o Hardware
4	081280-21-B05	EA	End Cap - Front Overhead
*5		EA	Bed Asm. - Presto
*5		EA	Bed Asm. - Presto
6	M04187-09-B05	EA	Cabinet Asm. - Couch/Presto Bed
6	M04187-09-B06	EA	Cabinet Asm. - Couch/Presto Bed
7	M04187-10-B05	EA	Cabinet Asm. - Couch/Presto Bed
7	M04187-10-B06	EA	Cabinet Asm. - Couch/Presto Bed
8	M04187-11-B05	EA	Cabinet Asm. - Couch/Presto Bed
8	M04187-11-B06	EA	Cabinet Asm. - Couch/Presto Bed

\* See Curtain, Cushion & Pad Group for the breakdown of this item.  
 \*\* These parts were used from 11/5/90 on.

**LOUNGE GROUP (CONTINUED)**



**PULLOUT TABLE & HARDWARE**

Key	Part Number	U/M	Description
1	096928-04-B05	EA	Table Asm. - Pullout Table - w/o Hardware
2	096928-13-B05	EA	Cover - Flip-Up - Pullout Table - w/o Hardware
3	096928-24-B05	EA	Top
	054781-06-000	EA	Cup Holder - Two Step - Off White
4	096928-11-B05	EA	Top - Table - Pullout
	080728-01-000	EA	Pull Handle - Table Top
5	009059-01-000	EA	Hinge - 2" - Brass
6	079921-01-000	EA	Roller - Nylon w/Shaft
7	097208-02-AB6	EA	Magazine Rack (not included in assembly)
	084071-05-000	EA	Rod - Brass - 15" Long
8	042357-17-000	EA	Corner Molding
	079769-01-000	EA	Support - Pullout Table - Beige
	081521-02-007	EA	Corner Molding - Aluminum (Plastic Trim Holder)

**1991 WINNEBAGO  
TABLE OF CONTENTS**

INTRODUCTION	A-01 - A-02
ABBREVIATIONS	A-03
ALPHABETICAL/GROUP REFERENCE	A-04 - A-06
WF327RT	A-07 - D-12
WF327RB	D-13 - G-08
WF327RO	G-09 - J-12

**1991 WF327RB INDEX**

Floor Plan	D-13 - D-14
Accessories Group	A-15 - D-18
Bath Group	D-19 - D-20
Chassis Group	D-21 - J-24
Curtain, Cushion & Pad Group	E-01 - E-07
Dinette Group	E-08 - E-09
Driver's Compartment Group	E-10 - E-12
Electrical Group	E-13 - E-15
Exterior Body Group	E-16 - E-20
Galley Group	E-21 - E-24
Heating & Air Conditioning Group	F-01 - F-02
Interior Finish Group	F-03 - F-05
Labels Group	F-06 - F-14
LP Group	F-15
Lounge Group	F-16 - F-18
Sealants & Fasteners Group	F-19 - F-20
Water & Sewage Group	F-21 - F-22
Window, Vent & Exterior Door Group	F-23 - G-08

# SEALANTS & FASTENERS GROUP

## SCREWS & FASTENERS

Key	Part Number	U/M	Description
	000C13-07-488	EA	Bolt - Hex - 7/16 - 20 x 3 - Zn 5
	000C26-05-20B	EA	Bolt - Hex - Ser Fig 5/16 - 18 x 1 1/4" - Zinc
	000D24-10-00B	EA	Nut - Hex - Locking - 10-32 - Zn
	000D39-05-00R	EA	Nut - Hex - Ser Fig Lk - 5/16 - 18 - Zn
	000D39-06-00B	EA	Nut - Hex - Ser Fig Lk - 3/8 - 16 - Zn
	000D39-08-00B	EA	Nut - Hex - Ser Fig Lk - 1/2 - 13 - Zn
	000D44-07-00B	EA	Nut - Hex - Ser Fig Lk - 7/16 - 20 - Zn
	000E13-11-00B	EA	Washer - Flat - 3/16" Wide - Zn
	000G11-06-10J	EA	Screw - 6 - 20 x 5/8 PPH - Brass
	000G11-07-08B	EA	Screw - 7 - 19 x 1/2 PPH - Zn
	000G11-08-06B	EA	Screw - 8 - 18 x 3/8 PPH - Zn
	000G11-08-12B	EA	Screw - 8 - 18 x 3/4 PPH - Zn
	000G11-08-12D	EA	Screw - 8 - 18 x 3/4 PPH - Black
	000G11-08-12P	EA	Screw - 8 - 18 x .75 - Dark Brown
	000G11-08-12R	EA	Screw - 8 - 18 x .75 PPH - Beige
	000G11-08-12S	EA	Screw - 8 - 18 x .75 PPH - Off White
	000G11-08-16S	EA	Screw - 8 - 18 x 1.00 PPH - Off White
	000G11-10-12D	EA	Screw - 10 - 16 x 3/4 PPH - Black
	000G11-10-24P	EA	Screw - 10 - 16 x 1 1/2 PPH - Dark Brown
	000G12-08-12S	EA	Screw - 8 - 18 x .75 POH - Off White
	000G12-08-16S	EA	Screw - 8 - 18 x 1" POH - Off White
	000G13-06-08B	EA	Screw - 5 - 20 x 1/2 PFH - Zn
	000G13-06-10G	EA	Screw - 6 - 20 x 5/8 PFH - Antique Brass
	000G13-07-12B	EA	Screw - 7 - 19 x 3/4 PFH - Zn
	000G13-08-16B	EA	Screw - 8 - 18 x 1 PFH - Zn
	000G18-08-12B	EA	Screw - Machine - 8 - 32 x 3/4" PPH - Zn
	000G18-08-16B	EA	Screw - Machine - 8 - 32 x 1 PPH - Zn
	000G18-08-22B	EA	Screw - Machine - 8 - 32 x 1 3/8 PPH - Zn
	000G39-08-08E	EA	Screw - SF/DR 8 - 18 x 1/2 PPH - Zn
	000G39-08-08R	EA	Screw - SF/DR 8 - 18 x 1/2 PPH - Beige
	000G39-08-12B	EA	Screw - SF/DR 8 - 18 x 3/4 PPH - Zn
	000G39-08-12R	EA	Screw - SF/DR 8 - 18 x 3/4 PPH - Beige
	000G39-08-16S	EA	Screw - SF/DR 8 - 18 x 1.00 PPH - Off White
	000G39-08-24R	EA	Screw - SF/DR 8 - 18 x 1 1/2 PPH - Zn
	000G39-08-24S	EA	Screw - SF/DR 8 - 18 x 1.50 PPH - Off White
	000G39-10-10S	EA	Screw - SF/DR 10 - 16 x .62" PPH - Off White
	000G39-10-12D	EA	Screw - SF/DR 10 - 16 x 3/4 PPH - Black
	000G39-10-20B	EA	Screw - SF/DR 10 - 16 x 1 1/4 PPH - Zn
	000G42-04-16B	EA	Screw - SF/DR 1/4 - 14 x 1 HWH - Zn
	000G53-04-06B	EA	Screw - Machine - 1/4 - 20 x 3/8 PPH - Zn
	000G54-04-20B	EA	Screw - 1/4 - 20 x 1 1/4 PTH Typ 23 - Zn
	000G67-10-00B	EA	Screw - 10 - 12 x 1/2 PPH - Zn
	000G67-10-03R	EA	Screw - 10 - 12 x 1/2 PPH - Beige - Type A
	000G67-10-10B	EA	Screw - 10 - 12 x 5/8 PPH - Zn - Type A
	000G67-10-10R	EA	Screw - 10 - 12 x 5/8 PPH - Beige - Type A
	000G67-10-12B	EA	Screw - 10 - 12 x 3/4 PPH - Zn
	000G67-10-12P	EA	Screw - 10 - 12 x .75 PPH - Dark BrLwn
	000G67-10-12D	EA	Screw - 10 - 12 x .75 PPH - Tan
	000G67-10-24B	EA	Screw - 10 - 12 x 1 1/2 PPH - Zn
	000G67-10-32B	EA	Screw - 10 - 12 x 2 PPH - Zn
	000G68-06-10G	EA	Screw - 6 - 18 x 5/8 POH - Antique Brass
	000H16-04-06R	EA	Rivet - Pop - AL 1/8 x 3/16 - 375
	0050B1-01-000	EA	Nut - Speed - C Type - No. 8 Screw
	052401-02-000	EA	Clamp - Hose - Wormgear - 1 5/8" - 2.5"
	052401-06-000	EA	Clamp - Hose - Wormgear - 22" x .62"
	007161-01-000	EA	Clamp - Hose - Spring Type - 1/2"
	008343-01-000	EA	Tie - Wire - 5"
	008386-01-000	EA	Grommet - Snap - 3/8

# SEALANTS & FASTENERS GROUP (CONTINUED)

## SCREWS & FASTENERS (CONTINUED)

Key	Part Number	U/M	Description
	008401-01-000	EA	Strap - Conduit - 3/4" - 1 Hole - Galvanized Steel
	010495-01-000	EA	Clamp - Cable - 9/16"
	010497-01-000	EA	Clamp - Closed - 5/8" ID
	010497-03-000	EA	Clamp - Closed - 1 ID - Cushioned
	010499-01-000	EA	Clamp - Closed - 3/8" ID
	016604-01-000	EA	Brace - Cabinet - Angled Metal - 2.5"
	083609-01-000	EA	Clamp - Wire Dual - Equal 5/8" Dia.
	084884-01-000	EA	Plug - Brass - 3/8"
	087721-01-000	EA	Screw - Flat Head - Tapping - 1/4 x 1 1/4 LG - Zn
	089371-01-000	EA	Screw - Machine - 8 - 32 x 3 5/16 - Zn
	075148-02-000	EA	Clamp - Grounding - Bronze Screws
	075908-01-000	EA	Screw - Machine - 10 - 32 x .56 PTH - Zn
	049465-04-000	EA	Screw - 10 - 16 x 1 PTH w/Washer - Beige
	076790-01-000	EA	Screw - 6 - 20 x 1 1/4 PPH - Black
	063729-04-000	EA	Rivet - 10 - 32 UNF - .010 - .080

## SEALANTS & ADHESIVES

Key	Part Number	U/M	Description
	004020-01-000	QT	Adhesive - ABS Cement (Plastic Fittings)
	004005-02-000	GL	Adhesive - Swifts - Glue (Sidewalls)
	053766-07-000	EA	Bedding Compound - Tube - Beige (Exterior)
	053766-06-000	EA	Bedding Compound - Tube - Clear (Window)
	053766-08-000	EA	Bedding Compound - Tube - Gray (Exterior)
	102352-01-000	EA	Bedding Compound - Tube - Black (Luggage Compartment)
	053766-02-000	EA	Bedding Compound - Tube - Off White (Exterior)
	002328-02-000	EA	Block - Rubber Spacer (Windshield)
	077967-01-000	EA	Sealant - Acrylic Latex - Tube - Off White (Interior Sealant)
	034552-04-000	EA	Sealant - Silicone - Beige
	034552-02-000	EA	Sealant - Silicone - Clear
	034552-07-000	EA	Sealant - Silicone - Dark Gray
	034552-06-000	EA	Sealant - Silicone - Off White
	039518-01-000	EA	Sealant - Silicone - Black
	069640-01-000	FT	Sealer Ribbon - .25" Bead x 20'
	069640-02-000	FT	Sealer Ribbon - .5" x .125" x 30'
	069640-03-000	FT	Sealer Ribbon - .75" x .125" x 30'
	069640-09-000	FT	Sealer Ribbon - 1/32" x 2.5" x 30'
	069640-06-000	FT	Sealer Ribbon - 5/16" Bead x 15'
	069640-07-000	FT	Sealer Ribbon - 2" x 3/32" x 30'
	069640-10-000	FT	Sealer Ribbon - 1/32" x 1.5" x 100'
	002707-02-000	FT	Sealer Tape - 5/16" x 1/2"
	074497-14-700	EA	Sealer - Stain (Ceiling)
	102353-01-700	EA	Seam Sealer - Tube - Gray (Roof Seams)
	094401-01-000	EA	Seam Sealer - Tube - Clear (Cap to Sidewall)
	063642-01-000	FT	Tape - Adhesive - 10mm x 1 5" Wide
	038885-01-000	EA	Tape - Butyl - .31" x .31" x 148" (Windshield)
	076322-01-000	FT	Tape - Foam - Double Coated - 025 x .75 x 72' (Fiberglass Sidewall Seams)
	076322-02-000	FT	Tape - Foam - Double Coated - 045 x 1" (Fiberglass Sidewall Seams)
	100028-01-000	FT	Tape - Foam - Double Coated - 031 x 75 x 72' (Non-Structural Fastening)
	009200-01-000	EA	Tape - Furnace - 1.5"
	002825-01-000	FT	Weather Stripping (Roof Vent)
	081377-01-700	EA	Adhesive - Cyanoacrylate - 10GM

## 1991 WINNEBAGO TABLE OF CONTENTS

INTRODUCTION	A-01 - A-02
ABBREVIATIONS	A-03
ALPHABETICAL/GROUP REFERENCE	A-04 - A-05
WF327RT	A-07 - D-12
WF327RB	D-13 - G-08
WF327RQ	G-09 - J-12

## 1991 WF327RB INDEX

Floor Plan	D-13 - D-14
Accessories Group	A-15 - D-13
Bath Group	D-19 - D-20
Chassis Group	D-21 - D-24
Curtain, Cushion & Pad Group	E-01 - E-07
Dinette Group	E-08 - E-09
Driver's Compartment Group	E-10 - E-12
Electrical Group	E-13 - E-15
Exterior Body Group	E-16 - E-20
Galley Group	E-21 - E-24
Heating & Air Conditioning Group	F-01 - F-02
Interior Finish Group	F-03 - F-05
Labels Group	F-06 - F-14
LP Group	F-15
Lounge Group	F-16 - F-18
Sealants & Fasteners Group	F-19 - F-20
Water & Sewage Group	F-21 - F-22
Window, Vent & Exterior Door Group	F-23 - G-08

# WATER & SEWAGE GROUP

## DRAINAGE SYSTEM

Key	Part Number	U/M	Description
	062422-01-000	EA	Adapter - Offset Reducer - 3" x 1 1/2"
	062416-01-000	EA	Adapter - Sewer Hose to 3" Pipe
	033302-02-000	EA	Adapter Asm. - Strainer - 1 1/2" (CSA)
	010121-01-000	EA	Bushing - Plastic - Red - 1 1/2 S x 1 1/4 H
	011091-02-000	EA	Continuous Waste - Double Sink - 11 7/8"
	078406-01-000	EA	Coupler - Rubber - 3" x 3"
	019006-01-000	EA	Elbow - Plastic - 1/8 BD x 1 1/2 x 45° H x H
	010008-01-000	EA	Elbow - Plastic - 1/4 BD x 1 1/2 x 90° - Left
	010061-01-000	EA	Elbow - Plastic - 1/8 BD x 3 x 45 S x H
	037101-02-000	EA	Elbow - Plastic - 1/4" Bend Vent - 1 1/2" Hub (CSA)
	075240-06-000	EA	Faucet - Lavatory - Bone
	011053-04-000	EA	Faucet - Swing Spout - 8" - Galley
	091253-01-000	EA	Gasket - Faucet
	061607-01-000	EA	Grommet - Holding Tank Coupler - 1 1/2"
	061607-02-000	EA	Grommet - Holding Tank Coupler - 3"
	011066-03-000	EA	P-Trap - 1 1/4" - Plastic (US)
	011066-02-000	EA	P-Trap - 1 1/4" - Plastic (CSA) (Lavatory/Showur)
	053335-01-000	EA	P-Trap - 1 1/4" - Plastic w/Union (CSA) (Galley)
	083558-03-000	EA	Roof Vent - Covered - Vent Pipe - Oil White
	062415-01-000	EA	Sewer Cap - 3"
	062415-01-700	EA	String - Sewer Cap
	010201-01-000	EA	Sewer Hose - 3" ID x 20'
	011048-02-000	EA	Shower Head w/60" Hose (US)
	011048-05-000	EA	Shower Head w/60" Hose (CSA)
	M02630-13-AA3	EA	Shower Pan Asm.
	096927-01-01A	EA	Sink - Lavatory - Rectangular Plastic - Bone
	096927-01-700	EA	Sink - Stopper
	096927-01-701	EA	Tailpiece - Sink
	098654-01-000	EA	Sink - Double - w/Mounting Hardware - Stainless Steel
	102551-01-000	EA	Sink - Double - w/Mounting Hardware - Stainless Steel
	066436-01-000	EA	Slip Nut - 1.5 - Tailpiece
	066729-01-000	EA	Strainer - Shower Drain
	056437-01-000	EA	Strainer - Sink - Galley
	066437-01-700	EA	Basket - Strainer - Galley Sink
	011069-02-000	EA	Tailpiece - 1 1/2 x 1 1/4 x 4" - Brass
	083041-01-000	EA	Tank - Holding - 30 Gal - 14.5" x 51 9" (Waste Water)
	075298-01-000	EA	Tank - Holding - 37 Gal - 13 3" x 35" x 27" (Sewage)
	010079-01-000	EA	Tee - Plastic - 1 1/2" H x 1 1/2" H x 1 1/4" H
	010071-01-000	EA	Tee - Plastic - 1 1/2" H x H x H
	024676-01-000	EA	Toilet Closet Flange - 4" x 3" - Red (US)
	024676-02-000	EA	Toilet Closet Flange - 4" x 3" - Red (CSA)
	067487-01-000	EA	Toilet - Ivory - Aqua Magic
	067487-01-700	EA	C.L.F.L Seal & Bolt Package
	067487-01-701	EA	Water Saver Pkg
	067487-01-702	EA	Clamp
	063740-01-710	EA	Link
	063740-01-711	EA	Spring - Return Lever
	063740-01-716	EA	Seat and Cover Asm.
	063740-01-700	EA	Lever - Water
	063740-01-701	EA	Lever - Flush
	063740-01-717	EA	Flush Tube
	063740-01-713	EA	Seal - Ball - Valve to Bowl
	063740-01-714	EA	Valve Asm. - Water
	063740-01-707	EA	Seal - Closet Flange
	063740-01-706	EA	Bolt Package - Closet
	070916-01-000	EA	Valve - Dual - 3" x 1.5"
	070916-01-700	EA	Valve - Only - 3"
	070916-01-701	EA	Valve - Only - 1 1/2"
	079359-01-000	EA	Vent - Mechanical Trap Arm
	069735-01-000	EA	Washer - Tailpiece - 1.5 - Plastic

NOTE: Items indented below assemblies are serviceable parts for that assembly.

\* These parts were used from 12/15/90 on.

# WATER & SEWAGE GROUP (CONTINUED)

## WATER LINES & HARDWARE

Key	Part Number	U/M	Description
	044927-01-000	EA	Adapter - Plastic - 1 1/4" MPT x 1 1/4" Bar (Water Tank)
	079317-01-000	EA	Adapter - Swivel - .5 Tube x .5 FPT
	052954-01-000	EA	Adapter - Nose Cone - 3/8" or 1/2" - Plastic
	036522-02-000	EA	Cap - Brass - 1/2" Flare
	065120-01-000	EA	Elbow - Plastic - Swivel - 1/2" FPT x 1/2" Flare - Gray
	035539-01-000	EA	Elbow - Plastic - 3/8" MPT x 3.8" Barb
	077954-02-000	EA	Filter/Screen (In Water Tank)
	052932-01-000	EA	Nut - Plastic - 1/2" F
	052953-01-000	EA	Nut - Faucet - 1/2" Tube x 1/2" FPT
	049032-01-000	EA	Patch - Spinweld - Plastic - 3/8"
	088475-01-000	EA	Pin - Connector
	098607-01-000	EA	Pump - Water - 2.8 GPM - Direct Flow (US)
	098607-02-000	EA	Pump - Water - 2.8 GPM - Direct Flow (CSA)
	098607-01-707	EA	Motor/Backplate - Replacement
	098607-01-701	EA	Drive Asm.
	098607-01-702	EA	Diaphragm Kit
	098607-01-703	EA	Valve Asm.
	098607-01-704	EA	Upper Housing
	098607-01-706	EA	Switch Asm - Complete
	098607-01-700	EA	Pumphead - Replacement
	098607-01-705	EA	Check - Valve Kit
	091208-01-000	EA	Rubber Washer - .06 x .75 x .50
	042989-03-000	EA	Spinweld Fitting - Plastic - 1/4" NPT
	042989-05-000	EA	Spinweld Fitting - Plastic - 1/2" FPT
	042989-04-000	EA	Spinweld Fitting - Plastic - 3/8" FPT
	052955-01-000	EA	Tee - Plastic - 1/2" F x 1/2" F x 1/2" MPT
	052956-01-000	EA	Tee - Plastic - 1/2" F x 1/2" MPT x 1/2" F
	052957-02-000	EA	Elbow - Plastic - 1/2" F x 1/2" MPT
	052958-01-000	EA	Tee - Plastic - 1/2" F x 1/2" F x 1/2" F
	076776-01-000	EA	Tee - Barb - 5/8" x 5/8" x 5/8"
	074463-01-000	EA	Tee - 4 Way - 1/2" Flare - Plastic - Gray
	039800-01-000	FT	Tubing - Polybutyl - 1/2" OD x 20' (Water Line)
	079381-01-000	FT	Tubing - Flex/Smooth - 1.25 ID (Water Tank)
	074462-02-000	FT	Tubing - Vinyl - 3/8" ID
	052960-01-000	EA	Valve - Line Drain - 1/2" F x 1/2" F
	052960-01-700	EA	Connector - Union - 1/2" F x 1/2" F
	052961-02-000	EA	Header - 1/2" MPT x 1/2" F x 1/2" F x 1/2" F
	099400-01-000	EA	Water Tank - 36 Gal. w/o Fittings - 19" x 25" x 17 5"
	099400-02-000	EA	Water Tank - 36 Gal. w/Fittings - 19" x 25" x 17 5"
	051391-02-000	EA	Water Heater - G4-SM
	051391-03-000	EA	Water Heater - w/o Motoraid - Electronic Tune - Atwood - G6A-3E
	051393-01-000	EA	Water Heater - w/Motoraid - Pilotless Ignition - GH6-4E or GH6-5E

NOTE: The illustrated parts breakdown for this item is provided on the Common Items Fiche. Items indented below assemblies are serviceable parts for that assembly.

## WATER HEATER BYPASS (OPTION L53J)

Key	Part Number	U/M	Description
	039800-01-000	FT	Tubing - Polybutyl - 1/2 OD x 20'
	052956-01-000	EA	Tee - Plastic - 1/2 F x 1/2 MPT x 1/2 F
	052957-01-000	EA	Elbow - Plastic - 1/2 F x 1/2 MPT
	099729-01-000	EA	Bypass Kit - Water Heater
	052952-01-000	EA	Nut - Plastic - 1/2" F
	052955-01-000	EA	Tee - Plastic - 1/2" F x 1/2" F x 1/2" MPT

## 1991 WINNEBAGO TABLE OF CONTENTS

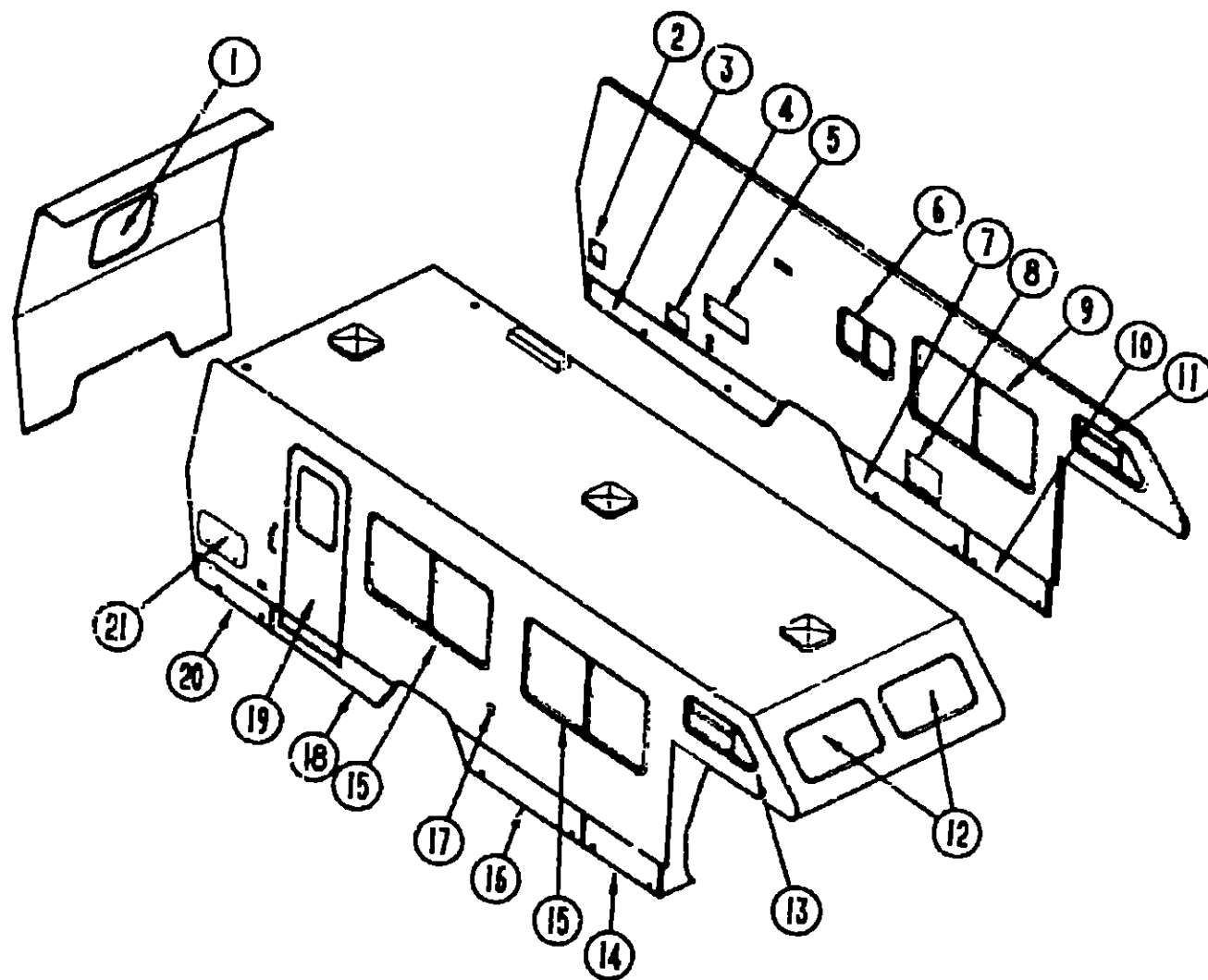
INTRODUCTION	A-01 - A-02
ABBREVIATIONS	A-03
ALPHABETICAL/GROUP REFERENCE	A-04 - A-06
WF327RT	A-07 - D-12
WF327RB	D-13 - G-08
WF327RQ	G-09 - J-12

## 1991 WF327RB INDEX

Floor Plan	D-13 - D-14
Accessories Group	A-15 - D-18
Bath Group	D-19 - D-20
Chassis Group	D-21 - D-24
Curtain, Cushion & Pad Group	E-01 - E-07
Dinette Group	E-08 - E-09
Driver's Compartment Group	E-10 - E-12
Electrical Group	E-13 - E-15
Exterior Body Group	E-16 - E-20
Galley Group	E-21 - E-24
Heating & Air Conditioning Group	F-01 - F-02
Interior Finish Group	F-03 - F-05
Labels Group	F-06 - F-14
LP Group	F-15
Lounge Group	F-16 - F-18
Sealants & Fasteners Group	F-19 - F-20
Water & Sewage Group	F-21 - F-22
Window, Vent & Exterior Door Group	F-23 - G-03

# WINDOWS, VENTS & EXTERIOR DOORS

## WINDOWS & ACCESS DOORS



Key	Part Number	U/M	Description
1	079729-02-T03	EA	Window Asm. - Escape
2	078010-03-000	EA	Door Asm. - Fuel Fill
3	095395-10-B05	EA	Door Asm. - Valance - Storage
4	088794-01-000	EA	Door Asm. - Power Cord
5	084103-03-000	EA	Door Asm. - Refrigerator
6	098647-07-700	EA	Window Asm. - Single Slider
7	096395-01-AA3	EA	Door Asm. - Valance - Storage
8	052009-01-000	EA	Door Asm. - Water Heater
9	098647-02-700	EA	Window Asm. - Single Slider
10	096395-03-AA3	EA	Door Asm. - Valance - Storage/Generator
11	100322-02-700	EA	Window - vented - 12" x 35.8" - w/o Inside Frame

Key	Part Number	U/M	Description
12	078533-06-AA3	EA	Window Asm. - Picture - 15" x 32"
12	078533-08-B13	EA	Window Asm. - Picture - 15" x 32"
13	100322-01-720	EA	Window - Vented - 12" x 35.8" - w/o Inside Frame
14	096386-01-AA3	EA	Door Asm. - Valance - LP
15	098647-01-705	EA	Window Asm. - Single Slider
16	096395-03-AA3	EA	Door Asm. - Valance - Storage
17	081240-03-000	EA	Door Asm. - Water Fill
18	098698-02-B05	EA	Valance Asm. - Entrance
19	M01070-32-B05	EA	Door Asm. - Entrance
20	096397-05-B05	EA	Door Asm. - Valance - Rear
21	079578-04-U28	EA	Door Asm. - Storage

\* These parts were used from 5/29/90 on

## 1991 WINNEBAGO TABLE OF CONTENTS

INTRODUCTION	A-01 - A-02
ABBREVIATIONS	A-03
ALPHABETICAL/GROUP REFERENCE	A-04 - A-06
WF327RT	A-07 - D-12
WF327RB	D-13 - G-08
WF327RO	G-09 - J-12

## 1991 WF327RB INDEX

Floor Plan	D-13 - D-14
Accessories Group	A-15 - D-18
Bath Group	D-19 - D-23
Chassis Group	D-21 - D-24
Curtain, Cushion & Pad Group	E-01 - E-07
Dinette Group	E-08 - E-09
Driver's Compartment Group	E-10 - E-12
Electrical Group	E-13 - E-15
Exterior Body Group	E-16 - E-20
Galley Group	E-21 - E-24
Heating & Air Conditioning Group	F-01 - F-02
Interior Finish Group	F-03 - F-05
Labels Group	F-05 - F-05
LP Group	F-15
Lounge Group	F-16 - F-18
Sealants & Fasteners Group	F-19 - F-20
Water & Sewage Group	F-21 - F-22
Window, Vent & Exterior Door Group	F-23 - G-08

WINDOW, VENT & EXTERIOR DOOR GROUP (CONTINUED)

POWERED ROOF VENT

Key	Part Number	U/M	Description
	090394-01-Y12	EA	Vent Asm - Roof - Powered - w/o Screen (USA)
	009440-01-000	EA	Lift Mechanism
	009439-01-000	EA	Handle - Crank - Roof Vent
	009439-04-000	EA	Screw
	045649-01-000	EA	Fan - Plastic - 5"
	025195-01-000	EA	Switch - Push Button - 12 Volt
	015911-01-000	EA	Track - Slide - Roof Vent
	002825-01-000	EA	Weatherstrip Seal
	045548-01-000	EA	Motor - 12 Volt
	055218-01-000	EA	Cover Asm. - Roof Vent
	052639-01-200	EA	Hinge - 7" - Roof Vent
	078765-01-Y12	EA	Screen Asm. - Roof Vent - Powered
	002291-02-000	SF	Screen - Window - 16" - Charcoal
	002293-02-000	FT	Spline - Charcoal
**	054469-03-000	EA	Vent Asm - Roof Powered - w/o Screen (CSA)
**	The illustrated parts breakdown of this item is provided on the Common Items Fiche.		

NON-POWERED VENT

Key	Part Number	U/M	Description
	090395-01-Y12	EA	Vent Asm - Roof - Non-Powered - w/o Screen
	009440-01-000	EA	Lift Mechanism Asm
	009439-01-000	EA	Handle - Crank - Roof Vent
	009439-04-000	EA	Screw
	015911-01-000	EA	Track - Slide - Roof Vent
	002825-01-000	EA	Weatherstrip Seal
	055218-01-000	EA	Cover Asm. - Roof Vent
	052639-01-200	EA	Hinge - 7" - Roof Vent
	078765-01-Y12	EA	Screen Asm. - Charcoal
	002291-02-000	SF	Screen - Window - 16" - Charcoal
	002293-02-000	FT	Spline - Charcoal

VENTS & SHROUDS

Key	Part Number	U/M	Description
	055553-03-000	EA	Vent - Plumbing Pipe - Roof w/Cover - Off White
	014073-03-000	EA	Vent - Refrigerator Roof - Off White
	054073-04-000	EA	Base - Range Vent - Norcold Refrigerator - Black
	054876-03-000	EA	Vent - Range Hood - Short - LVS
	054616-01-000	EA	Shroud - Range Hood Vent - Off White

WINDOW, VENT & EXTERIOR DOOR GROUP (CONTINUED)

ACCESS DOORS

Key	Part Number	U/M	Description
	095393-10-B05	EA	Door Asm. - Rear Drivers Side - 72.25" - Tapered
	079927-03-000	EA	Lock - Twist Type - Double Cam
	078010-03-000	EA	Door Asm. - Fuel Fill - Off White
	078200-01-000	EA	Gasket - Fuel Fill Door
	078040-02-000	EA	Shroud - Fuel Fill - Upper
	083578-01-000	EA	Boot - Fuel Fill
	084235-01-000	EA	Support - Flange
	079578-04-U28	EA	Door Asm. - Storage - 12.9" x 22.1"
	079366-04-000	EA	Lock - Key Type w/o Keys
	022684-01-700	EA	Key - Compartment Door Lock
	079368-01-000	FT	Seal - Access Door
	020340-01-000	FT	Seal - Foam Closed Cell - 1/4" x 1/2" x 50'
	031801-02-000	EA	Hinge - 2" x 96"
	058794-01-000	EA	Door Asm. - Power Cord w/Hatch - Off White
	084103-03-000	EA	Door Asm. - Refrigerator - Vented - Off White
	084104-01-700	EA	Lock - Male - Dyrus Fasteners
	084104-01-701	EA	Lock - Female - Dyrus Fasteners
	084104-03-000	EA	Jamb - Door - Vented - Refrigerator - Off White
	031240-03-000	EA	Door Asm. - Water Fill - Lockable - 4" x 4.5" - Off White
	056395-01-AA3	EA	Door Asm. - Storage - 13.7" x 61.6"
	054075-07-000	FT	Seal - Door - Bulb
	079365-04-000	EA	Lock - Door - Key Type w/o Keys
	032684-01-700	EA	Key - Storage Compartment - Single
	096395-01-AA3	EA	Door Asm. - LP Compartment - 13.7" x 35.9"
	079927-03-000	EA	Lock - Twist Type - Double Cam
	096397-05-B05	EA	Door Asm. - Rear Passenger - 3.4" x 35.7" x 10.5"
	079365-04-000	EA	Lock - Key Type - w/o Keys
	032684-01-700	EA	Key - Compartment Door Lock
	096395-03-AA3	EA	Door Asm. - Passenger Side - 13.7" x 61.6" - Tapered
	079366-04-000	EA	Lock - Key Type - w/o Keys
	032684-01-700	EA	Key - Compartment Door - Lock
	054075-07-000	EA	Seal - Bulb - Black
	052009-01-000	EA	Door Asm. - Water Heater - Off White
	096386-03-AA3	EA	Door Asm. - Storage/Generator - w/Locks - 13.7" x 39.9"
	079927-03-000	EA	Lock - Twist Type - Double Cam
	078137-02-000	EA	Tray - Storage Compartment - 27.18" x 21" Deep
	058027-01-000	FT	Seal - D Shaped - Hollow - Sponge Rubber
	035209-55-001	EA	U-Channel - Hinged - 16" - Off White
	096217-55-001	EA	U-Channel - 17.5" - Off White
	097111-01-01A	EA	Pocket - Lock Valance - Off White
	093339-01-000	EA	Gasket - Lock Pocket

NOTE: Items indented below assemblies are serviceable parts for that assembly

1991 WINNEBAGO  
TABLE OF CONTENTS

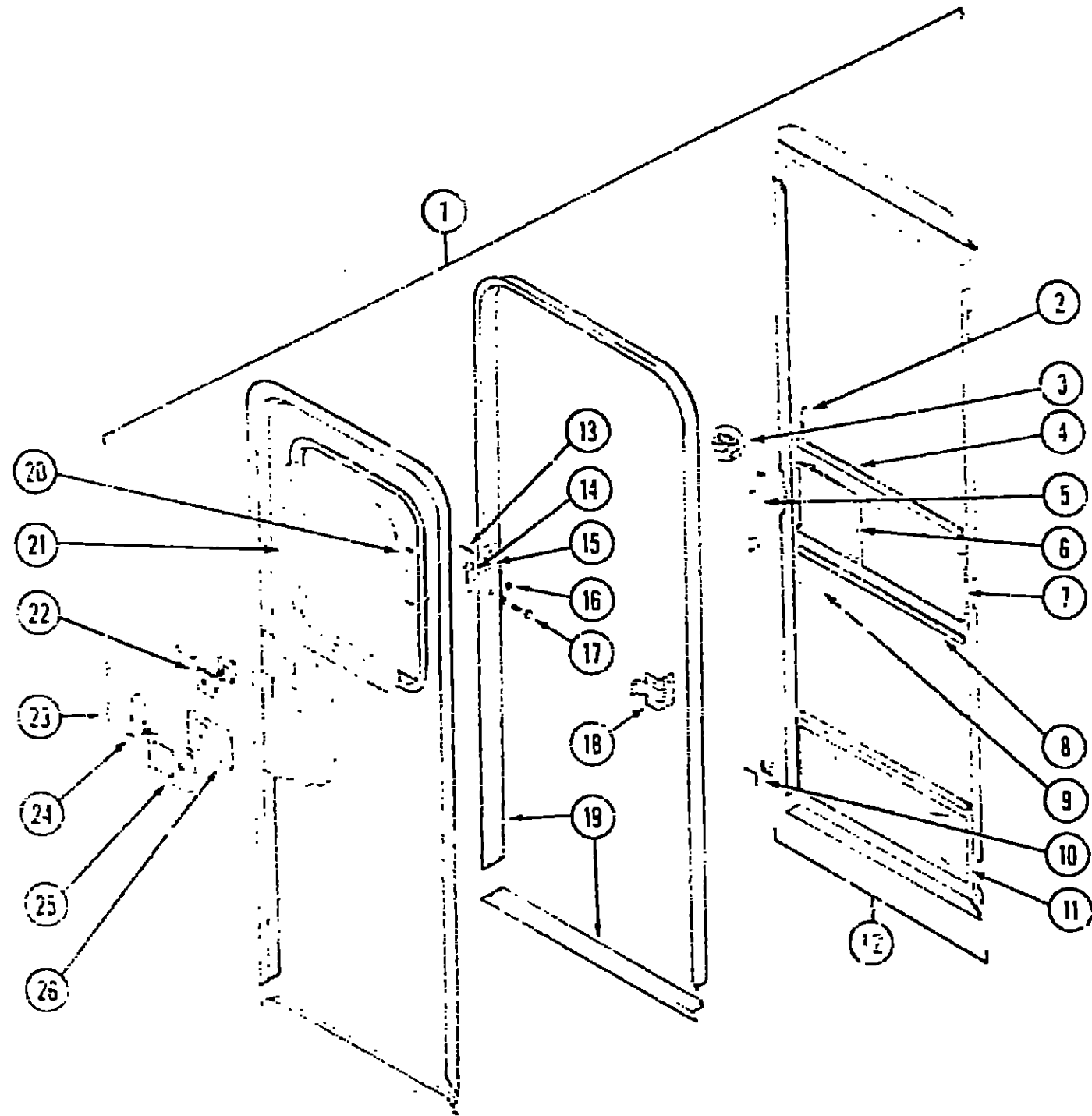
INTRODUCTION	A-01 - A-02
ABBREVIATIONS	A-03
ALPHABETICAL GROUP REFERENCE	A-04 - A-05
WF327RT	A-07 - D-12
WF327RB	D-13 - G-03
WF327RO	G-09 - J-12

1991 WF327RB INDEX

Floor Plan	D-13 - D-14
Accessories Group	A-15 - D-18
Bath Group	D-19 - D-20
Chassis Group	D-21 - D-24
Curtain, Cushion & Pad Group	E-01 - E-07
DINETTE Group	E-08 - E-09
Driver's Compartment Group	E-10 - E-12
Electrical Group	E-13 - E-15
Exterior Body Group	E-16 - E-20
Galley Group	E-21 - F-24
Heating & Air Conditioning Group	F-01 - F-02
Interior Finish Group	F-03 - F-05
Labels Group	F-06 - F-14
LP Group	F-15
Lounge Group	F-16 - F-18
Sealants & Fasteners Group	F-19 - F-20
Water & Sewage Group	F-21 - F-22
Window, Vent & Exterior Door Group	F-23 - G-03

# WINDOW, VENT & EXTERIOR DOOR GROUP (CONTINUED)

## ENTRANCE DOOR



Key	Part Number	U/M	Description
1	M01870-32-B05	EA	Door Asm - Entrance w/Screen Door
	095275-01-01A	EA	Frame Asm - Entrance Door - Off White
	089745-01-000	EA	Frame - Entrance Door - Bottom Portion
	044582-02-000	EA	Drip Cap - Top Entrance Door Jamb - Off White
	075639-11-000	EA	Garnish - Radius - Entrance Door
2	050712-05-000	EA	Door Handle - Screen Door - Mill Finished
2	050712-04-000	EA	Door Handle - Screen Door - Off White
3	009018-01-000	EA	Roller Catch - Screen Door
	058025-02-000	EA	Clip - Roller Latch Catch
	009016-01-000	EA	Catch - Elbow - Spring Loaded - Screen Door
11	103412-01-000	EA	Catch - Screen Door

Key	Part Number	U/M	Description
4	076777-01-000	EA	Cranner - Slide - Screen Door Center Slider Cover
5	079537-02-000	EA	Strike - Slider - Screen Door
6	079086-02-000	EA	Slider - Screen Door
7	016454-01-000	EA	Insert - Screen Door - Center - Leather Grain Aluminum
8	002294-01-000	FT	Spine - Black
9	002293-02-000	SF	Screen - Window - 25" Charcoal
10	085774-01-000	FT	Fastener - Dual Lock - 1" Wide
10	085774-02-000	FT	Fastener - Dual Lock - 1" Wide
11	078552-03-000	EA	Insert - Screen Door - Lower - Kick Panel
12	079012-01-U01	EA	Screen Door Asm
	078595-01-000	EA	Plate - Screen Door
13	077461-03-000	EA	Strike Cover - Off White
14	041546-03-000	EA	Angle Backset
15	081057-01-000	EA	Seal - Lock - Flat w/Slit - Adhesive Back - Black
16	058805-03-000	EA	Plug - Tapered Plastic - Red
17	039539-01-000	EA	Strike
18	097724-01-02A	EA	Hinge - Entrance Door - Off White
	0767225-01-000	EA	Hinge Cover - Light Oak
19	095277-02-01A	EA	Door Jamb - Entrance Door
	051049-01-000	EA	Jamb Bottom - Entry Door - Beige
	079207-01-000	EA	Striker - Roller Catch - Welded to Door Jamb
	095278-01-01A	EA	Jamb Door - Entrance - Unpainted
20	087561-01-000	FT	Window Seal
21	002161-07-000	EA	Glass - Picture Window - Frosted
	079733-07-AAB	EA	Window Asm - Picture - 17" x 25" - Frosted Glass (w/o inside frame)
	067609-27-000	EA	Inside Frame - Black (not included in assembly)
22	095229-01-01A	EA	Deadbolt Asm
	095229-01-700	EA	Key - Blank
**22	101145-01-01A	EA	Deadbolt - Entry Door - Black
	101147-01-000	EA	Security Bolt - 4 1/2" Backset
23	098173-01-04A	EA	Stiffener - Entrance Door
24	039540-01-000	EA	Latch Asm - Entrance Door
25	045017-10-000	EA	Paddle Latch - Mechanism - w/ Lock Cylinder & Key
	045017-09-700	EA	Cylinder Asm - w/Keys (Set of 3)
	045017-01-701	EA	Blank Key (1 only)
*25	045017-11-000	EA	Latch Asm - Entrance Door w/ Lock & Key - Black
	045017-11-700	EA	Master Key
	045017-11-701	EA	Blank Key
26	039279-03-000	EA	Cover Asm - Latch Plate - Black
*26	039279-04-000	EA	Cover Asm - Latch Plate - Blank
	039738-01-000	EA	Deadbolt - "J" Snaped - Latch Asm
	039984-01-000	EA	Cap - Black Vinyl - Lock Grip
	058805-01-000	EA	Plug - Tapered for Deadbolt - Plastic - 5/8" Dia.
	051914-01-000	EA	Bumper - Round Rubber - 1/4" Dia. - Black
	090340-01-000	FT	Seal Foam - Closed Cell
	091969-03-000	FT	Tape Adhesive - 1" Wide
	056748-01-000	EA	Plug - Cap - 1.5" Dia
	075673-01-000	FT	Seal - Plate - Adhesive Back
†	100128-02-000	FT	Seal - Plate - Adhesive Back - Gray
	075671-01-000	FT	Seal - Sponge - Lazy T Shaped
	002748-01-000	EA	Corner - Key
	081057-01-000	EA	Seal - Lock - Flat w/Slit
	063723-04-000	EA	Rivnut - 10 - 32 UNF - 010 - 060
	072893-01-000	EA	Nutsert - M5 x 0.8

\* These are the parts used from 8/8/90 on  
 † These are the parts used from 8/5/90 on  
 \*\* These are the parts used from 5/7/90 on  
 †† These are the parts used from 7/9/90 on.

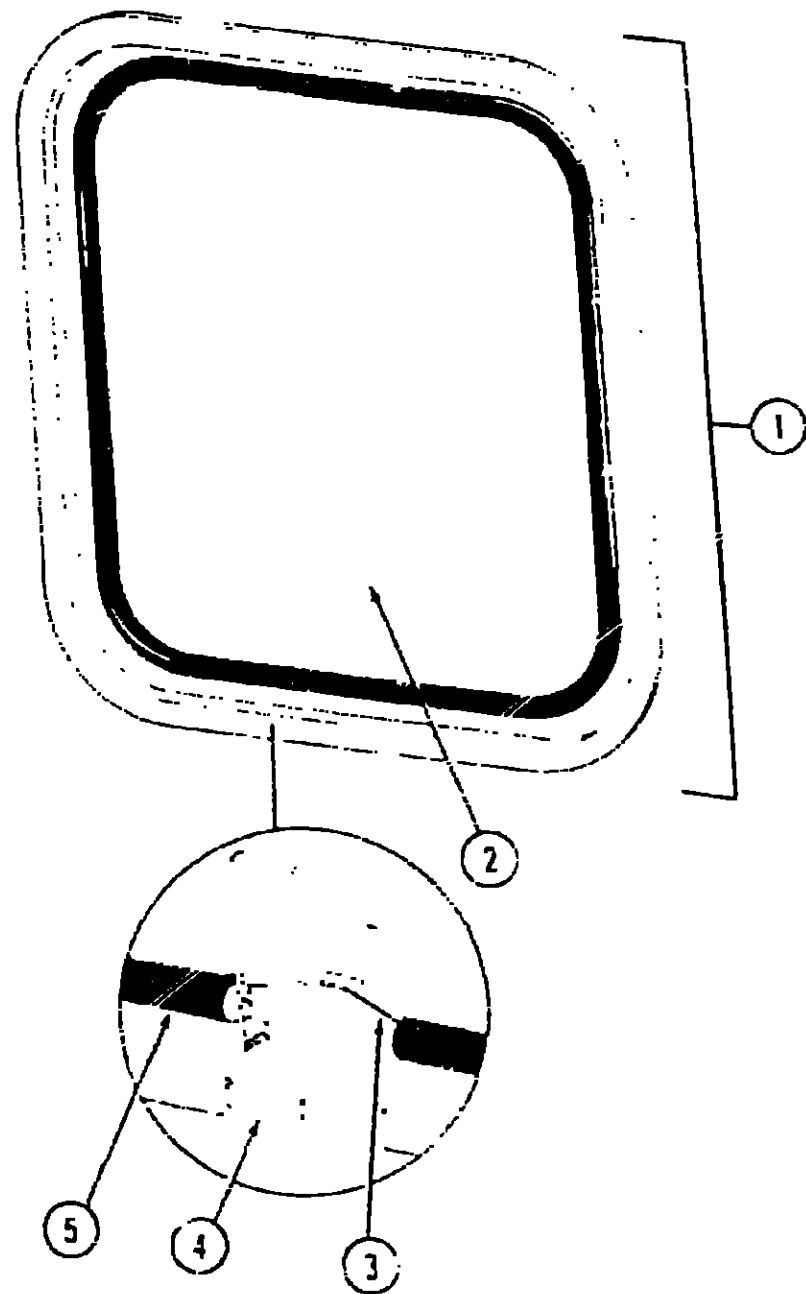
## 1991 WINNEBAGO TABLE OF CONTENTS

INTRODUCTION	A-01 - A-02
ABBREVIATIONS	A-03
ALPHABETICAL GROUP REFERENCE	A-04 - A-05
WF327RT	A-07 - D-12
WF327RB	D-13 - G-08
WF327RO	G-09 - J-12

## 1991 WF327RB INDEX

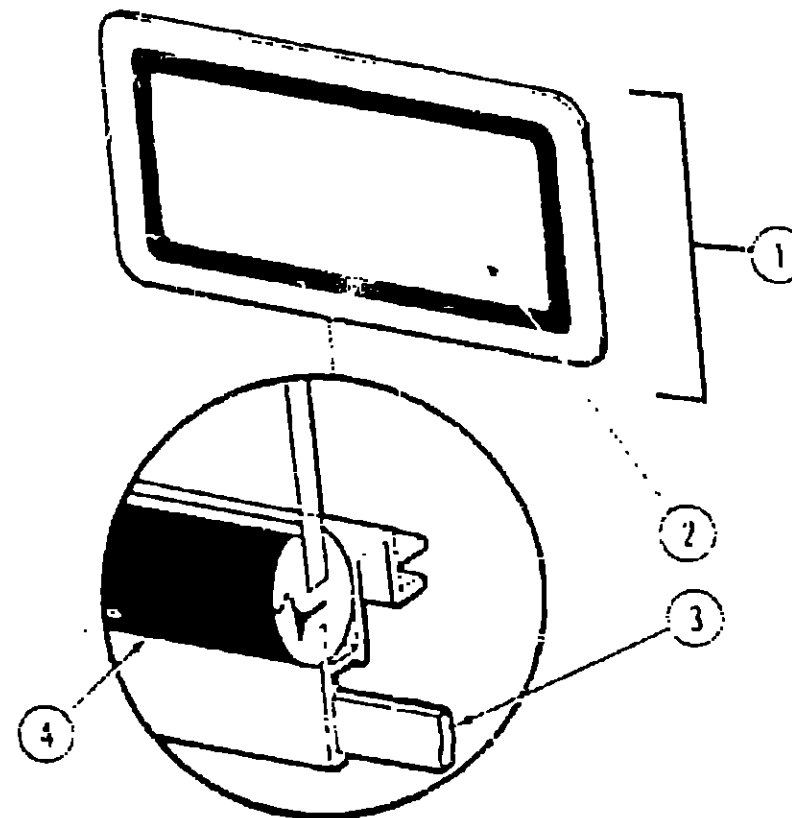
Floor Plan	D-13 - D-14
Accessories Group	A-15 - D-15
Bath Group	D-19 - D-20
Chassis Group	D-21 - D-24
Curtain, Cushion & Pad Group	E-01 - E-07
Dinette Group	E-08 - E-09
Driver's Compartment Group	E-10 - E-12
Electrical Group	E-13 - E-15
Exterior Body Group	E-16 - E-20
Galley Group	E-21 - E-24
Heating & Air Conditioning Group	F-01 - F-02
Interior Finish Group	F-03 - F-05
Labels Group	F-06 - F-14
LP Group	F-15
Lounge Group	F-16 - F-18
Sealants & Fasteners Group	F-19 - F-20
Water & Sewage Group	F-21 - F-22
Window, Vent & Exterior Door Group	F-23 - G-08





ESCAPE WINDOW

Key	Part Number	U/M	Description
1	079729-02-T03	EA	Window Asm - Rear Escape - 24" x 22" - Black (w/o inside frame)
	020749-09-000	EA	Inside Frame - Black (not included in assembly)
2	041392-03-000	EA	Glass - 1/8" x 21 6" x 19 6"
3	002285-01-000	FT	Filter - Weatherstrip - Black
4	069540-07-000	FT	Ribbon Sealer - 5/16" Bead x 15"
5	002282-01-000	FT	Weatherstrip - 1 25" Window
	077065-01-702	EA	Tape Asm - Escape Window
	005199-01-000	EA	Label - Exit - Escape Window



FRONT PICTURE WINDOW  
(From: 00-00-00 Thru: 5-20-90)

Key	Part Number	U/M	Description
1	078533-06-AA3	EA	Window Asm - Front Picture - Black (w/o inside frame)
	041938-12-000	EA	Inside Frame - Black (not included in assembly)
2	002200-07-000	EA	Glass - Tempered - Picture Window - 15 3" x 32 5" - Gray
3	059540-06-000	FT	Ribbon Sealer - 5/16" Bead x 15"
4	002281-01-000	EA	Weatherstrip - Self Seal - .06" Panel x 3/16" - Black

FRONT PICTURE WINDOW  
(From: 5-29-90 Thru: 99-99-99)

Key	Part Number	U/M	Description
1	078533-08-B13	EA	Window Asm - Front Picture - Black (w/o inside frame)
	041938-12-000	EA	Inside Frame - Black (not included in assembly)
2	002181-13-000	EA	Glass - Window - 15 3" x 32 5" - Gray
3	059540-06-000	FT	Ribbon Sealer - 5/16" Bead x 15"
4	002281-02-000	EA	Weatherstrip - Self Seal - .05" Panel x 1/25"

1991 WINNEBAGO  
TABLE OF CONTENTS

INTRODUCTION	A-01 - A-02
ABBREVIATIONS	A-03
ALPHABETICAL GROUP REFERENCE	A-04 - A-06
WF327RT	A-07 - D-12
WF327RB	D-13 - G-06
WF327RO	G-09 - J-12

1991 WF327RB INDEX

Floor Plan	D-13 - D-14
Accessories Group	A-15 - D-18
Bath Group	D-19 - D-20
Chassis Group	D-21 - D-24
Curian, Cushion & Pad Group	E-01 - E-07
Dinette Group	E-08 - E-09
Driver's Compartment Group	E-10 - E-12
Electrical Group	E-13 - E-15
Exterior Body Group	E-16 - E-20
Galley Group	E-21 - F-24
Heating & Air Conditioning Group	F-01 - F-02
Interior Finish Group	F-03 - F-05
Labels Group	F-06 - F-14
LP Group	F-15
Lounge Group	F-16 - F-18
Sealants & Fasteners Group	F-19 - F-20
Water & Sewage Group	F-21 - F-22
Window, Vent & Exterior Door Group	F-23 - G-05

**WINDOW, VENT & EXTERIOR DOOR GROUP (CONTINUED)**

**WINDOW, VENT & EXTERIOR DOOR GROUP (CONTINUED)**

**LOUNGE/DINETTE SINGLE SLIDING WINDOW (EXCEL)**

Key	Part Number	U/M	Description
	098647-01-705	EA	Window Asm. - Single Slider - 30.5" x 57.5" (w/o inside frame)
	098647-02-700	EA	Window Asm. - Single Slider - 30.5" x 57.5" (w/o inside frame)
	098644-01-704	EA	Inside Frame (not included in assembly)
	098644-01-701	EA	Splice Plate - Window
	098644-01-702	EA	Screw - Splice - #6 - 32 x 1/4" Pan Head
	098644-01-703	EA	Screw - Locking Rail - #6 - 15 Pan-Head Recess - Black
	098647-01-703	EA	Glass - Stationary - 29.27" x 27.72"
	098644-01-706	FT	Weatherstrip
	098647-01-701	EA	Locking Rail w/Weatherstrip
	098644-01-708	FT	Channel - Pierced Run
	098644-01-705	FT	Glazing Strip
	098644-01-700	EA	Latch - Repair Kit
	098647-01-702	EA	Sash Asm.
	098647-01-703	EA	Spacer - Track
	098644-01-711	FT	Weatherstrip - Screen - Black
	098647-01-706	EA	Screen - Window w/Spring & Seal
	098644-01-713	EA	Spring - Screen Frame (Clip) Plastic - Black
	098644-01-716	FT	Plug - Filler

**GALLEY SINGLE SLIDER WINDOW (EXCEL)**

Key	Part Number	U/M	Description
	098647-07-700	EA	Window - Single Slider (w/o inside frame)
	098647-05-704	EA	Inside Frame (not included in assembly)
	098644-01-701	EA	Splice Plate - Window
	098644-01-702	EA	Screw - Splice
	098644-01-703	EA	Screw - Locking Rail
	098647-05-703	EA	Glass - Stationary - 10.91" x 13.77"
	098644-01-705	FT	Glazing Strip
	098644-01-706	FT	Weatherstripping
	098647-06-701	EA	Rail - Locking w/Weatherstrip
	098644-01-708	FT	Channel - Pierced Run
	098644-01-700	EA	Latch - Repair Kit
	098647-05-702	EA	Sash Asm. w/Sliding Glass & Latch
	098644-01-710	FT	Track - Screen Spacer (12' Length)
	098644-01-711	FT	Weatherstrip - Screen - Black
	098647-06-703	EA	Screen w/Weatherstrip & Frame Spring (Clip)
	098644-01-713	EA	Spring - Screen Frame (Clip) - Plastic - Black
	098644-01-716	FT	Plug - Filler

Key	Part Number	U/M	Description
	100322-02-700	EA	Window - Vented - 12" x 35.8" - w/o Inside Frame - Driver Side
	100322-01-720	EA	Window - Vented - 12" x 35.8" - w/o Inside Frame - Passenger Side
	100322-01-719	EA	Inside Frame - Window (not included in assembly) - Passenger Side
	100322-01-721	EA	Inside Frame - Window (not included in assembly) - Driver Side
	098644-01-716	EA	Filler Plug
	100322-01-701	EA	Seal - Vent
	100322-01-702	EA	Weatherstrip - Horizontal Rail
	100322-01-703	EA	Strip - Glazing - Butyl
	100322-01-704	EA	Butyl Tape
	100322-01-705	EA	Glass - Stationary - Small Top
	100322-01-706	EA	Glass - Stationary - Large Front
	100322-01-707	EA	Glass - Tipout - Sub Assembly
	100322-01-708	EA	Screen - Driver Side
	100322-01-709	EA	Screen - Passenger Side
	100322-01-710	EA	Plate - Splice
	100322-01-711	EA	Operator - Vent - Sub Assembly
	100322-01-712	EA	Rail - Horizontal
	100322-01-713	EA	Division Bar - Vertical
	100322-01-714	EA	Support - Torque Bar - Left
	100322-01-715	EA	Support - Torque Bar - Right
	100322-01-716	EA	Support - Torque Bar - Center Rail
	100322-01-717	EA	E-Ring
	100322-01-716	EA	Handle - Dial

**1991 WINNEBAGO  
TABLE OF CONTENTS**

INTRODUCTION	A-01 - A-02
ABBREVIATIONS	A-03
ALPHABETICAL/GROUP REFERENCE	A-04 - A-05
WF327RT	A-07 - D-12
WF327RB	D-13 - G-08
WF327RO	G-09 - I-12

**1991 WF327RB INDEX**

Floor Plan	D-13 - D-14
Accessories Group	A-15 - D-18
Bath Group	D-19 - D-20
Chassis Group	D-21 - D-24
Curtain, Cushion & Pad Group	E-01 - E-07
Dinette Group	E-08 - E-09
Driver's Compartment Group	E-10 - E-12
Electrical Group	E-13 - E-15
Exterior Body Group	E-16 - E-20
Galley Group	E-21 - E-24
Heating & Air Conditioning Group	F-01 - F-02
Interior Finish Group	F-03 - F-05
Labels Group	F-06 - F-14
LP Group	F-15
Lounge Group	F-16 - F-18
Sealants & Fasteners Group	F-19 - F-20
Water & Sewage Group	F-21 - F-22
Window, Vent & Exterior Door Group	F-23 - G-08