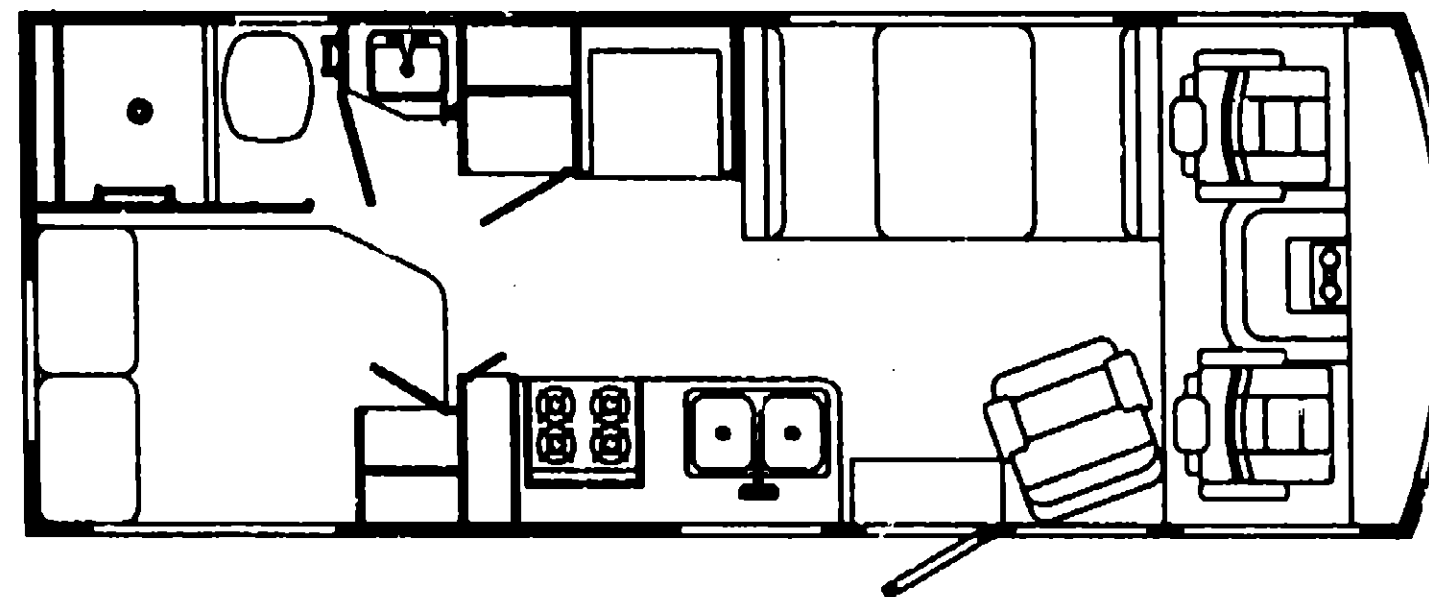


# 1991 WCN25RC



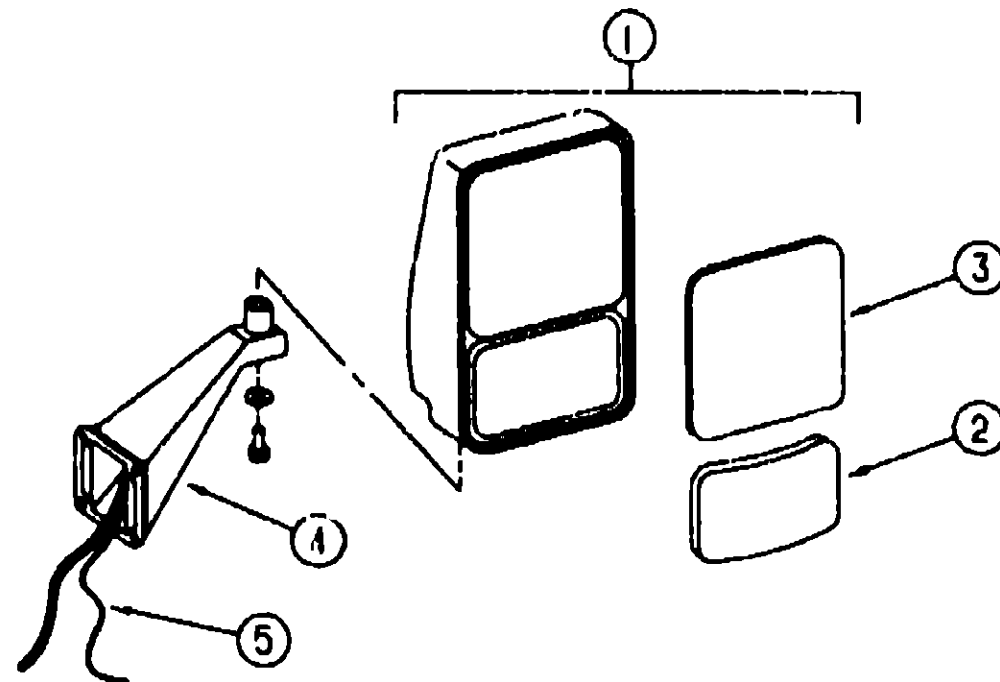
## 1991 WINNEBAGO TABLE OF CONTENTS

INTRODUCTION	A-01 -	A-02
ABBREVIATIONS		A-03
ALPHABETICAL INDEX	A-04 -	A-08
WCN25RC	A-07 -	F-02
WCN34RQ	F-03 -	K-12

## 1991 WCN25RC INDEX

FLOOR PLAN	A-07 -	A-08
ACCESSORIES	A-09 -	A-14
BATH	A-15 -	A-17
BEDROOM		A-18
CHASSIS	A-19 -	B-03
CC & PAD	B-04 -	B-13
DINETTE	B-14 -	B-15
DRIVERS	B-16 -	B-22
ELECTRICAL	B-23 -	C-04
EXTERIOR BODY	C-05 -	C-12
GALLEY	C-13 -	C-20
HEATING & AC	C-21 -	D-02
INTERIOR FINISH	D-03 -	D-06
LABELS	D-07 -	D-14
LP		D-15
LOUNGE		D-16
SEALANTS & FASTENERS	D-17 -	D-19
WATER & SEWAGE	D-20 -	D-24
WINDOW, VENT AND EXTERIOR DOOR	E-01 -	F-02

**ACCESSORIES GROUP**



**EXTERIOR MIRRORS**

KEY	PART NUMBER	U/M DESCRIPTION
1	086280-01-000	EA MIRROR-W/CONVEX, PASSENGER
2	086280-01-700	EA GLASS-CONVEX-PASSENGER
3	086280-01-701	EA GLASS-FLAT-PASSENGER
1	086280-02-000	EA MIRROR-W/CONVEX, DRIVER
2	086280-02-700	EA GLASS-CONVEX-DRIVER
3	086280-02-701	EA G' ASS-FLAT-DRIVER
4	086280-03-000	EA MIRROR MOUNTING ARM -EXTERIOR - DRIVER AND PASSENGER
	086290-03-700	EA BALL-CUP MOUNT (SET/2)
	086280-03-701	EA BRACKET-MOUNTING-BLACK

**EXTERIOR MIRRORS WITH HEAT & REMOTE**

KEY	PART NUMBER	U/M DESCRIPTION
1	086259-04-000	EA MIRROR-REMOTE HEAT, PRE-WIRED - PASSENGER
2	086259-04-700	EA GLASS-CONVEX-PASSENGER
3	086259-04-701	EA GLASS-FLAT-PASSENGER
1	086259-05-000	EA MIRROR-REMOTE HEAT, PRE-WIRED DRIVER
2	086259-05-700	EA GLASS-CONVEX-DRIVER
3	086259-05-701	EA GLASS-FLAT-DRIVER
4	086280-03-000	EA MIRROR MOUNTING ARM -EXTERIOR - DRIVER AND PASSENGER
	086280-03-700	EA BALL-CUP MOUNT (SET/2)
	086280-03-701	EA BRACKET-MOUNTING-BLACK
5	092890-01-000	EA WIRE-IP, REMOTE MIRROR
	088246-01-000	EA SWITCH-REMOTE-EXTERIOR MIRROR-SQUARE PUSH
	087695-01-000	EA SWITCH-HEATER-EXTERIOR MIRROR

**ACCESSORIES GROUP (CONTINUED)**

**STAINLESS STEEL WHEEL LINERS 16" CHEVY**

KEY	PART NUMBER	U/M DESCRIPTION
	077030-02-000	EA EXTENSION-VALVE STEM-1.25"
	091209-06-000	EA LINER-WHEEL-BET OF 4 - 16" - STAINLESS STEEL
	091209-06-700	EA SIMULATOR-FRONT WHEEL
	091209-06-701	EA SIMULATOR-REAR WHEEL
	091209-03-702	EA COVER-FRONT AXLE
	091209-03-704	EA SNAP RING
	091209-03-703	EA COVER-REAR AXLE
	095012-03-000	EA EXTENSION-VALVE STEM-DUAL WHEEL - 5 5" STEEL BRAIDED

**TV ANTENNA & SYSTEM COMPONENTS**

KEY	PART NUMBER	U/M DESCRIPTION
	022755-01-000	EA SHIELD-CONTROL PANEL, 7.75" X 9" - PLASTIC - BLACK
	069726-02-000	EA BUMPER-.86" DIA X .4" - BLACK
	078319-01-000	EA ANTENNA-TV, ROOF MOUNT - 44.5" MAST - RVA W02
	078319-01-700	EA HEAD-ANTENNA, AMPLIFIED - WINEGARD#RVSA U.V
	078319-01-701	EA GEAR-ELEVATING, PLASTIC - WINEGARD#2200046
	078319-01-702	EA SHAFT ASM-ELEVATING, WINEGARD#RVP-400A
	078319-01-703	EA BEARING-NYLON, .5" OD - WINEGARD#3200856
	078319-01-704	EA BEARING-NYLON, 1.25" OD - WINEGARD#3200857
	078319-01-705	EA GROMMET-NYLON, 7/8" ID - WINEGARD#3200858
	078319-01-706	EA CRANK-ELEVATING, W/SET SCREW - WINEGARD#5755100
	078319-01-707	EA SPRING-HANDLE, WINEGARD#S160800
	078319-01-708	EA PLATE-DIRECTIONAL, FOR HEAD - WINEGARD 3200844
	078319-01-710	EA CRANK-ELEVATING (HALF MOD.)
	078319-06-000	EA ADAPTOR-CABLE ROOF PLATE, WINEGARD#RPJ-1
	078319-11-000	EA ADAPTOR-COAX WITH SPLITTER, WINEGARD#MSJ-6
	082134-01-000	EA ADAPTER-TV, CABLE TO CABLE - WINEGARD#F-81M
	086758-01-000	EA SPLITTER-TV, 2 WAY
	078319-03-000	FT CABLE-COAXIAL, 75 OHM
	078319-12-000	EA CONNECTOR-COAXIAL, ONE PIECE
	087236-01-000	EA LABEL-CABLE, INPUT
	087236-02-000	EA LABEL-TV OUTLET
	091909-01-000	EA SHELF-SWIVEL, TV - BEIGE
	093252-01-01A	EA PLATE-WALL, CABLE - BEIGE

**AUXILIARY DEFROSTER FANS W/SWITCH**

KEY	PART NUMBER	U/M DESCRIPTION
	097372-03-01A	EA SWITCH-ON-OFF-ON
	000G39-06-24B	EA SCREW-SF/DR, 8-18 X 1 1/2 PPH ZN
	036420-02-000	EA FAN-DEFROSTER, 2 SPEED - 6" DIAMETER

**SQUEEGEE**

KEY	PART NUMBER	U/M DESCRIPTION
	091952-02-000	EA CLIP-GRIPPER, 3/4"
	091955-02-000	EA SQUEEGEE-EXTENDED HANDLE
	091955-02-700	EA HEAD-SQUEEGEE, REPLACEMENT ONLY
	091955-02-701	EA HANDLE-SQUEEGEE
	093527-01-000	EA BRACKET-SQUEEGEE

**DELUXE STEERING WHEEL**

KEY	PART NUMBER	U/M DESCRIPTION
	080752-06-000	EA HUB-ADAPTER, STEERING WHEEL
	080752-08-000	EA SCREW-CUSTOM STEERING WHEEL
	080752-15-000	EA WHEEL-STEERING W/3 SPOKES & CENTER HORN BUTTON
	080752-17-000	EA WHEEL-STEERING W/3 SPOKES & 2 THUMB HORN BUTTONS

**1991 WINNEBAGO  
TABLE OF CONTENTS**

INTRODUCTION	A-01 - A-02
ABBREVIATIONS	A-03
ALPHABETICAL INDEX	A-04 - A-06
WCN25RC	A-07 - F-02
WCN349Q	F-03 - K-12

**1991 WCN25RC INDEX**

FLOOR PLAN	A-07 - A-08
ACCESSORIES	A-09 - A-14
BATH	A-15 - A-17
BEDROOM	A-18
CHASSIS	A-19 - B-03
C C & PAD	B-04 - B-13
DINETTE	B-14 - B-15
DRIVERS	B-16 - B-22
ELECTRICAL	B-23 - C-04
EXTERIOR BODY	C-05 - C-12
GALLEY	C-13 - C-20
HEATING & A/C	C-21 - D-02
INTERIOR FINISH	D-03 - D-06
LABELS	D-07 - D-14
LP	D-15
LOUNGE	D-16
SEALANTS & FASTENERS	D-17 - D-19
WATER & SEWAGE	D-20 - D-24
WINDOW, VENT AND EXTERIOR DOOR	E-01 - F-02

**ACCESSORIES GROUP (CONTINUED)**

**GENERATOR-KOHLER, 4.5 KW**

KEY	PART NUMBER	U/M DESCRIPTION
	007125-03-000	EA CLAMP-MUFFLER - 1.5" DIA
	007125-04-000	EA CLAMP-MUFFLER - 1.1" DIA
	083152-08-000	EA PIPE-EXHAUST - GENERATOR - 1 4" DIA X 7.9" X 22"
	093590-02-000	EA MUFFLER-GENERATOR
	093740-01-000	EA GENERATOR-KOHLER, 4500KW - 4.5CKM21
	007125-03-000	EA CLAMP-MUFFLER - 1.5" DIA
	007131-01-000	EA HANGER-TAILPIPE
	024978-01-000	EA SWITCH-GENERATOR, W/O CIRCUIT BOARD

**GENERATOR-ONAN, 4 KW - EXPORT**

KEY	PART NUMBER	U/M DESCRIPTION
	007125-04-000	EA CLAMP-MUFFLER, 1.1" DIA
	007125-03-000	EA CLAMP-MUFFLER - 1.5" DIA
	100974-05-000	EA GENERATOR-4 0 KW EMERALD PLUS, ONAN
	083152-04-000	EA PIPE-EXHAUST,GENERATOR
	093590-02-000	EA MUFFLER-GENERATOR
		FROM 00-00-00 THRU 08-25-90
	081384-01-000	EA MUFFLER-GENERATOR, W/8 5" LONG TAILPIPE
		FROM 08-28-90 THRU 99-99-99
	007131-01-000	EA HANGER-TAILPIPE
	024978-01-000	EA SWITCH-GENERATOR, W/O CIRCUIT BOARD

**GENERATOR-ONAN, 4 KW**

KEY	PART NUMBER	U/M DESCRIPTION
	007125-03-000	EA CLAMP-MUFFLER - 1.5" DIA
	007125-04-000	EA CLAMP-MUFFLER, 1 1" DIA
	079854-05-000	EA PIPE-EXHAUST, ANGLED - W/FLANGE - EMERALD - ONAN# 154-2539
	081384-03-000	EA MUFFLER-GENERATOR,ONAN
	083152-10-000	EA PIPE-EXHAUST, GENERATOR - ONAN - 1 3"OD X 7 8" TO BEND X 22" TO END
	094059-01-000	EA SPACER-GENERATOR, ONAN
	094857-02-000	EA TRAY-GENERATOR, 22 5" X 30 4" X 8 9"
	094857-01-000	EA TRAY-GENERATOR, 22 5" X 30 4" X 8 9"
	100974-01-000	EA GENERATOR-4 0KW EMERALD PLUS, ONAN BGE-FA28100G
	007131-01-000	EA HANGER-TAILPIPE
	024978-01-000	EA SWITCH-GENERATOR, W/O CIRCUIT BOARD

**OWNER MANUAL, SMOKE DETECTOR, FIRE EXTINGUISHER & CLOCK**

KEY	PART NUMBER	U/M DESCRIPTION
	098084-03-000	EA CASSETTE-WINNEBAGO CHIEFTAIN
	054185-88-000	EA MANUAL-OPERATORS, 1981 CHIEFTAIN
	092318-01-000	EA BINDER-3 RING, MOTOR HOME MANUAL
	092319-01-000	EA POCKET PAGE-3 RING BINDER, P.LASTIC
	092319-02-000	EA POCKET PAGE, PLASTIC
	072852-01-000	EA DETECTOR-SMOKE, W/9 VOLT BATTERY (US)
	072852-02-000	EA DETECTOR-SMOKE, W/9 VOLT BATTERY (CANADIAN)
	094499-01-000	EA EXTINGUISHER-FIRE, DRY W/MOUNTING BRACKET - 10 BC (US)
	094499-02-000	EA EXTINGUISHER-FIRE, DRY W/MOUNTING BRACKET - 10 BC (CSA)
	094499-01-700	EA BRACKET-MOUNTING, W/PLASTIC STRAP - FIRE EXTINGUISHER
	094651-01-01A	EA HOLDER-RECESSED, FIRE EXTINGUISHER - PLASTIC - LIGHT OAK
	100793-01-01A	EA CLOCK-WALL, OVAL - 9 5" X 11 2"
	101333-01-000	EA BACKPLATE-CLOCK MOUNTING

**ACCESSORIES GROUP (CONTINUED)**

**TV & VCR SYSTEM COMPONENTS**

KEY	PART NUMBER	U/M DESCRIPTION
	088757-03-000	EA CONTROL CENTER-SWITCH, VCR/TV - MAGNADYNE VCS-8
	088777-03-000	EA PLATE-WALL, CABLE - W/TV ANTENNA SWITCH & BOOSTER - IVORY
	078319-03-000	FT CABLE-COAXIAL, 75 OHM
	078319-12-000	EA CONNECTOR-COAXIAL, ONE PIECE
	078319-04-000	EA CONNECTOR W/FERRULE
	093214 01 02A	EA GRILLE-SPEAKER 4" BROWN
	098448-01-000	EA VCR-VHS-CABLE READY - REMOTE - MAGNAVOX VR9815
		FROM: 00-00-00 THRU: 09-24-90
**	098448-01-700	EA REMOTE-MAGNAVOX 9815
*	098448-02-000	EA VCR-VHS, CABLE READY - REMOTE - MAGNAVOX VR9912
		FROM: 09-25-90 THRU: 99-99-99
**	098448-02-700	EA REMOTE-MAGNAVOX 9912
*	098447 01 000	EA TV-13" COLOR REMOTE U S A. MAGNAVOX RX4029WA
		FROM: 00-00-00 THRU: 08-23-91
*	098447-02-000	EA TV-13", COLOR W/REMOTE - CANADIAN - MAGNAVOX XK4029CH
		FROM: 00-00-00 THRU 08-23-91
**	098447-01-700	EA REMOTE-TV, MAGNAVOX RX4029WA & XK4029CH
*	098447 03 000	EA TV-13" COLOR REMOTE U S A MAGNAVOX RR1337W
		FROM 08-24-91 THRU: 99-99-99
*	098447-04-000	EA TV-13", COLOR W/REMOTE - CANADIAN - MAGNAVOX RR1330W
		FROM 08-24-91 THRU 99-99-99
**	098447-03-700	EA REMOTE-TV, MAGNAVOX RR1337W & RR1330W
	098819-01-000	EA SPEAKER-2 WATT, 8 OHM - 4"
	099030-01-000	EA WIRE-SPEAKER, TV
	099837-01-000	EA GROMMET
	099717-02-000	EA TIEDOWN, TV - 28 7" LONG
	078319-09-000	EA WALLPLATE-TV RECEPTACLE - BROWN
	099717 02-000	EA TIEDOWN, TV - 22 8" LONG
	100954-01-000	EA SHELF -TV, STEEL
	101150-01-000	EA SUPPORT-TV SHELF, RIGHT SIDE - STEEL
	101150-02-000	EA SUPPORT-TV SHELF, LEFT SIDE - STEEL
	088758-01-000	EA SPLITTER-TV, 2 WAY
*		TV & VCR PURCHASES ARE SUBJECT TO AVAILABILITY
**		CHECK MAKE & MODEL OF TV OR VCR BEFORE ORDERING REMOTES

**ELECTRIC ENTRY STEP**

KEY	PART NUMBER	U/M DESCRIPTION
	094707-01-01A	EA STEP-DOUBLE, ENTRANCE - ELECTRIC
	094708-02-700	EA MOTOR REPLACEMENT KIT - KWIKEE 9570
	094707-01-700	EA CONTROL UNIT, KWIKEE 8310
	088748-01-702	EA GEAR-ALL MODELS, KWIKEE 9038
	088748-01-703	EA BRACKET,MOTOR BEARING, KWIKEE 7040
	091201-01-700	EA LINKAGE ASM - KWIKEE 8289
	094707-01-702	EA FRAME-DOUBLE STEP - KWIKEE 8285W
	088746-01-708	EA PIN-HAIR, KWIKEE 9018
	088746-01-705	EA LIGHT-UNDER STEP, KWIKEE 9004
	088746-01-708	EA SWITCH-KILL, KWIKEE 9018
*	094707-01-701	EA SWITCH-DOOR JAMB, PLASTIC - KWIKEE - 9318
*	094707-02-705	EA CONTROL UNIT, (ORANGE) - KWIKEE 9513
*	098746-01-705	EA LIGHT-UNDER STEP, KWIKEE 9004
*	088746-01-708	EA SWITCH-KILL, KWIKEE 9018
*	094707-01-701	EA SWITCH-DOOR JAMB, PLASTIC - KWIKEE 9318
*	094707-01-702	EA FRAME-DOUBLE STEP, KWIKEE 8285W
*	094707-01-703	EA GEAR BOX ASM, FOR SINGLE & DOUBLE STEP - KWIKEE 5210
*	094707-02-700	EA MOTOR REPLACEMENT KIT - MODELS 32 & 28 KWIKEE 9520
*	094707-02-701	EA LINKAGE ASM - MODEL 32 - KWIKEE 9523
*	094707-02-702	EA GEAR KIT - KWIKEE 9525
*	094707-02-703	EA PARTS KIT, (BEARINGS & PINS) - KWIKEE 9530
*	094707-02-704	EA CONNECTOR KIT-MOTOR, KWIKEE 9537
*	100312-01-000	EA SWITCH-DOOR JAMB, ELECTRIC ENTRY STEP
*	075723-02 000	EA SPACER-SWITCH, W/HOLE - 8" X 2" - METAL - OFF WHITE
*		THESE PARTS WERE USED FOR COACHES BUILT FROM 03-18-91 ON

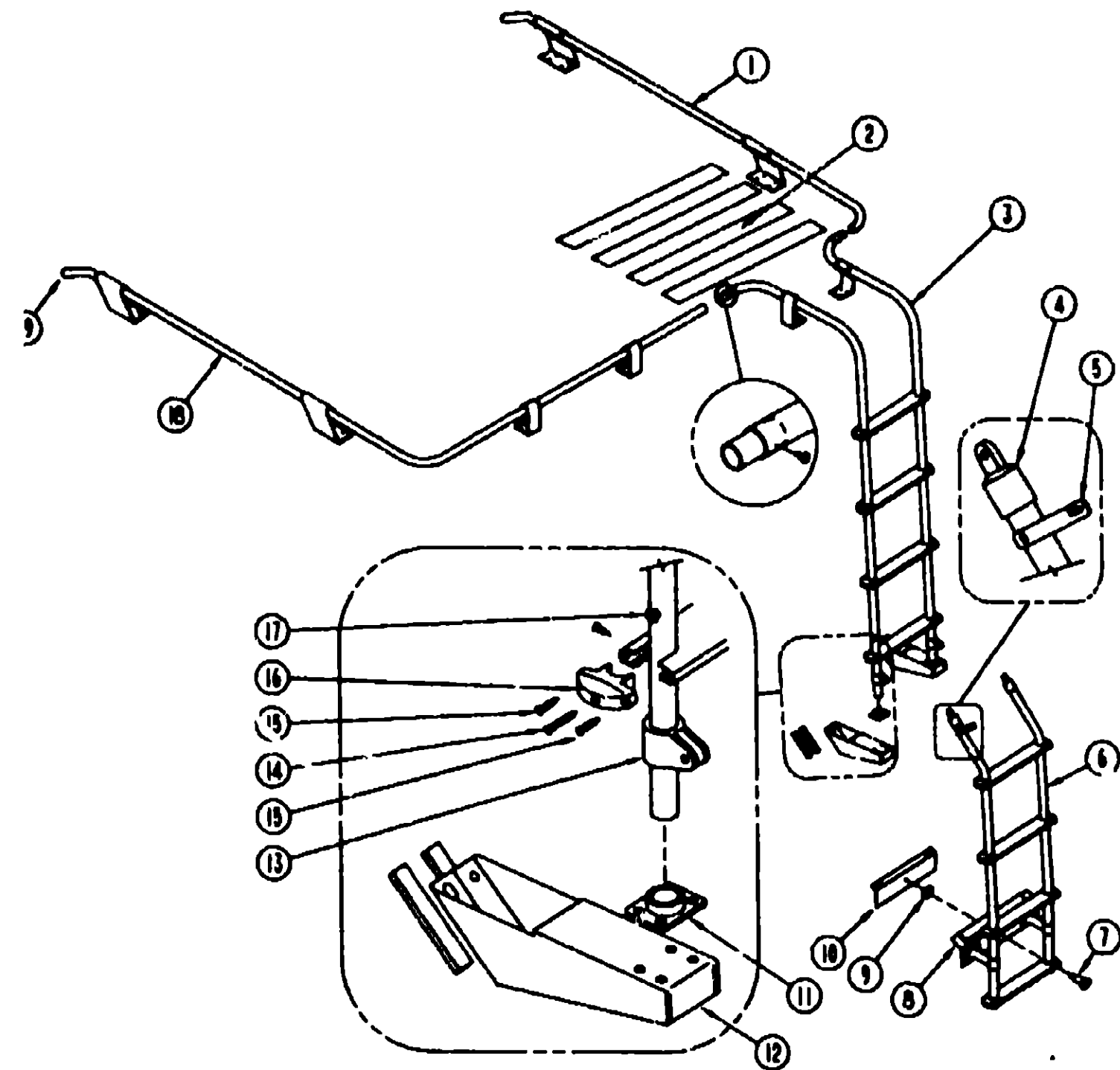
**1991 WINNEBAGO  
TABLE OF CONTENTS**

INTRODUCTION	A-01 -	A-02
ABBREVIATIONS		A-03
ALPHABETICAL INDEX	A-04 -	A-08
WCN25RC	A-07 -	F-02
WCN34RQ	F-03 -	K-12

**1991 WCN25RC INDEX**

FLOOR PLAN	A-07 -	A-08
ACCESSORIES	A-09 -	A-14
BATH	A-15 -	A-17
BEDROOM		A-18
CHASSIS	A-19 -	B-03
C C & PAD	B-04 -	B-13
DINETTE	B-14 -	B-15
DRIVERS	B-16 -	B-22
ELECTRICAL	B-23 -	C-04
EXTERIOR BODY	C-05 -	C-12
GALLEY	C-13 -	C-20
HEATING & A/C	C-21 -	D-02
INTERIOR FINISH	D-03 -	D-08
LABELS	D-07	D-14
LP		D-15
LOUNGE		D-16
SEALANTS & FASTENERS	D-17 -	D-19
WATER & SEWAGE	D-20 -	D-24
WINDOW, VENT AND EXTERIOR DOOR	E-01 -	F-02

**ACCESSORIES GROUP (CONTINUED)**



**LUGGAGE RACK & LADDER**

KEY	PART NUMBER	U/M DESCRIPTION
1	081026-09-Y12	EA RACK-LUGGAGE, PASSENGER
2	038327-01-000	EA TAPE-ANTI SLIP, 2" X 60"
3	092964-01-Y12	EA LADDER-UPPER
4	081115-01-000	EA CAP-TOP, 1 INCH
5	080673-01-000	EA LATCH-LADDER, LOWER - GRAY
6	092963-01-Y12	EA LADDER-LOWER
7	081058-01-000	EA PIN-QUICK RELEASE, SINGLE ACTION - LADDER
8	081152-01-000	EA PLATE-BUMPER, LADDER - LOWER
9	091055-01-000	EA SPRING GRIP-INTERNAL TOOTH - LADDER
10	081107-01-000	EA BRACKET-BUMPER PIN
11	087185-01-000	EA MOUNTING BRACKET-LADDER, LOWER
12	092967-01-01A	EA FOOTING-LADDER, UPPER
	080870-01-000	EA SHIM-LADDER FOOTING, BRITE
13	081116-01-000	EA SLIDE-TOP, RACK & LADDER - 1"
14	000G68-10-38T	EA SCREW-10-12 X 2 25 PPH BLACK
15	000G39-08-10T	EA SCREW-SF/DR, 6-20 X 5/8 PPH - BLACK
16	076980-02-000	EA END CAP-STEP, BLACK
17	081113-01-000	EA BUSHING-FLANGE, PLASTIC - WHITE
18	081026-10-Y12	EA RACK-LUGGAGE, DRIVER
19	081114-01-000	EA PLUG-ROUND, RACK & LADDER ENDS - PLASTIC - 1" DIA

**ACCESSORIES GROUP (CONTINUED)**

**RADIO & SYSTEM COMPONENTS**

KEY	PART NUMBER	U/M DESCRIPTION
	091097-01-000	EA SPEAKER-RADIO W/O GRILLE-5.25" DIA
	074979-01-000	EA COVER-SPEAKER, BACK SHIELD - PLASTIC
		FROM: 00-00-00 THRU: 09-04-90
	074678-09-000	EA COVER-SPEAKER, BACK SHIELD - PLASTIC
		FROM: 09-05-90 THRU: 09-09-90
	089340-01-000	EA GRILLE-SPEAKER-5.25" SQUARE
	089340-02-000	EA GRILLE-SPEAKER-5.25" SQUARE
		FROM: 00-00-00 THRU: 09-09-90
		FROM: 09-10-90 THRU: 09-09-90
	073741-03-000	EA SPEAKER-RADIO, OVAL - AUDIOVOX 110-2074 - 4" X 8"
	073741-04-000	EA GRILLE-SPEAKER, OVAL - 4" X 8" - BLACK
	097459-01-000	EA RADIO-AM/FM STEREO, CASSETTE - AUDIOVOX IM-DXA
	099999-01-000	EA BRACKET-RADIO, AUDIOVOX
	097821-01-000	EA MOUNTING KIT-RADIO, AUDIOVOX WMK-A001 - CHEVY
	097822-01-000	EA RADIO OUTPUT ADAPTOR HARNESS - AUDIOVOX 112B-1969
	097480-02-000	EA RADIO-AM/FM STEREO/CASSETTE, ELECTRIC TUNE - SONY XR-4147
	097820-03-000	EA MOUNTING KIT-RADIO, SONY
	097820-04-000	EA BRACKET-RADIO FACE-SONY
	100014-01-000	EA BRACKET-RADIO, SONY

**HOSE, TOOL BOX & DRAWERS**

KEY	PART NUMBER	U/M DESCRIPTION
	077404-02-000	EA DRAWER-PLASTIC, 20" X 12 7" - BEIGE
	094087-01-01A	EA DIVIDER-DRAWER, PLASTIC - LIGHT OAK
	098765-01-000	EA RAIL-DRAWER
	091270-01-000	EA HOSE-5/8", ON REEL - WATER - NON TOXIC - 50' - TORO
	105284-01-000	EA COUPLER-QUICK HOSE END
	093300-01-000	EA BOX-TOOL, W/TRAY - 18" X 7" X 7 5"

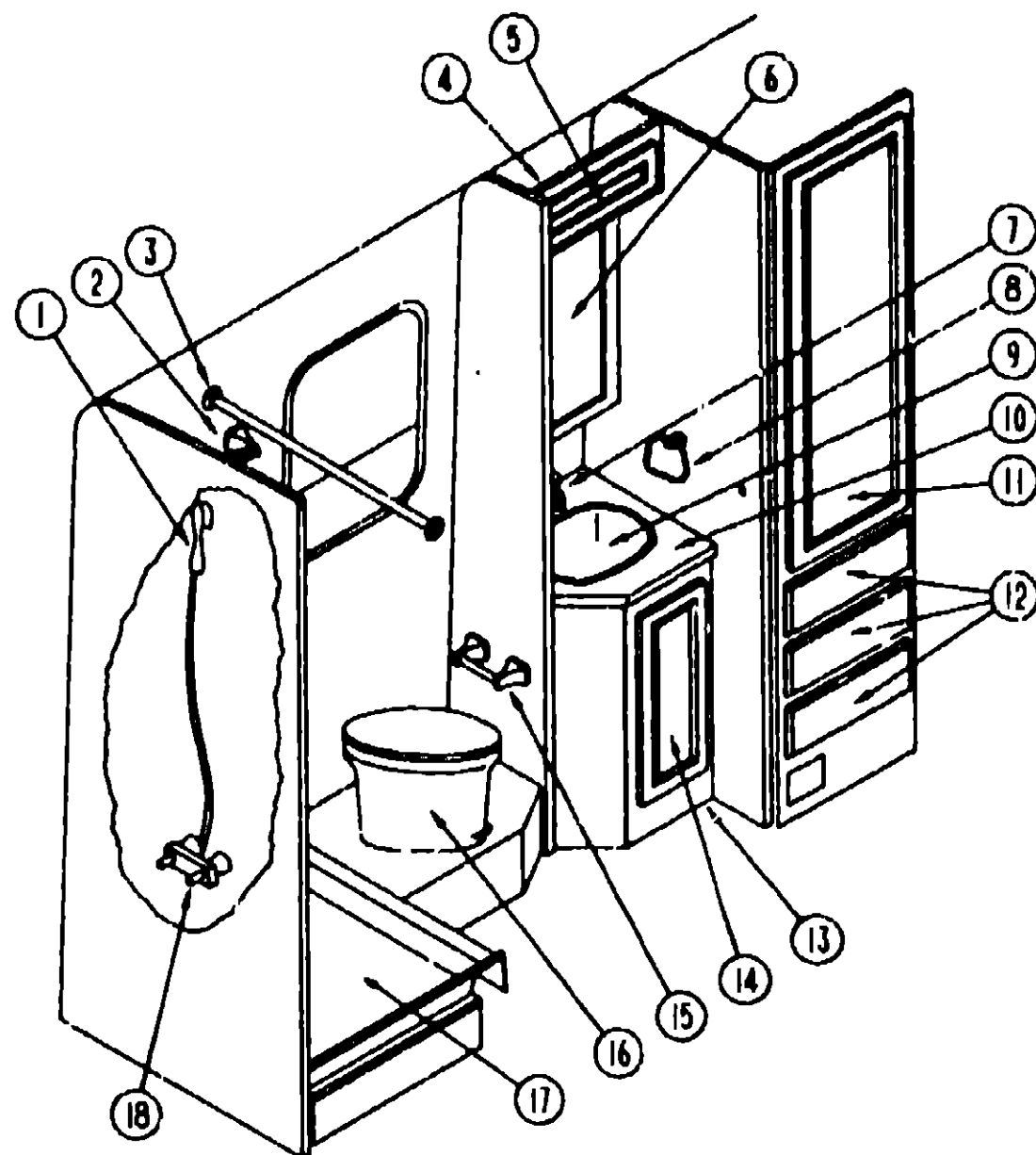
**1991 WINNEBAGO  
TABLE OF CONTENTS**

INTRODUCTION	A-01 -	A-02
ABBREVIATIONS		A-03
ALPHABETICAL INDEX	A-04 -	A-08
WCN25RC	A-07 -	F-02
WCN34RQ	F-03 -	K-12

**1991 WCN25RC INDEX**

FLOOR PLAN	A-07 -	A-08
ACCESSORIES	A-09 -	A-14
BATH	A-15 -	A-17
BEDROOM		A-18
CHASSIS	A-19 -	B-03
C C & PAD	B-04 -	B-13
DINETTE	B-14 -	B-15
DRIVERS	B-16 -	B-22
ELECTRICAL	B-23 -	C-04
EXTERIOR BODY	C-05 -	C-12
GALLEY	C-13 -	C-20
HEATING & A/C	C-21 -	D-02
INTERIOR FINISH	D-03 -	D-08
LABELS	D-07 -	D-14
LP		D-15
LOUNGE		D-16
SEALANTS & FASTENERS	D-17 -	D-19
WATER & SEWAGE	D-20 -	D-24
WINDOW, VENT AND EXTERIOR DOOR	E-01 -	F-02

**BATH GROUP**



**BATHROOM CABINET & COMPONENTS**

KEY	PART NUMBER	U/M DESCRIPTION
1	011048-02-000	EA HEAD-SHOWER, W/60" HOSE (US)
1	011048-05-000	EA HEAD-SHOWER, W/60" HOSE (CANADIAN)
2	075453-02-000	EA BAR-TOWEL 18IN BRASS
3	102075-01-01A	EA ROD-CURTAIN, SHOWER OFF WHITE
	009112-01-000	EA FLANGE-CLOTHES ROD, 1" DIAMETER - PLASTIC - WHITE
4	M04166-01-B07	EA CABINET ASM-MEDICINE, UPPER
5	P00520-03-B07	EA DOOR ASM - MEDICINE CABINET UPPER - W/O HARDWARE, 6 4" X 16"
6	P00520-31-B10	EA DOOR ASM - MEDICINE CABINET LOWER - W/O HARDWARE 15 35" X 25 59"
	058331-30-000	EA MIRROR-GLASS, SAFETY 11 9" X 22"
	M02797-01-B07	EA CABINET ASM-MEDICINE, LOWER
7	075240-05-000	EA FAUCET-LAVATORY BRASS (US)
7	075240-06-000	EA FAUCET-LAVATORY, BONE (CANADIAN)
	091253-01-000	EA GASKET-FAUCET, LAVATORY
8	075454-02-000	EA TOWEL RING-BRASS W/MTG HDW

**BATH GROUP (CONTINUED)**

**BATHROOM CABINET & COMPONENTS CONT**

KEY	PART NUMBER	U/M DESCRIPTION
9	098927-01-01A	EA SINK-LAVATORY, RECTANGULAR - PLASTIC - BONE
	098927-01-700	EA SINK-STOPPER
	098927-01-701	EA TAILPIECE-SINK
10	098904-11-B07	EA COUNTERTOP ASM
11	P00520-29-B07	EA DOOR CABINET, W/O HARDWARE 18.75" X 48"
12	P00521-07-B07	EA DRAWER-CABINET, W/O HARDWARE - 15.5" X 20"
		FROM 00-00-00 THRU: 01-06-91
12	P03397-26-B07	EA DRAWER-CABINET, W/O HARDWARE - 15 4" X 19.4"
		FROM 01-07-91 THRU: 99-99-99
13	M98904-01-B07	EA CABINET ASM LAVATORY
14	P00520-30-B07	EA DOOR ASM-RAISED PANEL, W/O HARDWARE-10" X 25 6"
15	075452-02-000	EA HOLDER-TOILET TISSUE BRASS
16	064076-01-000	EA TOILET-IVORY
	039341-02-700	EA COVER-SEAT, TOILET - IVORY - THETFORD 037151
	039341-02-703	EA PLUG-HOLE, IVORY - THETFORD 03896-10
	039341-02-704	EA SEAT & COVER SET-NEWSTYLE, THETFORD 08855
	039341-02-705	EA MOUNTING PACKAGE-THETFORD 08975
	039341-02-707	EA PIN-HINGE, TOILET - THETFORD 12988
	064076-01-701	EA MECHANISM STARLIGHT IVORY, THETFORD 14822
	024676-01-000	EA FLANGE-CLOSET, TOILET - 4" X 3" - RED (US)
	024676-02-000	EA FLANGE-CLOSET, 4" X 3" - ABS (CANADIAN)
17	M02830-17-B07	EA SHOWER PAN ASM
18	075241-04-000	EA FAUCET-SHOWER, BRASS (US)
18	075241-05-000	EA FAUCET-SHOWER, BONE (CANADIAN)
	011089-03-000	EA TAILPIECE-1 1/2X1 3/4 PLASTIC
	068435-01-000	EA NUT STRAINER
	068436-01-000	EA NUT-SLIP, 1 5 TAILPIECE
	068440-01-000	EA STRAINER W/RUBBER WASHER
	068729-01-000	EA STRAINER-TUB, SHOWER DRAIN
	057671-01-000	EA COVER-SCREW, #8 - TWO PIECE - PLASTIC - OFF WHITE
	069735-01-000	EA WASHER-TAILPIECE, 1 5 PLASTIC
	061614-02-000	EA DISH-SOAP, BRASS W/PLASTIC COVER

**BATH DOOR & MOUNTING COMPONENTS**

KEY	PART NUMBER	U/M DESCRIPTION
	M87868-01-B07	EA DOOR-BATH, PRIVACY - W/O LOCKSET
		FROM 00-00-00 THRU 06-21-90
	M87868-03-B07	EA DOOR-BATH, PRIVACY - W/O LOCKSET
		FROM 06-22-90 THRU 99-99-99
	009058-01-000	EA HINGE-DOOR, 2" X 2 7" - BRASS
	094485-01-01A	EA KNOB-DOOR, POLISHED BRASS
	100357-01-000	EA TOWEL ROD-BRASS
	102089-13-B07	EA MOUNT-ROD, RIGHT SIDE - 26" LONG - WOOD
	102089-14-B07	EA MOUNT-ROD, LEFT SIDE - 26" LONG - WOOD
	074045-01-000	EA OAK PLUG - 1/2" DIA
	081317-12-Y10	EA JAMB-DOOR, HINGED SIDE - W/O HOLE - 73 3" LONG
	081317-13-Y10	EA JAMB-DOOR, LATCH SIDE - W/HOLE - 73 3" LONG
	081318-02-Y10	EA JAMB-DOOR, TOP

**1991 WINNEBAGO  
TABLE OF CONTENTS**

INTRODUCTION	A-01 -	A-02
ABBREVIATIONS		A-03
ALPHABETICAL INDEX	A-04 -	A-08
WCN25RC	A-07 -	F-02
WCN34RQ	F-03 -	K-12

**1991 WCN25RC INDEX**

FLOOR PLAN	A-07 -	A-08
ACCESSORIES	A-09 -	A-14
BATH	A-15 -	A-17
BEDROOM		A-18
CHASSIS	1-19 -	P-13
C C & PAD	3-04 -	3-13
DINETTE	3-14 -	B-15
DRIVERS	1-18 -	B-22
ELECTRICAL	B-23 -	C-04
EXTERIOR BODY	C-05 -	C-12
GALLEY	C-13 -	C-20
HEATING & A/C	C-21 -	D-02
INTERIOR FINISH	D-03 -	D-06
LABELS	D-07 -	D-14
LP		D-15
LOUNGE		D-16
SEALANTS & FASTENERS	D-17 -	D-19
WATER & SEWAGE	D-20 -	D-24
WINDOW, VENT AND EXTERIOR DOOR	E-01 -	F-02

## BATH GROUP (CONTINUED)

### WARDROBE & BATH HARDWARE

KEY	PART NUMBER	U/M DESCRIPTION
	041863-03-000	FF CONDUIT-CONVOLUTED SLIT, 1" ID - CLOTHES ROD COVER
	009112-01-000	EA FLANGE, 1" ROD - CLOTHES - PLASTIC - WHITE
	042438-01-000	EA DOWEL-WOOD, CLOTHES ROD - 1" X 4'
	037688-01-000	FT RAIL-V GUIDE, DRAWER - 10' EA
	037688-03-000	EA GLIDE-CENTER, DRAWER
	037688-04-000	EA BRACKET-RAIL MOUNTING, FRONT
	037688-06-000	EA BRACKET-RAIL MOUNTING, REAR
	102827-02-000	EA BRACKET-ROLLER, REAR - MOUNTS TO DRAWER
	102827-03-000	EA ROLLER-DRAWER, NYLON (PAIR)
	102827-04-000	EA BRACKET-MOUNTING, REAR - MOUNTS TO CABINET
	102827-06-000	EA TRACK DRAWER, 22 8" LONG
	069777-02-000	EA HINGE-CABINET DOOR, BRASS
	006646-01-000	EA PULL-CABINET DOOR, BRASS
	093588-03-000	EA CATCH SPRING, ROLLER
	093588-04-000	EA STRIKE-SPRING, STEEL
	THESE PARTS WERE USED FROM 01-07-91 ON	
	SEE INTERIOR FINISH FOR BREAKDOWN OF THESE ITEMS.	

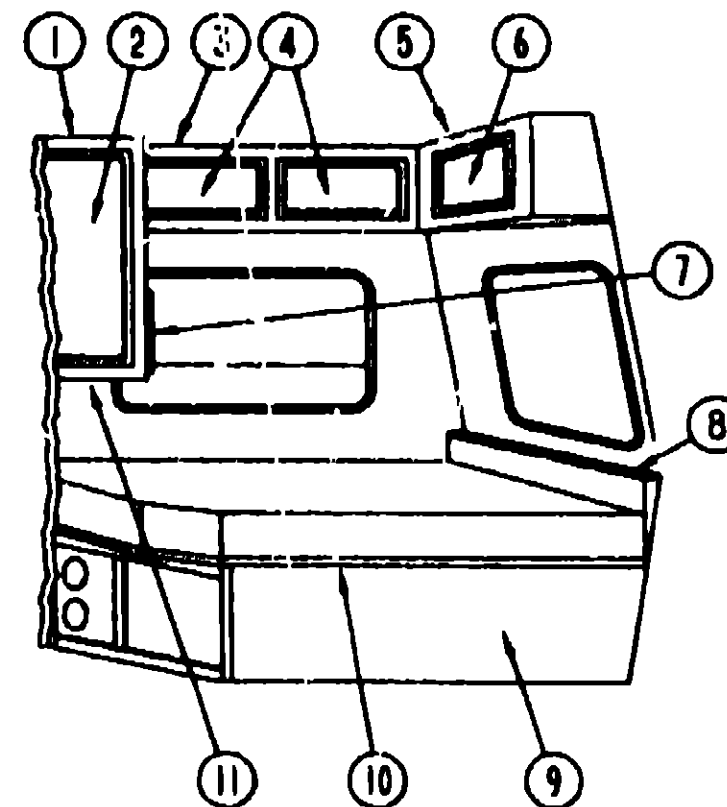
### SHOWER CURTAIN & HARDWARE

KEY	PART NUMBER	U/M DESCRIPTION
	084481-15-000	EA SHOWER CURTAIN, 82" X 36" - ALMOND VINYL
	046867-01-000	EA GROMMET-BRASS, SHOWER CURTAIN
	009138-01-000	EA HANGER RING, PIN TYPE - CHROME
	009138-02-000	EA HANGER RING, PIN TYPE - BRASS
	009112-01-000	EA FLANGE-CURTAIN ROD, 1" DIA
	102076-01-01A	EA ROD-SHOWER CURTAIN, OFF WHITE

### SHOWER STALL & REPAIR PARTS

KEY	PART NUMBER	U/M DESCRIPTION
	075808-01-000	EA PANEL-FAUCET BACK, SHOWER - PLASTIC
	101525-01-01A	EA SHOWER SURROUND - 59 1" X 27" - PLASTIC
	101526-01-01A	EA SHOWER SURROUND - 2 SIDED W/SOAP DISH & TRAY - PLASTIC
	101527-01-01A	EA SHOWER CAP - 30 9" X 28 9"
	096204-04-01A	EA TRIM-J, 5" EXPOSED - 1" X 19 7" - METAL - OFF WHITE
	096204-02-01A	EA TRIM-J, 5" EXPOSED - 1" X 52 1" - METAL - OFF WHITE
	096204-03-01A	EA TRIM-J, 5" EXPOSED - 1" X 58 9" - METAL - OFF WHITE
	077902-01-000	EA COVER-SKYLIGHT, INSIDE - 15 6" X 22 5" - PLASTIC
	080910-01-000	EA COVER-SKYLIGHT, OUTER - 15 25" X 22 25" - PLASTIC
	THESE PARTS WERE USED FROM 11-08-90 ON	

## BEDROOM GROUP



BEDROOM CABINETRY

KEY	PART NUMBER	U/M DESCRIPTION
	1 M92178-01-B07	EA CABINET ASM-CLOSET, SHIRT
	2 P00520-27-B07	EA DOOR ASM-W/O HARDWARE, 14 37" X 33 48"
	3 M04158-01-B07	EA CABINET ASM-OVERHEAD, RIGHT REAR
	4 P00520-25-B07	EA DOOR ASM-W/O HARDWARE 14.37" X 17 91"
	5 M03901-03-B07	EA CABINET ASM-REAR OVERHEAD (US)
	5 M03901-04-B07	EA CABINET ASM-REAR OVERHEAD (CANADIAN)
	6 P00520-24-D13	EA DOOR ASM-W/O HARDWARE, 14 37" X 33 48"
	7 093445-11-B13	EA COUNTERTOP-TV STAND, 15" X 15" (OPTION L43N)
	8 092526-03-B07	EA COUNTERTOP-BACKWALL
	8 094791-03-Y12	EA TRIM-COUNTERTOP, 5 2" X 1 5" - WOOD
	9 M99903-01-B07	EA CABINET ASM-DOUBLE BED
	10 M03988-01-AB8	EA TOP-CABINET-DOUBLE BED
	11 081280-23 B07	EA END CAP ASM-PADDED

### TV STAND & SWIVEL SHELF

KEY	PART NUMBER	U/M DESCRIPTION
	091909-01-000	EA SHELF-SWIVEL, TV - BEIGE
	093445-11-B13	EA COUNTERTOP-TV STAND, 15" X 15"
	084625-02-000	EA HINGE-PIANO, W/HOLES - 17 2" - ALUMINUM - TAN
	058708-02-000	EA RECEPTACLE-DOUBLE ELECTRIC, IVORY
	086777-01-000	EA WALLPLATE-TV CABLE, W/ANTENNA SWITCH - IVORY

### BED HARDWARE

KEY	PART NUMBER	U/M DESCRIPTION
	057205-04-000	EA ANGLE-SUPPORT, BED - 1" X 1 5" X 20" - METAL - BEIGE
	057480-02-000	EA STUD-BALL, GAS SPRING - 10MM - 5/16" - 18
	057480-03-000	EA CLIP-SAFETY, WIREFORM TYPE - GAS SPRING
	057480-04-000	EA SPRING-GAS
	089024-01-000	EA SUPPORT-SPRING, TO FLOOR
	089025-01-000	EA SUPPORT-SPRING, TO BED
	088199-02 Y12	EA HINGE-BED, TOP LIFT - METAL - BEIGE
	077252-01-000	EA PIN-HINGE
	086235-02-000	EA BEARING-SNAP IN, 3/16" ID X 3/8"
	093278-01-000	EA BRACE-PROP ROD, GAS

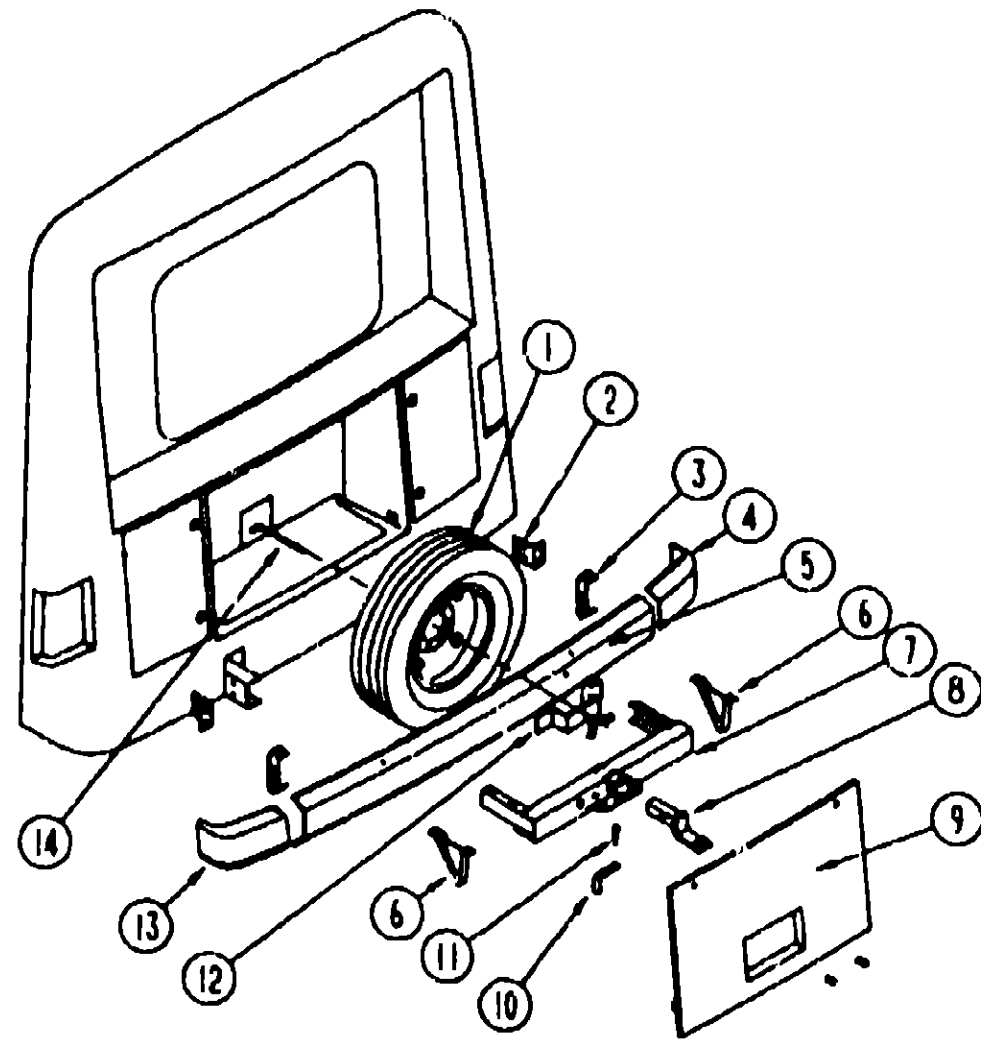
## 1991 WINNEBAGO TABLE OF CONTENTS

INTRODUCTION	A-01 -	A-02
ABBREVIATIONS		A-03
ALPHABETICAL INDEX	A-04 -	A-06
WCN25RC	A-07 -	F-02
WCN34RD	F-03 -	K-12

## 1991 WCN25RC INDEX

FLOOR PLAN	A-07 -	A-08
ACCESSORIES	A-09 -	A-14
BATH	A-15 -	A-17
BEDROOM		A-18
CHASSIS	A-19 -	B-03
C C & PAD	B-04 -	B-13
DINETTE	B-14 -	B-15
DRIVERS	B-16 -	B-22
ELECTRICAL	B-23 -	C-04
EXTERIOR BODY	C-05 -	C-12
GALLEY	C-13 -	C-20
HEATING & A/C	C-21 -	D-02
INTERIOR FINISH	D-03 -	D-06
LABELS	D-07 -	D-14
LP		D-15
LOUNGE		D-16
SEALANTS & FASTENERS	D-17 -	D-19
WATER & SEWAGE	D-20 -	D-24
WINDOW, VENT AND EXTERIOR DOOR	E-01 -	F-02

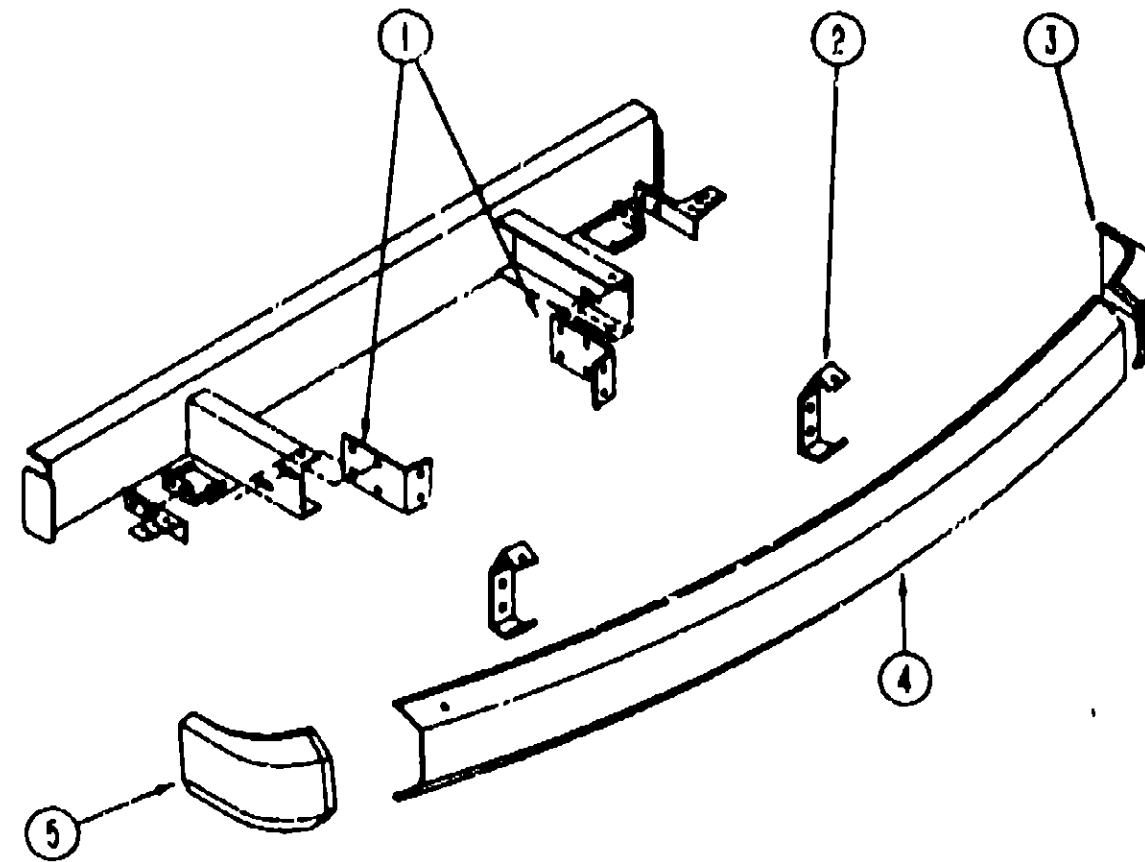
## CHASSIS GROUP



### REAR BUMPER, TRAILER HITCH & COMPARTMENT

KEY	PART NUMBER	U/M DESCRIPTION
1	083425-08-000	EA TIRE-LT 215/85 R 16 - LRE - MICHELIN XPS RIB
1	083425-07-000	EA TIRE-7.50 X R 16 - LRD - MICHELIN XPS RIB (DIESEL)
1	089359-03-000	EA RIM-WHEEL, STEEL - 18" X 6" K - 8 HOLES - PRIMED
1	051377-01-000	EA STEM-VALVE, TR 500
1	051377-03-000	EA STEM-VALVE, TR600 HP (DIESEL)
2	076558-01-000	EA SUPPORT-L ANGLE, BUMPER - PASSENGER SIDE - 5" X 4 9"
	076558-02-000	EA SUPPORT-L ANGLE, BUMPER - DRIVER SIDE - 5" X 4 9"
3	077855-01-000	EA BRACKET-BUMPER, REAR - BENT ENDS - 2" WIDE X 8" LONG
4	092250-01-01A	EA CAP-BUMPER END, REAR PASSENGER - PLASTIC - BEIGE
5	077851-06-000	EA BUMPER-REAR, UNFINISHED
6	083048-01-000	EA PLATE-SKID, REAR BUMPER - V SHAPED
7	077617-04-000	EA HITCH-W/O DRAWBAR
8	077613-01-000	EA DRAWBAR ONLY
9	092982-01-010	EA DOOR-SPARE TIRE, W/LOCKS - 26 8" X 41 3" - BEIGE
	077381-01-000	EA PLATE-PIVOT
	077384-01-000	EA PLATE-PIN, 1 6" X 1 6" - 4 SM HOLES-1 LRG HOLE
	077385-01-000	EA PIN-PIVOT, FOR PIN PLATE
10	034512-01-000	EA PIN-LOCKING, DRAWBAR
11	034513-01-000	EA PIN-HITCH, 3/16" WIRE
12	077399-01-000	EA RETAINER-SPARE TIRE
	064081-01-000	EA NUT-WING, SPARE TIRE
13	092250-02-01A	EA CAP-BUMPER END, REAR DRIVER - PLASTIC - BEIGE
	097501-01-000	EA BRACKET-BACKWALL, ANGLED 2 2" X 39" LONG
	092252-01-000	EA COMPARTMENT-SPARE TIRE, PLASTIC
14	095969-02-000	EA PLATE ASM-SPARE TIRE WITH RETAINING ROD

## CHASSIS GROUP (CONTINUED)



### FRONT BUMPER & END CAP

KEY	PART NUMBER	U/M DESCRIPTION
1	083514-01-000	EA SUPPORT BUMPER, FRONT - L ANGLE - 4" X 7"
2	077852-01-000	EA BRACKET-BUMPER, FRONT - 2 PER COACH - BENT 2" X 8"
3	091840-02-01A	EA CAP-BUMPER END, FRONT DRIVER - PLASTIC - BEIGE
4	091994-01-01A	EA BUMPER-FRONT, UNFINISHED
5	091840-01-01A	EA CAP-BUMPER END, FRONT PASSENGER - PLASTIC - BEIGE
	005200-01-000	EA BOLT-BUMPER, ROUND HEAD-SQUARE NECK - W/SST CAP 7/16-14 X 1 1/4
	102333-01-01A	EA BOLT-BUMPER, ROUND HEAD-SQUARE NECK-W/BEIGE CAP

### ENTRY STEP BOX

KEY	PART NUMBER	U/M DESCRIPTION
	088412-04-000	EA TRIM-STEPBOX, ENTRY DOOR - BEIGE
	092893-02-01A	EA LINER-STEP BOX, ENTRANCE DOOR - 5" - BLACK
	M92055-01-000	EA ACCESS PNL -STEP BOX W/HINGE
	088254-01-000	EA CATCH-MAGNETIC, 1 8" X 7"
	008063-01-000	EA HINGE-CONTINUOUS, 1 1/2" X 72"
	096645-01-000	EA PULL-CABINET, BRASS - RIBBON

### FRONT STABILIZER SHOCKS

KEY	PART NUMBER	U/M DESCRIPTION
	079942-01-000	EA SHOCK ABSORBER-STABILIZER, FRONT - 4-WAY
	091250-01-000	EA BUSHING-SWAY BAR, 1 25 CUT

## 1991 WINNEBAGO TABLE OF CONTENTS

INTRODUCTION	A-01 - A-02
ABBREVIATIONS	A-03
ALPHABETICAL INDEX	A-04 - A-06
WCN25RC	A-07 - F-02
WCN34RQ	F-03 - K-12

## 1991 WCN25RC INDEX

FLOOR PLAN	A-07 - A-08
ACCESSORIES	A-09 - A-14
BATH	A-15 - A-17
BEDROOM	- A-18
CHASSIS	A-19 - B-03
C C & PAD	B-04 - B-13
DINETTE	B-14 - B-15
DRIVERS	B-16 - B-22
ELECTRICAL	B-23 - C-04
EXTERIOR BODY	C-05 - C-12
GALLEY	C-13 - C-20
HEATING & A/C	C-21 - D-02
INTERIOR FINISH	D-03 - D-06
LABELS	D-07 - D-14
LP	D-15
LOUNGE	D-16
SEALANTS & FASTENERS	D-17 - D-19
WATER & SEWAGE	D-20 - D-24
WINDOW, VENT AND EXTERIOR DOOR	E-01 - F-02

## CHASSIS GROUP (CONTINUED)

### MANUAL LEVELING JACKS

KEY	PART NUMBER	U/M DESCRIPTION
	099026-01-000	EA STABILIZER-JACK, PASSENGER
	099026-02-000	EA STABILIZER-JACK, DRIVER
	099841-01-000	EA BRACKET-JACK, REAR - PASSENGER SIDE
	099841-02-000	EA BRACKET-JACK, REAR - DRIVER SIDE
	099842-01-000	EA BRACKET-JACK, W/ANGLE BRACE
	099842-02-000	EA BRACKET-JACK, FRONT

### SPEED CONTROL FOR GAS ENGINE

KEY	PART NUMBER	U/M DESCRIPTION
	094389-03-000	EA SPEED CONTROL-SMART STICK, EFI - GAS - DANA# 59L-11129B FROM 00-00-00 THRU 04-04-91 USED ON 1990 CHASSIS WITH IGNITION SWITCH ON DASH
	094389-01-702	EA REGULATOR ASM-ELECTRONIC, DANA# 57C-08X12-R
	094389-01-708	EA SERVO-DANA# 53D-11118-R
	089829-01-704	EA SIGNAL GENERATOR ASM, DANA# 59L-08X221P
	083212-04-701	EA MAIN WIRING HARNESS, DANA# 59D-02570
	094389-01-701	EA SWITCH & LEVER ASM, DANA# 53D-11118-F
	094389-01-704	EA HEADLIGHT DIMMER MODULE ASM-DANA# 83C-00001
	059778-01-710	EA TESTER CRUISE CONT.W/HARNESS, DANA# 58L-08X33-B
	089829-01-708	EA SIGNAL GENERATOR ONLY, DANA# 59D-02392-1
	083212-01-705	EA RELEASE VALVE ONLY, DANA# 59C-02297
	079972-01-707	EA EXTENSION HARNESS ASM-SIGNAL GENERATOR, DANA# 59C-237E-1
	094389-01-705	EA VACUUM RESERVOIR-DANA# 59C-02249
	083212-01-704	EA STOP LAMP/CRUISE RELEASE SWITCH, DANA# 59C-02543
	083211-01-703	EA SERVO CABLE ASM ONLY, DANA# 59C-02538
	091900-01-702	EA WIPER CONTROL MODULE-DANA# 66C-00061
	102362-01-000	EA SPEED CONTROL-1991 CHEVY, DANA 59L-111010B FROM 04-05-91 THRU 99-99-99 USED ON 1991 CHASSIS WITH IGNITION SWITCH ON STEERING COLUMN
	102362-01-700	EA CABLE-SERVO, CABLE ONLY - DANA 59C-03001
	102362-01-701	EA REGULATOR-ELECTRONIC, DANA 57C-08X13-R
	102362-01-702	EA MODULE-WIPER CONTROL, DANA 66D-00061
	102362-01-703	EA HARNESS-PIVOT SW TO WIPER CONTROL, DANA 59C-02973
	102362-01-704	EA HARNESS-MAIN WIRING, DANA 59D-02975
	102362-01-705	EA CLIP-THROTTLE RETAINER, DANA 59A-02821
	102362-01-706	EA STUD-THROTTLE, DANA 59A-02979
	102362-01-707	EA SWITCH & LEVER-CONTROL, DANA 53D-08X63-F
	094369-01-706	EA SERVO-DANA# 53D-11118-R
	094863-01-704	EA HOUSING-4 PIN, SPEED CONTROL - TOYOTA - DANA 59C-022
	094369-01-705	EA VACUUM RESERVOIR-DANA# 59C-02249

### SPEED CONTROL FOR DIESEL ENGINE

KEY	PART NUMBER	U/M DESCRIPTION
	102362-02-000	EA SPEED CONTROL-1991 CHEVY DIESEL, DANA 59L111020P
	102362-01-701	EA REGULATOR-ELECTRONIC, DANA 57C-08X13-P
	102362-01-702	EA MODULE-WIPER CONTROL, DANA 66D-00061
	102362-01-703	EA HARNESS-PIVOT SW TO WIPER CONTROL, DANA 59C-02973
	102362-01-704	EA HARNESS-MAIN WIRING, DANA 59D-02975
	102362-01-707	EA SWITCH & LEVER-CONTROL, DANA 53D 08X63 F
	083212-01-705	EA RELEASE VALVE ONLY, DANA# 59C-02297
	094369-01-701	EA SWITCH & LEVER ASM, DANA# 58D-11118-F
	094369-01-708	EA SERVO-DANA #53D-11118R
	094369-02-700	EA CABLE-SERVO, DIESEL - DANA# 59C-2262
	094369-02-702	EA EXTENSION-WIRE HARNESS, DANA# 59C-02279
	094863-01-704	EA HOUSING-4 PIN, SPEED CONTROL - DANA 59C-022

## CHASSIS GROUP (CONTINUED)

### RADIATOR BOTTLE, BAFFLE, A/C SHIELD & COWL PANELS

KEY	PART NUMBER	U/M DESCRIPTION
	099100-01-000	EA CAP-BOTTLE, OVERFLOW - GM 14064390
	098830-01-000	EA BOTTLE-OVERFLOW, RADIATOR - GM 14042154
	078310-01-000	EA BAFFLE-RADIATOR, .12" X 15" X 82" - RUBBER
	079059-02-000	EA HOSE-90 DEGREE, .61"ID X 4" X 6"
	085000-01-000	EA SHIELD-A/C, 6 8" X 3 1" - STEEL
	093008-01-000	EA PANEL-COWL, DRIVER - STEEL
	093393 01-000	EA PANEL-COWL, PASSENGER - STEEL - CHEVY

### WHEEL COVERS & LINERS

KEY	PART NUMBER	U/M DESCRIPTION
	083181-01-000	EA COVER-WHEEL, 18" - SET OF FOUR
	083181-01-700	EA COVER-WHEEL, 18" - 1 ONLY
	077030-02-000	EA EXTENSION VALVE STEM-1 25"
	091209-05-000	EA LINER-WHEEL-SET OF 4 - 18" - STAINLESS STEEL
	091209-05-700	EA SIMULATOR-FRONT WHEEL
	091209-05-701	EA SIMULATOR REAR WHEEL
	091209-03-702	EA COVER-FRONT AXLE
	091209-03-704	EA SNAP RING
	091209-03-703	EA COVER-REAR AXLE
	095012-03-000	EA EXTENSION-VALVE STEM-DUAL WHEEL - 5 5" STEEL BRAIDED

### BATTERY TRAYS & COMPONENTS

KEY	PART NUMBER	U/M DESCRIPTION
	090804-03-000	EA TRAY-BATTERY, AUTO - ENGINE COMPARTMENT
	093895-01-000	EA TRAY-BATTERY, W/GUIDE & LATCH STRIKE - HOUSE BATTERY
	077479-01-000	EA BOOT-BATTERY TERM,DBL CABLE
	077479-02-000	EA BOOT-BATTERY TERMINAL, SINGLE CABLE
	051897-01-000	EA BRACKET-BATTERY, TIE DOWN
	051387-06-000	EA BOLT-CARRIAGE, W/O HOLE - 5/16-18 X 9 5 ZN
	086233-01-000	EA STUD-ISOLATED, 3/8" X 7/8" LONG
	074994-01-000	EA GUIDE-TRACK,BATTERY TRAY
	093718-01-000	EA PLATE-STRIKE, BATTERY/STORAGE COMPARTMENT
	015365-01-000	EA PIN-CADIUM PLATED

## 1991 WINNEBAGO TABLE OF CONTENTS

INTRODUCTION	A-01 -	A-02
ABBREVIATIONS		A-03
ALPHABETICAL INDEX	A-04 -	A-08
WCN25RC	A-07 -	F-02
WCN34RQ	F-03 -	K-12

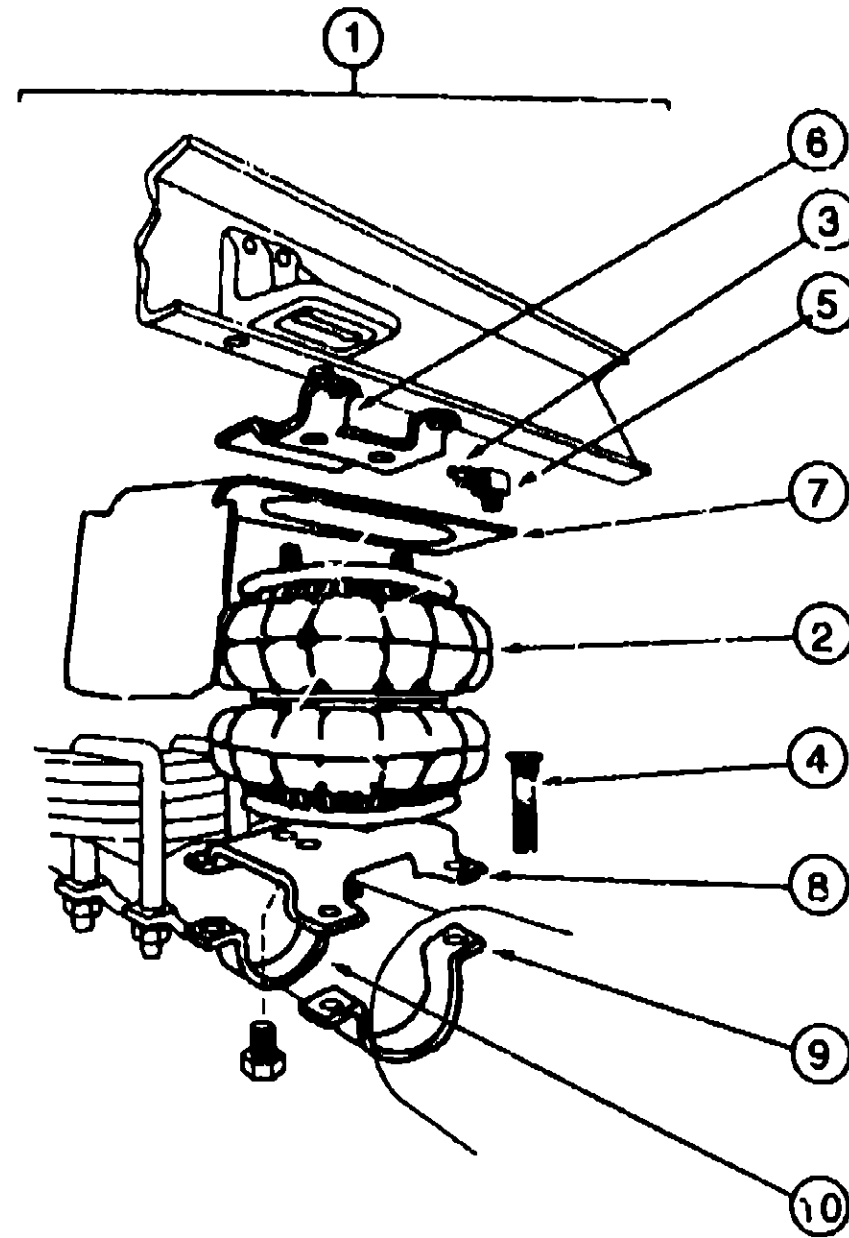
## 1991 WCN25RC INDEX

FLOOR PLAN	A-07 -	A-08
ACCESSORIES	A-09 -	A-14
BATH	A-15 -	A-17
BEDROOM		A-18
CHASSIS	A-19 -	B-03
C C & PAD	B-04 -	B-13
DINETTE	B-14 -	B-15
DRIVER'S	B-16 -	B-22
ELECTRICAL	B-23 -	C-04
EXTERIOR BODY	C-05 -	C-12
GALLEY	C-13 -	C-20
HEATING & A/C	C-21 -	D-02
INTERIOR FINISH	D-03 -	D-08
LABELS	D-07 -	D-14
LP		D-15
LOUNGE		D-16
SEALANTS & FASTENERS	D-17 -	D-19
WATER & SEWAGE	D-20 -	D-24
WINDOW, VENT AND EXTERIOR DOOR	E-01 -	F-02



## CHASSIS GROUP (CONTINUED)

### REAR AXLE AIRSPRINGS



KEY	PART NUMBER	U/M DESCRIPTION
1	084088-01-000	EA AIRSPRING-BELLOWS, REAR AXLE - FIRESTONE# MHA224
2	084088-01-700	EA AIR BAG-ONLY, FIRESTONE# W21-760-0335
3	084088-01-701	EA TUBING-DOT 1/4" X 18' - FIRESTONE# 21-0938
4	084088-01-702	EA BOLT-RIBBED NUT, 3/8"-24 X 2 5" FIRESTONE# 21-0829
	084088-01-703	EA INFLATING VALVE-DOT 1/4" TUBING, FIRESTONE# 21-0931
5	084088-01-704	EA ELBOW CONNECTOR, FIRESTONE# 21-0935
	084088-01-705	EA TUBING PROTECTORS, FIRESTONE# 21-0899
6	084088-01-707	EA BRACKET-UPPER TO FRAME, FIRESTONE# 21-0150
	084088-01-708	EA AIRLINE SERVICE KIT, FIRESTONE# W21-760-2012
	084088-01-709	EA HEAT SHIELD, FIRESTONE# 21-1004
	084088-01-710	EA BOLT PACKAGE, FIRESTONE# 2135823002
7	084088-01-711	EA HEAT SHIELD-224 DOB SYSTEM, FIRESTONE 21-5042
8	084088-01-707	EA BRACKET-LOWER, TOP - PASSENGER SIDE - FIRESTONE# 21-1182
8	084088-01-712	EA BRACKET-LOWER, TOP - DRIVER SIDE - FIRESTONE 21-5037
9	084088-01-713	EA AXLE STRAP BRACKET, AXLE TUBE - 3 USED - FIRESTONE 21-1183
10	084088-01-714	EA AXLE STRAP BRACKET, DIFFERENTIAL - 1 USED - FIRESTONE 21-5038
	084088-03-000	EA BRACKET-AXLE, FIRESTONE #W21-760-2044

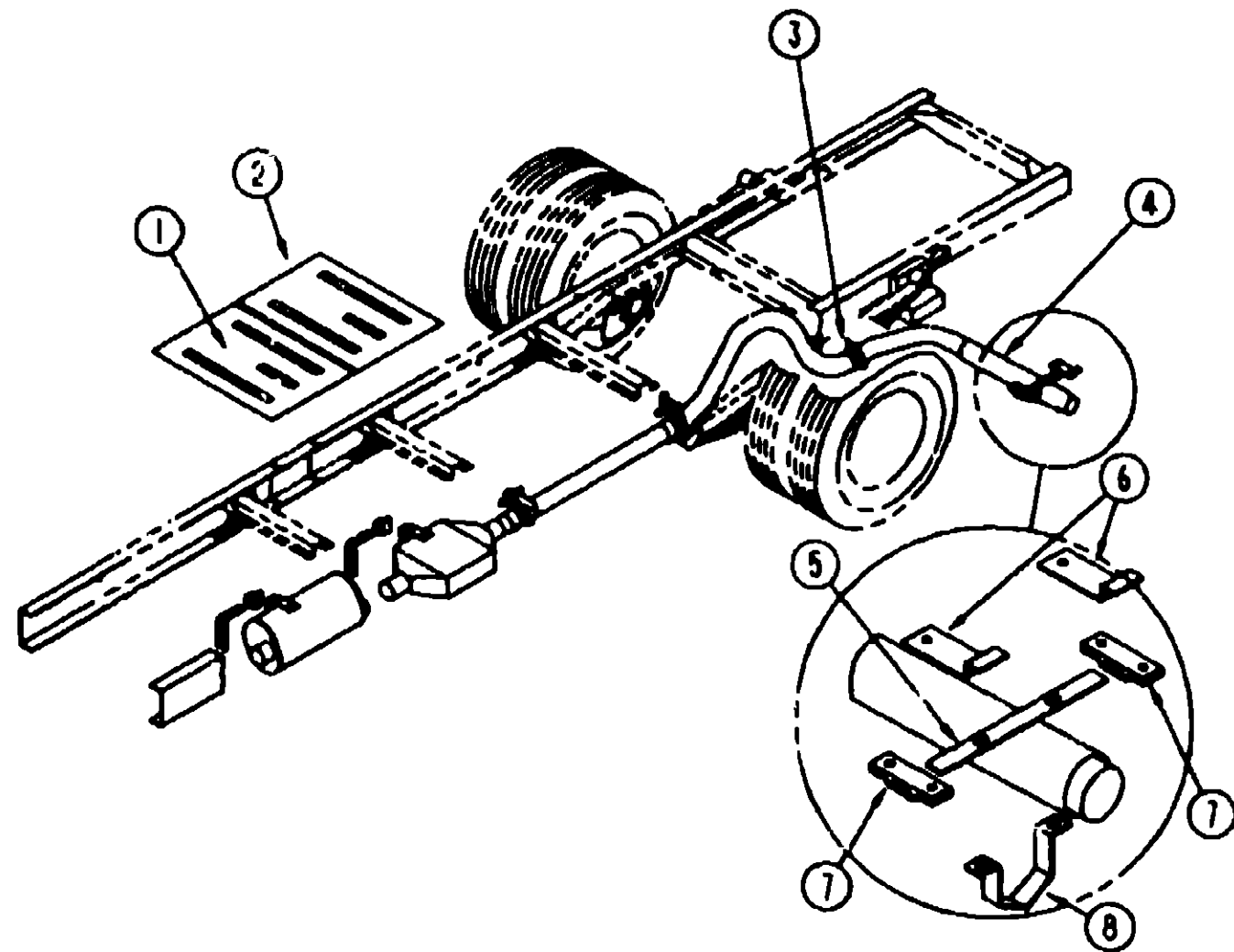
## 1991 WINNEBAGO TABLE OF CONTENTS

INTRODUCTION	A-01 - A-02
ABBREVIATIONS	1 - A-03
ALPHABETICAL INDEX	A-04 - A-08
WCN25RC	A-07 - F-02
WCN34RQ	F-03 - K-12

## 1991 WCN25RC INDEX

FLOOR PLAN	A-07 - A-08
ACCESSORIES	A-09 - A-14
BATH	A-15 - A-17
BEDROOM	- A-18
CHASSIS	A-19 - B-03
C C & PAD	B-04 - B-13
DINETTE	B-14 - B-15
DRIVERS	B-16 - B-22
ELECTRICAL	B-23 - C-04
EXTERIOR BODY	C-05 - C-12
GALLEY	C-13 - C-20
HEATING & A/C	C-21 - D-02
INTERIOR FINISH	D-03 - D-06
LABELS	D-07 - D-14
LP	D-15
LOUNGE	D-16
SEALANTS & FASTENERS	D-17 - D-19
WATER & SEWAGE	D-20 - D-24
WINDOW, VENT AND EXTERIOR DOOR	E-01 - F-02

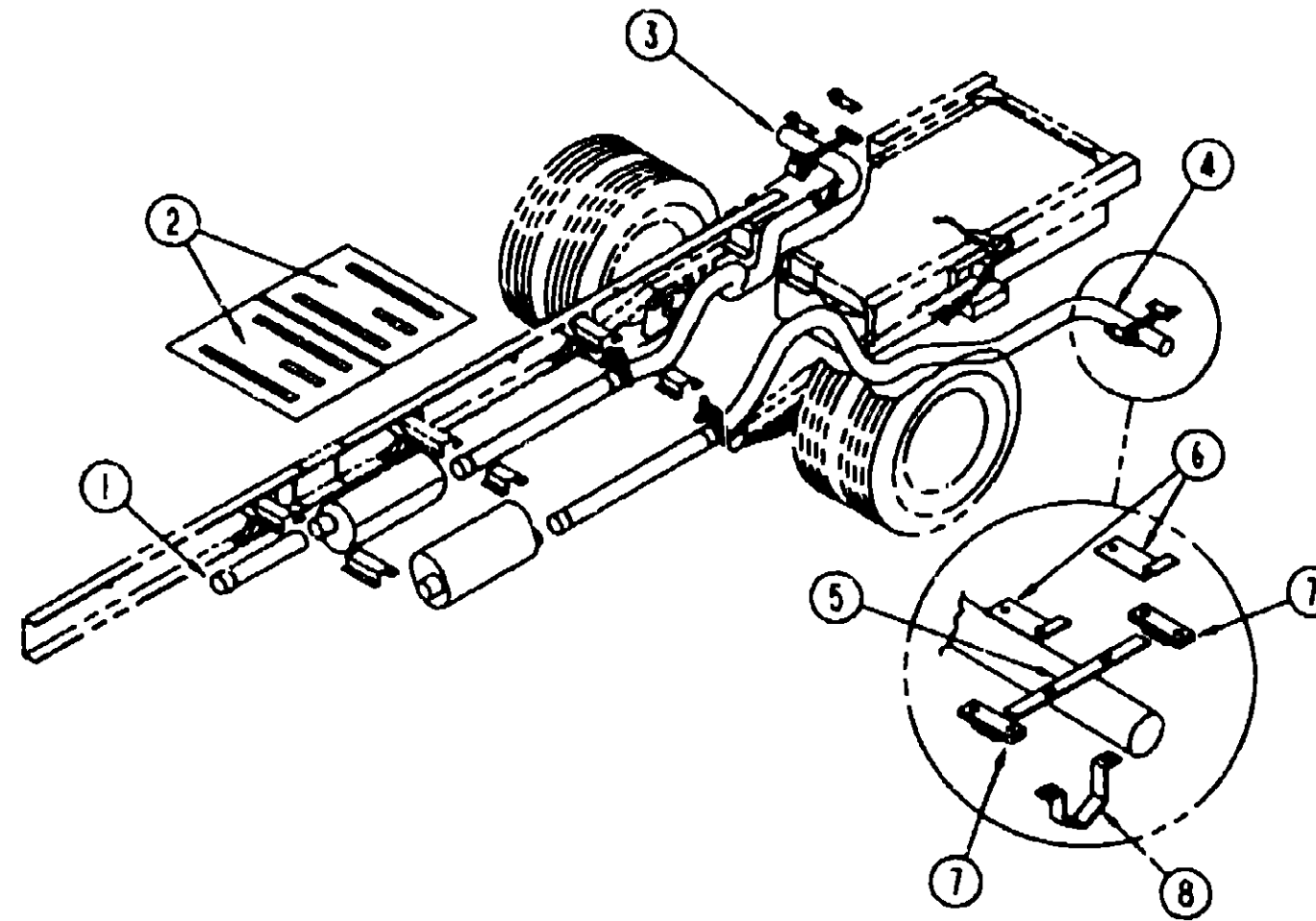
**CHASSIS GROUP (CONTINUED)**



**GAS ENGINE EXHAUST COMPONENTS**

KEY	PART NUMBER	U/M	DESCRIPTION
1	101544-01-000	EA	SHIELD-HEAT,EXHAUST
2	101544-02-000	EA	SHIELD-HEAT,EXHAUST
3	094918-01-000	EA	CLAMP-EXHAUST, 3" GUILLOTINE STYLE
4	098608-01-000	EA	PIPE-EXHAUST
5	095523-04-000	EA	BRACKET-EXHAUST,UPPER
6	095222-02-000	EA	BRACKET-EXHAUST UPPER - W/BEND & NUTS
7	095190-01-000	EA	HANGER
8	095223-02-000	EA	BRACKET-EXHAUST, LOWER - W/NUTS

**CHASSIS GROUP (CONTINUED)**



**DIESEL ENGINE EXHAUST COMPONENTS**

KEY	PART NUMBER	U/M	DESCRIPTION
1	091084-02-000	EA	PIPE ASM -EXHAUST
2	101544-01-000	EA	SHIELD-HEAT,EXHAUST
3	095189-01-000	EA	PIPE ASM -EXHAUST, PASSENGER SIDE - 28 5" LONG - 11 5" TO BEND
4	095189-02-000	EA	PIPE ASM -EXHAUST, DRIVER SIDE - 28 5" LONG - 11 5" TO BEND
	094918-03-000	EA	CLAMP-EXHAUST, 2 5"
5	095523-04-000	EA	BRACKET-EXHAUST,UPPER
6	095222-02-000	EA	BRACKET-EXHAUST, UPPER - W/BEND & NUTS
7	095190-01-000	EA	HANGER
8	095223-02-000	EA	BRACKET-EXHAUST, LOWER - W/NUTS

**1991 WINNEBAGO  
TABLE OF CONTENTS**

INTRODUCTION	A-01 -	A-02
ABBREVIATIONS		A-03
ALPHABETICAL INDEX	A-04 -	A-06
WCN25RC	A-07 -	F-02
WCN34F:Q	F-03 -	K-12

**1991 WCN25RC INDEX**

FLOOR PLAN	A-07 -	A-08
ACCESSORIES	A-09 -	A-14
BATH	A-15 -	A-17
BEDROOM		A-18
CHASSIS	A-19 -	B-03
C C & PAD	B-04 -	B-13
DINETTE	B-14 -	B-15
DRIVERS	B-18 -	B-22
ELECTRICAL	B-23 -	C-04
EXTERIOR BODY	C-05 -	C-12
GALLEY	C-13 -	C-20
HEATING & A/C	C-21 -	D-02
INTERIOR FINISH	D-03 -	D-06
LABELS	D-07 -	D-14
LP		D-15
LOUNGE		D-16
SEALANTS & FASTENERS	D-17 -	D-19
WATER & SEWAGE	D-20 -	D-24
WINDOW, VENT AND EXTERIOR DOOR	E-01 -	F-02

## CHASSIS GROUP (CONTINUED)

### MUDFLAP & LUG WRENCH

KEY	PART NUMBER	U/M DESCRIPTION
	020167-03-000	EA DIRT GUARD-STEEL, FOR MUDFLAP
	017516-01-000	EA FLAP-MUD, BLACK
	080208-01-000	EA LUG WRENCH, 1 08X1 00
	080208-02-000	EA LEVERAGE BAR-LUG WRENCH

### FUEL SYSTEM COMPONENTS

KEY	PART NUMBER	U/M DESCRIPTION
	064235-01-000	EA SUPPORT-FLANGE,FUEL FILL BOOT
	083578-01-000	EA BOOT-FUEL FILL
	078200-01-000	EA GASKET-FUEL FILL
	078010-04-000	EA DOOR ASM-FUEL FILL BEIGE
	082352-04-000	EA TANK-FUEL,80 GAL RHW/RES - 39 4" X 27" X 15 7"
	079681-01-000	EA VALVE ASM-VENT,FUEL TANK
	086488-02-000	EA STRAP ASM - FUEL TANK
	070508-02-000	EA BOLT-HEX-1/2 13 -4,FULL THD
	000C12-08-32B	EA BOLT-HEX-1/2-13X2 ZN 5
	000D39-08-00B	EA NUT-HEX-SER FLG LK 1/2-13 ZN
	088740-02-000	EA SENDING UNIT/PUMP,FUEL TB1 AC 25094781
	086255-01-000	EA GASKET-SENDING UNIT,GM ADAPT
	086254-01-000	EA RETAINER-SENDING UNIT,FUEL
	082328-01-000	EA BRACKET-AUX FUEL VENT
	082833-02-000	EA TUBE-AUX FUEL VENT
	082888-01-000	EA TUBE-FUEL SUPPLY,GENERATOR

### EXTERIOR STORAGE COMPARTMENT HARDWARE

KEY	PART NUMBER	U/M DESCRIPTION
	082644-02-Y12	EA PROP ROD-COMPARTMENT DOOR, W/S SPRING & BRACKET
	082469-01-000	EA SPRING-#020-050 COMP
	082639-01-000	EA BRACKET-DOOR PROP
	094378-01-000	EA ROD-PROP, HOLDING TANK DOOR
	094378-02-000	EA ROD-PROP, GENERATOR DOOR
	083081-01-02A	EA STRIKER-DOOR, LUGGAGE, BLACK
	094387-02-000	EA STRIKER-DOOR, GENERATOR
	079368-01-000	FT SEAL-ACCESS DOOR
	081113-01-000	EA BUSHING FLANGE, PLASTIC - WHITE
	089329-01-000	EA CLIP-SPRING, 3/8"
	008388-01-000	EA GROMMET-SNAP, 3/8"
	083305-01-01A	FT TRIM-EDGE, C-TYPE - WIRE CARRIER - 35" X 24" - VINYL
	099008-01-02A	EA HATCH-COMPARTMENT, SEWER HOSE
		FROM 00-00-00 THRU 10-20-90
	107890-01-000	EA HATCH-COMPARTMENT, SEWER HOSE
		FROM 10-21-90 THRU 99 99 99
	091255-02-000	FT SEAL-ADHESIVE BACKED FOAM, 1 5" X 18"

### WHEELWELL, UNION, NUT, PLUG, BOLTS & ETC.

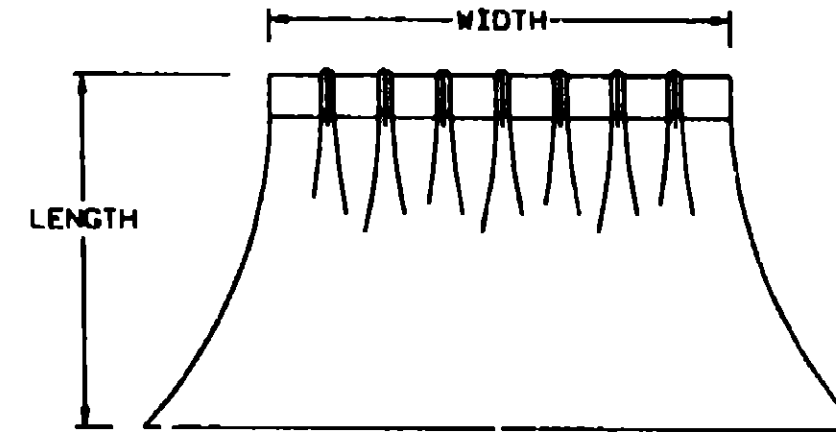
KEY	PART NUMBER	U/M DESCRIPTION
	095017-01-000	EA WHEELWELL-PLASTIC
	075468-01-000	EA UNION-INVERTED FL TUBE, 1/4"
	088497-02-000	EA NUT-INVERTED FLARE, 1/4"
	084884-01-000	EA PLUG BRASS, 3/8"
	000C12-05-16B	EA BOLT-HEX, 5/16-18 X 1 - ZINC 5
	000D39-05-00B	EA NUT-HEX, SER FLG LK - 5/16 - 18 ZN
	062401-07-000	EA CLAMP-HOSE, WORMGEAR 5" - 7"
	088244-01-000	FT TAPE-FOAM, VINYL COATED - 2" WIDE - INCREMENTS OF 108 FT
	000D39-05-00B	EA NUT-HEX, SER FLG LK - 5/16 - 18 ZN
	000E13-17 00B	EA WASHER-FL-3/8 AR ZN
	071015-08-000	EA GROMMET-1 75"ID, FITS .06" MATERIAL, RUBBER
	000D39-05-00B	EA NUT-HEX, SER FLG LK - 5/16 - 18 ZN
	000C12-10 24B	EA BOLT-HEX, 5/8-11 X 1 1/2 ZN - 5

## CURTAIN, CUSHION & PAD GROUP

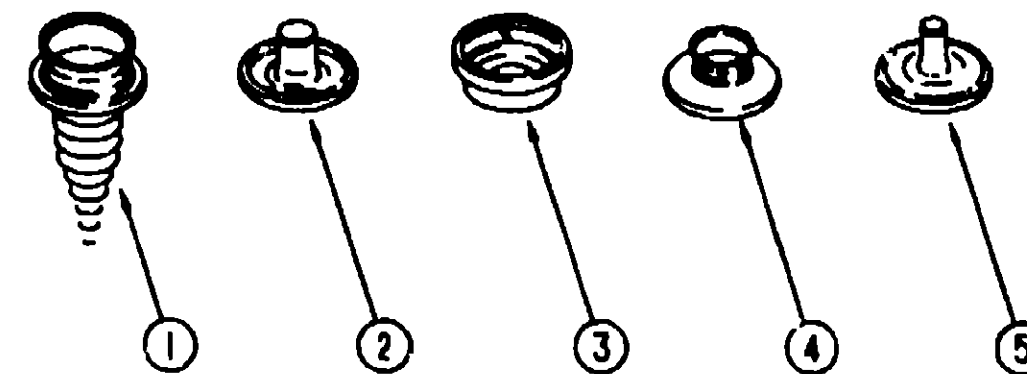
### NOTICE

IN ORDER TO ASSIST OUR PARTS SALES DEPT. IN PROVIDING INTERIOR SOFTWARE ITEMS, PLEASE INCLUDE THE SERIAL NUMBER AND THE COLOR CODE NUMBER FROM THE VEHICLE CERTIFICATION LABEL WHEN ORDERING THIS LABEL IS LOCATED ON THE LEFT SIDEWALL AT THE END OF THE DASH (A-BODY), OR ON THE DRIVER'S DOOR LATCH PLATE (C-BODY)

AN EXAMPLE OF A COLOR CODE NUMBER IS B07, WHICH DESIGNATES AN OVERALL COLOR SCHEME OF A PARTICULAR UNIT THE COLOR LISTED AFTER THE ITEM DESCRIPTION ON THE MICROFICHE, INDICATES THE OVERALL UNIT COLOR ORDER THE ITEM YOU DESIRE ACCORDING TO UNIT COLOR CODE



NOTE USE THIS ILLUSTRATION WHEN DETERMINING LENGTH AND WIDTH MEASUREMENTS FOR CURTAINS YOU WILL NOTE THE WIDTH MEASUREMENT IS TAKEN ON THE TOP OF THE CURTAIN WITH THE CURTAIN FULLY EXTENDED THE LENGTH MEASUREMENT IS TAKEN FROM TOP TO BOTTOM



### SNAP FASTENERS

KEY	PART NUMBER	U/M DESCRIPTION
	029130-01-000	EA SCREW-SNAP SOCKET, 8 PH X 5/8"
	029155-01-000	EA CAP-SNAP, 156° DIA X 17° BARREL
	029156-01-000	EA SOCKET-SNAP FASTENER, NICKEL - 9/16" OD
	029092-01-000	EA STUD NICKEL FINISH, 31/64" OD
	029093-01-000	EA EYELET-NICKEL FINISH

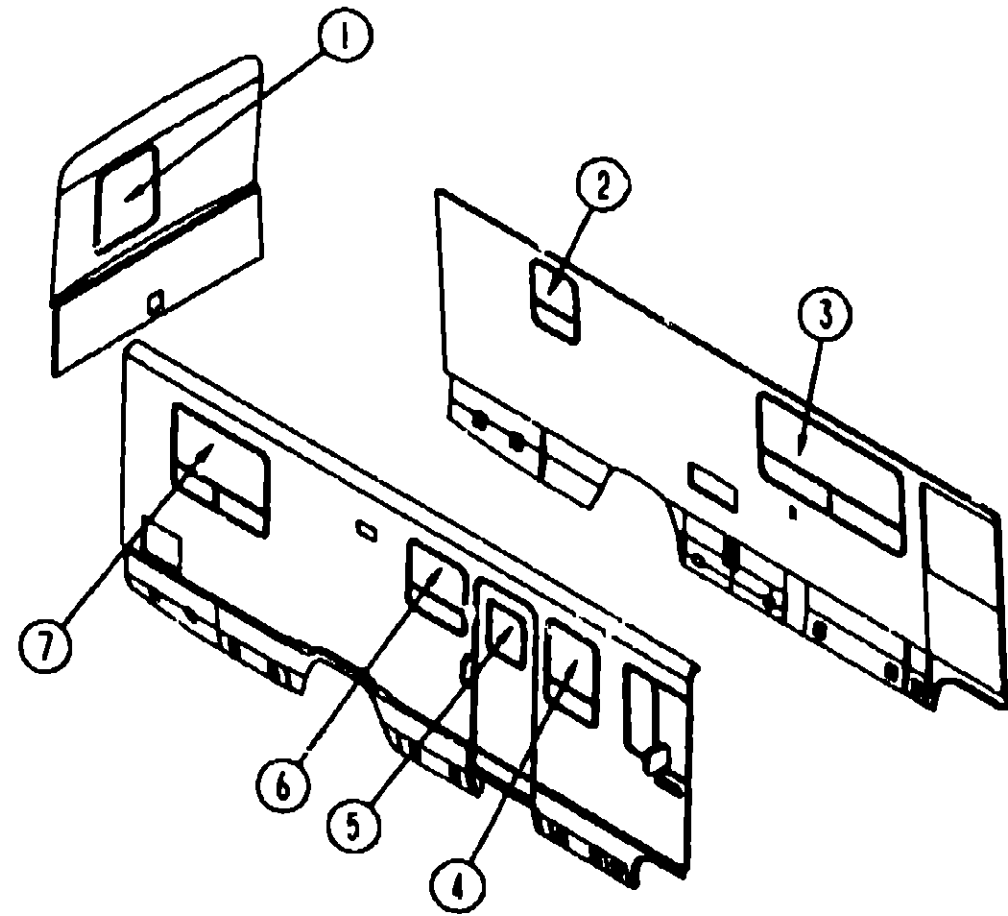
## 1991 WINNEBAGO TABLE OF CONTENTS

INTRODUCTION	A-01 -	A-02
ABBREVIATIONS		A-03
ALPHABETICAL INDEX	A-04 -	A-06
WCN25RC	A-07 -	F-02
WCN34RQ	F-03 -	K-12

## 1991 WCN25RC INDEX

FLOOR PLAN	A-07 -	A-08
ACCESSORIES	A-09 -	A-14
BATH	A-15 -	A-17
BEDROOM		A-18
CHASSIS	A-19 -	B-03
C C & PAD	B-04 -	B-13
DINETTE	B-14 -	B-15
DRIVERS	B-16 -	B-22
ELECTRICAL	B-23 -	C-04
EXTERIOR BODY	C-05 -	C-12
GALLEY	C-13 -	C-20
HEATING & A/C	C-21 -	D-02
INTERIOR FINISH	D-03 -	D-08
LABELS	D-07 -	D-14
LP		D-15
LOUNGE		D-16
SEALANTS & FASTENERS	D-17 -	D-19
WATER & SEWAGE	D-20 -	D-24
WINDOW, VENT AND EXTERIOR DOOR	E-01 -	F-02

**CURTAIN, CUSHION & PAD GROUP (CONTINUED )**  
**WINDOW TREATMENT**



**1991 WINNEBAGO  
 TABLE OF CONTENTS**

INTRODUCTION	A-01 -	A-02
ABBREVIATIONS		A-03
ALPHABETICAL INDEX	A-04 -	A-06
WCN25RC	A-07 -	F-02
WCN34RQ	F-03 -	K-12

**1991 WCN25RC INDEX**

FLOOR PLAN	A-07 -	A-08
ACCESSORIES	A-09 -	A-14
BATH	A-15 -	A-17
BEDROOM		A-18
CHASSIS	A-19 -	B-03
C C & PAD	B-04 -	B-13
DINETTE	B-14 -	B-15
DRIVERS	B-18 -	B-22
ELECTRICAL	B-23 -	C-04
EXTERIOR BODY	C-05 -	C-12
GALLEY	C-13 -	C-20
HEATING & A/C	C-21 -	D-02
INTERIOR FINISH	D-03 -	D-06
LABELS	D-07 -	D-14
LP		D-15
LOUNGE		D-16
SEALANTS & FASTENERS	D-17 -	D-19
WATER & SEWAGE	D-20 -	D-24
WINDOW, VENT AND EXTERIOR DOOR	E-01 -	F-02

KEY	PART NUMBER	U/M DESCRIPTION	
3	101079-02-B13	EA LEG ASM - 31 5° - RIGHT (B07, B22)	
3	101079-02-B14	EA LEG ASM - 31 5° - RIGHT (B08)	
3	101079-02-B15	EA LEG ASM - 31 5° - RIGHT (B09)	
3	093475-63-01A	EA BLIND-MINI, 57 5" X 31 5" DROP	FROM 00-00-00 THRU 01-13-91
3	093475-63-01A	EA BLIND-MINI, 57 5" X 31 5" DROP (B07)	FROM 01-14-91 THRU 99-99-99
3	093475-63-03A	EA BLIND-MINI, 57 5" X 31 5" DROP (B08)	FROM 01-14-91 THRU 99-99-99
3	093475-63-04A	EA BLIND-MINI, 57 5" X 31.5" DROP (B09, B22)	FROM 01-14-91 THRU 99-99-99
4	101079-05-B13	EA LEG ASM. - 31.5° - LEFT (B07, B22)	
4	101079-05-B14	EA LEG ASM - 31 5° - LEFT (B08)	
4	101079-05-B15	EA LEG ASM - 31 5° - LEFT (B09)	
4	101079-02-B13	EA LEG ASM - 31 5° - RIGHT (B07, B22)	
4	101079-02-B14	EA LEG ASM - 31 5° - RIGHT (B08)	
4	101079-02-B15	EA LEG ASM - 31 5° - RIGHT (B09)	
4	093475-22-08A	EA BLIND-MINI, 57 5" X 31 5" DROP	FROM 00-00-00 THRU 01-13-91
4	093475-22-08A	EA BLIND-MINI, 57 5" X 31.5" DROP (B07)	FROM 01-14-91 THRU 99-99-99
4	093475-22-03A	EA BLIND-MINI, 57 5" X 31 5" DROP (B08)	FROM 01-14-91 THRU 99-99-99
4	093475-22-10A	EA BLIND-MINI, 57 5" X 31 5" DROP (B09, B22)	FROM 01-14-91 THRU 99-99-99
5	084755-57-B07	EA SHADE-PULL, 27 25"	
6	093475-37-07A	EA BLIND-MINI, 57 5" X 31 5" DROP	FROM 00-00-00 THRU 01-13-91
6	093475-37-07A	EA BLIND-MINI, 57 5" X 31 5" DROP (B07)	FROM 01-14-91 THRU 99-99-99
6	093475-37-01A	EA BLIND-MINI, 57 5" X 31 5" DROP (B08)	FROM 01-14-91 THRU 99-99-99
6	093475-37-09A	EA BLIND-MINI, 57 5" X 31 5" DROP (B09, B22)	FROM 01-14-91 THRU 99-99-99
7	100281-20-B07	EA LEG ASM - LEFT	
7	100281-20-B08	EA LEG ASM. - LEFT	
7	100281-20-B09	EA LEG ASM - LEFT	
7	100281-20-B22	EA LEG ASM - LEFT	
7	100281-19-B07	EA LEG ASM. - RIGHT	
7	100281-19-B08	EA LEG ASM - RIGHT	
7	100281-19-B09	EA LEG ASM. - RIGHT	
7	100281-19-B22	EA LEG ASM. - RIGHT	
7	098335-43-B07	EA BLIND-PLEATED, 28" X 33" - EZ LIFT (B07, B22)	
7	098335-43-B11	EA BLIND-PLEATED, 28" X 33" - EZ LIFT (B08)	
7	098335-43-B12	EA BLIND-PLEATED, 28" X 33" - EZ LIFT (B09)	
+	073260-23-B14	EA TIEBACK ASM. - 3" X 18" (B07)	
*	073260-23-B07	EA TIEBACK ASM. - 3" X 18" (B07)	
*	073260-23-B14	EA TIEBACK ASM - 3" X 18" (B08, B22)	
*	073260-23-B15	EA TIEBACK ASM - 3" X 18" (B09)	
+	073260-42-B07	EA TIEBACK ASM - 6" X 18" (B07)	
*	073260-42-B10	EA TIEBACK ASM - 6" X 18" (B07)	
*	073260-42-B07	EA TIEBACK ASM - 6" X 18" (B08, B22)	
*	073260-42-B09	EA TIEBACK ASM - 6" X 18" (B09)	
*	057534-01-000	EA TIEBACK - CLEAR PLASTIC - 6"	
*	057534-04-000	EA TIEBACK - CLEAR PLASTIC - 20"	
+	THESE PARTS WERE USED FROM 00-00-00 TO 10-04-90		
*	THESE PARTS WERE USED FROM 10-05-90 TO THE END OF YEAR		

KEY	PART NUMBER	U/M DESCRIPTION	
1	100281-18-B07	EA LEG ASM W/GATHERS - LEFT	
1	100281-18-B08	EA LEG ASM. W/GATHERS - LEFT	
1	100281-18-B09	EA LEG ASM W/GATHERS - LEFT	
1	100281-18-B22	EA LEG ASM W/GATHERS - LEFT	
1	100281-17-B07	EA LEG ASM. W/GATHERS - RIGHT	
1	100281-17-B08	EA LEG ASM W/GATHERS - RIGHT	
1	100281-17-B09	EA LEG ASM. W/GATHERS - RIGHT	
1	100281-17-B22	EA LEG ASM. W/GATHERS - RIGHT	
1	098335-15-A86	EA BLIND-PLEATED, 28" X 33" - EZ LIFT (B07, B22)	
1	098335-15-B08	EA BLIND-PLEATED, 28" X 33" - EZ LIFT (B08)	
1	098335-15-B09	EA BLIND-PLEATED, 28" X 33" - EZ LIFT (B09)	
2	M96879-22-B13	EA VALANCE ASM -WINDOW, 20" (B07, B22)	
2	M96879-22-B14	EA VALANCE ASM -WINDOW, 20" (B08)	
2	M96879-22-B15	EA VALANCE ASM -WINDOW, 20" (B09)	
2	101079-07-B07	EA LEG ASM - 27.5° - LEFT (B07, B22)	
2	101079-07-B08	EA LEG ASM - 27.5° - LEFT (B08)	
2	101079-07-B09	EA LEG ASM - 27.5° - LEFT (B09)	
2	101079-06-B07	EA LEG ASM - 27.5° - RIGHT (B07, B22)	
2	101079-06-B08	EA LEG ASM - 27.5° - RIGHT (B08)	
2	101079-06-B09	EA LEG ASM - 27.5° - RIGHT (B09)	
2	093475-72-01A	EA BLIND-MINI, 13 5" X 28 5" DROP	FROM 00-00-00 THRU 01-13-91
2	093475-72-01A	EA BLIND-MINI, 13 5" X 28 5" DROP (B07)	FROM 01-14-91 THRU 99-99-99
2	093475-72-02A	EA BLIND-MINI, 13 5" X 28 5" DROP (B08)	FROM 01-14-91 THRU 99-99-99
2	093475-72-03A	EA BLIND-MINI, 13 5" X 28 5" DROP (B09, B22)	FROM 01-14-91 THRU 99-99-99
3	101079-04-B13	EA LEG ASM - 31 5° - LEFT (B07, B22)	
3	101079-04-B14	EA LEG ASM - 31 5° - LEFT (B08)	
3	101079-04-B15	EA LEG ASM - 31 5° - LEFT (B09)	

**CURTAIN, CUSHION & PAD GROUP (CONTINUED )**

**B07 WINDSHIELD CURTAINS**

KEY	PART NUMBER	U/M DESCRIPTION
	097994-03-B07	EA CURTAIN ASM. W/HOOK TOP - 34" X 75" - 2 USED FROM 00-00-00 THRU 10-04-90
	097994-03-B10	EA CURTAIN ASM W/HOOK TOP - 34" X 75" - 2 USED FROM 10-05-90 THRU 12-16-90
	097994-01-B07	EA CURTAIN ASM. W/HOOK TOP - 36" X 78" - 2 USED FROM 12-17-90 THRU 99-99-99

**B08 WINDSHIELD CURTAINS**

KEY	PART NUMBER	U/M DESCRIPTION
	097994-03-B07	EA CURTAIN ASM W/HOOK TOP - 34" X 75" - 2 USED FROM 00-00-00 THRU 12-16-90
	097994-01-B18	EA CURTAIN ASM W/HOOK TOP - 38" X 78" - 2 USED FROM 12-17-90 THRU 99-99-99

**B09 WINDSHIELD CURTAINS**

KEY	PART NUMBER	U/M DESCRIPTION
	097994-03-B09	EA CURTAIN ASM W/HOOK TOP - 34" X 75" - 2 USED FROM 00-00-00 THRU 12-16-90
	097994-01-B40	EA CURTAIN ASM W/HOOK TOP - 38" X 78" - 2 USED - 2 USED FROM 12-17-90 THRU 99-99-99

**B22 WINDSHIELD CURTAINS**

KEY	PART NUMBER	U/M DESCRIPTION
	097994-01-B07	EA CURTAIN ASM W/HOOK TOP - 36" X 78" - 2 USED

**CURTAIN TRACKS AND HARDWARE**

KEY	PART NUMBER	U/M DESCRIPTION
	096879-12-B10	EA VALANCE-WINDOW, 21 9" - WOOD
	097919-04-01A	EA TRACK-CURTAIN, WRAPAROUND - DRIVER - OFF WHITE
	097919-03-01A	EA TRACK-CURTAIN, WRAPAROUND - PASSENGER - OFF WHITE
	097625-01-000	EA HOOK-DRAPERY
	048394-02-000	YD VELCRO TAPE-HOOK, ADHESIVE BACK - 75" WIDE - BEIGE
	029094-05-000	YD TAPE-LOOP, .50 WIDE, BEIGE
	029094-04-000	YD TAPE-LOOP, 1 0 WIDE, BLACK
	029098-03-000	YD TAPE-HOOK, 1 0 WIDE, BLACK
	088278-01-000	EA TAPE-DOUBLE SIDED, 1/2"
	087253-01-000	EA PULL-ROLLER SHADE, PLASTIC - CLEAR
	098843-01-000	EA SPRING-REWIND, ROLLER SHADE
	084434-01-000	EA BRACKET-MOUNTING, ROLLER SHADE - 1 3/8"
	089918-01-000	EA MOUNT-WINDOW LEG, BLACK - 6 3"
	083170-01-000	EA BRACKET-BLIND, REAR
	083170-02-000	EA BRACKET-BLIND, FRONT
	093475-01-700	EA WAND-BLIND, W/METAL CLIP - 8" LONG
	093475-01-701	EA END CAP-BLIND, W/STUD
	095591-02-000	EA BRACKET-BLIND, HOLD-DOWN - W/PIN
	048867-01-000	EA GROMMET-BRASS - 7/16" ID X 1" OD
	097565-01-000	EA MOUNTING BRACKET CLIPS
	097593-06-000	FT CORD-BLIND, PLEATED - PEWTER (B07, B22)
	097593-02-000	FT CORD-BLIND, PLEATED - GRAY (B08)
	097593-07-000	FT CORD-BLIND, PLEATED - JADE (B09)
	102555-01-000	EA CLEAT-CORD, BLIND
	009138-02-000	EA HANGER RING, PIN TYPE - BRASS
	075943-08-000	EA BRACE-VALANCE, 1" X 1 5" X 14" - OFF WHITE
	075943-01-000	EA BRACE-WINDOW VALANCE, 1" X 1 5" X 20" - ALUMINUM - BEIGE
	101031-01-000	YD TAPE-GLIDE, CURTAIN - 4.25" SPACING
	101032-01-000	FT TRACK-CURTAIN, CEILING MOUNT - WHITE

**CURTAIN, CUSHION & PAD GROUP (CONTINUED )**

**PRIVACY CURTAINS**

KEY	PART NUMBER	U/M DESCRIPTION
	101688-01-B13	EA CURTAIN ASM W/TAPE TOP - 54" X 50" (B07) FROM 00-00-00 THRU 10-04-90
	101688-01-B07	EA CURTAIN ASM W/TAPE TOP - 54" X 50" (B07) FROM 10-05-90 THRU 99-99-99
	101688-01-B13	EA CURTAIN ASM W/TAPE TOP - 54" X 50" (B08)
	101688-01-B15	EA CURTAIN ASM W/TAPE TOP - 54" X 50" (B09)
	101688-01-B13	EA CURTAIN ASM W/TAPE TOP - 54" X 50" (B22)

**FABRICS AND TRIMS**

KEY	PART NUMBER	U/M DESCRIPTION
	096008-68-000	YD FABRIC-MAIN UPHOLSTERY, BLUE (B07)
	096008-67-000	YD FABRIC-MAIN UPHOLSTERY, GRADY BROWN (B08)
	096008-66-000	YD FABRIC-MAIN UPHOLSTERY, JADE (B09)
	096008-73-000	YD FABRIC-MAIN UPHOLSTERY, BLUE (B22)
	096008-43-000	YD FABRIC-PATTERNED ACCENT, BLUE (B07, B22)
	096008-64-000	YD FABRIC-PATTERNED ACCENT, GRADY BROWN (B08)
	096008-65-000	YD FABRIC-PATTERNED ACCENT, SEA GREEN (B09)
	104233-31-000	YD FABRIC-PLAIN ACCENT, BLUE (B07, B22)
	096008-40-000	YD FABRIC-PLAIN ACCENT, GRADY BROWN (B08)
	096008-63-000	YD FABRIC-PLAIN ACCENT, SEA GREEN (B09)
	072333-77-000	YD FABRIC-DRAPERY/CURTAIN - TAUPE (B07) FROM 00-00-00 THRU 10-04-90
	072333-79-000	YD FABRIC-DRAPERY/CURTAIN - SLATE (B07) FROM 10-05-90 THRU 99-99-99
	072333-77-000	YD FABRIC-DRAPERY/CURTAIN - TAUPE (B08, B22)
	072333-78-000	YD FABRIC-DRAPERY/CURTAIN - SILVER (B09)
	088273-58-000	YD FABRIC-BEDSPREAD/CURTAIN, PATTERNED - 54" (B07)
	088273-57-000	YD FABRIC-BEDSPREAD/CURTAIN, PATTERNED - 54" (B08)
	088273-56-000	YD FABRIC-BEDSPREAD/CURTAIN, PATTERNED - 54" (B09)
	088273-47-000	YD FABRIC-BEDSPREAD/CURTAIN, PATTERNED - 54" (B22)
	088273-67-000	YD FABRIC-BEDSPREAD/CURTAIN, PLAIN - 54" (B07, B22)
	088273-65-000	YD FABRIC-BEDSPREAD/CURTAIN, PLAIN - 54" (B08)
	088273-66-000	YD FABRIC-BEDSPREAD/CURTAIN, PLAIN - 54" (B09)
	079680-07-000	YD FABRIC-VINYL, EXPANDED - CABINET END CAPS - BEIGE
	029219-01-000	YD FABRIC-VINYL, EXPANDED - ASSIST HANDLE - WHITE
	079680-01-000	YD FABRIC-VINYL, EXPANDED - HEADLINER - BEIGE
	079680-09-070	YD FABRIC-VINYL, EXPANDED - SUNVISOR - OFF WHITE
	103807-01-01A	YD FABRIC-VINYL, EXPANDED - SUNVISOR - OFF WHITE
	075244-03-000	YD FABRIC-VINYL, SHOWER GUARD - ALMOND
	087272-01-000	YD FABRIC-DRAPERY LINING, 48" - IVORY
	078798-03-000	YD FABRIC-VINYL, FOAMBACK - INSTRUMENT PANEL - LIGHT FAWN
	088792-01-000	YD VELCRO- 75" HOOK, NON-ADHESIVE - BEIGE
	088792-02-000	YD VELCRO-.75" LOOP, ADHESIVE - BEIGE
	048394-02-000	YD TAPE-HOOK, 75 X 50 YDS - BEIGE
	087253-01-000	EA PULL-SHADE-GRABER - CLEAR PLASTIC
	070578-01-B27	EA BUTTON-SCREWSTUD, #30 (B07, B22)
	070578-11-B06	EA BUTTON-SCREWSTUD, #30 (B08)
	070578-01-B09	EA BUTTON-SCREWSTUD, #30 (B09)
	079349-01-AA1	FT WELTING-FABRIC, BUCKET SEAT (B07, B22)
	079349-01-B03	FT WELTING-FABRIC, BUCKET SEAT (B08)
	079349-01-B09	FT WELTING-FABRIC, BUCKET SEAT (B09)
	* THESE PARTS WERE USED FROM 04-17-91 ON	

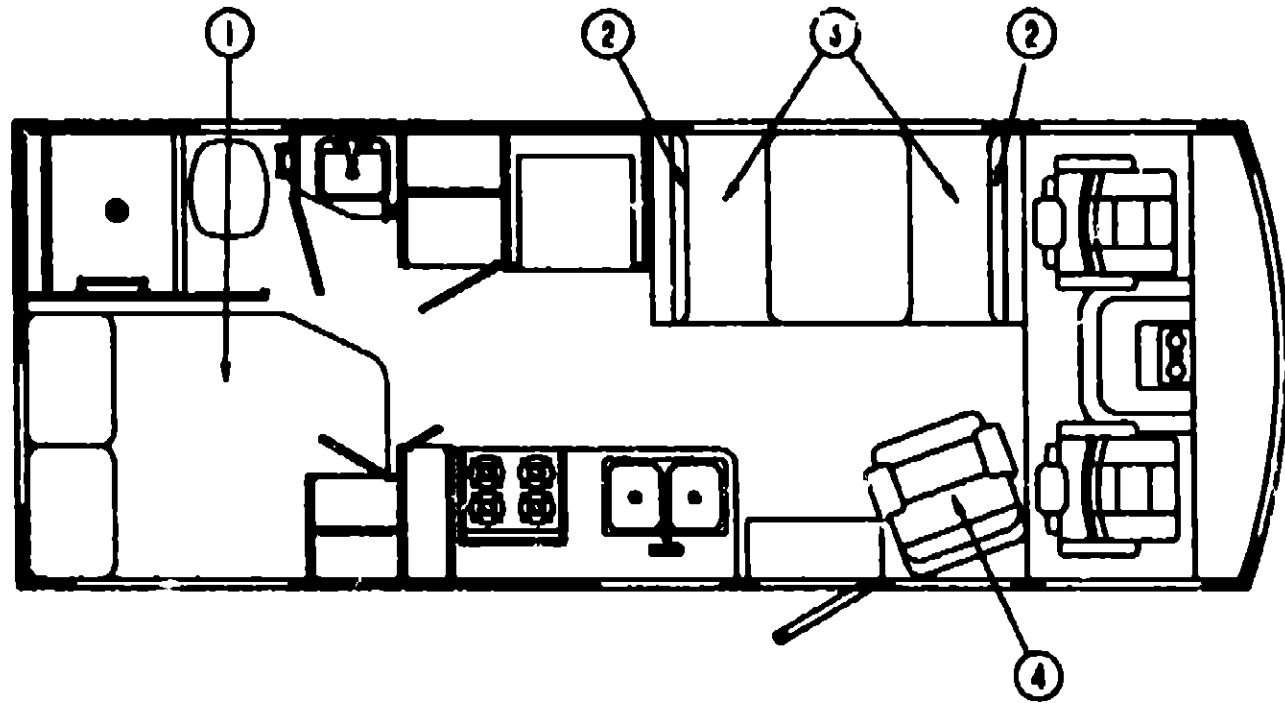
**1991 WINNEBAGO  
TABLE OF CONTENTS**

INTRODUCTION	A-01 -	A-02
ABBREVIATIONS		A-03
ALPHABETICAL INDEX	A-04 -	A-08
WCN25RC	A-07 -	F-02
WCN34RQ	F-03 -	K-12

**1991 WCN25RC INDEX**

FLOOR PLAN	A-07 -	A-08
ACCESSORIES	A-09 -	A-14
BATH	A-15 -	A-17
BEDROOM		A-18
CHASSIS	A-19 -	B-03
C C & PAD	B-04 -	B-13
DINETTE	B-14 -	B-15
DRIVERS	B-16 -	B-22
ELECTRICAL	B-23 -	C-04
EXTERIOR BODY	C-05 -	C-12
GALLEY	C-13 -	C-20
HEATING & A/C	C-21 -	D-02
INTERIOR FINISH	D-03 -	D-06
LABELS	D-07 -	D-14
LP		D-15
LOUNGE		D-16
SEALANTS & FASTENERS	D-17 -	D-19
WATER & SEWAGE	D-20 -	D-24
WINDOW, VEIL AND EXTERIOR DOOR	E-01 -	F-02

**CURTAIN, CUSHION & PAD GROUP (CONTINUED)**



**MATTRESS, BEDSPREAD & PILLOW SHAMS**

KEY	PART NUMBER	U/M DESCRIPTION
1	098178-06-000	EA MATTRESS-INNERSPRING, 54" X 75"
	085365-08-B13	EA BEDSPREAD-DOUBLE, 54" (B07)
	085365-08-B14	EA BEDSPREAD-DOUBLE, 54" (B08)
	085365-08-B15	EA BEDSPREAD-DOUBLE, 54" (B09)
	085365-08-B22	EA BEDSPREAD-DOUBLE, 54" (B22)
	085365-14-B07	EA BEDSPREAD-DOUBLE, 54"
	085365-14-B08	EA BEDSPREAD-DOUBLE, 54"
	085365-14-B09	EA BEDSPREAD-DOUBLE, 54"
	085365-14-B22	EA BEDSPREAD-DOUBLE, 54"
	102181-01-B07	EA PILLOW & SHAM
	102181-01-B08	EA PILLOW & SHAM
	102181-01-B09	EA PILLOW & SHAM
	102181-01-B22	EA PILLOW & SHAM
	102181-05-B07	EA PILLOW & SHAM
	102181-05-B08	EA PILLOW & SHAM
	102181-05-B09	EA PILLOW & SHAM
	102181-05-B22	EA PILLOW & SHAM
	081997-07-B10	EA SHAM ONLY (B07)
	081997-07-B11	EA SHAM ONLY (B08)
	081997-07-B12	EA SHAM ONLY (B09)
	081997-07-B22	EA SHAM ONLY
	104176-02-B07	EA SHAM ONLY
	104176-02-B08	EA SHAM ONLY
	104176-02-B09	EA SHAM ONLY
	104176-02-B22	EA SHAM ONLY

THESE PARTS ARE USED FROM 02-11-91 TO THE END OF YEAR

**CURTAIN, CUSHION & PAD GROUP (CONTINUED)**  
**DINETTE CUSHIONS**

KEY PART NUMBER	U/M DESCRIPTION
2	088927-79-B07
2	088927-79-B08
2	088927-79-B09
2	088927-79-B40
	M88927-79-B07
	M88927-79-B08
	M88927-79-B09
	M88927-79-B40
3	088927-87-B07
3	088927-87-B08
3	088927-87-B09
3	088927-87-B40
	M88927-87-B07
	M88927-87-B08
	M88927-87-B09
	M88927-87-B40

**ROCKER SWIVEL CHAIR**

KEY PART NUMBER	U/M DESCRIPTION
4	101178-01-B07
4	101178-01-B08
4	101178-01-B09
4	102754-01-B07
4	102754-01-B08
4	102754-01-B09

FOR ILLUSTRATION OF COMPONENT PARTS SEE FOLLOWING PAGES

**BUNK CUSHION**

KEY PART NUMBER	U/M DESCRIPTION
079145-05-000	EA CUSHION-BUNK
M79145-05-000	EA COVER, CUSHION - BUNK

**SEATBELT**

KEY PART NUMBER	U/M DESCRIPTION
007021-01-000	EA BELT-SEAT, 2" X 90" - BLACK
057759-01-000	EA WASHER BRACKET-SEAT BELT, 4" DIAMETER
000039-06-008	EA NUT-HEX, SER FLG LK - 3/8-16 ZN

**CARPETING**

KEY PART NUMBER	U/M DESCRIPTION
098080-14-000	SY CARPET-DELFT BLUE, (B07, B22)
098080-15-000	SY CARPET-SAND, (B08)
098080-28-000	SY CARPET-ROSE WOOD, (B08)
098080-08-000	SY CARPET-TEAL, (B09)
093408-01-000	SY CARPET-COMPARTMENT, 54" WIDE - DARK GRAY
075233-01-000	SY PAD-CARPET, 3/8" X 8' ROLL
076314-02-000	FT TAPE-CARPET SEAM, HEAT BOND - 4" WIDE
047034-02-000	SF PLASTIC-CARPET, 4" WIDE - CLEAR POLY
085746-01-000	FT TRIM-J, CARPET - 12" X 5" ANGLE - 10' LONG - PVC - BEIGE

FROM 00-00-00 THRU 02-10-91

FROM 02-11-91 THRU 99-99-99

**1991 WINNEBAGO**  
**TABLE OF CONTENTS**

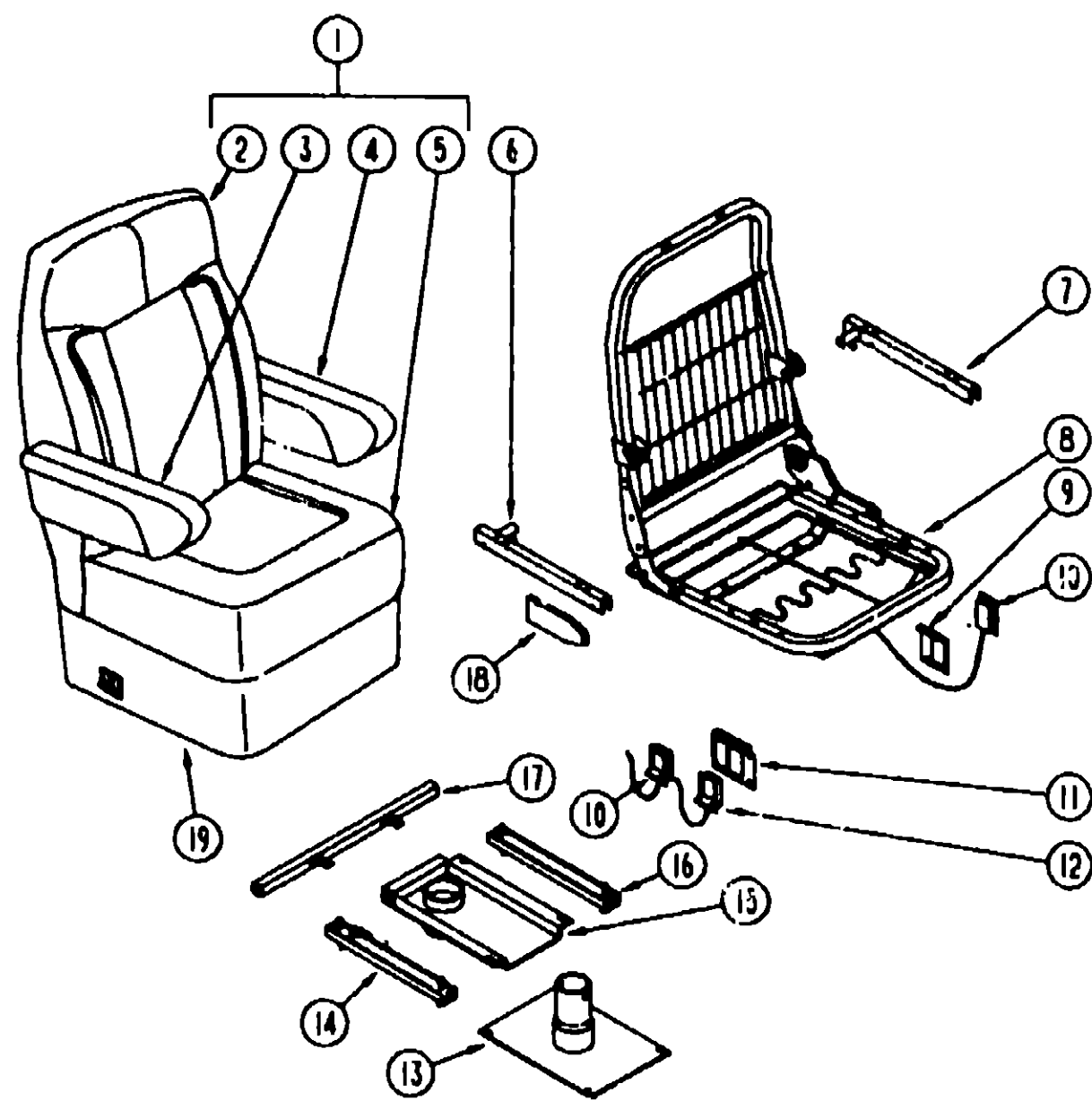
INTRODUCTION	A-01 - A-02
ABBREVIATIONS	A-03
ALPHABETICAL INDEX	A-04 - A-06
WCN25RC	A-07 - F-02
WCN34RQ	F-03 - K-12

**1991 WCN25RC INDEX**

FLOOR PLAN	A-07 - A-08
ACCESSORIES	A-09 - A-14
BATH	A-15 - A-17
BEDROOM	- A-18
CHASSIS	A-19 - B-03
C C & PAD	B-04 - B-13
DINETTE	B-14 - B-15
DRIVERS	B-16 - B-22
ELECTRICAL	B-23 - C-04
EXTERIOR BODY	C-05 - C-12
GALLEY	C-13 - C-20
HEATING & A/C	C-21 - D-02
INTERIOR FINISH	D-03 - D-06
LABELS	D-07 - D-14
LP	D-15
LOUNGE	D-16
SEALANTS & FASTENERS	D-17 - D-19
WATER & SEWAGE	D-20 - D-24
WINDOW, VENT AND EXTERIOR DOOR	E-01 - F-02

## CURTAIN, CUSHION & PAD GROUP (CONTINUED)

DRIVER & PASSENGER BUCKET SEATS



KEY	PART NUMBER	U/M DESCRIPTION
1	101171-01-B07	EA SEAT-BUCKET, W/O BASE OR SKIRT (B07) FROM: 00-00-00 THRU 02-10-91
1	101171-01-B08	EA SEAT-BUCKET, W/O BASE OR SKIRT (B08) FROM 00-00-00 THRU: 02-10-91
1	101171-01-B09	EA SEAT-BUCKET, W/O BASE OR SKIRT (B09) FROM 00-00-00 THRU 02-10-91
1	101171-01-B10	EA SEAT-BUCKET, W/O BASE OR SKIRT (B22) FROM: 00-00-00 THRU 02-10-91
1	101171-04-B07	EA SEAT-BUCKET, W/O BASE OR SKIRT (B07, B22) FROM: 02-11-91 THRU 99-99-99
1	101171-04-B08	EA SEAT-BUCKET, W/O BASE OR SKIRT (B08) FROM 02-11-91 THRU 99-99-99
1	101171-04-B09	EA SEAT-BUCKET, W/O BASE OR SKIRT (B09) FROM 02-11-91 THRU 99-99-99

KEY PART NUMBER	U/M DESCRIPTION		
2	M03445-24-B07	EA COVER-BACK (B07/B22)	
2	M03445-24-B08	EA COVER-BACK (B08)	
2	M03445-24-B09	EA COVER-BACK (B09)	
3	080243-43-B07	EA ARMREST - RIGHT SIDE (B07/B22)	
3	080243-43-B08	EA ARMREST - RIGHT SIDE (B08)	
3	080243-43-B09	EA ARMREST - RIGHT SIDE (B09)	
M80243-43-B07	EA COVER-ARMREST - RIGHT SIDE (B07/B22)		
M80243-43-B08	EA COVER-ARMREST - RIGHT SIDE (B08)		
M80243-43-B09	EA COVER-ARMREST - RIGHT SIDE (B09)		
4	080243-44-B07	EA ARMREST - LEFT SIDE (B07/B22)	
4	080243-44-B08	EA ARMREST - LEFT SIDE (B08)	
4	080243-44-B09	EA ARMREST - LEFT SIDE (B09)	
M80243-44-B07	EA COVER-ARMREST - LEFT SIDE (B07/B22)		
M80243-44-B08	EA COVER-ARMREST - LEFT SIDE (B08)		
M80243-44-B09	EA COVER-ARMREST - LEFT SIDE (B09)		
5	M03445-25-B07	EA COVER-SEAT (B07/B22)	
5	M03445-25-B08	EA COVER-SEAT (B08)	FROM: 00-00-00 THRU 02-10-91
5	M03445-25-B09	EA COVER-SEAT (B09)	FROM: 00-00-00 THRU 02-10-91
5	M03445-36-B07	EA COVER-SEAT (B07/B22)	FROM 00-00-00 THRU 02-10-91
5	M03445-36-B08	EA COVER-SEAT (B08)	FROM: 02-11-91 THRU 99-99-99
5	M03445-36-B09	EA COVER-SEAT (B09)	FROM 02-11-91 THRU 99-99-99
6	101124-01-000	EA CHANNEL-ARMREST, RIGHT HAND	FROM: 02-11-91 THRU 99-99-99
7	101124-02-000	EA CHANNEL-ARMREST, LEFT HAND	
081361-01-000	EA ROD-ARMREST, METAL		
8	M80206-05-000	EA FRAME-SEAT, BACK & SPRING	
080731-02-000	EA HINGE-SLAVE, RECLINER - LEFT HAND		
081362-01-000	EA BRACKET-ARMREST, RIGHT HAND		
081362-02-000	EA BRACKET-ARMREST, LEFT HAND		
101125-01-000	EA RECLINER-SEATBACK, LEFT HAND REMOTE		
9	097883-03-000	EA BRACKET-CABLE	
10	089368-04-000	EA CABLE-SWIVEL, W/SWITCH - BUCKET SEAT	
11	097883-02-000	EA BRACKET-CABLE	
12	089368-05-000	EA CABLE-RECLINER, W/SWITCH - BUCKET SEAT	
13	089585-08-000	EA BASE-BUCKET SEAT, BOLTS TO FLOOR - VERTICAL 8"	
14	089246-05-000	EA ADJUSTER-SLIDE, W/LOCK - FORWARD & BACK	
089246-05-700	EA SPRING-ADJUSTER, FOR REMOTE		
089246-06-701	EA CLIP-CABLE, FOR REMOTE		
15	083481-04-000	EA TOP PLATE-PEDESTAL, BUCKET SEAT - W/O SEATBELT BAR	
16	059243-02-000	EA ADJUSTER-BUCKET SEAT W/O LOCK, FORWARD AND BACK	
17	089585-29-000	EA BAR-SEAT BELT, BUCKET SEATS - 20"	
18	089368-08-000	EA SHIELD-CABLE, REMOTE RECLINER - BUCKET SEAT	
19	071126-24-AA1	EA SKIRT-BUCKET SEAT (B07/B22)	
19	071126-24-B03	EA SKIRT-BUCKET SEAT (B08)	
19	071126-24-B09	EA SKIRT-BUCKET SEAT (B09)	

## 1991 WINNEBAGO TABLE OF CONTENTS

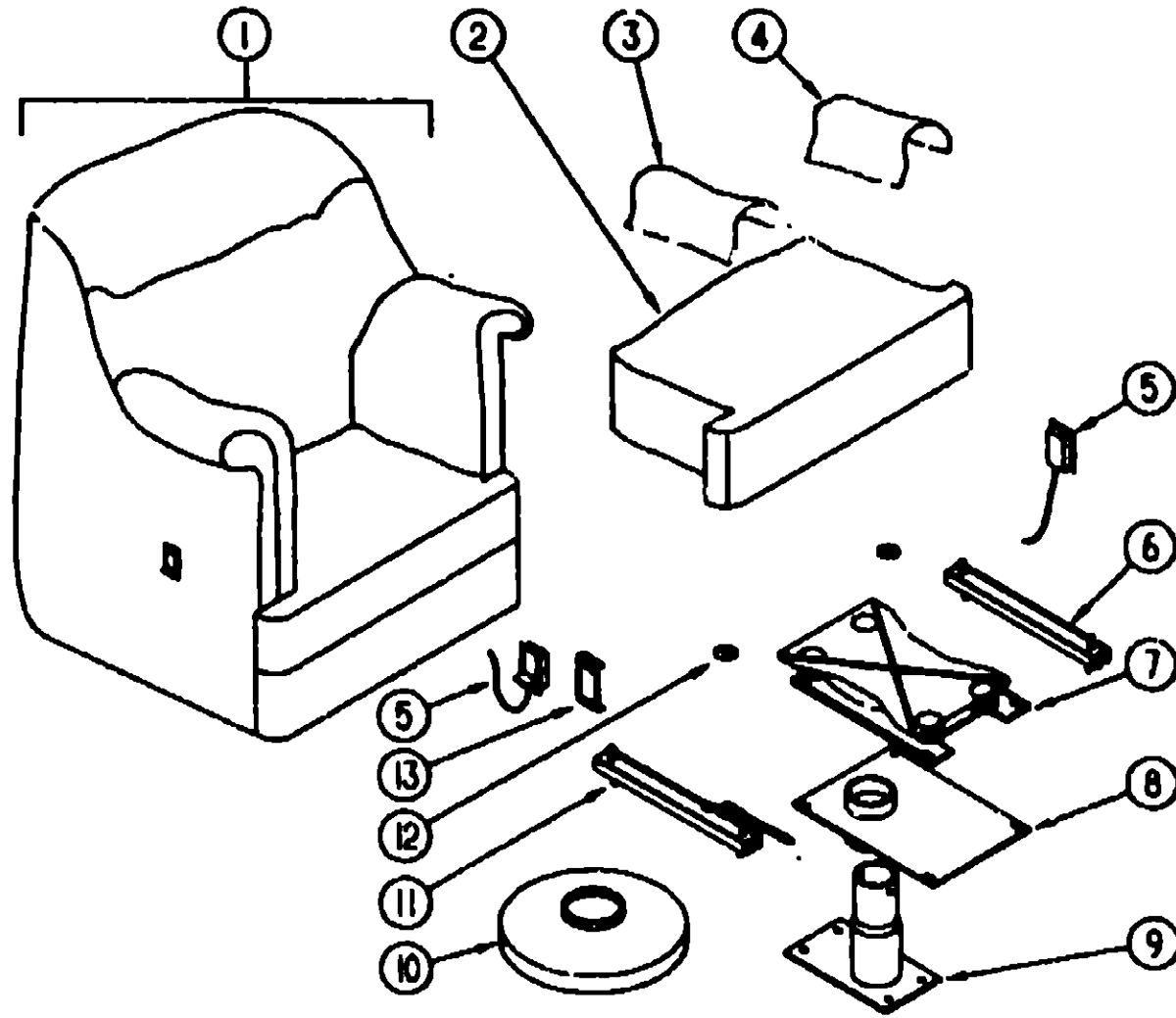
INTRODUCTION	A-01 -	A-02
ABBREVIATIONS		A-03
ALPHABETICAL INDEX	A-04 -	A-08
WCN25RC	A-07 -	F-02
WCN34RQ	F-03 -	K-12

## 1991 WCN25RC INDEX

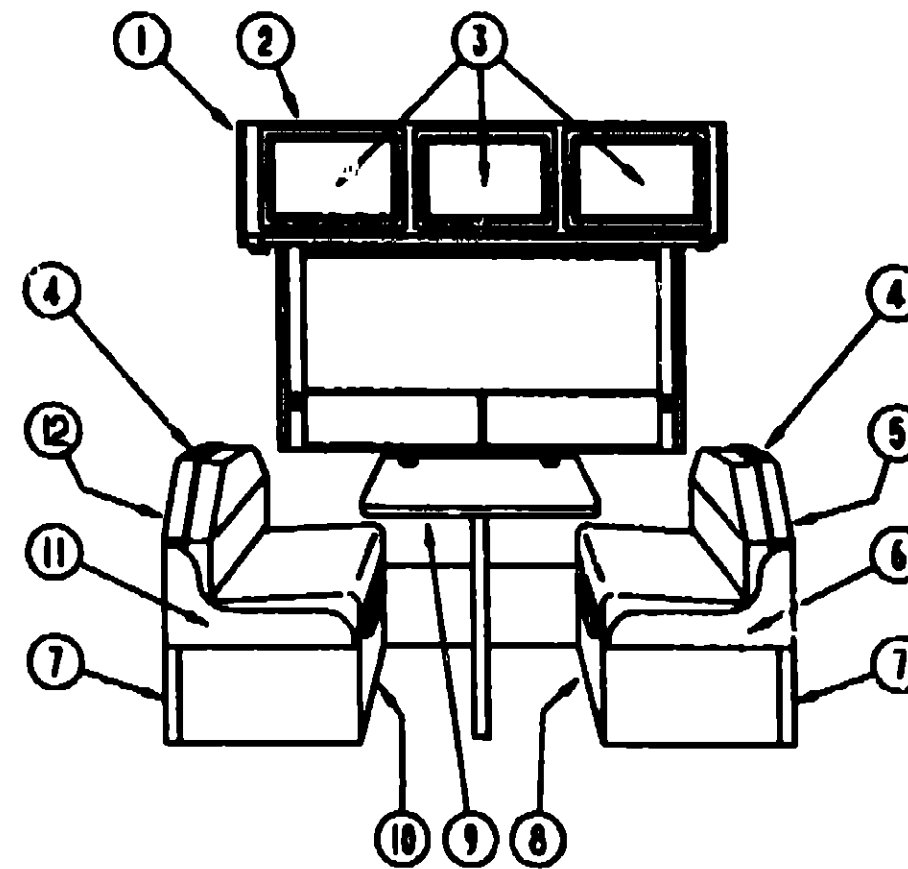
FLOOR PLAN	A-07 -	A-08
ACCESSORIES	A-09 -	A-14
BATH	A-15 -	A-17
BEDROOM		A-18
CHASSIS	A-19 -	B-03
C C & PAD	B-04 -	B-13
CINETTE	B-14 -	B-15
DRIVERS	B-16 -	B-22
ELECTRICAL	B-23 -	C-04
EXTERIOR BODY	C-05 -	C-12
GALLEY	C-13 -	C-20
HEATING & A/C	C-21 -	D-02
INTERIOR FINISH	D-03 -	D-06
LABELS	D-07	D-14
LP		D-15
LOUNGE		D-16
SEALANTS & FASTENERS	D-17 -	D-19
WATER & SEWAGE	D-20 -	D-24
WINDOW, VENT AND EXTERIOR DOOR	E-01 -	F-02

### CURTAIN, CUSHION & PAD GROUP (CONTINUED)

#### ROCKER SWIVEL CHAIR



### DINETTE GROUP



#### DINETTE CABINETS, PADS & SEATBELT

### 1991 WINNEBAGO TABLE OF CONTENTS

INTRODUCTION	A-01 - A-02
ABBREVIATIONS	A-03
ALPHABETICAL INDEX	A-04 - A-08
WCN25RC	A-07 - F-02
WCN34RQ	F-03 - K-12

### 1991 WCN25RC INDEX

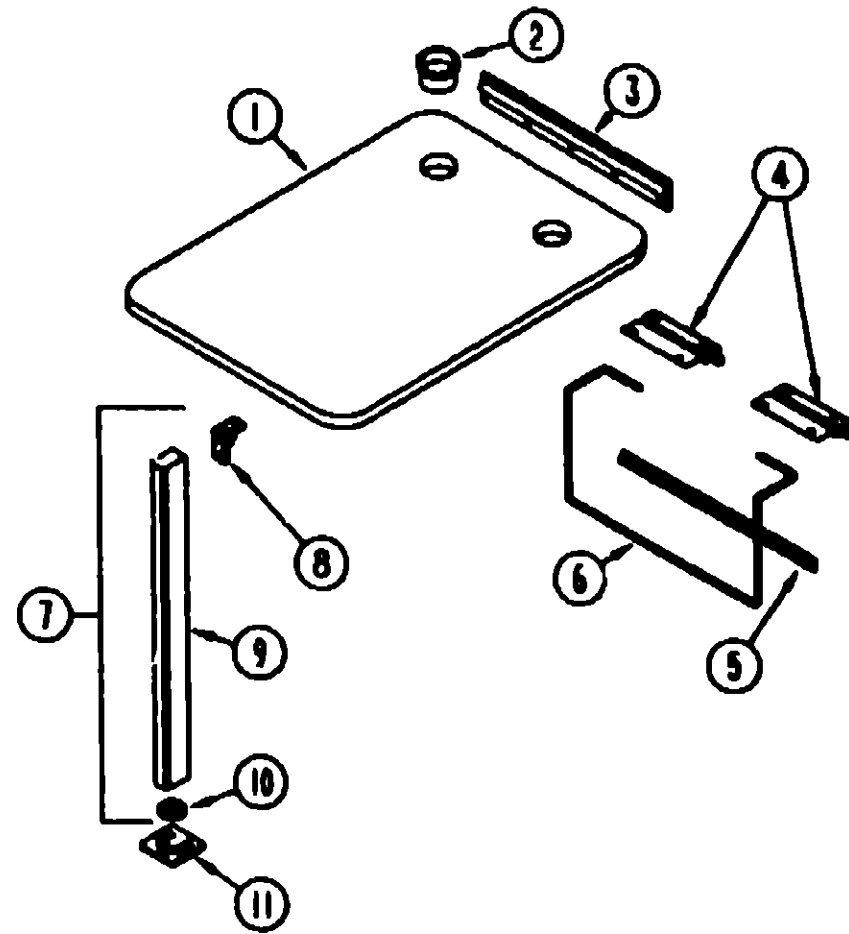
FLOOR PLAN	A-07 - A-08
ACCESSORIES	A-09 - A-14
BATH	A-15 - A-17
BEDROOM	- A-18
CHASSIS	A-19 - B-03
C C & PAD	B-04 - B-13
DINETTE	B-14 - B-15
DRIVERS	B-16 - B-22
ELECTRICAL	B-23 - C-04
EXTERIOR BODY	C-05 - C-12
GALLEY	C-13 - C-20
HEATING & A/C	C-21 - D-02
INTERIOR FINISH	D-03 - D-06
LABELS	D-07 - D-14
LP	D-15
LOUNGE	D-16
SEALANTS & FASTENERS	D-17 - D-19
WATER & SEWAGE	D-20 - D-24
WINDOW, VENT AND EXTERIOR DOOR	E-01 - F-02

KEY	PART NUMBER	U/M	DESCRIPTION
1	101178-01-B07	EA	CHAIR-SWIVEL, W/O SEAT CUSHION (B07/B22)
1	101178-01-B08	EA	CHAIR-SWIVEL, W/O SEAT CUSHION (B08)
1	101178-01-B09	EA	CHAIR-SWIVEL, W/O SEAT CUSHION (B09)
	P01178-01-B07	EA	COVER-SWIVEL CHAIR (B07/B22)
	P01178-01-B08	EA	COVER-SWIVEL CHAIR (B08)
	P01178-01-B09	EA	COVER-SWIVEL CHAIR (B09)
2	102754-01-B07	EA	SEAT-CUSHION, SWIVEL CHAIR (B07/B22)
2	102754-01-B08	EA	SEAT-CUSHION, SWIVEL CHAIR (B08)
2	102754-01-B09	EA	SEAT-CUSHION, SWIVEL CHAIR (B09)
	P02754-01-B07	EA	COVER-SEAT, SWIVEL CHAIR (B07/B22)
	P02754-01-B08	EA	COVER-SEAT, SWIVEL CHAIR (B08)
	P02754-01-B09	EA	COVER-SEAT, SWIVEL CHAIR (B09)
3	P01178-25-B07	EA	SHIELD-ARMREST, SWIVEL CHAIR - RIGHT SIDE (B07/B22)
3	P01178-25-B08	EA	SHIELD-ARMREST, SWIVEL CHAIR - RIGHT SIDE (B08)
3	P01178-25-B09	EA	SHIELD-ARMREST, SWIVEL CHAIR - RIGHT SIDE (B09)
4	P01178-26-B07	EA	SHIELD-ARMREST, SWIVEL CHAIR - LEFT SIDE (B07/B22)
4	P01178-26-B08	EA	SHIELD-ARMREST, SWIVEL CHAIR - LEFT SIDE (B08)
4	P01178-26-B09	EA	SHIELD-ARMREST, SWIVEL CHAIR - LEFT SIDE (B09)
5	089368-04-000	EA	CABLE-SWIVEL, W/SWITCH - BUCKET SEAT
6	069246-02-000	EA	ADJUSTER-SEAT/CHAIR, W/O LOCK - FORWARD & BACK
7	101187-01-000	EA	ROCKER BOX-CHAIR, SWIVEL
8	093481-05-000	EA	TOP PLATE-PEDESTAL, W/LOCK
9	093481-01-000	EA	BASE-PEDESTAL, W/6" EXTENSION
10	093482-01-000	EA	SHROUD-PEDESTAL, 13" - PLASTIC - BLACK
11	069248-05-000	EA	ADJUSTER-SEAT/CHAIR, W/REMOTE - FORWARD & BACK
	069248-05-700	EA	SPRING-ADJUSTER, FOR REMOTE
	069248-05-701	EA	CLIP-CABLE, FOR REMOTE
12	007221-01-000	EA	WASHER-CONED, SEAT ADJUSTER SPACER
13	097683-03-000	EA	BRACKET-REMOTE, SIDE MOUNT
	087330-01-000	EA	BRACKET-STOP, SLIDING TRACK

KEY	PART NUMBER	U/M	DESCRIPTION
1	082747-01-B07	EA	END CAP - FRONT - OVERHEAD CABINET
2	M04154-01-B07	EA	CABINET-OVERHEAD, DINETTE - W/O DOORS OR HARDWARE
3	P00520-01-B07	EA	DOOR-CABINET, W/O HARDWARE - 14 1/2" X 21 1/2"
4	088454-01-AE8	EA	PAD-BACKREST TOP, DINETTE (B07, B22)
4	088454-01-B08	EA	PAD-BACKREST TOP, DINETTE (B08)
4	088454-01-B09	EA	PAD-BACKREST TOP, DINETTE (B09)
5	M04069-04-AB8	EA	CABINET-BACKREST, FRONT - W/O HARDWARE
6	088432-02-AE8	EA	PAD-SEAT EDGE, DINETTE - FRONT (B07, B22)
6	088432-02-B08	EA	PAD-SEAT EDGE, DINETTE - FRONT (B08)
6	088432-02-B09	EA	PAD-SEAT EDGE, DINETTE - FRONT (B09)
7	088433-01-AE8	EA	PAD-SEATBASE EDGE, DINETTE (B07, B22)
7	088433-01-B08	EA	PAD-SEATBASE EDGE, DINETTE (B08)
7	088433-01-B09	EA	PAD-SEATBASE EDGE, DINETTE (B09)
8	M04070-04-B07	EA	CABINET-SEATBASE, FRONT - W/O HARDWARE OR SEAT PADS
	081295-01-AA8	EA	SUPPORT-DINETTE TABLE TO BED, 15" X 28" - WOOD
9	M02115-09-B03	EA	TABLE-DINETTE, W/O HARDWARE
10	M04070-05-B07	EA	CABINET-SEATBASE, REAR - W/O HARDWARE OR SEAT PADS
	081295-01-AA8	EA	SUPPORT-DINETTE TABLE TO BED, 15" X 28" - WOOD
11	088432-01-AE8	EA	PAD-SEAT EDGE, DINETTE - REAR (B07, B22)
11	088432-01-B08	EA	PAD-SEAT EDGE, DINETTE - REAR (B08)
11	088432-01-B09	EA	PAD-SEAT EDGE, DINETTE - REAR (B09)
12	M04069-05-AB8	EA	CABINET-BACKREST, REAR - W/O HARDWARE
	070578-01-B27	EA	BUTTON-SCREWSTUD, #30 (B07, B22)
	070578-01-B08	EA	BUTTON-SCREWSTUD, #30 (B08)
	070578-01-B09	EA	BUTTON-SCREWSTUD, #30 (B09)
	007021-01-000	EA	SEAT BELT, 2" X 90" - BLACK
	057759-01-000	EA	WASHER BRACKET - SEAT BELT - 4" DIA
	000E13-20-008	EA	WASHER-FL - 7/16 WIDE - ZINC
	000D44-07-008	EA	NUT-HEX, SER FLG LK - 7/16 - ZINC



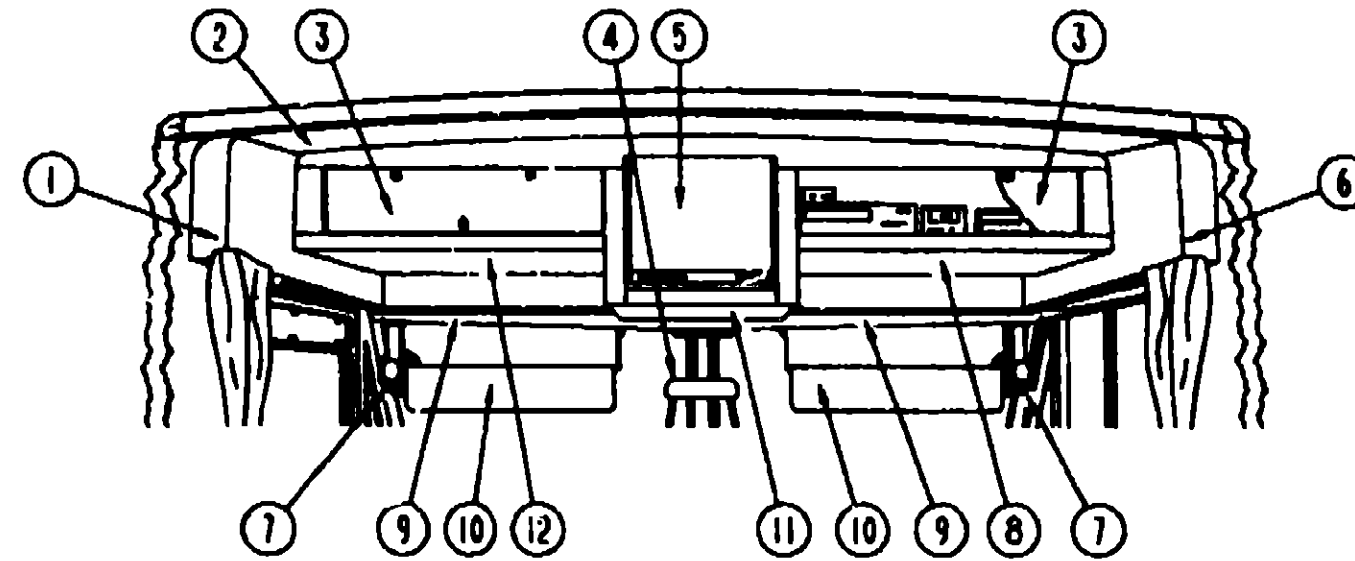
**DINETTE GROUP (CONTINUED)**



**DINETTE TABLE & COMPONENTS**

KEY	PART NUMBER	U/M DESCRIPTION
1	M02115-09-B03 004354-01-000	EA TABLE-DINETTE, W/O HARDWARE EA BUMPER-CABINET DOOR, RUBBER - BROWN
2	064781-06-000	EA HOLDER-CUP, TWO STEP - OFF WHITE
3	053200-05-000	EA SUPPORT-TABLE, 23 5", BEIGE
4	088410-01-000	EA BRACKET-LIFT, TABLE MOUNTED - BEIGE
5	024281-07-000	EA BRACKET-LIFT ROD, LOWER WALL MOUNTED - BEIGE
6	024275-11-000	EA ROD-TABLE LIFT, 8" X 18 5" - BEIGE
7	092707-01-01A	EA MOLDING-WOOD, TABLE LEG - 27" - REGAL OAK
8	093550-01-000	EA BRACKET-FOLDING LEG
9	092708-01-Y15	EA LEG-TABLE, W/CATCH & BRACKET - 27" - WOOD
10	092593-01-04A	EA CATCH-TABLE LEG, BEIGE
11	049493-01-000	EA FLOOR CATCH - TABLE LEG - BEIGE

**DRIVERS COMPARTMENT GROUP**



**UPPER DRIVERS COMPARTMENT**

KEY	PART NUMBER	U/M DESCRIPTION
1	092471-04-01A	EA TRIM-SIDE, UPPER DRIVER - OFF WHITE - 33 1/4"
2	100898-01-B07	EA CABINET FACE, FRONT OVERHEAD
3	100708-03-000 100710-01-01A 100711-01-01A 101272-01-000	EA DOOR-GLASS, W/O HARDWARE - 6 3" X 27" EA LOCK-TWIST TYPE, BRASS EA HINGE-GLASS DOOR, BRASS EA CATCH-GLASS DOOR, BRASS
4	040714-01-700	EA MIRROR INSIDE REAR VIEW KIT
5	P00520-84-B07	EA DOOR-CABINET, CENTER OVERHEAD - W/O HARDWARE - 14 4" X 18 1"
6	092471-03-01A	EA TRIM-SIDE, UPPER PASSENGER - OFF WHITE - 33 1/4"
7	038420-02-000 097372-03-01A 000G39-08-248	EA FAN-DEFROSTER, 2 SPEED - 8" DIAMETER EA SWITCH-ON-OFF-ON EA SCREW-SF/DR, 8-18 X 1 1/2 PPH ZN
8	P00957-01-B07	EA SHELF-CABINET BASE, PASSENGER SIDE
9	093884-01-700	EA HEADLINER-FRONT, PLASTIC - OFF WHITE
10	082286-05-B07 000G39-10-12D 102377-01-000 007211-01-000 074012-01-000 085709-01-000	EA SUNVISOR-DRIVER OR PASSENGER - OFF WHITE EA SCREW-SF/DR, 10-18 X 3/4 PPH - BLACK EA BRACKET-VISOR, 1 PIECE - STEEL EA HINGE-SUNVISOR EA CLIP-SUNVISOR, SQUARE - PINCH ON EA MOUNT-SUNVISOR, CLIP TYPE - BLACK
11	P00958-01-B07 100954-01-000 101150-01-000 101150-02-000	EA SHELF-CABINET BASE, CENTER EA SHELF-TV, STEEL EA SUPPORT-SHELF, TV - PASSENGER SIDE - STEEL EA SUPPORT-SHELF, TV - DRIVER SIDE - STEEL
12	P00957-02-B07	EA SHELF-CABINET BASE, DRIVER SIDE

**1991 WINNEBAGO  
TABLE OF CONTENTS**

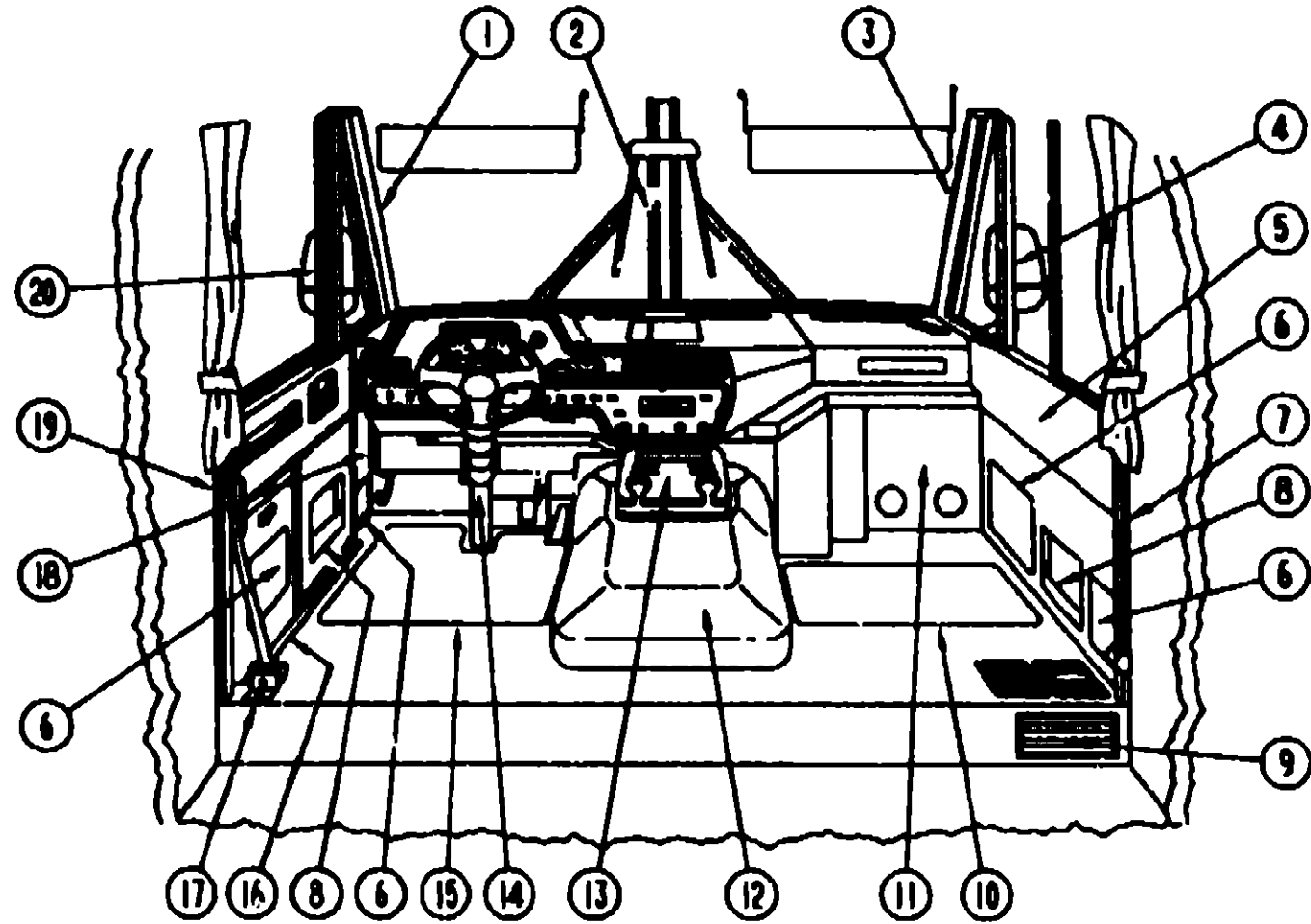
INTRODUCTION	A-01 - A-02
ABBREVIATIONS	A-03
ALPHABETICAL INDEX	A-04 - A-08
WCN23RC	A-07 - F-02
WCN34RQ	F-03 - K-12

**1991 WCN23RC INDEX**

FLOOR PLAN	A-07 - A-08
ACCESSORIES	A-09 - A-14
BATH	A-15 - A-17
BEDROOM	- A-18
CHASSIS	A-19 - B-03
C C & PAD	B-04 - B-13
DINETTE	B-14 - B-16
DRIVERS	B-18 - B-22
ELECTRICAL	B-23 - C-04
EXTERIOR BODY	C-05 - C-12
GALLEY	C-13 - C-20
HEATING & A/C	C-21 - D-02
INTERIOR FINISH	D-03 - D-06
LABELS	D-07 - D-14
LP	D-15
LOUNGE	D-16
SEALANTS & FASTENERS	D-17 - D-19
WATER & SEWAGE	D-20 - D-24
WINDOW, VENT AND EXTERIOR DOOR	E-01 - F-02

# DRIVERS COMPARTMENT GROUP (CONTINUED)

## LOWER DRIVERS COMPARTMENT



KEY	PART NUMBER	U/M DESCRIPTION
1	092584-02-01A	EA COVER-A PILLAR, DRIVER - PLASTIC - LIGHT FAWN
2	077114-07-000	EA COVER-CENTER PILLAR, WINDSHIELD - PLASTIC - BEIGE
2	077114-03-000	EA COVER-CENTER PILLAR, WINDSHIELD - PLASTIC - BEIGE - UNCUT
3	092584-01-01A	EA COVER-A PILLAR, PASSENGER - PLASTIC - LIGHT FAWN
4	092585-01-01A	EA COVER-HINGE PILLAR, PASSENGER - PLASTIC - LIGHT FAWN
5	092582-01-01A	EA PANEL - PASSENGER SIDE - PLASTIC - LIGHT FAWN
6	093195-01-AE8	EA PAD-DOOR (B07, B22)
6	093195-01-B08	EA PAD-DOOR (B08)
6	093195-01-B09	EA PAD-DOOR (B09)
7	097240-01-01A	EA COVER-B PILLAR, PASS - 58" X 2 1" - PLASTIC - OFF WHITE
8	097308-01-01A	EA COVER-MAP POCKET
9	093814-01-01A	EA GRILLE-RETURN AIR, FURNACE - 15 8" X 7 8" - BROWN
9	090328-01-000	EA GRILLE-FLOOR, HEATING - 9 3" X 5 4" - BROWN
10	091202-01-000	EA MAT-FLOOR, FRONT - PASSENGER
11	096757-01-B07	EA COVER-HEATER, W/2 LOUVERED OUTLETS - 10 2" X 17 5" (B07, B22)
11	096757-01-BA8	EA COVER-HEATER, W/2 LOUVERED OUTLETS - 10 2" X 17 5" (B08)
11	096757-01-B08	EA COVER-HEATER, W/2 LOUVERED OUTLETS - 10 2" X 17 5" (B08)
11	096757-01-B09	EA COVER-HEATER, W/2 LOUVERED OUTLETS - 10 2" X 17 5" (B09)
11	024990-03-000	EA OUTLET DEFROSTER, W/SWIVEL - 2" DIA - TAN
11	091739-01-000	EA PANEL-TOE KICK, PASSENGER SIDE - 26 4" X 24 8" - STEEL
11	091739-03-000	EA PANEL-TOE KICK, PASSENGER SIDE - 26 4" X 24 8" - STEEL
12	097552-01-000	EA COVER-MOTOR W/O CARPET
12	075584-01-000	EA BRACKET-MOUNTING, MOTOR COVER
12	092408-01-000	EA TRIM-MOTOR COVER, ALUMINUM
12	039823-01-000	FT SEAL-MOTOR COVER, RUBBER BULB TYPE - BLACK
13	098132-01-AB8	EA TRAY-BEVERAGE, WOOD
13	098911-01-01A	EA INSERT-BEVERAGE TRAY - 2 2" X 10 8"
13	098279-01-01A	EA INSERT-BEVERAGE TRAY, 3 4" X 2 6"
13	M04032-01-AB1	EA DOWEL-WOOD STAINED
13	077920-02-000	EA WIRE ASM-BEVERAGE TRAY
14	078245 01 000	EA BOOT-STEERING COLUMN, VINYL - BLACK
14	103498-01-000	EA BOOT-STEERING COLUMN, VINYL - BLACK - BOTTOM
14	103498-03-000	EA BOOT-STEERING COLUMN, VINYL - BLACK - TOP
14	098770-02-000	EA SUPPORT-STEERING COLUMN
15	081201-01-000	EA MAT-FLOOR, FRONT - DRIVER
15	091739-02-000	EA PANEL-TOE KICK, DRIVER SIDE - 26 4" X 24 8" - STEEL
15	091739-03-000	EA PANEL-TOE KICK, DRIVER SIDE - 26 4" X 24 8" - STEEL
16	0978750101A	EA THRESHOLD-CAB DOOR, 26 5" - BLACK
17	091990-02-01A	EA BRACKET-SEAT BELT, DRIVERS - FLOOR MOUNT
17	091990-01-01A	EA SEAT BELT-SHOULDER HARNESS - DRIVERS/PASSENGERS - BLACK
17	091990-01-700	EA BOLT COVER
18	092583-02-01A	EA PANEL-KICK, LOWER DRIVER SIDE - PLASTIC - LIGHT FAWN
19	097239-01-01A	EA COVER B PILLAR, DR - 58" X 2 2" - PLASTIC - OFF WHITE
20	092585-02-01A	EA COVER-HINGE PILLAR, DRIVER - PLASTIC - LIGHT FAWN

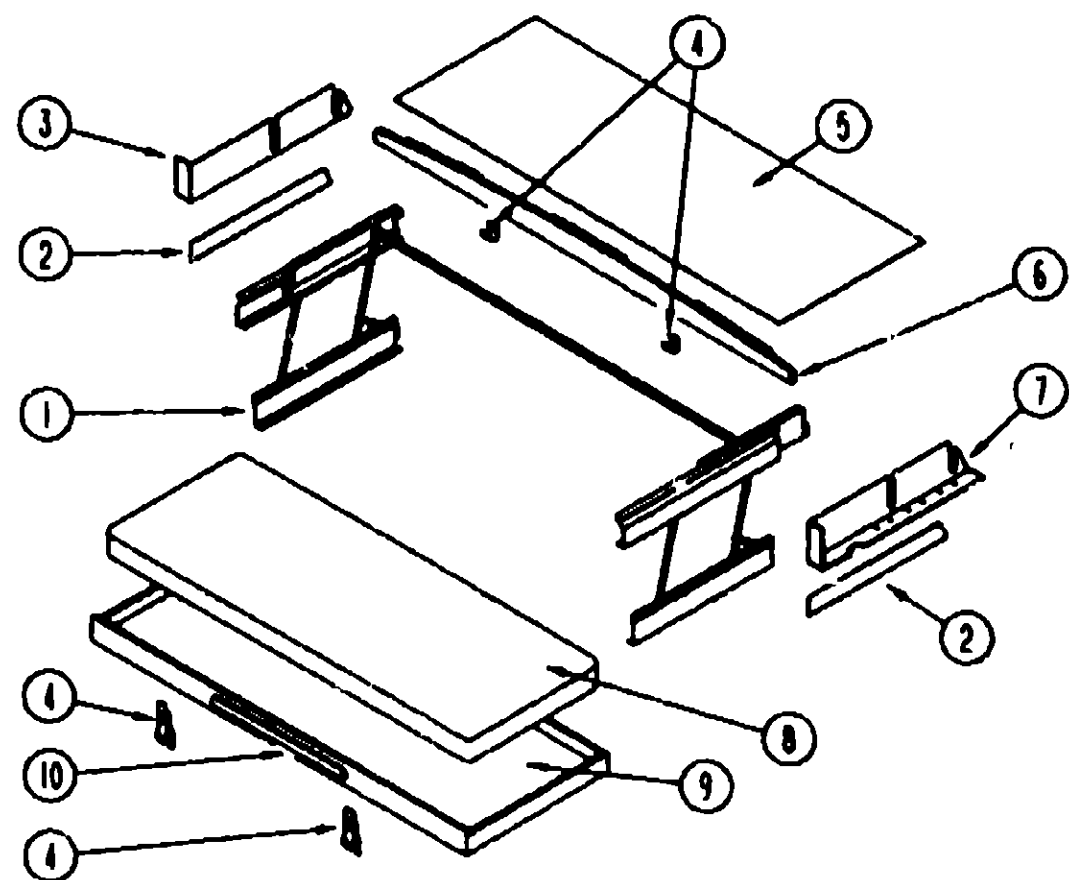
## 1991 WINNEBAGO TABLE OF CONTENTS

INTRODUCTION	A-01 - A-02
ABBREVIATIONS	A-03
ALPHABETICAL INDEX	A-04 - A-08
WCN25RC	A-07 - F-02
WCN34RQ	F-03 - K-12

## 1991 WCN25RC INDEX

FLOOR PLAN	A-07 - A-08
ACCESSORIES	A-09 - A-14
BATH	A-15 - A-17
BEDROOM	- A-18
CHASSIS	A-19 - B-03
C C & PAD	B-04 - B-13
DINETTE	B-14 - B-15
DRIVERS	B-16 - B-22
ELECTRICAL	B-23 - C-04
EXTERIOR BODY	C-05 - C-12
GALLEY	C-13 - C-20
HEATING & A/C	C-21 - D-02
INTERIOR FINISH	D-03 - D-08
LABELS	D-07 - D-14
LP	D-15
LOUNGE	D-16
SEALANTS & FASTENERS	D-17 - D-19
WATER & SEWAGE	D-20 - D-24
WINDOW, VENT AND EXTERIOR DOOR	E-01 - F-02

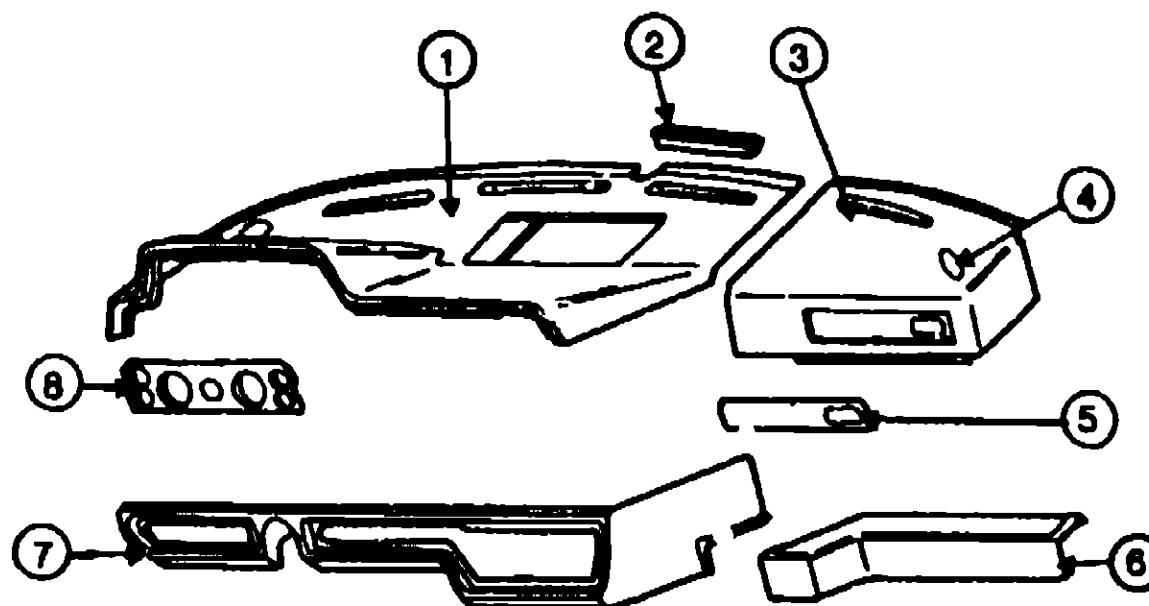
**DRIVERS COMPARTMENT GROUP (CONTINUED)**



**FRONT BUNK-SINGLE**

KEY	PART NUMBER	U/M DESCRIPTION
1	076760-02-000	EA BUNK HARDWARE
	076760-02-700	EA SPRING-GAS-BUNK HARDWARE
2	092472-02-01A	EA TRIM-SIDE, SIDE - LOWER DR & PASS WHOLES - 15.5' LONG - OFF WHITE
3	092471-02-01A	EA TRIM-SIDE, UPPER DRIVER - OFF WHITE - 33 1/4"
4	042641-04-000	EA LATCH-W/O STRIKE - BRASS
4	042541-05-000	EA STRIKE-BRASS
	049465-04-000	EA SCREW, 10-16 X 1 PTH W/WASHER - BEIGE
	075943-02-000	EA BRACE-ANGLE, W/WHOLES - 1" X 1.5" X 14" - ALUMINUM - BEIGE
5	089351-03-000	YD VINYL-FABRIC, 54" WIDE - CEILING
	093884-01-700	EA HEADLINER-FRONT, PLASTIC - OFF WHITE
	100423-01-01A	EA PLATE-MOUNTING, TRIANGLE SHAPED - PLASTIC
6	M93055-01-Y12	EA BOARD-BUNK, TRIM - CEILING MOUNTED
	016604-03-000	EA BRACE-L/ANGLED, 2 5" - BEIGE
7	092471-01-01A	EA TRIM-SIDE, UPPER PASSENGER - OFF WHITE - 33 1/4"
8	079145-05-000	EA CUSHION-BUNK, OVERHEAD - 30" X 73" X 4"
	M79145-05-000	EA COVER-BUNK CUSHION, OVERHEAD - 30" X 73" X 4"
9	081717-04-Y12	EA BED-BUNK, FRONT
10	094658-01-Y12	EA HANDLE-BUNK, OAK

**DRIVERS COMPARTMENT GROUP (CONTINUED)**



**DASH & INSTRUMENT PANELS**

KEY	PART NUMBER	U/M DESCRIPTION
1	102122-01-B07	EA DASH-INSTRUMENT PANEL, UPPER - LEFT FROM 00-00-00 THRU 01-27-91
1	102122-02-B07	EA DASH-INSTRUMENT PANEL, UPPER - LEFT FROM 01-28-91 THRU 09-09-99
2	091930-02-000	EA DUCT-DEFROSTER, W/O SIDE OUTLET - ARA 0671020 FROM 00-00-00 THRU 07-22-90
2	091930-03-000	EA DUCT-DEFROSTER, W/O SIDE OUTLET - ARA 0671109 FROM 07-22-90 THRU 06-12-91
2	103017-01-000	EA PLENUM-DEFROSTER, OUTLET FROM 05-13-91 THRU 09-09-99
2	077075-01-000	EA GASKET-INSTRUMENT PANEL TO DEFROSTER PLENUM, 6" X 11 3/4"
	077075-02-000	EA GASKET-INSTRUMENT PANEL TO DEFROSTER PLENUM, 6" X 10 2/3"
3	085262-02-Y10	EA DASH-INSTRUMENT PANEL, UPPER - RIGHT
4	073741-03-00	EA SPEAKER-OVAL, 4" X 6"
4	073741-04-000	EA GRILLE-OVAL SPEAKER, 4" X 6"
5	075797-03-000	EA INSTRUMENT PANEL, RIGHT - MATTE
7	076734-05-000	EA INSTRUMENT PANEL, TRAY - RIGHT
7	101055-01-01A	EA DASH ASM - INSTRUMENT PANEL, LOWER - LEFT
	076867-01-000	EA BRACKET-V LIPPED, 3 5/8" X 1" - STEEL - W/O SCREW HOLE
	076867-02-000	EA BRACKET-V LIPPED, 3 4" X 1" - STEEL - W/SCREW HOLE
	076872-01-000	EA BRACKET-V LIPPED, 2 7/8" X 1" - STEEL - W/O SCREW HOLE
	077001-01-000	EA ANGLE-MOUNTING, ROOF PANEL - 1/2" ANGLE - 3" X 2 4" X 1 5/8"
8	077353-01-000	EA SHROUD-INSTRUMENT CLUSTER, 20" X 5 1/2" - PLASTIC - BLACK
8	077353-09-000	EA SHROUD-INSTRUMENT CLUSTER, 20" X 5 1/2" - PLASTIC - BLACK (W/GENERATOR)

**1991 WINNEBAGO  
TABLE OF CONTENTS**

INTRODUCTION	A-01	A-02
ABBREVIATIONS		A-03
ALPHABETICAL INDEX	A-04	A-06
WCN25RC	A-07	F-02
WCN34RQ	F-03	K-12

**1991 WCN25RC INDEX**

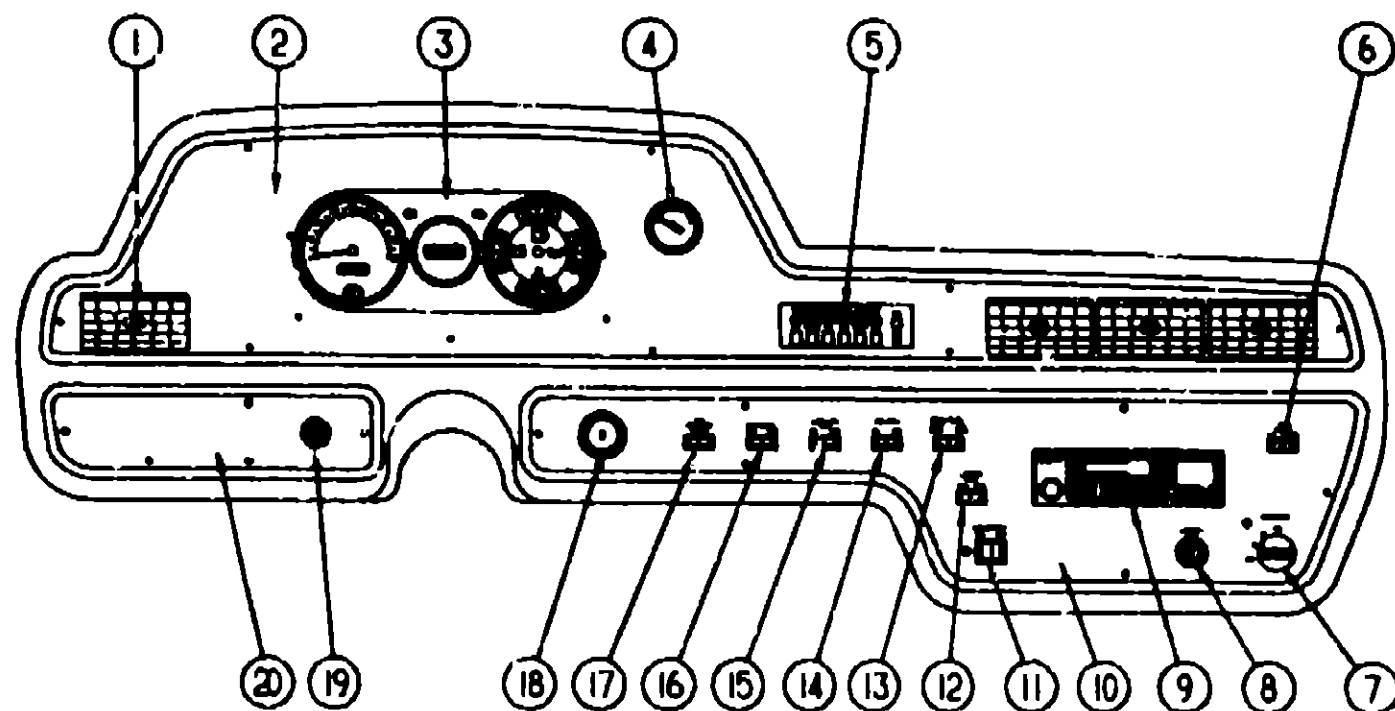
FLOOR PLAN	A-07	A-08
ACCESSORIES	A-09	A-14
BATH	A-15	A-17
BEDROOM		A-18
CHASSIS	A-19	B-03
C C & PAD	B-04	B-13
DINETTE	B-14	B-15
DRIVERS	B-16	B-22
ELECTRICAL	B-23	C-04
EXTERIOR BODY	C-05	C-12
GALLEY	C-13	C-20
HEATING & A/C	C-21	D-02
INTERIOR FINISH	D-03	D-08
LABELS	D-07	D-14
LP		D-15
LOUNGE		D-16
SEALANTS & FASTENERS	D-17	D-19
WATER & SEWAGE	D-20	D-24
WINDOW, VENT AND EXTERIOR DOOR	E-01	F-02

## DRIVERS COMPARTMENT GROUP (CONTINUED)

### DASH SWITCHES, GAUGES & COMPONENTS

### 1991 WINNEBAGO TABLE OF CONTENTS

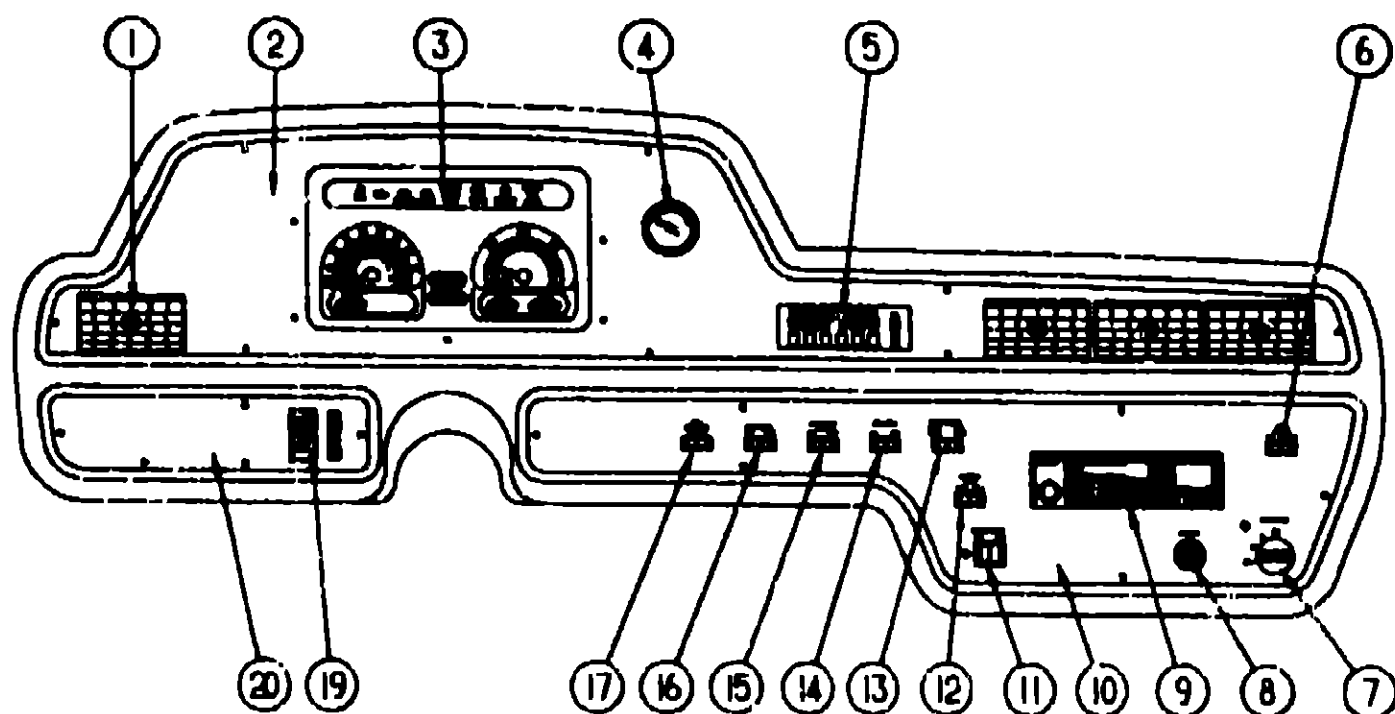
1990 CHASSIS



KEY	PART NUMBER	UM DESCRIPTION
1	076783-02-000	EA LOUVER ASM. - ADJUSTABLE VENT - AIR CONDITIONING
2	100602-01-01A	EA BEZEL ASM - INSTRUMENT PANEL - UPPER (90 CHASSIS) FROM 00-00-00 THRU 02-11-91
2	100602-02-C1A	EA BEZEL ASM - INSTRUMENT PANEL - UPPER (91 CHASSIS) FROM 02-12-91 THRU 03-17-91
2	100602-05-01A	EA BEZEL ASM - INSTRUMENT PANEL - UPPER (91 CHASSIS) FROM 03-18-91 THRU 99-99-99
2	100602-08-C1A	EA APPLIQUE-BEZEL - INSTRUMENT PANEL - W/BLACK CHIEFTAIN (91 CHASSIS) FROM 03-18-91 THRU 99-99-99
3	NOTE	EA INSTRUMENT CLUSTER - GAS (US) IS SUPPLIED BY CHASSIS MANUFACTURER
3	094798-01-000	EA INSTRUMENT CLUSTER - GAS (CANADIAN) (90 CHASSIS) FROM 00-00-00 THRU 02-10-91
3	094798-03-000	EA INSTRUMENT CLUSTER - GAS (CANADIAN) (91 CHASSIS) FROM 02-11-91 THRU 99-99-99
3	094798-04-000	EA INSTRUMENT CLUSTER - DIESEL
4	024480-04-000	EA VACUUM GAUGE
5	072341-01-710	EA CONTROL HEAD ASM - W/O DECAL - AIR CONDITIONING
5	072341-01-722	EA DECAL ASM - CONTROL HEAD
6	097372-01-01A	EA SWITCH-MAP LIGHT
7	090979-01-000	EA PLUG-INSTRUMENT PANEL, 45° DIA
7	087202-02-000	EA SWITCH-REAR AUTO HEATER
7	090977-01-000	EA KNOB-REAR AUTO HEATER SWITCH
8	089264-01-000	EA LIGHTER-CIGARETTE
9	097459-01-000	EA RADIO-AM/FM STEREO, CASSETTE
9	097460-02-000	EA RADIO-AM/FM STEREO, CASSETTE W/ELECTRONIC TUNE
10	101024-01-01A	EA INSTRUMENT PANEL, LOWER - RIGHT (90 CHASSIS) FROM 00-00-00 THRU 02-11-91
10	101024-02-01A	EA INSTRUMENT PANEL, LOWER - RIGHT (91 CHASSIS) FROM 02-12-91 THRU 99-99-99
11	086272-02-000	EA SWITCH-BATTERY DISCONNECT
11	081087-01-000	EA LIGHT ASM - INDICATOR, LVS
12	097372-05-01A	EA SWITCH DUAL BATTERY
13	097372-08-01A	EA SWITCH-RADIO POWER
14	097372-08-01A	EA SWITCH-BLANK
15	097372-08-01A	EA SWITCH-BLANK
15	097372-03-01A	EA SWITCH-AUXILIARY FANS
16	097372-08-01A	EA SWITCH-BLANK
17	097372-07-01A	EA SWITCH-COURTESY BLINKERS
18	NOTE	EA SWITCH IGNITION
19	NOTE	EA SWITCH-HEADLAMP
20	101025-02-01A	EA BEZEL ASM - INSTRUMENT PANEL, LOWER - LEFT (90 CHASSIS) FROM 00-00-00 THRU 02-11-91
20	101025-04-01A	EA BEZEL ASM - INSTRUMENT PANEL, LOWER - LEFT (91 CHASSIS) FROM 02-12-91 THRU 99-99-99
	076788-01-000	EA SOCKET-MINI BAYONET LAMP
	076788-02-000	EA CYLINDER-CARDBOARD, LAMP
	076788-03-000	EA LAMP PLATE ASM
	076788-04-000	EA LAMP PLATE ASM - TURN SIGNAL
	077031-01-000	EA FILM-BLACK, 1" X 1.75"
	077031-02-000	EA FILM-AMBER, 1" X 1.75"

INTRODUCTION	A-01 - A-02
ABBREVIATIONS	A-03
ALPHABETICAL INDEX	A-04 - A-08
WCN25RC	A-07 - F-02
WCN34RO	F-03 - K-12

1991 CHASSIS



### 1991 WCN25RC INDEX

FLOOR PLAN	A-07 - A-08
ACCESSORIES	A-09 - A-14
BATH	A-15 - A-17
BEDROOM	- A-18
CHASSIS	A-10 - B-03
C C & PAD	B-04 - B-13
DINETTE	B-14 - B-15
DRIVERS	B-16 - B-22
ELECTRICAL	B-23 - C-04
EXTERIOR BODY	C-05 - C-12
GALLEY	C-13 - C-20
HEATING & A/C	C-21 - D-02
INTERIOR FINISH	D-03 - D-06
LABELS	D-07 - D-14
LP	D-15
LOUNGE	D-16
SEALANTS & FASTENERS	D-17 - D-19
WATER & SEWAGE	D-20 - D-24
WINDOW, VENT AND EXTERIOR DOOR	E-01 - F-02

## ELECTRICAL GROUP

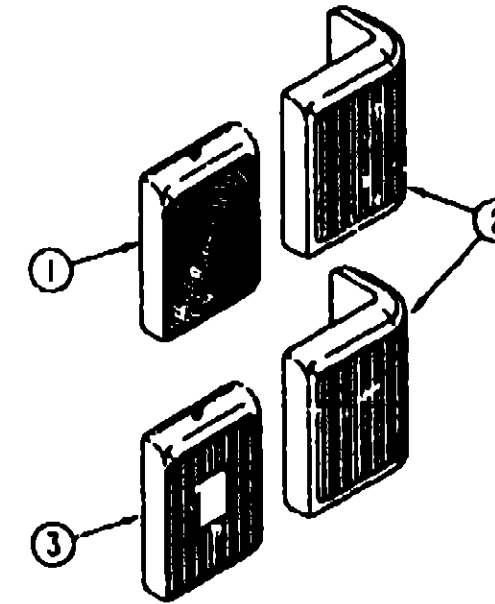
### INTERIOR LIGHTS

KEY	PART NUMBER	U/M	DESCRIPTION
	068023-02-01A	EA	SHROUD-CEILING LIGHT, DOUBLE - IVORY
	091937-04-000	EA	LIGHT-FLUORESCENT, 12 V - RECESSED - THIN-LITE
	091937-03-000	EA	BULB-LIGHT FLOURESCENT 12V, LENS N/A SEPARATELY
	078424-02-000	EA	LIGHT-FLUORESCENT, 12V DC - 18" - ALMOND
	078424-02-701	EA	LENS-LIGHT, FLOURESCENT - 18"
	081633-01-000	EA	LIGHT-MAKEUP, 4 BULBS - JENSEN 329-24BR
			FROM 00-00-00 THRU 05-06-90
	082169-01-000	EA	LIGHT-MAKE-UP, 3 BULB - JENSEN X148-16BR
			FROM 05-07-90 THRU 99-99-99
	081633-01-700	EA	BULB-MAKE UP LIGHT, JENSEN
	087694-01-000	EA	LIGHT-WARDROBE/CLOSET, W/SWITCH
	087694-01-700	EA	BULB
	068024-01-01A	EA	LIGHT-DOME, 1 BULB - US - IVORY
	068024-01-700	EA	LENS-DOME LIGHT
	008218-01-000	EA	BULB-DOME LIGHT, 12V - NUMBER 1141
	081424-01-000	EA	LIGHT-AISLE, 12V - RECTANGULAR
	008103-01-000	EA	BULB-AISLE LIGHT, NUMBER 53 - 12 V - 12 AM
	060353-18-000	EA	LIGHT-READING, DOUBLE - BLACK
	008103-01-000	EA	BULB-AISLE LIGHT, NUMBER 53 - 12 V - 12 AMP

### EXTERIOR LIGHTS

KEY	PART NUMBER	U/M	DESCRIPTION
	097917-01-02A	EA	LIGHT-PORCH, BEIGE - U.S.
	097917-01-700	EA	LENS-LIGHT, PORCH
	008089-02-000	EA	LIGHT-PORCH: RECESSED - CANADIAN
	008089-01-700	EA	LENS-LIGHT, RECESSED - PORCH
	042405-03-000	EA	BASE-CLEARANCE/SIDEMARKER LIGHT - RECTANGULAR
	042405-02-000	EA	LENS-CLEARANCE/SIDEMARKER LIGHT - FRONT - W/REFLEX - AMBER
	008213-01-000	EA	BULB-12 V, NO 57 - 24 AMP (CLEARANCE LIGHTS)
	091983-01-000	EA	GASKET-SIDE MARKER LIGHT
	089289-02-000	EA	LIGHT-WRAP AROUND, AMBER - DRIVER OR PASSENGER
	089289-02-700	EA	LENS ONLY AMBER - DRIVER OR PASSENGER
	038196-01-000	EA	BULB-12V - #194 - 27AMP
	070607-01-000	EA	HEADLAMP CAPSULE ASM-RECTANGULAR, GM# 5988097
	074048-01-000	EA	INSERT-KNURLED, BRASS - #8-32- FOR HEADLIGHT SCREWS
	049359-01-000	EA	SPRING-HEADLAMP RETAINER, GM # 496098
	073308-01-000	EA	SCREW-ADJUSTING, HEADLAMP
	091838-01-01A	EA	BEZEL-HEADLAMP, PASSENGER - BLACK
	091838-02-01A	EA	BEZEL-HEADLAMP, DRIVER - BLACK
	083749-02-000	EA	HOUSING-HEADLAMP, 2 BULB
	087201-01-000	EA	LIGHT-DUMP VALVE
	078795-01-000	EA	LIGHT-LICENSE PLATE, GM# 912388

## ELECTRICAL GROUP (CONTINUED)



### EXTERIOR TAILLIGHTS

KEY	PART NUMBER	U/M	DESCRIPTION
1	089291-01-000	EA	LIGHT-TURN, W/RED LENS - LENS NA SEPARATELY
	037935-01-000	EA	BULB-# 1157 - 12 V - 2.1 AMP
2	089289-01-000	EA	LIGHT-WRAP AROUND - W/RED LENS
	089289-01-700	EA	LENS-CLEARANCE LIGHT, RED
	037934-01-000	EA	BULB-12V - # 1157 - 2.1 AMP
3	089290-01-000	EA	LIGHT-BACKUP, W/RED & CLEAR LENS - LENS NA SEPARATELY
	037934-01-000	EA	BULB-12V, # 1158 2.1 AMP
	087789-02-000	EA	SOCKET-LAMP

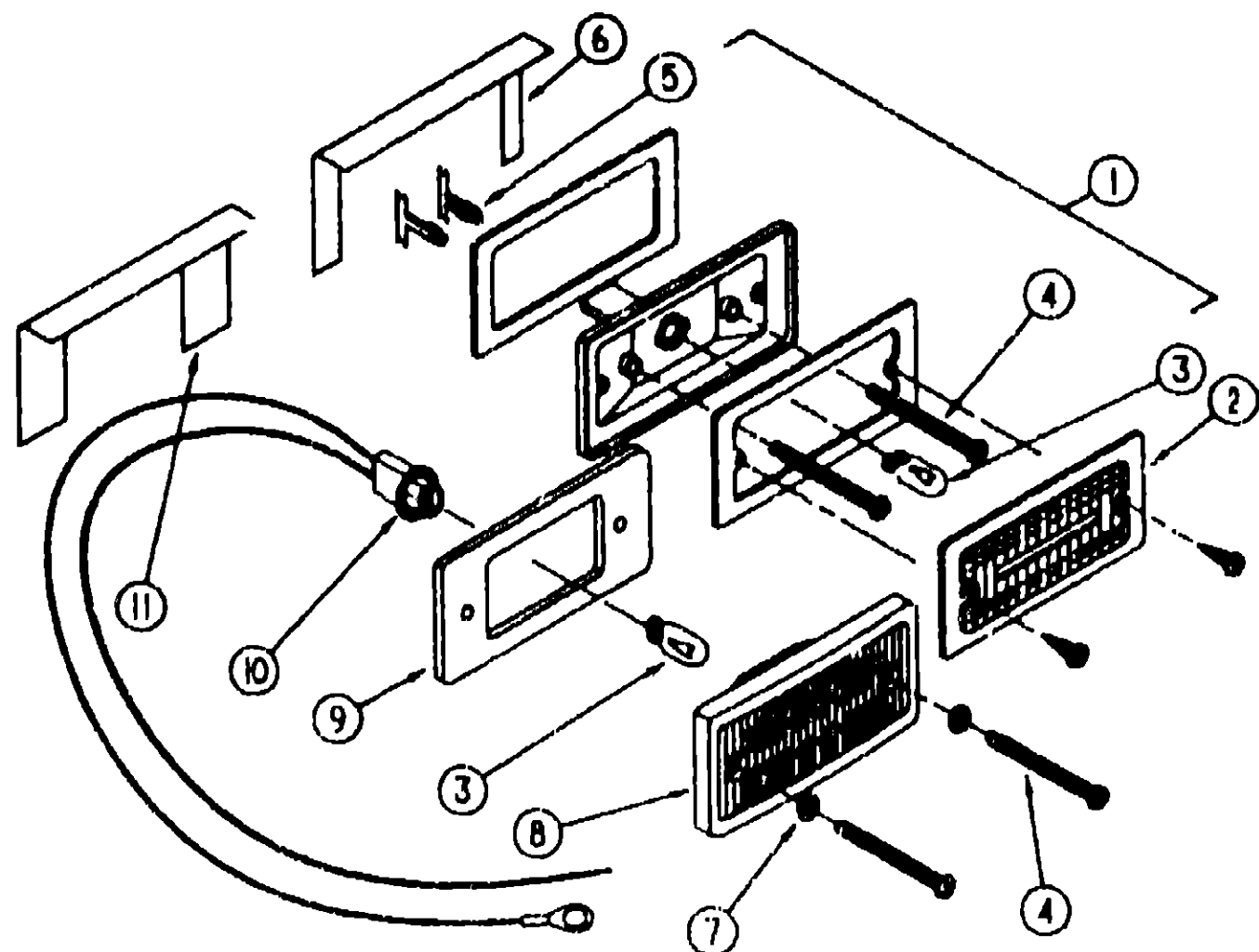
## 1991 WINNEBAGO TABLE OF CONTENTS

INTRODUCTION	A-01 -	A-02
ABBREVIATIONS		A-03
ALPHABETICAL INDEX	A-04 -	A-08
WCN25RC	A-07 -	F-02
WCN34RQ	F-03 -	K-12

## 1991 WCN25HC INDEX

FLOOR PLAN	A-07 -	A-08
ACCESSORIES	A-09 -	A-14
BATH	A-15 -	A-17
BEDROOM		A-18
CHASSIS	A-19 -	B-03
C & PAD	B-04 -	B-13
DINETTE	B-14 -	B-15
DRIVERS	B-16 -	B-22
ELECTRICAL	B-23 -	C-04
EXTERIOR BODY	C-05 -	C-12
GALIEY	C-13 -	C-20
HEATING & A/C	C-21 -	D-02
INTERIOR FINISH	D-03 -	D-08
LABELS	D-07 -	D-14
LP		D-15
LOUNGE		D-18
SEALANTS & FASTENERS	D-17 -	D-19
WATER & SEWAGE	D-20 -	D-24
WINDOW, VENT AND EXTERIOR DOOR	E-01 -	F-02

**ELECTRICAL GROUP (CONTINUED)**



**EXTERIOR CLEARANCE LIGHTS**

KEY	PART NUMBER	U/M DESCRIPTION
1	081250-01-000	EA LIGHT-FRONT CLEARANCE, AMBER - LENS AND BASE ONLY FROM 00-00-00 THRU 09-09-90
1	081250-02-000	EA LIGHT-REAR CLEARANCE, RED - LENS AND BASE ONLY FROM 00-00-00 THRU 04-07-91
2	081250-01-700	EA LENS ONLY, AMBER
2	081250-02-700	EA LENS ONLY, RED
3	036196-01-000	EA BULB-12V - #194 - 27 AMP
4	000G39-08-24B 077955-01-000	EA SCREW, SELF DRIVING EA J CLIP-VINYL COATED, 3/8" USED IN WIRING TO CLEARANCE LIGHTS
5	079378-01-000	EA TERMINAL-WEDGE BASE, 18 AWG NEEDED TO ATTACH SIDEMARKER AND CLEARANCE LIGHTS
6	081437-01-000	EA BRACKET-CLEARANCE LIGHT, L SHAPED METAL
7	102540-01-000	EA SEAL-SCREW, CLEARANCE LIGHT
8	102520-01-000	EA LIGHT-CLEARANCE, W/O SOCKET CONNECTION - AMBER FROM 09-10-90 THRU 99-99-99
8	102520-02-000	EA LIGHT-CLEARANCE, W/O SOCKET CONNECTION - RED FROM 04-07-91 THRU 99-99-99
9	102541-01-000	EA GASKET-CLEARANCE LIGHT
10	067789-02-000	EA SOCKET ASM -CAB MARKER
11	102582-01-000	EA BRACKET-CLEARANCE LIGHT

**ELECTRICAL GROUP (CONTINUED)**

**SWITCH, PLATES & RECEPTACLES**

KEY	PART NUMBER	U/M DESCRIPTION
	098351-02-01A	EA PLATE-SWITCH, 2 GANG - POLISHED BRASS
	076364-01-000	EA SWITCH-ON/OFF ROCKER, BROWN
	079364-03-000	EA SWITCH-ON/OFF ROCKER, BLACK
	084076-01-000	EA RECEPTACLE-GFI, 15A - 125V - IVORY
	084076-02-000	EA RECEPTACLE-GFI, 15A - 125V - BROWN
	084077-01-000	EA PLATE-COVER, RECEPTACLE - GFI - IVORY
	084077-02-000	EA PLATE-COVER, RECEPTACLE - GFI - BROWN
	102588-01-810	EA SPACER-RECEPTACLE, BETWEEN SIDE WALL & PLATE - WOOD NOT USED PRIOR TO 08-02-90
	058708-02-000	EA RECEPTACLE-DOUBLE ELECTRIC, IVORY
	098351-03-01A	EA PLATE-SWITCH, 3 GANG - POLISHED BRASS
	058707-01-000	EA RECEPTACLE-ELECTRIC, SINGLE - BROWN
	058708-02-000	EA RECEPTACLE-DOUBLE ELECTRIC, IVORY
	024824-02-000	EA RECEPTACLE-POWER CORD, W/PARTIAL PLATE
	098351-01-01A	EA PLATE-SWITCH, 1 GANG - POLISHED BRASS
	094088-01-01A	EA SWITCH PLATE-SINGLE GANG - BLACK
	095188-01-01A	EA SPACER-SWITCH, DARK BROWN
	075738-03-000	EA COVER-EXTERIOR RECEPTACLE, BEIGE
	098527-01-000	EA DOOR-CIRCUIT BREAKERS
	098198-01-000	EA LATCH-1/4 TURN, T-BAR
	093674-01-000	EA PLATE-CIRCUIT BREAKER, HOUSE
	092549-01-000	EA PLATE-FUSE BOX

**CONVERTER, LOAD CENTER, GAUGE, CABLE & POWER CORDS**

KEY	PART NUMBER	U/M DESCRIPTION
	067782-01-000	EA CONVERTER-40 AMP, W/CHARGER - TRIAD TU-740-2
	092815-01-000	EA CONVERTER-40 AMP, W/CHARGER - BW 32400P
	067782-02-000	EA CONVERTER-40AMP, W/CHARGER - TRIAD TU 840-2 (CSA)
	094809-01-000	EA CENTER-LOAD, 240V - 125A - TPL 412CT
	007093-01-000	EA FLASHER-SIGNAL STAT
	024458-04-000	EA GAUGE-VOLTMETER
	058781-01-000	EA DIODE-60A/100 VOLT - MOTOROLA, NO MR751
	073328-F2-000	EA CABLE-8 GA, BLACK
	008052-01-000	EA CORD-POWER, 10/3 - 30 AMP - 25' (CANADIAN)
	008054-01-000	EA CORD-POWER, 10/3 - 30 AMP - 25'
	008054-02-000	EA CORD-POWER, 10/3 - 30 AMP - 33'

**CIRCUIT BREAKERS, FUSES & RELAYS**

KEY	PART NUMBER	U/M DESCRIPTION
	008211-01-000	EA CIRCUIT BREAKER, 12V, 6 AMP
	083209-02-000	EA CIRCUIT BREAKER-15/15AMP, 120V
	083209-03-000	EA CIRCUIT BREAKER-15/20AMP, 120V - BW - 0-15/20
	083209-05-000	EA CIRCUIT BREAKER-20A, 120V - BW J-20
	083209-06-000	EA CIRCUIT BREAKER-30/15 AMP, 120V - BW D-30/15
	097511-01-000	EA CIRCUIT BREAKER-8AMP, ATC - BLACK
	053654-01-000	EA CIRCUIT BREAKER-6 AMP, HOUSE CONTROL PANEL
	093654-02-000	EA CIRCUIT BREAKER-15 AMP
	093654-03-000	EA CIRCUIT BREAKER 20 AMP, HOUSE CONTROL PANEL
	093655-01-000	EA CIRCUIT BREAKER-25 AMP
	093655-02-000	EA CIRCUIT BREAKER-30 AMP, HOUSE CONTROL PANEL
	093655-03-000	EA CIRCUIT BREAKER-40 AMP
	097511-01-000	EA CIRCUIT BREAKER-6AMP, ATC - BLACK
	094810-01-000	EA CIRCUIT BREAKER-DOUBLE, 30 AMP
	094811-01-000	EA CIRCUIT BREAKER-DOUBLE, 20 AMP
	062901-02-000	EA FUSE-5 AMP, AUTOMOTIVE
	062901-05-000	EA FUSE-15 AMPS, AUTOMOTIVE
	063912-02-000	EA RELAY-CANISTER, SPDT W/RESIST
	068188-01-000	EA SOLENOID-3 POST, BATTERY CHANGE OVER
	086273-01-000	EA RELAY BATTERY DISCONNECT

**1991 WINNEBAGO  
TABLE OF CONTENTS**

INTRODUCTION	A-01 -	A-02
ABBREVIATIONS		A-03
ALPHABETICAL INDEX	A-04 -	A-06
WCN25RC	A-07 -	F-02
WCN34HO	F-03 -	K-12

**1991 WCN25RC INDEX**

FLOOR PLAN	A-07 -	A-08
ACCESSORIES	A-09 -	A-14
BATH	A-15 -	A-17
BEDROOM		A-18
CHASSIS	A-19 -	B-03
C C & PAD	B-04 -	B-13
DINETTE	B-14 -	B-15
DRIVERS	B-16 -	B-22
ELECTRICAL	B-23 -	C-04
EXTERIOR BODY	C-05 -	C-12
GALLEY	C-13 -	C-20
HEATING & A/C	C-21 -	D-02
INTERIOR FINISH	D-03 -	D-06
LABELS	D-07	D-14
LP		D-15
LOUNGE		D-16
SEALANTS & FASTENERS	D-17 -	D-19
WATER & SEWAGE	D-20	D-24
WINDOW, VENT AND EXTERIOR DOOR	E-01 -	F-02

## ELECTRICAL GROUP (CONTINUED)

### CONNECTORS, HOUSINGS & SOCKETS

KEY PART NUMBER	U/M DESCRIPTION
007942-01-000	EA TAB WIRE, 18 TO 14 AWG
007949-01-000	EA TAB-HOUSING, 1 POSITION
031965-01-000	EA TAB-HOUSING, 2 POSITION
007940-01-000	EA RECEPTACLE-SLIDE, 18 TO 12 AWG
060015-02-000	EA RECEPTACLE-FLAG, .186 - 18/14 GA - AMP 3
008326-01-000	EA TERMINAL-RING, 18/14 WIRE - 3/8" STUD
008328-01-000	EA TERMINAL-RING, 12/10 WIRE - #10 STUD FIT
008348-01-000	EA TERMINAL-RING, 3/8" STUD - #2 WIRE
036416-04-000	EA TERMINAL-RING #10 STUD FIT, INSULATED BARREL #18/14
008331-01-000	EA TERMINAL-RING, TONGUE - #4 WIRE - 3/8" STUD - COPPER
008273-01-700	EA TERMINAL WIRE ASM
062036-02-000	EA TERMINAL-PACK-CON, 18/14 AWG
047443-01-000	EA TERMINAL-250 RECEPTACLE FIT, INSULATED - 18/14 AWG
079378-01-000	EA TERMINAL-WEDGE BASE, 18 AWG
068473-01-000	EA PIN-HOUSING, 12 POSITION
068473-02-000	EA PIN-HOUSING, 15 POSITION
068473-03-000	EA PIN-HOUSING, 9 POSITION
068473-05-000	EA PIN-HOUSING, 6 POSITION (SINGLE ROW)
068473-06-000	EA PIN-HOUSING, 8 POSITION (TWO ROWS OF THREE)
068473-08-000	EA PIN-HOUSING, 4 POSITION
068473-09-000	EA PIN-HOUSING, 3 POSITION (SINGLE ROW)
068473-10-000	EA PIN-HOUSING, 2 POSITION
068475-01-000	EA PIN-CONNECTOR
068475-02-000	EA PIN-CONNECTOR
068474-01-000	EA SOCKET-HOUSING, 12 POSITION
068474-02-000	EA SOCKET-HOUSING, 15 POSITION (3 ROWS OF 5)
068474-03-000	EA SOCKET-HOUSING, 9 POSITION
068474-06-000	EA SOCKET-HOUSING, 6 POSITION (2 ROWS OF THREE)
068474-07-000	EA SOCKET-HOUSING, 5 POSITION
068474-08-000	EA SOCKET-HOUSING, 4 POSITION (SINGLE ROW)
068474-09-000	EA SOCKET-HOUSING, 3 POSITION
068476-01-000	EA SOCKET-CONNECTOR
068476-02-000	EA SOCKET-CONNECTOR 12-10 GA
067789-02-000	EA SOCKET-LAMP
077000-01-000	EA SOCKET ASM-W/8" PIGTAIL LEADS
092786-01-000	EA BUSS BAR-2.1" LONG
092786-02-000	EA BUSS BAR-3 3" LONG
063910-01-000	EA HOUSING-RELAY
101571-01-000	EA HOUSING-2 POSITION, MALE
062037-01-000	EA HOUSING-AUTO FUSE, NATURAL
062037-02-000	EA HOUSING-AUTO FUSE, GREEN
062037-03-000	EA HOUSING-AUTO FUSE, BLACK
062037-04-000	EA HOUSING-AUTO FUSE, BLUE
062037-05-000	EA HOUSING-AUTO FUSE, GRAY
062037-06-000	EA HOUSING-AUTO FUSE, BROWN
068474-03-000	EA HOUSING-SOCKET, 9-POSITION
064399-01-000	EA HOUSING-WIRED, TRAILER TOWING PIN
097744-02-000	EA HOUSING-TRAILER PIN, 48"
097746-01-000	EA HOUSING CAP-TRAILER PIN
074017-02-000	EA HOUSING-5 POSITION, RIGHT ANGLED
079090-01-000	EA CONNECTOR-MOLDED, 12/2 LEAD
082740-01-000	EA CONNECTOR-PLASTIC BODY, FOR 2 MALE SPADES
058028-01-000	EA CONNECTOR-ELECTRICAL PIGTAIL, NYLON - CLEAR
082742-01-000	EA CONNECTOR BODY-3 CNCT FEMALE
008311-01-000	EA CONNECTOR-WIRE NUT, INSULATED - RED
008314-01-000	EA CONNECTOR-WIRE NUT, INSULATED - GRAY
008355-01-000	EA CONNECTOR-CABLE CLAMPING, 3/4"
008356-01-000	EA CONNECTOR-PLASTIC, 3/8" AVG
086233-01-000	EA STUD-ISOLATED, 3/8" X 7/8" LONG
090971-01-000	EA SPLICE-CABLE, 110V
090971-02-000	EA SPLICE-CABLE, 110V - TAP
031568-01-000	EA PLUG-CONTACT, BRASS

## ELECTRICAL GROUP (CONTINUED)

### CONDUIT, BOXES & COVERS

KEY PART NUMBER	U/M DESCRIPTION
041953-01-000	FT CONDUIT-CONVOLUTED SLIT, 1/2" ID
041953-03-000	FT CONDUIT-CONVOLUTED SLIT, 1" ID (CLOTHES ROD COVER)
041953-06-000	FT CONDUIT-CONVOLUTED SOLID, 82" ID
041953-07-000	FT CONDUIT-CONVOLUTED, SLIT, 25" ID
041953-08-000	FT CONDUIT-CONVOLUTED SLIT, .5" ID
041953-11-000	FT CONDUIT-CONVOLUTED SLIT, 1.063" ID
074890-01-000	EA BOX-EXTENSION, STEEL - OPEN SIDES - 4" X 4" X 1 1/2"
008289-01-000	EA BOX-ELECTRIC, STEEL - 1/2" AND 3/4" KNOCKOUTS - 4" X 4"
008289-02-000	EA BOX-ELECTRICAL - 4" X 4" - 1/2" & 3/4" KNOCKOUTS (CANADIAN)
093257-01-000	EA BOX-ELECTRICAL - CIRCUIT BREAKER
091213-01-000	EA BOX-CIRCUIT BREAKER - W/KNOCKOUTS - 5.3" X 11.8" X 2.5"
008288-01-000	EA BOX-ELECTRIC, PLASTIC - 3" X 3 1/2"
008289-02-000	EA BOX-ELECTRIC, PLASTIC - 3.94" X 3.13" X 1.81"
068049-01-000	EA BOX-ELECTRIC SWITCH, 2" X 3" X 2.25"
069236-01-000	EA COVER-ELECTRICAL BOX, WHOLE - 4" X 4" - GRAY USED WITH 30 OR 50 AMP RECEPTACLE
074897-01-000	EA COVER-ELECTRIC BOX, 1 LARGE & 2 SMALL HOLES - 4" X 4"
008294-01-000	EA COVER-ELECTRICAL BOX, STEEL/BLANK - 4" X 4" - GRAY

### INVERTER

KEY PART NUMBER	U/M DESCRIPTION
099048-01-000	EA INVERTER-100 WATT

### WIRE ASSEMBLIES

KEY PART NUMBER	U/M DESCRIPTION
100746-01-000	EA WIRE ASSEMBLY-BACKWALL, GM FROM 00-00-00 THRU 04-07-91
102681-01-000	EA WIRE ASSEMBLY-BACKWALL, GM FROM 04-08-91 THRU 99-99-99
101849-01-000	EA WIRE ASSEMBLY-COOLING FAN ADAPTER FROM 00-00-00 THRU 02-10-91
103347-01-000	EA WIRE ASSEMBLY-COOLING FAN ADAPTER FROM 02-11-91 THRU 99-99-99
102343-01-000	EA WIRE ASSEMBLY-INSTRUMENT PANEL, CHEVY
079709-01-000	EA WIRE ASM-LICENSE PLATE LIGHT
077920-02-000	EA WIRE ASM-BEVERAGE TRAY
100158-01-000	EA WIRE ASM-DAYTIME RUNNING LIGHTS
100159-01-000	EA WIRE ASM-DAYTIME RUNNING LIGHTS, W/FUSE
086298-01-000	EA WIRE-BATTERY DISCONNECT, RED
086298-02-000	EA WIRE-BATTERY DISCONNECT, GREEN
008001-01-000	FT WIRE-10AWG, STRAND - WHITE
008026-01-000	FT WIRE-12/2, ROMEX - W/GROUND
097744-02-000	EA HOUSING-TRAILER PIN, 48"
097745-01-000	EA HOUSING-RECEPTACLE, TRAILER - 48" WIRE LENGTH
097746-01-000	EA CAP-HOUSING, TRAILER PIN

## 1991 WINNEBAGO TABLE OF CONTENTS

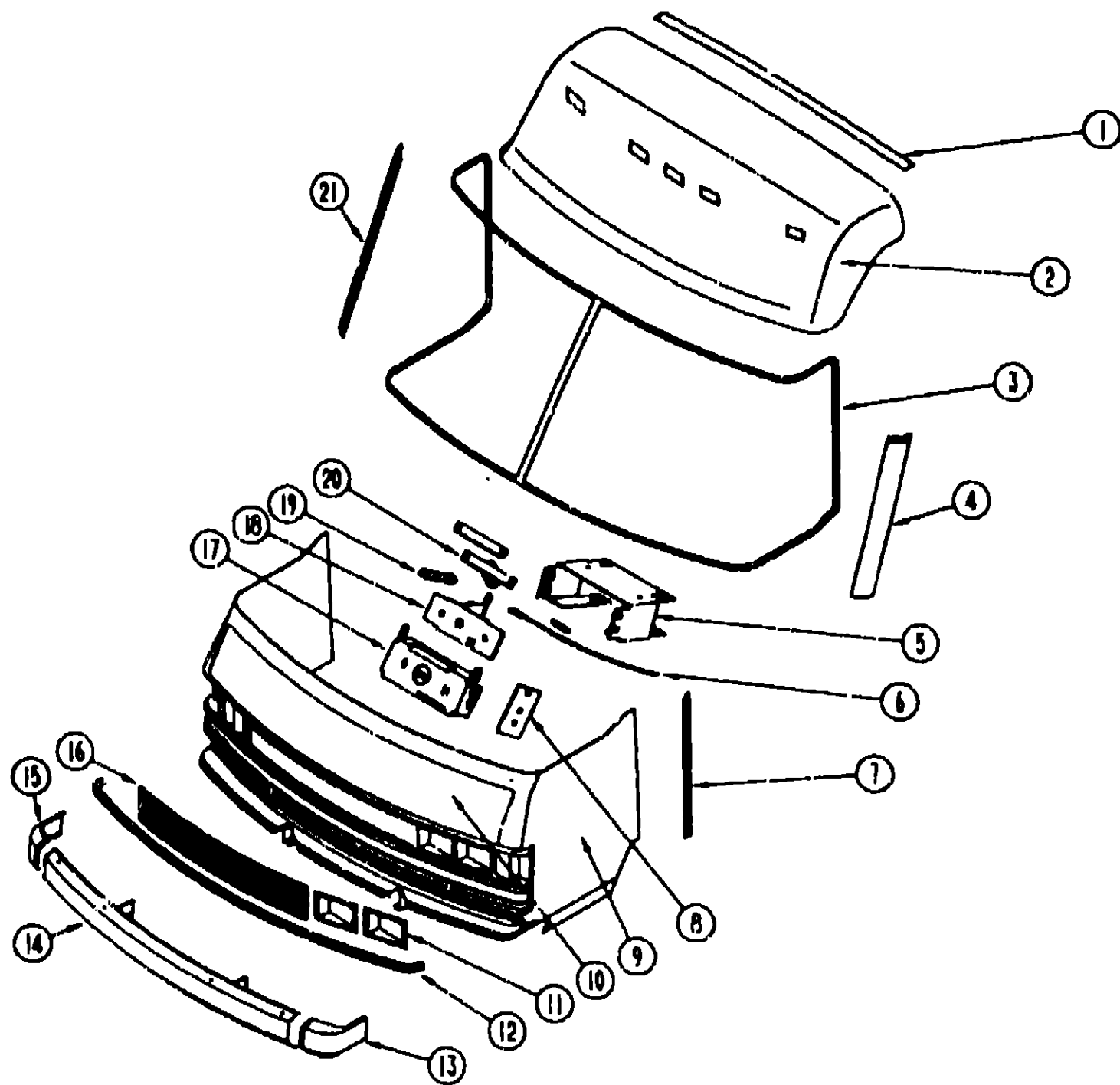
INTRODUCTION	A-01 -	A-02
ABBREVIATIONS		A-03
ALPHABETICAL INDEX	A-04 -	A-08
WCN25RC	A-07 -	F-02
WCN34RC	F-03 -	K-12

## 1991 WCN25RC INDEX

FLOOR PLAN	A-07 -	A-08
ACCESSORIES	A-09 -	A-14
BATH	A-15 -	A-17
BEDROOM		A-18
CHASSIS	A-19 -	B-03
C C & PAD	B-04 -	B-13
DINETTE	B-14 -	B-15
DRIVERS	B-16 -	B-22
ELECTRICAL	B-23 -	C-04
EXTERIOR BODY	C-05 -	C-12
GALLEY	C-13 -	C-20
HEATING & A/C	C-21 -	J-02
INTERIOR FINISH	D-03 -	D-06
LABELS	D-07 -	D-14
LP		D-15
LOUNGE		D-16
SEALANTS & FASTENERS	D-17 -	D-19
WATER & SEWAGE	D-20 -	D-24
WINDOW, VENT AND EXTERIOR DOOR	E-01 -	F-02

# EXTERIOR BODY GROUP

## FRONT END COMPONENTS & BUMPER



KEY	PART NUMBER	U/M	DESCRIPTION
1	083805-14-000	EA	TRIM-ROOF TO FRONT CAP
2	M02959-07-AB8	EA	CAP-ROOF, FRONT - W/LIGHTS
3	091988-01-000	EA	MOLDING-REVEAL, WINDSHIELD - SURROUNDS BOTH WINDSHIELD
4	091901-02-000	EA	TRIM-A-PILLAR, BETWEEN WINDSHIELD & VENT GLASS - BLACK
5	073342-01-000	EA	BRACKET ASM-STRIKER, HOOD (MOUNTS TO CROSSMEMBER)
	092593-01-000	EA	CROSSMEMBER-CENTER, U-CHANNEL STEEL - 2" X 48"
6	102087 01 000	EA	CABLE ASM-HOOD RELEASE
	010497-08-000	EA	CLAMP-CLOSED, .125"
7	098204-01-01A	EA	TRIM-BEAM, FRONT END TO SIDEWALLS
8	102515 01 000	EA	BRACKET-HOOD RELEASE CABLE
9	M01115-20-Y10	EA	FRONT END-FIBERGLASS, BEIGE - W/O HOOD OR HINGES - PRIMED
10	M92677-01-Y10	EA	PANEL-HOOD, W/BRACKETS ONLY - BEIGE
	058833-01-000	EA	BRACKET-PROP ROD
	082628-01-000	EA	CLIP-PROP ROD
	094080 01 000	EA	ROD ASM-PROP, HOOD
	088927-01-000	EA	GROMMET RUBBER - PROP ROD - .08" X .56" X 1.18"
	078718-02-000	EA	BRACKET ASM-LATCH - INCLUDED WITH HOOD
	093851-01-Y12	EA	HINGE-HOOD, PASSENGER
	093851-02-Y12	EA	HINGE-HOOD, DRIVER
	093227-01-01A	EA	HINGE-HOOD, LOWER SECTION ONLY - PASSENGER
	093227-02-01A	EA	HINGE-HOOD, LOWER SECTION ONLY - DRIVER
	077252-01-000	EA	PIN-HINGE
	058788-01-000	EA	BOLT-HOOD ADJUSTING
	R77007-51-429	EA	BRACKET-HOOD RELEASE
	078772-01-000	EA	CLIP-SPEED, TUBE TYPE
	077049-01-000	EA	NUT-ACORN, 10-32 ALUMINUM
	093295-02-000	EA	BRACKET-LATCH, HOOD
	086235-02-000	EA	BEARING-SNAP IN, 3/16" ID X 3/16"
	095094-01-000	EA	NUT-ACORN, 1/4 - 20 ALUMINUM
11	091838-02-01A	EA	BEZEL-HEADLAMP, DRIVER - BLACK
	091838-01-01A	EA	BEZEL-HEADLAMP, PASSENGER - BLACK
12	092824-01-01A	EA	BAR GRILLE END, 21.4" - CURVED
	092829-01-000	EA	BRACKET-BAR, GRILLE - W/O STUD WELD - 1.5" X 1"
	092829-02-000	EA	BRACKET-BAR, GRILLE - W/STUD WELD - 1.5" X 1"
	092807-01-000	EA	BRACKET-GRILLE, LOWER - 2" X 1"
	093171-01-000	EA	BRACKET-GRILLE, UPPER - 2" X 1.7"
	092414-01-000	FT	TRIM-CHROME, 1 2" WIDE
13	091840-02-01A	EA	CAP-BUMPER END, FRONT DRIVER - PLASTIC - BEIGE
14	091994-01-01A	EA	BUMPER-FRONT, UNFINISHED
	005200-01-000	EA	BOLT-BUMPER, ROUND HEAD-SQUARE NECK - W/ST CAP 7/16-14 X 1 1/4
	077852-01-000	EA	BRACKET-BUMPER, FRONT - 2 PER COACH - BENT 2" X 8"
	093514-01-000	EA	SUPPORT-BUMPER, FRONT - L ANGLE - 4" X 7"
15	091840-01-01A	EA	CAP-BUMPER END, FRONT PASSENGER - PLASTIC - BEIGE
16	092901-01-Y10	EA	GRILLE-16 BAR, BRIGHT FINISHED
	095119-01-000	EA	BRACKET-SUPPORT, GRILLE - 7 7" X 1"
17	073336-02-000	EA	BRACKET-MOUNTING, LATCH
18	R77007-51-429	EA	LATCH ASM -HOOD RELEASE
19	R77006-38-489	EA	SPRING-CABLE, HOOD LATCH
20	R77007-01-950	EA	STRIKER-LATCH, HOOD
	073610-01-000	EA	SPRING-STRIKER, LATCH - HOOD
21	091901-01-000	EA	TRIM-A-PILLAR, BETWEEN WINDSHIELD & VENT GLASS - BLACK
	093284 01 000	EA	BRACE-LATCH, HOOD

## 1991 WINNEBAGO TABLE OF CONTENTS

INTRODUCTION	A-01 - A-02
ABBREVIATIONS	A-03
ALPHABETICAL INDEX	A-04 - A-08
WCN25RC	A-07 - F-02
WCN34RQ	F-03 - K-12

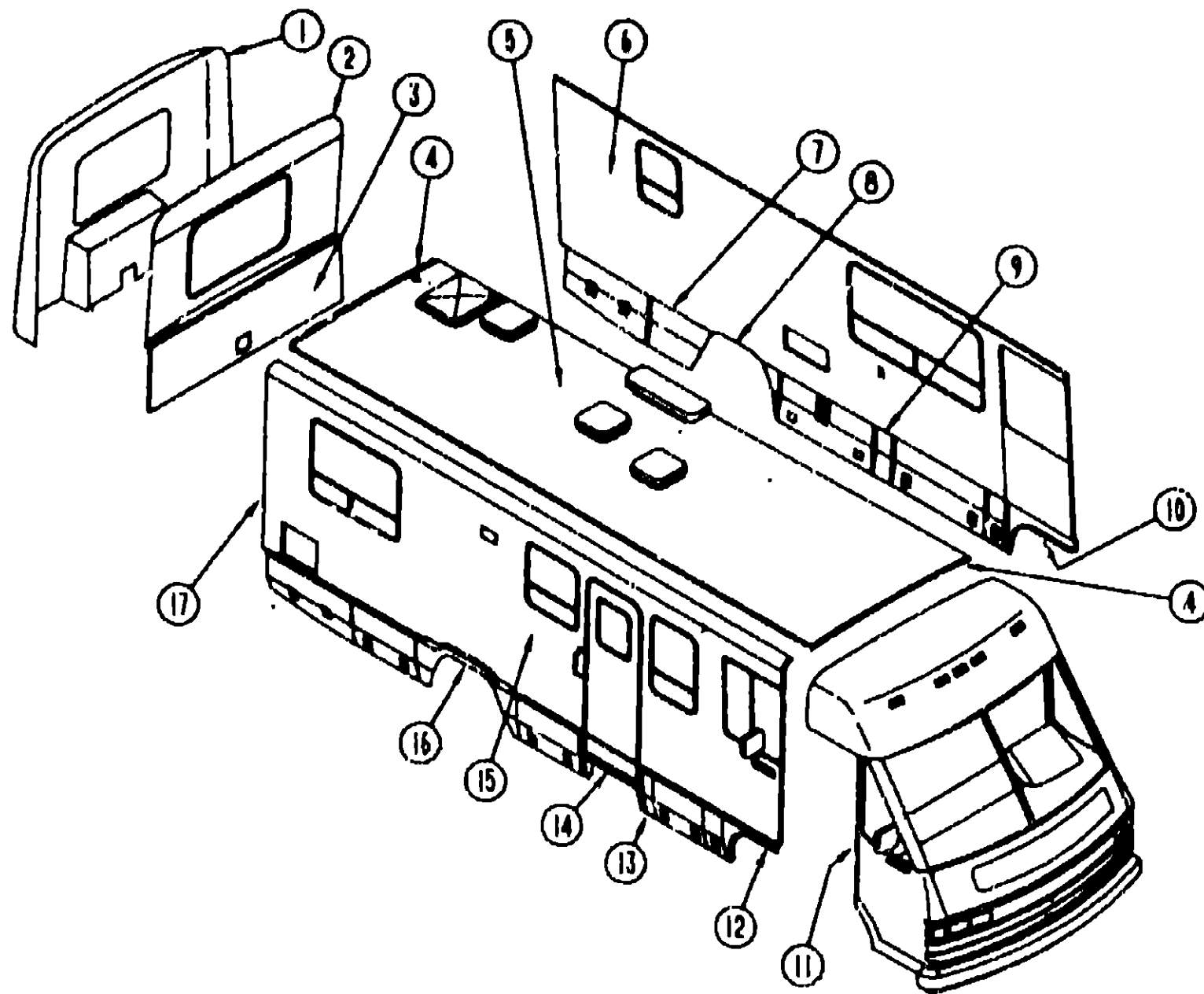
## 1991 WCN25RC INDEX

FLOOR PLAN	A-07 - A-08
ACCESSORIES	A-09 - A-14
BATH	A-15 - A-17
BEDROOM	- A-18
CHASSIS	A-19 - B-03
C C & PAD	B-04 - B-13
DINETTE	B-14 - B-15
DRIVERS	B-16 - B-22
ELECTRICAL	B-23 - C-04
EXTERIOR BODY	C-05 - C-12
GALLEY	C-13 - C-20
HEATING & A/C	C-21 - D-02
INTERIOR FINISH	D-03 - D-06
LABELS	D-07 - D-14
LP	D-15
LOUNGE	D-16
SEALANTS & FASTENERS	D-17 - D-19
WATER & SEWAGE	D-20 - D-24
WINDOW, VENT AND EXTERIOR DOOR	E-01 - F-02



# EXTERIOR BODY GROUP (CONTINUED)

## EXTERIOR BODY PANELS AND TRIM



### 1991 WINNEBAGO TABLE OF CONTENTS

INTRODUCTION	A-01 -	A-02
ABBREVIATIONS		A-03
ALPHABETICAL INDEX	A-04 -	A-06
WCN25RC	A-07 -	F-02
WCN34HQ	F-03 -	K-12

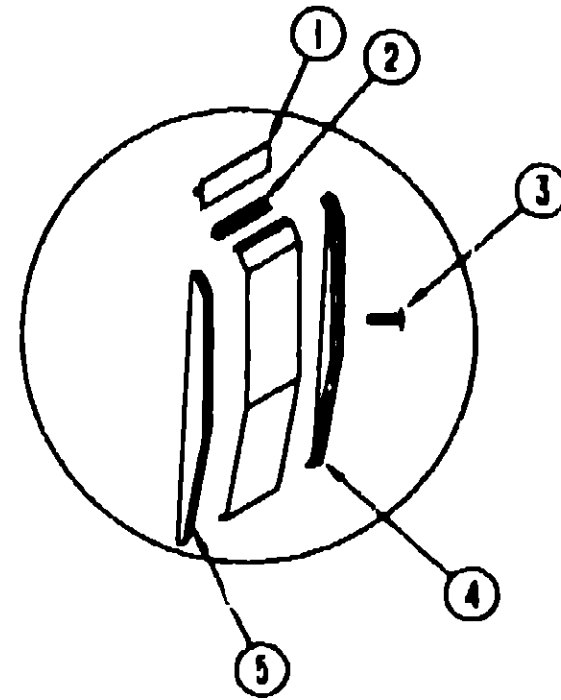
### 1991 WCN25RC INDEX

FLOOR PLAN	A-07 -	A-08
ACCESSORIES	A-09 -	A-14
BATH	A-15 -	A-17
BEDROOM		A-18
CHASSIS	A-19 -	B-03
C C & PAD	B-04 -	B-13
DINETTE	B-14 -	B-15
DRIVERS	B-16 -	B-22
ELECTRICAL	B-23 -	C-04
EXTERIOR BODY	C-05 -	C-12
GALLEY	C-13 -	C-20
HEATING & A/C	C-21 -	D-02
INTERIOR FINISH	D-03 -	D-06
LABELS	D-07	D-14
LP		D-15
LOUNGE		D-16
SEALANTS & FASTENERS	D-17 -	D-19
WATER & SEWAGE	D-20 -	D-24
WINDOW, VENT AND EXTERIOR DOOR	E-01 -	F-02

KEY	PART NUMBER	U/M DESCRIPTION
1	092197-01-01A	EA CAP-REAR, FIBERGLASS - W/O LIGHTS & 2 DOORS
	092763-01-Y12	EA PANEL-FILLER, BACKWALL - PASSENGER - RADIUS CORNER - 11 6" X 28 1"
	092765-01-Y12	EA PANEL-FILLER, BACKWALL - DRIVER SIDE - RADIUS CORNER - 11 6" X 28 1"
2	092527-01-B07	EA BACKWALL ASM-UPPER SPECIAL ORDER ITEM - DEALER PAYS FREIGHT
3	092526-04-B07	EA BACKWALL ASM-LOWER SPECIAL ORDER ITEM - DEALER PAYS FREIGHT
	082701-01-000	SF PANEL-SHEATHING, WAFFERBOARD - 4' X 8' - INCREMENT OF 32 SF
4	083805-14-000	EA TRIM-ROOF, 6 4' MILL FINISHED
5	M96906-01-B07	EA ROOF-W/O VENTS OR CUTOUTS - (SPECIAL ORDER ITEM) SPECIAL ORDER ITEM - DEALER PAYS FREIGHT
6	F01253-01-B07	EA SIDEWALL-DRIVERS, W/O WINDOWS, LIGHTS OR DOORS (SPECIAL ORDER ITEM) SPECIAL ORDER ITEM - DEALER PAYS FREIGHT
7	093244-02-B07	EA PANEL-WHEEL LIP, REAR - DRIVER SIDE - BEIGE - 62 4"
8	094345-02-01A	EA TRIM-WHEELWELL, MILL FINISH - 21 3" LONG - ANGLE - ALUMINUM
	M04019-01-000	EA BRIDGE-WHEELWELL, E-COATED
9	093021-01-B07	EA PANEL-VALANCE, LEFT SIDE - FRONT CENTER - BEIGE

KEY	PART NUMBER	U/M DESCRIPTION
10	M04129-02-B07	EA PANEL-WHEEL LIP, PLASTIC - BEIGE
11	096204-01-01A	EA TRIM-J, 5" WIDTH EXPOSED - 1" X 29" LONG - ALUMINUM - BEIGE
12	M04129-01-B07	EA PANEL-WHEEL LIP, PLASTIC - BEIGE
13	093021-02-B07	EA PANEL ASM-VALANCE, BEIGE - 4 1" X 19 4"
14	092709 01-02A	EA STEP-VALANCE, BEIGE
	044582-01-000	EA CAP-DRIP, JAMB MOUNTED - BEIGE
15	F01254-01-B07	EA SIDEWALL-PASSENGER, W/O WINDOW, LIGHT, OR DOOR (SPECIAL ORDER ITEM) SPECIAL ORDER ITEM - DEALER PAYS FREIGHT
	095023-01-000	EA SUPPORT-VALANCE, 10 6" X 10 6"
16	093244-01-B07	EA PANEL-WHEEL LIP, BEIGE
17	091985-01-02A	FT INSERT-TRIM, 65" WIDE - VINYL - BEIGE
	092041-01-01A	EA TRIM REAR CAP TO SIDEWALL, 1 8" X 83" - ALUMINUM - BEIGE
	094355-01-02A	EA RETAINER-VALANCE, 75 8" - BEIGE
	092301-01-03A	FT MOLDING-VALANCE TO SIDEWALL, 1 3" WIDE - PLASTIC - BEIGE

**EXTERIOR BODY GROUP ( CONTINUED )**



**VALANCE PANELS & COMPONENTS**

KEY PART NUMBER	U/M DESCRIPTION
1 092301-01-03A	FT MOLDING-VALANCE TO SIDEWALL, 1 3" WIDE - VINYL - BEIGE
2 009088-01-000	EA HINGE-ALUMINUM, NO HOLES - 1 1/16" X 8" - UNPAINTED
3 094382-02-000	EA CLIP-CHRISTMAS TREE, FLAT HEAD - 354-220000-00-0078
4 092689-01-01A	EA END CAP-VALANCE, REAR ON DRIVERS, FRONT ON PASSENGERS
5 092689-02-01A	EA END CAP-VALANCE, FRONT ON DRIVERS, REAR ON PASSENGERS
094355-01-02A	EA RETAINER-VALANCE, 75 8" - BEIGE

**EXTERIOR BODY GROUP ( CONTINUED )**

**ASSIST HANDLE**

KEY PART NUMBER	U/M DESCRIPTION
009128-02-000	EA HANDLE-ASSIST, ENTRY DOOR - BLACK
063888-11-000	EA HANDLE-ASSIST, DRIVER DOOR - METAL - BEIGE

**SKINS AND PANELS AND STYROFOAM**

KEY PART NUMBER	U/M DESCRIPTION
061382-18-000	EA PANEL-FIBERGLASS TO PARTICLE BOARD, 83.3" X 31.6" - BEIGE FROM: 0C-00-00 THRU: 05-26-91
076064-D5-001	EA SHEET-FIBERGLASS, 4' X 8' - BEIGE - FILON FROM: 05-27-91 THRU: 99-99-99
076064-D8-002	EA SHEET-FIBERGLASS, 5' X 36" - BEIGE - FILON FROM: 05-27-91 THRU: 99-99-99
077517-51-000	EA SHEET-FIBERGLASS, 29.69" X 27.88" - BEIGE
001018-01-024	EA SHEET-ALUMINUM, 4' X 8' - FLAT - BEIGE
044487-01-001	EA SHEET-ALUMINUM, .019" X 96" X 300" - MILL FINISH
060743-01-02A	SF PLASTIC-ABS, 11.5" WIDE - OFF WHITE
083574-01-000	SF STYROFOAM, DOW TYPE SM - 1 5" X 24" X 85 25" - INC OF 14 SF
000888-01-000	SF STYROFOAM-.75" X 24" X 96" - INCREMENTS OF 16 SF
000870-03-000	SF STYROFOAM-1.34" X 48" X 96" - INCREMENTS OF 32 SF
000870-05-000	SF STYROFOAM-5" X 24" X 96", INCREMENTS OF 16 SF

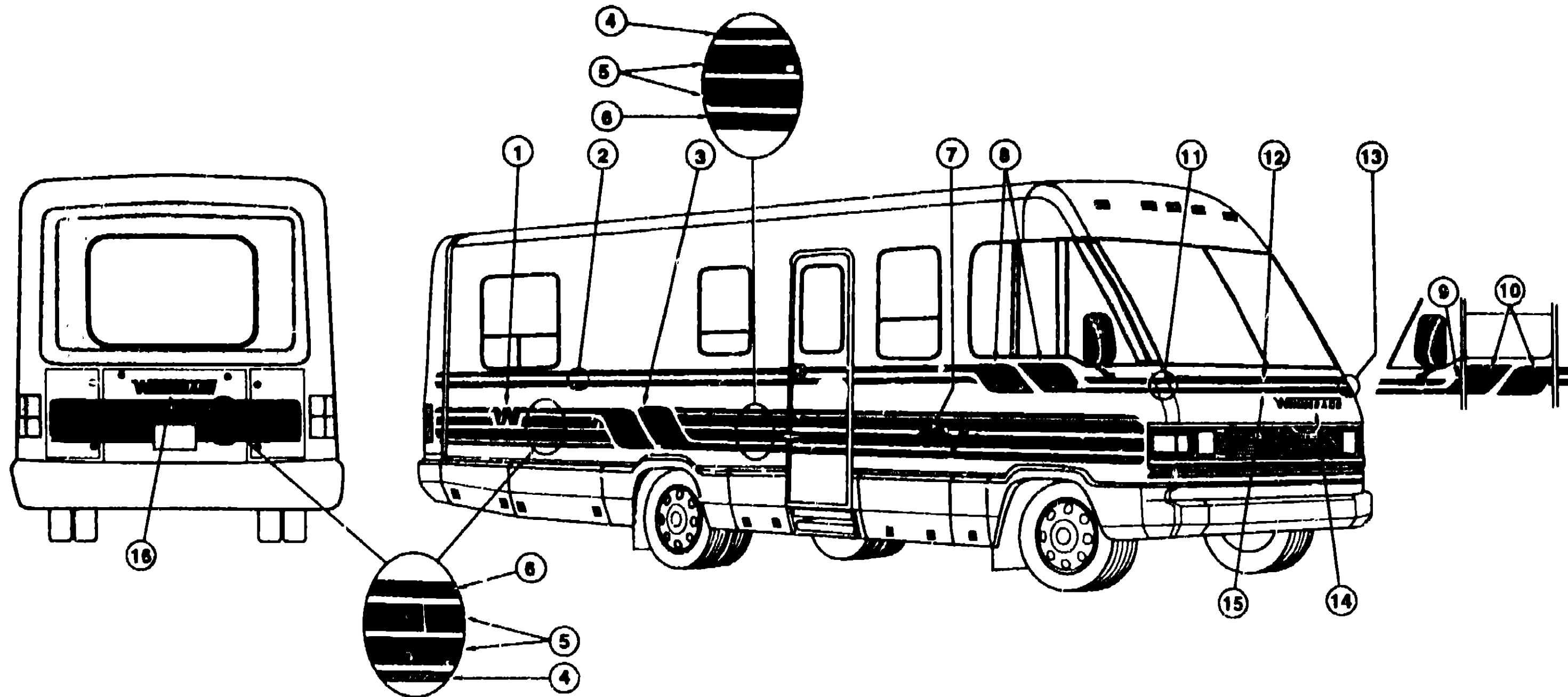
**1991 WINNEBAGO  
TABLE OF CONTENTS**

INTRODUCTION	A-01 -	A-02
ABBREVIATIONS		A-03
ALPHABETICAL INDEX	A-04 -	A-08
WCN25RC	A-07 -	F-02
WCN34RD	F-03 -	K-12

**1991 WCN25RC INDEX**

FLOOR PLAN	A-07 -	A-08
ACCESSORIES	A-09 -	A-14
BATH	A-15 -	A-17
BEDROOM		A-18
CHASSIS	A-19 -	B-03
C C & PAD	B-04 -	B-13
DINETTE	B-14 -	B-15
DRIVERS	B-18 -	B-22
ELECTRICAL	B-23 -	C-04
EXTERIOR BODY	C-05 -	C-12
GALLEY	C-13 -	C-20
HEATING & A/C	C-21 -	D-02
INTERIOR FINISH	D-03 -	D-08
LABELS	D-07 -	D-14
LP		D-15
LOUNGE		D-18
SEALANTS & FASTENERS	D-17 -	D-19
WATER & SEWAGE	D-20 -	D-24
WINDOW, VENT AND EXTERIOR DOOR	E-01 -	F-02

**EXTERIOR BODY GROUP (CONTINUED)**  
DECALS & PAINT



**1991 WINNEBAGO  
TABLE OF CONTENTS**

INTRODUCTION	A-01 - A-02
ABBREVIATIONS	A-03
ALPHABETICAL INDEX	A-04 - A-08
WCN25RC	A-07 - F-02
WCN34RQ	F-03 - K-12

**1991 WCN25RC INDEX**

FLOOR PLAN	A-07 - A-08
ACCESSORIES	A-09 - A-14
BATH	A-15 - A-17
BEDROOM	- A-18
CHASSIS	A-19 - B-03
C C & PAD	B-04 - B-13
DINETTE	B-14 - B-15
DRIVERS	B-16 - B-22
ELECTRICAL	B-23 - C-04
EXTERIOR BODY	C-05 - C-12
GALLEY	C-13 - C-20
HEATING & A/C	C-21 - D-02
INTERIOR FINISH	D-03 - D-06
LABELS	D-07 - D-14
LP	D-15
LOUNGE	D-16
SEALANTS & FASTENERS	D-17 - D-19
WATER & SEWAGE	D-20 - D-24
WINDOW, VENT AND EXTERIOR DOOR	E-01 - F-02

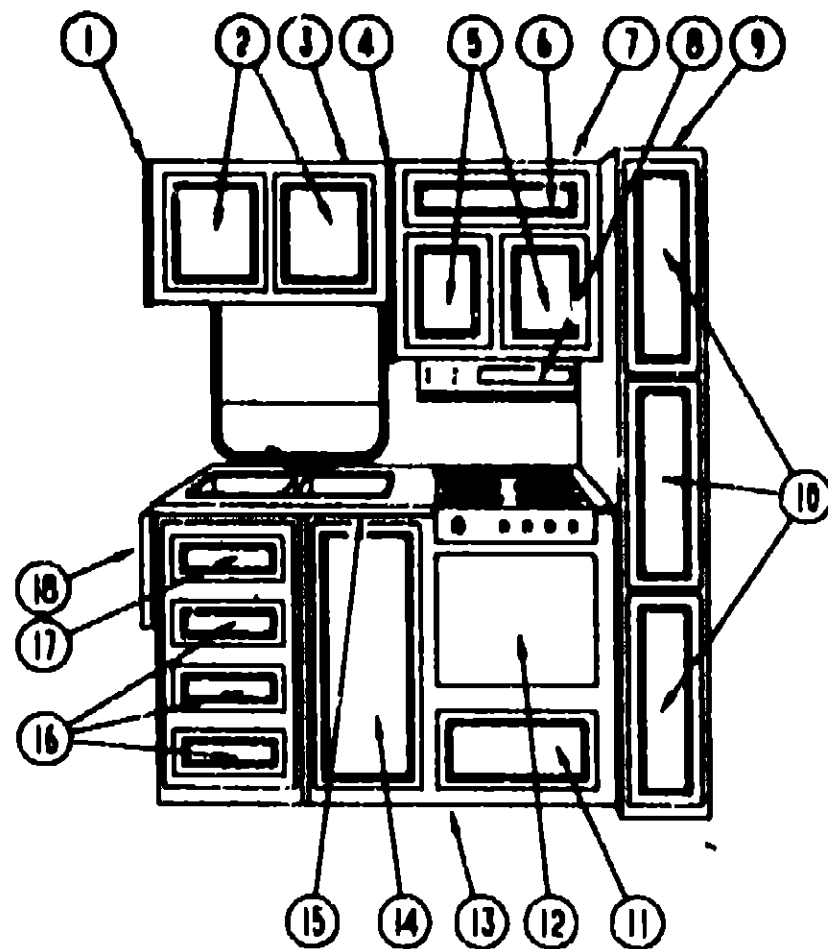
KEY	PART NUMBER	U/M DESCRIPTION
1	093691-02-01A	EA DECAL-FLYING "W", 6 25" - DARK TEAL (B07, B08, B09)
1	093691-02-02A	EA DECAL-FLYING "W", 6 25" - ROYAL BLUE (B22)
2	093680-20-01A	FT FILM-MULTISTRIPE, 3 3" - DARK TEAL/LIGHT TEAL (B07, B08, B09)
2	093680-20-03A	FT FILM-MULTISTRIPE, 3 3" - ROYAL BLUE/LIGHT BLUE (B22)
3	099629-01-01A	EA DECAL-ANGLE, LARGE - PASSENGER SIDE - DARK TEAL (B07, B08, B09)
3	099629-01-02A	EA DECAL-ANGLE, LARGE - PASSENGER SIDE - ROYAL BLUE (B22)
	099629-02-01A	EA DECAL-ANGLE, LARGE - DRIVER SIDE - DARK TEAL (B07, B08, B09)
	099629-02-02A	EA DECAL-ANGLE, LARGE - DRIVER SIDE - ROYAL BLUE (B22)
4	093681-27-01A	FT FILM-SINGLE STRIPE, .75" WIDE - PLUM BAY (B22 ONLY)
5	093680-19-01A	FT FILM-MULTISTRIPE, 7 5" - LIGHT TEAL (B07, B08, B09)
5	093680-19-02A	FT FILM-MULTISTRIPE, 7 5" - LIGHT BLUE (B22)
6	093681-12-01A	FT FILM-SINGLE STRIPE, 2 24" - DARK TEAL (B07, B08, B09)
6	093681-12-02A	FT FILM-SINGLE STRIPE, 2 24" - ROYAL BLUE (B22)
7	058719-04-000	EA DECAL-LOGO, CHIEFTAIN - DARK TEAL (B07, B08, B09)
7	058719-05-000	EA DECAL-LOGO, CHIEFTAIN - ROYAL BLUE (B22)
8	099626-01-01A	EA DECAL-ANGLE, SMALL - DARK TEAL (B07, B08, B09)
8	099626-01-02A	EA DECAL-ANGLE, SMALL - ROYAL BLUE (B22)
9	099627-01-01A	EA DECAL-ANGLE, SMALL - FRONT TO DRIVERS DOOR - DARK TEAL (B07, B08, B09)
9	099627-01-02A	EA DECAL-ANGLE, SMALL - FRONT TO DRIVERS DOOR - ROYAL BLUE (B22)
10	099624-01-01A	EA DECAL-ANGLE, SMALL - DRIVERS DOOR SECTION (2 PIECE) - DARK TEAL (B07, B08, B09)

KEY	PART NUMBER	U/M DESCRIPTION
10	099624-01-02A	EA DECAL-ANGLE, SMALL - DRIVERS DOOR SECTION (2 PIECE) - ROYAL BLUE (B22)
11	099628-01-01A	EA DECAL-CORNER, HOOD - PASSENGER SIDE - LIGHT TEAL/DARK TEAL (B07, B08, B09)
11	099628-01-02A	EA DECAL-CORNER, HOOD - PASSENGER SIDE - LIGHT BLUE/ROYAL BLUE (B22)
12	093681-11-03A	FT FILM-SINGLE STRIPE, 1 73" - LIGHT TEAL (B07, B08, B09)
12	093681-11-04A	FT FILM-SINGLE STRIPE, 1 73" - LIGHT BLUE (B22)
13	099628-02-01A	EA DECAL-CORNER, HOOD - DRIVER SIDE - LIGHT TEAL/DARK TEAL (B07, B08, B09)
13	099628-02-02A	EA DECAL-CORNER, HOOD - DRIVER SIDE - LIGHT BLUE/ROYAL BLUE (B22)
14	099625-01-01A	EA DECAL-LOGO, "WINNEBAGO" - HOOD - DARK TEAL (B07, B08, B09)
14	099625-01-02A	EA DECAL-LOGO, "WINNEBAGO" - HOOD - ROYAL BLUE (B22)
15	093681-11-01A	FT FILM-SINGLE STRIPE, 1.73" - DARK TEAL (B07, B08, B09)
15	093681-11-05A	FT FILM-SINGLE STRIPE, 1.73" - ROYAL BLUE (B22)
16	050313-40-000	EA DECAL-LOGO, "WINNEBAGO" - DARK TEAL (B07, B08, B09)
16	050313-45-000	EA DECAL-LOGO, "WINNEBAGO" - ROYAL BLUE (B22)
	044486-03-000	EA PAINT-16OZ SPRAY-BEIGE

FOR YOUR CONVENIENCE HERE ARE THE DUPONT COLOR CODES YOU CAN PURCHASE LOCALLY

DARK TEAL	K9470
LIGHT TEAL	K9471
ROYAL BLUE	G9843
LIGHT BLUE	K9476
BEIGE	L8729

**GALLEY GROUP**



**GALLEY CABINETS**

**GALLEY GROUP (CONTINUED)**

**GALLEY HARDWARE & FIXTURES**

KEY	PART NUMBER	U/M DESCRIPTION
	0936C3-01-B07	EA COVER-SINK
	093153-01-000	EA BOARD-CUTTING, MAPLE - 10.6" X 14.6"
	093526-01-000	EA SINK-DOUBLE, STAINLESS STEEL - 19" X 25"
	084962-01-000	EA FAUCET-GALLEY
	092303-01-000	EA STRAINER-SINK
	091208-01-000	EA WASHER-RUBBER, 08" X .78" X .5"
	091258-02-000	FT SEAL-ADHESIVE BACKED FOAM, 1.2" X .18"
	098993-01-000	EA PILASTER-ADJUSTABLE, SHELF - 18" LONG
	098978-01-000	EA CLIP-ADJUSTABLE SHELF
	058334-01-000	EA W/STEBASKET-9 3/4" X 7" X 10", WHITE - RUBBERMAID
	093806-01-01A	EA RACK-TOWEL, WIRE - ALMOND
	083238-01-Y12	EA HOLDER-KNIFE, COUNTERTOP - OAK
	093282-01-000	EA BONNET-KNIFE HOLDER, UNDER COUNTER METAL
	098335-02-AB6	EA RAIL-GALLEY, .75" X 22.34"
	054450-01-000	EA LEVEL-REFRIGERATOR
	009049-01-000	EA SUPPORT-EXTENSION, GALLEY COUNTERTOP
	009069-01-000	EA HINGE-BRASS, 2" X 1.4" (GALLEY EXTENSION)
	084466-02-000	EA SLIDE-DRAWER, RIGHT SIDE - DRAWER MOUNTED
	084466-03-000	EA SLIDE-DRAWER, LEFT SIDE - DRAWER MOUNTED
	084466-04-000	EA SLIDE-CABINET, RIGHT SIDE - 17.9" EXTENDS TO 31 1"
	084466-05-000	EA SLIDE-CABINET, LEFT SIDE - 17.9" EXTENDS TO 31 1"
	037888-01-000	FT RAIL-V GUIDE, DRAWER
	037888-04-000	EA BRACKET-RAIL MOUNTING, FRONT
	037888-05-000	EA BRACKET-RAIL MOUNTING, REAR
	102827-02-000	EA BRACKET-ROLLER, DRAWER - REAR
	102827-03-000	EA ROLLER-DRAWER, 1 PAIR - NYLON
	102827-04-000	EA BRACKET-MOUNTING, DRAWER - REAR
	102827-05-000	EA TRACK-DRAWER, 22.6" LONG
	091890-03-000	EA BRACKET - TIEDOWN, STOVE - RIGHT HAND
	091890-04-000	EA BRACKET - TIEDOWN, STOVE - LEFT HAND
	098916-01-01A	EA BRACE-MICROWAVE CABINET, REAR
	098916-02-01A	EA BRACE-MICROWAVE CABINET, FRONT
		THESE PARTS ARE USED FROM 1-07-91 ON

**1991 WINNEBAGO  
TABLE OF CONTENTS**

INTRODUCTION	A-01	A-02
ABBREVIATIONS		A-03
ALPHABETICAL INDEX	A-04	A-06
WCN25RC	A-07	F-02
WCN34RQ	F-03	K-12

KEY	PART NUMBER	U/M DESCRIPTION
1	099012-01-B07	EA CAP ASM-END, OVERHEAD
2	P00520-05-B07	EA DOOR-CABINET, W/O HARDWARE - 14 37" X 18 1"
3	098923-01-B07	EA CABINET-OVERHEAD, SINK - W/O DOORS OR HARDWARE
4	092090-04-B07	EA END CAP-CABINET, OVERHEAD - FRONT
5	P00520-02-B07	EA DOOR-CABINET, W/O HARDWARE - 10 8" X 14 4"
6	081321-53-B03	EA SHELF ASM-CABINET
8	P00520-03-B07	EA DOOR-CABINET, W/O HARDWARE - 6 4" X 16"
7	M04092-11-B07	EA CABINET-OVERHEAD, RANGE - W/O DOORS OR HARDWARE
		FROM 00-00-00 THRU 04-21-91
7	M04092-25-B07	EA CABINET-OVERHEAD, RANGE - W/O DOORS OR HARDWARE
		FROM: 04-21-91 THRU 99-99-99
7	M04092-12-B07	EA CABINET-OVERHEAD, USED W/MICROWAVE - W/O DOORS OR HARDWARE
		FROM 00-00-00 THRU 04-21-91
7	M04092-26-B07	EA CABINET-OVERHEAD, USED W/MICROWAVE - W/O DOORS OR HARDWARE
		FROM 04-22-91 THRU 99-99-99
8	100258-04-01A	EA HOOD-RANGE, W/MONITOR PANEL - VENTLINE
9	092032-01-B07	EA CABINET ASM-PANTRY
10	P00520-26-B07	EA DOOR-CABINET, W/O HARDWARE 7 08" X 25 20"
	P00520-23-B07	EA DOOR-CABINET, OVER REFRIGERATOR W/O HARDWARE - 6 4" X 16"
	P00520-13-B07	EA DOOR-CABINET, W/O HARDWARE - 9 6" X 21 8"
12	M82184-26-B10	EA DRAWER-CABINET, USED W/HOT PLATE - 18" DEEP X 19 8" WIDE
13	M04096-01-B07	EA CABINET-GALLEY, W/O DOORS OR HARDWARE, BLACK OVEN
13	M04096-03-B07	EA CABINET-GALLEY, W/O DOORS OR HARDWARE, USED W/HOT PLATE
14	P00520-28-B07	EA DOOR-CABINET, W/O HARDWARE - 14 37" X 25 77"
15	098999-12-B07	EA COUNTERTOP-GALLEY
16	P00521-01-B07	EA DRAWER-CABINET, W/O HARDWARE - 13" X 15 2"
		FROM 00-00-00 THRU 01-06-91
16	P03397-09-B10	EA DRAWER-CABINET, W/O HARDWARE - 12 9" X 13 9"
		FROM 01-07-91 THRU 99-99-99
17	P00521-02-B07	EA DRAWER-CABINET, W/O HARDWARE - 13" X 6 7" - TOP DRAWER
		FROM 00-00-00 THRU 01-06-91
17	P03397-11-B10	EA DRAWER-CABINET, W/O HARDWARE - 12 9" X 6 7"
		FROM 01-07-91 THRU 99-99-99
18	080812-04-B10	EA EXTENSION-COUNTERTOP, GALLEY - W/O HARDWARE - 9 4" X 11 8"

**MICROWAVE OVEN**

KEY	PART NUMBER	U/M DESCRIPTION
	091269-05-000	EA OVEN-MICROWAVE, MAGIC CHEF M15E-9PB
	091269-02-700	EA TRIM-TOP VENT, FOR FRAME KIT
	094745-01-01A	EA TRIM-MICROWAVE, LOWER - BLACK
	094774-03-01A	EA TRIM-MICROWAVE, EITHER SIDE - BLACK
	094750-01-000	EA BRACKET-MICROWAVE, 90 DEGREE

**BROWNING MICROWAVE OVEN**

KEY	PART NUMBER	U/M DESCRIPTION
	091269-03-000	EA OVEN-MICROWAVE, W/ BROWNING OVEN - M/CHEF M16-10PB
	091269-03-701	EA PLATE-CERAMIC, 9 5" - ROUND - MAGIC CHEF 246-0005
	091269-03-702	EA CLIP-OVEN SHELF, WHITE - MAGIC CHEF 201-0044
	091269-03-703	EA CLIP-OVEN SHELF, BLACK - MAGIC CHEF 201-0031
	094745-01-01A	EA TRIM-MICROWAVE, LOWER - BLACK
	094774-03-01A	EA TRIM-MICROWAVE, EITHER SIDE - BLACK
	094750-01-000	EA BRACKET-MICROWAVE, 90 DEGREE

**BIFOLD RANGE COVER**

KEY	PART NUMBER	U/M DESCRIPTION
	085280-03-000	EA COVER-BIFOLD, RANGE - ALMOND - MAGIC CHEF# K122A-1
		FROM 00-00-00 THRU 09-02-90
	102021-02-01A	EA COVER-BIFOLD, RANGE - ALMOND - MAGIC CHEF# KR22A-1
		FROM 09-03-90 THRU 99-99-99

**1991 WCN25RC INDEX**

FLOOR PLAN	A-07	A-08
ACCESSORIES	A-09	A-14
BATH	A-15	A-17
BEDROOM		A-18
CHASSIS	A-19	B-03
C C & PAD	B-04	B-13
DINETTE	B-14	B-15
DRIVERS	B-16	B-22
ELECTRICAL	B-23	C-04
EXTERIOR BODY	C-05	C-12
GALLEY	C-13	C-20
HEATING & A/C	C-21	D-02
INTERIOR FINISH	D-03	D-06
LABELS	D-07	D-14
LP		D-15
LOUNGE		D-16
SEALANTS & FASTENERS	D-17	D-19
WATER & SEWAGE	D-20	D-24
WINDOW, VENT AND EXTERIOR DOOR	E-01	F-02

### GALLEY GROUP (CONTINUED)

#### RANGE TOP

KEY	PART NUMBER	U/M DESCRIPTION
	081374-01-000	EA RANGE TOP-4 BURNER, W/BLACK TRIM - ALMOND - MAGIC CHEF BT86NA-4
	081374-03-000	EA RANGE TOP-4 BURNER, W/ALMOND TRIM - ALMOND - MAGIC CHEF BT86NA-4 FROM: 00-00-00 THRU: 08-04-90
	102019-01-703	EA TRIM-CABINET TOP, RIGHT - BLACK - MAGIC CHEF 3808F018-70
	081374-03-701	EA TRIM-CABINET TOP, RIGHT - ALMOND - MAGIC CHEF 3808F18-74
	102019-01-704	EA TRIM-CABINET TOP, LEFT - BLACK - MAGIC CHEF 3808F018-70
	081374-03-700	EA TRIM-CABINET TOP, LEFT - ALMOND - MAGIC CHEF 3808F018-74
	102019-01-705	EA TRIM-CABINET TOP, REAR - BLACK - MAGIC CHEF 3808F009-70
	102019-01-702	EA TRIM-CABINET TOP, REAR - ALMOND - MAGIC CHEF 3808F009-74
	081374-01-704	EA GUARD-FABRIC, MAGIC CHEF 50-11-888-2
	098507-01-701	EA TOP-MAIN, ALMOND - MAGIC CHEF 2001F057-74
	064782-02-714	EA FITTING-PIPE, NIPPLE - 1/8" - MAGIC CHEF 883-1
	098507-02-701	EA INSERT-BURNER, SLOTTED VENT - MAGIC CHEF 7214P015-80
	049045-01-703	EA VALVE-TOP BURNER, MAGIC CHEF 997-584
	065282-03-708	EA BUMPER-MAIN TOP, PLASTIC PLUG - MAGIC CHEF 744-178
	081374-02-701	EA REGULATOR-PRESSURE, MAGIC CHEF 976-27
	081374-03-704	EA REGULATOR-PRESSURE, MAGIC CHEF 7510P032-80
	102022-01-703	EA REGULATOR-PRESSURE, MAGIC CHEF 7510P031-80
	102019-01-01A	EA RANGE TOP-4 BURNER, ALMOND - MAGIC CHEF BT86RA-4 FROM: 09-03-90 THRU 99-99-99
	102019-01-700	EA TRIM-RIGHT, ALMOND - MAGIC CHEF 3808F018-74
	102019-01-701	EA TRIM-LEFT, ALMOND - MAGIC CHEF 3808F018-74
	102019-01-702	EA TRIM-REAR, ALMOND - MAGIC CHEF 3808F009-74
	102020-01-709	EA BUMPER,GRATE - MAGIC CHEF 8007P018-80
	102020-01-711	EA GRATE, TOP - MAGIC CHEF 7518P012-80
	062568-04-701	EA KNOB, BURNER VALVE - MAGIC CHEF 7733P039-80
	098507-02-701	EA INSERT-BURNER, SLOTTED VENT - MAGIC CHEF 7214P015-80
	102022-01-702	EA PIPE, MANIFOLD - MAGIC CHEF 7513P098-80
	102022-01-703	EA REGULATOR, PRESSURE - MAGIC CHEF 7510P031-80
	102020-01-718	EA TOP, MAIN (BLACK) - MAGIC CHEF 2001F085-84
	102020-01-721	EA VALVE, SHUT-OFF - MAGIC CHEF 7506F098-80
	102020-01-722	EA VALVE, TOP BURNER - MAGIC CHEF 7502P095-80
	102020-01-724	EA BUMPER, MAIN TOP - MAGIC CHEF 8003P008-80

#### RANGE

KEY	PART NUMBER	U/M DESCRIPTION
	098507-02-000	EA RANGE-4BURNER, W/GLASS DOOR - BLACK - MAGIC CHEF FROM: 00-00-00 THRU: 09-02-90
	055282-03-708	EA BUMPER-MAIN TOP, PLASTIC PLUG - MAGIC CHEF 744-178
	049045-01-742	EA BURNER ASM-OVEN, MAGIC CHEF 50-20218
	084782-02-715	EA CLIP-GRATE, MAGIC CHEF 413-00015
	055282-03-702	EA KNOB-THERMOSTAT, MAGIC CHEF 50-20281
	081374-02-701	EA REGULATOR-PRESSURE, MAGIC CHEF 976-27
	055282-03-700	EA THERMOSTAT, MAGIC CHEF 983-476
	049045-01-703	EA VALVE-TOP BURNER, MAGIC CHEF 997-584
	084782-02-705	EA HANDLE-OVEN DOOR, BLACK - MAGIC CHEF 50-25104
	049045-01-728	EA BROILER PAN W/O INSERT, MAGIC CHEF 50-22114-2
	098507-02-700	EA FILTER-PILOT, MAGIC CHEF 735-126
	098507-02-703	EA GLASS, OUTER - MAGIC CHEF 50-27096-1
	098507-02-702	EA DEFLECTOR, VENT - MAGIC CHEF 50-27039-1
	098507-02-704	EA PANEL, OVEN DOOR-EBONY - MAGIC CHEF 2401F082-70
	098507-02-701	EA INSERT-BURNER (SLOTTED VENT), MAGIC CHEF 7214P015-80
	098507-02-707	EA TOP-MAIN, EBONY - MAGIC CHEF 2001F057-70
	098507-02-705	EA TRIM, LEFT - MAGIC CHEF 3808F018-70
	098507-02-708	EA TRIM, RIGHT - MAGIC CHEF 3808F017-70
	049045-01-741	EA INSERT-BROILER PAN, MAGIC CHEF 5022119-1 OR 2
	084782-02-710	EA BRACKET-FRONT GLASS, MAGIC CHEF 56-62097
	064782-02-712	EA GRATE-TOP BURNER, SQUARE HOLES - MAGIC CHEF 50-25439
	084782-02-714	EA FITTING-PIPE NIPPLE, 1/8" - MAGIC CHEF 883-1
	098507-01-700	EA PANEL, OVEN DOOR-ALMOND, MAGIC CHEF 2401F075-74
	098507-01-701	EA TOP-MAIN, ALMOND - MAGIC CHEF 2001F057-74
	064782-02-708	EA VALVE-MERCURY CONTROL, MAGIC CHEF 996-828

### GALLEY GROUP (CONTINUED)

#### RANGE (CONTINUED)

KEY	PART NUMBER	U/M DESCRIPTION
	102020-01-01A	EA RANGE-4 BURNER ALMOND - 22" - MAGIC CHEF BT22RA-4T-400 FROM: 09-03-90 THRU: 03-10-91
	102020-01-700	EA SHELF-OVEN, MAGIC CHEF 7801-P028-80
	102020-01-701	EA HANDLE-DOOR, MAGIC CHEF - 7701P092-80
	102020-01-702	EA PANEL-MANIFOLD, MAGIC CHEF 2818F080-70
	102020-01-703	EA PANEL-DOOR, ALMOND - MAGIC CHEF 2401F075-71
	102020-01-704	EA PANEL-DOOR, BLACK - MAGIC CHEF - 2401F075-70
	102020-01-706	EA TRIM-LEFT, MAGIC CHEF 3808F018-70
	102020-01-708	EA TRIM-RIGHT, MAGIC CHEF 3808F017-70
	102020-01-708	EA BURNER ASSEMBLY-OVEN, MAGIC CHEF 3403W003-45
	102020-01-709	EA BUMPER-GRATE, MAGIC CHEF 8007P018-80
	102020-01-710	EA FILTER-PILOT, MAGIC CHEF 7507P048-80
	102020-01-711	EA GRATE-TOP, MAGIC CHEF 7518P012-80
	102020-01-712	EA KNOB-BURNER VALVE, MAGIC CHEF 7733P044-80
	102020-01-713	EA KNOB-THERMOSTAT, MAGIC CHEF 7731P042-80
	102020-01-714	EA PILOT-OVEN, MAGIC CHEF 988-143
	102020-01-715	EA PIPE-MANIFOLD, MAGIC CHEF 7513P095-80
	102020-01-718	EA REGULATOR-PRESSURE, MAGIC CHEF 7510P033-80
	102020-01-717	EA THERMOSTAT, MAGIC CHEF 7515P024-80
	102020-01-718	EA TOP-MAIN, ALMOND - MAGIC CHEF 2001F085-84
	102020-01-720	EA VALVE-MERCURY CONTROL, MAGIC CHEF 7501P056-80
	102020-01-721	EA VALVE-SHUT OFF, MAGIC CHEF 7506F098-80
	102020-01-722	EA VALVE-TOP BURNER, MAGIC CHEF 7502P095-80
	102020-01-723	EA PILOT-BURNER, MAGIC CHEF 7505P147-80
	102020-01-724	EA BUMPER-MAIN TOP, MAGIC CHEF 8003P008-80
	102020-01-03A	EA RANGE-22" 4 BURNER ALMOND - MAGIC CHEF BT22RA-4TZ FROM: 03-11-91 THRU 99-99-99
	102020-01-701	EA HANDLE-DOOR, MAGIC CHEF - 7701P092-80
	102020-01-702	EA PANEL-MANIFOLD, MAGIC CHEF 2818F080-70
	102020-01-700	EA SHELF-OVEN, MAGIC CHEF - 7801-P027-80
	102020-3A-700	EA PANEL-DOOR, W/WINDOW - EBONY - MAGIC CHEF - 2401-F08
	102020-01-705	EA TRIM-LEFT, MAGIC CHEF 3808F018-70
	102020-01-708	EA TRIM-RIGHT, MAGIC CHEF 3808F017-70
	102020-01-708	EA BURNER ASSEMBLY-OVEN, MAGIC CHEF 3403W003-45
	102020-01-709	EA BUMPER-GRATE, MAGIC CHEF 8007P018-80
	102020-01-710	EA FILTER-PILOT, MAGIC CHEF 7507P048-80
	102020-01-711	EA GRATE-TOP, MAGIC CHEF 7518P012-80
	102020-01-712	EA KNOB-BURNER VALVE, MAGIC CHEF 7733P044-80
	102020-01-713	EA KNOB-THERMOSTAT, MAGIC CHEF 7731P042-80
	102020-01-714	EA PILOT-OVEN, MAGIC CHEF 988-143
	102020-01-715	EA PIPE-MANIFOLD, MAGIC CHEF 7513P095-80
	102020-01-716	EA REGULATOR-PRESSURE, MAGIC CHEF 7510P033-80
	102020-01-717	EA THERMOSTAT, MAGIC CHEF 7515P024-80
	102020-01-718	EA TOP-MAIN, ALMOND - MAGIC CHEF 2001F085-84
	102020-01-720	EA VALVE-MERCURY CONTROL, MAGIC CHEF 7501P056-80
	102020-01-721	EA VALVE-SHUT OFF, MAGIC CHEF 7506F098-80
	102020-01-722	EA VALVE-TOP BURNER, MAGIC CHEF 7502P095-80
	102020-01-723	EA PILOT-BURNER, MAGIC CHEF 7505P147-80
	102020-01-724	EA BUMPER-MAIN TOP, MAGIC CHEF 8003P008-80
	102020-01-725	EA GLASS-OUTER, MAGIC CHEF 7902P288-80
	102020-01-727	EA TRIM-LEFT, FLAT - MAGIC CHEF 3808W028-70
	102020-01-728	EA TRIM-RIGHT, FLAT - MAGIC CHEF 3808W027-70

### 1991 WINNEBAGO TABLE OF CONTENTS

INTRODUCTION	A-01 -	A-02
ABBREVIATIONS		A-03
ALPHABETICAL INDEX	A-04 -	A-08
WCN25RC	A-07 -	F-02
WCN34RC	F-03 -	K-12

### 1991 WCN25RC INDEX

FLOOR PLAN	A-07 -	A-08
ACCESSORIES	A-09 -	A-14
BATH	A-15 -	A-17
BEDROOM		A-18
CHASSIS	A-19 -	B-03
C C & PAD	B-04 -	B-13
DINETTE	B-14 -	B-15
DRIVERS	B-16 -	B-22
ELECTRICAL	B-23 -	C-04
EXTERIOR BODY	C-05 -	C-12
GALLEY	C-13 -	C-20
HEATING & A/C	C-21 -	D-02
INTERIOR FINISH	D-03 -	D-06
LABELS	D-07	D-14
LP		D-15
LOUNGE		D-16
SEALANTS & FASTENERS	D-17 -	D-19
WATER & SEWAGE	D-20 -	D-24
WINDOW, VENT AND EXTERIOR DOOR	E-01 -	F-02

**GALLEY GROUP (CONTINUED)**

**6 CUBIC FOOT REFRIGERATOR**

KEY	PART NUMBER	U/M DESCRIPTION
	094038-04-000	EA REFRIGERATOR-2-WAY, DOUBLE DOOR - NORCOLD 882 LEFT HAND
	084879-03-700	EA COOLING UNIT - HORIZONTAL BURNER, NORCOLD# 81887237
	084473-03-719	EA FLUE-HORIZONTAL BURNER, NORCOLD# 818182
	088248-01-709	EA HEATER-AC, (HORIZONTAL) - NORCOLD# 815827
	075217-01-737	EA CONTROL MODULE, NORCOLD# 81525022
	094039-04-702	EA POWER SUPPLY (2 WAY) - NORCOLD 81847422
	094039-04-701	EA EYEBROW (SHELL) 2 WAY - NORCOLD 81889822
	094039-04-700	EA PC BOARD-2 WAY, NORCOLD# 81847322
	084880-01-715	EA VALVE-SHUT OFF, MANUAL - NORCOLD# 81897022
	084880-01-713	EA CONNECTOR-MALE, INLET FITTING - NORCOLD# 815238
	084473-01-702	EA ORIFICE-NORCOLD 814521
	088248-01-708	EA BURNER-HORIZONTAL, NORCOLD 815881
	088248-01-708	EA ELECTRODE-IGNITION, (HORIZONTAL) - NORCOLD# 815732
	088248-01-712	EA FRAME-DOOR, LOWER - BROWN - NORCOLD 815678
	084880-01-733	EA DAIRY KEEPER - NORCOLD 815804
	084472-02-718	EA TRIM-CABINET, TOP - BROWN - NORCOLD# 813814
	084880-01-734	EA BRACKET-HINGE, TOP RH - BOTTOM LH - BROWN NORCOLD 81
	094039-01-723	EA HINGE BRKT, TOP RH-BTM LH BLK - NORCOLD 81580838
	048955-01-713	EA PIN-HINGE, NORCOLD# 811148
	084473-01-711	EA TRIM-BREAKER, RIGHT HAND - BROWN - NORCOLD 813832 32
	094039-01-707	EA UPPER DOOR HANDLE ASSY(BRN) - NORCOLD 81850037
	094039-01-708	EA HANDLE-DOOR, UPPER - BLACK - NORCOLD 81850038
	094039-01-705	EA UPPER DOOR LINER (WHITE) BRN - NORCOLD 81581837-B
	094039-01-708	EA UPPER DOOR LINER (WHITE) BLK - NORCOLD 81581838-B
	084472-03-700	EA PIN-HINGE, BOTTOM - NORCOLD 815507
	084880-01-735	EA HINGE BRKT, TOP LH-BTM RH BRN - NORCOLD 815809
	094039-01-724	EA BRACKET-HINGE, TOP LH - BOTTOM RH - BLK - NORCOLD 81
	084880-01-722	EA CRISPER COVER - NORCOLD 815841
	094039-01-731	EA CRISPER (GRAY) SILVER TRIM - NORCOLD 81571360
	084472-01-726	EA FRAME STRIP-CABINET, LEFT - NORCOLD 813820
	094038-01-705	EA CAB ASM-BROWN, WHITE LINER - WITH FRAME - NORCOLD 81
	094038-01-708	EA CAB ASM-BLK, WHITE LINER - WITH FRAME - NORCOLD 8166
	084880-01-748	EA CABLE, NORCOLD 815715
	084880-01-731	EA HINGE PIN, NORCOLD 815781
	094039-01-725	EA HINGE PIN (BLACK)(MALE) - NORCOLD 81578130
	094039-01-729	EA SHAFT-HINGE PIN, CENTER HINGE - BROWN - NORCOLD 8158
	094039-01-730	EA HINGE PIN SHAFT(BLK) CTR HGE - NORCOLD 81566730
	094039-01-727	EA BRACKET-HINGE, CENTER HINGE - BROWN - NORCOLD 815665
	094039-01-728	EA HINGE BRKT(BLK) CTR HINGE - NORCOLD 81566530
	084880-01-749	EA HINGE BUSHING - NORCOLD 815807
	088248-01-707	EA ELECTRODE-SENSOR, (HORIZONTAL), NORCOLD# 815733
	088248-01-710	EA HEATER-DC, (HORIZONTAL) - 3 WAY - NORCOLD# 815628
	094039-01-702	EA GASKET (GRAY) UPPER - NORCOLD 81567830
	094039-01-700	EA PC BOARD (3 WAY) ASSY
	094039-01-705	EA UPPER DOOR LINER (WHITE) BRN - NORCOLD 81581837-B
	094039-01-706	EA UPPER DOOR LINER (WHITE) BLK - NORCOLD 81581838-B
	094038-01-701	EA LINER-DOOR, LOWER - BROWN/WHITE - NORCOLD 81581937-B
	094038-01-702	EA LINER-DOOR, LOWER - BLACK/WHITE - NORCOLD 81581938-B
	094039-01-718	EA MILK BIN (GRAY)W/SILVER TRIM - NORCOLD 81579460
	084880-01-748	EA PLUG-INSTALLATION, BROWN - NORCOLD 815797
	094039-01-740	EA PLUG INSTALLATION, BLACK - NORCOLD 81579730
	084880-01-747	EA PLUG-HOLE, NORCOLD 81582022
	094039-01-722	EA HOLE PLUG (BLK) HINGE HOLES - NORCOLD 81582030
	094039-01-711	EA JUICE RACK(GRAY)W/SILVER TRM - NORCOLD 81580540
	064472-01-749	EA PLUG-1/8", NORCOLD# 814453

**GALLEY GROUP (CONTINUED)**

**6 CUBIC FOOT REFRIGERATOR (CONTINUED)**

KEY	PART NUMBER	U/M DESCRIPTION
	084472-02-733	EA FRAME CAP-LOWER DOOR, TOP - NORCOLD 815880
	088248-01-711	EA FRAME-DOOR, UPPER - BROWN - NORCOLD 815678
	075217-01-734	EA FUSE-3 AMP, NORCOLD# 815388
	094039-01-728	EA SHELF-FREEZER EVAPORATOR, NORCOLD 815238
	084880-03-707	EA COVER FLAMP OR BULB - NORCOLD 818279
	094039-01-733	EA WIRE SHELF (MIDDLE) - NORCOLD 81583822
	094039-01-734	EA WIRE SHELF (TOP) W/RISER - NORCOLD 81583722
	094039-01-703	EA PLATE-HINGE, LH - BROWN - NORCOLD 81831422
	094039-01-704	EA HINGE PLATE (BLK) L.H. - NORCOLD 81831430
	094039-01-709	EA PLATE-HINGE, TOP RH - LH BOTTOM - BROWN - NORCOLD 81
	094039-01-710	EA HINGE PLATE(BLK) RHTOP LHBTM - NORCOLD 81831330
	094039-01-741	EA TRAY-SHELF, PLASTIC - GRAY - NORCOLD 81880922
	094038-01-703	EA HANDLE-DOOR, LOWER - BROWN - NORCOLD 81850137
	094038-01-704	EA HANDLE-DOOR, LOWER - BLACK - NORCOLD 81850123
	084880-01-718	EA VALVE-GAS, NORCOLD 815518
	084880-03-705	EA BRACKET F/INT. REFRIGERATOR LIGHT - NORCOLD 818207
	084880-03-708	EA LAMP (BULB) - NORCOLD 818289
	084880-01-736	EA SWITCH-LIGHT, BLACK - NORCOLD# 815810
	075217-01-738	EA SWITCH-HUMIDITY, NORCOLD 815259
	084880-01-732	EA LATCH, NORCOLD 815785
	084880-02-700	EA LOWER FLANGE 8883&8883, NORCOLD 818221
	094039-01-732	EA FRONT COVER(BLK) BTM TRIM - NORCOLD 81822130
	094039-01-712	EA DOOR BIN(GRAY)SILVER BORDER - NORCOLD 81584080

**1991 WINNEBAGO  
TABLE OF CONTENTS**

INTRODUCTION	A-01	A-02
ABBREVIATIONS		A-03
ALPHABETICAL INDEX	A-04	A-08
WCN25RC	A-07	F-02
WCN34RC	F-03	K-12

**1991 WCN25RC INDEX**

FLOOR PLAN	A-07	A-08
ACCESSORIES	A-09	A-14
BATH	A-15	A-17
BEDROOM		A-18
CHASSIS	A-19	B-03
C C & PAD	B-04	B-13
DINETTE	B-14	B-15
DRIVERS	B-18	B-22
ELECTRICAL	B-23	C-04
EXTERIOR BODY	C-05	C-12
GALLEY	C-13	C-20
HEATING & A/C	C-21	D-02
INTERIOR FINISH	D-03	D-06
LABELS	D-07	D-14
LP		D-15
LOUNGE		D-16
SEALANTS & FASTENERS	D-17	D-19
WATER & SEWAGE	D-20	D-24
WINDOW, VENT AND EXTERIOR DOOR	E-01	F-02

## GALLEY GROUP (CONTINUED)

### LARGE 8 CUBIC FOOT REFRIGERATOR

KEY	PART NUMBER	U/M DESCRIPTION
	094039-04-000	EA REFRIGERATOR-2-WAY, LARGE DOUBLE DOOR - NORCOLD #882
	084880-03-701	EA COOLING UNIT (HORIZ BURNER) - NORCOLD 81887337
	084880-03-700	EA FLUE(HORIZONTAL) BURNER - NORCOLD 818161
	084880-01-73L	EA HINGE BRKT, TOP LH-BTM RH BRN - NORCOLD 815809
	084800-01-722	EA CRISPER COVER - NORCOLD 815841
	088248-01-709	EA HEATER-AC, (HORIZONTAL) - NORCOLD# 815827
	075217-01-737	EA CONTROL MODULE, NORCOLD# 81525022
	094039-04-701	EA EYEBROW (SHELL) 2 WAY-NORCOLD 8158822
	094039-04-700	EA PC BOARD (2 WAY) - NORCOLD 81847322
	094039-04-702	EA POWER SUPPLY (2 WAY) - NORCOLD 81847422
	094039-01-731	EA CRISPER (GRAY) SILVER TRIM - NORCOLD 81571390
	094039-01-720	EA CAB ASSEMBLY (BRN FRAME/WHT LINER) - NORCOLD# 818002
	084880-01-715	EA VALVE-SHUT OFF, MANUAL - NORCOLD# 81897922
	084880-01-713	EA CONNECTOR-MALE, INLET FITTING - NORCOLD# 815258
	084473-01-702	EA ORIFICE 8EG-2, NORCOLD 814521
	088248-01-708	EA BURNER-(HORIZONTAL), NORCOLD# 15881
	088248-01-708	EA ELECTRODE-IGNITION, (HORIZONTAL) - NORCOLD# 815732
	084880-01-733	EA DAIRY KEEPER - NORCOLD 815804
	084880-01-734	EA BRACKET-HINGE, TOP RH - BOTTOM LH - BROWN NORCOLD 81
	094039-01-707	EA UPPER DOOR HANDLE ASSY(BRN) - NORCOLD 81850037
	094039-01-705	EA UPPER DOOR LINER (WHITE) BRN - NORCOLD 81581837-B
	084880-01-731	EA HINGE PIN, NORCOLD 815781
	084880-01-744	EA HINGE PIN SHAFT (CTR HINGE), NORCOLD 815887
	084880-01-726	EA HINGE BRACKET (CTR HINGE), NORCOLD 815885
	084880-01-749	EA HINGE BUSHING - NORCOLD 815807
	084880-01-746	EA CABLE, NORCOLD 815715
	094039-01-702	EA GASKET (GRAY) UPPER - NORCOLD 81587830
	094039-01-713	EA DOOR GASKET(LOWER) GRAY - NORCOLD 81588030
	094039-01-705	EA UPPER DOOR LINER (WHITE) BRN - NORCOLD 81581837 B
	094039-01-714	EA LOWER DOOR LINER (BRN/WHT) - NORCOLD# 81581737-B
	088248-01-707	EA ELECTRODE-SENSOR, (HORIZONTAL), NORCOLD# 815733
	094039-01-716	EA LOWER DOOR HANDLE ASSY (BRN) - NORCOLD# 81649937
	084880-03-705	EA BRACKET F/INT REFRIG LIGHT - NORCOLD 816297
	084880-03-706	EA LAMP (BULB) - NORCOLD 816289
	084880-01-718	EA VALVE-GAS, NORCOLD 815518
	084880-01-736	EA SWITCH-LIGHT, BLACK - NORCOLD# 815810
	075217-01-738	EA SWITCH-HUMIDITY, NORCOLD 815259
	084880-01-732	EA LATCH, NORCOLD 815785
	084880-02-700	EA LOWER FLANGE 8663&8683, NORCOLD 816221
	094039-01-712	EA DOOR BIN(GRAY)SILVER BORDER - NORCOLD 81564060
	094039-01-718	EA MILK BIN (GRAY)W/SILVER TRIM - NORCOLD 81579460
	084880-01-748	EA PLUG-INSTALLATION, BROWN - NORCOLD 815797
	084880-01-747	EA PLUG-HOLE, NORCOLD 81582022
	094039-01-711	EA JUICE RACK(GRAY)W/SILVER TRM - NORCOLD 81580540
	064472-01-749	EA PLUG-1/8", NORCOLD# 814453
	075217-01-734	EA FUSE-3 AMP, NORCOLD# 815388
	094039-01-726	EA SHELF-FREEZER EVAPORATOR, NORCOLD 815236
	084880-03-707	EA COVER FLAMP OR BULB - NORCOLD 816279
	094039-01-733	EA WIRE SHELF (MIDDLE) - NORCOLD 81563822
	094039-01-734	EA SHELF (TOP) W/RISER - NORCOLD 81563722
	094039-01-703	EA PLATE-HINGE, LH BROWN - NORCOLD 81631422
	094039-01-709	EA PLATE-HINGE, TOP RH - LH BOTTOM - BROWN - NORCOLD 81
	094039-01-741	EA TRAY-SHELF, PLASTIC - GRAY - NORCOLD 81680922

## GALLEY GROUP (CONTINUED)

### U.S. & CANADIAN RANGE HOODS

KEY	PART NUMBER	U/M DESCRIPTION
	100258-04-01A	EA HOOD-RANGE, W/MONITOR PANEL - VENTLINE TCS 4003SAD (US)
	100258-04-700	EA CIRCUIT BOARD - VENTLINE 5037
	100258-04-701	EA BEZEL-SWITCH LEVER, CABLE TO VENT - VENTLINE CC118
	100258-04-702	EA SWITCH-LEVER, W/CABLE - VENTLINE CB547-1
	092698-01-701	EA KNOB-LEVER, CABLE - PLASTIC - BLACK - VENTLINE CC225
	092698-01-702	EA RESISTER-WIRE, VENTLINE L7314
	092698-01-709	EA BULB-912, LVS VA415
	092698-01-710	EA SOCKET-LIGHT, LVS CB267-2
	096983-01-708	EA LENS-LAMP, VENTLINE CC179
	100258-04-702	EA SWITCH-LEVER, W/CABLE - VENTLINE CB547-1
	090973-01-702	EA BLADE-FAN, LVS VA183-1
	096983-01-707	EA FILTER GREASE, 8" X 8" - LVS CC246
	100258-04-700	EA CIRCUIT BOARD, VENTLINE 5037
	078799-01-715	EA SWITCH-S.P.D.T., VENTLINE 110
	100258-08-701	EA SWITCH-FAN 2-SPEED, VENTLINE CC118
	096983-01-703	EA SWITCH-ON/OFF - JENSEN 115
	096983-01-702	EA SWITCH-TWO WAY MOMENTARY, VENTLINE 112
	100258-10-01A	EA METER-HOUR, VENTLINE 150
	075470-01-703	EA SWITCH-ON/MOMENTARY, JENSEN RP1018
	090973-01-700	EA MOTOR - LVS CA508-1
	092698-02-01A	EA VENT-RANGE HOOD, EXTERIOR
	100258-05-01A	EA HOOD-RANGE, W/MONITOR - PANEL - VENTLINE TCS 4003SAC (CANADIAN)
	100258-04-701	EA BEZEL-SWITCH LEVER, CABLE TO VENT - VENTLINE CC118
	092698-01-701	EA KNOB-LEVER, CABLE - PLASTIC - BLACK - VENTLINE CC225
	092698-01-702	EA RESISTER-WIRE, VENTLINE L7314
	092698-01-709	EA BULB-912, VENTLINE VA415
	092698-01-710	EA SOCKET-LIGHT, VENTLINE CB267 2
	096983-01-708	EA LENS-LAMP, VENTLINE CC179
	100258-04-702	EA SWITCH-LEVER, W/CABLE - VENTLINE CB547-1
	090973-01-702	EA BLADE-FAN, LVS VA183-1
	096983-01-707	EA FILTER-GREASE, 8" X 8" - LVS CC246
	100258-04-700	EA CIRCUIT BOARD, VENTLINE 5037
	075470-01-702	EA SWITCH-ON/OFF, LVS CB484
	100258-08-701	EA SWITCH-FAN, 2 SPEED - VENTLINE 122
	096983-01-703	EA SWITCH-ON/OFF - JENSEN 115
	096983-01-702	EA SWITCH-TWO WAY MOMENTARY, VENTLINE 112
	100258-10-01A	EA METER-HOUR, VENTLINE 150
	090973-01-700	EA MOTOR - LVS CA508-1

## 1991 WINNEBAGO TABLE OF CONTENTS

INTRODUCTION	A-01	A-02
ABBREVIATIONS		A-03
ALPHABETICAL INDEX	A-04	A-08
WCN25RC	A-07	F-02
WCN34RQ	F-03	K-12

## 1991 WCN25RC INDEX

FLOOR PLAN	A-07	A-08
ACCESSORIES	A-09	A-14
BATH	A-15	A-17
BEDROOM		A-18
CHASSIS	A-19	B-03
CC & PAD	B-04	B-13
DINETTE	B-14	B-15
DRIVERS	B-16	B-22
ELECTRICAL	B-23	C-04
EXTERIOR BODY	C-05	C-12
GALLEY	C-13	C-20
HEATING & A/C	C-21	D-02
INTERIOR FINISH	D-03	D-08
LABELS	D-07	D-14
LP		D-15
LOUNGE		D-16
SEALANTS & FASTENERS	D-17	D-19
WATER & SEWAGE	D-20	D-24
WINDOW, VENT AND EXTERIOR DOOR	E-01	F-02

**HEATING & AIR CONDITIONING GROUP**

**ROOF A/C**

KEY	PART NUMBER	U/M DESCRIPTION
	093763-01-03A	EA A/C-ROOF, 13500 BTU, T8R BEIGE #6759A726
	093763-03-700	EA SHROUD(BEIGE/BRONZE) 6759-4581
	093308-01-701	EA DECAL PKG. LEFT&RIGHT, COLEMAN 6768B3591
	091225-01-709	EA START RELAY, COLEMAN# 1497-4131
	091225-01-710	EA START CAPACITOR, COLEMAN# 1497-0881
	073742-02-704	EA RUN CAPACITOR (COMPRESSOR), COLEMAN 14991651
	081608-01-708	EA LIMIT SWITCH (OPEN 180 CLOSE 110), COLEMAN# 8703
	093763-01-712	EA FAN BLADE-CONDENSER, COLEMAN# 6733 3221
	076303-01-712	EA MOTOR, COLEMAN# 6707A3119
	093763-01-702	EA OVERLOAD, COLEMAN# 6759 3931
	093763-01-703	EA IMPELLOR-7" DIA X 2.8" WIDE, COLEMAN# 6759-3271
	093763-01-704	EA CAPACITOR-FAN, COLEMAN# 1499-3481
	093763-01-707	EA EVAPORATOR COIL-COLEMAN# 1452-1351
	093763-01-708	EA CONDENSER COIL-COLEMAN# 1452-1251
	093763-01-709	EA COMPRESSOR-COLEMAN# 6749A3609
	093763-01-706	EA HEAT ELEMENT, COLEMAN# 6798 3321
	084077-03-000	EA COVER-BLANK, ROOF A/C - 5'5" X 3'5" - PLASTIC - IVORY

**CEILING ASSEMBLY**

KEY	PART NUMBER	U/M DESCRIPTION
	093764-01-000	EA CEILING ASM A/C COOL ONLY TSR - COLEMAN 6759D714
	042204-01-709	EA THERMOSTAT IN-64, OUT-58, COLEMAN# 6701-3401
	042205-01-702	EA THERMOSTAT IN-89, OUT-58, COLEMAN# 6703-3401
	073742-01-701	EA SELECTOR SWITCH (5 TERMINAL), COLEMAN# 6759 3251
	073742-01-703	EA DECAL-HEAT&COOL, COLEMAN# 6759-3491
	093763-01-705	EA DECAL-HEAT/COOL THERMOSTAT, COLEMAN# 6799A3471
	091225-01-713	EA KNOB (2 PER PACKAGE), COLEMAN# 6701-3351
	081608-01-712	EA CEILING SHROUD (IVORY), COLEMAN# 6769-5051
	073742-01-702	EA DECAL-COOL ONLY, COLEMAN# 6759C3431
	076303-01-707	EA FILTER-8" X 14 3/4" X 1/2", 12 FER PKG - COLEMAN 670
	093763-01-710	EA SINGLE PARTS PACKAGE, COLEMAN# 6759 5841
	093763-01-711	EA GASKET PACKAGE, COLEMAN 67593281
	091225-01-717	EA DECAL (THERMOSTAT) COOL ONLY, COLEMAN# 6799A3441
	073937-03-000	EA SWITCH ROTARY SELECTOR, 3 DECK - A/C - CA20-USA892
	102289-01-000	EA SPRING-SCREW, ROOF A/C GASKET - COLEMAN 6757-150

**ROOF A/C-13500 BTU - EUROPEAN**

KEY	PART NUMBER	U/M DESCRIPTION
	074963-01-000	EA LABEL-A/C SELECTOR
	092440-01-000	EA A/C-ROOF, 13500 BTU - 220V - 50HZ - COLEMAN# 6713C750
	092441-01-000	EA CEILING ASM-A/C, 220V - 50HZ - COLEMAN# 6712ET16
	102289-01-000	EA SPRING-SCREW, ROOF A/C GASKET - COLEMAN 6757-150

**HEATING & AIR CONDITIONING GROUP (CONTINUED)**

**AUTO A/C SYSTEM COMPONENTS**

KEY	PART NUMBER	U/M DESCRIPTION
	007076-01-700	FT HOSE-FLEXIBLE PVC - 2" ID
	007108-01-000	FT HOSE-HEATER, 5/8" ID
	007281-01-000	EA HOSE-FLEXIBLE PVC, 2.5" ID X 50'
	007281-01-700	FT HOSE-FLEXIBLE PVC, 2.5" ID
	024990-01-000	EA OUTLET-DEFROSTER, WITH SWIVEL - 2' - TAN
	056402-01-000	EA BRACKET-HEATER TAN
	056402-02-000	FA BRACKET-HEATER W/BEND TAN
	056402-03-000	EA BRACKET-HEATER GRAY
	056402-04-000	EA BRACKET-HEATER W/BEND GRAY
	091930-02-000	EA DUCT-DEFROSTER, W/O SIDE OUTLET ARA 0571020
		FROM: 00-00-00 THRU: 07-22-90
	091930-03-000	EA DUCT DEFROSTER, W/O SIDE OUTLET - ARA 0571109
		FROM 07-22-90 THRU: 05-12-91
	103017-01-000	EA PLENUM-DEFROSTER, OUTLET
		FROM 05-13-91 THRU 99-99-99
	091902-05-000	EA WIRE-COOLING FAN, ARA 0571123
		THE CONDENSER & COMPRESSOR ARE PROVIDED BY THE CHASSIS MANUFACTURER
		DIESEL ENGINE CONDENSER & COMPRESSOR ARE ON THE FOLLOWING PAGE

**AUTO A/C CONTROL & PLENUM**

KEY	PART NUMBER	U/M DESCRIPTION
	091902-03-000	EA CONTROL/PLENUM ASM-ARA# 0508350
		FROM 00-00-00 THRU 07-14-91
	091902-02-700	EA ROD,A/C-HEAT DOOR ARA 0321485
	091902-02-701	EA TRANSITION ASM HI-TEMP, ARA 0766498
	091902-02-702	EA BRACKET, PLENUM MOUNT, ARA 0321501
	091902-02-703	EA GRILLE, ARA 0483164
	091902-01-700	EA DOOR, DEFROST/HEAT, ARA 0320579
	088227-01-711	EA CRANK, MIXING DOOR, ARA 0320480
	091902-01-701	EA MOTOR, VACUUM, ARA 1120042
	072341-01-708	EA SERVO-VACUUM CONTROL, ARA 1120040
	072341-01-710	EA CONTROL HEAD ASM W/O DECAL, ARA 0884970
	072341-01-722	EA DECAL ONLY F/CONTROL HEAD, ARA 1900101
	072341-01-712	EA SWITCH-VACUUM, ARA 1298539
	091902-01-705	EA HARNESS & SOCKET JUMPER, ARA 0884635
	091902-01-706	EA CABLE, BOWDEN, ARA 0483152
	091902-01-707	EA HARNESS, WIRE, ARA 0885623
	091902-01-708	EA HARNESS, VACUUM, ARA 1000555
	077052-01-701	EA RELAY, ARA 1331142
	072341-08-700	EA RESERVOIR-VACUUM, ARA 1701039
	091902-01-709	EA GRILLE RETURN AIR, ARA 1701058
	103930-02-000	FA CONTROL/PLENUM ASSEMBLY, SCS 093-0031
		FROM 07-15-91 THRU 99-99-99
	103930-02-700	EA PANEL-CONTROL, SCS 032-0018
	103930-02-701	EA VALVE-CONTROL HEAD, SCS 034-0015
	072341-06-700	FA SWITCH-4 SPEED, FAN - ARA 0883502
	103930-02-702	EA DECAL-WINNEBAGO "N", SCS 058-0009
	103930-02-703	EA HARNESS-WIRE CONTROL, SCS 036-0048
	103930-02-704	EA HARNESS-VACUUM CONTROL, SCS 036-0049
	103930-02-705	EA CABLE-CONTROL, BOWDEN - SCS 074-0011
	103930-02-706	EA CLIP-CABLE, CONTROL - SCS 022-0017
	103930-02-707	EA RELAY, SCS 031-0001
	103930-02-708	EA MOTOR-VACUUM SERVO, A/C - SCS 030-0002
	103930-02-709	EA MOTOR-VACUUM SERVO, DEFROSTER - SCS 030 0020
	103930-02-710	EA CANISTER-VACUUM, SCS 054-0002
	103930-02-711	EA VALVE-WATER, A/C - SCS 034-00114

**1991 WINNEBAGO TABLE OF CONTENTS**

INTRODUCTION	A-01	A-02
ABBREVIATIONS		A-03
ALPHABETICAL INDEX	A-04	A-08
WCN25RC	A-07	F-02
WCN24RQ	F-03	K-12

**1991 WCN25RC INDEX**

FLOOR PLAN	A-07	A-08
ACCESSORIES	A-09	A-14
BATH	A-15	A-17
BEDROOM		A-18
CHASSIS	A-19	B-03
C C & PAD	B-04	B-13
DINETTE	B-14	B-15
DRIVERS	B-16	B-22
ELECTRICAL	B-23	C-04
EXTERIOR BODY	C-05	C-12
GALLEY	C-13	C-20
HEATING & A/C	C-21	D-02
INTERIOR FINISH	D-03	D-06
LABELS	D-07	D-14
LP		D-15
LOUNGE		D-16
SEALANTS & FASTENERS	D-17	D-19
WATER & SEWAGE	D-20	D-24
WINDOW, VENT AND EXTERIOR DOOR	E-01	F-02



**HEATING & AIR CONDITIONING GROUP (CONTINUED)**

**AUTO A/C EVAPORATOR**

KEY	PART NUMBER	U/M DESCRIPTION
	066227-02-000	EA EVAPORATOR-A/C, ARA 0608213 FROM: 00-00-00 THRU: 07-14-91
	066227-02-701	EA BRACKET-BOWDEN CABLE MOUNTING, ARA 0409417
	066227-02-702	EA DOOR ASM., F A/RECIRCLING - ARA 0321330
	066227-02-703	EA SUCTION HOSE #10, ARA 0986712
	066227-02-705	EA HOSE, LIQUID, ARA 0986713
	066227-01-700	EA DOOR ASSEMBLY, ARA 0320518
	066227-01-701	EA CRANK-MIX, ROUND DOOR - ARA 0318225
	066227-01-703	EA EVAPORATOR, CORE, ARA 0660571
	066227-01-704	EA VALVE, EXPANSION BLOCK, ARA 1297022
	066227-01-707	EA RESISTOR, FUSED A/C, ARA 0885615
	066227-01-708	EA MOTOR BLOWER, ARA 1120080
	066227-01-709	EA WHEEL REQUIRED BALANCING, ARA 0252084
	066227-01-711	EA CRANK, MIXING DOOR, ARA 0320480
	077052-01-700	EA COIL, EVAPORATOR, ARA 0560458
	072342-03-709	EA O-RING, #10 - ARA 0059807
	072342-03-707	EA O-RING, #8 - ARA 0059805
	072341-01-708	EA SERVO-VACUUM CONTROL, ARA 1120040
	075789-01-718	EA PIN, RETAINER, ARA 1701787
	066227-02-705	EA HOSE, LIQUID, ARA 0986713
	103930-01-000	EA EVAPORATOR/HEATER ASSEMBLY - SCS 090-0041 FROM: 07-15-91 THRU: 99 99-99
	103930-01-700	EA ROD-AIR BLEND DOOR, SCS 073-0017
	103930-01-701	EA PANEL-DOOR, FOR AIR BLEND - SCS 071-0123
	103930-01-702	EA GASKET-DOOR, FOR AIR BLEND - SCS 045-0080
	103930-01-703	EA COIL-HEATER, SCS 042-0010
	103930-01-705	EA VALVE EXPANSION BLOCK
	103930-01-708	EA GASKET-O-RING, #8 - SCS 045-0011
	103930-01-707	EA GASKET-O-RING, #10 - SCS 045-0012
	103930-01-708	EA BRACKET-VACUUM MOTOR, SCS 070-0113
	103930-01-709	EA MOTOR-VACUUM, SCS 030-0002
	103930-01-710	EA RESISTOR-FUSED, SCS 035-0006
	103930-01-711	EA THERMOSTAT, SCS 033-0003
	103930-01-712	EA GASKET-O-RING, SCS 045-0010
	103930-01-713	EA FITTING-QUICK CONNECT, #4 - SCS 050-003
	103930-01-714	EA FITTING-SERVICE VALVE, #10 - SCS 050-0031
	103930-01-715	EA SWITCH-BINARY, SCS 032-0030
	103930-01-716	EA SWITCH-PRESSURE, FAN - SCS 032-0029
	103930-01-717	EA WHEEL-CLOCK-WISE, SCS 062-0010
	103930-01-718	EA HOSE #8, SCS 051-0036
	103930-01-719	EA HOSE #10, SCS 051-0017
	103930-01-720	EA MOTOR, SCS 030-0004

**DIESEL ENGINE CONDENSER & COMPRESSOR**

KEY	PART NUMBER	U/M DESCRIPTION
	072342-04-000	EA CONDENSER ASM-W/O FANS, ARA 0519377
	072342-04-701	EA COIL-CONDENSER, ARA 0519384
	072342-03-701	EA RECEIVER-DRIER, ARA 1273235
	072342-03-707	EA O-RING, #8 - ARA 0059805
	072342-04-700	EA HOSE-DISCHARGE, ARA 0986306
	096815-01-702	EA O-RING, #8 - ARA 0059808
	072341-01-716	EA VALVE-DISCHARGE, 1/2" O-RING - ARA 0548325
	072342-03-709	EA O-RING, #10 - ARA 0059807
	074013-02-716	EA VALVE-SERVICE, ARA 0058337
	072343-06-000	EA COMP/CLUTCH-REAR DISCHARGE, SANKYO 70 - ARA 0529174
	074026-01-000	EA MOUNT PACKAGE-A/C COMPRESSOR, 5.2 DIESEL

**HEATING & AIR CONDITIONING GROUP (CONTINUED)**

**HEATING SYSTEM COMPONENTS**

KEY	PART NUMBER	U/M DESCRIPTION
	027878-01-000	EA FITTING-1, 1/2 ID - BRASS
	007078-01-700	FT HOSE-FLEXIBLE PVC - 2" ID
	066342-01-000	EA WYEL-CONNECTOR, 2 5/8" FLEXHOSE
	062778-01-000	EA ADAPTER-DUCT, 2"
	092777-01-000	EA ADAPTER-DUCT, 4"
	089378-01-000	EA GRILLE-FLOOR, HEATING - 9.3" X 5.4" - BROWN
	092321-01-000	FT INSULATION-FIBERGLASS, W/ALUMINUM FOIL
	093614-01-01A	EA GRILLE-RETURN AIR, FURNACE - 15.8" X 7.8" - BROWN
	094600-01-02A	EA REGISTER-HEAT, FLOOR-W/O DAMPER-3.8" X 10.6" X 1.4" - B
	094600-02-02A	EA REGISTER-HEAT, FLOOR - W/DAMPER - 3.8" X 10.5" X 1.4" B
	056402-02-000	EA BRACKET-MOUNTING, ROUND HEAT VENT - W/BEND - METAL - TAN
	056402-03-000	EA BRACKET-MOUNTING, ROUND HEAT VENT - METAL - GREY
	056402-04-000	EA BRACKET-MOUNTING, ROUND HEAT VENT - W/BEND - METAL - GRAY
	056402-01-000	EA BRACKET-MOUNTING, ROUND HEAT VENT - METAL - TAN
	009198-01-000	FT DUCT-HEAT, FLEXIBLE - 4" ID
	009200-01-000	EA TAPE-FURNACE, 1 1/2"
	023146-01-000	EA CLAMP-SCREW TYPE - 4"
	069636-02-000	EA CONNECTOR-DUCT, 4" ID
	007108-02-000	FT HOSE-HEATER, 3/4" ID
	007108-01-000	FT HOSE-HEATER, 5/8" ID
	008042-01-000	FT TUBING-VINYL, .65" ID
	056484-05-000	EA REGISTER-PLASTIC W/O DAMPER - 4" DIAMETER - GOLDEN
	079059-01-000	EA HOSE-90 DEGREE, 61" ID X 4" X 36"
	079059-02-000	EA HOSE-90 DEGREE, 61" ID X 4" X 6"
	068753-01-000	FT TUBE-ALUMINIZED STEEL, 5/8" - 18 GAUGE
	040731-01-000	EA NIPPLE-INLET MANIFOLD, GM - 3838094
	061873-01-000	EA BRACKET-MOTOR AID TUBES, 4" X 1 5/8" - STEEL
	080179-01-000	EA BRACKET-SUPPORT, HEATER HOSE - IN ENGINE COMPARTMENT
	063081-01-000	EA HOSE-FORMED, 90 DEGREES - 5/8" ID
	061673-01-000	EA CLAMP-MOTOR AID

**REAR HEATER**

KEY	PART NUMBER	U/M DESCRIPTION
	084405-01-000	EA HEATER ASM-REAR, DUCTED - W/MOTOR AID - EVANS
	084405-01-700	EA HEATER CORE-EVANS# FT200229
	084405-01-701	EA FAN BLADES-EVANS# HV029931
	084405-01-702	EA MOTOR ASM-12 V. EVANS# 200146
	087202-02-000	EA SWITCH-W/O KNOB, 4 POSITION
	090977-01-000	EA KNOB-SWITCH, ROTARY

**1991 WINNEBAGO  
TABLE OF CONTENTS**

INTRODUCTION	A-01 - A-02
ABBREVIATIONS	A-03
ALPHABETICAL INDEX	A-04 - A-08
WCN25RC	A-07 - F-02
WCN34RD	F-03 - K-12

**1991 WCN25RC INDEX**

FLOOR PLAN	A-07 - A-08
ACCESSORIES	A-09 - A-14
BATH	A-15 - A-17
BEDROOM	- A-18
CHASSIS	A-19 - B-03
C C & PAD	B-04 - B-13
DINETTE	B-14 - B-15
DRIVERS	B-16 - B-22
ELECTRICAL	B-23 - C-04
EXTERIOR BODY	C-05 - C-12
GALLEY	C-13 - C-20
HEATING & A/C	C-21 - D-02
INTERIOR FINISH	D-03 - D-06
LABELS	D-07 - D-14
LP	D-15
LOUNGE	D-16
SEALANTS & FASTENERS	D-17 - D-19
WATER & SEWAGE	D-20 - D-24
WINDOW, VENT AND EXTERIOR DOOR	E-01 - F-02

HEATING & AIR CONDITIONING GROUP (CONTINUED)

34,000 BTU SUBURBAN FURNACE

KEY	PART NUMBER	U/M DESCRIPTION
	092300-03-000	EA FURNACE-SUBURBAN, 34,000 BTU - NT-348 FROM 00-00-00 THRU 02-10-91
	092300-01-705	EA ELECTRODE, SUBURBAN 230956
	069634-01-733	EA RELAY, TIME DELAY 20&30 BTU, SUBURBAN 231202
	075696-01-700	EA MOTOR ASM-SUBURBAN# 231206
	092300-01-720	EA WHEEL-ROOM AIR, SUBURBAN 350113
	092300-02-702	EA MICROSWITCH ASM, SUBURBAN# X230509
	092300-01-726	EA WHEEL-COMB AIR, SUBURBAN 350110
	075696-02-728	EA GASKET-CROSSOVER TUBE, SUBURBAN 070385
	092300-01-724	EA GASKET-MOTOR MOUNT, SUBURBAN 070384
	092300-01-727	EA GASKET-COMBUSTION AIR HOUSING, SUBURBAN 070386
	092300-01-711	EA VENT CAP ASSEMBLY, SUBURBAN X260170
	069634-01-729	EA VALVE-GAS, JOHNSON - SUBURBAN 160832
	092300-01-701	EA CABINET FRONT, SUBURBAN 101172
	092300-01-708	EA SWITCH LIMIT, SUBURBAN 231440
	069634-01-720	EA ORIFICE-MAIN BURNER, SUBURBAN# 0180222
	092300-01-704	EA GASKET-ELECTRODE, SUBURBAN 070163
	069634-01-706	EA MODULE BOARD, SUBURBAN# 231427
	092300-01-718	EA ELBOW 90°, SUBURBAN 170374
	069634-01-716	EA VALVE-MANUAL SHUTOFF, SUBURBAN 160740
	092300-01-717	EA WIRE ASSEMBLY (POWER SUPPLY) - SUBURBAN X231428
	092300-01-706	EA DOOR-BURNER ACCESS, SUBURBAN 030523
	069634-01-732	EA GASKET-BURNER ACCESS DOOR, SUBURBAN 070398
	075696-02-709	EA DISC GLASS, SUBURBAN 310026
	092300-01-715	EA MANIFOLD ASSEMBLY, SUBURBAN 171034
	069634-01-712	EA GASKET-MANIFOLD, SUBURBAN 070408
	092300-01-712	EA BURNER ASM, SUBURBAN X010701
	092300-01-721	EA BLOWER HOUSING ASSEMBLY, SUBURBAN 390283
	075696-02-727	EA BRACKET-MOTOR MOUNT, SUBURBAN# 062138
	092300-03-702	EA HOUSING, COMB AIR ASM, NT-348W - SUBURBAN X390417
	092300-01-728	EA HOUSING, COMB AIR (OUTSIDE) - SUBURBAN 390424
	092300-02-700	EA COM CHAMBER ASM 30&34 BW - SUBURBAN X021015
	069634-01-720	EA ORIFICE-MAIN BURNER, SUBURBAN 160222
	092300-03-701	EA MOTOR ASSEMBLY (NT-348W)
	092300-01-700	EA CABINET, SUBURBAN X101176
	092300-06-000	EA FURNACE-34,000 BTU, - SUBURBAN NT348W FROM 02-11-91 THRU 99 99 99
	092300-01-705	EA ELECTRODE, SUBURBAN 230956
	069634-01-733	EA RELAY, TIME DELAY 20&30 BTU, SUBURBAN 231202
	075696-01-700	EA MOTOR ASM-SUBURBAN# 231206
	092300-01-720	EA WHEEL-ROOM AIR, SUBURBAN 350113
	092300-02-702	EA MICROSWITCH ASM, SUBURBAN# X230509
	092300-01-726	EA WHEEL-COMB AIR, SUBURBAN 350110
	075696-02-728	EA GASKET-CROSSOVER TUBE, SUBURBAN 070385
	092300-01-724	EA GASKET-MOTOR MOUNT, SUBURBAN 070384
	092300-01-727	EA GASKET-COMBUSTION AIR HOUSING, SUBURBAN 070386
	092300-01-711	EA VENT CAP ASSEMBLY, SUBURBAN X260179
	069634-01-729	EA VALVE-GAS, JOHNSON - SUBURBAN 160832
	092300-01-701	EA CABINET FRONT, SUBURBAN 101172
	092300-01-708	EA SWITCH LIMIT, SUBURBAN 231440
	069634-01-720	EA ORIFICE-MAIN BURNER, SUBURBAN# 0180222
	092300-01-704	EA GASKET-ELECTRODE, SUBURBAN 070163
	069634-01-706	EA MODULE BOARD, SUBURBAN# 231427
	092300-01-718	EA ELBOW 90°, SUBURBAN 170374
	069634-01-716	EA VALVE-MANUAL SHUTOFF, SUBURBAN 160740
	092300-01-717	EA WIRE ASSEMBLY (POWER SUPPLY) - SUBURBAN X231428
	092300-01-706	EA DOOR-BURNER ACCESS, SUBURBAN 030523
	069634-01-732	EA GASKET BURNER ACCESS DOOR, SUBURBAN 070398
	075696-02-709	EA DISC-GLASS, SUBURBAN 310026
	092300-01-715	EA MANIFOLD ASSEMBLY, SUBURBAN 171034
	069634-01-712	EA GASKET MANIFOLD, SUBURBAN 070408

HEATING & AIR CONDITIONING GROUP (CONTINUED)

24,000 BTU SUBURBAN FURNACE

KEY	PART NUMBER	U/M DESCRIPTION
	092300-01-000	EA FURNACE-24,000BTU, SUBURBAN NT-248
	092300-01-705	EA ELECTRODE, SUBURBAN 230956
	069634-01-733	EA RELAY, TIME DELAY 20&30 BTU, SUBURBAN 231202
	069634-01-729	EA VALVE-GAS, JOHNSON - SUBURBAN 160832
	092300-01-723	EA MOTOR ASSEMBLY (NT-248W), SUBURBAN 231206
	092300-01-720	EA WHEEL-ROOM AIR, SUBURBAN 350113
	075696-01-708	EA MICROSWITCH ASM F24S ONLY, SUBURBAN 230510
	075696-02-728	EA GASKET-CROSSOVER TUBE, SUBURBAN 070385
	092300-01-726	EA WHEEL-COMB AIR, SUBURBAN 350110
	092300-01-724	EA GASKET-MOTOR MOUNT, SUBURBAN 070384
	092300-01-727	EA GASKET-COMBUSTION AIR HOUSING, SUBURBAN 070386
	092300-01-711	EA VENT CAP ASSEMBLY, SUBURBAN X260179
	092300-01-700	EA CABINET, SUBURBAN X101176
	092300-01-701	EA CABINET FRONT, SUBURBAN 101172
	092300-01-708	EA SWITCH LIMIT, SUBURBAN 231440
	069633-01-701	EA ORIFICE-MAIN BURNER, SUBURBAN 180215
	092300-01-704	EA GASKET-ELECTRODE, SUBURBAN 070163
	069634-01-706	EA MODULE BOARD, SUBURBAN# 231427
	092300-01-718	EA ELBOW 90°, SUBURBAN 170374
	069634-01-716	EA VALVE-MANUAL SHUTOFF, SUBURBAN 160740
	092300-01-717	EA WIRE ASSEMBLY (POWER SUPPLY) - SUBURBAN X231428
	092300-01-706	EA DOOR-BURNER ACCESS, SUBURBAN 030523
	069634-01-732	EA GASKET-BURNER ACCESS DOOR, SUBURBAN 070398
	075696-02-709	EA DISC-GLASS, SUBURBAN 310026
	092300-01-715	EA MANIFOLD ASSEMBLY, SUBURBAN 171034
	069634-01-712	EA GASKET-MANIFOLD, SUBURBAN 070408
	092300-01-712	EA BURNER ASM, SUBURBAN X010701
	092300-01-721	EA BLOWER HOUSING ASSEMBLY, SUBURBAN 390283
	075696-02-727	EA BRACKET-MOTOR MOUNT, SUBURBAN# 062138
	092300-01-725	EA HOUSING ASM-COMBUSTION AIR, SUBURBAN# X390416
	092300-01-703	EA CHAMBER ASM-COMBUSTION, SUBURBAN# X021017
	092300-01-728	EA HOUSING, COMB AIR (OUTSIDE) - SUBURBAN 390424

FURNACE VENT, FACE & WALL THERMOSTAT

KEY	PART NUMBER	U/M DESCRIPTION
	092300-06-000	EA VENT KIT-FURNACE, STRAIGHT - SUBURBAN 520608 FROM 02-11-91 THRU 99-99-99
	092300-09-000	EA FACE-FRONT, FURNACE - SUBURBAN 520607 FROM 02-11-91 THRU 99-99-99
	093365-01-000	EA THERMOSTAT-WALL, FURNACE - SUBURBAN 0180902

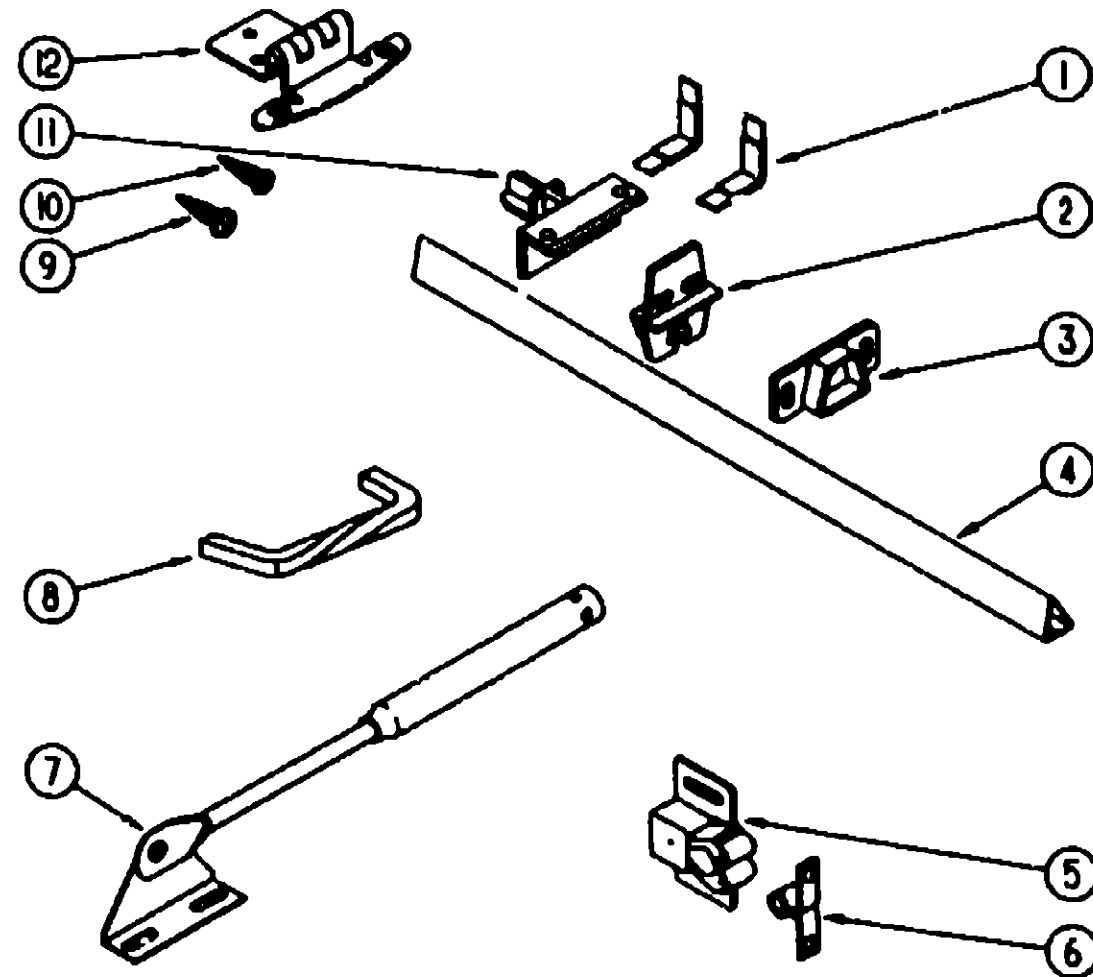
1991 WINNEBAGO  
TABLE OF CONTENTS

INTRODUCTION	A-01 -	A-02
ABBREVIATIONS		A-03
ALPHABETICAL INDEX	A-04 -	A-06
WCN25RC	A-07 -	F-02
WCN34RC	F-03 -	K-12

1991 WCN25RC INDEX

FLOOR PLAN	A-07 -	A-08
ACCESSORIES	A-09 -	A-14
BATH	A-15 -	A-17
BEDROOM		A-18
CHASSIS	A-19 -	B-03
C C & PAD	B-04 -	B-13
DINETTE	B-14 -	B-15
DRIVERS	B-16 -	B-22
ELECTRICAL	B-23 -	C-04
EXTERIOR BODY	C-06 -	C-12
GALLEY	C-13 -	C-20
HEATING & A/C	C-21 -	D-02
INTERIOR FINISH	D-03 -	D-06
LABELS	D-07	D-14
LP		D-15
LOUNGE		D-16
SEALANTS & FASTENERS	D-17 -	D-19
WATER & SEWAGE	D-20 -	D-24
WINDOW, VENT AND EXTERIOR DOOR	E-01 -	F-02

**INTERIOR FINISH GROUP**



**CABINET HARDWARE**

KEY	PART NUMBER	U/M	DESCRIPTION
1	037688-02-000	EA	L-CORNER GUIDE (DRAWERS)
2	037688-03-000	EA	GLIDE-CENTER, DRAWER
3	037688-05-000	EA	BRACKET-RAIL MOUNTING, REAR
4	037688-01-000	FT	RAIL-V GUIDE, DRAWER - 10' EACH
•	102827-02-000	EA	BRACKET-ROLLER, DRAWER - REAR
•	102827-03-000	EA	ROLLER-DRAWER, 1 PAIR - NYLON
•	102827-04-000	EA	BRACKET-MOUNTING, DRAWER - REAR
•	102827-05-000	EA	TRACK-DRAWER, 22 8" LONG
6	083688-03-000	EA	CATCH-SPRING, ROLLER
8	083688-04-000	EA	STRIKE-SPRING STEEL
7	074493-02-000	EA	SUPPORT-OVERHEAD DOOR, SPRUNG
8	088845-01-000	EA	PULL-CABINET, BRASS
9	000013-06-100	EA	SCREW-6-20 X 5/8 PFH, ANTIQUE BRASS
10	000011-08-128	EA	SCREW-8 - 18 X 3/4 PPH - ZINC
11	037688-04-000	EA	BRACKET-RAIL MOUNTING, FRONT
12	059777-02-000	EA	HINGE-CABINET DOOR, BURNISHED BRASS

• THESE PARTS WERE USED FROM 01-07-91 ON

**INTERIOR FINISH GROUP (CONTINUED )**

**CABINET HARDWARE**

KEY	PART NUMBER	U/M	DESCRIPTION
	088979-01-000	EA	CLIP-ADJUSTABLE SHELF
	098980-02-000	EA	PILASTER-ADJUSTABLE SHELF, 12" LONG
	084488-02-000	EA	SLIDE-DRAWER, RIGHT SIDE - DRAWER MOUNTED
	084488-03-000	EA	SLIDE-DRAWER, LEFT SIDE - DRAWER MOUNTED
	084488-04-000	EA	SLIDE-CABINET, RIGHT SIDE - 17 8" EXTENDS TO 31 1"
	084488-05-000	EA	SLIDE-CABINET, LEFT SIDE - 17 8" EXTENDS TO 31 1"
	023320-01-000	EA	PAD-FELT, 3/8" DIAMETER - BROWN
	018804-01-000	EA	BRACE-CABINET, ANGLED METAL - 2 5"
	018804-03-000	EA	BRACE-CABINET ANGLE, 2 5" - BEIGE
	042358-01-000	EA	PLUG-WOOD, 1/2" DIAMETER - MAHOGANY
	065740-01-000	EA	BRACE-CABINET CORNER, PLASTIC
	083125-03-000	EA	BRACE-ANGLE, COUCH/DINETTE - 2 5" - METAL - TAN
	081285-01-AA8	EA	SUPPORT-BASE, DINETTE - 1 5" X 28" - WOOD
	085774-01-000	FT	FASTENER-DUAL HOOK, 1" WIDE - ADHESIVE BACK - BLACK
	085774-02-000	FT	FASTENER-DUAL LOOP, 1" WIDE - ADHESIVE BACK - BLACK
	091261-01-000	FT	BACKING-NON SKID, 1" WIDE (100' ROLL)
	008049-01-000	EA	SUPPORT-EXTENSION, GALLEY COUNTERTOP
	008058-01-000	EA	HINGE-BRASS, 2" X 1 4" (GALLEY EXTENSION)
	041953-03-000	FT	CONDUIT-CONVOLUTED SLIT, 1" ID - CLOTHES ROD COVER
	009112-01-000	EA	FLANGE, 1" ROD - CLOTHES - PLASTIC - WHITE
	042438-01-000	EA	DOWEL-WOOD, CLOTHES ROD - 1" X 4"

**VINYL STRAP ASSIST HANDLE**

KEY	PART NUMBER	U/M	DESCRIPTION
	089178-02-000	EA	BRACKET-MOUNTING, ASSIST HANDLE
	000C16-07-188	EA	BOLT-CARRIAGE, ASSIST HANDLE - 7/16" - 14 X 1" ZN
	000D20-07-008	EA	NUT-ACORN, ASSIST HANDLE - 7/16" X 14 ZN
	053552-02-AA8	EA	HANDLE-ASSIST, INTERIOR - ENTRY DOOR - VINYL
	048887-01-000	EA	GROMMET-BRASS, 7/16" ID X 1" OD

**FLOOR MATS**

KEY	PART NUMBER	U/M	DESCRIPTION
	081075-01-000	EA	MAT-FLOOR, ENTRANCE - "WINNEBAGO"
	081201-01-000	EA	MAT-FLOOR, FRONT DRIVER SIDE - "WINNEBAGO"
	081202-01-000	EA	MAT-FLOOR, FRONT PASSENGER SIDE - "WINNEBAGO"

**1991 WINNEBAGO  
TABLE OF CONTENTS**

INTRODUCTION	A-01 -	A-02
ABBREVIATIONS		A-03
ALPHABETICAL INDEX	A-04 -	A-08
WCN25RC	A-07 -	F-02
WCN34RQ	F-03 -	K-12

**1991 WCN25RC INDEX**

FLOOR PLAN	A-07 -	A-09
ACCESSORIES	A-08 -	A-14
BATH	A-15 -	A-17
BEDROOM		A-18
CHASSIS	A-19 -	B-03
C C & PAD	B-04 -	B-13
DINETTE	B-14 -	B-15
DRIVERS	B-18 -	B-22
ELECTRICAL	B-23 -	C-04
EXTERIOR BODY	C-05 -	C-12
GALLEY	C-13 -	C-20
HEATING & A/C	C-21 -	D-02
INTERIOR FINISH	D-03 -	D-08
LABELS	D-07 -	D-14
LP		D-15
LOUNGE		D-18
SEALANTS & FASTENERS	D-17 -	D-19
WATER & SEWAGE	D-20 -	D-24
WINDOW, VENT AND EXTERIOR DOOR	E-01 -	F-02

**INTERIOR FINISH GROUP (CONTINUED)**

**CABINET & WALL MOLDINGS & TRIMS**

KEY PART NUMBER	U/M DESCRIPTION
065740-01-000	EA BRACE-CORNER, CABINET - PLASTIC
099571-01-01A	EA TRIM-ROOF COVE, INTERIOR W/2 LIPS - OFF WHITE - 2 9" X 12"
102239-01-01A	EA COVER-SPLICE, COVE TRIM - 1 5" X 3" - PLASTIC - OFF WHITE
009787-12-000	FT MOLDING-SIDEWALL TO CEILING/CABINET - WELTING - OFF WHITE
077840-14-W24	EA MOLDING-CAP, WALL - WOOD - W/LIP - 1 4" X 80"
092331-H1-830	EA MOLDING-WOOD, .7" X 3 5" X 72" - VINYL WRAPPED
083620-01-000	FT MOLDING-T, END CAP EDGE - WEDGE LIPS - 75" - BROWN
083620-07-000	FT MOLDING-T, END CAP EDGE - WEDGE LIPS - 75" - THOR PECAN
081521-02-007	EA MOUNT-METAL MOLDING FOR RADIUS CORNER MOLDING, 12 5"
070504-01-000	FT U-CHANNEL-PLASTIC, 1/16" - LIGHT BROWN - 8' LENGTHS
070504-20-000	FT U-CHANNEL-PLASTIC, 815" - PECAN - 8' LENGTHS
062859-01-W30	FT TRIM-EDGE, VINYL - BEIGE - 1.5" WIDE
042358-01-000	EA PLUG-WOOD, 3/8" - MAHOGANY
076699-01-016	EA LUMBER- 7" X 1.4" X 70 8", W/7 DEGREE BEVEL ON 1 FACE
080178-03-000	EA CAP-CORNER, RADIUS - TOP - PECAN
100618-01-01A	EA RETAINER-HEADLINER, OFF WHITE
100600-01-01A	EA RETAINER-HEADLINER/OVERHEAD, OFF WHITE
042357-17-000	EA MOLDING-CORNER, RADIUS - 1 5" X 7" - PLASTIC - WOODGRAIN - PECAN
022992-11-000	FT MOLDING-REVERSE COVE, T-SHAPED - CHAMPAGNE WHITE
081294-02-000	EA MOLDING-SHELF, WOOD - 8"
009778-13-000	EA U-CHANNEL, 1" WIDE - PLASTIC - PECAN - 8' LENGTHS
092330-03-000	EA LUMBER-VINYL WRAPPED, 2" X 96" - WOODGRAIN
009812-25-000	EA MOLDING-PLASTIC, CORNER OS - 5" - PECAN
092331-F2-134	EA MOLDING- 7" X 2 5" X 7" - VINYL WRAPPED
076325-28-000	FT MOLDING-EDGE BAND, 1 5/16" WIDE - WOODGRAIN

**BATT STRIPS**

KEY PART NUMBER	U/M DESCRIPTION
089733-70-000	EA BATT-STRIP, WOODGRAIN - REGAL OAK - 8"
085284-03-000	FT BATT-STRIP, WOODGRAIN - ADHESIVE TAPE - REGAL OAK
085284-03-700	FT BATT-STRIP, WOODGRAIN - ADHESIVE BACKED 3" WIDE - REGAL OAK-
088263-57-000	EA BATT-STRIP, MAIN WALL - SPATTERWALL - 8"
085284-44-000	FT BATT-STRIP, MAIN WALL - SPATTERWALL - ADHESIVE BACKED
088263-58-000	EA BATT-STRIP, BATH - DAWN - 8"
085284-43-000	FT BATT-STRIP, BATH - DAWN - ADHESIVE BACKED
088263-50-000	EA BATT-STRIP, SHOWER - TRAVERTINE WHITE - 8"
088263-78-000	EA BATT-STRIP, SHOWER - TRAVERTINE ANTIQUE WHITE - 8"
088229-04-000	EA BATT STRIP, CEILING
088229-01-007	EA RETAINER-BATTEN, CEILING - 75" WIDE - 7 8" EA
079853-04-007	EA BATT-STRIP, KERFED-REGAL OAK
* THESE PARTS WERE USED FROM 03-18-92 ON	

**PANELING AND LAMINATES**

KEY PART NUMBER	U/M DESCRIPTION
074497-10-000	SF PANELING-REGAL OAK-48" X 84" (CABINETS & WALLS)
088272-78-000	SF PANELING-DECORATIVE-SPATTERWALL- 48" X 84" (MAIN WALL)
088272-77-000	SF PANELING-DECORATIVE-DAWN - 48" X 84" (BATH)
088272-72-000	SF PANELING- SHOWER-TRAVERTINE WHITE - 48" X 84"
083318-02-000	SF PLYWOOD-OAK-1 SIDE FINISHED - 3/16 X 48" X 96"
074498-38-000	SF LAMINATE-PLASTIC-ROSE - 60" X 96" (COUNTERTOP)
076325-28-000	FT MOLDING-EDGE BAND-THERMOWEB
093743-01-02A	SF PLASTIC-ABS-11 5" WIDE-OFF WHITE
000885-34-000	SF PARTICLE BOARD-VINYL COVERED-3/8" ONE SIDED/REGAL OAK
088297-01-000	SF PLYWOOD-LUAN-OVERLAY GRADE - 4' X 8' - INC OF 32 SF

**INTERIOR FINISH GROUP (CONTINUED)**

**FABRICS AND TRIMS**

KEY PART NUMBER	U/M DESCRIPTION
096008-68-000	YD FABRIC-MAIN UPHOLSTERY, BLUE (B07)
096008-67-000	YD FABRIC-MAIN UPHOLSTERY, GRADY BROWN (B08)
096008-66-000	YD FABRIC-MAIN UPHOLSTERY, JADE(B09)
096008-73-000	YD FABRIC-MAIN UPHOLSTERY, BLUE (B22)
096008-43-000	YD FABRIC-PATTERNED ACCENT, BLUE (B07, B22)
096008-84-000	YD FABRIC-PATTERNED ACCENT, GRADY BROWN (B08)
096008-85-000	YD FABRIC-PATTERNED ACCENT, SEA GREEN (B09)
104233-31-000	YD FABRIC-PLAIN ACCENT, BLUE (B07, B22)
096008-40-000	YD FABRIC-PLAIN ACCENT, GRADY BROWN (B08)
096008-63-000	YD FABRIC-PLAIN ACCENT, SEA GREEN (B09)
072333-77-000	YD FABRIC-DRAPERY/CURTAIN - TAUPE (B07)
FROM 02-07-90 THRU 10-04-90	
072333-79-000	YD FABRIC-DRAPERY/CURTAIN - SLATE (B07)
FROM 10-05-90 THRU: 09-09-90	
072333-77-000	YD FABRIC-DRAPERY/CURTAIN - TAUPE (B08, B22)
072333-78-000	YD FABRIC-DRAPERY/CURTAIN - SILVER (B09)
088273-58-000	YD FABRIC-BEDSPREAD/CURTAIN, PATTERNED - 54" (B07)
088273-57-000	YD FABRIC-BEDSPREAD/CURTAIN, PATTERNED - 54" (B08)
088273-56-000	YD FABRIC-BEDSPREAD/CURTAIN, PATTERNED - 54" (B09)
088273-47-000	YD FABRIC-BEDSPREAD/CURTAIN, PATTERNED - 54" (B22)
088273-67-000	YD FABRIC-BEDSPREAD/CURTAIN, PLAIN - 54" (B07, B22)
088273-65-000	YD FABRIC-BEDSPREAD/CURTAIN, PLAIN - 54" (B08)
088273-68-000	YD FABRIC-BEDSPREAD/CURTAIN, PLAIN - 54" (B09)
079880-07-000	YD FABRIC-VINYL, EXPANDED - CABINET END CAPS - BEIGE
029219-01-000	YD FABRIC-VINYL, EXPANDED - ASSIST HANDLE - WHITE
079880-09-000	YD FABRIC-VINYL, EXPANDED - SUNVISOR - OFF WHITE
103907-01-01A	YD FABRIC-VINYL, EXPANDED - SUNVISOR - OFF WHITE
075244-03-000	YD FABRIC-VINYL, SHOWER GUARD - ALMOND
087272-01-000	YD FABRIC-DRAPERY LINING, 48" - IVORY
076798-03-000	YD FABRIC-VINYL, FOAMBACK - INSTRUMENT PANEL - LIGHT FAWN
088782-01-000	YD VELCRO-.75" HOOK, NON-ADHESIVE - BEIGE
008782-02-000	YD VELCRO- 75" LOOP, ADHESIVE - BEIGE
048394 02 000	YD TAPE-HOOK, 75 X 60 YDS, BEIGE
079349-01-AA1	FT WELTING-FABRIC, BUCKET SEAT (B07, B22)
079349-01-B03	FT WELTING-FABRIC, BUCKET SEAT (B08)
079349-01-B09	FT WELTING-FABRIC, BUCKET SEAT (B09)
087253-01-000	EA PULL-SHADE-GRABER, CLEAR PLASTIC
* THESE PARTS WERE USED FROM 04-17-91 ON	

**CARPETING**

KEY PART NUMBER	U/M DESCRIPTION
096080-14-000	SY CARPET-DELFT BLUE, (B07, B22)
096080-15-000	SY CARPET-SAND, (B08)
FROM 00-00-00 THRU 02-10-91	
096080-26-000	SY CARPET-ROSE WOOD, (B08)
FROM 02-11-91 THRU: 09-09-91	
096080-08-000	SY CARPET-TEAL, (B09)
083488-01-000	SY CARPET-COMPARTMENT, 54" WIDE - DARK GRAY
075233-01-000	SY PAD-CARPET, 3/8" X 8' ROLL
076314-02-000	FT TAPE-CARPET SEAM, HEAT BOND - 4" WIDE
047034-12-000	SF PLASTIC-CARPET, 4' WIDE - CLEAR POLY
085748-01-000	FT TRIM-J, CARPET - 1 2" X 5" ANGLE - 10' LONG - PVC - BEIGE

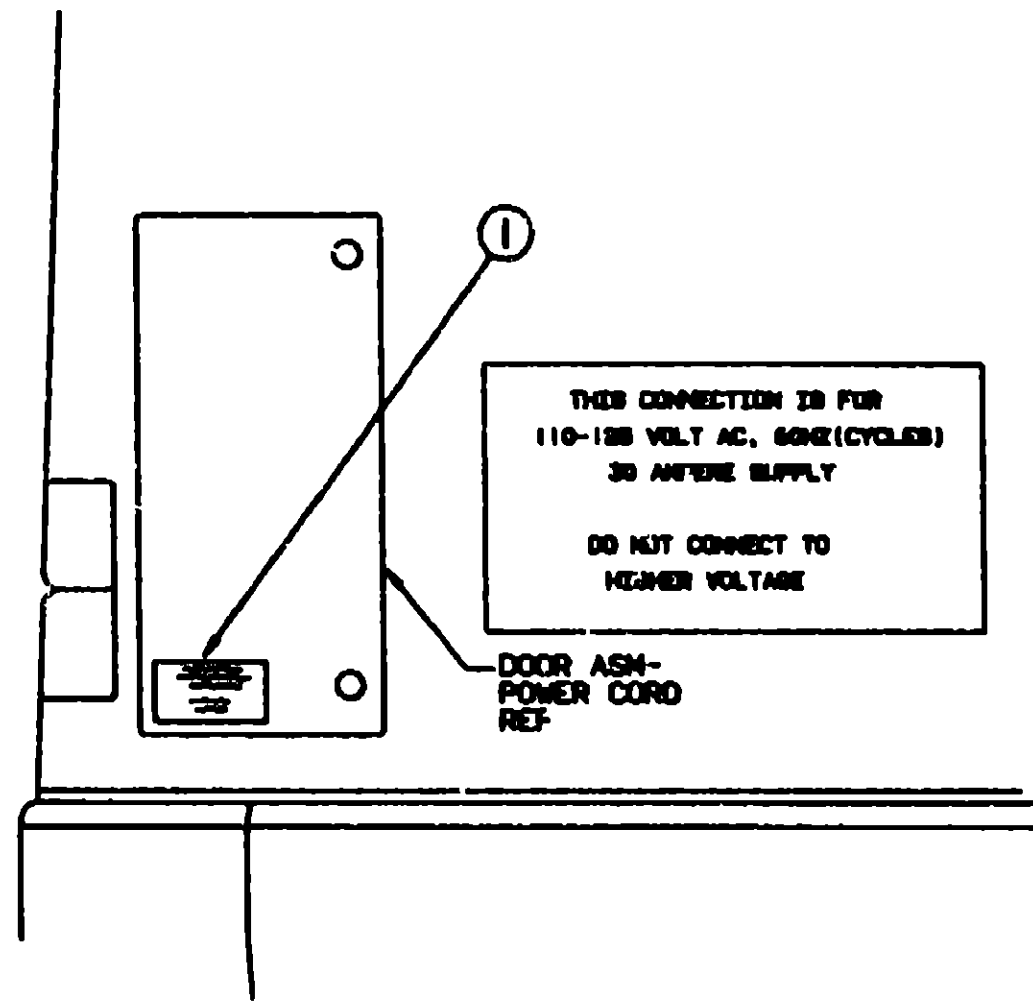
**1991 WINNEBAGO  
TABLE OF CONTENTS**

INTRODUCTION	A-01	A-02
ABBREVIATIONS		A-03
ALPHABETICAL INDEX	A-04	A-08
WCN25RC	A-07	F-02
WCN34RQ	F-03	K-12

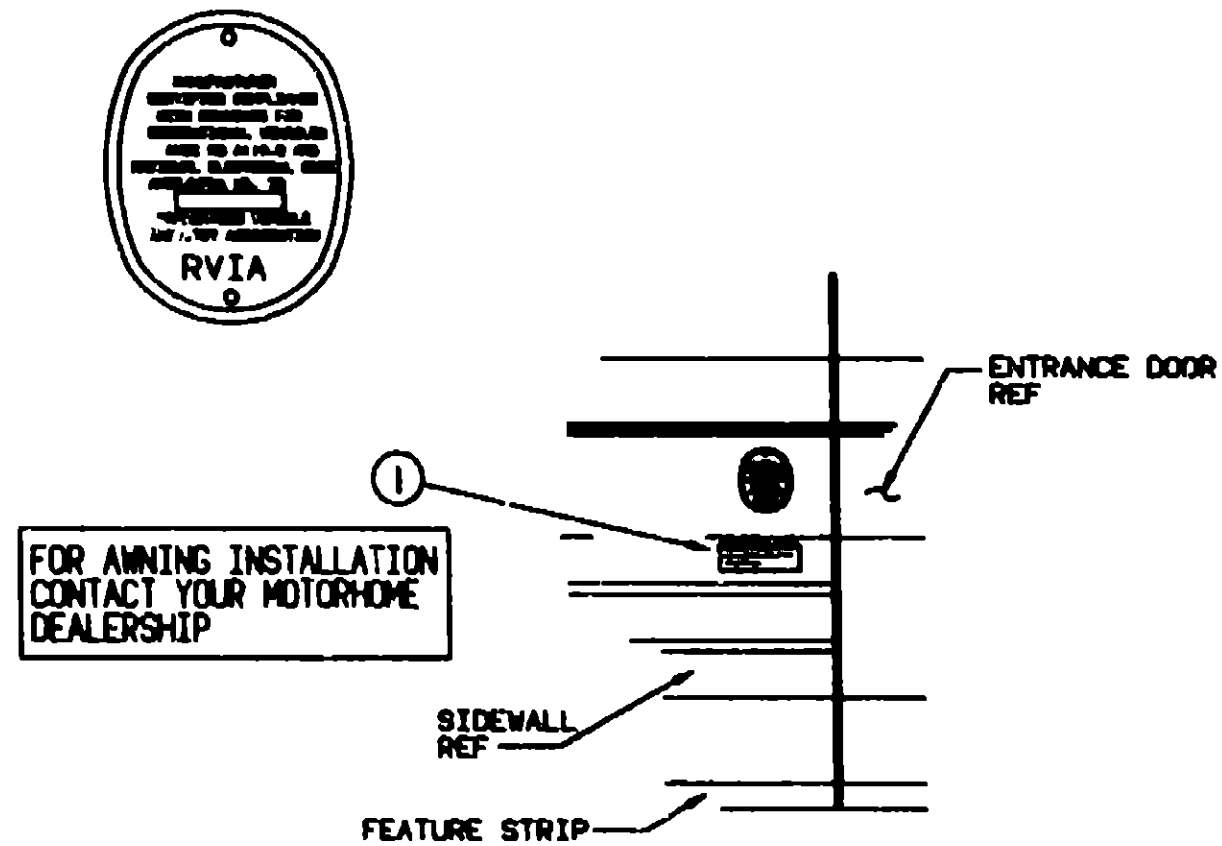
**1991 WCN25RC INDEX**

FLOOR PLAN	A-07	A-08
ACCESSORIES	A-09	A-14
BATH	A-15	A-17
BEDROOM		A-18
CHASSIS	A-19	B-03
C C & PAD	B-04	B-13
DINETTE	B-14	B-15
DRIVERS	B-18	B-22
ELECTRICAL	B-23	C-04
EXTERIOR BODY	C-05	C-12
GALLEY	C-13	C-20
HEATING & A/C	C-21	D-02
INTERIOR FINISH	D-03	D-06
LABELS	D-07	D-14
LP		D-15
LOUNGE		D-16
SEALANTS & FASTENERS	D-17	D-19
WATER & SEWAGE	D-20	D-24
WINDOW, VENT AND EXTERIOR DOOR	E-01	F-02

**LABELS GROUP**



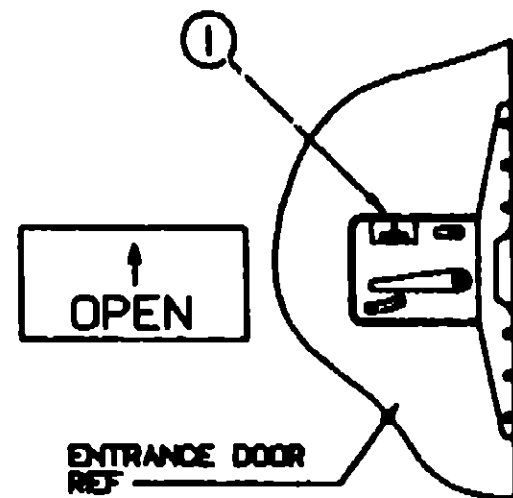
**LABELS GROUP (CONTINUED)**



**1991 WINNEBAGO TABLE OF CONTENTS**

INTRODUCTION	A-01 -	A-02
ABBREVIATIONS		A-03
ALPHABETICAL INDEX	A-04 -	A-08
WCN25RC	A-07 -	F-02
WCN34RQ	F-03 -	K-12

KEY	PART NUMBER	U/M DESCRIPTION
1	008082-01-000	EA TAG-ELECTRIC, 110V CONNECTION



KEY	PART NUMBER	U/M DESCRIPTION
1	009509-01-000	EA LABEL-AWNING INSTALLATION

**MISCELLANEOUS LABELS**

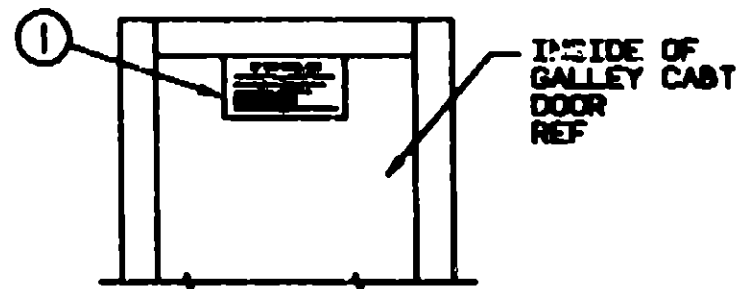
KEY	PART NUMBER	U/M DESCRIPTION
	091243-01-000	EA LABEL-AC COVER (CANADIAN)
	093236-03-000	EA LABEL-CIRCUIT BREAKER, MAIN
	093237-03-000	EA LABEL-CIRCUIT BREAKER, FRONT - POWER SEAT (LIFT)
	093236-04-000	EA LABEL-CIRCUIT BREAKER
	098506-01-000	EA LABEL-"COMPARTMENT NOT SEALED"
	088383-01-000	EA LABEL-"DIESEL FUEL"
	087236-01-000	EA LABEL-CABLE, INPUT
	087236-02-000	EA LABEL-TV, OUTLET
	008031-01-000	EA LABEL-POTABLE WATER ONLY
	061606-01-000	EA LABEL-OVERLAY, VEHICLE CERTIFICATION - ADHESIVE BACKED
	079988-01-000	EA LABEL WARNING, STOWED, MOTION
	090342-01-000	EA LABEL-VAPOR RELIEF
	008064-01-000	EA LABEL-SEAT W/O SEATBELT*NOT INTENDED FOR USE WHILE COACH IN MOTION*
	094675-01-000	EA LABEL-EXTERIOR LIGHT, SERVICE
	009509-01-000	EA LABEL-AWNING INSTALLATION

**1991 WCN25RC INDEX**

FLOOR PLAN	A-07 -	A-08
ACCESSORIES	A-09 -	A-14
BATH	A-15 -	A-17
BEDROOM		A-18
CHASSIS	A-19 -	B-03
C C & F AD	B-04 -	B-13
DINETTE	B-14 -	B-15
DRIVERS	B-16 -	B-22
ELECTRICAL	B-23 -	C-04
EXTERIOR BODY	C-06 -	C-12
GALLEY	C-13 -	C-20
HEATING & A/C	C-21 -	D-02
INTERIOR FINISH	D-03 -	D-08
LABELS	D-07	D-14
LP		D-16
LOUNGE		D-18
SEALANTS & FASTENERS	D-17 -	D-19
WATER & SEWAGE	D-20 -	D-24
WINDOW, VENT AND EXTERIOR DOOR	E-01 -	F-02

KEY	PART NUMBER	U/M DESCRIPTION
1	040944-01-000	EA LABEL-ENTRANCE DOOR, "OPEN"

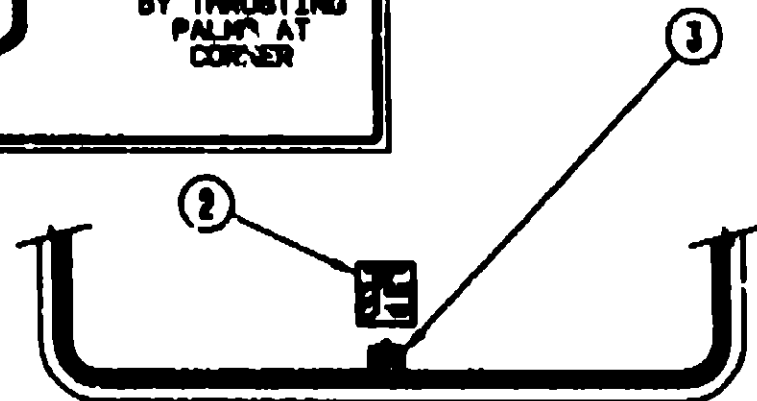
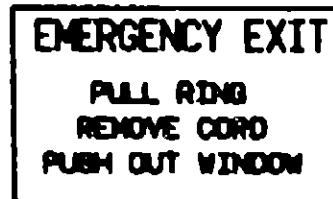
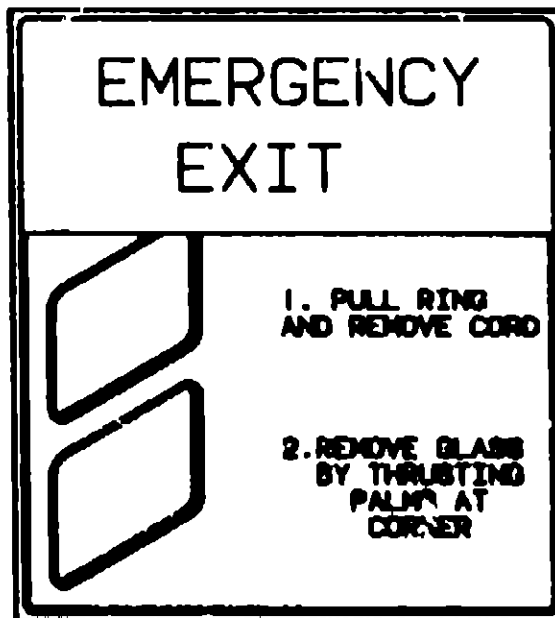
**LABELS GROUP (CONTINUED)**



**IF YOU SMELL GAS**

1. STOP ALL OPEN FLAME, PILOT LIGHTS AND ALL OTHER IGNITION.
2. SHUT OFF THE GAS SUPPLY AT THE TANK VALVE OR GAS SUPPLY REGULATOR.
3. OPEN DOORS AND OTHER VENTILATED OPENINGS.
4. DO NOT TOUCH ELECTRICAL SWITCHES.
5. LEAVE THE AREA UNTIL SCENES CLEAR.
6. HAVE THE GAS SUPPLY CHECKED AND LEAKAGE SOURCE CORRECTED BEFORE USING AGAIN.

KEY	PART NUMBER	U/M DESCRIPTION
1	073999-01-000	EA LABEL-LPG ODOR WARNING

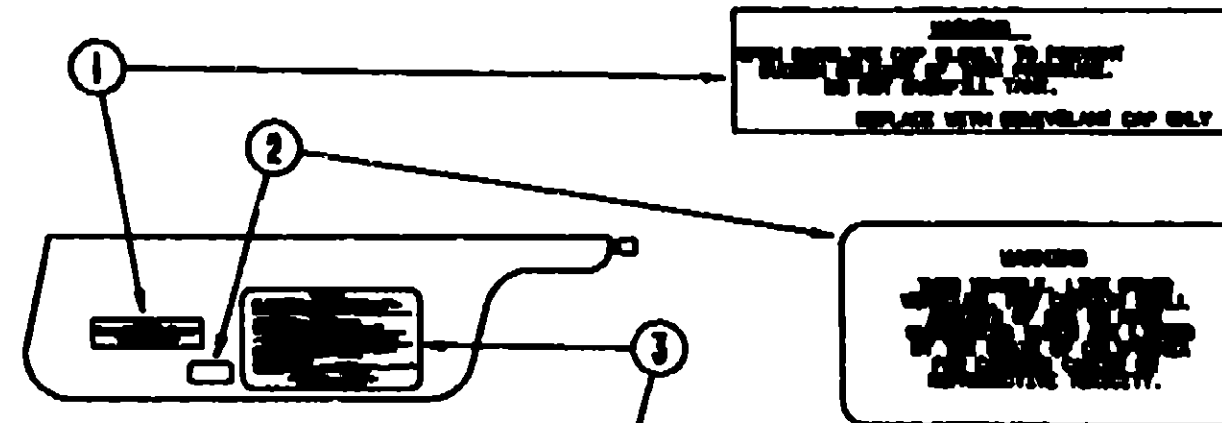


**EXIT**

ESCAPE WINDOW REF

KEY	PART NUMBER	U/M DESCRIPTION
1	039290 01 000	EA LABEL-WARNING-EXIT
2	047731-01-000	EA LABEL-EMERGENCY EXIT ESCAPE WINDOW
3	008199 01 000	EA LABEL-EXIT-ESCAPE WINDOW

**LABELS GROUP (CONTINUED)**



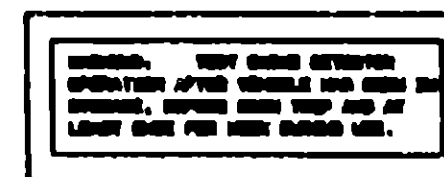
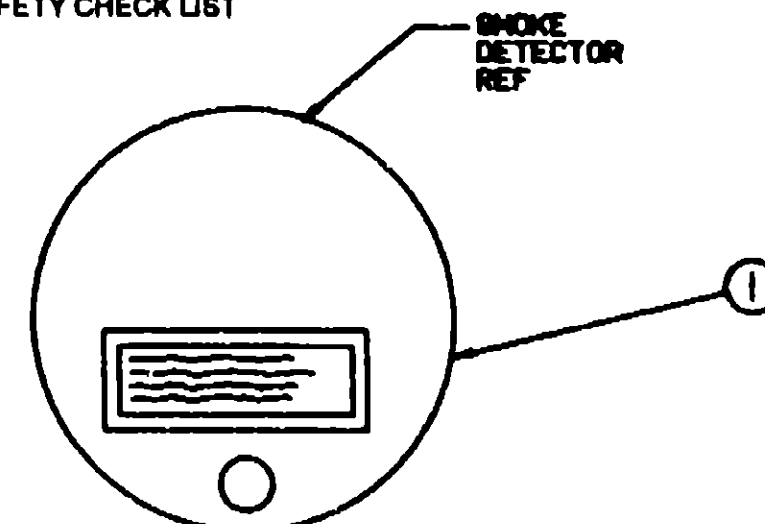
**CAUTION**

THIS MANUAL HAS BEEN REVISED, MANUFACTURED AND TESTED WITH CARE FOR THE PROTECTION OF IT'S READERS. WE REQUEST YOU PERFORM THE FOLLOWING INSPECTIONS FOR YOUR SAFETY AND THE SAFETY OF YOUR PASSENGERS BEFORE STARTING YOUR VEHICLE.

1. LP GAS SYSTEM- TURN OFF AT TANK FOR TRAVELING. TEST FOR LEAKS UPON ARRIVAL AT DESTINATION. BEFORE LEAVING FLOOR.
2. WHEELS- INSPECT FOR DAMAGE AND CHECK TIRE INFLATION.
3. TIRES- INSPECT FOR WEAR AND CHECK FOR RECOMMENDED AIR PRESSURE.
4. LIGHTS- TEST FOR PROPER OPERATION OF ALL EXTERIOR AND INTERIOR LIGHTS INCLUDING BRAKE LIGHTS, HORN/LIGHTS, TAIL LIGHTS, SIGNAL LIGHTS, CLEARANCE LIGHTS AND TURN SIGNALS.
5. SEAT BELTS- INSPECT BELTLINE MECHANISM ON EMERGENCY SEAT BELTS. TEST WITH LEADS ON SEAT BELTS. USE SEAT BELTS FOR EACH OF OPERATOR AND PASSENGER. REMEMBER HOW TO USE SEAT BELTS OF SEAT.
6. SEAT BELTS- DIRECT PASSENGERS TO SEATED SEATS AND REMIND USE OF SEAT BELTS.
7. APPLIANCES- TURN OFF AND LATCH IN LOCK BEFORE LEAVING.
8. LOCKS/FIELDS- OPERATE CAREFULLY.
9. UTILITY SUPPLY LINES- DISCONNECT ALL ELECTRIC, GAS AND WATER LINES AND SECURE PROPERLY.
10. SERVICE BIRD CAP- PLACE IN RETRIEVED POSITION FOR TRAVELING.

READ THIS MANUAL CAREFULLY AND OBTAIN OWNER'S MANUAL FOR FURTHER PRECAUTIONS

KEY	PART NUMBER	U/M DESCRIPTION
1	087207-05-000	EA LABEL-FUEL CAP REMOVAL
2	090689-01-000	EA LABEL-WARNING, CANCER/TOXICITY
3	058259-01-000	EA LABEL-SAFETY CHECK LIST



KEY	PART NUMBER	U/M DESCRIPTION
1	077956-01-000	EA LABEL-WARNING, SMOKE DETECTOR

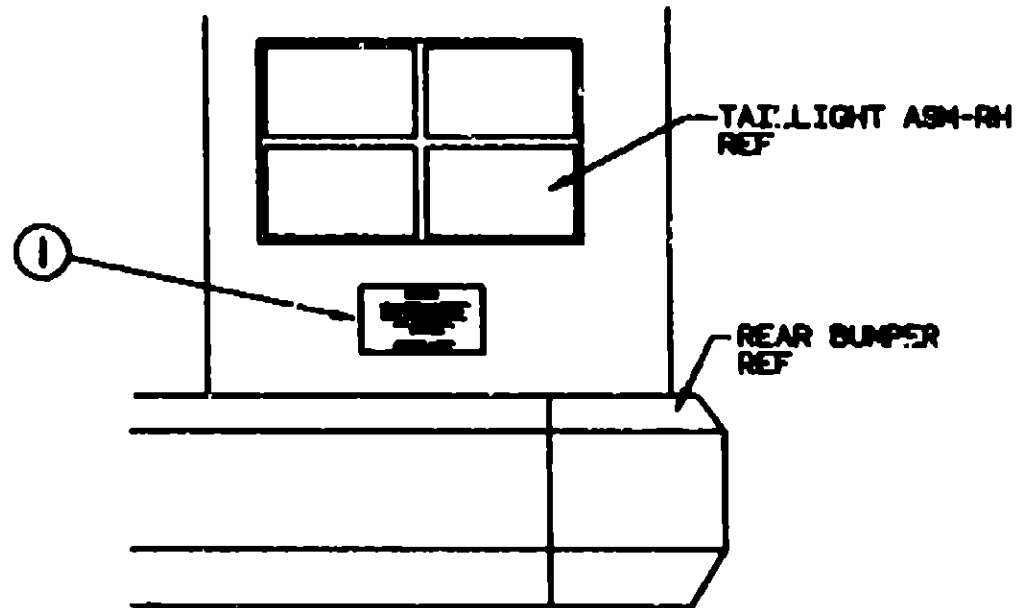
**1991 WINNEBAGO TABLE OF CONTENTS**

INTRODUCTION	A-01 - A-02
ABBREVIATIONS	A-03
ALPHABETICAL INDEX	A-04 - A-08
WCN25RC	A-07 - F-02
WCN34RQ	F-03 - K-12

**1991 WCN25RC INDEX**

FLOOR PLAN	A-07 - A-08
ACCESSORIES	A-09 - A-14
BATH	A-15 - A-17
BEDROOM	- A-18
CHASSIS	A-19 - B-03
C C & PAD	B-04 - B-13
DINETTE	B-14 - B-15
DRIVERS	B-16 - B-22
ELECTRICAL	B-23 - C-04
EXTERIOR BODY	C-05 - C-12
GALLEY	C-13 - C-20
HEATING & AC	C-21 - D-02
INTERIOR FINISH	D-03 - D-06
LABELS	D-07 - D-14
LP	D-15
LOUNGE	D-16
SEALANTS & FASTENERS	D-17 - D-19
WATER & SEWAGE	D-20 - D-24
WINDOW, VENT AND EXTERIOR DOOR	E-01 - F-02

**LABELS GROUP (CONTINUED)**



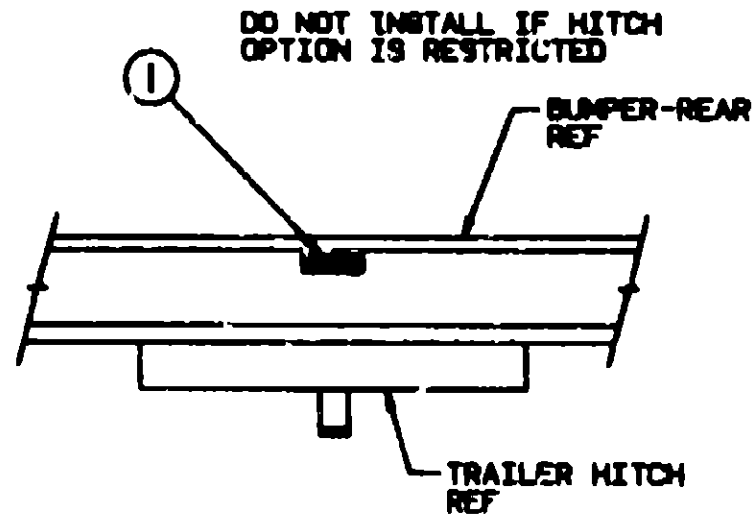
**WARNING**

DO NOT EXCEED THE VEHICLE WEIGHT RATINGS OR LOADING RECOMMENDATIONS (E.G., GROSS VEHICLE, GROSS AXLE, GROSS COMBINED) OF THE CHASSIS MANUFACTURER OR WINNEBAGO INC.

REFER TO YOUR OWNERS MANUAL, BEFORE LOADING OR TOWING.

**KEY PART NUMBER**  
1 075220-01-000

**U/M DESCRIPTION**  
EA LABEL-WARNING, EXTERIOR LOAD



**TOWING CAPACITY**

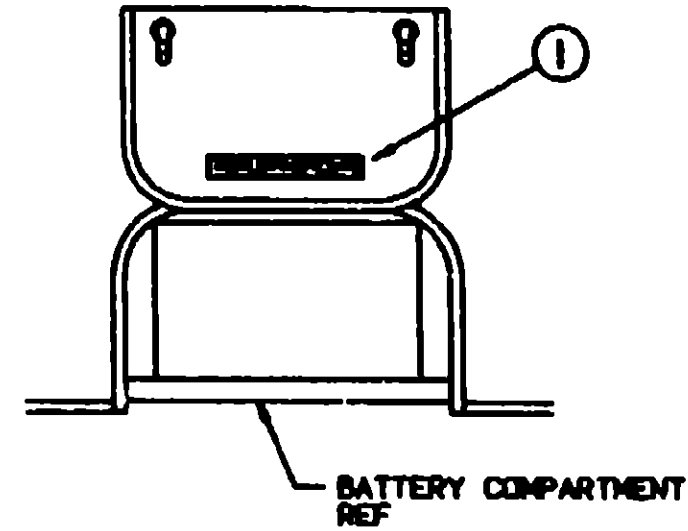
TOWED VEHICLE 3000 LB. GROSS MAXIMUM  
HITCH BALL 500 LB. MAXIMUM

**KEY PART NUMBER**  
1 075221-03-000

**U/M DESCRIPTION**  
EA LABEL-TRAILER HITCH

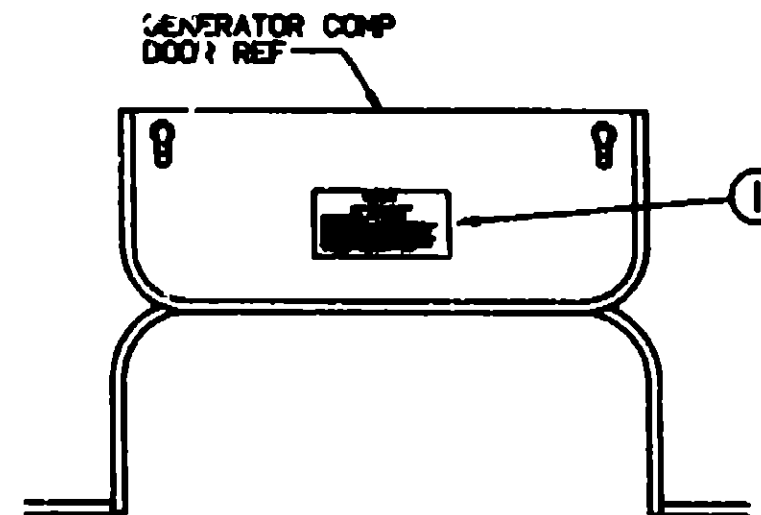
**LABELS GROUP (CONTINUED)**

**WARNING** DISCONNECT BATTERIES BEFORE CONNECTING EXTERNAL CHARGING EQUIPMENT.



**KEY PART NUMBER**  
1 065748-01-000

**U/M DESCRIPTION**  
EA LABEL-CAUTION, BATTERY CHARGING



**WARNING**

**WHEN ADDING A GENERATOR SET:**

NON VOLTAGE-USE SERVICE OUTLET WHEN WORKING ON ELECTRICAL COMPONENTS.  
HAVE ALL ELECTRICAL INSTALLATION PERFORMED BY A QUALIFIED LICENSED ELECTRICIAN-FOLLOW ALL CODES AND LOCAL ORDINANCES.  
ONLY INSTALL GENERATOR SET APPROVED FOR R.V. APPLICATIONS. HAVE INSTALLATION BY QUALIFIED TECHNICIAN.  
TO AVOID NOISE SHIELD-UP AND TO ENSURE AN ADEQUATE AIR SUPPLY TO THE GENERATOR COMPARTMENT, FOLLOW INSTALLATION INSTRUCTIONS.  
OPERATOR SHOULD MONITOR GENERATOR TEMPERATURE AND NOT SET TEMPERATURE LOWER THAN VEHICLE-GENERATOR SUPPLIER RECOMMENDATIONS.

**KEY PART NUMBER**  
1 077510-01-000

**U/M DESCRIPTION**  
EA LABEL-GENERATOR PREP

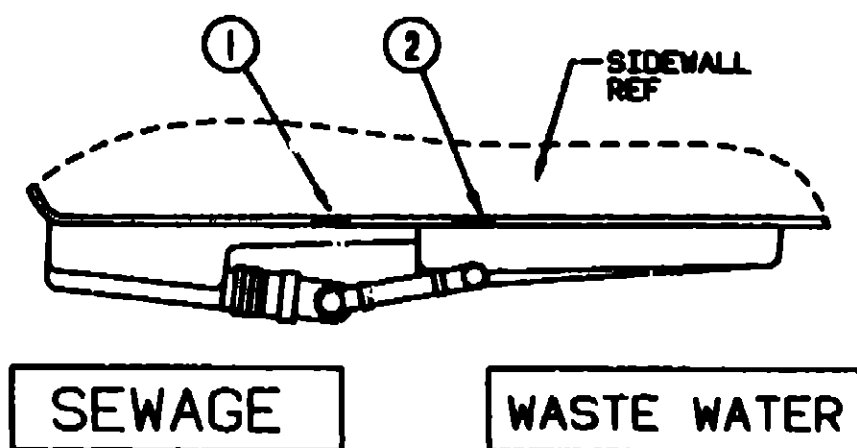
**1991 WINNEBAGO  
TABLE OF CONTENTS**

INTRODUCTION	A-01 - A-02
ABBREVIATIONS	A-03
ALPHABETICAL INDEX	A-04 - A-06
WCN25RC	A-07 - F-02
WCN34RQ	F-03 - K-12

**1991 WCN25RC INDEX**

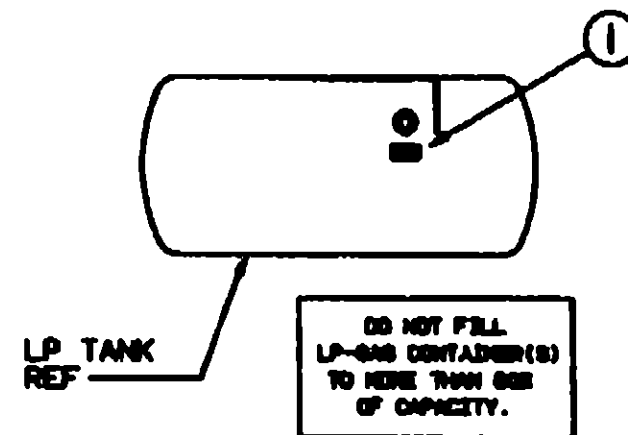
FLOOR PLAN	A-07 - A-08
ACCESSORIES	A-09 - A-14
BATH	A-15 - A-17
BEDROOM	- A-18
CHASSIS	A-19 - B-03
C C & PAD	B-04 - B-13
DINETTE	B-14 - B-15
DRIVERS	B-16 - B-22
ELECTRICAL	B-23 - C-04
EXTERIOR BODY	C-05 - C-12
GALLEY	C-13 - C-20
HEATING & A/C	C-21 - D-02
INTERIOR FINISH	D-03 - D-06
LABELS	D-07 - D-14
LP	D-15
LOUNGE	D-16
SEALANTS & FASTENERS	D-17 - D-19
WATER & SEWAGE	D-20 - D-24
WINDOW, VENT AND EXTERIOR DOOR	E-01 - F-02

**LABELS GROUP (CONTINUED)**



KEY	PART NUMBER	U/M DESCRIPTION
1	008187-01-000	EA LABEL-SEWAGE
2	008188-01-000	EA LABEL-WASTE WATER

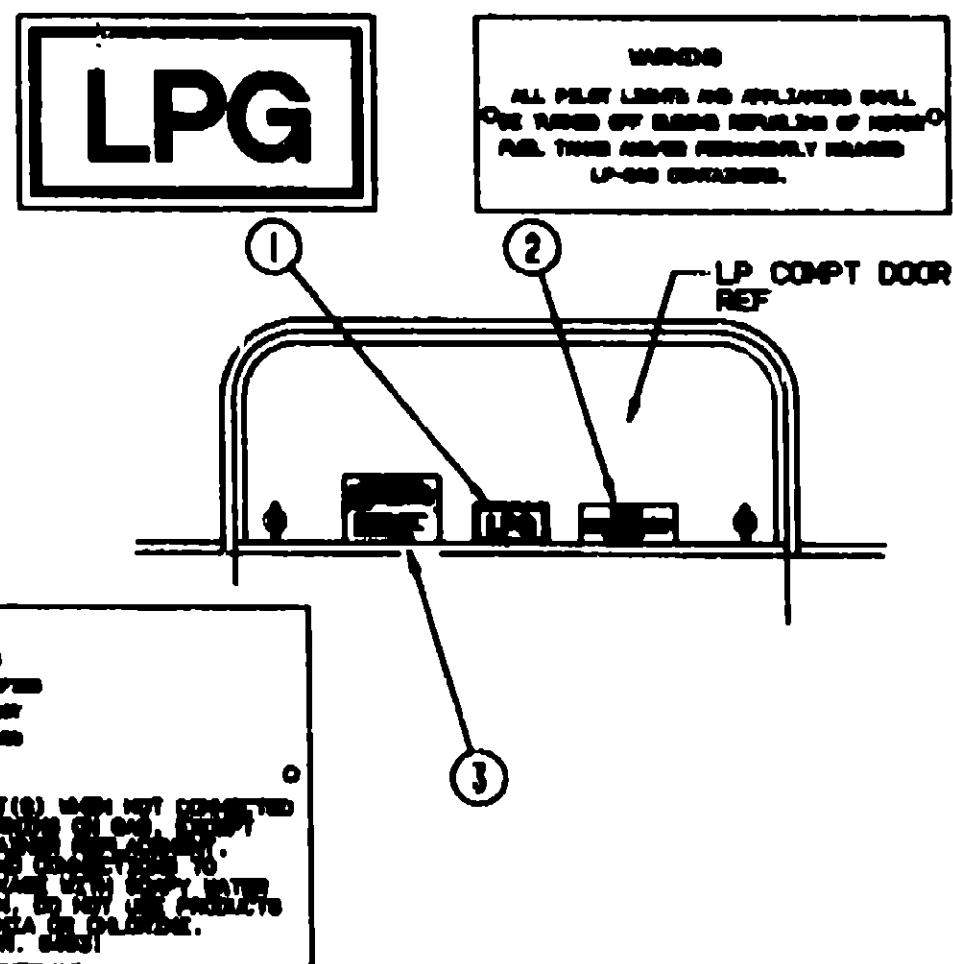
**LABELS GROUP (CONTINUED)**



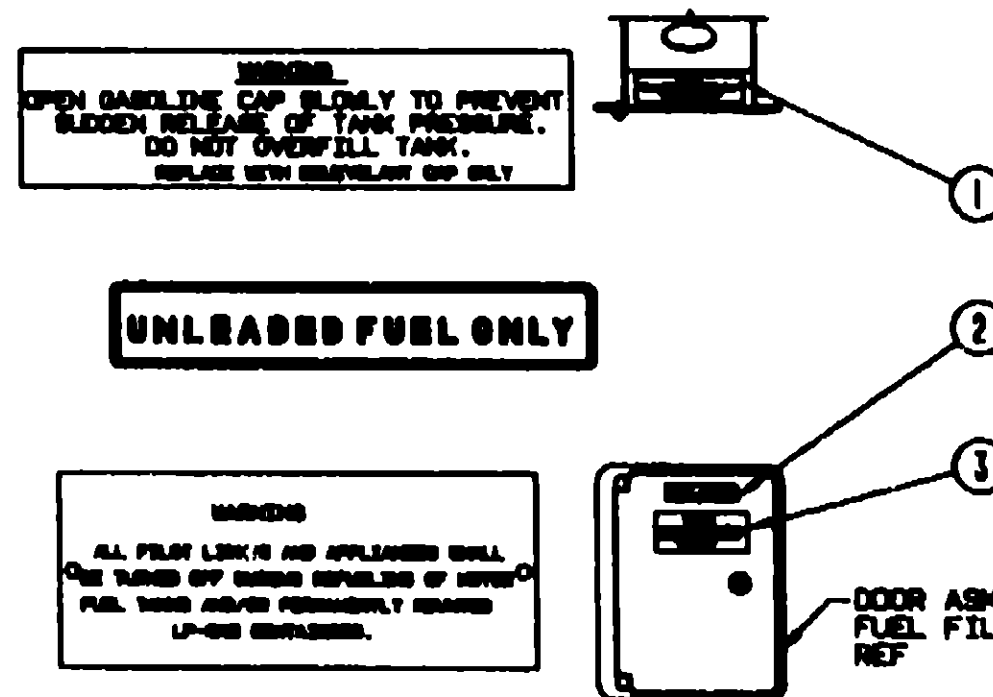
KEY	PART NUMBER	U/M DESCRIPTION
1	079935-01-000	EA LABEL-LPG 80% CAPACITY

**1991 WINNER XGO  
TABLE OF CONTENTS**

INTRODUCTION	A-01 -	A-02
ABBREVIATIONS		A-03
ALPHABETICAL INDEX	A-04 -	A-08
WCN25RC	A-07 -	F-02
WCN34RQ	F-03 -	K-12



KEY	PART NUMBER	U/M DESCRIPTION
1	074559-01-000	EA DECAL-LOGO, LPG - RED - (CALIF CODE)
2	008040-01-000	EA TAG-GAS REFUELING WARNING
2	008040-02-000	EA TAG-GAS REFUEL WARNING, CANADIAN
3	054531-01-000	EA LABEL-LP GAS ONLY
3	023789-01-000	EA LABEL-WARNING, LPG - CANADIAN



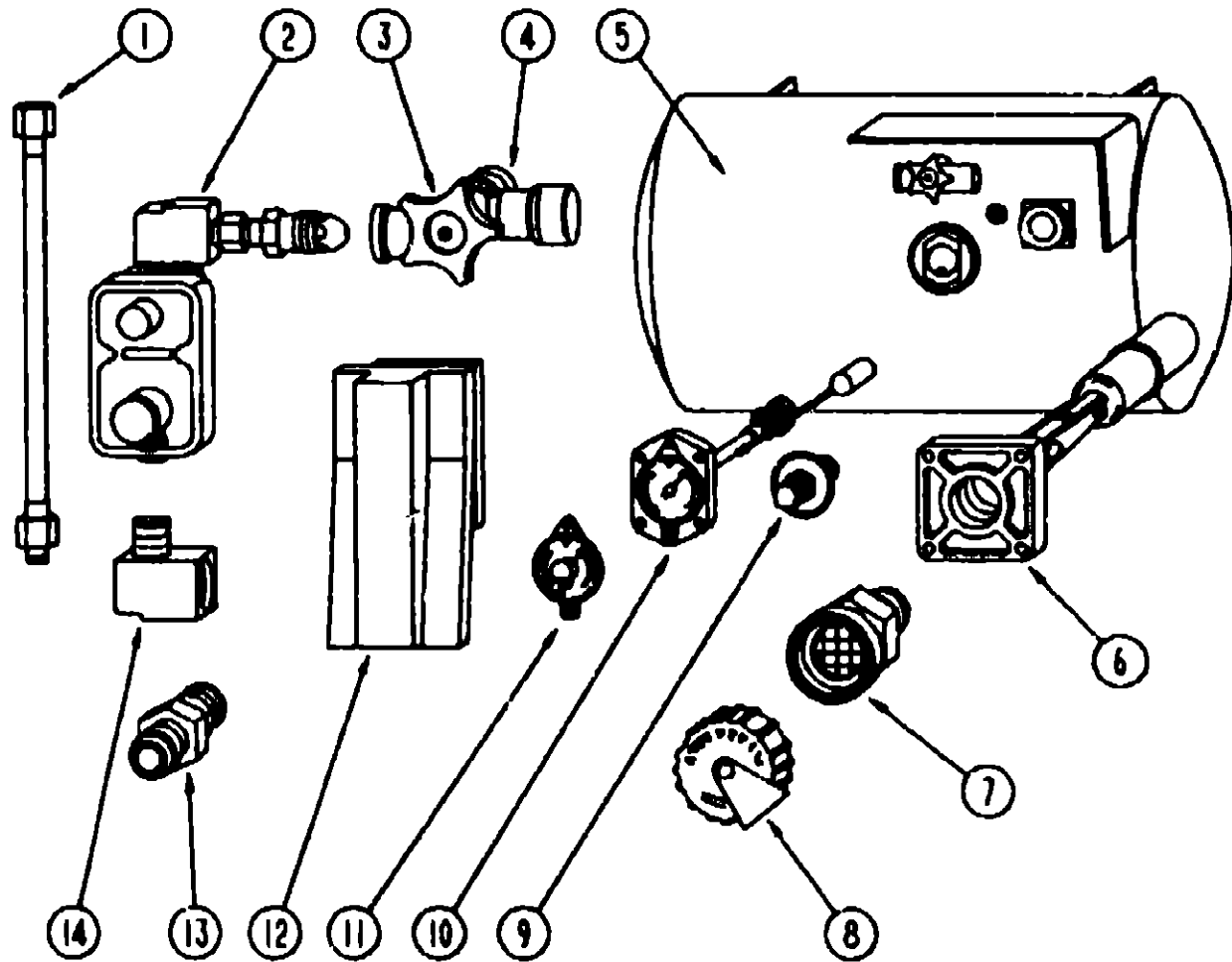
KEY	PART NUMBER	U/M DESCRIPTION
1	087207-05-000	EA LABEL-FUEL CAP REMOVAL
2	082043-01-000	EA LABEL-FUEL, UNLEADED
3	008040-01-000	EA TAG-GAS REFUELING WARNING
3	008040-02-000	EA TAG-GAS REFUEL WARNING, CANADIAN

**1991 WCN25RC INDEX**

FLOOR PLAN	A-07 -	A-08
ACCESSORIES	A-09 -	A-14
BATH	A-15 -	A-17
BEDROOM		A-18
CHASSIS	A-19 -	B-03
C C & PAD	B-04 -	B-13
DINETTE	B-14 -	B-15
DRIVERS	B-16 -	B-22
ELECTRICAL	B-23 -	C-04
EXTERIOR BODY	C-05 -	C-12
GALLEY	C-13 -	C-20
HEATING & A/C	C-21 -	D-02
INTERIOR FINISH	D-03 -	D-08
LABELS	D-07 -	D-14
LP		D-15
LOUNGE		D-16
SEALANTS & FASTENERS	D-17 -	D-19
WATER & SEWAGE	D-20 -	D-24
WINDOW, VENT AND EXTERIOR DOOR	E-01 -	F-02



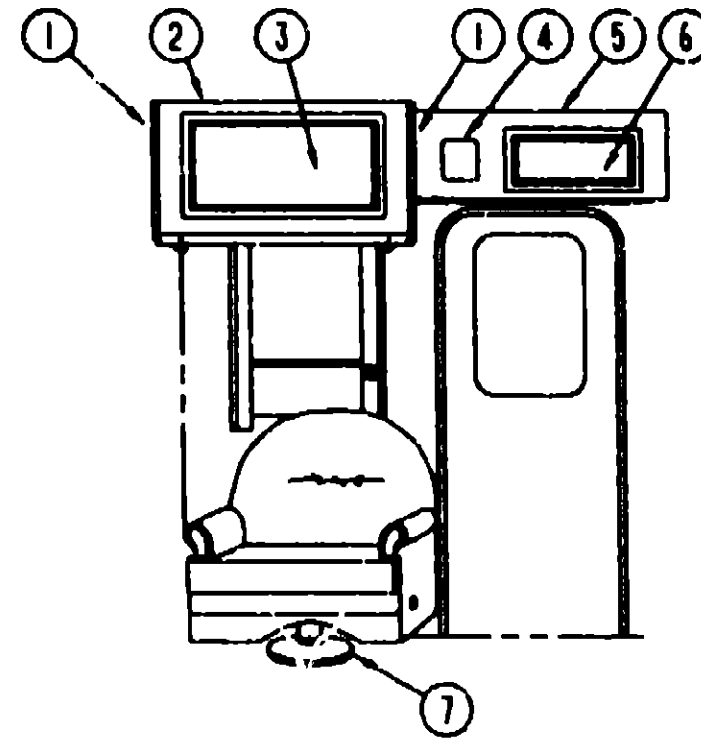
**LP GROUP**



**LP TANK & COMPONENTS**

KEY	PART NUMBER	U/M DESCRIPTION
1	045703-01-000	EA HOSE-L/P, 3/8" ID X 24' US - 3/8 MPT X 1/2 F SWIVEL
1	045703-02-000	EA HOSE-L/P, 3/8" ID X 24' - 3/8" MPT X 1/2" F SWIVEL - CANADA
2	076301-01-000	EA REGULATOR-LPG, TWO STAGE
3	040421-01-708	EA HANDWHEEL-VAPOR RELIEF VALVE, BRUNNER G-1015-A
4	040421-01-703	EA VALVE-SERVICE W/HANDWHEEL W/VAPOR RELIEF (REG009108CO) BRUNNER G-1015
5	091970-01-000	EA TANK-LP, 80 LBS - 20" X 24"
6	040421-01-711	EA VALVE-80% W/FLOAT, PLATE, BOLTS & GASKET - BRUNNER
7	040421-01-701	EA VALVE-SHORT LP FILLER W/YELLOW CAP - BRUNNER 7547B
8	040421-01-702	EA CAP-LP FILLER VALVE, PLASTIC - YELLOW - BRUNNER G-1014-A
9	040421-01-700	EA GAUGE-LIQUID LEVEL, 20% LP - BRUNNER G-1013
10	040421-01-707	EA GAUGE-FLOAT W/VISIBLE DIAL - BRUNNER MA-9 6244-4
11	040440-01-000	EA TRANSMITTER-DIAL, 00 OHM
12	081938-01-000	EA COVER-COMPARTMENT - LP REGULATOR - BLACK
13	010329-01-000	EA ADAPTER-BRASS-1/2" F X 1/2" MPT
14	085318-02-000	EA ELBOW-90 DEGREE, 3/8" MPT TO 3/8" FPT
	010377-02-000	EA NUT-BRASS, 3/8 FEMALE - FORGED
	010380-02-000	EA NUT-BRASS, 1/2" FEMALE - FORGED
	075148-02-000	EA CLAMP-GROUNDING, BRONZE SCREWS
	085741-01-000	EA GAUGE-DIAPHRAGM PRESSURE - MARSHALLTOWN MFG
	085742-01-000	EA TEE, 3/8 F X 3/8 F X 25FPT - BRASS
	008042-01-000	FT TUBING-VINYL, 65" ID
	010323-01-000	EA ADAPTER-BRASS-3/8 F X 1/2 MPT
	093380-01-000	EA COUPLER-1/2 TO 3/8 BLK PIPE
	084884-01-000	EA PLUG-BRASS, 3/8"
	093511-01-000	EA VAPOR KIT-LP, GENERATOR

**LOUNGE GROUP**



**OVERHEAD CABINET & COMPONENTS**

KEY	PART NUMBER	U/M DESCRIPTION
1	092747-01-807	EA END CAP-CABINET, OVERHEAD - FRONT
2	M04150-01-807	EA CABINET-OVERHEAD, SWIVEL CHAIR - W/O DOORS OR HARDWARE
3	P00520-01-807	EA DOOR-CABINET, W/O HARDWARE - 14 3/4" X 21 85"
4	074979-01-000	EA SHIELD-SPEAKER BACK, MOLDED PLASTIC - BEIGE
4	094097-01-000	EA SPEAKER-RADIO, W/O GRILLE - 4" DIAMETER
4	089340-01-000	EA GRILLE-SPEAKER, RADIO - 6 5" SQUARE
4	089340-02-000	EA GRILLE-SPEAKER, RADIO - 8 5" SQUARE
		FROM 00-00-00 THRU 09-09-99
5	M04151-01-807	EA CABINET-OVERHEAD, ENTRY DOOR - W/O DOORS OR HARDWARE
6	P00520-08-807	EA DOOR-CABINET, W/O HARDWARE - 8 3" X 19 5"
7	093482-01-000	EA SHROUD-PEDESTAL, 13" - PLASTIC - BLACK
	093481-01-000	EA BASE-PEDESTAL, SWIVEL CHAIR - 8" EXTENSION

**SEAT BELT**

KEY	PART NUMBER	U/M DESCRIPTION
	007021-01-000	EA BELT-SEAT, 2" X 90" - BLACK
	057759-01-000	EA WASHER-BRACKET, SEATBELT - 4" DIAMETER

**1991 WINNEBAGO  
TABLE OF CONTENTS**

INTRODUCTION	A-01 -	A-02
ABBREVIATIONS		A-03
ALPHABETICAL INDEX	A-04 -	A-06
WCN25RC	A-07 -	F-02
WCN34RQ	F-03 -	K-12

**1991 WCN25RC INDEX**

FLOOR PLAN	A-07 -	A-08
ACCESSORIES	A-09 -	A-14
BATH	A-15 -	A-17
BEDROOM		A-18
CHASSIS	A-19 -	B-03
C C & PAD	B-04 -	B-13
DINETTE	B-14 -	B-15
DRIVERS	B-16 -	B-22
ELECTRICAL	B-23 -	C-04
EXTERIOR BODY	C-05 -	C-12
GALLEY	C-13 -	C-20
HEATING & A/C	C-21 -	D-02
INTERIOR FINISH	D-03 -	D-08
LABELS	D-07 -	D-14
LP		D-15
LOUNGE		D-16
SEALANTS & FASTENERS	D-17 -	D-19
WATER & SEWAGE	D-20 -	D-24
WINDOW, VENT AND EXTERIOR DOOR	E-01 -	F-02

# SEALANTS & FASTENERS GROUP

## ADHESIVE AND BOLTS

KEY	PART NUMBER	U/M DESCRIPTION
	004020-01-000	QT ADHESIVE-ABS CEMENT, QUART
	081377-01-700	EA ADHESIVE-CYANOACRYLATE, 10 GRAM TUBE
	004008-04-700	EA ADHESIVE-PIERCE, 1 GAL - J9270-X-1
	087211-01-000	GL ADHESIVE-PROMOTER
	004005-02-000	EA ADHESIVE-SWIFTS, 1 GAL - W1333
	088039-01-000	EA ADHESIVE-WEATHERSTRIP, 8 OZ
	053788-02-000	EA BEDDING COMPOUND-TUBE, WHITE
	102333-01-01A	EA BOLT-CARRIAGE, 7/16 - 14 - STAINLESS STEEL CAP- BEIGE
	051387-08-000	EA BOLT-CARRIAGE, W/O HOLE - 5/16-18 X 8 5 ZN
	000C12-08-24B	EA BOLT-HEX, 1/2-13 X 1 1/2 - ZN 5
	000C12-05-18B	EA BOLT-HEX, 5/16-18 X 1 - ZINC 5
	000C12-10-24B	EA BOLT-HEX, 5/8-11 X 1 1/2 ZN - 5
	000C12-07-20B	EA BOLT-HEX, 7/16 - 14 X 1 1/4 - ZINC
	000C13-07-48B	EA BOLT-HEX, 7/16 - 20 X 3 - ZN 5
	000C28-04-10B	EA BOLT-HEX, SER FLG - 1/4-20 X 5/8 - ZINC
	000C28-05-20B	EA BOLT-HEX, SER FLG 5/16-18 X 1 1/4 - ZINC
	000C12-06-24B	EA BOLT-HEX-5/16-18X1 1/2 ZN 5
	000C12-04-12A	EA BOLT-HEX, 1/4 - 20 X 3/4 - PLAIN 5
	000C12-05-12B	EA BOLT-HEX, 5/16 - 18 X 3/4 - ZINC

## CLAMPS, GROMMETS AND HOLDERS

KEY	PART NUMBER	U/M DESCRIPTION
	010495-01-000	EA CLAMP-CABLE, 9/16"
	010497-08-000	EA CLAMP-CLOSED, 11/16" ID
	010497-03-000	EA CLAMP-CLOSED, 1" ID - CUSHIONED
	010499-01-000	EA CLAMP-CLOSED, 3/8" ID
	010497-01-000	EA CLAMP-CLOSED, 5/8" ID
	010497-08-000	EA CLAMP-CLOSED, .125"
	075148-02-000	EA CLAMP-GROUNDING, BRONZE SCREWS
	007181-01-000	EA CLAMP-HOSE, SPRING TYPE - 1/2"
	082401-05-000	EA CLAMP-HOSE, WORMGEAR - 2" X 3"
	082401-08-000	EA CLAMP-HOSE, WORMGEAR - 4 08" - 50MM
	082401-02-000	EA CLAMP-HOSE, WORMGEAR, 1 58" - 2 5"
	082401-10-000	EA CLAMP-HOSE, WORMGEAR 1 08" - 2"
	082401-11-000	EA CLAMP-HOSE, WORMGEAR - 3 58" - 4 5"
	073184-02-000	EA CLAMP-HOSE, WORMGEAR 32-50 MM
	082401-07-000	EA CLAMP-HOSE, WORMGEAR 5" - 7"
	082401-08-000	EA CLAMP-HOSE, WORMGEAR .22" - .82"
	082401-01-000	EA CLAMP-HOSE, WORMGEAR 25" - 1"
	082401-04-000	EA CLAMP-HOSE, WORMGEAR .88" - 1 25"
	082401-03-000	EA CLAMP-HOSE WORMGEAR, 22" - 1"
	083809-01-000	EA CLAMP-WIRE, DUAL - EQUAL 5/8" DIAMETER
	083810-01-000	EA CLAMP-WIRE, DUAL UNEQUAL DIA - 75" & 1 25"
	077953-01-000	EA GROMMET-EDGE LINER, FITS 1"
	023942-01-000	EA GROMMET-RUBBER, 2" OD
	071015-13-000	EA GROMMET-RUBBER, .82" ID - FITS .09"
	071015-21-000	EA GROMMET-.60" ID, FITS 19" MATERIAL, RUBBER- SPLIT
	088134-02-000	EA HOLDER-RING, 1.5" ID PIPE SIZE - STEEL
	082321-01-000	FT INSULATION-FIBERGLASS, W/ALUMINUM FOIL
	077955-01-000	EA J CLIP-VINYL COATED, 3/8" USED IN WIRING TO CLEARANCE LIGHTS
	101447-01-000	EA CLIP-U TYPE, TINNEMAN 9 (SHOWER SURROUND)

## NUTS & RIVETS

KEY	PART NUMBER	U/M DESCRIPTION
	072893-01-000	EA NUTSERT-M5 X 0, 8
	077049-01-000	EA NUT-ACORN, 10-32 - ALUMINUM
	086094-01-000	EA NUT-ACORN, 1/4 - 20 - ALUMINUM
	000D14-05-00B	EA NUT-HEX, 5/16-18 - ZN - 5
	000D34-04-00B	EA NUT-HEX, LK 1/4 - 20 - ZN
	000D39-04-00B	EA NUT-HEX, SER FLG LK 1/4 - 20 - ZN
	000D39-08-00B	EA NUT-HEX, SER FLG LK - 1/2-13 - ZN
	000D39-06-00B	EA NUT-HEX, SER FLG LK - 3/8-18 - ZN
	000D39-05-00B	EA NUT-HEX, SER FLG LK - 5/16 - 18 - ZN
	000D44-07-00B	EA NUT-HEX, SER FLG LK - 7/16-20 - ZN

# SEALANTS & FASTENERS GROUP (CONTINUED)

## NUTS AND RIVETS (CONTINUED)

KEY	PART NUMBER	U/M DESCRIPTION
	000D24-10-00B	EA NUT-HEX, SF/LK - 10-32 - ZN
	083253-07-G30	EA NUT-J, #8A 120- 130 PNL THK
	044384-02-000	EA NUT-SPEED, FLAT - ROUND
	040921-08-000	EA NUT-SPEED, U TYPE - NO 8
	040921-04-000	EA NUT-SPEED, U TYPE - NO 8
	040921-05-000	EA NUT-SPEED, U TYPE - NO.8
	064081-01-000	EA NUT-WING, 3/8" X 18 THREAD
	084884-01-000	EA PLUG-BRASS, 3/8"
	000H18-04-05A	EA RIVET-POP, AL 1/8 X 313- 375
	000H14-03-14A	EA RIVET-MANDREL BLIND - 3/16"
	089582-02-000	EA RIVET-T (POP) 1/4X.083-.158
	063729-04-000	EA RIVNUT, 10-32 UNF - 010- 080
	063729-01-000	EA RIVNUT, 1/4 X 20 UNC - 030- 125

## SCREWS

KEY	PART NUMBER	U/M DESCRIPTION
	000G87-10-24E	EA SCREW, 10-12 X 1 1/2 PPH - ZN
	000G87-10-10C	EA SCREW, 10-12 X 5/8" PPH - BLACK
	000G87-10-08B	EA SCREW, 10-12 X 1/2 PPH - ZN
	000G87-10-08R	EA SCREW, 10-12 X 1/2 PPH - TYPE A - BEIGE
	000G87-10-12B	EA SCREW, 10-12 X 3/4 - PPH - ZN
	000G87-10-10B	EA SCREW, 10-12 X 5/8 PPH - TYPE A - ZN
	000G87-10-10R	EA SCREW, 10-12 X 5/8 PPH - TYPE A - BEIGE
	000G87-10-12P	EA SCREW, 10-12 X .75 PPH - DARK BROWN
	049465-04-000	EA SCREW, 10-18 X 1 PTH W/WASHER - BEIGE
	000G11-10-08B	EA SCREW, 10-18 X 1/2" - PPH-ZN
	000G11-10-080	EA SCREW, 10-18 X 5/8" PPH - BEIGE
	000G11-10-24P	EA SCREW-10 - 18 - 1 1/2 PPH - DARK BROWN
	000G11-10-12D	EA SCREW, 10-18 X 3/4 PPH - BLACK
	000G88-08-10G	EA SCREW, 8-18 X 5/8 POH - ANTIQUE BRASS
	078790-01-000	EA SCREW, 8-20 X 1 1/4 PPH - BLACK
	000G13-08-16R	EA SCREW, 8-20 X 1 PFH - BEIGE
	000G13-08-08B	EA SCREW, 8-20 X 1/2 PFH - ZN
	000G13-08-10G	EA SCREW, 8-20 X 5/8 PFH - ANTIQUE BRASS
	000G11-08-10B	EA SCREW, 8-20 X 5/8 PPH - ZN
	000G11-08-10J	EA SCREW, 8-20 X 5/8 PPH - BRASS
	000G11-07-08B	EA SCREW, 7-19 X 1/2 PPH - ZN
	000G13-07-12B	EA SCREW, 7-19 X 3/4 PFH - ZN
	000G13-07-16B	EA SCREW, 8-18 X 1 PFH - ZN
	000G11-C8-08T	EA SCREW, 8-18 X 1/2 PPH - BLACK
	000G11-08-08B	EA SCREW, 8-18 X 1/2 PPH - ZN
	000G11-08-12B	EA SCREW, 8-18 X 3/4 PPH ZN
	000G11-08-12R	EA SCREW, 8-18 X 3/4 PPH - BEIGE
	000G11-08-12D	EA SCREW, 8-18 X 3/4 PPH - BLACK
	000G11-08-16R	EA SCREW, 8-18X1.00 PPH - BEIGE
	000G87-10-32B	EA SCREW, NO 10 - 12 X 2 PPH ZN
	000G55-08-12W	EA SCREW, SF/DR-8-18X.75 PWH - BEIGE
	000G87-10-12R	EA SCREW-10-12X 75 PPH - BEIGE
	000G87-10-120	EA SCREW-10-12X 75 PPH - TAN
	049465-03-000	EA SCREW-10-18X1 POH W/WASHER - OFF WHITE
	000G11-10-12S	EA SCREW-1/4-20X1 1/4 PTH TYP 23
	000G57-05-16J	EA SCREW-5-20X1 PFH - BRASS
	000G12-06-08T	EA SCREW-8-20 X .50 POH - BLACK
	085318-01-000	EA SCREW-8-088X1/2, CRIMP TITE HD
	000G87-08-32B	EA SCREW-8-15X2 PPH - ZN
	000G55-08-122	EA SCREW-8 - 18 X 3/4" PWH - BEIGE
	000G11-08-16B	EA SCREW-8-18X1 00 PPH - OFF WHITE
	009439-07-000	EA SCREW-8-32X1 1/4 POH - BLACK
	087721-01-000	EA SCREW-FLAT HEAD, TAPPING - 1/4 X 1 1/4 LG - ZN
	088783-01-000	EA SCREW-MACH, 10 - 32 X 1/4 PTH
	000G19-10-08B	EA SCREW-MACH, 10-32 X 1/2 PPH - ZN
	000G32-10-08B	EA SCREW-10 - 32 X 3/8" - PPH - ZN
	000G19-10-12B	EA SCREW-10 32 - TPI X .75 - ZN

## 1991 WINNEBAGO TABLE OF CONTENTS

INTRODUCTION	A-01	A-02
ABBREVIATIONS		A-03
ALPHABETICAL INDEX	A-04	A-06
WCN25RC	A-07	F-02
WCN34RQ	F-03	K-12

## 1991 WCN25RC INDEX

FLOOR PLAN	A-07	A-08
ACCESSORIES	A-09	A-14
BATH	A-15	A-17
BEDROOM		A-18
CHASSIS	A-19	B-03
C C & PAD	B-04	B-13
DINETTE	B-14	B-15
DRIVERS	B-16	B-22
ELECTRICAL	B-23	C-04
EXTERIOR BODY	C-05	C-12
GALLEY	C-13	C-20
HEATING & A/C	C-21	D-02
INTERIOR FINISH	D-03	D-08
LABELS	D-07	D-14
LP		D-15
LOUNGE		D-16
SEALANTS & FASTENERS	D-17	D-19
WATER & SEWAGE	D-20	D-24
WINDOW, VENT AND EXTERIOR DOOR	E-01	F-02

**SEALANTS & FASTENERS GROUP (CONTINUED)**

**WATER & SEWAGE GROUP**

**SCREWS (CONT)**

KEY	PART NUMBER	U/M DESCRIPTION
	000G27-10-12E	EA SCREW-10 - 32 X 75" - CHROMED HEAD
	000G19-10-10B	EA SCREW-MACH, 10-32 X 5/8 - PPH - ZINC
	000G50-04-12B	EA SCREW-MACH, 1/4-20 X 3/4 PPH - ZN
	081908-01-000	EA SCREW-MACH 8-32X.62 W/NYLOCK
	089371-01-000	EA SCREW-MACH 8-32X3 5/16 - ZN
	700G19-10-20B	EA SCREW-MACHINE, 10-32 X 1 1/4 PPH ZINC
	075908-01-000	EA SCREW-MACH 10-32X56PTH - ZINC 0 EXTERNAL TOOTH
	000G53-04-06B	EA SCREW-MACH-1/4-20X3/8 PPH - ZINC - UNDERCUT HEAD
	000G18-08-22B	EA SCREW-MACH-8-32X1 3/8 PPH ZN
	000G39-10-20B	EA SCREW-SF/DR, 10-16 X 1 1/4 PPH - ZN
	000G39-10-12R	EA SCREW-SF/DR, 10-16 X 3/4 PPH - BEIGE
	000G39-10-12D	EA SCREW-SF/DR, 10-16 X 3/4 PPH - BLACK
	000G39-10-32B	EA SCREW-SF/DR, 10 - 16 X 2 00 PPH - ZINC
	000G39-08-18T	EA SCREW-SF/DR, 8-20 X 1 PPH - BLACK
	000G39-08-10T	EA SCREW-SF/DR, 8-20 X 5/8 PPH - BLACK
	000G39-08-24B	EA SCREW-SF/DR, 8-18 X 1 1/2 PPH ZN
	000G39-08-16E	EA SCREW-SF/DR, 8-18 X 1 PPH CHROME
	000G39-08-16B	EA SCREW-SF/DR, 8-18 X 1 PPH ZN
	000G39-08-18T	EA SCREW-SF/DR, 8-18 X 1 PPH - BLACK
	000G39-08-16S	EA SCREW, 8 - 18 X 1 00" PPH - OFF WHITE
	000G55-08-16Z	EA SCREW-SF/DR, 8-18 X 1 00 - BEIGE
	000G39-08-08B	EA SCREW-SF/DR, 8-18 X 1/2 PPH ZN
	000G39-08-32B	EA SCREW-SF/DR, 8-18 X 2 PPH - ZINC
	000G39-08-12B	EA SCREW-SF/DR, 8-18 X 3/4 PPH ZN
	000G39-08-12T	EA SCREW-SF/DR, 8-18 X 3/4 PPH - BLACK
	000G39-08-06B	EA SCREW-SF/DR, 8-18 X 3/8 PPH ZN
	000G80-10-28T	EA SCREW-SF/DR, 10-16X1 75
	000G39-08-18R	EA SCREW-SF/DR 8-18X1 00 PPH BEIGE
	000G39-08-06H	EA SCREW-SF/DR 8-18X1/2 PPH
	079382-01-000	EA SCREW-SOCKET, 8-18 X 1" - BLACK
	079383-03-000	EA SCREW-SF/DR, 8-20 X 1 PL WASHER - BEIGE

**SEALERS, TAPES AND TIES**

KEY	PART NUMBER	U/M DESCRIPTION
	089840-02-000	FT SEALER-RIBBON, 1/2" X 1/8" - INCREMENTS OF 30'
	089840-08-000	FT SEALER-RIBBON, 1/32" X 2 1/2" - INCREMENTS OF 80'
	089840-01-000	FT SEALER-RIBBON, 1/4" DIAMETER - INCREMENTS OF 30'
	089840-03-000	FT SEALER-RIBBON, 3/4" X 1/8" - INCREMENTS OF 80'
	089840-05-000	FT SEALER-RIBBON, 5/16" DIAMETER - INCREMENTS OF 25'
	091255-01-000	FT SEAL-FOAM, 3 2MM X 4 8MM
	090340-01-000	FT SEAL-FOAM, CLOSED CELL - 1/4" X 1/2" X 50'
	034552-04-000	EA SILICONE-TUBE, 300 ML - BEIGE
	034552-02-000	EA SILICONE-TUBE, 300 ML - CLEAR
	008401-01-000	EA STRAP-CONDUIT, 3/4" - 1 HOLE - GALVANIZED STEEL
	089840-07-000	EA SEALER-RIBBON, 2" X 3/32" - INCREMENTS OF 30' OR 45'
	100028-01-000	FT TAPE-ADHESIVE, 031" X 75" WIDE
	004383-01-000	FT TAPE-ADHESIVE FOA1, 1 SIDE - 3/16" X 1/2" - GRAY
	089071-01-000	FT TAPE-BONDING, DOUBLE SIDED - 1/84" X 2"
	078322-02-000	FT TAPE-FOAM, DOUBLE COATED - 045" X 1" X 108"
	078322-03-000	FT TAPE-FOAM, DOUBLE COATED - 045" X 5" X 108"
	088244-01-000	FT TAPE-FOAM, VINYL COATED - 2" WIDE - INCREMENTS OF 108 FT
	009200-01-000	EA TAPE-FURNACE, 1 1/2"
	008343-02-000	EA TIE-WIRE, 14'
	008343-01-000	EA TIE-WIRE, 6"
	102352-01-000	EA SEALER-PUMPABLE, BLACK

**WASHERS**

KEY	PART NUMBER	U/M DESCRIPTION
	000E13-14-00B	EA WASHER FL, 1/4" WIDE - ZN
	000E13-11-00B	EA WASHER-FL, 3/16" WIDE - ZN
	000E13-17-00B	EA WASHER-FL-3/8" AR - ZN
	000E11-07-00B	EA WASHER-LK - 7/16" WIDE - ZN
	000E13-20-00B	EA WASHER-FL - W/18" WIDE ZN
	000E13 21-00B	EA WASHER-FL - 1/2" NAR - AN
	077071-01-000	EA WASHER-FENDER, 3/16" ID X 1" OD

**FRESH WATER TANK - 23 GALLON**

KEY	PART NUMBER	U/M DESCRIPTION
	094118-03-000	EA TANK-WATER, W/FITTINGS - 23 GALLON - 18 4" X 33 6" X 10"
	094118-01-000	EA TANK-WATER, 23 GAL - W/O FITTINGS - 18 4" X 33 6" X 10"
	077954-02-000	EA FILTER-WATER TANK, SCREEN IN TANK
	042989-02-000	EA FITTING-WATER TANK, SPINWELD - 1/2" NPT - PLASTIC - WHITE
	042989-08-000	EA FITTING-SPINWELD, PLASTIC - 3/4 FPT
	042989-05-000	EA FITTING-WATER TANK, SPINWELD - 1/2" FPT - PLASTIC - WHITE
	049032-01-000	EA PATCH-SPINWELD, 3/8" - PLASTIC
	039861-01-000	EA SENDING UNIT W/SCREW, WASHER, WELL NUT AND TERMINAL RING

**FRESH WATER TANK - 18 GALLON**

KEY	PART NUMBER	U/M DESCRIPTION
	053520-09-000	EA TANK-WATER, W/FITTINGS - 18 GALLON - 17 2" X 27" X 10" FROM 00-00-00 THRU 03-31-91
	053520-13-000	EA TANK-WATER, W/FITTINGS - 18 GALLON - 17 2" X 27" X 10" FROM 04-01-91 THRU 99-99-99
	053520-01-000	EA TANK-WATER, 18 GALLON - W/O FITTINGS - 17 2" X 27" X 10"
	052957-04-000	EA ELBOW-5/8" F X 3/4" MPT
	077954-02-000	EA FILTER-WATER TANK, SCREEN IN TANK
	042989-08-000	EA FITTING-SPINWELD, PLASTIC - 3/4 FPT
	042989-05-000	EA FITTING-WATER TANK, SPINWELD - 1/2" FPT - PLASTIC - WHITE
	049032-01-000	EA PATCH-SPINWELD, 3/8" - PLASTIC
	052955-01-000	EA TEE-WATER, 1/2" F X 1/2" F X 1/2" MPT - PLASTIC - GRAY
	039861-01-000	EA SENDING UNIT W/SCREW, WASHER, WELL NUT AND TERMINAL RING

**WATER SYSTEM**

KEY	PART NUMBER	U/M DESCRIPTION
	036522-02-000	EA CAP-BRASS, 1/2" FLARE
	083183-02-000	EA DRAIN VALVE-IN LINE, HEADER - 1/2" MPT X 1/2" F X 1/2" M
	087859-04-000	EA FILL-WATER, CITY - OFF WHITE
	098941-01-000	EA VACUUM BREAKER-3/4 FPT X 3/4 MPT
	093183-02-000	EA HEADER-1/2MPTX1/2FX1/2FX1/2M
	052956-02-000	EA TEE-PLAS, 5/8FX1/2MPTX5 8F
	052959-03-000	EA CONNECTOR-PLAS, 1/2F X 3/8MPT WATER - GRAY
	052980-03-000	EA VALVE-LINE DRAIN, 5/8FX5/8F - PLASTIC - WATER
	052980-01-000	EA VALVE-LINE DRAIN, 1/2FX1/2F - PLASTIC - WATER
	052981-01-000	EA HEADER-1/2FX1/2FX1/2FX1/2F - PLASTIC - WATER
	052981-02-000	EA HEADER-1/2MPT X 1/2F X 1/2F
	070924-01-000	EA ELBOW-PLAS, SWVL, 1/2MPT, 1/2FPT, SHURFLO 008-035 - GRAY
	045729-01-701	EA BASEPLATE-KIT, SHURFLOW® 94-052
	088807-01-706	EA CHECK VALVE-KIT, SHURFLOW® 94-237-00
	079381-01-000	FT TUBING-SMOOTH FLEXIBLE, 1 1/4" ID
	087859-04-000	EA FILL-WATER, CITY - OFF WHITE
	039800-01-000	FT TUBING-POLYBUTYL, 1/2" OD - INCREMENTS OF 20' - BLACK
	039800-02-000	FT TUBING-POLYBUTYL, 5/8" OD - INCREMENTS OF 20' - BLACK
	052952-01-000	EA NUT-PLASTIC, 1/2" F X 1/2" TUBE - PLASTIC - GRAY
	052952-02-000	EA NUT-PLASTIC, 5/8" FLARE
	052957-02-000	EA ELBOW-MALE, 1/2" F X 1/2" MPT - PLASTIC - GRAY
	052958-01-000	EA TEE, 1/2" F X 1/2" F X 1/2" F - PLASTIC - GRAY
	057457-02-000	EA ELBOW-UNION, 5/8" X 5/8" FLARE
	085120-01-000	EA ELBOW-SWIVEL, 1/2" FPT X 1/2" FLARE - PLASTIC - GRAY
	079317-01-000	EA ADAPTER-SWIVEL, 1/2" TUBE X 1/2" FPT - PLASTIC - GRAY
	052959-02-000	EA CONNECTOR - PLASTIC 1/2 F X 1/2 MPT - GRAY
	055293-01-000	EA TEE-5/8F X1/2FX5/8F
	082144-02-000	EA CAP-PIPE, 1/2 FPT BRASS HEX
	088417-01-000	EA CONNECTOR-PLAS, 5/8F X 1/2MPT
	052955-01-000	EA TEE-PLAS, 1/2FX1/2FX1/2MPT
	074482-02-000	FT TUBING-VINYL, 3/8 I D
	091208-01-000	EA WASHER-RUBBER, 06X.75X 50
	052953-01-000	EA NUT-FAUCET, 1/2 TUBE X 1/2FPT PLASTIC-WATER
	082401-03-000	EA CLAMP HOSE, WORMGEAR, 22-1 ID
	091248-02-000	EA FAUCET-WATER, EXTERNAL - 90 DEGREE

103108-01-000	EA FAUCET-WATER, EXTERNAL - 90 DEGREE	FROM 00-00-00 THRU 09-30-90
		FROM 10-01-90 THRU 99-99-90

**1991 WINNEBAGO  
TABLE OF CONTENTS**

INTRODUCTION	A-01	A-02
ABBREVIATIONS		A-03
ALPHABETICAL INDEX	A-04	A-08
WCN25RC	A-07	F-02
WCN34RQ	F-03	K-12

**1991 WCN25RC INDEX**

FLOOR PLAN	A-07	A-08
ACCESSORIES	A-09	A-14
BATH	A-15	A-17
BEDROOM		A-18
CHASSIS	A-19	B-03
C C & PAD	B-04	B-13
DINETTE	B-14	B-15
DRIVERS	B-16	B-22
ELECTRICAL	B-23	C-04
EXTERIOR BODY	C-05	C-12
GALLEY	C-13	C-20
HEATING & A/C	C-21	D-02
INTERIOR FINISH	D-03	D-08
LABELS	D-07	D-14
LP		D-15
LOUNGE		D-18
SEALANTS & FASTENERS	D-17	D-19
WATER & SEWAGE	D-20	D-24
WINDOW, VENT AND EXTERIOR DOOR	E-01	F-02

**WATER & SEWAGE GROUP (CONTINUED)**

**WATER HEATER & WATER HEATER DOOR**

KEY	PART NUMBER	U/M DESCRIPTION
	051391-03-000	EA HEATER-WATER, WELECTRIC IGNITION - ATWOOD G6A-3E
	051391-01-700	EA HINGE KIT-W/CLIP, ATWOOD # 92568 & 92559
	051393-03-700	EA TANK-INNER (G6A-3E), REAR MT - ATWOOD# 91409
	051391-01-704	EA VALVE-RELIEF, 1/2" FITTING - ATWOOD# 91804
	051391-01-705	EA FASTENER-CAMLOC, ATWOOD# 92809
	051391-01-708	EA GRILLE-EXHAUST, 3E ONLY - ATWOOD #92787
	051391-01-708	EA BURNER-MAIN, 3E ONLY - ATWOOD# 92815
	051391-01-710	EA ORIFICE-MAIN BURNER, ATWOOD# 92742
	051391-04-701	EA THERMOSTAT 12 VDC-120 PRESET, FRONT MOUNT ONLY - ATWOOD# 91470
	051391-01-715	EA DRAIN PLUG, ATWOOD# 91581
	051391-04-706	EA TANK-INNER, FRONT MOUNT - G6A-4E & 6E
	051391-04-700	EA TANK-INNER (G6A-3E), FRT MT - ATWOOD# 91808
	051393-01-704	EA CIRCUIT BOARD-W/BLACK BOX, ATWOOD# 91420
	051393-01-702	EA SWITCH-ENERGY CUT-OFF, ATWOOD# 91951
	051393-01-701	EA SWITCH PACKAGE-ATWOOD# 91959
	051393-01-703	EA THERMOSTAT-REAR MOUNT, ATWOOD# 91952
	051393-01-721	EA ECO&THERMOSTAT ASM-FRONT MOUNT, 140 DEGREE - ATWOOD# 91447
	051393-01-718	EA SPARK & PROBE ASM, ATWOOD# 91808
	051393-01-718	EA VALVE-DUAL SOLENOID, ATWOOD# 91805
	051393-01-705	EA ORIFICE HOLDER-ATWOOD# 91925
	052009-01-000	EA DOOR-WATER HEATER, ATWOOD 5578-27 - OFF WHITE

**WATER HEATER W/MOTOR AID & REAR HEATER**

KEY	PART NUMBER	U/M DESCRIPTION
	051393-01-000	EA WATER HEATER-W/MOTOR AID, PILOTLESS IGNITION ATWOOD GH8-4E OR GH8-6E
	051393-01-701	EA SWITCH PACKAGE-ATWOOD# 91959
	051393-01-702	EA SWITCH-ENERGY CUT-OFF, ATWOOD# 91951
	051393-01-703	EA THERMOSTAT-REAR MOUNT, ATWOOD# 91952
	051393-01-704	EA CIRCUIT BOARD-W/BLACK BOX, ATWOOD# 91420
	051393-01-705	EA ORIFICE HOLDER-ATWOOD# 91925
	051393-01-718	EA PROBE & SPARK ASM, ATWOOD# 91808
	051391-01-708	EA BURNER-MAIN, 3E ONLY - ATWOOD# 92815
	051393-01-718	EA VALVE-DUAL SOLENOID, ATWOOD# 91805
	051393-01-714	EA TANK-INNER (GH8-3E),REAR MOUNT - ATWOOD# 91409
	051393-01-718	EA VALVE-DUAL SOLENOID, ATWOOD# 91805
	051393-01-721	EA ECO&THERMOSTAT ASM-FRONT MOUNT, 140 DEGREE - ATWOOD# 91447
	051391-01-704	EA RELIEF VALVE 1/2" FITTING - ATWOOD# 91804
	051391-01-705	EA FASTENER-CAMLOCK, ATWOOD# 92809
	051391-01-708	EA GRILLE-EXHAUST, ATWOOD# 92787
	051391-01-710	EA ORIFICE-MAIN BURNER, ATWOOD# 92742
	051391-01-714	EA ELBOW-FITTING, 45 DEGREE - 3/8" F X 3/8" MPT - ATWOOD 91044
	051391-01-715	EA DRAIN PLUG - ATWOOD# 91581
	051391-04-701	EA THERMOSTAT 12VDC-120 PRESET - 91470 ATWOOD#
	051391-04-704	EA TANK-INNER (FRT-MT)GH8-4E&6E - 91842 ATWOOD#
	051391-04-705	EA TANK-INNER, FRONT MOUNT - GH8-3E
	051391-04-707	EA KIT-GRILLE, FLUE, & GASKET - ATWOOD#90980
	051391-01-700	EA PIN & CLIP-HINGE, ATWOOD # 92568 & 92559
	082401-01-000	EA CLAMP-HOSE, WORMGEAR 25" - 1"
	079059-01-000	EA HOSE-90 DEGREE, 81"ID X 4" X 38"
	079059-02-000	EA HOSE-90DEG 81X4 00X8,00
	007108-01-000	EA HOSE-HEATER 5/8 HI-TEMP
	083081-01-000	EA HOSE-FORMED, 90 DEGREE - 5/8" ID
	088753-01-000	FT TUBE-ALUMINIZED STEEL, 5/8" - 18 GAUGE
	010227-01-000	EA TEE-PLASTIC, BARB 5/8" OR 3/4" HOSE
	082401-04-000	EA CLAMP-HOSE, WORMGEAR 69" - 1 25"

**WATER & SEWAGE GROUP (CONTINUED)**

**WATER PUMPS**

KEY	PART NUMBER	U/M DESCRIPTION
	045729-01-000	EA PUMP-WATER,W/ 5MPT FITTINGS - FLOW 2 8 GPM - SHURFLO
	045729-02-000	EA PUMP-WATER,W/ SMPT FITTINGS - FLOW 2 8 GPM - SHURFLO - CANADIAN FROM 00-00-00 THRU 09-17-99
	045729-01-700	EA MOTOR, SHURFLO 11-021
	045729-01-701	EA BASEPLATE-KIT, SHURFLO# 94-062
	045729-01-702	EA DIAPHRAGM-KIT, SHURFLO# 94-213-00
	045729-01-703	EA VALVE ASM-KIT, SHURFLO# 94-110
	045729-01-704	EA UPPER HOUSING-SHURFLO# 94-025-00
	045729-01-705	EA SWITCH CAP KIT W/SWITCH-SHURFLO# 94-255-01
	045729-01-708	EA PUMPHEAD-SHURFLO# 94-058-11
	045729-01-707	EA LOWER-HOUSING, SHURFLO 94-017-01
	098607-01-000	EA PUMP-WATER, W/ 5" MPT FITTING - FLOW 2 8 GPM - UL
	098607-02-000	EA PUMP-WATER, 2 8 GPM - W/1/2" MPT FITTINGS - CANADIAN FROM 09-18-89 THRU 99-99-99
	098607-01-700	EA PUMPHEAD-REPLACEMENT, SHURFLO# 94-236-08
	098607-01-701	EA DRIVE ASM, SHURFLO# 94-234-03
	098607-01-702	EA DIAPHRAGM-KIT, SHURFLO# 94-233-10
	098607-01-703	EA VALVE ASM, SHURFLO# 94-232-00
	098607-01-704	EA HOUSING-UPPER, SHURFLO# 94-231-01
	098607-01-705	EA CHECK VALVE-KIT, SHURFLO# 94-237-00
	098607-01-707	EA MOTOR/BASEPLATE REPLACEMENT, SHURFLO# 94-234-03
	098607-01-708	EA UPPER HOUSING/SWITCH KIT - SHURFLO #94-230-00

**EXTERIOR SHOWER COMPONENTS**

KEY	PART NUMBER	U/M DESCRIPTION
	079364-06-000	EA SWITCH-MOMENTARY, OFF/MOM/ON
	098351-01-01A	EA PLATE-SWITCH, 1 GANG - POLISHED BRASS
	048128-01-000	EA VALVE-DRAIN, PLASTIC - 1/2" FPT
	052957-02-000	EA ELBOW-MALE, 1/2" F X 1/2" MPT - PLASTIC - GRAY
	103173-01-01A	EA KIT-SHOWER, EXTERIOR - OFF WHITE FROM 02-04-91 THRU 03-24-91
		WITH EXTERIOR DOOR, FAUCET, HEAD & HOSE
	103173-02-01A	EA KIT-SHOWER, EXTERIOR - OFF WHITE FROM 03-25-91 THRU 99-99-99
		WITH EXTERIOR DOOR, FAUCET, HEAD & HOSE
	091246-02-000	EA FAUCET-WATER, EXTERNAL - 90 DEGREE FROM 00-00-00 THRU 09-30-99
	103108-01 000	EA FAUCET-WATER, EXTERNAL - 90 DEGREE FROM 10-01-99 THRU 99-99-99

**WATER HEATER BYPASS VALVE**

KEY	PART NUMBER	U/M DESCRIPTION
	101814-01-000	EA COUPLING-FEMALE, 1/2" Z 1/2" FPT
	039800-01-000	FT TUBING-POLYBUTYL, 1/2" OD - INCREMENTS OF 20' - BLACK
	052959-02-000	EA CONNECTOR, 1/2" F X 1/2" MPT - PLASTIC - GRAY
	052952-01-000	EA NUT-PLASTIC, 1/2" F X 1/2" TUBE - PLASTIC - GRAY
	052957-02-000	EA ELBOW-MALE, 1/2" F X 1/2" MPT - PLASTIC - GRAY
	052958-01-000	EA TEE, 1/2" F X 1/2" F X 1/2" F - PLASTIC - GRAY
	099729-01-000	EA BYPASS KIT-WATER HEATER

**1991 WINNEBAGO TABLE OF CONTENTS**

INTRODUCTION	A-01 - A-02
ABBREVIATIONS	A-03
ALPHABETICAL INDEX	A-04 - A-08
WCN25RC	A-07 - F-02
WCN34RQ	F-03 - K-12

**1991 WCN25RC INDEX**

FLOOR PLAN	A-07 - A-08
ACCESSORIES	A-09 - A-14
BATH	A-15 - A-17
BEDROOM	- A-18
CHASSIS	A-19 - B-03
C C & PAD	B-04 - B-13
DINETTE	B-14 - B-18
DRIVERS	B-18 - B-22
ELECTRICAL	B-23 - C-04
EXTERIOR BODY	C-05 - C-12
GALLEY	C-13 - C-20
HEATING & A/C	C-21 - D-02
INTERIOR FINISH	D-03 - D-08
LABELS	D-07 D-14
LP	D-15
LOUNGE	D-16
SEALANTS & FASTENERS	D-17 - D-19
WATER & SEWAGE	D-20 - D-24
WINDOW, VENT AND EXTERIOR DOOR	E-01 - F-02

## WATER & SEWAGE GROUP (CONTINUED)

### DRAINAGE SYSTEM COMPONENTS

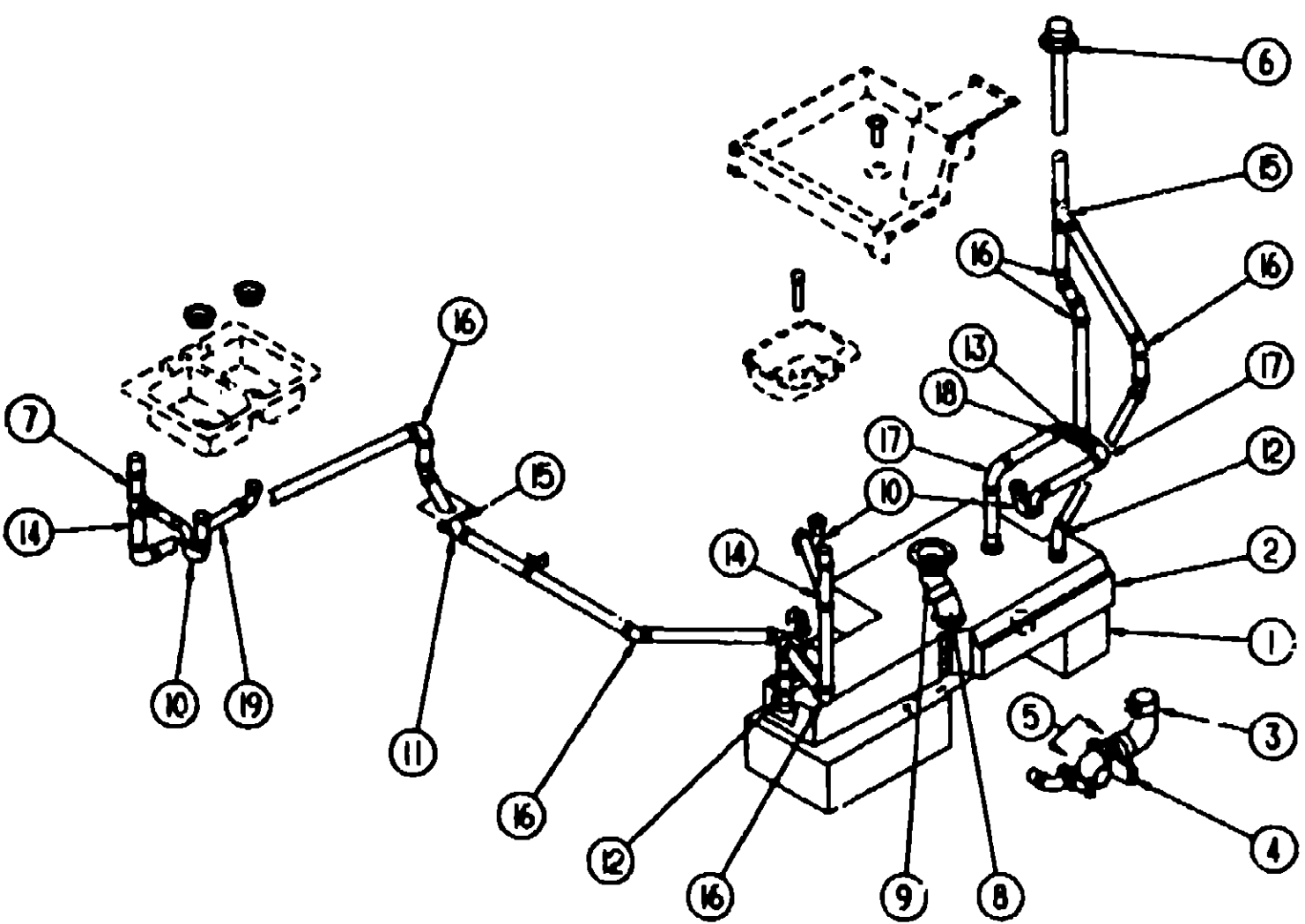
### 1991 WINNEBAGO TABLE OF CONTENTS

INTRODUCTION	A-01 -	A-02
ABBREVIATIONS		A-03
ALPHABETICAL INDEX	A-04 -	A-08
WCN25RC	A-07 -	F-02
WCN34RQ	F-03 -	K-12

### 1991 WCN25RC INDEX

FLOOR PLAN	A-07 -	A-08
ACCESSORIES	A-09 -	A-14
BATH	A-15 -	A-17
BEDROOM		A-13
CHASSIS	A-19 -	B-03
C C & PAD	B-04 -	B-13
DINETTE	B-14 -	B-15
DRIVERS	B-16 -	B-22
ELECTRICAL	B-23 -	C-04
EXTERIOR BODY	C-05 -	C-12
GALLEY	C-13 -	C-20
HEATING & A/C	C-21 -	D-02
INTERIOR FINISH	D-03 -	D-08
LABELS	D-07 -	D-14
LP		D-15
LOUNGE		D-16
SEALANTS & FASTENERS	D-17 -	D-19
WATER & SEWAGE	D-20 -	D-24
WINDOW, VENT AND EXTERIOR DOOR	E-01 -	F-02

KEY	PART NUMBER	U/M DESCRIPTION
	082422-01-000	EA ADAPTER-OFFSET REDUCER, 3" X 1 1/2" - PLASTIC - BLACK
	093592-01-000	EA ADAPTER-PLASTIC, SEWER HOSE - 45 DEGREE
	089330-01-000	EA ADAPTER-SEWER HOSE END
	082415-01-000	EA CAP-SEWER, 3" DIAMETER
3	078408-01-000	EA COUPLER-RUBBER, W/CLAMPS - 3" X 3"
4	082419-02-700	EA HANDLE ONLY - FOR EXTENSION ROD
	010201-02-000	EA HOSE-SEWER, 3 ID X 20 FEET
5	070918-01-000	EA VALVE-DUAL DUMP, W/CAP - 3" X 1 1/2" - PLASTIC - BLACK
	070918-01-701	EA VALVE ONLY, 1 1/2"
	070918-01-700	EA VALVE ONLY, 3"
8	083558-01-000	EA VENT-PLUMBING PIPE ROOF, W/COVER - BEIGE
7	079988-01-000	EA VENT-MECHANICAL TRAP ARM
	103354-01-000	EA CONNECTOR-HOSE, SEWER
8	010061-01-000	EA ELBOW-STREET, PLASTIC - 45 DEGREE - 1/8 BEND - 3" S X H - PLASTIC
9	010024-01-000	EA ELBOW-PLASTIC, 1/8" BEND - 3" X 45H X H
10	011068-03-000	EA P-TRAP, 1 1/2" TRAP X 1 1/4" SOCKET - PLASTIC
10	011068-02-000	EA P-TRAP, 1 1/4" HUB X SLIP JOINT - W/UNION (CANADIAN)
10	011071-01-000	EA P-TRAP, 1 1/2" - PLASTIC
	053335-01-000	EA P-TRAP, 1 1/4" X HUB X HUB - W/UNION (CANADIAN)
	010188-01-000	EA PLUG-THREADED, 1 1/4" DIAMETER - PLASTIC - BLACK
11	010122-01-000	EA BUSHING-REDUCER, 1 1/2" SMOOTH X 1 1/4" THREAD - BLACK PLASTIC
	010121-01-000	EA BUSHING-REDUCER, 1 1/2" SMOOTH 1 1/4" HUB - PLASTIC - BLACK
12	010115-01-000	EA COUPLING-1 1/2" HUB X HUB, PLASTIC
13	010071-01-000	EA TEE-SANITARY, 1 1/2" HUB X HUB X HUB - PLASTIC - BLACK
14	010079-01-000	EA TEE-SANITARY, 1 1/2" H X 1 1/2" H X 1 1/4" H - PLASTIC - BLACK
15	010073-01-000	EA WYE-45 DEGREE, 1 1/2" HUB X HUB X HUB - PLASTIC - BLACK
	033781-01-000	EA ELBOW-TURN, 1/4 BEND X 1 5/8" HUB X 1 5/8" SPIGOT - BLACK PLASTIC
	044927-01-000	EA ADAPTER-HOSE TO PIPE, 1 1/4" MPT X 1 1/4" BARB - BLACK PLASTIC
18	010008-01-000	EA ELBOW-45 DEG, 1/8 BEND - 1 1/2" HUB X HUB - BLACK PLASTIC
17	010008-01-000	EA ELBOW-90 DEG, 1/4 BEND - 1 1/2" HUB X HUB - BLACK PLASTIC
18	010009-01-000	EA ELBOW-90 DEGREE, 1/4 BEND - 1 1/2" - PLASTIC
19	U11091-02-000	EA PIPE-DRAIN, W/SEAL - DOUBLE SINK - EXTENDS 8" TO 18" (US)
19	011091-03-000	EA PIPE-DRAIN, W/SEAL - DOUBLE SINK - EXTENDS 8" TO 18" (CANADIAN)



#### WASTE WATER HOLDING TANK

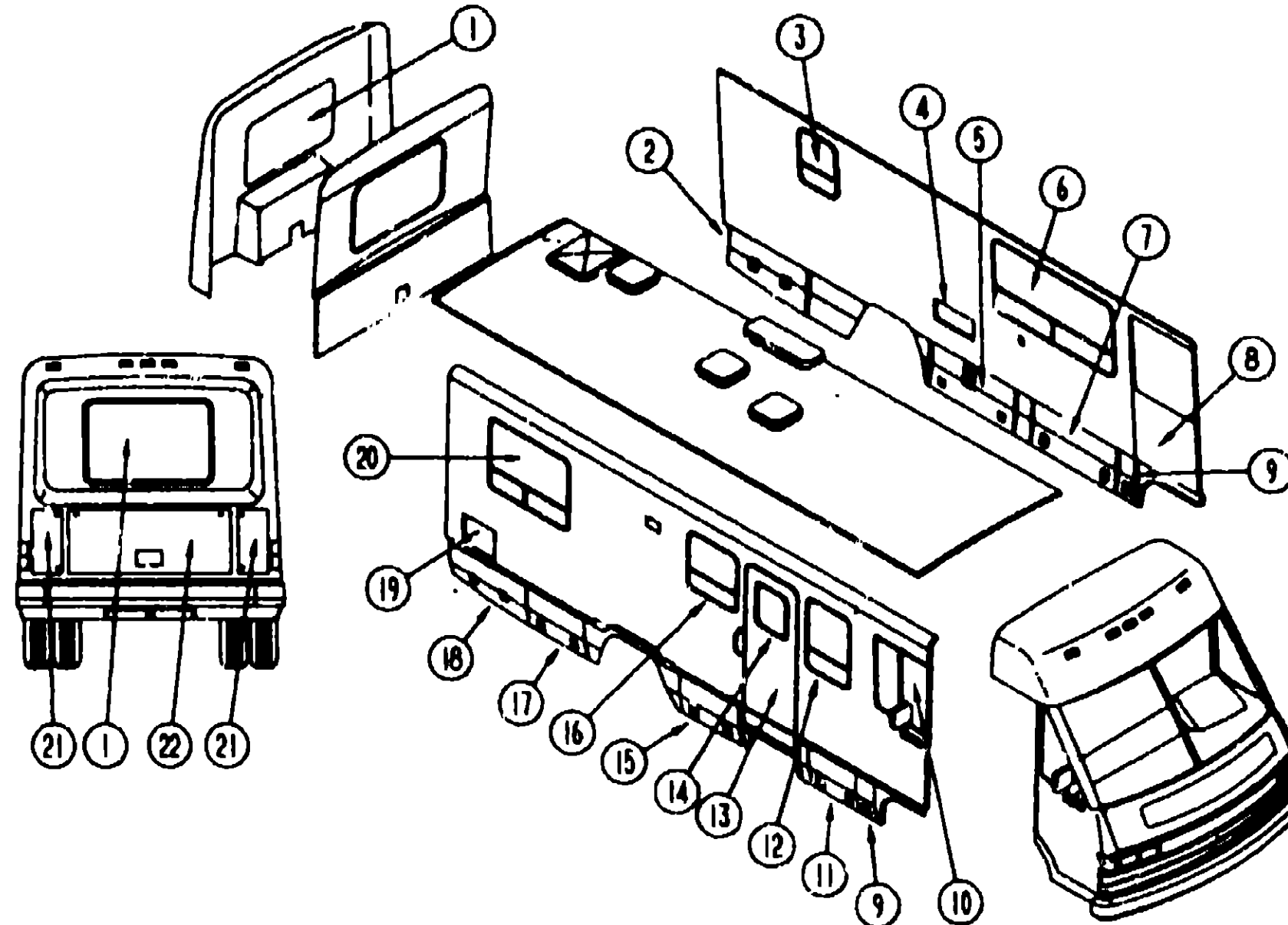
KEY	PART NUMBER	U/M DESCRIPTION
1	092271-01-000	EA TANK-HOLDING, W/O GROMMETS - 30 GL - 16 8" X 59 9" X 9 7" FROM 00-00-00 THRU 02-17-91
1	101787-01-000	EA TANK-HOLDING, W/O GROMMETS - 37 GL - 24 6" X 59 9" X 8 8" FROM 02-18-91 THRU 99-99-99
	061607-01-000	EA GROMMET-HOLDING TANK, 1 1/2" NPS
	039861-01-000	EA SENDING UNIT W/SCREW, WASHER, WELL NUT AND TERMINAL RING

#### SEWAGE HOLDING TANK

KEY	PART NUMBER	U/M DESCRIPTION
2	092272-01-000	EA TANK-HOLDING, W/O GROMMETS - 50 GL - 25 8" X 59 9" X 18 6" FROM 00-00-00 THRU 02-17-91
2	101788-01-000	EA TANK-HOLDING, W/O GROMMETS - 30 GL - 21 8" X 59 9" X 8 7" FROM 02-18-91 THRU 99-99-99
	061607-01-000	EA GROMMET-HOLDING TANK, 1 1/2" NPS
	061607-02-000	EA GROMMET-HOLDING TANK, 3" NPS
	039861-01-000	EA SENDING UNIT W/SCREW, WASHER, WELL NUT AND TERMINAL RING

# WINDOW, VENT & EXTERIOR DOOR GROUP

## WINDOWS & DOORS



### 1991 WINNEBAGO TABLE OF CONTENTS

INTRODUCTION	A-01 -	A-02
ABBREVIATIONS		A-03
ALPHABETICAL INDEX	A-04 -	A-08
WCN25RC	A-07 -	F-02
WCN34RQ	F-03 -	K-12

### 1991 WCN25RC INDEX

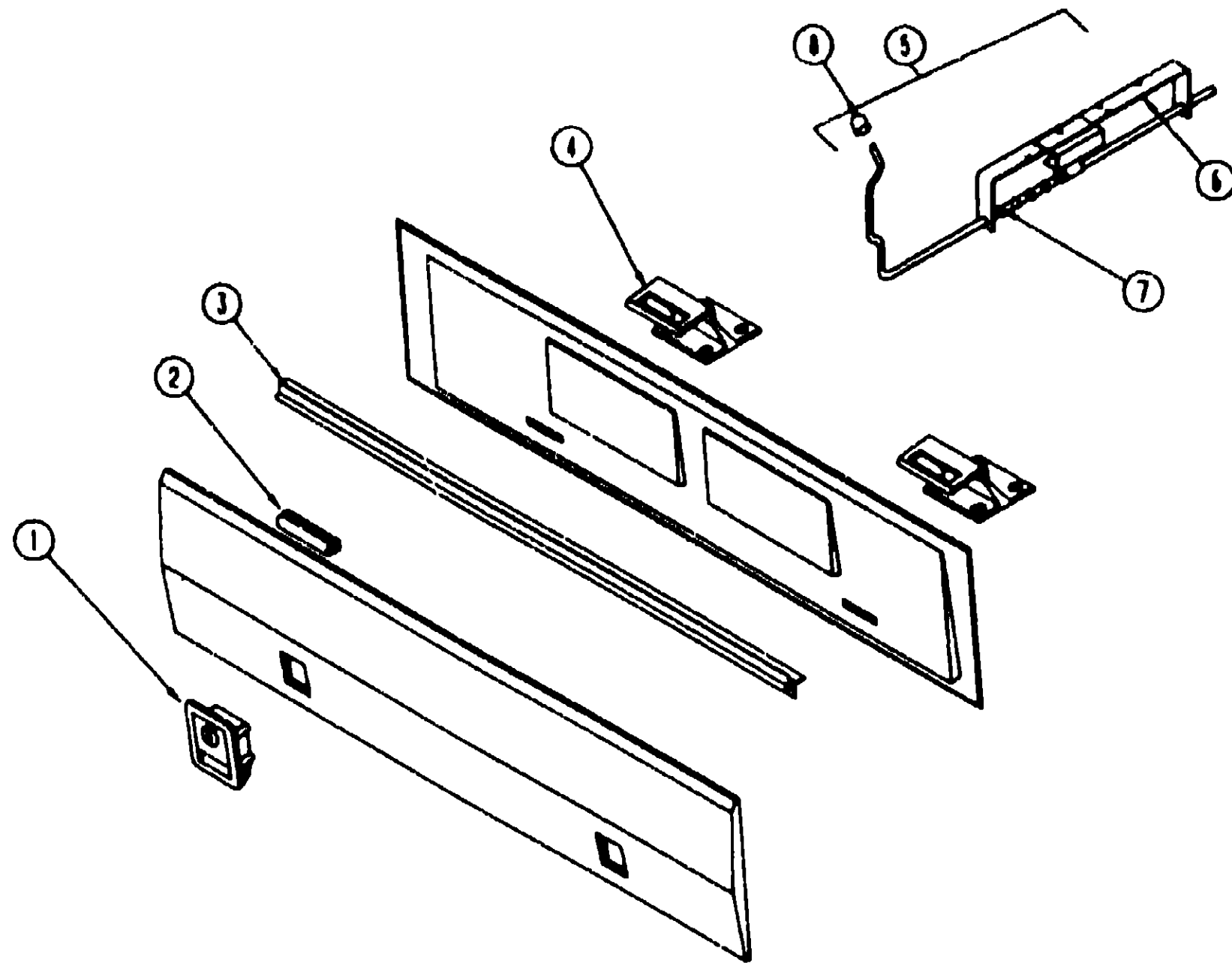
FLOOR PLAN	A-07 -	A-08
ACCESSORIES	A-09 -	A-14
BATH	A-15 -	A-17
BEDROOM		A-18
CHASSIS	A-19 -	B-03
C C & PAD	B-04 -	B-13
DINETTE	B-14 -	B-15
DRIVERS	B-16 -	B-22
ELECTRICAL	B-23 -	C-04
EXTERIOR BODY	C-05 -	C-12
GALLEY	C-13 -	C-20
HEATING & A/C	C-21 -	D-02
INTERIOR FINISH	D-03 -	D-06
LABELS	D-07 -	D-14
LP		D-15
LOUNGE		D-16
SEALANTS & FASTENERS	D-17 -	D-19
WATER & SEWAGE	D-20 -	D-24
WINDOW, VENT AND EXTERIOR DOOR	E-01 -	F-02

KEY	PART NUMBER	U/M DESCRIPTION
1	087925-05-Y10	EA WINDOW-ESCAPE, W/O INSIDE FRAME - 30 2" X 30 2"
2	062630-03-B07	EA DOOR-COMPARTMENT, STORAGE - W/LATCHES - 53 3" TAPERED - BEIGE
	099008-01-02A	EA DOOR-HATCH, SEWER HOSE - INSIDE COMPARTMENT - PLASTIC
		FROM 00-00-00 THRU 02-17-91
	102690-01-000	EA DOOR HATCH, SEWER HOSE - INSIDE COMPARTMENT - STEEL
		FROM 02-18-91 THRU 99-99-99
	074470-01-000	EA PULL-HINGE RELEASE PIN - RIGHT
		FROM 02-18-91 THRU 99-99-99
	074470-02-000	EA PULL-HINGE RELEASE PIN - LEFT
		FROM 02-18-91 THRU 99-99-99
3	092235-10-Y12	EA WINDOW ASM SINGLE TIPOUT - W/O INSIDE FRAME - 15 8" X 25 5"
4	084103-01-000	EA DOOR-REFRIGERATOR, VENTED W/O JAMB - 8 75" X 19 5" - BEIGE
	084104-01-700	EA LOCK-MALE, FASTENER - REFRIGERATOR DOOR
	084104-01-701	EA LOCK-FEMALE, FASTENER - REFRIGERATOR DOOR
	084104-01-000	EA JAMB-DOOR VENTED REFRIGERATOR - BEIGE
5	093758-01-B07	EA DOOR-COMPARTMENT, FURNACE VENT - 43 7" WIDE - BEIGE
	093754-01-02A	EA SHROUD-FURNACE 6 1" X 9 4" - PLASTIC - BEIGE
	093756-01-C1A	EA SHROUD-DOOR, FURNACE - W/HOLE - 8 8" X 5 6" - FIBERGLASS
6	092234-03-Y12	EA WINDOW-TIPOUT DOUBLE - W/O INSIDE FRAME - 31 5" X 60 9"
7	092481-04-B07	EA DOOR-STORAGE, W/LATCHES - 19 4" X 76 3" - BEIGE

KEY	PART NUMBER	U/M DESCRIPTION
8	M97816-01-AB6	EA DOOR-DRIVER, W/TIPOUT - NON POWERED - USE WITH OVHD BUNK ONLY
	M97816-02-AB6	EA DOOR-DRIVER, W/O TIPOUT - NON POWERED
	M97816-03-AB6	EA DOOR-DRIVER, W/TIPOUT - POWERED - USE WITH OVHD BUNK ONLY
	M97816-04-AB6	EA DOOR-DRIVER, W/O TIPOUT - POWERED
	063977-08-000	EA STEP ASM-DRIVER DOOR, BLACK
9	092481-03-B07	EA DOOR-STORAGE/BATTERY, W/LATCHES - 19 4" X 9 5"
10	093703-01-Y10	EA WINDOW-SLIDING, W/O INSIDE FRAME
11	092481-07-B07	EA DOOR-LP, W/LATCHES - 19 4" X 23 4" - BEIGE
12	092235-06-Y12	EA WINDOW-TIPOUT, SINGLE - W/O INSIDE FRAME - 31 6" X 22 8"
13	M01870-50-B07	EA DOOR-ENTRY, W/JAMB AND SCREEN DOOR
	075671-04-000	FT SEAL-DOOR, LAZY T SHAPED - 5" WIDE - ADHESIVE BACK - RUBBER
14	079733-04-T03	EA WINDOW-PICTURE, W/O INSIDE FRAME - 17" X 25"
15	092481-06-B07	EA DOOR-STORAGE/SEWAGE, W/LATCHES - 19 3" X 23 4" - BEIGE
16	092235-09-Y12	EA WINDOW-TIPOUT, SINGLE - W/O INSIDE FRAME - 25 5" X 25 4"
17	092481-04-B07	EA DOOR-STORAGE/SEWAGE TANK, W/LATCHES - 19 4" X 29 5" - BEIGE
18	092630-05-B07	EA DOOR-STORAGE/GENERATOR, W/LATCHES - 40" TAPERED - BEIGE
19	052709-01-000	EA DOOR-WATER HEATER, ATWOOD 5578-27 - OFF WHITE
20	092234-01-Y12	EA WINDOW-TIPOUT, DOUBLE - W/O INSIDE FRAME - 31 5" X 60 9"
21	092981-01-Y10	EA DOOR-COMPARTMENT W/LOCK & KEY - 15 3" X 25 6" - BEIGE
22	092982-01-Y10	EA DOOR-SPARE TIRE, W/LOCKS - 26 8" X 41 3" - BEIGE
	078010-04-000	EA DOOR-FUEL FILL W/JAMB - 7 34" X 9 78" - BEIGE

WINDOW, VENT & EXTERIOR DOOR GROUP (CONTINUED)

WINDOW, VENT & EXTERIOR DOOR GROUP (CONTINUED)



COMPARTMENT DOOR HARDWARE & SEALS

1991 WINNEBAGO  
TABLE OF CONTENTS

INTRODUCTION	A-01	A-02
ABBREVIATIONS		A-03
ALPHABETICAL INDEX	A-04	A-08
WCN25RC	A-07	F-02
WCN34HO	F-03	K-12

1991 WCN25RC INDEX

FLOOR PLAN	A-07	A-08
ACCESSORIES	A-09	A-14
BATH	A-15	A-17
BEDROOM		A-18
CHASSIS	A-19	B-03
C C & PAD	B-04	B-13
DINETTE	B-14	B-15
DRIVERS	B-16	B-22
ELECTRICAL	B-23	C-04
EXTERIOR BODY	C-05	C-12
GALLEY	C-13	C-20
HEATING & A/C	C-21	D-02
INTERIOR FINISH	D-03	D-08
LABELS	D-07	D-14
LP		D-15
LOUNGE		D-16
SEALANTS & FASTENERS	D-17	D-19
WATER & SEWAGE	D-20	D-24
WINDOW, VENT AND EXTERIOR DOOR	E-01	F-02

KEY	PART NUMBER	U/M DESCRIPTION
1	085730-09-000	EA LATCH-PADDLE, W/KEY LOCK - PLASTIC
	082684-01-700	EA KEY-COMPARTMENT DOOR LOCK, BH024
1	085730-12-000	EA LATCH-PADDLE, W/O KEY LOCK - PLASTIC - BEIGE
	077408-02-000	EA LOCK-KEY TYPE (REAR COMPARTMENT/SPARE TIRE)
	079927-03-000	EA LOCK-TWIST TYPE, DOUBLE CAM - 2 1" OFF SET (STORAGE W/SEWER HOSE)
	042441-01-000	EA LOCK-TWIST, KEY TYPE - W/O KEYS (FUEL FILL DOOR)
2	079368-01-000	FT SEAL BULB, W/WIRED U CHANNEL - 37" X .57" CHANNEL - BLACK
3	082357-01-01A	EA HINGE-COMPARTMENT DOOR, 76" - BEIGE
	101029-01-01A	EA HINGE-COMPARTMENT DOOR, 1 1/16" WIDE (BACKWALL DOORS)
	009066-01-000	EA HINGE-COMPARTMENT DOOR, 1 1/16" WIDE X 6" - W/O HOLES - UNPAINTED
4	093061-01-02A	EA STRIKER-DOOR, LUGGAGE - 3 7" X 2 5" ANGLED - BLACK
	094387-02-000	EA STRIKER-DOOR, GENERATOR - W/BEND - 2 5" WIDE - BLACK
	093718-01-000	EA PLATE-STRIKE, COMPARTMENT - 3 4" X 2 5" FLAT - STEEL - BLK
5	092644-02-Y12	EA PROP ROD-COMPARTMENT DOOR, W/SPRING & BRACKET
6	092639-01-000	EA BRACKET-DOOR PROP
7	082469-01-000	EA SPRING-#020-050 COMP
8	039984-01-000	EA CAP-ROUND, VINYL - .28" ID X 62" LONG - BLACK
	084376-02-000	EA ROD-PROP (GENERATOR/LP)
	084376-01-000	EA ROD-PROP (HOLDING TANK)
	090340-01-000	FT SEAL-FOAM, CLOSED CELL - 1/4" X 1/2" X 50'
	100128-01-000	FT SEAL-PILE ADHESIVE BACK - GRAY
	081113-01-000	EA BUSHING-FLANGE, PLASTIC - WHITE
	083305-01-01A	FT TRIM-EDGE, C-TYPE - WIRE CARRIER - 35" X 24" - VINYL

ENGINE COMPARTMENT

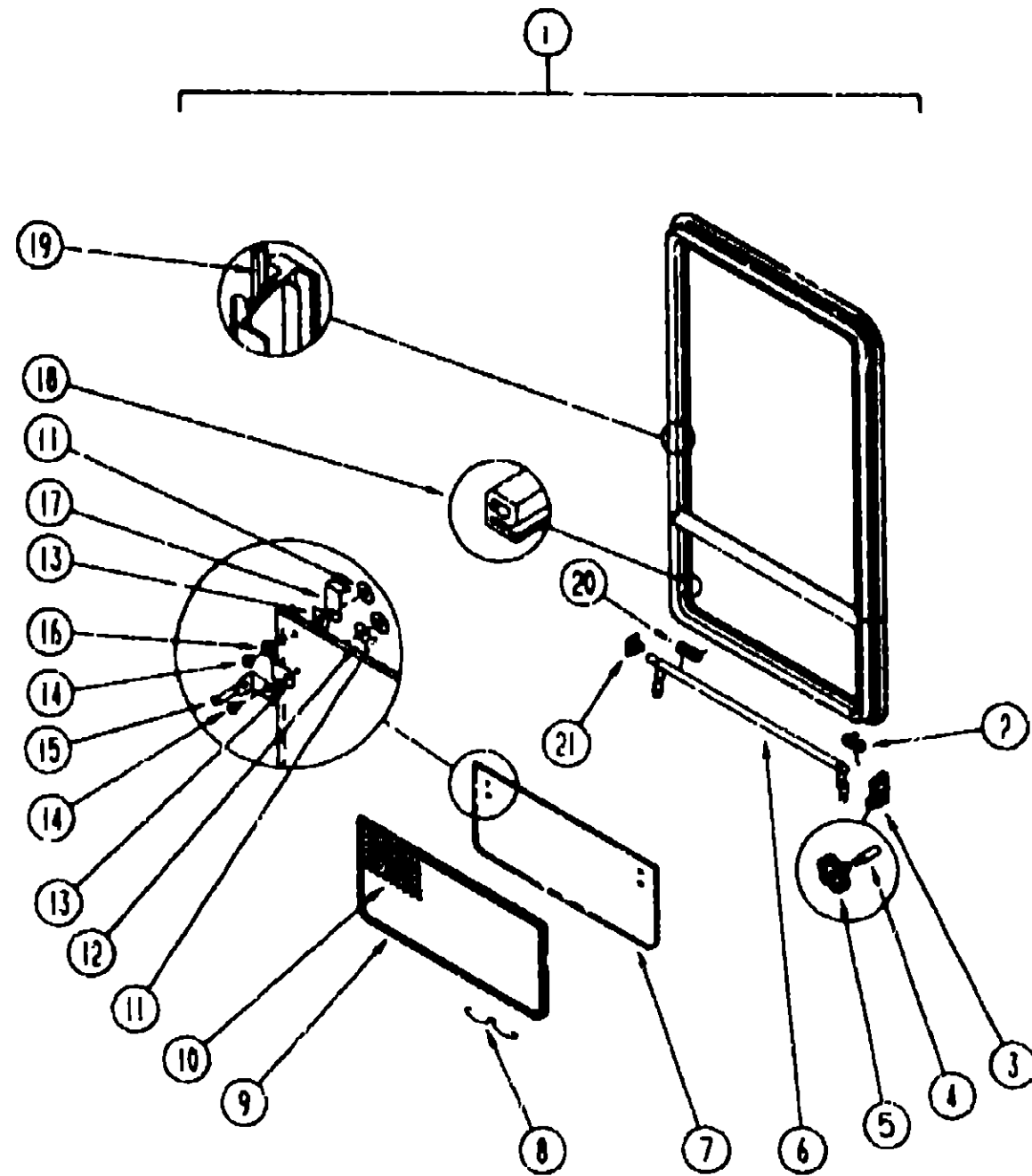
KEY	PART NUMBER	U/M DESCRIPTION
	093674-01-000	EA PLATE-CIRCUIT BREAKER, HOUSE
	092522 01 000	EA DOOR-ELECTRICAL BOX, UNDER HOOD - 20 3" X 14 5" METAL - BLACK FROM 00-00-00 THRU 09-18-89
	086755 02 000	EA LATCH-1/4 TURN, ROTARY, PLASTIC FROM 00-00-00 THRU 09-18-89
	098196 01 000	EA LATCH-1/4 TURN T/BAR FROM 09-18-89 THRU 99-99-99
	098527 01 000	EA DOOR-CIRCUIT BREAKERS, UNDER HOOD - 14 5" X 10 7" - METAL - BLACK FROM 09-18-89 THRU 99-99-99
	098527 02 000	EA DOOR-FUSES, UNDER HOOD - 14 5" X 9 25" - METAL - BLACK FROM 09-18-89 THRU 99-99-99

SKYLIGHT

KEY	PART NUMBER	U/M DESCRIPTION
	077902-01-000	EA COLLAR-SKYLITE, 15 6" X 22 5" INSIDE - PLASTIC
	080910-01-000	EA COVER-SKYLITE, OUTER - 15 25" X 22 25" - PLASTIC
	081171-01-000	EA TRIM-SKYLITE, OUTER - 15 5" X 22 5" - MILL FINISHED

# WINDOW, VENT & EXTERIOR DOOR GROUP (CONTINUED)

## GALLEY WINDOW



KEY	PART NUMBER	U/M DESCRIPTION
1	090893-02-01A	EA FRAME-WINDOW, INSIDE - 25.3" X 25.5" - BLACK
	092235-09-Y12	EA WINDOW-TIPOUT, W/O INSIDE FRAME - 25.5" X 25.4" STATIONARY GLASS IS N/A DUE TO MANUFACTURING TECHNIQUE
	000G39-08-18T	EA SCREW-SF/DR, 8-20 X 1 PPH - BLACK
2	080918-01-000	EA SPRING-TORQUE TUBE, RIGHT
3	035302-02-000	EA OPERATOR-TORQUE, TIPOUT WINDOW - LEFT
4	009479-08-000	FA EXTENSION-CRANK HANDLE, WINDOW/ROOF VENT - .8" - BLACK
5	009439-06-000	EA KNOB-OPERATOR, TIPOUT WINDOW - BLACK
	009439-07-000	EA SCREW, 8-32 X 1 1/4 POH - BLACK
6	083150-10-000	EA TUBE ASM. - TORQUE, WINDOW, W/SPRING & ARM - 22.5" LONG
7	084068-15-000	EA GLASS-TIPOUT, 9 2" X 24 5"
8	100168-01-000	FA CLIP-SPRING, SCREEN
9	100235-02-B07	EA SCREEN-SINGLE TIPOUT WINDOW
10	080218-03-000	SF SCREEN-FIBERGLASS, 12" WIDE
	100240-01-000	FT SPLINE-SCREEN, T-SHAPED
11	086762-01-000	EA T NUT 10-32
12	068927-03-000	EA SEAL-WINDOW, RUBBER - ROUND - .80" DIA - BLACK
13	084473-01-000	EA SEAL-RUBBER, TIPOUT WINDOW
14	086763-01-000	EA SCREW-MACH, 10 - 32 X 1/4 PTH
15	097578-01-000	EA LINKAGE-TIPOUT WINDOW
	081649-01-000	EA RING - SNAP, 7/32 SHAFT DIA
	084453-01-000	EA WASHER-.080 X 50 X .135 - PLASTIC
	085315-01-000	EA RIVET-SHOULDER, TIPOUT WINDOW
16	084453-02-000	EA WASHER-.080 X 50 X .250 - PLASTIC
17	089913-01-000	EA HINGE-TIPOUT WINDOW, BLACK
18	084067-02-000	FT SEAL-E SHAPED, SPONGE - TIPOUT WINDOW - 4" X 4" - BLACK
19	089840-11-000	EA SEALER-TAPE, 3/16"X3/8" BLACK
20	080918-02-000	EA SPRING-TORQUE TUBE, LEFT
21	081354-01-000	EA SLEEVE-TORQUE TUBE, TIPOUT WINDOW - 1 3" X 1 2" X 7"

## BATH WINDOW

KEY	PART NUMBER	U/M DESCRIPTION
1	090893-15-01A	EA FRAME-WINDOW, INSIDE - 25.5" X 15.8" - BLACK
	092235-10-Y12	EA WINDOW-TIPOUT, W/O INSIDE FRAME - 15.8" X 25.5" STATIONARY GLASS IS N/A DUE TO MANUFACTURING TECHNIQUES
	000G39-08-18T	EA SCREW-SF/DR, 8-20 X 1 PPH - BLACK
2	080918-01-000	EA SPRING-TORQUE TUBE, RIGHT
3	035302-02-000	EA OPERATOR-TORQUE, TIPOUT WINDOW - LEFT
4	090025-01-000	EA EXTENSION-WINDOW CONTROL
5	101290-01-01A	EA KNOB-OPERATOR, TIPOUT WINDOW - BRASS
	101289-01-01A	EA SCREW-MACHINE, 8-32 X 4 - POH - BRASS - FOR EXTENDED KNOB
6	083150-09-000	EA TUBE ASM - TORQUE, WINDOW, W/SPRING & ARM - 13 1" LONG
7	084068-14-000	EA GLASS-TIPOUT, 9" X 15"
8	100168-01-000	EA CLIP-SPRING, SCREEN
9	100235-02-B07	EA SCREEN-SINGLE TIPOUT WINDOW
10	080218-03-000	SF SCREEN-FIBERGLASS, 12" WIDE
	100240-01-000	FT SPLINE-SCREEN, T-SHAPED
11	086762-01-000	EA T NUT 10-32
12	068927-03-000	EA SEAL-WINDOW, RUBBER - ROUND - 60" DIA - BLACK
13	084473-01-000	EA SEAL-RUBBER, TIPOUT WINDOW
14	086763-01-000	EA SCREW-MACH, 10 - 32 X 1/4 PTH
15	097578-01-000	EA LINKAGE-TIPOUT WINDOW
	081649-01-000	EA RING - SNAP, 7/32 SHAFT DIA
	084453-01-000	EA WASHER-.080 X 50 X .135 - PLASTIC
	085315-01-000	EA RIVET-SHOULDER, TIPOUT WINDOW
16	084453-02-000	EA WASHER-.080 X 50 X .250 - PLASTIC
17	089913-01-000	EA HINGE-TIPOUT WINDOW, BLACK
18	084067-01-000	FT SEAL-E SHAPED, SPONGE - TIPOUT WINDOW - .4" X 4" - BLACK
19	089840-11-000	EA SEALER-TAPE, 3/16"X3/8" BLACK
20	080918-02-000	EA SPRING-TORQUE TUBE, LEFT
21	081354-01-000	EA SLEEVE-TORQUE TUBE, TIPOUT WINDOW - 1 3" X 1 2" X 7"

## 1991 WINNEBAGO TABLE OF CONTENTS

INTRODUCTION	A-01 -	A-02
ABBREVIATIONS		A-03
ALPHABETICAL INDEX	A-04 -	A-08
WCN25RC	A-07 -	F-02
WCN34RO	F-03 -	K-12

## 1991 WCN25RC INDEX

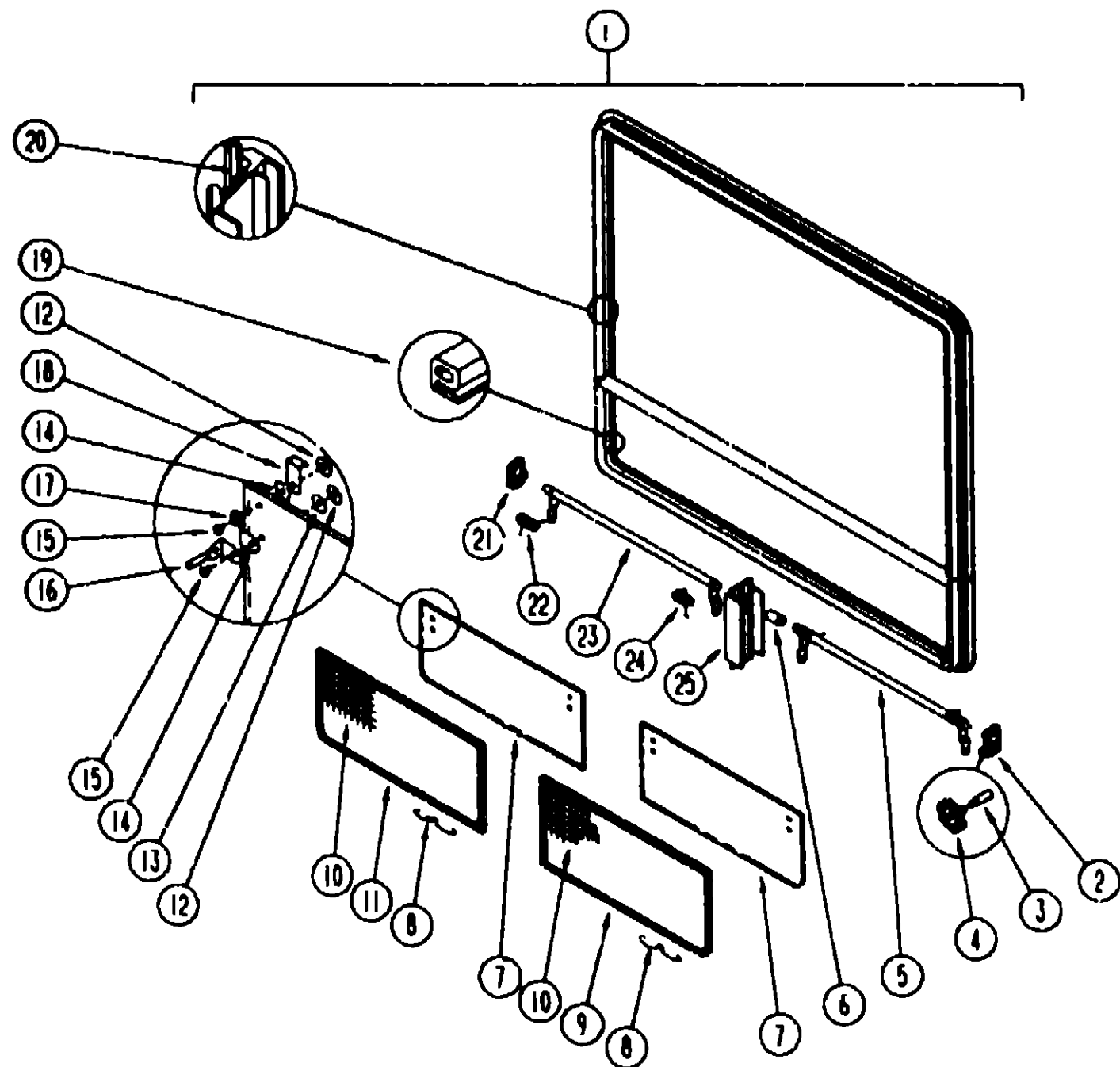
FLOOR PLAN	A-07 -	A-08
ACCESSORIES	A-09 -	A-14
BATH	A-15 -	A-17
BEDROOM		A-18
CHASSIS	A-19 -	B-03
C C & PAD	B-04 -	B-13
DINETTE	B-14 -	B-15
DRIVERS	B-16 -	B-22
ELECTRICAL	B-23 -	C-04
EXTERIOR BODY	C-05 -	C-12
GALLEY	C-13 -	C-20
HEATING & A/C	C-21 -	D-02
INTERIOR FINISH	D-03 -	D-08
LABELS	D-07 -	D-14
LP		D-15
LOUNGE		D-16
SEALANTS & FASTENERS	D-17 -	D-19
WATER & SEWAGE	D-20 -	D-24
WINDOW, VENT AND EXTERIOR DOOR	E-01 -	F-02



# WINDOW, VENT & EXTERIOR DOOR GROUP (CONTINUED)

## PASSENGER SIDE BEDROOM WINDOW

## 1991 WINNEBAGO TABLE OF CONTENTS



KEY	PART NUMBER	U/M	DESCRIPTION
	080893-07-01A	EA	FRAME-WINDOW, INSIDE - 31.4" X 60.8" - BLACK
1	082234-01-Y12	EA	WINDOW-TIPOUT, DOUBLE - W/O INSIDE FRAME - 31.5" X 60.8" STATIONARY GLASS IS NOT AVAILABLE - ORDER ENTIRE ASSEMBLY
	000039-08-16T	EA	SCREW-8F/DR, 8-20 X 1 PPH - BLACK
2	036302-02-000	EA	OPERATOR-TORQUE, TIPOUT WINDOW - LEFT
3	090025-01-000	EA	EXTENSION-WINDOW CONTROL
4	101290-01-01A	EA	KNOB-OPERATOR, TIPOUT WINDOW - BRASS
5	083227-08-000	EA	TUBE-TORQUE, WINDOW - RIGHT
6	088818-51-001	EA	TUBE-EXTRUDED, .02"ID X .035"OD X 1 2" LONG - ALUMINUM
7	084088-20-000	EA	GLASS-TIPOUT, 9 2" X 20.4"
8	100168-01-000	EA	CLIP-SPRING, SCREEN
9	100234-02-B07	EA	SCREEN-DOUBLE TIPOUT WINDOW, FRONT DR SIDE/REAR PASS SIDE
10	080218-03-000	SF	SCREEN-FIBERGLASS, 12" WIDE
	100240-01-000	FT	SPLINE-SCREEN, T-SHAPED
	081377-01-700	EA	ADHESIVE-CYANOACRYLATE, 10 GRAM TUBE
11	100234-01-B07	EA	SCREEN-DOUBLE TIPOUT WINDOW, REAR DR SIDE/FRONT PASS SIDE
12	086782-01-000	EA	T NUT 10-32
13	088927-03-000	EA	SEAL-WINDOW, RUBBER - ROUND - 80" DIA. - BLACK
14	084473-01-000	EA	SEAL-RUBBER, TIPOUT WINDOW
15	086783-01-000	EA	SCREW-MACH, 10 - 32 X 1/4 PTH
16	097578-01-000	EA	LINKAGE-TIPOUT WINDOW
	084453-01-000	EA	WASHER- 080 X 50 X .135 - PLASTIC
	085315-01-000	EA	RIVET-SHOULDER, TIPOUT WINDOW
	081649-01-000	EA	RING-SNAP, 7/32 SHAFT DIAMETER
	101289-01-01A	EA	SCREW-MACHINE, 8-32 X 4 - POH - BRASS - FOR EXTENDED KNOB
17	084453-02-000	EA	WASHER- 080 X 50 X .135 - PLASTIC
18	089913-01-000	EA	HINGE-TIPOUT WINDOW, BLACK
19	084087-02-000	FT	SEAL-E SHAPE, SPONGE - TIPOUT WINDOW - 4" X 4" - BLACK
20	089840-11-000	EA	SEALER-TAPE, 3/16"X3/8" BLACK
21	035302-01-000	EA	OPERATOR-TORQUE, TIPOUT WINDOW - RIGHT
	038886-01-000	EA	TAPE-BUTYL, 31" X 31" X 148" LONG
22	080918-02-000	EA	SPRING-TORQUE TUBE, LEFT
23	083228-08-000	EA	TUBE-TORQUE, WINDOW - REAR
24	080918-01-000	EA	SPRING-TORQUE TUBE, RIGHT
25	088803-01-01A	EA	MULLION-VERTICAL, 9 5" LONG - ALUMINUM - BLACK

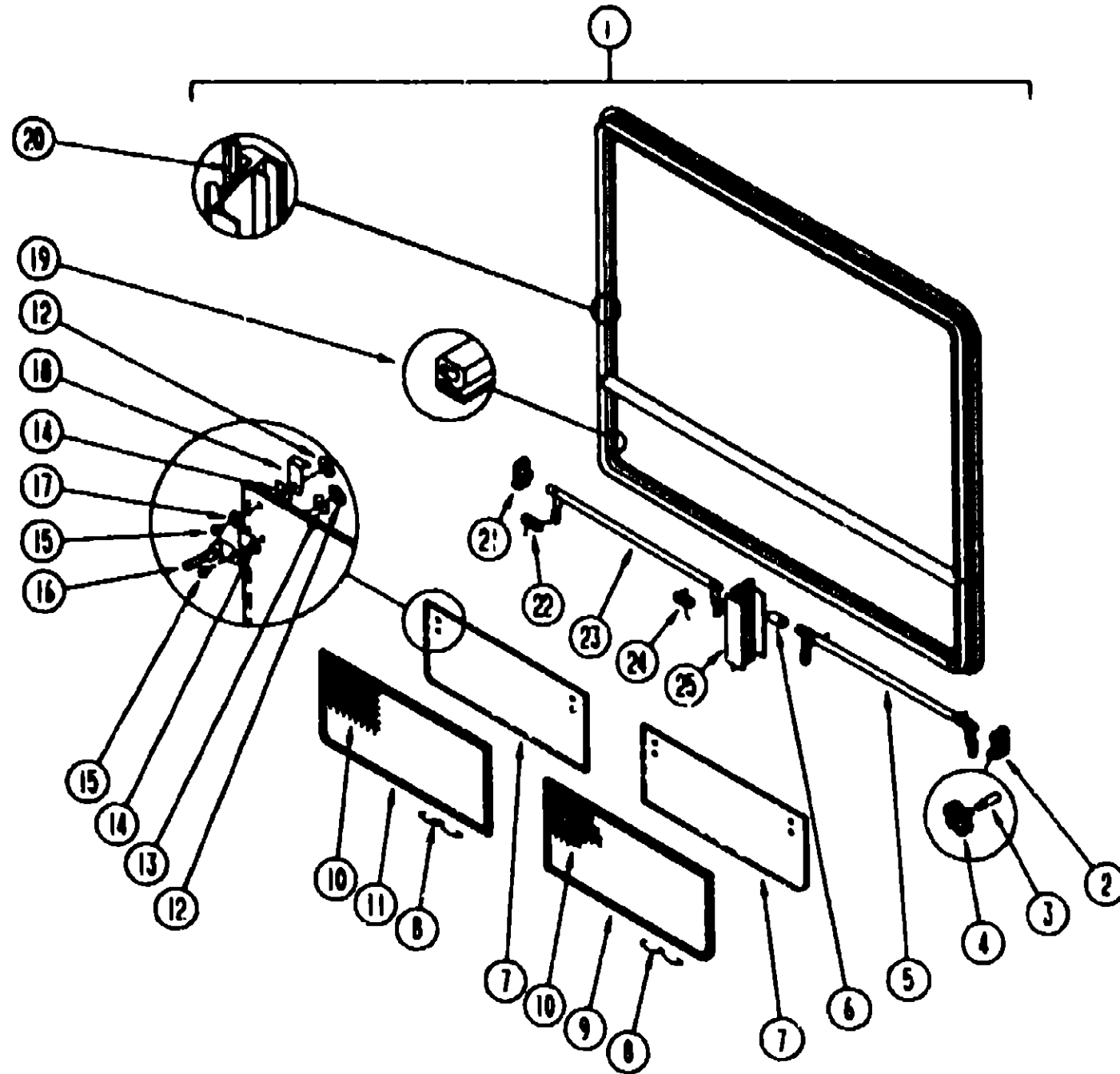
INTRODUCTION	A-01	A-02
ABBREVIATIONS		A-03
ALPHABETICAL INDEX	A-04	A-06
WCN25RC	A-07	F-02
WCN34HQ	F-03	K-12

## 1991 WCN25RC INDEX

FLOOR PLAN	A-07	A-08
ACCESSORIES	A-09	A-14
BATH	A-15	A-17
BEDROOM		A-18
CHASSIS	A-19	B-03
C C & PAD	B-04	B-13
DINETTE	B-14	B-15
DRIVERS	B-16	B-22
ELECTRICAL	B-23	C-04
EXTERIOR BODY	C-05	C-12
GALLEY	C-13	C-20
HEATING & A/C	C-21	D-02
INTERIOR FINISH	D-03	D-08
LABELS	D-07	D-14
LP		D-15
LOUNGE		D-16
SEALANTS & FASTENERS	D-17	D-19
WATER & SEWAGE	D-20	D-24
WINDOW, VENT AND EXTERIOR DOOR	E-01	F-02

# WINDOW, VENT & EXTERIOR DOOR GROUP (CONTINUED)

## DINETTE WINDOW



KEY	PART NUMBER	U/M	DESCRIPTION
1	090893-09-01A 092234-03-Y12	EA	FRAME-WINDOW, INSIDE - 31.4" X 60 9" - BLACK
		EA	WINDOW-TIPOUT, DOUBLE - W/O INSIDE FRAME - 31.5" X 60 9" STATIONARY GLASS IS NOT AVAILABLE - ORDER ENTIRE ASSEMBLY
2	000G39-06-16T	EA	SCREW-SF/DR, 8-20 X 1 PPH - BLACK
3	035302-02-000	EA	OPERATOR-TORQUE, TIPOUT WINDOW - LEFT
4	090025-01-000	EA	EXTENSION-WINDOW CONTROL
5	101289-01-01A	EA	KNOB-OPERATOR, TIPOUT WINDOW - BRASS
6	083227-08-000	EA	TUBE-TORQUE, WINDOW - RIGHT
7	088816-61-001	EA	TUBE-EXTRUDED, .021"D X .035"OD X 1 2" LONG - ALUMINUM
8	084088-22-000	EA	GLASS-TIPOUT, 9 2" X 29 8"
9	100188-01-000	EA	CLIP-SPRING, SCREEN
10	100234-02-807	EA	SCREEN-DOUBLE TIPOUT WINDOW, FRONT DR SIDE/REAR PASS SIDE
	080218-03-000	SF	SCREEN-FIBERGLASS, 12" WIDE
	100240-01-000	FT	SPLINE-SCREEN, T-SHAPED
	081377-01-700	EA	ADHESIVE-CYANOACRYLATE, 10 GRAM TUBE
11	100234-01-807	EA	SCREEN-DOUBLE TIPOUT WINDOW, REAR DR SIDE/FRONT PASS SIDE
12	088782-01-000	EA	T NUT 10-32
13	088927-03-000	EA	SEAL-WINDOW, RUBBER - ROUND - 80" DIA. - BLACK
14	084473-01-000	EA	SEAL-RUBBER, TIPOUT WINDOW
15	088783-01-000	EA	SCREW-MACH, 10 - 32 X 1/4 PTH
16	097578-01-000	EA	LINKAGE-TIPOUT WINDOW
	084453-01-000	EA	WASHER- 080 X 50 X .135 - PLASTIC
	085315-01-000	EA	RIVET-SHOULDER, TIPOUT WINDOW
	081649-01-000	EA	RING-SNAP, 7/32 SHAFT DIAMETER
	101289-01-01A	EA	SCREW-MACHINE, 8-32 X 4 - POH - BRASS - FOR EXTENSION KNOB
17	084453-02-000	EA	WASHER- 080 X 50 X .135 - PLASTIC
18	089913-01-000	EA	HINGE-TIPOUT WINDOW, BLACK
19	084087-02-000	FT	SEAL-E SHAPED, SPONGE - TIPOUT WINDOW - 4" X 4" - BLACK
20	089640-11-000	EA	SEALER-TAPE, 3/16"X3/8" BLACK
21	035302-01-000	EA	OPERATOR-TORQUE, TIPOUT WINDOW - RIGHT
	038888-01-000	EA	TAPE-BUTYL, 31" X 31" X 148" LONG
22	080918-02-000	EA	SPRING-TORQUE TUBE, LEFT
23	083228-08-000	EA	TUBE-TORQUE, WINDOW - LEFT
24	080918-01-000	EA	SPRING-TORQUE TUBE, RIGHT
25	088803-01-01A	EA	MULLION-VERTICAL, 9 5" LONG - ALUMINUM - BLACK

## 1991 WINNEBAGO TABLE OF CONTENTS

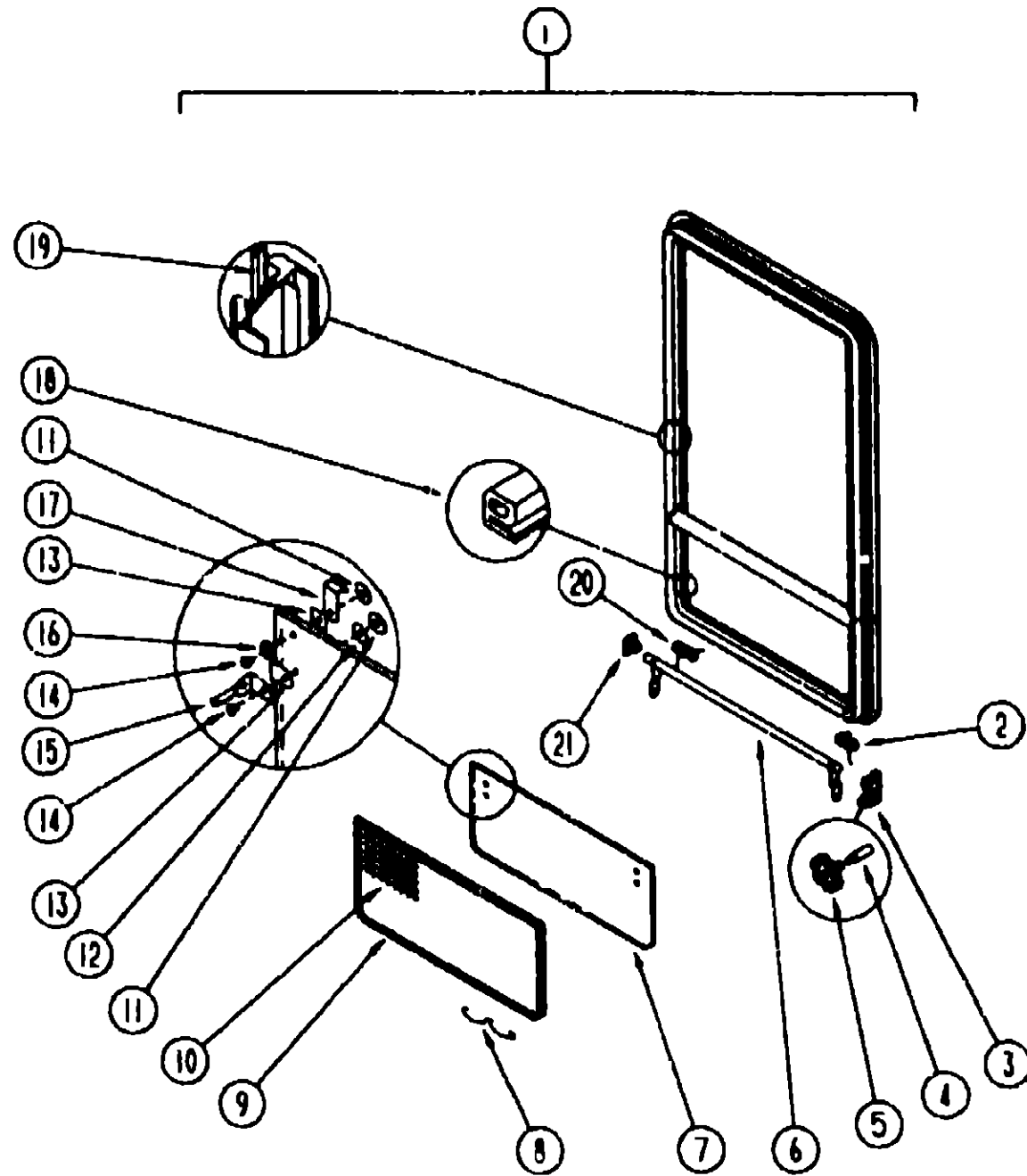
INTRODUCTION	A-01 - A-02
ABBREVIATIONS	A-03
ALPHABETICAL INDEX	A-04 - A-06
WCN25RC	A-07 - F-02
WCN34RQ	F-03 - K-12

## 1991 WCN25RC INDEX

FLOOR PLAN	A-07 - A-08
ACCESSORIES	A-09 - A-14
BATH	A-15 - A-17
BEDROOM	- A-18
CHASSIS	A-19 - B-03
C C & PAD	B-04 - B-13
DINETTE	B-14 - B-15
DRIVERS	B-16 - B-22
ELECTRICAL	B-23 - C-04
EXTERIOR BODY	C-05 - C-12
GALLEY	C-13 - C-20
HEATING & A/C	C-21 - D-02
INTERIOR FINISH	D-03 - D-08
LABELS	D-07 - D-14
LP	D-15
LOUNGE	D-16
SEALANTS & FASTENERS	D-17 - D-19
WATER & SEWAGE	D-20 - D-24
WINDOW, VENT AND EXTERIOR DOOR	E-01 - F-02

# WINDOW, VENT & EXTERIOR DOOR GROUP (CONTINUED)

## PASSENGER SIDE LOUNGE WINDOW



KEY	PART NUMBER	U/M	DESCRIPTION
	060863-08-01A	EA	FRAME-WINDOW, INSIDE - 31 8" X 22 8" - BLACK
1	062236-08-Y12	EA	WINDOW-TIPOUT, SINGLE - W/O INSIDE FRAME - 31 8" X 22 8" STATIONARY GLASS IS N/A DUE TO MANUFACTURING TECHNIQUE
	000039-06-18T	EA	SCREW-SF/DR, 8-20 X 1 PPH - BLACK
2	080918-01-000	EA	SPRING-TORQUE TUBE, RIGHT
3	035302-02-000	EA	OPERATOR-TORQUE, TIPOUT WINDOW - LEFT
4	090025-01-000	EA	EXTENSION-WINDOW CONTROL
5	101290-01-01A	EA	KNOB-OPERATOR, TIPOUT WINDOW - BRASS
	101289-01-01A	EA	SCREW-MACHINE, 8-32 X 4 - POH - BRASS - FOR EXTENDED KNOB
6	083150-14-000	EA	TUBE ASM - TORQUE, WINDOW
7	084069-19-000	EA	GLASS-TIPOUT, - 9" X 22"
8	100188-01-000	EA	CLIP-SPRING, SCREEN
9	100235-02-807	EA	SCREEN-SINGLE TIPOUT WINDOW
10	080218-03-000	SF	SCREEN-FIBERGLASS, 12" WIDE
	100240-01-000	FT	SPLINE-SCREEN, T-SHAPED
11	086782-01-000	EA	T NUT 10-32
12	068927-03-000	EA	SEAL-WINDOW, RUBBER - ROUND - 80" DIA. - BLACK
13	084473-01-000	EA	SEAL-RUBBER, TIPOUT WINDOW
14	086783-01-000	EA	SCREW-MACH, 10 - 32 X 1/4 PTH
15	097578-01-000	EA	LINKAGE-TIPOUT WINDOW
	081649-01-000	EA	RING - SNAP, 7/32 SHAFT DIA
	084453-01-000	EA	WASHER-080 X 50 X 135 - PLASTIC
	085315-01-000	EA	RIVET-SHOULDER, TIPOUT WINDOW
16	084453-02-000	EA	WASHER-080 X 50 X 250 - PLASTIC
17	089913-01-000	EA	HINGE-TIPOUT WINDOW, BLACK
18	084067-02-000	FT	SEAL-E SHAPED, SPONGE - TIPOUT WINDOW - 4" X 4" - BLACK
19	089840-11-000	EA	SEALER-TAPE, 3/16" X 3/8" BLACK
20	080918-02-000	EA	SPRING-TORQUE TUBE, LEFT
21	081354-01-000	EA	SLEEVE-TORQUE TUBE, TIPOUT WINDOW - 1 3/8" X 1 2" X 7"

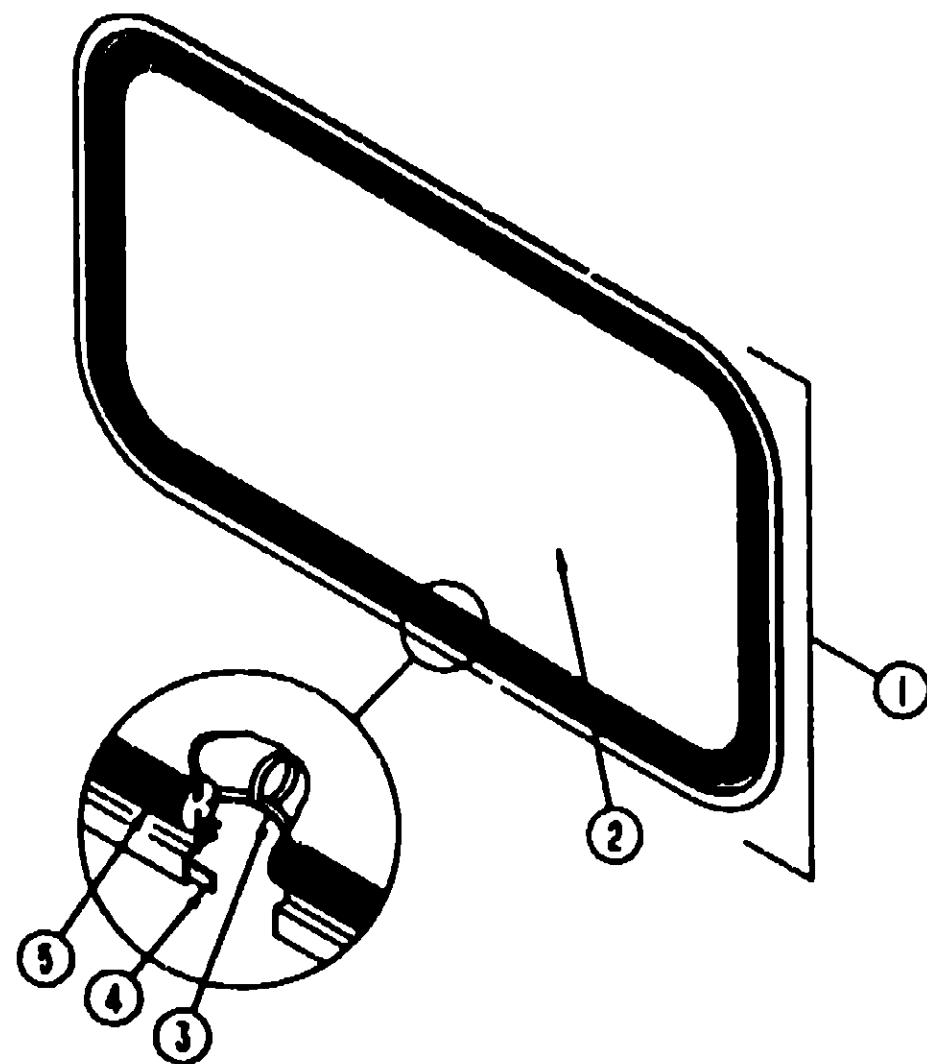
## 1991 WINNEBAGO TABLE OF CONTENTS

INTRODUCTION	A-01 - A-02
ABBREVIATIONS	A-03
ALPHABETICAL INDEX	A-04 - A-08
WCN25RC	A-07 - F-02
WCN MFG	F-03 - K-12

## 1991 WCN25RC INDEX

FLOOR PLAN	A-07 - A-08
ACCESSORIES	A-09 - A-14
BATH	A-15 - A-17
BEDROOM	- A-18
CHASSIS	A-19 - B-03
C C & PAD	B-04 - B-13
DINETTE	B-14 - B-15
DRIVERS	B-16 - B-22
ELECTRICAL	B-23 - C-04
EXTERIOR BODY	C-05 - C-12
GALLEY	C-13 - C-20
HEATING & AC	C-21 - D-02
INTERIOR FINISH	D-03 - D-06
LABELS	D-07 - D-14
LP	D-15
LOUNGE	D-16
SEALANTS & FASTENERS	D-17 - D-19
WATER & SEWAGE	D-20 - D-24
WINDOW, VENT AND EXTERIOR DOOR	E-01 - F-02

**WINDOW, VENT & EXTERIOR DOOR GROUP (CONTINUED)**



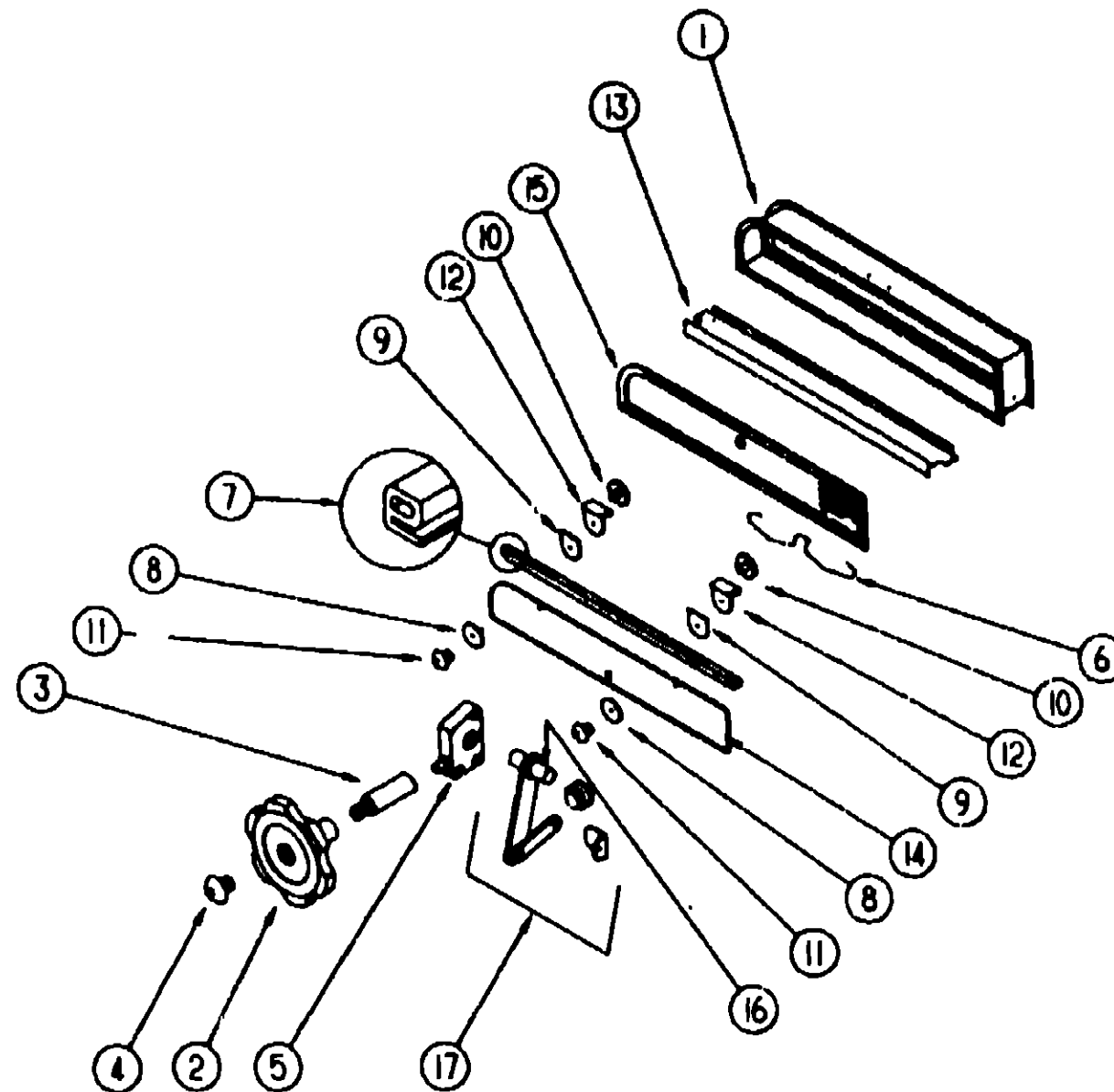
**BACKWALL ESCAPE WINDOW**

KEY	PART NUMBER	U/M DESCRIPTION
1	087085-04-Y12	EA WINDOW-ESCAPE, W/O INSIDE FRAME - 30 2" X 48 8"
	076850-04-000	EA FRAME-WINDOW, INSIDE - BLACK
2	076337-08-000	EA GLASS-ESCAPE, - 44.8" X 28"
3	002285-01-000	FT FILLER-WEATHER STRIP, RUBBER - BLACK
4	069840-07-000	FT SEALER-RIBBON, 2" X 3/32" - INCREMENTS OF 30'
5	002282-01-000	FT WEATHER STRIP-WINDOW, RUBBER - 125" - BLACK
	006199-01-000	EA LABEL-EXIT, "ESCAPE WINDOW"
	047731-01-000	EA LABEL-EMERGENCY EXIT

**DRIVER DOOR UPPER STATIONARY WINDOW**

KEY	PART NUMBER	U/M DESCRIPTION
	093043-01-Y12	EA WINDOW ASM -UPPER STATIONARY - 4 6" X 28" GLASS
	092997-01-000	EA GLASS-STATIONARY, POWER WINDOW - 4 6" X 28"
	092628-01-01A	EA MULLION-WINDOW, DOOR - BLACK
	079370-04-000	FT COVER-SCREW, WINDOW - VINYL - BLACK
	081910-02-000	EA CHANNEL-WINDOW
	084067-01-000	FT SEAL-E SHAPED, SPONGE - TIPOUT WINDOW - 4" X 4" - FROM 00-00-00 THRU 03-03-91
	084067-02-000	FT SEAL-E SHAPED, SPONGE - TIPOUT WINDOW - 42" X 38"-BLACK FROM 03-04-91 THRU 99-99-99
	069927-03-000	EA SEAL-WINDOW, RUBBER - ROUND - 80" DIA. - BLACK
	084453-02-000	EA WASHER-.08" X .5" X 25" - PLASTIC
	084473-01-000	EA SEAL-FLAT, W/CENTER HOLE & ADHESIVE SIDE - 8" X 9" - BLK
	086762-01-000	EA T NUT 10-32
	069938-03-000	EA BEARING- 38"ID, SNAP IN

**WINDOW, VENT & EXTERIOR DOOR GROUP (CONTINUED)**



**DRIVER DOOR UPPER TIPOUT WINDOW**

KEY	PART NUMBER	U/M DESCRIPTION
1	092974-01-Y12	EA WINDOW ASM -UPPER TIPOUT - 4.5" X 27 9" GLASS - OVHD BUNK ONLY
2	009439-05-000	EA KNOB-CRANK, TIPOUT WINDOW - METAL - BLACK
3	009439-08-000	EA EXTENSION-CRANK KNOB, 9" - METAL - BLACK
4	009439-07-000	EA SCREW-8 32 X 1 1/4 POH - BLACK
5	035302-01-000	EA OPERATOR-TORQUE, TIPOUT WINDOW
6	081243-02-000	EA CLIP-SCREEN, PLASTIC - BLACK
	081649-01-000	EA RING-SNAP, 7/32 SHAFT DIAMETER 7
	084067-01-000	FT SEAL-E SHAPED, SPONGE - TIPOUT WINDOW - 42" X 44" - BLACK FROM 00-00-00 THRU 03-03-91
7	084067-02-000	FT SEAL-E SHAPED, SPONGE - TIPOUT WINDOW - 42" X 38"-BLACK FROM 03-04-91 THRU 99-99-99
	084453-01-000	EA WASHER-.08" X 5" X 135" - PLASTIC
8	084453-02-000	EA WASHER-.08" X 5" X 25" - PLASTIC
9	084473-01-000	EA SEAL-FLAT, W/CENTER HOLE & ADHESIVE SIDE - 8" X 9" - BLK
	085315-01-000	EA RIVET-SHOULDER, TIPOUT WINDOW
10	086762-01-000	EA T NUT 10-32
11	086783-01-00	EA SCREW-MACH, 10 - 32 X 1/4 PTH
12	089913-01-000	EA HINGE-TIPOUT WINDOW, BLACK
13	092628-01-01A	EA MULLION-WINDOW, DOOR - BLACK
14	092970-01-000	EA GLASS-TIPOUT, 4 5" X 27.9"
15	095954-01-Y12	EA SCREEN-SINGLE TIPOUT, 1 RADIUS CORNER 6" X 29 2"
	002291-02-000	FT SCREENING-ROOF VENT/WINDOW, 16" - BLACK
	100240-01-000	FT SPLINE-SCREEN, T-SHAPED
16	096294-01-000	EA TUBE ASM-TORQUE
17	097578-02-000	EA LINKAGE ASM-TIPOUT

**1991 WINNEBAGO  
TABLE OF CONTENTS**

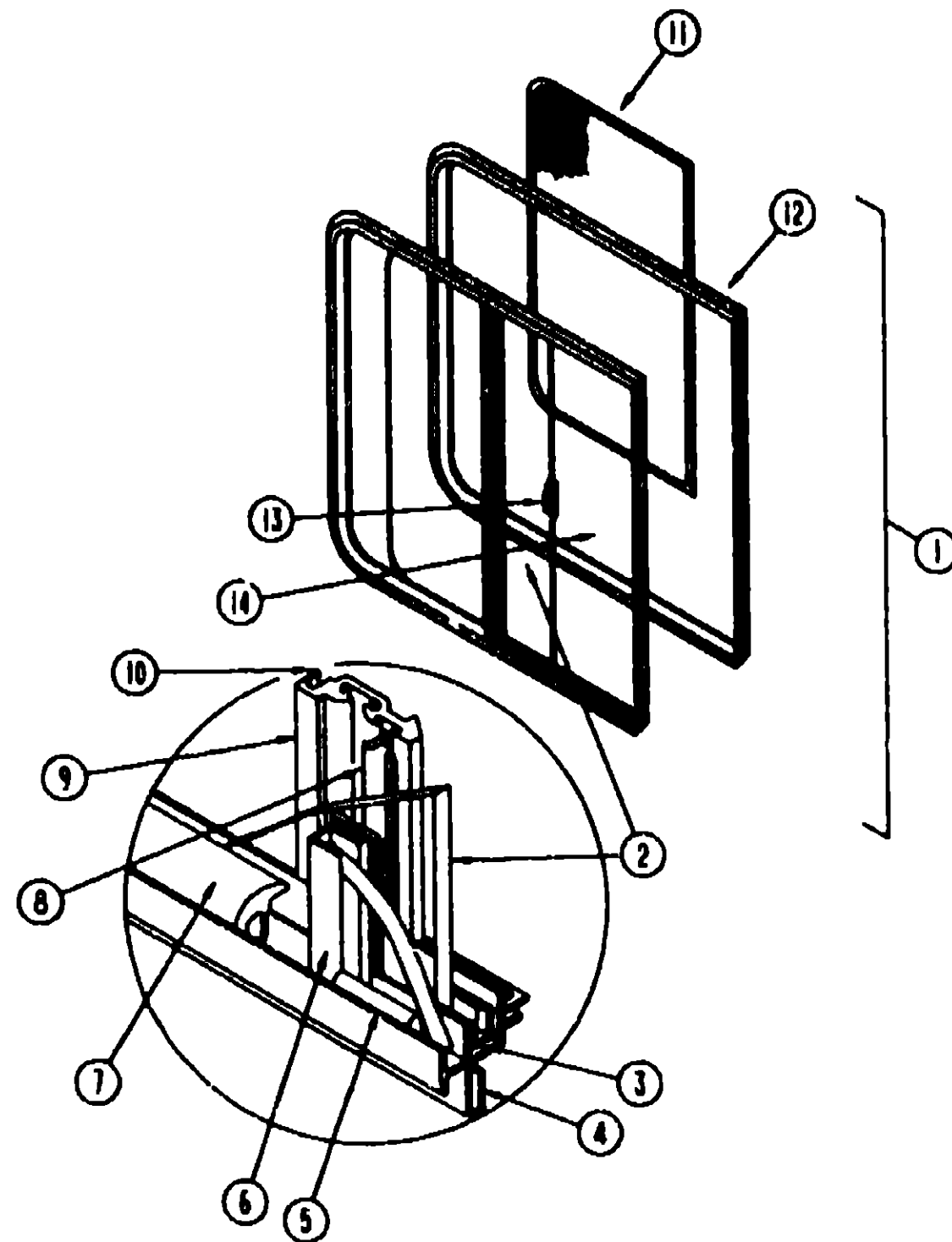
INTRODUCTION	A-01 - A-02
ABBREVIATIONS	A-03
ALPHABETICAL INDEX	A-04 - A-08
WCN25RC	A-07 - F-02
WCN34PQ	F-03 - K-12

**1991 WCN25RC INDEX**

FLOOR PLAN	A-07 - A-08
ACCESSORIES	A-09 - A-14
BATH	A-15 - A-17
BEDROOM	- A-18
CHASSIS	A-19 - B-03
C C & PAD	B-04 - B-13
DINETTE	B-14 - B-15
DRIVERS	B-16 - B-22
ELECTRICAL	B-23 - C-04
EXTERIOR BODY	C-05 - C-12
GALLEY	C-13 - C-20
HEATING & A/C	C-21 - D-02
INTERIOR FINISH	D-03 - D-06
LABELS	D-07 - D-14
LP	D-15
LOUNGE	D-16
SEALANTS & FASTENERS	D-17 - D-19
WATER & SEWAGE	D-20 - D-24
WINDOW, VENT AND EXTERIOR DOOR	E-01 - F-02

# WINDOW, VENT & EXTERIOR DOOR GROUP (CONTINUED)

## PASSENGER CAB SLIDING WINDOW



KEY	PART NUMBER	UOM	DESCRIPTION
1	093703-01-Y10	EA	WINDOW ASM-SINGLE SLIDER - W/O INSIDE FRAME
2	081980-11-000	EA	GLASS-SLIDER, .13" X 30 4" X 18 8"
3	042077-01-000	FT	CHANNEL-W/O-GLASS RUN 3/16
4	069840-11-000	FT	SEALER-TAPE, 3/16" X 3/8" BLACK
5	050218-02-000	FT	SPLINE-VINYL GLASS .19 BLK
6	050778-01-000	EA	SCREW-1/4-14X3/8 HWY BLK
8	007388-03-209	EA	EXTR-PDR BLK, GLASS HOLDER - .29 57
	023520-01-000	EA	PAD-FELT-3/8 DIA
7	041928-02-000	FT	SEAL-W/O-CHANNEL USE 3/16 - EXTEHIOH - BLACK
8	073740-01-000	FT	SEAL-FIN, .460 PILE HEIGHT
	079824-01-000	FT	SEAL-WEATHER, C-FOLD .500
9	084170-09-000	EA	MULLION-SLIDER, WINDOW - 29 8" - ALUMINUM - BLACK
10	092686 01 Y10	EA	FRAME ASM-W/O, INSIDE, SCREEN - BLACK
	000G39-08-16T	EA	SCREW-SF/DR-S-20X1 00 PPH
	002328-01-000	EA	BLOCK-WINDOW-1/8X3/16X1
11	092684-01-Y10	EA	SCREEN ASSEMBLY
	002291-02-000	FT	SCREENING-ROOF VENT/WINDOW, 18" - BLACK
	002298 02-000	FT	SPLINE-VENT/WINDOW SCREEN, .128 DIAMETER - BLACK
	078384-01-000	EA	HOLDER-UPPER SCREEN, EXTRUDED PLASTIC - 9 5" - BLACK
	078385-01-000	EA	HOLDER-LOWER SCREEN, EXTRUDED PLASTIC - 9 5" - BLACK
12	092538-01-Y10	EA	FRAME-WINDOW, INSIDE
13	047389-01-700	EA	LATCH KIT-WINDOW, PLASTIC
14	057656-12-000	EA	GLASS- 19X30 43X15 70

## 1991 WINNEBAGO TABLE OF CONTENTS

INTRODUCTION	A-01 -	A-02
ABBREVIATIONS		A-03
ALPHABETICAL INDEX	A-04 -	A-08
WCN25RC	A-07 -	F-02
WCN34RQ	F-03 -	K-12

## 1991 WCN25RC INDEX

FLOOR PLAN	A-07 -	A-08
ACCESSORIES	A-09 -	A-14
BATH	A-15 -	A-17
BEDROOM		A-18
CHASSIS	A-19 -	B-03
C C & PAD	B-04 -	B-13
DINETTE	B-14 -	B-15
DRIVERS	B-16 -	B-22
ELECTRICAL	B-23 -	C-04
EXTERIOR BODY	C-05 -	C-12
GALLEY	C-13 -	C-20
HEATING & A/C	C-21 -	D-02
INTERIOR FINISH	D-03 -	D-08
LABELS	D-07 -	D-14
LP		D-15
LOUNGE		D-16
SEALANTS & FASTENERS	D-17 -	D-19
WATER & SEWAGE	D-20 -	D-24
WINDOW, VENT AND EXTERIOR DOOR	E-01 -	F-02

**WINDOW, VENT & EXTERIOR DOOR GROUP (CONTINUED)**

**POWERED ROOF VENT**

KEY	PART NUMBER	U/M DESCRIPTION
	090393-01-Y12	EA VENT-ROOF, POWERED W/O SCREEN
	002825-01-000	EA WEATHER STRIP-ROOF VENT, GRAY
	008195-01-000	EA SWITCH-ROOF VENT, PUSH BUTTON, 12V
	008388-01-000	EA GROMMET-SNAP, 2", 3/8"
	009440-01-000	EA GEAR/ARM-VENT COVER, LIFT
	015911-01-000	EA TRACK-LIFT ARM, SLIDE - ROOF VENT
	048648-01-000	EA MOTOR-ROOF VENT, 1/8 SHAFT - 12V
	048649-01-000	EA FAN-ROOF VENT, 6 BLADES - 8"
	065218-01-000	EA COVER-ROOF VENT
	081803-01-000	EA GROMMET-SNAP, 3/16 ID - 3/8 HOLE - PLASTIC - BLACK
	062839-01-200	EA HINGE-EXTRUSION, ROOF VENT 7"
	062839-01-001	EA HINGE-VENT COVER, 192"
	078785-01-Y12	EA SCREEN-ROOF VENT, POWERED
	002291-02-000	SF SCREENING-ROOF VENT/WINDOW, 18" - BLACK
	002298-02-000	FT SPLINE-VENT/WINDOW SCREEN, 128 DIAMETER - BLACK
	009439-01-000	EA CRANK HANDLE-ROOF VENT
	009439-03-000	EA EXTENSION-CRANK HANDLE, ROOF VENT - 9"
	009439-04-000	EA SCREW-8-32X1 1/4 POH, BLACK

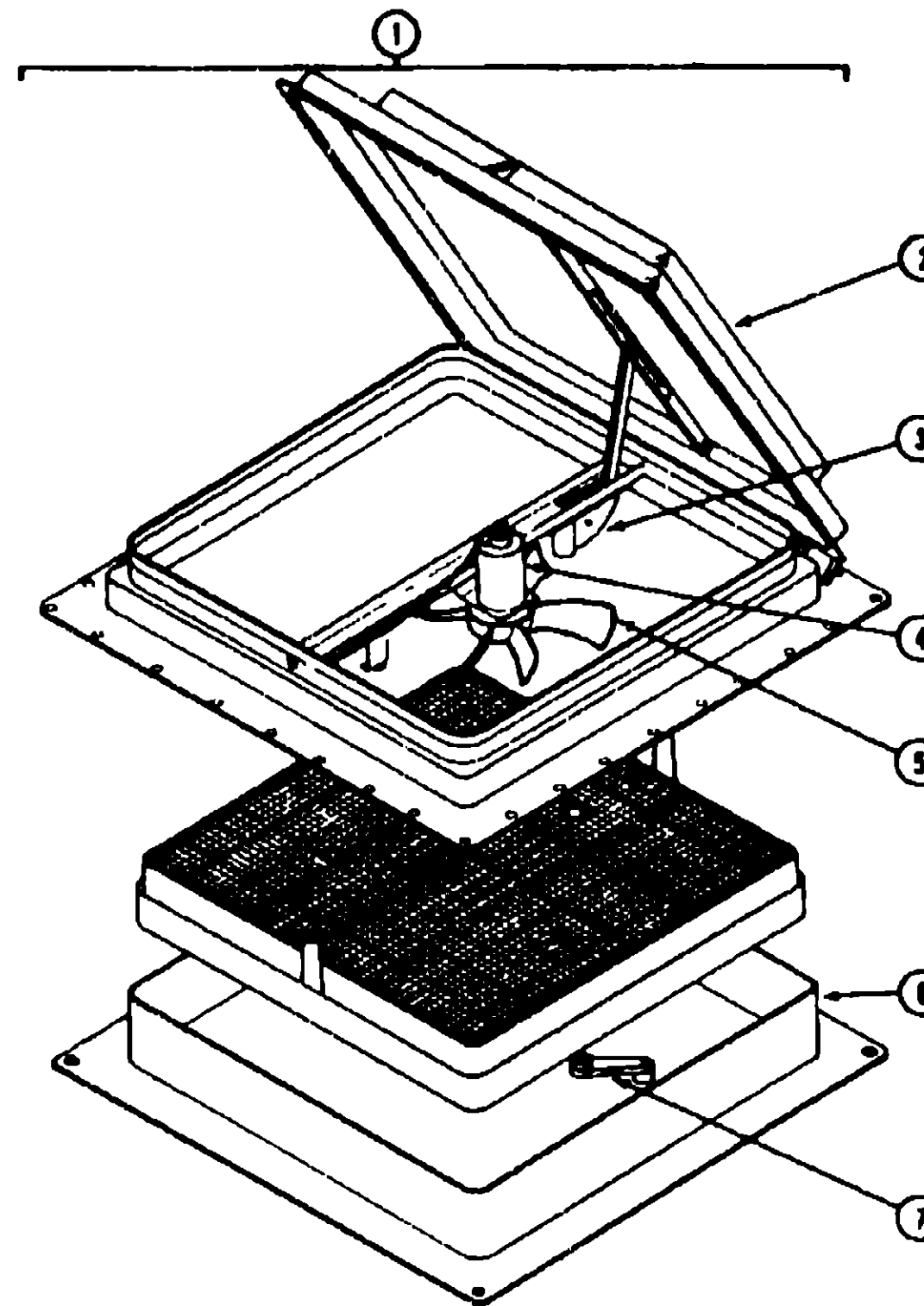
**NON POWERED ROOF VENT**

KEY	PART NUMBER	U/M DESCRIPTION
	090392-01-Y12	EA VENT-ROOF, NON POWERED W/O SCREEN
	002825-01-000	EA WEATHER STRIP-ROOF VENT, GRAY
	009440-01-000	EA GEAR/ARM-VENT COVER, LIFT
	015911-01-000	EA TRACK-LIFT ARM, SLIDE - ROOF VENT
	065218-01-000	EA COVER-ROOF VENT
	062839-01-001	EA HINGE-VENT COVER, 192"
	009439-01-000	EA CRANK HANDLE-ROOF VENT
	009439-03-000	EA EXTENSION-CRANK HANDLE, ROOF VENT - 9"
	078786-01-Y12	EA SCREEN-ROOF VENT, NON POWERED
	002291-02-000	SF SCREENING-ROOF VENT/WINDOW, 18" - BLACK
	002298-02-000	FT SPLINE-VENT/WINDOW SCREEN, 128 DIAMETER - BLACK
	009439-04-000	EA SCREW-8-32X1 1/4 POH, BLACK

**VENTILATOR FAN OPTION L41M**

KEY	PART NUMBER	U/M DESCRIPTION
	084079-06-000	EA VENT-EXHAUST, POWERED - OFF WHITE - FANTASTIC VENT
	084079-01-700	EA VENT COVER - FANTASTIC 1020-19
	084079-01-701	EA SCREEN ASM WHITE - FANTASTIC 1030-80
	009440-01-000	EA ARM LIFT ASM
	084079-01-703	EA CRANK, EXTERIOR
	084079-01-704	EA FAN BLADE
	084079-01-705	EA MOTOR
	084079-01-706	EA 12 VOLT PLUG
	084079-01-707	EA SAFETY SWITCH - FANTASTIC 1120-00
	084079-01-708	EA REVERSE SWITCH - FANTASTIC 1130-09
	084079-01-709	EA SWITCH ON & OFF (MAIN POWER) - FANTASTIC - 1100-00
	084079-01-710	EA THERMOSTAT - FANTASTIC 1140-00
	084079-01-711	EA H-MOLDING (MOTOR MOUNT)

**WINDOW, VENT & EXTERIOR DOOR GROUP (CONTINUED)**



**CANADIAN EXPORT**

KEY	PART NUMBER	U/M DESCRIPTION
1	064469-08-000	EA VENT-ROOF, POWERED - 14" X 14" - 12V - CANADIAN
2	064469-03-702	EA LID-VENT WHITE
3	064469-03-706	EA LIFT MECHANISM
4	048648-01-000	EA MOTOR-ROOF VENT, 1/8 SHAFT - 12V
5	048649-01-000	EA FAN-ROOF VENT, 6 BLADES - 6"
6	064469-03-705	EA GARNISH, VENT 2.5 IN WIDE
7	009439-01-000	EA CRANK HANDLE-ROOF VENT

**ROOF & SIDEWALL VENTS**

KEY	PART NUMBER	U/M DESCRIPTION
	083558-01-000	EA VENT-PLUMBING PIPE ROOF, W/COVER - BEIGE
	084073-01-000	EA COVER-ROOF VENT, NORCOLD REFRIGERATOR - 24" - BEIGE
	084073-04-000	EA BASE-ROOF VENT, NORCOLD REFRIGERATOR - BLACK
	092698-02-02A	EA VENT-RANGE HOOD, W/DOOR - BEIGE

**1991 WINNEBAGO  
TABLE OF CONTENTS**

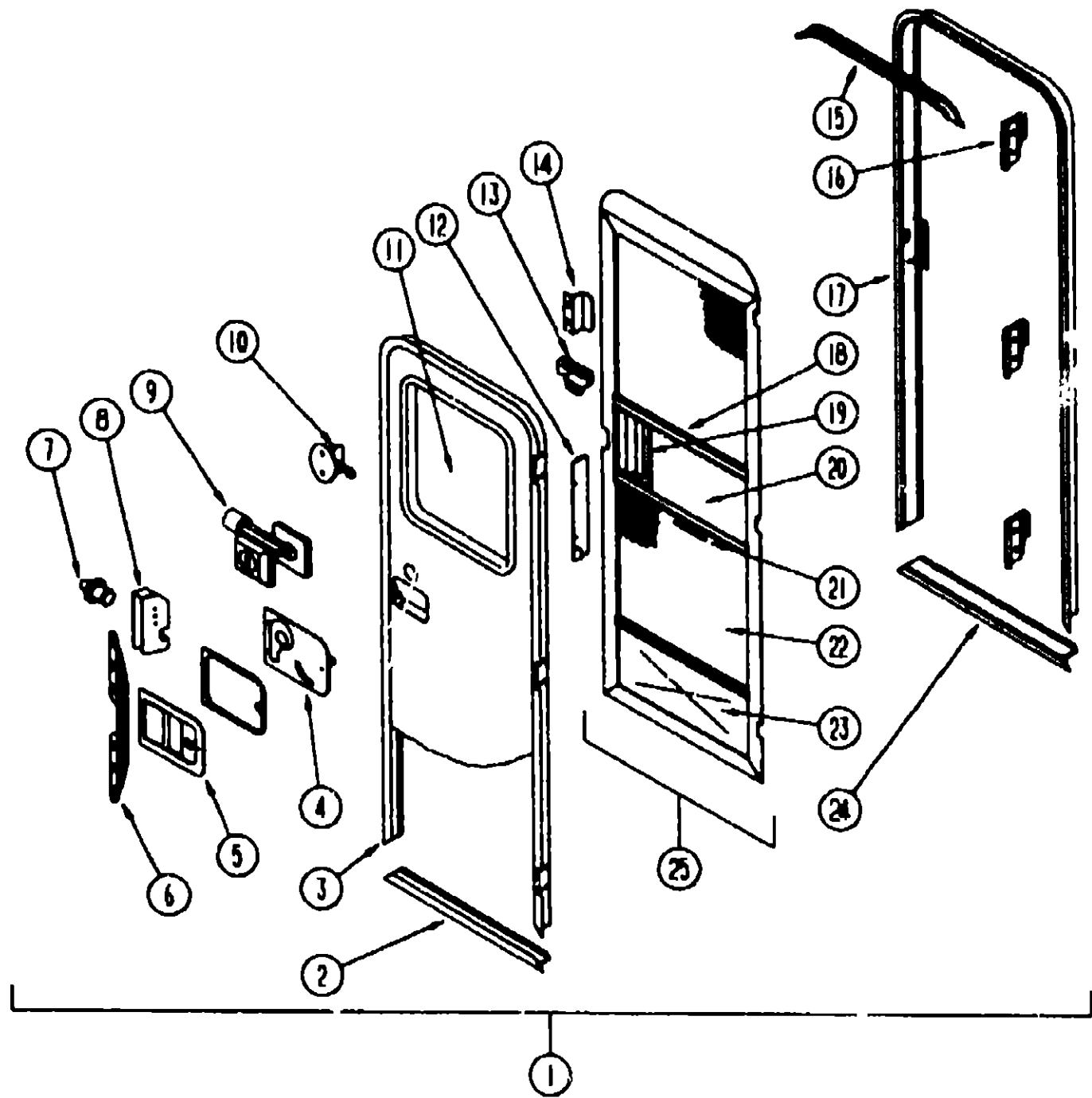
INTRODUCTION	A-01 - A-02
ABBREVIATIONS	A-03
ALPHABETICAL INDEX	A-04 - A-08
WCN25RC	A-07 - F-02
WCN34RQ	F-03 - K-12

**1991 WCN25RC INDEX**

FLOOR PLAN	A-07 - A-08
ACCESSORIES	A-09 - A-14
BATH	A-15 - A-17
BEDROOM	- A-18
CHASSIS	A-19 - B-03
C C & PAD	B-04 - B-13
DINETTE	B-14 - B-15
DRIVERS	B-16 - B-22
ELECTRICAL	B-23 - C-04
EXTERIOR BODY	C-05 - C-12
GALLEY	C-13 - C-20
HEATING & AC	C-21 - D-02
INTERIOR FINISH	D-03 - D-06
LABELS	D-07 - D-14
LP	D-15
LOUNGE	D-15
SEALANTS & FASTENERS	D-17 - D-18
WATER & SEWAGE	D-20 - D-24
WINDOW, VENT AND EXTERIOR DOOR	E-01 - F-02

# WINDOW, VENT & EXTERIOR DOOR GROUP ( CONTINUED)

## ENTRANCE DOOR



KEY	PART NUMBER	U/M DESCRIPTION
5	045017-11-000	EA LATCH-PADDLE, MECHANISM W/LOCK CYLINDER & KEY - BLACK
	045017-11-701	EA KEY BLANK, F1 SERIES
6	008173-01-04A	EA STIFFENER-ENTRY DOOR, SUPPORTS LATCH/STRIKE AREA - MILL
7	039539-01-000	EA STRIKE-ENTRANCE DOOR LOCK
	077481-01-000	EA COVER-STRIKE, ENTRY DOOR - 8 5" X 2.50" - PLASTIC - BEIGE
8	039540-01-000	EA LATCH MECHANISM-HOOK, ENTRY DOOR - INTERIOR
	039715-01-000	EA NUT-SERT, 1/4" DIAMETER - 20 THREADS
	039984-01-000	EA CAP-ROUND DEADBOLT, VINYL - 28" ID X .82" LONG - BLACK
	040944-01-000	EA LABEL-ENTRANCE DOOR, "OPEN"
	058808-01-000	EA PLUG-TAPERED, FOR DEADBOLT - PLASTIC - .65" DIAMETER - RED
	039738-01-000	EA DEADBOLT-ROUND, J-SHAPED - INTERIOR USE ONLY
9	101145-01-01A	EA DEADBOLT-ENTRY DOOR, BLACK
	101145-01-700	EA KEY ONLY-BLANK
	081087-01-000	EA SEAL-LOCK, FLAT W/SLIT
	101147-01-000	EA BOLT-SECURITY, 4.12" BACKSET
	032800-03-000	FT TUBING-POLYBUTYLENE, 3/8" OD
	081914-01-000	EA BUMPER-RUBBER, ROUND - BLACK
10	100412-01-000	EA CATCH-SCREEN DOOR
11	079733-04-T03	EA WINDOW-PICTURE, W/O INSIDE FRAME - 17" X 25"
	087809-27-000	EA FRAME-WINDOW, INSIDE PICTURE - - 18 8" X 24 5" BLACK
	002181-08-000	EA GLASS-PICTURE WINDOW, 115" X 18 25" X24"
	087581-01-000	FT SPLINE-GLASS, EXTERIOR - VINYL - BLACK
12	079087-01-000	EA STRIKE-SLIDER, W/LIP FOR ELBOW CATCH - 1 5" X 8 8" BEIGE
13	009018-01-000	EA CATCH-SCREEN DOOR ROLLER
	009018-01-000	EA CATCH-ELBOW, SPRING LOADED - SCREEN DOOR CATCH
	058025-02-000	EA CLIP-ROLLER LATCH CATCH
	083729-04-000	EA RIVNUT, 10-32 UNF - 010-080
	072893-01-000	EA NUTSERT-M5 X 0, 8
	075671-01-000	FT SEAL-SPONGE, LAZY T SHAPE - WEATHERSTRIP ON ENTRY DOOR
	075673-01-000	FT SEAL-PILE, ADHESIVE BACK - GRAY
	075908-01-000	EA SCREW-MACH-10-32X.56PTH(SEMS
14	050712-03-000	EA HANDLE-SCREEN DOOR, UNPAINTED
15	044582-01-000	EA CAP-DRIP, ENTRY DOOR, ALUMINUM, BEIGE
16	097724-01-04A	EA HINGE-ENTRY DOOR, UNPAINTED
	078725-01-000	EA COVER-ACCESS, HINGE 8" X 3 2" - PLASTIC - BEIGE
	095277-02-02A	EA JAMB-ENTRY DOOR, W/BOTTOM & ROLLER CATCH STRIKER - BEIGE
17	095278-01-01A	EA JAMB-DOOR, ENTRANCE - 25 8" X 74 8" UNPAINTED (COMES W/095277-02-02A)
	079207-01-000	EA STRIKER-ROLLER CATCH, WELDED TO DOOR JAMB - 4" X 1 1/2"
18	078777-01-000	EA CHANNEL-SLIDE, SCREEN DOOR CENTER SLIDER COVER
19	079086-01-000	EA SLIDER-SCREEN DOOR, BEIGE
	078595-01-000	EA TOP PLATE-SCREEN DOOR, CURVED TOP - 4 7" X 25 35"
20	016454-01-000	EA INSERT-SCREEN DOOR, CENTER - LEATHER GRAIN ALUMINUM - BEIGE
21	002294-01-000	FT SPLINE-SCREENING, .135" X .138" - BLACK
22	002293-02-000	SF SCREENING-WINDOW/DOOR, 28" - CHARCOAL
23	078552-03-000	EA KICK PANEL-SCREEN DOOR, LOWER INSERT - UNPAINTED
24	051049-01-000	EA JAMB BOTTOM-ENTRY DOOR, 25 8" - BEIGE (COMES W/095277-02-02A)
25	079012-01-T03	EA DOOR-SCREEN
	100128-01-000	FT SEAL-SCREEN DOOR
	085774-01-000	FT FASTENER - DUAL LOCK, 1" WIDE
	085774-02-000	FT FASTENER - DUAL LOCK, 1" WIDE
	090340-01-000	FT SEAL-FOAM, CLOSED CELL - 1/4" X 1/2" X 50'
	091968-03-000	FT TAPE-ADHESIVE, 04" X 1" WIDE
	093145-01-000	EA SLEEVE-WIRE, 10" LONG - PLASTIC - BLACK - GM #15590724
	093146-01-000	EA GROMMET-WIRE, 1 7" X 3 1" - OVAL SHAPED - PLASTIC - BLK
	100312-01-000	EA SWITCH-DOOR JAMB, ELECTRIC ENTRY STEP

## 1991 WINNEBAGO TABLE OF CONTENTS

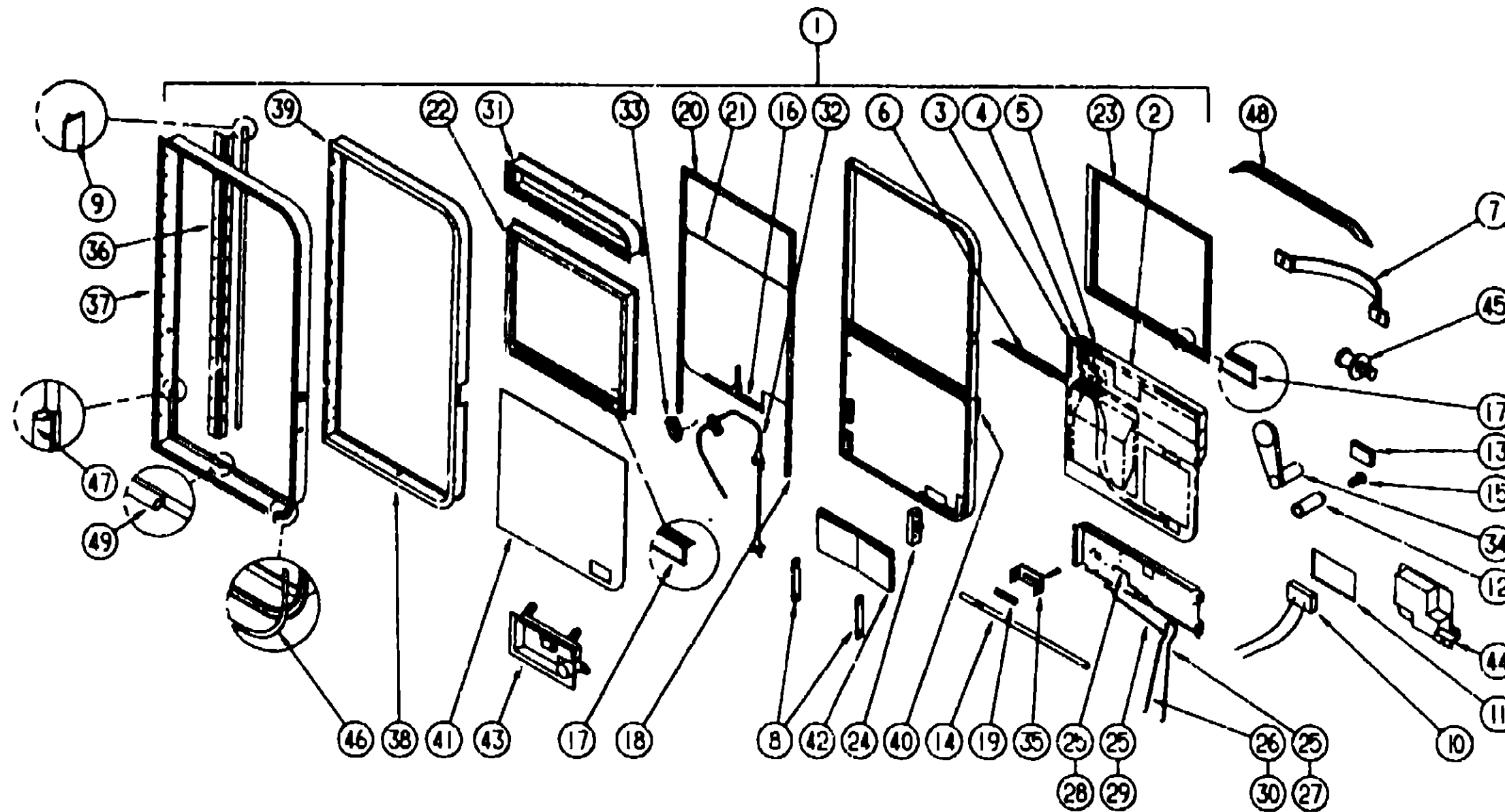
INTRODUCTION	A-01	A-02
ABBREVIATIONS		A-03
ALPHABETICAL INDEX	A-04	A-08
WCN25RC	A-07	F-02
WCN34RQ	F-03	K-12

## 1991 WCN25RC INDEX

FLOOR PLAN	A-07	A-08
ACCESSORIES	A-09	A-14
BATH	A-15	A-17
BEDROOM		A-18
CHASSIS	A-19	B-03
C C & PAD	B-04	B-13
DINETTE	B-14	B-15
DRIVERS	B-16	B-22
ELECTRICAL	B-23	C-04
EXTERIOR BODY	C-05	C-12
GALLEY	C-13	C-20
HEATING & A/C	C-21	D-02
INTERIOR FINISH	D-03	D-06
LABELS	D-07	D-14
LP		D-15
LOUNGE		D-18
SEALANTS & FASTENERS	D-17	D-19
WATER & SEWAGE	D-20	D-24
WINDOW, VENT AND EXTERIOR DOOR	E-01	F-02

KEY	PART NUMBER	U/M DESCRIPTION
1	M01870-50-B07	EA DOOR-ENTRY, W/JAMB AND SCREEN DOOR
	041546-03-000	EA BRACKET-DOOR ANGLE, 5" X 1 8" - BEIGE - METAL
	039966-01-02A	EA GARNISH-RADIUS, ENTRY DOOR - 1 3" WIDE CHANNEL - OFF WHITE
		FROM 00-00-00 THRU 09-23-90
	093966-02-02A	EA GARNISH RADIUS, ENTRY DOOR - 1 3" WIDE CHANNEL - OFF WHITE
		FROM 09-24-90 THRU 99-99-99
	090673-01-02A	EA TRIM-ENTRANCE DOOR, 1 3" WIDE - BEIGE
	002748-01-000	EA CORNER KEY-DOOR
2	089748-02-000	EA FRAME-BOTTOM ENTRY DOOR BEIGE
3	095276-01-02A	EA FRAME-ENTRY DOOR, W/O BOTTOM - BEIGE
4	039979-03-000	EA COVER-INTERIOR LATCH, W/TRIP ARM - BLACK
		FROM 00-00-00 THRU 08-07-90
4	039979-04-000	EA COVER-INTERIOR LATCH, W/TRIP ARM - RIGHT - BLACK
		FROM 08-08-90 THRU 99-99-99

**WINDOW, VENT & EXTERIOR DOOR GROUP ( CONTINUED )**  
DRIVERS DOOR & COMPONENTS



**1991 WINNEBAGO  
TABLE OF CONTENTS**

INTRODUCTION	A-01 - A-02
ABBREVIATIONS	A-03
ALPHABETICAL INDEX	A-04 - A-06
WCN25RC	A-07 - F-02
WCN34RQ	F-03 - K-12

**1991 WCN25RC INDEX**

FLOOR PLAN	A-07 - A-08
ACCESSORIES	A-09 - A-14
BATH	A-15 - A-17
BEDROOM	- A-18
CHASSIS	A-19 - B-03
C C & PAD	B-04 - B-13
DINETTE	B-14 - B-15
DRIVERS	B-16 - B-22
ELECTRICAL	B-23 - C-04
EXTERIOR BODY	C-05 - C-12
GALLEY	C-13 - C-20
HEATING & A/C	C-21 - D-02
INTERIOR FINISH	D-03 - D-06
LABELS	D-07 - D-14
LP	D-15
LOUNGE	- D-16
SEALANTS & FASTENERS	D-17 - D-19
WATER & SEWAGE	D-20 - D-24
WINDOW, VENT AND EXTERIOR DOOR	E-01 - F-02

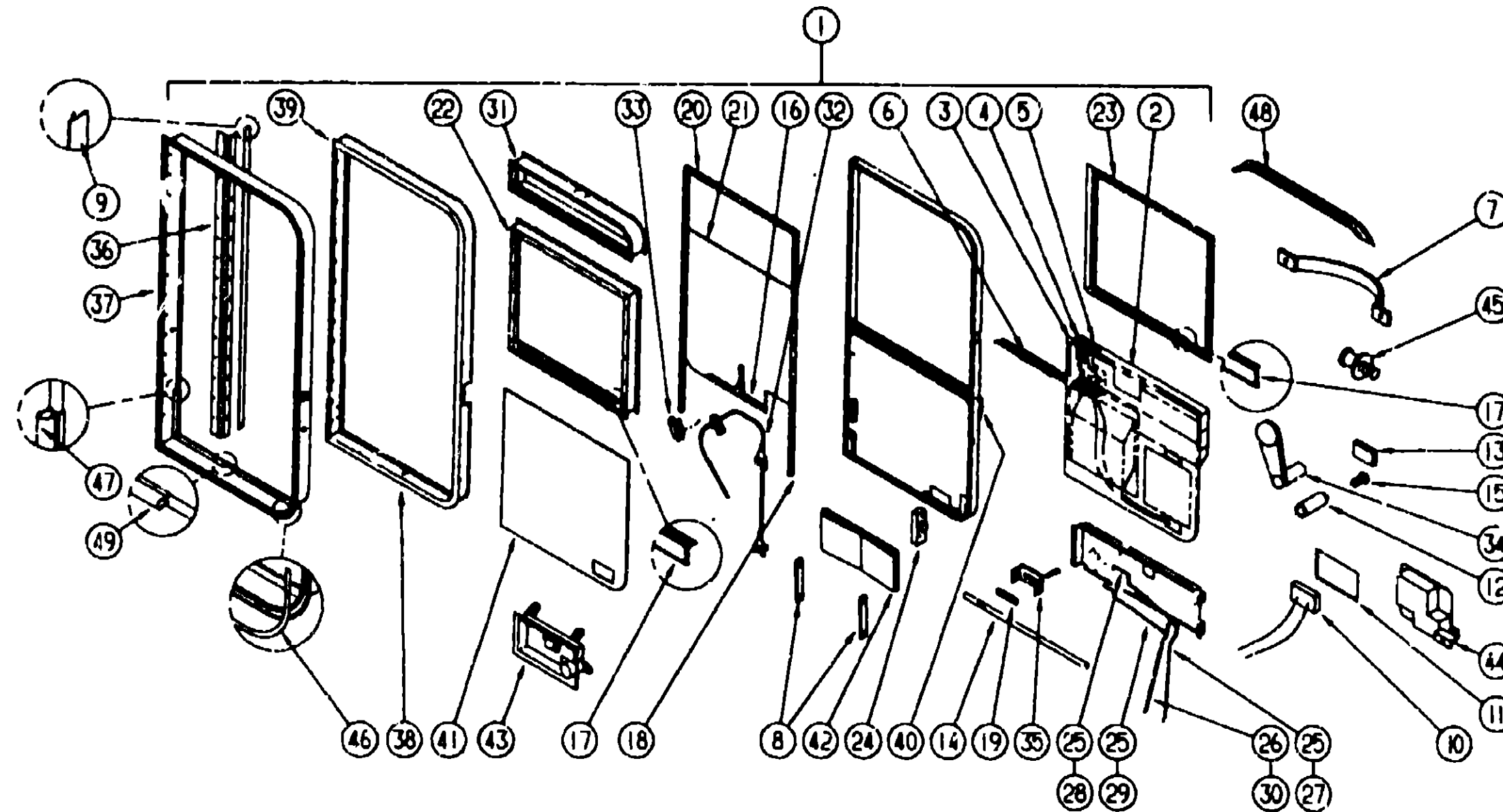
KEY	PART NUMBER	U/M DESCRIPTION
1	M97816-01-AB6	EA DOOR-DRIVER, W/TIPOUT - NON POWERED - USE WITH OVHD BUNK ONLY
1	M97816-02-AB6	EA DOOR-DRIVER, W/O TIPOUT - NON POWERED
1	M97816-03-AB6	EA DOOR-DRIVER, W/TIPOUT - POWERED - USE WITH OVHD BUNK ONLY
1	M97816-04-AB6	EA DOOR-DRIVER, W/O TIPOUT - POWERED
2	M97748-01-01A	EA PANEL-DOOR, INTERIOR - PLASTIC - BEIGE
	097308-01-01A	EA COVER-MAP POCKET, BEIGE
3	087895-01-000	EA SWITCH-HEATER, EXTERIOR MIRROR
4	088246-01-000	EA SWITCH-REMOTE, EXT MIRROR - SQUARE PUSH - VELVAC 7471290
5	063132-01-000	EA SWITCH-ROCKER, 5 TERMINAL W/ARROW GRAPH'CS - TORRIX 1737
	092845-01-000	EA WIRE ASSEMBLY-DRIVER DOOR CONTROL PANEL
6	093144-01-000	EA CONDUIT-WIRE, GM# 15592746
7	061400-04-000	EA STRAP-ASSIST, 12" - BLACK W/WOODGRAIN SCREW COVERS
	063729-01-000	EA RIVNUT, 1/4 X 20 UNC - 030-125
8	064219-01-000	EA RETAINER-CHECK STRAP, DRIVER DOOR
9	075671-01-000	FT SEAL-SPONGE, LAZY T SHAPE - WEATHERSTRIP - ENTRY DOOR
10	077000-01-000	EA SOCKET ASM-W/8" PIGTAIL LEADS
11	077028-01-000	EA LENS-COURTESY LIGHT, CLEAR
	080734-02-000	EA CLIP-WIRE, NYLON
12	081903-02-000	EA SHAFT-MOUNTING, KNOB
13	081905-02-000	EA KNOB-SLIDE BOLT, BLACK
14	081906-02-000	EA BOLT-SLIDE
15	081908-01-000	EA SCREW-MACHINE, 6-32 X 62 W/NYLOCK
16	081911-01-000	FT TAPE-GLASS SETTING, 1/16" X 1 5"
17	081912-02-000	EA WEATHERSTRIP-RIGID
18	082240-03-000	EA CHANNEL-GLASS RUN, BLACK
19	086284-01-000	EA SPRING-COMPRESSION, 44" LONG X 36" OD

KEY	PART NUMBER	U/M DESCRIPTION
20	089454-02-000	EA CHANNEL-GLASS RUN, TOP - BLACK
	090340-01-000	FT SEAL-FOAM, CLOSED CELL - 1/4" X 1/2" X 50"
21	092446-02-000	EA GLASS-DOOR, ROLL UP - 27 5" X 28 3"
22	092752-01-Y10	EA FRAME-WINDOW, INNER - 23 6" X 28"
23	092753-01-Y10	EA FRAME-WINDOW, OUTER
24	092927-04-000	EA LATCH-DRIVER DOOR, MECHANISM
25	092927-05-000	EA CLIP-ROD END - RIGHT
26	092927-06-000	EA CLIP-ROD END - LEFT
27	092928-01-000	EA ROD-LOCK, OUTSIDE
28	092928-03-000	EA ROD-RELEASE, INSIDE
29	092928-04-000	EA ROD-LOCK, INSIDE
30	092928-05-000	EA ROD-RELEASE, OUTSIDE - 19 8" LONG
31	093043-01-Y12	EA WINDOW ASM - UPPER STATIONARY - 4 6" X 28" GLASS
31	092974-01-Y12	EA WINDOW ASM - UPPER TIPOUT - 4 5" X 27 9" GLASS - OVHD BUNK ONLY
32	093634-01-000	EA REGULATOR-WINDOW, DRIVER - NON POWERED
32	092996-01-000	EA REGULATOR-POWER WINDOW
32	103392-02-000	EA REGULATOR-POWER WINDOW
		FROM 00-00-00 THRU 03-03-91
		FROM 03-04-91 THRU 99-99-99
33	092996-01-710	EA MOTOR-POWER WINDOW, DRIVER DOOR
34	094575-01-000	EA CRANK-HAND, GLASS LIFT
35	096809-01-000	EA BRACKET-DEADBOLT
36	097207-01-02A	EA HINGE-CONTINUOUS, BEIGE
37	097278-01-AB6	EA JAMB-DOOR

CONTINUED ON FOLLOWING PAGE



**WINDOW, VENT & EXTERIOR DOOR GROUP ( CONTINUED )**  
**DRIVERS DOOR & COMPONENTS**



**1991 WINNEBAGO  
 TABLE OF CONTENT'S**

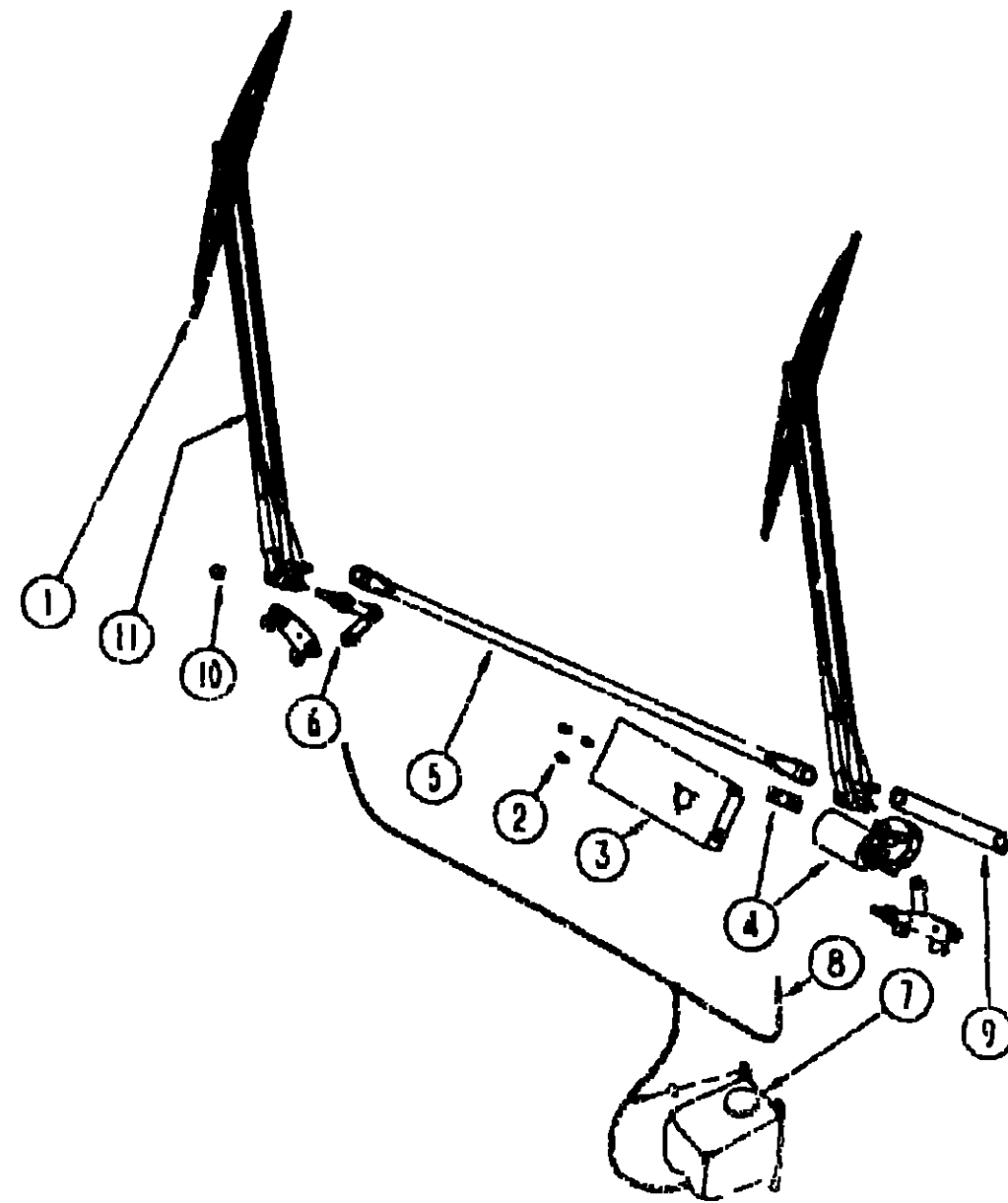
INTRODUCTION	A-01	A-02
ABBREVIATIONS		A-03
ALPHABETICAL INDEX	A-04	A-08
WCN25RC	A-07	F-02
WCN34RD	F-03	K-12

**1991 WCN25RC INDEX**

FLOOR PLAN	A-07	A-08
ACCESSORIES	A-09	A-14
BATH	A-15	A-17
BEDROOM		A-18
CHASSIS	A-19	B-03
C C & PAD	B-04	B-13
DINETTE	B-14	B-15
DRIVERS	B-18	B-22
ELECTRICAL	B-23	C-04
EXTERIOR BODY	C-05	C-12
GALLEY	C-13	C-20
HEATING & A/C	C-21	D-02
INTERIOR FINISH	D-03	D-08
LABELS	D-07	D-14
LP		D-15
LOUNGE		D-16
SEALANTS & FASTENERS	D-17	D-19
WATER & SEWAGE	D-20	D-24
WINDOW, VENT AND EXTERIOR DOOR	E-01	F-02

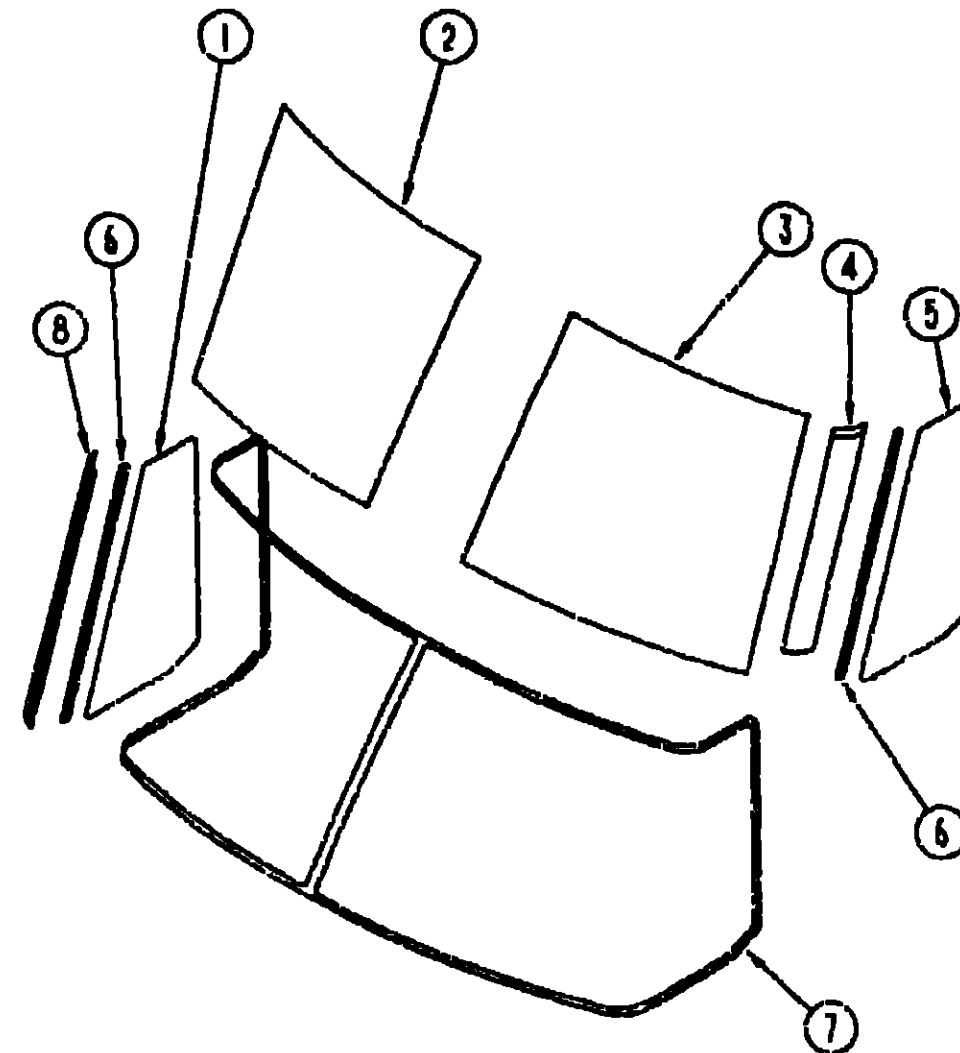
KEY	PART NUMBER	U/M	DESCRIPTION
38	097279-01-01A	EA	FRAME-DOOR, REAR OUTER - BEIGE
39	097280-01-01A	EA	FRAME-DOOR, FRONT OUTER - BEIGE
	055278-01-001	FT	TUBING-STEEL, 75" X 1 5" X 288"
40	097367-01-000	EA	BRACKET-SUPPORT, DOOR LOCK
41	077517-51-000	EA	FIBERGLASS-SHEET, 29 7" X 27 9" - BEIGE - FLAT
42	098030-01-000	EA	STRAP-CHECK, DRIVER DOOR - BLACK
43	102235-01-01A	EA	LATCH-OUTSIDE, DRIVER DOOR - BLACK BLANK KEY# 045017-11-701
44	102237-01-01A	EA	LATCH-INSIDE, DRIVER DOOR - BLACK
45	092927-03-000	EA	STRIKER-ROUND, JAMB MOUNTED - TRUMARK 10335-16
	093899-02-000	EA	PLATE-STRIKER BOLT
46	097315-01-02A	FT	TRIM-INSERT, DRIVER DOOR - .43" WIDE - VINYL - BEIGE
47	081632-01-000	FT	SEAL-BULB, W/WIRE CARRIER - DOOR - 8" V IDE - RUBBER
48	064184-04-000	EA	CAP-DRIP, DRIVER DOOR - BEIGE
49	064075-C7-000	FT	SEAL-BULB, W/WIRE U CHANNEL - 3" X 5" CHANNEL - BLACK
	103413-01-01A	EA	GARNISH-DRIVERS DOOR, OFF WHITE
	091255-02-000	FT	SEAL-ADHESIVE BACKED FOAM, 18" THICK X 1 5" WIDE
	100028-01-000	FT	TAPE-ADHESIVE, .031" X 75" WIDE
	091968-03-000	FT	TAPE-ADHESIVE, .04" X 1" WIDE
	092893-02-01A	EA	LINER-STEP BOX, ENTRANCE DOOR - 5" - BLACK

**WINDOW, VENT & EXTERIOR DOOR GROUP ( CONTINUED)**



**WIPER COMPONENTS**

**WINDOW, VENT & EXTERIOR DOOR GROUP ( CONTINUED)**



**WINDSHIELDS, TRIMS & MOLDINGS**

**1991 WINNEBAGO  
TABLE OF CONTENTS**

INTRODUCTION	A-01	A-02
ABBREVIATIONS		A-03
ALPHABETICAL INDEX	A-04 -	A-06
WCN25RC	A-07 -	F-02
WCN34RD	F-03 -	K-12

**1991 WCN25RC INDEX**

FLOOR PLAN	A-07 -	A-08
ACCESSORIES	A-09 -	A-14
BATH	A-15 -	A-17
BEDROOM		A-19
CHASSIS	A-19 -	B-03
C C & PAD	B-04 -	B-13
DINETTE	B-14 -	B-15
DRIVERS	B-16 -	B-22
ELECTRICAL	B-23 -	C-04
EXTERIOR BODY	C-05 -	C-12
GALLEY	C-13 -	C-20
HEATING & A/C	C-21 -	D-02
INTERIOR FINISH	D-03 -	D-06
LABELS	D-07 -	D-14
LP		D-15
LOUNGE		D-16
SEALANTS & FASTENERS	D-17 -	D-19
WATER & SEWAGE	D-20 -	D-24
WINDOW/ VENT AND EXTERIOR DOOR	E-01 -	F-02

KEY	PART NUMBER	U/M	DESCRIPTION
1	095954-01-000	EA	BLADE ASM -WIPER 24"
	095954-01-700	EA	BLADE-REFILL WIPER - PAIR - 24"
2	096526-01-000	EA	SCREW-HEX 1/4 - 28 UNF
3	092334-01-000	EA	BRACKET-WIPER,MOTOR
4	104355-02-000	EA	MOTOR ASM W/DRIVE ARM
	057188-01-000	EA	STUD-CRANK,WIPER
5	057192-01-000	EA	LINK-CONNECTING W/BLACK BUSHING 37 85"
6	096505-01-000	EA	PIVOT SHAFT
7	556000-02-000	EA	WASHER WINDSHIELD, BOTTLE & PUMP
	056000-01-700	FT	VACUUM HOSE 7/64 5/32
8	045794-01-000	FT	HOSE-WASHER WINDSHIELD - 5/32" ID - BLACK
9	067193-02-000	EA	LINK-CONNECTING, W/BLACK BUSHING - 9 2"
10	077049-01-000	EA	NUT-ACORN 10-32 ALUMINUM
11	095953-01-000	EA	ARM WIPER, PANTOGRAPH - 28"
	096931-01-700	FT	HOSE F/WIPER BLADES
	096931-01-701	EA	NOZZLE HDWRE KIT
	095931-01-702	EA	NUT
	096931-01-703	EA	SHORT SCREW
	096931-01-704	EA	LONG SCREW
	096931-01-705	EA	PLASTIC CAP
	096931-01-706	EA	SPRAY NOZZLE
	077048-01-000	EA	SHAFT-ADAPTER WINDSHIELD PANTOGRAPH ARM

KEY	PART NUMBER	U/M	DESCRIPTION
1	091953-03-000	EA	GLASS CORNER VENT, PASSENGER
2	091215-01-000	EA	GLASS-WINDSHIELD, PASSENGER
3	091215-02-000	EA	GLASS-WINDSHIELD, DRIVER
4	091901-02-000	EA	TRIM A/PILLAR, DR - BETWEEN WINDSHIELD & VENT GLASS - BLK
5	091953-04-000	EA	GLASS-CORNER VENT, DRIVER
6	098788-01-000	EA	CHANNEL-RIGID, WINDSHIELD - 38" - PVC
7	091985-01-000	EA	MOLDING-REVEAL, WINDSHIELD - SURROUNDS BOTH WINDSHIELDS
8	091901-01-000	EA	TRIM-A/PILLER PASS - BETWEEN WINDSHIELD & VENT GLASS - BLK
	002328-02-000	EA	BLOCK-WINDSHIELD, 062" X 5" X 98"
	091959-01-000	EA	FRAME WINDSHIELD, LOWER - INNER - PASSENGER
	091959-02-000	EA	FRAME WINDSHIELD, LOWER - INNER - DRIVER
	010921-04-000	EA	NUT-SPEED, U TYPE - NO 8 - 59" LENGTH X 44" WIDTH
	040921-05-000	EA	NUT-SPEED, U TYPE - NO 8 - 67" LENGTH X 44" WIDTH
	040921-06-000	EA	NUT-SPEED, U TYPE - NO 8 - 57" LENGTH X 63" WIDTH