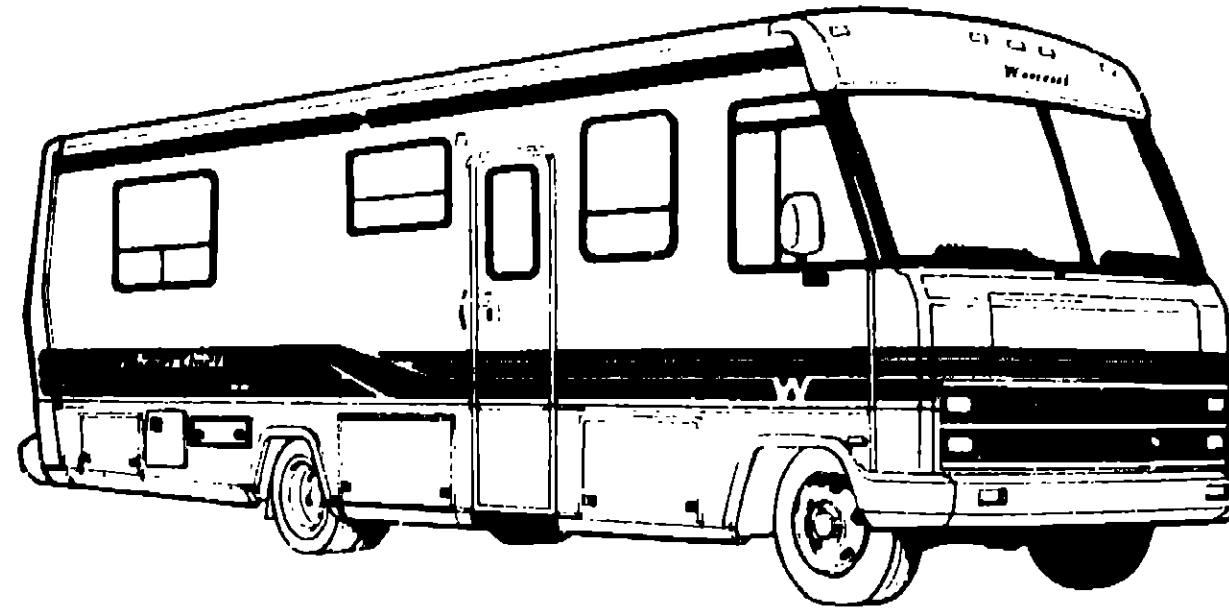
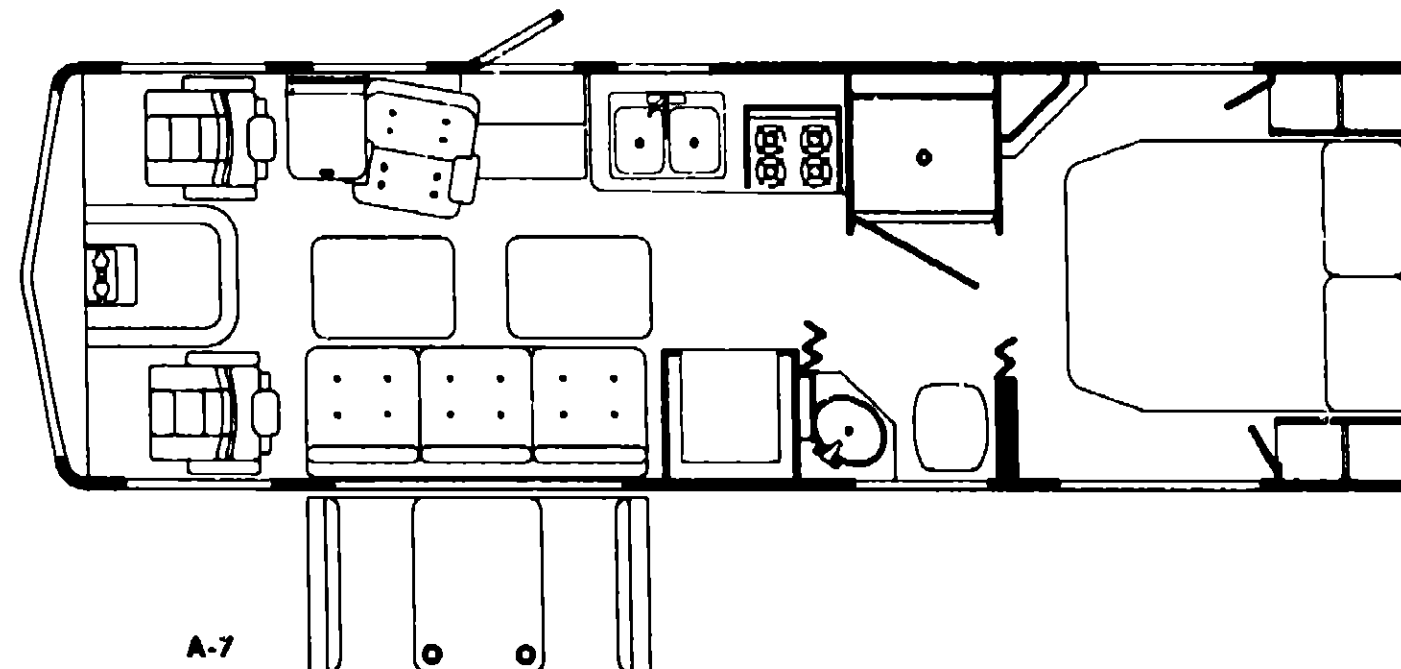
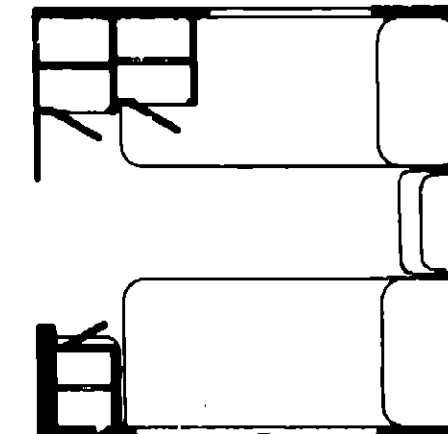


**1991 WINNERAGO
TABLE OF CONTENTS**

INTRODUCTION	A-01 - A-02
ABBREVIATIONS	A-03
ALPHABETICAL/GROUP REFERENCE	A-04 - A-06
WCM28RQ	A-07 - E-15
WKM40DA	E-17 - I-18



**1991
WCM28RQ**



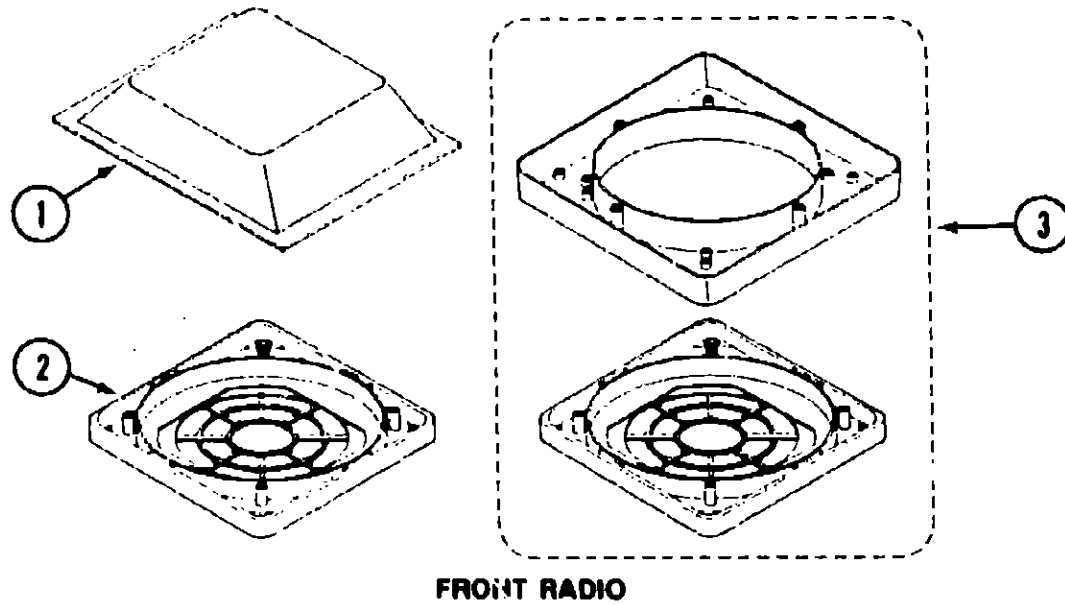
1991 WCM28RQ INDEX

Floor Plan	A-07 - A-08
Accessories Group	A-09 - A-11
Bath Group	A-12 - A-13
Bedroom Group	A-14 - A-16
Chassis Group	A-19 - B-06
Curtain, Cushion & Pad Group	B-07 - B-17
Dinette Group	B-18 - B-20
Driver's Compartment Group	B-21 - C-04
Electrical Group	C-05 - C-08
Exterior Body Group	C-09 - C-17
Galley Group	C-18 - C-21
Heating & Air Conditioning Group	C-22 - C-23
Interior Finish Group	C-24 - D-01
Labels Group	D-02 - D-10
LP Group	D-11
Lounge Group	D-12 - D-14
Sealants & Fasteners Group	D-15 - D-16
Water & Sewage Group	D-17 - D-19
Window, Vent & Exterior Door Group	D-20 - E-15

ACCESSORIES GROUP

POWER SEARCHLIGHT (OPTION 63E)

Key	Part Number	U/M	Description
	051057-02-000	EA	Searchlight - Power Driven - w/o Switch
	051057-04-000	EA	Switch Asm. - Searchlight
	051057-01-700	EA	Switch - Panel Asm. - Aux.
	051057-01-701	EA	Switch - Panel Asm. - Main
	051057-01-702	EA	Joy Switch & Housing
	051057-01-703	EA	Toggle Switch - On/Off
	051057-01-704	EA	Micro Switch
	051057-01-705	EA	Bulb - Searchlight
	051057-01-706	EA	Base - Motor & Gear Asm.
	008326-01-000	EA	Terminal - Ring - 18/14 - 3/8 Stud
	035416-01-000	EA	Terminal - Ring - #10 Stud Fit
	044466-03-000	EA	Circuit Breaker - w/Mounting Bracket
	093654-02-000	EA	Circuit Breaker - 15 Amp.
	077368-03-000	EA	Instrument Panel Cover - Lower Left



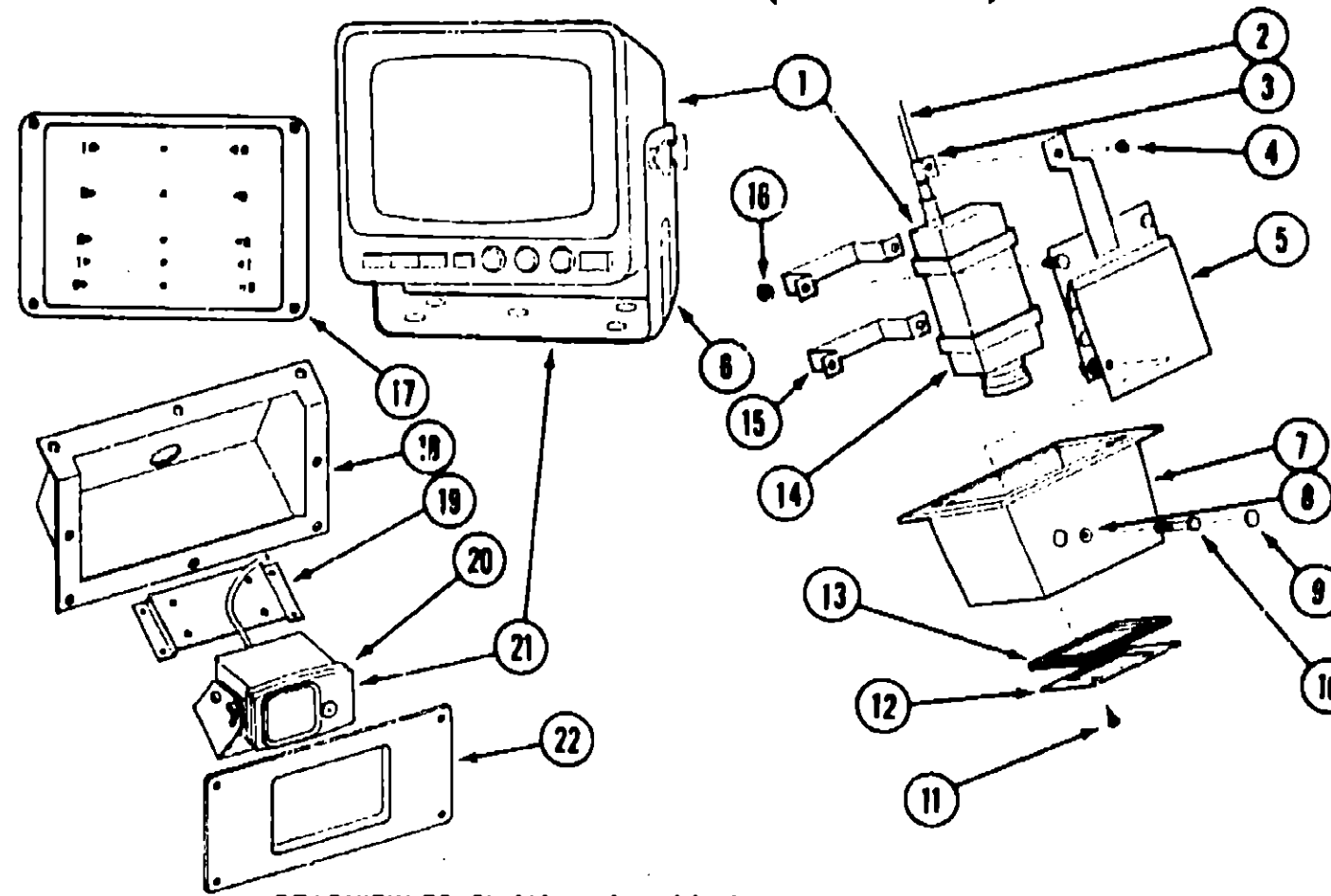
FRONT RADIO

Key	Part Number	U/M	Description
	097459-01-000	EA	Radio - AM/FM - Cassette - Digital Clock - Seek/Scan - Audiovox 1M-DXA
	097460-02-000	EA	Radio - AM/FM - Cassette - Digital Clock - Seek - Sony XR-300 (Option 57E)
	097621-01-000	EA	Mounting Kit - Audiovox Radio
	097622-01-000	EA	Radio Output Adaptor Harness - Audiovox Radio
	097620-03-000	EA	Mounting Kit - Sony Radio (Option 57E)
	097620-04-000	EA	Mounting Bracket - Sony Radio (Option 57E)
	031105-02-000	EA	Antenna - Side Mount - 12" w/Ground
	031105-01-700	EA	Upper Antenna Holder
	073741-03-000	EA	Speaker - Dash - 4" x 6" Oval - Audiovox 110-2074
	073741-04-000	EA	Speaker Grille - Dash - 4" x 6" Oval - Audiovox 136-1157
	094097-01-000	EA	Speaker - Cabinetry - 5.25" Dia. - w/o Grille - Audiovox 110C3030
1	074979-01-000	EA	Speaker Cover - Light Oak
2	089340-01-000	EA	Speaker Grille - 6.5" Square - Magnadyne
3	089340-02-000	EA	Speaker Grille & Adapter - 6.5" Square

MISCELLANEOUS ACCESSORIES

Key	Part Number	U/M	Description
	054185-67-000	EA	Operator's Manual
	092318-01-000	EA	3 Ring Binder - Motor Home Manual
	092319-01-000	EA	Pocket Page - 3 Ring Binder
	098084-02-000	EA	Cassette - Superchief
	099048-01-000	EA	Inverter - 100 Watt
	094499-01-000	EA	Fire Extinguisher - 1A10BC (USA)
	094499-02-000	EA	Fire Extinguisher - 1A10BC (CSA)
	094499-01-700	EA	Holder - Fire Extinguisher
	072852-01-000	EA	Smoke Detector - w/9 Volt Battery

ACCESSORIES GROUP (CONTINUED)



REARVIEW TELEVISION MONITOR (OPTION 67Z) (Used until 2/24/91)

Key	Part Number	U/M	Description
1	093040-01-000	EA	Television System - Rearview (Monitor & Camera)
2	093041-01-000	EA	Cable - Monitor/Camera
3	031170-01-000	EA	Clamp - Cable - 3/16" Dia.
4	000G32-10-06B	EA	Screw - #10 - 32 x 3/8"
5	099325-01-000	EA	Bracket Asm. - Camera Adjust
6	093040-01-701	EA	Monitor - 6" - w/Bracket & Wire Harness
7	099323-01-01A	EA	Shroud - TV - Beige
8	099303-02-01A	EA	Caplug - RHW - Metal Washer
9	099303-01-01A	EA	Caplug - RH - Black
10	000G72-10-24B	EA	Screw - #10 - 32 x 1.50" - Slotted Hex
11	000G11-08-08T	EA	Screw - #8 - 18 x 1/2" (4 Used)
12	100319-01-000	EA	Retainer - Lens - Camera
13	099288-01-000	EA	Lens - Rear - Monitor Shroud
14	093040-01-702	EA	Camera & Housing
14	093040-01-700	EA	Camera Only
15	094001-01-000	EA	Clamp - Camera (2 Used)
16	000D24-10-00B	EA	Nut - Hex (4 Used)
17	093040-04-703	EA	Monitor Lens (Sony)
	099305-01-000	EA	Spring - Compression
	088756-01-000	EA	Grommet - Web - 1 1/8" ID
	092881-01-000	EA	Wire Asm. - Rear Monitor - Power
	062037-01-000	EA	Housing - Auto Fuse - Natural

REARVIEW TELEVISION MONITOR (OPTION 67Z) (USED AFTER 2/24/91)

Key	Part Number	U/M	Description
2	093041-01-000	EA	Cable - Monitor/Camera
6	093040-04-701	EA	Monitor - 6" - w/Bracket & Wire Harness
18	103115-01-000	EA	Inner Shroud
19	104311-01-000	EA	Rear Bracket
20	093040-04-700	EA	Camera & Mounting Bracket
21	093040-04-000	EA	Television System - Rearview (Monitor & Camera)
22	102903-01-01A	EA	Exterior Shroud
	093040-04-702	EA	Sun Hood (Monitor)

1991 WINNEBAGO TABLE OF CONTENTS

INTRODUCTION	A-01 - A-02
ABBREVIATIONS	A-03
ALPHABETICAL/GROUP REFERENCE	A-04 - A-08
WCM28RQ	A-07 - E-15
WKM40DA	E-17 - I-18

1991 WCM28RQ INDEX

Floor Plan	A-07 - A-08
Accessories Group	A-09 - A-11
Bath Group	A-12 - A-13
Bedroom Group	A-14 - A-18
Chassis Group	A-19 - B-06
Curtain, Cushion & Pad Group	B-07 - B-17
Dinette Group	B-18 - B-20
Driver's Compartment Group	B-21 - C-04
Electrical Group	C-05 - C-08
Exterior Body Group	C-09 - C-17
Galley Group	C-18 - C-21
Heating & Air Conditioning Group	C-22 - C-23
Interior Finish Group	C-24 - D-01
Labels Group	D-02 - D-10
LP Group	D-11
Lounge Group	D-12 - D-14
Sealants & Fasteners Group	D-15 - D-16
Water & Sewage Group	D-17 - D-19
Window, Vent & Exterior Door Group	D-20 - E-15

ACCESSORIES GROUP (CONTINUED)

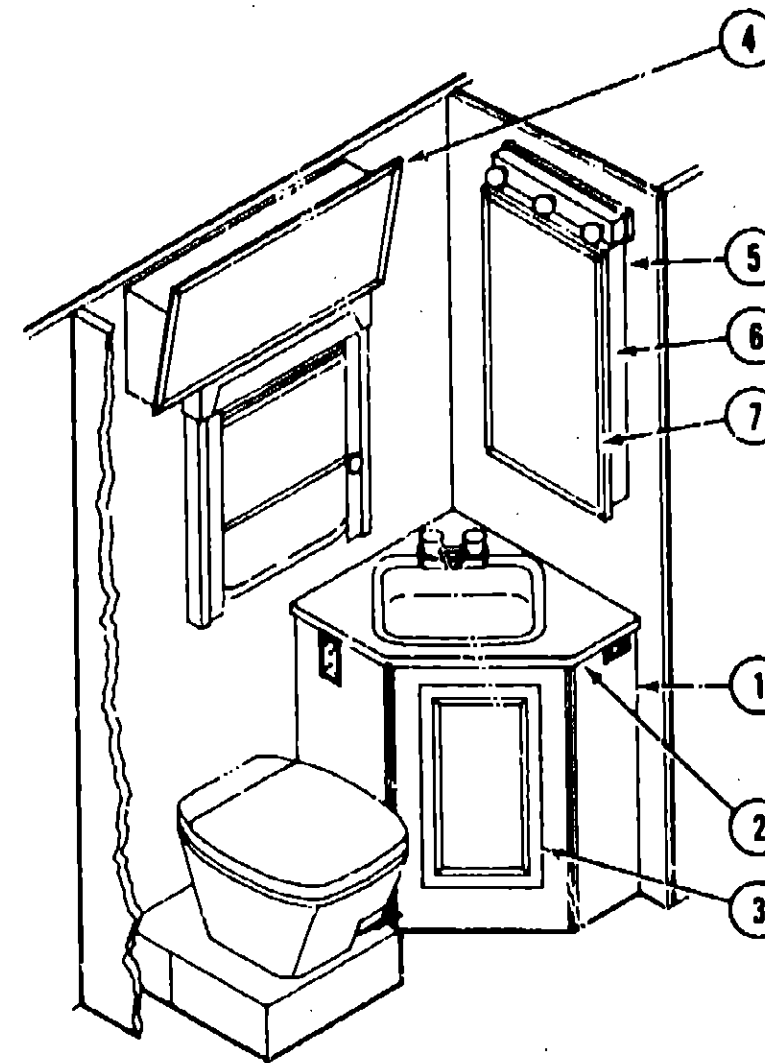
VACUUM CLEANER & RELATED COMPONENTS (OPTION 22T)

Key	Part Number	U/M	Description
	092304-01-000	EA	Vacuum Cleaner - Built-In
	092304-01-700	EA	Bags - Replacement (Pkg. of 5)
	092304-02-000	EA	Vacuum Cleaning Tool Set
	092304-02-700	EA	Hand Power Brush
	092304-02-701	EA	Dusting Tool
	092304-02-702	EA	Rug Tool
	092304-02-703	EA	Crevice Tool
	092304-02-704	EA	Motor/Relay
	092304-03-000	EA	Vacuum Clearer Door Asm.
	010194-01-000	FT	Pipe - Black Plastic
	039681-01-000	EA	Coupling - Plastic - 1 1/4"
	010001-01-000	EA	Elbow - Plastic
	049910-01-000	EA	Tee - Plastic - 1 1/4" - H x H x H

FRONT TV SYSTEM (OPTIONS 42C & 42Y)

Key	Part Number	U/M	Description
	098447-01-000	EA	Color TV - 13" - w/Remote - Magnavox RX4029WA (US)
	098447-02-000	EA	Color TV - 13" - w/Remote - Magnavox XK4029CH (CSA)
	098447-01-700	EA	TV Remote (For Magnavox RX4029WA, XK4029CH)
	098447-03-000	EA	Color TV - 13" - w/Remote - Magnavox RR1337W (US)
	098447-04-000	EA	Color TV - 13" - w/Remote - Magnavox RR1330W (CSA)
	098447-03-700	EA	TV Remote (For Magnavox RR1337W, RR1330W)
	098446-01-000	EA	VCR - VHS - Cable Ready - w/Remote - Magnavox VR9815AT
	098446-02-000	EA	VCR - VHS - Cable Ready - w/Remote - Magnavox VR9912
	098446-03-000	EA	VCR - VHS - Cable Ready - w/Remote - Magnavox VR9010
	098446-01-700	EA	VCR Remote (For Magnavox VR9815AT)
	098446-02-700	EA	VCR Remote (For Magnavox VR9912)
	098446-03-700	EA	VCR Remote (For Magnavox VR9010)
	086757-02-000	EA	Control Center (Xantech 101020)
	086757-03-000	EA	Control Center (Magnadyne VCS6)
	086756-01-000	EA	Splitter - 2 Way
	099717-01-000	EA	Tiedown - TV
	099717-02-000	EA	Tiedown - TV
	098819-01-000	EA	Remote Speaker - 4" - 2 Watt - 8 Ohm
	093214-01-02A	EA	Grille - Speaker - 4" - Brown
	090030-01-000	EA	Wire Asm. - Speaker
	076319-01-000	EA	TV Antenna - 44" Mast
	076319-01-700	EA	RVSA-U/V Sensor Antenna
	076319-01-701	EA	Elevating Gear
	076319-01-702	EA	Shaft Elevating Asm.
	076319-01-703	EA	Nylon Bearing - 5" OD
	076319-01-704	EA	Nylon Bearing - .125" OD
	076319-01-705	EA	Nylon Bearing - .718" ID
	076319-01-706	EA	Elevating Crank w/Set Screw
	076319-01-707	EA	Handle Spring
	076319-01-708	EA	Crank Decal
	076319-03-000	FT	Coaxial Cable - 75 Ohm
	076319-04-000	EA	Connector & Ferrule
	076319-06-000	EA	Adaptor - Cable Roof Plate
	076319-08-000	EA	Wallplate - Receptacle - Ivory
	076319-11-000	EA	Adaptor - Coax w/Splitter
	076319-12-000	EA	Connector - Coaxial
	058708-02-000	EA	Duplex - Receptacle - Ivory
	086777-03-000	EA	Wall Plate - Antenna/Power - Ivory
	086777-01-000	EA	Wall Plate - Antenna/Cable - Ivory
	090963-01-000	EA	Outside Receptacle - Cable TV
	090964-01-000	EA	Cover - Outside Receptacle
	087236-01-000	EA	Label - Cable Input
	087236-02-000	EA	Label - Cable Output
	088473-01-000	EA	Pin Housing
	088475-01-000	EA	Connector Pin
	088474-10-000	EA	Socket Housing
	089476-01-000	EA	Connector Socket
	099637-01-000	EA	Grommet

BATH GROUP



LAVATORY CABINET

Key	Part Number	U/M	Description
	1 M97267-01-B10	EA	Cabinet Asm. - w/o Countertop, Doors or Hardware
	2 097267-11-B10	EA	Countertop Asm. - Lavatory - No Cutouts
	076325-28-000	FT	Molding - Edge Band
	3 098685-02-B10	EA	Door Asm. - Lavatory Cabinet - w/o Hardware
	4 099683-01-01A	EA	Cabinet Asm. - Medicine - Almond - w/Door
	5 M05019-07-B10	EA	Cabinet Asm. - Bath Wall - Medicine - w/o Door or Hardware
	6 P00520-63-B10	EA	Door Asm. - Medicine Cabinet - w/o Hardware
	7 058331-05-000	EA	Mirror - Medicine Cabinet - 19" x 26"
	009059-01-000	EA	Hinge - Brass
	009767-12-000	EA	Wetting - Antique White

SHOWER CABINET

Key	Part Number	U/M	Description
	089318-02-000	EA	Jamb - Shower Door Gold
	089318-01-000	EA	Shower Door - Gold - w/Pivot Jamb
	089318-01-700	EA	Strap for Shower Door
	089318-01-701	EA	Vinyl Sweep
	078323-06-X14	EA	Cap Molding - Wall
	101805-01-01A	EA	Shower Surround - Off White
	101807-01-01A	EA	Shower Cap - Off White

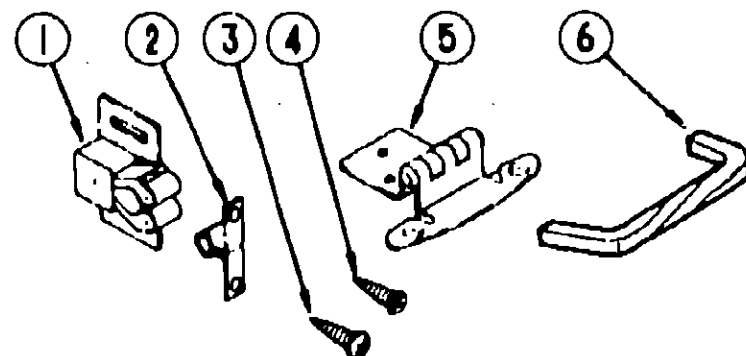
1991 WINNEBAGO TABLE OF CONTENTS

INTRODUCTION	A-01 - A-02
ABBREVIATIONS	A-03
ALPHABETICAL/GROUP REFERENCE	A-04 - A-06
WCM28RQ	A-07 - E-15
WK1A40DA	E-17 - I-18

1991 WCM28RQ INDEX

Floor Plan	A-07 - A-08
Accessories Group	A-09 - A-11
Bath Group	A-12 - A-13
Bedroom Group	A-14 - A-18
Chassis Group	A-19 - B-06
Curtain, Cushion & Pad Group	B-07 - B-17
Dinette Group	B-18 - B-20
Driver's Compartment Group	B-21 - C-04
Electrical Group	C-05 - C-08
Exterior Body Group	C-09 - C-17
Galley Group	C-18 - C-21
Heating & Air Conditioning Group	C-22 - C-23
Interior Finish Group	C-24 - D-01
Labels Group	D-02 - D-10
LP Group	D-11
Lounge Group	D-12 - D-14
Sealants & Fasteners Group	D-15 - D-16
Water & Sewage Group	D-17 - D-19
Window, Vent & Exterior Door Group	D-20 - E-15

BATH GROUP (CONTINUED)



CABINET HARDWARE (DOORS & CABINETS)

Key	Part Number	U/M	Description
1	093586-03-000	EA	Roller Catch (Doors)
2	093586-04-000	EA	Steel Strike (Doors)
3	000G68-06-10G	EA	Screw - #6 - 18 x .625" POH - Antique Brass - Hinge to Cabinet
4	000G13-06-10G	EA	Screw - #6 - 20 x .625" PFH - Antique Brass - Hinge to Door
5	059777-02-000	EA	Hinge - Burnished Brass (Doors)
6	096645-01-000	EA	Pull Handle
	042357-15-002	EA	Corner Molding - Radius - Plastic
	016604-03-000	EA	Angle Support Bracket - 2.5"



BATH HARDWARE

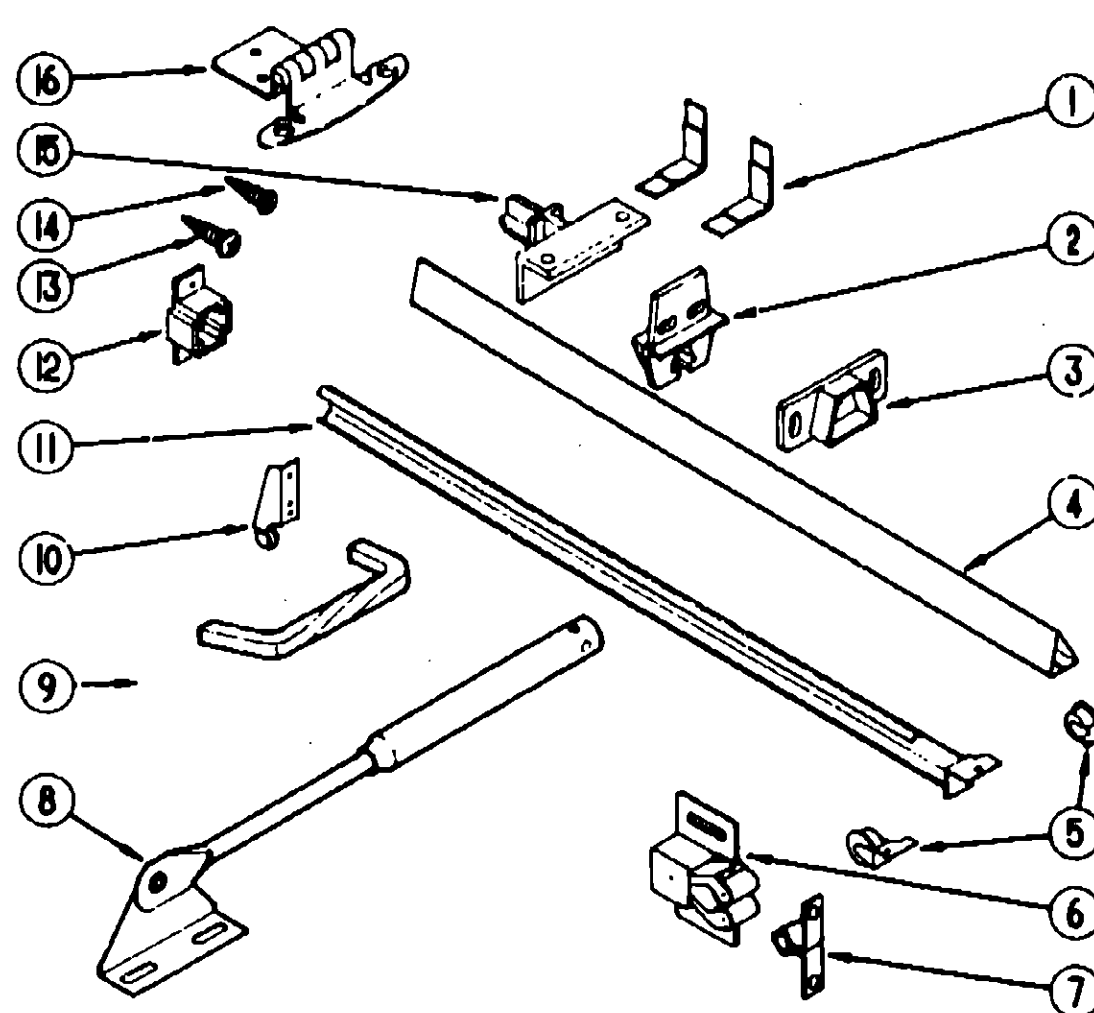
Key	Part Number	U/M	Description
	075240-05-000	EA	Lavatory Faucet - Brass (USA)
	011056-03-000	EA	Lavatory Faucet - Chrome (CSA)
	091253-01-000	EA	Gasket - Lavatory Faucet
	096927-01-01A	EA	Sink
	011069-03-000	EA	Tailpiece - Plastic - USA
	011069-02-000	EA	Tailpiece - Brass - CSA
	075241-04-000	EA	Faucet - Shower - Brass
	011048-02-000	EA	Shower Head - w/60" Hose (USA)
	011048-05-000	EA	Shower Head - w/60" Hose (CSA)
	075606-01-000	EA	Faucet Panel - Shower
B	M02429-02-000	EA	Shower Pan Asm. - w/Strainer
A	M02429-07-000	EA	Shower Pan Asm. - w/Strainer
	066436-01-000	EA	Slipnut - Tailpiece
	066440-01-000	EA	Strainer - w/Rubber Washer
	066436-01-000	EA	Nut - Strainer - Plastic
	075452-02-000	EA	Tissue Holder - Brass
	075454-02-000	EA	Towel Ring - Brass (USA)
	033580-01-000	EA	Towel Ring - Chrome (CSA)
	009112-01-000	EA	Flange - 1" Closet Rod (USA)
	024676-02-000	EA	Flange - 1" Closet Rod (CSA)
	075680-01-000	EA	Clothes Rod - Adjustable - 27" to 36"
	081614-02-000	EA	Soap Dish - Brass w/Plastic Cover
..	064076-01-000	EA	Toilet - Ivory
..	085330-04-000	EA	Toilet - China - Shorty w/Spray (Option 43E)

The illustrated parts breakdown for this item is provided on the Common Items Fiche.

MISCELLANEOUS

Key	Part Number	U/M	Description
	080224-43-000	EA	Track - Folding Door - Rear - 32"
	080224-30-000	EA	Folding Door - Rear - 36" x 75" - Regal Oak
	080224-44-000	EA	Track - Folding Door - Front - S Curve
	080224-29-000	EA	Folding Door - Front - 36" x 75" - Regal Oak
	080224-01-700	EA	Latch & Catch Asm. - Folding Door
	057534-01-000	EA	Tieback - Folding Door - Clear Plastic - 6"

BEDROOM GROUP



CABINET HARDWARE (DOORS, DRAWERS & CABINETS)

Key	Part Number	U/M	Description
1	037688-02-000	EA	L-Corner Glide (Drawers)
2	037688-03-000	EA	Center Glide (Drawers)
3	037688-05-000	EA	Rail Mounting Bracket - Rear (Drawers)
4	037688-01-000	EA	V-Rail (Drawers)
5	102837-03-000	EA	Nylon Rollers (Set of 2) (Drawers)
6	093586-03-000	EA	Roller Catch
7	093586-04-000	EA	Steel Strike
8	074493-02-000	EA	Door Support
9	096645-01-000	EA	Pull Handle
10	102827-02-000	EA	Rear Roller Bracket (Drawers)
11	102827-05-000	EA	Track (Drawers)
12	102827-04-000	EA	Rear Mounting Bracket (Drawers)
13	000G68-06-10G	EA	Screw - #6 - 18 x .625" POH - Antique Brass - Hinge to Cabinet
14	000G13-06-10G	EA	Screw - #6 - 20 x .625" PFH - Antique Brass - Hinge to Door
15	037688-04-000	EA	Rail Mounting Bracket - Front (Drawers)
16	059777-02-000	EA	Hinge - Burnished Brass
	084466-02-000	EA	Slide Asm. - Right (Drawers)
	084466-03-000	EA	Slide Asm. - Left (Drawers)
	084466-04-000	EA	Slide Asm. - Right (Cabinet)
	084466-05-000	EA	Slide Asm. - Left (Cabinet)
	081521-02-007	EA	Corner Molding - Aluminum (Plastic Trim Holder)
	083620-01-000	FT	T-Molding - 3/4" w/Edge Lips (Cabinets)
	016604-03-000	EA	Angle Support Bracket - 2.5"

1991 WINNEBAGO TABLE OF CONTENTS

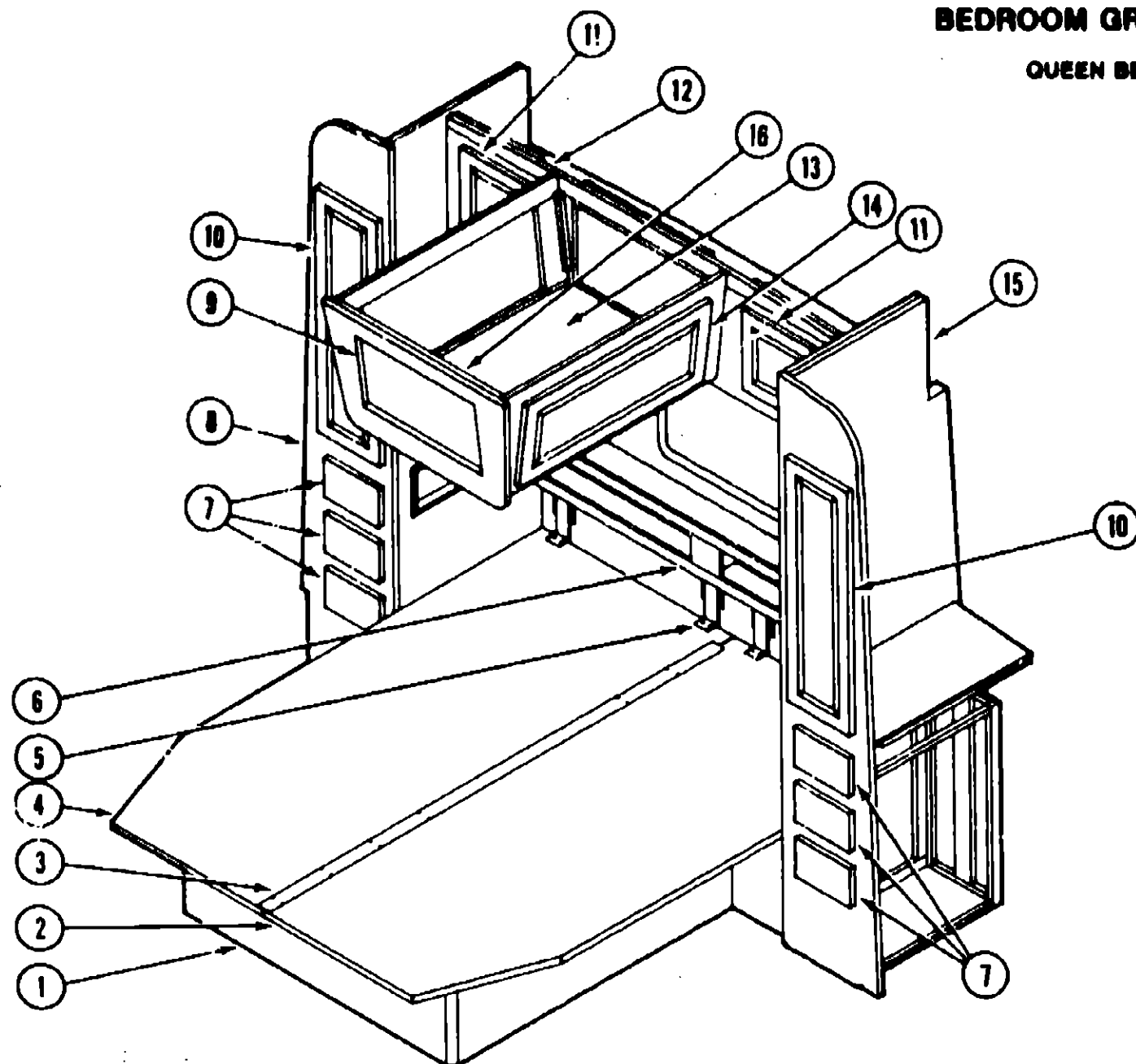
INTRODUCTION	A-01 - A-02
ABBREVIATIONS	A-03
ALPHABETICAL/GROUP REFERENCE	A-04 - A-06
WCM28RQ	A-07 - E-15
WKM40DA	E-17 - I-18

1991 WCM28RQ INDEX

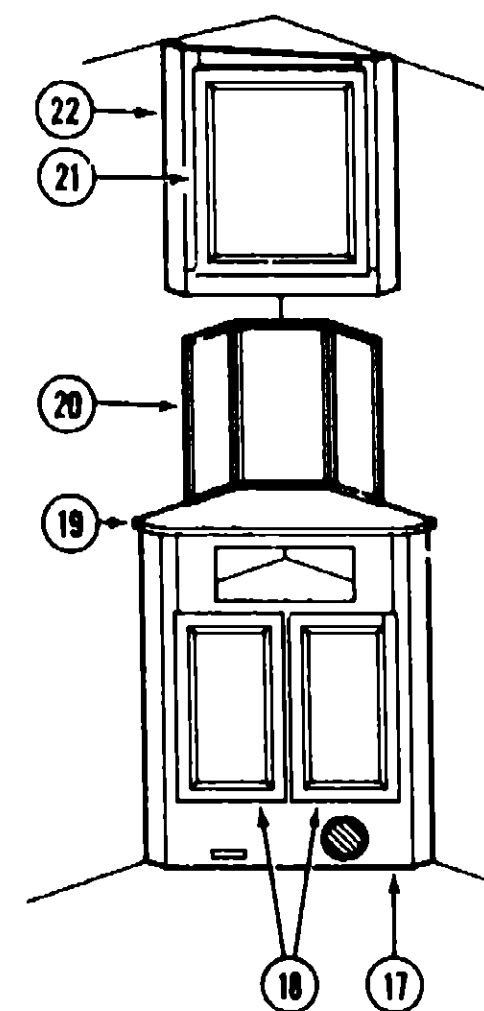
Floor Plan	A-07 - A-08
Accessories Group	A-09 - A-11
Bath Group	A-12 - A-13
Bedroom Group	A-14 - A-18
Chassis Group	A-19 - B-06
Curtain, Cushion & Pad Group	B-07 - B-17
Dinette Group	B-18 - B-20
Driver's Compartment Group	B-21 - C-04
Electrical Group	C-05 - C-08
Exterior Body Group	C-09 - C-17
Galley Group	C-18 - C-21
Heating & Air Conditioning Group	C-22 - C-23
Interior Finish Group	C-24 - D-01
Labels Group	D-02 - D-10
LP Group	D-11
Lounge Group	D-12 - D-14
Sealants & Fasteners Group	D-15 - D-16
Water & Sewage Group	D-17 - D-19
Window, Vent & Exterior Door Group	D-20 - E-15

BEDROOM GROUP (CONTINUED)

QUEEN BED CABINETS



Key	Part Number	U/M	Description
1	M97265-01-B10	EA	Cabinet Asm. - Queen Bed
2	M04035-02-AB1	EA	Cabinet Asm. - Bed Top
3	089076-03-000	EA	Support Channel (H)
4	M04035-01-000	EA	Cabinet Asm. - Bed Top
5	088199-01-X11	EA	Hinge
6	089577-01-X14	EA	Headboard Asm. - Queen Bed
7	P00397-13-B10	EA	Drawer Asm. - Wardrobe - w/Glides
	100143-20-B07	EA	Drawer Face - Wardrobe
8	097415-01-B10	EA	Cabinet Asm. - Wardrobe - Passenger Side - w/o Door or Drawers
9	058331-18-000	EA	Mirror - Safety Glass
10	P00520-42-B10	EA	Door Asm. - Wardrobe - w/o Hardware
11	P00520-07-B07	EA	Door Asm. - Rear Overhead - w/o Hardware
12	M05019-09-B10	EA	Cabinet Asm. - Rear Overhead - w/o Doors
13	M05019-29-B10	EA	Cabinet Asm. - Center Overhead - w/o Doors
14	P00520-48-B07	EA	Door Asm. - Center Overhead - w/o Hardware
15	098204-01-B10	EA	Cabinet Asm. - Wardrobe - Driver Side - w/o Door or Drawers
16	089599-01-B07	EA	End Cap Asm. - Center Overhead



Key	Part Number	U/M	Description
17	089167-01-B10	EA	Cabinet Asm. - Lower Vanity - w/o Doors
18	P00520-19-B07	EA	Door Asm. - Lower Vanity - w/o Hardware
19	089167-11-B10	EA	Countertop Asm. - Lower Vanity
20	090588-01-B10	EA	Mirror Asm. - Vanity - w/Glass
	058331-26-000	EA	Mirror - Safety Glass
21	P00520-87-B10	EA	Door Asm. - Upper Vanity - w/o Hardware
22	M05019-23-B10	EA	Cabinet Asm. - Upper Vanity - w/o Door
	023320-01-000	EA	Felt Pad - 3/8" Dia.
	058331-14-000	EA	Mirror - TV Stand - Safety Glass - 14" x 17"
	084356-04-000	EA	Insert - TV Stand - Tan
	084412-01-000	EA	Support - TV Stand - Hinged
	084451-01-000	EA	Catch - TV Stand - Brass
	084624-02-000	EA	Hinge - TV Stand - Aluminum w/Holes - Tan
	081521-02-007	EA	Molding - 64 Hole Space
	042357-17-000	EA	Corner Molding - Radius - Plastic - Pecan
	080176-03-000	EA	Corner Cap - Radius - Pecan (Overhead Cabinet)
	083620-07-000	FT	T-Molding - 3/4" w/Edge Lips (Overhead Cabinets)
	009767-12-000	FT	Wetling - Antique White
	009767-10-000	FT	Wetling - Mahogany
	078325-28-000	FT	Molding - Edge Band (Lower Vanity)
	079853-04-000	EA	Molding - Batt Strip - Kerfed (Vanities)
	057480-04-000	EA	Gas Spring Rod
	057480-02-000	EA	Gas Spring - Ball Stud
	052480-03-000	EA	Gas Spring - Safety Clip
	089024-01-000	EA	Support - Gas Spring - Floor
	089025-01-000	EA	Support - Gas Spring - Bed

1991 WINNEBAGO TABLE OF CONTENTS

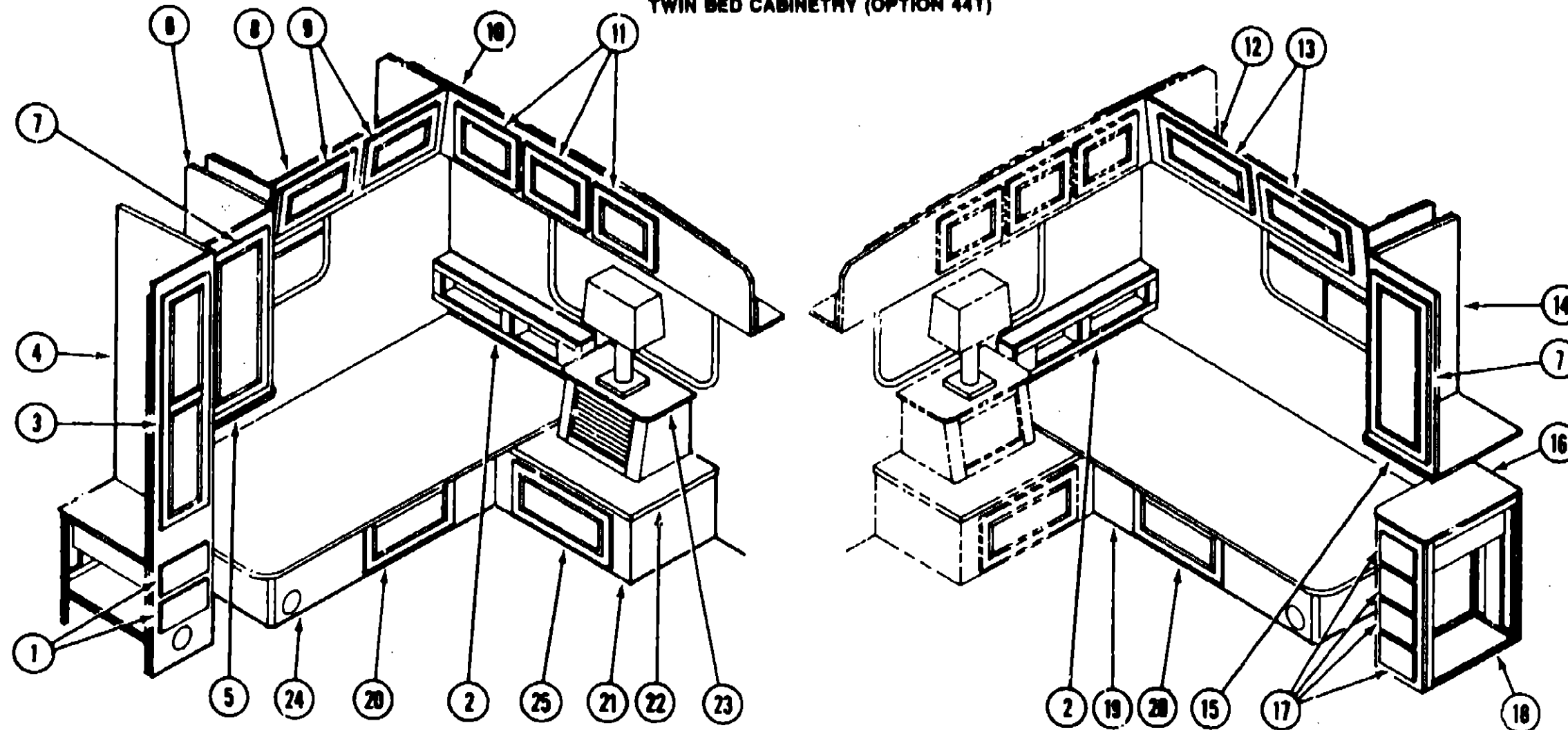
INTRODUCTION	A-01 - A-02
ABBREVIATIONS	A-03
ALPHABETICAL/GROUP REFERENCE	A-04 - A-03
WCM28RQ	A-07 - E-15
WKM400A	E-17 - I-18

1991 WCM28RQ INDEX

Floor Plan	A-07 - A-08
Accessories Group	A-09 - A-11
Bath Group	A-12 - A-13
Bedroom Group	A-14 - A-18
Chassis Group	A-19 - B-06
Curtain, Cushion & Pad Group	B-07 - B-17
Dinette Group	B-18 - B-20
Driver's Compartment Group	B-21 - C-04
Electrical Group	C-05 - C-08
Exterior Body Group	C-09 - C-17
Galley Group	C-18 - C-21
Heating & Air Conditioning Group	C-22 - C-23
Interior Finish Group	C-24 - D-01
Labels Group	D-02 - D-10
LP Group	D-11
Lounge Group	D-12 - D-14
Sealants & Fasteners Group	D-15 - D-16
Water & Sewage Group	D-17 - D-19
Window, Vent & Exterior Door Group	D-20 - E-15

BEDROOM GROUP (CONTINUED)

TWIN BED CABINETS (OPTION 44T)



Key	Part Number	U/M	Description
1	P03397-13-B10	EA	Drawer Asm. - Wardrobe - w/o Hardware
	100143-20-B07	EA	Drawer Face - Wardrobe
2	090583-01-X14	EA	Headboard Asm. - Twin Bed
3	P00520-42-B10	EA	Door Asm. - Wardrobe - w/o Hardware
4	M90620-01-B10	EA	Cabinet Asm. - Wardrobe - w/o Door or Drawers
5	081280-13-B10	EA	End Cap Asm. - Shirt Closet - Passenger Side
6	M89593-01-B10	EA	Cabinet Asm. - Shirt Closet - Passenger Side - w/o Door
7	P00520-24-913	EA	Door Asm. - Shirt Closet - w/o Hardware
8	M05019-35-B10	EA	Cabinet Asm. - Passenger Side Overhead - w/o Doors
9	P00520-48-B07	EA	Door Asm. - Passenger Side Overhead - w/o Hardware
	081325-04-B10	EA	End Cap Asm. - Passenger Side Overhead
10	M05019-64-B10	EA	Cabinet Asm. - Rear Overhead - w/o Doors
11	P00520-48-B07	EA	Door Asm. - Rear Overhead - w/o Hardware
12	M05019-19-B10	EA	Cabinet Asm. - Driver Side Overhead - w/o Doors
13	P00520-11-B07	EA	Door Asm. - Driver Side Overhead - w/o Hardware
	081325-04-B10	EA	End Cap Asm. - Driver Side Overhead
14	M89594-01-B10	EA	Cabinet Asm. - Shirt Closet - Driver Side - w/o Door
15	081280-16-B10	EA	End Cap Asm. - Shirt Closet - Driver Side
16	069534-11-B10	EA	Countertop Asm. - Nightstand - Driver Side
17	P03397-15-B10	EA	Drawer Asm. - Nightstand - Driver Side
18	069534-01-B10	EA	Cabinet Asm. - Nightstand - Driver Side - w/o Drawers
19	M97790-01-B10	EA	Cabinet Asm. - Twin Bed - Driver Side - w/o Door
20	P00520-47-B13	EA	Door Asm. - Twin Beds - w/o Hardware
21	097270-01-B10	EA	Cabinet Asm. - Nightstand - Center
22	097270-14-000	EA	Countertop Asm. - Center Nightstand - Lower
23	097270-12-000	EA	Countertop Asm. - Center Nightstand - Upper
24	M97791-01-B10	EA	Cabinet Asm. - Twin Bed - Passenger Side - w/o Doors
25	M82184-35-B10	EA	Drawer Asm.

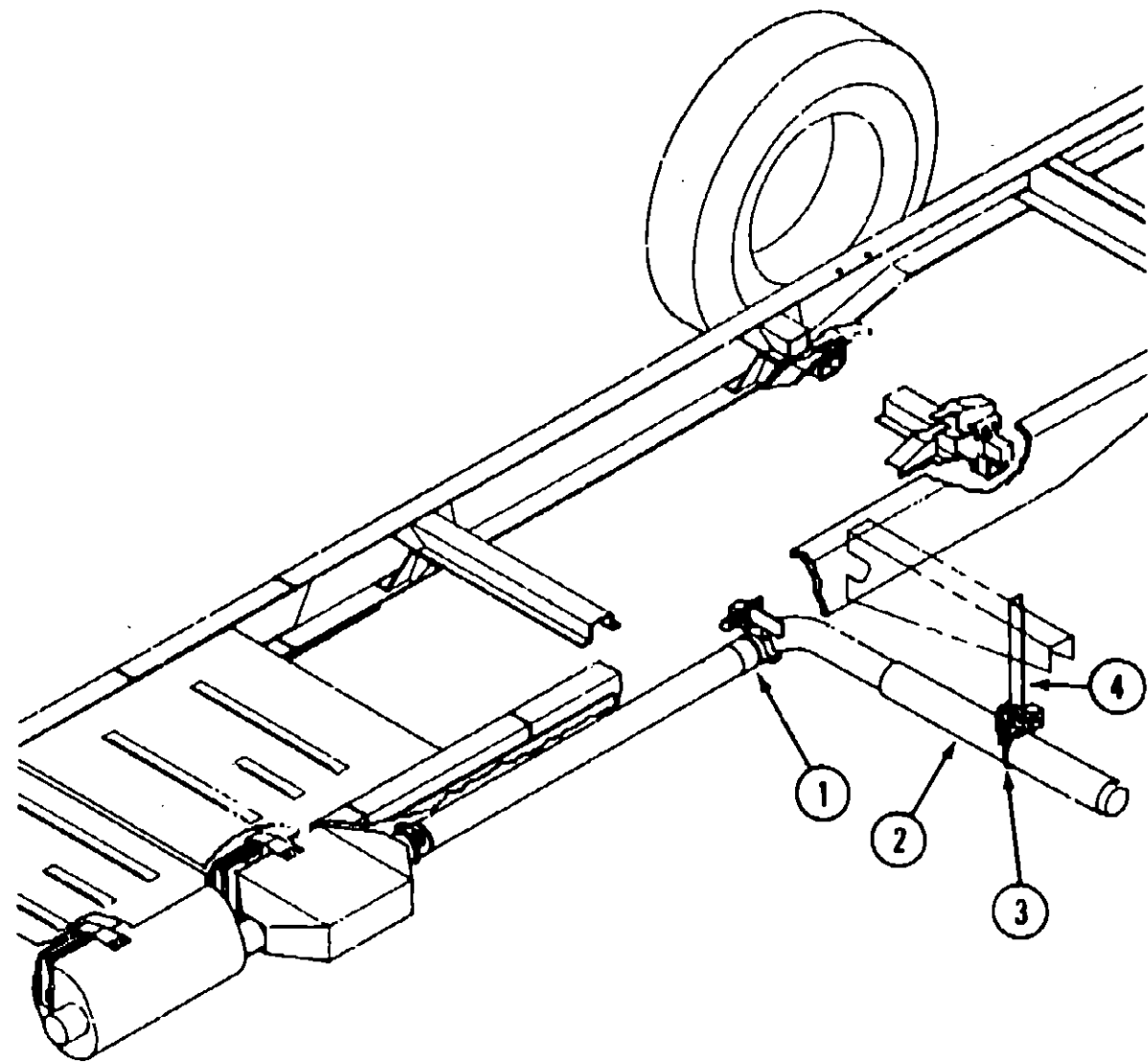
1991 WINNEBAGO TABLE OF CONTENTS

INTRODUCTION	A-01 - A-02
ABBREVIATIONS	A-03
ALPHABETICAL/GROUP REFERENCE	A-04 - A-06
WCM28RQ	A-07 - E-15
WKM40DA	E-17 - I-18

1991 WCM28RQ INDEX

Floor Plan	A-07 - A-08
Accessories Group	A-09 - A-11
Bath Group	A-12 - A-13
Bedroom Group	A-14 - A-18
Chassis Group	A-19 - B-06
Curtain, Cushion & Pad Group	B-07 - B-17
Dinette Group	B-18 - B-20
Driver's Compartment Group	B-21 - C-04
Electrical Group	C-05 - C-08
Exterior Body Group	C-09 - C-17
Galley Group	C-18 - C-21
Heating & Air Conditioning Group	C-22 - C-23
Interior Finish Group	C-24 - D-01
Labels Group	D-02 - D-10
LP Group	D-11
Lounge Group	D-12 - D-14
Sealants & Fasteners Group	D-15 - D-16
Water & Sewage Group	D-17 - D-19
Window, Vent & Exterior Door Group	D-20 - E-15

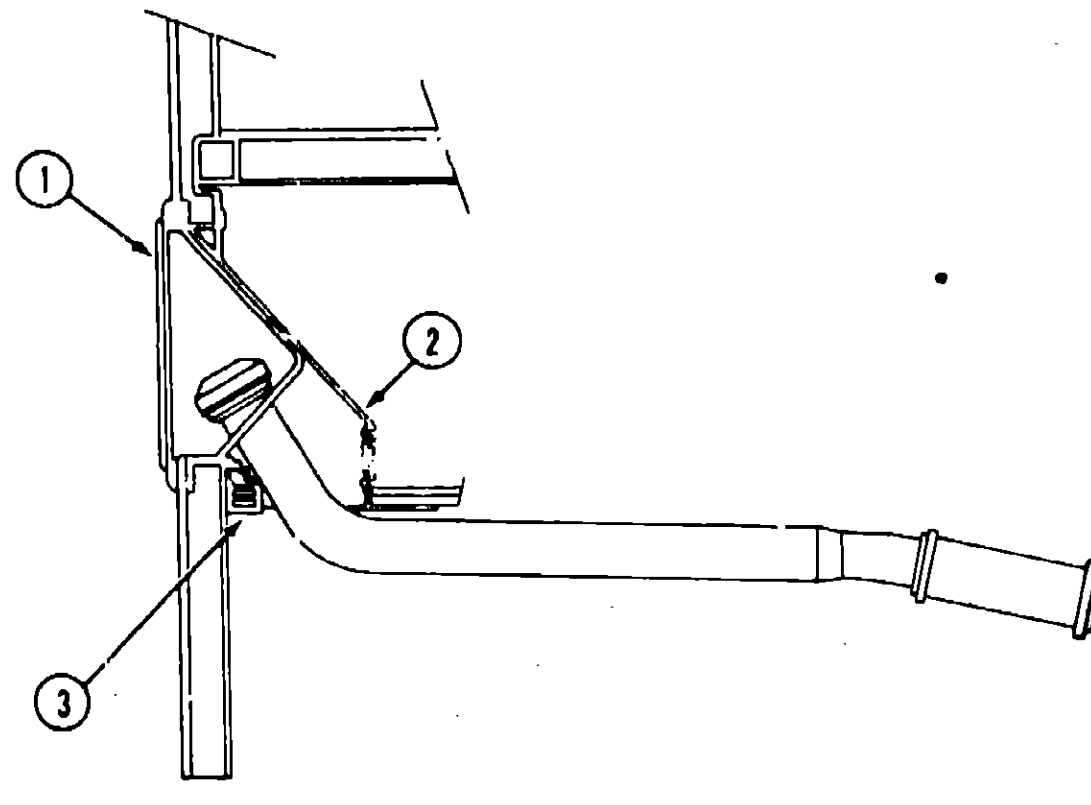
CHASSIS GROUP



EXHAUST SYSTEM (CHEVROLET CHASSIS)

Key	Part Number	U/M	Description
1	094918-01-000	EA	Exhaust Clamp - 3"
2	098599-01-000	EA	Exhaust Pipe
3	094918-02-000	EA	Exhaust Clamp - 3.5"
	096054-02-000	EA	Support
4	098833-01-000	EA	Hanger Bracket - Exhaust

CHASSIS GROUP (CONTINUED)



FUEL SYSTEM COMPONENTS

Key	Part Number	U/M	Description
1	078010-04-000	EA	Door Asm. - Fuel Fill - Beige
2	083578-01-000	EA	Boot - Fuel Fill
3	084235-01-000	EA	Support Flange - Fuel Fill Boot

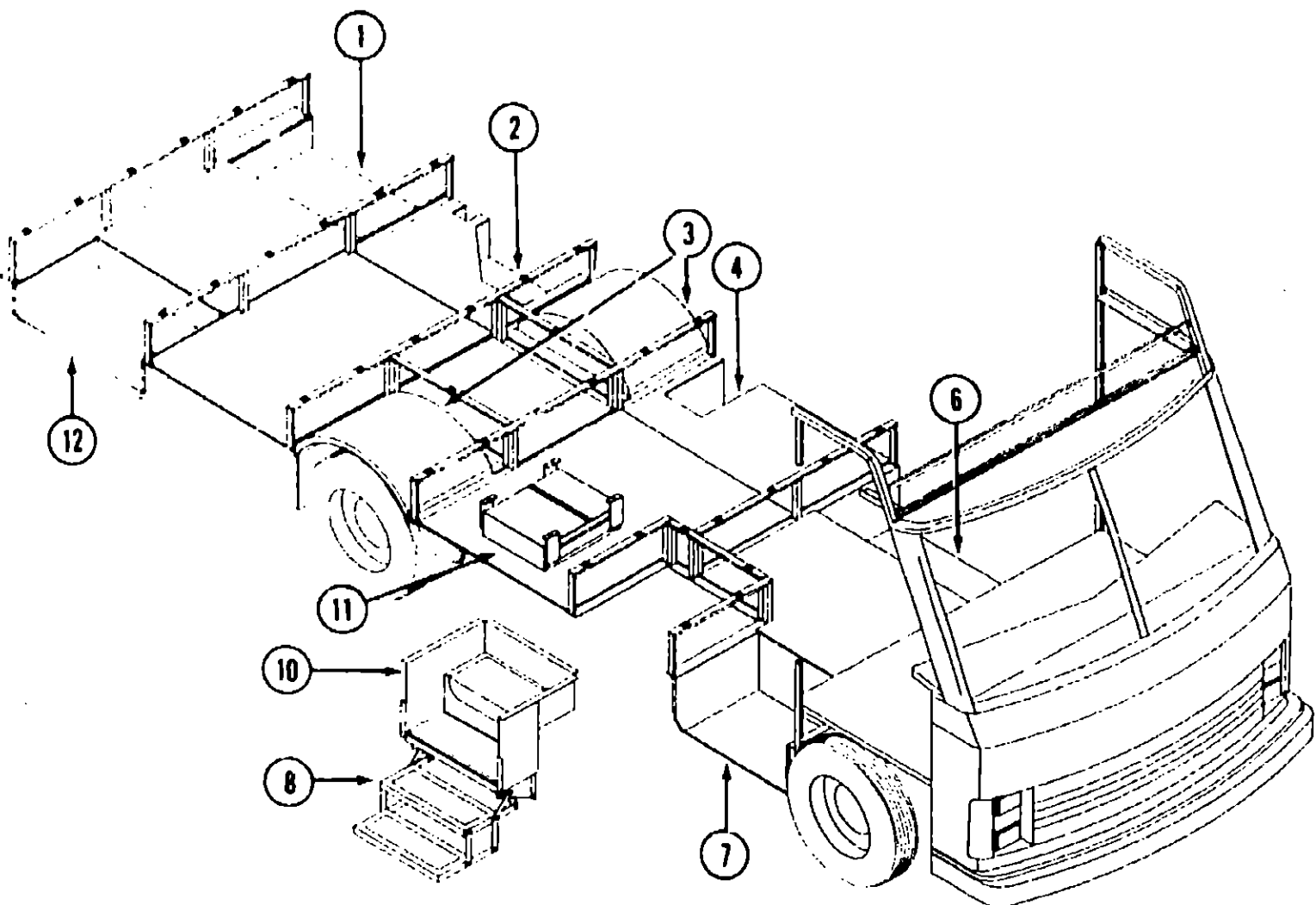
1991 WINNEBAGO TABLE OF CONTENTS

INTRODUCTION	A-01 - A-02
ABBREVIATIONS	A-03
ALPHABETICAL/GROUP REFERENCE	A-04 - A-06
WCM28RQ	A-07 - E-15
WKM40DA	E-17 - I-16

1991 WCM28RQ INDEX

Floor Plan	A-07 - A-08
Accessories Group	A-09 - A-11
Bath Group	A-12 - A-13
Bedroom Group	A-14 - A-18
Chassis Group	A-19 - B-06
Curtain, Cushion & Pad Group	B-07 - B-17
Dinette Group	B-18 - B-20
Driver's Compartment Group	B-21 - C-04
Electrical Group	C-05 - C-08
Exterior Body Group	C-09 - C-17
Galley Group	C-18 - C-21
Heating & Air Conditioning Group	C-22 - C-23
Interior Finish Group	C-24 - D-01
Labels Group	D-02 - D-10
LP Group	D-11
Lounge Group	D-12 - D-14
Sealants & Fasteners Group	D-15 - D-16
Water & Sewage Group	D-17 - D-19
Window, Vent & Exterior Door Group	D-20 - E-15

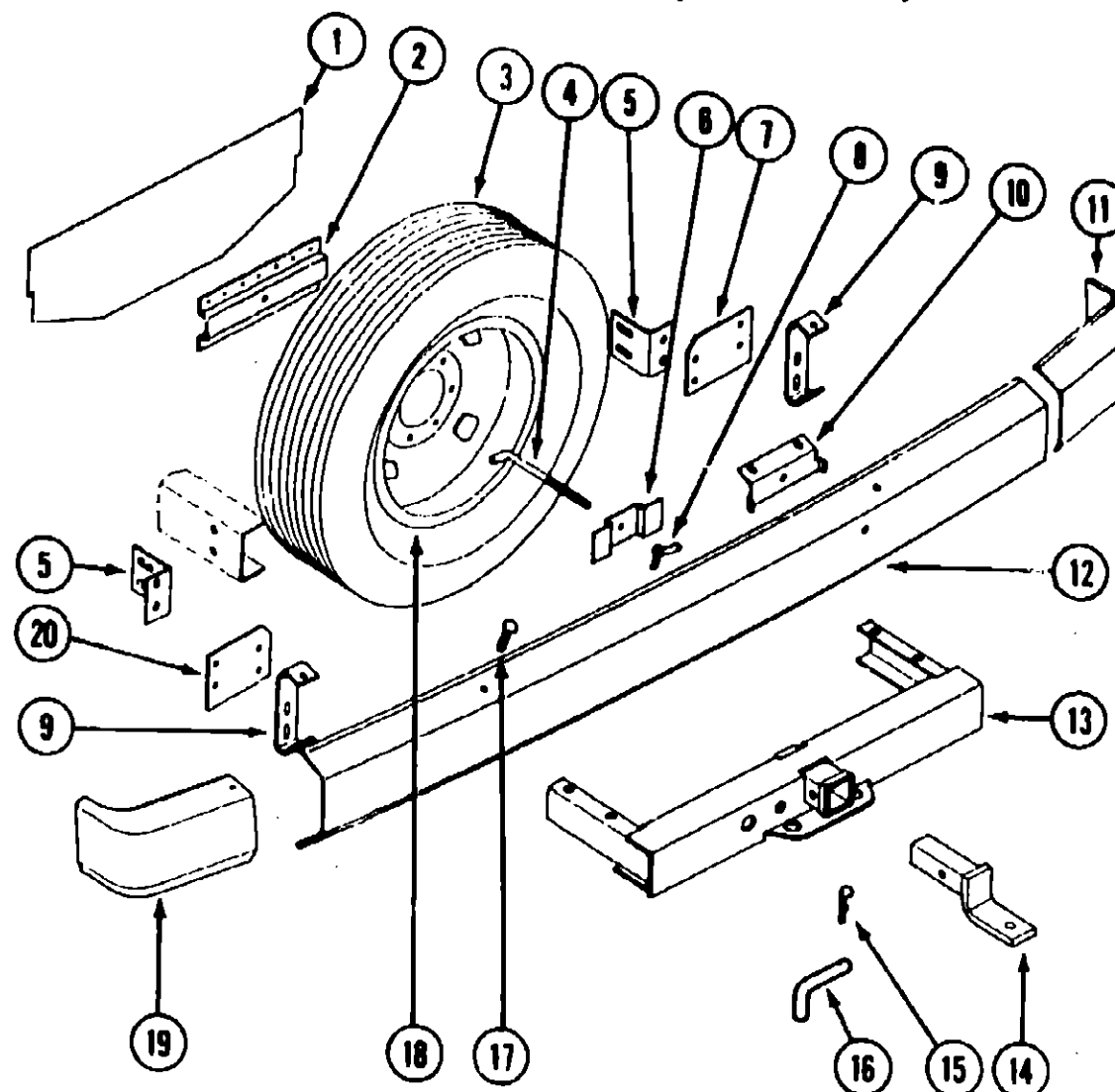
CHASSIS GROUP (CONTINUED)



STORAGE COMPARTMENTS & WHEELWELLS

Key	Part Number	U/M	Description
1	088015-04-000	EA	Compartment Asm.
2	089099-03-000	EA	Compartment Asm. - Sewer Hose
3	087883-01-000	EA	Wheelwell - Plastic
	017516-01-000	EA	Mud Flap - Black
4	088580-01-000	EA	Power Cord Box
6	081252-22-000	EA	Compartment Asm.
7	081252-21-000	EA	Compartment Asm.
8	094707-01-01A	EA	Step Asm. - Electric - Double
10	089103-01-000	EA	Support Asm. - Entrance Step
11	1192486-01-000	EA	Compartment - Drawer
	092914-01-000	EA	Drawer Glide
	093065-02-000	EA	Drawer Hinge
	074762-01-000	EA	Drawer Pull
	042442-01-000	EA	Twist Lock Asm.
12	088015-08-000	EA	Compartment Asm.
	079368-01-000	FT	Bulb Seal
	061420-01-000	EA	Plug - Plastic - 1.75" Dia.
	098024-01-01A	EA	Light - Dome - Ivory - Single (USA)
	098024-02-01A	EA	Light - Dome - Ivory - Single (CSA)
	098024-01-700	EA	Lens - Dome Light
	008218-01-000	EA	Bulb - 12 Volt - #1141 - Dome Light

CHASSIS GROUP (CONTINUED)



SPARE TIRE, HITCH & REAR BUMPER

Key	Part Number	U/M	Description
1	077395-01-000	EA	Shield - Sight - Spare Tire
2	077403-01-000	EA	Support - Rod - Spare Tire
3	007324-04-000	EA	Tire - 8R19.5LRD - Michelin
	051377-01-000	EA	Valve Stem Asm.
4	077411-01-000	EA	Rod - Retaining - Spare Tire
5	078608-01-000	EA	Support Angle - Bumper - Rear
6	077399-01-000	EA	Retainer - Spare Tire
7	078760-02-000	EA	Plate Asm. - Bumper - Mounting - Passenger Side
8	064081-01-000	EA	Wing Nut
	077400-01-000	EA	Support - Spare Tire
	077759-01-000	EA	Spacer - Support - Spare Tire
9	078670-02-000	EA	Bracket Asm. - Bumper - Rear
10	081107-01-000	EA	Bracket - Bumper Pin
11	078578-01-000	EA	Cap - Bumper End - Passenger Side
12	078584-01-000	EA	Bumper - Rear - Mill Finish
12	078584-08-000	EA	Bumper - Rear - Chrome
13	077617-01-000	EA	Hitch Asm. - w/o Drawbar
14	077613-01-000	EA	Drawbar Asm. Only
15	034513-01-000	EA	Pin - Hitch - 3/16" Wire
16	034512-01-000	EA	Pin - Locking - Drawbar
	097745-02-000	EA	Housing - Receptacle - Trailer - 48" Wire Length
17	005200-01-000	EA	Bolt - Carriage - 7/16" x 14" x 1.25 w/Stainless Steel Cap
19	078578-02-000	EA	Cap - Bumper End - Driver
20	078760-03-000	EA	Plate Asm. - Bumper - Mounting - Driver Side

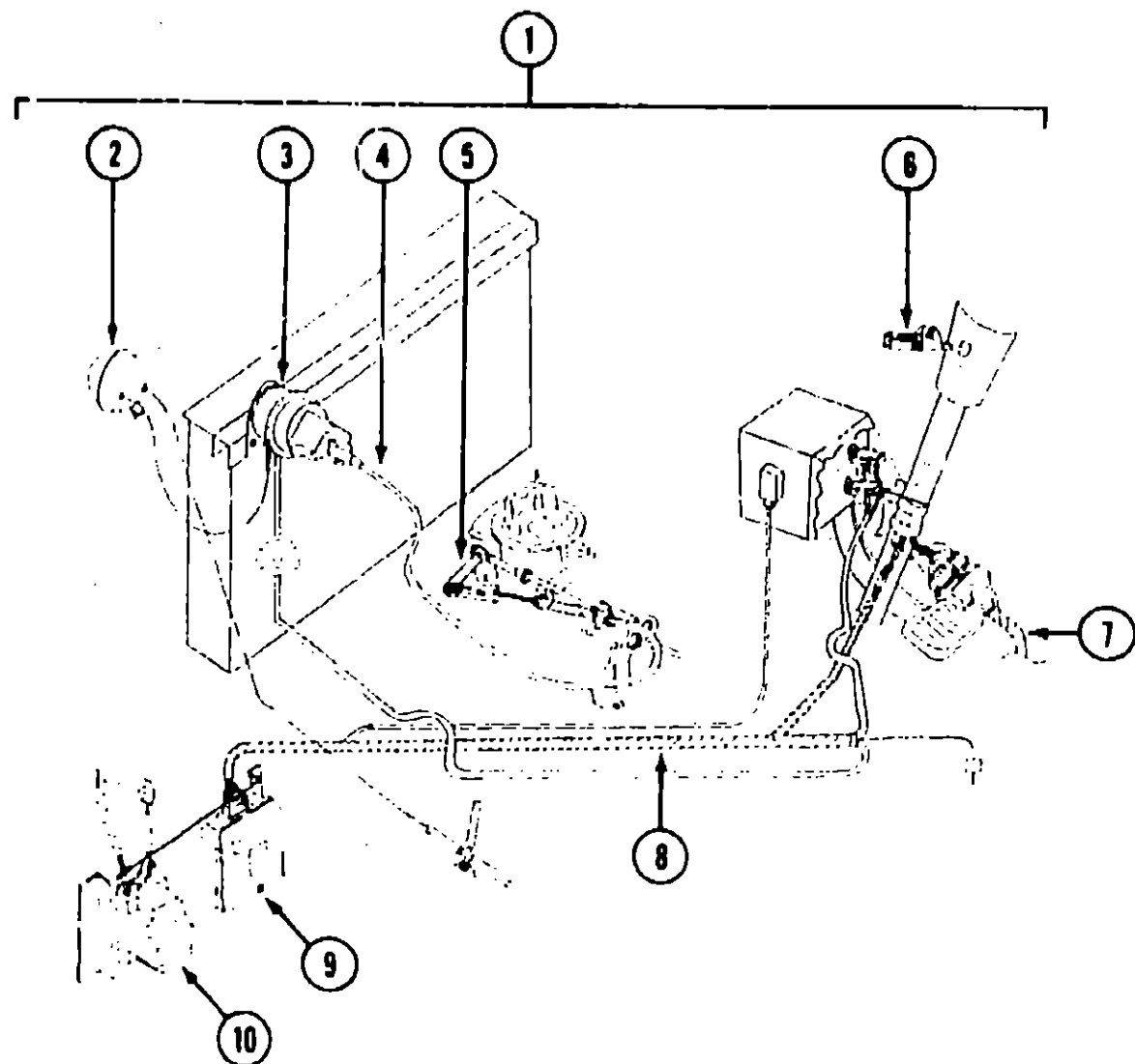
1991 WINNEBAGO TABLE OF CONTENTS

INTRODUCTION	A-01 - A-02
ABBREVIATIONS	A-03
ALPHABETICAL/GROUP REFERENCE	A-04 - A-06
WCM28RQ	A-07 - E-15
WKM40DA	E-17 - I-18

1991 WCM28RQ INDEX

Floor Plan	A-07 - A-08
Accessories Group	A-09 - A-11
Bath Group	A-12 - A-13
Bedroom Group	A-14 - A-18
Chassis Group	A-19 - B-06
Curtain, Cushion & Pad Group	B-07 - B-17
Dinette Group	B-16 - B-20
Driver's Compartment Group	B-21 - C-04
Electrical Group	C-05 - C-08
Exterior Body Group	C-09 - C-17
Galley Group	C-18 - C-21
Heating & Air Conditioning Group	C-22 - C-23
Interior Finish Group	C-24 - D-01
Labels Group	D-02 - D-10
LP Group	D-11
Lounge Group	D-12 - D-14
Sealants & Fasteners Group	D-15 - D-16
Water & Sewage Group	D-17 - D-19
Window, Vent & Exterior Door Group	D-20 - E-15

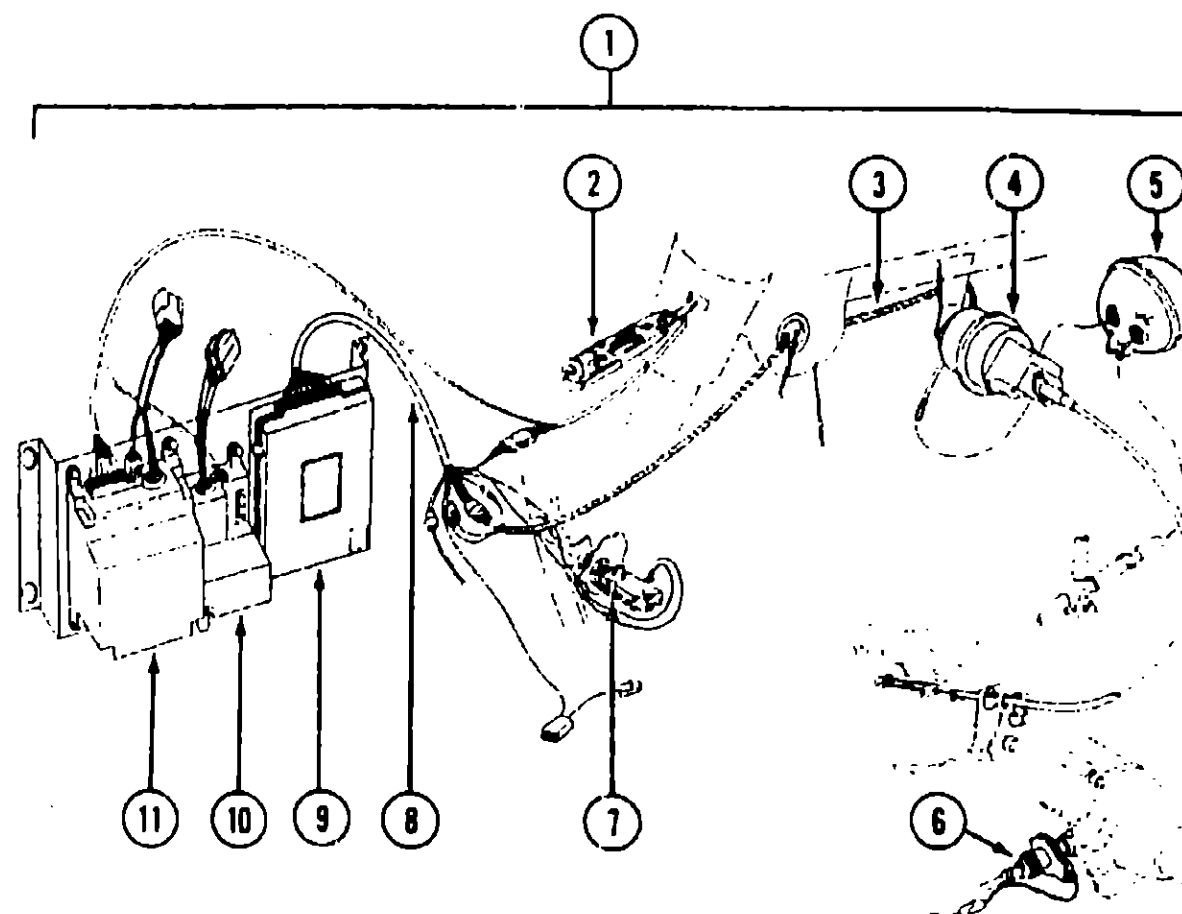
CHASSIS GROUP (CONTINUED)



CRUISE CONTROL (1991 CHEVROLET CHASSIS)

Key	Part Number	U/M	Description
1	102362-01-000	EA	Speed Control - 1991 Chevrolet TBI
2	094369-01-705	EA	Vacuum Reservoir
3	094369-01-706	EA	Servo Only - Replacement
4	102362-01-700	EA	Cable Only - Replacement
5	102362-01-706	EA	Throttle Stud
6	102362-01-707	EA	Control Switch & Lever Asm.
7	102362-01-703	EA	Harness Asm. - Pivot SW to WPR
8	102362-01-704	EA	Harness Asm. - Main Wiring
9	102362-01-701	EA	Regulator Asm. - Electronic
10	102362-01-702	EA	Wiper Control Module
	102362-01-705	EA	Throttle Retaining Clip
	094863-01-704	EA	Housing - 4 Pin
	059778-01-710	EA	Tester - Cruise Control w/Harness

CHASSIS GROUP (CONTINUED)



CRUISE CONTROL (1990 CHEVROLET CHASSIS)

Key	Part Number	U/M	Description
1	094369-03-000	EA	Speed Control - 5 Stick II TBI
2	094369-01-701	EA	Switch & Lever Asm.
3	094369-01-700	EA	Servo & Cable Asm.
4	094369-01-706	EA	Servo Only
5	094369-01-705	EA	Vacuum Reservoir
6	069629-01-704	EA	Signal Generator Asm.
7	069629-01-706	EA	Signal Generator Only
8	083212-01-704	EA	Stop Lamp/Cruise Release Switch
9	083212-04-701	EA	Main Wiring Harness
10	094369-01-702	EA	Regulator Asm. - Electronic
11	094369-01-704	EA	Headlight Dimmer Module Asm.
	091900-01-702	EA	Wiper Control Module
	102362-01-705	EA	Throttle Retainer Clip
	059778-01-710	EA	Tester - Cruise Control w/Harness

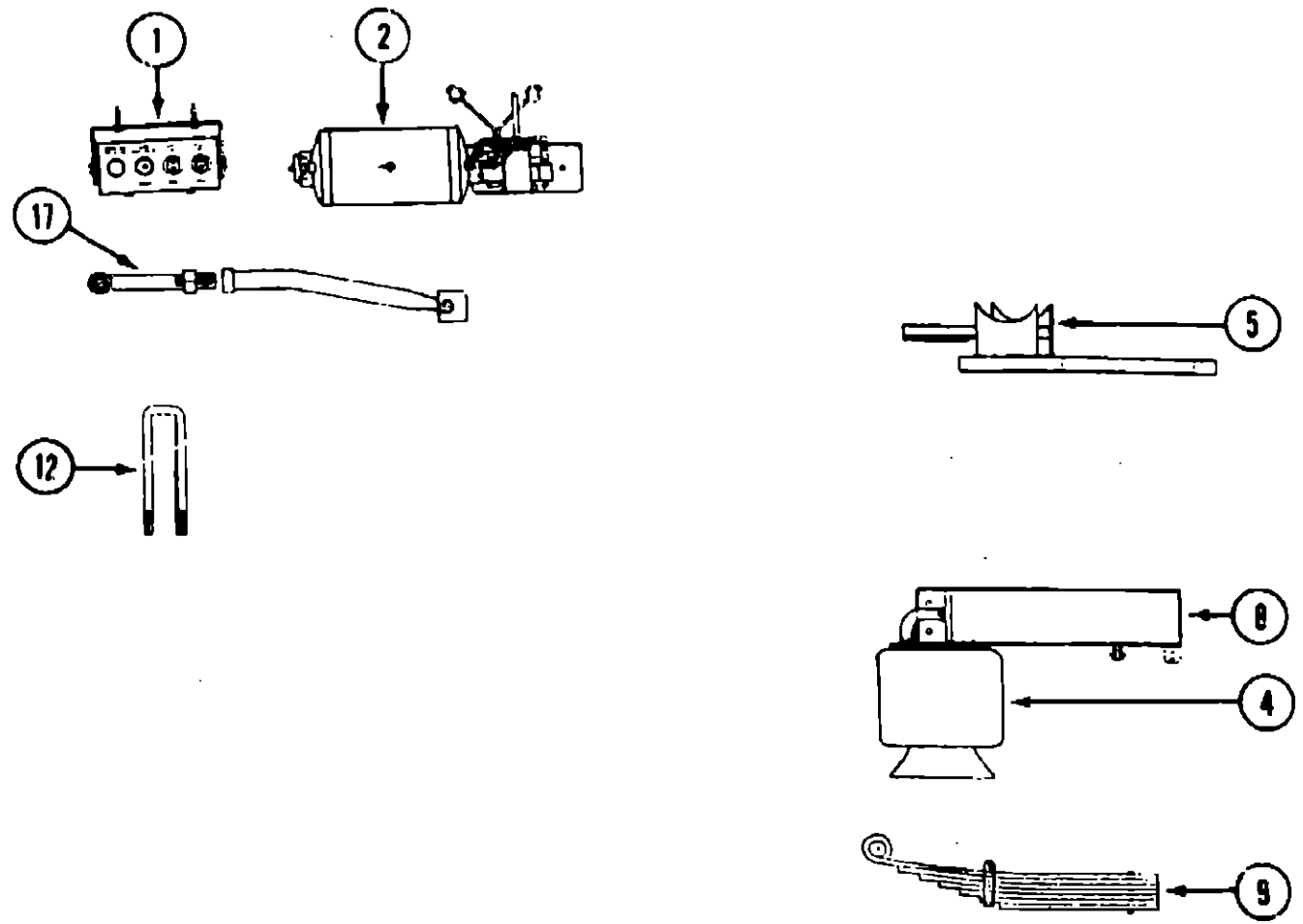
**1991 WINNEBAGO
TABLE OF CONTENTS**

INTRODUCTION	A-01 - A-02
ABBREVIATIONS	A-03
ALPHABETICAL/GROUP REFERENCE	A-04 - A-06
WCM28RQ	A-07 - E-16
WKM40DA	E-17 - I-18

1991 WCM28RQ INDEX

Floor Plan	A-07 - A-08
Accessories Group	A-09 - A-11
Bath Group	A-12 - A-13
Bedroom Group	A-14 - A-18
Chassis Group	A-19 - B-06
Curtain, Cushion & Pad Group	B-07 - B-17
Dinette Group	B-18 - B-20
Driver's Compartment Group	B-21 - C-04
Electrical Group	C-05 - C-08
Exterior Body Group	C-09 - C-17
Galley Group	C-18 - C-21
Heating & Air Conditioning Group	C-22 - C-23
Interior Finish Group	C-24 - D-01
Labels Group	D-02 - D-10
LP Group	D-11
Lounge Group	D-12 - D-14
Sealants & Fasteners Group	D-15 - D-16
Water & Sewage Group	D-17 - D-19
Window, Vent & Exterior Door Group	D-20 - E-15

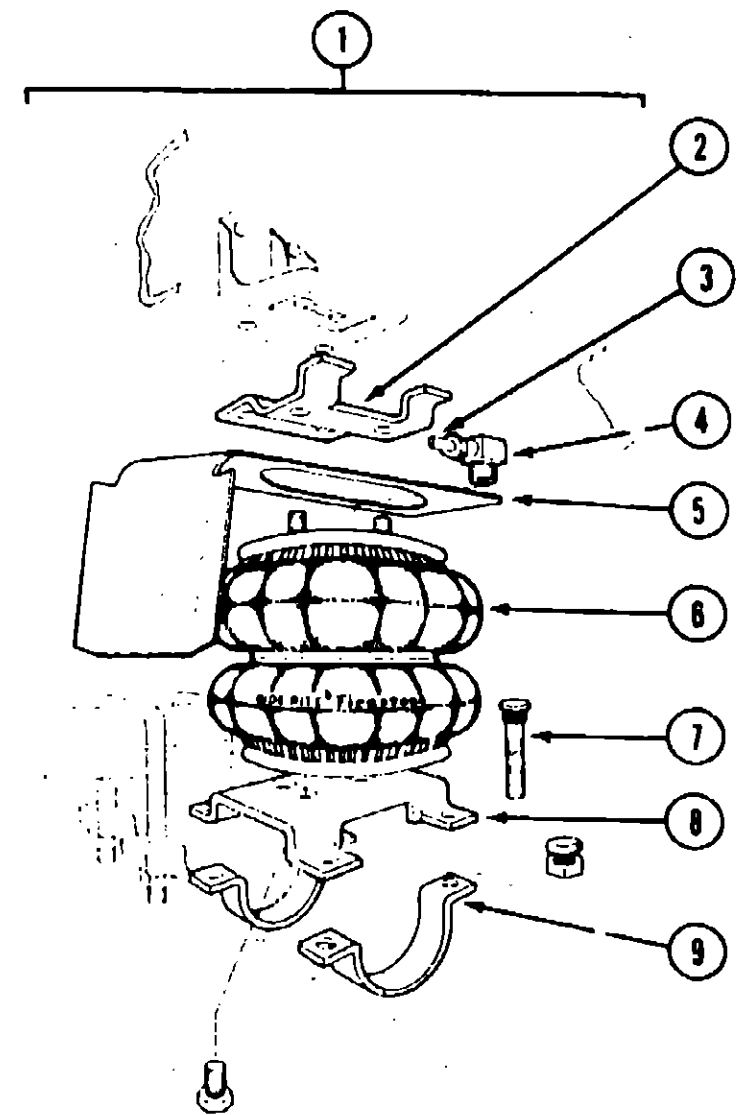
CHASSIS GROUP (CONTINUED)



JET AIR RIDE w/PARK & LEVEL (1990 CHEVROLET CHASSIS) (OPTION 64P)

Key	Part Number	U/M	Description
1	090436-32-000	EA	Control - Park/Level w/Wiring
	090436-15-700	EA	Toggle Switch - Up/Down
	090436-15-701	EA	Toggle Switch - Lighted - Manual/Auto
	090436-15-702	EA	Indicator Light
2	090436-35-000	EA	Compressor Asm. w/Tank & Wiring
4	090436-15-704	EA	Air Spring - Air Bag Only (Sel/2)
5	090436-10-000	EA	Lower Spring/Axle Mount - Driver Side
	090436-11-000	EA	Lower Spring/Axle Mount - Passenger Side
8	090436-36-000	EA	Mount - Airspring Asm. - Upper - Driver Side
	090436-37-000	EA	Mount - Airspring Asm. - Upper - Passenger Side
9	090436-03-000	EA	Spring - Leaf - Semi - 14,500 GVWR Chassis
12	090436-12-000	EA	U-Bolt - Forward - Straight 7/8"
	090436-13-000	EA	U-Bolt - Rearward - Bent 7/8"
17	090436-14-000	EA	Bar - Track w/Pivot Bolts & Brackets
	091250-01-000	EA	Bushing - Front Swaybar - Inboard - 1.25" Cut
	091250-02-000	EA	Bushing - Front Swaybar - Outboard - 1.25" Uncut
	091250-03-000	EA	Bushing - Rear Swaybar - 1.75" Cut

CHASSIS GROUP (CONTINUED)



REAR AIRBAGS & FRONT STABILIZER SHOCKS (CHEVROLET CHASSIS ONLY) (OPTION 64C)

Key	Part Number	U/M	Description
1	084086-01-000	EA	Airspring - Bellows - Rear Axle - Complete System
2	084086-01-706	EA	Upper Bracket
3	084086-01-701	EA	Flexible Tubing - 1/4" x 18"
4	084086-01-704	EA	Elbow Connector
5	084086-01-709	EA	Heat Shield
6	084086-01-700	EA	Bellow Only (Airbag)
7	084086-01-702	EA	Ribbed Neck Bolt - 3/8" - 24 x 2 1/2"
8	084086-01-707	EA	Lower Bracket
9	084086-01-713	EA	Axle Strap Bracket
	084086-01-703	EA	Air Valve
	084086-01-705	EA	Tubing Protectors
	084086-01-708	EA	Airline Repair Kit
	084086-01-710	EA	Bolt Kit
	079942-01-000	EA	Shock Absorber - Stabilizer Ft

**1991 WINNEBAGO
TABLE OF CONTENTS**

INTRODUCTION	A-01 - A-02
ABBREVIATIONS	A-03
ALPHABETICAL/GROUP REFERENCE	A-04 - A-06
WCM28RQ	A-07 - E-15
WKM40DA	E-17 - I-18

1991 WCM28RQ INDEX

Floor Plan	A-07 - A-08
Accessories Group	A-09 - A-11
Bath Group	A-12 - A-13
Bedroom Group	A-14 - A-18
Chassis Group	A-19 - B-05
Curtain, Cushion & Pad Group	B-07 - B-17
Dinette Group	B-18 - B-20
Driver's Compartment Group	B-21 - C-04
Electrical Group	C-05 - C-08
Exterior Body Group	C-09 - C-17
Galley Group	C-18 - C-21
Heating & Air Conditioning Group	C-22 - C-23
Interior Finish Group	C-24 - D-01
Labels Group	D-02 - D-10
LP Group	D-11
Lounge Group	D-12 - D-14
Sealants & Fasteners Group	D-15 - D-16
Water & Sewage Group	D-17 - D-19
Window, Vent & Exterior Door Group	D-20 - E-15

CHASSIS GROUP (CONTINUED)

4.0KW ONAN GENERATOR & COMPONENTS (OPTION 39E)

Key	Part Number	U/M	Description
	100974-01-000	EA	Generator - 4.0KW - Emerald Plus - Onan BGE-FA/261
	094657-02-000	EA	Tray Asm. - Generator
	007067-01-000	EA	Insulation - Fiberglass
	094059-01-000	EA	Spacer
	023942-01-000	EA	Grommet - Rubber - 2" OD
	083151-01-000	EA	Muffler
	007125-03-000	EA	Clamp Asm. - Muffler - 1 1/2"
	083152-11-000	EA	Exhaust Pipe - Generator
	083152-08-000	EA	Exhaust Pipe - Generator - 10.8" - 4.0 KW Generator
	008054-01-000	EA	Power Cord - 10/3 - 30 Amp. - 25' (USA)
	008052-01-000	EA	Power Cord - 10/3 - 30 Amp. - 25' (CSA)
	008289-01-000	EA	Box - Electrical - 4" x 4" (USA)
	008289-02-000	EA	Box - Electrical - 4" x 4" (CSA)
	008294-01-000	EA	Cover Plate - 4" x 4" (USA)
	008294-02-000	EA	Cover Plate - 4" x 4" (CSA)
	024924-02-000	EA	Receptacle - Power Cord
	069238-01-000	EA	Cover Plate - Receptacle Box - Power Cord - 4" x 4"
	041953-01-000	FT	Conduit - Convolute - Slit - .5" ID
	008355-01-000	EA	Connector - 3/4" - Cable Clamping
	008356-01-000	EA	Connector - Plastic - 3/8" Avg. Wire
	010495-01-000	EA	Clamp - Cable - 9/16"
	008026-01-000	FT	Wire - 12/2 Romex w/Ground
	008311-01-000	EA	Connector - Wire Nut - Red
	008312-01-000	EA	Connector - Wire Nut - Blue
	008314-01-000	EA	Connector - Wire Nut - Gray
	008328-01-000	EA	Terminal Ring - 12/10 Wire
	024976-01-000	EA	Generator Switch - w/o Circuit Board
	098351-04-01A	EA	Plate - Switch - Generator - Rear Bedroom
	100258-10-01A	EA	Hourmeter
	062401-03-000	EA	Clamp - Hose - Wormgear - .22" to .62" ID
	062401-06-000	EA	Clamp - Hose - Wormgear - .22" to 1" ID

5.0KW ONAN GENERATOR & COMPONENTS (EXPORT)

Key	Part Number	U/M	Description
	100975-04-000	EA	Generator - 5.0KW - Emerald Plus - Onan NHE-FN/292
	007067-01-000	SF	Insulation - Fiberglass
	023942-01-000	EA	Grommet - Rubber - 2" OD
	093590-04-000	EA	Muffler
	007125-03-000	EA	Clamp Asm. - Muffler
	092508-01-000	EA	Exhaust Pipe - Generator
	083152-08-000	EA	Exhaust Pipe - Generator - 10.8"
	008054-01-000	EA	Power Cord - 10/3 - 30 Amp. - 25'
	008289-01-000	EA	Box - Electrical - 4" x 4"
	008294-01-000	EA	Cover Plate - 4" x 4"
	024924-02-000	EA	Receptacle - Power Cord
	069238-01-000	EA	Cover Plate - Receptacle Box - Power Cord - 4" x 4"
	041953-01-000	FT	Conduit - Convolute - Slit - .5" ID
	008355-01-000	EA	Connector - 3/4" - Cable Clamping
	008356-01-000	EA	Connector - Plastic - 3/8"
	010495-01-000	EA	Clamp - Cable - 9/16"
	008026-01-000	FT	Wire - 12/2 Romex w/Ground
	008311-01-000	EA	Connector - Wire Nut - Red
	008312-01-000	EA	Connector - Wire Nut - Blue
	008314-01-000	EA	Connector - Wire Nut - Gray
	008328-01-000	EA	Terminal Ring - 12/10 Wire
	092615-01-000	EA	Converter - 40 Amp. w/Charger
	024976-01-000	EA	Generator Switch - w/o Circuit Board
	098351-04-01A	EA	Plate - Switch - Generator - Rear Bedroom
	100258-10-01A	EA	Hourmeter
	062401-03-000	EA	Clamp - Hose - Wormgear - .22" to .62" ID
	062401-06-000	EA	Clamp - Hose - Wormgear - .22" to 1" ID

CHASSIS GROUP (CONTINUED)

4.5KW KOHLER GENERATOR & COMPONENTS (OPTION 350)

Key	Part Number	U/M	Description
	033740-01-000	EA	Generator - 4.5 KW - Kohler 4.5 CKM21-RV
	007067-01-000	SF	Insulation - Fiberglass
	023942-01-000	EA	Grommet - Rubber - 2" OD
	093590-01-000	EA	Muffler - 4.5 KW Generator
	007125-03-000	EA	Clamp Asm. - Muffler - 1.50" Dia.
	093591-01-000	EA	Exhaust Pipe - 4.5 KW Generator
	083152-08-000	EA	Exhaust Pipe - 10.8" - 4.5 KW Generator
	008054-01-000	EA	Power Cord - 10/3 - 30 Amp. - 25' (USA)
	008052-01-000	EA	Power Cord - 10/3 - 30 Amp. - 25' (CSA)
	008289-01-000	EA	Box - Electrical - 4" x 4" (USA)
	008289-02-000	EA	Box - Electrical - 4" x 4" (CSA)
	008294-01-000	EA	Cover Plate - 4" x 4" (USA)
	008294-02-000	EA	Cover Plate - 4" x 4" (CSA)
	024924-02-000	EA	Receptacle - Power Cord
	069238-01-000	EA	Cover Plate - Receptacle Box - Power Cord - 4" x 4"
	041953-01-000	FT	Conduit - Convolute - Slit - .5" ID
	008355-01-000	EA	Connector - 3/4" - Cable Clamping
	008356-01-000	EA	Connector - Plastic - 3/8" Avg. Wire
	010495-01-000	EA	Clamp - Cable - 9/16"
	008026-01-000	FT	Wire - 12/2 Romex w/Ground
	008311-01-000	EA	Connector - Wire Nut - Red
	008312-01-000	EA	Connector - Wire Nut - Blue
	008314-01-000	EA	Connector - Wire Nut - Gray
	008328-01-000	EA	Terminal Ring - 12/10 Wire
	024976-01-000	EA	Generator Switch - w/o Circuit Board
	098351-04-01A	EA	Plate - Switch - Generator - Rear Bedroom
	100258-10-01A	EA	Hourmeter
	062401-03-000	EA	Clamp - Hose - Wormgear - .22" to .62" ID
	062401-06-000	EA	Clamp - Hose - Wormgear - .22" to 1" ID

3.5KW ONAN GENERATOR & COMPONENTS (EXPORT)

Key	Part Number	U/M	Description
	100974-05-000	EA	Generator - 4.0KW - Emerald Plus - Onan BGE-FN/292
	007067-01-000	SF	Insulation - Fiberglass
	023942-01-000	EA	Grommet - Rubber - 2" OD
	093590-01-000	EA	Muffler
	007125-03-000	EA	Clamp Asm. - Muffler
	093591-01-000	EA	Exhaust Pipe - Generator
	008054-01-000	EA	Power Cord - 10/3 - 30 Amp. - 25'
	008289-01-000	EA	Box - Electrical - 4" x 4"
	008294-01-000	EA	Cover Plate - 4" x 4"
	024924-02-000	EA	Receptacle - Power Cord
	069238-01-000	EA	Cover Plate - Receptacle Box - Power Cord - 4" x 4"
	041953-01-000	FT	Conduit - Convolute - Slit - .5" ID
	008355-01-000	EA	Connector - 3/4" - Cable Clamping
	008356-01-000	EA	Connector - Plastic - 3/8"
	010495-01-000	EA	Clamp - Cable - 9/16"
	008026-01-000	FT	Wire - 12/2 Romex w/Ground
	008311-01-000	EA	Connector - Wire Nut - Red
	008312-01-000	EA	Connector - Wire Nut - Blue
	008314-01-000	EA	Connector - Wire Nut - Gray
	008328-01-000	EA	Terminal Ring - 12/10 Wire
	092615-01-000	EA	Converter - 40 Amp. - w/Charger
	024976-01-000	EA	Generator Switch - w/o Circuit Board
	098351-04-01A	EA	Plate - Switch - Generator - Rear Bedroom
	100258-10-01A	EA	Hourmeter
	062401-03-000	EA	Clamp - Hose - Wormgear - .22" to .62" ID
	062401-06-000	EA	Clamp - Hose - Wormgear - .22" to 1" ID

1991 WINNEBAGO TABLE OF CONTENTS

INTRODUCTION	A-01 - A-02
ABBREVIATIONS	A-03
ALPHABETICAL/GROUP REFERENCE	A-04 - A-06
WCM28RQ	A-07 - E-15
WKM40DA	E-17 - I-18

1991 WCM28RQ INDEX

Floor Plan	A-07 - A-08
Accessories Group	A-09 - A-11
Bath Group	A-12 - A-13
Bedroom Group	A-14 - A-18
Chassis Group	A-19 - B-06
Curtain, Cushion & Pad Group	B-07 - B-17
Dinette Group	B-18 - B-20
Driver's Compartment Group	B-21 - C-04
Electrical Group	C-05 - C-08
Exterior Body Group	C-09 - C-17
Galley Group	C-18 - C-21
Heating & Air Conditioning Group	C-22 - C-23
Interior Finish Group	C-24 - D-01
Labels Group	D-02 - D-10
LP Group	D-11
Lounge Group	D-12 - D-14
Sealants & Fasteners Group	D-15 - D-16
Water & Sewage Group	D-17 - D-19
Window, Vent & Exterior Door Group	D-20 - E-15

CHASSIS GROUP (CONTINUED)

ELECTRIC ENTRANCE STEP (Used until 3/15/91)

Key	Part Number	U/M	Description
	094707-01-01A	EA	Double Step Asm. - Electric
	094707-01-700	EA	Control Unit
	094707-01-701	EA	Electric Step Switch - Door Jamb
	094707-01-702	EA	Frame - Double Step
	091201-01-700	EA	Linkage Asm.
	088746-01-701	EA	Motor Asm.
	088746-01-702	EA	Gear
	088746-01-703	EA	Motor Bearing Bracket
	088746-01-705	EA	Step Light
	088746-01-706	EA	Kill Switch

ELECTRIC ENTRANCE STEP (Used after 3/15/91)

Key	Part Number	U/M	Description
	094707-01-01A	EA	Double Step Asm. - Electric
	094707-01-702	EA	Double Step Frame
	094707-01-703	EA	Gear Box Assembly
	094707-02-700	EA	Motor Replacement Kit
	094707-02-701	EA	Linkage Asm.
	094707-02-702	EA	Gear Kit
	094707-02-703	EA	Parts Kit (Pins & Bearings)
	094707-02-704	EA	Motor Connector Kit
	094707-02-705	EA	Control Unit (Orange)
	088746-01-705	EA	Step Light
	088746-01-706	EA	Kill Switch
	100312-01-000	EA	Door Jamb Switch
	075723-02-000	EA	Door Jamb Switch - Spacer w/Hole

BATTERY HARDWARE INSTALLATION

Key	Part Number	U/M	Description
	088751-01-000	FT	Cable - Battery - 1/0 AWG Stranded
	08037-02-000	FT	Cable - Battery - 1 AWG Stranded - Red
	008348-01-000	EA	Terminal - Ring - 2 - 3/8" Stud
	090604-03-000	EA	Tray Asm. - Battery
	089074-01-000	EA	Tray - Battery (House Batteries)
	065450-01-000	EA	Tiedown - Battery
	065450-05-000	EA	Tiedown - Battery (House Batteries)
	051387-06-000	EA	Bolt - Carriage - 5/16 - 18 x 9.5 (House & Chassis Batteries)
	040921-03-000	EA	Nut - Speed - U-Type No. 10 (Chassis Battery)
	044364-02-000	EA	Nut - Speed - Flat - Round (House Batteries)
	077479-01-000	EA	Boot - Battery Terminal - Double Cable
	077479-02-000	EA	Boot - Battery Terminal - Single Cable

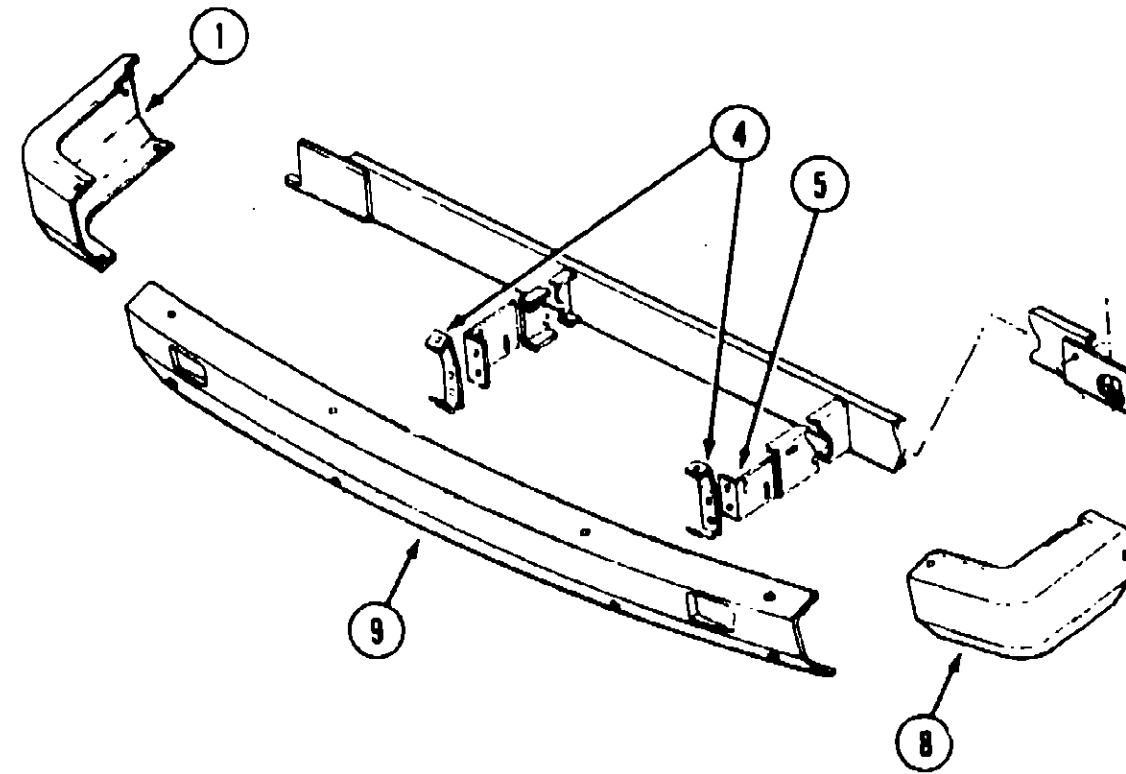
STABILIZING JACKS - MANUAL (OPTION 64L)

Key	Part Number	U/M	Description
	099025-01-000	EA	Stabilizer Jack - RT
	099025-02-000	EA	Stabilizer Jack - LT
	099641-01-000	EA	Bracket Asm. - Jack - RT Rear
	099641-02-000	EA	Bracket Asm. - Jack - LT Rear
	099642-01-000	EA	Bracket Asm. - Jack - RT Front
	099642-02-000	EA	Bracket Asm. - Jack - LT Front

MISCELLANEOUS

Key	Part Number	U/M	Description
	072359-01-000	EA	Bottle - Coolant Expansion
	071656-01-000	EA	Radiator Cover - Rear
	083977-08-000	EA	Step Asm. - Driver Door
	080208-02-000	EA	Bar - Lug Wrench
	080208-01-000	EA	Lug Wrench
	017516-01-000	EA	Mud Flap - Black
	091955-02-000	EA	Squeegee - Telescoping Handle
	091952-02-000	EA	Clip - 3/4" - Squeegee Retainer
	093527-01-000	EA	Bracket - Squeegee Clip

CHASSIS GROUP (CONTINUED)



FRONT BUMPER

Key	Part Number	U/M	Description
	1 078577-07-000	EA	Bumper End Cap - Passenger Side
	4 077852-01-000	EA	Bracket to Bumper - Front
	5 098339-01-000	EA	Bracket to Frame - Front Bumper
	8 078577-08-000	EA	Bumper End Cap - Driver Side
	9 077850-09-000	EA	Bumper - Front - Chrome
	9 077850-04-000	EA	Bumper - Front - Plain
	005200-01-000	EA	Carriage Bolt - 7/16" - 14 x 1 1/4" SST Head

WHEEL COVER & MOUNTING HARDWARE

Key	Part Number	U/M	Description
	083181-03-000	EA	Wheel Cover - 19.5" (Set/4)
	083181-03-700	EA	Wheel Cover - 19.5" (1)
	083181-12-000	EA	Retainer Kit - 19.5" Wheel Cover (Set/4)
	083181-12-700	EA	Retainer Kit - 19.5" Wheel Cover - Front (1)
	083181-12-701	EA	Retainer Kit - 19.5" Wheel Cover - Rear (1)
	083181-04-702	EA	Nut Cover - 19.5" Wheel
	083181-04-703	EA	Center Cap - Chrome

CHROME WHEEL LINERS (OPTION 63K)

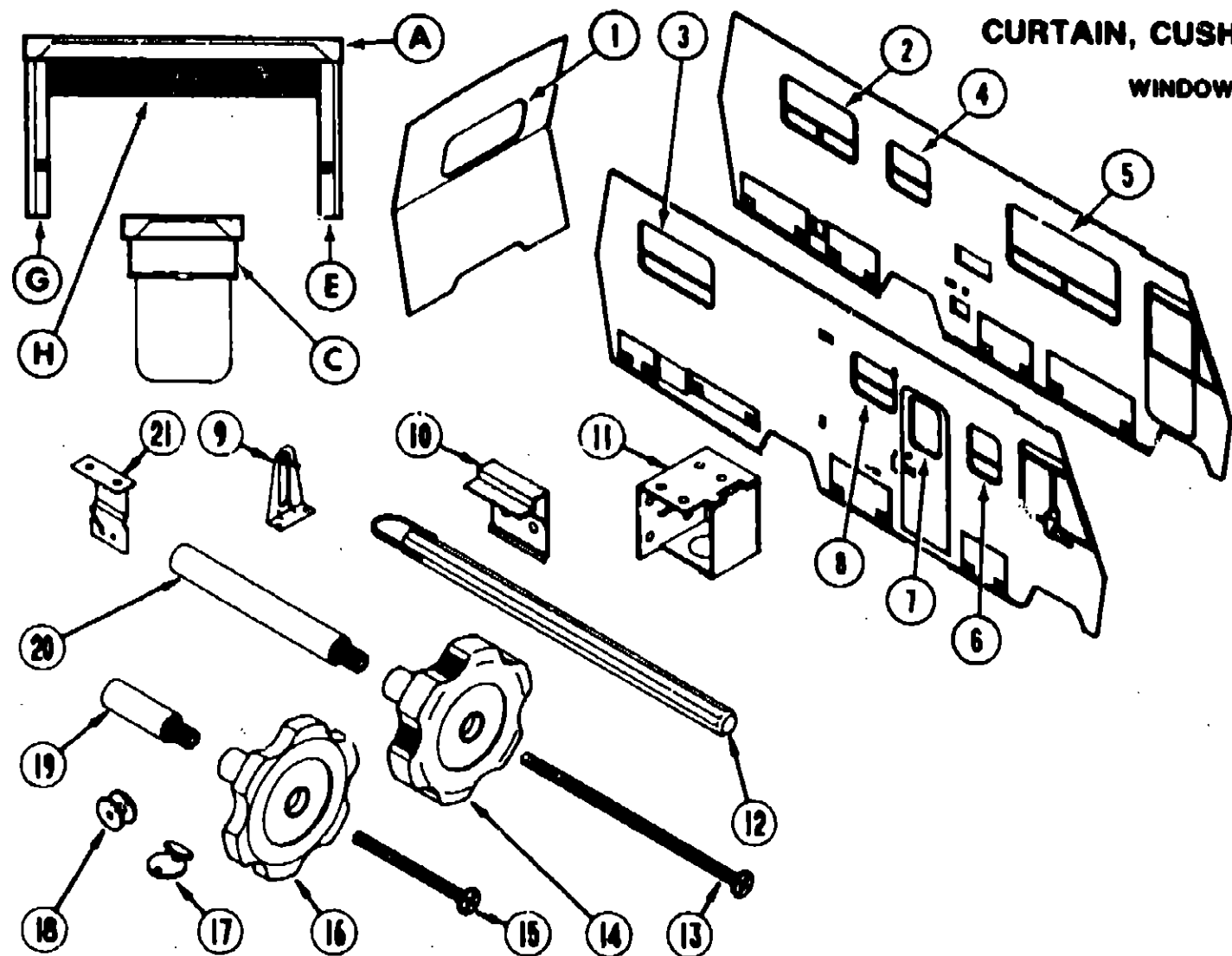
Key	Part Number	U/M	Description
	091209-01-000	EA	Wheel Liner - Chrome - 19.5" (Set/4)
	091209-01-700	EA	Wheel Liner - Chrome - 19.5" - Front
	091209-01-701	EA	Wheel Liner - Chrome - 19.5" - Rear
	091209-01-702	EA	Axle Cover - 10 Lug - 19.5" - Front
	091209-01-703	EA	Axle Cover - 10 Lug - 19.5" - Rear
	091209-10-704	EA	Cover - Lug Nut
	077030-02-000	EA	Valve Stem Extension - 1.25"
	095012-01-000	EA	Valve Stem Extension - Dual Wheel

1991 WINNEBAGO TABLE OF CONTENTS

INTRODUCTION	A-01 - A-02
ABBREVIATIONS	A-03
ALPHABETICAL/GROUP REFERENCE	A-04 - A-06
WCM28RQ	A-07 - E-15
WKM40DA	E-17 - I-18

1991 WCM28RQ INDEX

Floor Plan	A-07 - A-08
Accessories Group	A-09 - A-11
Bath Group	A-12 - A-13
Bedroom Group	A-14 - A-16
Chassis Group	A-19 - B-06
Curtain, Cushion & Pad Group	B-07 - B-17
Dinette Group	B-18 - B-20
Driver's Compartment Group	B-21 - C-04
Electrical Group	C-05 - C-06
Exterior Body Group	C-09 - C-17
Galley Group	C-18 - C-21
Heating & Air Conditioning Group	C-22 - C-23
Interior Finish Group	C-24 - D-01
Labels Group	D-02 - D-10
LP Group	D-11
Lounge Group	D-12 - D-14
Sealants & Fasteners Group	D-15 - D-16
Water & Sewage Group	D-17 - D-19
Window, Vent & Exterior Door Group	D-20 - E-15



CURTAIN, CUSHION & PAD GROUP

WINDOW TREATMENT

Key	Part Number	U/M	Description
1A	101428-08-B10	EA	Valance - w/Fabric Trim - 51"
1A	101428-08-B11	EA	Valance - w/Fabric Trim - 51"
1A	101428-08-B12	EA	Valance - w/Fabric Trim - 51"
1E	100281-13-B10	EA	Leg - Right - w/Fabric Trim
1E	100281-13-B11	EA	Leg - Right - w/Fabric Trim
1E	100281-13-B12	EA	Leg - Right - w/Fabric Trim
1G	100281-14-B10	EA	Leg - Left - w/Fabric Trim
1G	100281-14-B11	EA	Leg - Left - w/Fabric Trim
1G	100281-14-B12	EA	Leg - Left - w/Fabric Trim
1H	096335-18-AB1	EA	Blind - Pleated - 47" x 28.5" Drop (B10)
1H	096335-18-B11	EA	Blind - Pleated - 47" x 28.5" Drop
1H	096335-18-B12	EA	Blind - Pleated - 47" x 28.5" Drop
2A	101428-01-B10	EA	Valance - w/Fabric Trim - 44.5"
2A	101428-01-B11	EA	Valance - w/Fabric Trim - 44.5"
2A	101428-01-B12	EA	Valance - w/Fabric Trim - 44.5"
2E	100281-19-B07	EA	Leg - Right - w/Fabric Trim (B10)
2E	100281-19-B08	EA	Leg - Right - w/Fabric Trim (B11)
2E	100281-19-B09	EA	Leg - Right - w/Fabric Trim (B12)
2G	100281-20-B07	EA	Leg - Left - w/Fabric Trim (B10)
2G	100281-20-B08	EA	Leg - Left - w/Fabric Trim (B11)
2G	100281-20-B09	EA	Leg - Left - w/Fabric Trim (B12)
2H	096335-44-B10	EA	Blind - Pleated - 39.5" x 33" Drop
2H	096335-44-B11	EA	Blind - Pleated - 39.5" x 33" Drop
2H	096335-44-B12	EA	Blind - Pleated - 39.5" x 33" Drop
3A	101428-10-B10	EA	Valance - w/Fabric Trim - 32.5"
3A	101428-10-B11	EA	Valance - w/Fabric Trim - 32.5"
3A	101428-10-B12	EA	Valance - w/Fabric Trim - 32.5"
3E	100281-19-B07	EA	Leg - Right - w/Fabric Trim (B10)
3E	100281-19-B08	EA	Leg - Right - w/Fabric Trim (B11)
3E	100281-19-B09	EA	Leg - Right - w/Fabric Trim (B12)
3G	100281-18-B07	EA	Leg - Left - w/Fabric Trim (B10)
3G	100281-18-B08	EA	Leg - Left - w/Fabric Trim (B11)
3G	100281-18-B09	EA	Leg - Left - w/Fabric Trim (B12)

Key	Part Number	U/M	Description
3H	096335-48-B10	EA	Blind - Pleated - 28.5" x 34" Drop
3H	096335-48-B11	EA	Blind - Pleated - 28.5" x 34" Drop
3H	096335-48-B12	EA	Blind - Pleated - 28.5" x 34" Drop
4A	M96879-22-B13	EA	Valance - w/Wood Trim - 20" (B10)
4A	M96879-22-B14	EA	Valance - w/Wood Trim - 20" (B11)
4A	M96879-22-B15	EA	Valance - w/Wood Trim - 20" (B12)
4E	101079-06-B07	EA	Leg - Right - w/Wood Trim - 27.5" (B10)
4E	101079-06-B08	EA	Leg - Right - w/Wood Trim - 27.5" (B11)
4E	101079-06-B09	EA	Leg - Right - w/Wood Trim - 27.5" (B12)
4G	101079-07-B07	EA	Leg - Left - w/Wood Trim - 27.5" (B10)
4G	101079-07-B08	EA	Leg - Left - w/Wood Trim - 27.5" (B11)
4G	101079-07-B09	EA	Leg - Left - w/Wood Trim - 27.5" (B12)
4H	093475-72-01A	EA	Blind - Mini - 13.5" x 28.5" Drop (B10)
4H	093475-72-02A	EA	Blind - Mini - 13.5" x 28.5" Drop (B11)
4H	093475-72-03A	EA	Blind - Mini - 13.5" x 28.5" Drop (B12)
5A	M96879-18-B10	EA	Valance - w/Wood Trim - 65.5"
5A	M96879-18-B11	EA	Valance - w/Wood Trim - 65.5"
5A	M96879-18-B12	EA	Valance - w/Wood Trim - 65.5"
5E	101079-02-B13	EA	Leg - Right - w/Wood Trim (B10)
5E	101079-02-B14	EA	Leg - Right - w/Wood Trim (B11)
5E	101079-02-B15	EA	Leg - Right - w/Wood Trim (B12)
5G	101079-04-B13	EA	Leg - Left - w/Wood Trim (B10)
5G	101079-04-B14	EA	Leg - Left - w/Wood Trim (B11)
5G	101079-04-B15	EA	Leg - Left - w/Wood Trim (B12)
5H	093475-11-08A	EA	Blind - Mini - 57.5" x 33" Drop (B10)
5H	093475-11-03A	EA	Blind - Mini - 57.5" x 33" Drop (B11)
5H	093475-11-10A	EA	Blind - Mini - 57.5" x 33" Drop (B12)
6A	M96879-19-B10	EA	Valance - w/Wood Trim - 61"
6A	M96879-19-B11	EA	Valance - w/Wood Trim - 61"
6A	M96879-19-B12	EA	Valance - w/Wood Trim - 61"
6E	101079-02-B13	EA	Leg - Right - w/Wood Trim (B10)
6E	101079-02-B14	EA	Leg - Right - w/Wood Trim (B11)
6E	101079-02-B15	EA	Leg - Right - w/Wood Trim (B12)
6G	101079-05-B13	EA	Leg - Left - w/Wood Trim (B10)
6G	101079-05-B14	EA	Leg - Left - w/Wood Trim (B11)
6G	101079-05-B15	EA	Leg - Left - w/Wood Trim (B12)
6H	093475-70-01A	EA	Blind - Mini - 21" x 34.5" Drop (B10)
6H	093475-70-02A	EA	Blind - Mini - 21" x 34.5" Drop (B11)
6H	093475-70-03A	EA	Blind - Mini - 21" x 34.5" Drop (B12)
7C	084755-57-B07	EA	Shade Asm. - 27.25"
7	048394-02-000	YD	Velcro - Hook Tape
7	088792-02-000	YD	Velcro - Loop Tape
8H	093475-73-01A	EA	Blind - Mini - 28" x 24" Drop (B10)
8H	093475-73-02A	EA	Blind - Mini - 28" x 24" Drop (B11)
8H	093475-73-03A	EA	Blind - Mini - 28" x 24" Drop (B12)
	096008-28-000	YD	Valance & Leg Fabric (B10) (Windows 4,5,6)
	096008-40-000	YD	Valance & Leg Fabric (B11) (Windows 4,5,6)
	096008-63-000	YD	Valance & Leg Fabric (B12) (Windows 4,5,6)
	088273-58-000	YD	Valance & Leg Fabric (B10) (Windows 1,2,3)
	088273-57-000	YD	Valance & Leg Fabric (B11) (Windows 1,2,3)
	088273-56-000	YD	Valance & Leg Fabric (B12) (Windows 1,2,3)
9	095591-02-000	EA	Hold Down Bracket - Blind
10	097585-01-000	EA	Blind Mounting Bracket - Right or Left Side (Bedroom)
11	083170-01-000	EA	Blind Mounting Bracket - Right Side (Shown) Clear Plastic
	083170-02-000	EA	Blind Mounting Bracket - Left Side - Clear Plastic
12	093475-01-700	EA	Wand w/Metal Clip - 8"
13	089371-01-000	EA	Screw - Window Knob (Zinc)
14	087052-02-000	EA	Window Knob (Beige)
14	101290-01-01A	EA	Window Knob (Gold)
15	009439-07-000	EA	Screw - Window Knob (Black)
16	009439-05-000	EA	Window Knob - Black
17	102555-01-000	EA	Cord Cleat - Blind
18	097592-01-000	EA	Hold Down Adjuster - Blind
19	009439-08-000	EA	Extension - Window Knob (Black)
20	090025-01-000	EA	Extension - Window Knob (Black)
21	084434-01-000	EA	Holler Shade Bracket

**1991 WINNEBAGO
TABLE OF CONTENTS**

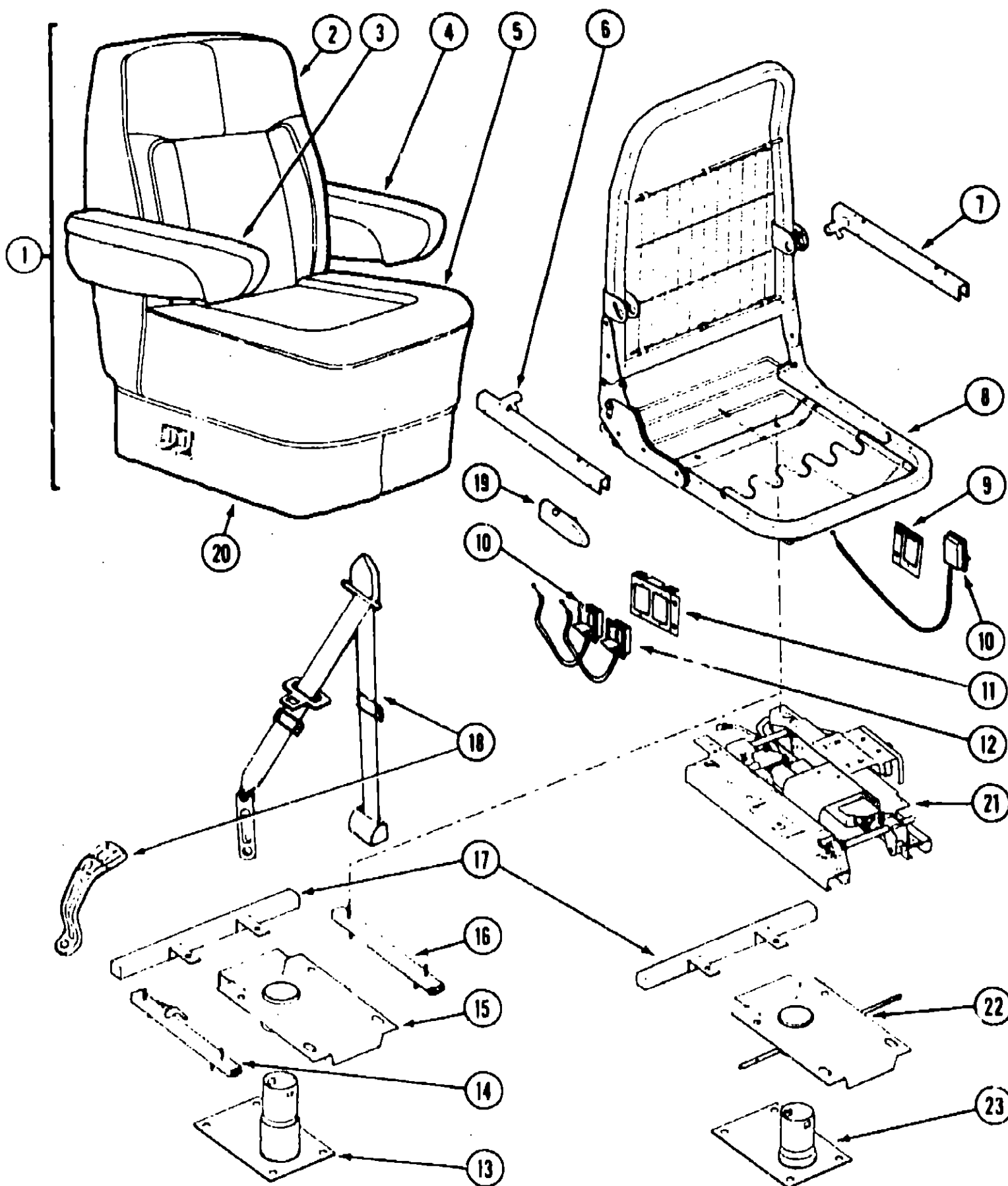
INTRODUCTION	A-01 - A-02
ABBREVIATIONS	A-03
ALPHABETICAL/GROUP REFERENCE	A-04 - A-06
WCM28RQ	A-07 - E-15
WKM40DA	E-17 - I-18

1991 WCM28RQ INDEX

Floor Plan	A-07 - A-08
Accessories Group	A-09 - A-11
Bath Group	A-12 - A-13
Bedroom Group	A-14 - A-18
Chassis Group	A-19 - B-06
Curtain, Cushion & Pad Group	B-07 - B-17
Dinette Group	B-18 - B-20
Driver's Compartment Group	B-21 - C-04
Electrical Group	C-05 - C-08
Exterior Body Group	C-09 - C-17
Galley Group	C-18 - C-21
Heating & Air Conditioning Group	C-22 - C-23
Interior Finish Group	C-24 - D-01
Labels Group	D-02 - D-10
LP Group	D-11
Lounge Group	D-12 - D-14
Sealants & Fasteners Group	D-15 - D-16
Water & Sewage Group	D-17 - D-19
Window, Vent & Exterior Door Group	D-20 - E-15

CURTAIN, CUSHION & PAD GROUP (CONTINUED)

BUCKET SEAT ASM.



Key	Part Number	U/M	Description
1	101171-04-B10	EA	Seat Asm. - w/Arm & Headrest - w/o Skirt (Driver or Passenger)
1	101171-04-B11	EA	Seat Asm. - w/Arm & Headrest - w/o Skirt (Driver or Passenger)
1	101171-04-B12	EA	Seat Asm. - w/Arm & Headrest - w/o Skirt (Driver or Passenger)
2	M03445-24-B07	EA	Cover Asm. - Seat Back (B10)
2	M03445-24-B08	EA	Cover Asm. - Seat Back (B11)
2	M03445-24-B09	EA	Cover Asm. - Seat Back (B12)
3	080243-43-B07	EA	Armrest Asm. - Right Hand (B10)
3	080243-43-B08	EA	Armrest Asm. - Right Hand (B11)
3	080243-43-B09	EA	Armrest Asm. - Right Hand (B12)
3	M08243-43-B07	EA	Armrest Cover - Right Hand (B10)
3	M08243-43-B08	EA	Armrest Cover - Right Hand (B11)
3	M08243-43-B09	EA	Armrest Cover - Right Hand (B12)
4	080243-44-B07	EA	Armrest Asm. - Left Hand (B10)
4	080243-44-B08	EA	Armrest Asm. - Left Hand (B11)
4	080243-44-B09	EA	Armrest Asm. - Left Hand (B12)
4	M80243-44-B07	EA	Armrest - Cover - Left Hand (B10)
4	M80243-44-B08	EA	Armrest - Cover - Left Hand (B11)
4	M80243-44-B09	EA	Armrest - Cover - Left Hand (B12)
5	M03445-36-B07	EA	Cover Asm. - Seat Bottom (B10)
5	M03445-36-B08	EA	Cover Asm. - Seat Bottom (B11)
5	M03445-36-B09	EA	Cover Asm. - Seat Bottom (B12)
6	101124-01-000	EA	Armrest Frame Asm. - Right Hand
7	101124-02-000	EA	Armrest Frame Asm. - Left Hand
8	M80906-04-000	EA	Seat Frame Asm.
9	097683-03-000	EA	Cable Bracket
10	089388-04-000	EA	Remote Control Cable
11	097683-02-000	EA	Cable Bracket
12	089388-05-000	EA	Remote Control Cable
13	089585-08-000	EA	Seat Base
14	089248-05-000	EA	Seat Slide w/Lock
	089248-05-700	EA	Spring - Remote Slide
	089248-05-701	EA	Clip - Remote Slide
15	083481-04-000	EA	Top Plate
16	089248-02-000	EA	Seat Slide w/o Lock
17	089585-29-000	EA	Seat Belt Bar
18	091990-01-01A	EA	Seat Belt
19	089389-08-000	EA	Cable Shield - Plastic
20	071126-24-AA1	EA	Skirt Asm. (B10)
20	071126-24-B03	EA	Skirt Asm. (B11)
20	071126-24-B09	EA	Skirt Asm. (B12)
	096008-28-000	YD	Bucket Seat Fabric - Accent (B10)
	096008-40-000	YD	Bucket Seat Fabric - Accent (B11)
	096008-63-000	YD	Bucket Seat Fabric - Accent (B12)
	096008-43-000	YD	Bucket Seat Fabric - Pattern Accent (B10)
	096008-64-000	YD	Bucket Seat Fabric - Pattern Accent (B11)
	096008-65-000	YD	Bucket Seat Fabric - Pattern Accent (B12)

POWER SEAT OPTION (63R1)

Key	Part Number	U/M	Description
17	089585-29-000	EA	Seat Belt Bar
20	071126-26-AE6	EA	Skirt Asm. - Power Seat (B10)
20	071126-26-B08	EA	Skirt Asm. - Power Seat (B11)
20	071126-26-B09	EA	Skirt Asm. - Power Seat (B12)
21	081373-01-000	EA	Power Control - 8 Way
22	089585-39-000	EA	Top Plate (8 Way Power Seat)
23	089585-37-000	EA	Seat Base (8 Way Power Seat)
	081591-04-000	EA	Wire Asm. (8 Way Power Seat)

1991 WINNEBAGO TABLE OF CONTENTS

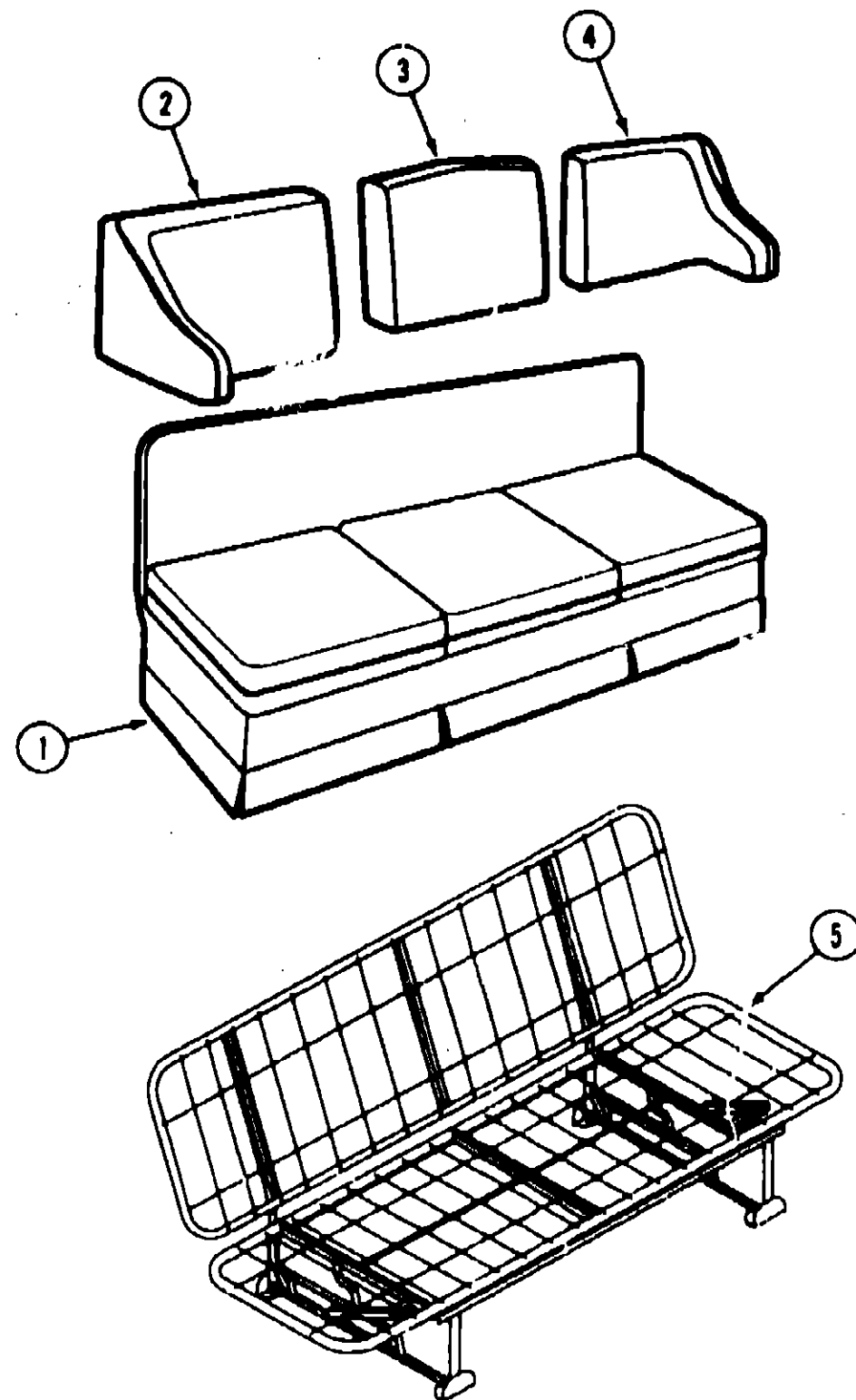
INTRODUCTION	A-01 - A-02
ABBREVIATIONS	A-03
ALPHABETICAL/GROUP REFERENCE	A-04 - A-06
WCM28RQ	A-07 - E-15
WKM40DA	E-17 - I-18

1991 WCM28RQ INDEX

Floor Plan	A-07 - A-08
Accessories Group	A-09 - A-11
Bath Group	A-12 - A-13
Bedroom Group	A-14 - A-16
Chassis Group	A-19 - B-06
Curtain, Cushion & Pad Group	B-07 - B-17
Dinette Group	B-18 - B-20
Driver's Compartment Group	B-21 - C-04
Electrical Group	C-05 - C-06
Exterior Body Group	C-09 - C-17
Galley Group	C-18 - C-21
Heating & Air Conditioning Group	C-22 - C-23
Interior Finish Group	C-24 - D-01
Labels Group	D-02 - D-10
LP Group	D-11
Lounge Group	D-12 - D-14
Sealants & Fasteners Group	D-15 - D-16
Water & Sewage Group	D-17 - D-19
Window, Vent & Exterior Door Group	D-20 - E-15

CURTAIN, CUSHION & PAD GROUP (CONTINUED)

SOFA BED



Key	Part Number	U/M	Description
1	089007-05-B07	EA	Bed - Sofa Seat - w/Skirt (B10)
1	089007-05-B08	EA	Bed - Sofa Seat - w/Skirt (B11)
1	089007-05-B09	EA	Bed - Sofa Seat - w/Skirt (B12)
1	M89007-05-B07	EA	Cover - Sofa Seat - w/Skirt (B10)
1	M89007-05-B08	EA	Cover - Sofa Seat - w/Skirt (B11)
1	M89007-05-B09	EA	Cover - Sofa Seat - w/Skirt (B12)
2	101175-01-B07	EA	Cushion Asm. - Back Pillow w/Armrest (B10)
2	101175-01-B08	EA	Cushion Asm. - Back Pillow w/Armrest (B11)
2	101175-01-B09	EA	Cushion Asm. - Back Pillow w/Armrest (B12)
2	P01175-01-B07	EA	Cover Asm. - Pillow w/Armrest (B10)
2	P01175-01-B08	EA	Cover Asm. - Pillow w/Armrest (B11)
2	P01175-01-B09	EA	Cover Asm. - Pillow w/Armrest (B12)
3	101175-03-B07	EA	Cushion Asm. - Pillow (B10)
3	101175-03-B08	EA	Cushion Asm. - Pillow (B11)
3	101175-03-B09	EA	Cushion Asm. - Pillow (B12)
3	P01175-03-B07	EA	Cushion Asm. - Pillow (B10)
3	P01175-03-B08	EA	Cushion Asm. - Pillow (B11)
3	P01175-03-B09	EA	Cushion Asm. - Pillow (B12)
4	101175-02-B07	EA	Cushion Asm. - Back Pillow w/Armrest (B10)
4	101175-02-B08	EA	Cushion Asm. - Back Pillow w/Armrest (B11)
4	101175-02-B09	EA	Cushion Asm. - Back Pillow w/Armrest (B12)
4	P01175-02-B07	EA	Cover Asm. - Pillow w/Armrest (B10)
4	P01175-02-B08	EA	Cover Asm. - Pillow w/Armrest (B11)
4	P01175-02-B09	EA	Cover Asm. - Pillow w/Armrest (B12)
5	079386-01-000	EA	Frame Asm. - Bed
	079386-02-000	EA	Mounting Hardware - Pullout Bed - Kit
	095567-01-000	EA	Tack Strip - 1/2" x 625' Roll
	007021-01-000	EA	Seat Belt Asm.
	098008-88-000	YD	Sofa Fabric (B10)
	098008-87-000	YD	Sofa Fabric (B11)
	098008-86-000	YD	Sofa Fabric (B12)

1991 WINNEBAGO TABLE OF CONTENTS

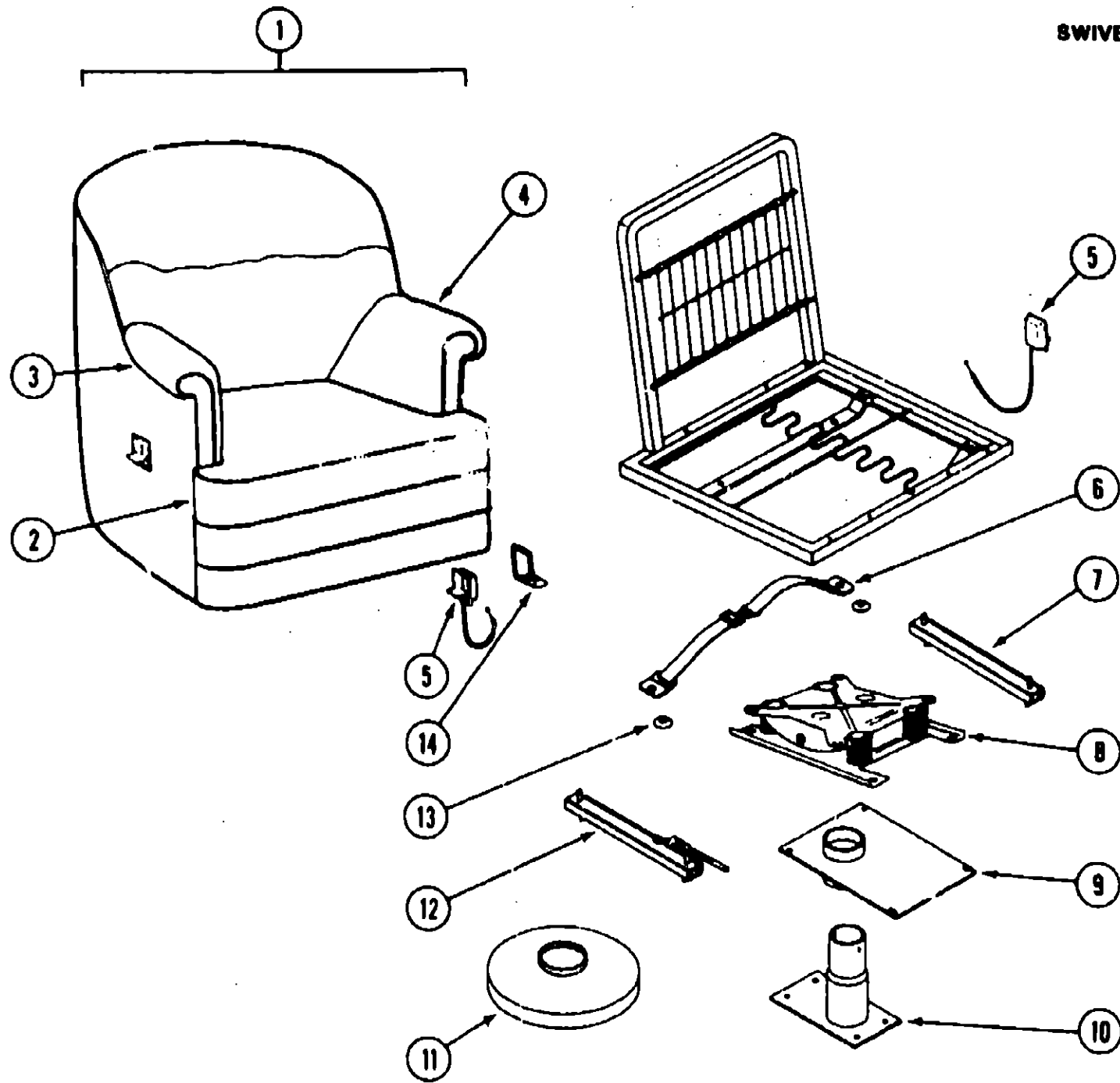
INTRODUCTION	A-01 - A-02
ABBREVIATIONS	A-03
ALPHABETICAL/GROUP REFERENCE	A-04 - A-06
WCM28RQ	A-07 - E-15
WKM40DA	E-17 - I-18

1991 WCM28RQ INDEX

Floor Plan	A-07 - A-08
Accessories Group	A-09 - A-11
Bath Group	A-12 - A-13
Bedroom Group	A-14 - A-18
Chassis Group	A-19 - B-06
Curtain, Cushion & Pad Group	B-07 - B-17
Dinette Group	B-18 - B-20
Driver's Compartment Group	B-21 - C-04
Electrical Group	C-05 - C-08
Exterior Body Group	C-09 - C-17
Galley Group	C-18 - C-21
Heating & Air Conditioning Group	C-22 - C-23
Interior Finish Group	C-24 - D-01
Labels Group	D-02 - D-10
LP Group	D-11
Lounge Group	D-12 - D-14
Sealants & Fasteners Group	D-15 - D-16
Water & Sewage Group	D-17 - D-19
Window, Vent & Exterior Door Group	D-20 - E-15

CURTAIN, CUSHION & PAD GROUP (CONTINUED)

SWIVEL CHAIR



Key	Part Number	U/M	Description
1	101178-01-B07	EA	Chair Asm. (B10)
1	101178-01-B08	EA	Chair Asm. (B11)
1	101178-01-B09	EA	Chair Asm. (B12)
1	P01178-01-B07	EA	Cover Asm. (B10)
1	P01178-01-B08	EA	Cover Asm. (B11)
1	P01178-01-B09	EA	Cover Asm. (B12)
2	102754-01-B07	EA	Seat Cushion Asm. (B10)
2	102754-01-B08	EA	Seat Cushion Asm. (B11)
2	102754-01-B09	EA	Seat Cushion Asm. (B12)
2	P02754-01-B07	EA	Cushion Cover (B10)
2	P02754-01-B08	EA	Cushion Cover (B11)
2	P02754-01-B09	EA	Cushion Cover (B12)
3	P01178-25-B07	EA	Armrest Cover - Right (B10)
3	P01178-25-B08	EA	Armrest Cover - Right (B11)
3	P01178-25-B09	EA	Armrest Cover - Right (B12)
4	P01178-26-B07	EA	Armrest Cover - Left (B10)
4	P01178-26-B08	EA	Armrest Cover - Left (B11)
4	P01178-26-B09	EA	Armrest Cover - Left (B12)
5	089388-04-000	EA	Cable - Remote Slide or Swivel
6	007021-01-000	EA	Seat Belt Asm.
7	089246-02-000	EA	Seat Slide Asm. - w/o Lock
8	101187-01-000	EA	Rocker Asm.
9	093481-05-000	EA	Seat Top Plate
10	093481-01-000	EA	Seat Base
11	093482-01-000	EA	Seat Base Cover
12	089246-05-000	EA	Seat Slide Asm. - w/Lock
	089246-05-700	EA	Spring - Remote Slide
	089246-05-701	EA	Clip - Remote Slide
13	007221-01-000	EA	Washer - Coned
14	097683-03-000	EA	Cable Bracket
	087330-01-000	EA	Stop Bracket - Slide Track
	086008-28-000	YD	Chair Fabric (B10)
	086008-40-000	YD	Chair Fabric (B11)
	086008-83-000	YD	Chair Fabric (B12)

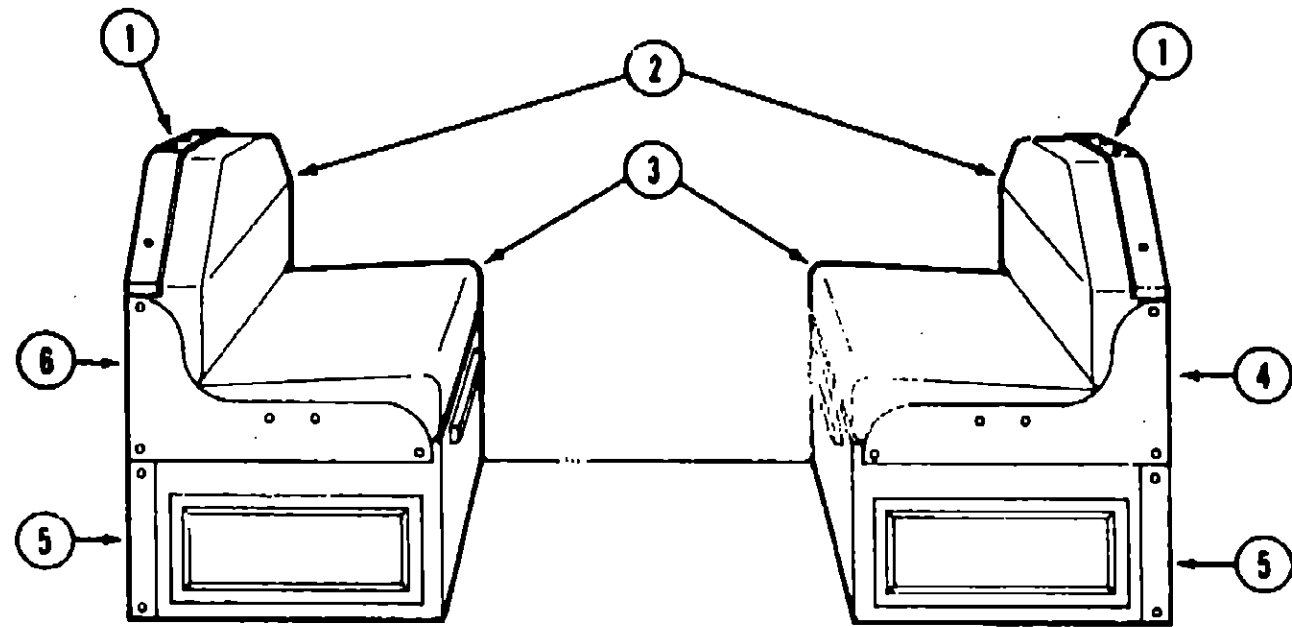
1991 WINNEBAGO TABLE OF CONTENTS

INTRODUCTION	A-01 - A-02
ABBREVIATIONS	A-03
ALPHABETICAL/GROUP REFERENCE	A-04 - A-06
WCM28RQ	A-07 - E-15
WKM40DA	E-17 - I-18

1991 WCM28RQ INDEX

Floor Plan	A-07 - A-08
Accessories Group	A-09 - A-11
Bath Group	A-12 - A-13
Bedroom Group	A-14 - A-18
Chassis Group	A-19 - B-06
Curtain, Cushion & Pad Group	B-07 - B-17
Dinette Group	B-18 - B-20
Driver's Compartment Group	B-21 - C-04
Electrical Group	C-05 - C-08
Exterior Body Group	C-09 - C-17
Galley Group	C-18 - C-21
Heating & Air Conditioning Group	C-22 - C-23
Interior Finish Group	C-24 - D-01
Labels Group	D-02 - D-10
LP Group	D-11
Lounge Group	D-12 - D-14
Sealants & Fasteners Group	D-15 - D-16
Water & Sewage Group	D-17 - D-19
Window, Vent & Exterior Door Group	D-20 - E-15

CURTAIN, CUSHION & PAD GROUP (CONTINUED)



DINETTE

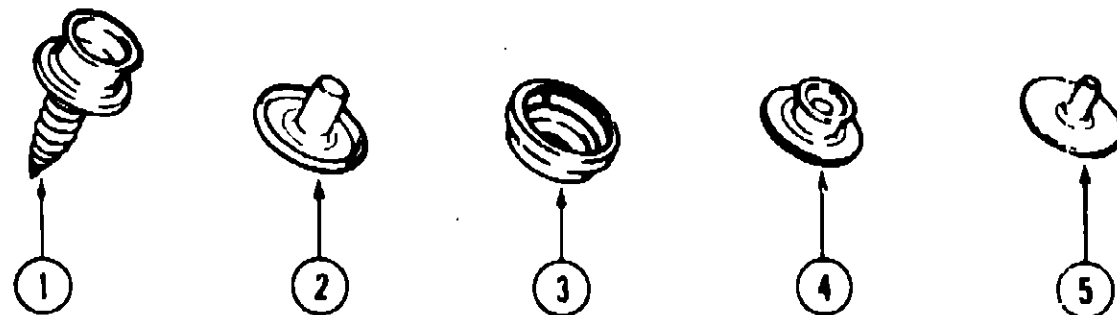
Key	Part Number	U/M	Description
1	098454-01-AE8	EA	Pad Asm. - Dinette (B10)
1	098454-01-B08	EA	Pad Asm. - Dinette (B11)
1	098454-01-B09	EA	Pad Asm. - Dinette (B12)
2	088927-79-B07	EA	Cushion Asm. - Dinette - Seat Back (B10)
2	088927-79-B08	EA	Cushion Asm. - Dinette - Seat Back (B11)
2	088927-79-B09	EA	Cushion Asm. - Dinette - Seat Back (B12)
2	M88927-79-B07	EA	Cover Asm. - Dinette Cushion - Seat Back (B10)
2	M88927-79-B08	EA	Cover Asm. - Dinette Cushion - Seat Back (B11)
2	M88927-79-B09	EA	Cover Asm. - Dinette Cushion - Seat Back (B12)
3	088927-86-B07	EA	Cushion Asm. - Dinette - Seat (B10)
3	088927-86-B08	EA	Cushion Asm. - Dinette - Seat (B11)
3	088927-86-B09	EA	Cushion Asm. - Dinette - Seat (B12)
3	M88927-86-B07	EA	Cover Asm. - Dinette Cushion - Seat (B10)
3	M88927-86-B08	EA	Cover Asm. - Dinette Cushion - Seat (B11)
3	M88927-86-B09	EA	Cover Asm. - Dinette Cushion - Seat (B12)
4	098432-02-AE8	EA	Arm Pad - Right Side (B10)
4	098432-02-B08	EA	Arm Pad - Right Side (B11)
4	098432-02-B09	EA	Arm Pad - Right Side (B12)
5	098433-01-AE8	EA	Pad Asm. - Dinette (B10)
5	098433-01-B08	EA	Pad Asm. - Dinette (B11)
5	098433-01-B09	EA	Pad Asm. - Dinette (B12)
6	098432-01-AE8	EA	Arm Pad - Left Side (B10)
6	098432-01-B08	EA	Arm Pad - Left Side (B11)
6	098432-01-B09	EA	Arm Pad - Left Side (B12)
	070578-01-B27	EA	Button - Screw Stud - #30 (B10)
	070578-01-B05	EA	Button - Screw Stud - #30 (B11)
	070578-01-B09	EA	Button - Screw Stud - #30 (B12)
	096008-68-000	YD	Dinette Main Fabric (B10)
	096008-67-000	YD	Dinette Main Fabric (B11)
	096008-68-000	YD	Dinette Main Fabric (B12)
	096008-28-000	YD	Dinette Fabric - Plain Accent (B10)
	096008-40-000	YD	Dinette Fabric - Plain Accent (B11)
	096008-63-000	YD	Dinette Fabric - Plain Accent (B12)

CURTAIN, CUSHION & PAD GROUP (CONTINUED)

FRONT CURTAINS & ACCESSORIES

Key	Part Number	U/M	Description
	073280-42-B10	EA	Tieback - 8" x 18" - Left or Right Side
	073280-42-B07	EA	Tieback - 8" x 18" - Left or Right Side (B11)
	073280-42-B09	EA	Tieback - 8" x 18" - Left or Right Side (B12)
..	097994-06-B07	EA	Curtain - Front Wraparound - Driver Side - 37" x 40" (B10)
..	097994-06-B10	EA	Curtain - Front Wraparound - Driver Side - 37" x 40" (B11)
..	097994-06-B40	EA	Curtain - Front Wraparound - Driver Side - 37" x 40" (B12)
	094858-07-01A	EA	Front Wraparound Track - Driver Side (Gray)
	094858-07-02A	EA	Front Wraparound Track - Driver Side (Off White)
	101589-01-B03	EA	Front Wraparound Track - Passenger Side (Gray)
	101589-01-B04	EA	Front Wraparound Track - Passenger Side (Off White)
	009701-01-000	EA	Roller Carrier - Wraparound Curtain
	009702-01-000	EA	End Stop - Roller Carrier
..	097994-07-B07	EA	Curtain - Front Wraparound - Passenger Side - 35" x 125" (B10)
..	097994-07-B10	EA	Curtain - Front Wraparound - Passenger Side - 35" x 125" (B11)
..	097994-07-B40	EA	Curtain - Front Wraparound - Passenger Side - 35" x 125" (B12)
	088792-01-000	EA	Velcro - 5/8" Hook - Non-Adhesive
	088792-02-000	EA	Velcro - 3/4" Loop - Adhesive
	072333-79-000	YD	Curtain Fabric (B10)
	072333-77-000	YD	Curtain Fabric (B11)
	072333-76-000	YD	Curtain Fabric (B12)

.. This part is used in (B11) color only.



MISCELLANEOUS

Key	Part Number	U/M	Description
1	029130-01-000	EA	Socket - Snap Fastener - 7 x 5/8"
2	029155-01-000	EA	Cap - Snap
3	029158-01-000	EA	Socket - Snap Fastener
4	029092-01-000	EA	Stud - Nickel Finish
5	029093-01-000	EA	Eyelet - Nickel Finish
	071832-01-000	EA	Hamper Bag - w/Elastic - 49"
	075943-01-000	EA	Valance Brace - Beige
	053552-02-AA8	EA	Assist Strap - Interior
	078245-01-000	EA	Boot - Steering Column
	029094-04-000	YD	Velcro Tape - Loop - 1" - Black
	029096-03-000	YD	Velcro Tape - Hook - 1" - Black

FRONT BUNK CUSHION

Key	Part Number	U/M	Description
	079145-06-000	EA	Cushion Asm. - Front Bunk - 30" x 78"
	M79145-06-000	EA	Cover Asm. - Front Bunk
	079970-01-000	YD	Mattress Tape - 5/8"

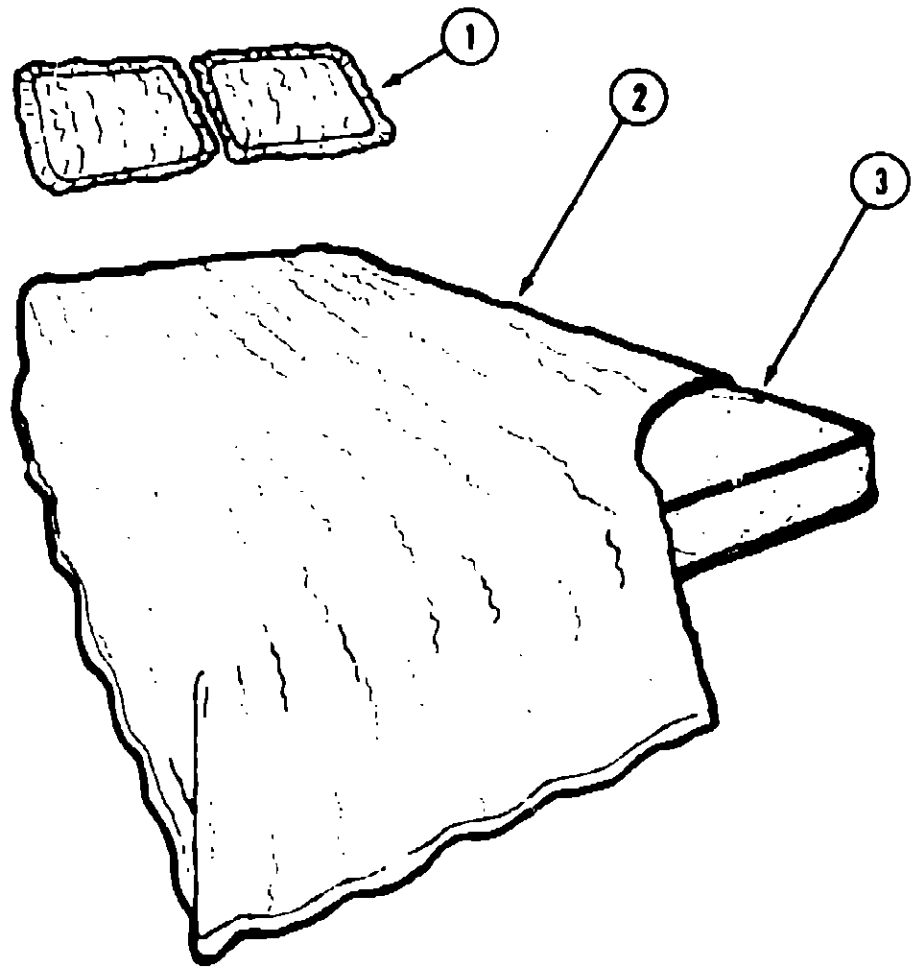
**1991 WINNEBAGO
TABLE OF CONTENTS**

INTRODUCTION	A-01 - A-02
ABBREVIATIONS	A-03
ALPHABETICAL/GROUP REFERENCE	A-04 - A-08
WCM28RQ	A-07 - E-15
WKM40DA	E-17 - I-18

1991 WCM28RQ INDEX

Floor Plan	A-07 - A-08
Accessories Group	A-09 - A-11
Bath Group	A-12 - A-13
Bedroom Group	A-14 - A-18
Chassis Group	A-19 - B-06
Curtain, Cushion & Pad Group	B-07 - B-17
Dinette Group	B-18 - B-20
Driver's Compartment Group	B-21 - C-04
Electrical Group	C-05 - C-08
Exterior Body Group	C-09 - C-17
Galley Group	C-18 - C-21
Heating & Air Conditioning Group	C-22 - C-23
Interior Finish Group	C-24 - D-01
Labels Group	D-02 - D-10
LP Group	D-11
Lounge Group	D-12 - D-14
Sealants & Fasteners Group	D-15 - D-16
Water & Sewage Group	D-17 - D-19
Window, Vent & Exterior Door Group	D-20 - E-15

CURTAIN, CUSHION & PAD GROUP (CONTINUED)



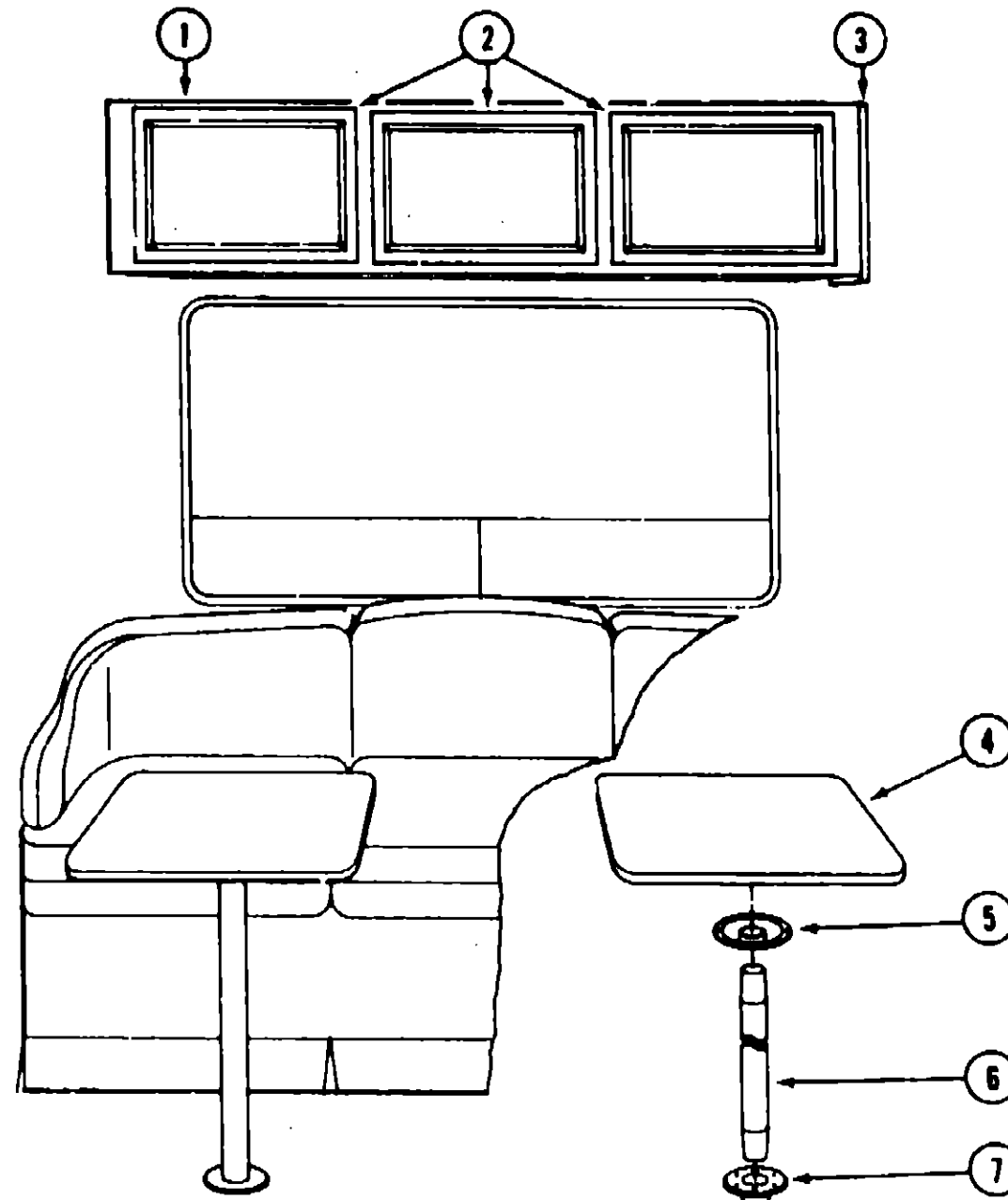
QUEEN BED

Key	Part Number	U/M	Description
1	102161-01-B07	EA	Pillow Sham - w/Ruffle - Open Back (B10)
1	102161-01-B08	EA	Pillow Sham - w/Ruffle - Open Back (B11)
1	102161-01-B09	EA	Pillow Sham - w/Ruffle - Open Back (B12)
1	081997-07-B10	EA	Cover - Pillow Sham
1	081997-07-B11	EA	Cover - Pillow Sham
1	081977-07-B12	EA	Cover - Pillow Sham
2	085365-09-B10	EA	Bedsread Asm. - Fitted
2	085365-09-B11	EA	Bedsread Asm. - Fitted
2	085365-09-B12	EA	Bedsread Asm. - Fitted
3	098176-07-000	EA	Mattress - Innerspring - 59" x 74" x 7.75"
	088273-58-000	YD	Bedsread Fabric (B10)
	088273-57-000	YD	Bedsread Fabric (B11)
	088273-56-000	YD	Bedsread Fabric (B12)

TWIN BED (OPTION 44R)

Key	Part Number	U/M	Description
1	102161-01-B07	EA	Pillow Sham - w/Ruffle - Open Back (B10)
1	102161-01-B08	EA	Pillow Sham - w/Ruffle - Open Back (B11)
1	102161-01-B09	EA	Pillow Sham - w/Ruffle - Open Back (B12)
2	085365-07-B07	EA	Bedsread Asm. - Fitted - 33" x 75" (B10)
2	085365-07-B08	EA	Bedsread Asm. - Fitted - 33" x 75" (B11)
2	085365-07-B09	EA	Bedsread Asm. - Fitted - 33" x 75" (B12)
3	098176-01-000	EA	Mattress - Innerspring - 32" x 75" x 7.75"

DINETTE GROUP



SOFA DINETTE & OVERHEAD CABINERY

Key	Part Number	U/M	Description
1	M05019-27-B10	EA	Cabinet Asm. - Dinette Overhead - w/o Doors
2	P00520-11-B10	EA	Door Asm. - Dinette Overhead - w/o Hardware
3	081325-03-B10	EA	End Cap Asm. (Overhead)
4	081298-01-B05	EA	Table Asm.
5	009040-03-000	EA	Raised Table Base
6	009040-06-000	EA	Pedestal Leg
7	041194-01-000	EA	Base - Table Leg
	062046-01-000	EA	Clip - Pedestal Leg

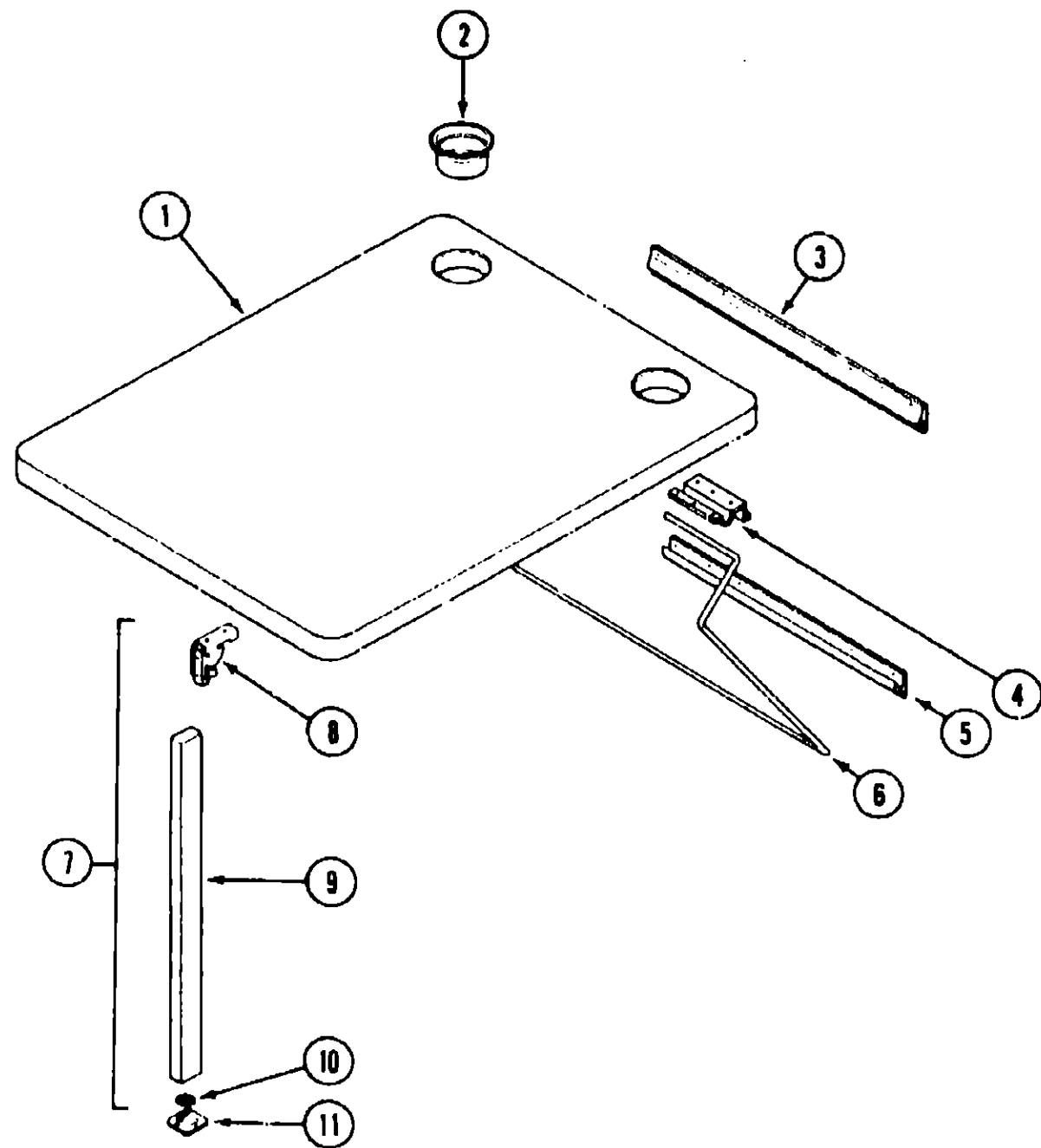
**1991 WINNEBAGO
TABLE OF CONTENTS**

INTRODUCTION	A-01 - A-02
ABBREVIATIONS	A-03
ALPHABETICAL/GROUP REFERENCE	A-04 - A-06
WCM28RQ	A-07 - E-15
WKM40DA	E-17 - I-18

1991 WCM28RQ INDEX

Floor Plan	A-07 - A-08
Accessories Group	A-09 - A-11
Bath Group	A-12 - A-13
Bedroom Group	A-14 - A-18
Chassis Group	A-19 - B-06
Curtain, Cushion & Pad Group	B-07 - B-17
Dinette Group	B-18 - B-20
Driver's Compartment Group	B-21 - C-04
Electrical Group	C-05 - C-08
Exterior Body Group	C-09 - C-17
Galley Group	C-18 - C-21
Heating & Air Conditioning Group	C-22 - C-23
Interior Finish Group	C-24 - D-01
Labels Group	D-02 - D-10
LP Group	D-11
Lounge Group	D-12 - D-14
Sealants & Fasteners Group	D-15 - D-16
Water & Sewage Group	D-17 - D-19
Window, Vent & Exterior Door Group	D-20 - E-15

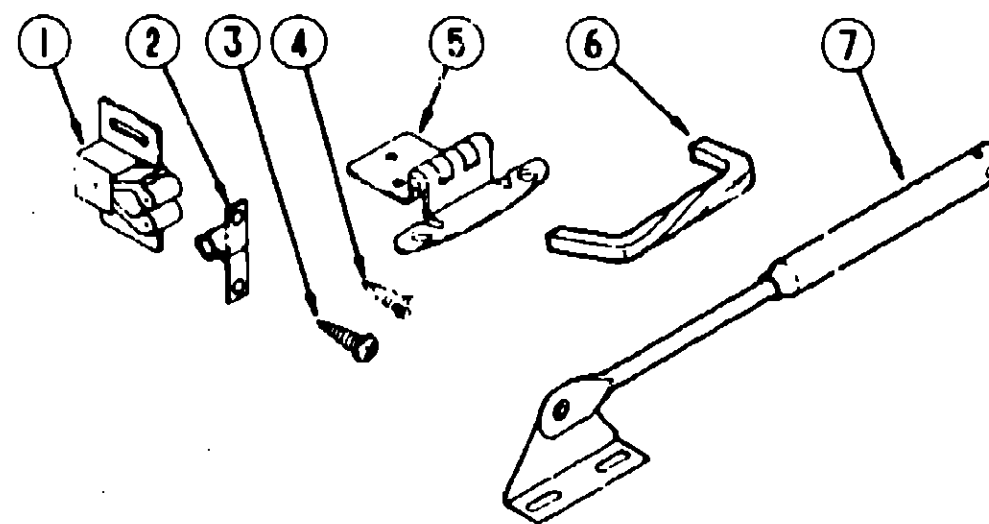
DINETTE GROUP (CONTINUED)



DINETTE TABLE (OPTION 34T)

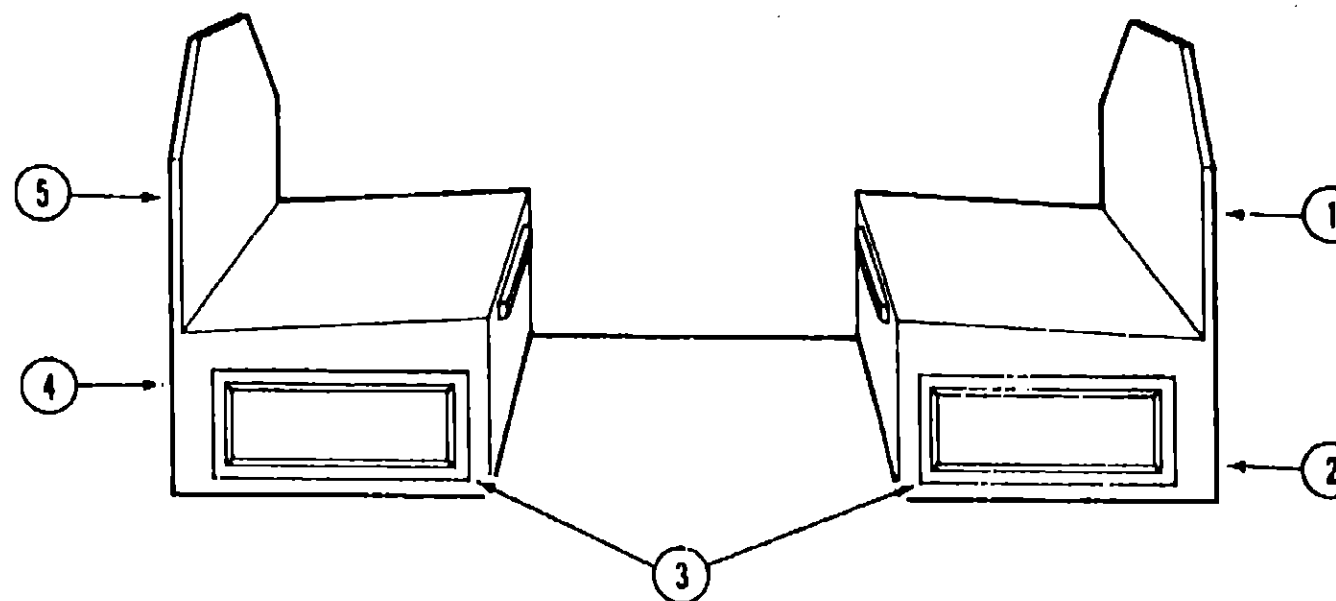
Key	Part Number	U/M	Description
1	M02115-09-B03	EA	Table Top - Dinette
	004354-01-000	EA	Bumper - 1/8" x 1/2" - Brown
	076325-28-000	EA	Molding - Edge Band
2	064781-05-000	EA	Cup Holder - Beige
3	053200-05-000	EA	Bracket - Upper Wall Mount - 23.5" - Beige
4	088410-01-000	EA	Bracket - Table Mount - 23" - Beige
5	024281-07-000	EA	Bracket - Lower Wall Mount - 22.12" - Beige
6	024275-05-000	EA	Rod - Table Lift - 8" x 23.5" - Beige
7	092708-01-Y15	EA	Leg Asm. - Table
8	093550-01-000	EA	Bracket - Table Leg - Folding
9	092707-01-01A	EA	Table Leg - Regal Oak
10	092593-01-02A	EA	Catch - Table Leg - Tan
11	049493-08-000	EA	Floor Catch - Table Leg - Tan
	000G11-10-12R	CA	Screw - 10 - 16 x 3/4" PPH - Beige

DINETTE GROUP (CONTINUED)



CABINET HARDWARE (DOORS & CABINETS)

Key	Part Number	U/M	Description
1	093586-03-000	EA	Roller Catch (Doors)
2	093586-04-000	EA	Steel Strike (Doors)
3	000G68-06-10G	EA	Screw - #8 - 18 x .825" POH - Antique Brass - Hinge to Cabinet
4	000G13-06-10G	EA	Screw - #8 - 20 x .825" PF. - Antique Brass - Hinge to Door
5	059777-02-000	EA	Hinge - Burnished Brass
6	098845-01-000	EA	Pull Handle
7	074493-02-000	EA	Door Support



DINETTE CABINERY (OPTION 34T)

Key	Part Number	U/M	Description
1	M04084-01-AB1	EA	Cabinet Asm. - Seat Back - Right - w/o Pad
2	M04085-01-B10	EA	Cabinet Asm. - Seat Base - Right - w/o Door
3	P00520-19-B07	EA	Door Asm. - Dinette Seat - w/o Hardware
4	M04085-02-B10	EA	Cabinet Asm. - Seat Base - Left - w/o Door
5	M04084-02-AB1	EA	Cabinet Asm. - Seat Back - Left - w/o Pad

**1991 WINNEBAGO
TABLE OF CONTENTS**

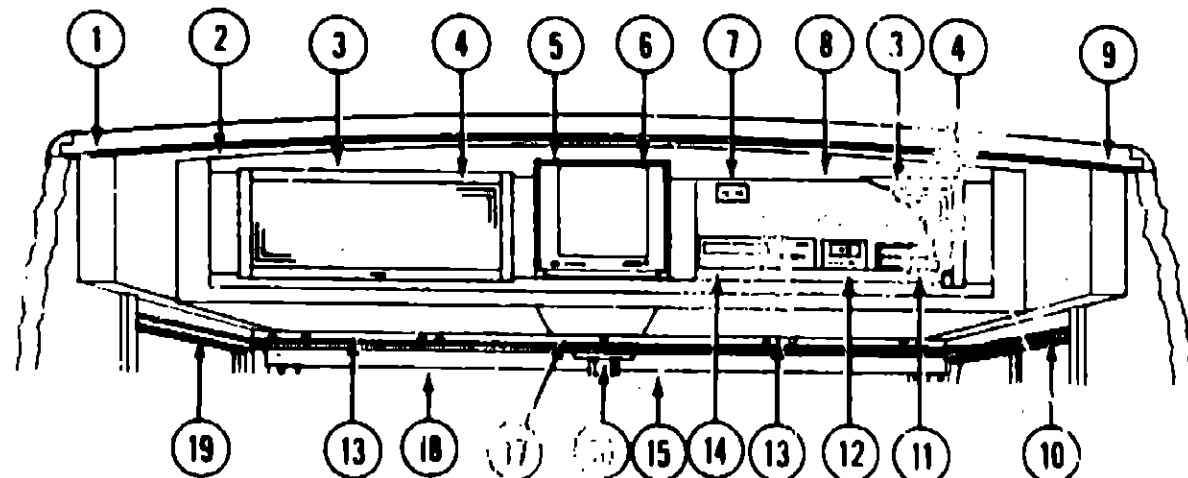
INTRODUCTION	A-01 - A-02
ABBREVIATIONS	A-03
ALPHABETICAL/GROUP REFERENCE	A-04 - A-08
WCM28RQ	A-07 - E-15
WKM40DA	E-16 - I-18

1991 WCM28RQ INDEX

Floor Plan	A-07 - A-08
Accessories Group	A-09 - A-11
Bath Group	A-12 - A-13
Bedroom Group	A-14 - A-18
Chassis Group	A-19 - B-06
Curtain, Cushion & Pad Group	B-07 - B-17
Dinette Group	B-18 - B-20
Driver's Compartment Group	B-21 - C-04
Electrical Group	C-05 - C-08
Exterior Body Group	C-09 - C-17
Galley Group	C-18 - C-21
Heating & Air Conditioning Group	C-22 - C-23
Interior Finish Group	C-24 - D-01
Labels Group	D-02 - D-10
LP Group	D-11
Lounge Group	D-12 - D-14
Sealants & Fasteners Group	D-15 - D-16
Water & Sewage Group	D-17 - D-19
Window, Vent & Exterior Door Group	D-20 - E-15

DRIVER'S COMPARTMENT GROUP

UPPER DRIVER'S COMPARTMENT COMPONENTS



Key	Part Number	U/M	Description
1	101286-02-B10	EA	Pad Asm. - End Cap - Driver - Gray - w/o Bunk
1	101286-02-B11	EA	Pad Asm. - End Cap - Driver - Off White - w/o Bunk
2	101277-01-B10	EA	Cabinet Asm. - Front Overhead - Face Only
3	P00520-86-B10	EA	Door Asm. - Front Overhead - Driver & Passenger - w/o Hardware
	000G13-06-10G	EA	Screw - #6 - 20 x .625" PFH - Antique Brass
	059777-02-000	EA	Hinge - Burnished Brass
	096645-01-000	EA	Door Pull - Brass
	074493-02-000	EA	Support - Door
4	101346-01-000	EA	Door Asm. - Front Overhead - Center - w/o Hardware
5	P00520-84-B07	EA	Door Asm. - Front Overhead - Center - w/o Hardware
	000G13-06-10G	EA	Screw - #6 - 20 x .625" PFH - Antique Brass
	059777-02-000	EA	Hinge - Burnished Brass
	096645-01-000	EA	Door Pull - Brass
	074493-02-000	EA	Support - Door
6	098447-01-000	EA	Color TV - 13" - w/Remote - Magnavox RX4029WA (US)
6	098447-02-000	EA	Color TV - 13" - w/Remote - Magnavox XK4029CH (CSA)
6	098447-01-700	EA	TV Remote (For Magnavox RX4029WA, XK4029CH)
6	098447-03-000	EA	Color TV - 13" - w/Remote - Magnavox RR1337W (US)
6	098447-04-000	EA	Color TV - 13" - w/Remote - Magnavox RR1330W (CSA)
6	098447-03-700	EA	TV Remote (For Magnavox RR133W, RR1330W)
	101278-01-000	EA	Shell Asm. - TV
	099717-02-000	EA	Tiedown Asm. - TV
	085774-01-000	EA	Velcro - 1" Wide - Loop
	085774-02-000	EA	Velcro - 1" Wide - Hook
7	058708-02-000	EA	Duplex Receptacle
9	101286-01-B10	EA	Pad Asm. - End Cap - Passenger - Gray - w/o Bunk
9	101286-01-B11	EA	Pad Asm. - End Cap - Passenger - Off White - w/o Bunk
10	101589-01-B03	EA	Track - Wraparound Curtain - Passenger - Gray
10	101589-01-B04	EA	Track - Wraparound Curtain - Passenger - Off White
11	086757-02-000	EA	Control Center - Switch - Xantech (Option 42C)
12	098048-01-000	EA	Inverter - 100 Watt (Option 40F)
13	P01282-01-B10	EA	Shell - Cabinet Base - Passenger or Driver - Gray
13	P01282-01-B11	EA	Shell - Cabinet Base - Passenger or Driver - Off White
14	098446-01-000	EA	VCR - VHS - Cable Ready - w/Remote - Magnavox VR9815AT
14	098446-02-000	EA	VCR - VHS - Cable Ready - w/Remote - Magnavox VR9912
14	098446-03-000	EA	VCR - VHS - Cable Ready - w/Remote - Magnavox VR9010
	098446-01-700	EA	VCR Remote (For Magnavox VR9815AT)
	098446-02-700	EA	VCR Remote (For Magnavox VR9912)
	098446-03-700	EA	VCR Remote (For Magnavox VR9010)
	101876-01-000	EA	VCR Stand
15	078579-03-000	EA	Windshield Trim - Upper Passenger - Inner - Gray
15	078579-05-000	EA	Windshield Trim - Upper Passenger - Inner - Tan
16	086280-01-000	EA	Surface Mount Light - 12 Volt
	086280-01-700	EA	Bulb - 12 Volt - 8 Watt
17	P01903-01-B10	EA	Shell - Cabinet Base - Center - Gray
17	P01903-01-B11	EA	Shell - Cabinet Base - Center - Off White
18	078579-04-000	EA	Windshield Trim - Upper Driver - Inner - Gray
18	078579-06-000	EA	Windshield Trim - Upper Driver - Inner - Tan
19	094858-06-B03	EA	Track - Wraparound Curtain - Driver - Gray
19	094858-06-B04	EA	Track - Wraparound Curtain - Driver - Off White
	078811-05-B03	EA	Pad Asm. - Trim - Header - Lower - Gray
	078811-05-B11	EA	Pad Asm. - Trim - Header - Lower - Tan

1991 WINNEBAGO TABLE OF CONTENTS

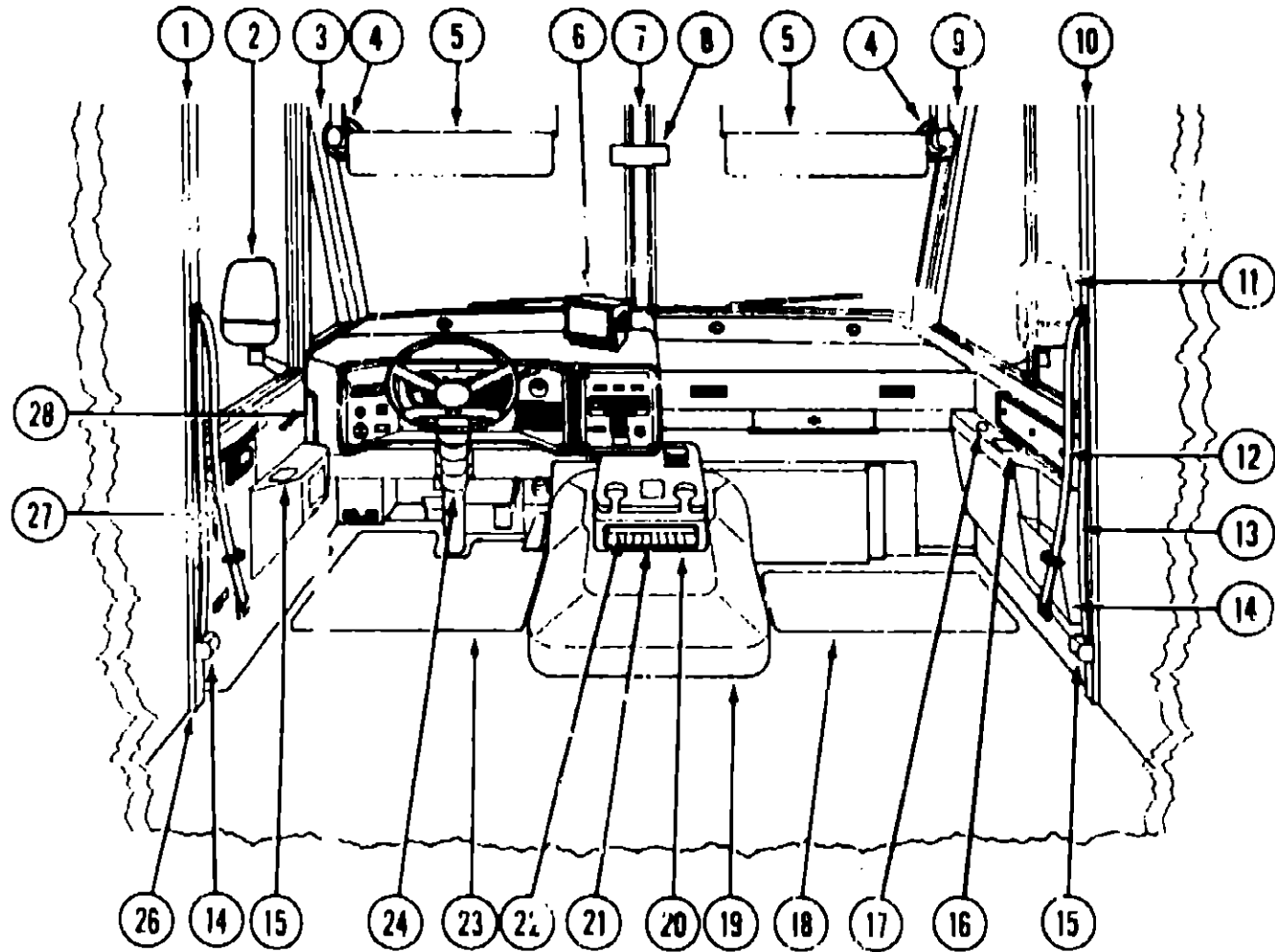
INTRODUCTION	A-01 - A-02
ABBREVIATIONS	A-03
ALPHABETICAL/GROUP REFERENCE	A-04 - A-06
WCM28RQ	A-07 - E-15
WCM28DA	E-17 - I-18

1991 WCM28RQ INDEX

Floor Plan	A-07 - A-08
Accessories Group	A-09 - A-11
Bath Group	A-12 - A-13
Bedroom Group	A-14 - A-16
Chassis Group	A-19 - B-06
Curtain, Cushion & Pad Group	B-07 - B-17
Dinette Group	B-18 - B-20
Driver's Compartment Group	B-21 - C-04
Electrical Group	C-05 - C-08
Exterior Body Group	C-09 - C-17
Galley Group	C-18 - C-21
Heating & Air Conditioning Group	C-22 - C-23
Interior Finish Group	C-24 - D-01
Labels Group	D-02 - D-10
LP Group	D-11
Lounge Group	D-12 - D-14
Sealants & Fasteners Group	D-15 - D-16
Water & Sewage Group	D-17 - D-19
Window, Vent & Exterior Door Group	D-20 - E-15

DRIVER'S COMPARTMENT GROUP (CONTINUED)

LOWER DRIVER'S COMPARTMENT COMPONENTS



Key	Part Number	U/M	Description
1	024700-37-000	EA	Roll Bar Cover - Driver - Upper - Gray
1	024700-40-000	EA	Roll Bar Cover - Driver Upper - Off White
2	086280-02-000	EA	Mirror Asm. - w/Convex - Driver
2	086259-05-000	EA	Mirror Asm. - w/Convex - Electrically Controlled & Heated - Driver (Option 61Y)
3	079206-08-000	EA	Windshield Trim - Driver - Inner - Gray
3	079206-10-000	EA	Windshield Trim - Driver - Inner - Black
4	030420-02-000	EA	Defroster Fan - 6" Dia. - 2 Speed (Optional) (W38)
5	082286-05-735	EA	Sunvisor Asm. - Gray
5	082286-05-507	EA	Sunvisor Asm. - Off White
	007211-01-000	EA	Hinge - Sunvisor
	074012-01-000	EA	Clip - Sunvisor - Square Pinch On
	102377-01-000	EA	Bracket
8	093040-01-701	EA	Monitor - w/Bracket - Rear Viewing System
7	079765-03-000	EA	Windshield Trim - Center - Inner - Gray
7	079765-05-000	EA	Windshield Trim - Center - Inner - Tan
8	040714-01-000	EA	Mirror - Inside Rear View
9	079206-07-000	EA	Windshield Trim - Passenger - Inner - Gray
9	079206-09-000	EA	Windshield Trim - Passenger - Inner - Black
10	024700-35-000	EA	Roll Bar Cover - Passenger - Gray
10	024700-39-000	EA	Roll Bar Cover - Passenger - Off White
11	086280-02-000	EA	Mirror Asm. - w/Convex - Passenger
11	086259-04-000	EA	Mirror Asm. - w/Convex - Electrically Controlled & Heated - Passenger (Option 61Y)
12	059414-07-000	EA	Pad Asm. - Passenger Sidewall - 3 Button - Gray
12	059414-08-000	EA	Pad Asm. - Passenger Sidewall - 3 Button - Tan
13	072811-03-000	EA	Side Panel - Passenger Sidewall - Plastic - Gray
13	072811-04-000	EA	Side Panel - Passenger Sidewall - Plastic - Tan
14	059467-04-B25	EA	Pad Asm. - Map Pocket - Gray
14	059467-04-B10	EA	Pad Asm. - Map Pocket - Tan
15	091990-01-01A	EA	Seat Belt - 3 Point - Black
16	040886-03-000	EA	Ash Tray - Chrome
17	064701-01-000	EA	Cup Holder - Chrome - Plastic
18	081202-01-000	EA	Floormat - Passenger - Winnebago
19	097552-01-000	EA	Motor Cover - w/o Carpet
	075564-01-000	EA	Mounting Bracket - Motor Cover
20	097151-01-AB1	EA	Beverage Tray - Oak - w/Cassette Holder
21	086411-02-000	EA	Cassette Holder - Housing - Plastic - Gray
21	086411-03-000	EA	Cassette Holder - Housing - Plastic - Tan
22	086412-02-000	EA	Cassette Holder - Insert - Plastic - Gray
22	086412-03-000	EA	Cassette Holder - Insert - Plastic - Tan
23	081201-01-000	EA	Floormat - Driver - Winnebago
24	078425-01-000	EA	Boot - Steering Column (1990 Chevrolet)
24	103498-01-000	EA	Boot - Steering Column - Lower (Chevrolet 1991)
24	103498-02-000	EA	Boot - Steering Column - Upper (Chevrolet 1991)
26	024700-33-000	EA	Roll Bar Cover - Driver - Lower - Gray
26	024700-38-000	EA	Roll Bar Cover - Driver - Lower - Off White
27	003886-07-000	EA	Assist Handle - Driver Door - Rear - Gray
27	003886-22-000	EA	Assist Handle - Driver Door - Rear - Off White
28	003886-09-000	EA	Assist Handle - Driver Door - Front - Gray
28	003886-23-000	EA	Assist Handle - Driver Door - Front - Off White

1991 WINNEBAGO TABLE OF CONTENTS

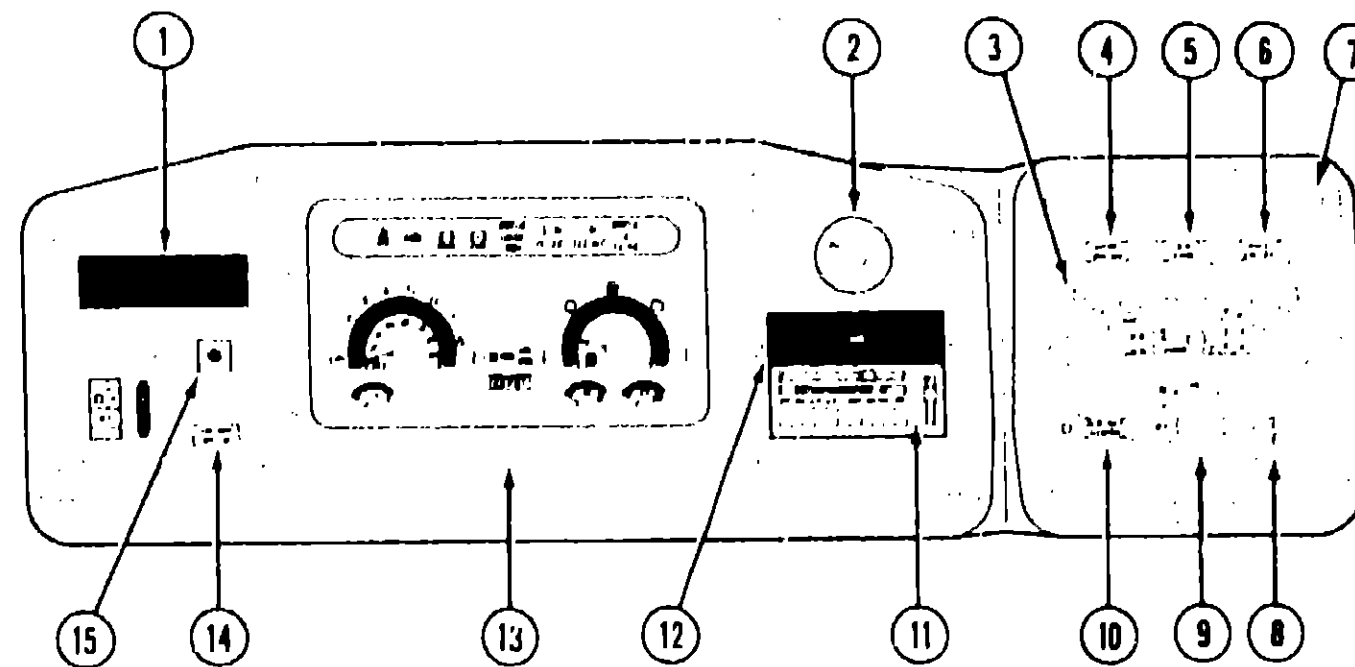
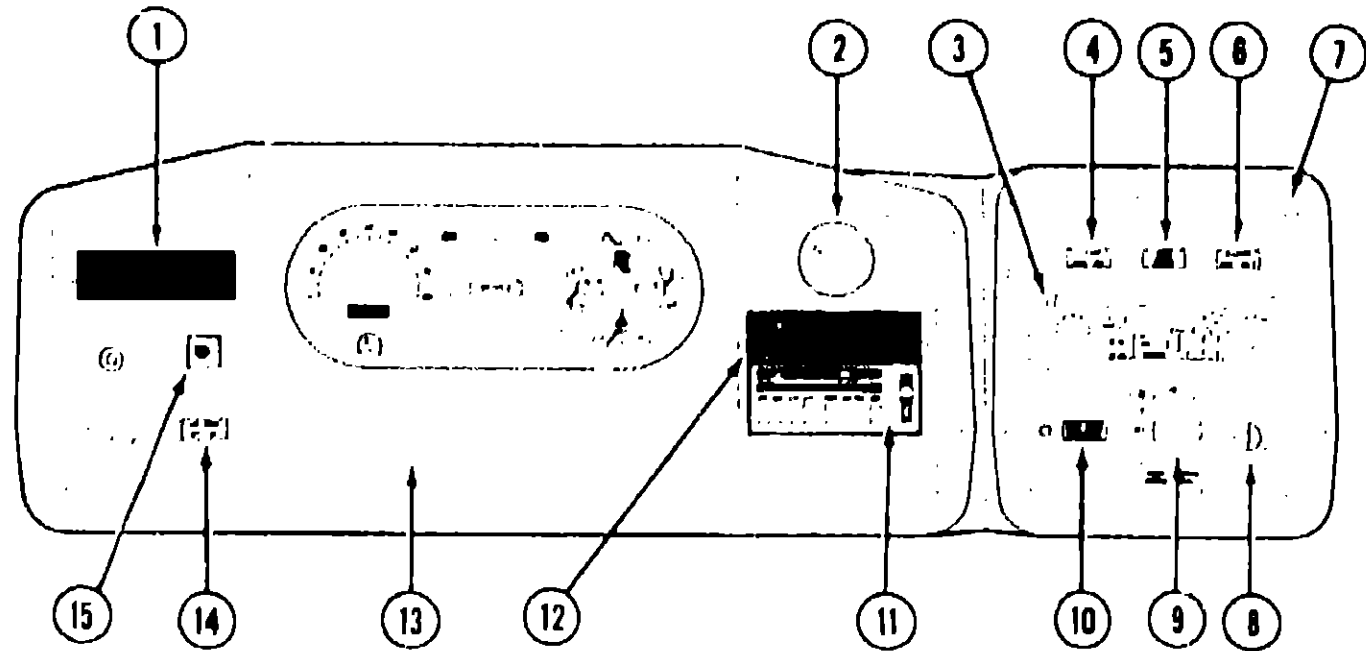
INTRODUCTION	A-01 - A-02
ABBREVIATIONS	A-03
ALPHABETICAL GROUP REFERENCE	A-01 - A-06
WCM28RQ	A-07 - E-15
WKM10DA	E-17 - F-18

1991 WCM28RQ INDEX

Floor Plan	A-07 - A-08
Accessories Group	A-09 - A-11
Bath Group	A-12 - A-13
Bedroom Group	A-14 - A-18
Chassis Group	A-19 - B-06
Curtain, Cushion & Pad Group	B-07 - B-17
Dinette Group	B-18 - B-20
Driver's Compartment Group	B-21 - C-04
Electrical Group	C-05 - C-08
Exterior Body Group	C-09 - C-17
Galley Group	C-18 - C-21
Heating & Air Conditioning Group	C-22 - C-23
Interior Finish Group	C-24 - D-01
Labels Group	D-02 - D-10
LP Group	D-11
Lounge Group	D-12 - D-14
Sealants & Fasteners Group	D-15 - D-16
Water & Sewage Group	D-17 - D-19
Window, Vent & Exterior Door Group	D-20 - E-15

DRIVER'S COMPARTMENT GROUP (CONTINUED)

DRIVER'S COMPARTMENT GROUP (CONTINUED)



INSTRUMENT CLUSTER (CHEVROLET 1990 CHASSIS)

INSTRUMENT CLUSTER (CHEVROLET 1991 CHASSIS)

Key	Part Number	U/M	Description
1	039044-01-000	EA	Louver Asm. - Air Conditioner - Adjustable Vent
2	024460-04-000	EA	Vacuum/Fuel Economy Gauge
3	097459-01-000	EA	Radio - AM/FM - Cassette - Digital Clock - Seek/Scan - Audlovox IM-DXA
3	097460-02-000	EA	Radio - AM/FM - Cassette - Digital Clock - Seek - Sony XR-300 (Option 57E)
4	024461-01-000	EA	Battery Mode Switch
5	089306-01-000	EA	Switch - Auxiliary Defroster Fans (Option 36N)
6	093381-01-000	EA	Radio - Battery Selection Switch
7	100389-01-01A	EA	Bezel - Entertainment Center
8	089294-01-000	EA	Cigarette Lighter
9	087202-02-000	EA	Rear Auto Heater Switch - w/o Knob (Option 611)
	090977-01-000	EA	Knob - Rear Auto Heater Switch - Rotary (Option 611)
	084410-02-000	EA	Decal - Rear Auto Heater Switch (Option 611)
10	065963-04-000	EA	Auxiliary Battery Disconnect Switch
11	094831-01-732	EA	Heater/Air Conditioner Controls
12	094831-01-741	EA	Louver Asm./Control Panel Trim
13	100390-01-01A	EA	Bezel - Instrument Panel
14	087266-02-000	EA	Air Horn Switch (Option 36R)
15	089305-02-000	EA	Fog Light Switch (Option 57M)

Key	Part Number	U/M	Description
1	039044-01-000	EA	Louver Asm. - Air Conditioner - Adjustable Vent
2	024460-04-000	EA	Vacuum/Fuel Economy Gauge
3	097459-01-000	EA	Radio - AM/FM - Cassette - Digital Clock - Seek/Scan - Audlovox IM-DXA
3	097460-02-000	EA	Radio - AM/FM - Cassette - Digital Clock - Seek - Sony XR-300 (Option 57E)
4	024461-01-000	EA	Battery Mode Switch
5	089306-01-000	EA	Switch - Auxiliary Defroster Fans (Option 36N)
6	093381-01-000	EA	Radio - Battery Selection Switch
7	100389-02-01A	EA	Bezel - Entertainment Center
8	089294-01-000	EA	Cigarette Lighter
9	087202-02-000	EA	Rear Auto Heater Switch - w/o Knob (Option 611)
	090977-01-000	EA	Knob - Rear Auto Heater Switch - Rotary (Option 611)
	084410-02-000	EA	Decal - Rear Auto Heater Switch (Option 611)
10	065963-04-000	EA	Auxiliary Battery Disconnect Switch
11	094831-01-732	EA	Heater/Air Conditioner Controls
12	094831-01-741	EA	Louver Asm./Control Panel Trim
13	100390-04-01A	EA	Bezel - Instrument Panel
14	087266-02-000	EA	Air Horn Switch (Option 36R)
15	089305-02-000	EA	Fog Light Switch (Option 57M)

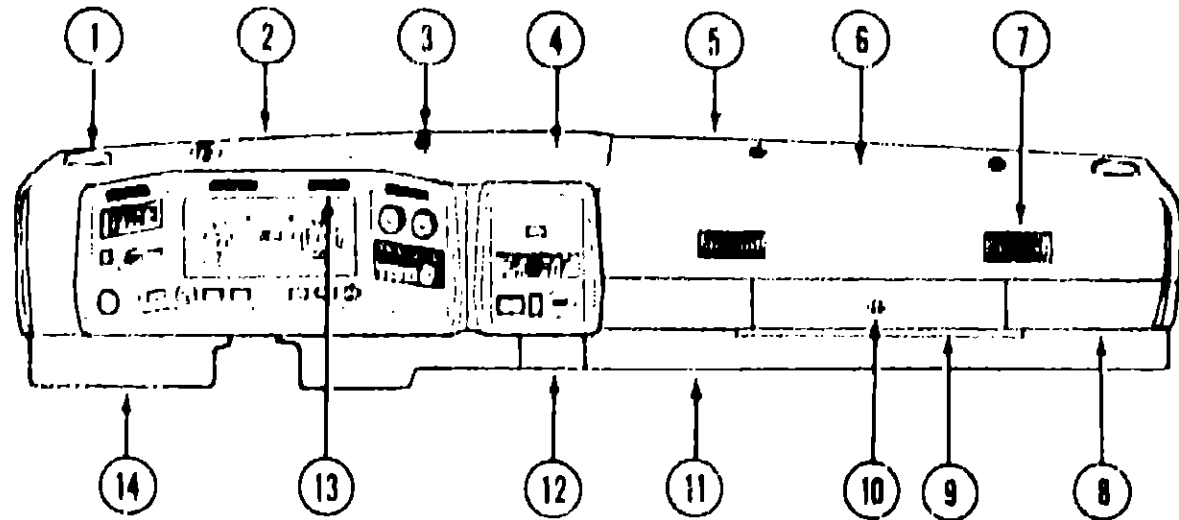
**1991 WINNEBAGO
TABLE OF CONTENTS**

INTRODUCTION	A-01 - A-02
ABBREVIATIONS	A-03
ALPHABETICAL/GROUP REFERENCE	A-04 - A-06
WCM28RQ	A-07 - E-15
WKM40DA	E-17 - I-18

1991 WCM28RQ INDEX

Floor Plan	A-07 - A-08
Accessories Group	A-09 - A-11
Bath Group	A-12 - A-13
Bedroom Group	A-14 - A-18
Chassis Group	A-19 - B-06
Curtain, Cushion & Pad Group	B-07 - B-17
Dinette Group	B-18 - B-20
Driver's Compartment Group	B-21 - C-04
Electrical Group	C-05 - C-08
Exterior Body Group	C-09 - C-17
Galley Group	C-18 - C-21
Heating & Air Conditioning Group	C-22 - C-23
Interior Finish Group	C-24 - D-01
Labels Group	D-02 - D-10
LP Group	D-11
Lounge Group	D-12 - D-14
Sealants & Fasteners Group	D-15 - D-16
Water & Sewage Group	D-17 - D-19
Window, Vent & Exterior Door Group	D-20 - E-15

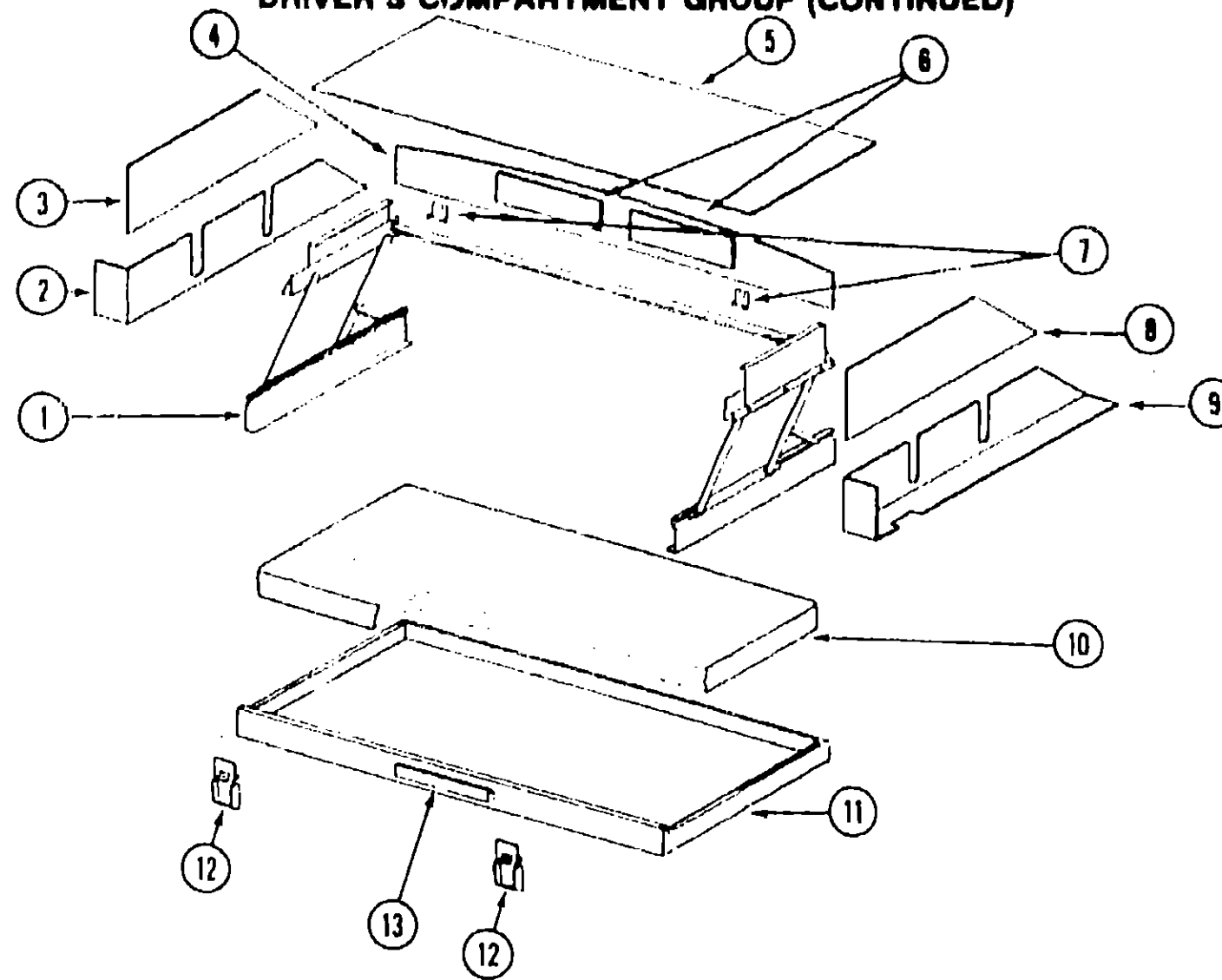
DRIVER'S COMPARTMENT GROUP (CONTINUED)



DASH PANEL COMPONENTS

Key	Part Number	U/M	Description
1	073741-04-000	EA	Speaker Grille - 4" x 8" Oval - Audlovox 136-1157
2	078582-04-000	EA	Pad Asm. - Dash - Front Driver - Gray - w/o Defroster Vent
2	078582-06-000	EA	Pad Asm. - Dash - Front Driver - Tan - w/o Defroster Vent
3	024990-03-000	EA	Defroster Outlet - w/Swivel - 2" Gray
3	024990-04-000	EA	Defroster Outlet - w/Swivel - 2" Tan
4	079088-04-000	EA	Pad Asm. - Dash - Instrument Panel - Driver - Gray
4	079088-05-000	EA	Pad Asm. - Dash - Instrument Panel - Driver - Tan
5	078581-04-000	EA	Pad Asm. - Dash - Front Passenger - Gray - w/o Defroster Vent
5	078581-06-000	EA	Pad Asm. - Dash - Front Passenger - Tan - w/o Defroster Vent
6	079089-02-000	EA	Pad Asm. - Dash - Instrument Panel - Passenger - Gray
6	079089-03-000	EA	Pad Asm. - Dash - Instrument Panel - Passenger - Tan
7	039044-01-000	EA	Louver Asm. - Air Conditioner - Adjustable Vent
8	023834-01-000	EA	Knee Kick
9	022219-01-000	EA	Glove Compartment Door
10	009118-01-000	EA	Twist Lock - Glove Compartment
	023892-01-000	EA	Glove Compartment Box - Black Fiberboard
	024598-01-000	EA	Glove Compartment Hinge
11	077367-01-000	EA	Instrument Panel Cover - Lower Right - Black (Chevrolet)
11	077367-05-000	EA	Instrument Panel Cover - Lower Right - Black (Ford)
12	077369-01-000	EA	Access Panel - Lower Instrument Panel - Black
13	061424-01-000	EA	Light - 12 Volt - Rectangular
14	077368-01-000	EA	Instrument Panel Cover - Lower Left - Black (Chevrolet)
14	077368-05-000	EA	Instrument Panel Cover - Lower Left - Black (Ford)
14	077368-03-000	EA	Instrument Panel Cover - Lower Left - Black (Chevrolet w/Spotlight)
14	077368-06-000	EA	Instrument Panel Cover - Lower Left - Black (Ford w/Spotlight)

DRIVER'S COMPARTMENT GROUP (CONTINUED)



FRONT PULLDOWN BUNK (OPTION 81H)

Key	Part Number	U/M	Description
1	078760-02-000	EA	Hardware Asm. - Overhead Bunk
2	101499-04-B25	EA	Pad Asm. - Lower End Cap - Driver - Gray
2	101499-04-B11	EA	Pad Asm. - Lower End Cap - Driver - Off White
3	101497-06-B10	EA	Pad Asm. - Upper End Cap - Driver - Gray
3	101497-06-B11	EA	Pad Asm. - Upper End Cap - Driver - Off White
4	M01462-19-B10	EA	Cabinet Asm. - Front Face - Overhead w/Doors
5	101502-01-B10	EA	Cabinet Asm. - Lower Base - Overhead
6	P00520-09-B10	EA	Door Asm. - w/o Hardware
	000G13-06-10G	EA	Screw - #6 - 20 x .625" PFH - Antique Brass
	059777-02-000	EA	Hinge - Antique Brass
	096645-01-000	EA	Door Pull - Brass
	000G68-06-10G	EA	Screw - #6 - 18 x .525" POH - Antique Brass
	074493-02-000	EA	Support - Door
7	042541-05-000	EA	Strike - Brass
	000G11-06-10J	EA	Screw - #6 - 20 x .625" MPPH - Brass
8	101497-05-B10	EA	Pad Asm. - Upper End Cap - Passenger - Gray
8	101497-05-B11	EA	Pad Asm. - Upper End Cap - Passenger - Off White
9	101499-03-B25	EA	Pad Asm. - Lower End Cap - Passenger - Gray
9	101499-03-B11	EA	Pad Asm. - Lower End Cap - Passenger - Off White
10	079145-06-000	EA	Cushion Asm.
	M79145-06-000	EA	Cover Asm. - 30" x 78"
	079970-01-000	YD	Mattress Tape - 5/8"
11	081717-03-B10	EA	Bed Asm.
12	042541-04-000	EA	Latch Asm. - w/o Strike - Brass
	000G11-06-10J	EA	Screw - #6 - 20 x .625" PPH - Brass
13	094658-01-Y12	EA	Handle - Oak
	009767-12-000	EA	Wetling - Antique White
	089351-03-000	EA	Vinyl - Headliner
	000120-01-000	EA	Sealant - Green Fastener

**1991 WINNEBAGO
TABLE OF CONTENTS**

INTRODUCTION	A-01 - A-02
ABBREVIATIONS	A-03
ALPHABETICAL/GROUP REFERENCE	A-04 - A-06
WCM28RQ	A-07 - E-16
WKM40DA	E-17 - I-18

1991 WCM28RQ INDEX

Floor Plan	A-07 - A-08
Accessories Group	A-09 - A-11
Bath Group	A-12 - A-13
Bedroom Group	A-14 - A-18
Chassis Group	A-19 - B-06
Curtain, Cushion & Pad Group	B-07 - B-17
Dinette Group	B-18 - B-20
Driver's Compartment Group	B-21 - C-04
Electrical Group	C-05 - C-08
Exterior Body Group	C-09 - C-17
Galley Group	C-18 - C-21
Heating & Air Conditioning Group	C-22 - C-23
Interior Finish Group	C-24 - D-01
Labels Group	D-02 - D-10
LP Group	D-11
Lounge Group	D-12 - D-14
Sealants & Fasteners Group	D-15 - D-16
Water & Sewage Group	D-17 - D-19
Window, Vent & Exterior Door Group	D-20 - E-15

ELECTRICAL GROUP

BULBS

Key	Part Number	U/M	Description
	008218-01-000	EA	Bulb - #1141 - Dome Light
	067479-01-000	EA	Bulb - #1076 - Wall Lamps
	091937-03-000	EA	Bulb - Fluorescent Light - Recessed
	078424-02-700	EA	Bulb - Fluorescent Light - Galley
	081633-01-700	EA	Bulb - Makeup Light
	086280-01-700	EA	Bulb - Surface Mount Light (Cab)
	088737-01-710	EA	Bulb - Microwave Oven
	092696-01-709	EA	Bulb - Range Hood
	084880-01-706	EA	Bulb - Refrigerator
	037935-01-000	EA	Bulb - #1157 - Tail Lamp Asm.
	036196-01-000	EA	Bulb - #1194 - Clearance & License Plate Lights
	008215-01-000	EA	Bulb - #1003 - Porch Light
	051057-01-705	EA	Bulb - Spotlight (Option 63E)

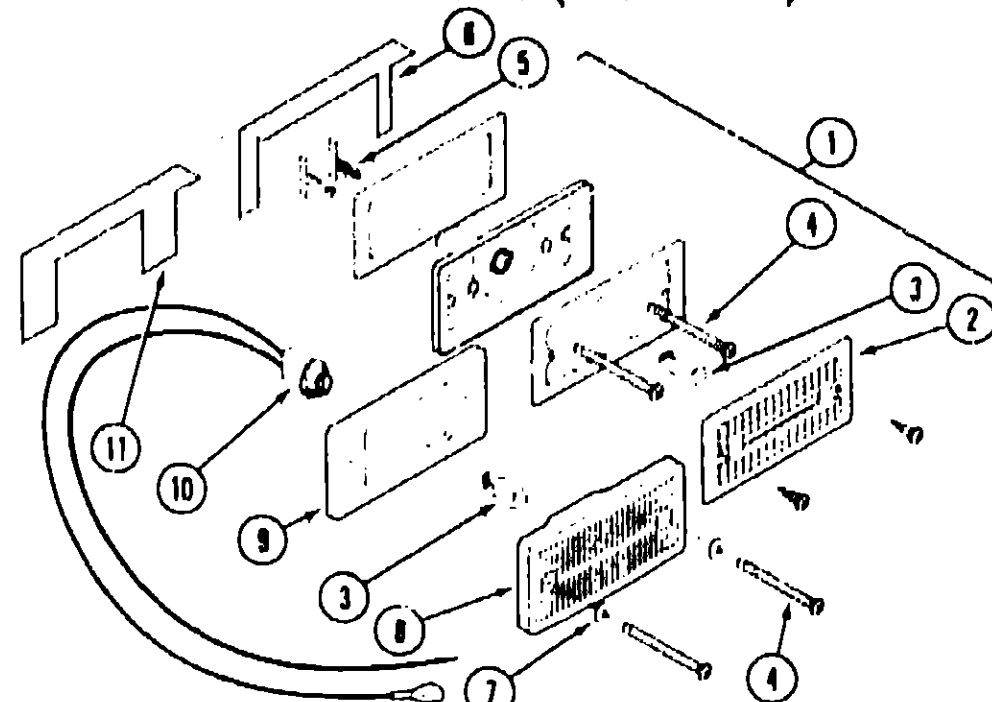
INTERIOR LIGHTS & BULBS

Key	Part Number	U/M	Description
	098024-01-01A	EA	Light - Dome - Ivory - Single (USA)
	098024-02-01A	EA	Light - Dome - Ivory - Single (CSA)
	098024-03-01A	EA	Light - Dome - Ivory - Double (USA)
	098024-04-01A	EA	Light - Dome - Ivory - Double (CSA)
	098024-01-700	EA	Lens - Dome Light
	008218-01-000	EA	Bulb - 12 Volt - #1141 (Used For All Above)
	065202-11-000	EA	Wall Lamp - Brass/Cream (USA)
	065201-06-000	EA	Lamp Shade - Wall Lamp - Parchment
	067479-01-000	EA	Bulb - 12 Volt - #1076 - Wall Lamps
	091937-04-000	EA	Fluorescent Light - 12 Volt - Recessed (Ceiling)
	091937-02-000	EA	Lens - Recessed - Fluorescent Light
	091937-03-000	EA	Bulb - Recessed - Fluorescent Light
	078424-02-000	EA	Fluorescent Light - 18" - Almond (Galley)
	078424-02-701	EA	Lens - Fluorescent Light - 18" - Almond
	078424-02-700	EA	Bulb - Fluorescent Light - 18" - Almond
	082169-01-000	EA	Makeup Light - 3 Bulb
	081633-01-700	EA	Bulb - Makeup Light
	086280-01-000	EA	Surface Mount Light - 12 Volt - Jensen 1236 (Cab)
	086280-01-700	EA	Bulb - Surface Mount Light
	061424-01-000	EA	Rectangular Light - Aisle & Instrument Panel
	092696-01-709	EA	Bulb - Range Hood
	084880-01-706	EA	Bulb - Refrigerator
	088737-01-710	EA	Bulb - Microwave Oven

FUSES & CIRCUIT BREAKERS

Key	Part Number	U/M	Description
	008235-01-000	EA	Fuse - 15 Amp. (CSA)
	062901-02-000	EA	Fuse - Automotive - 5 Amp.
	062901-05-000	EA	Fuse - Automotive - 15 Amp.
	062901-07-000	EA	Fuse - Automotive - 25 Amp.
	083209-01-000	EA	Circuit Breaker - 15 Amp. - 120 Volt
	083209-02-000	EA	Circuit Breaker - 15/15 Amp. - 120 Volt (CSA)
	083209-03-000	EA	Circuit Breaker - 15/20 Amp. - 120 Volt (CSA)
	083209-06-000	EA	Circuit Breaker - 30/15 Amp. - 120 Volt
	083209-07-000	EA	Circuit Breaker - 20/20 Amp. - 120 Volt
	093654-01-000	EA	Circuit Breaker - 6 Amp. - 12 Volt
	093654-02-000	EA	Circuit Breaker - 15 Amp. - 12 Volt
	093655-01-000	EA	Circuit Breaker - 25 Amp. - 12 Volt
	093655-02-000	EA	Circuit Breaker - 30 Amp. - 12 Volt
	093655-03-000	EA	Circuit Breaker - 40 Amp. - 12 Volt
	097611-01-000	EA	Circuit Breaker - 7.5 Amp. - 12 Volt
	092786-01-000	EA	Buss Bar - 2 Circuit
	092786-02-000	EA	Buss Bar - 3 Circuit
	083209-05-000	EA	Circuit Breaker - 20 Amp. - 120 Volt - w/o Washer/Dryer
	083209-07-000	EA	Circuit Breaker - 20/20 Amp. - 120 Volt - w/Washer/Dryer

ELECTRICAL GROUP (CONTINUED)



EXTERIOR LIGHTS & BULBS

Key	Part Number	U/M	Description
1	081250-01-000	EA	Clearance Light Asm. - Amber
1	081250-02-000	EA	Clearance Light Asm. - Red
2	081250-01-700	EA	Lens - Clearance Light - Amber
2	081250-02-700	EA	Lens - Clearance Light - Red
3	036196-01-000	EA	Bulb
4	000G39-08-24B	EA	Screw
5	079378-01-000	EA	Terminal
6	081437-01-000	EA	Bracket
7	102540-01-000	EA	Screw Seal
8	102520-02-000	EA	Light Asm. (Red)
8	102520-01-000	EA	Light Asm. (Amber)
9	102541-01-000	EA	Gasket
10	075458-03-000	EA	Socket
11	102582-01-000	EA	Bracket
	075459-04-000	EA	Lamp Asm. - Tail/Brake - Red
	075459-05-000	EA	Lamp Asm. - Turn - Amber
	075459-06-000	EA	Lamp Asm. - Backup/Reflector - Clear/Red
	037935-01-000	EA	Bulb - 12 Volt - #1157 - Used For Tail Lamp Asm.
	076795-01-000	EA	Light Asm. - License Plate
	036196-01-000	EA	Bulb - 12 Volt - #1184 - Used For Clearance & License Plate
	042405-03-000	EA	Base - Side Marker Light - w/Bulb (BGE 1985)
	042405-02-000	EA	Lens - Side Marker Light - Amber
	042405-01-000	EA	Lens - Side Marker Light - Red
	097917-01-02A	EA	Porch Light - Recessed - Beige
	097917-01-700	EA	Lens - Porch Light - Recessed
	008215-01-000	EA	Bulb - 12 Volt - #1003 - Porch Light
	051057-02-000	EA	Spotlight - Power Driven (Option 63E)
	051057-01-705	EA	Bulb - Spotlight (Option 63E)
	084901-01-000	EA	Lamp Asm. - Park/Turn
	049185-01-000	EA	Headlight Capsule Asm. - Driver - High/Low Beam
	049186-01-000	EA	Headlight Capsule Asm. - Passenger - High/Low Beam
	049187-01-000	EA	Headlight Capsule Asm. - Driver - High Beam
	049188-01-000	EA	Headlight Capsule Asm. - Passenger - High Beam
	049359-01-000	EA	Spring - Headlight Retainer
	062207-01-000	EA	Headlight Guard
	090202-01-000	EA	Headlight Bezel - Passenger - Black
	090202-02-000	EA	Headlight Bezel - Driver - Black
	088747-02-000	EA	Lamp Asm. - Fog - Clear Lens (Option 57M)
	098024-01-01A	EA	Light - Dome - Ivory - Storage Compartment (USA)
	098024-02-01A	EA	Light - Dome - Ivory - Storage Compartment (CSA)
	098024-01-700	EA	Lens - Dome Light
	008218-01-000	EA	Bulb - 12 Volt - Dome Light

1991 WINNEBAGO TABLE OF CONTENTS

INTRODUCTION	A-01 - A-02
ABBREVIATIONS	A-03
ALPHABETICAL/GROUP REFERENCE	A-04 - A-06
WCM28RQ	A-07 - E-15
WKM40DA	E-17 - I-18

1991 WCM28RQ INDEX

Floor Plan	A-07 - A-08
Accessories Group	A-09 - A-11
Bath Group	A-12 - A-13
Bedroom Group	A-14 - A-18
Chassis Group	A-19 - B-06
Curtain, Cushion & Pad Group	B-07 - B-17
Dinette Group	B-18 - B-20
Driver's Compartment Group	B-21 - C-04
Electrical Group	C-05 - C-08
Exterior Body Group	C-09 - C-17
Galley Group	C-18 - C-21
Heating & Air Conditioning Group	C-22 - C-23
Interior Finish Group	C-24 - D-01
Labels Group	D-02 - U-10
LP Group	D-11
Lounge Group	D-12 - D-14
Sealants & Fasteners Group	D-15 - D-16
Water & Sewage Group	D-17 - D-19
Window, Vent & Exterior Door Group	D-20 - E-15

ELECTRICAL GROUP (CONTINUED)

ELECTRICAL COMPONENTS

Key	Part Number	U/M	Description
	008288-02-000	EA	Box - Electrical - 3.94" x 3.13" x 1.81" - Plastic (USA)
	091910-01-000	EA	Box - Electrical - 3.75" x 3.5" x 1.75" - Plastic (USA)
	008289-01-000	EA	Box - Electrical - 4" x 4" - 1/2 x 3/4 - Steel (USA)
	008289-02-000	EA	Box - Electrical - 4" x 4" - 1/2 x 3/4 - Steel (USA)
	058049-01-000	EA	Box - Electrical - 2" x 3" x 2.25" - Steel
	088751-01-000	FT	Cable - Battery - 1/0 AWG Strands 1
	010495-01-000	EA	Clamp - Cable - 9/16"
	010497-01-000	EA	Clamp - Closed - 5/8" ID
	010499-01-000	EA	Clamp - Closed - 3/8" ID
	041953-01-000	FT	Conduit - Convolute Silt - .50" ID
	041953-02-000	FT	Conduit - Convolute Silt - .625" ID
	041953-03-000	FT	Conduit - Convolute Silt - 1" ID
	041953-05-000	FT	Conduit - Convolute Solid - .625" ID
	041953-06-000	FT	Conduit - Convolute Silt - .375" ID
	041953-07-000	FT	Conduit - Convolute Silt - .250" ID
	041953-08-000	FT	Conduit - Convolute Silt - .50" ID
	041953-10-000	FT	Conduit - Convolute Silt - .75" ID
	041953-11-000	FT	Conduit - Convolute Silt - 1.063" ID
	008353-01-000	EA	Connector - 3/8" - Cable Clamping
	008355-01-000	EA	Connector - 3/4" - Cable Clamping
	008358-01-000	EA	Connector - 3/8" - Plastic
	008311-01-000	EA	Connector - Wire Nut - Red
	008312-01-000	EA	Connector - Wire Nut - Blue
	008313-01-000	EA	Connector - Wire Nut - Yellow
	008314-01-000	EA	Connector - Wire Nut - Gray
	058028-01-000	EA	Connector - Clear Nylon Pigtail
	088475-01-000	EA	Connector - Pin
	082740-01-000	EA	Connector Body - 2 Contact Female
	008052-01-000	EA	Cord - Power - 10/3 - 30 Amp. - 25' (CSA)
	008054-01-000	EA	Cord - Power - 10/3 - 30 Amp. - 25' (USA)
	008294-01-000	EA	Cover - Electrical Box - Flat Blank - 4" x 4" - Steel (USA)
	008294-02-000	EA	Cover - Electrical Box - Flat Blank - 4" x 4" - Steel (USA)
	069238-01-000	EA	Cover - Electrical Box - 4" x 4"
	076319-09-000	EA	Cover - Receptacle - Brown
	084077-02-000	EA	Cover - Receptacle - Brown - GFI
	091927-01-000	EA	Cover - Receptacle - Double - Ivory
	084077-03-000	EA	Cover - Blank A/C - Ivory
	090964-01-000	EA	Cover - Exterior Receptacle
	092633-02-02A	EA	Cover - A/C - Plate - Off White - w/o A/C
	092633-01-02A	EA	Cover - A/C - Plate - Off White - w/A/C
	074897-01-000	EA	Cover - Electrical Box - A/C Dual Switch
	058781-01-000	EA	Diode - 6.0 Amp. - 100 Volt
	078490-01-000	EA	Extension - Electrical Box - Steel - 1 1/2"
	097734-01-02A	EA	Extension - Duplex Receptacle - Brown
	100341-01-000	EA	Holder - Fuse - In Line
	064399-01-000	EA	Housing Asm. - Trailer Pin
	097745-02-000	EA	Housing Asm. - Trailer Receptacle - 48"
	062037-01-000	EA	Housing - Automotive Fuse - Natural
	062037-02-000	EA	Housing - Automotive Fuse - Green
	062037-03-000	EA	Housing - Automotive Fuse - Black
	062037-05-000	EA	Housing - Automotive Fuse - Gray
	062037-06-000	EA	Housing - Automotive Fuse - Brown
	088074-01-000	EA	Housing - Socket - 1 Position
	088474-02-000	EA	Housing - Socket - 15 Position
	088474-03-000	EA	Housing - Socket - 9 Position
	088474-06-000	EA	Housing - Socket - 6 Position
	088474-08-000	EA	Housing - Socket - 4 Position
	088474-09-000	EA	Housing - Socket - 3 Position
	088474-10-000	EA	Housing - Socket - 2 Position

ELECTRICAL GROUP (CONTINUED)

ELECTRICAL COMPONENTS (CONTINUED)

Key	Part Number	U/M	Description
	088473-01-000	EA	Housing - Pin - 1 Position
	088473-02-000	EA	Housing - Pin - 15 Position
	088473-03-000	EA	Housing - Pin - 8 Position
	088473-06-000	EA	Housing - Pin - 6 Position
	088473-08-000	EA	Housing - Pin - 4 Position
	088473-09-000	EA	Housing - Pin - 3 Position
	088473-10-000	EA	Housing - Pin - 2 Position
	063910-01-000	EA	Housing - Relay - 3 Position
	101571-01-000	EA	Housing - Male - 2 Position

ELECTRICAL COMPONENTS (CONTINUED)

Key	Part Number	U/M	Description
	098351-01-01A	EA	Plate - Switch - 1 Gang
	098351-02-01A	EA	Plate - Switch - 2 Gang
	098351-03-01A	EA	Plate - Switch - 3 Gang
	098351-04-01A	EA	Plate - Switch - Generator (Bedroom)
	024924-02-000	EA	Receptacle - Power Cord
	058707-01-000	EA	Receptacle - Single - Brown - T & B
	058708-01-000	EA	Receptacle - Duplex - Brown - T & B
	058708-02-000	EA	Receptacle - Duplex - Ivory - T & B
	084078-02-000	EA	Receptacle - Duplex - Brown - GFI
	090961-01-000	EA	Receptacle - Duplex - Exterior
	007940-01-000	EA	Receptacle - Slide - 16/12 AWG
	080015-02-000	EA	Receptacle - Flag - .185 - 16/14 Gauge
	086273-01-000	EA	Relay - Battery Disconnect
	063912-02-000	EA	Relay - Canister - SPDT w/Resistor
	077000-01-000	EA	Socket Asm. - w/8" Pigtail Leads
	088476-01-000	EA	Socket - Connector
	088476-02-000	EA	Socket - Connector - 12/10 Gauge
	090971-01-000	EA	Splice - Cable - 110 Volt
	024976-01-000	EA	Switch - Generator (Bedroom)
	041250-01-000	EA	Switch - Push Button (Driver Door Jamb)
	079363-01-000	EA	Switch - Single - w/Switch Plate
	079363-01-700	EA	Switch Only
	079364-01-000	EA	Switch - On/Off Rocker - Brown
	079364-02-000	EA	Switch - Lock/Lock Rocker - Brown
	100312-01-000	EA	Switch - Electric Step (Entrance Door Jamb)
	007942-01-000	EA	Tab - 18/14 AWG Wire
	007943-01-000	EA	Tab - 14/10 AWG Wire
	007949-01-000	EA	Tab - HSG - 1 Position
	008326-01-000	EA	Terminal - Ring - 16/14 - 3/8" Stud
	008326-01-000	EA	Terminal - Ring - 12/10 Wire
	008329-01-000	EA	Terminal - Ring - 8 - 5/16" Stud
	008331-01-000	EA	Terminal - Ring - 4 - 3/8" Stud
	008332-01-000	EA	Terminal - Ring - 6 - 1/4" - Stud
	008348-01-000	EA	Terminal - Ring - 2 - 3/8" Stud
	035416-04-000	EA	Terminal - Ring - #10 Stud Fit
	047443-01-000	EA	Terminal - .250 Receptacle 16-14
	047443-02-000	EA	Terminal - .250 Receptacle 12-10
	047443-03-000	EA	Terminal - .187 Receptacle 16-14
	062036-01-000	EA	Terminal - Pack - 12/10 AWG
	062036-02-000	EA	Terminal - Pack - 16/14 AWG
	008026-01-000	EA	Wire w/Ground - Romex - 12/2
	008027-01-000	EA	Wire w/Ground - Romex - 14/2
	008343-01-000	EA	Wire Tie - 6"

MISCELLANEOUS ELECTRICAL COMPONENTS

Key	Part Number	U/M	Description
	008188-01-000	EA	Solenoid - Dual Battery - Relay
	083208-02-000	EA	Control Center - 45 Amp. - BW6345A
	036420-02-000	EA	Fan - 6" Defroster - 2 Speed (Option 36N)
	089294-01-000	EA	Lighter Asm. - Cigarette
	072852-01-000	EA	Smoke Detector

1991 WINNEBAGO TABLE OF CONTENTS

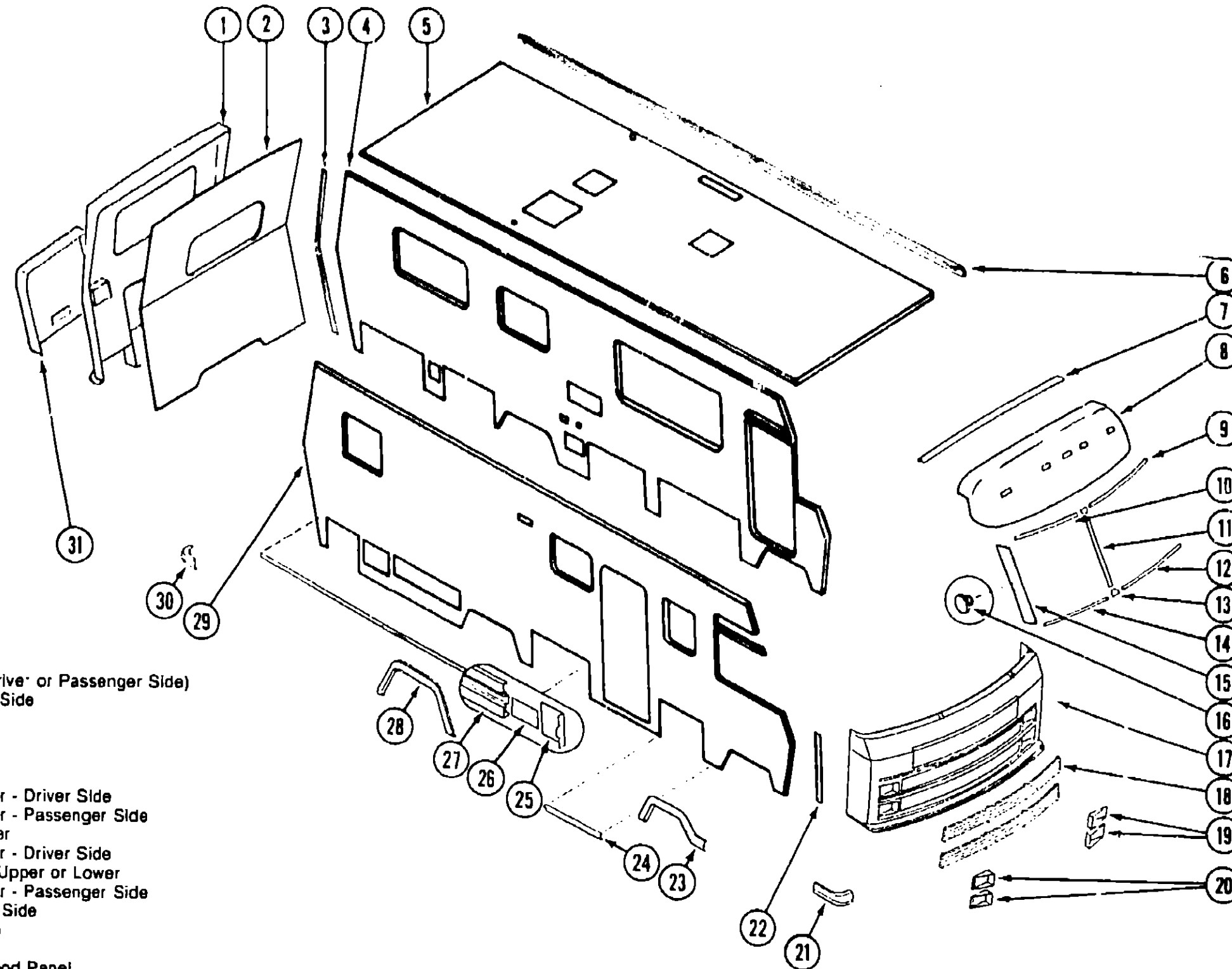
INTRODUCTION	A-01 - A-02
ABBREVIATIONS	A-03
ALPHABETICAL/GROUP REFERENCE	A-04 - A-06
WCM28RQ	A-07 - E-15
WKM40DA	E-17 - I-18

1991 WCM28RQ INDEX

Floor Plan	A-07 - A-08
Accessories Group	A-09 - A-11
Bath Group	A-12 - A-13
Bedroom Group	A-14 - A-18
Chassis Group	A-19 - B-06
Curtain, Cushion & Pad Group	B-07 - B-17
Dinette Group	B-18 - B-20
Driver's Compartment Group	B-21 - C-04
Electrical Group	C-05 - C-08
Exterior Body Group	C-09 - C-17
Galley Group	C-18 - C-21
Heating & Air Conditioning Group	C-22 - C-23
Interior Finish Group	C-24 - D-01
Labels Group	D-02 - D-10
LP Group	D-11
Lounge Group	D-12 - D-14
Sealants & Fasteners Group	D-15 - D-16
Water & Sewage Group	D-17 - D-19
Window, Vent & Exterior Door Group	D-20 - E-15

EXTERIOR BODY GROUP

EXTERIOR BODY PANELS & TRIM



Key	Part Number	U/M	Description
1	088402-01-000	EA	Rear Cap Panel
2	100856-01-B10	EA	Rear Backwall Asm.
3	073502-25-000	EA	Trim Rear Backwall (Driver or Passenger Side)
4	P00866-01-B10	EA	Sidewall Asm. - Driver Side
5	100910-01-B10	EA	Roof Asm.
6	078600-21-000	EA	Roof Cover - 130.3"
7	078580-01-000	EA	Roof Trim - Front Cap
8	089923-03-000	EA	Roof Cap - Primed
9	077944-02-000	EA	Reveal Molding - Upper - Driver Side
10	077944-01-000	EA	Reveal Molding - Upper - Passenger Side
11	076676-05-000	EA	Reveal Molding - Center
12	077945-02-000	EA	Reveal Molding - Lower - Driver Side
13	077952-02-000	EA	Reveal Molding Cap - Upper or Lower
14	077945-01-000	EA	Reveal Molding - Lower - Passenger Side
15	079225-03-000	EA	Trim Post - Passenger Side
	079225-04-000	EA	Trim Post - Driver Side
16	034141-02-000	EA	Nylon Hole Plug - 3/8"
17	M01115-26-Y15	EA	Front End Asm. - w/Hood Panel
18	089821-01-X14	EA	Grille Asm. - Upper or Lower
	088252-02-000	FT	Chrome Trim - 1" Plastic
	088252-03-000	FT	Chrome Trim - 2" Plastic
19	090202-02-000	EA	Headlight Bezel - Driver Side
20	090202-01-000	EA	Headlight Bezel - Passenger Side
21	078577-07-000	EA	Bumper End Cap - Passenger Side
	078577-08-000	EA	Bumper End Cap - Driver Side
22	089922-01-000	EA	Trim - Front End Asm. - Driver or Passenger Side
23	078556-07-000	EA	Trim - Front Wheelwell - Passenger Side
	078556-08-000	EA	Trim - Front Wheelwell - Driver Side
	089909-01-000	EA	Trim - Front Wheelwell - U Channel - Driver or Passenger Side
24	091161-55-003	EA	Rocker Panel

Key	Part Number	U/M	Description
25	009731-01-000	EA	End Cap Feature Strip
26	001030-12-001	EA	Insert Feature Strip - 17'
27	059576-08-000	EA	Feature Strip
28	075070-01-000	EA	Trim - Rear Wheelwell - Passenger
	075070-03-000	EA	Trim - Rear Wheelwell - Driver
	096658-01-Y15	EA	Trim - Rear Wheelwell - U Channel - Driver or Passenger Side
29	P00865-01-B10	EA	Sidewall Asm. - Passenger
30	078578-01-000	EA	Bumper End Cap - Passenger
	078578-02-000	EA	Bumper End Cap - Driver
31	088425-01-B10	EA	Tire Cover Asm.
	058027-01-000	FT	Tire Cover Seal

1991 WINNEBAGO TABLE OF CONTENTS

INTRODUCTION	A-01 - A-02
ABBREVIATIONS	A-03
ALPHABETICAL/GROUP REFERENCE	A-04 - A-06
WCM28RQ	A-07 - E-15
WKM40DA	E-17 - I-18

1991 WCM28RQ INDEX

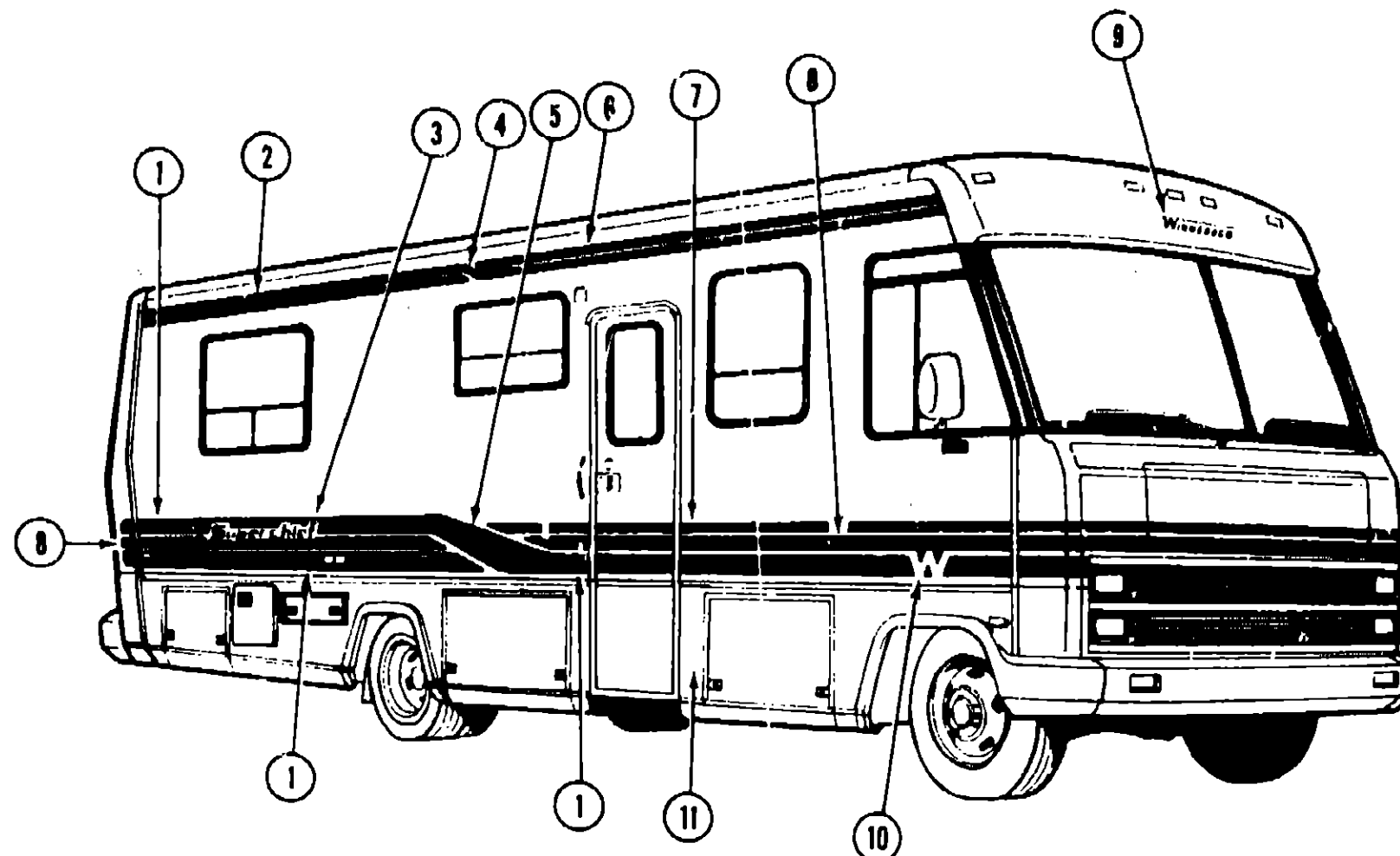
Floor Plan	A-07 - A-08
Accessories Group	A-09 - A-11
Bath Group	A-12 - A-13
Bedroom Group	A-14 - A-18
Chassis Group	A-19 - B-06
Curtain, Cushion & Pad Group	B-07 - B-17
Dinette Group	B-18 - B-20
Driver's Compartment Group	B-21 - C-04
Electrical Group	C-05 - C-08
Exterior Body Group	C-09 - C-17
Galley Group	C-18 - C-21
Heating & Air Conditioning Group	C-22 - C-23
Interior Finish Group	C-24 - D-01
Labels Group	D-02 - D-10
LP Group	D-11
Lounge Group	D-12 - D-14
Sealants & Fasteners Group	D-15 - D-16
Water & Sewage Group	D-17 - D-19
Window, Vent & Exterior Door Group	D-20 - E-15

EXTERIOR BODY GROUP (CONTINUED)

DECALS, FILM STRIPE & PAINT

1991 WINNEBAGO TABLE OF CONTENTS

INTRODUCTION	A-01 - A-02
ABBREVIATIONS	A-03
ALPHABETICAL/GROUP REFERENCE	A-04 - A-06
WCM28RQ	A-07 - E-15
WKM40DA	E-17 - I-18



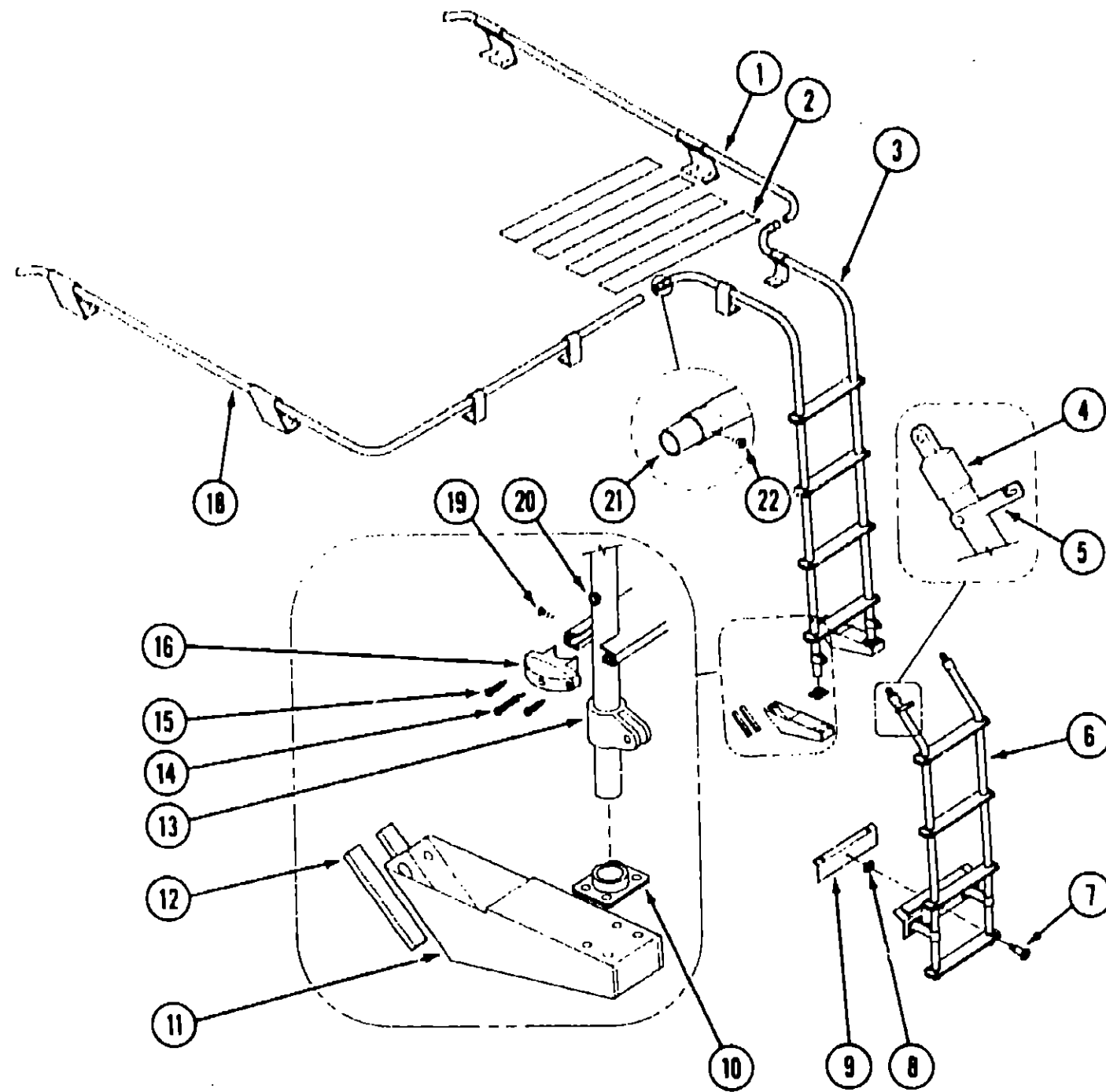
Key	Part Number	U/M	Description
1	093681-05-05A	FT	Film Stripe - Blue
2	093680-28-01A	FT	Film - Multistripe - Blue
3	089364-02-000	EA	Decal Logo - "Superchief"
4	100469-01-01A	EA	Decal - Passenger Side
4	100469-02-01A	EA	Decal - Driver Side
5	100470-01-01A	EA	Decal - Passenger Side
5	100470-02-01A	EA	Decal - Driver Side
6	093680-27-01A	FT	Film - Multistripe - Blue
7	093681-14-02A	FT	Film Stripe - Blue
8	093681-26-01A	FT	Film Stripe - Light Blue
9	050313-42-000	EA	Decal Logo - "Winnebago"
10	093684-02-01A	EA	Decal - "W" - Negative
11			Paint - Blue (Dupont 447174)

1991 WCM28RQ INDEX

Floor Plan	A-07 - A-08
Accessories Group	A-09 - A-11
Bath Group	A-12 - A-13
Bedroom Group	A-14 - A-18
Chassis Group	A-19 - B-06
Curtain, Cushion & Pad Group	B-07 - B-17
Dinette Group	B-18 - B-20
Driver's Compartment Group	B-21 - C-04
Electrical Group	C-05 - C-08
Exterior Body Group	C-09 - C-17
Galley Group	C-18 - C-21
Heating & Air Conditioning Group	C-22 - C-23
Interior Finish Group	C-24 - D-01
Labels Group	D-02 - D-10
LP Group	D-11
Lounge Group	D-12 - D-14
Sealants & Fasteners Group	D-15 - D-16
Water & Sewage Group	D-17 - D-19
Window, Vent & Exterior Door Group	D-20 - E-15

EXTERIOR BODY GROUP (CONTINUED)

RACK & LADDER COMPONENTS



Key	Part Number	U/M	Description
1	081026-01-T03	EA	Rack Asm. - Passenger Side
2	036327-01-000	EA	Tape - Anti-Slip - 2" x 60'
3	080999-02-T03	EA	Ladder Asm. - Upper
4	081115-01-000	EA	Top Cap - 1"
6	080873-01-000	EA	Latch - Lower Ladder
8	080997-04-X14	EA	Ladder Asm. - Lower
7	081056-01-000	EA	Pin - Quick Release
8	031055-01-000	EA	Springrip - Internal Tooth Washer
9	081107-01-000	EA	Bracket - Bumper Pin
10	087165-01-000	EA	Mounting Bracket
11	080868-01-000	EA	Footing Bracket
12	081627-02-000	EA	Sponge Seal - 3/16" x 2" x 3.25"
13	081116-01-000	EA	Slide Bracket
14	000G68-10-38U	EA	Screw
15	000G39-06-10U	EA	Screw
16	078980-02-000	EA	Step Cap - Black
18	081026-02-T03	EA	Rack Asm. - Driver Side
19	000G39-08-18U	EA	Screw
20	081113-01-000	EA	Bushing - Plastic Flange - White
21	083891-51-002	EA	Splice
22	000G39-08-089 081114-01-000	EA	Screw Cap Insert - Round - 1" Dia.

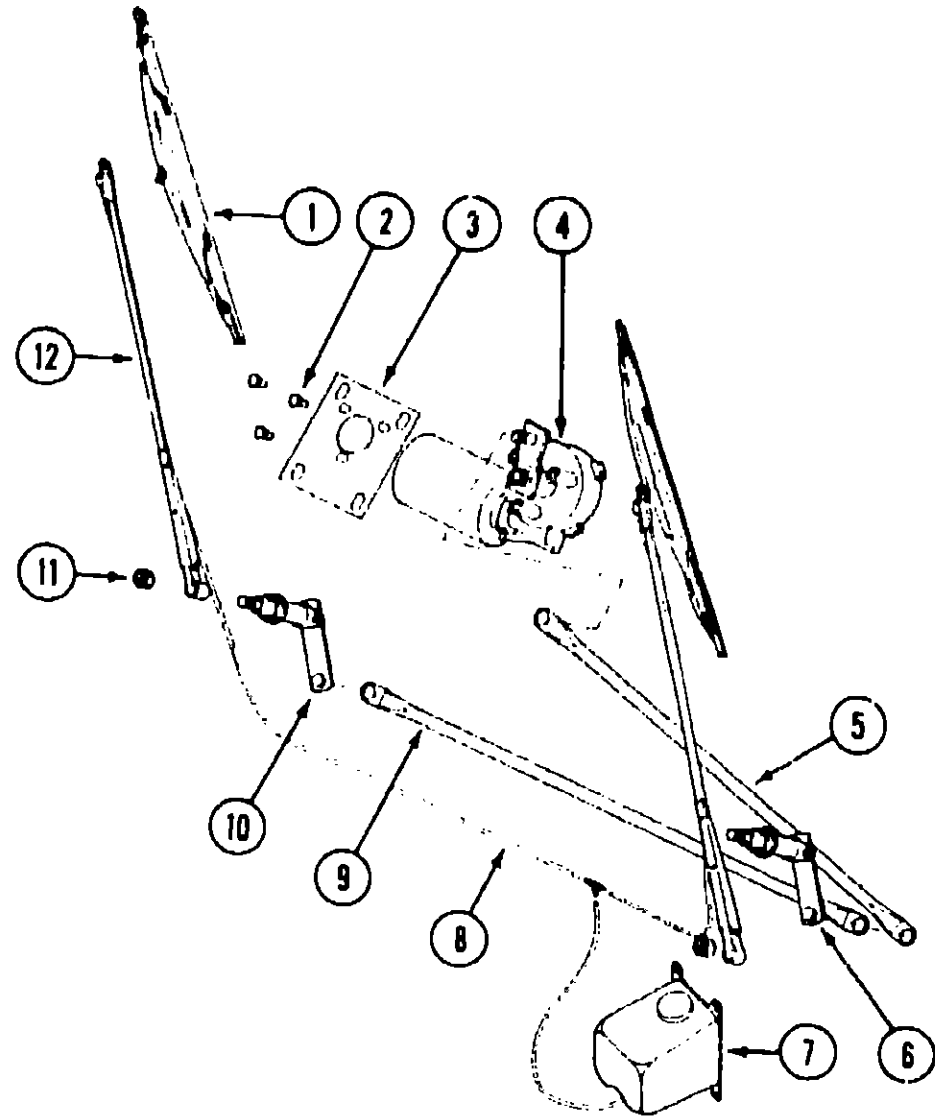
1991 WINNEBAGO TABLE OF CONTENTS

INTRODUCTION	A-01 - A-02
ABBREVIATIONS	A-03
ALPHABETICAL/GROUP REFERENCE	A-04 - A-08
WCM28RQ	A-07 - E-15
WKM40DA	E-17 - I-18

1991 WCM28RQ INDEX

Floor Plan	A-07 - A-08
Accessories Group	A-09 - A-11
Bath Group	A-12 - A-13
Bedroom Group	A-14 - A-16
Chassis Group	A-19 - B-06
Curtain, Cushion & Pad Group	B-07 - B-17
Dinette Group	B-18 - B-20
Driver's Compartment Group	B-21 - C-04
Electrical Group	C-05 - C-08
Exterior Body Group	C-09 - C-17
Galley Group	C-18 - C-21
Heating & Air Conditioning Group	C-22 - C-23
Interior Finish Group	C-24 - D-01
Labels Group	D-02 - D-10
LP Group	D-11
Lounge Group	D-12 - D-14
Sealants & Fasteners Group	D-15 - D-16
Water & Sewage Group	D-17 - D-19
Window, Vent & Exterior Door Group	D-20 - E-15

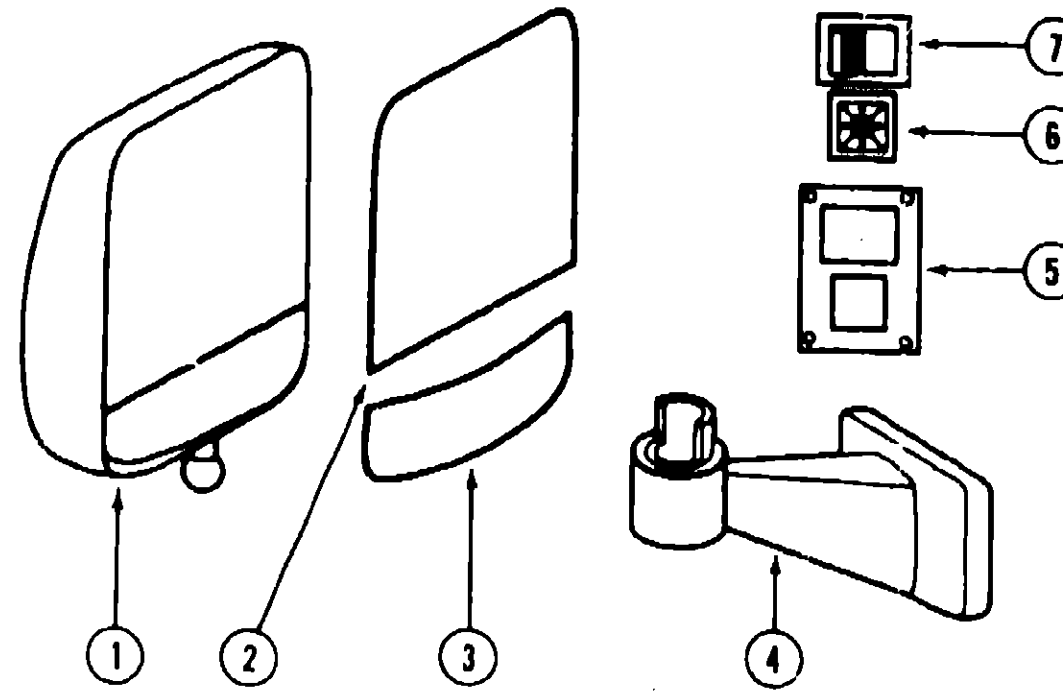
EXTERIOR BODY GROUP (CONTINUED)



WINDSHIELD WIPER & DRIVE ASSEMBLY

Key	Part Number	U/M	Description
1	095964-01-000	EA	Blade - Wiper - 24"
2	000C26-04-10B	EA	Hex Bolt - Serrated Flange - 1/4" - 20 x 5/8" Zinc
3	063971-01-000	EA	Support Bracket - Motor Asm.
4	096380-01-000	EA	Motor Asm.
5	067192-01-000	EA	Connecting Link Asm.
6	096504-01-000	EA	Pivot Shaft Asm.
7	056000-02-000	EA	Washer Asm. - w/o Nozzles
8	096931-01-700	FT	Hose - Washer
9	067192-02-000	EA	Connecting Link Asm.
10	096505-02-000	EA	Pivot Shaft Asm.
11	077049-01-000	EA	Acorn Nut
12	096931-01-000	EA	Wiper Arm - 20"
	096931-01-707	EA	Nozzle Hardware Kit - Washer
	102362-01-702	EA	Wiper Control Module

EXTERIOR BODY GROUP (CONTINUED)



MIRRORS - NON-POWERED

Key	Part Number	U/M	Description
1	086260-01-000	EA	Mirror Asm. - Passenger Side (Includes Glass)
1	086260-02-000	EA	Mirror Asm. - Driver Side (Includes Glass)
2	086260-01-701	EA	Flat Glass - Passenger Side
2	086260-02-701	EA	Flat Glass - Driver Side
3	086260-01-700	EA	Convex Glass - Passenger Side
3	086260-02-700	EA	Convex Glass - Driver Side
4	086260-03-000	EA	Arm Asm. - Passenger & Driver Side

POWER MIRRORS - ELECTRICALLY HEATED & CONTROLLED (OPTION 61Y)

Key	Part Number	U/M	Description
1	086259-04-00	EA	Mirror Asm. - Passenger Side w/Remote & Heater (Includes Glass)
1	086259-05-000	EA	Mirror Asm. - Driver Side w/Remote & Heater (Includes Glass)
2	086259-04-701	EA	Flat Glass - Passenger Side - Heated
2	086259-05-701	EA	Flat Glass - Driver Side - Heated
3	086259-04-700	EA	Convex Glass - Passenger Side - Heated
3	086259-05-700	EA	Convex Glass - Driver Side - Heated
4	086260-03-000	EA	Arm Asm. - Passenger & Driver Side
5	099982-01-01A	EA	Switch Plate - Black
6	088246-01-000	EA	Switch Arm. - Mirror - Remote
7	087695-01-000	EA	Switch - Mirror Heater
	099836-01-000	EA	Wire Asm. - Mirror - Cab - 1990 Chevrolet Chassis
	099836-03-000	EA	Wire Asm. - Mirror - Cab - 1991 Chevrolet Chassis
	099836-02-000	EA	Wire Asm. - Mirror - Cab - Ford Chassis
	099837-01-000	EA	Wire Asm. - Mirror - Door
	063912-02-000	EA	Relay - Canister - SPDT - w/Resist

**1991 WINNEBAGO
TABLE OF CONTENTS**

INTRODUCTION	A-01 - A-02
ABBREVIATIONS	A-03
ALPHABETICAL/GROUP REFERENCE	A-04 - A-06
WCM28RQ	A-07 - E-15
WKM40DA	E-17 - I-18

1991 WCM28RQ INDEX

Floor Plan	A-07 - A-08
Accessories Group	A-09 - A-11
Bath Group	A-12 - A-13
Bedroom Group	A-14 - A-16
Chassis Group	A-19 - B-06
Curtain, Cushion & Pad Group	B-07 - B-17
Dinette Group	B-18 - B-20
Driver's Compartment Group	B-21 - C-04
Electrical Group	C-05 - C-06
Exterior Body Group	C-09 - C-17
Galley Group	C-18 - C-21
Heating & Air Conditioning Group	C-22 - C-23
Interior Finish Group	C-24 - D-01
Labels Group	D-02 - D-10
LP Group	D-11
Lounge Group	D-12 - D-14
Sealants & Fasteners Group	D-15 - D-16
Water & Sewage Group	D-17 - D-19
Window, Vent & Exterior Door Group	D-20 - E-15

EXTERIOR BODY GROUP (CONTINUED)

SHEET FIBERGLASS PANEL, ALUMINUM & STYROFOAM

Key	Part Number	U/M	Description
	000668-01-000	SF	Styrofoam - .75" x 24" x 96"
	000870-03-000	SF	Styrofoam - 1.34" x 48" x 96"
	000870-05-000	SF	Styrofoam - .60" x 24" x 96"
	083574-01-000	SF	Styrofoam - 1.50" x 24" x 85.25"
	081395-14-000	EA	Panel - Fiberglass - Mende Board - Beige - 78.75" x 32.25"
	081395-23-000	EA	Panel - Fiberglass - Mende Board - Beige - 23.62" x 120"
	081395-07-000	EA	Panel - Fiberglass - Mende Board - Beige - 48" x 96"
	044487-01-001	EA	Aluminum - Mill Finish - Floor - 96" x 360"

MISCELLANEOUS EXTERNALLY MOUNTED PARTS

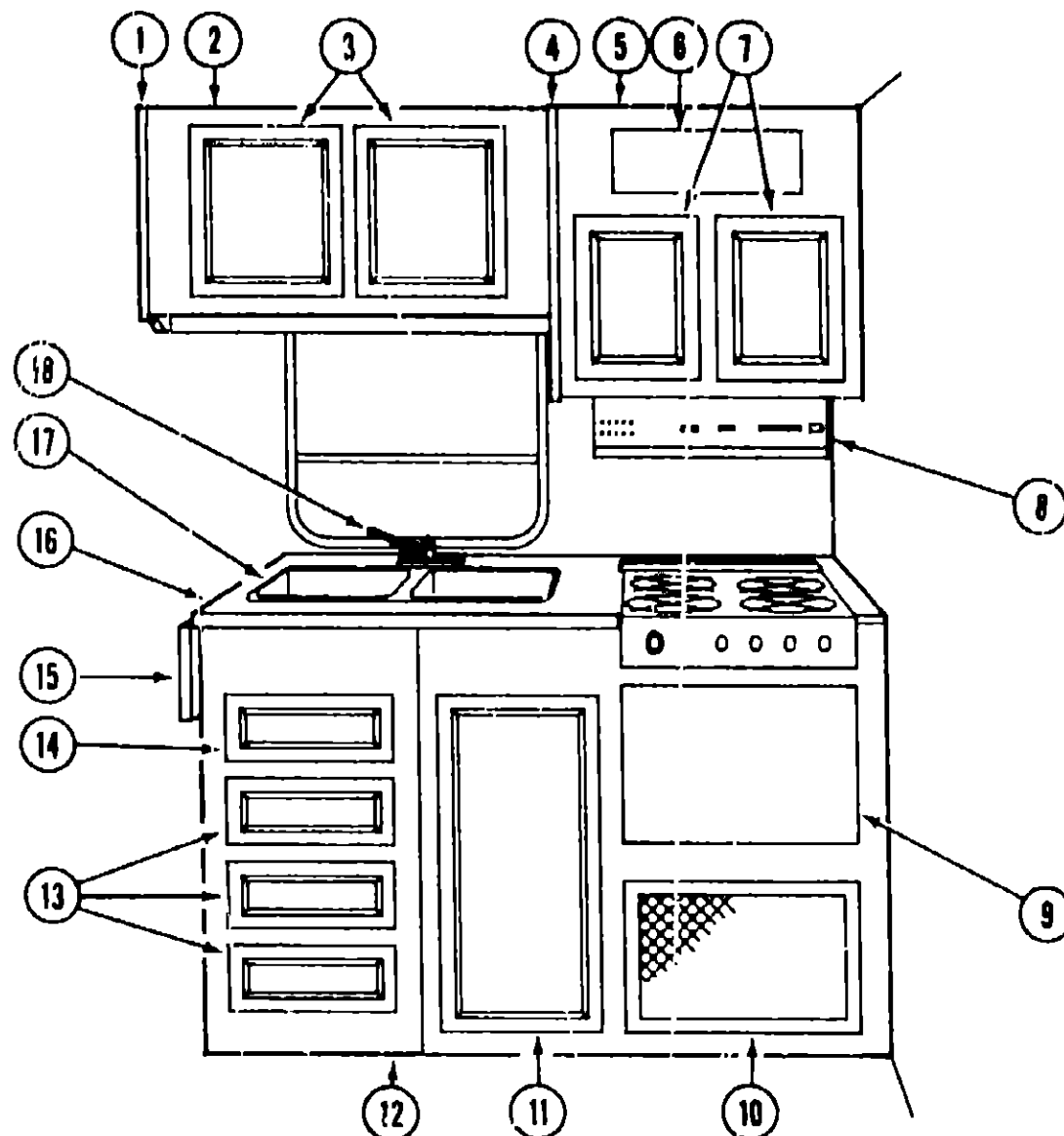
Key	Part Number	U/M	Description
	009126-02-000	EA	Assist Handle - Mock
	087659-02-000	EA	Fill - City Water - Beige - Brass Fittings
	086260-01-000	EA	Mirror Asm. - Rear View - Exterior - w/Convex - Passenger
	086260-02-000	EA	Mirror Asm. - Rear View - Exterior - w/Convex - Driver
	086260-03-000	EA	Accessory Kit - Rear View Mirror - Exterior
	090961-01-000	EA	Receptacle - Outside - Electric - Beige
	083615-01-000	EA	Door Stop - Plastic - Beige

FRONT HOOD PANEL & HARDWARE

Key	Part Number	U/M	Description
	089788-01-X14	EA	Panel Asm. - Hood
	073336-01-000	EA	Bracket - Striker Latch
	073611-01-000	EA	Striker Pin Asm.
	073610-01-000	EA	Spring - Striker Pin
	R77006-68-172	EA	Shim Plate
	058753-01-000	EA	Bracket - Hinge Pivot - Left or Right Side
	073339-02-000	EA	Hood Arm - Left or Right Side
	R77006-68-721	EA	Hood Release Cable
	R77006-19-765	EA	Hood Release Sleeve
	R77006-38-499	EA	Spring
	072917-03-000	EA	Prop Rod

GALLEY GROUP

CABINETRY



Key	Part Number	U/M	Description
1	099077-02-B10	EA	End Cap Asm. - Galley Overhead Cabinet
2	M05019-37-B10	EA	Cabinet Asm. - Galley Overhead - w/o Doors
3	P00520-05-B07	EA	Door Asm. - Galley Overhead Cabinet - w/o Hardware
4	081320-14-B03	EA	End Cap Asm. - Microwave Cabinet
5	M04092-13-B10	EA	Cabinet Asm. - w/o Microwave - w/o Doors
5	M04092-16-B10	EA	Cabinet Asm. - Microwave - w/o Doors (Option 13C)
6	P00520-03-B07	EA	Door Asm. - w/o Hardware
7	P00520-02-B07	EA	Door Asm. - w/o Hardware
	098916-01-01A	EA	Cabinet Brace - Microwave Cabinet - Right
	098916-02-01A	EA	Cabinet Brace - Microwave Cabinet - Left
8	100258-04-01A	EA	Range Hood - w/Monitor Panel (USA)
8	100258-05-01A	EA	Range Hood - w/Monitor Panel (CSA)
9	M82184-31-B13	EA	Drawer Asm. - w/o Hardware
10	P00520-A1-B10	EA	Door Asm. - Furnace
	072369-44-000	EA	Mesh Insert - Furnace Door
	P00520-12-B07	EA	Door Asm. - w/o Hardware
11	M05050-01-B10	EA	Cabinet Asm. - Galley - Oven - w/o Doors or Drawers
12	M05050-02-B10	EA	Cabinet Asm. - Galley - Range Top - w/o Doors or Drawers (Option 136)
13	P00521-01-B07	EA	Drawer Asm. - w/o Hardware (Thru 12/90)
13	P03397-09-B10	EA	Drawer Asm. - w/o hardware (From 1/91)
14	P00521-02-B02	EA	Drawer Asm. - w/o Hardware (Thru 12/90)
14	P03397-11-B10	EA	Drawer Asm. - w/o Hardware (From 1/91)
15	080812-04-B10	EA	Drop Leaf Table
16	101592-11-B10	EA	Countertop Asm.
17	083526-01-000	EA	Sink - Double Bowl - Stainless Steel - 25" x 19"
18	084952-01-000	EA	Galley Faucet - Single Control

1991 WINNEBAGO TABLE OF CONTENTS

INTRODUCTION	A-01 - A-02
ABBREVIATIONS	A-03
ALPHABETICAL/GROUP REFERENCE	A-04 - A-06
WCM28RQ	A-07 - E-15
WKM40DA	E-17 - I-18

1991 WCM28RQ INDEX

Floor Plan	A-07 - A-08
Accessories Group	A-09 - A-11
Bath Group	A-12 - A-13
Bedroom Group	A-14 - A-18
Chassis Group	A-19 - B-06
Curtain, Cushion & Pad Group	B-07 - B-17
Dinette Group	B-18 - B-20
Driver's Compartment Group	B-21 - C-04
Electrical Group	C-05 - C-08
Exterior Body Group	C-09 - C-17
Galley Group	C-18 - C-21
Heating & Air Conditioning Group	C-22 - C-23
Interior Finish Group	C-24 - C-01
Labels Group	D-02 - D-10
LP Group	D-11
Lounge Group	D-12 - D-14
Sealants & Fasteners Group	D-15 - D-16
Water & Sewage Group	D-17 - D-19
Window, Vent & Exterior Door Group	D-20 - E-15

GALLEY GROUP (CONTINUED)

APPLIANCES

Key	Part Number	U/M	Description
	102022-01-02A	EA	Range w/Large Oven - 4 Burner - Almond Trim
	102020-01-700	EA	Oven Shelf
	102020-01-701	EA	Door Handle
	102020-01-702	EA	Manifold Panel
	102020-01-703	EA	Door Panel - Almond
	102020-01-705	EA	Left Trim
	102020-01-706	EA	Right Trim
	102020-01-708	EA	Burner Assembly - Oven
	102020-01-709	EA	Grate Bumper
	102020-01-710	EA	Pilot Filter
	102020-01-711	EA	Top Grate
	102020-01-712	EA	Knob - Burner Valve
	102020-01-713	EA	Knob - Thermostat
	102020-01-714	EA	Oven Pilot
	102020-01-715	EA	Manifold Pipe
	102020-01-716	EA	Pressure Regulator
	102020-01-717	EA	Thermostat
	102020-01-718	EA	Main Top - Almond
	102020-01-720	EA	Mercury Control Valve
	102020-01-721	EA	Shutoff Valve
	102020-01-722	EA	Top Burner Valve
	102020-01-723	EA	Burner Pilot
	102020-01-724	EA	Main Top Burner
	102021-02-01A	EA	Cover - Bi-Fold - Almond
	055516-07-000	EA	Tiedown Bracket - Range w/Large Oven - Left
	055516-08-000	EA	Tiedown Bracket - Range w/Large Oven - Right
	085280-03-000	EA	Cover - Bi-Fold - Almond
	102019-01-01A	EA	Range Top - 4 Burner - Almond w/Almond Trim (Option 136) (From 9/90)
	102019-01-700	EA	Right Trim
	102019-01-701	EA	Left Trim
	102019-01-702	EA	Rear Trim
	102021-02-01A	EA	Cover - Bi-Fold - Almond
	081587-05-000	EA	Tiedown Bracket - Range Top - Left
	081587-06-000	EA	Tiedown Bracket - Range Top - Right
	091269-03-000	EA	Microwave/Browning Oven - Magic Chef M16-10PB (Option 136)
	091269-03-700	EA	Outer Door Panel
	091269-03-701	EA	Ceramic Plate - 9 1/2" Round
	091269-03-702	EA	Oven Shelf Clip - White
	091269-03-703	EA	Oven Shelf Clip - Black
	091269-03-704	EA	Window
	091269-05-000	EA	Microwave Oven - Magic Chef M15E-9PB (Option 13C)
	094745-01-01A	EA	Trim - Bottom
	094774-03-01A	EA	Trim - Right or Left Side
	094750-01-000	EA	Tiedown Bracket

GALLEY GROUP (CONTINUED)

APPLIANCES (CONTINUED)

Key	Part Number	U/M	Description
	091289-05-000	EA	Microwave Oven - Magic Chef M15E-9PB (Option 13C)
	094745-01-01A	EA	Trim - Bottom
	094774-03-01A	EA	Trim - Right or Left Side
	094750-01-000	EA	Tiedown Bracket
	094039-05-000	EA	Refrigerator - 2 Way - w/Large Double Door
	094039-04-700	EA	PC Board
	094039-04-701	EA	Eyebrow Shell
	094039-04-702	EA	Power Supply
	094039-01-702	EA	Upper Gasket - Gray
	094039-01-703	EA	Hinge Plate - Left Hand - Brown
	094039-01-705	EA	Upper Door Liner - White/Brown
	094039-01-707	EA	Upper Door Handle Asm. - Brown
	094039-01-709	EA	Hinge Plate - Right Hand (Top) - Left Hand (Bottom)
	094039-01-711	EA	Juice Rack - Gray w/Silver Trim
	094039-01-712	EA	Bin Door - Gray w/Silver Trim
	094039-01-713	EA	Lower Door Gasket - Gray
	094039-01-714	EA	Lower Door Liner - White/Brown
	094039-01-716	EA	Lower Door Handle Asm. - Brown
	094039-01-718	EA	Milk Bin - Gray w/Silver Trim
	094039-01-719	EA	Dairy Keeper - Gray w/Silver Trim
	094039-01-720	EA	Cabinet Asm. - Brown Frame/White Liner
	094039-01-726	EA	Evaporator Shell
	094039-01-727	EA	Hinge Bracket - Center Hinge - Brown
	094039-01-729	EA	Hinge Pin Shaft - Center Hinge - Brown
	094039-01-731	EA	Crisper - Gray w/Silver Trim
	094039-01-733	EA	Wire Shelf - Middle
	094039-01-734	EA	Wire Shelf - Top - w/Riser
	094039-01-735	EA	Inside Drip Tray - White
	094039-01-738	EA	Manual Shut-Off
	094039-01-739	EA	Cutoff Shelf
	094039-01-741	EA	Shelf Tray - Gray Plastic
	054450-01-000	EA	Level - Refrigerator
	089963-02-000	EA	Baffle - Refrigerator - Back
	089963-03-000	EA	Baffle - Refrigerator - Back
	065225-01-000	EA	Tiedown Plate - Refrigerator
	067544-01-000	EA	Bracket Asm. - Tiedown - Refrigerator - Right
	067544-02-000	EA	Bracket Asm. - Tiedown - Refrigerator - Left
	039800-01-000	FT	Tubing - Polybutyl - 1/2" OD
	052954-01-000	EA	Nose Cone Adapter - 3/8" or 1/2"
	077054-01-000	EA	Valve - Plastic - 1/2" M x 1/2" M x 1/4" Comp
	091208-01-000	EA	Pipe Cap - 1/2" FPT - Brass Hex
	100258-04-01A	EA	Range Hood - w/Monitor Panel (USA)
	100258-04-700	EA	Circuit Board
	100258-04-701	EA	Bezel - Hood Fan w/Lever
	100258-04-702	EA	Switch & Lever - w/Cable Asrn.
	100258-05-01A	EA	Range Hood - w/Monitor Panel (CSA)
	100258-05-700	EA	Charcoal Filter
	100258-05-701	EA	Switch - Hood Fan - 2 Speed
	092697-01-000	EA	Cable Asm. - w/Nut

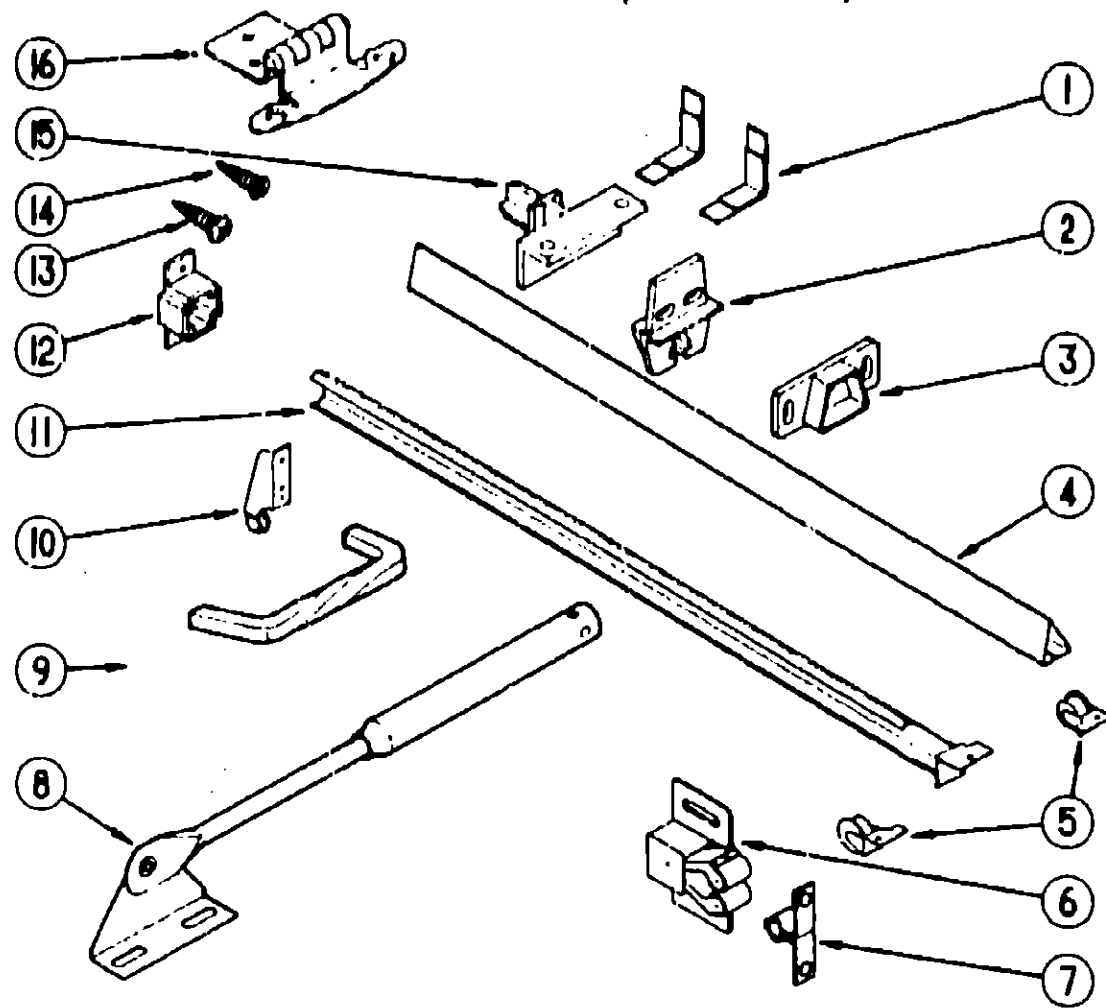
1991 WINNEBAGO TABLE OF CONTENTS

INTRODUCTION	A-01 - A-02
ABBREVIATIONS	A-03
ALPHABETICAL/GROUP REFERENCE	A-04 - A-08
WCM28RQ	A-07 - E-15
WKM40DA	E-17 - I-18

1991 WCM28RQ INDEX

Floor Plan	A-07 - A-08
Accessories Group	A-09 - A-11
Bath Group	A-12 - A-13
Bedroom Group	A-14 - A-18
Chassis Group	A-19 - B-06
Curtain, Cushion & Pad Group	B-07 - B-17
Dinette Group	B-18 - B-20
Driver's Compartment Group	B-21 - C-04
Electrical Group	C-05 - C-08
Exterior Body Group	C-09 - C-17
Galley Group	C-18 - C-21
Heating & Air Conditioning Group	C-22 - C-23
Interior Finish Group	C-24 - D-01
Labels Group	D-02 - D-10
LP Group	D-11
Lounge Group	D-12 - D-14
Sealants & Fasteners Group	D-15 - D-16
Water & Sewage Group	D-17 - D-19
Window, Vent & Exterior Door Group	D-20 - E-15

GALLEY GROUP (CONTINUED)



CABINET HARDWARE (DOORS, DRAWERS & CABINETS)

Key	Part Number	U/M	Description
1	037688-02-000	EA	L-Corner Glide (Drawers)
2	037688-03-000	EA	Center Glide (Drawers)
3	037688-05-000	EA	Rail Mounting Bracket - Rear (Drawers)
4	037688-01-000	FT	V-Rail (Drawers)
5	102837-03-000	EA	Nylon Rollers (Set of 2) (Drawers)
6	093586-03-000	EA	Roller Catch
7	093586-04-000	EA	Steel Strike
8	074493-02-000	EA	Door Support
9	096645-01-000	EA	Pull Handle
10	102827-02-000	EA	Rear Roller Bracket (Drawers)
11	102827-05-000	EA	Track (Drawers)
12	102827-04-000	EA	Rear Mounting Bracket (Drawers)
13	000G68-06-10G	EA	Screw - #6 - 1 1/2 x .625" POH - Antique Brass - Hinge to Cabinet
14	000G13-06-10G	EA	Screw - #6 - 20 x .625" PFH - Antique Brass - Hinge to Door
15	037688-04-000	EA	Rail Mounting Bracket - Front (Drawers)
16	059777-02-000	EA	Hinge - Burnished Brass
	084466-02-000	EA	Slide Asm. - Right (Drawers)
	084466-03-000	EA	Slide Asm. - Left (Drawers)
	084466-04-000	EA	Slide Asm. - Right (Cabinet)
	084466-05-000	EA	Slide Asm. - Left (Cabinet)
	062303-01-000	EA	Sink Strainer
	093653-01-B07	EA	Sink Cover
	093153-01-000	EA	Cutting Board - Maple
	101333-01-000	EA	Mounting Plate - Wall Clock
	100793-01-01A	EA	Wall Clock - Oval
	058334-01-000	EA	Wastebasket - White
	093605-01-01A	EA	Towel Rack - Wire - Almond
	072852-01-000	EA	Smoke Detector
	100081-01-01A	EA	Silverware Tray - Almond

HEATING & AIR CONDITIONING GROUP

AUTOMOTIVE HEATER/AIR CONDITIONER

Key	Part Number	U/M	Description
	094831-01-000	EA	Heater/Evaporator Asm. Complete
	094831-01-700	EA	Fresh Air Door
	094831-01-701	EA	Fresh Air Door Rod
	094831-01-702	EA	Plastic Drain Pan
	094831-01-703	EA	Blower Motor
	094831-01-704	EA	Blower Wheel
	094831-01-705	EA	2" OD Vacuum Motor
	094831-01-706	EA	4-Speed Resistor
	094831-01-707	EA	Unit Wiring Harness
	094831-01-708	EA	Unit Vacuum Harness
	094831-01-709	EA	3/16" Rod Clamps
	094831-01-710	EA	3/16" Rod Retainer Ring
	094831-01-711	EA	#10 - 32 Keps Nut
	094831-01-712	EA	#10 - 32 Timmerman's "J" Nut
	094831-01-713	EA	Evaporator Coil
	094831-01-714	EA	Expansion Valve
	094831-01-715	EA	Thermostat
	094831-01-716	EA	Trinary Switch
	094831-01-717	EA	#8 Hose Asm.
	094831-01-718	EA	#10 Hose Asm.
	094831-01-719	EA	#4 - Self Sealing Coupler w/O Ring
	094831-01-720	EA	#10 Service Valve
	094831-01-721	EA	#10 O Ring
	094831-01-722	EA	#8 O Ring
	094831-01-723	EA	#6 O Ring
	094831-01-724	EA	#4 O Ring
	094831-01-725	EA	Blend Air Door
	094831-01-726	EA	Blend Air Door Rod
	094831-01-727	EA	Heat Coil
	094831-01-728	EA	Damper Door
	094831-01-729	EA	Damper Door Rod
	094831-01-730	EA	Vacuum Motor
	094831-01-731	EA	2" Hose Adapters
	094831-01-732	EA	Control Housing
	094831-01-733	EA	Control Wiring Harness
	094831-01-734	EA	Light Wiring Harness
	094831-01-735	EA	Control Vacuum Harness
	094831-01-736	EA	Vacuum Switch
	094831-01-737	EA	Blend Air Cable - 72"
	094831-01-738	EA	Cable Clip
	094831-01-739	EA	Unit Cable Clip
	094831-01-740	EA	Auto Relay
	094831-01-741	EA	Louver Asm./Control Panel Trim
	094831-01-742	EA	Condenser Wiring Harness
	094831-01-743	EA	Vacuum Canister
	094831-01-744	EA	Water Valve
	094831-01-745	EA	Kazoo Drain Tube
	094831-01-746	EA	Blend Cable Clamp
	094831-05-000	EA	Owner's Manual - Heater/Air Conditioner
	094831-06-000	EA	Service Manual - Heater/Air Conditioner
	094831-04-000	EA	Wiring Asm. - Cooling Fans (1990 Chevrolet)
	094831-07-000	EA	Wiring Asm. - Cooling Fan Adapter (1991 Chevrolet)
	101849-01-000	EA	Wiring Asm. - Cooling Fan Adapter (1990 Chevrolet)
	072343-06-000	EA	Compressor w/Clutch
	096815-01-700	EA	Condenser Coil
	096815-01-701	EA	#8 Hose Asm.
	096815-01-702	EA	O Ring
	096815-01-703	EA	#8 Hose
	072342-03-701	EA	Receiver Dryer
	007108-01-000	EA	Hose - Heater - 5/8" ID
	007281-01-000	EA	Hose - Flexible - 2 1/2" ID
	009200-01-000	EA	Furnace Tape - 1 1/2"
	024990-03-000	EA	Defroster Outlet - w/Swivel - 2" Gray
	024990-04-000	EA	Defroster Outlet - w/Swivel - 2" Tan
	039044-01-000	EA	Louver Asm. - Air Conditioner - Adjustable Vent

1991 WINNEBAGO TABLE OF CONTENTS

INTRODUCTION	A-01 - A-02
ABBREVIATIONS	A-03
ALPHABETICAL/GROUP REFERENCE	A-04 - A-06
WCM28RQ	A-07 - E-15
WKM40DA	E-17 - I-18

1991 WCM28RQ INDEX

Floor Plan	A-07 - A-08
Accessories Group	A-09 - A-11
Bath Group	A-12 - A-13
Bedroom Group	A-14 - A-18
Chassis Group	A-19 - B-06
Curtain, Cushion & Pad Group	B-07 - B-17
Dinette Group	B-18 - B-20
Driver's Compartment Group	B-21 - C-04
Electrical Group	C-05 - C-08
Exterior Body Group	C-09 - C-17
Galley Group	C-18 - C-21
Heating & Air Conditioning Group	C-22 - C-23
Interior Finish Group	C-24 - D-01
Labels Group	D-02 - D-10
LP Group	D-11
Lounge Group	D-12 - D-14
Sealants & Fasteners Group	D-15 - D-16
Water & Sewage Group	D-17 - C-19
Window, Vent & Exterior Door Group	D-20 - E-15

HEATING & AIR CONDITIONING GROUP (CONTINUED)

FURNACE

Key	Part Number	U/M	Description
**	075695-01-000	EA	Furnace - 24,000 BTU - Suburban - w/Direct Ignition
	094600-01-02A	EA	Register Grill - Brown
	093365-01-000	EA	Thermostat

** The illustrated parts breakdown for this item is provided on the Common Items Fiche.

ROOF AIR CONDITIONING (OPTIONS 29D, 29F, 29H, 29J)

Key	Part Number	U/M	Description
	093763-01-01A	EA	Air Conditioner - Roof Mount - Belgo TSR (Option 29D, 29F)
	093763-01-702	EA	Overload
	093763-01-703	EA	Impellor - 7" Dia. x 2.8" Wide
	093763-01-704	EA	Fan Capacitor
	093763-01-706	EA	Heat Element
	093763-01-708	EA	Condenser Coil
	093763-01-709	EA	Compressor
	093763-01-710	EA	Single Parts Package
	093763-01-711	EA	Gasket Package
	093763-03-000	EA	Shroud - Belgo/Charcoal
	093764-01-000	EA	Ceiling Asm.
	092440-01-000	EA	Air Conditioner - Roof Mount - Export 220V 50HZ (Option 29D, 29F)
	092441-01-000	EA	Ceiling Asm.
	008288-02-000	EA	Plastic Connector - 3/8"
	090971-01-000	EA	Cable Splice
	102289-01-000	EA	Spring
	073937-03-000	EA	Switch - Air Conditioner Selector
	094983-01-000	EA	Label - Air Conditioner Selector Switch

AUXILIARY REAR HEATER W/MOTOR AID (OPTION 611)

Key	Part Number	U/M	Description
	084405-01-000	EA	Heater Asm. - Rear - Ducted
	084405-01-700	EA	Heater Core
	084405-01-701	EA	Fan
	084405-01-702	EA	Motor - 12 Volt Astm.
	069636-02-000	EA	Connector - 4" Duct
	009198-01-000	FT	Duct - Flexible - 4" ID x 25'
	023146-01-000	EA	Clamp - Screw Type - 4"
	056464-04-000	EA	Register - 4" Dia. - Plastic - w/Damper
	088753-01-000	FT	Tube - Aluminized Steel - 5/8" - 18 Ga.
	008042-01-000	FT	Vinyl Tubing - .65
	062401-04-000	EA	Clamp - Hose - Wormgear - 69 - 1.25
	008380-01-000	EA	Bushing - Rubber - 5/8" x 1 1/2"
	007108-01-000	FT	Hose - Heater - 5/8" - Hi-Temp
	010227-01-000	EA	Tee - Plastic - Barb - 5/8" or 3/4" Hose
	061673-01-000	EA	Clamp - Motor Aid
	087202-02-000	EA	Switch - w/o Knob - 4 Position
	090977-01-000	EA	Knob - Switch - Rotary
	084410-02-000	EA	Decal - Rear Auto Heater
	010329-01-000	EA	Brass Adapter - 1/2" F x 1/2" MPT
	052957-02-000	EA	Plastic Elbow - 1/2" F x 1/2" MPT

INTERIOR FINISH GROUP

MOLDINGS & TRIMS

Key	Part Number	U/M	Description
	069733-70-000	EA	Batt Strip - Regal Oak
	079653-04-000	EA	Batt Strip - Regal Oak - Kerfed
	085284-03-000	FT	Batt Strip - Regal Oak - Tape Adhesive
	088263-57-000	EA	Batt Strip - Spatterwall (Main Wall/Galley/Dry Bath/Bedroom)
	079653-14-000	EA	Batt Strip - Spatterwall - Kerfed - Dry Bath
	085284-44-000	FT	Batt Strip - Spatterwall - Tape Adhesive (Main Wall/Galley/Bedroom)
	088263-56-000	EA	Batt Strip - Dawn (Dry Bath)
	085284-43-000	FT	Batt Strip - Dawn - Tape Adhesive (Dry Bath)
	088263-50-000	EA	Batt Strip - White (Wet Bath)
	088229-04-000	EA	Batt Strip - Ivory (Ceiling)
	009767-01-000	FT	Welling - Mahogany
	009767-12-000	FT	Welling - Antique White
	022992-11-000	FT	Reverse Cove Molding - Ivory
	083620-07-000	FT	T-Molding - Pecan
	009809-24-000	EA	F-Molding - 1" - Pecan
	009812-25-000	EA	F-Molding - 1/2" - Pecan
	085746-01-000	FT	J-Molding - Belgo
	042357-17-000	EA	Corner Molding - Radius - Pecan
	081521-02-007	EA	Molding - 64 Hole Space
	016604-01-000	EA	Seat Brace - 2.5"
	070504-01-000	FT	U-Channel - .65" - Light Brown
	009778-13-000	FT	U-Channel - 1" - Pecan
	070504-20-000	FT	U-Channel - .815" - Pecan
	070504-18-000	FT	U-Channel - .65" - Ivory
	009778-11-000	FT	U-Channel - 1" - Ivory
	024700-36-000	EA	Roll Bar Cover - Gray
	024700-17-000	EA	Roll Bar Cover - Off White
	100182-10-807	EA	Trim - Chair Rail

PANELING, COUNTERTOP & VINYL FLOORING

Key	Part Number	U/M	Description
	088272-78-000	SF	Paneling - Spatterwall - 48" x 84" (Main Wall)
	074497-10-000	SF	Paneling - Regal Oak - 48" x 96" (Wall & Cabinet)
	088272-77-000	SF	Paneling - Dawn - 48" x 84" (Dry Bath)
	088272-72-000	SF	Paneling - Travertine White - 48" x 84" (Wet Bath)
	000885-34-000	SF	Particle Board - 3/8" - One Sided - Regal Oak - 49" x 97"
	000885-35-000	SF	Particle Board - 3/4" - One Sided - Regal Oak - 49" x 97"
	000885-36-000	SF	Particle Board - 3/4" Two Sided - Regal Oak - 49" x 97"
	074498-36-000	SF	Laminate - Plastic - Caldera Rose
	074498-24-000	SF	Laminate - Plastic - Regal Oak
	076325-28-000	FT	Edgeband - Beige
	076325-16-000	FT	Edgeband - Regal Oak

1991 WINNEBAGO TABLE OF CONTENTS

INTRODUCTION	A-01 - A-02
ABBREVIATIONS	A-03
ALPHABETICAL/GROUP REFERENCE	A-04 - A-06
WCM28RC	A-07 - E-15
WKM40DA	E-17 - I-18

1991 WCM28RQ INDEX

Floor Plan	A-07 - A-08
Accessories Group	A-09 - A-11
Bath Group	A-12 - A-13
Bedroom Group	A-14 - A-18
Chassis Group	A-19 - B-06
Curtain, Cushion & Pad Group	B-07 - B-17
Dinette Group	B-18 - B-20
Driver's Compartment Group	B-21 - C-04
Electrical Group	C-05 - C-08
Exterior Body Group	C-09 - C-17
Galley Group	C-18 - C-21
Heating & Air Conditioning Group	C-22 - C-23
Interior Finish Group	C-24 - D-01
Labels Group	D-02 - D-10
LP Group	D-11
Lounge Group	D-12 - D-14
Sealants & Fasteners Group	D-15 - D-16
Water & Sewage Group	D-17 - D-19
Window, Vent & Exterior Door Group	D-20 - E-15

INTERIOR FINISH GROUP (CONTINUED)

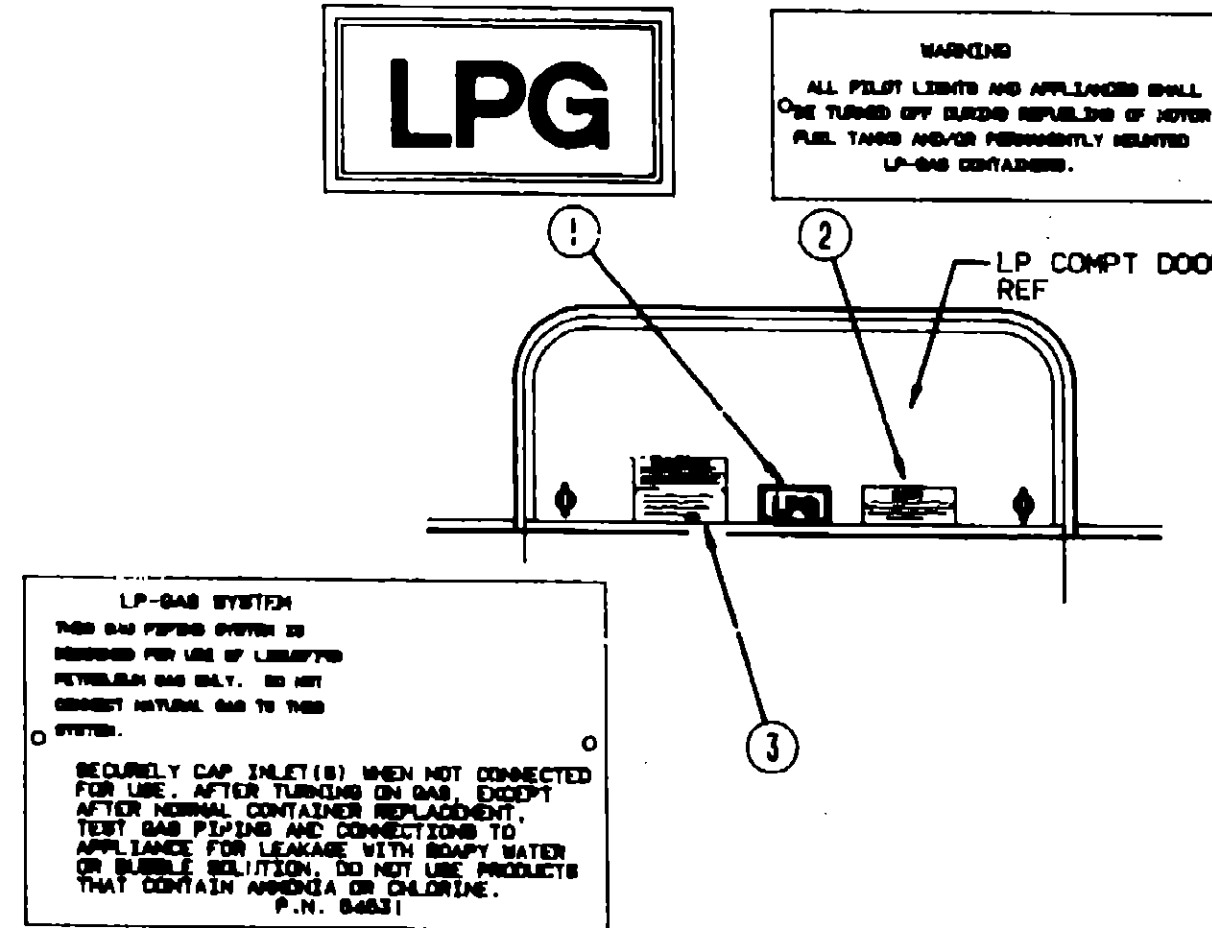
FABRIC & FLOOR COVERING

Key	Part Number	U/M	Description
	096008-68-000	YD	Fabric - Upholstery - Main - Blue (B10)
	096008-67-000	YD	Fabric - Upholstery - Main - Brown (B11)
	096008-66-000	YD	Fabric - Upholstery - Main - Jade (B12)
	096008-43-000	YD	Fabric - Upholstery - Patterned Accent - Blue (B10)
	096008-64-000	YD	Fabric - Upholstery - Patterned Accent - Brown (B11)
	096008-65-000	YD	Fabric - Upholstery - Patterned Accent - Sea Green (B12)
	096008-28-000	YD	Fabric - Upholstery - Plain Accent - Blue (B10)
	096008-40-000	YD	Fabric - Upholstery - Plain Accent - Brown (B11)
	096008-63-000	YD	Fabric - Upholstery - Plain Accent - Sea Green (B12)
	072333-79-000	YD	Fabric - Wrap and Curtain - Slate (B10)
	072333-77-000	YD	Fabric - Wrap and Curtain - Taupe (B11)
	072333-76-000	YD	Fabric - Wrap and Curtain - Silver (B12)
	088273-58-000	YD	Fabric - Bedspread - Grotto (B10)
	088273-57-000	YD	Fabric - Bedspread - Doeskin (B11)
	088273-56-000	YD	Fabric - Bedspread - Aquamarine (B12)
	038421-05-000	YD	Fabric - Mattress Ticking - Gray/White
	096060-14-000	SY	Carpet - Delft Blue (B10)
	096040-26-000	SY	Carpet - Rosewood (B11)
	096040-16-000	SY	Carpet - Teal (B12)
	042720-08-000	SY	Vinyl Floor Covering
	093486-01-000	SY	Carpet - Outside Storage Compartments - Charcoal
	075233-03-000	SY	Pad - Carpet - 3/8"
	077484-01-000	YD	Vinyl - Gray
	079680-09-000	YD	Vinyl - Off White
	079680-01-000	YD	Vinyl - Buckskin
	089351-03-000	YD	Vinyl - Headliner - Acoustical

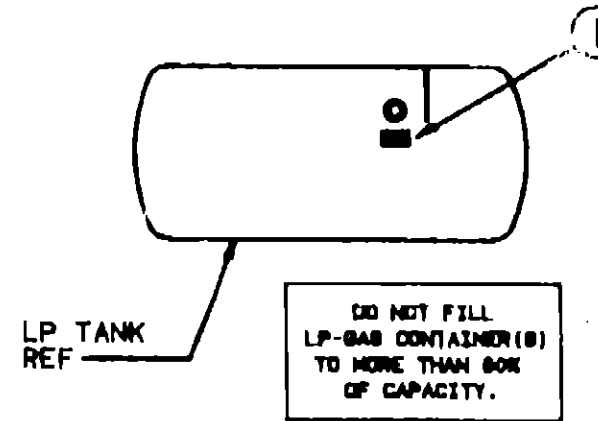
MISCELLANEOUS

Key	Part Number	U/M	Description
	053552-02-AA8	EA	Assist Handle - Interior - Entrance Door
	101333-01-000	EA	Mounting Plate - Clock
	100793-01-01A	EA	Clock
	094499-01-000	EA	Fire Extinguisher - IA10BC (USA)
	094499-02-000	EA	Fire Extinguisher - IA10BC (CSA)
	094499-01-700	EA	Holder - Fire Extinguisher
	007038-01-000	EA	Floor Mat - Entrance Door - Black
	081075-01-000	EA	Floor Mat - Entrance Door
	081201-01-000	EA	Floor Mat - Front - Drivers Side
	081202-01-000	EA	Floor Mat - Front - Passenger Side
	072852-01-000	EA	Smoke Detector - w/9 Volt Battery
	M99892-01-B07	EA	Hand Rail Asm. - Entrance - w/o Brackets
	M03112-04-000	EA	Door Asm. - Battery - w/o Carpet
	093866-01-000	EA	Lockbox Asm. - Outer
	093863-01-000	EA	Drawer Asm. - Lockbox
	093601-01-000	EA	Lock Asm.

LABELS GROUP



Key	Part Number	U/M	Description
1	074559-01-000	EA	Label - "LPG" (California Code)
2	006040-01-000	EA	Tag - Gas Refueling Warning (USA)
2	006040-02-000	EA	Tag - Gas Refueling Warning (CSA)
3	054531-01-000	EA	Label - LP Gas Only (USA)
3	023789-01-000	EA	Label - LP Gas Only (CSA)



Key	Part Number	U/M	Description
1	079985-01-000	EA	Label - LPG - 80% Capacity

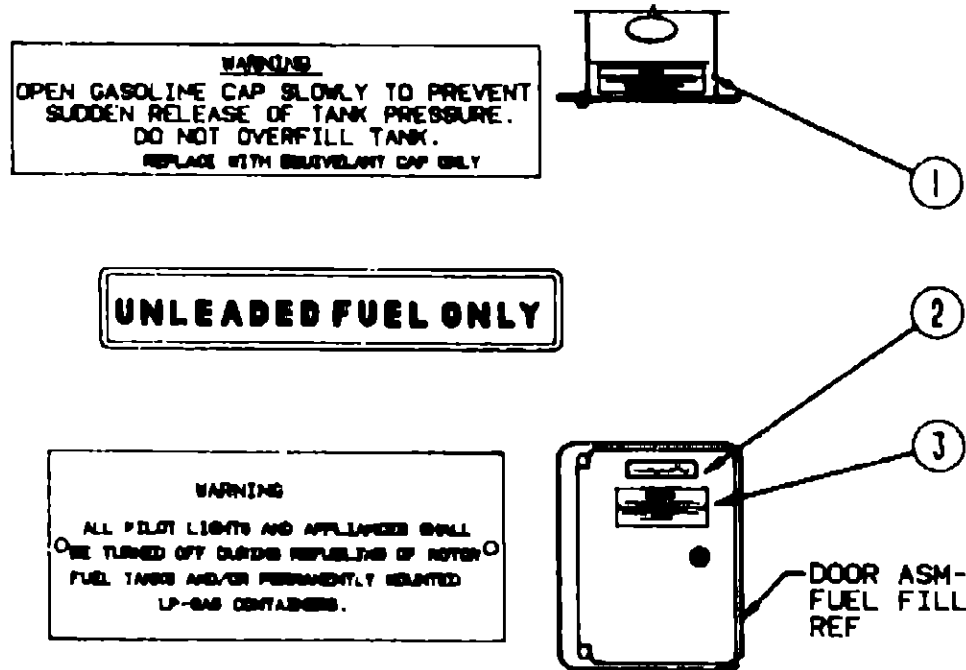
1991 WINNEBAGO TABLE OF CONTENTS

INTRODUCTION	A-01 - A-02
ABBREVIATIONS	A-03
ALPHABETICAL/GROUP REFERENCE	A-04 - A-36
WCM28RQ	A-07 - E-15
WKM40DA	E-17 - I-18

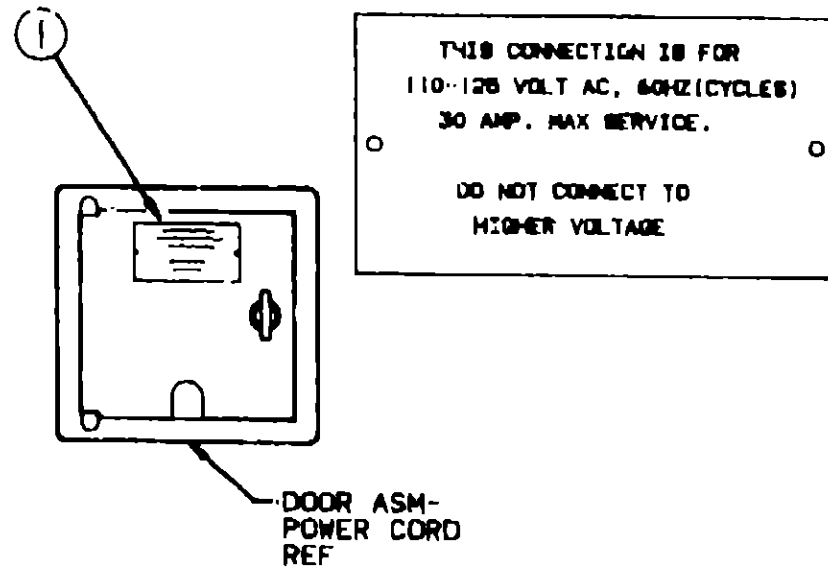
1991 WCM28RQ INDEX

Floor Plan	A-07 - A-08
Accessories Group	A-09 - A-11
Bath Group	A-12 - A-13
Bedroom Group	A-14 - A-18
Chassis Group	A-19 - B-06
Curtain, Cushion & Pad Group	B-07 - B-17
Dinette Group	B-18 - B-20
Driver's Compartment Group	B-21 - C-04
Electrical Group	C-05 - C-08
Exterior Body Group	C-09 - C-17
Galley Group	C-18 - C-21
Heating & Air Conditioning Group	C-22 - C-23
Interior Finish Group	C-24 - D-01
Labels Group	D-02 - D-10
LP Group	D-11
Lounge Group	D-12 - D-14
Sealants & Fasteners Group	D-15 - D-16
Water & Sewage Group	D-17 - D-19
Window, Vent & Exterior Door Group	D-20 - E-15

LABELS GROUP (CONTINUED)

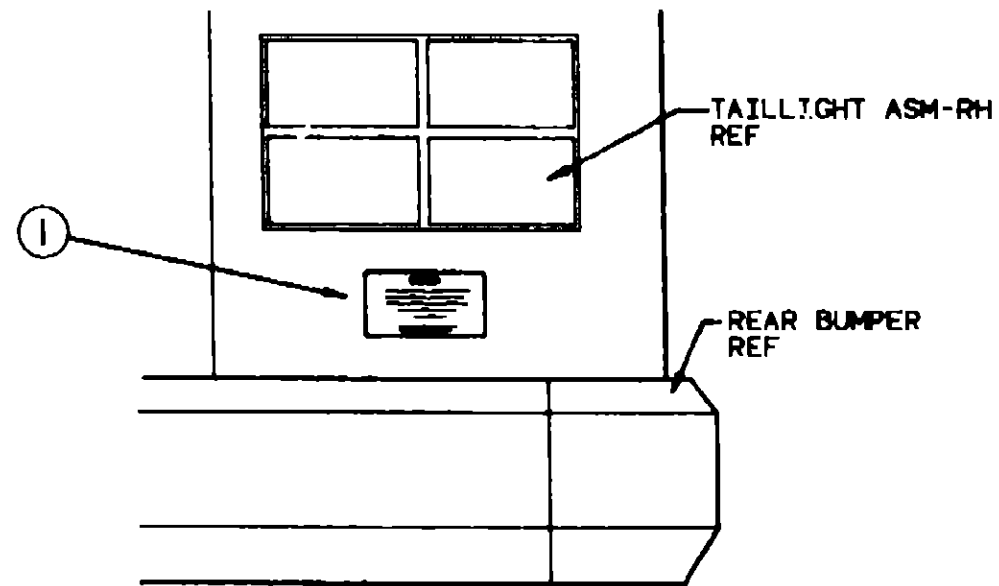


Key	Part Number	U/M	Description
1	087207-05-000	EA	Label - Fuel Cap Removal (GM-15811763)
2	062043-01-000	EA	Label - Unleaded Fuel
3	006040-01-000	EA	Tag - Gas Refueling Warning (USA)
3	006040-02-000	EA	Tag - Gas Refueling Warning (CSA)



Key	Part Number	U/M	Description
1	008062-01-000	EA	Tag - Electrical - 110 Volt Connection

LABELS GROUP (CONTINUED)

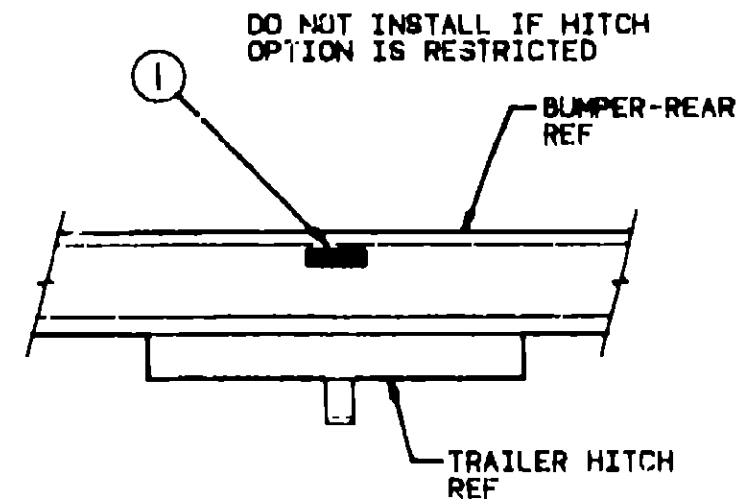


WARNING

DO NOT EXCEED THE VEHICLE WEIGHT RATINGS OR LOADING RECOMMENDATIONS (E.G., GROSS VEHICLE, GROSS AXLE, GROSS COMBINED) OF THE CHASSIS MANUFACTURER OR WINNEBAGO INC.

REFER TO YOUR OWNERS MANUAL, BEFORE LOADING OR TOWING.

Key	Part Number	U/M	Description
1	075220-01-000	EA	Label - Exterior Load Warning



TOWING CAPACITY

TOWED VEHICLE 3600 LB. GROSS MAXIMUM
HITCH BALL 200 LB. MAXIMUM

Key	Part Number	U/M	Description
1	075221-03-000	EA	Label - Towing Capacity

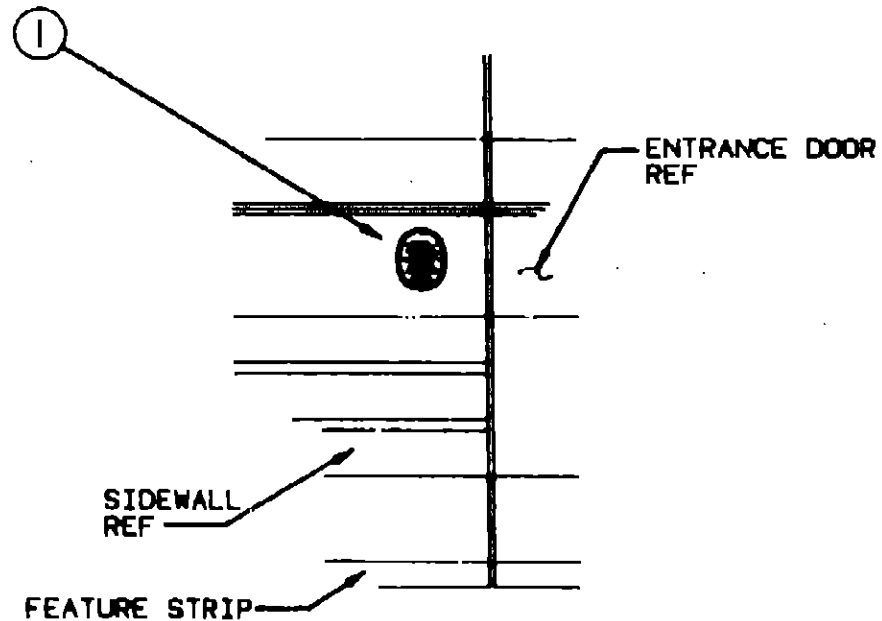
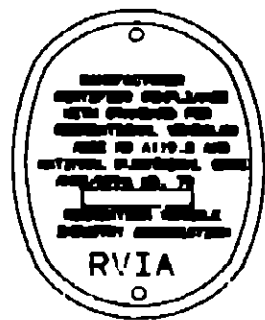
1991 WINNEBAGO TABLE OF CONTENTS

INTRODUCTION	A-01 - A-02
ABBREVIATIONS	A-03
ALPHABETICAL/GROUP REFERENCE	A-04 - A-06
WCM28RQ	A-07 - E-15
WKM40DA	E-17 - I-18

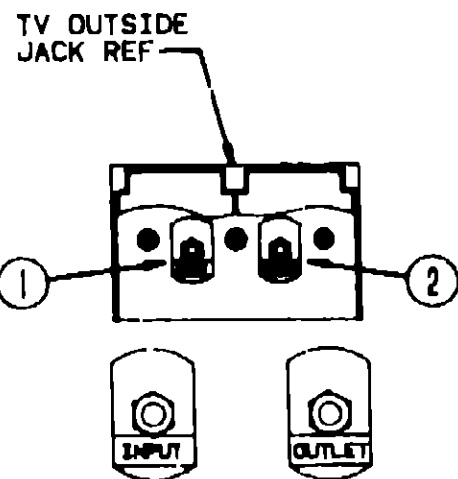
1991 WCM28RQ INDEX

Floor Plan	A-07 - A-08
Accessories Group	A-09 - A-11
Bath Group	A-12 - A-13
Bedroom Group	A-14 - A-18
Chassis Group	A-19 - B-06
Curtain, Cushion & Pad Group	B-07 - B-17
Dinette Group	B-18 - B-20
Driver's Compartment Group	B-21 - C-04
Electrical Group	C-05 - C-06
Exterior Body Group	C-09 - C-17
Galley Group	C-18 - C-21
Heating & Air Conditioning Group	C-22 - C-23
Interior Finish Group	C-24 - D-01
Labels Group	D-02 - D-10
LP Group	D-11
Lounge Group	D-12 - D-14
Sealants & Fasteners Group	D-15 - D-16
Water & Sewage Group	D-17 - D-19
Window, Vent & Exterior Door Group	D-20 - E-15

LABELS GROUP (CONTINUED)

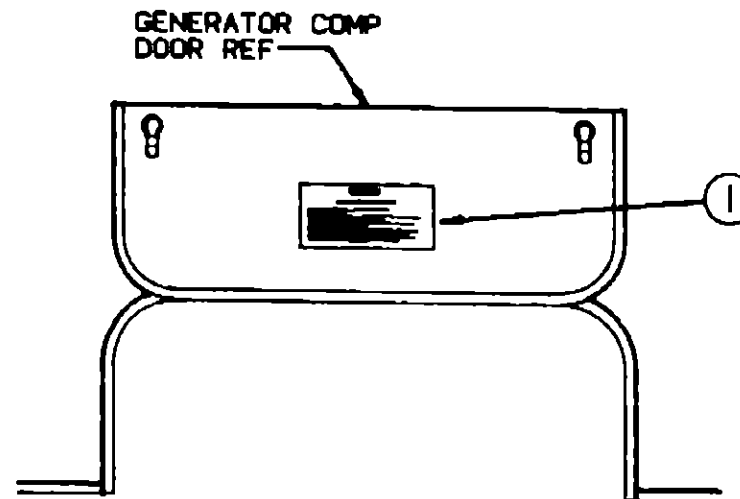


Key	Part Number	U/M	Description
1	006019-01-000	EA	Tag - RVIA Approved - Plastic



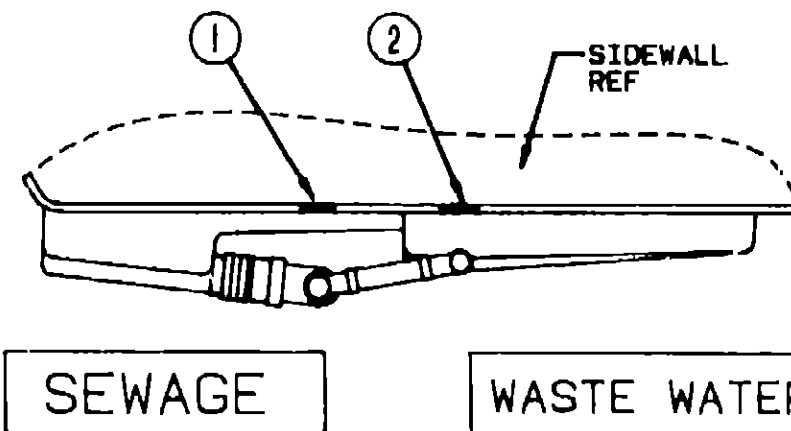
Key	Part Number	U/M	Description
1	087236-01-000	EA	Label - Cable Input
2	087236-02-000	EA	Label - TV Outlet

LABELS GROUP (CONTINUED)



WARNING
WHEN ADDING A GENERATOR SET:
 HIGH VOLTAGE—USE EXTREME CAUTION WHEN WORKING ON ELECTRICAL COMPONENTS. HAVE ALL ELECTRICAL INSTALLATION PERFORMED BY A QUALIFIED LICENSED ELECTRICIAN—FOLLOW ALL STATE AND LOCAL CODES. ONLY INSTALL GENERATOR SET APPROVED FOR R.V. APPLICATION. HAVE INSTALLED BY QUALIFIED TECHNICIAN. TO AVOID HEAT BUILD-UP AND TO GUARANTEE AN ADEQUATE AIR SUPPLY TO THE GENERATOR COMPARTMENT, FOLLOW INSTALLATION INSTRUCTIONS. GENERATOR EXHAUST GASES ARE TOXIC AND MUST NOT TERMINATE UNDER THE VEHICLE—EXHAUST AWAY FROM VEHICLE.

Key	Part Number	U/M	Description
1	077510-01-000	EA	Label - Generator Prep



Key	Part Number	U/M	Description
1	008187-01-000	EA	Label - Sewage
2	008188-01-000	EA	Label - Waste Water

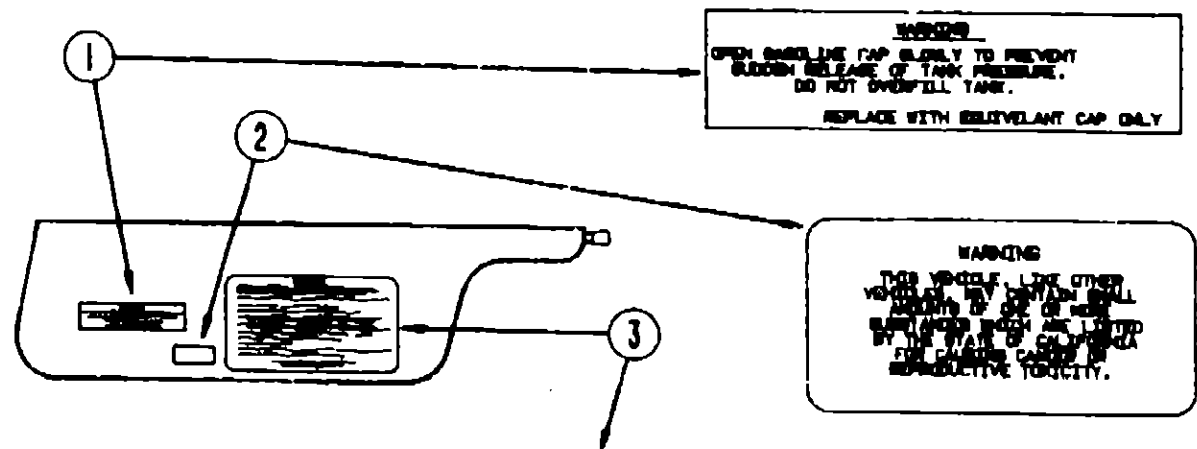
1991 WINNEBAGO TABLE OF CONTENTS

INTRODUCTION	A-01 - A-02
ABBREVIATIONS	A-03
ALPHABETICAL/GROUP REFERENCE	A-04 - A-06
WCM28RQ	A-07 - E-15
WKM40DA	E-17 - I-18

1991 WCM28RQ INDEX

Floor Finish	A-07 - A-08
Accessories Group	A-09 - A-11
Bath Group	A-12 - A-13
Bedroom Group	A-14 - A-16
Chassis Group	A-19 - B-06
Curtain, Cushion & Pad Group	B-07 - B-17
Dinette Group	B-18 - B-20
Driver's Compartment Group	B-21 - C-04
Electrical Group	C-05 - C-08
Exterior Body Group	C-09 - C-17
Galley Group	C-18 - C-21
Heating & Air Conditioning Group	C-22 - C-23
Interior Finish Group	C-24 - D-01
Labels Group	D-02 - D-10
LP Group	D-11
Lounge Group	D-12 - D-14
Sealants & Fasteners Group	D-15 - D-16
Water & Sewage Group	D-17 - D-19
Window, Vent & Exterior Door Group	D-20 - E-15

LABELS GROUP (CONTINUED)



WARNING
 OPEN GAS LINE CAP SLOWLY TO PREVENT
 SUDDEN RELEASE OF TANK PRESSURE.
 DO NOT OVERFILL TANK.
 REPLACE WITH BELLVELANT CAP ONLY

WARNING
 THIS VEHICLE LIKE OTHER
 VEHICLES, MAY CONTAIN SMALL
 QUANTITIES OF LEAD ACID BATTERY
 ELECTROLYTE WHICH IS LIQUID
 BY THE NATURE OF CALIFORNIA
 LAW IS CLASSIFIED AS A
 HIGHLY TOXIC SUBSTANCE.
 BE CAREFUL TO AVOID CONTACT
 WITH THIS LIQUID.

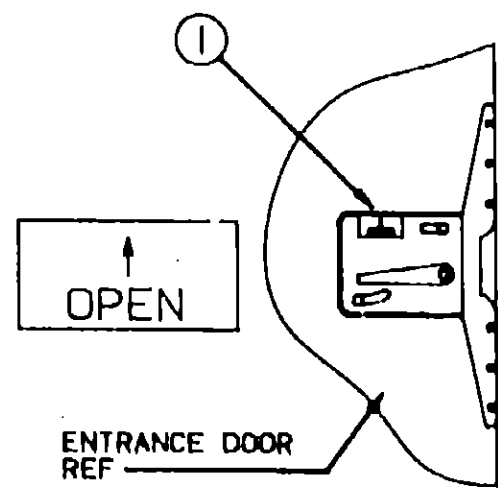
CAUTION

THIS MOTOR HOME HAS BEEN DESIGNED, MANUFACTURED AND TESTED WITH CONCERN FOR THE PROTECTION OF IT'S OCCUPANTS. WE RECOMMEND YOU PERFORM THE FOLLOWING INSPECTIONS FOR YOUR SAFETY AND THE SAFETY OF YOUR PASSENGERS BEFORE STARTING YOUR VEHICLE.

1. LP GAS SYSTEM- TURN OFF AT TANK FOR TRAVELING, TEST FOR LEAKS UPON ARRIVAL AT DESTINATION, BEFORE LIGHTING PILOTS.
2. WHEELS- INSPECT FOR DAMAGE AND CHECK LUB NUTS FOR TIGHTNESS.
3. TIRES- INSPECT FOR WEAR AND DAMAGE AND CHECK FOR RECOMMENDED AIR PRESSURE.
4. LIGHTING- TEST FOR PROPER OPERATION OF ALL INTERIOR AND EXTERIOR LIGHTS INCLUDING DASH LIGHTS, HEADLIGHTS, TAIL LIGHTS, BRAKE LIGHTS, CLEARANCE LIGHTS AND TURN SIGNALS.
5. EXITS- INSPECT RELEASE MECHANISM ON EMERGENCY EXIT WINDOWS, TEST BOTH LOCKS ON MAIN ENTRANCE DOOR FOR EASE OF OPERATION AND INSTRUCT PASSENGERS HOW TO USE BOTH MEANS OF EXIT.
6. SEAT BELTS- DIRECT PASSENGERS TO DESIGNATED SEATS AND RESUME USE OF SEAT BELTS.
7. APPLIANCES- TURN OFF AND LATCH OR LOCK DOORS WHERE PROVIDED.
8. LOOSE PARCELS- STOW SECURELY.
9. UTILITY SUPPLY LINES- DISCONNECT ALL ELECTRIC, SEWER AND WATER LINES AND SECURE PROPERLY.
10. ENTRANCE DOOR STOP- PLACE IN RETRACTED POSITION FOR TRAVELING.

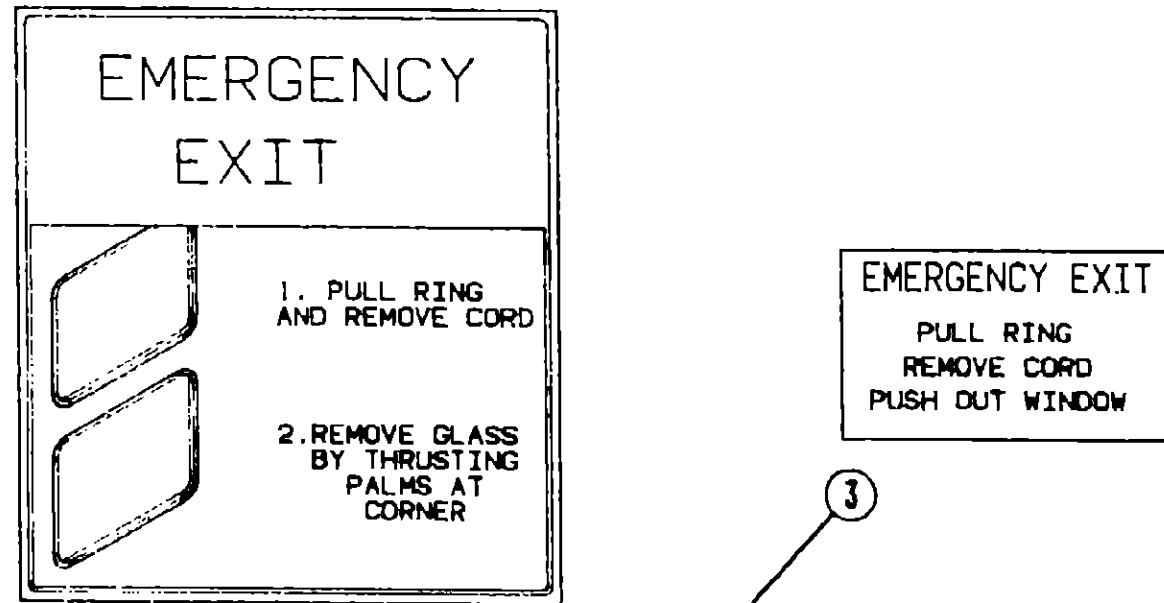
READ YOUR MOTOR HOME AND CHASSIS OWNER'S MANUAL FOR FURTHER PRECAUTIONS

Key	Part Number	U/M	Description
1	087207-05-000	EA	Label - Fuel Cap Removal
2	099689-01-000	EA	Label - Warning - Cancer/Toxicity (California Code)
3	058259-01-000	EA	Label - Safety Check List

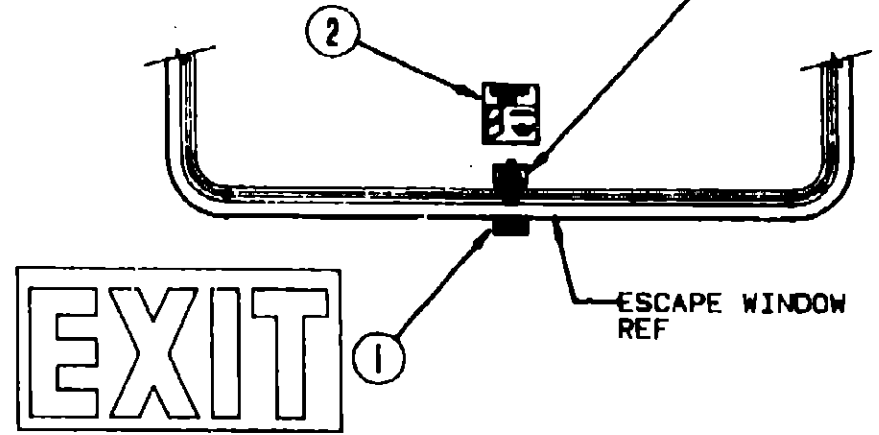


Key	Part Number	U/M	Description
1	040944-01-000	EA	Label - Open

LABELS GROUP (CONTINUED)



EMERGENCY EXIT
 PULL RING
 REMOVE CORD
 PUSH OUT WINDOW

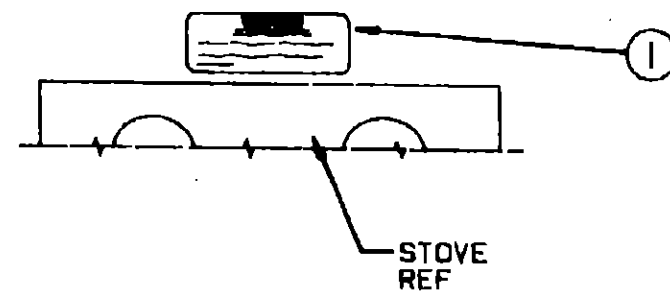


Key	Part Number	U/M	Description
1	039290-01-000	EA	Label - Warning - Exit
2	047731-01-000	EA	Label - Emergency Exit
3	008199-01-000	EA	Label - Exit - Escape Window

WARNING
 IT IS NOT SAFE TO USE COOKING
 APPLIANCES FOR COMFORT HEATING

COOKING APPLIANCES NEED FRESH AIR FOR SAFE OPERATION BEFORE OPERATION.

1. OPEN OVERHEAD VENT OR TURN ON EXHAUST FAN AND,
2. OPEN WINDOW.



Key	Part Number	U/M	Description
1	050225-01-000	EA	Label - Warning - Stove Vent (USA)
1	050222-01-000	EA	Label - Warning - Stove Vent (CSA)

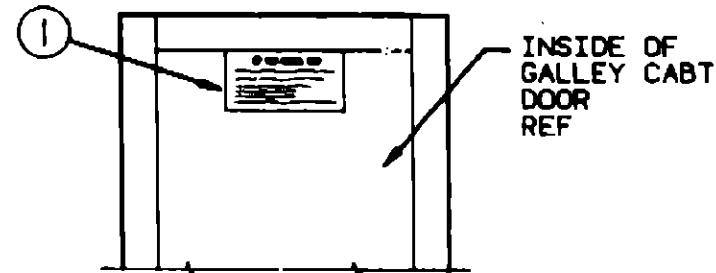
**1991 WINNEBAGO
 TABLE OF CONTENTS**

INTRODUCTION	A-01 - A-02
ABBREVIATIONS	A-03
ALPHABETICAL/GROUP REFERENCE	A-04 - A-06
WCM28RQ	A-07 - E-15
WKM40DA	E-17 - I-18

1991 WCM28RQ INDEX

Floor Plan	A-07 - A-08
Accessories Group	A-09 - A-11
Bath Group	A-12 - A-13
Bedroom Group	A-14 - A-18
Chassis Group	A-19 - B-06
Curtain, Cushion & Pad Group	B-07 - B-17
Dinette Group	B-18 - B-20
Driver's Compartment Group	B-21 - C-04
Electrical Group	C-05 - C-08
Exterior Body Group	C-09 - C-17
Galley Group	C-18 - C-21
Heating & Air Conditioning Group	C-22 - C-23
Interior Finish Group	C-24 - D-01
Labels Group	D-02 - D-10
LP Group	D-11
Lounge Group	D-12 - D-14
Sealants & Fasteners Group	D-15 - D-16
Water & Sewage Group	D-17 - D-19
Window, Vent & Exterior Door Group	D-20 - E-15

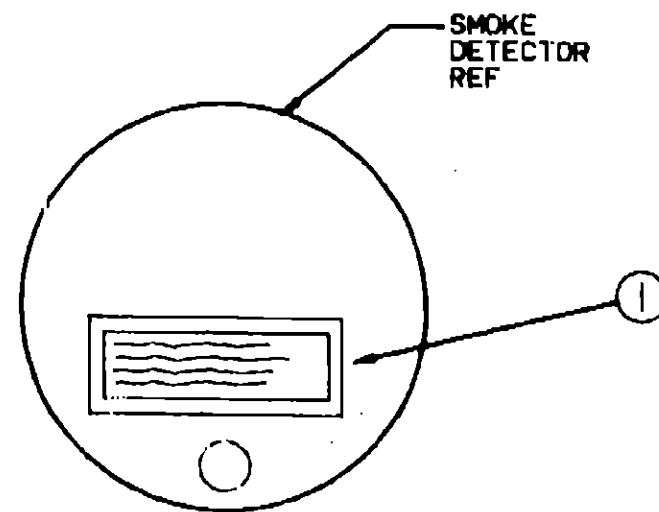
LABELS GROUP (CONTINUED)



IF YOU SMELL GAS

1. EXTINGUISH ANY OPEN FLAME, PILOT LIGHTS AND ALL SMOKING MATERIALS.
2. SHUT OFF THE GAS SUPPLY AT THE TANK VALVE OR GAS SUPPLY CONNECTION.
3. OPEN DOORS AND OTHER VENTILATION OPENINGS.
4. DO NOT TOUCH ELECTRICAL SWITCHES.
5. LEAVE THE AREA UNTIL ODOR CLEARS.
6. HAVE THE GAS SYSTEM CHECKED AND LEAKAGE SOURCE CORRECTED BEFORE USING AGAIN.

Key	Part Number	U/M	Description
1	073998-01-00	EA	Label - LP Gas (odor Warning)

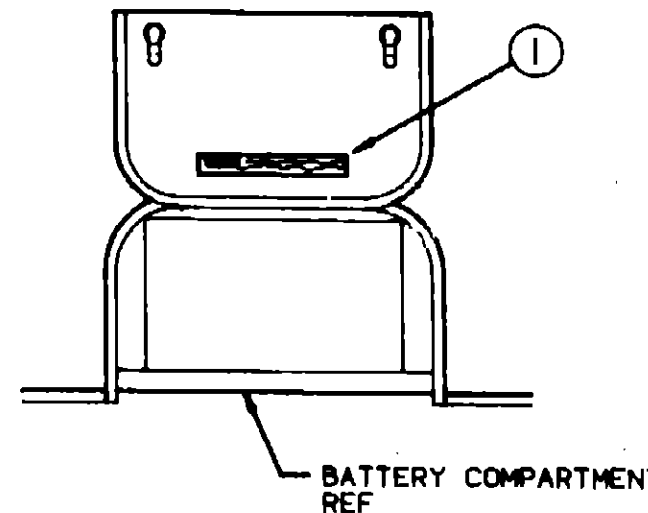


WARNING: TEST SMOKE DETECTOR OPERATION AFTER VEHICLE HAS BEEN IN STORAGE, BEFORE EACH TRIP AND AT LEAST ONCE PER WEEK DURING USE.

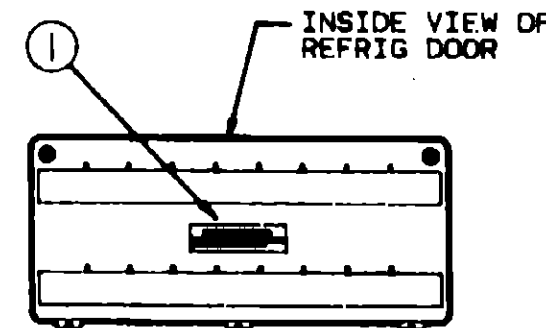
Key	Part Number	U/M	Description
1	077958-01-000	EA	Label - Warning - Smoke Detector

LABELS GROUP (CONTINUED)

WARNING DISCONNECT BATTERIES BEFORE CONNECTING EXTERNAL CHARGING EQUIPMENT.



Key	Part Number	U/M	Description
1	065748-01-000	EA	Label - Caution - Battery Charging



COMBUSTION AIR KIT NO 84870
MARCOLE ED MODELS
THIS VENTILATION KIT MUST BE INSTALLED AND USED WITHOUT MODIFICATION.

Key	Part Number	U/M	Description
1	070905-02-000	EA	Label - Refrigerator Combustion Air

Key	Part Number	U/M	Description
	008084-01-000	EA	Label - Seat w/o Seat Belt (USA)
	008084-02-000	EA	Label - Seat w/o Seat Belt (CSA)
	035709-01-000	EA	Label - Warning - No Storage
	074983-01-000	EA	Label - Air Conditioner Selector Switch
	091224-02-000	EA	Label - Trailer Lighting
	091243-01-000	EA	Label - Air Conditioner Cover
	099509-01-000	EA	Label - Awning Installation

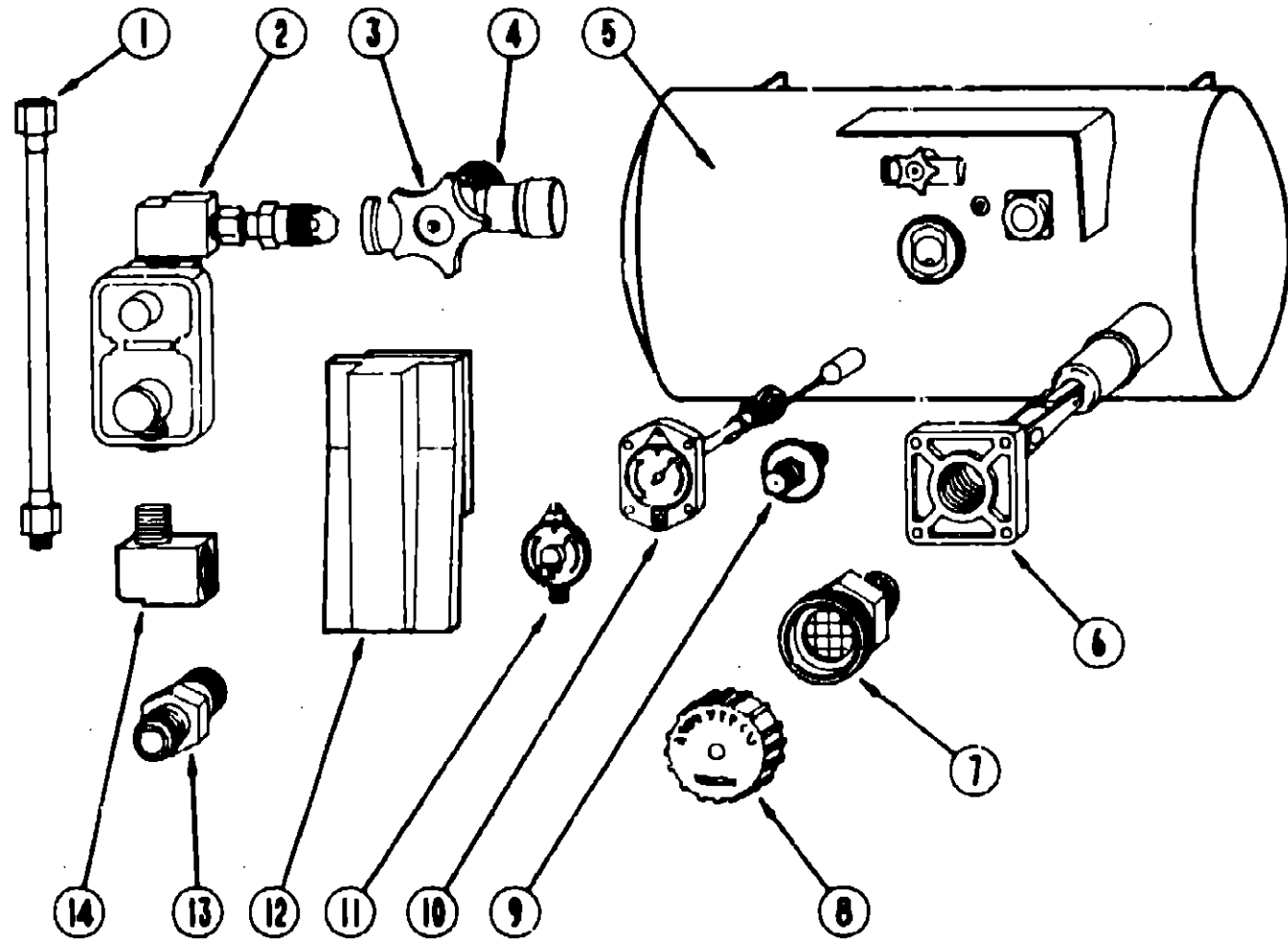
**1991 WINNEBAGO
TABLE OF CONTENTS**

INTRODUCTION	A-01 - A-02
ABBREVIATIONS	A-03
ALPHABETICAL/GROUP REFERENCE	A-04 - A-08
WCM28RQ	A-07 - E-15
WKM40DA	E-17 - I-18

1991 WCM28RQ INDEX

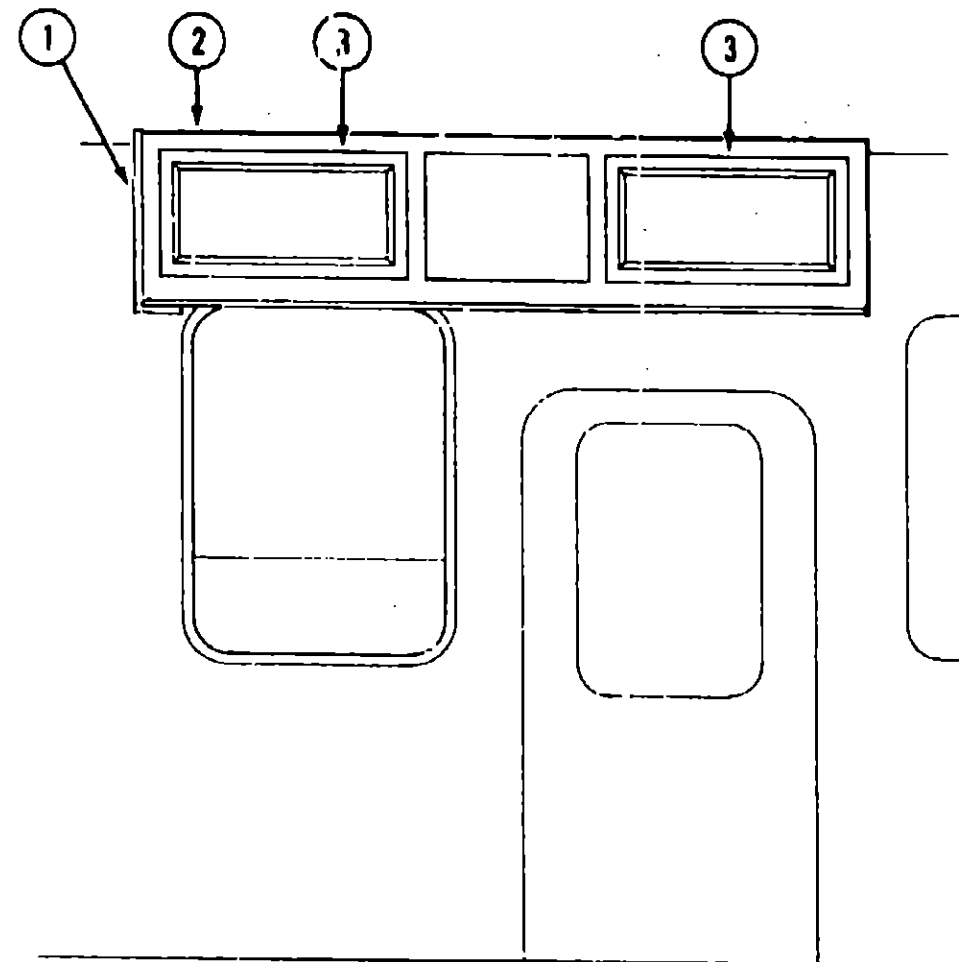
Floor Plan	A-07 - A-08
Accessories Group	A-09 - A-11
Bath Group	A-12 - A-13
Bedroom Group	A-14 - A-18
Chassis Group	A-19 - B-06
Curtain, Cushion & Pad Group	B-07 - B-17
Dinette Group	B-18 - B-20
Driver's Compartment Group	B-21 - C-04
Electrical Group	C-05 - C-08
Exterior Body Group	C-09 - C-17
Galley Group	C-18 - C-21
Heating & Air Conditioning Group	C-22 - C-23
Interior Finish Group	C-24 - D-01
Labels Group	D-02 - D-10
LP Group	D-11
Lounge Group	D-12 - D-14
Sealants & Fasteners Group	D-15 - D-16
Water & Sewage Group	D-17 - D-19
Window, Vent & Exterior Door Group	D-20 - E-15

LP GROUP



Key	Part Number	U/M	Description
1	045703-01-000	EA	Hose Asm. - LP - 3/8" ID x 24" (USA)
1	045703-02-000	EA	Hose Asm. - LP - 3/8" ID x 24" (CSA)
2	078301-01-000	EA	Regulator - Two Stage
3	040421-01-708	EA	Handwheel - Service Valve
4	040421-01-703	EA	Service Valve - Vapor Relief
5	088253-01-000	EA	LP Tank - 80 Pound - 18" Dia. x 30"
6	040421-01-711	EA	Inner Tank Valve - 80% Fill
7	040421-01-701	EA	Fill Valve
8	040421-01-702	EA	Fill Valve Cap
9	040421-01-700	EA	Liquid Level Gauge
10	040421-01-707	EA	Float Gauge
11	040440-02-000	EA	Dial - Visible Face - Float Gauge (w/Electric Transmitter)
12	081938-01-000	EA	Cover - LP Regulator
13	010329-01-000	EA	Adapter - Brass - 1/2" F x 1/2" MPT
14	065318-02-000	EA	Elbow - Brass - 90° - 3/8" MPT x 3/8" FPT
	065741-01-000	EA	Gauge - Diaphragm Pressure - Test Leak (Manometer)
	010844-01-000	FT	Pipe - Black Steel - 1/2" ID
	010515-01-000	EA	Elbow - Black Steel - 1/2" ID x 90°
	010538-01-000	EA	Tee - Black Steel - 1/2" ID
	010589-01-000	EA	Nipple - Black Steel - 1/2" ID x 1 1/2" Long
	057042-01-000	EA	Cross - Black Steel - 1/2" ID
	093380-01-000	EA	Coupler - Black Steel - 1/2" ID to 3/8" ID
	010473-01-000	FT	Copper Tubing - 3/8" OD
	010474-01-000	EA	Copper Tubing - 1/2" OD
	010271-01-000	EA	Elbow - Brass - 90° - 1/2" F x 1/2" MPT
	010377-02-000	EA	Nut - Brass - 3/8" F
	010380-02-000	EA	Nut - Brass - 1/2" F
	008042-01-000	FT	Vinyl Tubing - .65" ID
	016188-03-000	EA	Grommet - 3/8" - 2.5" Long
	016188-04-000	EA	Grommet - 1/2" - 2.5" Long
	016188-05-000	EA	Grommet - 3/8" - 1.25" Long

LOUNGE GROUP



OVERHEAD CABINETRY - PASSENGER SIDE LOUNGE

Key	Part Number	U/M	Description
1	097048-05-B10	EA	End Cap Asm. - Overhead Cabinet
2	M05019-33-B10	EA	Cabinet Asm. - Overhead - w/o Doors
3	P00520-08-B07	EA	Door Asm. - Overhead Cabinet - w/o Hardware
	048394-02-000	YD	Velcro Tape - Loop
	048395-02-000	YD	Velcro Tape - Hook

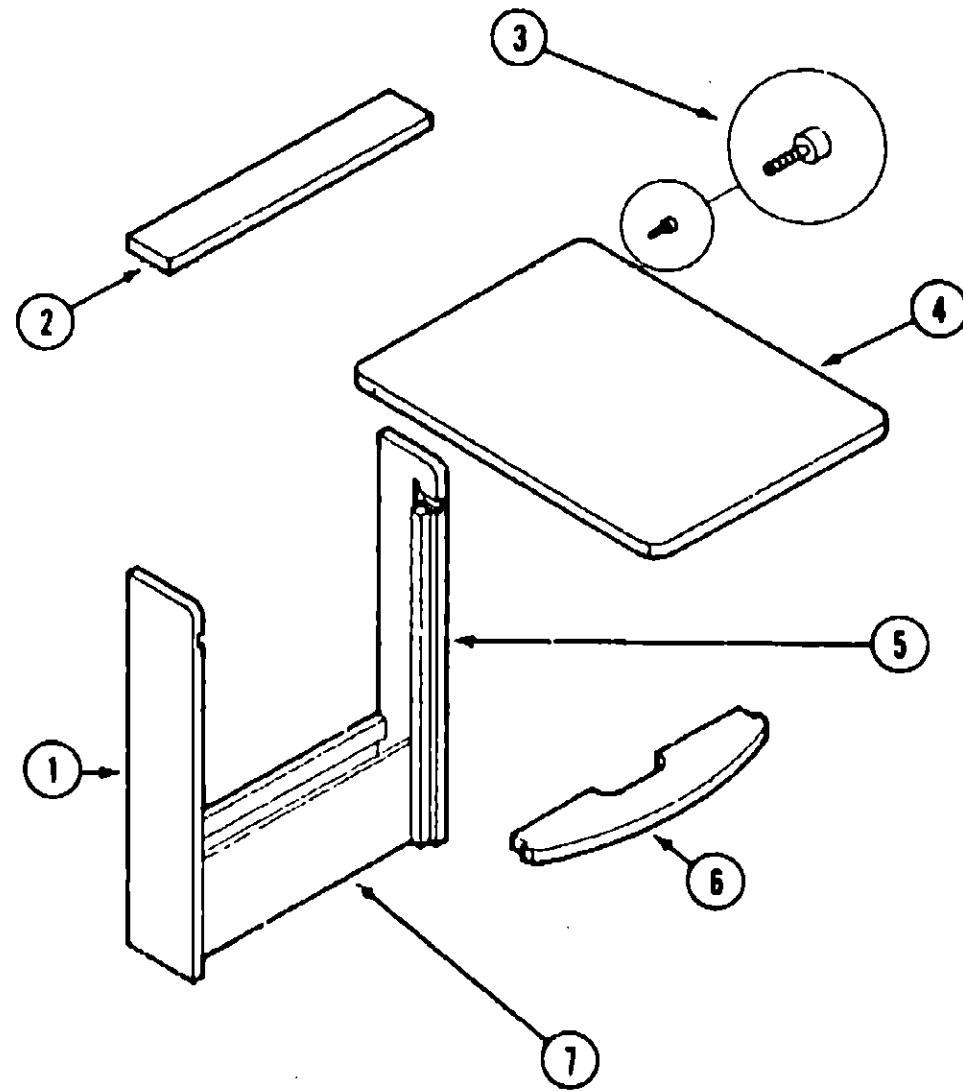
**1991 WINNEBAGO
TABLE OF CONTENTS**

INTRODUCTION	A-01 - A-02
ABBREVIATIONS	A-03
ALPHABETICAL/GROUP REFERENCE	A-04 - A-06
WCM28RQ	A-07 - E-15
WKM40DA	E-17 - I-18

1991 WCM28RQ INDEX

Floor Plan	A-07 - A-08
Accessories Group	A-09 - A-11
Bath Group	A-12 - A-13
Bedroom Group	A-14 - A-18
Chassis Group	A-19 - B-06
Curtain, Cushion & Pad Group	B-07 - B-17
Dinette Group	B-18 - B-20
Driver's Compartment Group	B-21 - C-04
Electrical Group	C-05 - C-08
Exterior Body Group	C-09 - C-17
Galley Group	C-18 - C-21
Heating & Air Conditioning Group	C-22 - C-23
Interior Finish Group	C-24 - D-01
Labels Group	D-02 - D-10
LP Group	D-11
Lounge Group	D-12 - D-14
Sealants & Fasteners Group	D-15 - D-16
Water & Sewage Group	D-17 - D-19
Window, Vent & Exterior Door Group	D-20 - E-15

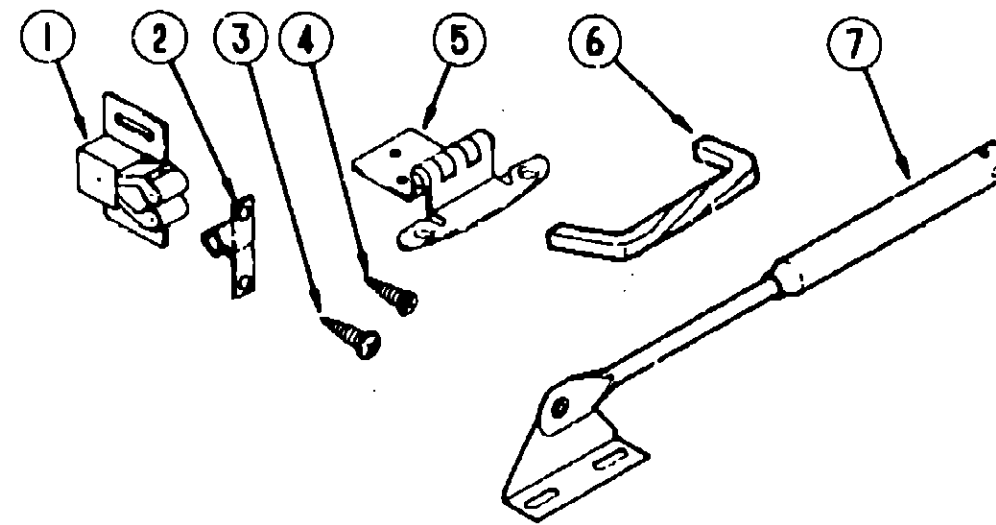
LOUNGE GROUP (CONTINUED)



PULLOUT TABLE

Key	Part Number	U/M	Description
1	096873-14-B05	EA	Table Cabinet End - Left
2	096873-15-B05	EA	Table Cabinet Top
3	079921-01-000	EA	Nylon Roller w/Shaft
4	096873-11-B05	EA	Pullout Table
	080736-01-000	EA	Table Pull
5	096873-13-B05	EA	Table Cabinet End - Right
6	096873-12-B05	EA	Shelf
7	096873-16-B05	EA	Table Cabinet Front - Bottom

LOUNGE GROUP (CONTINUED)



CABINET HARDWARE (DOORS & CABINETS)

Key	Part Number	U/M	Description
1	093586-03-000	EA	Roller Catch (Doors)
2	093586-04-000	EA	Steel Strike (Doors)
3	000G68-06-10G	EA	Screw - #6 - 18 x .825" POH - Antique Brass - Hinge to Cabinet
4	000G13-06-10G	EA	Screw - #6 - 20 x .825" PFH - Antique Brass - Hinge to Door
5	059777-02-000	EA	Hinge - Burnished Brass
6	096845-01-000	EA	Pull Handle
7	074493-02-000	EA	Door Support

**1991 WINNEBAGO
TABLE OF CONTENTS**

INTRODUCTION	A-01 - A-02
ABBREVIATIONS	A-03
ALPHABETICAL/GROUP REFERENCE	A-04 - A-06
WCM28RQ	A-07 - E-15
WKM40DA	E-17 - I-18

1991 WCM28RQ INDEX

Floor Plan	A-07 - A-08
Accessories Group	A-09 - A-11
Bath Group	A-12 - A-13
Bedroom Group	A-14 - A-18
Chassis Group	A-19 - B-06
Curtain, Cushion & Pad Group	B-07 - B-17
Dinette Group	B-18 - B-20
Driver's Compartment Group	B-21 - C-04
Electrical Group	C-05 - C-08
Exterior Body Group	C-09 - C-17
Galley Group	C-18 - C-21
Heating & Air Conditioning Group	C-22 - C-23
Interior Finish Group	C-24 - D-01
Labels Group	D-02 - D-10
LP Group	D-11
Lounge Group	D-12 - D-14
Sealants & Fasteners Group	D-15 - D-16
Water & Sewage Group	D-17 - D-19
Window, Vent & Exterior Door Group	D-20 - E-15

SEALANTS & FASTENERS

SCREWS & FASTENERS

Key	Part Number	U/M	Description
	000C13-07-488	EA	Bolt - Hex - 7/16 - 20 x 3 - Zn 5
	000C26-05-20B	EA	Bolt - Hex - Ser Fig 5/16 - 18 x 1 1/4" - Zinc
	000D24-10-00B	EA	Nut - Hex - Locking - 10-32 - Zn
	000D39-05-00B	EA	Nut - Hex - Ser Fig Lk - 5/16 - 18 - Zn
	000D39-06-00B	EA	Nut - Hex - Ser Fig Lk - 3/8 - 16 - Zn
	000D39-08-00B	EA	Nut - Hex - Ser Fig Lk - 1/2 - 13 - Zn
	000D44-07-00B	EA	Nut - Hex - Ser Fig Lk - 7/16 - 20 - Zn
	000E13-11-00B	EA	Washer - Flat - 3/16" Wide - Zn
	000G11-08-10J	EA	Screw - 8 - 20 x 5/8 PPH - Brass
	000G11-07-08B	EA	Screw - 7 - 19 x 1/2 PPH - Zn
	000G11-08-06B	EA	Screw - 8 - 18 x 3/8 PPH - Zn
	000G11-08-12B	EA	Screw - 8 - 18 x 3/4 PPH - Zn
	000G11-08-12D	EA	Screw - 8 - 18 x 3/4 PPH - Black
	000G11-08-12P	EA	Screw - 8 - 18 x .75 - Dark Brown
	000G11-08-12R	EA	Screw - 8 - 18 x .75 PPH - Beige
	000G11-08-12S	EA	Screw - 8 - 18 x .75 PPH - Off White
	000G11-08-16S	EA	Screw - 8 - 18 x 1.00 PPH - Off White
	000G11-10-12D	EA	Screw - 10 - 16 x 3/4 PPH - Black
	000G11-10-24P	EA	Screw - 10 - 16 x 1 1/2 PPH - Dark Brown
	000G12-08-12S	EA	Screw - 8 - 18 x .75 POH - Off White
	000G12-08-16S	EA	Screw - 8 - 18 x 1" POH - Off White
	000G13-06-06B	EA	Screw - 6 - 20 x 1/2 PFH - Zn
	000G13-08-10G	EA	Screw - 6 - 20 x 5/8 PFH - Antique Brass
	000G13-07-12B	EA	Screw - 7 - 19 x 3/4 PFH - Zn
	000G13-08-16B	EA	Screw - 8 - 18 x 1 PFH - Zn
	000G18-08-12B	EA	Screw - Machine - 8 - 32 x 3/4" PPH - Zn
	000G18-08-16B	EA	Screw - Machine - 8 - 32 x 1 PPH - Zn
	000G18-08-22B	EA	Screw - Machine - 8 - 32 x 1 3/8 PPH - Zn
	000G39-08-08B	EA	Screw - SF/DR 8 - 18 x 1/2 PPH - Zn
	000G39-08-08R	EA	Screw - SF/DR 8 - 18 x 1/2 PPH - Beige
	000G39-08-12B	EA	Screw - SF/DR 8 - 18 x 3/4 PPH - Zn
	000G39-08-12R	EA	Screw - SF/DR 8 - 18 x 3/4 PPH - Beige
	000G39-08-16S	EA	Screw - SF/DR 8 - 18 x 1.00 PPH - Off White
	000G39-08-24B	EA	Screw - SF/DR 8 - 18 x 1 1/2 PPH - Zn
	000G39-08-24S	EA	Screw - SF/DR 8 - 18 x 1.50 PPH - Off White
	000G39-10-10S	EA	Screw - SF/DR 10 - 16 x .82" PPH - Off White
	000G39-10-12D	EA	Screw - SF/DR 10 - 16 x 3/4 PPH - Black
	000G39-10-20B	EA	Screw - SF/DR 10 - 16 x 1 1/4 PPH - Zn
	000G42-04-16B	EA	Screw - SF/DR 1/4 - 14 x 1 HWH - Zn
	000G53-04-06B	EA	Screw - Machine - 1/4 - 20 x 3/8 PPH - Zn
	000G54-04-20B	EA	Screw - 1/4 - 20 x 1 1/4 PTH Typ 23 - Zn
	000G67-10-08B	EA	Screw - 10 - 12 x 1/2 PPH - Zn
	000G67-10-08R	EA	Screw - 10 - 12 x 1/2 PPH - Beige - Type A
	000G67-10-10B	EA	Screw - 10 - 12 x 5/8 PPH - Zn - Type A
	000G67-10-10R	EA	Screw - 10 - 12 x 5/8 PPH - Beige - Type A
	000G67-10-12B	EA	Screw - 10 - 12 x 3/4 PPH - Zn
	000G67-10-12P	EA	Screw - 10 - 12 x .75 PPH - Dark Brown
	000G67-10-12O	EA	Screw - 10 - 12 x .75 PPH - Tan
	000G67-10-24B	EA	Screw - 10 - 12 x 1 1/2 PPH - Zn
	000G67-10-32B	EA	Screw - 10 - 12 x 2 PPH - Zn
	000G68-06-10G	EA	Screw - 8 - 18 x 5/8 POH - Antique Brass
	000H16-04-06R	EA	Rivet - Pop - AL 1/8 x .313 - .375
	005081-01-000	EA	Nut - Speed - C Type - No. 8 Screw
	062401-02-000	EA	Clamp - Hose - Wormgear - 1.58" - 2.5"
	062401-06-000	EA	Clamp - Hose - Wormgear - .22" x .62"
	007181-01-000	EA	Clamp - Hose - Spring Type - 1/2"
	008343-01-000	EA	Tie - Wire - 6"
	008386-01-000	EA	Grommet - Snap - 3/8
	000401-01-000	EA	Strap - Conduit - 3/4" - 1 Hole - Galvanized Steel

SEALANTS & FASTENERS GROUP (CONTINUED)

SCREWS & FASTENERS (CONTINUED)

Key	Part Number	U/M	Description
	010495-01-000	EA	Clamp - Cable - 9/16"
	010497-01-000	EA	Clamp - Closed - 5/8" ID
	010497-03-000	EA	Clamp - Closed - 1 ID - Cushioned
	010499-01-000	EA	Clamp - Closed - 3/8" ID
	018604-01-000	EA	Brace - Cabinet - Angled Metal - 2.5"
	063609-01-000	EA	Clamp - Wire Dual - Equal 5/8" Dia.
	084884-01-000	EA	Plug - Brass - 3/8"
	087721-01-000	EA	Screw - Flat Head - Tapping - 1/4 x 1 1/4 LG - Zn
	089371-01-000	EA	Screw - Machine - 8 - 32 x 3 5/16 - Zn
	075148-02-000	EA	Clamp - Grounding - Bronze Screws
	075908-01-000	EA	Screw - Machine - 10 - 32 x .56 PTH - Zn
	049485-04-000	EA	Screw - 10 - 16 x 1 PTH w/Washer - Beige
	076790-01-000	EA	Screw - 8 - 20 x 1 1/4 PPH - Black
	063729-04-000	EA	Rivnut - 10 - 32 UNF - .010 - .060

SEALANTS & ADHESIVES

Key	Part Number	U/M	Description
	004020-01-000	QT	Adhesive - ABS Cement (Plastic Fittings)
	004005-02-000	GL	Adhesive - Swifts - Glue (Sidewalls)
	053766-07-000	EA	Bedding Compound - Tube - Beige (Exterior)
	053776-06-000	EA	Bedding Compound - Tube - Clear (Window)
	053766-08-000	EA	Bedding Compound - Tube - Gray (Exterior)
	102352-01-000	EA	Bedding Compound - Tube - Black (Luggage Compartment)
	053766-02-000	EA	Bedding Compound - Tube - Off White (Exterior)
	002328-02-000	EA	Block - Rubber Spacer (Windshield)
	077967-01-000	EA	Sealant - Acrylic Latex - Tube - Off White (Interior Sealant)
	034552-04-000	EA	Sealant - Silicone - Beige
	034552-02-000	EA	Sealant - Silicone - Clear
	034552-07-000	EA	Sealant - Silicone - Dark Gray
	034552-06-000	EA	Sealant - Silicone - Off White
	039518-01-000	EA	Sealant Silicone - Black
	069640-01-000	FT	Sealer Ribbon - .25" Bead x 20'
	069640-02-000	FT	Sealer Ribbon - .5" x .125" x 30'
	069640-03-000	FT	Sealer Ribbon - .75" x .125" x 30'
	069640-09-000	FT	Sealer Ribbon - 1/32" x 2.5" x 30'
	069640-06-000	FT	Sealer Ribbon - 5/16" Bead x 15'
	069640-07-000	FT	Sealer Ribbon - 2" x 3/32" x 30'
	069640-10-000	FT	Sealer Ribbon - 1/32" x 1.5" x 100'
	002707-02-000	FT	Sealer Tape - 5/16" x 1/2"
	102353-01-700	EA	Seam Sealer - Tube - Gray (Roof Seams)
	094401-01-000	EA	Seam Sealer - Tube - Clear (Cap to Sidewall)
	102353-01-700	EA	Seam Sealer - Tube - Aluminum (Roof)
	063642-01-000	FT	Tape - Adhesive - .10mm x 1.5" Wide
	038886-01-000	EA	Tape - Butyl - .31" x .31" x 148" (Windshield)
	078322-01-000	FT	Tape - Foam - Double Coated - .025 x .75 x 72' (Fiberglass Sidewall Seams)
	078322-02-000	FT	Tape - Foam - Double Coated - .045 x 1" (Fiberglass Sidewall Seams)
	100028-01-000	FT	Tape - Foam - Double Coated - .031 x .75 x 72' (Non-Structural Fastening)
	009200-01-000	EA	Tape - Furnace - 1.5"
	002825-01-000	FT	Weather Stripping (Roof Vent)
	081377-01-700	EA	Adhesive - Cyanoacrylate - 10GM

1991 WINNEBAGO TABLE OF CONTENTS

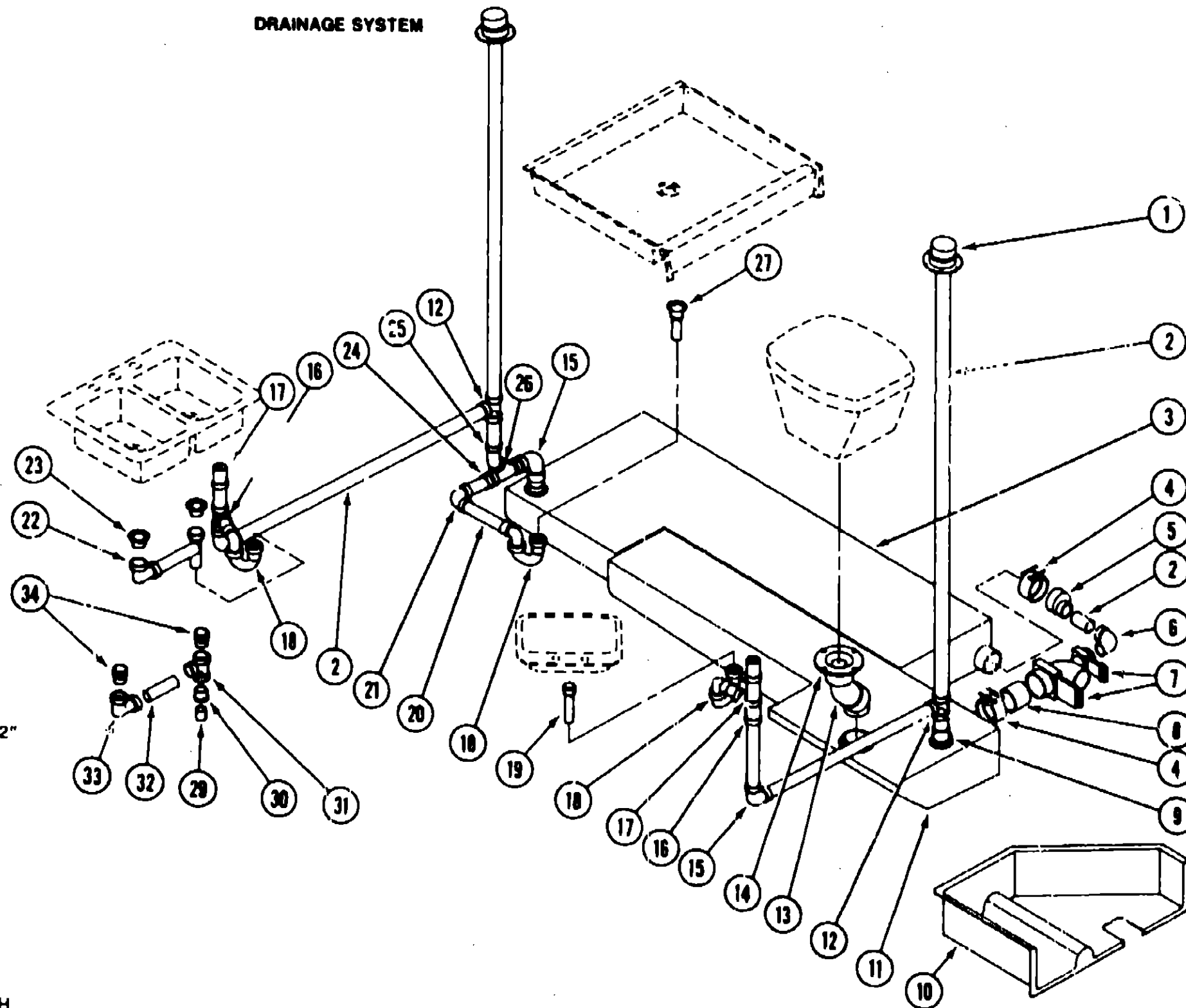
INTRODUCTION	A-01 - A-02
ABBREVIATIONS	A-03
ALPHABETICAL/GROUP REFERENCE	A-04 - A-06
WCM28RQ	A-07 - E-15
WKM40DA	E-17 - I-18

1991 WCM28RQ INDEX

Floor Plan	A-07 - A-08
Accessories Group	A-09 - A-11
Bath Group	A-12 - A-13
Bedroom Group	A-14 - A-18
Chassis Group	A-19 - B-06
Curtain, Cushion & Pad Group	B-07 - B-17
Dinette Group	B-18 - B-20
Driver's Compartment Group	B-21 - C-04
Electrical Group	C-05 - C-06
Exterior Body Group	C-09 - C-17
Galley Group	C-18 - C-21
Heating & Air Conditioning Group	C-22 - C-23
Interior Finish Group	C-24 - D-01
Labels Group	D-02 - D-10
LP Group	D-11
Lounge Group	D-12 - D-14
Sealants & Fasteners Group	D-15 - D-16
Water & Sewage Group	D-17 - D-19
Window, Vent & Exterior Door Group	D-20 - E-15

WATER & SEWAGE GROUP

DRAINAGE SYSTEM



CONTINUOUS WASTE (CANADA)

Key	Part Number
1	083558-01-000
2	
2	
3	089067-01-000
4	078408-01-000
5	062422-01-000
6	033781-01-000
7	070916-01-000
8	
8	
9	010115-01-000
10	090592-03-B10
11	089068-01-000
12	010071-01-000
13	010081-01-000
	061607-02-000
14	063641-01-000
14	063641-02-000
15	010008-01-000
18	010079-01-000
17	079988-01-000
18	011068-03-000
18	011068-02-000
19	098927-01-701
20	
20	
21	031111-01-000
22	091980-01-000
23	092303-01-000
24	010121-01-000
25	010051-01-000
26	010073-01-000
27	011089-03-000
27	011089-02-000

U/M	Description
EA	Vent Cap
FT	Plastic Pipe - 1 1/2" (US)
FT	Plastic Pipe - 1 1/2" (CSA)
EA	Holding Tank - 38 Gallon
EA	Coupling - 3" Rubber
EA	Reducer Adapter - Offset - 3" x 1 1/2"
EA	Street Elbow - 1 1/2" H x 90°
EA	Dual Valve Asm. - 3" x 1 1/2"
FT	Plastic Pipe - 3" (US)
FT	Plastic Pipe - 3" (CSA)
EA	Pipe Coupling - 1 1/2" H x 1 1/2" H
EA	Sewage Compartment
EA	Holding Tank - 28 Gallon
EA	Tee - 1 1/2" H x 1 1/2" H x 1 1/2" H
EA	Elbow - Street - 45° - 3"
EA	Pipe Grommet - 3"
EA	Closest Flange (US)
EA	Closest Flange (CSA)
EA	Elbow - 1 1/2" H x 1 1/2" H x 90°
EA	Tee - 1 1/2" H x 1 1/2" H x 1 1/4" H
EA	Vent Asm.
EA	P-Trap (US)
EA	P-Trap (CSA)
EA	Plastic Tailpiece
FT	Plastic Pipe - 1 1/4" (US)
FT	Plastic Pipe - 1 1/4" (CSA)
EA	Elbow - 1 1/4" H x 1 1/4" H x 90°
EA	Continuous Waste Asm. (US)
EA	Sink Strainers
EA	Bushing Adapter - 1 1/2" x 1 1/4" H
EA	Elbow - 45° Street - 1 1/2" H
EA	Wye - 1 1/2" H x 1 1/2" H x 1 1/2" H
EA	Plastic Tailpiece (US)
EA	Brass Tailpiece (CSA)

Key	Part Number	U/M	Description
23		FT	Plastic Pipe - 1 1/4"
30	010121-01-000	EA	Bushing Adapter - 1 1/2" x 1 1/4" H
31	010071-01-000	EA	Tee - 1 1/2" H x 1 1/2" H x 1 1/2" H
32		FT	Plastic Pipe - 1 1/2"
33	037101-02-000	EA	Elbow - 1 1/2" H x 1 1/2" H x 90°
34	033302-02-000	EA	Adapter

1991 WINNEBAGO TABLE OF CONTENTS

INTRODUCTION	A-01 - A-02
ABBREVIATIONS	A-03
ALPHABETICAL/GROUP REFERENCE	A-04 - A-06
WCM28RQ	A-07 - E-15
WKM40DA	E-17 - I-18

1991 WCM28RQ INDEX

Floor Plan	A-07 - A-08
Accessories Group	A-09 - A-11
Bath Group	A-12 - A-13
Bedroom Group	A-14 - A-18
Chassis Group	A-19 - B-06
Curtain, Cushion & Pad Group	B-07 - B-17
Dinette Group	B-18 - B-20
Driver's Compartment Group	B-21 - C-04
Electrical Group	C-05 - C-08
Exterior Body Group	C-09 - C-17
Galley Group	C-18 - C-21
Heating & Air Conditioning Group	C-22 - C-23
Interior Finish Group	C-24 - D-01
Labels Group	D-02 - D-10
LP Group	D-11
Lounge Group	D-12 - D-14
Sealants & Fasteners Group	D-15 - D-18
Water & Sewage Group	D-17 - D-19
Window, Vent & Exterior Door Group	D-20 - E-16

WATER & SEWAGE GROUP (CONTINUED)

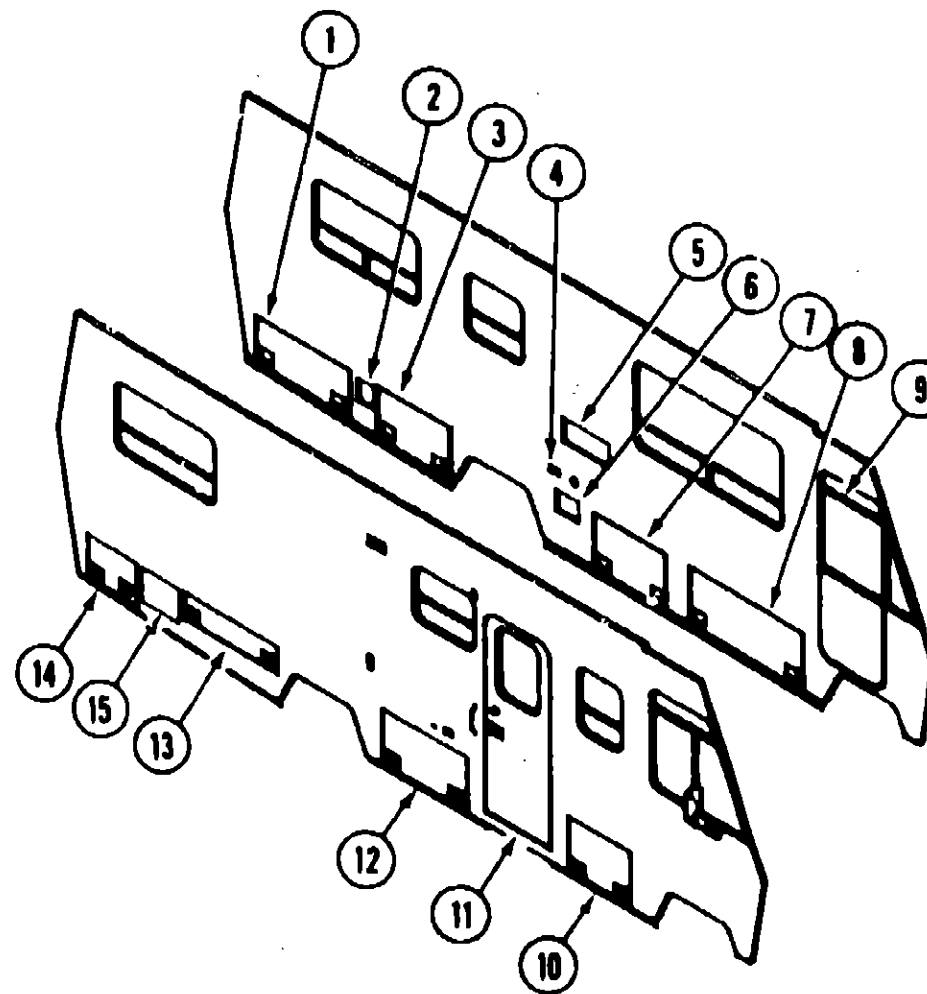
WATER LINES & HARDWARE

Key	Part Number	U/M	Description
	075240-05-000	EA	Lavatory Faucet - Brass - USA
	075240-06-000	EA	Lavatory Faucet - Bone - CSA
	075241-04-000	EA	Faucet - Shower - Brass - USA
	075241-05-000	EA	Faucet - Shower - Bone - CSA
	011048-02-000	EA	Shower Head - w/80" Hose - USA
	011048-05-000	EA	Shower Head - w/90" Hose - CSA
..	051391-03-000	EA	Water Heater - w/Electronic Ignition
..	051393-01-000	EA	Water Heater - w/Direct Ignition - Motor Aid (Option 811)
	098607-01-000	EA	Water Pump - 2.8 GPM Flow - w/1/2" MPT Fitting - USA
	098607-02-000	EA	Water Pump - 2.8 GPM Flow - w/1/2" MPT Fitting - CSA
	098607-01-707	EA	Motor & Base Plate
	098607-01-701	EA	Drive Asm.
	098607-01-702	EA	Diaphragm
	098607-01-703	EA	Valve Asm.
	098607-01-704	EA	Upper Housing
	098607-01-705	EA	Check Valve Kit
	098607-01-706	EA	Switch Asm. - Complete
	098607-01-700	EA	Pumphead
	089180-04-000	EA	Water Tank - 60 Gallon w/Fittings
	089180-01-000	EA	Water Tank - 60 Gallon w/o Fittings
	077954-02-000	EA	Water Filter/Screen - In Tank
	087200-01-000	EA	Filter - Water Purification (Option 29B)
	087200-02-000	EA	Cartridge - Filter - Water Purification (Option 29B)
	081240-01-000	EA	Water Fill - Lockable
	079381-01-000	EA	Flexible Tubing - Smooth - 1.25" ID
	062401-02-000	EA	Hose Clamp - Wormgear - 1.58" to 2.5" ID
	087859-02-000	EA	Water Fill - City
	091246-02-000	EA	Faucet - External Water
	092805-01-000	EA	Bracket - External Water Faucet
	052960-01-000	EA	Valve - Line Drain - 1/2" F x 1/2" F - 2.75"
	052960-02-000	EA	Valve - Line Drain - 1/2" F x 1/2" F - 16"
	052954-01-000	EA	Adapter - Nose Cone - 3/8" or 1/2"
	079317-01-000	EA	Adapter - Swivel - 1/2" Tube x 1/2" FPT
	036522-02-000	EA	Cap - Brass - 1/2" Flare
	052959-03-000	EA	Connector - Plastic - 1/2" F x 3/8" MPT
	052957-01-000	EA	Elbow - Plastic - 1/2" F x 3/8" MPT
	035539-01-000	EA	Elbow - Plastic - 3/8" MPT x 3/8" BARB
	052957-02-000	EA	Elbow - Plastic - 1/2" F x 1/2" MPT
	065120-01-000	EA	Elbow - Plastic - Swivel - 1/2" ID
	010219-01-000	EA	Elbow - Plastic - 1 1/4" MPT x 1 1/4" BARB
	052952-01-000	EA	Nut - Plastic - 1/2" F
	052953-01-000	EA	Nut - Faucet - 1/2" Tube x 1/2" FPT
	042989-02-000	EA	Spinweld Fitting - Plastic - 1/2" NPT
	042989-03-000	EA	Spinweld Fitting - Plastic - 1 1/4" NPT
	042989-04-000	EA	Spinweld Fitting - Plastic - 3/8" FPT
	042989-05-000	EA	Spinweld Fitting - Plastic - 1/2" FPT
	052955-01-000	EA	Tee - Plastic - 1/2" F x 1/2" F x 1/2" MPT
	052958-01-000	EA	Tee - Plastic - 1/2" F x 1/2" F x 1/2" F
	052956-01-000	EA	Tee - Plastic - 1/2" F x 1/2" MPT x 1/2" F
	074463-01-000	EA	Tee - 4 Way - 1/2" Flare
	038800-01-000	FT	Tubing - Polybutyl - 1/2" OD x 20'
	038800-01-000	FT	Tubing - Polybutyl - 5/8" OD x 20'
	074462-02-000	FT	Tubing - Vinyl - 3/8" ID
	091208-01-000	EA	Washer - Rubber - .06" x .75" x .50"

.. The illustrated parts breakdown for this item is provided on the Common Items Fiche.

WINDOW, VENT & EXTERIOR DOOR GROUP

EXTERIOR DOORS



Key	Part Number	U/M	Description
1	087472-15-X14	EA	Door Asm. - Luggage
2	078010-04-000	EA	Door Asm. - Fuel Fill
	042441-01-000	EA	Key Lock Asm. (w/o Keys)
	082684-01-000	EA	Key
3	087472-06-X14	EA	Door Asm. - Sewer
4	081240-01-000	EA	Door Asm. - Water Fill
	042441-01-000	EA	Key Lock Asm. (w/o Keys)
	082684-01-000	EA	Key
5	084103-01-000	EA	Door - Vent - Refrigerator
5	084104-01-000	EA	Jamb - Vent - Refrigerator
6	088794-02-000	EA	Door Asm. - Power Cord (w/Hatch)
7	087448-11-Y15	EA	Door Asm. - Generator
8	087448-04-X14	EA	Door Asm. - Luggage
9	M89487-04-B10	EA	Door Asm. - Driver (w/Gray Door Panel)
9	M89487-04-B11	EA	Door Asm. - Driver (w/Tan Door Panel)
10	087448-01-W81	EA	Door Asm. - Luggage
11	M01870-53-B10	EA	Door Asm. - Entrance
12	087495-01-W81	EA	Door Asm. - LP
13	087448-02-X14	EA	Door Asm. - Luggage
14	087472-21-AB1	EA	Door Asm. - Luggage
15	052009-02-000	EA	Door Asm. - Water Heater

1991 WINNEBAGO TABLE OF CONTENTS

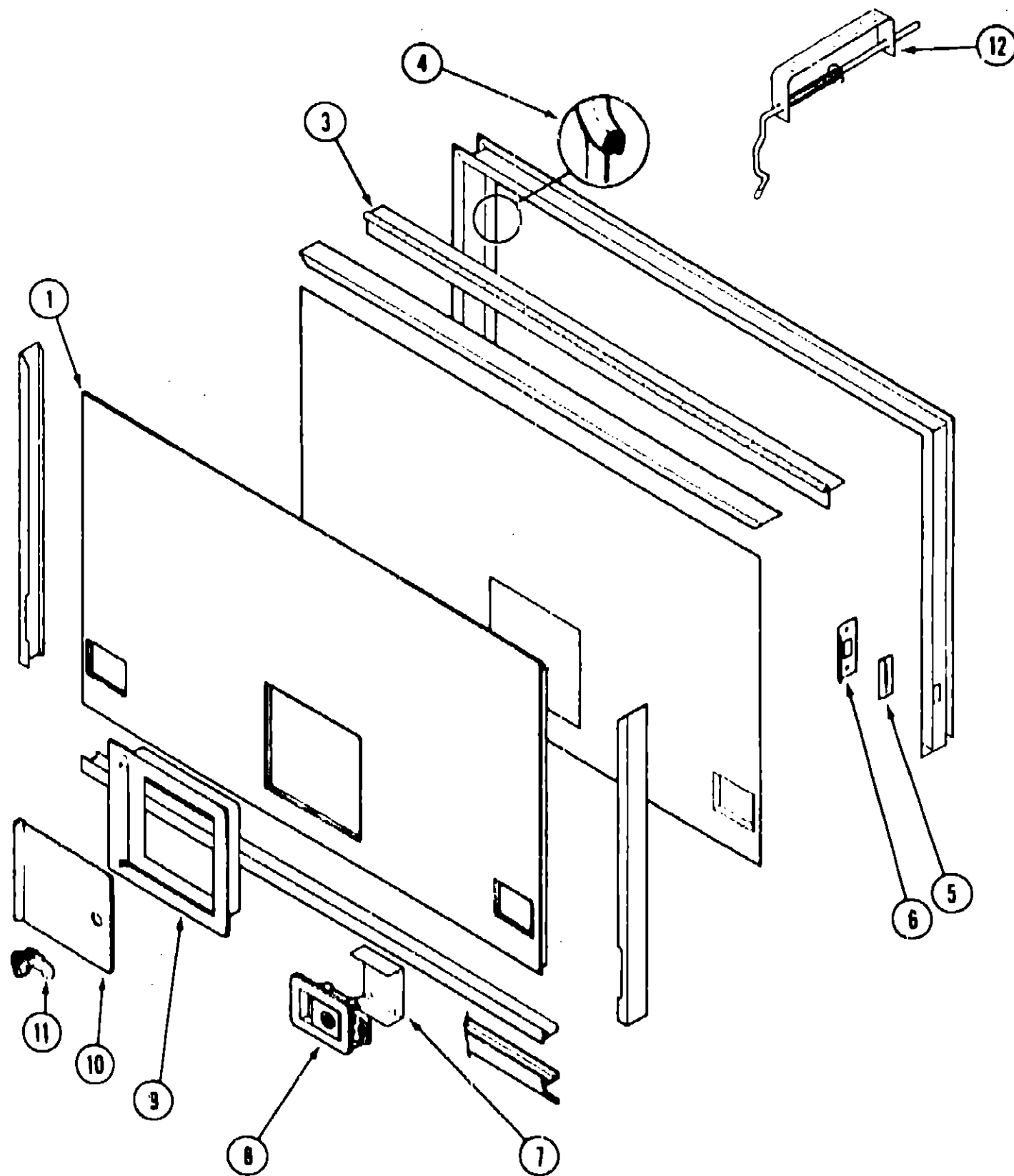
INTRODUCTION	A-01 - A-02
ABBREVIATIONS	A-03
ALPHABETICAL/GROUP REFERENCE	A-04 - A-06
WCM28RQ	A-07 - E-15
WKM40DA	E-17 - I-18

1991 WCM28RQ INDEX

Floor Plan	A-07 - A-08
Accessories Group	A-09 - A-11
Bath Group	A-12 - A-13
Bedroom Group	A-14 - A-16
Chassis Group	A-19 - B-06
Curtain, Cushion & Pad Group	B-07 - B-17
Dinette Group	B-18 - B-20
Driver's Compartment Group	B-21 - C-04
Electrical Group	C-05 - C-08
Exterior Body Group	C-09 - C-17
Galley Group	C-18 - C-21
Heating & Air Conditioning Group	C-22 - C-23
Interior Finish Group	C-24 - D-01
Labels Group	D-02 - D-10
LP Group	D-11
Lounge Group	D-12 - D-14
Sealants & Fasteners Group	D-15 - D-16
Water & Sewage Group	D-17 - D-19
Window, Vent & Exterior Door Group	D-20 - E-15

WINDOW, VENT & EXTERIOR DOOR GROUP (CONTINUED)

LUGGAGE & GENERATOR DOORS



Key	Part Number	U/M	Description
1	M03044-02-Y15	EA	Insert Asm. - Compartment Doors - 4' x 8' - Beige - Fiberglass/Styrofoam
3	081801-01-000	EA	Hinge - 2" x 98" - Beige
4	064075-01-000	EA	Bulb Seal
5	081067-02-000	EA	Seal
6	086809-01-000	EA	Strike
7	086810-02-000	EA	Bracket
8	000G11-08-12T	EA	Screw - #8 - 18 x 3/4 PPH - Black
8	085730-01-000	EA	Paddle Latch Asm. - w/Lock
8	085730-04-000	EA	Paddle Latch Asm. - w/o Lock
9	052424-02-000	EA	Door Jamb
10	052423-02-000	EA	Door
11	042442-01-000	EA	Twist Lock Asm.
12	092844-02-Y12	EA	Prop Rod Asm.
	072917-01-000	EA	Prop Rod Asm. - Generator Door
	039984-01-000	EA	Prop Rod End Cap (Black)
	092469-01-000	EA	Prop Rod Spring
	092638-01-000	EA	Prop Rod
	092839-01-000	EA	Prop Rod Bracket
	062828-01-000	EA	Clip - Prop Rod - Generator Door
	098490-01-000	EA	Bracket - Prop Rod - Generator Door
	008386-01-000	EA	Snap Grommet - 3/8" - Generator Door

1991 WINNEBAGO TABLE OF CONTENTS

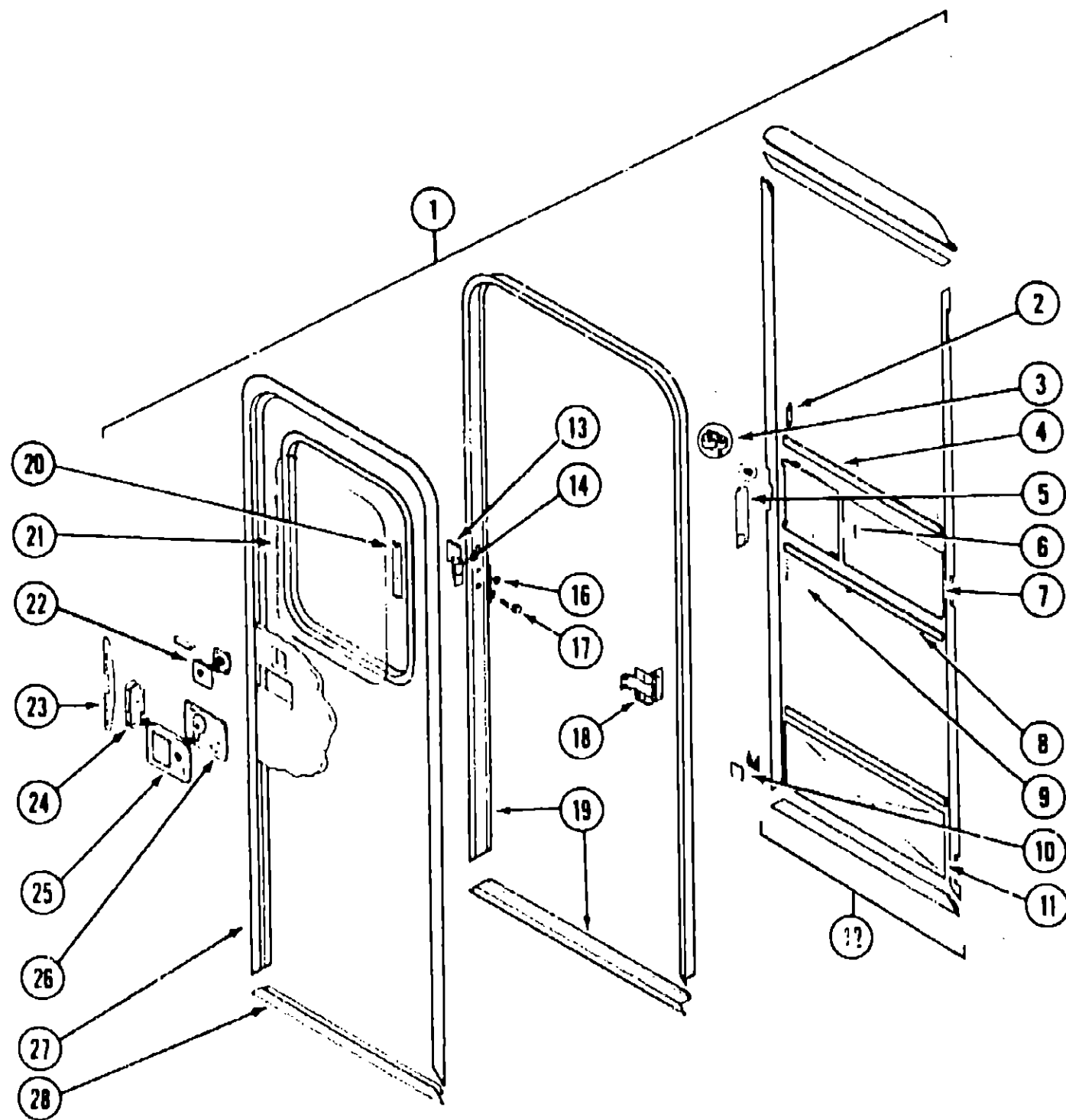
INTRODUCTION	A-01 - A-02
ABBREVIATIONS	A-03
ALPHABETICAL/GROUP REFERENCE	A-04 - A-06
WCM28RQ	A-07 - E-15
WKM40DA	E-17 - I-18

1991 WCM28RQ INDEX

Floor Plan	A-07 - A-08
Accessories Group	A-09 - A-11
Bath Group	A-12 - A-13
Bedroom Group	A-14 - A-18
Chassis Group	A-19 - B-06
Curtain, Cushion & Pad Group	B-07 - B-17
Dinette Group	B-18 - B-20
Driver's Compartment Group	B-21 - C-04
Electrical Group	C-05 - C-06
Exterior Body Group	C-09 - C-17
Galley Group	C-18 - C-21
Heating & Air Conditioning Group	C-22 - C-23
Interior Finish Group	C-24 - D-01
Labels Group	D-02 - D-10
LP Group	D-11
Lounge Group	D-12 - D-14
Sealants & Fasteners Group	D-15 - D-16
Water & Sewage Group	D-17 - D-19
Window, Vent & Exterior Door Group	D-20 - E-15

WINDOW, VENT & EXTERIOR DOOR GROUP (CONTINUED)

ENTRANCE DOOR



Key	Part Number	U/M	Description
1	M01870-53-B10	EA	Door Asm. w/Screen Door
	075639-14-000	EA	Door Garnish - Off White
2	050712-04-000	EA	Door Handle - Screen Door
3	009018-01-000	EA	Roller Catch
4	078592-01-000	EA	Screen Door Mullion - Upper & Lower Slider
	078777-01-000	EA	Slider Channel (Mullion Insert)
5	079087-02-000	EA	Screen Door Slider Strike
6	079086-02-000	EA	Screen Door Slider
7	016454-01-000	EA	Screen Door Insert
8	002294-01-000	FT	Spline - Black
9	002293-02-000	SF	Window Screen - 26" Charcoal
10	085774-01-000	FT	Dual Lock Fastener - 1" Wide - Black
10	085774-02-000	FT	Dual Lock Fastener - 1" Wide - Black
11	078552-03-000	EA	Screen Door Insert - Lower
12	079012-05-B10	EA	Screen Door Asm.
13	077461-03-000	EA	Strike Cover
14	041546-03-000	EA	Angle Bracket
16	058806-01-000	EA	Plug - Tapered Plastic
17	039539-01-000	EA	Strike
18	097724-01-01A	EA	Hinge
19	095277-04-02A	EA	Door Jamb
	044582-01-000	EA	Drip Cap - Beige
20	087561-01-000	FT	Window Seal
21	002181-06-000	EA	Glass
	078733-04-T03	EA	Window Frame w/o Inside Frame
	067609-27-000	EA	Inside Frame - Window Asm.
22	101145-01-01A	EA	Deadbolt Asm. - Square - Black
	095229-01-700	EA	Key Blank - Dead Bolt
	101147-01-000	EA	Bolt - Security
23	098173-01-01A	EA	Stiffener
	102524-01-000	EA	Bumper - Flat - Black Rubber
24	039540-01-000	EA	Latch Asm. - Hook
25	045017-11-000	EA	Latch Asm. - Plate - Black
	045017-11-701	EA	Key Blank - Door Latch Plate
26	039979-01-000	EA	Cover Arm - Latch Plate - Black
27	095276-03-02A	EA	Door Frame - Beige
28	089748-02-000	EA	Door Frame - Bottom - Beige
	039084-01-000	EA	Cap - Black Vinyl - Lock Grip
	075673-01-000	FT	Seal - Pile - Adhesive Back
	075671-01-000	FT	Seal - Sponge - Lazy T Shape
	081014-01-000	EA	Bumper - Round - Black Rubber
	100128-02-000	FT	Seal - Screen Door
	100412-01-000	EA	Catch - Screen Door
	090340-01-000	FT	Door Jamb Seal

1991 WINNEBAGO TABLE OF CONTENTS

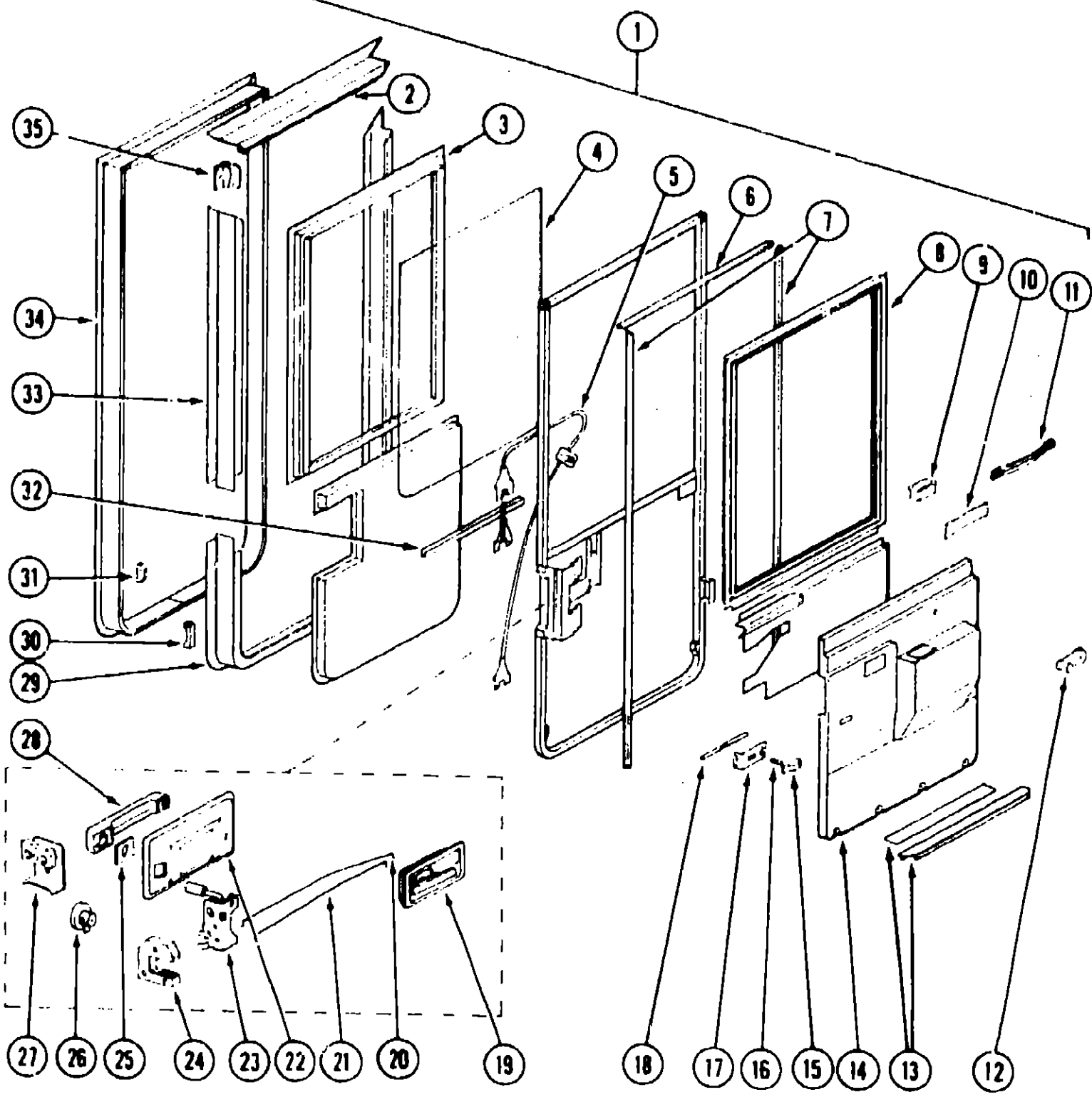
INTRODUCTION	A-01 - A-02
ABBREVIATIONS	A-03
ALPHABETICAL/GROUP REFERENCE	A-04 - A-06
WCM28RQ	A-07 - E-15
WKM40DA	E-17 - I-18

1991 WCM28RQ INDEX

Floor Plan	A-07 - A-08
Accessories Group	A-09 - A-11
Bath Group	A-12 - A-13
Bedroom Group	A-14 - A-16
Chassis Group	A-19 - B-06
Curtain, Cushion & Pad Group	B-07 - B-17
Dinette Group	B-18 - B-20
Driver's Compartment Group	B-21 - C-04
Electrical Group	C-05 - C-08
Exterior Body Group	C-09 - C-17
Galley Group	C-18 - C-21
Heating & Air Conditioning Group	C-22 - C-23
Interior Finish Group	C-24 - D-01
Labels Group	D-02 - D-10
L.P. Group	D-11
Lounge Group	D-12 - D-14
Sealants & Fasteners Group	D-15 - D-16
Water & Sewage Group	D-17 - D-19
Window, Vent & Exterior Door Group	D-20 - E-15

WINDOW, VENT & EXTERIOR DOOR GROUP (CONTINUED)

DRIVER DOOR



Key	Part Number	U/M	Description
1	M89487-04-B11	EA	Door Asm. - Complete (w/Tan Door Panel) w/o Door Jamb
1	M89487-04-B10	EA	Door Asm. - Complete (w/Gray Door Panel) w/Door Jamb
2	089458-01-000	EA	Door Frame - Upper
3	089459-01-000	EA	Window Frame - Outer
4	081488-02-000	EA	Glass
	081911-01-000	EA	Glass Setting Tape
5	081907-02-000	EA	Regulator Asm.
7	081910-02-000	EA	Glass Flun Channel - Seal - 10'
8	089461-02-000	EA	Window Frame - Inner
	079370-04-000	FT	Vinyl Screw Cover - Black
9	046886-03-000	EA	Ashtray
10	088030-01-000	EA	Check Strap
	084219-01-000	EA	Retainer - Check Strap
11	081400-15-000	EA	Assist Strap
12	094575-01-000	EA	Window Crank
13	099840-01-01A	EA	Door Threshold (Inner) (not included in Door Asm.)
13	099841-01-01A	EA	Door Threshold (Outer) (not included in Door Asm.)
14	082471-08-000	EA	Trim Panel - Tan
14	082471-05-000	EA	Trim Panel - Gray
15	081905-02-000	EA	Control Knob - Slide Bolt
16	081903-01-000	EA	Knob Shaft
17	081487-01-000	EA	Slide Bolt Housing
18	081606-01-000	EA	Slide Bolt
19	R77008-50-326	EA	Interior Door Handle
20	076542-04-000	EA	Control Rod - Latch
21	073110-03-000	EA	Control Link Rod - Lock
22	082107-02-000	EA	Door Handle Escutcheon
23	073303-03-000	EA	Latch Asm.
24	R77007-56-702	EA	Pilot Stake Plate
25	R77007-05-374	EA	Seal
26	083223-01-000	EA	Key Lock Asm.
27	R77013-48-165	EA	Door Lock Catch
28	R77040-01-538	EA	Door Handle
29	085007-08-000	EA	Door Frame - Lower
30	084465-01-000	EA	Door Stop Block - Jamb
31	084465-02-000	EA	Door Stop Block - Door
32	082472-01-000	EA	Glass Retainer Channel
33	089455-03-000	EA	Door Frame - Upper Rear
34	089463-07-000	EA	Door Jamb Asm. (not included in Door Asm.)
35	083993-01-000	EA	Hinge
	088270-01-000	EA	Bulb Seal-Door Jamb

1991 WINNEBAGO TABLE OF CONTENTS

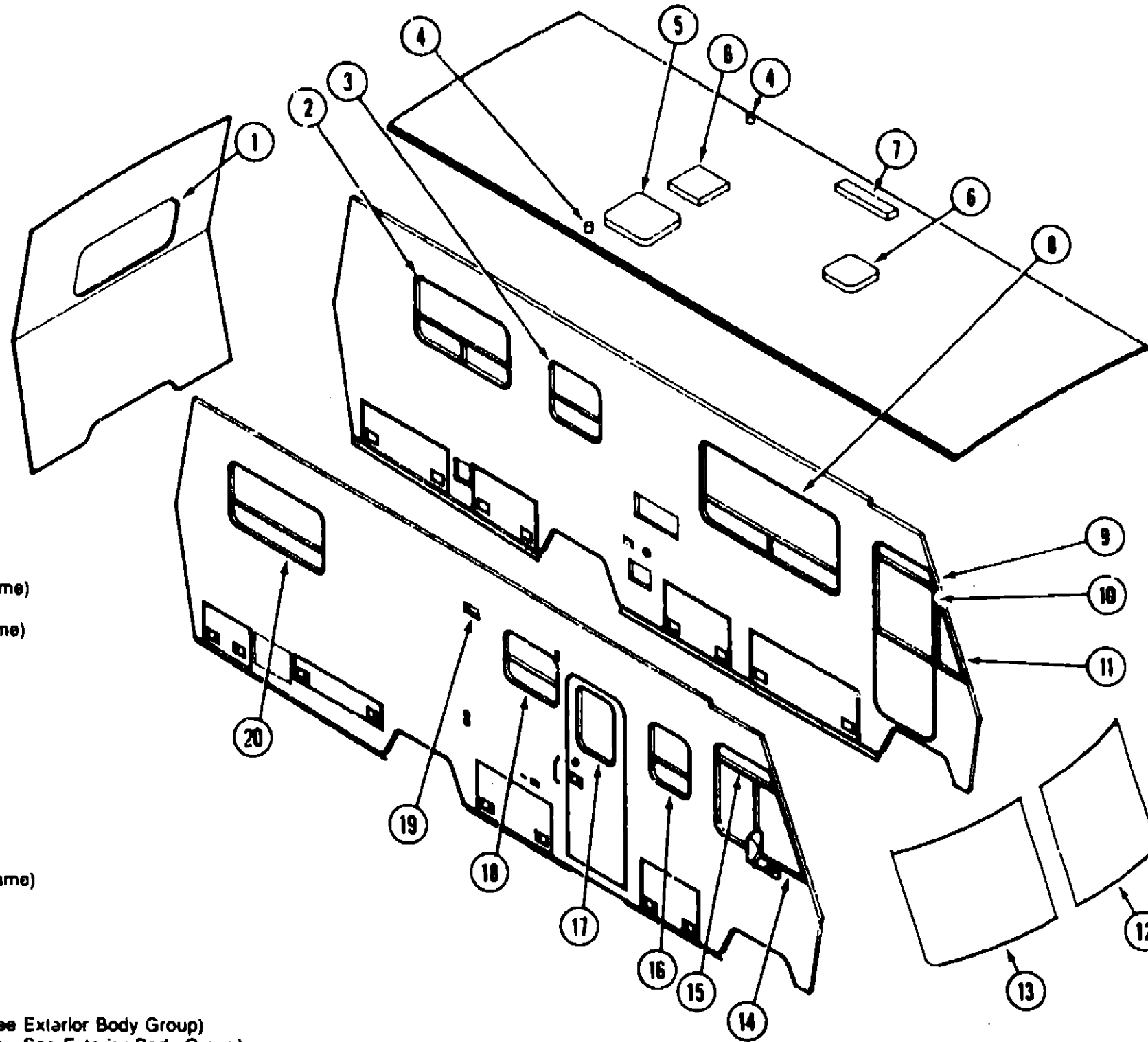
INTRODUCTION	A-01 - A-02
ABBREVIATIONS	A-03
ALPHABETICAL/GROUP REFERENCE	A-04 - A-06
WCM28RQ	A-07 - E-15
WKM4CDA	E-17 - I-18

1991 WCM28RQ INDEX

Floor Plan	A-07 - A-08
Accessories Group	A-09 - A-11
Bath Group	A-12 - A-13
Bedroom Group	A-14 - A-18
Chassis Group	A-19 - B-06
Curtain, Cushion & Pad Group	B-07 - B-17
Dinette Group	B-18 - B-20
Driver's Compartment Group	B-21 - C-04
Electrical Group	C-05 - C-08
Exterior Body Group	C-09 - C-17
Galley Group	C-18 - C-21
Heating & Air Conditioning Group	C-22 - C-23
Interior Finish Group	C-24 - D-01
Labels Group	D-02 - D-10
LP Group	D-11
Lounge Group	D-12 - D-14
Sealants & Fasteners Group	D-15 - D-16
Water & Sewage Group	D-17 - D-19
Window, Vent & Exterior Door Group	D-20 - E-15

WINDOW, VENT & EXTERIOR DOOR GROUP (CONTINUED)

WINDOWS & VENTS



Key	Part Number	U/M	Description
1	078528-03-Y12	EA	Window Asm. - Escape (w/o inside frame)
1	074816-06-000	EA	Inside Frame
2	092234-01-Y12	EA	Window asm. - Double Tipout (w/o inside frame)
2	090893-07-01A	EA	Inside Frame
3	092235-10-Y12	EA	Window Asm. - Single Tipout (w/o inside frame)
3	090893-15-01A	EA	Inside Frame
4	083558-01-000	EA	Roof Vent Pipe Cap
5	080507-01-000	EA	Skylight Panel - Outer
5	080508-01-000	EA	Skylight Panel - Inner
6	090392-01-Y12	EA	Roof Vent - Non-Powered
6	090393-01-Y12	EA	Roof Vent - Powered (Bath) (US)
6	064469-08-000	EA	Roof Vent - Powered (Bath) (CSA)
6	090392-01-Y12	EA	Roof Vent - Non-Powered
6	084079-06-Y12	EA	Roof Vent - Powered (Option 41M)
7	084073-01-000	EA	Roof Vent Cap - Refrigerator
7	084073-04-000	EA	Roof Vent Base - Refrigerator
8	092234-03-Y12	EA	Window Asm. - Double Tipout (w/o inside frame)
8	090893-09-01A	EA	Inside Frame
9	089619-02-X14	EA	Window Asm. - Vista (w/o inside frame)
9	089727-06-000	EA	Inside Frame
10	081488-02-000	EA	Door Glass Only - Rollup
11	099933-01-Y12	EA	Window Asm. - Slant (w/o inside frame)
11	099932-01-01A	EA	Inside Frame
12	088793-02-000	EA	Windshield Glass - Driver (Molding Trim - See Exterior Body Group)
13	088793-01-000	EA	Windshield Glass - Passenger (Molding Trim - See Exterior Body Group)
14	089607-01-X14	EA	Window Asm. - Slant Slider (w/o inside frame)
14	089603-01-AB1	EA	Inside Frame w/Slider Screen
15	089619-01-X14	EA	Window Asm. - Vista (w/o inside frame)
15	089727-05-000	EA	Inside Frame
16	092235-06-Y12	EA	Window Asm. - Single Tipout (w/o inside frame)
16	090983-06-01A	EA	Inside Frame
17	079733-04-T03	EA	Window Asm. - Entrance Door (w/o inside frame)
17	067609-03-000	EA	Inside Frame
18	092235-09-Y12	EA	Window Asm. - Single Tipout (w/o inside frame)
18	090893-02-01A	EA	Inside Frame
19	092698-02-02A	EA	Vent w/Door - Range Hood
20	092235-05-Y12	EA	Window Asm. - Single Tipout w/o Inside Frame
20	090893-05-01A	EA	Inside Frame

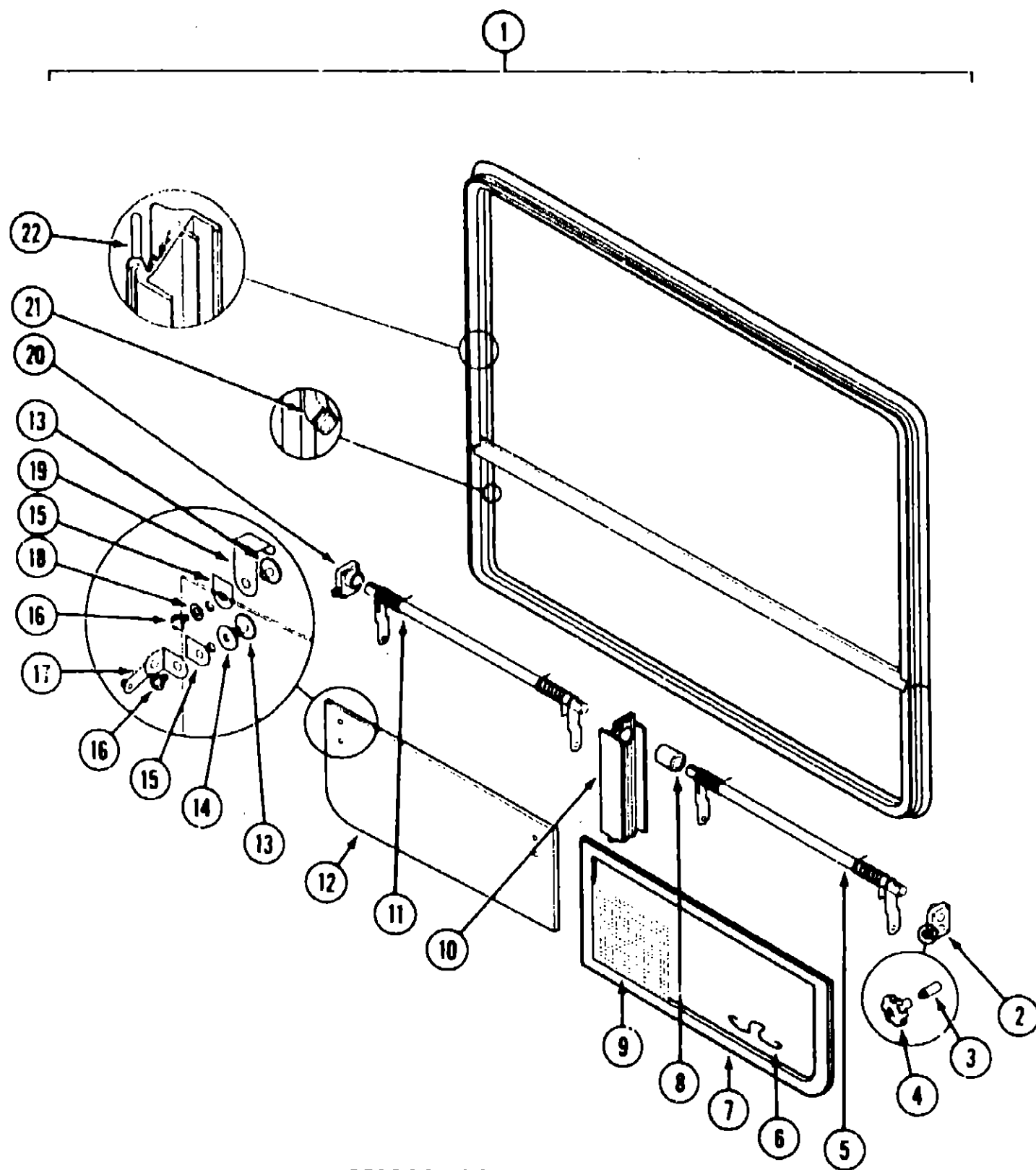
1991 WINNEBAGO TABLE OF CONTENTS

INTRODUCTION	A-01 - A-02
ABBREVIATIONS	A-03
ALPHABETICAL/GROUP REFERENCE	A-04 - A-06
WCM26RQ	A-07 - E-15
WKM40DA	E-17 - I-18

1991 WCM26RQ INDEX

Floor Plan	A-07 - A-08
Accessories Group	A-09 - A-11
Bath Group	A-12 - A-13
Bedroom Group	A-14 - A-18
Chassis Group	A-19 - B-06
Curtain, Cushion & Pad Group	B-07 - B-17
Dinette Group	B-18 - B-20
Driver's Compartment Group	B-21 - C-04
Electrical Group	C-05 - C-08
Exterior Body Group	C-09 - C-17
Galley Group	C-18 - C-21
Heating & Air Conditioning Group	C-22 - C-23
Interior Finish Group	C-24 - D-01
Labels Group	D-02 - D-10
LP Group	D-11
Lounge Group	D-12 - D-14
Sealants & Fasteners Group	D-15 - D-16
Water & Sewage Group	D-17 - D-19
Window, Vent & Exterior Door Group	D-20 - E-15

WINDOW, VENT & EXTERIOR DOOR GROUP (CONTINUED)



BEDROOM DOUBLE TIPOUT WINDOW

Key	Part Number	U/M	Description
1	092234-01-Y12	EA	Window Asm. - Double Tipout
	090893-07-01A	EA	Inside Frame (not included w/Window Assembly)
2	035302-02-000	EA	Operator Drive
3	090025-01-000	EA	Extension - Window Knob (not included w/Window Assembly)
4	067052-02-000	EA	Window Knob - Beige (not included w/Window Assembly)
	060371-01-000	EA	Screw - Window Knob (not included w/Window Assembly)
4	101290-01-01A	EA	Window Knob - Brass (not included w/Window Assembly)
	101289-01-01A	EA	Screw - Window Knob - Brass (not included w/Window Assembly)

BEDROOM DOUBLE TIPOUT WINDOW (CONTINUED)

Key	Part Number	U/M	Description
5	083227-06-000	EA	Torque Tube Asm.
6	100166-01-000	EA	Screen Clip
7	100234-02-B07	EA	Screen Asm. - Right Side (Illustrated)
	100234-01-B07	EA	Screen Asm. - Left Side (Not Illustrated)
8	088816-51-001	EA	Torque Tube Sleeve
9	080218-03-000	SF	Window Screen - 12"
	100240-01-000	FT	Window Screen Spline
10	088803-01-01A	EA	Mullion - Black
11	083226-06-000	EA	Torque Tube Asm.
12	084066-20-000	EA	Glass - 2.9 mm x 234.7 mm x 517 mm
13	086762-01-000	EA	Window T-Nut
14	088927-03-000	EA	Seal - Rubber
15	084473-01-000	EA	Seal - Rubber
16	086763-01-000	EA	Screw - #10 - 32 x 1/4" PTH
17	097578-01-000	EA	Connecting Rod Asm.
	084453-01-000	EA	Plastic Washer - .06 x .50 x .135
	085315-01-000	EA	Shoulder Rivet
	081649-01-000	EA	Snap Ring Clip
18	084453-02-000	EA	Plastic Washer - .06 x .50 x .25
19	089913-01-000	EA	Hinge
20	035302-01-000	EA	Operator Drive
21	084067-01-000	FT	Seal - Sponge Rubber
22	069640-06-000	FT	Ribbon Seal (not included w/Window Assembly)

DINETTE DOUBLE TIPOUT WINDOW

Key	Part Number	U/M	Description
1	092234-03-Y12	EA	Window Asm. - Double Tipout
	090893-09-01A	EA	Inside Frame (not included w/Window Assembly)
2	035302-02-000	EA	Operator Drive
3	090025-01-000	EA	Extension - Window Knob (not included w/Window Assembly)
4	067052-02-000	EA	Window Knob - Beige (not included w/Window Assembly)
	060371-01-000	EA	Screw - Window Knob (not included w/Window Assembly)
4	101290-01-01A	EA	Window Knob - Brass (not included w/Window Assembly)
	101289-01-01A	EA	Screw - Window Knob - Brass (not included w/Window Assembly)
5	083227-06-000	EA	Torque Tube Asm.
6	100166-01-000	EA	Screen Clip
7	100234-06-B07	EA	Screen Asm. - Right Side (Illustrated)
	100234-05-B07	EA	Screen Asm. - Left Side (Not Illustrated)
8	088816-51-001	EA	Torque Tube Sleeve
9	080218-03-000	SF	Window Screen - 12"
	100240-01-000	FT	Window Screen Spline
10	088803-01-01A	EA	Mullion - Black
11	083226-06-000	EA	Torque Tube Asm.
12	084066-22-000	EA	Glass - 2.9 mm x 234.7 mm x 758.5 mm
13	086762-01-000	EA	Window T-Nut
14	088927-03-000	EA	Seal - Rubber
15	084473-01-000	EA	Seal - Rubber
16	086763-01-000	EA	Screw - #10 - 32 x 1/4" PTH
17	097578-01-000	EA	Connecting Rod Asm.
	084453-01-000	EA	Plastic Washer - .06 x .50 x .135
	085315-01-000	EA	Shoulder Rivet
	081649-01-000	EA	Snap Ring Clip
18	084453-02-000	EA	Plastic Washer - .06 x .50 x .25
19	089913-01-000	EA	Hinge
20	035302-01-000	EA	Operator Drive
21	084067-01-000	FT	Seal - Sponge Rubber
22	069640-06-000	FT	Ribbon Seal (not included w/Window Assembly)

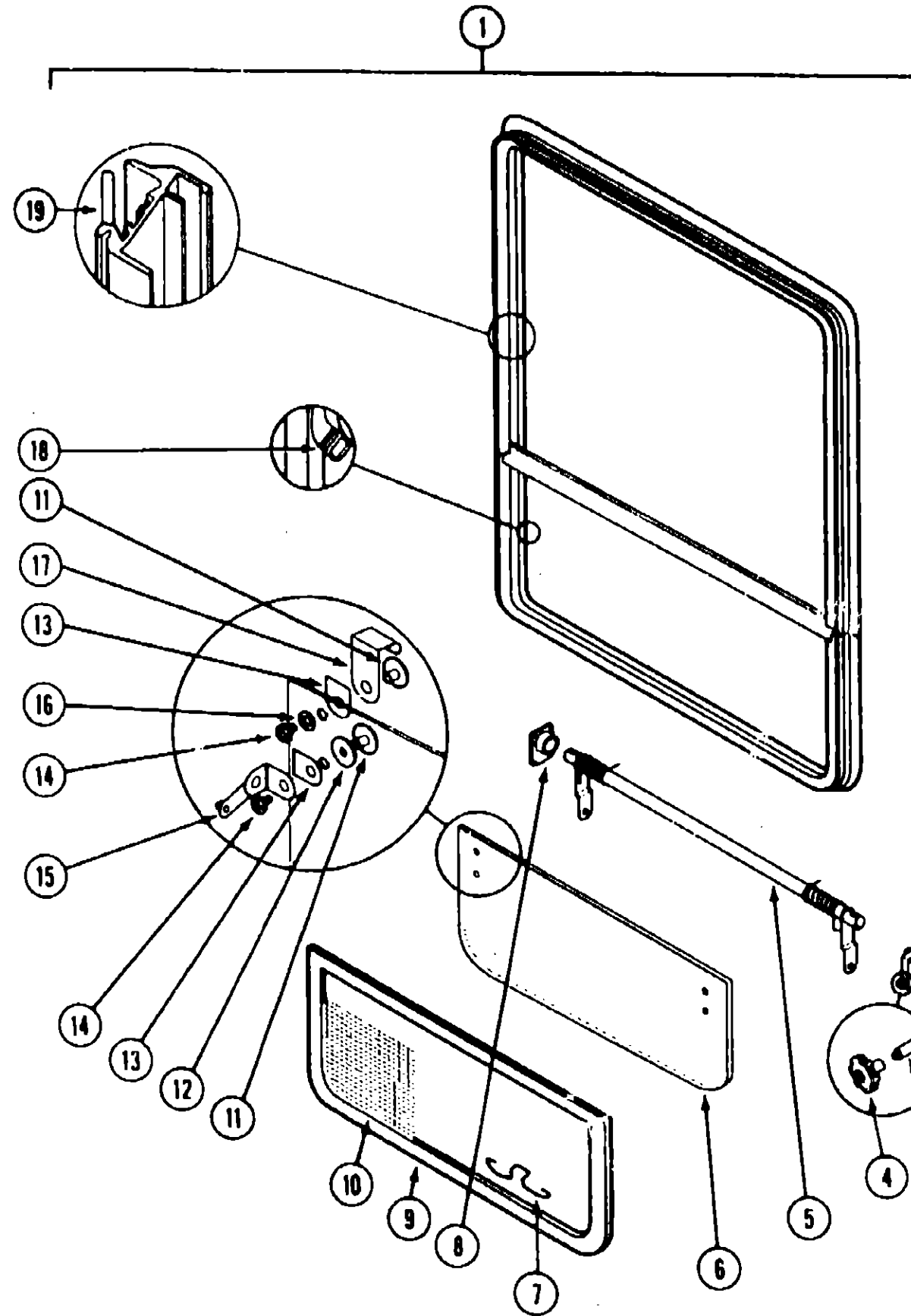
1991 WINNEBAGO
TABLE OF CONTENTS

INTRODUCTION	A-01 - A-02
ABBREVIATIONS	A-03
ALPHABETICAL/GROUP REFERENCE	A-04 - A-06
WCM28RQ	A-07 - E-15
WKM40DA	E-17 - I-18

1991 WCM28RQ INDEX

Floor Plan	A-07 - A-08
Accessories Group	A-09 - A-11
Bath Group	A-12 - A-13
Bedroom Group	A-14 - A-18
Chassis Group	A-19 - B-06
Curtain, Cushion & Pad Group	B-07 - B-17
Dinette Group	B-18 - B-20
Driver's Compartment Group	B-21 - C-04
Electrical Group	C-05 - C-08
Exterior Body Group	C-09 - C-17
Galley Group	C-18 - C-21
Heating & Air Conditioning Group	C-22 - C-23
Interior Finish Group	C-24 - D-01
Labels Group	D-02 - D-10
LP Group	D-11
Lounge Group	D-12 - D-14
Sealants & Fasteners Group	D-15 - D-16
Water & Sewage Group	D-17 - D-19
Window, Vent & Exterior Door Group	D-20 - E-15

WINDOW, VENT & EXTERIOR DOOR GROUP (CONTINUED)



LOUNGE SINGLE TIPOUT WINDOW

Key	Part Number	U/M	Description
1	092235-06-Y12	EA	Window Asm. - Single Tipout
	090893-08-01A	EA	Inside Frame (not included w/Window Assembly)
2	035302-02-000	EA	Operator Drive
3	090025-01-000	EA	Extension - Window Knob (not included w/Window Assembly)
4	087052-02-000	EA	Window Knob - Beige (not included w/Window Assembly)
	089371-01-000	EA	Screw - Window Knob (not included w/Window Assembly)
4	101290-01-01A	EA	Window Knob - Brass (not included w/Window Assembly)
	101289-01-01A	EA	Screw - Window Knob - Brass (not included w/Window Assembly)
5	083150-14-000	EA	Torque Tube Asm.
6	084068-19-000	EA	Glass - 1/8" x 9 1/4" x 22"
7	100168-01-000	EA	Screen Clip
8	081354-01-000	EA	Torque Tube Sleeve
9	100235-06-B07	EA	Screen Asm.
10	080218-03-000	SF	Window Screen - 12"
	100240-01-000	FT	Window Screen Spline
11	086762-01-000	EA	Window T-Nut
12	068927-03-000	EA	Seal - Rubber
13	084473-01-000	EA	Seal - Rubber
14	086763-01-000	EA	Screw - #10 - 32 x 1/4" PTH
15	097578-01-000	EA	Connecting Rod Asm.
	084453-01-000	EA	Plastic Washer - .06 x .50 x .135
	085315-01-000	EA	Shoulder Rivet
	081649-01-000	EA	Snap Ring Clip
16	084453-02-000	EA	Plastic Washer - .05 x .50 x .25
17	089913-01-000	EA	Hinge
18	084067-01-000	FT	Seal - Sponge Rubber
19	069640-06-000	FT	Ribbon Sealer (not included w/Window Assembly)

GALLEY SINGLE TIPOUT WINDOW

Key	Part Number	U/M	Description
1	092235-09-Y12	EA	Window Asm. - Single Tipout
	090893-02-01A	EA	Inside Frame (not included w/Window Assembly)
2	035302-02-000	EA	Operator Drive
3	009439-06-000	EA	Extension - Window Knob (not included w/Window Assembly)
4	009439-05-000	EA	Window Knob - Black (not included w/Window Assembly)
	009439-07-000	EA	Screw - Window Knob (not included w/Window Assembly)
5	083150-10-000	EA	Torque Tube Asm.
6	084068-15-000	EA	Glass - 1/8" x 9 1/4" x 24 1/2"
7	100168-01-000	EA	Screen Clip
8	081354-01-000	EA	Torque Tube Sleeve
9	100235-02-B07	EA	Screen Asm.
10	080218-03-000	SF	Window Screen - 12"
	100240-01-000	FT	Window Screen Spline
11	086762-01-000	EA	Window T-Nut
12	068927-03-000	EA	Seal - Rubber
13	084473-01-000	EA	Seal - Rubber
14	086763-01-000	EA	Screw - #10 - 32 x 1/4" PTH
15	097578-01-000	EA	Connecting Rod Asm.
	084453-01-000	EA	Plastic Washer - .06 x .50 x .135
	085315-01-000	EA	Shoulder Rivet
	081649-01-000	EA	Snap Ring Clip
16	084453-02-000	EA	Plastic Washer - .06 x .50 x .25
17	089913-01-000	EA	Hinge
18	084067-01-000	FT	Seal - Sponge Rubber
19	069640-06-000	FT	Ribbon Sealer (not included w/Window Assembly)

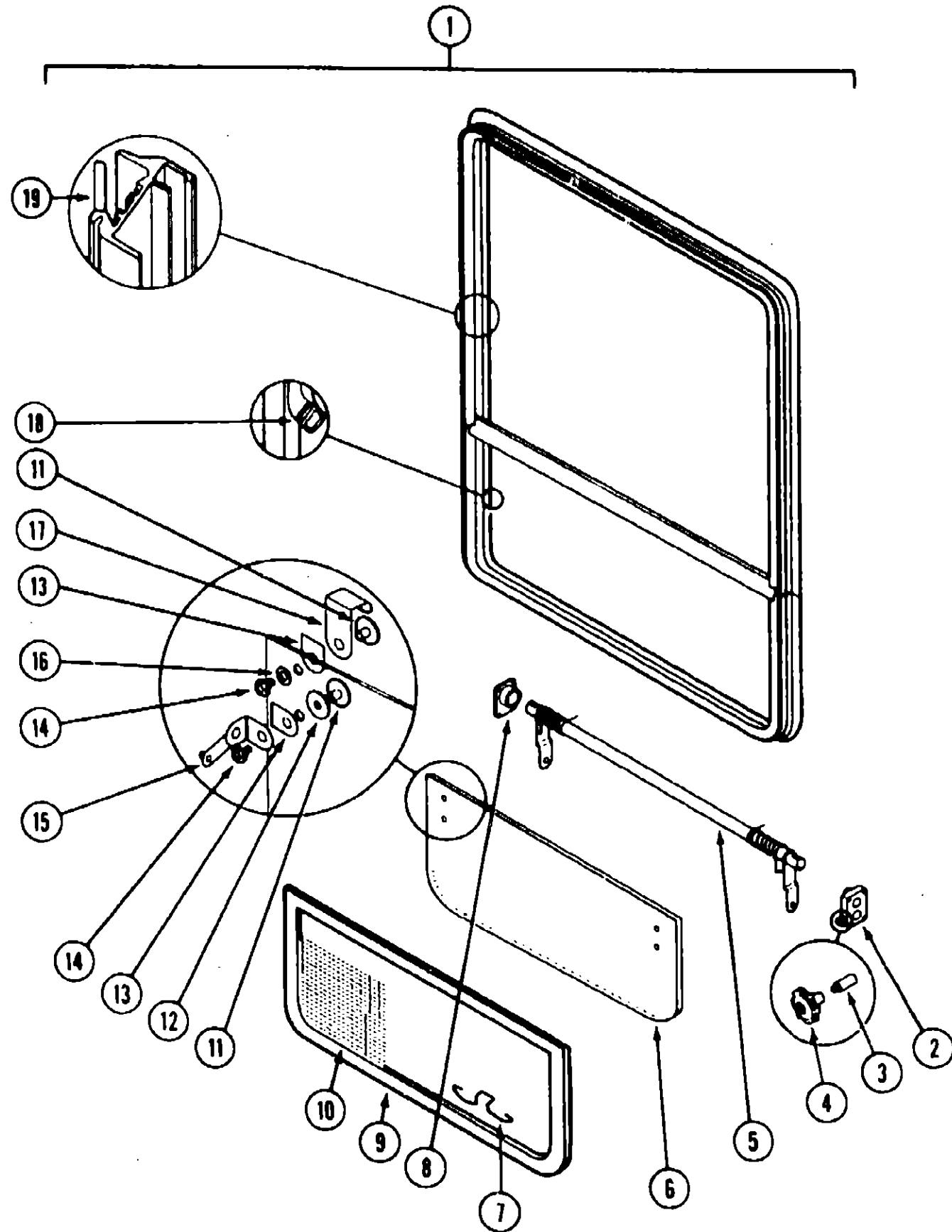
1991 WINNEBAGO TABLE OF CONTENTS

INTRODUCTION	A-01 - A-02
ABBREVIATIONS	A-03
ALPHABETICAL/GROUP REFERENCE	A-04 - A-06
WCM28RQ	A-07 - E-15
WKM40DA	E-17 - I-18

1991 WCM28RQ INDEX

Floor Plan	A-07 - A-08
Accessories Group	A-09 - A-11
Bath Group	A-12 - A-13
Bedroom Group	A-14 - A-18
Chassis Group	A-19 - B-06
Curtain, Cushion & Pad Group	B-07 - B-17
Dinette Group	B-18 - B-20
Driver's Compartment Group	B-21 - C-04
Electrical Group	C-05 - C-08
Exterior Body Group	C-09 - C-17
Galley Group	C-18 - C-21
Heating & Air Conditioning Group	C-22 - C-23
Interior Finish Group	C-24 - D-01
Labels Group	D-02 - D-10
LP Group	D-11
Lounge Group	D-12 - D-14
Sealants & Fasteners Group	D-15 - D-16
Water & Sewage Group	D-17 - D-19
Window, Vent & Exterior Door Group	D-20 - E-15

WINDOW, VENT & EXTERIOR DOOR GROUP (CONTINUED)



BATH SINGLE TIPOUT WINDOW

Key	Part Number	U/M	Description
1	092235-10-Y12	EA	Window Asm. - Single Tipout
	090893-15-01A	EA	Inside Frame (not included w/Window Assembly)
2	035302-02-000	EA	Operator Drive
3	090025-01-000	EA	Extension - Window Knob (not included w/Window Assembly)
4	067052-02-000	EA	Window Knob - Beige (not included w/Window Assembly)
	089371-01-000	EA	Screw - Window Knob (not included w/Window Assembly)
4	101290-01-01A	EA	Window Knob - Brass (not included w/Window Assembly)
	101289-01-01A	EA	Screw - Window Knob - Brass (not included w/Window Assembly)
5	083150-12-000	EA	Torque Tube Asm.
6	084068-14-000	EA	Glass - 1/8" x 9 1/4" x 15"
7	100168-01-000	EA	Screen Clip
8	081354-01-000	EA	Torque Tube Sleeve
9	100235-04-B07	EA	Screen Asm.
10	080218-03-000	SF	Window Screen - 12"
	100240-01-000	FT	Window Screen Spline
11	086762-01-000	EA	Window T-Nut
12	068927-03-000	EA	Seal - Rubber
13	084473-01-000	EA	Seal - Rubber
14	086763-01-000	EA	Screw - #10 - 32 x 1/4" PTH
15	097578-01-000	EA	Connecting Rod Asm.
	084453-01-000	EA	Plastic Washer - .06 x .50 x .135
	085315-01-000	EA	Shoulder Rivet
	081649-01-000	EA	Snap Ring Clip
16	084453-02-000	EA	Plastic Washer - .06 x .50 x .25
17	089913-01-000	EA	Hinge
18	084067-01-000	FT	Seal - Sponge Rubber
19	069640-06-000	FT	Ribbon Sealer (not included w/Window Assembly)

BEDROOM SINGLE TIPOUT WINDOW

Key	Part Number	U/M	Description
1	092235-05-Y12	EA	Window Asm. - Single Tipout
	090893-05-01A	EA	Inside Frame (not included w/Window Assembly)
2	035302-02-000	EA	Operator Drive
3	090025-01-000	EA	Extension - Window Knob (not included w/Window Assembly)
4	067052-02-000	EA	Window Knob - Beige (not included w/Window Assembly)
	089371-01-000	EA	Screw - Window Knob (not included w/Window Assembly)
4	101290-01-01A	EA	Window Knob - Brass (not included w/Window Assembly)
	101289-01-01A	EA	Screw - Window Knob - Brass (not included w/Window Assembly)
5	083150-13-000	EA	Torque Tube Asm.
6	084068-18-000	EA	Glass - 2.9 mm x 234.7 mm x 724.5 mm
7	100168-01-000	EA	Screen Clip
8	081354-01-000	EA	Torque Tube Sleeve
9	100235-04-B07	EA	Screen Asm.
10	080218-03-000	SF	Window Screen - 12"
	100240-01-000	FT	Window Screen Spline
11	086762-01-000	EA	Window T-Nut
12	068927-03-000	EA	Seal - Rubber
13	084473-01-000	EA	Seal - Rubber
14	086763-01-000	EA	Screw - #10 - 32 x 1/4" PTH
15	097578-01-000	EA	Connecting Rod Asm.
	084453-01-000	EA	Plastic Washer - .06 x .50 x .135
	085315-01-000	EA	Shoulder Rivet
	081649-01-000	EA	Snap Ring Clip
16	084453-02-000	EA	Plastic Washer - .06 x .50 x .25
17	089913-01-000	EA	Hinge
18	084067-01-000	FT	Seal - Sponge Rubber
19	069640-06-000	FT	Ribbon Sealer (not included w/Window Assembly)

1991 WINNEBAGO TABLE OF CONTENTS

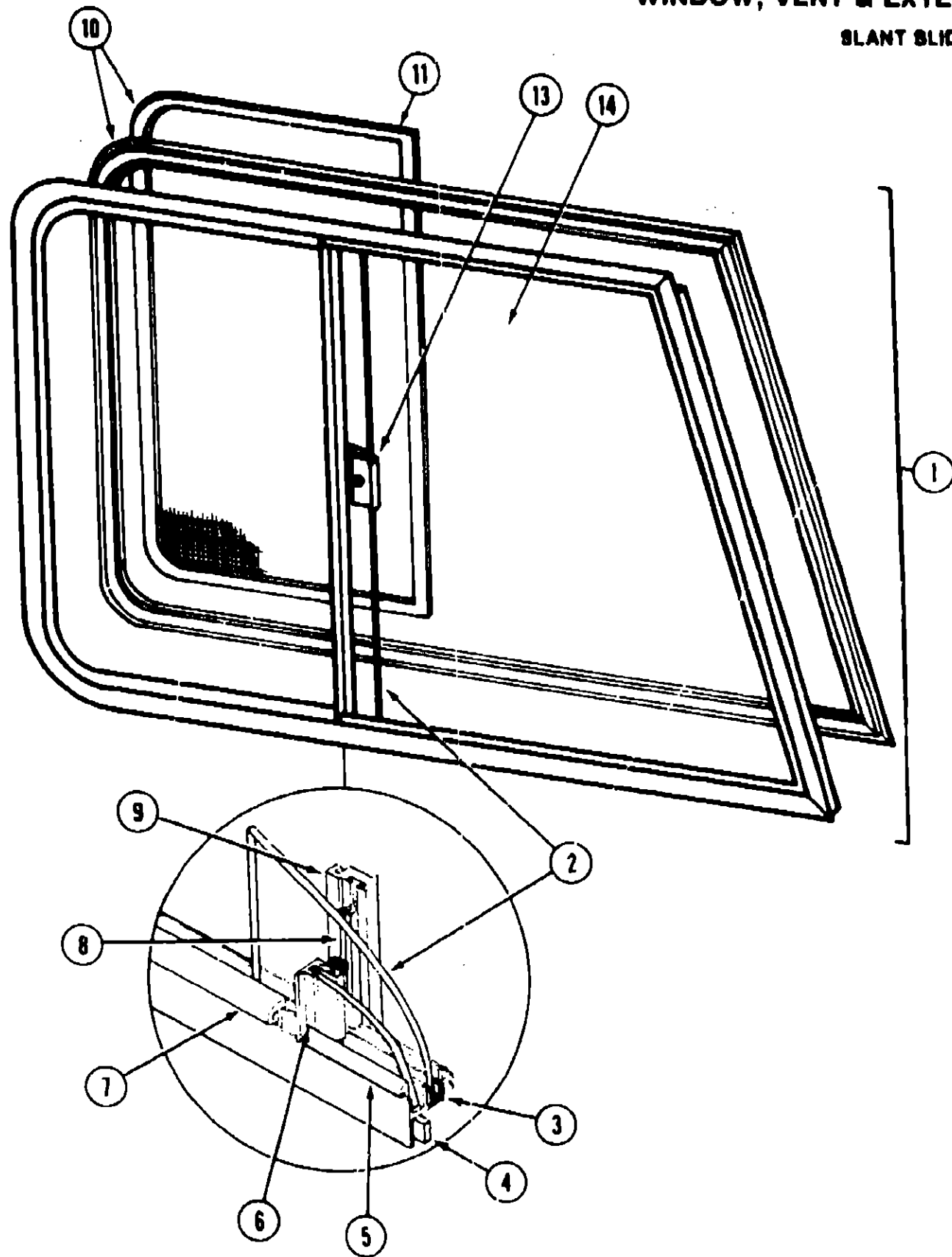
INTRODUCTION	A-01 - A-02
ABBREVIATIONS	A-03
ALPHABETICAL/GROUP REFERENCE	A-04 - A-06
WCM28RQ	A-07 - E-15
WKM400A	E-17 - I-18

1991 WCM28RQ INDEX

Floor Plan	A-07 - A-08
Accessories Group	A-09 - A-11
Bath Group	A-12 - A-13
Bedroom Group	A-14 - A-18
Chassis Group	A-19 - B-06
Curtain, Cushion & Pad Group	B-07 - B-17
Dinette Group	B-18 - B-20
Driver's Compartment Group	B-21 - C-04
Electrical Group	C-05 - C-08
Exterior Body Group	C-09 - C-17
Galley Group	C-18 - C-21
Heating & Air Conditioning Group	C-22 - C-23
Interior Finish Group	C-24 - D-01
Labels Group	D-02 - D-10
LP Group	D-11
Lounge Group	D-12 - D-14
Sealants & Fasteners Group	D-15 - D-16
Water & Sewage Group	D-17 - D-19
Window, Vent & Exterior Door Group	D-20 - E-15

WINDOW, VENT & EXTERIOR DOOR GROUP (CONTINUED)

SLANT SLIDER WINDOW - PASSENGER



Key	Part Number	U/M	Description
1	089607-01-X14	EA	Window Arm. - Front Slant (w/o inside frame or screen)
2	089298-01-000	EA	Glass - Slider
3	042077-01-000	FT	Channel - Weatherstrip - Glass Run - 1/8" Glass Seal (not included in Window Arm.)
4	089640-08-000	FT	Spline - Glass Seal - Black
5	050218-02-000	FT	Spline - Glass Seal - Black
6	002388-03-203	EA	Seal Holder - w/Fin Seal
7	041928-02-000	FT	Glass Seal - Black Vinyl
8	073740-01-000	FT	Fin Seal - .48" Pile Height
9	084170-07-000	EA	Inside Mullion - Slider Window - Black - w/Fin Seal
10	089603-01-AB1	EA	Inside Frame Asm. - w/Slider Screen
11	089602-01-X14	EA	Slider Screen Asm.
	061310-03-000	EA	Slider - Screen Handle
	002291-02-000	SF	Screen - 18" Charcoal
	002298-02-000	FT	Spline - Charcoal
	078364-01-000	EA	Slider Screen Track - Top
	078365-01-000	EA	Slider Screen Track - Bottom
13	047389-01-700	EA	Latch Kit - Plastic w/Fastener
14	057658-11-000	EA	Glass - Stationary
	002328-01-000	EA	Window Block - 1/8" x 3/16" x 1"
	023330-01-000	EA	Felt Pad - 3/8" Dia.
	079824-01-000	FT	Seal - C-Fold - .50"

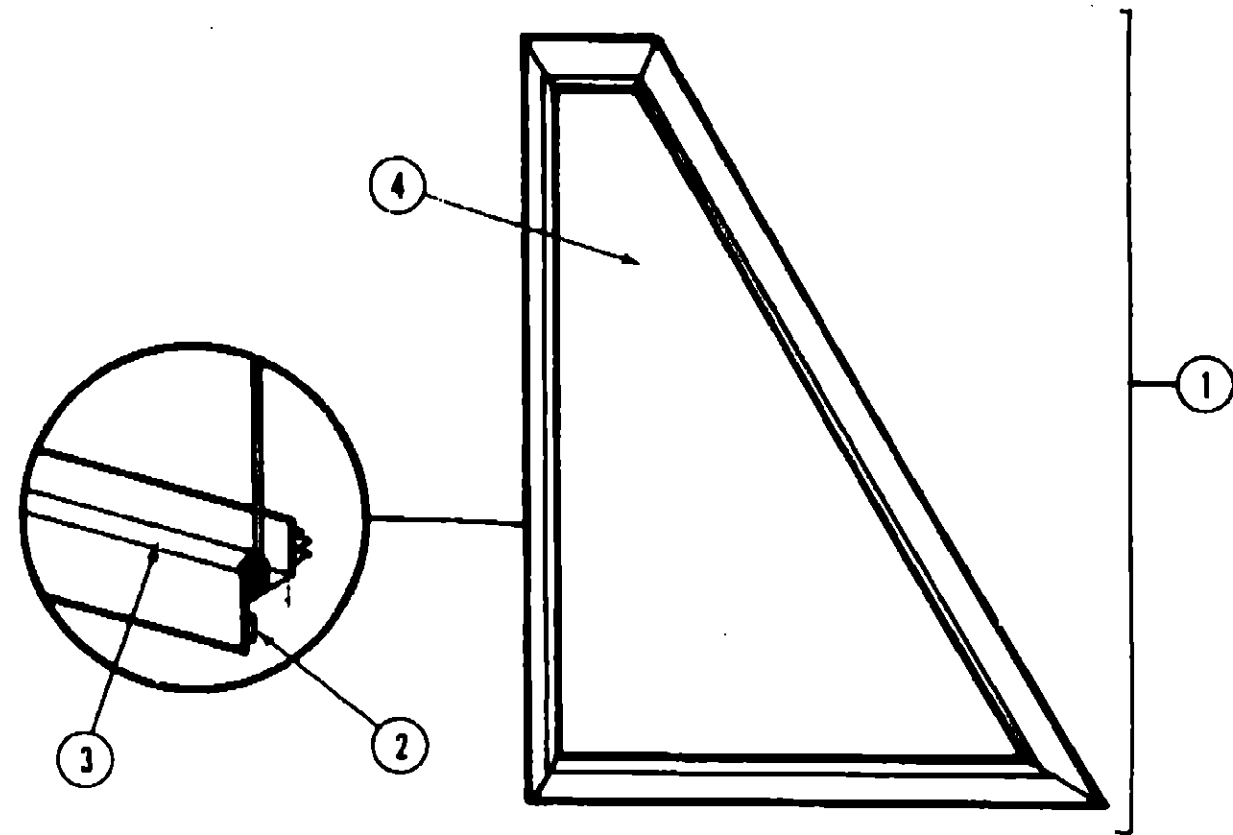
1991 WINNEBAGO TABLE OF CONTENTS

INTRODUCTION	A-01 - A-02
ABBREVIATIONS	A-03
ALPHABETICAL/GROUP REFERENCE	A-04 - A-06
WCM28RQ	A-07 - E-15
VK40DA	E-17 - I-18

1991 WCM28RQ INDEX

Floor Plan	A-07 - A-08
Accessories Group	A-09 - A-11
Bath Group	A-12 - A-13
Bedroom Group	A-14 - A-18
Chassis Group	A-19 - B-06
Curtain, Cushion & Pad Group	B-07 - B-17
Dinette Group	B-18 - B-20
Driver's Compartment Group	B-21 - C-04
Electrical Group	C-05 - C-08
Exterior Body Group	C-09 - C-17
Galley Group	C-18 - C-21
Heating & Air Conditioning Group	C-22 - C-23
Interior Finish Group	C-24 - D-01
Labels Group	D-02 - D-10
LP Group	D-11
Lounge Group	D-12 - D-14
Sealants & Fasteners Group	D-15 - D-16
Water & Sewage Group	D-17 - D-19
Window, Vent & Exterior Door Group	D-20 - E-15

WINDOW, VENT & EXTERIOR DOOR GROUP (CONTINUED)



SLANT WINDOW - DRIVER

Key	Part Number	U/M	Description
1	099933-01-Y12	EA	Window Asm. - Slant (w/o inside frame)
	099932-01-01A	EA	Inside Frame - Black (not included in assembly)
2	069640-06-000	FT	Ribbon Seal - 5/16" Bead (not included in assembly)
3	050216-02-000	FT	Spline - Glass - .19" - Black
4	057656-13-000	EA	Glass - Slant - .19" x 29.11" x 13.98"
	002328-01-000	EA	Window Block - 1/8" x 3/16" x 1"

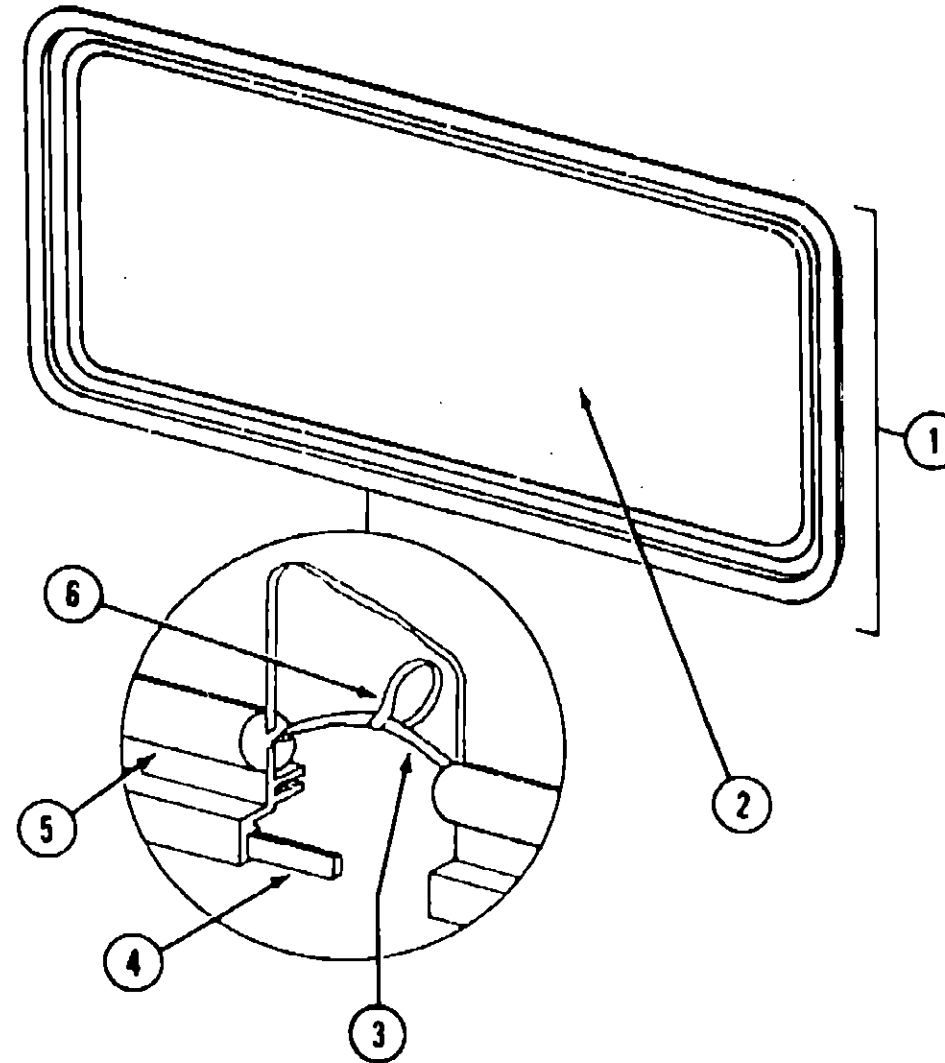
VISTA WINDOW - DRIVER

Key	Part Number	U/M	Description
	089619-02-X14	EA	Window Asm. - Vista (w/o inside frame)
	089727-06-000	EA	Inside FFrame - Black (not included in assembly)
	089301-01-000	EA	Glass - Vista Window - Driver Side
	050216-02-000	FT	Spline - Glass - .19" - Black
	002328-01-000	EA	Window Block - 1/8" x 3/16" x 1"
	069640-06-000	FT	Ribbon Seal - 5/16" Bead (not included in assembly)

VISTA WINDOW - PASSENGER

Key	Part Number	U/M	Description
	089619-01-X14	EA	Window Asm. - Vista (w/o inside frame)
	089727-05-000	EA	Inside Frame - Black (not included in assembly)
	089301-01-000	EA	Glass - Vista Window - Passenger Side
	050216-02-000	FT	Spline - Glass - .19" - Black
	002328-01-000	EA	Window Block - 1/8" x 3/16" x 1"
	069640-06-000	FT	Ribbon Seal - 5/16" Bead (not included in assembly)

WINDOW, VENT & EXTERIOR DOOR GROUP (CONTINUED)



ESCAPE WINDOW

Key	Part Number	U/M	Description
1	078528-03-Y12	EA	Window Asm. - Escape - Black (w/o inside frame)
	074816-06-000	EA	Inside Frame - Escape Window - Black (not included in assembly)
2	076337-08-000	EA	Glass
3	002285-01-000	FT	Filler - Weatherstrip - Black
4	069640-06-000	FT	Sealer Ribbon - 5/16" Bead (not included in assembly)
5	002282-08-000	FT	Weatherstrip - .125" Black
	006199-01-000	EA	Label - Exit - Escape Window
6	077066-01-702	EA	Pull Tape - Escape Window

**1991 WINNEBAGO
TABLE OF CONTENTS**

INTRODUCTION	A-01 - A-02
ABBREVIATIONS	A-03
ALPHABETICAL/GROUP REFERENCE	A-04 - A-06
WCM28RQ	A-07 - E-15
WKM400A	E-17 - I-18

1991 WCM28RQ INDEX

Floor Plan	A-07 - A-08
Accessories Group	A-09 - A-11
Bath Group	A-12 - A-13
Bedroom Group	A-14 - A-18
Chassis Group	A-19 - B-06
Curtain, Cushion & Pad Group	B-07 - B-17
Dinette Group	B-18 - B-20
Driver's Compartment Group	B-21 - C-04
Electrical Group	C-05 - C-08
Exterior Body Group	C-09 - C-17
Galley Group	C-18 - C-21
Heating & Air Conditioning Group	C-22 - C-23
Interior Finish Group	C-24 - D-01
Labels Group	D-02 - D-10
LP Group	D-11
Lounge Group	D-12 - D-14
Sealants & Fasteners Group	D-15 - D-16
Water & Sewage Group	D-17 - D-19
Window, Vent & Exterior Door Group	D-20 - E-15

WINDOW, VENT & EXTERIOR DOOR GROUP (CONTINUED)

NON-POWERED ROOF VENT

Key	Part Number	U/M	Description
	090392-01-Y12	EA	Roof Vent Asm. - Non-Powered - w/o Screen
	051384-01-000	EA	Cover - Roof Vent
	052839-01-001	EA	Hinge
	009440-01-000	EA	Lift Mechanism
	009439-01-000	EA	Crank
	009439-02-000	EA	Knob
	009439-03-000	EA	Extension
	009439-04-000	EA	Screw - 8 - 32 x 1 1/4" POH
	002825-01-000	EA	Weatherstrip
	078786-01-Y12	EA	Screen Asm.
	002291-02-000	SF	Screen - 16" - Charcoal
	002298-02-000	FT	Spline

POWERED ROOF VENT (OPTION 41M)

Key	Part Number	U/M	Description
	084079-06-000	EA	Powered Roof Vent
	084079-01-700	EA	Cover - Roof Vent
	084079-07-701	EA	Screen Asm.
	084079-01-702	EA	Arm Lift Asm.
	084079-01-703	EA	Crank Knob
	084079-01-704	EA	Fan
	084079-01-705	EA	Motor
	084079-01-706	EA	12 Volt Wire Plug
	084079-01-707	EA	Safety Switch
	084079-01-708	EA	Reverse Switch
	084079-01-709	EA	3 Speed Switch
	084079-01-710	EA	Wall Thermostat
	084079-01-711	EA	H-Molding (Motor Mount)

POWERED ROOF VENT (BATH) (USA)

Key	Part Number	U/M	Description
	090393-01-Y12	EA	Powered Roof Vent
	051384-01-000	EA	Cover - Roof Vent
	052639-01-001	EA	Hinge
	002825-01-000	EA	Weatherstrip
	048648-01-000	EA	Motor Asm. - 12 Volt
	048649-01-000	EA	6" Plastic Fan - 6 Bladed
	008195-01-000	EA	Push Button Switch
	009440-01-000	EA	Lift Mechanism
	009439-01-000	EA	Crank
	009439-02-000	EA	Knob
	009439-03-000	EA	Extension
	009439-04-000	EA	Screw - 8 - 32 x 1 1/4" POH
	078785-01-Y12	EA	Screen Asm.
	002291-02-000	SF	Window Screen - 16" Charcoal
	002298-02-000	FT	Spline

POWERED ROOF VENT (BATH) (CSA)

Key	Part Number	U/M	Description
**	064469-08-000	EA	Powered Roof Vent

** The illustrated parts breakdown for this item is provided on the Common Items Fiche.

1991 WINNEBAGO TABLE OF CONTENTS

INTRODUCTION	A-01 - A-02
ABBREVIATIONS	A-03
ALPHABETICAL/GROUP REFERENCE	A-04 - A-06
WCM28RQ	A-07 - E-15
WKM40DA	E-17 - I-18

1991 WCM28RQ INDEX

Floor Plan	A-07 - A-08
Accessories Group	A-09 - A-11
Bath Group	A-12 - A-13
Bedroom Group	A-14 - A-18
Chassis Group	A-19 - B-06
Curtain, Cushion & Pad Group	B-07 - B-17
Dinette Group	B-18 - B-20
Driver's Compartment Group	B-21 - C-04
Electrical Group	C-05 - C-08
Exterior Body Group	C-09 - C-17
Galley Group	C-18 - C-21
Heating & Air Conditioning Group	C-22 - C-23
Interior Finish Group	C-24 - D-01
Labels Group	D-02 - D-10
LP Group	D-11
Lounge Group	D-12 - D-14
Sealants & Fasteners Group	D-15 - D-16
Water & Sewage Group	D-17 - D-19
Window, Vent & Exterior Door Group	D-20 - E-15