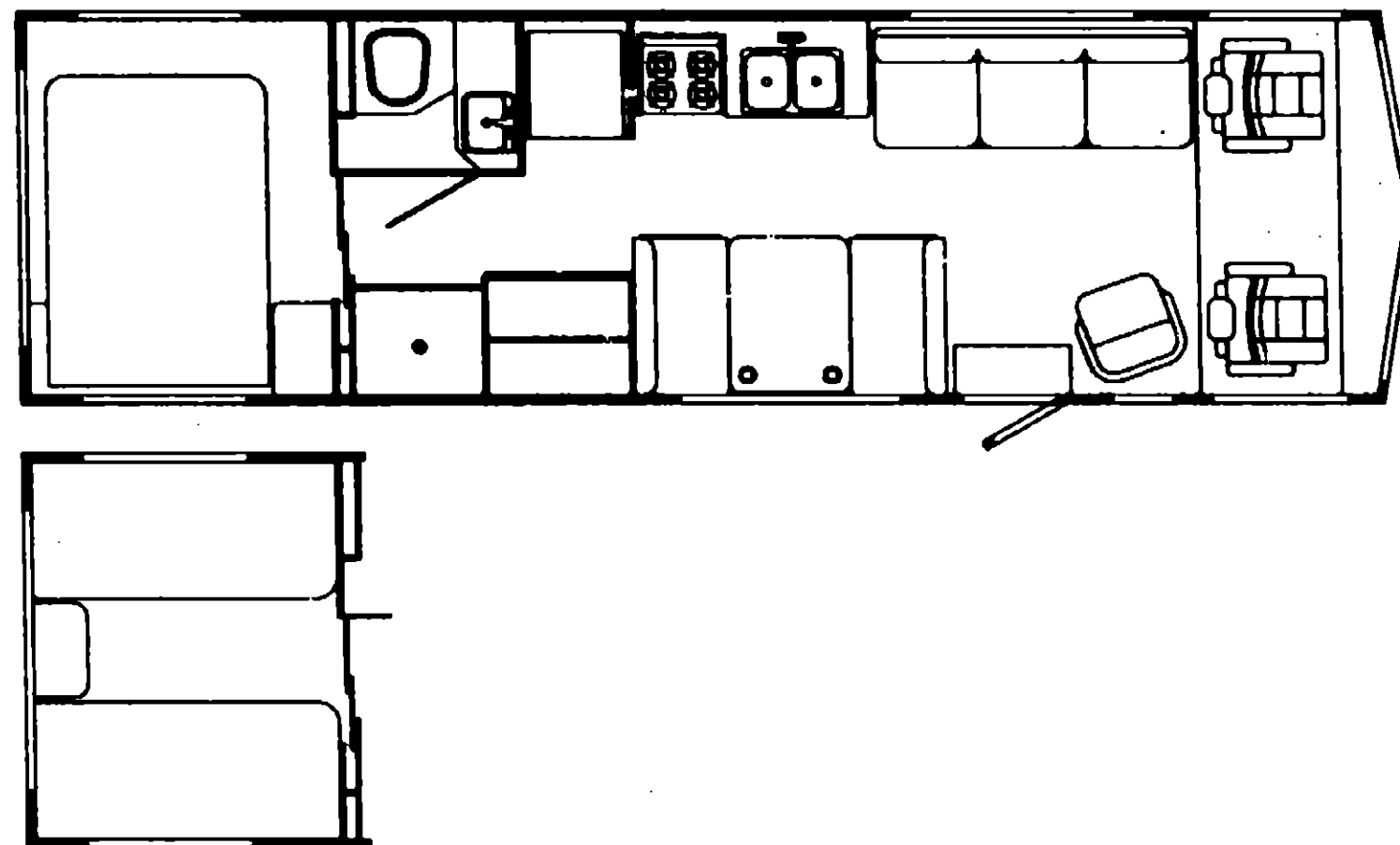


TABLE OF CONTENTS

INTRODUCTION	A-01
ABBREVIATIONS	A-01
ALPHABETICAL INDEX	A-02 - A-04
WCF23EC	A-05 - D-17
WCF30EU	D-19 - H-22



1991 WCF30EU



1991 WCF30EU INDEX

FLOOR PLAN	D-19 - D-20
ACCESSORIES	D-21 - D-24
BATH	E-01 - E-04
BEDROOM	E-05 - E-08
CHASSIS	E-09 - E-14
C C & PAD	E-15 - E-24
DINETTE	F-01 - F-02
DRIVERS	F-03 - F-12
ELECTRICAL	F-13 - F-16
EXTERIOR BODY	F-17 - F-22
GALLEY	F-23 - G-04
HEATING & AC	G-05 - G-10
INTERIOR FINISH	G-11 - G-15
LABEL	G-16
LP	G-17
LOUNGE	G-18 - G-20
SEALANTS & FASTENERS	G-21 - G-22
WATER & SEWAGE	G-23 - H-02
WINDOW, VENT AND EXTERIOR DOOR	H-03 - H-22

ACCESSORIES GROUP

COVER-WHEEL

KEY PART NUMBER	U/M	DESCRIPTION
083181-03-700	EA	COVER-WHEEL, 19" - 1 ONLY
FORD CHASSIS OPTION - US L16D		
KEY PART NUMBER	U/M	DESCRIPTION
098532-01-000	EA	COVER-WHEEL, FORD - SET OF 4 - 16"
098532-01-700	EA	COVER-LUG NUT, FORD - CHROME
098532-01-701	EA	COVER-WHEEL, FORD - 1 EACH ONLY - 16"
SPARE TIRE-W/CARRIER & COVER		
KEY PART NUMBER	U/M	DESCRIPTION
088855-01-AA3	EA	COVER - TIRE, VINYL - OFF WHITE
040548-03-000	EA	TIRE-7.50" X 16", 8 PLY - POLYESTER - GOODRICH - TUBE TYPE
089359-01-000	EA	WHEEL-STEEL, 16" X 6" - 8 HOLE - OFF WHITE
051377-01-000	EA	STEM-VALVE
000C12-08-24B	EA	BOLT-HEX, 1/2"-13 X 1 1/2" - ZN 5
077411-01-000	EA	MOD-RETAINING, SPARE TIRE
050273-02-000	EA	TIRE-7.50R16.0 LRD,XCA,T8
		FROM: 00-00-00 THRU: 02-11-90
083425-05-000	EA	TIRE-LT235/85R16 LRE
		FROM: 02-12-89 THRU: 99-99-99
078027-01-000	EA	BRACKET-SPARE TIRE CARRIER

FRONT AIRSHOCKS & REAR AIR BAGS (OPT 64C)

KEY PART NUMBER	U/M	DESCRIPTION
078942-01-000	EA	SHOCK ABSORBER-STABILIZER, FRONT - 4-WAY
084086-01-000	EA	AIRSPRING-BELLOWS, REAR AXLE - FIRESTONE# MHA224
084086-01-700	EA	AIRSPRING-BELLOWS, AIR BAG ONLY - FIRESTONE# MHA224
084086-01-701	EA	TUBING-DOT 1/4 X 18" - FIRESTONE# 21-0938
084086-01-702	EA	BOLT-RIBBED NECK, 3/8 - 24 X 2.5 FIRESTONE# 21-0829
084086-01-703	EA	INFLATING VALVE-DOT 1/4 TUBING, FIRESTONE# 21-0931
084086-01-704	EA	ELBOW CONNECTOR, FIRESTONE# 21-0935
084086-01-705	EA	TUBING PROTECTORS, FIRESTONE# 21-0889
084086-01-706	EA	BRACKET-UPPER TO FRAME, FIRESTONE# 21-0150
084086-01-707	EA	BRACKET-LOWER, TOP - FIRESTONE# 21-1162
084086-01-708	EA	AIRLINE SERVICE KIT, FIRESTONE# W21-760-2012
084086-01-709	EA	HEAT SHIELD, FIRESTONE# 21-1004
084086-03-000	EA	BRACKET-AXLE, P30 CHASSIS - FIRESTONE# W21-760-2044

TV ANTENNA W/TV STAND - CABLE READY (OPTION L42P)

KEY PART NUMBER	U/M	DESCRIPTION
000G11-08-12B	EA	SCREW, 8-18 X 3/4 PPH ZN
089726-02-000	EA	BUMPER-.88"DIA X .40", BLACK
078319-01-000	EA	ANTENNA-TV, ROOF MOUNT - 44.5" MAST - RVA W02
078319-01-700	EA	HEAD-ANTENNA, AMPLIFIED - WINEGARD# RVSA UV
078319-01-701	EA	GEAR-ELEVATING, PLASTIC - WINEGARD# 2200046
078319-01-702	EA	SHAFT ASM-ELEVATING, WINEGARD# RVP-400A
078319-01-703	EA	BEARING-NYLON, 5"OD - WINEGARD# 3200656
078319-01-704	EA	BEARING-NYLON, 1.25"OD - WINEGARD# 3200657
078319-01-705	EA	GROMMET-NYLON, 7/8"ID - WINEGARD# 3200658
078319-01-708	EA	CRANK-ELEVATING, W/SET SCREW - WINEGARD# 5755100
078319-01-707	EA	SPRING-HANDLE, WINEGARD# 5163800
078319-01-708	EA	DECAL-CRANK, WINEGARD# 5413002
078319-06-000	EA	ADAPTER-CABLE ROOF PLATE, WINEGARD RPJ-1
078319-08-000	EA	WALLPLATE-TV RECEPTACLE, IVORY
078319-11-000	EA	ADAPTER-COAX WITH SPLITER WINEGARD MSJ-6
080734-02-000	EA	CLIP-WIRE, NYLON

ACCESSORIES GROUP (CONTINUED)

EXTERIOR REAR VIEW MIRROR

KEY PART NUMBER	U/M	DESCRIPTION
045347-01-000	EA	MIRROR HEAD-EXTERIOR, 10 1/2" X 7 1/2" - STAINLESS STEEL
068043-01-000	EA	MIRROR-EXTERIOR CONVEX, ADHESIVE BACKED
049348-03-000	EA	ARM-EXTERIOR MIRROR, LOW MOUNT - BLACK
049944-04-000	EA	BRACKET-EXTERIOR MIRROR, ARM TO SIDEWALL - BLACK
039337-01-000	EA	BRACKET-EXTERIOR MIRROR, ARM TO SIDEWALL - UNPAINTED

RACK AND LADDERS (OPTION L582)

KEY PART NUMBER	U/M	DESCRIPTION
038327-01-000	EA	TAPE-ANTI SLIP, 2" X 60"
081016-02-T03	EA	LADDER-LUGGAGE RACK, HINGED
000G39-06-10T	EA	SCREW-SF/DR, 6-20 X 5/8 PPH - BLACK
000G68-10-36T	EA	SCREW-10-12 X 2.25 PCH BLACK
067125-01-000	EA	STANDOFF-LADDER, BRIGHT DIPPED - LOWER
087185-01-000	EA	MOUNTING BRACKET-LADDER, LOWER
076980-02-000	EA	END CAP-STEP, BLACK
080866-01-000	EA	STANDOFF-RACK AND LADDER, BRIGHT DIPPED
		FROM: 00-00-00 THRU: 03-04-90
091085-02-000	EA	STANDOFF-RACK & LADDER, BRIGHT DIPPED
		FROM: 03-05-90 THRU: 99-99-99
081026-01-T03	EA	RACK ASM-PASSENGER SIDE, INCLUDES 2 ANGLED STANDOFFS
081028-02-T03	EA	RACK ASM-DRIVER SIDE, INCLUDES 2 ANGLED AND 2 STRAIGH STANDOFFS
081114-01-000	EA	PLUG-ROUND, RACK & LADDER ENDS - PLASTIC - 1" DIA.
091085-02-000	EA	STANDOFF-RACK & LADDER, BRIGHT DIPPED

TV & TV CABINET OPTION U.S.(OPTION L43U)

KEY PART NUMBER	U/M	DESCRIPTION
088447-01-000	EA	TV-13", COLOR W/REMOTE - U.S. - MAGNAVOX RX4029WA
088447-01-700	EA	REMOTE-TV, MAGNAVOX 0822338
088447-02-000	EA	TV-13", COLOR W/REMOTE - CANADIAN - MAGNAVOX XK4029CH
099717-02-000	EA	TIEDOWN, TV
088819-01-000	EA	SPEAKER-2 WATT, 8 OHM - 4"
083214-01-02A	EA	GRILL-SPEAKER, 4" BROWN
099030-01-000	EA	WIRE-SPEAKER, TV
088637-01-000	EA	GROMMET
086756-01-000	EA	SPLITER-TV, 2 WAY
088777-01-000	EA	PLATE-WALL, ANTENNA
078319-08-000	EA	WALLPLATE-TV RECEPTACLE, IVORY
078319-03-000	FT	CABLE-COAXIAL, 75 OHM
078319-04-000	EA	CONNECTOR W/FERRULE
078319-12-000	EA	CONNECTOR-COAXIAL, ONE PIECE
078319-03-000	FT	CABLE-COAXIAL, 75 OHM
100628-01-000	EA	SHELF-TV, STEEL
101150-01-000	EA	SUPPORT-SHELF, TV
101150-02-000	EA	SUPPORT-SHELF, TV

TV, VCR, CONTROL CENTER OPTION (OPTION L43X)

KEY PART NUMBER	U/M	DESCRIPTION
086757-01-000	EA	CONTROL CENTER-SWITCH, VCR/TV - CHANNEL MASTER
		FROM: 00-00-00 THRU: 06-03-90
086757-02-000	EA	CONTROL CENTER-SWITCH, VCR/TV - XANTECH
		FROM: 06-04-90 THRU: 99-99-99
098446-02-000	EA	VCR-VHS, CABLE READY - REMOTE - MAGNAVOX VR9912
098446-02-700	EA	REMOTE F/MODEL#9912
086777-03-000	EA	PLATE-WALL, ANTENNA/POWER, IVORY

TABLE OF CONTENTS

INTRODUCTION	A-01
ABBREVIATIONS	A-01
ALPHABETICAL INDEX	A-02 - A-04
WCF23EC	A-05 - D-17
WCF30EU	D-19 - H-22

1991 WCF30EU INDEX

FLOOR PLAN	D-19 - D-20
ACCESSORIES	D-21 - D-24
BATH	E-01 - E-04
BEDROOM	E-05 - E-08
CHASSIS	E-09 - E-14
C C & PAD	E-15 - E-24
DINETTE	F-01 - F-02
DRIVERS	F-03 - F-12
ELECTRICAL	F-13 - F-16
EXTERIOR BODY	F-17 - F-22
GALLEY	F-23 - G-04
HEATING & A.C.	G-05 - G-10
INTERIOR FINISH	G-11 - G-15
LABEL	G-16
LP	G-17
LOUNGE	G-18 - G-20
SEALANTS & FASTENERS	G-21 - G-22
WATER & SEWAGE	G-23 - H-02
WINDOW, VENT AND EXTERIOR DOOR	H-03 - H-22

ACCESSORIES GROUP (CONTINUED)

3,500 WATT KOHLER GENERATOR - EXPORT (OPTION L383)

KEY PART NUMBER	U/M	DESCRIPTION
007125-03-000	EA	CLAMP-MUFFLER - 1.5" DIA
007125-04-000	EA	CLAMP-MUFFLER, 1.1" DIA
008289-01-000	EA	BOX-ELECTRIC, STEEL - 1/2" AND 3/4" KNOCKOUTS - 4" X
008294-01-000	EA	COVER-ELECTRICAL BOX, STEEL/BLANK - 4" X 4" - GRAY
093590-02-000	EA	MUFFLER-GENERATOR
FROM: 00-00-00 THRU: 08-25-90		
081364-01-000	EA	MUFFLER-GENERATOR
FROM: 08-26-90 THRU: 99-99-99		
100974-05-000	EA	GENERATOR-4.0 KW EMERALD PLUS, ONAN BEIGE-FN
008054-01-000	EA	CORD-POWER, 10/3 WIRE - 30 AMP - 25'
008289-01-000	EA	BOX-ELECTRIC, STEEL - 1/2" AND 3/4" KNOCKOUTS - 4" X
008328-01-000	EA	TERMINAL-RING, 12/10 WIRE - #10 STUD FIT
008355-01-000	EA	CONNECTOR-CABLE CLAMPING, 3/4"
008356-01-000	EA	CONNECTOR-PLASTIC, 3/8" AVG
041953-01-000	FT	CONDUIT-CONVOLUTED SLIT, .5"ID
069238-01-000	EA	COVER-ELECTRICAL BOX, W/HOLE - 4" X 4" - GRAY USED WITH 30 OR 50 AMP RECEPTACLE
073937-03-000	EA	SWITCH-ROTARY SELECTOR, 3 DECK - A/C - CA20-USA892
074890-01-000	EA	BOX-EXTENSION, STEEL - OPEN SIDES - 4" X 4" X 1 1/2"
074897-01-000	EA	COVER-ELECTRIC BOX, 1 LARGE & 2 SMALL HOLES - 4" X 4"
092615-01-000	EA	CONVERTER-40 AMP, W/CHARGER - B-W 32400P
008026-01-000	FT	WIRE-12/2, ROMEX - W/GROUND
008311-01-000	EA	CONNECTOR-WIRE NUT, INSULATED - RED
008312-01-000	EA	CONNECTOR-WIRE NUT, INSULATED - BLUE
041953-01-000	FT	CONDUIT-CONVOLUTED SLIT, .5"ID
007063-01-000	FT	HOSE-GAS 1/4"ID X 1/2"OD

4,000 WATT ONAN GENERATOR - US (OPTION L38E)

KEY PART NUMBER	U/M	DESCRIPTION
008289-01-000	EA	BOX-ELECTRIC, STEEL - 1/2" AND 3/4" KNOCKOUTS - 4" X
023942-01-000	EA	GROMMET-RUBBER, 2" OD
078045-01-000	EA	STRAP-SUPPORT, GENERATOR - 4 HOLE
079654-05-000	EA	PIPE-EXHAUST, ANGLED - W/FLANGE - EMERALD - ONAN# 154
079654-01-700	EA	HINGE KIT-ONAN, EMERALD
100974-02-000	EA	GENERATOR-4,000 WATT, EMERALD - ONAN FROM: 00-00-00 THRU: 04-29-90
100974-02-000	EA	GENERATOR-4,000 WATT EMERALD PLUS, ONAN BEIGE-FA FROM: 04-30-90 THRU: 99-99-99
083151-01-000	EA	MUFFLER-GENERATOR, ONAN - 1.6" OD FROM: 00-00-00 THRU: 08-25-90
081364-01-000	EA	MUFFLER-GENERATOR FROM: 08-26-90 THRU: 99-99-99
083152-01-000	EA	PIPE-EXHAUST, GENERATOR - ONAN - 1.3"OD X 33.3" X 27. FROM: 00-00-00 THRU: 02-24-90
083152-12-000	EA	PIPE-EXHAUST, GENERATOR FROM: 02-25-90 THRU: 08-25-90
084365-01-000	EA	STRAP-SUPPORT, GENERATOR - 2 HOLE
008054-01-000	EA	CORD-POWER, 10/3 WIRE - 30 AMP - 25'
024924-02-000	EA	RECEPTACLE-POWER CORD, W/PARTIAL PLATE
041953-01-000	FT	CONDUIT-CONVOLUTED SLIT, .5"ID
069238-01-000	EA	COVER-ELECTRICAL BOX, W/HOLE - 4" X 4" - GRAY USED WITH 30 OR 50 AMP RECEPTACLE
007067-01-000	SF	INSULATION-FIBERGLASS, 1" THICK X 4" - INCREMENTS OF
007125-04-000	EA	CLAMP-MUFFLER, 1.1" DIA
007131-01-000	EA	HANGER-TAILPIPE FROM: 00-00-00 THRU: 08-25-90
008294-01-000	EA	COVER-ELECTRICAL BOX, STEEL/BLANK - 4" X 4" - GRAY
008312-01-000	EA	CONNECTOR-WIRE NUT, INSULATED - BLUE
008314-01-000	EA	CONNECTOR-WIRE NUT, INSULATED - GRAY
008328-01-000	EA	TERMINAL-RING, 12/10 WIRE - #10 STUD FIT
008398-01-000	EA	CONNECTOR-1/2" X 90 DEGREE, FLEX CONDUIT - UL AND CSA

ACCESSORIES GROUP (CONTINUED)

**4,000 WATT ONAN GENERATOR - CANADIAN (OPTION 38E)
SAME AS US OPTION EXCEPT FOR FOLLOWING ITEMS**

KEY PART NUMBER	U/M	DESCRIPTION
008289-02-000	EA	BOX-ELECTRICAL, 4" X 4" - 1/2" & 3/4" KNOCKOUTS - CANAD
008052-01-000	EA	CORD-POWER, 10/3 - 30 AMP - 25' - CANADIAN
008294-02-000	EA	COVER-ELECTRICAL BOX, BLANK STEEL - 4" X 4" - CANADIA
100258-10-01A	EA	METER-HOUR, VENTLINE 150

**6,500 WATT ONAN GENERATOR - (OPTION L38G)
SAME AS OPTION L38E EXCEPT FOR FOLLOWING ITEMS**

KEY PART NUMBER	U/M	DESCRIPTION
081634-04-000	EA	GENERATOR-6.5 KW, EMERALD - NHE-IR 26101D FROM: 00-00-00 THRU: 05-13-90
100975-02-000	EA	GENERATOR-6.5 KW EMERALD - ONAN NHE-FA/26101G FROM: 05-14-90 THRU: 99-99-99
000G39-08-08B	EA	SCREW-SF/DR, 8-18 X 1/2 PPH ZN
007063-01-000	FT	HOSE-GAS 1/4"ID X 1/2"OD
008037-01-000	FT	CABLE-BATTERY, 1AWG - STRANDED - BLACK
008343-01-000	EA	TIE-WIRE, 6"
008348-01-000	EA	TERMINAL-RING, 3/8" STUD - #2 WIRE CONNECTS CABLE TO DISCONNECT RELAY AND BATTERY
010495-01-000	EA	CLAMP-CABLE, 9/16"
010497-01-000	EA	CLAMP-CLOSED, 5/8"ID
062401-03-000	EA	CLAMP-HOSE, WORMGEAR - .22" - 1"
062401-06-000	EA	CLAMP-HOSE, WORMGEAR .22"-.62"
071015-07-000	EA	GROMMET-1.00"ID, FITS .06" MATERIAL, RUBBER
071015-08-000	EA	GROMMET-1.75"ID, FITS .06" MATERIAL, RUBBER
071015-13-000	EA	GROMMET-5/8"ID, FITS .09" MATERIAL, RUBBER

MISCELLANEOUS

KEY PART NUMBER	U/M	DESCRIPTION
054185-64-000	EA	MANUAL-OPERATORS, 1991 A-BODY WARRIOR
092318-01-000	EA	BINDER-3 RING, MOTOR HOME MANUAL
092319-01-000	EA	POCKET PAGE-3 RING BINDER, PLASTIC
098084-05-000	EA	CASSETTE-WINNEBAGO WARRIOR
094499-02-000	EA	EXTINGUISHER-FIRE, DRY - 1A10BC (CANADIAN EXPORT OPTION L265)
072852-01-000	EA	DETECTOR-SMOKE, W/9 VOLT BATTERY

RACK AND LADDERS OPTION L502

KEY PART NUMBER	U/M	DESCRIPTION
038327-01-000	EA	TAPE-ANTI SLIP, 2" X 60'
081016-02-T03	EA	LADDER-LUGGAGE RACK, HINGED
000G39-06-10T	EA	SCREW-SF/DR, 6-20 X 5/8 PPH - BLACK
000G68-10-36T	EA	SCREW-10-12 X 2.25 PPH BLACK
067125-01-000	EA	STANDOFF-LADDER, BRIGHT DIPPED - LOWER
067165-01-000	EA	MOUNTING BRACKET-LADDER, LOWER
076980-02-000	EA	END CAP-STEP, BLACK
080866-01-000	EA	STANDOFF-RACK AND LADDER, BRIGHT DIPPED FROM: 00-00-00 THRU: 03-04-90
091085-02-000	EA	STANDOFF-RACK & LADDER, BRIGHT DIPPED FROM: 03-05-90 THRU: 99-99-99
081026-01-T03	EA	RACK ASM-PASSENGER SIDE, INCLUDES 2 ANGLED STANDOFFS
081114-01-000	EA	PLUG-ROUND, RACK & LADDER ENDS - PLASTIC - 1" DIA.
081026-02-T03	EA	RACK ASM-DRIVER SIDE, INCLUDES 2 ANGLED AND 2 STRAIGH STANDOFFS
081114-01-000	EA	PLUG-ROUND, RACK & LADDER ENDS - PLASTIC - 1" DIA.
091085-02-000	EA	STANDOFF-RACK & LADDER, BRIGHT DIPPED

RADIOS AND RELATED ITEMS

KEY PART NUMBER	U/M	DESCRIPTION
094097-01-000	EA	SPEAKER-RADIO, W/O GRILLE - 5.25" DIA - AUDIOVOX 110C
073741-03-000	EA	SPEAKER-RADIO, OVAL - AUDIOVOX 110-2074 - 4" X 6"
073741-04-000	EA	GRILLE-SPEAKER, OVAL - 4" X 6" - BLACK
037703-01-000	EA	MOUNTING KIT-RADIO, AUDIOVOX
090982-01-000	EA	RADIO-AM/FM CASSETTE, ELECTRIC TUNE - AUDIOVOX HCC-10
093381-01-000	EA	SWITCH-RADIO, MAIN TO AUXILIARY
031105-02-000	EA	ANTENNA-RADIO, SIDE MOUNTED - 12" GROUND

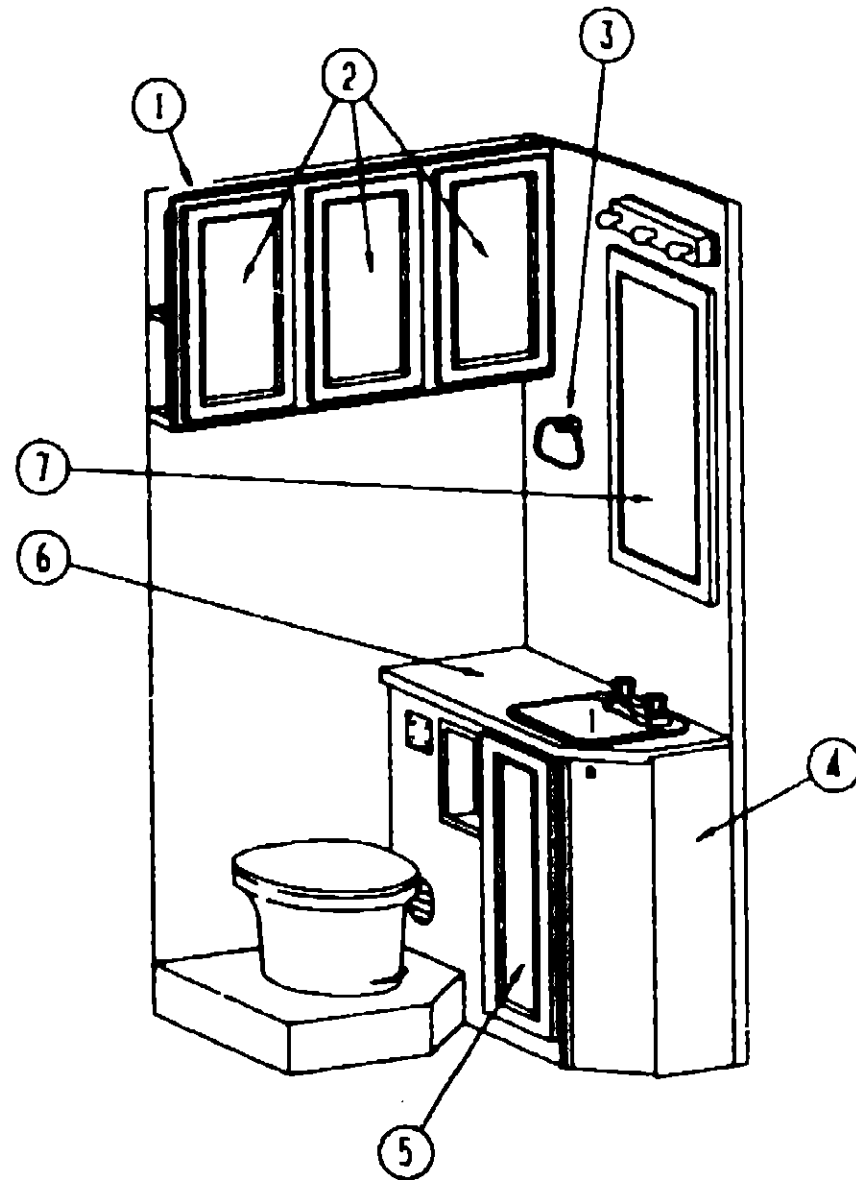
TABLE OF CONTENTS

INTRODUCTION	A-01
ABBREVIATIONS	A-01
ALPHABETICAL INDEX	A-02 - A-04
WCF23EC	A-05 - D-17
WCF30EU	D-19 - H-22

1991 WCF30EU INDEX

FLOOR PLAN	D-19 - D-20
ACCESSORIES	D-21 - D-24
BATH	E-01 - E-04
BEDROOM	E-05 - E-08
CHASSIS	E-09 - E-14
C C & PAD	E-15 - E-24
DINETTE	F-01 - F-02
DRIVERS	F-03 - F-12
ELECTRICAL	F-13 - F-16
EXTERIOR BODY	F-17 - F-22
GALLEY	F-23 - G-04
HEATING & A/C	G-05 - G-10
INTERIOR FINISH	G-11 - G-15
LABEL	G-16
LP	G-17
LOUNGE	G-18 - G-20
SEALANTS & FASTENERS	G-21 - G-22
WATER & SEWAGE	G-23 - H-02
WINDOW, VENT AND EXTERIOR DOOR	H-03 - H-22

BATH GROUP



BATH CABINETRY

KEY PART NUMBER	U/M	DESCRIPTION
1 100012-01-B03	EA	CABINET-MEDICINE, W/O DOORS OR HARDWARE
2 P00099-19-B03	EA	DOOR-CABINET, W/O HARDWARE - 11.2" X 19.6"
		FROM: 00-00-00 THRU: 05-19-90
2 P00099-91-B03	EA	DOOR-CABINET, W/O HARDWARE - 11.2" X 19.7"
		FROM: 05-20-90 THRU: 99-99-99
3 075454-02-000	EA	RING-TOWEL, W/MOUNTING HARDWARE - BRASS
081614-02-000	EA	DISH-SOAP, W/PLASTIC COVER - BRASS
4 P00013-01-B03	EA	CABINET-LAVATORY, W/O DOOR OR HARDWARE
5 P00099-86-B03	EA	DOOR-CABINET, LAVATORY - 10.8" X 23.8" - W/O HARDWARE
6 100013-11-B03	EA	COUNTERTOP-LAVATORY
7 093446-03-Y15	EA	WALL MIRROR - W/FRAME 25.7" X 31.6"
075240-06-000	EA	FAUCET-LAVATORY, BONE
091253-01-000	EA	GASKET-FAUCET, LAVATORY
096927-01-01A	EA	SINK-LAVATORY, RECTANGULAR - PLASTIC - BONE
096927-01-700	EA	SINK-STOPPER
096927-01-701	EA	TAILPIECE-SINK
074045-07-000	EA	PLUG-WOOD, 1/2"
075452-02-000	EA	HOLDER-TOILET TISSUE, BRASS

BATH GROUP (CONTINUED)

WARDROBE CABINET

KEY PART NUMBER	U/M	DESCRIPTION
P00099-62-B03	EA	DOOR-WARDROBE, W/MIRROR - 16.7" X 65.4" - W/O HARDWARE - 2 USED
009112-01-000	EA	FLANGE-1" ROD, CLOTHES - PLASTIC - OFF WHITE
041953-03-000	FT	CONDUIT-CONVULATED SLIT, 1" ID (CLOTHES ROD COVER)
042438-01-000	EA	DOWEL-WOOD, CLOTHES ROD - 1" DIAMETER X 4'
052369-01-000	FT	CORD STRAPPING-1/4" WIDE

SHOWER DOOR

KEY PART NUMBER	U/M	DESCRIPTION
089318-01-000	EA	DOOR-SHOWER, HINGED, PLASTIC W/GOLD FRAME - 29.8"
089318-01-700	EA	STRAP F/SHOWER DOOR
089318-01-701	FT	VINYL SWEEP
089318-01-702	EA	BUSHING W/ARM

TABLE OF CONTENTS

INTRODUCTION	A-01
ABBREVIATIONS	A-01
ALPHABETICAL INDEX	A-02 - A-04
WCF23EC	A-05 - D-17
WCF30EU	D-19 - H-22

1991 WCF30EU INDEX

FLOOR PLAN	D-19 - D-20
ACCESSORIES	D-21 - D-24
BATH	E-01 - E-04
BEDROOM	E-05 - E-08
CHASSIS	E-09 - E-14
C C & PAD	E-15 - E-24
DINETTE	F-01 - F-02
DRIVERS	F-03 - F-12
ELECTRICAL	F-13 - F-16
EXTERIOR BODY	F-17 - F-22
GALLEY	F-23 - G-04
HEATING & A/C	G-05 - G-10
INTERIOR FINISH	G-11 - G-15
LABEL	G-16
LP	G-17
LOUNGE	G-18 - G-20
SEALANTS & FASTENERS	G-21 - G-22
WATER & SEWAGE	G-23 - H-02
WINDOW, VENT AND EXTERIOR DOOR	H-03 - H-22

BATH GROUP (CONTINUED)

SLIDING BATH PRIVACY DOORS

KEY PART NUMBER	U/M	DESCRIPTION
100636-01-BC3	EA	HEADER-SLIDING DOOR, PANELED FROM: 00-00-00 THRU: 04-25-90
100259-01-000	EA	TRACK-SLIDING DOOR, DOUBLE - 42" FROM: 00-00-00 THRU: 04-25-90
094856-02-01A	EA	TRACK-FOLDING DOOR/CURTAIN, 27.5" - OFF WHITE FROM: 04-26-90 THRU: 99-99-99
100406-01-B03	EA	DOOR-SLIDING, BATH W/PULL CUTOUT - W/O HARDWARE FROM: 00-00-00 THRU: 04-25-90
100433-01-01A	EA	PLATE-SLIDING DOOR, METAL - BEIGE
098410-01-01A	EA	PULL-FINGER, OVAL - BRASS
100260-01-000	EA	HANGER-SLIDING DOOR, 1/16" OFFSET
100406-02-B03	EA	DOOR-SLIDING, BATH - W/O PULL CUTOUT & HARDWARE FROM: 00-00-00 THRU: 04-25-90
100260-02-000	EA	HANGER-SLIDING DOOR, 3/8" OFFSET
100435-01-01A	EA	GUIDE-DOOR, MOUNTED TO DOOR - METAL - BEIGE
064467-01-000	EA	GUIDE-POCKET DOOR, WALL MOUNT
100346-01-000	EA	BUMPER-DOOR, SLIDING - 1.1" X 1.6" X .9" FROM: 00-00-00 THRU: 04-25-90
042488-06-000	EA	DOOR-FOLDING, PRIVACY - 75" X 27.5" - OAK WOOD FROM: 04-26-90 THRU: 99-99-99
057534-04-000	EA	TIE-BACK-FOLDING DOOR, 20" - CLEAR PLASTIC

SHOWER

KEY PART NUMBER	U/M	DESCRIPTION
M02429-05-000	EA	SHOWER PAN
068436-01-000	EA	NUT-SLIP, TAILPIECE - 1.5"
066440-01-000	EA	STRAINER W/RUBBER WASHER
066729-01-000	EA	STRAINER-TUB/SHOWER DRAIN
068640-06-000	FT	SEALER-RIBBON, 5/16" DIAMETER - INCREMENTS OF 25'
057671-01-000	EA	COVER-SCREW, #8 - PLASTIC - OFF WHITE

SHOWER FIXTURES

KEY PART NUMBER	U/M	DESCRIPTION
075241-05-000	EA	FAUCET-SHOWER, 2000
075806-01-000	EA	PANEL-FAUCET BACK, SHOWER - PLASTIC
081614-02-000	EA	DISH-SOAP, W/PLASTIC COVER - BRASS
011046-02-000	EA	HEAD-SHOWER, W/60" HOSE

SHOWER CURTAIN & TRACK

KEY PART NUMBER	U/M	DESCRIPTION
092464-02-01A	EA	TRACK-SHOWER, CURVED - OFF WHITE FROM: 00-00-00 THRU: 07-14-90
084481-13-000	EA	CURTAIN-GROMMET TOP, SHOWER - 62" X 70" - VINYL FROM: 00-00-00 THRU: 07-14-90

BATH GROUP (CONTINUED)

SHOWER DOOR

KEY PART NUMBER	U/M	DESCRIPTION
089318-01-000	EA	DOOR-SHOWER, HINGED, PLASTIC W/GOLD FRAME - 29.8"
089318-01-700	EA	STRAP F/SHOWER DOOR
089318-01-701	FT	VINYL SWEEP
089318-01-702	EA	BUSHING W/ARM

TOILET

KEY PART NUMBER	U/M	DESCRIPTION
024676-01-000	EA	FLANGE-CLOSET, TOILET - 4" X 3" - RED
067487-01-000	EA	TOILET-LOW, AQUA MAGIC IV - THETFORD 150110
063740-01-716	EA	SEAT & COVER, THETFORD 15017
063740-01-706	EA	BOLT PACKAGE-CLOSET, THETFORD 12524
063740-01-700	EA	LEVER-WATER, THETFORD 12514
063740-01-701	EA	LEVER-FLUSH, THETFORD 12515
063740-01-707	EA	SEAL-CLOSET FLANGE, THETFORD 02125
063740-01-710	EA	LINK, THETFORD 12513
063740-01-711	EA	SPRING-RETURN LEVER, THETFORD 12523
063740-01-713	EA	SEAL-BALL VALVE TO BOWL, THETFORD 12502
063740-01-714	EA	VALVE ASM-WATER, THETFORD 12492
063740-01-717	EA	FLUSH TUBE
067487-01-700	EA	C.L.F.L. SEAL & BOLT PKG23/4
067487-01-701	EA	WATER SAVER PACKAGE-THETFORD 08493

CANADIAN EXPORT OPTION

KEY PART NUMBER	U/M	DESCRIPTION
011048-05-000	EA	SHOWER HEAD-W/60" HOSE, W/O VACUUM BREAKER - CANADIAN
024676-02-000	EA	FLANGE-CLOSET, 4" X 3" - ABS - CANADIAN

PRIVACY DOOR BETWEEN GALLEY & BATH

KEY PART NUMBER	U/M	DESCRIPTION
100494-01-B03	EA	DOOR-BATH, W/O HARDWARE - 75.2" X 24.8"
053331-01-000	EA	HINGE-OVERLAY, CABINET DOOR - BURNISHED BRASS
058335-02-000	EA	LATCH-SHOWER/BATH DOOR, W/O LOCK - BROWN

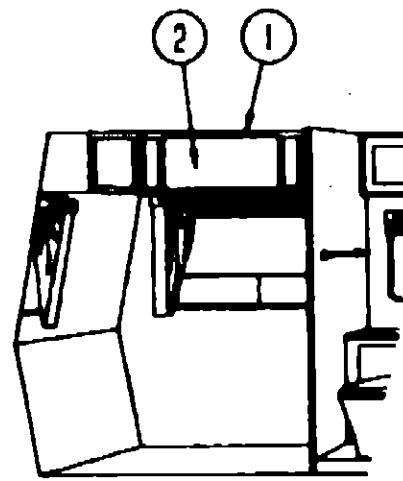
TABLE OF CONTENTS

INTRODUCTION	A-01
ABBREVIATIONS	A-01
ALPHABETICAL INDEX	A-02 - A-04
WCF23EC	A-05 - D-17
WCF30EU	D-19 - H-22

1991 WCF30EU INDEX

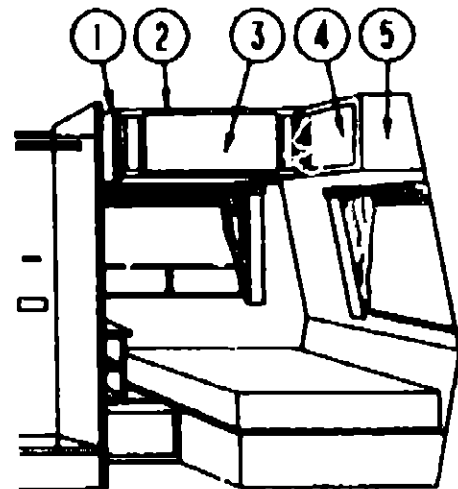
FLOOR PLAN	D-19 - D-20
ACCESSORIES	D-21 - D-24
BATH	E-01 - E-04
BEDROOM	E-05 - E-08
CHASSIS	E-09 - E-14
C C & PAD	E-15 - E-24
DINETTE	F-01 - F-02
DRIVERS	F-03 - F-12
ELECTRICAL	F-13 - F-16
EXTERIOR BODY	F-17 - F-22
GALLEY	F-23 - G-04
HEATING & AC	G-05 - G-10
INTERIOR FINISH	G-11 - G-15
LABEL	G-16
LP	G-17
LOUNGE	G-18 - G-20
SEALANTS & FASTENERS	G-21 - G-22
WATER & SEWAGE	G-23 - H-02
WINDOW, VENT AND EXTERIOR DOOR	H-03 - H-22

BEDROOM GROUP



DRIVER SIDE OVERHEAD CABINET & COMPONENTS

KEY PART NUMBER	U/M	DESCRIPTION
1 P00506-01-B03	EA	CABINET-OVERHEAD, DRIVER SIDE - W/O DOORS OR HARDWARE
061320-19-B03	EA	CAP-END, OVERHEAD - FRONT
		FROM: 00-00-00 THRU: 07-14-90
081320-21-B03	EA	CAP-END, OVERHEAD - FRONT
		FROM: 07-15-90 THRU: 99-99-99
2 P00099-26-B03	EA	DOOR-CABINET, OVERHEAD DINETTE/BEDROOM/COUCH - 12" X W/O HARDWARE



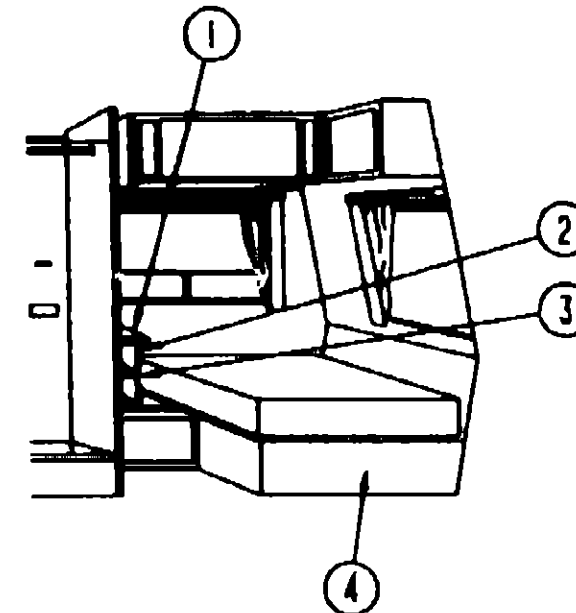
PASSENGER SIDE OVERHEAD CABINET & COMPONENTS

KEY PART NUMBER	U/M	DESCRIPTION
1 094590-01-B03	EA	CAP-END, CABINET - FRONT
		FROM: 00-00-00 THRU: 07-14-90
1 094590-02-B03	EA	CAP-END, CABINET - FRONT
		FROM: 07-15-90 THRU: 99-99-99
2 P00409-01-B03	EA	CABINET-OVERHEAD, PASSENGER SIDE - W/O DOORS OR HARDWARE
3 P00099-27-B03	EA	DOOR-CABINET, OVERHEAD DINETTE/BEDROOM/COUCH - 12" X W/O HARDWARE

BACKWALL OVERHEAD CABINETRY

KEY PART NUMBER	U/M	DESCRIPTION
4 P00099-90-B03	EA	DOOR-CABINET, OVERHEAD BACKWALL 10.8" X 28" - W/O HAR
5 P02299-01-B03	EA	CABINET-OVERHEAD, BACKWALL - W/DECORATIVE RAIL

BEDROOM GROUP (CONTINUED)



PASSENGER SIDE NIGHT STAND CABINET

KEY PART NUMBER	U/M	DESCRIPTION
1 089997-11-B03	EA	COUNTERTOP-NIGHTSTAND, DOUBLE BED
2 089997-01-B03	EA	CABINET-NIGHTSTAND, DOUBLE BED W/O DOOR DRAWER OR HARDWARE
3 P00099-60-B03	EA	DOOR-CABINET, NIGHTSTAND - 12" X 18.7" - W/O HARDWARE
081508-12-B03	EA	DRAWER-CABINET, NIGHTSTAND - 5" X 11.1" X 16.4" DEEP W/O HARDWARE - DOUBLE BED
		FROM: 00-00-00 THRU: 01-06-91
081509-04-B03	EA	FACE-DRAWER, NIGHTSTAND - W/O HARDWARE
102820-02-B03	EA	DRAWER-CABINET, NIGHTSTAND - 4" X 11.1" X 14.3" W/O HARDWARE - DOUBLE BED
		FROM: 01-07-91 THRU: 99-99-99

DOUBLE BED CABINET

KEY PART NUMBER	U/M	DESCRIPTION
4 P00005-01-B03	EA	CABINET-DOUBLE BED, W/O DOOR OR HARDWARE

TV STAND

KEY PART NUMBER	U/M	DESCRIPTION
084357-02-W24	EA	TV STAND ASSEMBLY
084412-01-000	EA	SUPPORT-HINGED
023320-01-000	EA	PAD-FELT, 3/8" DIAMETER - BROWN
084451-01-000	EA	CATCH-TV SHELF, BRASS
084413-01-000	EA	HINGE-CONTINUOUS, ALUMINUM - 1" X 72" - WHOLES

TABLE OF CONTENTS

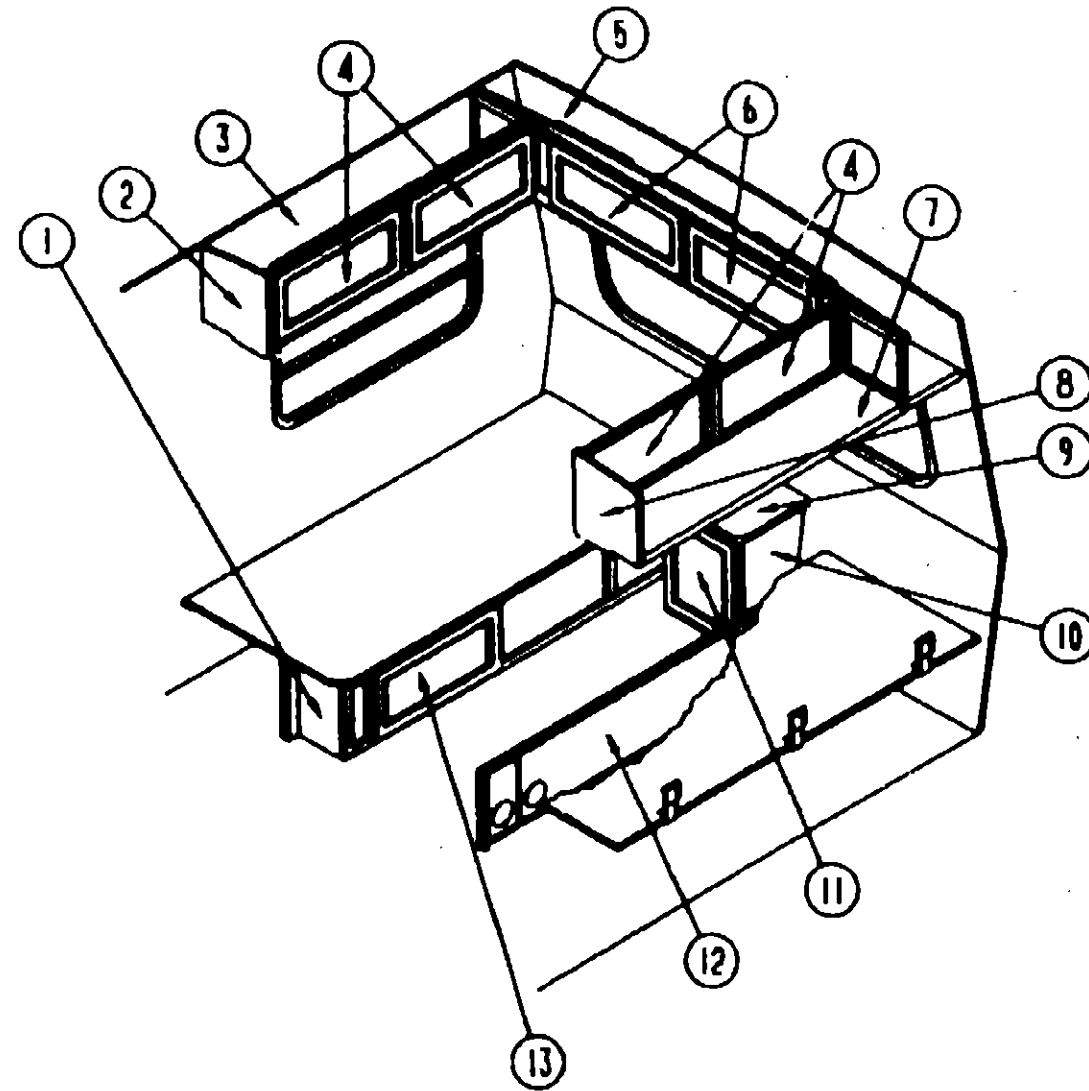
INTRODUCTION	A-01
ABBREVIATIONS	A-01
ALPHABETICAL INDEX	A-02 - A-04
WCF23EC	A-05 - D-17
WCF30EU	D-19 - H-22

1991 WCF30EU INDEX

FLOOR PLAN	D-19 - D-20
ACCESSORIES	D-21 - D-24
BATH	E-01 - E-04
BEDROOM	E-05 - E-08
CHASSIS	E-09 - E-14
C C & PAD	E-15 - E-24
DINETTE	F-01 - F-02
DRIVERS	F-03 - F-12
ELECTRICAL	F-13 - F-16
EXTERIOR BODY	F-17 - F-22
GALLEY	F-23 - G-04
HEATING & AC	G-05 - G-10
INTERIOR FINISH	G-11 - G-15
LABEL	G-16
LP	G-17
LOUNGE	G-18 - G-20
SEALANTS & FASTENERS	G-21 - G-22
WATER & SEWAGE	G-23 - H-02
WINDOW, VENT AND EXTERIOR DOOR	H-03 - H-22

BEDROOM GROUP (CONTINUED)

TWIN BEDS OPTION - US



KEY PART NUMBER	UM	DESCRIPTION
1 P00004-01-B03	EA	CABINET-TWIN BED, PASSENGER - W/O DOOR OR HARDWARE
2 094590-02-B03	EA	CAP-END, CABINET - FRONT - PASSENGER SIDE
3 P01242-01-B03	EA	CABINET-OVERHEAD, PASSENGER SIDE - W/O DOORS OR HARDWARE
4 P00099-26-B03	EA	DOOR-CABINET, SIDE OVERHEADS - 12" X W/O HARDWARE
5 M03972-14-B03	EA	CABINET-OVERHEAD, BACKWALL - W/O DOORS OR HARDWARE
6 P00099-90-B03	EA	DOOR-CABINET, BACKWALL OVERHEAD 10.8" X 28" - W/O HARDWARE
7 P01242-02-B03	EA	CABINET-OVERHEAD, DRIVER SIDE - W/O DOORS OR HARDWARE
8 094590-01-B03	EA	CAP-END, CABINET - FRONT - DRIVER SIDE
9 099996-11-B03	EA	COUNTERTOP-NIGHTSTAND, TWIN BED OPTION
10 099996-01-B03	EA	CABINET-NIGHTSTAND, TWIN BED - W/O DOOR DRAWER OR HAR
11 P00099-15-B03	EA	DOOR-CABINET, NIGHTSTAND - 14.4" X 17.9" - W/O HARDWA
081508-13-B03	EA	DRAWER-CABINET, NIGHTSTAND - 5" X 13.1" X 10.7" DEEP - W/O HARDWARE FROM: 00-00-00 THRU: 01-06-11
081509-05-B42	EA	FACE-DRAWER, NIGHTSTAND - W/O HARDWARE
102820-03-B03	EA	DRAWER-CABINET, NIGHTSTAND - 4" X 13" X 8.4"
12 M99995-01-B03	EA	CABINET-TWIN BED, DRIVER - W/O DOOR OR HARDWARE
13 P00099-28-B03	EA	DOOR-CABINET, PASSENGER TWIN BED - 12" X 26" - W/O HARDWARE

TABLE OF CONTENTS

INTRODUCTION	A-01
ABBREVIATIONS	A-01
ALPHABETICAL INDEX	A-02 - A-04
WCF23EC	A-05 - D-17
WCF30EU	D-19 - H-22

1991 WCF30EU INDEX

FLOOR PLAN	D-19 - D-20
ACCESSORIES	D-21 - D-24
BATH	E-01 - E-04
BEDROOM	E-05 - E-08
CHASSIS	E-09 - E-14
C C & PAD	E-15 - E-24
DINETTE	F-01 - F-02
DRIVERS	F-03 - F-12
ELECTRICAL	F-13 - F-16
EXTERIOR BODY	F-17 - F-22
GALLEY	F-23 - G-04
HEATING & AC	G-05 - G-10
INTERIOR FINISH	G-11 - G-15
LABEL	G-16
LP	G-17
LOUNGE	G-18 - G-20
SEALANTS & FASTENERS	G-21 - G-22
WATER & SEWAGE	G-23 - H-02
WINDOW, VENT AND EXTERIOR DOOR	H-03 - H-22

CHASSIS GROUP

2,500 WATT KOHLER GENERATOR OPTION - EXPORT OPTION L383

KEY PART NUMBER	U/M	DESCRIPTION
007125-03-000	EA	CLAMP-MUFFLER - 1.5" DIA
007125-04-000	EA	CLAMP-MUFFLER, 1.1" DIA
008289-01-000	EA	BOX-ELECTRIC, STEEL - 1/2" AND 3/4" KNOCKOUTS - 4" X
008294-01-000	EA	COVER-ELECTRICAL BOX, STEEL/BLANK - 4" X 4" - GRAY
093590-02-000	EA	MUFFLER-GENERATOR
		FROM: 00-00-00 THRU: 08-25-90
081364-01-000	EA	MUFFLER-GENERATOR
		FROM: 08-26-90 THRU: 99-99-99
100974-05-000	EA	GENERATOR-4.0 KW EMERALD PLUS, ONAN BEIGE-FN
008054-01-000	EA	CORD-POWER, 10/3 WIRE - 30 AMP - 25'
008289-01-000	EA	BOX-ELECTRIC, STEEL - 1/2" AND 3/4" KNOCKOUTS - 4" X
008328-01-000	EA	TERMINAL-RING, 12/10 WIRE - #10 STUD FIT
008355-01-000	EA	CONNECTOR-CABLE CLAMPING, 3/4"
008358-01-000	EA	CONNECTOR-PLASTIC, 3/8" AVG
041953-01-000	FT	CONDUIT-CONVOLUTED SLIT, .5"ID
089238-01-000	EA	COVER-ELECTRICAL BOX, W/HOLE - 4" X 4" - GRAY USED WITH 30 OR 50 AMP RECEPTACLE
073837-03-000	EA	SWITCH-ROTARY SELECTOR, 3 DECK - A/C - CA20-USA892
074890-01-000	EA	BOX-EXTENSION, STEEL - OPEN SIDES - 4" X 4" X 1 1/2"
074897-01-000	EA	COVER-ELECTRIC BOX, 1 LARGE & 2 SMALL HOLES - 4" X 4"
092615-01-000	EA	CONVERTER-40 AMP, W/CHARGER - B-W 32400P
008026-01-000	FT	WIRE-12/2, ROMEX - W/GROUND
008311-01-000	EA	CONNECTOR-WIRE NUT, INSULATED - RED
008312-01-000	EA	CONNECTOR-WIRE NUT, INSULATED - BLUE
041953-01-000	FT	CONDUIT-CONVOLUTED SLIT, .5"ID
100258-03-01A	EA	HOOD-RANGE, W/O MONITOR PANEL, VENTLINE - U.S. FOR PIECE PARTS SEE GALLEY GROUP
007063-01-000	FT	HOSE-GAS 1/4"ID X 1/2"OD

4,000 WATT ONAN GENERATOR OPTION - US L38E

KEY PART NUMBER	U/M	DESCRIPTION
008289-01-000	EA	BOX-ELECTRIC, STEEL - 1/2" AND 3/4" KNOCKOUTS - 4" X
023942-01-000	EA	GROMMET-RUBBER, 2" OD
078045-01-000	EA	STRAP-SUPPORT, GENERATOR - 4 HOLE
079654-05-000	EA	PIPE-EXHAUST, ANGLED - W/FLANGE - EMERALD - ONAN# 154
079654-01-700	EA	HINGE KIT-ONAN, EMERALD
100974-02-000	EA	GENERATOR-4,000 WATT, EMERALD - ONAN FROM: 00-00-00 THRU: 04-29-90
		FROM: 04-30-90 THRU: 99-99-99
083151-01-000	EA	MUFFLER-GENERATOR, ONAN - 1.6" OD FROM: 00-00-00 THRU: 08-25-90
081364-01-000	EA	MUFFLER-GENERATOR
		FROM: 08-26-90 THRU: 99-99-99
083152-01-000	EA	PIPE-EXHAUST, GENERATOR - ONAN - 1.3"OD X 33.3" X 27. FROM: 00-00-00 THRU: 02-24-90
083152-12-000	EA	PIPE-EXHAUST, GENERATOR FROM: 02-25-90 THRU: 08-25-90
084365-01-000	EA	STRAP-SUPPORT, GENERATOR - 2 HOLE
008054-01-000	EA	CORD-POWER, 10/3 WIRE - 30 AMP - 25'
024924-02-000	EA	RECEPTACLE-POWER CORD, W/PARTIAL PLATE
041953-01-000	FT	CONDUIT-CONVOLUTED SLIT, .5"ID
009238-01-000	EA	COVER-ELECTRICAL BOX, W/HOLE - 4" X 4" - GRAY USED WITH 30 OR 50 AMP RECEPTACLE
007067-01-000	SF	INSULATION-FIBERGLASS, 1" THICK X 4" - INCREMENTS OF
007125-04-000	EA	CLAMP-MUFFLER, 1.1" DIA
007131-01-000	EA	HANGER-TAILPIPE FROM: 00-00-00 THRU: 08-25-90
008294-01-000	EA	COVER-ELECTRICAL BOX, STEEL/BLANK - 4" X 4" - GRAY
008312-01-000	EA	CONNECTOR-WIRE NUT, INSULATED - BLUE
008314-01-000	EA	CONNECTOR-WIRE NUT, INSULATED - GRAY
008328-01-000	EA	TERMINAL-RING, 12/10 WIRE - #10 STUD FIT
008398-01-000	EA	CONNECTOR-1/2" X 90 DEGREE, FLEX CONDUIT - UL AND CSA
100258-03-01A	EA	HOOD-RANGE, W/O MONITOR PANEL, VENTLINE - U.S.

CHASSIS GROUP (CONTINUED)

**4,000 WATT ONAN GENERATOR OPTION - CANADIAN L38E
SAME AS US OPTION EXCEPT FOR FOLLOWING ITEMS**

KEY PART NUMBER	U/M	DESCRIPTION
008289-02-000	EA	BOX-ELECTRICAL, 4" X 4" - 1/2" & 3/4" KNOCKOUTS - CANAD
008052-01-000	EA	CORD-POWER, 10/3 - 30 AMP - 25' - CANADIAN
008294-02-000	EA	COVER-ELECTRICAL BOX, BLANK STEEL - 4" X 4" - CANADIA
100258-10-01A	EA	METER-HOUR, VENTLINE 150

**6,500 WATT ONAN GENERATOR OPTION - US & CANADIAN L38G
SAME AS OPTION L38E EXCEPT FOR FOLLOWING ITEMS**

KEY PART NUMBER	U/M	DESCRIPTION
081634-04-000	EA	GENERATOR-6.5 KW, EMERALD - NHE-IR 26101D FROM: 00-00-00 THRU: 05-13-90
100975-02-000	EA	GENERATOR-6.5 KW EMERALD - ONAN NHE-FA/26101G FROM: 05-14-90 THRU: 99-99-99
000G39-08-088	EA	SCREW-SF/DR. 8-18 X 1/2 PPH ZN
007063-01-000	FT	HOSE-GAS 1/4"ID X 1/2"OD
008037-01-000	FT	CABLE-BATTERY, 1AWG - STRANDED - BLACK
008343-01-000	EA	TIE-WIRE, 6"
008348-01-000	EA	TERMINAL-RING, 3/8" STUD - #2 WIRE CONNECTS CABLE TO DISCONNECT RELAY AND BATTERY
010495-01-000	EA	CLAMP-CABLE, 9/16"
010497-01-000	EA	CLAMP-CLOSED, 5/8"ID
062401-03-000	EA	CLAMP-HOSE, WORMGEAR - .22" - 1"
052401-06-000	EA	CLAMP-HOSE, WORMGEAR .22"-.62"
071015-07-000	EA	GROMMET-1.00"ID, FITS .06" MATERIAL, RUBBER
071015-08-000	EA	GROMMET-1.75"ID, FITS .06" MATERIAL, RUBBER
071015-13-000	EA	GROMMET-5/8"ID, FITS .09" MATERIAL, RUBBER

1991 CHEVY CHASSIS OPTION L02P

KEY PART NUMBER	U/M	DESCRIPTION
102362-01-000	EA	SPEED CONTROL-1991 CHEVY, DANA 59L-111010B
094389-01-706	EA	SERVO-DANA# 53D-11116-R
102362-01-700	EA	CABLE ONLY-REPLACEMENT
102362-01-707	EA	CONTROL SWITCH & LEVER ASM
102362-01-701	EA	REGULATOR ASM-ELECTRONIC
102362-01-702	EA	WIPER CONTROL MODULE
094389-01-705	EA	VACUUM RESERVOIR-DANA# 59C-02249
102362-01-704	EA	HARNES ASM-MAIN WIRING
102362-01-703	EA	HARNES ASM-PIVOT SW TO WIPER
094863-01-704	EA	HOUSING-4 PIN, SPEED CONTROL - TOYOTA - DANA 59C-0229
102362-01-705	EA	THROTTLE RETAINER CLIP
102362-01-706	EA	THROTTLE STUD

FORD CHASSIS OPTION - US L16D

RADIATOR COVER & OVERFLOW BOTTLE

KEY PART NUMBER	U/M	DESCRIPTION
080722-01-000	EA	COVER-RADIATOR, BACK - 38.75" X 13.4" - STEEL - BLACK
072359-01-000	EA	BOTTLE-COOLANT EXPANSION - CHECK GM 709701 FROM: 00-00-00 THRU: 06-12-90
099100-01-000	EA	CAP-BOTTLE, OVERFLOW - GM 14054390 FROM: 00-00-00 THRU: 06-12-90
098307-02-000	EA	RESERVOIR-RADIATOR OVERFLOW
076310-01-000	EA	BAFFLE-RADIATOR, .12" X 15" X 62" - RUBBER

HOODBOARDS & COVER

KEY PART NUMBER	U/M	DESCRIPTION
078464-01-000	EA	HOODBOARD-UPPER, DRIVER - STEEL
078465-01-000	EA	HOODBOARD-UPPER, PASSENGER - STEEL
086182-01-000	EA	COVER-ACCESS, HOOD BOARD
070579-06-000	EA	PLATE ASM-ANCHOR W/NUT

FUEL SYSTEM COMPONENTS

KEY PART NUMBER	U/M	DESCRIPTION
007063-01-000	FT	HOSE-GAS 1/4"ID X 1/2"OD
062401-03-000	EA	CLAMP-HOSE, WORMGEAR - .22" - 1"
007111-02-000	EA	HOSE-FUEL FILL, 2.00 ID
066732-03-000	FT	HOSE-FUEL FILL, .75" ID
100156-01-000	EA	HOSE-FUEL FILL, 8.3" LONG W/2" ID
095606-01-000	EA	NECK-FUEL FILL, W/CHECK VALVE - L-SHAPED - 18.2" LONG
080081-01-000	EA	STRAP-MOUNTING, FUEL LINE - 2" X 32"

TABLE OF CONTENTS

INTRODUCTION	A-01
ABBREVIATIONS	A-01
ALPHABETICAL INDEX	A-02 - A-04
WCF23EC	A-05 - D-17
WCF30EU	D-19 - H-22

1991 WCF30EU INDEX

FLOOR PLAN	D-19 - D-20
ACCESSORIES	D-21 - D-24
BATH	E-01 - E-04
BEDROOM	E-05 - E-08
CHASSIS	E-09 - E-14
C C & PAD	E-15 - E-24
DINETTE	F-01 - F-02
DRIVERS	F-03 - F-12
ELECTRICAL	F-13 - F-16
EXTERIOR BODY	F-17 - F-22
GALLEY	F-23 - G-04
HEATING & AC	G-05 - G-10
INTERIOR FINISH	G-11 - G-15
LABEL	G-16
LP	G-17
LOUNGE	G-18 - G-20
SEALANTS & FASTENERS	G-21 - G-22
WATER & SEWAGE	G-23 - H-02
WINDOW, VENT AND EXTERIOR DOOR	H-03 - H-22

CHASSIS GROUP (CONTINUED)

DIRT GUARD/MUD FLAP BRACKET

KEY PART NUMBER	U/M	DESCRIPTION
020167-03-000	EA	DIRT GUARD-STEEL, FOR MUDFLAP
PARK BRAKE CABLE & TAIL PIPE HANGER		
096351-01-000	EA	CABLE-BRAKE, PARK - FORD CHASSIS
095501-01-000	EA	BRACKET-BRAKE, L-ANGLE W/GUSSET - STEEL - FORD
007131-01-000	EA	HANGER-TAILPIPE

BATTERY TRAY & COMPONENT

KEY PART NUMBER	U/M	DESCRIPTION
096751-02-000	EA	TRAY-BATTERY, W/TWO HEX NUTS FROM: 05-21-90 THRU: 99-99-99
051387-06-000	EA	BOLT-CARRIAGE, W/O HOLE - 5/16-18 X 9.5 ZN
085450-06-000	EA	TIEDOWN-BATTERY
065450-01-000	EA	TIEDOWN-BATTERY
FROM: 00-00-00 THRU: 05-26-90		
087475-02-000	EA	BRACKET-TIE DOWN, BATTERY - 13.5" X 1.3" FROM: 05-27-90 THRU: 99-99-99
088751-01-000	FT	CABLE-BATTERY, 1/0 AWG, STRANDED, RED

MISCELLANEOUS CHASSIS COMPONENTS-FORD

KEY PART NUMBER	U/M	DESCRIPTION
051916-01-000	EA	U BOLT-REAR SPRING - CHECK GM 471665 FROM: 00-00-00 THRU: 06-12-90
085000-01-000	EA	SHIELD-AC, 6.8" X 3.1" - STEEL FROM: 00-00-00 THRU: 06-12-90
088753-01-000	FT	TUBE-ALUMINIZED STEEL, 5/8" - 18 GAUGE
084884-01-000	EA	PLUG-BRASS, 3/8"
088753-01-000	FT	TUBE-ALUMINIZED STEEL, 5/8" - 18 GAUGE
000C12-05-168	EA	BOLT-HEX, 5/16-18 X 1 - ZINC 5

FRONT STABILIZER SHOCKS & REAR AIR BAGS -CHEVY OPTION L84C

KEY PART NUMBER	U/M	DESCRIPTION
079942-01-000	EA	SHOCK ABSORBER-STABILIZER, FRONT - 4-WAY SC3001
084086-01-000	EA	AIRSPRING-BELLOWS REAR AXLE - FIRESTONE# MHA224
084086-01-700	EA	AIR BAG-ONLY, FIRESTONE# W21-760-0335
084086-01-701	EA	TUBING-DOT 1/4" X 18" - FIRESTONE# 21-0938
084086-01-702	EA	BOLT-RIBBED NECK, 3/8"-24 X 2.5" FIRESTONE# 21-0829
084086-01-703	EA	INFLATING VALVE-DOT 1/4" TUBING, FIRESTONE# 21-0931
084086-01-704	EA	ELBOW CONNECTOR, FIRESTONE# 21-0935
084086-01-705	EA	TUBING PROTECTORS, FIRESTONE# 21-0899
084086-01-706	EA	BRACKET-UPPER TO FRAME, FIRESTONE# 21-0150
084086-01-707	EA	BRACKET-LOWER, TOP - FIRESTONE# 21-1162
084086-01-708	EA	AIRLINE SERVICE KIT, FIRESTONE# W21-760-2012
084086-01-709	EA	HEAT SHIELD, FIRESTONE# 21-1004
084086-01-710	EA	BOLT PACKAGE, FIRESTONE 2136823002
084086-01-711	EA	HEAT SHIELD-224 DOS SYSTEM, FIRESTONE 21-5042
084086-01-712	EA	BRACKET-LOWER DRIVERS 224DOS, FIRESTONE 21-5037
084086-01-713	EA	AXLE STRAP BRACKET, FIRESTONE 21-1163
084086-01-714	EA	AXLE STRAP BRACKET, FIRESTONE 21-5038

TRAILER HITCH OPTION L729

KEY PART NUMBER	U/M	DESCRIPTION
091224-02-000	EA	LABEL-TRAILER LIGHTING
000C12-08-248	EA	BOLT-HEX, 1/2-13 X 1 1/2 - ZN 5
034512-01-000	EA	PIN-LOCKING, DRAWBAR
034513-01-000	EA	PIN-HITCH, 3/16" WIRE
077613-01-000	EA	DRAWBAR ONLY
077617-01-000	EA	HITCH ASSEMBLY, 1/2" DRAWBAR
064398-01-000	EA	HOUSING-TRAILER, RECEPTACLE
097744-02-000	EA	HOUSING-TRAILER, PIN, 48"
097746-01-000	EA	HOUSING CAP-TRAILER PIN
097745-02-000	EA	HOUSING-RECEPTACLE, TRAILER - 48" WIRE LENGTH

CHASSIS GROUP (CONTINUED)

DRIVERS DOOR OPTION W/ROLL UP WINDOW - CHEVY L63U

KEY PART NUMBER	U/M	DESCRIPTION
082242-05-000	EA	LINER-STEP BOX, DRIVER DOOR - BLACK FROM: 00-00-00 THRU: 06-27-90
082242-06-000	EA	LINER-STEP BOX, DRIVER DOOR - BLACK FROM: 06-28-90 THRU: 99-99-99
099840-01-01A	EA	THRESHOLD-DRIVER DOOR, REAR - BLACK
099841-01-01A	EA	THRESHOLD-DRIVER DOOR, FRONT - BLACK
063977-08-000	EA	STEP ASM-DRIVER DOOR, BLACK

CANADIAN EXPORT OPTION L285

KEY PART NUMBER	U/M	DESCRIPTION
100138-01-000	EA	MODULE-DAYTIME RUNNING LIGHT
100158-01-000	EA	WIRE ASM-DAYTIME RUNNING LIGHTS
100159-01-000	EA	WIRE ASM-DAYTIME RUNNING LIGHTS, W/FUSE

CANADIAN NATIONAL STANDARDS - CHEVY - GAS OPTION L27E

KEY PART NUMBER	U/M	DESCRIPTION
100138-01-000	EA	MODULE-DAYTIME RUNNING LIGHT
100158-01-000	EA	WIRE ASM-DAYTIME RUNNING LIGHTS
100159-01-000	EA	WIRE ASM-DAYTIME RUNNING LIGHTS, W/FUSE FROM: 00-00-00 THRU: 02-28-91

SPEED CONTROL

KEY PART NUMBER	U/M	DESCRIPTION
094388-03-000	EA	SPEED CONTROL-SMART STICK, EFI - GAS - DANA# 59L-1112 FROM: 00-00-00 THRU: 02-28-91
083211-01-703	EA	SERVO CABLE ASM ONLY, DANA# 59C-02538
083212-04-701	EA	MAIN WIRING HARNESS, DANA# 59D-02570
083212-01-704	EA	STOP LAMP/CRUISE RELEASE SWITCH, DANA# 59C-02543
089829-01-704	EA	SIGNAL GENERATOR ASM, DANA# 59L-08X221P
089829-01-706	EA	GENERATOR (ONLY), DANA# 59D-02382-1
094388-01-701	EA	SWITCH & LEVER ASM, DANA# 58D-11118-F
094388-01-702	EA	REGULATOR ASM-ELECTRONIC, DANA# 57C-08X12-R
091900-01-702	EA	WIPER CONTROL MODULE, DANA# 68C-00061
094388-01-704	EA	HEADLIGHT DIMMER MODULE ASM-DANA# 63C-00001
094388-01-705	EA	VACUUM RESERVOIR, DANA# 59C-02249
094388-01-706	EA	SERVO-DANA# 53D-11116-R
102362-01-000	EA	SPEED CONTROL-1991 CHEVY, DANA 59L-111010B FROM: 03-01-91 THRU: 99-99-99

094388-01-706	EA	SERVO-DANA# 53D-11116-R
102362-01-700	EA	CABLE ONLY-REPLACEMENT
102362-01-707	EA	CONTROL SWITCH & LEVER ASM
102362-01-701	EA	REGULATOR ASM-ELECTRONIC
102362-01-702	EA	WIPER CONTROL MODULE
094388-01-705	EA	VACUUM RESERVOIR-DANA# 59C-02249
102362-G1-704	EA	HARNESS ASM-MAIN WIRING
102362-01-703	EA	HARNESS ASM-PIVOT SW. TO WIPER
084863-01-704	EA	HOUSING-4 PIN, SPEED CONTROL - TOYOTA - DANA 59C-0229
102362-01-705	EA	THROTTLE RETAINER CLIP
102362-01-706	EA	THROTTLE STUD

RADIATOR COOLANT BOTTLE & BAFFLE

KEY PART NUMBER	U/M	DESCRIPTION
072358-01-000	EA	BOTTLE-COOLANT EXPANSION
099100-01-000	EA	CAP-BOTTLE, OVERFLOW
076310-01-000	EA	BAFFLE-RADIATOR, .12" X 15" X 62" - RUBBER

HOODBOARDS & COVER

KEY PART NUMBER	U/M	DESCRIPTION
088192-01-000	EA	COVER-ACCESS, HOOD BOARD
078464-01-000	EA	HOODBOARD-UPPER, DRIVER - STEEL
078465-01-000	EA	HOODBOARD-UPPER, PASSENGER - STEEL

TABLE OF CONTENTS

INTRODUCTION	A-01
ABBREVIATIONS	A-01
ALPHABETICAL INDEX	A-02 - A-04
WCF23EC	A-05 - D-17
WCF30EU	D-19 - H-22

1991 WCF30EU INDEX

FLOOR PLAN	D-19 - D-20
ACCESSORIES	D-21 - D-24
BATH	E-01 - E-04
BEDROOM	E-05 - E-08
CHASSIS	E-09 - E-14
C C & PAD	E-15 - E-24
DINETTE	F-01 - F-02
DRIVERS	F-03 - F-12
ELECTRICAL	F-13 - F-16
EXTERIOR BODY	F-17 - F-22
GALLEY	F-23 - G-04
HEATING & A/C	G-05 - G-10
INTERIOR FINISH	G-11 - G-15
LABEL	G-16
LP	G-17
LOUNGE	G-18 - G-20
SEALANTS & FASTENERS	G-21 - G-22
WATER & SEWAGE	G-23 - H-02
WINDOW, VENT AND EXTERIOR DOOR	H-03 - H-22

CHASSIS GROUP (CONTINUED)

FUEL SYSTEM COMPONENTS

KEY PART NUMBER	U/M	DESCRIPTION
063303-04-000	EA	SHROUD-FUEL FILL, LOWER
007063-01-000	FT	HOSE-GAS 1/4" ID X 1/2" OD
080081-01-000	EA	STRAP-MOUNTING, FUEL LINE
TIRE		
KEY PART NUMBER	U/M	DESCRIPTION
007324-04-000	EA	TIRE-8R19.5 LRD, MICHELIN XZA
FROM: 02-29-91 THRU: 99-99-99		

DIRT GUARD, LUG WRENCH & BAR

KEY PART NUMBER	U/M	DESCRIPTION
020167-03-000	EA	DIRT GUARD-STEEL, FOR MUDFLAP
080208-01-000	EA	LUG WRENCH, 1.06X1.00
080208-02-000	EA	LEVERAGE BAR-LUG WRENCH

EXHAUST SYSTEM COMPONENTS

KEY PART NUMBER	U/M	DESCRIPTION
096054-02-000	EA	SUPPORT-EXHAUST PIPE
098608-02-000	EA	PIPE-EXHAUST, SINGLE
098833-01-000	EA	BRACKET-EXHAUST, HANGER
094918-01-000	EA	CLAMP-EXHAUST, 3" - GUILLOTINE STYLE

HEAT SHIELDS

KEY PART NUMBER	U/M	DESCRIPTION
099009-01-000	EA	SHIELD-HEAT, CONVERTOR
099010-02-000	EA	SHIELD-HEAT, MUFFLER, 23.06"
099259-01-000	EA	PANEL-HEAT SHIELD, 9.45" X 20.4"
070579-06-000	EA	PLATE ASM-ANCHOR W/NUT

BATTERY CABLES & ASSORTED FASTENERS

KEY PART NUMBER	U/M	DESCRIPTION
008037-01-000	FT	CABLE-BATTERY, 1AWG STRANDED, BLACK
088751-01-000	FT	CABLE-BATTERY, 1/0 AWG, STRANDED, RED
041953-01-000	FT	CONDUIT-CONVOLUTED SLIT, .625" ID
041953-03-000	FT	CONDUIT-CONVOLUTED SLIT, 1" ID (CLOTHES ROD COVER)
041953-05-000	FT	CONDUIT-CONVOLUTED SOLID, .62" ID
041953-06-000	FT	CONDUIT-CONVOLUTED, SLIT .375" ID
041953-07-000	FT	CONDUIT-CONVOLUTED, SLIT .25" ID
041953-08-000	FT	CONDUIT-CONVOLUTED, SLIT 1.50" ID
041953-09-000	FT	CONDUIT-CONVOLUTED, SLIT .50" ID
041953-10-000	FT	CONDUIT-CONVOLUTED, SLIT .75" ID
041953-11-000	FT	CONDUIT-CONVOLUTED, SLIT 1.06" ID
023942-01-000	EA	GROMMET-RUBBER 2" OD
008401-01-000	EA	STRAP-CONDUIT-3/4", 1 HOLE, GALVANIZED STEEL
062401-02-000	EA	CLAMP-HOSE, WORMGEAR, 1.56" - 2.5"
062401-03-000	EA	CLAMP-HOSE WORMGEAR, .22" - 1" ID
062401-04-000	EA	CLAMP-WORMGEAR HOSE, .69" - 1.25"
062401-05-000	EA	CLAMP-WORMGEAR HOSE, 2" - 3" ID
062401-06-000	EA	CLAMP-HOSE, WORMGEAR .22" - .62" ID
062401-09-000	EA	CLAMP-HOSE, WORMGEAR - 2.8" - 3.75" ID
056747-01-000	EA	PLUG-CAP, .75" DIAMETER
092786-01-000	EA	BUSS BAR, STEEL
081914-01-000	EA	BUMPER-RUBBER, ROUND -.43" DIAMETER - BLACK
071015-04-000	EA	GROMMET-.19" ID, FITS .03" MATERIAL, RUBBER
071015-07-000	EA	GROMMET-1.00" ID, FITS .06" MATERIAL, RUBBER
071015-11-000	EA	GROMMET-1.00" ID, FITS .12" MATERIAL, RUBBER
071015-26-000	EA	GROMMET-1.5" ID, FITS .06" MATERIAL, RUBBER
084884-01-000	EA	PLUG-BRASS, 3/8"
041791-01-000	FT	SEAL-VINYL, FLEX U-CHANNEL
072368-02-000	EA	TRIM-VINYL, EDGE BLACK
088244-01-000	FT	TAPE-FOAM, VINYL COATED - 2" WIDE - INCREMENTS OF 108

CHASSIS GROUP (CONTINUED)

TIRE COVER & CARRIER

KEY PART NUMBER	U/M	DESCRIPTION
098855-01-803	EA	COVER-TIRE, VINYL
079680-13-000	YD	FABRIC-VINYL, 54" WIDE - PARCHMENT
080378-02-000	EA	BRACKET-TIRE CARRIER
FROM: 00-00-00 THRU: 06-30-90		
080378-04-000	EA	BRACKET-TIRE CARRIER
FROM: 07-01-90 THRU: 99-99-99		

FRONT BUMPER & COMPONENTS

KEY PART NUMBER	U/M	DESCRIPTION
005200-01-000	EA	BOLT-BUMPER, ROUND HEAD-SQUARE NECK- W/SST CAP - 7/16-14 X 1 1/4
077850-04-000	EA	BUMPER-FRONT, UNPAINTED
077852-01-000	EA	BRACKET-BUMPER, FRONT - 2 PER COACH - BENT 2" X 8"
096339-01-000	EA	SUPPORT-BUMPER, 2 PER COACH

REAR BUMPER & COMPONENTS

KEY PART NUMBER	U/M	DESCRIPTION
100575-01-02A	EA	BUMPER-REAR, PASSENGER - BEIGE
FROM: 00-00-00 THRU: 07-14-90		
100575-01-01A	EA	BUMPER-REAR, PASSENGER SIDE - MILL FINISH
100575-02-02A	EA	BUMPER-REAR, DRIVER - BEIGE
FROM: 00-00-00 THRU: 07-14-90		
100575-02-01A	EA	BUMPER-REAR, DRIVER SIDE - MILL FINISH
078584-01-000	EA	BUMPER-REAR, UNPAINTED
FROM: 07-15-90 THRU: 99-99-99		
005200-01-000	EA	BOLT-BUMPER, ROUND HEAD-SQUARE NECK- W/SST CAP
078668-01-000	EA	SUPPORT ANGLE, BUMPER REAR
078670-02-000	EA	BRACKET-BUMPER, REAR
079129-02-000	EA	BRACKET ASM-BUMPER, REAR
FROM: 00-00-00 THRU: 06-30-90		
078678-02-000	EA	PLATE-MOUNTING, BUMPER - REAR - 46" X 5" - W/WELD NUT
FROM: 07-01-90 THRU: 99-99-99		
083376-01-000	EA	SKID PLATE ASM

WHEELWELL AND COMPARTMENTS

KEY PART NUMBER	U/M	DESCRIPTION
055374-01-000	EA	WHEELWELL-PLASTIC
100339-01-000	EA	COMPARTMENT-STORAGE, LOWER - 70.8" WIDE - GALVANIZED
056748-01-000	EA	PLUG-CAP, 1.5" DIAMETER - BLACK
078137-04-000	EA	TRAY-COMPARTMENT, GENERATOR - 29.1" WIDE X 22.4" DEEP
088580-01-000	EA	BOX-POWER CORD
085967-01-000	EA	COMPARTMENT-SEWER HOSE, 6" X 6.6" X 17.8" - PLASTIC
081346-04-000	EA	COMPARTMENT ASM-STORAGE, 29.7" X 28.9"
086581-11-000	EA	COMPARTMENT-STORAGE, 23.6" WIDE - GALVANIZED STEEL
090604-03-000	EA	TRAY-BATTERY, W/TWO HEX NUTS
FROM: 00-00-00 THRU: 05-20-90		
096751-02-000	EA	TRAY-BATTERY, W/TWO HEX NUTS
FROM: 05-21-90 THRU: 99-99-99		
087475-02-000	EA	BRACKET-TIE DOWN, BATTERY - 13.5" X 1.3"

STEP & COMPONENTS

KEY PART NUMBER	U/M	DESCRIPTION
077848-01-000	EA	STEP-PULLOUT, W/BRACKETS - BLACK
FROM: 05-27-90 THRU: 99-99-99		
077848-04-000	EA	STEP-PULLOUT, W/BRACKETS - BLACK
FROM: 00-00-00 THRU: 11-11-90		
076241-02-000	EA	SUPPORT-PULLOUT STEP
086591-12-000	EA	COMPARTMENT-STORAGE, 38" WIDE - GALVANIZED STEEL
081346-01-000	EA	COMPARTMENT-STORAGE, 40" WIDE
FROM: 11-12-90 THRU: 99-99-99		

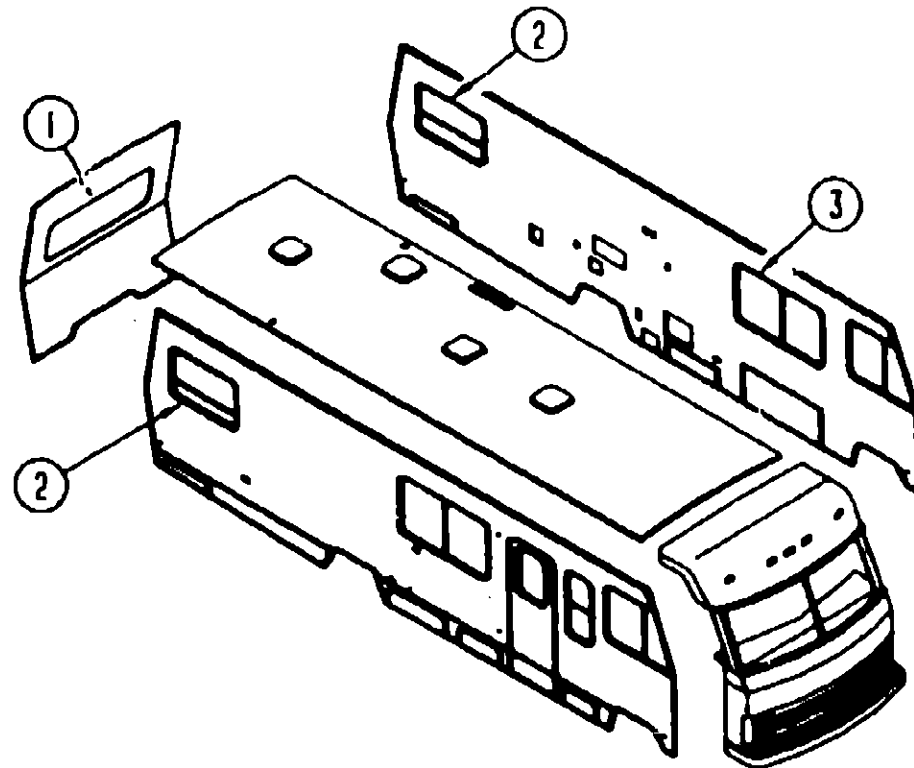
TABLE OF CONTENTS

INTRODUCTION	A-01
ABBREVIATIONS	A-01
ALPHABETICAL INDEX	A-02 - A-04
WCF23EC	A-05 - D-17
WCF30EU	D-19 - H-22

1991 WCF30EU INDEX

FLOOR PLAN	D-19 - D-20
ACCESSORIES	D-21 - D-24
BATH	E-01 - E-04
BEDROOM	E-05 - E-08
CHASSIS	E-09 - E-14
C C & PAD	E-15 - E-24
DINETTE	F-01 - F-02
DRIVERS	F-03 - F-12
ELECTRICAL	F-13 - F-16
EXTERIOR BODY	F-17 - F-22
GALLEY	F-23 - G-04
HEATING & AC	G-05 - G-10
INTERIOR FINISH	G-11 - G-15
LABEL	G-16
LP	G-17
LOUNGE	G-18 - G-20
SEALANTS & FASTENERS	G-21 - G-22
WATER & SEWAGE	G-23 - H-02
WINDOW, VENT AND EXTERIOR DOOR	H-03 - H-22

CURTAIN, CUSHION & PAD GROUP



WINDOW TREATMENT

KEY PART NUMBER	UMI DESCRIPTION
1 100280-15-B03	EA VALANCE-WINDOW, W/WOOD TRIM - 52" - B03 - BROWN MINK FROM: 00-00-00 THRU: 05-13-90
1 100280-15-B04	EA VALANCE-WINDOW, W/WOOD TRIM - 52" - B04 - PINE MIST FROM: 00-00-00 THRU: 05-13-90
1 101753-15-B05	EA VALANCE-WINDOW, W/WOOD TRIM - 52" - B03 - BROWN MINK FROM: 05-14-90 THRU: 09-03-90
1 101753-15-B06	EA VALANCE-WINDOW, W/WOOD TRIM - 52" - B04 - PINE MIST FROM: 05-14-90 THRU: 09-03-90
1 102514-01-B05	EA VALANCE-WINDOW, W/GATHERED INSERT - 52" - B03 - BROWN FROM: 09-04-90 THRU: 99-99-99
1 102514-01-B06	EA VALANCE-WINDOW, W/GATHERED INSERT - 52" - B04 - PINE FROM: 09-04-90 THRU: 99-99-99
1 100281-09-B05	EA LEG-WINDOW, DRIVER - 27" TALL - B03 - BROWN MINK FROM: 00-00-00 THRU: 09-03-90
1 100281-09-B06	EA LEG-WINDOW, DRIVER - 27" TALL - B04 - PINE MIST FROM: 00-00-00 THRU: 09-03-90
1 100281-10-B05	EA LEG-WINDOW, PASS. - 27" TALL - B03 - BROWN MINK FROM: 00-00-00 THRU: 09-03-90
1 100281-10-B06	EA LEG-WINDOW, PASS. - 27" TALL - B04 - PINE MIST FROM: 00-00-00 THRU: 09-03-90
1 100281-29-B05	EA LEG-WINDOW, DRIVER - 27" TALL - B03 - BROWN MINK FROM: 09-04-90 THRU: 99-99-99
1 100281-29-B06	EA LEG-WINDOW, DRIVER - 27" TALL - B04 - PINE MIST FROM: 09-04-90 THRU: 99-99-99
1 100281-30-B05	EA LEG-WINDOW, PASS - 27" TALL - B03 - BROWN MINK FROM: 09-04-90 THRU: 99-99-99
1 100281-30-B06	EA LEG-WINDOW, PASS - 27" TALL - B04 - PINE MIST FROM: 09-04-90 THRU: 99-99-99
1 093475-55-01A	EA BLIND-MINI, 48" X 28" DROP - BEIGE FROM: 00-00-00 THRU: 05-20-90
1 093475-68-01A	EA BLIND-MINI, 48" X 27" DROP - BEIGE FROM: 05-21-90 THRU: 99-99-99

CURTAIN, CUSHION & PAD GROUP (CONTINUED)

WINDOW TREATMENT CONT

KEY PART NUMBER	UMI DESCRIPTION
2 100280-07-B05	EA VALANCE-WINDOW, 45" WIDE - W/WOOD TRIM - B03 - BROWN FROM: 00-00-00 THRU: 05-13-90
2 100280-07-B06	EA VALANCE-WINDOW, 45" WIDE - W/WOOD TRIM - B04 - PINE M FROM: 00-00-00 THRU: 05-13-90
2 101753-07-B05	EA VALANCE-WINDOW, W/WOOD TRIM - 45" - B03 - BROWN MINK FROM: 05-14-90 THRU: 09-03-90
2 101753-07-B06	EA VALANCE-WINDOW, W/WOOD TRIM - 45" - B04 - PINE MIST FROM: 05-14-90 THRU: 09-03-90
2 102514-02-B05	EA VALANCE-WINDOW, W/GATHERED INSERT - 45" - B03 - BROWN FROM: 09-04-90 THRU: 99-99-99
2 102514-02-B06	EA VALANCE-WINDOW, W/GATHERED INSERT - 45" - B04 - PINE FROM: 09-04-90 THRU: 99-99-99
2 100281-05-B05	EA LEG-WINDOW, W/HOLE - 27" TALL - B03 - BROWN MINK (FRONT IF ON DRIVER SIDE, REAR IF ON PASS SIDE) FROM: 00-00-00 THRU: 09-03-90
2 100281-05-B06	EA LEG-WINDOW, W/HOLE - 27" TALL - B04 - PINE MIST (FRONT IF ON DRIVER SIDE, REAR IF ON PASS SIDE)
2 100281-10-B05	EA LEG-WINDOW, W/O HOLE - 27" TALL - B03 - BROWN MINK (FRONT IF ON DRIVER SIDE, REAR IF ON PASS SIDE) FROM: 00-00-00 THRU: 09-03-90
2 100281-10-B06	EA LEG-WINDOW, W/O HOLE - 27" TALL - B04 - PINE MIST (FRONT IF ON DRIVER SIDE, REAR IF ON PASS SIDE)
2 100281-30-B05	EA LEG-WINDOW, W/O HOLE - 27" TALL - B03 - BROWN MINK (FRONT IF ON DRIVER SIDE, REAR IF ON PASS SIDE) FROM: 09-04-90 THRU: 99-99-99
2 100281-30-B06	EA LEG-WINDOW, W/O HOLE - 27" TALL - B04 - PINE MIST (FRONT IF ON DRIVER SIDE, REAR IF ON PASS SIDE)
2 100281-31-B05	EA LEG-WINDOW, W/HOLE - 27" TALL - B03 - BROWN MINK (REAR IF ON PASS SIDE, FRONT IF ON DRIVER SIDE) FROM: 09-04-90 THRU: 99-99-99
2 100281-31-B06	EA LEG-WINDOW, W/HOLE - 27" TALL - B04 - PINE MIST (REAR IF ON PASS SIDE, FRONT IF ON DRIVER SIDE)
2 093475-45-01A	EA BLIND-MINI, 39.5" X 27" DROP - BEIGE
3 100280-09-B05	EA VALANCE-WINDOW, W/WOOD TRIM - 62" - B03 - BROWN MINK FROM: 00-00-00 THRU: 05-13-90
3 101753-09-B05	EA VALANCE-WINDOW, W/WOOD TRIM - 62" - B03 - BROWN MINK FROM: 05-14-90 THRU: 99-99-99
3 101753-09-B06	EA VALANCE-WINDOW, W/WOOD TRIM - 62" - B04 - PINE MIST
3 100281-01-B05	EA LEG-WINDOW, FRONT - 29" TALL - B03 - BROWN MINK
3 100281-01-B06	EA LEG-WINDOW, FRONT - 29" TALL - B04 - PINE MIST
3 100281-02-B05	EA LEG-WINDOW, REAR - 29" TALL - B03 - BROWN MINK
3 100281-02-B06	EA LEG-WINDOW, REAR - 29" TALL - B04 - PINE MIST
3 093475-49-01A	EA BLIND-MINI, 58" WIDE X 32" DROP - BEIGE

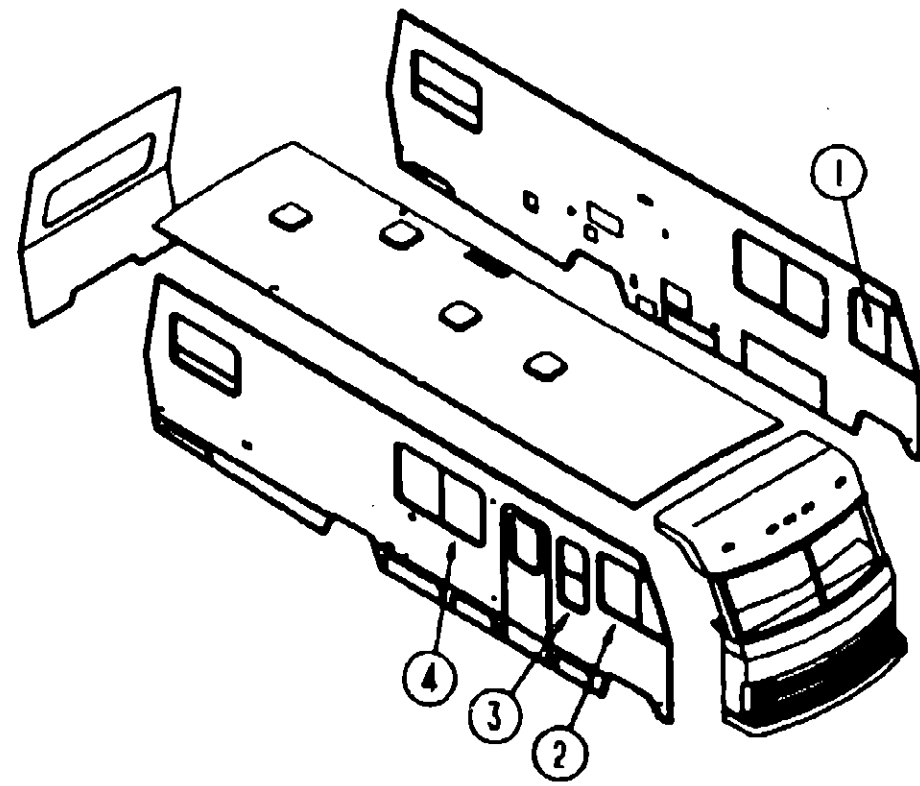
TABLE OF CONTENTS

INTRODUCTION	A-01
ABBREVIATIONS	A-01
ALPHABETICAL INDEX	A-02 - A-04
WCF23EC	A-05 - D-17
WCF30EU	D-19 - H-22

1991 WCF30EU INDEX

FLOOR PLAN	D-19 - D-20
ACCESSORIES	D-21 - D-24
BATH	E-01 - E-04
BEDROOM	E-05 - E-08
CHASSIS	E-09 - E-14
C C & PAD	E-15 - E-24
DINETTE	F-01 - F-02
DRIVERS	F-03 - F-12
ELECTRICAL	F-13 - F-16
EXTERIOR BODY	F-17 - F-22
GALLEY	F-23 - G-04
HEATING & AC	G-05 - G-10
INTERIOR FINISH	G-11 - G-15
LABEL	G-16
LP	G-17
LOUNGE	G-18 - G-20
SEALANTS & FASTENERS	G-21 - G-22
WATER & SEWAGE	G-23 - H-02
WINDOW, VENT AND EXTERIOR DOOR	H-03 - H-22

CURTAIN, CUSHION & PAD GROUP (CONTINUED)



WINDOW TREATMENT CONT

KEY PART NUMBER	U/M DESCRIPTION
1 077591-08-B03	EA CURTAIN-VELCRO TOP, DRIVER SIDE - 32.5" X 86" - BEIGE FROM: 00-00-00 THRU: 04-29-90
1 097994-04-B05	EA CURTAIN-HOOK TOP, DRIVER PRIVACY - 32.5" X 40" - BEIGE FROM: 04-30-90 THRU: 99-99-99
2 077591-07-B03	EA CURTAIN-VELCRO TOP, PASSENGER SIDE - 32.5" X 86" - BEIGE FROM: 00-00-00 THRU: 04-29-90
2 097994-05-B05	EA CURTAIN-HOOK TOP, PASSENGER - 30.5" X 125" - BEIGE FROM: 04-30-90 THRU: 99-99-99
073260-42-B05	EA TIE-BACK-CURTAIN, 6" X 18" - BEIGE FROM: 04-30-90 THRU: 99-99-99
3 100280-05-B05	EA VALANCE-WINDOW, W/WOOD TRIM - 20" - B03 - BROWN MINK FROM: 00-00-00 THRU: 05-13-90
3 100280-05-B06	EA VALANCE-WINDOW, W/WOOD TRIM - 20" - B04 - PINE MIST FROM: 00-00-00 THRU: 05-13-90
3 101753-05-B05	EA VALANCE-WINDOW, W/WOOD TRIM - 20" - B03 - BROWN MINK FROM: 05-14-90 THRU: 99-99-99
3 101753-05-B06	EA VALANCE-WINDOW, W/WOOD TRIM - 20" - B04 - PINE MIST FROM: 05-14-90 THRU: 99-99-99
3 093475-62-01A	EA BLIND-MINI, 17" X 37.5" DROP - BEIGE FROM: 00-00-00 THRU: 05-20-90
3 093475-65-01A	EA BLIND-MINI, 17" X 36" DROP - BEIGE FROM: 05-21-90 THRU: 99-99-99
4 100280-09-B05	EA VALANCE-WINDOW, W/WOOD TRIM - 62" - B03 - BROWN MINK FROM: 00-00-00 THRU: 05-13-90
4 100280-09-B06	EA VALANCE-WINDOW, W/WOOD TRIM BOTTOM, 62" - B04 - PINE FROM: 00-00-00 THRU: 05-13-90
4 101753-09-B05	EA VALANCE-WINDOW, W/WOOD TRIM - 62" - B03 - BROWN MINK FROM: 05-14-90 THRU: 11-04-90
4 101753-09-B06	EA VALANCE-WINDOW, W/WOOD TRIM - 62" - B04 - PINE MIST FROM: 05-14-90 THRU: 11-04-90
4 101753-03-B05	EA VALANCE-WINDOW, 58.5" - B03 - BROWN MINK FROM: 11-05-90 THRU: 99-99-99
4 101753-03-B06	EA VALANCE-WINDOW, 58.5" - B04 - PINE MIST FROM: 11-05-90 THRU: 99-99-99

CURTAIN, CUSHION & PAD GROUP (CONTINUED)

WINDOW TREATMENT CONT

KEY PART NUMBER	U/M DESCRIPTION
4 100281-01-B05	EA LEG-WINDOW, REAR - 29" TALL - B03 - BROWN MINK
4 100281-01-B06	EA LEG-WINDOW, REAR - 29" TALL - B04 - PINE MIST
4 100281-02-B05	EA LEG-WINDOW, FRONT - 29" TALL - B03 - BROWN MINK
4 100281-02-B06	EA LEG-WINDOW, FRONT - 29" TALL - B04 - PINE MIST
4 090522-04-010	EA PANEL-LEG, WINDOW - 2.5" FACE
4 093475-49-01A	EA BLIND-MINI, 58" WIDE X 32" DROP - BEIGE FROM: 00-00-00 THRU: 11-04-90
4 093475-44-01A	EA BLIND-MINI, 54.5" X 32" DROP - BEIGE FROM: 11-05-90 THRU: 99-99-99

SHOWER CURTAIN

KEY PART NUMBER	U/M DESCRIPTION
084481-13-000	EA CURTAIN-GFOMMET TOP, SHOWER - 62" X 70" - VINYL FROM: 00-00-00 THRU: 07-14-90

TABLE OF CONTENTS

INTRODUCTION	A-01
ABBREVIATIONS	A-01
ALPHABETICAL INDEX	A-02 - A-04
WCF23EC	A-05 - D-17
WCF30E1	D-19 - H-22

1991 WCF30EU INDEX

FLOOR PLAN	D-19 - D-20
ACCESSORIES	D-21 - D-24
BATH	E-01 - E-04
BEDROOM	E-05 - E-08
CHASSIS	E-09 - E-14
C C & PAD	E-15 - E-24
DINETTE	F-01 - F-02
DRIVERS	F-03 - F-12
ELECTRICAL	F-13 - F-16
EXTERIOR BODY	F-17 - F-22
GALLEY	F-23 - G-04
HEATING & A/C	G-05 - G-10
INTERIOR FINISH	G-11 - G-15
LABEL	G-16
LP	G-17
LOUNGE	G-18 - G-20
SEALANTS & FASTENERS	G-21 - G-22
WATER & SEWAGE	G-23 - H-02
WINDOW, VENT AND EXTERIOR DOOR	H-03 - H-22

CURTAIN, CUSHION & PAD GROUP (CONTINUED)

SWIVEL CHAIR

KEY PART NUMBER	UMI DESCRIPTION
096429-04-B05	EA CHAIR-SWIVEL, W/O BASE, PIPE OR PLATE - B03 - BROWN M FROM: 00-00-00 THRU: 06-10-90
096429-04-B06	EA CHAIR-SWIVEL, W/O BASE, PIPE OR PLATE - B04 - PINE MI FROM: 00-00-00 THRU: 06-10-90
096429-06-B05	EA CHAIR-SWIVEL, W/O BASE, PIPE OR PLATE - B03 - BROWN M FROM: 06-11-90 THRU: 99-99-99
096429-06-B06	EA CHAIR-SWIVEL, W/O BASE, PIPE OR PLATE - B04 - PINE MI FROM: 06-11-90 THRU: 99-99-99
M96429-04-B05	EA COVER-SWIVEL CHAIR, B03 - BROWN MINK FROM: 00-00-00 THRU: 06-10-90
M96429-04-B06	EA COVER-SWIVEL CHAIR, B04 - PINE MIST FROM: 00-00-00 THRU: 06-10-90
M96429-06-B05	EA COVER-SWIVEL CHAIR, B03 - BROWN MINK FROM: 06-11-90 THRU: 99-99-99
M96429-06-B06	EA COVER-SWIVEL CHAIR, B04 - PINE MIST FROM: 06-11-90 THRU: 99-99-99
099202-01-B05	EA SKIRT-SWIVEL CHAIR, B03 - BROWN MINK
099202-01-B06	EA SKIRT-SWIVEL CHAIR, B04 - PINE MIST
007221-01-000	EA SPACEH-SEAT, ADJUSTER 4 USED ON SWIVEL CHAIR
088245-01-000	EA BASE-SWIVEL CHAIR W/LEGS
088245-03-000	EA FLATE-TOP, SWIVEL W/O TILT - W/LOCK
088245-06-000	EA EXTENSION-BASE TO TOP PLATE, 7" LONG FROM: 00-00-00 THRU: 06-10-90
088245-07-000	EA EXTENSION-BASE TO TOP PLATE, 6" LONG FROM: 06-11-90 THRU: 99-99-99
088246-06-000	EA ADJUSTER-SWIVEL CHAIR, MANUAL - FORWARD & BACK FROM: 06-11-90 THRU: 99-99-99
088246-07-000	EA ADJUSTER-SWIVEL CHAIR, W/LOCKING ARM - FORWARD & BACK FROM: 06-11-90 THRU: 99-99-99
088705-02-000	EA BAR-SEAT BELT, 2.5" X 12.75"

DINETTE CUSHIONS

KEY PART NUMBER	UMI DESCRIPTION
088927-80-B05	EA CUSHION-BACKREST, 14.5" X 38" X 5" - B03 - BROWN MINK
088927-80-B06	EA CUSHION-BACKREST, 14.5" X 38" X 5" - B04 - PINE MIST
M88927-80-B05	EA COVER-BACK CUSHION, 14.5" X 38" X 5" - B03 - BROWN MI
M88927-80-B06	EA COVER-BACK CUSHION, 14.5" X 38" X 5" - B04 - PINE MIS
088927-82-B05	EA CUSHION-SEAT, 22" X 38" X 5" - B03 - BROWN MINK FROM: 00-00-00 THRU: 06-26-90
088927-82-B06	EA CUSHION-SEAT, 22" X 38" X 5" - B04 - PINE MIST FROM: 00-00-00 THRU: 06-26-90
M88927-82-B05	EA COVER-SEAT CUSHION, 22" X 38" X 5" - B03 - BROWN MINK
M88927-82-B06	EA COVER-SEAT CUSHION, 22" X 38" X 5" - B04 - PINE MIST
088927-87-B05	EA CUSHION-SEAT, 22" X 38" X 5" - B03 - BROWN MINK FROM: 06-27-90 THRU: 99-99-99
088927-87-B06	EA CUSHION-SEAT, 23" X 38" X 5" - B04 - PINE MIST FROM: 06-27-90 THRU: 99-99-99
M88927-87-B05	EA COVER-SEAT CUSHION, 23" X 38" X 5" - B03 - BROWN MINK
M88927-87-B06	EA COVER-SEAT CUSHION, 23" X 38" X 5" - B04 - PINE MIST

CURTAIN, CUSHION & PAD GROUP (CONTINUED)

FRONT OVERHEAD BUNK CUSHION

KEY PART NUMBER	UMI DESCRIPTION
079145-04-000	EA CUSHION-BUNK, OVERHEAD - 4" X 34" X 78" - AAB / AA9
M79145-04-000	EA COVER-BUNK CUSHION, OVERHEAD - 4" X 34" X 78" - AAB & A19

COUCH CUSHIONS & HARDWARE

KEY PART NUMBER	UMI DESCRIPTION
100032-05-B05	EA BACK-COUCH, B03 - BROWN MINK
100032-05-B06	EA BACK-COUCH, B04 - PINE MIST
P00032-05-B05	EA COVER-BACK, COUCH - B03 - BROWN MINK
P00032-05-B06	EA COVER-BACK, COUCH - B04 - PINE MIST
101085-05-000	EA FRAME-BACK, 74.75"
101236-01-B05	EA ARM-COUCH, FRONT - B03 - BROWN MINK FROM: 00-00-00 THRU: 06-03-90
101236-01-B06	EA ARM-COUCH, FRONT - B04 - PINE MIST FROM: 00-00-00 THRU: 06-03-90
101236-03-B05	EA ARM-COUCH, FRONT - B03 - BROWN MINK FROM: 06-04-90 THRU: 99-99-99
101236-03-B06	EA ARM-COUCH, FRONT - B04 - PINE MIST FROM: 06-04-90 THRU: 99-99-99
P01236-01-B05	EA COVER-ARM, COUCH FRONT - B03 - BROWN MINK
P01236-01-B06	EA COVER-ARM, COUCH FRONT - B04 - PINE MIST
P01236-03-B05	EA COVER-ARM, COUCH FRONT - B03 - BROWN MINK
P01236-03-B06	EA COVER-ARM, COUCH FRONT - B04 - PINE MIST
101085-07-000	EA FRAME-ARM BRACKET, FRONT
101568-03-000	EA BRACKET-ARM, COUCH - FRONT
101568-01-000	EA BRACKET-ARM, COUCH - FRONT
101236-02-B05	EA ARM-COUCH, REAR - B03 - BROWN MINK FROM: 00-00-00 THRU: 06-03-90
101236-02-B06	EA ARM-COUCH, REAR - B04 - PINE MIST FROM: 00-00-00 THRU: 06-03-90
101236-04-B05	EA ARM-COUCH, REAR - B03 - BROWN MINK FROM: 06-04-90 THRU: 99-99-99
101236-04-B06	EA ARM-COUCH, REAR - B04 - PINE MIST FROM: 06-04-90 THRU: 99-99-99
P01236-02-B05	EA COVER-ARM, COUCH REAR - B03 - BROWN MINK
P01236-02-B06	EA COVER-ARM, COUCH REAR - B04 - PINE MIST
P01236-04-B05	EA COVER-ARM, COUCH REAR - B03 - BROWN MINK
P01236-04-B06	EA COVER-ARM, COUCH REAR - B04 - PINE MIST
101085-08-000	EA FRAME-ARM BRACKET, REAR
101568-04-000	EA BRACKET-ARM, COUCH - REAR
101568-02-000	EA BRACKET-ARM, COUCH - REAR
100032-06-B05	EA SEAT-COUCH, B03 - BROWN MINK
100032-06-B06	EA SEAT-COUCH, B04 - PINE MIST
P00032-06-B05	EA COVER-SEAT, COUCH - B03 - BROWN MINK
P00032-06-B06	EA COVER-SEAT, COUCH - B04 - PINE MIST
101085-04-000	EA FRAME-SEAT, 74.75"
082525-01-000	EA BRACE-COUCH, FLOOR MOUNT - 4 REQUIRED
083125-05-000	EA BRACE-ANGLE, COUCH - 2.5" - BEIGE - 4 REQUIRED
101085-06-000	EA FRAME-BASE, 74.75"
081922-01-000	EA FRAME-COUCH, W/MECHANISM - FRONT END FROM: 00-00-00 THRU: 04-01-90
081922-02-000	EA FRAME-COUCH, W/MECHANISM - REAR END FROM: 00-00-00 THRU: 04-01-90
081922-03-000	EA BAR-SPACER, PRESTO BED - 2 REQUIRED FROM: 00-00-00 THRU: 04-01-90
081922-04-000	EA HARDWARE KIT-COUCH, 2 REQUIRED FROM: 00-00-00 THRU: 04-01-90

TABLE OF CONTENTS

INTRODUCTION	A-01
ABBREVIATIONS	A-01
ALPHABETICAL INDEX	A-02 - A-04
WCF23EC	A-05 - D-17
WCF30EU	D-19 - H-22

1981 WCF30EU INDEX

FLOOR PLAN	D-19 - D-20
ACCESSORIES	D-21 - D-24
BATH	E-01 - E-04
BEDROOM	E-05 - E-09
CHASSIS	E-09 - E-14
C C & PAD	E-15 - E-24
DINETTE	F-01 - F-02
DRIVERS	F-03 - F-12
ELECTRICAL	F-13 - F-16
EXTERIOR BODY	F-17 - F-22
GALLEY	F-23 - G-04
HEATING & A/C	G-05 - G-10
INTERIOR FINISH	G-11 - G-15
LABEL	G-16
LP	G-17
LOUNGE	G-18 - G-20
SEALANTS & FASTENERS	G-21 - G-22
WATER & SEWAGE	G-23 - H-02
WINDOW, VENT AND EXTERIOR DOOR	H-03 - H-22

CURTAIN, CUSHION & PAD GROUP (CONTINUED)

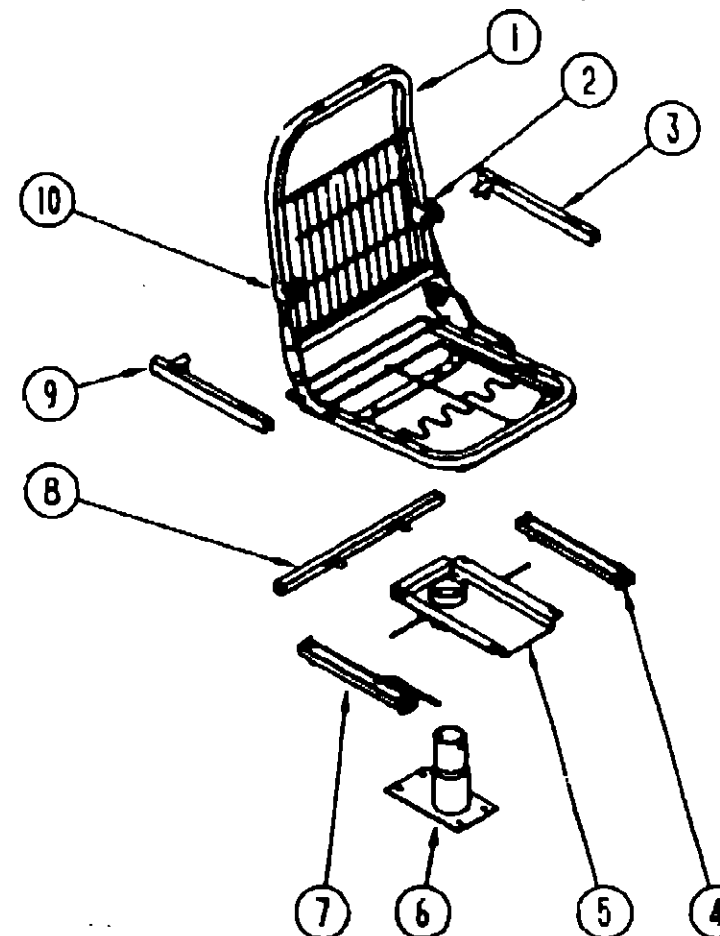
BUCKET SEATS

KEY PART NUMBER	U/M	DESCRIPTION
093450-10-B05	EA	SEAT-BUCKET, DRIVER/PASSENGER - B03 - BROWN MINK FROM: 00-00-00 THRU: 07-08-90
093450-19-B03	EA	SEAT-BUCKET, DRIVER/PASSENGER - B03 - BROWN MINK FROM: 07-09-90 THRU: 99-99-99
093450-10-B06	EA	SEAT-BUCKET, DRIVER/PASSENGER - B04 - PINE MIST FROM: 00-00-00 THRU: 07-08-90
093450-19-B04	EA	SEAT-BUCKET, DRIVER/PASSENGER - B04 - PINE MIST FROM: 07-09-90 THRU: 99-99-99
M03445-22-B05	EA	COVER-BACK, BUCKET - B03 - BROWN MINK
M03445-22-B06	EA	COVER-BACK, BUCKET - B04 - PINE MIST
M03445-23-B05	EA	COVER-SEAT, BUCKET - B03 - BROWN MINK
M03445-23-B06	EA	COVER-SEAT, BUCKET - B04 - PINE MIST
080243-41-B05	EA	ARMREST-BUCKET SEAT, RIGHT HAND - B03 - BROWN MINK
080243-41-B06	EA	ARMREST-BUCKET SEAT, RIGHT HAND - B04 - PINE MIST
080243-42-B05	EA	ARMREST-BUCKET SEAT, LEFT HAND - B03 - BROWN MINK
080243-42-B06	EA	ARMREST-BUCKET SEAT, LEFT HAND - B04 - PINE MIST
M80243-41-B05	EA	COVER-ARMREST, BUCKET SEAT - RIGHT HAND - B03 - BROWN
M80243-41-B06	EA	COVER-ARMREST, BUCKET SEAT - RIGHT HAND - B04 - PINE
M80243-42-B05	EA	COVER-ARMREST, BUCKET SEAT - LEFT HAND - B03 - BROWN
M80243-42-B06	EA	COVER-ARMREST, BUCKET SEAT - LEFT HAND - B04 - PINE M
081361-01-000	EA	ROD-ARMREST, METAL
M80906-01-000	EA	FRAME-SEAT, BACK & SPRING FROM: 00-00-00 THRU: 07-08-90
M80906-04-000	EA	FRAME-SEAT, BACK & SPRING FROM: 07-09-90 THRU: 99-99-99
080731-02-000	EA	HINGE-SLAVE, RECLINER, LEFT HAND
081362-01-000	EA	BRACKET-ARMREST, RIGHT HAND
081362-02-000	EA	BRACKET-ARMREST, LEFT HAND
080730-02-000	EA	RECLINER-SEAT BACK, LH FROM: 00-00-00 THRU: 07-08-90
101125-01-000	EA	RECLINER-SEAT BACK, LEFT HAND REMOTE FROM: 07-09-90 THRU: 99-99-99
089368-04-000	EA	FRAME-CABLE, REMOTE SWIVEL
080730-03-700	EA	HANDLE-RECLINER FROM: 00-00-00 THRU: 07-08-90
080730-04-000	EA	SCREW-RECLINER, HANDLE FROM: 00-00-00 THRU: 07-08-90
080730-05-000	EA	SHIELD-RECLINER FROM: 00-00-00 THRU: 07-08-90
089368-05-000	EA	FRAME-CABLE, REMOTE RECLINE
093481-04-000	EA	TOP PLATE-PEDESTAL, BUCKET SEAT - W/O SEATBELT BAR
089246-01-000	EA	ADJUSTER-BUCKET SEAT W/LOCK, FORWARD AND BACK FROM: 00-00-00 THRU: 07-08-90
069246-02-000	EA	ADJUSTER-SEAT/CHAIR, W/O LOCK - FORWARD & BACK
069246-05-000	EA	ADJUSTER-SEAT/CHAIR, W/REMOTE FROM: 07-09-90 THRU: 99-99-99
069246-05-700	EA	SPRING-ADJUSTER, FOR REMOTE
069246-05-701	EA	CLIP-CABLE, FOR REMOTE
069585-08-000	EA	BASE-BUCKET SEAT, BOLTS TO FLOOR - VERTICAL 8"
069585-29-000	EA	BAR-SEAT BELT, BUCKET SEATS - 20"

SKIRT

KEY PART NUMBER	U/M	DESCRIPTION
071126-24-B03	EA	SKIRT-BUCKET SEAT, B03 - BROWN MINK
071126-24-B04	EA	SKIRT-BUCKET SEAT, B04 - PINE MIST

CURTAIN, CUSHION & PAD GROUP (CONTINUED)



KEY PART NUMBER	U/M	DESCRIPTION
1 M80906-01-000	EA	FRAME ASM-SEAT, BACK & SPRING
089368-04-000	EA	FRAME-CABLE, REMOTE SWIVEL
080730-02-000	EA	RECLINER-SEAT BACK, LH
080731-02-000	EA	HINGE-SLAVE, RECLINER, LEFT HAND
080730-03-700	EA	HANDLE KIT-RECLINER
080730-04-000	EA	SCREW-RECLINER, HANDLE
080730-05-000	EA	SHIELD-RECLINER
2 081362-02-000	EA	BRACKET-ARMREST, LEFT HAND
3 081268-02-000	EA	ROD & CHANNEL-ARMREST, LEFT - METAL
4 069246-02-000	EA	ADJUSTER-BUCKET SEAT W/O LOCK, FORWARD AND BACK
5 069585-27-000	EA	TOP PLATE-PEDESTAL, BUCKET SEATS FROM: 00-00-00 THRU: 11-05-89
5 093481-04-000	EA	TOP PLATE-PEDESTAL, BUCKET SEATS W/O SEATBELT BAR FROM: 11-06-89 THRU: 99-99-99
6 069585-08-000	EA	BASE-BUCKET SEAT, BOLTS TO FLOOR - VERTICAL 8"
7 069246-01-000	EA	ADJUSTER-BUCKET SEAT W/LOCK, FORWARD AND BACK FROM: 00-00-00 THRU: 07-08-90
069246-05-000	EA	ADJUSTER-SEAT/CHAIR, W/REMOTE FROM: 07-09-90 THRU: 99-99-99
8 069585-29-000	EA	BAR-SEAT BELT, BUCKET SEATS - 20"
9 081268-01-000	EA	ROD & CHANNEL-ARMREST, RIGHT - METAL
10 081362-01-000	EA	BRACKET-ARMREST, RIGHT HAND
M80803-01-000	EA	FRAME-SEAT, SINGLE NOT BEND
080730-03-700	EA	HANDLE KIT-RECLINER
080730-04-000	EA	SCREW-RECLINER, HANDLE
080730-05-000	EA	SHIELD-RECLINER
089368-04-000	EA	CABLE CONTROL-REMOTE SWIVEL
081362-01-000	EA	BRACKET-ARMREST, RIGHT HAND
081362-02-000	EA	BRACKET-ARMREST, LEFT HAND
081268-01-000	EA	ROD & CHANNEL-ARMREST, RIGHT - METAL
081268-02-000	EA	ROD & CHANNEL-ARMREST, LEFT - METAL
081361-01-000	EA	ROD-ARMREST, METAL
069585-27-000	EA	TOP PLATE-PEDESTAL, BUCKET SEATS FROM: 00-00-00 THRU: 11-05-89
093481-04-000	EA	TOP PLATE-PEDESTAL, BUCKET SEATS W/O SEATBELT BAR FROM: 11-06-89 THRU: 99-99-99
069246-02-000	EA	ADJUSTER-BUCKET SEAT W/O LOCK, FORWARD AND BACK
069585-08-000	EA	BASE-BUCKET SEAT, BOLTS TO FLOOR - VERTICAL 8"
069246-01-000	EA	ADJUSTER-BUCKET SEAT W/LOCK, FORWARD AND BACK
069585-29-000	EA	BAR-SEAT BELT, BUCKET SEATS - 20"

TABLE OF CONTENTS

INTRODUCTION	A-01
ABBREVIATIONS	A-01
ALPHABETICAL INDEX	A-02 - A-04
WCF230EU	A-05 - D-17
WCF30EU	D-19 - H-22

1991 WCF30EU INDEX

FLOOR PLAN	D-19 - D-20
ACCESSORIES	D-21 - D-24
BATH	E-01 - E-04
BEDROOM	E-05 - E-08
CHASSIS	E-09 - E-14
C C & PAD	E-15 - E-24
DINETTE	F-01 - F-02
DRIVERS	F-03 - F-12
ELECTRICAL	F-13 - F-16
EXTERIOR BODY	F-17 - F-22
GALLEY	F-23 - G-04
HEATING & A/C	G-05 - G-10
INTERIOR FINISH	G-11 - G-15
LABEL	G-16
LP	G-17
LOUNGE	G-18 - G-20
SEALANTS & FASTENERS	G-21 - G-22
WATER & SEWAGE	G-23 - H-02
WINDOW, VENT AND EXTERIOR DOOR	H-03 - H-22

CURTAIN, CUSHION & PAD GROUP (CONTINUED)

FABRIC & CARPET

KEY PART NUMBER	U/M	DESCRIPTION
077484-01-000	YD	FABRIC-VINYL, 54" WIDE - GRAY FROM: 00-00-00 THRU: 01-06-91
079680-09-000	YD	FABRIC-VINYL, 54" WIDE - OFF WHITE FROM: 01-07-91 THRU: 99-99-99
075244-03-000	YD	VINYL-SHOWER CURTAIN, 72" WIDE - BEIGE
075680-13-000	YD	FABRIC-VINYL, 54" WIDE - PARCHMENT
052859-05-B05	FT	TRIM-STITCHED VINYL, OFF WHITE
072333-67-000	YD	FABRIC-SPEAKER COVER
029012-01-000	BF	FOAM-ROLLED, 3.8" THICK - 72" WIDE
096008-40-000	YD	FABRIC-UPHOLSTERY, PLAIN - 54" - B03 - BROWN MINK
096008-47-000	YD	FABRIC-UPHOLSTERY, PLAIN - 54" - B04 - PINE MIST
096008-41-000	YD	FABRIC-UPHOLSTERY, PATTERN - 54" - B03 - BROWN MINK
096008-49-000	YD	FABRIC-UPHOLSTERY, PATTERN - 54" - B04 - PINE MIST
029012-01-000	BF	FOAM-ROLLED, 3.8" THICK - 72" WIDE
072333-75-000	YD	FABRIC-CURTAIN - 54" WIDE - BEIGE
087272-01-000	YD	FABRIC-LINING, CURTAIN - 48" WIDE - IVORY
096008-39-000	YD	FABRIC-UPHOLSTERY, DOTTED - 54" - B03 - BROWN MINK
096008-48-000	YD	FABRIC-UPHOLSTERY, DOTTED - 54" - B04 - PINE MIST
081926-01-000	YD	BACKING-QUILTING, MATTRESS COVER - 59" WIDE - WHITE
088273-49-000	YD	FABRIC-CURTAIN/BEDSPREAD, PATTERNED - 54" - B05 - BROWN MINK
088273-52-000	YD	FABRIC-CURTAIN, PATTERNED - 54" - B06 - PINE MIST
088273-65-000	YD	FABRIC-CURTAIN, PLAIN - 54" - B03 - BROWN MINK
088273-56-000	YD	FABRIC-CURTAIN, PLAIN - 54" - B04 - PINE MIST

CURTAIN HARDWARE & TRACK

KEY PART NUMBER	U/M	DESCRIPTION
101589-01-B03	EA	TRACK-CURTAIN, HOOK - 89" FRONT SECTION CURVED 34" AL PASS SIDE - GRAY FROM: 04-28-90 THRU: 12-02-90
101589-01-B04	EA	TRACK-CURTAIN, HOOK - 89" FRONT SECTION CURVED 34" AL PASS SIDE - OFF WHITE FROM: 12-03-90 THRU: 99-99-99
094856-06-01A	EA	TRACK-DOOR/CURTAIN, 37.6" - GRAY FROM: 04-28-90 THRU: 12-02-90
094856-06-02A	EA	TRACK-DOOR/CURTAIN, 37.6" - OFF WHITE FROM: 12-03-90 THRU: 99-99-99
097625-01-000	EA	HOOK-DRAPERY
029155-01-000	EA	CAP-SNAP, NICKEL
029156-01-000	EA	SOCKET-SNAP FASTENER, NICKEL
092464-02-01A	EA	TRACK-SHOWER, CURVED - OFF WHITE FROM: 00-00-00 THRU: 07-14-90
009701-01-000	EA	CARRIER-SHOWER CURTAIN FROM: 00-00-00 THRU: 07-14-90
009702-01-000	EA	END STOP-CURTAIN CARRIER, SHOWER FROM: 00-00-00 THRU: 07-14-90
046867-01-000	EA	GROMMET-BRASS - 7/16" ID X 1" OD
078155-01-000	EA	STRAP-BACK CUSHION, SNAP
088792-01-000	YD	VELCRO TAPE-HOOK, NON-ADHESIVE BACK - .75" WIDE - BEI
088792-02-000	YD	VELCRO TAPE-LOOP, ADHESIVE BACKED - .75" WIDE - BEIGE
029094-04-000	YD	VELCRO TAPE-LOOP, 1" WIDE - BLACK
029096-03-000	YD	VELCRO TAPE-HOOK, 1" WIDE - BLACK
088792-05-000	YD	VELCRO-LOOP, 3/4"
048394-02-000	YD	VELCRO TAPE-HOOK, ADHESIVE BACK - .75" WIDE - BEIGE
089522-03-000	EA	PANEL-LEG, WINDOW - 2.5" FACE
089522-02-000	EA	PANEL-PLASTIC LEG, 31.5" - BLACK
089522-04-000	EA	PANEL-LEG, WINDOW - 2.5" FACE
089916-01-000	EA	MOUNT-WINDOW LEG, BLACK
083170-01-000	EA	BRACKET-BLIND (REAR IF ON PASS SIDE, FRONT IF ON DRIVER SIDE)
083170-02-000	EA	BRACKET-BLIND (FRONT IF ON PASS SIDE, REAR IF ON DRIVER SIDE)
095591-02-000	EA	BRACKET-BLIND, HOLD-DOWN - W/PIN
102555-01-000	EA	CLEAT-CORD, BLIND - OFF WHITE
093475-01-700	EA	WAND-BLIND, W/METAL CLIP - 8" LONG
093475-01-701	EA	END CAP-BLIND, W/STUD

CURTAIN, CUSHION & PAD GROUP (CONTINUED)

BUTTONS

KEY PART NUMBER	U/M	DESCRIPTION
070578-02-U19	EA	BUTTON-SCREW STUD, #30 - VINYL - SMOKE FROM: 00-00-00 THRU: 01-06-91
070578-02-B10	EA	BUTTON-SCREW STUD, #30 - VINYL - OFF WHITE FROM: 01-07-91 THRU: 99-99-99
070578-01-B05	EA	BUTTON-SNAP TOP, #30 - B03 - BROWN MINK FROM: 10-15-90 THRU: 99-99-99
070578-01-B06	EA	BUTTON-SNAP TOP, #30 - B04 - PINE MIST FROM: 10-15-90 THRU: 99-99-99
069734-01-000	EA	BACK-BUTTON, DURASNAP - #30
059797-02-000	EA	SHELL-BUTTON, PLASTIC - #30
057534-06-000	EA	TIEBACK-VINYL, 6" - CLEAR
057534-04-000	EA	TIEBACK-FOLDING DOOR, 20" - CLEAR PLASTIC

TWIN BEDS OPTION - US L49E

KEY PART NUMBER	U/M	DESCRIPTION
101123-02-000	EA	MATTRESS-TWIN, 32" X 74"
085365-07-B05	EA	BEDSPREAD-TWIN, W/ROUNDED CORNER - 33" - B05 - BROWN
085365-07-B06	EA	BEDSPREAD-TWIN, W/ROUNDED CORNER, 33" - B06 - PINE MI
P01123-02-000	EA	COVER-MATTRESS, 32" X 74"

DOUBLE BEDSPREAD & MATTRESS

KEY PART NUMBER	U/M	DESCRIPTION
101123-01-000	EA	MATTRESS-DOUBLE, 53" X 74" - TICKING COVERED
081997-06-B05	EA	SHAM-PILLOW, QUILTED - B03 - BROWN MINK FROM: 00-00-00 THRU: 05-06-90
081997-06-B06	EA	SHAM-PILLOW, QUILTED - B04 - PINE MIST FROM: 00-00-00 THRU: 05-06-90
081997-07-B05	EA	SHAM-PILLOW, NON-QUILTED - B03 - BROWN MIST FROM: 05-07-90 THRU: 06-17-90
081997-07-B06	EA	SHAM-PILLOW, NON-QUILTED - B04 - PINE MIST FROM: 05-07-90 THRU: 06-17-90
102161-01-B05	EA	SHAM-W/PILLOW INSERT, NON-QUILTED - B03 - BROWN MINK FROM: 06-18-90 THRU: 99-99-99
102161-01-B06	EA	SHAM-W/PILLOW INSERT, NON-QUILTED - B04 - PINE MIST FROM: 06-18-90 THRU: 99-99-99
081997-07-B05	EA	SHAM-PILLOW, NON-QUILTED - B03 - BROWN MIST
081997-07-B06	EA	SHAM-PILLOW, NON-QUILTED - B04 - PINE MIST
085365-08-B05	EA	BEDSPREAD-DOUBLE, W/ROUNDED CORNER - B03 - BROWN MINK
085365-08-B06	EA	BEDSPREAD-DOUBLE, W/ROUNDED CORNER - B04 - PINE MIST

DRIVER SIDE LOUNGE COUCH CABINET & COMPONENTS

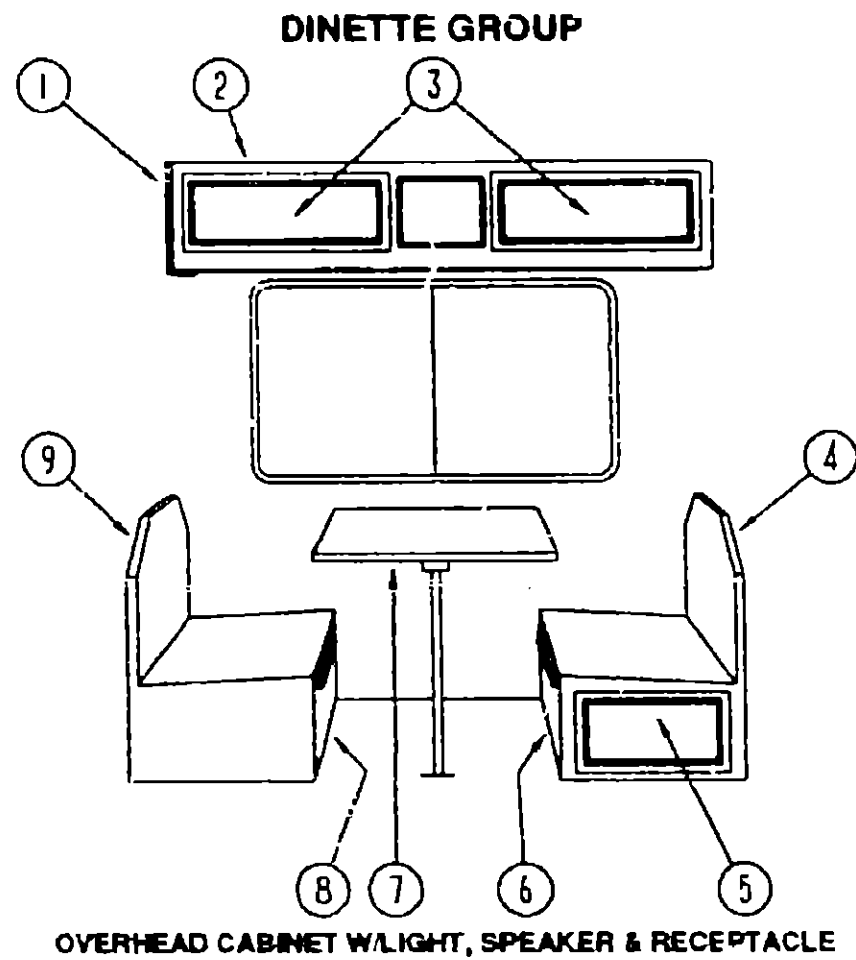
KEY PART NUMBER	U/M	DESCRIPTION
M04187-01-B03	EA	CABINET-COUCH, FRONT END - FABRIC COVERED - B03-BROWN
M04187-01-B04	EA	CABINET-COUCH, FRONT END - FABRIC COVERED - B04-PINE
M04187-02-B03	EA	CABINET-COUCH, REAR END - FABRIC COVERED - B03-BROWN
M04187-02-B04	EA	CABINET-COUCH, REAR END - FABRIC COVERED - B04-PINE M
M04187-03-B03	EA	CABINET-COUCH, FACE - FABRIC COVERED - B03 - BROWN MI
M04187-03-B04	EA	CABINET-COUCH, FACE - FABRIC COVERED - B04 - PINE MIS
016604-03-000	EA	BRACE-CABINET ANGLE, 2.5" - BEIGE

TABLE OF CONTENTS

INTRODUCTION	A-01
ABBREVIATIONS	A-01
ALPHABETICAL INDEX	A-02 - A-04
WCF23EC	A-05 - D-17
WCF30EU	D-19 - H-22

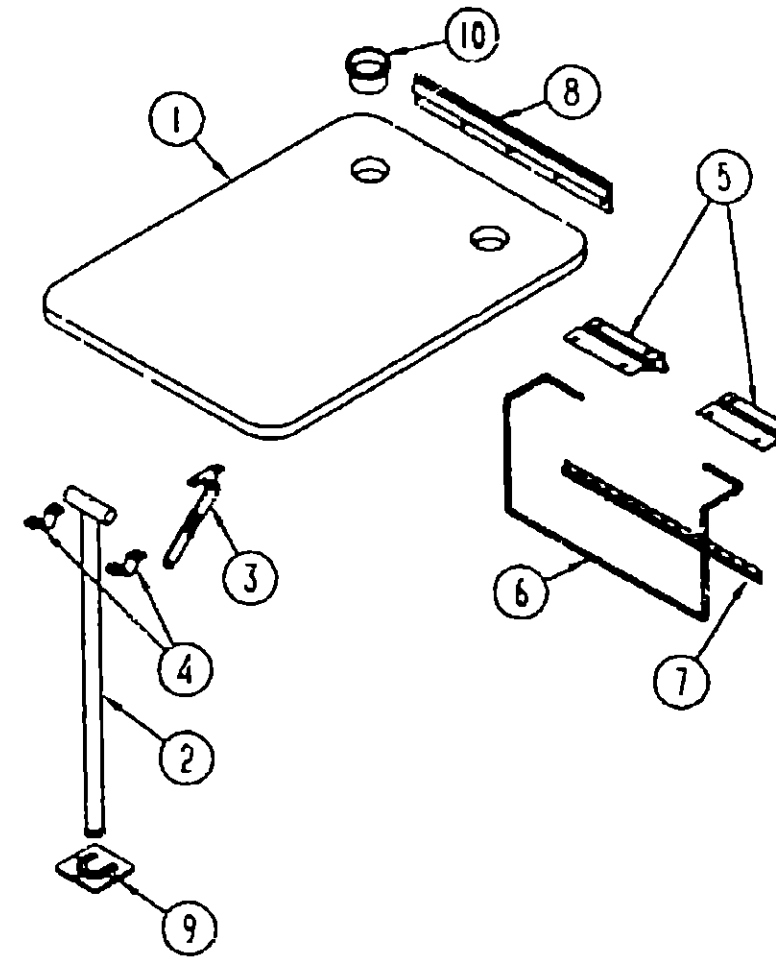
1991 WCF30EU INDEX

FLOOR PLAN	D-19 - D-20
ACCESSORIES	D-21 - D-24
BATH	E-01 - E-04
BEDROOM	E-05 - E-08
CHASSIS	E-09 - E-14
C C & PAD	E-15 - E-24
DNETTE	F-01 - F-02
DRIVERS	F-03 - F-12
ELECTRICAL	F-13 - F-16
EXTERIOR BODY	F-17 - F-22
GALLEY	F-23 - G-04
HEATING & A/C	G-05 - G-10
INTERIOR FINISH	G-11 - G-15
LABEL	G-16
LP	G-17
LOUNGE	G-18 - G-20
SEALANTS & FASTENERS	G-21 - G-22
WATER & SEWAGE	G-23 - H-02
WINDOW, VENT AND EXTERIOR DOOR	H-03 - H-22



OVERHEAD CABINET W/LIGHT, SPEAKER & RECEPTACLE

DINETTE GROUP (CONTINUED)



DINETTE TABLE & COMPONENTS

TABLE OF CONTENTS

INTRODUCTION	A-01
ABBREVIATIONS	A-01
ALPHABETICAL INDEX	A-02 - A-04
WCF23EC	A-05 - D-17
WCF30EU	D-19 - H-22

1991 WCF30EU INDEX

FLOOR PLAN	D-19 - D-20
ACCESSORIES	D-21 - D-24
BATH	E-01 - E-04
BEDROOM	E-05 - E-06
CHASSIS	E-09 - E-14
C C & PAD	E-15 - E-24
DINETTE	F-01 - F-02
DRIVERS	F-03 - F-12
ELECTRICAL	F-13 - F-16
EXTERIOR BODY	F-17 - F-22
GALLEY	F-23 - G-04
HEATING & A/C	G-05 - G-10
INTERIOR FINISH	G-11 - G-15
LABEL	G-16
LP	G-17
LOUNGE	G-18 - G-20
SEALANTS & FASTENERS	G-21 - G-22
WATER & SEWAGE	G-23 - H-02
WINDOW, VENT AND EXTERIOR DOOR	H-03 - H-22

KEY PART NUMBER	U/M DESCRIPTION
1 094590-01-B03	EA CAP-END, CABINET - FRONT
2 P00410-02-B03	EA CABINET-OVERHEAD, DINETTE - W/O DOORS OR HARDWARE
3 P00099-26-B03	EA DOOR-CABINET, OVERHEAD - W/O HARDWARE - 12" X 26"
4 M03079-04-B03	EA CABINET-BACKREST, FRONT - W/O HARDWARE
5 P00099-12-B05	EA DOOR-CABINET, DINETTE ENDS - W/O HARDWARE - 10" X 19"
6 M03078-04-B03	EA CABINET-SEATBASE, FRONT - W/O DOOR OR HARDWARE
7 M02115-09-B03	EA TABLE-DINETTE, W/O EDGE BAND OR HARDWARE
8 M04175-01-B03	EA CABINET-SEATBASE, REAR - W/O HARDWARE
9 M04174-01-B03	EA CABINET-BACKREST, REAR - W/O HARDWARE
P00099-01-B42	EA DOOR-CABINET, DINETTE FRONT - 10" X 25.2" - W/O HARDWARE

DINETTE BACKREST PADS

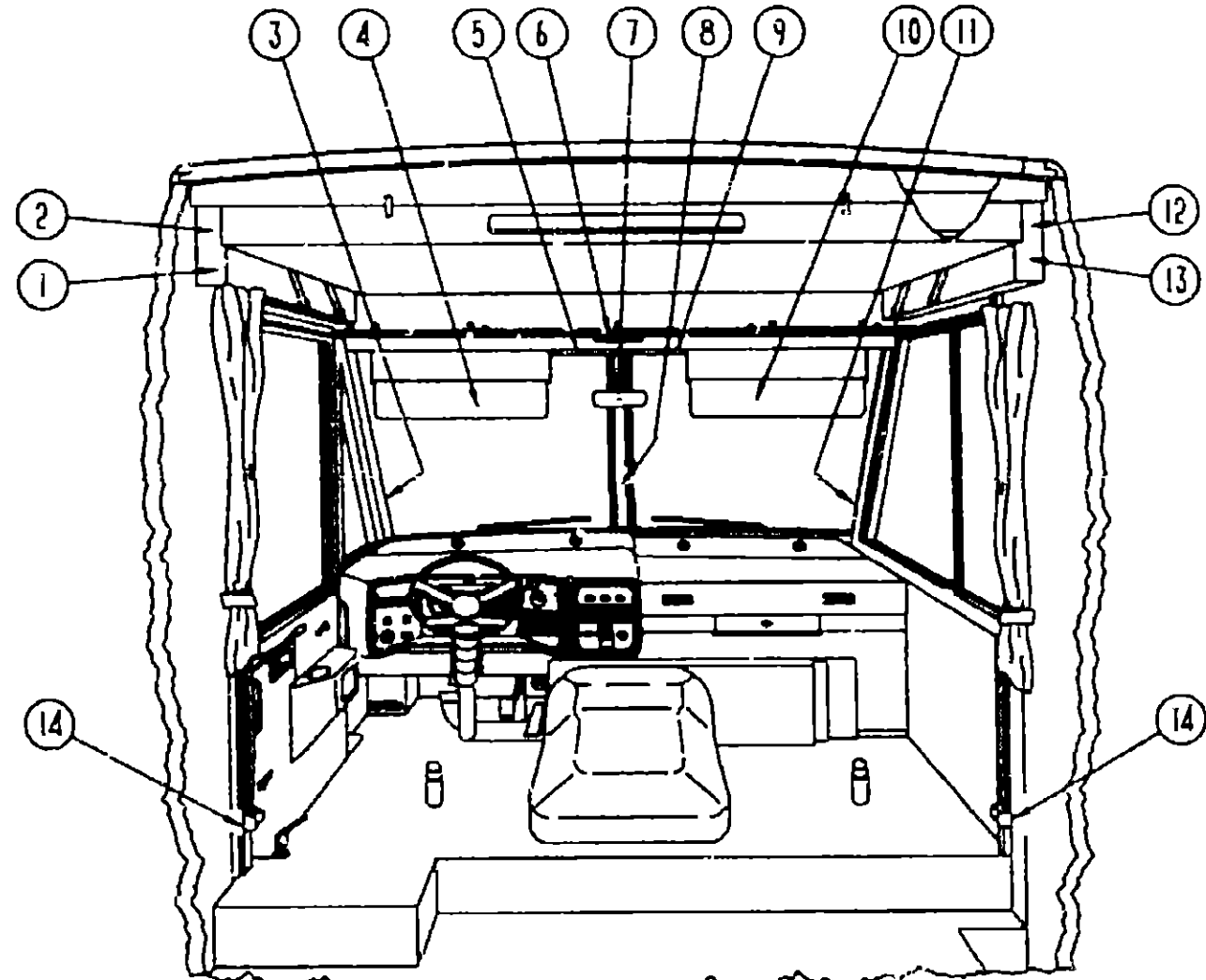
KEY PART NUMBER	U/M DESCRIPTION
081519-10-B05	EA PAD-BACKREST, REAR - B03 - BROWN MINK FROM: 00-00-00 THRU: 10-21-90
061519-17-B05	EA PAD-BACKREST, REAR - B03 - BROWN MINK FROM: 10-22-90 THRU: 99-99-99
081519-10-B06	EA PAD-BACKREST, REAR - B04 - PINE MIST FROM: 00-00-00 THRU: 10-21-90
081519-17-B06	EA PAD-BACKREST, REAR - B04 - PINE MIST FROM: 10-22-90 THRU: 99-99-99
081519-11-B05	EA PAD-BACKREST, FRONT - B03 - BROWN MINK FROM: 00-00-00 THRU: 10-21-90
081519-16-B05	EA PAD-BACKREST, FRONT - B03 - BROWN MINK FROM: 10-22-90 THRU: 99-99-99
081519-11-B06	EA PAD-BACKREST, FRONT - B04 - PINE MIST FROM: 00-00-00 THRU: 10-21-90
081519-16-B06	EA PAD-BACKREST, FRONT - B04 - PINE MIST

SEATBELTS

KEY PART NUMBER	U/M DESCRIPTION
057799-01-000	EA WASHER BRACKET-SEAT BELT, 4" DIAMETER
000D39-06-008	EA NUT-HEX, SER FLG LK - 3/8-16 ZN
000D44-07-008	EA NUT-HEX, SER FLG LK - 7/16-20 ZN
007021-01-000	EA BELT-SEAT, 2" X 90" - BLACK
056271-02-000	EA BELT-SEAT, 2" X 72" - BLACK

KEY PART NUMBER	U/M DESCRIPTION
1 M02115-09-B03	EA TABLE-DINETTE, W/O EDGE BAND OR HARDWARE
076325-24-000	FT MOLDING-EDGE BAND, 1 5/16" WIDE - WOODGRAIN
000G67-10-120	EA SCREW-10-12X.75 PFH TAN
004354-01-000	EA BUMPER-CABINET DOOR, RUBBER - BROWN
2 024276-21-000	EA LEG-TABLE, METAL - BEIGE
3 024282-01-000	EA BRACE-TABLE LEG, HINGED
024283-01-000	EA CLIP-LEG, 1" X 1.125" CD - BLACK
4 064050-03-000	EA CLAMP-SADDLE, LEG HINGE - TAN
5 088410-01-000	EA BRACKET-LIFT, TABLE MOUNTED - BEIGE
6 024275-05-000	EA ROD-TABLE LIFT, 8" X 23.5" - BEIGE
7 024281-07-000	EA BRACKET-LIFT ROD, LOWER WALL MOUNTED - 22.12" - BEIGE
8 053200-05-000	EA BRACKET-TABLE SUPPORT, UPPER WALL MOUNTED - 23.5" - BEIGE
9 049493-10-000	EA CATCH-TABLE LEG, FLOOR MOUNTED - BEIGE
10 064781-05-000	EA HOLDER-CUP, TWO STEP - OFF WHITE

DRIVERS COMPARTMENT GROUP



UPPER TRIM COMPONENTS W/BUNK

KEY PART NUMBER	U/M	DESCRIPTION
1 101499-02-B03	EA	BOTTOM-SIDEWALL TRIM, DRIVER - 37.2" X 3" - VINYL WRAPPED FROM: 00-00-00 THRU: 01-06-91
1 101499-02-B04	EA	BOTTOM-SIDEWALL TRIM, DRIVER - 37.2" X 3" - VINYL WRAPPED FROM: 01-07-91 THRU: 99-99-99
2 101497-02-B03	EA	TRIM-SIDEWALL, UPPER DRIVER - 37.5" X 9.3" - VINYL WRAPPED FROM: 00-00-00 THRU: 01-06-91
2 101497-02-B04	EA	TRIM-SIDEWALL, UPPER DRIVER - 37.5" X 9.3" - VINYL WRAPPED FROM: 01-07-91 THRU: 99-99-99
3 079206-06-000	EA	TRIM POST-WINDSHIELD, DRIVER CORNER - METAL - GRAY FROM: 00-00-00 THRU: 01-06-91
3 079206-12-000	EA	TRIM POST-WINDSHIELD, DRIVER CORNER - METAL - BLACK FROM: 01-07-91 THRU: 99-99-99
4 082286-01-U16	EA	SUNVISOR-DRIVER/PASSENGER - GRAY FROM: 00-00-00 THRU: 01-07-91
4 082286-01-B03	EA	SUNVISOR-DRIVER/PASSENGER, OFF WHITE FROM: 01-03-91 THRU: 99-99-99
5 078579-04-000	EA	TRIM-WINDSHIELD, UPPER DRIVER SIDE - PLASTIC - GRAY FROM: 00-00-00 THRU: 01-06-91
5 078579-05-000	EA	TRIM-WINDSHIELD, UPPER DRIVER SIDE - PLASTIC - BEIGE FROM: 01-07-91 THRU: 99-99-99
6 086280-01-000	EA	LIGHT-SURFACE MOUNT, 12V - JENSEN 1236
6 086280-01-700	EA	BULB-SURFACE MOUNT LIGHT, 12V - 6V
7 040714-01-700	EA	MIRROR-REAR VIEW W/ARM MOUNT & SET SCREW - GM # 911722
8 081105-01-AA8	EA	TRIM-HEADER, ROUTED/SHAPED WOOD - 1.7" X 83.75"
8 079765-04-000	EA	TRIM-CENTER WINDSHIELD, PLASTIC - GRAY FROM: 00-00-00 THRU: 01-06-91
8 079765-06-000	EA	TRIM-CENTER WINDSHIELD, PLASTIC - BEIGE FROM: 01-07-91 THRU: 99-99-99
9 078579-03-000	EA	TRIM-WINDSHIELD, UPPER PASSENGER SIDE - PLASTIC - GRAY FROM: 00-00-00 THRU: 01-06-91
9 078579-05-000	EA	TRIM-WINDSHIELD, UPPER PASSENGER SIDE - PLASTIC - BEIGE FROM: 01-07-91 THRU: 99-99-99
10 082286-01-U16	EA	SUNVISOR-DRIVER/PASSENGER - GRAY FROM: 00-00-00 THRU: 01-07-91

DRIVERS COMPARTMENT GROUP CONTINUED

UPPER TRIM COMPONENTS (CONT)

KEY PART NUMBER	U/M	DESCRIPTION
10 082286-01-B03	EA	SUNVISOR-DRIVER/PASSENGER, OFF WHITE FROM: 01-06-91 THRU: 99-99-9910
007211-01-000	EA	HINGE-SUNVISOR
074012-01-000	EA	CLIP-SUNVISOR, SQUARE - PINCH ON
085709-01-000	EA	MOUNT-SUNVISOR, CLIP TYPE - BLACK
102377-01-000	EA	BRACKET-SUNVISOR, 1 PIECE - STEEL FROM: 09-24-90 THRU: 99-99-99
11 079206-05-000	EA	TRIM POST-WINDSHIELD, PASSENGER CORNER - METAL - GRAY FROM: 00-00-00 THRU: 01-06-91
11 079206-11-000	EA	TRIM POST-WINDSHIELD, PASSENGER CORNER - METAL - BLACK FROM: 01-07-91 THRU: 99-99-99
12 101497-01-B03	EA	TRIM-SIDEWALL, UPPER PASS - 37.5" X 9.3" - VINYL WRAPPED FROM: 00-00-00 THRU: 01-06-91
12 101497-01-B04	EA	TRIM-SIDEWALL, UPPER PASS - 37.5" X 9.3" - VINYL WRAPPED FROM: 01-07-91 THRU: 99-99-99
13 101499-01-B03	EA	BOTTOM-SIDEWALL TRIM, PASS - 37.2" X 3" - VINYL WRAPPED FROM: 00-00-00 THRU: 01-06-91
13 101499-01-B04	EA	BOTTOM-SIDEWALL TRIM, PASS - 37.2" X 3" - VINYL WRAPPED FROM: 01-07-91 THRU: 99-99-99
14 091990-01-01A	EA	SEAT BELT-SHOULDER HARNESS - DRIVERS/PASSENGERS - BLACK
046886-03-000	EA	ASHTRAY-CHROME, W/COVER
100624-01-B03	EA	PANEL-HEADLINER, 90.2" X 13" END - VINYL - GRAY FROM: 00-00-00 THRU: 01-06-91
100624-01-B04	EA	PANEL-HEADLINER, 90.2" X 13" END - VINYL - OFF WHITE FROM: 01-07-91 THRU: 99-99-99
078611-05-B03	EA	BOTTOM-HEADLINER, W/SPEAKER CUTOUTS - VINYL - GRAY FROM: 00-00-00 THRU: 01-06-91
078611-05-B11	EA	BOTTOM-HEADLINER, W/SPEAKER CUTOUTS - VINYL - OFF WHITE FROM: 01-07-91 THRU: 99-99-99

WINDSHIELD & CAB WINDOW CURTAINS TRACK

KEY PART NUMBER	U/M	DESCRIPTION
101589-01-B03	EA	TRACK-CURTAIN, HOOK - 89" FRONT SECTION CURVED 34" AL PASS SIDE - GRAY FROM: 04-28-90 THRU: 12-02-90
101589-01-B04	EA	TRACK-CURTAIN, HOOK - 89" FRONT SECTION CURVED 34" AL PASS SIDE - OFF WHITE FROM: 12-03-90 THRU: 99-99-99
094856-06-01A	EA	TRACK-DOOR/CURTAIN, 37.6" - GRAY FROM: 04-28-90 THRU: 12-02-90
094856-06-02A	EA	TRACK-DOOR/CURTAIN, 37.6" - OFF WHITE FROM: 12-03-90 THRU: 99-99-99

ROLL BAR COVERS

KEY PART NUMBER	U/M	DESCRIPTION
024700-32-000	EA	COVER-ROLL BAR, U-CHANNEL - 57.25" - PLASTIC - GRAY FROM: 00-00-00 THRU: 01-06-91
024700-41-000	EA	COVER-ROLL BAR, U-CHANNEL - 57.25" - PLASTIC - OFF WHITE FROM: 01-07-91 THRU: 99-99-99

ROLL BAR COVERS USED W/DRIVERS DOOR

KEY PART NUMBER	U/M	DESCRIPTION
024700-33-000	EA	COVER-ROLL BAR, U CHANNEL - 15.25" - PLASTIC - GRAY FROM: 00-00-00 THRU: 01-06-91
024700-38-000	EA	COVER-ROLL BAR, 15.25" - PLASTIC - OFF WHITE FROM: 01-07-91 THRU: 99-99-99
024700-34-000	EA	COVER-ROLL BAR, U CHANNEL - 33.9" - PLASTIC - GRAY FROM: 00-00-00 THRU: 01-06-91

TABLE OF CONTENTS

INTRODUCTION	A-01
ABBREVIATIONS	A-01
ALPHABETICAL INDEX	A-02 - A-04
WCF23EC	A-05 - D-17
WCF30EU	D-19 - H-22

1991 WCF30EU INDEX

FLOOR PLAN	D-19 - D-20
ACCESSORIES	D-21 - D-24
BATH	E-01 - E-04
BEDROOM	E-05 - E-08
CHASSIS	E-09 - E-14
C C & PAD	E-15 - E-24
DINETTE	F-01 - F-02
DRIVERS	F-03 - F-12
ELECTRICAL	F-13 - F-16
EXTERIOR BODY	F-17 - F-22
GALLEY	F-23 - G-04
HEATING & A/C	G-05 - G-10
INTERIOR FINISH	G-11 - G-15
LABEL	G-16
LP	G-17
LOUNGE	G-18 - G-20
SEALANTS & FASTENERS	G-21 - G-22
WATER & SEWAGE	G-23 - H-02
WINDOW, VEIL AND EXTERIOR DOOR	H-03 - H-22

DRIVERS COMPARTMENT GROUP (CONTINUED)

1991 FORD & 1991 DIESEL

KEY PART NUMBER	U/M DESCRIPTION
100390-2-01A	EA BEZEL-INSTRUMENT PANEL, BLACK MATTE

1991 CHEVY	
KEY PART NUMBER	U/M DESCRIPTION
102344-01-000	EA WIRE ASSEMBLY-INSTRUMENT PANEL, MAIN - 1991 CHEVY CHASSIS
007940-01-000	EA RECEPTACLE-SLIDE, 16 TO 12 AWG

MOTOR COVER

KEY PART NUMBER	U/M DESCRIPTION
075564-01-000	EA BRACKET-MOUNTING, MOTOR COVER
097552-01-000	EA COVER-MOTOR W/O CARPET
002754-01-001	EA ANGLE-EXTRUDED, .75" X .75" X 18" - MILL ALUMINUM
039623-01-000	FT SEAL-MOTOR COVER, RUBBER BULB TYPE - BLACK
080544-01-000	EA TRIM-MOTOR COVER, METAL - SCREWS TO FLOOR
002754-01-001	EA ANGLE-EXTRUDED, .75" X .75" X 18" - MILL ALUMINUM

DIESEL ENGINE (OPTION L33N)

KEY PART NUMBER	U/M DESCRIPTION
072877-01-000	EA INSULATION-SOUND BARRIER
072878-01-000	EA INSULATION-SOUND BARRIER PAD, 29.25" X 40.19"
M01113-51-B03	EA DASH ASSEMBLY W/RADIO - DIESEL, 91 CHEVY - 90 CHASSIS FROM: 00-00-00 THRU: 09-16-90
M78068-03-000	EA SUPPORT-DASH, 90.8" - METAL - BLACK
038846-02-000	EA RETAINER-DASH, 3" X 1.5"
076007-01-000	EA SUPPORT-RADIO
009118-01-000	EA LOCK-TWIST W/NUT, GLOVE COMPARTMENT
022219-01-000	EA DOOR-GLOVE COMPARTMENT, BLACK
023834-01-000	EA PANEL-KNEE KICK, 3.25" X 45.38" - BLACK
023892-01-000	EA BOX-GLOVE COMPARTMENT, FIBERFOARD - BLACK
024598-01-000	EA HINGE-PIANO, GLOVE COMPARTMENT - 1 1/16" X 19"
038846-01-000	EA RETAINER-DASH, 1" X 1/2"
038846-02-000	EA RETAINER-DASH, 3" X 1.5"
039044-01-000	EA LOUVER-ADJUSTABLE A/C, 2.5" X 5.75"
079088-04-000	EA TOP-PADDED DASH, DRIVERS SIDE - VINYL COVERED - GRAY FROM: 00-00-00 THRU: 10-29-90
079088-04-000	EA TOP-PADDED DASH, DRIVERS SIDE - VINYL COVERED - GRAY FROM: 10-30-90 THRU: 99-99-99
079089-02-000	EA TOP-PADDED DASH, PASSENGER SIDE - VINYL COVERED - GRAY
089294-01-000	EA LIGHTER ASM-CIGARETTE
090982-01-000	EA RADIO-AM/FM CASSETTE, ELECTRIC TUNE - AUDIOVOX HCC-10
093381-01-000	EA SWITCH-RADIO, MAIN TO AUXILIARY
100389-03-01A	EA BEZEL-ENTERTAINMENT CENTER, BLACK MATTE
100390-01-01A	EA BEZEL-INSTRUMENT PANEL, BLACK MATTE
M01113-57-B03	EA DASH-COMPLETE, W/RADIO FROM: 09-17-90 THRU: 99-99-99
M78068-03-000	EA SUPPORT-DASH, 90.8" - METAL - BLACK
038846-02-000	EA RETAINER-DASH, 3" X 1.5"
000G11-08-12D	EA SCREW, 8-18 X 3/4 PPH - BLACK
000G39-08-16T	EA SCREW-SF/DR, 8-18 X 1 PPH - BLACK
005081-01-000	EA NUT-SPEED, C TYPE - NO 8 SCREW
007093-01-000	EA FLASHER-SIGNAL STAT
008343-01-000	EA TIE-WIRE, 6"
009118-01-000	EA LOCK-TWIST W/NUT, GLOVE COMPARTMENT
022219-01-000	EA DOOR-GLOVE COMPARTMENT, BLACK
023834-01-000	EA PANEL-KNEE KICK, 3.25" X 45.38" - BLACK
023892-01-000	EA BOX-GLOVE COMPARTMENT, FIBERFOARD - BLACK
024598-01-000	EA HINGE-PIANO, GLOVE COMPARTMENT - 1 1/16" X 19"
009066-01-000	EA HINGE-ALUMINUM, NO HOLES - 1 1/16" X 6" - UNPAINTED
031048-04-000	EA PLATE-SWITCH COVER, BLACK
031048-05-000	EA PLATE-GAUGE COVER, BLACK
038846-01-000	EA RETAINER-DASH, 1" X 1/2"
038846-02-000	EA RETAINER-DASH, 3" X 1.5"
039044-01-000	EA LOUVER-ADJUSTABLE A/C, 2.5" X 5.75"
061424-01-000	EA LIGHT-AISLE, 12V - RECTANGULAR
062401-05-000	EA CLAMP-HOSE, WORMGEAR - 2" X 3"
062901-05-000	EA FUSE-15 AMPS, AUTOMOTIVE
079088-05-000	EA TOP-PADDED DASH, DRIVERS SIDE - VINYL COVERED - BEIGE
079089-03-000	EA TOP-PADDED DASH, PASSENGER SIDE - VINYL COVERED - BEIGE
087706-01-000	EA MOUNTING KIT-RADIO, AUDIOVOX
089294-01-000	EA LIGHTER ASM-CIGARETTE
090982-01-000	EA RADIO-AM/FM CASSETTE, ELECTRIC TUNE - AUDIOVOX HCC-10
100389-04-01A	EA BEZEL-ENTERTAINMENT CENTER, BLACK MATTE 1991 FORD & 1991 DIESEL
100390-04-01A	EA BEZEL-INSTRUMENT PANEL, BLACK MATTE 1991 CHEVY
007940-01-000	EA RECEPTACLE-SLIDE, 16 TO 12 AWG

DRIVERS COMPARTMENT GROUP (CONTINUED)

DIESEL ENGINE (OPTION L33N) CONT

KEY PART NUMBER	U/M DESCRIPTION
079089-03-000	EA TOP-PADDED DASH, PASSENGER SIDE - VINYL COVERED - BEIGE
087706-01-000	EA MOUNTING KIT-RADIO, AUDIOVOX
089294-01-000	EA LIGHTER ASM-CIGARETTE
090982-01-000	EA RADIO-AM/FM CASSETTE, ELECTRIC TUNE - AUDIOVOX HCC-10
093381-01-000	EA SWITCH-RADIO, MAIN TO AUXILIARY
100389-04-01A	EA BEZEL-ENTERTAINMENT CENTER, BLACK MATTE

DIESEL EXPORT (OPTION L05M)

KEY PART NUMBER	U/M DESCRIPTION
072878-01-000	EA INSULATION-SOUND BARRIER PAD, 29.25" X 40.19"
M01113-51-B03	EA DASH ASSEMBLY W/RADIO - DIESEL, 90 CHEVY FROM: 00-00-00 THRU: 09-16-90
M78068-03-000	EA SUPPORT-DASH, 90.8" - METAL - BLACK
038846-02-000	EA RETAINER-DASH, 3" X 1.5"
076007-01-000	EA SUPPORT-RADIO
009118-01-000	EA LOCK-TWIST W/NUT, GLOVE COMPARTMENT
022219-01-000	EA DOOR-GLOVE COMPARTMENT, BLACK
023834-01-000	EA PANEL-KNEE KICK, 3.25" X 45.38" - BLACK
023892-01-000	EA BOX-GLOVE COMPARTMENT, FIBERFOARD - BLACK
024598-01-000	EA HINGE-PIANO, GLOVE COMPARTMENT - 1 1/16" X 19"
038846-01-000	EA RETAINER-DASH, 1" X 1/2"
038846-02-000	EA RETAINER-DASH, 3" X 1.5"
039044-01-000	EA LOUVER-ADJUSTABLE A/C, 2.5" X 5.75"
079088-04-000	EA TOP-PADDED DASH, DRIVERS SIDE - VINYL COVERED - GRAY FROM: 00-00-00 THRU: 10-29-90
079088-04-000	EA TOP-PADDED DASH, DRIVERS SIDE - VINYL COVERED - GRAY FROM: 10-30-90 THRU: 99-99-99
079089-02-000	EA TOP-PADDED DASH, PASSENGER SIDE - VINYL COVERED - GRAY
087706-01-000	EA MOUNTING KIT-RADIO, AUDIOVOX
089294-01-000	EA LIGHTER ASM-CIGARETTE
090982-01-000	EA RADIO-AM/FM CASSETTE, ELECTRIC TUNE - AUDIOVOX HCC-10
093381-01-000	EA SWITCH-RADIO, MAIN TO AUXILIARY
093381-01-000	EA WIRE ASSEMBLY-INSTRUMENT PANEL, CHEVY
100389-03-01A	EA BEZEL-ENTERTAINMENT CENTER, BLACK MATTE
100390-01-01A	EA BEZEL-INSTRUMENT PANEL, BLACK MATTE
M01113-57-B03	EA DASH-COMPLETE, W/RADIO FROM: 09-17-90 THRU: 99-99-99
M01113-57-B03	EA DASH-COMPLETE, W/RADIO FROM: 09-17-90 THRU: 99-99-99
M78068-03-000	EA SUPPORT-DASH, 90.8" - METAL - BLACK
038846-02-000	EA RETAINER-DASH, 3" X 1.5"
072882-10-000	GL PAINT-LOW GLOSS
005081-01-000	EA NUT-SPEED, C TYPE - NO 8 SCREW
007093-01-000	EA FLASHER-SIGNAL STAT
008343-01-000	EA TIE-WIRE, 6"
009118-01-000	EA LOCK-TWIST W/NUT, GLOVE COMPARTMENT
022219-01-000	EA DOOR-GLOVE COMPARTMENT, BLACK
023834-01-000	EA PANEL-KNEE KICK, 3.25" X 45.38" - BLACK
023892-01-000	EA BOX-GLOVE COMPARTMENT, FIBERFOARD - BLACK
024598-01-000	EA HINGE-PIANO, GLOVE COMPARTMENT - 1 1/16" X 19"
009066-01-000	EA HINGE-ALUMINUM, NO HOLES - 1 1/16" X 6" - UNPAINTED
031048-04-000	EA PLATE-SWITCH COVER, BLACK
038846-01-000	EA RETAINER-DASH, 1" X 1/2"
038846-02-000	EA RETAINER-DASH, 3" X 1.5"
039044-01-000	EA LOUVER-ADJUSTABLE A/C, 2.5" X 5.75"
061424-01-000	EA LIGHT-AISLE, 12V - RECTANGULAR
062401-05-000	EA CLAMP-HOSE, WORMGEAR - 2" X 3"
062901-05-000	EA FUSE-15 AMPS, AUTOMOTIVE
079088-05-000	EA TOP-PADDED DASH, DRIVERS SIDE - VINYL COVERED - BEIGE
079089-03-000	EA TOP-PADDED DASH, PASSENGER SIDE - VINYL COVERED - BEIGE
087706-01-000	EA MOUNTING KIT-RADIO, AUDIOVOX
089294-01-000	EA LIGHTER ASM-CIGARETTE
090982-01-000	EA RADIO-AM/FM CASSETTE, ELECTRIC TUNE - AUDIOVOX HCC-10
100389-04-01A	EA BEZEL-ENTERTAINMENT CENTER, BLACK MATTE 1991 FORD & 1991 DIESEL
100390-04-01A	EA BEZEL-INSTRUMENT PANEL, BLACK MATTE 1991 CHEVY
007940-01-000	EA RECEPTACLE-SLIDE, 16 TO 12 AWG

TABLE OF CONTENTS

INTRODUCTION	A-01
ABBREVIATIONS	A-01
ALPHABETICAL INDEX	A-02 - A-04
WCF23EC	A-05 - D-17
WCF30EU	D-19 - H-22

1991 WCF30EU INDEX

FLOOR PLAN	D-19 - D-20
ACCESSORIES	D-21 - D-24
BATH	E-01 - E-04
BEDROOM	E-05 - E-08
CHASSIS	E-09 - E-14
C C & PAD	E-15 - E-24
DINETTE	F-01 - F-02
DRIVERS	F-03 - F-12
ELECTRICAL	F-13 - F-16
EXTERIOR BODY	F-17 - F-22
GALLEY	F-23 - G-04
HEATING & A/C	G-05 - G-10
INTERIOR FINISH	G-11 - G-15
LABEL	G-16
LP	G-17
LOUNGE	G-18 - G-20
SEALANTS & FASTENERS	G-21 - G-22
WATER & SEWAGE	G-23 - H-02
WINDOW, VENT AND EXTERIOR DOOR	H-03 - H-22

DRIVERS COMPARTMENT GROUP (CONTINUED)

CANADIAN EXPORT (OPT 265)

KEY PART NUMBER	U/M DESCRIPTION
094796-01-000	EA CLUSTER-INSTRUMENT PANEL, KILOMETERS - GAS - GM# 2508 FROM: 00-00-00 THRU: 02-28-91
094796-03-000	EA CLUSTER-INSTRUMENT PANEL, KILOMETERS - GAS - GM# 1613 FROM: 03-01-91 THRU: 99-99-99
100138-01-000	EA MODULE-DAYTIME RUNNING LIGHT
100158-01-000	EA WIRE ASM-DAYTIME RUNNING LIGHTS
100159-01-000	EA WIRE ASM-DAYTIME RUNNING LIGHTS, W/FUSE FROM: 00-00-00 THRU: 02-28-91

JAPAN EXPORT (OPT 045)

KEY PART NUMBER	U/M DESCRIPTION
094796-01-000	EA CLUSTER-INSTRUMENT PANEL, KILOMETERS - GAS - GM# 2508

HOOD RELEASE & STEERING COLUMN COVERS

KEY PART NUMBER	U/M DESCRIPTION
077407-01-000	EA BRACKET-HOOD RELEASE CABLE
074178-01-000	EA BRACKET-CABLE, HOOD RELEASE - BLACK FROM: 00-00-00 THRU: 02-28-91
040594-01-000	EA COVER-STEERING COLUMN, PLASTIC - BLACK FROM: 00-00-00 THRU: 02-28-91
078245-01-000	EA BOOT-STEERING COLUMN, VINYL - BLACK FROM: 00-00-00 THRU: 02-28-91

SEATBELT

KEY PART NUMBER	U/M DESCRIPTION
091990-01-01A	EA SEAT BELT-SHOULDER HARNESS - DRIVERS/PASSENGERS - BLACK
091990-01-700	EA COVER-BOLT, SEATBELT - BLACK
091990-02-01A	EA BRACKET-DRIVERS SEAT BELT, FLOOR MOUNT

HEADLINER, TV - VCR - CONTROL CENTER (OPTION L43 X) U.S.* & CANADIAN

KEY PART NUMBER	U/M DESCRIPTION
100624-03-B03	EA PANEL-HEADLINER, 90.2" X 13" END - VINYL - GRAY - WITH THREE CUTOUTS FROM: 00-00-00 THRU: 01-06-91
100624-03-B04	EA PANEL-HEADLINER, 90.2" X 13" END - VINYL - OFF WHITE - WITH THREE CUTOUTS FROM: 01-07-91 THRU: 99-99-99

HEADLINER, TV (OPTION L43U)

KEY PART NUMBER	U/M DESCRIPTION
100624-02-E03	EA PANEL-HEADLINER, 90.2" X 13" END - VINYL - GRAY - WITH TWO CUT OUTS FROM: 00-00-00 THRU: 01-06-91
100624-02-B04	EA PANEL-HEADLINER, 90.2" X 13" END - VINYL - OFF WHITE - WITH TWO CUT OUTS FROM: 01-07-91 THRU: 99-99-99

METRIC INSTRUMENT PANEL CLUSTER (OPTION L27D) CHEVY

KEY PART NUMBER	U/M DESCRIPTION
094796-01-000	EA CLUSTER-INSTRUMENT PANEL, KILOMETERS - GAS - GM# 2508 FROM: 00-00-00 THRU: 11-01-90
094796-03-000	EA CLUSTER-INSTRUMENT PANEL, KILOMETERS - GAS - GM# 1613 FROM: 11-02-90 THRU: 99-99-99
100138-01-000	EA MODULE-DAYTIME RUNNING LIGHT
100158-01-000	EA WIRE ASM-DAYTIME RUNNING LIGHTS
100159-01-000	EA WIRE ASM-DAYTIME RUNNING LIGHTS, W/FUSE FROM: 00-00-00 THRU: 02-28-91

DRIVERS COMPARTMENT GROUP (CONTINUED)

TV & TV CABINET (OPTION L43U)

KEY PART NUMBER	U/M DESCRIPTION
070578-02-U19	EA BUTTON-SCREW STUD, #30 - VINYL - SMOKE FROM: 00-00-00 THRU: 01-06-91
070578-02-B10	EA BUTTON-SCREW STUD, #30 - VINYL - OFF WHITE FROM: 01-07-91 THRU: 99-99-99
085774-01-000	FT FASTENER-DUAL HOOK, 1" WIDE - ADHESIVE BACK - BLACK
085774-02-000	FT FASTENER-DUAL LOOP, 1" WIDE - ADHESIVE BACK - BLACK
100629-01-B03	EA FACE-CABINET, OVERHEAD - TV
100622-01-01A	EA BRACKET-CABINET, TV - OFF WHITE
100707-01-000	EA SPACER-DOOR, GLASS
100708-01-000	EA DOOR-CABINET, TV - 5.6" X 29.4" - W/O HARDWARE - GLASS
100710-01-01A	EA LOCK-GLASS DOOR, TWIST TYPE - BRASS
100711-01-01A	EA HINGE-DOOR, GLASS
101272-01-000	EA CATCH-DOOR, GLASS
101766-01-000	EA PIN-SUPPORT, GLASS DOOR
099717-02-000	EA TIEDOWN, TV
098819-01-000	EA SPEAKER-2 WATT, 8 OHM - 4"
093214-01-02A	EA GRILL-SPEAKER, 4" BROWN
099030-01-000	EA WIRE-SPEAKER, TV
099637-01-000	EA GROMMET
066756-01-000	EA SPLITTER-TV, 2 WAY
100628-01-000	EA SHELF-TV, STEEL
101150-01-000	EA SUPPORT-SHELF, TV
101150-02-000	EA SUPPORT-SHELF, TV

1991 CHASSIS EXCHANGE (OPTION L51Y) FEDERAL - 12,300

KEY PART NUMBER	U/M DESCRIPTION
M01113-56-B03	EA DASH-COMPLETE, W/RADIO - CHEVY
M78068-03-000	EA SUPPORT-DASH, 90.8" - METAL - BLACK
038846-02-000	EA RETAINER-DASH, 3" X 1.5"
076007-01-000	EA SUPPORT-RADIO
009118-01-000	EA LOCK-TWIST W/NUT, GLOVE COMPARTMENT
022219-01-000	EA DOOR-GLOVE COMPARTMENT, BLACK
023834-01-000	EA PANEL-KNEE KICK, 3.25" X 45.38" - BLACK
023892-01-000	EA BOX-GLOVE COMPARTMENT, FIBERBOARD - BLACK
024461-01-000	EA SWITCH-BATT, BATT/DUAL/MOM
024598-01-000	EA HINGE-PIANO, GLOVE COMPARTMENT - 1 1/16" X 19"
038846-01-000	EA RETAINER-DASH, 1" X 1/2"
038846-02-000	EA RETAINER-DASH, 3" X 1.5"
039044-01-000	EA LOUVER-ADJUSTABLE A/C, 2.5" X 5.75"
079068-04-000	EA TOP-PADDED DASH, DRIVERS SIDE - VINYL COVERED - GRAY FROM: 00-00-00 THRU: 10-29-90
079068-04-000	EA TOP-PADDED DASH, DRIVERS SIDE - VINYL COVERED - GRAY FROM: 10-30-90 THRU: 12-18-90
079088-05-000	EA TOP-PADDED DASH, DRIVERS SIDE - VINYL COVERED - BEIGE FROM: 12-19-90 THRU: 99-99-99
079089-02-000	EA TOP-PADDED DASH, PASSENGER SIDE - VINYL COVERED - GRAY FROM: 00-00-00 THRU: 12-18-90
079089-03-000	EA TOP-PADDED DASH, PASSENGER SIDE - VINYL COVERED - BEIGE FROM: 12-19-90 THRU: 99-99-99
087706-01-000	EA MOUNTING KIT-RADIO, AUDIOVOX
089234-01-000	EA LIGHTER ASM-CIGARETTE
090982-01-000	EA RADIO-AM/FM CASSETTE, ELECTRIC TUNE - AUDIOVOX HCC-10
093381-01-000	EA SWITCH-RADIO, MAIN TO AUXILIARY
100389-04-01A	EA BEZEL-ENTERTAINMENT CENTER, BLACK MATTE
100390-04-01A	EA BEZEL-INSTRUMENT PANEL, BLACK MATTE

SIDE OVERHEAD TRIMS PANELS

KEY PART NUMBER	U/M DESCRIPTION
101497-04-B03	EA TRIM-SIDEWALL, UPPER DRIVER - 37.5" X 9.3" - VINYL WRAPPED FROM: 00-00-00 THRU: 01-06-91
101497-04-B04	EA TRIM-SIDEWALL, UPPER DRIVER - 37.5" X 9.3" - VINYL WRAPPED FROM: 01-07-91 THRU: 99-99-99
101499-04-B25	EA BOTTOM-SIDEWALL TRIM, DRIVER - 34.6" X 3" - VINYL WRAPPED FROM: 00-00-00 THRU: 01-06-91
101499-04-B11	EA BOTTOM-SIDEWALL TRIM, DRIVER - 34.6" X 3" - VINYL WRAPPED FROM: 01-07-91 THRU: 99-99-99

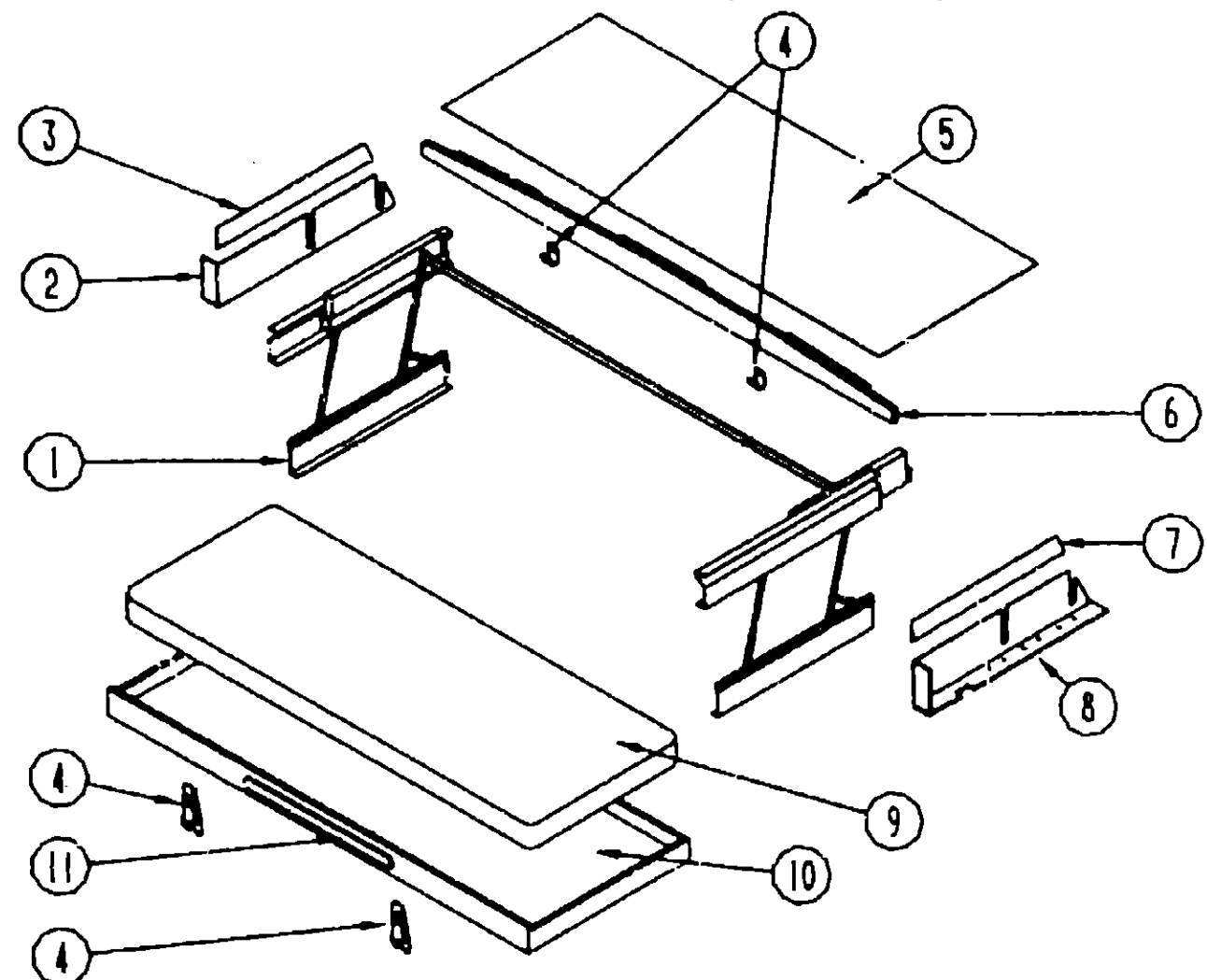
TABLE OF CONTENTS

INTRODUCTION	A-01
ABBREVIATIONS	A-01
ALPHABETICAL INDEX	A-02 - A-04
WCF23EC	A-05 - D-17
WCF30EU	D-19 - H-22

1991 WCF30EU INDEX

FLOOR PLAN	D-19 - D-20
ACCESSORIES	D-21 - D-24
BATH	E-01 - E-04
BEDROOM	E-05 - E-08
CHASSIS	E-09 - E-14
C C & PAD	E-15 - E-24
DINETTE	F-01 - F-02
DRIVERS	F-03 - F-12
ELECTRICAL	F-13 - F-16
EXTERIOR BODY	F-17 - F-22
GALLEY	F-23 - G-04
HEATING & A/C	G-05 - G-10
INTERIOR FINISH	G-11 - G-15
LABEL	G-16
LP	G-17
LOUNGE	G-18 - G-20
SEALANTS & FASTENERS	G-21 - G-22
WATER & SEWAGE	G-23 - H-02
WINDOW, VENT AND EXTERIOR DOOR	H-03 - H-22

DRIVERS COMPARTMENT GROUP (CONTINUED)



FRONT BUNK-SINGLE (OPT 523)

KEY PART NUMBER	U/M DESCRIPTION
1 076760-03-000	EA SUPPORT HARDWARE ASM-BUNK
2 101499-02-B03	EA TRIM-SIDEWALL, UPPER DRIVER - 37.5" X 9.3" - VINYL WRAPPED FROM: 00-00-00 THRU: 01-06-91
2 101499-02-B04	EA TRIM-SIDEWALL, UPPER DRIVER - 37.5" X 9.3" - VINYL WRAPPED FROM: 01-07-91 THRU: 99-99-99
3 101497-02-B03	EA TRIM-SIDEWALL, UPPER DRIVER - 37.5" X 9.3" - VINYL WRAPPED FROM: 00-00-00 THRU: 01-06-91
3 101497-02-B04	EA TRIM-SIDEWALL, UPPER DRIVER - 37.5" X 9.3" - VINYL WRAPPED FROM: 01-07-91 THRU: 99-99-99
4 042541-04-700	EA LATCH ASM-W/STRIKE, (2 SETS) - BRASS
042541-05-000	EA STRIKE-BRASS
049465-04-000	EA SCREW, 10-16 X 1 PTH W/WASHER - BEIGE
075943-02-000	EA BRACE-ANGLE, W/HOLES - 1" X 1.5" X 14" - ALUMINUM - BEIGE
5 074497-14-000	SF PANELING-CEILING, 4' X 8' - INCREMENTS OF 32 SF
6 M81715-01-B03	EA BOARD-TRIM, BUNK - VINYL COVERED - CEILING MOUNTED FROM: 00-00-00 THRU: 01-06-91
6 M81715-01-Y70	EA BOARD-TRIM, BUNK - VINYL COVERED - CEILING MOUNTED FROM: 01-07-91 THRU: 99-99-99
016604-05-000	EA BRACE-L/ANGLED, 2.5" - OFF WHITE
7 101497-01-B03	EA TRIM-SIDEWALL, UPPER PASS - 37.5" X 9.3" - VINYL WRAPPED FROM: 00-00-00 THRU: 01-06-91
7 101497-01-B04	EA TRIM-SIDEWALL, UPPER PASS - 37.5" X 9.3" - VINYL WRAPPED FROM: 01-07-91 THRU: 99-99-99
8 101499-01-B03	EA BOTTOM-SIDEWALL TRIM, PASS - 37.2" X 3" - VINYL WRAPPED FROM: 00-00-00 THRU: 01-06-91
8 101499-01-B04	EA BOTTOM-SIDEWALL TRIM, PASS - 37.2" X 3" - VINYL WRAPPED FROM: 01-07-91 THRU: 99-99-99
9 079145-04-000	EA CUSHION-BUNK, OVERHEAD - 4" X 34" X 78" - B03/B04
M79145-04-000	EA COVER-BUNK CUSHION, OVERHEAD - 4" X 34" X 78" - AA8 & P 19
10 051717-01-B03	EA BED ASM-BUNK, FRONT - PADDED - W/O HARDWARE FROM: 00-00-00 THRU: 01-06-91
10 081717-01-B25	EA BED ASM-BUNK, FRONT - PADDED - W/O HARDWARE FROM: 01-07-91 THRU: 99-99-99
11 094658-01-Y12	EA HANDLE-BUNK, OAK

DRIVERS COMPARTMENT GROUP (CONTINUED)

DASH & COMPONENTS

KEY PART NUMBER	U/M DESCRIPTION
M01113-49-B03	EA DASH ASSEMBLY W/RADIO-91 CHEVY, 90 CHASSIS FROM: 00-00-00 THRU: 02-28-91
M01113-55-B03	EA DASH-COM/LETE, W/RADIO - 1991 CHEVY CHASSIS FROM: 03-01-91 THRU: 99-99-99
M78068-03-000	EA SUPPORT-DASH, 90.8" - METAL - BLACK FROM: 12-19-90 THRU: 99-99-99
038846-02-000	EA RETAINER-DASH, 3" X 1.5"
076007-01-000	EA SUPPORT-RADIO
009118-01-000	EA LOCK-TWIST W/NUT, GLOVE COMPARTMENT
022219-01-000	EA DOOR-GLOVE COMPARTMENT, BLACK
023834-01-000	EA PANEL-KNEE KICK, 3.25" X 45.38" - BLACK
023892-01-000	EA BOX-GLOVE COMPARTMENT, FIBERBOARD - BLACK
024461-01-000	EA SWITCH-BATT, BATT/DUAL/MOM
024598-01-000	EA HINGE-PIANO, GLOVE COMPARTMENT - 1 1/16" X 19"
038846-01-000	EA RETAINER-DASH, 1" X 1/2"
038846-02-000	EA RETAINER-DASH, 3" X 1.5"
039044-01-000	EA LOWER-ADJUSTABLE A/C, 2.5" X 5.75"
087706-01-000	EA MOUNTING KIT-RADIO, AUDIOVOX
089294-01-000	EA LIGHTER ASM-CIGARETTE
090982-01-000	EA RADIO-AM/FM CASSETTE, ELECTRIC TUNE - AUDIOVOX HCC-10
093381-01-000	EA SWITCH-RADIO, MAIN TO AUXILIARY
100389-03-01A	EA BEZEL-ENTERTAINMENT CENTER, BLACK MATTE
100390-01-01A	EA BEZEL-INSTRUMENT PANEL, BLACK MATTE
100389-04-01A	EA BEZEL-ENTERTAINMENT CENTER, BLACK MATTE
100390-04-01A	EA BEZEL-INSTRUMENT PANEL, BLACK MATTE
090979-01-000	EA PLUG-INSTRUMENT PANEL, .45"
007940-01-000	EA RECEPTACLE-SLIDE, 16 TO 12 AWG
041953-01-000	FT CONDUIT-CONVOLUTE SLIT, .5" ID
041953-01-000	FT CONDUIT-CONVOLUTE SLIT, .625" ID
041953-03-000	FT CONDUIT-CONVOLUTE SLIT, 1" ID (CLOTHES ROD COVER)
047443-01-000	EA TERMINAL-.250 RECEPT, INSULATED - 16/14 AWG
047443-02-000	EA TERMINAL-.250 RECEPT, INSULATED - 12/10 AWG
077000-01-000	EA SOCKET ASM-W/8" PIGTAIL LEADS
088473-06-000	EA PIN-HOUSING, 6 POSITION (TWO ROWS OF THREE)
088474-01-000	EA HOUSING-SOCKET
088474-10-000	EA HOUSING-SOCKET, 2 POSITION
088475-01-000	EA PIN-CONNECTOR, 14 TO 20 AWG
088476-01-000	EA SOCKET-CONNECTOR
007940-01-000	EA RECEPTACLE-SLIDE, 16 TO 12 AWG
041953-01-000	FT CONDUIT-CONVOLUTE SLIT, .5" ID
041953-01-000	FT CONDUIT-CONVOLUTE SLIT, .625" ID
041953-03-000	FT CONDUIT-CONVOLUTE SLIT, 1" ID (CLOTHES ROD COVER)
047443-01-000	EA TERMINAL-.250 RECEPT, INSULATED - 16/14 AWG
047443-02-000	EA TERMINAL-.250 RECEPT, INSULATED - 12/10 AWG
077000-01-000	EA SOCKET ASM-W/8" PIGTAIL LEADS
088474-01-000	EA HOUSING-SOCKET
088474-09-000	EA HOUSING-SOCKET, 3 POSITION
088474-10-000	EA HOUSING-SOCKET, 2 POSITION
088475-01-000	EA PIN-CONNECTOR, 14 TO 20 AWG
088476-01-000	EA SOCKET-CONNECTOR

TABLE OF CONTENTS

INTRODUCTION	A-01
ABBREVIATIONS	A-01
ALPHABETICAL INDEX	A-02 - A-04
WCF230EC	A-05 - D-17
WCF300EU	D-19 - H-22

1991 WCF300EU INDEX

FLOOR PLAN	D-19 - D-20
ACCESSORIES	D-21 - D-24
BATH	E-01 - E-04
BEDROOM	E-05 - E-08
CHASSIS	E-09 - E-14
C & PAD	E-15 - E-24
DINETTE	F-01 - F-02
DRIVERS	F-03 - F-12
ELECTRICAL	F-13 - F-16
EXTERIOR BODY	F-17 - F-22
GALLEY	F-23 - G-04
HEATING & A/C	G-05 - G-10
INTERIOR FINISH	G-11 - G-15
LABEL	G-16
LP	G-17
LOUNGE	G-18 - G-20
SEALANTS & FASTENERS	G-21 - G-22
WATER & SEWAGE	G-23 - H-02
WINDOW, VENT AND EXTERIOR DOOR	H-03 - H-22

DRIVERS COMPARTMENT GROUP (CONTINUED)

TRIMS IN DRIVERS DOOR W/ROLL UP WINDOW OPTION L63U

KEY PART NUMBER	U/M	DESCRIPTION
024700-33-000	EA	COVER-ROLL BAR, U CHANNEL - 15.25" - PLASTIC - GRAY FROM: 00-00-00 THRU: 01-06-91
024700-38-000	EA	COVER-ROLL BAR, 15.25" - PLASTIC - OFF WHITE FROM: 01-07-91 THRU: 99-99-99
024700-34-000	EA	COVER-ROLL BAR, U CHANNEL - 33.9" - PLASTIC - GRAY FROM: 00-00-00 THRU: 01-06-91
101497-04-B03	EA	TRIM-SIDEWALL, UPPER DRIVER - 37.5" X 9.3" - VINYL WR FROM: 00-00-00 THRU: 01-06-91
101497-04-B04	EA	TRIM-SIDEWALL, UPPER DRIVER - 37.5" X 9.3" - VINYL WR FROM: 01-07-91 THRU: 99-99-99
101499-04-B25	EA	BOTTOM-SIDEWALL TRIM, DRIVER - 34.6" X 3" - VINYL WRA FROM: 00-00-00 THRU: 01-06-91
101499-04-B11	EA	BOTTOM-SIDEWALL TRIM, DRIVER - 34.6" X 3" - VINYL WRA FROM: 01-07-91 THRU: 99-99-99

PASSENGER SIDE OVERHEAD TRIM PANELS

KEY PART NUMBER	U/M	DESCRIPTION
101497-03-B03	EA	TRIM-SIDEWALL, UPPER PASS - 37.5" X 9.3" - VINYL WRAP FROM: 00-00-00 THRU: 01-06-91
101497-03-B04	EA	TRIM-SIDEWALL, UPPER PASS - 37.5" X 9.3" - VINYL WRAP FROM: 01-07-91 THRU: 99-99-99
101499-03-B25	EA	BOTTOM-SIDEWALL TRIM - PASS - 34.6" X 3" - VINYL WARP FROM: 00-00-00 THRU: 01-06-91
101499-03-B11	EA	BOTTOM-SIDEWALL TRIM, PASS - 34.6" X 3" - VINYL WRAPP FROM: 01-07-91 THRU: 99-99-99

REAR AUXILIARY HEATER & WATER HEATER W/MOTOR AND OPTION L611

KEY PART NUMBER	U/M	DESCRIPTION
076322-01-000	FT	TAPE-FOAM, DOUBLE COATED ADHESIVE BACKED - .75" X 108
084410-02-000	EA	DECAL-REAR AUTO HEATER
087202-02-000	EA	SWITCH-4 POSITION, W/O KNOB
090977-01-000	EA	KNOB-SWITCH, ROTARY

FORD CHASSIS OPTION L16D - US

KEY PART NUMBER	U/M	DESCRIPTION
M01113-50-B03	EA	DASH-COMplete, W/RADIO - FORD
M78068-03-000	EA	SUPPORT-DASH, 90.8" - METAL - BLACK
038846-02-000	EA	RETAINER-DASH, 3" X 1.5"
076007-01-000	EA	SUPPORT-RADIO
009118-01-000	EA	LOCK-TWIST W/NUT, GLOVE COMPARTMENT
022219-01-000	EA	DOOR-GLOVE COMPARTMENT, BLACK
023834-01-000	EA	PANEL-KNEE KICK, 3.25" X 45.38" - BLACK
023892-01-000	EA	BOX-GLOVE COMPARTMENT, FIBERBOARD - BLACK
024461-01-000	EA	SWITCH-BATT, BATT/DUAL/MOM
024598-01-000	EA	HINGE-PIANO, GLOVE COMPARTMENT - 1 1/16" X 19"
038846-01-000	EA	RETAINER-DASH, 1" X 1/2"
038846-02-000	EA	RETAINER-DASH, 3" X 1.5"
039044-01-000	EA	LCUVER-ADJUSTABLE A/C, 2.5" X 5.75"
079068-03-000	EA	TOP-PADDED DASH, DRIVERS SIDE - VINYL COVERED - GRAY NO LONGER AVAILABLE FROM: 00-00-00 THRU: 10-29-90
079068-04-000	EA	TOP-PADDED DASH, DRIVERS SIDE - VINYL COVERED - GRAY FROM: 10-30-90 THRU: 12-18-90
079068-05-000	EA	TOP-PADDED DASH, DRIVERS SIDE - VINYL COVERED - BEIGE FROM: 12-19-90 THRU: 99-99-99
079089-02-000	EA	TOP-PADDED DASH, PASSENGER SIDE - VINYL COVERED - GRA FROM: 00-00-00 THRU: 12-18-90
079089-03-000	EA	TOP-PADDED DASH, PASSENGER SIDE - VINYL COVERED - BEI FROM: 12-19-90 THRU: 99-99-99
087210-01-000	EA	PLUG-DASH, PLASTIC - 1"SQUARE - BLACK
100389-04-01A	EA	BEZEL-ENTERTAINMENT CENTER, BLACK MATTE

DRIVERS COMPARTMENT GROUP (CONTINUED)

FRONT CAB AREA COMPONENTS

KEY PART NUMBER	U/M	DESCRIPTION
024990-03-000	EA	OUTLET-LOUVERED, W/SWIVEL - 2" - GRAY FROM: 00-00-00 THRU: 12-18-90
024990-04-000	EA	OUTLET-LOUVERED/DEFROSTER, W/SWIVEL - 2" - BEIGE FROM: 12-19-90 THRU: 99-99-99
056402-05-000	EA	BRACKET-HEATER, W/BEND - BLACK FROM: 12-19-90 THRU: 99-99-99
069585-09-000	EA	BASE-BUCKET SEAT, BOLTS TO FLOOR - VERTICAL 8"
078581-03-000	EA	PANEL-DASH, FRONT - PASS - W/DEFROSTER OPENING - GRAY FROM: 00-00-00 THRU: 04-14-90
078581-04-000	EA	PANEL-DASH, PASSENGER FRONT - PLASTIC - GRAY MOUNTS DEFROSTER VENTS FROM: 04-15-90 THRU: 12-18-90
078581-06-000	EA	PANEL-DASH, PASSENGER FRONT - PLASTIC - BEIGE MOUNTS DEFROSTER VENTS & RADIO SPEAKERS FROM: 12-19-90 THRU: 99-99-99
078582-03-000	EA	PANEL-DASH, FRONT - DRIVER - W/DEFROSTER OPENING - GR FROM: 00-00-00 THRU: 04-14-90
078582-04-000	EA	PANEL-DASH, DRIVER SIDE FRONT - PLASTIC - GRAY MOUNT DEFROSTER VENTS & RADIO SPEAKERS FROM: 04-15-90 THRU: 12-18-90
078582-06-000	EA	PANEL-DASH, DRIVER FRONT - PLASTIC - BEIGE MOUNTS DEFROSTER VENTS & RADIO SPEAKERS FROM: 12-19-90 THRU: 99-99-99
080544-01-000	EA	TRIM-MOTOR COVER, METAL - SCREWS TO FLOOR
002754-01-001	EA	ANGLE-EXTRUDED, .75" X .75" X 18" - MILL. ALUMINUM
081914-01-000	EA	BUMPER-RUBBER, ROUND - .43" DIAMETER - BLACK
087210-01-000	EA	PLUG-DASH, PLASTIC - 1"SQUARE - BLACK
090979-01-000	EA	PLUG-INSTRUMENT PANEL, .45"
088252-02-000	FT	TRIM-CHROME, 1"WIDE WITH PRESSURE SENSITIVE BACKING
085495-01-000	EA	COVER-STEERING COLUMN, BLACK
069585-08-000	EA	BASE-BUCKET SEAT, BOLTS TO FLOOR - VERTICAL 8"
077367-01-000	EA	PANEL-LOWER PASS. SIDE, 68.5" - BLACK
077368-01-000	EA	PANEL-LOWER DRIVER SIDE - 5.66" X 15.70" - BLACK

TABLE OF CONTENTS

INTRODUCTION	A-01
ABBREVIATIONS	A-01
ALPHABETICAL INDEX	A-02 - A-04
WCF23EC	A-05 - D-17
WCF30EU	D-19 - H-22

1991 WCF30EU INDEX

FLOOR PLAN	D-19 - D-20
ACCESSORIES	D-21 - D-24
BATH	E-01 - E-04
BEDROOM	E-05 - E-08
CHASSIS	E-09 - E-14
C C & PAD	E-15 - E-24
DINETTE	F-01 - F-02
DRIVERS	F-03 - F-12
ELECTRICAL	F-13 - F-16
EXTERIOR BODY	F-17 - F-22
GALLEY	F-23 - G-04
HEATING & A/C	G-05 - G-10
INTERIOR FINISH	G-11 - G-15
LABEL	G-16
LP	G-17
LOUNGE	G-18 - G-20
SEALANTS & FASTENERS	G-21 - G-22
WATER & SEWAGE	G-23 - H-02
WINDOW, VENT AND EXTERIOR DOOR	H-03 - H-22

ELECTRICAL GROUP

ELECTRICAL COMPONENTS

KEY PART NUMBER	U/M	DESCRIPTION
007093-01-000	EA	FLASHER-SIGNAL STAT
007942-01-000	EA	TAB-WIRE, 18 TO 14 AWG
007949-01-000	EA	TAB-HOUSING, 1 POSITION
008026-01-000	FT	WIRE-12/2, ROMEX - W/GROUND
008037-01-000	FT	CABLE-BATTERY, 1AWG - STRANDED - BLACK
008037-02-000	FT	CABLE-BATTERY, 1AWG - STRANDED - RED
008052-01-000	EA	CORD-POWER, 10/3 - 30 AMP - 25' - CANADIAN
008054-01-000	EA	CORD-POWER, 10/3 WIRE - 30 AMP - 25'
008188-01-000	EA	SOLENOID-3 POST, BATTERY CHANGE OVER
008235-01-000	EA	FUSE-12V-15AMP
008288-01-000	EA	BOX-PLASTIC ELECTRIC, 3" X 3 1/2"
008288-02-000	EA	BOX-ELECTRIC, PLASTIC - 3.94" X 3.13" X 1.81"
008289-01-000	EA	BOX-ELECTRIC, STEEL - 1/2" AND 3/4" KNOCKOUTS - 4" X
008289-02-000	EA	BOX-ELECTRICAL, 4" X 4" - 1/2" & 3/4" KNOCKOUTS - CANAD
008294-01-000	EA	COVER-ELECTRICAL BOX, STEEL/BLANK - 4" X 4" - GRAY
008311-01-000	EA	CONNECTOR-WIRE NUT, INSULATED - RED
008312-01-000	EA	CONNECTOR-WIRE NUT, INSULATED - BLUE
008314-01-000	EA	CONNECTOR-WIRE NUT, INSULATED - GRAY
008326-01-000	EA	TERMINAL-RING, 16/14 WIRE - 3/8" STUD
008328-01-000	EA	TERMINAL-RING, 12/10 WIRE - #10 STUD FIT
008331-01-000	EA	TERMINAL-RING, TONGUE - #4 WIRE - 3/8" STUD - COPPER
008343-01-000	EA	TIE-WIRE, 6"
008348-01-000	EA	TERMINAL-RING, 3/8" STUD - #2 WIRE
008353-01-000	EA	CONNECTOR-CABLE CLAMPING, 3/8"
008355-01-000	EA	CONNECTOR-CABLE CLAMPING, 3/4"
008356-01-000	EA	CONNECTOR-PLASTIC, 3/8" AVG
008398-01-000	EA	CONNECTOR-1/2" X 90 DEGREE, FLEX CONDUIT - UL AND CSA
024461-01-000	EA	SWITCH-BATT, BATT/DUAL/MOM
024924-02-000	EA	RECEPTACLE-POWER CORD, W/PARTIAL PLATE
035416-04-000	EA	TERMINAL-RING #10 STUD FIT, INSULATED BARREL #16/14
036196-01-000	EA	BULB-12V - #194 - .27AMP
041250-01-000	EA	SWITCH-PUSH BUTTON, DOME LIGHT - CHROME
041480-01-000	EA	CONNECTOR-STRAIGHT, 1/2" FLEX CONDUIT
041953-01-000	FT	CONDUIT-CONVOLUTED SLIT, .5" ID
041953-01-000	FT	CONDUIT-CONVOLUTED SLIT, .625" ID
041953-03-000	FT	CONDUIT-CONVOLUTED SLIT, 1" ID (CLOTHES ROD COVER)
041953-05-000	FT	CONDUIT-CONVOLUTED SOLID, .62" ID
041953-06-000	FT	CONDUIT-CONVOLUTED, SLIT .375" ID
041953-07-000	FT	CONDUIT-CONVOLUTED, SLIT, .25" ID
041953-08-000	FT	CONDUIT-CONVOLUTED, SLIT, 1.50" ID
041953-09-000	FT	CONDUIT-CONVOLUTED, SLIT .50" ID
041953-11-000	FT	CONDUIT-CONVOLUTED, SLIT - 1.06" ID
047338-03-000	EA	ISOLATOR-DUAL BATTERY, 70 AMP
047443-01-000	EA	TERMINAL-.250 RECEPTACLE, FIT, INSULATED - 16/14 AWG
047443-02-000	EA	TERMINAL-.250 RECEPTACLE FIT, INSULATED - 12/10 AWG
058028-01-000	EA	CONNECTOR-ELECTRICAL PIGTAIL, NYLON - CLEAR
058049-01-000	EA	BOX-ELECTRIC SWITCH, 2" X 3" X 2.25"
058707-01-000	EA	RECEPTACLE-ELECTRIC, SINGLE - BROWN
058708-02-000	EA	RECEPTACLE-DOUBLE ELECTRIC, IVORY
058781-01-000	EA	DIODE-6.0A/100 VOLT - MOTOROLA NO MR751
062036-02-000	EA	TERMINAL-PACK-CON, 16/14 AWG
062037-01-000	EA	HOUSING-AUTO FUSE, NATURAL
062037-02-000	EA	HOUSING-AUTO FUSE, GREEN
062037-03-000	EA	HOUSING-AUTO FUSE, BLACK
062037-05-000	EA	HOUSING-AUTO FUSE, GRAY
062037-06-000	EA	HOUSING-AUTO FUSE, BROWN
062901-05-000	EA	FUSE-15 AMPS, AUTOMOTIVE
063910-01-000	EA	HOUSING-RELAY
064398-01-000	EA	HOUSING-TRAILER, RECEPTACLE
065450-01-000	EA	TIEDOWN-BATTERY
065450-06-000	EA	TIEDOWN-BATTERY
067789-02-000	EA	SOCKET-LAMP
069238-01-000	EA	COVER-ELECTRICAL BOX, W/HOLE - 4" X 4" - GRAY
077000-01-000	EA	SOCKET ASM-W/8" PIGTAIL LEADS
077479-02-000	EA	BOOT-BATTERY TERMINAL, SINGLE CABLE
077955-01-000	EA	J CLIP-VINYL COATED, 3/8"
079378-01-000	EA	TERMINAL-WEDGE BASE, 18 AWG
080015-02-000	EA	RECEPTACLE-FLAG, .185 - 16/14 GA - AMP 3
080734-02-000	EA	CLIP-WIRE, NYLON

ELECTRICAL GROUP (CONTINUED)

ELECTRICAL COMPONENTS CONT.

KEY PART NUMBER	U/M	DESCRIPTION
081059-02-000	EA	WIRE ASM-9-PIN, RADIO - AUDIOVOX 112B-1761
082740-01-000	EA	CONNECTOR-PLASTIC BODY, FOR 2 MALE SPADES
082742-01-000	EA	CONNECTOR BODY-3 CNCT FEMALE
083208-01-000	EA	CONVERTER-POWER, 32A - 120V/12V - BW 6332
083209-01-000	EA	CIRCUIT BREAKER-15 AMP, 120V - BW G-15
083209-03-000	EA	CIRCUIT BREAKER-15/20AMP, 120V - BW - 0-15/20
083209-04-000	EA	CIRCUIT BREAKER-30A, 120V - BW L-30
083209-05-000	EA	CIRCUIT BREAKER-20A, 120V - BW J-20
083209-06-000	EA	CIRCUIT BREAKER-30/15 AMP, 120V - BW D-30/15
083210-02-000	EA	CIRCUIT BREAKER-GFI, 15A - 120V - BW U-15
084076-01-000	EA	RECEPTACLE-GFI, 15A - 125V - IVORY
088473-01-000	EA	PIN-HOUSING, 4 ROWS OF 3
088473-02-000	EA	HOUSING-PIN, 15 POSITION
088473-05-000	EA	PIN-HOUSING, 6 POSITION (SINGLE ROW)
088473-06-000	EA	PIN-HOUSING, 6 POSITION (TWO ROWS OF THREE)
088473-08-000	EA	HOUSING-PIN, 4 POSITION
088473-09-000	EA	PIN-HOUSING, 3 POSITION (SINGLE ROW)
088473-10-000	EA	PIN-HOUSING, 2 POSITION
088474-01-000	EA	HOUSING-SOCKET
088474-02-000	EA	HOUSING-SOCKET, 15 POSITION (3 ROWS OF 5)
088474-06-000	EA	SOCKET-HOUSING, 6 POSITION (2 ROWS OF THREE)
088474-08-000	EA	SOCKET-HOUSING, 4 POSITION (SINGLE ROW)
088474-09-000	EA	HOUSING-SOCKET, 3 POSITION
088474-10-000	EA	HOUSING-SOCKET, 2 POSITION
088475-01-000	EA	PIN-CONNECTOR, 14 TO 20 AWG
088475-02-000	EA	PIN-CONNECTOR, 10 TO 12 AWG
088476-01-000	EA	SOCKET-CONNECTOR
088476-02-000	EA	SOCKET-CONNECTOR 12-10 GA
090971-01-000	EA	SPLICE-CABLE, 110V
090971-02-000	EA	SPLICE-CABLE, 110V - TAP
091910-01-000	EA	BOX-ELECTRIC, 3.75" X 3.5" X 1.75" - PLASTIC
091927-01-000	EA	COVER-RECEPTACLE, DOUBLE - IVORY
092615-01-000	EA	CONVERTER-40 AMP, W/CHARGER - B-W 32400P
092786-01-000	EA	BUSS BAR-2.1" LONG
092786-02-000	EA	BUSS BAR-3.3" LONG
093654-01-000	EA	CIRCUIT BREAKER-6 AMP, HOUSE CONTROL PANEL
093654-03-000	EA	CIRCUIT BREAKER-20 AMP, HOUSE CONTROL PANEL
093655-02-000	EA	CIRCUIT BREAKER-30 AMP, HOUSE CONTROL PANEL
093655-03-000	EA	CIRCUIT BREAKER-40 AMP
094803-01-000	EA	LOAD CENTER-240 VOLT, 125 AMP
094810-01-000	EA	BREAKER-CIRCUIT, DOUBLE 30 AMP - GE THQL2130
094811-01-000	EA	BREAKER-CIRCUIT, DOUBLE 20 AMP - GE THQL2120
097611-01-000	EA	CIRCUIT BREAKER-6AMP, ATC - BLACK
097618-01-000	EA	WIRE ASM-MONITOR PANEL, W/4 WIRES & BLACK RESISTOR -
097734-01-01A	EA	EXTENSION-RECEPTACLE, IVORY
097744-02-000	EA	HOUSING-TRAILER PIN, 48"
097745-02-000	EA	HOUSING-RECEPTACLE, TRAILER - 48" WIRE LENGTH
097746-01-000	EA	HOUSING CAP-TRAILER PIN
099048-01-000	EA	INVENTOR-100 WATT
099633-01-000	EA	PLATE-CIRCUIT BREAKER
100341-01-000	EA	FUSE HOLDER-IN LINE TYPE
101571-01-000	EA	HOUSING-2 POSITION, MALE

TABLE OF CONTENTS

INTRODUCTION	A-01
ABBREVIATIONS	A-01
ALPHABETICAL INDEX	A-02 - A-04
WCF23EC	A-05 - D-17
WCF30EU	D-19 - H-22

1991 WCF30EU INDEX

FLOOR PLAN	D-19 - D-20
ACCESSORIES	D-21 - D-24
BATH	E-01 - E-04
BEDROOM	E-05 - E-08
CHASSIS	E-09 - E-14
C C & FAD	E-15 - E-24
DINETTE	F-01 - F-02
DRIVERS	F-03 - F-12
ELECTRICAL	F-13 - F-16
EXTERIOR BODY	F-17 - F-22
GALLEY	F-23 - G-04
HEATING & A/C	G-05 - G-10
INTERIOR FINISH	G-11 - G-15
LABEL	G-16
LP	G-17
LOUNGE	G-18 - G-20
SEALANTS & FASTENERS	G-21 - G-22
WATER & SEWAGE	G-23 - H-02
WINDOW, VENT AND EXTERIOR DOOR	H-03 - H-22

ELECTRICAL GROUP (CONTINUED)

INTERIOR LIGHTS

KEY PART NUMBER	U/M DESCRIPTION
082169-01-000EA	LIGHT-MAKE-UP, 3 BULB - JENSEN X148-16BR
081633-01-700EA	BULB-MAKE UP LIGHT, JENSEN
098024-03-01AEA	LIGHT-DOME, 2 BULB - IVORY
098024-01-700EA	LENS-DOME LIGHT
008218-01-000EA	BULB-DOME LIGHT, 12V - NUMBER 1141
061424-01-000EA	LIGHT-AISLE, 12V - RECTANGULAR
008103-01-000EA	BULB-AISLE LIGHT, NUMBER 53 - 12 V - .12 AMP
098024-01-01AEA	LIGHT-DOME, 1 BULB - US - IVORY
098024-01-700EA	LENS-DOME LIGHT
008218-01-000EA	BULB-DOME LIGHT, 12V - NUMBER 1141
086280-01-000EA	LIGHT-SURFACE MOUNT, 12V - JENSEN 1236
086280-01-700EA	BULB-12 VOLT, 6 WATT
065201-08-000EA	SHADE-LAMP, W/GOLD TRIM - PARCHMENT
065202-14-000EA	LAMP-WALL, W/O SHADE - BRASS
065202-14-700EA	BRASS FINIAL(NEW STYLE)
067479-01-000EA	BULB-12V, NUMBER 1076 - WALL LAMP

EXPORT OPT-ELECTRICAL CONVERSION

KEY PART NUMBER	U/M DESCRIPTION
008054-01-000	EA CORD-POWER, 10/3 WIRE - 30 AMP - 25'
008289-01-000	EA BOX-ELECTRIC, STEEL - 1/2" AND 3/4" KNOCKOUTS - 4 X 4
008328-01-000	EA TERMINAL-RING, 12/10 WIRE - #10 STUD FIT
008355-01-000	EA CONNECTOR-CABLE CLAMPING, 3/4"
008356-01-000	EA CONNECTOR-PLASTIC, 3/8" AVG
051912-01-000	EA TRANSFORMER-DRY CONTROL
094809-01-000	EA LOAD CENTER-240 VOLT, 125 AMP
094810-01-000	EA CIRCUIT BREAKER-DOUBLE 30 AMP, GE THQL2130
094811-01-000	EA CIRCUIT BREAKER-DOUBLE 20 AMP, GE THQL2120

CONTROL CENTER

KEY PART NUMBER	U/M DESCRIPTION
000G39-08-088	EA SCREW-SF/DR, 8-18 X 1/2 PPH ZN
008026-01-000	FT WIRE-12/2, ROMEX - W/GROUND
008234-01-000	EA FUSE-12V, 10 AMP
008289-01-000	EA BOX-ELECTRIC, STL - 1/2" AND 3/4" KNOCKOUTS - 4" X 4"
008294-01-000	EA COVER-ELECTRICAL BOX, STEEL/BLANK - 4" X 4" - GRAY
008311-01-000	EA CONNECTOR-WIRE NUT, INSULATED - RED
008331-01-000	EA TERMINAL-RING,TONGUE - #4 WIRE - 3/8" STUD - COPPER USED AT CONTROL CENTER
008353-01-000	EA CONNECTOR-CABLE CLAMPING, 3/8"
008355-01-000	EA CONNECTOR-CABLE CLAMPING, 3/4"
008356-01-000	EA CONNECTOR-PLASTIC, 3/8" AVG
083208-02-000	EA CONTROL CENTER-45AMP, 120V/12V
010499-01-000	EA CLAMP-CLOSED, 3/8" ID
041953-03-000	FT CONDUIT-CONVOLUTED SLIT, 1" ID (CLOTHES ROD COVER)
083209-02-000	EA CIRCUIT BREAKER-15/15AMP, 120V
083209-03-000	EA CIRCUIT BREAKER-15/20AMP, 120V - BW
083209-04-000	EA CIRCUIT BREAKER-30A, 120V - BW L-30
083209-05-000	EA CIRCUIT BREAKER-20A, 120V - BW J-20

ELECTRICAL GROUP (CONTINUED)

EXTERIOR LIGHTS

KEY PART NUMBER	U/M DESCRIPTION
049185-01-000	EA HEADLAMP CAPSULE-DRIVER, HIGH/LOW BEAM - RECTANGULAR
049186-01-000	EA HEADLAMP CAPSULE-PASSENGER, HIGH/LOW BEAM - RECTANGUL
049187-01-000	EA HEADLAMP CAPSULE-DRIVER, HIGH BEAM - RECTANGULAR
049188-01-000	EA HEADLAMP CAPSULE-PASSENGER, HIGH BEAM - RECTANGULAR
049359-01-000	EA SPRING-HEADLAMP RETAINER, GM # 496096
073308-01-000	EA SCREW-ADJUSTING, HEADLAMP
096674-01-000	EA NUT-HEADLAMP, BLACK
096675-01-000	EA KNOB-HEADLAMP, W/SHAFT
050030-02-000	EA HOUSING-HEADLAMP WIRING, HIGH BEAM
063749-01-000	EA HOUSING-HEADLAMP WIRING, LOW BEAM
090202-01-000	EA BEZEL-HEADLIGHT,RIGHT - BLACK
090202-02-000	EA BEZEL-HEADLIGHT,LEFT - BLACK
062207-01-000	EA GUARD-HEADLAMP, CUT 12.5" X 12.5" 10 GA STEEL
084901-01-000	EA LAMP-PARK/TURN, GM # 916558 (BULB # MP62057)
079764-05-000	EA MOUNT-PARK/TURN LAMP, PASSENGER SIDE - BLACK
079764-06-000	EA MOUNT-PARK/TURN LAMP, DRIVER SIDE - BLACK
081250-01-000	EA LIGHT-FRONT CLEARANCE, AMBER - LENS AND BASE ONLY FROM: 00-00-00 THRU: 09-09-90

081250-01-700	EA LENS-CLEARANCE LIGHT, AMBER
031437-01-000	EA BRACKET-CLEARANCE LIGHT, L SHAPED METAL FROM: 00-00-00 THRU: 09-09-90

102520-01-000	EA LIGHT-CLEARANCE, AMBER FROM: 09-10-90 THRU: 99-99-99
---------------	--

102582-01-000	EA BRACKET-LIGHT, CLEARANCE FROM: 09-10-90 THRU: 99-99-99
---------------	--

036196-01-000	EA BULB-CLEARANCE LIGHT, 12V - #194 - .27AMP
063642-01-000	FT TAPE-ADHESIVE, 10MM X 1.5" WIDE
077955-01-000	EA J CLIP-VINYL COATED, 3/8"
079378-01-000	EA TERMINAL-WEDGE BASE, 18 AWG
042405-03-000	EA BASE-SIDE MARKER, RECTANGULAR
042405-02-000	EA LENS-FRONT SIDE MARKER LIGHT, W/REFLEX - AMBER
036196-01-000	EA BULB-SIDE MARKER, 12V - #194 - .27AMP
091983-01-000	EA GASKET-SIDE MARKER LIGHT
097917-01-02A	EA LIGHT-PORCH, BEIGE
097917-01-700	EA LENS-PORCH LIGHT
007309-01-000	EA LIGHT-STEP WELL, ROUND - 12V
042405-01-000	EA LENS-REAR SIDE MARKER/CLEARANCE LIGHT, W/REFLEX - RED
042405-03-000	EA BASE-SIDE MARKER, RECTANGULAR
036196-01-000	EA BULB-SIDE MARKER, 12V - #194 - .27AMP
091983-01-000	EA GASKET-SIDE MARKER LIGHT
058032-02-000	EA TAIL LAMP-2 BULB, BLACK
037935-01-000	EA BULB-TAIL LAMP, NUMBER 1157 - 12 V - 2.1 AMP
058032-02-700	EA LENS-TAIL LAMP, W/BACK UP - RED
058032-02-701	EA LENS-TAIL LAMP, W/O BACK UP - RED

SWITCHES & GFI RECEPTACLE

KEY PART NUMBER	U/M DESCRIPTION
098351-01-01A	EA PLATE-SWITCH,1 GANG - POLISHED BRASS
079364-01-000	EA SWITCH-ON/OFF ROCKER, BROWN
098351-02-01A	EA PLATE-SWITCH, 2 GANG - POLISHED BRASS
084076-02-000	EA RECEPTACLE-GFI, 15A - 125V - BROWN
084077-02-000	EA PLATE-COVER,RECEPTACLE - GFI - BROWN
102568-01-B10	EA SPACER-RECEPTACLE, BETWEEN SIDE WALL & PLATE - WOOD FROM: 08-02-90 THRU: 99-99-99
058708-02-000	EA RECEPTACLE-DOUBLE ELECTRIC, IVORY
075736-03-000	EA COVER-EXTERIOR RECEPTACLE, BEIGE
075723-01-000	EA BLOCK-SWITCH, SPACER W/O HOLE
058708-01-000	EA RECEPTACLE-DOUBLE ELECTRIC, BROWN
095188-01-01A	EA SPACER-SWITCH, 2.3" X 4.1" - DARK BROWN

CIGARETTE LIGHTER

KEY PART NUMBER	U/M DESCRIPTION
089294-01-000	EA LIGHTER ASM-CIGARETTE

TABLE OF CONTENTS

INTRODUCTION	A-01
ABBREVIATIONS	A-01
ALPHABETICAL INDEX	A-02 - A-04
WCF23EC	A-05 - D-17
WCF30EU	D-19 - H-22

1991 WCF30EU INDEX

FLOOR PLAN	D-19 - D-20
ACCESSORIES	D-21 - D-24
BATH	E-01 - E-04
BEDROOM	E-05 - E-08
CHASSIS	E-09 - E-14
C C & PAD	E-15 - E-24
DINETTE	F-01 - F-02
DRIVERS	F-03 - F-12
ELECTRICAL	F-13 - F-16
EXTERIOR BODY	F-17 - F-22
GALLEY	F-23 - G-04
HEATING & A/C	G-05 - G-10
INTERIOR FINISH	G-11 - G-15
LABEL	G-16
LP	G-17
LOUNGE	G-18 - G-20
SEALANTS & FASTENERS	G-21 - G-22
WATER & SEWAGE	G-23 - H-02
WINDOW, VENT AND EXTERIOR DOOR	H-03 - H-22

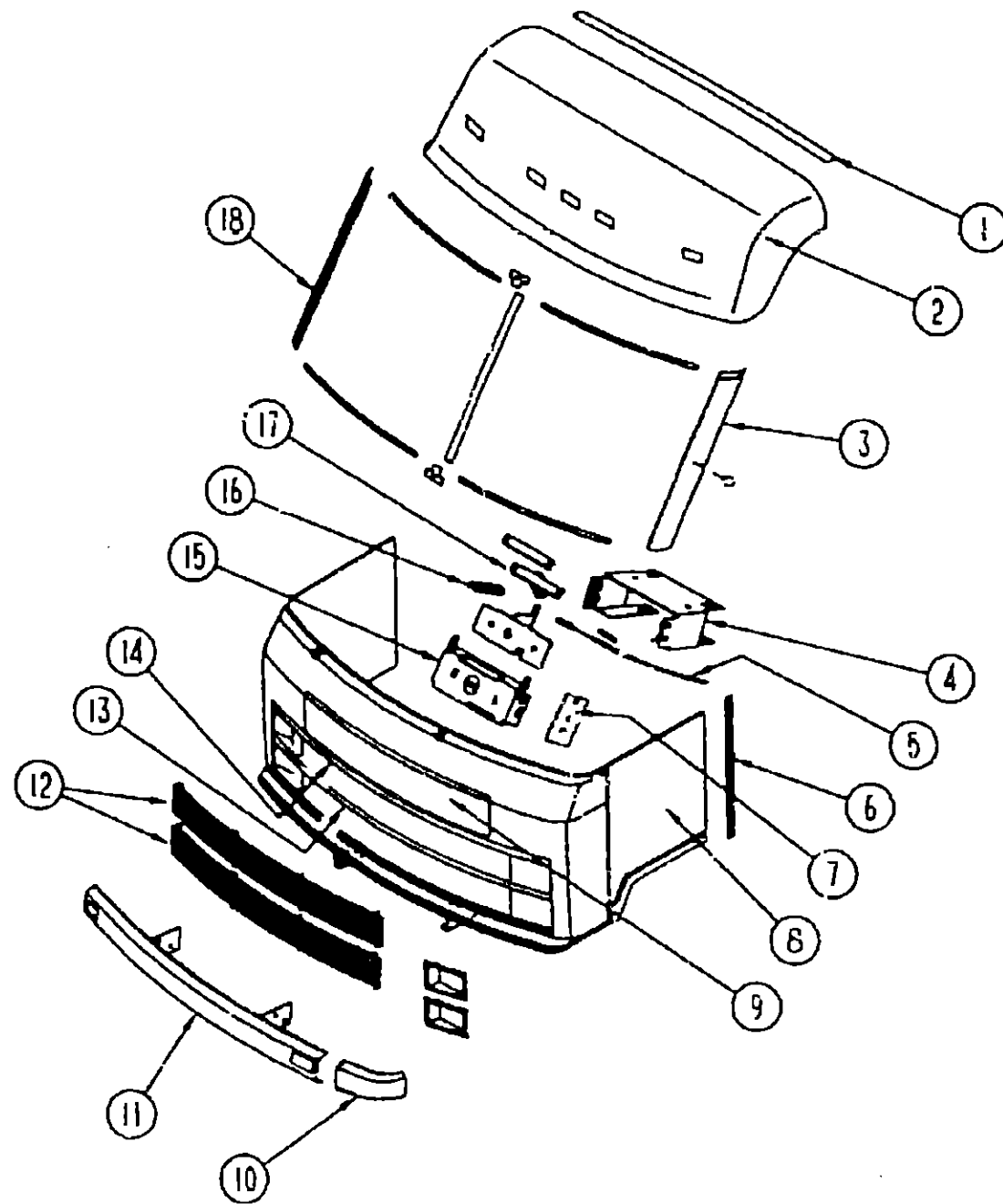
EXTERIOR BODY GROUP

EXTERIOR BODY GROUP (CONTINUED)

FRONT END COMPONENTS & BUMPER

TABLE OF CONTENTS

INTRODUCTION	A-01
ABBREVIATIONS	A-01
ALPHABETICAL INDEX	A-02 - A-04
WCF23EC	A-05 - D-17
WCF30EU	D-19 - H-22

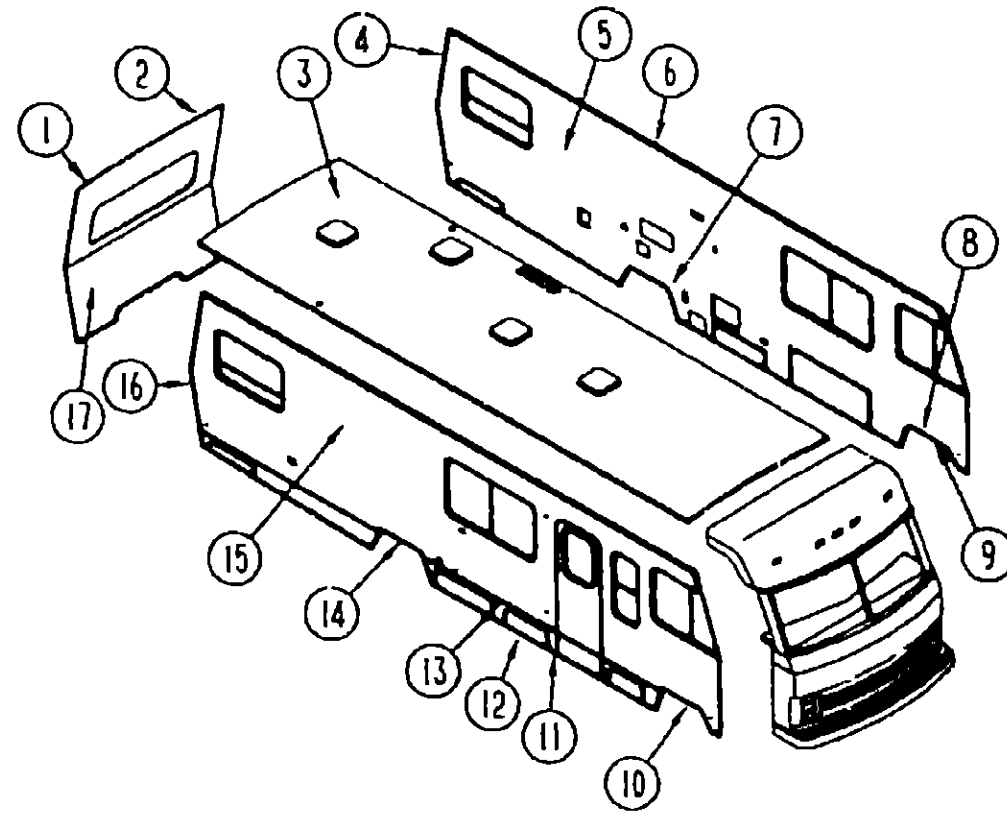


KEY PART NUMBER	U/M	DESCRIPTION
1 078580-01-000	EA	TRIM-ROOF TO FRONT CAP
2 M01899-02-B03	EA	CAP ASSEMBLY-FRONT
M02001-01-000	EA	HEADER-WINDSHIELD ASM BLACK
055278-01-001	FT	TUBING-STEEL, .75" X 1.5" X 288" FROM: 00-00-00 THRU: 04-08-90
077922-01-000	EA	HEADER-WINDSHIELD
M02001-02-000	EA	HEADER-WINDSHIELD, METAL - BLACK
077922-01-000	EA	HEADER-WINDSHIELD FROM: 04-09-90 THRU: 99-99-99
077922-02-000	EA	HEADER-WINDSHIELD FROM: 00-00-00 THRU: 05-13-90
055278-01-001	FT	TUBING-STEEL, .75" X 1.5" X 288" FROM: 05-14-90 THRU: 99-99-99
2 078572-03-000	EA	ROOF CAP-FRONT, PRIMED
3 079225-02-000	EA	TRIM POST-WINDSHIELD, DRIVERS - METAL - BLACK
4 073342-01-000	EA	BRACKET ASM-STRIKER,HOOD (MOUNTS TO CROSSMEMBER)
5 R77006-E8-721	EA	CABLE ASM-HOOD RELEASE
5 R77006-19-765	EA	SHEATH-CABLE END,HOOD
6 069922-01-000	EA	TRIM-SEAM, FRONT END TO SIDEWALLS
7 090084-01-000	EA	BRACE-LATCH,HOOD
8 M01115-26-Y15	EA	FRONT END-FIBERGLASS, BEIGE- W/O LIGHTS,GRILLE,OR DECALS
9 069768-01-X14	EA	HOOD ASM-BEIGE, WITHOUT DECALS
058786-02-000	EA	BOLT-BUMPER,HOOD ADJUSTING,.31"X18X1.25"
073335-01-000	EA	STRIKER-LATCH (MOUNTS TO #073342-01-000)
076716-02-000	EA	BRACKET ASM- LATCH - INCLUDED WITH HOOD
078767-02-000	EA	PLATE ASM-MOUNTING, HINGES - INCLUDED WITH HOOD
069926-01-000	EA	ARM ASM-HINGE, HOOD - RIGHT
069926-02-000	EA	ARM ASM-HINGE, HOOD - LEFT
090197-01-000	EA	BRACKET-HINGE ARM, HOOD - RIGHT
090197-02-000	EA	BRACKET-HINGE ARM, HOOD - LEFT
10 078577-08-000	EA	END CAP-BUMPER, FRONT DRIVERS SIDE - BEIGE
078577-07-000	EA	END CAP-BUMPER, PASSENGERS FRONT SIDE - BEIGE
11 077850-04-000	EA	BUMPER-FRONT,UNPAINTED
077852-01-000	EA	BRACKET-BUMPER,FRONT, 2 PER COACH
096339-01-000	EA	SUPPORT-BUMPER, 2 PER COACH
096346-01-000	EA	BRACE-BUMPER,LOWER,RIGHT
096346-02-000	EA	BRACE-BUMPER,LOWER,LEFT FROM: 00-00-00 THRU: 08-15-89
096401-01-000	EA	BRACE-BUMPER,UPPER,RIGHT FROM: 00-00-00 THRU: 08-15-89
096401-02-000	EA	BRACE-BUMPER,UPPER, LEFT FROM: 00-00-00 THRU: 03-15-89
005200-01-000	EA	BOLT-BUMPER,ROUND HEAD-SQUARE NECK- W/SST CAP 7/16-14 X 1 1/4 FROM: 00-00-00 THRU: 03-15-89
12 089821-01-X14	EA	GRILLE ASM-5 BAR
090119-01-000	EA	BRACKET-GRILL
13 088252-03-000	FT	TRIM-CHROME,2" WIDE WITH PRESSURE SENSITIVE BACKING
14 088252-02-000	FT	TRIM-CHROME,1" WIDE WITH PRESSURE SENSITIVE BACKING
15 R77007-51-429	EA	BRACKET-HOOD RELEASE
16 R77006-38-499	EA	SPRING-CABLE,HOOD LATCH
17 R77007-01-950	EA	STRIKER-LATCH, HOOD
073610-01-000	EA	SPRING-STRIKER, LATCH - HOOD
18 079225-01-000	EA	TRIM POST-WINDSHIELD, PASSENGER - METAL - BLACK
061603-01-000	EA	GROMMET-SNAP, 3/16 ID - 3/8 HOLE - PLASTIC - BLACK
076322-04-000	FT	TAPE-FOAM, DOUBLE COATED - .045" X .75"
058833-01-000	EA	BRACKET-PROP ROD
062628-01-000	EA	CLIP-PROP ROD
072917-03-000	EA	ROD-PROP, HOOD
065747-01-000	SF	INSULATION-MICROFOAM, .5"
074048-01-000	EA	INSERT-KNURLED, BRASS - #8-32- FOR HEADLIGHT SCREWS
077049-01-000	EA	NUT-ACORN, 10-32 ALUMINUM

1991 WCF30EU INDEX

FLOOR PLAN	D-19 - D-20
ACCESSORIES	D-21 - D-24
BATH	E-01 - E-04
BEDROOM	E-05 - E-08
CHASSIS	E-09 - E-14
C C & PAD	E-15 - E-24
DINETTE	F-01 - F-02
DRIVERS	F-03 - F-12
ELECTRICAL	F-13 - F-16
EXTERIOR BODY	F-17 - F-22
GALLEY	F-23 - G-04
HEATING & A/C	G-05 - G-10
INTERIOR FINISH	G-11 - G-15
LABEL	G-16
LP	G-17
LOUNGE	G-18 - G-20
SEALANTS & FASTENERS	G-21 - G-22
WATER & SEWAGE	G-23 - H-02
WINDOW, VENT AND EXTERIOR DOOR	H-03 - H-22

EXTERIOR BODY GROUP (CONTINUED)



EXTERIOR BODY PANELS AND TRIM

KEY PART NUMBER	U/M DESCRIPTION
1 086906-07-000	EA TRIM-BACKWALL TO ROOF, PASSENGER SIDE REAR - BEIGE
2 086906-08-000	EA TRIM-BACKWALL TO ROOF, DRIVERS SIDE REAR - BEIGE
3 100316-01-B03	EA ROOF-W/O VENTS OR CUTOUTS - (SPECIAL ORDER ITEM) FROM: 00-00-00 THRU: 07-14-90
3 100316-02-B03	EA ROOF-W/O VENTS OR CUTOUTS - (SPECIAL ORDER ITEM) FROM: 07-15-90 THRU: 99-99-99
064675-56-010	EA ANGLE-STEEL, ROOF JOINT - 89" - BEIGE
4 090203-03-000	EA TRIM-CORNER, DRIVERS SIDEWALL TO BACKWALL - BEIGE
050406-06-000	EA TRIM-BACKWALL, LOWER, ALUMINUM, BEIGE, 2 PER BACKWALL
5 P00328-01-B03	EA SIDEWALL-DRIVER, W/O DOORS, WINDOWS, OR DECALS (SPECIAL ORDER ITEM)
055278-01-001	FT TUBING-STEEL, .75" X 1.5" X 288"
058267-01-000	FT CHANNEL-SIDEWALL STIFFENER, W/HOLES - 2" X 20"
6 078967-08-000	EA ANGLE-JOINT, ROOF - 156.5"
7 075070-03-000	EA TRIM-WHEELWELL, DRIVER REAR - PLASTIC - BEIGE
089749-01-000	EA TRIM-REAR WHEELWELL, ALUMINUM, DRIVERS OR PASSENGER
055080-01-000	EA WHEELWELL-PLASTIC, REAR - BLACK - LEFT OR RIGHT
8 078556-08-000	EA TRIM-WHEELWELL, DRIVER FRONT - PLASTIC - BEIGE
9 089909-01-000	EA TRIM-FRONT WHEELWELL - DRIVER & PASSENGER - METAL
10 078556-07-000	EA TRIM-WHEELWELL, PASSENGER FRONT - PLASTIC - BEIGE
11 079407-05-001	EA ROCKER PANEL, 192", ALUMINUM, BEIGE, WITHOUT DOOR PIN HOLES
002726-01-001	EA GARNISH-U-CHANNEL, 1.38" X 19" - SERRATED - MILL ALUMINUM
12 086526-55-001	EA ROCKER PANEL, 192", ALUMINUM, BEIGE, WITH DOOR PIN HOLES
13 059576-08-000	EA EXTRUSION-FEATURE STRIP, 182" - BEIGE
009731-01-000	EA CAP-END, FEATURE STRIP
14 075070-01-000	EA TRIM-WHEELWELL, PASSENGER REAR - PLASTIC - BEIGE
089749-01-000	EA TRIM-REAR WHEELWELL, ALUMINUM, DRIVERS OR PASSENGER
055080-01-000	EA WHEELWELL-PLASTIC, REAR - BLACK - LEFT OR RIGHT
15 P00329-01-B03	EA SIDEWALL-PASSENGER, W/O DOORS, WINDOWS, OR DECALS (SPECIAL ORDER ITEM)
078376-01-000	FT MOLDING-T-SHAPED COVE, CEILING TO WALL - OFF WHITE
058267-01-000	FT CHANNEL-FORMED, 2" X .38" X 14GA - 20" W/HOLES
16 090203-01-000	EA TRIM-CORNER, PASSENGER SIDEWALL TO BACKWALL - BEIGE
17 P00317-01-B03	EA BACKWALL-W/O WINDOW OR DECALS (SPECIAL ORDER ITEM)
086767-01-000	EA SPACER-DOOR, LOWER

EXTERIOR BODY GROUP (CONTINUED)

REAR BUMPER END CAPS

KEY PART NUMBER	U/M DESCRIPTION
100250-01-01A	EA CAP-END, BUMPER - REAR PASSENGER - BEIGE USED WITH TWO PART BUMPER FROM: 00-00-00 THRU: 06-17-90
100250-02-01A	EA CAP-END, BUMPER - REAR DRIVER - BEIGE USED WITH TWO PART BUMPER FROM: 00-00-00 THRU: 06-17-90
080815-01-T03	EA CAP-END, BUMPER - REAR PASSENGER - W/GUSSET - BEIGE FROM: 06-18-90 THRU: 99-99-99
078578-01-000	EA CAP-BUMPER END, REAR PASSENGER - BEIGE
080815-02-T03	EA CAP-END, BUMPER - REAR DRIVER - W/GUSSET - BEIGE FROM: 06-18-90 THRU: 99-99-99
078578-02-000	EA CAP-BUMPER END, REAR DRIVER - BEIGE

ASSIST HANDLE

KEY PART NUMBER	U/M DESCRIPTION
009126-01-000	EA HANDLE-ASSIST, ENTRY DOOR - CHROME FROM: 00-00-00 THRU: 09-03-89
009126-02-000	EA HANDLE-ASSIST, ENTRY DOOR - BLACK FROM: 09-04-89 THRU: 99-99-99
081914-01-000	EA BUMPER-RUBBER, ROUND -.43" DIAMETER - BLACK
077953-01-000	EA GROMMET-EDGE LINER, FITS 1"

MISCELLANEOUS EXTERNALLY MOUNTED PARTS

KEY PART NUMBER	U/M DESCRIPTION
084616-02-000	EA SHROUD-EXTERIOR VENT, RANGE HOOD - BEIGE
087659-02-000	EA FILL-CITY WATER, ROUND - BEIGE
075736-03-000	EA COVER-EXTERIOR RECEPTACLE, BEIGE
050406-06-000	EA TRIM-BACKWALL, LOWER, ALUMINUM, BEIGE, 2 PER BACKWALL
062742-06-000	EA WEDGE-TAIL LAMP, W/LICENSE PLATE BRACKET - BEIGE
059540-01-000	EA BRACKET-LICENSE PLATE
062740-08-000	EA WEDGE-TAIL LAMP, BEIGE

FIBERGLASS, ALUMINUM AND PANEL

KEY PART NUMBER	U/M DESCRIPTION
000868-01-000	SF STYROFOAM, .75" X 24" X 96" - INCREMENTS OF 16 SF
000870-03-000	SF STYROFOAM, 1.34" X 48" X 96" - INCREMENTS OF 32 SF
083574-01-000	SF STYROFOAM, DOW TYPE SM - 1.5" X 24" X 85.25" - INC OF
089297-01-000	SF PLYWOOD-LUAN, OVERLAY GRADE - 4" X 8" - INC OF 32 SF
044487-01-001	EA ALUMINUM SHEET - .019" X 96" X 36.5" - MILL FINISH
001054-01-011	EA ALUMINUM-SHEET, 48" X 96" - FLAT - OFF WHITE
M03044-02-Y15	EA PANEL-REPAIR, FIBERGLASS TO STYROFOAM - 4" X 8" - BEI
081395-07-000	EA PANEL-FIBERGLASS & PARTICLE BOARD, 4" X 8" - BEIGE
076054-D2-001	EA FIBERGLASS-SHEET, 36" X 252" - FLAT - BEIGE
076054-D8-001	EA FIBERGLASS-SHEET, 60" X 306" - FLAT - BEIGE
077517-24-000	EA FIBERGLASS-SHEET, FLAT - 48" X 96" - OFF WHITE FROM: 00-00-00 THRU: 09-16-90
076054-D5-001	EA FIBERGLASS-SHEET, FLAT - 48" X 96" - BEIGE FROM: 09-17-90 THRU: 99-99-99
086229-01-000	EA RETAINER-3/4"
086772-51-001	EA PIN-STAINLESS STEEL .25" DIAMETER X 4.17"
076322-02-000	FT TAPE-FOAM, DOUBLE COATED - .045" X 1" - INC. OF 108 FT
076322-03-000	FT TAPE-FOAM, DOUBLE COATED - .045" X .5"
001030-12-002	EA AL-.019X00.78X204.00 BEIGE
001018-01-024	EA SKIN-ALUMINUM, .024" X 48" X 96" - FLAT - BEIGE

EXTERIOR MIRRORS

KEY PART NUMBER	U/M DESCRIPTION
049347-01-000	EA MIRROR HEAD-EXTERIOR, 10 1/2" X 7 1/2" - STAINLESS ST
006043-01-000	EA MIRROR-EXTERIOR CONVEX, ADHESIVE BACKED
049348-03-000	EA ARM-EXTERIOR MIRROR, LOW MOUNT - BLACK
049944-04-000	EA BRACKET-EXTERIOR MIRROR, ARM TO SIDEWALL - BLACK
039337-01-000	EA BRACKET-EXTERIOR MIRROR, ARM TO SIDEWALL - UNPAINTED

SPARE TIRE COVER

KEY PART NUMBER	U/M DESCRIPTION
098655-01-B03	EA COVER-TIRE, VINYL

TABLE OF CONTENTS

INTRODUCTION	A-01
ABBREVIATIONS	A-01
ALPHABETICAL INDEX	A-02 - A-04
WCF23EC	A-05 - D-17
WCF30EU	D-19 - H-22

1991 WCF30EU INDEX

FLOOR PLAN	D-19 - D-20
ACCESSORIES	D-21 - D-24
BATH	E-01 - E-04
BEDROOM	E-05 - E-08
CHASSIS	E-09 - E-14
C C & PAD	E-15 - E-24
DINETTE	F-01 - F-02
DRIVERS	F-03 - F-12
ELECTRICAL	F-13 - F-16
EXTERIOR BODY	F-17 - F-22
GALLEY	F-23 - G-04
HEATING & A/C	G-05 - G-10
INTERIOR FINISH	G-11 - G-15
LABEL	G-16
LP	G-17
LOUNGE	G-18 - G-20
SEALANTS & FASTENERS	G-21 - G-22
WATER & SEWAGE	G-23 - H-02
WINDOW, VENT AND EXTERIOR DOOR	H-03 - H-22

EXTERIOR BODY GROUP (CONTINUED)

DECALS

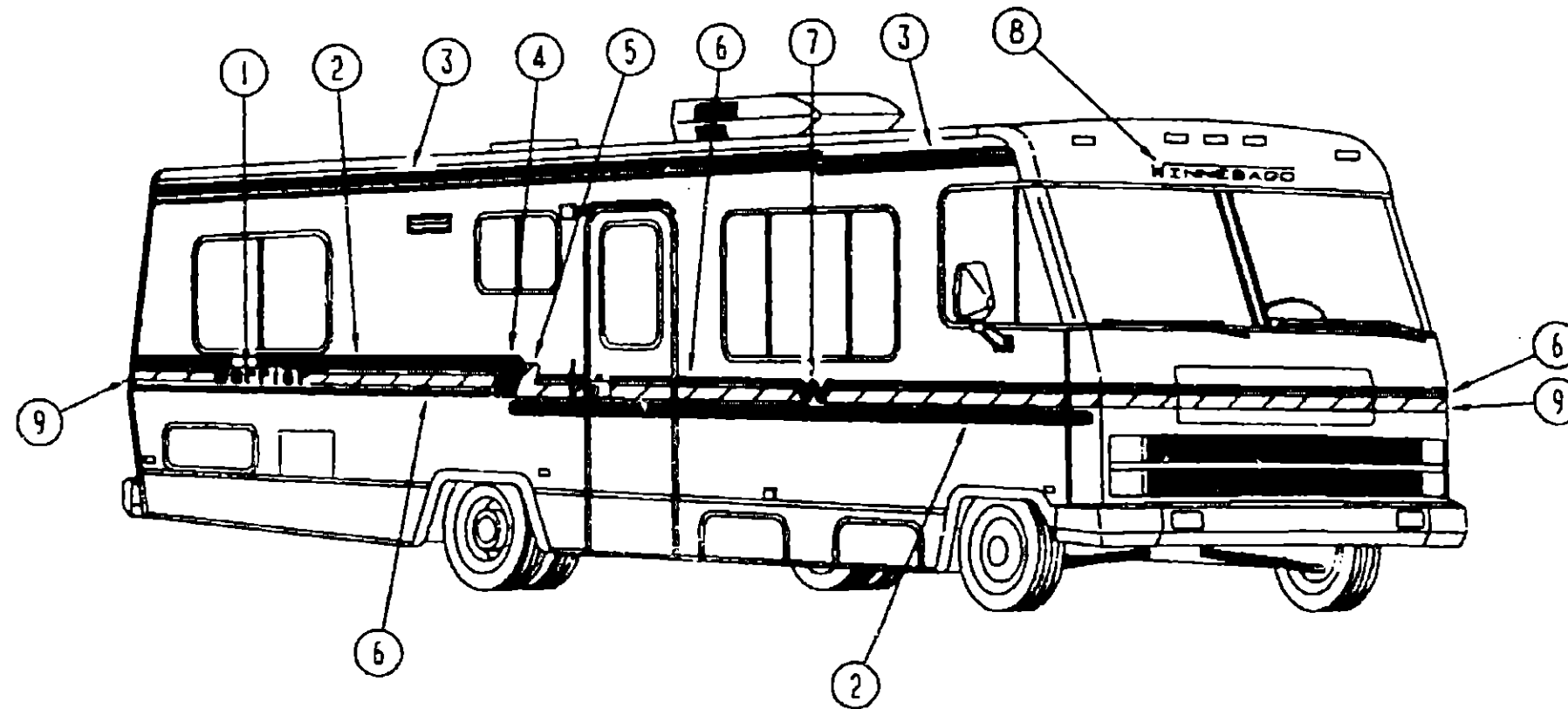


TABLE OF CONTENTS

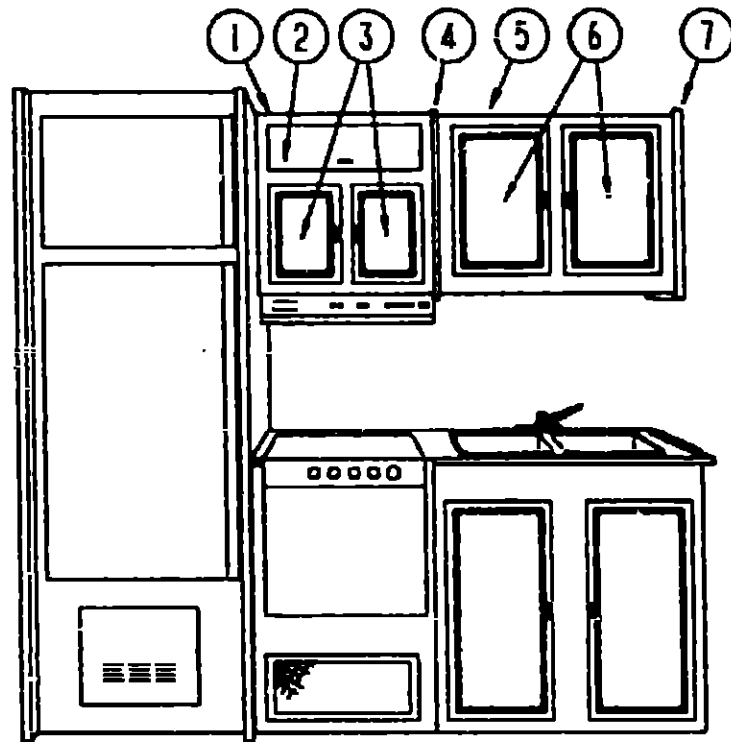
INTRODUCTION	A-01
ABBREVIATIONS	A-01
ALPHABETICAL INDEX	A-02 - A-04
WCF23EC	A-05 - D-17
WCF30EU	D-19 - H-22

1991 WCF30EU INDEX

FLOOR PLAN	D-19 - D-20
ACCESSORIES	D-21 - D-24
BATH	E-01 - E-04
BEDROOM	E-05 - E-08
CHASSIS	E-09 - E-14
C C & PAD	E-15 - E-24
DINETTE	F-01 - F-02
DRIVERS	F-03 - F-12
ELECTRICAL	F-13 - F-16
EXTERIOR BODY	F-17 - F-22
GALLEY	F-23 - G-04
HEATING & A/C	G-05 - G-10
INTERIOR FINISH	G-11 - G-15
LABEL	G-16
LP	G-17
LOUNGE	G-18 - G-20
SEALANTS & FASTENERS	G-21 - G-22
WATER & SEWAGE	G-23 - H-02
WINDOW, VENT AND EXTERIOR DOOR	H-03 - H-22

KEY PART NUMBER	U/M	DESCRIPTION
1 099999-01-01A	EA	DECAL-LOGO, "WARRIOR" BEIGE QUARTZ FROM: 00-00-00 THRU: 08-04-90
1 099999-01-03A	EA	DECAL-LOGO, "WARRIOR" - B03 - BEIGE/DARK PLUM FROM: 08-05-90 THRU: 99-99-99
2 093681-15-01A	FT	MULTISTRIPE-2 LINES, 4" WIDE - DARK PLUM-DUPONT# K9455
3 093680-22-01A	FT	MULTISTRIPE-2 LINES, 2.6" WIDE - DARK PLUM-DUPONT# K9455, LIGHT WINE-DUPONT# K9466
4 099984-01-01A	EA	DECAL-ANGLE, PASS SIDE - REAR - 11" HIGH - DARK PLUM DUPONT #K9455
099984-02-01A	EA	DECAL-ANGLE, DRIVER SIDE - REAR - 11" HIGH - DARK PLUM DUPONT #K9455
5 099983-01-01A	EA	DECAL-ANGLE, PASS SIDE - FRONT - 9.9" HIGH - LIGHT WINE DUPONT #K9466
099983-02-01A	EA	DECAL-ANGLE, DRIVER SIDE - FRONT - 8.9" HIGH - LIGHT WINE DUPONT #K9466
6 093681-14-01A	FT	STRIPE-1 LINE, 1.5" WIDE - DARK PLUM-DUPONT# K9455
7 033691-03-01A	EA	DECAL-FLYING W - DARK PLUM DUPONT #K9455
8 050313-39-000	EA	DECAL-LOGO "WINNEBAGO" - DARK PLUM DUPONT #K9455
9 093681-15-02A	FT	MULTISTRIPE-2 LINES, 4" WIDE - LIGHT WINE-DUPONT# K9466
NOTE		PAINT-BEIGE - DUPONT #LB729A OR LB729L

GALLEY GROUP



GALLEY GROUP (CONTINUED)

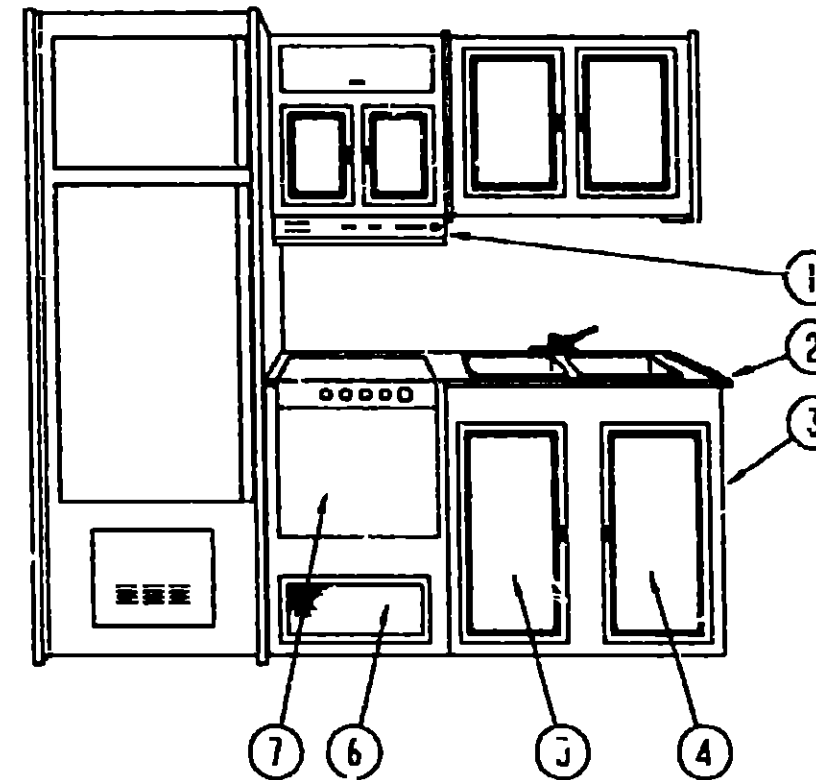


TABLE OF CONTENTS

INTRODUCTION	A-01
ABBREVIATIONS	A-01
ALPHABETICAL INDEX	A-02 - A-04
WCF235C	A-05 - D-17
WCF30EU	D-19 - H-27

GALLEY CABINETS & COMPONENTS CONT.

GALLEY CABINETS & COMPONENTS CONT.

1991 WCF30EU INDEX

KEY PART NUMBER	U/M DESCRIPTION
1 M99635-02-B03	EA CABINET-OVERHEAD, RANGE - W/O DOORS OR HARDWARE
2 P00099-88-B03	EA DOOR-CABINET, TOP OVERHEAD RANGE - 7" X 21.8" - W/O HARDWARE
3 P00099-24-B05	EA DOOR-CABINET, OVERHEAD RANGE - 14.4" X 10.8" - W/O HARDWARE
4 081320-16-B03	EA CAP-END, OVERHEAD - FRONT
5 M99636-03-B03	EA CABINET-OVERHEAD, SINK - W/O DOORS OR HARDWARE
6 P00099-81-B05	EA DOOR-CABINET, OVERHEAD SINK - W/O HARDWARE - 14" X 22"
7 081320-14-B03	EA CAP-END, CABINET - FRONT

KEY PART NUMBER	U/M DESCRIPTION
1 100259-01-01A	EA HOOD-RANGE W/O MONITOR PANEL - ALMOND - VENTLINE - US
084878-09-000	EA VENT-RANGE HOOD, SHORT - LVS
084616-02-000	EA SHROUD-EXTERIOR VENT, RANGE HOOD - BEIGE
050225-01-000	EA LABEL-WARNING, STOVE VENT - US
2 100011-13-B03	EA COUNTERTOP-GALLEY
3 P00011-01-B03	EA CABINET-GALLEY, W/O DOORS OR HARDWARE
098335-02-B03	EA RAIL-GALLEY, .75" X 1.5" X 22.3"
4 P00099-13-B05	EA DOOR-CABINET, 26.8" X 14.4" - W/O HARDWARE - FOREMOST DOOR UNDER SINK
5 P00099-14-B05	EA DOOR-CABINET, 26.7" X 14.4" - W/O HARDWARE - REAR DOOR UNDER SINK
6 P00099-74-B05	EA DOOR-FURNACE, W/MESH INSERT - 11" X 21.8" - W/O HARDWARE
7 055282-04-000	EA RANGE-4 BURNER, W/OVEN - MAGIC CHEF BT16NA - ALMOND
055516-03-000	EA BRACKET-REAR TIEDOWN, RANGE W/OVEN
011053-04-000	EA FAUCET-GALLEY, SWING SPOUT 6"
091253-01-000	EA GASKET-FAUCET, LAVATORY
093654-01-000	EA SINK-GALLEY, DOUBLE W/MOUNTING HARDWARE - STAINLESS S
	FROM: 00-00-00 THRU: 12-11-90
102551-01-000	EA SINK-STAINLESS STEEL, DOUBLE - 17" X 25" - US
	FROM: 12-12-90 THRU: 99-99-99
066437-01-000	EA STRAINER-SINK, GALLEY W/BASKET
066437-01-700	EA BASKET-STRAINER, GALLEY SINK

FLOOR PLAN	D-19 - D-20
ACCESSORIES	D-21 - D-24
BATH	E-01 - E-04
BEDROOM	E-05 - E-08
CHASSIS	E-09 - E-14
C C & PAD	E-15 - E-24
DINETTE	F-01 - F-02
DRIVERS	F-03 - F-12
ELECTRICAL	F-13 - F-16
EXTERIOR BODY	F-17 - F-22
GALLEY	F-23 - G-04
HEATING & A/C	G-05 - G-10
INTERIOR FINISH	G-11 - G-15
LABEL	G-16
LP	G-17
LOUNGE	G-18 - G-20
SEALANTS & FASTENERS	G-21 - G-22
WATER & SEWAGE	G-23 - H-02
WINDOW, VENT AND EXTERIOR DOOR	H-03 - H-22

GALLEY GROUP (CONTINUED)

RANGE

KEY PART NUMBER	U/M	DESCRIPTION
055516-03-000	EA	BRACKET-REAR TIEDOWN, RANGE W/OVEN
055282-04-000	EA	RANGE-4 BURNER, W/OVEN - MAGIC CHEF BT16NA - ALMOND FROM: 00-00-00 THRU: 09-02-99
055282-03-708	EA	BUMPER-MAIN TOP, PLASTIC PLUG - MAGIC CHEF 744-176
049045-01-742	EA	BURNER ASM-OVEN, MAGIC CHEF 50-20216
064782-02-715	EA	CLIP-GRATE, MAGIC CHEF 413-00015
049045-01-739	EA	FITTING HALF UNION, MAGIC CHEF 896-31
055282-03-702	EA	KNOB-THERMOSTAT, MAGIC CHEF 50-20281
081374-02-701	EA	REGULATOR-PRESSURE, MAGIC CHEF 976-27
055282-03-700	EA	THERMOSTAT, MAGIC CHEF 993-476
049045-01-703	EA	VALVE-TOP BURNER, MAGIC CHEF 997-584
064782-02-705	EA	HANDLE-OVEN DOOR, BLACK - MAGIC CHEF 50-25104
049045-01-728	EA	BROILER PAN W/O INSERT, MAGIC CHEF 50-22114-2
098507-02-700	EA	FILTER-PILOT, MAGIC CHEF 735-126
098507-02-701	EA	INSERT-BURNER (SLOTTED VENT), MAGIC CHEF 7214P015-60
064782-02-701	EA	SHIELD-DEFLECTOR FLUE, BLACK - MAGIC CHEF 50-25039-1
049045-01-741	EA	INSERT-BROILER PAN, MAGIC CHEF 5022119-1 OR 2
064782-02-710	EA	BRACKET-FRONT GLASS, MAGIC CHEF 56-62097
064782-02-712	EA	GRATE-TOP BURNER, SQUARE HOLES - MAGIC CHEF 50-25439
064782-02-714	EA	FITTING-PIPE NIPPLE, 1/8" - MAGIC CHEF 663-1
098507-01-701	EA	TOP-MAIN, ALMOND - MAGIC CHEF 2001F057-74
064782-02-706	EA	VALVE-MERCURY CONTROL, MAGIC CHEF 999-626
055282-04-700	EA	PANEL-OVEN DOOR, ALMOND - MAGIC CHEF 50-26577-2A
098507-02-707	EA	TOP-MAIN, EBONY - MAGIC CHEF 2001F057-70
102022-01-01A	EA	RANGE-16", 4 BURNER - MAGIC CHEF BT16RA-4-49 FROM: 09-03-90 THRU: 99-99-99
102020-01-701	EA	HANDLE, DOOR
102020-01-702	EA	PANEL, MAIN FOLD
102022-01-700	EA	PANEL, DOOR (BLACK) SPEC 49
102020-01-700	EA	SHELF-OVEN
102020-01-705	EA	TRIM (LEFT)
102022-01-701	EA	TRIM (LEFT)
102020-01-708	EA	BURNER ASSEMBLY (OVEN)
102020-01-709	EA	BUMPER, GRATE
102020-01-711	EA	TOP
102020-01-712	EA	KNOB, BURNER VALVE
102020-01-713	EA	KNOB, THERMOSTAT
102020-01-714	EA	PILOT, OVEN
102022-01-702	EA	PIPE, MANIFOLD
102022-01-703	EA	REGULATOR, PRESSURE
102020-01-717	EA	THERMOSTAT
102020-01-719	EA	TOP, MAIN (BLACK)
102020-01-720	EA	VALVE, MERCURY CONTROL
102020-01-721	EA	VALVE, SHUT-OFF
102020-01-722	EA	VALVE, TOP BURNER
102020-01-723	EA	PILOT, BURNER
102020-01-724	EA	BUMPER, MAIN TOP

GALLEY GROUP (CONTINUED)

GALLEY HARDWARE & APPLIANCES

KEY PART NUMBER	U/M	DESCRIPTION
011053-04-000	EA	FAUCET-GALLEY, US/CSA - SWING SPOUT 8"
066615-01-000	EA	SINK-GALLEY, DOUBLE W/MOUNTING HARDWARE - STAINLESS STEEL FROM: 00-00-00 THRU: 12-31-89
099654-01-000	EA	SINK-GALLEY, DOUBLE W/MOUNTING HARDWARE - STAINLESS STEEL FROM: 01-01-90 THRU: 99-99-99
265437-01-000	EA	STRAINER-SINK, GALLEY W/BASKET
066437-01-700	EA	BASKET-STRAINER, GALLEY SINK
081530-01-AA8	EA	COVER-SINK, AA8 - BLUE
081530-01-AA9	EA	COVER-SINK, AA9 - MAUVE
096990-01-000	EA	PILASTER-ADJUSTABLE SHELF
077409-02-000	EA	SLIDE-DRAWER, PLASTIC - 20.75"
077404-02-000	EA	DRAWER-PLASTIC, 20" X 12.7" - BEIGE
064067-01-01A	EA	DIVIDER-DRAWER, PLASTIC - LIGHT OAK
094499-01-000	EA	EXTINGUISHER-FIRE, DRY W/MOUNTING BRACKET - 10 BC
094499-01-700	EA	BRACKET-MOUNTING, W/PLASTIC STRAP - FIRE EXTINGUISHER 12 KEY

RANGE HOOD

KEY PART NUMBER	U/M	DESCRIPTION
097944-01-01A	EA	PANEL-RANGE W/O MONITOR PANEL - ALMOND - VENTLINE - US
075470-01-702	EA	SWITCH-ON/OFF, LVS CB484
092696-01-709	EA	BULB-912, LVS VA415
092696-01-710	EA	SOCKET-LIGHT, LVS CB267-2
090973-01-700	EA	MOTOR - LVS CA508-1
090973-01-702	EA	BLADE-FAN, LVS VA183-1
092696-02-701	EA	LENS-LAMP, LVS CC179
096983-01-707	EA	FILTER-GREASE, 8" X 8" - LVS CC246

REFRIGERATOR & COMPONENTS

KEY PART NUMBER	U/M	DESCRIPTION
090329-01-000	FT	SEAL-REFRIGERATOR CABINET
065225-01-000	EA	PLATE-TIEDOWN, REFRIGERATOR
067544-01-000	EA	BRACKET-REAR TIEDOWN, REFRIGERATOR
067544-02-000	EA	BRACKET-FRONT TIEDOWN, REFRIGERATOR
054450-01-000	EA	LEVEL-REFRIGERATOR
084073-01-000	EA	COVER-ROOF VENT, NORCOLD REFRIGERATOR - BEIGE
084073-04-000	EA	BASE-ROOF VENT, NORCOLD REFRIGERATOR - BLACK
088248-03-000	EA	REFRIGERATOR-2/WAY, SINGLE DOOR - NORCOLD 87EG2
084879-03-700	EA	COOLING UNIT - HORIZONTAL BURNER, NORCOLD# 61687237
064473-03-719	EA	FLUE-HORIZONTAL BURNER, NORCOLD# 616162
088248-01-709	EA	HEATER-AC, (HORIZONTAL) - NORCOLD# 615627
075217-01-737	EA	CONTROL MODULE, NORCOLD# 61525022
088248-01-701	EA	INSERT-CONTROL PANEL, (3-WAY) - NORCOLD# 616039
084890-01-715	EA	VALVE-SHUT OFF, MANUAL - NORCOLD# 61697922
084890-01-713	EA	CONNECTOR-MALE, INLET FITTING - NORCOLD# 615256
084890-01-705	EA	ORIFICE - NORCOLD# 614522
088248-01-706	EA	BURNER-(HORIZONTAL), NORCOLD# 15881
088248-01-709	EA	ELECTRODE-IGNITION, (HORIZONTAL) - NORCOLD# 615732
088248-01-712	EA	FRAME-DOOR, LOWER - BROWN - NORCOLD 615576
075217-01-700	EA	TRIM-SHELF, UPPER DOOR - INSIDE - NORCOLD 615223
064472-01-744	EA	DAIRY KEEPER - NORCOLD 614720
064472-02-716	EA	TRIM-CABINET, TOP - BROWN - NORCOLD# 613614
064472-01-727	EA	HINGE-UPPER RIGHT, NORCOLD 613528
046955-01-713	EA	PIN-HINGE, NORCOLD# 611146
088248-01-715	EA	TRAY-DRIP, ALMOND - NORCOLD# 61542522
064472-03-700	EA	PIN-HINGE, BOTTOM - NORCOLD 615507
064472-01-728	EA	HINGE-LOWER RIGHT, NORCOLD 613529
064472-01-731	EA	COVER-CRISPER, NORCOLD 613376
075217-01-713	EA	DRAWER-CRISPER, NORCOLD 615180
064472-01-726	EA	FRAME STRIP-CABINET, LEFT - NORCOLD 613820
088248-01-714	EA	CABINET ASM-FOAMED, (ALMOND) - NORCOLD# 616008
064472-01-727	EA	HINGE-UPPER RIGHT, NORCOLD 613528
064472-01-728	EA	HINGE-LOWER RIGHT, NORCOLD 613529
088248-02-700	EA	P/C BOARD-2/WAY, NORCOLD 616027
088248-02-701	EA	INSERT-CONTROL PANEL, LOWER - 2/WAY - NORCOLD 616038

TABLE OF CONTENTS

INTRODUCTION	A-01
ABBREVIATIONS	A-01
ALPHABETICAL INDEX	A-02 - A-04
WCF23EC	A-05 - D-17
WCF30EU	D-19 - H-22

1991 WCF30EU INDEX

FLOOR PLAN	D-19 - D-20
ACCESSORIES	D-21 - D-24
BATH	E-01 - E-04
BEDROOM	E-05 - E-08
CHASSIS	E-09 - E-14
C & PAD	E-15 - E-24
DINETTE	F-01 - F-02
DRIVERS	F-03 - F-12
ELECTRICAL	F-13 - F-16
EXTERIOR BODY	F-17 - F-22
GALLEY	F-23 - G-04
HEATING & A/C	G-05 - G-10
INTERIOR FINISH	G-11 - G-15
LABEL	G-16
LP	G-17
LOUNGE	G-18 - G-20
SEALANTS & FASTENERS	G-21 - G-22
WATER & SEWAGE	G-23 - H-02
WINDOW, VENT AND EXTERIOR DOOR	H-03 - H-22

GALLEY GROUP (CONTINUED)

GENERATOR OPTIONS L33E

KEY PART NUMBER	U/M DESCRIPTION
100258-03-01A	EA HOOD-RANGE, W/O MONITOR PANEL, VENTLINE - U.S.
090973-01-700	EA MOTOR - LVS CA508-1
090973-01-702	EA BLADE-FAN, LVS VA183-1
092696-01-709	EA BULB-912, VENTLINE VA415
096983-01-703	EA LENS-LAMP, VENTLINE CC179
096953-01-707	EA FILTER-GREASE, 8" X 8" - LVS CC246
092676-01-710	EA SOCKET-LIGHT, VENTLINE CB267-2
096953-01-702	EA SWITCH-TWO WAY MOMENTARY, VENTLINE 112
096993-01-700	EA SWITCH-ON/OFF, VENTLINE 108
100259-10-01A	EA METER-HOUR, VENTLINE 150

RANGE HOOD

KEY PART NUMBER	U/M DESCRIPTION
097618-01-000	EA WIRE ASM-MONITOR PANEL, W/4 WIRES & BLACK RESISTOR -
084516-02-000	EA SHROUD-EXTERIOR VENT, RANGE HOOD - BEIGE
084878-09-000	EA VENT-RANGE HOOD, SHORT - LVS
050225-01-000	EA LABEL-WARNING, STOVE VENT - US
100258-01-01A	EA HOOD-RANGE, W/O MONITOR PANEL - VENTLINE - US
096983-01-702	EA SWITCH-TWO WAY MOMENTARY, VENTLINE 112
096983-01-700	EA SWITCH-ON/OFF, VENTLINE 108
092696-01-709	EA BULB-912, VENTLINE VA415
092696-01-710	EA SOCKET-LIGHT, VENTLINE CB267-2
096983-01-706	EA LENS-LAMP, VENTLINE CC179
090973-01-700	EA MOTOR - LVS CA508-1
090973-01-702	EA BLADE-FAN, LVS VA183-1
096983-01-707	EA FILTER-GREASE, 8" X 8" - LVS CC246
092696-01-707	EA VENT GASKET

GALLEY GROUP (CONTINUED)

MONITOR PANEL & RECEPTACLE

KEY PART NUMBER	U/M DESCRIPTION
100126-01-01A	EA PANEL-MONITOR, ALMOND - VENTLINE
097617-01-702	EA SWITCH-1/WAY, ALMOND - LVS 107
096983-01-703	EA SWITCH-ON/ON - JENSEN 115
100126-01-700	EA CIRCUIT BOARD - 5076-05

MICROWAVE OVEN/US (OPT 133)

KEY PART NUMBER	U/M DESCRIPTION
091269-04-000	EA OVEN-MICROWAVE, MAGIC CHEF - MODEL M15-B
094745-01-01A	EA TRIM-MICROWAVE, LOWER - BLACK
094774-01-01A	EA TRIM-MICROWAVE, EITHER SIDE - BLACK
	FROM: 00-00-00 THRU: 05-27-90
094774-03-01A	EA TRIM-MICROWAVE, EITHER SIDE - BLACK
	FROM: 05-28-90 THRU: 99-99-99
094750-01-000	EA BRACKET-MICROWAVE, 90 DEGREE

CANADIAN EXPORT (OPT 255)

KEY PART NUMBER	U/M DESCRIPTION
100258-02-01A	EA HOOD-RANGE, W/O MONITOR PANEL - VENTLINE - CANADIAN
090973-01-700	EA MOTOR - LVS CA508-1
090973-01-702	EA BLADE-FAN, LVS VA183-1
092696-01-709	EA BULB-912, VENTLINE VA415
096983-01-708	EA LENS-LAMP, VENTLINE CC179
092696-01-710	EA SOCKET-LIGHT, VENTLINE CB267-2
096983-01-707	EA FILTER-GREASE, 8" X 8" - LVS CC246
096983-01-702	EA SWITCH-TWO WAY MOMENTARY, VENTLINE 112
096983-01-700	EA SWITCH-ON/OFF, VENTLINE 108

TABLE OF CONTENTS

INTRODUCTION	A-01
ABBREVIATIONS	A-01
ALPHABETICAL INDEX	A-02 - A-04
WCF23EC	A-05 - D-17
WCF30EU	D-19 - H-22

1991 WCF30EU INDEX

FLOOR PLAN	D-19 - D-20
ACCESSORIES	D-21 - D-24
BATH	E-01 - E-04
BEDROOM	E-05 - E-08
CHASSIS	E-09 - E-14
C & PAD	E-15 - E-24
DINETTE	F-01 - F-02
DRIVERS	F-03 - F-12
ELECTRICAL	F-13 - F-16
EXTERIOR BODY	F-17 - F-22
GALLEY	F-23 - G-04
HEATING & A/C	G-05 - G-10
INTERIOR FINISH	G-11 - G-15
LABEL	G-16
LP	G-17
LOUNGE	G-18 - G-20
SEALANTS & FASTENERS	G-21 - G-22
WATER & SEWAGE	G-23 - H-02
WINDOW, VENT AND EXTERIOR DOOR	H-03 - H-22

HEATING & AIR CONDITIONING GROUP

FORD CHASSIS OPTION L16D- US

KEY PART NUMBER	U/M	DESCRIPTION
096815-01-000	EA	CONDENSER ASM-A/C, FORD - ARA# 0519539
096815-01-700	EA	COIL CONDENSER, ARA 0519545
072342-03-701	EA	RECEIVER-DRYER, ARA 1273235
072342-03-707	EA	O'RING, #6 - ARA 0059605
075789-01-716	EA	O'RING-AEROQUIP FITTING, ARA 0543513
074013-02-716	EA	VALVE-SERVICE, ARA 0058337
096815-01-701	EA	HOSE ASM #8, ARA 0987061
096815-01-702	EA	O'RING, #8 - ARA 0059606
072342-03-709	EA	O'RING, #10 - ARA 0059607
072341-01-716	EA	VALVE-DISCHARGE, 1/2" O'RING - ARA 0548325
072343-08-000	EA	COMPRESSOR/CLUTCH-460 EFI, TOP DISCHARGE - ARA# 05290
096814-01-000	EA	MOUNT & DRIVE PACKAGE-A/C COMPRESSOR, 460 EFI FROM: 00-00-00 THRU: 07-17-90
096814-02-000	EA	MOUNT & DRIVE PACKAGE, A/C COMPRESSOR - 460 EFI FROM: 07-18-90 THRU: 99-99-99
083610-01-000	EA	CLAMP-WIRE, DUAL - UNEQUAL DIAMETERS - .75" & 1.25"
088753-01-000	FT	TUBE-ALUMINIZED STEEL, 5/8" - 18 GAUGE
091930-02-000	EA	DUCT-DEFROSTER, W/O SIDE OUTLET - ARA# 0571020
062401-01-000	EA	CLAMP-HOSE, WORM GEAR .25" - 1"

AUTOMOTIVE A/C COMPONENTS

KEY PART NUMBER	U/M	DESCRIPTION
039244-01-000	EA	LOUVER-ADJUSTABLE A/C, 2.5" X 5.75"
024990-03-000	EA	OUTLET-LOUVERED, W/SWIVEL - 2" - GRAY FROM: 00-00-00 THRU: 12-18-90
024990-04-000	EA	OUTLET-LOUVERED/DEFROSTER, W/SWIVEL - 2" - BEIGE FROM: 12-19-90 THRU: 99-99-99
062401-05-000	EA	CLAMP-HOSE, WORMGEAR - 2" X 3"
094831-05-000	EA	MANUAL-OWNERS, HEATER-A/C - SCS 057-0044
041953-01-000	FT	CONDUIT-CONVOLUTED SLIT, .5"ID

HEATING & AIR CONDITIONING GROUP (CONTINUED)

MOTIVAIR/SCS AUTOMOTIVE A/C & HEATER

KEY PART NUMBER	U/M	DESCRIPTION
094831-01-000	EA	HEATER/EVAPORATOR-COMLETE, MOTIVAIR ZGH61131 OR SCS MOTIVAIR OR SCS EMBLEM IS DISPLAYED BELOW DASH ON PASSENGER SIDE
094831-01-700	EA	DOOR-FRESH AIR, MOTIVAIR/SCS AGG15037
094831-01-701	EA	ROD-FRESH AIR DOOR, MOTIVAIR/SCS ZGG15042
094831-01-702	EA	PAN-DRAIN, PLASTIC - MOTIVAIR/SCS ZGG15043
094831-01-703	EA	MOTOR-BLOWER, MOTIVAIR/SCS ZGG14864
094831-01-704	EA	WHEEL-BLOWER, MOTIVAIR/SCS ZGG14639
094831-01-705	EA	MOTOR-VACUUM, 2" OD - MOTIVAIR/SCS ZGG15256
094831-01-706	EA	RESISTOR-4 SPEED, MOTIVAIR/SCS ZGG15058
094831-01-707	EA	WIRING HARNESS-UNIT, MOTIVAIR/SCS ZGG15050
094831-01-708	EA	VACUUM HARNESS-JUNIT, MOTIVAIR/SCS ZGG15328
094831-01-709	EA	CLAMPS-ROD, 3/16" - MOTIVAIR/SCS ZGG14431
094831-01-710	EA	RINGS-RETAINER, 3/16" ROD - MOTIVAIR/SCS ZGG12809
094831-01-711	EA	NUT-#10-32 KEPS, MOTIVAIR/SCS ZGG12946
094831-01-712	EA	NUT-#10-24 TIMMERMAN 'J', MOTIVAIR/SCS ZGG14670
094831-01-713	EA	EVAPORATOR COIL, MOTIVAIR/SCS ZGG15046
094831-01-714	EA	VALVE-EXPANSION, MOTIVAIR/SCS ZGG11945
094831-01-715	EA	THERMOSTAT, MOTIVAIR/SCS ZGG15047
094831-01-716	EA	SWITCH-TRINARY, MOTIVAIR/SCS ZGG14512
094831-01-717	EA	HOSE-#6, MOTIVAIR/SCS ZGG15043
094831-01-718	FA	HOSE-#10, MOTIVAIR/SCS ZGG15049
094831-01-719	EA	COUP-#4 SELF SEAL W/O RING, MOTIVAIR/SCS ZGG14428
094831-01-720	EA	VALVE-#10 SERVICE, MOTIVAIR/SCS ZGG11183
094831-01-721	EA	O'RING-#10, MOTIVAIR/SCS ZGG14560
094831-01-722	EA	O'RING-#8, MOTIVAIR/SCS ZGG14559
094831-01-723	EA	O'RING-#6, MOTIVAIR/SCS ZGG14558
094831-01-724	EA	O'RING-#4, MOTIVAIR/SCS ZGG14561
094831-01-725	EA	DOOR-AIR BLEND, MOTIVAIR/SCS ZGG15311
094831-01-726	EA	ROD-AIR BLEND DOOR, MOTIVAIR/SCS ZGG15312
094831-01-727	EA	COIL-HEAT, MOTIVAIR/SCS ZGG15078
094831-01-728	EA	DOOR-DAMPER, MOTIVAIR/SCS ZGG15324
094831-01-729	EA	ROD-DAMPER DOOR, MOTIVAIR/SCS ZGG15066
094831-01-730	EA	MOTOR-VACUUM, MOTIVAIR/SCS ZGG14916
094831-01-731	EA	ADAPTERS-2" HOSE, MOTIVAIR/SCS ZGG14075
094831-01-732	EA	HOUSING-CONTROL, MOTIVAIR/SCS ZGG14223
094831-01-733	EA	WIRING HARNESS-CONTROL, MOTIVAIR/SCS ZGG15073
094831-01-734	EA	WIRING HARNESS-LIGHT, MOTIVAIR/SCS ZGG15074
094831-01-735	EA	VACUUM HARNESS-CONTROL, MOTIVAIR/SCS ZGG15076
094831-01-736	EA	SWITCH-VACUUM, MOTIVAIR/SCS ZGG15262
094831-01-737	EA	CABLE-AIR BLEND - 62" - MOTIVAIR/SCS ZGG15331
094831-01-738	EA	CLIP-CABLE, MOTIVAIR/SCS ZGG12797
094831-01-739	EA	CLIP-UNIT CABLE, MOTIVAIR/SCS ZGG15330
094831-01-740	EA	RELAY-AUTO, MOTIVAIR/SCS ZGG14275
094831-01-741	EA	TRIM-DASH LOUVER/CONTROL PANEL, MOTIVAIR/SCS ZGG15481
094831-01-742	EA	WIRING HARNESS-CONDENSER, MOTIVAIR/SCS ZGG15075
094831-01-743	EA	CANISTER-VACUUM, MOTIVAIR/SCS ZGG14190
094831-01-744	EA	VALVE-WATER, MOTIVAIR/SCS ZGG15245
094831-01-745	EA	TUBE-DRAIN, KAZOO - MOTIVAIR/SCS ZGG15051
094831-01-746	EA	CLAMP-BLEND CABLE, MOTIVAIR/SCS 77000-00
094831-07-000	EA	WIRE ASSEMBLY, COOLING FAN ADAPTER - SCS 036-0053
094831-08-000	EA	WIRE ASSEMBLY-AC COMPRESSOR ADAPTER - SCS 036-0054

TABLE OF CONTENTS

INTRODUCTION	A-01
ABBREVIATIONS	A-01
ALPHABETICAL INDEX	A-02 - A-04
WCF23EC	A-05 - D-17
WCF30EU	D-19 - H-22

1991 WCF30EU INDEX

FLOOR PLAN	D-19 - D-20
ACCESSORIES	D-21 - D-24
BATH	E-01 - E-04
BEDROOM	E-05 - E-08
CHASSIS	E-09 - E-14
C G & PAD	E-15 - E-24
DINETTE	F-01 - F-02
DRIVERS	F-03 - F-12
ELECTRICAL	F-13 - F-16
EXTERIOR BODY	F-17 - F-22
GALLEY	F-23 - G-04
HEATING & A/C	G-05 - G-10
INTERIOR FINISH	G-11 - G-15
LABEL	G-16
LP	G-17
LOUNGE	G-18 - G-20
SEALANTS & FASTENERS	G-21 - G-22
WATER & SEWAGE	G-23 - H-02
WINDOW, VENT AND EXTERIOR DOOR	H-03 - H-22

HEATING & AIR CONDITIONING GROUP (CONTINUED)

FURNACE 30,000 BTU (SF-30)

KEY PART NUMBER	U/M	DESCRIPTION
093365-01-000	EA	THERMOSTAT-WALL, FURNACE - SUBURBAN 0160912 OR 016090
098668-02-000	EA	FURNACE-30000 BTU, SUBURBAN SF-30
098668-02-700	EA	BURNER ASM COMPLETE (SF-30 SF35), SUBURBAN 010745
098668-01-702	EA	ELECTRODE, SUBURBAN 231740
069634-01-733	EA	RELAY, TIME DELAY 20&30 BTU, SUBURBAN 231202
098668-01-709	EA	MOTOR ASM, F/SF-25, SF-30
098668-01-711	EA	WHEEL, ROOM AIR - SUBURBAN 350123
092300-02-702	EA	MICROSWITCH ASM, SUBURBAN# X230509
098668-01-706	EA	WHEEL-COMBUSTION AIR, SUBURBAN 350122
098668-01-707	EA	VENT CAP & EXHAUST TUBE ASM, SUBURBAN 260193
098668-01-704	EA	VALVE, SUBURBAN 160938
098668-01-701	EA	CABINET ASM, SUBURBAN 101299
098668-01-700	EA	CABINET FRONT, SUBURBAN 101242
098668-01-705	EA	SWITCH-LIMIT, SUBURBAN 231630
092300-02-701	EA	ORIFICE, MAIN BURNER - SUBURBAN 180214
092300-01-704	EA	GASKET-ELECTRODE, SUBURBAN 070163
098668-01-712	EA	BOARD-MODULE, SUBURBAN 231741
075696-02-709	EA	DISC-GLASS, SUBURBAN 310026
098668-01-710	EA	BLOWER ASM (ROOM AIR), SUBURBAN 390440
098668-01-708	EA	BLOWER ASM (COMBUSTION AIR), SUBURBAN 390441
075696-02-703	EA	COLLAR-DUCT, SUBURBAN #050715
056464-05-000	EA	REGISTER-PLASTIC W/O DAMPER - 4" DIAMETER - GOLDEN
009198-01-000	FT	DUCT-HEAT, FLEXIBLE - 4" ID
009200-01-000	EA	TAPE-FURNACE, 1 1/2"
023146-01-000	EA	CLAMP-SCREW TYPE - 4"
069636-02-000	EA	CONNECTOR-DUCT, 4" ID
061946-01-000	EA	BRACKET-WIRE COVER, 90 DEGREE ANGLED METAL
007108-02-000	FT	HOSE-HEATER, 3/4" ID
062401-03-000	EA	CLAMP-HOSE WORMGEAR, .22" - 1" ID
087676-01-000	EA	FITTING-H, 1/2 ID - BRASS
062401-04-000	EA	CLAMP-WORMGEAR HOSE, .69" - 1.25"
079059-02-000	EA	HOSE- 90 DEGREE - .61 X 4.00 X 6.00
062401-05-000	EA	CLAMP-WORMGEAR HOSE, 2" - 3" ID
007076-01-700	FT	HOSE-FLEXIBLE PVC - 2" ID
007108-01-000	FT	HOSE-HEATER, 5/8" ID
007281-01-000	EA	HOSE-FLEXIBLE, 2 1/2 ID
007281-01-700	FT	HOSE-FLEXIBLE PUG 2 1/2" ID

HEATING & AIR CONDITIONING GROUP (CONTINUED)

REAR AUXILIARY HEATER & WATER HEATER W/MOTOR AID

KEY PART NUMBER	U/M	DESCRIPTION
009198-01-000	FT	DUCT-HEAT, FLEXIBLE - 4" ID
009200-01-000	EA	TAPE-FURNACE, 1 1/2"
023146-01-000	EA	CLAMP-SCREW TYPE - 4"
069636-02-000	EA	CONNECTOR-DUCT, 4" ID
009778-10-000	FT	U-CHANNEL, 1" - PLASTIC - BIRCH
009809-22-000	EA	MOLDING-PLASTIC CORNER, OUTSIDE - 1" - BIRCH
000667-10-12B	EA	SCREW, 10-12 X 3/4 - PPH ZN
007108-01-000	FT	HOSE-HEATER, 5/8" ID
008401-01-000	EA	STRAP-CONDUIT, 3/4" - 1 HOLE - GALVANIZED STEEL
089297-01-000	SF	PLYWOOD-LUAN, OVERLAY GRADE-.10" X 4" X 8"-INC. OF 32 SF
052369-01-000	FT	CORD STRAPPING-1/4" WIDE
056464-02-000	EA	REGISTER-PLASTIC W/O DAMPER - 4" DIAMETER - BROWN
056464-05-000	EA	REGISTER-PLASTIC W/O DAMPER - 4" DIAMETER - GOLDEN
062401-04-000	EA	CLAMP-HOSE, WORMGEAR .69" - 1.25"
083081-01-000	EA	HOSE-FORMED
084405-01-000	EA	HEATER ASM-REAR, DUCTED - W/MOTOR AID - EVANS
084405-01-700	EA	HEATER CORE-EVANS# FT200229
084405-01-701	EA	FAN BLADES-EVANS# HV029931
084405-01-702	EA	MOTOR ASM-12 V, EVANS# 200146
000D39-04-00B	EA	NUT-HEX, SER FLG LK 1/4 - 20 ZN
000E13-11-00B	EA	WASHER-FL, 3/16" WIDE ZN
007108-01-000	FT	HOSE-HEATER, 5/8" ID
007108-02-000	FT	HOSE-HEATER, 3/4" ID
084410-02-000	EA	DECAL-REAR AUTO HEATER
087202-02-000	EA	SWITCH-4 POSITION, W/O KNOB
090977-01-000	EA	KNOB-SWITCH, ROTARY
008042-01-000	FT	TUBING-VINYL, .65" ID
010227-01-000	EA	TEE-PLASTIC, BARB 5/8" OR 3/4" HOSE
061673-01-000	EA	BRACKET-MOTOR AID TUBES, 4" X 1.5" - STEEL
062401-10-000	EA	CLAMP-HOSE, WORMGEAR 1.06" - 2"
071015-13-000	EA	GROMMET-5/8" ID, FITS .09" MATERIAL, RUBBER
073194-02-000	EA	CLAMP-HOSE, WORMGEAR 32-50 MM
076322-02-000	FT	TAPE-FOAM, DOUBLE COATED - .045" X 1"- INC. OF 108 FT
079059-02-000	EA	HOSE-90 DEGREE, .61" ID X 4" X 6"
		FROM: 00-00-00 THRU: 10-01-89
079059-04-000	EA	HOSE-90 DEGREE, .61" ID X 3.07" X 3.07"
		FROM: 10-02-89 THRU: 99-99-99
079059-13-000	EA	HOSE-90 DEGREE, .61" ID X 4" X 48"
		FROM: 10-02-89 THRU: 99-99-99
080179-01-000	EA	BRACKET-SUPPORT, HEATER HOSE - IN ENGINE COMPARTMENT
		FROM: 00-00-00 THRU: 10-01-89
084410-02-000	EA	DECAL-REAR AUTO HEATER
087202-02-000	EA	SWITCH-W/O KNOB, 4 POSITION
088753-01-000	FT	TUBE-ALUMINIZED STEEL, 5/8" - 18 GAUGE
090977-01-000	EA	KNOB-SWITCH, ROTARY
000E13-14-00B	EA	WASHER-FL, 1/4" WIDE ZN

TABLE OF CONTENTS

INTRODUCTION	A-01
ABBREVIATIONS	A-01
ALPHABETICAL INDEX	A-02 - A-04
WCF23EC	A-05 - D-17
WCF30EU	D-19 - H-22

1991 WCF30EU INDEX

FLOOR PLAN	D-19 - D-20
ACCESSORIES	D-21 - D-24
BATH	E-01 - E-04
BEDROOM	E-05 - E-08
CHASSIS	E-09 - E-14
CC & PAD	E-15 - E-24
DINETTE	F-01 - F-02
DRIVERS	F-03 - F-12
ELECTRICAL	F-13 - F-16
EXTERIOR BODY	F-17 - F-22
GALLEY	F-23 - G-04
HEATING & A/C	G-05 - G-10
INTERIOR FINISH	G-11 - G-15
LABEL	G-16
LP	G-17
LOUNGE	G-18 - G-20
SEALANTS & FASTENERS	G-21 - G-22
WATER & SEWAGE	G-23 - H-02
WINDOW, VENT AND EXTERIOR DOOR	H-03 - H-22

HEATING & AIR CONDITIONING GROUP (CONTINUED)

AIR CONDITIONER-ROOF, 13500 BTU - U.S. OPTION L29D

KEY PART NUMBER	U/M	DESCRIPTION
008356-01-000	EA	CONNECTOR-PLASTIC, 3/8" AVG
102289-01-000	EA	SPRING-SCREW, ROOF A/C GASKET - COLEMAN 6757-150
068238-01-000	EA	COVER-SWITCH, A/C SELECTOR - FRONT TO REAR A/C
073937-03-000	EA	SWITCH-ROTARY SELECTOR, 3 DECK - A/C - CA20-USA892
074897-01-000	EA	COVER-ELECTRIC BOX, 1 LARGE & 2 SMALL HOLES - 4" X 4"
074983-01-000	EA	LABEL-A/C SELECTOR

ROOF A/C U.S. OPTION L29D

KEY PART NUMBER	U/M	DESCRIPTION
093763-01-03A	EA	A/C-ROOF, 13500 BTU - TSR - BEIGE - COLEMAN 6759D708
093763-03-700	EA	SHROUD (BEIGE/CHARCOAL), COLEMAN# 6759-4581
093306-01-701	EA	DECAL PKG. LEFT & RIGHT, COLEMAN 679883591
091225-01-709	EA	START RELAY, COLEMAN# 1497-4131
091225-01-710	EA	START CAPACITOR, COLEMAN# 1497-0881
073742-02-704	EA	RUN CAPACITOR (COMPRESSOR), COLEMAN 14994661
081606-01-708	EA	LIMIT SWITCH (OPEN 160,CLOSE 110), COLEMAN# 6703-3041
093763-01-712	EA	FAN BLADE-CONDENSER, COLEMAN# 6733-3221
076303-01-712	EA	MOTOR, COLEMAN# 6707A3119
093763-01-702	EA	OVERLOAD, COLEMAN# 6759-3931
093763-01-703	EA	IMPELLOR-7" DIA X 2.8" WIDE, COLEMAN# 6759-3271
093763-01-704	EA	CAPACITOR-FAN, COLEMAN# 1499-3461
093763-01-706	EA	HEAT ELEMENT-COLEMAN# 6798-3321
093763-01-707	EA	EVAPORATOR COIL-COLEMAN# 1452-1351
093763-01-708	EA	CONDENSER COIL-COLEMAN# 1452-1251
093763-01-709	EA	COMPRESSOR-COLEMAN# 6749A3609

CEILING ASSEMBLY U.S. OPTION L29D

KEY PART NUMBER	U/M	DESCRIPTION
093764-01-000	EA	CEILING ASM-A/C COOL ONLY, TSR - COLEMAN 6759D714
042204-01-709	EA	THERMOSTAT IN-64,OUT-58, COLEMAN# 6701-3401
042205-01-702	EA	THERMOSTAT IN-89,OUT-58, COLEMAN# 6703-3401
073742-01-701	EA	SELECTOR SWITCH (5 TERMINAL), COLEMAN# 6759-3251
073742-01-703	EA	DECAL HEAT & COOL, COLEMAN# 6759-3491
091225-01-713	EA	KNOB (2 PER PACKAGE), COLEMAN# 6701-3351
091225-01-717	EA	DECAL (THERMOSTAT) COOL ONLY, COLEMAN# 6799A3441
073742-01-702	EA	DECAL COOL ONLY, COLEMAN# 6759C3431
076303-01-707	EA	FILTER-6" X 14 3/4" X 1/2", 12 PER PKG - COLEMAN 6703
093763-01-705	EA	DECAL-HEAT/COOL THERMOSTAT, COLEMAN# 6799A3471
093763-01-709	EA	COMPRESSOR-COLEMAN# 6749A3609
093763-01-710	EA	SINGLE PARTS PACKAGE, COLEMAN# 6759-5841
093763-01-711	EA	GASKET PACKAGE, COLEMAN 67593281
081606-01-712	EA	CEILING SHROUD (IVORY), COLEMAN# 6769-5061

HEATING & AIR CONDITIONING GROUP (CONTINUED)

AIR CONDITIONER-ROOF, 13500 BTU - CANADIAN OPTION L29D

KEY PART NUMBER	U/M	DESCRIPTION
088238-01-000	EA	COVER-SWITCH, A/C SELECTOR - FRONT TO REAR A/C
073937-03-000	EA	SWITCH-ROTARY SELECTOR, 3 DECK - A/C - CA20-USA892
074897-01-000	EA	COVER-ELECTRIC BOX, 1 LARGE & 2 SMALL HOLES - 4" X 4"
074983-01-000	EA	LABEL-A/C SELECTOR
102289-01-000	EA	SPRING-SCREW, ROOF A/C GASKET - COLEMAN 6757-150

ROOF A/C CANADIAN OPTION L29D

KEY PART NUMBER	U/M	DESCRIPTION
093763-01-03A	EA	A/C-ROOF, 13500 BTU - TSR - BEIGE - COLEMAN 6759D708
093763-03-700	EA	SHROUD(BEIGE/CHARCOAL), COLEMAN# 6759-4581
093306-01-701	EA	DECAL PKG. LEFT & RIGHT, COLEMAN 679883591
091225-01-709	EA	START RELAY, COLEMAN# 1497-4131
091225-01-710	EA	START CAPACITOR, COLEMAN# 1497-0881
073742-02-704	EA	RUN CAPACITOR (COMPRESSOR), COLEMAN 14994661
081606-01-708	EA	LIMIT SWITCH (OPEN 160,CLOSE 110), COLEMAN# 6703-3041
093763-01-712	EA	FAN BLADE-CONDENSER, COLEMAN# 6733-3221
076303-01-712	EA	MOTOR, COLEMAN# 6707A3119
093763-01-702	EA	OVERLOAD, COLEMAN# 6759-3931
093763-01-703	EA	IMPELLOR-7" DIA X 2.8" WIDE, COLEMAN# 6759-3271
093763-01-704	EA	CAPACITOR-FAN, COLEMAN# 1499-3461

CEILING ASSEMBLY CANADIAN OPTION L29D

KEY PART NUMBER	U/M	DESCRIPTION
093764-01-000	EA	CEILING ASM-A/C COOL ONLY, TSR - COLEMAN 6759D714
042204-01-709	EA	THERMOSTAT IN-64,OUT-58, COLEMAN# 6701-3401
042205-01-702	EA	THERMOSTAT IN-89,OUT-58, COLEMAN# 6703-3401
073742-01-701	EA	SELECTOR SWITCH (5 TERMINAL), COLEMAN# 6759-3251
073742-01-703	EA	DECAL HEAT & COOL, COLEMAN# 6759-3491
091225-01-713	EA	KNOB (2 PER PACKAGE), COLEMAN# 6701-3351
081606-01-712	EA	CEILING SHROUD (IVORY), COLEMAN# 6769-5061
073742-01-702	EA	DECAL COOL ONLY, COLEMAN# 6759C3431
076303-01-707	EA	FILTER-6" X 14 3/4" X 1/2", 12 PER PKG - COLEMAN 6703
091225-01-717	EA	DECAL (THERMOSTAT) COOL ONLY, COLEMAN# 6799A3441
093763-01-705	EA	DECAL-HEAT/COOL THERMOSTAT, COLEMAN# 6799A3471
093763-01-707	EA	EVAPORATOR COIL-COLEMAN# 1452-1351
093763-01-708	EA	CONDENSER COIL-COLEMAN# 1452-1251
093763-01-709	EA	COMPRESSOR-COLEMAN# 6749A3609
093763-01-710	EA	SINGLE PARTS PACKAGE, COLEMAN# 6759-5841
093763-01-711	EA	GASKET PACKAGE, COLEMAN 67593281

TABLE OF CONTENTS

INTRODUCTION	A-01
ABBREVIATIONS	A-01
ALPHABETICAL INDEX	A-02 - A-04
WCF23EC	A-05 - D-17
WCF30EU	D-19 - H-22

1991 WCF30EU INDEX

FLOOR PLAN	D-19 - D-20
ACCESSORIES	D-21 - D-24
BATH	E-01 - E-04
BEDROOM	E-05 - E-08
CHASSIS	E-09 - E-14
C C & PAD	E-15 - E-24
DINETTE	F-01 - F-02
DRIVERS	F-03 - F-12
ELECTRICAL	F-13 - F-16
EXTERIOR BODY	F-17 - F-22
GALLEY	F-23 - G-04
HEATING & A/C	G-05 - G-10
INTERIOR FINISH	G-11 - G-15
LABEL	G-16
LP	G-17
LOUNGE	G-18 - G-20
SEALANTS & FASTENERS	G-21 - G-22
WATER & SEWAGE	G-23 - H-02
WINDOW, VENT AND EXTERIOR DOOR	H-03 - H-22

INTERIOR FINISH GROUP

ASSIST HANDLE

KEY PART NUMBER	U/M	DESCRIPTION
069178-02-000	EA	BRACKET-MOUNTING, ASSIST HANDLE
077461-03-000	EA	COVER-STRIKE, ENTRY DOOR - 6.5" X 2.5" - PLASTIC - OF
076725-01-000	EA	COVER-HINGE, ENTRY DOOR - 6" X 3.2" - PLASTIC - BEIGE
000C16-07-16B	EA	BOLT-CARRIAGE, ASSIST HANDLE - 7/16" - 14 X 1" ZN
000D20-07-00B	EA	NUT-ACORN, ASSIST HANDLE - 7/16" X 14 ZN
053552-02-AA8	EA	HANDLE-ASSIST, INTERIOR - ENTRY DOOR - VINYL - OFF WHITE
063886-07-000	EA	HANDLE-ASSIST, DRIVER DOOR - FRONT - GRAY
		FROM: 00-00-00 THRU: 01-06-91
063886-09-000	EA	HANDLE-ASSIST, DRIVER DOOR - REAR - GRAY
		FROM: 00-00-00 THRU: 01-06-91
063886-22-000	EA	HANDLE-ASSIST, DRIVER DOOR - FRONT - OFF WHITE
		FROM: 01-07-91 THRU: 99-99-99
063886-23-000	EA	HANDLE-ASSIST, DRIVER DOOR - REAR - OFF WHITE
		FROM: 01-07-91 THRU: 99-99-99

WALL CLOCK

KEY PART NUMBER	U/M	DESCRIPTION
100603-01-01A	EA	CLOCK WALL, ROUND BEZEL - LVS 2060

PLASTIC DRAWER & SLIDES

KEY PART NUMBER	U/M	DESCRIPTION
077409-02-000	EA	SLIDE-DRAWER, MOUNTED TO CABINET - PLASTIC - 20.75"
077404-02-000	EA	DRAWER-PLASTIC, 20" X 12.7" - BEIGE
094067-01-01A	EA	DIVIDER-DRAWER, PLASTIC - LIGHT OAK
037688-01-000	FT	RAIL-V GUIDE, DRAWER - 10" EA
		FROM: 00-00-00 THRU: 01-06-91
037688-04-000	EA	BRACKET-RAIL MOUNTING, FRONT
		FROM: 00-00-00 THRU: 01-06-91
037688-05-000	EA	BRACKET-RAIL MOUNTING, REAR
		FROM: 00-00-00 THRU: 01-06-91
102827-03-000	EA	ROLLERS-DRAWER, NYLON - PAIR
		FROM: 01-07-91 THRU: 99-99-99
102827-04-000	EA	BRACKET-DRAWER, REAR
		FROM: 01-07-91 THRU: 99-99-99
102827-05-000	EA	TRACK-DRAWER, 22.6"
		FROM: 01-07-91 THRU: 99-99-99
102827-02-000	EA	BRACKET-ROLLER, REAR - CABINET DRAWERS
		FROM: 01-07-91 THRU: 99-99-99

PANELING, BATTS & PARTICLE BOARD

KEY PART NUMBER	U/M	DESCRIPTION
088263-51-000	EA	BATT STRIP-CEILING, 8" EA - OFF WHITE
		FROM: 00-00-00 THRU: 07-14-90
086229-01-000	EA	RETAINER-BATTEN, CEILING - .75" WIDE - 7.6" EA
		FROM: 07-15-90 THRU: 99-99-99
086229-04-000	EA	BATTEN-CEILING, 1" WIDE - IVORY - 7.6" EA
		FROM: 07-15-90 THRU: 99-99-99
078376-01-000	FT	MOLDING-T-SHAPED COVE, CEILING TO WALL - OFF WHITE
009767-12-000	FT	MOLDING-SIDEWALL TO CEILING/CABINET - WELTING - OFF W
085284-38-000	FT	BATT STRIP-SHOWER, ADHESIVE BACK - OFF WHITE
085284-36-000	FT	BATT STRIP-DECORATIVE, W/BLOSSOMS - ADHESIVE BACK
085284-03-000	FT	BATT STRIP-ADHESIVE BACKED, WOODGRAIN
085284-03-700	FT	BATT STRIP-WOODGRAIN, ADHESIVE BACK - 3" WIDE
088263-47-000	EA	BATT STRIP-DECORATIVE W/BLOSSOMS, 8" EA
069733-70-000	EA	BATT STRIP-WOODGRAIN PANELING, 8" - LIGHT OAK
079653-04-000	EA	MOLDING-BATT STRIP, KERFED - OAK
085284-37-000	FT	BATT STRIP-DECORATIVE PLAIN, ADHESIVE BACK
088263-49-000	EA	BATT STRIP-DECORATIVE PLAIN, 8" EA

WALL CAPS AND U-CHANNEL

KEY PART NUMBER	U/M	DESCRIPTION
009778-11-000	FT	U-CHANNEL, PLASTIC - 1" - MODERN IVORY
009767-12-000	FT	MOLDING-SIDEWALL TO CEILING/CABINET - WELTING - OFF WHITE
070504-18-000	FT	U-CHANNEL-.065" IVORY

INTERIOR FINISH GROUP (CONTINUED)

CABINET TRIM & MOLDING

KEY PART NUMBER	U/M	DESCRIPTION
092330-D2-438	EA	LUMBER-VINYL WRAPPED, 1.5" X 9" - WOODGRAIN
092331-D2-134	EA	MOLDING-VINYL WRAPPED, .7" X 1.57" X 84" - WOODGRAIN
000885-36-000	SF	PARTICLE BOARD-2 SIDES VINYL COVERED - 3/4" X 5' X 8' WOODGRAIN - INCREMENTS OF 40SF
M03450-03-000	EA	TRIM-WOOD, MIRROR - OAK
000885-34-000	SF	PARTICLE BOARD-VINYL COVERED, 1 SIDE - WOODGRAIN 3/8" X 49" X 97" - INCREMENTS OF 33 SF
079653-04-000	EA	MOLDING-BATT STRIP, KERFED - OAK
022992-08-000	FT	MOLDING-REVERSE COVE, T-SHAPED - VINYL - OFF WHITE
092331-F2-134	EA	MOLDING-VINYL WRAPPED, .7" X 2.5" X 7" - WOODGRAIN
089297-01-000	SF	PLYWOOD-LUAN, OVERLAY GRADE - 4' X 8' - INC OF 32 SF
083620-01-000	FT	T-MOLDING-END CAP EDGE, .75" - BROWN
		FROM: 00-00-00 THRU: 05-18-90
083620-07-000	FT	T-MOLDING, END CAP EDGE - 3/4" - PECAN
		FROM: 05-19-90 THRU: 99-99-99
052859-05-805	FT	TRIM-STITCHED VINYL, OFF WHITE
070504-20-000	FT	U-CHANNEL, .815" - 8' EA - PLASTIC - PECAN BROWN
009767-12-000	FT	MOLDING-SIDEWALL TO CEILING/CABINET - WELTING - OFF W
070504-06-000	FT	U-CHANNEL, .815" - 8' EA - PLASTIC - LIGHT BROWN
009812-17-000	EA	MOLDING-CORNER, OUTSIDE - .5" - PLASTIC - LIGHT OAK
009812-25-000	EA	MOLDING-CORNER, OUTSIDE - .5" - PLASTIC - PECAN
083618-02-000	SF	PLYWOOD-OAK, 1 SIDE FINISHED - 3/16" X 4' X 8' - INCREMENTS OF 32 SF
092330-E2-438	EA	LUMBER-VINYL WRAPPED, .7" X 2" X 96" - WOODGRAIN
092330-03-000	EA	LUMBER-VINYL WRAPPED, .7" X 2" X 96" - WOODGRAIN
092331-F2-134	EA	MOLDING-VINYL WRAPPED, .7" X 2.5" X 7" - WOODGRAIN
000885-36-000	SF	PARTICLE BOARD-2 SIDES VINYL COVERED - 3/4" X 5' X 8' WOODGRAIN - INCREMENTS OF 40SF
081294-02-000	EA	MOLDING-SHELF, NOTCHED WOOD - 8" LONG
076699-11-002	EA	LUMBER-3/4" X 1.4" X 90.8", W/10 DEGREE BEVEL
009778-13-000	FT	U-CHANNEL, 1" - PLASTIC - PECAN
		FROM: 05-07-90 THRU: 99-99-99
009778-07-000	FT	U-CHANNEL, 1" - PLASTIC - LIGHT OAK
		FROM: 00-00-00 THRU: 05-06-90
080176-03-000	EA	CAP-CORNER, RADIUS - TOP - PECAN
075249-01-000	EA	RAILING-OAK, 72" EA - UNFINISHED
070504-20-000	FT	U-CHANNEL, .815" - 8' EA - PLASTIC - PECAN BROWN

DINETTE TABLE HARDWARE

KEY PART NUMBER	U/M	DESCRIPTION
004354-01-000	EA	BUMPER-CABINET DOOR, RUBBER - BROWN
024276-21-000	EA	LEG-TABLE, METAL - BEIGE
024282-01-000	EA	BRACE-TABLE LEG, HINGED
024283-01-000	EA	CLIP-LEG, 1" X 1.125" OD - BLACK
064050-03-000	EA	CLAMP-SADDLE, LEG HINGE - TAN
088410-01-000	EA	BRACKET-LIFT, TABLE MOUNTED - BEIGE
049493-11-700	EA	CATCH-TABLE LEG, FLOOR MOUNTED - BEIGE
024275-05-000	EA	ROD-TABLE LIFT, 8" X 23.5" - BEIGE
053200-05-000	EA	BRACKET-TABLE SUPPORT, UPPER WALL MOUNTED - 23.5" - BEIGE
024281-07-000	EA	BRACKET-LIFT ROD, LOWER WALL MOUNTED - 22.12" - BEIGE
064781-06-000	EA	HOLDER-CUP, TWO STEP - OFF WHITE

CABINET HARDWARE

KEY PART NUMBER	U/M	DESCRIPTION
058777-02-000	EA	HINGE-CABINET DOOR, BURNISHED BRASS
100030-01-000	EA	PULL-CABINET
004354-01-000	EA	BUMPER-CABINET DOOR, RUBBER - BROWN
096826-01-03A	EA	BRACE-CABINET MILL FINISH
008112-01-000	EA	FLANGE-1" ROD, CLOTHES - PLASTIC - OFF WHITE
041953-03-000	FT	CONDUIT-CONVOLUTE SLIT, 1" ID (CLOTHES ROD COVER)
042438-01-000	EA	DOWEL-WOOD, CLOTHES ROD - 1" DIAMETER X 4'
052369-01-000	FT	CORD STRAPPING-1/4" WIDE
083586-03-000	EA	CATCH-SPRING, ROLLER
093586-04-000	EA	STRIKE-SPRING STEEL
072369-28-000	EA	MESH-EXPANDED, BRONZE - 14" X 10"
074493-02-000	EA	SUPPORT-OVERHEAD DOOR, SPRUNG

TABLE OF CONTENTS

INTRODUCTION	A-01
ABBREVIATIONS	A-01
ALPHABETICAL INDEX	A-02 - A-04
WCF23EC	A-05 - D-17
WCF30EU	D-19 - H-22

1991 WCF30EU INDEX

FLOOR PLAN	D-19 - D-20
ACCESSORIES	D-21 - D-24
BATH	E-01 - E-04
BEDROOM	E-05 - E-08
CHASSIS	E-09 - E-14
C C & PAD	E-15 - E-24
DINETTE	F-01 - F-02
DRIVERS	F-03 - F-12
ELECTRICAL	F-13 - F-16
EXTERIOR BODY	F-17 - F-22
GALLEY	F-23 - G-04
HEATING & A/C	G-05 - G-10
INTERIOR FINISH	G-11 - G-15
LABEL	G-16
LP	G-17
LOUNGE	G-18 - G-20
SEALANTS & FASTENERS	G-21 - G-22
WATER & SEWAGE	G-23 - H-02
WINDOW, VENT AND EXTERIOR DOOR	H-03 - H-22

INTERIOR FINISH GROUP (CONTINUED)

FABRIC AND TRIM

KEY PART NUMBER	U/M DESCRIPTION
075244-03-000	YD VINYL-SHOWER CURTAIN, 72" WIDE - BEIGE FROM: 00-00-00 THRU: 05-31-90
075244-03-000	YD VINYL-SHOWER CURTAIN, 72" WIDE - ALMOND FROM: 06-01-90 THRU: 99-99-99
077484-01-000	YD FABRIC-VINYL, 54" WIDE - GRAY
029012-01-060	BF FOAM-ROLLED, 3/8" THICK - 72" WIDE
096008-40-000	YD FABRIC-UPHOLSTERY, PLAIN - 54" - B03 - BROWN MINK
096008-47-000	YD FABRIC-UPHOLSTERY, PLAIN - 54" - B04 - PINE MIST
096008-41-000	YD FABRIC-UPHOLSTERY, PATTERN - 54" - B03 - BROWN MINK
096008-49-000	YD FABRIC-UPHOLSTERY, PATTERN - 54" - B04 - PINE MIST
072333-75-000	YD FABRIC-CURTAIN - 54" WIDE - BEIGE
087272-01-000	YD FABRIC-LINING, CURTAIN - 48" WIDE - IVORY
096008-39-000	YD FABRIC-UPHOLSTERY, DOTTED - 54" - B03 - BROWN MINK
096008-48-000	YD FABRIC-UPHOLSTERY, DOTTED, 54" - B04 - PINE MIST
088273-51-000	YD FABRIC-CURTAIN, PATTERNED - 54" - B03 - BROWN MINK
088273-65-000	YD FABRIC-CURTAIN, PLAIN - 54" - B03 - BROWN MINK
088273-52-000	YD FABRIC-CURTAIN, PATTERNED - 54" - B04 - PINE MIST
088273-63-000	YD FABRIC-CURTAIN, PLAIN - 54" - B04 - PINE MIST
061926-01-000	YD BACKING-QUILTING, MATTRESS COVER - 59" WIDE - WHITE
078155-01-000	EA STRAP-BACK CUSHION, SNAP
052859-05-B05	FT TRIM-STITCHED VINYL, OFF WHITE
079680-09-000	YD FABRIC-VINYL, 54" WIDE - OFF WHITE
079970-01-000	YD TAPE-MATTRESS, BUNK CUSHION - 58"
079349-01-B03	YD WELTING-SKIRT, B03 - BROWN MINK
079349-01-B04	YD WELTING-SKIRT, B04 - PINE MIST

BATH DOOR LATCH AND HARDWARE

KEY PART NUMBER	U/M DESCRIPTION
023320-01-000	EA PAD-FELT, 3/8" D'AMETER - BROWN
042356-01-000	EA PLUG-BUTTON, MAHOGANY - 3/8" DIAMETER - WOOD FROM: 00-00-00 THRU: 05-22-90
074045-01-000	EA PLUG-OAK, 1/2" DIAMETER FROM: 05-23-90 THRU: 99-99-99
053331-01-000	EA HINGE-OVERLAY, CABINET DOOR - BURNISHED BRASS
058335-02-000	EA LATCH-SHOWER/BATH DOOR, W/O LOCK - BROWN
100357-01-000	EA ROD-TOWEL, BRASS W/ENDS BENT FOR BACK OF BATH DOOR
100434-01-01A	EA PIN-CATCH, HINGED DOOR - OFF WHITE
100320-01-01A	EA CATCH-DOOR, RING CLIPPING - PLASTIC - WHITE

SLIDING BATH DOOR PULLS AND HARDWARE

KEY PART NUMBER	U/M DESCRIPTION
100433-01-01A	EA PLATE-SLIDING DOOR, METAL - BEIGE
098410-01-01A	EA PULL-FINGER, OVAL - BRASS
100260-01-000	EA HANGER-SLIDING DOOR, 1/16" OFFSET
100260-02-000	EA HANGER-SLIDING DOOR, 3/8" OFFSET
100435-01-01A	EA GUIDE-DOOR, MOUNTED TO DOOR - METAL - BEIGE
064467-01-000	EA GUIDE-POCKET DOOR, WALL MOUNT
100346-01-000	EA BUMPER-DOOR, SLIDING - 1.1" X 1.6" X .9" FROM: 00-00-00 THRU: 04-25-90
057534-04-000	EA TIEBACK-FOLDING DOOR, 20" - CLEAR PLASTIC

FLOOR COVERING & COMPONENTS

KEY PART NUMBER	U/M DESCRIPTION
096060-15-000	SY CARPET-12' ROLL - B03 - BROWN MINK - INCREMENTS OF 4 SY
096060-16-000	SY CARPET-12' ROLL - B04 - PINE MIST - INCREMENTS OF 4 SY
075233-01-000	SY PAD-CARPET, 3/8" X 6" ROLL
L59Y1A-05-B03	EA VINYL FLOORING OPTION
093873-01-02A	EA TRIM-J, CARPET - 1.1" X 1.26" ANGLE - 12' LONG - VINYL - T
085746-04-000	FT TRIM-J, CARPET - 1.2" X .5" ANGLE - 10' LONG - OFF WHITE
076314-02-000	FT TAPE-CARPET SEAM, HEAT-BOND
047034-02-000	SF PLASTIC-CARPET, 4" WIDE - CLEAR POLY

INTERIOR FINISH GROUP (CONTINUED)

FIRE EXTINGUISHER

KEY PART NUMBER	U/M DESCRIPTION
094499-01-000	EA EXTINGUISHER-FIRE, DRY W.MOUNTING BRACKET - 10 BC
094499-01-700	EA BRACKET-MOUNTING, W/PLASTIC STRAP - FIRE EXTINGUISHER

FLOOR MAT

KEY PART NUMBER	U/M DESCRIPTION
007038-01-000	EA MAT-FLOOR, W/WINNEBAGO LOGO - 10.5" X 26" - RUBBER - B

MIRRORS

KEY PART NUMBER	U/M DESCRIPTION
058331-37-000	EA MIRROR-GLASS, SAFETY - 7.7" X 16"
083204-02-000	EA BUTTON-MIRROR RETAINING
093446-03-Y15	EA MIRROR-WOOD FRAMED, 25.7" X 31.6"
058331-08-000	EA MIRROR-GLASS, SAFETY - 24" X 30"
058331-14-000	EA MIRROR-GLASS, SAFETY - 14" X 12.7"
058331-36-000	EA MIRROR-GLASS, SAFETY - 13.2" X 61.8"

PANTRY AND GALLEY HARDWARE

KEY PART NUMBER	U/M DESCRIPTION
093586-03-000	EA CATCH-SPRING, ROLLER
093586-04-000	EA STRIKE-SPRING STEEL
059777-02-000	EA HINGE-CABINET DOOR, BURNISHED BRASS
100030-01-000	EA PULL-CABINET
083204-02-000	EA BUTTON-MIRROR RETAINING
016604-01-000	EA BRACE-CABINET, ANGLED METAL - 2.5"
023320-01-000	EA PAD-FELT, 3/8" DIAMETER - BROWN
016604-03-000	EA BRACE-CABINET ANGLE, 2.5" - BEIGE
081235-01-U01	EA SUPPORT-BASE, DINETTE - 1.5" X 28" - WOOD
004354-01-000	EA BUMPER-CABINET DOOR, RUBBER - BROWN
098980-01-000	EA PILASTER-ADJUSTABLE SHELF
016604-03-000	EA BRACE-CABINET ANGLE, 2.5" - BEIGE
009112-01-000	EA FLANGE-1" ROD, CLOTHES - PLASTIC - OFF WHITE
041953-03-000	FT CONDUIT-CONVOLUTED SLIT, 1" ID (CLOTHES ROD COVER)
042438-01-000	EA DOWEL-WOOD, CLOTHES ROD - 1" DIAMETER X 4"
052369-01-000	FT CORD STRAPPING-1/4" WIDE
072369-48-000	EA MESH-EXPANDED, AL DURATION BRZ
016604-05-000	EA BRACE-U/ANGLED, 2.5" - OFF WHITE
042541-04-700	EA LATCH-W/STRIKE, BRASS
042541-04-700	EA LATCH-CAM, W/STRIKE - (2 SETS) - BRASS
042541-05-000	EA STRIKE-BRASS
094658-01-Y12	EA HANDLE-BUNK, OAK
091261-01-000	FT BACKING-NON SKID, 1" WIDE (100' ROLL)
057205-03-000	EA ANGLE-SUPPORT, 1" X 1.5" X .74" - ALUMINUM - OFF WHITE FROM: 01-07-91 THRU: 99-99-99
093275-01-000	EA BRACE-GAS PROP ROD
068199-02-Y12	EA HINGE-BED, TOP LIFT - METAL - BEIGE
077252-01-000	EA PIN-HINGE
069074-01-000	EA SUPPORT-SPRING, TO FLOOR
069025-01-000	EA SUPPORT-SPRING, TO BED
057480-04-000	EA SPRING-GAS
057460-02-000	EA STUD-BALL, GAS SPRING - 10MM - 5/16" - 18
057460-03-000	EA CLIP-SAFETY, WIREFORM TYPE - GAS SPRING

TABLE OF CONTENTS

INTRODUCTION	A-01
ABBREVIATIONS	A-01
ALPHABETICAL INDEX	A-02 - A-04
WCF23EC	A-05 - D-17
WCF30EU	D-19 - H-22

1991 WCF30EU INDEX

FLOOR PLAN	D-19 - D-20
ACCESSORIES	D-21 - D-24
BATH	E-01 - E-04
BEDROOM	E-05 - E-08
CHASSIS	E-09 - E-14
C C & PAD	E-15 - E-24
DINETTE	F-01 - F-02
DRIVERS	F-03 - F-12
ELECTRICAL	F-13 - F-16
EXTERIOR BODY	F-17 - F-22
GALLEY	F-23 - G-04
HEATING & A/C	G-05 - G-10
INTERIOR FINISH	G-11 - G-15
LABEL	G-16
LP	G-17
LOUNGE	G-18 - G-20
SEALANTS & FASTENERS	G-21 - G-22
WATER & SEWAGE	G-23 - H-01
WINDOW, VENT AND EXTERIOR DOOR	H-03 - H-22

INTERIOR FINISH GROUP (CONTINUED)

PANELING AND LAMINATES

KEY PART NUMBER	U/M	DESCRIPTION
074497-18-000	SF	PANELING-CEILING, 4' X 8' - INCREMENTS OF 32 SF FROM: 00-00-00 THRU: 07-14-90
089351-03-000	YD	VINYL-CEILING, DIAMOND DESIGN - 54" WIDE FROM: 07-15-90 THRU: 99-99-99
074497-10-000	SF	PANELING-WOODGRAIN, 4' X 8' - INCREMENTS OF 32 SF
088272-72-000	SF	PANELING-SHOWER, 4' X 7' - OFF WHITE - INC OF 28 SF
088272-71-000	SF	PANELING-DECORATIVE, PLAIN - 4' X 7' - INC. OF 28 SF
088272-69-000	SF	PANELING-DECORATIVE, W/BLOSSOM - 4' X 7' - INC OF 28
074498-36-000	SF	LAMINATE-PLASTIC, 5' X 8' - RANDOM OFF WHITE INCREMENTS OF 40 SF
076325-23-000	FT	MOLDING-EDGE BAND, 1 5/16" - SOLID OFF WHITE FROM: 00-00-00 THRU: 05-20-90
076325-30-000	FT	MOLDING-EDGE BAND, 1 5/16" - RANDOM OFF WHITE FROM: 05-21-90 THRU: 05-27-90
076325-28-000	FT	MOLDING-EDGE BAND, 1 5/16" - SOLID OFF WHITE FROM: 05-28-90 THRU: 99-99-99
089297-01-000	SF	PLYWOOD-LUAN, OVERLAY GRADE - 4' X 8' - INC OF 32 SF
000868-01-000	SF	STYROFOAM-.75" X 24" X 96" - INCREMENTS OF 16 SF

TV STAND AND GALLEY EXT. HARDWARE

KEY PART NUMBER	U/M	DESCRIPTION
023320-01-000	EA	PAD-FELT, 3/8" DIAMETER - BROWN
084356-04-000	EA	INSERT-TV STAND, BEIGE
084412-01-000	EA	SUPPORT-HINGED
084451-01-000	EA	CATCH-TV SHELF, BRASS
084413-01-000	EA	HINGE-CONTINUOUS, ALUMINUM - 1" X 72" - W/HOLES

SMOKE DETECTOR

KEY PART NUMBER	U/M	DESCRIPTION
072852-01-000	EA	DETECTOR-SMOKE, W/9 VOLT BATTERY

WALL END CAPS, TRIMS AND CHANNELS

KEY PART NUMBER	U/M	DESCRIPTION
078323-08-X14	EA	MOLDING-CAP,WALL 2014
078323-06-X14	EA	MOLDING-CAP,WALL 2020
009778-13-000	FT	U-CHANNEL, 1" - PLASTIC - PECAN
009778-07-000	FT	U-CHANNEL, 1" - PLASTIC - LIGHT OAK
009767-12-000	FT	MOLDING-SIDEWALL TO CEILING/CABINET - WELTING - OFF W
009809-24-000	EA	MOLDING-PLASTIC CORNER, OUTSIDE - 1" - PECAN
016804-03-000	EA	BRACE-CABINET ANGLE, 2.5" - BEIGE
042356-01-000	EA	PLUG-BUTTON, MAHOGANY - 3/8" DIAMETER - WOOD

LABEL & TAG GROUP

KEY PART NUMBER	U/M	DESCRIPTION
090342-01-000	EA	LABEL-VAPOR RELIEF
067207-02-000	EA	LABEL-FUEL CAP REMOVAL
077510-01-000	EA	LABEL-GENERATOR PREP
075221-03-000	EA	LABEL-TRAILER HITCH
075220-01-000	EA	LABEL-WARNING, EXTERIOR LOAD
062043-01-000	EA	LABEL-FUEL, UNLEADED
061417-01-000	EA	LABEL-FUEL
054531-01-000	EA	LABEL-LP GAS ONLY
006183-01-000	EA	LABEL-WASTE WATER
006187-01-000	EA	LABEL-SEWAGE
006019-01-000	EA	TAG-RVI APPROVED, PLASTIC
006040-01-000	EA	TAG-GAS REFUELING WARNING
006062-01-000	EA	TAG-ELECTRIC, 110V CONNECTION

CANADIAN EXPORT (OPT 265)

KEY PART NUMBER	U/M	DESCRIPTION
006040-02-000	EA	TAG-GAS REFUEL WARNING, CANADIAN
091243-01-000	EA	LABEL-A/C COVER

CALIFORNIA CHASSIS (OPT 37P)

KEY PART NUMBER	U/M	DESCRIPTION
062043-01-000	EA	LABEL-FUEL, UNLEADED FROM: 09-11-89 THRU: 01-14-90
074559-01-000	EA	DECAL-LOGO, LPG - RED - (CALIF CODE)
091243-01-000	EA	LABEL-A/C COVER, CEILING
093236-02-000	EA	LABEL-CIRCUIT BREAKER,MAIN FROM: 12-17-89 THRU: 99-99-99
006195-01-000	EA	LABEL-ELECTRICAL TEST
006196-01-000	EA	LABEL-GAS TEST
006197-01-000	EA	LABEL-WATER TEST
050225-01-000	EA	LABEL-WARNING, STOVE VENT - US
061606-01-000	EA	LABEL-OVERLAY, VEHICLE CERTIFICATION - ADHESIVE BACKED
056259-01-000	EA	LABEL-SAFETY CHECK LIST SUNVISOR
098641-01-000	EA	LABEL-FUEL, UNLEADED - DASH

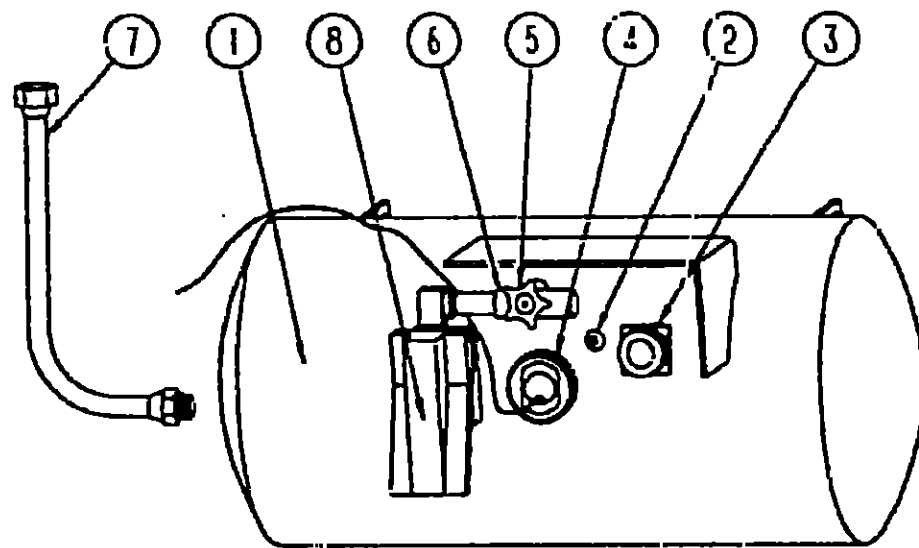
TABLE OF CONTENTS

INTRODUCTION	A-01
ABBREVIATIONS	A-01
ALPHABETICAL INDEX	A-02 - A-04
WCF30EC	A-05 - D-17
WCF30EU	D-19 - H-22

1991 WCF30EU INDEX

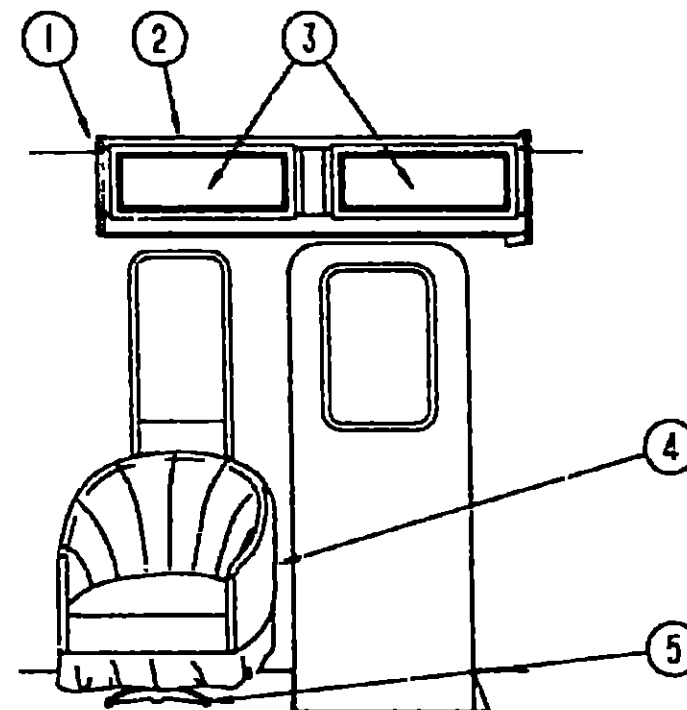
FLOOR PLAN	D-19 - D-20
ACCESSORIES	D-21 - D-24
BATH	E-01 - E-04
BEDROOM	E-05 - E-08
CHASSIS	E-09 - E-14
C C & PAD	E-15 - E-24
DINETTE	F-01 - F-02
DRIVERS	F-03 - F-12
ELECTRICAL	F-13 - F-16
EXTERIOR BODY	F-17 - F-22
GALLEY	F-23 - G-04
HEATING & A/C	G-05 - G-10
INTERIOR FINISH	G-11 - G-15
LABEL	G-16
LP	G-17
LOUNGE	G-18 - G-20
SEALANTS & FASTENERS	G-21 - G-22
WATER & SEWAGE	G-23 - H-02
WINDOW, VENT AND EXTERIOR DOOR	H-03 - H-22

LP GROUP



LP TANK & COMPONENTS

LOUNGE GROUP



OVERHEAD CABINET & COMPONENTS

TABLE OF CONTENTS

INTRODUCTION	A-01
ABBREVIATIONS	A-01
ALPHABETICAL INDEX	A-02 - A-04
WCF23EC	A-05 - D-17
WCF30EU	D-19 - H-22

1991 WCF30EU INDEX

FLOOR PLAN	D-19 - D-20
ACCESSORIES	D-21 - D-24
BATH	E-01 - E-04
BEDROOM	E-05 - E-08
CHASSIS	E-09 - E-14
C C & PAD	E-15 - E-24
DINETTE	F-01 - F-02
DRIVERS	F-03 - F-12
ELECTRICAL	F-13 - F-16
EXTERIOR BODY	F-17 - F-22
GALLEY	F-23 - G-04
HEATING & A/C	G-05 - G-10
INTERIOR FINISH	G-11 - G-15
LABEL	G-16
LP	G-17
LOUNGE	G-18 - G-20
SEALANTS & FASTENERS	G-21 - G-22
WATER & SEWAGE	G-23 - H-02
WINDOW, VENT AND EXTERIOR DOOR	H-03 - H-22

KEY PART NUMBER

U/M DESCRIPTION

1	097821-01-000	EA TANK-LP, 60 LB BRUNNER - 14" X 30"
2	040421-01-700	EA GAUGE-LIQUID LEVEL, 20% LP - BRUNNER G-1013
3	040421-01-701	EA VALVE-SHORT LP FILLER W/YELLOW CAP - BRUNNER 75478
3	040421-01-702	EA CAP-LP FILLER VALVE, PLASTIC - YELLOW - BRUNNER G-1014-A
3	040421-01-711	EA VALVE-80% W/FLOAT, PLATE, BOLTS & GASKET - BRUNNER
4	040421-01-707	EA GAUGE-FLOAT W/VISIBLE DIAL - BRUNNER MA-9 6244-4
4	040440-01-000	EA TRANSMITTER-DIAL, 90 OHM
4	040421-01-706	EA DIAL-LP TANK VOLUME, VISIBLE FACE (5-1789) BRUNNER MA-8 ROCHESTER
5	040421-01-708	EA HANDWHEEL-VAPOR RELIEF VALVE, BRUNNER G-1015-A
6	040421-01-703	EA VALVE-VAPOR RELIEF SERVICE W/HANDWHEEL (REGO9106CO) BRUNNER G-1015
7	045703-01-000	EA HOSE-LP, 3/8" ID X 24" US - 3/8 MPT X 1/2" F SWIVEL
8	065318-02-000	EA ELBOW-90 DEGREE, 3/8" MPT TO 3/8" FPT
8	076301-01-000	EA REGULATOR-LPG, TWO STAGE
8	081938-01-000	EA COVER-COMPARTMENT - LP REGULATOR - BLACK
8	045703-02-000	EA HOSE-LP, 3/8" ID X 24" - 3/8" MPT X 1/2" F SWIVEL - CANA
8	010377-01-000	EA NUT-3/8" F - BRASS
8	016188-03-000	EA GROMMET-GASLINE, FLOOR - 3/8" HOLE X 2 1/8" DIAMETER
8	010497-05-000	EA CLAMP-CLOSED, .50" ID
8	075148-02-000	EA CLAMP-GROUNDING, BRONZE SCREWS
8	008390-01-000	EA GROMMET-RUBBER, 5/8" HOLE X 1 1/2" DIAMETER - BLACK
8	010326-01-000	EA ADAPTER-FLARE, W/CONE GASKET
8	065741-01-000	EA GAUGE-DIAPHRAGM PRESSURE - MARSHALLTOWN MFG
8	065742-01-000	EA TEE, .38F X .38F X .25FPT - BRASS
8	071391-02-000	EA NIPPLE-HEX, .25 PIPE
8	008042-01-000	FT TUBING-VINYL, .65" ID
8	010323-01-000	EA ADAPTER-BRASS, 3/8F X 1/2MPT
8	074458-01-000	EA ELBOW-3/8M FL TO 3/8F FL SVL
8	010285-01-000	EA CROSS, 3/8" F X 3/8" F X 3/8" F X 1/2" FPT - BRASS

KEY PART NUMBER

U/M DESCRIPTION

1	081320-18-B03	EA CAP-END, OVERHEAD - FRONT
2	P00408-01-B03	EA CABINET-OVERHEAD, CHAIR/ENTRY DOOR - W/O DOOR OR HARD
3	P00099-21-B03	EA DOOR-OVERHEAD, SWIVEL CHAIR - 10" X 25.2" - W/O HARDW
4	096429-04-B05	EA CHAIR-SWIVEL, W/O BASE, PIPE OR PLATE - B03 - BROWN M FROM: 00-00-00 THRU: 06-10-90
4	096429-04-B06	EA CHAIR-SWIVEL, W/O BASE, PIPE OR PLATE - B04 - PINE MI FROM: 00-00-00 THRU: 06-10-90
4	096429-06-B05	EA CHAIR-SWIVEL, W/O BASE, PIPE OR PLATE - B03 - BROWN M FROM: 06-11-90 THRU: 99-99-99
4	096429-06-B06	EA CHAIR-SWIVEL, W/O BASE, PIPE OR PLATE - B04 - PINE MI FROM: 06-11-90 THRU: 99-99-99
5	088245-01-000	EA BASE-SWIVEL CHAIR W/LEGS
5	007221-01-000	EA SPACER-SEAT, ADJUSTER - 4 USED ON SWIVEL CHAIR
5	088245-03-000	EA PLATE-TOP, SWIVEL W/O TILT - W/LOCK
5	088245-06-000	EA EXTENSION-BASE TO TOP PLATE, 7" LONG FROM: 00-00-00 THRU: 06-10-90
5	088245-07-000	EA EXTENSION-BASE TO TOP PLATE, 6" LONG FROM: 06-11-90 THRU: 99-99-99
5	069246-06-000	EA ADJUSTER-SWIVEL CHAIR, MANUAL - FORWARD & BACK FROM: 06-11-90 THRU: 99-99-99
5	069246-07-000	EA ADJUSTER-SWIVEL CHAIR, W/LOCKING ARM - FORWARD & BACK FROM: 06-11-90 THRU: 99-99-99

SEAT BELT

KEY PART NUMBER

U/M DESCRIPTION

007021-01-000	EA BELT-SEAT, 2" X 90" - BLACK
069705-02-000	EA BAR-SEAT BELT, 2.5" X 12.75"

LOUNGE GROUP (CONTINUED)

DRIVER SIDE CABINETS

KEY PART NUMBER	U/M	DESCRIPTION
P00410-01-B03	EA	CABINET-OVERHEAD, COUCH - W O DOORS OR HARDWARE
094590-01-B03	EA	CAP-END CABINET - FRONT
P00099-26-B03	EA	DOOR-CABINET, OVERHEAD DINETTE, BEDROOM, COUCH - 12" X W/O HARDWARE
101568-03-000	EA	BRACKET-ARM, COUCH - FRONT
101568-01-000	EA	BRACKET-ARM, COUCH - FRONT
101085-08-000	EA	FRAME-ARM BRACKET, REAR
101568-04-000	EA	BRACKET-ARM, COUCH - REAR
101568-02-000	EA	BRACKET-ARM, COUCH - REAR
01085-04-000	EA	FRAME-SEAT, 74.75"
082525-01-000	EA	BRACE-COUCH, FLOOR MOUNT - 4 REQUIRED
083125-05-000	EA	BRACE-ANGLE, COUCH - 2.5" - BEIGE - 4 REQUIRED
101085-06-000	EA	FRAME-BASE, 74.75"
081922-01-000	EA	FRAME-COUCH, W/MECHANISM - FRONT END FROM: 00-00-00 THRU: 04-01-90
081922-02-000	EA	FRAME-COUCH, W/MECHANISM - REAR END FROM: 00-00-00 THRU: 04-01-90
081922-03-000	EA	BAR-SPACER, PRESTO BED - 2 REQUIRED FROM: 00-00-00 THRU: 04-01-90
061922-04-000	EA	HARDWARE KIT-COUCH, 2 REQUIRED FROM: 00-00-00 THRU: 04-01-90

LOUNGE GROUP (CONTINUED)

DRIVER SIDE LOUNGE COUCH CABINET & COMPONENTS

KEY PART NUMBER	U/M	DESCRIPTION
M04187-01-B03	EA	CABINET-COUCH, FRONT END - FABRIC COVERED - B03-BROWN
M04187-01-B04	EA	CABINET-COUCH, FRONT END - FABRIC COVERED - B04-PINE
M04187-02-B03	EA	CABINET-COUCH, REAR END - FABRIC COVERED - B03-BROWN
M04187-02-B04	EA	CABINET-COUCH, REAR END - FABRIC COVERED - B04-PINE M
M04187-03-B03	EA	CABINET-COUCH, FACE - FABRIC COVERED - B03 - BROWN MI
M04187-03-B04	EA	CABINET-COUCH, FACE - FABRIC COVERED - B04 - PINE MIS
016604-03-000	EA	BRACE-CABINET ANGLE, 2.5" - BEIGE

SEAT BELT

KEY PART NUMBER	U/M	DESCRIPTION
056271-02-000	EA	BELT-SEAT, 2" X 72" - BLACK

TABLE OF CONTENTS

INTRODUCTION	A-01
ABBREVIATIONS	A-01
ALPHABETICAL INDEX	A-02 - A-04
WCF23EC	A-05 - D-17
WCF30EU	D-19 - H-22

1991 WCF30EU INDEX

FLOOR PLAN	D-19 - D-20
ACCESSORIES	D-21 - D-24
BATH	E-01 - E-04
BEDROOM	E-05 - E-08
CHASSIS	E-09 - E-14
C C & PAD	E-15 - E-24
DINETTE	F-01 - F-02
DRIVERS	F-03 - F-12
ELECTRICAL	F-13 - F-16
EXTERIOR BODY	F-17 - F-22
GALLEY	F-23 - G-04
HEATING & A/C	G-05 - G-10
INTERIOR FINISH	G-11 - G-15
LABEL	G-16
LP	G-17
LOUNGE	G-19 - G-20
SEALANTS & FASTENERS	G-21 - G-22
WATER & SEWAGE	G-23 - H-02
WINDOW, VENT AND EXTERIOR DOOR	H-03 - H-22

SEALANTS & FASTENERS GROUP

SEALANTS & FASTENERS GROUP (CONTINUED)

TABLE OF CONTENTS

INTRODUCTION	A-01
ABBREVIATIONS	A-01
ALPHABETICAL INDEX	A-02 - A-04
WCF23EC	A-05 - D-17
WCF30EU	D-19 - H-22

1991 WCF30EU INDEX

FLOOR PLAN	D-19 - D-20
ACCESSORIES	D-21 - D-24
BATH	E-01 - E-04
BEDROOM	E-05 - E-08
CHASSIS	E-09 - E-14
C C & PAD	E-15 - E-24
DINETTE	F-01 - F-02
DRIVERS	F-03 - F-12
ELECTRICAL	F-13 - F-16
EXTERIOR BODY	F-17 - F-22
GALLEY	F-23 - G-04
HEATING & A/C	G-05 - G-10
INTERIOR FINISH	G-11 - G-15
LABEL	G-16
LP	G-17
LOUNGE	G-18 - G-20
SEALANTS & FASTENERS	G-21 - G-22
WATER & SEWAGE	G-23 - H-02
WINDOW, VENT AND EXTERIOR DOOR	H-03 - H-22

KEY PART NUMBER	U/M	DESCRIPTION
000E14-05-006	EA	NUT-HEX, 5/16-18 - ZN 5
056134-02-000	EA	HOLDER-RING, 1.5" ID PIPE SIZE - STEEL
010497-05-000	EA	CLAMP-CLOSED, 1/2" ID
075145-02-000	EA	CLAMP-GROUNDING, BRONZE SCREWS
010495-01-000	EA	CLAMP-CABLE, 9/16"
062401-02-000	EA	CLAMP-HOSE, WORMGEAR, 1.55" - 2.5"
062401-03-000	EA	CLAMP-HOSE WORMGEAR, 2.2" - 1"
062401-04-000	EA	CLAMP-HOSE, WORMGEAR .69" - 1.25"
062401-05-000	EA	CLAMP-HOSE, WORMGEAR 2" - 3"
062401-06-000	EA	CLAMP-HOSE, WORMGEAR 2.2" - .62"
062401-07-000	EA	CLAMP-HOSE, WORMGEAR 5" - 7"
062401-08-000	EA	CLAMP-HOSE, WORMGEAR 4.06" - 5.0"
062401-09-000	EA	CLAMP-HOSE, WORMGEAR 2.8" - 3.75"
062401-10-000	EA	CLAMP-HOSE, WORMGEAR 1.06" - 2"
003401-01-000	EA	STRAP-CONDUIT-3/4", 1 HOLE, GALVANIZED STEEL
010497-01-000	EA	CLAMP-CLOSED, 5/8" ID
010497-03-000	EA	CLAMP-CLOSED, 1 ID, CUSHIONED
010499-01-000	EA	CLAMP-CLOSED, 3/8" ID
044364-02-000	EA	NUT-SPEED, FLAT - ROUND
000D39-04-003	EA	NUT-HEX, SER FLG LK 1/4 - 20 ZN
077071-01-000	EA	WASHER-FENDER, 3/16" ID X 1" OD
000D39-03-008	EA	NUT-HEX, SER FLG LK - 1/2-13 ZN
044364-02-000	EA	NUT-SPEED, FLAT - ROUND
000D39-08-008	EA	NUT-HEX, SER FLG LK - 1/2-13 ZN
051387-06-000	EA	BOLT-CARRIAGE, W/O HOLE - 5/16-18 X 9.5 ZN
000D24-10-008	EA	NUT-HEX, SF LK - 10-32 ZN
000D15-05-008	EA	NUT-HEX, 3/8-24 - ZN - 5
016604-01-000	EA	BRACE-CABINET, ANGLED METAL - 2.5"
000C12-08-24B	EA	BOLT-HEX, 1/2"-13 X 1 1/2" - ZN 5
000C12-05-16B	EA	BOLT-HEX, 5/16-18 X 1 - ZINC 5
000C18-06-48B	EA	BOLT-ELEV, 3/8-16 X 3 ZN - GDE 5
000C13-07-48B	EA	BOLT-HEX, 7/16 - 20 X 3 - ZN 5
000D39-06-008	EA	NUT-HEX, SER FLG LK - 3/8-16 ZN
000D44-07-008	EA	NUT-HEX, SER FLG LK - 7/16-20 ZN
072893-01-000	EA	NUTSET, T-M5X0.8
077955-01-000	EA	J CLIP-VINYL COATED, 3/8" USED IN WIRING TO CLEARANCE LIGHTS
000E13-14-008	EA	WASHER-FL, 1/4" WIDE ZN
000E13-11-008	EA	WASHER-FL, 3/16" WIDE ZN
053766-02-000	EA	BEDDING COMPOUND-TUBE, WHITE
076322-03-000	FT	TAPE-FOAM, DOUBLE COATED - .045" X .5"
076322-04-000	FT	TAPE-FOAM, DOUBLE COATED - .045" X .75"
053766-07-000	EA	BEDDING COMPOUND-TUBE, BEIGE
000H16-04-06R	EA	RIVET-POP, AL 1/8 X .313-.375
004020-01-000	OT	ADHESIVE-ABS CEMENT
039518-01-000	EA	SILICONE-300 ML TUBE, BLACK
069640-06-000	FT	SEALER-RIBBON, 5/16" DIAMETER - INCREMENTS OF 25'
005081-01-000	EA	NUT-SPEED, C TYPE - NO 8 SCREW
034552-04-000	EA	SILICONE-TUBE, 300 ML - BEIGE
069640-02-000	FT	SEALER-RIBBON, 1/2" X 1/8" - INCREMENTS OF 30'
069640-05-000	FT	SEALER-RIBBON, 2 1/2" X 3/32" - INCREMENTS OF 30'
009200-01-000	EA	TAPE-FURNACE, 1 1/2"
069640-09-000	FT	SEALER-RIBBON, 1/32" X 2 1/2"
091255-03-000	FT	SEAL-FOAM, 1/4 X 3/16 ROLL
004363-01-000	FT	TAPE-ADHESIVE FOAM, 1 SIDE - 3/16" X 1/2" - GRAY
034552-02-000	EA	SILICONE-TUBE, 300 ML - CLEAR
077967-01-000	EA	SEALANT-ACRYLIC, TUBE - WHITE
069640-03-000	FT	SEALER-RIBBON, 3/4" X 1/8" - INCREMENTS OF 60'
069640-07-000	FT	SEALER-RIBBON, 2" X 3/32" - INCREMENTS OF 30'
008343-01-000	EA	TIE-WIRE, 5"
091255-03-000	FT	SEAL-FOAM, 1/4 X 3/16 ROLL
000C12-10-24B	EA	BOLT-HEX, 5/8-11 X 1 1/2 ZN - 5

KEY PART NUMBER	U/M	DESCRIPTION
049465-01-000	EA	SCREW, 10-16 W/WASHER PTH - DARK BROWN
000G39-06-16T	EA	SCREW-SF, DR, 6-20 X 1 PPH - BLACK
037721-01-000	EA	SCREW-FLAT HEAD, TAPPING - 1/4 X 1 1/4 LG ZN
000G11-08-12B	EA	SCREW, 8-18 X 3/4 PPH ZN
000G32-08-24B	EA	SCREW-SF, DR, 8-18 X 1 1/2 PPH ZN
000G67-10-12D	EA	SCREW-10-12X.75 PPH TAN
000G67-10-24B	EA	SCREW, 10-12 X 1 1/2 PPH - ZN
000G39-08-12T	EA	SCREW-SF DR, 8-18 X 3/4 PPH - BLACK
000G67-10-10R	EA	SCREW, 10-12 X 5/8 PPH - TYPE A - BEIGE
069640-02-000	FT	SEALER-RIBBON, 1/2" X 1/8" - INCREMENTS OF 30'
000G39-10-12D	EA	SCREW-SF, DR, 10-16 X 3/4 PPH - BLACK
000G50-04-12B	EA	SCREW-MACH, 1/4-20 X 3/4 PPH ZN
000G11-08-08B	EA	SCREW, 8-18 X 1/2 PPH ZN
000G19-10-12B	EA	SCREW-MACH, 10-32 TPI X .75
000G39-08-32B	EA	SCREW-SF, DR, 8-18 X 2 PPH - ZINC
000G27-10-16D	EA	SCREW-MACH, 10-32 X 1 POH - BLACK
000G39-08-03X	EA	SCREW-SF, DR, 8-18 X 1/2 PPH - GRAY
000G11-08-12D	EA	SCREW, 8-18 X 3/4 PPH - BLACK
000G35-08-16D	EA	SCREW, 8-32 X 1 POH - TYPE 23 - BLACK
000G67-10-12P	EA	SCREW, 10-12 X .75 PPH - DARK BROWN
075908-01-000	EA	SCREW-MACH-10-32X.56PTH(SEMS)
000G39-08-16B	EA	SCREW-SF, DR, 8-15 X 1 PPH ZN
000G12-08-28R	EA	SCREW, 8-18 X 1 3/4 POH - BEIGE
000G11-08-12R	EA	SCREW, 8-18 X 3/4 PPH - BEIGE
000G11-08-12T	EA	SCREW, 8-18 X 3/4 PPH - BLACK
000G39-06-10T	EA	SCREW-SF, DR, 6-20 X 5/8 PPH - BLACK
000G11-08-12R	EA	SCREW, 8-18 X 3/4 PPH - BEIGE
000G11-10-16B	EA	SCREW, 10-16 X 1 - PPH ZN
000G12-08-28R	EA	SCREW, 8-18 X 1 3/4 POH - BEIGE
000G13-05-08B	EA	SCREW, 6-20 X 1/2 PPH ZN
000G39-10-10R	EA	SCREW-SF, DR, 10-16 X 5/8 PPH - BEIGE
000G11-10-12X	EA	SCREW-10-16X.75 PPH GRAY
000G39-10-12R	EA	SCREW-SF, DR, 10-16 X 3/4 PPH - BEIGE
000G67-10-08B	EA	SCREW, 10-12 X 1/2 PPH ZN
000G67-10-12E	EA	SCREW, 10-12 X 3/4 PPH CHROME
000G67-10-16B	EA	SCREW, 10-12 X 1 PPH - ZN
000G67-10-16P	EA	SCREW, 10-12 X 1 PPH - DARK BROWN
000G13-05-10G	EA	SCREW, 6-20 X 5/8 PPH - ANTIQUE BRASS
000G11-08-08T	EA	SCREW, 8-18 X 1/2 PPH
000G13-07-12B	EA	SCREW, 7-19 X 3/4 PPH ZN
000G29-08-16E	EA	SCREW-SF, DR, 8-18 X 1 PPH CHROME
000G39-08-16T	EA	SCREW-SF, DR, 8-18 X 1 PPH - BLACK
000G50-04-12B	EA	SCREW-MACH, 1/4-20 X 3/4 PPH ZN
000G68-06-10G	EA	SCREW, 6-18 X 5/8 POH - ANTIQUE BRASS
000G11-06-10J	EA	SCREW, 6-20 X 5/8 PPH - BRASS
000G39-08-08B	EA	SCREW-SF, DR, 8-18 X 1/2 PPH ZN
000G39-08-06R	EA	SCREW-SF, DR, 8-18X1/2 PPH
000G39-06-12B	EA	SCREW-SF, DR, 8-18 X 3/4 PPH ZN
000G39-10-12D	EA	SCREW-SF, DR, 10-16 X 3/4 PPH - BLACK
000G39-10-12R	EA	SCREW-SF, DR, 10-16 X 3/4 PPH - BEIGE
000G67-10-08R	EA	SCREW, 10-12 X 1/2 PPH - BEIGE - TYPE A
000G67-10-10R	EA	SCREW, 10-12 X 5/8 PPH - TYPE A - BEIGE
000G67-10-10B	EA	SCREW, 10-12 X 5/8 PPH ZN - TYPE A
000G67-10-20D	EA	SCREW, 10-12 X 1 1/4 PPH - BLACK
000G67-10-12B	EA	SCREW, 10-12 X 3/4 - PPH ZN
049465-04-000	EA	SCREW, 10-16 X 1 PTH W/WASHER - BEIGE
000G67-10-16B	EA	SCREW, 10-12 X 1 PPH - ZN
000G11-08-12B	EA	SCREW, 8-18 X 3/4 PPH ZN

WATER & SEWAGE GROUP GROUP

WATER HEATER

KEY PART NUMBER	U/M	DESCRIPTION
051391-03-000	EA	HEATER-WATER, W/ELECTRIC IGNITION - ATWOOD G6A-3E
051391-01-700	EA	HINGE KIT-W/CLIP, ATWOOD # 92568 & 92559
051393-03-700	EA	TANK-INNER (G6A-3E), REAR MT - ATWOOD# 91409
051391-01-704	EA	VALVE-RELIEF, 1/2" FITTING - ATWOOD# 91604
051391-01-705	EA	FASTENER-CAMLOC, ATWOOD# 92609
051391-01-706	EA	GRILLE-EXHAUST, 3E ONLY - ATWOOD #92787
051391-01-708	EA	BURNER-MAIN, 3E ONLY - ATWOOD# 92615
051391-01-710	EA	ORIFICE-MAIN BURNER, ATWOOD# 92742
051391-04-701	EA	THERMOSTAT 12 VDC-120 PRESET, FRONT MOUNT ONLY
051391-01-715	EA	DRAIN PLUG, ATWOOD# 91561
051391-04-700	EA	TANK-INNER (G6A-3E), FRONT MT - ATWOOD# 91609
051393-01-704	EA	CIRCUIT BOARD-W/SLACK BOX, ATWOOD# 91420
051393-01-702	EA	SWITCH-ENERGY CUT-OFF, ATWOOD# 91951
051393-01-701	EA	SWITCH PACKAGE-ATWOOD# 91959
051393-01-703	EA	THERMOSTAT-REAR MOUNT, ATWOOD# 91952
051393-01-721	EA	ECO & THERMOSTAT ASM-FRONT MOUNT, 140 DEGREE
051393-01-716	EA	SPARK & PROBE ASM, ATWOOD# 91606
051393-01-718	EA	VALVE-DUAL SOLENOID, ATWOOD# 91605
051393-01-705	EA	ORIFICE HOLDER-ATWOOD# 91925
097967-01-000	EA	SWITCH-WATER HEATER, ATWOOD 91959
052009-02-000	EA	DOOR-WATER HEATER, ATWOOD #578-27 - BEIGE

WATER HEATER BYPASS VALVE OPTION L53J

KEY PART NUMBER	U/M	DESCRIPTION
039800-01-000	FT	TUBING-POLYBUTYL, 1/2" OD - INCREMENTS OF 20' - BLACK
052952-01-000	EA	NUT-PLASTIC, 1/2" F X 1/2" TUBE - PLASTIC - GRAY
052956-01-000	EA	TEE-1/2" F X 1/2" MPT X 1/2" F - PLASTIC
052957-02-000	EA	ELBOW-MALE, 1/2" F X 1/2" MPT - PLASTIC - GRAY
099729-01-000	EA	BYPASS KIT-WATER HEATER
052955-01-000	EA	TEE-WATER, 1/2" F X 1/2" F X 1/2" MPT - PLASTIC - GRAY

REAR HEATER & WATER HEATER W/MOTOR AID - DOUBLE BED L611

KEY PART NUMBER	U/M	DESCRIPTION
051393-01-000	EA	WATER HEATER-W/MOTOR AID, PILOTLESS IGNITION ATWOOD GH6-4E OR GH6-6E
051393-01-701	EA	SWITCH PACKAGE-ATWOOD# 91959
051393-01-702	EA	SWITCH-ENERGY CUT-OFF, ATWOOD# 91951
051393-01-704	EA	CIRCUIT BOARD-W/BLACK BOX, ATWOOD# 91420
051393-01-705	EA	ORIFICE HOLDER-ATWOOD# 91925
051393-01-716	EA	PROBE & SPARK ASM, ATWOOD# 91606
051393-01-718	EA	VALVE-DUAL SOLENOID, ATWOOD# 91605
051393-01-714	EA	TANK-INNER (GH6-3E), REAR MOUNT - ATWOOD# 91408
051393-01-716	EA	SPARK & PROBE ASM, ATWOOD# 91606
051393-01-721	EA	ECO & THERMOSTAT ASM-FRONT MOUNT, 140 DEGREE - ATWOOD
051391-01-700	EA	HINGE KIT-W/CLIP, ATWOOD # 92568 & 92559
051391-01-704	EA	VALVE-RELIEF, 1/2" FITTING - ATWOOD# 91604
051391-01-705	EA	FASTENER-CAMLOC, ATWOOD# 92609
051391-04-703	EA	BURNER-MAIN, ATWOOD# 91638 - 4E AND 6E
051391-01-710	EA	ORIFICE-MAIN BURNER, ATWOOD# 92742
051391-04-701	EA	THERMOSTAT 12 VDC-120 PRESET, ATWOOD# 91470 - FRONT MOUNT ONLY
051391-01-715	EA	DRAIN PLUG, ATWOOD# 91561
051391-04-704	EA	TANK-INNER (FRONT-MT), GH6-4E&6E - ATWOOD# 91642
051391-04-707	EA	KIT-GRILLE, FLUE, & GASKET - ATWOOD# 90960
062401-04-000	EA	CLAMP-HOSE, WORMGEAR .69"- 1.25"
007108-01-000	FT	HOSE-HEATER, 5/8" ID
079059-01-000	EA	HOSE-90 DEGREE, 5/8" ID X 4" X 36"
010227-01-000	EA	TEE-PLASTIC, BARB 5/8" OR 3/4" HOSE
009042-01-000	FT	TUBING-VINYL, .65" ID
061673-01-000	EA	BRACKET-MOTOR AID TUBES, 4" X 1.5" - STEEL
071015-13-000	EA	GROMMET-5/8" ID, FITS .09" MATERIAL, RUBBER
062401-04-000	EA	CLAMP-HOSE, WORMGEAR .69"- 1.25"
099753-01-000	FT	TUBE-ALUMINIZED STEEL, 5/8" - 18 GAUGE

WATER & SEWAGE GROUP (CONTINUED)

FRESH WATER TANK

KEY PART NUMBER	U/M	DESCRIPTION
039861-01-000	EA	SENDING UNIT W/SCREW, WASHER, WELL NUT AND TERMINAL R
007161-01-000	EA	CLAMP-HOSE, SPRING TYPE - 1/2"
010219-01-000	EA	ELBOW-PLASTIC-1 1/4 MPT X 1 1/4 BARB
010224-01-000	EA	ADAPTER-HOSE TO PIPE, 3/8" MPT X 3/8" BARB - PLASTIC
052957-02-000	EA	ELBOW-MALE, 1/2" F X 1/2" MPT - PLASTIC - GRAY
062401-01-000	EA	CLAMP-HOSE, WORMGEAR .25" - 1"
074462-02-000	FT	TUBING-VINYL, 3/8" ID - CLEAR
077954-02-000	EA	FILTER-WATER TANK, SCREEN #1 TANK
079381-01-000	FT	TUBING-SMOOTH FLEXIBLE, 1 1/4" ID
096449-01-000	EA	WIRE ASSEMBLY-TANK, WATER
035416-04-000	EA	TERMINAL-RING #10 STUD FIT, INSULATED BARREL #16/14
097618-01-000	EA	WIRE ASM-MONITOR PANEL, W/4 WIRES & BLACK RESISTOR -
077569-03-000	EA	TANK-WATER, 49 GALLON - 51.5" X 18.5" X 13.5"
042989-03-000	EA	FITTING-WATER TANK, SPINWELD - 1 1/4" NPT - PLASTIC -
042989-04-000	EA	FITTING-WATER TANK, SPINWELD - 3/8" FPT - PLASTIC - W
042989-05-000	EA	FITTING-WATER TANK, SPINWELD - 1/2" FPT - PLASTIC - W
049032-01-000	EA	PATCH-SPINWELD, 3/8" - PLASTIC

WATER SYSTEM

KEY PART NUMBER	U/M	DESCRIPTION
075241-05-000	EA	FAUCET-SHOWER, BONE
011048-02-000	EA	HEAD-SHOWER, W/60" HOSE
011053-04-000	EA	FAUCET-GALLEY, SWING SPOUT 8"
091253-01-000	EA	GASKET-FAUCET, LAVATORY
075240-06-000	EA	FAUCET-LAVATORY, BONE
091253-01-000	EA	GASKET-FAUCET, LAVATORY
036522-02-000	EA	CAP-BRASS, 1/2" FLARE
039800-01-000	FT	TUBING-POLYBUTYL, 1/2" OD - INCREMENTS OF 20' - BLACK
039800-02-000	FT	TUBING-POLYBUTYL, 5/8" OD - INCREMENTS OF 20' - BLACK
052952-01-000	EA	NUT-PLASTIC, 1/2" F X 1/2" TUBE - PLASTIC - GRAY
052953-01-000	EA	NUT-FAUCET, 1/2" TUBE X 1/2" FPT - PLASTIC - GRAY
052954-01-000	EA	ADAPTER-NOSE CONE, 3/8" OR 1/2" TUBING - PLASTIC - GR
010251-01-000	EA	ELBOW-BRASS, 90 DEGREE - 3/8" F X 3/8" MPT
091208-01-000	EA	WASHER-RUBBER, .05" X .75" X .5"
052958-01-000	EA	TEE, 1/2" F X 1/2" F X 1/2" F - PLASTIC - GRAY
052960-01-000	EA	DRAIN VALVE-IN LINE, HEADER - 1/2" F X 1/2" F - GRAY
052960-03-000	EA	DRAIN VALVE-IN LINE, HEADER - 5/8" F X 5/8" F - PLASTIC
055290-01-000	EA	ELBOW-5/8" F X 1/2" MPT
057457-02-000	EA	ELBOW-UNION, 5/8" X 5/8" FL - WATER
057973-01-000	EA	TEE-PLASTIC, 1/2" F X 1/2" F X 5/8" F - WATER
065120-01-000	EA	ELBOW-SWIVEL, 1/2" FPT X 1/2" FLARE - PLASTIC - GRAY
079317-01-000	EA	ADAPTER-SWIVEL, 1/2" TUBE X 1/2" FPT - PLASTIC - GRAY
081240-01-000	EA	DOOR-WATER FILL, LOCKABLE W/FILL - BEIGE
067659-02-000	EA	FILL-CITY WATER, ROUND - BEIGE

WATER PUMPS

KEY PART NUMBER	U/M	DESCRIPTION
098607-01-000	EA	PUMP-WATER, W/5" MPT FITTING - FLOW 2.8 GPM - UL
098607-01-700	EA	PUMPHEAD-REPLACEMENT, SHURFLOW# 94-236-08
098607-01-701	EA	DRIVE ASM, SHURFLOW# 94-234-03
098607-01-702	EA	DIAPHRAGM-KIT, SHURFLOW# 94-233-10
098607-01-703	EA	VALVE ASM, SHURFLOW# 94-232-00
098607-01-704	EA	HOUSING-UPPER, SHURFLOW# 94-231-01
098607-01-705	EA	CHECK VALVE-KIT, SHURFLOW# 94-237-00
098607-01-706	EA	SWITCH ASM-COMplete, SHURFLOW# 94-230-00
098607-01-707	EA	MOTOR BASE PLATE REPLACEMENT, SHURFLOW# 94-234-03

TABLE OF CONTENTS

INTRODUCTION	A-01
ABBREVIATIONS	A-01
ALPHABETICAL INDEX	A-02 - A-04
WCF23EC	A-05 - D-17
WCF30EU	D-19 - H-22

1991 WCF30EU INDEX

FLOOR PLAN	D-19 - D-20
ACCESSORIES	D-21 - D-24
BATH	E-01 - E-04
BEDROOM	E-05 - E-08
CHASSIS	E-09 - E-14
C C & PAD	E-15 - E-24
DINETTE	F-01 - F-02
DRIVERS	F-03 - F-12
ELECTRICAL	F-13 - F-16
EXTERIOR BODY	F-17 - F-22
GALLEY	F-23 - G-04
HEATING & A/C	G-05 - G-10
INTERIOR FINISH	G-11 - G-15
LABEL	G-16
LP	G-17
LOUNGE	G-18 - G-20
SEALANTS & FASTENERS	G-21 - G-22
WATER & SEWAGE	G-23 - H-02
WINDOW, VENT AND EXTERIOR DOOR	H-03 - H-22

WATER & SEWAGE GROUP (CONTINUED)

WASTE WATER HOLDING TANK & COMPONENTS - FOR SHOWER

KEY PART NUMBER	U/M DESCRIPTION
039861-01-000	EA SENDING UNIT W/SCREW, WASHER, WELL NUT AND TERMINAL R
061607-01-000	EA GROMMET-HOLDING TANK, 1 1/2" NPS
076574-01-000	EA TANK-HOLDING, 25 GALLON - 37.2" X 20" X 12.6"
035416-04-000	EA TERMINAL-RING #10 STUD FIT, INSULATED BARREL #16/14
097618-01-000	EA WIRE ASM-MONITOR PANEL, W/4 WIRES & BLACK RESISTOR

WASTE WATER HOLDING TANK & COMPONENTS - FOR SINKS

KEY PART NUMBER	U/M DESCRIPTION
039861-01-000	EA SENDING UNIT W/SCREW, WASHER, WELL NUT AND TERMINAL R
061607-01-000	EA GROMMET-HOLDING TANK, 1 1/2" NPS
081185-01-000	EA TANK-HOLDING, 20 GALLON - 59.25" X 11.4" X 13.8"
035416-04-000	EA TERMINAL-RING #10 STUD FIT, INSULATED BARREL #16/14
097618-01-000	EA WIRE ASM-MONITOR PANEL, W/4 WIRES & BLACK RESISTOR

SEWAGE HOLDING TANK & COMPONENTS

KEY PART NUMBER	U/M DESCRIPTION
039861-01-000	EA SENDING UNIT W/SCREW, WASHER, WELL NUT AND TERMINAL R
061607-01-000	EA GROMMET-HOLDING TANK, 1 1/2" NPS
061607-02-000	EA GROMMET-HOLDING TANK, 3" NPS
08025-01-000	FT WIRE-BONDED 18-5 O.W.Y.B.L.G
081149-01-000	EA TANK-HOLDING, 29 GALLON - 59.25" X 13.4" X 15.5"
035416-04-000	EA TERMINAL-RING #10 STUD FIT, INSULATED BARREL #16/14
097618-01-000	EA WIRE ASM-MONITOR PANEL, W/4 WIRES & BLACK RESISTOR

SHOWER PAN

KEY PART NUMBER	U/M DESCRIPTION
M02429-05-000	EA SHOWER PAN
066436-01-000	EA NUT-SLIP, TAILPIECE - 1.5"
066440-01-000	EA STRAINER W/RUBBER WASHER
066729-01-000	EA STRAINER-TUB/SHOWER DRAIN
069640-06-000	FT SEALER-RIBBON, 5/16" DIAMETER - INCREMENTS OF 25"
057671-01-000	EA COVER-SCREW, #8 - PLASTIC - OFF WHITE

TOILET & COMPONENTS

KEY PART NUMBER	U/M DESCRIPTION
024676-01-000	EA FLANGE-CLOSET, TOILET - 4" X 3" - RED
067497-01-000	EA TOILET-LOW, AQUA MAGIC IV - THETFORD 150110
067487-01-700	EA C.L.F.L. SEAL & BOLT PACKAGE - AQUA MAGIC 08975
063740-01-710	EA LINK, THETFORD 12513
063740-01-711	EA SPRING-RETURN LEVER, THETFORD 12522
063740-01-705	EA SEAT-IVORY, W/O COVER - THETFORD 12447
063740-01-700	EA LEVER-WATER, THETFORD 12514
063740-01-713	EA SEAL-BALL VALVE TO BOWL, THETFORD 12502
063740-01-714	EA VALVE ASM-WATER, THETFORD 12492
063740-01-707	EA SEAL-CLOSET FLANGE, THETFORD 02125
063740-01-706	EA BOLT PACKAGE-CLOSET, THETFORD 12524
067487-01-701	EA WATER SAVER PACKAGE-THETFORD 08993
067487-01-702	EA CLAMP-THETFORD 03752

DRAINAGE VALVES & HOSE

KEY PART NUMBER	U/M DESCRIPTION
062415-01-000	EA CAP-SEWER, 3" DIAMETER
062415-01-700	EA STRING, SEWER CAP
062421-01-000	EA VALVE-1 1/2", W/HANDLE- ABS -BLACK
082696-01-000	EA VALVE-WASTE, DRAINAGE - 3"
062422-01-000	EA ADAPTER-OFFSET REDUCER, 3" X 1 1/2" - PLASTIC - BLACK
068770-01-000	EA STANDOFF-THREADED, 3/8" X 1 1/4"
068771-01-000	EA ROD-THREADED, .25" DIAMETER X 7.25" LONG
010201-01-000	EA HOSE-SEWER, 3" ID X 8'
062416-01-000	EA ADAPTER-SEWER HOSE TO 3" PIPE
078406-01-000	EA COUPLER-RUBBER, W/CLAMPS - 3" X 3"

WATER & SEWAGE GROUP (CONTINUED)

DRAINAGE SYSTEM

KEY PART NUMBER	U/M DESCRIPTION
004020-01-000	QT ADHESIVE-ABS CEMENT, QUART
056134-02-000	EA HOLDER-RING, 1.8" DIAMETER - METAL
071015-08-000	EA GROMMET-1.75"ID, FITS .06" MATERIAL, RUBBER
010006-01-000	EA ELBOW-45 DEG, 1/8 BEND - 1 1/2" HUB X HUB - BLACK PLA
010008-01-000	EA ELBOW-90 DEG, 1/4 BEND - 1 1/2" HUB X HUB - BLACK PLA
010071-01-000	EA TEE-SANITARY, 1 1/2" HUB X HUB X HUB - PLASTIC - BLAC
010073-01-000	EA WYE-45 DEGREE, 1 1/2" HUB X HUB X HUB - PLASTIC - BLA
010079-01-000	EA TEE-SANITARY, 1 1/2"H X 1 1/2"H X 1 1/4"H - PLASTIC -
010115-01-000	EA COUPLING-1 1/2" HUB X HUB, PLASTIC
011066-03-000	EA P-TRAP, 1 1/2" TRAP X 1 1/4" SOCKET - PLASTIC
033761-01-000	EA ELBOW-TURN, 1/4 BEND X 1.5"HUB X 1.5"SPIGOT - BLACK P
083558-01-000	EA VENT-PLUMBING PIPE ROOF, W/COVER - BEIGE
079968-01-000	EA VENT-MECH. TRAP ARM, ANTI-SIPHON - 2" DIA. X 7.3" - P
069640-01-000	FT SEALER-RIBBON, 1/4" DIAMETER - INCREMENTS OF 20"
011069-02-000	EA TAILPIECE-TUB/SHOWER, 1 1/2" X 1 1/4" X 4" - BRASS
011091-02-000	EA PIPE-DRAIN, DOUBLE SINK - BAFFLE TEE - 1 1/2" ONE PIPE W/TEE TO DRAIN BOTH SIDES OF SINK
069735-01-000	EA WASHER-STRAINER TO TAILPIECE PLASTIC, 1.5"
066437-01-000	EA STRAINER-SINK, GALLEY W/BASKET
066437-01-700	EA BASKET-STRAINER, GALLEY SINK
098654-01-000	EA SINK-GALLEY, DOUBLE W/MOUNTING HARDWARE - STAINLESS S
	FROM: 00-00-00 THRU: 12-11-90
102551-01-000	EA SINK-STAINLESS STEEL, DOUBLE - 17" X 25" - US
096927-01-01A	EA SINK-LAVATORY, RECTANGULAR - PLASTIC - BONE
096927-01-700	EA SINK-STOPPER
096927-01-701	EA TAILPIECE-SINK

WATER PUMP - CANADIAN

KEY PART NUMBER	U/M DESCRIPTION
098607-02-000	EA PUMP-WATER, 2.8 GPM - W/1/2" MPT FITTINGS - CANADIAN
098607-01-700	EA PUMPHEAD-REPLACEMENT, SHURFLOW# 94-236-08
098607-01-701	EA DRIVE ASM, SHURFLOW# 94-234-03
098607-01-702	EA DIAPHRAGM-KIT, SHURFLOW# 94-233-10
098607-01-703	EA VALVE ASM, SHURFLOW# 94-232-00
098607-01-704	EA HOUSING-UPPER, SHURFLOW# 94-231-01
098607-01-705	EA CHECK VALVE-KIT, SHURFLOW# 94-237-00
098607-01-706	EA SWITCH ASM-COMPLETE, SHURFLOW# 94-230-00
098607-01-707	EA MOTOR/BASE PLATE REPLACEMENT, SHURFLOW# 94-234-03

DRAINAGE SYSTEM - CANADIAN

KEY PART NUMBER	U/M DESCRIPTION
004020-01-000	QT ADHESIVE-ABS CEMENT, QUART
010006-01-000	EA ELBOW-45 DEG, 1/8 BEND - 1 1/2" HUB X HUB - BLACK PLA
010008-01-000	EA ELBOW-90 DEG, 1/4 BEND - 1 1/2" HUB X HUB - BLACK PLA
010071-01-000	EA TEE-SANITARY, 1 1/2" HUB X HUB X HUB - PLASTIC - BLAC
010073-01-000	EA WYE-45 DEGREE, 1 1/2" HUB X HUB X HUB - PLASTIC - BLA
010079-01-000	EA TEE-SANITARY, 1 1/2"H X 1 1/2"H X 1 1/4"H - PLASTIC -
010115-01-000	EA COUPLING-1 1/2" HUB X HUB, PLASTIC
011066-02-000	EA P TRAP-1 1/4" HUB X SLIP JOINT, W/UNION - ABS - CANAD
033761-01-000	EA ELBOW-TURN, 1/4 BEND X 1.5"HUB X 1.5"SPIGOT - BLACK P
053335-01-000	EA P TRAP-1 1/4" HUB X HUB, W/UNION - CANADIAN
062415-01-000	EA CAP-SEWER, 3" DIAMETER
062415-01-700	EA STRING, SEWER CAP
062421-01-000	EA VALVE-1 1/2", W/HANDLE- ABS -BLACK
062422-01-000	EA ADAPTER-OFFSET REDUCER, 3" X 1 1/2" - PLASTIC - BLACK
079968-01-000	EA VENT-MECH. TRAP ARM, ANTI-SIPHON - 2" DIA. X 7.3" - P
082696-01-000	EA VALVE-WASTE, DRAINAGE - 3"
098654-01-000	EA SINK-GALLEY, DOUBLE W/MOUNTING HARDWARE - STAINLESS S
024676-02-000	EA FLANGE-CLOSET, 4" X 3" - ABS - CANADIAN

WATER SYSTEM - CANADIAN

KEY PART NUMBER	U/M DESCRIPTION
011048-05-000	EA SHOWER HEAD-W/60" HOSE, W/O VACUUM BREAKER - CANADIAN

CONTINUOUS WASTE ASSEMBLY - CANADIAN

KEY PART NUMBER	U/M DESCRIPTION
010071-01-000	EA TEE-SANITARY, 1 1/2" HUB X HUB X HUB - PLASTIC - BLAC
010121-01-000	EA PUSHING-REDUCER, 1 1/2"SMOOTH 1 1/4"HUB - PLASTIC - B
033302-02-000	EA ADAPTER ASM-STRAINER, 1 1/2" - ABS - CANADIAN
037101-02-000	EA ELBOW-PLASTIC, 1/4 BEND VENT 1 1/2"HUB - CANADIAN

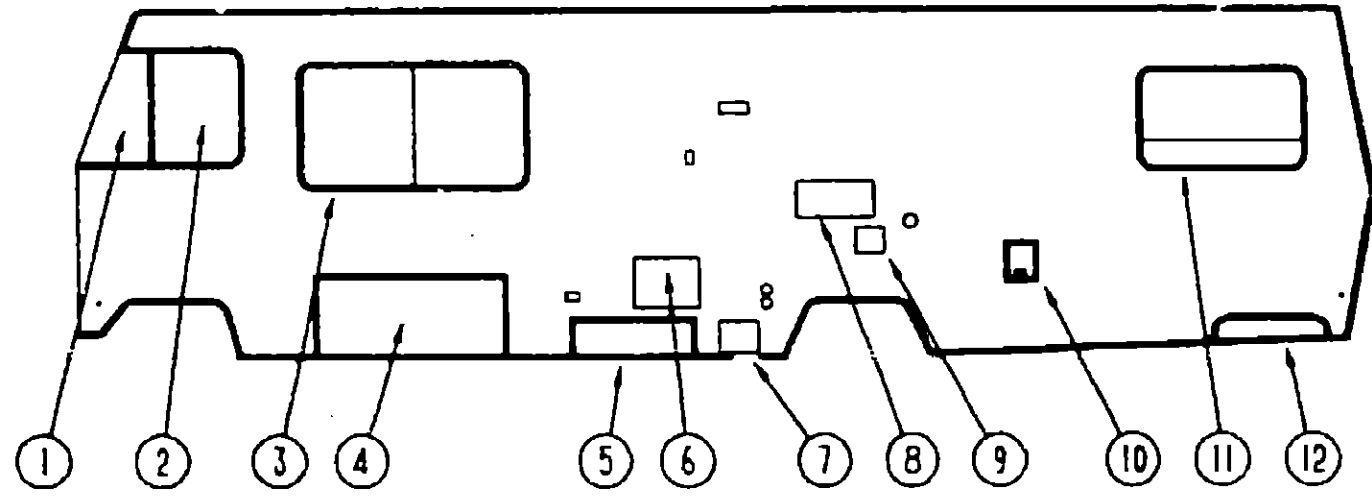
TABLE OF CONTENTS

INTRODUCTION	A-01
ABBREVIATIONS	A-01
ALPHABETICAL INDEX	A-02 - A-04
WCF23EC	A-05 - D-17
WCF30EU	D-19 - H-22

1991 WCF30EU INDEX

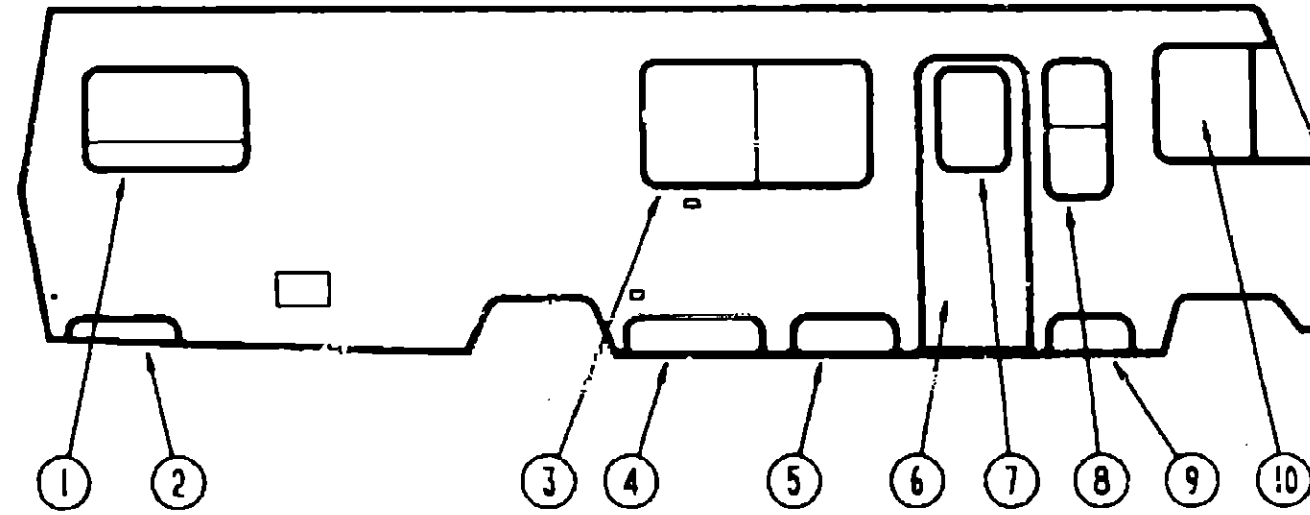
FLOOR PLAN	D-19 - D-20
ACCESSORIES	D-21 - D-24
BATH	E-01 - E-04
BEDROOM	E-05 - E-08
CHASSIS	E-09 - E-14
C C & PAD	E-15 - E-24
DINETTE	F-01 - F-02
DRIVERS	F-03 - F-12
ELECTRICAL	F-13 - F-16
EXTERIOR BODY	F-17 - F-22
GALLEY	F-23 - G-04
HEATING & A/C	G-05 - G-10
INTERIOR FINISH	G-11 - G-15
LABEL	G-16
LP	G-17
LOUNGE	G-18 - G-20
SEALANTS & FASTENERS	G-21 - G-22
WATER & SEWAGE	G-23 - H-02
WINDOW, VENT AND EXTERIOR DOOR	H-03 - H-22

WINDOW, VENT & EXTERIOR DOOR GROUP



DRIVER SIDE WINDOWS & DOORS

WINDOW, VENT & EXTERIOR DOOR GROUP (CONTINUED)



PASSENGER SIDE WINDOWS & DOORS

TABLE OF CONTENTS

INTRODUCTION	A-01
ABBREVIATIONS	A-02
ALPHABETICAL INDEX	A-02 - A-04
WCF23EC	A-05 - D-17
WCF30EU	D-18 - H-22

KEY PART NUMBER	U/M	DESCRIPTION
M82202-02-AAB	EA	DRIVERS DOOR ASM. - W/CRANK UP WINDOW - W/O JAMB FROM: 00-00-00 THRU: 02-14-90
M82202-04-ADB	EA	DRIVERS DOOR ASM. - W/CRANK UP WINDOW - W/O JAMB FROM: 02-15-90 THRU: 99-99-99
1 099932-02-01A	EA	FRAME-INTERIOR, FRONT SLANTED WINDOW - DRIVER - BLACK
1 059933-01-Y12	EA	WINDOW ASM-SLANTED, FRONT - DRIVER
1 057656-13-000	EA	GLASS-WINDOW, 13.6" X 28.11"
1 050216-02-000	FT	SPLINE-GLASS, EXTERIOR - VINYL - .19" - BLACK
2 082057-02-U04	EA	WINDOW-DRIVER, SLANT SLIDER W/O INSIDE FRAME
3 U99647-02-700	EA	WINDOW-SLIDING, SINGLE - 30.5" X 57.5" - EXCEL H112-G
4 087448-15-B03	EA	DOOR-STORAGE, 49.2" X 21.4" - W/KEY LOCKS - BEIGE
5 086553-02-X11	EA	DOOR-GENERATOR, 30.2" WIDE X 9.3" TALL
6 052009-02-000	EA	DOOR-WATER HEATER, ATWOOD 5576-27 - BEIGE
7 088794-02-000	EA	DOOR-POWER CORD, WHATCH - BEIGE
8 088580-01-000	EA	BOX-POWER CORD, PLASTIC
8 084104-01-000	EA	JAMB-DOOR, VENTED REFRIGERATOR - BEIGE
8 084103-01-000	EA	DOOR-REFRIGERATOR, VENTED W/O JAMB - BEIGE
8 084104-01-700	EA	LOCK-MALE, FASTENER - REFRIGERATOR DOOR
8 084104-01-701	EA	LOCK-FEMALE, FASTENER - REFRIGERATOR DOOR
8 081240-02-000	EA	DOOR-WATER FILL, LOCKABLE W/FILL - GRAY
9 052423-02-000	EA	DOOR-SEWER HOSE, 6.6" X 6.2" - PLASTIC - BEIGE
9 052424-02-000	EA	JAMB-DOOR, SEWER HOSE - PLASTIC - BEIGE
10 078010-04-000	EA	DOOR-FUEL FILL W/JAMB - BEIGE
10 078200-01-000	EA	GASKET-DOOR, FUEL FILL - 3.5"OD X 2"ID
10 083578-01-000	EA	BOOT-FUEL FILL
11 092235-07-Y12	EA	WINDOW-TIPOUT, W/O INSIDE FRAME - 24.3" X 40.3"
12 086552-10-X11	EA	DOOR-LOWER, STORAGE 29.7" WIDE X 9" HIGH BACK COMPARTMENT

KEY PART NUMBER	U/M	DESCRIPTION
1 092235-07-Y12	EA	WINDOW-TIPOUT, W/O INSIDE FRAME - 24.3" X 40.3"
2 086552-09-X11	EA	DOOR-STORAGE, 26.8" WIDE - TAPERED - W/KEY LOCK - BEIGE
3 098647-01-705	EA	WINDOW-SLIDING, SINGLE - 30.5" X 57.5" - EXCEL H112-G FROM: 00-00-00 THRU: 11-04-90
3 098647-03-706	EA	WINDOW ASM-W/O INSIDE TRIM, PASS. SIDE FROM: 11-05-90 THRU: 99-99-99
4 086531-04-X11	EA	DOOR-STORAGE, 33.75" WIDE X 9" TALL
5 086517-05-X11	EA	DOOR-COMPARTMENT, LP - W/LATCH - 9" X 24.45" - BEIGE
6 M01870-49-B03	EA	DOOR-ENTRY, W/SCEEN DOOR & JAMB - W/O DECALS
7 079733-07-AA8	EA	WINDOW ASM. - ENTRANCE DOOR - FROSTED GLASS - 17" X 25"
8 098644-02-705	EA	WINDOW W/O INSIDE FRAME, 34.25" X 15" - EXCEL H079-G2
9 086517-06-X11	EA	DOOR-STORAGE, 19.2" X 11.6" - W/KEY LOCKS - BEIGE
10 082057-01-U04	EA	WINDOW ASM. - PASSENGERS SLANT SLIDER - W/O INSIDE FRAME

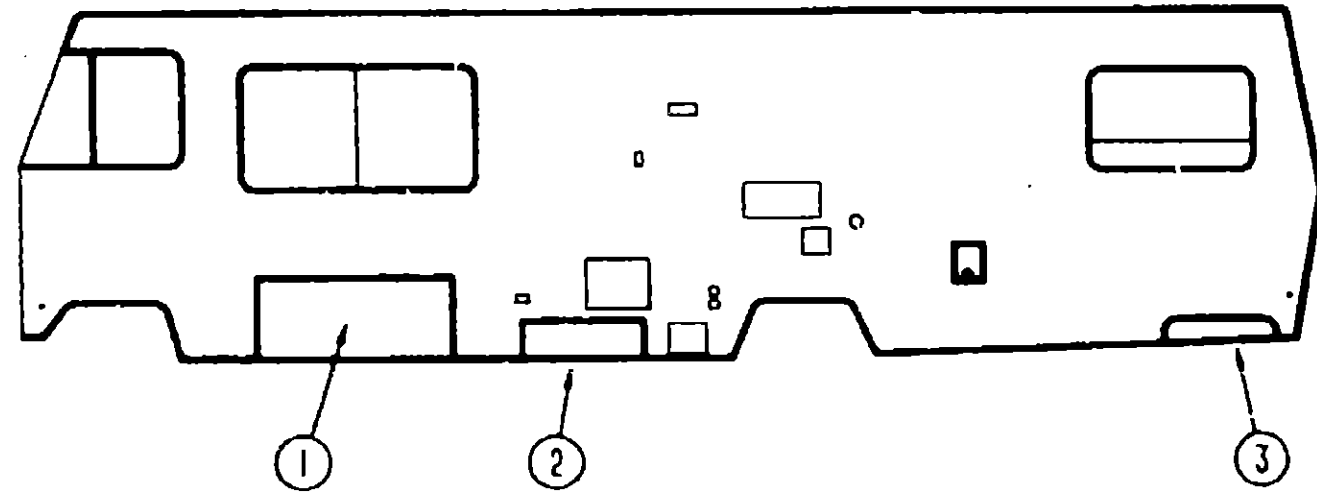
BACKWALL ESCAPE WINDOW

KEY PART NUMBER	U/M	DESCRIPTION
078528-01-T03	EA	WINDOW-ESCAPE, W/O INSIDE FRAME - 22.4" X 47.75"

1991 WCF30EU INDEX

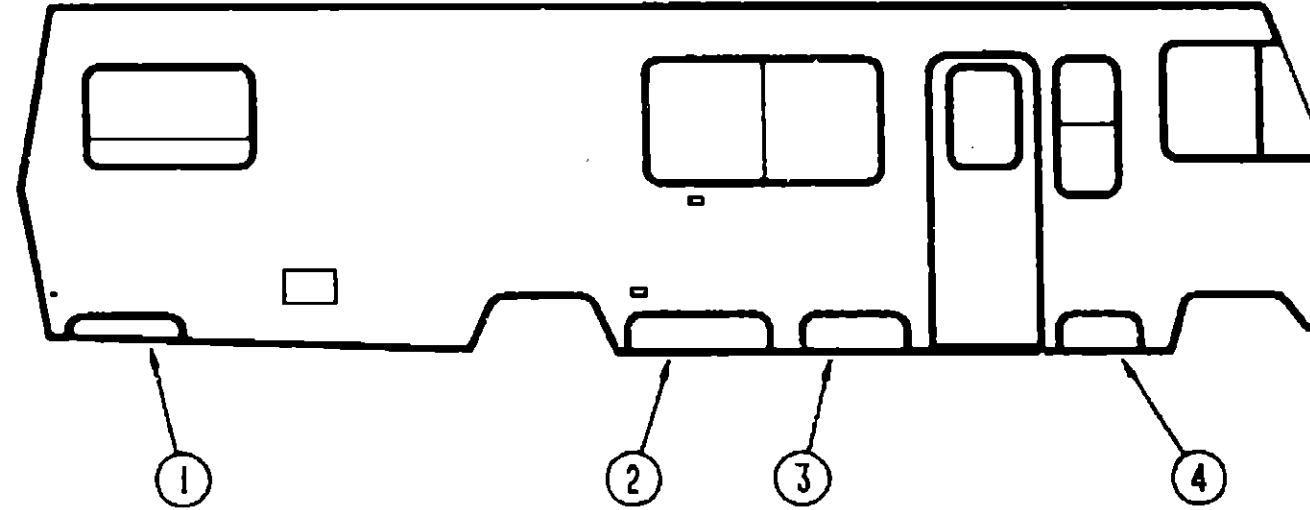
FLOOR PLAN	D-19 - D-20
ACCESSORIES	D-21 - D-24
BATH	E-01 - E-04
BEDROOM	E-05 - E-08
CHASSIS	E-09 - E-14
C/C & PAD	E-15 - E-24
DINETTE	F-01 - F-02
DRIVERS	F-03 - F-12
ELECTRICAL	F-13 - F-16
EXTERIOR BODY	F-17 - F-22
GALLEY	F-23 - G-04
HEATING & A/C	G-05 - G-10
INTERIOR FINISH	G-11 - G-15
LABEL	G-16
LP	G-17
LOUNGE	G-18 - G-20
SEALANTS & FASTENERS	G-21 - G-22
WATER & SEWAGE	G-23 - H-02
WINDOW, VENT AND EXTERIOR DOOR	H-03 - H-22

WINDOW, VENT & EXTERIOR DOOR GROUP (CONTINUED)



DRIVERS SIDE

WINDOW, VENT & EXTERIOR DOOR GROUP (CONTINUED)



PASSENGERS SIDE

TABLE OF CONTENTS

INTRODUCTION	A-01
ABBREVIATIONS	A-01
ALPHABETICAL INDEX	A-02 - A-04
WCF23EC	A-05 - D-17
WCF30EU	D-19 - H-22

KEY PART NUMBER	U/M	DESCRIPTION
1 087448-15-803	EA	DOOR-STORAGE, 49.2" X 21.4" - W/KEY LOCKS - BEIGE
002748-01-000	EA	CORNER KEY-DOOR
081067-02-000	EA	SEAL-LOCK, FLAT W/SLIT - BLACK
081801-01-000	EA	HINGE-DOOR, PIANO - 2" X 96" - BEIGE
085730-01-000	EA	PADDLE LATCH-EXTERIOR DOOR, W/KEY LOCK - PLASTIC - BEIGE
082684-01-700	EA	KEY - PADDLE LATCH-EXTERIOR DOOR
086551-55-003	EA	TRIM-LOWER DOOR, ROCKER PANEL - 16" - BEIGE
086809-01-000	EA	STRIKER-PADDLE LATCH, COMPARTMENT DOOR - BEIGE
086810-02-000	EA	BRACKET-LOCK, 1.1" X 3.19" X 2.72" - PRIMED
086985-07-000	EA	LINER-DOOR, ACCESS BEIGE
2 086553-02-X11	EA	DOOR-GENERATOR, 30.2" WIDE X 9.3" TALL
076767-05-000	EA	CABLE-STORAGE DOOR SUPPORT, 1/16" X 15.5" - STAINLESS
3 086552-10-X11	EA	DOOR-LOWER, STORAGE 29.7" WIDE X 9" TALL
064075-07-000	FT	SEAL-BULB, DOOR JAMB - BLACK
079366-03-000	EA	LOCK-DOOR, KEY TYPE - W/O KEYS - 2.10 OFF SET
082684-01-700	EA	KEY - DOOR-LOWER, STORAGE
081801-01-000	EA	HINGE-DOOR, PIANO - 2" X 96" - BEIGE
084491-51-001	EA	PANEL-ROCKER, EXTRUDED - COMPARTMENT DOORS - 16"

KEY PART NUMBER	U/M	DESCRIPTION
1 086552-09-X11	EA	DOOR-STORAGE, 26.8" WIDE - TAPERED - W/KEY LOCK - BEIGE
002748-01-000	EA	CORNER KEY-DOOR
064075-07-000	FT	SEAL-BULB, DOOR JAMB - BLACK
079366-03-000	EA	LOCK-DOOR, KEY TYPE - W/O KEYS - 2.10 OFF SET
082684-01-700	EA	KEY - DOOR-STORAGE
081801-01-000	EA	HINGE-DOOR, PIANO - 2" X 96" - BEIGE
084491-51-001	EA	PANEL-ROCKER, EXTRUDED - COMPARTMENT DOORS - 16"
2 086531-04-X11	EA	DOOR-STORAGE, 33.75" WIDE X 9" TALL
002748-01-000	EA	CORNER KEY-DOOR
076767-05-000	EA	CABLE-STORAGE DOOR SUPPORT, 1/16" X 15.5" - STAINLESS
085730-01-000	EA	PADDLE LATCH-EXTERIOR DOOR, W/KEY LOCK - PLASTIC - BEIGE
082684-01-700	EA	KEY - DOOR-STORAGE
081067-02-000	EA	SEAL-LOCK, FLAT W/SLIT - BLACK
086551-55-003	EA	TRIM-LOWER DOOR, ROCKER PANEL - 16" - BEIGE
086809-01-000	EA	STRIKER-PADDLE LATCH, COMPARTMENT DOOR - BEIGE
086810-02-000	EA	BRACKET-LOCK, 1.1" X 3.19" X 2.72" - PRIMED
086767-01-000	EA	SPACER-DOOR, LOWER
086772-51-001	EA	PIN-STAINLESS STEEL .25" DIAMETER X 4.17"
3 086517-05-X11	EA	DOOR-COMPARTMENT, LP - W/LATCH - 9" X 24.45" - BEIGE
002748-01-000	EA	CORNER KEY-DOOR
081067-02-000	EA	SEAL-LOCK, FLAT W/SLIT - BLACK
085730-04-000	EA	PADDLE LATCH-EXTERIOR DOOR, W/O KEY LOCK - PLASTIC
086551-55-003	EA	TRIM-LOWER DOOR, ROCKER PANEL - 16" - BEIGE
086767-01-000	EA	SPACER-DOOR, LOWER
086772-51-001	EA	PIN-STAINLESS STEEL .25" DIAMETER X 4.17"
4 086517-06-X11	EA	DOOR-STORAGE, 19.2" X 11.6" - W/KEY LOCKS - BEIGE
002748-01-000	EA	CORNER KEY-DOOR
085730-01-000	EA	PADDLE LATCH-EXTERIOR DOOR, W/KEY LOCK - PLASTIC - BE
082684-01-700	EA	KEY - DOOR-STORAGE
086551-55-003	EA	TRIM-LOWER DOOR, ROCKER PANEL - 16" - BEIGE
086809-01-000	EA	STRIKER-PADDLE LATCH, COMPARTMENT DOOR - BEIGE
086810-02-000	EA	BRACKET-LOCK, 1.1" X 3.19" X 2.72" - PRIMED
086772-51-001	EA	PIN-STAINLESS STEEL .25" DIAMETER X 4.17"
086767-01-000	EA	SPACER-DOOR, LOWER

1991 WCF30EU INDEX

FLOOR PLAN	D-19 - D-20
ACCESSORIES	D-21 - D-24
BATH	E-01 - E-04
BEDROOM	E-05 - E-08
CHASSIS	E-09 - E-14
C C & PAD	E-15 - E-24
DINETTE	F-01 - F-02
DRIVERS	F-03 - F-12
ELECTRICAL	F-13 - F-16
EXTERIOR BODY	F-17 - F-22
GALLEY	F-23 - G-04
HEATING & A/C	G-05 - G-10
INTERIOR FINISH	G-11 - G-15
LABEL	G-16
LP	G-17
LOUNGE	G-18 - G-20
SEALANTS & FASTENERS	G-21 - G-22
WATER & SEWAGE	G-23 - H-02
WINDOW, VENT AND EXTERIOR DOOR	H-03 - H-22

BATTERY DOOR COMPONENTS

KEY PART NUMBER	U/M	DESCRIPTION
M03112-03-000	EA	FRAME AND JAMB ASM-BATTERY DOOR
002754-01-001	EA	ANGLE-EXTRUDED, .75" X .75" X 18" - MILL ALUMINUM
009063-01-000	EA	HINGE-CONTINUOUS, 1 1/2" X 72"
042541-02-000	EA	LATCH-BATTERY DOOR, W/O STRIKE - CHROME

WINDOW, VENT & EXTERIOR DOOR GROUP (CONTINUED)

WINDOW, VENT & EXTERIOR DOOR GROUP (CONTINUED)

PASSENGERS LOUNGE WINDOW

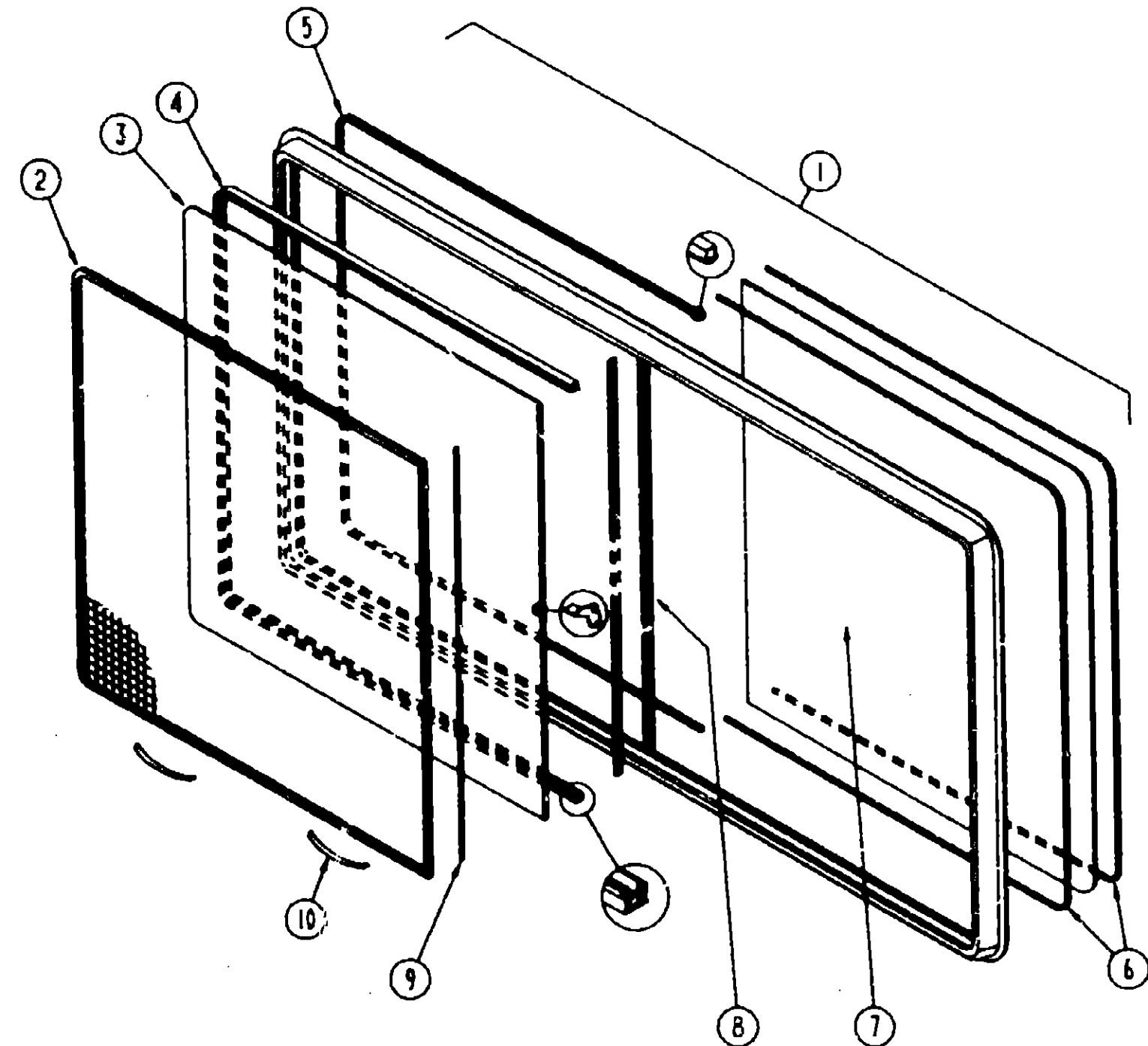
KEY PART NUMBER	UM DESCRIPTION
098644-02-705	EA WINDOW W/O INSIDE FRAME, 34.25" X 15" - EXCEL H079-G2
098644-02-704	EA FRAME-INSIDE, EXCEL B961-67
098644-01-701	EA SPLICE PLATE-WINDOW, EXCEL M801-23
098644-01-702	EA SCREW-SPLICE, #6-32 X 1/4 PAN HEAD - EXCEL 270-010872
098644-01-703	EA SCREW-LOCKING RAIL, #6 X 1.5 PRO HEAD RECESS BLACK - EXCEL 272-010808
098644-02-700	EA GLASS-STATIONARY, 16.15" X 13.77" - EXCEL 106-011864
098644-01-705	FT GLAZING STRIP, EXCEL M926-12
098644-01-706	FT WEATHERSTRIP, EXCEL 171-010668
098644-01-707	EA RAIL-LOCKING W/WEATHERSTRIP, EXCEL B370-17
098644-01-708	FT CHANNEL-PIERCED RUN, EXCEL 122-016543
098644-01-700	EA LATCH-REPAIR KIT, EXCEL B801-CK
098644-02-701	EA SASH W/LATCH & SLIDING GLASS, EXCEL B961-G9
098644-01-711	FT WEATHERSTRIP-SCREEN, BLACK - EXCEL 171-016965
098644-02-703	EA SCREEN W/WEATHERSTRIP & FRAME SPRING (CLIP), EXCEL 41
098644-01-713	EA SPRING-SCREEN FRAME (CLIP), PLASTIC - BLACK - EXCEL 226-016966
098644-01-716	FT PLUG-FILLER, EXCEL 132-014470

TABLE OF CONTENTS

INTRODUCTION	A-01
ABBREVIATIONS	A-01
ALPHABETICAL INDEX	A-02 - A-04
WCF230C	A-05 - D-17
WCF30EU	D-19 - H-22

1991 WCF30EU INDEX

FLOOR PLAN	D-19 - D-20
ACCESSORIES	D-21 - D-24
BATH	E-01 - E-04
BEDROOM	E-05 - E-08
CHASSIS	E-09 - E-14
C C & PAD	E-15 - E-24
DINETTE	F-01 - F-02
DRIVERS	F-03 - F-12
ELECTRICAL	F-13 - F-16
EXTERIOR BODY	F-17 - F-22
GALLEY	F-23 - G-04
HEATING & A/C	G-05 - G-10
INTERIOR FINISH	G-11 - G-15
LABEL	G-16
LP	G-17
LOUNGE	G-18 - G-20
SEALANTS & FASTENERS	G-21 - G-22
WATER & SEWAGE	G-23 - H-02
WINDOW, VENT AND EXTERIOR DOOR	H-03 - H-22



**DRIVERS LOUNGE WINDOW
SLIDING WINDOW (EXCEL)**

KEY PART NUMBER	UM DESCRIPTION
1 098647-02-700	EA WINDOW-SLIDING, W/O INSIDE FRAME - 30.5" X 57.5", EXCEL H112-G2L
098647-01-704	EA FRAME-INSIDE, EXCEL H112-67
2 098647-01-706	EA SCREEN ASM. W/SPRINGS & SEAL
3 098647-01-702	EA SASH ASM. W/LOCK & SLIDING GLASS, EXCEL H112-G9
098644-01-700	EA LATCH REPAIR KIT, EXCEL B801-CK
4 098644-01-708	FT CHANNEL-PIERCED RUN, EXCEL 122-016543
5 098644-01-706	FT WEATHERSTRIP, EXCEL 171-010668
6 098644-01-705	FT GLAZING STRIP, EXCEL M926-12
7 098647-01-700	EA GLASS-STATIONARY, 29.27" X 27.72" - EXCEL 106-015631
8 098647-01-701	EA LOCKING RAIL W/WEATHERSTRIP, EXCEL B372-17
9 098644-01-711	FT WEATHERSTRIP-SCREEN, BLACK - EXCEL 171-016965
10 098644-01-713	EA SPRING-SCREEN FRAME (CLIP), PLASTIC - BLACK, EXCEL 226-016966
098644-01-701	EA SPLICE PLATE-WINDOW, EXCEL M801-23
098644-01-702	EA SCREW-SPLICE, #6-32 X 1/4 PAN HEAD - EXCEL 270-010872
098647-01-703	EA SPACER-TRACK, EXCEL M402-31
098644-01-716	FT PLUG-FILLER, EXCEL 132-014470
002293-02-000	SF SCREENING-WINDOW/DOOR, 25" - CHARCOAL
098644-01-703	EA SCREW-LOCKING RAIL, #6 X 1.5 PRO HEAD RECESS BLACK, EXCEL 272-010808

WINDOW, VENT & EXTERIOR DOOR GROUP (CONTINUED)

WINDOW, VENT & EXTERIOR DOOR GROUP (CONTINUED)

ENTRY DOOR WINDOW

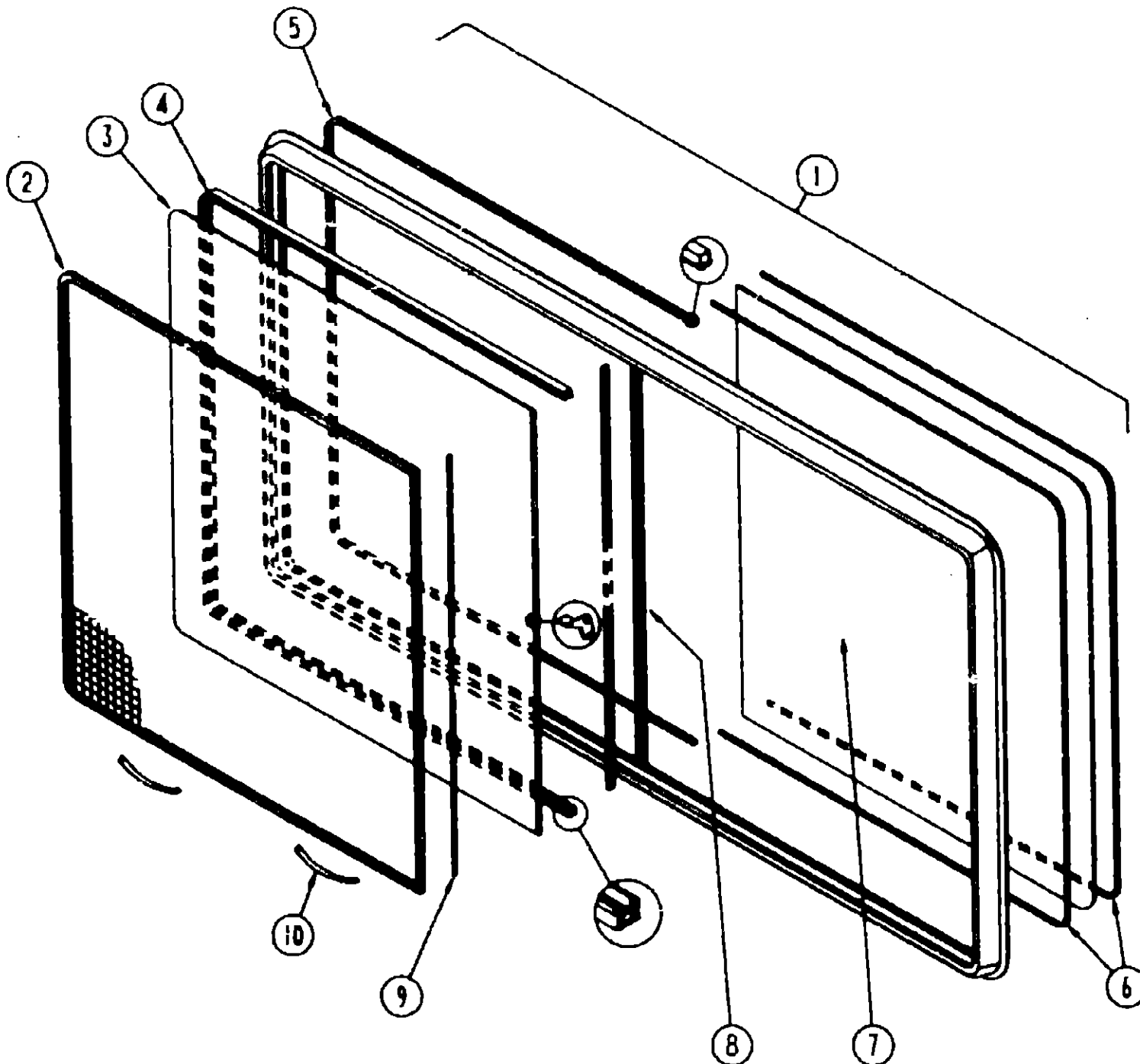
KEY PART NUMBER	UM DESCRIPTION
067609-27-000	EA FRAME-WINDOW, INSIDE PICTURE - BLACK
079733-07-AA8	EA WINDOW-ENTRY DOOR, 17" X 25" - FROSTED GLASS
002181-07-000	EA GLASS-WINDOW, .182" X 16.25" X 24" - FROSTED
050216-02-000	FT SPLINE-GLASS, EXTERIOR - VINYL - .19" - BLACK
	FROM: 00-00-00 THRU: 01-07-90
087561-01-000	FT SEAL-GLASS, EXTERIOR - VINYL - BLACK

DRIVER & PASSENGER SIDE CAB WINDOW

KEY PART NUMBER	UM DESCRIPTION
082057-02-U04	EA WINDOW-DRIVER, SLANT SLIDER W/O INSIDE FRAME
082056-02-AB1	EA FRAME-INSIDE WINDOW W/SCREEN, DRIVER
082467-04-000	EA FRAME-INSIDE WINDOW W/O SCREEN, DRIVER - BLACK
082057-01-U04	EA WINDOW-PASSENGER, SLANTED SLIDER W/O INSIDE FRAME
082056-01-AB1	EA FRAME-INSIDE WINDOW W/SCREEN, PASSENGER
082467-03-000	EA FRAME-INSIDE WINDOW W/O SCREEN, PASSENGER - BLACK
078364-01-000	EA HOLDER-UPPER SCREEN, EXTRUDED PLASTIC - 9.5" - BLACK
078365-01-000	EA HOLDER-LOWER SCREEN, EXTRUDED PLASTIC - 9.5" - BLACK
079574-02-T03	EA SCREEN-WINDOW, DRIVER SLANTED SLIDER
079574-01-T03	EA SCREEN-WINDOW, PASSENGER SLANTED SLIDER
002291-02-000	SF SCREENING-ROOF VENT/WINDOW, 16" - BLACK
002298-02-000	FT SPLINE-VENT/WINDOW SCREEN, .128 DIAMETER - BLACK
079867-02-000	FT TAPE-PLASTIC FILM, .375 WIDE
079824-01-000	FT SEAL-WINDOW, WEATHER - C/FOLD - .5"
000G39-06-16T	EA SCREW-SF/DR, 6-20 X 1 PPH - BLACK
002328-01-000	EA BLOCK-WINDOW, 1/8" X 3/16" X 1"
002389-03-203	EA HOLDER-GLASS, EXTERIOR VERTICAL - 27.125"
041928-02-000	FT SEAL-EXTERIOR WINDOW, BLACK
042077-01-000	FT CHANNEL-WEATHERSTRIP, GLASS RUN - U-SHAPED - 3/16"
047369-01-700	EA LATCH KIT-WINDOW, W/SCREWS - PLASTIC - BLACK
050216-02-000	FT SPLINE-GLASS, EXTERIOR - VINYL - .19" - BLACK
057856-03-000	EA GLASS-WINDOW, STATIONARY - .19" X 28.11 X 27"
073740-01-000	FT SEAL-FIN, .46" PILE HEIGHT - GRAY
081377-01-700	EA ADHESIVE-CYANOACRYLATE, 10 GRAM TUBE
081980-06-000	EA GLASS-WINDOW, SLIDER - .19" X 28.11" X 14.88"
082466-02-000	EA FRAME-WINDOW, DRIVER SLANTED SLIDER - BLACK
082466-01-000	EA FRAME-WINDOW, PASSENGER SLANTED SLIDER - BLACK
084170-07-000	EA MULLION-WINDOW, INTERIOR VERTICAL - 27.46" - BLACK

TABLE OF CONTENTS

INTRODUCTION	A-01
ABBREVIATIONS	A-01
ALPHABETICAL INDEX	A-02 - A-04
WCF23EC	A-05 - D-17
WCF30EU	D-19 - H-22



SINGLE SLIDING WINDOW (EXCEL)

1991 WCF30EU INDEX

FLOOR PLAN	D-19 - D-20
ACCESSORIES	D-21 - D-24
BATH	E-01 - E-04
BEDROOM	E-05 - E-08
CHASSIS	E-09 - E-14
C C & PAD	E-15 - E-24
DINETTE	F-01 - F-02
DRIVERS	F-03 - F-12
ELECTRICAL	F-13 - F-16
EXTERIOR BODY	F-17 - F-22
GALLEY	F-23 - G-04
HEATING & A/C	G-05 - G-10
INTERIOR FINISH	G-11 - G-15
LABEL	G-16
LP	G-17
LOUNGE	G-18 - G-20
SEALANTS & FASTENERS	G-21 - G-22
WATER & SEWAGE	G-23 - H-02
WINDOW, VENT AND EXTERIOR DOOR	H-03 - H-22

KEY PART NUMBER	UM DESCRIPTION
1 098644-02-705	EA WINDOW W/O INSIDE FRAME, 34.25" X 15" - EXCEL H079-G2
098644-02-704	EA FRAME-INSIDE, EXCEL B961-67
2 098644-02-703	EA SCREEN W/WEATHERSTRIP & FRAME SPRING (CLIP), EXCEL 41
3 098644-02-701	EA SASH W/LATCH & SLIDING GLASS, EXCEL B961-G9
098644-01-700	EA LATCH REPAIR KIT, EXCEL B801-CK
4 098644-01-708	FT CHANNEL-PIERCED RUN, EXCEL 122-016543
5 098644-01-706	FT WEATHERSTRIP, EXCEL 171-010668
6 098644-01-705	FT GLAZING STRIP, EXCEL M926-12
7 098644-02-700	EA GLASS-STATIONARY, 16.15" X 13.77" - EXCEL 106-011854
8 098644-01-707	EA RAIL-LOCKING W/WEATHERSTRIP, EXCEL B370-17
9 098644-01-711	FT WEATHERSTRIP-SCREEN, BLACK - EXCEL 171-016965
10 098644-01-713	EA SPRING-SCREEN FRAME (CLIP), PLASTIC - BLACK, EXCEL 226-016966
098644-01-701	EA SPLICE PLATE-WINDOW, EXCEL M801-23
098644-01-702	EA SCREW-SPLICE, #6-32 X 1/4 PAN HEAD, EXCEL 270-010872
098644-01-703	EA SCREW-LOCKING RAIL, #6 X 1.5 PRO HEAD RECESS BLACK, EXCEL 272-010808
098644-01-710	FT TRACK-SCREEN SPACER, 12" LENGTH - EXCEL M401-31
098644-01-716	FT PLUG-FILLER, EXCEL 132-014470

FROM: 01-08-90 THRU: 99-99-99

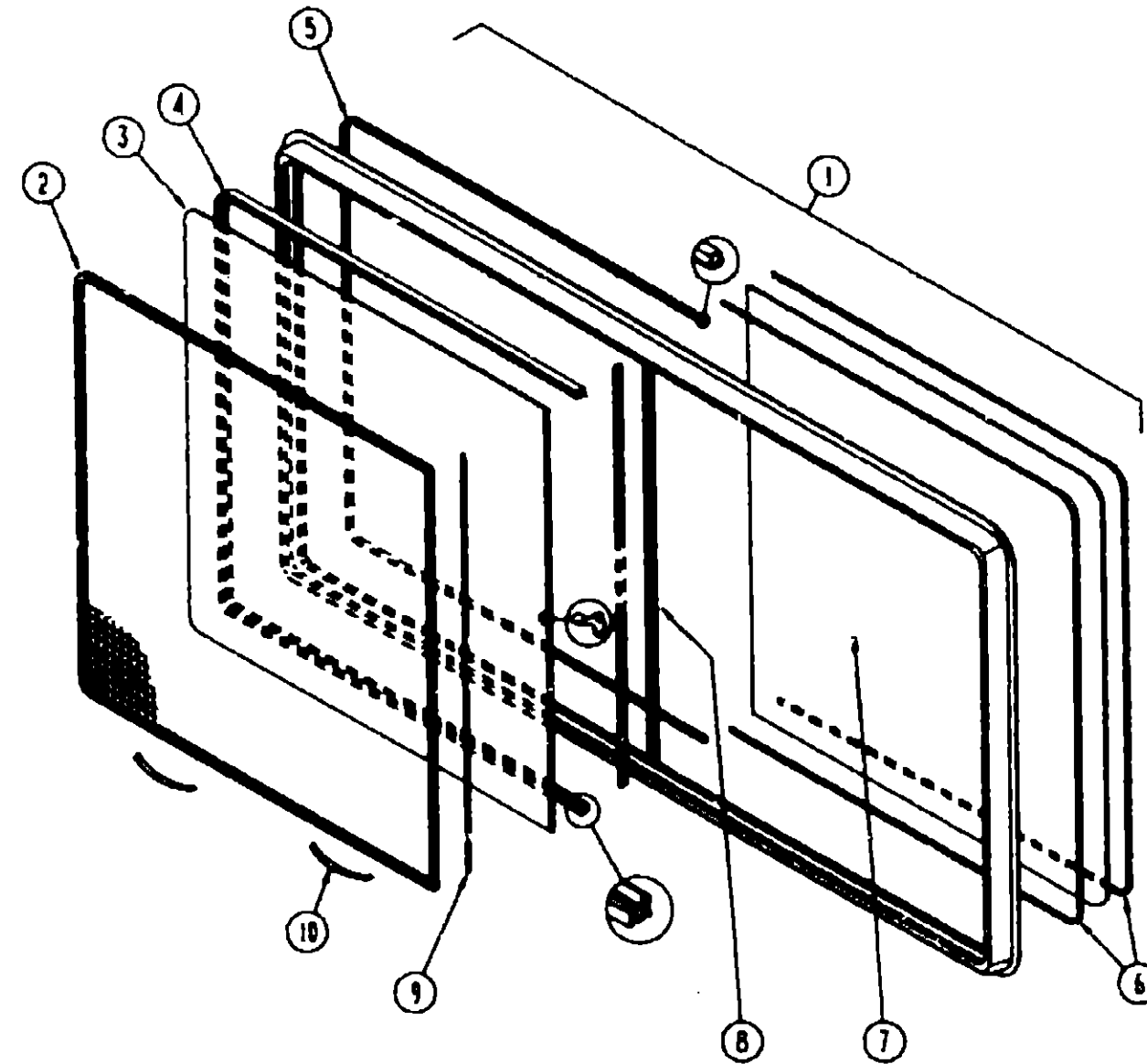
WINDOW, VENT & EXTERIOR DOOR GROUP (CONTINUED)

DINETTE WINDOW
FROM: 00-00-00 THRU: 11-04-90

WINDOW, VENT & EXTERIOR DOOR GROUP (CONTINUED)

TABLE OF CONTENTS

INTRODUCTION	A-01
ABBREVIATIONS	A-01
ALPHABETICAL INDEX	A-02 - A-04
WCF23EC	A-05 - D-17
WCF30EU	D-19 - H-22



DINETTE SLIDER WINDOW (EXCEL)
FROM: 11-05-90 THRU: 99-99-99

1991 WCF30EU INDEX

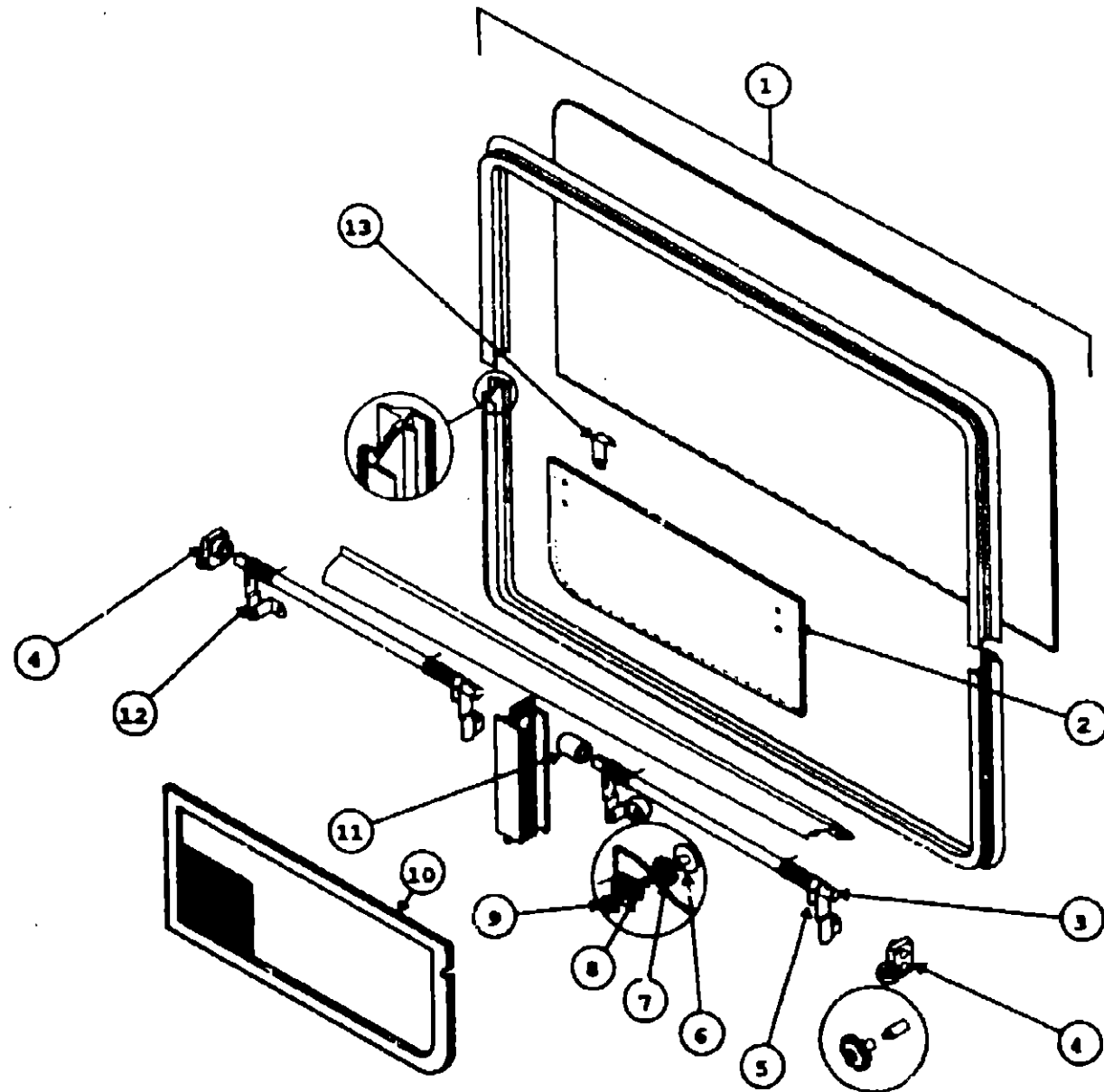
FLOOR PLAN	D-19 - D-20
ACCESSORIES	D-21 - D-24
BATH	E-01 - E-04
BEDROOM	E-05 - E-08
CHASSIS	E-09 - E-14
C C & PAD	E-15 - E-24
DINETTE	F-01 - F-02
DRIVERS	F-03 - F-12
ELECTRICAL	F-13 - F-16
EXTERIOR BODY	F-17 - F-22
GALLEY	F-23 - G-04
HEATING & A/C	G-05 - G-10
INTERIOR FINISH	G-11 - G-15
LABEL	G-16
LP	G-17
LOUNGE	G-18 - G-20
SEALANTS & FASTENERS	G-21 - G-22
WATER & SEWAGE	G-23 - H-02
WINDOW, VENT AND EXTERIOR DOOR	H-03 - H-22

KEY PART NUMBER	U/M	DESCRIPTION
098647-01-704	EA	FRAME-WINDOW, INSIDE - EXCEL H112-67 FROM: 00-00-00 THRU: 11-04-90
098647-01-705	EA	WINDOW-SLIDING, SINGLE - 30.5" X 57.5" - EXCEL H112-G FROM: 00-00-00 THRU: 11-04-90
098644-01-702	EA	SCREW-SPLICE, #6-32 X 1/4 PAN HEAD - EXCEL 270-010872
098644-01-703	EA	SCREW-LOCKING RAIL, #6 X 1.5 PRO HEAD RECESS BLACK - EXCEL 272-010808
098647-01-700	EA	GLASS-STATIONARY, 29.27" X 27.72" - EXCEL 106-015631
098644-01-706	FT	WEATHERSTRIP, EXCEL 171-010668
098647-01-701	EA	LOCKING RAIL W/WEATHERSTRIP, EXCEL B372-17
098644-01-708	FT	CHANNEL-PIERCED RUN, EXCEL 122-016543
098644-01-700	EA	LATCH-REPAIR KIT, EXCEL B801-CK
098647-01-702	EA	GLASS-SLIDING, W/SASH & LATCH - EXCEL H112-G9
098647-01-703	EA	SPACER-TRACK, EXCEL M402-31
098644-01-711	FT	WEATHERSTRIP-SCREEN, BLACK - EXCEL 171-016965
098647-01-706	EA	SPRING-SCREEN ASSEMBLY, EXCEL 410-016472
098644-01-713	EA	SPRING-SCREEN FRAME (CLIP), PLASTIC - BLACK - EXCEL 226-016966
098644-01-716	FT	PLUG-FILLER, EXCEL 132-014470
098647-03-705	EA	FRAME-INSIDE WINDOW, BLACK - EXCEL# B087-67 FROM: 11-05-90 THRU: 99-99-99
098647-03-706	EA	WINDOW ASM-W/O INSIDE TRIM, PASS. SIDE FROM: 11-05-90 THRU: 99-99-99
098644-01-701	EA	SPLICE PLATE-WINDOW, EXCEL M801-23
098644-01-702	EA	SCREW-SPLICE, #6-32 X 1/4 PAN HEAD - EXCEL 270-010872
098644-01-703	EA	SCREW-LOCKING RAIL, #6 X 1.5 PRO HEAD RECESS BLACK - EXCEL 272-010808
098647-03-700	EA	GLASS-STATIONARY, 26.03" X 28.8"
098644-01-705	FT	GLAZING STRIP, EXCEL M926-12
098644-01-706	FT	WEATHERSTRIP, EXCEL 171-010668
098647-03-701	EA	LOCKING RAIL W/WEATHERSTRIP
098644-01-708	FT	CHANNEL-PIERCED RUN, EXCEL 122-016543
098644-01-700	EA	LATCH REPAIR KIT, EXCEL B801-CK
098647-03-702	EA	SASH ASM. W/LOCK & GLASS
098647-03-703	EA	SPACER TRACK
098644-01-711	FT	WEATHERSTRIP-SCREEN, BLACK - EXCEL 171-016965
098647-03-704	EA	SCREEN ASM. W/SPRING & WITHST
098644-01-713	EA	SPRING-SCREEN FRAME (CLIP), PLASTIC - BLACK - EXCEL 226-016966
098644-01-716	FT	PLUG-FILLER, EXCEL 132-014470

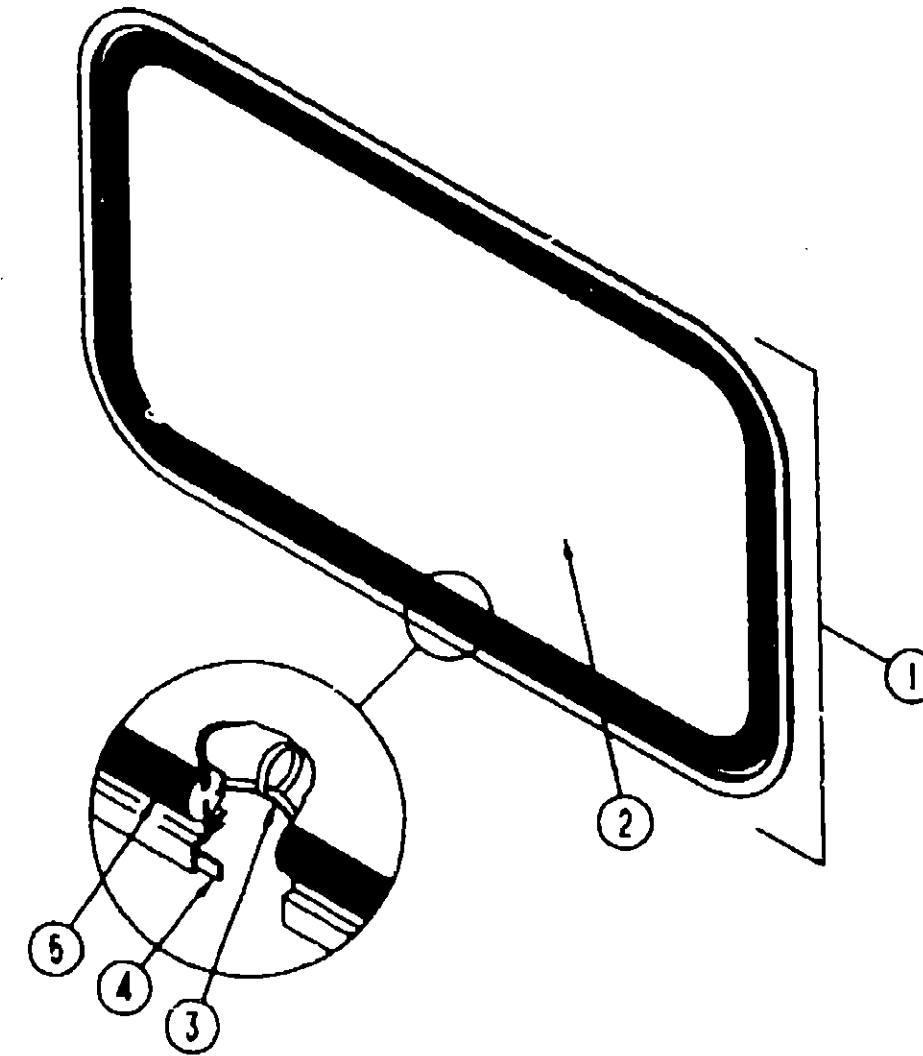
KEY PART NUMBER	U/M	DESCRIPTION
1	EA	098647-03-706 WINDOW ASM-W/O INSIDE TRIM, PASS. SIDE
	EA	098647-03-705 FRAME-INSIDE WINDOW, BLACK - EXCEL# B087-67
2	EA	098647-03-704 SCREEN ASM. W/SPRING & WITHST
3	EA	098647-03-702 SASH ASM. - W/LOCK & GLASS
	EA	098644-01-700 LATCH REPAIR KIT, EXCEL B801-CK
4	FT	098644-01-708 CHANNEL-PIERCED RUN, EXCEL 122-016543
5	FT	098644-01-706 WEATHERSTRIP, EXCEL 171-010668
6	FT	098644-01-705 GLAZING STRIP, EXCEL M926-12
7	EA	098647-03-700 GLASS-STATIONARY 26.03" X 28.77"
8	EA	098647-03-701 LOCKING RAIL W/WEATHERSTRIP
9	FT	098644-01-711 WEATHERSTRIP-SCREEN, BLACK - EXCEL 171-016965
10	EA	098644-01-713 SPRING-SCREEN FRAME (CLIP), PLASTIC - BLACK - EXCEL 226-016966
	FT	098644-01-716 PLUG-FILLER, EXCEL 132-014470
	EA	098644-01-702 SCREW-SPLICE, #6-32 X 1/4 PAN HEAD - EXCEL 270-010872
	EA	098644-01-703 SCREW-LOCKING RAIL, #6 X 1.5 PRO HEAD RECESS BLACK, EXCEL 272-010808
	EA	098644-01-701 SPLICE PLATE-WINDOW, EXCEL M801-23
	EA	098647-03-703 SPACER TRACK

WINDOW, VENT & EXTERIOR DOOR GROUP (CONTINUED)

WINDOW, VENT & EXTERIOR DOOR GROUP (CONTINUED)



TIPOUT WINDOW



BACKWALL ESCAPE WINDOW

TABLE OF CONTENTS

INTRODUCTION	A-01
ABBREVIATIONS	A-01
ALPHABETICAL INDEX	A-02 - A-05
WCF23EC	A-05 - D-17
WCF30EU	D-19 - H-22

1991 WCF30EU INDEX

FLOOR PLAN	D-19 - D-20
ACCESSORIES	D-21 - D-24
BATH	E-01 - E-04
BEDROOM	E-05 - E-08
CHASSIS	E-09 - E-14
C C & PAD	E-15 - E-24
DINETTE	F-01 - F-02
DRIVERS	F-03 - F-10
ELECTRICAL	F-13 - F-16
EXTERIOR BODY	F-17 - F-22
GALLEY	F-23 - G-04
HEATING & A/C	G-05 - G-10
INTERIOR FINISH	G-11 - G-15
LABEL	G-16
LP	G-17
LOUNGE	G-18 - G-20
SEALANTS & FASTENERS	G-21 - G-22
WATER & SEWAGE	G-23 - H-02
WINDOW, VENT AND EXTERIOR DOOR	H-03 - H-22

KEY PART NUMBER	U/M	DESCRIPTION
1 092235-07-Y12	EA	WINDOW-TIPOUT, W/O INSIDE FRAME - 24.3" X 40.3"
090803-11-01A	EA	FRAME-WINDOW, RETAINING INSIDE - BLACK
		GLASS IS NOT AVAILABLE SEPARATELY - MUST ORDER ENTIRE ASSEMBLY
000G39-06-16T	EA	SCREW-SF/DR, 6-20 X 1 PPH - BLACK
2 084068-17-000	EA	GLASS-TIPOUT WINDOW, 9.2" X 40.1"
3 083150-12-000	EA	TORQUE TUBE-TIPOUT WINDOW
4 035302-02-000	EA	OPERATOR-TORQUE, TIPOUT WINDOW
5 080918-01-000	EA	SPRING-TORQUE TUBE, LEFT - DOUBLE TIPOUT WINDOW
080918-02-000	EA	SPRING-TORQUE TUBE, RIGHT - DOUBLE TIPOUT WINDOW
6 086762-01-000	EA	T NUT 10-32
7 084473-01-000	EA	SEAL-RUBBER, TIPOUT WINDOW
085315-01-000	EA	RIVET-SHOULDER, TIPOUT WINDOW
8 084453-01-000	EA	WASHER-PLASTIC,.060X.50X.135
084067-01-000	FT	SEAL-E, TIPOUT WINDOW - SPONGE RUBBER
9 086763-01-000	EA	SCREW-MACH, 10 - 32 X 1/4 PTH
10 080830-52-003	EA	FRAME-SCREEN, TIPOUT WINDOW, - BLACK
080218-03-000	SF	SCREEN-FIBERGLASS,12" WIDE - BLACK
100240-01-000	FT	SPLINE-SCREEN, T-SHAPED
080914-01-000	EA	KEY-CORNER, TIPOUT WINDOW
068927-03-000	EA	SEAL-WINDOW, RUBBER
11 081354-01-000	EA	SLEEVE-TORQUE TUBE, TIPOUT WINDOW
081649-01-000	EA	RING-SNAP, 7/32 SHAFT DIAMETER
12 097578-01-000	EA	LINKAGE-TIPOUT WINDOW
087561-01-000	FT	SEAL-WINDOW, EXTERIOR - VINYL - BLACK
13 089913-01-000	EA	HINGE-TIPOUT WINDOW, BLACK
067052-02-000	EA	KNOB-OPERATOR, TIPOUT WINDOW - BEIGE
090025-01-000	EA	EXTENSION-CONTROL, WINDOW - 2"
089371-01-000	EA	SCREW-MACHINE, 8-32 X 3 5/16" - FOR EXTENDED WINDOW K

KEY PART NUMBER	U/M	DESCRIPTION
1 078536-01-T03	EA	WINDOW-ESCAPE, BACKWALL - 23" X 68"
042027-05-000	EA	FRAME-INSIDE
		FROM: 00-00-00 THRU: 10-01-89
042027-12-000	EA	FRAME-INSIDE
		FROM: 10-02-89 THRU: 99-99-9
2 002178-01-000	EA	GLASS-19.6" X 64.8"
3 002285-01-000	FT	FILLER-WEATHER STRIP, RUBBER - BLACK
002298-02-000	FT	SPLINE-VENT/WINDOW SCREEN, .128 DIAMETER - BLACK
4 069640-06-000	EA	SEALER RIBBON - 5/16 BEAD - NOT INCLUDED IN ASSEMBLY
5 002282-01-000	FT	WEATHER STRIP-WINDOW, RUBBER - .125" - BLACK
006199-01-000	EA	LABEL-EXIT, "ESCAPE WINDOW"
047731-01-000	EA	LABEL-EMERGENCY EXIT

WINDOW, VENT & EXTERIOR DOOR GROUP (CONTINUED)

PASSENGER SLIDING WINDOW

KEY PART NUMBER	U/M	DESCRIPTION
082057-02-U04	EA	WINDOW-DRIVERS, SLANTED SLIDER W/O INSIDE FRAME
082056-02-AB1	EA	FRAME-WINDOW, INSIDE DRIVERS W/SCREEN - BEIGE
082057-01-U04	EA	WINDOW-PASSENGER, SLANTED SLIDER W/O INSIDE FRAME
082056-01-AB1	EA	FRAME-WINDOW, INSIDE PASSENGER W/SCREEN - BLACK
000G39-06-16T	EA	SCREW-SF/DR, 6-20 X 1. FPH - BLACK
002328-01-000	EA	BLOCK-WINDOW, 1/8" X 3/16" X 1"
002389-03-203	EA	HOLDER-GLASS, EXTERIOR VERTICAL - 27.125"
350216-02-000	FT	SPLINE-EXTERIOR GLASS, VINYL - .19" - BLACK
057656-03-000	EA	GLASS-WINDOW, STATIONARY - .19" X 28.11" X 27"
073740-01-000	FT	SEAL-FIN, .46" PILE HEIGHT - GRAY
081980-06-000	EA	GLASS-WINDOW, SLIDER - .19" X 28.11" X 14.88"
082466-01-000	EA	FRAME-WINDOW, PASSENGER SLANTED SLIDER - BLACK
084170-07-000	EA	MULLION-WINDOW, INTERIOR VERTICAL - 27.46" - BLACK
078364-01-000	EA	HOLDER-UPPER SCREEN, EXTRUDED PLASTIC - 9.5" - BLACK
078365-01-000	EA	HOLDER-LOWER SCREEN, EXTRUDED PLASTIC - 9.5" - BLACK
079574-01-T03	EA	SCREEN-WINDOW, PASSENGER SLANTED SLIDER
079667-02-000	FT	TAPE-PLASTIC FILM, .375 WIDE
079824-01-000	FT	SEAL-WINDOW, WEATHER - C-FOLD - .5"

POWERED ROOF VENT

KEY PART NUMBER	U/M	DESCRIPTION
090393-01-Y12	EA	VENT-ROOF, POWERED W/O SCREEN
002825-01-000	EA	WEATHER STRIP-ROOF VENT, GRAY
008195-01-000	EA	SWITCH-ROOF VENT, PUSH BUTTON, 12V
009440-01-000	EA	GEAR/ARM-VENT COVER, LIFT
055218-01-000	EA	COVER - VENT, ROOF
015911-01-000	EA	TRACK-LIFT ARM, SLIDE - ROOF VENT
048648-01-000	EA	MOTOR-ROOF VENT, 1/8 SHAFT - 12V
048649-01-000	EA	FAN-ROOF VENT, 6 BLADES - 6"
052639-01-001	EA	HINGE-VENT COVER, 192"
061603-01-000	EA	GROMMET-SNAP, 3/16 ID - 3/8 HOLE - PLASTIC - BLACK
009439-01-000	EA	CRANK HANDLE-ROOF VENT
009439-03-000	EA	EXTENSION-CRANK HANDLE, ROOF VENT - .9"
078786-01-Y12	EA	SCREEN-ROOF VENT, POWERED
002291-02-000	SF	SCREENING-ROOF VENT/WINDOW, 16" - BLACK
002298-02-000	FT	SPLINE-VENT/WINDOW SCREEN, .128 DIAMETER - BLACK

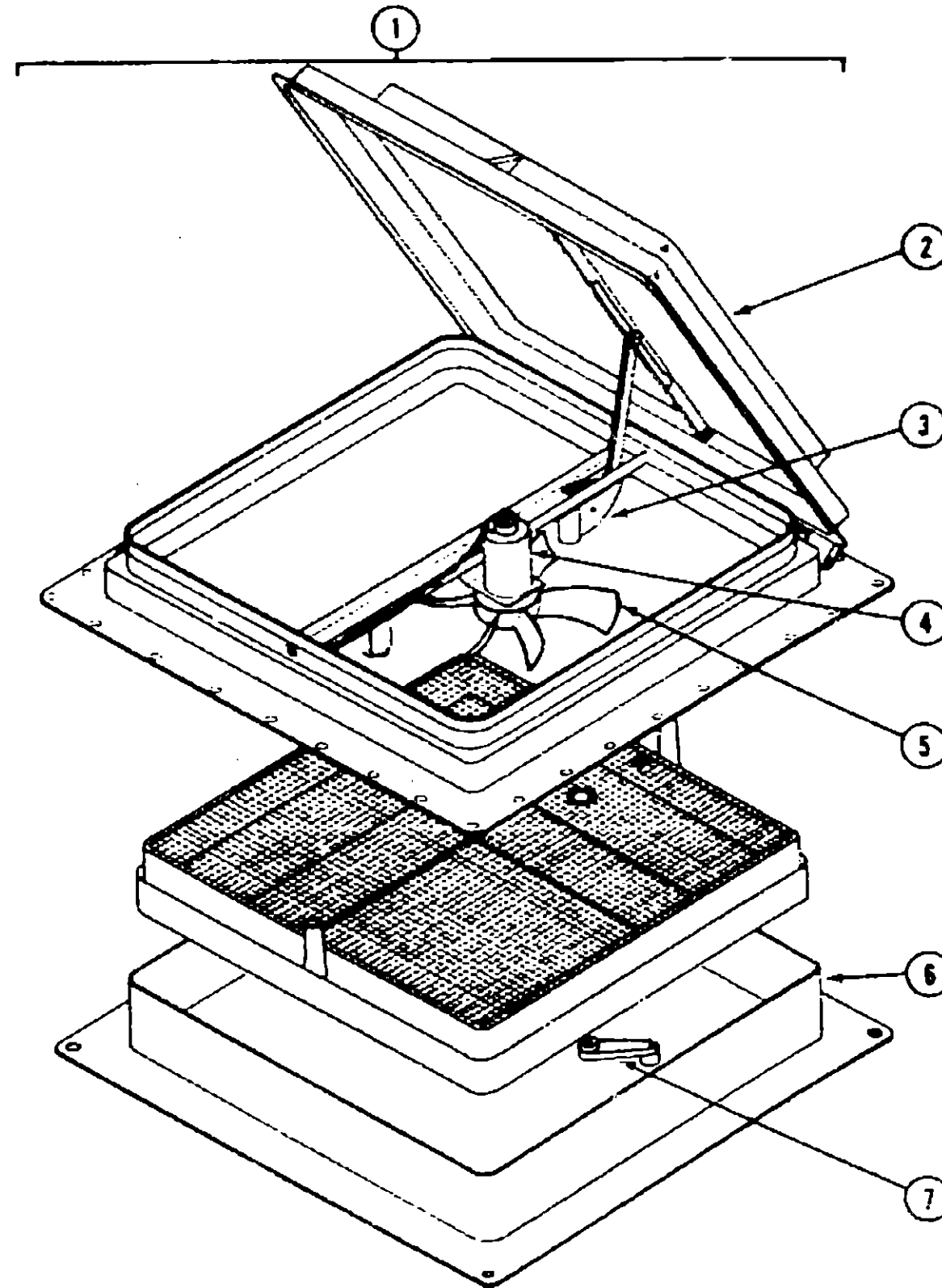
NON POWERED ROOF VENT

KEY PART NUMBER	U/M	DESCRIPTION
090392-01-Y12	EA	VENT-ROOF, NON POWERED
002825-01-000	EA	WEATHER STRIP-ROOF VENT, GRAY
009440-01-000	EA	GEAR/ARM-VENT COVER, LIFT
015911-01-000	EA	TRACK-LIFT ARM, SLIDE - ROOF VENT
055218-01-000	EA	COVER-ROOF VENT
052639-01-001	EA	HINGE-VENT COVER, 192"
009439-01-000	EA	CRANK HANDLE-ROOF VENT
009439-03-000	EA	EXTENSION-CRANK HANDLE, ROOF VENT - .9"
078786-01-Y12	EA	SCREEN-ROOF VENT, NON POWERED
002291-02-000	SF	SCREENING-ROOF VENT/WINDOW, 16" - BLACK
002298-02-000	FT	SPLINE-VENT/WINDOW SCREEN, .128 DIAMETER - BLACK

ROOF VENTS

KEY PART NUMBER	U/M	DESCRIPTION
083558-01-000	EA	VENT-PLUMBING PIPE, ROOF, W/COVER - BEIGE
084073-01-000	EA	COVER-ROOF VENT, NORCOLD REFRIGERATOR - BEIGE
084073-04-000	EA	BASE-ROOF VENT, NORCOLD REFRIGERATOR - BLACK

WINDOW, VENT & EXTERIOR DOOR GROUP (CONTINUED)



CANADIAN EXPORT

KEY PART NUMBER	U/M	DESCRIPTION
1 064469-08-000	EA	VENT-ROOF, POWERED - 14" X 14" - 12V - CANADIAN
2 064469-03-702	EA	LID-VENT WHITE
3 064469-03-706	EA	LIFT MECHANISM
4 048648-01-000	EA	MOTOR-ROOF VENT, 1/8 SHAFT - 12V
5 048649-01-000	EA	FAN-ROOF VENT, 6 BLADES - 6"
6 064469-03-705	EA	GARNISH, VENT 2.5 IN. WIDE
7 009439-01-000	EA	CRANK HANDLE-ROOF VENT

TABLE OF CONTENTS

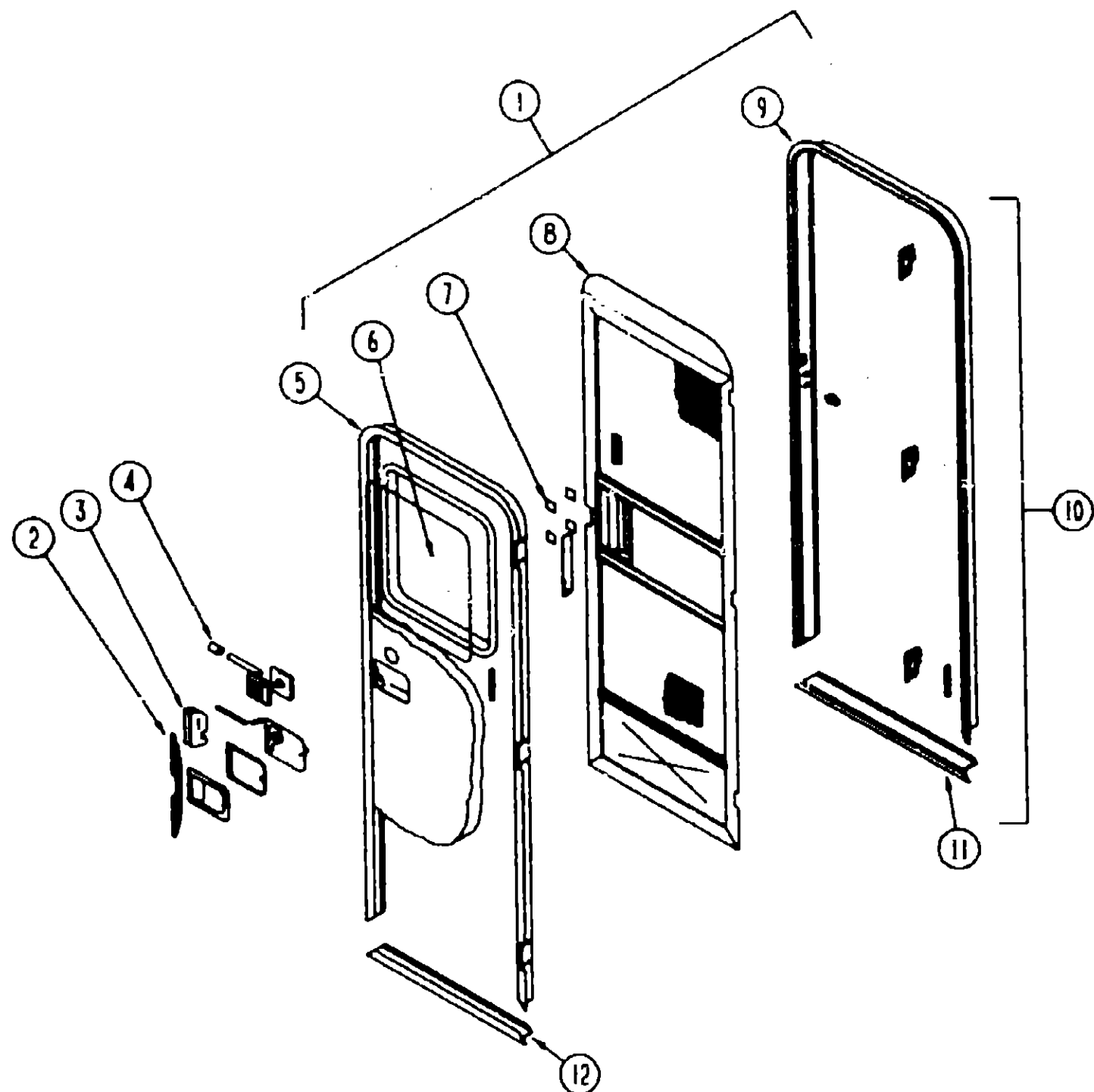
INTRODUCTION	A-01
ABBREVIATIONS	A-01
ALPHABETICAL INDEX	A-02 - A-04
WCF23EC	A-05 - D-17
WCF30EU	D-19 - H-22

1991 WCF30EU INDEX

FLOOR PLAN	D-19 - D-20
ACCESSORIES	D-21 - D-24
BATH	E-01 - E-04
BEDROOM	E-05 - E-08
CHASSIS	E-09 - E-14
C C & PAD	E-15 - E-24
DINETTE	F-01 - F-02
DRIVERS	F-03 - F-12
ELECTRICAL	F-13 - F-16
EXTERIOR BODY	F-17 - F-22
GALLEY	F-23 - G-04
HEATING & A/C	G-05 - G-10
INTERIOR FINISH	G-11 - G-15
LABEL	G-16
LP	G-17
LOUNGE	G-18 - G-20
SEALANTS & FASTENERS	G-21 - G-22
WATER & SEWAGE	G-23 - H-02
WINDOW, VENT AND EXTERIOR DOOR	H-03 - H-22

WINDOW, VENT & EXTERIOR DOOR GROUP (CONTINUED)

WINDOW, VENT & EXTERIOR DOOR GROUP (CONTINUED)



ENTRANCE DOOR

KEY PART NUMBER	U/M	DESCRIPTION
1	EA	DOOR-ENTRY, W/SCREEN DOOR & JAMB - W/O DECALS
2	EA	STIFFENER-ENTRY DOOR, SUPPORTS LATCH/STRIKE AREA - BEIGE
2	EA	STIFFENER-ENTRY DOOR, SUPPORTS LATCH/STRIKE AREA
	SF	PANELING-DECORATIVE, PLAIN - 4" X 7" - INC. OF 28 SF
3	EA	LATCH-PADDLE, MECHANISM W/LOCK CYLINDER & KEY - BLACK
	EA	LOCK CYLINDER & KEY- SET OF THREE
	EA	KEY BLANK - ONE ONLY
	EA	PLUG-CAP, 1" DIAMETER
	EA	CLIP-ROLLER LATCH CATCH
	EA	PLUG-TAPERED, FOR DEADBOLT - PLASTIC - .65" DIAMETER - RED
	EA	RIVNUT- 10-32UNF .010-.080
	EA	NUTSERT-M5 X 0.8
	EA	CATCH-ELBOW, SPRING LOADED - SCREEN DOOR CATCH
	EA	CATCH SCREEN DOOR
		FROM: 00-00-00 THRU: 10-16-90
4	EA	CAP-ROUND DEADBOLT, VINYL - .28" ID X .52" LONG - BLACK
	EA	LABEL-ENTRANCE DOOR, OPEN

ENTRANCE DOOR CONTINUED

KEY PART NUMBER	U/M	DESCRIPTION
	FT	SEAL-SPONGE, LAZY T SHAPE - WEATHERSTRIP ON ENTRY DOOR
	FT	SEAL-PILE, ADHESIVE BACK
5	EA	FRAME-ENTRY DOOR, W/O BOTTOM - BEIGE
6	EA	WINDOW-ENTRY DOOR, 17" X 25" - FROSTED GLASS
	EA	GLASS-WINDOW, .182" X 16.25" X 24" - FROSTED
	FT	SEAL-WINDOW, EXTERIOR - VINYL - BLACK
		FROM: 00-00-00 THRU: 01-07-90
	FT	SEAL-WINDOW, EXTERIOR - VINYL - BLACK
		FROM: 01-08-90 THRU: 00-00-00
	EA	FRAME-INSIDE PICTURE WINDOW - BEIGE
		FROM: 00-00-00 THRU: 10-01-89
	EA	FRAME-INSIDE PICTURE WINDOW - BLACK
		FROM: 10-02-89 THRU: 99-99-99
7	FT	FASTENER-DUAL HOOK, 1" WIDE - ADHESIVE BACK - BLACK
7	FT	FASTENER-DUAL LOOP, 1" WIDE - ADHESIVE BACK - BLACK
	EA	LATCH MECHANISM-ENTRY DOOR, INTERIOR
	EA	STRIKE-ENTRANCE DOOR LOCK
	EA	NUT-SERT, 1/4" DIAMETER - 20 THREADS
	EA	DEADBOLT-ROUND, J-SHAPED - INTERIOR USE ONLY
	FT	TUBING-POLYBUTYLENE, 3/8" OD
	EA	COVER-INTERIOR LATCH, W/TRIP ARM - BLACK
		FROM: 00-00-00 THRU: 08-07-90
	EA	COVER-INTERIOR LATCH, W/TRIP ARM - BLACK
		FROM: 08-08-90 THRU: 99-99-99
8	EA	DOOR-SCREEN
	SF	SCREENING- 26" - CHARCOAL
	FT	SPLINE-SCREENING, .135" X .138" - BLACK
	EA	CORNER KEY-DOOR
	EA	CATCH-SCREEN DOOR ROLLER
	EA	INSERT-SCREEN DOOR, CENTER - LEATHER GRAIN ALUMINUM - BEIGE
	EA	INSERT-CENTER, .024" X 10.25" X 16.31" - UNPAINTED ALUMINUM
	EA	HANDLE-SCREEN DOOR, ALUMINUM - OFF WHITE
		FROM: 09-18-90 THRU: 99-99-99
	EA	HANDLE-SCREEN DOOR, UNPAINTED
		FROM: 00-00-00 THRU: 09-17-90
	EA	KICK PANEL-SCREEN DOOR, LOWER INSERT - UNPAINTED
	EA	TOP PLATE-SCREEN DOOR, CURVED TOP - 4.7" X 25.35"
	EA	CHANNEL-SLIDE, SCREEN DOOR CENTER SLIDER COVER
	EA	COVER-SLIDER, SCREEN DOOR
	EA	STRIKE-SLIDER COVER, W/LIP FOR ELBOW CATCH - 8.6" X 1.45"
	EA	GARNISH-RADIUS, ENTRY DOOR
	EA	CAP-DRIP, ENTRY DOOR, ALUMINUM, BEIGE
	EA	HINGE-ENTRY DOOR, BEIGE
	EA	HINGE-ENTRY DOOR, UNPAINTED
	EA	SEAL-LOCK, FLAT W/SLIT - ONE SIDE ADHESIVE - BLACK
9	EA	JAMB-ENTRY DOOR, W/O BOTTOM - UNPAINTED
10	EA	JAMB-ENTRY DOOR, W/BOTTOM & ROLLER CATCH STRIKER - BEIGE
11	EA	JAMB BOTTOM-ENTRY DOOR, BEIGE
12	EA	FRAME-BOTTOM ENTRY DOOR, BEIGE
	FT	SEAL-FOAM, CLOSED CELL - 1/4" X 1/2" X 50'
	FT	TAPE-ADHESIVE, .04" X 1" WIDE
	EA	STRIKER-ROLLER CATCH, WELDED TO DOOR JAMB - 4" X 1.15"
	FT	SEAL-PILE, ADHESIVE BACK - GRAY
		FROM: 02-05-90 THRU: 05-24-90
	FT	SEAL-PILE, ADHESIVE BACK - SCREEN DOOR - GRAY
		FROM: 08-06-90 THRU: 99-99-99

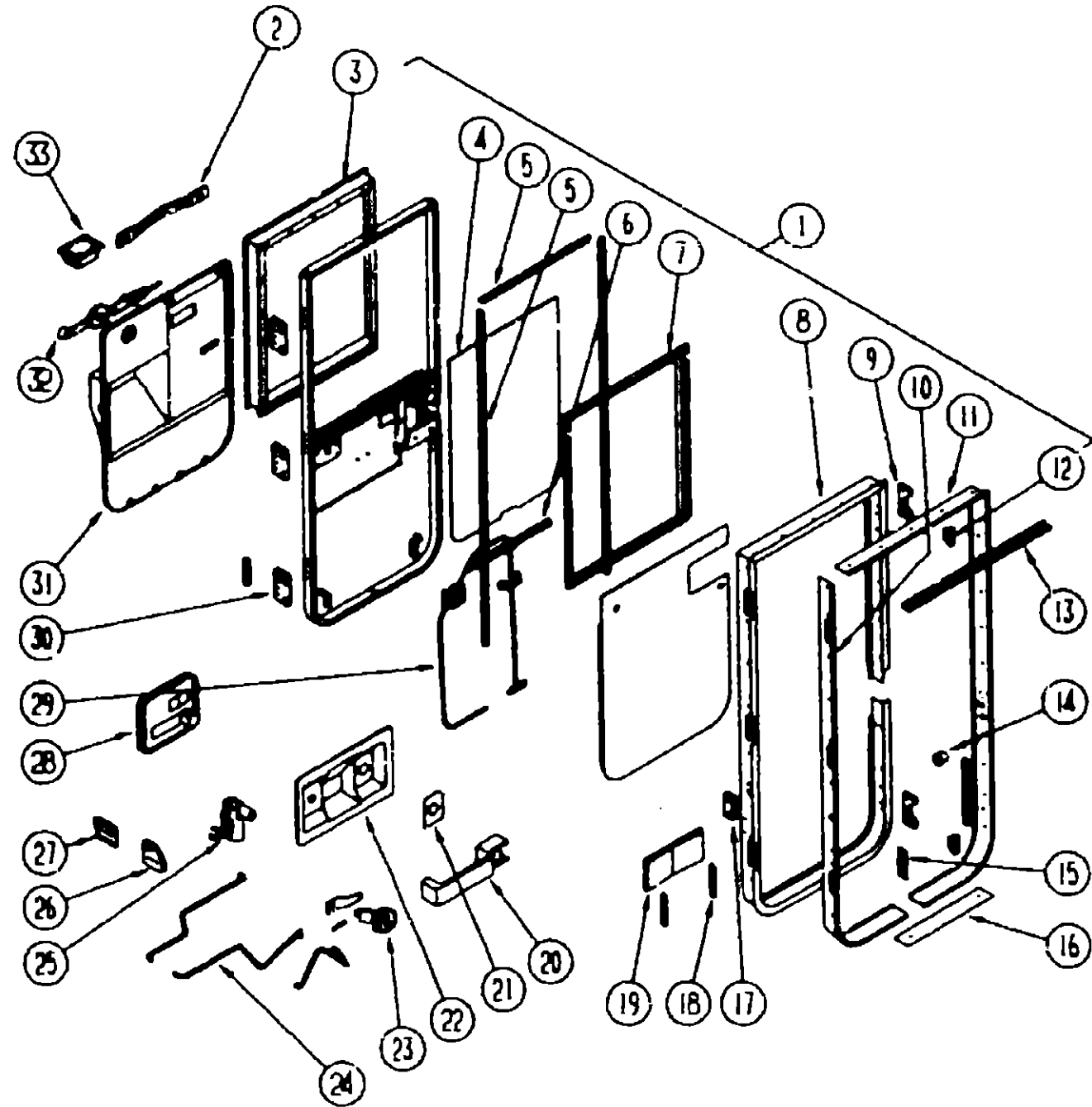
TABLE OF CONTENTS

INTRODUCTION	A-01
ABBREVIATIONS	A-01
ALPHABETICAL INDEX	A-02 - A-04
WCF23EC	A-05 - D-17
WCF30EU	D-19 - H-22

1991 WCF30EU INDEX

FLOOR PLAN	D-19 - D-20
ACCESSORIES	D-21 - D-24
BATH	E-01 - E-04
BEDROOM	E-05 - E-08
CHASSIS	E-09 - E-14
C C & PAD	E-15 - E-24
DINETTE	F-01 - F-02
DRIVERS	F-03 - F-12
ELECTRICAL	F-13 - F-16
EXTERIOR BODY	F-17 - F-22
GALLEY	F-23 - G-04
HEATING & A/C	G-05 - G-10
INTERIOR FINISH	G-11 - G-15
LABEL	G-16
LP	G-17
LOUNGE	G-18 - G-20
SEALANTS & FASTENERS	G-21 - G-22
WATER & SEWAGE	G-23 - H-02
WINDOW, VENT AND EXTERIOR DOOR	H-03 - H-22

WINDOW, VENT & EXTERIOR DOOR GROUP (CONTINUED)



DOOR-DRIVER, W/ROLL UP WINDOW (OPT 63U)

KEY PART NUMBER	U/M	DESCRIPTION
1 M82202-04-B03	EA	DOOR ASM-DRIVER, CRANK UP WINDOW - W/O JAMB FROM: 00-00-00 THRU: 01-06-90
1 M82202-04-B04	EA	DOOR ASM-DRIVER, CRANK UP WINDOW - W/O JAMB FROM: 01-07-90 THRU: 99-99-99
2 061400-04-000	EA	STRAP-ASSIST, 12" - BLACK W/WOODGRAIN SCREW COVERS FROM: 00-00-00 THRU: 04-07-91
2 061400-15-000	EA	STRAP-ASSIST, 12" - BLACK FROM: 04-08-91 THRU: 99-99-99
3 063729-01-000	EA	RIVNUT, 1/4 X 20 UNC - .030-.125
3 082234-03-000	EA	FRAME ASM-WINDOW, INNER - BLACK
3 086284-01-000	EA	SPRING-COMPRESSION, .44" LONG X .36" OD
4 081488-01-000	EA	GLASS-CRANK UP, DRIVER DOOR
4 081500-02-000	EA	SUPPORT TUBE-DRIVER DOOR FRAME, STEEL
5 081910-01-000	EA	CHANNEL-DRIVER DOOR WINDOW, W/POLYPROPYLENE PILE
5 081912-01-000	EA	WEATHERSTRIP-RIGID, BLACK
6 082472-01-000	EA	U CHANNEL-GLASS RETAINER, 2 HOLE - 16" LONG - MILL
7 082233-02-000	EA	FRAME ASM. - WINDOW - OUTER - BLACK
8 081661-04-000	EA	JAMB - DRIVER'S DOOR - STEEL
8 M02684-11-000	EA	JAMB ASM-DRIVER DOOR, BEIGE - W/SEAL
9 084465-01-000	EA	BLOCK - DOOR STOP - JAMB
10 085007-03-000	EA	FRAME - DRIVERS DOOR - FRONT & LOWER - BEIGE

WINDOW, VENT & EXTERIOR DOOR GROUP (CONTINUED)

DOOR-DRIVER, W/ROLL UP WINDOW (OPT 63U) (CONTINUED)

KEY PART NUMBER	U/M	DESCRIPTION
11 082243-02-000	EA	FRAME-DRIVER DOOR, REAR & UPPER EDGE - ALUMINUM - BEIGE
12 084465-01-000	EA	BLOCK - ALIGNMENT - DOOR MOUNTED - BLACK PLASTIC
13 064184-01-000	EA	CAP-DRIP, DRIVER DOOR
088270-01-000	FT	SEAL-BULB, EPDM RUBBER
089952-01-000	FT	CORE-SEAL, BULB SUPPORT - 11 MM DIA
083551-01-000	FT	SEAL-LAZY T & D SHAPE, SPONGE RUBBER - BLACK - JAMB MOUNTED
14 058806-03-000	EA	PLUG-TAPERED, PLASTIC - RED FROM: 10-02-89 THRU: 99-99-99
15 041250-01-000	EA	SWITCH-PUSH BUTTON, DOME LIGHT - CHROME
063729-01-000	EA	RIVNUT, 1/4 X 20 UNC - .030-.125
063729-04-000	EA	RIVNUT, 1/4 X 20 UNF .010 - .080
16 089840-01-01A	EA	THRESHOLD-DRIVER DOOR, REAR - BLACK
16 089841-01-01A	EA	THRESHOLD-DRIVER DOOR, FRONT - BLACK
17 075722-01-000	EA	BLOCK-SWITCH SPACER FROM: 00-00-00 THRU: 08-22-89
084465-01-000	EA	BLOCK-ALIGNMENT, DOOR MOUNTED - PLASTIC - BLACK
18 064219-01-000	EA	RETAINER-CHECK STRAP, DRIVER DOOR
19 098030-01-000	EA	CHECK STRAP-DRIVER DOOR, BLACK
20 R77040-01-538	EA	HANDLE - EXTERIOR DRIVERS DOOR
21 R77007-05-374	EA	GASKET SEAL - DRIVERS DOOR HANDLE
22 082107-02-000	EA	INSET - DRIVERS DOOR HANDLE - EXTERIOR - BEIGE
23 083223-01-000	EA	LOCK ASM-KEY TYPE, W/2 KEYS
083223-01-700	EA	KEY-BLANK
083811-01-000	EA	CAM-LOCK, DRIVER DOOR
24 073110-03-000	EA	ROD-LOCK CONTROL, DRIVERS DOOR
076542-04-000	EA	ROD-LATCH CONTROL, DRIVERS DOOR
081903-01-000	EA	SHAFT-MOUNTING, KNOB(CONNECTS KNOB TO SLIDE BOLT)
25 073303-03-000	EA	LATCH ASM-INNER, DRIVER DOOR - MODIFIED
26 082238-03-000	EA	COVER-STRIKE, DRIVER DOOR - GRAY FROM: 00-00-00 THRU: 01-06-91
26 082238-04-000	EA	COVER-STRIKE, DRIVER DOOR - OFF WHITE FROM: 01-07-91 THRU: 99-99-99
079561-01-000	EA	SHIM-STRIKE, DRIVER DOOR - 16 GAUGE FROM: 00-00-00 THRU: 08-02-90
079561-02-000	EA	SHIM-STRIKE, DRIVER DOOR - 22 GAUGE FROM: 00-00-00 THRU: 08-02-90
27 R77013-48-135	EA	STRIKER - DRIVERS DOOR
076322-02-000	FT	TAPE-FOAM, DOUBLE COATED - .045" X 1" - INC. OF 108 FT
081485-01-000	EA	SUPPORT ASM-STRIKE, DRIVER DOOR
073118-01-000	EA	RETAINER-ATTACHMENT PLATE - PART OF 081485-01-000
073119-01-000	EA	ATTACHMENT PLATE-STRIKER - PART OF 081485-01-000
081903-01-000	EA	SHAFT-MOUNTING, KNOB(CONNECTS KNOB TO SLIDE BOLT)
28 081905-02-000	EA	KNOB-SLIDE BOLT, BLACK
081906-01-000	EA	SLIDE BOLT-DRIVER DOOR
R77006-50-326	EA	HANDLE-DOOR, INTERIOR LT
29 081907-02-000	EA	REGULATOR ASM-DRIVER DOOR WINDOW
081908-01-000	EA	SCREW-MACH 6-32X.62 W/NYLOCK
30 063993-01-000	EA	HINGE ASM-DRIVER DOOR, BEIGE - 3 PER DOOR
063731-01-000	EA	CAP-PUSH ON, ZINC - STYLE PW
31 082471-08-000	EA	PANEL-INSIDE, DRIVER DOOR - 31.7" X 24.2" - PLASTIC
32 094575-01-000	EA	CRANK - HAND - GLASS LIFT
32 094575-01-000	EA	WINDOW CRANK, GLASS LIFT
33 046886-03-000	EA	ASHTRAY-CHROME, W/COVER
081487-01-000	EA	HOUSING-SLIDE BOLT, STEEL
049465-04-000	EA	SCREW, 10-16 X 1 PTH W/WASHER - BEIGE
038886-01-000	EA	TAPE-BUTYL, .31" X .31" X 148" LONG
082242-02-000	EA	LINER-STEP BOX, DRIVER DOOR - ABS - BEIGE
084347-01-000	EA	SHIM-HINGE, DRIVER DOOR
079561-01-000	EA	SHIM-STRIKE, DRIVER DOOR - 16 GAUGE
079561-02-000	EA	SHIM-STRIKE, DRIVER DOOR - 22 GAUGE
068938-03-000	EA	BEARING-.38" ID, SNAP IN
063977-08-000	EA	STEP ASM-DRIVER DOOR, BLACK
044380-01-001	EA	EXTRUSION-DRIP RAIL 192.00 IN
068938-03-000	EA	BEARING-.38" ID, SNAP IN
R77006-64-365	EA	LINK-CONTROL
R77030-58-048	EA	WASHER
079370-04-000	FT	COVER-SCREW, WINDOW - VINYL - BLACK
091963-03-000	FT	TAPE-ADHESIVE, .04" X 1" WIDE

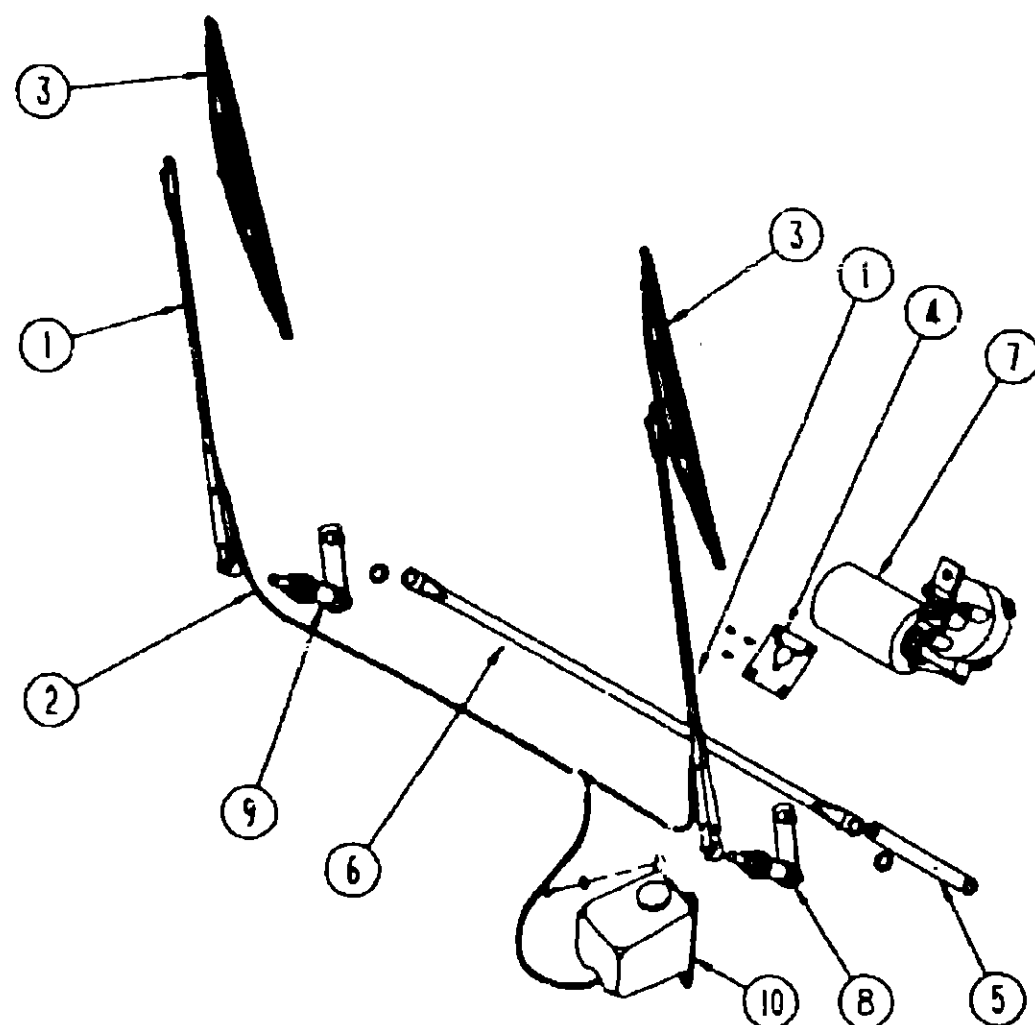
TABLE OF CONTENTS

INTRODUCTION	A-01
ABBREVIATIONS	A-01
ALPHABETICAL INDEX	A-02 - A-04
WCF23EC	A-05 - D-17
WCF30EU	D-19 - H-22

1991 WCF30EU INDEX

FLOOR PLAN	D-19 - D-20
ACCESSORIES	D-21 - D-24
BATH	E-01 - E-04
BEDROOM	E-05 - E-08
CHASSIS	E-09 - E-14
C & C & PAD	E-15 - E-24
DINETTE	F-01 - F-02
DRIVERS	F-03 - F-12
ELECTRICAL	F-13 - F-16
EXTERIOR BODY	F-17 - F-22
GALLEY	F-23 - G-04
HEATING & A/C	G-05 - G-10
INTERIOR FINISH	G-11 - G-15
LABEL	G-16
LP	G-17
LOUNGE	G-18 - G-20
SEALANTS & FASTENERS	G-21 - G-22
WATER & SEWAGE	G-23 - H-02
WINDOW, VENT AND EXTERIOR DOOR	H-03 - H-22

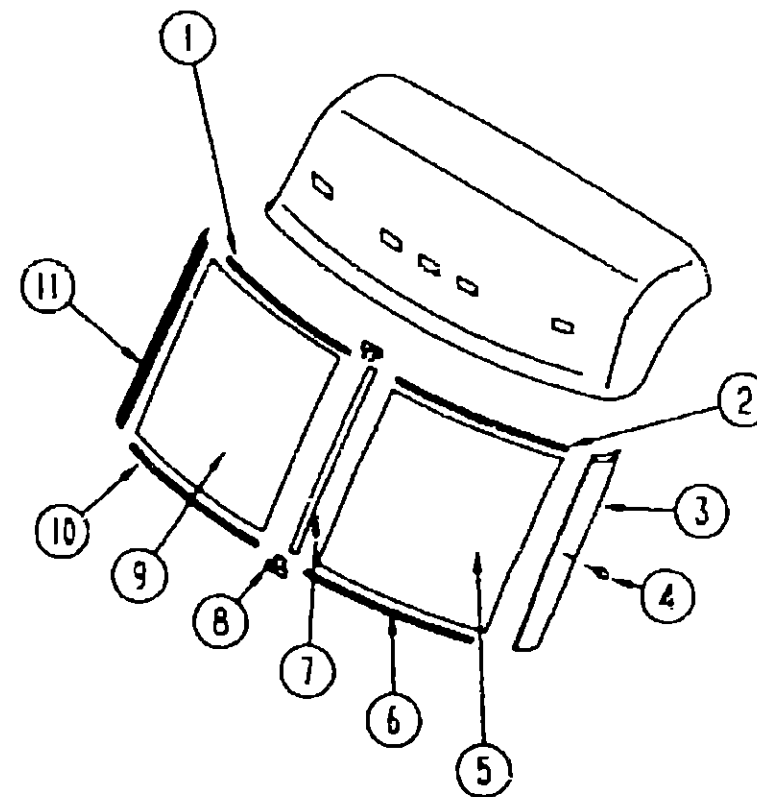
WINDOW, VENT & EXTERIOR DOOR GROUP (CONTINUED)



WIPER COMPONENTS

KEY PART NUMBER	U/M DESCRIPTION	
1 057653-01-000	EA ARM-WIPER, 18"	
1 096931-01-000	EA ARM-WIPER, 20"	FROM: 00-00-00 THRU: 11-02-89
2 096931-01-700	FT HOSE - WIPER TO BLADES	FROM: 11-03-89 THRU: 99-99-99
3 049464-03-000	EA BLADE-WIPER, WINDSHIELD - 20"	FROM: 00-00-00 THRU: 11-02-89
049464-03-700	EA REFILL-BLADE, WINDSHIELD WIPER - 20"	FROM: 11-03-89 THRU: 99-99-99
3 095964-01-000	EA BLADE-WIPER, 24"	
4 063971-01-000	EA SUPPORT-WIPER MOTOR	
5 067192-01-000	EA LINK-DRIVER CONNECTING, W/BLACK BUSHING - 37.85"	
6 067192-02-000	EA LINK-PASSENGER CONNECTING, W/BLACK BUSHING - 43.57"	
7 096380-01-000	EA MOTOR-WIPER	
8 096504-01-000	EA PIVOT SHAFT-DRIVER	
9 096505-02-000	EA PIVOT SHAFT-PASSENGER	
096526-01-000	EA SCREW-HEX, 1/4 - 20 UNF	
10 056000-02-000	EA WASHER-WINDSHIELD, BOTTLE & PUMP	
056000-01-700	FT VACUUM HOSE 7/64 - 5.32	
041791-01-000	FT SEAL-VINYL, FLEX U-CHANNEL	

WINDOW, VENT & EXTERIOR DOOR GROUP (CONTINUED)



WINDSHIELDS, TRIMS & MOLDINGS

KEY PART NUMBER	U/M DESCRIPTION
1 077944-01-000	EA REVEAL MOLDING-UPPER WINDSHIELD, PASSENGER
2 077944-02-000	EA REVEAL MOLDING-UPPER WINDSHIELD, DRIVER
3 079225-02-000	EA TRIM POST-WINDSHIELD, DRIVERS - METAL - BLACK
4 034141-02-000	EA PLUG-HOLE, 3/8" - NYLON - BLACK
5 077675-02-000	EA GLASS-DRIVER WINDSHIELD
6 077945-02-000	EA REVEAL MOLDING-LOWER WINDSHIELD, DRIVER
7 076676-02-000	EA REVEAL MOLDING-WINDSHIELD CENTER - 29.25"
8 077952-02-000	EA CAP-REVEAL MOLDING, CENTER TOP AND BOTTOM WINDSHIELD
9 077675-01-000	EA GLASS-PASSENGER WINDSHIELD
10 077945-01-000	EA REVEAL MOLDING-LOWER WINDSHIELD, PASSENGER
11 079225-01-000	EA TRIM POST-WINDSHIELD, PASSENGER - METAL - BLACK
058291-01-000	FT EDGE MOLDINGS-WINDSHIELD TO TRIM POST - VINYL - BLACK
002328-02-000	EA BLOCK-WINDSHIELD, .062" X .5" X .98"

TABLE OF CONTENTS

INTRODUCTION	A-01
ABBREVIATIONS	A-01
ALPHABETICAL INDEX	A-02 - A-04
WCF230EC	A-05 - D-17
WCF30EU	D-19 - H-22

1991 WCF30EU INDEX

FLOOR PLAN	D-19 - D-20
ACCESSORIES	D-21 - D-24
BATH	E-01 - E-04
BEDROOM	E-05 - E-08
CHASSIS	E-09 - E-14
C & C & PAD	E-15 - E-24
DINETTE	F-01 - F-02
DRIVERS	F-03 - F-12
ELECTRICAL	F-13 - F-16
EXTERIOR BODY	F-17 - F-22
GALLEY	F-23 - G-04
HEATING & A/C	G-05 - G-10
INTERIOR FINISH	G-11 - G-15
LABEL	G-16
LP	G-17
LOUNGE	G-18 - G-20
SEALANTS & FASTENERS	G-21 - G-22
WATER & SEWAGE	G-23 - H-02
WINDOW, VENT AND EXTERIOR DOOR	H-03 - H-22