

1991 WCF23EC

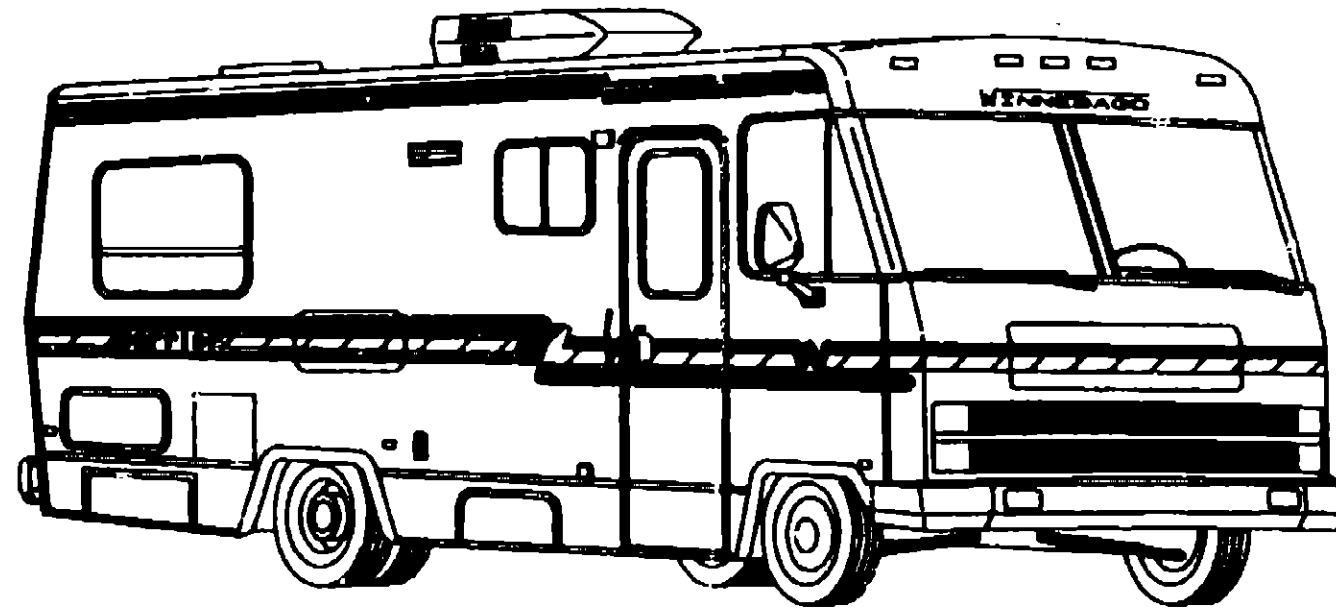
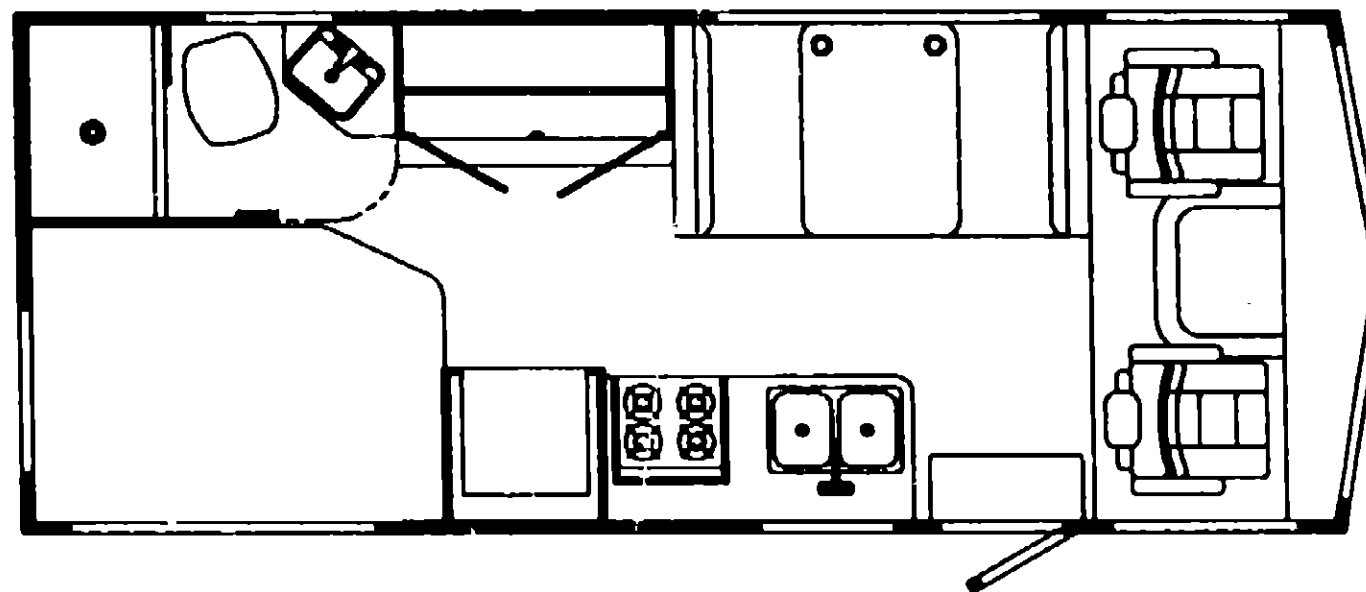


TABLE OF CONTENTS

INTRODUCTION	A-01
ABBREVIATIONS	A-01
ALPHABETICAL INDEX	A-02 - A-04
WCF23EC	A-05 - D-17
WCF30EU	D-19 - H-22



1991 WCF23EC INDEX

FLOOR PLAN	A-05 - A-06
ACCESSORIES	A-07 - A-10
BATH	A-11 - A-13
BEDROOM	A-14
CHASSIS	A-15 - A-16
C C & PAD	A-19 - B-04
DINETTE	B-03 - B-04
DRIVERS	B-05 - B-14
ELECTRICAL	B-15 - B-18
EXTERIOR BODY	B-19 - B-24
GALLEY	C-01 - C-06
HEATING & AC	C-07 - C-12
INTERIOR FINISH	C-13 - C-16
LABEL	C-17
LP	C-18
SEALANTS & FASTENERS	C-19 - C-20
WATER & SEWAGE	C-21 - D-01
WINDOW, VENT AND EXTERIOR DOOR	D-02 - D-17

ACCESSORIES GROUP

COVER-WHEEL, 16" - OPTION (OPT 194)

KEY PART NUMBER U/M DESCRIPTION
083181-01-700 EA COVER-WHEEL, 16" - 1 ONLY

SPARE TIRE-W/CARRIER & COVER

KEY PART NUMBER U/M DESCRIPTION
098855-01-803 EA COVER - TIRE, VINYL - BEIGE
080378-04-000 EA BRACKET-SPARE TIRE CARRIER
059359-04-000 EA WHEEL-STEEL, 16" X 6"K - 8 HOLE - OFF WHITE
000C12-08-24B EA BOLT-HEX, 1/2"-13 X 1 1/2" - ZN 5
077411-01-000 EA ROD-RETAINING, SPARE TIRE
083425-06-000 EA TIRE-LT215/85R16 LRE - MICHELIN
050273-02-000 EA TIRE-7.50R16.0 LRD,XCA,T8
051377-01-000 EA STEM-VALVE

FRONT AIRSHOCKS & REAR AIR BAGS

KEY PART NUMBER U/M DESCRIPTION
079942-01-000 EA SHOCK ABSORBER-STABILIZER, FRONT - 4-WAY
084088-01-000 EA AIRSPRING-BELLOWS, REAR AXLE - FIRESTONE# MHA224
084088-01-700 EA AIRSPRING-BELLOWS, REAR AXLE - FIRESTONE# MHA224
084088-01-701 EA TUBING-DOT 1/4 X 18" - FIRESTONE# 21-0838
084088-01-702 EA BOLT-RIBBED NECK, 3/8 -24 X 2.5 FIRESTONE# 21-0829
084088-01-703 EA INFLATING VALVE-DOT 1/4 TUBING, FIRESTONE# 21-0831
084088-01-704 EA ELBOW CONNECTOR, FIRESTONE# 21-0835
084088-01-705 EA TUBING PROTECTORS, FIRESTONE# 21-0889
084088-01-706 EA BRACKET-UPPER TO FRAME, FIRESTONE# 21-0150
084088-01-707 EA BRACKET-LOWER, TOP - FIRESTONE# 21-1182
084088-01-708 EA AIRLINE SERVICE KIT, FIRESTONE# W21-780-2012
084088-01-709 EA HEAT SHIELD, FIRESTONE# 21-1004
084088-03-000 EA BRACKET-AXLE, P30 CHASSIS - FIRESTONE# W21-780-2044

OPERATORS MANUAL

KEY PART NUMBER U/M DESCRIPTION
054185-84-000 EA MANUAL-OPERATORS, 1991 A-BODY WARRIOR
082318-01-000 EA BINDER-3 RING, MOTOR HOME MANUAL
082319-01-000 EA POCKET PAGE-3 RING BINDER, PLASTIC
088084-05-000 EA CASSETTE-WINNEBAGO WARRIOR

TV, VCR, CONTROL CENTER (OPTION L43X) U.S. & CANADIAN

KEY PART NUMBER U/M DESCRIPTION
086757-01-000 EA CONTROL CENTER-SWITCH, VCR/TV - CHANNEL MASTER
FROM: 00-00-00 THRU: 06-03-90
086757-02-000 EA CONTROL CENTER-SWITCH, VCR/TV - XANTECH
FROM: 06-04-90 THRU: 99-99-99
098446-01-700 EA REMOTE F/MODEL#9815
098446-02-000 EA VCR-VHS, CABLE READY - REMOTE - MAGNAVOX VR9912
098446-02-700 EA REMOTE F/MODEL#9912
086777-03-000 EA PLATE-WALL, ANTENNA/POWER, IVORY

ACCESSORIES GROUP (CONTINUED)

EXTERIOR REAR VIEW MIRROR

KEY PART NUMBER U/M DESCRIPTION
049347-01-000 EA MIRROR HEAD-EXTERIOR, 10 1/2" X 7 1/2" - STAINLESS STEEL
006043-01-000 EA MIRROR-EXTERIOR CONVEX, ADHESIVE BACKED
049348-03-000 EA ARM-EXTERIOR MIRROR, LOW MOUNT - BLACK
049944-04-000 EA BRACKET-EXTERIOR MIRROR, ARM TO SIDEWALL - BLACK
039337-01-000 EA BRACKET-EXTERIOR MIRROR, ARM TO SIDEWALL - UNPAINTED

LUGGAGE RACK & LADDER (OPT 902)

KEY PART NUMBER U/M DESCRIPTION
038327-01-000 EA TAPE-ANTI SLIP, 2" X 60'
081018-02-T03 EA LADDER-LUGGAGE RACK, HINGED
000G39-08-10T EA SCREW-SF/DR, 6-20 X 5/8 PPH - BLACK
000G68-10-38T EA SCREW-10-12 X 2.25 POH BLACK
067125-01-000 EA STANDOFF-LADDER, BRIGHT DIPPED - LOWER
067165-01-000 EA MOUNTING BRACKET-LADDER, LOWER
078880-02-000 EA END CAP-STEP, BLACK
080888-01-000 EA STANDOFF-RACK AND LADDER, BRIGHT DIPPED
FROM: 00-00-00 THRU: 03-04-90
091085-02-000 EA STANDOFF-RACK & LADDER, BRIGHT DIPPED
FROM: 03-05-90 THRU: 99-99-99
081028-01-T03 EA RACK ASM-PASSENGER SIDE, INCLUDES 2 ANGLED STANDOFFS
081114-01-000 EA PLUG-ROUND, RACK & LADDER ENDS - PLASTIC - 1" DIA.
081078-14-803 EA RACK-LUGGAGE, DRIVER SIDE
081114-01-000 EA PLUG-ROUND, RACK & LADDER ENDS - PLASTIC - 1" DIA.
091085-02-000 EA STANDOFF-RACK & LADDER, BRIGHT DIPPED

TV ANTENNA W/TV STAND (OPTION L42P) CABLE READY

KEY PART NUMBER U/M DESCRIPTION
000G11-08-12B EA SCREW, 8-18 X 3/4 PPH ZN
066726-02-000 EA BUMPER-.88"DIA X .40", BLACK
076319-01-000 EA ANTENNA-TV, ROOF MOUNT - 44.5" MAST - RYA W02
076319-01-700 EA HEAD-ANTENNA, AMPLIFIED - WINEGARD# RYSA U/V
076319-01-701 EA GEAR-ELEVATING, PLASTIC - WINEGARD# 2200045
076319-01-702 EA SHAFT ASM-ELEVATING, WINEGARD# RVP-400A
076319-01-703 EA BEARING-NYLON, 5"OD - WINEGARD# 3200656
076319-01-704 EA BEARING-NYLON, 1.25"OD - WINEGARD# 3200657
076319-01-705 EA GROMMET-NYLON, 7/8"ID - WINEGARD# 3200658
076319-01-706 EA CRANK-ELEVATING, W/SET SCREW - WINEGARD# 5755100
076319-01-707 EA SPRING-HANDLE, WINEGARD# 5160800
076319-01-708 EA DECAL-CRANK, WINEGARD# 5413002
076319-06-000 EA ADAPTER-CABLE ROOF PLATE, WINEGARD RPJ-1
076319-09-000 EA WALL PLATE-TV RECEPTACLE - BROWN
076319-11-000 EA ADAPTER-COAX WITH SPLITTER WINEGARD MSJ-6
080734-02-000 EA CLIP-WIRE, NYLON
094357-02-W24 EA TV STAND ASSEMBLY
023320-01-000 EA PAD-FELT, 3/8" DIAMETER - BROWN
058331-14-000 EA MIRROR-GLASS, SAFETY - 14" X 12.7"
084356-04-000 EA INSERT-TV STAND, BEIGE
084412-01-000 EA SUPPORT-HINGED

TABLE OF CONTENTS

INTRODUCTION A-01
ABBREVIATIONS A-01
ALPHABETICAL INDEX A-02 - A-04
WCF23EC A-05 - D-17
WCF30EU D-18 - H-22

1991 WCF23EC INDEX

FLOOR PLAN A-05 - A-08
ACCESSORIES A-07 - A-10
BATH A-11 - A-13
BEDROOM A-14
CHASSIS A-15 - A-16
C C & PAD A-19 - B-04
DINETTE B-03 - B-04
DRIVERS B-05 - B-14
ELECTRICAL B-15 - B-18
EXTERIOR BODY B-19 - B-24
GALLEY C-01 - C-08
HEATING & AC C-07 - C-12
INTERIOR FINISH C-13 - C-16
LABEL C-17
LP C-18
SEALANTS & FASTENERS C-19 - C-20
WATER & SEWAGE C-21 - D-01
WINDOW, VENT AND EXTERIOR DOOR D-02 - D-17

ACCESSORIES GROUP (CONTINUED)

4,000 WATT ONAN GENERATOR (OPTION L38E) US

KEY PART NUMBER	U/M	DESCRIPTION
008054-01-000	EA	CORD-POWER, 10/3 WIRE - 30 AMP - 25'
008289-01-000	EA	BOX-ELECTRIC, STEEL - 1/2" AND 3/4" KNOCKOUTS - 4" X
008328-01-000	EA	TERMINAL-RING, 12/10 WIRE - #10 STUD FIT
008355-01-000	EA	CONNECTOR-CABLE CLAMPING, 3/4"
008356-01-000	EA	CONNECTOR-PLASTIC, 3/8" AVG
024924-02-000	EA	RECEPTACLE-POWER CORD, W/PARTIAL PLATE
041953-01-000	FT	CONDUIT-CONVOLUTED SLIT, .5"ID
069238-01-000	EA	COVER-ELECTRICAL BOX, W/HOLE - 4" X 4" - GRAY
000C26-04-10B	EA	BOLT-HEX, SER FLG - 1/4-20 X 5/8 ZINC
000D39-05-00B	EA	NUT-HEX, SER FLG LK - 5/16 - 18 ZN
007067-01-000	SF	INSULATION-FIBERGLASS, 1" THICK X 4' - INCREMENTS OF
007125-01-000	EA	CLAMP-ASM-MUFFLER 1.62" DIAMETER
008289-01-000	EA	BOX-ELECTRIC, STEEL - 1/2" AND 3/4" KNOCKOUTS - 4" X
023942-01-000	EA	GROMMET-RUBBER, 2" OD
078045-01-000	EA	STRAP-SUPPORT, GENERATOR - 4 HOLE
079654-05-000	EA	PIPE-EXHAUST, ANGLED - W/FLANGE - EMERALD - ONAN# 154
081364-01-000	EA	MUFFLER-GENERATOR
		FROM: 00-00-00 THRU: 06-19-90
081364-02-000	EA	MUFFLER-GENERATOR
		FROM: 06-20-90 THRU: 12-11-90
081364-03-000	EA	MUFFLER-GENERATOR, ONAN
		FROM: 12-12-90 THRU: 99-99-99
084365-01-000	EA	STRAP-SUPPORT, GENERATOR - 2 HOLE
093591-02-000	EA	PIPE-EXHAUST, GENERATOR - 1.5" OD
		FROM: 06-20-90 THRU: 12-11-90
083152-07-000	EA	PIPE-EXHAUST, GENERATOR
		FROM: 12-12-90 THRU: 99-99-99
100974-03-000	EA	GENERATOR-EMERALD, 4.0 KW - ONAN BGE-FA/26101G
000D14-05-00B	EA	NUT-HEX, 5/16-18 - ZN 5
008294-01-000	EA	COVER-ELECTRICAL BOX, STEEL/BLANK - 4" X 4" - GRAY
008311-01-000	EA	CONNECTOR-WIRE NUT, INSULATED - RED
008312-01-000	EA	CONNECTOR-WIRE NUT, INSULATED - BLUE
007063-01-000	FT	HOSE-GAS 1/4"ID X 1/2"OD
100258-03-01A	EA	HOOD-RANGE, W/O MONITOR PANEL, VENTLINE - U.S. FOR PIECE PARTS SEE GALLEY GROUP

4,000 WATT ONAN GENERATOR (OPTION L38E) CANADIAN
SAME AS US OPTION EXCEPT FOR FOLLOWING PARTS

KEY PART NUMBER	U/M	DESCRIPTION
008052-01-000	EA	CORD-POWER, 10/3 - 30 AMP - 25' - CANADIAN
008289-02-000	EA	BOX-ELECTRICAL, 4" X 4" - 1/2" & 3/4" KNOCKOUTS - CANAD
008353-01-000	EA	CONNECTOR-CABLE CLAMPING, 3/8"
008289-02-000	EA	BOX-ELECTRICAL, 4" X 4" - 1/2" & 3/4" KNOCKOUTS - CANAD
008398-01-000	EA	CONNECTOR-1/2" X 90 DEGREE, FLEX CONDUIT - UL AND CSA
081364-03-000	EA	MUFFLER-GENERATOR, ONAN
100974-02-000	EA	GENERATOR-4,000 WATT EMERALD PLUS, ONAN BGE-FA
007063-01-000	FT	HOSE-GAS 1/4"ID X 1/2"OD
100258-10-01A	EA	METER-HOUR, VENTLINE 150

TV & TV CABINET (OPTION L43U) CANADIAN

KEY PART NUMBER	U/M	DESCRIPTION
098447-02-000	EA	TV-13", COLOR W/REMOTE - CANADIAN - MAGNAVOX XK4029CH

ACCESSORIES GROUP (CONTINUED)

GENERATOR-3.5 KW, EXPORT - KOHLER (OPT 383)

KEY PART NUMBER	U/M	DESCRIPTION
007125-03-000	EA	CLAMP-MUFFLER - 1.5" DIA
007125-04-000	EA	CLAMP-MUFFLER, 1.1" DIA
008289-01-000	EA	BOX-ELECTRIC, STEEL - 1/2" AND 3/4" KNOCKOUTS - 4" X
008294-01-000	EA	COVER-ELECTRICAL BOX, STEEL/BLANK - 4" X 4" - GRAY
093590-02-000	EA	MUFFLER-GENERATOR
		FROM: 00-00-00 THRU: 08-25-90
081364-01-000	EA	MUFFLER-GENERATOR
		FROM: 08-26-90 THRU: 99-99-99
100974-05-000	EA	GENERATOR-4.0 KW EMERALD PLUS, ONAN BGE-FN
008054-01-000	EA	CORD-POWER, 10/3 WIRE - 30 AMP - 25'
008289-01-000	EA	BOX-ELECTRIC, STEEL - 1/2" AND 3/4" KNOCKOUTS - 4" X
008328-01-000	EA	TERMINAL-RING, 12/10 WIRE - #10 STUD FIT
008355-01-000	EA	CONNECTOR-CABLE CLAMPING, 3/4"
008356-01-000	EA	CONNECTOR-PLASTIC, 3/8" AVG
041953-01-000	FT	CONDUIT-CONVOLUTED SLIT, .5"ID
089238-01-000	EA	COVER-ELECTRICAL BOX, W/HOLE - 4" X 4" - GRAY
092615-01-000	EA	CONVERTER-40 AMP, W/CHARGER - B-W 32400P
000D14-05-00B	EA	NUT-HEX, 5/16-18 - ZN 5
000D39-05-00B	EA	NUT-HEX, SER FLG LK - 5/16 - 18 ZN
000G39-08-08B	EA	SCREW-SF/DR, 8-18 X 1/2 PPH ZN
008026-01-000	FT	WIRE-12/2, ROMEX - W/GROUND
008294-01-000	EA	COVER-ELECTRICAL BOX, STEEL/BLANK - 4" X 4" - GRAY
008311-01-000	EA	CONNECTOR-WIRE NUT, INSULATED - RED
008312-01-000	EA	CONNECTOR-WIRE NUT, INSULATED - BLUE
008356-01-000	EA	CONNECTOR-PLASTIC, 3/8" AVG
007063-01-000	FT	HOSE-GAS 1/4"ID X 1/2"OD
008401-01-000	EA	STRAP-CONDUIT, 3/4" - 1 HOLE - GALVANIZED STEEL
024976-01-000	EA	SWITCH-GENERATOR, W/O CIRCUIT BOARD

TV & TV CABINET (OPTION L43U)

KEY PART NUMBER	U/M	DESCRIPTION
058708-02-000	EA	RECEPTACLE-DOUBLE ELECTRIC, IVORY
070578-02-U19	EA	BUTTON-SCREW STUD, #30 - VINYL - SMOKE
		FROM: 00-00-00 THRU: 01-08-91
070578-02-B10	EA	BUTTON-SCREW STUD, #30 - VINYL - OFF WHITE
		FROM: 01-07-91 THRU: 99-99-99
085774-01-000	FT	FASTENER-DUAL HOOK, 1" WIDE - ADHESIVE BACK - BLACK
085774-02-000	FT	FASTENER-DUAL LOOP, 1" WIDE - ADHESIVE BACK - BLACK
100629-01-B03	EA	FACE-CABINET, OVERHEAD - TV
100622-01-01A	EA	BRACKET-CABINET, TV - OFF WHITE
100707-01-000	EA	SPACER-DOOR, GLASS
100708-01-000	EA	DOOR-CABINET, TV - 5.6" X 29.4" - W/O HARDWARE - GLAS
100710-01-01A	EA	LOCK-GLASS DOOR, TWIST TYPE - BRASS
100711-01-01A	EA	HINGE-DOOR, GLASS
101272-01-000	EA	CATCH-DOOR, GLASS
101766-01-000	EA	PIN-SUPPORT, GLASS DOOR
098447-01-000	EA	TV-13", COLOR W/REMOTE - U.S. - MAGNAVOX RX4029WA
098447-01-700	EA	REMOTE-TV, MAGNAVOX 0822338
099717-01-000	EA	TIEDOWN-TV
		FROM: 00-00-00 THRU: 05-26-90
099717-02-000	EA	TIEDOWN, TV
098819-01-000	EA	SPEAKER-2 WATT, 8 OHM - 4"
093214-01-02A	EA	GRILL-SPEAKER, 4" BROWN
099030-01-000	EA	WIRE-SPEAKER, TV
099637-01-000	EA	GROMMET
086756-01-000	EA	SPLITTER-TV, 2 WAY
086777-01-000	EA	PLATE-WALL, ANTENNA
076319-03-000	FT	CABLE-COAXIAL, 75 OHM
076319-04-000	EA	CONNECTOR W/FERRULE
076319-12-000	EA	CONNECTOR-COAXIAL, ONE PIECE
076319-03-000	FT	CABLE-COAXIAL, 75 OHM
100628-01-000	EA	SHELF-TV, STEEL
101150-01-000	EA	SUPPORT-SHELF, TV
101150-02-000	EA	SUPPORT-SHELF, TV

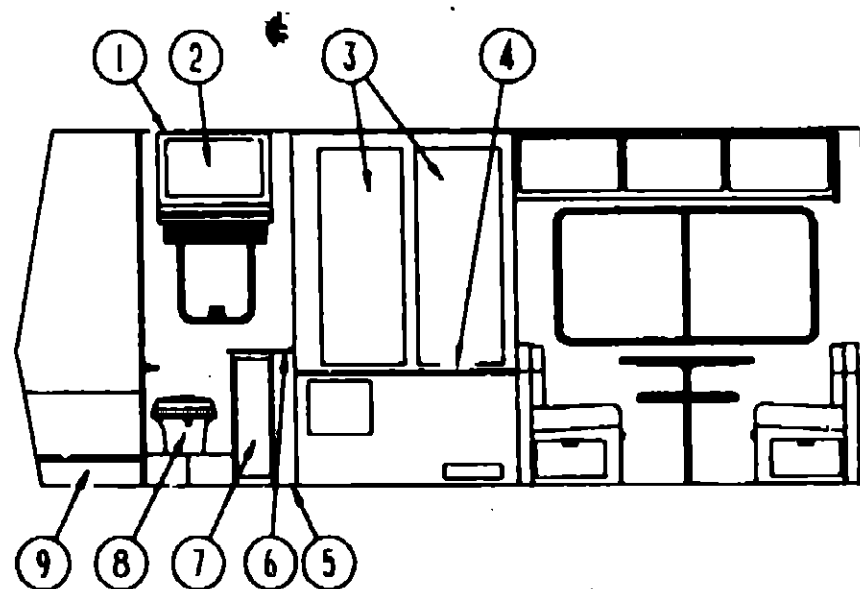
TABLE OF CONTENTS

INTRODUCTION	A-01
ABBREVIATIONS	A-01
ALPHABETICAL INDEX	A-02 - A-04
WCF23EC	A-05 - D-17
WCF30EU	D-19 - H-22

1991 WCF23EC INDEX

FLOOR PLAN	A-05 - A-06
ACCESSORIES	A-07 - A-10
BATH	A-11 - A-13
BEDROOM	A-14
CHASSIS	A-15 - A-16
C C & PAD	A-19 - B-04
DINETTE	B-03 - B-04
DRIVERS	B-05 - B-14
ELECTRICAL	B-15 - B-18
EXTERIOR BODY	B-19 - B-24
GALLEY	C-01 - C-06
HEATING & AC	C-07 - C-12
INTERIOR FINISH	C-13 - C-16
LABEL	C-17
LP	C-18
SEALANTS & FASTENERS	C-19 - C-20
WATER & SEWAGE	C-21 - D-01
WINDOW, VENT AND	
EXTERIOR DOOR	D-02 - D-17

BATH GROUP



BATH CABINETRY

KEY PART NUMBER	U/M	DESCRIPTION
1 M03972-13-B03	EA	CABINET-MEDICINE, W/O DOOR OR HARDWARE
2 P00099-31-B05 058331-05-000	EA	DOOR-MEDICINE, W/O HARDWARE - W/MIRROR - 15.5" X 29.5"
3 P00099-65-B03	EA	MIRROR-MEDICINE CABINET SAFETY, 12" X 26"
4 099402-14-B03	EA	DOOR-CABINET, WARDROBE - W/O HARDWARE - 20"6" X 48"
5 M09407-01-B03	EA	COUNTERTOP-WARDROBE/PANTRY CABINET
6 099407-13-B03	EA	CABINET-LAVATORY, W/O DOORS OR HARDWARE - B03/B04
7 P00099-01-B42	EA	COUNTERTOP-LAVATORY, B03/B04 BROWN MINK/PINE MIST
8 067487-01-000	EA	DOOR-LAVATORY CABINET, W/O HARDWARE - 25.2" X 10"
9 M02429-04-000 099405-01-B03	EA	TOILET-LOW, AQUA MAGIC IV - THETFORD 150110
	EA	PAN-SHOWER, W/STRAINER
	EA	CABINET-PIPE COVER, 79.7" B03/B04

SHOWER FIXTURES

KEY PART NUMBER	U/M	DESCRIPTION
075241-05-000	EA	FAUCET-SHOWER, BONE
075606-01-000	EA	PANEL-FAUCET BACK, SHOWER - PLASTIC
081614-02-000	EA	DISH-SOAP, W/PLASTIC COVER - BRASS
011048-02-000	EA	HEAD-SHOWER, W/60" HOSE

SHOWER PAN

KEY PART NUMBER	U/M	DESCRIPTION
M02429-04-000	EA	PAN-SHOWER, W/STRAINER
066436-01-000	EA	NUT-SLIP, TAILPIECE - 1"5"
066440-01-000	EA	STRAINER W/RUBBER WASHER
069640-06-000	FT	SEALER-RIBBON, 5/16" DIAMETER - INCREMENTS OF 25'
011069-02-000	EA	TAILPIECE-TUB/SHOWER, 1 1/2" X 1 1/4" X 4" - BRASS
066436-01-000	EA	NUT-SLIP, TAILPIECE - 1"5"
069735-01-000	EA	WASHER-STRAINER TO TAILPIECE, PLASTIC, 1"5"
057671-01-000	EA	COVER-SCREW, #8 - PLASTIC - OFF WHITE

BATH GROUP (CONTINUED)

BATH HARDWARE

KEY PART NUMBER	U/M	DESCRIPTION
075240-06-000	EA	FAUCET-LAVATORY, BONE
091253-01-000	EA	GASKET-FAUCET, LAVATORY
091255-02-000	FT	SEAL-ADHESIVE BACKED FOAM, 1/5" X 1.8MM
090327-01-01A	EA	SINK-LAVATORY, RECTANGULAR - PLASTIC - BONE
096927-01-700	EA	SINK STOPPER
096927-01-701	EA	TAILPIECE-SINK
075454-02-000	EA	RING-TOWEL, W/MOUNTING HARDWARE - BRASS
075452-02-000	EA	HOLDER-TOILET TISSUE, BRASS

SHOWER CURTAIN

KEY PART NUMBER	U/M	DESCRIPTION
009700-04-000	EA	TRACK-METAL CURTAIN, WHOLES - 193.5" - OFF WHITE
009107-01-000	EA	GUIDE-CURTAIN NYLON SNAP
094856-03-01A	EA	TRACK-SHOWER CURTAIN, 29" - WHITE
009701-01-000	EA	CARRIER-SHOWER CURTAIN
009702-01-000	EA	END STOP-CURTAIN CARRIER, SHOWER
084481-08-000	EA	CURTAIN-SHOWER, VINYL SNAP TOP - 70" X 32"
084481-09-000	EA	CURTAIN-GROMMET TOP, SHOWER - 71" X 34" - VINYL - OFF WHITE

FOLDING DOOR & TIEBACK

KEY PART NUMBER	U/M	DESCRIPTION
086824-02-000	EA	TRACK-FOLDING DOOR, CURVED - 41.5" - BEIGE
042488-01-700	EA	ROLLER & CLAMP - FLODING DOOR
042488-08-000	EA	DOOR-FOLDING, WOVEN OAK - 75" X 50"
042488-04-700	EA	LEAD EDGE & CATCH ASM.
057534-04-000	EA	TIEBACK-FOLDING DOOR, 20" - CLEAR PLASTIC

WARDROBE COMPONENTS

KEY PART NUMBER	U/M	DESCRIPTION
023320-01-000	EA	PAD-FELT, 3/8" DIAMETER - BROWN
009112-01-000	EA	FLANGE-1" ROD, CLOTHES - PLASTIC - OFF WHITE
041953-03-000	FT	CONDUIT-CONVOLUTED SLIT, 1" ID (CLOTHES ROD COVER)
042438-01-000	EA	DOWEL-WOOD, CLOTHES ROD - 1" DIAMETER X 4'
052369-01-000	FT	CORD STRAPPING-1/4" WIDE

TABLE OF CONTENTS

INTRODUCTION	A-01
ABBREVIATIONS	A-01
ALPHABETICAL INDEX	A-02 - A-04
WCF23EC	A-05 - D-17
WCF30EU	D-19 - H-22

1991 WCF23EC INDEX

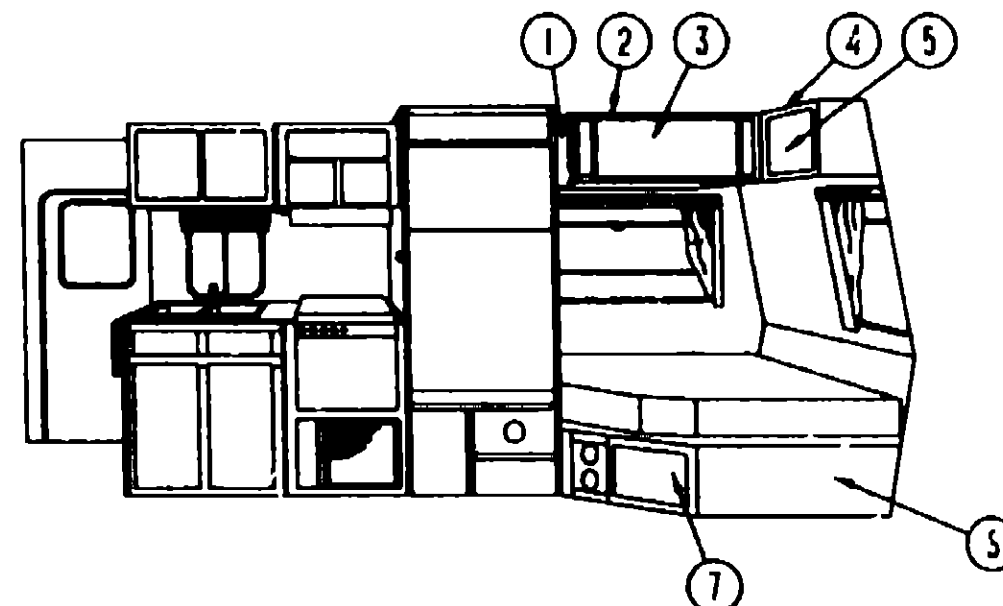
FLOOR PLAN	A-05 - A-08
ACCESSORIES	A-07 - A-10
BATH	A-11 - A-13
BEDROOM	A-14
CHASSIS	A-15 - A-16
C C & PAD	A-19 - B-04
DINETTE	B-03 - B-04
DRIVERS	B-05 - B-14
ELECTRICAL	B-15 - B-18
EXTERIOR BODY	B-19 - B-24
GALLEY	C-01 - C-06
HEATING & A/C	C-07 - C-12
INTERIOR FINISH	C-13 - C-16
LABEL	C-17
LP	C-18
SEALANTS & FASTENERS	C-19 - C-20
WATER & SEWAGE	C-21 - D-01
WINDOW, VENT AND EXTERIOR DOOR	D-02 - D-17

BATH GROUP (CONTINUED)

TOILET

KEY PART NUMBER	U/M	DESCRIPTION
024676-01-000	EA	FLANGE-CLOSET, TOILET - 4" X 3" - RED
067487-01-000	EA	TOILET-LOW, AQUA MAGIC IV - THETFORD 150110
067487-01-700	EA	SEAL AND BOLT PKG*
067487-01-701	EA	WATER SAVER PKG*- HAND SPRAYER
067487-01-702	EA	CLAMP
039341-02-704	EA	SEAT & COVER SET
063740-01-706	EA	BOLT PACKAGE-CLOSET, THETFORD 12524
063740-01-700	EA	LEVER-WATER, THETFORD 12514
063740-01-701	EA	LEVER-FLUSH, THETFORD 12515
063740-01-707	EA	SEAL-CLOSET FLANGE, THETFORD 02125
063740-01-710	EA	LINK, THETFORD 12513
063740-01-711	EA	SPRING-RETURN LEVER, THETFORD 12523
063740-01-713	EA	SEAL-BALL VALVE TO BOWL, THETFORD 12502
063740-01-714	EA	VALVE ASM-WATER, THETFORD 12492
063740-01-717	EA	FLUSH TUBE

BEDROOM GROUP



PASSENGER SIDE OVERHEAD CABINET & COMPONENTS

KEY PART NUMBER	U/M	DESCRIPTION
1 094590-02-B03	EA	END CAP-OVERHEAD CABINET, FRONT PASSENGER SIDE
2 M94602-02-B03	EA	CABINET-OVERHEAD, PASSENGER SIDE - W/O DOORS OR HARDWARE
3 P00099-27-B05	EA	DOOR-OVERHEAD CABINET, W/O HARDWARE - 12" X 22"
4 M03972-12-B03	EA	CABINET-OVERHEAD BACKWALL, W/O DOORS
5 P00099-26-B03	EA	DOOR-OVERHEAD CABINET, W/O HARDWARE - 12" X 26"
6 M99406-01-B03	EA	CABINET-DOUBLE BED, W/O DOORS OR HARDWARE
7 P00099-63-B03	EA	DOOR-CABINET, W/O HARDWARE - 12" X 19"
084357-02-W24	EA	TV STAND ASM.
MC4117-02-B03	EA	DOUBLE BED TOP

TABLE OF CONTENTS

INTRODUCTION	A-01
ABBREVIATIONS	A-01
ALPHABETICAL INDEX	A-02 - A-04
WCF23EC	A-05 - D-17
WCF30EU	D-19 - H-22

1991 WCF23EC INDEX

FLOOR PLAN	A-05 - A-06
ACCESSORIES	A-07 - A-10
BATH	A-11 - A-13
BEDROOM	A-14
CHASSIS	A-15 - A-16
C C & PAD	A-19 - B-04
DINETTE	B-03 - B-04
DRIVERS	B-05 - B-14
ELECTRICAL	B-15 - B-18
EXTERIOR BODY	B-19 - B-24
GALLEY	C-01 - C-06
HEATING & A/C	C-07 - C-12
INTERIOR FINISH	C-13 - C-16
LABEL	C-17
LP	C-18
SEALANTS & FASTENERS	C-19 - C-20
WATER & SEWAGE	C-21 - D-01
WINDOW, VENT AND EXTERIOR DOOR	D-02 - D-17

CHASSIS GROUP

SPEED CONTROL

KEY PART NUMBER	U/M	DESCRIPTION
102362-01-000	EA	SPEED CONTROL-1991 CHEVY, DANA 59L-111010B
094369-01-706	EA	SERVO-DANA# 53D-11116-R
102362-01-700	EA	CABLE ONLY-REPLACEMENT
102362-01-707	EA	CONTROL SWITCH & LEVER ASM
102362-01-701	EA	REGULATOR ASM-ELECTRONIC
102362-01-702	EA	WIPER CONTROL MODULE
094369-01-705	EA	VACUUM RESERVOIR-DANA# 59C-02249
102362-01-704	EA	HARNESS ASM-MAIN WIRING
102362-01-703	EA	HARNESS ASM-PIVOT SW TO WIPER
094863-01-704	EA	HOUSING-4 PIN, SPEED CONTROL - TOYOTA - DANA 59C-0229
102362-01-705	EA	THROTTLE RETAINER CLIP
102362-01-700	EA	THROTTLE STUD

SPEED CONTROL

KEY PART NUMBER	U/M	DESCRIPTION
094369-03-000	EA	SPEED CONTROL-SMART STICK, EFI - GAS - DANA# 59L-11129B
083211-01-703	EA	SERVO CABLE ASM ONLY, DANA# 59C-02538
083212-04-701	EA	MAIN WIRING HARNESS, DANA# 59D-02570
083212-01-704	EA	STOP LAMP/CRUISE RELEASE SWITCH, DANA# 59C-02543
069629-01-704	EA	SIGNAL GENERATOR ASM, DANA# 59L-08X221P
069629-01-706	EA	GENERATOR (ONLY), DANA# 59D-02392-1
094369-01-701	EA	SWITCH & LEVER ASM, DANA# 58L-11118-F
094369-01-702	EA	REGULATOR ASM-ELECTRONIC, DANA# 57C-08X12-R
091900-01-702	EA	WIPER CONTROL MODULE, DANA# 66C-00061
094369-01-704	EA	HEADLIGHT DIMMER MODULE ASM-DANA# 63C-00001
094369-01-705	EA	VACUUM RESERVOIR-DANA# 59C-02249
094369-01-706	EA	SERVO-DANA# 53D-11116-R

SPEED CONTROL FOR DIESEL

KEY PART NUMBER	U/M	DESCRIPTION
094369-02-000	EA	SPEED CONTROL-SMART STICK, DIESEL - DANA# 59L-11168B FROM: 00-00-00 THRU: 09-16-90
083211-01-703	EA	SERVO CABLE ASM ONLY, DANA# 59C-02538
083212-04-701	EA	MAIN WIRING HARNESS, DANA# 59D-02570
083212-01-704	EA	STOP LAMP/CRUISE RELEASE SWITCH, DANA# 59C-02543
069629-01-704	EA	SIGNAL GENERATOR ASM, DANA# 59L-08X221P
069629-01-706	EA	SIGNAL GENERATOR ONLY, DANA# 59D-02392-1
094369-01-701	EA	SWITCH & LEVER ASM, DANA# 58D-11118-F
094369-01-702	EA	REGULATOR ASM-ELECTRONIC, DANA# 57C-08X12-R
091900-01-702	EA	WIPER CONTROL MODULE-DANA# 66C-00061
094369-01-704	EA	HEADLIGHT DIMMER MODULE ASM-DANA# 63C-00001
094369-01-706	EA	SERVO-DANA# 53D-11116-R
102362-02-000	EA	SPEED CONTROL-1991 CHEVY DIESEL, DANA 59L111020P FROM: 09-16-90 THRU: 99-99-99
094369-01-706	EA	SERVO-DANA# 53D-11116-R
094369-02-700	EA	CABLE-SERVO, DIESEL - DANA# 59C-2282
094369-01-701	EA	SWITCH & LEVER ASM, DANA# 58D-11118-F
094369-02-702	EA	EXTENSION-WIRE HARNESS, DANA# 59C-02279
102362-01-701	EA	REGULATOR-ELECTRONIC, DANA 57C-08X13-R
102362-01-702	EA	MODULE-WIPER CONTROL, DANA 66D-00061
102362-01-707	EA	SWITCH & LEVER-CONTROL, DANA 53D-08X63-F
102362-01-703	EA	HARNESS-PIVOT SW TO WIPER CONTROL, DANA 59C-02973
102362-01-704	EA	HARNESS-MAIN WIRING, DANA 59D-02975

CHASSIS GROUP (CONTINUED)

MISCELLANEOUS CHASSIS COMPONENTS

KEY PART NUMBER	U/M	DESCRIPTION
076310-01-000	EA	BAFFLE-RADIATOR, .12" X 15" X 62" - RUBBER
072359-01-000	EA	BOTTLE-COOLANT EXPANSION
098833-01-000	EA	BRACKET-EXHAUST,HANGER
092787-01-000	EA	BUSS BAR, STEEL
081914-01-000	EA	BUMPER-RUBBER, ROUND -.43" DIAMETER - BLACK
008037-01-000	FT	CABLE-BATTERY,1AWG STRANDED,BLACK
088751-01-000	FT	CABLE-BATTERY,1/0 AWG, STRANDED, RED
099100-01-000	EA	CAP-BOTTLE,OVERFLOW
007125-06-000	EA	CLAMP-ASM-MUFFLER 2.25" DIAMETER
007125-07-000	EA	CLAMP-ASM-MUFFLER 2.50" DIAMETER
094918-01-000	EA	CLAMP-EXHAUST, 3" - GUILLOTINE STYLE
062401-02-000	EA	CLAMP-HOSE, WORMGEAR, 1.56" - 2.5"
062401-03-000	EA	CLAMP-HOSE WORMGEAR, .22" - 1"ID
062401-06-000	EA	CLAMP-HOSE,WORMGEAR,22-.62ID
062401-09-000	EA	CLAMP-HOSE, WORMGEAR - 2.8 - 3.75
062401-04-000	EA	CLAMP-WORMGE/R HOSE, .69" - 1.25"
062401-05-000	EA	CLAMP-WORMGEAR HOSE, 2" - 3"ID
041953-01-000	FT	CONDUIT-CONVOLUTED SLIT.625"ID
041953-03-000	FT	CONDUIT-CONVOLUTE SLIT, 1" ID (CLOTHES ROD COVER)
041953-05-000	FT	CONDUIT-CONVOLUTE SOLID,.62"ID
041953-06-000	FT	CONDUIT-CONVOLUTE,SLIT .375"ID
041953-07-000	FT	CONDUIT-CONVOLUTE,SLIT,.25"ID
041953-08-000	FT	CONDUIT-CONVOLUTE,SLIT,1.50"ID
041953-09-000	FT	CONDUIT-CONVOLUTE,SLIT .50"ID
041953-10-000	FT	CONDUIT-CONVOLUTE,SLIT .75" ID
041953-11-000	FT	CONDUIT-CONVOLUTE,SLIT,1.06"ID
088192-01-000	EA	COVER-ACCESS,HOOD BOARD
020167-03-000	EA	DIRT GUARD-STEEL, FOR MUDFLAP
082733-01-000	EA	DUCT-INTAKE,AIR CLEANER
081918-01-000	EA	EXTENSION-EXHAUST, 2.25"OD X 9.44" - STAINLESS STEEL
023942-01-000	EA	GROMMET-RUBBER 2" OD
071015-04-000	EA	GROMMET-.19"ID,FITS .03" MATERIAL, RUBBER
071015-07-000	EA	GROMMET-1.00"ID,FITS .06" MATERIAL,RUBBER
071015-11-000	EA	GROMMET-1.00"ID,FITS .12 MATERIAL, RUBBER
071015-26-000	EA	GROMMET-1.5 ID,FITS .06 NATAL
078464-01-000	EA	HOODBOARD-UPPER, DRIVER - STEEL
078465-01-000	EA	HOODBOARD-UPPER, PASSENGER - STEEL
007063-01-000	FT	HOSE-GAS 1/4"ID X 1/2"OD
080208-02-000	EA	LEVERAGE BAR-LUG WRENCH
080208-01-000	EA	LUG WRENCH, 1.06X1.00
040731-01-000	EA	NIPPLE-INLET MANIFOLD, GM-3838094
040731-02-000	EA	NIPPLE-INLET MANIFOLD - 5/8H X 1/2P
099259-01-000	EA	PANEL-HEAT SHIELD, 9.45" X 20.4"
098808-02-000	EA	PIPE-EXHAUST, SINGLE
070579-06-000	EA	PLATE ASM-ANCHOR W/NUT
084884-01-000	EA	PLUG-BRASS, 3/8"
056747-01-000	EA	PLUG-CAP, .75" DIAMETER
041791-01-000	FT	SEAL-VINYL, FLEX U-CHANNEL
053322-08-000	EA	SHIELD-HEAT,EXHAUST, 72"
099009-01-000	EA	SHIELD-HEAT,CONVERTER
099010-02-000	EA	SHIELD-HEAT,MUFFLER, 23.06"
063303-04-000	EA	SHROUD-FUEL FILL,LOWER
008401-01-000	EA	STRAP-CONDUIT-3/4",1 HOLE,GALVANIZED STEEL
080081-01-000	EA	STRAP-MOUNTING,FUEL LINE
096054-02-000	EA	SUPPORT-EXHAUST PIPE
072388-02-000	EA	TRIM-VINYL,EDGE BLACK
088244-01-000	FT	TAPE-FOAM, VINYL COATED - 2" WIDE - INCREMENTS OF 108 FT
040546-03-000	EA	TIRE-7.50" X 16", 8 PLY - POLYESTER - GOODRICH - TUBE TYPE
089359-04-000	EA	WHEEL-STEEL, 16" X 6"K - 8 HOLE - OFF WHITE
077953-01-000	EA	GROMMET - EDGE LINER, FITS 1"

TABLE OF CONTENTS

INTRODUCTION	A-01
ABBREVIATIONS	A-01
ALPHABETICAL INDEX	A-02 - A-04
WCF23EC	A-05 - D-17
WCF30EU	D-19 - H-22

1991 WCF23EC INDEX

FLOOR PLAN	A-05 - A-06
ACCESSORIES	A-07 - A-10
BATH	A-11 - A-13
BEDROOM	A-14
CHASSIS	A-15 - A-16
C C & PAD	A-19 - B-04
DINETTE	B-03 - B-04
DRIVERS	B-05 - B-14
ELECTRICAL	B-15 - B-18
EXTERIOR BODY	B-19 - B-24
GALLEY	C-01 - C-06
HEATING & A/C	C-07 - C-12
INTERIOR FINISH	C-13 - C-16
LABEL	C-17
LP	C-18
SEALANTS & FASTENERS	C-19 - C-20
WATER & SEWAGE	C-21 - D-01
WINDOW, VENT AND EXTERIOR DOOR	D-02 - D-17

CHASSIS GROUP (CONTINUED)

MISCELLANEOUS CHASSIS COMPONENTS (CONT)

KEY PART NUMBER	U/M	DESCRIPTION
040731-01-000	EA	NIPPLE-INLET MANIFOLD, GM-3838094 FROM: 00-00-00 THRU: 12-04-89
040731-02-000	EA	NIPPLE-INLET MANIFOLD - 5/8H X 1/2P FROM: 12-05-89 THRU: 00-00-00
094910-01-000	EA	CLAMP-EXHAUST, 3" - GUILLOTINE STYLE
096054-02-000	EA	SUPPORT-EXHAUST PIPE
098608-02-000	EA	PIPE-EXHAUST, SINGLE
007125-07-000	EA	CLAMP-ASM-MUFFLER 2.50" DIAMETER
053322-08-000	EA	SHIELD-HEAT, EXHAUST, 72"
081918-01-000	EA	EXTENSION-EXHAUST, 2.25" ID X 9.44" - STAINLESS STEEL
082733-01-000	EA	DUCT-INTAKE, AIR CLEANER
088753-01-000	FT	TUBE-ALUMINIZED STEEL, 5/8" - 18 GAUGE

CANADIAN EXPORT

KEY PART NUMBER	U/M	DESCRIPTION
100138-01-000	EA	MODULE-DAYTIME RUNNING LIGHT
100158-01-000	EA	WIRE ASM-DAYTIME RUNNING LIGHTS
100159-01-000	EA	WIRE ASM-DAYTIME RUNNING LIGHTS, W/FUSE

FRONT AIRSHOCKS & REAR AIR BAGS

KEY PART NUMBER	U/M	DESCRIPTION
079942-01-000	EA	SHOCK ABSORBER-STABILIZER, FRONT - 4-WAY
084086-01-000	EA	AIRSPRING-BELLOWS, REAR AXLE - FIRESTONE# MHA224
084086-01-700	EA	AIRSPRING-BELLOWS, REAR AXLE - FIRESTONE# MHA224
084086-01-701	EA	TUBING-DOT 1/4 X 18" - FIRESTONE# 21-0938
084086-01-702	EA	BOLT-RIBBED NECK, 3/8-24 X 2.5 FIRESTONE# 21-0829
084086-01-703	EA	INFLATING VALVE-DOT 1/4 TUBING, FIRESTONE# 21-0931
084086-01-704	EA	ELBOW CONNECTOR, FIRESTONE# 21-0935
084086-01-705	EA	TUBING PROTECTORS, FIRESTONE# 21-0899
084086-01-706	EA	BRACKET-UPPER TO FRAME, FIRESTONE# 21-0150
084086-01-707	EA	BRACKET-LOWER, TOP - FIRESTONE# 21-1162
084086-01-708	EA	AIRLINE SERVICE KIT, FIRESTONE# W21-760-2012
084086-01-709	EA	HEAT SHIELD, FIRESTONE# 21-1004
084086-03-000	EA	BRACKET-AXLE, P30 CHASSIS - FIRESTONE# W21-760-2044

REAR BUMPER & COMPONENTS

KEY PART NUMBER	U/M	DESCRIPTION
100575-01-02A	EA	BUMPER-REAR, PASSENGER - BEIGE FROM: 00-00-00 THRU: 07-14-90
100575-01-01A	EA	BUMPER-REAR, PASSENGER SIDE - MILL FINISH
100575-02-02A	EA	BUMPER-REAR, DRIVER - BEIGE FROM: 00-00-00 THRU: 07-14-90
100575-02-01A	EA	BUMPER-REAR, DRIVER SIDE - MILL FINISH
078584-01-000	EA	BUMPER-REAR, UNPAINTED FROM: 07-15-90 THRU: 99-99-99
005200-01-000	EA	BOLT-BUMPER, ROUND HEAD-SQUARE NECK- W/SST CAP
078668-01-000	EA	SUPPORT ANGLE, BUMPER REAR
078670-02-000	EA	BRACKET-BUMPER, REAR
079129-02-000	EA	BRACKET ASM-BUMPER, REAR FROM: 00-00-00 THRU: 06-30-90
070678-02-000	EA	PLATE-MOUNTING, BUMPER - REAR - 46" X 5" - W/WELD NUT FROM: 07-01-90 THRU: 99-99-99
083376-01-000	EA	SKID PLATE ASM
041332-03-000	EA	COVER-BUMPER W/O REFLECTOR, 4" SQUARE X 82" LONG - AL
041332-02-000	EA	REFLECTOR-BUMPER COVER, SELF ADHESIVE - 6 1/2" X 3/4"
055080-01-000	EA	WHEELWELL-PLASTIC, REAR - BLACK - LEFT OR RIGHT
078490-01-000	EA	TRAY-BATTERY, STEP WELL
085967-01-000	EA	COMPARTMENT-SEWER HOSE, 6" X 6.6" X 17.8" - PLASTIC
090189-01-000	EA	COMPARTMENT-STORAGE, 55.27" WIDE X 21.65" DEEP
081252-04-000	EA	COMPARTMENT-STORAGE, 31.18" WIDE X 25.39" DEEP
083977-08-000	EA	STEP ASM-DRIVER DOOR, BLACK
082242-05-000	EA	LINER-STEP BOX, DRIVER DOOR - BLACK
099840-01-01A	EA	THRESHOLD-DRIVER DOOR, REAR - BLACK
099841-01-01A	EA	THRESHOLD-DRIVER DOOR, FRONT - BLACK

CHASSIS GROUP (CONTINUED)

CHASSIS OPTION-CALIFORNIA

KEY PART NUMBER	U/M	DESCRIPTION
007125-06-000	EA	CLAMP-ASM MUFFLER 2.25" DIAMETER
007125-07-000	EA	CLAMP-ASM-MUFFLER 2.50" DIAMETER
094918-01-000	EA	CLAMP-EXHAUST, 3" - GUILLOTINE STYLE
082723-01-000	EA	DUCT-INTAKE, AIR CLEANER
081918-01-000	EA	EXTENSION-EXHAUST, 2.25" ID X 9.44" - STAINLESS STEEL
040731-02-000	EA	NIPPLE-INLET MANIFOLD - 5/8H X 1/2P FROM: 00-00-00 THRU: 12-04-89
099259-01-000	EA	PANEL-HEAT SHIELD, 9.45" X 20.4"
098608-02-000	EA	PIPE-EXHAUST, SINGLE
099009-01-000	EA	SHIELD-HEAT, CONVERTER
053322-08-000	EA	SHIELD-HEAT, EXHAUST, 72"
099010-01-000	EA	SHIELD-HEAT, MUFFLER, 29.73" FROM: 00-00-00 THRU: 10-11-89
099010-02-000	EA	SHIELD-HEAT, MUFFLER, 23.06" FROM: 10-12-89 THRU: 99-99-99
096054-02-000	EA	SUPPORT-EXHAUST PIPE
088753-01-000	FT	TUBE-ALUMINIZED STEEL, 5/8" - 18 GAUGE

RADIAL TIRE EXCHANGE, 16"

KEY PART NUMBER	U/M	DESCRIPTION
083425-07-000	EA	TIRE-7.50R16.0 LRD, MICHELIN XPS RIB FROM: 02-29-91 THRU: 99-99-99
051377-03-000	EA	STEM-VALVE
089359-04-000	EA	WHEEL-STEEL, 16" X 6"K - 8 HOLE - OFF WHITE
083425-06-000	EA	TIRE-LT215/85R16 LRE - MICHELIN XPS RIB FROM: 00-00-00 THRU: 02-28-91
080378-04-000	EA	BRACKET-SPARE TIRE CARRIER FROM: 07-01-90 THRU: 99-99-99

SPARE TIRE-W/CARRIER & COVER

KEY PART NUMBER	U/M	DESCRIPTION
098855-01-803	EA	COVER - TIRE, VINYL - PARCHMENT
083425-07-000	EA	TIRE-7.50R16.0 LRD, MICHELIN XPS RIB
089359-04-000	EA	WHEEL-STEEL, 16" X 6"K - 8 HOLE - OFF WHITE
000C12-08-24B	EA	BOLT-HEX, 1/2-13 X 1 1/2 - ZN 5
077411-01-000	EA	ROD-RETAINING, SPARE TIRE
083425-06-000	EA	TIRE-LT215/85R16 LRE - MICHELIN XPS RIB FROM: 00-00-00 THRU: 02-28-91
080378-04-000	EA	BRACKET-SPARE TIRE CARRIER

TRAILER HITCH

KEY PART NUMBER	U/M	DESCRIPTION
091224-02-000	EA	LABEL-TRAILER LIGHTING
000C12-08-24B	EA	BOLT-HEX, 1/2-13 X 1 1/2 - ZN 5
034512-01-000	EA	PIN-LOCKING, DRAWBAR
034513-01-000	EA	PIN-HITCH, 3/16" WIRE
077613-01-000	EA	DRAWBAR ONLY
077617-01-000	EA	HITCH ASSEMBLY, W/O DRAWBAR
064398-01-000	EA	HOUSING-TRAILER, RECEPTACLE
087744-02-000	EA	HOUSING-TRAILER PIN, 48"
087746-01-000	EA	HOUSING CAP-TRAILER PIN
097745-02-000	EA	HOUSING-RECEPTACLE, TRAILER - 48" WIRE LENGTH

FRONT BUMPER & COMPONENTS

KEY PART NUMBER	U/M	DESCRIPTION
005200-01-000	EA	BOLT-BUMPER, ROUND HEAD-SQUARE NECK- W/SST CAP
077850-04-000	EA	BUMPER-FRONT, UNPAINTED
077852-01-000	EA	BRACKET-BUMPER, FRONT - 2 PER COACH - BENT 2" X 8"
096339-01-000	EA	SUPPORT-BUMPER, 2 PER COACH

ENTRY DOOR STEP & COMPONENTS

KEY PART NUMBER	U/M	DESCRIPTION
076241-02-000	EA	SUPPORT-PULLOUT STEP
077848-01-000	EA	STEP-PULLOUT, W/BRACKETS - BLACK FROM: 00-00-00 THRU: 11-11-90
077848-04-000	EA	STEP ASM-PULLOUT FROM: 11-12-90 THRU: 99-99-99

TABLE OF CONTENTS

INTRODUCTION	A-01
ABBREVIATIONS	A-01
ALPHABETICAL INDEX	A-02 - A-04
WCF23EC	A-05 - D-17
WCF30EU	D-19 - H-22

1991 WCF23EC INDEX

FLOOR PLAN	A-05 - A-08
ACCESSORIES	A-07 - A-10
BATH	A-11 - A-13
BEDROOM	A-14
CHASSIS	A-15 - A-16
C C & PAD	A-19 - B-04
DINETTE	B-03 - B-06
DRIVERS	B-05 - B-14
ELECTRICAL	B-15 - B-18
EXTERIOR BODY	B-19 - B-24
GALLEY	C-01 - C-06
HEATING & A/C	C-07 - C-12
INTERIOR FINISH	C-13 - C-16
LABEL	C-17
LP	C-18
SEALANTS & FASTENERS	C-19 - C-20
WATER & SEWAGE	C-21 - D-01
WINDOW, VENT AND EXTERIOR DOOR	D-02 - D-17

CURTAIN, CUSHION & PAD GROUP

DINETTE BACKREST PADS

KEY PART NUMBER	U/M	DESCRIPTION
081519-10-B05	EA	PAD-BACKREST, FRONT - B03 - BROWN MINK FROM: 00-00-00 THRU: 10-21-90
081519-16-B05	EA	PAD-BACKREST, FRONT - B03 - BROWN MINK FROM: 10-22-90 THRU: 99-99-99
081519-10-B06	EA	PAD-BACKREST, FRONT - B04 - PINE MIST FROM: 00-00-00 THRU: 10-21-90
081519-16-B06	EA	PAD-BACKREST, FRONT - B04 - PINE MIST FROM: 10-22-90 THRU: 99-99-99
081519-11-B05	EA	PAD-BACKREST, REAR - B03 - BROWN MINK FROM: 00-00-00 THRU: 10-21-90
081519-17-B05	EA	PAD-BACKREST, REAR - B03 - BROWN MINK FROM: 10-22-90 THRU: 99-99-99
081519-11-B06	EA	PAD-BACKREST, REAR - B04 - PINE MIST FROM: 00-00-00 THRU: 10-21-90
081519-17-B06	EA	PAD-BACKREST, REAR - B04 - PINE MIST FROM: 10-22-90 THRU: 99-99-99

SHOWER CURTAIN & TRACKS

KEY PART NUMBER	U/M	DESCRIPTION
084481-08-000	EA	CURTAIN-SHOWER, 70" X 32" - VINYL
094856-03-01A	EA	TRACK-DOOR/CURTAIN - 28.9" - OFF WHITE
009700-04-002	EA	ROD-EXTRUDED, 195.5" - OFF WHITE
009701-01-000	EA	CARRIER-SHOWER CURTAIN
009136-01-000	EA	HANGER-PIN, CURTAIN
046867-01-000	EA	GROMMET-BRASS - 7/16" ID X 1" OD
101589-01-B03	EA	TRACK-CURTAIN, HOOK - 89" FRONT SECTION CURVED 34" AL - PASS SIDE - GRAY FROM: 04-28-90 THRU: 12-02-90
101599-01-B04	EA	TRACK-CURTAIN, HOOK - 89" FRONT SECTION CURVED 34" AL - PASS SIDE - OFF WHITE FROM: 12-03-90 THRU: 99-99-99
094856-06-01A	EA	TRACK-DOOR/CURTAIN, 37.6" - GRAY FROM: 04-28-90 THRU: 12-02-90
094856-06-02A	EA	TRACK-DOOR/CURTAIN, 37.6" - OFF WHITE FROM: 12-03-90 THRU: 99-99-99
078551-03-000	EA	TRACK-METAL PRIVACY CURTAIN, 42" - BEIGE FROM: 00-00-00 THRU: 05-13-90
101032-01-000	FT	TRACK-CURTAIN, CEILING MOUNT - WHITE FROM: 05-14-90 THRU: 99-99-99
101033-02-000	EA	END CAP-TRACK, CLEAR FROM: 05-14-90 THRU: 99-99-99

BUTTONS

KEY PART NUMBER	U/M	DESCRIPTION
070578-02-U19	EA	BUTTON-SCREW STUD, #30 - VINYL - SMOKE FROM: 00-00-00 THRU: 01-06-91
070578-02-B10	EA	BUTTON-SCREW STUD, #30 - VINYL - OFF WHITE FROM: 01-07-91 THRU: 09-99-99
059797-02-000	EA	SHELL-BUTTON, PLASTIC - #30
069734-01-000	EA	BACK-BUTTON, DURASNAP - #30

CURTAIN, CUSHION & PAD GROUP (CONTINUED)

FABRIC

KEY PART NUMBER	U/M	DESCRIPTION
075244-03-000	YD	VINYL-SHOWER CURTAIN, 72" WIDE - BEIGE FROM: 00-00-00 THRU: 05-31-90
075244-03-000	YD	VINYL-SHOWER CURTAIN, 72" WIDE - ALMOND FROM: 06-01-90 THRU: 99-99-99
077484-01-000	YD	FABRIC-VINYL, 54" WIDE - GRAY
079012-01-000	BF	FOAM-ROLLED, 3/8" THICK - 72" WIDE
096008-40-000	YD	FABRIC-UPHOLSTERY, PLAIN - 54" - B03 - BROWN MINK
098008-47-000	YD	FABRIC-UPHOLSTERY, PLAIN - 54" - B04 - PINE MIST
096008-41-000	YD	FABRIC-UPHOLSTERY, PATTERN - 54" - B03 - BROWN MINK
096008-49-000	YD	FABRIC-UPHOLSTERY, PATTERN - 54" - B04 - PINE MIST
072333-75-000	YD	FABRIC-CURTAIN - 54" WIDE - BEIGE
087272-01-000	YD	FABRIC-LINING, CURTAIN - 48" WIDE - IVORY
098008-39-000	YD	FABRIC-UPHOLSTERY, DOTTED - 54" - B03 - BROWN MINK
096008-48-000	YD	FABRIC-UPHOLSTERY, DOTTED, 54" - B04 - PINE MIST
088273-51-000	YD	FABRIC-CURTAIN, PATTERNED - 54" - B03 - BROWN MINK
088273-65-000	YD	FABRIC-CURTAIN, PLAIN - 54" - B03 - BROWN MINK
088273-52-000	YD	FABRIC-CURTAIN, PATTERNED - 54" - B04 - PINE MIST
088273-66-000	YD	FABRIC-CURTAIN, PLAIN - 54" - B04 - PINE MIST
081926-01-000	YD	BACKING-QUILTING, MATTRESS COVER - 58" WIDE - WHITE
078155-01-000	EA	STRAP-BACK CUSHION, SNAP
052859-05-B05	FT	TRIM-STITCHED VINYL, OFF WHITE
079680-03-000	YD	FABRIC-VINYL, 54" WIDE - OFF WHITE
079970-01-000	YD	TAPE-MATTRESS, BUNK CUSHION - 58"
078349-01-B03	YD	WELTING-SKIRT, B03 - BROWN MINK
078349-01-B04	YD	WELTING-SKIRT, B04 - PINE MIST
083170-01-000	EA	BRACKET-BLIND, FRONT
083170-02-000	EA	BRACKET-BLIND, REAR
093475-01-700	EA	WAND-BLIND, W/METAL CLIP - 8" LONG
093475-01-701	EA	END CAP-BLIND, W/STUD
095591-02-000	EA	BRACKET-BLIND, HOLD-DOWN - W/PIN
102555-31-000	EA	CLEAT-CORD, BLIND - OFF WHITE
076827-01-000	EA	BRACKET-LEG, 2.9" X 1.8" TRIANGLE - REAR
089916-01-000	EA	MOUNT-WINDOW LEG, BLACK
029155-01-000	EA	CAP-SNAP, NICKEL
029156-01-000	EA	SOCKET-SNAP FASTENER, NICKEL
029082-01-000	EA	STUD-SNAP, NICKEL
029083-01-000	EA	EYELET-SNAP, NICKEL
029130-03-000	EA	SOCKET-SNAP FASTENER, 1"
046867-01-000	EA	GROMMET-BRASS - 7/16" ID X 1" OD
088782-01-000	YD	VELCRO TAPE-HOOK, NON-ADHESIVE BACK - .75" WIDE - BEIGE
088782-02-000	YD	VELCRO TAPE-LOOP, ADHESIVE BACK - .75" WIDE - BEIGE
029084-04-000	YD	VELCRO TAPE-LOOP, 1" WIDE - BLACK
029086-03-000	YD	VELCRO TAPE-HOOK, 1" WIDE - BLACK
097825-01-000	EA	HOOK-DRAWERY
101031-01-000	YD	TAPE-GLIDE, CURTAIN - 4.25" SPACING
009107-01-000	EA	GUIDE-CURTAIN NYLON SNAP

FROM: 00-00-00 THRU: 05-13-90

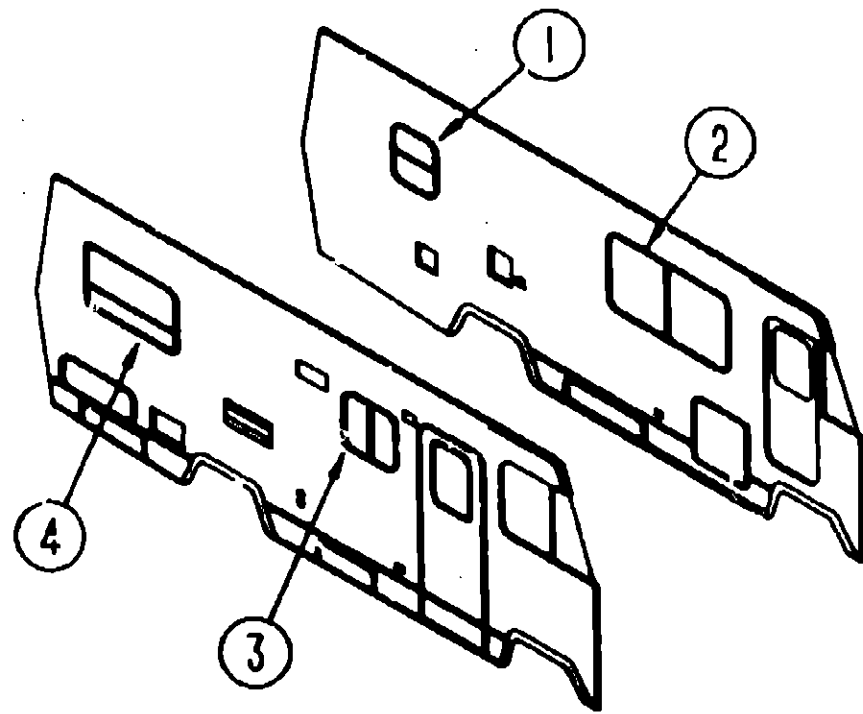
TABLE OF CONTENT:

INTRODUCTION	A-01
ABBREVIATIONS	A-01
ALPHABETICAL INDEX	A-02 - A-04
WCF23EC	A-05 - D-17
WCF30EU	D-19 - H-22

1991 WCF23EC INDEX

FLOOR PLAN	A-05 - A-06
ACCESSORIES	A-07 - A-10
BATH	A-11 - A-13
BEDROOM	A-14
CHASSIS	A-15 - A-16
C & PAD	A-19 - B-04
DINETTE	B-03 - B-04
DRIVERS	B-05 - B-14
ELECTRICAL	B-15 - B-18
EXTERIOR BODY	B-19 - B-24
GALLEY	C-01 - C-05
HEATING & A/C	C-07 - C-12
INTERIOR FINISH	C-13 - C-16
LABEL	C-17
LP	C-18
SEALANTS & FASTENERS	C-19 - C-20
WATER & SEWAGE	C-21 - D-01
WINDOW, VENT AND EXTERIOR DOOR	D-02 - D-17

CURTAIN, CUSHION & PAD GROUP (CONTINUED)



BATH WINDOW TREATMENT

KEY PART NUMBER	U/M	DESCRIPTION
1 100280-05-B05	EA	VALANCE-WINDOW, W/WOOD TRIM - 20" - B03 - BROWN MINK FROM: 00-00-00 THRU: 05-13-90
1 101753-05-B05	EA	VALANCE-WINDOW, W/WOOD TRIM - 20" - B03 - BROWN MINK FROM: 05-14-90 THRU: 99-99-99
1 100280-05-B06	EA	VALANCE-WINDOW, W/WOOD TRIM - 20" - B04 - PINE MIST FROM: 00-00-00 THRU: 05-13-90
1 101753-05-B06	EA	VALANCE-WINDOW, W/WOOD TRIM - 20" - B04 - PINE MIST FROM: 05-14-90 THRU: 99-99-99
1 093475-46-01A	EA	BLIND-MINI, 17.5" X 23.5" DROP - BEIGE

DINETTE WINDOW TREATMENT

KEY PART NUMBER	U/M	DESCRIPTION
2 100280-09-B05	EA	VALANCE-WINDOW, W/WOOD TRIM - 62" - B03 - BROWN MINK FROM: 00-00-00 THRU: 05-13-90
2 101753-09-B05	EA	VALANCE-WINDOW, W/WOOD TRIM - 62" - B03 - BROWN MINK FROM: 05-14-90 THRU: 99-99-99
2 100280-09-B04	EA	VALANCE-WINDOW, W/WOOD TRIM - 62" - B04 - PINE MIST FROM: 00-00-00 THRU: 05-13-90
2 101753-09-B06	EA	VALANCE-WINDOW, W/WOOD TRIM - 62" - B04 - PINE MIST FROM: 05-14-90 THRU: 99-99-99
2 100281-01-B05	EA	LEG-WINDOW, FRONT - 29" TALL - B03 - BROWN MINK
2 100281-01-B06	EA	LEG-WINDOW, FRONT - 29" TALL - B04 - PINE MIST
2 100281-02-B05	EA	LEG-WINDOW, REAR - 29" TALL - B03 - BROWN MINK
2 100281-02-B06	EA	LEG-WINDOW, REAR - 29" TALL - B04 - PINE MIST
2 089522-04-000	EA	PANEL-LEG, WINDOW - 2.5" FACE
2 093475-49-01A	EA	BLIND-MINI, 58" WIDE X 32" DROP - BEIGE
2 096335-04-AA9	EA	BLIND-PLEATED, 58" X 32" DROP - AA9 - MAUVE

CURTAIN, CUSHION & PAD GROUP (CONTINUED)

GALLEY WINDOW TREATMENT

KEY PART NUMBER	U/M	DESCRIPTION
3 100280-10-B03	EA	VALANCE-WINDOW, W/WOOD TRIM - 26" - B03 - BROWN MINK FROM: 00-00-00 THRU: 05-13-90
3 101753-10-B05	EA	VALANCE-WINDOW, W/WOOD TRIM - 27.5" - B03 - BROWN MINK FROM: 05-14-90 THRU: 99-99-99
3 100280-10-B04	EA	VALANCE-WINDOW, W/WOOD TRIM - 26" - B04 - PINE MIST FROM: 00-00-00 THRU: 05-13-90
3 101753-10-B06	EA	VALANCE-WINDOW, W/WOOD TRIM - 27.5" - B04 - PINE MIST FROM: 05-14-90 THRU: 99-99-99
3 093475-61-01A	EA	BLIND-MINI, 26" WIDE X 17" DROP - BEIGE

REAR PASSENGER SIDE WINDOW TREATMENT

KEY PART NUMBER	U/M	DESCRIPTION
4 100280-07-B05	EA	VALANCE-WINDOW, 45" WIDE - W/WOOD TRIM - B03 - BROWN FROM: 00-00-00 THRU: 05-13-90
4 100280-07-B06	EA	VALANCE-WINDOW, 45" WIDE - W/WOOD TRIM - B04 - PINE M FROM: 00-00-00 THRU: 05-13-90
4 101753-07-B05	EA	VALANCE-WINDOW, W/WOOD TRIM - 45" - B03 - BROWN MINK FROM: 05-14-90 THRU: 09-03-90
4 101753-07-B06	EA	VALANCE-WINDOW, W/WOOD TRIM - 45" - B04 - PINE MIST FROM: 05-14-90 THRU: 09-03-90
4 102514-02-B05	EA	VALANCE-WINDOW, W/GATHERED INSERT - 45" - B03 - BROWN FROM: 09-04-90 THRU: 99-99-99
4 102514-02-B06	EA	VALANCE-WINDOW, W/GATHERED INSERT - 45" - B04 - PINE FROM: 09-04-90 THRU: 99-99-99
4 100281-05-B05	EA	LEG-WINDOW, REAR - W/HOLE - B03 - BROWN MINK FROM: 00-00-00 THRU: 09-03-90
4 100281-05-B06	EA	LEG-WINDOW, REAR - W/HOLE - B04 - PINE MIST FROM: 00-00-00 THRU: 09-03-90
4 100281-10-B05	EA	LEG-WINDOW, FRONT - W/O HOLE - B03 - BROWN MINK FROM: 00-00-00 THRU: 09-03-90
4 100281-10-B06	EA	LEG-WINDOW, FRONT - W/O HOLE - B04 - PINE MIST FROM: 00-00-00 THRU: 09-03-90
4 089522-03-000	EA	PANEL-LEG, WINDOW - 2.5" FACE
4 100281-30-B05	EA	LEG-WINDOW, FRONT - 27" - W/O HOLE - B03 - BROWN MINK FROM: 09-04-90 THRU: 99-99-99
4 100281-30-B06	EA	LEG-WINDOW, FRONT - 27" - W/O HOLE - B04 - PINE MIST
4 100281-31-B05	EA	LEG-WINDOW, REAR - 27" - WHOLE - B03 - BROWN MINK FROM: 09-04-90 THRU: 99-99-99
4 100281-31-B06	EA	LEG-WINDOW, REAR - 27" - WHOLE - B04 - PINE MIST FROM: 09-04-90 THRU: 99-99-99
4 093475-45-01A	EA	BLIND-MINI, 39.5" X 27" DROP - BEIGE

TABLE OF CONTENTS

INTRODUCTION	A-01
ABBREVIATIONS	A-01
ALPHABETICAL INDEX	A-02 - A-04
WCF23EC	A-05 - D-17
WCF30EU	D-19 - H-22

1991 WCF23EC INDEX

FLOOR PLAN	A-05 - A-06
ACCESSORIES	A-07 - A-10
BATH	A-11 - A-13
BEDROOM	A-14
CHASSIS	A-15 - A-16
C C & PAD	A-19 - B-04
DINETTE	B-03 - B-04
DRIVERS	B-05 - B-14
ELECTRICAL	B-15 - B-18
EXTERIOR BODY	B-19 - B-24
GALLEY	C-01 - C-06
HEATING & A/C	C-07 - C-12
INTERIOR FINISH	C-13 - C-16
LABEL	C-17
LP	C-18
SEALANTS & FASTENERS	C-19 - C-20
WATER & SEWAGE	C-21 - D-01
WINDOW, VENT AND EXTERIOR DOOR	D-02 - D-17

CURTAIN, CUSHION & PAD GROUP (CONTINUED)

BACKWALL WINDOW TREATMENT

KEY PART NUMBER	U/M	DESCRIPTION
100280-11-B03	EA	VALANCE-WINDOW, W/WOOD TRIM - 31.7" - B03 - BROWN MINK FROM: 00-00-00 THRU: 05-13-90
101753-11-B05	EA	VALANCE-WINDOW, W/WOOD TRIM - 31.7" - B03 - BROWN MINK FROM: 05-14-90 THRU: 09-03-90
102514-03-B05	EA	VALANCE-WINDOW, 31.7" - B03 - BROWN MINK FROM: 09-04-90 THRU: 99-99-99
100280-11-B04	EA	VALANCE-WINDOW, W/WOOD TRIM - 31.7" - B04 - PINE MIST FROM: 00-00-00 THRU: 05-13-90
101753-11-B06	EA	VALANCE-WINDOW, W/WOOD TRIM - 31.7" - B04 - PINE MIST FROM: 05-14-90 THRU: 09-03-90
102514-03-B06	EA	VALANCE-WINDOW, 31.7" - B04 - PINE MIST FROM: 09-04-90 THRU: 99-99-99
100281-09-B05	EA	LEG-WINDOW, DRIVER - 27" - W/O HOLE - B03 - BROWN MINK FROM: 00-00-00 THRU: 09-03-90
100281-29-B05	EA	LEG-WINDOW, DRIVER - 27" - W/O HOLE - B03 - BROWN MINK FROM: 09-04-90 THRU: 99-99-99
100281-09-B06	EA	LEG-WINDOW, DRIVER - 27" - W/O HOLE - B04 - PINE MIST FROM: 00-00-00 THRU: 09-03-90
100281-29-B06	EA	LEG-WINDOW, DRIVER - 27" - W/O HOLE - B04 - PINE MIST FROM: 09-04-90 THRU: 99-99-99
100281-10-B05	EA	LEG-WINDOW, PASS - 27" - W/O HOLE - B03 - BROWN MINK FROM: 00-00-00 THRU: 09-03-90
100281-30-B05	EA	LEG-WINDOW, PASS - 27" - W/O HOLE - B03 - BROWN MINK FROM: 09-04-90 THRU: 99-99-99
100281-10-B06	EA	LEG-WINDOW, PASS - 27" - W/O HOLE - B04 - PINE MIST FROM: 00-00-00 THRU: 09-03-90
100281-30-B06	EA	LEG-WINDOW, PASS - 27" - W/O HOLE - B04 - PINE MIST FROM: 09-04-90 THRU: 99-99-99
089522-03-000	EA	PANEL-LEG, WINDOW - 2.5" FACE
089522-02-000	EA	PANEL-PLASTIC LEG, 31.5" - BLACK
093475-51-01A	EA	BLIND-MINI, 28" WIDE X 28" DROP - BEIGE

PRIVACY CURTAIN

KEY PART NUMBER	U/M	DESCRIPTION
073304-26-B05	EA	CURTAIN-SNAP TOP, ROOM DIVIDER - 54" X 40" - BEIGE FROM: 00-00-00 THRU: 05-13-90
101668-02-B03	EA	CURTAIN-TAPE TOP, PRIVACY - 54" X 45" - BEIGE FROM: 05-14-90 THRU: 99-99-99
073260-23-B05	EA	TIEBACK-CURTAIN, 3" X 18" - BEIGE

WINDSHIELD PRIVACY CURTAIN

KEY PART NUMBER	U/M	DESCRIPTION
077591-07-B03	EA	CURTAIN - VELCRO TOP, PASSENGER SIDE - 32.5" X 86" - BE FROM: 00-00-00 THRU: 04-29-90
097994-05-B05	EA	CURTAIN - HOOK TOP, PASSENGER SIDE - 30.5" X 125" - BEIGE FROM: 04-30-90 THRU: 99-99-99
077591-08-B03	EA	CURTAIN - VELCRO TOP, DRIVER SIDE - 32.5" X 86" - BEIGE FROM: 00-00-00 THRU: 04-29-90
097994-04-B05	EA	CURTAIN - HOOK TOP, DRIVER PRIVACY - 32.5" X 40" - BEIG FROM: 04-30-90 THRU: 99-99-99
073260-42-B05	EA	TIEBACK-CURTAIN, 6" X 18" - BEIGE FROM: 04-30-90 THRU: 99-99-99

CURTAIN, CUSHION & PAD GROUP (CONTINUED)

DISETTE CUSHIONS, MATTRESS AND OVERHEAD BUNK CUSHION

KEY PART NUMBER	U/M	DESCRIPTION
088927-82-B05	EA	CUSHION-SEAT, 22" X 38" X 5" - B03 - BROWN MINK FROM: 00-00-00 THRU: 06-26-90
088927-87-B05	EA	CUSHION-SEAT, 22" X 38" X 5" - B03 - BROWN MINK FROM: 06-27-90 THRU: 99-99-99
M88927-82-B05	EA	COVER-SEAT CUSHION, 22" X 38" X 5" - B03 - BROWN MINK FROM: 00-00-00 THRU: 06-26-90
M88927-87-B05	EA	COVER-SEAT CUSHION, 23" X 38" X 5" - B03 - BROWN MINK FROM: 06-27-90 THRU: 99-99-99
088927-82-B06	EA	CUSHION-SEAT, 22" X 38" X 5" - B04 - PINE MIST FROM: 00-00-00 THRU: 06-26-90
088927-87-B06	EA	CUSHION-SEAT, 23" X 38" X 5" - B04 - PINE MIST FROM: 06-27-90 THRU: 99-99-99
M88927-82-B06	EA	COVER-SEAT CUSHION, 22" X 38" X 5" - B04 - PINE MIST FROM: 00-00-00 THRU: 06-26-90
M88927-87-B06	EA	COVER-SEAT CUSHION, 23" X 38" X 5" - B04 - PINE MIST FROM: 06-27-90 THRU: 99-99-99
101123-03-000	EA	MATTRESS-DOUBLE, W/CUT CORNER - 53" X 74"
P01123-03-000	EA	COVER-MATTRESS, 53" X 74"
081997-06-B05	EA	SHAM-PILLOW, QUILTED - B03 - BROWN MINK FROM: 00-00-00 THRU: 05-20-90
081997-07-B05	EA	SHAM-PILLOW, NON-QUILTED - B03 - BROWN MINK FROM: 05-21-90 THRU: 06-17-90
102161-01-B05	EA	SHAM-W/PILLOW INSERT, NON-QUILTED - B03 - BROWN MINK FROM: 06-18-90 THRU: 99-99-99
081997-06-B06	EA	SHAM-PILLOW, QUILTED - B04 - PINE MIST FROM: 00-00-00 THRU: 05-20-90
081997-07-B06	EA	SHAM-PILLOW, NON-QUILTED - B04 - PINE MIST FROM: 05-21-90 THRU: 06-17-90
102161-01-B06	EA	SHAM-W/PILLOW INSERT, NON-QUILTED - B04 - PINE MIST FROM: 06-18-90 THRU: 99-99-99
085365-08-B05	EA	BEDSPREAD-DOUBLE, W/ROUNDED CORNER - B03 - BROWN MINK
085365-08-B06	EA	BEDSPREAD-DOUBLE, W/ROUNDED CORNER - B04 - PINE MIST
079145-04-000	EA	CUSHION-BUNK, OVERHEAD - 4" X 34" X 78" - AA8 / AA9
M79145-04-000	EA	COVER-BUNK CUSHION, OVERHEAD - 4" X 34" X 78" - AA8 & AA9

JAPAN EXPORT (OPTION L045)

KEY PART NUMBER	U/M	DESCRIPTION
085268-01-B03	EA	HEADREST-BUCKET SEAT, B03 - BROWN MINK
085268-01-B04	EA	HEADREST-BUCKET SEAT, B04 - PINE MIST
M85268-01-B03	EA	COVER-HEADREST, B03 - BROWN MINK
M85268-01-B04	EA	COVER-HEADREST, B04 - PINE MIST
079349-04-B03	YD	WELTING-HEADREST, B03 - BROWN MINK
079349-04-B04	YD	WELTING-HEADREST, B04 - PINE MIST
081172-01-000	EA	TRIM-HEADREST, PLASTIC - BLACK
091313-01-000	EA	GROMMET-HEADREST

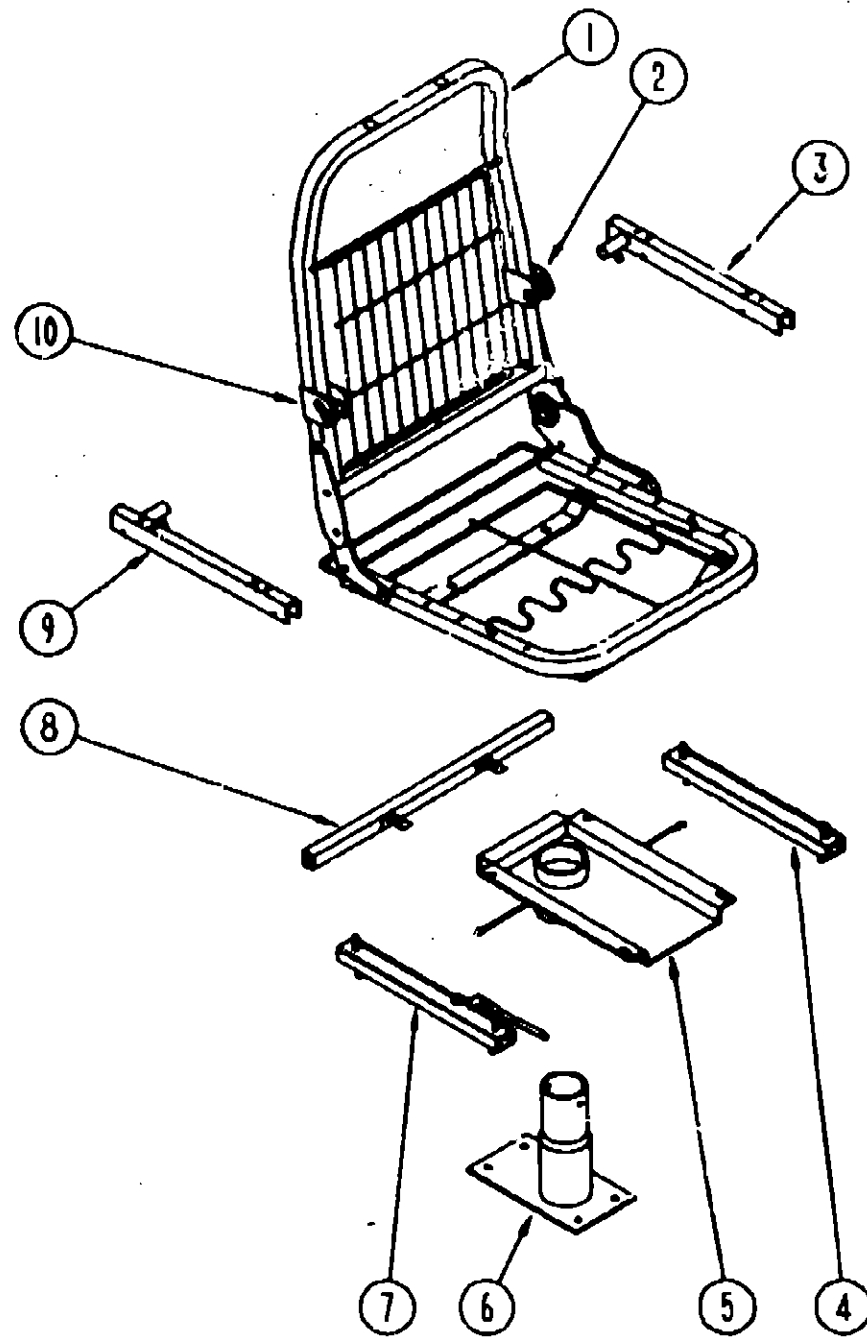
TABLE OF CONTENTS

INTRODUCTION	A-01
ABBREVIATIONS	A-01
ALPHABETICAL INDEX	A-02 - A-04
WCF23EC	A-05 - D-17
WCF30EU	D-19 - H-22

1991 WCF23EC INDEX

FLOOR PLAN	A-05 - A-08
ACCESSORIES	A-07 - A-10
BATH	A-11 - A-13
BEDROOM	A-14
CHASSIS	A-15 - A-16
C C & PAD	A-19 - B-04
DISETTE	B-03 - B-04
DRIVERS	B-05 - B-14
ELECTRICAL	B-15 - B-18
EXTERIOR BODY	B-19 - B-24
GALLEY	C-01 - C-06
HEATING & A/C	C-07 - C-12
INTERIOR FINISH	C-13 - C-16
LABEL	C-17
LP	C-18
SEALANTS & FASTENERS	C-19 - C-20
WATER & SEWAGE	C-21 - D-01
WINDOW, VENT AND EXTERIOR DOOR	D-02 - D-17

CURTAIN, CUSHION & PAD GROUP (CONTINUED)



CURTAIN, CUSHION & PAD GROUP (CONTINUED)

BUCKET SEAT HARDWARE

KEY PART NUMBER	U/M	DESCRIPTION	
1 M80906-01-000	EA	FRAME-SEAT, BACK & SPRING	
1 M80906-04-000	EA	FRAME-SEAT, BACK & SPRING	FROM: 00-00-00 THRU: 07-08-90
089368-04-000	EA	FRAME-CABLE, REMOTE SWIVEL	FROM: 07-09-90 THRU: 99-99-99
080730-02-000	EA	RECLINER-SEAT BACK, LH	
101125-01-000	EA	RECLINER-SEAT BACK, LEFT HAND REMOTE	FROM: 00-00-00 THRU: 07-08-90
080731-02-000	EA	HINGE-SLAVE, RECLINER, LEFT HAND	FROM: 07-09-90 THRU: 99-99-99
080730-03-700	EA	HANDLE KIT-RECLINER	
080730-04-000	EA	SCREW-RECLINER, HANDLE	
080730-05-000	EA	SHIELD-RECLINER	
2 081362-02-000	EA	BRACKET-ARMREST, LEFT HAND	
3 101124-02-000	EA	CHANNEL-ARMREST, LEFT - METAL	
089368-04-000	EA	CABLE CONTROL-REMOTE SWIVEL	
069246-05-701	EA	CLIP - CABLE - FOR REMOTE	
081361-01-000	EA	ROD-ARMREST, METAL	
4 069246-02-000	EA	ADJUSTER-BUCKET SEAT W/O LOCK, FORWARD AND BACK	
069246-05-700	EA	SPRING - SLIDE ADJUSTER	
5 069585-27-000	EA	TOP PLATE-PEDESTAL, BUCKET SEATS	
5 093481-04-000	EA	TOP PLATE-PEDESTAL, BUCKET SEATS W/O SEATBELT BAR	FROM: 00-00-00 THRU: 11-05-89
6 069585-08-000	EA	BASE-BUCKET SEAT, BOLTS TO FLOOR - VERTICAL 8"	FROM: 11-06-89 THRU: 99-99-99
7 069246-01-000	EA	ADJUSTER-BUCKET SEAT W/LOCK, FORWARD AND BACK	FROM: 00-00-00 THRU: 07-08-90
7 069246-05-000	EA	ADJUSTER-SEAT/CHAIR, W/REMOTE	FROM: 07-09-90 THRU: 99-99-99
8 069585-29-000	EA	BAR-SEAT BELT, BUCKET SEATS - 20"	
9 101124-01-000	EA	CHANNEL-ARMREST, RIGHT - METAL	
10 081362-01-000	EA	BRACKET-ARMREST, RIGHT HAND	
057759-01-000	EA	WASHER BRACKET-SEAT BELT, 4" DIAMETER	
000039-08-008	EA	NUT-HEX, SER FLG LK - 3/8-16 ZN	
000044-07-008	EA	NUT-HEX, SER FLG LK - 7/16-20 ZN	
007021-01-000	EA	BELT-SEAT, 2" X 90" - BLACK	
056271-02-000	EA	BELT-SEAT, 2" X 72" - BLACK	
091990-01-01A	EA	SEAT BELT-SHOULDER HARNESS - DRIVERS/PASSENGERS - BLACK	
091990-01-700	EA	COVER-BOLT, SEATBELT - BLACK	

TABLE OF CONTENTS

INTRODUCTION	A-01
ABBREVIATIONS	A-01
ALPHABETICAL INDEX	A-02 - A-04
WCF23EC	A-05 - D-17
WCF30EU	D-19 - H-22

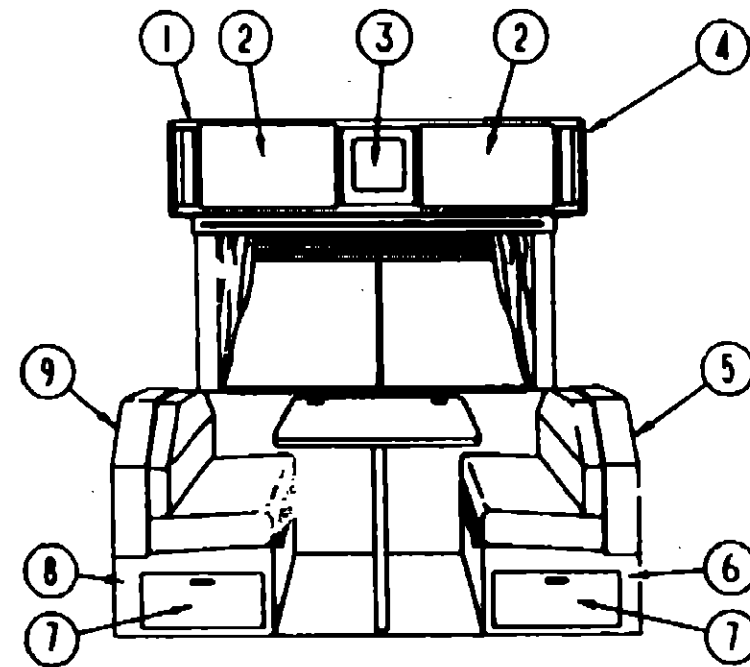
1991 WCF23EC INDEX

FLOOR PLAN	A-05 - A-08
ACCESSORIES	A-07 - A-10
BATH	A-11 - A-13
BEDROOM	A-14
CHASSIS	A-15 - A-16
C C & PAD	A-19 - B-04
DINETTE	B-03 - B-04
DRIVERS	B-05 - B-14
ELECTRICAL	B-15 - B-18
EXTERIOR BODY	B-19 - B-24
GALLEY	C-01 - C-06
HEATING & A/C	C-07 - C-12
INTERIOR FINISH	C-13 - C-16
LABEL	C-17
LP	C-18
SEALANTS & FASTENERS	C-19 - C-20
WATER & SEWAGE	C-21 - D-01
WINDOW, VENT AND EXTERIOR DOOR	D-02 - D-17

BUCKET SEATS

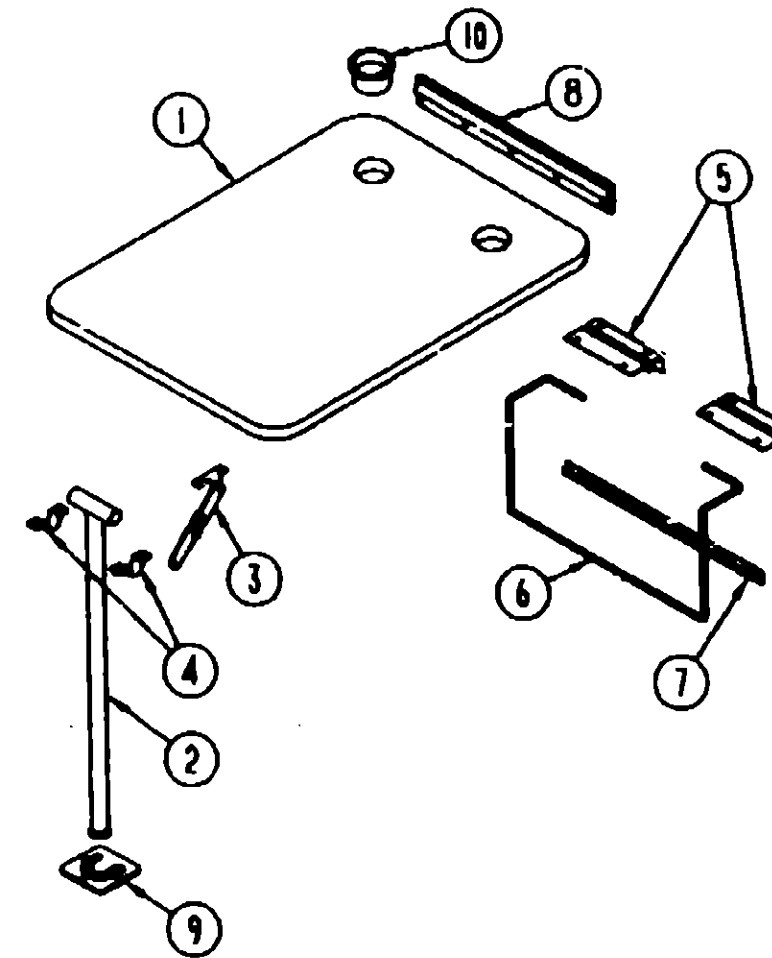
KEY PART NUMBER	U/M	DESCRIPTION	
093450-10-B05	EA	SEAT-BUCKET, DRIVER/PASSENGER - B03 - BROWN MINK	FROM: 00-00-00 THRU: 07-08-90
093450-19-B03	EA	SEAT-BUCKET, DRIVER/PASSENGER - B03 - BROWN MINK	FROM: 07-09-90 THRU: 99-99-99
093450-10-B06	EA	SEAT-BUCKET, DRIVER/PASSENGER - B04 - PINE MIST	FROM: 00-00-00 THRU: 07-08-90
093450-19-B04	EA	SEAT-BUCKET, DRIVER/PASSENGER - B04 - PINE MIST	FROM: 07-09-90 THRU: 99-99-99
M03445-22-B05	EA	COVER-BACK, BUCKET - B03 - BROWN MINK	
M03445-22-B06	EA	COVER-BACK, BUCKET - B04 - PINE MIST	
M03445-23-B05	EA	COVER-SEAT, BUCKET - B03 - BROWN MINK	
M03445-23-B06	EA	COVER-SEAT, BUCKET - B04 - PINE MIST	
080243-41-B05	EA	ARMREST-BUCKET SEAT, RIGHT HAND - B03 - BROWN MINK	
M80243-41-B05	EA	COVER-ARMREST, BUCKET SEAT - RIGHT HAND - B03 - BROWN	
080243-41-B06	EA	ARMREST-BUCKET SEAT, RIGHT HAND - B04 - PINE MIST	
M80243-41-B06	EA	COVER-ARMREST, BUCKET SEAT - RIGHT HAND - B04 - PINE	
080243-42-B05	EA	ARMREST-BUCKET SEAT, LEFT HAND - B03 - BROWN MINK	
M80243-42-B05	EA	COVER-ARMREST, BUCKET SEAT - LEFT HAND - B03 - BROWN	
080243-42-B06	EA	ARMREST-BUCKET SEAT, LEFT HAND - B04 PINE MIST	
M80243-42-B06	EA	COVER-ARMREST, BUCKET SEAT - LEFT HAND - B04 - PINE MIST	
071126-24-B03	EA	SKIRT-BUCKET SEAT, B03 - BROWN MINK	
071126-24-B04	EA	SKIRT-BUCKET SEAT, B04 - PINE MIST	

DINETTE GROUP



OVERHEAD CABINET & COMPONENTS

DINETTE GROUP (CONTINUED)



DINETTE TABLE & COMPONENTS

TABLE OF CONTENTS

INTRODUCTION	A-01
ABBREVIATIONS	A-01
ALPHABETICAL INDEX	A-02 - A-04
WCF23EC	A-05 - D-17
WCF30EU	D-19 - H-22

1991 WCF23EC INDEX

FLOOR PLAN	A-05 - A-06
ACCESSORIES	A-07 - A-10
BATH	A-11 - A-13
BEDROOM	A-14
CHASSIS	A-15 - A-16
C C & PAD	A-19 - B-04
DINETTE	B-03 - B-04
DRIVERS	B-05 - B-14
ELECTRICAL	B-15 - B-18
EXTERIOR BODY	B-19 - B-24
GALLEY	C-01 - C-06
HEATING & AC	C-07 - C-12
INTERIOR FINISH	C-13 - C-16
LABEL	C-17
LP	C-19
SEALANTS & FASTENERS	C-19 - C-20
WATER & SEWAGE	C-21 - D-01
WINDOW, VENT AND EXTERIOR DOOR	D-02 - D-17

KEY PART NUMBER

U/M DESCRIPTION

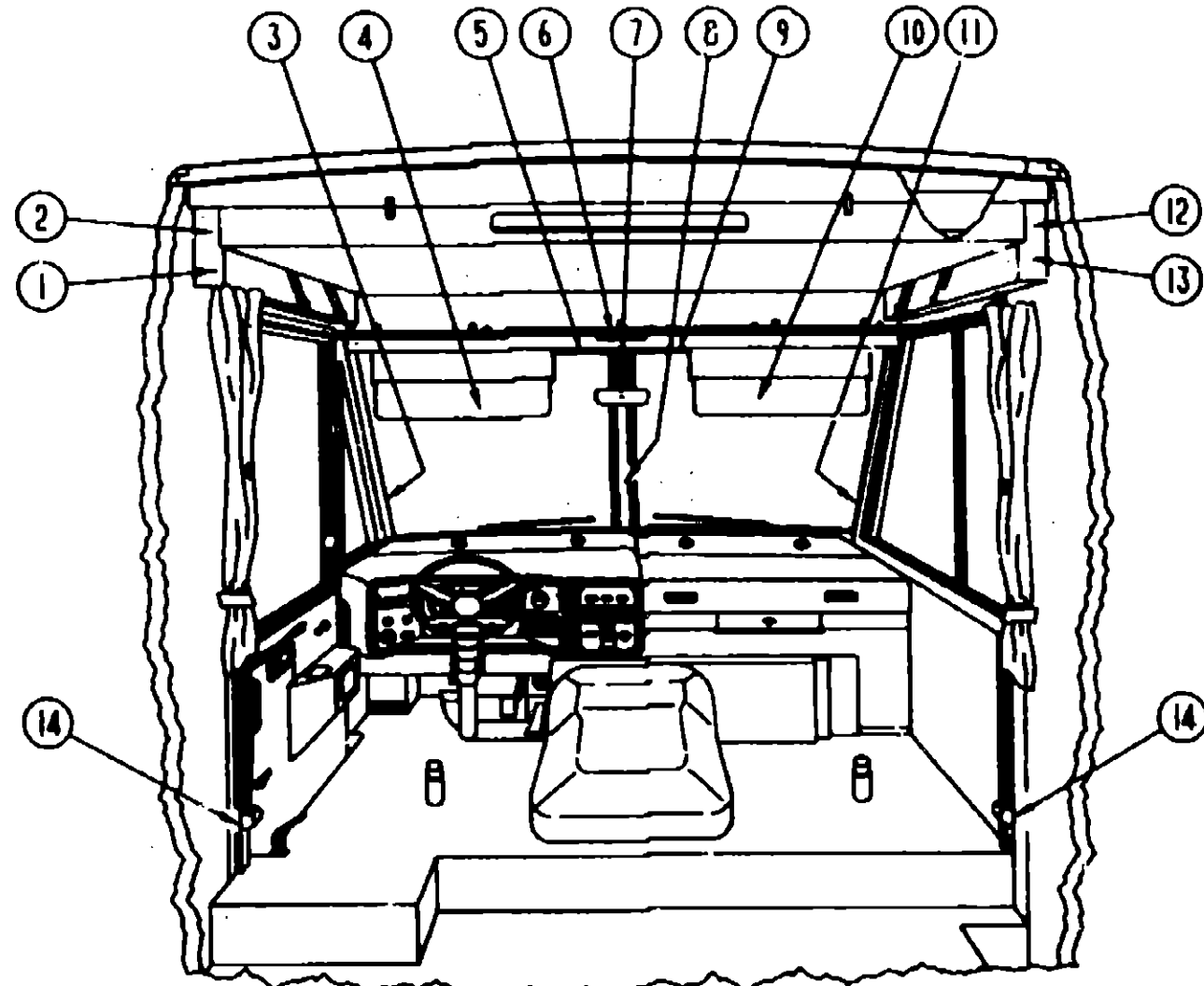
1	MD3972-11-B03	EA	CABINET-OVERHEAD, DINETTE - W/O DOORS OR HARDWARE
2	P00099-28-B03	EA	DOOR-CABINET, OVERHEAD - W/O HARDWARE - 12" X 26"
3	089340-01-000	EA	GRILLE-SPEAKER, 6.5" SQUARE (ON OVERHEAD CABINET)
	094097-01-000	EA	SPEAKER-RADIO, W/O GRILLE - AUDIOVOX 110C3030 5.25" DIAMETER
4	094590-01-B03	EA	CAP-END, CABINET - FRONT
5	MD3079-01-B03	EA	CABINET-BACKREST, FRONT - W/O HARDWARE
6	MD3078-01-B03	EA	CABINET-SEATBASE, FRONT - W/O DOOR OR HARDWARE
7	P00099-64-B03	EA	DOOR-CABINET, SEATBASE - W/O HARDWARE - 10" X 19"
8	MD3078-02-B03	EA	CABINET-SEATBASE, REAR - W/O DOOR OR HARDWARE
9	MD3079-02-B03	EA	CABINET-BACKREST, REAR - W/O HARDWARE
	057759-01-000	EA	WASHER BRACKET-SEAT BELT, 4" DIAMETER

KEY PART NUMBER

U/M DESCRIPTION

1	MD2115-09-B03	EA	TABLE-DINETTE, W/O EDGE BAND OR HARDWARE
	000G67-10-120	EA	SCREW-10-12X.75 PPH TAN
	004354-01-000	EA	BUMPER-CABINET DOOR, RUBBER - BROWN
2	024276-21-000	EA	LEG-TABLE, BEIGE
3	024282-01-000	EA	BRACE-TABLE LEG, HINGED
	024283-01-000	EA	CLIP-LEG, 1" X 1.125" OD - BLACK
4	064050-03-000	EA	CLAMP-SADDLE, LEG HINGE - TAN
5	088410-01-000	EA	BRACKET-LIFT, TABLE MOUNTED - BEIGE
6	024275-05-000	EA	ROD-TABLE LIFT, 8" X 23.5" - BEIGE
7	024281-07-000	EA	BRACKET-LIFT ROD, LOWER WALL MOUNTED - 22.12" - BEIGE
8	053200-05-000	EA	BRACKET-TABLE SUPPORT, UPPER WALL MOUNTED - 23.5" - BEIGE
9	049493-11-700	EA	CATCH-TABLE LEG, FLOOR MOUNTED - BEIGE
10	084781-06-000	EA	HOLDER-CUP, TWO STEP - OFF WHITE
	089297-01-000	SF	PLYWOOD-LUAN, OVERLAY GRADE - 4' X 8' - INC OF 32 SF
	074498-36-000	SF	LAMINATE-PLASTIC, 5' X 8' - INCREMENTS OF 40 SF
	076325-30-000	FT	MOLDING-EDGE BAND, 1 5/16"
			FROM: 00-00-00 THRU: 05-27-90
	076325-28-000	FT	MOLDING-EDGE BAND, 1 5/16"
			FROM: 05-28-90 THRU: 99-99-99
	004354-01-000	EA	BUMPER-CABINET DOOR, RUBBER - BROWN

DRIVERS COMPARTMENT GROUP



UPPER TRIM COMPONENTS W/BUNK

KEY PART NUMBER	UM DESCRIPTION
1 101499-02-B03	EA BOTTOM-SIDEWALL TRIM, DRIVER - 37.2" X 3" - VINYL WRAPPED FROM: 00-00-00 THRU: 01-06-91
1 101499-02-B04	EA BOTTOM-SIDEWALL TRIM, DRIVER - 37.2" X 3" - VINYL WRAPPED FROM: 01-07-91 THRU: 99-99-99
2 101497-02-B03	EA TRIM-SIDEWALL, UPPER DRIVER - 37.5" X 9.3" - VINYL WRAPPED FROM: 00-00-00 THRU: 01-06-91
2 101497-02-B04	EA TRIM-SIDEWALL, UPPER DRIVER - 37.5" X 9.3" - VINYL WRAPPED FROM: 01-07-91 THRU: 99-99-99
3 079206-06-000	EA TRIM POST-WINDSHIELD, DRIVER CORNER - METAL - GRAY FROM: 00-00-00 THRU: 01-06-91
3 079206-12-000	EA TRIM POST-WINDSHIELD, DRIVER CORNER - METAL - BLACK FROM: 01-07-91 THRU: 99-99-99
4 082286-01-U16	EA SUNVISOR-DRIVER/PASSENGER - GRAY FROM: 00-00-00 THRU: 01-07-91
4 082286-01-B03	EA SUNVISOR-DRIVER/PASSENGER, OFF WHITE FROM: 01-08-91 THRU: 99-99-99
5 078579-04-000	EA TRIM-WINDSHIELD, UPPER DRIVER SIDE - PLASTIC - GRAY FROM: 00-00-00 THRU: 01-06-91
5 078579-06-000	EA TRIM-WINDSHIELD, UPPER DRIVER SIDE - PLASTIC - BEIGE FROM: 01-07-91 THRU: 99-99-99
6 086280-01-000	EA LIGHT-SURFACE MOUNT, 12V - JENSEN 1236
6 086280-01-700	EA BULB-SURFACE MOUNT LIGHT, 12V - 6W
7 040714-01-700	EA MIRROR-REAR VIEW W/ARM MOUNT & SET SCREW - GM # 911722
8 081105-01-AA8	EA TRIM-HEADER, ROUTED/SHAPED WOOD - 1.7" X 83.75"
8 079765-04-000	EA TRIM-CENTER WINDSHIELD, PLASTIC - GRAY FROM: 00-00-00 THRU: 01-06-91
8 079765-06-000	EA TRIM-CENTER WINDSHIELD, PLASTIC - BEIGE FROM: 01-07-91 THRU: 99-99-99
9 078579-03-000	EA TRIM-WINDSHIELD, UPPER PASSENGER SIDE - PLASTIC - GRAY FROM: 00-00-00 THRU: 01-06-91
9 078579-05-000	EA TRIM-WINDSHIELD, UPPER PASSENGER SIDE - PLASTIC - BEIGE FROM: 01-07-91 THRU: 99-99-99
10 082286-01-U16	EA SUNVISOR-DRIVER/PASSENGER - GRAY FROM: 00-00-00 THRU: 01-07-91

DRIVERS COMPARTMENT GROUP CONTINUED

UPPER TRIM COMPONENTS (CONT)

KEY PART NUMBER	UM DESCRIPTION
10 082286-01-B03	EA SUNVISOR-DRIVER/PASSENGER, OFF WHITE FROM: 01-08-91 THRU: 99-99-99
007211-01-000	EA HINGE-SUNVISOR
074012-01-000	EA CLIP-SUNVISOR, SQUARE - PINCH ON
085709-01-000	EA MOUNT-SUNVISOR, CLIP TYPE - BLACK
102377-01-000	EA BRACKET-SUNVISOR, 1 PIECE - STEEL FROM: 09-24-90 THRU: 99-99-99
11 079206-05-000	EA TRIM POST-WINDSHIELD, PASSENGER CORNER - METAL - GRAY FROM: 00-00-00 THRU: 01-06-91
11 079206-11-000	EA TRIM POST-WINDSHIELD, PASSENGER CORNER - METAL - BLACK FROM: 01-07-91 THRU: 99-99-99
12 101497-01-B03	EA TRIM-SIDEWALL, UPPER PASS - 37.5" X 9.3" - VINYL WRAPPED FROM: 00-00-00 THRU: 01-06-91
12 101497-01-B04	EA TRIM-SIDEWALL, UPPER PASS - 37.5" X 9.3" - VINYL WRAPPED FROM: 01-07-91 THRU: 99-99-99
13 101499-01-B03	EA BOTTOM-SIDEWALL TRIM, PASS - 37.2" X 3" - VINYL WRAPPED FROM: 00-00-00 THRU: 01-06-91
13 101499-01-B04	EA BOTTOM-SIDEWALL TRIM, PASS - 37.2" X 3" - VINYL WRAPPED FROM: 01-07-91 THRU: 99-99-99
14 091990-01-01A	EA SEAT BELT-SHOULDER HARNESS - DRIVERS/PASSENGERS - BLACK
046886-03-000	EA ASHTRAY-CHROME, W/COVER
100624-01-B03	EA PANEL-HEADLINER, 90.2" X 13" END - VINYL - GRAY FROM: 00-00-00 THRU: 01-06-91
100624-01-B04	EA PANEL-HEADLINER, 90.2" X 13" END - VINYL - OFF WHITE FROM: 01-07-91 THRU: 99-99-99
078811-05-B03	EA BOTTOM-HEADLINER, W/SPEAKER CUTOUTS - VINYL - GRAY FROM: 00-00-00 THRU: 01-06-91
078811-05-B11	EA BOTTOM-HEADLINER, W/SPEAKER CUTOUTS - VINYL - OFF WHITE FROM: 01-07-91 THRU: 99-99-99

WINDSHIELD & WINDOW CURTAIN TRACKS

KEY PART NUMBER	UM DESCRIPTION
101589-01-B03	EA TRACK-CURTAIN, HOOK - 89" FRONT SECTION CURVED 34" AL PASS SIDE - GRAY FROM: 04-28-90 THRU: 12-02-90
101589-01-B04	EA TRACK-CURTAIN, HOOK - 89" FRONT SECTION CURVED 34" AL PASS SIDE - OFF WHITE
094856-06-01A	EA TRACK-DOOR/CURTAIN, 37.6" - GRAY FROM: 12-03-90 THRU: 99-99-99
094856-06-02A	EA TRACK-DOOR/CURTAIN, 37.6" - OFF WHITE FROM: 04-28-90 THRU: 12-02-90 FROM: 12-03-90 THRU: 99-99-99

ROLL BAR COVERS

KEY PART NUMBER	UM DESCRIPTION
024700-32-000	EA COVER-ROLL BAR, U-CHANNEL - 57.25" - PLASTIC - GRAY FROM: 00-00-00 THRU: 01-06-91
024700-41-000	EA COVER-ROLL BAR, U-CHANNEL - 57.25" - PLASTIC - OFF WHITE FROM: 01-07-91 THRU: 99-99-99

ROLL BAR COVERS USED W/DRIVERS DOOR

KEY PART NUMBER	UM DESCRIPTION
024700-33-000	EA COVER-ROLL BAR, U CHANNEL - 15.25" - PLASTIC - GRAY FROM: 00-00-00 THRU: 01-06-91
024700-38-000	EA COVER-ROLL BAR, 15.25" - PLASTIC - OFF WHITE FROM: 01-07-91 THRU: 99-99-99
024700-34-000	EA COVER-ROLL BAR, U CHANNEL - 33.9" - PLASTIC - GRAY FROM: 00-00-00 THRU: 01-06-91

TABLE OF CONTENTS

INTRODUCTION	A-01
ABBREVIATIONS	A-01
ALPHABETICAL INDEX	A-02 - A-04
WCF23EC	A-05 - D-17
WCF30EU	D-19 - H-22

1991 WCF23EC INDEX

FLOOR PLAN	A-05 - A-08
ACCESSORIES	A-07 - A-10
BATH	A-11 - A-13
BEDROOM	A-14
CHASSIS	A-15 - A-16
C & PAD	A-19 - B-04
DINETTE	B-03 - B-04
DRIVERS	B-05 - B-14
ELECTRICAL	B-15 - B-16
EXTERIOR BODY	B-19 - B-24
GALLEY	C-01 - C-06
HEATING & AC	C-07 - C-12
INTERIOR FINISH	C-13 - C-16
LABEL	C-17
LP	C-18
SEALANTS & FASTENERS	C-19 - C-20
WATER & SEWAGE	C-21 - D-01
WINDOW, VENT AND EXTERIOR DOOR	D-02 - D-17

DRIVERS COMPARTMENT GROUP (CONTINUED)

1991 FORD & 1991 DIESEL

KEY PART NUMBER	U/M	DESCRIPTION
100390-04-01A	EA	BEZEL-INSTRUMENT PANEL, BLACK MATTE

1991 CHEVY		
KEY PART NUMBER	U/M	DESCRIPTION
102344-01-000	EA	WIRE ASSEMBLY-INSTRUMENT PANEL, MAIN - 1991 CHEVY CHASSIS
007940-01-000	EA	RECEPTACLE-SLIDE, 16 TO 12 AWG

MOTOR COVER

KEY PART NUMBER	U/M	DESCRIPTION
075564-01-000	EA	BRACKET-MOUNTING, MOTOR COVER
097552-01-000	EA	COVER-MOTOR W/O CARPET
002754-01-001	EA	ANGLE-EXTRUDED, .75" X .75" X 18" - MILL ALUMINUM
038823-01-000	FT	SEAL-MOTOR COVER, RUBBER BULB TYPE - BLACK
080544-01-000	EA	TRIM-MOTOR COVER, METAL - SCREWS TO FLOOR
002754-01-001	EA	ANGLE-EXTRUDED, .75" X .75" X 18" - MILL ALUMINUM

DIESEL ENGINE (OPTION L33N)

KEY PART NUMBER	U/M	DESCRIPTION
072877-01-000	EA	INSULATION-SOUND BARRIER
072878-01-000	EA	INSULATION-SOUND BARRIER PAD, 29.25" X 40.19"
M01113-51-B03	EA	DASH ASSEMBLY W/RADIO - DIESEL, 91 CHEVY - 90 CHASSIS FROM: 00-00-00 THRU: 09-16-90
M78068-03-000	EA	SUPPORT-DASH, 90.8" - METAL - BLACK
038846-02-000	EA	RETAINER-DASH, 3" X 1.5"
078007-01-000	EA	SUPPORT-RADIO
009118-01-000	EA	LOCK-TWIST W/NUT, GLOVE COMPARTMENT
022219-01-000	EA	DOOR-GLOVE COMPARTMENT, BLACK
023834-01-000	EA	PANEL-KNEE KICK, 3.25" X 45.38" - BLACK
023892-01-000	EA	BOX-GLOVE COMPARTMENT, FIBERBOARD - BLACK
024598-01-000	EA	HINGE-PIANO, GLOVE COMPARTMENT - 1 1/16" X 19"
038846-01-000	EA	RETAINER-DASH, 1" X 1/2"
038846-02-000	EA	RETAINER-DASH, 3" X 1.5"
039044-01-000	EA	LOUVER-ADJUSTABLE A/C, 2.5" X 5.75"
079088-04-000	EA	TOP-PADDED DASH, DRIVERS SIDE - VINYL COVERED - GRAY FROM: 00-00-00 THRU: 10-29-90
079088-04-000	EA	TOP-PADDED DASH, DRIVERS SIDE - VINYL COVERED - GRAY FROM: 10-30-90 THRU: 99-99-99
079088-02-000	EA	TOP-PADDED DASH, PASSENGER SIDE - VINYL COVERED - GRAY
089294-01-000	EA	LIGHTER ASM-CIGARETTE
090982-01-000	EA	RADIO-AM/FM CASSETTE, ELECTRIC TUNE - AUDIOVOX HCC-10
093381-01-000	EA	SWITCH-RADIO, MAIN TO AUXILIARY
100389-03-01A	EA	BEZEL-ENTERTAINMENT CENTER, BLACK MATTE
100390-01-01A	EA	BEZEL-INSTRUMENT PANEL, BLACK MATTE
M01113-57-B03	EA	DASH-COMPLETE, W/RADIO FROM: 09-17-90 THRU: 99-99-99
M78068-03-000	EA	SUPPORT-DASH, 90.8" - METAL - BLACK
038846-02-000	EA	RETAINER-DASH, 3" X 1.5"
000G11-03-12D	EA	SCREW, 8-18 X 3/4 PPH - BLACK
000G39-08-16T	EA	SCREW-SF/DR, 8-18 X 1 PPH - BLACK
005081-01-000	EA	NUT-SPEED, C TYPE - NO 8 SCREW
007093-01-000	EA	FLASHER SIGNAL STAT
008343-01-000	EA	TIE-WIRE, 6"
009118-01-000	EA	LOCK-TWIST W/NUT, GLOVE COMPARTMENT
022219-01-000	EA	DOOR-GLOVE COMPARTMENT, BLACK
023834-01-000	EA	PANEL-KNEE KICK, 3.25" X 45.38" - BLACK
023892-01-000	EA	BOX-GLOVE COMPARTMENT, FIBERBOARD - BLACK
024598-01-000	EA	HINGE-PIANO, GLOVE COMPARTMENT - 1 1/16" X 19"
009066-01-000	EA	HINGE-ALUMINUM, NO HOLES - 1 1/16" X 6" - UNPAINTED
031048-04-000	EA	PLATE-SWITCH COVER, BLACK
031048-05-000	EA	PLATE-GAUGE COVER, BLACK
038846-01-000	EA	RETAINER-DASH, 1" X 1/2"
038846-02-000	EA	RETAINER-DASH, 3" X 1.5"
039044-01-000	EA	LOUVER-ADJUSTABLE A/C, 2.5" X 5.75"
061424-01-000	EA	LIGHT-AISLE, 12V - RECTANGULAR
062401-05-000	EA	CLAMP-HOSE, WORMGEAR - 2" X 3"
062901-05-000	EA	FUSE-15 AMPS, AUTOMOTIVE
079088-05-000	EA	TOP-PADDED DASH, DRIVERS SIDE - VINYL COVERED - BEIGE

DRIVERS COMPARTMENT GROUP (CONTINUED)

DIESEL ENGINE (OPTION L33N) CONT

KEY PART NUMBER	U/M	DESCRIPTION
079089-03-000	EA	TOP-PADDED DASH, PASSENGER SIDE - VINYL COVERED - BEIGE
087706-01-000	EA	MOUNTING KIT-RADIO, AUDIOVOX
089294-01-000	EA	LIGHTER ASM-CIGARETTE
090982-01-000	EA	RADIO-AM/FM CASSETTE, ELECTRIC TUNE - AUDIOVOX HCC-10
093381-01-000	EA	SWITCH-RADIO, MAIN TO AUXILIARY
100389-04-01A	EA	BEZEL-ENTERTAINMENT CENTER, BLACK MATTE

DIESEL EXPORT (OPTION L05M)

KEY PART NUMBER	U/M	DESCRIPTION
072878-01-000	EA	INSULATION-SOUND BARRIER PAD, 29.25" X 40.19"
M01113-51-B03	EA	DASH ASSEMBLY W/RADIO - DIESEL, 90 CHEVY FROM: 00-00-00 THRU: 09-16-90
M78068-03-000	EA	SUPPORT-DASH, 90.8" - METAL - BLACK
038846-02-000	EA	RETAINER-DASH, 3" X 1.5"
078007-01-000	EA	SUPPORT-RADIO
009118-01-000	EA	LOCK-TWIST W/NUT, GLOVE COMPARTMENT
022219-01-000	EA	DOOR-GLOVE COMPARTMENT, BLACK
023834-01-000	EA	PANEL-KNEE KICK, 3.25" X 45.38" - BLACK
023892-01-000	EA	BOX-GLOVE COMPARTMENT, FIBERBOARD - BLACK
024598-01-000	EA	HINGE-PIANO, GLOVE COMPARTMENT - 1 1/16" X 19"
038846-01-000	EA	RETAINER-DASH, 1" X 1/2"
038846-02-000	EA	RETAINER-DASH, 3" X 1.5"
039044-01-000	EA	LOUVER-ADJUSTABLE A/C, 2.5" X 5.75"
079088-04-000	EA	TOP-PADDED DASH, DRIVERS SIDE - VINYL COVERED - GRAY FROM: 00-00-00 THRU: 10-29-90
079088-04-000	EA	TOP-PADDED DASH, DRIVERS SIDE - VINYL COVERED - GRAY FROM: 10-30-90 THRU: 99-99-99
079088-02-000	EA	TOP-PADDED DASH, PASSENGER SIDE - VINYL COVERED - GRAY
087706-01-000	EA	MOUNTING KIT-RADIO, AUDIOVOX
089294-01-000	EA	LIGHTER ASM-CIGARETTE
090982-01-000	EA	RADIO-AM/FM CASSETTE, ELECTRIC TUNE - AUDIOVOX HCC-10
093381-01-000	EA	SWITCH-RADIO, MAIN TO AUXILIARY
093893-01-000	EA	WIRE ASSEMBLY-INSTRUMENT PANEL, CHEVY
100389-03-01A	EA	BEZEL-ENTERTAINMENT CENTER, BLACK MATTE
100390-01-01A	EA	BEZEL-INSTRUMENT PANEL, BLACK MATTE
M01113-57-B03	EA	DASH-COMPLETE, W/RADIO FROM: 09-17-90 THRU: 99-99-99
M01113-57-B03	EA	DASH-COMPLETE, W/RADIO FROM: 09-17-90 THRU: 99-99-99
M78068-03-000	EA	SUPPORT-DASH, 90.8" - METAL - BLACK
038846-02-000	EA	RETAINER-DASH, 3" X 1.5"
072882-10-000	GL	PAINT-LOW GLOSS
005081-01-000	EA	NUT-SPEED, C TYPE - NO 8 SCREW
007093-01-000	EA	FLASHER-SIGNAL STAT
008343-01-000	EA	TIE-WIRE, 6"
009118-01-000	EA	LOCK-TWIST W/NUT, GLOVE COMPARTMENT
022219-01-000	EA	DOOR-GLOVE COMPARTMENT, BLACK
023834-01-000	EA	PANEL-KNEE KICK, 3.25" X 45.38" - BLACK
023892-01-000	EA	BOX-GLOVE COMPARTMENT, FIBERBOARD - BLACK
024598-01-000	EA	HINGE-PIANO, GLOVE COMPARTMENT - 1 1/16" X 19"
009066-01-000	EA	HINGE-ALUMINUM, NO HOLES - 1 1/16" X 6" - UNPAINTED
031048-04-000	EA	PLATE-SWITCH COVER, BLACK
038846-01-000	EA	RETAINER-DASH, 1" X 1/2"
038846-02-000	EA	RETAINER-DASH, 3" X 1.5"
039044-01-000	EA	LOUVER-ADJUSTABLE A/C, 2.5" X 5.75"
061424-01-000	EA	LIGHT-AISLE, 12V - RECTANGULAR
062401-05-000	EA	CLAMP-HOSE, WORMGEAR - 2" X 3"
062901-05-000	EA	FUSE-15 AMPS, AUTOMOTIVE
079088-05-000	EA	TOP-PADDED DASH, DRIVERS SIDE - VINYL COVERED - BEIGE
079089-03-000	EA	TOP-PADDED DASH, PASSENGER SIDE - VINYL COVERED - BEIGE
087706-01-000	EA	MOUNTING KIT-RADIO, AUDIOVOX
089294-01-000	EA	LIGHTER ASM-CIGARETTE
090982-01-000	EA	RADIO-AM/FM CASSETTE, ELECTRIC TUNE - AUDIOVOX HCC-10
100389-04-01A	EA	BEZEL-ENTERTAINMENT CENTER, BLACK MATTE 1991 FORD & 1991 DIESEL
100390-04-01A	EA	BEZEL-INSTRUMENT PANEL, BLACK MATTE 1991 CHEVY
007940-01-000	EA	RECEPTACLE-SLIDE, 16 TO 12 AWG

TABLE OF CONTENTS

INTRODUCTION	A-01
ABBREVIATIONS	A-01
ALPHABETICAL INDEX	A-02 - A-04
WCF23EC	A-05 - D-17
WCF30EU	D-19 - H-22

1991 WCF23EC INDEX

FLOOR PLAN	A-05 - A-08
ACCESSORIES	A-07 - A-10
BATH	A-11 - A-13
BEDROOM	A-14
CHASSIS	A-15 - A-16
C C & PAD	A-19 - B-04
DINETTE	B-03 - B-04
DRIVERS	B-05 - B-14
ELECTRICAL	E-15 - B-18
EXTERIOR BODY	B-19 - B-24
GALLEY	C-01 - C-06
HEATING & A/C	C-07 - C-12
INTERIOR FINISH	C-13 - C-16
LABEL	C-17
LP	C-18
SEALANTS & FASTENERS	C-19 - C-20
WATER & SEWAGE	C-21 - D-01
WINDOW, VENT AND EXTERIOR DOOR	D-02 - D-17

DRIVERS COMPARTMENT GROUP (CONTINUED)

CANADIAN EXPORT (OPT 265)

KEY PART NUMBER	U/M DESCRIPTION
094796-01-000	EA CLUSTER-INSTRUMENT PANEL, KILOMETERS - GAS - GM# 2508 FROM: 00-00-00 THRU: 02-28-91
094796-03-000	EA CLUSTER-INSTRUMENT PANEL, KILOMETERS - GAS - GM# 1613 FROM: 03-01-91 THRU: 99-99-99
100138-01-000	EA MODULE-DAYTIME RUNNING LIGHT
100158-01-000	EA WIRE ASM-DAYTIME RUNNING LIGHTS
100159-01-000	EA WIRE ASM-DAYTIME RUNNING LIGHTS, W/FUSE FROM: 00-00-00 THRU: 02-28-91

JAPAN EXPORT (OPT 045)

KEY PART NUMBER	U/M DESCRIPTION
094796-01-000	EA CLUSTER-INSTRUMENT PANEL, KILOMETERS - GAS - GM# 2508

HOOD RELEASE & STEERING COLUMN COVERS

KEY PART NUMBER	U/M DESCRIPTION
077407-01-000	EA BRACKET-HOOD RELEASE CABLE
074178-01-000	EA BRACKET-CABLE, HOOD RELEASE - BLACK FROM: 00-00-00 THRU: 02-28-91
040594-01-000	EA COVER-STEERING COLUMN, PLASTIC - BLACK FROM: 00-00-00 THRU: 02-28-91
078245-01-000	EA BOOT-STEERING COLUMN, VINYL - BLACK FROM: 00-00-00 THRU: 02-28-91

ROLL BAR COVER WHERE SEAT BELTS MOUNT PASSENGER SIDE

KEY PART NUMBER	U/M DESCRIPTION
024700-32-000	EA COVER-ROLL BAR, U-CHANNEL - 57.25" - PLASTIC - GRAY FROM: 00-00-00 THRU: 01-06-91
024700-41-000	EA COVER-ROLL BAR, U-CHANNEL - 57.25" - PLASTIC - OFF WHITE FROM: 01-07-91 THRU: 99-99-99

SEATBELT

KEY PART NUMBER	U/M DESCRIPTION
091990-01-01A	EA SEAT BELT-SHOULDER HARNESS - DRIVERS/PASSENGERS - BLACK
091990-01-7(L)	EA COVER-BOLT, SEATBELT - BLACK
091990-02-01A	EA BRACKET-DRIVERS SEAT BELT, FLOOR MOUNT

HEADLINER, TV - VCR - CONTROL CENTER (OPTION L43 X) U.S. & CANADIAN

KEY PART NUMBER	U/M DESCRIPTION
100624-03-B03	EA PANEL-HEADLINER, 90.2" X 13" END - VINYL - GRAY - WITH THREE CUTOUTS FROM: 00-00-00 THRU: 01-06-91
100624-03-B04	EA PANEL-HEADLINER, 90.2" X 13" END - VINYL - OFF WHITE - WITH THREE CUTOUTS FROM: 01-07-91 THRU: 99-99-99

HEADLINER, TV (OPTION L43U)

KEY PART NUMBER	U/M DESCRIPTION
100624-02-B03	EA PANEL-HEADLINER, 90.2" X 13" END - VINYL - GRAY - WITH TWO CUT OUTS FROM: 00-00-00 THRU: 01-06-91
100624-02-B04	EA PANEL-HEADLINER, 90.2" X 13" END - VINYL - GRAY - WITH TWO CUT OUTS FROM: 01-07-91 THRU: 99-99-99

METRIC INSTRUMENT PANEL CLUSTER (OPTION L27D) CHEVY

KEY PART NUMBER	U/M DESCRIPTION
094796-01-000	EA CLUSTER-INSTRUMENT PANEL, KILOMETERS - GAS - GM# 2508 FROM: 00-00-00 THRU: 11-01-90
094796-03-000	EA CLUSTER-INSTRUMENT PANEL, KILOMETERS - GAS - GM# 1613 FROM: 11-02-90 THRU: 99-99-99

100138-01-000	EA MODULE-DAYTIME RUNNING LIGHT
100158-01-000	EA WIRE ASM-DAYTIME RUNNING LIGHTS
100159-01-000	EA WIRE ASM-DAYTIME RUNNING LIGHTS, W/FUSE FROM: 00-00-00 THRU: 02-28-91

METRIC INSTRUMENT PANEL CLUSTER (OPTION L27D) CHEVY

KEY PART NUMBER	U/M DESCRIPTION
094796-04-000	EA CLUSTER-INSTRUMENT PANEL, KILOMETERS - DIESEL - GM#16 FROM: 09-17-90 THRU: 99-99-99

DRIVERS COMPARTMENT GROUP (CONTINUED)

TV & TV CABINET (OPTION L43U)

KEY PART NUMBER	U/M DESCRIPTION
070578-02-U19	EA BUTTON-SCREW STUD, #30 - VINYL - SMOKE FROM: 00-00-00 THRU: 01-06-91
070578-02-B10	EA BUTTON-SCREW STUD, #30 - VINYL - OFF WHITE FROM: 01-07-91 THRU: 99-99-99
085774-01-000	FT FASTENER-DUAL HOOK, 1" WIDE - ADHESIVE BACK - BLACK
085774-02-000	FT FASTENER-DUAL LOOP, 1" WIDE - ADHESIVE BACK - BLACK
100629-01-B03	EA FACE-CABINET, OVERHEAD - TV
100622-01-01A	EA BRACKET-CABINET, TV - OFF WHITE
100707-01-000	EA SPACER-DOOR, GLASS
100708-01-000	EA DOOR-CABINET, TV - 5.6" X 29.4" - W/O HARDWARE - GLASS
100710-01-01A	EA LOCK-GLASS DOOR, TWIST TYPE - BRASS
100711-01-01A	EA HINGE-DOOR, GLASS
101272-01-000	EA CATCH-DOOR, GLASS
101766-01-000	EA PIN-SUPPORT, GLASS DOOR
089717-02-000	EA TIEDOWN, TV
088819-01-000	EA SPEAKER-2 WATT, 8 OHM - 4"
083214-01-02A	EA GRILL-SPEAKER, 4" BROWN
098030-01-000	EA WIRE-SPEAKER, TV
098837-01-000	EA GROMMET
088756-01-000	EA SPLITTER-TV, 2 WAY
100828-01-000	EA SHELF-TV, STEEL
101150-01-000	EA SUPPORT-SHELF, TV
101150-02-000	EA SUPPORT-SHELF, TV

1981 CHASSIS EXCHANGE (OPTION L51Y) FEDERAL - 12,300

KEY PART NUMBER	U/M DESCRIPTION
4701113-56-B03	EA DASH-COMPLETE, W/RADIO - CHEVY
478068-03-000	EA SUPPORT-DASH, 90.8" - METAL - BLACK
038846-02-000	EA RETAINER-DASH, 3" X 1.5"
078007-01-000	EA SUPPORT-RADIO
009118-01-000	EA LOCK-TWIST W/NUT, GLOVE COMPARTMENT
022218-01-000	EA DOOR-GLOVE COMPARTMENT, BLACK
023834-01-000	EA PANEL-KNEE KICK, 3.25" X 45.38" - BLACK
023892-01-000	EA BOX-GLOVE COMPARTMENT, FIBERGLASS - BLACK
024461-01-000	EA SWITCH-BATT, BATT/DUAL/MOM
024598-01-000	EA HINGE-PIANO, GLOVE COMPARTMENT - 1 1/16" X 19"
038846-01-000	EA RETAINER-DASH, 1" X 1/2"
038846-02-000	EA RETAINER-DASH, 3" X 1.5"
039044-01-000	EA LOUVER-ADJUSTABLE A/C, 2.5" X 5.75"
079088-04-000	EA TOP-PADDED DASH, DRIVERS SIDE - VINYL COVERED - GRAY FROM: 00-00-00 THRU: 10-29-90
079088-05-000	EA TOP-PADDED DASH, DRIVERS SIDE - VINYL COVERED - GRAY FROM: 10-30-90 THRU: 12-18-90
079088-02-000	EA TOP-PADDED DASH, DRIVERS SIDE - VINYL COVERED - BEIGE FROM: 12-19-90 THRU: 99-99-99
079089-03-000	EA TOP-PADDED DASH, PASSENGER SIDE - VINYL COVERED - GRAY FROM: 00-00-00 THRU: 12-18-90
079089-03-000	EA TOP-PADDED DASH, PASSENGER SIDE - VINYL COVERED - BEIGE FROM: 12-19-90 THRU: 99-99-99
087706-01-000	EA MOUNTING KIT-RADIO, AUDIOVOX
089294-01-000	EA LIGHTER ASM-CIGARETTE
090982-01-000	EA RADIO-AM/FM CASSETTE, ELECTRIC TUNE - AUDIOVOX HCC-10
093381-01-000	EA SWITCH-RADIO, MAIN TO AUXILIARY
100389-04-01A	EA BEZEL-ENTERTAINMENT CENTER, BLACK MATTE
100390-04-01A	EA BEZEL-INSTRUMENT PANEL, BLACK MATTE

SIDE OVERHEAD TRIMS PANELS

KEY PART NUMBER	U/M DESCRIPTION
101497-04-B03	EA TRIM-SIDEWALL, UPPER DRIVER - 37.5" X 9.3" - VINYL WRAPPED FROM: 00-00-00 THRU: 01-06-91
101497-04-B04	EA TRIM-SIDEWALL, UPPER DRIVER - 37.5" X 9.3" - VINYL WRAPPED FROM: 01-07-91 THRU: 99-99-99
101499-04-B25	EA BOTTOM-SIDEWALL TRIM, DRIVER - 34.6" X 3" - VINYL WRAPPED FROM: 00-00-00 THRU: 01-06-91
101499-04-B11	EA BOTTOM-SIDEWALL TRIM, DRIVER - 34.6" X 3" - VINYL WRAPPED FROM: 01-07-91 THRU: 99-99-99

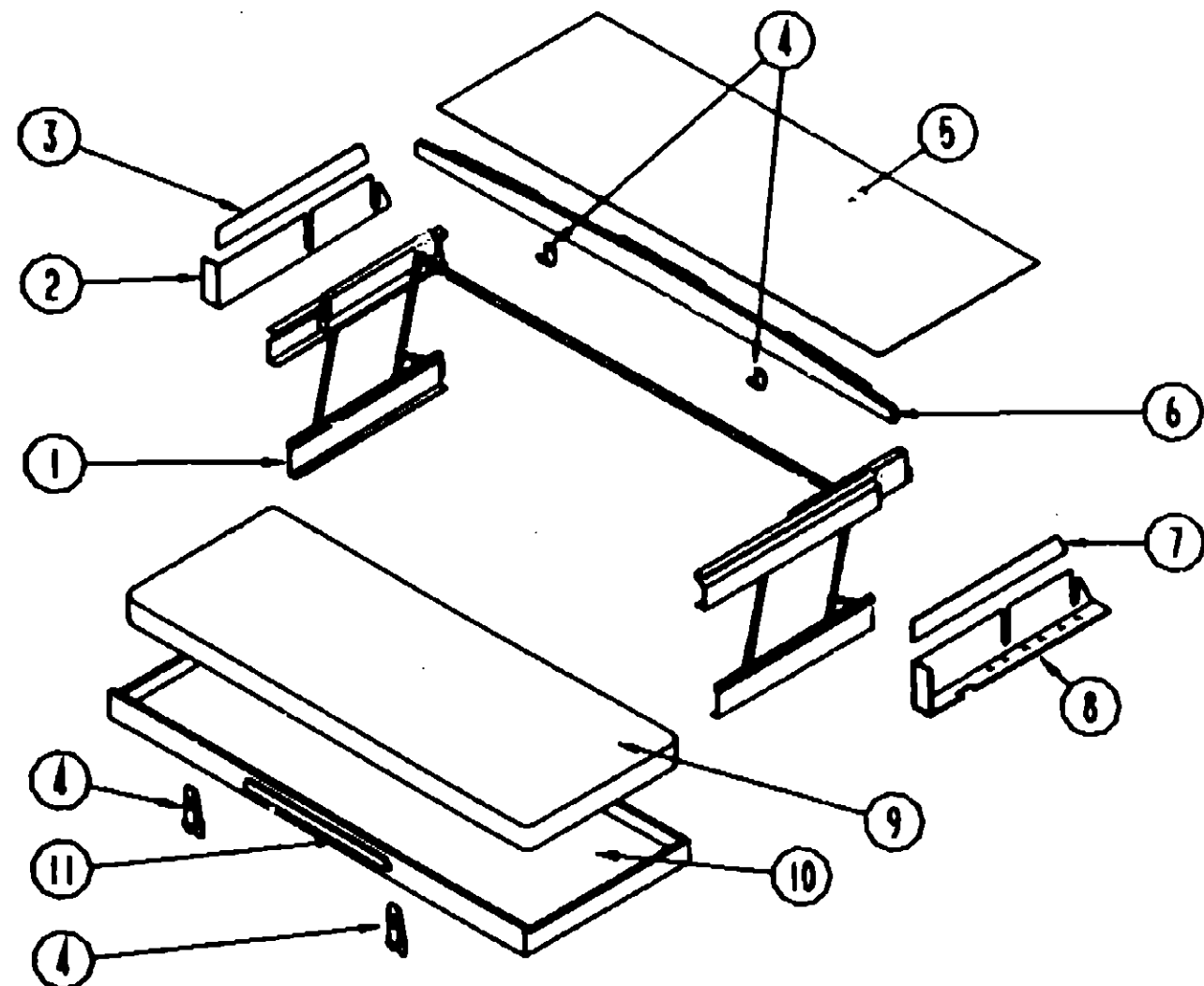
TABLE OF CONTENTS

INTRODUCTION	A-01
ABBREVIATIONS	A-01
ALPHABETICAL INDEX	A-02 - A-04
WCF23EC	A-05 - D-17
WCF30EU	D-19 - H-22

1981 WCF23EC INDEX

FLOOR PLAN	A-05 - A-06
ACCESSORIES	A-07 - A-10
BATH	A-11 - A-13
BEDROOM	A-14
CHASSIS	A-15 - A-16
C C & PAD	A-19 - B-04
DINETTE	B-03 - B-04
DRIVERS	B-05 - B-14
ELECTRICAL	B-15 - B-18
EXTERIOR BODY	B-19 - B-24
GALLEY	C-01 - C-08
HEATING & A/C	C-07 - C-12
INTERIOR FINISH	C-13 - C-16
LABEL	C-17
LP	C-18
SEALANTS & FASTENERS	C-19 - C-20
WATER & SEWAGE	C-21 - D-01
WINDOW, VENT AND EXTERIOR DOOR	D-02 - D-17

DRIVERS COMPARTMENT GROUP (CONTINUED)



FRONT BUNK-SINGLE (OPT 523)

KEY PART NUMBER

M01113-49-B03

M01113-55-B03

M78068-03-000

038846-02-000

078007-01-000

009118-01-000

022219-01-00J

023834-01-000

023892-01-000

024461-01-000

024598-01-000

038846-01-000

038846-02-000

039044-01-000

087708-01-000

009294-01-000

080882-01-000

083381-01-000

100360-03-01A

100390-01-01A

100389-04-01A

100390-04-01A

080979-01-000

007940-01-000

041953-01-000

041953-01-000

041953-03-000

047443-01-000

047443-02-000

077000-01-00J

088473-06-000

088474-01-000

088474-10-000

088475-01-000

088476-01-000

007940-01-000

041953-01-000

041953-01-000

041953-03-000

047443-01-000

047443-02-000

077000-01-000

088474-01-000

088474-09-000

088474-10-000

088475-01-000

088476-01-000

DRIVERS COMPARTMENT GROUP (CONTINUED)

DASH & COMPONENTS

U/M DESCRIPTION

- EA DASH ASSEMBLY W/RADIO-91 CHEVY, 90 CHASSIS
FROM: 00-00-00 THRU: 02-28-91
- EA DASH-COMPLETE, W/RADIO - 1991 CHEVY CHASSIS
FROM: 03-01-91 THRU: 99-99-99
- EA SUPPORT-DASH, 90.8" - METAL - BLACK
FROM: 12-19-90 THRU: 99-99-99
- EA RETAINER-DASH, 3" X 1.5"
- EA SUPPORT-RADIO
- EA LOCK-TWIST W/NUT, GLOVE COMPARTMENT
- EA DOOR-GLOVE COMPARTMENT, BLACK
- EA PANEL-KNEE KICK, 3.25" X 45.38" - BLACK
- EA BOX-GLOVE COMPARTMENT, FIBERBOARD - BLACK
- EA SWITCH-BATT, BATT/DUAL/MOM
- EA HINGE-PIANO, GLOVE COMPARTMENT - 1 1/16" X 18"
- EA RETAINER-DASH, 1" X 1/2"
- EA RETAINER-DASH, 3" X 1.5"
- EA LOUVER-ADJUSTABLE A/C, 2.5" X 5.75"
- EA MOUNTING KIT-RADIO, AUDIOVOX
- EA LIGHTER ASM-CIGARETTE
- EA RADIO-AM/FM CASSETTE, ELECTRIC TUNE - AUDIOVOX HCC-10
- EA SWITCH-RADIO, MAIN TO AUXILIARY
- EA BEZEL-ENTERTAINMENT CENTER, BLACK MATTE
- EA BEZEL-INSTRUMENT PANEL, BLACK MATTE
- EA BEZEL-ENTERTAINMENT CENTER, BLACK MATTE
- EA BEZEL-INSTRUMENT PANEL, BLACK MATTE
- EA PLUG-INSTRUMENT PANEL, .45"
- EA RECEPTACLE-SLIDE, 16 TO 12 AWG
- FT CONDUIT-CONVOLUTE SLIT, .5"ID
- FT CONDUIT-CONVOLUTE SLIT, .625"ID
- FT CONDUIT-CONVOLUTE SLIT, 1" ID (CLOTHES ROD COVER)
- EA TERMINAL-.250 RECEPT, INSULATED - 16/14 AWG
- EA TERMINAL-.250 RECEPT, INSULATED - 12/10 AWG
- EA SOCKET ASM-W/8" PIGTAIL LEADS
- EA PIN-HOUSING, 6 POSITION (TWO ROWS OF THREE)
- EA HOUSING-SOCKET
- EA HOUSING-SOCKET, 2 POSITION
- EA PIN-CONNECTOR, 14 TO 20 AWG
- EA SOCKET-CONNECTOR
- EA RECEPTACLE-SLIDE, 16 TO 12 AWG
- FT CONDUIT-CONVOLUTE SLIT, .5"ID
- FT CONDUIT-CONVOLUTE SLIT, .625"ID
- FT CONDUIT-CONVOLUTE SLIT, 1" ID (CLOTHES ROD COVER)
- EA TERMINAL-.250 RECEPT, INSULATED - 16/14 AWG
- EA TERMINAL-.250 RECEPT, INSULATED - 12/10 AWG
- EA SOCKET ASM-W/8" PIGTAIL LEADS
- EA HOUSING-SOCKET
- EA HOUSING-SOCKET, 3 POSITION
- EA HOUSING-SOCKET, 2 POSITION
- EA PIN-CONNECTOR, 14 TO 20 AWG
- EA SOCKET-CONNECTOR

TABLE OF CONTENTS

INTRODUCTION	A-01
ABBREVIATIONS	A-01
ALPHABETICAL INDEX	A-02 - A-04
WCF23EC	A-05 - D-17
WCF30EU	D-19 - H-22

1991 WCF23EC INDEX

FLOOR PLAN	A-05 - A-08
ACCESSORIES	A-07 - A-10
BATH	A-11 - A-13
BEDROOM	A-14
CHASSIS	A-15 - A-16
C & PAD	A-19 - B-04
DINETTE	B-03 - B-04
DRIVERS	B-05 - B-14
ELECTRICAL	B-15 - B-18
EXTERIOR BODY	B-19 - B-24
GALLEY	C-01 - C-06
HEATING & A/C	C-07 - C-12
INTERIOR FINISH	C-13 - C-18
LABEL	C-17
LP	C-18
SEALANTS & FASTENERS	C-19 - C-20
WATER & SEWAGE	C-21 - D-01
WINDOW, VENT AND EXTERIOR DOOR	D-02 - D-17

KEY PART NUMBER	U/M DESCRIPTION
1 076780-03-000	EA SUPPORT HARDWARE ASM-BUNK
2 101499-02-B03	EA TRIM-SIDEWALL, UPPER DRIVER - 37.5" X 9.3" - VINYL WRAPPED FROM: 00-00-00 THRU: 01-06-91
2 101499-02-B04	EA TRIM-SIDEWALL, UPPER DRIVER - 37.5" X 9.3" - VINYL WRAPPED FROM: 01-07-91 THRU: 99-99-99
3 101497-02-B03	EA TRIM-SIDEWALL, UPPER DRIVER - 37.5" X 9.3" - VINYL WRAPPED FROM: 00-00-00 THRU: 01-06-91
3 101497-02-B04	EA TRIM-SIDEWALL, UPPER DRIVER - 37.5" X 9.3" - VINYL WRAPPED FROM: 01-07-91 THRU: 99-99-99
4 042541-04-700	EA LATCH ASM-W/STRIKE, (2 SETS) - BRASS
042541-05-000	EA STRIKE-BRASS
049465-04-000	EA SCREW, 10-16 X 1 PTH W/WASHER - BEIGE
075943-02-000	EA BRACE-ANGLE, W/HOLES - 1" X 1.5" X 14" - ALUMINUM - BEIGE
5 074497-14-000	SF PANELING-CEILING, 4' X 8' - INCREMENTS OF 32 SF
6 M81715-01-B03	EA BOARD-TRIM, BUNK - VINYL COVERED - CEILING MOUNTED FROM: 00-00-00 THRU: 01-06-91
6 M81715-01-Y70	EA BOARD-TRIM, BUNK - VINYL COVERED - CEILING MOUNTED FROM: 01-07-91 THRU: 99-99-99
016604-05-000	EA BRACE-L/ANGLED, 2.5" - OFF WHITE
7 101497-01-B03	EA TRIM-SIDEWALL, UPPER PASS - 37.5" X 9.3" - VINYL WRAPPED FROM: 00-00-00 THRU: 01-06-91
7 101497-01-B04	EA TRIM-SIDEWALL, UPPER PASS - 37.5" X 9.3" - VINYL WRAPPED FROM: 01-07-91 THRU: 99-99-99
8 101499-01-B03	EA BOTTOM-SIDEWALL TRIM, PASS - 37.2" X 3" - VINYL WRAPPED FROM: 00-00-00 THRU: 01-06-91
8 101499-01-B04	EA BOTTOM-SIDEWALL TRIM, PASS - 37.2" X 3" - VINYL WRAPPED FROM: 01-07-91 THRU: 99-99-99
9 079145-04-000	EA CUSHION-BUNK, OVERHEAD - 4" X 34" X 78" - B03/B04
M79145-04-000	EA COVER-BUNK CUSHION, OVERHEAD - 4" X 34" X 78" - AA8 & AA9
10 081717-01-B03	EA BED ASM-BUNK, FRONT - PADDED - W/O HARDWARE FROM: 00-00-00 THRU: 01-06-91
10 081717-01-B25	EA BED ASM-BUNK, FRONT - PADDED - W/O HARDWARE FROM: 01-07-91 THRU: 99-99-99
11 094658-01-Y12	EA HANDLE-BUNK, OAK

DRIVERS COMPARTMENT GROUP (CONTINUED)

DASH & COMPONENTS CONT

KEY PART NUMBER	U/M	DESCRIPTION
079088-03-000	EA	TOP-PADDED DASH, DRIVERS SIDE - VINYL COVERED - GRAY FROM: 00-00-00 THRU: 10-29-90
079088-04-000	EA	TOP-PADDED DASH, DRIVERS SIDE - VINYL COVERED - GRAY FROM: 10-30-90 THRU: 12-18-90
079088-05-000	EA	TOP-PADDED DASH, DRIVERS SIDE - VINYL COVERED - BEIGE FROM: 12-19-90 THRU: 99-99-99
079089-02-000	EA	TOP-PADDED DASH, PASSENGER SIDE - VINYL COVERED - GRAY FROM: 00-00-00 THRU: 12-18-90
079089-03-000	EA	TOP-PADDED DASH, PASSENGER SIDE - VINYL COVERED - BEIGE FROM: 12-19-90 THRU: 99-99-99
078582-03-000	EA	PANEL-DASH, FRONT - DRIVER - W/DEFROSTER OPENING - GRAY FROM: 00-00-00 THRU: 04-14-90
078582-04-000	EA	PANEL-DASH, FRONT - DRIVER - W/DEFROSTER OPENING - GRAY FROM: 04-15-90 THRU: 12-18-90
078582-06-000	EA	PANEL-DASH, FRONT - DRIVER - W/DEFROSTER OPENING - BEIGE FROM: 12-19-90 THRU: 99-99-99
078581-03-000	EA	PANEL-DASH, FRONT - PASS - W/DEFROSTER OPENING - GRAY FROM: 00-00-00 THRU: 04-14-90
078581-04-000	EA	PANEL-DASH, FRONT - PASS - W/DEFROSTER OPENING - GRAY FROM: 04-15-90 THRU: 12-18-90
078581-06-000	EA	PANEL-DASH, FRONT - PASS - W/DEFROSTER OPENING - BEIGE FROM: 12-19-90 THRU: 99-99-99
024990-03-000	EA	OUTLET-LOUVERED, W/SWIVEL - 2" - GRAY FROM: 00-00-00 THRU: 12-18-90
024990-04-000	EA	OUTLET-LOUVERED/DEFROSTER, W/SWIVEL - 2" - BEIGE FROM: 12-19-90 THRU: 99-99-99
077368-01-000	EA	PANEL-LOWER DRIVER SIDE - 5.66" X 15.70" - BLACK FROM: 00-00-00 THRU: 02-28-91
077369-01-000	EA	PANEL-ELECTRIC ACCESS - LOWER CENTER - 4" X 6.8" - BLACK FROM: 00-00-00 THRU: 12-05-90
077367-01-000	EA	PANEL-LOWER PASS SIDE, 68.5" - BLACK
077539-01-000	EA	BRACKET-MOUNTING, DASH PANEL - L/SHAPED - 2.5" X 1" X
068716-01-001	EA	BRACE-90 DEGREE ANGLE, 192" - EXTRUDED ALUMINUM

DRIVERS COMPARTMENT GROUP (CONTINUED)

1991 CHASSIS EXCHANGE (OPTION L51Y) FEDERAL - 12,200

KEY PART NUMBER	U/M	DESCRIPTION
M01113-56-B03	EA	DASH-COMPLETE, W/RADIO - CHEVY
M78088-03-000	EA	SUPPORT-DASH, 90.8" - METAL - BLACK
038846-02-000	EA	RETAINER-DASH, 3" X 1.5"
076007-01-000	EA	SUPPORT-RADIO
0C9118-01-000	EA	LOCK-TWIST W/NUT, GLOVE COMPARTMENT
022219-01-000	EA	DOOR-GLOVE COMPARTMENT, BLACK
023834-01-000	EA	PANEL-KNEE KICK, 3.25" X 45.38" - BLACK
023882-01-000	EA	BOX-GLOVE COMPARTMENT, FIBERBOARD - BLACK
024461-01-000	EA	SWITCH-BATT, BATT/DUAL/MOM
024598-01-000	EA	HINGE-PIANO, GLOVE COMPARTMENT - 1 1/16" X 19"
038846-01-000	EA	RETAINER-DASH, 1" X 1/2"
038846-02-000	EA	RETAINER-DASH, 3" X 1.5"
039044-01-000	EA	LOUVER-ADJUSTABLE A/C, 2.5" X 5.75"
079088-04-000	EA	TOP-PADDED DASH, DRIVERS SIDE - VINYL COVERED - GRAY FROM: 00-00-00 THRU: 10-29-90
079088-04-000	EA	TOP-PADDED DASH, DRIVERS SIDE - VINYL COVERED - GRAY FROM: 10-30-90 THRU: 12-18-90
079088-05-000	EA	TOP-PADDED DASH, DRIVERS SIDE - VINYL COVERED - BEIGE FROM: 12-19-90 THRU: 99-99-99
079089-02-000	EA	TOP-PADDED DASH, PASSENGER SIDE - VINYL COVERED - GRAY FROM: 00-00-00 THRU: 12-18-90
079089-03-000	EA	TOP-PADDED DASH, PASSENGER SIDE - VINYL COVERED - BEIGE FROM: 12-19-90 THRU: 99-99-99
087706-01-000	EA	MOUNTING KIT-RADIO, AUDIOVOX
089294-01-000	EA	LIGHTER ASM-CIGARETTE
080982-01-000	EA	RADIO-AM/FM CASSETTE, ELECTRIC TUNE - AUDIOVOX HCC-10
093381-01-000	EA	SWITCH-RADIO, MAIN TO AUXILIARY
100389-04-01A	EA	BEZEL-ENTERTAINMENT CENTER, BLACK MATTE
100390-04-01A	EA	BEZEL-INSTRUMENT PANEL, BLACK MATTE

TABLE OF CONTENTS

INTRODUCTION	A-01
ABBREVIATIONS	A-01
ALPHABETICAL INDEX	A-02 - A-04
WCF23EC	A-05 - D-17
WCF30EU	D-19 - H-22

1991 WCF23EC INDEX

FLOOR PLAN	A-05 - A-08
ACCESSORIES	A-07 - A-10
BATH	A-11 - A-13
BEDROOM	A-14
CHASSIS	A-15 - A-16
C C & PAD	A-19 - B-04
DINETTE	B-03 - B-04
DRIVERS	B-05 - B-14
ELECTRICAL	B-15 - B-18
EXTERIOR BODY	B-19 - B-24
GALLEY	C-01 - C-06
HEATING & A/C	C-07 - C-12
INTERIOR FINISH	C-13 - C-16
LABEL	C-17
LP	C-18
SEALANTS & FASTENERS	C-19 - C-20
WATER & SEWAGE	C-21 - D-01
WINDOW, VENT AND EXTERIOR DOOR	D-02 - D-17

ELECTRICAL GROUP
ELECTRIC CONTROL CENTER

KEY PART NUMBER	U/M	DESCRIPTION
006331-01-000	EA	TERMINAL-RING,TONGUE - #4 WIRE - 3/8" STUD - COPPER
004356-01-000	EA	CONNECTOR-PLASTIC, 3/8" AVG
041953-01-000	FT	CONDUIT-CONVOLUTED SLIT, 1/2" ID
083208-01-000	EA	CONVERTOR-POWER, 32A - 120V/12V - BW 6332
083209-01-000	EA	CIRCUIT BREAKER-15 AMP, 120V - BW G-15
083209-03-000	EA	CIRCUIT BREAKER-15/20AMP, 120V - BW - 0-15/20
083209-04-000	EA	CIRCUIT BREAKER-30A, 120V - BW L-30
083209-05-000	EA	CIRCUIT BREAKER-20A, 120V - BW J-20
083209-06-000	EA	CIRCUIT BREAKER-30/15 AMP, 120V - BW D-30/15
083210-02-000	EA	CIRCUIT BREAKER-GFI, 15A - 120V - DW U-15
035416-04-000	EA	TERMINAL-RING #10 STUD FIT, INSULATED BARREL #16/14
071278-01-700	EA	DOOR-ELECTRICAL CONTROL CENTER W/CATCH
071278-01-703	EA	CATCH-ELECTRICAL CENTER DOOR

ELECTRICAL COMPONENTS

KEY PART NUMBER	U/M	DESCRIPTION
007093-01-000	EA	FLASHER-SIGNAL STAT
007942-01-000	EA	TAB-WIRE, 18 TO 14 AWG
007949-01-000	EA	TAB-HOUSING, 1 POSITION
008026-01-000	FT	WIRE-12/2, ROMEX - W/GROUND
008037-01-000	FT	CABLE-BATTERY, 1AWG - STRANDED - BLACK
008037-02-000	FT	CABLE-BATTERY, 1AWG - STRANDED - RED
008037-01-000	EA	CORD-POWER, 10/3 - 30 AMP - 25' - CANADIAN
008054-01-000	EA	CORD-POWER, 10/3 WIRE - 30 AMP - 25'
063188-01-000	EA	SOLENOID-3 POST, BATTERY CHANGE OVER
008235-01-000	EA	FUSE-12V-15AMP
008298-01-000	EA	BOX-PLASTIC ELECTRIC, 3" X 3 1/2"
008298-02-000	EA	BOX-ELECTRIC, PLASTIC - 3.94" X 3.13" X 1.81"
008299-01-000	EA	BOX-ELECTRIC, STEEL - 1/2" AND 3/4" KNOCKOUTS - 4" X
008299-02-000	EA	BOX-ELECTRIC, 4" X 4" - 1/2" & 3/4" KNOCKOUTS - CANAD
008294-01-000	EA	COVER-ELECTRICAL BOX, STEEL/BLANK - 4" X 4" - GRAY
008311-01-000	EA	CONNECTOR-WIRE NUT, INSULATED - RED
008312-01-000	EA	CONNECTOR-WIRE NUT, INSULATED - BLUE
008314-01-000	EA	CONNECTOR-WIRE NUT, INSULATED - GRAY
008323-01-000	EA	TERMINAL-RING, 16/14 WIRE - 3/8" STUD
008328-01-000	EA	TERMINAL-RING, 12/10 WIRE - #10 STUD FIT
008331-01-000	EA	TERMINAL-RING,TONGUE - #4 WIRE - 3/8" STUD - COPPER
008343-01-000	EA	TIE-WIRE, 6"
008348-01-000	EA	TERMINAL-RING, 3/8" STUD - #2 WIRE
008353-01-000	EA	CONNECTOR-CABLE CLAMPING, 3/8"
008355-01-000	EA	CONNECTOR-CABLE CLAMPING, 3/4"
008356-01-000	EA	CONNECTOR-PLASTIC, 3/8" AVG
008398-01-000	EA	CONNECTOR-1/2" X 90 DEGREE, FLEX CONDUIT - UL AND CSA
024461-01-000	EA	SWITCH-BATT, BATT/DUAL/MOM
024924-02-000	EA	RECEPTACLE-POWER CORD, W/PARTIAL PLATE
035416-04-000	EA	TERMINAL-RING #10 STUD FIT, INSULATED BARREL #16/14
036196-01-000	EA	BULB-12V - #194 - 27AMP
041250-01-000	EA	SWITCH-PUSH BUTTON, DOME LIGHT - CHROME
041480-01-000	EA	CONNECTOR-STR/JGHT, 1/2" FLEX CONDUIT
041953-01-000	FT	CONDUIT-CONVOLUTE SLIT, 5" ID
041953-01-000	FT	CONDUIT-CONVOLUTE SLIT, .625" ID
041953-03-000	FT	CONDUIT-CONVOLUTE SLIT, 1" ID (CLOTHES ROD COVER)
041953-05-000	FT	CONDUIT-CONVOLUTE SOLID, .62" ID
041953-06-000	FT	CONDUIT-CONVOLUTE, SLIT .375" ID
041953-07-000	FT	CONDUIT-CONVOLUTE, SLIT, .25" ID
041953-08-000	FT	CONDUIT-CONVOLUTE, SLIT, 1.50" ID
041953-09-000	FT	CONDUIT-CONVOLUTE, SLIT .50" ID
041953-11-000	FT	CONDUIT-CONVOLUTE, SLIT- 1.06" ID
047338-03-000	EA	ISOLATOR-DUAL BATTERY, 70 AMP
047443-01-000	EA	TERMINAL-.250 RECEP. FIT, INSULATED - 16/14 AWG
047443-02-000	EA	TERMINAL-.250 RECEP FIT, INSULATED - 12/10 AWG
058078-01-700	EA	CONNECTOR-ELECTRICAL PIGTAIL, NYLON - CLEAR
058049-01-000	EA	BOX-ELECTRIC SWITCH, 2" X 3" X 2.25"
058707-01-000	EA	RECEPTACLE-ELECTRIC, SINGLE - BROWN
058708-02-000	EA	RECEPTACLE-DOUBLE ELECTRIC, IVORY
058781-01-000	EA	DIODE-6.0A/100 VOLT - MOTOROLA, NO MR751

ELECTRICAL GROUP (CONTINUED)
ELECTRICAL COMPONENTS CONT

KEY PART NUMBER	U/M	DESCRIPTION
062036-02-000	EA	TERMINAL-PACK-CON, 16/14 AWG
062057-01-000	EA	HOUSING-AUTO FUSE, NATURAL
062037-02-000	EA	HOUSING-AUTO FUSE, GREEN
062037-03-000	EA	HOUSING-AUTO FUSE, BLACK
062037-05-000	EA	HOUSING-AUTO FUSE, GRAY
062037-06-000	EA	HOUSING-AUTO FUSE, BROWN
062901-05-000	EA	FUSE-15 AMPS, AUTOMOTIVE
063910-01-000	EA	HOUSING-RELAY
064398-01-000	EA	HOUSING-TRAILER, RECEPTACLE
065450-01-000	EA	TIEDOWN-BATTERY
065450-06-000	EA	TIEDOWN-BATTERY
067789-02-000	EA	SOCKET-LAMP
068238-01-000	EA	COVER-ELECTRICAL BOX, WHOLE - 4" X 4" - GRAY
077000-01-000	EA	SOCKET ASM-W/8" PIGTAIL LEADS
077479-02-000	EA	BOOT-BATTERY TERMINAL, SINGLE CABLE
077955-01-000	EA	J CLIP-VINYL COATED, 3/8"
079378-01-000	EA	TERMINAL-WEDGE BASE, 18 AWG
080015-02-000	EA	RECEPTACLE-FLAG, .185 - 18/14 GA - AMP 3
080734-02-000	EA	CLIP-WIRE, NYLON
081059-02-000	EA	WIRE ASM-9-PIN, RADIO - AUDIOVOX 112B-1761
082740-01-000	EA	CONNECTOR-PLASTIC BODY, FOR 2 MALE SPACES
082742-01-000	EA	CONNECTOR BODY-3 CNCT FEMALE
084078-01-000	EA	RECEPTACLE-GFI, 15A - 125V - IVORY
088473-01-000	EA	PIN-HOUSING, 4 ROWS OF 3
088473-02-000	EA	HOUSING-PIN, 15 POSITION
088473-05-000	EA	PIN-HOUSING, 6 POSITION (SINGLE ROW)
088473-06-000	EA	PIN-HOUSING, 6 POSITION (TWO ROWS OF THREE)
088473-08-000	EA	HOUSING-PIN, 4 POSITION
088473-09-000	EA	PIN-HOUSING, 3 POSITION (SINGLE ROW)
088473-10-000	EA	PIN-HOUSING, 2 POSITION
088474-01-000	EA	HOUSING-SOCKET
088474-02-000	EA	HOUSING-SOCKET, 15 POSITION (3 ROWS OF 5)
088474-06-000	EA	SOCKET-HOUSING, 8 POSITION (2 ROWS OF THREE)
088474-08-000	EA	SOCKET-HOUSING, 4 POSITION (SINGLE ROW)
088474-09-000	EA	HOUSING-SOCKET, 3 POSITION
088474-10-000	EA	HOUSING-SOCKET, 2 POSITION
088475-01-000	EA	PIN-CONNECTOR, 14 TO 20 AWG
088475-02-000	EA	PIN-CONNECTOR, 10 TO 12 AWG
088476-01-000	EA	SOCKET-CONNECTOR
088476-02-000	EA	SOCKET-CONNECTOR 12-10 GA
090971-01-000	EA	SPLICE-CABLE, 110V
090971-02-000	EA	SPLICE-CABLE, 110V - TAP
091910-01-000	EA	BOX-ELECTRIC, 3.75" X 3.5" X 1.75" - PLASTIC
091927-01-000	EA	COVER-RECEPTACLE, DOUBLE - IVORY
092615-01-000	EA	CONVERTER-40 AMP, W/CHARGER - B-W 32400P
092786-01-000	EA	BUSS BAR-2.1" LONG
092786-02-000	EA	BUSS BAR-3.3" LONG
093654-01-000	EA	CIRCUIT BREAKER-6 AMP, HOUSE CONTROL PANEL
093654-03-000	EA	CIRCUIT BREAKER-20 AMP, HOUSE CONTROL PANEL
093655-02-000	EA	CIRCUIT BREAKER-30 AMP, HOUSE CONTROL PANEL
093655-03-000	EA	CIRCUIT BREAKER-40 AMP
094805-01-000	EA	LOAD CENTER-240 VOLT, 125 AMP
094810-01-000	EA	BREAKER-CIRCUIT, DOUBLE 30 AMP - GE THQL2130
094811-01-000	EA	BREAKER-CIRCUIT, DOUBLE 20 AMP - GE THQL2120
097611-01-000	EA	CIRCUIT BREAKER-5AMP.ATC - BLACK
097618-01-000	EA	WIRE ASM-MONITOR PANEL, W/4 WIRES & BLACK RESISTOR -
097734-01-01A	EA	EXTENSION-RECEPTACLE, IVORY
097744-02-000	EA	HOUSING-TRAILER PIN, 48"

TABLE OF CONTENTS

INTRODUCTION	A-01
ABBREVIATIONS	A-01
ALPHABETICAL INDEX	A-02 - A-04
WCF23EC	A-05 - D-17
WCF30EU	D-19 - H-22

1991 WCF23EC INDEX

FLOOR PLAN	A-05 - A-06
ACCESSORIES	A-07 - A-10
BATH	A-11 - A-13
BEDROOM	A-14
CHASSIS	A-15 - A-16
C C & PAD	A-19 - B-04
DINETTE	B-03 - B-04
DRIVERS	B-05 - B-14
ELECTRICAL	B-15 - B-18
EXTERIOR BODY	B-19 - B-24
GALLEY	C-01 - C-06
HEATING & A/C	C-07 - C-12
INTERIOR FINISH	C-13 - C-16
LABEL	C-17
LP	C-18
SEALANTS & FASTENERS	C-19 - C-20
WATER & SEWAGE	C-21 - D-01
WINDOW, VENT AND EXTERIOR DOOR	D-02 - D-17

ELECTRICAL GROUP (CONTINUED)

INTERIOR LIGHTS

KEY PART NUMBER	U/M	DESCRIPTION
098024-01-01A	EA	LIGHT-DOME, 1 BULB - US - IVORY
098024-01-700	EA	LENS-DOME LIGHT
008218-01-000	EA	BULB-DOME LIGHT, 12V - NUMBER 1141
098024-03-01A	EA	LIGHT-DOME, 2 BULB - IVORY
098024-01-700	EA	LENS-DOME LIGHT
008218-01-000	EA	BULB-DOME LIGHT, 12V - NUMBER 1141
061424-01-000	EA	LIGHT-AISLE, 12V - RECTANGULAR
086280-01-000	EA	LIGHT-SURFACE MOUNT, 12V - JENSEN 1236
086280-01-700	EA	BULB-12 VOLT, 6 WATT
084078-02-000	EA	RECEPTACLE-GFI, 15A - 125V - BROWN
084077-02-000	EA	PLATE-COVER, RECEPTACLE - GFI - BROWN
075723-01-000	EA	BLOCK-SWITCH, SPACER W/O HOLE
078364-01-000	EA	SWITCH-ON/OFF ROCKER, BROWN
088351-01-01A	EA	PLATE-SWITCH, 1 GANG - POLISHED BRASS
058708-01-000	EA	RECEPTACLE-ELECTRIC, DOUBLE - BROWN
058708-02-000	EA	RECEPTACLE-DOUBLE ELECTRIC, IVORY
075736-03-000	EA	COVER-EXTERIOR RECEPTACLE, BEIGE
088351-02-01A	EA	PLATE-SWITCH, 2 GANG - POLISHED BRASS
097967-01-000	EA	SWITCH-WATER HEATER, ATWOOD 91959 - WITH RED INDICATOR LIGHT
041250-01-000	EA	SWITCH-PUSH BUTTON, DOME LIGHT - CHROME

FRONT EXTERIOR LIGHTS

KEY PART NUMBER	U/M	DESCRIPTION
049185-01-000	EA	HEADLAMP CAPSULE-DRIVER, HIGH/LOW BEAM - RECTANGULAR
049186-01-000	EA	HEADLAMP CAPSULE-PASSENGER, HIGH/LOW BEAM - RECTANGULAR
049187-01-000	EA	HEADLAMP CAPSULE-DRIVER, HIGH BEAM - RECTANGULAR
049188-01-000	EA	HEADLAMP CAPSULE-PASSENGER, HIGH BEAM - RECTANGULAR
049359-01-000	EA	SPRING-HEADLAMP RETAINER, GM # 498096
073308-01-000	EA	SCREW-ADJUSTING, HEADLAMP
086874-01-000	EA	NUT-HEADLAMP, BLACK
096875-01-000	EA	KNOB-HEADLAMP, W/SHAFT
050030-02-000	EA	HOUSING-HEADLAMP WIRING, HIGH BEAM
083749-01-000	EA	HOUSING-HEADLAMP WIRING, LOW BEAM
090202-01-000	EA	BEZEL-HEADLIGHT, RIGHT - BLACK
090202-02-000	EA	BEZEL-HEADLIGHT, LEFT - BLACK
082207-01-000	EA	GUARD-HEADLAMP, CUT 12.5" X 12.5" 18 GA STEEL
084901-01-000	EA	LAMP-PARK/TURN, GM # 916558 (BULB # MP62057)
079764-05-000	EA	MOUNT-PARK/TURN LAMP, PASSENGER SIDE - BLACK
079764-06-000	EA	MOUNT-PARK/TURN LAMP, DRIVER SIDE - BLACK
081250-01-000	EA	LIGHT-FRONT CLEARANCE, AMBER - LENS AND BASE ONLY
		FROM: 00-00-00 THRU: 09-09-90
081250-01-700	EA	LENS-CLEARANCE LIGHT, AMBER
081437-01-000	EA	BRACKET-CLEARANCE LIGHT, L SHAPED METAL
		FROM: 00-00-00 THRU: 09-09-90
102582-01-000	EA	LIGHT-CLEARANCE, AMBER
		FROM: 09-10-90 THRU: 99-99-99
102582-01-000	EA	BRACKET-LIGHT, CLEARANCE
		FROM: 09-10-90 THRU: 99-99-99
063642-01-000	FT	TAPE-ADHESIVE, 10MM X 1.5" WIDE
036196-01-000	EA	BULB-CLEARANCE LIGHT, 12V - #194 - .27AMP
077955-01-000	EA	J CLIP-VINYL COATED, 3/8"
079378-01-000	EA	TERMINAL-WEDGE BASE, 18 AWG
102541-01-000	EA	GASKET-CLEARANCE LIGHT
067789-02-000	EA	SOCKET-LAMP
		FROM: 09-10-90 THRU: 99-99-99
065747-01-000	SF	INSULATION-MICROFOAM, 5"

ELECTRICAL GROUP (CONTINUED)

EXTERIOR SIDEWALL LIGHTS

KEY PART NUMBER	U/M	DESCRIPTION
042405-03-000	EA	BASE-SIDE MARKER, RECTANGULAR
042405-02-000	EA	LENS-FRONT SIDE MARKER LIGHT, W/REFLEX - AMBER
036196-01-000	EA	BULB-SIDE MARKER, 12V - #194 - .27AMP
091983-01-000	EA	GASKET-SIDE MARKER LIGHT
097917-01-02A	EA	LIGHT-PORCH, BEIGE
097917-01-700	EA	LENS-PORCH LIGHT
007309-01-000	EA	LIGHT-STEP WELL, ROUND - 12V
042405-01-000	EA	LENS-REAR SIDE MARKER/CLEARANCE LIGHT, W/REFLEX - RED
042405-03-000	EA	BASE-SIDE MARKER, RECTANGULAR
036196-01-000	EA	BULB-SIDE MARKER, 12V - #194 - .27AMP
091983-01-000	EA	GASKET-SIDE MARKER LIGHT

EXTERIOR BACKWALL COMPONENTS

KEY PART NUMBER	U/M	DESCRIPTION
058032-02-000	EA	TAIL LAMP-2 BULB, BLACK
037935-01-000	EA	BULB-TAIL LAMP, NUMBER 1157 - 12 V - 21 AMP
058032-02-700	EA	LENS-TAIL LAMP, W/BACK UP - RED
058032-02-701	EA	LENS-TAIL LAMP, W/O BACK UP - RED
062742-06-000	EA	WEDGE-TAIL LAMP, W/LICENSE PLATE BRACKET - BEIGE
059540-01-000	EA	BRACKET-LICENSE PLATE
062740-06-000	EA	WEDGE-TAIL LAMP, BEIGE
007309-01-000	EA	LIGHT-STEP WELL, ROUND - 12V

TABLE OF CONTENTS

INTRODUCTION	A-01
ABBREVIATIONS	A-01
ALPHABETICAL INDEX	A-02 - A-04
WCF23EC	A-05 - D-17
WCF30EU	D-19 - H-22

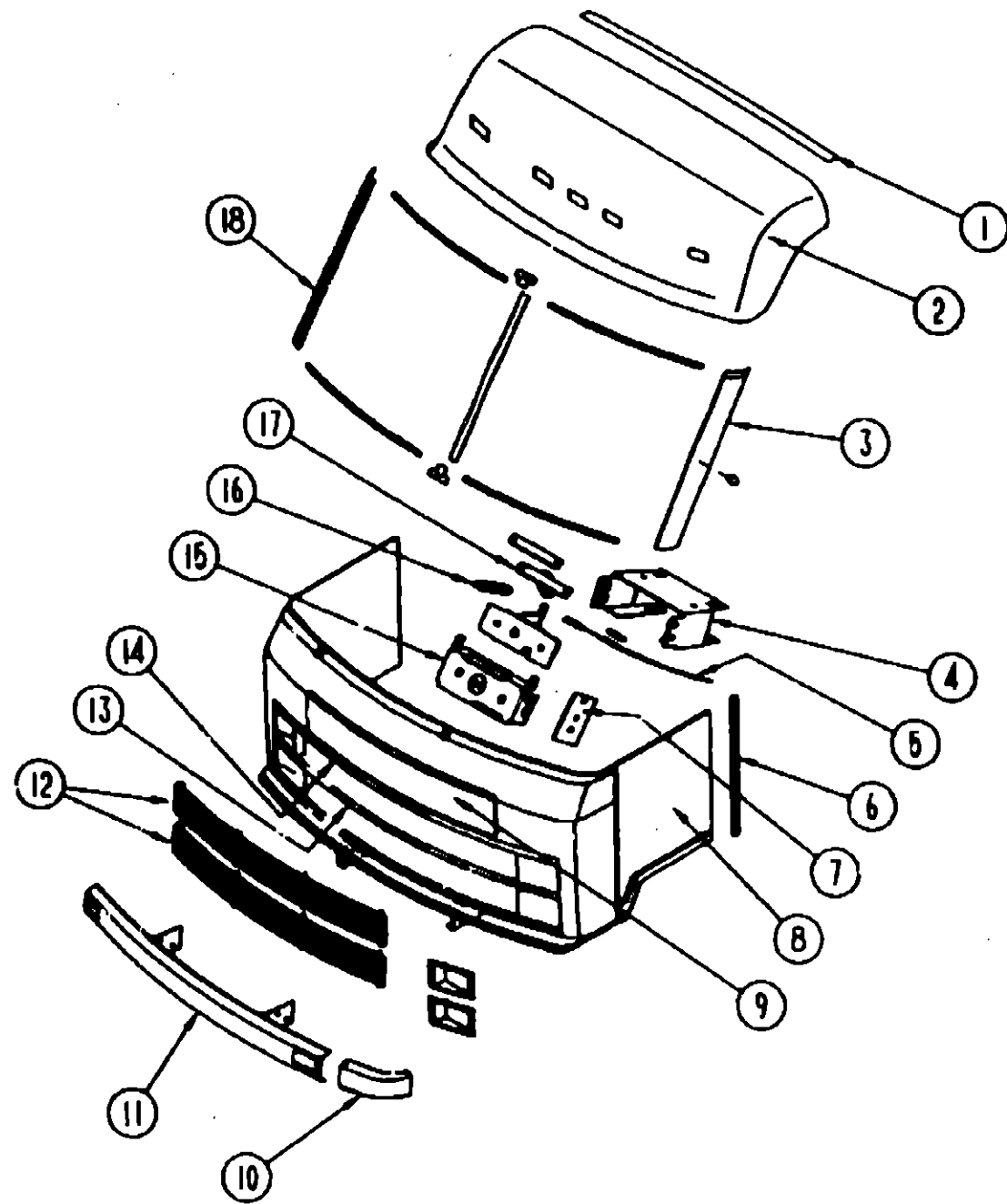
1991 WCF23EC INDEX

FLOOR PLAN	A-05 - A-06
ACCESSORIES	A-07 - A-10
BATH	A-11 - A-13
BEDROOM	A-14
CHASSIS	A-15 - A-16
C C & PAD	A-19 - B-04
DINETTE	B-03 - B-04
DRIVERS	B-05 - B-14
ELECTRICAL	B-15 - B-16
EXTERIOR BODY	B-19 - B-24
GALLEY	C-01 - C-08
HEATING & AC	C-07 - C-12
INTERIOR FINISH	C-13 - C-16
LABEL	C-17
LP	C-18
SEALANTS & FASTENERS	C-19 - C-20
WATER & SEWAGE	C-21 - D-01
WINDOW, VENT AND EXTERIOR DOOR	D-02 - D-17

EXTERIOR BODY GROUP

EXTERIOR BODY GROUP (CONTINUED)

FRONT END COMPONENTS & BUMPER



KEY PART NUMBER	UOM	DESCRIPTION
1 078580-01-000	EA	TRIM-ROOF TO FRONT CAP
2 MC1899-02-603	EA	CAP ASSEMBLY-FRONT
MO2001-01-000	EA	HEADER-WINDSHIELD ASM BLACK
055278-01-001	FT	TUBING-STEEL, .75" X 1.5" X 288" FROM: 00-00-00 THRU: 04-08-90
077922-01-000	EA	HEADER-WINDSHIELD
MO2001-02-000	EA	HEADER-WINDSHIELD, METAL - BLACK
077922-01-000	EA	HEADER-WINDSHIELD FROM: 04-08-90 THRU: 99-99-99
077922-02-000	EA	HEADER-WINDSHIELD FROM: 00-00-00 THRU: 05-13-90
055278-01-001	FT	TUBING-STEEL, .75" X 1.5" X 288" FROM: 05-14-90 THRU: 99-99-99
2 078572-03-000	EA	ROOF CAP-FRONT, PRIMED
3 079225-02-000	EA	TRIM POST-WINDSHIELD, DRIVERS - METAL - BLACK
4 073342-01-000	EA	BRACKET ASM-STRIKER, HOOD (MOUNTS TO CROSSMEMBER)
5 R77006-68-721	EA	CABLE ASM-HOOD RELEASE
5 R77006-19-765	EA	SHEATH-CABLE END, HOOD
6 069922-01-000	EA	TRIM-SEAM, FRONT END TO SIDEWALLS
7 090084-01-000	EA	BRACE-LATCH, HOOD
8 MO1115-26-Y15	EA	FRONT END-FIBERGLASS, BEIGE- W/O LIGHTS, GRILLE, OR DECALS
9 089788-01-X14	EA	HOOD ASM-BEIGE, WITHOUT DECALS
058786-02-000	EA	BOLT-BUMPER, HOOD ADJUSTING, .31" X 1.8 X 1.25"
073338-01-000	EA	STRIKER-LATCH (MOUNTS TO #073342-01-000)
078716-02-000	EA	BRACKET ASM- LATCH - INCLUDED WITH HOOD
078767-02-000	EA	PLATE ASM-MOUNTING, HINGES - INCLUDED WITH HOOD
089926-01-000	EA	ARM ASM-HINGE, HOOD - RIGHT
089926-02-000	EA	ARM ASM-HINGE, HOOD - LEFT
090197-01-000	EA	BRACKET-HINGE ARM, HOOD - RIGHT
090197-02-000	EA	BRACKET-HINGE ARM, HOOD - LEFT
10 078577-08-000	EA	END CAP-BUMPER, FRONT DRIVERS SIDE - BEIGE
078577-07-000	EA	END CAP-BUMPER, PASSENGERS FRONT SIDE - BEIGE
11 077850-04-000	EA	BUMPER-FRONT, UNPAINTED
077852-01-000	EA	BRACKET-BUMPER, FRONT, 2 PER COACH
096339-01-000	EA	SUPPORT-BUMPER, 2 PER COACH
096346-01-000	EA	BRACE-BUMPER, LOWER, RIGHT
096346-02-000	EA	BRACE-BUMPER, LOWER, LEFT FROM: 00-00-00 THRU: 08-15-89
096401-01-000	EA	BRACE-BUMPER, UPPER, RIGHT FROM: 00-00-00 THRU: 08-15-89
096401-02-000	EA	BRACE-BUMPER, UPPER, LEFT FROM: 00-00-00 THRU: 08-15-89
005200-01-000	EA	BOLT-BUMPER, ROUND HEAD-SQUARE NECK- W/SST CAP 7/16-14 X 1 1/4
12 089821-01-X14	EA	GRILLE ASM-5 BAR
090119-01-000	EA	BRACKET-GRILL
13 088252-03-000	FT	TRIM-CHROME, 2" WIDE WITH PRESSURE SENSITIVE BACKING
14 088252-02-000	FT	TRIM-CHROME, 1" WIDE WITH PRESSURE SENSITIVE BACKING
15 R77007-51-429	EA	BRACKET-HOOD RELEASE
16 R77006-38-499	EA	SPRING-CABLE, HOOD LATCH
17 R77007-01-950	EA	STRIKER-LATCH, HOOD
073610-01-000	EA	SPRING-STRIKER, LATCH - HOOD
18 079225-01-000	EA	TRIM POST-WINDSHIELD, PASSENGER - METAL - BLACK
061603-01-000	EA	GROMMET-SNAP, 3/16 ID - 3/8 HOLE - PLASTIC - BLACK
076322-04-000	FT	TAPE-FOAM, DOUBLE COATED - .045" X .75"
058833-01-000	EA	BRACKET-PROP ROD
062628-01-000	EA	CLIP-PROP ROD
072917-03-000	EA	ROD-PROP, HOOD
065747-01-000	SF	INSULATION-MICROFOAM, .5"
074048-01-000	EA	INSERT-KNURLED, BRASS - #8-32- FOR HEADLIGHT SCREWS
077049-01-000	EA	NUT-ACORN, 10-32 ALUMINUM

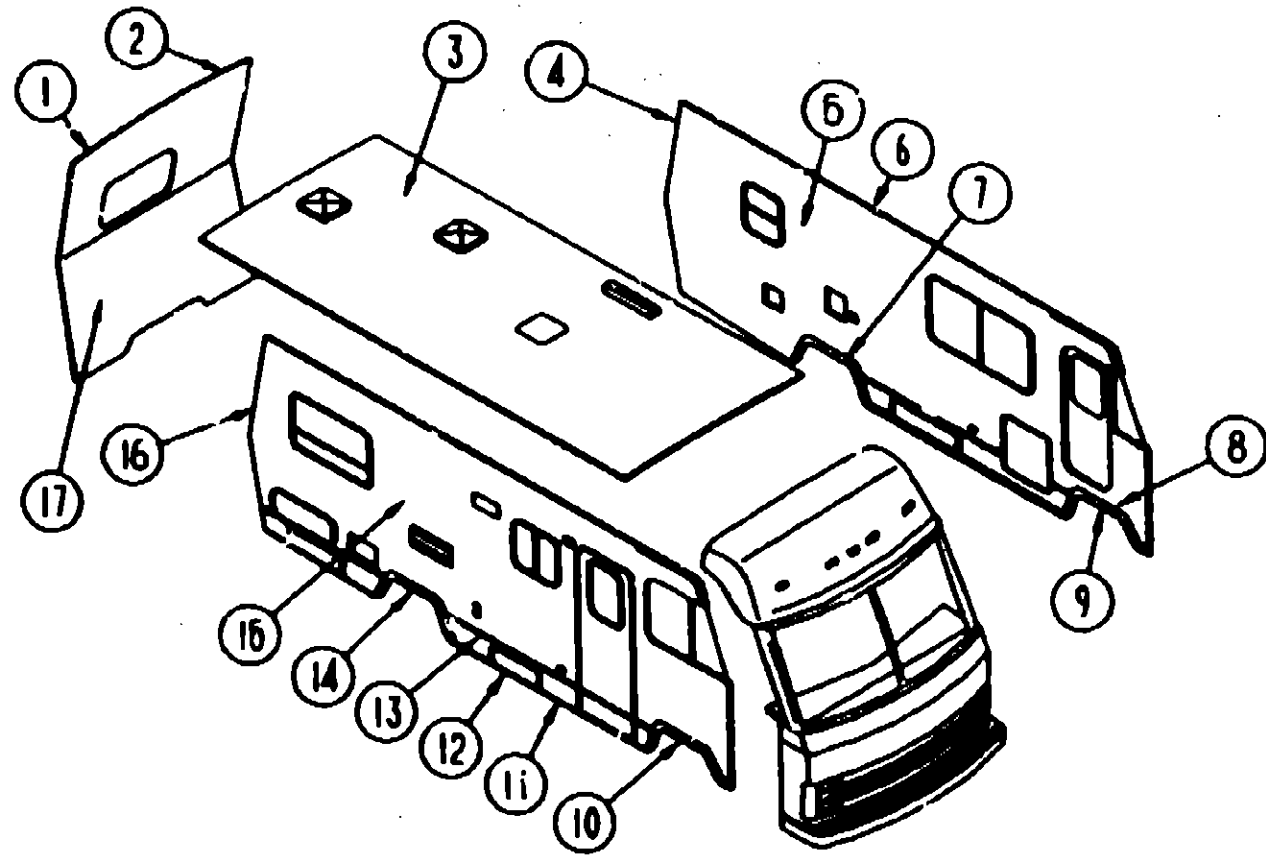
TABLE OF CONTENTS

INTRODUCTION	A-01
ABBREVIATIONS	A-01
ALPHABETICAL INDEX	A-02 - A-04
WCF23EC	A-05 - C-17
WCF30EU	D-19 - H-22

1991 WCF23EC INDEX

FLOOR PLAN	A-05 - A-08
ACCESSORIES	A-07 - A-10
BATH	A-11 - A-13
BEDROOM	A-14
CHASSIS	A-15 - A-16
C C & PAD	A-19 - B-04
DINETTE	B-03 - B-04
DRIVERS	B-05 - B-14
ELECTRICAL	B-15 - B-18
EXTERIOR BODY	B-19 - B-24
GALLEY	C-01 - C-06
HEATING & A/C	C-07 - C-12
INTERIOR FINISH	C-13 - C-18
LABEL	C-17
LP	C-18
SEALANTS & FASTENERS	C-19 - C-20
WATER & SEWAGE	C-21 - D-01
WINDOW, VENT AND EXTERIOR DOOR	D-02 - D-17

EXTERIOR BODY GROUP (CONTINUED)



EXTERIOR BODY PANELS AND TRIM

KEY PART NUMBER	U/M DESCRIPTION
1 066906-07-000	EA TRIM-BACKWALL TO ROOF, PASSENGER SIDE REAR - BEIGE
2 066906-08-000	EA TRIM-BACKWALL TO ROOF, DRIVERS SIDE REAR - BEIGE
3 100455-01-B03	EA ROOF-W/O VENTS (SPECIAL ORDER ITEM)
	FROM: 00-00-00 THRU: 07-14-90
3 100455-02-B03	EA ROOF-W/O VENTS (SPECIAL ORDER ITEM)
	FROM: 07-15-90 THRU: 99-99-99
064675-56-010	EA ANGLE-STEEL, ROOF JOINT - 89° - BEIGE
4 090203-03-000	EA TRIM-CORNER, DRIVERS SIDEWALL TO BACKWALL - BEIGE
050406-06-000	EA TRIM-BACKWALL, LOWER, ALUMINUM, BEIGE, 2 PER BACKWALL
5 P00253-01-B03	EA SIDEWALL-DRIVER, W/O DOORS, DECALS, OR WINDOWS (SPECIAL ORDER ITEM)
055278-01-001	FT TUBING-STEEL, .75" X 1.5" X 288"
058267-01-000	FT CHANNEL-SIDEWALL STIFFENER, W/HOLES - 2" X 20"
6 U78967-08-000	EA ANGLE-JOINT, ROOF - 156.5°
7 075070-03-000	EA TRIM-WHEELWELL, DRIVER REAR - PLASTIC - BEIGE
089749-01-000	EA TRIM-REAR WHEELWELL, ALUMINUM, DRIVERS OR PASSENGER
055080-01-000	EA WHEELWELL-PLASTIC, REAR - BLACK - LEFT OR RIGHT
8 078556-08-000	EA TRIM-WHEELWELL, DRIVER FRONT - PLASTIC - BEIGE
9 089909-01-000	EA TRIM-FRONT WHEELWELL - DRIVER & PASSENGER - METAL
10 078556-07-000	EA TRIM-WHEELWELL, PASSENGER FRONT - PLASTIC - BEIGE
11 079407-05-001	EA ROCKER PANEL 192", ALUMINUM, BEIGE, WITHOUT DOOR PIN HOLES
002726-01-001	EA GARNISH-U-CHANNEL, 1.38" X 19" - SERRATED - MILL ALUMINUM
12 086526-55-001	EA ROCKER PANEL, 192", ALUMINUM, BEIGE, WITH DOOR PIN HOLES
13 059576-08-000	EA EXTRUSION-FEATURE STRIP, 182" - BEIGE
009731-01-000	EA CAP-END, FEATURE STRIP
14 075070-01-000	EA TRIM-WHEELWELL, PASSENGER REAR - PLASTIC - BEIGE
089749-01-000	EA TRIM-REAR WHEELWELL, ALUMINUM, DRIVERS OR PASSENGER
055080-01-000	EA WHEELWELL-PLASTIC, REAR - BLACK - LEFT OR RIGHT
15 P00454-01-B03	EA SIDEWALL-PASSENGER, W/O DOORS, DECALS, OR WINDOWS (SPECIAL ORDER ITEM)
078376-01-000	FT MOLDING-T-SHAPED COVE, CEILING TO WALL - OFF WHITE
058267-01-000	FT CHANNEL-FORMED, 2" X .38" X 14GA - 20' W/HOLES
16 090203-01-000	EA TRIM-CORNER, PASSENGER SIDEWALL TO BACKWALL - BEIGE
17 M88142-01-AA8	EA BACKWALL ASM-W/O LIGHTS, DOORS, OR WINDOWS
	FROM: 00-00-00 THRU: 10-01-89
17 P00254-01-B03	EA BACKWALL-W/O WINDOW OR DECALS (SPECIAL ORDER ITEM)
066767-01-000	EA SPACER-DOOR, LOWER

EXTERIOR BODY GROUP (CONTINUED)

REAR BUMPER END CAPS

KEY PART NUMBER	U/M DESCRIPTION
100250-01-01A	EA CAP-END, BUMPER - REAR PASSENGER - BEIGE USED WITH TWO PART BUMPER
	FROM: 00-00-00 THRU: 06-17-90
100250-02-01A	EA CAP-END, BUMPER - REAR DRIVER - BEIGE USED WITH TWO PART BUMPER
	FROM: 00-00-00 THRU: 06-17-90
080815-01-T03	EA CAP-END, BUMPER - REAR PASSENGER - W/GUSSET - BEIGE
	FROM: 06-18-90 THRU: 99-99-99
078578-01-000	EA CAP-BUMPER END, REAR PASSENGER - BEIGE
080815-02-T03	EA CAP-END, BUMPER - REAR DRIVER - W/GUSSET - BEIGE
	FROM: 06-18-90 THRU: 99-99-99
078578-02-000	EA CAP-BUMPER END, REAR DRIVER - BEIGE

ASSIST HANDLE

KEY PART NUMBER	U/M DESCRIPTION
009126-01-000	EA HANDLE-ASSIST, ENTRY DOOR - CHROME
	FROM: 00-00-00 THRU: 03-03-89
009126-02-000	EA HANDLE-ASSIST, ENTRY DOOR - BLACK
	FROM: 08-04-89 THRU: 99-99-99
081914-01-000	EA BUMPER-RUBBER, ROUND - .43" DIAMETER - BLACK
077953-01-000	EA GROMMET-EDGE LINER, FITS 1"

MISCELLANEOUS EXTERNALLY MOUNTED PARTS

KEY PART NUMBER	U/M DESCRIPTION
084616-02-000	EA SHROUD-EXTERIOR VENT, RANGE HOOD - BEIGE
087659-02-000	EA FILL-CITY WATER, ROUND - BEIGE
075736-03-000	EA COVER-EXTERIOR RECEPTACLE, BEIGE

FIBERGLASS, ALUMINUM AND PANEL

KEY PART NUMBER	U/M DESCRIPTION
000868-01-000	SF STYROFOAM-.75" X 24" X 96" - INCREMENTS OF 16 SF
000870-03-000	SF STYROFOAM-1.34" X 48" X 96" - INCREMENTS OF 32 SF
083574-01-000	SF STYROFOAM, DOW TYPE SM - 1.5" X 24" X 85.25" - INC OF
089297-01-000	SF PLYWOOD-LUAN, OVERLAY GRADE - 4' X 8' - INC OF 32 SF
044487-01-001	EA ALUMINUM SHEET - .019" X 96" X 360" - MILL FINISH
001054-01-011	EA ALUMINUM-SHEET, 48" X 96" - FLAT - OFF WHITE
076054-D2-001	EA FIBERGLASS-SHEET, 36" X 252" - FLAT - BEIGE
076054-D8-001	EA FIBERGLASS-SHEET, 60" X 306" - FLAT - BEIGE
077517-24-000	EA FIBERGLASS-SHEET, FLAT - 48" X 96" - OFF WHITE
	FROM: 00-00-00 THRU: 09-16-90
076054-D5-001	EA FIBERGLASS-SHEET, FLAT - 48" X 96" - BEIGE
	FROM: 09-17-90 THRU: 99-99-99
086229-01-000	EA RETAINER-3/4"
086772-51-001	EA PIN-STAINLESS STEEL .25"DIAMETER X4.17"
076322-02-000	FT TAPE-FOAM, DOUBLE COATED - .045" X 1" - INC. OF 108 FT
076322-03-000	FT TAPE-FOAM, DOUBLE COATED - .045" X .5"
001030-12-002	EA AL-.019X00.78X204.00 BEIGE
001018-01-024	EA SKIN-ALUMINUM, .024" X 48" X 96" - FLAT - BEIGE

EXTERIOR MIRRORS

KEY PART NUMBER	U/M DESCRIPTION
049347-01-000	EA MIRROR HEAD-EXTERIOR, 10 1/2" X 7 1/2" - STAINLESS ST
006043-01-000	EA MIRROR-EXTERIOR CONVEX, ADHESIVE BACKED
049348-03-000	EA ARM-EXTERIOR MIRROR, LOW MOUNT - BLACK
049944-04-000	EA BRACKET-EXTERIOR MIRROR, ARM TO SIDEWALL - BLACK
039337-01-000	EA BRACKET-EXTERIOR MIRROR, ARM TO SIDEWALL - UNPAINTED

SPARE TIRE COVER

KEY PART NUMBER	U/M DESCRIPTION
098855-01-B03	EA COVER-TIRE, VINYL
079680-13-000	YD FABRIC-VINYL, 54" WIDE - PARCHMENT

TABLE OF CONTENTS

INTRODUCTION	A-01
ABBREVIATIONS	A-01
ALPHABETICAL INDEX	A-02 - A-04
WCF23EC	A-05 - D-17
WCF30EU	D-19 - H-22

1991 WCF23EC INDEX

FLOOR PLAN	A-05 - A-06
ACCESSORIES	A-07 - A-10
BATH	A-11 - A-13
BEDROOM	A-14
CHASSIS	A-15 - A-16
C C & PAD	A-19 - B-04
DINETTE	B-03 - B-04
DRIVERS	B-05 - B-14
ELECTRICAL	B-15 - B-18
EXTERIOR BODY	B-19 - B-24
GALLEY	C-01 - C-06
HEATING & A/C	C-07 - C-12
INTERIOR FINISH	C-13 - C-16
LABEL	C-17
LP	C-18
SEALANTS & FASTENERS	C-19 - C-20
WATER & SEWAGE	C-21 - D-01
WINDOW, VENT AND EXTERIOR DOOR	D-02 - D-17

EXTERIOR BODY GROUP (CONTINUED)

DECALS

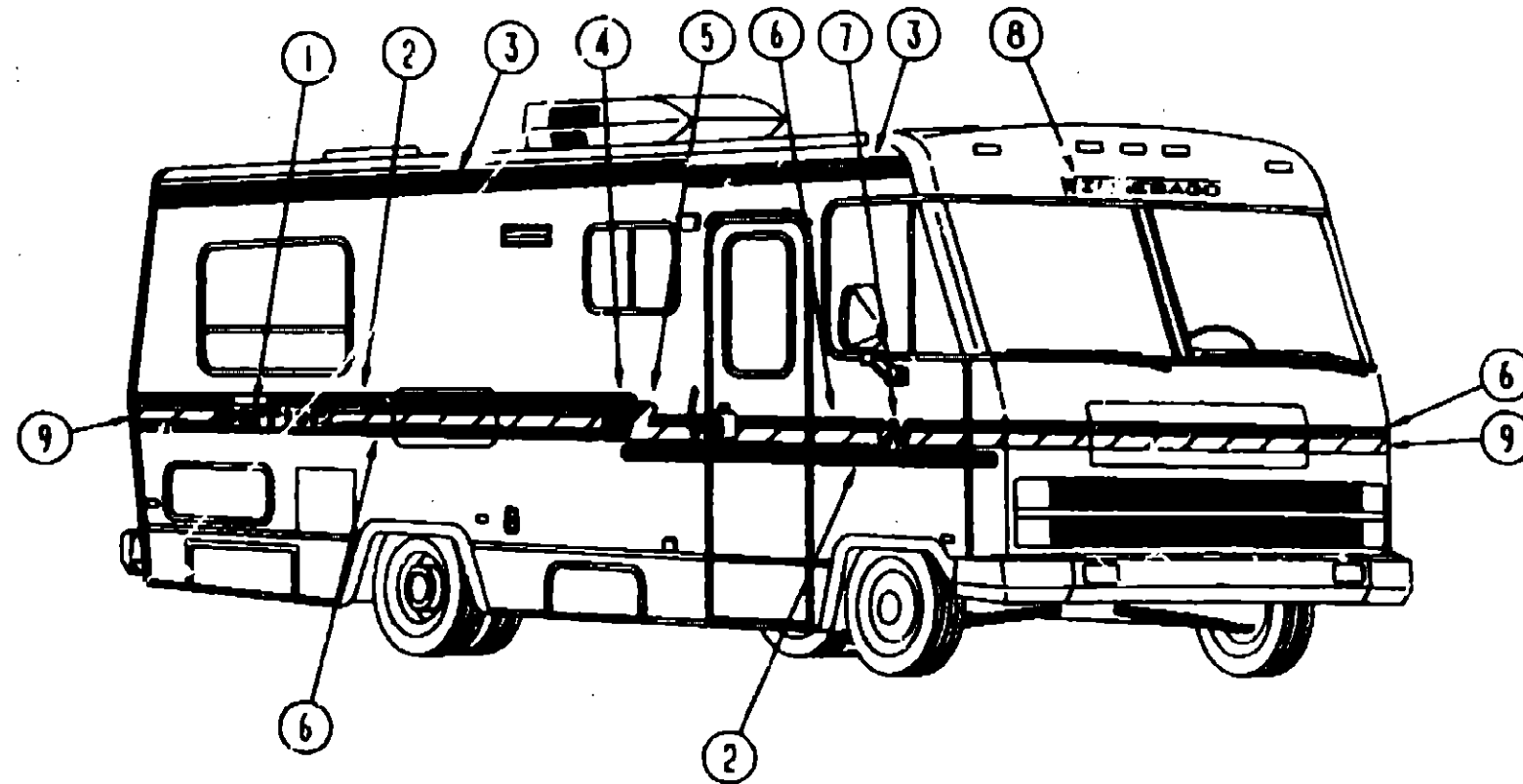


TABLE OF CONTENTS

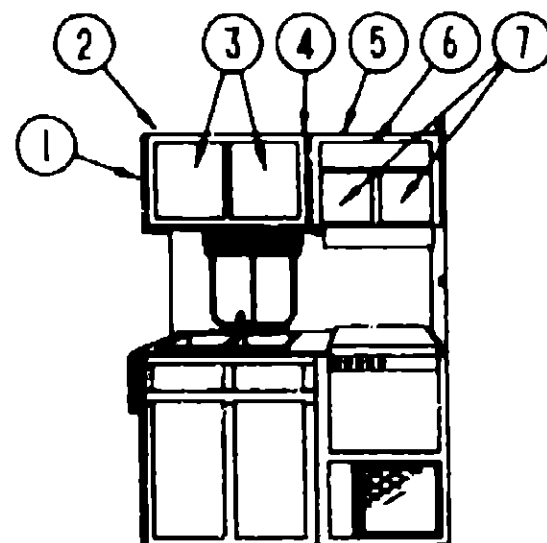
INTRODUCTION	A-01
ABBREVIATIONS	A-01
ALPHABETICAL INDEX	A-02 - A-04
WCF23EC	A-05 - D-17
WCF30EU	D-19 - H-22

1991 WCF23EC INDEX

FLOOR PLAN	A-05 - A-06
ACCESSORIES	A-07 - A-10
BATH	A-11 - A-13
BEDROOM	A-14
CHASSIS	A-15 - A-16
C C & PAD	A-19 - B-04
DINETTE	B-03 - B-04
DRIVERS	B-05 - B-14
ELECTRICAL	B-15 - E-18
EXTERIOR BODY	B-19 - B-24
GALLEY	C-01 - C-06
HEATING & A/C	C-07 - C-12
INTERIOR FINISH	C-13 - C-16
LABEL	C-17
LP	C-18
SEALANTS & FASTENERS	C-19 - C-20
WATER & SEWAGE	C-21 - D-01
WINDOW, VENT AND EXTERIOR DOOR	D-02 - D-17

KEY PART NUMBER	U/M	DESCRIPTION
1 099999-01-01A	EA	DECAL-LOGO, "WARRIOR" BEIGE QUARTZ FROM: 00-00-00 THRU: 08-04-90
1 099999-01-03A	EA	DECAL-LOGO, "WARRIOR" - B03 - BEIGE/DARK PLUM FROM: 08-05-90 THRU: 99-99-99
2 093681-15-01A	FT	MULTISTRIPE-2 LINES, 4" WIDE - DARK PLUM-DUPONT# K9455
3 093680-22-01A	FT	MULTISTRIPE-2 LINES, 2.6" WIDE - DARK PLUM-DUPONT# K9455, LIGHT WINE-DUPONT# K9466
4 099984-01-01A	EA	DECAL-ANGLE, PASS SIDE - REAR - 11" HIGH - DARK PLUM DUPONT #K9455
099984-02-01A	EA	DECAL-ANGLE, DRIVER SIDE - REAR - 11" HIGH - DARK PLUM DUPONT #K9455
5 099983-01-01A	EA	DECAL-ANGLE, PASS SIDE - FRONT - 8.9" HIGH - LIGHT WINE DUPONT #K9466
099983-02-01A	EA	DECAL-ANGLE, DRIVER SIDE - FRONT - 8.9" HIGH - LIGHT WINE DUPONT #K9466
6 093681-14-01A	FT	STRIPE-1 LINE, 1.5" WIDE - DARK PLUM-DUPONT# K9455
7 093691-03-01A	EA	DECAL-FLYING W - DARK PLUM DUPONT #K9455
8 050313-39-000	EA	DECAL-LOGO "WINNEBAGO" - DARK PLUM DUPONT #K9455
9 093681-15-02A	FT	MULTISTRIPE-2 LINES, 4" WIDE - LIGHT WINE-DUPONT# K9466
NOTE		PAINT-BEIGE - DUPONT #L8729A OR L8729L

GALLEY GROUP



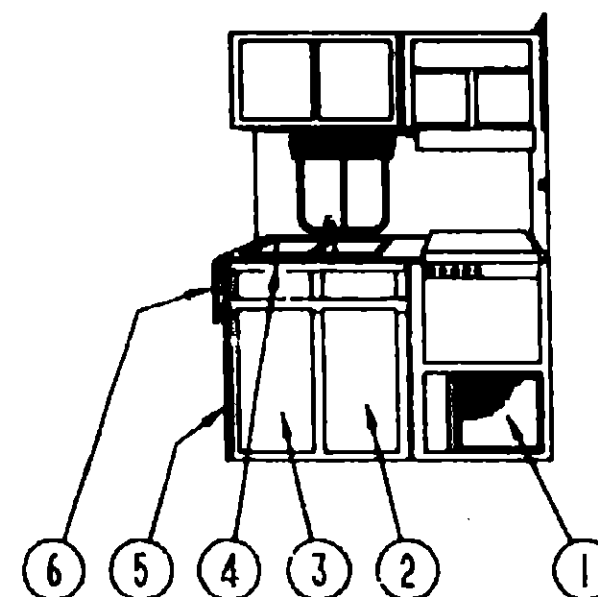
OVERHEAD CABINETS & COMPONENTS

KEY PART NUMBER	U/M	DESCRIPTION
1 081320-20-B03	EA	CAP-END, CABINET - FRONT
2 M99636-01-B03	EA	CABINET-OVERHEAD, SINK - W/O DOORS OR HARDWARE
3 P00099-81-B05	EA	DOOR-CABINET, OVHD SINK - W/O HARDWARE - 14" X 22"
4 081320-14-B03	EA	CAP-END, CABINET - FRONT
5 M03972-09-B03	EA	CABINET-OVERHEAD, RANGE - W/O DOORS OR HARDWARE
6 P00099-88-B03	EA	DOOR-CABINET, W/O HARDWARE - 7" X 21.8"
7 P00099-24-R05	EA	DOOR-CABINET, W/O HARDWARE - 14.4" X 10.8"

CANADIAN EXPORT OPTION L265

KEY PART NUMBER	U/M	DESCRIPTION
100258-02-01A	EA	HOOD-RANGE, W/O MONITOR PANEL - VENTLINE - CANADIAN
090973-01-700	EA	MOTOR - LVS CA508-1
090973-01-702	EA	BLADE-FAN, LVS VA183-1
092696-01-709	EA	BULB-912, VENTLINE VA415
096983-01-708	EA	LENS-LAMP, VENTLINE CC179
092696-01-710	EA	SOCKET-LIGHT, VENTLINE CB267-2
096983-01-707	EA	FILTER-GREASE, 8" X 8" - LVS CC246
096983-01-702	EA	SWITCH-TWO WAY MOMENTARY, VENTLINE 112
096983-01-700	EA	SWITCH-ON/OFF, VENTLINE 108

GALLEY GROUP (CONTINUED)



GALLEY CABINET

KEY PART NUMBER	U/M	DESCRIPTION
1 P00099-72-B03	EA	DOOR-CABINET, UNDER RANGE - W/O HARDWARE - 17.9" X 14"
2 P00099-14-B05	EA	DOOR-CABINET, W/O HARDWARE - 26.7" X 14.4" - UNDER SINK
3 P00099-13-B05	EA	DOOR-CABINET, W/O HARDWARE - 26.7" X 14.4" - UNDER SINK
4 099643-11-B03	EA	COUNTERTOP-GALLEY
5 M03967-03-B03	EA	CABINET-GALLEY, W/O DOORS OR HARDWARE
6 080812-02-B03	EA	EXTENSION-COUNTERTOP, GALLEY CABINET
009049-01-000	EA	SUPPORT-EXTENSION, GALLEY COUNTERTOP
011053-04-000	EA	FAUCET-GALLEY, SWING SPOUT 8"
091253-01-000	EA	GASKET-FAUCET, LAVATORY
098654-01-000	EA	SINK-GALLEY, DOUBLE W/MOUNTING HARDWARE - STAINLESS S
		FROM: 00-00-00 THRU: 12-11-90
102551-01-000	EA	SINK-STAINLESS STEEL, DOUBLE - 17" X 25" - US
		FROM: 12-12-90 THRU: 99-99-99
006437-01-000	EA	STRAINER-SINK, GALLEY W/BASKET
066437-01-700	EA	BASKET-STRAINER, GALLEY SINK
081530-01-B05	EA	COVER-SINK

TABLE OF CONTENTS

INTRODUCTION	A-01
ABBREVIATIONS	A-01
ALPHABETICAL INDEX	A-02 - A-04
WCF23EC	A-05 - D-17
WCF30EU	D-19 - H-22

1991 WCF23EC INDEX

FLOOR PLAN	A-05 - A-06
ACCESSORIES	A-07 - A-10
BATH	A-11 - A-13
BEDROOM	A-14
CHASSIS	A-15 - A-16
C & PAD	A-19 - B-04
DINETTE	B-03 - B-04
DRIVERS	B-05 - B-14
ELECTRICAL	B-15 - B-18
EXTERIOR BODY	B-19 - B-24
GALLEY	C-01 - C-06
HEATING & A/C	C-07 - C-12
INTERIOR FINISH	C-13 - C-16
LABEL	C-17
LP	C-18
SEALANTS & FASTENERS	C-19 - C-20
WATER & SEWAGE	C-21 - D-01
WINDOW, VENT AND EXTERIOR DOOR	D-02 - D-17

GALLEY GROUP (CONTINUED)

REFRIGERATOR

KEY PART NUMBER	U/M	DESCRIPTION
088248-02-000	EA	REFRIGERATOR-2-WAY, NORCOLD 876-EG2
084879-03-700	EA	COOLING UNIT - HORIZONTAL BURNER, NORCOLD# 616E7237
084473-03-719	EA	FLUE-HORIZONTAL BURNER, NORCOLD# 616162
088248-01-709	EA	HEATER-AC, (HORIZONTAL) - NORCOLD# 615627
075217-01-737	EA	CONTROL MODULE, NORCOLD# 61525022
088248-01-701	EA	INSERT-CONTROL PANEL, (3-WAY) - NORCOLD# 616039
084880-01-715	EA	VALVE-SHUT OFF, MANUAL - NORCOLD# 61697922
084880-01-713	EA	CONNECTOR-MALE, INLET FITTING - NORCOLD# 615256
084880-01-705	EA	ORIFICE - NORCOLD# 614522
088248-01-706	EA	BURNER-(HORIZONTAL), NORCOLD# 15881
088248-01-708	EA	ELECTRODE-IGNITION, (HORIZONTAL) - NORCOLD# 615732
088248-01-712	EA	FRAME-DOOR, LOWER - BROWN - NORCOLD 615576
075217-01-700	EA	TRIM-SHELF, UPPER DOOR - INSIDE - NORCOLD 615223
064472-01-744	EA	DAIRY KEEPER - NORCOLD 614720
064472-02-716	EA	ELECTRODE-IGNITION, (HORIZONTAL) - NORCOLD# 615732
064472-01-727	EA	HINGE-UPPER RIGHT, NORCOLD 613528
048955-01-713	EA	PIN-HINGE, NORCOLD# 611146
088248-01-715	EA	TRAY-DRIP, ALMOND - NORCOLD# 61542522
064472-03-700	EA	PIN-HINGE, BOTTOM - NORCOLD 615507
064472-01-731	EA	COVER-CRISPER, NORCOLD 613376
075217-01-713	EA	DRAWER-CRISPER, NORCOLD 615180
064472-01-726	EA	FRAME STRIP-CABINET, LEFT - NORCOLD 613820
088248-01-714	EA	CABINET ASM-FOAMED, (ALMOND) - NORCOLD# 616008
064472-01-727	EA	HINGE-UPPER RIGHT, NORCOLD 613528
064472-01-728	EA	HINGE-LOWER RIGHT, NORCOLD 613529
088248-02-700	EA	P/C BOARD-2/WAY, NORCOLD 616027
088248-02-701	EA	INSERT-CONTROL PANEL, LOWER - 2/WAY - NORCOLD 616038
054450-01-000	EA	I.LEVEL-REFRIGERATOR
090329-01-000	FT	SEAL-REFRIGERATOR CABINET
065225-01-000	EA	PLATE-TIEDOWN, REFRIGERATOR
067544-01-000	EA	BRACKET-REAR TIEDOWN, REFRIGERATOR
067544-02-000	EA	BRACKET-FRONT TIEDOWN, REFRIGERATOR
084073-01-000	EA	COVER-ROOF VENT, NORCOLD REFRIGERATOR - BEIGE
084073-04-000	EA	BASE-ROOF VENT, NORCOLD REFRIGERATOR - BLACK
084073-01-000	EA	COVER-ROOF VENT, NORCOLD REFRIGERATOR - BEIGE
084073-04-000	EA	BASE-ROOF VENT, NORCOLD REFRIGERATOR - BLACK
091269-04-000	EA	OVEN-MICROWAVE, MAGIC CHEF - MODEL M15-B
094745-01-01A	EA	TRIM-MICROWAVE, LOWER - BLACK
094774-01-01A	EA	TRIM-MICROWAVE, EITHER SIDE - BLACK
094750-01-000	EA	BRACKET-MICROWAVE, 90 DEGREE

GALLEY GROUP (CONTINUED)

4 BURNER RANGE

KEY PART NUMBER	U/M	DESCRIPTION
055516-01-000	EA	BRACKET-FRONT TIEDOWN, RANGE W/OVEN
055516-02-000	EA	BRACKET-REAR TIEDOWN, RANGE W/OVEN
055282-04-000	EA	RANGE-4 BURNER, W/OVEN - MAGIC CHEF BT16NA - ALMOND FROM: 00-00-00 THRU: 09-02-90
055282-03-708	EA	BUMPER-MAIN TOP, PLASTIC PLUG - MAGIC CHEF 744-176
049045-01-742	EA	BURNER ASM-OVEN, MAGIC CHEF 50-20216
064782-02-715	EA	CLIP-GRATE, MAGIC CHEF 413-00015
049045-01-739	EA	FITTING-HALF UNION, MAGIC CHEF 896-31
055282-03-702	EA	KNOB-THERMOSTAT, MAGIC CHEF 50-20281
049045-01-742	EA	BURNER ASM-OVEN, MAGIC CHEF 50-20216
081374-02-701	EA	REGULATOR-PRESSURE, MAGIC CHEF 976-27
055292-03-700	EA	THERMOSTAT, MAGIC CHEF 983-478
049045-01-703	EA	VALVE-TOP BURNER, MAGIC CHEF 997-584
064782-02-705	EA	HANDLE-OVEN DOOR, BLACK - MAGIC CHEF 50-25104
049045-01-728	EA	BROILER PAN W/O INSERT, MAGIC CHEF 50-22114-2
098507-02-700	EA	FILTER-PILOT, MAGIC CHEF 735-126
098507-02-701	EA	INSERT-BURNER (SLOTTED VENT), MAGIC CHEF 7214P015-60
064782-02-701	EA	SHIELD-DEFLECTOR FLUE, BLACK - MAGIC CHEF 50-25039-1
102020-01-705	EA	TRIM(LEFT)
049045-01-741	EA	INSERT-BROILER PAN, MAGIC CHEF 5022119-1 OR 2
064782-02-710	EA	BRACKET-FRONT GLASS, MAGIC CHEF 56-62097
064782-02-712	EA	GRATE-TOP BURNER, SQUARE HOLES - MAGIC CHEF 50-25439
064782-02-714	EA	FITTING-PIPE NIPPLE, 1/8" - MAGIC CHEF 863-1
098507-01-701	EA	TOP-MAIN, ALMOND - MAGIC CHEF 2001F057-74
064782-02-708	EA	VALVE-MERCURY CONTROL, MAGIC CHEF 999-626
055282-04-700	EA	PANEL-OVEN DOOR, ALMOND - MAGIC CHEF 50-26577-2A
098507-02-707	EA	TOP-MAIN, EBONY - MAGIC CHEF 2001F057-70
102022-01-01A	EA	RANGE-16", 4 BURNER - MAGIC CHEF BT16RA-4-49 FROM: 09-03-90 THRU: 99-99-99
102020-01-701	EA	HANDLE, DOOR
102020-01-702	EA	PANEL, MAINFOLD
102022-01-700	EA	PANEL, DOOR (BLACK) SPEC 49
102020-01-700	EA	SHELF-OVEN
102022-01-701	EA	TRIM(LEFT)
102020-01-708	EA	BURNER ASSEMBLY (OVEN)
102020-01-709	EA	BUMPER, GRATE
102020-01-711	EA	GRATE, TOP
102020-01-712	EA	KNOB, BURNER VALVE
102020-01-713	EA	KNOB, THERMOSTAT
102020-01-714	EA	PILOT, OVEN
102022-01-702	EA	PIPE, MANIFOLD
102022-01-703	EA	REGULATOR, PRESSURE
102020-01-717	EA	THERMOSTAT
102020-01-719	EA	TOP, MAIN (BLACK)
102020-01-720	EA	VALVE, MERCURY CONTROL
102020-01-721	EA	VALVE, SHUT-OFF
102020-01-722	EA	VALVE, TOP BURNER
102020-01-723	EA	PILOT, BURNER
102020-01-724	EA	BUMPER, MAIN TOP

TABLE OF CONTENTS

INTRODUCTION	A-01
ABBREVIATIONS	A-01
ALPHABETICAL INDEX	A-02 - A-04
WCF23EC	A-05 - D-17
WCF30EU	D-19 - H-22

1991 WCF23EC INDEX

FLOOR PLAN	A-05 - A-06
ACCESSORIES	A-07 - A-10
BATH	A-11 - A-13
BEDROOM	A-14
CHASSIS	A-15 - A-16
C C & PAD	A-19 - B-04
DINETTE	B-03 - B-04
DRIVERS	B-05 - B-14
ELECTRICAL	B-15 - B-18
EXTERIOR BODY	B-19 - B-24
GALLEY	C-01 - C-06
HEATING & A/C	C-07 - C-12
INTERIOR FINISH	C-13 - C-16
LABEL	C-17
LP	C-18
SEALANTS & FASTENERS	C-19 - C-20
WATER & SEWAGE	C-21 - D-01
WINDOW, VENT AND EXTERIOR DOOR	D-02 - D-17

GALLEY GROUP (CONTINUED)

MICROWAVE OVEN

KEY PART NUMBER	U/M DESCRIPTION
000G39-08-068	EA SCREW-SF/DR-8-18X3/8 PPH ZN
000G39-10-12D	EA SCREW-SF/DR, 10-16 X 3/4 PPH - BLACK
000G60-10-28T	EA SCREW-SF/DR, 10-16X1.75
091269-04-000	EA OVEN-MICROWAVE, MAGIC CHEF - MODEL M15-B
094745-01-01A	EA TRIM-MICROWAVE, LOWER - BLACK
094774-01-01A	EA TRIM-MICROWAVE, EITHER SIDE - BLACK
094750-01-000	EA BRACKET-MICROWAVE, 90 DEGREE

FIRE EXTINGUISHER

KEY PART NUMBER	U/M DESCRIPTION
094499-01-000	EA EXTINGUISHER-FIRE, DRY W/MOUNTING BRACKET - 10 BC
094499-01-700	EA BRACKET-MOUNTING, W/PLASTIC STRAP - FIRE EXTINGUISHER

RANGE HOOD

KEY PART NUMBER	U/M DESCRIPTION
097618-01-000	EA WIRE ASM-MONITOR PANEL, W/4 WIRES & BLACK RESISTOR -
084878-09-000	EA VENT-RANGE HOOD, SHORT - LVS
084616-02-000	EA SHROUD-EXTERIOR VENT, RANGE HOOD - BEIGE
100258-01-01A	EA HOOD-RANGE, W/O MONITOR PANEL - VENTLINE - US
096983-01-700	EA SWITCH-ON/OFF, VENTLINE 108
092696-01-709	EA BULB-912, VENTLINE VA415
092696-01-710	EA SOCKET-LIGHT, VENTLINE CB267-2
096983-01-708	EA LENS-LAMP, VENTLINE CC179
090973-01-700	EA MOTOR - LVS CA508-1
090973-01-702	EA BLADE-FAN, LVS VA183-1
096983-01-707	EA FILTER-GREASE, 8" X 8" - LVS CC246

MONITOR PANEL

KEY PART NUMBER	U/M DESCRIPTION
097617-01-01A	EA PANEL-MONITOR, ALMOND - LVS 1756
097617-01-700	EA PLATE-COVER, LVS 1770-01
097617-01-701	EA SWITCH-ON/OFF, ALMOND - LVS 106
097617-01-702	EA SWITCH-1/WAY, ALMOND - LVS 107
097617-01-703	EA CIRCUIT BOARD - LVS 5076-01

GALLEY GROUP (CONTINUED)

JAPAN EXPORT (OPT 045)

KEY PART NUMBER	U/M DESCRIPTION
088248-01-000	EA REFRIGERATOR-5.9 CU. FT., NORCOLD MODEL 876EG3
088248-01-700	EA BOARD-PRINTED CIRCUIT, - (3-WAY) - NORCOLD# 616028
088248-01-701	EA INSERT-CONTROL PANEL, (3-WAY) - NORCOLD# 616039
088248-01-704	EA LATCH ASM-TRAVEL, NORCOLD 615963
088248-01-705	EA TRIM-UPPER DOOR, DECORATIVE - NORCOLD 615984
088248-01-706	EA BURNER-(HORIZONTAL), NORCOLD# 15881
088248-01-707	EA ELECTRODE-SENSOR, (HORIZONTAL), NORCOLD# 615733
088248-01-708	EA ELECTRODE-IGNITION, (HORIZONTAL) - NORCOLD# 615732
088248-01-709	EA HEATER-AC, (HORIZONTAL) - NORCOLD# 615627
088248-01-710	EA HEATER-DC, (HORIZONTAL) - 3 WAY - NORCOLD# 615628
088248-01-711	EA FRAME-DOOR, UPPER - BROWN - NORCOLD 615575
088248-01-712	EA FRAME-DOOR, LOWER - BROWN - NORCOLD 615576
088248-01-715	EA TRAY-DRIIP, ALMOND - NORCOLD# 61542522
084880-01-719	EA ELBOW-BRASS, NORCOLD 615533
064472-02-725	EA BLOCK-TERMINAL, NORCOLD 614973
075217-01-737	EA CONTROL MODULE, NORCOLD# 61525022
084880-01-715	EA VALVE-SHUT OFF, MANUAL - NORCOLD# 61697922
084880-01-713	EA CONNECTOR-MALE, INLET FITTING - NORCOLD# 615256
084880-01-718	EA VALVE-GAS, NORCOLD 615518
064472-01-749	EA PLUG-1/8", NORCOLD# 614453
084880-01-705	EA ORIFICE - NORCOLD# 614522
075217-01-734	EA FUSE-3 AMP, NORCOLD# 615388
075217-01-704	EA GASKET-LOWER DOOR, NORCOLD 615320
075217-01-747	EA LINER-LOWER DOOR, FOAMED - NORCOLD 614906
064472-02-732	EA FRAME CAP-LOWER DOOR, TOP - NORCOLD 615580
075217-01-700	EA TRIM-SHELF, UPPER DOOR - INSIDE - NORCOLD 615223
064472-01-747	EA TRIM-INSIDE TRIM, LOWER DOOR - NORCOLD 615132
064472-01-744	EA DAIRY KEEPER - NORCOLD 614720
075217-01-701	EA TRIM-UPPER DOOR, FOAMED - NORCOLD 614935
064472-02-728	EA DECAL-NORCOLD, NORCOLD# 615220
064472-02-716	EA TRIM-CABINET, TOP - BROWN - NORCOLD# 613614
064472-01-727	EA HINGE-UPPER RIGHT, NORCOLD 613528
046955-01-713	EA PIN-HINGE, NORCOLD# 611146
075217-01-716	EA DIVIDER-CABINET FRONT, TOP TO BOTTOM - NORCOLD 614492
084880-01-736	EA SWITCH-LIGHT, BLACK - NORCOLD# 615810
075217-01-738	EA SWITCH-HUMIDITY, NORCOLD 615259
084880-01-709	EA SOCKET-LAMP, NORCOLD# 615231
084880-01-706	EA BULB-LIGHT, DC - NORCOLD# 614602
064472-01-731	EA COVER-CRISPER, NORCOLD 613376
075217-01-713	EA DRAWER-CRISPER, NORCOLD 615180
064472-01-728	EA HINGE-LOWER RIGHT, NORCOLD 613529
064472-03-700	EA PIN-HINGE, BOTTOM - NORCOLD 615507
064472-01-726	EA FRAME STRIP-CABINET, LEFT - NORCOLD 613820
034141-02-000	EA PLUG-HOLE, 3/8" - NYLON - BLACK
084879-03-700	EA COOLING UNIT - HORIZONTAL BURNER, NORCOLD# 61687237
064473-03-719	EA FLUE-HORIZONTAL BURNER, NORCOLD# 616162
088248-01-714	EA CABINET ASM-FOAMED, (ALMOND) - NORCOLD# 616008

TABLE OF CONTENTS

INTRODUCTION	A-01
ABBREVIATIONS	A-01
ALPHABETICAL INDEX	A-02 - A-04
WCF23EC	A-05 - D-17
WCF30EU	D-19 - H-22

1991 WCF23EC INDEX

FLOOR PLAN	A-05 - A-06
ACCESSORIES	A-07 - A-10
BATH	A-11 - A-13
BEDROOM	A-14
CHASSIS	A-15 - A-16
C C & PAD	A-19 - B-04
DINETTE	B-03 - B-04
DRIVERS	B-05 - B-14
ELECTRICAL	B-15 - B-18
EXTERIOR BODY	B-19 - B-24
GALLEY	C-01 - C-06
HEATING & A/C	C-07 - C-12
INTERIOR FINISH	C-13 - C-16
LABEL	C-17
LP	C-18
SEALANTS & FASTENERS	C-19 - C-20
WATER & SEWAGE	C-21 - D-01
WINDOW, VENT AND EXTERIOR DOOR	D-02 - D-17

HEATING & AIR CONDITIONING GROUP

AIR CONDITIONER-ROOF, 13500 BTU - US

KEY PART NUMBER	U/M	DESCRIPTION
008356-01-000	EA	CONNECTOR-PLASTIC, 3/8" AVG
102289-01-000	EA	SPRING-SCREW, ROOF A/C GASKET - COLEMAN 6757-150 FROM: 07-30-90 THRU: 99-99-99
ROOF A/C		
KEY PART NUMBER	U/M	DESCRIPTION
093783-01-03A	EA	A/C-ROOF, 13500 BTU - TSR - BEIGE - COLEMAN 6759D708 OR 67
093783-03-700	EA	SHROUD(BEIGE/CHARCOAL), COLEMAN# 6759-4581
093306-01-701	EA	DECAL PKG. LEFT & RIGHT, COLEMAN 6798B3591
091225-01-709	EA	START RELAY, COLEMAN# 1497-4131
091225-01-710	EA	START CAPACITOR, COLEMAN# 1497-0881
073742-02-704	EA	RUN CAPACITOR (COMPRESSOR), COLEMAN 14994661
081606-01-708	EA	LIMIT SWITCH (OPEN 160,CLOSE 110), COLEMAN# 6703-3041
093783-01-712	EA	FAN BLADE-CONDENSER, COLEMAN# 6733-3221
076303-01-712	EA	MOTOR, COLEMAN# 6707A3119
093783-01-702	EA	OVERLOAD, COLEMAN# 6759-3931
093783-01-703	EA	IMPELLOR-7" DIA X 2.8" WIDE, COLEMAN# 6759-3271
093783-01-704	EA	CAPACITOR-FAN, COLEMAN# 1499-3461
093783-01-706	EA	HEAT ELEMENT-COLEMAN# 6798-3321
093783-01-707	EA	EVAPORATOR COIL-COLEMAN# 1452-1351
093783-01-708	EA	CONDENSER COIL-COLEMAN# 1452-1251
093783-01-709	EA	COMPRESSOR-COLEMAN# 6749A3609
093784-01-000	EA	CEILING ASM-A/C COOL ONLY, TSR - COLEMAN 6759D714
042204-01-709	EA	THERMOSTAT IN-64,OUT-58, COLEMAN# 6701-3401
042205-01-702	EA	THERMOSTAT IN-89,OUT-58, COLEMAN# 6703-3401
073742-01-701	EA	SELECTOR SWITCH (5 TERMINAL), COLEMAN# 6759-3251
073742-01-703	EA	DECAL HEAT & COOL, COLEMAN# 6759-3491
091225-01-713	EA	KNOB (2 PER PACKAGE), COLEMAN# 6701-3351
091225-01-717	EA	DECAL (THERMOSTAT) COOL ONLY, COLEMAN# 6799A3441
073742-01-702	EA	DECAL COOL ONLY, COLEMAN# 6759C3431
076303-01-707	EA	FILTER-6" X 14 3/4" X 1/2", 12 PER PKG - COLEMAN 6703A3151
093783-01-705	EA	DECAL-HEAT/COOL THERMOSTAT, COLEMAN# 6799A3471
093783-01-710	EA	SINGLE PARTS PACKAGE, COLEMAN# 6759-5841
093783-01-711	EA	GASKET PACKAGE, COLEMAN 67593281
081606-01-712	EA	CEILING SHROUD (IVORY), COLEMAN# 6769-5061

AIR CONDITIONER-ROOF, 13500 BTU - CANADIAN

KEY PART NUMBER	U/M	DESCRIPTION
102289-01-000	EA	SPRING-SCREW, ROOF A/C GASKET - COLEMAN 6757-150 FROM: 07-30-90 THRU: 99-99-99

A/C ROOF 13500 BTU-EUROPEAN

KEY PART NUMBER	U/M	DESCRIPTION
008356-01-000	EA	CONNECTOR-PLASTIC, 3/8" AVG
092440-01-000	EA	A/C-ROOF, 13500 BTU - 220V - 50HZ - COLEMAN# 6713C750
092441-01-000	EA	CEILING ASM-A/C, 220V - 50HZ - COLEMAN# 6712ET16

HEATING & AIR CONDITIONING GROUP (CONTINUED)

ROOF A/C

KEY PART NUMBER	U/M	DESCRIPTION
093783-01-03A	EA	A/C-ROOF, 13500 BTU - TSR - BEIGE - COLEMAN 6759D708 OR 67
093783-03-700	EA	SHROUD(BEIGE/CHARCOAL), COLEMAN# 6759-4581
093306-01-701	EA	DECAL PKG. LEFT & RIGHT, COLEMAN 6798B3591
091225-01-709	EA	START RELAY, COLEMAN# 1497-4131
091225-01-710	EA	START CAPACITOR, COLEMAN# 1497-0881
073742-02-704	EA	RUN CAPACITOR (COMPRESSOR), COLEMAN 14994661
081606-01-708	EA	LIMIT SWITCH (OPEN 160,CLOSE 110), COLEMAN# 6703-3041
093783-01-712	EA	FAN BLADE-CONDENSER, COLEMAN# 6733-3221
076303-01-712	EA	MOTOR, COLEMAN# 6707A3119
093783-01-702	EA	OVERLOAD, COLEMAN# 6759-3931
093783-01-703	EA	IMPELLOR-7" DIA X 2.8" WIDE, COLEMAN# 6759-3271
093783-01-704	EA	CAPACITOR-FAN, COLEMAN# 1499-3461
093784-01-000	EA	CEILING ASM-A/C COOL ONLY, TSR - COLEMAN 6759D714
042204-01-709	EA	THERMOSTAT IN-64,OUT-58, COLEMAN# 6701-3401
042205-01-702	EA	THERMOSTAT IN-89,OUT-58, COLEMAN# 6703-3401
073742-01-701	EA	SELECTOR SWITCH (5 TERMINAL), COLEMAN# 6759-3251
073742-01-703	EA	DECAL HEAT & COOL, COLEMAN# 6759-3491
091225-01-713	EA	KNOB (2 PER PACKAGE), COLEMAN# 6701-3351
081606-01-712	EA	CEILING SHROUD (IVORY), COLEMAN# 6769-5061
073742-01-702	EA	DECAL COOL ONLY, COLEMAN# 6759C3431
076303-01-707	EA	FILTER-6" X 14 3/4" X 1/2", 12 PER PKG - COLEMAN 6703A3151
091225-01-717	EA	DECAL (THERMOSTAT) COOL ONLY, COLEMAN# 6799A3441
093783-01-705	EA	DECAL-HEAT/COOL THERMOSTAT, COLEMAN# 6799A3471
093783-01-707	EA	EVAPORATOR COIL-COLEMAN# 1452-1351
093783-01-708	EA	CONDENSER COIL-COLEMAN# 1452-1251
093783-01-709	EA	COMPRESSOR-COLEMAN# 6749A3609
093783-01-710	EA	SINGLE PARTS PACKAGE, COLEMAN# 6759-5841
093783-01-711	EA	GASKET PACKAGE, COLEMAN 67593281

TABLE OF CONTENTS

INTRODUCTION	A-01
ABBREVIATIONS	A-01
ALPHABETICAL INDEX	A-02 - A-04
WCF23EC	A-05 - D-17
WCF30EU	D-19 - I-22

1991 WCF23EC INDEX

FLOOR PLAN	A-05 - A-06
ACCESSORIES	A-07 - A-10
BATH	A-11 - A-13
BEDROOM	A-14
CHASSIS	A-15 - A-16
C C & PAD	A-19 - B-04
DINETTE	B-03 - B-04
DRIVERS	B-05 - B-14
ELECTRICAL	B-15 - B-18
EXTERIOR BODY	B-19 - B-24
GALLEY	C-01 - C-06
HEATING & A/C	C-07 - C-12
INTERIOR FINISH	C-13 - C-16
LABEL	C-17
LP	C-18
SEALANTS & FASTENERS	C-19 - C-20
WATER & SEWAGE	C-21 - D-01
WINDOW, VENT AND EXTERIOR DOOR	D-02 - D-17

HEATING & AIR CONDITIONING GROUP (CONTINUED)

FURNACE-34,000 BTU

KEY PART NUMBER	U/M	DESCRIPTION
009198-01-000	FT	DUCT-HEAT, FLEXIBLE - 4" ID
089636-02-000	EA	CONNECTOR-DUCT, 4" ID
093385-01-000	EA	THERMOSTAT-WALL, FURNACE - SUBURBAN 0160902
075696-02-000	EA	FURNACE-34000 BTU, SUBURBAN - W/O THERMOSTAT - NT-34SP
075695-01-711	EA	CABINET ASM, SUBURBAN X100962
075696-01-703	EA	U CLIP-TINNERMAN, SUBURBAN 121378
075695-01-710	EA	FRONT-CABINET, SUBURBAN 100808
075696-02-703	EA	COLLAR-DUCT, SUBURBAN #050715
094334-01-000	EA	PLUG-ELECTRICAL, 3 POSITION - FURNACE - SUBURBAN 520322
092300-01-705	EA	ELECTRODE, SUBURBAN 230956
092300-01-706	EA	DOOR-BURNER ACCESS, SUBURBAN 030523
092300-01-704	EA	GASKET-ELECTRODE, SUBURBAN 070163
089634-01-732	EA	GASKET-BURNER ACCESS DOOR, SUBURBAN 070398
089633-01-700	EA	SWITCH-LIMIT, SUBURBAN# 230496
089634-01-706	EA	MODULE BOARD, SUBURBAN# 231427
089634-01-733	EA	RELAY, TIME DELAY 20&30 BTU, SUBURBAN 231202
075696-02-714	EA	VENT CAP & EXHAUST TUBE ASM. - SUBURBAN 260164
092300-01-712	EA	BURNER ASM, SUBURBAN X010701
089634-01-720	EA	ORIFICE-MAIN BURNER, SUBURBAN# 0180222
089634-01-712	EA	GASKET-MANIFOLD, SUBURBAN 070408
075695-01-704	EA	MANIFOLD ASM - SUBURBAN X170757
089634-01-729	EA	VALVE-GAS, JOHNSON - SUBURBAN 160832
075696-01-703	EA	PIPE-GAS INLET, SUBURBAN 170858
075696-02-721	EA	GASKET-GAS INLET PIPE, SUBURBAN# 070432
089634-01-709	EA	ELBOW-90 DEGREE BLACK IRON, SUBURBAN 170062
089634-01-716	EA	VALVE-MANUAL SHUTOFF, SUBURBAN 160740
092300-01-720	EA	WHEEL-ROOM AIR, SUBURBAN 350113
092300-01-721	EA	BLOWER HOUSING ASSEMBLY, SUBURBAN 390283
092300-02-702	EA	MICROSWITCH ASM, SUBURBAN# X230509
075696-02-727	EA	BRACKET-MOTOR MOUNT, SUBURBAN# 062138
075696-02-728	EA	GASKET-CROSSOVER TUBE, SUBURBAN 070385
075696-02-729	EA	CROSSOVER TUBE, SUBURBAN X050751
075696-01-700	EA	MOTOR ASA#-SUBURBAN# 231208
092300-01-724	EA	GASKET-MOTOR MOUNT, SUBURBAN 070384
075696-02-732	EA	HOUSING ASM-COMBUSTION AIR, SUBURBAN# X390410
092300-01-726	EA	WHEEL-COMB AIR
092300-01-727	EA	GASKET-COMBUSTION AIR HOUSING, SUBURBAN 070386
075696-02-735	EA	HOUSING-COMBUSTION AIR, OUTSIDE - SUBURBAN 390240

DIESEL EXPORT OPTION

KEY PART NUMBER	U/M	DESCRIPTION
072878-01-000	EA	INSULATION-SOUND BARRIER PAD, 29.25" X 40.19"
039044-01-000	EA	LOUVER-ADJUSTABLE A/C, 2.5" X 5.75"
062401-05-000	EA	CLAMP-HOSE, WORMGEAR - 2" X 3"
007108-02-000	FT	HOSE-HEATER, 3/4" ID
062401-08-000	EA	CLAMP-HOSE, WORMGEAR 4.06" - 5.0"
072342-04-000	EA	CONDENSER ASM-W/O FANS, ARA 0519377
072342-04-701	EA	COIL-CONDENSER, ARA 0519384
072342-03-701	EA	RECEIVER-DRYER, ARA 1273235
072342-03-711	EA	FITTING-AEROQUIP W/CHECK VALVE, ARA 0058337
072342-03-706	EA	O'RING, ARA 0543513
072342-03-707	EA	O'RING, #6 - ARA 0059605
072342-04-700	EA	HOSE-DISCHARGE, ARA 0986306
096815-01-702	EA	O'RING, #8 - ARA 0059606
072341-01-716	EA	VALVE-DISCHARGE, 1/2" O'RING - ARA 0548325
072342-03-709	EA	O'RING, #10 - ARA 0059607
072343-06-000	EA	COMP/CLUTCH-RR DIS,SANKYO 70, ARA 0529174
074026-01-000	EA	MOUNT PACKAGE - A/C COMPRESSOR, 6.2DIESEL
094831-07-000	EA	WIRE ASSEMBLY, COOLING FAN ADAPTER - SCS 036-0053 FROM: 00-00-00 THRU: 02-28-91
094831-08-000	EA	WIRE ASSEMBLY-AC COMPRESSOR ADAPTER - SCS 036-0054 FROM: 00-00-00 THRU: 02-28-91

HEATING & AIR CONDITIONING GROUP (CONTINUED)

DIESEL ENGINE OPTION - U.S. & EXPORT

KEY PART NUMBER	U/M	DESCRIPTION
072878-01-000	EA	INSULATION-SOUND BARRIER PAD, 29.25" X 40.19"
039044-01-000	EA	LOUVER-ADJUSTABLE A/C, 2.5" X 5.75"
062401-05-000	EA	CLAMP-HOSE, WORMGEAR - 2" X 3"
041953-01-000	FT	CONDUIT-CONVOLUTED SLIT, .5"ID
007108-02-000	FT	HOSE-HEATER, 3/4" ID
062401-08-000	EA	CLAMP-HOSE, WORMGEAR 4.06" - 5.0"
072342-04-000	EA	CONDENSER ASM-W/O FANS, ARA 0519377
072342-04-701	EA	COIL-CONDENSER, ARA 0519384
072342-03-701	EA	RECEIVER-DRYER, ARA 1273235
072342-03-711	EA	FITTING-AEROQUIP W/CHECK VALVE, ARA 0058337
072342-03-706	EA	O'RING, ARA 0543513
072342-03-707	EA	O'RING, #6 - ARA 0059605
072342-04-700	EA	HOSE-DISCHARGE, ARA 0986306
096815-01-702	EA	O'RING, #8 - ARA 0059606
072341-01-716	EA	VALVE-DISCHARGE, 1/2" O'RING - ARA 0548325
072342-03-709	EA	O'RING, #10 - ARA 0059607
072343-06-000	EA	COMP/CLUTCH-RR DIS,SANKYO 70, ARA 0529174
074026-01-000	EA	MOUNT PACKAGE - A/C COMPRESSOR, 6.2DIESEL

1991 CHEVY CHASSIS OPTION

KEY PART NUMBER	U/M	DESCRIPTION
039044-01-000	EA	LOUVER-ADJUSTABLE A/C, 2.5" X 5.75"
062401-05-000	EA	CLAMP-HOSE, WORMGEAR - 2" X 3"
041953-01-000	FT	CONDUIT-CONVOLUTED SLIT, .5"ID
094831-07-000	EA	WIRE ASSEMBLY, COOLING FAN ADAPTER - SCS 036-0053
094831-08-000	EA	WIRE ASSEMBLY-AC COMPRESSOR ADAPTER - SCS 036-0054

1991 CHASSIS EXCHANGE OPTION - FEDERAL & CALIFORNIA

KEY PART NUMBER	U/M	DESCRIPTION
039044-01-000	EA	LOUVER-ADJUSTABLE A/C, 2.5" X 5.75"
062401-05-000	EA	CLAMP-HOSE, WORMGEAR - 2" X 3"
041953-01-000	FT	CONDUIT-CONVOLUTED SLIT, .5"ID
088473-06-000	EA	PIN-HOUSING, 6 POSITION (TWO ROWS OF THREE)
094831-04-000	EA	WIRE ASSEMBLY, COOLING FAN - SCS 093-0029 FROM: 01-28-91 THRU: 02-28-91
094831-07-000	EA	WIRE ASSEMBLY, COOLING FAN ADAPTER - SCS 036-0053 FROM: 01-28-91 THRU: 02-28-91
094831-08-000	EA	WIRE ASSEMBLY-AC COMPRESSOR ADAPTER - SCS 036-0054 FROM: 01-28-91 THRU: 02-28-91

REAR HEATER & WATER HEATER W/MOTOR AID

KEY PART NUMBER	U/M	DESCRIPTION
009198-01-000	FT	DUCT-HEAT, FLEXIBLE - 4" ID
009200-01-000	EA	TAPE-FURNACE, 1 1/2"
023146-01-000	EA	CLAMP-SCREW TYPE - 4"
089636-02-000	EA	CONNECTOR-DUCT, 4" ID
007108-01-000	FT	HOSE-HEATER, 5/8" ID
056464-05-000	EA	REGISTER-PLASTIC W/O DAMPER - 4" DIAMETER - GOLDEN
084405-01-000	EA	HEATER ASM-REAR, DUCTED - W/MOTOR AID - EVANS
084405-01-700	EA	HEATER CORE-EVANS# FT200229
084405-01-701	EA	FAN BLADES-EVANS# HV029931
084405-01-702	EA	MOTOR ASM-12 V, EVANS# 200146
007108-02-000	FT	HOSE-HEATER, 3/4" ID
084410-02-000	EA	DECAL-REAR AUTO HEATER
087202-02-000	EA	SWITCH-4 POSITION, W/O KNOB
090977-01-000	EA	KNOB-SWITCH, ROTARY

TABLE OF CONTENTS

INTRODUCTION	A-01
ABBREVIATIONS	A-01
ALPHABETICAL INDEX	A-02 - A-04
WCF23EC	A-05 - D-17
WCF30EU	D-19 - H-22

1991 WCF23EC INDEX

FLOOR PLAN	A-05 - A-06
ACCESSORIES	A-07 - A-10
BATH	A-11 - A-13
BEDROOM	A-14
CHASSIS	A-15 - A-16
C C & PAD	A-19 - B-04
DINETTE	B-03 - B-04
DRIVERS	B-05 - B-14
ELECTRICAL	B-15 - B-18
EXTERIOR BODY	B-19 - B-24
GALLEY	C-01 - C-06
HEATING & A/C	C-07 - C-12
INTERIOR FINISH	C-13 - C-16
LABEL	C-17
LP	C-18
SEALANTS & FASTENERS	C-19 - C-20
WATER & SEWAGE	C-21 - D-01
WINDOW, VENT AND EXTERIOR DOOR	D-02 - D-17

HEATING & AIR CONDITIONING GROUP (CONTINUED)

STANDARD COMPONENTS MOTIVAIR/SCS AUTOMOTIVE A/C & HEATER

KEY PART NUMBER	U/M	DESCRIPTION
094831-01-000	EA	HEATER/EVAPORATOR-COMplete, MOTIVAIR ZGH61131 OR SCS MOTIVAIR OR SCS EMBLEM IS DISPLAYED BELOW DASH ON
094831-01-700	EA	DOOR-FRESH AIR, MOTIVAIR/SCS AGG15037
094831-01-701	EA	ROD-FRESH AIR DOOR, MOTIVAIR/SCS ZGG15042
094831-01-702	EA	PAN-DRAIN, PLASTIC - MOTIVAIR/SCS ZGG15043
094831-01-703	EA	MOTOR-BLOWER, MOTIVAIR/SCS ZGG14864
094831-01-704	EA	WHEEL-BLOWER, MOTIVAIR/SCS ZGG14639
094831-01-705	EA	MOTOR-VACUUM, 2" OD - MOTIVAIR/SCS ZGG15256
094831-01-706	EA	RESISTOR-4 SPEED, MOTIVAIR/SCS ZGG15058
094831-01-707	EA	WIRING HARNESS-UNIT, MOTIVAIR/SCS ZGG15050
094831-01-708	EA	VACUUM HARNESS-UNIT, MOTIVAIR/SCS ZGG15328
094831-01-709	EA	CLAMPS-ROD, 3/16" - MOTIVAIR/SCS ZGG14431
094831-01-710	EA	RINGS-RETAINER, 3/16" ROD - MOTIVAIR/SCS ZGG12809
094831-01-711	EA	NUT-#10-32 KEPS, MOTIVAIR/SCS ZGG12946
094831-01-712	EA	NUT-#10-24 TIMMERMAN 'J', MOTIVAIR/SCS ZGG14670
094831-01-713	EA	EVAPORATOR COIL, MOTIVAIR/SCS ZGG15046
094831-01-714	EA	VALVE-EXPANSION, MOTIVAIR/SCS ZGG11845
094831-01-715	EA	THERMOSTAT, MOTIVAIR/SCS ZGG15047
094831-01-716	EA	SWITCH-TRINARY, MOTIVAIR/SCS ZGG14512
094831-01-717	EA	HOSE-#6, MOTIVAIR/SCS ZGG15048
094831-01-718	EA	HOSE-#10, MOTIVAIR/SCS ZGG15049
094831-01-719	EA	COUP-#4 SELF SEAL W/O RING, MOTIVAIR/SCS ZGG14428
094831-01-720	EA	VALVE-#10 SERVICE, MOTIVAIR/SCS ZGG11189
094831-01-721	EA	O'RING-#10, MOTIVAIR/SCS ZGG14560
094831-01-722	EA	O'RING-#8, MOTIVAIR/SCS ZGG14559
094831-01-723	EA	O'RING-#6, MOTIVAIR/SCS ZGG14558
094831-01-724	EA	O'RING-#4, MOTIVAIR/SCS ZGG14561
094831-01-725	EA	DOOR-AIR BLEND, MOTIVAIR/SCS ZGG15311
094831-01-726	EA	ROD-AIR BLEND DOOR, MOTIVAIR/SCS ZGG15312
094831-01-727	EA	COIL-HEAT, MOTIVAIR/SCS ZGG15078
094831-01-728	EA	DOOR-DAMPER, MOTIVAIR/SCS ZGG15324
094831-01-729	EA	ROD-DAMPER DOOR, MOTIVAIR/SCS ZGG15066
094831-01-730	EA	MOTOR-VACUUM, MOTIVAIR/SCS ZGG14916
094831-01-731	EA	ADAPTERS-2" HOSE, MOTIVAIR/SCS ZGG14075
094831-01-732	EA	HOUSING-CONTROL, MOTIVAIR/SCS ZGG14223
094831-01-733	EA	WIRING HARNESS-CONTROL, MOTIVAIR/SCS ZGG15073
094831-01-734	EA	WIRING HARNESS-LIGHT, MOTIVAIR/SCS ZGG15074
094831-01-735	EA	VACUUM HARNESS-CONTROL, MOTIVAIR/SCS ZGG15076
094831-01-736	EA	SWITCH-VACUUM, MOTIVAIR/SCS ZGG15262
094831-01-737	EA	CABLE-AIR BLEND - 62" - MOTIVAIR/SCS ZGG15331
094831-01-738	EA	CLIP-CABLE, MOTIVAIR/SCS ZGG12797
094831-01-739	EA	CLIP-UNIT CABLE, MOTIVAIR/SCS ZGG15330
094831-01-740	EA	RELAY-AUTO, MOTIVAIR/SCS ZGG14275
094831-01-741	EA	TRIM-DASH LOUVER/CONTROL PANEL, MOTIVAIR/SCS ZGG15481
094831-01-742	EA	WIRING HARNESS-CONDENSER, MOTIVAIR/SCS ZGG15075
094831-01-743	EA	CANISTER-VACUUM, MOTIVAIR/SCS ZGG14190
094831-01-744	EA	VALVE-WATER, MOTIVAIR/SCS ZGG15245
094831-01-745	EA	TUBE-DRAIN, KAZOO - MOTIVAIR/SCS ZGG15051
094831-01-746	EA	CLAMP-BLEND CABLE, MOTIVAIR/SCS 77000-00

AUTOMOTIVE A/C COMPONENTS

KEY PART NUMBER	U/M	DESCRIPTION
056402-05-000	EA	BRACKET-HEATER, W/BEND - BLACK
039044-01-000	EA	LOUVER-ADJUSTABLE A/C, 2.5" X 5.75"
024990-03-000	EA	OUTLET-LOUVERED, W/SWIVEL - 2" - GRAY FROM: 00-00-00 THRU: 12-18-90
024990-04-000	EA	OUTLET-LOUVERED/DEFROSTER, W/SWIVEL - 2" - BEIGE FROM: 12-19-90 THRU: 99-99-99
094831-05-000	EA	MANUAL-OWNERS, HEATER-A/C - SCS 057-0044

HEATING & AIR CONDITIONING GROUP (CONTINUED)

SUBURBAN FURNACE

KEY PART NUMBER	U/M	DESCRIPTION
075695-01-000	EA	FURNACE-DIRECT IGNITION 24000 BTU, NT-24S & 24SP
075695-01-703	EA	PIPE-GAS INLET, SUBURBAN 170758
075695-01-704	EA	MANIFOLD ASM - SUBURBAN X170757
075695-01-708	EA	MICROSWITCH ASM, SUBURBAN X230510
075695-01-710	EA	CABINET FRONT, SUBURBAN 100808
075695-01-711	EA	CABINET ASM, SUBURBAN X100962
075695-01-712	EA	TUBE FOR VENT CAP ASM, 2 7/8" - SUBURBAN 260093
092300-01-723	EA	MOTOR, SUBURBAN 231206
093365-01-000	EA	THERMOSTAT-FURNACE, SUBURBAN# 160902
075696-02-714	EA	VENT CAP & EXHAUST TUBE ASSM - SUBURBAN 260164
092300-01-712	EA	BURNER ASSEMBLY, SUBURBAN X010701
092300-01-720	EA	WHEEL-ROOM AIR, SUBURBAN 350113
075696-01-703	EA	U CLIP-TINNERMAN, SUBURBAN# 121378
075696-02-703	EA	COLLAR-DUCT, SUBURBAN 060715
075696-02-705	EA	HARNESS-POWER SUPPLY, SUBURBAN 520322
092300-01-706	EA	DOOR-BURNER ACCESS, SUBURBAN# 030523
092300-01-704	EA	GASKET-ELECTRODE, SUBURBAN 070163
075696-02-709	EA	DISC-GLASS, SUBURBAN 310026
069634-01-732	EA	GASKET-BURNER ACCESS DOOR, SUBURBAN 070398
069633-01-706	EA	SCREW-VENT CAP, SUBURBAN 121249
069634-01-706	EA	MODULE BOARD, SUBURBAN 230587
069634-01-707	EA	SWITCH-FAN, SUBURBAN 230575
069634-01-733	EA	RELAY-TIME DELAY, SUBURBAN 231202
069634-01-709	EA	ELBOW-90 DEGREE BLACK IRON, SUBURBAN 170082
069634-01-729	EA	VALVE-GAS, JOHNSON - SUBURBAN 160832
069634-01-712	EA	GASKET-MANIFOLD, SUBURBAN 070408
069633-01-701	EA	ORFICE-MAIN BURNER, SUBURBAN 180215
092300-01-724	EA	GASKET-MOTOR MOUNT, SUBURBAN 070384
092300-01-727	EA	GASKET-COMBUSTION AIR HOUSING, SUBURBAN 070386
075696-02-735	EA	HOUSING-COMBUSTION AIR, OUTSIDE - SUBURBAN 390240
069634-01-716	EA	VALVE-MANUAL SHUTOFF, SUBURBAN 160740
092300-01-705	EA	ELECTRODE, SUBURBAN 230956
075696-02-728	EA	GASKET-CROSSOVER TUBE, SUBURBAN 070385
075696-02-729	EA	CROSSOVER TUBE, SUBURBAN X050751
075696-01-706	EA	HOUSING-COMBUSTION AIR ASM, SUBURBAN X390179
074466-01-717	EA	THERMOSTAT F/24830834S
056464-02-000	EA	REGISTER-PLASTIC W/O DAMPER - 4" DIAMETER - BROWN FROM: 00-00-00 THRU: 10-15-89
056464-05-000	EA	REGISTER-PLASTIC W/O DAMPER - 4" DIAMETER - GOLDEN FROM: 10-16-89 THRU: 99-99-99
009198-01-000	FT	DUCT-HEAT, FLEXIBLE - 4" ID
009200-01-000	EA	TAPE-FURNACE, 1 1/2"
023146-01-000	EA	CLAMP-SCREW TYPE - 4"
069636-02-000	EA	CONNECTOR-DUCT, 4" ID
061946-01-000	EA	BRACKET-WIRE COVER, 90 DEGREE ANGLED METAL
007108-02-000	FT	HOSE-HEATER, 3/4" ID
062401-03-000	EA	CLAMP-HOSE WORMGEAR, .22" - 1" ID
087676-01-000	EA	FITTING-H, 1/2 ID - BRASS
062401-04-000	EA	CLAMP-WORMGEAR HOSE, .69" - 1.25"
079059-02-000	EA	HOSE- 90 DEGREE - .61 X 4.00 X 6.00
062401-05-000	EA	CLAMP-WORMGEAR HOSE, 2" - 3" ID
007076-01-700	FT	HOSE-FLEXIBLE P'VC - 2" ID
007108-01-000	FT	HOSE-HEATER, 5/8" ID
007281-01-000	EA	HOSE-FLEXIBLE, 2 1/2 ID
007281-01-700	FT	HOSE-FLEXIBLE P'UG 2 1/2" ID

TABLE OF CONTENTS

INTRODUCTION	A-01
ABBREVIATIONS	A-01
ALPHABETICAL INDEX	A-02 - A-04
WCF23EC	A-05 - D-17
WCF30EU	D-19 - H-22

1991 WCF23EC INDEX

FLOOR PLAN	A-05 - A-06
ACCESSORIES	A-07 - A-10
BATH	A-11 - A-13
BEDROOM	A-14
CHASSIS	A-15 - A-16
C/C & PAD	A-19 - B-04
DINETTE	B-03 - B-04
DRIVERS	B-05 - B-14
ELECTRICAL	B-15 - B-18
EXTERIOR BODY	B-19 - B-24
GALLEY	C-01 - C-06
HEATING & A/C	C-07 - C-12
INTERIOR FINISH	C-13 - C-16
LABEL	C-17
LP	C-18
SEALANTS & FASTENERS	C-19 - C-20
WATER & SEWAGE	C-21 - D-01
WINDOW, VENT AND EXTERIOR DOOR	D-02 - D-17

INTERIOR FINISH GROUP

ASSIST HANDLE

KEY PART NUMBER	U/M	DESCRIPTION
069178-02-000	EA	BRACKET-MOUNTING, ASSIST HANDLE
000C16-07-16B	EA	BOLT-CARRIAGE, ASSIST HANDLE - 7/16" - 14 X 1" ZN
000D20-07-00B	EA	NUT-ACORN, ASSIST HANDLE - 7/16" X 14 ZN
053552-02-AA8	EA	HANDLE-ASSIST, INTERIOR - ENTRY DOOR - VINYL - OFF WHITE
063886-07-000	EA	HANDLE-ASSIST, DRIVER DOOR - FRONT - GRAY
		FROM: 00-00-00 THRU: 01-06-91
063886-09-000	EA	HANDLE-ASSIST, DRIVER DOOR - REAR - GRAY
		FROM: 00-00-00 THRU: 01-06-91
063886-22-000	EA	HANDLE-ASSIST, DRIVER DOOR - FRONT - OFF WHITE
		FROM: 01-07-91 THRU: 99-99-99
063886-23-000	EA	HANDLE-ASSIST, DRIVER DOOR - REAR - OFF WHITE
		FROM: 01-07-91 THRU: 99-99-99

WALL CLOCK

KEY PART NUMBER	U/M	DESCRIPTION
100603-01-01A	EA	CLOCK WALL, ROUND BEZEL - LVS 2060

PLASTIC DRAWER & SLIDES

KEY PART NUMBER	U/M	DESCRIPTION
077404-02-000	EA	DRAWER-PLASTIC, 20" X 12.7" - BEIGE
094067-01-01A	EA	DIVIDER-DRAWER, PLASTIC - LIGHT OAK
077409-02-000	EA	SLIDE-DRAWER, MOUNTED TO CABINET - PLASTIC - 20.75"

PANELING, BATTS & PARTICLE BOARD

KEY PART NUMBER	U/M	DESCRIPTION
077461-03-000	EA	COVER-STRIKE, ENTRY DOOR - 6.5" X 2.5" - PLASTIC - OFF WHI
074497-18-000	SF	PANELING-CEILING, 4' X 8' - INCREMENTS OF 32 SF
		FROM: 00-00-00 THRU: 07-14-90
088263-51-000	EA	BATT STRIP-CEILING, 8' EA - OFF WHITE
		FROM: 00-00-00 THRU: 07-14-90
086229-01-000	EA	RETAINER-BATTEN, CEILING - .75" WIDE - 7.6" EA
		FROM: 07-15-90 THRU: 99-99-99
086229-04-000	EA	BATTEN-CEILING, 1" WIDE - IVORY - 7.6" EA
		FROM: 07-15-90 THRU: 99-99-99
089351-03-000	YD	VINYL-CEILING, DIAMOND DESIGN - 54" WIDE
		FROM: 07-15-90 THRU: 99-99-99
084675-56-010	EA	ANGLE-STEEL, ROOF JOINT - 89" - BEIGE
088272-72-000	SF	PANELING-SHOWER, 4' X 7' - OFF WHITE - INC OF 28 SF
074497-10-000	SF	PANELING-WOODGRAIN, 4' X 8' - INCREMENTS OF 32 SF
088272-69-000	SF	PANELING-DECORATIVE, W/BLOSSOM - 4' X 7' - INC OF 28 SF
088272-71-000	SF	PANELING-DECORATIVE, PLAIN - 4' X 7' - INC. OF 28 SF
089297-01-000	SF	PLYWOOD-LUAN, OVERLAY GRADE - 4' X 8' - INC OF 32 SF
000885-34-000	SF	PARTICLE BOARD-VINYL COVERED, 1 SIDE - WOODGRAIN
000885-36-000	SF	PARTICLE BOARD-2 SIDES VINYL COVERED - 3/4" X 5' X 8'
083618-02-000	SF	PLYWOOD-OAK, 1 SIDE FINISHED - 3/16" X 4' X 8'
074498-36-000	SF	LAMINATE-PLASTIC, 5' X 8' - INCREMENTS OF 40 SF
085284-36-000	FT	BATT STRIP-DECORATIVE, W/BLOSSOMS - ADHESIVE BACK
085284-37-000	FT	BATT STRIP-DECORATIVE PLAIN, ADHESIVE BACK
085284-38-000	FT	BATT STRIP-SHOWER, ADHESIVE BACK - OFF WHITE
069733-70-000	EA	BATT STRIP-WOODGRAIN PANELING, 8' - LIGHT OAK
079653-13-000	EA	BATT STRIP-KERFED, WHITE
085284-03-000	FT	BATT STRIP-ADHESIVE BACKED, WOODGRAIN
085284-03-700	FT	BATT STRIP-WOODGRAIN, ADHESIVE BACK - 3" WIDE
088263-47-000	EA	BATT STRIP-DECORATIVE W/BLOSSOMS, 8' EA
088263-49-000	EA	BATT STRIP-DECORATIVE PLAIN, 8' EA
088263-50-000	EA	BATT STRIP-SHOWER, 8' EACH - OFF WHITE

INTERIOR FINISH GROUP

CABINET TRIM & MOLDING

KEY PART NUMBER	U/M	DESCRIPTION
009767-12-000	FT	MOLDING-SIDEWALL TO CEILING/CABINET - WELTING - OFF WHITE
078376-01-000	FT	MOLDING-T-SHAPED COVE, CEILING TO WALL - OFF WHITE
009812-17-000	EA	MOLDING-CORNER, OUTSIDE - .5" - PLASTIC - LIGHT OAK
009812-25-000	EA	MOLDING-CORNER, OUTSIDE - .5" - PLASTIC - PECAN
092330-D2-438	EA	LUMBER-VINYL WRAPPED, 1.5" X 9" - WOODGRAIN
092331-F2-134	EA	MOLDING-VINYL WRAPPED, 2.5" X 7" - WOODGRAIN
081294-02-000	EA	MOLDING-SHELF, KNOTCHED WOOD - 8" LONG
076325-30-000	FT	MOLDING-EDGE BAND, 1 5/16"
		FROM: 00-00-00 THRU: 05-27-90
076325-28-000	FT	MOLDING-EDGE BAND, 1 5/16"
		FROM: 05-28-90 THRU: 99-99-99
022992-11-000	FT	MOLDING-REVERSE COVE, T-SHAPED - VINYL - IVORY
091255-02-000	FT	SEAL-ADHESIVE BACKED FOAM, .18" THICK X 1.5" WIDE
092331-D2-134	EA	MOLDING-VINYL WRAPPED, .7" X 1.57" X 84" - WOODGRAIN
083620-01-000	FT	T-MOLDING-END CAP EDGE, .75" - BROWN
		FROM: 00-00-00 THRU: 05-18-90
083620-07-000	FT	T-MOLDING, END CAP EDGE - 3/4" - PECAN
		FROM: 05-19-90 THRU: 99-99-99
070504-20-000	FT	U-CHANNEL, .815" - 8' EA - PLASTIC - PECAN BROWN
070504-06-000	FT	U-CHANNEL, .815" - 8' EA - PLASTIC - LIGHT BROWN
092330-03-000	EA	LUMBER-VINYL WRAPPED, 2" X 8" - WOODGRAIN
009778-13-000	FT	U-CHANNEL, 1" - PLASTIC - PECAN
009778-07-000	FT	U-CHANNEL, 1" - PLASTIC - LIGHT OAK
096580-01-000	EA	PLASTER-ADJUSTABLE SHELF
089076-03-000	EA	H-CHANNEL, BED SUPPORT - 1.96" X 2.7" - BEIGE
091261-01-000	FT	BACKING-NON SKID, 1" WIDE (100' ROLL)
016604-05-000	EA	BRACE-L/ANGLED, 2.5" - OFF WHITE

DINETTE TABLE HARDWARE

KEY PART NUMBER	U/M	DESCRIPTION
004354-01-000	EA	BUMPER-CABINET DOOR, RUBBER - BROWN
024276-21-000	EA	LEG-TABLE, METAL - BEIGE
024282-01-000	EA	BRACE-TABLE LEG, HINGED
024283-01-000	EA	CLIP-LEG, 1" X 1.125" OD - BLACK
064050-03-000	EA	CLAMP-SADDLE, LEG HINGE - TAN
088410-01-000	EA	BRACKET-LIFT, TABLE MOUNTED - BEIGE
049493-11-700	EA	CATCH-TABLE LEG, FLOOR MOUNTED - BEIGE
024275-05-000	EA	ROD-TABLE LIFT, 8" X 23.5" - BEIGE
053200-05-000	EA	BRACKET-TABLE SUPPORT, UPPER WALL MOUNTED - 23.5" - BEIGE
024281-07-000	EA	BRACKET-LIFT ROD, LOWER WALL MOUNTED - 22.12" - BEIGE
064781-06-000	EA	HOLDER-CUP, TWO STEP - OFF WHITE

CABINET HARDWARE

KEY PART NUMBER	U/M	DESCRIPTION
059777-02-000	EA	HINGE-CABINET DOOR, BURNISHED BRASS
100030-01-000	EA	PULL-CABINET
004354-01-000	EA	BUMPER-CABINET DOOR, RUBBER - BROWN
096826-01-03A	EA	BRACE-CABINET MILL FINISH
009112-01-000	EA	FLANGE-1" ROD, CLOTHES - PLASTIC - OFF WHITE
041953-03-000	FT	CONDUIT-CONVOLUTE SLIT, 1" ID (CLOTHES ROD COVER)
042438-01-000	EA	DOWEL-WOOD, CLOTHES ROD - 1" DIAMETER X 4'
052369-01-000	FT	CORD STRAPPING-1/4" WIDE
093586-03-000	EA	CATCH-SPRING, ROLLER
093586-04-000	EA	STRIKE-SPRING STEEL
072329-28-000	EA	MESH-EXPANDED, BRONZE - 14" X 10"
074495-02-000	EA	SUPPORT-OVERHEAD DOOR, SPRUNG

TABLE OF CONTENTS

INTRODUCTION	A-01
ABBREVIATIONS	A-01
ALPHABETICAL INDEX	A-02 - A-04
WCF23EC	A-05 - D-17
WCF30EU	D-18 - H-22

1991 WCF23EC INDEX

FLOOR PLAN	A-05 - A-06
ACCESSORIES	A-07 - A-10
BATH	A-11 - A-13
BEDROOM	A-14
CHASSIS	A-15 - A-16
C C & PAD	A-19 - B-04
DINETTE	B-03 - B-04
DRIVERS	B-05 - B-14
ELECTRICAL	B-15 - B-18
EXTERIOR BODY	B-19 - B-24
GALLEY	C-01 - C-06
HEATING & A/C	C-07 - C-12
INTERIOR FINISH	C-13 - C-16
LABEL	C-17
LP	C-18
SEALANTS & FASTENERS	C-19 - C-20
WATER & SEWAGE	C-21 - D-01
WINDOW, VENT AND EXTERIOR DOOR	D-02 - D-17

INTERIOR FINISH GROUP

FABRIC AND TRIM

KEY PART NUMBER	U/M DESCRIPTION
075244-03-000	YD VINYL-SHOWER CURTAIN, 72" WIDE - BEIGE FROM: 00-00-00 THRU: 05-31-90
075244-03-000	YD VINYL-SHOWER CURTAIN, 72" WIDE - ALMOND FROM: 06-01-90 THRU: 99-99-99
077484-01-000	YD FABRIC-VINYL, 54" WIDE - GRAY
029012-01-000	BF FOAM-ROLLED, 3/8" THICK - 72" WIDE
096008-40-000	YD FABRIC-UPHOLSTERY, PLAIN - 54" - B03 - BROWN MINK
096008-47-000	YD FABRIC-UPHOLSTERY, PLAIN - 54" - B04 - PINE MIST
096008-41-000	YD FABRIC-UPHOLSTERY, PATTERN - 54" - B03 - BROWN MINK
096008-49-000	YD FABRIC-UPHOLSTERY, PATTERN - 54" - B04 - PINE MIST
072333-75-000	YD FABRIC-CURTAIN - 54" WIDE - BEIGE
087272-01-000	YD FABRIC-LINING, CURTAIN - 48" WIDE - IVORY
096008-39-000	YD FABRIC-UPHOLSTERY, DOTTED - 54" - B03 - BROWN MINK
096008-48-000	YD FABRIC-UPHOLSTERY, DOTTED, 54" - B04 - PINE MIST
088273-51-000	YD FABRIC-CURTAIN, PATTERNED - 54" - B03 - BROWN MINK
088273-65-000	YD FABRIC-CURTAIN, PLAIN - 54" - B03 - BROWN MINK
088273-52-000	YD FABRIC-CURTAIN, PATTERNED - 54" - B04 - PINE MIST
088273-66-000	YD FABRIC-CURTAIN, PLAIN - 54" - B04 - PINE MIST
081926-01-000	YD BACKING-QUILTING, MATTRESS COVER - 59" WIDE - WHITE
078155-01-000	EA STRAP-BACK CUSHION, SNAP
052859-05-B05	FT TRIM-STITCHED VINYL, OFF WHITE
079680-09-000	YD FABRIC-VINYL, 54" WIDE - OFF WHITE
079970-01-000	YD TAPE-MATTRESS, BUNK CUSHION - 5/8"
079349-01-B03	YD WELTING-SKIRT, B03 - BROWN MINK
079349-01-B04	YD WELTING-SKIRT, B04 - PINE MIST

FLOOR COVERING & COMPONENTS

KEY PART NUMBER	U/M DESCRIPTION
096060-15-000	SY CARPET-12' ROLL - B03 - BROWN MINK - INCREMENTS OF 4 SY
096060-16-000	SY CARPET-12' ROLL - B04 - PINE MIST - INCREMENTS OF 4 SY
075233-01-000	SY PAD-CARPET, 3/8" X 6" ROLL
093873-01-02A	EA TRIM-J, CARPET - 1.1" X 1.26" ANGLE - 12' LONG - VINYL - T
085746-04-000	FT TRIM-J, CARPET - 1.2" X .5" ANGLE - 10' LONG - OFF WHITE
076314-02-000	FT TAPE-CARPET SEAM, HEAT-BOND
047034-02-000	SF PLASTIC-CARPET, 4" WIDE - CLEAR POLY

INTERIOR FINISH GROUP

MIRRORS

KEY PART NUMBER	U/M DESCRIPTION
058331-35-000	EA MIRROR-GLASS, SAFETY - 25.4" X 11.4"
058331-14-000	EA MIRROR-GLASS, SAFETY - 14" X 12.7"
058331-22-000	EA MIRROR-GLASS, SAFETY - 17" X 44.5"

PANTRY AND GALLEY EXT. HARDWARE

KEY PART NUMBER	U/M DESCRIPTION
065740-01-000	EA BRACE-CABINET CORNER, PLASTIC
016604-03-000	EA BRACE-CABINET ANGLE, 2.5" - BEIGE
081295-01-U01	EA SUPPORT-BASE, DINETTE - 1.5" X 28" - WOOD
083125-03-000	EA BRACE-COUCH, TAN FROM: 11-05-90 THRU: 99-99-99
023320-01-000	EA PAD-FELT, 3/8" DIAMETER - BROWN
084356-04-000	EA INSERT-TV STAND, BEIGE
084412-01-000	EA SUPPORT-HINGED
084451-01-000	EA CATCH-TV SHELF, BRASS
084413-01-000	EA HINGE-CONTINUOUS, ALUMINUM - 1" X 72" - W/HOLES
009049-01-000	EA SUPPORT-EXTENSION, GALLEY COUNTERTOP
009059-01-000	EA HINGE-2" X 1.4", BRASS

WALL CAPS AND U-CHANNEL

KEY PART NUMBER	U/M DESCRIPTION
009778-11-000	FT U-CHANNEL, PLASTIC - 1" - MODERN IVORY
009767-12-000	FT MOLDING-SIDEWALL TO CEILING/CABINET - WELTING - OFF WHITE
070504-18-000	FT U-CHANNEL-.065", IVORY

TABLE OF CONTENTS

INTRODUCTION	A-01
ABBREVIATIONS	A-01
ALPHABETICAL INDEX	A-02 - A-04
WCF23EC	A-05 - D-17
WCF30EU	D-19 - H-22

1991 WCF23EC INDEX

FLOOR PLAN	A-05 - A-06
ACCESSORIES	A-07 - A-10
BATH	A-11 - A-13
BEDROOM	A-14
CHASSIS	A-15 - A-16
C C & PAD	A-19 - B-04
DINETTE	B-03 - B-04
DRIVERS	B-05 - B-14
ELECTRICAL	B-15 - B-18
EXTERIOR BODY	B-19 - B-24
GALLEY	C-01 - C-06
HEATING & A/C	C-07 - C-12
INTERIOR FINISH	C-13 - C-16
LABEL	C-17
LP	C-18
SEALANTS & FASTENERS	C-19 - C-20
WATER & SEWAGE	C-21 - D-01
WINDOW, VENT AND EXTERIOR DOOR	D-02 - D-17

LABEL & TAG GROUP

KEY PART NUMBER	U/M	DESCRIPTION
090342-01-000	EA	LABEL-VAPOR RELIEF
087207-05-000	EA	LABEL-FUEL CAP REMOVAL
077510-01-000	EA	LABEL-GENERATOR PREP
075221-03-000	EA	LABEL-TRAILER HITCH
075220-01-000	EA	LABEL-WARNING, EXTERIOR LOAD
062043-01-000	EA	LABEL-FUEL, UNLEADED
061417-01-000	EA	LABEL-FUEL
054531-01-000	EA	LABEL-LP GAS ONLY
006188-01-000	EA	LABEL-WASTE WATER
006187-01-000	EA	LABEL-SEWAGE
047731-01-000	EA	LABEL-EMERGENCY EXIT - ESCAPE WINDOW
006019-01-000	EA	TAG-RVI APPROVED, PLASTIC
006040-01-000	EA	TAG-GAS REFUELING WARNING
006062-01-000	EA	TAG-ELECTRIC, 110V CONNECTION

CANADIAN EXPORT (OPT 265)

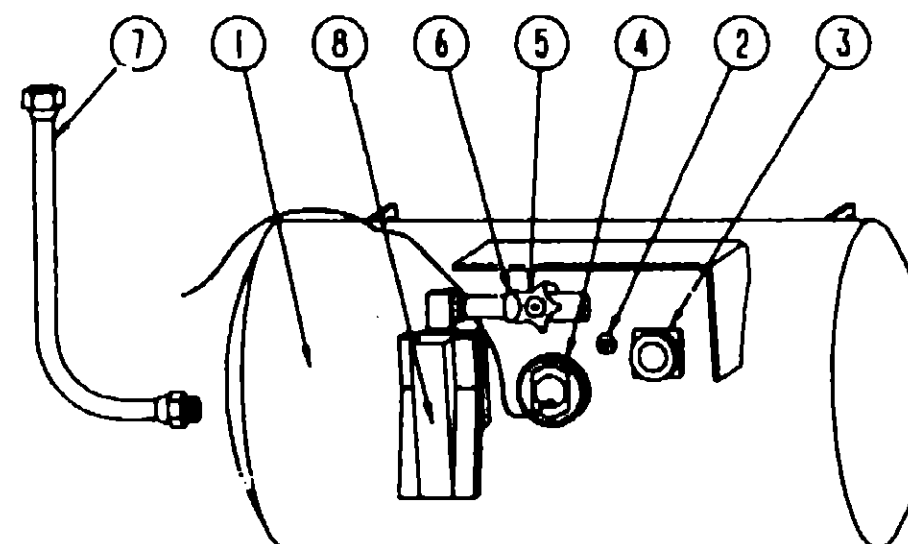
KEY PART NUMBER	U/M	DESCRIPTION
006040-02-000	EA	TAG-GAS REFUEL WARNING, CANADIAN
091243-01-000	EA	LABEL-A/C COVER

CALIFORNIA CHASSIS (OPT 37P)

KEY PART NUMBER	U/M	DESCRIPTION
062043-01-000	EA	LABEL-FUEL, UNLEADED
074559-01-000	EA	DECAL-LOGO, LPG - RED - (CALIF CODE)
091243-01-000	EA	LABEL-A/C COVER, CEILING
093236-05-000	EA	LABEL-CIRCUIT BREAKER, MAIN
006195-01-000	EA	LABEL-ELECTRICAL TEST
006196-01-000	EA	LABEL-GAS TEST
006197-01-000	EA	LABEL-WATER TEST
050225-01-000	EA	LABEL-WARNING, STOVE VENT - US
061606-01-000	EA	LABEL-OVERLAY, VEHICLE CERTIFICATION - ADHESIVE BACKED
056259-01-000	EA	LABEL-SAFETY CHECK LIST SUNVISOR
098641-01-000	EA	LABEL-FUEL, UNLEADED - DASH

FROM: 09-11-89 THRU: 01-14-90

LP GROUP



LP TANK & COMPONENTS

KEY PART NUMBER	U/M	DESCRIPTION
1	097321-01-000	EA TANK-LP, 60 LB BRUNNER - 14" X 30"
2	040421-01-700	EA GAUGE-LIQUID LEVEL, 20% LP - BRUNNER G-1013
3	040421-01-701	EA VALVE-SHORT LP FILLER W/YELLOW CAP - BRUNNER 75478
3	040421-01-702	EA CAP-LP FILLER VALVE, PLASTIC - YELLOW - BRUNNER G-1014-A
3	040421-01-711	EA VALVE-80% W/FLOAT, PLATE, BOLTS & GASKET - BRUNNER
4	040421-01-707	EA GAUGE-FLOAT W/VISIBLE DIAL - BRUNNER MA-9 6244-4
4	040440-01-000	EA TRANSMITTER-DIAL, 90 OHM
4	040421-01-706	EA DIAL-LP TANK VOLUME, VISIBLE FACE (5-1789) BRUNNER MA-8 ROCHESTER
5	040421-01-708	EA HANDWHEEL-VAPOR RELIEF VALVE, BRUNNER G-1015-A
6	040421-01-703	EA VALVE-VAPOR RELIEF SERVICE W/HANDWHEEL (REG09106CO) BRUNNER G-1015
7	045703-01-000	EA HOSE-LP, 3/8" ID X 24" US - 3/8 MPT X 1/2" F SWIVEL
065318-02-000	EA	ELBOW-90 DEGREE, 3/8" MPT TO 3/8" FPT
8	076301-01-000	EA REGULATOR-LPG, TWO STAGE
081938-01-000	EA	COVER-COMPARTMENT - LP REGULATOR - BLACK
010285-01-000	EA	CROSS, 3/8" F X 3/8" F X 3/8" F X 1/2" FPT - BRASS
010377-01-000	EA	NUT- 3/8" F - BRASS
016188-03-000	EA	GROMMET-GAS LINE, FLOOR - 3/8" HOLE X 2 1/8" DIAMETER RUBBER
081642-01-000	EA	TEE, 1/2" MPT X 1/2" FL X 3/8" FL - BRASS
010497-05-000	EA	CLAMP-CLOSED, .50" ID
075148-02-000	EA	CLAMP-GROUNDING, BRONZE SCREWS
008380-01-000	EA	GROMMET-RUBBER, 5/8" HOLE X 1 1/2" DIAMETER - BLACK
010326-01-000	EA	ADAPTER-FLARE, W/CONE GASKET 3/8" FEMALE FL X 1/2" MALE F
065741-01-000	EA	GAUGE-DIAPHRAGM PRESSURE - MARSHALLTOWN MFG
065742-01-000	EA	TEE, .38F X .38F X .25FPT - BRASS
071391-02-000	EA	NIPPLE-HEX, .25 PIPE
008042-01-000	FT	TUBING-VINYL, .65" ID

CANADIAN EXPORT (OPT 265)

KEY PART NUMBER	U/M	DESCRIPTION
7	045703-02-000	EA HOSE-LP, 3/8" ID X 24" - 3/8" MPT X 1/2" F SWIVEL - CANADA

TABLE OF CONTENTS

INTRODUCTION	A-01
ABBREVIATIONS	A-01
ALPHABETICAL INDEX	A-02 - A-04
WCF23EC	A-05 - D-17
WCF30EU	D-19 - H-22

1991 WCF23EC INDEX

FLOOR PLAN	A-05 - A-06
ACCESSORIES	A-07 - A-10
BATH	A-11 - A-13
BEDROOM	A-14
CHASSIS	A-15 - A-16
C C & PAD	A-19 - B-04
DINETTE	B-03 - B-04
DRIVERS	B-05 - B-14
ELECTRICAL	B-15 - B-18
EXTERIOR BODY	B-19 - B-24
GALLEY	C-01 - C-06
HEATING & A/C	C-07 - C-12
INTERIOR FINISH	C-13 - C-16
LABEL	C-17
LP	C-18
SEALANTS & FASTENERS	C-19 - C-20
WATER & SEWAGE	C-21 - D-01
WINDOW, VENT AND EXTERIOR DOOR	D-02 - D-17

SEALANTS & FASTENERS GROUP

KEY PART NUMBER	U/M	DESCRIPTION
053766-02-000	EA	BEDDING COMPOUND-TUBE, WHITE
053766-06-000	EA	BEDDING COMPOUND-TUBE, CLEAR
005200-01-000	EA	BOLT-BUMPER, ROUND HEAD-SQUARE NECK- W/SST CAP
051387-06-000	EA	BOLT-CARRIAGE, W/O HOLE - 5/16-18 X 9.5 ZN
000C12-05-168	EA	BOLT-HEX, 5/16-18 X 1 - ZINC 5
000C12-05-248	EA	BOLT-HEX, 5/16-18X11/2 ZN 5
000C12-07-208	EA	BOLT-HEX, 7/16 - 14 X 1 1/4 - ZN5
000C12-08-248	EA	BOLT-HEX, 1/2-13 X 1 1/2 - ZN 5
000C12-10-248	EA	BOLT-HEX, 5/8-11 X 1 1/2 ZN - 5
000C12-07-488	EA	BOLT-HEX, 7/16 - 20 X 3 - ZN 5
000C18-06-488	EA	BOLT-ELEV, 3/8-16 X 3 ZN - GDE 5
000C26-04-108	EA	BOLT-HEX, SER FLG - 1/4-20 X 5/8 ZINC
000D14-05-008	EA	NUT-HEX, 5/16-18 - ZN 5
000D15-06-008	EA	NUT-HEX, 3/8-24 - ZN - 5
000D24-10-008	EA	NUT-HEX, SF/LK - 10-32 ZN
000D34-04-008	EA	NUT-HEX, LK 1/4 - 20 ZN
000D39-04-008	EA	NUT-HEX, SER FLG LK 1/4 - 20 ZN
000D39-05-108	EA	NUT-HEX, SER FLG LK - 5/16 - 18 ZN
000D39-06-008	EA	NUT-HEX, SER FLG LK - 3/8-16 ZN
000D39-08-008	EA	NUT-HEX, SER FLG LK - 1/2-13 ZN
000D44-07-008	EA	NUT-HEX, SER FLG LK - 7/16-20 ZN
000G11-06-108	EA	SCREW, 6-20 X 5/8 PPH ZN
000G11-06-10J	EA	SCREW, 6-20 X 5/8 PPH - BRASS
000G11-07-088	EA	SCREW, 7-19 X 1/2 PPH - ZN
000G11-08-088	EA	SCREW, 8-18 X 1/2 PPH - ZN
000G11-08-08T	EA	SCREW, 8-18 X 1/2 PPH
000G11-08-12B	EA	SCREW, 8-18 X 3/4 PPH ZN
000G11-08-12D	EA	SCREW, 8-18 X 3/4 PPH - BLACK
000G11-08-12R	EA	SCREW, 8-18 X 3/4 PPH - BEIGE
000G11-08-12T	EA	SCREW, 8-18 X 3/4 PPH - BLACK
000G11-08-12X	EA	SCREW, 8-18 X 3/4 PPH - GRAY
000G11-10-12D	EA	SCREW, 10-16 X 3/4 PPH - BLACK
000G11-10-12R	EA	SCREW, 10-16 X 3/4 PPH - BEIGE
000G11-10-24P	EA	SCREW, 10-16 X 1 1/2 PPH - DARK BROWN
000G12-08-12X	EA	SCREW, 8-18 X 3/4 POH - GRAY
000G12-08-16S	EA	SCREW, 8-18 X 1.00 POH - OFF WHITE
000G12-08-28R	EA	SCREW, 8-18 X 1 3/4 POH - BEIGE
000G13-06-088	EA	SCREW, 6-20 X 1/2 PPH ZN
000G13-06-10G	EA	SCREW, 6-20 X 5/8 PPH, ANTIQUE BRASS
000G13-08-16R	EA	SCREW, 6-20 X 1 PPH - BEIGE
000G13-07-12B	EA	SCREW, 7-19 X 3/4 PPH ZN
000G13-08-16B	EA	SCREW, 8-18 X 1 PPH - ZN
000G18-08-16B	EA	SCREW-MACHINE, 8 X 32 X 1, PPH ZN
000G18-10-12B	EA	SCREW-MACH-10-24X3/4 PPH ZN
000G19-10-088	EA	SCREW-MACHINE, 10-32 X 1/2 PPH ZN
000G19-10-12B	EA	SCREW-MACH, 10-32 TPI X .75
000G27-10-16D	EA	SCREW-MACH, 10-32 X 1 POH - BLACK
000G39-06-10T	EA	SCREW-SF/DR, 6-20 X 5/8 PPH - BLACK
000G39-06-16T	EA	SCREW-SF/DR, 6-20 X 1 PPH - BLACK
000G39-08-06C	EA	SCREW-SF/DR, 8-18 X 3/8 PPH ZN
000G39-08-08B	EA	SCREW-SF/DR, 8-18 X 1/2 PPH ZN
000G39-08-08R	EA	SCREW-SF/DR, 8-18 X 1/2 PPH - BEIGE
000G39-08-08X	EA	SCREW-SF/DR, 8-18 X 1/2 PPH - GRAY
000G39-08-12B	EA	SCREW-SF/DR, 8-18 X 3/4 PPH ZN
000G39-08-12R	EA	SCREW-SF/DR, 8-18 X 3/4 PPH - BEIGE
000G39-08-12T	EA	SCREW-SF/DR, 8-18 X 3/4 PPH - BLACK
000G39-08-16B	EA	SCREW-SF/DR, 8-18 X 1 PPH ZN
000G39-08-16E	EA	SCREW-SF/DR, 8-18 X 1 PPH CHROME
000G39-08-16R	EA	SCREW-SF/DR 8-18X1.00 PPH BEIGE
000G39-08-16T	EA	SCREW-SF/DR, 8-18 X 1 PPH - BLACK
000G39-08-24B	EA	SCREW-SF/DR, 8-18 X 1 1/2 PPH ZN
000G39-08-24R	EA	SCREW-SF/DR, 8-18 X 1 1/2 PPH - BEIGE
000G39-08-32B	EA	SCREW-SF/DR, 8-18 X 2 PPH - ZINC
000G39-10-12D	EA	SCREW-SF/DR, 10-16 X 3/4 PPH - BLACK
000G39-10-12R	EA	SCREW-SF/DR, 10-16 X 3/4 PPH - BEIGE
000G39-10-20B	EA	SCREW-SF/DR, 10-16 X 1 1/4 PPH ZN
000G50-04-12B	EA	SCREW-MACH, 1/4-20 X 3/4 PPH ZN
000G53-04-06B	EA	SCREW-MACHINE, 1/4-20 X 3/8 PPH ZN - UNDERCLUT HEAD
000G54-04-20B	EA	SCREW, 1/4-20 X 1 1/4 PTH - TYPE 23 - ZINC PLATED
000G60-10-28T	EA	SCREW-SF/DR, 10-16 X 1.75 - BLACK
000G62-08-40T	EA	SCREW-SF/DR, 8-18 X 2.5" PPH - BLACK

SEALANTS & FASTENERS GROUP (CONTINUED)

KEY PART NUMBER	U/M	DESCRIPTION
000G67-10-06R	EA	SCREW, 10-12 X 1/2 PPH - BEIGE - TYPE A
000G67-10-10B	EA	SCREW, 10-12 X 5/8 PPH ZN - TYPE A
000G67-10-10R	EA	SCREW, 10-12 X 5/8 PPH - TYPE A - BEIGE
000G67-10-12B	EA	SCREW, 10-12 X 3/4 PPH - ZN
000G67-10-12P	EA	SCREW, 10-12 X .75 PPH - DARK BROWN
000G67-10-12R	EA	SCREW, 10-12 X .75 PPH - BEIGE
000G67-10-120	EA	SCREW, 10-12 X .75 PPH TAN
000G67-10-16P	EA	SCREW, 10-12 X 1 PPH - DARK BROWN
000G67-10-20D	EA	SCREW, 10-12 X 1 1/4 PPH - BLACK
000G67-10-24B	EA	SCREW, 10-12 X 1 1/2 PPH - ZN
000G68-06-10G	EA	SCREW-6-18 X 5/8 POH, ANTIQUE BRASS
049465-01-000	EA	SCREW, 10-16 W/WASHER PTH - DARK BROWN
049465-03-000	EA	SCREW, 10-16 X 1 POH W/WASHER - OFF WHITE
049465-04-000	EA	SCREW, 10-16 X 1 PTH W/WASHER - BEIGE
049465-05-000	EA	SCREW-10-16X1 PTH W/WASHER
081906-01-000	EA	SCREW-MACHINE, 6-32 X .62 W/NYLOCK
086763-01-000	EA	SCREW-MACH, 10 - 32 X 1/4 PTH
087721-01-000	EA	SCREW-FLAT HEAD, TAPPING - 1/4" X 1 1/4" LG ZN
089371-01-000	EA	SCREW-MACHINE, 8-32 X 3 5/16" - FOR EXTENDED WINDOW K
075908-01-000	EA	SCREW-MACHINE, 10-32 X .56 PTH - ZINC EXTERNAL TOOTH
076790-01-000	EA	SCREW, 6-20 X 1 1/4 PPH - BLACK
004005-02-000	EA	ADHESIVE-SWIFTS, 1 GAL - W1333
081377-01-700	EA	ADHESIVE-CYANOACRYLATE, 10 GRAM TUBE
005081-01-000	EA	NUT-SPEED, C TYPE - NO 8 SCREW
044364-02-000	EA	NUT-SPEED, FLAT - ROUND
077045-01-000	EA	NUT-ACORN, 10-32 ALUMINUM
072893-01-000	EA	NUTSERT-MS X 0, 8
004363-01-000	FT	TAPE-ADHESIVE FOAM, 1 SIDE - 3/16" X 1/2" X 50' - GRA
009200-01-000	EA	TAPE-FURNACE, 1 1/2"
088244-01-000	FT	TAPE-FOAM, VINYL COATED - 2" WIDE - INCREMENTS OF 108
076322-03-000	FT	TAPE-FOAM, DOUBLE COATED ADHESIVE BACKED - .5" X 106'
076322-04-000	FT	TAPE-FOAM, DOUBLE COATED - .045" X .75"
008343-01-000	EA	TIE-WIRE, 6"
023942-01-000	EA	GROMMET-RUBBER, 2" OD
077953-01-000	EA	GROMMET-EDGE LINER, FITS 1"
063729-01-000	EA	RIVNUT, 1/4 X 20 UNC - .030-.125
063729-04-000	EA	RIVNUT, 10-32 UNF - .010-.080
000H16-04-06R	EA	RIVET-POP, AL 1/8 X .313-.375
069640-02-000	FT	SEALER-RIBBON, 1/2" X 1/8" - INCREMENTS OF 30' OR 60'
069640-03-000	FT	SEALER-RIBBON, 3/4" X 1/8" - INCREMENTS OF 60'
069640-06-000	FT	SEALER-RIBBON, 5/16" DIAMETER - INCREMENTS OF 25'
069640-09-000	FT	SEALER-RIBBON, 1/32" X 2 1/2" - INCREMENTS OF 90'
090340-01-000	FT	SEAL-FOAM, CLOSED CELL - 1/4" X 1/2" X 50'
091255-03-000	FT	SEAL-FOAM, 1/4 X 3/16 ROLL
034552-02-000	EA	SILICONE-TUBE, 300 ML - CLEAR
034552-04-000	EA	SILICONE-TUBE, 300 ML - BEIGE
034552-07-000	EA	SILICONE-300 ML TUBE, DARK GRAY
039518-01-000	EA	SILICONE-300 ML TUBE, BLACK
008401-01-000	EA	STRAP-CONDUIT, 3/4" - 1 HOLE - GALVANIZED STEEL
010495-01-000	EA	CLAMP-CABLE, 9/16"
010497-01-000	EA	CLAMP-CLOSED, 5/8" ID
010497-05-000	EA	CLAMP-CLOSED, 1/2" ID
010497-06-000	EA	CLAMP-CLOSED, 1 1/16" ID
010499-01-000	EA	CLAMP-CLOSED, 3/8" ID
062401-01-000	EA	CLAMP-HOSE, WORMGEAR .25" - 1"
062401-02-000	EA	CLAMP-HOSE, WORMGEAR, 1.56" - 2.5"
062401-03-000	EA	CLAMP-HOSE, WORMGEAR .22" - 1"
062401-04-000	EA	CLAMP-HOSE, WORMGEAR .69" - 1.25"
062401-05-000	EA	CLAMP-HOSE, WORMGEAR - 2" X 3"
062401-06-000	EA	CLAMP-HOSE, WORMGEAR .22"-.62"
062401-08-000	EA	CLAMP-HOSE, WORMGEAR 4.06" - 5.0"
062401-09-000	EA	CLAMP-HOSE, WORMGEAR 2.8" - 3.75"
062401-10-000	EA	CLAMP-HOSE, WORMGEAR 1.06" - 2"
007125-06-000	EA	CLAMP-MUFFLER, 2.25" DIAMETER
007161-01-000	EA	CLAMP-HOSE, SPRING TYPE - 1/2"
073194-02-000	EA	CLAMP-HOSE, WORMGEAR 1.26"-1.97"
075148-02-000	EA	CLAMP-GROUNDING, BRONZE SCREWS
083609-01-000	EA	CLAMP-WIRE, DUAL EQUAL - 5/3" DIAMETER
077955-01-000	EA	J CLIP-VINYL COATED, 3/8"
084884-01-000	EA	PLUG-BRASS, 3/8"

TABLE OF CONTENTS

INTRODUCTION	A-01
ABBREVIATIONS	A-01
ALPHABETICAL INDEX	A-02 - A-04
WCF23EC	A-05 - D-17
WCF30EU	D-19 - H-22

1991 WCF23EC INDEX

FLOOR PLAN	A-05 - A-06
ACCESSORIES	A-07 - A-10
BATH	A-11 - A-13
BEDROOM	A-14
CHASSIS	A-15 - A-16
C C & PAD	A-19 - B-04
DINETTE	B-03 - B-04
DRIVERS	B-05 - B-14
ELECTRICAL	B-15 - B-18
EXTERIOR BODY	B-19 - B-24
GALLEY	C-01 - C-06
HEATING & A/C	C-07 - C-12
INTERIOR FINISH	C-13 - C-16
LABEL	C-17
LP	C-18
SEALANTS & FASTENERS	C-19 - C-20
WATER & SEWAGE	C-21 - D-01
WINDOW, VENT AND EXTERIOR DOOR	D-02 - D-17

WATER & SEWAGE GROUP

SHOWER PAN, FAUCETS, SINKS, & SHOWER HEAD

KEY PART NUMBER	U/M	DESCRIPTION
M02429-04-000	EA	PAN-SHOWER, W/STRAINER
066436-01-000	EA	NUT-SLIP, TAILPIECE - 1.5"
066440-01-000	EA	STRAINER W/RUBBER WASHER
069640-06-000	FT	SEALER-RIBBON, 5/16" DIAMETER - INCREMENTS OF 25'
057671-01-000	EA	COVER-SCREW, #8 - PLASTIC - OFF WHITE
057671-01-00D	EA	COVER-SCREW, #8 - PLASTIC - OFF WHITE
011053-04-000	EA	FAUCET-GALLEY, US/CSA - SWING SPOUT 8"
068615-01-000	EA	SINK-GALLEY, DOUBLE W/MOUNTING HARDWARE - STAINLESS STEEL FROM: 00-00-00 THRU: 01-01-90
098654-01-000	EA	SINK-GALLEY, DOUBLE W/MOUNTING HARDWARE - STAINLESS STEEL FROM: 01-01-90 THRU: 00-00-00
066437-01-000	EA	STRAINER-SINK, GALLEY W/BASKET
066437-01-700	EA	BASKET-STRAINER, GALLEY SINK
075240-06-000	EA	FAUCET-LAVATORY, BONE
091253-01-000	EA	GASKET-FAUCET,LAVATORY
098927-01-01A	EA	SINK-LAVATORY, RECTANGULAR - PLASTIC - BONE
098927-01-700	EA	SINK STOPPER
098927-01-701	EA	TAILPIECE-SINK
075241-05-000	EA	FAUCET-SHOWER, BONE
011048-02-000	EA	HEAD-SHOWER, W/60 HOSE

TOILET

KEY PART NUMBER	U/M	DESCRIPTION
067487-01-000	EA	TOILET-LOW, AQUA MAGIC IV - THETFORD 150110
067487-01-700	EA	C.L.F.L. SEAL & BOLT PACKAGE - AQUA MAGIC 08975
063740-01-710	EA	LINK, THETFORD 12513
063740-01-711	EA	SPRING-RETURN LEVER, THETFORD 12523
063740-01-705	EA	SEAT-IVORY, W/O COVER - THETFORD 12447
063740-01-700	EA	LEVER-WATER, THETFORD 12514
063740-01-713	EA	SEAL-BALL VALVE TO BOWL, THETFORD 12502
063740-01-714	EA	VALVE ASM-WATER, THETFORD 12492
063740-01-707	EA	SEAL-CLOSET FLANGE, THETFORD 02125
063740-01-706	EA	BOLT PACKAGE-CLOSET, THETFORD 12524
067487-01-701	EA	WATER SAVER PACKAGE-THETFORD 08993
067487-01-702	EA	CLAMP-THETFORD 03752
024676-01-000	EA	FLANGE-CLOSET, TOILET - 4" X 3" - RED

DRAINAGE VALVES & HOSE

KEY PART NUMBER	U/M	DESCRIPTION
070916-01-000	EA	VALVE-DUAL DUMP, W/CAP - 3" X 1 1/2" - PLASTIC - BLAC
070916-01-700	EA	V/LVE ONLY, 3"
070916-01-701	EA	VALVE ONLY, 1 1/2"
062415-01-000	EA	CAP-SEWER, 3" DIAMETER
062415-01-700	EA	STRING, SEWER CAP
010201-01-000	EA	HOSE-SEWER, 3" ID X 8'
083558-01-000	EA	VENT-PLUMBING PIPE ROOF, W/COVER - BEIGE
062416-01-000	EA	ADAPTER-SEWER HOSE TO 3" PIPE

WATER PUMPS

KEY PART NUMBER	U/M	DESCRIPTION
098607-01-000	EA	PUMP-WATER, W/5"MPT FITTING - FLOW 2.8 GPM - UL
098607-01-700	EA	PUMPHEAD-REPLACEMENT, SHURFLOW# 94-236-08
098607-01-701	EA	DRIVE ASM, SHURFLOW# 94-234-03
098607-01-702	EA	DIAPHRAGM-KIT, SHURFLOW# 94-233-10
098607-01-703	EA	VALVE ASM, SHURFLOW# 94-232-00
098607-01-704	EA	HOUSING-UPPER, SHURFLOW# 94-231-01
098607-01-705	EA	CHECK VALVE-KIT, SHURFLOW# 94-237-00
098607-01-706	EA	SWITCH ASM-COMplete, SHURFLOW# 94-230-00
098607-01-707	EA	MOTOR/BASEPLATE REPLACEMENT, SHURFLOW# 94-234-03

WATER & SEWAGE GROUP (CONTINUED)

WATER HEATER

KEY PART NUMBER	U/M	DESCRIPTION
051391-03-000	EA	HEATER-WATER, W/ELECTRIC IGNITION - ATWOOD G6A-3E
051391-01-700	EA	HINGE KIT-W/CLIP, ATWOOD # 92568 & 92559
051393-03-700	EA	TANK-INNER (G6A-3E), REAR MT - ATWOOD# 91409
051391-01-704	EA	VALVE-RELIEF, 1/2" FITTING - ATWOOD# 91604
051391-01-705	EA	FASTENER-CAMLOC, ATWOOD# 92609
051391-01-706	EA	GRILLE-EXHAUST, 3E ONLY - ATWOOD #92787
051391-01-708	EA	BURNER-MAIN, 3E ONLY - ATWOOD# 92615
051391-01-710	EA	ORIFICE-MAIN BURNER, ATWOOD# 92742
051391-04-701	EA	THERMOSTAT 12 VDC-120 PRESET, FRONT MOUNT ONLY
051391-01-715	EA	DRAIN PLUG, ATWOOD# 91561
051391-04-700	EA	TANK-INNER (G6A-3E), FRt MT - ATWOOD# 91608
051393-01-704	EA	CIRCUIT BOARD-W/BLACK BOX, ATWOOD# 91420
051393-01-702	EA	SWITCH-ENERGY CUT-OFF, ATWOOD# 91951
051393-01-701	EA	SWITCH PACKAGE-ATWOOD# 91959
051393-01-703	EA	THERMOSTAT-REAR MOUNT, ATWOOD# 91952
051393-01-721	EA	ECO & THERMOSTAT ASM-FRONT MOUNT, 140 DEGREE
051393-01-716	EA	SPARK & PROBE ASM, ATWOOD# 91606
051393-01-718	EA	VALVE-DUAL SOLENOID, ATWOOD# 91605
051393-01-705	EA	ORIFICE HOLDER-ATWOOD# 91925
052009-02-00J	EA	DOOR-WATER HEATER, ATWOOD 5576-27 - BEIGE
097967-01-000	EA	SWITCH-WATER HEATER, ATWOOD 91959

WATER HEATER BYPASS (OPTION 53J)

KEY PART NUMBER	U/M	DESCRIPTION
039800-01-000	FT	TUBING-POLYBUTYL, 1/2" OD - INCREMENTS OF 20' - BLACK
052952-01-000	EA	NUT-PLASTIC, 1/2" F X 1/2" TUBE - PLASTIC - GRAY
052956-01-000	EA	TEE-1/2" F X 1/2" MPT X 1/2" F - PLASTIC
052957-02-000	EA	ELBOW-MALE, 1/2" F X 1/2" MPT - PLASTIC - GRAY
099729-01-000	EA	BYPASS KIT-WATER HEATER

FRESH WATER TANK

KEY PART NUMBER	U/M	DESCRIPTION
039861-01-000	EA	SENDING UNIT W/SCREW, WASHER, WELL NUT AND TERMINAL R
007161-01-000	EA	CLAMP-HOSE, SPRING TYPE - 1/2"
010224-01-000	EA	ADAPTER-HOSE TO PIPE, 3/8" MPT X 3/8" BARB - PLASTIC
044927-01-000	EA	ADAPTER-HOSE TO PIPE, 1 1/4" MPT X 1 1/4" BARB-BLACK PL
052957-02-000	EA	ELBOW-MALE, 1/2" F X 1/2" MPT - PLASTIC - GRAY
062401-01-000	EA	CLAMP-HOSE, WORMGEAR .25" - 1"
072444-02-000	EA	TANK-WATER, W/SPINWELD FITTINGS - 47 GALLON
042989-02-000	EA	FITTING-SPINWELD-PLASTIC 1/2"NPT
042989-03-000	EA	FITTING-WATER TANK, SPINWELD - 1 1/4" NPT - PLASTIC - W
042989-04-000	EA	FITTING-WATER TANK, SPINWELD - 3/8" FPT - PLASTIC - W
042989-05-000	EA	FITTING-WATER TANK, SPINWELD - 1/2" FPT - PLASTIC - W
049032-01-000	EA	PATCH-SPINWELD, 3/8" - PLASTIC
072444-01-000	EA	TANK-WATER, W/O FITTINGS - 47 GALLON - 22" X 23.5" X 29.5"
074462-02-000	FT	TUBING-VINYL, 3/8" ID - CLEAR
077954-02-000	I	FILTER-WATER TANK, SCREEN IN TANK
079381-01-000	I	TUBING-SMOOTH FLEXIBLE, 1 1/4" ID
096449-01-000	EA	WIRE ASSEMBLY-TANK, WATER
035416-04-000	EA	TERMINAL-RING #10 STUD FIT, INSULATED BARREL #16/14
097618-01-000	EA	WIRE ASM-MONITOR PANEL, W/4 WIRES & BLACK RESISTOR -

TABLE OF CONTENTS

INTRODUCTION	A-01
ABBREVIATIONS	A-01
ALPHABETICAL INDEX	A-02 - A-04
WCF23EC	A-05 - D-17
WCF30EU	D-19 - H-22

1991 WCF23EC INDEX

FLOOR PLAN	A-05 - A-06
ACCESSORIES	A-07 - A-10
BATH	A-11 - A-13
BEDROOM	A-14
CHASSIS	A-15 - A-16
C.C.P. PAD	A-19 - B-04
DINETTE	B-03 - B-04
DRIVERS	B-05 - B-14
ELECTRICAL	B-15 - B-18
EXTERIOR BODY	B-19 - B-24
GALLEY	C-01 - C-06
HEATING & AC	C-07 - C-12
INTERIOR FINISH	C-13 - C-16
LABEL	C-17
LP	C-18
SEALANTS & FASTENERS	C-19 - C-20
WATER & SEWAGE	C-21 - D-01
WINDOW, VENT AND EXTERIOR DOOR	D-02 - D-17

WATER & SEWAGE GROUP (CONTINUED)

WATER SYSTEM

KEY PART NUMBER	U/M	DESCRIPTION
087659-02-000	EA	FILL-CITY WATER, ROUND - BEIGE
081240-01-070	EA	DOOR-WATER FILL, LOCKABLE W/FILL - BEIGE
056134-02-000	EA	HOLDER-RING, 1.8" DIAMETER - METAL
075241-05-000	EA	FAUCET-SHOWER, BONE
011048-02-000	EA	HEAD-SHOWER, W/50" HOSE
011053-04-000	EA	FAUCET-GALLEY, SWING SPOUT 8"
075240-06-000	EA	FAUCET-LAVATORY, BONE
091253-01-000	EA	GASKET-FAUCET, LAVATORY
039800-01-000	FT	TUBING-POLYBUTYL, 1/2" OD - INCREMENTS OF 20' - BLACK
052952-01-000	EA	NUT-PLASTIC, 1/2" F X 1/2" TUBE - PLASTIC - GRAY
052953-01-000	EA	NUT-FAUCET, 1/2" TUBE X 1/2" FPT - PLASTIC - GRAY
		FROM: 00-00-00 THRU: 11-05-90
052954-01-000	EA	ADAPTER-NOSE CONE, 3/8" OR 1/2" TUBING - PLASTIC - GR
		FROM: 00-00-00 THRU: 11-05-90
052955-01-000	EA	TEE-WATER, 1/2" F X 1/2" F X 1/2" MPT - PLASTIC - GRAY
052958-01-000	EA	TEE, 1/2" F X 1/2" F X 1/2" F - PLASTIC - GRAY
052959-02-000	EA	CONNECTOR, 1/2" F X 1/2" MPT - PLASTIC - GRAY
052959-03-000	EA	CONNECTOR, 1/2" F X 3/8" MPT - PLASTIC - GRAY
052960-01-000	EA	DRAIN VALVE-IN LINE, HEADER - 1/2" F X 1/2" F - GRAY
052961-01-000	EA	DRAIN VALVE-IN LINE, HEADER - 1/2" F X 1/2" F X 1/2" F X
065120-01-000	EA	ELBOW-SWIVEL, 1/2" FPT X 1/2" FLARE - PLASTIC - GRAY
070924-01-000	EA	ELBOW-SWIVEL, 1/2" MPT X 1/2" FPT - PLASTIC - GRAY
074463-01-000	EA	TEE-4 WAY, 1/2" FLARE - PLASTIC - GRAY
079317-01-000	EA	ADAPTER-SWIVEL, 1/2" TUBE X 1/2" FPT - PLASTIC - GRAY

SEWAGE HOLDING TANK

KEY PART NUMBER	U/M	DESCRIPTION
000E14-10-00B	EA	WASHER-LK - NO 10 EXT TOOTH - ZN
035861-01-000	EA	SENDING UNIT W/SCREW, WASHER, WELL NUT AND TERMINAL R
061607-01-000	EA	GROMMET-HOLDING TANK, 1 1/2" NPS
061607-02-000	EA	GROMMET-HOLDING TANK, 3" NPS
072368-01-000	EA	TANK-HOLDING, W/O GROMMETS OR PROBES - 32 GALLON
035416-04-000	EA	TERMINAL-RING #10 STUD FIT, INSULATED BARREL #16/14

WASTE WATER HOLDING TANK

KEY PART NUMBER	U/M	DESCRIPTION
039861-01-000	EA	SENDING UNIT W/SCREW, WASHER, WELL NUT AND TERMINAL R
061607-01-000	EA	GROMMET-HOLDING TANK, 1 1/2" NPS
064592-01-000	EA	TANK-HOLDING, W/O GROMMETS & PROBES - 25 GALLON
035416-04-000	EA	TERMINAL-RING #10 STUD FIT, INSULATED BARREL #16/14
097618-01-000	EA	WIRE ASM-MONITOR PANEL, W/4 WIRES & BLACK RESISTOR -

WATER & SEWAGE GROUP (CONTINUED)

REAR AUXILIARY HEATER & WATER HEATER W/MOTOR AID (OPT 811)

KEY PART NUMBER	U/M	DESCRIPTION
051393-01-000	EA	WATER HEATER-W/MOTOR AID, PILOTLESS IGNITION
		ATWOOD GH6-4E OR GH6-6E
051393-01-701	EA	SWITCH PACKAGE-ATWOOD# 91959
051393-01-702	EA	SWITCH-ENERGY CUT-OFF, ATWOOD# 91951
051393-01-704	EA	CIRCUIT BOARD-W/BLACK BOX, ATWOOD# 91420
051393-01-705	EA	ORIFICE HOLDER-ATWOOD# 91925
051393-01-716	EA	PROBE & SPARK ASM, ATWOOD# 91606
051393-01-718	EA	VALVE-DUAL SOLENOID, ATWOOD# 91605
051393-01-714	EA	TANK-INNER (GH6-3E), REAR MOUNT - ATWOOD# 91408
051293-01-716	EA	SPARK & PROBE ASM, ATWOOD# 91606
051393-01-721	EA	ECO & THERMOSTAT ASM-FRONT MOUNT, 140 DEGREE - ATWOOD
051391-01-700	EA	HINGE KIT-W/CLIP, ATWOOD # 92568 & 92559
051391-01-704	EA	VALVE-RELIEF, 1/2" FITTING - ATWOOD# 91604
051391-01-705	EA	FASTENER-CAMLOC, ATWOOD# 92609
051391-04-703	EA	BURNER-MAIN, ATWOOD# 91638 - 4E AND 6E
051391-01-710	EA	ORIFICE-MAIN BURNER, ATWOOD# 92742
051391-04-701	EA	THERMOSTAT 12 VDC-120 PRESET, ATWOOD# 91470 - FRONT MOUNT ONLY
051391-01-715	EA	DRAIN PLUG, ATWOOD# 91561
051391-04-704	EA	TANK-INNER (FRT-MT), GH6-4E&6E - ATWOOD# 91642
051391-04-707	EA	KIT-GRILLE, FLUE, & GASKET - ATWOOD# 90960
062401-04-000	EA	CLAMP-HOSE, WORMGEAR .69" - 1.25"
007108-01-000	FT	HOSE-HEATER, 5/8" ID
079059-01-000	EA	HOSE-90 DEGREE, 5/8" ID X 4" X 36"
083081-01-000	EA	HOSE-FORMED, 90 DEGREES - 5/8" ID
088753-01-000	FT	TUBE-ALUMINIZED STEEL, 5/8" - 18 GAUGE

DRAINAGE SYSTEM

KEY PART NUMBER	U/M	DESCRIPTION
010000-01-000	EA	ELBOW-45 DEG, 1/8 BEND - 1 1/4" HUB X HUB - BLACK PLA
010005-01-000	EA	ELBOW-22 1/2 DEGREE, 1/16 BEND - 1 1/2" HUB X HUB
010006-01-000	EA	ELBOW-45 DEG, 1/8 BEND - 1 1/2" HUB X HUB - BLACK PLA
010008-01-000	EA	ELBOW-90 DEG, 1/4 BEND - 1 1/2" HUB X HUB - BLACK PLA
010051-01-000	EA	ELBOW-45 DEG BEND, 1 1/2" SFIGOT AND HUB - PLASTIC -
010071-01-000	EA	TEE-SANITARY, 1 1/2" HUB X HUB X HUB - PLASTIC - BLAC
010073-01-000	EA	WYE-45 DEGREE, 1 1/2" HUB X HUB X HUB - PLASTIC - BLA
010079-01-000	EA	TEE-SANITARY, 1 1/2" H X 1 1/2" H X 1 1/4" H - PLASTIC -
010121-01-000	EA	BUSHING-REDUCER, 1 1/2" SMOOTH 1 1/4" HUB - PLASTIC - B
010122-01-000	EA	BUSHING-REDUCER, 1 1/2" SMOOTH X 1 1/4" THREAD - BLACK
010166-01-000	EA	PLUG-THREADED, 1 1/4" DIAMETER - PLASTIC - BLACK
011066-03-000	EA	P-TRAP, 1 1/2" TRAP X 1 1/4" SOCKET - PLASTIC
033761-01-000	EA	ELBOW-TURN, 1/4 BEND X 1.5" HUB X 1.5" SPIGOT - BLACK P
062422-01-000	EA	ADAPTER-OFFSET REDUCER, 3" X 1 1/2" - PLASTIC - BLACK
079968-01-000	EA	VENT-MECH. TRAP ARM, ANTI-SIPHON - 2" DIA. X 7.3" - P
096927-01-01A	EA	SINK-LAVATORY, RECTANGULAR - PLASTIC - BONE
066437-01-000	EA	STRAINER-SINK, GALLEY W/BASKET
066437-01-700	EA	BASKET-STRAINER, GALLEY SINK
098654-01-000	EA	SINK-GALLEY, DOUBLE W/MOUNTING HARDWARE - STAINLESS S
		FROM: 00-00-00 THRU: 12-11-90
096927-01-700	EA	SINK-STOPPER
096927-01-701	EA	TAILPIECE-SINK
102551-01-000	EA	SINK-STAINLESS STEEL, DOUBLE - 17" X 25" - US
		FROM: 12-12-90 THRU: 99-99-99
011069-02-000	EA	TAILPIECE-TUB/SHOWER, 1 1/2" X 1 1/4" X 4" - BRASS
011091-02-000	EA	PIPE-DRAIN, DOUBLE SINK - BAFFLE TEE - 1 1/2"
066436-01-000	EA	NUT-SLIP, TAILPIECE - 1.5"
067797-01-000	FT	SPACER-STRAP, W/FOAM ADHESIVE - .31" X 1.5" - NEOPREN
069640-06-000	FT	SEALER-RIBBON, 5/16" DIAMETER - INCREMENTS OF 25'
069735-01-000	EA	WASHER-STRAINER TO TAILPIECE PLASTIC, 1.5"
078406-01-000	EA	COUPLER-RUBBER, W/CLAMPS - 3" X 3"
091208-01-000	EA	WASHER-RUBBER, .06" X .75" X .5"

TABLE OF CONTENTS

INTRODUCTION	A-01
ABBREVIATIONS	A-01
ALPHABETICAL INDEX	A-02 - A-04
WCF23EC	A-05 - D-17
WCF30EU	D-19 - M-22

1991 WCF23EC INDEX

FLOOR PLAN	A-05 - A-06
ACCESSORIES	A-07 - A-10
BATH	A-11 - A-13
BEDROOM	A-14
CHASSIS	A-15 - A-16
C C & PAD	A-19 - B-04
DRINETTE	B-03 - B-04
DRIVERS	B-05 - B-14
ELECTRICAL	B-15 - B-18
EXTERIOR BODY	B-19 - B-24
GALLEY	C-01 - C-06
HEATING & A/C	C-07 - C-12
INTERIOR FINISH	C-13 - C-16
LABEL	C-17
LP	C-18
SEALANTS & FASTENERS	C-19 - C-20
WATER & SEWAGE	C-21 - D-01
WINDOW, VENT AND	
EXTERIOR DOOR	D-02 - D-17

WATER & SEWAGE GROUP (CONTINUED)

CANADIAN EXPORT (OPT 265)

KEY PART NUMBER	U/M	DESCRIPTION
010000-01-000	EA	ELBOW-45 DEG. 1/8" BEND - 1 1/4" HUB X HUB - BLACK PLASTIC
010006-01-000	EA	ELBOW-45 DEG. 1/8" BEND - 1 1/2" HUB X HUB - BLACK PLASTIC
010008-01-000	EA	ELBOW-90 DEG. 1/4" BEND - 1 1/2" HUB X HUB - BLACK PLASTIC
010071-01-000	EA	TEE-SANITARY, 1 1/2" HUB X HUB X HUB - PLASTIC - BLACK
010073-01-000	EA	WYE-45 DEGREE, 1 1/2" HUB X HUB X HUB - PLASTIC - BLACK
010079-01-000	EA	TEE-SANITARY, 1 1/2" H X 1 1/2" H X 1 1/4" H - PLASTIC - BLACK
010115-01-000	EA	COUPLING-1 1/2" HUB X HUB, PLASTIC
010121-01-000	EA	BUSHING-REDUCER, 1 1/2" SMOOTH 1 1/4" HUB - PLASTIC - BLACK
010123-01-000	EA	BUSHING-2" X 1 1/2" HUB, PLASTIC
011066-02-000	EA	P TRAP-1 1/4" HUB X SLIP JOINT, W/UNION - ABS - CSA
033781-01-000	EA	ELBOW-TURN, .25" BEND X 1.5" HUB X 1.5" SPIGOT - BLACK PLASTIC
034250-01-000	EA	ELBOW-90 DEGREE, LONG TURN - 1 1/2" HUB X HUB - ABS
053335-01-000	EA	P TRAP-1 1/4" HUB X HUB, W/UNION - CSA
082421-01-000	EA	VALVE-1 1/2", W/HANDLE - ABS - BLACK
082422-01-000	EA	ADAPTER-OFFSET REDUCER, 3" X 1 1/2" - PLASTIC - BLACK
072346-01-000	EA	VALVE ASM-ELL, 3" SLIP X 3" BAYONET W/CAP X2 SOCKET - ABS - BLACK
079988-01-000	EA	VENT-MECH. TRAP ARM, ANTI-SIPHON - 2" DIA. X 7.3" - PLASTIC
010147-02-000	EA	FLANGE-CLOSET 4" X 3" FPT - CANADIAN
011048-05-000	EA	SHOWER HEAD-W/60" HOSE, W/O VACUUM BREAKER - CANADIAN
011089-02-000	EA	TAILPIECE-TUB/SHOWER, 1 1/2" X 1 1/4" X 4" - BRASS
024676-02-000	EA	FLANGE-CLOSET, 4" X 3" - ABS - CSA
053335-01-000	EA	P TRAP-1 1/4" HUB X HUB, W/UNION - CSA
010071-01-000	EA	TEE-SANITARY, 1 1/2" HUB X HUB X HUB - PLASTIC - BLACK
033302-02-000	EA	ADAPTER ASM-STRAINER, 1 1/2" - ABS - CANADIAN
037101-02-000	EA	ELBOW-PLASTIC, 1/4" BEND VENT 1 1/2" HUB - CANADIAN
010051-01-000	EA	ELBOW-45 DEG BEND, 1 1/2" SPIGOT AND HUB - PLASTIC
062415-01-000	EA	CAP-SEWER, 3" DIAMETER
062415-01-700	EA	STRING, SEWER CAP
098854-01-000	EA	SINK-GALLEY, DOUBLE W/MOUNTING HARDWARE - STAINLESS S
024676-02-000	EA	FLANGE-CLOSET, 4" X 3" - ABS - CANADIAN

CONTINUOUS WASTE ASSEMBLY - CANADIAN

KEY PART NUMBER	U/M	DESCRIPTION
010071-01-000	EA	TEE-SANITARY, 1 1/2" HUB X HUB X HUB - PLASTIC - BLACK
010121-01-000	EA	BUSHING-REDUCER, 1 1/2" SMOOTH 1 1/4" HUB - PLASTIC - B
033302-02-000	EA	ADAPTER ASM-STRAINER, 1 1/2" - ABS - CANADIAN
037101-02-000	EA	ELBOW-PLASTIC, 1/4 BEND VENT 1 1/2" HUB - CANADIAN

WATER PUMP - CANADIAN

KEY PART NUMBER	U/M	DESCRIPTION
098807-02-000	EA	PUMP-WATER, 2.8 GPM - W/1/2" MPT FITTINGS - CANADIAN
098807-01-700	EA	PUMP HEAD-REPLACEMENT, SHURFLOW# 94-236-08
098807-01-701	EA	DRIVE ASM, SHURFLOW# 94-234-03
098807-01-702	EA	DIAPHRAGM-KIT, SHURFLOW# 94-233-10
098807-01-703	EA	VALVE ASM, SHURFLOW# 94-232-00
096307-01-704	EA	HOUSING-UPPER, SHURFLOW# 94-231-01
098807-01-705	EA	CHECK VALVE-KIT, SHURFLOW# 94-237-00
098807-01-706	EA	SWITCH ASM-COMplete, SHURFLOW# 94-230-00
098807-01-707	EA	MOTOR/BASEPLATE REPLACEMENT, SHURFLOW# 94-234-03

WINDOW, VENT & EXTERIOR DOOR GROUP

WINDSHIELDS & MOLDING

KEY PART NUMBER	U/M	DESCRIPTION
077675-01-000	EA	GLASS-PASSENGER WINDSHIELD
077675-02-000	EA	GLASS-DRIVER WINDSHIELD
076676-02-000	EA	REVEAL MOLDING-WINDSHIELD CENTER - 29.25"
077944-01-000	EA	REVEAL MOLDING-UPPER WINDSHIELD, PASSENGER
077944-01-000	EA	REVEAL MOLDING-UPPER WINDSHIELD, DRIVER
077945-01-000	EA	REVEAL MOLDING-LOWER WINDSHIELD, PASSENGER
077945-02-000	EA	REVEAL MOLDING-LOWER WINDSHIELD, DRIVER
077952-02-000	EA	CAP-REVEAL MOLDING, CENTER TOP AND BOTTOM WINDSHIELD
058291-01-000	FT	EDGE MOLDINGS-WINDSHIELD TO TRIM POST - VINYL - BLACK
079225-01-000	EA	TRIM POST-WINDSHIELD, PASSENGER - METAL - BLACK
079225-02-000	EA	TRIM POST-WINDSHIELD, DRIVERS - METAL - BLACK
034141-02-000	EA	PLUG-HOLE, 3/8" - NYLON - BLACK
002328-02-000	EA	BLOCK-WINDSHIELD, .062" X .5" X .98"

BATH POWERED ROOF VENT

KEY PART NUMBER	U/M	DESCRIPTION
090393-01-Y12	EA	VENT-ROOF, POWERED W/O SCREEN, HANDLE OR EXTENSION
078785-01-Y12	EA	SCREEN-ROOF VENT, POWERED
002291-02-000	SF	SCREENING-ROOF VENT/WINDOW, 16" - BLACK
002298-02-000	FT	SPLINE-VENT/WINDOW SCREEN, .128 DIAMETER - BLACK
002825-01-000	EA	WEATHER STRIP-ROOF VENT, GRAY
008195-01-000	EA	SWITCH-ROOF VENT, PUSH BUTTON, 12V
009440-01-000	EA	GEAR/ARM-VENT COVER, LIFT
015911-01-000	EA	TRACK-LIFT ARM, SLIDE - ROOF VENT
048648-01-000	EA	MOTOR, 12V
048649-01-000	EA	FAN, PLASTIC- 6" 6 BLADE
055218-01-000	EA	COVER ASM., ROOF VENT
052638-01-200	EA	HINGE, ROOF VENT COVER
052639-01-001	EA	HINGE-VENT COVER, 192"
061603-01-000	EA	GROMMET, 3/16 ID 3/8 HOLE
008386-01-000	EA	GROMMET-SNAP, 3/8"
009439-01-000	EA	CRANK HANDLE-ROOF VENT
009439-03-000	EA	EXTENSION-CRANK HANDLE, ROOF VENT - .9"

BATH NON-POWERED ROOF VENT

KEY PART NUMBER	U/M	DESCRIPTION
090392-01-Y12	EA	VENT-ROOF, NON POWERED
078786-01-Y12	EA	SCREEN-ROOF VENT, NON POWERED
002825-01-000	EA	WEATHER STRIP-ROOF VENT, GRAY
009440-01-000	EA	GEAR/ARM-VENT COVER, LIFT
015911-01-000	EA	TRACK-LIFT ARM, SLIDE - ROOF VENT
055218-01-000	EA	COVER-ROOF VENT
052639-01-200	EA	HINGE-EXTRUSION, ROOF VENT 7"

CANADIAN EXPORT (OPT 265)

KEY PART NUMBER	U/M	DESCRIPTION
064469-08-000	EA	VENT-ROOF, POWERED - 14" X 14" - 12V - CANADIAN
064469-03-702	EA	LID-VENT WHITE
064469-03-706	EA	LIFT MECHANISM
048648-01-000	EA	MOTOR-ROOF VENT, 1/8 SHAFT - 12V
064469-03-705	EA	FAN-ROOF VENT, 6 BLADES - 6"
064469-03-705	EA	GARNISH, VENT 2.5 IN. WIDE
009439-01-000	EA	CRANK HANDLE-ROOF VENT

ROOF VENTS

KEY PART NUMBER	U/M	DESCRIPTION
083558-01-000	EA	VENT-PLUMBING PIPE ROOF, W/COVER - BEIGE
084073-01-000	EA	COVER-ROOF VENT, NORCOLD REFRIGERATOR - BEIGE
084073-04-000	EA	BASE-ROOF VENT, NORCOLD REFRIGERATOR - BLACK

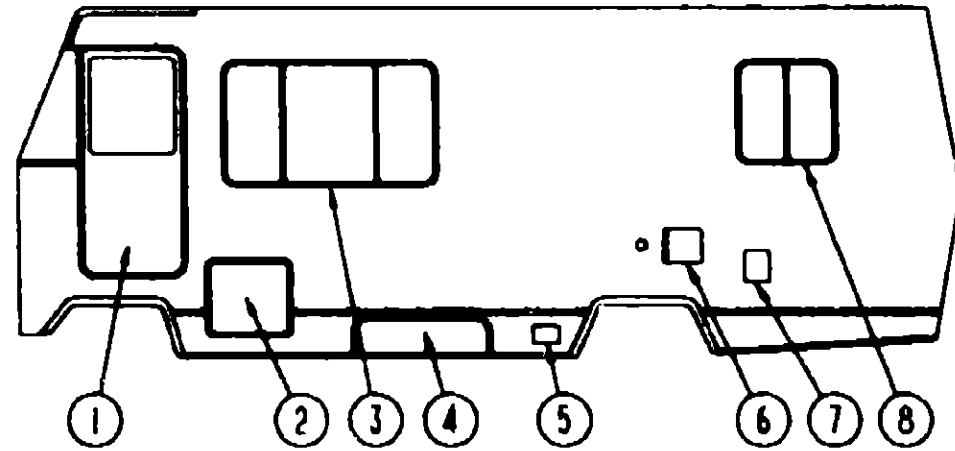
TABLE OF CONTENTS

INTRODUCTION	A-01
ABBREVIATIONS	A-01
ALPHABETICAL INDEX	A-02 - A-04
WCF23EC	A-05 - D-17
WCF30EU	D-19 - H-22

1991 WCF23EC INDEX

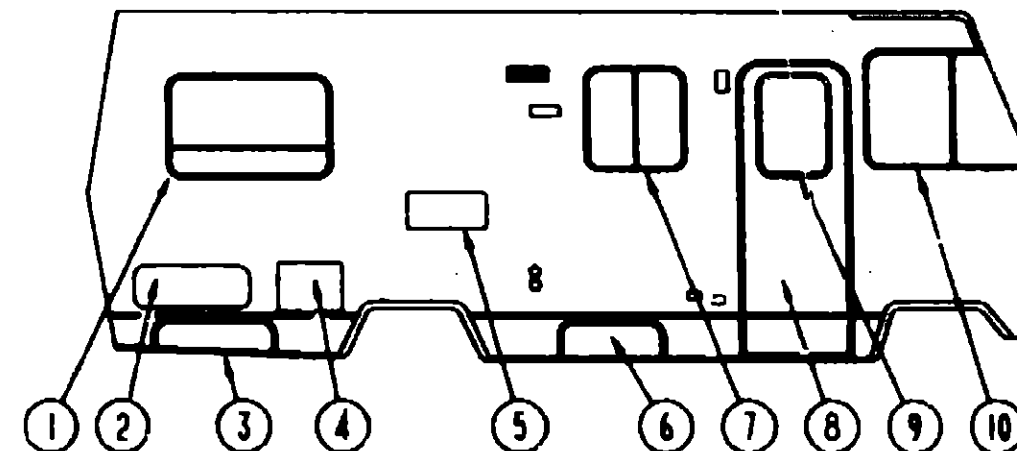
FLOOR PLAN	A-05 - A-06
ACCESSORIES	A-07 - A-10
BATH	A-11 - A-13
BEDROOM	A-14
CHASSIS	A-15 - A-16
C C & PAD	A-19 - B-04
DINETTE	B-03 - B-04
DRIVERS	B-05 - B-14
ELECTRICAL	B-15 - B-18
EXTERIOR BODY	B-19 - B-24
GALLEY	C-01 - C-06
HEATING & AC	C-07 - C-12
INTERIOR FINISH	C-13 - C-16
LABEL	C-17
LP	C-18
SE/LANTS & FASTENERS	C-19 - C-20
WATER & SEWAGE	C-21 - D-01
WINDOW, VENT AND EXTERIOR DOOR	D-02 - D-17

WINDOW, VENT & EXTERIOR DOOR GROUP (CONTINUED)



DRIVER SIDE COMPARTMENTS, WINDOWS & DOORS-FRONT TO REAR

WINDOW, VENT & EXTERIOR DOOR GROUP (CONTINUED)



PASSENGER SIDE COMPARTMENTS, WINDOWS & DOORS-REAR TO FRONT

TABLE OF CONTENTS

INTRODUCTION	A-01
ABBREVIATIONS	A-01
ALPHABETICAL INDEX	A-02 - A-04
WCF23EC	A-05 - D-17
WCF30EU	D-19 - H-22

KEY PART NUMBER	U/M	DESCRIPTION
1 M82202-04-B03	EA	DOOR ASM. - DRIVERS - W/CRANKUP WINDOW - W/O JAMB FROM: 00-00-00 THRU: 01-06-91
1 M82202-04-B04	EA	DOOR ASM. - DRIVER - W/CRANKUP WINDOW - W/O JAMB FROM: 01-07-91 THRU: 99-99-99
082057-02-U04	EA	WINDOW ASM. - DRIVERS SIDE - SLANT SLIDER W/O INSIDE FRAME
082058-02-AB1	EA	INSIDE FRAME - SLANT SLIDER - DRIVERS - W/SCREEN
2 081252-04-060	EA	COMPARTMENT-STORAGE, 31.18" WIDE X 25.39" DEEP
088840-03-000	FT	SEALER-RIBBON, 3/4" X 1/8" - INCREMENTS OF 60'
058748-01-000	EA	PLUG-CAP, 1.5" DIAMETER - BLACK
2 079578-05-X11	EA	DOOR-STORAGE, DRIVERS SIDE W/JAMB & LOCKS - 22.6" X 19.68"
3 088647-02-700	EA	WINDOW ASM. - SINGLE SLIDER 30.5" X 57.5" (EXCEL)
4 090188-01-000	EA	COMPARTMENT-STORAGE, 55.27" WIDE X 21.85" DEEP
4 088531-06-X11	EA	DOOR-STORAGE W/JAMB & LATCHES, DRIVER SIDE - 9" X 47.12"
5 088794-02-000	EA	DOOR-POWER CORD, W/HATCH - BEIGE
008794-11-000	EA	HATCH-POWER CORD DOOR - BEIGE
091878-01-000	EA	RETAINER-DOOR, 1.97" X .79" - METAL
088580-04-000	EA	BOX-POWER CORD, PLASTIC
6 081240-01-000	EA	DOOR-WATER FILL, LOCKABLE W/FILL - BEIGE
7 078010-04-000	EA	DOOR-FUEL FILL W/JAMB - BEIGE
077983-01-000	EA	GASKET-FUEL FILL DOOR
072447-01-000	EA	SHROUD-FUEL FILL, NECK SURROUND - PLASTIC
081801-01-000	EA	HINGE-DOOR, PIANO - 2" X 96" - BEIGE
8 088844-01-715	EA	WINDOW ASM. - SINGLE SLIDER - (EXCEL)
079415-01-T03	EA	WINDOW ASM. - BACKWALL ESCAPE - 29" X 23" - W/O INSIDE FRAME

PARTS USED ON BACKWALL NOT SHOWN

KEY PART NUMBER	U/M	DESCRIPTION
1 092235-07-Y12	EA	WINDOW ASM. - TIPOUT - 24.3" X 40.3" - W/O INSIRE RETAINER
2 079578-01-T03	EA	DOOR-STORAGE, W/JAMB & LOCKS - 10.75" X 30.30" - BEIGE
000870-05-000	SF	STYROFOAM-DOOR, .5" X 24" X 96"
077517-22-000	EA	SKIN-DOOR, FLAT FIBERGLASS - 48" X 96" - BEIGE
064075-04-000	FT	SEAL-DOOR JAMB, BULB - BLACK
081801-01-000	EA	HINGE-DOOR, PIANO - 2" X 96" - BEIGE
000G39-C8-12B	EA	SCREW-SF/DR, 8-18 X 3/4 PPH ZN
079366-04-000	EA	LOCK-DOOR, KEY TYPE W/O KEYS - 1.5 OFF SET
082684-01-700	EA	KEY-COMPARTMENT DOOR LOCK, BH024
3 090198-01-X11	EA	DOOR-GENERATOR, W/JAMB & LOCKS - TAPERED - 27.5" WIDE
002748-01-000	EA	CORNER KEY-DOOR
079927-03-000	EA	LOCK-TWIST TYPE, DOUBLE CAM - 2.10 OFF SET
081801-01-000	EA	HINGE-DOOR, PIANO - 2" X 96" - BEIGE
084491-55-001	EA	TRIM-DOOR, LOWER - ROCKER PANEL - 16" - BEIGE
000G11-08-12B	EA	SCREW, 8-18 X 3/4 PPH ZN
3 078137-02-000	EA	TRAY-STORAGE COMPARTMENT, 27.18" WIDE X 21" DEEP
056748-01-000	EA	PLUG-CAP, 1.5" DIAMETER - BLACK
4 052009-02-000	EA	DOOR-WATER HEATER, ATWOOD 5578-27 - BEIGE
5 084103-01-000	EA	DOOR-REFRIGERATOR, VENTED W/O JAMB - BEIGE
084104-01-700	EA	LOCK-MALE DYRUS FASTENER
084104-01-701	EA	LOCK-FEMALE DYRUS FASTENER
5 084104-01-000	EA	JAMB-DOOR, VENTED REFRIGERATOR - BEIGE
6 088517-05-X11	EA	DOOR-L/P W/JAMB & LATCH, 9" X 24.45" - BEIGE
076767-05-000	EA	CABLE-STORAGE DOOR SUPPORT, 1/16" X 15.5" STAINLESS STEEL
081087-02-000	EA	SEAL-LOCK, FLAT W/SLIT - BLACK
077848-01-000	EA	STEP-PULLOUT, W/BRACKETS - BLACK
076241-02-000	EA	SUPPORT-PULLOUT STEP
M03112-03-000	EA	DOOR ASM. & JAMB - BATTERY W/O CARPET OR VINYL
009063-01-000	EA	HINGE-BATTERY DOOR
042541-01-000	EA	LATCH-BATTERY DOOR, W/O STRIKE - CHROME
064075-05-000	FT	SEAL-BATTERY DOOR,
078490-01-000	EA	TRAY-BATTERY, STEP WELL
7 098847-06-705	EA	WINDOW ASM-HORIZONTAL SLIDER- W/O INSIDE TRIM (EXEL)
8 M01870-49-B03	EA	ENTRANCE DOOR - W/SCREW DOOR & JAMB - W/O DECALS
9 079733-07-AA8	EA	WINDOW ASM ENTRANCE DOOR - 17" X 25" FROSTED GLASS -W/O INSIDE TRIM
10 082057-01-U04	EA	WINDOW ASM. - PASSENGER SLANT SLIDER - W/O INSIDE FRAME

1991 WCF23EC INDEX

FLOOR PLAN	A-05 - A-06
ACCESSORIES	A-07 - A-10
BATH	A-11 - A-13
BEDROOM	A-14
CHASSIS	A-15 - A-16
C C & PAD	A-19 - B-04
DINETTE	B-03 - B-04
DRIVERS	B-05 - B-14
ELECTRICAL	B-15 - B-18
EXTERIOR BODY	B-19 - B-24
GALLEY	C-01 - C-06
HEATING & A/C	C-07 - C-12
INTERIOR FINISH	C-13 - C-16
LABEL	C-17
LP	C-18
SEALANTS & FASTENERS	C-19 - C-20
WATER & SEWAGE	C-21 - D-01
WINDOW, VENT AND EXTERIOR DOOR	D-02 - D-17

WINDOW, VENT & EXTERIOR DOOR GROUP (CONTINUED)

WINDOW, VENT & EXTERIOR DOOR GROUP (CONTINUED)

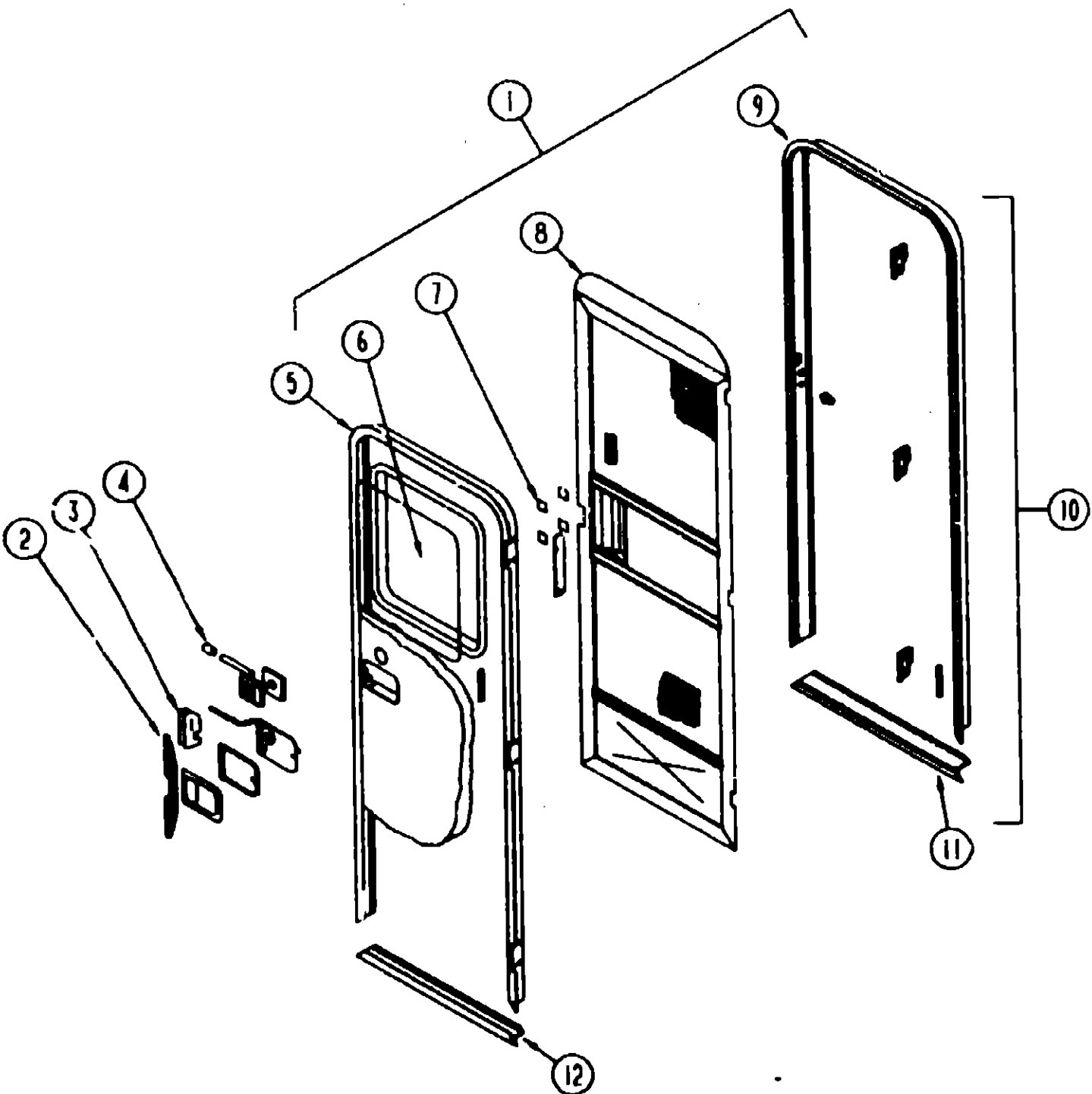
ENTRANCE DOOR CONTINUED

TABLE OF CONTENTS

INTRODUCTION	A-01
ABBREVIATIONS	A-01
ALPHABETICAL INDEX	A-02 - A-04
WCF23EC	A-05 - D-17
WCF30EU	D-19 - H-22

1991 WCF23EC INDEX

FLOOR PLAN	A-05 - A-08
ACCESSORIES	A-07 - A-10
BATH	A-11 - A-13
BEDROOM	A-14
CHASSIS	A-15 - A-16
C C & PAD	A-19 - B-04
DINETTE	B-03 - B-04
DRIVERS	B-05 - B-14
ELECTRICAL	B-15 - B-18
EXTERIOR BODY	B-19 - B-24
GALLEY	C-01 - C-08
HEATING & AC	C-07 - C-12
INTERIOR FINISH	C-13 - C-16
LABEL	C-17
LP	C-18
SEALANTS & FASTENERS	C-19 - C-20
WATER & SEWAGE	C-21 - D-01
WINDOW, VENT AND EXTERIOR DOOR	D-02 - D-17

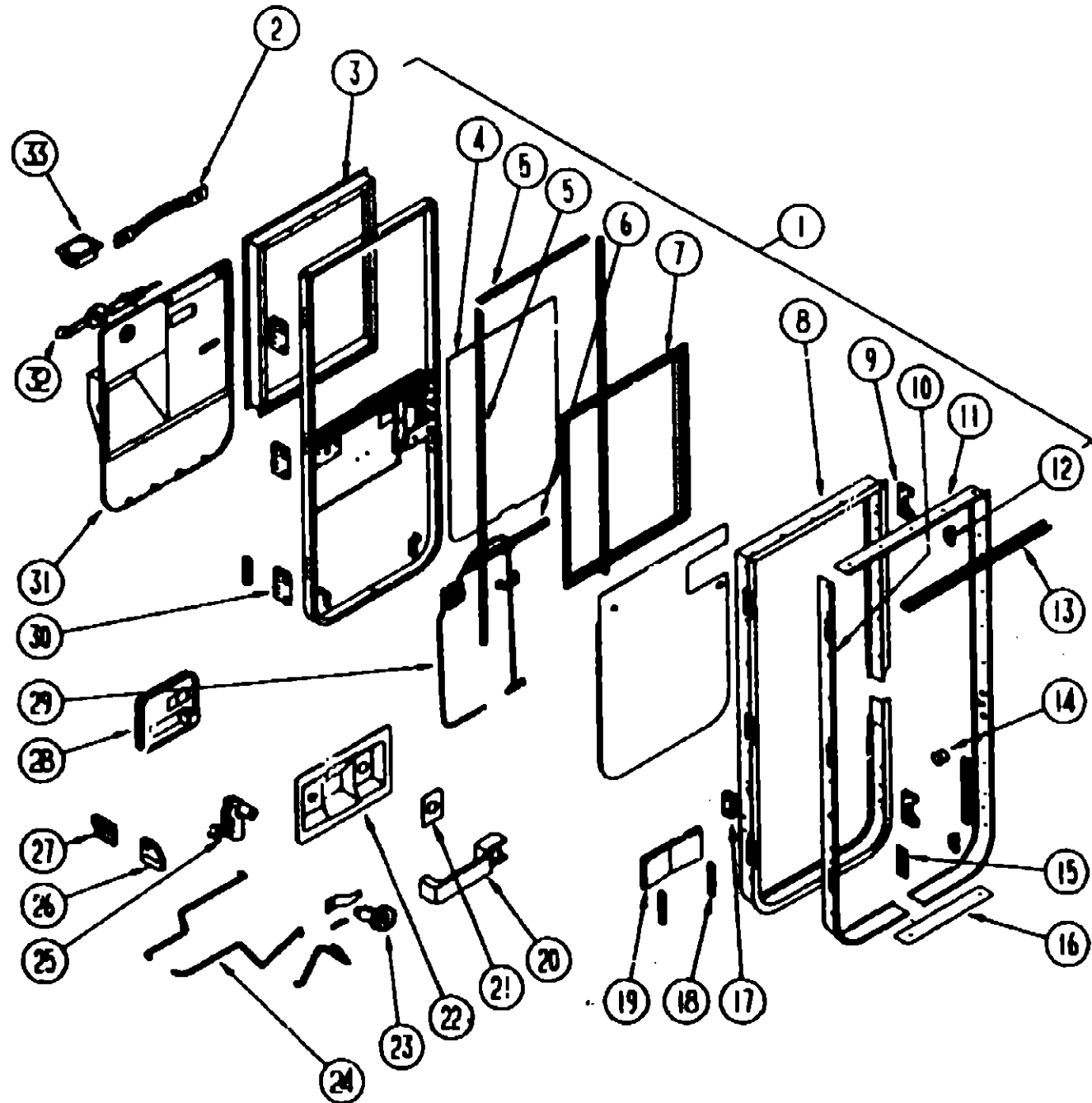


ENTRANCE DOOR

KEY PART NUMBER	U/M	DESCRIPTION
075671-01-000	FT	SEAL-SPONGE, LAZY T SHAPE - WEATHERSTRIP ON ENTRY DOOR
075673-01-000	FT	SEAL-PILE, ADHESIVE BACK
5 08527E-01-02A	EA	FRAME-ENTRY DOOR, W/O BOTTOM - BEIGE
6 079733-07-AA8	EA	WINDOW-ENTRY DOOR, 17" X 25" - FROSTED GLASS
002181-07-000	EA	GLASS-WINDOW, .182" X 16.25" X 24" - FROSTED
050216-02-000	FT	SEAL-WINDOW, EXTERIOR - VINYL - BLACK
087561-01-000	FT	SEAL-WINDOW, EXTERIOR - VINYL - BLACK
		FROM: 00-00-00 THRU: 01-07-90
067609-03-000	EA	FRAME-INSIDE PICTURE WINDOW - BEIGE
		FROM: 01-08-90 THRU: 00-00-00
067609-27-000	EA	FRAME-INSIDE PICTURE WINDOW - BLACK
		FROM: 00-00-00 THRU: 10-01-89
		FROM: 10-02-89 THRU: 99-99-99
7 085774-01-000	FT	FASTENER-DUAL HOOK, 1" WIDE - ADHESIVE BACK - BLACK
7 085774-02-000	FT	FASTENER-DUAL LOOP, 1" WIDE - ADHESIVE BACK - BLACK
039540-01-000	EA	LATCH MECHANISM-ENTRY DOOR, INTERIOR
039539-01-000	EA	STRIKE-ENTRANCE DOOR LOCK
039715-01-000	EA	NUT-SERT, 1/4" DIAMETER - 20 THREADS
039738-01-000	EA	DEADBOLT-ROUND, J-SHAPED - INTERIOR USE ONLY
039800-03-000	FT	TUBING-POLYBUTYLENE, 3/8" OD
039979-03-000	EA	COVER-INTERIOR LATCH, W/TRIP ARM - BLACK
		FROM: 00-00-00 THRU: 08-07-90
039979-04-000	EA	COVER-INTERIOR LATCH, W/TRIP ARM - BLACK
		FROM: 08-08-90 THRU: 99-99-99
8 079012-01-U01	EA	DOOR-SCREEN
002293-02-000	SF	SCREENING- 26" - CHARCOAL
002294-01-000	FT	SPLINE-SCREENING, .135" X .138" - BLACK
002748-01-000	EA	CORNER KEY-DOOR
008018-01-000	EA	CATCH-SCREEN DOOR ROLLER
016454-01-000	EA	INSERT-SCREEN DOOR, CENTER - LEATHER GRAIN ALUMINUM - BEIGE
001014-01-013	EA	INSERT-CENTER, .024" X 10.25" X 16.31" - UNPAINTED ALUMINUM
050712-04-000	EA	HANDLE-SCREEN DOOR, ALUMINUM - OFF WHITE
		FROM: 09-18-90 THRU: 99-99-99
050712-05-000	EA	HANDLE-SCREEN DOOR, UNPAINTED
		FROM: 00-00-00 THRU: 09-17-90
078552-03-000	EA	KICK PANEL-SCREEN DOOR, LOWER INSERT - UNPAINTED
078595-01-000	EA	TOP PLATE-SCREEN DOOR, CURVED TOP - 4.7" X 25.35"
078777-01-000	EA	CHANNEL-SLIDE, SCREEN DOOR CENTER SLIDER COVER
079086-02-000	EA	COVER-SLIDER, SCREEN DOOR
079087-02-000	EA	STRIKE-SLIDER COVER, W/LIP FOR ELBOW CATCH - 8.6" X 1.45"
075639-01-000	EA	GARNISH-RADIUS, ENTRY DOOR
044582-01-000	EA	CAP-DRIP, ENTRY DOOR, ALUMINUM, BEIGE
097724-01-01A	EA	HINGE-ENTRY DOOR, BEIGE
097724-01-04A	EA	HINGE-ENTRY DOOR, UNPAINTED
081067-01-000	EA	SEAL-LOCK, FLAT W/SPLIT - ONE SIDE ADHESIVE - BLACK
9 085278-01-01A	EA	JAMB-ENTRY DOOR, W/O BOTTOM - UNPAINTED
10 085277-02-02A	EA	JAMB-ENTRY DOOR, W/BOTTOM & ROLLER CATCH STRIKER - BEIGE
11 051049-01-000	EA	JAMB BOTTOM-ENTRY DOOR, BEIGE
12 089748-02-000	EA	FRAME-BOTTOM ENTRY DOOR, BEIGE
090340-01-000	FT	SEAL-FOAM, CLOSED CELL - 1/4" X 1/2" X 50'
091968-03-000	FT	TAPE-ADHESIVE, .04" X 1" WIDE
079207-01-000	EA	STRIKER-ROLLER CATCH, WELDED TO DOOR JAMB - 4" X 1.15"
100128-01-000	FT	SEAL-PILE, ADHESIVE BACK - GRAY
		FROM: 02-05-90 THRU: 05-24-90
		FROM: 08-06-90 THRU: 99-99-99
100128-02-000	FT	SEAL-PILE, ADHESIVE BACK - SCREEN DOOR - GRAY

KEY PART NUMBER	U/M	DESCRIPTION
1 M01870-49-B03	EA	DOOR-ENTRY, W/SCREEN DOOR & JAMB - W/O DECALS
2 088173-01-01A	EA	STIFFENER-ENTRY DOOR, SUPPORTS LATCH/STRIKE AREA - BEIGE
2 088173-01-04A	EA	STIFFENER-ENTRY DOOR, SUPPORTS LATCH/STRIKE AREA
088272-71-000	SF	PANELING-DECORATIVE, PLAIN - 4' X 7' - INC. OF 28 SF
3 045017-11-000	EA	LATCH-PADDLE, MECHANISM W/LOCK CYLINDER & KEY - BLACK
045017-08-700	EA	LOCK CYLINDER & KEY- SET OF THREE
045017-01-701	EA	KEY BLANK - ONE ONLY
056746-01-000	EA	PLUG-CAP, 1" DIAMETER
058025-02-000	EA	CLIP-ROLLER LATCH CATCH
058806-01-000	EA	PLUG-TAPERED, FOR DEADBOLT - PLASTIC - .66" DIAMETER - RED
063729-04-000	EA	RIVNUT- 10-32UNF .010-.080
072893-01-000	EA	NUTSERT-M5 X 0.8
008016-01-000	EA	CATCH-ELBOW, SPRING LOADED - SCREEN DOOR CATCH
100412-01-000	EA	CATCH SCREEN DOOR
		FROM: 00-00-00 THRU: 10-16-90
4 039984-01-000	EA	CAP-ROUND DEADBOLT, VINYL - .28" ID X .62" LONG - BLACK
040944-01-000	EA	LABEL-ENTRANCE DOOR, OPEN

WINDOW, VENT & EXTERIOR DOOR GROUP (CONTINUED)



DOOR-DRIVER, W/ROLL UP WINDOW (OPT 63U)

KEY PART NUMBER	U/M	DESCRIPTION
1 M82202-04-803	EA	DOOR ASM-DRIVER, CRANK UP WINDOW - W/O JAMB FROM: 00-00-00 THRU: 01-06-90
1 M82202-04-804	EA	DOOR ASM-DRIVER, CRANK UP WINDOW - W/O JAMB FROM: 01-07-90 THRU: 99-99-99
2 061400-04-000	EA	STRAP-ASSIST, 12" - BLACK W/WOODGRAIN SCREW COVERS FROM: 00-00-00 THRU: 04-07-91
2 061400-15-000	EA	STRAP-ASSIST, 12" - BLACK FROM: 04-08-91 THRU: 99-99-99
3 063729-01-000	EA	RIVNUT, 1/4 X 20 UNC - .030-.125
3 082234-03-000	EA	FRAME ASM-WINDOW, INNER - BLACK
3 086284-01-000	EA	SPRING-COMPRESSION, .44" LONG X .36" OD
4 081488-01-000	EA	GLASS-CRANK UP, DRIVER DOOR
4 081500-02-000	EA	SUPPORT TUBE-DRIVER DOOR FRAME, STEEL
5 081910-01-000	EA	CHANNEL-DRIVER DOOR WINDOW, W/POLYPROPYLENE PILE
5 081912-01-000	EA	WEATHERSTRIP-RIGID, BLACK
6 082472-01-000	EA	U CHANNEL-GLASS RETAINER, 2 HOLE - 16" LONG - MILL
7 082233-02-000	EA	FRAME ASM. - WINDOW - OUTER - BLACK
8 081661-04-000	EA	JAMB - DRIVERS DOOR - STEEL
8 M02684-11-000	EA	JAMB ASM-DRIVER DOOR, BEIGE - W/SEAL
9 084465-01-000	EA	BLOCK - DOOR STOP - JAMB
10 085007-03-000	EA	FRAME - DRIVERS DOOR - FRONT & LOWER - BEIGE

WINDOW, VENT & EXTERIOR DOOR GROUP (CONTINUED)

DOOR-DRIVER, W/ROLL UP WINDOW (OPT 63U) (CONTINUED)

KEY PART NUMBER	U/M	DESCRIPTION
11 082243-02-000	EA	FRAME-DRIVER DOOR, REAR & UPPER EDGE - ALUMINUM - BEIGE
12 084465-01-000	EA	BLOCK - ALIGNMENT - DOOR MOUNTED - BLACK PLASTIC
13 064184-01-000	EA	CAP-DRIP, DRIVER DOOR
088270-01-000	FT	SEAL-BULB, EPDM RUBBER
099852-01-000	FT	CORE-SEAL, BULB SUPPORT - 11 MM DIA
083551-01-000	FT	SEAL-LAZY T & D SHAPE, SPONGE RUBBER - BLACK - JAMB MOUNTED
14 058806-03-000	EA	PLUG-TAPERED, PLASTIC - RED FROM: 10-02-89 THRU: 99-99-99
15 041250-01-000	EA	SWITCH-PUSH BUTTON, DOME LIGHT - CHROME
063729-01-000	EA	RIVNUT, 1/4 X 20 UNC - .030-.125
063729-04-000	EA	RIVNUT, 1/4 X 20 UNF .010 - .080
16 099840-01-01A	EA	THRESHOLD-DRIVER DOOR, REAR - BLACK
16 099841-01-01A	EA	THRESHOLD-DRIVER DOOR, FRONT - BLACK
17 075722-01-000	EA	BLOCK-SWITCH SPACER FROM: 00-00-00 THRU: 08-22-89
084465-01-000	EA	BLOCK-ALIGNMENT, DOOR MOUNTED- PLASTIC - BLACK
18 064219-01-000	EA	RETAINER-CHECK STRAP, DRIVER DOOR
19 088030-01-000	EA	CHECK STRAP-DRIVER DOOR, BLACK
20 R77040-01-538	EA	HANDLE - EXTERIOR DRIVERS DOOR
21 R77007-05-374	EA	GASKET SEAL - DRIVERS DOOR HANDLE
22 082107-02-000	EA	INSET - DRIVERS DOOR HANDLE - EXTERIOR - BEIGE
23 083223-01-000	EA	LOCK ASM-KEY TYPE, W/2 KEYS
083223-01-700	EA	KEY-BLANK
083911-01-000	EA	CAM-LOCK, DRIVER DOOR
24 073110-03-000	EA	ROD-LOCK CONTROL, DRIVERS DOOR
076542-04-C00	EA	ROD-LATCH CONTROL, DRIVERS DOOR
081903-01-000	EA	SHAFT-MOUNTING, KNOB(CONNECTS KNOB TO SLIDE BOLT)
25 073303-03-000	EA	LATCH ASM-INNER, DRIVER DOOR - MODIFIED
26 082238-03-000	EA	COVER-STRIKE, DRIVER DOOR - GRAY FROM: 00-00-00 THRU: 01-06-91
26 082238-04-000	EA	COVER-STRIKE, DRIVER DOOR - OFF WHITE FROM: 01-07-91 THRU: 99-99-99
079561-01-000	EA	SHIM-STRIKE, DRIVER DOOR - 16 GAUGE FROM: 00-00-00 THRU: 08-02-90
079561-02-000	EA	SHIM-STRIKE, DRIVER DOOR - 22 GAUGE FROM: 00-00-00 THRU: 08-02-90
27 R77013-48-185	EA	STRIKER - DRIVERS DOOR
076322-02-000	FT	TAPE-FOAM, DOUBLE COATED - .045" X 1" - INC. OF 108 FT
081485-01-000	EA	SUPPORT ASM-STRIKE, DRIVER DOOR
073118-01-000	EA	RETAINER-ATTACHMENT PLATE - PART OF 081485-01-000
073119-01-000	EA	ATTACHMENT PLATE-STRIKER - PART OF 081485-01-000
081903-01-000	EA	SHAFT-MOUNTING, KNOB(CONNECTS KNOB TO SLIDE BOLT)
28 081905-02-000	EA	KNOB-SLIDE BOLT, BLACK
081906-01-000	EA	SLIDE BOLT-DRIVER DOOR
R77008-50-328	EA	HANDLE-DOOR, INTERIOR, LT
29 081907-02-000	EA	REGULATOR ASM-DRIVER DOOR WINDOW
081908-01-000	EA	SCREW-MACH 6-32X.62 W/NYLOCK
30 083993-01-000	EA	HINGE ASM-DRIVER DOOR, BEIGE - 3 PER DOOR
083731-01-000	EA	CAP-PUSH ON, ZINC - STYLE PW
31 082471-08-000	EA	PANEL-INSIDE, DRIVER DOOR - 31.7" X 24.2" - PLASTIC
32 084575-01-000	EA	CRANK - HAND - GLASS LIFT
32 084575-01-000	EA	WINDOW CRANK, GLASS LIFT
33 046886-03-000	EA	ASHTRAY-CHROME, W/COVER
081487-01-000	EA	HOUSING-SLIDE BOLT, STEEL
049465-04-000	EA	SCREW, 10-16 X 1 PTH W/WASHER - BEIGE
038888-01-000	EA	TAPE-BUTYL, .31" X .31" X 148" LONG
082242-02-000	EA	LINER-STEP BOX, DRIVER DOOR - ABS - BEIGE
084347-01-000	EA	SHIM-HINGE, DRIVER DOOR
079561-01-000	EA	SHIM-STRIKE, DRIVER DOOR - 16 GAUGE
079561-02-000	EA	SHIM-STRIKE, DRIVER DOOR - 22 GAUGE
068938-03-000	EA	BEARING-.387ID, SNAP IN
063977-08-000	EA	STEP ASM-DRIVER DOOR, BLACK
044380-01-001	EA	EXTRUSION-DRIP RAIL 192.00 IN
068938-03-000	EA	BEARING-.387ID, SNAP IN
R77006-64-355	EA	LINK-CONTROL
R77030-58-048	EA	WASHER
079370-04-000	FT	COVER-SCREW, WINDOW - VINYL - BLACK
091968-03-000	FT	TAPE-ADHESIVE, .04" X 1" WIDE

TABLE OF CONTENTS

INTRODUCTION	A-01
ABBREVIATIONS	A-01
ALPHABETICAL INDEX	A-02 - A-04
WCF23EC	A-05 - D-17
WCF30EU	D-19 - H-22

1981 WCF23EC INDEX

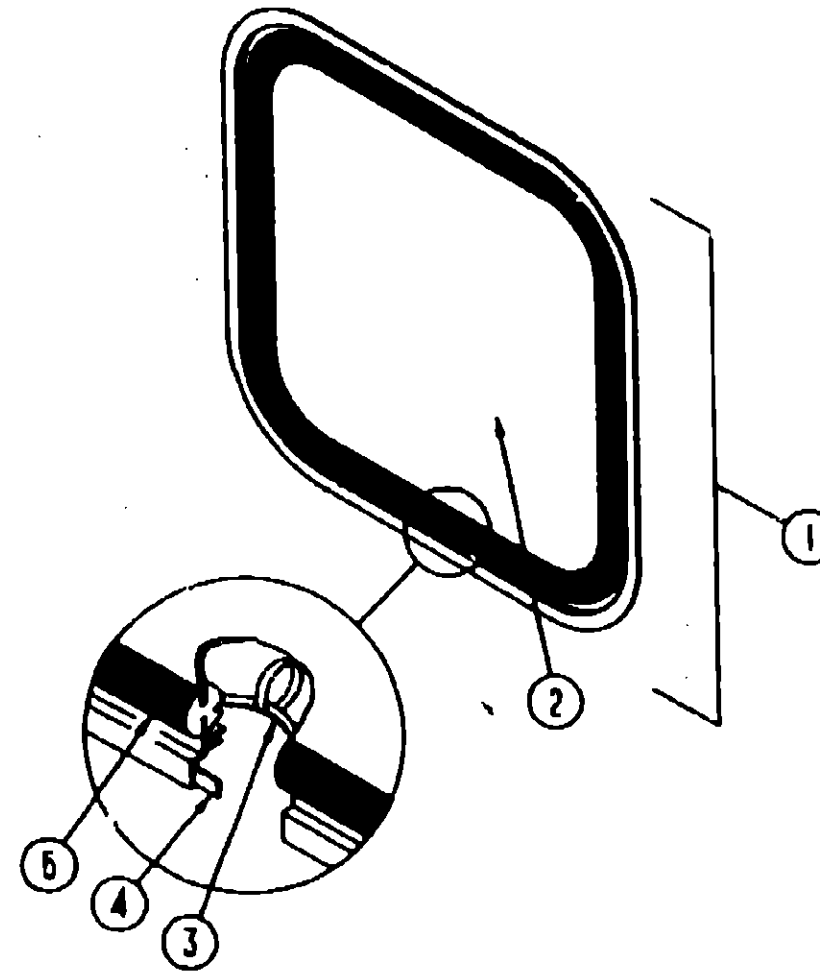
FLOOR PLAN	A-05 - A-06
ACCESSORIES	A-07 - A-10
BATH	A-11 - A-13
BEDROOM	A-14
CHASSIS	A-15 - A-16
C C & PAD	A-19 - B-04
DINETTE	B-03 - B-04
DRIVERS	B-05 - B-14
ELECTRICAL	B-15 - B-18
EXTERIOR BODY	B-19 - B-24
GALLEY	C-01 - C-06
HEATING & A/C	C-07 - C-12
INTERIOR FINISH	C-13 - C-16
LABEL	C-17
LP	C-18
SEALANTS & FASTENERS	C-19 - C-20
WATER & SEWAGE	C-21 - D-01
WINDOW, VENT AND EXTERIOR DOOR	D-02 - D-17

WINDOW, VENT & EXTERIOR DOOR GROUP (CONTINUED)

BATH SLIDING WINDOW

KEY PART NUMBER	U/M	DESCRIPTION
088644-01-715	EA	WINDOW W/O INSIDE FRAME, 22" X 15" - EXCEL B155-G2
088644-01-714	EA	FRAME-INSIDE, EXCEL B963-67
088644-01-700	EA	LATCH REPAIR KIT, EXCEL B801-CK
088644-01-701	EA	SPLICE PLATE-WINDOW, EXCEL M801-23
088644-01-702	EA	SCREW-SPLICE, #6-32 X 1/4 PAN HEAD - EXCEL 270-010872
088644-01-703	EA	SCREW-LOCKING RAIL, #6 X 1.5 PRO HEAD RECESS BLACK - EXCEL 272-010808
088644-01-704	EA	GLASS-STATIONARY, 10.03" X 13.77" - EXCEL 106-011866
088644-01-705	FT	GLAZING STRIP, EXCEL M926-12
088644-01-706	FT	WEATHERSTRIP, EXCEL 171-010668
088644-01-707	EA	RAIL-LOCKING W/WEATHERSTRIP, EXCEL B370-17
088644-01-708	FT	CHANNEL-PIERCED RUN, EXCEL 122-016543
088644-01-709	EA	SASH W/LATCH & SLIDING GLASS, EXCEL B963-G9
088644-01-710	FT	TRACK-SCREEN SPACER, 12" LENGTH - EXCEL M401-31
088644-01-711	FT	WEATHERSTRIP-SCREEN, BLACK - EXCEL 171-016965
088644-01-712	EA	SCREEN W/WEATHERSTRIP & FRAME SPRING(CLIP) - EXCEL 410-016476
088644-01-713	EA	SPRING-SCREEN FRAME (CLIP), PLASTIC - BLACK - EXCEL 226-016966
088644-01-716	FT	PLUG-FILLER, EXCEL 132-014470

WINDOW, VENT & EXTERIOR DOOR GROUP (CONTINUED)



BACKWALL ESCAPE WINDOW

KEY PART NUMBER	U/M	DESCRIPTION
1 079415-01-T03	EA	WINDOW-ESCAPE, 29" X 23"
020749-06-000	EA	FRAME-INSIDE WINDOW, 23" X 29" - BLACK
2 002174-01-000	EA	GLASS-WINDOW, 25.92" X 19.61"
3 002285-01-000	FT	FILLER-WEATHER STRIP, RUBBER - BLACK
4 088640-06-000	FT	RIBBON SEALER, 5/16" BEAD X 15"
5 002282-01-000	FT	WEATHER STRIP-WINDOW, RUBBER - .125" - BLACK FROM: 00-00-00 THRU: 08-19-97
5 002282-03-000	EA	WEATHER STRIP-WINDOW, RUBBER - .125" - BLACK FROM: 08-20-90 THRU: 99-99-99
088640-07-000	FT	SEALER-RIBBON, 2" X 3/32" - INCREMENTS OF 30"
077086-01-702	EA	TAPE ASM-ESCAPE WINDOW
006199-01-000	EA	LABEL-EXIT, ESCAPE WINDOW

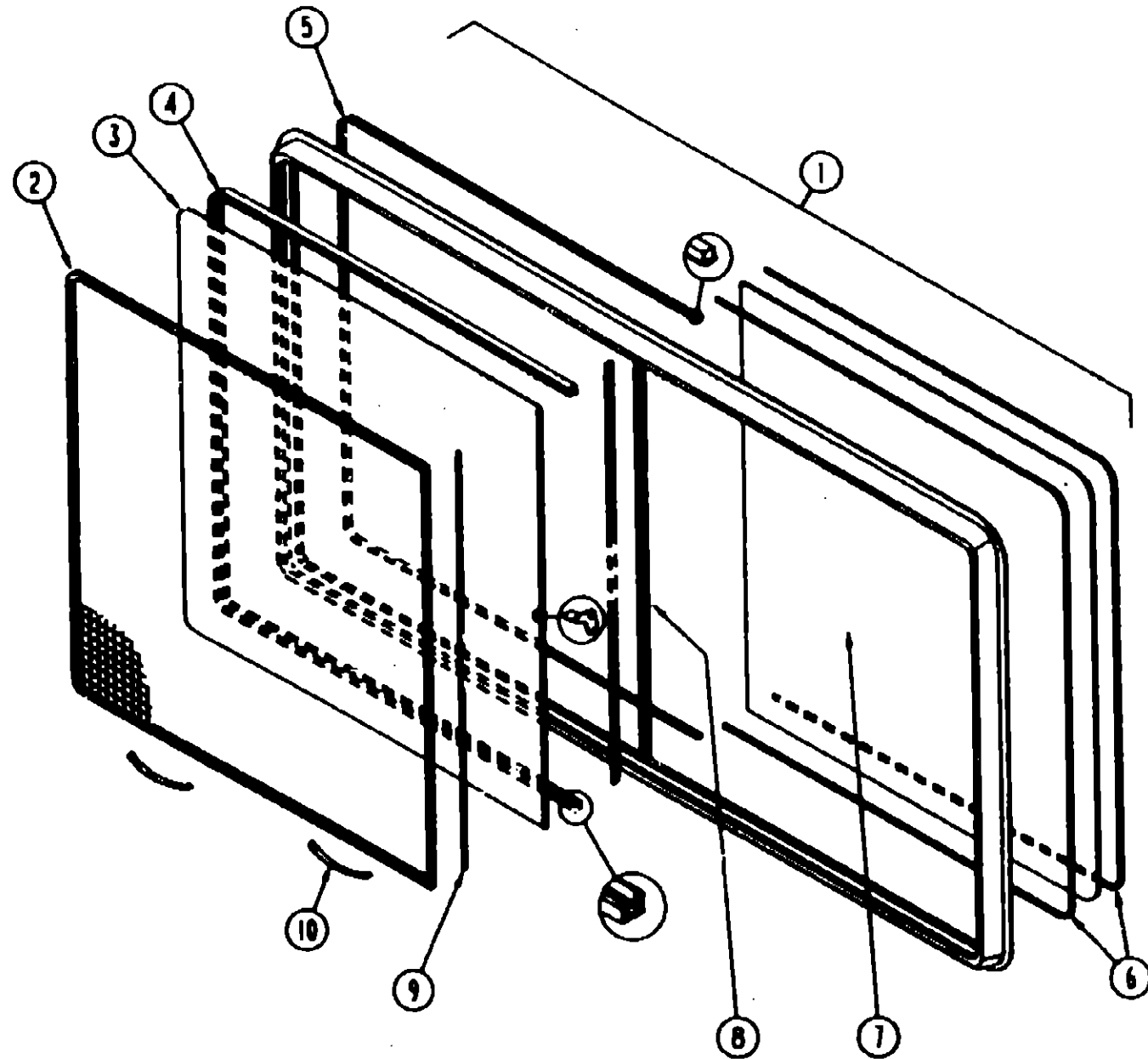
TABLE OF CONTENTS

INTRODUCTION	A-01
ABBREVIATIONS	A-01
ALPHABETICAL INDEX	A-02 - A-04
WCF23EC	A-05 - D-17
WCF30EU	D-19 - H-22

1991 WCF23EC INDEX

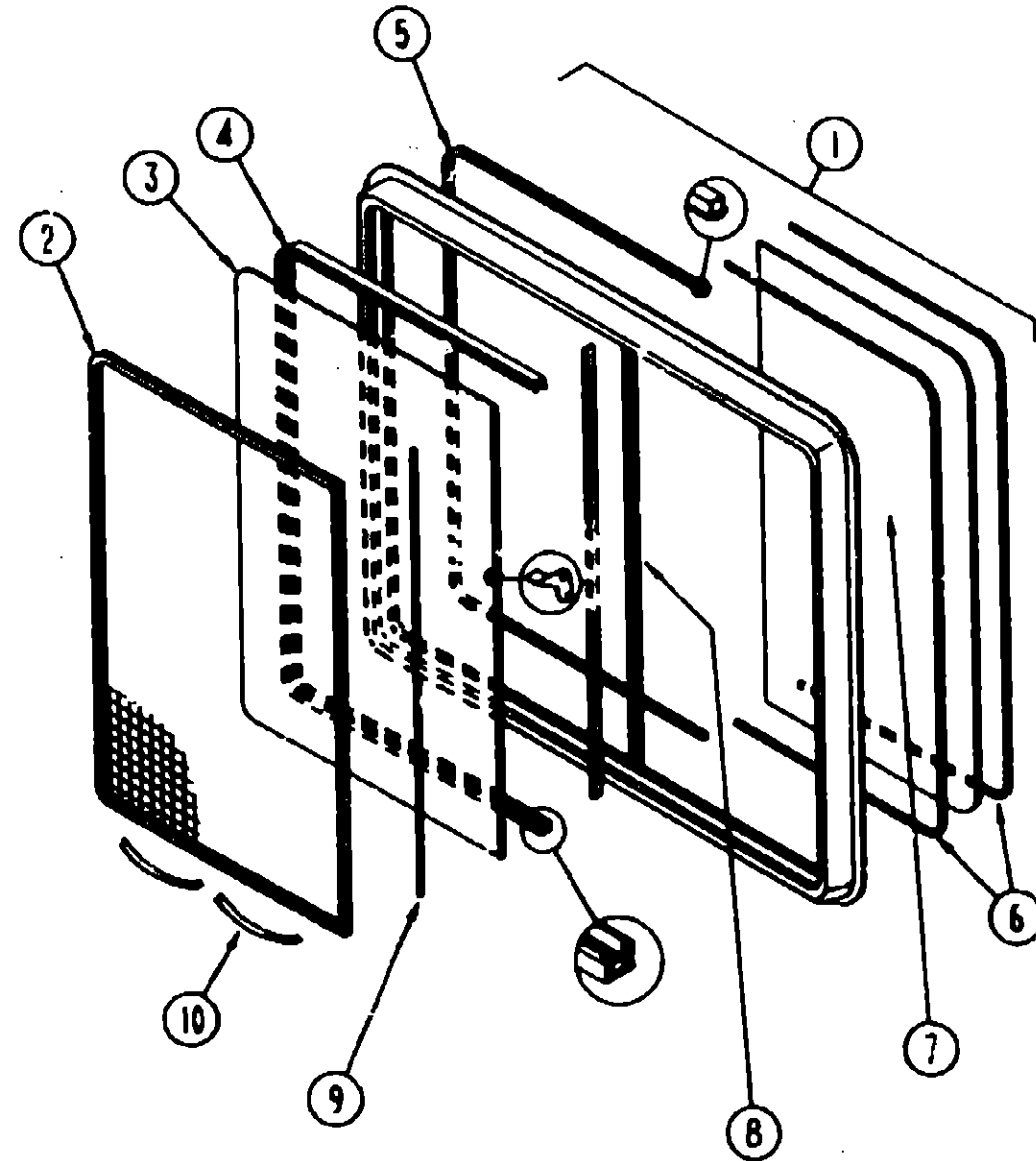
FLOOR PLAN	A-05 - A-06
ACCESSORIES	A-07 - A-10
BATH	A-11 - A-13
BEDROOM	A-14
CHASSIS	A-15 - A-16
C C & PAD	A-19 - B-04
DINETTE	B-03 - B-04
DRIVERS	B-05 - B-14
ELECTRICAL	B-15 - B-18
EXTERIOR BODY	B-19 - B-24
GALLEY	C-01 - C-06
HEATING & A/C	C-07 - C-12
INTERIOR FINISH	C-13 - C-16
LABEL	C-17
LP	C-18
SEALANTS & FASTENERS	C-19 - C-20
WATER & SEWAGE	C-21 - D-01
WINDOW, VENT AND EXTERIOR DOOR	D-02 - D-17

WINDOW, VENT & EXTERIOR DOOR GROUP (CONTINUED)



DINETTE SLIDING WINDOW (EXCEL)

WINDOW, VENT & EXTERIOR DOOR GROUP (CONTINUED)



GALLEY SLIDING WINDOW (EXCEL)

TABLE OF CONTENTS

INTRODUCTION	A-01
ABBREVIATIONS	A-01
ALPHABETICAL INDEX	A-02 - A-04
WCF23EC	A-05 - D-17
WCF30EU	D-19 - H-22

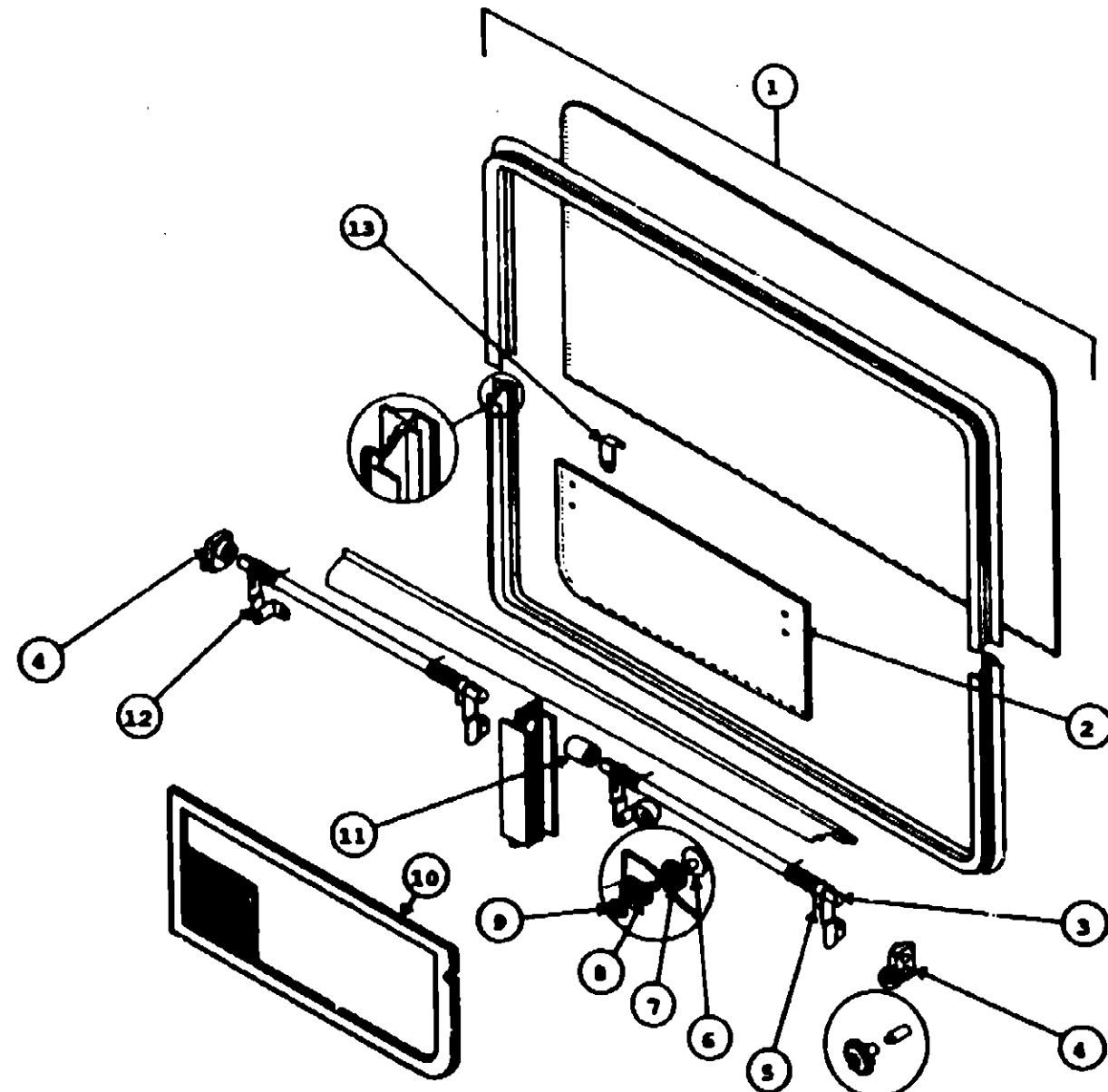
1991 WCF23EC INDEX

FLOOR PLAN	A-05 - A-06
ACCESSORIES	A-07 - A-10
BATH	A-11 - A-13
BEDROOM	A-14
CHASSIS	A-15 - A-16
C C & PAD	A-19 - B-04
DINETTE	B-03 - B-04
DRIVERS	B-05 - B-14
ELECTRICAL	B-15 - B-18
EXTERIOR BODY	B-19 - B-24
GALLEY	C-01 - C-06
HEATING & A/C	C-07 - C-12
INTERIOR FINISH	C-13 - C-16
LABEL	C-17
LP	C-18
SEALANTS & FASTENERS	C-19 - C-20
WATER & SEWAGE	C-21 - D-01
WINDOW, VENT AND EXTERIOR DOOR	D-02 - D-17

KEY PART NUMBER	U/M	DESCRIPTION
1	098647-02-700	EA WINDOW-SLIDING, SINGLE - 30.5" X 57.5" - EXCEL H112-G2L
	098647-01-704	EA FRAME-WINDOW, INSIDE - EXCEL H112-67
2	098647-01-706	EA SCREEN ASM-SPRING W/WEATHERSTRIP & FRAME - EXCEL 410-016472
3	098647-01-702	EA SASH ASM. W/LOCK & SLIDING GLASS, EXCEL H112-G9
	098644-01-700	EA LATCH REPAIR KIT, EXCEL B801-CK
4	098644-01-708	FT CHANNEL PIERCED RUN , EXCEL 122-016543
5	098644-01-706	FT WEATHERSTRIP, EXCEL 171-010668
6	098644-01-705	FT GLAZING STRIP, EXCEL M926-12
7	098647-01-700	EA GLASS-STATIONARY, 29.27" X 27.72" - EXCEL 106-015631
8	098647-01-701	EA LOCKING RAIL W/WEATHERSTRIP, EXCEL B372-17
9	098644-01-711	FT WEATHERSTRIP-BLACK F/SCREEN, EXCEL 171-016965
10	098644-01-713	EA BLACK SCREEN CLIPS (PLASTIC), EXCEL 226-016966
	098647-01-703	EA SPACER-TRACK, EXCEL M402-31
	098644-01-701	EA WINDOW SPLICE PLATE, EXCEL M801-23
	098644-01-702	EA SCREW #6-32X1/4 PAN HEAD, EXCEL 270-010872
	098644-01-703	EA #6X1.50 PRO HEAD RECESS BLK, EXCEL 272-010808
	098644-01-710	FT SCREEN TRACK (12FT LENGTH), EXCEL M401-31
	098757-01-000	EA LABEL-RETAIL, 8 5/8" X 12 7/8"

KEY PART NUMBER	U/M	DESCRIPTION
1	098647-06-705	EA WINDOW ASM-SLIDER,HORIZONTAL - W/O INSIDE TRIM EXEL
	098647-06-704	EA TRIM-INSIDE FRAME EXEL
2	098647-06-703	EA SCREEN ASM. W/SPRING & WEATHERSTRIPPING
3	098647-06-702	EA SASH ASM. W/LATCH & GLASS
	098644-01-700	EA LATCH REPAIR KIT, EXCEL B801-CK
4	098644-01-708	FT PIERCED RUN CHANNEL, EXCEL 122-016543
5	098644-01-706	FT WEATHERSTRIP, EXCEL 171-010668
6	098644-01-705	FT GLAZING STRIP, EXCEL M926-12
7	098647-06-700	EA GLASS-STATIONARY 10.91X13.77
8	098647-06-701	EA LOCKING RAIL W/WEATHERSTRIP
9	098644-01-711	FT WEATHERSTRIP-BLACK F/SCREEN, EXCEL 171-016965
10	098644-01-713	EA BLACK SCREEN CLIPS (PLASTIC), EXCEL 226-016966
	098644-01-701	EA WINDOW SPLICE PLATE, EXCEL M801-23
	098644-01-702	EA SCREW #6-32X1/4 PAN HEAD, EXCEL 270-010872
	098644-01-703	EA #6X1.50 PRO HEAD RECESS BLK, EXCEL 272-010808
	098644-01-710	FT SCREEN TRACK (12FT LENGTH), EXCEL M401-31

WINDOW, VENT & EXTERIOR DOOR GROUP (CONTINUED)



PASSENGER SIDE TIPOUT WINDOW

WINDOW, VENT & EXTERIOR DOOR GROUP (CONTINUED)

DRIVER SLIDING WINDOW

KEY PART NUMBER	U/M	DESCRIPTION
082057-02-U04	EA	WINDOW-DRIVER, SLIDER W/O INSIDE FRAME
082056-02-U04	EA	FRAME-INSIDE WINDOW, DRIVER W/SCREEN - BEIGE FROM: 00-00-00 THRU: 10-01-89
082056-02-AB1	EA	FRAME-INSIDE WINDOW, DRIVER W/SCREEN - BLACK FROM: 10-02-89 THRU: 99-99-99
082467-04-000	EA	FRAME-WINDOW, INSIDE DRIVER W/O SCREEN - BLACK FROM: 10-02-89 THRU: 99-99-99
000G39-06-16T	EA	SCREW-SF/DR, 6-20 X 1. PPH - BLACK
002328-01-000	EA	BLOCK-WINDOW, 1/8" X 3/16" X 1"
002389-03-203	EA	HOLDER-GLASS, EXTERIOR VERTICAL - 27.125"
041928-02-000	FT	SEAL-EXTERIOR WINDOW, BLACK
042077-01-000	FT	CHANNEL-WEATHERSTRIP, GLASS RUN - U-SHAPED - 3/16"
047388-01-700	EA	LATCH KIT-WINDOW, W/SCREWS - PLASTIC - BLACK
050216-02-000	FT	SPLINE-EXTERIOR GLASS, VINYL - .19" - BLACK
057856-03-000	EA	GLASS-WINDOW, STATIONARY - .19" X 28.11" X 27"
073740-01-000	FT	SEAL-FIN, .46" PILE HEIGHT - GRAY
081980-06-000	EA	GLASS-WINDOW, SLIDER - .19" X 28.11" X 14.88"
082466-02-070	EA	FRAME-WINDOW, DRIVER SLANTED SLIDER - BLACK
084170-07-000	EA	MULLION-WINDOW, INTERIOR VERTICAL - 27.46" - BLACK
078364-01-000	EA	HOLDER-UPPER SCREEN, EXTRUDED PLASTIC - 9.5" - BLACK
078365-01-000	EA	HOLDER-LOWER SCREEN, EXTRUDED PLASTIC - 9.5" - BLACK
079574-02-T03	EA	SCREEN-WINDOW, DRIVER SLANTED SLIDER
079667-02-000	FT	TAPE-PLASTIC FILM, .375 WIDE
079824-01-000	FT	SEAL-WINDOW, WEATHER - C/FOLD - .5"

DRIVER'S FRONT SLANT

KEY PART NUMBER	U/M	DESCRIPTION
099933-01-01A	EA	WINDOW ASM-FRONT SLANT, DRIVER
099932-02-01A	EA	FRAME ASM. - INTERIOR FRONT SLANTED WINDOW - DRIVER - BLACK FROM: 03-28-90 THRU: 99-99-99
002328-01-000	EA	BLOCK-WINDOW, 1/8" X 3/16" X 1"
050216-02-000	FT	SPLINE-GLASS, EXTERIOR - VINYL - .19" - BLACK
057856-13-000	EA	GLASS-WINDOW, 13.6" X 28.11"
079296-01-000	FT	FOAM-OPEN CELL, 20" X .35" - BLACK FROM: 00-00-00 THRU: 07-25-89

TABLE OF CONTENTS

INTRODUCTION	A-01
ABBREVIATIONS	A-01
ALPHABETICAL INDEX	A-02 - A-04
WCF23EC	A-05 - D-17
WCF30EU	D-19 - H-22

1991 WCF23EC INDEX

FLOOR PLAN	A-05 - A-08
ACCESSORIES	A-07 - A-10
BATH	A-11 - A-13
BEDROOM	A-14
CHASSIS	A-15 - A-16
C C & PAD	A-19 - B-04
DINETTE	B-03 - B-04
DRIVERS	B-05 - B-14
ELECTRICAL	B-15 - B-18
EXTERIOR BODY	B-19 - B-24
GALLEY	C-01 - C-08
HEATING & AC	C-07 - C-12
INTERIOR FINISH	C-13 - C-16
LABEL	C-17
LP	C-18
SEALANTS & FASTENERS	C-19 - C-20
WATER & SEWAGE	C-21 - D-01
WINDOW, VENT AND EXTERIOR DOOR	D-02 - D-17

KEY PART NUMBER	U/M	DESCRIPTION
1 082235-07-Y12	EA	WINDOW-TIPOUT, W/O INSIDE FRAME - 24.3" X 40.3" STATIONARY GLASS IS NOT AVAILABLE SEPARATELY - MUST ORDER ASM.
090893-11-01A	EA	FRAME-INSIDE WINDOW, RETAINING - BLACK
2 084068-17-000	EA	GLASS-TIPOUT WINDOW, 9.2" X 40.1"
3 083150-12-000	EA	TUBE-TORQUE, TIPOUT WINDOW
4 035302-02-000	EA	OPERATOR-TORQUE, TIPOUT WINDOW
5 080918-01-000	EA	SPRING-TORQUE TUBE, REAR
080918-02-000	EA	SPRING-TORQUE TUBE, FRONT
084067-01-000	FT	SEAL-E, TIPOUT WINDOW - SPONGE RUBBER
6 085762-01-000	EA	T NUT 10-32
7 088827-03-000	EA	SEAL-WINDOW, RUBBER
8 084453-01-000	EA	WASHER-PLASTIC, .060X.50X.135
084473-01-000	EA	SEAL-RUBBER, TIPOUT WINDOW
9 088763-01-000	EA	SCREW-MACH, 10 - 32 X 1/4 PTH
087581-01-000	FT	SEAL-WINDOW, EXTERIOR - VINYL - BLACK
10 080830-52-003	EA	FRAME-TIPOUT WINDOW, SCREEN - BLACK
002291-02-000	SF	SCREENING-ROOF VENT/WINDOW, 16" - BLACK
000G39-06-16T	EA	SCREW-SF/DR, 6-20 X 1. PPH - BLACK
002298-02-000	FT	SPLINE-VENT/WINDOW SCREEN, .128 DIAMETER - BLACK
080914-01-000	EA	KEY-CORNER, TIPOUT WINDOW
11 081354-01-000	EA	SLEEVE-TORQUE TUBE, TIPOUT WINDOW
081649-01-000	EA	RING-SNAP, 7/32 SHAFT DIAMETER
085315-01-000	EA	RIVET-SHOULDER, TIPOUT WINDOW
12 087578-01-000	EA	LINKAGE-TIPOUT WINDOW
13 089913 01 000	EA	HINGE-TIPOUT WINDOW-BLACK

WINDOW, VENT & EXTERIOR DOOR GROUP (CONTINUED)

POWER CORD DOOR

KEY PART NUMBER	U/M DESCRIPTION
088580-04-000	EA BOX-POWER CORD, PLASTIC
088794-02-000	EA DOOR-POWER CORD, WHATCH - BEIGE

STORAGE DOOR & HARDWARE

KEY PART NUMBER	U/M DESCRIPTION
090189-01-000	EA COMPARTMENT-STORAGE, 55.27" WIDE X 21.65" DEEP
086531-06-X11	EA DOOR-STORAGE W/JAMB & LATCHES, 9" X 47.12" - BEIGE
000G11-08-12T	EA SCREW, 8-18 X 3/4 PPH - BLACK
002748-01-000	EA CORNER KEY-DOOR
053786-06-000	EA BEDDING COMPOUND-TUBE, CLEAR
076322-00-000	FT TAPE-FOAM, DOUBLE COATED ADHESIVE BACKED - .5" X 108"
076767-05-000	EA CABLE-STORAGE DOOR SUPPORT, 1/16" X 15.5" - STAINLESS
081067-02-000	EA SEAL-LOCK, FLAT W/SLIT - BLACK
081377-01-700	EA ADHESIVE-CYANOACRYLATE, 10 GRAM TUBE
085730-01-000	EA PADDLE LATCH-COMPARTMENT DOOR, W/KEY LOCK - PLASTIC -
004005-02-000	EA ADHESIVE-SWIFTS, 1 GAL - W1333
081395-07-000	EA PANEL-FRP, PBOARD/FGLASS
086551-55-003	EA TRIM-LOWER DOOR, ROCKER PANEL - 16" - BEIGE
086809-01-000	EA STRIKER-PADDLE LATCH, COMPARTMENT DOOR - BEIGE
086810-02-000	EA BRACKET-LOCK, 1.1" X 3.19" X 2.72" - PRIMED
082684-01-700	EA KEY-COMPARTMENT DOOR LOCK, BH024
086772-51-001	EA PIN-STAINLESS STEEL .25" DIAMETER X 4.17"
086767-01-000	EA SPACER-DOOR, LOWER
081252-04-000	EA COMPARTMENT-STORAGE, 31.18" WIDE X 25.39" DEEP
079578-05-X11	EA DOOR-STORAGE, DRIVERS SIDE W/JAMB & LOCKS - 22.6" X 1
000870-05-000	SF STYROFOAM-.5" X 24" X 96", INCREMENTS OF 16 SF
004005-02-000	EA ADHESIVE-SWIFTS, 1 GAL - W1333
077517-22-000	EA SKIN-DOOR, FLAT FIBERGLASS - 48" X 96" - BEIGE
064075-07-000	FT SEAL-BULB, DOOR JAMB - BLACK
079386-04-000	EA LOCK-DOOR, KEY TYPE W/O KEYS - 1.9 OFF SET
081377-01-700	EA ADHESIVE-CYANOACRYLATE, 10 GRAM TUBE
081801-01-000	EA HINGE-DOOR, PIANO - 2" X 96" - BEIGE
082684-01-700	EA KEY-COMPARTMENT DOOR LOCK, SINGLE

WATER FILL

KEY PART NUMBER	U/M DESCRIPTION
081240-01-000	EA DOOR-WATER FILL, LOCKABLE W/FILL - BEIGE

SEWER HOSE DOOR

KEY PART NUMBER	U/M DESCRIPTION
085967-01-000	EA COMPARTMENT-SEWER HOSE, 6" X 6.6" X 17.8" - PLASTIC
052423-02-000	EA DOOR-SEWER HOSE, PLASTIC - BEIGE
052424-02-000	EA JAMB-DOOR, SEWER HOSE - PLASTIC - BEIGE
042442-01-000	EA LOCK-TWIST TYPE

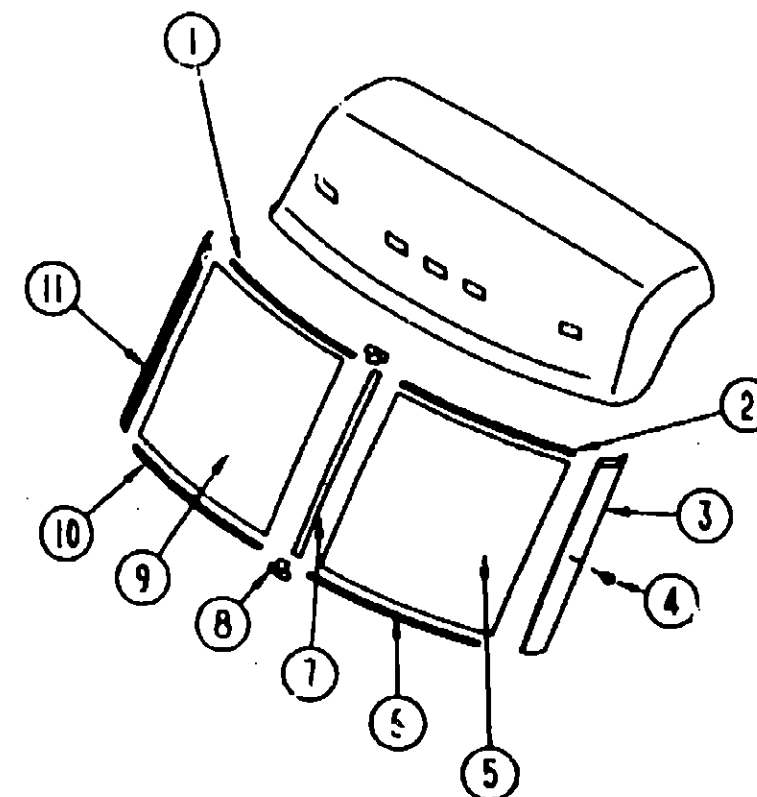
FUEL FILL DOOR

KEY PART NUMBER	U/M DESCRIPTION
072447-01-000	EA SHROUD-FUEL FILL, NECK SURROUND - PLASTIC
083578-01-000	EA BOOT-FUEL FILL
084235-01-000	EA SUPPORT-FLANGE, FUEL FILL BOOT
078010-04-000	EA DOOR-FUEL FILL W/JAMB - BEIGE

BATTERY DOOR & COMPARTMENT

KEY PART NUMBER	U/M DESCRIPTION
078490-01-000	EA TRAY-BATTERY, STEP WELL
M03112-03-000	EA FRAME AND JAMB ASM-BATTERY DOOR
002754-01-001	EA ANGLE-EXTRUDED, .75" X .75" X 18" - MILL ALUMINUM
009063-01-000	EA HINGE-CONTINUOUS, 1 1/2" X 72"
042541-04-700	EA LATCH-CAM, W/STRIKE - (2 SETS) - BRASS

WINDOW, VENT & EXTERIOR DOOR GROUP (CONTINUED)



WINDSHIELDS, TRIMS & MOLDINGS

KEY PART NUMBER	U/M DESCRIPTION
1 077944-01-000	EA REVEAL MOLDING-UPPER WINDSHIELD, PASSENGER
2 077944-02-000	EA REVEAL MOLDING-UPPER WINDSHIELD, DRIVER
3 079225-02-000	EA TRIM POST-WINDSHIELD, DRIVERS - METAL - BLACK
4 034141-02-000	EA PLUG-HOLE, 3/8" - NYLON - BLACK
5 077875-02-000	EA GLASS-DRIVER WINDSHIELD
6 077945-02-000	EA REVEAL MOLDING-LOWER WINDSHIELD, DRIVER
7 078676-02-000	EA REVEAL MOLDING-WINDSHIELD CENTER - 29.25"
8 077952-02-000	EA CAP-REVEAL MOLDING, CENTER TOP AND BOTTOM WINDSHIELD
9 077675-01-000	EA GLASS-PASSENGER WINDSHIELD
10 077945-01-000	EA REVEAL MOLDING-LOWER WINDSHIELD, PASSENGER
11 079225-01-000	EA TRIM POST-WINDSHIELD, PASSENGER - METAL - BLACK
058291-01-000	FT EDGE MOLDINGS-WINDSHIELD TO TRIM POST - VINYL - BLACK
002328-02-000	EA BLOCK-WINDSHIELD, .062" X .5" X .96"

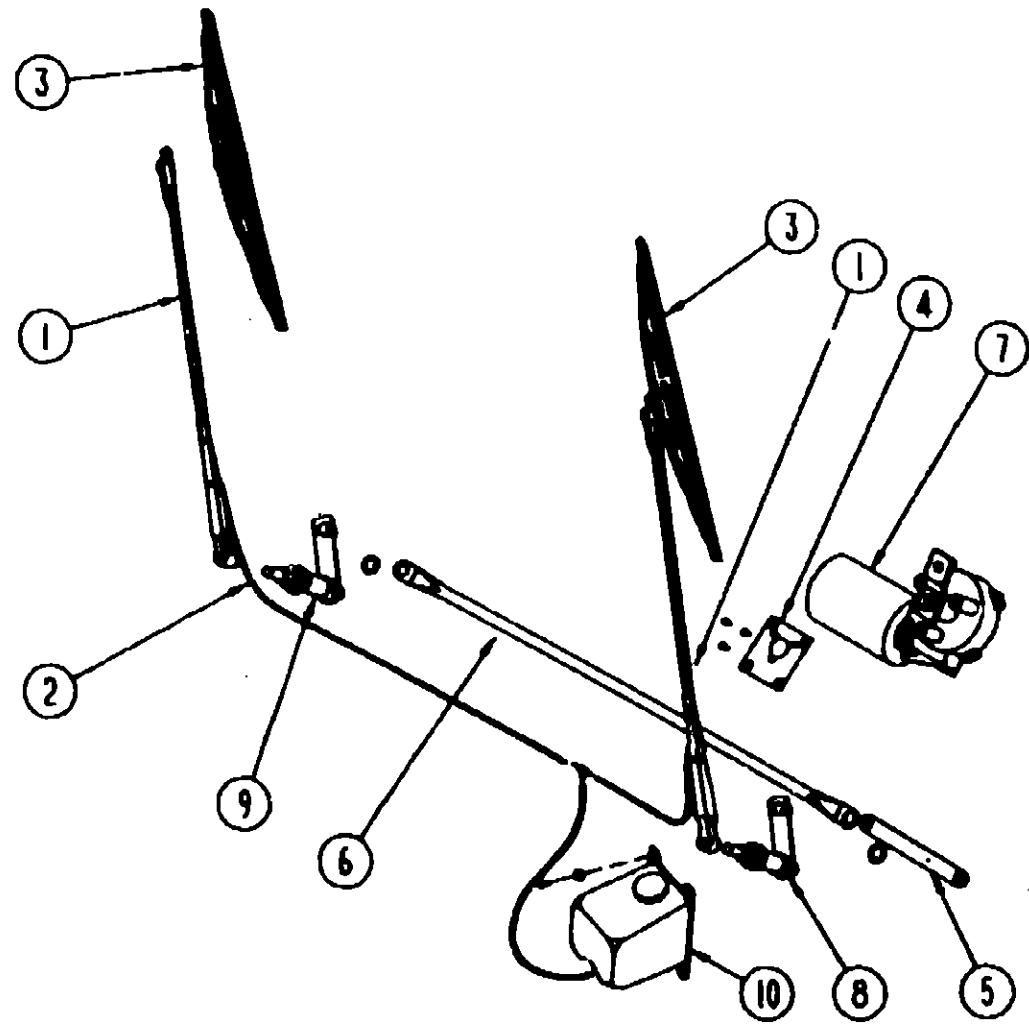
TABLE OF CONTENTS

INTRODUCTION	A-01
ABBREVIATIONS	A-01
ALPHABETICAL INDEX	A-02 - A-04
WCF23EC	A-05 - D-17
WCF30EU	D-19 - H-22

1991 WCF23EC INDEX

FLOOR PLAN	A-05 - A-08
ACCESSORIES	A-07 - A-10
BATH	A-11 - A-13
BEDROOM	A-14
CHASSIS	A-15 - A-16
C C & PAD	A-19 - B-04
DINETTE	B-03 - B-04
DRIVERS	B-05 - B-14
ELECTRICAL	B-15 - B-18
EXTERIOR BODY	B-19 - B-24
GALLEY	C-01 - C-08
HEATING & AC	C-07 - C-12
INTERIOR FINISH	C-13 - C-16
LABEL	C-17
LP	C-18
SEALANTS & FASTENERS	C-19 - C-20
WATER & SEWAGE	C-21 - D-01
WINDOW, VENT AND EXTERIOR DOOR	D-02 - D-17

WINDOW, VENT & EXTERIOR DOOR GROUP (CONTINUED)



WIPER COMPONENTS

KEY PART NUMBER	U/M	DESCRIPTION	
1 057653-01-000	EA	ARM-WIPER, 18"	
1 088931-01-000	EA	ARM-WIPER, 20"	FROM: 00-00-00 THRU: 11-02-89
2 086831-01-700	FT	HOSE - WIPER TO BLADES	FROM: 11-03-89 THRU: 99-99-99
3 049464-03-000	EA	BLADE-WIPER, WINDSHIELD - 20"	FROM: 00-00-00 THRU: 11-02-89
049464-03-700	EA	REFILL-BLADE, WINDSHIELD WIPER - 20"	FROM: 11-03-89 THRU: 99-99-99
3 095964-01-000	EA	BLADE-WIPER, 24"	
4 063971-01-000	EA	SUPPORT-WIPER MOTOR	
5 067192-01-000	EA	LINK-DRIVER CONNECTING, W/BLACK BUSHING - 37.85"	
6 067192-02-000	EA	LINK-PASSENGER CONNECTING, W/BLACK BUSHING - 43.57"	
7 096380-01-000	EA	MOTOR-WIPER	
8 096504-01-000	EA	PIVOT SHAFT-DRIVER	
9 096505-02-000	EA	PIVOT SHAFT-PASSENGER	
096526-01-000	EA	SCREW-HEX, 1/4 - 28 UNF	
10 056000-02-000	EA	WASHER-WINDSHIELD, BOTTLE & PUMP	
056000-01-700	FT	VACUUM HOSE 7/64 - 5/32	
041791-01-000	FT	SEAL-VINYL, FLEX U-CHANNEL	

TABLE OF CONTENTS

INTRODUCTION	A-01
ABBREVIATIONS	A-01
ALPHABETICAL INDEX	A-02 - A-04
WCF23EC	A-05 - D-17
WCF30EU	D-19 - H-22

1991 WCF23EC INDEX

FLOOR PLAN	A-05 - A-06
ACCESSORIES	A-07 - A-10
BATH	A-11 - A-13
BEDROOM	A-14
CHASSIS	A-15 - A-16
C C & PAD	A-19 - B-04
DINETTE	B-03 - B-04
DRIVERS	B-05 - B-14
ELECTRICAL	B-15 - B-18
EXTERIOR BODY	B-19 - B-24
GALLEY	C-01 - C-06
HEATING & AC	C-07 - C-12
INTERIOR FINISH	C-13 - C-16
LABEL	C-17
LP	C-18
SEALANTS & FASTENERS	C-19 - C-20
WATER & SEWAGE	C-21 - D-01
WINDOW, VENT AND EXTERIOR DOOR	D-02 - D-17