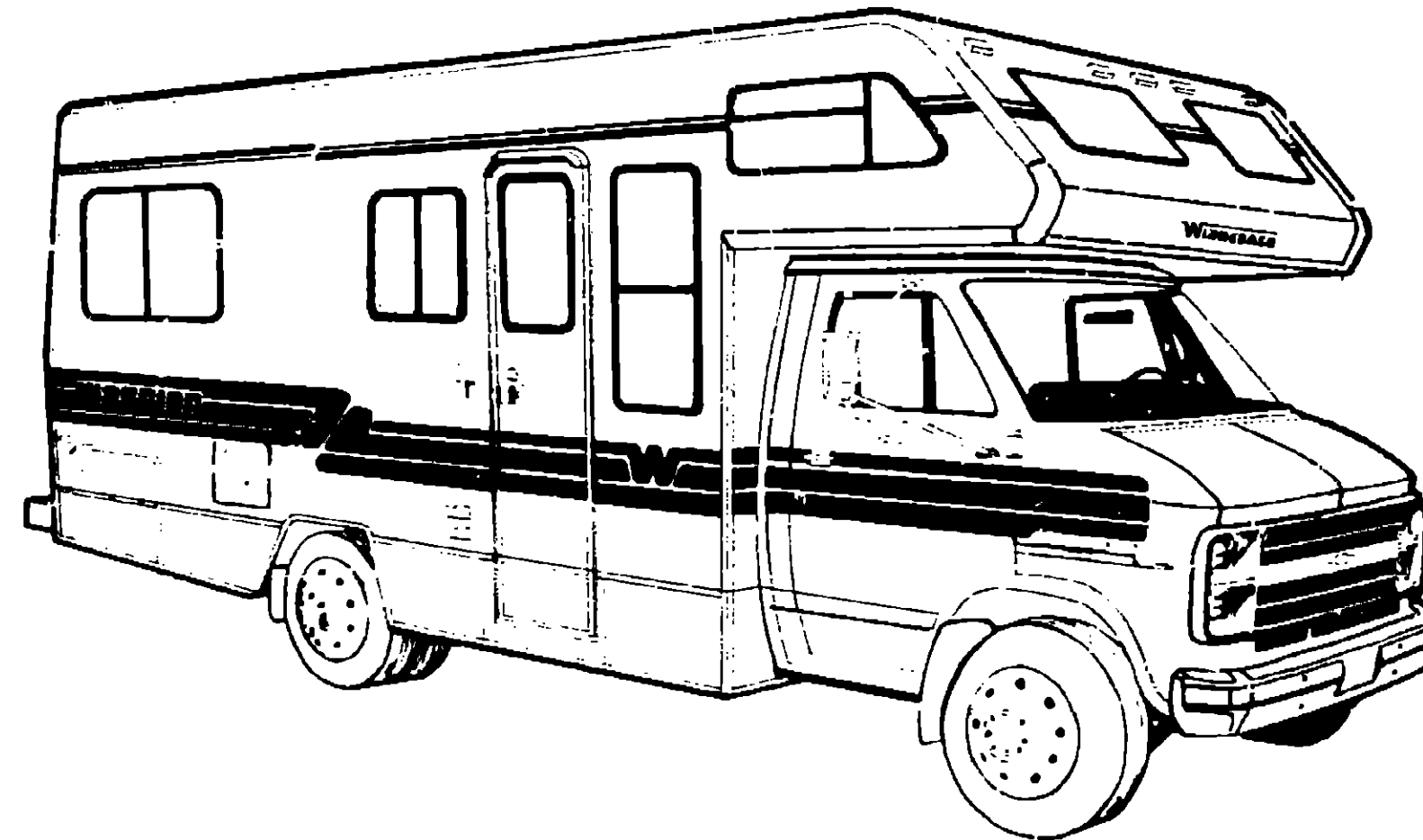


1991 WINNEBAGO TABLE OF CONTENTS

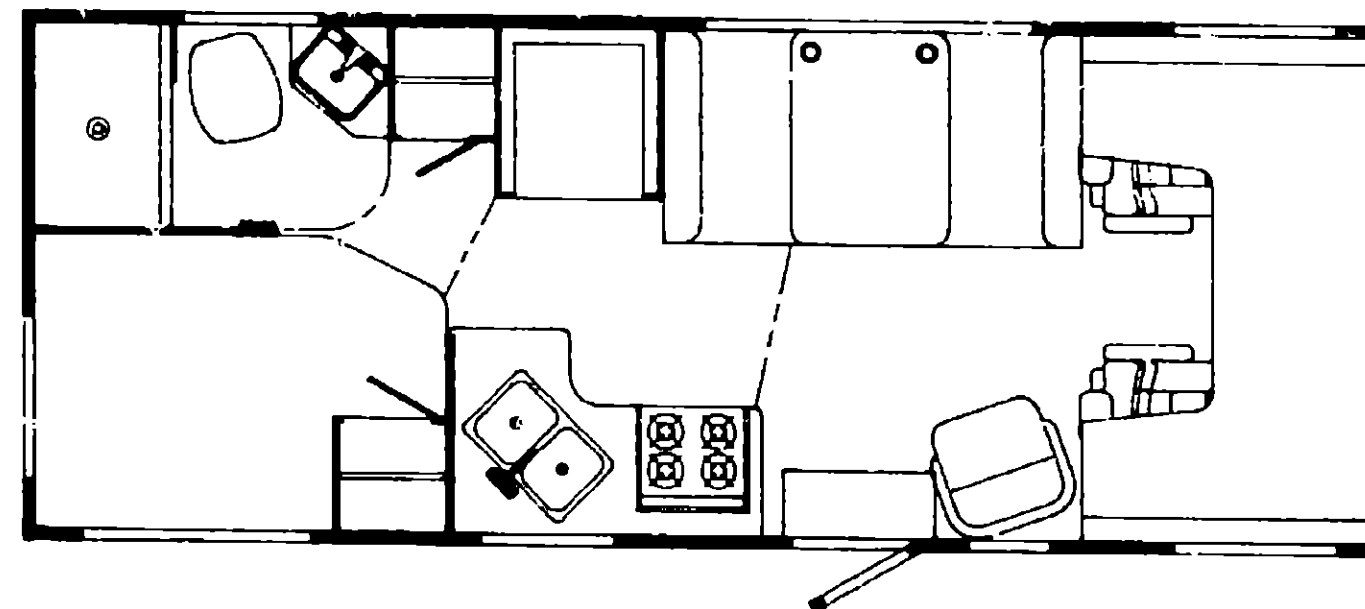
INTRODUCTION	A-01 - A-02
ABBREVIATIONS	A-03
ALPHABETICAL/GROUP REFERENCE	A-04 - A-06
WC321RG	A-07 - D-02
WC324RC	D-03 - F-23



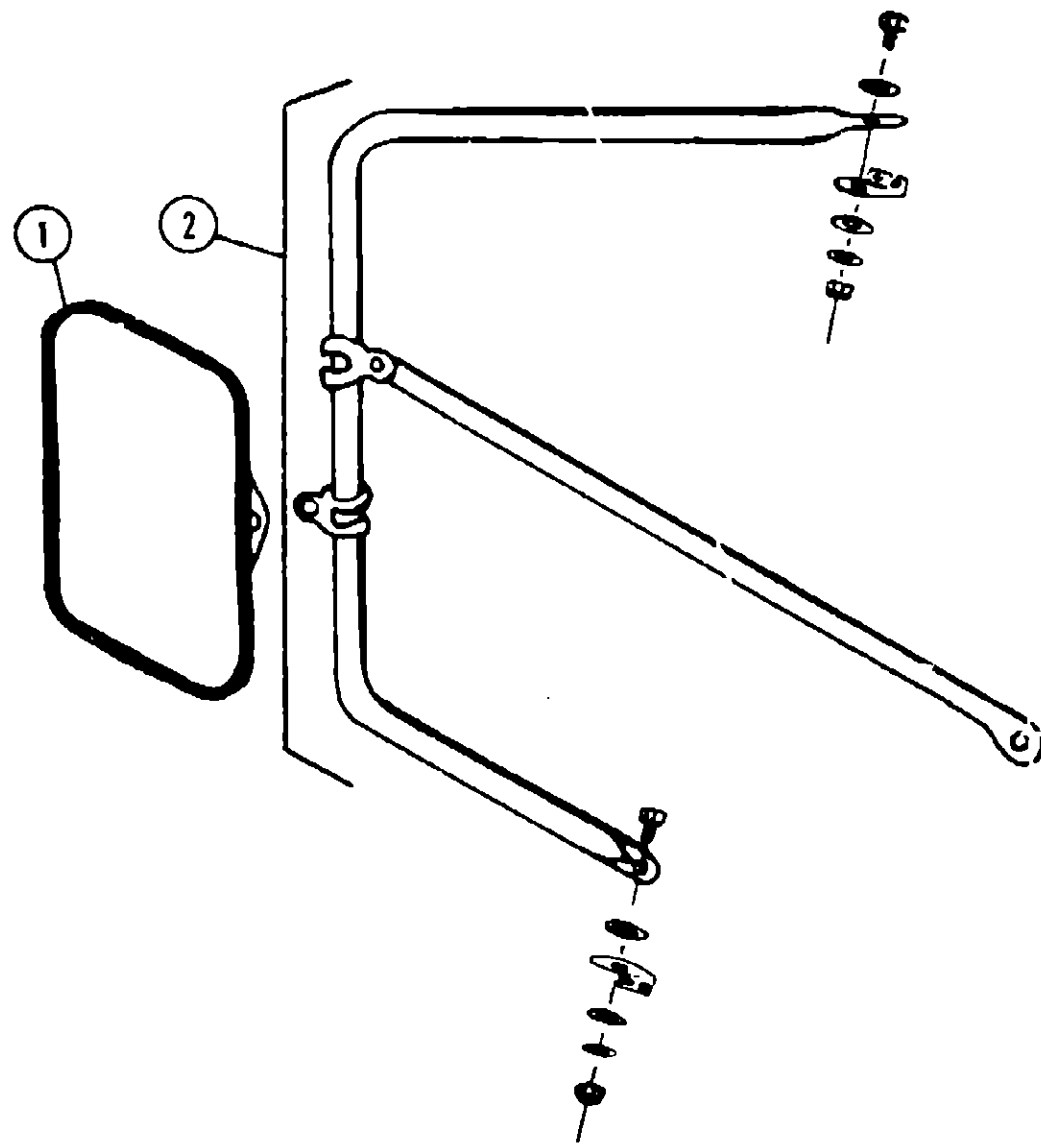
1991 WC324RC

1991 WC324RC INDEX

Floor Plan	D-03 - D-04
Accessories Group	D-05 - D-08
Bath Group	D-09 - D-10
Bedroom Group	D-11
Chassis Group	D-12 - D-15
Curtain, Cushion & Pad Group	D-16 - D-23
Dinette Group	D-24 - E-01
Driver's Compartment Group	E-02 - E-05
Electrical Group	E-06 - E-08
Exterior Body Group	F-09 - E-13
Galley Group	E-14 - E-16
Heating & Air Conditioning Group	E-17 - E-18
Interior Finish Group	E-19 - E-21
Labels Group	E-22 - F-05
LP Group	F-06
Lounge Group	F-07
Sealants & Fasteners Group	F-08 - F-09
Water & Sewage Group	F-10 - F-11
Window, Vent & Exterior Door Group	F-12 - F-23



ACCESSORIES GROUP



EXTERIOR MIRRORS

Key	Part Number	U/M	Description
1	049347-01-000	EA	Mirror Head - 7 1/2" x 10 1/2" - Stainless Steel (Option L63W)
2	062047-01-000	EA	Arm - West Coast Mirror - Stainless Steel
	006043-01-000	EA	Mirror - Convex - Adhesive Back

WHEEL COVER & MOUNTING HARDWARE

Key	Part Number	U/M	Description
	083181-01-000	EA	Wheel Cover - 16" (S&U4)
	083181-01-700	EA	Wheel Cover - 16" (1)
	083181-04-702	EA	Nut - Wheel Cover

RADIO & RELATED COMPONENTS

Key	Part Number	U/M	Description
	090982-01-000	EA	Radio - AM/FM Stereo - w/Cassette
	007004-01-000	EA	Antenna - Radio - Cab Mount
	074979-01-000	EA	Speaker Cover Protector - Plastic
	089340-01-000	EA	Speaker - Grill - 6.5" - Square
	089340-02-000	EA	Speaker - Grill - 6.5" - Square
	081082-01-000	EA	Plaque - Mounting Switch
	079385-02-000	EA	Radio Mounting Kit (Ford)
	091211-01-000	EA	Radio Mounting Kit (Chevrolet)
	094097-01-000	EA	Speaker - 5.25" - w/o Grille
	081059-02-000	EA	Wire Asm. - 9 Pin - Audiovox Radio

These parts are used from 11/5/90 ori.

ACCESSORIES GROUP (CONTINUED)

TV ANTENNA (OPTION 193)

Key	Part Number	U/M	Description
	076319-13-000	EA	Antenna - TV Roof Mount - 44.5"
	076319-13-700	EA	Head - Antenna - Non-Amplified
	076319-01-701	EA	Gear - Elevating - Plastic
	076319-01-702	EA	Shaft Asm. - Elevating
	076319-01-703	EA	Bearing - Nylon - .5" OD
	076319-01-704	EA	Bearing - Nylon - 1.25" OD
	076319-01-705	EA	Grommet - Nylon - 7/8" ID
	076319-01-706	EA	Crank - Elevating w/Set Screw
	076319-01-707	EA	Spring - Handle
	076319-01-708	EA	Decal - Crank
	076319-06-000	EA	Adaptor - Cable Roof Plate
	093252-01-01A	EA	Wallplate/Cable - Beige
	076319-11-000	EA	Adapter - Coax w/Splitter
	076319-03-000	FT	Cable - Coaxial - 1000' Roll
	076319-12-000	EA	Connector - Coaxial
	076319-04-000	EA	Connector w/Ferrule
	080734-02-000	EA	Clip - Wire Nylon

EXPORT GENERATORS (3.5KW) (OPTION 3831A)

Key	Part Number	U/M	Description
	100974-05-000	EA	Generator - Onan - 4.0kw
	008054-01-000	EA	Power Cord - 10-3 - 30 Amp. - 25'
	083208-01-000	EA	Converter - 40 Amp. w/Charger
	093591-02-000	EA	Exhaust Pipe - Generator - 1.5" OD
	081364-01-000	EA	Muffler - Generator - 3.5KW
	078045-01-000	EA	Strap - Support - Generator - 4 Hole
	084365-01-000	EA	Strap - Support - Generator - 2 Hole
	007067-01-000	SF	Insulation - Fiberglass - 1"
	079654-01-700	EA	Hinge Kit - Emerald Generator
	007063-01-000	FT	Hose - Gas - 1/4" ID x 1/2" OD
	007125-04-000	EA	Clamp - Muffler - 1.1" Dia.
	007161-01-000	EA	Clamp - Hose - Spring Type - 1/2"

TV/VCR & RELATED COMPONENTS

Key	Part Number	U/M	Description
	098447-01-000	EA	TV - 13" Color w/Remote - Magnavox (US)
	098447-02-000	EA	TV - 13" Color w/Remote - Magnavox (CSA)
	098447-01-700	EA	Remote Control - TV
	098446-02-000	EA	VCR - VHS - Cable Ready w/Remote - Magnavox
	098446-02-700	EA	Remote Control - VCR
	099856-01-000	EA	TV Tiedown
	098819-01-000	EA	Speaker - 2 Watt - 8 OHM - 4"
	074979-11-000	EA	Cover - Speaker - Off White - Plastic

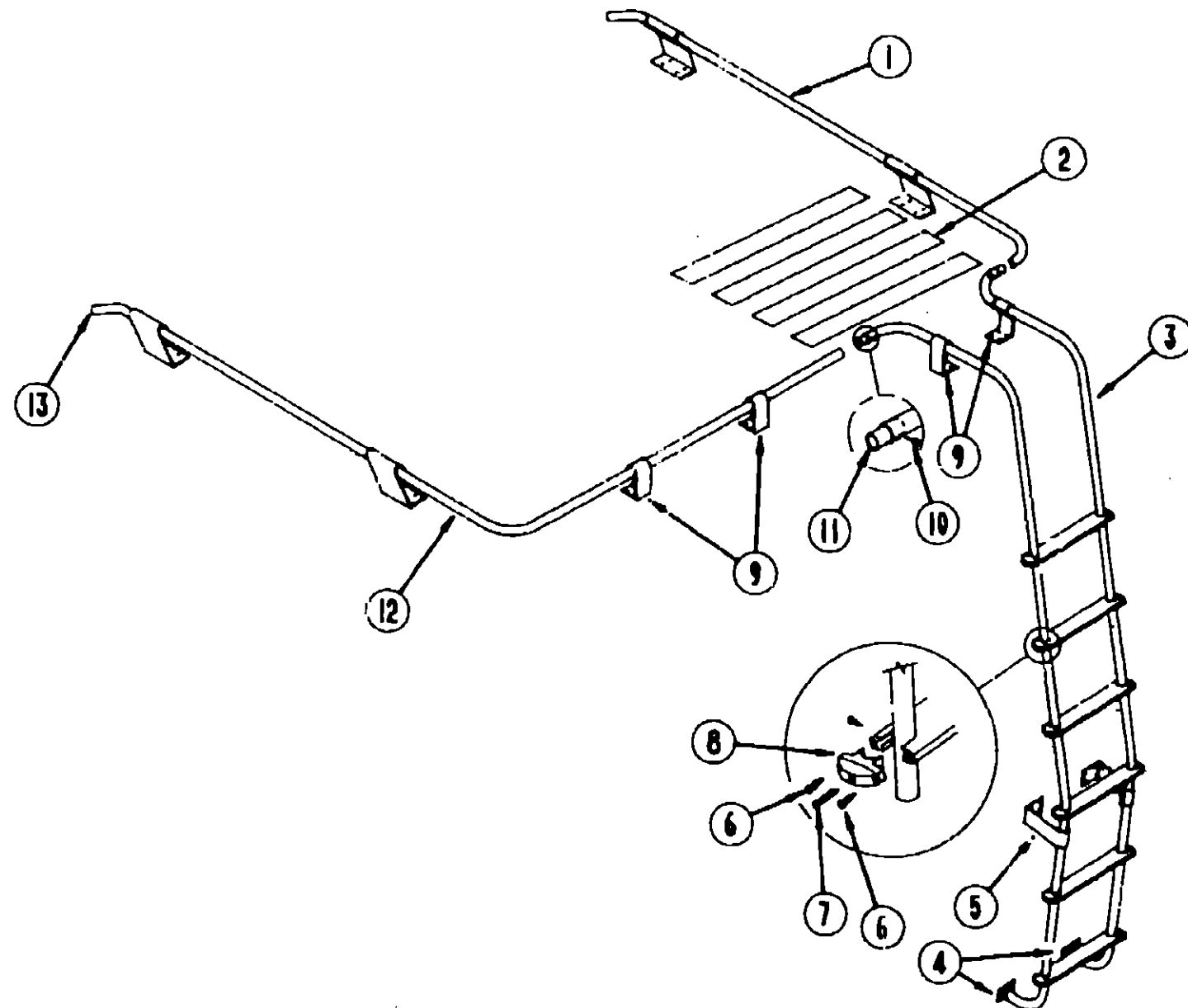
1991 WINNEBAGO TABLE OF CONTENTS

INTRODUCTION	A-01 - A-02
ABBREVIATIONS	A-03
ALPHABETICAL/GROUP REFERENCE	A-04 - A-06
WC321RG	A-07 - D-02
WC324RC	D-03 - F-23

1991 WC324RC INDEX

Floor Plan	D-03 - D-04
Accessories Group	D-05 - D-08
Bath Group	D-09 - D-10
Bedroom Group	D-11
Chassis Group	D-12 - D-15
Curtain, Cushion & Pad Group	D-16 - D-23
Dinette Group	D-24 - E-01
Driver's Compartment Group	E-02 - E-05
Electrical Group	E-06 - E-08
Exterior Body Group	E-09 - E-13
Galley Group	E-14 - E-15
Heating & Air Conditioning Group	E-17 - E-18
Interior Finish Group	E-19 - E-21
Labels Group	E-22 - F-05
LP Group	F-06
Lounge Group	F-07
Sealants & Fasteners Group	F-08 - F-09
Water & Sewage Group	F-10 - F-11
Window, Vent & Exterior Door Group	F-12 - F-23

ACCESSORIES GROUP (CONTINUED)



RACK & LADDER COMPONENTS (OPTION L502)

Key	Part Number	U/M	Description
1	081026-01-T03	EA	Rack Asm. - Passenger Side w/2 Angled Standoff
2	028327-01-000	EA	Tape - Anti-Slip - 2" x 60'
3	081016-04-AA3	EA	Ladder
4	067165-01-000	EA	Mounting Bracket - Ladder - Lower
5	067125-01-000	EA	Standoff - Ladder - Bright Dipped - Lower
6	000G39-06-10T	EA	Screw - SF/DFI - 6 - 20 x 5/8" PPH - Black
7	000G58-10-36T	EA	Screw - 10 - 12 x 2.25" POH - Black
8	078980-02-000	EA	End Cap - Strip - Black
9	091085-02-000	EA	Standoff - Rack & Ladder - Bright Dipped
10	000G39-08-08E	EA	Screw - SF/DFI - 8 - 18 x 50 PPH
11	083891-51-002	EA	Splice
12	081026-02-T03	EA	Rack Asm. - Driver Side w/2 Angled & 2 Straight Standoff
13	081114-01-000	EA	Cap - Insert - Round - 1" Dia.

ACCESSORIES GROUP (CONTINUED)

GENERATORS & COMPONENTS (OPTION L39E)

Key	Part Number	U/M	Description
	100974-03-000	EA	Generator - Emerald - 4.0 kw
	086252-01-000	EA	Exhaust Pipe - Generator - w/2 Bolt Hole Flange
	083152-07-000	EA	Exhaust Pipe - Generator
	086494-01-000	EA	Bracket - Exhaust
	081364-03-000	EA	Muffler - Generator - Emerald
	007067-01-000	SF	Insulation - Fiberglass - 1"
	007131-01-000	EA	Hanger - Tailpipe
	078045-01-000	EA	Strap - Support - Generator - 4 Hole
	084365-01-000	EA	Strap - Support - Generator - 2 Hole
	079654-01-700	EA	Hinge Kit - Emerald Generator
	007063-01-000	EA	Hose - Gas - 1/4" ID x 1/2" OD
	007125-03-000	EA	Clamp - Muffler - 1.1" Dia.
	007125-04-000	EA	Clamp - Muffler - 1.5" Dia.
	007161-01-000	EA	Clamp - Hose - Spring Type - 1/2"
	083208-01-000	EA	Converter - 40 Amp. w/Charger (CSA)
	008052-01-000	EA	Power Cord - 10-3 Wire - 30 Amp. - 25' (CSA)

MISCELLANEOUS ACCESSORIES

Key	Part Number	U/M	Description
	054185-63-000	EA	Owner's Manual - 1991 - Warrior
	092318-01-000	EA	Binder - 3 Ring - Vendor Manual
	092319-01-000	EA	Page - Plastic Packet
	098084-05-000	EA	Cassette - Winnebago Warrior
	094499-01-000	EA	Fire Extinguisher - IA 10BC (UL)
	094499-02-000	EA	Fire Extinguisher - IA 10BC (CSA)
	094499-01-700	EA	Bracket - Mounting w/Plastic Strap - Fire Extinguisher
	072852-01-000	EA	Smoke Detector w/9 Volt Battery
	100603-01-000	EA	Wall Clock - Round - Bezel

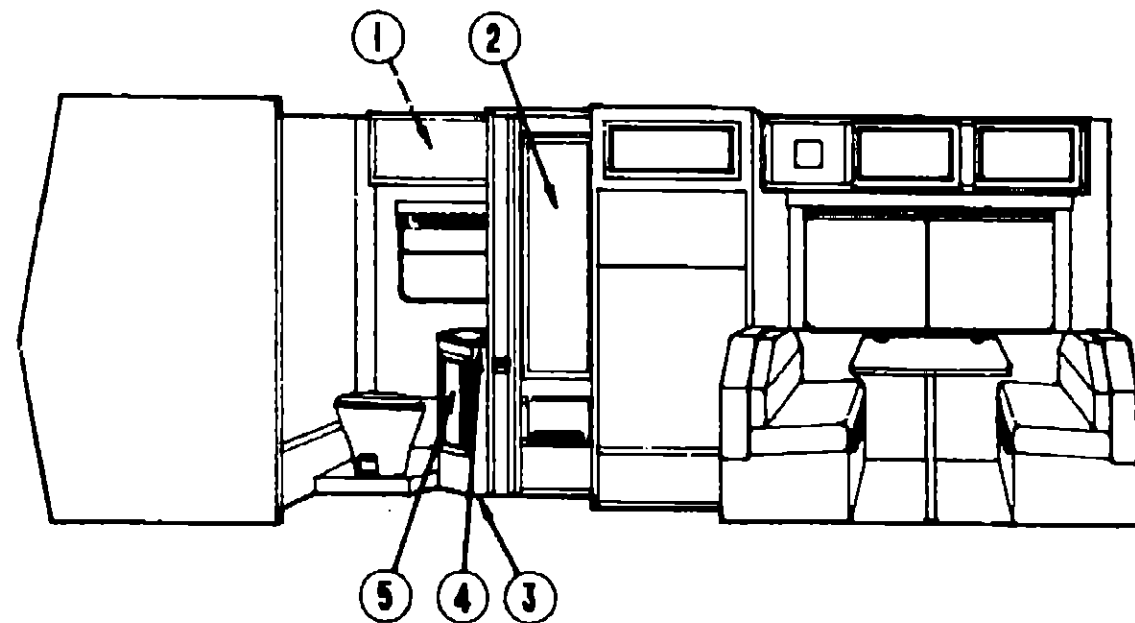
1991 WINNEBAGO TABLE OF CONTENTS

INTRODUCTION	A-01 - A-02
ABBREVIATIONS	A-03
ALPHABETICAL/GROUP REFERENCE	A-04 - A-06
WC321RG	A-07 - D-02
WC324RC	D-03 - F-23

1991 WC324RC INDEX

Floor Plan	D-03 - D-04
Accessories Group	D-05 - D-08
Bath Group	D-09 - D-10
Bedroom Group	D-11
Chassis Group	D-12 - D-15
Curtain, Cushion & Pad Group	D-16 - D-23
Dinette Group	D-24 - E-01
Driver's Compartment Group	E-02 - E-05
Electrical Group	E-06 - E-08
Exterior Body Group	E-09 - E-13
Galley Group	E-14 - E-16
Heating & Air Conditioning Group	E-17 - E-18
Interior Finish Group	E-19 - E-21
Labels Group	E-22 - F-05
LP Group	F-06
Lounge Group	F-07
Sealants & Fasteners Group	F-08 - F-09
Water & Sewage Group	F-10 - F-11
Window, Vent & Exterior Door Group	F-12 - F-23

BATH GROUP



BATH & WARDROBE CABINERY

Key	Part Number	U/M	Description
1	093446-06-Y15	EA	Door Asm. - Medicine Cabinet w/Mirror - w/o Hardware
	058331-32-000	EA	Mirror - Medicine Cabinet Door - 13.6" x 27.6"
	076073-01-000	EA	Cabinet Asm. - Medicine - Almond
	076073-01-700	EA	Travel Lock
	076387-01-000	EA	Bracket - Medicine Cabinet
2	P00099-09-B42	EA	Door Asm. - Wardrobe Cabinet - 15.5" x 45.5" - w/o Hardware
3	M96832-01-B05	EA	Cabinet Asm. - Lavatory - w/Countertop - w/o Doors or Hardware
3	M04028-01-B05	EA	Cabinet Asm. - Lavatory - w/Countertop - w/o Doors or Hardware (CSA)
4	096832-11-B05	EA	Countertop Asm. - Lavatory Cabinet
5	P00099-05-B42	EA	Door Asm. - Lavatory Cabinet - 12" x 25.9" - w/o Hardware
	042488-08-000	EA	Door Asm. - Folding - Woven Wood - 75" x 50"
	086924-02-000	EA	Track - Folding Door - 28" - Off White
	042488-04-700	EA	Latch & Catch Asm. - Folding Door
	057534-07-000	EA	Tieback Asm. - Clear Plastic - 10"

BATH GROUP (CONTINUED)

BATH & WARDROBE HARDWARE

Key	Part Number	U/M	Description
	M02429-04-000	EA	Shower Pan Asm.
	075606-01-000	EA	Panel - Shower Faucet - Plastic - Back
	084481-08-000	EA	Shower Curtain - 70" x 32" - Vinyl
	094856-03-01A	FT	Track - Shower Curtain - 29"
	075241-05-000	EA	Faucet - Shower - Bone
..	011048-02-000	EA	Shower Head - w/60" Hose (US)
	011048-05-000	EA	Shower Head - w/60" Hose (CSA)
	066440-01-000	EA	Strainer - Shower Pan Asm.
	066436-01-000	EA	Slip Nut - 1.5" Tailpiece - Shower Pan Asm.
	011069-03-000	EA	Tailpiece - 1.75" - Plastic - Shower Pan Asm.
	075240-06-000	EA	Faucet - Lavatory - Bone
	091253-01-000	EA	Gasket - Lavatory Faucet
	096927-01-01A	EA	Sink - Lavatory - Rectangular - Plastic - Bone (US)
	096927-01-700	EA	Sink - Stopper
	096927-01-701	EA	Tailpiece - Sink
	089366-01-000	EA	Sink - Oval - Ivory Plastic (CSA)
	089366-01-700	EA	Plug - C.O. - Ivory - 1 1/4 x 5 (CSA)
	067487-01-000	EA	Toilet - Thetford - Aqua Magic
	067487-01-700	EA	C.L.F.L. Seal & Bolt Package
	067487-01-701	EA	Water Saver Package
	067487-01-702	EA	Clamp
	063740-01-710	EA	Link
	063740-01-711	EA	Spring - Return Lever
	063740-01-716	EA	Seat & Cover
	063740-01-700	EA	Lever - Water
	063740-01-701	EA	Lever - Flush
	063740-01-713	EA	Seal - Ball Valve to Bowl
	063740-01-714	EA	Valve Asm. - Water
	063740-01-707	EA	Seal - Closet Flange
	063740-01-706	EA	Bolt Package - Closet
	024676-01-000	EA	Flange - Closet - Toilet
	075452-02-000	EA	Tissue Holder - Brass
	075454-02-000	EA	Towel Ring - Bright Brass w/Mounting Hardware
	009089-01-000	EA	Clip - Mirror
	009112-01-000	EA	Flange - Clothes Rod - 1"
	041953-03-000	FT	Conduit - Convolute Slit - 1" ID (Clothes Rod Cover)
	042438-01-000	EA	Dowel - Wooden - 1" Dia. x 4' (Shirt Closet)
	042488-08-000	EA	Folding Door Asm. - Woven Wood - 75" x 50"
	042488-04-700	EA	Latch & Catch Asm. - Folding Door
	086924-02-000	EA	Track - Folding Door - 28" - Off White
	075603-01-000	EA	Threshold - Bath Door

.. The illustrated parts breakdown for this item is provided on the Common Items Fiche.

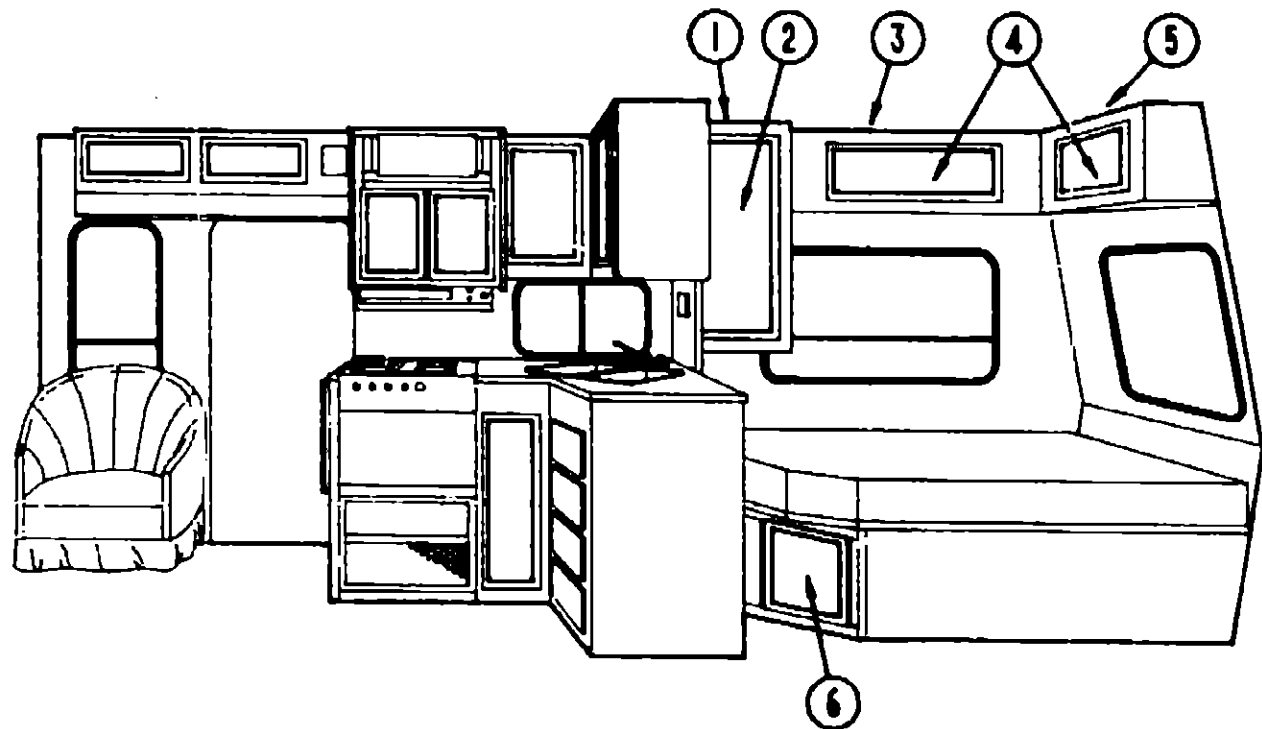
1991 WINNEBAGO TABLE OF CONTENTS

INTRODUCTION	A-01 - A-02
ABBREVIATIONS	A-03
ALPHABETICAL/GROUP REFERENCE	A-04 - A-06
WC321RG	A-07 - D-02
WC324RC	D-03 - F-23

1991 WC324RC INDEX

Floor Plan	D-03 - D-04
Accessories Group	D-05 - D-08
Bath Group	D-09 - D-10
Bedroom Group	D-11
Chassis Group	D-12 - D-15
Curtain, Cushion & Pad Group	D-16 - D-23
Dinette Group	D-24 - E-01
Driver's Compartment Group	E-02 - E-05
Electrical Group	E-06 - E-08
Exterior Body Group	E-09 - E-13
Galley Group	E-14 - E-16
Heating & Air Conditioning Group	E-17 - E-18
Interior Finish Group	E-19 - E-21
Labels Group	E-22 - F-05
LP Group	F-06
Lounge Group	F-07
Sealants & Fasteners Group	F-08 - F-09
Water & Sewage Group	F-10 - F-11
Window, Vent & Exterior Door Group	F-12 - F-23

BEDROOM GROUP



BEDROOM CABINETRY

Key	Part Number	U/M	Description
1	096767-01-B05	EA	Cabinet Asm. - Shirt Closet - w/o Doors or Hardware
2	P00099-35-B05	EA	Door Asm. - Shirt Closet - 14" x 33" - w/o Hardware
3	P00198-01-B05	EA	Cabinet Asm. - Passenger Overhead - w/o Door or Hardware
4	P00099-34-B05	EA	Door Asm. - Overhead Cabinets - 14.3" x 33.5" - w/o Hardware
	081280-19-B05	EA	End Cap - Overhead Cabinet
5	P00199-01-B05	EA	Cabinet Asm. - Rear Overhead - w/o Door or Hardware
6	P00099-63-B03	EA	Door Asm. - Double Bed Cabinet - 12" x 18.7" - w/o Hardware

BEDROOM HARDWARE

Key	Part Number	U/M	Description
	041953-03-000	FT	Conduit - Convolute Slit - 1" ID (Clothes Rod Cover)
	042438-01-000	EA	Dowel - Wood - Clothes Rod - 1" Dia. x 4'
	009112-01-000	EA	Flange - 1" Clothes Rod - Plastic - Off White
	089076-03-000	EA	H-Channel - Bed Support - Beige

CHASSIS GROUP

MISCELLANEOUS CHASSIS PARTS

Key	Part Number	U/M	Description
	065450-02-000	EA	Tiedown - Battery
	010497-01-000	EA	Clamp - Closed - 5/8 ID
	007161-01-000	EA	Clamp - Hose - Spring Type 112
	062401-01-000	EA	Clamp - Hose - Wormgear - .22" ID - 1" ID
	062401-02-000	EA	Clamp - Hose - Wormgear - 1.56" - 2.5" ID
	062401-03-000	EA	Clamp - Hose - Wormgear - .25" ID - 1" ID
	062401-04-000	EA	Clamp - Hose - Wormgear - .69" ID - 1.25" ID
	062401-06-000	EA	Clamp - Hose - Wormgear - .22" ID - .62" ID
	023146-01-000	EA	Clamp - Screw Type - 4"
	096020-05-000	EA	Compartment Asm. - Storage - Driver Side - Front
	096020-04-000	EA	Compartment Asm. - Storage - Passenger Side - Center
	081403-01-000	EA	Compartment - Battery
	098577-01-000	EA	Compartment - Battery
	074889-01-000	EA	Tray - Battery
	074994-01-000	EA	Guide - Track - Battery Tray
	007063-01-000	FT	Hose - Gas - 1/4 ID x 1/2 OD
	007108-01-000	FT	Hose - Heater - 5/8 ID
	080208-02-000	EA	Leverage Bar - Lug Wrench (Chevrolet)
	080208-01-000	EA	Lug Wrench (Chevrolet)
	017516-01-000	EA	Mud Flap w/Holes - 14" x 18" - Black
	064089-01-000	EA	Splash Guard - Black Rubber
	072884-19-000	EA	Running Boards - Aluminum - Chevrolet - 27" (Option 66R)
	072884-20-000	EA	Running Boards - Aluminum - Ford - 40" (Option 66R)
	079384-05-000	EA	Running Boards - Right (Export) (Option 04C)
**	101396-01-000	EA	Running Boards - Right (Export) (Option 04C)
	079384-06-000	EA	Running Boards - Left (Export) (Option 04C)
**	101396-02-000	EA	Running Boards - Left (Export) (Option 04C)
	079384-11-000	EA	Hardware - Set - Running Board (Option 04C)
**	101396-03-000	EA	Hardware - Set - Running Board (Option 04C)
	094795-01-000	EA	Speedometer - Kilometer
	077848-02-000	EA	Step Asm. - Pullout
	076241-01-000	EA	Support Asm. - Step
	096322-01-000	EA	Wheelwell - Plastic
	008343-01-000	EA	Wire Tie - 6"

** These parts are used from 3/01/91 on.

NOTE: Remainder of exhaust components available from Chassis Service Center.

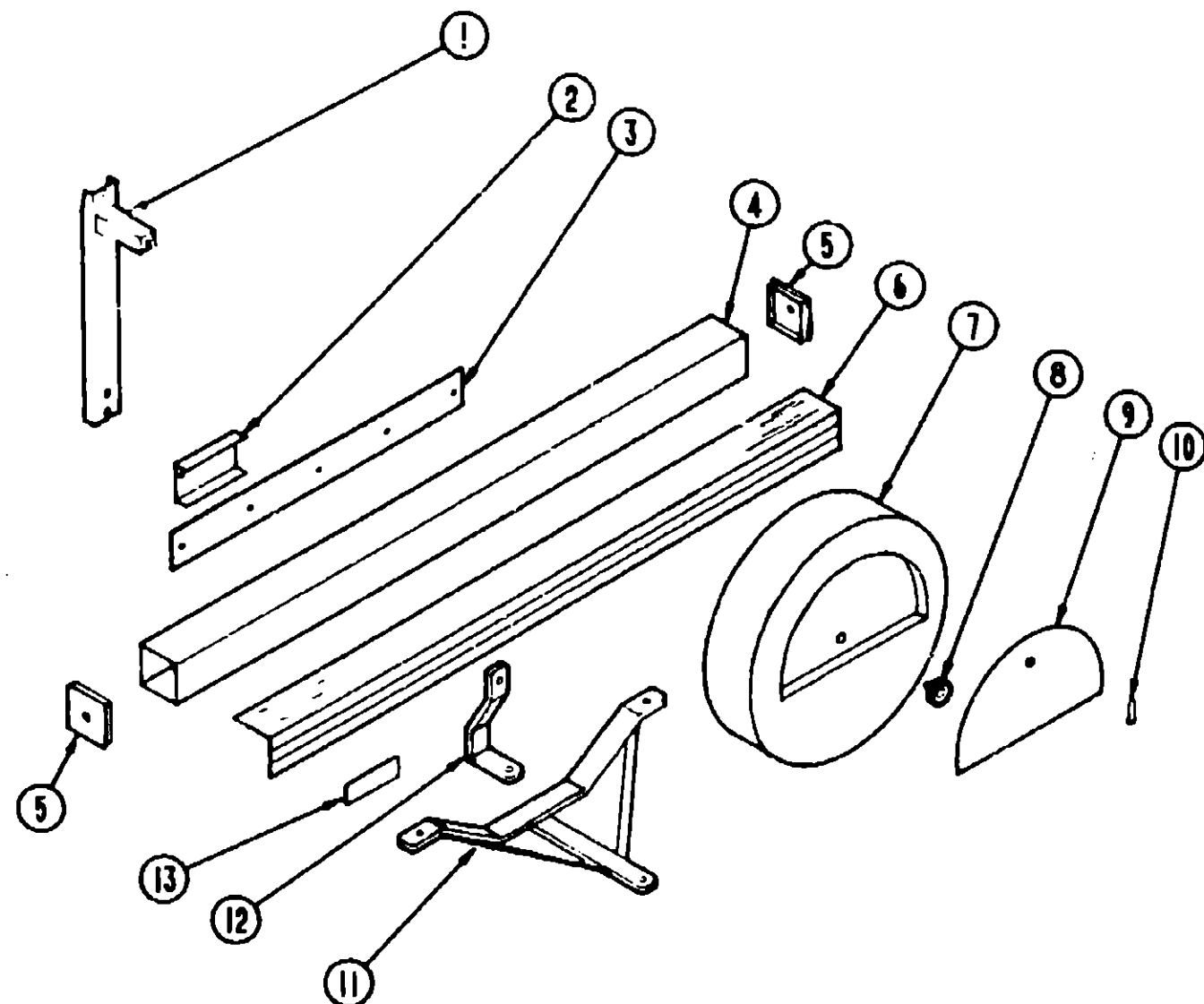
1991 WINNEBAGO TABLE OF CONTENTS

INTRODUCTION	A-01 - A-02
ABBREVIATIONS	A-03
ALPHABETICAL/GROUP REFERENCE	A-04 - A-06
WC321RG	A-07 - D-02
WC324RC	D-03 - F-23

1991 WC324RC INDEX

Floor Plan	D-03 - D-04
Accessories Group	D-05 - D-08
Bath Group	D-09 - D-10
Bedroom Group	D-11
Chassis Group	D-12 - D-15
Curtain, Cushion & Pad Group	D-16 - D-23
Dinette Group	D-24 - E-01
Driver's Compartment Group	E-02 - E-05
Electrical Group	E-06 - E-08
Exterior Body Group	E-09 - E-13
Galley Group	E-14 - E-16
Heating & Air Conditioning Group	E-17 - E-18
Interior Finish Group	E-19 - E-21
Labels Group	E-22 - F-05
LP Group	F-06
Lounge Group	F-07
Sealants & Fasteners Group	F-08 - F-09
Water & Sewage Group	F-10 - F-11
Window, Vent & Exterior Door Group	F-12 - F-23

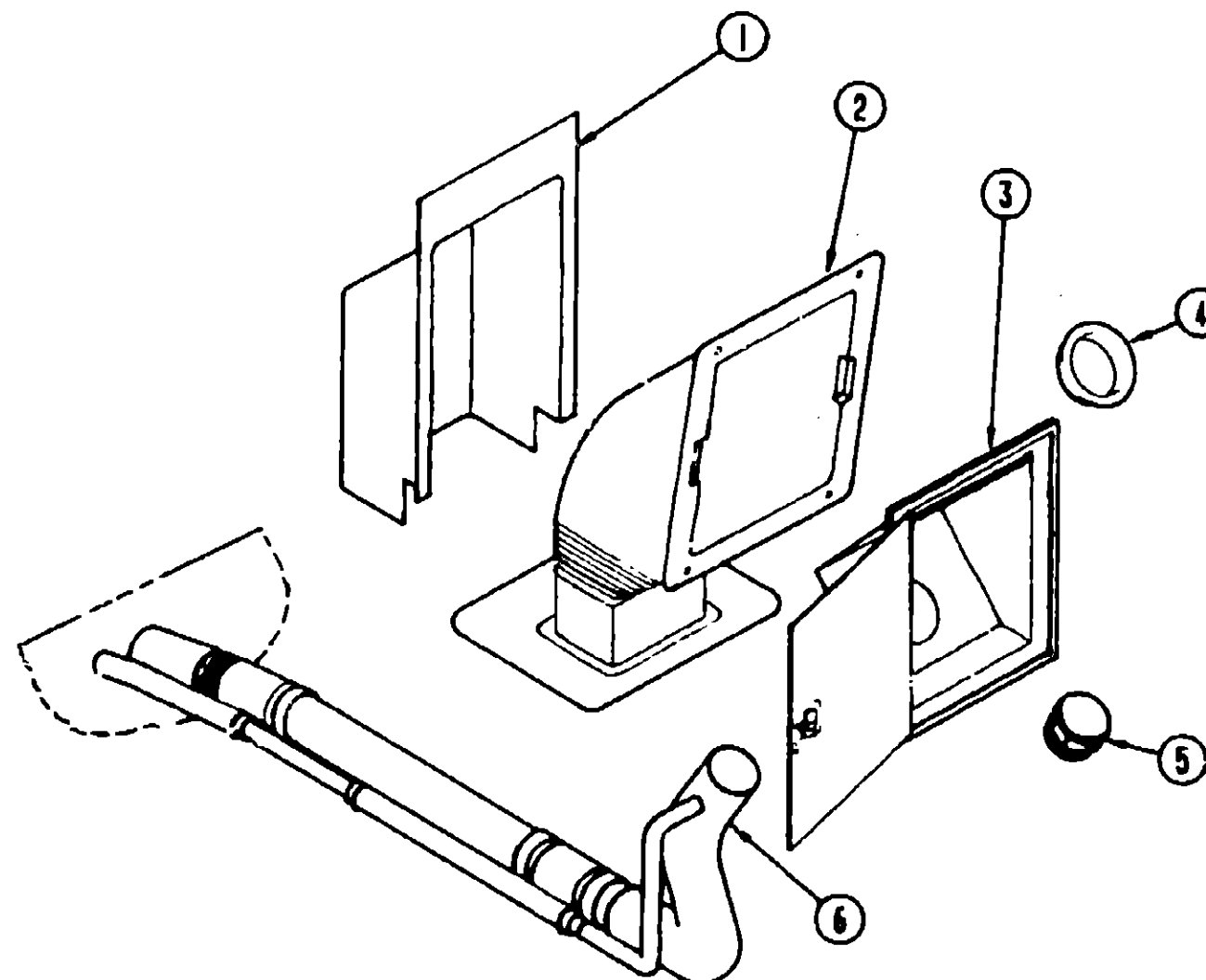
CHASSIS GROUP (CONTINUED)



SPARE TIRE, HITCH & REAR BUMPER

Key	Part Number	U/M	Description
1	079027-01-000	EA	Bracket Asm. - Tire Carrier
2	M64600-02-000	EA	Mount Support - Tire Carrier
3	M22150-01-000	EA	Bracket - Rear Bumper
4	064602-01-000	EA	Bumper Asm. - Square - Off White
5	039779-01-000	EA	Bumper Cap - Black Rubber - 4" x 4"
6	041332-03-000	EA	Cover - Bumper - w/o Reflector - 4" Square x 92"
7	079799-01-000	EA	Cover - Spare Tire - Off White (Export)
7	098855-01-AA3	EA	Cover - Spare Tire - Vinyl - Off White
8	064082-02-000	EA	Bolt - Retainer - Wheel Cover
9	M02047-01-T95	EA	Door - Tire Cover - Off White
10	077408-02-000	EA	Lock Asm. - Key Type
11	064833-02-000	EA	Trailer Hitch Asm. (Chevrolet)
11	064833-03-000	EA	Trailer Hitch Asm. (Ford)
12	064824-02-000	EA	Support - Trailer Hitch
13	041332-02-000	EA	Reflector - Bumper Cover - Self-Adhesive - 6 1/2" x 3/4"
	070917-04-000	EA	Tire - Michelin - Radial (Ford)
	037291-03-000	EA	Tire - Polyester - 8" x 16.5" - Goodyear
	057665-01-000	EA	Tire - Radial - 8" x 16.5" - Michelin (Chevrolet)
	062400-02-000	EA	Wheel - Steel - 6" x 16.5" (Chevrolet)
	083617-01-000	EA	Wheel - Steel - 6" x 16" - 8 Hole (Ford)
	051377-01-000	EA	Valve Stem Asm.

CHASSIS GROUP (CONTINUED)



FUEL FILL COMPONENTS

Key	Part Number	U/M	Description
1	078040-02-000	EA	Shroud - Fuel Fill - Upper
2	083578-01-000	EA	Boot - Fuel Fill
	084235-01-000	EA	Support Flange - Fuel Fill Boot
3	078010-03-000	EA	Door Asm. - Fuel Fill - Off White
4	078200-01-000	EA	Gasket - Fuel Fill
5	NOTE	EA	Fuel Cap (Chevrolet)
6	074808-03-000	EA	Filler Neck - Fuel Fill (Chevrolet)
6	081187-03-000	EA	Filler Neck - Fuel Fill (Ford)
	066732-01-000	EA	Hose - Fuel Fill - .62 ID
	NOTE: This item is chassis supplied.		

1991 WINNEBAGO TABLE OF CONTENTS

INTRODUCTION	A-01 - A-02
ABBREVIATIONS	A-03
ALPHABETICAL/GROUP REFERENCE	A-04 - A-06
WC321RG	A-07 - D-02
WC324RC	D-03 - F-23

1991 WC324RC INDEX

Floor Plan	D-03 - D-04
Accessories Group	D-05 - D-03
Bath Group	D-09 - D-10
Bedroom Group	D-11
Chassis Group	D-12 - D-15
Curtain, Cushion & Pad Group	D-16 - D-23
Dinette Group	D-24 - E-01
Driver's Compartment Group	E-02 - E-05
Electrical Group	E-06 - E-08
Exterior Body Group	E-09 - E-13
Galley Group	E-14 - E-16
Heating & Air Conditioning Group	E-17 - F-18
Interior Finish Group	E-19 - E-21
Labels Group	E-22 - F-05
LP Group	F-06
Lounge Group	F-07
Sealants & Fasteners Group	F-08 - F-09
Water & Sewage Group	F-10 - F-11
Window, Vent & Exterior Door Group	F-12 - F-23

CHASSIS GROUP (CONTINUED)

GENERATORS & COMPONENTS (OPTION L39E)

Key	Part Number	U/M	Description
	100974-03-000	EA	Generator - Emerald - 4.0 kw
	086252-01-000	EA	Exhaust Pipe - Generator - w/2 Bolt Hole Flange
	083152-07-000	EA	Exhaust Pipe - Generator
	086494-01-000	EA	Bracket - Exhaust
	091364-03-000	EA	Muffler - Generator - Emerald
	007067-01-000	SF	Insulation - Fiberglass - 1"
	078045-01-000	EA	Strap - Support - Generator - 4 Hole
	084365-01-000	EA	Strap - Support - Generator - 2 Hole
	079654-01-700	EA	Hinge Kit - Emerald Generator
	007063-01-000	EA	Hose - Gas - 1/4" ID x 1/2" OD
	007125-03-000	EA	Clamp - Muffler - 1.1" Dia.
	007125-04-000	EA	Clamp - Muffler - 1.5" Dia.
	067161-01-000	EA	Clamp - Hose - Spring Type - 1/2"
	083208-01-000	EA	Converter - 40 Amp. w/Charger (CSA)
	008052-01-000	EA	Power Cord - 10-3 Wire - 30 Amp. - 25' (CSA)

EXPORT GENERATORS (3.5KW) (OPTIONS 05A & 3831A)

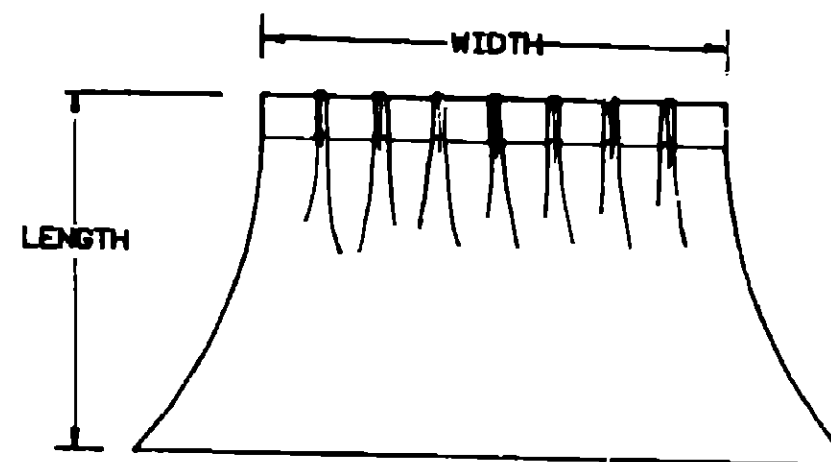
Key	Part Number	U/M	Description
	100974-05-000	EA	Generator - Onan - 4.0 kw
	008054-01-000	EA	Power Cord - 10-3 - 30 Amp. - 25'
	083208-01-000	EA	Converter - 40 Amp. w/Charger
	079654-05-000	EA	Exhaust Pipe - Generator - Angled w/Flange
	093591-02-000	EA	Exhaust Pipe - Generator - 1.5" OD
	081364-01-000	EA	Muffler - Generator - 3.5KW
	078045-01-000	EA	Strap - Support - Generator - 4 Hole
	084365-01-000	EA	Strap - Support - Generator - 2 Hole
	007067-01-000	EA	Insulation - Fiberglass - 1"
	079654-01-700	EA	Hinge Kit - Emerald Generator
	007063-01-000	FT	Hose - Gas - 1/4" ID x 1/2" OD
	007125-04-000	EA	Clamp - Muffler - 1.1" Dia.
	007161-01-000	EA	Clamp - Hose - Spring Type - 1/2"

CURTAIN, CUSHION & PAD GROUP

NOTICE

In order to assist our Part Sales Dept. in providing interior software items, please include the serial number and the color code number from the vehicle certification label when ordering. This label is located on the left sidewall at the end of the dash (A-Body), or on the driver's door latch plate (C-Body).

An example of a color code number is P31, which designates an overall color scheme of a particular unit. The color listed after the item description on the microfiche, indicates the overall unit color. Order the item you desire according to unit color code.



NOTE: Use this illustration when determining length and width measurements for curtains. You will note the width measurement is taken on the top of the curtain with the curtain fully extended. The length measurement is taken from top to bottom.

1991 WINNEBAGO TABLE OF CONTENTS

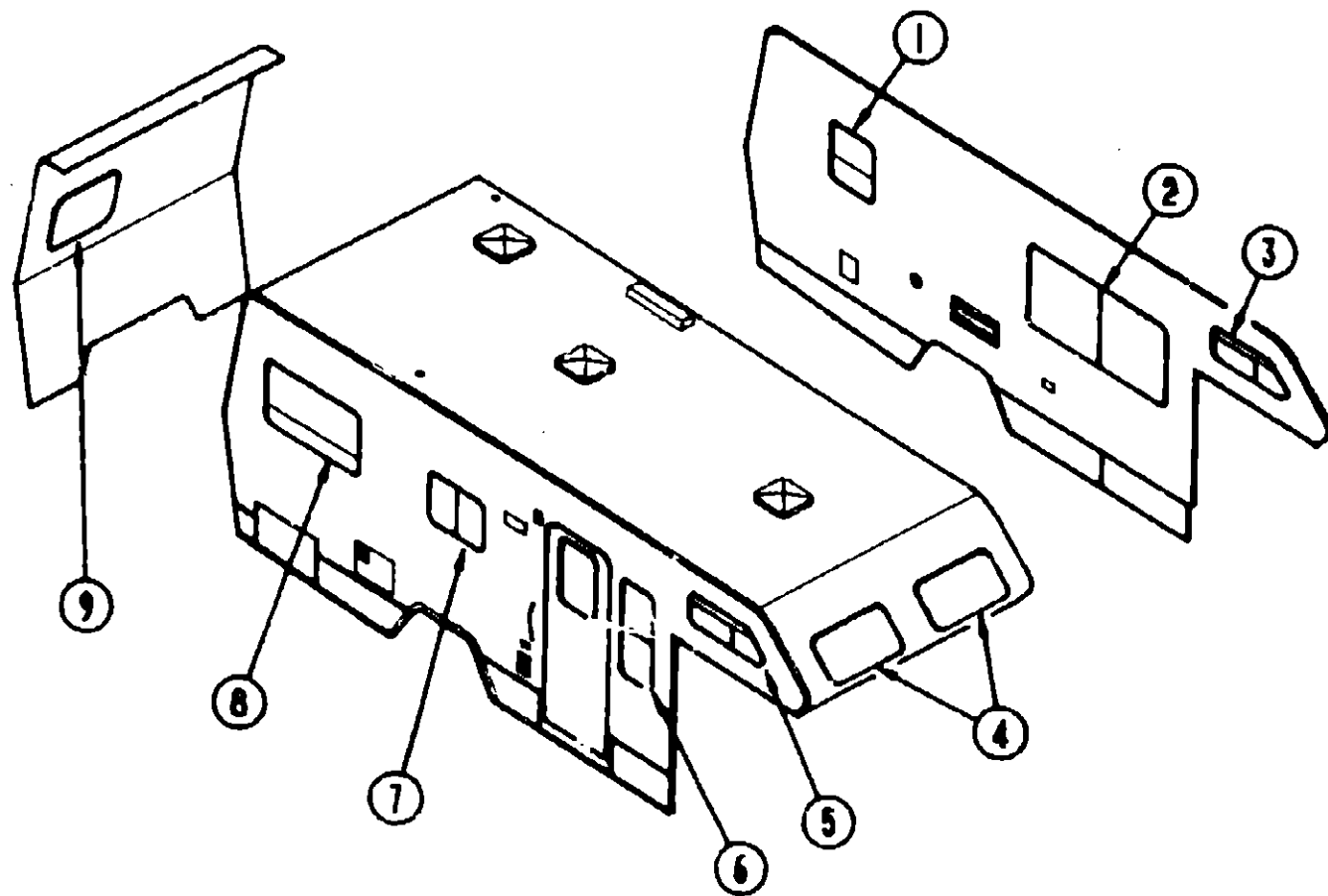
INTRODUCTION	A-01 - A-02
ABBREVIATIONS	A-03
ALPHABETICAL/GROUP REFERENCE	A-04 - A-06
WC321RG	A-07 - D-02
WC324RC	D-03 - F-23

TRIMS & PADS

Key	Part Number	U/M	Description
	084415-25-000	YD	Trim Braid - Pull Shade
	070578-06-B05	EA	Button Asm. - Snap Top - #30 - Vinyl
	070578-10-B05	EA	Button Asm. - Screw Stud - #30 - Accent - Plain
	070578-10-B06	EA	Button Asm. - Screw Stud - #30 - Accent - Plain
	070578-10-B05	EA	Button Asm. - Snap Top - #30 - Plain Accent (Chevrolet)
	070578-10-B06	EA	Button Asm. - Snap Top - #30 - Plain Accent (Chevrolet)
	070578-01-B05	EA	Button Asm. - Snap Top - #30 - Plain Accent (Ford)
	070578-01-B06	EA	Button Asm. - Snap Top - #30 - Plain Accent (Ford)
	059797-02-000	EA	Shell - Upholstery Button - #30
	069734-01-000	EA	Back - Upholstery Button - #30
	078155-01-000	EA	Strap Asm. - Cushion (Dinette Cushion)
	056632-01-AA3	EA	Strap Asm. - Bunk (Front Overhead)
	081519-10-B05	EA	Pad Asm. - Dinette - Front
	081519-10-B06	EA	Pad Asm. - Dinette - Front
	081519-11-B05	EA	Pad Asm. - Dinette - Rear
	081519-11-B06	EA	Pad Asm. - Dinette - Rear
	059491-02-B05	EA	Pad Asm. - Door - Passenger - Upper (Chevrolet)
	059491-02-B06	EA	Pad Asm. - Door - Passenger - Upper (Chevrolet)
	059492-02-B05	EA	Pad Asm. - Door - Driver - Upper (Chevrolet)
	059492-02-B06	EA	Pad Asm. - Door - Driver - Upper (Chevrolet)
	069885-16-B05	EA	Motor Cover w/Map Pocket (Ford)
	069885-16-B06	EA	Motor Cover w/Map Pocket (Ford)
	074891-07-B05	EA	Motor Cover w/Map Pocket (Chevrolet)
	074891-07-B06	EA	Motor Cover w/Map Pocket (Chevrolet)
	079349-01-B03	YD	Weltung - Skirt (B05)
	079349-01-B04	YD	Weltung - Skirt (B06)

1991 WC324RC INDEX

Floor Plan	D-03 - D-04
Accessories Group	D-05 - D-08
Bath Group	D-09 - D-10
Bedroom Group	D-11
Chassis Group	D-12 - D-15
Curtain, Cushion & Pad Group	D-16 - D-23
Dinette Group	D-24 - E-01
Driver's Compartment Group	E-02 - E-05
Electrical Group	E-06 - E-08
Exterior Body Group	E-09 - E-13
Galley Group	E-14 - E-16
Heating & Air Conditioning Group	E-17 - E-18
Interior Finish Group	E-19 - E-21
Labels Group	E-22 - F-05
LP Group	F-06
Lounge Group	F-07
Sealants & Fasteners Group	F-08 - F-09
Water & Sewage Group	F-10 - F-11
Window, Vent & Exterior Door Group	F-12 - F-23



CURTAINS, BLINDS, VALANCES & TIEBACKS

Key	Part Number	U/M	Description
1	100280-05-B05	EA	Valance Asm. w/Wood Trim - 20"
1	100280-05-B06	EA	Valance Asm. w/Wood Trim - 20"
*1	101753-05-B05	EA	Valance Asm. w/Wood Trim - 20"
*1	101753-05-B06	EA	Valance Asm. w/Wood Trim - 20"
1	093475-33-07A	EA	Mini Blind - 18.5" x 24.5" Drop
2	100280-09-B05	EA	Valance Asm. w/Wood Trim - 62"
2	100280-09-B06	EA	Valance Asm. w/Wood Trim - 62"
*2	101753-09-B05	EA	Valance Asm. w/Wood Trim - 62"
*2	101753-09-B06	EA	Valance Asm. w/Wood Trim - 62"
2	100281-02-B05	EA	Leg Asm. - Window - 31.5" - Left
2	100281-02-B06	EA	Leg Asm. - Window - 31.5" - Left
2	100281-01-B05	EA	Leg Asm. - Window - 31.5" - Right
2	100281-01-B06	EA	Leg Asm. - Window - 31.5" - Right
2	093475-49-01A	EA	Mini Blind - 58" x 32" Drop
3	097878-18-B05	EA	Valance Asm. w/Wood Trim - 5.5" x 43"
3	097878-18-B06	EA	Valance Asm. w/Wood Trim - 5.5" x 43"
3	101034-01-B05	EA	Curtain Asm. w/Tape Top - 16" x 25"
4	097878-16-B05	EA	Valance Asm. w/Wood Trim - 5.5" x 43"
4	097878-16-B06	EA	Valance Asm. w/Wood Trim - 5.5" x 43"
4	101034-01-B05	EA	Curtain Asm. w/Tape Top - 16" x 25"
5	097878-17-B05	EA	Valance Asm. w/Wood Trim - 5.5" x 43"
5	097878-17-B06	EA	Valance Asm. w/Wood Trim - 5.5" x 43"
5	101034-01-B05	EA	Curtain Asm. w/Tape Top - 16" x 25"

CURTAINS, BLINDS, VALANCES & TIEBACKS (CONTINUED)

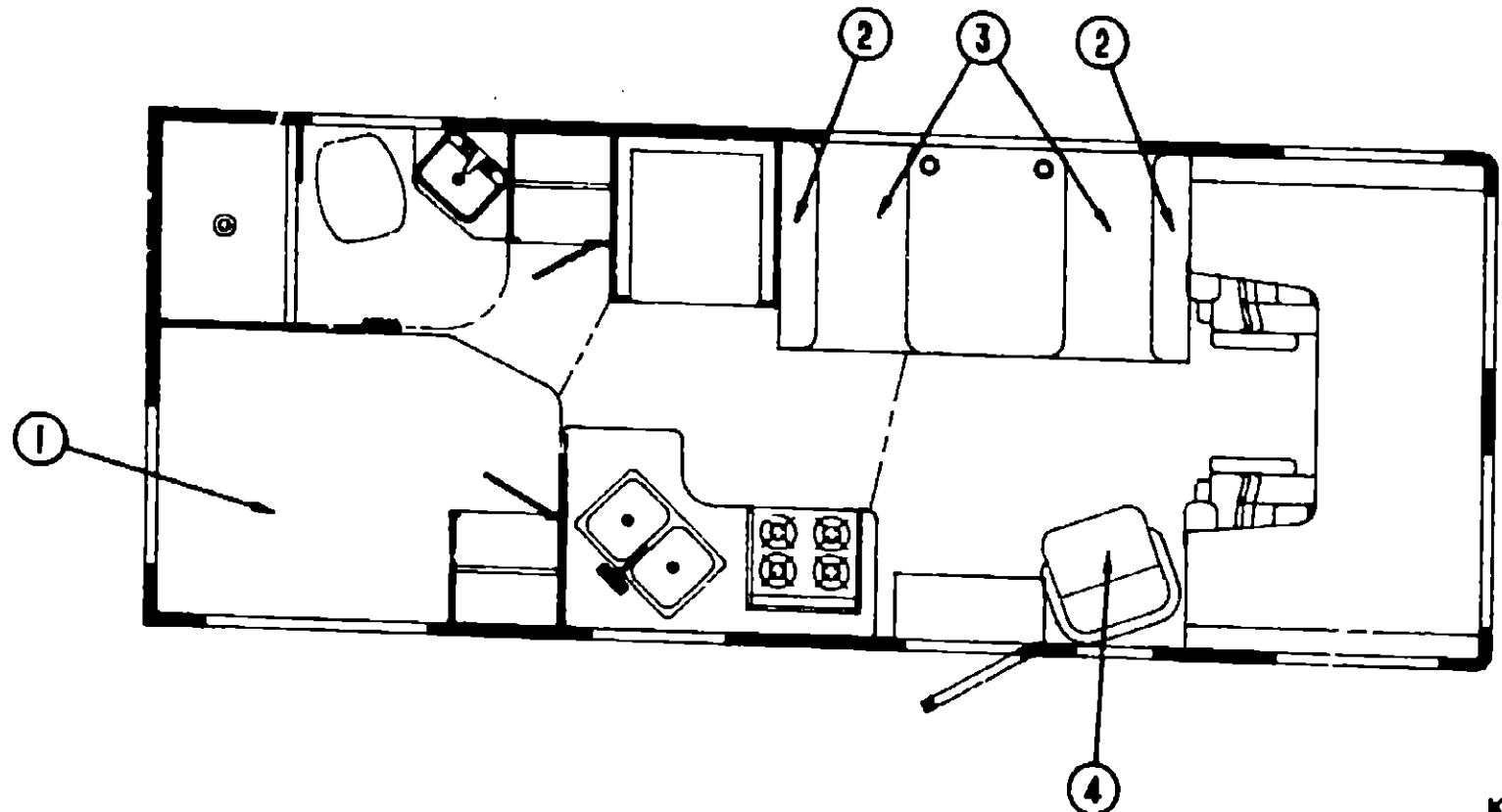
Key	Part Number	U/M	Description
6	080824-14-B05	EA	Valance Asm. w/Wood Trim - 52.2"
6	080824-14-B06	EA	Valance Asm. w/Wood Trim - 52.2"
*6	080824-16-B05	EA	Valance Asm. w/Wood Trim - 52.2"
*6	080824-16-B06	EA	Valance Asm. w/Wood Trim - 52.2"
6	093475-31-07A	EA	Mini Blind - 17.5" x 42" Drop
*6	093475-66-01A	EA	Mini Blind - 17.5" x 40.5" Drop
7	100280-02-B05	EA	Valance Asm. w/Wood Trim - 28"
7	100280-02-B06	EA	Valance Asm. w/Wood Trim - 28"
*7	101753-02-B05	EA	Valance Asm. w/Wood Trim - 28.5"
*7	101753-02-B06	EA	Valance Asm. w/Wood Trim - 28.5"
7	093475-61-01A	EA	Mini Blind - 26" x 17" Drop
8	100280-07-B05	EA	Valance Asm. w/Wood Trim - 45"
8	100280-07-B06	EA	Valance Asm. w/Wood Trim - 45"
*8	101753-07-B05	EA	Valance Asm. w/Wood Trim - 45"
*8	101753-07-B06	EA	Valance Asm. w/Wood Trim - 45"
†8	102514-02-B05	EA	Valance Asm. w/Wood Trim - 45"
†8	102514-02-B06	EA	Valance Asm. w/Wood Trim - 45"
8	100281-10-B05	EA	Leg Asm. - Window - Left - 27"
8	100281-10-B06	EA	Leg Asm. - Window - Left - 27"
†8	100281-30-B05	EA	Leg Asm. - Window - Left - 27"
†8	100281-30-B06	EA	Leg Asm. - Window - Left - 27"
8	100281-05-B05	EA	Leg Asm. - Window - Right - 27"
8	100281-05-B06	EA	Leg Asm. - Window - Right - 27"
†8	100281-31-B05	EA	Leg Asm. - Window - Right - 27"
†8	100281-31-B06	EA	Leg Asm. - Window - Right - 27"
8	093475-45-01A	EA	Mini Blind - 39.5" x 27" Drop
9	100280-11-B03	EA	Valance Asm. w/Wood Trim (B05)
9	100280-11-B04	EA	Valance Asm. w/Wood Trim (B06)
*9	101753-11-B05	EA	Valance Asm. w/Wood Trim - 31.7" (B05)
*9	101753-11-B06	EA	Valance Asm. w/Wood Trim - 31.7" (B06)
†9	102514-03-B05	EA	Valance Asm. w/Wood Trim - 31.7" (B05)
†9	102514-03-B06	EA	Valance Asm. w/Wood Trim - 31.7" (B06)
9	100281-10-B05	EA	Leg Asm. - Window - Left - 27"
9	100281-10-B06	EA	Leg Asm. - Window - Left - 27"
†9	100281-30-B05	EA	Leg Asm. - Window - Left - 27"
†9	100281-30-B06	EA	Leg Asm. - Window - Left - 27"
9	100281-09-B05	EA	Leg Asm. - Window - Right - 27"
9	100281-09-B06	EA	Leg Asm. - Window - Right - 27"
†9	100281-29-B05	EA	Leg Asm. - Window - Right - 27"
†9	100281-29-B06	EA	Leg Asm. - Window - Right - 27"
9	093475-51-01A	EA	Mini Blind - 28" x 28" Drop
††9	093475-67-01A	EA	Mini Blind - 27" x 25.5" Drop
*			These parts are used from 5/14/90 on.
**			These parts are used from 5/14/90 - 9/03/90.
†			These parts are used from 9/04/90 on.
††			These parts are used from 5/21/90 on.

1991 WINNEBAGO
TABLE OF CONTENTS

INTRODUCTION	A-01 - A-02
ABBREVIATIONS	A-03
ALPHABETICAL/GROUP REFERENCE	A-04 - A-06
WC321RG	A-07 - D-02
WC324RC	D-03 - F-23

1991 WC324RC INDEX

Floor Plan	D-03 - D-04
Accessories Group	D-05 - D-08
Bath Group	D-09 - D-10
Bedroom Group	D-11
Chassis Group	D-12 - D-15
Curtain, Cushion & Pad Group	D-16 - D-23
Dinette Group	D-24 - E-01
Driver's Compartment Group	E-02 - E-05
Electrical Group	E-06 - E-08
Exterior Body Group	E-09 - E-13
Galley Group	E-14 - E-16
Heating & Air Conditioning Group	E-17 - E-18
Interior Finish Group	E-19 - E-21
Labels Group	E-22 - F-05
LP Group	F-06
Lounge Group	F-07
Sealants & Fasteners Group	F-08 - F-09
Water & Sewage Group	F-10 - F-11
Window, Vent & Exterior Door Group	F-12 - F-23



DOUBLE BED

Key	Part Number	U/M	Description
1	101123-04-000	EA	Mattress - Double Quilted w/Cut Corners - 54"
1	085365-08-B05	EA	Bedspread - Double w/Rounded Corners
1	085365-08-B06	EA	Bedspread - Double w/Rounded Corners
	081997-06-B05	EA	Sham - Pillow
	081997-06-B06	EA	Sham - Pillow
	081997-07-B05	EA	Sham - Pillow
	081997-07-B06	EA	Sham - Pillow
	088273-49-000	YD	Fabric - Bedspread - Natural (B05)
	078273-52-000	YD	Fabric - Bedspread - Seaform (B06)

These parts were used from 5/7/90 on.

DINETTE CUSHION

Key	Part Number	U/M	Description
2	088927-80-B05	EA	Cushion Asm. - 13.5" x 38" x 5" - Back
2	088927-80-B06	EA	Cushion Asm. - 13.5" x 38" x 5" - Back
	M88927-80-B05	EA	Cover Asm. - Back - Dinette Cushion
	M88927-80-B06	EA	Cover Asm. - Back - Dinette Cushion
3	088927-82-B05	EA	Cushion Asm. - 22" x 38" x 5" - Seat
3	088927-82-B06	EA	Cushion Asm. - 22" x 38" x 5" - Seat
	M88927-82-B05	EA	Cover Asm. - Seat - Dinette Cushion
	M88927-82-B06	EA	Cover Asm. - Seat - Dinette Cushion
3	088927-87-B05	EA	Cushion Asm. - 22" x 38" x 5" - Seat
3	088927-87-B06	EA	Cushion Asm. - 22" x 38" x 5" - Seat
	M88927-87-B05	EA	Cover Asm. - Seat - Dinette Cushion
	M88927-87-B06	EA	Cover Asm. - Seat - Dinette Cushion
	078155-01-000	EA	Strap Asm. - Cushion Snap
	096008-41-000	YD	Fabric - Dinette Cushion (B05)
	096008-49-000	YD	Fabric - Dinette Cushion (B06)

These parts were used from 6/27/90 on.

ARIA SWIVEL CHAIR

Key	Part Number	U/M	Description
4	096429-04-B05	EA	Chair Swivel w/o Base, Pipe or Plate
4	096429-04-B06	EA	Chair Swivel w/o Base, Pipe or Plate
	M96429-04-B05	EA	Cover - Swivel Chair
	M96429-04-B06	EA	Cover - Swivel Chair
	069246-06-000	EA	Adjuster - Manual - TT Chair
	069246-07-000	EA	Adjuster - Manual - TT Chair w/Arm
	099202-01-B05	EA	Skirt - Swivel Chair
	099202-01-B06	EA	Skirt - Swivel Chair
	096008-40-000	YD	Fabric - Aria - Swivel Chair
	096008-47-000	YD	Fabric - Aria - Swivel Chair
	088245-01-000	EA	Base w/Lags - Chair
	088245-02-000	EA	Plate - Non-Tilt - Swivel w/Lock
4	096429-04-B05	EA	Chair - Swivel w/o Base, Pipe or Plate
4	096429-04-B06	EA	Chair - Swivel w/o Base, Pipe or Plate
	M96429-06-B05	EA	Cover - Swivel Chair
	M96429-06-B06	EA	Cover - Swivel Chair
	088245-06-000	EA	Extension - Chair Base - 7"
	088245-07-000	EA	Extension - Chair Base - 6"
	069705-02-000	EA	Bar - 2.5" x 12.75"

These parts are used from 8/12/90 on.

FRONT BUNK

Key	Part Number	U/M	Description
	084753-16-B05	EA	Cushion - "U" Shaped - 57" x 90" x 5"
	084753-16-B06	EA	Cushion - "U" Shaped - 57" x 90" x 5"
	034753-22-B05	EA	Cushion - "U" Shaped - 57" x 90" x 5"
	084753-22-B06	EA	Cushion - "U" Shaped - 57" x 90" x 5"
	M84753-16-B05	EA	Cover - "U" Shaped Cushion
	M84753-16-B06	EA	Cover - "U" Shaped Cushion
	M84753-22-B05	EA	Cover - "U" Shaped Cushion
	M84753-22-B06	EA	Cover - "U" Shaped Cushion
	084753-17-B05	EA	Cushion - Filler - 55" x 27.5" x 5"
	084753-17-B06	EA	Cushion - Filler - 55" x 27.5" x 5"
	084753-19-B05	EA	Cushion - Filler - 55" x 27.5" x 5"
	084753-19-B06	EA	Cushion - Filler - 55" x 27.5" x 5"
	M84753-17-B05	EA	Cover - Filler Cushion
	M84753-17-B06	EA	Cover - Filler Cushion
	M84753-19-B05	EA	Cover - Filler Cushion
	M84753-19-B06	EA	Cover - Filler Cushion
	096008-03-000	YD	Fabric - Front Bunk Cushion (B05)
	096008-04-000	YD	Fabric - Front Bunk Cushion (B06)
	079145-07-000	EA	Cushion Asm. - Front Bunk - 27.5" x 74" x 3.5" (L43V)
	M79145-07-000	EA	Cover Asm. - Front Bunk (L43V)

These parts are used from 8/12/90 on.

**1991 WINNEBAGO
TABLE OF CONTENTS**

INTRODUCTION	A-01 - A-02
ABBREVIATIONS	A-03
ALPHABETICAL/GROUP REFERENCE	A-04 - A-06
WC321RG	A-07 - D-02
WC324RC	D-03 - F-23

1991 WC324RC INDEX

Floor Plan	D-03 - D-04
Accessories Group	D-05 - D-08
Bath Group	D-09 - D-10
Bedroom Group	D-11
Chassis Group	D-12 - D-15
Curtain, Cushion & Pad Group	D-16 - D-23
Dinette Group	D-24 - E-01
Driver's Compartment Group	E-02 - E-05
Electrical Group	E-06 - E-08
Exterior Body Group	E-09 - E-13
Galley Group	E-14 - E-16
Heating & Air Conditioning Group	E-17 - E-18
Interior Finish Group	E-19 - E-21
Labels Group	E-22 - F-05
LP Group	F-06
Lounge Group	F-07
Sealants & Fasteners Group	F-08 - F-09
Water & Sewage Group	F-10 - F-11
Window, Vent & Exterior Door Group	F-12 - F-23

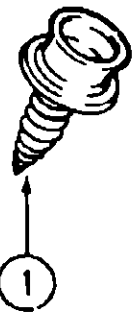
FABRICS & C/PETS

Key	Part Number	U/M	Description
	072333-75-000	YD	Fabric - Drapery - Beige (Privacy)
	084416-25-000	YD	Fabric - Drapery Laminate - Driftwood (Pull Shades)
	087272-01-000	YD	Fabric - Drapery - Lining - 48" - Ivory
	096008-41-000	YD	Fabric - Upholstery - Main - Patterned (B05)
	096008-49-000	YD	Fabric - Upholstery - Main - Patterned (B06)
	096008-40-000	YD	Fabric - Upholstery - Accent - Plain (B05)
	096008-47-000	YD	Fabric - Upholstery - Accent - Plain (B06)
	096008-39-000	YD	Fabric - Upholstery - Accent - Patterned (B05)
	096008-48-000	YD	Fabric - Upholstery - Accent - Patterned (B06)
	088273-49-000	YD	Fabric - Bedsread - 54" Wide (B05)
	088273-52-000	YD	Fabric - Bedsread - 54" Wide (B06)
	088273-65-000	YD	Fabric - Drapery - Plain (B05) (Padded Leg)
	088273-66-000	YD	Fabric - Drapery - Plain (B06) (Padded Leg)
	072333-67-000	YD	Fabric - Speaker Cover
	075244-03-000	YD	Vinyl - Shower Curtain - Almond
	079600-09-000	YD	Vinyl - Off White
	096060-15-000	YD	Carpet - Sand (B05)
	096060-16-000	YD	Carpet - Tual (B06)
	076314-02-000	FT	Tape - Heat Bonded - Carpet Seam
	047034-02-000	SF	Plastic Runner - Carpet - 4' Wide - Clear
	075233-01-000	SY	Pad - Carpet - 3/8" x 6'
	079970-09-000	YD	Tape - Carpet - 3/4"
	085746-01-000	FT	Trim - "J" - Carpet - PVC - Beige
	087956-04-000	EA	Trim - Cab Carpet - Extruded - 12" x 25.4" - Black

NOTE: Replace vinyl flooring locally.

CURTAIN & CUSHION HARDWARE

Key	Part Number	U/M	Description
	094856-03-01A	EA	Track - Shower Curtain - Off White
	009701-01-000	EA	Carrier - Shower Curtain
	009702-01-000	EA	End - Stop - Curtain Carrier - Shower
	046867-01-000	EA	Grommet - Brass - 7/16" ID x 1" OD (Shower Curtain)
	009136-01-000	EA	Pin - Shower Curtain
	029092-01-000	EA	Stud - Nickel Finish
	029093-01-000	EA	Eyelet - Nickel Finish
	029155-01-000	EA	Cap - Snap
	029156-01-000	EA	Socket - Snap Fastener
	089916-01-000	EA	Mount - Window Leg - Black
	091904-01-000	FT	Track - Curtain - Plastic - Light Beige (Blackout)
	101032-01-000	FT	Track - Curtain - Ceiling Mount - White (Valance)
	101033-01-000	FT	Track - Curtain - Low Profile - White
	101033-02-000	EA	End Cap - Track - Clear
	101031-01-000	EA	Tape - Glide - 4.25" Spacing
	095591-02-000	EA	Bracket - Blind - Hold Down w/Pin
	082239-02-000	EA	Brace - Window Valance - Beige
	075943-01-000	EA	Brace - Window Valance - Beige
	083170-01-000	EA	Bracket - Blind - Right
	083170-02-000	EA	Bracket - Blind - Left
	093475-01-700	EA	Wand - Blind w/Metal Clip - 8" Long
	093475-01-701	EA	End Cap - Blind w/Stud



Key	Part Number	U/M	Description
1	029130-01-000	EA	Socket - Snap Fastener
2	029155-01-000	EA	Cap - Snap - .156" Dia. x 17" Barrel
3	029156-01-000	EA	Socket - Snap Fastener
4	029092-01-000	EA	Stud - Nickel Finish
5	029093-01-000	EA	Eyelet - Nickel Finish

BUCKET SEAT CUSHIONS

Key	Part Number	U/M	Description
	093450-10-B05	EA	Seat Asm. - Bucket
	093450-10-B06	EA	Seat Asm. - Bucket
	093450-17-B05	EA	Seat Asm. - Bucket - Driver
	093450-17-B06	EA	Seat Asm. - Bucket - Driver
	093450-18-B05	EA	Seat Asm. - Bucket - Passenger
	093450-18-B06	EA	Seat Asm. - Bucket - Passenger
	M03445-23-B05	EA	Cover - Seat - Bucket Seat
	M03445-23-B06	EA	Cover - Seat - Bucket Seat
	M03445-22-B05	EA	Cover - Back - Bucket Seat
	M03445-22-B06	EA	Cover - Back - Bucket Seat
	080243-41-B05	EA	Armrest - Bucket Seat - Right Hand
	080243-41-B06	EA	Armrest - Bucket Seat - Right Hand
	M80243-41-B05	EA	Cover - Right Armrest - Bucket Seat
	M80243-41-B06	EA	Cover - Right Armrest - Bucket Seat
	080243-42-B05	EA	Armrest - Bucket Seat - Left Hand
	080243-42-B06	EA	Armrest - Bucket Seat - Left Hand
	M80243-42-B05	EA	Cover - Left Armrest - Bucket Seat
	M80243-42-B06	EA	Cover - Left Armrest - Bucket Seat
	071126-24-B03	EA	Skirt Asm. - Single Bucket (B05)
	071126-24-B04	EA	Skirt Asm. - Single Bucket (B06)
	085268-02-B05	EA	Headrest - Bucket Seat w/o Grommets (Export)
	085268-02-B06	EA	Headrest - Bucket Seat w/o Grommets (Export)
	M85268-02-B05	EA	Cover - Headrest (Export)
	M85268-02-B06	EA	Cover - Headrest (Export)

* These parts are used from 7/9/90 on.

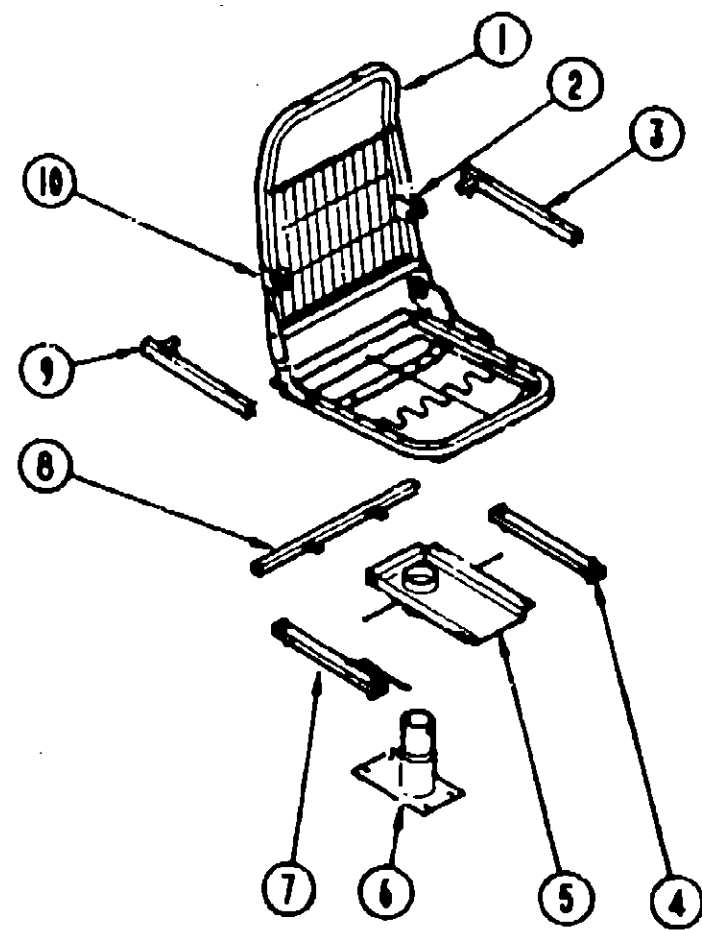
1991 WINNEBAGO
TABLE OF CONTENTS

INTRODUCTION	A-01 - A-02
ABBREVIATIONS	A-03
ALPHABETICAL/GROUP REFERENCE	A-04 - A-06
WC321RG	A-07 - D-02
WC324RC	D-03 - F-23

1991 WC324RC INDEX

Floor Plan	D-03 - D-04
Accessories Group	F-05 - D-08
Bath Group	D-09 - D-10
Bedroom Group	D-11
Chassis Group	D-12 - D-15
Curtain, Cushion & Pad Group	D-16 - D-23
Dinette Group	D-24 - E-01
Driver's Compartment Group	E-02 - E-05
Electrical Group	E-06 - E-08
Exterior Body Group	E-09 - E-13
Galley Group	E-14 - E-16
Heating & Air Conditioning Group	E-17 - E-18
Interior Finish Group	E-19 - E-21
Labels Group	E-22 - F-05
LP Group	F-06
Lounge Group	F-07
Sealants & Fasteners Group	F-08 - F-09
Water & Sewage Group	F-10 - F-11
Window, Vent & Exterior Door Group	F-12 - F-23

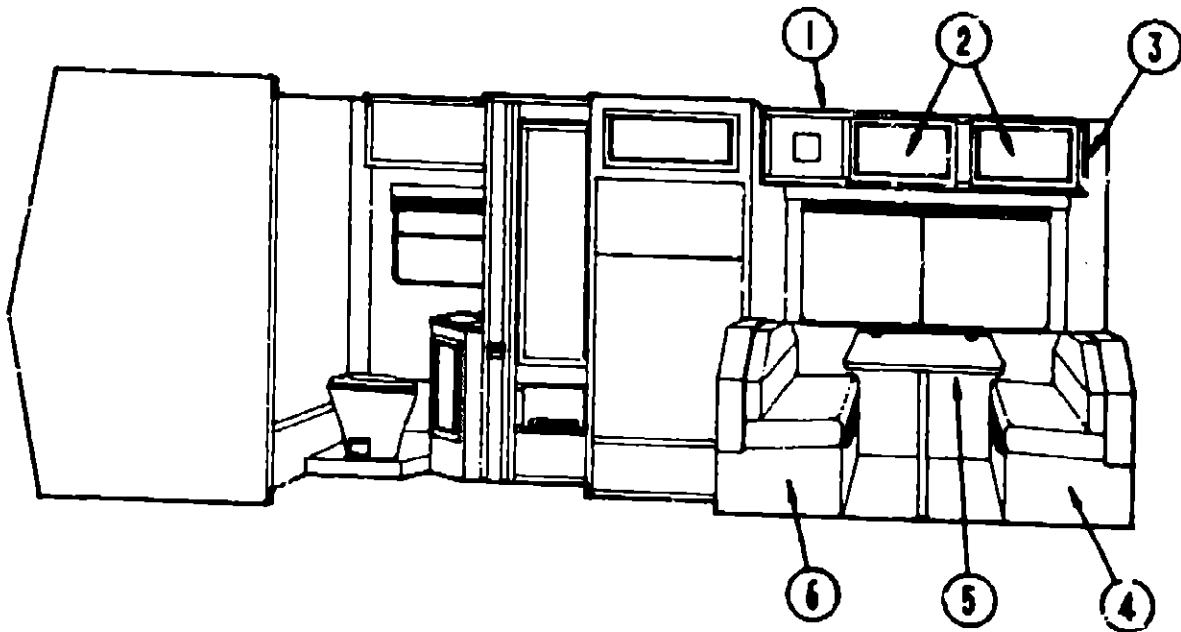
DINETTE GROUP



BUCKET SEAT HARDWARE

Key	Part Number	U/M	Description
1	M80906-02-000	EA	Frame Asm. - Seat, Back & Spring
1	M80906-01-000	EA	Frame Asm. - Seat, Back & Spring (Export Option)
*1	M80906-04-000	EA	Frame Asm. - Seat, Back & Spring (Export Option)
	M80803-01-000	EA	Frame - Seat, Single Not Bend
2	081362-02-000	EA	Bracket - Armrest - Left Hand
3	081268-02-000	EA	Rod & Channel - Armrest - Left - Metal
4	069246-02-000	EA	Adjuster - Bucket Seat w/o Lock - Forward & Back
5	093481-01-000	EA	Top Plate - Pedestal - Bucket Seats
6	069585-03-000	EA	Base - Bucket Seats - Bolts to Floor - Vertical - 8"
7	069246-01-000	EA	Adjuster - Bucket Seat w/Lock - Forward & Back
*7	069246-05-000	EA	Adjuster - Bucket Seat w/Remote
8	069585-29-000	EA	Bar - Seat Belt - Bucket Seats - 20"
9	081268-01-000	EA	Rod & Channel - Armrest - Right - Metal
10	081362-01-000	EA	Bracket - Armrest - Right Hand
	069246-05-700	EA	Spring for Slide Adjuster
	069246-05-701	EA	Clip Only For Cable Asm.
	091313-01-000	EA	Grommet - Headrest (Export)
	C80730-02-000	EA	Recliner - Seat Back - Left Hand (Export)
	101125-01-000	EA	Recliner - Seat Back - Left Hand (Export)
	080731-02-000	EA	Slave Hinge - Recliner - Left Hand (Export)
	089368-04-000	EA	Frame - Cable - Remote Swivel (Export)
	089368-05-000	EA	Frame - Cable - Remote Recliner
	081361-01-000	EA	Rod - Armrest - Metal

* These parts are used from 7/9/90 on.



DINETTE CABINETRY

Key	Part Number	U/M	Description
1	P00201-01-B05	EA	Cabinet Asm. - Dinette Overhead - w/o Door or Hardware
2	P00099-32-B05	EA	Door Asm. - Dinette Cabinet - 14.4" x 27" - w/o Hardware
3	081280-21-B05	EA	End Cap Asm.
4	M02487-02-B05	EA	Cabinet Asm. - Dinette Seat
	M02486-02-B05	EA	Cabinet Asm. - Dinette Back
	081519-10-B05	EA	Pad Asm. - Dinette Back
	081519-10-B06	EA	Pad Asm. - Dinette Back
*5	M02115-09-B05	EA	Panel Kit - Dinette Table
6	M02489-02-B05	EA	Cabinet Asm. - Dinette Seat
	M02488-02-B05	EA	Cabinet Asm. - Dinette Back
	081519-11-B05	EA	Pad Asm. - Dinette Back
	081519-11-B04	EA	Pad Asm. - Dinette Back
	057759-01-000	EA	Washer - Bracket - Seat Belt - 4" Dia.
	067021-01-000	EA	Seat Belt

* See the next page for the breakdown of this item.

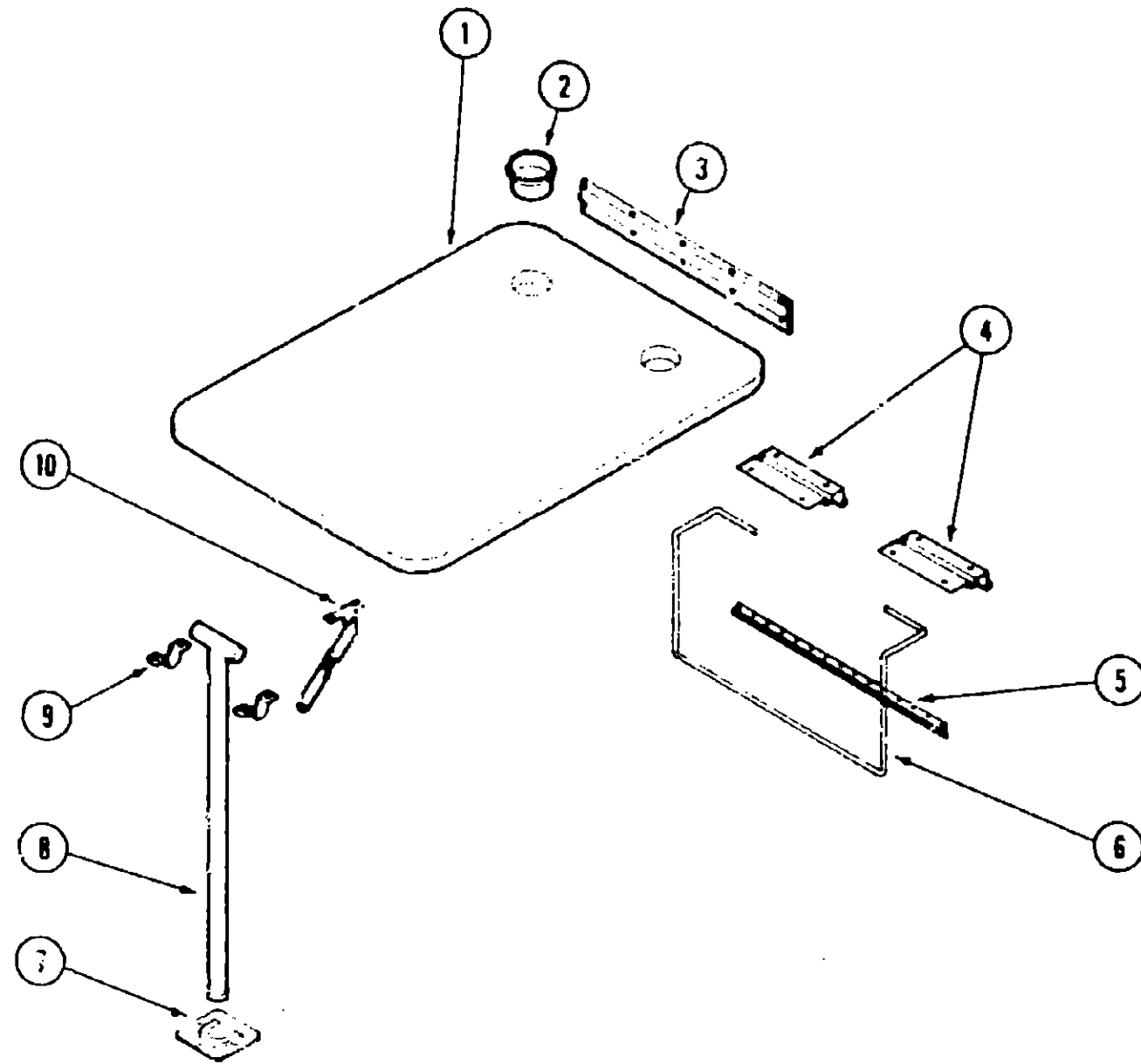
1991 WINNEBAGO
TABLE OF CONTENTS

INTRODUCTION	A-01 - A-02
ABBREVIATIONS	A-03
ALPHABETICAL/GROUP REFERENCE	A-04 - A-06
WC321RG	A-07 - D-02
WC324RC	D-03 - F-23

1991 WC324RC INDEX

Floor Plan	D-03 - D-04
Accessories Group	D-05 - D-08
Bath Group	D-09 - D-10
Bedroom Group	D-11
Chassis Group	D-12 - D-15
Curtain, Cushion & Pad Group	D-16 - D-23
Dinette Group	D-24 - E-01
Driver's Compartment Group	E-02 - E-05
Electrical Group	E-06 - E-08
Exterior Body Group	E-09 - E-13
Galley Group	E-14 - E-16
Heating & Air Conditioning Group	E-17 - E-18
Interior Finish Group	E-19 - E-21
Labels Group	E-22 - F-05
LP Group	F-06
Lounge Group	F-07
Sealants & Fasteners Group	F-08 - F-09
Water & Sewage Group	F-10 - F-11
Window, Vent & Exterior Door Group	F-12 - F-23

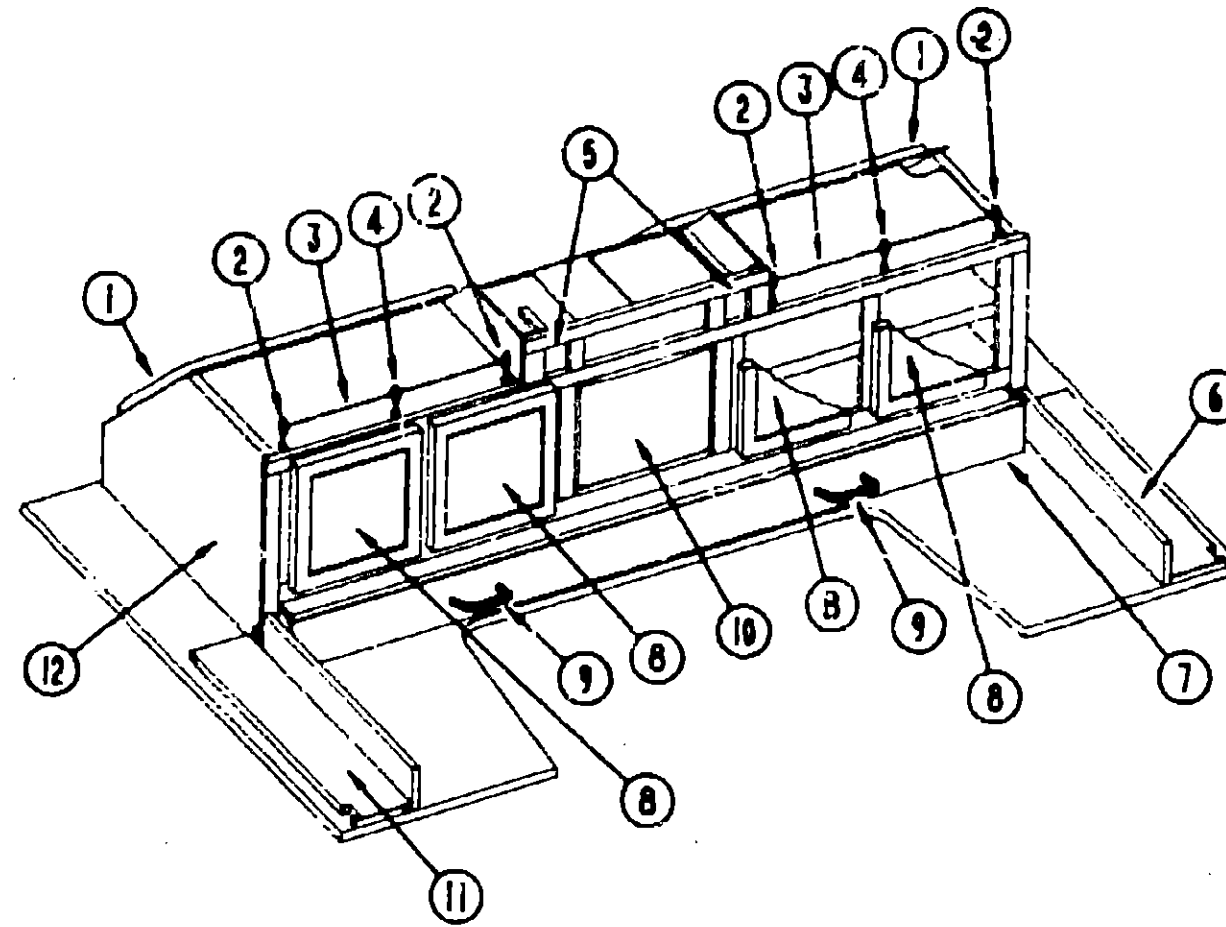
DINETTE GROUP (CONTINUED)



DINETTE TABLE & HARDWARE

Key	Part Number	U/M	Description
1	W02115-09-B03	EA	Table - Dinette - w/o Hardware
2	054781-06-000	EA	Cup Holder - Two Step - Beige
3	053200-05-000	EA	Support - Table - 23.5" - Beige
4	088410-01-000	EA	Hanger - Table - Beige
5	024281-07-000	EA	Bracket - Table Lift
6	024275-05-000	EA	Rod - Table Lift - Beige
7	049493-01-000	EA	Catch - Table Leg
8	024276-21-000	EA	Leg Asm. - Table - Beige
9	064050-02-000	EA	Clamp - Saddle - Leg Hinge - Tan
10	J24282-01-000	EA	Brace Table Leg
	024283-01-000	EA	Clip - 1" - 1.125" - OD Tube - Black
	061295-01-L01	EA	Support - Base - Dinette

DRIVER'S COMPARTMENT GROUP



TV & ENTERTAINMENT CABINETRY (OPTION L43V)

Key	Part Number	U/M	Description
1	093879-01-01A	EA	Panel - Window - Black Plastic
2	084070-02-000	EA	Post - End - Brass
3	084071-06-000	EA	Rod - Brass - 25"
4	084070-01-000	EA	Post - Center - Brass
5	072333-67-000	YD	Fabric - Speaker Cover
	098819-01-000	EA	Speaker - 2 Watt - 8 OHM - 4"
	074979-11-000	EA	Cover - Speaker - Plastic - Off White
6	099687-01-B05	EA	Cabinet - Headboard - Passenger
7	099639-01-B05	EA	Drawer - Entertainment - Front
	079145-07-000	EA	Cushion - Front Bunk - 28" x 75" x 2.5"
8	P00099-70-B05	EA	Door - Cabinet - 13.9" x 13.9" - w/o Hardware
9	100030-01-000	EA	Pull - Drawer - Polished Brass
10	098447-01-000	EA	TV - 13" Color w/Remote (USA)
10	098447-02-000	EA	TV - 13" Color w/Remote (CSA)
	098447-01-700	EA	Remote Control
	099856-01-000	EA	TV - Tiedown
11	099687-02-B05	EA	Cabinet - Headboard - Driver
12	099445-01-B05	EA	Cabinet - Entertainment - Front
			* See Curtain, Cushion & Pad Group for further breakdown of this item.

1991 WINNEBAGO TABLE OF CONTENTS

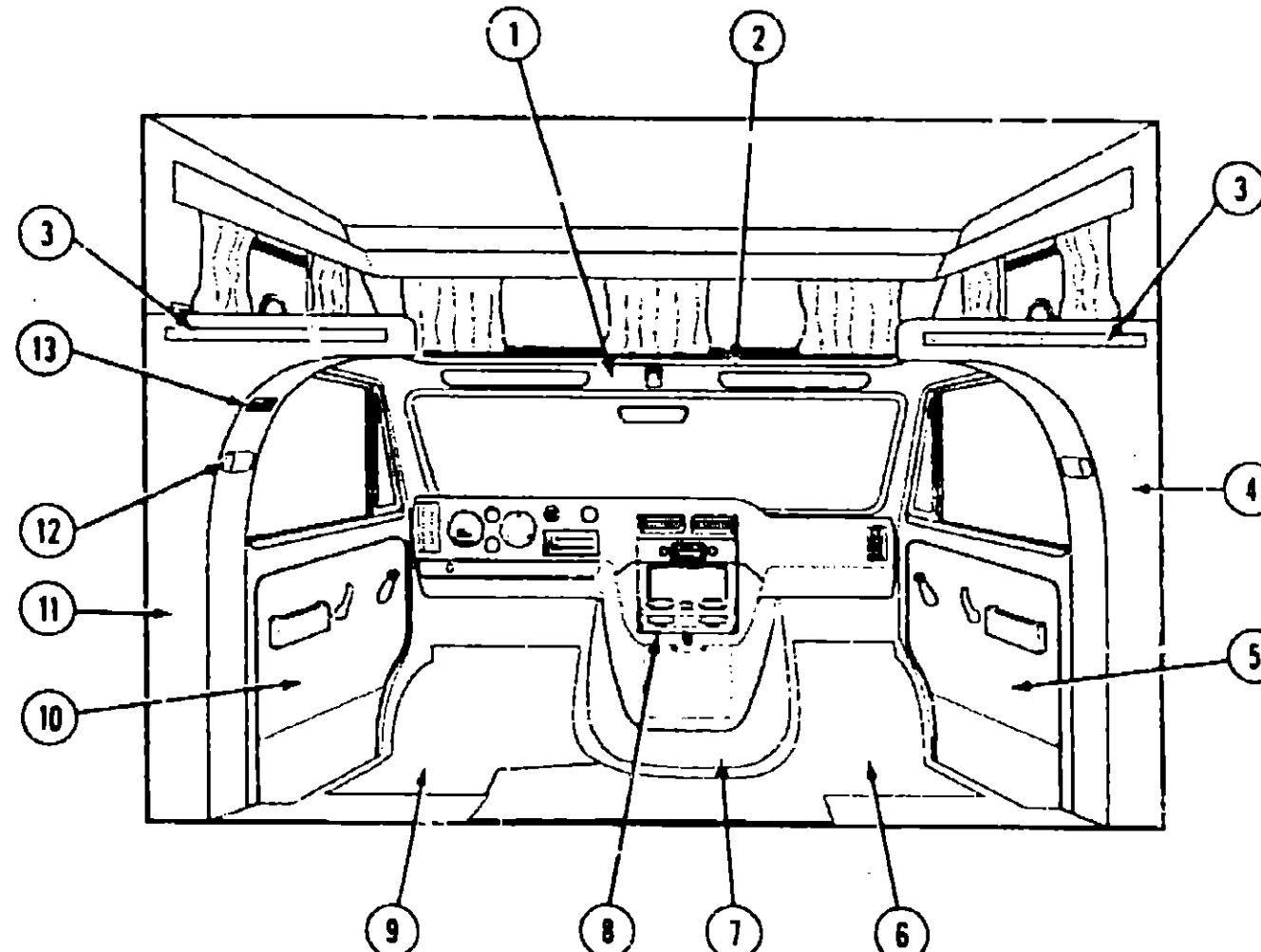
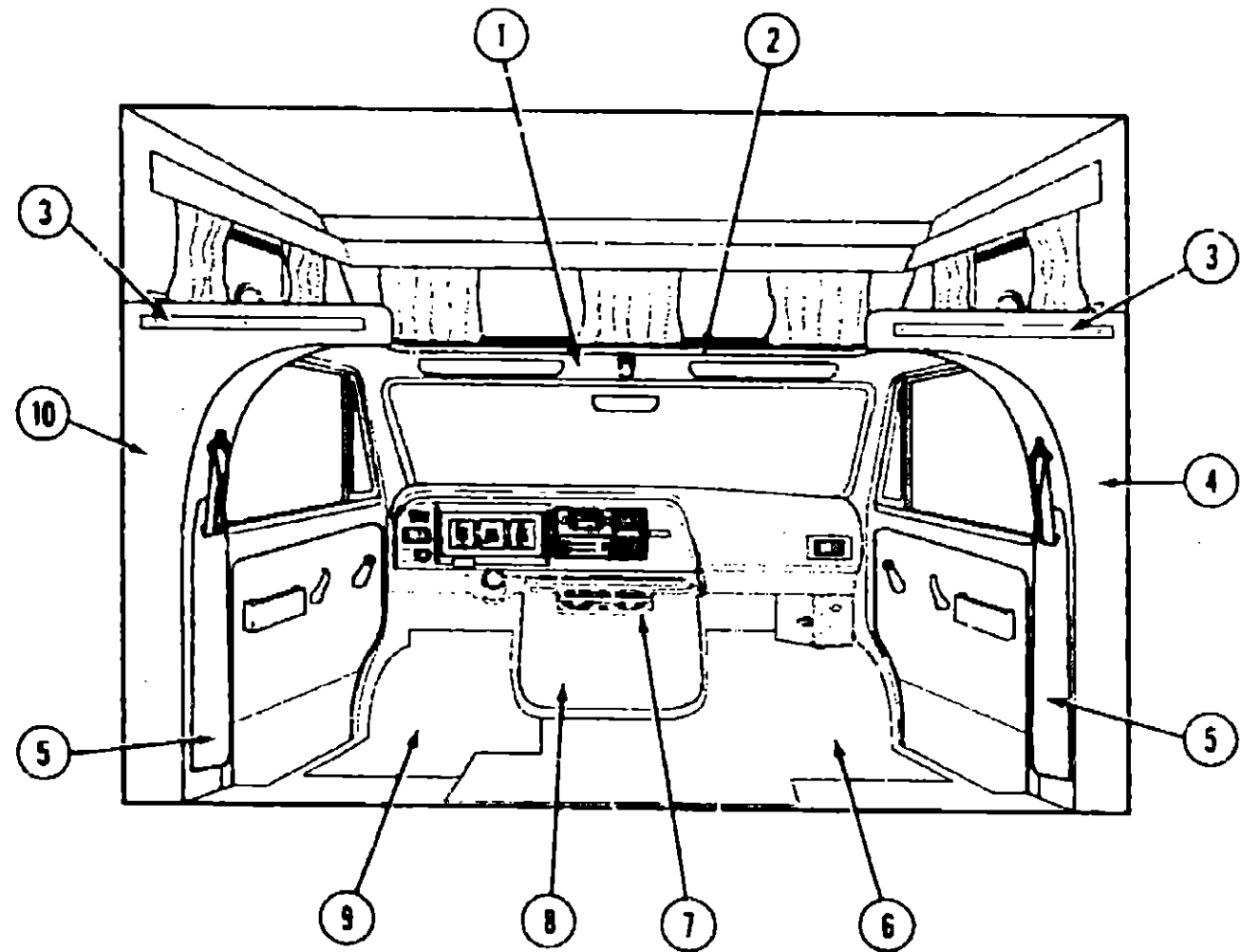
INTRODUCTION	A-01 - A-02
ABBREVIATIONS	A-03
ALPHABETICAL/GROUP REFERENCE	A-04 - A-06
WC321RG	A-07 - D-02
WC324FC	D-03 - F-23

1991 WC324RC INDEX

Floor Plan	D-03 - D-04
Accessories Group	D-05 - D-08
Bath Group	D-09 - D-10
Bedroom Group	D-11
Chassis Group	D-12 - D-15
Curtain, Cushion & Pad Group	D-16 - D-23
Dinette Group	D-24 - E-01
Driver's Compartment Group	E-02 - E-05
Electrical Group	E-06 - E-08
Exterior Body Group	E-09 - E-13
Galley Group	E-14 - E-16
Heating & Air Conditioning Group	E-17 - E-18
Interior Finish Group	E-19 - E-21
Labels Group	E-22 - F-05
LP Group	F-06
Lounge Group	F-07
Sealants & Fasteners Group	F-08 - F-09
Water & Sewage Group	F-10 - F-11
Window, Vent & Exterior Door Group	F-12 - F-23

DRIVER'S COMPARTMENT GROUP (CONTINUED)

DRIVER'S COMPARTMENT GROUP (CONTINUED)



**1991 WINNEBAGO
TABLE OF CONTENTS**

INTRODUCTION	A-01 - A-02
ABBREVIATIONS	A-03
ALPHABETICAL/GROUP REFERENCE	A-04 - A-06
WC321RG	A-07 - D-02
WC324RC	D-03 - F-23

MISCELLANEOUS DRIVER'S COMPARTMENT COMPONENTS (FORD)

Key	Part Number	U/M	Description
1	091831-01-B05	EA	Headliner - Front - Off White Vinyl
	091825-02-A93	EA	Headliner - Sides - Off White Vinyl
	096208-01-B05	EA	Cabinet Asm. - Headboard
	098703-01-B05	EA	Sleeper Board Asm.
	079800-04-000	EA	Trim - Front Sleeper Board - Metal - Off White
2	080742-03-000	FT	Accent Trim - Off White Vinyl
3	082069-03-Y05	EA	Wood Trim - Wingwall - 15.8"
	074045-07-000	EA	Oak Plug - 1/2"
4	096244-01-B05	EA	Wingwall Asm. - Inner - Passenger - Off White
5	091871-05-000	EA	Seat Belt Cover - Off White
	076302-03-000	EA	Seat Belt - Driver or Passenger
	057759-01-000	EA	Bracket - Seat Belt - Washer
6	083219-01-000	EA	Floor Mat - Passenger
7	099857-01-AA	EA	Beverage Tray
	069885-16-B05	EA	Motor Cover w/Pocket
	059895-16-B06	EA	Motor Cover w/Pocket
9	083219-02-000	EA	Floor Mat - Driver
10	096244-02-B05	EA	Wingwall Asm. - Inner - Driver - Off White
	024461-01-000	EA	Switch - Battery
	094795-01-000	EA	Speedometer - Kilometer
	078539-01-000	EA	Trim - Cab Carpet - Passenger - 29"
	078539-02-000	EA	Trim - Cab Carpet - Driver - 29"

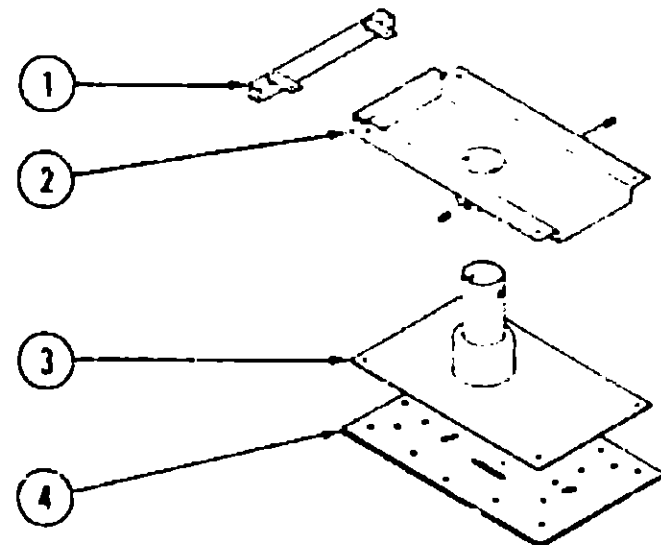
MISCELLANEOUS DRIVER'S COMPARTMENT COMPONENTS (CHEVROLET)

Key	Part Number	U/M	Description
1	091829-01-B05	EA	Headliner - Front - Off White Vinyl
	091825-02-A93	EA	Headliner - Sides - Off White Vinyl
	096208-01-B05	EA	Cabinet Asm. - Headboard
	098703-01-B05	EA	Sleeper Board Asm.
	079800-04-000	EA	Trim - Front Sleeper Board - Metal - Off White
2	080742-03-000	FT	Accent Trim - Off White Vinyl
3	082069-03-Y05	EA	Wood Trim - Wingwall - 15.8"
	074045-07-000	EA	Oak Plug - 1/2"
4	097176-01-B05	EA	Wingwall Asm. - Inner - Passenger - Off White
5	059491-01-B05	EA	Side Panel - Cab Door - Passenger
	059492-01-B06	EA	Side Panel - Cab Door - Passenger
6	083218-01-000	EA	Floor Mat - Front Passenger
7	074891-07-B05	EA	Motor Cover w/Pocket
	074891-07-B06	EA	Motor Cover w/Pocket
8	100516-01-B05	EA	Beverage Tray
9	083218-02-000	EA	Floor Mat - Front Driver
	059492-01-B05	EA	Side Panel - Cab Door - Driver
	059492-01-B06	EA	Side Panel - Cab Door - Driver
11	097176-02-B05	EA	Wingwall Asm. - Inner - Driver - Off White
12	076302-03-000	EA	Seat Belt - Driver or Passenger
13	047347-01-000	EA	Switch Asm. - Dual Battery
	024461-01-000	EA	Switch - Battery
	094795-01-000	EA	Speedometer - Kilometer
	094797-03-000	EA	Instrument Cluster - KM90 - Gas

1991 WC324RC INDEX

Floor Plan	D-03 - D-04
Accessories Group	D-05 - D-08
Bath Group	D-09 - D-10
Bedroom Group	D-11
Chassis Group	D-12 - D-15
Curtain, Cushion & Pad Group	D-16 - D-23
Dinette Group	D-24 - E-01
Driver's Compartment Group	E-02 - E-05
Electrical Group	E-06 - E-08
Exterior Body Group	E-09 - E-13
Galley Group	E-14 - E-16
Heating & Air Conditioning Group	E-17 - E-18
Interior Finish Group	E-19 - E-21
Labels Group	E-22 - F-05
LP Group	F-06
Lounge Group	F-07
Sealants & Fasteners Group	F-08 - F-09
Water & Sewage Group	F-10 - F-11
Window, Vent & Exterior Door Group	F-12 - F-23

DRIVER'S COMPARTMENT GROUP (CONTINUED)



BUCKET SEAT PEDESTAL & SEAT BELTS

Key	Part Number	U/M	Description
1	069585-29-000	EA	Bar - Seat Belt - 20"
2	093481-01-000	EA	Plate - Top - Pedestal Asm.
3	069585-03-000	EA	Plate - Sub - Pedestal Asm.
4	069585-04-000	EA	Plate - Base - Pedestal Asm. - Bucket Seat
	069585-29-000	EA	Bar - Seat Belt - 20" - Bucket Seat
	069246-01-000	EA	Adjuster Asm. - Seat - w/ Lock
	069246-02-000	EA	Adjuster Asm. - Seat - w/o Lock
	069246-05-000	EA	Adjuster Asm. w/Remote
	069246-05-700	EA	Spring For Slide Adjuster
	069246-05-701	EA	Clip - For Cable Asm. Only
	007221-01-000	EA	Spacer - Seat Adjuster

These parts are used from 7/9/90 on.

ELECTRICAL GROUP

BULBS

Key	Part Number	U/M	Description
	092696-01-709	EA	Bulb - 912 (Stove Hood)
	008215-01-000	EA	Bulb - 1003 (Porch Light)
	008218-01-000	EA	Bulb - 1141 (Dome Light)
	037934-01-000	EA	Bulb - 1156 (Back-Up Light)
	037935-01-000	EA	Bulb - 1157 (Tail Lamp)
	084880-01-706	EA	Bulb - DC Light (Refrigerator) (Export)
	088737-01-710	EA	Bulb - 30W (Microwave Oven)
	036196-01-000	EA	Bulb - 194 (Clearance Light)
	086280-01-700	EA	Bulb - 12 Volt - 6 Watt (Surface Light)

WIRES, SWITCHES, & RECEPTACLES

Key	Part Number	U/M	Description
	008288-01-000	EA	Box - Electrical - 3" x 3.5" - Plastic
	093603-01-000	EA	Box - Electrical - 4" x 2 1/8" x 2 1/8"
	008289-01-000	EA	Box - Electrical - 4" x 4" - 1/2 & 3/4 Steel
	008289-02-000	EA	Box - Electrical - 4" x 4" (CSA)
	058049-01-000	EA	Box - Electrical - 2" x 3" x 2.25" - Steel
	008037-01-000	EA	Cable - Battery - 1 AWG - Stranded - Black
	041953-01-000	FT	Conduit - Convolute Slit - .5" ID
	041953-05-000	FT	Conduit - Convolute Slit - .62" ID
	041953-07-000	FT	Conduit - Convolute Slit - .25" ID
	041953-09-000	FT	Conduit - Convolute Slit - .50" ID
	041953-10-000	FT	Conduit - Convolute Slit - .75" ID
	041953-11-000	FT	Conduit - Convolute Slit - 1.06" ID
	008355-01-000	EA	Connector - Cable Clamping - 3/4"
	008356-01-000	EA	Connector - Plastic - 3/8" Avg.
	051028-01-000	EA	Connector - Pigtail - Clear Nylon
	006311-01-000	EA	Connector - Wire Nut - Red
	008114-01-000	EA	Connector - Wire Nut - Gray
	008054-01-000	EA	Cord - Power - 10-3 30 Amp. - 25'
	008052-01-000	EA	Cord - Power - 10-3 30 Amp. (CSA)
	008254-01-000	EA	Cover Plate - Electrical Box - Blank Steel - 4 x 4 (USA)
	008291-02-000	EA	Cover Plate - Electrical Box - Blank Steel - 4" x 4" (CSA)
	053331-01-000	EA	Cover Plate - Blank - Ivory
	023942-01-000	EA	Grommet - Rubber - 2" OD
	062037-01-000	EA	Housing - Auto Fuse - Natural
	063910-01-000	EA	Housing - Relay
	088474-09-000	EA	Housing - Socket
	097744-01-000	EA	Housing - Trailer Pin - 12"
	097744-02-000	EA	Housing - Trailer Pin - 48"
	097746-01-000	EA	Housing Asm. - Trailer Cap
	097745-01-000	EA	Housing Asm. - Trailer Receptacle - 12"
	088473-05-000	EA	Housing Pin - 6 Position In Line
	054532-01-000	EA	Housing Pin - 6 Position
	088473-06-000	EA	Housing Pin - 6 Position
	088473-08-000	EA	Housing Pin - 4 Position
	088473-10-000	EA	Housing Pin - 2 Position
	088474-08-000	EA	Housing Socket - 4 Position
	088474-09-000	EA	Housing Socket - 6 Position
	088475-01-000	EA	Pin - Connector
	046885-01-000	EA	Plaque - Mounting Switch
	031968-01-000	EA	Plug - Contact - Brass
	075736-02-000	EA	Receptacle/Cover Asm. - Off White (Exterior)
	084077-02-000	EA	Receptacle Cover - Brown (Ground Fault Interrupter)
	084076-02-000	EA	Receptacle - 15 Amp. - 125 Volt - Brown (Ground Fault Interrupter)
	024924-02-000	EA	Receptacle - Power Cord
	058707-01-000	EA	Receptacle - Single - Brown
	007940-01-000	EA	Receptacle - Slide - 16 to 12 Awg.
	058708-02-000	EA	Receptacle - Double Electrical - Ivory
	058708-01-000	EA	Receptacle - Duplex - Brown

**1991 WINNEBAGO
TABLE OF CONTENTS**

INTRODUCTION	A-01 - A-02
ABBREVIATIONS	A-03
ALPHABETICAL/GROUP REFERENCE	A-04 - A-06
WC321RG	A-07 - D-02
WC324RC	D-03 - F-23

1991 WC324RC INDEX

Floor Plan	D-03 - D-04
Accessories Group	D-05 - D-08
Bath Group	D-09 - D-10
Bedroom Group	D-11
Chassis Group	D-12 - D-15
Curtain, Cushion & Pad Group	D-16 - D-23
Dinette Group	F-24 - E-01
Driver's Compartment Group	E-02 - E-05
Electrical Group	E-06 - E-08
Exterior Body Group	E-09 - E-13
Galley Group	E-14 - E-16
Heating & Air Conditioning Group	E-17 - E-18
Interior Finish Group	E-19 - E-21
Labels Group	E-22 - F-05
LP Group	F-06
Lounge Group	F-07
Sealants & Fasteners Group	F-08 - F-09
Water & Sewage Group	F-10 - F-11
Window, Vent & Exterior Door Group	F-12 - F-23

ELECTRICAL GROUP (CONTINUED)

WIRES, SWITCHES & RECEPTACLES (CONTINUED)

Key	Part Number	U/M	Description
	088476-01-000	EA	Socket - Connector
	008188-01-000	EA	Solenoid - 3 Posi - Battery Charge Over
	024461-01-000	EA	Switch - Battery
	008195-01-000	EA	Switch - Push Button - 12 Volt
	098351-01-01A	EA	Switch Plate - 1 Gang - Polished Brass
	098351-02-01A	EA	Switch Plate - 2 Gang - Polished Brass
	079364-01-000	EA	Switch - On/Off Rocker - Brown
	007942-01-000	EA	Tab - 18 to 14 Awg. Wire
	007949-01-000	EA	Tab - 14 to 10 Awg. Wire
	031965-01-000	EA	Tab - Housing - 2 Position
	047443-01-000	EA	Terminal - .250 Receptacle Fit - Insulated - 16/14 AWG
	047443-02-000	EA	Terminal - .250 Receptacle Fit - Insulated - 12/10 AWG
	008326-01-000	EA	Terminal Ring - 16/14 Wire - 3/8" Stud
	035416-04-000	EA	Terminal Ring - #10 Stud Fit
	009328-01-000	EA	Terminal Ring - 12/10 Wire
	008348-01-000	EA	Terminal Ring - 2 - 3/8 Stud
	008331-01-000	EA	Terminal Ring - 4 - 3/8 Stud
	062036-02-000	EA	Terminal - Pack - Con - 16/14 AWG
	008026-01-000	FT	Wire - 12/2 Romex w/Ground
	008030-01-000	FT	Wire - Bonded
	008343-01-000	EA	Wire Tie - 6"

EXTERIOR LIGHTS

Key	Part Number	U/M	Description
	042405-01-000	EA	Lens - Side Marker/Clearance Light - w/Reflex - Red
	042405-02-000	EA	Lens - Side Marker Light - w/Reflex - Amber
	042405-03-000	EA	Base - Clearance Light - Rectangular
	091983-01-000	EA	Gasket - Light - Side Marker
	008213-01-000	EA	Bulb - 12 Volt - #57
	062740-04-000	EA	Wedge - Tail Light - Plastic - Passenger Side - Off White
	062742-04-000	EA	Wedge - Tail Light - Plastic - Driver Side - Off White
	007309-01-000	EA	Light - License Plate
	059540-01-000	EA	Bracket - License Plate
	058032-02-000	EA	Tail Lamp - 2 Bulb - Black Bezel
	058032-02-700	EA	Lens - Tail Lamp - w/Backup - Red
	058032-02-701	EA	Lens - Tail Lamp - w/o Backup - Red
	037935-01-000	EA	Bulb - Tail Lamp - #1157 - 12 Volt
	097917-01-01A	EA	Light - Porch/Entry Door - Off White (US)
	097917-01-700	EA	Lens - Porch Light
	008089-02-000	EA	Porch Light - Recessed (CSA)
	006089-01-700	EA	Lens - Porch Light
	008215-01-000	EA	Bulb - Porch Light
	100138-01-000	EA	Module - Daytime Running Lights
	100159-02-000	EA	Wire Asm. (Ford)
	100159-03-000	EA	Wire Asm. (Chevrolet)

INTERIOR LIGHTS

Key	Part Number	U/M	Description
	007309-01-000	EA	Light - Step Well - Round - 12V
	098024-01-01A	EA	Dome Light - 1 Bulb - Ivory
	098024-03-01A	EA	Dome Light - 2 Bulbs - Ivory
	098024-01-700	EA	Lens - Dome Light
	008218-01-000	EA	Bulb - Dome Light - 12 Volt - #1141
	086280-01-000	EA	Light - Surface Mount - 12 Volt
	086280-01-700	EA	Bulb - 12 Volt - 6 Watt

ELECTRICAL GROUP (CONTINUED)

FUSES & CIRCUIT BREAKERS

Key	Part Number	U/M	Description
	008235-01-000	EA	Fuse - 12 Volt - 15 Amp.
	008211-01-000	EA	Circuit Breaker - 6 Amp. - 12 Volt
	083209-01-000	EA	Circuit Breaker - 15 Amp. 120 Volt
	083210-02-000	EA	Circuit Breaker - 15 Amp. - 120 Volt (Ground Fault Interrupter)
	083209-02-000	EA	Circuit Breaker - 15/15 Amp. - 120 Volt
	083209-03-000	EA	Circuit Breaker - 15/20 mp. - 120 Volt
	033573-01-000	EA	Circuit Breaker - 20 Amp. - 12 Volt
	094811-01-000	EA	Circuit Breaker - 20/20 Amp. - 120 Volt
	008268-01-000	EA	Circuit Breaker - 30 Amp. - 12 Volt
	083209-04-000	EA	Circuit Breaker - 20 Amp. - 120 Volt
	083209-06-000	EA	Circuit Breaker - 30/15 Amp. - 120 Volt
	094810-01-000	EA	Circuit Breaker - 30/30 Amp. - 120 Volt (Export)
	083209-08-000	EA	Circuit Breaker Blank
	050283-02-000	EA	Circuit Breaker - Buss Bar
	100341-01-000	EA	Fuse Holder - In Line Type
	008277-01-000	EA	Fuse Holder - Black - Panel Mount

MISCELLANEOUS ELECTRICAL COMPONENTS

Key	Part Number	U/M	Description
	072852-01-000	EA	Smoke Detector w/9 Volt Battery
	083208-01-000	EA	Converter - 32 Amp. w/Charger
	094809-01-000	EA	Load Center - 240 Volt - 125 Amp. (Export)

**1991 WINNEBAGO
TABLE OF CONTENTS**

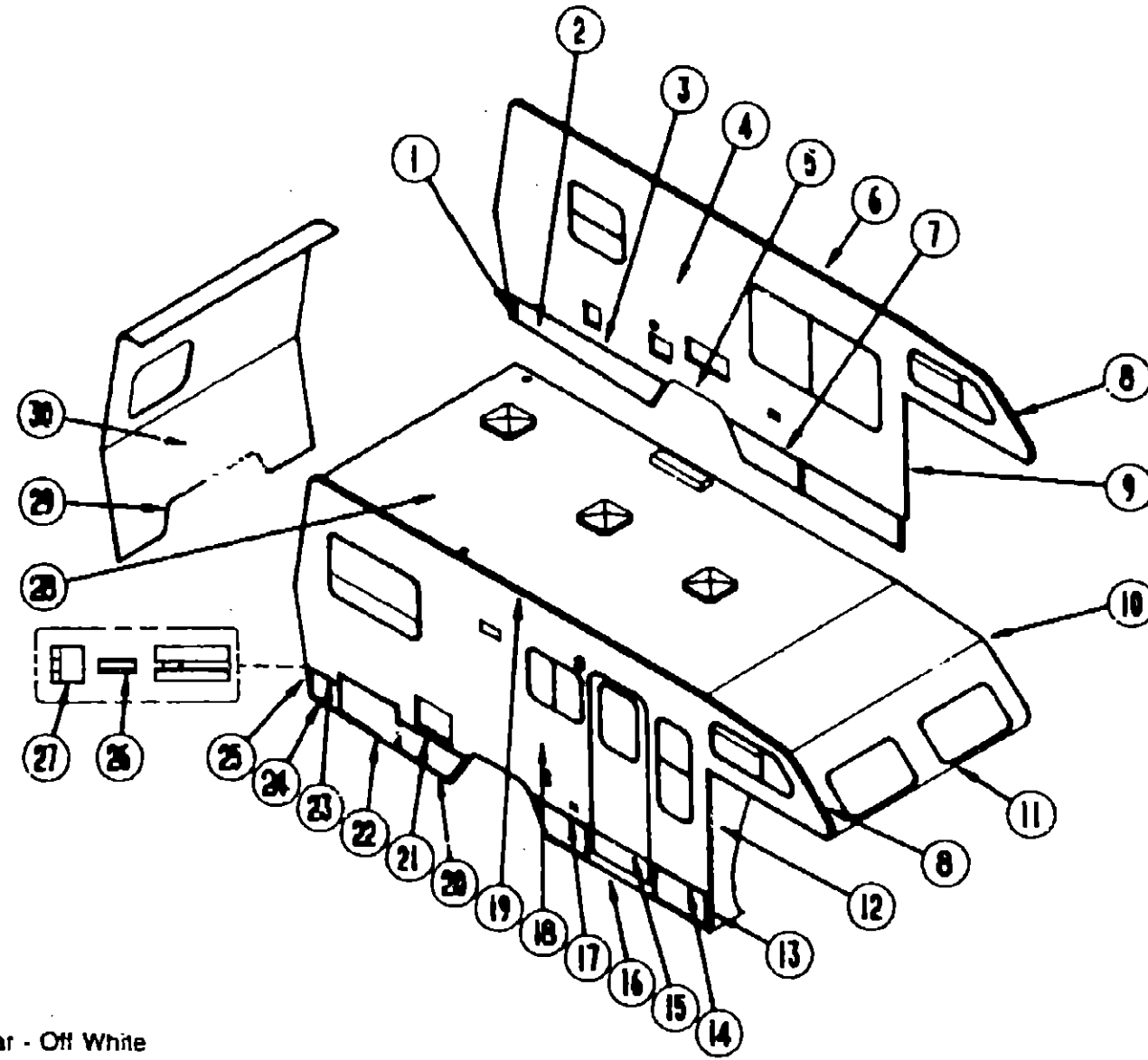
INTRODUCTION	A-01 - A-02
ABBREVIATIONS	A-03
ALPHABETICAL/GROUP REFERENCE	A-04 - A-06
WC321RG	A-07 - D-02
WC324RC	D-03 - F-23

1991 WC324RC INDEX

Floor Plan	D-03 - D-04
Accessories Group	D-05 - D-08
Bath Group	D-09 - D-10
Bedroom Group	D-11
Chassis Group	D-12 - D-15
Curtain, Cushion & Pad Group	D-16 - D-23
Dinette Group	D-24 - E-01
Driver's Compartment Group	E-02 - E-05
Electrical Group	E-06 - E-08
Exterior Body Group	E-09 - E-13
Galley Group	E-14 - E-16
Heating & Air Conditioning Group	E-17 - E-18
Interior Finish Group	E-19 - E-21
Labels Group	E-22 - F-05
LP Group	F-06
Lounge Group	F-07
Sealants & Fasteners Group	F-08 - F-09
Water & Sewage Group	F-10 - F-11
Window, Vent & Exterior Door Group	F-12 - F-23

EXTERIOR BODY GROUP

EXTERIOR BODY PANELS



Key	Part Number	U/M	Description
1	097907-05-02A	EA	Filler - Valance Panel - Rear - Off White
2	096393-17-B05	EA	Valance Asm. - Rear
*3	096816-04-01A	EA	Trim - Sidewall - Lower - 75.2" - Off White
4	M96679-01-B05	EA	Sidewall Asm. - Driver (Special Order Item)
5	096215-01-01A	EA	Trim - Wheelwell - Rear - Metal - Off White
6	096864-01-01A	EA	Trim - Contour - Roof - Off White
*7	096817-03-01A	EA	Trim - Sidewall - Lower - 85.16" - Off White
8	096854-01-01A	EA	Trim - Contour - Off White
	079280-01-01A	FT	Vinyl Insert - Contour Trim - 72" - Off White
9	096970-02-01A	EA	Trim - Wingwall - Off White
	M96772-02-B05	EA	Wingwall - Driver Side w/Gusset (Chevrolet)
	M96154-02-B05	EA	Wingwall - Driver Side w/Gusset (Ford)
	096945-02-01A	EA	Trim - "L" Angled - Driver Wingwall - Off White
	089334-01-000	FT	Vinyl - Exterior Trim - Between Wingwall & Cab Seal - White
10	078580-01-000	EA	Trim - Roof to Front Cap
11	039644-09-000	EA	Trim - Sleeper Board - Off White
12	M96772-01-B05	EA	Wingwall - Passenger Side w/Gusset (Chevrolet)
12	M96154-01-B05	EA	Wingwall - Passenger Side w/Gusset (Ford)
	096945-01-01A	EA	Trim - "L" Angled - Passenger Wingwall - Off White
	089334-01-000	FT	Vinyl - Exterior Trim - Between Wingwall & Cab Seal - White
13	096970-01-01A	EA	Trim - Wingwall - Off White
*14	096818-04-01A	EA	Trim - Sidewall - Lower - 27" - Off White
	044582-02-000	EA	Drip Cap - Entrance Door
15	002444-04-002	EA	Feature Strip w/o Insert - 15' Long - Off White
	001030-02-003	EA	Insert - Feature Strip - Stucco
	009731-01-000	EA	End Cap - Feature Strip

Key	Part Number	U/M	Description
16	096835-01-AA3	EA	Valance - Entry Door
	096882-03-01A	EA	Trim Angle - Valance - Right
	096882-04-01A	EA	Trim Angle - Valance - Left
*17	096818-05-01A	EA	Trim - Sidewall - Lower - 29.2" - Off White
18	P00497-01-B05	EA	Sidewall Asm. - Passenger (Special Order Item)
19	100483-01-01A	EA	Trim - Contour - Roof (Awning) - Off White
20	096393-16-B05	EA	Valance Asm. - Rear Center
*21	096817-05-01A	EA	Trim - Sidewall - Lower - 32.1" - Off White
22	096217-55-001	EA	U-Channel - Extrusion - 17.5" - Off White
*23	096816-06-01A	EA	Trim - Sidewall - Lower - 14" - Off White
24	096397-08-B05	EA	Valance Asm. - Rear - w/Square Corners
25	097907-04-02A	EA	Filler - Valance Panel - Rear - Off White
26	001030-02-003	EA	Insert - Lower Sidewall Trim
27	098424-02-01A	EA	End Cap - Sidewall Trim - Rear (Passenger Side) & Front (Driver Side)
	098424-01-01A	EA	End Cap - Sidewall Trim - Rear (Driver Side) & Front (Passenger Side)
28	P00642-01-B05	EA	Roof Asm. (Special Order Item)
**28	P00642-02-B05	EA	Roof Asm. (Special Order Item)
29	096197-02-01A	EA	Trim - Backwall - Lower - U-Channel - 1" Wide - Off White
30	P00373-01-B05	EA	Backwall Asm. (Special Order Item)
			See the inset illustration for additional parts.
			** These parts were used from 10/1/90 on.

1991 WINNEBAGO TABLE OF CONTENTS

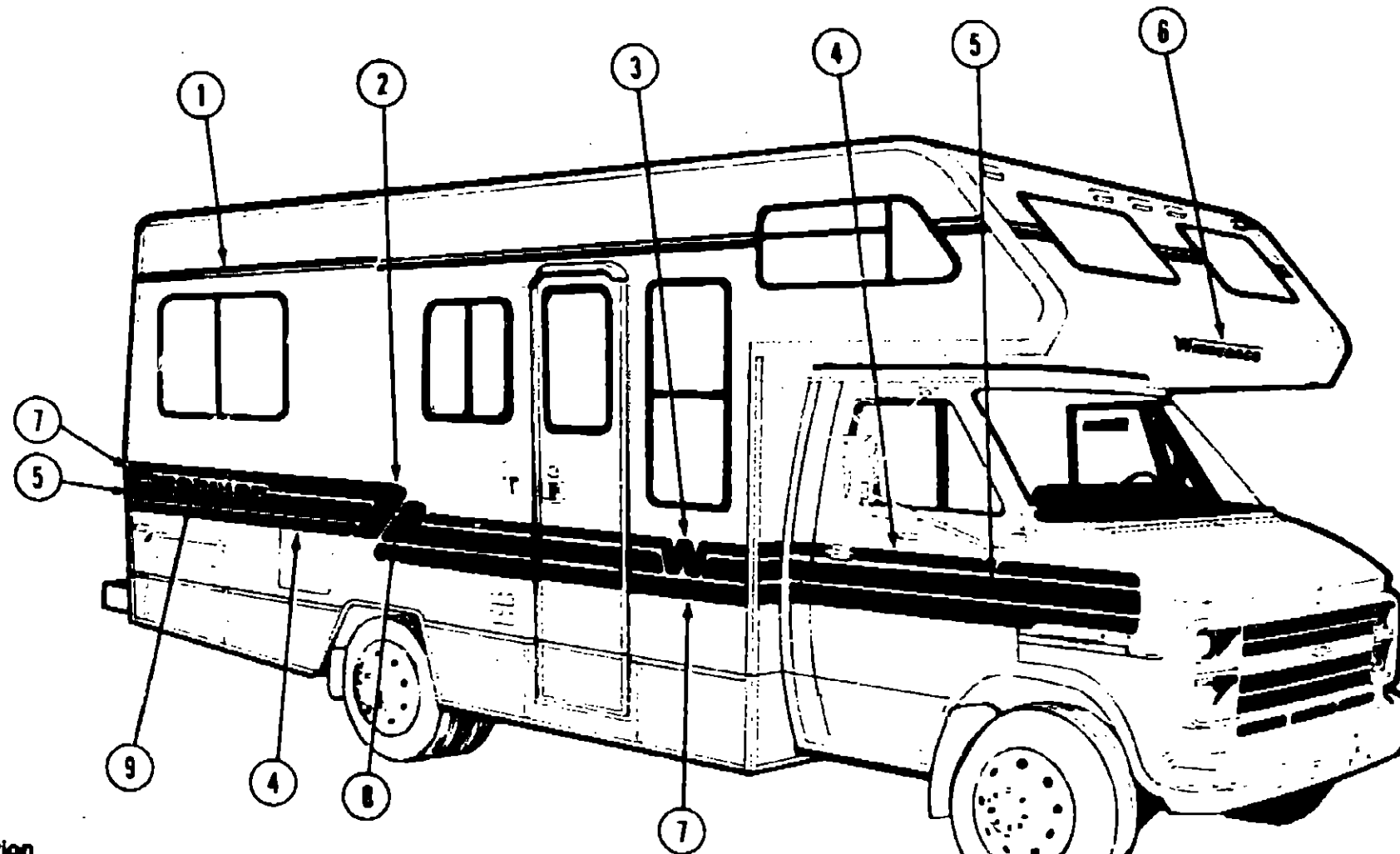
INTRODUCTION	A-01 - A-02
ABBREVIATIONS	A-03
ALPHABETICAL/GROUP REFERENCE	A-04 - A-06
WC321RG	A-07 - D-02
WC324RC	D-03 - F-23

1991 WC324RC INDEX

Floor Plan	D-03 - D-04
Accessories Group	D-05 - D-08
Bath Group	D-09 - D-10
Bedroom Group	D-11
Chassis Group	D-12 - D-15
Curtain, Cushion & Pad Group	D-16 - D-23
Dinette Group	D-24 - E-01
Driver's Compartment Group	E-02 - E-05
Electrical Group	E-06 - E-08
Exterior Body Group	E-09 - E-13
Galley Group	E-14 - E-16
Heating & Air Conditioning Group	E-17 - E-18
Interior Finish Group	E-19 - E-21
Labels Group	E-22 - F-05
LP Group	F-06
Lounge Group	F-07
Sealants & Fasteners Group	F-08 - F-09
Water & Sewage Group	F-10 - F-11
Window, Vent & Exterior Door Group	F-12 - F-23

EXTERIOR BODY GROUP (CONTINUED)

DECALS & FILM STRIPE



Key	Part Number	U/M	Description
1	093680-22-01A	FT	Multistripe - 2 Lines - 2.6" Wide - Dark Plum/Light Wine
1	093680-22-02A	FT	Multistripe - 2 Lines - 2.6" Wide - Green/Aqua
2	099984-01-01A	EA	Decal - Angle - Passenger Side - Rear - 11" High - Dark Plum
2	099984-01-02A	EA	Decal - Angle - Passenger Side - Rear - 11" High - Hunter Green
	099984-02-01A	EA	Decal - Angle - Driver Side - Rear - 11" High - Dark Plum
	099984-02-02A	EA	Decal - Angle - Driver Side - Rear - 11" High - Hunter Green
3	093691-03-01A	EA	Decal - Flying "W" - Dark Plum
3	093691-03-02A	EA	Decal - Flying "W" - Hunter Green
4	093681-14-01A	FT	Film - 1.5" x 150' - Dark Plum
4	093681-14-03A	FT	Film - 1.5" x 150' - Hunter Green
5	093681-15-02A	FT	Film - 4" x 150' - Light Wine
5	093681-15-04A	FT	Film - 4" x 150' - Aqua
6	050313-39-000	EA	Decal - Logo - "Winnebago" - 2.8" - Dark Plum
6	050313-43-000	EA	Decal - Logo - "Winnebago" - 2.8" - Hunter Green
7	093681-15-01A	FT	Film - 4" x 150' - Dark Plum
7	093681-15-03A	FT	Film - 4" x 150' - Hunter Green
8	099983-01-01A	EA	Decal - Angle - Passenger Side - Front - 8.9" High - Light Wine
8	099983-01-02A	EA	Decal - Angle - Passenger Side - Front - 8.9" High - Aqua
	099983-02-01A	EA	Decal - Angle - Driver Side - Front - 8.9" High - Light Wine
	099983-02-02A	EA	Decal - Angle - Driver Side - Front - 8.9" High - Aqua
9	099999-01-02A	EA	Decal - Logo "Warrior" - Off White/Dark Plum
9	099999-01-05A	EA	Decal - Logo "Warrior" - Off White/Hunter Green

For your convenience here are the Dupont color codes that you can purchase locally:

- Dark Plum K9455
- Light Wine K9466
- Hunter Green K9480
- Aqua K9481
- Off White L8723
- Black 99A

1991 WINNEBAGO TABLE OF CONTENTS

INTRODUCTION	A-01 - A-02
ABBREVIATIONS	A-03
ALPHABETICAL/GROUP REFERENCE	A-04 - A-06
WC321RG	A-07 - D-02
WC324RC	D-03 - F-23

1991 WC324RC INDEX

Floor Plan	D-03 - D-04
Accessories Group	D-05 - D-08
Bath Group	D-09 - D-10
Bedroom Group	D-11
Chassis Group	D-12 - D-15
Curtain, Cushion & Pad Group	D-16 - D-23
Dinette Group	D-24 - E-01
Driver's Compartment Group	E-02 - E-05
Electrical Group	E-06 - E-08
Exterior Body Group	E-09 - E-13
Galley Group	E-14 - E-16
Heating & Air Conditioning Group	E-17 - E-18
Interior Finish Group	E-19 - E-21
Labels Group	E-22 - F-05
LP Group	F-06
Lounge Group	F-07
Sealants & Fasteners Group	F-08 - F-09
Water & Sewage Group	F-10 - F-11
Window, Vent & Exterior Door Group	F-12 - F-23

EXTERIOR BODY GROUP (CONTINUED)

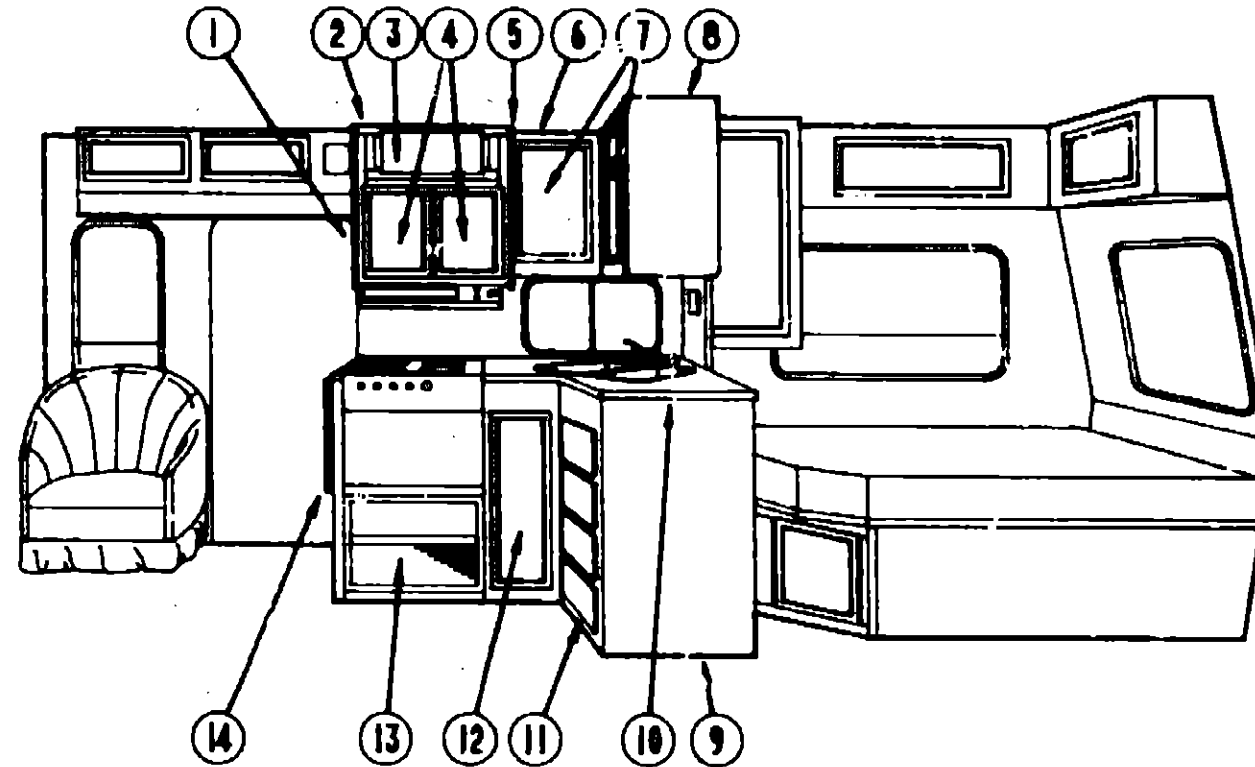
MISCELLANEOUS EXTERNALLY MOUNTED PARTS

Key	Part Number	U/M	Description
	083558-01-000	EA	Plumbing Seal - Roof Vent - 1.5
	009126-02-000	EA	Assist Handle - Back
	087659-04-000	EA	Fill - City Water - Off White
	069362-06-000	EA	Tube - Support - Floor to Valance - 17"
	075736-02-000	EA	Cover - Exterior Receptacle - Off White
	083615-06-000	EA	Holder - Compartment Door - Plastic - Off White
	049347-01-000	EA	Head - Mirror - 7.5" x 10.5" - Stainless Steel
	062047-01-000	EA	Arm - West Coast Mirror
	006043-01-000	EA	Mirror - Exterior - Convex - Adhesive Backed

SHEET FIBERGLASS, ALUMINUM & STYROFOAM

Key	Part Number	U/M	Description
	044487-01-001	EA	Aluminum - Mill Finish - No Design - 96" x 360" (Roof)
	001054-01-011	EA	Aluminum Sheet - 48" x 96" - Flat - Off White
	000868-01-000	SF	Styrofoam - 3/4" x 24" x 96"
	000870-03-000	SF	Styrofoam - 1.34" x 48" x 96"
	076054-C9-001	EA	Fiberglass Sheet - 36" x 205" - Off White
	076054-D3-001	EA	Fiberglass Sheet - 48" x 96" - Off White
	076054-D6-001	EA	Fiberglass Sheet - 60" x 11.3" - Off White
	093743-01-02A	SF	Plastic - ABS - 11.5" Wide - Off White

GALLEY GROUP



GALLEY CABINETRY

Key	Part Number	U/M	Description
1	081290-33-B05	EA	End Cap - Overhead Cabinet - Front
2	M04168-05-B05	EA	Overhead Cabinet - Storage - w/o Door or Hardware
*2	M04168-06-B05	EA	Overhead Cabinet - Microwave - w/o Doors or Hardware
3	P00257-02-B05	EA	Door Face - 7" x 21.8" - w/o Hardware
4	P00099-24-B05	EA	Door - Overhead Cabinet - 14.4" x 10.8" - w/o Hardware
5	081290-34-B05	EA	End Cap - Overhead Cabinet - Rear
6	P00595-01-B05	EA	Overhead Cabinet - Storage - w/o Door or Hardware
7	P00099-81-B05	EA	Door - Overhead Cabinet - 22" x 14" - w/o Hardware
8	P00594-01-B05	EA	Overhead Cabinet - Storage - w/o Door or Hardware
9	P00566-01-B05	EA	Cabinet - Galley w/Countertop - w/o Doors or Hardware
10	100566-11-B05	EA	Countertop - Galley Cabinet
11	P00145-06-B05	EA	Drawer - Galley Cabinet - 7" x 12" - w/o Hardware
12	P00099-71-B05	EA	Door - Galley Cabinet - 22" x 16" - w/o Hardware
13	P00099-47-B05	EA	Door - Furnace - 11" x 28" - w/o Hardware
14	080612-04-B05	EA	Extension - Galley Countertop

* These parts are used for Microwave Option.

1991 WINNEBAGO TABLE OF CONTENTS

INTRODUCTION	A-01 - A-02
ABBREVIATIONS	A-03
ALPHABETICAL/GROUP REFERENCE	A-04 - A-06
WC321RG	A-07 - U-02
WC324RC	D-03 - F-23

1991 WC324RC INDEX

Floor Plan	D-03 - D-04
Accessories Group	D-05 - D-08
Bath Group	D-09 - D-10
Bedroom Group	D-11
Chassis Group	D-12 - D-15
Curtain, Cushion & Pad Group	D-16 - D-23
Dinette Group	D-24 - E-01
Driver's Compartment Group	E-02 - E-05
Electrical Group	E-06 - E-08
Exterior Body Group	E-09 - E-13
Galley Group	E-14 - E-16
Heating & Air Conditioning Group	E-17 - E-18
Interior Finish Group	E-19 - E-21
Labels Group	E-22 - F-05
LP Group	F-06
Lounge Group	F-07
Sealants & Fasteners Group	F-08 - F-09
Water & Sewage Group	F-10 - F-11
Window, Vent & Exterior Door Group	F-12 - F-23

GALLEY GROUP (CONTINUED)

GALLEY HARDWARE

Key	Part Number	U/M	Description
	094745-01-01A	EA	Trim - Microwave - Lower
	094774-01-01A	EA	Trim - Microwave - Either Side - .5"
	094774-03-01A	EA	Trim - Microwave - Either Side - 1.5"
	094756-02-01A	EA	Bracket - Microwave - Tan
	094750-01-000	EA	Bracket - Microwave - 90°
	084073-03-000	EA	Vent - Refrigerator - Roof - Off White
	084073-04-000	EA	Base - Roof Vent - Norcold Refrigerator - Black
	054450-01-000	EA	Level - Refrigerator
	084878-09-000	EA	Vent - Range Hood - Short
	066437-01-000	EA	Strainer - w/Basket - Sink
	066437-01-700	EA	Basket - Strainer
	011053-04-00U	EA	Faucet - w/Swing Spout - 8"
	011053-01-700	EA	Aerator - Swing Spout Faucet
	091253-01-000	EA	Gasket - Faucet
	009049-01-000	EA	Support - Extension - Galley Cabinet
	009058-01-000	EA	Hinge - Galley Extension - Brass
	059777-02-000	EA	Hinge - Burnished Brass
	100030-01-000	EA	Pull - Cabinet
	072369-34-000	EA	Mesh - Expanded Aluminum - Bronze
	037688-03-000	EA	Center Guide - Drawer
	037688-04-000	EA	Bracket - Rail Mounting - Front
	037688-05-000	EA	Bracket - Rail Mounting - Rear
	037688-01-000	EA	Rail - Drawer Guide - "V"
	093586-03-000	EA	Catch - Spring Roller
	093586-04-000	EA	Strike - Spring Steel
	090329-01-000	FT	Seal - Refrigerator Cabinet
	098654-01-000	EA	Sink - Galley - Double w/Mounting Hardware - Stainless Steel
	081530-01-805	EA	Sink Cover
	098979-01-000	EA	Clip - Adjustable Shelf
	098980-01-000	EA	Pilaster - Adjustable Shelf - 18" Long

GALLEY APPLIANCES

Key	Part Number	U/M	Description
	084248-02-000	EA	Refrigerator - 2 Way (Norcold 876-EG2) (US)
	084879-03-700	EA	Cooling Unit - Horizontal Burner
	064473-03-719	EA	Flue - Horizontal Burner
	088248-01-709	EA	Heater - AC (Horizontal)
	075217-01-737	EA	Control Module
	088248-01-701	EA	Insert - Control Panel (3 Way)
	084880-01-715	EA	Valve - Shut Off Manual
	084880-01-713	EA	Connector - Male Insert Fitting
	084880-01-705	EA	Orifice
	088248-01-706	EA	Burner (Horizontal)
	088248-01-708	EA	Electrode - Ignition
	088248-01-712	EA	Frame - Door - Lower
	075217-01-700	EA	Trim - Shelf - Upper Door
	064472-01-744	EA	Dairy Keeper
	064472-02-716	EA	Trim - Cabinet Top - Brown
	064472-01-727	EA	Hinge - Upper - Right
	046955-01-713	EA	Pin - Hinge
	088248-01-715	EA	Tray - Drip - Almond
	064472-03-700	EA	Pin - Hinge - Bottom
	064472-01-728	EA	Hinge - Lower - Right
	064472-01-731	EA	Cover - Crisper
	075217-01-713	EA	Drawer - Crisper
	064472-01-726	EA	Frame - Strip - Cabinet - Left
	088248-01-714	EA	Cabinet Asm. - Foamed - Almond
	064472-01-727	EA	Hinge - Upper - Right
	064472-01-728	EA	Hinge - Lower - Right
	088248-02-700	EA	P/C Board - 2 Way
	088248-02-701	EA	Insert - Control Panel - Lower
**	088248-01-000	EA	Refrigerator - 5.9 Cu. Ft. - Norcold (CSA) (Option L04C)

** The illustrated parts breakdown of this item is provided on the Common Items Fiche.

GALLEY GROUP (CONTINUED)

GALLEY APPLIANCES (CONTINUED)

Key	Part Number	U/M	Description
	091265-01-00U	EA	Oven - Microwave - Magic Chef
	100258-01-01A	EA	Hood Range w/o Monitor Panel
	100258-03-01A	EA	Hood Range - w/o Monitor Panel - Almond (US) (Option L39E)
	100258-02-01A	EA	Hood Range - w/o Monitor Panel - Almond (CSA) (Option L265)
	096983-01-702	EA	Switch - Two Way - Momentary - Generator (If used)
	096983-01-700	EA	Switch - ON/OFF - Fan/Lamp
	092696-01-709	EA	Bulb - #912
	092696-01-710	EA	Socket - Light
	096983-01-708	EA	Lens - Lamp
	090973-01-700	EA	Motor
	090973-01-702	EA	Blade - Fan
	096983-01-707	EA	Filter - Grease
	092696-01-707	EA	Vent - Gasket
	055282-04-000	EA	Range - 4 Burner w/Oven - Magic Chef
	055282-03-708	EA	Bumper - Main Top - Plastic Plug
	049045-01-742	EA	Burner Asm. - Oven
	064782-02-715	EA	Clip - Grate
	055282-03-702	EA	Knob - Thermostat
	081374-02-701	EA	Regulator - Pressure
	055282-03-700	EA	Thermostat
	049045-01-703	EA	Valve - Top - Burner
	064782-02-705	EA	Handle - Oven Door - Black
	049045-01-728	EA	Broiler Pan - w/o Insert
	098507-02-700	EA	Filter - Pilot
	098507-02-701	EA	Insert - Burner (Slotted Vent)
	064782-02-701	EA	Shield - Deflector Flue - Black
	049045-01-741	EA	Insert - Broiler Pan
	064782-02-710	EA	Bracket - Front Glass
	064782-02-712	EA	Grate - Top - Burner - Square Holes
	064782-02-714	EA	Fitting - Pipe Nipple - 1/8"
	098507-01-701	EA	Top - Main - Almond
	064782-02-708	EA	Valve - Mercury Control
	055282-04-700	EA	Panel - Oven Door - Almond
	098507-02-707	EA	Top - Main - Ebony
	102022-01-01A	EA	Range - 16" - 4 Burner - Almond
	102022-01-700	EA	Door Panel - Black
	102022-01-701	EA	Trim - Left
	102022-01-702	EA	Manifold Pipe
	102022-01-703	EA	Pressure Regulator
	102022-01-704	EA	Outer Glass
	055516-01-000	EA	Bracket - Front Tiedown - Range w/o Oven
	055516-02-000	EA	Bracket - Rear Tiedown - Range w/o Oven
	063752-01-000	EA	Shroud Asm. - Range
	097617-01-01A	EA	Panel - Monitor - Almond
	097617-01-700	EA	Plate - Cover
	097617-01-701	EA	Switch - On/Off - Almond
	097617-01-702	EA	Switch - 1 Way - Almond
	097617-01-703	EA	Circuit Board
	097618-01-000	EA	Wire Asm. - Monitor Panel

* These parts were used from 8/13/90 on.

**1991 WINNEBAGO
TABLE OF CONTENTS**

INTRODUCTION	A-01 - A-02
ABBREVIATIONS	A-03
ALPHABETICAL/GROUP REFERENCE	A-04 - A-06
WC321RG	A-07 - D-02
WC324RC	D-03 - F-23

1991 WC324RC INDEX

Floor Plan	D-03 - D-04
Accessories Group	D-05 - D-08
Bath Group	D-09 - D-10
Bedroom Group	D-11
Chassis Group	D-12 - D-15
Curtain, Cushion & Pad Group	D-16 - D-23
Dinette Group	D-24 - E-01
Driver's Compartment Group	E-02 - E-05
Electrical Group	E-06 - E-08
Exterior Body Group	E-09 - E-13
Galley Group	E-14 - E-16
Heating & Air Conditioning Group	E-17 - E-18
Interior Finish Group	E-19 - E-21
Labels Group	E-22 - F-05
LP Group	F-06
Lounge Group	F-07
Sealants & Fasteners Group	F-08 - F-09
Water & Sewage Group	F-10 - F-11
Window, Vent & Exterior Door Group	F-12 - F-23

ROOF AIR CONDITIONER & PARTS

Key	Part Number	U/M	Description
	093764-01-000	EA	Ceiling Asm. - Air Conditioner - Cool Only (Option 29)
	042204-01-709	EA	Thermostat In - 64, Out - 58
	042205-01-702	EA	Thermostat In - 89, Out - 58
	073742-01-701	EA	Selector Switch (5 - Terminal)
	073742-01-702	EA	Decal - Cool Only
	073742-01-703	EA	Decal - Heat & Cool
	081606-01-708	EA	Limit Switch (Open 160, Close 110)
	091225-01-713	EA	Knob (2 Per Package)
	076303-01-707	EA	Filter - 6" x 14 3/4" x 1/2" (12 Per Package)
	091225-01-717	EA	Decal (Thermostat) Cool Or y
	081606-01-712	EA	Ceiling Shroud (Ivory)
	093763-01-705	EA	Decal - Heat/Cool - Thermostat
	093763-01-706	EA	Heat Element
	093763-01-710	EA	Single Parts Package
	092441-01-000	EA	Ceiling Asm. - Air Conditioner - 220 Volt (European) (Option 29)
	093763-01-04A	EA	Air Conditioner - 110 Volt - Roof Mount - 13,500 BTU - Off White (Option 29)
	093763-04-700	EA	Shroud - Roof A/C - w/o Logos
	093763-01-711	EA	Gasket - Package
	093763-01-712	EA	Fan Blade - Condenser
	093296-01-701	EA	Decal Package - Left & Right
	073742-02-704	EA	Run Capacitor (Compressor)
	091225-01-710	EA	Start Capacitor
	091225-01-709	EA	Start Relay
	076303-01-712	EA	Motor
	093763-01-702	EA	Overload
	093763-01-703	EA	Impellor - 7" Dia. x 2.8" Wide
	093763-01-704	EA	Capacitor - Fan
	093763-01-705	EA	Evaporator Coil
	093763-01-708	EA	Condenser Coil
	093763-01-713	EA	Compressor - E Series
	092440-01-000	EA	Air Conditioner - 220 Volt - Roof Mount - 13,500 BTU (European) (Option 29)
	084077-03-000	EA	Cover - Blank - Roof Air Conditioner - Ivory

REAR HEATER (OPTION 53G)

Key	Part Number	U/M	Description
	084405-01-000	EA	Rear Heater Asm. - w/o Switch
	084405-01-700	EA	Heater Core
	084405-01-701	EA	Fan Blades
	084405-01-702	EA	Motor Asm.
	062401-04-000	EA	Clamp - Hose - Wormgear
	007198-01-000	EA	Hose - Heater - 5/8 ID SAE
	083081-01-000	EA	Hose Formed
	076776-01-000	EA	Tee - Barb - 5/8" x 5/8" x 5/8"
	083610-01-000	EA	Clamp - Wire Dual - Unequal Diameters - .75" x 1.25"
	009198-01-000	FT	Duct - Heat Flexible - 4" ID
	023146-01-000	EA	Clamp - Screw Type - 4"
	069636-02-000	EA	Connector - Duct - 4" ID
	056464-05-000	EA	Register - Plastic - w/o Damper - 4" Dia. - Golden
	088753-01-000	EA	Tube - Aluminized Steel - 5/8" - 18 Gauge
	089353-01-000	EA	Union - 5/8 Tube to Tube
	087202-01-000	EA	Heater Switch - 4 Position w/Knob (Chevrolet)
	084404-01-000	EA	Switch - Off/Low/Medium/High - Heater (Ford)
	084410-02-000	EA	Decal - Rear Auto Heater (Ford)
	098076-01-000	EA	Decal - Auto Air & Rear Heater (Ford)
	084374-01-000	EA	Bracket - Switch - Heater (Ford)
	084374-02-000	EA	Bracket - Switch - Heater (Ford)

FURNACES & REPAIR PARTS

Key	Part Number	U/M	Description
	098668-01-000	EA	Furnace - 25,000 BTU - Suburban
	098668-01-702	EA	Electrode
	069634-01-733	EA	Relay - Time Delay - 20 & 30 BTU
	098668-01-709	EA	Motor Asm. - F/SF - 25 - SF - 30
	098668-01-711	EA	Wheel - Room Air
	092300-02-702	EA	Microswitch Asm.
	098668-01-706	EA	Wheel - Combustion Air
	098668-01-707	EA	Vent Cap & Exhaust Tube Asm.
	098668-01-704	EA	Valve
	098668-01-701	EA	Cabinet Asm.
	098668-01-700	EA	Cabinet - Front
	098668-01-705	EA	Switch - Limit
	090039-01-703	EA	Orifice - Main Burner
	092300-01-704	EA	Gasket - Electrode
	098668-01-712	EA	Board - Module
	098668-01-703	EA	Burner Asm. Comp (SF-25)
	093365-01-000	EA	Thermostat - Suburban Furnace
	009198-01-000	FT	Duct - Flexible - 4" ID x 25'
	056464-05-000	EA	Register - 4" Dia. - Plastic - w/o Damper - Golden
	056462-02-000	EA	Register - 4" Dia. - Plastic - w/o Damper - Brown
	009200-01-000	EA	Tape - Furnace - 1 1/2"
	010326-01-000	EA	Adapter - Flare - w/Cone Gasket
	023146-01-000	EA	Clamp - Screw Type - 4"
	094334-01-000	EA	Plug - Electrical - 3 Position
	098668-03-000	EA	Furnace - 35,000 BTU Suburban (Option 33A)
	098668-01-702	EA	Electrode
	069634-01-733	EA	Relay - Time Delay - 20 & 30 BTU
	098668-03-700	EA	Motor Asm. - SF-35
	098668-01-711	EA	Wheel - Room Air
	092300-02-702	EA	Microswitch Asm.
	098668-01-706	EA	Wheel - Combustion Air
	098668-01-707	EA	Vent Cap & Exhaust Tube Asm.
	098668-01-704	EA	Valve
	098668-01-701	EA	Cabinet Asm.
	098668-01-700	EA	Cabinet - Front
	098668-01-705	EA	Switch - Limit
	069634-01-720	EA	Orifice - Main Burner
	092300-01-704	EA	Gasket - Electrode
	098668-01-712	EA	Board - Module
	098668-02-700	EA	Burner Asm. - Complete
	098668-01-710	EA	Blower Asm. (Room Air)
	098668-01-708	EA	Blower Asm. (Combustion Air)
	075696-02-703	EA	Collar - Duct

1991 WINNEBAGO
TABLE OF CONTENTS

INTRODUCTION	A-01 - A-02
ABBREVIATIONS	A-03
ALPHABETICAL/GROUP REFERENCE	A-04 - A-06
WC321RG	A-07 - D-02
WC324RC	D-03 - F-23

1991 WC324RC INDEX

Floor Plan	D-03 - D-04
Accessories Group	D-05 - D-08
Bath Group	D-09 - D-10
Bedroom Group	D-11
Chassis Group	D-12 - D-15
Curtain, Cushion & Pad Group	D-16 - D-23
Dinette Group	D-24 - E-01
Driver's Compartment Group	E-02 - E-05
Electrical Group	E-06 - E-08
Exterior Body Group	E-09 - E-13
Galley Group	E-14 - E-16
Heating & Air Conditioning Group	E-17 - E-18
Interior Finish Group	E-19 - E-21
Labels Group	E-22 - F-05
LP Group	F-06
Lounge Group	F-07
Sealants & Fasteners Group	F-08 - F-09
Water & Sewage Group	F-10 - F-11
Window, Vent & Exterior Door Group	F-12 - F-23

INTERIOR FINISH GROUP

INTERIOR MOLDINGS & TRIMS

Key	Part Number	U/M	Description
	081294-02-000	EA	Molding - Shelf - Knotted Wood - 8' Long
	083620-01-000	FT	T-Molding - End Cap - Edge - 3/4" - Brown
	083620-07-000	FT	T-Molding - End Cap - Edge - 3/4" - Pecan
	009815-09-000	FT	T-Molding - .75" - Ivory
	009812-17-000	EA	Molding - Plastic Corner - Outside - 1/2" - Oak
	009812-25-000	EA	Molding - Plastic Corner - Outside - 1/2" - Pecan
	022992-11-000	FT	Molding - Reverse Cove - T-Shaped - Vinyl - Ivory
	070504-06-000	FT	U-Channel - .815" - Pecan
	070504-20-000	FT	U-Channel - .815" - Oak
	009778-11-000	FT	U-Channel - 1" - Ivory
	009767-12-000	FT	Wetling - Antique White (Ceiling to Wall)
	092331-F2-134	EA	Molding - Vinyl Wrapped - 2.5" x 7'
	092330-D2-438	EA	Lumber - Vinyl Wrapped - 1.5" x 8'
	074045-07-000	EA	Plug - Wood - 1/2"

These parts were used from 5/19/90 on.

BATT STRIPS

Key	Part Number	U/M	Description
	069733-70-000	EA	Batt Strip - Oak - 8'
	085284-03-000	FT	Batt Strip - Oak - Tape Adhesive
	085284-03-700	FT	Batt Strip - Oak - Tape Adhesive - 3" x 250'
	088263-49-000	EA	Batt Strip - Decorative - Plain - 8' (Wall)
	085284-37-000	FT	Batt Strip - Decorative - Plain - Tape Adhesive (Wall)
	085284-38-000	FT	Batt Strip - Bone - 8' - Tape Adhesive (Shower)
	088263-51-000	EA	Batt Strip - Crosshik Spatter - Beige (Ceiling)

PANELING & COUNTERTOP MATERIAL

Key	Part Number	U/M	Description
	074497-10-000	SF	Paneling - Oak - 48" x 84" (28 SF) (Cabinets)
	074497-18-000	SF	Paneling - Crosshik - 48" x 96" (32 SF) (Ceiling)
	074497-14-700	EA	Sealer - Stain - Ceiling
	089351-03-000	YD	Vinyl - Ceiling Diamond Design - 54" Wide
	088272-71-000	SF	Paneling - Decorative - Plain - 48" x 84" (28 SF) (Wall)
	088272-69-000	SF	Paneling - Decorative - Patterned w/Blossoms - 48" x 84" (28 SF) (Wall)
	088272-72-000	SF	Paneling - Travertine White - 48" x 84" (28 SF) (Shower)
	074498-36-000	SF	Plastic Laminate - Rose - 48" x 96" (32 SF)
	076325-30-000	FT	Molding - Edge Band - Rose

These parts were used from 10/1/90 on.

INTERIOR FINISH GROUP (CONTINUED)

CABINETS & TABLE HARDWARE

Key	Part Number	U/M	Description
	053200-05-000	EA	Bracket - Table Support - Upper Wall Mount - 23.5" - Beige
	024275-05-000	EA	Rod - Table Lift - 8" x 23.5" - Beige
	064781-07-000	EA	Cup Holder - Two Stage - Beige
	088410-01-000	EA	Bracket - Lift - Table Mounted - Beige
	024281-06-000	EA	Bracket - Lift - Rod - Lower Wall Mount - Beige
	049493-01-000	EA	Catch - Table Leg - Floor Mounted - Beige
	024276-21-000	EA	Leg Asm. - Table - Beige
	064050-03-000	EA	Clamp - Saddle - Leg Hinge - Tan
	024282-01-000	EA	Brace - Table Leg - Hinged
	024283-01-000	EA	Clip - Leg - 1" x 1.12" OD - Black
	059777-02-000	EA	Hinge - Antique Light Brass
	100030-01-000	EA	Full - Cabinet Door
	098979-01-000	EA	Clip - Adjustable Shelf
	098980-01-000	EA	Pilaster - Adjustable Shelf
	074493-02-000	EA	Support - Sprung - Door
	004354-01-000	EA	Bumper - Cabinet Door - Rubber - Brown
	093586-03-000	EA	Catch - Spring - Roller
	093586-04-000	EA	Strike - Spring Steel
	009049-01-000	EA	Support - Galley Countertop Extension
	009059-01-000	EA	Hinge - Galley Countertop Extension - Brass
	072369-34-000	EA	Mesh - Expanded - Aluminum - Bronze
	084070-01-000	EA	Center Post - Brass
	084070-02-000	EA	End Post - Brass
	084071-06-000	EA	Rod - Brass - 2.5"
	037688-01-000	FT	Rail - Drawer Guide - "V"
	037688-04-000	EA	Bracket - Rail Mounting - Front
	037688-05-000	EA	Bracket - Rail Mounting - Rear
	037688-03-000	EA	Guide - Center - Drawer
	102827-03-000	EA	Rollers - Drawer - Nylon (Pair)
	102827-04-000	EA	Bracket - Drawer - Rear
	102827-05-000	EA	Track - Drawer - 22.6"
	102827-02-000	EA	Bracket - Roller Rear - Cabinet Doors
	089076-03-000	EA	H-Channel - Support Bed - Beige
	009112-01-000	EA	Flange - 1" - Clothes Rod - Plastic - Off White
	042438-01-000	EA	Wood Dowel - Clothes Rod - 1" Dia. x 4'
	041953-03-000	FT	Conduit - Convolute Slit - 1" ID (Clothes Rod Cover)

These parts are used from 1/7/91 on.

CURTAIN & CUSHION HARDWARE

Key	Part Number	U/M	Description
	094856-03-01A	EA	Track - Shower Curtain - Off White
	009701-01-000	EA	Carrier - Shower Curtain
	009702-01-000	EA	End - Stop - Curtain Carrier - Shower
	046867-01-000	EA	Grommet - Brass - 7/16" ID x 1" OD (Shower Curtain)
	009136-01-000	EA	Pin - Shower Curtain
	029092-01-000	EA	Stud - Nickel Finish
	029093-01-000	EA	Eyelet - Nickel Finish
	029155-01-000	EA	Cap - Snap
	029156-01-000	EA	Socket - Snap Fastener
	089916-01-000	EA	Mount - Window Leg - Black
	091904-01-000	FT	Track - Curtain - Plastic - Light Beige (Blackout)
	101032-01-000	FT	Track - Curtain - Ceiling Mount - White (Valance)
	101033-01-000	FT	Track - Curtain - Low Profile - White
	101033-02-000	EA	End Cap - Track - Clear
	101031-01-000	EA	Tape - Glide - 4.25" Spacing
	095591-02-000	EA	Bracket - Blind - Hold Down w/Pin
	082238-02-000	EA	Brace - Window Valance - Beige
	075943-01-000	EA	Brace - Window Valance - Beige
	083170-01-000	EA	Bracket - Blind - Front
	083170-02-000	EA	Bracket - Blind - Rear
	093475-01-700	EA	Wand - Blind w/Metal Clip - 8" Long
	093475-01-701	EA	End Cap - Blind w/Stud

**1991 WINNEBAGO
TABLE OF CONTENTS**

INTRODUCTION	A-01 - A-02
ABBREVIATIONS	A-03
ALPHABETICAL/GROUP REFERENCE	A-04 - A-06
WC321RG	A-07 - D-02
WC324RC	D-03 - F-23

1991 WC324RC INDEX

Floor Plan	D-03 - D-04
Accessories Group	D-05 - D-08
Bath Group	D-09 - D-10
Bedroom Group	D-11
Chassis Group	D-12 - D-15
Curtain, Cushion & Pad Group	D-16 - D-23
Dinette Group	D-24 - E-01
Driver's Compartment Group	E-02 - E-05
Electrical Group	E-06 - E-08
Exterior Body Group	E-09 - E-13
Galley Group	E-14 - E-16
Heating & Air Conditioning Group	E-17 - E-18
Interior Finish Group	E-19 - E-21
Labels Group	E-22 - F-05
LP Group	F-06
Lounge Group	F-07
Sealants & Fasteners Group	F-08 - F-09
Water & Sewage Group	F-10 - F-11
Window, Vent & Exterior Door Group	F-12 - F-23

FABRICS & CARPETS

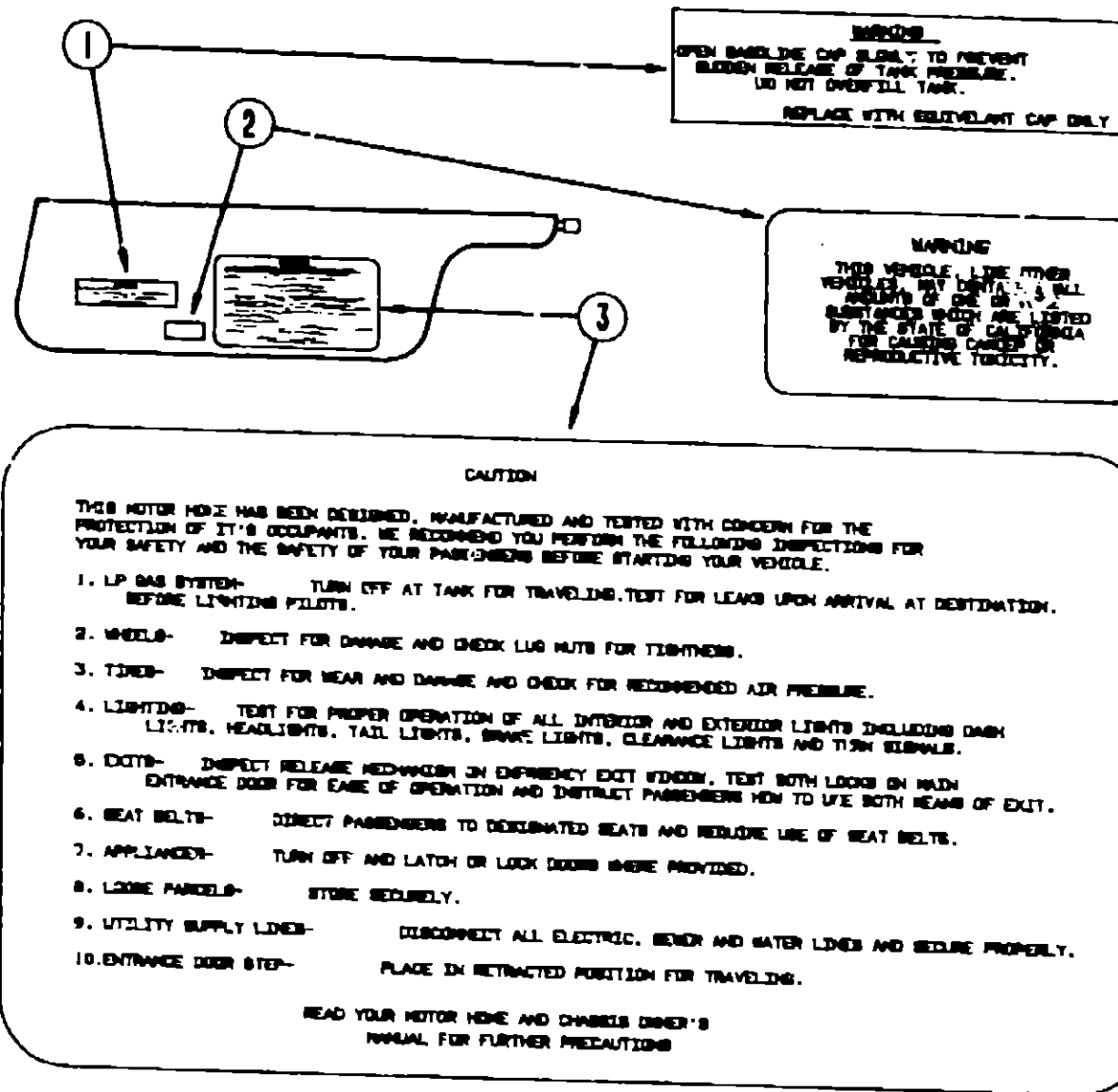
Key	Part Number	U/M	Description
	072333-75-000	YD	Fabric - Drapery - Beige (Privacy)
	084416-25-000	YD	Fabric - Drapery Laminate - Driftwood (Pull Shades)
	087272-01-000	YD	Fabric - Drapery - Lining - 48" - Ivory
	096008-41-000	YD	Fabric - Upholstery - Main - Patterned (B05)
	096008-49-000	YD	Fabric - Upholstery - Main - Patterned (B06)
	096008-40-000	YD	Fabric - Upholstery - Accent - Plain (B05)
	096008-47-000	YD	Fabric - Upholstery - Accent - Plain (B06)
	096008-39-000	YD	Fabric - Upholstery - Accent - Patterned (B05)
	096008-48-000	YD	Fabric - Upholstery - Accent - Patterned (B06)
	088273-49-000	YD	Fabric - Bedspread - 54" Wide (B05)
	088273-52-000	YD	Fabric - Bedspread - 54" Wide (B06)
	088273-65-000	YD	Fabric - Drapery - Plain (B05) (Padded Leg)
	088273-66-000	YD	Fabric - Drapery - Plain (B06) (Padded Leg)
	072333-67-000	YD	Fabric - Speaker Cover
	075244-43-000	YD	Vinyl - Shower Curtain - Almond
	079680-09-000	YD	Vinyl - Off White
	096060-15-000	YD	Carpet - Sand (B05)
	096060-16-000	YD	Carpet - Teal (B06)
	076314-02-000	FT	Tape - Heat Bonded - Carpet Seam
	047034-02-000	SF	Plastic Runner - Carpet - 4' Wide - Clear
	075233-01-000	SY	Pad - Carpet - 3/8" x 6'
	079970-09-000	YD	Tape - Carpet - 3/4"
	085746-01-000	FT	Trim - "J" - Carpet - PVC - Beige
	087956-04-000	EA	Trim - Cab Carpet - Extruded - 12" x 25.4" - Black

NOTE: Replace vinyl flooring locally.

MISCELLANEOUS PARTS

Key	Part Number	U/M	Description
	053552-02-AA3	EA	Handle Asm. - Interior Assist
	000D20-07-00B	EA	Nut - Acorn - Assist Handle - 7/16" x 14 ZN
	000C16-07-16B	EA	Bolt - Carriage - Assist Handle - 7/16" - 14 x 1" ZN
	069178-02-000	EA	Bracket - Mounting - Assist Handle
	094499-02-000	EA	Fire Extinguisher - Dry IA 10BC
	094499-01-000	EA	Fire Extinguisher w/Mounting Bracket - Dry IA 10BC
	094499-01-700	EA	Bracket - Mounting - w/Plastic Strap
	094651-01-01A	EA	Recessed Holder - Fire Extinguisher - Light Oak
	072852-01-000	EA	Smoke Detector w/9 Volt Battery
	054185-63-000	EA	Owners Manual - 1991 Warrior
	092318-01-000	EA	Binder - 3-Ring - Motor Home Manual
	092318-01-500	EA	Pocket Page - 3-Ring Binder - Plastic
	098084-05-000	EA	Cassette - Winnebago "Warrior"
	100603-01-01A	EA	Wall Clock - Round Bezel

LABELS GROUP



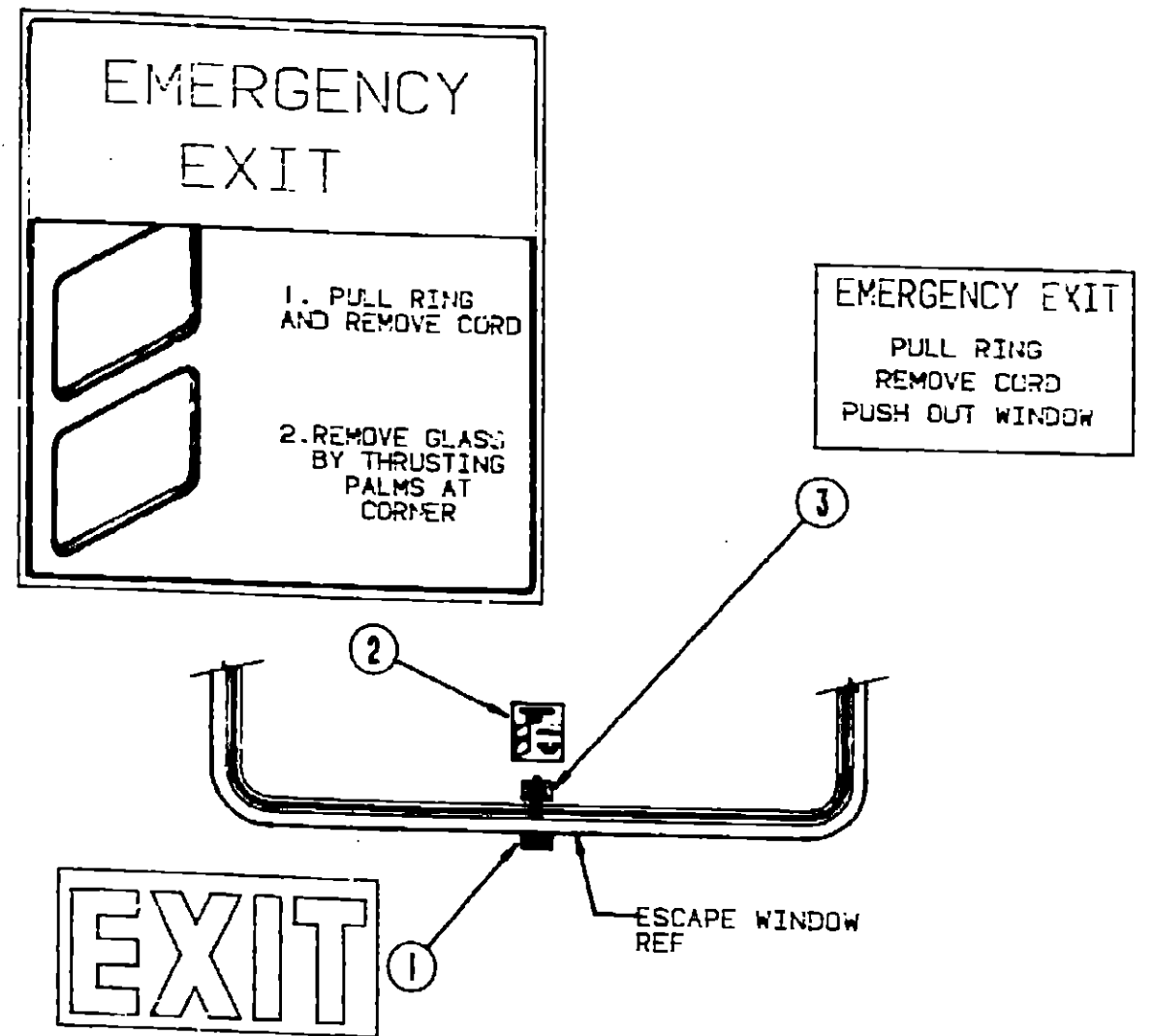
Key	Part Number	U/M	Description
1	087207-05-000	EA	Label - Fuel Cap Removal
2	099689-01-000	EA	Label - Warning - Cancer/Toxicity
3	056259-01-000	EA	Label - Safety Check List

1991 WINNEBAGO
TABLE OF CONTENTS

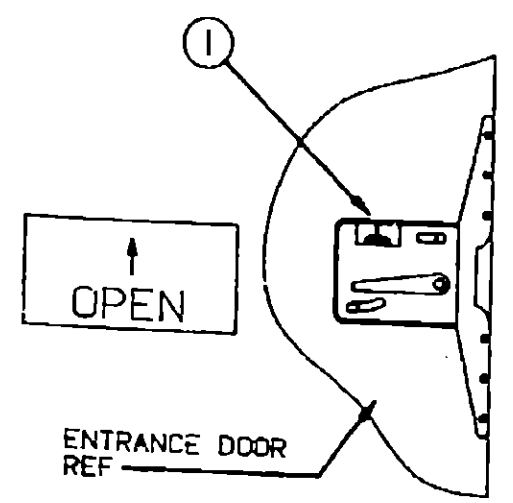
INTRODUCTION	A-01 - A-02
ABBREVIATIONS	A-03
ALPHABETICAL/GROUP REFERENCE	A-04 - A-06
WC321RG	A-07 - D-02
WC324RC	D-03 - F-23

1991 WC324RC INDEX

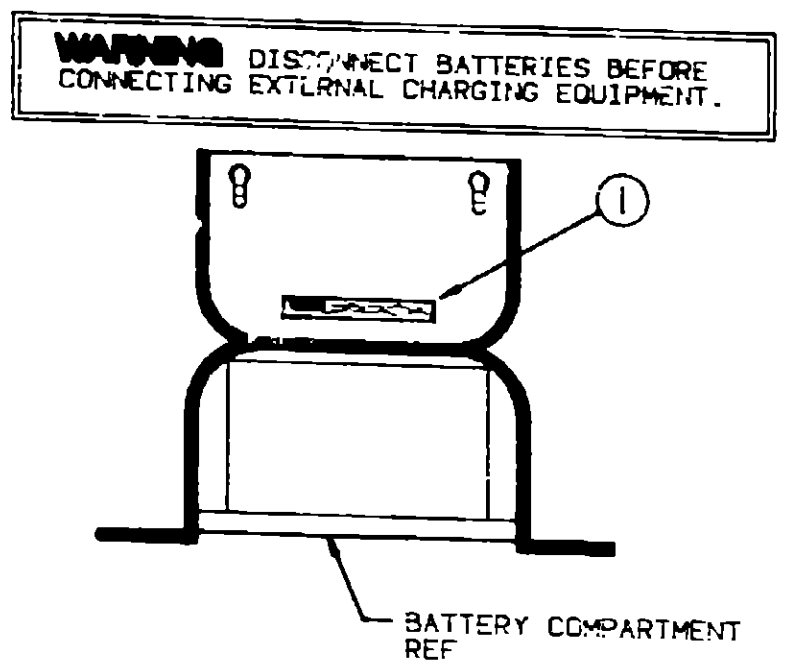
Floor Plan	D-03 - D-04
Accessories Group	D-05 - D-08
Bath Group	D-09 - D-10
Bedroom Group	D-11
Chassis Group	D-12 - D-15
Curtain, Cushion & Pad Group	D-16 - D-23
Dinette Group	D-24 - E-01
Driver's Compartment Group	E-02 - E-05
Electrical Group	E-06 - E-08
Exterior Body Group	E-09 - E-13
Galley Group	E-14 - E-16
Heating & Air Conditioning Group	E-17 - E-18
Interior Finish Group	E-19 - E-21
Labels Group	E-22 - F-05
LP Group	F-06
Lounge Group	F-07
Sealants & Fasteners Group	F-08 - F-09
Water & Sewage Group	F-10 - F-11
Window, Vent & Exterior Door Group	F-12 - F-23



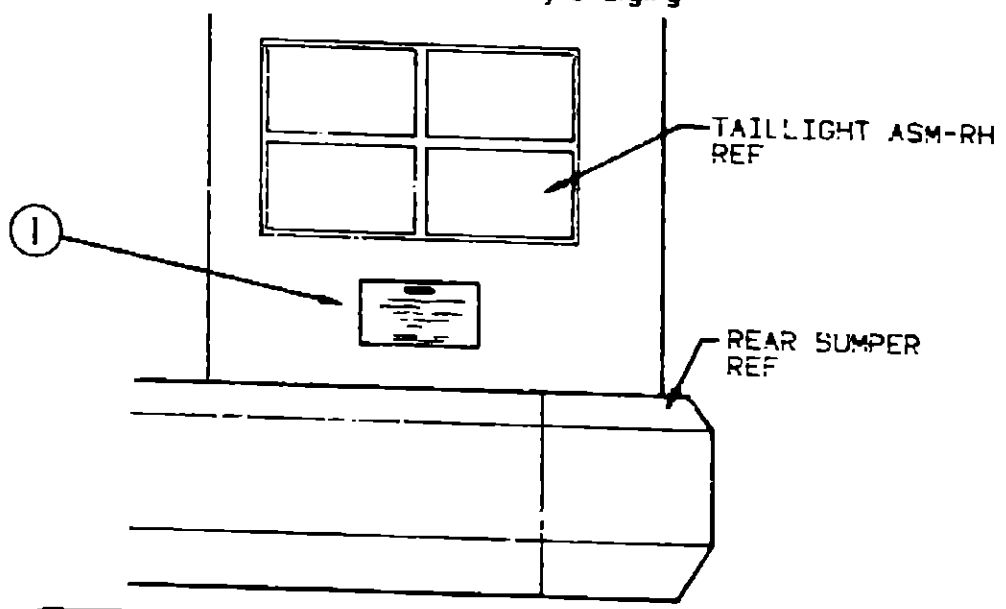
Key	Part Number	U/M	Description
1	039290-01-000	EA	Label - Warning - Exit
2	047731-01-000	EA	Label - Emergency Exit
3	006199-01-000	EA	Label - Exit - Escape Window



Key	Part Number	U/M	Description
1	940944-01-000	EA	Label - Open - Entrance Door



Key	Part Number	U/M	Description
1	065748-01-000	EA	Label - Caution - Battery Charging



WARNING

DO NOT EXCEED THE VEHICLE WEIGHT RATINGS OR LOADING RECOMMENDATIONS (E.G., GROSS VEHICLE, GROSS AXLE, GROSS COMBINED) OF THE CHASSIS MANUFACTURER OR WINNEBAGO INC.

REFER TO YOUR OWNERS MANUAL, BEFORE LOADING OR TOWING.

Key	Part Number	U/M	Description
1	075220-01-000	EA	Label - Warning - Exterior Load
	075221-01-000	EA	Label - Warning - Towing Capacity

1991 WINNEBAGO TABLE OF CONTENTS

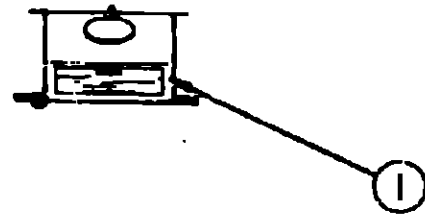
INTRODUCTION	A-01 - A-02
ABBREVIATIONS	A-03
ALPHABETICAL/GROUP REFERENCE	A-04 - A-06
WC321RG	A-07 - D-02
WC324RC	D-03 - F-23

1991 WC324RC INDEX

Floor Plan	D-03 - D-04
Accessories Group	D-05 - D-08
Bath Group	D-09 - D-10
Bedroom Group	D-11
Chassis Group	D-12 - D-15
Curtain, Cushion & Fad Group	D-16 - D-23
Dinette Group	D-24 - E-01
Driver's Compartment Group	E-02 - E-05
Electrical Group	E-06 - E-08
Exterior Body Group	E-09 - E-13
Galley Group	E-14 - E-16
Heating & Air Conditioning Group	E-17 - E-18
Interior Finish Group	E-19 - E-21
Labels Group	E-22 - F-05
LP Group	F-06
Lounge Group	F-07
Sealants & Fasteners Group	F-08 - F-09
Water & Sewage Group	F-10 - F-11
Window, Vent & Exterior Door Group	F-12 - F-23

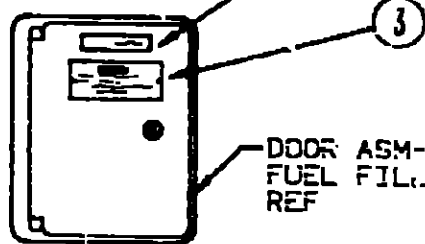
LABELS GROUP (CONTINUED)

WARNING
 OPEN GASOLINE CAP SLOWLY TO PREVENT
 SUDDEN RELEASE OF TANK PRESSURE.
 DO NOT OVERFILL TANK.
 REPLACE WITH EQUIVALENT CAP ONLY.



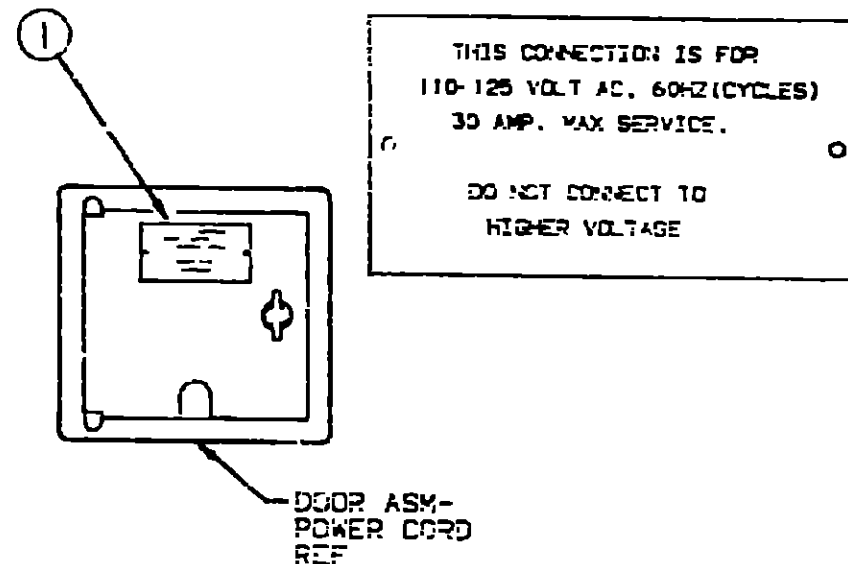
UNLEADED FUEL ONLY

WARNING
 ALL PILOT LIGHTS AND APPLIANCES SHALL
 BE TURNED OFF DURING REFUELING OF MOTOR
 FUEL TANKS AND/OR PERMANENTLY MOUNTED
 LP-GAS CONTAINERS.



DOOR ASM-
 FUEL FIL.
 REF

Key	Part Number	U/M	Description
1	087207-05-000	EA	Label - Fuel Cap Removal
2	062043-01-000	EA	Label - Unleaded Fuel Only
	061417-01-000	EA	Label - Fuel
3	006040-01-000	EA	Tag - Gas Refueling Warning (US)
3	005040-02-000	EA	Tag - Gas Refueling Warning (CSA)



THIS CONNECTION IS FOR
 110-125 VOLT AC, 60HZ (CYCLES)
 30 AMP. MAX SERVICE.

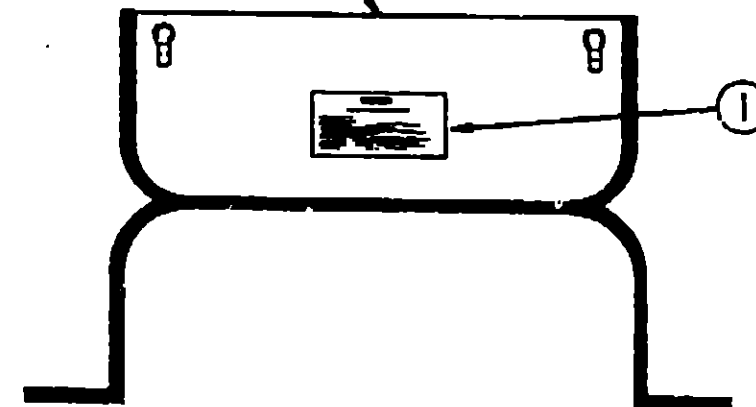
 DO NOT CONNECT TO
 HIGHER VOLTAGE

DOOR ASM-
 POWER CORD
 REF

Key	Part Number	U/M	Description
1	006062-01-000	EA	Tag - Electrical - 110 Volt Connection

LABELS GROUP (CONTINUED)

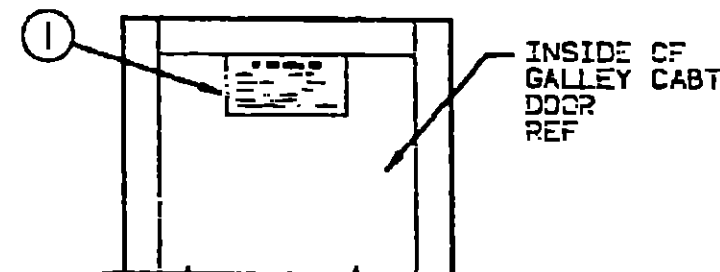
GENERATOR COMP
 DOOR REF



WARNING
 WHEN ADDING A GENERATOR SET:

 HIGH VOLTAGE-USE EXTREME CAUTION WHEN WORKING ON
 ELECTRICAL COMPONENTS.
 HAVE ALL ELECTRICAL INSTALLATION PERFORMED BY A QUALIFIED LICENSED
 ELECTRICIAN-FOLLOW ALL STATE AND LOCAL CODES.
 ONLY INSTALL GENERATOR SET APPROVED FOR R.V. APPLICATION. HAVE
 INSTALLED BY QUALIFIED TECHNICIAN.
 TO AVOID HEAT BUILD-UP AND TO GUARANTEE AN ADEQUATE AIR SUPPLY TO
 THE GENERATOR COMPARTMENT, FOLLOW INSTALLATION INSTRUCTIONS.
 GENERATOR ENGINE EXHAUST GASES ARE TOXIC AND MUST NOT TERMINATE
 UNDER THE VEHICLE-DISCHARGE EXHAUST AWAY FROM VEHICLE.

Key	Part Number	U/M	Description
1	077510-01-000	EA	Label - Generator Panel



INSIDE OF
 GALLEY CABT
 DOOR
 REF

IF YOU SMELL GAS

1. EXTINGUISH ANY OPEN FLAME, PILOT LIGHTS AND ALL SMOKING MATERIALS.
2. SHUT OFF THE GAS SUPPLY AT THE TANK VALVE OR GAS SUPPLY CONNECTION.
3. OPEN DOORS AND OTHER VENTILATING OPENINGS.
4. DO NOT TOUCH ELECTRICAL SWITCHES.
5. LEAVE THE AREA UNTIL DOOR CLEANS.
6. HAVE THE GAS SYSTEM CHECKED AND LEAKAGE SOURCE CORRECTED BEFORE USING AGAIN.

Key	Part Number	U/M	Description
1	073998-01-000	EA	Label - LPG - Odor Warning

**1991 WINNEBAGO
 TABLE OF CONTENTS**

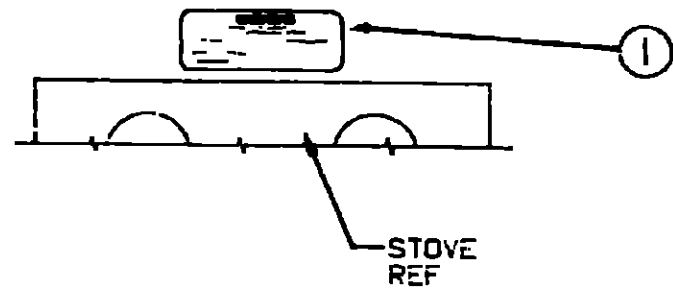
INTRODUCTION	A-01 - A-02
ABBREVIATIONS	A-03
ALPHABETICAL/GROUP REFERENCE	A-04 - A-06
WC321RG	A-07 - D-02
WC324RC	D-03 - F-23

1991 WC324RC INDEX

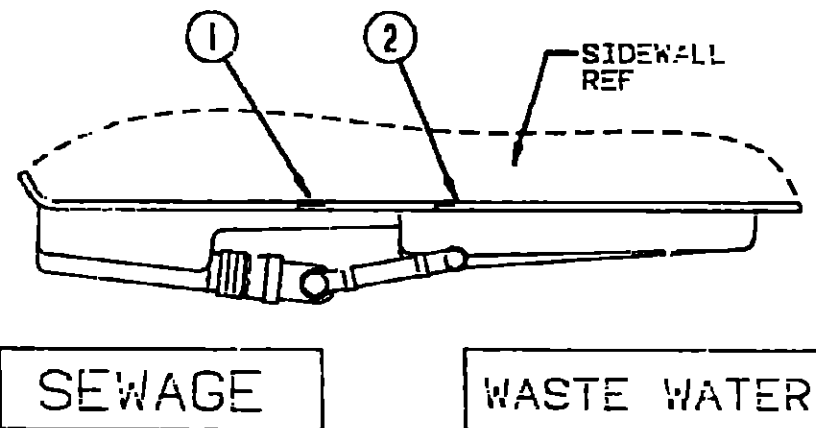
Floor Plan	D-03 - D-04
Accessories Group	D-05 - D-08
Bath Group	D-09 - D-10
Bedroom Group	D-11
Chassis Group	D-12 - D-15
Curtain, Cushion & Pad Group	D-16 - D-23
Dinette Group	D-24 - E-01
Driver's Compartment Group	E-02 - E-05
Electrical Group	E-06 - E-08
Exterior Body Group	E-09 - E-13
Galley Group	E-14 - E-16
Heating & Air Conditioning Group	E-17 - E-18
Interior Finish Group	E-19 - E-21
Labels Group	E-22 - F-05
LP Group	F-06
Lounge Group	F-07
Sealants & Fasteners Group	F-08 - F-09
Water & Sewage Group	F-10 - F-11
Window, Vent & Exterior Door Group	F-12 - F-23

LABELS GROUP (CONTINUED)

WARNING
 IT IS NOT SAFE TO USE CLOSING APPLIANCE(S) FOR COMFORT HEATING.
 COOKING APPLIANCES NEED FRESH AIR FOR SAFE OPERATION BEFORE OPERATION.
 1. OPEN OVERHEAD VENT OR TURN ON EXHAUST FAN AND.
 2. OPEN WINDOWS.

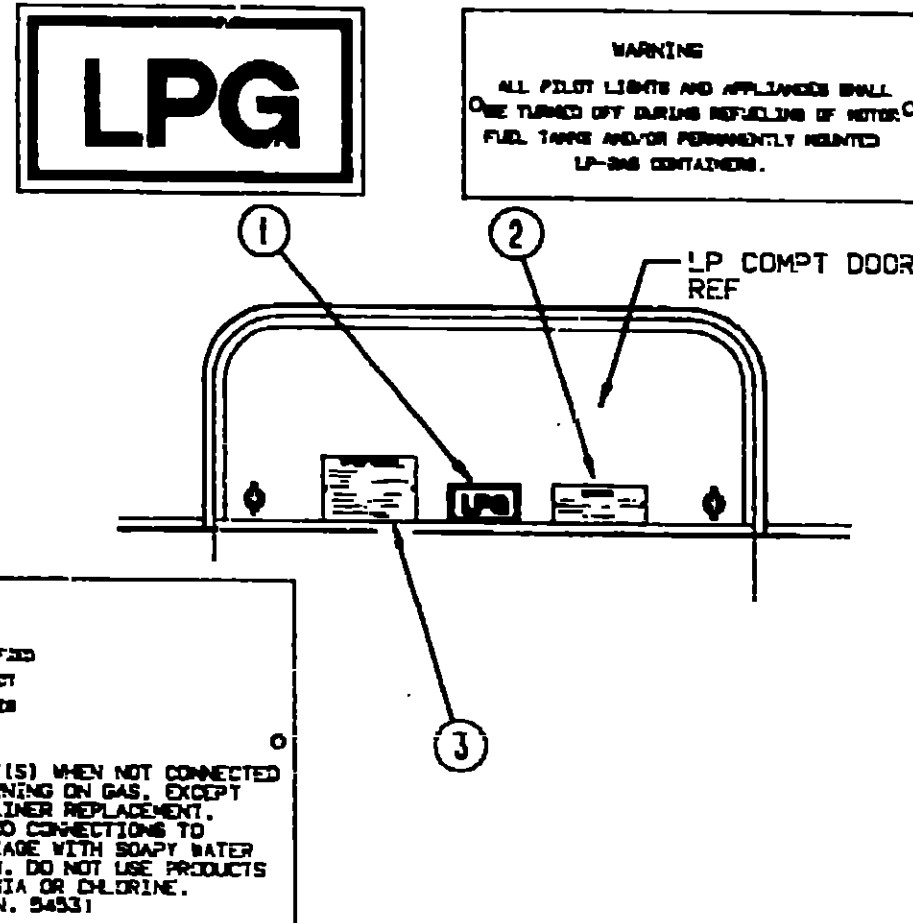


Key	Part Number	U/M	Description
1	050225-01-000	EA	Label - Warning - Stove Vent

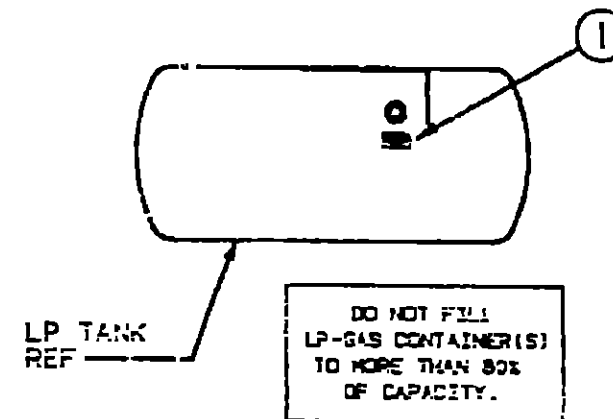


Key	Part Number	U/M	Description
1	006187-01-000	EA	Label - Sewage
2	006188-01-000	EA	Label - Waste Water

LABELS GROUP (CONTINUED)



Key	Part Number	U/M	Description
1	074559-01-000	EA	Label - "LPG" - 3.3" x 1.75" (California Code)
2	006040-01-000	EA	Tag - Gas Refueling - Warning (US)
2	006040-02-000	EA	Tag - Gas Refueling - Warning (CSA)
3	054531-01-000	EA	Label - LP Gas Only
	023769-01-000	EA	Label - Warning - LPG (CSA)



Key	Part Number	U/M	Description
1	079965-01-000	EA	Label - LPG - 80% Capacity

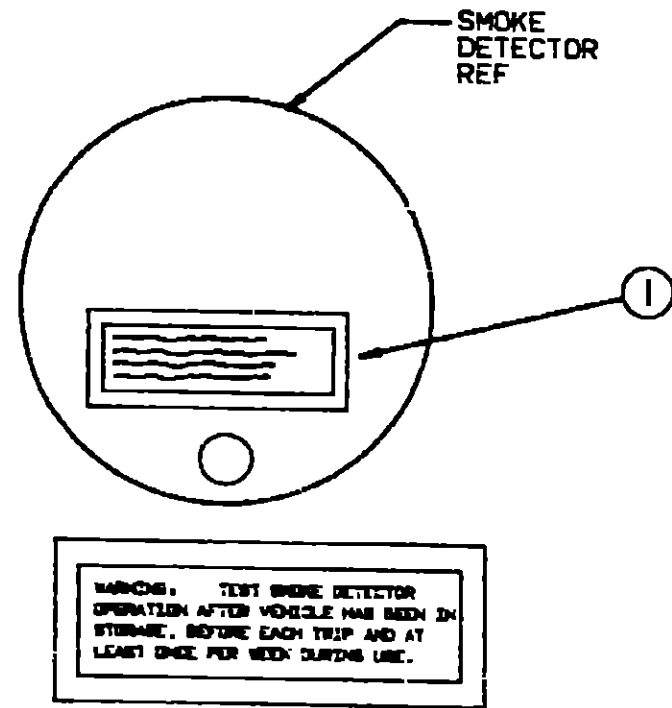
1991 WINNEBAGO TABLE OF CONTENTS

INTRODUCTION	A-01 - A-02
ABBREVIATIONS	A-03
ALPHABETICAL GROUP REFERENCE	A-04 - A-06
WC321RG	A-07 - D-02
WC324RC	D-03 - F-23

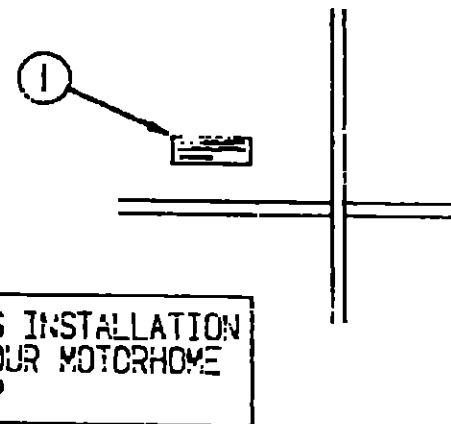
1991 WC324RC INDEX

Floor Plan	D-03 - D-04
Accessories Group	D-05 - D-08
Bath Group	D-09 - D-10
Bedroom Group	D-11
Chassis Group	D-12 - D-15
Curtain, Cushion & Pad Group	D-16 - D-23
Dinette Group	D-24 - E-01
Driver's Compartment Group	E-02 - E-05
Electrical Group	E-06 - E-08
Exterior Body Group	E-09 - E-13
Galley Group	E-14 - E-16
Heating & Air Conditioning Group	E-17 - E-18
Interior Finish Group	E-19 - E-21
Labels Group	E-22 - F-05
LP Group	F-06
Lounge Group	F-07
Sealants & Fasteners Group	F-08 - F-09
Water & Sewage Group	F-10 - F-11
Window, Vent & Exterior Door Group	F-12 - F-23

LABELS GROUP (CONTINUED)



Key	Part Number	U/M	Description
1	077956-01-000	EA	Label - Warning - Smoke Detector

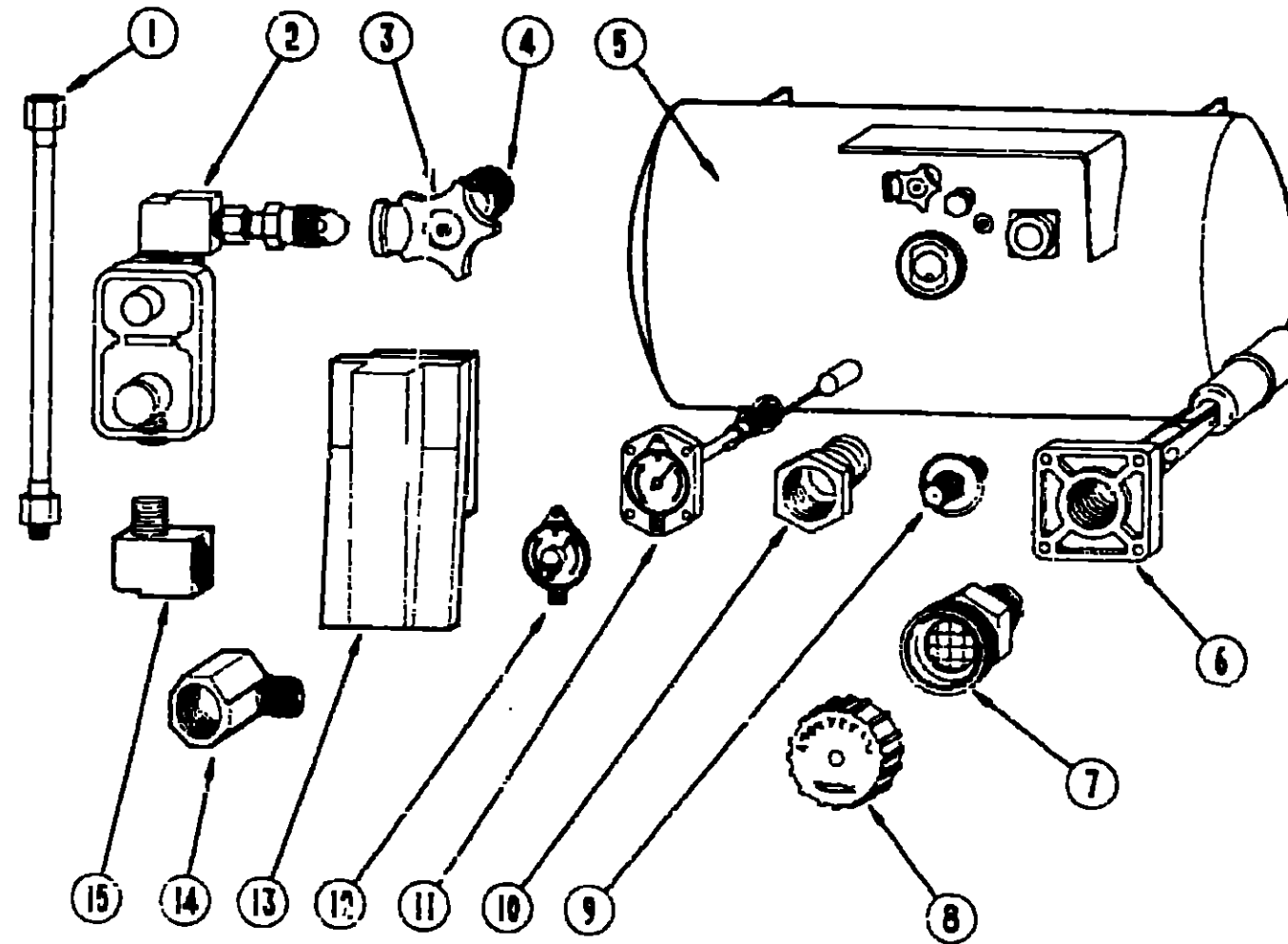


Key	Part Number	U/M	Description
1	099509-01-000	EA	Label - Awning Installation

MISCELLANEOUS LABELS

Key	Part Number	U/M	Description
	006064-01-000	EA	Label - Seat - w/o Seat Belt
	091243-01-000	EA	Label - A/C Cover
	006019-01-000	EA	Tag - RVI Approved - Plastic

LP GROUP



LP TANK & COMPONENTS

Key	Part Number	U/M	Description
1	045703-01-000	EA	Hose Asm - LP - 3/2" ID x 24" (US)
1	045703-02-000	EA	Hose Asm - LP - 3/8" ID x 24" (CSA)
2	076301-01-000	EA	Regulator - Two Stage
3	040421-01-708	EA	Handwheel - Service Valve
4	040421-01-712	EA	Service Valve w/Handwheel
5	097821-01-000	EA	Tank Asm - LP - 60 Pound - 14" Diameter x 30" Long
6	040421-01-711	EA	Valve - 50% w/Float Plate, Bolts & Gauges
7	040421-01-701	EA	Valve - Filler - LP
8	040421-01-702	EA	Cap - Plastic - Fill Valve
9	040421-01-700	EA	Valve - Liquid Level - 20% LP
10	040421-01-713	EA	Pressure Relief Valve
11	040421-01-707	EA	Gauge - Float - 60 Pound Tank
12	040440-01-000	EA	Dial - Visible Face - Float Gauge
13	081938-01-000	EA	Cover - LP Regulator
14	065318-02-000	EA	Elbow - 90° - 3/8" MPT x 3/8" FPT
15	065742-01-000	EA	Tee - .33 F x .37 F x .25 FPT
	065741-01-000	EA	Gauge - Diaphragm Pressure - Test Leak
	008042-01-000	FT	Tubing - Vinyl - .65" ID
	010377-01-000	EA	Nut - 3/8" F - Brass
	010360-02-000	EA	Nut - 1/2" F - Brass - Forged
	010377-02-000	EA	Nut - 3/8" F - Brass - Forged
	010326-01-000	EA	Adapter - Flare w/Cone Gasket - 3/8" Female FL x 1/2" Male FL
	010323-01-000	EA	Adapter - Brass - 3/8" F x 1/2" MPT (Ford)
	071015-14-000	EA	Grommet - 3/8" ID Fits .09" Material Rubber
	071015-17-000	EA	Grommet - 3/8" ID Fits .05" Material Rubber
	016188-03-000	EA	Grommet - LP Line - 3/3" Hole x 2 1/2" Dia. - Rubber
	084894-01-000	EA	Brass - Plug - 3/8"

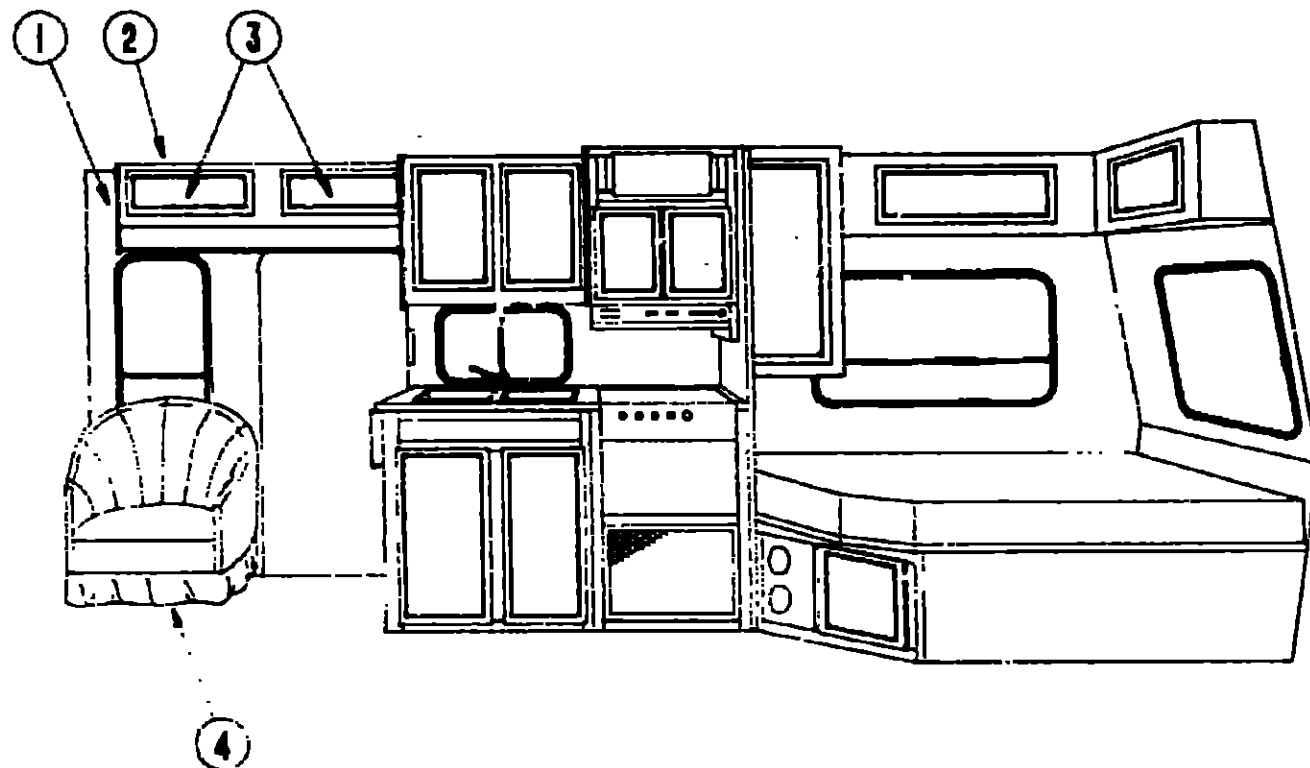
**1991 WINNEBAGO
TABLE OF CONTENTS**

INTRODUCTION	A-01 - A-02
ABBREVIATIONS	A-03
ALPHABETICAL/GROUP REFERENCE	A-04 - A-06
WC321RG	A-07 - D-02
WC324RC	D-03 - F-23

1991 WC324RC INDEX

Floor Plan	D-03 - D-04
Accessories Group	D-05 - D-08
Bath Group	D-09 - D-10
Bedroom Group	D-11
Chassis Group	D-12 - D-15
Curtain, Cushion & Pad Group	D-16 - D-23
Dinette Group	D-24 - E-01
Driver's Compartment Group	E-02 - E-05
Electrical Group	E-06 - E-08
Exterior Body Group	E-09 - E-13
Galley Group	E-14 - E-16
Heating & Air Conditioning Group	E-17 - E-18
Interior Finish Group	E-19 - E-21
Labels Group	E-22 - F-05
LP Group	F-06
Lounge Group	F-07
Sealants & Fasteners Group	F-08 - F-09
Water & Sewage Group	F-10 - F-11
Window, Vent & Exterior Door Group	F-12 - F-23

LOUNGE GROUP



LOUNGE CABINETRY

Key	Part Number	U/M	Description
1	081280-20-B05	EA	End Cap - Front Overhead Cabinet
2	P00200-01-B05	EA	Cabinet - Overhead - Entry Door - w/o Doors or Hardware
3	P00099-42-B05	EA	Door - Overhead Cabinet - 10" x 19" - w/o Hardware
†4	096429-04-B05	EA	Chair - Swivel
†4	096429-04-B06	EA	Chair - Swivel
†*4	096429-05-B05	EA	Chair - Swivel w/o Skirt
†*4	096429-06-A94	EA	Chair - Swivel w/o Skirt
	088245-03-000	EA	Plate - Swivel - Top w/o Tilt - w/Lock
	088245-06-000	EA	Extension - Chair Base - 7"
**	088245-07-000	EA	Extension - Chair Base - 6"
	088245-01-000	EA	Base - Swivel Chair w/Legs
	057753-01-000	EA	Washer - Bracket - Seat Belt - 4" Dia.
	069705-02-000	EA	Bar - Seat Belt - 2.5" x 12.75"
	007021-01-000	EA	Belt - Seat - 2" x 90" - Black
†	See Curtain, Cushion & Pad Group for the breakdown of these items.		
**	These are the parts used from 6/11/90 on.		

SEALANTS & FASTENERS GROUP

SCREWS & FASTENERS

Key	Part Number	U/M	Description
	000C13-07-488	EA	Bolt - Hex - 7/16 - 20 x 3 - Zn 5
	000C26-05-208	EA	Bolt - Hex - Ser Fig 5/16 - 18 x 1 1/4" - Zinc
	000D24-10-00B	EA	Nut - Hex - Locking - 10-32 - Zn
	000D39-05-00B	EA	Nut - Hex - Ser Fig Lk - 5/16 - 18 - Zn
	000D39-06-00B	EA	Nut - Hex - Ser Fig Lk - 3/8 - 16 - Zn
	000D39-08-00E	EA	Nut - Hex - Ser Fig Lk - 1/2 - 13 - Zn
	000D44-07-00B	EA	Nut - Hex - Ser Fig Lk - 7/16 - 20 - Zn
	000E13-11-00B	EA	Washer - Flat - 3/16" Wide - Zn
	000G11-06-10J	EA	Screw - 6 - 20 x 5/8 PPH - Brass
	000G11-07-08B	EA	Screw - 7 - 19 x 1/2 PPH - Zn
	000G11-08-06B	EA	Screw - 8 - 18 x 3/8 PPH - Zn
	000G11-08-12B	EA	Screw - 8 - 18 x 3/4 PPH - Zn
	000G11-08-12D	EA	Screw - 8 - 18 x 3/4 PPH - Black
	000G11-08-12P	EA	Screw - 8 - 18 x .75 - Dark Brown
	000G11-08-12R	EA	Screw - 8 - 18 x .75 PPH - Beige
	000G11-08-12S	EA	Screw - 8 - 18 x .75 PPH - Off White
	000G11-08-15S	EA	Screw - 8 - 18 x 1.00 PPH - Off White
	000G11-10-12D	EA	Screw - 10 - 16 x 3/4 PPH - Black
	000G11-10-24P	EA	Screw - 10 - 16 x 1 1/2 PPH - Dark Brown
	000G12-08-12S	EA	Screw - 8 - 18 x .75 POH - Off White
	000G12-08-16S	EA	Screw - 8 - 18 x 1" POH - Off White
	000G13-03-08B	EA	Screw - 6 - 20 x 1/2 PFH - Zn
	000G13-06-10G	EA	Screw - 6 - 20 x 5/8 PFH - Antique Brass
	000G13-07-12B	EA	Screw - 7 - 19 x 3/4 PFH - Zn
	000G13-08-16B	EA	Screw - 8 - 18 x 1 PFH - Zn
	000G18-08-12B	EA	Screw - Machine - 8 - 32 x 3/4" PPH - Zn
	000G18-08-16B	EA	Screw - Machine - 8 - 32 x 1 PPH - Zn
	000G18-08-22B	EA	Screw - Machine - 8 - 32 x 1 3/8 PPH - Zn
	000G39-08-08B	EA	Screw - SF/DR 8 - 18 x 1/2 PPH - Zn
	000G39-08-08R	EA	Screw - SF/DR 8 - 18 x 1/2 PPH - Beige
	000G39-08-12B	EA	Screw - SF/DR 8 - 18 x 3/4 PPH - Zn
	000G39-08-12R	EA	Screw - SF/DR 8 - 18 x 3/4 PPH - Beige
	000G39-08-16S	EA	Screw - SF/DR 8 - 18 x 1.00 PPH - Off White
	000G39-08-24B	EA	Screw - SF/DR 8 - 18 x 1 1/2 PPH - Zn
	000G39-08-24S	EA	Screw - SF/DR 8 - 18 x 1.50 PPH - Off White
	000G39-10-10S	EA	Screw - SF/DR 10 - 16 x .52" PPH - Off White
	000G39-10-12D	EA	Screw - SF/DR 10 - 16 x 3/4 PPH - Black
	000G39-10-20B	EA	Screw - SF/DR 10 - 16 x 1 1/4 PPH - Zn
	000G42-04-16B	EA	Screw - SF/DR 1/4 - 14 x 1 HWH - Zn
	000G53-04-06B	EA	Screw - Machine - 1/4 - 20 x 3/8 PPH - Zn
	000G54-04-20B	EA	Screw - 1/4 - 20 x 1 1/4 PTH Typ 23 - Zn
	000G67-10-08B	EA	Screw - 10 - 12 x 1/2 PPH - Zn
	000G67-10-08R	EA	Screw - 10 - 12 x 1/2 PPH - Beige - Type A
	000G67-10-10B	EA	Screw - 10 - 12 x 5/8 PPH - Zn - Type A
	000G67-10-10R	EA	Screw - 10 - 12 x 5/8 PPH - Beige - Type A
	000G67-10-12B	EA	Screw - 10 - 12 x 3/4 PPH - Zn
	000G67-10-12P	EA	Screw - 10 - 12 x .75 PPH - Dark Brown
	000G67-10-12O	EA	Screw - 10 - 12 x .75 PPH - Tan
	000G67-10-24B	EA	Screw - 10 - 12 x 1 1/2 PPH - Zn
	000G67-10-32B	EA	Screw - 10 - 12 x 2 PPH - Zn
	000G68-06-10G	EA	Screw - 6 - 18 x 5/8 POH - Antique Brass
	000H16-04-06R	EA	Rivet - Pop - AL 1/8 x .375
	005081-01-000	EA	Nut - Speed - C Type - No. 8 Screw
	062401-02-000	EA	Clamp - Hose - Wormgear - 1.56" - 2.5"
	062401-05-000	EA	Clamp - Hose - Wormgear - .22" x .62"
	007161-01-000	EA	Clamp - Hose - Spring Type - 1/2"
	008343-01-000	EA	Tie - Wire - 6"
	008386-01-000	EA	Grommet - Snap - 3/8

1991 WINNEBAGO TABLE OF CONTENTS

INTRODUCTION	A-01 - A-02
ABBREVIATIONS	A-03
ALPHABETICAL/GROUP REFERENCE	A-04 - A-06
WC321RG	A-07 - D-02
WC324RC	D-03 - F-23

1991 WC324RC INDEX

Floor Plan	D-03 - D-04
Accessories Group	D-05 - D-08
Bath Group	D-09 - D-10
Bedroom Group	D-11
Chassis Group	D-12 - D-15
Curtain, Cushion & Pad Group	D-16 - D-23
Dinette Group	D-24 - E-01
Driver's Compartment Group	E-02 - E-05
Electrical Group	E-06 - E-08
Exterior Body Group	E-09 - E-13
Galley Group	E-14 - E-16
Heating & Air Conditioning Group	E-17 - E-18
Interior Finish Group	E-19 - E-21
Labels Group	E-22 - F-05
LP Group	F-06
Lounge Group	F-07
Sealants & Fasteners Group	F-08 - F-09
Water & Sewage Group	F-10 - F-11
Window, Vent & Exterior Door Group	F-12 - F-23

SCREWS & FASTENERS (CONTINUED)

Key	Part Number	U/M	Description
	008401-01-000	EA	Strap - Conduit - 3/4" - 1 Hole - Galvanized Steel
	010495-01-000	EA	Clamp - Cable - 9/16"
	010497-01-000	EA	Clamp - Closed - 5/8" ID
	010497-03-000	EA	Clamp - Closed - 1 ID - Cushioned
	010499-01-000	EA	Clamp - Closed - 3/8" ID
	016604-01-000	EA	Brace - Cabinet - Angled Metal - 2.5"
	083609-01-000	EA	Clamp - Wire Dual - Equal 5/8" Dia.
	084684-01-000	EA	Plug - Brass - 3/8"
	087721-01-000	EA	Screw - Flat Head - Tapping - 1/4 x 1 1/4 LG - Zn
	089371-01-000	EA	Screw - Machine - 8 - 32 x 3 5/16 - Zn
	075148-02-000	EA	Clamp - Grounding - Bronze Screws
	075908-01-000	EA	Screw - Machine - 10 - 32 x .56 PTH - Zn
	049465-04-000	EA	Screw - 10 - 16 x 1 PTH w/Washer - Beige
	076790-01-000	EA	Screw - 6 - 20 x 1 1/4 PPH - Black
	063729-04-000	EA	Rivet - 10 - 32 UNF - .010 - .060

SEALANTS & ADHESIVES

Key	Part Number	U/M	Description
	004020-01-000	QT	Adhesive - ABS Cement (Plastic Fittings)
	004005-02-000	GL	Adhesive - Swirl's - Glue (Sidewalls)
	053766-07-000	EA	Bedding Compound - Tube - Beige (Exterior)
	053766-06-000	EA	Bedding Compound - Tube - Clear (Window)
	053766-08-000	EA	Bedding Compound - Tube - Gray (Exterior)
	102352-01-000	EA	Bedding Compound - Tube - Black (Luggage Compartment)
	053766-02-000	EA	Bedding Compound - Tube - Off White (Exterior)
	002328-02-000	EA	Block - Rubber Spacer (Windshield)
	077967-01-000	EA	Sealant - Acrylic Latex - Tube - Off White (Interior Sealant)
	034552-04-000	EA	Sealant - Silicone - Beige
	034552-02-000	EA	Sealant - Silicone - Clear
	034552-07-000	EA	Sealant - Silicone - Dark Gray
	034552-06-000	EA	Sealant - Silicone - Off White
	039518-01-000	EA	Sealant Silicone - Black
	069640-01-000	FT	Sealer Ribbon - .25" Bead x 20'
	069640-02-000	FT	Sealer Ribbon - .5" x .125" x 30'
	069640-03-000	FT	Sealer Ribbon - .75" x .125" x 30'
	069640-09-000	FT	Sealer Ribbon - 1/32" x 2.5" x 30'
	069640-06-000	FT	Sealer Ribbon - 5/16" Bead x 15'
	069640-07-000	FT	Sealer Ribbon - 2" x 3/32" x 30'
	069640-10-000	FT	Sealer Ribbon - 1/32" x 1.5" x 100'
	002707-02-000	FT	Sealer Tape - 5/16" x 1/2"
	074497-14-700	EA	Sealer - Stain (Ceiling)
	102353-01-700	EA	Seam Sealer - Tube - Gray (Roof Seams)
	094401-01-000	EA	Seam Sealer - Tube - Clear (Cap to Sidewall)
	102353-01-700	EA	Seam Sealer - Tube - Aluminum (Roof)
	053642-01-000	FT	Tape - Adhesive - .10mm x 1.5" Wide
	038886-01-000	EA	Tape - Butyl - .31" x .31" x 148" (Windshield)
	076322-01-000	FT	Tape - Foam - Double Coated - .025 x .75 x 72' (Fiberglass Sidewall Seams)
	076322-02-000	FT	Tape - Foam - Double Coated - .045 x 1" (Fiberglass Sidewall Seams)
	100028-01-000	FT	Tape - Foam - Double Coated - .031 x .75 x 72' (Non-Structural Fastening)
	009200-01-000	EA	Tape - Furnace - 1.5"
	002825-01-000	FT	Weather Stripping (Roof Vent)
	081377-01-700	EA	Adhesive - Cyanoacrylate - 10GM

DRAINAGE SYSTEM

Key	Part Number	U/M	Description
	062422-01-000	EA	Adapter - Offset Reducer - 3" x 1 1/2"
	062416-01-000	EA	Adapter - Sewer Hose to 3" Pipe
	033302-02-000	EA	Adapter Asm. - Strainer - 1 1/2" (CSA)
	010123-01-000	EA	Bushing - 2" x 1 1/2" - Hub - Plastic
	010121-01-000	EA	Bushing - Plastic - Red - 1 1/2 S x 1 1/4 H
	011091-02-000	EA	Continuous Waste - Double Sink - 11 7/8"
	010115-01-000	EA	Coupler - Plastic - 1 1/2 H x H
	078406-01-000	EA	Coupler - Rubber - 3" x 3"
	010005-01-000	EA	Elbow - Plastic - 1/16 BD - 1 1/2" x 22 1/2"
	010000-01-000	EA	Elbow - Plastic - 1/8 BD x 1 1/4 x 45° x H
	010051-01-000	EA	Elbow - Plastic - 1/8 BD x 1 1/2 x 45°
	010006-01-000	EA	Elbow - Plastic - 1/8 BD x 1 1/2 x 45° H x H
	010008-01-000	EA	Elbow - Plastic - 1/4 BD x 1 1/2 x 90° - Left
	034250-01-000	EA	Elbow - Plastic - 1/4 BD x 1 1/2 x 90° H x H
	033761-01-000	EA	Elbow - Plastic - 1/4 BD x 1 1/2 x 90°
	010009-01-000	EA	Elbow - Plastic - 1/4 BD x 1 1/2 x 90° - St.
	037101-02-000	EA	Elbow - Plastic - 1/4" Bend Vent - 1 1/2" Hub (CSA)
	075240-06-000	EA	Faucet - Lavatory - Bone
	075241-05-000	EA	Faucet - Shower - Bone
	011053-04-000	EA	Faucet - Swing Spout - 8" - Galley
	091253-01-000	EA	Gasket - Faucet
	010147-01-000	EA	Flange - Closet - Red - 4" x 3" (US)
	010147-02-000	EA	Flange - Closet - Red - 4" x 3" (CSA)
	024676-02-000	EA	Flange - Closet - 4" x 3" (CSA)
	061607-01-000	EA	Grommet - Holding Tank Coupler - 1 1/2"
	061607-02-000	EA	Grommet - Holding Tank Coupler - 3"
	011066-03-000	EA	P-Trap - 1 1/4" - Plastic (US)
	011066-02-000	EA	P-Trap - 1 1/4" - Plastic (CSA) (Lavatory/Shower)
	053335-01-000	EA	P-Trap - 1 1/4" - Plastic w/Union (CSA) (Galley)
	083558-01-000	EA	Roof Vent - Covered - Vent Pipe
	039861-01-000	EA	Sending Unit w/Screw, Washer, Well Nut & Terminal
	062415-01-000	EA	Sewer Cap - 3"
	062415-01-700	EA	String - Sewer Cap
	010201-01-000	EA	Sewer Hose - 3" ID x 20'
	011048-02-000	EA	Shower Head w/60" Hose (US)
	011048-05-000	EA	Shower Head w/60" Hose (CSA)
	M02429-04-000	EA	Shower Pan Asm.
	068615-01-000	EA	Sink - Double - Stainless Steel
	098654-01-000	EA	Sink - Double w/Mounting Hardware - Stainless Steel
	096927-01-01A	EA	Sink - Rectangular - Lavatory
	096927-01-700	EA	Sink Stopper
	096927-01-701	EA	Tailpiece - Sink
	089366-01-000	EA	Sink - Oval - Plastic - Ivory (CSA)
	089366-01-700	EA	Plug - CO - Ivory - 1 1/4" x 5"
	066436-01-000	EA	Slip Nut - 1.5 - Tailpiece
	066440-01-000	EA	Strainer - Shower Drain
	066437-01-000	EA	Strainer - Sink - Galley
	066437-01-700	EA	Basket - Strainer - Galley Sink
	011069-02-000	EA	Tailpiece - 1 1/2 x 1 1/4 x 4" - Brass
	074870-01-000	EA	Tank - Holding - 30 Gal. - Sewage
	074861-01-000	EA	Tank - Holding - 35 Gal. - Waste Water
	010079-01-000	EA	Tee - Plastic - 1 1/2" H x 1 1/2" H x 1 1/4" H
	076776-01-000	EA	Tee - Barb - 5/8" x 5/8" x 5/8"
	010071-01-000	EA	Tee - Plastic - 1 1/2" H x H x H

• These parts were used from 1/2/90 on.

**1991 WINNEBAGO
TABLE OF CONTENTS**

INTRODUCTION	A-01 - A-02
ABBREVIATIONS	A-03
ALPHABETICAL/GROUP REFERENCE	A-04 - A-06
WC321RG	A-07 - D-02
WC324RC	D-03 - F-23

1991 WC324RC INDEX

Floor Plan	D-03 - D-04
Accessories Group	D-05 - D-08
Bath Group	D-09 - D-10
Bedroom Group	D-11
Chassis Group	D-12 - D-15
Curtain, Cushion & Pad Group	D-16 - D-23
Dinette Group	D-24 - E-01
Driver's Compartment Group	E-02 - E-05
Electrical Group	E-06 - E-08
Exterior Body Group	E-09 - E-13
Galley Group	E-14 - E-16
Heating & Air Conditioning Group	E-17 - E-18
Interior Finish Group	E-19 - E-21
Labels Group	E-22 - F-05
LP Group	F-06
Lounge Group	F-07
Sealants & Fasteners Group	F-08 - F-09
Water & Sewage Group	F-10 - F-11
Window, Vent & Exterior Door Group	F-12 - F-23

WATER & SEWAGE GROUP (CONTINUED)

DRAINAGE SYSTEMS (CONTINUED)

Key	Part Number	U/M	Description
	067487-01-000	EA	Toilet - Ivory - Aqua Magic
	067487-01-700	EA	C.L.F.L. Seal & Bolt Package
	063740-01-710	EA	Link
	063740-01-711	EA	Spring - Return Lever
	063740-01-705	EA	Seat - Ivory - w/o Cover
	063740-01-700	EA	Lever - Water
	063740-01-701	EA	Lever - Flush
	063740-01-713	EA	Seal - Ball - Valve to Bowl
	063740-01-714	EA	Valve Asm. - Water
	063740-01-707	EA	Seal - Closet Flange
	063740-01-706	EA	Bolt Package - Closet
	070916-01-000	EA	Valve - Dual - 3" x 1.5"
	070916-01-700	EA	Valve - Only - 3"
	070916-01-701	EA	Valve - Only - 1 1/2"
	062421-01-000	EA	Valve - 1 1/2" w/Handle
	062419-02-700	EA	Handle Only - For Extension Rod
	079968-01-000	EA	Vent - Mechanical Trap Arm
	069735-01-000	EA	Washer - Tailpiece - 1.5 - Plastic

WATER HEATER BYPASS (OPTION L53J)

Key	Part Number	U/M	Description
	039800-01-000	FT	Tubing - Polybutyl - 1/2 OD x 20'
	052956-01-000	EA	Tee - Plastic - 1/2 F x 1/2 MPT x 1/2 F
	052957-02-000	EA	Elbow - Plastic - 1/2 F x 1/2 MPT
	065120-01-000	EA	Elbow - Plastic - Swivel - .50"
	052958-01-000	EA	Tee - Plastic - 1/2 F x 1/2 F x 1/2 F
	052959-02-000	EA	Connector - Plastic - 1/2 F x 1/2 MPT
	099729-01-000	EA	Bypass Kit - Water Heater

WATER & SEWAGE GROUP (CONTINUED)

WATER LINES & HARDWARE

Key	Part Number	U/M	Description
	044927-01-000	EA	Adapter - Plastic - 1 1/4" MPT x 1 1/4" Bar (Water Tank)
	079317-01-000	EA	Adapter - Swivel - .5 Tube x .5 FPT
	052954-01-000	EA	Adapter - Nose Cone - 3/8" or 1/2" - Plastic
	036522-02-000	EA	Cap - Brass - 1/2" Flare
	052959-02-000	EA	Connector - Plastic - 1/2" F x 1/2" MPT
	052959-03-000	EA	Connector - 1/2" x 3/8 MPT - Plastic
	010219-01-000	EA	Elbow - Plastic - 1 1/3" MPT x 1 1/4" Barb
	065120-01-000	EA	Elbow - Plastic - Swivel - 1/2" FPT x 1/2" Flare - Gray
	035539-01-000	EA	Elbow - Plastic - 3/8 MPT x 3/8" BARB
	070924-01-000	EA	Elbow - Swivel - 1/2" MPT x 1/2" FPT - Gray
	075240-06-000	EA	Faucet - Lavatory - Bone
	011053-04-000	EA	Faucet - Swing Spout - Galley - 8"
	091253-01-000	EA	Gasket - Faucet
	075241-05-000	EA	Faucet - Shower - Bone
	077954-02-000	EA	Filter/Screen (In Water Tank)
	052952-01-000	EA	Nut - Plastic - 1/2" F
	052953-01-000	EA	Nut - Faucet - 1/2" Tube x 1/2" FPT
	049032-01-000	EA	Patch - Spinweld - Plastic - 3/8"
	098607-01-000	EA	Pump - Water - 2.8 GPM - Direct Flow (US)
	098607-02-000	EA	Pump - Water - 2.8 GPM - Direct Flow (CSA)
	098607-01-707	EA	Motor/Backplate - Replacement
	098607-01-701	EA	Drive Asm.
	098607-01-702	EA	Diaphragm Kit
	029607-01-703	EA	Valve Asm.
	098607-01-704	EA	Upper Housing
	098607-01-706	EA	Switch Asm. - Complete
	098607-01-700	EA	Pumphead - Replacement
	098607-01-705	EA	Check - Valve Kit
	091208-01-000	EA	Rubber Washer - .06 x .75 x .50
	011048-02-000	EA	Shower Head - w/60" Hose
	042989-03-000	EA	Spinweld Fitting - Plastic - 1/4" NPT
	042989-05-000	EA	Spinweld Fitting - Plastic - 1/2" FPT
	042989-04-000	EA	Spinweld Fitting - Plastic - 3/8" FPT
	097967-01-000	EA	Switch - Water Heater
	052955-01-000	EA	Tee - Plastic - 1/2" F x 1/2" F x 1/2" MPT
	052956-01-000	EA	Tee - Plastic - 1/2 F x 1/2 MPT x 1/2 F
	052958-01-000	EA	Tee - Plastic - 1/2" F x 1/2" F x 1/2" F
	074463-01-000	EA	Tee - 4 Way - Plastic - 1/2" Flare - Gray
	039800-01-000	FT	Tubing - Polybutyl - 1/2" OD x 20' (Water Line)
	079381-01-000	FT	Tubing - Flex/Smooth - 1.25 ID (Water Tank)
	074462-02-000	FT	Tubing - Vinyl - 3/8" ID
	052960-01-000	EA	Valve - Line Drain - 1/2" F x 1/2" F
	052960-01-700	EA	Connector - Union - 1/2" F x 1/2" F
	074510-03-000	EA	Water Tank - 16 Gal. w/Fittings - 33.4" x 11.4" x 10.6"
	053520-10-000	EA	Water Tank - 18 Gal. w/Fittings - 27" x 17.2" x 10"
**	051391-01-000	EA	Water Heater - Atwood - G6A-3
**	051391-03-000	EA	Water Heater - w/o Motoraid - Electronic Tune - Atwood - G6A-3E
**	051393-01-000	EA	Water Heater - w/Motoraid - Direct Ignition - Atwood - GH6-3E
**	The illustrated parts breakdown for this item is provided on the Common items Fiche.		

**1991 WINNEBAGO
TABLE OF CONTENTS**

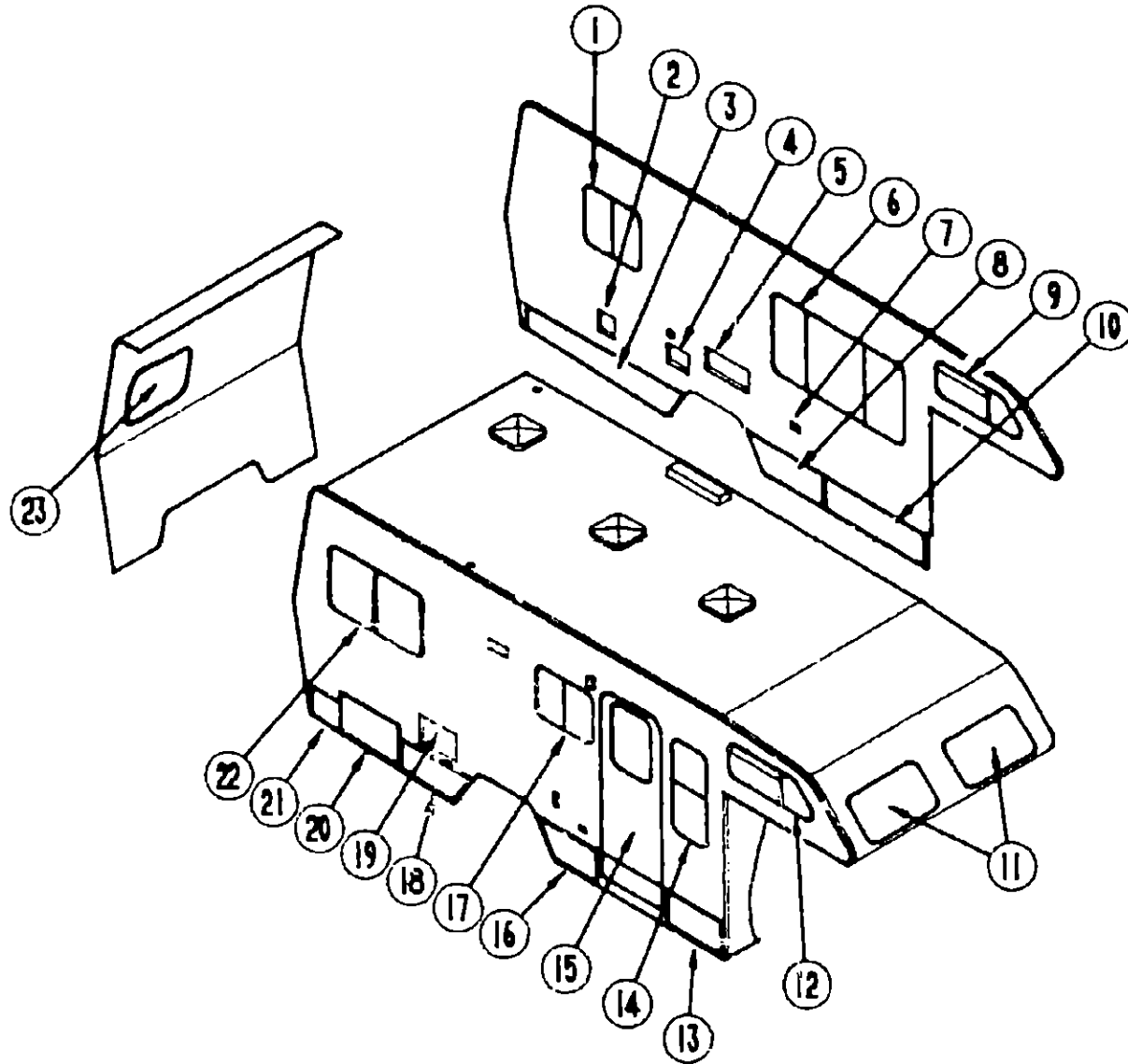
INTRODUCTION	A-01 - A-02
ABBREVIATIONS	A-03
ALPHABETICAL/GROUP REFERENCE	A-04 - A-06
WC321RG	A-07 - D-02
WC324RC	D-03 - F-23

1991 WC324RC INDEX

Floor Plan	D-03 - D-04
Accessories Group	D-05 - D-08
Bath Group	D-09 - D-10
Bedroom Group	D-11
Chassis Group	D-12 - D-15
Curtain, Cushion & Pad Group	D-16 - D-23
Dinette Group	D-24 - E-01
Driver's Compartment Group	E-02 - E-05
Electrical Group	E-06 - E-08
Exterior Body Group	E-09 - E-13
Galley Group	E-14 - E-16
Heating & Air Conditioning Group	E-17 - E-18
Interior Finish Group	E-19 - E-21
Labels Group	E-22 - F-05
LP Group	F-06
Lounge Group	F-07
Sealants & Fasteners Group	F-08 - F-09
Water & Sewage Group	F-10 - F-11
Window, Vent & Exterior Door Group	F-12 - F-23

WINDOWS, VENTS & EXTERIOR DOORS

WINDOWS & ACCESS DOORS



Key	Part Number	U/M	Description
1	098644-01-715	EA	Window Asm. - Single Slider - 22" x 15" (Excel)
2	078010-03-000	EA	Door Asm. - Fuel Fill
3	096393-17-B05	EA	Door Asm. - Rear
4	088794-01-000	EA	Door Asm. - Power Cord w/Hatch
5	084103-03-000	EA	Door Asm. - Refrigerator - Vent
6	098647-02-700	EA	Window Asm. - Horizontal Slider - 30.5" x 57.5" (Excel)
7	081240-03-000	EA	Door Asm. - Water Fill
8	096395-09-B05	EA	Door Asm. - Storage Compartment
9	100322-02-700	EA	Window Asm. - Sliding - Slanted - 12" x 36" (Excel)
10	096386-07-B05	EA	Door Asm. - LP Compartment - Front - 13.7" x 37"
11	078533-06-AA3	EA	Window Asm. - Picture - 15" x 32"
11	078533-08-B13	EA	Window Asm. - Picture
12	100322-01-720	EA	Window Asm. - Sliding - Slanted - 12" x 36" (Excel)
13	098252-04-B05	EA	Door Asm. - Battery
14	098644-02-705	EA	Window Asm. - Vertical Slider - 34.25" x 15" (Excel)
15	M01070-32-B05	EA	Door - Entry w/Screen & Jamb
16	096395-02-AA3	EA	Door Asm. - Storage - 19.4" x 27"
17	098647-06-705	EA	Window Asm. - Single Slider - 19.3" x 24.6" (Excel)
18	096393-16-B05	EA	Valance Asm. - Center
19	052009-01-000	EA	Door Asm. - Water Heater
20	098252-04-B05	EA	Door Asm. - Storage/Generator - 26.9"
21	096397-08-B05	EA	Valance Asm. - Rear w/Square Corners
22	092235-07-Y12	EA	Window Asm. - Tipout - 24.3" x 40.3"
23	079415-01-T03	EA	Window Asm. - Escapo - 29" x 23"

* These parts are used from 5/29/90 on.

WINDOW, VENT & EXTERIOR DOOR GROUP (CONTINUED)

POWERED ROOF VENT

Key	Part Number	U/M	Description
	090394-01-Y12	EA	Vent Asm. - Roof - Powered - w/o Screen (USA)
	009440-01-000	EA	Lift Mechanism
	009439-03-000	EA	Extension
	009439-04-000	EA	Screw
	009439-02-000	EA	Knob - Roof Vent - Black
	048649-01-000	EA	Fan - Plastic - 6"
	008195-01-000	EA	Switch - Push Button - 12 Volt
	015911-01-000	EA	Track - Slide - Roof Vent
	002825-01-000	EA	Weatherstrip Seal
	048648-01-000	EA	Motor - 12 Volt
	051384-01-000	EA	Cover Asm. - Roof Vent
	052639-01-200	EA	Hinge - 7" - Roof Vent
	078785-01-Y12	EA	Screen Asm. - Roof Vent - Powered
	002291-02-000	SF	Screen - Window - 16" - Charcoal
	002298-02-000	FT	Spline - Charcoal
**	064469-08-000	EA	Vent Asm. - Roof Powered - w/o Screen (CSA)
**	The illustrated parts breakdown of this item is provided on the Common Items Fiche.		

NON-POWERED VENT

Key	Part Number	U/M	Description
	090395-01-Y12	EA	Vent Asm. - Roof - Non-Powered - w/o Screen
	009440-01-000	EA	Lift Mechanism Asm.
	009439-03-000	EA	Extension
	009439-04-000	EA	Screw
	009439-02-000	EA	Knob - Roof Vent - Black
	015911-01-000	EA	Track - Slide - Roof Vent
	002825-01-000	EA	Weatherstrip Seal
	055218-01-000	EA	Cover Asm. - Roof Vent
	052639-01-200	EA	Hinge - 7" - Roof Vent
	078786-01-Y12	EA	Screen Asm. - Charcoal
	002291-02-000	SF	Screen - Window - 16" - Charcoal
	002298-02-000	FT	Spline - Charcoal

VENTS & SHROUDS

Key	Part Number	U/M	Description
	083558-01-000	EA	Vent - Plumbing Pipe - Roof w/Cover - Beige
	084073-03-000	EA	Vent - Refrigerator Roof - Off White
	084073-04-000	EA	Base - Roof Vent - Norcold Refrigerator - Black
	084878-09-000	EA	Vent - Range Hood - Short - LVS
	063752-01-000	EA	Shroud Asm. - Range

1991 WINNEBAGO TABLE OF CONTENTS

INTRODUCTION	A-01 - A-02
ABBREVIATIONS	A-03
ALPHABETICAL/GROUP REFERENCE	A-04 - A-06
WC321RC	A-07 - D-02
WC324RC	D-03 - F-23

1991 WC324RC INDEX

Floor Plan	D-03 - D-04
Accessories Group	D-05 - D-08
Bath Group	D-09 - D-10
Bedroom Group	D-11
Chassis Group	D-12 - D-15
Curtain, Cushion & Pad Group	D-16 - D-23
Dinette Group	D-24 - E-01
Driver's Compartment Group	E-02 - E-05
Electrical Group	E-06 - E-08
Exterior Body Group	E-09 - E-13
Galley Group	E-14 - E-16
Heating & Air Conditioning Group	E-17 - E-18
Interior Finish Group	E-19 - E-21
Labels Group	E-22 - F-05
LP Group	F-06
Lounge Group	F-07
Sealants & Fasteners Group	F-08 - F-09
Water & Sewage Group	F-10 - F-11
Window, Vent & Exterior Door Group	F-12 - F-23

WINDOW, VENT & EXTERIOR DOOR GROUP (CONTINUED)

PASSENGER & DRIVERS SIDE BUNK WINDOW (EXCEL)

Key	Part Number	U/M	Description
	100322-01-720	EA	Window - Vented - 12" x 38.5" (Passenger) (w/o inside frame)
	100322-02-700	EA	Window - Vented - 12" x 38.5" (Driver) (w/o inside frame)
	100322-01-719	EA	Inside Frame (not included in assembly)
	100322-01-700	EA	Filler Plug
	100322-01-701	EA	Vent Seal
	100322-01-702	EA	Weatherstrip - Horizontal Rail
	100322-01-703	EA	Glazing - Butyl Strip
	100322-01-704	EA	Butyl Tape
	100322-01-705	EA	Glass - Stationary - Small Top
	100322-01-706	EA	Glass - Stationary - Large Front
	100322-01-707	EA	Glass - Tipout - Sub Asm.
	100322-01-710	EA	Splice Plate
	100322-01-708	EA	Screen - Driver Side
	100322-01-709	EA	Screen - Passenger Side
	100322-01-711	EA	Vent Operator - Sub Asm.
	100322-01-712	EA	Rail - Horizontal
	100322-01-713	EA	Bar - Division - Vertical
	100322-01-714	EA	Support - Torque Bar (Driver)
	100322-01-715	EA	Support - Torque Bar (Passenger)
	100322-01-716	EA	Support - Torque Bar - Center Rail
	100322-01-717	EA	E-Ring
	100322-01-718	EA	Handle - Dial

BATH SINGLE SLIDER (EXCEL)

Key	Part Number	U/M	Description
	098644-01-715	EA	Window Asm. - 22" x 15" (w/o inside frame)
	098644-01-714	EA	Inside Frame (not included in assembly)
	098644-01-701	EA	Splice Plate - Window
	098644-01-702	EA	Screw - Splice - #6 - 32 x 1/4" Pan Head
	098644-01-703	EA	Screw - Locking Rail - #6 x 15 Pro Head Recess - Black
	098644-01-704	EA	Glass - Stationary - 10.03" x 13.77"
	098644-01-705	FT	Glazing Strip
	098644-01-706	FT	Weatherstrip
	098644-01-707	EA	Rail - Locking w/Weatherstrip
	098644-01-708	FT	Channel - Pierced Run
	098644-01-700	EA	Latch - Repair Kit
	098644-01-709	EA	Glass - Sliding w/Latch & Sash
	098644-01-710	FT	Track - Screen Spacer - 12' Length
	098644-01-711	FT	Weatherstrip - Screen - Black
	098644-01-712	EA	Screen w/Weatherstrip & Frame Spring (Clip)
	098644-01-713	EA	Spring - Screen Frame (Clip) - Plastic - Black
	098644-01-716	EA	Plug - Filler

WINDOW, VENT & EXTERIOR DOOR GROUP (CONTINUED)

DINETTE SINGLE SLIDING WINDOW (EXCEL)

Key	Part Number	U/M	Description
	098647-02-700	EA	Window Asm. - Single Slider - 30.5" x 57.5" (w/o inside frame)
	098647-01-704	EA	Inside Frame (not included in assembly)
	098644-01-701	EA	Splice Plate - Window
	098644-01-702	EA	Screw - Splice - #6 - 32 x 1/4" Pan Head
	098644-01-703	EA	Screw - Locking Rail - #6 x 15 Pro-Head Recess - Black
	098647-01-700	EA	Glass - Stationary - 29.27" x 27.72"
	098644-01-706	FT	Weatherstrip
	098647-01-701	EA	Locking Rail w/Weatherstrip
	098644-01-708	FT	Channel - Pierced Run
	098644-01-700	EA	Latch - Repair Kit
	098647-01-702	EA	Glass Sliding w/Sash & Latch
	098647-01-703	EA	Spacer - Track
	098644-01-711	FT	Weatherstrip - Screen - Black
	098647-01-706	EA	Screen - Window w/Spring & Seal
	098644-01-713	EA	Spring - Screen Frame (Clip) Plastic - Black
	098644-01-716	FT	Plug - Filler

GALLEY SINGLE SLIDER WINDOW (EXCEL)

Key	Part Number	U/M	Description
	098647-06-705	EA	Window - Single Slider (w/o inside frame)
	098647-06-704	EA	Inside Frame (not included in assembly)
	098644-01-701	EA	Splice Plate - Window
	098644-01-702	EA	Screw - Splice
	098644-01-703	EA	Screw - Locking Rail
	098647-06-700	EA	Glass - Stationary - 10.91" x 13.77"
	098644-01-705	FT	Glazing Strip
	098644-01-706	FT	Weatherstripping
	098647-06-701	EA	Rail - Locking w/Weatherstrip
	098644-01-708	FT	Channel - Pierced Run
	098644-01-700	EA	Latch - Repair Kit
	098647-06-702	EA	Glass - Sliding w/Sash & Latch
	098644-01-710	FT	Track - Screen Spacer (12' Length)
	098644-01-711	FT	Weatherstrip - Screen - Black
	098647-06-703	EA	Screen w/Weatherstrip & Frame Spring (Clip)
	098644-01-713	EA	Spring - Screen Frame (Clip) - Plastic - Black

LOUNGE VERTICAL SLIDER (EXCEL)

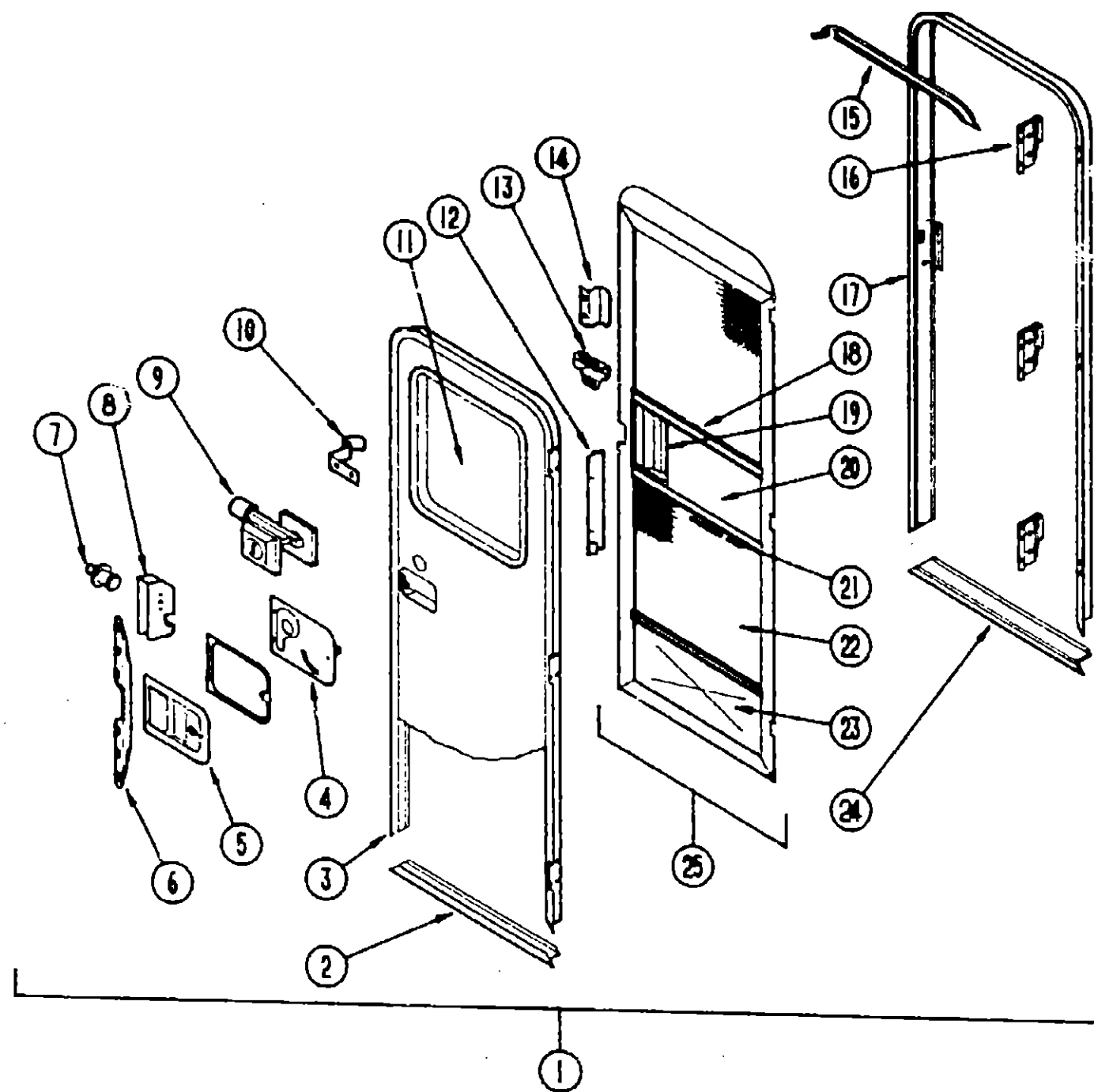
Key	Part Number	U/M	Description
	098644-02-705	EA	Window Asm. - 34.25" x 15" (w/o inside frame)
	098644-02-704	EA	Inside Frame (not included in assembly)
	098644-01-701	EA	Splice Plate - Window
	098644-01-702	EA	Screw - Splice - #6 - 32 x 1/4" Pan Head
	098644-01-703	EA	Screw - Locking Rail - #6 x 15 Pro-Head Recess - Black
	098644-02-700	EA	Glass - Stationary - 16.15" x 13.77"
	098644-01-705	FT	Glazing Strip
	098644-01-706	FT	Weatherstrip
	098644-01-707	EA	Rail - Locking w/Weatherstrip
	098644-01-708	FT	Channel - Pierced Run
	098644-01-700	EA	Latch - Repair Kit
	098644-02-701	EA	Sash - w/Latch & Sliding Glaze
	098644-02-702	FT	Track - Screen Spacer - 12' Length
	098644-01-711	FT	Weatherstrip - Screen - Black
	098644-02-703	EA	Screen w/Weatherstrip & Frame Spring (Clip)
	098644-01-712	EA	Spring - Screen Frame (Clip) - Plastic - Black
	098644-01-716	EA	Plug - Filler

**1991 WINNEBAGO
TABLE OF CONTENTS**

INTRODUCTION	A-01 - A-02
ABBREVIATIONS	A-03
ALPHABETICAL/GROUP REFERENCE	A-04 - A-06
WC321RG	A-07 - D-02
WC324RC	D-03 - F-23

1991 WC324RC INDEX

Floor Plan	D-03 - D-04
Accessories Group	D-05 - D-08
Bath Group	D-09 - D-10
Bedroom Group	D-11
Chassis Group	D-12 - D-15
Curtain, Cushion & Pad Group	D-16 - D-23
Dinette Group	D-24 - E-01
Driver's Compartment Group	E-02 - E-05
Electrical Group	E-06 - E-08
Exterior Body Group	E-09 - E-13
Galley Group	E-14 - E-16
Heating & Air Conditioning Group	E-17 - E-18
Interior Finish Group	E-19 - E-21
Labels Group	E-22 - F-05
LP Group	F-06
Lounge Group	F-07
Sealants & Fasteners Group	F-08 - F-09
Water & Sewage Group	F-10 - F-11
Window, Vent & Exterior Door Group	F-12 - F-23



ENTRANCE DOOR

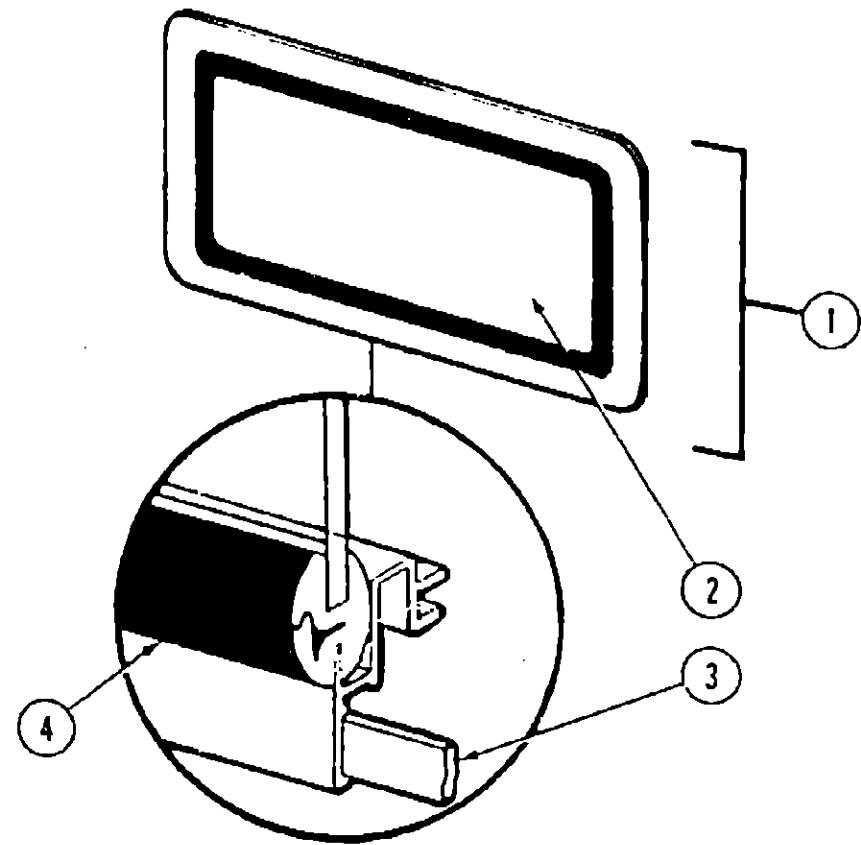
Key	Part Number	U/M	Description
1	M01870-32-B05	EA	Door Asm. - Entrance w/Screen
	075639-11-000	EA	Garnish - Radius - Entrance Door
2	089748-02-000	EA	Frame - Entrance Door - Bottom Portion
3	095276-01-01A	EA	Frame Asm. - Entrance Door - Off White
4	039979-04-000	EA	Cover Asm. - Latch Plate - Black
	039738-01-000	EA	Deadbolt - "J" Shaped - Latch Asm.
	039984-01-000	EA	Cap - Black Vinyl - Lock Grip
5	045017-11-000	EA	Latch Asm. - Plate - Black
6	098173-01-04A	EA	Stiffener - Entrance Door
7	039539-01-000	EA	Strike
8	039540-01-000	EA	Latch Asm. - Entrance Door
9	101145-01-01A	EA	Deadbolt Asm. - Black/Black
	101147-01-000	EA	Bolt - Security - 4.12" Backset
10	100412-01-000	EA	Catch - Screen Door
11	079733-07-AA8	EA	Window Asm. - Picture - 17" x 25" - Frosted Glass (w/o inside frame)
	069609-27-000	EA	Insida Frame - Black (not included in assembly)
	002181-07-000	EA	Glass - Picture - Frosted
	087561-01-000	FT	Spline - Glass - Exterior Vinyl - Black
12	079087-02-000	EA	Strike - Slider - Screen Door
13	009018-01-000	EA	Roller Catch - Screen Door
14	050712-04-000	EA	Door Handle - Screen Door
	044582-02-000	EA	Drip Cap - Top Entrance
15	097724-01-02A	EA	Hinge - Entrance Door - Off White
17	095277-02-01A	EA	Door Jamb - Entrance Door
	079207-01-000	EA	Striker - Roller Catch - Welded to Door Jamb
18	078777-01-000	EA	Channel Slide - Screen Door - Center Slider Cover
19	079086-02-000	EA	Slider - Screen Door
20	016454-01-000	EA	Insert - Screen Door - Center - Leather Grain Aluminum
21	002294-01-000	FT	Spline - Black
22	002293-02-000	SF	Screen - Window - 26" - Channel
23	078552-03-000	EA	Insert - Screen Door - Lower - Kick Panel
24	051049-01-000	EA	Jamb - Bottom - Entry Door
25	079012-01-U01	EA	Screen Door Asm.
	078595-01-000	EA	Plate - Screen Door
	100128-02-000	FT	Seal - Screen Door
	075671-01-000	FT	Seal - Sponge - Lazy T-Shaped
	002748-01-000	EA	Key - Corner
	081067-01-000	EA	Seal - Lock w/Flat Slit
	063729-04-000	EA	Rivnut - 10 - 32 UNF - .010 - .080
	072893-01-000	EA	Nutsert - M5 x 0.8

1991 WINNEBAGO
TABLE OF CONTENTS

INTRODUCTION	A-01 - A-02
ABBREVIATIONS	A-03
ALPHABETICAL/GROUP REFERENCE	A-04 - A-06
WC321RG	A-07 - D-02
WC324RC	D-03 - F-23

1991 WC324RC INDEX

Floor Plan	D-03 - D-04
Accessories Group	D-05 - D-08
Bath Group	D-09 - D-10
Bedroom Group	D-11
Chassis Group	D-12 - D-15
Curtain, Cushion & Pad Group	D-16 - D-23
Dinette Group	D-24 - E-01
Driver's Compartment Group	E-02 - E-05
Electrical Group	E-06 - E-08
Exterior Body Group	E-09 - E-13
Galley Group	E-14 - E-16
Heating & Air Conditioning Group	E-17 - E-18
Interior Finish Group	E-19 - E-21
Labels Group	E-22 - F-05
LP Group	F-06
Lounge Group	F-07
Sealants & Fasteners Group	F-08 - F-09
Water & Sewage Group	F-10 - F-11
Window, Vent & Exterior Door Group	F-12 - F-23



FRONT PICTURE WINDOW

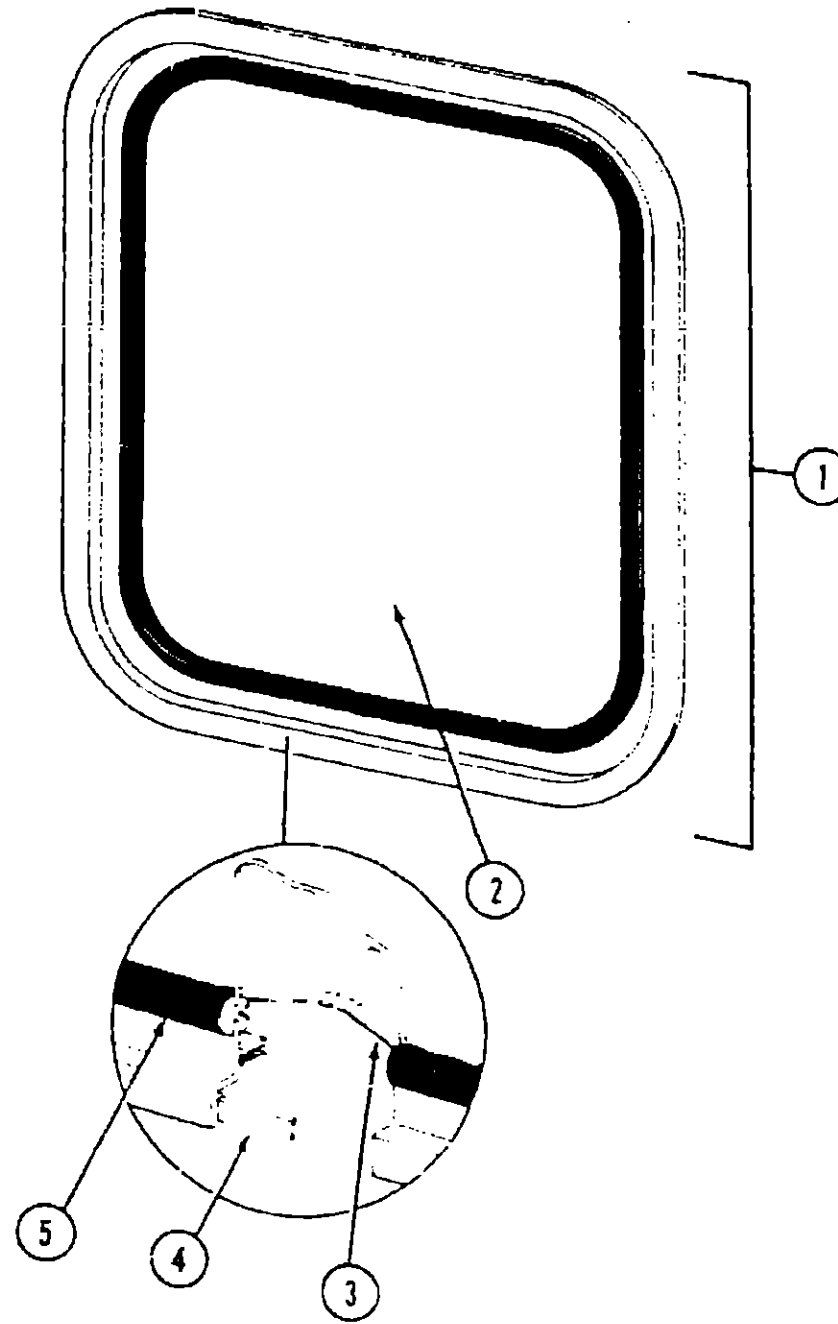
Key	Part Number	U/M	Description
1	078533-05-AA3 041938-12-000	EA	Window Asm. - Front Picture - 14" x 24" - Black (w/o inside frame)
2	002200-07-000	EA	Inside Frame - Black (not included in assembly)
3	069640-06-000	FT	Glass - Tempered - Picture Window - 15.3" x 32.5"
4	002281-01-000	EA	Ribbon Sealer - 5/16" Bead x 15"
4	002281-01-000	EA	Weatherstrip - Self Seal - .05" Panel x 3/16" - Black

This window was used until 5/28/90.

FRONT PICTURE WINDOW

Key	Part Number	U/M	Description
1	078533-08-B13 041938-12-000	EA	Window Asm. - Front Picture - 14" x 24" - Black (w/o inside frame)
2	002181-13-000	EA	Inside Frame - Black (not included in assembly)
3	069640-06-000	EA	Glass - Tempered - Picture Window
4	069640-06-000	FT	Ribbon Sealer - 5/16" Bead x 15"
4	002181-02-000	EA	Weatherstrip - Self Seal - .05" Panel x .125" - Black

This window was used from 5/29/90 on.



ESCAPE WINDOW

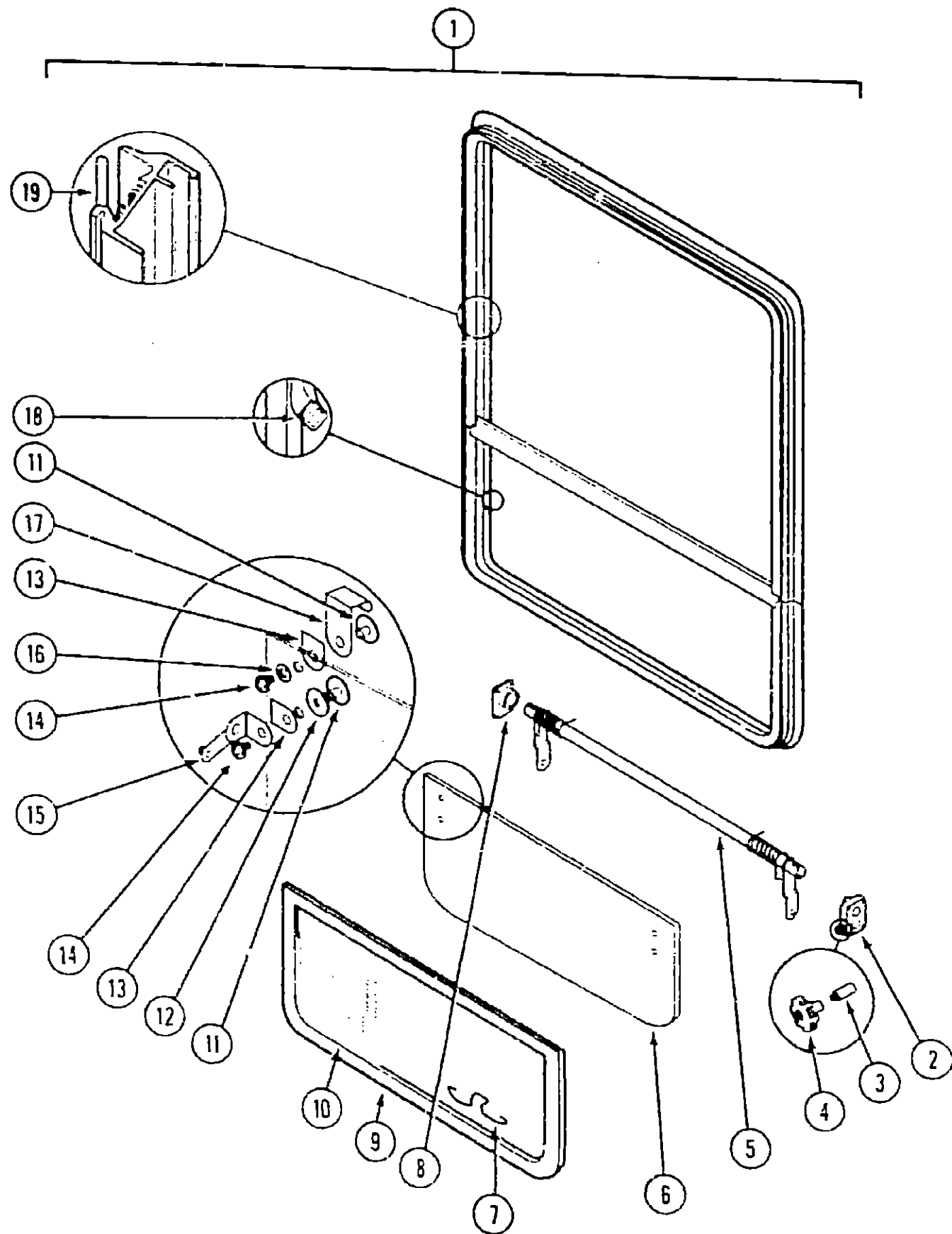
Key	Part Number	U/M	Description
1	079415-01-T03 020749-06-000	EA	Window Asm. - Rear Escape - 23" x 29" - Black (w/o inside frame)
2	002174-01-000	EA	Inside Frame - Black (not included in assembly)
3	002235-01-000	EA	Glass - 1/8" x 19.6" x 25.9"
4	069640-05-000	FT	Filler - Weatherstrip - Black
4	069640-05-000	FT	Ribbon Sealer - 5/16" Bead x 15"
5	002282-01-000 005199-01-000	FT	Weatherstrip - 1.25" Window
		EA	Label - Exit - Escape Window

1991 WINNEBAGO
TABLE OF CONTENTS

INTRODUCTION	A-01 - A-02
ABBREVIATIONS	A-03
ALPHABETICAL/GROUP REFERENCE	A-04 - A-06
WC321RG	A-07 - D-02
WC324RC	D-03 - F-23

1991 WC324RC INDEX

Floor Plan	D-03 - D-04
Accessories Group	D-05 - D-08
Bath Group	D-09 - D-10
Bedroom Group	D-11
Chassis Group	D-12 - D-15
Curtain, Cushion & Pad Group	D-16 - D-23
Dinette Group	D-24 - E-01
Driver's Compartment Group	E-02 - E-05
Electrical Group	E-06 - E-08
Exterior Body Group	E-09 - E-13
Galley Group	E-14 - E-16
Heating & Air Conditioning Group	E-17 - E-18
Interior Finish Group	E-19 - E-21
Labels Group	E-22 - F-05
LP Group	F-06
Lounge Group	F-07
Sealants & Fasteners Group	F-08 - F-09
Water & Sewage Group	F-10 - F-11
Window, Vent & Exterior Door Group	F-12 - F-23



BEDROOM SINGLE TIPOUT WINDOW

Key	Part Number	U/M	Description
1	092235-07-Y12	EA	Window Asm. - Single Tipout (w/o inside frame)
	090893-11-01A	EA	Inside Frame (not included w/Window Assembly)
2	035302-02-000	EA	Operator Drive
3	090025-01-000	EA	Extension - Window Knob (not included w/Window Assembly)
4	067052-02-000	EA	Window Knob - Beige (not included w/Window Assembly)
	089371-01-000	EA	Screw - Window Knob (not included w/Window Assembly)
4	101290-01-01A	EA	Window Knob - Brass (not included w/Window Assembly)
	101289-01-01A	EA	Screw - Window Knob - Brass (not included w/Window Assembly)
5	080918-01-000	EA	Spring - Torque Tube - Left
	080918-02-000	EA	Spring - Torque Tube - Right
5	083150-12-000	EA	Torque Tube Asm. w/Spring
6	084068-17-000	EA	Glass - 1/8" x 1/8" x 9.2" x 40"
7	100168-01-000	EA	Screen Clip
8	081354-01-000	EA	Torque Tube Sleeve
9	100235-04-B07	EA	Screen Asm.
10	080218-03-000	SF	Window Screen - 12"
	100240-01-000	FT	Window Screen Spline
11	036762-01-000	EA	Window T-Nut
12	068927-03-000	EA	Seal - Rubber
13	084473-01-000	EA	Seal - Rubber
14	086763-01-000	EA	Screw - #10 - 32 x 1/4" PTH
15	097578-01-000	EA	Connecting Rod Asm.
	081649-01-000	EA	Snap Ring Clip
16	084453-02-000	EA	Plastic Washer - .06 x .50 x .25
17	089913-01-000	EA	Hinge
18	084067-01-000	FT	Seal - Sponge Rubber
19	069540-06-000	FT	Ribbon Sealer (not included w/Window Assembly)

1991 WINNEBAGO
TABLE OF CONTENTS

INTRODUCTION	A-01 - A-02
ABBREVIATIONS	A-03
ALPHABETICAL/GROUP REFERENCE	A-04 - A-06
WC321RG	A-07 - D-02
WC324RC	D-03 - F-23

1991 WC324RC INDEX

Floor Plan	D-03 - D-04
Accessories Group	D-05 - D-08
Bath Group	D-09 - D-10
Bedroom Group	D-11
Chassis Group	D-12 - D-15
Curtain, Cushion & Pad Group	D-15 - D-23
Dinette Group	D-24 - E-01
Driver's Compartment Group	E-02 - E-05
Electrical Group	E-06 - E-08
Exterior Body Group	E-09 - E-13
Galley Group	E-14 - E-16
Heating & Air Conditioning Group	E-17 - E-18
Interior Finish Group	E-19 - E-21
Labels Group	E-22 - F-05
LP Group	F-05
Lounge Group	F-07
Sealants & Fasteners Group	F-08 - F-09
Water & Sewage Group	F-10 - F-11
Window, Vent & Exterior Door Group	F-12 - F-23

ACCESS DOORS

Key	Part Number	U/M	Description
	096393-17-B05	EA	Door Asm. - Holding Tank & Dump Valve - 9.8" x 72"
	079927-03-000	EA	Lock - Twist Type - Double Cam
	078010-03-000	EA	Door Asm. - Fuel Fill - Off White
	078200-01-000	EA	Gasket - Fuel Fill Door
	078040-02-000	EA	Shroud - Fuel Fill - Upper
	083578-01-000	EA	Bool - Fuel Fill
	084235-01-000	EA	Support - Flange
	074888-03-000	EA	Filler Neck - Fuel Fill
	088794-01-000	EA	Door Asm. - Power Cord w/Hatch - Off White
	090340-01-000	FT	Seal - Foam Closed Cell - 1/4" x 1/2" x 50'
	084103-02-000	EA	Door Asm. - Refrigerator - Vented - Off White
	084104-01-700	EA	Lock - Male - Dyrus Fasteners
	084104-01-701	EA	Lock - Female - Dyrus Fasteners
	084104-03-000	EA	Jamb - Door - Vented - Refrigerator - Off White
	081240-03-000	EA	Door Asm. - Water Fill - Lockable - 4" x 4 5/8" - Off White
	096395-09-B05	EA	Door Asm. - Front Compartment - 46"
	079366-04-000	EA	Lock - Door - Key Type w/o Keys
	082684-01-700	EA	Key - Storage Compartment - Single
	096386-07-B05	EA	Door Asm. - LP Compartment - 13.7" x 37.4"
	079927-03-000	EA	Lock - Twist Type - Double Cam
	098252-04-B05	EA	Door Asm. - Battery Compartment - 13.7" x 26"
	079927-03-000	EA	Lock - Twist Type - Double Cam
	096395-02-AA3	EA	Door Asm. - Storage Compartment - 19.4" x 27"
	079366-04-000	EA	Lock - Key Type w/o Keys
	082684-01-700	EA	Key - Compartment Door Lock
	052009-01-000	EA	Door Asm. - Water Heater - Off White
	098252-04-B05	EA	Door Asm. - Storage/Generator - w/Locks - 26.9"
	079927-03-000	EA	Lock - Twist Type - Double Cam
	031601-02-000	EA	Hinge - 2" x 96"
	059027-01-000	FT	Seal - "D" Shaped - Hollow - Sponge Rubber - Black
	091876-01-000	EA	Retainer - Door - 19.7" x 7.9"
	096203-55-001	EA	U-Channel - Hinged - 16" - Off White
	097111-01-01A	EA	Pocket - Lock Valance - Off White
	098338-01-000	EA	Gasket - Lock Pocket

**1991 WINNEBAGO
TABLE OF CONTENTS**

INTRODUCTION	A-01 - A-02
ABBREVIATIONS	A-03
ALPHABETICAL/GROUP REFERENCE	A-04 - A-06
WC321RG	A-07 - D-02
WC324RC	D-03 - F-23

1991 WC324RC INDEX

Floor Plan	D-03 - D-04
Accessories Group	D-05 - D-08
Bath Group	D-09 - D-10
Bedroom Group	D-11
Chassis Group	D-12 - D-15
Curtain, Cushion & Pad Group	D-16 - D-23
Dinette Group	D-24 - E-01
Driver's Compartment Group	E-02 - E-05
Electrical Group	E-06 - E-08
Exterior Body Group	F-09 - E-12
Galley Group	E-14 - E-16
Heating & Air Conditioning Group	E-17 - E-18
Interior Finish Group	E-19 - E-21
Lace's Group	E-22 - F-05
LP Group	F-06
Lounge Group	F-07
Sealants & Fasteners Group	F-08 - F-09
Water & Sewage Group	F-10 - F-11
Window, Vent & Exterior Door Group	F-12 - F-23