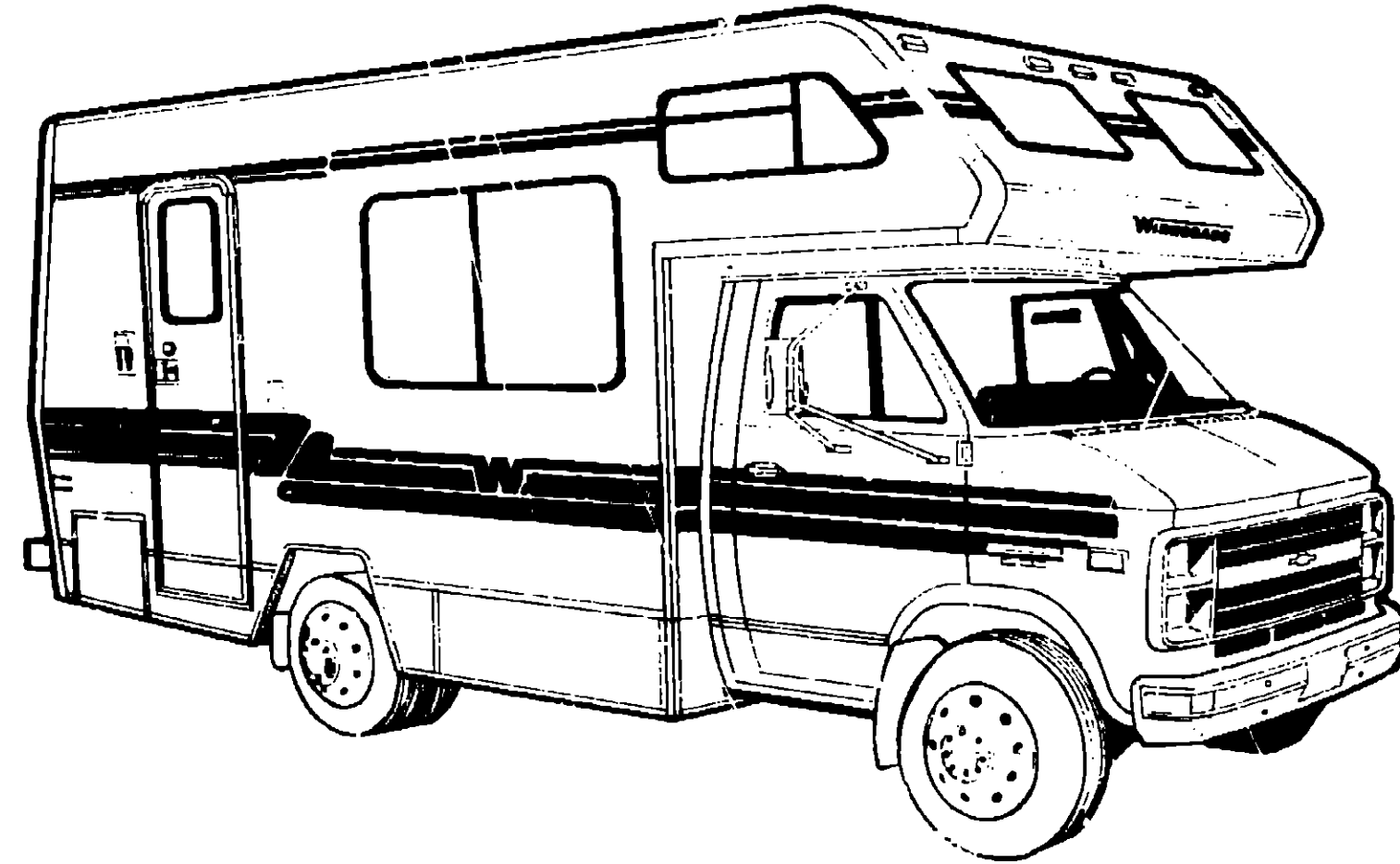


**1991 WINNEBAGO  
TABLE OF CONTENTS**

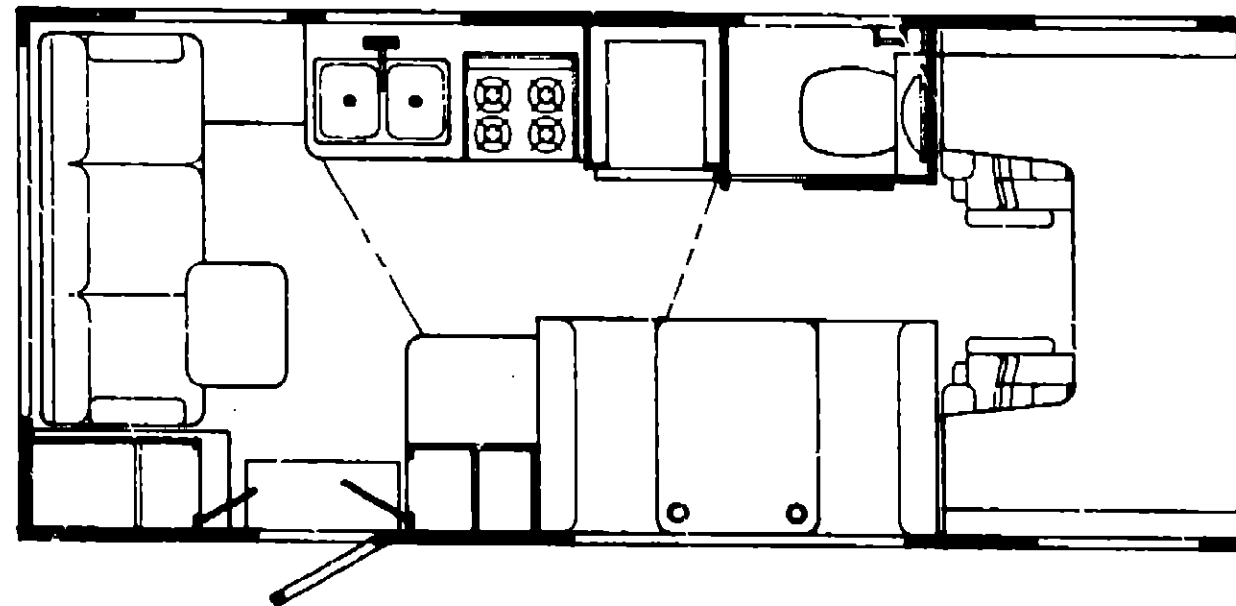
INTRODUCTION	A-01 - A-02
ABBREVIATIONS	A-03
ALPHABETICAL/GROUP REFERENCE	A-04 - A-05
WC321RG	A-07 - D-02
WC324RC	D-03 - F-23



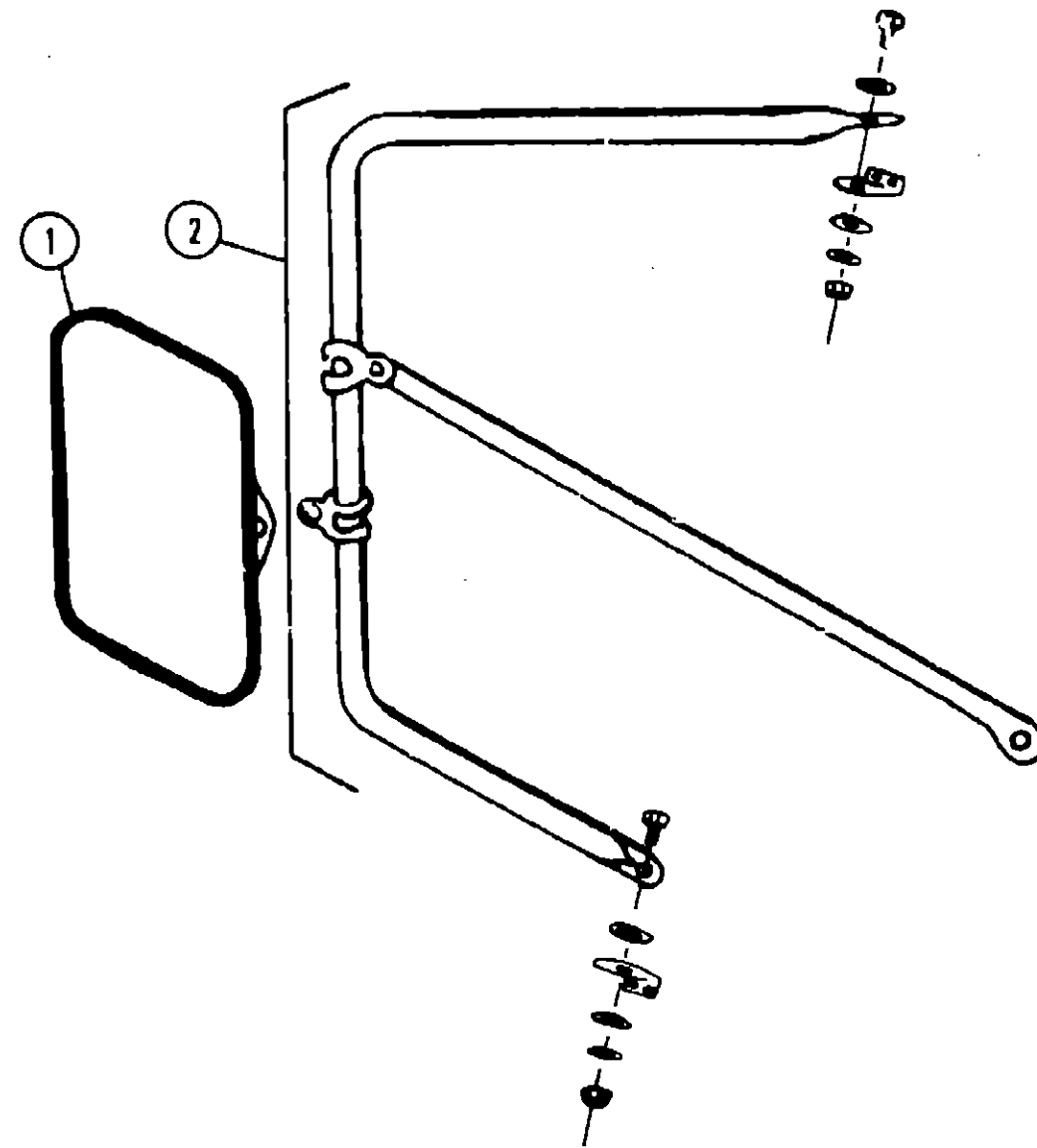
**1991  
WC321RG**

**1991 WC321RG INDEX**

Floor Plan	A-07 - A-08
Accessories Group	A-09 - A-11
Bath Group	A-12 - A-13
Chassis Group	A-14 - A-16
Curtain, Cushion & Pad Group	A-17 - A-24
Dinette Group	B-01 - B-02
Driver's Compartment Group	B-03 - B-06
Electrical Group	B-07 - B-09
Exterior Body Group	B-10 - B-14
Galley Group	B-15 - B-18
Heating & Air Conditioning Group	B-19 - B-20
Interior Finish Group	B-21 - B-23
Labels Group	B-24 - C-07
LP Group	C-08
Lounge Group	C-09
Sealants & Fasteners Group	C-10 - C-11
Water & Sewage Group	C-12 - C-13
Window, Vent & Exterior Door Group	C-14 - D-01



## ACCESSORIES GROUP



EXTERIOR MIRRORS

Key	Part Number	U/M	Description
1	049347-01-000	EA	Mirror Head - 7 1/2" x 10 1/2" - Stainless Steel (Option L63W)
2	062047-01-000	EA	Arm - West Coast Mirror - Stainless Steel
	006043-01-000	EA	Mirror - Convex - Adhesive Back

### WHEEL COVER & MOUNTING HARDWARE

Key	Part Number	U/M	Description
	083181-01-000	EA	Wheel Cover - 16" (Set/4)
	083181-01-700	EA	Wheel Cover - 16" (1)
	083181-04-702	EA	Nut - Wheel Cover

### RADIO & RELATED COMPONENTS

Key	Part Number	U/M	Description
	090982-01-000	EA	Radio - AM/FM Stereo - w/Cassette
	007004-01-000	EA	Antenna - Radio - Cab Mount
	074979-01-000	EA	Speaker Cover Protector - Plastic
	089340-01-000	EA	Speaker - Grill - 6.5" - Square
	089340-02-000	EA	Speaker - Grill - 6.5" - Square
	081082-01-000	EA	Plaque - Mounting Switch
	079385-02-000	EA	Radio Mounting Kit (Ford)
	091211-01-000	EA	Radio Mounting Kit (Chevrolet)
	094097-01-000	EA	Speaker - 5.25" - w/o Grille
	081059-02-000	EA	Wire Asm. - 9 Pin - Audiovox Radio

These parts are used from 11/5/90 on.

## ACCESSORIES GROUP (CONTINUED)

### MISCELLANEOUS ACCESSORIES

Key	Part Number	U/M	Description
	054185-63-000	EA	Owner's Manual - 1991 - Warrior
	092318-01-000	EA	Binder - 3 Ring - Vendor Manual
	092319-01-000	EA	Page - Plastic Packet
	098084-05-000	EA	Cassette - Winnebago Warrior
	094499-01-000	EA	Fire Extinguisher - 1A 10BC (UL)
	094499-02-000	EA	Fire Extinguisher - 1A 10BC (CSA)
	094499-01-700	EA	Bracket - Mounting w/Plastic Strap - Fire Extinguisher
	072852-01-000	EA	Smoke Detector w/9 Volt Battery
	100603-01-000	EA	Wall Clock - Round - Bezel

### TV ANTENNA (OPTION 193)

Key	Part Number	U/M	Description
	076319-13-000	EA	Antenna - TV Roof Mount - 44.5"
	076319-13-700	EA	Head - Antenna - Non-Amplified
	076319-01-701	EA	Gear - Elevating - Plastic
	076319-01-702	EA	Shaft Asm. - Elevating
	076319-01-703	EA	Bearing - Nylon - .5" OD
	076319-01-704	EA	Bearing - Nylon - 1.25" OD
	076319-01-705	EA	Grommet - Nylon - 7/8" ID
	076319-01-706	EA	Crank - Elevating w/Set Screw
	076319-01-707	EA	Spring - Handle
	076319-01-708	EA	Decal - Crank
	076319-06-000	EA	Adaptor - Cable Roof Plate
	093252-01-01A	EA	Wallplate/Cable - Beige
	076319-11-000	EA	Adapter - Coax w/Splitter
	076319-03-000	FT	Cable - Coaxial - 1000' Roll
	076319-12-000	EA	Connector - Coaxial
	076319-04-000	EA	Connector w/Ferrule
	080734-02-000	EA	Clip - Wire Nylon

### TV/VCR & RELATED COMPONENTS (OPTION L43V)

Key	Part Number	U/M	Description
	098447-01-000	EA	TV - 13" Color w/Remote - Magnavox (US)
	098447-02-000	EA	TV - 13" Color w/Remote - Magnavox (CSA)
	098447-01-700	EA	Remote Control - TV
	098446-02-000	EA	VCR - VHS - Cable Ready w/Remote - Magnavox
	098446-02-700	EA	Remote Control - VCR
	099856-01-000	EA	TV Tie-down
	098819-01-000	EA	Speaker - 2 Watt - 8 OHM - 4"
	074979-11-000	EA	Cover - Speaker - Off White - Plastic

### GENERATORS & COMPONENTS (OPTION L39E)

Key	Part Number	U/M	Description
	100974-03-000	EA	Generator - Emerald - 4.0 kw
	086252-01-000	EA	Exhaust Pipe - Generator - w/2 Bolt Hole Flange
	083152-07-000	EA	Exhaust Pipe - Generator
	086494-01-000	EA	Bracket - Exhaust
	081364-03-000	EA	Muffler - Generator - Emerald
	007067-01-000	SF	Insulation - Fiberglass - 1"
	007131-01-000	EA	Hanger - Tailpipe
	078045-01-000	EA	Strap - Support - Generator - 4 Hole
	064365-01-000	EA	Strap - Support - Generator - 2 Hole
	079672-01-700	EA	Hinge Kit - Emerald Generator
	007067-01-000	EA	Hose - Gas - 1/4" ID x 1/2" OD
	007125-03-000	EA	Clamp - Muffler - 1.1" Dia.
	007125-04-000	EA	Clamp - Muffler - 1.5" Dia.
	007161-01-000	EA	Clamp - Hose - Spring Type - 1/2"
	083208-01-000	EA	Converter - 40 Amp. w/Charger (CSA)
	008052-01-000	EA	Power Cord - 10-3 Wire - 30 Amp. - 25' (CSA)

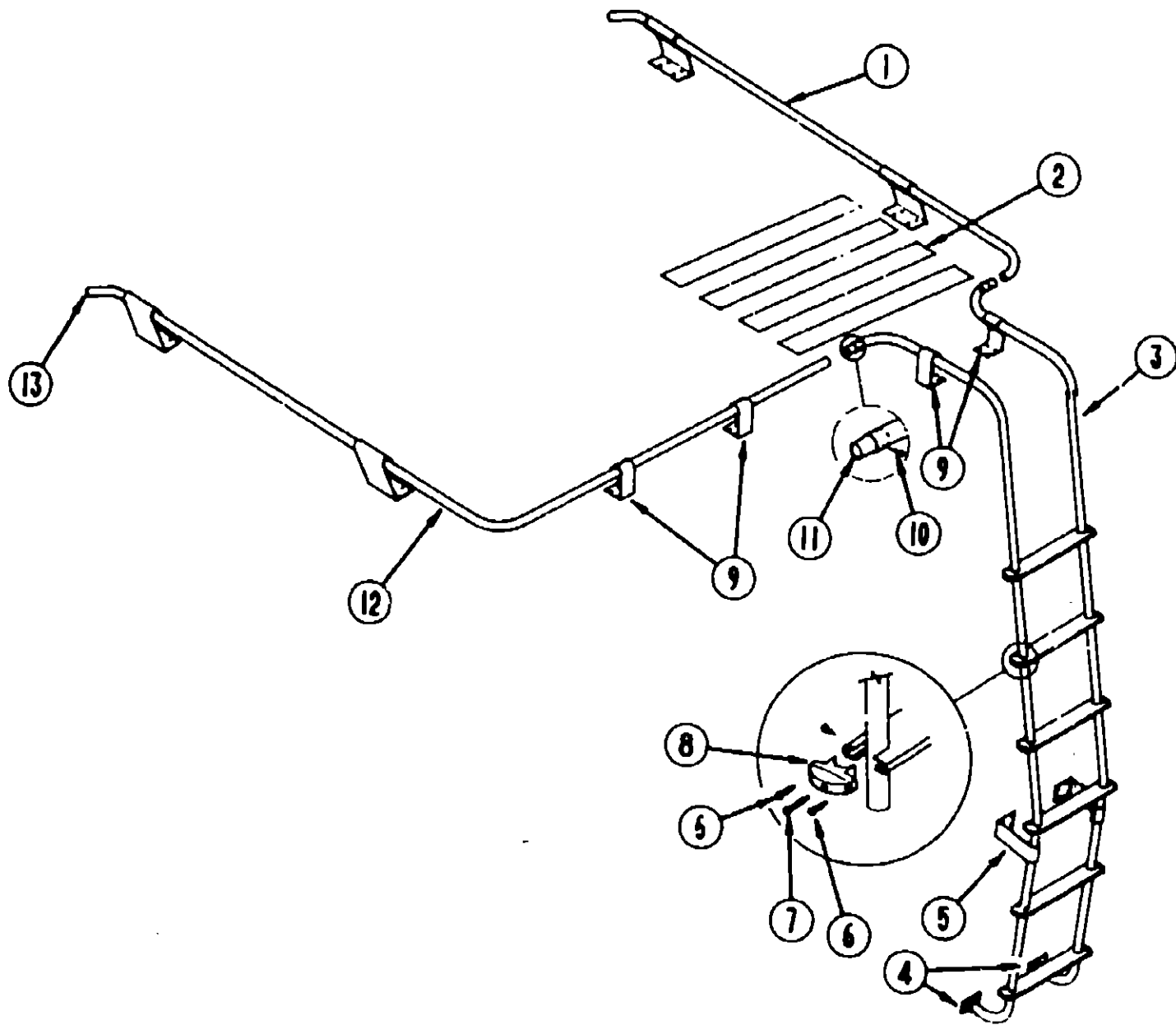
## 1991 WINNEBAGO TABLE OF CONTENTS

INTRODUCTION	A-01 - A-02
ABBREVIATIONS	A-03
ALPHABETICAL/GROUP REFERENCE	A-04 - A-06
WC321RG	A-07 - D-02
WC324RC	D-03 - F-23

## 1991 WC321RG INDEX

Floor Plan	A-07 - A-08
Accessories Group	A-09 - A-11
Bath Group	A-12 - A-13
Chassis Group	A-14 - A-16
Curtain, Cushion & Pad Group	A-17 - A-21
Dinette Group	B-01 - B-02
Driver's Compartment Group	B-03 - B-06
Electrical Group	B-07 - B-09
Exterior Body Group	B-10 - B-14
Galley Group	B-15 - B-18
Heating & Air Conditioning Group	B-19 - B-20
Interior Finish Group	B-21 - B-23
Labels Group	B-24 - C-07
L.P. Group	C-08
Lounge Group	C-09
Sealants & Fasteners Group	C-10 - C-11
Water & Sewage Group	C-12 - C-13
Window, Vent & Exterior Door Group	C-14 - D-01

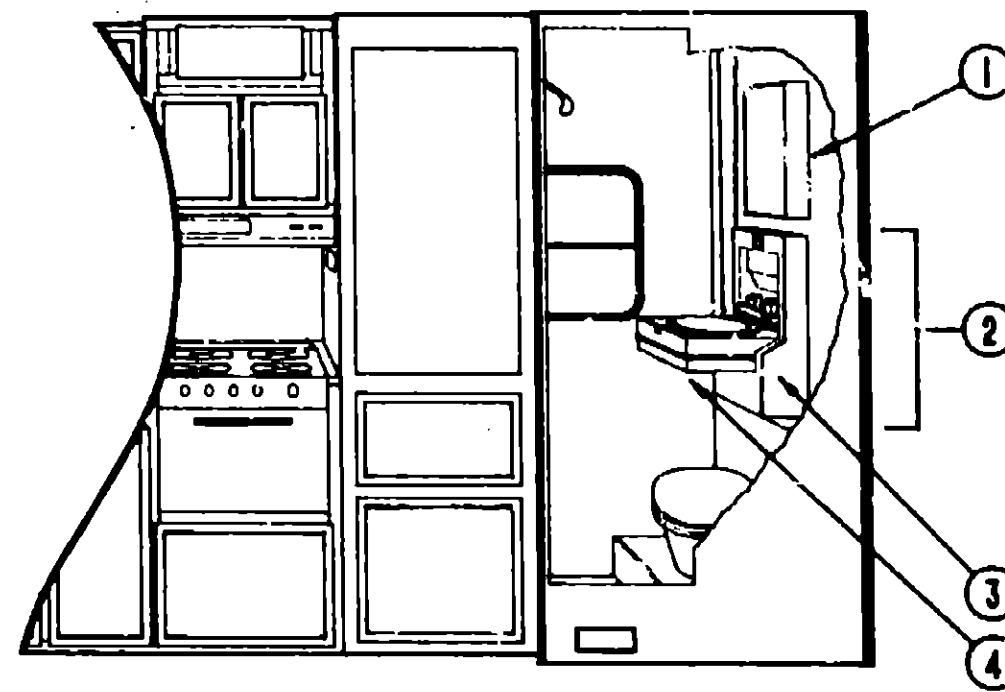
## ACCESSORIES GROUP (CONTINUED)



**RACK & LADDER COMPONENTS (OPTION L502)**

Key	Part Number	U/M	Description
1	081028-01-T03	EA	Rack Asm. - Passenger Side w/2 Angled Standoff
2	038327-01-000	EA	Tape - Anti-Slip - 2" x 60'
3	081016-04-AA3	EA	Ladder
4	067185-01-000	EA	Mounting Bracket - Ladder - Lower
5	067125-01-000	EA	Standoff - Ladder - Bright Dipped - Lower
6	000G39-06-10T	EA	Screw - SF/DR - 6 - 20 x 5/8" PPH - Black
7	000G68-10-36T	FA	Screw - 10 - 12 x 2.25" POH - Black
8	078980-02-000	EA	End Cap - Step - Black
9	081085-02-000	EA	Standoff - Rack & Ladder - Bright Dipped
10	000G39-08-08E	EA	Screw - SF/DR - 8 - 18 x 50 PPH
11	083891-51-002	EA	Splice
12	081028-02-T03	EA	Rack Asm. - Driver Side w/2 Angled & 2 Straight Standoff
13	081114-01-000	EA	Cap - Insert - Round - 1" Dia.

## BATH GROUP



**BATH CABINETRY**

Key	Part Number	U/M	Description
1	099006-01-01A	EA	Medicine Cabinet - Metal
2	M02633-01-B05	EA	Cabinet Asm. - Fold-Up Sink - Complete
*2	P01605-01-000	EA	Cabinet Asm. - Fold-Up Sink - Complete
3	083656-01-B05	EA	Cabinet Asm. - Lavatory
	083509-01-000	EA	Panel Asm. - Backsplash - Lavatory - Off White
	101418-01-01A	EA	Panel Asm. - Backsplash - Lavatory - Off White
4	083642-01-B05	EA	Cabinet Asm. - Fold-Up Sink
	M02596-01-B05	EA	Countertop Asm. - Sink Top - Flip-Up
	M02597-01-B05	EA	Countertop Asm. - Sink Bottom - Flip-Up
*4	101413-01-B05	EA	Sink Asm. - Fold-Up
	101414-01-01A	EA	Sink - Fold-Up Top - Plastic - Off White
	101415-01-01A	EA	Sink - Fold-Up Bottom - Plastic - Off White
	077251-01-000	EA	Drawer - Tipout - Plastic
	083669-01-B05	EA	Sliding Door - Bath

\* These parts were used from 11/19/90 on.

## 1991 WINNEBAGO TABLE OF CONTENTS

INTRODUCTION	A-01 - A-02
ABBREVIATIONS	A-03
ALPHABETICAL/GROUP REFERENCE	A-04 - A-06
WC321RG	A-07 - D-02
WC324RC	D-03 - F-23

## 1991 WC321RG INDEX

Floor Plan	A-07 - A-08
Accessories Group	A-09 - A-11
Bath Group	A-12 - A-13
Chassis Group	A-14 - A-16
Curtain, Cushion & Pad Group	A-17 - A-24
Dinette Group	B-01 - B-02
Driver's Compartment Group	B-03 - B-06
Electrical Group	B-07 - B-09
Exterior Body Group	B-10 - B-14
Galley Group	B-15 - B-18
Heating & Air Conditioning Group	B-19 - B-20
Interior Finish Group	B-21 - B-23
Labels Group	B-24 - C-07
LP Group	C-08
Lounge Group	C-09
Sealants & Fasteners Group	C-10 - C-11
Water & Sewage Group	C-12 - C-13
Window, Vent & Exterior Door Group	C-14 - D-01

## BATH GROUP (CONTINUED)

### BATH HARDWARE

Key	Part Number	U/M	Description
	075240-06-000	EA	Faucet - Lavatory - Bone
	091253-01-000	EA	Gasket - Lavatory Faucet
	075241-05-000	EA	Faucet - Shower - Bone
	075452-02-000	EA	Holder - Toilet Tissue - Brass
	059777-02-000	EA	Hinge - Brass
	100030-01-000	EA	Pull - Cabinet
	066435-01-000	EA	Nut - Strainer - Plastic
	057871-01-000	EA	Screw Cover (No. 8)
	011048-02-000	EA	Shower Head w/60" Hose (US)
	011048-05-000	EA	Shower Head w/60" Hose (CSA)
	040206-01-000	EA	Shower Pan
	034481-03-000	EA	Curtain Asm. - Shower - 74" x 80"
	083511-01-000	EA	Catch Basin - Lavatory Sink
	061804-01-000	EA	Slide Bolt - Antique Brass
	083510-02-000	EA	Sink - Fold-Up - Off White
	101413-01-805	EA	Sink - Fold-Up - Lavatory
	061604-01-000	EA	Slide Bolt - Antique Brass
	101330-01-000	EA	Paddle Latch
	066436-01-000	EA	Slip Nut - 1.5" Tailpiece - Bathtub
	066440-01-000	EA	Strainer - Shower Pan - w/Rubber Washer
	011083-01-000	EA	Tailpiece - 1.25" x 5" - Plastic - w/Stopper
	067487-01-000	EA	Toilet - Thetford - Aqua Magic - Ivory
	067487-01-700	EA	C.L.F.L. Seal & Bolt Package
	067487-01-701	EA	Water Saver Package
	067487-01-702	EA	Clamp
	063740-01-710	EA	Link
	063740-01-711	EA	Spring - Return Lever
	063740-01-716	EA	Seat Cover
	063740-01-700	EA	Lever - Water
	063740-01-701	EA	Lever - Flush
	063740-01-713	EA	Seal - Ball Valve to Bowl
	063740-01-714	EA	Valve Asm. - Water
	063740-01-707	EA	Seal - Closet - Flange
	063740-01-706	EA	Bolt Package - Closet
	024676-01-000	EA	Flange - Closet - Toilet - 3" x 4" (US)
	024676-02-000	EA	Flange - Closet - Toilet - 3" x 4" (CSA)
	083801-01-000	EA	Track Asm. - Shower Curtain
	064467-01-000	EA	Door Guide - Wall Mount
	075454-02-000	EA	Towel Ring - w/Mounting Hardware - Brass
	069735-01-000	EA	Washer - Tailpiece - 1.5" Plastic
	009156-01-000	EA	Hanger - Sliding Door
	074470-01-000	EA	Pull - Release Pin Hinge - Right
	074470-02-000	EA	Pull - Release Pin Hinge - Left
	071817-06-000	EA	Track - Sliding Door - 51.2"
	058034-01-000	EA	Latch - Sliding Door
	009156-01-000	EA	Hanger - Sliding Door
	064467-01-000	EA	Guide - Pocket Door - Wall Mount - Sliding Door

These parts are used from 11/19/90 on.

## CHASSIS GROUP

### MISCELLANEOUS CHASSIS PARTS

Key	Part Number	U/M	Description
	065450-02-000	EA	Tie Down - Battery
	010497-01-000	EA	Clamp - Closed - 5/8 ID
	007161-01-000	EA	Clamp - Hose - Spring Type 112
	062401-01-000	EA	Clamp - Hose - Wormgear - .22" ID - 1" ID
	062401-02-000	EA	Clamp - Hose - Wormgear - 1.56" - 2.5" ID
	062401-03-000	EA	Clamp - Hose - Wormgear - .25" ID - 1" ID
	062401-04-000	EA	Clamp - Hose - Wormgear - .69" ID - 1.25" ID
	062401-06-000	EA	Clamp - Hose - Wormgear - .22" ID - .62" ID
	023146-01-000	EA	Clamp - Screw Type - 4"
	096020-09-000	EA	Compartment Asm. - Storage
	098577-01-000	EA	Compartment - Battery
	074994-01-000	EA	Guide - Track - Battery Tray
	007063-01-000	FT	Hose - Gas - 1/4 ID x 1/2 OD
	007108-01-000	FT	Hose - Heater - 5/8 ID
	060208-02-000	EA	Leverage Bar - Lug Wrench (Chevrolet)
	060208-01-000	EA	Lug Wrench (Chevrolet)
	017516-01-000	EA	Mud Flap w/Holes - 14" x 18" - Black
	064089-01-000	EA	Splash Guard - Black Rubber
	072884-19-000	EA	Running Boards - Aluminum - Chevrolet - 27" (Option 66R)
	072884-20-000	EA	Running Boards - Aluminum - Ford - 40" (Option 66R)
	077848-02-000	EA	Step Asm. - Pullout
	076241-01-000	EA	Support Asm. - Step
	096322-01-000	EA	Wheelwell - Plastic
	008343-01-000	EA	Wire Tie - 6"

NOTE: Remainder of exhaust components available from Chassis Service Center.

### GENERATORS & COMPONENTS (OPTION L39E)

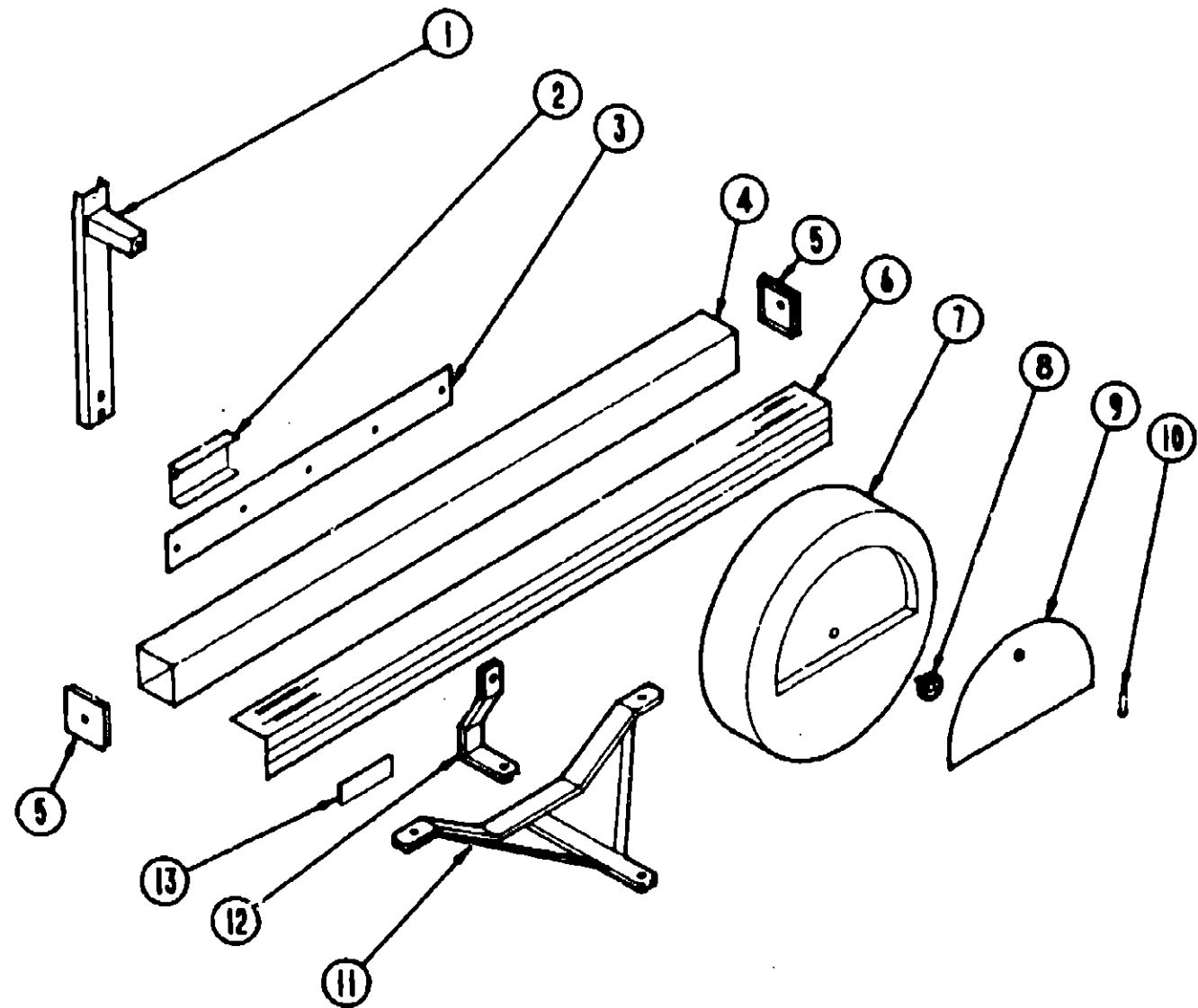
Key	Part Number	U/M	Description
	100974-03-000	EA	Generator - Emerald - 4.0 kw
	086252-01-000	EA	Exhaust Pipe - Generator - w/2 Bolt Hole Flange
	083152-07-000	EA	Exhaust Pipe - Generator
	086494-01-000	EA	Bracket - Exhaust
	081364-03-000	EA	Muffler - Generator - Emerald
	007067-01-000	SF	Insulation - Fiberglass - 1"
	078045-01-000	EA	Strap - Support - Generator - 4 Hole
	084365-01-000	EA	Strap - Support - Generator - 2 Hole
	079654-01-700	EA	Hinge Kit - Emerald Generator
	007063-01-000	EA	Hose - Gas - 1/4" ID x 1/2" OD
	007125-03-000	EA	Clamp - Muffler - 1.1" Dia.
	007125-04-000	EA	Clamp - Muffler - 1.5" Dia.
	007161-01-000	EA	Clamp - Hose - Spring Type - 1/2"
	083208-01-000	EA	Converter - 40 Amp. w/Charger (CSA)
	008052-01-000	EA	Power Cord - 10-3 Wire - 30 Amp. - 25' (CSA)

## 1991 WINNEBAGO TABLE OF CONTENTS

INTRODUCTION	A-01 - A-02
ABBREVIATIONS	A-03
ALPHABETICAL/GROUP REFERENCE	A-04 - A-06
WC321RG	A-07 - D-02
WC324RC	D-03 - F-23

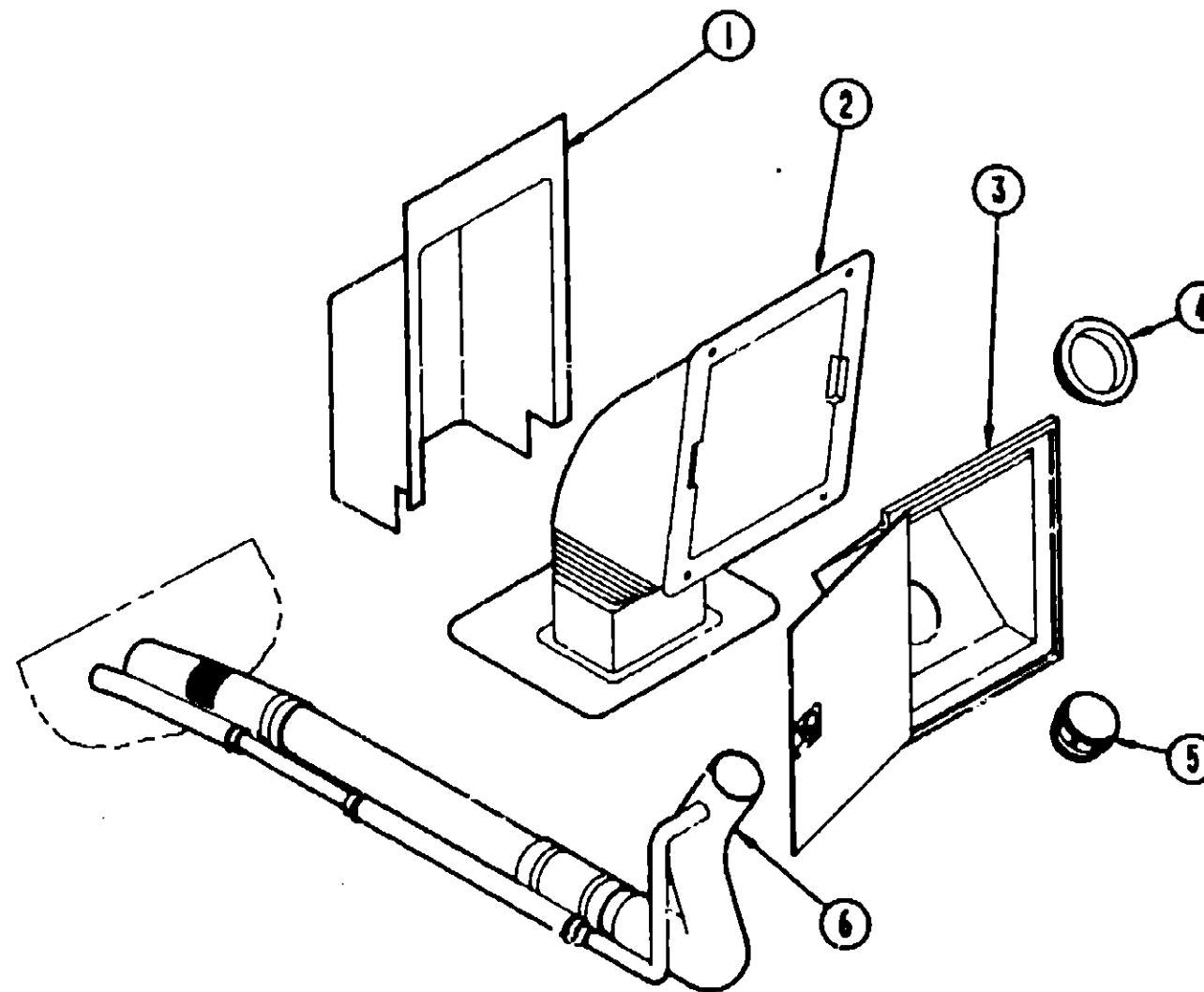
## 1991 WC321RG INDEX

Floor Plan	A-07 - A-08
Accessories Group	A-09 - A-11
Bath Group	A-12 - A-13
Chassis Group	A-14 - A-16
Curtain, Cushion & Pad Group	A-17 - A-24
Dinette Group	B-01 - B-02
Driver's Compartment Group	B-03 - B-06
Electrical Group	B-07 - B-09
Exterior Body Group	B-10 - B-14
Galley Group	B-15 - B-18
Heating & Air Conditioning Group	B-19 - B-20
Interior Finish Group	B-21 - B-23
Labels Group	B-24 - C-07
LP Group	C-08
Lounge Group	C-09
Sealants & Fasteners Group	C-10 - C-11
Water & Sewage Group	C-12 - C-13
Window, Vent & Exterior Door Group	C-14 - D-01



SPARE TIRE, HITCH & REAR BUMPER

Key	Part Number	U/M	Description
1	079027-01-000	EA	Bracket Asm. - Tire Carrier
2	M64600-02-000	EA	Mount Support - Tire Carrier
3	M22150-01-000	EA	Bracket - Rear Bumper
4	064602-01-000	EA	Bumper Asm. - Square - Off White
5	036779-01-000	EA	Bumper Cap - Black Rubber - 4" x 4"
6	041332-03-000	EA	Cover - Bumper - w/o Reflector - 4" Square x 92"
7	079799-01-000	EA	Cover - Spare Tire - Off White (Export)
7	098855-01-AA3	EA	Cover - Spare Tire - Vinyl - Off White
8	064082-02-000	EA	Bolt - Retainer - Wheel Cover
9	M02047-01-T95	EA	Door - Tire Cover - Off White
10	077408-02-000	EA	Lock Asm. - Key Type
11	064833-02-000	EA	Trailer Hitch Asm. (Chevrolet)
11	064833-03-000	EA	Trailer Hitch Asm. (Ford)
12	064824-02-000	EA	Support - Trailer Hitch
13	041332-02-000	EA	Reflector - Bumper Cover - Self-Adhesive - 6 1/2" x 3/4"
	070917-02-000	EA	Tire - Michelin - Radial (Ford)
	070917-04-000	EA	Tire - Firestone - Radial (Ford)
	098657-01-000	EA	Tire - Firestone - Radial (Chevrolet)
	089359-03-000	EA	Wheel - Steel - 6" x 18.5" (Chevrolet)
	083817-01-000	EA	Wheel - Steel - 6" x 16" - 8 Hole (Ford)
	051377-01-000	EA	Valve Stem Asm.



FUEL FILL COMPONENTS

Key	Part Number	U/M	Description
1	078040-02-000	EA	Shroud - Fuel Fill - Upper
2	083578-01-000	EA	Boot - Fuel Fill
	084235-01-000	EA	Support Flange - Fuel Fill Boot
3	078010-03-000	EA	Door Asm. - Fuel Fill - Off White
	077963-C1-000	EA	Gasket - Fuel Fill Door
4	078200-01-000	EA	Gasket - Fuel Fill
5	NOTE	EA	Fuel Cap
6	NOTE	EA	Filler Nock - Fuel Fill
	066732-01-000	EA	Hose - Fuel Fill - .62 ID

NOTE: These items are chassis supplied.

1991 WINNEBAGO  
TABLE OF CONTENTS

INTRODUCTION	A-01 - A-02
ABBREVIATIONS	A-03
ALPHABETICAL/GROUP REFERENCE	A-04 - A-06
WC321RG	A-07 - D-02
WC324RC	D-03 - F-23

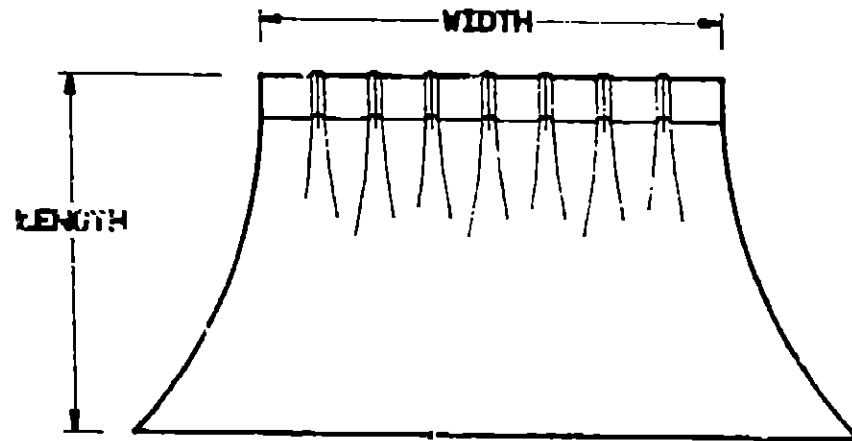
1991 WC321RG INDEX

Floor Plan	A-07 - A-08
Accessories Group	A-09 - A-11
Bath Group	A-12 - A-13
Chassis Group	A-14 - A-16
Curtain, Cushion & Pad Group	A-17 - A-24
Dinette Group	B-01 - B-02
Driver's Compartment Group	B-03 - B-06
Electrical Group	B-07 - B-09
Exterior Body Group	B-10 - B-14
Galley Group	B-15 - B-18
Heating & Air Conditioning Group	B-19 - B-20
Interior Finish Group	B-21 - B-23
Labels Group	B-24 - C-07
LP Group	C-08
Lounge Group	C-09
Secants & Fasteners Group	C-10 - C-11
Water & Sewage Group	C-12 - C-13
Window, Vent & Exterior Door Group	C-14 - D-01

**NOTICE**

In order to assist our Part Sales Dept. in providing interior software items, please include the serial number and the color code number from the vehicle certification label when ordering. This label is located on the left sidewall at the end of the dash (A-Body), or on the driver's door latch plate (C-Body).

An example of a color code number is P31, which designates an overall color scheme of a particular unit. The color listed after the item description on the microfiche, indicates the overall unit color. Order the item you desire according to unit color code.



NOTE: Use this illustration when determining length and width measurements for curtains. You will note the width measurement is taken on the top of the curtain with the curtain fully extended. The length measurement is taken from top to bottom.

**TRIMS & PADS**

Key	Part Number	U/M	Description
	070578-06-B05	EA	Button Asm. - Snap Top - #30 - Vinyl
	070578-10-B05	EA	Button Asm. - Snap Top - #30 - Accent - Plain (Chevrolet)
	070578-10-B06	EA	Button Asm. - Snap Top - #30 - Accent - Plain (Chevrolet)
	070578-01-B05	EA	Button Asm. - Snap Top - #30 - Accent - Plain (Ford)
	070578-01-B06	EA	Button Asm. - Snap Top - #30 - Accent - Plain (Ford)
	059797-02-000	EA	Shell - Upholstery Button - #30
	069734-01-000	EA	Back - Upholstery Button - #30
	078155-01-000	EA	Strap Asm. - Cushion (Dinette Cushion)
	056632-01-AA3	EA	Strap Asm. - Bunk (Front Overhead)
	081519-10-B05	EA	Pad Asm. - Dinette - Front
	081519-10-B06	EA	Pad Asm. - Dinette - Front
	081519-11-B05	EA	Pad Asm. - Dinette - Rear
	081519-11-B06	EA	Pad Asm. - Dinette - Rear
	059491-02-B05	EA	Pad Asm. - Door - Passenger - Upper (Chevrolet)
	059491-02-B06	EA	Pad Asm. - Door - Passenger - Upper (Chevrolet)
	059492-02-B05	EA	Pad Asm. - Door - Driver - Upper (Chevrolet)
	059492-02-B06	EA	Pad Asm. - Door - Driver - Upper (Chevrolet)
	069885-16-B05	EA	Motor Cover w/Map Pocket (Ford)
	069885-16-B06	EA	Motor Cover w/Map Pocket (Ford)
	074891-07-B05	EA	Motor Cover w/Map Pocket (Chevrolet)
	074891-07-B06	EA	Motor Cover w/Map Pocket (Chevrolet)
	079349-01-B03	YD	Wetling - Skirt (B05)
	079349-01-B04	YD	Wetling - Skirt (B06)

**FABRICS & CARPETS**

Key	Part Number	U/M	Description
	072333-75-000	YD	Fabric - Drapery - Beige (Privacy)
	096008-41-000	YD	Fabric - Upholstery - Main - Patterned (B05)
	096008-49-000	YD	Fabric - Upholstery - Main - Patterned (B06)
	096008-40-000	YD	Fabric - Upholstery - Accent - Plain (B05)
	096008-47-000	YD	Fabric - Upholstery - Accent - Plain (B06)
	096008-39-000	YD	Fabric - Upholstery - Accent - Patterned (B05)
	096008-48-000	YD	Fabric - Upholstery - Accent - Patterned (B06)
	072333-67-000	YD	Fabric - Speaker Cover
	075244-03-000	YD	Vinyl - Shower Curtain - Almond
	079680-09-000	YD	Vinyl - Off White
	096060-15-000	YD	Carpet - Sand (B05)
	096060-16-000	YD	Carpet - Teal (B06)
	076314-02-000	FT	Tape - Heat Bonded - Carpet Seam
	047034-02-000	SF	Plastic Runner - Carpet - 4' Wide - Clear
	075233-01-000	SY	Pad - Carpet - 3/8" x 6'
	079970-09-000	YD	Tape - Carpet - 3/4"
	085746-01-000	FT	Trim - "J" - Carpet - PVC - Beige
	087956-04-000	EA	Trim - Cab Carpet - Extruded - 12" x 25.4" - Black

NOTE: Replace vinyl flooring locally.

**CURTAIN & CUSHION HARDWARE**

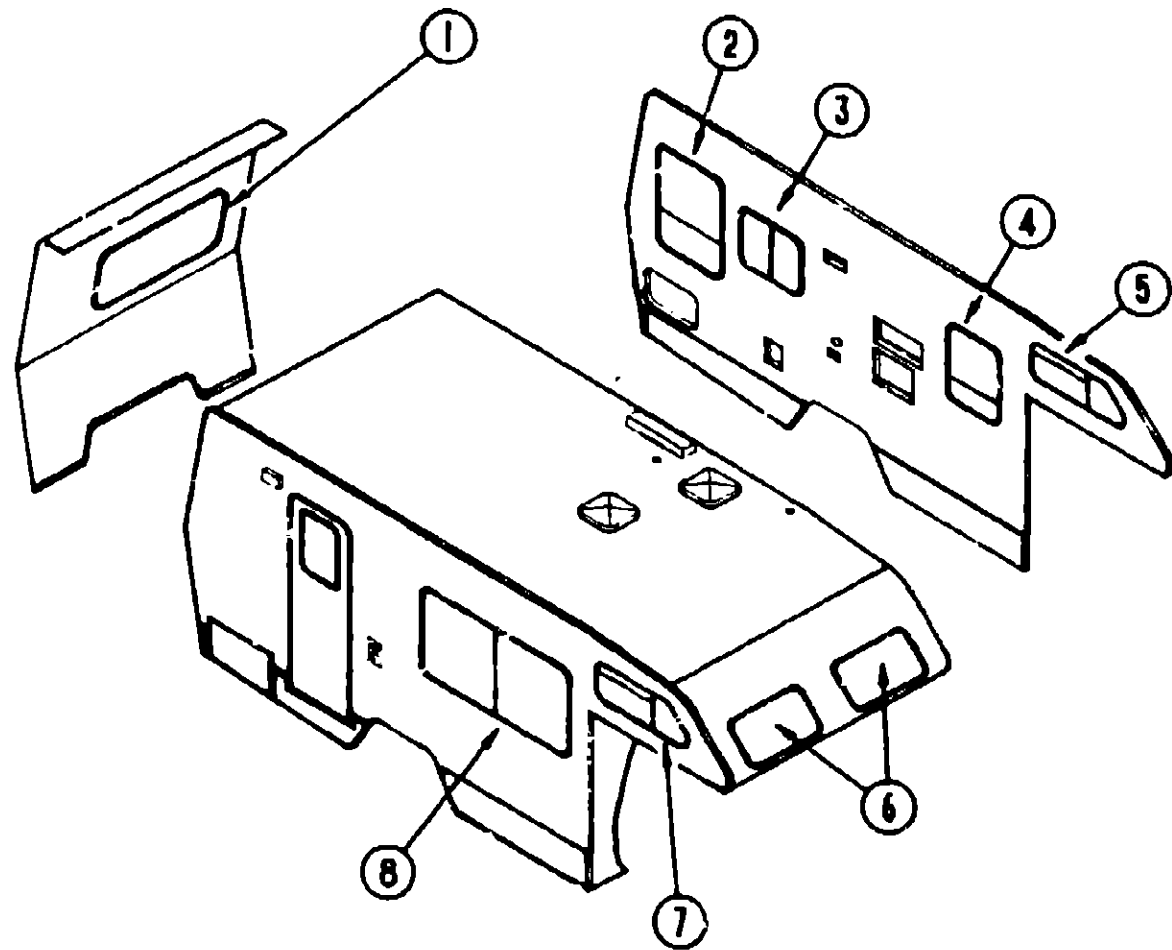
Key	Part Number	U/M	Description
	083801-01-000	EA	Track - Shower Curtain - Off White
	009701-01-000	EA	Carrier - Shower Curtain
	009702-01-000	EA	End - Stop - Curtain Carrier - Shower
	046867-01-000	EA	Grommet - Brass - 7/16" ID x 1" OD (Shower Curtain)
	009136-01-000	EA	Pin - Shower Curtain
	029092-01-000	EA	Stud - Nickel Finish
	029093-01-000	EA	Eyelet - Nickel Finish
	029155-01-000	EA	Cap - Snap
	029156-01-000	EA	Socket - Snap Fastener
	088792-02-000	YD	Velcro Tape - Adhesive Backed - Loop - 3/4" - Beige
	048394-02-000	YD	Velcro Tape - Adhesive Backed - Hook - 3/4" - Beige
	089916-01-000	EA	Mount - Window Leg - Black
	091904-01-000	FT	Track - Curtain - Plastic - Light Beige (Blackout)
	101032-01-000	FT	Track - Curtain - Ceiling Mount - White (Valance)
	101033-01-000	FT	Track - Curtain - Low Profile - White
	101033-02-000	EA	End Cap - Track - Clear
	101031-01-000	EA	Tape - Glide - 4.25" Spacing
	095591-02-000	EA	Bracket - Blind - Hold Down w/Pin
	082239-02-000	EA	Brace - Window Valance - Beige
	075943-01-000	EA	Brace - Window Valance - Beige
	083170-01-000	EA	Bracket - Blind - Right
	083170-02-000	EA	Bracket - Blind - Left
	093475-01-700	EA	Wand - Blind w/Metal Clip - 8" Long
	093475-01-701	EA	End Cap - Blind w/Stud
	034434-01-000	EA	Mounting Bracket - Roller Shade - 1 3/8"
	087253-01-000	EA	Pull - Roller Shade - Clear Plastic
	096843-01-000	EA	Spring - Rewind - Roller Shade
	084432-06-000	EA	Slat - Roller Shade - Plastic
	089522-04-000	EA	Panel - Leg - Window - 2.5" Face
	079970-01-000	YD	Tape Mattress - Bunk Cushion - 5/8"
	057534-01-000	EA	Tieback - Door - 6" - Clear Plastic

**1991 WINNEBAGO TABLE OF CONTENTS**

INTRODUCTION	A-01 - A-02
ABBREVIATIONS	A-03
ALPHABETICAL/GROUP REFERENCE	A-04 - A-06
WC321RG	A-07 - D-02
WC324RC	D-03 - F-23

**1991 WC321RG INDEX**

Floor Plan	A-07 - A-08
Accessories Group	A-09 - A-11
Bath Group	A-12 - A-13
Chassis Group	A-14 - A-16
Curtain, Cushion & Pad Group	A-17 - A-24
Dinette Group	B-01 - B-02
Driver's Compartment Group	B-03 - B-06
Electrical Group	B-07 - B-08
Exterior Body Group	B-10 - B-14
Galley Group	B-15 - B-18
Heating & Air Conditioning Group	B-19 - B-20
Interior Finish Group	B-21 - B-23
Labels Group	B-24 - C-07
LP Group	C-08
Lounge Group	C-09
Sealants & Fasteners Group	C-10 - C-11
Water & Sewage Group	C-12 - C-13
Window, Vent & Exterior Door Group	C-14 - D-01



CURTAINS, BLINDS, VALANCES & TIEBACKS

Key	Part Number	U/M	Description
5	097878-18-B05	EA	Valance Asm. w/Wood Trim - 5.5" x 43"
5	097878-18-B06	EA	Valance Asm. w/Wood Trim - 5.5" x 43"
5	101034-01-B05	EA	Curtain Asm. w/Tape Top - 16" x 25"
6	097878-16-B05	EA	Valance Asm. w/Wood Trim - 7" x 85.5"
6	097878-16-B06	EA	Valance Asm. w/Wood Trim - 7" x 85.5"
6	101034-02-B05	EA	Curtain Asm. w/Tape Top - 22" x 45"
7	097878-17-B05	EA	Valance Asm. w/Wood Trim - 5.5" x 43"
7	097878-17-B06	EA	Valance Asm. w/Wood Trim - 5.5" x 43"
7	101034-01-B05	EA	Curtain Asm. w/Tape Top - 16" x 25"
8	100280-09-B05	EA	Valance Asm. w/Wood Trim - 62"
8	100280-09-B06	EA	Valance Asm. w/Wood Trim - 62"
**8	101753-09-B05	EA	Valance Asm. w/Wood Trim - 62"
**8	101753-09-B06	EA	Valance Asm. w/Wood Trim - 62"
†8	101753-03-B05	EA	Valance Asm. w/Wood Trim - 58.5"
†8	101753-03-B06	EA	Valance Asm. w/Wood Trim - 58.5"
8	100281-02-B05	EA	Leg Asm. - Window - Front - 31.5"
8	100281-02-B06	EA	Leg Asm. - Window - Front - 31.5"
8	100281-01-B05	EA	Leg Asm. - Window - Rear - 31.5"
8	100281-01-B06	EA	Leg Asm. - Window - Rear - 31.5"
8	093475-49-01A	EA	Mini Blind - 58" x 32" Drop
	073304-70-B05	EA	Curtain Asm. w/Snap Top - 30" x 50" - Driver (Privacy)
	073304-69-B05	EA	Curtain Asm. w/Snap Top - 30" x 50" - Passenger (Privacy)
	101668-06-B03	EA	Curtain Asm. w/Tape Top - 30" x 50" - Driver (Privacy)
	101668-05-B03	EA	Curtain Asm. w/Tape Top - 30" x 50" - Passenger (Privacy)
	073260-23-B05	EA	Tieback Asm. - 3" x 18"

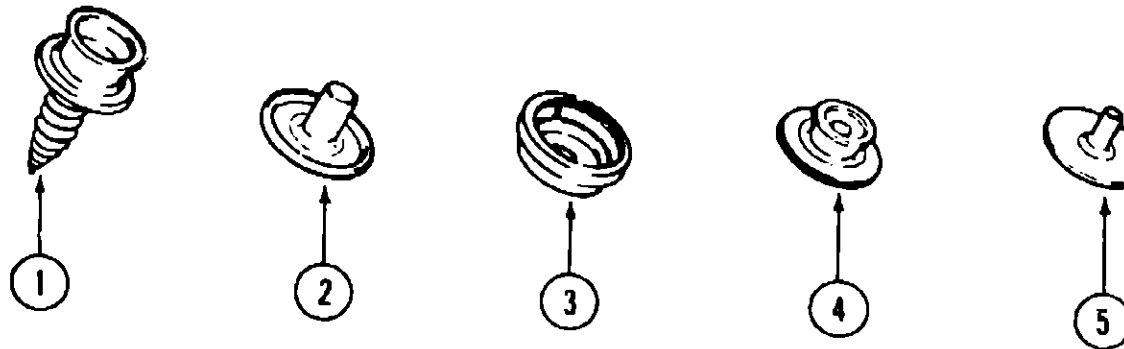
• These parts are used from 5/14/90 on.  
 •• These parts were used from 5/14/90 thru 10/31/90.  
 † These parts were used from 11/1/90 on.

1991 WINNEBAGO  
TABLE OF CONTENTS

INTRODUCTION	A-01 - A-02
ABBREVIATIONS	A-03
ALPHABETICAL/GROUP REFERENCE	A-04 - A-06
WC321RG	A-07 - D-02
WC324RC	D-03 - F-23

CURTAINS, BLINDS, VALANCES & TIEBACKS

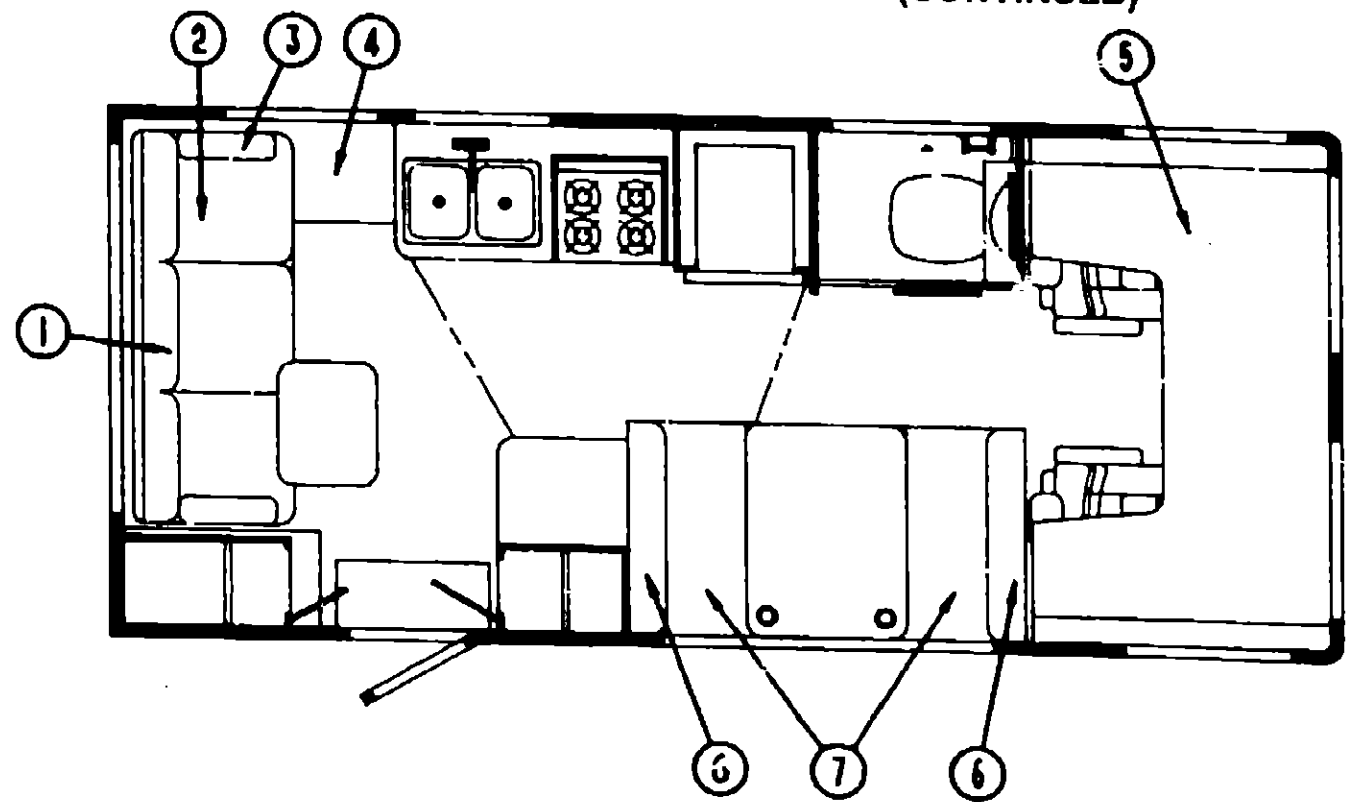
Key	Part Number	U/M	Description
1	100280-08-B05	EA	Valance Asm. w/Wood Trim - 72.5"
1	100280-08-B06	EA	Valance Asm. w/Wood Trim - 72.5"
*1	101753-08-B05	EA	Valance Asm. w/Wood Trim - 72.5"
*1	101753-08-B06	EA	Valance Asm. w/Wood Trim - 72.5"
1	100281-10-B05	EA	Leg Asm. - Window - 27" - Passenger
1	100281-10-B06	EA	Leg Asm. - Window - 27" - Passenger
1	100281-09-B05	EA	Leg Asm. - Window - 27" - Driver
1	100281-09-B06	EA	Leg Asm. - Window - 27" - Driver
1	093475-48-01A	EA	Mini Blind - 68.5" x 28" Drop
2	100280-11-B05	EA	Valance Asm. w/Wood Trim - 31.5"
2	100280-11-B06	EA	Valance Asm. w/Wood Trim - 31.5"
*2	101753-11-B05	EA	Valance Asm. w/Wood Trim - 31.5"
*2	101753-11-B06	EA	Valance Asm. w/Wood Trim - 31.5"
2	093475-54-01A	EA	Mini Blind - 29" x 38" Drop
3	100280-02-B05	EA	Valance Asm. w/Wood Trim - 28"
3	100280-02-B06	EA	Valance Asm. w/Wood Trim - 28"
*3	101753-02-B05	EA	Valance Asm. w/Wood Trim - 28.5"
*3	101753-02-B06	EA	Valance Asm. w/Wood Trim - 28.5"
2	093475-61-01A	EA	Mini Blind - 26" x 17" Drop
4	069777-02-000	EA	Valance - Bath
4	064755-73-B05	EA	Shade Asm. - 18.25"



Key	Part Number	U/M	Description
1	029130-01-000	EA	Socket - Snap Fastener
2	029155-01-000	EA	Cap - Snap - .156" Dia. x 17" Barrel
3	029156-01-000	EA	Socket - Snap Fastener
4	029092-01-000	EA	Stud - Nickel Finish
5	029093-01-000	EA	Eyelet - Nickel Finish

1991 WC321RG INDEX

Floor Plan	A-07 - A-08
Accessories Group	A-09 - A-11
Bath Group	A-12 - A-13
Chassis Group	A-14 - A-16
Curtain, Cushion & Pad Group	A-17 - A-24
Dinette Group	B-01 - B-02
Driver's Compartment Group	B-03 - B-06
Electrical Group	B-07 - B-09
Exterior Body Group	B-10 - B-14
Galley Group	B-15 - B-18
Heating & Air Conditioning Group	B-19 - B-20
Interior Finish Group	B-21 - B-23
Labels Group	B-24 - C-07
LP Group	C-08
Lounge Group	C-09
Sealants & Fasteners Group	C-10 - C-11
Water & Sewage Group	C-12 - C-13
Window, Vent & Exterior Door Group	C-14 - D-01



**PRESTO BED COUCH**

Key	Part Number	U/M	Description
1	100032-05-B05	EA	Presto Bed - Couch Back
1	100032-05-B06	EA	Presto Bed - Couch Back
	P00032-05-B05	EA	Cover Asm. - Presto Bed Back
	P00032-05-B06	EA	Cover Asm. - Presto Bed Back
2	100032-06-B05	EA	Presto Bed - Couch Seat
2	100032-06-B06	EA	Presto Bed - Couch Seat
	P00032-06-B05	EA	Cover Asm. - Presto Bed Seat
	P00032-06-B06	EA	Cover Asm. - Presto Bed Seat
3	101236-01-B05	EA	Armrest - Presto Bed - Driver
3	101236-01-B06	EA	Armrest - Presto Bed - Driver
	P01236-01-B05	EA	Cover - Armrest Presto Bed - Driver
	P01236-01-B06	EA	Cover - Armrest Presto Bed - Driver
3	101236-02-B05	EA	Armrest - Presto Bed - Passenger
3	101236-02-B06	EA	Armrest - Presto Bed - Passenger
	P01236-02-B05	EA	Cover - Armrest Presto Bed - Passenger
	P01236-02-B06	EA	Cover - Armrest Presto Bed - Passenger
*3	101236-03-B05	EA	Armrest - Presto Bed - Driver
*3	101236-03-B06	EA	Armrest - Presto Bed - Driver
	P01236-03-B05	EA	Cover - Armrest - Presto Bed - Driver
	P01236-03-B06	EA	Cover - Armrest - Presto Bed - Driver
*3	101236-04-B05	EA	Armrest - Presto Bed - Passenger
*3	101236-04-B06	EA	Armrest - Presto Bed - Passenger
	P01236-04-B05	EA	Cover - Armrest - Presto Bed - Passenger
	P01236-04-B06	EA	Cover - Armrest - Presto Bed - Passenger
4	081998-99-B05	EA	Cushion Asm. - 22.5" x 14" x 6.5"
4	081998-99-B06	EA	Cushion Asm. - 22.5" x 14" x 6.5"
	M81998-99-B05	EA	Cover - Cushion Asm.
	M81998-99-B06	EA	Cover - Cushion Asm.
	101085-06-000	EA	Frame - Base - 74.75"
	101085-04-000	EA	Frame - Seat - 74.75"
	101085-05-000	EA	Frame - Back - 74.25"
	101085-07-000	EA	Frame - Armrest - Driver
	101085-08-000	EA	Frame - Armrest - Passenger
	101568-03-000	EA	Bracket Asm. - Armrest - Driver
	101568-04-000	EA	Bracket Asm. - Armrest - Passenger

\* These parts were used from 6/4/90 on.

**FRONT BUNK**

Key	Part Number	U/M	Description
5	084753-16-B05	EA	Cushion - "U" Shaped - 57" x 90" x 5"
5	084753-16-B06	EA	Cushion - "U" Shaped - 57" x 90" x 5"
*5	084753-22-B05	EA	Cushion - "U" Shaped - 57" x 90" x 5"
*5	084753-22-B06	EA	Cushion - "U" Shaped - 57" x 90" x 5"
	M84753-16-B05	EA	Cover - "U" Shaped Cushion
	M84753-16-B06	EA	Cover - "U" Shaped Cushion
	M84753-22-B05	EA	Cover - "U" Shaped Cushion
	M84753-22-B06	EA	Cover - "U" Shaped Cushion
	084753-17-B05	EA	Cushion - Filler - 55" x 27.5" x 5"
	084753-17-B06	EA	Cushion - Filler - 55" x 27.5" x 5"
	084753-19-B05	EA	Cushion - Filler - 55" x 27.5" x 5"
	084753-19-B06	EA	Cushion - Filler - 55" x 27.5" x 5"
	M84753-17-B05	EA	Cover - Filler Cushion
	M84753-17-B06	EA	Cover - Filler Cushion
	M84753-19-B05	EA	Cover - Filler Cushion
	M84753-19-B06	EA	Cover - Filler Cushion
	096008-03-000	YD	Fabric - Front Bunk Cushion (B05)
	096008-04-000	YD	Fabric - Front Bunk Cushion (B06)
	079145-07-000	EA	Cushion Asm. - Front Bunk - 27.5" x 74" x 3.5" (L43V)
	M79145-C7-000	EA	Cover Asm. - Front Bunk (L43V)

\* These parts are used from 8/12/90 on.

**DINETTE CUSHION**

Key	Part Number	U/M	Description
6	088927-40-B05	EA	Cushion Asm. - 13.5" x 38" x 5" - Back
6	088927-40-B06	EA	Cushion Asm. - 13.5" x 38" x 5" - Back
	M88927-80-B05	EA	Cover Asm. - Back - Dinette Cushion
	M88927-80-B06	EA	Cover Asm. - Back - Dinette Cushion
7	088927-42-B05	EA	Cushion Asm. - 22" x 38" x 5" - Seat
7	088927-42-B06	EA	Cushion Asm. - 22" x 38" x 5" - Seat
	M88927-42-B05	EA	Cover Asm. - Seat - Dinette Cushion
	M88927-42-B06	EA	Cover Asm. - Seat - Dinette Cushion
*7	088927-47-B05	EA	Cushion Asm. - 22" x 38" x 5" - Seat
*7	088927-47-B06	EA	Cushion Asm. - 22" x 38" x 5" - Seat
	M88927-47-B05	EA	Cover Asm. - Seat - Dinette Cushion
	M88927-47-B06	EA	Cover Asm. - Seat - Dinette Cushion
	078155-01-000	EA	Strap Asm. - Cushion Strap
	096008-41-000	YD	Fabric - Dinette Cushion (B05)
	096008-42-000	YD	Fabric - Dinette Cushion (B06)

\* These parts were used from 6/27/90 on.

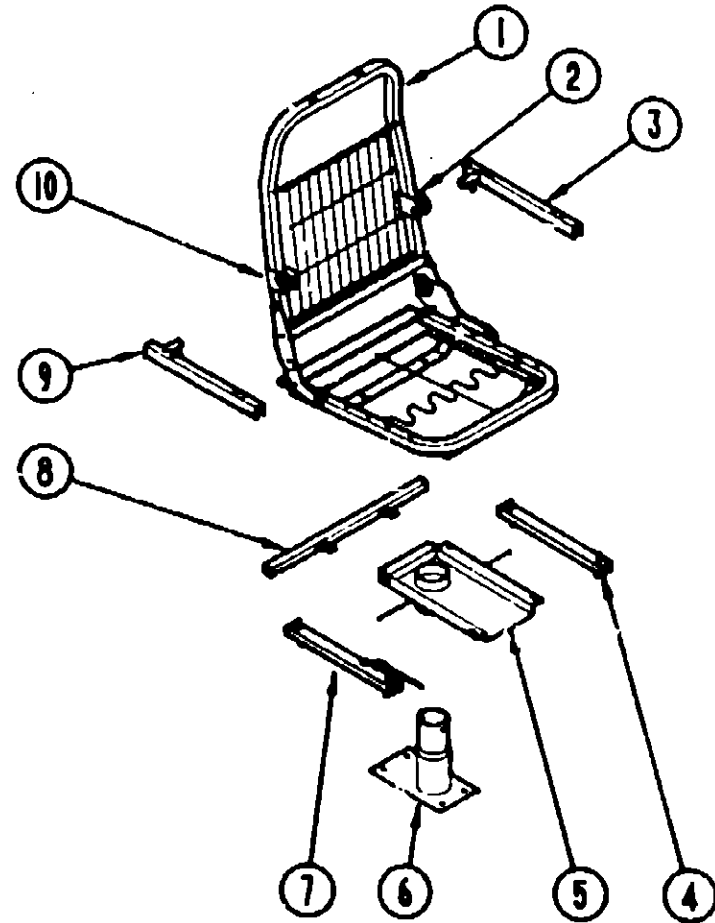
**1991 WINNEBAGO TABLE OF CONTENTS**

INTRODUCTION	A-01 - A-02
ABBREVIATIONS	A-03
ALPHABETICAL/GROUP REFERENCE	A-04 - A-06
WC321RG	A-07 - D-02
WC324RC	D-03 - F-23

**1991 WC321RG INDEX**

Floor Plan	A-07 - A-08
Accessories Group	A-09 - A-11
Bath Group	A-12 - A-13
Chassis Group	A-14 - A-16
Curtain, Cushion & Pad Group	A-17 - A-24
Dinette Group	B-01 - B-02
Driver's Compartment Group	B-03 - B-06
Electrical Group	B-07 - B-09
Exterior Body Group	B-10 - B-14
Galley Group	B-15 - B-18
Heating & Air Conditioning Group	B-19 - B-20
Interior Finish Group	B-21 - B-23
Labels Group	B-24 - C-07
LP Group	C-08
Lounge Group	C-09
Sealants & Fasteners Group	C-10 - C-11
Water & Sewage Group	C-12 - C-13
Window, Vent & Exterior Door Group	C-14 - D-01





BUCKET SEAT HARDWARE

Key	Part Number	U/M	Description
1	M80906-02-000	EA	Frame Asm. - Seat, Back & Spring
1	M80906-01-000	EA	Frame Asm. - Seat, Back & Spring (Export Option)
1	M80906-04-000	EA	Frame Asm. - Seat, Back & Spring (Export Option)
1	M80803-01-000	EA	Frame - Seat, Single Not Bend
2	081362-02-000	EA	Bracket - Armrest - Left Hand
3	081268-02-000	EA	Rod & Channel - Armrest - Left - Metal
4	069246-02-000	EA	Adjuster - Bucket Seat w/o Lock - Forward & Back
5	093481-04-000	EA	Top Plate - Pedestal - Bucket Seats
6	069585-03-000	EA	Base - Bucket Seats - Bolts to Floor - Vertical - 8"
7	069246-01-000	EA	Adjuster - Bucket Seat w/Lock - Forward & Back
7	069246-05-000	EA	Adjuster - Bucket Seat w/Remote
8	069585-29-000	EA	Bar - Seat Belt - Bucket Seats - 20"
9	081268-01-000	EA	Rod & Channel - Armrest - Right - Metal
10	081362-01-000	EA	Bracket - Armrest - Right Hand
	069246-05-700	EA	Spring for Slide Adjuster
	069246-05-701	EA	Clip Only For Cable Asm.
	091313-01-000	EA	Grommet - Headrest (Export)
	080730-02-000	EA	Recliner - Seat Back - Left Hand (Export)
	101125-01-000	EA	Recliner - Seat Back - Left Hand (Export)
	080731-02-000	EA	Slave Hinge - Recliner - Left Hand (Export)
	089368-04-000	EA	Frame - Cable - Remote Swivel (Export)
	089368-05-000	EA	Frame - Cable - Remote Recliner
	081361-01-000	EA	Rod - Armrest - Metal

These parts are used from 7/9/90 on.

BUCKET SEAT CUSHIONS

Key	Part Number	U/M	Description
	093450-10-B05	EA	Seat Asm. - Bucket
	093450-10-B06	EA	Seat Asm. - Bucket
	093450-17-B05	EA	Seat Asm. - Bucket - Driver
	093450-17-B06	EA	Seat Asm. - Bucket - Driver
	093450-18-B05	EA	Seat Asm. - Bucket - Passenger
	093450-18-B06	EA	Seat Asm. - Bucket - Passenger
	M03445-23-B05	EA	Cover - Seat - Bucket Seat
	M03445-23-B06	EA	Cover - Seat - Bucket Seat
	M03445-22-B05	EA	Cover - Back - Bucket Seat
	M03445-22-B06	EA	Cover - Back - Bucket Seat
	080243-41-B05	EA	Armrest - Bucket Seat - Right Hand
	080243-41-B06	EA	Armrest - Bucket Seat - Right Hand
	M80243-41-B05	EA	Cover - Right Armrest - Bucket Seat
	M80243-41-B06	EA	Cover - Right Armrest - Bucket Seat
	080243-42-B05	EA	Armrest - Bucket Seat - Left Hand
	080243-42-B06	EA	Armrest - Bucket Seat - Left Hand
	M80243-42-B05	EA	Cover - Left Armrest - Bucket Seat
	M80243-42-B06	EA	Cover - Left Armrest - Bucket Seat
	071126-24-B03	EA	Skirt Asm. - Single Bucket (B05)
	071126-24-B04	EA	Skirt Asm. - Single Bucket (B06)

These parts are used from 7/9/90 on.

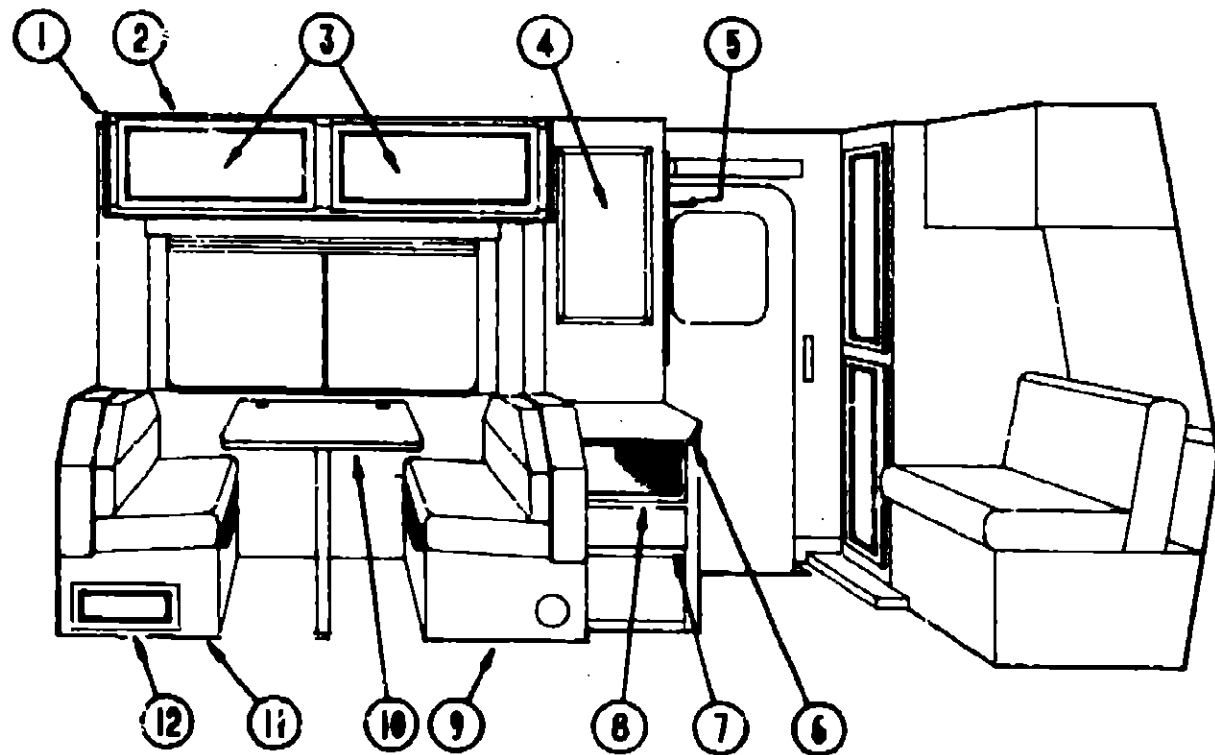
1991 WINNEBAGO  
TABLE OF CONTENTS

INTRODUCTION	A-01 - A-02
ABBREVIATIONS	A-03
ALPHABETICAL/GROUP REFERENCE	A-04 - A-06
WC321RG	A-07 - D-02
WC324RC	D-03 - F-23

1991 WC321RG INDEX

Floor Plan	A-07 - A-08
Accessories Group	A-09 - A-11
Bath Group	A-12 - A-13
Chassis Group	A-14 - A-16
Curtain, Cushion & Pad Group	A-17 - A-24
Dinette Group	B-01 - B-02
Driver's Compartment Group	B-03 - B-06
Electrical Group	B-07 - B-09
Exterior Body Group	B-10 - B-14
Galley Group	B-15 - B-18
Heating & Air Conditioning Group	B-19 - B-20
Interior Finish Group	B-21 - B-23
Labels Group	B-24 - C-07
LP Group	C-08
Lounge Group	C-09
Sealants & Fasteners Group	C-10 - C-11
Water & Sewage Group	C-12 - C-13
Window, Vent & Exterior Door Group	C-14 - D-01

## DINETTE GROUP

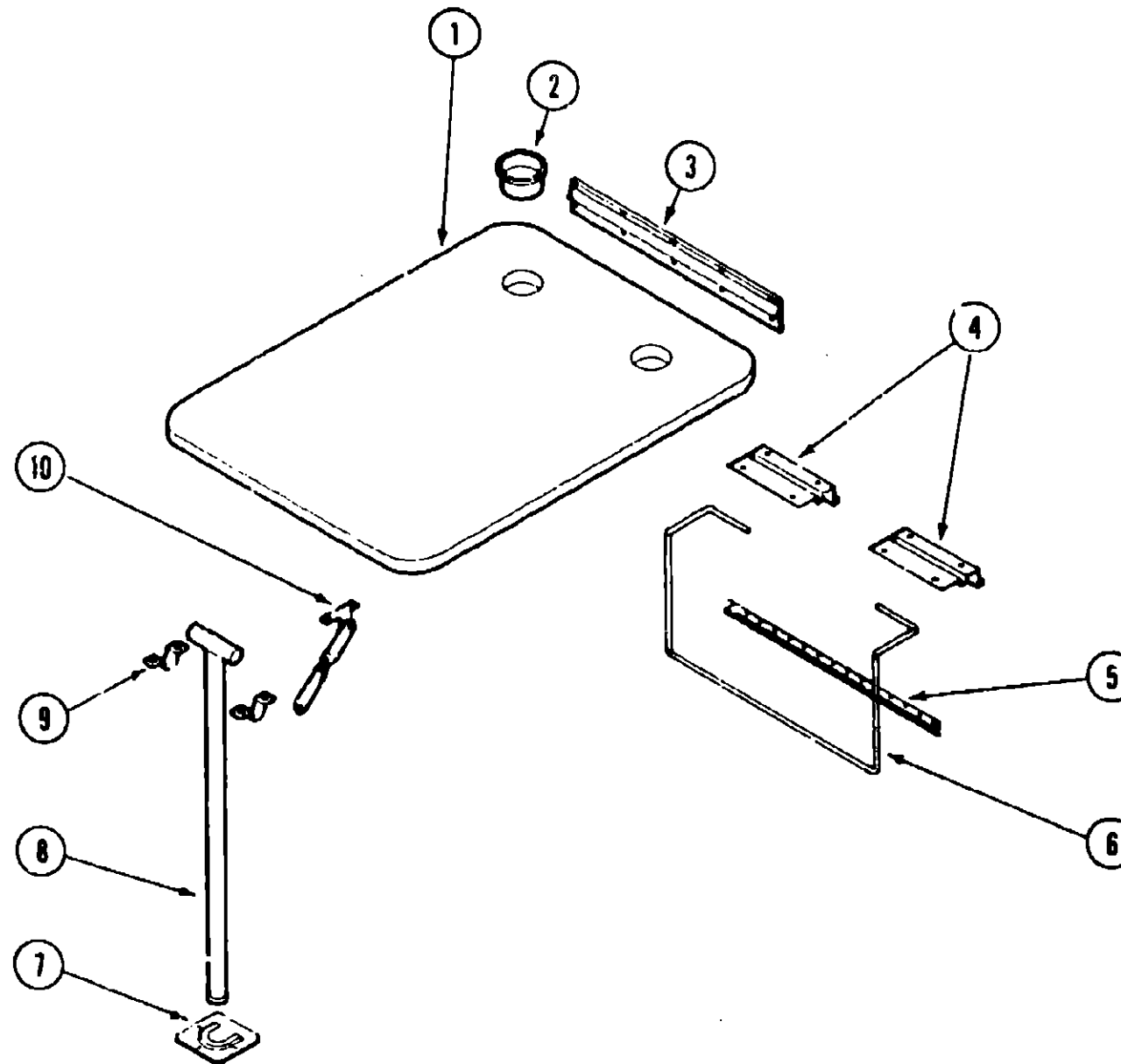


### DINETTE CABINETRY

Key	Part Number	U/M	Description
1	081280-18-B05	EA	End Cap - Front Overhead
2	P00202-01-B05	EA	Cabinet - Dinette Overhead - w/o Door or Hardware
3	P00039-34-B05	EA	Door Asm. - Dinette Overhead Cabinet - 14" x 33" - w/o Hardware
4	093446-05-Y15	EA	Mirror Asm. - w/Oak Frame
5	PC0099-30-B42	EA	Door Asm. - Wardrobe Cabinet - 15.7" x 20.5" - w/o Hardware
6	096955-11-B05	EA	Countertop Asm. - Furnace Cabinet - w/o Hardware
7	P00099-89-B05	EA	Door Asm. - Furnace Cabinet - 6.3" x 16.06" - w/o Hardware
8	P00099-72-B03	EA	Door Asm. - Furnace Cabinet - 17.9" x 14.5" - w/o Hardware
9	M03996-02-B05	EA	Cabinet Asm. - Dinette Seat - Rear - w/o Hardware
	M03997-02-B05	EA	Cabinet Asm. - Dinette Back - Rear - w/o Hardware
10	M02115-09-B03	EA	Table Asm. - Dinette - w/o Hardware
11	M03996-03-B05	EA	Cabinet Asm. - Dinette Seat - Front - w/o Door or Hardware
	M03997-01-B05	EA	Cabinet Asm. - Dinette Back - Front - w/o Hardware
12	P00099-12-B05	EA	Door Asm. - Dinette Seat - 10" x 19" - w/o Hardware
	007021-01-000	EA	Seat Belt - 2" x 90" - Black
	057759-01-000	EA	Washer Bracket - Seat Belt
	000D39-06-00B	EA	Hex Nut - Ser. Fig. LK - 3/8 - 16 ZN

See the next page for the breakdown of this item.  
 NOTE: See Curtain, Cushion & Pad Group for all fabric related items.

## DINETTE GROUP (CONTINUED)



### DINETTE TABLE & HARDWARE

Key	Part Number	U/M	Description
1	M02115-09-B03	EA	Table - Dinette - w/o Hardware
2	064781-06-000	EA	Cup Holder - Two Step - Beige
3	053200-05-000	EA	Support - Table - 23.5" - Beige
4	088410-01-000	EA	Hanger - Table - Beige
5	024281-07-000	EA	Bracket - Table Lift
6	024275-05-000	EA	Rod - Table Lift - Beige
7	049493-01-000	EA	Catch - Table Leg
8	024276-21-000	EA	Leg Asm. - Table - Beige
9	064050-02-000	EA	Clamp - Saddle - Leg Hinge - Tan
10	024282-01-000	EA	Brace Table Leg
	024283-01-000	EA	Clip - 1" - 1.125" - OD Tube - Black
	081295-01-U01	EA	Support - Base - Dinette

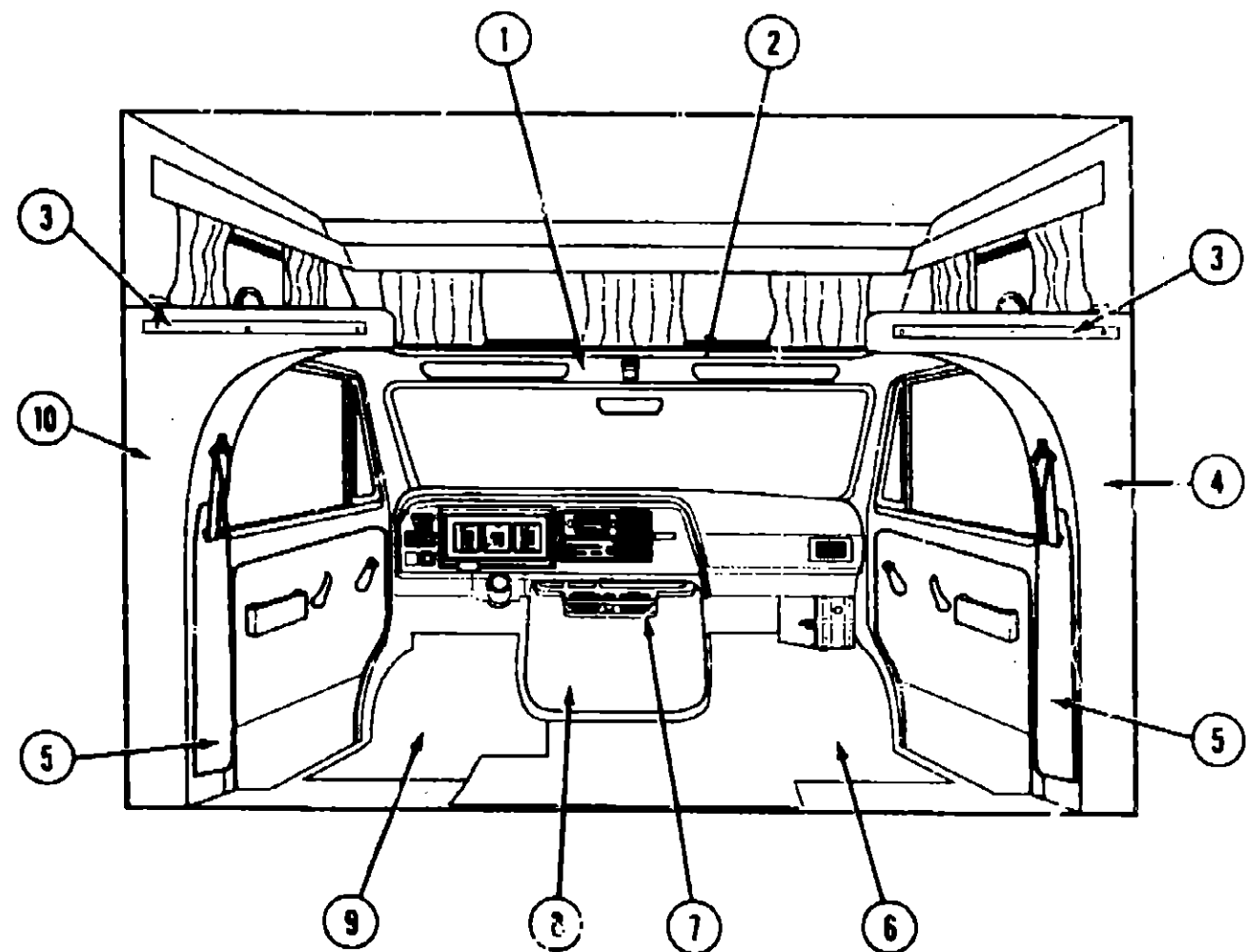
## 1991 WINNEBAGO TABLE OF CONTENTS

INTRODUCTION	A-01 - A-02
ABBREVIATIONS	A-03
ALPHABETICAL/GROUP REFERENCE	A-04 - A-06
WC321RG	A-07 - D-02
WC324RC	D-03 - F-23

## 1991 WC321RG INDEX

Floor Plan	A-07 - A-08
Accessories Group	A-09 - A-11
Bath Group	A-12 - A-13
Chassis Group	A-14 - A-16
Curtain, Cushion & Pad Group	A-17 - A-24
Dinette Group	B-01 - B-02
Driver's Compartment Group	B-03 - B-06
Electrical Group	B-07 - B-09
Exterior Body Group	B-10 - B-14
Galley Group	B-15 - B-18
Heating & Air Conditioning Group	B-19 - B-20
Interior Finish Group	B-21 - B-23
Labels Group	B-24 - C-07
LP Group	C-08
Lounge Group	C-09
Sealants & Fasteners Group	C-10 - C-11
Water & Sewage Group	C-12 - C-13
Window, Vent & Exterior Door Group	C-14 - D-01

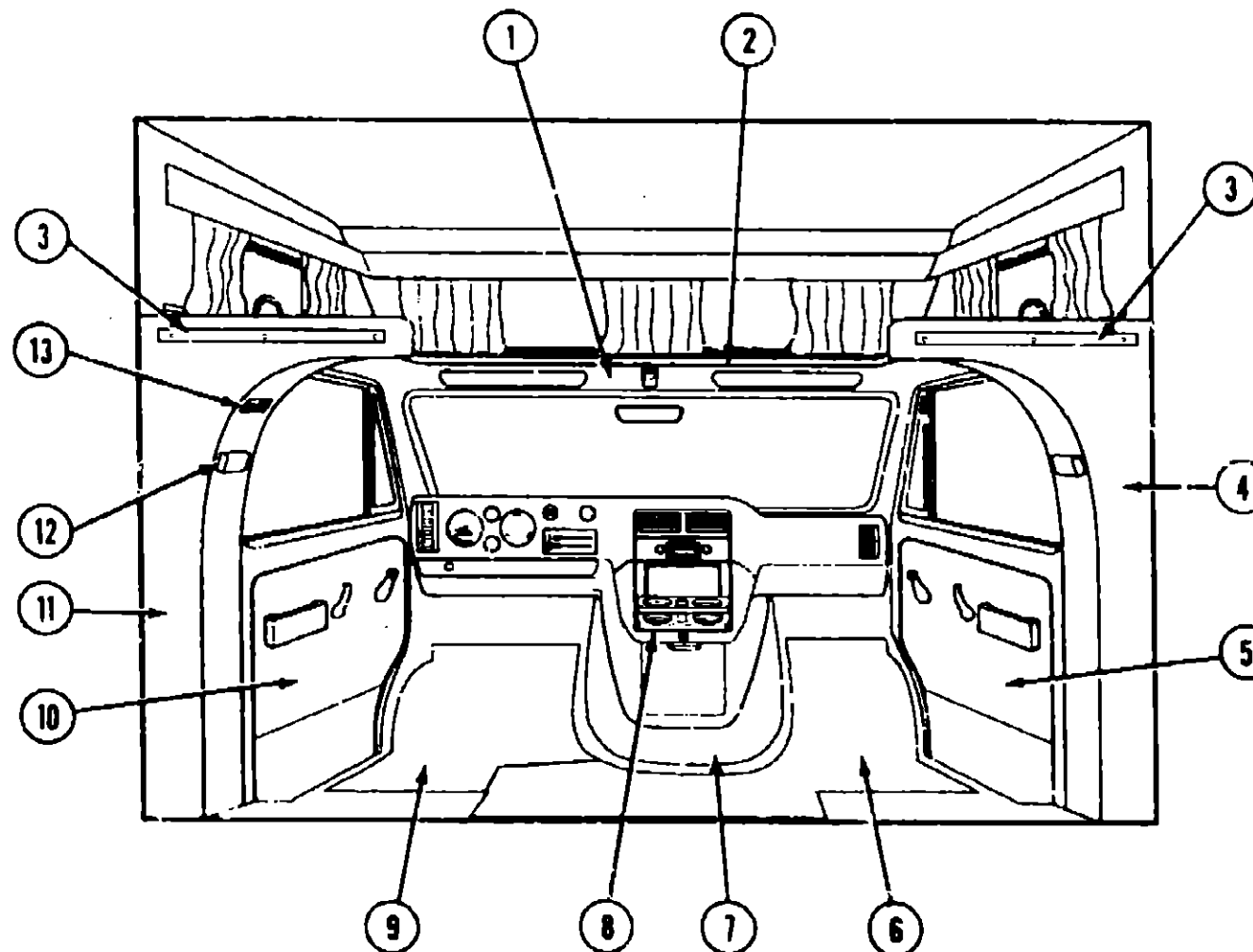
## DRIVER'S COMPARTMENT GROUP



### MISCELLANEOUS DRIVER'S COMPARTMENT COMPONENTS (FORD)

Key	Part Number	U/M	Description
1	091831-01-B05	EA	Headliner - Front - Off White Vinyl
	091825-02-A93	EA	Headliner - Sides - Off White Vinyl
	09E208-01-B05	EA	Cabinet Asm. - Headboard
	098703-01-B05	EA	Sleeper Board Asm.
	079800-04-000	EA	Trim - Front Sleeper Board - Metal - Off White
2	060742-03-000	FT	Accent Trim - Off White Vinyl
3	082069-03-Y05	EA	Wood Trim - Wingwall - 15.8"
	074045-07-000	EA	Oak Plug - 1/2"
4	098244-01-B05	EA	Wingwall Asm. - Inner - Passenger - Off White
5	091671-05-000	EA	Seat Belt Cover - Off White
	078302-03-000	EA	Seat Belt - Driver or Passenger
	057759-01-000	EA	Bracket - Seat Belt - Washer
6	083218-01-000	EA	Floor Mat - Passenger
7	099857-01-AA5	EA	Beverage Tray
8	069885-16-B05	EA	Motor Cover w/Pocket
8	069885-16-B06	EA	Motor Cover w/Pocket
9	083219-02-000	EA	Floor Mat - Driver
10	098244-02-B05	EA	Wingwall Asm. - Inner - Driver - Off White
	024431-01-000	EA	Switch - Battery
	094795-03-000	EA	Speedometer - Kilometer

## DRIVER'S COMPARTMENT GROUP (CONTINUED)



### MISCELLANEOUS DRIVER'S COMPARTMENT COMPONENTS (CHEVROLET)

Key	Part Number	U/M	Description
1	091829-01-B05	EA	Headliner - Front - Off White Vinyl
*1	091877-01-B05	EA	Headliner - Front - Off White Vinyl
	091825-02-A93	EA	Headliner - Sides - Off White Vinyl
	09E208-01-B05	EA	Cabinet Asm. - Headboard
	098703-01-B05	EA	Sleeper Board Asm.
	079800-04-000	EA	Trim - Front Sleeper Board - Metal - Off White
2	060742-03-000	FT	Accent Trim - Off White Vinyl
3	082069-03-Y05	EA	Wood Trim - Wingwall - 15.8"
	074045-07-000	EA	Oak Plug - 1/2"
4	097176-01-B05	EA	Wingwall Asm. - Inner - Passenger - Off White
5	059491-01-B05	EA	Side Panel - Cab Door - Passenger
5	059491-01-B06	EA	Side Panel - Cab Door - Passenger
6	083218-01-000	EA	Floor Mat - Front Passenger
7	074891-07-B05	EA	Motor Cover w/Pocket
7	074891-07-B06	EA	Motor Cover w/Pocket
8	100516-01-B05	EA	Beverage Tray
9	083218-02-000	EA	Floor Mat - Front Driver
10	059492-01-B05	EA	Side Panel - Cab Door - Driver
10	059492-01-B06	EA	Side Panel - Cab Door - Driver
11	097176-02-B05	EA	Wingwall Asm. - Inner - Driver - Off White
12	078302-03-000	EA	Seat Belt - Driver or Passenger
13	047347-01-000	EA	Switch Asm. - Dual Battery
	024461-01-000	EA	Switch - Battery
	094795-01-000	EA	Speedometer - Kilometer
	094797-03-000	EA	Instrument Cluster - KM90 - Gr.s

\* These parts are used from 8/18/90 on.

## 1991 WINNEBAGO TABLE OF CONTENTS

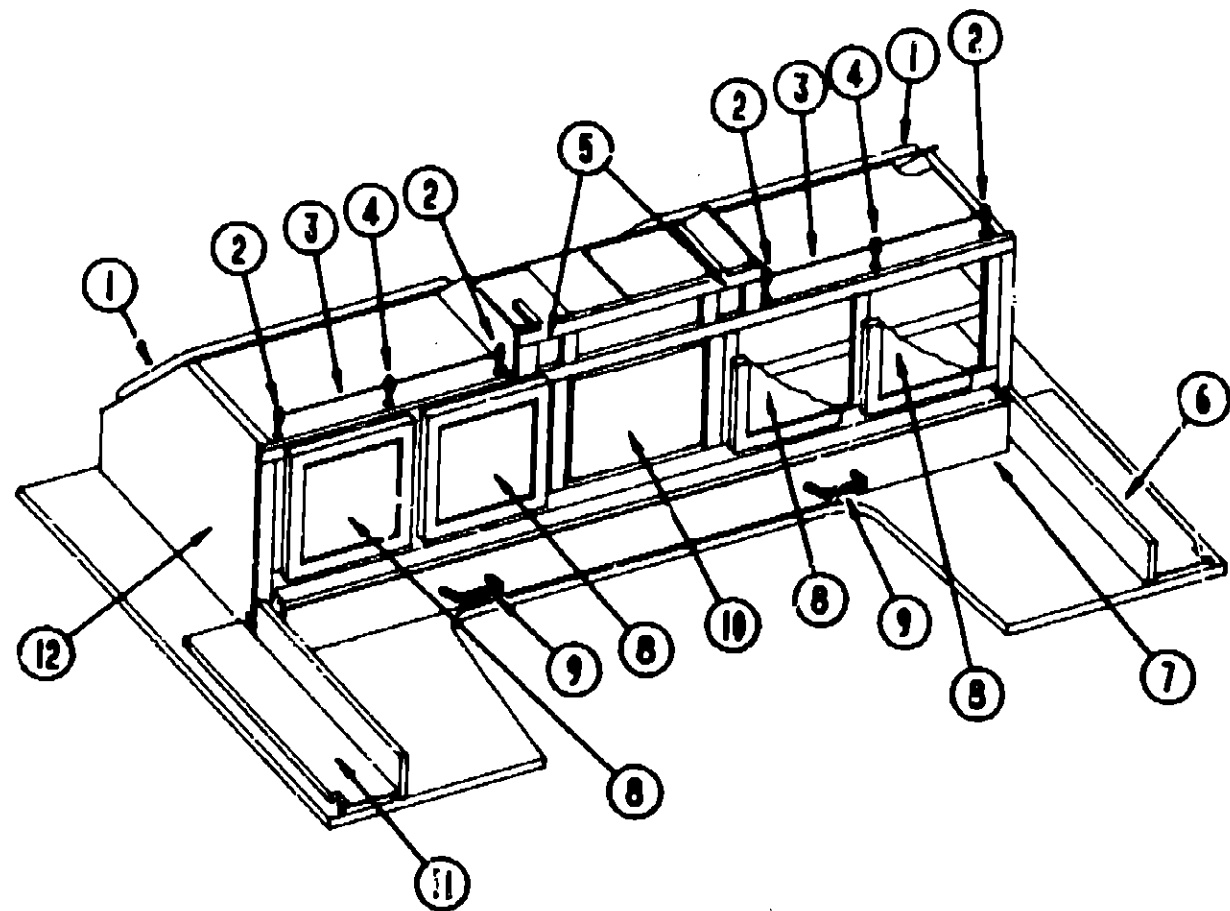
INTRODUCTION	A-01 - A-02
ABBREVIATIONS	A-03
ALPHABETICAL/GROUP REFERENCE	A-04 - A-06
WC321RG	A-07 - D-02
WC324RC	D-03 - F-23

## 1991 WC321RG INDEX

Floor Plan	A-07 - A-08
Accessories Group	A-09 - A-11
Bath Group	A-12 - A-13
Chassis Group	A-14 - A-16
Curtain, Cushion & Pad Group	A-17 - A-24
Dinette Group	B-01 - B-02
Driver's Compartment Group	B-03 - B-06
Electrical Group	B-07 - B-09
Exterior Body Group	B-10 - B-14
Galley Group	B-15 - B-18
Heating & Air Conditioning Group	B-19 - B-20
Interior Finish Group	B-21 - B-23
Labels Group	B-24 - C-07
LP Group	C-08
Lounge Group	C-09
Sealants & Fasteners Group	C-10 - C-11
Water & Sewage Group	C-12 - C-13
Window, Vent & Exterior Door Group	C-14 - D-01

**DRIVER'S COMPARTMENT GROUP (CONTINUED)**

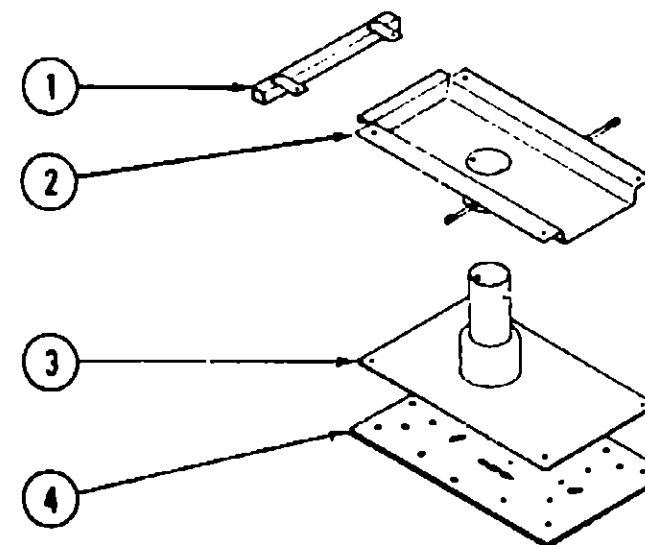
**DRIVER'S COMPARTMENT GROUP (CONTINUED)**



**TV & ENTERTAINMENT CABINETRY (OPTION L43V)**

Key	Part Number	U/M	Description
1	099879-01-01A	EA	Panel - Window - Black Plastic
2	084070-02-000	EA	Post - End - Brass
3	084071-06-000	EA	Rod - Brass - 25"
4	084070-01-000	EA	Post - Center - Brass
5	072333-75-000	YD	Fabric - Speaker Cover
	098819-01-000	EA	Speaker - 2 Watt - 8 OHM - 4"
	074978-11-000	EA	Cover - Speaker - Plastic - Off White
6	099887-01-B05	EA	Cabinet - Headboard - Passenger
7	099839-01-B05	EA	Drawer - Entertainment - Front
*	079145-07-000	EA	Cushion - Front Bunk - 28" x 75" x 2.5"
8	P00099-70-B05	EA	Draw - Cabinet - 13.9" x 13.9" - w/o Hardware
9	100030-01-000	EA	Pull - Drawer - Polished Brass
10	098447-01-000	EA	TV - 13" Color w/Remote (USA)
10	098447-02-000	EA	TV - 13" Color w/Remote (CSA)
	098447-01-700	EA	Remote Control
	099856-01-000	EA	TV - Tiedown
11	052687-02-B05	EA	Cabinet - Headboard - Driver
12	099445-01-B05	EA	Cabinet - Entertainment - Front

\* See Curtain, Cushion & Pad Group for further breakdown of this item.



**BUCKET SEAT PEDESTAL & SEAT BELTS**

Key	Part Number	U/M	Description
1	069585-29-000	EA	Bar - Seat Belt - 20"
2	093481-04-000	EA	Plate - Top - Pedestal Asm.
3	069585-03-000	EA	Plate - Sub - Pedestal Asm.
4	069585-02-000	EA	Plate - Base - Pedestal Asm. - Bucket Seat
	069585-29-000	EA	Bar - Seat Belt - 20" - Bucket Seat
	069246-02-000	EA	Adjuster Asm. - Seat - w/o Lock
	059246-05-000	EA	Adjuster Asm. w/Remote
	069246-05-700	EA	Spring For Slide Adjuster
	069246-05-701	EA	Clip - For Cable Asm. Only

\* These parts are used from 7/9/90 on.

**1991 WINNEBAGO  
TABLE OF CONTENTS**

INTRODUCTION	A-01 - A-02
ABBREVIATIONS	A-03
ALPHABETICAL/GROUP REFERENCE	A-04 - A-06
WC321RG	A-07 - D-02
WC324RC	D-03 - F-23

**1991 WC321RG INDEX**

Floor Plan	A-07 - A-08
Accessories Group	A-09 - A-11
Bath Group	A-12 - A-13
Chassis Group	A-14 - A-16
Curtain, Cushion & Pad Group	A-17 - A-24
Dinette Group	B-01 - B-02
Driver's Compartment Group	B-03 - B-06
Electrical Group	B-07 - B-09
Exterior Body Group	B-10 - B-14
Galley Group	B-15 - E-18
Heating & Air Conditioning Group	F-19 - F-20
Interior Finish Group	B-21 - B-23
Labels Group	B-24 - C-07
LP Group	C-08
Lounge Group	C-09
Sealants & Fasteners Group	C-10 - C-11
Water & Sewage Group	C-12 - C-13
Window, Vent & Exterior Door Group	C-14 - D-01

## ELECTRICAL GROUP

### MISCELLANEOUS ELECTRICAL COMPONENTS

Key	Part Number	U/M	Description
	072852-01-000	EA	Smoke Detector w/9 Volt Battery
	083208-01-000	EA	Converter - 32 Amp. w/Charger
	094809-01-000	EA	Load Center - 240 Volt - 125 Amp. (Export)
<b>WIRES, SWITCHES, &amp; RECEPTACLES</b>			
Key	Part Number	U/M	Description
	008288-01-000	EA	Box - Electrical - 3" x 3.5" - Plastic
	093603-01-000	EA	Box - Electrical - 4" x 2 1/8" x 2 1/8"
	008289-01-000	EA	Box - Electrical - 4" x 4" - 1/2 & 3/4 Steel
	008289-02-000	EA	Box - Electrical - 4" x 4" (CSA)
	058048-01-000	EA	Box - Electrical - 2" x 3" x 2.25" - Steel
	008037-01-000	EA	Cable - Battery - 1 AWG - Stranded - Black
	041953-01-000	FT	Conduit - Convolute Slit - .5" ID
	041953-03-000	FT	Conduit - Convolute Slit - 1" ID
	041953-05-000	FT	Conduit - Convolute Slit - .62" ID
	041953-07-000	FT	Conduit - Convolute Slit - .25" ID
	041953-09-000	FT	Conduit - Convolute Slit - .50" ID
	041953-10-000	FT	Conduit - Convolute Slit - .75" ID
	041953-11-000	FT	Conduit - Convolute Slit - 1.06" ID
	008355-01-000	EA	Connector - Cable Clamping - 3/4"
	008356-01-000	EA	Connector - Plastic - 3/8" Avg.
	058028-01-000	EA	Connector - Pigtail - Clear Nylon
	008311-01-000	EA	Connector - Wire Nut - Red
	008314-01-000	EA	Connector - Wire Nut - Gray
	031967-01-000	EA	Contact - Receptacle
	008054-01-000	EA	Cord - Power - 10-3 30 Amp. - 25'
	008052-01-000	EA	Cord - Power - 10-3 30 Amp. (CSA)
	008294-01-000	EA	Cover Plate - Electrical Box - Black Steel - 4 x 4 (USA)
	008294-C2-000	EA	Cover Plate - Electrical Box - Blank Steel - 4" x 4" (CSA)
	053337-01-000	EA	Cover Plate - Blank - Ivory
	008384-01-000	EA	Grommet - Snap - 3" Dia.
	023942-01-000	EA	Grommet - Rubber - 2" OD
	062037-01-000	EA	Housing - Auto Fuse - Natural
	063910-01-000	EA	Housing - Relay
	083474-09-000	EA	Housing - Socket
	097744-01-000	EA	Housing - Trailer Pin - 12"
	097744-02-000	EA	Housing - Trailer Pin - 48"
	097746-01-000	EA	Housing Asm. - Trailer Cap
	097745-01-000	EA	Housing Asm. - Trailer Receptacle - 12"
	088473-05-000	EA	Housing Pin - 6 Position In Line
	088473-08-000	EA	Housing Pin - 4 Position
	088473-10-000	EA	Housing Pin - 2 Position
	088474-08-000	EA	Housing Socket - 4 Position
	088474-09-000	EA	Housing Socket - 6 Position
	088475-01-000	EA	Pin - Connector
	046885-01-000	EA	Plaque - Mounting Switch
	075736-02-000	EA	Receptacle/Cover Asm. - Off White (Exterior)
	084077-01-000	EA	Receptacle Cover - Ivory (Ground Fault Interrupter)
	084076-02-000	EA	Receptacle - 15 Amp. - 125 Volt - Brown (Ground Fault Interrupter)
	024924-02-000	EA	Receptacle - Power Cord
	058707-01-000	EA	Receptacle - Single - Brown
	007940-01-000	EA	Receptacle - Slide - 16 to 12 Awg.
	058708-02-000	EA	Receptacle - Double Electrical - Ivory
	058708-01-000	EA	Receptacle - Duplex - Brown

## ELECTRICAL GROUP (CONTINUED)

### WIRES, SWITCHES & RECEPTACLES (CONTINUED)

Key	Part Number	U/M	Description
	088476-01-000	EA	Socket - Connector
	008188-01-000	EA	Solenoid - 3 Post - Battery Change Over
	024461-01-000	EA	Switch - Battery
	006195-01-000	EA	Switch - Push Button - 12 Volt
	093351-02-01A	EA	Switch Plate - 2 Gang - Polished Brass
	079354-01-000	EA	Switch - On/Off Rocker - Brown
	047443-01-000	EA	Terminal - .250 Receptacle Fit - Insulated - 16/14 AWG
	008325-01-000	EA	Terminal Ring - 16/14 Wire - 3/8" Stud
	035416-04-000	EA	Terminal Ring - #10 Stud Fit
	008328-01-000	EA	Terminal Ring - 12/10 Wire
	008348-01-000	EA	Terminal Ring - 2 - 3/8 Stud
	008331-01-000	EA	Terminal Ring - 4 - 3/8 Stud
	062036-02-000	EA	Terminal - Pack - Con - 16/14 AWG
	008026-01-000	FT	Wire - 12/2 Romex w/Ground
	008343-01-000	EA	Wire Tie - 6"

### EXTERIOR LIGHTS

Key	Part Number	U/M	Description
	042405-01-000	EA	Lens - Side Marker/Clearance Light - w/Reflex - Red
	042405-02-000	EA	Lens - Side Marker Light - w/Reflex - Amber
	042405-03-000	EA	Base - Clearance Light - Rectangular
	091983-01-000	EA	Gaske: - Light - Side Marker
	008213-01-000	EA	Bulb - 12 Volt - #57
	062740-04-000	EA	Wedge - Tail Light - Plastic - Passenger Side - Off White
	062742-04-000	EA	Wedge - Tail Light - Plastic - Driver Side - Off White
	007309-01-000	EA	Light - License Plate
	059540-01-000	EA	Bracket - License Plate
	058032-02-000	EA	Tail Lamp - 2 Bulb - Black Bezel
	058032-02-701	EA	Lens - Tail Lamp - w/Backup - Red
	037935-01-000	EA	Bulb - Tail Lamp - #1157 - 12 Volt
	097917-01-01A	EA	Light - Porch/Entry Door - Off White (US)
	097917-01-700	EA	Lens - Porch Light
	008215-01-000	EA	Bulb - Porch Light
	008089-02-000	EA	Porch Light - Recessed (CSA)
	008089-01-700	EA	Lens - Porch Light
	008215-01-000	EA	Bulb - Porch Light
	100138-01-000	EA	Module - Daytime Running Lights
	100159-02-000	EA	Wire Asm. - Daytime Running Lights (Ford)
	100159-03-000	EA	Wire Asm. - Daytime Running Lights (Chevrolet)

### INTERIOR LIGHTS

Key	Part Number	U/M	Description
	098024-01-01A	EA	Dome Light - 1 Bulb - Ivory
	098024-03-01A	EA	Dome Light - 2 Bulb - Ivory
	098024-01-700	EA	Lens - Dome Light
	008218-01-000	EA	Bulb - Dome Light - 12 Volt - #1141
	086280-01-000	EA	Light - Surface Mount - 12 Volt
	086280-01-700	EA	Bulb - 12 Volt - 6 Watt

## 1991 WINNEBAGO TABLE OF CONTENTS

INTRODUCTION	A-01 - A-02
ABBREVIATIONS	A-03
ALPHABETICAL/GROUP REFERENCE	A-04 - A-06
WC321RG	A-07 - D-02
WC324RC	D-03 - F-23

## 1991 WC321RG INDEX

Floor Plan	A-07 - A-08
Accessories Group	A-09 - A-11
Bath Group	A-12 - A-13
Chassis Group	A-14 - A-16
Curtain, Cushion & Pad Group	A-17 - A-24
Dinette Group	B-01 - B-02
Driver's Compartment Group	B-03 - B-06
Electrical Group	B-07 - B-09
Exterior Body Group	B-10 - B-14
Galley Group	B-15 - B-18
Heating & Air Conditioning Group	B-19 - B-20
Interior Finish Group	B-21 - B-23
Labels Group	B-24 - C-07
LP Group	C-08
Lounge Group	C-09
Sealants & Fasteners Group	C-10 - C-11
Water & Sewage Group	C-12 - C-13
Window, Vent & Exterior Door Group	C-14 - D-01

## ELECTRICAL GROUP (CONTINUED)

### BULBS

Key	Part Number	U/M	Description
	092696-01-709	EA	Bulb - 912 (Stove Hood)
	008215-01-000	EA	Bulb - 1003 (Porch Light)
	008218-01-000	EA	Bulb - 1141 (Dome Light)
	037934-01-000	EA	Bulb - 1156 (Back-Up Light)
	037935-01-000	EA	Bulb - 1157 (Tail Lamp)
	084880-01-706	EA	Bulb - DC Light (Refrigerator) (Export)
	086737-01-710	EA	Bulb - 30W (Microwave Oven)
	086280-01-700	EA	Bulb - 12 Volt - 6 Watt (Surface Light)
	008213-01-000	EA	Bulb - 57 (Clearance Light)

### FUSES & CIRCUIT BREAKERS

Key	Part Number	U/M	Description
	008230-01-000	EA	Fuse - 12 Volt - 15 Amp.
	062901-05-000	EA	Fuse - 15 Amp. - Automotive
	008211-01-000	EA	Circuit Breaker - 6 Amp. - 12 Volt
	083209-01-000	EA	Circuit Breaker - 15 Amp. 120 Volt
	083210-02-000	EA	Circuit Breaker - 15 Amp. - 120 Volt (Ground Fault Interrupter)
	083209-02-000	EA	Circuit Breaker - 15/15 Amp. - 120 Volt
	083209-03-000	EA	Circuit Breaker - 15/20 mp. - 120 Volt
	033573-01-000	EA	Circuit Breaker - 20 Amp. - 12 Volt
	094811-01-000	EA	Circuit Breaker - 20/20 Amp. - 120 Volt
	008268-01-000	EA	Circuit Breaker - 30 Amp. - 12 Volt
	083209-04-000	EA	Circuit Breaker - 20 Amp. - 120 Volt
	083209-06-000	EA	Circuit Breaker - 30/15 Amp. - 120 Volt
	094310-01-000	EA	Circuit Breaker - 30/30 Amp. - 120 Volt (Export)
	083209-08-000	EA	Circuit Breaker Blank
	050283-02-000	EA	Circuit Breaker - Buss Bar
	100341-01-000	EA	Fuse Holder - In Line Type
	008277-01-000	EA	Fuse Holder - Black - Panel Mount

## EXTERIOR BODY GROUP

### MISCELLANEOUS EXTERNALLY MOUNTED PARTS

Key	Part Number	U/M	Description
	083558-01-000	EA	Plumbing Seal - Roof Vent - 1.5
	009126-02-000	EA	Assist Handle - Black
	087659-04-000	EA	Fill - City Water - Off White
	069362-06-000	EA	Tube - Support - Floor to Valance - 17"
	075736-02-000	EA	Cover - Exterior Receptacle - Off White
	083615-06-000	EA	Holder - Compartment Door - Plastic - Off White
	049347-01-000	EA	Head - Mirror - 7.5" x 10.5" - Stainless Steel
	062047-01-000	EA	Arm - West Coast Mirror
	006043-01-000	EA	Mirror - Exterior - Convex - Adhesive Backed

### SHEET FIBERGLASS, ALUMINUM & STYROFOAM

Key	Part Number	U/M	Description
	044487-01-001	EA	Aluminum - Mill Finish - No Design - 96" x 360" (Roof)
	001054-01-011	EA	Aluminum Sheet - 48" x 96" - Flat - Off White
	000868-01-000	SF	Styrofoam - 3/4" x 24" x 96"
	000870-03-000	SF	Styrofoam - 1.34" x 48" x 96"
	076054-C9-001	EA	Fiberglass Sheet - 36" x 205" - Off White
	076054-D3-001	EA	Fiberglass Sheet - 48" x 96" - Off White
	076054-D6-001	EA	Fiberglass Sheet - 60" x 11.3" - Off White
	093743-01-02A	SF	Plastic - ABS - 11.5" Wide - Off White

## 1991 WINNEBAGO TABLE OF CONTENTS

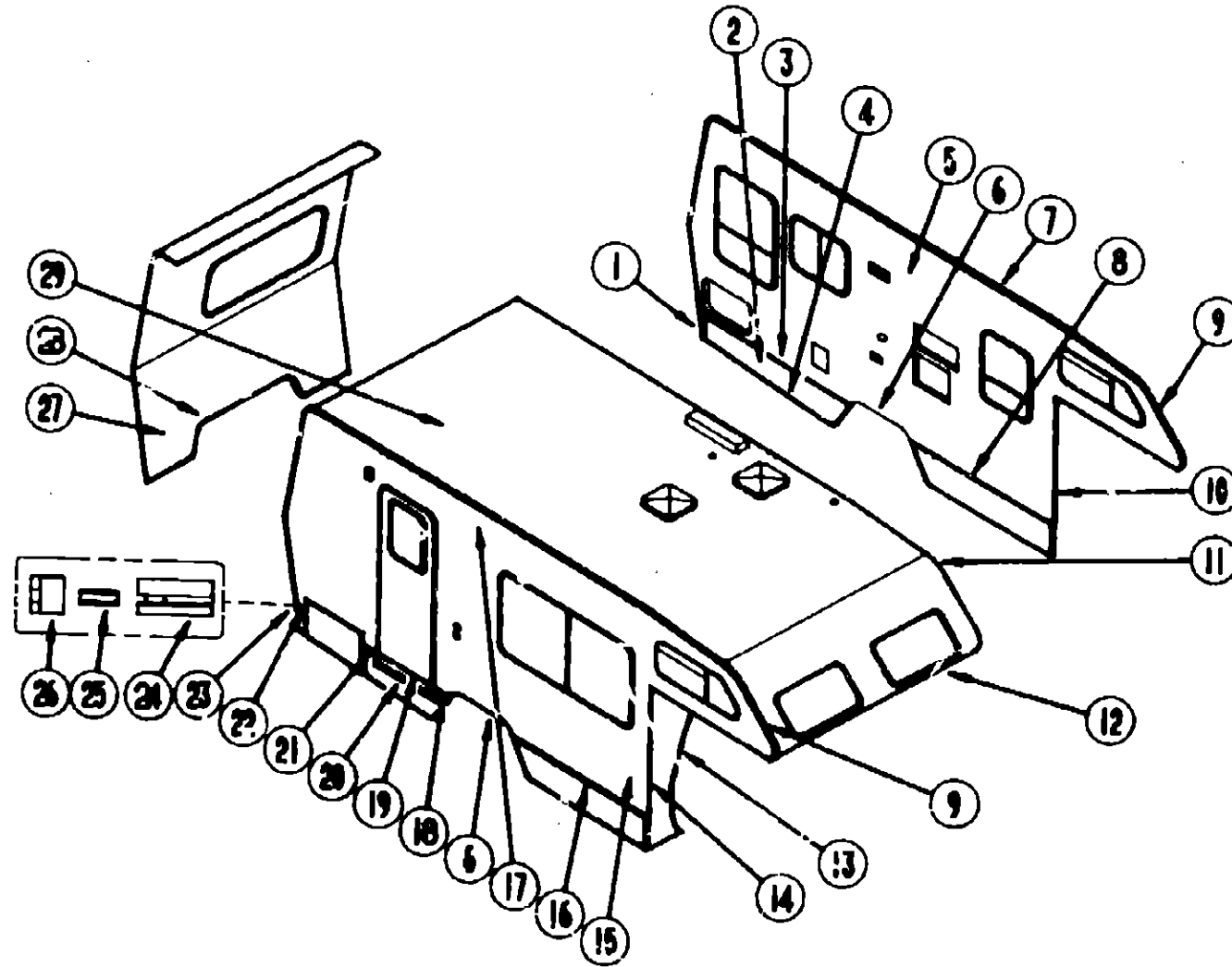
INTRODUCTION	A-01 - A-02
ABBREVIATIONS	A-03
ALPHABETICAL/GROUP REFERENCE	A-04 - A-06
WC321RG	A-07 - D-02
WC324RC	D-03 - F-23

## 1991 WC321RG INDEX

Floor Plan	A-07 - A-08
Accessories Group	A-09 - A-11
Bath Group	A-12 - A-13
Chassis Group	A-14 - A-16
Curtain, Cushion & Pad Group	A-17 - A-24
Dinette Group	B-01 - B-02
Driver's Compartment Group	B-03 - B-06
Electrical Group	B-07 - B-09
Exterior Body Group	B-10 - B-14
Galley Group	B-15 - B-18
Heating & Air Conditioning Group	B-19 - B-20
Interior Finish Group	B-21 - B-23
Labels Group	B-24 - C-07
LP Group	C-08
Lounge Group	C-09
Sealants & Fasteners Group	C-10 - C-11
Water & Sewage Group	C-12 - C-13
Window, Vent & Exterior Door Group	C-14 - D-01

# EXTERIOR BODY GROUP (CONTINUED)

## EXTERIOR BODY PANELS



## 1991 WINNEBAGO TABLE OF CONTENTS

INTRODUCTION	A-01 - A-02
ABBREVIATIONS	A-03
ALPHABETICAL/GROUP REFERENCE	A-04 - A-06
WC321RG	A-07 - D-02
WC324RC	D-03 - F-23

Key	Part Number	U/M	Description
1	097907-05-02A	EA	Filler - Valance Panel - Rear - Off White
2	096393-14-B05	EA	Valance Asm. - Rear
3	096816-03-01A	EA	Trim - Sidewall - Lower - 72.4" - Off White
5	P007496-01-B05	EA	Sidewall Asm. - Driver (Special Order Item)
6	096215-01-01A	EA	Trim - Wheelwell - Rear - Metal - Off White
7	096664-01-01A	EA	Trim - Contour - Roof - Off White
8	096817-02-01A	EA	Trim - Sidewall - Lower - 64.37" - Off White
9	096854-01-01A	EA	Trim - Contour - Off White
	079260-01-01A	FT	Vinyl Insert - Contour Trim - 72" - Off White
10	096970-02-01A	EA	Trim - Wingwall - Off White
	M96772-02-B05	EA	Wingwall - Driver's Side w/Gusset (Chevrolet)
	M96154-02-B05	EA	Wingwall - Driver's Side w/Gusset (Ford)
	096945-02-01A	EA	Trim - "L" Angled - Driver's Wingwall - Off White
11	078580-01-000	EA	Trim - Roof to Front Cab
12	039644-09-000	EA	Trim - Sleeper Board - Off White
13	M96772-01-B05	EA	Wingwall - Passenger's Side w/Gusset (Chevrolet)
13	M96154-01-B05	EA	Wingwall - Passenger's Side w/Gusset (Ford)
	096945-01-01A	EA	Trim - "L" Angled - Passenger's Wingwall - Off White
	089334-01-000	FT	Vinyl - Exterior Trim - Between Wingwall & Cab Seal - White
14	096970-01-01A	EA	Trim - Wingwall - Off White
15	M96876-01-B05	EA	Sidewall Asm. - Passenger (Special Order Item)
16	096818-03-01A	EA	Trim - Sidewall - Lower - 64.45" - Off White

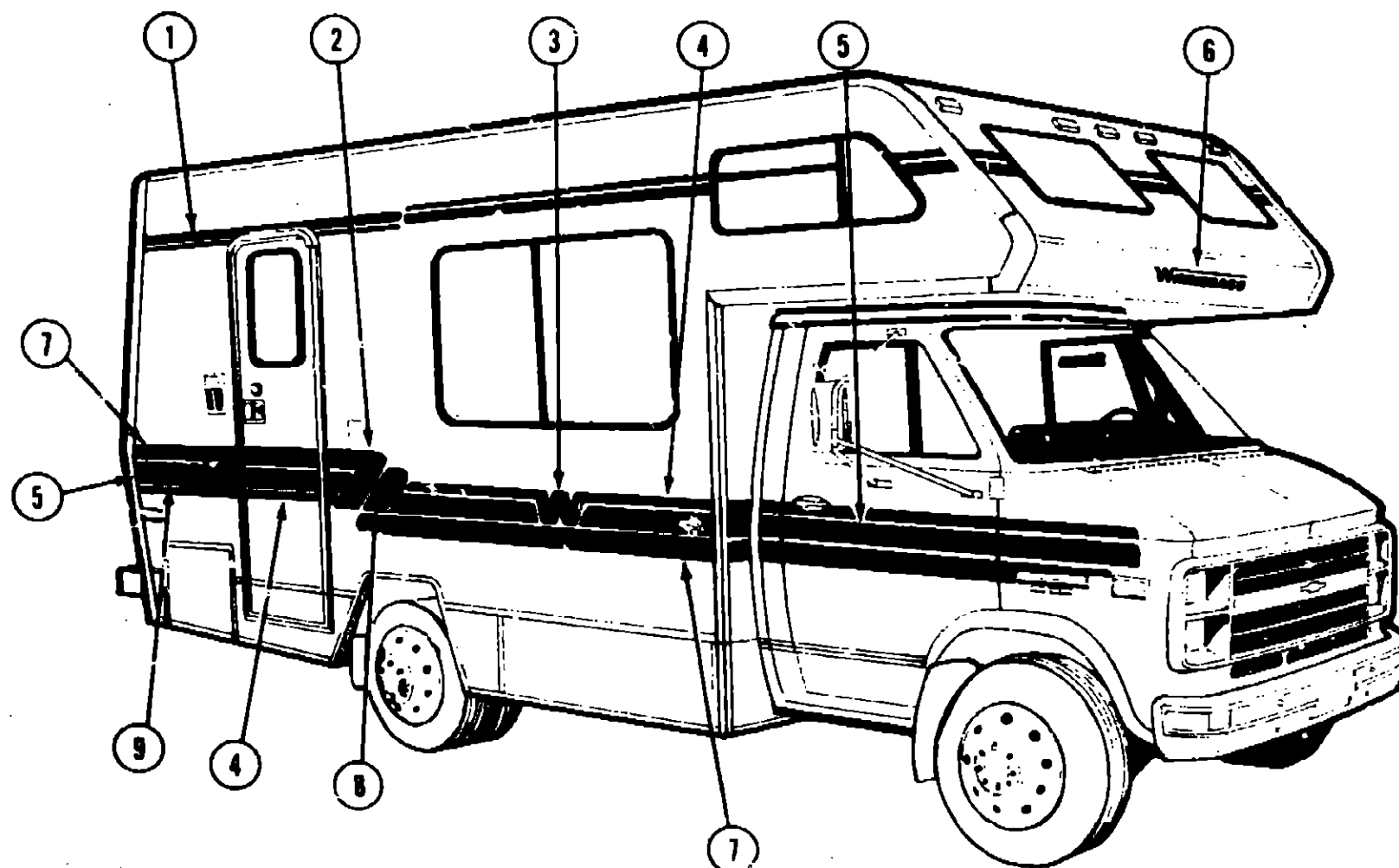
Key	Part Number	U/M	Description
17	099583-55-001	EA	Awning Rail - 10' - Off White
18	096017-04-01A	EA	Trim - Sidewall - Lower - 6.65" - Off White
19	002444-04-002	EA	Feature Strip w/o Insert - 15' Long - Off White
	001030-02-003	EA	Insert - Feature Strip - Stucco
	009721-01-000	EA	End Cap - Feature Strip
20	096865-02-B05	EA	Valance - Entry Door
20	096865-03-B05	EA	Valance - Entry Door
	044582-02-000	EA	Drip Cap - Jamb Mounted - Off White
21	097190-01-01A	EA	Trim - Sidewall - Lower - 4.3" - Off White
22	097907-06-02A	EA	Filler - Valance Panel - Rear - Off White
23	096817-04-01A	EA	Trim - Sidewall - Lower - 6.65" - Off White
24	NOTE	EA	Trim - Sidewall - Lower - Off White
25	001030-02-003	EA	Insert - Lower Sidewall Trim
26	098424-02-01A	EA	End Cap - Sidewall Trim - Rear (Passenger's Side) & Front (Driver's Side)
26	098424-01-01A	EA	End Cap - Sidewall Trim - Rear (Driver's Side) & Front (Passenger's Side)
27	P00364-01-B05	EA	Backwall Asm. (Special Order Item)
28	096197-02-01A	EA	Trim - Backwall - Lower - U-Channel - 1" Wide - Off White
29	M96631-02-B05	EA	Roof Asm. (Special Order Item)
.			See the inset illustration for additional numbers.
..			These parts were used from 7/30/90 on.

## 1991 WC321RG INDEX

Floor Plan	A-07 - A-08
Accessories Group	A-09 - A-11
Bath Group	A-12 - A-13
Chassis Group	A-14 - A-16
Curtain, Cushion & Pad Group	A-17 - A-24
Dinette Group	B-01 - B-02
Driver's Compartment Group	B-03 - B-06
Electrical Group	B-07 - B-08
Exterior Body Group	B-10 - B-14
Galley Group	B-15 - B-18
Heating & Air Conditioning Group	B-19 - B-20
Interior Finish Group	B-21 - B-23
Labels Group	B-24 - C-07
LP Group	C-08
Lounge Group	C-09
Sealants & Fasteners Group	C-10 - C-11
Water & Sewage Group	C-12 - C-13
Window, Vent & Exterior Door Group	C-14 - D-01

## EXTERIOR BODY GROUP (CONTINUED)

### DECALS & FILM STRIPE



Key	Part Number	U/M	Description
1	093680-22-01A	FT	Multistripe - 2 Lines - 2.6" Wide - Dark Plum/Light Wine
1	093680-22-02A	FT	Multistripe - 2 Lines - 2.6" Wide - Green/Aqua
2	099984-01-01A	EA	Decal - Angle - Passenger Side - Rear - 11" High - Dark Plum
2	099984-01-02A	EA	Decal - Angle - Passenger Side - Rear - 11" High - Hunter Green
	099984-02-01A	EA	Decal - Angle - Driver Side - Rear - 11" High - Dark Plum
	099984-02-02A	EA	Decal - Angle - Driver Side - Rear - 11" High - Hunter Green
3	093691-03-01A	EA	Decal - Flying "W" - Dark Plum
3	093691-03-02A	EA	Decal - Flying "W" - Hunter Green
4	093681-14-01A	FT	Film - 1.5" x 150' - Dark Plum
4	093681-14-03A	FT	Film - 1.5" x 150' - Hunter Green
5	093681-15-02A	FT	Film - 4" x 150' - Light Wine
5	093681-15-04A	FT	Film - 4" x 150' - Aqua
6	050313-39-000	EA	Decal - Logo - "Winnebago" - 2.8" - Dark Plum
6	050313-43-000	EA	Decal - Logo - "Winnebago" - 2.8" - Hunter Green
7	093681-15-01A	FT	Film - 4" x 150' - Dark Plum
7	093681-15-03A	FT	Film - 4" x 150' - Hunter Green
8	099983-01-01A	EA	Decal - Angle - Passenger Side - Front - 8.9" High - Light Wine
8	099983-01-02A	EA	Decal - Angle - Passenger Side - Front - 8.9" High - Aqua
	099983-02-01A	EA	Decal - Angle - Driver Side - Front - 8.9" High - Light Wine
	099983-02-02A	EA	Decal - Angle - Driver Side - Front - 8.9" High - Aqua
9	099999-01-02A	EA	Decal - Logo "Warrior" - Off White/Dark Plum
9	099999-01-05A	EA	Decal - Logo "Warrior" - Off White/Hunter Green

For your convenience here are the Dupont color codes that you can purchase locally:

Dark Plum K9455  
 Light Wine K9486  
 Hunter Green K9480  
 Aqua K9481  
 Off White L8723  
 Black 99A

## 1991 WINNEBAGO TABLE OF CONTENTS

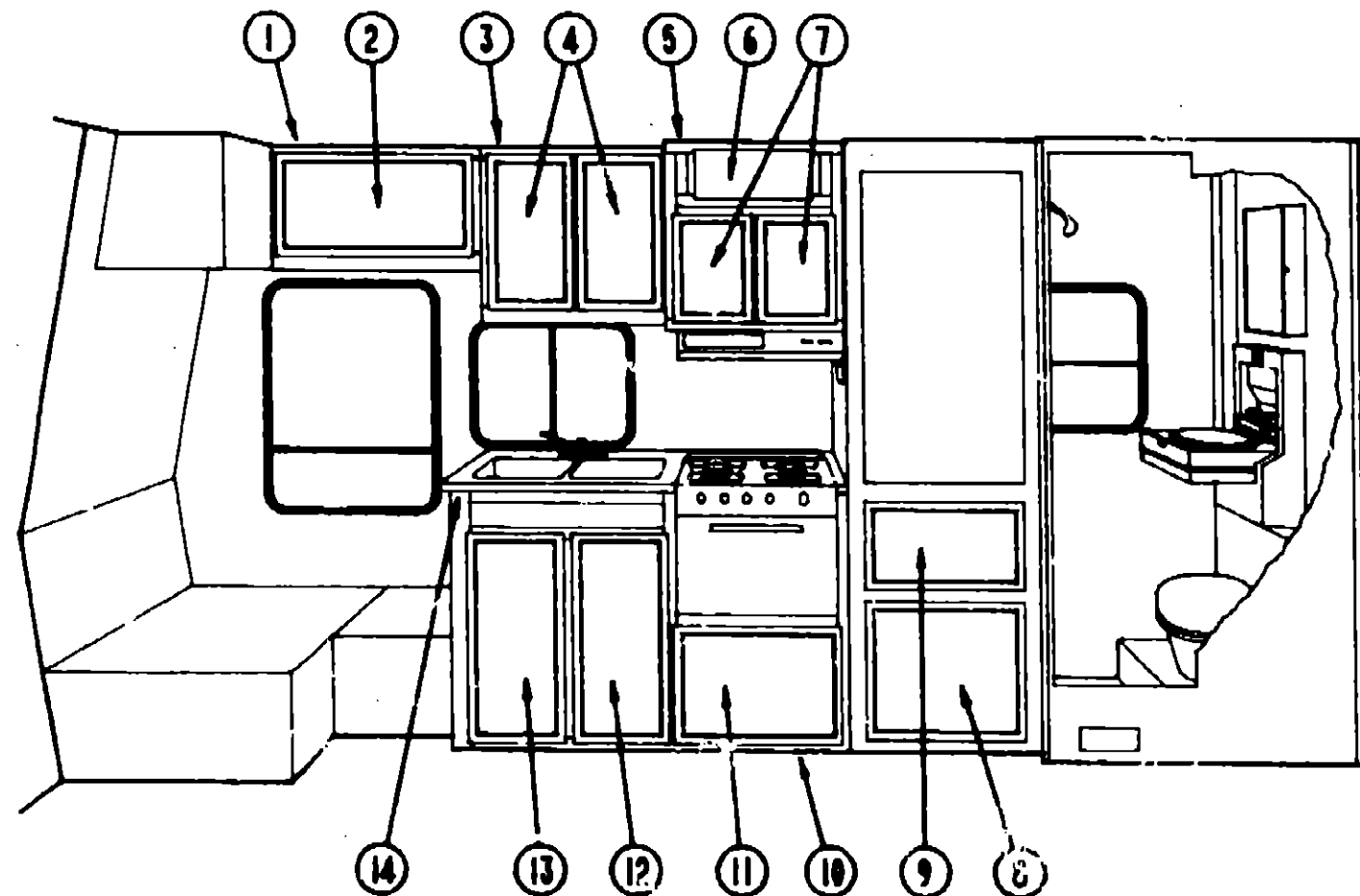
INTRODUCTION	A-01 - A-02
ABBREVIATIONS	A-03
ALPHABETICAL/GROUP REFERENCE	A-04 - A-06
WC321RG	A-07 - D-02
WC324RC	D-03 - F-23

## 1991 WC321RG INDEX

Floor Plan	A-07 - A-08
Accessories Group	A-09 - A-11
Bath Group	A-12 - A-13
Chassis Group	A-14 - A-16
Curtain, Cushion & Pad Group	A-17 - A-24
Dinette Group	B-01 - B-02
Driver's Compartment Group	B-03 - B-06
Electrical Group	B-07 - B-09
Exterior Body Group	B-10 - B-14
Galley Group	B-15 - B-18
Heating & Air Conditioning Group	B-19 - B-20
Interior Finish Group	B-21 - B-23
Labels Group	B-24 - C-07
LP Group	C-08
Lounge Group	C-09
Sealants & Fasteners Group	C-10 - C-11
Water & Sewage Group	C-12 - C-13
Window, Vent & Exterior Door Group	C-14 - D-01



## GALLEY GROUP



### GALLEY CABINETRY

Key	Part Number	U/M	Description
1	P00212-01-B05 092025-04-B05	EA	Cabinet - Couch Overhead - w/o Door or Hardware End Cap - Couch Overhead
2	P00099-32-B05	EA	Door Asm. - Couch Cabinet - 14" x 27" - w/o Hardware
3	P00211-01-B05 081280-36-B05	EA	Cabinet - Sink Overhead - w/o Doors or Hardware End Cap - Sink Overhead Cabinet
4	P00099-51-B05	EA	Door Asm. - Sink Overhead - 12" x 21.85" - w/o Hardware
5	M04168-02-B05 M04168-04-B05	EA	Cabinet - Range Overhead - w/o Doors or Hardware Cabinet - Microwave Overhead - w/o Doors or Hardware
6	081280-34-B05	EA	End Cap - Overhead Cabinet
7	P00099-88-B03	EA	Door Asm. - Overhead Cabinet - 7" x 21.8" - w/o Hardware
8	P00099-24-B05	EA	Door Asm. - Range Overhead Cabinet - 14.4" x 10.8" - w/o Hardware
9	P00099-29-B05	EA	Door Asm. - Refrigerator Cabinet - 21.85" x 14.38" - w/o Hardware
10	P00099-44-B05	EA	Door Asm. - Refrigerator Cabinet - 21.85" x 19.88" - w/o Hardware
11	P00099-53-B05	EA	Door Asm. - Galley Cabinet - 15.9" x 21.9" - w/o Hardware
11	M99236-01-B05	EA	Cabinet Asm. - Galley - w/o Doors or Hardware (US)
11	M04024-02-B05	EA	Cabinet Asm. - Galley - w/o Doors or Hardware (CSA)
12	P00099-87-B05	EA	Door Asm. - Galley Cabinet - 10" x 25.2" - w/o Hardware
13	P00099-13-B05	EA	Door Asm. - Galley Cabinet - 11.37" x 26.77" - w/o Hardware
14	099236-11-B05	EA	Countertop Asm. - Galley Cabinet

## GALLEY GROUP (CONTINUED)

### GALLEY HARDWARE

Key	Part Number	U/M	Description
	094745-01-01A	EA	Trim - Microwave - Lower
	094774-01-01A	EA	Trim - Microwave - Either Side - .5"
	094774-03-01A	EA	Trim - Microwave - Either Side - 1.5"
	094750-01-000	EA	Bracket - Microwave - 90°
	084073-03-000	EA	Vent - Refrigerator - Roof - Off White
	084073-04-000	EA	Base - Roof Vent - Norcold Refrigerator - Black
	054450-01-000	EA	Level - Refrigerator
	084876-09-000	EA	Vent - Range Hood - Short
	066437-01-000	EA	Strainer - w/Basket - Sink
	066437-01-700	EA	Basket - Strainer
	011053-04-000	EA	Faucet - w/Swing Spout - 8"
	011053-01-700	EA	Aerator - Swing Spout Faucet
	091253-01-000	EA	Gasket - Faucet
	009049-01-000	EA	Support - Extension - Galley Cabinet
	009059-01-000	EA	Hinge - Galley Extension - Brass
	059777-02-000	EA	Hinge - Burnished Brass
	100030-01-000	EA	Pull - Cabinet
	072369-34-000	EA	Mesh - Expanded Aluminum - Bronze
	037688-03-000	EA	Center Guide - Drawer
	037688-04-000	EA	Bracket - Rail Mounting - Bottom
	037688-05-000	EA	Bracket - Rail Mounting - Rear
	037688-01-000	EA	Rail - Drawer Guide - "V"
	093586-03-000	EA	Catch - Spring Roller
	093586-04-000	EA	Strike - Spring Steel
	090329-01-000	FT	Seal - Refrigerator Cabinet
	098654-01-000	EA	Sink - Galley - Double w/Mounting Hardware - Stainless Steel
	081530-01-B05	EA	Sink Cover
	099979-01-000	EA	Clip - Adjustable Shelf
	099980-01-000	EA	Pilaster - Adjustable Shelf - 18" Long

## 1991 WINNEBAGO TABLE OF CONTENTS

INTRODUCTION	A-01 - A-02
ABBREVIATIONS	A-03
ALPHABETICAL/GROUP REFERENCE	A-04 - A-06
WC321RG	A-07 - D-02
WC324RC	D-03 - F-23

## 1991 WC321RG INDEX

Floor Plan	A-07 - A-08
Accessories Group	A-09 - A-11
Bath Group	A-12 - A-13
Chassis Group	A-14 - A-16
Curtain, Cushion & Pad Group	A-17 - A-24
Dinette Group	B-01 - B-02
Driver's Compartment Group	B-03 - B-06
Electrical Group	B-07 - B-09
Exterior Body Group	B-10 - B-14
Galley Group	B-15 - B-18
Heating & Air Conditioning Group	B-19 - B-20
Interior Finish Group	B-21 - B-23
Labels Group	B-24 - C-07
LP Group	C-08
Lounge Group	C-09
Sealants & Fasteners Group	C-10 - C-11
Water & Sewage Group	C-12 - C-13
Window, Vent & Exterior Door Group	C-14 - D-01

**GALLEY APPLIANCES**

Key	Part Number	U/M	Description
	064473-03-000	EA	Refrigerator - 2 Way - 4.9 Cu.Ft.
	064473-03-700	EA	Electrode Asm.
	064473-03-701	EA	Heater AC - Horizontal Burner
	064473-03-702	EA	Heater DC - 3 Way - Horizontal
	064473-03-703	EA	Burner Tube
	064473-03-704	EA	Door Gasket - Almond
	064473-03-705	EA	Door Liner - Foamed - Almond
	064473-03-706	EA	Door Frame - Plastic - 3 Sides
	064473-03-707	EA	Trim - Door Shelf - Brown Insert
	064473-03-708	EA	Connector Rod - For Dairy Door
	064473-03-709	EA	Pin & Chain Travel Lock
	064473-03-710	EA	Breaker Strip - Right Hand - Brown
	064473-03-711	EA	Handle - Freezer Door - Brown
	064473-03-712	EA	Door Asm. - Freezer - Brown
	064473-03-713	EA	Drip Tray
	064473-03-714	EA	Mode Selector Knob
	064473-03-715	EA	Thermostat Knob
	064473-03-716	EA	Switch - 3 Way
	064473-03-717	EA	Control Panel Insert - 3 Way
	064473-03-718	EA	Cooling Unit - Horizontal Burner
	064473-03-719	EA	Flue - Horizontal Burner
	064473-03-720	EA	Relighter
	064473-03-721	EA	Combination Control
	064473-03-722	EA	Control Panel Insert - 2 Way
	064473-03-723	EA	Door Frame Cap - Plastic - Brown
	064473-03-724	EA	Door Asm. - Freezer - Black
	064473-03-725	EA	Trim - Door Shelf - Black Insert
	064473-03-726	EA	Dairy Keeper - Black
	064473-03-727	EA	Latch - Travel - Middle - Black
	064473-03-728	EA	Trim - Decorative - Pin & Chain
	064473-03-729	EA	Cover For Burner Box
	100256-01-01A	EA	Hood Range w/o Monitor Panel
	100258-03-01A	EA	Hood Henge - w/o Monitor Panel - Almond (US) (Option L39E)
	100258-02-01A	EA	Hood Range - w/o Monitor Panel - Almond (CSA) (Option L265)
	096983-01-702	EA	Switch - Two Way - Momentary - Generator (If used)
	096983-01-700	EA	Switch - ON/OFF - Fan/Lamp
	092696-01-709	EA	Bulb - #912
	092696-01-710	EA	Socket - Light
	096983-01-706	EA	Lens - Lamp
	090973-01-700	EA	Motor
	090973-01-702	EA	Blade - Fan
	096983-01-707	EA	Filler - Grease
	092696-01-707	EA	Vent - Gasket
	100258-10-01A	EA	Hourmeter - Ventline (Option 39E)

**GALLEY APPLIANCES (CONTINUED)**

Key	Part Number	U/M	Description
	091269-04-000	EA	Oven - Microwave - Magic Chef
	055282-04-000	EA	Range - 4 Burner w/Oven - Magic Chef
	055282-03-708	EA	Bumper - Main Top - Plastic Plug
	049045-01-742	EA	Burner Asm. - Oven
	064782-02-715	EA	Clip - Grate
	055282-03-702	EA	Knob - Thermostat
	081374-02-701	EA	Regulator - Pressure
	055282-03-700	EA	Thermostat
	049045-01-703	EA	Valve - Top - Burner
	064782-02-705	EA	Handle - Oven Door - Black
	049045-01-728	EA	Broiler Pan - w/o Insert
	098507-02-700	EA	Filter - Pilot
	098507-02-701	EA	Insert - Burner (Slotted Vent)
	064782-02-701	EA	Shield - Deflector Flue - Black
	049045-01-741	EA	Insert - Broiler Pan
	064782-02-710	EA	Bracket - Front Glass
	064782-02-712	EA	Grate - Top - Burner - Square Holes
	064782-02-714	EA	Fitting - Pipe Nipple - 1/8"
	098507-01-701	EA	Top - Main - Almond
	064782-02-708	EA	Valve - Mercury Control
	055282-04-700	EA	Panel - Oven Door - Almond
	098507-02-707	EA	Top - Main - Ebony
	102022-01-01A	EA	Range - 16" - 4 Burner - Almond
	102022-01-700	EA	Door Panel - Black
	102022-01-701	EA	Trim - Left
	102022-01-702	EA	Manifold Pipe
	102022-01-703	EA	Pressure Regulator
	102022-01-704	EA	Outer Glass
	097617-01-01A	EA	Panel - Monitor - Almond
	097617-01-700	EA	Plate - Cover
	097617-01-701	EA	Switch - On/Off - Almond
	097617-01-702	EA	Switch - 1 Way - Almond
	097617-01-703	EA	Circuit Board
	097618-01-000	EA	Wire Asm. - Monitor Panel

These parts were used from 8/13/90 on.

**1991 WINNEBAGO  
TABLE OF CONTENTS**

INTRODUCTION	A-01 - A-02
ABBREVIATIONS	A-03
ALPHABETICAL/GROUP REFERENCE	A-04 - A-06
WC321RG	A-07 - D-02
WC324RC	D-03 - F-23

**1991 WC321RG INDEX**

Floor Plan	A-07 - A-08
Accessories Group	A-09 - A-11
Bath Group	A-12 - A-13
Chassis Group	A-14 - A-16
Curtain, Cushion & Pad Group	A-17 - A-24
Dinette Group	B-01 - B-02
Driver's Compartment Group	B-03 - B-06
Electrical Group	B-07 - B-09
Exterior Body Group	B-10 - B-14
Galley Group	B-15 - B-18
Heating & Air Conditioning Group	B-19 - B-20
Interior Finish Group	B-21 - B-23
Labels Group	B-24 - C-07
LP Group	C-08
Lounge Group	C-09
Sealants & Fasteners Group	C-10 - C-11
Water & Sewage Group	C-12 - C-13
Window, Vent & Exterior Door Group	C-14 - D-01

FURNACES & REPAIR PARTS

Key	Part Number	U/M	Description
	075695-01-000	EA	Furnace - Direct Ignition - 24,000 BTU - Suburban
	092300-01-705	EA	Electrode
	069634-01-733	EA	Relay - Timer - Delay
	092300-01-723	EA	Motor Asm.
	075695-01-706	EA	Wheel - Room Air
	075695-01-708	EA	Microswitch Asm.
	074465-01-706	EA	Wheel - Combustion
	075696-02-728	EA	Gasket - Crossover Tube
	092300-01-724	EA	Gasket - Motor Mount
	092300-01-727	EA	Gasket - Combustion Air Housing
	075696-02-714	EA	Vent Cap & Exhaust Tube Asm.
	069634-01-729	EA	Gas Valve
	075695-01-711	EA	Cabinet Asm.
	075695-01-703	EA	Gas Pipe Inlet
	075695-01-710	EA	Front - Cabinet
	069633-01-700	EA	Switch - Limit
	069633-01-701	EA	Orifice - Main Burner
	092300-01-704	EA	Electrode Gasket
	069634-01-706	EA	Module Board
	069634-01-709	EA	Elbow - 90° - Black Iron
	069634-01-716	EA	Manual Shutoff Valve
	075696-01-703	EA	U-Clip - Tinnerman
	094334-01-000	EA	Electrical Plug - 3 Position
	074035-01-715	EA	Electrode Wire
	092300-01-706	EA	Burner Access Door
	069634-01-732	EA	Gasket - Burner Access Door
	075695-01-704	EA	Manifold Asm.
	069634-01-712	EA	Gasket - Manifold
	075695-01-705	EA	Burner Asm.
	092300-01-721	EA	Blower Housing Asm.
	075696-02-727	EA	Motor Mount Bracket
	075696-01-706	EA	Housing - Combustion Air Asm.
	075696-02-735	EA	Housing - Combustion Air - Outside
	093365-01-000	EA	Thermostat - Suburban Furnace
	009198-01-000	FT	Duct - Flexible - 4" ID x 25'
	056464-05-000	EA	Register - 4" Dia. - Plastic - w/o Damper - Golden
	056462-02-000	EA	Register - 4" Dia. - Plastic - w/o Damper - Brown
	009200-01-000	EA	Tape - Furnace - 1 1/2"
	010326-01-000	EA	Adapter - Flare - w/Cone Gasket
	023146-01-000	EA	Clamp - Screw Type - 4"
	094334-01-000	EA	Plug - Electrical - 3 Position
	069636-02-000	EA	Connector Duct - 4" ID

ROOF AIR CONDITIONER & PARTS

Key	Part Number	U/M	Description
	093764-01-000	EA	Ceiling Asm. - Air Conditioner - Cool Only (Option 29)
	042204-01-709	EA	Thermostat In - 64, Out - 58
	042205-01-702	EA	Thermostat In - 89, Out - 58
	073742-01-701	EA	Selector Switch (5 - Terminal)
	073742-01-702	EA	Decal - Cool Only
	073742-01-703	EA	Decal - Heat & Cool
	081606-01-708	EA	Limit Switch (Open 160, Close 110)
	091225-01-713	EA	Knob (2 Per Package)
	076303-01-707	EA	Filter - 6" x 14 3/4" x 1/2" (12 Per Package)
	091225-01-717	EA	Decal (Thermostat) Cool Only
	081606-01-712	EA	Ceiling Shroud (Ivory)
	093763-01-705	EA	Decal - Heat/Cool - Thermostat
	093763-01-706	EA	Heat Element
	093763-01-710	EA	Single Parts Package
	092441-01-000	EA	Ceiling Asm. - Air Conditioner - 220 Volt (European) (Option 29)
	093763-01-C4A	EA	Air Conditioner - 110 Volt - Roof Mount - 13,500 BTU - Off White (Option 29)
	093763-04-700	EA	Shroud - Roof A/C - w/o Logos
	093763-01-711	EA	Gasket - Package
	093763-01-712	EA	Fan Blade - Condenser
	093306-01-701	EA	Decal Package - Left & Right
	073742-02-704	EA	Run Capacitor (Compressor)
	091225-01-710	EA	Start Capacitor
	091225-01-709	EA	Start Relay
	076303-01-712	EA	Motor
	093763-01-702	EA	Overload
	093763-01-703	EA	Impellor - 7" Dia. x 10" Wide
	093763-01-704	EA	Capacitor - Fan
	093763-01-705	EA	Evaporator Coil
	093763-01-708	EA	Condenser Coil
	093763-01-713	EA	Compressor - E Series
	092440-01-000	EA	Air Conditioner - 220 Volt - Roof Mount - 13,500 BTU (European) (Option 29)
	084077-03-000	EA	Cover - Blank - Roof Air Conditioner - Ivory
	022756-01-000	EA	Cover - A/C - Black Plastic

1991 WINNEBAGO  
TABLE OF CONTENTS

INTRODUCTION	A-01 - A-02
ABBREVIATIONS	A-03
ALPHABETICAL/GROUP REFERENCE	A-04 - A-06
WC321RG	A-07 - D-02
WC324RC	D-03 - F-23

1991 WC321RG INDEX

Floor Plan	A-07 - A-08
Accessories Group	A-09 - A-11
Bath Group	A-12 - A-13
Chassis Group	A-14 - A-16
Curtain, Cushion & Pad Group	A-17 - A-24
Dinette Group	B-01 - B-02
Driver's Compartment Group	B-03 - B-06
Electrical Group	B-07 - B-09
Exterior Body Group	B-10 - B-14
Galley Group	B-15 - B-18
Heating & Air Conditioning Group	B-19 - B-20
Interior Finish Group	B-21 - B-23
Label Group	B-24 - C-07
LP Group	C-08
Lounge Group	C-09
Sealants & Fasteners Group	C-10 - C-11
Water & Sewage Group	C-12 - C-13
Window, Vent & Exterior Door Group	C-14 - D-01

INTERIOR MOLDINGS & TRIMS

Key	Part Number	U/M	Description
	081294-02-000	EA	Molding - Shelf - Knotted Wood - 8' Long
	083620-01-000	FT	T-Molding - End Cap - Edge - 3/4" - Brown
	083620-07-000	FT	T-Molding - End Cap - Edge - 3/4" - Pecan
	009815-09-000	FT	T-Molding - .75" - Ivory
	009812-17-000	EA	Molding - Plastic Corner - Outside - 1/2" - Oak
	009812-25-000	EA	Molding - Plastic Corner - Outside - 1/2" - Pecan
	022992-11-000	FT	Molding - Reverse Cove - T-Shaped - Vinyl - Ivory
	070504-06-000	FT	U-Channel - .815 - Pecan
	070504-20-000	FT	U-Channel - .815" - Oak
	009778-13-000	FT	U-Channel - 1" - Pecan
	009778-11-000	FT	U-Channel - 1" - Light Oak
	009767-12-000	FT	Welling - Antique White (Ceiling to Wall)
	092331-F2-134	EA	Molding - Vinyl Wrapped - 2.5" x 7'
	092330-D2-438	EA	Lumber - Vinyl Wrapped - 1.5" x 8'
	074045-07-000	EA	Plug - Wood - 1/2"

These parts were used from 5/19/90 on.

BATT STRIPS

Key	Part Number	U/M	Description
	067733-70-000	EA	Batt Strip - Oak - 8'
	085284-03-000	FT	Batt Strip - Oak - Tape Adhesive
	085284-03-700	FT	Batt Strip - Oak - Tape Adhesive - 3" x 250'
	088263-49-000	EA	Batt Strip - Decorative - Plain - 8' (Wall)
	085284-37-000	FT	Batt Strip - Decorative - Plain - Tape Adhesive (Wall)
	085284-38-000	FT	Batt Strip - Bone - 8' - Tape Adhesive (Shower)
	088263-51-000	EA	Batt Strip - Crosshik Spatter - Beige (Ceiling)
	088263-19-000	EA	Batt Strip - Shower - 8'

PANELING & COUNTERTOP MATERIAL

Key	Part Number	U/M	Description
	074497-10-000	SF	Paneling - Oak - 48" x 84" (28 SF) (Cabinets)
	074497-18-000	SF	Paneling - Crosshik - 48" x 96" (32 SF) (Ceiling)
	074497-14-700	EA	Sealer - Stain - Ceiling
	089351-03-000	YD	Vinyl - Ceiling Diamond Design - 54" Wide
	088272-71-000	SF	Paneling - Decorative - Plain - 48" x 84" (28 SF) (Wall)
	088272-60-000	SF	Paneling - Decorative - Patterned w/Blossoms - 48" x 84" (28 SF) (Wall)
	088272-72-000	SF	Paneling - Travertine White - 48" x 84" (28 SF) (Shower)
	074498-36-000	SF	Plastic Laminate - Rose - 48" x 96" (32 SF)
	076325-30-000	FT	Molding - Edge Band - Rose

These parts were used from 10/1/90 on.

FABRICS & CARPETS

Key	Part Number	U/M	Description
	072333-75-000	YD	Fabric - Drapery - Beige (Privacy)
	084416-25-000	YD	Fabric - Drapery Laminate - Driftwood (Pull Shades)
	096008-41-000	YD	Fabric - Upholstery - Main - Patterned (B05)
	096008-49-000	YD	Fabric - Upholstery - Main - Patterned (B05)
	096008-40-000	YD	Fabric - Upholstery - Accent - Plain (B05)
	096008-47-000	YD	Fabric - Upholstery - Accent - Plain (B06)
	096008-39-000	YD	Fabric - Upholstery - Accent - Patterned (B05)
	096008-48-000	YD	Fabric - Upholstery - Accent - Patterned (B06)
	072333-67-000	YD	Fabric - Speaker Cover
	075244-03-000	YD	Vinyl - Shower Curtain - Almond
	079680-09-000	YD	Vinyl - Off White
	029219-01-000	YD	Fabric - Vinyl - 54" - White
	096008-15-000	YD	Carpet - Sand (B05)
	096008-16-000	YD	Carpet - Teal (B06)
	076004-02-000	FT	Tape - Heat Bonded - Carpet Seam
	087034-02-000	SF	Plastic Runner - Carpet - 4' Wide - Clear
	078539-01-000	EA	Trim - Carpet - Cab - Passenger - 29" Long
	078539-02-000	EA	Trim - Carpet - Cab - Driver - 29" Long
	093873-01-02A	EA	Trim - "J" - 12' Long - Vinyl - T
	087745-01-000	FT	Trim - "J" - Carpet - PVC - Beige - 10' Long
	087356-04-000	EA	Trim - Cab Carpet - Extruded - 12" x 05.4" - Black

NOTE: Replace vinyl flooring locally.

CABINETS & TABLE HARDWARE

Key	Part Number	U/M	Description
	053200-05-000	EA	Bracket - Table Support - Upper Wall Mount - 23.5" - Beige
	024275-05-000	EA	Rod - Table Lift - 8" x 23.5" - Beige
	064781-07-000	EA	Cup Holder - Two Stage - Beige
	088410-01-000	EA	Bracket - Lift - Table Mounted - Beige
	024281-06-000	EA	Bracket - Lift - Rod - Lower Wall Mount - Beige
	024278-21-000	EA	Leg Asm. - Table - Beige
	064050-03-000	EA	Clamp - Saddle - Leg Hinge - Tan
	024282-01-000	EA	Brace - Table Leg - Hinged
	024283-01-000	EA	Clip - Leg - 1" x 1.12" OD - Black
	059777-02-000	EA	Hinge - Antique Light Brass
	100030-01-000	EA	Pull - Cabinet Door
	098979-01-000	EA	Clip - Adjustable Shelf
	098980-01-000	EA	Pilaster - Adjustable Shelf
	074493-02-000	EA	Support - Sprung - Door
	004354-01-000	EA	Bumper - Cabinet Door - Rubber - Brown
	063586-03-000	EA	Catch - Spring - Roller
	093586-04-000	EA	Strike - Spring Steel
	072369-28-000	EA	Mesh - Expanded Aluminum - 14" x 10" - Bronze
	084070-01-000	EA	Center Post - Brass
	084070-02-000	EA	End Post - Brass
	084071-06-000	EA	Rod - Brass - 2.5"
	009112-01-000	EA	Flange - 1" - Clothes Rod - Plastic - Off White
	042438-01-000	EA	Wood Dowel - Clothes Rod - 1" Dia. x 4'
	041953-03-000	FT	Conduit - Convolute Slit - 1" ID (Clothes Rod Cover)
	078940-01-000	EA	Hold Down Cord - Bungie - 24"
	062046-01-000	EA	Clip - Pedestal Leg
	077409-02-000	EA	Slide - Drawer - Plastic - 20.75"
	077404-02-000	EA	Plastic Drawer - 20" x 12.7" - Beige
	094067-01-01A	EA	Divider - Plastic Drawer
	065740-01-000	EA	Brace - Cabinet Corner - Plastic
	088252-02-000	FT	Trim - Chrome - 1" Wide w/Pressure Sensitive Backing

1991 WINNEBAGO  
TABLE OF CONTENTS

INTRODUCTION	A-01 - A-02
ABBREVIATIONS	A-03
ALPHABETICAL/GROUP REFERENCE	A-04 - A-06
WC321RG	A-07 - D-02
WC324RC	D-03 - F-23

1991 WC321RG INDEX

Floor Plan	A-07 - A-08
Accessories Group	A-09 - A-11
Bath Group	A-12 - A-13
Chassis Group	A-14 - A-16
Curtain, Cushion & Pad Group	A-17 - A-24
Dinette Group	B-01 - B-02
Driver's Compartment Group	B-03 - B-03
Electrical Group	B-07 - B-09
Exterior Body Group	B-10 - B-14
Galley Group	B-15 - B-18
Heating & Air Conditioning Group	B-19 - B-20
Interior Finish Group	B-21 - B-23
Labels Group	B-24 - C-07
LP Group	C-08
Lounges Group	C-09
Sealants & Fasteners Group	C-10 - C-11
Water & Sewage Group	C-12 - C-13
Window, Vent & Exterior Door Group	C-14 - D-01

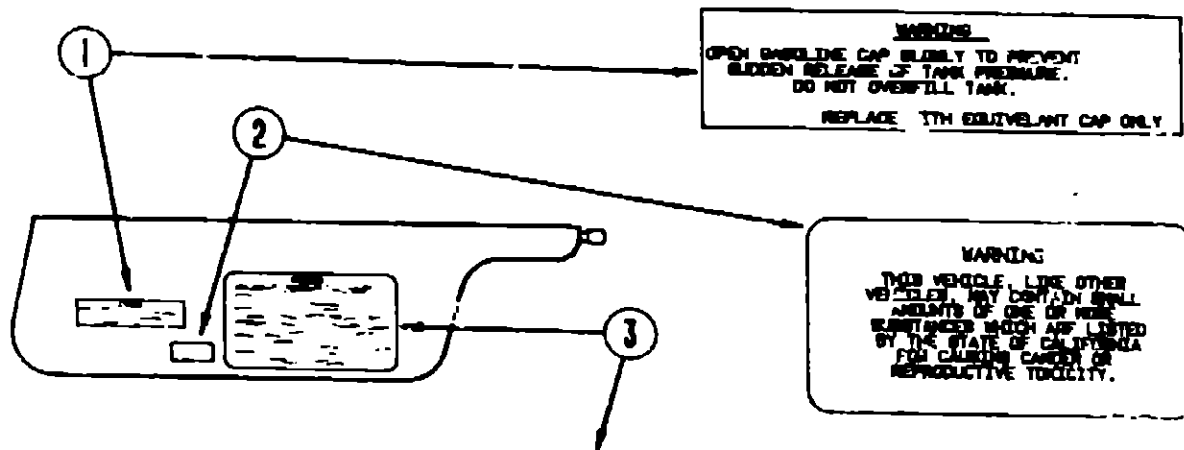
CURTAIN & CUSHION HARDWARE

Key	Part Number	U/M	Description
	083801-01-000	EA	Track - Shower Curtain - Off White
	009701-01-000	EA	Carrier - Shower Curtain
	009702-01-000	EA	End - Stop - Curtain Carrier - Shower
	009136-01-000	EA	Pin - Shower Curtain
	029092-01-000	EA	Stud - Nickel Finish
	029093-01-000	EA	Eyelet - Nickel Finish
	029155-01-000	EA	Cap - Snap
	029156-01-000	EA	Socket - Snap Fastener
	089916-01-000	EA	Mount - Window Leg - Black
	089522-04-000	EA	Panel - Window Leg - 2.5" Face
	101032-01-000	FT	Track - Curtain - Ceiling Mount - White (Valance)
	101033-01-000	FT	Track - Curtain - Low Profile - White
	101033-02-000	EA	End Cap - Track - Clear
	101031-01-000	EA	Tape - Glide - 4.25" Spacing
	095591-02-000	EA	Bracket - Blind - Hold Down w/Pin
	075943-01-000	EA	Brace - Window Valance - Beige
	093170-01-000	EA	Bracket - Blind - Front
	083170-02-000	EA	Bracket - Blind - Rear
	093475-01-700	EA	Wand - Blind w/Metal Clip - 8" Long
	093475-01-701	EA	End Cap - Blind w/Stud
	057534-01-000	EA	Tieback - 6" - Clear Plastic
	085774-01-000	FT	Fastener - Dual Hook - 1" Wide - Adhesive Back - Black
	085774-02-000	FT	Fastener - Dual Loop - 1" Wide - Adhesive Back - Black
	088792-02-000	YD	Velcro Tape - Adhesive Back - Loop - 3/4" Wide
	048394-02-000	YD	Velcro Tape - Adhesive Back - Hook - 3/4" Wide
	088792-03-000	YD	Velcro - Loop - 3/4"
	087253-01-000	EA	Pull - Roller Shade - Clear Plastic
	084434-01-000	EA	Bracket - Mounting - Roller Shade - 1 3/8"
	087253-01-000	EA	Pull - Roller Shade - Clear Plastic
	096843-01-000	EA	Spring - Rewind - Roller Shade
	084432-06-000	FT	Slat - Roller Shade - Plastic

MISCELLANEOUS PARTS

Key	Part Number	U/M	Description
	053552-02-AA8	EA	Handle Asm. - Interior Assist
	000D20-07-00B	EA	Nut - Acorn - Assist Handle - 7/16" x 14 ZN
	000C16-07-16B	EA	Bolt - Carriage - Assist Handle - 7/16" - 14 x 1" ZN
	069178-02-000	EA	Bracket - Mounting - Assist Handle
	094499-02-000	EA	Fire Extinguisher - Dry IA 10BC
	094499-01-000	EA	Fire Extinguisher w/Mounting Bracket - Dry IA 10BC
	094499-01-700	EA	Bracket - Mounting - w/Plastic Strap
	094651-01-01A	EA	Recessed Holder - Fire Extinguisher - Light Oak
	072852-01-000	EA	Smoke Detector w/9 Volt Battery
	054185-63-000	EA	Owners Manual - 1991 Warrior
	092318-01-000	EA	Binder - 3-Ring - Motor Home Manual
	092319-01-000	EA	Pocket Page - 3-Ring Binder - Plastic
	098084-05-000	EA	Cassette - Winnebago "Warrior"
	100603-01-01A	EA	Wall Clock - Round Bezel
	083219-01-000	EA	Floor Mat - w/"Winnebago" Logo - Passenger (Ford)
	083219-02-000	EA	Floor Mat - w/"Winnebago" Logo - Driver (Ford)
	083218-01-000	EA	Floor Mat - w/"Winnebago" Logo - Passenger (Chevrolet)
	083218-02-000	EA	Floor Mat - w/"Winnebago" Logo - Driver (Chevrolet)
	007038-01-000	EA	Floor Mat - w/"Winnebago" Logo - 10.5" x 26" - Black Rubber

Key	Part Number	U/M	Description
1	087207-05-000	EA	Label - Fuel Cap Removal
2	099689-01-000	EA	Label - Warning - Cancer/Toxicity
3	056259-01-000	EA	Label - Safety Check List



**WARNING**  
 OPEN BUNKER CAP SLOWLY TO PREVENT  
 SUDDEN RELEASE OF TANK PRESSURE.  
 DO NOT OVERFILL TANK.  
 REPLACE WITH EQUIVALENT CAP ONLY.

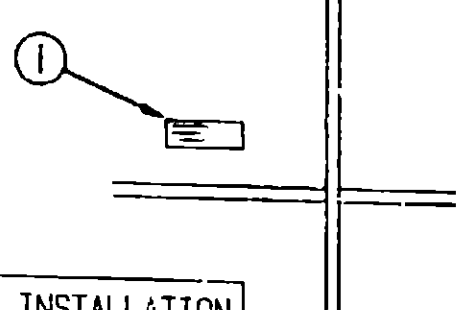
**WARNING**  
 THIS VEHICLE, LIKE OTHER  
 VEHICLES, MAY CONTAIN SMALL  
 AMOUNTS OF ONE OR MORE  
 SUBSTANCES WHICH ARE LISTED  
 BY THE STATE OF CALIFORNIA  
 AS CAUSING CANCER OR  
 REPRODUCTIVE TOXICITY.

**CAUTION**

THIS MOTOR HOME HAS BEEN DESIGNED, MANUFACTURED AND TESTED WITH CONCERN FOR THE PROTECTION OF ITS OCCUPANTS. WE RECOMMEND YOU PERFORM THE FOLLOWING INSPECTIONS FOR YOUR SAFETY AND THE SAFETY OF YOUR PASSENGERS BEFORE STARTING YOUR VEHICLE.

1. LP GAS SYSTEM- TURN OFF AT TANK FOR TRAVELING. TEST FOR LEAKS UPON ARRIVAL AT DESTINATION. INSURE LIGHTING PILOTS.
2. WHEELS- INSPECT FOR DAMAGE AND CHECK LUB NUTS FOR TIGHTNESS.
3. TIRES- INSPECT FOR WEAR AND CHECK FOR RECOMMENDED AIR PRESSURE.
4. LIGHTING- TEST FOR PROPER OPERATION OF ALL INTERIOR AND EXTERIOR LIGHTS INCLUDING DASH LIGHTS, HEADLIGHTS, TAIL LIGHTS, BRAKE LIGHTS, CLEARANCE LIGHTS AND TURN SIGNALS.
5. EXITS- INSPECT RELEASE MECHANISM ON EMERGENCY EXIT WINDOW. TEST BOTH LOCKS ON EACH ENTRANCE DOOR FOR EASE OF OPERATION AND INSTRUCT PASSENGERS HOW TO USE BOTH MEANS OF EXIT.
6. SEAT BELTS- DIRECT PASSENGERS TO DESIGNATED SEATS AND REINFORCE USE OF SEAT BELTS.
7. APPLIANCES- TURN OFF AND LATCH OR LOCK DOORS WHERE PROVIDED.
8. LOOSE PARTS- STORE SECURELY.
9. UTILITY SUPPLY LINES- DISCONNECT ALL ELECTRIC, SEWER AND WATER LINES AND SECURE PROPERLY.
10. ENTRANCE DOOR STEP- PLACE IN RETRACTED POSITION FOR TRAVELING.

READ YOUR MOTOR HOME AND CHASSIS OWNER'S MANUAL FOR FURTHER PRECAUTIONS



FOR AWNING INSTALLATION  
 CONTACT YOUR MOTORHOME  
 DEALERSHIP

Key	Part Number	U/M	Description
1	099509-01-000	EA	Label - Awning Installation

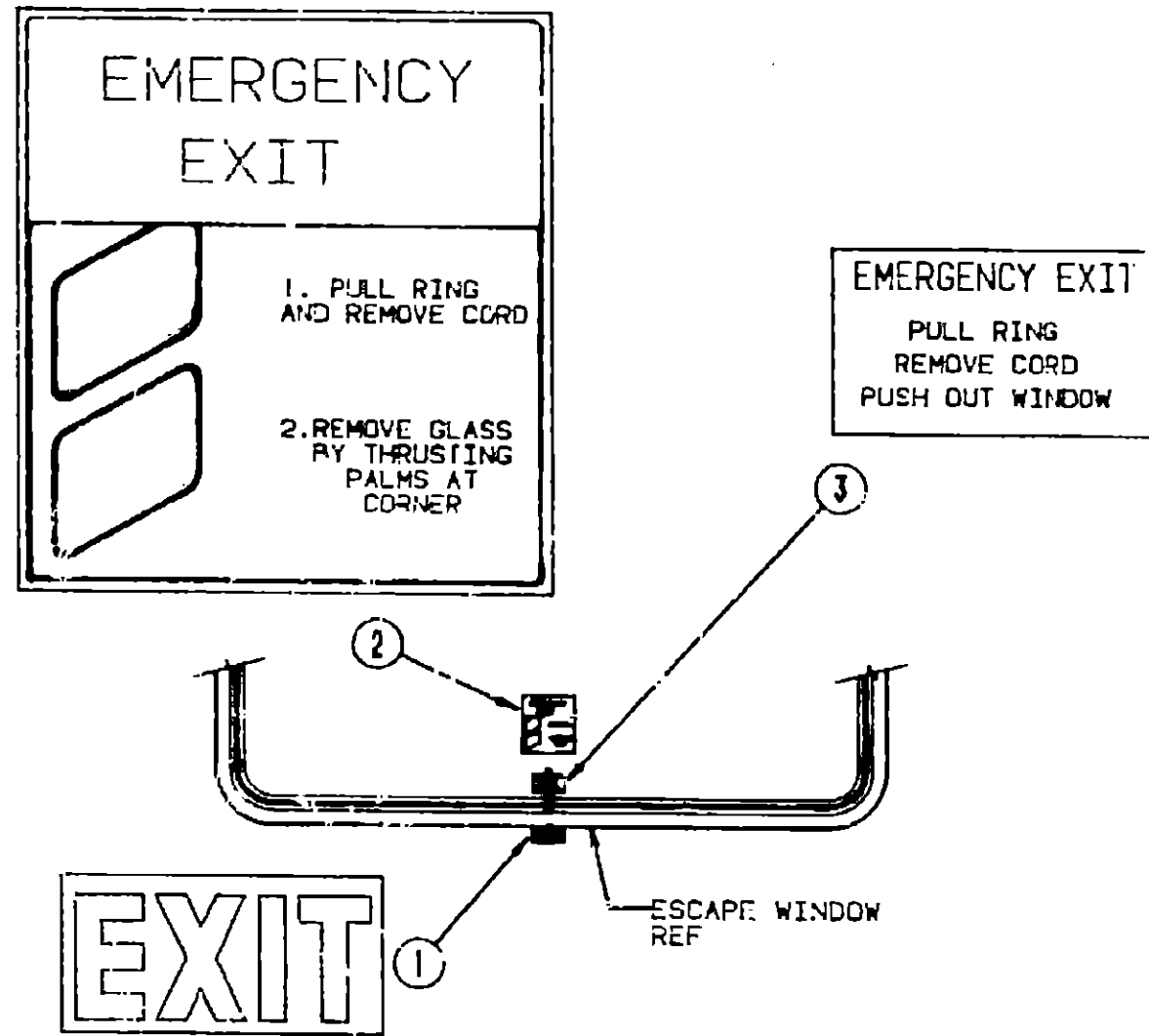
1991 WINNEBAGO  
 TABLE OF CONTENTS

INTRODUCTION	A-01 - A-02
ABBREVIATIONS	A-03
ALPHABETICAL/GROUP REFERENCE	A-04 - A-06
WC321RG	A-07 - D-02
WC324RC	D-03 - F-23

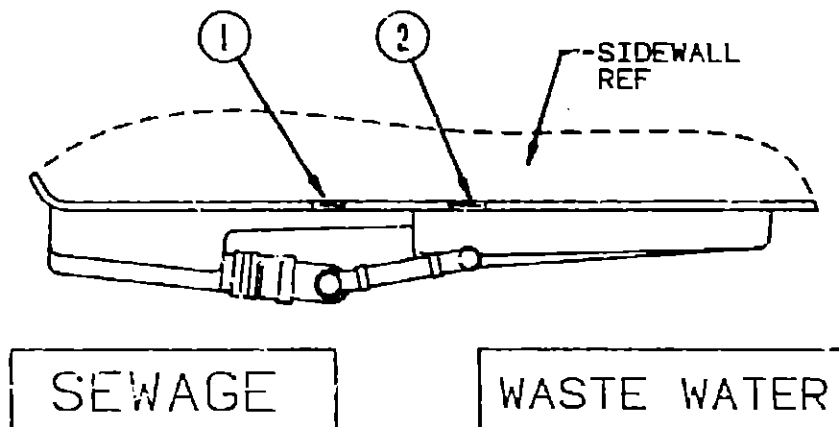
1991 WC321RG INDEX

Floor Plan	A-07 - A-08
Accessories Group	A-09 - A-11
Bath Group	A-12 - A-13
Chassis Group	A-14 - A-18
Curtain, Cushion & Pad Group	A-17 - A-24
Dinette Group	B-01 - B-02
Driver's Compartment Group	B-03 - B-06
Electrical Group	B-07 - B-09
Exterior Body Group	B-10 - B-14
Galley Group	B-15 - B-18
Heating & Air Conditioning Group	B-19 - B-20
Interior Finish Group	B-21 - B-23
Labels Group	B-24 - C-07
LP Group	C-08
Lounge Group	C-09
Sealants & Fasteners Group	C-10 - C-11
Water & Sewage Group	C-12 - C-13
Window Vent & Exterior Door Group	C-14 - D-01

**LABELS GROUP (CONTINUED)**

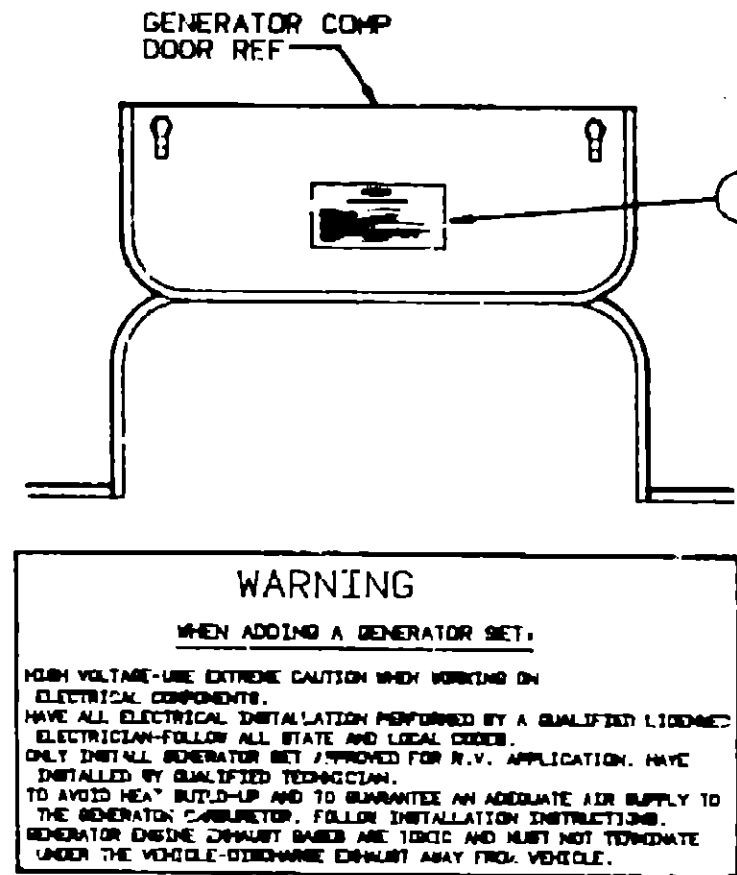


Key	Part Number	U/M	Description
1	039290-01-000	EA	Label - Warning - Exit
2	047731-01-000	EA	Label - Emergency Exit
3	006199-01-000	EA	Label - Exit - Escape Window

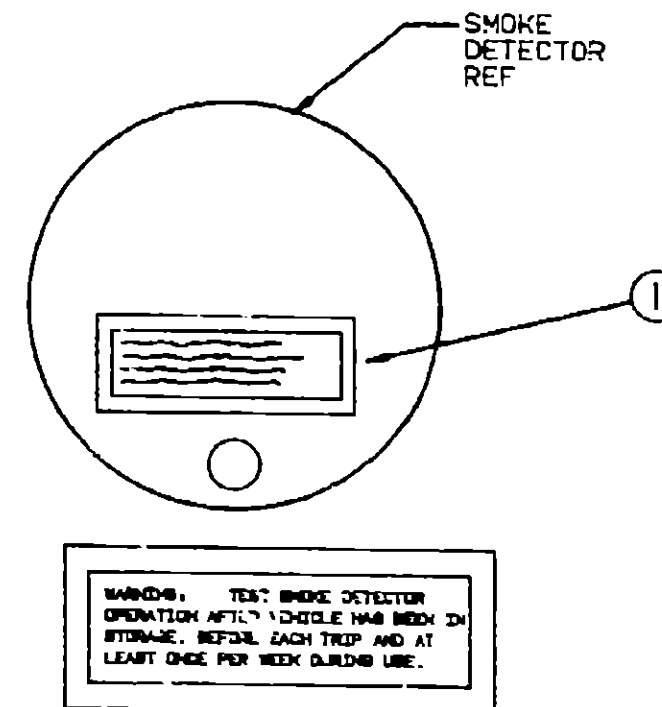


Key	Part Number	U/M	Description
1	006187-01-000	EA	Label - Sewage
2	006188-01-000	EA	Label - Waste Water

**LABELS GROUP (CONTINUED)**



Key	Part Number	U/M	Description
1	077510-01-000	EA	Label - Generator Prep



Key	Part Number	U/M	Description
1	077956-01-000	EA	Label - Warning - Smoke Detector

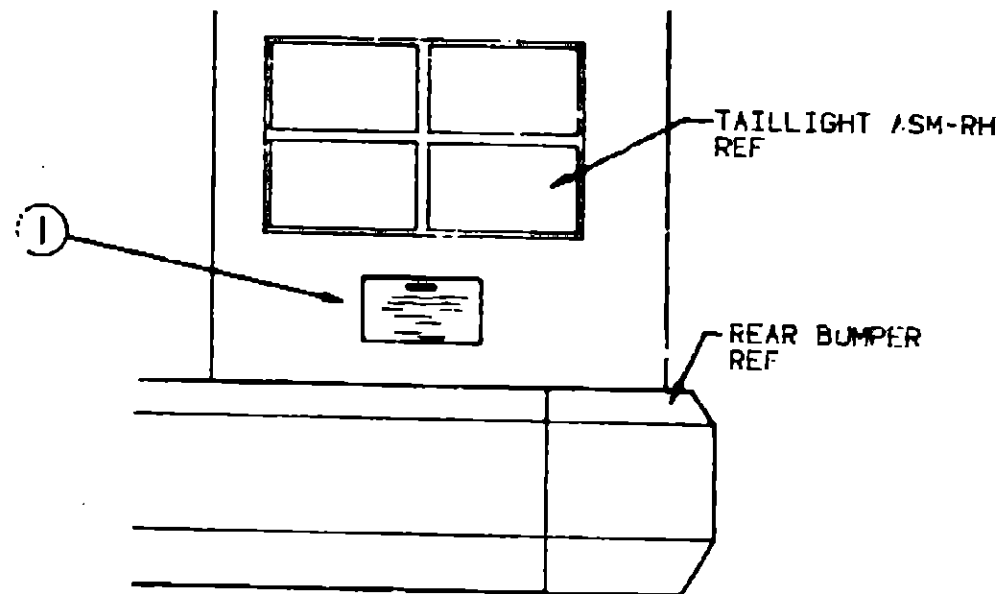
**1991 WINNEBAGO  
TABLE OF CONTENTS**

INTRODUCTION	A-01 - A-02
ABBREVIATIONS	A-03
ALPHABETICAL/GROUP REFERENCE	A-04 - A-06
WC321RG	A-07 - D-02
WC324RC	D-03 - F-23

**1991 WC321RG INDEX**

Floor Plan	A-07 - A-08
Accessories Group	A-09 - A-11
Bath Group	A-12 - A-13
Chassis Group	A-14 - A-16
Curtain, Cushion & Pad Group	A-17 - A-24
Dinette Group	B-01 - E-02
Driver's Compartment Group	B-03 - J-06
Electrical Group	B-07 - B-09
Exterior Body Group	B-10 - B-14
Galley Group	B-15 - B-18
Heating & Air Conditioning Group	E-19 - B-20
Interior Finish Group	B-21 - B-23
Labels Group	B-24 - C-07
LP Group	C-08
Lounge Group	C-09
Sealants & Fasteners Group	C-10 - C-11
Water & Sewage Group	C-12 - C-13
Window, Vent & Exterior Door Group	C-14 - D-01

**LABELS GROUP (CONTINUED)**

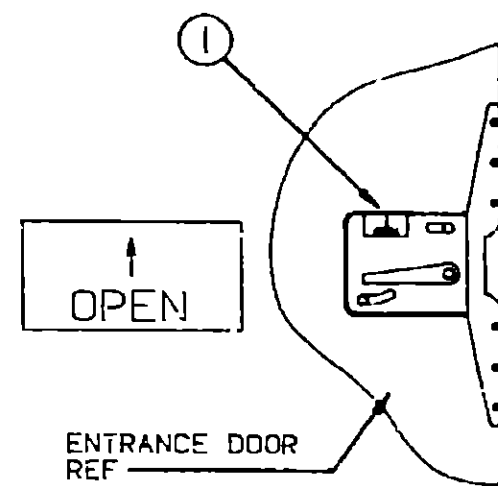


**WARNING**

DO NOT EXCEED THE VEHICLE WEIGHT RATINGS OR LOADING RECOMMENDATIONS (E.G., GROSS VEHICLE, GROSS AXLE, GROSS COMBINED) OF THE CHASSIS MANUFACTURER OR WINNEBAGO IND.

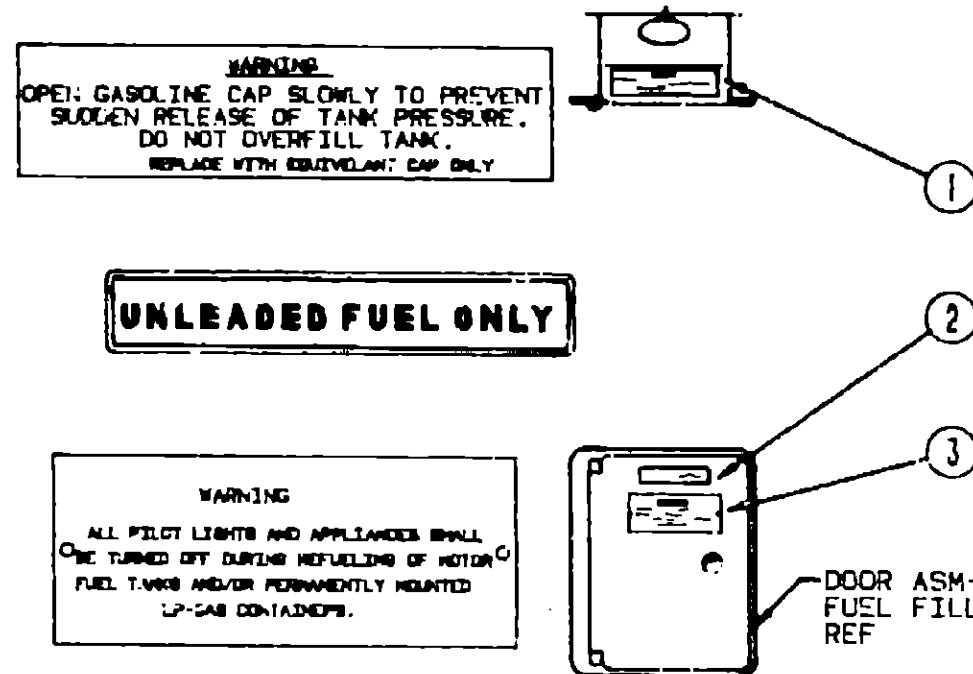
REFER TO YOUR OWNERS MANUAL, BEFORE LOADING OR TOWING.

Key	Part Number	U/M	Description
1	075220-01-000	EA	Label - Warning - Exterior Load
	075221-01-000	EA	Label - Warning - Towing Capacity



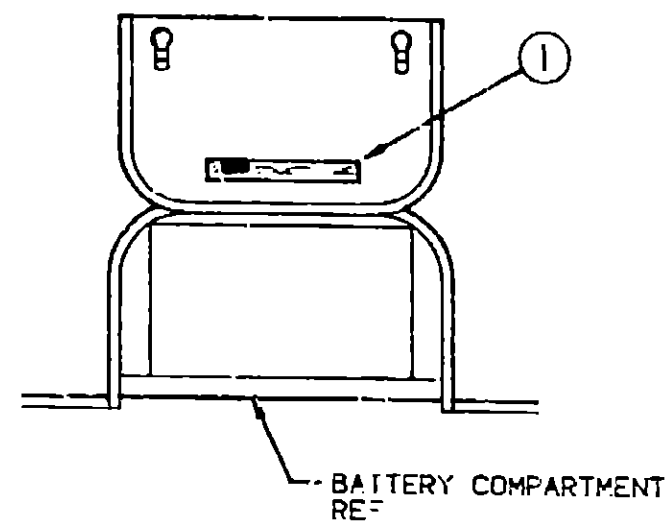
Key	Part Number	U/M	Description
1	040944-01-000	EA	Label - Open - Entrance Door

**LABELS GROUP (CONTINUED)**



Key	Part Number	U/M	Description
1	087207-05-000	EA	Label - Fuel Cap Removal
2	062043-01-000	EA	Label - Unleaded Fuel Only
	061417-01-000	EA	Label - Fuel
3	006040-01-000	EA	Tag - Gas Refueling Warning (US)
3	006040-02-000	EA	Tag - Gas Refueling Warning (CSA)

**WARNING** DISCONNECT BATTERIES BEFORE CONNECTING EXTERNAL CHARGING EQUIPMENT.



Key	Part Number	U/M	Description
1	065748-01-000	EA	Label - Caution - Battery Charging

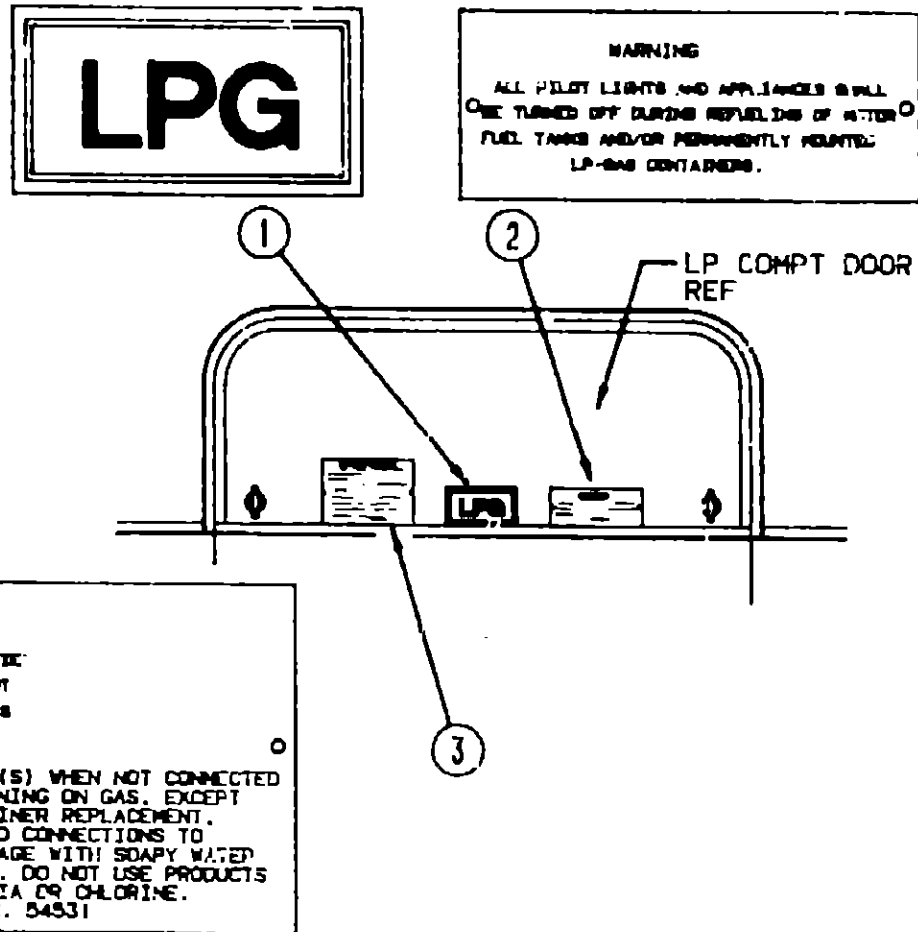
**1991 WINNEBAGO TABLE OF CONTENTS**

INTRODUCTION	A-01 - A-02
ABBREVIATIONS	A-03
ALPHABETICAL/GROUP REFERENCE	A-04 - A-06
WC321RG	A-07 - D-02
WC324RC	D-C3 - F-23

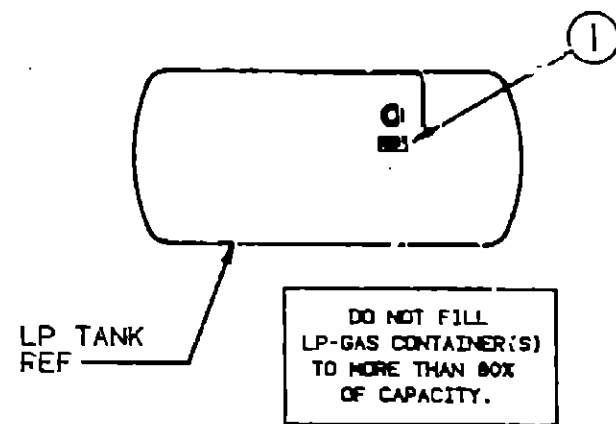
**1991 WC321RG INDEX**

Floor Plan	A-07 - A-08
Accessories Group	A-09 - A-11
Bath Group	A-12 - A-13
Chassis Group	A-14 - A-16
Curtain, Cushion & Pad Group	A-17 - A-24
Dinette Group	B-01 - B-02
Driver's Compartment Group	B-03 - B-06
Electrical Group	B-07 - B-09
Exterior Body Group	B-10 - B-14
Galley Group	B-15 - B-18
Heating & Air Conditioning Group	B-19 - B-20
Interior Finish Group	B-21 - B-23
Labels Group	B-24 - C-07
LP Group	C-08
Lounge Group	C-09
Sealants & Fasteners Group	C-10 - C-11
Water & Sewage Group	C-12 - C-13
Window, Vent & Exterior Door Group	C-14 - D-01

**LABELS GROUP (CONTINUED)**

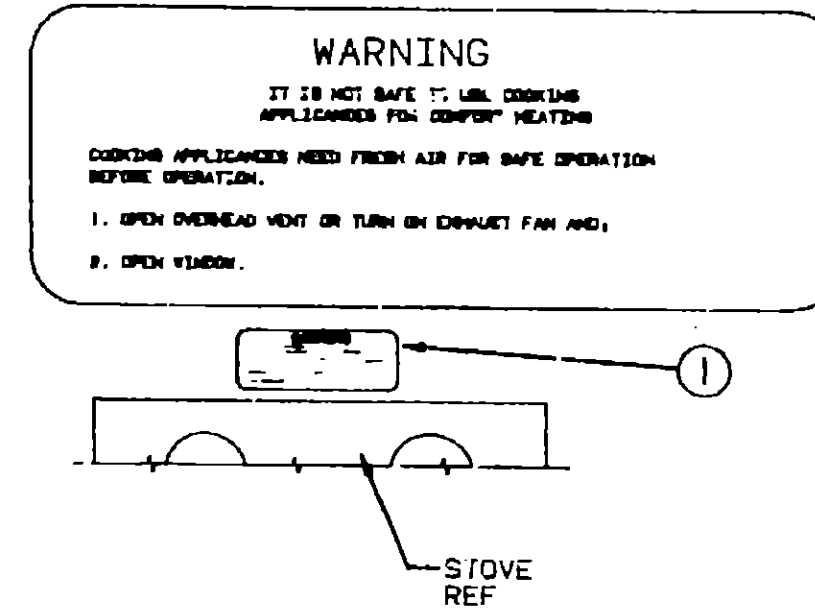


Key	Part Number	U/M	Description
1	074559-01-000	EA	Label - "LPG" - 3.3" x 1.75" (California Code)
2	006040-01-000	EA	Tag - Gas Refueling - Warning (US)
2	006040-02-000	EA	Tag - Gas Refueling - Warning (CSA)
3	054531-01-000	EA	Label - LP Gas Only
	023769-01-000	EA	Label - Warning - LPG (CSA)

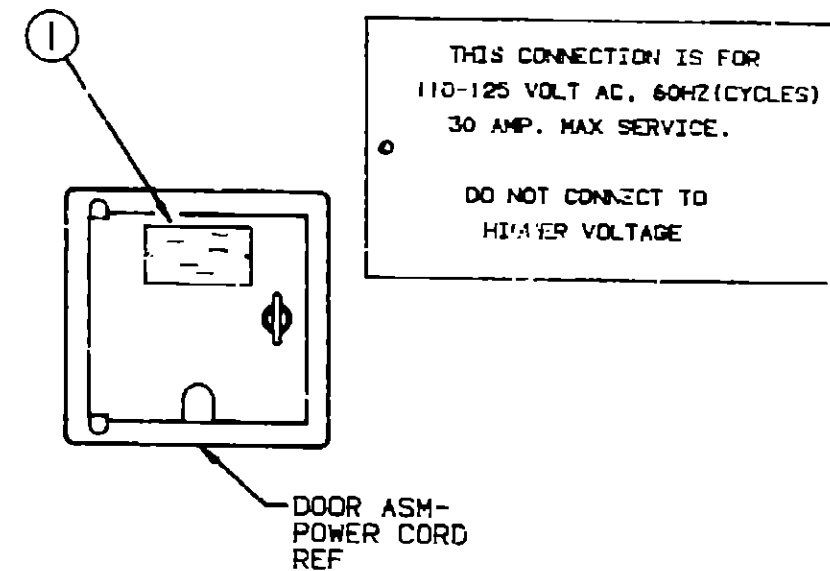


Key	Part Number	U/M	Description
1	079965-01-000	EA	Label - LPG - 80% Capacity

**LABELS GROUP (CONTINUED)**



Key	Part Number	U/M	Description
1	050225-01-000	EA	Label - Warning - Stove Vent



Key	Part Number	U/M	Description
1	006062-01-000	EA	Tag - Electrical - 110 Volt Connection

**1991 WINNEBAGO TABLE OF CONTENTS**

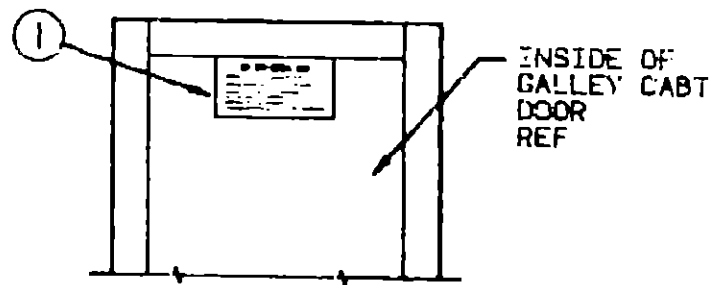
INTRODUCTION	A-01 - A-02
ABBREVIATIONS	A-03
ALPHABETICAL/GROUP REFERENCE	A-04 - A-06
WC321RG	A-07 - D-02
WC324RC	D-03 - F-23

**1991 WC321RG INDEX**

Floor Plan	A-07 - A-08
Accessories Group	A-09 - A-11
Bath Group	A-12 - A-13
Chassis Group	A-14 - A-16
Curtain, Cushion & Pad Group	A-17 - A-24
Dinette Group	B-01 - B-02
Driver's Compartment Group	B-03 - B-06
Electrical Group	B-07 - B-09
Exterior Body Group	B-10 - B-14
Galley Group	B-15 - B-18
Heating & Air Conditioning Group	B-19 - B-20
Interior Finish Group	B-21 - B-23
Labels Group	B-24 - C-07
LP Group	C-08
Lounge Group	C-09
Sealants & Fasteners Group	C-10 - C-11
Water & Sewage Group	C-12 - C-13
Window, Vent & Exterior Door Group	C-14 - D-01



**LABELS GROUP (CONTINUED)**



INSIDE OF GALLEY CABT DOOR REF

**IF YOU SMELL GAS**

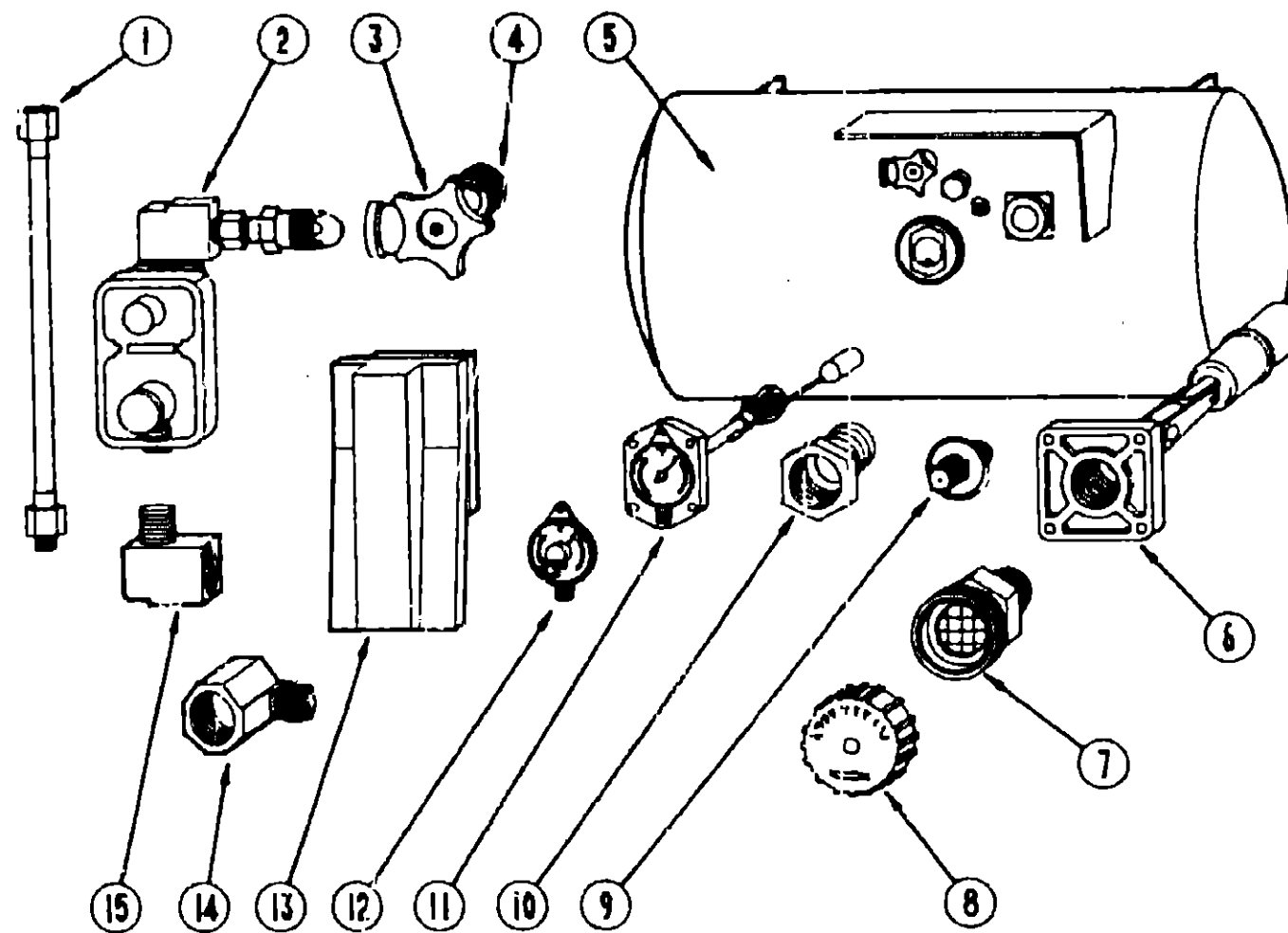
1. EXTINGUISH ANY OPEN FLAME, PILOT LIGHTS AND ALL BURNING MATERIALS.
2. SHUT OFF THE GAS SUPPLY AT THE TANK VALVE OR GAS SUPPLY CONNECTION.
3. OPEN DOORS AND OTHER VENTILATING OPENINGS.
4. DO NOT TOUCH ELECTRICAL SWITCHES.
5. LEAVE THE AREA UNTIL DOOR CLEARS.
6. HAVE THE GAS SYSTEM CHECKED AND LEAKAGE SOURCE CORRECTED BEFORE USING AGAIN.

Key	Part Number	U/M	Description
1	073998-01-000	EA	Label - LPG - Odor Warning

**MISCELLANEOUS LABELS**

Key	Part Number	U/M	Description
	006C54-01-000	EA	Label - Seat - w/o Seat Belt
	091243-01-000	EA	Label - A/C Cover
	006019-01-000	EA	Tag - RVI Approved - Plastic

**LP GROUP**



**LP TANK & COMPONENTS**

Key	Part Number	U/M	Description
1	045703-01-000	EA	Hose Asm. - LP - 3/8" ID x 24" (US)
1	045703-02-000	EA	Hose Asm. - LP - 3/8" ID x 24" (CSA)
2	076301-01-000	EA	Regulator - Two Stage
3	040421-01-708	EA	Handwheel - Service Valve
4	040421-01-712	EA	Service Valve w/Handwheel
5	097821-01-000	EA	Tank Asm. - LP - 60 Pound - 14" Diameter x 30" Long
6	040421-01-711	EA	Valve - 80% w/Float Plate, Bolts & Gauges
7	040421-01-701	EA	Valve - Filter - LP
8	040421-01-702	EA	Cap - Plastic - Fill Valve
9	040421-01-700	EA	Valve - Liquid Level - 20% LP
10	040421-01-713	EA	Pressure Relief Valve
11	040421-01-707	EA	Gauge - Float - 60 Pound Tank
12	040440-01-000	EA	Dial - Visible Face - Float Gauge
13	081938-01-000	EA	Cover - LP Regulator
14	065310-02-000	EA	Elbow - 90° - 3/8" MPT x 3/8" FPT
15	065742-01-000	EA	Tee - .38 F x .37 F x .25 FPT
	065741-01-000	EA	Gauge - Diaphragm Pressure - Test Leak
	008042-01-000	FT	Tubing - Vinyl - .65" ID
	010377-01-000	EA	Nut - 3/8" F - Brass
	010380-02-000	EA	Nut - 1/2" F - Brass - Forged
	010377-02-000	EA	Nut - 3/8" F - Brass - Forged
	010323-01-000	EA	Adapter - Brass - 3/8" F x 1/2" MPT (Ford)
	016188-03-000	EA	Grommet - LP Line - 3/8" Hole x 2 1/2" Dia. - Rubber
	084884-01-000	EA	Brass - Plug - 3/8"

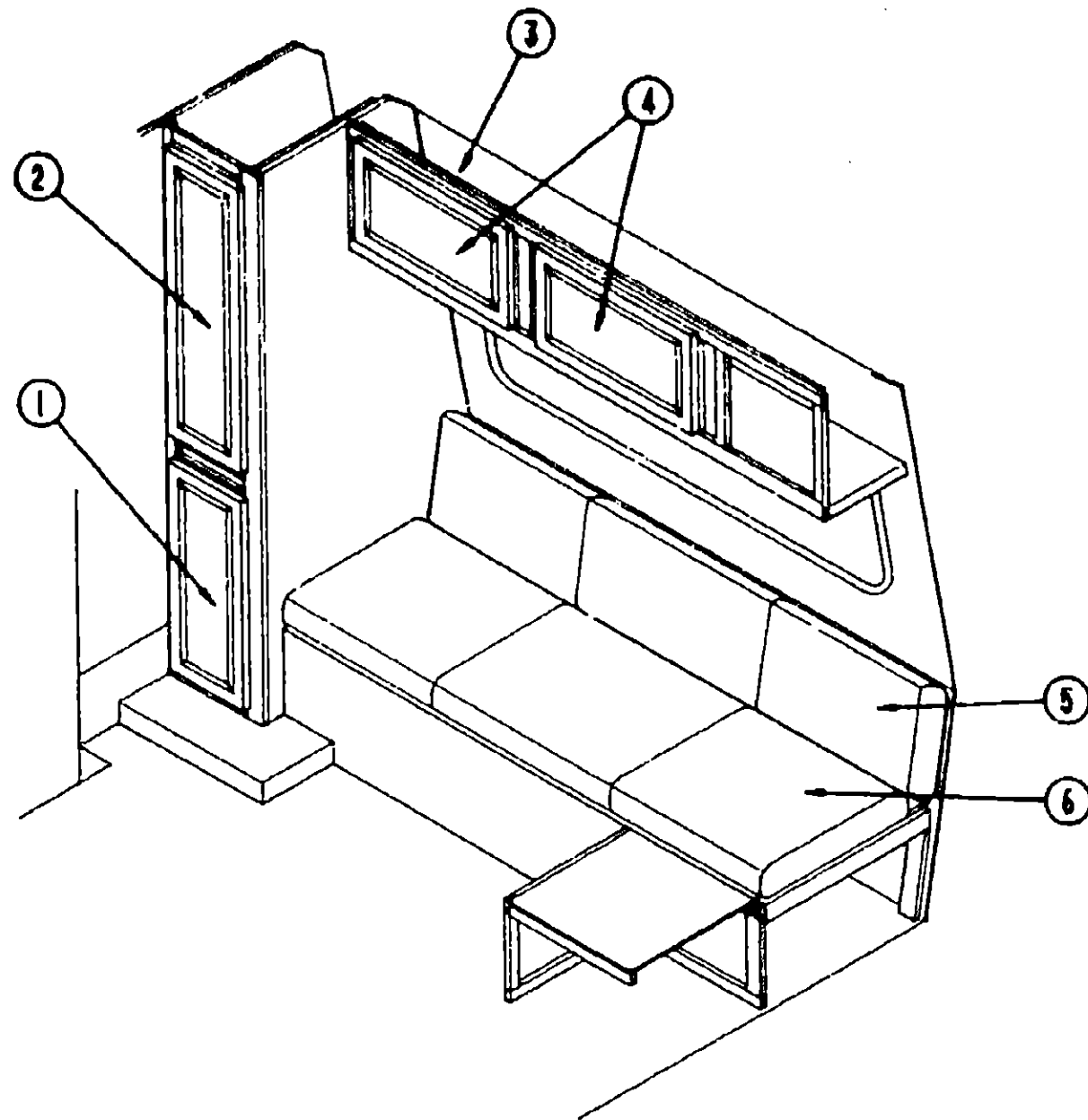
**1991 WINNEBAGO TABLE OF CONTENTS**

INTRODUCTION	A-01 - A-02
ABBREVIATIONS	A-03
ALPHABETICAL/GROUP REFERENCE	A-04 - A-06
WC321RG	A-07 - D-02
WC324RC	D-03 - F-23

**1991 WC321RG INDEX**

Floor Plan	A-07 - A-08
Accessories Group	A-09 - A-11
Bath Group	A-12 - A-13
Chassis Group	A-14 - A-16
Curtain, Cushion & Pad Group	A-17 - A-24
Dinette Group	B-01 - B-02
Driver's Compartment Group	B-03 - B-06
Electrical Group	B-07 - B-09
Exterior Body Group	B-10 - B-14
Galley Group	B-15 - B-16
Heating & Air Conditioning Group	B-19 - B-20
Interior Finish Group	B-21 - B-23
Labels Group	B-24 - C-07
LP Group	C-08
Lounge Group	C-09
Sealants & Fasteners Group	C-10 - C-11
Water & Sewage Group	C-12 - C-13
Window, Vent & Exterior Door Group	C-14 - D-01

## LOUNGE GROUP



### LOUNGE CABINETRY & HARDWARE

Key	Part Number	U/M	Description
1	P00099-43-B05	EA	Door - Cabinet - 12" x 39.96" - w/o Hardware
2	P00099-49-B05	EA	Door - Cabinet - 12" x 29.13" - w/o Hardware
3	P00203-01-B05	EA	Cabinet - Lounge Overhead - w/o Doors or Hardware
4	P00099-32-B05	EA	Door - Cabinet - 14" x 27" - w/o Hardware
	P00212-01-B05	EA	Cabinet - Sidewall Overhead - w/o Door or Hardware
	082825-04-B04	EA	End Cap - Side Overhead
	081298-01-B05	EA	Pedestal Table - w/o Leg or Base
	009040-03-000	EA	Table Base - Raised Table Mount
	009040-06-000	EA	Leg - Pedestal Table - 27.5"
	041194-01-000	EA	Table Base - Flush Floor Mount
	076840-01-000	EA	Hold Down - Bungie Cord - 24"
*5	100032-05-B05	EA	Back - Couch/Presto Bed
*5	100032-05-B06	EA	Back - Couch/Presto Bed
*6	100032-06-B05	EA	Seat - Couch/Presto Bed
*6	100032-06-B06	EA	Seat - Couch/Presto Bed

\* See Curtain, Cushion & Pad Group for further breakdown of these items.

## SEALANTS & FASTENERS GROUP

### SCREWS & FASTENERS

Key	Part Number	U/M	Description
	000C13-07-48A	EA	Bolt - Hex - 7/16 - 20 x 3 - Zn 5
	000C26-05-20B	EA	Bolt - Hex - Ser Fig 5/16 - 18 x 1 1/4" - Zinc
	000D24-10-00B	EA	Nut - Hex - Locking - 10-32 - Zn
	000D39-05-00B	EA	Nut - Hex - Ser Fig Lk - 5/16 - 18 - Zn
	000D39-06-00B	EA	Nut - Hex - Ser Fig Lk - 3/8 - 16 - Zn
	000D39-08-00B	EA	Nut - Hex - Ser Fig Lk - 1/2 - 13 - Zn
	000D44-07-00B	EA	Nut - Hex - Ser Fig Lk - 7/16 - 20 - Zn
	000E13-11-00B	EA	Washer - Flat - 3/16" Wide - Zn
	000G11-06-10J	EA	Screw - 6 - 20 x 5/8 PPH - Brass
	000G11-07-08B	EA	Screw - 7 - 19 x 1/2 PPH - Zn
	000G11-08-06B	EA	Screw - 8 - 18 x 3/8 PPH - Zn
	000G11-08-12B	EA	Screw - 8 - 18 x 3/4 PPH - Zn
	000G11-08-12D	EA	Screw - 8 - 18 x 3/4 PPH - Black
	000G11-08-12P	EA	Screw - 8 - 18 x .75 - Dark Brown
	000G11-08-12R	EA	Screw - 8 - 18 x .75 PPH - Beige
	000G11-08-12S	EA	Screw - 8 - 18 x .75 PPH - Off White
	000G11-08-16S	EA	Screw - 8 - 18 x 1.00 PPH - Off White
	000G11-10-12D	EA	Screw - 10 - 16 x 3/4 PPH - Black
	000G11-10-24P	EA	Screw - 10 - 16 x 1 1/2 PPH - Dark Brown
	000G12-08-12S	EA	Screw - 8 - 18 x .75 POH - Off White
	000G12-08-16S	EA	Screw - 8 - 18 x 1" POH - Off White
	000G13-06-08B	EA	Screw - 6 - 20 x 1/2 PFH - Zn
	000G13-06-10G	EA	Screw - 6 - 20 x 5/8 PFH - Antique Brass
	000G13-07-12B	EA	Screw - 7 - 19 x 3/4 PFH - Zn
	000G13-08-16B	EA	Screw - 8 - 18 x 1 PFH - Zn
	000G18-08-12B	EA	Screw - Machine - 8 - 32 x 3/4" PPH - Zn
	000G18-08-16S	EA	Screw - Machine - 8 - 32 x 1 PPH - Zn
	000G18-08-22B	EA	Screw - Machine - 8 - 32 x 1 3/8 PPH - Zn
	000G39-08-08B	EA	Screw - SF/DR 8 - 18 x 1/2 PPH - Zn
	000G39-08-08R	EA	Screw - SF/DR 8 - 18 x 1/2 PPH - Beige
	000G39-08-12B	EA	Screw - SF/DR 8 - 18 x 3/4 PPH - Zn
	000G39-08-12R	EA	Screw - SF/DR 8 - 18 x 3/4 PPH - Beige
	000G39-08-16S	EA	Screw - SF/DR 8 - 18 x 1.00 PPH - Off White
	000G39-08-24B	EA	Screw - SF/DR 8 - 18 x 1 1/2 PPH - Zn
	000G39-08-24S	EA	Screw - SF/DR 8 - 18 x 1.50 PPH - Off White
	000G39-10-10S	EA	Screw - SF/DR 10 - 16 x .62" PPH - Off White
	000G39-10-12D	EA	Screw - SF/DR 10 - 16 x 3/4 PPH - Black
	000G39-10-20B	EA	Screw - SF/DR 10 - 16 x 1 1/4 PPH - Zn
	000G42-04-16B	EA	Screw - SF/DR 1/4 - 14 x 1 HWH - Zn
	000G53-04-06B	EA	Screw - Machine - 1/4 - 20 x 3/8 PPH - Zn
	000G54-04-20B	EA	Screw - 1/4 - 20 x 1 1/4 PTH Typ 23 - Zn
	000G67-10-08B	EA	Screw - 10 - 12 x 1/2 PPH - Zn
	000G67-10-08R	EA	Screw - 10 - 12 x 1/2 PPH - Beige - Type A
	000G67-10-10B	EA	Screw - 10 - 12 x 5/8 PPH - Zn - Type A
	000G67-10-10R	EA	Screw - 10 - 12 x 5/8 PPH - Beige - Type A
	000G67-10-12B	EA	Screw - 10 - 12 x 3/4 PPH - Zn
	000G67-10-12P	EA	Screw - 10 - 12 x .75 PPH - Dark Brown
	000G67-10-120	EA	Screw - 10 - 12 x .75 PPH - Tan
	000G67-10-24B	EA	Screw - 10 - 12 x 1 1/2 PPH - Zn
	000G67-10-32B	EA	Screw - 10 - 12 x 2 PPH - Zn
	000G68-06-10G	EA	Screw - 6 - 18 x 5/8 POH - Antique Brass
	000H16-04-06R	EA	Rivet - Pop - AL 1/8 x .313 - .375
	005081-01-000	EA	Nut - Speed - C Type - No. 8 Screw
	062401-02-000	EA	Clamp - Hose - Wormgear - 1.56" - 2.5"
	062401-06-000	EA	Clamp - Hose - Wormgear - .22" x .62"
	007161-01-000	EA	Clamp - Hose - Spring Type - 1/2"
	008343-01-000	EA	Tie - Wire - 6"
	008386-01-000	EA	Grommet - Snap - 3/8

## 1991 WINNEBAGO TABLE OF CONTENTS

INTRODUCTION	A-01 - A-02
ABBREVIATIONS	A-03
ALPHABETICAL/GROUP REFERENCE	A-04 - A-06
WC321RG	A-07 - D-02
WC324RC	D-03 - F-23

## 1991 WC321RG INDEX

Floor Plan	A-07 - A-08
Accessories Group	A-09 - A-11
Bath Group	A-12 - A-13
Chassis Group	A-14 - A-16
Curtain, Cushion & Pad Group	A-17 - A-24
Dinette Group	B-01 - B-02
Driver's Compartment Group	B-03 - B-06
Electrical Group	B-07 - B-09
Exterior Body Group	B-10 - B-14
Galley Group	B-15 - B-18
Heating & Air Conditioning Group	B-19 - B-20
Interior Finish Group	B-21 - B-23
Labels Group	B-24 - C-07
LP Group	C-08
Lounge Group	C-09
Sealants & Fasteners Group	C-10 - C-11
Water & Sewage Group	C-12 - C-13
Window, Vent & Exterior Door Group	C-14 - D-01

## SEALANTS & FASTENERS GROUP (CONTINUED)

### SCREWS & FASTENERS (CONTINUED)

Key	Part Number	U/M	Description
	008401-01-000	EA	Strap - Conduit - 3/4" - 1 Hole - Galvanized Steel
	010495-01-000	EA	Clamp - Cable - 9/16"
	010497-01-000	EA	Clamp - Closed - 5/8" ID
	010497-03-000	EA	Clamp - Closed - 1 ID - Cushioned
	010499-01-000	EA	Clamp - Closed - 3/8" ID
	016604-01-000	EA	Brace - Cabinet - Angled Metal - 2.5"
	083609-01-000	EA	Clamp - Wire Dual - Equal 5/8" Dia.
	084884-01-000	EA	Plug - Brass - 3/8"
	087721-01-000	EA	Screw - Flat Head - Tapping - 1/4 x 1 1/4 LG - Zn
	089371-01-000	EA	Screw - Machine - 8 - 32 x 3 5/16 - Zn
	075148-02-000	EA	Clamp - Grounding - Bronze Screws
	075908-01-000	EA	Screw - Machine - 10 - 32 x .56 PTH - Zn
	049465-04-000	EA	Screw - 10 - 16 x 1 PTH w/Washer - Beige
	076790-01-000	EA	Screw - 6 - 20 x 1 1/4 PPH - Black
	063729-04-000	EA	Rivet - 10 - 32 UNF - .010 - .080

### SEALANTS & ADHESIVES

Key	Part Number	U/M	Description
	004020-01-000	QT	Adhesive - ABS Cement (Plastic Fittings)
	004005-02-000	GL	Adhesive - Swifts - Glue (Sidewalls)
	053766-07-000	EA	Bedding Compound - Tube - Beige (Exterior)
	053766-06-000	EA	Bedding Compound - Tube - Clear (Window)
	053766-08-000	EA	Bedding Compound - Tube - Gray (Exterior)
	102352-01-000	EA	Bedding Compound - Tube - Black (Luggage Compartment)
	053766-02-000	EA	Bedding Compound - Tube - Off White (Exterior)
	002328-02-000	EA	Block - Rubber Spacer (Windshield)
	077967-01-000	EA	Sealant - Acrylic Latex - Tube - Off White (Interior Sealant)
	034552-04-000	EA	Sealant - Silicone - Beige
	034552-02-000	EA	Sealant - Silicone - Clear
	034552-07-000	EA	Sealant - Silicone - Dark Gray
	034552-06-000	EA	Sealant - Silicone - Off White
	039518-01-000	EA	Sealant Silicone - Black
	069640-01-000	FT	Sealer Ribbon - .25" Bead x 20'
	069640-02-000	FT	Sealer Ribbon - .5" x .125" x 30'
	069640-03-000	FT	Sealer Ribbon - .75" x .125" x 30'
	069640-09-000	FT	Sealer Ribbon - 1/32" x 2.5" x 30'
	069640-06-000	FT	Sealer Ribbon - 5/16" Bead x 15'
	069640-07-000	FT	Sealer Ribbon - 2" x 3/32" x 30'
	069640-10-000	FT	Sealer Ribbon - 1/32" x 1.5" x 100'
	002707-02-000	FT	Sealer Tape - 5/16" x 1/2"
	074497-14-700	EA	Sealer - Stain (Ceiling)
	102353-01-700	EA	Seam Sealer - Tube - Gray (Roof Seams)
	094401-01-000	EA	Seam Sealer - Tube - Clear (Cap to Sidewall)
	102353-01-700	EA	Seam Sealer - Tube - Aluminum (Roof)
	063642-01-000	FT	Tape - Adhesive - .10mm x 1.5" Wide
	038880-01-000	EA	Tape - Butyl - .31" x .31" x 148" (Windshield)
	076322-01-000	FT	Tape - Foam - Double Coated - .025 x .75 x 72' (Fiberglass Sidewall Seams)
	076322-02-000	FT	Tape - Foam - Double Coated - .045 x 1" (Fiberglass Sidewall Seams)
	100028-01-000	FT	Tape - Foam - Double Coated - .031 x .75 x 72' (Non-Structural Fastening)
	009200-01-000	EA	Tape - Furnace - 1.5"
	002825-01-000	FT	Weather Stripping (Roof Vent)
	081377-01-700	EA	Adhesive - Cyanoacrylate - 10GM

## WATER & SEWAGE GROUP

### DRAINAGE SYSTEM

Key	Part Number	U/M	Description
	062422-01-000	EA	Adapter - Offset Reducer - 3" x 1 1/2"
	062416-01-000	EA	Adapter - Sewer Hose to 3" Pipe
	033302-02-000	EA	Adapter Asm. - Strainer - 1 1/2" (CSA)
	010121-01-000	EA	Bushing - Plastic - Red - 1 1/2 S x 1 1/4 H
	011091-02-000	EA	Continuous Waste - Double Sink - 11 7/8"
	083511-01-000	EA	Catch Basin - Lavatory Cabinet - Off White
	078406-01-000	EA	Coupler - Rubber - 3" x 3"
	010051-01-000	EA	Elbow - Plastic - 1/8 BD x 1 1/2 x 45°
	010006-01-000	EA	Elbow - Plastic - 1/8 BD x 1 1/2 x 45° H x H
	010000-01-000	EA	Elbow - Plastic - 1/4 BD x 1 1/2 x 90° - Left
	031111-01-000	EA	Elbow - Plastic - 1/4 BD x 1 1/4 x 90 XLT
	037101-02-000	EA	Elbow - Plastic - 1/4" Bend Vent - 1 1/2" Hub (CSA)
	075240-06-000	EA	Faucet - Lavatory - Bone
	075241-05-000	EA	Faucet - Shower - Bone
	011053-04-000	EA	Faucet - Swing Spout - 8" - Galley
	091253-01-000	EA	Gasket - Faucet
	024676-02-000	EA	Flange - Closet - 4" x 3" (CSA)
	061607-01-000	EA	Grommet - Holding Tank Coupler - 1 1/2"
	061607-02-000	EA	Grommet - Holding Tank Coupler - 3"
	011066-03-000	EA	P-Trap - 1 1/4" - Plastic (US)
	011066-02-000	EA	P-Trap - 1 1/4" - Plastic (CSA) (Lavatory/Shower)
	053335-01-000	EA	P-Trap - 1 1/4" - Plastic w/Union (CSA) (Galley)
	083558-01-000	EA	Roof Vent - Covered - Vent Pipe
	062415-01-000	EA	Sewer Cap - 3"
	062415-01-700	EA	String - Sewer Cap
	010201-01-300	EA	Sewer Hose - 3" ID x 20'
	011048-02-000	EA	Shower Head w/60" Hose (US)
	011048-05-000	EA	Shower Head w/60" Hose (CSA)
	M02606-01-000	EA	Shower Pan Asm.
	098654-01-000	EA	Sink - Double w/Mounting Hardware - Stainless Steel
	066436-01-000	EA	Slip Nut - 1.5 - Tailpiece
	066440-01-000	EA	Strainer - Shower Drain
	066437-01-000	EA	Strainer - Sink - Galley
	066437-01-700	EA	Basket - Strainer - Galley Sink
	011069-02-000	EA	Tailpiece - 1 1/2 x 1 1/4 x 4" - Brass
	083268-01-000	EA	Tank - Holding - 25 Gal. - 18.1" x 16.8" x 19.5"
	083269-01-000	EA	Tank - Holding - 25 Gal. - 19.4" x 35.4" x 12.1"
	010079-01-000	EA	Tee - Plastic - 1 1/2" H x 1 1/2" H x 1 1/4" H
	010071-01-000	EA	Tee - Plastic - 1 1/2" H x H x H
	024676-01-000	EA	Toilet Closet Flange - 4" x 3" - Red
	067487-01-000	EA	Toilet - Ivory - Aqua Magic
	067487-01-700	EA	C.L.F.L. Seal & Bolt Package
	063740-01-710	EA	Link
	063740-01-711	EA	Spring - Return Lever
	063740-01-705	EA	Seat - Ivory - w/o Cover
	063740-01-700	EA	Lever - Water
	063740-01-701	EA	Lever - Flush
	063740-01-713	EA	Seal - Ball - Valve to Bowl
	063740-01-714	EA	Valve Asm. - Water
	063740-01-707	EA	Seal - Closet Flange
	063740-01-706	EA	Bolt Package - Closet
	070916-01-000	EA	Valve - Dual - 3" x 1.5"
	070916-01-700	EA	Valve - Only - 3"
	070916-01-701	EA	Valve - Only - 1 1/2"
	062421-01-000	EA	Valve - 1 1/2" w/Handle
	062419-02-700	EA	Handle Only - For Extension Rod
	079968-01-000	EA	Vent - Mechanical Trap Arm
	069735-01-000	EA	Washer - Tailpiece - 1.5 - Plastic

## 1991 WINNEBAGO TABLE OF CONTENTS

INTRODUCTION	A-01 - A-02
ABBREVIATIONS	A-03
ALPHABETICAL/GROUP REFERENCE	A-04 - A-06
WC321RG	A-07 - D-02
WC324RC	D-03 - F-23

## 1991 WC321RG INDEX

Floor Plan	A-07 - A-08
Accessories Group	A-09 - A-11
Bath Group	A-12 - A-13
Chassis Group	A-14 - A-16
Curtain, Cushion & Pad Group	A-17 - A-24
Dinette Group	B-01 - B-02
Driver's Compartment Group	B-03 - B-06
Electrical Group	B-07 - B-09
Exterior Body Group	B-10 - B-14
Galley Group	B-15 - B-18
Heating & Air Conditioning Group	B-19 - B-20
Interior Finish Group	B-21 - B-23
Labels Group	B-24 - C-07
LP Group	C-08
Lounge Group	C-09
Sealants & Fasteners Group	C-10 - C-11
Water & Sewage Group	C-12 - C-13
Window, Vent & Exterior Door Group	C-14 - D-01

## WATER & SEWAGE GROUP (CONTINUED)

### WATER LINES & HARDWARE

Key	Part Number	U/M	Description
	010224-01-000	EA	Adapter - Hose to Pipe - 3/8" Barb - Black Plastic
	044927-01-000	EA	Adapter - Plastic - 1 1/4" MPT x 1 1/4" Bar (Water Tank)
	079317-01-000	EA	Adapter - Swivel - .5 Tube x .5 FPT
	052954-01-000	EA	Adapter - Nose Cone - 3/8" or 1/2" - Plastic
	038522-02-000	EA	Cap - Brass - 1/2" Flare
	065120-01-000	EA	Elbow - Plastic - Swivel - 1/2" FPT x 1/2" Flare - Gray
	052957-02-000	EA	Elbow - Male - 1/2" F x 1/2" MPT - Gray - Plastic
	070924-01-000	EA	Elbow - Swivel - 1/2" MPT x 1/2" FPT - Gray
	011053-04-000	EA	Faucet - Swing Spout - Galley - 8"
	091253-01-000	EA	Gasket - Faucet
	075241-05-000	EA	Faucet - Shower - Bone
	077954-02-000	EA	Filter/Screen (In Water Tank)
	052952-01-000	EA	Nut - Plastic - 1/2" F
	052953-01-000	EA	Nut - Faucet - 1/2" Tube x 1/2" FPT
	049032-01-000	EA	Patch - Spinweld - Plastic - 3/8"
	088475-01-000	EA	Pin - Connector
	038607-01-000	EA	Pump - Water - 2.8 GPM - Direct Flow (US)
	098607-02-000	EA	Pump - Water - 2.8 GPM - Direct Flow
	098507-01-707	EA	Motor/Backplate - Replacement
	098607-01-701	EA	Drive Asm.
	099607-01-702	EA	Diaphragm Kit
	098607-01-703	EA	Valve Asm.
	098607-01-704	EA	Upper Housing
	098607-01-706	EA	Switch Asm. - Complete
	098607-01-700	EA	Pumphead - Replacement
	098607-01-705	EA	Check - Valve Kit
	091208-01-000	EA	Rubber Washer - .06 x .75 x .50
	011048-02-000	EA	Shower head - w/60" Hose (US)
	011048-05-000	EA	Shower Head - w/60" Hose (CSA)
	042989-03-000	EA	Spinweld Fitting - Plastic - 1/4" NPT
	042989-05-000	EA	Spinweld Fitting - Plastic - 1/2" FPT
	042989-04-000	EA	Spinweld Fitting - Plastic - 3/8" FPT
	052955-01-000	EA	Tee - Plastic - 1/2" F x 1/2" F x 1/2" MPT
	052956-01-000	EA	Tee - Plastic - 1/2" F x 1/2" MPT x 1/2" F
	052958-01-000	EA	Tee - Plastic - 1/2" F x 1/2" F x 1/2" F
	039800-01-000	FT	Tubing - Polybutyl - 1/2" OD x 20' (Water Line)
	079381-01-000	FT	Tubing - Flex/Smooth - 1.25 ID (Water Tank)
	074462-02-000	FT	Tubing - Vinyl - 3/8" ID
	052960-01-000	EA	Valve - Line Drain - 1/2" F x 1/2" F
	052960-01-700	EA	Connector - Union - 1/2" F x 1/2" F
	057063-03-000	EA	Water Tank - 28 Gal. w/fittings - 19" x 25" x 17.5"
**	051391-01-000	EA	Water Heater - Atwood - G6A-3
**	051391-03-000	EA	Water Heater - w/o Motoraid - Electronic Tune - Atwood - G6A-3E
**	The illustrated parts breakdown for this item is provided on the Common Items Fiche.		

### WATER HEATER BYPASS (OPTION L53J)

Key	Part Number	U/M	Description
	039800-01-000	FT	Tubing - Polybutyl - 1/2 OD x 20'
	052956-01-000	EA	Tee - Plastic - 1/2 F x 1/2 MPT x 1/2 F
	052957-02-000	EA	Elbow - Plastic - 1/2 F x 1/2 MPT
	065120-01-000	EA	Elbow - Plastic - Swivel - .50"
	052958-01-000	EA	Tee - Plastic - 1/2 F x 1/2 F x 1/2 F
	052959-02-000	EA	Connector - Plastic - 1/2 F x 1/2 MPT
	099729-01-000	EA	Bypass Kit - Water Heater

## WINDOWS, VENTS & EXTERIOR DOORS

### POWERED ROOF VENT

Key	Part Number	U/M	Description
	090394-01-Y12	EA	Vent Asm. - Roof - Powered - w/o Screen (USA)
	009440-01-000	EA	Lift Mechanism
	009439-03-000	EA	Extension
	009439-04-000	EA	Screw
	009439-02-000	EA	Knob - Roof Vent - Black
	048649-01-000	EA	Fan - Plastic - 6"
	008195-01-000	EA	Switch - Push Button - 12 Volt
	015911-01-000	EA	Track - Slide - Roof Vent
	002925-01-000	EA	Weatherstrip Seal
	048648-01-000	EA	Motor - 12 Volt
	051384-01-000	EA	Cover Asm. - Roof Vent
	052639-01-200	EA	Hinge - 7" - Roof Vent
	078785-01-Y12	EA	Screen Asm. - Roof Vent - Powered
	002291-02-000	SF	Screen - Window - 16" - Charcoal
	002298-02-000	FT	Spline - Charcoal
**	064469-08-000	EA	Vent Asm. - Roof Powered - w/o Screen (CSA)
**	The illustrated parts breakdown of this item is provided on the Common Items Fiche.		

### NON-POWERED VENT

Key	Part Number	U/M	Description
	090395-01-Y12	EA	Vent Asm. - Roof - Non-Powered - w/o Screen
	009440-01-000	EA	Lift Mechanism Asm.
	009439-03-000	EA	Extension
	009439-04-000	EA	Screw
	009439-02-000	EA	Knob - Roof Vent - Black
	015911-01-000	EA	Track - Slide - Roof Vent
	002825-01-000	EA	Weatherstrip Seal
	055218-01-000	EA	Cover Asm. - Roof Vent
	052639-01-200	EA	Hinge - 7" - Roof Vent
	078786-01-Y12	EA	Screen Asm. - Charcoal
	002291-02-000	SF	Screen - Window - 16" - Charcoal
	002298-02-000	FT	Spline - Charcoal

### VENTS & SHROUDS

Key	Part Number	U/M	Description
	083558-03-000	EA	Vent - Plumbing Pipe - Roof w/Cover - Beige
	084073-03-000	EA	Vent - Refrigerator Roof - Off White
	084073-04-000	EA	Base - Roof Vent - Norcold Refrigerator - Black
	084878-09-000	EA	Vent - Range Hood - Short - LVS
	063752-01-000	EA	Shroud Asm. - Range

## 1991 WINNEBAGO TABLE OF CONTENTS

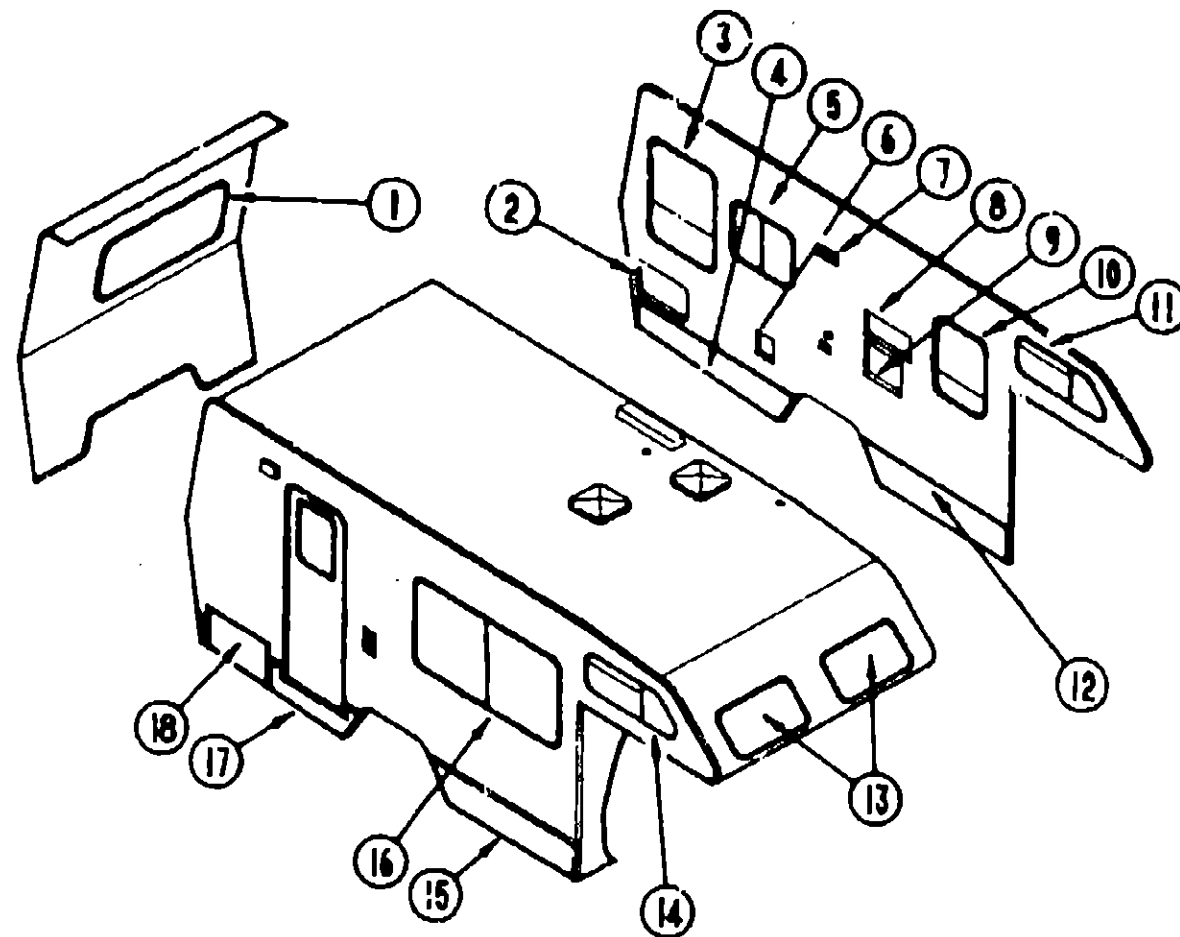
INTRODUCTION	A-01 - A-02
ABBREVIATIONS	A-03
ALPHABETICAL/GROUP REFERENCE	A-04 - A-06
WC321RG	A-07 - D-02
WC324RC	D-03 - F-23

## 1991 WC321RG INDEX

Floor Plan	A-07 - A-08
Accessories Group	A-09 - A-11
Bath Group	A-12 - A-13
Chassis Group	A-14 - A-16
Curtain, Cushion & Pad Group	A-17 - A-24
Dinette Group	B-01 - B-02
Driver's Compartment Group	B-03 - B-06
Electrical Group	B-07 - B-09
Exterior Body Group	B-10 - B-14
Galley Group	B-15 - B-18
Heating & Air Conditioning Group	B-19 - B-20
Interior Finish Group	B-21 - B-23
Labels Group	B-24 - C-07
LP Group	C-08
Lounge Group	C-09
Sealants & Fasteners Group	C-10 - C-11
Water & Sewage Group	C-12 - C-13
Window, Vent & Exterior Door Group	C-14 - D-01

# WINDOW, VENT & EXTERIOR DOOR GROUP (CONTINUED)

## WINDOWS & ACCESS DOORS



### 1991 WINNEBAGO TABLE OF CONTENTS

INTRODUCTION	A-01 - A-02
ABBREVIATIONS	A-03
ALPHABETICAL/GROUP REFERENCE	A-04 - A-06
WC321RG	A-07 - D-02
WC324RC	D-03 - F-23

Key	Part Number	U/M	Description
1	078536-01-T03	EA	Window Asm. - Rear Escape
2	079578-08-AA3	EA	Door Asm. - Storage
3	092235-03-Y12	EA	Window Asm. - Single Tipout
4	096393-14-B05	EA	Door Asm. - Storage Compartment
5	098647-07-700	EA	Window Asm. - Single Slider (Excel)
6	078010-03-000	EA	Door Asm. - Fuel Fill - Off White
7	084878-09-000	EA	Vent - Range Hood - Short
8	084103-03-000	EA	Door Asm. - Refrigerator - Vented
9	052009-01-000	EA	Door Asm. - Water Heater
10	098644-01-715	EA	Window Asm. - Single Slider (Excel)
11	100322-02-700	EA	Window Asm. - Bunk Slider (Excel)

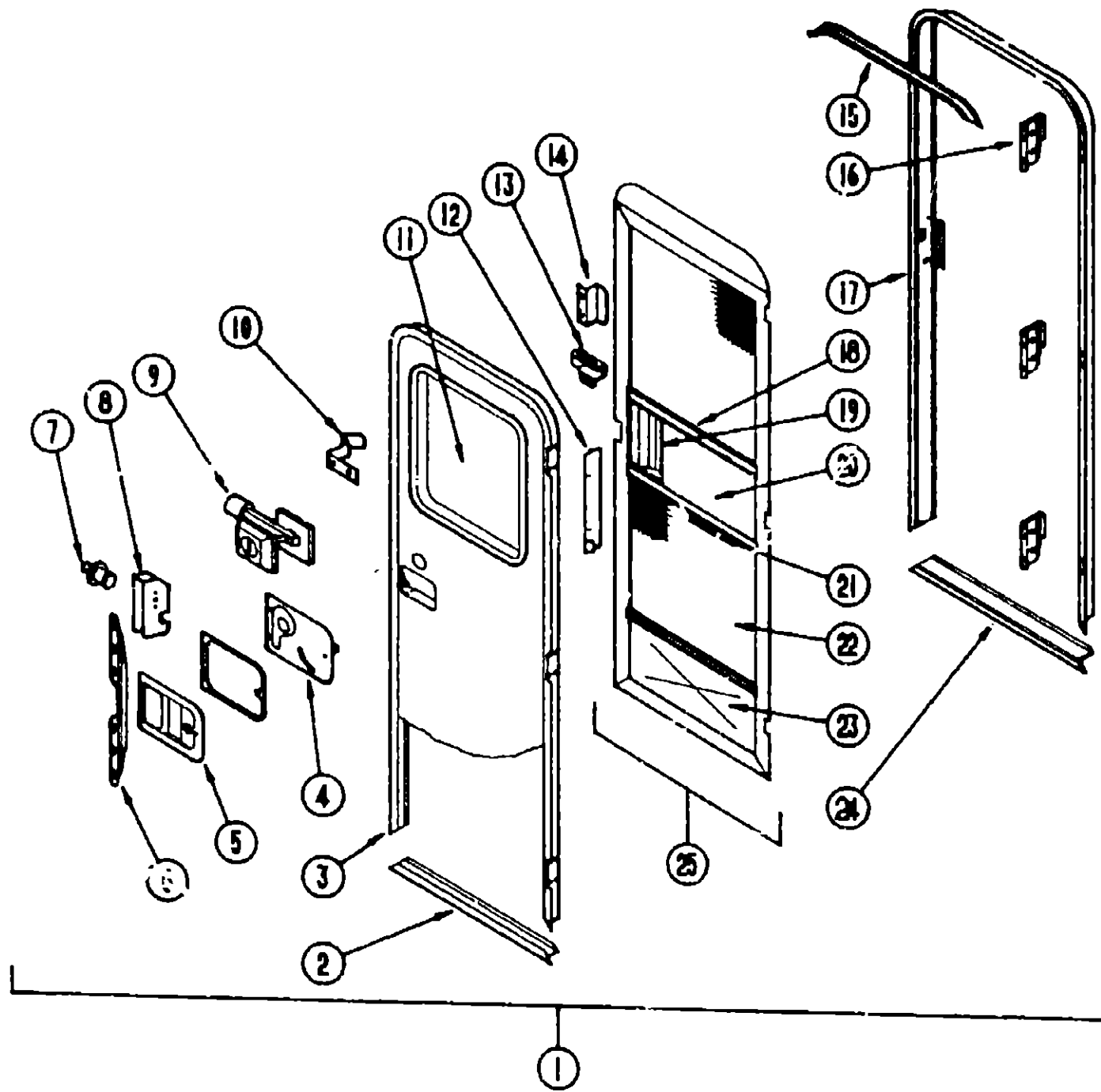
Key	Part Number	U/M	Description
12	096395-05-AA3	EA	Door Asm. - Holding Tank & Dump Valve
13	078533-06-AA3	EA	Window Asm. - Front Picture
**13	078533-08-B13	EA	Window Asm. - Front Picture
14	100322-01-720	EA	Window Asm. - Bunk Slider (Excel)
15	096395-07-AA3	EA	Door Asm. - Battery
16	098647-01-700	EA	Window Asm. - Single Slider
**16	098647-03-706	EA	Window Asm. - Single Slider
17	096865-03-B05	EA	Valance Asm. - Entrance Door
18	098252-03-B05	EA	Valance Asm. - Rear - Generator
.			These parts were used from 5/29/90 on.
**			These parts were used from 10/31/90 on.

### 1991 WC321RG INDEX

Floor Plan	A-07 - A-08
Accessories Group	A-09 - A-11
Bath Group	A-12 - A-13
Chassis Group	A-14 - A-16
Curtain, Cushion & Pad Group	A-17 - A-24
Dinette Group	B-01 - B-02
Driver's Compartment Group	B-03 - B-06
Electrical Group	B-07 - B-09
Exterior Body Group	B-10 - B-14
Galley Group	B-15 - B-18
Heating & Air Conditioning Group	B-19 - B-20
Interior Finish Group	B-21 - B-23
Labels Group	B-24 - C-07
LP Group	C-08
Lounge Group	C-09
Sealants & Fasteners Group	C-10 - C-11
Water & Sewage Group	C-12 - C-13
Window, Vent & Exterior Door Group	C-14 - D-01

# WINDOW, VENT & EXTERIOR DOOR GROUP (CONTINUED)

## ENTRANCE DOOR



Key	Part Number	U/M	Description
1	M01870-32-B05 075639-11-000	EA	Door Asm. - Entrance w/Screen
2	089748-02-000	EA	Garnish - Radius - Entrance Door
3	095276-01-01A	EA	Frame - Entrance Door - Bottom Portion
4	039979-04-000 039738-01-000 039984-01-000	EA	Frame Asm. - Entrance Door - Off White
5	045017-11-000	EA	Cover Asm. - Latch Plate - Black
6	098173-01-04A	EA	Deadbolt - "J" Shaped - Latch Asm.
7	039539-01-000	EA	Cap - Black Vinyl - Lock Grip
8	039540-01-000	EA	Latch Asm. - Plate - Black
9	101145-01-01A 101147-01-000	EA	Stiffener - Entrance Door
10	100412-01-000	EA	Strike
11	079733-07-AA8 069669-27-000 002181-07-000 087561-01-000	EA	Latch Asm. - Entrance Door
12	079087-02-000	EA	Deadbolt Asm. - Black/Black
13	009018-01-000	EA	Bolt - Security - 4.12" Backset
14	050712-04-000	EA	Catch - Screen Door
15	044582-02-000	EA	Window Asm. - Picture - 17" x 25" - Frosted Glass (w/o inside frame)
16	097724-01-02A	EA	Inside Frame - Black (not included in assembly)
17	095277-02-01A 079207-01-000	EA	Glass - Picture - Frosted
18	078777-01-000	EA	Spline - Glass - Exterior Vinyl - Black
19	079086-02-000	EA	Strike - Slider - Screen Door
20	016454-01-000	EA	Roller Catch - Screen Door
21	002294-01-000	EA	Door Handle - Screen Door
22	002293-02-000	EA	Drip Cap - Top Entrance
23	078552-03-000	EA	Hinge - Entrance Door - Off White
24	051049-01-000	EA	Door Jamb - Entrance Door
25	079012-01-U01 078595-01-000 100128-02-000 075671-01-000 002748-01-000 081067-01-000 063729-04-000 072893-01-000	EA	Striker - Roller Catch - Welded to Door Jamb
		EA	Channel Slide - Screen Door Center Slider Cover
		EA	Slider - Screen Door
		EA	Insert - Screen Door - Center - Leather Grain Aluminum
		FT	Spline - Black
		SF	Screen - Window - 26" - Channel
		EA	Insert - Screen Door - Lower - Kick Panel
		EA	Jamb - Bottom - Entry Door
		EA	Screen Door Asm.
		EA	Plate - Screen Door
		FT	Seal - Screen Door
		FT	Seal - Sponge - Lazy T-Shaped
		EA	Key - Corner
		EA	Seal - Lock w/Flat Slit
		EA	Rivnut - 10 - 32 UNF - .010 - .080
		EA	Nutset - M5 x 0,8

## 1991 WINNEBAGO TABLE OF CONTENTS

INTRODUCTION:	A-01 - A-02
ABBREVIATIONS	A-03
ALPHABETICAL/GROUP REFERENCE	A-04 - A-06
WC321RG	A-07 - D-02
WC324RC	D-03 - F-23

## 1991 WC321RG INDEX

Floor Plan	A-07 - A-08
Accessories Group	A-09 - A-11
Bath Group	A-12 - A-13
Chassis Group	A-14 - A-16
Curtain, Cushion & Pad Group	A-17 - A-24
Dinette Group	B-01 - B-02
Driver's Compartment Group	B-03 - B-06
Electrical Group	B-07 - B-09
Exterior Body Group	B-10 - B-14
Galley Group	B-15 - B-18
Heating & Air Conditioning Group	B-19 - B-20
Interior Finish Group	B-21 - B-23
Labels Group	B-24 - C-07
LP Group	C-08
Lounge Group	C-09
Sealants & Fasteners Group	C-10 - C-11
Water & Sewage Group	C-12 - C-13
Window, Vent & Exterior Door Group	C-14 - D-01

PASSENGER & DRIVERS SIDE BUNK WINDOW (EXCEL)

Key	Part Number	U/M	Description
	100322-01-720	EA	Window - Vented - 12" x 38.5" (Passenger) (w/o inside frame)
	100322-02-700	EA	Window - Vented - 12" x 38.5" (Driver) (w/o inside frame)
	100322-01-719	EA	Inside Frame (not included in assembly)
	100322-01-700	EA	Filler Plug
	100322-01-701	EA	Vent Seal
	100322-01-702	EA	Weatherstrip - Horizontal Rail
	100322-01-703	EA	Glazing - Butyl Strip
	100322-01-704	EA	Butyl Tape
	100322-01-705	EA	Glass - Stationary - Small Top
	100322-01-706	EA	Glass - Stationary - Large Front
	100322-01-707	EA	Glass - Tipout - Sub Asm.
	100322-01-710	EA	Splice Plate
	100322-01-708	EA	Screen - Driver Side
	100322-01-709	EA	Screen - Passenger Side
	100322-01-711	EA	Vent Operator - Sub Asm.
	100322-01-712	EA	Rail - Horizontal
	100322-01-713	EA	Bar - Division - Vertical
	100322-01-714	EA	Support - Torque Bar (Driver)
	100322-01-715	EA	Support - Torque Bar (Passenger)
	100322-01-716	EA	Support - Torque Bar - Center Rail
	100322-01-717	EA	E-Ring
	100322-01-718	EA	Handle - Dial

BATH SINGLE SLIDER (EXCEL)

Key	Part Number	U/M	Description
	098644-01-715	EA	Window Asm. - 22" x 15" (w/o inside frame)
	098644-01-714	EA	Inside Frame (not included in assembly)
	098644-01-701	EA	Splice Plate - Window
	098644-01-702	EA	Screw - Splice - #6 - 32 x 1/4" Pan Head
	098644-01-703	EA	Screw - Locking Rail - #6 x 15 Pro Head Recess - Black
	098644-01-704	EA	Glass - Stationary - 10.03" x 13.77"
	098644-01-705	FT	Glazing Strip
	098644-01-706	FT	Weatherstrip
	098644-01-707	EA	Rail - Locking w/Weatherstrip
	098644-01-708	FT	Channel - Pierced Run
	098644-01-700	EA	Latch - Repair Kit
	098644-01-709	EA	Glass Sliding - w/Sash & Latch
	098644-01-710	FT	Track - Screen Spacer - 12' Length
	098644-01-711	FT	Weatherstrip - Screen - Black
	098644-01-712	EA	Screen w/Weatherstrip & Frame Spring (Clip)
	098644-01-713	EA	Spring - Screen Frame (Clip) - Plastic - Black
	098644-01-716	EA	Plug - Filler

DINETTE SINGLE SLIDING WINDOW (EXCEL)  
(FROM 00/00/00 THRU 10/31/90)

Key	Part Number	U/M	Description
	098647-01-705	EA	Window Asm. - Single Slider - 30.5" x 57.5" (w/o inside frame)
	098647-01-704	EA	Inside Frame (not included in assembly)
	098644-01-701	EA	Splice Plate - Window
	098644-01-702	EA	Screw - Splice - #6 - 32 x 1/4" Pan Head
	098644-01-703	EA	Screw - Locking Rail - #6 x 15 Pro-Head Recess - Black
	090647-01-700	EA	Glass - Stationary - 29.27" x 27.72"
	098644-01-706	FT	Weatherstrip
	098647-01-701	EA	Locking Rail w/Weatherstrip
	098644-01-708	FT	Channel - Pierced Run
	098644-01-700	EA	Latch - Repair Kit
	098647-01-702	EA	Glass Sliding w/Sash & Latch
	098647-01-703	EA	Spacer - Track
	098644-01-711	FT	Weatherstrip - Screen - Black
	098647-01-706	EA	Screen - Window w/Spring & Seal
	098644-01-713	EA	Spring - Screen Frame (Clip) Plastic - Black
	098644-01-716	FT	Plug - Filler
	098644-01-705	EA	Glazing Strip

DINETTE SINGLE SLIDING WINDOW (EXCEL)  
(FROM 11/01/90 THRU 99/99/99)

Key	Part Number	U/M	Description
	098647-03-706	EA	Window Asm. - Single Slider - 30" x 54" (w/o inside frame)
	098647-03-705	EA	Inside Frame (not included in assembly)
	098644-01-701	EA	Splice Plate - Window
	098644-01-702	EA	Screw - Splice - #6 - 32 x 1/4" Pan Head
	098644-01-703	EA	Screw - Locking Rail - #6 x 15 Pro Head Recess - Black
	098647-03-700	EA	Stationary Glass - 26" x 28.7"
	098644-01-705	FT	Glazing Strip
	098644-01-706	FT	Weatherstrip
	098647-03-701	EA	Locking Rail w/Weatherstrip
	098644-01-708	FT	Channel - Pierced Run
	098644-01-700	EA	Latch - Repair Kit
	098647-03-702	EA	Glass Sliding - w/Sash & Latch
	098647-03-703	EA	Spacer Track
	098644-01-711	FT	Weatherstrip - Screen - Black
	098647-03-704	EA	Screen Asm. - w/Spring & Weatherstrip
	098644-01-713	EA	Spring - Screen Frame (Clip) - Black Plastic
	098644-01-716	EA	Filler Plug

GALLEY SINGLE SLIDER WINDOW (EXCEL)

Key	Part Number	U/M	Description
	098647-07-700	EA	Window - Single Slider (w/o inside frame)
	098647-06-704	EA	Inside Frame (not included in assembly)
	098644-01-701	EA	Splice Plate - Window
	098644-01-702	EA	Screw - Splice
	098644-01-703	EA	Screw - Locking Rail
	098647-06-700	EA	Glass - Stationary - 10.91" x 13.77"
	098644-01-705	FT	Glazing Strip
	098644-01-706	FT	Weatherstripping
	098647-06-701	EA	Rail - Locking w/Weatherstrip
	098644-01-708	FT	Channel - Pierced Run
	098644-01-700	EA	Latch - Repair Kit
	098647-06-702	EA	Glass - Sliding w/Sash & Latch
	098644-01-710	FT	Track - Screen Spacer (12' Length)
	098644-01-711	FT	Weatherstrip - Screen - Black
	098647-06-703	EA	Screen w/Weatherstrip & Frame Spring (Clip)
	098644-01-713	EA	Spring - Screen Frame (Clip) - Plastic - Black
	098644-01-716	FT	Filler Plug

1991 WINNEBAGO  
TABLE OF CONTENTS

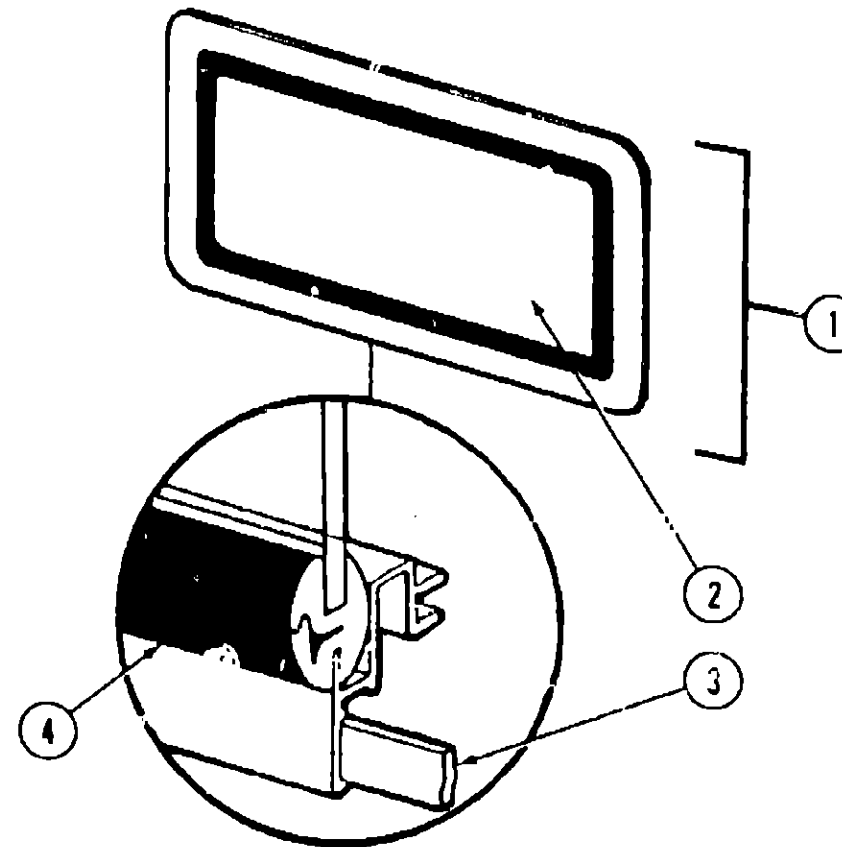
INTRODUCTION	A-01 - A-02
ABBREVIATIONS	A-03
ALPHABETICAL/GROUP REFERENCE	A-04 - A-06
WC321RG	A-07 - D-02
WC324RC	D-03 - F-23

1991 WC321RG INDEX

Floor Plan	A-07 - A-08
Accessories Group	A-09 - A-11
Bath Group	A-12 - A-13
Chassis Group	A-14 - A-16
Curtain, Cushion & Pad Group	A-17 - A-24
Dinette Group	B-01 - B-02
Driver's Compartment Group	B-03 - B-06
Electrical Group	B-07 - B-09
Exterior Body Group	B-10 - B-14
Galley Group	B-15 - B-18
Heating & Air Conditioning Group	B-19 - B-20
Interior Finish Group	B-21 - B-23
Labels Group	B-24 - C-07
LP Group	C-08
Lounge Group	C-09
Sealants & Fasteners Group	C-10 - C-11
Water & Sewage Group	C-12 - C-13
Window, Vent & Exterior Door Group	C-14 - D-01

ACCESS DOORS

Key	Part Number	U/M	Description
	096395-05-AA3	EA	Door Asm. - Holding Tank & Dump Valve - 63.5" Tapered
	079927-03-000	EA	Lock - Twist Type - Double Cam
	078010-03-000	EA	Door Asm. - Fuel Fill - Off White
	078200-01-000	EA	Gasket - Fuel Fill Door
	078040-02-000	EA	Shroud - Fuel Fill - Upper
	083578-01-000	EA	Boot - Fuel Fill
	084235-01-000	EA	Support - Flange
	089794-01-000	EA	Door Asm. - Power Cord w/Hatch - Off White
	090340-01-000	FT	Seal - Foam Closed Cell - 1/4" x 1/2" x 50'
	084103-03-000	EA	Door Asm. - Refrigerator - Vented - Off White
	084104-01-700	EA	Lock - Male - Dyrus Fasteners
	084104-01-701	EA	Lock - Female - Dyrus Fasteners
	084104-03-000	EA	Jamb - Door - Vented - Refrigerator - Off White
	081240-03-000	EA	Door Asm. - Water Fill - Lockable - 4" x 4 5/8" - Off White
	098252-03-B05	EA	Door Asm. - Storage/Generator - 27"
	079268-01-000	FT	Seal - Access Door
	058027-01-000	FT	Seal - "D" Shaped - Hollow - Sponge Rubber - Black
	079927-03-000	EA	Lock - Twist Type - Double Cam - 2.10 Off Set
	081801-02-000	EA	Hinge - 2" x 96"
	091876-01-000	EA	Retainer - Door - 1.97" x .79" - Metal
	079578-08-AA3	EA	Door Asm. - Storage - 10.7" x 22.5"
	064075-07-000	EA	Seal - Bulb - Door Jamb - Black
	079366-04-000	EA	Door Lock - Key Type w/o Keys
	082684-01-700	EA	Key - Storage Door
	096393-14-B05	EA	Door Asm. - Compartment w/Locks
	079927-03-000	EA	Lock - Twist Type - Double Cam - 2.10 Off Set
	096395-07-AA3	EA	Door Asm. - Battery Compartment - 63.5" Tapered
	079927-03-000	EA	Lock - Twist Type - Double Cam
	052009-01-000	EA	Door Asm. - Water Heater - Off White
	098252-04-B05	EA	Door Asm. - Storage/Generator - w/Locks - 26.9"
	096209-55-001	EA	U-Channel - Hinged - 16' - Off White
	097111-01-01A	EA	Pocket - Lock Valance - Off White
	098338-01-000	EA	Gasket - Lock Pocket



FRONT PICTURE WINDOW  
(FROM 00/00/00 THRU 05/28/90)

Key	Part Number	U/M	Description
1	078533-06-AA3	EA	Window Asm. - Front Picture - 14" x 24" - Black (w/o inside frame)
	041938-12-000	EA	Inside Frame - Black (not included in assembly)
2	002200-07-000	EA	Glass - Tempered - Picture Window - 15.3" x 32.5"
3	069640-06-000	FT	Ribbon Sealer - 5/16" Bead x 15'
4	002281-01-000	EA	Weatherstrip - Self Seal - .06" Panel x 3/16" - Black

FRONT PICTURE WINDOW  
(FROM 5/29/90 THRU 09/99/99)

Key	Part Number	U/M	Description
1	078533-08-B13	EA	Window Asm. - Front Picture - 14" x 24" - Black (w/o inside frame)
	041938-12-000	EA	Inside Frame - Black (not included in assembly)
2	002181-13-000	EA	Glass - Tempered - Picture Window
3	069640-06-000	FT	Ribbon Sealer - 5/16" Bead x 15'
4	002181-02-000	EA	Weatherstrip - Self Seal - .06" Panel x .125" - Black

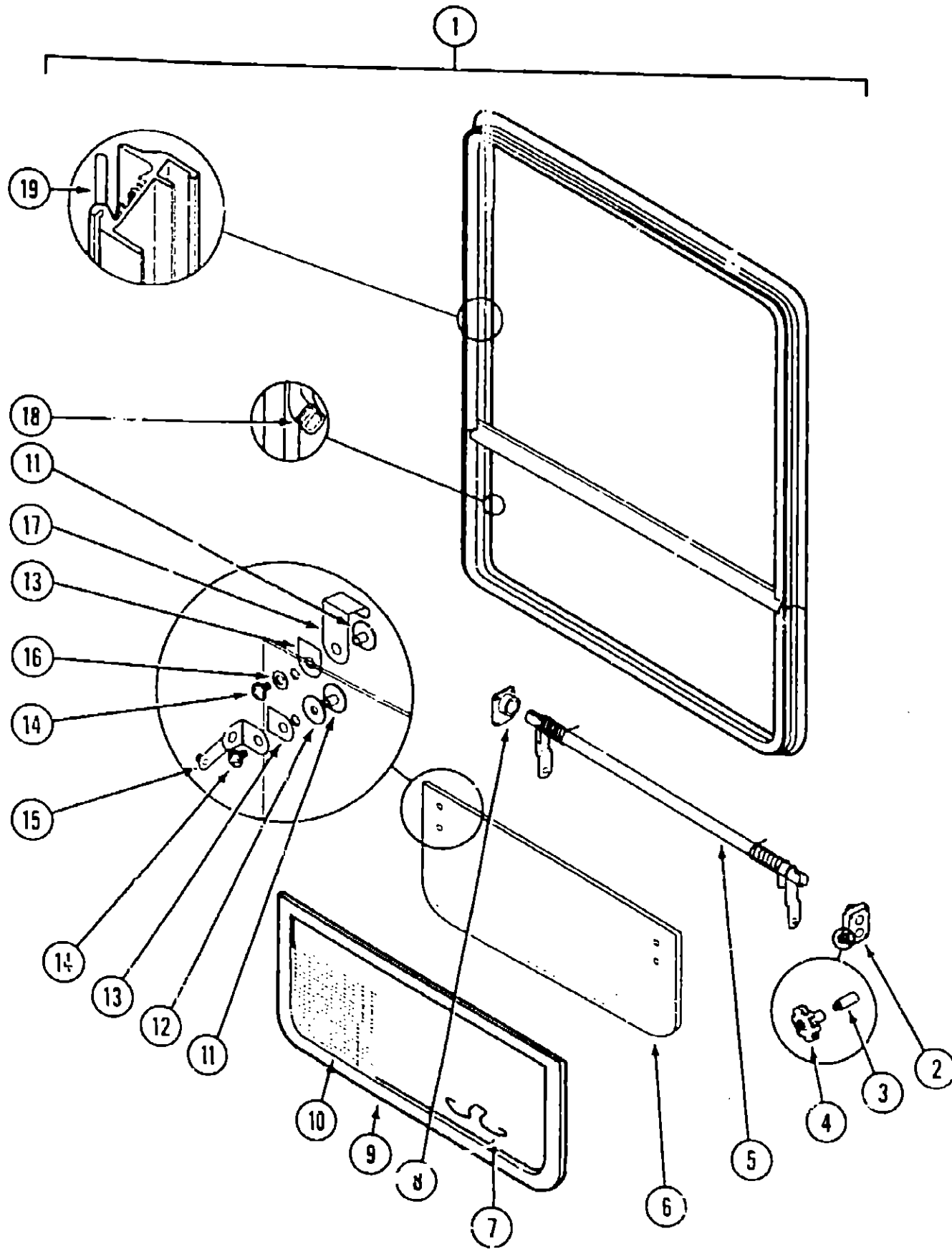
1991 WINNEBAGO  
TABLE OF CONTENTS

INTRODUCTION	A-01 - A-02
ABBREVIATIONS	A-03
ALPHABETICAL/GROUP REFERENCE	A-04 - A-06
WC321RG	A-07 - D-02
WC324RC	D-03 - F-23

1991 WC321RG INDEX

Floor Plan	A-07 - A-08
Accessories Group	A-09 - A-11
Bath Group	A-12 - A-13
Chassis Group	A-14 - A-16
Curtain, Cushion & Pad Group	A-17 - A-24
Dinette Group	B-01 - B-02
Driver's Compartment Group	B-03 - B-06
Electrical Group	B-07 - B-09
Exterior Body Group	B-10 - B-14
Galley Group	B-15 - B-18
Heating & Air Conditioning Group	B-19 - B-20
Interior Finish Group	B-21 - B-23
Labels Group	B-24 - C-07
LP Group	C-08
Lounge Group	C-09
Sealants & Fasteners Group	C-10 - C-11
Water & Sewage Group	C-12 - C-13
Window, Vent & Exterior Door Group	C-14 - D-01





LOUNGE SINGLE TIPOUT WINDOW/

Key	Part Number	U/M	Description
1	092235-03-Y12	EA	Window Asm. - Single Tipout (w/o inside frame)
	090893-03-01A	EA	Inside Frame (not included w/Window Assembly)
2	035302-02-000	EA	Operator Drive
3	090025-01-000	EA	Extension - Window Knob (not included w/Window Assembly)
4	067052-02-000	EA	Window Knob - Beige (not included w/Window Assembly)
	089371-01-000	EA	Screw - Window Knob (not included w/Window Assembly)
4	101290-01-01A	EA	Window Knob - Brass (not included w/Window Assembly)
	101289-01-01A	EA	Screw - Window Knob - Brass (not included w/Window Assembly)
5	080918-01-000	EA	Spring - Torque Tube - Left
	080918-02-000	EA	Spring - Torque Tube - Right
5	083150-11-000	EA	Torque Tube Asm. w/Spring
6	084068-16-000	EA	Glass - 1/8" x 1/8" x 9.2" x 26"
7	100168-01-000	EA	Screen Clip
3	081354-01-000	EA	Torque Tube Sleeve
9	100235-03-B07	EA	Screen Asm.
10	080218-03-000	SF	Window Screen - 12"
	100240-01-000	FT	Window Screen Spline
11	086762-01-000	EA	Window T-Nut
12	068927-03-000	EA	Seal - Rubber
13	084473-01-000	EA	Seal - Rubber
14	086763-01-000	EA	Screw - #10 - 32 x 1/4" PTH
15	097578-01-000	EA	Connecting Rod Asm.
	081349-01-000	EA	Snap Ring Clip
16	084453-02-000	EA	Plastic Washer - .06 x .50 x .25
	084453-01-000	EA	Plastic Washer - .06" x .50" x .135"
17	089913-01-000	EA	Hinge
18	084067-02-000	FT	Seal - Sponge Rubber
19	069640-06-000	FT	Ribbon Sealer (not included w/Window Assembly)
	080914-01-000	EA	Corner Key
	085315-01-000	EA	Rivet - Shoulder - Tipout Window
	099154-01-000	FT	Glazing Channel

1991 WINNEBAGO  
TABLE OF CONTENTS

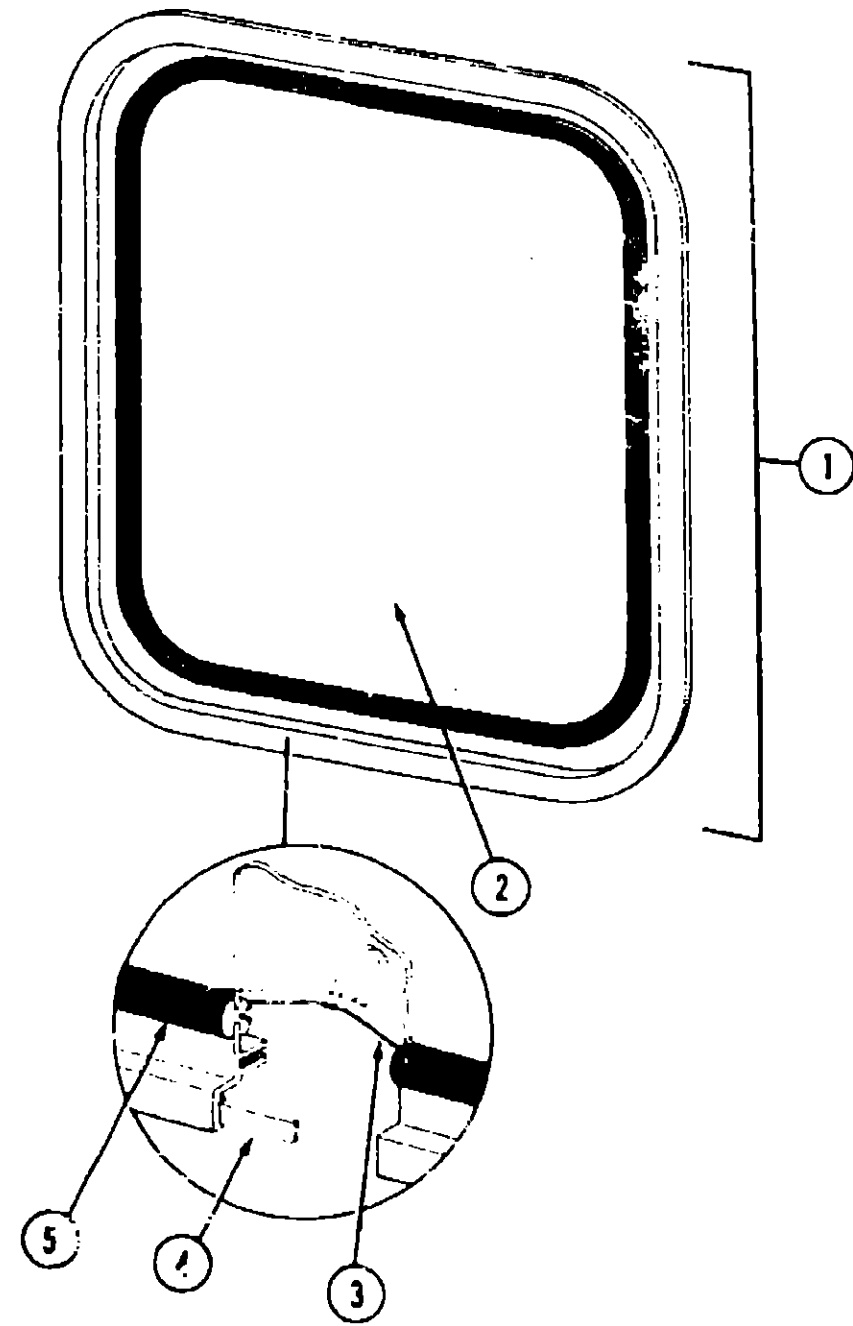
INTRODUCTION	A-01 - A-02
ABBREVIATIONS	A-03
ALPHABETICAL/GROUP REFERENCE	A-04 - A-06
WC321RG	A-07 - D-02
WC324RC	D-03 - F-23

1991 WC321RG INDEX

Floor Plan	A-07 - A-08
Accessories Group	A-09 - A-11
Bath Group	A-12 - A-13
Chassis Group	A-14 - A-16
Curtain, Cushion & Pad Group	A-17 - A-24
Dinette Group	B-01 - B-02
Driver's Compartment Group	B-03 - B-06
Electrical Group	B-07 - B-09
Exterior Body Group	B-10 - B-14
Galley Group	B-15 - B-18
Heating & Air Conditioning Group	B-19 - B-20
Interior Finish Group	B-21 - B-23
Labels Group	B-24 - C-07
LP Group	C-08
Lounge Group	C-09
Sealants & Fasteners Group	C-10 - C-11
Water & Sewage Group	C-12 - C-13
Window, Vent & Exterior Door Group	C-14 - D-01

1991 WINNEBAGO  
TABLE OF CONTENTS

INTRODUCTION	A-01 - A-02
ABBREVIATIONS	A-03
ALPHABETICAL/GROUP REFERENCE	A-04 - A-06
WC321RG	A-07 - D-02
WC324RC	D-03 - F-23



ESCAPE WINDOW

Key	Part Number	U/M	Description
1	078536-01-T03	EA	Window Asm. - Rear Escape - 23" x 68" (w/o inside frame)
	042027-12-000	EA	Inside Frame - Black (not included in assembly)
2	002178-01-000	EA	Glass - 1/8" x 19.6" x 64.8"
3	002285-01-000	FT	Filler - Weatherstrip - Black
4	069840-05-000	FT	Ribbon Sealer - 5/16" Bead x 15'
5	002282-01-000	FT	Weatherstrip - 1.25" Window
	006199-01-000	EA	Label - Exit - Escape Window
	047731-01-000	EA	Label - Emergency Exit

1991 WC321RG INDEX

Floor Plan	A-07 - A-08
Accessories Group	A-09 - A-11
Bath Group	A-12 - A-13
Chassis Group	A-14 - A-16
Curtain, Cushion & Pad Group	A-17 - A-24
Dinette Group	B-01 - B-02
Driver's Compartment Group	B-03 - B-06
Electrical Group	B-07 - B-09
Exterior Body Group	D-10 - B-14
Galley Group	B-15 - B-18
Heating & Air Conditioning Group	D-19 - B-20
Interior Finish Group	B-21 - B-23
Labels Group	B-24 - C-07
LP Group	C-08
Lounge Group	C-09
Sealants & Fasteners Group	C-10 - C-11
Water & Sewage Group	C-12 - C-13
Window, Vent & Exterior Door Group	C-14 - D-01