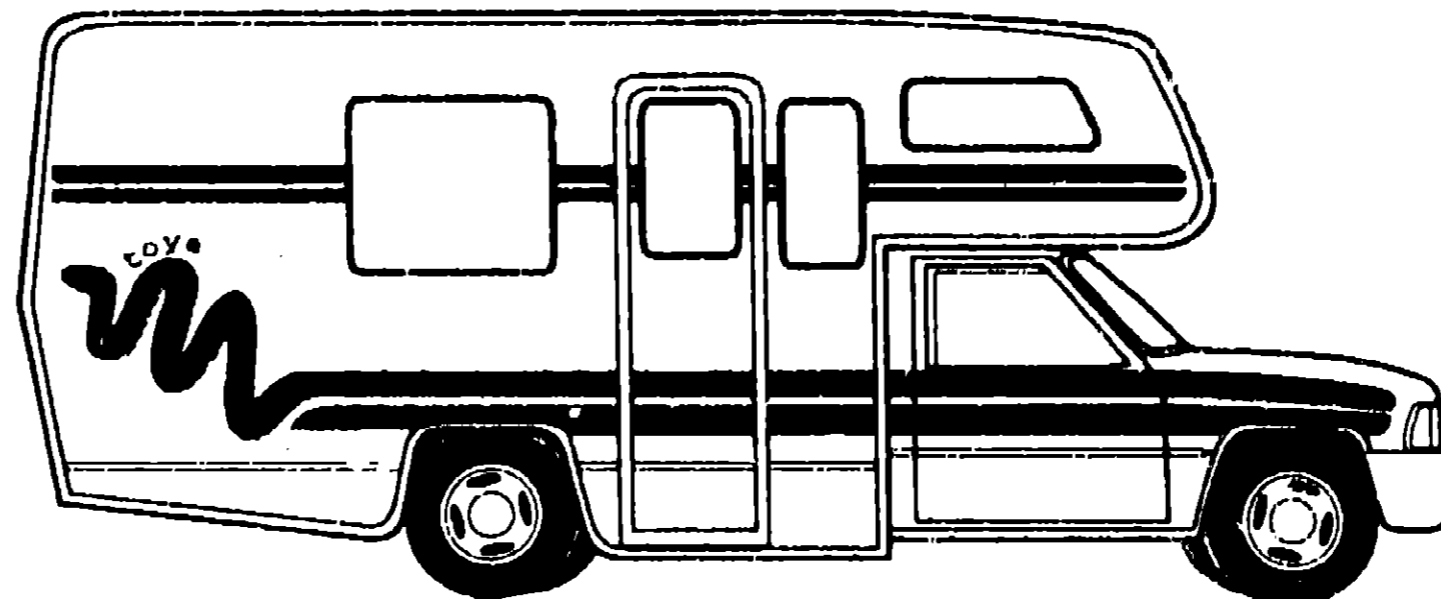


**1991 TOYE
TABLE OF CONTENTS**

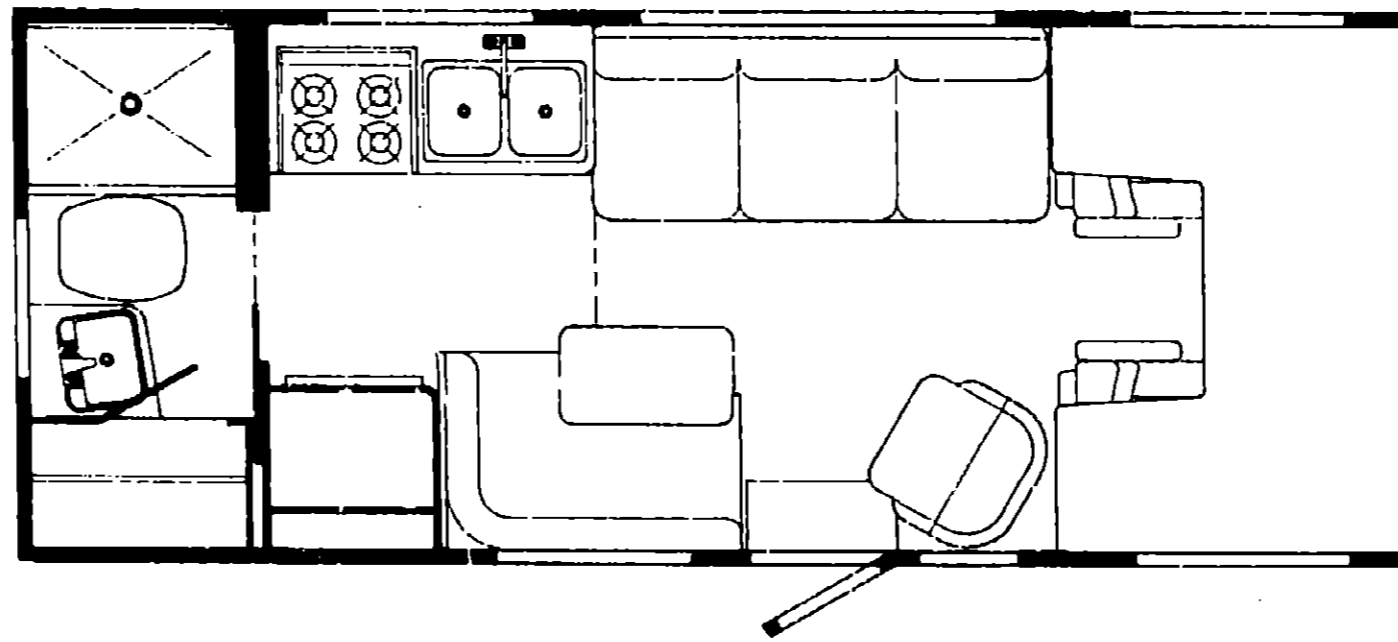
INTRODUCTION	A-01 - A-02
ABBREVIATIONS	A-03
ALPHABETICAL/GROUP REFERENCE	A-04 - A-05
TT321EB	A-07 - C-10
TT321EL	C-11 - E-20



**1991
TT321EL**

1991 TT321EL INDEX

Floor Plan	C-11 - C-12
Accessories Group	C-13
Bath Group	C-14 - C-15
Chassis Group	C-16
Curtain, Cushion & Pad Group	C-17 - C-22
Dinette Group	C-23
Driver's Compartment Group	C-24
Electrical Group	D-01 - D-03
Exterior Body Group	D-04 - D-08
Galley Group	D-09 - D-11
Heating & Air Conditioning Group	D-12
Interior Finish Group	D-13 - D-14
Labels Group	D-15 - D-23
LP Group	D-24
Lounge Group	E-01 - E-02
Sealants & Fasteners Group	E-03 - E-05
Water & Sewage Group	E-06 - E-09
Window, Vent & Exterior Door Group	E-10 - E-20



ACCESSORIES GROUP

MISCELLANEOUS ACCESSORIES

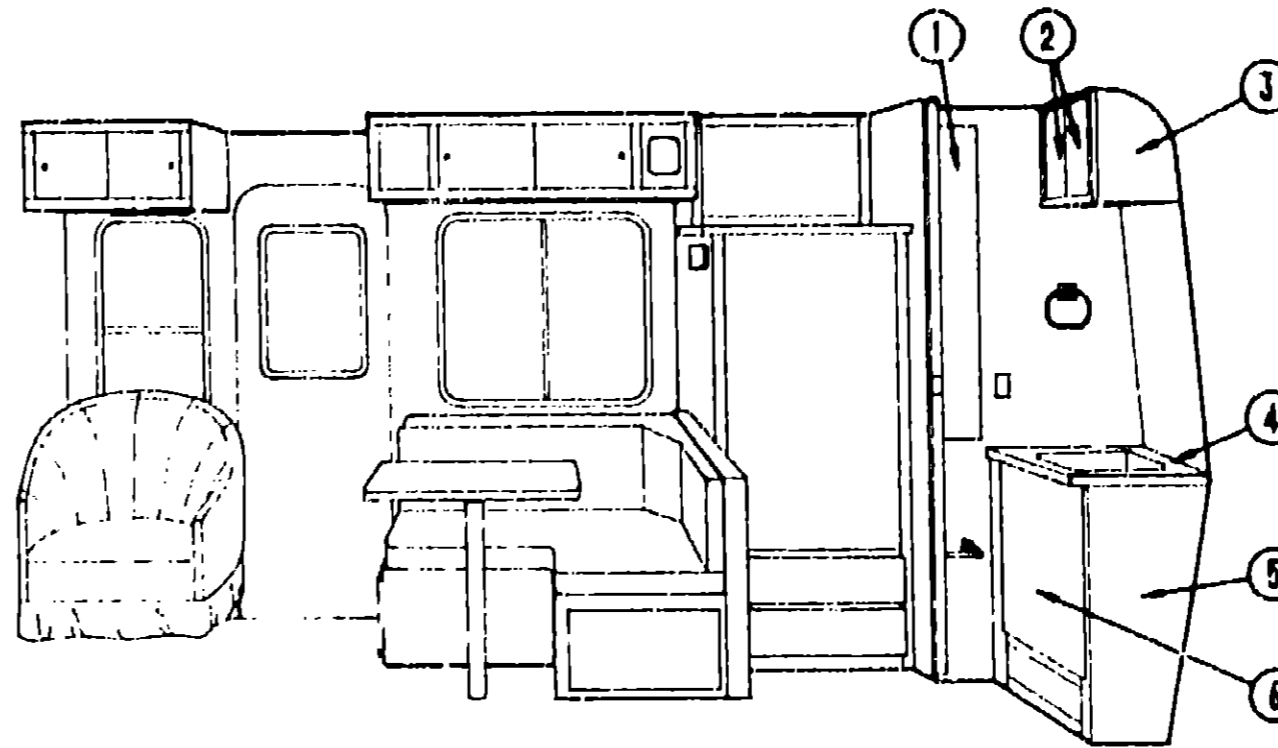
Key	Part Number	U/M	Description
	054185-76-000	EA	Owner's Manual - 1991 Toyo
	092318-01-000	EA	Binder - 3 Ring - Plastic
	092319-01-000	EA	Pocket Page - 3 Ring Binder - Plastic
	098084-05-000	EA	Cassette - Winnobago
	094499-01-000	EA	Fire Extinguisher - Dry 1A 10BC (UL)
	094499-02-000	EA	Fire Extinguisher - Dry 1A 10BC (CSA)
	094499-01-700	EA	Bracket - Mounting - w/Plastic Strap
	094651-01-02A	EA	Recessed Holder - Fire Extinguisher - Light Onk
	072852-01-000	EA	Smoke Detector w/9 Volt Battery
	103952-01-000	EA	Mirror - Round - 8.7" Dia.
	103937-01-01A	EA	Clock - Wall - Round Bezel
	103939-01-01A	EA	Trim - Ring - Clock/Mirror - Black
	009089-01-000	EA	Clip - Mirror
	084445-03-000	EA	Mirror Asm. - Exterior - Passenger Side
	084445-04-000	EA	Mirror Asm. - Exterior - Driver Side
	086780-01-000	EA	Mud Flaps - Toyota (Set of 2) - Rubber - Black
	090050-01-000	EA	Antenna - Toyota

TV ANTENNA

Key	Part Number	U/M	Description
	076319-15-000	EA	Antenna - TV Roof - 23.5" - Non-Powered
	076319-01-700	EA	Head - Antenna, Amplified
	076319-01-701	EA	Gear - Elevating - Plastic
	076319-01-702	EA	Shaft Asm. - Elevating
	076319-01-703	EA	Bearing - Nylon - 5" OD
	076319-01-704	EA	Bearing - Nylon - 1.25" OD
	076319-01-705	EA	Grommet - Nylon - 7/8" iD
	076319-01-706	EA	Crank - Elevating - w/Set Screw
	076319-01-707	EA	Spring - Handle
	076319-01-708	EA	Decal - Crank
	076319-01-709	EA	Directional Plate F/Head
	076319-01-710	EA	Crank - Elevating (Half Moon)
	076319-06-000	EA	Adapter - Cable Roof Plate
	076319-11-000	EA	Adapter - Coax with Splitter
	082134-01-000	EA	Adapter - Cable to Cable
	076319-03-000	FT	Cable - Coaxial - 1000' - 75 OHM
	093252-01-01A	EA	Plate - Wall - Cable - Beige
	102837-01-01A	EA	Plate - Wall - Cable/Antenna - Ivory
	102837-01-02A	EA	Plate - Wall - Cable/Antenna - Brown

NOTE Indented items are individual replacement parts for the assembly listed before them.

BATH GROUP



BATH & WARDROBE CABINETRY

Key	Part Number	U/M	Description
1	P03831-04-B95	EA	Door w/Mirror - Wardrobe Cabinet - 15.5" x 45.5" - w/o Hardware
2	058331-43-000	EA	Door - Medicine Cabinet - 11" x 11" - w/o Hardware - Mirror
3	103837-01-B95	EA	Cabinet - Medicine
4	099928-11-B95	EA	Countertop - Lavatory Cabinet
5	M99928-01-B95	EA	Cabinet w/Countertop - Lavatory - w/o Hardware or Door
6	P03831-05-B95	EA	Door - Lavatory Cabinet - 12" x 21.8" - w/o Hardware
	042488-11-000	EA	Door - Folding
	042488-01-700	EA	Roller & Clamp - Folding Door

1991 TOYE TABLE OF CONTENTS

INTRODUCTION	A-01 - A-02
ABBREVIATIONS	A-03
ALPHABETICAL/GROUP REFERENCE	A-04 - A-06
TT321EB	A-07 - C-10
TT321EL	C-11 - E-20

1991 TT321EL INDEX

Floor Plan	C-11 - C-12
Accessories Group	C-13
Bath Group	C-14 - C-15
Chassis Group	C-16
Curtain, Cushion & Pad Group	C-17 - C-22
Dinette Group	C-23
Driver's Compartment Group	C-24
Electrical Group	D-01 - D-03
Exterior Body Group	D-04 - D-06
Galley Group	D-08 - D-11
Heating & Air Conditioning Group	D-12
Interior Finish Group	D-13 - D-14
Labels Group	D-15 - D-23
LP Group	D-24
Lounge Group	E-01 - E-02
Sealants & Fasteners Group	E-03 - E-05
Water & Sewage Group	E-06 - E-09
Window, Vent & Exterior Door Group	E-10 - E-20

BATH GROUP (CONTINUED)

BATH & WARDROBE HARDWARE

Key	Part Number	U/M	Description
	M02630-03-U28	EA	Shower Pan w/Nut & Strainer
	066435-01-000	EA	Nut Strainer
	066436-01-000	EA	Nut - Slip - Tailpiece - 1.5"
	075241-05-000	EA	Faucet - Shower - Bone
	011048-02-000	EA	Shower Head - w/60" Hose - US
	011048-05-000	EA	Shower Head - w/60" Hose - CSA
	011069-03-000	EA	Tailpiece - Shower/Tub - 1 1/2" x 1 3/4" - Plastic
	066440-01-000	EA	Strainer w/Rubber Washer
	069735-01-000	EA	Washer - Strainer to Tailpiece - 1.5" - Plastic
	075606-01-000	EA	Panel - Shower - Faucet - Plastic
	094856-03-01A	EA	Track - Shower Curtain
	009701-01-000	EA	Carrier - Shower Curtain & Folding Door
	009702-01-000	EA	End Stop - Shower Curtain Carrier & Folding Door
	009136-01-000	EA	Hanger - Pin - Shower Curtain
	094856-08-01A	EA	Track - Folding Door - Tan
	057534-01-000	EA	Tieback Asm. - 6" - Clear Plastic
	075240-06-000	EA	Faucet - Lavatory - Bone
	091253-01-000	EA	Gasket - Faucet - Lavatory
	096927-01-01A	EA	Sink - Lavatory - Rectangular - Plastic - Bone
	096927-01-700	EA	Sink - Stopper
	096927-01-701	EA	Tailpiece - Sink
	059783-01-000	FT	Rod - Clothes - Aluminum
	041953-03-000	FT	Conduit - Convolute (Clothes Rod)
	033580-01-000	EA	Ring - Towel w/Mounting Hardware - Chrome
	009134-01-000	EA	Holder - Toilet Tissue - Chrome
	063740-01-000	EA	Toilet - High - Aqua Magic IV
	063641-01-000	EA	Flange - Closet - Red - 4 x 3
	000G13-06-10G	EA	Screw - 6-20 x 5/8 PFH - Antique Brass
	059777-02-000	EA	Hinge - Cabinet Door - Burnished Brass
	088264-02-000	EA	Pull - Cabinet Door
	004354-01-000	EA	Bumper - Cabinet Door - Rubber - Brown
	093586-03-000	EA	Catch - Spring Roller - Cabinet
	093586-04-000	EA	Strike - Spring Steel - Cabinet
	054250-01-000	EA	Cover - Angled - 3.62" x 4.5" - Plastic - Beige
	084481-18-B95	EA	Shower Curtain - Vinyl & Fabric
	084480-18-B96	EA	Shower Curtain - Vinyl & Fabric
	084481-18-B97	EA	Shower Curtain - Vinyl & Fabric

NOTE Indented items are individual replacement parts for the assembly listed before them.

CHASSIS GROUP

REAR AIR BAG OPTION (L16T)

Key	Part Number	U/M	Description
	100293-01-000	EA	Air Spring - Micro Mini - 4" Dia.
	100293-01-700	EA	Air Bag
	100293-01-701	EA	Horn - Airline Kit
	100293-01-702	EA	Airline Fitting - Male w/Shade
	100293-01-703	EA	Airline Fitting - Female
	100293-01-704	EA	Air Bag w/Hoses & Valves Kit

NOTE Indented items are individual replacement parts for the assembly listed before them.

MISCELLANEOUS

Key	Part Number	U/M	Description
	010495-01-000	EA	Clamp - Cable - 9/16"
	007125-06-000	EA	Clamp - Muffler - 2" Dia.
	010497-01-000	EA	Clamp - Closed - 5/8" ID
	010497-03-000	EA	Clamp - Closed - 1" ID
	010499-01-000	EA	Clamp - Closed - 3/8" ID
	083609-01-000	EA	Clamp - Wire - Dual Equal - 5/8" Dia.
	083610-01-000	EA	Clamp - Wire - Dual Unequal Dia.
	062401-02-000	EA	Clamp - Hose - Wormgear - 1.56" - 2.5"
	062401-06-000	EA	Clamp - Hose - Wormgear - .22" - .62"
	007063-01-000	FT	Hose - Gas - 1/4" ID x 1/2" OD
	084696-02-000	EA	Extension - Tailpipe - 2" Dia.
	086780-01-000	EA	Guard - Splash - Rubber (Set of 2)
	102627-01-000	EA	Hub Cover - Rear Dual
	100715-01-000	EA	Speedometer - KM - Toyota (Option L2651)
	100599-01-000	EA	Neck - Filler - Main Unleaded Fuel
	095854-01-01A	EA	Shroud - Fuel Fill - Off White
	078200-01-000	EA	Gasket - Fuel Fill
	084637-01-000	EA	Wheel Well - Plastic
	M00080-65-000	EA	Wheel/Tire Asm. - Toyota
	M00080-65-700	EA	Carrier - Spare Tire - Toyota (Option L38W)
	084773-01-000	EA	Bracket - Mounting - Spare Tire (Option L38W)
	064602-07-000	EA	Bumper - Rear - Square - 83.5" - Off White
	102775-01-01A	EA	Bumper Asm. - Rear
	102776-01-000	EA	Bracket - Bumper
	039779-01-000	EA	Cap - Rear Bumper - 4" x 4" - Black

KOHLER GENERATOR (OPTION L32Y)

Key	Part Number	U/M	Description
	083561-03-000	EA	Generator - 2.5 KW - Kohler
	096304-01-000	EA	Cover Asm. - Baffle - Generator
	096302-02-000	EA	Compartment Asm. - Generator
	083665-02-000	EA	Tray - Luggage
	007067-01-000	SF	Insulation - Fiberglass - 1"
	080662-03-000	EA	Exhaust Pipe - Generator
	080749-02-000	EA	Muffler - Kohler - Generator
	080749-03-000	EA	Hardware Kit - Muffler
	077510-01-000	EA	Label - Generator Prep

KOHLER GENERATOR (OPTION L321)

Key	Part Number	U/M	Description
	083561-03-000	EA	Generator - 2.5 KW - Kohler
	096304-01-000	EA	Cover Asm. - Baffle - Generator
	096302-02-000	EA	Compartment Asm. - Generator
	083665-02-000	EA	Tray - Luggage
	007067-01-000	SF	Insulation - Fiberglass - 1"
	080662-03-000	EA	Exhaust Pipe - Generator
	080749-02-000	EA	Muffler - Kohler - Generator
	080749-03-000	EA	Hardware Kit - Muffler
	077510-01-000	EA	Label - Generator Prep

1991 TOYE TABLE OF CONTENTS

INTRODUCTION:	A-01 - A-02
ABBREVIATIONS	A-03
ALPHABETICAL/GROUP REFERENCE	A-04 - A-06
TT321EB	A-07 - C-10
TT321EL	C-11 - E-20

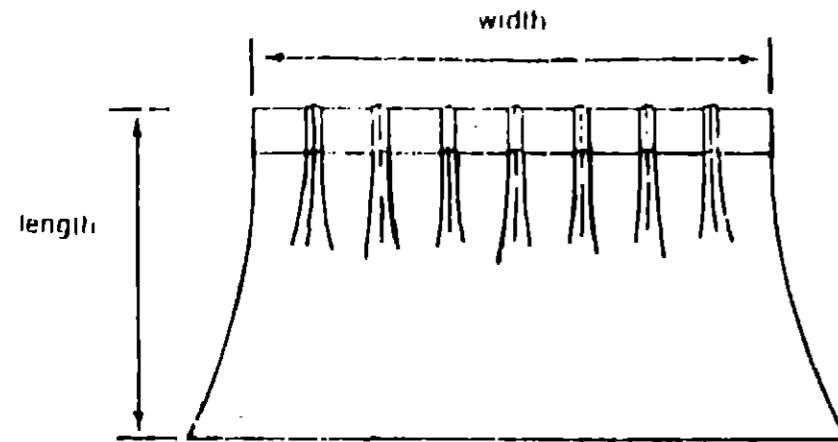
1991 TT321EL INDEX

Floor Plan	C-11 - C-12
Accessories Group	C-13
Bath Group	C-14 - C-15
Chassis Group	C-16
Curtain, Cushion & Pad Group	C-17 - C-22
Dinette Group	C-23
Driver's Compartment Group	C-24
Electrical Group	D-01 - D-03
Exterior Body Group	D-04 - D-06
Galley Group	D-09 - D-11
Heating & Air Conditioning Group	D-12
Interior Finish Group	D-13 - D-14
Labels Group	D-15 - D-23
LP Group	D-24
Lounge Group	E-01 - E-02
Sealants & Fasteners Group	E-03 - E-05
Water & Sewage Group	E-06 - E-09
Window, Vent & Exterior Door Group	E-10 - E-20

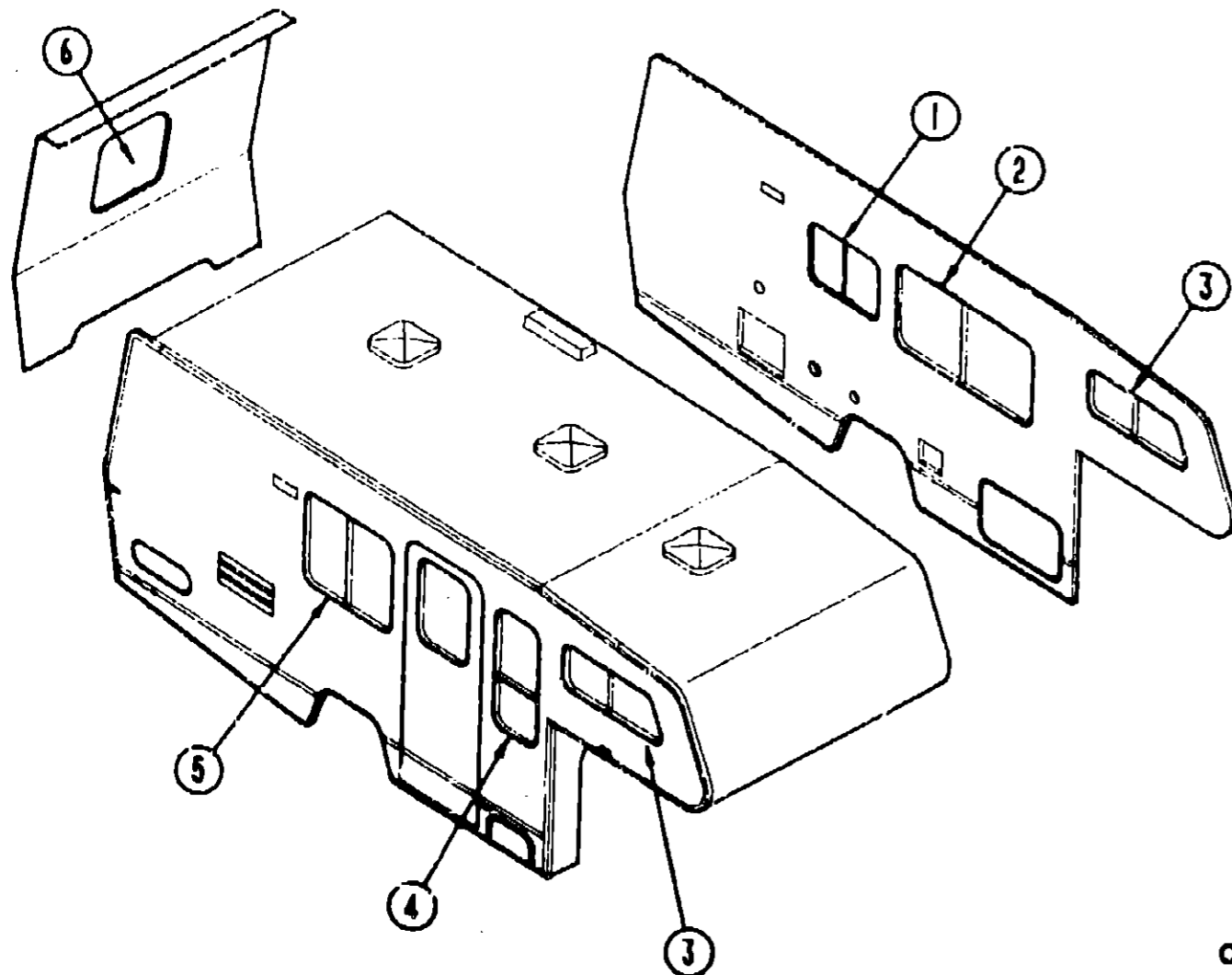
CURTAIN, CUSHION & PAD GROUP NOTICE

In order to assist our Part Sales Dept. in providing interior software items, please include the serial number and the color code number from the vehicle certification label when ordering. This label is located on the left sidewall at the end of the dash (A-Body), or on the driver's door latch plate (C-Body).

An example of a color code number is P31, which designates an overall color scheme of a particular unit. The color listed after the item description on the microfiche, indicates the overall unit color. Order the item you desire according to unit color code.



NOTE: Use this illustration when determining length and width measurements for curtains. You will note the width measurement is taken on the top of the curtain with the curtain fully extended. The length measurement is taken from top to bottom.



CURTAIN, CUSHION & PAD GROUP (CONTINUED)

CURTAIN, SHADES & TIEBACKS

Key	Part Number	U/M	Description
1	103859-02-B95	EA	Valance - Window - 29" Wide - Gray/Black
1	103859-02-B96	EA	Valance - Window - 29" Wide - Gray/Blue
1	103859-02-B97	EA	Valance - Window - 29" Wide - Gray/Burgundy
1	084755-57-B07	EA	Shade - Pull - 27.25"
2	103859-01-B95	EA	Valance - Window - 58" Wide - Gray/Black
2	103859-01-B96	EA	Valance - Window - 58" Wide - Gray/Blue
2	103859-01-B97	EA	Valance - Window - 58" Wide - Gray/Burgundy
2	101034-07-B95	EA	Curtain - Tape Top - 30" x 30" - Gray/Black
2	101034-07-B96	EA	Curtain - Tape Top - 30" x 30" - Gray/Blue
2	101034-07-B97	EA	Curtain - Tape Top - 30" x 30" - Gray/Burgundy
2	073260-38-B95	EA	Tieback - Curtain - 3" x 18" - Gray/Black
2	073260-38-B96	EA	Tieback - Curtain - 3" x 18" - Gray/Blue
2	073260-38-B97	EA	Tieback - Curtain - 3" x 18" - Gray/Burgundy
3	101034-08-B95	FT	Curtain - Tape Top & Bottom - 16" x 25" - Gray/Black
3	101034-08-B96	EA	Curtain - Tape Top & Bottom - 16" x 25" - Gray/Blue
3	101034-08-B97	EA	Curtain - Tape Top & Bottom - 16" x 25" - Gray/Burgundy
4	103859-03-B95	EA	Valance - Window - 24" Wide - Gray/Black
4	103859-03-B96	EA	Valance - Window - 24" Wide - Gray/Blue
4	103859-03-B97	EA	Valance - Window - 24" Wide - Gray/Burgundy
4	101034-09-B95	EA	Curtain - Tape Top - 37" x 12" - Gray/Black
4	101034-09-B96	EA	Curtain - Tape Top - 37" x 12" - Gray/Blue
4	101034-09-B97	EA	Curtain - Tape Top - 37" x 12" - Gray/Burgundy
4	073260-48-B95	EA	Tieback - Curtain - 3" x 15" - Gray/Black
4	073260-48-B96	EA	Tieback - Curtain - 3" x 15" - Gray/Blue
4	073260-48-B97	EA	Tieback - Curtain - 3" x 15" - Gray/Burgundy
5	103859-04-B95	EA	Valance - Window - 36" Wide - Gray/Black
5	103859-04-B96	EA	Valance - Window - 36" Wide - Gray/Blue
5	103859-04-B97	EA	Valance - Window - 36" Wide - Gray/Burgundy
5	101034-10-B95	EA	Curtain - Tape Top - 30" x 19" - Gray/Black
5	101034-10-B96	EA	Curtain - Tape Top - 30" x 19" - Gray/Blue
5	101034-10-B97	EA	Curtain - Tape Top - 30" x 19" - Gray/Burgundy
6	103859-02-B95	EA	Valance - Window - 29" Wide - Gray/Black
6	103859-02-B96	EA	Valance - Window - 29" Wide - Gray/Blue
6	103859-02-B97	EA	Valance - Window - 29" Wide - Gray/Burgundy
6	084755-57-B07	EA	Shade - Pull - 27.25" - Off White
	101668-12-B95	EA	Curtain - Tape Top - Pass - 38.5" x 50" - Gray/Black
	101668-12-B96	EA	Curtain - Tape Top - Pass - 38.5" x 50" - Gray/Blue
	101668-12-B97	EA	Curtain - Tape Top - Pass - 38.5" x 50" - Gray/Burgundy
	101668-13-B95	EA	Curtain - Tape Top - Driver - 38.5" x 50" - Gray/Black
	101668-13-B96	EA	Curtain - Tape Top - Driver - 38.5" x 50" - Gray/Blue
	101668-13-B97	EA	Curtain - Tape Top - Driver - 38.5" x 50" - Gray/Burgundy
	073260-38-B95	EA	Tieback - Curtain - 3" x 18" - Gray/Black
	073260-38-B96	EA	Tieback - Curtain - 3" x 18" - Gray/Blue
	073260-38-B97	EA	Tieback - Curtain - 3" x 18" - Gray/Burgundy
	076892-08-B95	EA	Curtain - Stud Top - 35" x 55" - Gray/Black
	076892-08-B96	EA	Curtain - Stud Top - 35" x 55" - Gray/Blue
	076892-08-B97	EA	Curtain - Stud Top - 35" x 55" - Gray/Burgundy

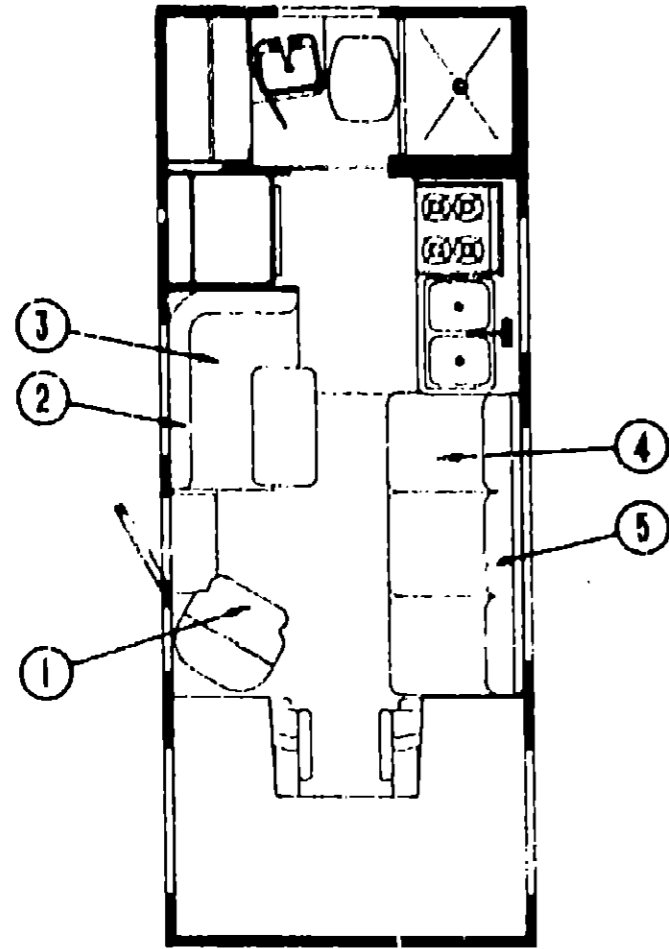
1991 TOYE TABLE OF CONTENTS

INTRODUCTION	A-01 - A-02
ABBREVIATIONS	A-03
ALPHABETICAL/GROUP REFERENCE	A-04 - A-06
TT321EB	A-07 - C-10
TT321EL	C-11 - E-20

1991 TT321EL INDEX

Floor Plan	C-11 - C-12
Accessories Group	C-13
Bath Group	C-14 - C-15
Chassis Group	C-16
Curtain, Cushion & Pad Group	C-17 - C-22
Dinette Group	C-23
Driver's Compartment Group	C-24
Electrical Group	D-01 - D-03
Exterior Body Group	D-04 - D-08
Galley Group	D-09 - D-11
Heating & Air Conditioning Group	D-12
Interior Finish Group	D-13 - D-14
Labels Group	D-15 - D-23
LP Group	D-24
Lounge Group	E-01 - E-02
Sealants & Fasteners Group	E-03 - E-05
Water & Sewage Group	E-06 - E-09
Window, Vent & Exterior Door Group	E-10 - E-20

CURTAIN, CUSHION & PAD GROUP (CONTINUED)



SWIVEL CHAIR

Key	Part Number	U/M	Description
1	096429-04-B95	EA	Chair - Swivel w/o Base or Plate
	M96429-04-B95	EA	Cover - Chair
	069246-06-000	EA	Adjuster - Manual
	069246-07-000	EA	Adjuster - Manual w/Lock Arm
	069705-02-000	EA	Bar - Seat Belt - 2.5" x 12.75"
	088245-03-000	EA	Plate - Top - w/o Tilt - w/Lock
	088245-07-000	EA	Extension - Base - 6"
	088245-01-000	EA	Base - Swivel Chair w/Legs

DINETTE CUSHIONS

Key	Part Number	U/M	Description
2	098642-12-B95	EA	Cushion Asm. - Dinette Back - L-Shaped
	M98642-12-B95	EA	Cover Asm. - Dinette Back Cushion - L-Shaped
	078155-01-000	EA	Strap - Back Cushion - Snap
3	098642-13-B95	EA	Cushion Asm. - Dinette Bottom - L-Shaped
	M98642-13-B95	EA	Cover Asm. - Dinette Bottom Cushion - L-Shaped
	096008-59-000	YD	Fabric - Dinette Cushion - Dotted - Gray

CURTAIN, CUSHION & PAD GROUP (CONTINUED)

PRESTO BED

Key	Part Number	U/M	Description
4	100032-14-B95	EA	Bed Asm. - Presto Seat - 66.5"
	P00032-14-B95	EA	Cover Asm. - Presto Bed Seat
5	100032-13-B25	EA	Bed Asm. - Presto Back - 66.5"
	P00032-13-B95	EA	Cover Asm. - Presto Bed Back
	101085-01-000	EA	Frame - Seat - 66.5"
	101085-02-000	EA	Frame - Back - 66.5"
	101085-03-000	EA	Frame - Base - 66.5"
	098008-31-000	YD	Fabric - Upholstery - Plain Gray

BUCKET SEAT COVERS (OPTION L62E)

Key	Part Number	U/M	Description
	M86740-06-B95	EA	Cover Asm. - Bucket Seat - Passenger
	M86740-07-B95	EA	Cover Asm. - Bucket Seat - Driver
	102850-01-B95	EA	Cover Asm. - Headrest - Toyota
	096008-31-000	YD	Fabric - Patterned Accent - Plain - Gray
	096008-59-000	YD	Fabric - Patterned Accent - Dotted - Gray

FRONT OVERHEAD BUNK CUSHION

Key	Part Number	U/M	Description
	084753-20-B95	EA	Cushion Asm. - U-Shaped - 53" x 81" x 5"
	M84753-20-B95	EA	Cover Asm. - U-Shaped Cushion
	084753-21-B95	EA	Cushion Asm. - Filler - 24.4" x 40.5" x 5"
	M84753-21-B95	EA	Cover Asm. - Filler Cushion
	096008-59-000	YD	Fabric - Patterned Accent - Dotted Gray

**1991 TOYE
TABLE OF CONTENTS**

INTRODUCTION	A-01 - A-02
ABBREVIATIONS	A-03
ALPHABETICAL/GROUP REFERENCE	A-04 - A-06
TT321EB	A-07 - C-10
TT321EL	C-11 - E-20

1991 TT321EL INDEX

Floor Plan	C-11 - C-12
Accessories Group	C-13
Bath Group	C-14 - C-15
Chassis Group	C-16
Curtain, Cushion & Pad Group	C-17 - C-22
Dinette Group	C-23
Driver's Compartment Group	C-24
Electrical Group	D-01 - D-03
Exterior Body Group	D-04 - D-08
Galley Group	D-09 - D-11
Heating & Air Conditioning Group	D-12
Interior Finish Group	D-13 - D-14
Labels Group	D-15 - D-23
LP Group	D-24
Lounge Group	E-01 - E-02
Sealants & Fasteners Group	E-03 - E-05
Water & Sewage Group	E-06 - E-09
Window, Vent & Exterior Door Group	E-10 - E-20

CURTAIN, CUSHION & PAD GROUP (CONTINUED)



Key	Part Number	U/M	Description
1	029130-01-000	EA	Socket - Snap Fastener
2	029155-01-000	EA	Cap - Snap - .156" Dia. x 17" Barrel
2	029156-01-000	EA	Socket - Snap Fastener
4	029092-01-000	EA	Stud - Nickel Finish
5	029093-01-000	EA	Eyelet - Nickel Finish

FABRICS, TRIMS & PADS

Key	Part Number	U/M	Description
	096008-59-000	YD	Fabric - Upholstery - Dotted Gray
	096008-31-000	YD	Fabric - Upholstery - Plain Gray
	088273-75-000	YD	Fabric - Curtain - Polka Dot - (B95)
	088273-74-000	YD	Fabric - Curtain - Polka Dot - (B96)
	088273-76-000	YD	Fabric - Curtain - Polka Dot - (B97)
	087272-01-000	YD	Fabric - Drapery - Lining - Ivory
	088273-78-000	YD	Fabric - Curtain - Striped (B95)
	088273-77-000	YD	Fabric - Curtain - Striped (B96)
	088273-79-000	YD	Fabric - Curtain - Striped (B97)
	079680-09-000	YD	Vinyl - Off White (Wing Wall Pad)
	029219-01-000	YD	Vinyl - White (Assist Handle)
	078155-01-000	EA	Strap - Dinette Cushion - Snap
	084993-01-000	EA	Strap - Battery
	086120-01-B95	EA	Pad Asm. - Map Pocket - 12" x 16"
	081711-12-B95	EA	Pad Asm. - Dinette
	070578-01-AF3	EA	Button - #30 - Gray

CURTAIN, CUSHION & PAD GROUP (CONTINUED)

THROW PILLOWS

Key	Part Number	U/M	Description
	103969-01-B95	EA	Pillow - Throw - Round - 10" - Gray/Black
	103969-01-B98	EA	Pillow - Throw - Round - 10" - Gray/Blue
	103969-01-B97	EA	Pillow - Throw - Round - 10" - Gray/Burgundy
	103970-01-B95	EA	Pillow - Throw - w/Corners - 15" x 15" - Gray/Black
	103970-01-B95	EA	Pillow - Throw - w/Corners - 15" x 15" - Gray/Blue
	103970-01-B97	EA	Pillow - Throw - w/Corners - 15" x 15" - Gray/Burgundy

CURTAIN & CUSHION HARDWARE

Key	Part Number	U/M	Description
	101033-01-000	FT	Track - Low Profile - White
	101033-02-000	EA	End Cap - Curtain Track - Clear
	101032-01-000	FT	Track - Ceiling Mount - White
	009136-01-000	EA	Pin - Shower Curtain
	084432-06-000	EA	Slat - Roller Shade - Plastic
	086276-01-000	EA	Tape - Double Sided - 1/2"
	084433-01-700	EA	Spring - Rewind - Roller Shade

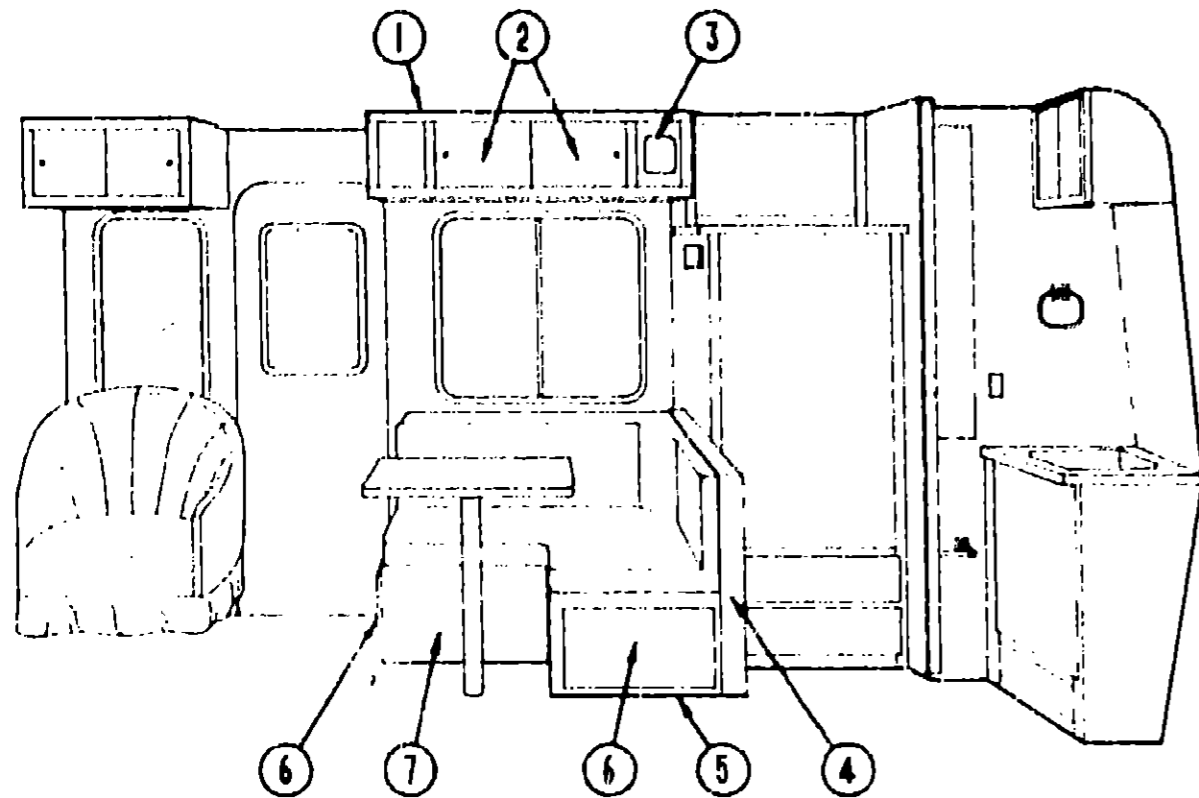
**1991 TOYE
TABLE OF CONTENTS**

INTRODUCTION	A-01 - A-02
ABBREVIATIONS	A-03
ALPHABETICAL/GROUP REFERENCE	A-04 - A-06
TT321EB	A-07 - C-10
TT321EL	C-11 - E-20

1991 TT321EL INDEX

Floor Plan	C-11 - C-12
Accessories Group	C-13
Bath Group	C-14 - C-15
Chassis Group	C-16
Curtain, Cushion & Pad Group	C-17 - C-22
Dinette Group	C-23
Driver's Compartment Group	C-24
Electrical Group	D-01 - D-03
Exterior Body Group	D-04 - D-08
Galley Group	D-09 - D-11
Heating & Air Conditioning Group	D-12
Interior Finish Group	D-13 - D-14
Labels Group	D-15 - D-23
LP Group	D-24
Lounge Group	E-01 - E-02
Sealants & Fasteners Group	E-03 - E-05
Water & Sewage Group	E-06 - E-09
Window, Vent & Exterior Door Group	E-10 - E-20

DINETTE GROUP



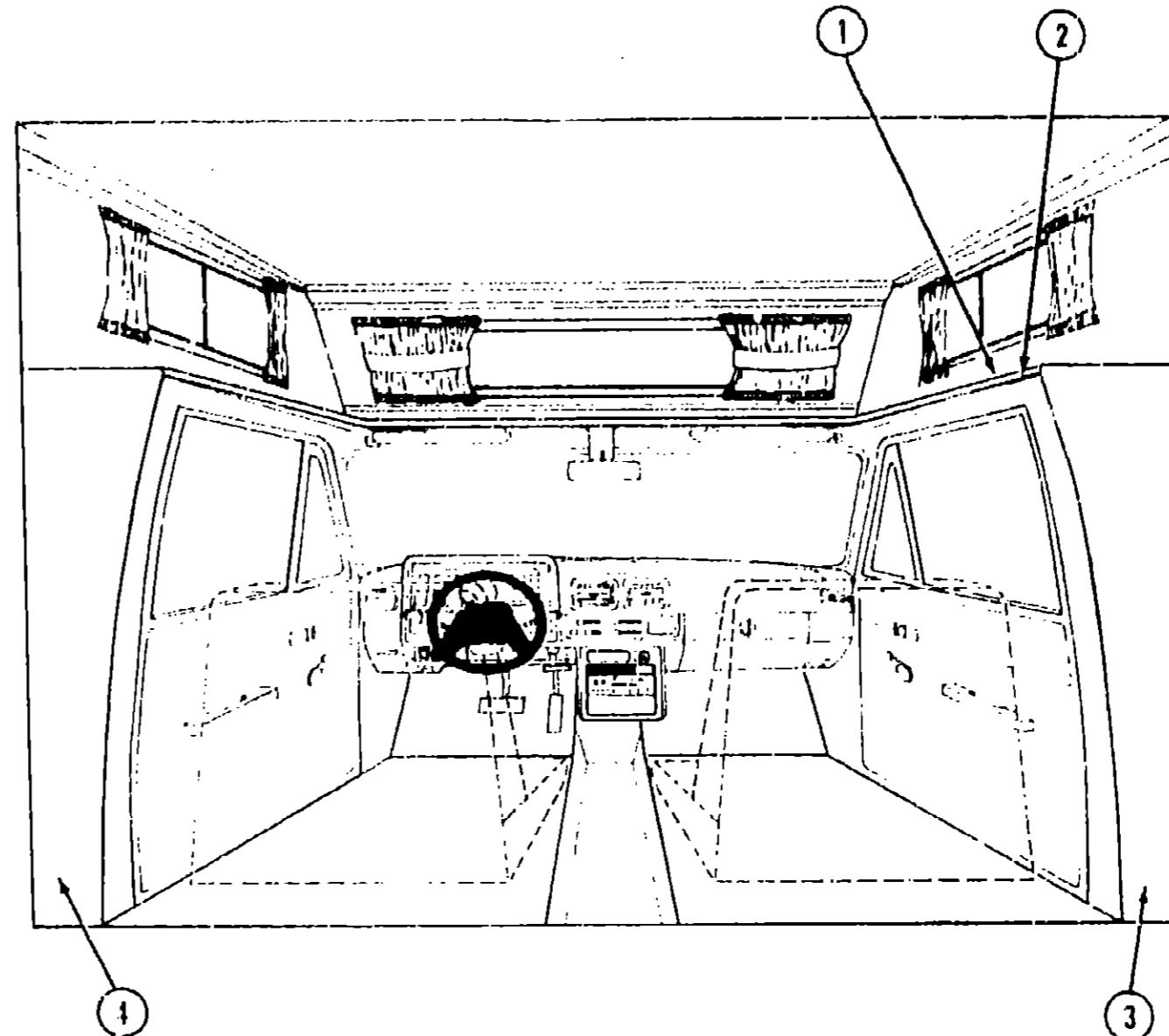
DINETTE CABINERY

Key	Part Number	U/M	Description
1	103919-01-B95	EA	Cabinet - Dinette Overhead - w/o Doors or Hardware
2	080549-14-B95	EA	Door - Dinette Overhead - 17.7" x 9.8" - w/o Hardware
3	094097-01-000	EA	Speaker - Radio - w/o Grille - 5.25" Dia.
	089340-02-000	EA	Grille - Speaker - 6.25" - Square
	074979-01-000	EA	Cover - Speaker - Light Oak
4	M04136-03-B95	EA	Cabinet - Seat Back
5	M04139-11-B95	EA	Cabinet - Seat Base - Rear
6	P03831-07-B95	EA	Door - Cabinet - 19.1" x 10" - w/o Hardware
7	M04139-12-B95	EA	Cabinet - Seat Base - Front
	081298-10-B95	EA	Table - Dinette - w/o Edge Band or Hardware
	009040-01-000	EA	Leg Asm. - Table - Chrome
	009040-03-000	EA	Base - Table Leg - Table Mounted
	041194-01-000	EA	Base - Table - Flush - Floor Mounted
	064781-06-000	EA	Cupholder - Two Stage - Off White

MISCELLANEOUS DINETTE HARDWARE

Key	Part Number	U/M	Description
	059777-02-000	EA	Hinge - Cabinet Door - Burnished Brass
	009148-02-000	EA	Pull - Cabinet Door Finger
	093586-03-000	EA	Catch - Spring Roller - Cabinet
	093586-04-000	EA	Strike - Spring Steel - Cabinet
	074493-02-000	EA	Support - Overhead Door - Spring
	057759-01-000	EA	Bracket - Seat Belt Washer - 4"
	007021-01-000	EA	Seat Belt - 2" x 90" - Black
	103927-01-01A	EA	Track - Sliding Door - 5' EA - Tan

DRIVER'S COMPARTMENT GROUP



MISCELLANEOUS DRIVER'S COMPARTMENT COMPONENTS

Key	Part Number	U/M	Description
1	P00072-01-B05	EA	Panel Asm. - Sleeper Board w/o Vinyl
2	079800-06-000	EA	Trim - Front - Sleeper Board
	100085-01-01A	EA	Trim - Strap - Sleeper Board - Off White
	080742-03-000	FT	Insert - Trim - Sleeper Board - Vinyl
3	M95402-01-000	EA	Wingwall Transition - Inner - Passenger Side
4	M95402-02-000	EA	Wingwall Transition - Inner - Driver Side
	056271-01-000	EA	Seat Belt - 2" x 102" - Black
	091179-01-B95	EA	Floor Mat - Right
	091178-01-B95	EA	Floor Mat - Left
	103951-01-000	EA	Mirror - Safety Glass - Radius Corners - 52.2" x 13.2"
	009089-01-000	EA	Clip - Mirror

RADIO & RELATED COMPONENTS

Key	Part Number	U/M	Description
	090982-01-000	EA	Radio - AM/FM Cassette - Electronic Tune
	090051-02-000	EA	Speaker - 4" - Round (Front)
	090288-02-000	EA	Wire Asm. - Speaker/Power
	005081-01-000	EA	Clip
	090050-01-000	EA	Antenna
	084424-01-000	EA	Plug - Rubber - Antenna Hole
	090052-03-000	EA	Trim Kit - Radio Mounting w/90° Antenna Adapter

1991 TOYE TABLE OF CONTENTS

INTRODUCTION	A-01 - A-02
ABBREVIATIONS	A-03
ALPHABETICAL/GROUP REFERENCE	A-04 - A-08
TT321EB	A-07 - C-10
TT321EL	C-11 - E-20

1991 TT321EL INDEX

Floor Plan	C-11 - C-12
Accessories Group	C-13
Bath Group	C-14 - C-15
Chassis Group	C-16
Curtain, Cushion & Pad Group	C-17 - C-22
Dinette Group	C-23
Driver's Compartment Group	C-24
Electrical Group	D-01 - D-03
Exterior Body Group	D-04 - D-06
Galley Group	D-09 - D-11
Heating & Air Conditioning Group	D-12
Interior Finish Group	D-13 - D-14
Labels Group	D-15 - D-23
LP Group	D-24
Lounge Group	E-01 - E-02
Sealants & Fasteners Group	E-03 - E-05
Water & Sewage Group	E-06 - E-09
Window, Vent & Exterior Door Group	E-10 - E-20

ELECTRICAL GROUP

WIRES, SWITCHES, & RECEPTACLES

Key	Part Number	U/M	Description
	008288-01-000	EA	Box - Electrical - 3" x 3.5" - Plastic
	091910-01-000	EA	Box - Electrical - 3.75" x 3.50" x 1.75" - Plastic
	093603-01-000	EA	Box - Electrical - 4" x 2 1/8" x 2 1/8"
	008289-01-000	EA	Box - Electrical - 4" x 4" - 1/2 & 3/4 Steel
	008289-02-000	EA	Box - Electrical - 4" x 4" (CSA)
	058049-01-000	EA	Box - Electrical - 2" x 3" x 2.25" - Steel
	041953-01-000	FT	Conduit - Convolute Slit - 5" ID
	080734-02-000	EA	Clip - Wire - Nylon
	008356-01-000	EA	Connector - Plastic - 3/8" Avg.
	058028-01-000	EA	Connector - Pigtail - Clear Nylon
	008311-01-000	EA	Connector - Wire Nut - Red
	008314-01-000	EA	Connector - Wire Nut - Gray
	008398-01-000	EA	Connector - 1/2 x 90 - Flex
	008355-01-000	EA	Connector - 3/4 - Cable Clamping
	008054-01-000	EA	Cord - Power - 10-3 30 Amp. - 25'
	008052-01-000	EA	Cord - Power - 10-3 30 Amp. (CSA)
	069238-01-000	EA	Cover - Electrical Box - 4 x 4
	053337-01-000	EA	Cover Plate - Blank - Ivory
	008294-01-000	EA	Cover Plate - Blank - Steel 4 x 4 (USA)
	008294-02-000	EA	Cover Plate - Blank - Steel 4 x 4 (CSA)
	097734-01-01A	EA	Extension - Receptacle - Ivory
	097734-01-02A	EA	Extension - Receptacle - Brown
	088473-03-000	EA	Housing Pin - 9 Position
	088473-08-000	EA	Housing Pin - 4 Position
	088473-10-000	EA	Housing Pin - 2 Position
	088474-03-000	EA	Housing - Socket - 9 Position
	088474-09-000	EA	Housing - Socket - 3 Position
	088474-10-000	EA	Housing - Socket - 2 Position
	063910-01-000	EA	Housing - Relay
	088475-01-000	EA	Pin - Connector
	088476-01-000	EA	Socket - Connector
	075736-02-000	EA	Receptacle/Cover Asm. - Off White (Exterior)
	084077-02-000	EA	Receptacle Cover - Brown (Ground Fault Interrupter)
	084076-02-000	EA	Receptacle - 15 Amp. - 125 Volt - Brown (Ground Fault Interrupter)
	024924-02-000	EA	Receptacle - Power Cord
	058707-01-000	EA	Receptacle - Single - Brown
	058706-01-000	EA	Receptacle - Duplex - Brown
	058708-02-000	EA	Receptacle - Duplex - Ivory
	007940-01-000	EA	Receptacle - Slide - 16 to 12 Awg.
	098351-01-01A	EA	Switch Plate - 1 Gang - Polished Brass
	008326-01-000	EA	Terminal Ring - 16/14 - 3/8 Stud
	035416-04-000	EA	Terminal Ring - #10 Stud Fit
	008328-01-000	EA	Terminal Ring - 12/10 Wire
	047443-01-000	EA	Terminal - .250 Receptacle
	008348-01-000	EA	Terminal Ring - 2 - 3/8 Stud
	008331-01-000	EA	Terminal Ring - 4 - 3/8 Stud
	102837-01-01A	EA	Wallplate - Cable/Antenna - Ivory
	086777-02-000	EA	Wallplate - Antenna/Cable - Brown
	093252-01-01A	EA	Wallplate - Cable
	008026-01-000	FT	Wire - 12/2 Romex w/Ground
	008343-01-000	EA	Wire Tie - 6"
	008343-02-000	EA	Wire Tie - 14"

ELECTRICAL GROUP (CONTINUED)

BULBS

Key	Part Number	U/M	Description
	092696-01-709	EA	Bulb - 912 (Stove Hood)
	008218-01-000	EA	Bulb - 1141 (Dome Light)
	008213-01-000	EA	Bulb - 57 (Clearance Light)
	008215-01-000	EA	Bulb - 1003 (Porch Light)

FUSES & CIRCUIT BREAKERS

Key	Part Number	U/M	Description
	098235-01-000	EA	Fuse - 15 Amp. - 12 Volt
	062901-05-000	EA	Fuse - 15 Amp. - Automotive
	083209-01-000	EA	Circuit Breaker - 15 Amp. - 120 Volt
	083209-02-000	EA	Circuit Breaker - 15/15 Amp. - 120 Volt
	033573-02-000	EA	Circuit Breaker - 15 Amp. - 12 Volt
	083210-02-000	EA	Circuit Breaker - 15 Amp. - 120 Volt
	083209-05-000	EA	Circuit Breaker - 20 Amp. - 120 Volt
	094811-01-000	EA	Circuit Breaker - 20/20 Amp. - 120 Volt
	008268-01-000	EA	Circuit Breaker - 30 Amp. - 12 Volt
	083209-04-000	EA	Circuit Breaker - 20 Amp. - 120 Volt
	083209-06-000	EA	Circuit Breaker - 30/15 Amp. - 120 Volt
	094810-01-000	EA	Circuit Breaker - 30/30 Amp. - 120 Volt (Export)
	083209-08-000	EA	Circuit Breaker Blank
	044466-03-000	EA	Circuit Breaker w/Mounting Bracket
	100341-01-000	EA	Fuse Holder - In Line Type

MISCELLANEOUS ELECTRICAL COMPONENTS

Key	Part Number	U/M	Description
	063739-01-000	EA	Battery - 12 Volt - 80 Amp. - Gould
	072852-01-000	EA	Smoke Detector w/9 Volt Battery
	092615-01-000	EA	Converter - 40 Amp. w/Charger
	094809-01-000	EA	Load Center - 240 Volt - 125 Amp. (Export)
	048649-01-000	EA	Fan - 6 Blade - 6"
	084454-01-000	EA	Control Center - 25 Amp. - 120V/12V
	083208-01-000	EA	Control Center - 32 Amp. - 120V/12V

These parts are used from 5/9/90 on.

1991 TOYE TABLE OF CONTENTS

INTRODUCTION	A-01 - A-02
ABBREVIATIONS	A-03
ALPHABETICAL/GROUP REFERENCE	A-04 - A-06
TT321EB	A-07 - C-10
TT321EL	C-11 - E-20

1991 TT321EL INDEX

Floor Plan	C-11 - C-12
Accessories Group	C-13
Bath Group	C-14 - C-15
Chassis Group	C-16
Curtain, Cushion & Pad Group	C-17 - C-22
Dinette Group	C-23
Driver's Compartment Group	C-24
Electrical Group	D-01 - D-03
Exterior Body Group	D-04 - D-06
Galley Group	D-08 - D-11
Heating & Air Conditioning Group	D-12
Interior Finish Group	D-13 - D-14
Labels Group	D-15 - D-23
LP Group	D-24
Lounge Group	E-01 - E-02
Sealants & Fasteners Group	E-03 - E-05
Water & Sewage Group	E-06 - E-09
Window, Vent & Exterior Door Group	E-10 - E-20

ELECTRICAL GROUP (CONTINUED)

EXTERIOR LIGHTS

Key	Part Number	U/M	Description
	042405-01-000	EA	Lens - Clearance Light - Red w/Reflex
	042405-02-000	EA	Lens - Clearance Light - Amber w/Reflex
	042405-03-000	EA	Base - Rectangular Clearance Light
	091983-01-000	EA	Gasket - Light - Side Marker
	008213-01-000	EA	Bulb - #57
	081638-03-000	EA	Wedge - Angle Mount - Tail Light
	081638-02-000	EA	Tail Light
	081638-01-700	EA	Lens - Taillight - Red
	081638-01-701	EA	Lens - Taillight - w/Backup
	081638-01-702	EA	Lens - Taillight - Amber
	037935-01-000	EA	Bulb - 12V - Brake Light
	037934-01-000	EA	Bulb - 12V - Backup & Turn
	066432-01-000	EA	Light/Bracket - License Plate
	097917-01-01A	EA	Porch Light - Recessed
	097917-01-700	EA	Lens - Porch Light
	091981-01-000	EA	Gasket - Porch Light
	008215-01-000	EA	Bulb - 1003 - Porch Light
	100138-01-000	EA	Daytime Running Light Module

NOTE Indented items are individual replacement parts for the assembly listed before them.

INTERIOR LIGHTS

Key	Part Number	U/M	Description
	098024-01-01A	EA	Dome Light - 1 Bulb - Ivory
	098024-02-01A	EA	Dome Light - 1 Bulb - Ivory (CSA)
	098024-03-01A	EA	Dome Light - 2 Bulb - Ivory
	098024-04-01A	EA	Dome Light - 2 Bulb - Ivory (CSA)
	098024-01-700	EA	Lens - Dome Light
	008218-01-000	EA	Bulb - Dome Light - 12 Volt - #1141

NOTE Indented items are individual replacement parts for the assembly listed before them.

EXTERIOR BODY GROUP

MISCELLANEOUS EXTERNALLY MOUNTED PARTS

Key	Part Number	U/M	Description
	083558-03-000	EA	Plumbing Seal - Roof Vent - 1.5" - Covered
	009126-02-000	EA	Assist Handle - Black
	069178-02-000	EA	Mounting Bracket - Assist Handle
	087659-04-000	EA	Fill - City Water - Lockable - Off White
	102768-01-000	EA	Door Holder
	103385-01-01A	EA	Vent - Range Hood - Off White

1991 TOYE TABLE OF CONTENTS

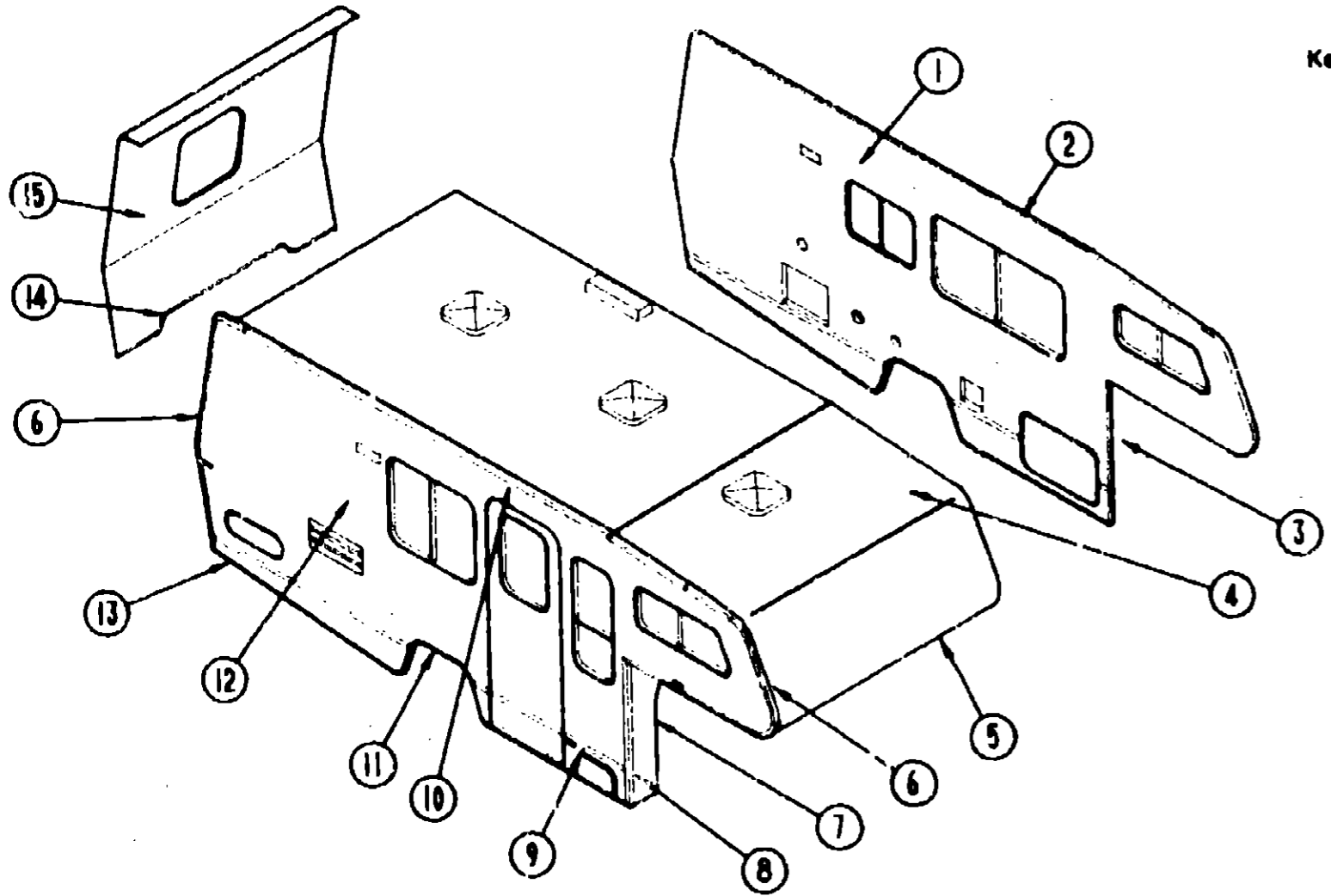
INTRODUCTION	A-01 - A-02
ABBREVIATIONS	A-03
ALPHABETICAL/GROUP REFERENCE	A-04 - A-06
TT321EB	A-07 - C-10
TT321EL	C-11 - E-20

1991 TT321EL INDEX

Floor Plan	C-11 - C-12
Accessories Group	C-13
Bath Group	C-14 - C-15
Chassis Group	C-16
Curtain, Cushion & Pad Group	C-17 - C-22
Dinette Group	C-23
Driver's Compartment Group	C-24
Electrical Group	D-01 - D-03
Exterior Body Group	D-04 - D-08
Galley Group	D-09 - D-11
Heating & Air Conditioning Group	D-12
Interior Finish Group	D-13 - D-14
Labels Group	D-15 - D-23
LP Group	D-24
Lounge Group	E-01 - E-02
Sealants & Fasteners Group	E-03 - E-05
Water & Sewage Group	E-06 - E-09
Window, Vent & Exterior Door Group	E-10 - E-20

EXTERIOR BODY GROUP (CONTINUED)

EXTERIOR BODY PANELS & TRIMS



Key	Part Number	U/M	Description
1	P03567-02-B95	EA	Sidewall Asm. - Driver
	080267-17-000	EA	Trim - Sidewall - 9.8" Long - Off White
	080267-53-000	EA	Trim - Sidewall - 2.8" Long - Off White
2	096864-01-01A	EA	Trim - Roof Contour - Off White
	079280-01-01A	FT	Insert - Vinyl - .72" - Off White
3	096970-08-01A	EA	Trim - Wingwall - Off White - Drivers - 46.5"
4	P00034-02-B95	EA	Roof Asm.
5	100086-01-01A	EA	Trim - Sleeper Board - Off White
	100085-01-01A	EA	Trim - Strap - Sleeperboard - Off White
6	096854-01-01A	EA	Trim - Contour - 107" - Front/Rear - Off White
	079280-01-01A	FT	Insert - Vinyl - .72" - Off White
7	100682-01-B05	EA	Wingwall Asm. - Passenger
	100682-02-B05	EA	Wingwall Asm. - Driver
8	096970-05-01A	EA	Trim - Wingwall - Off White - Passenger - 46.5"
9	093673-01-01A	FT	Feature Strip - 1.3" Wide - Off White
	084704-02-000	EA	Trim - Wingwall - Driver/Passenger - Off White
	089334-01-000	FT	Seal - Cab to Wingwall - Vinyl - Off White
10	100483-01-01A	EA	Trim - Roof Contour - Off White
	099583-55-001	EA	Awning Rail - 120"
11	100800-01-01A	EA	Trim - Wheel Well - Rear - Passenger - Off White
	100800-04-01A	EA	Trim - Wheel Well - Rear - Driver - Off White
12	P03563-01-B95	EA	Sidewall Asm. - Passenger
13	002776-03-012	EA	U-Channel - Extrusion - 1.75" x 192" - Off White
14	085004-01-000	EA	Trim - Backwall - Lower - Off White
15	P00035-01-B95	EA	Backwall Asm.
	002365-01-001	EA	U-Channel - Extrusion - 1" x 18'
	044582-02-000	EA	Drip Cap - Door Jamb - Mounted - Off White
	076054-98-000	EA	Fiberglass Sheet - 41" x 170" - Off White
	076054-99-000	EA	Fiberglass Sheet - 41" x 86" - Off White
	076054-92-000	EA	Fiberglass Sheet - 48" x 236" - Off White
	076054-A1-000	EA	Fiberglass Sheet - 48" x 86" - Off White
	076054-A2-000	EA	Fiberglass Sheet - 25" x 48" - Off White
	001054-01-011	EA	Aluminum - No Design - 48" x 96" - Roof - Off White
	000870-02-000	SF	Styrofoam - 1.5" x 48" x 96" (32 SF)
	000870-03-000	SF	Styrofoam - 1.34" x 48" x 96" (32 SF)

1991 TOYE TABLE OF CONTENTS

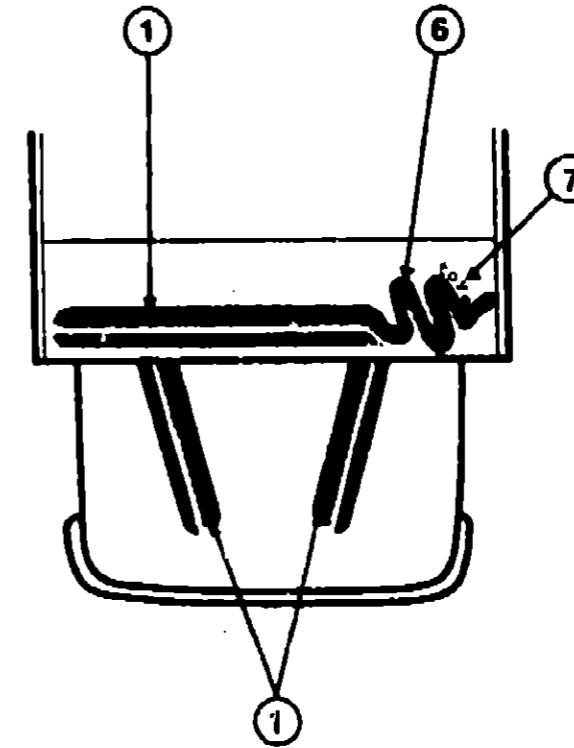
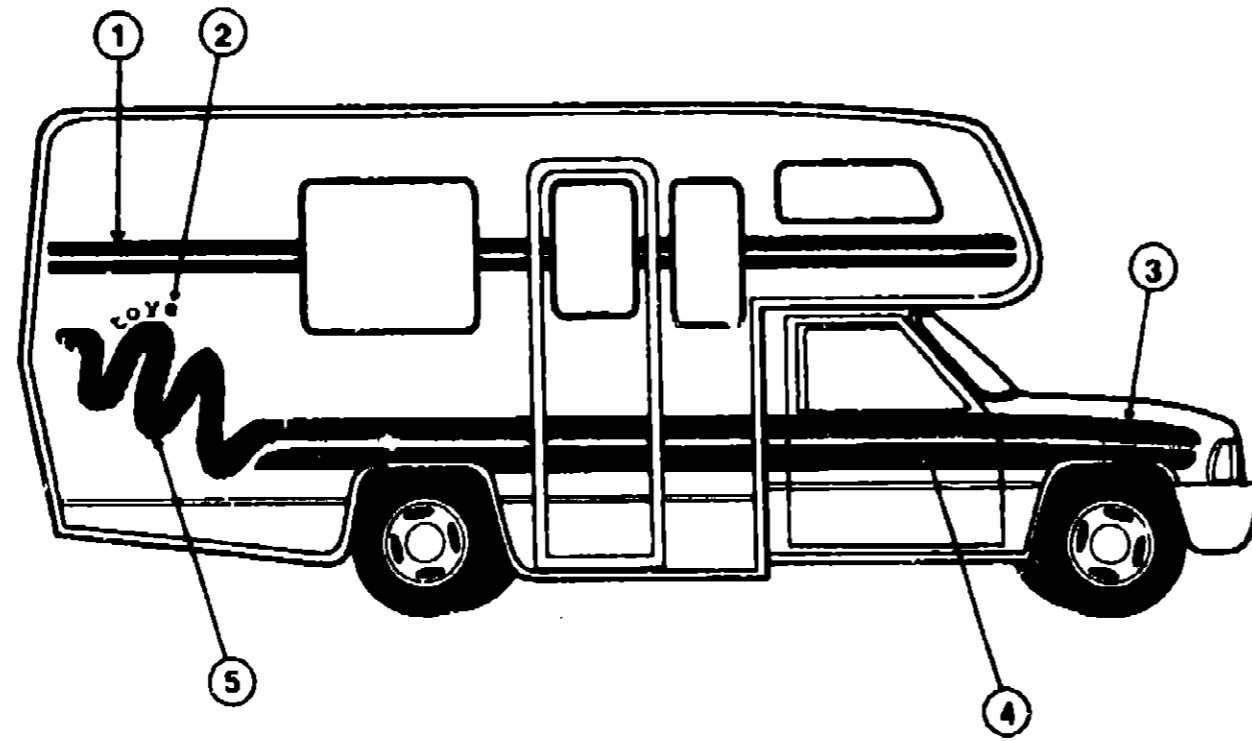
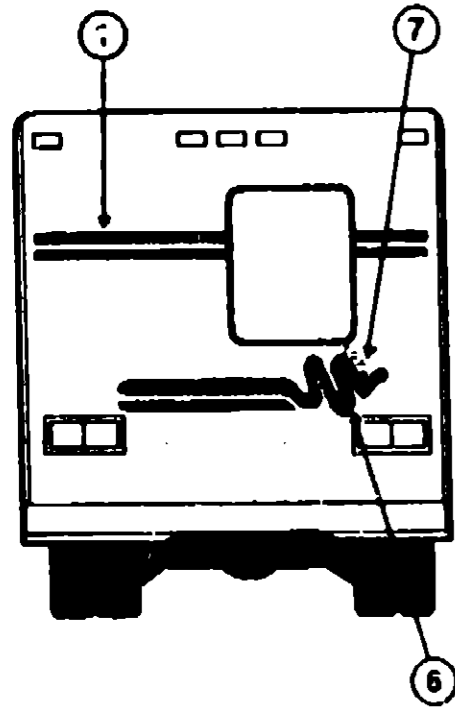
INTRODUCTION	A-01 - A-02
ABBREVIATIONS	A-03
ALPHABETICAL/GROUP REFERENCE	A-04 - A-06
TT321EB	A-07 - C-10
TT321EL	C-11 - E-20

1991 TT321EL INDEX

Floor Plan	C-11 - C-12
Accessories Group	C-13
Bath Group	C-14 - C-15
Chassis Group	C-16
Curtain, Cushion & Pad Group	C-17 - C-22
Dinette Group	C-23
Driver's Compartment Group	C-24
Electrical Group	D-01 - D-03
Exterior Body Group	D-04 - D-06
Galley Group	D-09 - D-11
Heating & Air Conditioning Group	D-12
Interior Finish Group	D-13 - D-14
Labels Group	D-15 - D-23
LP Group	D-24
Lounge Group	E-01 - E-02
Sealants & Fasteners Group	E-03 - E-05
Water & Sewage Group	E-06 - E-09
Window, Vent & Exterior Door Group	E-10 - E-20

EXTERIOR BODY GROUP (CONTINUED)

DECALS & MULTISTRIPE



Key	Part Number	U/M	Description
1	094423-02-01A	FT	Multistripe - 2 Lines - 3.8" Wide - Red & Silver
2	103957-01-01A	EA	Decal - Toye - Large - Greystone - Front & Side
3	103960-01-01A	EA	Decal - Fender - Passenger Side - Red & Silver
	103960-02-01A	EA	Decal - Fender - Driver Side - Red & Silver
4	094423-03-01A	FT	Multistripes - 2 Lines - 7.43" Wide - Red & Silver
5	103963-01-01A	EA	Decal - Zig Zag - Large - Passenger Side - Red & Silver
	103963-02-01A	EA	Decal - Zig Zag - Large - Driver Side - Red & Silver
6	103958-01-01A	EA	Decal Zig Zag - Small - Red & Silver - Backwall
7	103958-01-01A	EA	Decal - Toye - Small - Greystone - Backwall

For your convenience here are the Dupont color codes that you can purchase locally:
 White L8723
 Greystone K9458

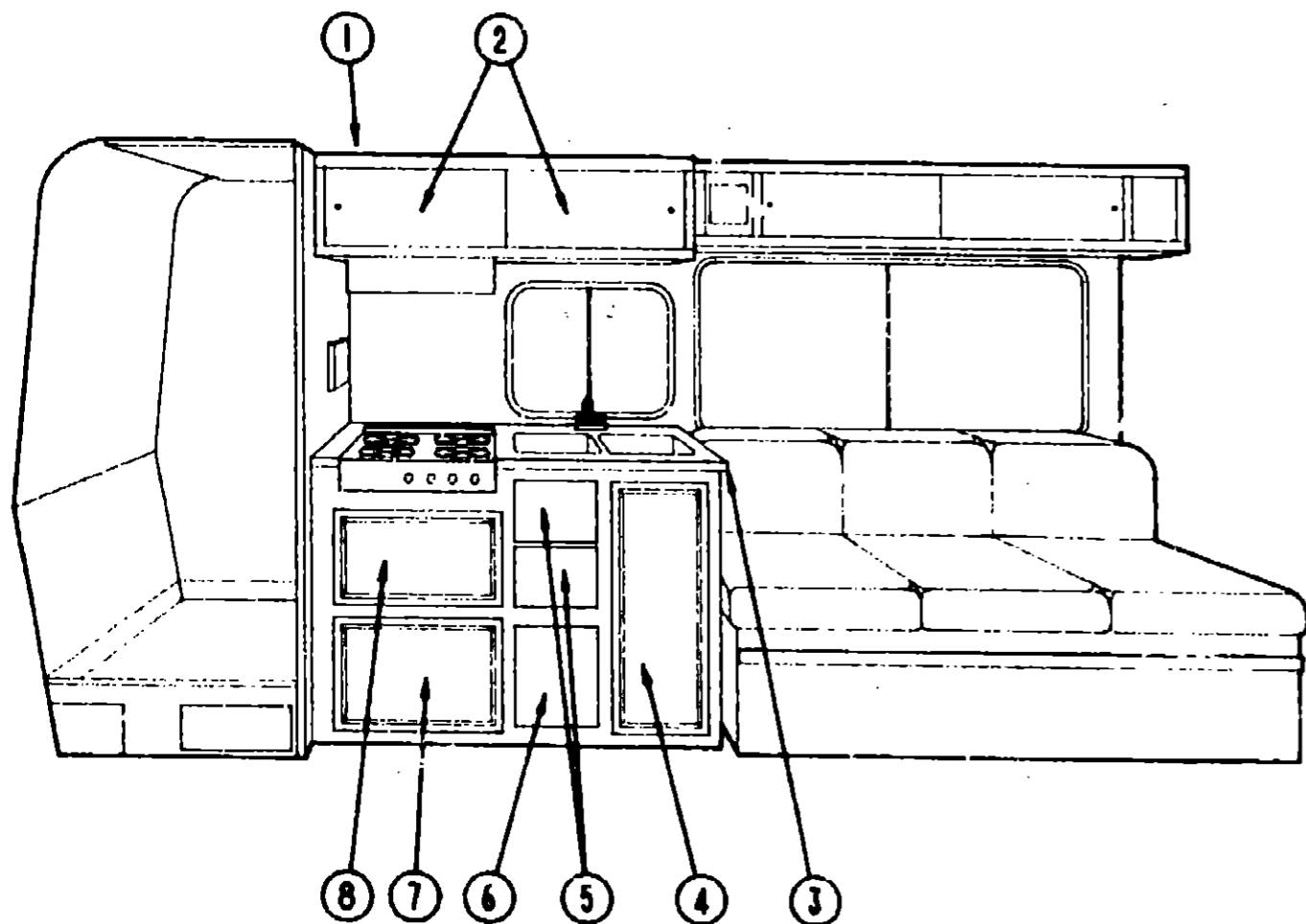
1991 TOYE TABLE OF CONTENTS

INTRODUCTION	A-01 - A-02
ABBREVIATIONS	A-03
ALPHABETICAL/GROUP REFERENCE	A-04 - A-06
TT321EB	A-07 - C-10
TT321EL	C-11 - E-20

1991 TT321EL INDEX

Floor Plan	C-11 - C-12
Accessories Group	C-13
Bath Group	C-14 - C-15
Chassis Group	C-16
Curtain, Cushion & Pad Group	C-17 - C-22
Dinette Group	C-23
Driver's Compartment Group	C-24
Electrical Group	D-01 - D-03
Exterior Body Group	D-04 - D-06
Galley Group	D-09 - D-11
Heating & Air Conditioning Group	D-12
Interior Finish Group	D-13 - D-14
Labels Group	D-15 - D-23
LP Group	D-24
Lounge Group	E-01 - E-02
Sealants & Fasteners Group	E-03 - E-05
Water & Sewage Group	E-06 - E-09
Window, Vent & Exterior Door Group	E-10 - E-20

GALLEY GROUP



GALLEY CABINETRY

Key	Part Number	U/M	Description
1	103842-01-B95	EA	Cabinet Asm. - Overhead - w/o Door or Hardware
2	080549-10-B49	EA	Door Asm. - Galley Overhead - 22.4" x 11.7" w/Finger Pull
3	103841-11-B95	EA	Countertop Asm. - Galley Cabinet
4	P03831-03-B95	EA	Door Asm. - Galley Cabinet - 12" x 26" - w/o Hardware
5	P00145-12-B95	EA	Drawer Asm. - 10.7" x 15.9" - w/o Hardware
6	M05144-01-B95	EA	Cabinet Asm. - Galley w/Countertop - w/o Doors, Drawers or Hardware (US)
6	M04184-06-B95	EA	Cabinet Asm. - Galley w/Countertop - w/o Doors, Drawers or Hardware (CSA)
7	P03831-02-B95	EA	Door Asm. - Galley Cabinet - 14.9" x 21.8" - w/o Hardware
8	P03831-05-B95	EA	Door Asm. - Galley Cabinet - 12" x 21.8" - w/o Hardware
	103834-11-B95	EA	Countertop - Cabinet - Refrigerator
	P00145-11-B35	EA	Drawer - Cabinet - Face 6.1" x 23.3"

GALLEY GROUP (CONTINUED)

GALLEY HARDWARE

Key	Part Number	U/M	Description
	054450-01-000	EA	Level - Refrigerator
	098654-01-000	EA	Sink - Stainless Steel - Double w/Bolts
	011053-04-000	EA	Faucet - Swing Spout - 8" - US/CSA
	091254-01-000	EA	Gasket - Galley Faucet
	011053-01-700	EA	Aerator - Swing Spout Faucet
	066437-01-000	EA	Strainer w/Basket - Sink
	066437-01-700	EA	Basket - Strainer - Galley Sink
	009148-02-000	EA	Pull - Cabinet - Finger
	088264-02-000	EA	Pull - Cabinet - Chrome
	059777-03-000	EA	Hinge - Cabinet Door - Chrome
	077409-02-000	EA	Slide - Drawer - 20.75" - Plastic
	077404-02-000	EA	Drawer - 20" x 12.70" - Plastic
	066435-01-000	EA	Nut Strainer
	037688-01-000	EA	Rail - V-Guide - Drawer
	037688-03-000	EA	Glide - Center - Drawer
	037688-04-000	EA	Bracket - Rail Mounting - Front
	037688-05-000	EA	Bracket - Rail Mounting - Rear
	102827-03-000	EA	Rollers - Drawer - Nylon (Pair)
	102827-04-000	EA	Bracket - Drawer - Rear
	102827-05-000	EA	Track - Drawer - 22.6"
	074493-02-000	EA	Sprung Support - Overhead Door
	081530-01-B05	EA	Sink Cover

NOTE Indented items are individual replacement parts for the assembly listed before them.

GALLEY APPLIANCES

Key	Part Number	U/M	Description
	101593-01-000	EA	Range - 2 Burner w/o Oven - Wedgewood D25C
	101593-01-700	EA	Grate - Burner - Wedgewood 53304
	101593-01-701	EA	Screw - Thumb - Wedgewood 52537
	101593-01-702	EA	Top - Cook - Brushed Chrome - Wedgewood 53305
	101593-01-703	EA	Knob - Burner - Wedgewood 53000
	101593-01-704	EA	Valve - Burner - Wedgewood 52506
	101593-01-705	EA	Manifold - Range - Wedgewood 52503
	101593-01-706	EA	Top - Cook - Almond - Wedgewood 53307
	103388-01-01A	EA	Hood - Range - Non-Powered
	103385-01-01A	EA	Vent - Range Hood - Outside
	100258-02-01A	EA	Hood - Range w/o Monitor Panel - CSA
	096983-01-702	EA	Switch - Two Way Momentary - Ventline 112
	096983-01-700	EA	Switch - On/Off - Ventline 108
	092696-01-709	EA	Bulb - 912
	092696-01-710	EA	Socket - Light
	096983-01-708	EA	Lamp Lens
	090973-01-700	EA	Motor
	090973-01-702	EA	Blade - Fan
	096983-01-707	EA	Filter - Grease - 8" x 8"
	092696-01-707	EA	Vent Gasket
	097617-01-01A	EA	Panel - Monitor - Almond
	097617-01-700	EA	Cover Plate
	097617-01-701	EA	Switch - On/Off - Almond
	097617-01-702	EA	Switch - 1 Way - Almond
	097617-01-703	EA	Circuit Board

NOTE Indented items are individual replacement parts for the assembly listed before them.

1991 TOYE TABLE OF CONTENTS

INTRODUCTION	A-01 - A-02
ABBREVIATIONS	A-03
ALPHABETICAL/GROUP REFERENCE	A-04 - A-08
TT321EB	A-07 - C-10
TT321EL	C-11 - E-20

1991 TT321EL INDEX

Floor Plan	C-11 - C-12
Accessories Group	C-13
Bath Group	C-14 - C-15
Chassis Group	C-16
Curtain, Cushion & Pad Group	C-17 - C-22
Dinette Group	C-23
Driver's Compartment Group	C-24
Electrical Group	D-01 - D-03
Exterior Body Group	D-04 - D-08
Galley Group	D-09 - D-11
Heating & Air Conditioning Group	D-12
Interior Finish Group	D-13 - D-14
Labels Group	D-15 - D-23
LP Group	D-24
Lounge Group	E-01 - E-02
Sealants & Fasteners Group	E-03 - E-06
Water & Sewage Group	E-06 - E-09
Window, Vent & Exterior Door Group	E-10 - E-20

GALLEY GROUP (CONTINUED)

GALLEY APPLIANCES (CONTINUED)

Key	Part Number	U/M	Description
	101991-01-000	EA	Refrigerator - 2 Way - 4.0 Cu. Ft. - Dometic
	101991-01-700	EA	Door w/o Shelves
	101991-01-701	EA	Bushing
	101991-01-702	EA	Catch Retainer
	101991-01-703	EA	Plug - Gray
	101991-01-704	EA	Handle
	101991-01-705	EA	Decoration Strip
	101991-01-706	EA	Door Shelf - Lower - Brown
	101991-01-707	EA	Door Shelf - Brown
	101991-01-708	EA	Bottle Holder - 7"
	101991-01-709	EA	Bottle Holder - 8"
	101991-01-710	EA	Hinge - Left Hand
	101991-01-711	EA	Hinge - Right Hand
	101991-01-712	EA	Shelf - Dia. Approx. 12"
	101991-01-713	EA	Drip Chute
	101991-01-714	EA	Shelf - Dia. Approx. 9.5"
	101991-01-715	EA	Shelf Lock - Outer
	101991-01-716	EA	Shelf Lock - Inner
	101991-01-717	EA	Spring Housing - Left Hand
	101991-01-718	EA	Spring Housing - Right Hand
	101991-01-719	EA	Spring - Left Hand
	101991-01-720	EA	Spring - Right Hand
	101991-01-721	EA	Carrier
	101991-01-722	EA	Retainer - Gray/Brown
	101991-01-723	EA	Hinge Pin - Upper
	101991-01-724	EA	Hinge Pin
	101991-01-725	EA	Shutter - Clp./White
	101991-01-726	EA	Hinge
	101991-01-727	EA	Gasket
	101991-01-728	EA	Push Button - Gray/Brown
	101991-01-729	EA	Push Button - Gray/Brown
	101991-01-730	EA	Knob - Selector - 12/120 Volt - Gray/Brown
	101991-01-731	EA	Knob - Selector - 120 Volt - Gray/Brown
	101991-01-732	EA	Hinge - Right Hand
	101991-01-733	EA	Hinge - Left Hand
	101991-01-734	EA	Masking Plug - Brown
	101991-01-735	EA	Panel - Gray/Brown
	101991-01-736	EA	Base Front - Gray/Brown
	101991-01-737	EA	Plug - Gray/Brown
	101991-01-738	EA	Cover - Gray/Brown
	101991-01-739	EA	Traveling Catch - Gray/Brown
	101991-01-740	EA	Thermo Electric Safety Valve
	101991-01-741	EA	Thermocouple Element
	101991-01-742	EA	Coupling
	101991-01-743	EA	Thermostat - Dual
	101991-01-744	EA	Bypass Screw
	101991-01-745	EA	Cutoff Valve
	101991-01-746	EA	Switch
	101991-01-747	EA	Spring
	101991-01-748	EA	Spring
	101991-01-749	EA	Lighter
	101991-01-750	EA	Spring
	101991-01-751	EA	Burner
	101991-01-752	EA	Electrode
	101991-01-753	EA	Sealing Ring
	101991-01-754	EA	Snap Catch for 12/120 Volt
	101991-01-755	EA	Snap Catch for 120 Volt
	101991-01-756	EA	Burner Retainer
	101991-01-757	EA	Burner Jet No. 39 for Propane
	101991-01-758	EA	Cooling Unit 335A
	101991-01-759	EA	Heater - 120V/160W
	101991-01-760	EA	Heater - 12V/175W
	101991-02-000	EA	Refrigerator - 2 Way - 40 Cu. Ft. - Dometic RM2410

These parts were used from 1-15-91 on.

NOTE Indented items are individual replacement parts for the assembly listed before them.

D-11

HEATING & AIR CONDITIONING GROUP

ROOF AIR CONDITIONER

Key	Part Number	U/M	Description
	093306-01-01A	EA	A/C Roof - 7100 BTU - Rotary - Ivory
	093306-01-700	EA	Shroud - Ivory/Bronze - w/o Logo
	093306-01-701	EA	Decal Package - Left & Right
	093306-01-702	EA	Fan Capacitor
	093306-01-703	EA	Fan - 4 Blade - 9" Dia.
	093306-01-704	EA	Overload
	093306-01-705	EA	Motor
	093306-01-706	EA	Blower Wheel - 6 5/16" x 2 - 7/8" WVD
	093306-01-707	EA	Start Capacitor
	093306-01-708	EA	Start Relay
	093306-01-710	EA	Ceiling Shroud - Ivory w/Decal
	093306-01-711	EA	Condenser Coil
	093306-01-712	EA	Compressor
	093306-01-713	EA	Evaporator
	076303-01-701	EA	Knob - Control - 2 Per Package
	093307-01-000	EA	Ceiling Asm. - A/C Cool - Ivory
	093306-01-709	EA	Decal F/Thermostat & Selector
	076303-01-709	EA	Selector Switch
	076303-01-710	EA	Thermostat
	076303-01-707	EA	Filter - 6" x 14 3/4" x 1/2" - 12 per pkg.
	076303-01-708	EA	Knob & Bolt Pkg.

NOTE Indented items are individual replacement parts for the assembly listed before them.

FURNACE

Key	Part Number	U/M	Description
	093365-01-000	EA	Thermostat - Wall - Furnace
	101990-01-000	EA	Furnace - 17,000 BTU - Suburban
	101990-01-700	EA	Microswitch
	101990-01-701	EA	Combustion Air Wheel
	101990-01-702	EA	Burner
	101990-01-703	EA	Room Air Impeller
	101990-01-704	EA	Motor
	101990-01-705	EA	Time Delay Relay
	101990-01-706	EA	Terminal Strip
	101990-01-707	EA	Valve
	101990-01-708	EA	Electrode
	101990-01-709	EA	Grille Assembly
	101990-01-710	EA	Limit Switch
	101990-01-711	EA	Orifice
	101990-01-712	EA	Piezo Kit
	101990-01-713	EA	Motor Gasket
	101990-01-714	EA	Microswitch Gasket
	101990-01-715	EA	Combustion Air Gasket - Front
	101990-01-716	EA	Combustion Air Gasket - Rear
	101990-01-717	EA	Manifold Gasket
	101990-01-718	EA	Burner Access Door Gasket
	092300-01-709	EA	Module Board
	085330-04 700	EA	Vacuum Breaker for Handspray
	101990-02-000	EA	Vent - Furnace - Outside

NOTE Indented items are individual replacement parts for the assembly listed before them.

D-12

1991 TOYE TABLE OF CONTENTS

INTRODUCTION	A-01 - A-02
ABBREVIATIONS	A-03
ALPHABETICAL/GROUP REFERENCE	A-04 - A-06
TT321EB	A-07 - C-10
TT321EL	C-11 - E-20

1991 TT321EL INDEX

Floor Plan	C-11 - C-12
Accessories Group	C-13
Bath Group	C-14 - C-15
Chassis Group	C-16
Curtain, Cushion & Pad Group	C-17 - C-22
Dinette Group	C-23
Driver's Compartment Group	C-24
Electrical Group	D-01 - D-03
Exterior Body Group	D-04 - D-06
Galley Group	D-09 - D-11
Heating & Air Conditioning Group	D-12
Interior Finish Group	D-13 - D-14
Labels Group	D-15 - D-23
LP Group	D-24
Lounge Group	E-01 - E-02
Sealants & Fasteners Group	E-03 - E-05
Water & Sewage Group	E-06 - E-09
Window, Vent & Exterior Door Group	E-10 - E-20

INTERIOR FINISH GROUP

INTERIOR MOLDINGS & TRIMS

Key	Part Number	U/M	Description
	009809-23-000	EA	Molding - Plastic Corner - Outside - 1" - Ivory
	009809-24-000	EA	Molding - Plastic Corner - Outside - 1" - Pecan
	009812-17-000	EA	Molding - Plastic Corner - Outside - 1/2" - Light Oak
	022992-11-000	FT	Molding - Reverse Cove - T-Shaped - Vinyl - Ivory
	086279-02-000	FT	Molding - Trim - Off White
	070504-20-000	FT	U-Channel - .815" - Pecan
	009778-12-000	FT	U-Channel - 1" Plastic - Brown
	009778-11-000	FT	U-Channel - 1" - Modern Ivory
	009767-12-000	FT	Welling - Antique White
	092331-02-134	EA	Lumber - Vinyl Wrapped - 84"
	092330-E2-438	EA	Lumber - Vinyl Wrapped - .7" x 2" x 96"
	092331-F2-438	EA	Lumber - Vinyl Wrapped - 95.9"
	092330-03-000	EA	Lumber - Vinyl Wrapped - 2" x 95.9"
	092330-D2-438	EA	Lumber - Vinyl Wrapped - 1.5" x 95.9"
	000885-34-000	SF	Particle Board - Vinyl Wrapped - 48" x 96" (32 SF)
	069733-70-000	EA	Batt Strip - Light Oak - 8'
	088263-51-000	EA	Batt Strip - Crossilk (Ceiling)
	085284-45-000	EA	Batt Strip - Decorative Plain - Adhesive Back - (wall)
	088263-50-000	EA	Batt Strip - Travertine - White - 8" (Wet Bath)
	085284-38-000	EA	Batt Strip - Travertine - White - Tape Adhesive (Wet Bath)
	088263-58-000	EA	Batt Strip - Decorative Plain - 8" EA (wall)
	085284-48-000	EA	Batt Strip - Crossilk Spatter - Neutral - Tape Adhesive (Ceiling)
	100659-01-B03	EA	Trim - Floor - 72" x 1" x 1/2" - Wood

PANELING & COUNTERTOP MATERIAL

Key	Part Number	U/M	Description
	074497-10-000	SF	Paneling - Regal Oak - 48" x 84" (28 SF) (Cabinets)
	074497-18-000	SF	Paneling - Crossilk - 48" x 96" (32 SF) (Ceiling)
	088272-79-000	SF	Paneling - Decorative Plain (28SF) (wall)
	088272-72-000	SF	Paneling - Travertine White - 48" x 84" (28 SF) (Wet Bath)
	076773-03-000	SF	Paneling - Light Oak - 2 Sided - 48" x 96" (32 SF)
	079666-02-000	SF	Paneling - Cedar - Solid - 48" x 96" (32 SF) (Closet)
	074498-23-000	SF	Plastic Laminate - 48" x 96" (32SF)
	076325-28-000	FT	Molding - Edge Band - 1 5/16" Wide
	076325-16-000	FT	Molding - Edge Band - Regal Oak
	093743-01-02A	SF	Plastic - ABS - 11.5" Wide - Off White
	093743-02-01A	SF	Plastic - ABS - 20" Wide - Off White

FABRICS & CARPETS

Key	Part Number	U/M	Description
	098008-59-000	YD	Fabric - Upholstery - Dotted Gray
	098008-31-000	YD	Fabric - Upholstery - Plain Gray
	088273-75-000	YD	Fabric - Curtain - Polka Dot - (B95)
	088273-74-000	YD	Fabric - Curtain - Polka Dot - (B96)
	088273-76-000	YD	Fabric - Curtain - Polka Dot - (B97)
	087272-01-000	YD	Fabric - Drapery - Lining - Ivory
	088273-78-000	YD	Fabric - Curtain - Striped (B95)
	088273-77-000	YD	Fabric - Curtain - Striped (B96)
	088273-79-000	YD	Fabric - Curtain - Striped (B97)
	079680-09-000	YD	Vinyl - Off White (Wing Wall Pad)
	029219-01-000	YD	Vinyl - White (Assist Handle)
	078155-01-000	EA	Strap - Dinette Cushion - Snap
	084993-01-000	EA	Strap - Battery
	088120-01-B95	EA	Pad Asm. - Map Pocket - 12" x 16"
	081519-18-B95	EA	Pad Asm. - Dinette Seat - Rear
	081519-19-B95	EA	Pad Asm. - Dinette Seat - Front
	070578-01-AF3	EA	Button - #30 - Gray

NOTE: Replace vinyl flooring locally.

INTERIOR FINISH GROUP (CONTINUED)

CABINETS & TABLE HARDWARE

Key	Part Number	U/M	Description
	064781-06-000	EA	Cup Holder - Two Stage - Off White
	009040-01-000	EA	Leg Asm. - Table - Chrome
	009040-03-000	EA	Base - Table Leg - Table Mounted
	041194-01-000	EA	Base - Table - Flush - Floor Mounted
	059777-02-000	EA	Hinge - Antique Light Brass
	074493-02-000	EA	Support - Sprung - Door
	037688-01-000	FT	Rail - "V" Guide - Drawer - 10'
	037688-03-000	EA	Guide - Center Drawer
	037688-04-000	EA	Bracket - Rail - Mounting - Front
	037688-05-000	EA	Bracket - Rail Mounting - Rear
	102827-03-000	EA	Rollers - Drawer - Nylon (Pair)
	102827-04-000	EA	Bracket - Drawer - Rear
	102827-05-000	EA	Track - Drawer - 22.6"
	094097-01-000	EA	Speaker - Radio w/o Grille - 5.25" Dia.
	089340-01-000	EA	Grille - Speaker - 6.25" Square
	089340-03-000	EA	Grille - Speaker - 6.25" Square
	009148-02-000	EA	Pull - Cabinet Finger
	088264-02-000	EA	Pull - Cabinet - Chrome
	093586-03-000	EA	Catch - Spring Roller (Drawer)
	093586-04-000	EA	Strike - Spring Steel
	103927-01-01A	EA	Track - Sliding Door - 5' - Tan

These parts were used from 11/5/90 on.

CURTAIN & CUSHION HARDWARE

Key	Part Number	U/M	Description
	101033-01-000	FT	Track - Low Profile - White
	101033-02-000	EA	End Cap - Curtain Track - Clear
	101032-01-000	FT	Track - Ceiling Mount - White
	009138-01-000	EA	Pin - Shower Curtain
	084432-06-000	EA	Slat - Roller Shade - Plastic
	086278-01-000	EA	Tape - Double Sided - 1/2"
	084433-01-700	EA	Spring - Rowind - Roller Shade

MISCELLANEOUS PARTS

Key	Part Number	U/M	Description
	053552-02-AA8	EA	Handle Asm. - Interior Assist - Off White
	094499-01-000	EA	Fire Extinguisher - Dry IA 10BC (UL)
	094499-01-700	EA	Bracket - Mounting - w/Plastic Strap
	094851-01-01A	EA	Recessed Holder - Fire Extinguisher - Light Oak
	054185-78-000	EA	Owners Manual - 1991 Toys
	088120-01-B95	EA	Map Pocket - 12" x 16"
	007021-01-000	EA	Seat Belt - 2" x 90" - Black

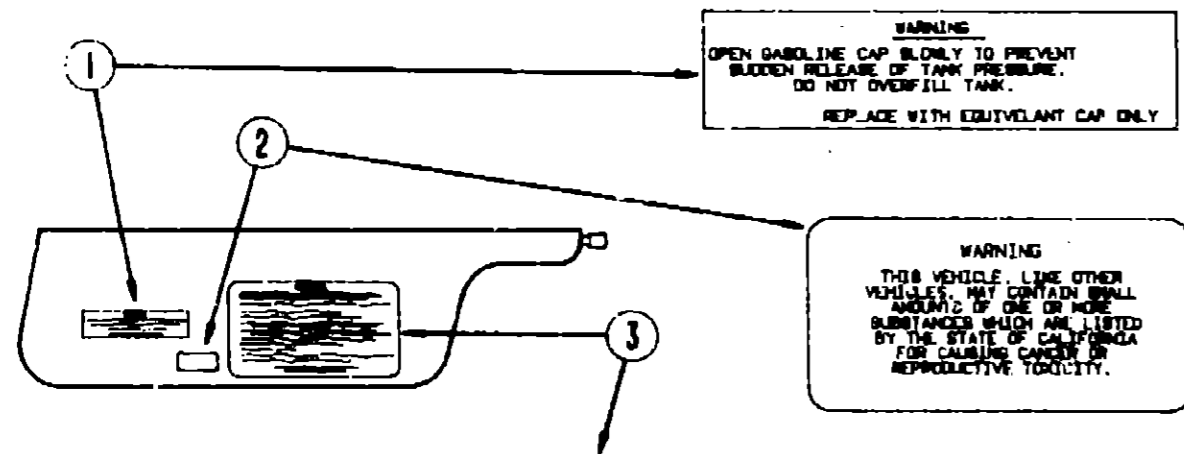
1991 TOYE TABLE OF CONTENTS

INTRODUCTION	A-01 - A-02
ABBREVIATIONS	A-03
ALPHABETICAL/GROUP REFERENCE	A-04 - A-06
TT321EB	A-07 - C-10
TT321EL	C-11 - E-20

1991 TT321EL INDEX

Floor Plan	C-11 - C-12
Accessories Group	C-13
Bath Group	C-14 - C-15
Chassis Group	C-16
Curtain, Cushion & Pad Group	C-17 - C-22
Dinette Group	C-23
Driver's Compartment Group	C-24
Electrical Group	D-01 - D-03
Exterior Body Group	D-04 - D-08
Galley Group	D-09 - D-11
Heating & Air Conditioning Group	D-12
Interior Finish Group	D-13 - D-14
Labels Group	D-15 - D-23
LP Group	D-24
Lounge Group	E-01 - E-02
Sealants & Fasteners Group	E-03 - E-05
Water & Sewage Group	E-06 - E-09
Window, Vent & Exterior Door Group	E-10 - E-20

LABELS GROUP



CAUTION

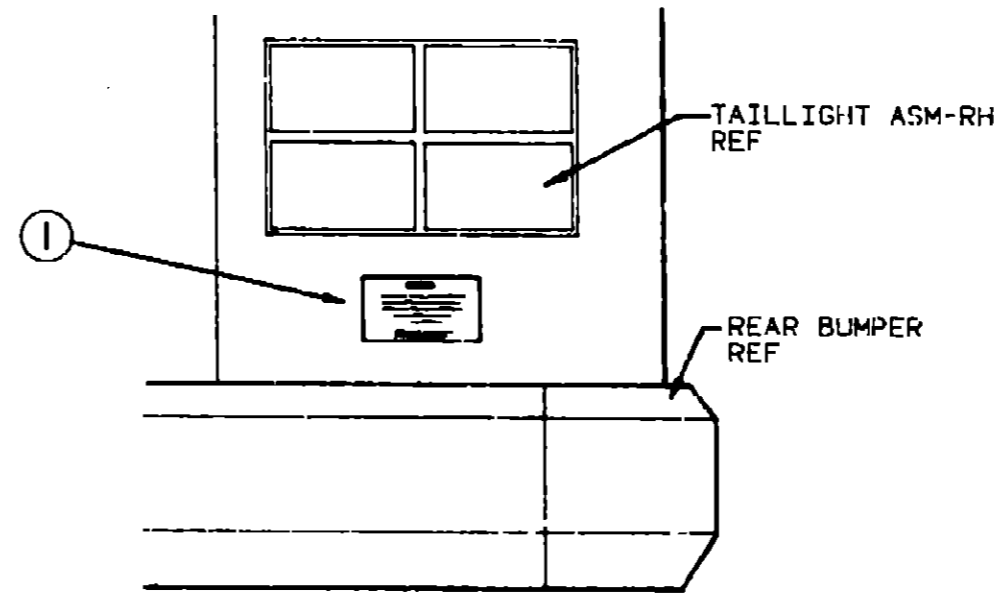
THIS MOTOR HOME HAS BEEN DESIGNED, MANUFACTURED AND TESTED WITH CONCERN FOR THE PROTECTION OF IT'S OCCUPANTS. WE RECOMMEND YOU PERFORM THE FOLLOWING INSPECTIONS FOR YOUR SAFETY AND THE SAFETY OF YOUR PASSENGERS BEFORE STARTING YOUR VEHICLE.

1. LP GAS SYSTEM- TURN OFF AT TANK FOR TRAVELING. TEST FOR LEAKS UPON ARRIVAL AT DESTINATION. BEFORE LIGHTING PILOTS.
2. WHEELS- INSPECT FOR DAMAGE AND CHECK LUG NUTS FOR TIGHTNESS.
3. TIRES- INSPECT FOR WEAR AND DAMAGE AND CHECK FOR RECOMMENDED AIR PRESSURE.
4. LIGHTING- TEST FOR PROPER OPERATION OF ALL INTERIOR AND EXTERIOR LIGHTS INCLUDING DASH LIGHTS, HEADLIGHTS, TAIL LIGHTS, BRAKE LIGHTS, CLEARANCE LIGHTS AND TURN SIGNALS.
5. EXITS- INSPECT RELEASE MECHANISM ON EMERGENCY EXIT WINDOW. TEST BOTH LOCKS ON MAIN ENTRANCE DOOR FOR EASE OF OPERATION AND INSTRUCT PASSENGERS HOW TO USE BOTH MEANS OF EXIT.
6. SEAT BELTS- DIRECT PASSENGERS TO DESIGNATED SEATS AND REQUIRE USE OF SEAT BELTS.
7. APPLIANCES- TURN OFF AND LATCH OR LOCK DOORS WHERE PROVIDED.
8. LOOSE PARCELS- STORE SECURELY.
9. UTILITY SUPPLY LINES- DISCONNECT ALL ELECTRIC, SEWER AND WATER LINES AND SECURE PROPERLY.
10. ENTRANCE DOOR STEP- PLACE IN RETRACTED POSITION FOR TRAVELING.

READ YOUR MOTOR HOME AND CHASSIS OWNER'S
MANUAL FOR FURTHER PRECAUTIONS

Key	Part Number	U/M	Description
1	087207-05-000	EA	Label - Fuel Cap Removal
2	062043-01-000	EA	Label - Unleaded Fuel
3	008040-01-000	EA	Tag - Gas Refueling Warning (US)
3	008040-02-000	EA	Tag - Gas Refueling Warning (CSA)

LABELS GROUP (CONTINUED)



WARNING

DO NOT EXCEED THE VEHICLE WEIGHT RATINGS
OR LOADING RECOMMENDATIONS (E.G., GROSS
VEHICLE, GROSS AXLE, GROSS COMBINED) OF
THE CHASSIS MANUFACTURER OR
WINNEBAGO IND.

REFER TO YOUR OWNERS MANUAL,
BEFORE LOADING OR TOWING.

Key	Part Number	U/M	Description
1	075220-01-000	EA	Label - Warning - Exterior Load

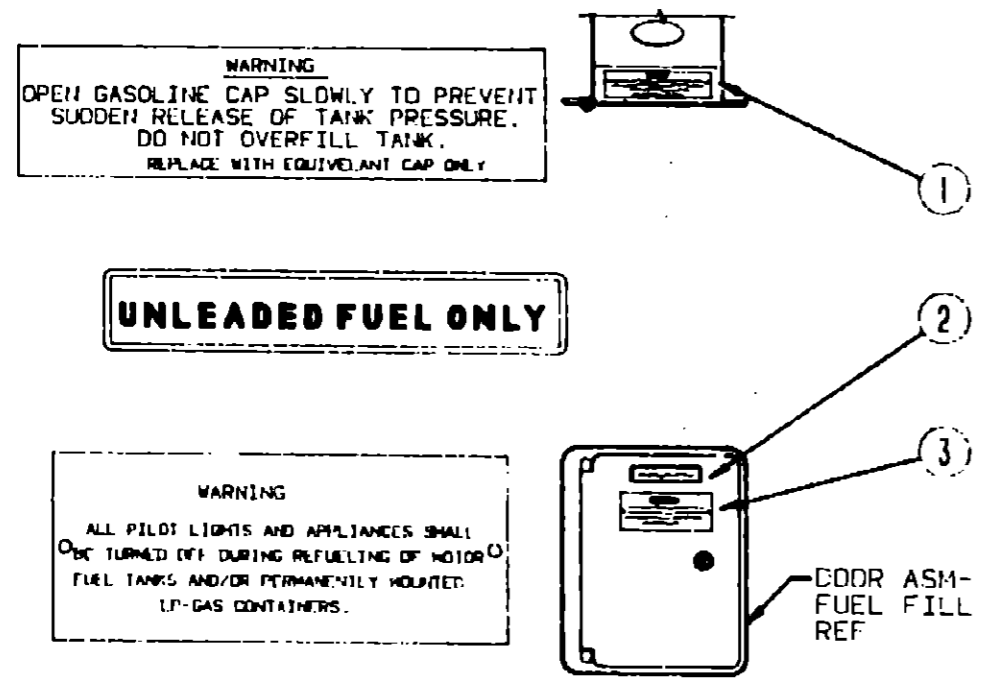
1991 TOYE TABLE OF CONTENTS

INTRODUCTION	A-01 - A-02
ABBREVIATIONS	A-03
ALPHABETICAL/GROUP REFERENCE	A-04 - A-06
TT321EB	A-07 - C-10
TT321EL	C-11 - E-20

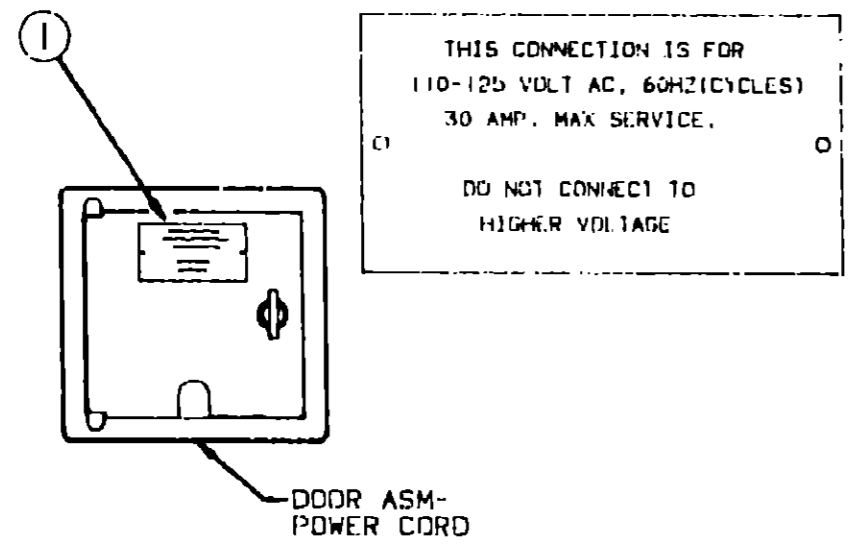
1991 TT321EB INDEX

Floor Plan	A-07 - A-08
Accessories Group	A-09
Bath Group	A-10 - A-11
Chassis Group	A-12
Curtain, Cushion & Pad Group	A-13 - A-16
Dinette Group	A-17
Driver's Compartment Group	A-18
Electrical Group	A-19 - A-20
Exterior Body Group	A-21 - A-24
Galley Group	B-01 - B-03
Heating & Air Conditioning Group	B-04
Interior Finish Group	B-05 - B-06
Labels Group	B-07 - B-15
LP Group	B-16
Lounge Group	B-17 - B-18
Sealants & Fasteners Group	B-19 - B-21
Water & Sewage Group	B-22 - B-24
Window, Vent & Exterior Door Group	C-01 - C-09

LABELS GROUP (CONTINUED)

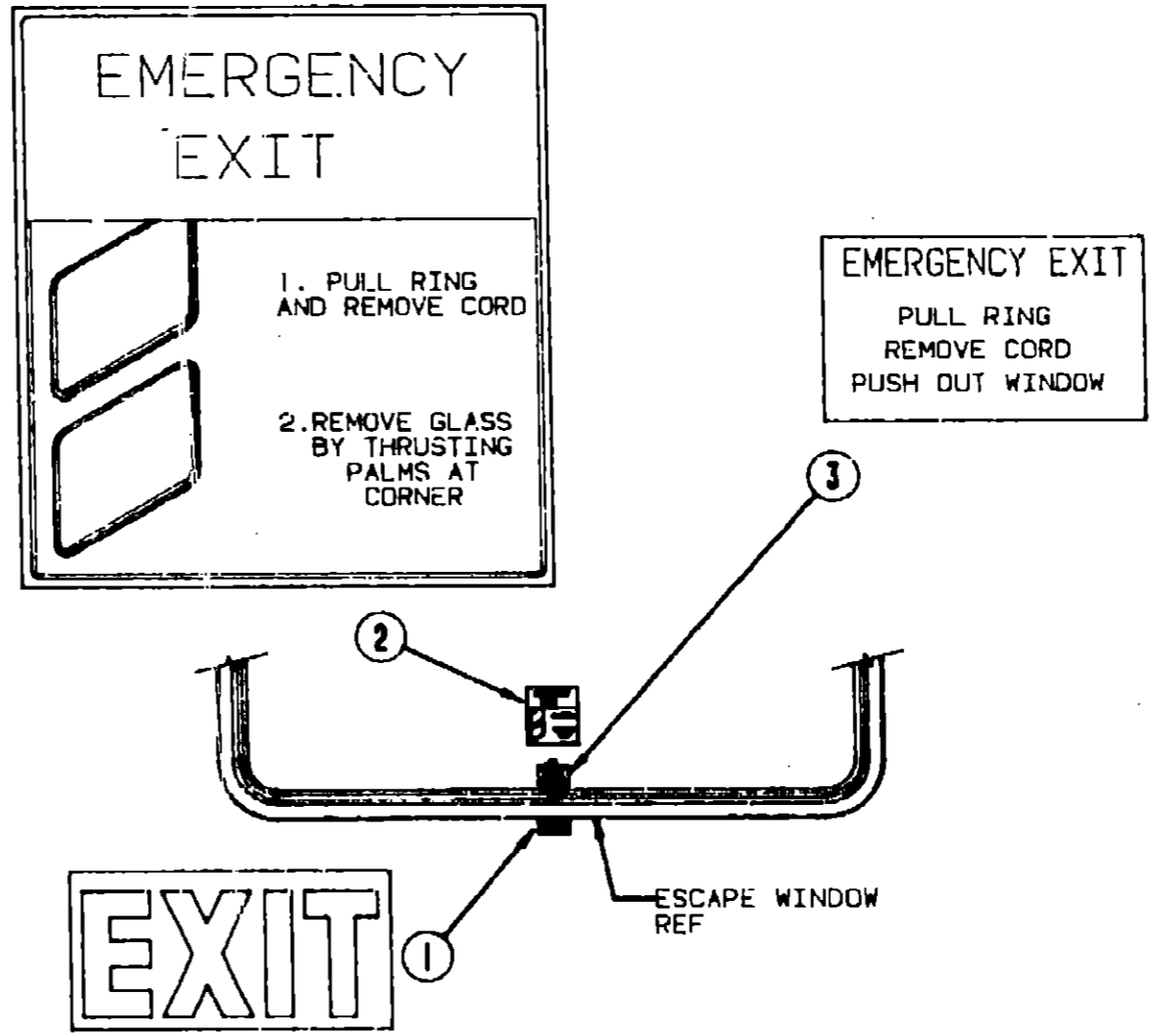


Key	Part Number	U/M	Description
1	074559-01-000	EA	Label - "LPG" - 3.3" x 1.75" (California Code)
2	006040-01-000	EA	Tag - Gas Refueling - Warning (US)
3	006040-02-000	EA	Tag - Gas Refueling - Warning (CSA)
3	054531-01-000	EA	Label - LP Gas Only



Key	Part Number	U/M	Description
1	006082-01-000	EA	Tag - Electrical - 110 Volt Connection

LABELS GROUP (CONTINUED)



Key	Part Number	U/M	Description
1	039290-01-000	EA	Label - Warning - Exit
2	047731-01-000	EA	Label - Emergency Exit
3	006199-01-000	EA	Label - Exit - Escape Window

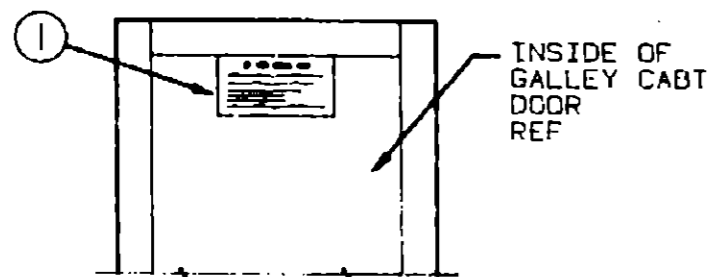
**1991 TOYE
TABLE OF CONTENTS**

INTRODUCTION	A-01 - A-02
ABBREVIATIONS	A-03
ALPHABETICAL/GROUP REFERENCE	A-04 - A-06
TT321EB	A-07 - C-10
TT321EL	C-11 - E-20

1991 TT321EL INDEX

Floor Plan	C-11 - C-12
Accessories Group	C-13
Bath Group	C-14 - C-15
Chassis Group	C-16
Curtain, Cushion & Pad Group	C-17 - C-22
Dinette Group	C-23
Driver's Compartment Group	C-24
Electrical Group	D-01 - D-03
Exterior Body Group	D-04 - D-06
Galley Group	D-09 - D-11
Heating & Air Conditioning Group	D-12
Interior Finish Group	D-13 - D-14
Labels Group	D-15 - D-23
LP Group	D-24
Lounge Group	E-01 - E-02
Sealants & Fasteners Group	E-03 - E-05
Water & Sewage Group	E-06 - E-09
Window, Vent & Exterior Door Group	E-10 - E-20

LABELS GROUP (CONTINUED)

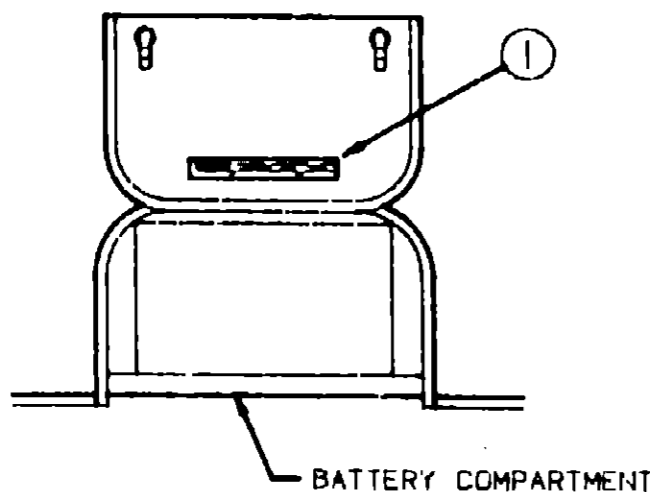


IF YOU SMELL GAS

1. EXTINGUISH ANY OPEN FLAME, PILOT LIGHTS AND ALL SMOKING MATERIALS.
2. SHUT OFF THE GAS SUPPLY AT THE TANK VALVE OR GAS SUPPLY CONNECTION.
3. OPEN DOORS AND OTHER VENTILATING OPENINGS.
4. DO NOT TOUCH ELECTRICAL SWITCHES.
5. LEAVE THE AREA UNTIL ODOR CLEARS.
6. HAVE THE GAS SYSTEM CHECKED AND LEAKAGE SOURCE CORRECTED BEFORE USING AGAIN.

Key	Part Number	U/M	Description
1	073998-01-000	EA	Label - LPG - Odor Warning

WARNING DISCONNECT BATTERIES BEFORE CONNECTING EXTERNAL CHARGING EQUIPMENT.

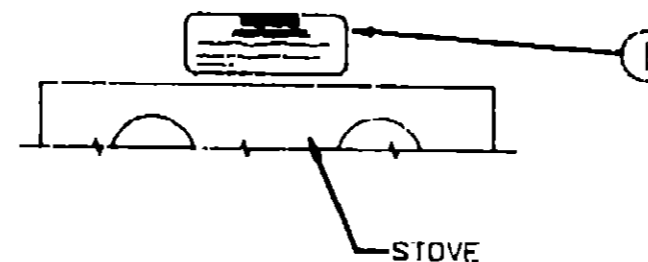


Key	Part Number	U/M	Description
1	065748-01-000	EA	Label - Caution - Battery Charging

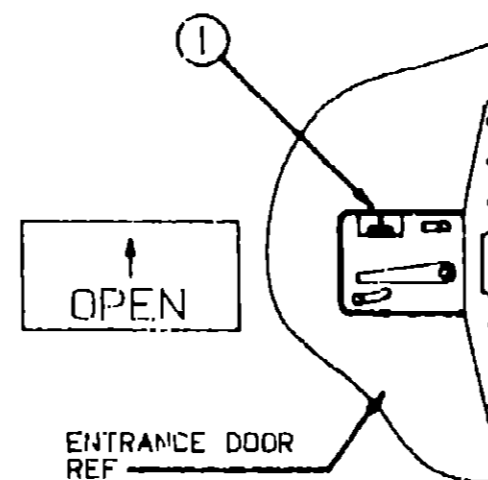
LABELS GROUP (CONTINUED)

WARNING
IT IS NOT SAFE TO USE COOKING APPLIANCES FOR COMFORT HEATING.
COOKING APPLIANCES NEED FRESH AIR FOR SAFE OPERATION BEFORE OPERATION.

1. OPEN OVERHEAD VENT OR TURN ON EXHAUST FAN AND;
2. OPEN WINDOW.



Key	Part Number	U/M	Description
1	050225-01-000	EA	Label - Warning - Stove Vent (US)
1	050222-01-000	EA	Label - Warning - Stove Vent (CSA)



Key	Part Number	U/M	Description
1	040944-01-000	EA	Label - Open - Entrance Door

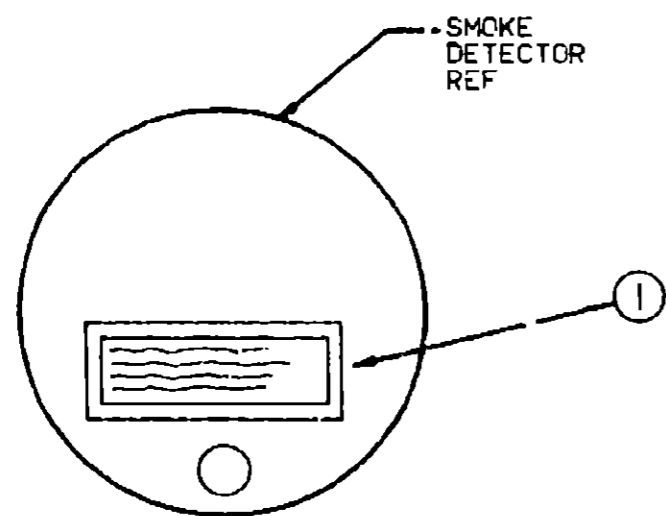
**1991 TOYE
TABLE OF CONTENTS**

INTRODUCTION	A-01 - A-02
ABBREVIATIONS	A-03
ALPHABETICAL/GROUP REFERENCE	A-04 - A-06
TT321EB	A-07 - C-10
TT321EL	C-11 - E-20

1991 TT321EL INDEX

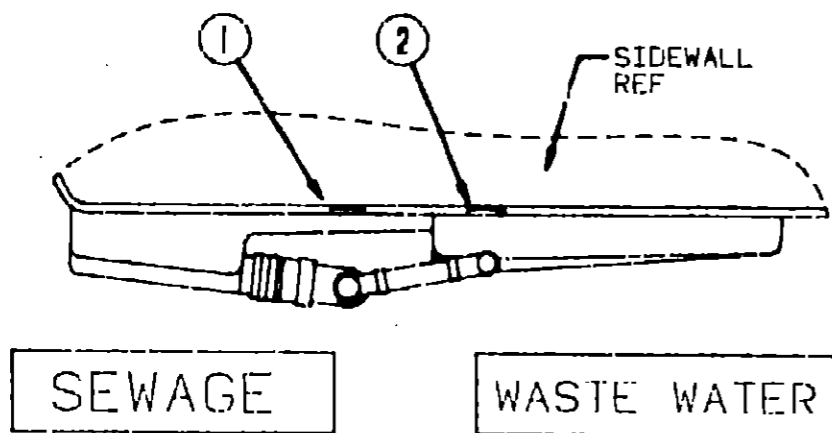
Floor Plan	C-11 - C-12
Accessories Group	C-13
Bath Group	C-14 - C-15
Chassis Group	C-16
Curtain, Cushion & Pad Group	C-17 - C-22
Dinette Group	C-23
Driver's Compartment Group	C-24
Electrical Group	D-01 - D-03
Exterior Body Group	D-04 - D-06
Galley Group	D-09 - D-11
Heating & Air Conditioning Group	D-12
Interior Finish Group	D-13 - D-14
Labels Group	D-15 - D-23
LP Group	D-24
Lounge Group	E-01 - E-02
Sealants & Fasteners Group	E-03 - E-05
Water & Sewage Group	E-06 - E-09
Window, Vent & Exterior Door Group	E-10 - E-20

LABELS GROUP (CONTINUED)



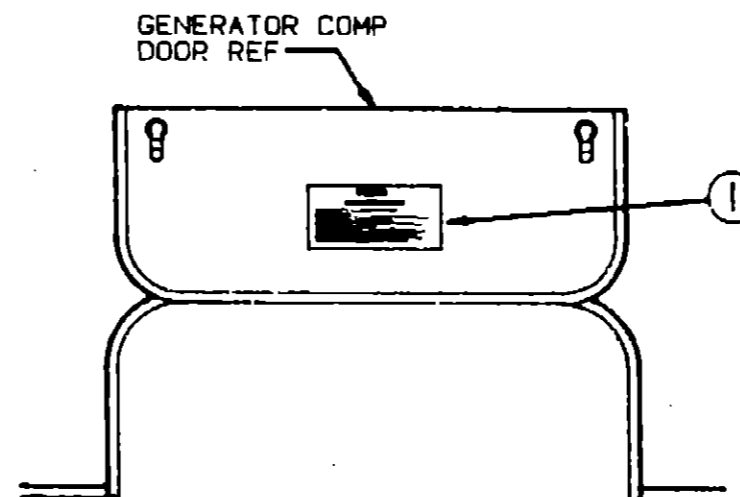
WARNING: TEST SMOKE DETECTOR OPERATION AFTER VEHICLE HAS BEEN IN STORAGE, BEFORE EACH TRIP AND AT LEAST ONCE PER WEEK DURING USE.

Key	Part Number	U/M	Description
1	077956-01-000	EA	Label - Warning - Smoke Detector



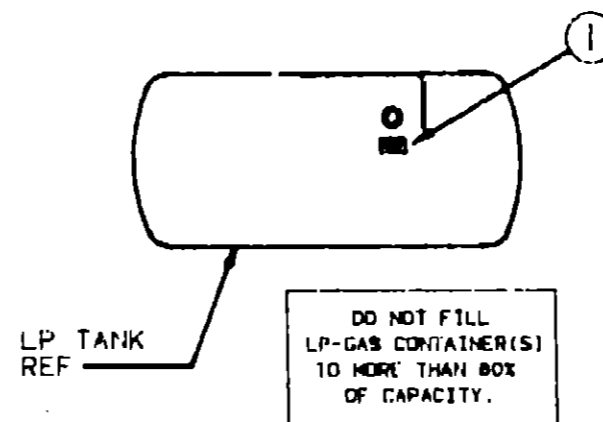
Key	Part Number	U/M	Description
1	006187-01-000	EA	Label - Sewage
2	006188-01-000	EA	Label - Waste Water

LABELS GROUP (CONTINUED)



WARNING
WHEN ADDING A GENERATOR SET,
HIGH VOLTAGE-USE EXTREME CAUTION WHEN WORKING ON ELECTRICAL COMPONENTS.
HAVE ALL ELECTRICAL INSTALLATION PERFORMED BY A QUALIFIED LICENSED ELECTRICIAN-FOLLOW ALL STATE AND LOCAL CODES.
ONLY INSTALL GENERATOR SET APPROVED FOR R.V. APPLICATION. HAVE INSTALLED BY QUALIFIED TECHNICIAN.
TO AVOID HEAT BUILD-UP AND TO GUARANTEE AN ADEQUATE AIR SUPPLY TO THE GENERATOR COMPARTMENT, FOLLOW INSTALLATION INSTRUCTIONS.
GENERATOR ENGINE EXHAUST GASES ARE TOXIC AND MUST NOT TERMINATE UNDER THE VEHICLE-DISCHARGE EXHAUST AWAY FROM VEHICLE.

Key	Part Number	U/M	Description
1	077510-01-000	EA	Label - Generator Prep



Key	Part Number	U/M	Description
	079965-01-000	EA	Label LPG - 80% Capacity

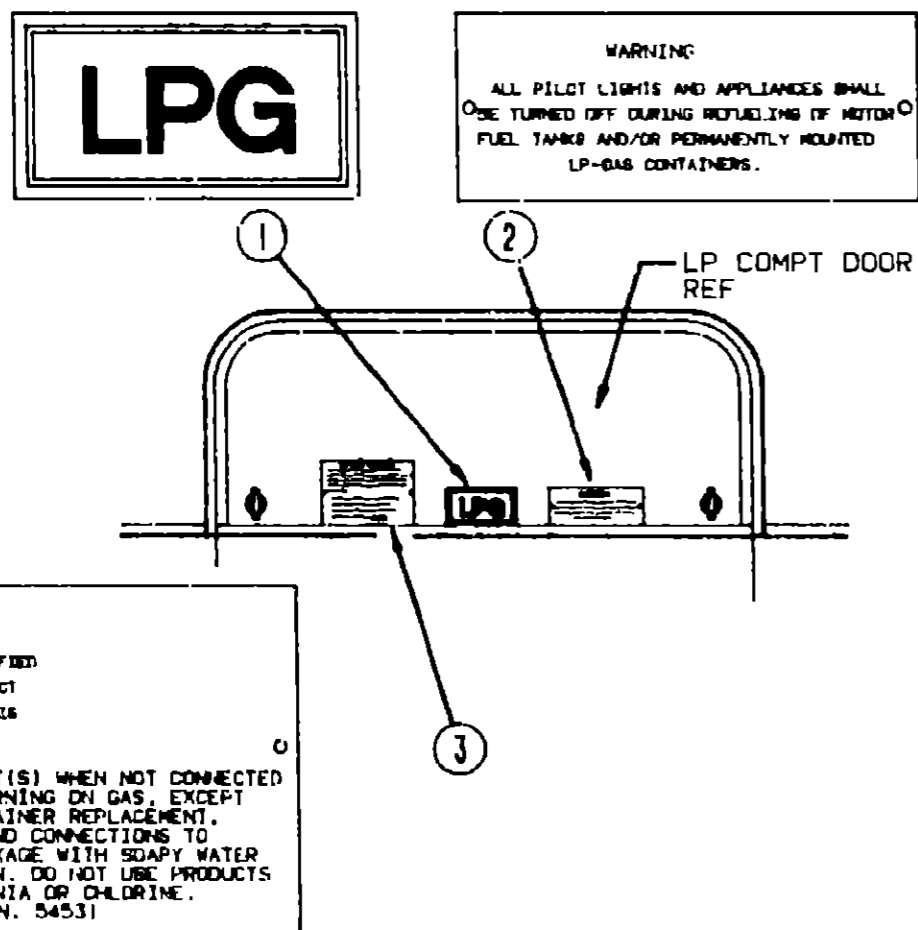
**1991 TOYE
TABLE OF CONTENTS**

INTRODUCTION	A-01 - A-02
ABBREVIATIONS	A-03
ALPHABETICAL/GROUP REFERENCE	A-04 - A-06
TT321EB	A-07 - C-10
TT321EL	C-11 - E-20

1991 TT321EB INDEX

Floor Plan	A-07 - A-08
Accessories Group	A-09
Bath Group	A-10 - A-11
Chassis Group	A-12
Curtain, Cushion & Pad Group	A-13 - A-16
Dinette Group	A-17
Driver's Compartment Group	A-18
Electrical Group	A-19 - A-20
Exterior Body Group	A-21 - A-24
Galley Group	B-01 - B-03
Heating & Air Conditioning Group	B-04
Interior Finish Group	B-05 - B-06
Labels Group	B-07 - B-15
LP Group	B-16
Lounge Group	B-17 - B-18
Sealants & Fasteners Group	B-19 - B-21
Water & Sewage Group	B-22 - B-24
Window, Vent & Exterior Door Group	C-01 - C-09

LABELS GROUP (CONTINUED)

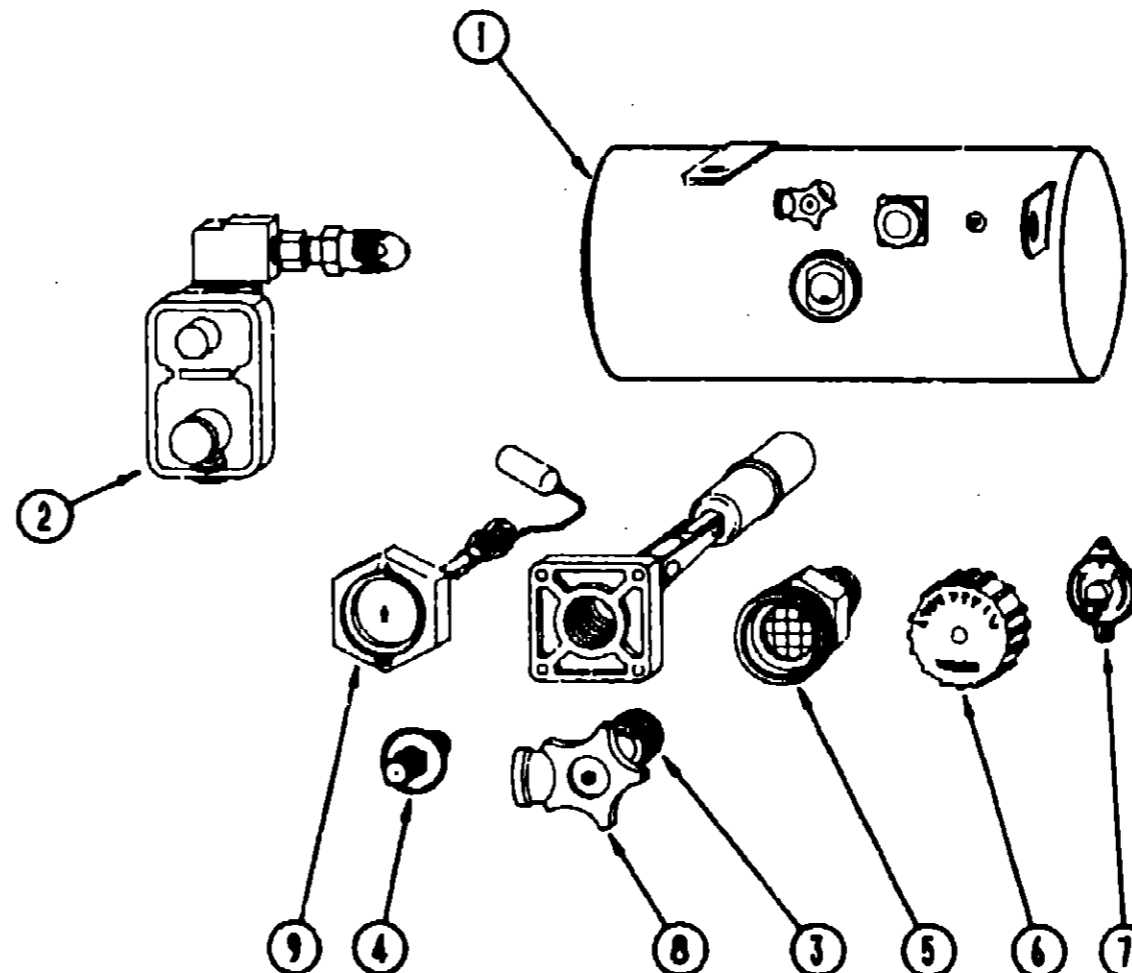


Key	Part Number	U/M	Description
1	087207-05-000	EA	Label - Fuel Cap Removal
2	099689-01-000	EA	Label - Warning - Cancer/Toxicity
3	056259-01-000	EA	Label - Safety Check List

MISCELLANEOUS LABELS

Key	Part Number	U/M	Description
	006064-01-000	EA	Label - Seat - w/o Seat Belt
	006064-02-000	EA	Label - Seat - w/o Seat Belt (CSA)
	091243-01-000	EA	Label - A/C Cover
	006019-01-000	EA	Tag - RVI Approved - Plastic

LP GROUP (CONTINUED)



Key	Part Number	U/M	Description
1	074140-01-000	EA	Tank Asm. - LP - Bottom Mount - 28 Pound
2	058705-01-000	EA	Regulator - Two Stage - LP
3	040421-01-703	EA	Valve - Vapor Relief
4	040421-01-700	EA	Gauge - Liquid Level - 20% LP
5	080450-01-700	EA	Valve - Filler - LP
6	040421-01-702	EA	Cap - Plastic Fill Valve
	065741-01-000	EA	Gauge - Float - w/Visible Dial
7	040421-01-706	EA	Dial - Visible Face - Float Gauge (Tank w/o Electric Transmitter)
	040440-01-000	EA	Dial - Transmitter - 0 - 80 Ohm (Float Gauge)
8	040421-01-708	EA	Handwheel - Vapor Relief Valve
	105658-01-000	EA	Compartment - LP Regulator
9	074039-02-700	EA	Float Asm. w/o Gauge - Screw On
	065742-01-000	EA	Tee - .38 F x .38 F x .25 FPT - Brass
	008042-01-000	FT	Tubing - Vinyl - .65" ID
	010323-01-000	EA	Adapter - Brass - 3/8 F x 1/ MPT
	010377-02-000	EA	Nut - Brass - 3/8 F - Forged
	074458-01-000	EA	Elbow - 3/8 M FL to 3/8 F FL SVL
	075148-02-000	EA	Clamp - Grounding - Bronze Screws
	000G11-08-12B	EA	Screw - 8 - 18 x 3/4 PPH ZN
	071391-02-000	EA	Nipple - Hex - 1/4 Pipe

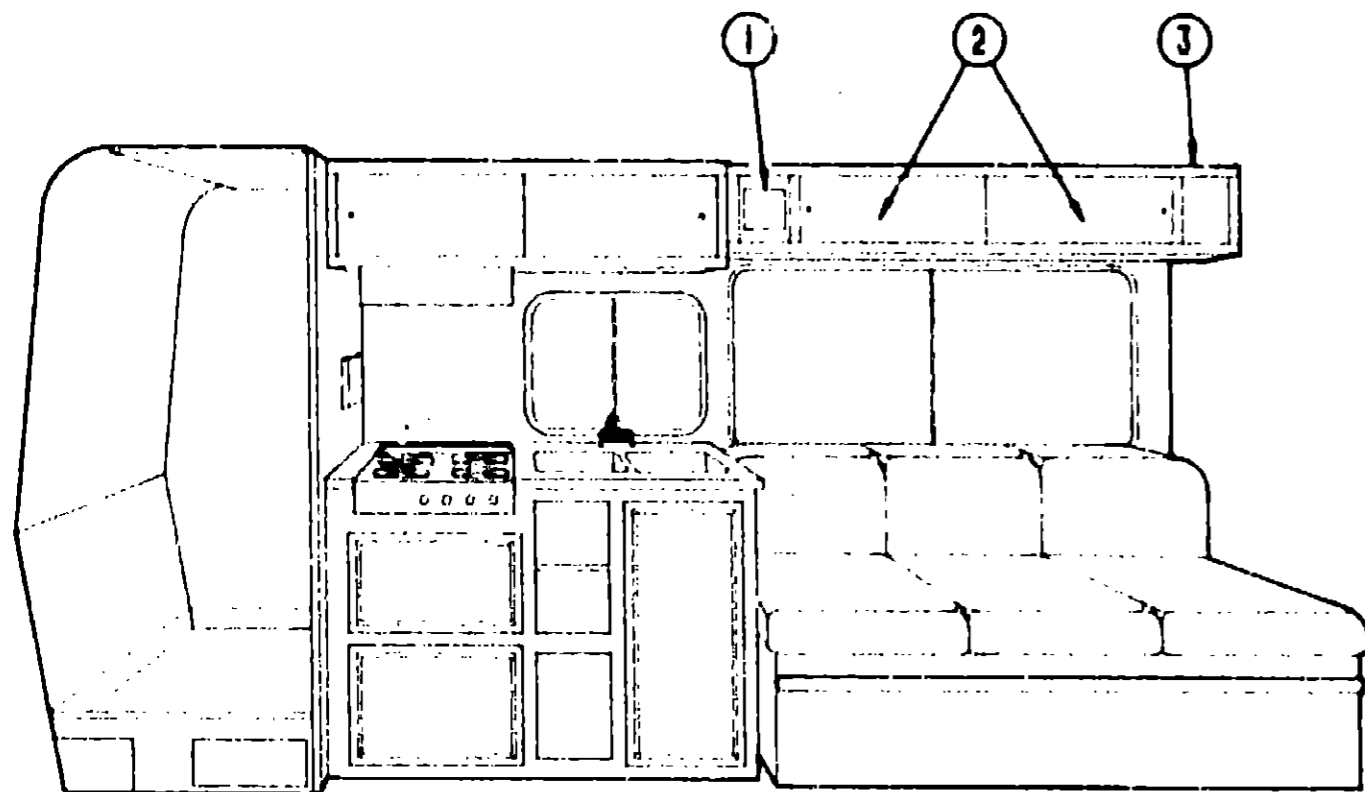
**1991 TOYE
TABLE OF CONTENTS**

INTRODUCTION	A-01 - A-02
ABBREVIATIONS	A-03
ALPHABETICAL/GROUP REFERENCE	A-04 - A-06
TT321EB	A-07 - C-10
TT321EL	C-11 - E-20

1991 TT321EL INDEX

Floor Plan	C-11 - C-12
Accessories Group	C-13
Bath Group	C-14 - C-15
Chassis Group	C-16
Curtain, Cushion & Pad Group	C-17 - C-22
Dinette Group	C-23
Driver's Compartment Group	C-24
Electrical Group	D-01 - D-03
Exterior Body Group	D-04 - D-08
Galley Group	D-09 - D-11
Heating & Air Conditioning Group	D-12
Interior Finish Group	D-13 - D-14
Labels Group	D-15 - D-23
LP Group	D-24
Lounge Group	E-01 - E-02
Sealants & Fasteners Group	E-03 - E-05
Water & Sewage Group	E-06 - E-09
Window, Vent & Exterior Door Group	E-10 - E-20

LOUNGE GROUP



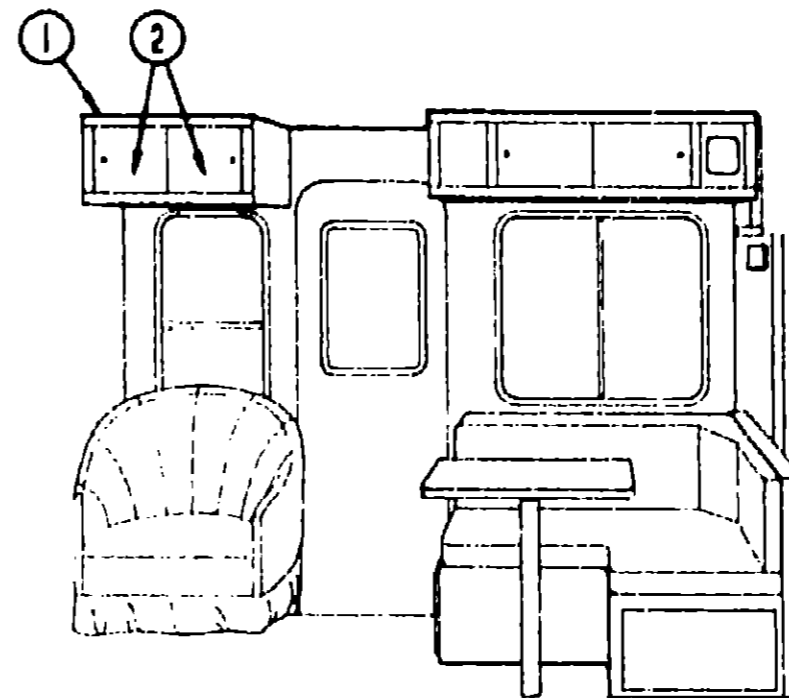
LOUNGE CABINERY

Key	Part Number	U/M	Description
1	094097-01-000	EA	Speaker - Radio - w/o Grille - 5.25" Dia.
	089340-02-000	EA	Grille - Speaker - 6.25" - Square
	074979-01-000	EA	Cover - Speaker - 8" x 9" - Light Oak
2	080549-11-B95	EA	Door Asm. - Front Overhead - 26.6" x 9.8" - Finger Pull
3	103036-01-B95	EA	Cabinet Asm. - Front Overhead - w/o Doors or Hardware

MISCELLANEOUS LOUNGE HARDWARE

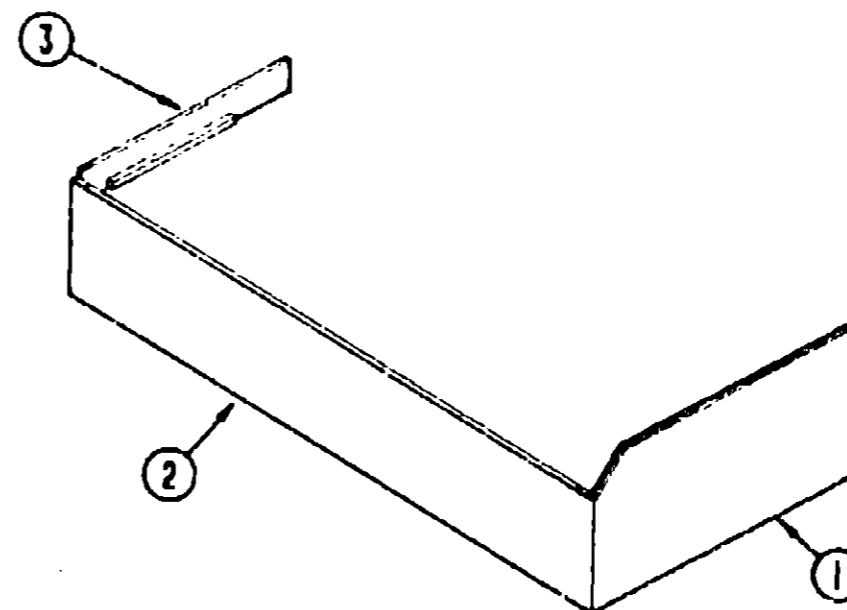
Key	Part Number	U/M	Description
	007021-01-000	EA	Seat Belt - 2" x 90" - Black
	057759-01-000	EA	Bracket - Seat Belt Washer - 4"
	093586-03-000	EA	Catch - Spring Roller - Cabinet
	093586-04-000	EA	Strike - Spring Steel - Cabinet
	059777-03-000	EA	Hinge - Cabinet Door - Burnished Brass
	009148-02-000	EA	Pull - Cabinet Door Finger
	074493-02-000	EA	Support - Overhead Door - Sprung

LOUNGE GROUP (CONTINUED)



OVERHEAD CABINET

Key	Part Number	U/M	Description
1	103920-01-B95	EA	Cabinet - Overhead - w/o Doors or Hardware
2	080549-13-B95	EA	Door - Cabinet - Sliding - 10.6" x 9.8"



COUCH CABINET

Key	Part Number	U/M	Description
1	M04187-19-B95	EA	Cabinet - Couch - Front - Fabric Covered
2	M04187-21-B95	EA	Cabinet - Couch - Face - Fabric Covered
3	M04187-20-B95	EA	Cabinet - Couch - Rear - Fabric Covered
	103949-01-B95	EA	Skirt - Couch - 14" x 52.5" - Fabric

**1991 TOYE
TABLE OF CONTENTS**

INTRODUCTION	A-01 - A-02
ABBREVIATIONS	A-03
ALPHABETICAL/GROUP REFERENCE	A-04 - A-06
TT321EB	A-07 - C-10
TT321EL	C-11 - E-20

1991 TT321EL INDEX

Floor Plan	C-11 - C-12
Accessories Group	C-13
Bath Group	C-14 - C-15
Chassis Group	C-16
Curtain, Cushion & Pad Group	C-17 - C-22
Dinette Group	C-23
Driver's Compartment Group	C-24
Electrical Group	D-01 - D-03
Exterior Body Group	D-04 - D-08
Galley Group	D-09 - D-11
Heating & Air Conditioning Group	D-12
Interior Finish Group	D-13 - D-14
Labels Group	D-15 - D-23
LP Group	D-24
Lounge Group	E-01 - E-02
Sealants & Fasteners Group	E-03 - E-05
Water & Sewage Group	E-06 - E-09
Window, Vent & Exterior Door Group	E-10 - E-20

SEALANTS & FASTENERS GROUP

SCREWS & FASTENERS

Key	Part Number	U/M	Description
	000C12-05-16B	EA	Bolt - Hex - 5/16 - 18 x 1 - Zn 5
	000C12-10-24B	EA	Bolt - Hex - 5/8 - 11 x 1 1/2 - Zn 5
	000C13-07-48B	EA	Bolt - Hex - 7/16 - 20 x 3 - Zn 5
	000C18-06-48B	EA	Bolt - Elevator - 3/8 - 16 x 3 - Zn - Grade 5
	000C26-04-10B	EA	Bolt - Hex - Ser Flange - 1/4 - 20 x 5/8
	000C26-05-20B	EA	Bolt - Hex - Ser Flg 5/16 - 18 x 1 1/4 - Zinc
	000D24-10-00B	EA	Nut - Hex - Locking - 10-32 - Zn
	000D39-04-00B	EA	Nut - Hex - Ser Flange - Locking - 1/4 - 20 Zn
	000D39-05-00B	EA	Nut - Hex - Ser Flg Lk - 5/16 - 18 - Zn
	000D39-06-00B	EA	Nut - Hex - Ser Flg Lk - 3/8 - 16 - Zn
	000D39-08-00B	EA	Nut - Hex - Ser Flg Lk - 1/2 - 13 - Zn
	000D44-07-00B	EA	Nut - Hex - Ser Flg Lk - 7/16 - 20 - Zn
	000E13-11-00B	EA	Washer - Flat - 3/16" Wide - Zn
	000E13-14-00B	EA	Washer - Flat - 1/4" Wide - Zn
	000E13-20-00B	EA	Washer - Flat - 7/16" Wide - Zn
	000E14-10-00B	EA	Washer - Locking - No 10 Ext. Tooth - Zn
	000G11-06-10B	EA	Screw - 6 - 20 x 5/8 PPH - Zn
	000G11-06-10J	EA	Screw - 6 - 20 x 5/8 PPH - Brass
	000G11-07-08B	EA	Screw - 7 - 19 x 1/2 PPH - Zn
	000G11-08-06B	EA	Screw - 8 - 18 x 3/8 PPH - Zn
	000G11-08-08B	EA	Screw - 8 - 18 x 1/2 PPH - Zn
	000G11-08-12B	EA	Screw - 8 - 18 x 3/4 PPH - Zn
	000G11-08-12D	EA	Screw - 8 - 18 x 3/4 PPH - Black
	000G11-08-12E	EA	Screw - 8 - 18 x 3/4" PPH - Chrome
	000G11-08-12P	EA	Screw - 8 - 18 x .75 - Dark Brown
	000G11-08-12R	EA	Screw - 8 - 18 x .75 PPH - Beige
	000G11-08-12S	EA	Screw - 8 - 18 x .75 PPH - Off White
	000G11-08-16S	EA	Screw - 8 - 18 x 1.00 PPH - Off White
	000G11-10-12D	EA	Screw - 10 - 16 x 3/4 PPH - Black
	000G11-10-12S	EA	Screw - 10 - 16 x 3/4 PPH - Off White
	000G11-10-24P	EA	Screw - 10 - 16 x 1 1/2 PPH - Dark Brown
	000G12-06-08T	EA	Screw - 6 - 20 x 1/2 POH - Beige
	000G12-08-12R	EA	Screw - 8 - 18 x 3/4 POH - Beige
	000G12-08-12S	EA	Screw - 8 - 18 x 3/4 POH - Off White
	000G12-08-16S	EA	Screw - 8 - 18 x 1" POH - Off White
	000G13-03-08B	EA	Screw - 6 - 20 x 1/2 PFH - Zn
	000G13-06-10G	EA	Screw - 6 - 20 x 5/8 PFH - Antique Brass
	000G13-07-12B	EA	Screw - 7 - 19 x 3/4 PFH - Zn
	000G13-08-16B	EA	Screw - 8 - 18 x 1 PFH - Zn
	000G18-08-12B	EA	Screw - Machine - 8 - 32 x 3/4" PPH - Zn
	000G18-08-16B	EA	Screw - Machine - 8 - 32 x 1 PPH - Zn
	000G18-08-22B	EA	Screw - Machine - 8 - 32 x 1 3/8 PPH - Zn
	000G32-10-06B	EA	Screw - 10 - 32 x 3/8 PPH - Zn
	000G39-06-10T	EA	Screw - SF/DR - 6 - 20 x 5/8 PPH - Black
	000G39-06-16T	EA	Screw - SF/DR - 6 - 20 x 1 PPH - Black
	000G39-08-06B	EA	Screw - SF/DR - 8 - 18 x 3/8 PPH - Zn
	000G39-08-08B	EA	Screw - SF/DR 8 - 18 x 1/2 PPH - Zn
	000G39-08-08S	EA	Screw - SF/DR 8 - 18 x 1/2 PPH - Off White
	000G39-08-08R	EA	Screw - SF/DR 8 - 18 x 1/2 PPH - Beige
	000G39-08-12B	EA	Screw - SF/DR 8 - 18 x 3/4 PPH - Zn
	000G39-08-12R	EA	Screw - SF/DR 8 - 18 x 3/4 PPH - Beige
	000G39-08-16S	EA	Screw - SF/DR 8 - 18 x 1.00 PPH - Off White
	000G39-08-24B	EA	Screw - SF/DR 8 - 18 x 1 1/2 PPH - Zn
	000G39-08-24S	EA	Screw - SF/DR 8 - 18 x 1.50 PPH - Off White
	000G39-08-32B	EA	Screw - SF/DR 8 - 18 x 2 - PPH - Zn
	000G39-10-10S	EA	Screw - SF/DR 10 - 16 x .62" PPH - Off White
	000G39-10-12D	EA	Screw - SF/DR 10 - 16 x 3/4 PPH - Black
	000G39-10-12R	EA	Screw - SF/DR 10 - 16 x 3/4 - Beige
	000G39-10-20B	EA	Screw - SF/DR 10 - 16 x 1 1/4 PPH - Zn
	000G39-12-12E	EA	Screw - SF/DR 12 - 14 x 3/4 PPH - Chrome
	000G42-04-16B	EA	Screw - SF/DR 1/4 - 14 x 1 HWH - Zn

SEALANTS & FASTENERS GROUP (CONTINUED)

SCREWS & FASTENERS (CONTINUED)

Key	Part Number	U/M	Description
	000G53-04-08B	EA	Screw - Machine - 1/4 - 20 x 3/8 PPH - Zn
	000G54-04-20B	EA	Screw - 1/4 - 20 x 1 1/4 PPH Typ 23 - Zn
	000G56-12-48B	EA	Screw - Wood - 12 - 11 x 3 - POH
	000G60-10-28T	EA	Screw - SF/DR 10 - 18 x 1.75 - Black
	000G67-10-08B	EA	Screw - 10 - 12 x 1/2 PPH - Zn
	000G67-10-08R	EA	Screw - 10 - 12 x 1/2 PPH - Beige - Type A
	000G67-10-10D	EA	Screw - 10 - 12 x 5/8 PPH - Black
	000G67-10-10B	EA	Screw - 10 - 12 x 5/8 PPH - Zn - Type A
	000G67-10-10R	EA	Screw - 10 - 12 x 5/8 PPH - Beige - Type A
	000G67-10-10S	EA	Screw - 10 - 12 x 5/8 PPH - Off White
	000G67-10-12B	EA	Screw - 10 - 12 x 3/4 PPH - Zn
	000G67-10-12P	EA	Screw - 10 - 12 x .75 PPH - Dark Brown
	000G67-10-12R	EA	Screw - 10 - 12 x 3/4 PPH - Beige
	000G67-10-12Q	EA	Screw - 10 - 12 x .75 PPH - Tan
	000G68-10-36T	EA	Screw - 10 - 12 x 2.25" POH - Black
	000G67-10-16B	EA	Screw - 10 - 12 x 1 PPH - Zn
	000G67-10-16P	EA	Screw - 10 - 12 x 1 PPH - Dark Brown
	000G67-10-20D	EA	Screw - 10 - 12 x 1.25" PPH - Black
	000G67-10-24B	EA	Screw - 10 - 12 x 1 1/2 PPH - Zn
	000G67-10-32B	EA	Screw - 10 - 12 x 2 PPH - Zn
	000G67-10-36T	EA	Screw - 10 - 12 x 2.25 PPH - Black
	000G68-06-10G	EA	Screw - 6 - 18 x 5/8 POH - Antique Brass
	000H15-04-06R	EA	Rivet - Pop - AL 1/8 x .313 - .375
	005081-01-000	EA	Nut - Speed - C Type - No. 8 Screw
	062401-01-000	EA	Clamp - Hose - Wormgear - .81" x 1.75"
	062401-02-000	EA	Clamp - Hose - Wormgear - 1.56" - 2.5"
	062401-04-000	EA	Clamp - Hose - Wormgear - .63" x 1.25"
	062401-06-000	EA	Clamp - Hose - Wormgear - .22" x .62"
	007161-01-000	EA	Clamp - Hose - Spring Type - 1/2"
	008343-01-000	EA	Tie - Wire - 6"
	008386-01-000	EA	Grommet - Snap - 3/8
	008401-01-000	EA	Strap - Conduit - 3/4" - 1 Hole - Galvanized Steel
	010495-01-000	EA	Clamp - Cable - 9/16"
	010497-01-000	EA	Clamp - Closed - 5/8" ID
	010497-03-000	EA	Clamp - Closed - 1 ID - Cushioned
	010499-01-000	EA	Clamp - Closed - 3/8" ID
	010604-01-000	EA	Brace - Cabinet - Angled Metal - 2.5"
	083609-01-000	EA	Clamp - Wire Dual - Equal 5/8" Dia.
	084884-01-000	EA	Plug - Brass - 3/8"
	087721-01-000	EA	Screw - Flat Head - Tapping - 1/4 x 1 1/4 LG - Zn
	089371-01-000	EA	Screw - Machine - 8 - 32 x 3 5/16 - Zn
	075148-02-000	EA	Clamp - Grounding - Bronze Screws
	075908-01-000	EA	Screw - Machine - 10 - 32 x .56 PTH - Zn
	049465-04-000	EA	Screw - 10 - 16 x 1 PTH w/Washer - Beige
	076790-01-000	EA	Screw - 6 - 20 x 1 1/4 PPH - Black
	063729-04-000	EA	Rivet - 10 - 32 UNF - .010 - .080
	087277-02-000	EA	Washer - Plastic - Off White
	088497-01-000	EA	Nut - Inverted Flare - 3/16"
	088498-01-000	EA	Nut - Inverted Flare - 3/16"

**1991 TOYE
TABLE OF CONTENTS**

INTRODUCTION	A-01 - A-02
ABBREVIATIONS	A-03
ALPHABETICAL/GROUP REFERENCE	A-04 - A-06
TT321EB	A-07 - C-10
TT321EL	C-11 - E-20

1991 TT321EL INDEX

Floor Plan	C-11 - C-12
Accessories Group	C-13
Bath Group	C-14 - C-15
Chassis Group	C-16
Curtain, Cushion & Pad Group	C-17 - C-22
Dinette Group	C-23
Driver's Compartment Group	C-24
Electrical Group	D-01 - D-03
Exterior Body Group	D-04 - D-08
Galley Group	D-09 - D-11
Heating & Air Conditioning Group	D-12
Interior Finish Group	D-13 - D-14
Labels Group	D-15 - D-23
LP Group	D-24
Lounge Group	E-01 - E-02
Sealants & Fasteners Group	E-03 - E-05
Water & Sewage Group	E-06 - E-09
Window, Vent & Exterior Door Group	E-10 - E-20

SEALANTS & FASTENERS GROUP (CONTINUED)

SEALANTS & ADHESIVES

Key	Part Number	U/M	Description
	004020-01-000	QT	Adhesive - ABS Cement (Plastic Fittings)
	004005-02-000	GL	Adhesive - Swifts - Glue (Sidewalls)
	087211-01-000	GL	Adhesive - Promotor
	053766-07-000	EA	Bedding Compound - Tube - Beige (Exterior)
	053766-06-000	EA	Bedding Compound - Tube - Clear (Window)
	053766-04-000	EA	Bedding Compound - Tube - Gray (Exterior)
	102352-01-000	EA	Bedding Compound - Tube - Black (Luggage Compartment)
	053766-02-000	EA	Bedding Compound - Tube - Off White (Exterior)
	002328-02-000	EA	Block - Rubber Spacer (Windshield)
	091255-02-000	FT	Seal - Foam - 1.5 MM x 4.8 MM (Cabinets)
	104579-01-000	FT	Seal - Foam - Closed Cell (Exterior Shower)
	090340-01-000	FT	Seal - Foam - Closed Cell (Entrance Door)
	090329-01-000	FT	Seal - Refrigerator Cabinet
	077967-01-000	EA	Sealant - Acrylic Latex - Tube - Off White (Interior Sealant)
	034552-04-000	EA	Sealant - Silicone - Beige
	034552-02-000	EA	Sealant - Silicone - Clear
	034552-07-000	EA	Sealant - Silicone - Dark Gray
	034552-06-000	EA	Sealant - Silicone - Off White
	039518-01-000	EA	Sealant Silicone - Black
	069640-01-000	FT	Sealer Ribbon - .25" Bead x 20'
	069640-02-000	FT	Sealer Ribbon - .5" x .125" x 30'
	069640-03-000	FT	Sealer Ribbon - .75" x .125" x 30'
	069640-09-000	FT	Sealer Ribbon - 1/32" x 2.5" x 30'
	069640-06-000	FT	Sealer Ribbon - 5/16" Bead x 15'
	069640-07-000	FT	Sealer Ribbon - 2" x 3/32" x 30'
	069640-10-000	FT	Sealer Ribbon - 1/32" x 1.5" x 100'
	002707-02-000	FT	Sealer Tape - 5/16" x 1/2"
	074497-14-700	EA	Sealer - Stain (Ceiling)
	102353-01-700	EA	Seam Sealer - Tube - Gray (Roof Seams)
	094401-01-000	EA	Seam Sealer - Tube - Clear (Cap to Sidewall)
	063642-01-000	FT	Tape - Adhesive - .10mm x 1.5" Wide
	091968-03-000	FT	Tape - Adhesive - .040" x 1" Wide
	038886-01-000	EA	Tape - Butyl - .31" x .31" x 148" (Windshield)
	076322-01-000	FT	Tape - Foam - Double Coated - .025 x .75 x 72' (Fiberglass Sidewall Seams)
	076322-02-000	FT	Tape - Foam - Double Coated - .045 x 1" (Fiberglass Sidewall Seams)
	076322-03-000	FT	Tape - Foam - Double Coated - .045" x .50"
	100028-01-000	FT	Tape - Foam - Double Coated - .031 x .75 x 72' (Non-Structural Fastening)
	009200-01-000	EA	Tape - Furnace - 1.5"
	002825-01-000	FT	Weather Stripping (Roof Vent)
	081377-01-700	EA	Adhesive - Cyanoacrylate - 10GM
	100028-01-000	FT	Tape - Foam - Double Coated - .031" x .75" x 72' (Non-Structural Fastening)
	009200-01-000	EA	Tape - Furnace - 1.5"
	002825-01-000	FT	Weather Stripping (Roof Vent)
	081377-01-700	EA	Adhesive - Cyanoacrylate - 10 GM

WATER & SEWAGE GROUP

WATER LINES & HARDWARE

Key	Part Number	U/M	Description
	044927-01-000	EA	Adapter - Plastic - 1 1/4" I.P.T x 1 1/4" Bar (Water Tank)
	079317-01-000	EA	Adapter - Swivel - .5 Tube x .5 FPT
	010224-01-000	EA	Adapter - Plastic - 3/8 MPT x 3/8 BARB
	036522-02-000	EA	Cap - Brass - 1/2" Flare
	065120-01-000	EA	Elbow - Plastic - Swivel - 50
	075240-06-000	EA	Faucet - Lavatory - Bone
	091253-01-000	EA	Gasket - Lavatory Faucet
	011053-04-000	EA	Faucet - Swing Spout - Galley - 8"
	091254-01-000	EA	Gasket - Galley Faucet
	075241-05-000	EA	Faucet - Shower - Bone
	077954-02-000	EA	Filter/Screen (In Water Tank)
	052861-01-000	EA	Drain Valve - In Line - Header - 1/2 MPT x 1/2 F x 1/2 F x 1/2 F
	052952-01-000	EA	Nut - Plastic - 1/2" F
	049032-01-000	EA	Patch - Spinweld - Plastic - 3/8"
	098607-01-000	EA	Pump - Water - 2.8 GPM - Direct Flow (US)
	098607-02-000	EA	Pump - Water - 2.8 GPM - Direct Flow (CSA)
	098607-01-700	EA	Pumphead - Replacement
	098607-01-701	EA	Drive Asm.
	098607-01-702	EA	Diaphragm Kit
	098607-01-703	EA	Valve Asm.
	098607-01-704	EA	Upper Housing
	098607-01-705	EA	Check List Kit
	098607-01-706	EA	Switch Asm. - Complete
	098607-01-707	EA	Motor Baseplate Replacement
	011048-02-000	EA	Shower Head - w/60" Hose (US)
	011048-05-000	EA	Shower Head - w/60" Hose (CSA)
	042989-03-000	EA	Spinweld Fitting - Plastic - 1/4" NPT
	042989-05-000	EA	Spinweld Fitting - Plastic - 1/2" FPT
	042989-04-000	EA	Spinweld Fitting - Plastic - 3/8" FPT
	052955-01-000	EA	Tee - Plastic - 1/2" F x 1/2" F x 1/2" MPT
	052956-01-000	EA	Tee - Plastic - 1/2 F x 1/2 MPT x 1/2 F
	052958-01-000	EA	Tee - Plastic - 1/2" F x 1/2" F x 1/2" F
	039800-01-000	FT	Tubing - Polybutyl - 1/2" OD x 20' (Water Line)
	079381-01-000	FT	Tubing - Flex/Smooth - 1.25 ID (Water Tank)
	074462-02-000	FT	Tubing - Vinyl - 3/8" ID
	052960-01-000	EA	Valve - Line Drain - 1/2" F x 1/2" F
	087659-04-000	EA	Water Fill - City
	084677-03-000	EA	Water Tank - 14 Gal. w/Fittings

NOTE: Indented items are individual replacement parts for the assembly listed before them.

1991 TOYE TABLE OF CONTENTS

INTRODUCTION	A-01 - A-02
ABBREVIATIONS	A-03
ALPHABETICAL/GROUP REFERENCE	A-04 - A-06
TT321EB	A-07 - C-10
TT321EL	C-11 - E-20

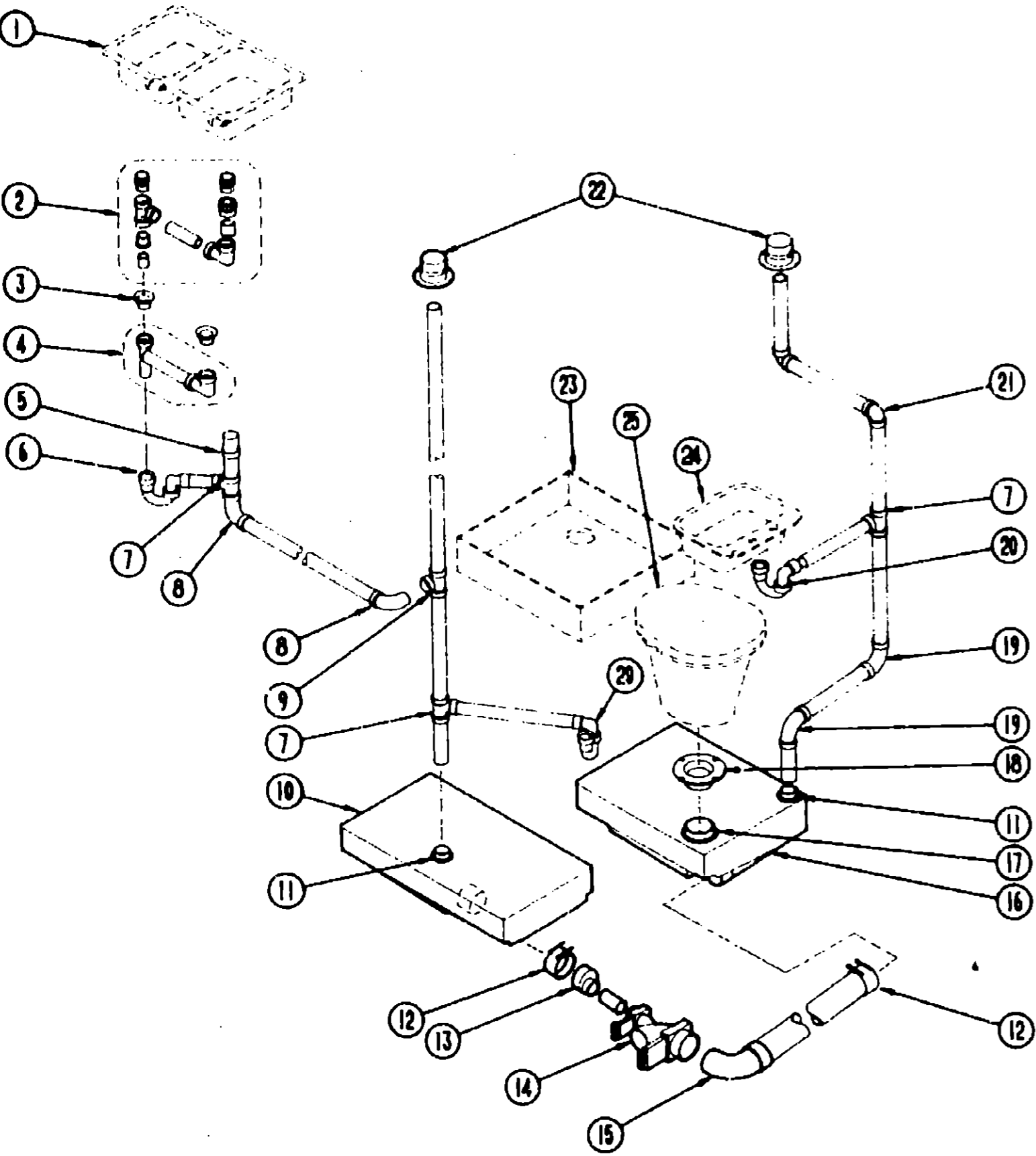
1991 TT321EL INDEX

Floor Plan	C-11 - C-12
Accessories Group	C-13
Bath Group	C-14 - C-15
Chassis Group	C-16
Curtain, Cushion & Pad Group	C-17 - C-22
Dinette Group	C-23
Driver's Compartment Group	C-24
Electrical Group	D-01 - D-03
Exterior Body Group	D-04 - D-08
Galley Group	D-09 - D-11
Heating & Air Conditioning Group	D-12
Interior Finish Group	D-13 - D-14
Labels Group	D-15 - D-23
LP Group	D-24
Lounge Group	E-01 - E-02
Sealants & Fasteners Group	E-03 - E-05
Water & Sewage Group	E-06 - E-09
Window, Vent & Exterior Door Group	E-10 - E-20

WATER & SEWAGE GROUP (CONTINUED)

DRAINAGE SYSTEM

1991 TOYE TABLE OF CONTENTS



Key	Part Number	U/M	Description
1	098654-01-000	EA	Sink - Double - Stainless Steel
2	053874-01-000	EA	Continuous Waste Asm. (CSA)
	010071-01-000	EA	Tee - Plastic - 1 1/2 H x H x H
	010121-01-000	EA	Bushing - Red - Plastic - 1 1/2 S x 1 1/4 H (CSA)
	033302-02-000	EA	Adapter Asm. - Strainer (CSA)
	037101-02-000	EA	Elbow - Plastic - 1/4" Bend Vent - 1 1/2" Hub (CSA)
3	066437-01-000	EA	Strainer - Galley Sink
	066437-01-700	EA	Strainer - Sink (Basket Only)
4	011091-02-000	EA	Continuous Waste - Double Sink (US)
5	079968-01-000	EA	Vent - Mechanical Trap Arm
6	011066-03-000	EA	P-Trap - 1 1/4" - Plastic (US)
7	053335-01-000	EA	P-Trap - Plastic - 1 1/4 H x H w/Union (CSA)
8	010079-01-000	EA	Tee - Plastic - 1 1/2 H x 1 1/2 H x 1 1/4 H
9	033761-01-000	EA	Elbow - ST - Plastic - 1/4 BD - 1 1/2 x 90 XLT
10	010071-01-000	EA	Tee - Plastic - 1 1/2 H x H x H
11	084679-01-000	EA	Tank - Holding - 11.5 Gallons w/o Fittings - Waste Water
12	061607-01-000	EA	Grommet - Holding Tank Coupler - 3"
13	078406-01-000	EA	Coupler - Rubber - 3" x 3"
14	062422-01-000	EA	Reducer Adapter - 3" x 1 1/2"
	070916-01-000	EA	Valve - Dual - 3" x 1.5" - Black
	075726-01-000	EA	Outlet Extension - Sewer
	010201-01-000	EA	Sewer Hose - 3" ID x 20'
	062416-01-000	EA	Adapter - Sewer Hose to 3" Pipe
	062415-01-000	EA	Sewer Cap - 3"
	06241G-01-700	EA	String - Sewer Cap
15	041956-01-000	EA	Elbow - ST - Plastic - 1/4 BD - 3 x 90 XLT
16	074300-01-000	EA	Tank - Holding - 13 Gallon w/o Fitting - Sewage
17	061607-02-000	EA	Grommet - Holding Tank Coupler - 1 1/2"
18	063641-01-000	EA	Flange - Closet Red - 4" x 3"
19	010008-01-000	EA	Elbow - Plastic - 1/4 BD x 1 1/2 x 90° - Left
20	011066-03-000	EA	P-Trap - 1 1/4" - Plastic (US)
20	011066-02-000	EA	P-Trap - 1 1/4" - Plastic (CSA)
21	010006-01-000	EA	Elbow - Plastic - 1/8 BD x 1 1/2 x 45° H x H
22	083558-03-000	EA	Roof Vent - Covered - Vent Pipe
23	M02630-03-U28	EA	Shower Pan Asm.
	066440-01-000	EA	Strainer w/Rubber Washer
	066436-01-000	EA	Nut - Slip - 1.5 Tailpiece
	011069-03-000	EA	Tailpiece - 1 1/2" x 1 1/4" x 4" - Brass
	066435-01-000	EA	Nut - Strainer
24	096927-01-01A	EA	Sink - Bathroom - Rectangular
	096927-01-700	EA	Sink - Stopper
	096927-01-701	EA	Tailpiece
25	063740-01-000	EA	Toilet - Ivory - Aqua Magic

NOTE Indented items are individual replacement parts for the assembly listed before them.

INTRODUCTION	A-01 - A-02
ABBREVIATIONS	A-03
ALPHABETICAL/GROUP REFERENCE	A-04 - A-06
TT321EB	A-07 - C-10
TT321EL	C-11 - E-20

1991 TT321EL INDEX

Floor Plan	C-11 - C-12
Accessories Group	C-13
Bath Group	C-14 - C-15
Chassis Group	C-16
Curtain, Cushion & Pad Group	C-17 - C-22
Dinette Group	C-23
Driver's Compartment Group	C-24
Electrical Group	D-01 - D-03
Exterior Body Group	D-04 - D-06
Galley Group	D-09 - D-11
Heating & Air Conditioning Group	D-12
Interior Finish Group	D-13 - D-14
Labels Group	D-15 - D-23
LP Group	D-24
Lounge Group	E-01 - E-02
Sealants & Fasteners Group	E-03 - E-05
Water & Sewage Group	E-06 - E-09
Window, Vent & Exterior Door Group	E-10 - E-20

WATER & SEWAGE GROUP (CONTINUED)

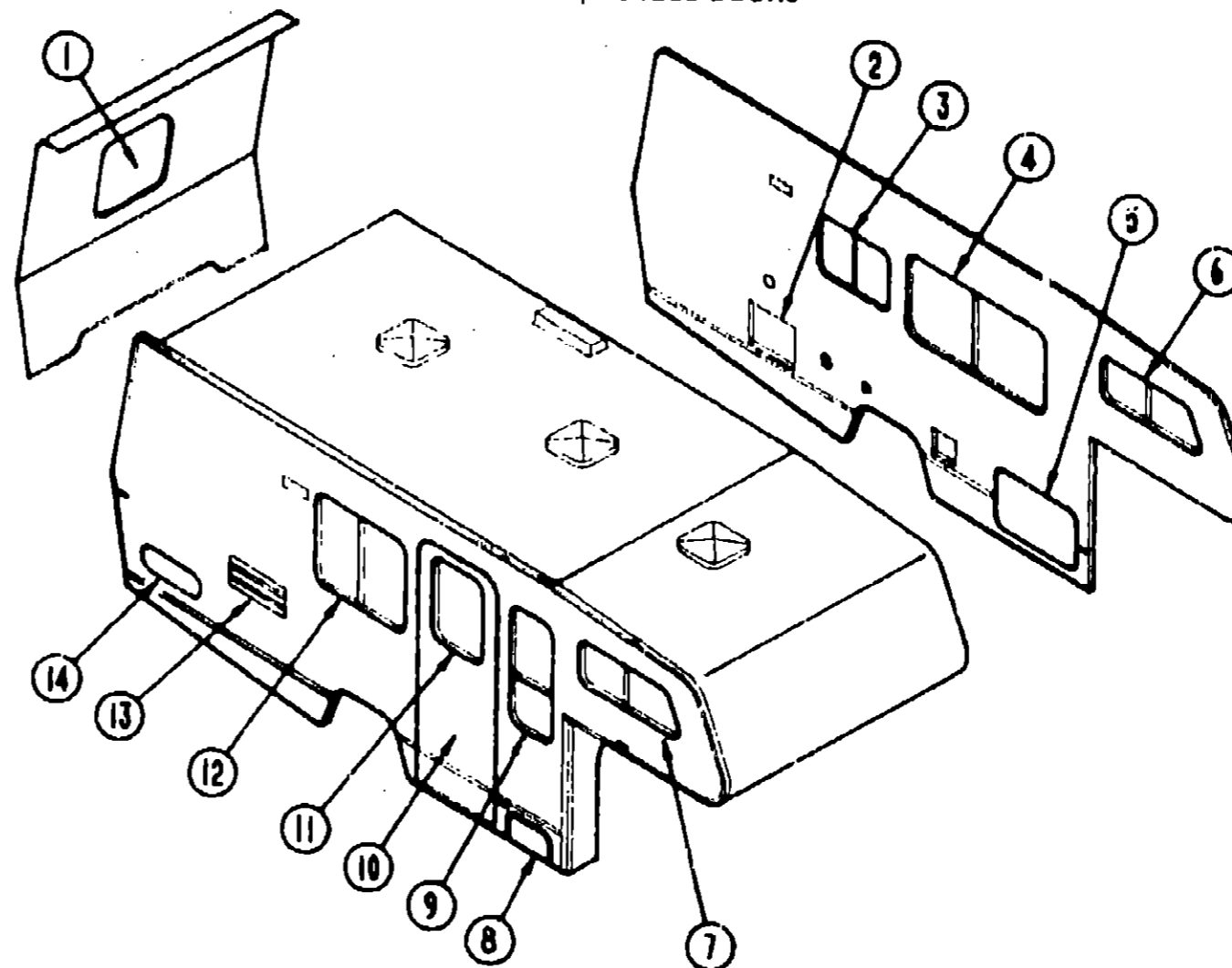
WATER HEATER & REPAIR PARTS

Key	Part Number	U/M	Description
	051391-01-000	EA	Heater - Water - Atwood G6A-3
	051391-01-700	EA	Hinge Kit - w/Clip - Atwood #92568 & 92559
	051391-01-715	EA	Drain Plug - Atwood #91561
	051391-01-702	EA	Tank - Inner - G6A-2, 3, 6 - Water Heater - Atwood 91412
	051391-01-704	EA	Valve - Relief - 1/2" Fitting - Atwood 91604
	051391-01-705	EA	Fastener - Camloc - Atwood #92609
	051391-01-706	EA	Grille - Exhaust - Atwood #92787
	051391-01-712	EA	Thermostat - 3/8" NPT Inlet
	051391-01-708	EA	Burner - Main - Atwood #92615
	051391-01-709	EA	Pilot Asm. - w/Thermocouple & Tube
	051391-01-710	EA	Orifice - Main Burner - Atwood #92742
	051391-01-711	EA	Elbow - Orifice - Main Burner
	051391-01-714	EA	Elbow - 45 Degree - 3/8" F x 3/8" MPT - Atwood #91044
	051391-02-000	EA	Heater - Water - Atwood G4-SM
	051391-01-700	EA	Hinge Kit - w/Clip - Atwood #92568 & 92559
	051391-01-715	EA	Drain Plug - Atwood #91561
	051391-02-700	EA	Tank - Inner For G4Sm
	051391-01-704	EA	Valve - Relief - 1/2" Fitting - Atwood #91604
	051391-01-705	EA	Fastener - Camloc - Atwood #92609
	051391-01-706	EA	Grille - Exhaust - Atwood #92787
	051391-01-712	EA	Thermostat - 3/8" NPT Inlet
	051391-01-708	EA	Burner - Main - Atwood #92615
	051391-01-709	EA	Pilot Asm. w/Thermocouple & Tube
	051391-01-710	EA	Orifice - Main Burner - Atwood #92742
	051391-01-711	EA	Elbow - Orifice - Main Burner

NOTE Indented items are individual replacement parts for the assembly listed before them.

WINDOW, VENT & EXTERIOR DOOR GROUP

WINDOWS, ACCESS DOORS



Key	Part Number	U/M	Description
1	079729-02-T03	EA	Window Asm. - Escape
2	052009-01-000	EA	Door Asm. - Water Heater
3	098647-07-700	EA	Window Asm. - Single Slider
4	098647-12-700	EA	Window Asm. - Single Slider
5	102038-02-B05	EA	Door Asm. - Luggage
5	102038-01-B05	EA	Door Asm. - Generator
6	098646-04-700	EA	Window Asm. - Slant Slider - Driver
7	098646-03-702	EA	Window Asm. - Slant Slider - Passenger
8	079455-09-B05	EA	Door - Battery
9	098644-02-705	EA	Window Asm. - Vertical Slider
10	M01870-38-B95	EA	Door Asm. - Entrance w/Screen Door & Window
11	079733-07-AA8	EA	Window Asm. - Picture - Frosted Glass
12	098647-08-701	EA	Window Asm. - Single Slider
13	084103-03-000	EA	Door Asm. - Refrigerator
14	078720-02-T15	EA	Door Asm. - LP

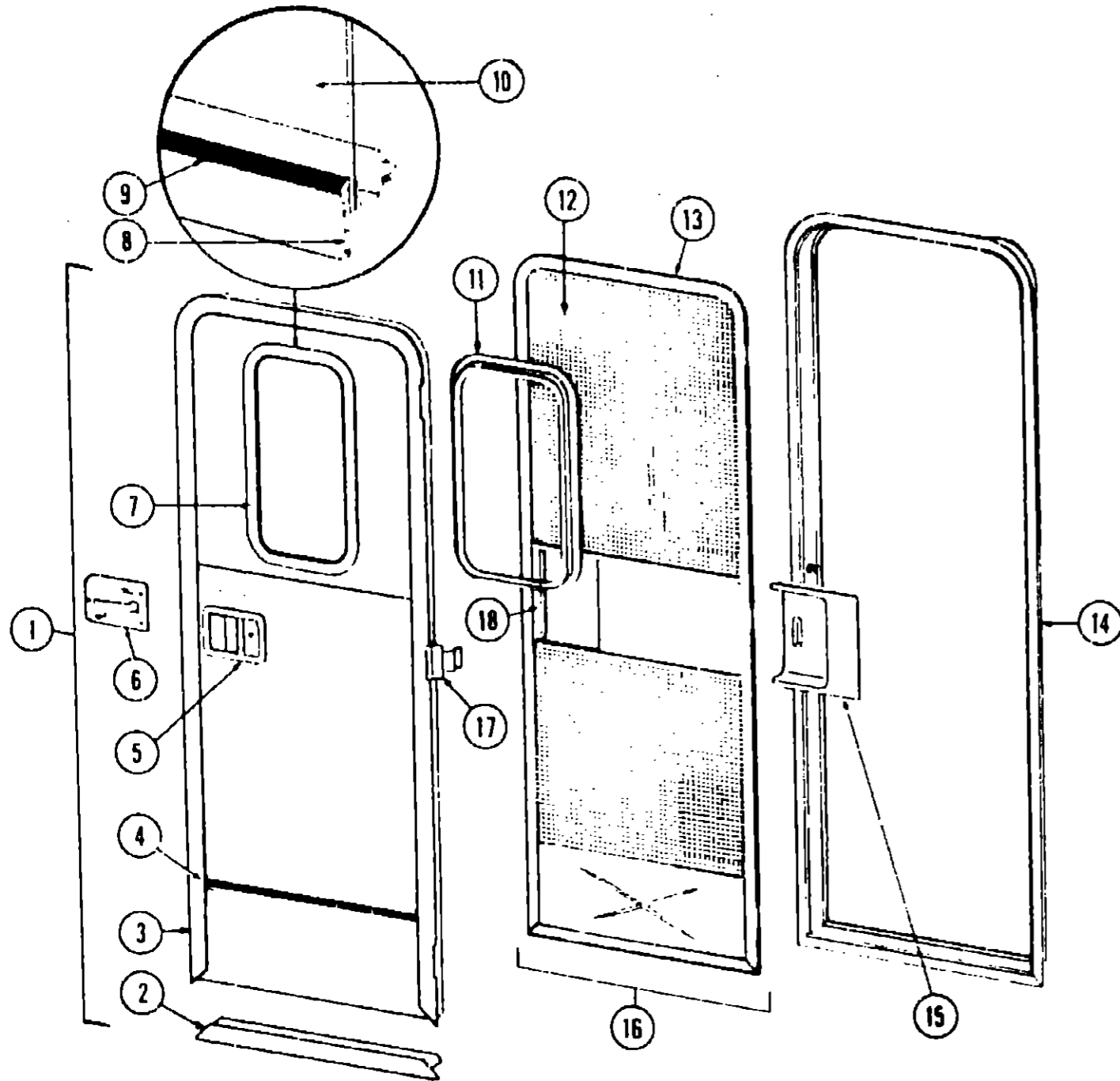
1991 TOYE TABLE OF CONTENTS

INTRODUCTION	A-01 - A-02
ABBREVIATIONS	A-03
ALPHABETICAL/GROUP REFERENCE	A-04 - A-06
TT321EB	A-07 - C-10
TT321EL	C-11 - E-20

1991 TT321EL INDEX

Floor Plan	C-11 - C-12
Accessories Group	C-13
Bath. Group	C-14 - C-15
Chassis Group	C-16
Curtain, Cushion & Pad Group	C-17 - C-22
Dinette Group	C-23
Driver's Compartment Group	C-24
Electrical Group	D-01 - D-03
Exterior Body Group	D-04 - D-06
Galley Group	D-09 - D-11
Heating & Air Conditioning Group	D-12
Interior Finish Group	D-13 - D-14
Labels Group	D-15 - D-23
LP Group	D-24
Lounge Group	E-01 - E-02
Sealants & Fasteners Group	E-03 - E-05
Water & Sewage Group	E-06 - E-09
Window, Vent & Exterior Door Group	E-10 - E-20

WINDOW, VENT & EXTERIOR DOOR GROUP (CONTINUED)



ENTRANCE DOOR

Key	Part Number	U/M	Description
1	M01870-38-B95	EA	Door Asm. - Radius Entry - w/Window & Screen Door
2	089748-05-000	EA	Frame - Entry Door (Bottom Portion Only)
3	095276-02-01A	EA	Frame - Entry Door (Except Bottom Portion)
4	059578-05-000	EA	Feature Strip w/o Insert - 14" - Off White
	001030-02-100	EA	Insert - Feature Strip - 17" - Off White
	004731-01-000	EA	End Cap - Feature Strip
5	045017-10-000	EA	Latch - Entrance Door - Black
5	045017-11-000	EA	Latch - Entrance Door - Black
	045017-11-700	EA	Master Key
	045017-11-701	EA	Key Blank
	039539-01-000	EA	Striker Bolt - Entrance Door
	039540-01-000	EA	Latch Asm. - Interior - Entrance Door
6	039979-03-000	EA	Cover Asm. - Interior Latch - Black
6	039979-04-000	EA	Cover Asm. - Interior Latch - Black
7	079733-07-AA8	EA	Window Asm. - Picture - Black (w/o inside frame)
8	069640-06-000	FT	Ribbon Sealer - 5/16" Bead x 15'
9	050216-02-000	FT	Spline - Glass - .19" - Black
10	002181-07-000	EA	Glass - Picture Window - Frosted
11	067609-27-000	EA	Inside Frame - Black (not included in assembly)
12	002293-02-000	SF	Screen - Window - 28" - Charcoal
13	056795-01-000	FT	Seal Tape - 1/8" x 3/8" - Press On
14	095277-03-01A	EA	Jamb Asm. - Entrance Door - Off White
15	079086-02-000	EA	Slider - Screen Door - Plastic
	079087-02-000	EA	Strike - Slider - Screen Door - Off White
16	079012-04-AA3	EA	Door Asm. - Screen
	009018-01-000	EA	Catch Asm. - Single Roller (Screen Door)
	058025-02-000	EA	Clip - Roller Latch Catch
	002294-01-000	FT	Spline - Black - .135" x .138" (Screen Door)
	050712-04-000	EA	Handle - Screen Door - Off White
	078777-03-000	EA	Channel - Slider - 17.4"
17	097724-01-02A	EA	Hinge - Entrance Door (3 used per door)
18	079087-02-000	EA	Strike - Slider - Off White
	075671-01-000	FT	Seal - Sponge - Lazy "T" Shaped
	098173-01-04A	EA	Stiffener - Entrance Door - Off White
	100412-01-000	EA	Catch - Screen Door
	075673-01-000	FT	Seal - Screen Door - Adhesive Back - Gray
†	100128-02-000	FT	Seal - Screen Door
	101145-01-01A	EA	Dead Bolt Asm. - Black
	101147-01-000	EA	Bolt - Security - 4.12" - Back Set
*			Parts used after 8/8/90.
†			Parts used after 8/6/90.

1991 TOYE
TABLE OF CONTENTS

INTRODUCTION	A-01 - A-02
ABBREVIATIONS	A-03
ALPHABETICAL/GROUP REFERENCE	A-04 - A-06
TT321EB	A-07 - C-10
TT321EL	C-11 - E-20

1991 TT321EL INDEX

Floor Plan	C-11 - C-12
Accessories Group	C-13
Bath Group	C-14 - C-15
Chassis Group	C-16
Curtain, Cushion & Pad Group	C-17 - C-22
Dinette Group	C-23
Driver's Compartment Group	C-24
Electrical Group	D-01 - D-03
Exterior Body Group	D-04 - D-08
Galley Group	D-09 - D-11
Heating & Air Conditioning Group	D-12
Interior Finish Group	D-13 - D-14
Labels Group	D-15 - D-23
LP Group	D-24
Lounge Group	E-01 - E-02
Sealants & Fasteners Group	E-03 - E-05
Water & Sewage Group	E-06 - E-09
Window, Vent & Exterior Door Group	E-10 - E-20

WINDOW, VENT & EXTERIOR DOOR GROUP (CONTINUED)

POWERED ROOF VENT

Key	Part Number	U/M	Description
	090394-01-Y12	EA	Vent Asm. - Roof - Powered - w/o Screen (US)
	064469-08-000	EA	Vent Asm. - Roof - Power (CSA)
	009440-01-000	EA	Lift Mechanism
	009439-03-000	EA	Extension
	009439-04-000	EA	Screw
	009439-02-000	EA	Knob - Roof Vent - Black
	048649-01-000	EA	Fan - Plastic - 6"
	008195-01-000	EA	Switch - Push Button - 12 Volt
	015911-01-000	EA	Track - Slide - Roof Vent
	002825-01-000	EA	Weatherstrip Seal
	048648-01-000	EA	Motor - 12 Volt
	051384-01-000	EA	Cover Asm. - Roof Vent
	052639-01-200	EA	Hinge - 7" - Roof Vent
	078785-01-Y12	EA	Screen Asm. - Roof Vent - Powered
	002291-02-000	SF	Screen - Window - 16" - Charcoal
	002298-02-000	FT	Spline - Charcoal

NON-POWERED VENT

Key	Part Number	U/M	Description
	090395-01-Y12	EA	Vent Asm. - Roof - Non-Powered - w/o Screen
	009440-01-000	EA	Lift Mechanism Asm.
	009439-03-000	EA	Extension
	009439-04-000	EA	Screw
	009439-02-000	EA	Knob - Roof Vent - Black
	015911-01-000	EA	Track - Slide - Roof Vent
	002825-01-000	EA	Weatherstrip Seal
	055218-01-000	EA	Cover Asm. - Roof Vent
	052639-01-200	EA	Hinge - 7" - Roof Vent
	078786-01-Y12	EA	Screen Asm. - Charcoal
	002291-02-000	SF	Screen - Window - 16" - Charcoal
	002298-02-000	FT	Spline - Charcoal

VENTS & DOMES

Key	Part Number	U/M	Description
	065103-01-000	EA	Base - Roof Vent - Refrigerator - Norcold
	065103-03-000	EA	Base - Roof Vent - Refrigerator - Dometic
	065103-02-000	EA	Cap - Roof Vent - Refrigerator - Norcold
	065103-04-000	EA	Cap - Roof Vent - Refrigerator - Dometic
	083558-03-000	EA	Roof Vent - Pipe - Covered
	084878-09-000	EA	Hood Vent - Range - Short
	084616-01-000	EA	Shroud - Range Hood Vent - Off White
	101990-02-000	EA	Vent - Furnace Outside - 4" - 6"

WINDOW, VENT & EXTERIOR DOOR GROUP (CONTINUED)

ACCESS DOORS & HARDWARE

Key	Part Number	U/M	Description
	084103-03-000	EA	Door Asm. - Refrigerator Access
	084103-01-700	EA	Lock - Male Fastener
	084103-01-701	EA	Lock - Female Fastener
	084104-03-000	EA	Jamb - Refrigerator Vent Door - Off White
	081240-03-000	EA	Door - Water Fill - Lockable - 4" x 4 5/8" Off White
	079455-09-B05	EA	Door - Battery - 13.18" x 7.98"
	081801-02-000	EA	Hinge - 2" x 96" - Off White
	079366-04-000	EA	Lock - Key Type w/o Keys
	082684-01-700	EA	Key - Lock
	064075-07-000	FT	Seal - Bulb
	084993-01-000	EA	Strap - Battery
	100824-01-000	EA	Compartment - Battery
	078010-03-000	EA	Door - Fuel Fill - Off White
	078040-03-000	EA	Shroud - Fuel Fill - Upper
	100599-01-000	EA	Neck - Fuel Fill
	078200-01-000	EA	Gasket - Fuel Fill
	083578-01-000	EA	Boot - Fuel Fill
	084235-01-000	EA	Support Flange - Fuel Fill Boot
	058027-01-000	FT	Seal - "D" Shaped
	052009-01-000	EA	Door - Water Heater
	102038-01-B05	EA	Door - Generator
	009065-01-000	EA	Hinge - Aluminum - 1.5 x 96" - Unpainted
	009426-02-000	EA	Hatch - Off White
	052950-01-000	EA	Lock - Twist Type
	102038-02-B05	EA	Door Asm. - Luggage - 16.1" x 24.5"
	096302-04-000	EA	Compartment Asm. - Luggage
	083665-02-000	EA	Tray - Luggage
	009426-02-000	EA	Hatch - Off White
	009065-01-000	EA	Hinge - Aluminum - 1 1/2" x 96" - Unpainted
	083223-03-000	EA	Lock Asm. - Key Type (Set of 1)
	078720-02-T15	EA	Door Asm. - LP - 16.9" x 5.4"
	009065-01-000	EA	Hinge - Aluminum - 1 1/2" x 96" - Unpainted
	052950-01-000	EA	Lock Asm. - Twist Type - White
	052951-01-000	EA	Clip - Twist Type - Lock - Retainer
	090340-01-000	FT	Foam Seal - Closed Cell
	091873-01-000	EA	Retainer - Door
	083615-06-000	EA	Door Stop - Plastic - Off White
	002748-01-000	EA	Corner Key - Door

NOTE: Items indented below assemblies are serviceable parts for that assembly.

**1991 TOYE
TABLE OF CONTENTS**

INTRODUCTION	A-01 - A-02
ABBREVIATIONS	A-03
ALPHABETICAL/GROUP REFERENCE	A-04 - A-08
TT321EB	A-07 - C-10
TT321EL	C-11 - E-20

1991 TT321EL INDEX

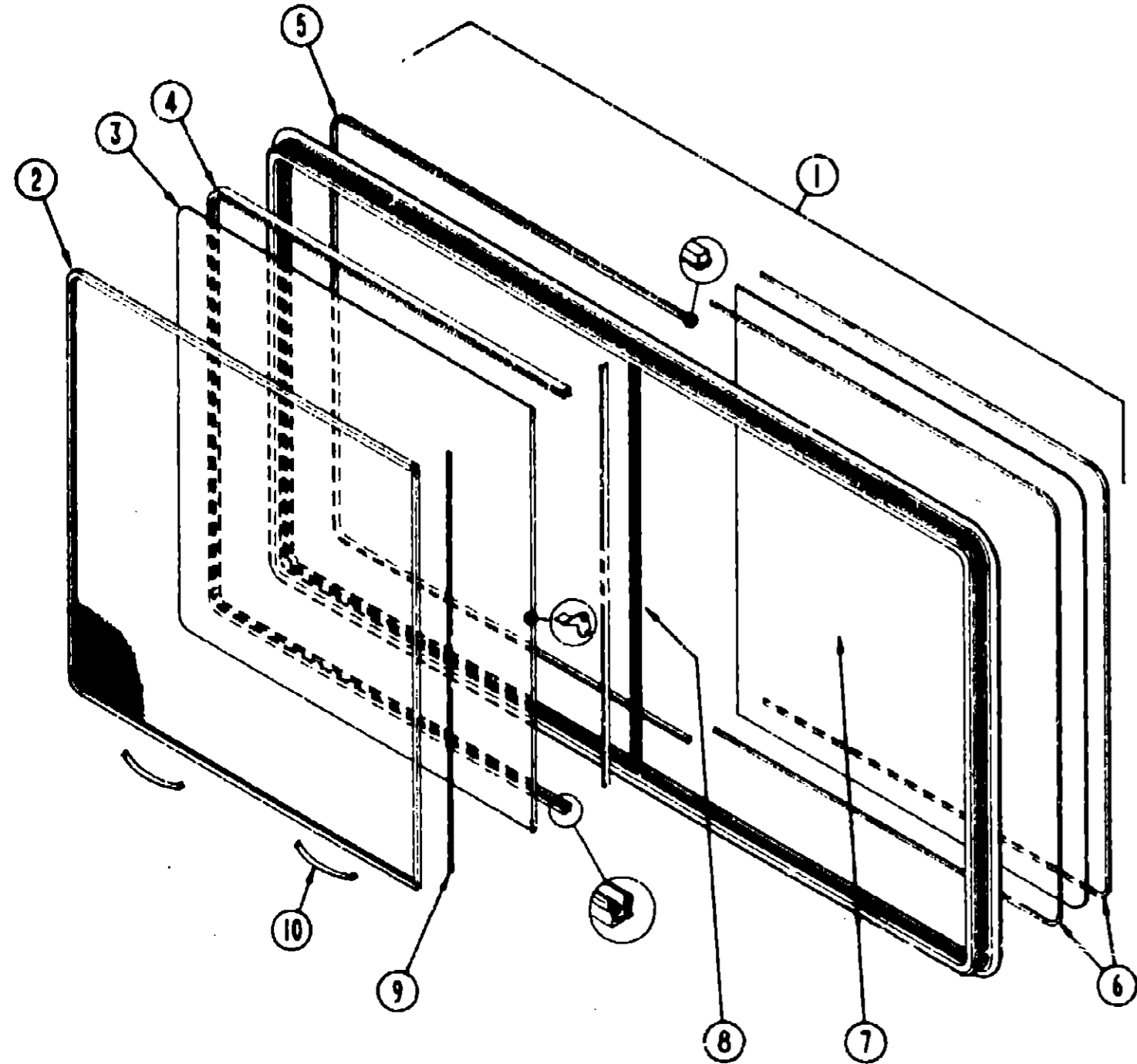
Floor Plan	C-11 - C-12
Accessories Group	C-13
Bath Group	C-14 - C-15
Chassis Group	C-16
Curtain, Cushion & Pad Group	C-17 - C-22
Dinette Group	C-23
Driver's Compartment Group	C-24
Electrical Group	D-01 - D-03
Exterior Body Group	D-04 - D-08
Galley Group	D-09 - D-11
Heating & Air Conditioning Group	D-12
Interior Finish Group	D-13 - D-14
Labels Group	D-15 - D-23
LP Group	D-24
Lounge Group	E-01 - E-02
Sealants & Fasteners Group	E-03 - E-05
Water & Sewage Group	E-06 - E-09
Window, Vent & Exterior Door Group	E-10 - E-20

WINDOW, VENT & EXTERIOR DOOR GROUP (CONTINUED)

WINDOW, VENT & EXTERIOR DOOR GROUP (CONTINUED)

GALLEY SINGLE SLIDER WINDOW

1991 TOYE
TABLE OF CONTENTS



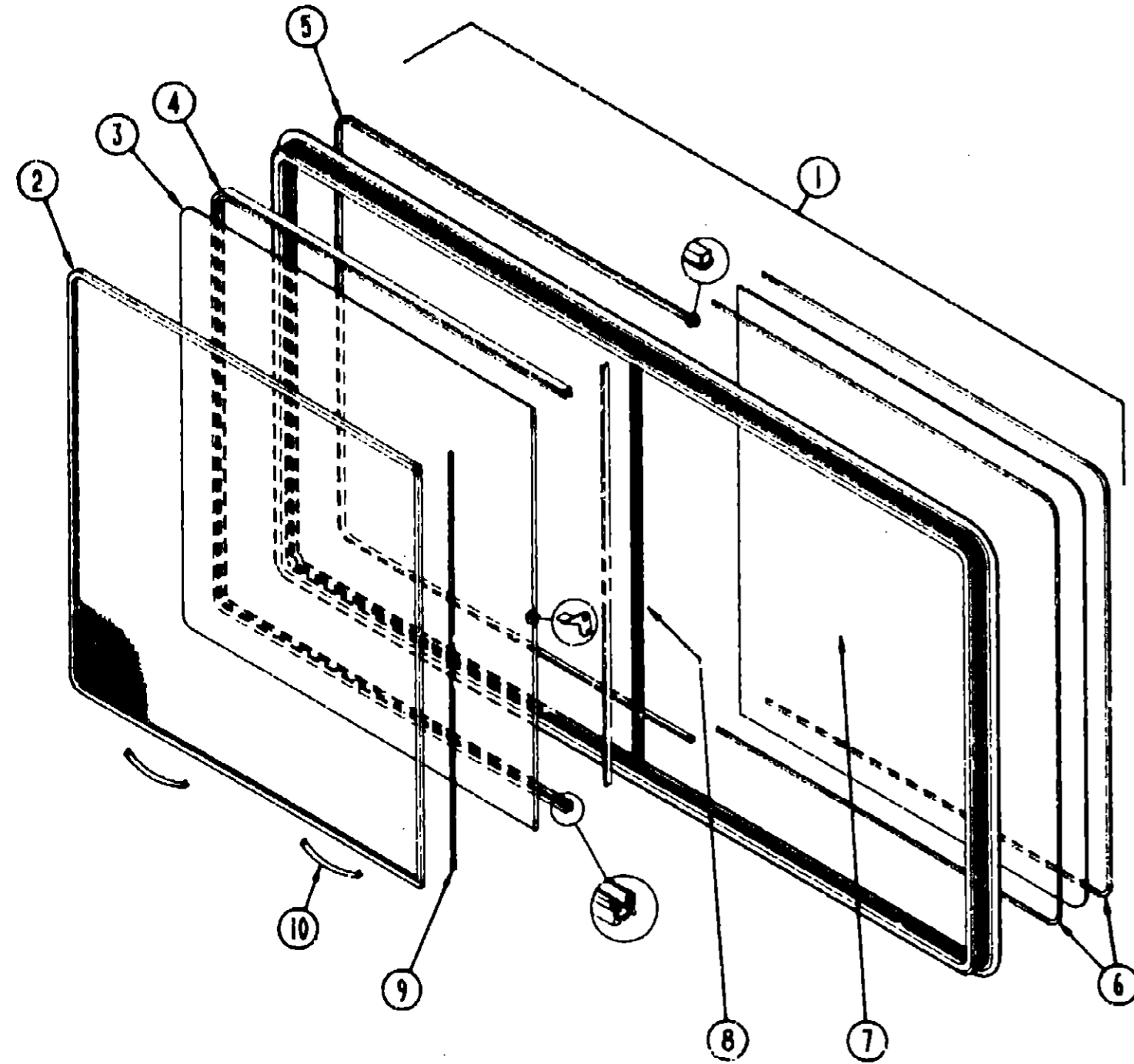
Key	Part Number	U/M	Description
1	098647-07-700	EA	Window Asm - Single Slider - 15" x 23.75" (w/o inside frame)
	098647-06-704	EA	Inside Frame (not included in assembly)
	098644-01-701	EA	Splice Plate - Window
	098644-01-702	EA	Screw - Splice
	098644-01-703	EA	Screw - Locking Rail
2	098647-06-703	EA	Screen w/Weatherstrip & Frame Spring (Clip)
3	098644-06-702	EA	Glass - Sliding w/Sash & Latch
4	098644-01-708	FT	Channel - Pierce Run
	098644-01-700	EA	Latch - Repair Kit
5	098644-01-708	FT	Weatherstrip
6	098644-01-705	FT	Glazing Strip
7	098647-06-700	EA	Glass - Stationary - 10.91" x 13.77"
8	098647-06-701	EA	Rail - Locking w/Weatherstrip
9	098644-01-710	FT	Track - Screen Spacer (12' Length)
	098644-01-711	FT	Weatherstrip - Screen - Black
10	098644-01-713	EA	Spring - Screen Frame (Clip) - Plastic - Black

INTRODUCTION	A-01 - A-02
ABBREVIATIONS	A-03
ALPHABETICAL/GROUP REFERENCE	A-04 - A-06
TT321EB	A-07 - C-10
TT321EL	C-1 - E-20

1991 TT321EL INDEX

Floor Plan	C-11 - C-12
Accessories Group	C-13
Bath Group	C-14 - C-15
Chassis Group	C-16
Curtain, Cushion & Pad Group	C-17 - C-22
Dinette Group	C-23
Driver's Compartment Group	C-24
Electrical Group	D-01 - D-03
Exterior Body Group	D-04 - D-06
Galley Group	U-09 - D-11
Heating & Air Conditioning Group	D-12
Interior Finish Group	D-13 - D-14
Labels Group	D-15 - D-23
LP Group	D-24
Lounge Group	E-01 - E-02
Sealants & Fasteners Group	E-03 - E-05
Water & Sewage Group	E-06 - E-09
Window, Vent & Exterior Door Group	E-10 - E-20

1991 TOYE
TABLE OF CONTENTS



COUCH SINGLE SLIDER

Key	Part Number	U/M	Description
1	098647-12-700	EA	Window Asm. - Single Slider - 27" x 49" (w/o Inside frame)
	098647-11-702	EA	Inside Frame - Black (not included in assembly)
2	098647-11-704	EA	Screen Asm. w/Spring & Weatherstripping
3	098647-11-701	EA	Glass - Sliding w/Sash & Latch
	098644-01-700	EA	Latch Repair Kit
4	098644-01-708	FT	Channel - Pierced Run
5	098644-01-706	FT	Weatherstrip
6	098644-01-705	FT	Glazing Strip
7	098647-11-700	EA	Glass - Stationary
8	098644-08-705	EA	Locking Rail w/Weatherstrip
	098644-01-703	EA	Screw - #6 x 1.05 Pro Recess - Black (Locking Rail)
9	098644-01-711	FT	Weatherstrip - Black (For Screen)
10	098644-01-713	EA	Screen Clips - Black Plastic
	098644-01-701	EA	Splice Plate - Window
	098644-01-702	EA	Screw - #6 - 32 x 1/4 Pan Head (Splice)
	098644-01-710	FT	Track - Spacer - For 12" Screen

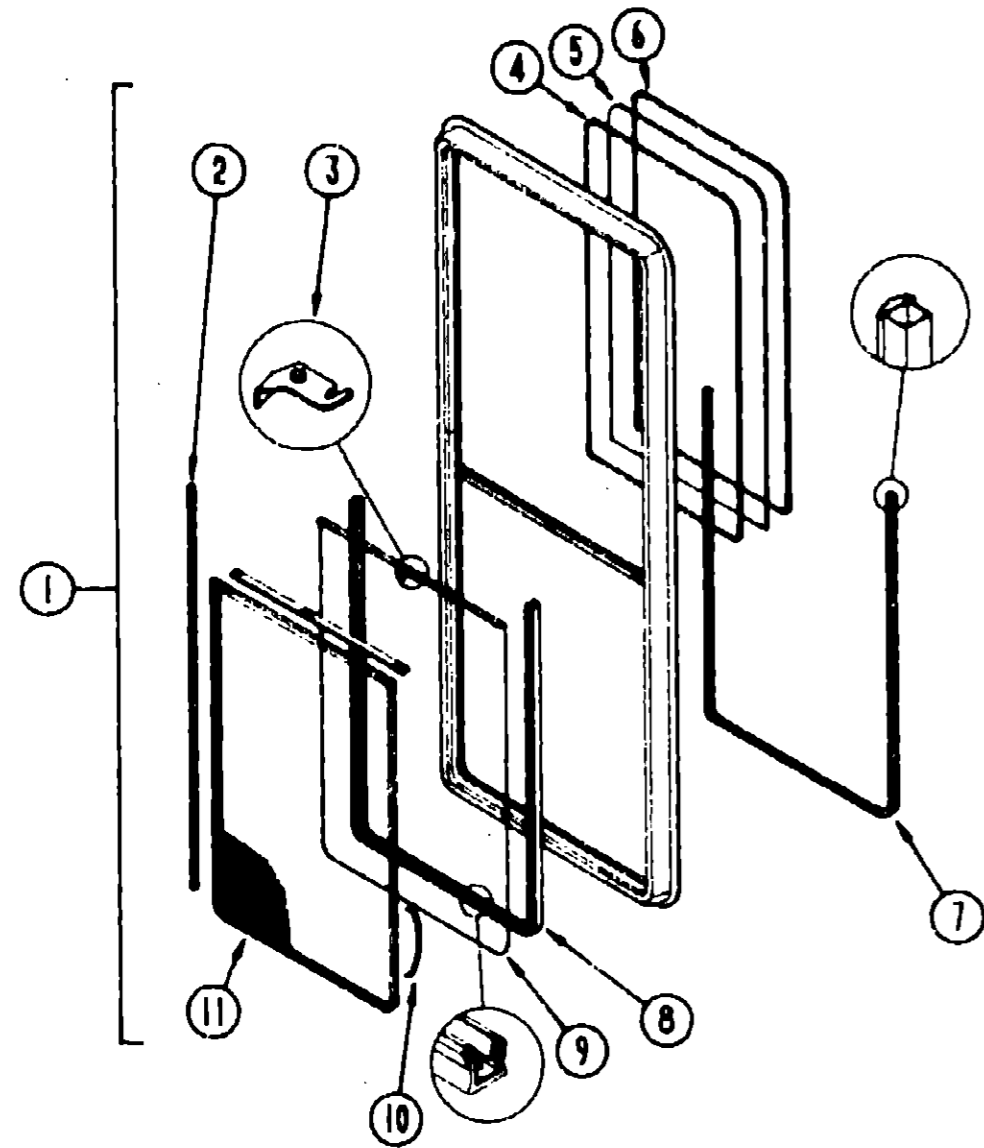
DINETTE SINGLE SLIDER WINDOW

Key	Part Number	U/M	Description
1	098647-08-701	EA	Window Asm. - Single Slider - 27.25" x 30.75" (w/o Inside frame)
	098647-08-702	EA	Inside Frame - Black (not included in assembly)
2	098647-08-706	EA	Screen Asm. w/Spring & Weatherstripping
3	098647-08-703	EA	Glass - Sliding w/Sash & Latch
	098644-01-700	EA	Latch Repair Kit
4	098644-01-708	FT	Channel - Pierced Run
5	098644-01-706	FT	Weatherstrip
6	098644-01-705	FT	Glazing Strip
7	098647-08-700	EA	Glass - Stationary
8	098647-08-705	EA	Rail Locking w/Weatherstrip
	098644-01-703	EA	Screw - #6 x 1.05 Pro Head - Black (Locking Rail)
9	098644-01-711	FT	Weatherstrip - Black (For Screen)
10	098644-01-713	EA	Screen Clip - Black Plastic
	098644-01-701	EA	Splice Plate - Window
	098644-01-702	EA	Screw - #6 - 32 x 1/4 Pan Head (Splice)
	098644-01-710	FT	Track - Spacer - For 12" Screen

INTRODUCTION	A-01 - A-02
ABBREVIATIONS	A-03
ALPHABETICAL/GROUP REFERENCE	A-04 - A-08
TT321EB	A-07 - C-10
TT321EL	C-11 - E-20

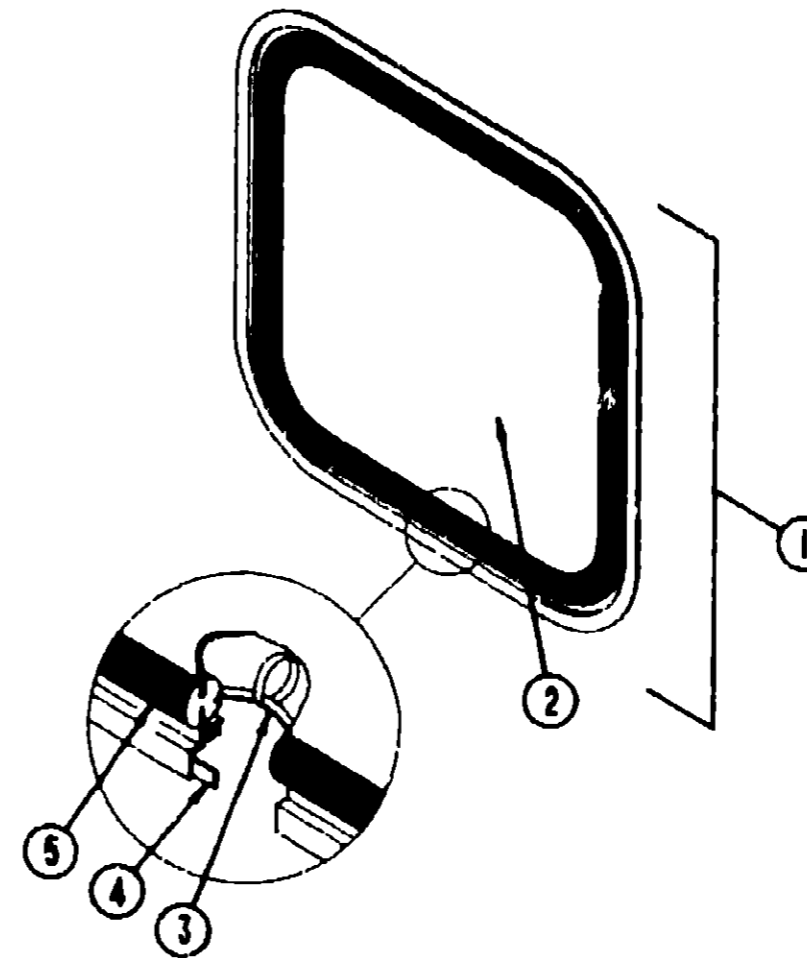
1991 TT321EL INDEX

Floor Plan	C-11 - C-12
Accessories Group	C-13
Bath Group	C-14 - C-15
Chassis Group	C-16
Curtain, Cushion & Pad Group	C-17 - C-22
Dinette Group	C-23
Driver's Compartment Group	C-24
Electrical Group	D-01 - D-03
Exterior Body Group	D-04 - D-08
Galley Group	D-09 - D-11
Heating & Air Conditioning Group	D-12
Interior Finish Group	D-13 - D-14
Labels Group	D-15 - D-23
LP Group	D-24
Lounge Group	E-01 - E-02
Sealants & Fasteners Group	E-03 - E-05
Water & Sewage Group	E-06 - E-09
Window, Vent & Exterior Door Group	E-10 - E-20



LOUNGE VERTICAL SLIDER (EXCEL)

Key	Part Number	U/M	Description
1	098644-02-705	EA	Window Asm. - 34.25" x 15" (w/o inside frame)
2	098644-01-711	FT	Weatherstrip - Screen - Black
	098644-02-704	EA	Inside Frame - Black (not included in assembly)
	098644-02-706	EA	Inside Frame - Off White (not included in assembly)
3	098644-01-700	EA	Latch - Repair Kit
4	098644-01-707	EA	Rail - Locking w/Weatherstrip
5	098644-02-700	EA	Glass - Stationary - 16.15" x 13.77"
6	098644-01-705	FT	Glazing Strip
7	098644-01-706	FT	Weatherstrip
8	098644-01-708	FT	Channel - Pierced Run
9	098644-02-701	EA	Sash - w/Latch & Sliding Glass
10	098644-01-713	EA	Spring - Screen Frame (Clip) - Plastic - Black
11	098644-02-703	EA	Screen w/Weatherstrip & Frame Spring (Clip)
	098644-01-701	EA	Splice Plate - Window
	098644-01-702	EA	Screw - Splice - #6 - 32 x 1/4" Pan Head
	098644-01-703	EA	Screw - Locking Rail - #6 x 15 Pro-Head Recess - Black
	098644-02-702	FT	Track - Screen Spacer - 12' Length
	098644-01-716	EA	Plug - Filler



BATH REAR ESCAPE WINDOW

Key	Part Number	U/M	Description
1	079720-02-T03	EA	Window Asm. - Rear Escape - 22.5" x 24.5" - Black (w/o inside frame)
	020749-07-000	EA	Inside Frame - Beige (not included in assembly)
2	041349-03-000	EA	Glass - 1/8" x 21.6" x 19.6"
3	002285-01-000	FT	Filler - Weatherstrip - Black
4	069640-07-000	FT	Ribbon Sealer - 5/16" Bead x 15'
5	002282-01-000	FT	Weatherstrip - .125" Window
	006199-01-000	EA	Label - Exit - Escape Window

OVERHEAD BUNK SLANT SLIDER WINDOW

Key	Part Number	U/M	Description
	098646-04-700	EA	Window Asm. - Slant Slider - Driver Side (w/o inside frame)
	098646-03-702	EA	Window Asm. - Slant Slider - Passenger Side (w/o inside frame)
	098646-04-701	EA	Inside Frame - Window - Black - Driver Side (not included in assembly)
	098646-03-701	EA	Inside Frame - Window - Black - Passenger Side (not included in assembly)
	098646-01-702	EA	Glass - Sliding w/Sash & Lock
	098644-01-700	EA	Latch Repair Kit
	098646-03-700	EA	Filler Strip
	098644-01-705	FT	Glazing Strip
	098644-01-708	FT	Channel - Pierced Run
	098646-01-700	EA	Glass - Stationary - 22.16" x 10.77"
	098546-01-703	EA	Spacer Track
	098646-01-704	EA	Screen - Window w/Spring & Weatherstrip

1991 TOYE
TABLE OF CONTENTS

INTRODUCTION	A-01 - A-02
ABBREVIATIONS	A-03
ALPHABETICAL/GROUP REFERENCE	A-04 - A-06
TT321EB	A-07 - C-10
TT321EL	C-11 - E-20

1991 TT321EL INDEX

Floor Plan	C-11 - C-12
Accessories Group	C-13
Bath Group	C-14 - C-15
Chassis Group	C-16
Curtain, Cushion & Pad Group	C-17 - C-22
Dinette Group	C-23
Driver's Compartment Group	C-24
Electrical Group	D-01 - D-03
Exterior Body Group	D-04 - D-05
Galley Group	D-09 - D-11
Heating & Air Conditioning Group	D-12
Interior Finish Group	D-13 - D-14
Labels Group	D-15 - D-23
LP Group	D-24
Lounge Group	E-01 - E-02
Sealants & Fasteners Group	E-03 - E-05
Water & Sewage Group	E-06 - E-09
Window, Vent & Exterior Door Group	E-10 - E-20