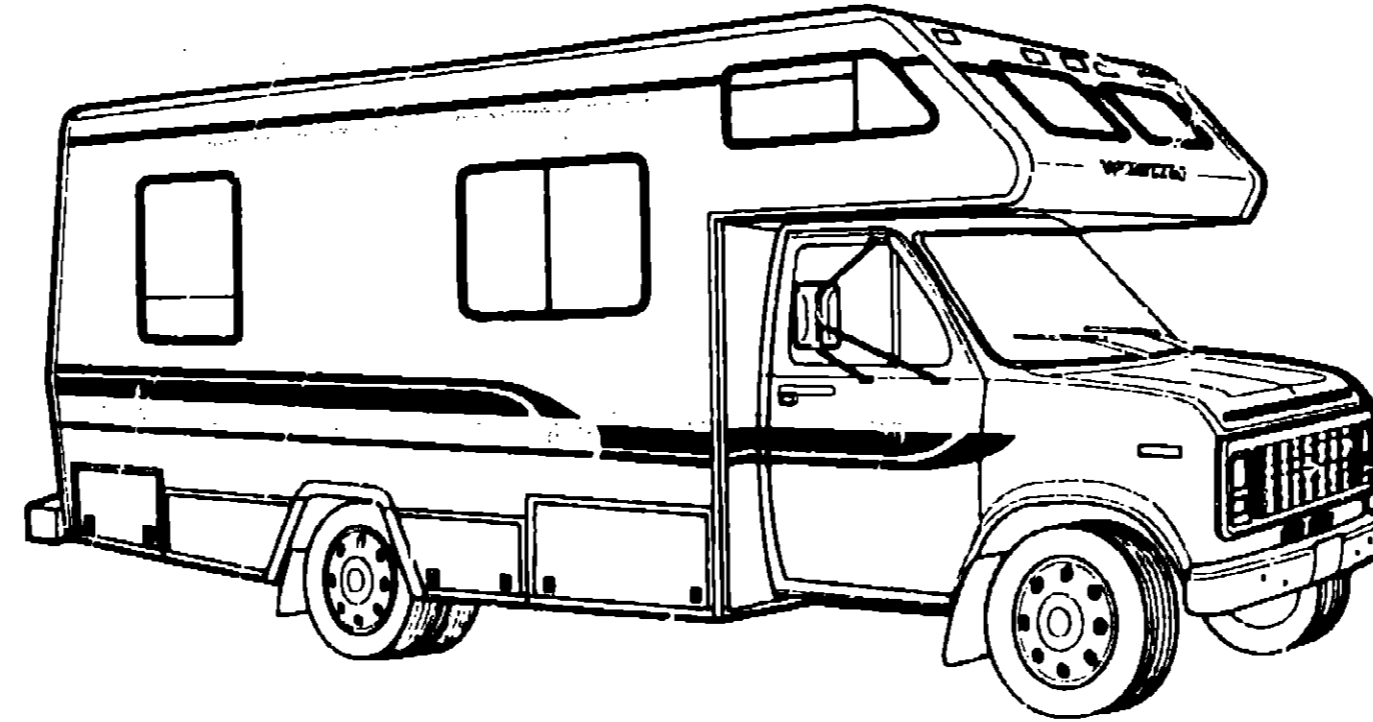


**1991 WINNEBAGO
TABLE OF CONTENTS**

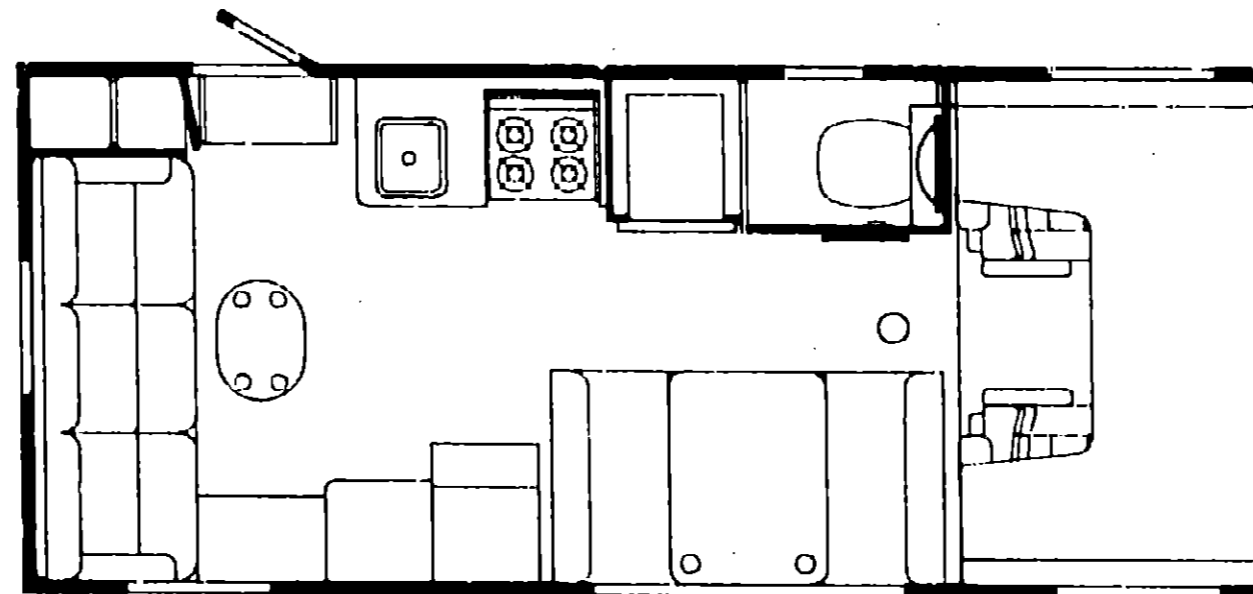
INTRODUCTION	A-01 - A-02
ABBREVIATIONS	A-03
ALPHABETICAL/GROUP REFERENCE	A-04 - A-06
JCF23EC	A-07 - D-10
JF321RG	D-11 - F-23



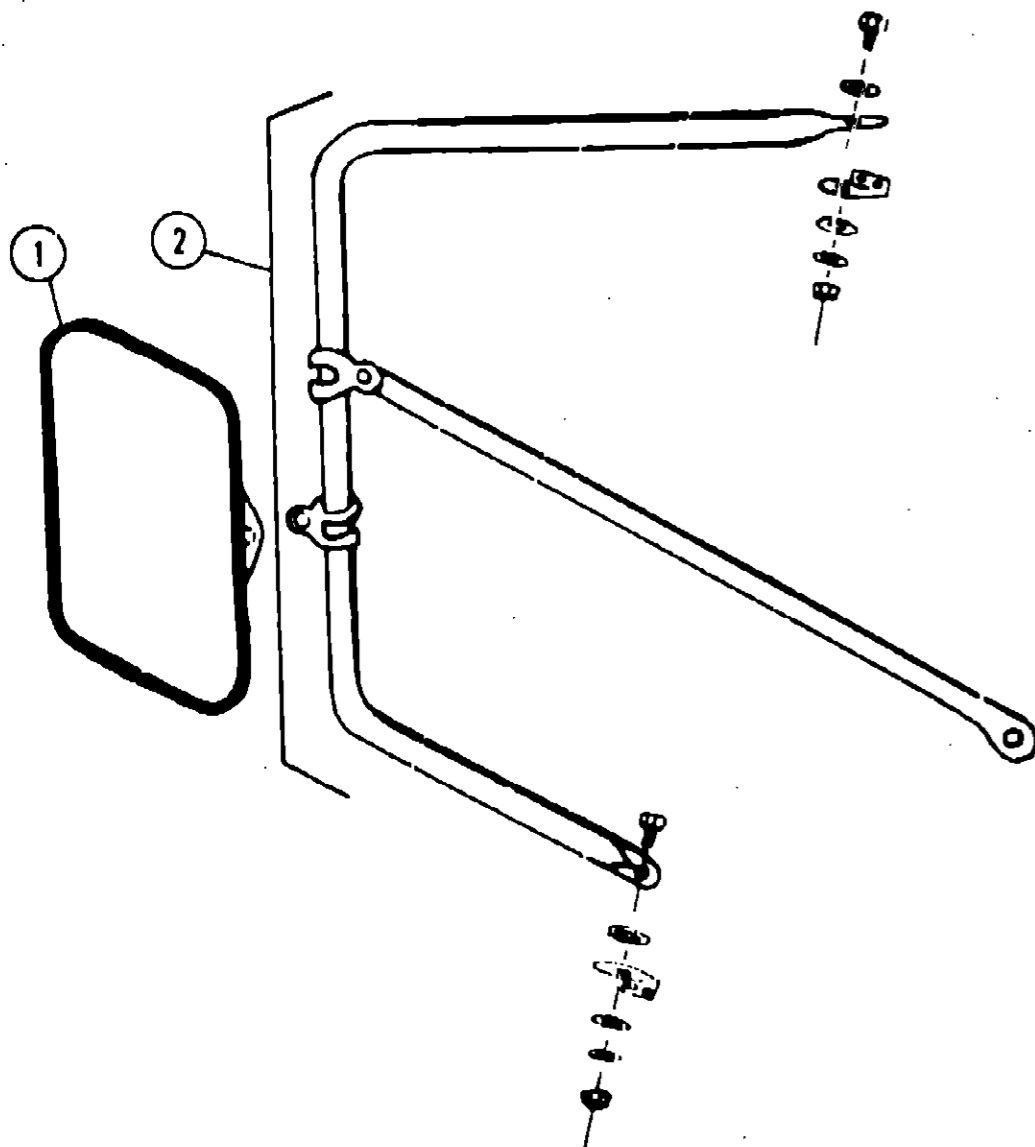
**1991
JF321RG**

1991 JF321RG INDEX

Floor Plan	D-11 - D-12
Accessories Group	D-13 - D-16
Bath Group	D-17 - D-18
Chassis Group	D-19 - D-21
Curtain, Cushion & Pad Group	D-22 - E-05
Dinette Group	E-06 - E-07
Driver's Compartment Group	E-08 - E-09
Electrical Group	E-10 - E-11
Exterior Body Group	E-12 - E-16
Galley Group	E-17 - E-19
Heating & Air Conditioning Group	E-20 - E-21
Interior Finish Group	E-22 - E-24
Labels Group	F-01 - F-06
Lounge Group	F-07 - F-08
Sealants & Fasteners Group	F-09 - F-10
Water & Sewage Group	F-11 - F-12
Window, Vent & Exterior Door Group	F-13 - F-23



ACCESSORIES GROUP



EXTERIOR MIRRORS

Key	Part Number	U/M	Description
1	049347-01-000	EA	Mirror Head - 7 1/2" x 10 1/2" - Stainless Steel
2	062047-01-000	EA	Arm - West Coast Mirror - Stainless Steel
	006043-01-000	EA	Mirror - Convex - Adhesive Back

WHEEL COVER & MOUNTING HARDWARE

Key	Part Number	U/M	Description
	083181-01-000	EA	Wheel Cover - 16" (Set/4)
	083181-01-700	EA	Wheel Cover - 16" (1)
	063181-04-702	EA	Nut - Wheel Cover

ACCESSORIES GROUP (CONTINUED)

WHEEL LINERS — CHROME 16" (OPTION L63J)

Key	Part Number	U/M	Description
	091209-05-000	EA	Liner - Wheel - 16" (Set of 4)
	091209-05-700	EA	Simulator - Front Wheel
	091209-05-701	EA	Simulator - Rear Wheel
	091209-01-702	EA	Cover - Front Axle
	091209-01-703	EA	Cover - Rear Axle
	091209-01-704	EA	Lug Nut Cover
	091209-10-000	EA	Liner - Wheel - 16" (Set of 4)
	091209-10-700	EA	Front Axle Cover
	091209-10-701	EA	Rear Axle Cover
	091209-10-702	EA	Front Simulator
	091209-10-703	EA	Rear Simulator
	091209-10-704	EA	Lug Nut & Washer
	091209-10-705	EA	Lug Nut Cover
	095012-03-000	EA	Extension - Valve Stem - Dual Wheel
	077030-02-000	EA	Extension - Valve Stem - 1.25"

These parts were used from 5/16/91 on.

Note: Items indented below assemblies are serviceable parts for that assembly.

RADIO RELATED COMPONENTS

Key	Part Number	U/M	Description
	074979-01-000	EA	Speaker Cover Protector - Plastic
	089340-02-000	EA	Speaker - Grill - 6.5" - Square
	081082-01-000	EA	Plaque - Mounting Switch
	079385-03-000	EA	Radio Mounting Kit - Audiovox WIK-FV4
	094097-01-000	EA	Speaker - 5.25" - w/o Grill
	081059-02-000	EA	Wire Asm. - 9 Pin - Audiovox Radio

GENERATORS & COMPONENTS (OPTION L39E)

Key	Part Number	U/M	Description
	100974-06-000	EA	Generator - 4.0 kw Japan 100V
	102554-01-000	EA	Exhaust Pipe - Generator
	086494-01-000	EA	Bracket - Exhaust
	081364-04-000	EA	Muffler - Generator - Emerald
	007067-01-000	SF	Insulation - Fiberglass - 1"
	078045-01-000	EA	Strap - Support - Generator - 4 Hole
	084365-01-000	EA	Strap - Support - Generator - 2 Hole
	079654-01-700	EA	Hinge Kit - Emerald Generator
	007063-01-000	EA	Hose - Gas - 1/4" ID x 1/2" OD
	007125-03-000	EA	Clamp - Muffler - 1.1" Dia.
	007125-04-000	EA	Clamp - Muffler - 1.5" Dia.
	007161-01-000	EA	Clamp - Hose - Spring Type - 1/2"
	104115-01-000	EA	Hanger - Muffler

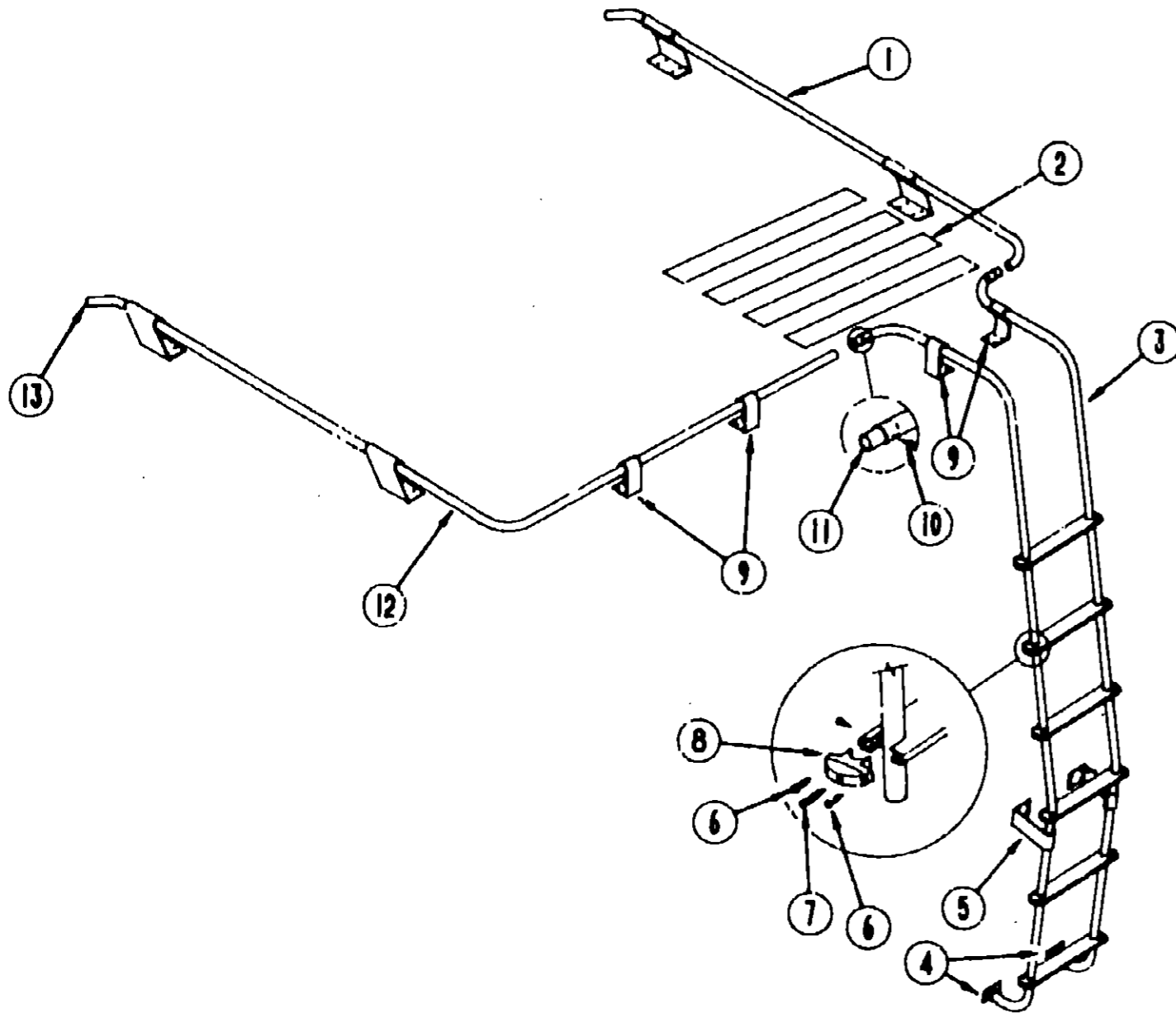
**1991 WINNEBAGO
TABLE OF CONTENTS**

INTRODUCTION	A-01 - A-02
ABBREVIATIONS	A-03
ALPHABETICAL/GROUP REFERENCE	A-04 - A-06
JCF23EC	A-07 - D-10
JF321RG	D-11 - F-23

1991 JF321RG INDEX

Floor Plan	D-11 - D-12
Accessories Group	D-13 - D-18
Bath Group	D-17 - D-18
Chassis Group	D-19 - D-21
Curtain, Cushion & Pad Group	D-22 - E-05
Dinette Group	E-06 - E-07
Driver's Compartment Group	E-08 - E-09
Electrical Group	E-10 - E-11
Exterior Body Group	E-12 - E-16
Galley Group	E-17 - E-19
Heating & Air Conditioning Group	E-20 - E-21
Interior Finish Group	E-22 - E-24
Labels Group	F-01 - F-06
Lounge Group	F-07 - F-08
Sealants & Fasteners Group	F-09 - F-10
Water & Sewage Group	F-11 - F-12
Window, Vent & Exterior Door Group	F-13 - F-23

ACCESSORIES GROUP (CONTINUED)



RACK & LADDER COMPONENTS (OPTION L502)

Key	Part Number	U/M	Description
1	081026-01-T03	EA	Rack Asm. - Passenger Side w/2 Angled Standoff
2	038327-01-000	EA	Tape - Anti-Slip - 2" x 60'
3	081016-04-AA3	EA	Ladder
4	067165-01-000	EA	Mounting Bracket - Ladder - Lower
5	067125-01-000	EA	Standoff - Ladder - Bright Dipped - Lower
6	000019-06-10T	EA	Screw - SF/DR - 6 - 20 x 5/8" PPH - Black
7	000063-10-36T	EA	Screw - 10 - 12 x 2.25" POH - Black
8	075530-02-000	EA	End Cap - Step - Black
9	091035-02-000	EA	Standoff - Rack & Ladder - Bright Dipped
10	000030-08-08E	EA	Screw - SF/DR - 8 - 18 x 50 PPH
11	083897-01-002	EA	Splice
12	081026-02-T03	EA	Rack Asm. - Driver Side w/2 Angled & 2 Straight Standoff
13	081114-01-000	EA	Cap - Insert - Round - 1" Dia.

ACCESSORIES GROUP (CONTINUED)

MISCELLANEOUS ACCESSORIES

Key	Part Number	U/M	Description
	054185-63-000	EA	Owner's Manual - 1991 - Warrior
	092318-01-000	EA	Binder - 3 Ring - Vendor Manual
	092319-01-000	EA	Page - Plastic Packet
	098084-05-000	EA	Cassette - Winnebago Warrior
	072852-01-000	EA	Smoke Detector w/9 Volt Battery

TV ANTENNA (OPTION 193)

Key	Part Number	U/M	Description
	076319-01-000	EA	Antenna - TV Roof Mount - 44.5"
	076319-01-700	EA	Head - Antenna - Amplified
	076319-01-701	EA	Gear - Elevating - Plastic
	076319-01-702	EA	Shaft Asm. - Elevating
	076319-01-703	EA	Bearing - Nylon - .5" OD
	076319-01-704	EA	Bearing - Nylon - 1.25" OD
	076319-01-705	EA	Grommet - Nylon - 7/8" ID
	076319-01-706	EA	Crank - Elevating w/Set Screw
	076319-01-707	EA	Spring - Handle
	076319-01-708	EA	Decal - Crank
	076319-06-000	EA	Adaptor - Cable Roof Plate
	076319-09-000	EA	Wallplate - Cable Receptacle - TV - Single - Brown
	076319-11-000	EA	Adaptor - Coax w/Splitter
	076319-03-000	FT	Cable - Coaxial - 1000' Roll
	076319-12-000	EA	Connector - Coaxial
	076319-04-000	EA	Connector w/Ferrule
	080734-02-000	EA	Clip - Wire Nylon
	086777-04-000	EA	Plate - Wall - Antenna/Power - Brown

NOTE: Items indented below assemblies are serviceable parts for that assembly.

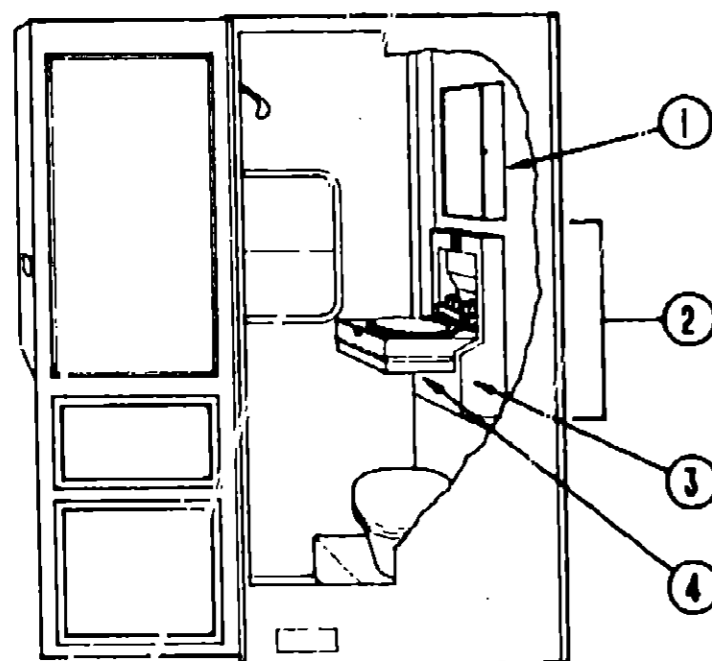
**1991 WINNEBAGO
TABLE OF CONTENTS**

INTRODUCTION	A-01 - A-02
ABBREVIATIONS	A-03
ALPHABETICAL/GROUP REFERENCE	A-04 - A-06
JCF23EC	A-07 - D-10
JF321RG	D-11 - F-23

1991 JF321RG INDEX

Floor Plan	D-11 - D-12
Accessories Group	D-13 - D-16
Bath Group	D-17 - D-18
Chassis Group	D-19 - D-21
Curtain, Cushion & Pad Group	D-22 - E-05
Dinette Group	E-06 - E-07
Driver's Compartment Group	E-08 - E-09
Electrical Group	E-10 - E-11
Exterior Body Group	E-12 - E-16
Galley Group	E-17 - E-19
Heating & Air Conditioning Group	E-20 - E-21
Interior Finish Group	E-22 - E-24
Labels Group	F-01 - F-06
Lounge Group	F-07 - F-08
Sealants & Fasteners Group	F-09 - F-10
Water & Sewage Group	F-11 - F-12
Window, Vent & Exterior Door Group	F-13 - F-23

BATH GROUP



BATH CABINETRY

Key	Part Number	U/M	Description
1	099006-01-01A	EA	Medicine Cabinet - Metal
2	M02633-01-B27	EA	Cabinet Asm. - Fold-Up Sink - Complete
2	PD1605-01-000	EA	Cabinet Asm. - Fold-Up Sink - Complete
3	083656-01-B27	EA	Cabinet Asm. - Lavatory
	083509-01-010	EA	Panel Asm. - Backsplash - Lavatory - Off White
	101418-01-01A	EA	Panel Asm. - Backsplash - Lavatory - Off White
4	083642-01-B27	EA	Cabinet Asm. - Fold-Up Sink
	M02598-01-B05	EA	Countertop Asm. - Sink Top - Flip-Up
	M02597-01-B05	EA	Countertop Asm. - Sink Bottom - Flip-Up
4	101413-01-B05	EA	Sink Asm. - Fold-Up
	101414-01-01A	EA	Sink - Fold-Up Top - Plastic - Off White
	101415-01-01A	EA	Sink - Fold-Up Bottom - Plastic - Off White
	077251-01-000	EA	Drawer - Tipout - Plastic
	083639-01-B27	EA	Sliding Door - Bath

* These parts were used from 11/19/90 on.

BATH GROUP (CONTINUED)

BATH HARDWARE

Key	Part Number	U/M	Description
	075240-06-000	EA	Faucet - Lavatory - Bone
	031253-01-000	EA	Gasket - Lavatory Faucet
	075241-05-000	EA	Faucet - Shower - Bone
	075452-02-000	EA	Holder - Toilet Tissue - Brass
	059777-02-000	EA	Hinge - Brass
	100030-01-000	EA	Pull - Cabinet
	066435-01-000	EA	Nut - Strainer - Plastic
	057671-01-000	EA	Screw Cover (No. 8)
	011048-02-000	EA	Shower Head w/60" Hose
	M02606-01-000	EA	Shower Pan
	084481-03-000	EA	Curtain Asm. - Shower - 74" x 80"
	083511-01-000	EA	Catch Basin - Lavatory Sink
	101419-01-01A	EA	Catch Basin - Lavatory Sink - Off White
	083510-02-000	EA	Sink - Fold-Up - Off White
	101413-01-B05	EA	Sink - Fold-Up - Lavatory
	101330-01-000	EA	Paddle Latch
	066436-01-000	EA	Slip Nut - 1.5" Tailpiece - Bathtub
	066440-01-000	EA	Strainer - Shower Pan - w/Rubber Washer
	011083-01-000	EA	Tailpiece - 1.25" x 5" - Plastic - w/Stopper
	067487-01-000	EA	Toilet - Thetford - Aqua Magic - Ivory
	067487-01-700	EA	C.L.F.L. Seal & Bolt Package
	067487-01-701	EA	Water Saver Package
	067487-01-702	EA	Clamp
	063740-01-710	EA	Link
	063740-01-711	EA	Spring - Return Lever
	063740-01-716	EA	Seat Cover
	063740-01-700	EA	Lever - Water
	063740-01-701	EA	Lever - Flush
	063740-01-713	EA	Seal - Ball Valve to Bowl
	063740-01-714	EA	Valve Asm. - Water
	063740-01-707	EA	Seal - Closet - Flange
	063740-01-706	EA	Bolt Package - Closet
	024676-01-000	EA	Flange - Closet - Toilet - 3" x 4"
	083801-01-000	EA	Track Asm. - Shower Curtain
	064467-01-000	EA	Door Guide - Wall Mount
	075454-02-000	EA	Towel Ring - w/Mounting Hardware - Brass
	069735-01-000	EA	Washer - Tailpiece - 1.5" Plastic
	009156-01-000	EA	Hanger - Sliding Door
	074470-01-000	EA	Pull - Release Pin Hinge - Right
	074470-02-000	EA	Pull - Release Pin Hinge - Left
	071817-05-000	EA	Track - Sliding Door - 38.8"
	058034-01-000	EA	Latch - Sliding Door
	009156-01-000	EA	Hanger - Sliding Door
	064467-01-000	EA	Guide - Pocket Door - Wall Mount - Sliding Door

* These parts were used from 11/19/90 on.
 Note: Items indented below assemblies are serviceable parts for that assembly.

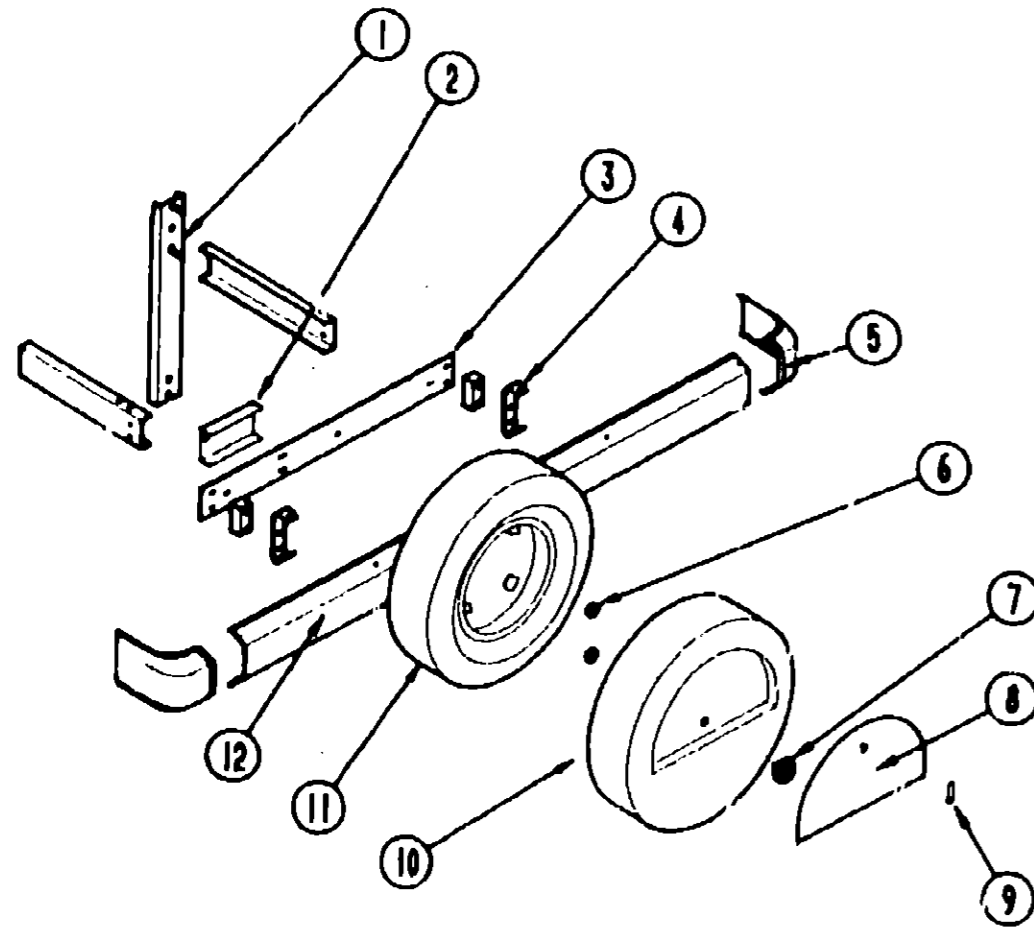
1991 WINNEBAGO TABLE OF CONTENTS

INTRODUCTION	A-01 - A-02
ABBREVIATIONS	A-03
ALPHABETICAL/GROUP REFERENCE	A-04 - A-06
JCF23EC	B-07 - B-10
JF321RG	C-11 - F-23

1991 JF321RG INDEX

Floor Plan	D-11 - D-12
Accessories Group	D-13 - D-16
Bath Group	D-17 - D-18
Chassis Group	D-19 - D-21
Curtain, Cushion & Pad Group	D-22 - E-05
Dinette Group	E-06 - E-07
Driver's Compartment Group	E-08 - E-09
Electrical Group	E-10 - E-11
Exterior Body Group	E-12 - E-16
Galley Group	E-17 - E-19
Heating & Air Conditioning Group	E-20 - E-21
Interior Finish Group	E-22 - E-24
Labels Group	F-01 - F-06
Lounge Group	F-07 - F-08
Sealants & Fasteners Group	F-09 - F-10
Water & Sewage Group	F-11 - F-12
Window, Vent & Exterior Door Group	F-13 - F-23

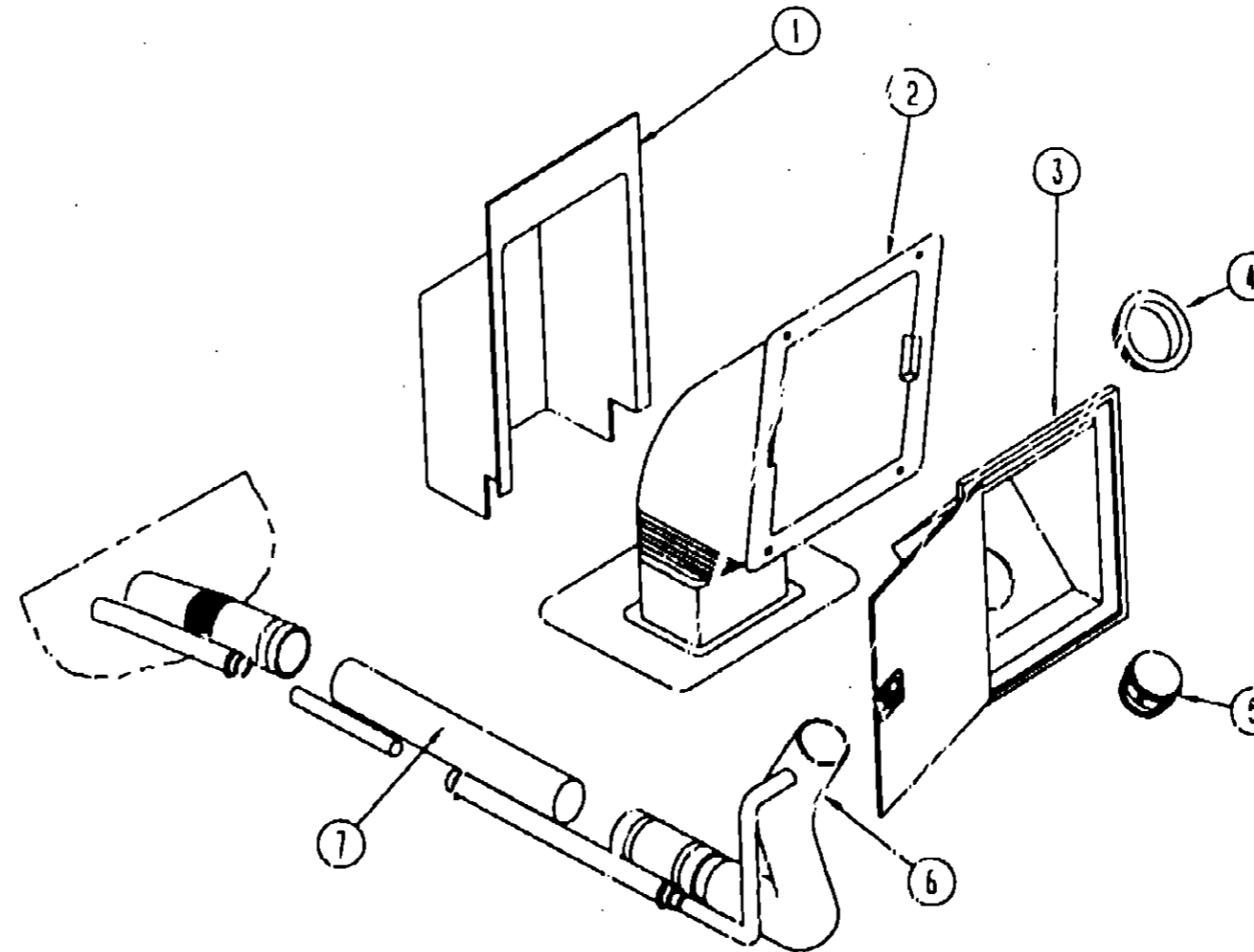
CHASSIS GROUP



SPARE TIRE, HITCH & REAR BUMPER

Key	Part Number	U/M	Description
1	079027-02-000	EA	Bracket Asm. - Tire Carrier
2	M64600-01-000	EA	Mount Support - Tire Carrier
3	M22150-03-000	EA	Bracket - Rear Bumper
4	078670-02-000	EA	Bracket - Rear Bumper - 2" x 8" - Bent Ends
5	078578-05-000	EA	Cap - Bumper End - Rear Passenger Side - Off White
	080815-01-B27	EA	Bumper End Cap w/Support - Passenger Side - Rear
5	078578-06-000	EA	Cap - Bumper End - Rear Drivers Side - Plastic - Off White
	080815-02-B27	EA	Bumper End Cap w/Support - Drivers Side Rear
6	104369-01-000	EA	Nut - Hex - Heavy - 5/8" - 11 UNC - Spare Tire
7	064082-02-000	EA	Bolt - Retainer - Wheel Cover
8	M02047-01-T95	EA	Door - Tire Cover - Off White
9	077408-02-000	EA	Lock Asm. - Key Type
10	079799-01-000	EA	Cover - Spare Tire - Off White
11	070917-02-000	EA	Tire - Michelin - Radial
11	070917-04-000	EA	Tire - Firestone - Radial
12	078584-18-000	EA	Bumper Asm. - Rear - Off White
	083617-01-000	EA	Wheel - Steel - 6" x 16" - 8 Hole
	051377-01-000	EA	Valve Stem Asm.
	077030-02-000	EA	Extension - Valve Stem - 1.25"
	005200-01-000	EA	Bolt - Bumper - Round Head - w/SST Cap - 7/16" - 14" x 1 1/4"

CHASSIS GROUP (CONTINUED)



FUEL FILL COMPONENTS

Key	Part Number	U/M	Description
1	078040-02-000	EA	Screw - Fuel Fill - Upper
2	083578-01-000	EA	Boot - Fuel Fill
	084235-01-000	EA	Support Flange - Fuel Fill Boot
3	078010-03-000	EA	Door Asm. - Fuel Fill - Off White
	077963-01-000	EA	Gasket - Fuel Fill Door
4	078200-01-000	EA	Gasket - Fuel Fill
5	NOTE	EA	Fuel Cup
6	090105-02-000	EA	Filler Neck - Fuel Fill
	066732-01-000	EA	Hose - Fuel Fill - .62 ID
7	075288-01-000	EA	Neck - Fuel Fill - 9.3" Long

*NOTE: These items are chassis supplied.

1991 WINNEBAGO TABLE OF CONTENTS

INTRODUCTION	A-01 - A-02
ABBREVIATIONS	A-03
ALPHABETICAL/GROUP REFERENCE	A-04 - A-06
JCF23EC	A-07 - D-10
JF321RG	D-11 - F-23

1991 JF321RG INDEX

Floor Plan	D-11 - D-12
Accessories Group	D-13 - D-18
Bath Group	D-17 - D-18
Chassis Group	D-19 - D-21
Curtain, Cushion & Pad Group	D-22 - E-05
Dinette Group	E-06 - E-07
Driver's Compartment Group	E-08 - E-09
Electrical Group	E-10 - E-11
Exterior Body Group	E-12 - E-16
Galley Group	E-17 - E-19
Heating & Air Conditioning Group	E-20 - E-21
Interior Finish Group	E-22 - E-24
Labels Group	F-01 - F-06
Lounge Group	F-07 - F-08
Sealants & Fasteners Group	F-09 - F-10
Water & Sewage Group	F-11 - F-12
Window, Vent & Exterior Door Group	F-13 - F-23

CHASSIS GROUP (CONTINUED)

MISCELLANEOUS CHASSIS PARTS

Key	Part Number	U/M	Description
	065450-02-000	EA	Tiedown - Battery
	010497-01-000	EA	Clamp - Closed - 5/8" ID
	007161-01-000	EA	Clamp - Hose - Spring Type 112
	062401-01-000	EA	Clamp - Hose - Wormgear - .22" ID - 1" ID
	062401-02-000	EA	Clamp - Hose - Wormgear - 1.56" - 2.5" ID
	062401-03-000	EA	Clamp - Hose - Wormgear - .25" ID - 1" ID
	062401-04-000	EA	Clamp - Hose - Wormgear - .69" ID - 1.25" ID
	062401-06-000	EA	Clamp - Hose - Wormgear - .22" ID - .62" ID
	023146-01-000	EA	Clamp - Screw Type - 4"
	007125-08-000	EA	Clamp - Muffler - 3" Diameter
	010497-06-000	EA	Clamp - Closed - 1 1/16" ID
	096020-11-000	EA	Compartment Asm. - Storage
	098577-01-000	EA	Compartment - Battery
	096542-01-000	EA	Compartment Bottom - Generator/Storage - 27" x 21"
	074994-01-000	EA	Guide - Track - Battery Tray
	095190-01-000	EA	Hanger - Exhaust - 4" x 1.4"
	103426-01-000	EA	Pipe - Exhaust - Tail - Ford - Rear
	007063-01-000	FT	Hose - Gas - 1/4" ID x 1/2" OD
	007108-01-000	FT	Hose - Heater - 5/8" ID
	017516-01-000	EA	Mud Flap w/Holes - 14" x 18" - Black
	045731-01-000	EA	Guard - Rock - Rear Wheel - 8" x 18" - Steel
	101396-01-000	EA	Running Board - Ford - Passenger Side
	101396-02-000	EA	Running Board - Ford - Drivers Side
	101396-03-000	EA	Hardware Kit - Ford Running Board
	077848-05-000	EA	Strip Asm. - Pullout
	077441-06-000	EA	Bracket - Pullout Step Asm.
	076241-08-000	EA	Support Asm. - Step
	096322-01-000	EA	Wheelwell - Plastic
	008343-01-000	EA	Wire Tie - 6"
	103491-01-000	EA	Bracket Asm. - License Plate - Front
	066432-02-000	EA	Light - License Plate w/Bracket

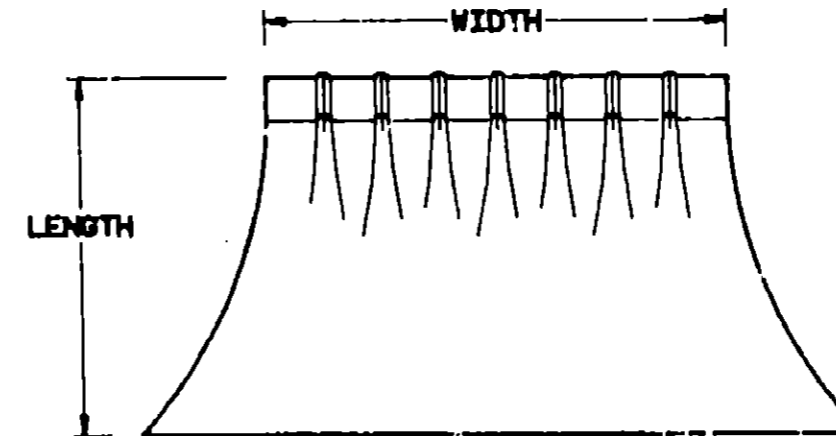
Note: Remainder of exhaust components available from Chassis Service Center.

CURTAIN, CUSHION & PAD GROUP

NOTICE

In order to assist our Part Sales Dept. in providing interior software items, please include the serial number and the color code number from the vehicle certification label when ordering. This label is located on the left sidewall at the end of the dash (A-Body), or on the driver's door latch plate (C-Body).

An example of a color code number is P31, which designates an over/all color scheme of a particular unit. The color listed after the item description on the microfiche, indicates the overall unit color. Order the item you desire according to unit color code.



NOTE: Use this illustration when determining length and width measurements for curtains. You will note the width measurement is taken on the top of the curtain with the curtain fully extended. The length measurement is taken from top to bottom.

FABRICS & CARPETS

Key	Part Number	U/M	Description
	072333-79-000	YD	Fabric - Drapery - Slate (Privacy)
	072333-75-000	YD	Fabric - Drapery - Beige (Privacy)
	096008-44-000	YD	Fabric - Upholstery - Main - Patterned (B27)
	096008-46-000	YD	Fabric - Upholstery - Main - Patterned (B28)
	096008-28-000	YD	Fabric - Upholstery - Accent - Plain (B27)
	104233-31-000	YD	Fabric - Upholstery - Accent (B27)
	096008-45-000	YC	Fabric - Upholstery - Accent - Plain (B28)
	096008-43-000	YD	Fabric - Upholstery - Accent - Patterned (B27)
	096008-42-000	YD	Fabric - Upholstery - Accent - Patterned (B28)
	075244-03-000	YD	Vinyl - Shower Curtain - Almond
	079680-09-000	YD	Vinyl - Off White
	103907-01-01A	YD	Vinyl - Off White
	096060-15-000	YD	Carpet - Sand (B28)
	096060-14-000	YD	Carpet - Dusty Blue (B27)
	076314-02-000	FT	Tape - Heat Bonded - Carpet Seam
	047034-02-000	SF	Plastic Runner - Carpet - 4' Wide - Clear
	085746-01-000	FT	Trim - "J" - Carpet - PVC - Beige

* These parts were used from 9/9/91 on.

** These parts were used from 4/17/91 on.

NOTE: Replace vinyl flooring locally.

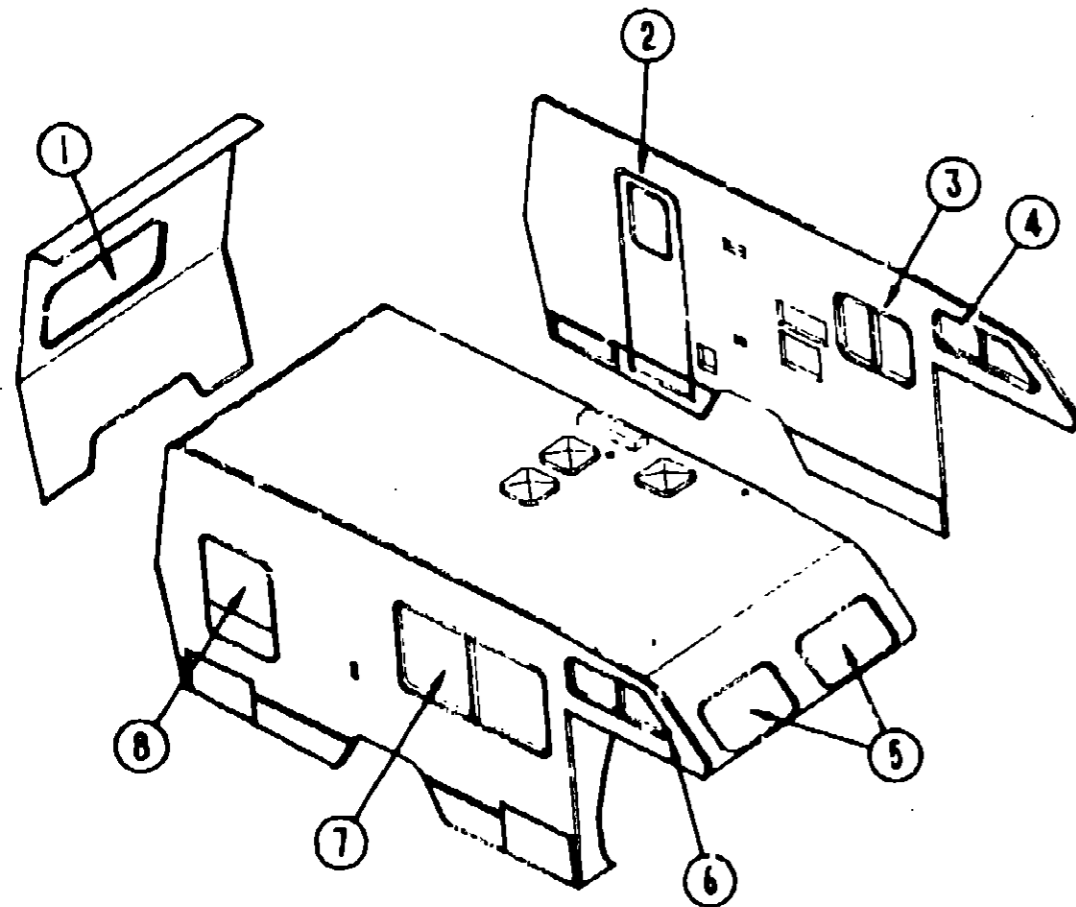
1991 WINNEBAGO TABLE OF CONTENTS

INTRODUCTION	A-01 - A-02
ABBREVIATIONS	A-03
ALPHABETICAL/GROUP REFERENCE	A-04 - A-06
JCF23EC	A-07 - D-10
JF321RG	D-11 - F-23

1991 JF321RG INDEX

Floor Plan	D-11 - D-12
Accessories Group	D-13 - D-16
Bath Group	D-17 - D-18
Chassis Group	D-19 - D-21
Curtain, Cushion & Pad Group	D-22 - E-05
Dinette Group	E-06 - E-07
Driver's Compartment Group	E-08 - E-09
Electrical Group	E-10 - E-11
Exterior Body Group	E-12 - E-16
Galley Group	E-17 - E-19
Heating & Air Conditioning Group	E-20 - E-21
Interior Finish Group	E-22 - E-24
Labels Group	F-01 - F-06
Lounge Group	F-07 - F-08
Sealants & Fasteners Group	F-09 - F-10
Water & Sewage Group	F-11 - F-12
Window, Vent & Exterior Door Group	F-13 - F-23

1991 WINNEBAGO
TABLE OF CONTENTS



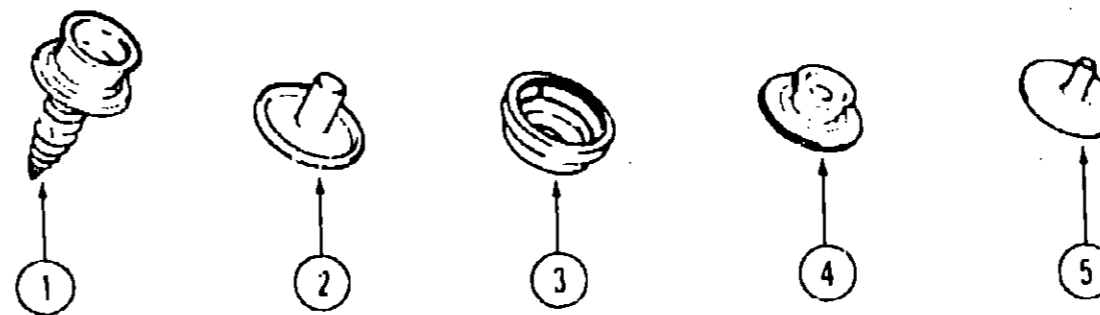
CURTAINS, BLINDS, VALANCES & TIEBACKS

Key	Part Number	U/M	Description
1	100344-08-B27	EA	Valance Asm. w/Wood Trim - 72.5"
1	100344-08-B28	EA	Valance Asm. w/Wood Trim - 72.5"
1	100281-08-B27	EA	Leg Asm. - Window - 27" - Passenger
1	100281-08-B28	EA	Leg Asm. - Window - 27" - Passenger
1	100281-07-B27	EA	Leg Asm. - Window - 27" - Driver
1	100281-07-B28	EA	Leg Asm. - Window - 27" - Driver
1	093475-48-01A	EA	Mini Blind - 66.5" x 28" Drop
2	100344-02-B27	EA	Valance Asm. w/Wood Trim - 28"
2	100344-02-B28	EA	Valance Asm. w/Wood Trim - 28"
3	069777-02-000	EA	Valance - Bath
3	084755-73-B05	EA	Shade Asm. - 18.25"
4	097878-20-B27	EA	Valance Asm. w/Wood Trim - 5.5" x 43"
4	097878-20-B28	EA	Valance Asm. w/Wood Trim - 5.5" x 43"
4	101034-01-B05	EA	Curtain Asm. w/Tape Top - 16" x 25" Beige
4	101034-01-B07	EA	Curtain Asm. w/Tape Top - 16" x 25" Slate

CURTAINS, BLINDS, VALANCES & TIEBACKS

Key	Part Number	U/M	Description
5	097878-19-B27	EA	Valance Asm. w/Wood Trim - 7" x 85.5"
5	097878-19-B28	EA	Valance Asm. w/Wood Trim - 7" x 85.5"
5	101034-02-B05	EA	Curtain Asm. w/Tape Top - 22" x 45" Beige
5	101034-02-B07	EA	Curtain Asm. w/Tape Top - 22" x 45" Slate
6	097878-21-B27	EA	Valance Asm. w/Wood Trim - 5.5" x 43"
6	097878-21-B28	EA	Valance Asm. w/Wood Trim - 5.5" x 43"
5	101034-01-B05	EA	Curtain Asm. w/Tape Top - 16" x 25" Beige
5	101034-01-B07	EA	Curtain Asm. w/Tape Top - 16" x 25" - Slate
7	100344-09-B27	EA	Valance Asm. w/Wood Trim - 62"
7	100344-09-B26	EA	Valance Asm. w/Wood Trim - 62"
7	100344-03-B27	EA	Valance Asm. w/Wood Trim - 58.5"
7	100344-03-B28	EA	Valance Asm. w/Wood Trim - 58.5"
7	100281-03-B27	EA	Leg Asm. - Window - Front - 31.5"
7	100281-03-B28	EA	Leg Asm. - Window - Front - 31.5"
7	100281-04-B27	EA	Leg Asm. - Window - Rear - 31.5"
7	100281-04-B28	EA	Leg Asm. - Window - Rear - 31.5"
7	093475-49-01A	EA	Mini Blind - 58" x 32" Drop
7	093475-44-01A	EA	Mini Blind - 54" x 31.5" Drop
8	100344-11-B25	EA	Valance Asm. w/Wood Trim - 31.7"
8	100344-11-B26	EA	Valance Asm. w/Wood Trim - 31.7"
8	093475-54-01A	EA	Mini Blind - 29" x 38" Drop
	076892-06-B05	EA	Curtain Asm. - Front Wraparound - 40" x 72" - Beige
	076892-06-B27	EA	Curtain Asm. - Front Wraparound - 40" x 72" - Slate
	101668-06-B03	EA	Curtain Asm. w/Tape Top - 30" x 50" - Driver (Privacy) Beige
	101668-05-B03	EA	Curtain Asm. w/Tape Top - 30" x 50" - Passenger (Privacy) Beige
	101668-06-B07	EA	Curtain Asm. w/Tape Top - 30" x 50" - Driver (Privacy) - Slate
	101668-05-B07	EA	Curtain Asm. w/Tape Top - 30" x 50" - Passenger (Privacy) - Slate
	073260-23-B07	EA	Tieback Asm. - 3" x 18" - Slate
	073260-23-B05	EA	Tieback Asm. - 3" x 18" Beige

These parts are used from 11/1/90 on.



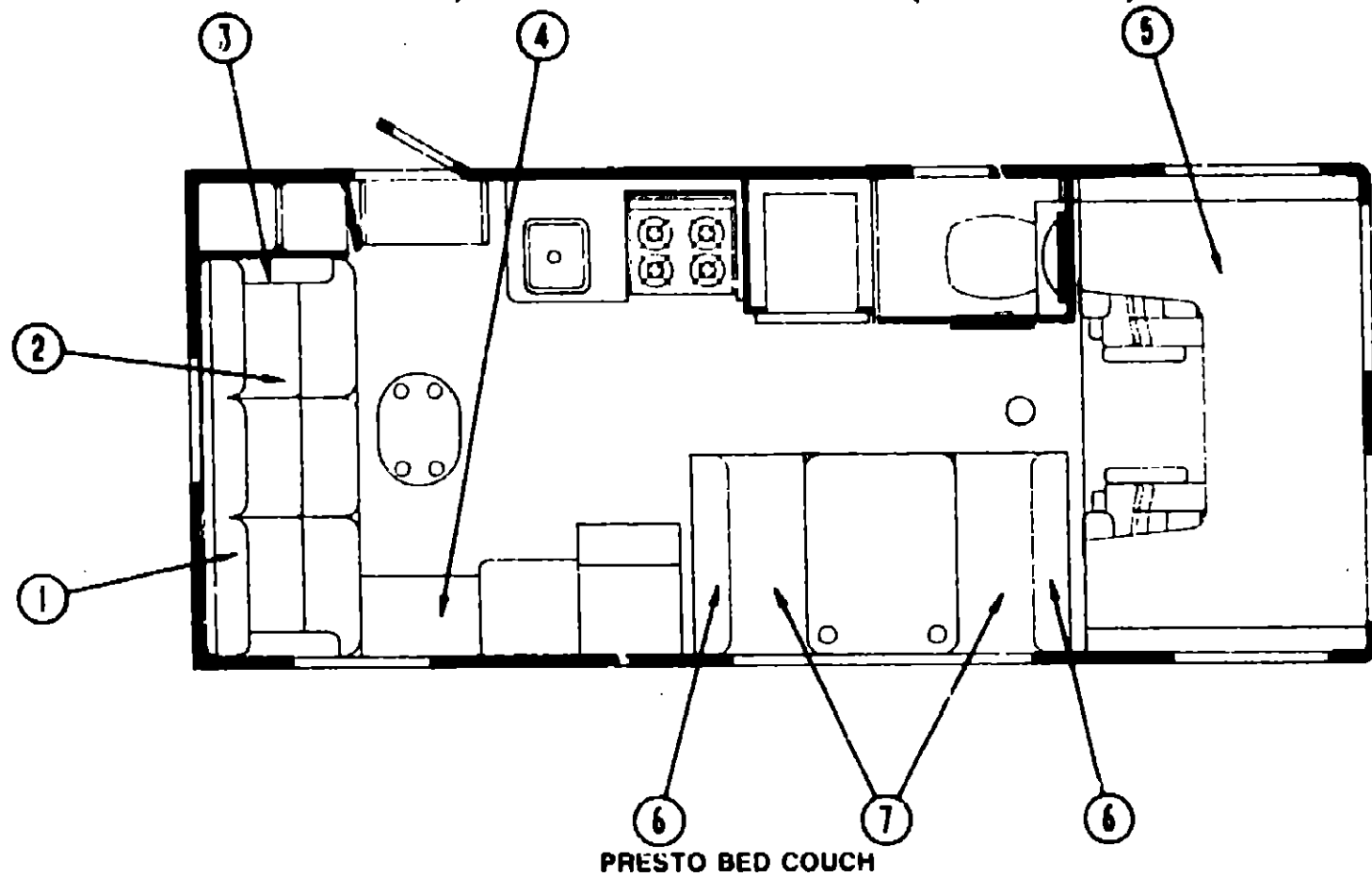
Key	Part Number	U/M	Description
1	029130-01-000	EA	Socket - Snap Fastener
2	029155-01-000	EA	Cap - Snap - .156" Dia. x 17" Barrel
3	029156-01-000	EA	Socket - Snap Fastener
4	029092-01-000	EA	Stud - Nickel Finish
5	029093-01-000	EA	Eyelet - Nickel Finish

INTRODUCTION	A-01 - A-02
ABBREVIATIONS	A-03
ALPHABETICAL/GROUP REFERENCE	A-04 - A-06
JCF23EC	A-07 - D-10
JF321RG	D-11 - F-23

1991 JF321RG INDEX

Floor Plan	D-11 - D-12
Accessories Group	D-13 - D-16
Bath Group	D-17 - D-18
Chassis Group	D-19 - D-21
Curtain, Cushion & Pad Group	D-22 - E-05
Dinette Group	E-06 - E-07
Driver's Compartment Group	E-08 - E-09
Electrical Group	E-10 - E-11
Exterior Body Group	E-12 - E-16
Galley Group	E-17 - E-19
Heating & Air Conditioning Group	E-20 - E-21
Interior Finish Group	E-22 - E-24
Labels Group	F-01 - F-06
Lounge Group	F-07 - F-08
Sealants & Fasteners Group	F-09 - F-10
Water & Sewage Group	F-11 - F-12
Window, Vent & Exterior Door Group	F-13 - F-23

CURTAIN, CUSHION & PAD GROUP (CONTINUED)



PRESTO BED COUCH

Key	Part Number	U/M	Description
1	100032-07-B27	EA	Presto Bed - Couch Back
1	100032-07-B28	EA	Presto Bed - Couch Back
	P00032-07-B27	EA	Cover Asm. - Presto Bed Back
	P00032-07-B28	EA	Cover Asm. - Presto Bed Back
2	100032-08-B27	EA	Presto Bed - Couch Seat
2	100032-08-B28	EA	Presto Bed - Couch Seat
	P00032-08-B27	EA	Cover Asm. - Presto Bed Seat
	P00032-08-B28	EA	Cover Asm. - Presto Bed Seat
3	101236-01-B27	EA	Armrest - Presto Bed - Driver
3	101236-01-B28	EA	Armrest - Presto Bed - Driver
	P01236-01-B27	EA	Cover - Armrest Presto Bed - Driver
	P01236-01-B28	EA	Cover - Armrest Presto Bed - Driver
3	101236-02-B27	EA	Armrest - Presto Bed - Passenger
3	101236-02-B28	EA	Armrest - Presto Bed - Passenger
	P01236-02-B27	EA	Cover - Armrest Presto Bed - Passenger
	P01236-02-B28	EA	Cover - Armrest Presto Bed - Passenger
*3	101236-03-B27	EA	Armrest - Presto Bed - Driver
*3	101236-03-B28	EA	Armrest - Presto Bed - Driver
	P01236-03-B27	EA	Cover - Armrest - Presto Bed - Driver
	P01236-03-B28	EA	Cover - Armrest - Presto Bed - Driver
*3	101236-04-B27	EA	Armrest - Presto Bed - Passenger
*3	101236-04-B28	EA	Armrest - Presto Bed - Passenger
	P01236-04-B27	EA	Cover - Armrest - Presto Bed - Passenger
	P01236-04-B28	EA	Cover - Armrest - Presto Bed - Passenger
4	081998-99-B27	EA	Cushion Asm. - 22.5" x 14" x 6.5"
4	081998-99-B28	EA	Cushion Asm. - 22.5" x 14" x 6.5"
	M81998-99-B27	EA	Cover - Cushion Asm.
	M81998-99-B28	EA	Cover - Cushion Asm.
	101085-06-000	EA	Frame - Base - 74.75"
	101085-04-000	EA	Frame - Seat - 74.75"
	101085-05-000	EA	Frame - Back - 74.25"
	101085-07-000	EA	Frame - Armrest - Driver
	101085-08-000	EA	Frame - Armrest - Passenger
	101568-03-000	EA	Bracket Asm. - Armrest - Driver
	101568-04-000	EA	Bracket Asm. - Armrest - Passenger

* These parts were used from 6/4/90 on.

CURTAIN, CUSHION & PAD GROUP (CONTINUED)

FRONT BUNK

Key	Part Number	U/M	Description
5	084753-16-B27	EA	Cushion - "U" Shaped - 57" x 90" x 5"
5	084753-16-B28	EA	Cushion - "U" Shaped - 57" x 90" x 5"
*5	084753-22-B27	EA	Cushion - "U" Shaped - 57" x 90" x 5"
*5	084753-22-B28	EA	Cushion - "U" Shaped - 57" x 90" x 5"
**5	084753-31-B27	EA	Cushion - "U" Shaped - 58" x 92" x 5"
**5	084753-31-B28	EA	Cushion - "U" Shaped - 58" x 92" x 5"
	M84753-16-B27	EA	Cover - "U" Shaped Cushion
	M84753-16-B28	EA	Cover - "U" Shaped Cushion
*	M84753-22-B27	EA	Cover - "U" Shaped Cushion
*	M84753-22-B28	EA	Cover - "U" Shaped Cushion
**	M84753-31-B27	EA	Cover - "U" Shaped Cushion
**	M84753-31-B28	EA	Cover - "U" Shaped Cushion
	084753-17-B27	EA	Cushion - Filler - 55" x 27.5" x 5"
	084753-17-B28	EA	Cushion - Filler - 55" x 27.5" x 5"
*	084753-19-B27	EA	Cushion - Filler - 55" x 27.5" x 5"
*	084753-19-B28	EA	Cushion - Filler - 55" x 27.5" x 5"
**	084753-32-B27	EA	Cushion - Filler - 59.5" x 26.5" x 5"
**	084753-32-B28	EA	Cushion - Filler - 59.5" x 26.5" x 5"
	M84753-17-B27	EA	Cover - Filler Cushion
	M84753-17-B28	EA	Cover - Filler Cushion
*	M84753-19-B27	EA	Cover - Filler Cushion
*	M84753-19-B28	EA	Cover - Filler Cushion
**	M84753-32-B27	EA	Cover - Filler Cushion
**	M84753-32-B28	EA	Cover - Filler Cushion
†	079145-07-000	EA	Cushion Asm. - 27.5" x 74" x 3.5"
	096008-43-000	YD	Fabric - Front Bunk Cushion (B27)
	096008-42-000	YD	Fabric - Front Bunk Cushion (B28)

* These parts are used from 6/13/90 on.

** These parts were used from 4/24/91 on.

† This part is used with the entertainment package.

DINETTE CUSHION

Key	Part Number	U/M	Description
6	088927-79-B27	EA	Cushion Asm. - 14.5" x 38" x 5" - Back
6	088927-79-B28	EA	Cushion Asm. - 14.5" x 38" x 5" - Back
	M88927-79-B27	EA	Cover Asm. - Back - Dinette Cushion
	M88927-79-B28	EA	Cover Asm. - Back - Dinette Cushion
7	088927-83-B27	EA	Cushion Asm. - 22" x 38" x 5" - Seat
7	088927-83-B28	EA	Cushion Asm. - 22" x 38" x 5" - Seat
	M88927-83-B27	EA	Cover Asm. - Seat - Dinette Cushion
	M88927-83-B28	EA	Cover Asm. - Seat - Dinette Cushion
*7	088927-87-B27	EA	Cushion Asm. - 23" x 38" x 5" - Seat
*7	088927-87-B28	EA	Cushion Asm. - 23" x 38" x 5" - Seat
*	M83927-87-B27	EA	Cover Asm. - Seat - Dinette Cushion
*	M88927-87-B28	EA	Cover Asm. - Seat - Dinette Cushion
	078155-01-000	EA	Strap Asm. - Cushion Snap
	096008-44-000	YD	Fabric - Dinette Cushion (B27)
	096008-46-000	YD	Fabric - Dinette Cushion (B28)

* These parts were used from 6/27/90 on.

**1991 WINNEBAGO
TABLE OF CONTENTS**

INTRODUCTION	A-01 - A-02
ABBREVIATIONS	A-03
ALPHABETICAL/GROUP REFERENCE	A-04 - A-06
JCF23EC	A-07 - D-10
JF321RG	D-11 - F-23

1991 JF321RG INDEX

Floor Plan	D-11 - D-12
Accessories Group	D-13 - D-16
Bath Group	D-17 - D-18
Chassis Group	D-19 - D-21
Curtain, Cushion & Pad Group	D-22 - E-05
Dinette Group	E-06 - E-07
Driver's Compartment Group	E-08 - E-09
Electrical Group	E-10 - E-11
Exterior Body Group	E-12 - E-16
Galley Group	E-17 - E-19
Heating & Air Conditioning Group	E-20 - E-21
Interior Finish Group	E-22 - E-24
Labels Group	F-01 - F-06
Lounge Group	F-07 - F-08
Sealants & Fasteners Group	F-09 - F-10
Water & Sewage Group	F-11 - F-12
Window, Vent & Exterior Door Group	F-13 - F-23

CURTAIN, CUSHION & PAD GROUP (CONTINUED)

TRIMS & PADS

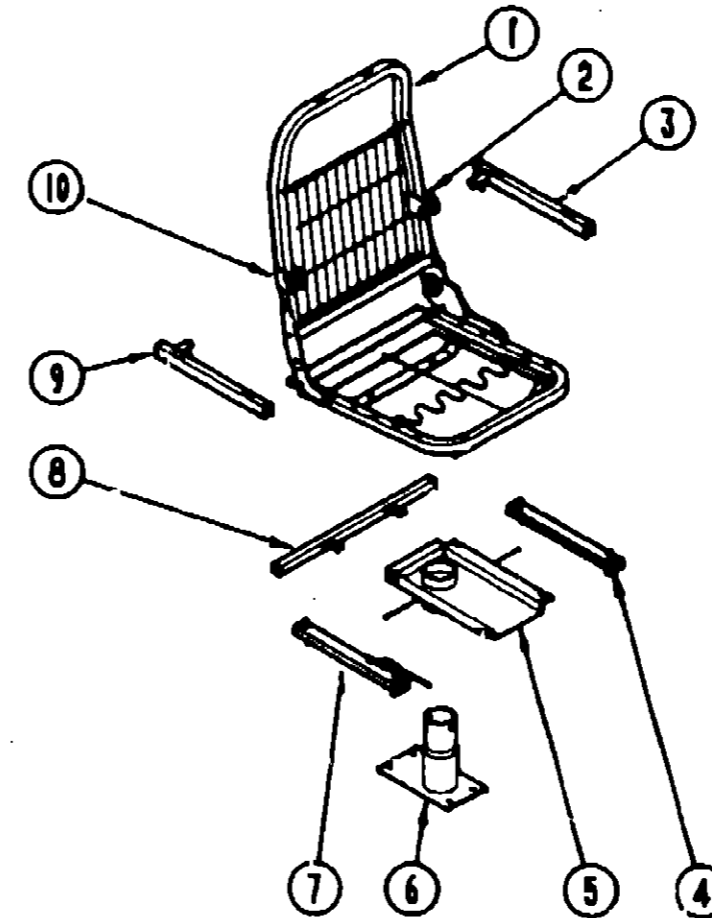
Key	Part Number	U/M	Description
	070578-06-B05	EA	Button Asm. - Snap Top - #30 - Vinyl
	070578-01-B27	EA	Button Asm. - Snap Top - #30 - Accent - Plain
	070578-01-B28	EA	Button Asm. - Snap Top - #30 - Accent - Plain
	059797-02-000	EA	Shell - Upholstery Button - #30
	069734-01-000	EA	Back - Upholstery Button - #30
	078155-01-000	EA	Strap Asm. - Cushion (Dinette Cushion)
	081519-17-B27	EA	Pad Asm. - Dinette - Front
	081519-17-B28	EA	Pad Asm. - Dinette - Front
	081519-16-B27	EA	Pad Asm. - Dinette - Rear
	081519-16-B28	EA	Pad Asm. - Dinette - Rear
	069885-16-B27	EA	Motor Cover w/Map Pocket
	069885-16-B28	EA	Motor Cover w/Map Pocket
	079349-01-B03	YD	Welting - Skirt
	079349-03-B27	YD	Welting - Headrest (B27)
	079349-03-B28	YD	Welting - Headrest (B28)

BUCKET SEAT CUSHIONS

Key	Part Number	U/M	Description
	093450-10-B27	EA	Seat Asm. - Bucket
	093450-10-B28	EA	Seat Asm. - Bucket
	093450-17-B27	EA	Seat Asm. - Bucket - Driver
	093450-17-B28	EA	Seat Asm. - Bucket - Driver
	093450-18-B27	EA	Seat Asm. - Bucket - Passenger
	093450-18-B28	EA	Seat Asm. - Bucket - Passenger
	M03445-23-B27	EA	Cover - Seat - Bucket Seat
	M03445-23-B28	EA	Cover - Seat - Bucket Seat
	M03445-22-B27	EA	Cover - Back - Bucket Seat
	M03445-22-B28	EA	Cover - Back - Bucket Seat
	085268-02-B27	EA	Headrest - Bucket Seat
	085268-02-B28	EA	Headrest - Bucket Seat
	M85268-02-B27	EA	Cover - Headrest - Bucket Seat
	M85268-02-B28	EA	Cover - Headrest - Bucket Seat
	080243-41-B27	EA	Armrest - Bucket Seat - Right Hand
	080243-41-B28	EA	Armrest - Bucket Seat - Right Hand
	M80243-41-B27	EA	Cover - Right Armrest - Bucket Seat
	M80243-41-B28	EA	Cover - Right Armrest - Bucket Seat
	080243-42-B27	EA	Armrest - Bucket Seat - Left Hand
	080243-42-B28	EA	Armrest - Bucket Seat - Left Hand
	M80243-42-B27	EA	Cover - Left Armrest - Bucket Seat
	M80243-42-B28	EA	Cover - Left Armrest - Bucket Seat
	071126-24-B27	EA	Skirt Asm. - Single Bucket
	071126-24-B28	EA	Skirt Asm. - Single Bucket

These parts are used from 7/9/90 on.

CURTAIN, CUSHION & PAD GROUP (CONTINUED)



BUCKET SEAT HARDWARE

Key	Part Number	U/M	Description
1	M80906-01-000	EA	Frame Asm. - Seat, Back & Spring
*1	M80906-04-000	EA	Frame Asm. - Seat, Back & Spring
	M80803-01-000	EA	Frame - Seat, Single Not Bend
2	081362-02-000	EA	Bracket - Armrest - Left Hand
3	101124-02-000	EA	Rod & Channel - Armrest - Left - Metal
4	069246-02-000	EA	Adjuster - Bucket Seat w/o Lock - Forward & Back
5	093481-04-000	EA	Top Plate - Pedestal - Bucket Seats
6	069585-03-000	EA	Base - Bucket Seats - Bolts to Floor - Vertical - 8"
7	069246-01-000	EA	Adjuster - Bucket Seat w/Lock - Forward & Back
*7	069246-05-000	EA	Adjuster - Bucket Seat w/Remote
8	069585-29-000	EA	Bar - Seat Belt - Bucket Seats - 20"
9	101124-01-000	EA	Rod & Channel - Armrest - Right - Metal
10	081362-01-000	EA	Bracket - Armrest - Right Hand
	069246-05-700	EA	Spring for Slide Adjuster
	069246-05-701	EA	Clip Only For Cable Asm.
	081172-01-000	EA	Trim - Headrest - Plastic - Back
	091313-01-000	EA	Grommet - Headrest
	080730-02-000	EA	Recliner - Seat Back - Left Hand
	101125-01-000	EA	Recliner - Seat Back - Left Hand
	080731-02-000	EA	Slave Hinge - Recliner - Left Hand
	089368-04-000	EA	Frame - Cable - Remote Swivel
	089368-05-000	EA	Frame - Cable - Remote Recliner
	081361-01-000	EA	Rod - Armrest - Metal

These parts are used from 7/9/90 on.

**1991 WINNEBAGO
TABLE OF CONTENTS**

INTRODUCTION	A-01 - A-02
ABBREVIATIONS	A-03
ALPHABETICAL/GROUP REFERENCE	A-04 - A-06
JCF23EC	A-07 - D-10
JF321RG	D-11 - F-23

1991 JF321RG INDEX

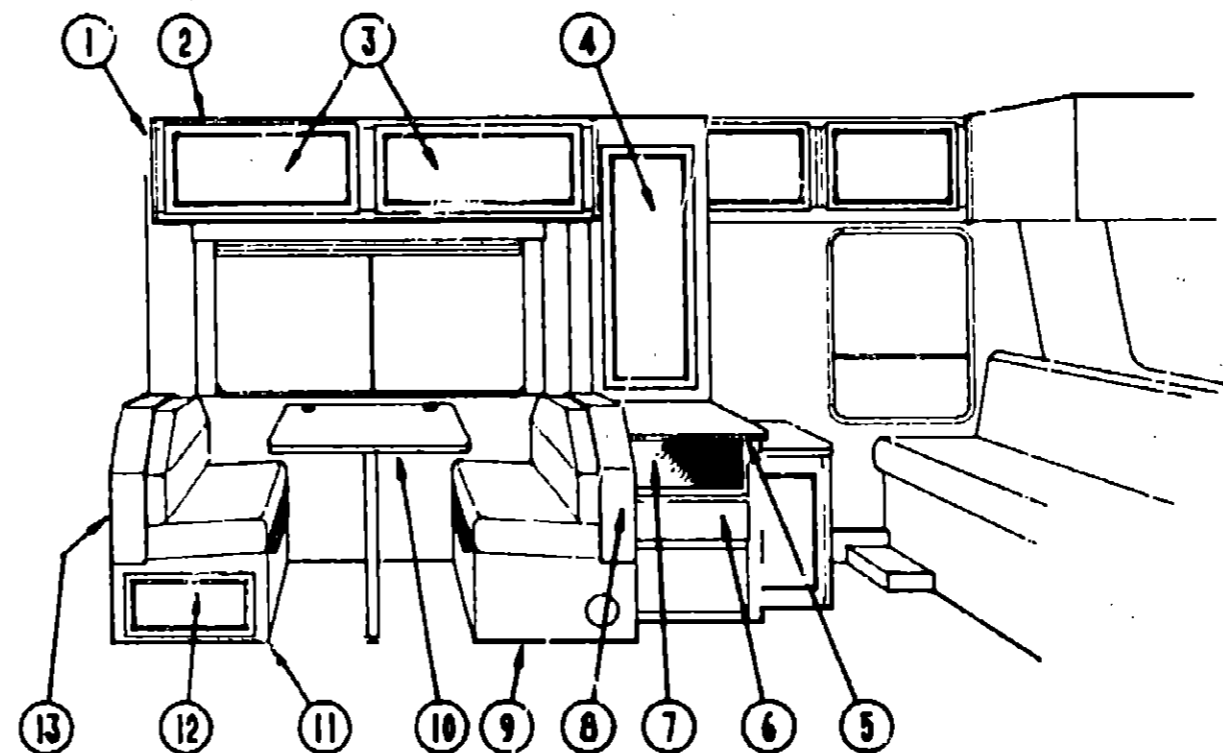
Floor Plan	D-11 - D-12
Accessories Group	D-13 - D-16
Bath Group	D-17 - D-18
Chassis Group	D-19 - D-21
Curtain, Cushion & Pad Group	D-22 - E-05
Dinette Group	E-06 - E-07
Driver's Compartment Group	E-08 - E-09
Electrical Group	E-10 - E-11
Exterior Body Group	E-12 - E-16
Galley Group	E-17 - E-19
Heating & Air Conditioning Group	E-20 - E-21
Interior Finish Group	E-22 - E-24
Labels Group	F-01 - F-06
Lounge Group	F-07 - F-08
Sealants & Fasteners Group	F-09 - F-10
Water & Sewage Group	F-11 - F-12
Window, Vent & Exterior Door Group	F-13 - F-23

CURTAIN, CUSHION & PAD GROUP (CONTINUED)

CURTAIN & CUSHION HARDWARE

Key	Part Number	U/M	Description
	083801-01-000	EA	Track - Shower Curtain - Off White
	009701-01-000	EA	Carrier - Shower Curtain
	009702-01-000	EA	End - Stop - Curtain Carrier - Shower
	046867-01-000	EA	Grommet - Brass - 7/16" ID x 1" OD (Shower Curtain)
	009136-01-000	EA	Pin - Shower Curtain
	029092-01-000	EA	Stud - Nickel Finish
	029093-01-000	EA	Eyelet - Nickel Finish
	029155-01-000	EA	Cap - Snap
	029156-01-000	EA	Socket - Snap Fastener
	088792-02-000	YD	Velcro Tape - Adhesive Backed - Loop - 3/4" - Beige
	048394-02-000	YD	Velcro Tape - Adhesive Backed - Hook - 3/4" - Beige
	089916-01-000	EA	Mount - Window Leg - Black
	091904-01-000	FT	Track - Curtain - Plastic - Light Beige (Blackout)
	101032-01-000	FT	Track - Curtain - Ceiling Mount - White (Valance)
	101033-01-000	FT	Track - Curtain - Low Profile - White
	101033-02-000	EA	End Cap - Track - Clear
	101031-01-000	EA	Tape - Glide - 4.25" Spacing
	095591-02-000	EA	Bracket - Blind - Hold Down w/Pin
	082239-02-000	EA	Brace - Window Valance - Beige
	075943-01-000	EA	Brace - Window Valance - Beige
	083170-01-000	EA	Bracket - Blind - Front
	083170-02-000	EA	Bracket - Blind - Rear
	093475-01-700	EA	Wand - Blind w/Metal Clip - 8" Long
	093475-01-701	EA	End Cap - Blind w/Stud
	084434-01-000	EA	Mounting Bracket - Roller Shade - 1 3/8"
	087253-01-000	EA	Pull - Roller Shade - Clear Plastic
	096843-01-000	EA	Spring - Rewind - Roller Shade
	084432-06-000	EA	Slat - Roller Shade - Plastic
	089522-04-000	EA	Panel - Leg - Window - 2.5" Face
	079970-01-000	YD	Tape Mattress - Bunk Cushion - 5/8"
	057534-01-000	EA	Tieback - Door - 6" - Clear Plastic

DINETTE GROUP



DINETTE CABINETRY

Key	Part Number	U/M	Description
1	081280-18-B27	EA	End Cap - Front Overhead
2	P00202-02-B27	EA	Cabinet - Dinette Overhead - w/o Door or Hardware
3	P00099-34-B27	EA	Door Asm. - Dinette Overhead Cabinet - 14" x 33" - w/o Hardware
4	P00099-43-B27	EA	Door Asm. - Wardrobe Cabinet - 14" x 40" - w/o Hardware
5	103541-11-B27	EA	Countertop Asm. - Furnace Cabinet - w/o Hardware
6	P00099-89-B27	EA	Access Panel - Furnace Cabinet - 6.3" x 16.06" - w/o Hardware
7	P00099-72-B27	EA	Door Asm. - Furnace Cabinet - 17.9" x 14.4" - w/o Hardware
8	M03997-02-B27	EA	Cabinet Asm. - Dinette Back - Rear - w/o Hardware
	M03997-03-B27	EA	Cabinet Asm. - Dinette Back - Rear - Motor Aid - w/o Hardware
	081519-16-B27	EA	Pad Asm. - Dinette - Rear
	081519-16-B28	EA	Pad Asm. - Dinette - Rear
9	M03996-02-B27	EA	Cabinet Asm. - Dinette Seat - Rear - w/o Hardware
	M03996-04-B27	EA	Cabinet Asm. - Dinette Seat - Rear - Motor Aid - w/o Hardware
10	M02115-09-B03	EA	Table Asm. - Dinette - w/o Hardware
11	M03996-05-B27	EA	Cabinet Asm. - Dinette Seat - Front - w/o Hardware
12	P00099-12-B27	EA	Door Asm. - Dinette Seat - 10" x 19" - w/o Hardware
13	M03997-04-B27	EA	Cabinet Asm. - Dinette Back - Front - w/o Hardware
	081519-17-B27	EA	Pad Asm. - Dinette - Front
	081519-17-B28	EA	Pad Asm. - Dinette - Front
	007021-01-000	EA	Seat Belt - 2" x 90" - Black
	057759-01-000	EA	Washer Bracket - Seat Belt
	000D39-06-008	EA	Hex Nut - Ser. Fig. LK - 3/8 - 16 Zn

See the next page for the breakdown of this item.

NOTE: See Curtain, Cushion & Pad Group for all fabric related items.

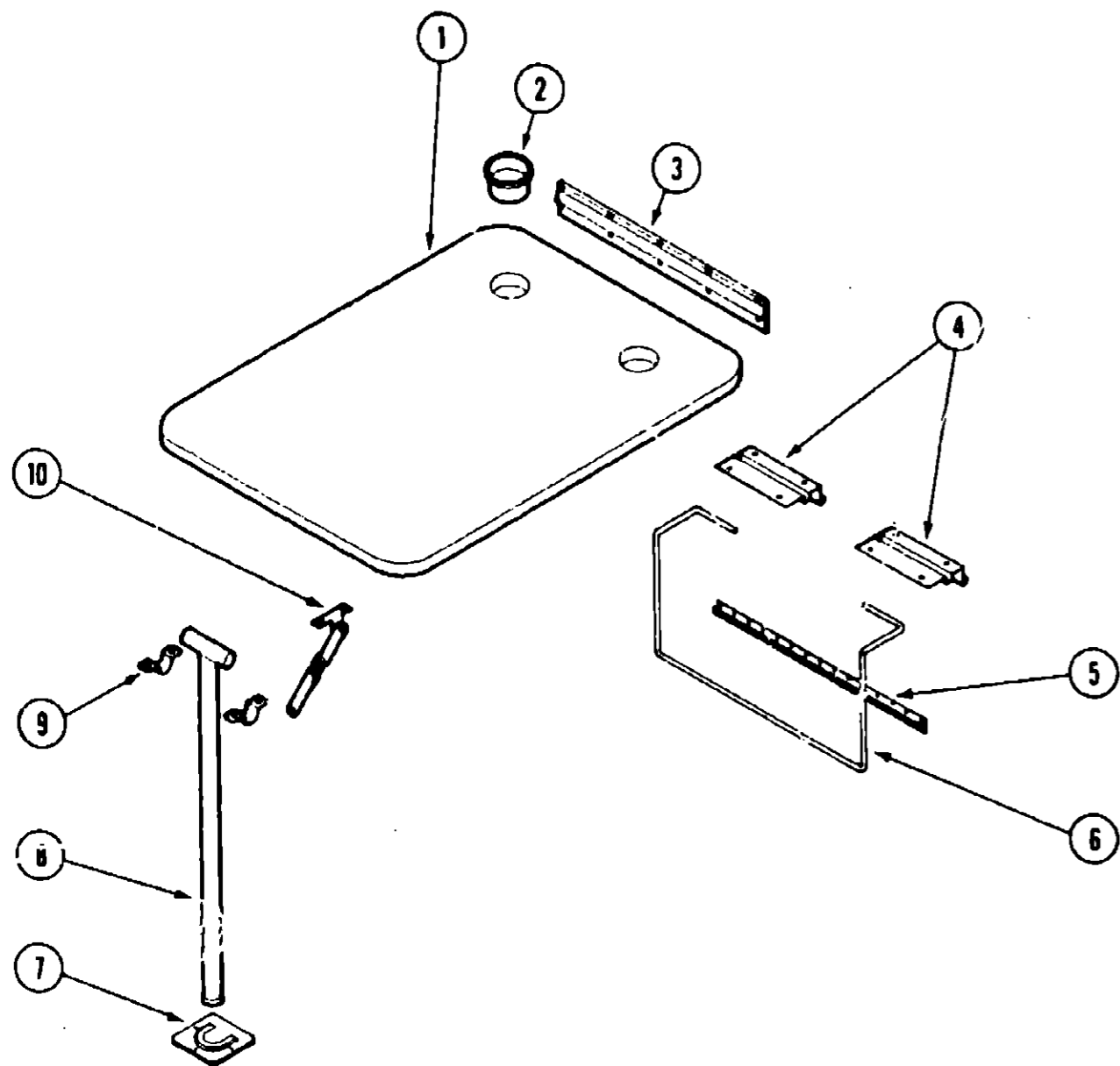
**1991 WINNEBAGO
TABLE OF CONTENTS**

INTRODUCTION	A-01 - A-02
ABBREVIATIONS	A-03
ALPHABETICAL/GROUP REFERENCE	A-04 - A-06
JCF23EJ	A-07 - D-10
JF321RG	D-11 - F-23

1991 JF321RG INDEX

Floor Plan	D-11 - D-12
Accessories Group	D-13 - D-16
Bath Group	D-17 - D-18
Chassis Group	D-19 - D-21
Curtain, Cushion & Pad Group	D-22 - E-05
Dinette Group	E-06 - E-07
Driver's Compartment Group	E-08 - E-09
Electrical Group	E-10 - E-11
Exterior Body Group	E-12 - E-16
Galley Group	E-17 - E-19
Heating & Air Conditioning Group	E-20 - E-21
Interior Finish Group	E-22 - E-24
Labels Group	F-01 - F-06
Lounge Group	F-07 - F-08
Sealants & Fasteners Group	F-09 - F-10
Water & Sewage Group	F-11 - F-12
Window, Vent & Exterior Door Group	F-13 - F-23

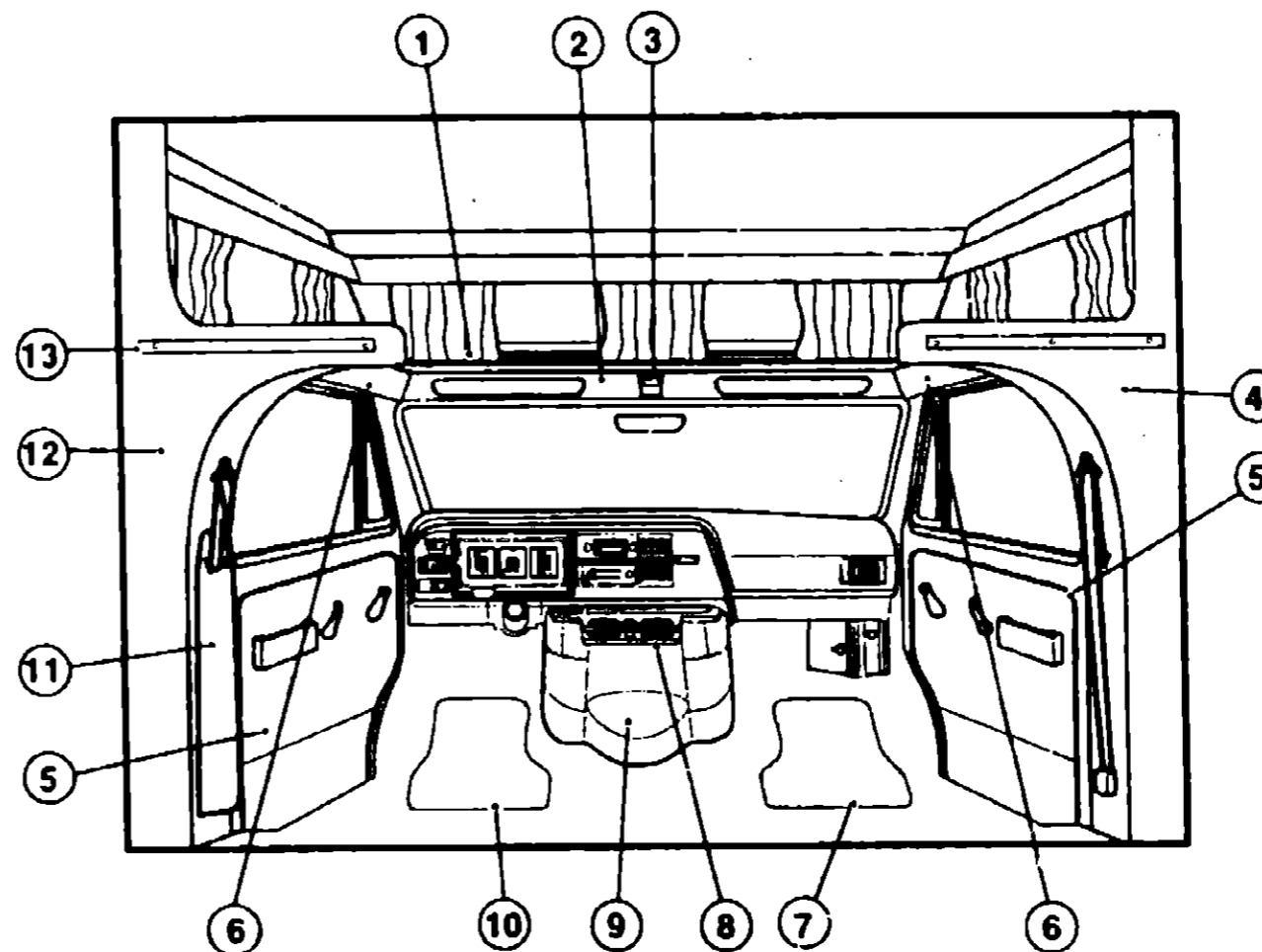
DINETTE GROUP (CONTINUED)



DINETTE TABLE & HARDWARE

Key	Part Number	U/M	Description
1	M02115-09-B03	EA	Table - Dinette - w/o Hardware
2	064781-06-000	EA	Cup Holder - Two Step - Beige
3	053200-05-000	EA	Support - Table - 23.5" - Beige
4	088410-01-000	EA	Hanger - Table - Beige
5	024281-07-000	EA	Bracket - Table Lift
6	024275-05-000	EA	Rod - Table Lift - Beige
7	049493-01-000	EA	Catch - Table Leg
8	024276-21-000	EA	Leg Asm. - Table - Beige
9	064050-02-000	EA	Clamp - Saddle - Leg Hinge - Tan
10	024282-01-000	EA	Brace Table Leg
	024283-01-000	EA	Clip - 1" - 1.125" - OD Tube - Black
	081295-01-AAB	EA	Support - Base - Dinette

DRIVER'S COMPARTMENT GROUP



MISCELLANEOUS DRIVER'S COMPARTMENT COMPONENTS

Key	Part Number	U/M	Description
1	098703-01-B27	EA	Sleeperboard Asm.
	079800-04-000	EA	Trim - Front Sleeperboard - Metal - Off White
	080742-03-000	FT	Accent Trim - Off White Vinyl
2	091831-01-B05	EA	Headliner - Front - Off White Vinyl
3	086280-01-000	EA	Light - Surface Mount - 12V - Jensen 1236
4	096244-03-B27	EA	Wingwall Asm. - Inner - Passenger - Off White
5	NOTE:	EA	Panel Asm. - Cab Door
6	091825-02-A93	EA	Headliner - Sides - Off White Vinyl
7	083219-01-000	EA	Floor Mat - Passenger
8	099857-01-B27	EA	Beverage Tray
9	069885-16-B27	EA	Motor Cover w/Pocket
9	069885-16-B28	EA	Motor Cover w/Pocket
10	083219-02-000	EA	Floor Mat - Driver
11	091871-05-000	EA	Seat Belt Cover - Off White
12	096244-02-B27	EA	Wingwall Asm. - Inner - Driver - Off White
13	082069-03-B27	EA	Wood Trim - Wingwall - 15.8"
	074045-07-000	EA	Oak Plug - 1/2"
	094735-02-000	EA	Speedometer - Kilometer

* This part is supplied by your Ford dealer.

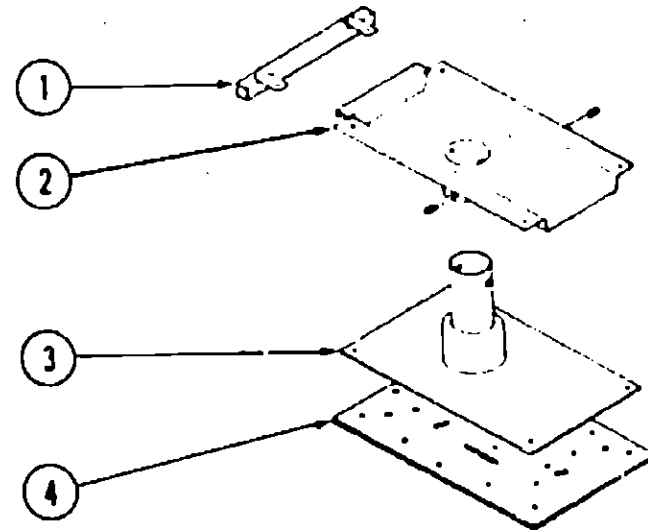
1991 WINNEBAGO TABLE OF CONTENTS

INTRODUCTION	A-01 - A-02
ABBREVIATIONS	A-03
ALPHABETICAL/GROUP REFERENCE	A-04 - A-06
JCF23EC	A-07 - D-10
JF321RG	D-11 - F-23

1991 JF321RG INDEX

Floor Plan	D-11 - D-12
Accessories Group	D-13 - D-16
Bath Group	D-17 - D-18
Chassis Group	D-19 - D-21
Curtain, Cushion & Pad Group	D-22 - E-05
Dinette Group	E-06 - E-07
Driver's Compartment Group	E-08 - E-09
Electrical Group	E-10 - E-11
Exterior Body Group	E-12 - E-16
Galley Group	E-17 - E-19
Heating & Air Conditioning Group	E-20 - E-21
Interior Finish Group	E-22 - E-24
Labels Group	F-01 - F-06
Lounge Group	F-07 - F-08
Sealants & Fasteners Group	F-09 - F-10
Water & Sewage Group	F-11 - F-12
Window, Vent & Exterior Door Group	F-13 - F-23

DRIVER'S COMPARTMENT GROUP (CONTINUED)



BUCKET SEAT PEDESTAL & HARDWARE

Key	Part Number	U/M	Description
1	069585-29-000	EA	Bar - Seat Belt - 20"
2	093487-04-000	EA	Plate - Top - Pedestal Asm.
3	069585-03-000	EA	Plate - Sub - Pedestal Asm.
4	069585-02-000	EA	Plate - Base - Pedestal Asm. - Bucket Seat
	069246-02-000	EA	Adjuster Asm. - Seat - w/o Lock
	069246-05-000	EA	Adjuster Asm. w/Remote
	069246-05-700	EA	Spring For Slide Adjuster
	069246-05-701	EA	Clip - For Cable Asm. Only

These parts are used from 7/9/90 on.

ELECTRICAL GROUP

WIRES, SWITCHES, & RECEPTACLES

Key	Part Number	U/M	Description
	008288-01-000	EA	Box - Electrical - 3" x 3.5" - Plastic
	093603-01-000	EA	Box - Electrical - 4" x 2 1/8" x 2 1/8"
	008289-01-000	EA	Box - Electrical - 4" x 4" - 1/2 & 3/4 Steel
	058049-01-000	EA	Box - Electrical - 2" x 3" x 2.25" - Steel
	041953-01-000	FT	Conduit - Convolute Slit - .5" ID
	041953-03-000	FT	Conduit - Convolute Slit - 1" ID
	041953-05-000	FT	Conduit - Convolute Slit - .62" ID
	041953-07-000	FT	Conduit - Convolute Slit - .25" ID
	041953-09-000	FT	Conduit - Convolute Slit - .50" ID
	008355-01-000	EA	Connector - Cable Clamping - 3/4"
	008356-01-000	EA	Connector - Plastic - 3/8" Avg.
	058028-01-000	EA	Connector - Pigtail - Clear Nylon
	008311-01-000	EA	Connector - Wire Nut - Red
	008314-01-000	EA	Connector - Wire Nut - Gray
	031368-01-000	EA	Plug - Contact - Brass
	008054-01-000	EA	Cord - Power - 10-3 30 Amp. - 25'
	008294-01-000	EA	Cover Plate - Electrical Box - Blank Steel - 4 x 4
	053337-01-000	EA	Cover Plate - Blank - Ivory
	008384-01-000	EA	Grommet - Snap - 3" Dia.
	023942-01-000	EA	Grommet - Rubber - 2" OD
	097744-01-000	EA	Housing - Trailer Pin - 12"
	097744-02-000	EA	Housing - Trailer Pin - 48"
	097746-01-000	EA	Housing Asm. - Trailer Cap
	097745-01-000	EA	Housing Asm. - Trailer Receptacle - 12"
	088473-05-000	EA	Housing Pin - 6 Position In Line
	088473-01-000	EA	Housing Pin - 4 Rows of 3
	088473-10-000	EA	Housing Pin - 2 Position
	088474-08-000	EA	Housing Socket - 4 Position
	088474-01-000	EA	Housing Socket - 12 Position
	088474-02-000	EA	Housing Socket - 15 Position
	088475-01-000	EA	Pin - Connector
	088475-02-000	EA	Pin - Connector - 10 to 12 AWG
	046885-01-000	EA	Plaque - Mounting Switch
	086777-04-000	EA	Plate - Wall - Antenna/Power - Brown
	075736-02-000	EA	Receptacle/Cover Asm. - Off White (Exterior)
	084076-02-000	EA	Receptacle - 15 Amp. - 125 Volt - Brown (Ground Fault Interrupter)
	024924-02-000	EA	Receptacle - Power Cord
	058707-01-000	EA	Receptacle - Single - Brown
	007940-01-000	EA	Receptacle - Slide - 16 to 12 Awg.
	058708-01-000	EA	Receptacle - Duplex - Brown
	088476-01-000	EA	Socket - Connector
	088475-02-000	EA	Socket - Connector
	008188-01-000	EA	Solenoid - 3 Post - Battery Change Over
	090971-01-000	EA	Splice - Cable - 110V
	090971-02-000	EA	Splice - Cable - 110V - Tap
	024461-01-000	EA	Switch - Battery
	098351-01-01A	EA	Switch Plate - 1 Gang - Polished Brass
	098351-02-01A	EA	Switch Plate - 2 Gang - Polished Brass
	079364-01-000	EA	Switch - On/Off Rocker - Brown
	087202-01-000	EA	Switch - 4 Position - w/Knob
	047443-02-000	EA	Terminal - .250 Receptacle Fit - Insulated - 16/14 AWG
	047443-01-000	EA	Terminal - .250 Receptacle Fit - Insulated - 16/14 AWG
	098326-01-000	EA	Terminal Ring - 16/14 Wire - 3/8" Stud
	035416-04-000	EA	Terminal Ring - #10 Stud Fit
	008328-01-000	EA	Terminal Ring - 12/10 Wire
	008348-01-000	EA	Terminal Ring - 2 - 3/8 Stud
	008331-01-000	EA	Terminal Ring - 4 - 3/8 Stud
	008026-01-000	FT	Wire - 12/2 Romex w/Ground
	008022-01-000	FT	Wire - 10/2 Romex w/Ground
	008343-01-000	EA	Wire Tie - 6"

**1991 WINNEBAGO
TABLE OF CONTENTS**

INTRODUCTION	A-01 - A-02
ABBREVIATIONS	A-03
ALPHABETICAL/GROUP REFERENCE	A-04 - A-06
JCF23EC	A-07 - D-10
JF321RG	D-11 - F-23

1991 JF321RG INDEX

Floor Plan	D-11 - D-12
Accessories Group	D-13 - D-16
Bath Group	D-17 - D-18
Chassis Group	D-19 - D-21
Curtain, Cushion & Pad Group	D-22 - E-05
Drivette Group	E-06 - E-07
Driver's Compartment Group	E-08 - E-09
Electrical Group	E-10 - E-11
Exterior Body Group	E-12 - E-16
Galley Group	E-17 - E-19
Heating & Air Conditioning Group	E-20 - E-21
Interior Finish Group	E-22 - E-24
Labels Group	F-01 - F-06
Lounge Group	F-07 - F-08
Sealants & Fasteners Group	F-09 - F-10
Water & Sewage Group	F-11 - F-12
Window, Vent & Exterior Door Group	F-13 - F-23

ELECTRICAL GROUP (CONTINUED)

EXTERIOR LIGHTS

Key	Part Number	U/M	Description
	042405-01-000	EA	Lens - Side Marker/Clearance Light - w/Reflex - Red
	042405-02-000	EA	Lens - Side Marker Light - w/Reflex - Amber
	042405-03-000	EA	Base - Clearance Light - Rectangular
	091983-01-000	EA	Gasket - Light - Side Marker
	008213-01-000	EA	Bulb - 12 Volt - #57
	081638-04-000	EA	Taillight - Triple - Black Trim
	081638-05-000	EA	Bezel - Angle Mount - Taillight
	081638-06-000	EA	Taillight Asm. - Triple - Black Trim
	081638-06-700	EA	Lens - Backup - Clear
	066432-02-000	EA	Light - License Plate w/Bracket
	097917-01-01A	EA	Light - Porch/Entry Door - Off White
	097917-01-700	EA	Lens - Porch Light
	008215-01-000	EA	Bulb - Porch Light

These parts were used from 11/04/91 on.

NOTE: Items indented below assemblies are serviceable parts for that assembly.

INTERIOR LIGHTS

Key	Part Number	U/M	Description
	098024-01-01A	EA	Dome Light - 1 Bulb - Ivory
	098024-03-01A	EA	Dome Light - 2 Bulb - Ivory
	098024-01-700	EA	Lens - Dome Light
	008218-01-000	EA	Bulb - Dome Light - 12 Volt - #1141
	086280-01-000	EA	Light - Surface Mount - 12 Volt
	086280-01-700	EA	Bulb - 12 Volt - 6 Watt
	087694-01-000	EA	Light - Wardrobe/Closet - w/Switch
	087694-01-700	EA	Bulb - Wardrobe Light - GE561

NOTE: Items indented below assemblies are serviceable parts for that assembly.

BULBS

Key	Part Number	U/M	Description
	092695-01-709	EA	Bulb - 912 (Stove Hood)
	008215-01-000	EA	Bulb - 1003 (Porch Light)
	008218-01-000	EA	Bulb - 1141 (Dome Light)
	037934-01-000	EA	Bulb - 1156 (Back-Up Light)
	084880-01-706	EA	Bulb - DC Light (Refrigerator)
	086280-01-700	EA	Bulb - 12 Volt - 6 Watt (Surface Light)
	008213-01-000	EA	Bulb - 57 (Clearance Light)

FUSES & CIRCUIT BREAKERS

Key	Part Number	U/M	Description
	062901-05-000	EA	Fuse - 15 Amp. - Automotive
	008211-01-000	EA	Circuit Breaker - 6 Amp. - 12 Volt
	083209-01-000	EA	Circuit Breaker - 15 Amp. - 120 Volt
	083210-02-000	EA	Circuit Breaker - 15 Amp. - 120 Volt (Ground Fault Interrupter)
	083209-03-000	EA	Circuit Breaker - 15/20 amp. - 120 Volt
	033573-01-000	EA	Circuit Breaker - 20 Amp. - 12 Volt
	008218-01-000	EA	Circuit Breaker - 30 Amp. - 12 Volt
	083209-06-000	EA	Circuit Breaker - 30/15 Amp. - 120 Volt
	080283-02-000	EA	Circuit Breaker - Buss Bar
	008277-01-000	EA	Fuse Holder - Black - Panel Mount

MISCELLANEOUS ELECTRICAL COMPONENTS

Key	Part Number	U/M	Description
	036233-01-000	EA	Stud - Isolated - 3/8" x 7/8" Long
	083208-05-000	EA	Control Center - 45A - 100V/12V

EXTERIOR BODY GROUP

MISCELLANEOUS EXTERNALLY MOUNTED PARTS

Key	Part Number	U/M	Description
	033558-03-000	EA	Plumbing Seal - Roof Vent - 1.5
	009126-02-000	EA	Assist Handle - Black
	048817-02-000	EA	Handle Asm. - Assist w/Light
	087659-04-000	EA	Fill - City Water - Off White
	069362-06-000	EA	Tube - Support - Floor to Valance - 17"
	075736-02-000	EA	Cover - Exterior Receptacle - Off White
	083615-06-000	EA	Holder - Compartment Door - Plastic - Off White
	049347-01-000	EA	Head - Mirror - 7.5" x 10.5" - Stainless Steel
	062047-01-000	EA	Arm - West Coast Mirror
	006043-01-000	EA	Mirror - Exterior - Convex - Adhesive Backed

SHEET FIBERGLASS, ALUMINUM & STYROFOAM

Key	Part Number	U/M	Description
	044487-01-001	EA	Aluminum - Mill Finish - No Design - 96" x 360" (Roof)
	001054-01-011	EA	Aluminum Sheet - 48" x 96" - Flat - Off White
	000868-01-000	SF	Styrofoam - 3/4" x 24" x 96"
	000870-03-000	SF	Styrofoam - 1.34" x 48" x 96"
	076054-C9-001	EA	Fiberglass Sheet - 36" x 205" - Off White
	076054-D3-001	EA	Fiberglass Sheet - 48" x 96" - Off White
	076054-D6-001	EA	Fiberglass Sheet - 60" x 11.3" - Off White
	093743-01-02A	SF	Plastic - ABS - 11.5" Wide - Off White

1991 WINNEBAGO TABLE OF CONTENTS

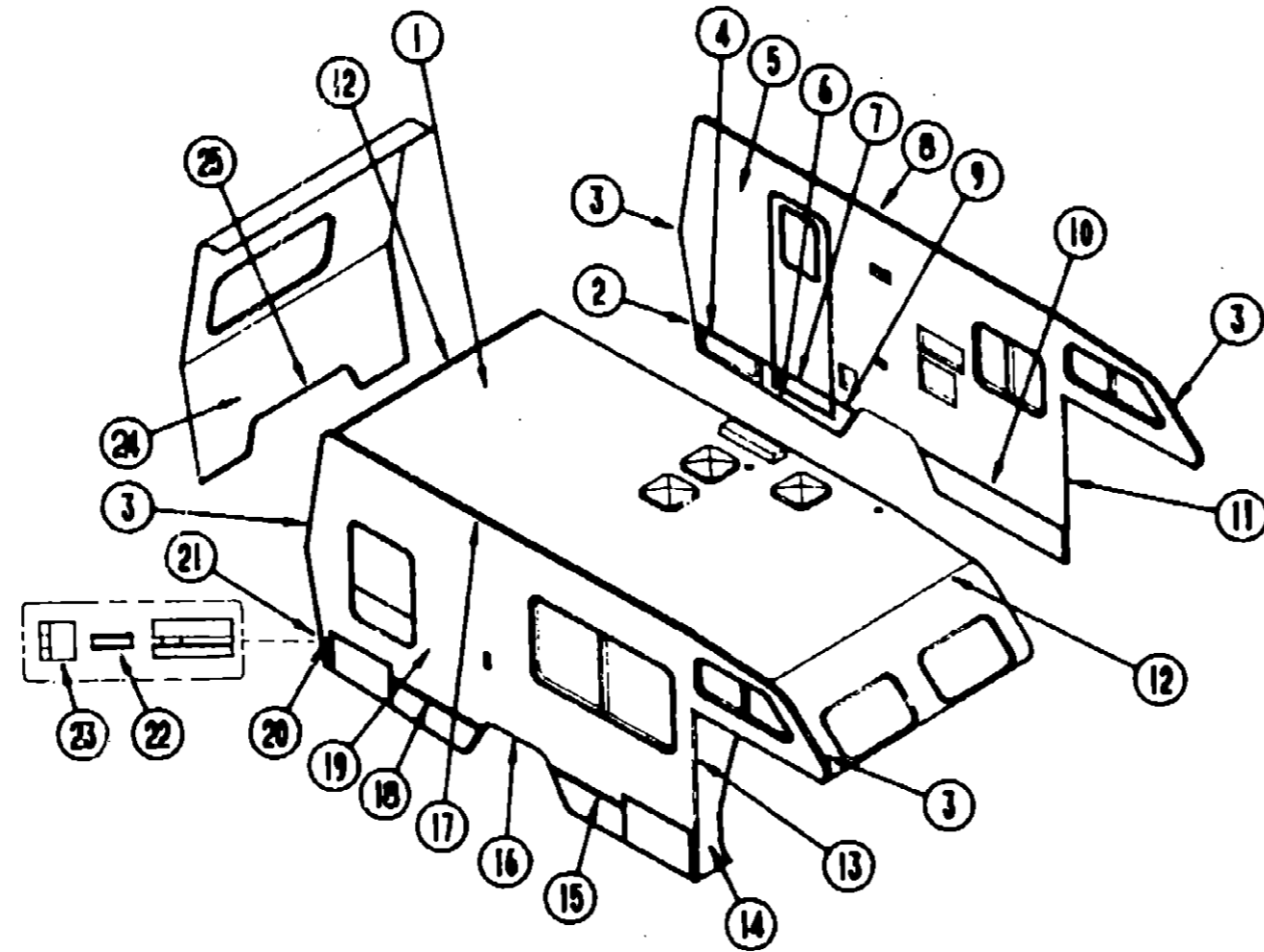
INTRODUCTION	A-01 - A-02
ABBREVIATIONS	A-03
ALPHABETICAL/GROUP REFERENCE	A-04 - A-06
JCF23EC	A-07 - D-10
JF321RG	D-11 - F-23

1991 JF321RG INDEX

Floor Plan	D-11 - D-12
Accessories Group	D-13 - D-16
Bath Group	D-17 - D-18
Chassis Group	D-19 - D-21
Curtain, Cushion & Pad Group	D-22 - E-05
Dinette Group	E-06 - E-07
Driver's Compartment Group	E-08 - E-09
Electrical Group	E-10 - E-11
Exterior Body Group	E-12 - E-16
Galley Group	E-17 - E-19
Heating & Air Conditioning Group	E-20 - E-21
Interior Finish Group	E-22 - E-24
Labels Group	F-01 - F-06
Lounge Group	F-07 - F-08
Sealants & Fasteners Group	F-09 - F-10
Water & Sewage Group	F-11 - F-12
Window, Vent & Exterior Door Group	F-13 - F-23

EXTERIOR BODY GROUP (CONTINUED)

EXTERIOR BODY PANELS



Key	Part Number	U/M	Description
1	P03440-01-B27	EA	Roof Asm. (Special Order Item)
2	097907-05-02A	EA	Filler - Valance - Driver Side - Rear - Off White
3	096854-01-01A	EA	Trim - Contour - w/o Vinyl Insert - 108" - Off White
	079280-01-01A	FT	Vinyl Insert - Contour Trim - .72" - Off White
**	105312-01-01A	FT	Vinyl Insert - Contour Trim - Off White
4	096817-09-01A	EA	Trim - Sidewall - Lower - 643 mm - Off White
5	P03531-01-B27	EA	Sidewall Asm. - Driver (Special Order Item)
6	096865-04-B27	EA	Valance Asm. - Entrance Door
7	002444-04-002	EA	Feature Strip w/o Insert - 15' Long - Off White
	001030-02-003	EA	Insert - Feature Strip - 17' Long - Off White
	009731-01-000	EA	End Cap - Feature Strip
8	100483-01-01A	EA	Trim - Contour - Roof - Off White
*9	096817-08-01A	EA	Trim - Sidewall - Lower - 584 mm - Off White
*10	096817-02-01A	EA	Trim - Sidewall - Lower - 1635 mm - Off White
11	096970-02-01A	EA	Trim - Wingwall - w/o Insert - 67" - Off White
12	078580-01-000	EA	Trim - Roof to Front Cap
13	096970-01-01A	EA	Trim - Wingwall - w/o Insert - 67" - Off White

Key	Part Number	U/M	Description
14	M96154-01-B05	EA	Wingwall - Passenger Side w/Gusset
	M96154-02-B05	EA	Wingwall - Drivers Side w/Gusset
	096945-01-01A	EA	Trim - "L" Angled - Passenger Wingwall - Off White
	096945-02-01A	EA	Trim - "L" Angled - Drivers Wingwall - Off White
	089334-01-000	FT	Vinyl - Exterior Trim - Between Wingwall & Cab Seal - White
*15	096818-07-01A	EA	Trim - Sidewall - Lower - 876 mm - Off White
16	096215-01-01A	EA	Trim - Wheelwell - Rear - Metal - Off White
17	096864-01-01A	EA	Trim - Contour - Roof to Sidewall - 120" - Off White
*18	096817-07-01A	EA	Trim - Sidewall - Lower - 1005 mm - Off White
19	P03529-01-B27	EA	Sidewall Asm. - Passenger (Special Order Item)
20	097907-06-02A	EA	Filler - Valance - Passenger Side Rear - Off White
*21	096816-05-01A	EA	Trim - Sidewall - Lower - 100 mm - Off White
22	001030-02-003	EA	Insert - Feature Strip - 17' Long - Off White
23	098424-01-01A	EA	End Cap - Contour Trim - Passenger Side Front & Drivers Side Rear
23	098424-02-01A	EA	End Cap - Contour Trim - Drivers Side Front & Passenger Side Rear
24	P03511-01-B27	EA	Backwall Asm. (Special Order Item)
25	096197-02-01A	EA	Trim - Backwall - Lower - U-Channel - 1" Wide - Off White
			See the inset illustration for additional numbers.
**			These parts were used from 10/1/91 on.

1991 WINNEBAGO TABLE OF CONTENTS

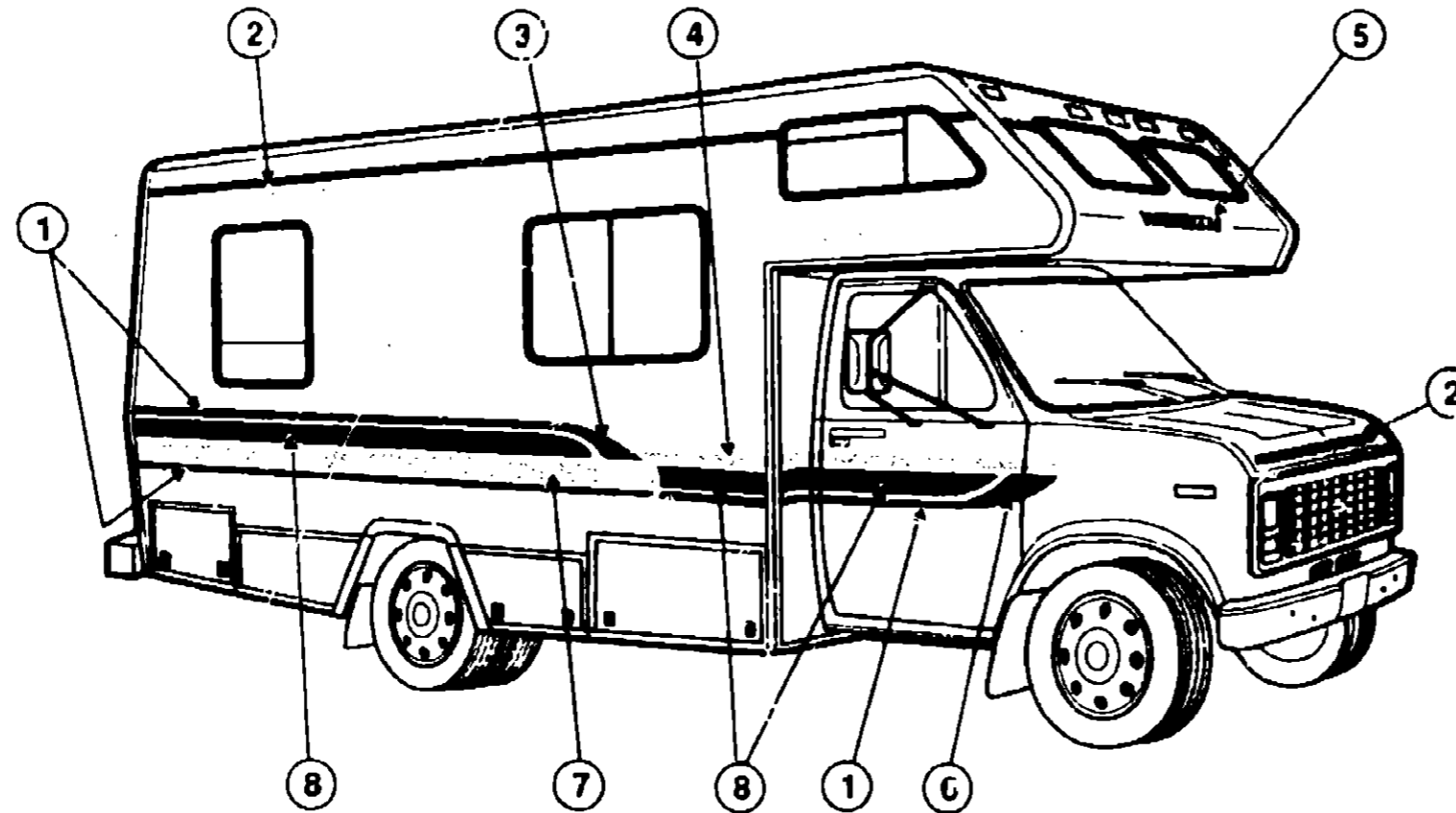
INTRODUCTION	A-01 - A-02
ABBREVIATIONS	A-03
ALPHABETICAL/GROUP REFERENCE	A-04 - A-08
JCF23EC	A-07 - D-10
JF321RG	D-11 - F-23

1991 JF321RG INDEX

Floor Plan	D-11 - D-12
Accessories Group	D-13 - D-16
Bath Group	D-17 - D-18
Chassis Group	D-19 - D-21
Curtain, Cushion & Pad Group	D-22 - E-05
Dinette Group	E-06 - E-07
Driver's Compartment Group	E-08 - E-09
Electrical Group	E-10 - E-11
Exterior Body Group	E-12 - E-16
Galley Group	E-17 - E-19
Heating & Air Conditioning Group	E-20 - E-21
Interior Finish Group	E-22 - E-24
Labels Group	F-01 - F-06
Lounge Group	F-07 - F-08
Sealants & Fasteners Group	F-09 - F-10
Water & Sewage Group	F-11 - F-12
Window, Vent & Exterior Door Group	F-13 - F-23

EXTERIOR BODY GROUP (CONTINUED)

DECALS & FILM STRIPE



Key	Part Number	U/M	Description
1	093681-18-01A	FT	Film - 1.25" x 150' - Dark Blue
2	093680-23-01A	FT	Multistripe - 2 Lines - 3" Wide - Dark Blue/Light Blue
3	100039-01-01A	EA	Decal - Sweep - Passenger Side Rear/Driver Side Front - Dark Blue
	100039-02-01A	EA	Decal - Sweep - Passenger Side Front/Driver Side Rear - Dark Blue
4	093681-03-03A	FT	Film - 1.5" x 150' - Light Blue
5	050313-16-000	EA	Decal - Logo - "Winnebago" - 2.8" - Black
6	100039-02-01A	EA	Decal - Sweep - Passenger Side Front/Driver Side Rear - Dark Blue
	100039-01-01A	EA	Decal - Sweep - Passenger Side Rear/Driver Side Front - Dark Blue
7	093681-16-02A	FT	Film - 5" x 150' - Light Blue
8	093681-16-01A	FT	Film - 5" x 150' - Dark Blue

For your convenience here are the Dupont color codes that you can purchase locally:
 Dark Blue K9456
 Light Blue K9457

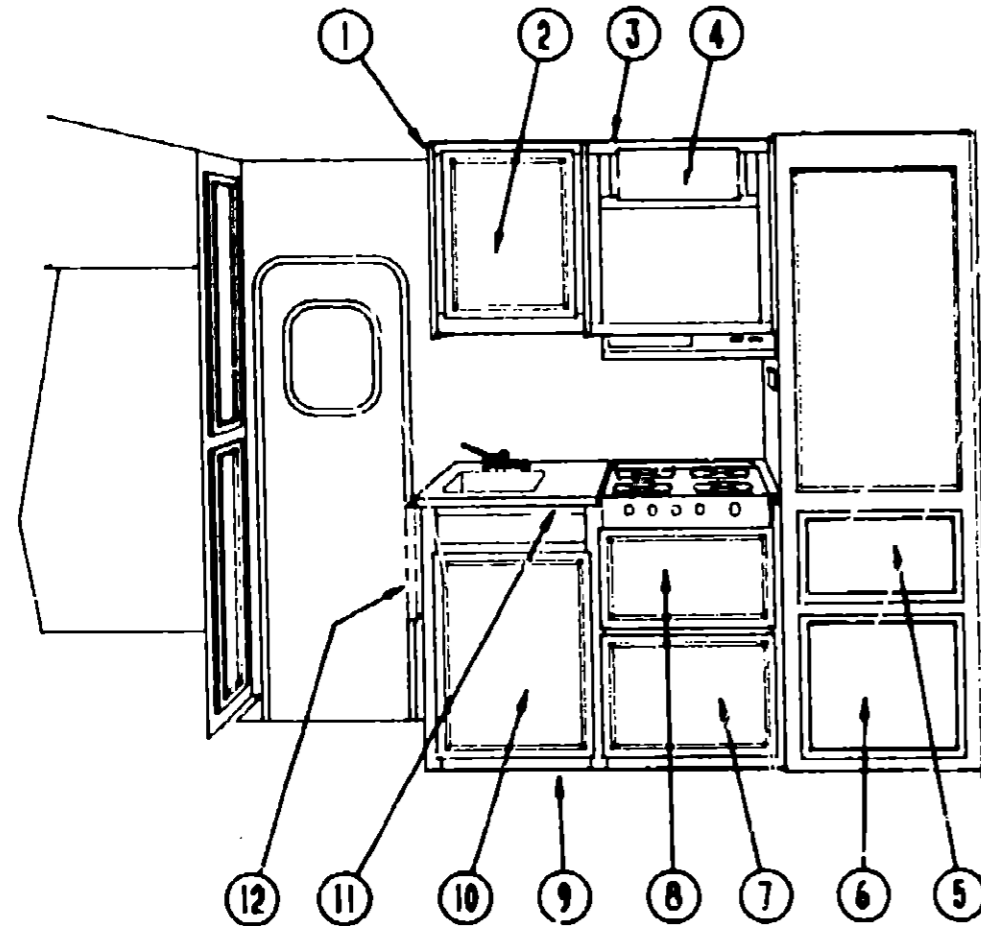
1991 WINNEBAGO TABLE OF CONTENTS

INTRODUCTION	A-01 - A-02
ABBREVIATIONS	A-03
ALPHABETICAL/GROUP REFERENCE	A-04 - A-06
JCF23EC	A-07 - D-10
JF321RG	D-11 - F-23

1991 JF321RG INDEX

Floor Plan	D-11 - D-12
Accessories Group	D-13 - D-16
Bath Group	D-17 - D-18
Chassis Group	D-19 - D-21
Curtain, Cushion & Pad Group	D-22 - E-05
Dinette Group	E-06 - E-07
Driver's Compartment Group	E-08 - E-09
Electrical Group	E-10 - E-11
Exterior Body Group	E-12 - E-16
Galley Group	E-17 - E-19
Heating & Air Conditioning Group	E-20 - E-21
Interior Finish Group	E-22 - E-24
Labels Group	F-01 - F-06
Lounge Group	F-07 - F-09
Sealants & Fasteners Group	F-09 - F-10
Water & Sewage Group	F-11 - F-12
Window, Vent & Exterior Door Group	F-13 - F-23

GALLEY GROUP



GALLEY CABINETS

Key	Part Number	U/M	Description
1	103443-01-B27	EA	Cabinet Asm. - Sink Overhead - w/o Doors or Hardware
	081280-36-B27	EA	End Cap - Sink Overhead Cabinet
	104335-04-C43	EA	End Cap - Sink Overhead Cabinet
2	P00099-81-B27	EA	Door Asm. - Sink Overhead - 14" x 22" - w/o Hardware
3	M04168-04-B27	EA	Cabinet Asm. - Microwave Overhead - w/o Doors or Hardware
	081280-34-B27	EA	End Cap - Overhead Cabinet Asm.
4	P00099-88-B25	EA	Door Asm. - Overhead Cabinet - 7" x 21.9" - w/o Hardware
5	P00099-29-B27	EA	Door Asm. - Refrigerator Cabinet - 21.85" x 14.38" - w/o Hardware
6	P00099-44-B27	EA	Door Asm. - Refrigerator Cabinet - 21.85" x 19.88" - w/o Hardware
7	P00099-53-B27	EA	Door Asm. - Galley Cabinet - 15.9" x 21.9" - w/o Hardware
8	M82184-40-B27	EA	Drawer Asm.
9	P03530-01-B27	EA	Cabinet Asm. - Galley - w/o Doors or Hardware
10	P00099-13-B25	EA	Door Asm. - Galley Cabinet - 14.4" x 28.8" - w/o Hardware
11	103530-11-B27	EA	Countertop Asm. - Galley Cabinet
12	080812-04-B27	EA	Extension Asm. - Galley Cabinet

*These parts were used from 10/1/91 on.

GALLEY GROUP (CONTINUED)

GALLEY APPLIANCES

Key	Part Number	U/M	Description
	102621-01-01A	EA	Refrigerator - Large - Single Door - 3 Way
	084880-01-753	EA	Thermister - 78" - w/Clip
	084880-01-718	EA	Gas - Valve
	094039-01-712	EA	Door Bin w/Silver Border - Gray
	094039-01-718	EA	Milk Bin - w/Silver Trim - Gray
	064472-01-749	EA	Plug
	094039-01-703	EA	Hinge Plate - Left (Brown)
	094039-01-704	EA	Hinge Plate - Left (Black)
	094039-01-709	EA	Hinge Plate - Top Right/Bottom Left (Brown)
	094039-01-710	EA	Hinge Plate - Top Right/Bottom Left (Black)
	064473-03-719	EA	Flue
	075217-01-737	EA	Control Module
	094039-04-702	EA	Power Supply (2 Way)
	094039-01-737	EA	Power Supply (3 Way)
	094039-04-701	EA	Eyebrow (2 Way)
	094039-01-701	EA	Eyebrow (3 Way)
	094039-04-700	EA	P. C. Board (2 Way)
	098403-01-700	EA	P. C. Board (3 Way)
	084880-01-713	EA	Male Connector
	088248-01-706	EA	Burner
	088248-01-708	EA	Baffle Asm.
	084880-01-733	EA	Dairy Keeper
	094039-01-707	EA	Upper Door Handle Asm. (Brown)
	084880-01-746	EA	Cable
	088248-01-707	EA	Sensor Electrode
	094039-01-713	EA	Gasket - Lower - Gray
	094039-01-714	EA	Lower Door Liner - Brown/White
	094039-01-715	EA	Lower Door Liner - Black/White
	094039-01-716	EA	Lower Door Handle Asm. (Brown)
	094039-01-717	EA	Lower Door Handle Asm. (Black)
	075217-01-734	EA	Fuse - 3 Amp.
	100258-11-01A	EA	Hood - Range, w/Monitor Panel - Ventline
	100258-21-01A	EA	Hood - Range, w/Monitor Panel - Ventline
	100258-11-701	EA	Panel Asm.
	100258-11-700	EA	Circuit Board
	096983-01-700	EA	Switch - On - Off
	075470-01-703	EA	Switch - On - Momentary
	096983-01-702	EA	Switch - Two Way - Momentary
	096983-01-703	EA	Switch - On - On
	100258-08-701	EA	Switch - Fan 2 - Speed
	100258-10-700	EA	Hour Meter Only
	100258-11-702	EA	Trim Plate (Screened)
	092698-03-01A	EA	Vent - Range Hood - Exterior - w/Door

*These parts were used from 9/2/91 on.

Note: Items indented below assemblies are serviceable parts for that assembly.

1991 WINNEBAGO TABLE OF CONTENTS

INTRODUCTION	A-01 - A-02
ABBREVIATIONS	A-03
ALPHABETICAL/GROUP REFERENCE	A-04 - A-06
JCF23EC	A-07 - D-1C
JF321RG	D-11 - F-23

1991 JF321RG INDEX

Floor Plan	D-11 - D-12
Accessories Group	D-13 - D-16
Bath Group	D-17 - D-18
Chassis Group	D-19 - D-21
Curtain, Cushion & Pad Group	D-22 - E-05
Dinette Group	E-06 - E-07
Driver's Compartment Group	E-08 - E-09
Electrical Group	E-10 - E-11
Exterior Body Group	E-12 - E-16
Galley Group	E-17 - E-19
Heating & Air Conditioning Group	E-20 - E-21
Interior Finish Group	E-22 - E-24
Labels Group	F-01 - F-06
Lounge Group	F-07 - F-08
Sealants & Fasteners Group	F-09 - F-10
Water & Sewage Group	F-11 - F-12
Window, Vent & Exterior Door Group	F-13 - F-23

GALLEY GROUP (CONTINUED)

HEATING & AIR CONDITIONING GROUP

GALLEY APPLIANCES (CONTINUED)

Key	Part Number	U/M	Description
	102019-01-02A	EA	Range Top - 4 Burner - Black
	102020-01-724	EA	Bumper - Main Top, - Magic Chef 8003P008-60
	102020-01-709	EA	Bumper - Grate - Magic Chef 8007P018-60
	102022-01-703	EA	Regulator - Pressure - Magic Chef 7510P031-60
	102020-01-722	EA	Valve - Top Burner - Magic Chef 7502P095-60
	102020-01-719	EA	Top - Main - Black - Magic Chef 2001F085-90
	102019-01-704	EA	Trim - Left (Black)
	102019-01-703	EA	Trim - Right (Black)
	102020-01-711	EA	Grate - Top - Magic Chef 7518P012-60
	102019-01-705	EA	Trim - Rear (Black)
	102019-01-706	EA	Panel Manifold
	102019-01-707	EA	Trim - Left - Flat
	102019-01-708	EA	Trim - Right - Flat
	097617-01-01A	EA	Panel - Monitor - Almond
	097617-01-700	EA	Plate - Cover
	097617-01-701	EA	Switch - On/Off - Almond
	097917-01-702	EA	Switch - 1 Way - Almond
	097617-01-703	EA	Circuit Board
	097618-01-000	EA	Wire Asm. - Monitor Panel

Note: Items indented below assemblies are serviceable parts for that assembly.

GALLEY HARDWARE

Key	Part Number	U/M	Description
	094750-01-000	EA	Bracket - Microwave - 90°
	065103-02-000	EA	Vent - Refrigerator - Roof - Cap
	065103-01-000	EA	Base - Roof Vent - Norcold Refrigerator
	054450-01-000	EA	Level - Refrigerator
	011053-04-000	EA	Faucet - w/Swing Spout - 8"
	011053-01-700	EA	Aerator - Swing Spout Faucet
	091253-01-000	EA	Gasket - Faucet
	104181-01-01A	EA	Support - Leaf - 5.3" - Extends to 7.5" - Safety Ring - Metal
	009059-01-000	EA	Hinge - Galley Extension - Brass
	059777-02-000	EA	Hinge - Burnished Brass
	100030-01-000	EA	Pull - Cabinet
	093586-03-000	EA	Catch - Spring Roller
	093586-04-000	EA	Strike - Spring Steel
	090329-01-000	FT	Seal - Refrigerator Cabinet
	011029-01-000	EA	Sink - Galley - Single w/Bolts - Stainless Steel
	011029-02-000	EA	Sink - Galley - Single w/Bolts - Stainless Steel
	081530-02-B01	EA	Sink Cover
	098979-01-000	EA	Clip - Adjustable Shell
	093980-01-000	EA	Pilaster - Adjustable Shell - 18" Long

*These parts were used from 2/28/91 on.

FURNACES & REPAIR PARTS

Key	Part Number	U/M	Description
	009198-01-000	FT	Duct - Heat - Flexible - 4" ID
	069636-02-000	EA	Connector - Duct - 4" ID
	093365-01-000	EA	Thermostat - Wall - Furnace - Suburban 0160902
	075696-02-000	EA	Furnace - 34,000 BTU - Suburban - w/o Thermostat - NT-34SP
	075695-01-711	EA	Cabinet Asm. - Suburban X100962
	075696-01-703	EA	U-Clip - Tinnerman - Suburban 121378
	075695-01-710	EA	Front - Cabinet - Suburban 100808
	075695-02-703	EA	Collar - Duct - Suburban #050715
	094334-01-000	EA	Plug - Electrical - 3 Position - Furnace - Suburban 520322
	092300-01-705	EA	Electrode - Suburban 230956
	092300-01-706	EA	Door - Burner Access - Suburban 030523
	092300-01-704	EA	Gasket - Electrode - Suburban 070163
	069634-01-732	EA	Gasket - Burner Access Door - Suburban 070398
	069633-01-700	EA	Switch - Limit - Suburban #230496
	069634-01-706	EA	Module Board - Suburban #231427
	069634-01-733	EA	Relay - Time Delay - 20 & 30 BTU - Suburban 231202
	075696-02-714	EA	Vent Cap & Exhaust Tube Asm. - Suburban 260164
	092300-01-712	EA	Burner Asm. - Suburban X010701
	069634-01-720	EA	Orifice - Main Burner - Suburban 0180222
	069634-01-712	EA	Gasket - Manifold - Suburban 070408
	075695-01-704	EA	Manifold Asm. - Suburban X170757
	069634-01-729	EA	Valve - Gas - Johnson - Suburban 160832
	075695-01-703	EA	Pipe - Gas Inlet - Suburban 170858
	075696-02-721	EA	Gasket - Gas Inlet Pipe - Suburban 070432
	069634-01-709	EA	Elbow - 90 Degree - Black Iron - Suburban 170082
	069634-01-716	EA	Valve - Manual Shutoff - Suburban 160740
	092300-01-720	EA	Wheel - Room Air - Suburban 350113
	092300-01-721	EA	Blower Housing Assembly - Suburban 390283
	092300-02-702	EA	Microswitch Asm. - Suburban X230509
	075696-02-727	EA	Bracket - Motor Mount - Suburban 062138
	075696-02-728	EA	Gasket - Crossover Tube - Suburban 070385
	075696-02-729	EA	Crossover Tube - Suburban X050751
	075696-01-700	EA	Motor Asm. - Suburban - 231208
	092300-01-724	EA	Gasket - Motor Mount - Suburban 070384
	075696-02-732	EA	Housing Asm. - Combustion Air - Suburban X390410
	092300-01-726	EA	Wheel - Comb Air
	092300-01-727	EA	Gasket - Combustion Air Housing - Suburban 070386
	092300-01-728	EA	Housing - Combustion Air - Outside - Suburban 390240

NOTE: Items indented below assemblies are serviceable parts for that assembly

**1991 WINNEBAGO
TABLE OF CONTENTS**

INTRODUCTION	A-01 - A-02
ABBREVIATIONS	A-03
ALPHABETICAL/GROUP REFERENCE	A-04 - A-06
JCF23EC	A-07 - D-10
JF321RG	D-11 - F-23

1991 JF321RG INDEX

Floor Plan	D-11 - D-12
Accessories Group	D-13 - D-16
Bath Group	D-17 - D-18
Chassis Group	D-19 - D-21
Curtain, Cushion & Pad Group	D-22 - E-05
Dinette Group	E-06 - E-07
Driver's Compartment Group	E-08 - E-09
Electrical Group	E-10 - E-11
Exterior Body Group	E-12 - E-16
Galley Group	E-17 - E-19
Heating & Air Conditioning Group	E-20 - E-21
Interior Finish Group	E-22 - E-24
Labels Group	F-01 - F-06
Lounge Group	F-07 - F-08
Sealants & Fasteners Group	F-09 - F-10
Water & Sewage Group	F-11 - F-12
Window, Vent & Exterior Door Group	F-13 - F-23

HEATING & AIR CONDITIONING GROUP (CONTINUED)

ROOF AIR CONDITIONER & PARTS

Key	Part Number	U/M	Description
	093764-01-000	EA	Ceiling Asm. - Air Conditioner - Cool Only (Option 29)
	042204-01-709	EA	Thermostat In - 64, Out - 58
	042205-01-702	EA	Thermostat In - 89, Out - 58
	073742-01-701	EA	Selector Switch (5 - Terminal)
	073742-01-702	EA	Decal - Cool Only
	073742-01-703	EA	Decal - Heat & Cool
	081606-01-708	EA	Limit Switch (Open 160, Close 110)
	091225-01-713	EA	Knob (2 Per Package)
	076303-01-707	EA	Filter - 6" x 14 3/4" x 1/2" (12 Per Package)
	091225-01-717	EA	Decal (Thermostat) Cool Only
	081606-01-712	EA	Coiling Shroud (Ivory)
	093763-01-705	EA	Decal - Heat/Cool - Thermostat
	093763-01-706	EA	Heat Element
	093763-01-710	EA	Single Parts Package
	093763-01-04A	EA	Air Conditioner - 110 Volt - Roof Mount - 13,500 BTU - Off White (Option 29)
	093763-04-700	EA	Shroud - Roof A/C - w/o Logos
	093763-01-711	EA	Gasket - Package
	093763-01-712	EA	Fan Blade - Condenser
	093306-01-701	EA	Decal Package - Left & Right
	073742-02-704	EA	Run Capacitor (Compressor)
	091225-01-710	EA	Start Capacitor
	091225-01-709	EA	Start Relay
	076303-01-712	EA	Motor
	093763-01-702	EA	Overload
	093763-01-703	EA	Impellor - 7" Dia. x 2.8" Wide
	093763-01-704	EA	Capacitor - Fan
	093763-01-705	EA	Evaporator Coil
	093763-01-708	EA	Condenser Coil
	093763-01-713	EA	Compressor - E Series
	084077-03-000	EA	Cover - Blank - Roof Air Conditioner - Ivory
	022756-01-000	EA	Cover - A/C - Black Plastic
	087202-01-000	EA	Switch - 4 Position - w/Knob

NOTE: Items indented below assemblies are serviceable parts for that assembly

REAR AUTO HEATER (OPT L59)

Key	Part Number	U/M	Description
	084405-01-000	EA	Heater Asm. - Rear, Ducted - w/Motor Aid - Evans
	084405-01-700	EA	Heater Core - Evans FT200229
	084405-01-701	EA	Fan Blades - Evans HV029931
	084405-01-702	EA	Motor Asm. - 12V - Evans 200146
	084404-01-000	EA	Switch - Off/Low/Medium/High - Heater - Evans
	084410-02-000	EA	Decal - Rear Auto Heater
	010497-06-000	EA	Clamp - Closed - 11/16" ID
	056464-05-000	EA	Register - Plastic, w/o Damper - 4" Diameter - Golden

NOTE: Items indented below assemblies are serviceable parts for that assembly.

INTERIOR FINISH GROUP

INTERIOR MOLDINGS & TRIMS

Key	Part Number	U/M	Description
	081294-02-000	EA	Molding - Shelf - Knotted Wood - 8' Long
	083620-08-000	FT	T-Molding - End Cap - Edge - 3/4" - Western Oak
	083620-07-000	FT	T-Molding - End Cap - Edge - 3/4" - Pecan
	009815-09-000	FT	T-Molding - .75" - Ivory
	009812-17-000	EA	Molding - Plastic Corner - Outside - 1/2" - Oak
	009812-25-000	EA	Molding - Plastic Corner - Outside - 1/2" - Pecan
	022992-11-000	FT	Molding - Reverse Cove - T-Shaped - Vinyl - Ivory
	070504-06-000	FT	U-Channel - .815 - Pecan
	070504-19-000	FT	U-Channel - .815" - Country Forest
	009778-12-000	FT	U-Channel - 1" - Country Forest
	009767-12-000	FT	Wetling - Antique White (Ceiling to Wall)
	100041-02-000	EA	Molding - Vinyl Wrapped - 2.5" x 7'
	100041-01-000	EA	Molding - Vinyl Wrapped - 1.5" x 8'
	074045-07-000	EA	Plug - Wood - 1/2"
	086229-04-000	EA	Batten - Ceiling - 1" Wide - Ivory - 7.6'

* These parts were used from 8/12/91 on.

BATT STRIPS

Key	Part Number	U/M	Description
	069733-78-000	EA	Batt Strip - Oak - 8'
	085284-32-000	FT	Batt Strip - Oak - Tape Adhesive
	088263-47-000	EA	Batt Strip - Decorative - w/Blossoms - 8' (Wall)
	085284-35-000	FT	Batt Strip - Decorative - Plain - Tape Adhesive (Wall)
	088263-48-000	EA	Batt Strip - Decorative - Plain - 8'
	088263-51-000	EA	Batt Strip - Crosssilk Spatter - Beige (Ceiling)
**	088263-60-000	EA	Batt Strip - Decorative - w/Blossoms - 8"
*	088263-71-000	EA	Batt Strip - Trowell Work

* These parts were used from 5/29/91 on.

** These parts were used from 7/16/90 on.

PANELING & COUNTERTOP MATERIAL

Key	Part Number	U/M	Description
	074497-17-000	SF	Paneling - Oak - 48" x 96" (32 SF)
*	074497-21-000	SF	Paneling - Winni Oak - 48" x 96" - (32 SF)
	074497-18-000	SF	Paneling - Crosssilk - 48" x 96" (32 SF) (Ceiling)
**	074497-19-000	SF	Paneling - Fawn - 48" x 96" (32 SF) (Ceiling)
	089351-63-000	YD	Vinyl - Ceiling Diamond Design - 54" Wide
	088272-70-000	SF	Paneling - Decorative - Plain - 48" x 84" (28 SF) (Wall)
	088272-81-000	SF	Paneling - Decorative - Patterned - w/Blossoms - 48" x 84" (28 SF) (Wall)
	088272-72-000	SF	Paneling - Travertine White - 48" x 84" (28 SF) (Shower)
	074498-36-000	SF	Plastic Laminate - Rose - 48" x 96" (32 SF)
	076325-28-000	FT	Molding - Edge Band - 1 5/16" Wide

* These parts were used from 11/4/91 on.

** These parts were used from 5/29/91 on.

1991 WINNEBAGO TABLE OF CONTENTS

INTRODUCTION	A-01 - A-02
ABBREVIATIONS	A-03
ALPHABETICAL/GROUP REFERENCE	A-04 - A-06
JCF23EC	A-07 - D-10
JF321RG	D-11 - F-23

1991 JF321RG INDEX

Floor Plan	D-11 - D-12
Accessories Group	D-13 - D-16
Bath Group	D-17 - D-18
Chassis Group	D-19 - D-21
Curtain, Cushion & Pad Group	D-22 - E-05
Dinette Group	E-06 - E-07
Driver's Compartment Group	E-08 - E-09
Electrical Group	E-10 - E-11
Exterior Body Group	E-12 - E-16
Galley Group	E-17 - E-19
Heating & Air Conditioning Group	E-20 - E-21
Interior Finish Group	E-22 - E-24
Labels Group	F-01 - F-06
Lounge Group	F-07 - F-08
Sealants & Fasteners Group	F-09 - F-10
Water & Sewage Group	F-11 - F-12
Window, Vent & Exterior Door Group	F-13 - F-23

INTERIOR FINISH GROUP (CONTINUED)

FABRICS & CARPETS

Key	Part Number	U/M	Description
	072333-79-000	YD	Fabric - Drapery - Slate (Privacy)
	072333-75-000	YD	Fabric - Drapery - Beige (Privacy)
	084416-25-000	YD	Fabric - Drapery Laminate - Driftwood (Pill Shades)
	096008-44-000	YD	Fabric - Upholstery - Main - Patterned (B27)
	096008-46-000	YD	Fabric - Upholstery - Main - Patterned (B28)
	096008-28-000	YD	Fabric - Upholstery - Accent - Plain (B27)
	104233-31-000	YD	Fabric - Upholstery - Accent (B27)
	096008-45-000	YD	Fabric - Upholstery - Accent - Plain (B28)
	096008-43-000	YD	Fabric - Upholstery - Accent - Patterned (B27)
	096008-42-000	YD	Fabric - Upholstery - Accent - Patterned (B28)
	075244-03-000	YD	Vinyl - Shower Curtain - Almond
	079680-09-000	YD	Vinyl - Off White
	103907-01-01A	YD	Vinyl - Off White
	096060-15-000	YD	Carpet - Sand (B28)
	096060-14-000	YD	Carpet - Dusty Blue (B27)
	076314-02-000	FT	Tape - Heat Bonded - Carpet Seam
	047034-02-000	SF	Plastic Runner - Carpet - 4' Wide - Clear
	079539-01-000	EA	Trim - Carpet - Cab - Passenger - 29" Long
	078539-02-000	EA	Trim - Carpet - Cab - Driver - 29" Long
	093873-01-02A	EA	Trim - "J" - 12' Long - Vinyl - T
	085746-01-000	FT	Trim - "J" - Carpet - PVC - Beige - 10' Long

These parts were used from 9/9/91 on.

These parts were used from 4/17/91 on.

NOTE: Replace vinyl flooring locally.

CABINETS & TABLE HARDWARE

Key	Part Number	U/M	Description
	053200-05-000	EA	Bracket - Table Support - Upper Wall Mount - 23.5" - Beige
	024275-05-000	EA	Rod - Table Lift - 8" x 23.5" - Beige
	064781-06-000	EA	Cup Holder - Two Step - Beige
	088410-01-000	EA	Bracket - Lift - Table Mounted - Beige
	024281-07-000	EA	Bracket - Lift - Rod - Lower Wall Mount - Beige
	024276-21-000	EA	Leg Asm. - Table - Beige
	064050-02-000	EA	Clamp - Saddle - Leg Hinge - Tan
	024282-01-000	EA	Brace - Table Leg - Hinged
	024283-01-000	EA	Clip - Leg - 1" x 1.12" OD - Black
	059777-02-000	EA	Hinge - Antique Light Brass
	100030-01-000	EA	Pull - Cabinet Door
	098979-01-000	EA	Clip - Adjustable Shelf
	098980-01-000	EA	Pilaster - Adjustable Shelf
	074493-02-000	EA	Support - Sprung - Door
	004354-01-000	EA	Bumper - Cabinet Door - Rubber - Brown
	093586-03-000	EA	Catch - Spring - Roller
	093586-04-000	EA	Strike - Spring Steel
	072369-28-000	EA	Mesh - Expanded Aluminum - 14" x 10" - Bronze
	009112-01-000	EA	Flange - 1" - Clothes Rod - Plastic - Off White
	042438-01-000	EA	Wood Dowel - Clothes Rod - 1" Dia. x 4'
	041953-03-000	FT	Conduit - Convolute Slit - 1" ID (Clothes Rod Cover)
	076840-01-000	EA	Hold Down Cord - Bungee - 24"
	062046-01-000	EA	Clip - Pedestal Leg
	077409-02-000	EA	Slide - Drawer - Plastic - 20.75"
	077404-02-000	EA	Plastic Drawer - 20" x 12.7" - Beige
	094067-01-01A	EA	Divider - Plastic Drawer
	084466-02-000	EA	Slide - Drawer - Right Side
	084466-03-000	EA	Slide - Drawer - Left Side
	084466-04-000	EA	Slide - Cabinet - Right Side - 17.9" Extends To 31.1"
	084466-05-000	EA	Slide - Cabinet - Left Side - 17.9" Extends To 31.1"
	084466-07-000	EA	Slide Asm. - Drawer, RH
	084466-08-000	EA	Slide Asm. - Drawer, LH
	009059-01-000	EA	Hinge - 2" - Brass

INTERIOR FINISH GROUP (CONTINUED)

CURTAIN & CUSHION HARDWARE

Key	Part Number	U/M	Description
	083801-01-000	EA	Track - Shower Curtain - Off White
	009701-01-000	EA	Carrier - Shower Curtain
	009702-01-000	EA	End - Stop - Curtain Carrier - Shower
	009136-02-000	EA	Pin - Shower Curtain
	029092-01-000	EA	Stud - Nickel Finish
	029093-01-000	EA	Eyelet - Nickel Finish
	029155-01-000	EA	Cap - Snap
	029156-01-000	EA	Socket - Snap Fastener
	089916-01-000	EA	Mount - Window Leg - Black
	089522-04-000	EA	Panel - Window Leg - 2.5" Face
	101032-01-000	FT	Track - Curtain - Ceiling Mount - White (Valance)
	101033-01-000	FT	Track - Curtain - Low Profile - White
	101033-02-000	EA	End Cap - Track - Clear
	101031-01-000	EA	Tape - Glide - 4.25" Spacing
	095591-02-000	EA	Bracket - Blind - Hold Down w/Pin
	075943-01-000	EA	Brace - Window Valance - Beige
	083170-01-000	EA	Bracket - Blind - Front
	083170-02-000	EA	Bracket - Blind - Rear
	093475-01-700	EA	Wand - Blind w/Metal Clip - 8" Long
	093475-01-701	EA	End Cap - Blind w/Stud
	057534-01-000	EA	Tieback - 6" - Clear Plastic
	088792-02-000	YD	Velcro Tape - Adhesive Back - Loop - 3/4" Wide
	048394-02-000	YD	Velcro Tape - Adhesive Back - Hook - 3/4" Wide
	087253-01-000	EA	Pull - Roller Shade - Clear Plastic
	084434-01-000	EA	Bracket - Mounting - Roller Shade - 1 3/8"
	096843-01-000	EA	Spring - Rewind - Roller Shade
	084432-06-000	FT	Slat - Roller Shade - Plastic

MISCELLANEOUS PARTS

Key	Part Number	U/M	Description
	053552-02-AA8	EA	Handle Asm. - Interior Assist
	000D20-07-00B	EA	Nut - Acorn - Assist Handle - 7/16" x 14 ZN
	000C16-07-16B	EA	Bolt - Carriage - Assist Handle - 7/16" - 14 x 1" ZN
	069178-02-000	EA	Bracket - Mounting - Assist Handle
	054185-63-000	EA	Owners Manual - 1991 Warrior
	092318-01-000	EA	Binder - 3-Ring - Motor Home Manual
	092319-01-000	EA	Pocket Page - 3-Ring Binder - Plastic
	098084-05-000	EA	Cassette - Winnebago "Warrior"
	083219-01-000	EA	Floor Mat - w/"Winnebago" Logo - Passenger
	083219-02-000	EA	Floor Mat - w/"Winnebago" Logo - Driver
	007036-01-000	EA	Floor Mat - w/"Winnebago" Logo - 10.5" x 26" - Black Rubber
	103613-01-000	EA	Detector - LP Gas

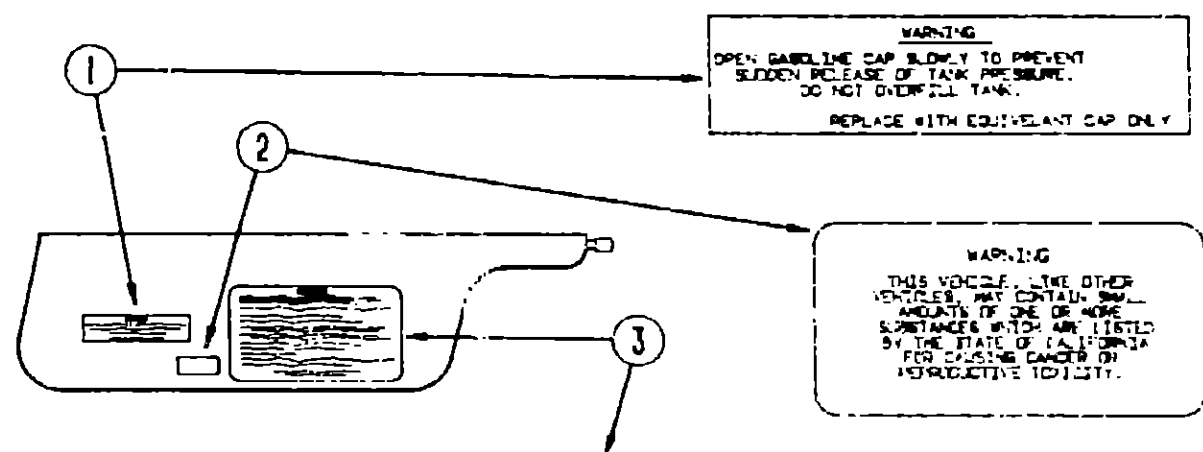
**1991 WINNEBAGO
TABLE OF CONTENTS**

INTRODUCTION	A-01 - A-02
ABBREVIATIONS	A-03
ALPHABETICAL/GROUP REFERENCE	A-04 - A-06
JCF23EC	A-07 - D-10
JF321RG	D-11 - F-23

1991 JF321RG INDEX

Floor Plan	D-11 - D-12
Accessories Group	D-13 - D-16
Bath Group	D-17 - D-18
Chassis Group	D-19 - D-21
Curtain, Cushion & Pad Group	D-22 - E-05
Dinette Group	E-06 - E-07
Driver's Compartment Group	E-08 - E-09
Electrical Group	E-10 - E-11
Exterior Body Group	E-12 - E-16
Galley Group	E-17 - E-19
Heating & Air Conditioning Group	E-20 - E-21
Interior Finish Group	E-22 - E-24
Labels Group	F-01 - F-06
Lounge Group	F-07 - F-08
Sealants & Fasteners Group	F-09 - F-10
Water & Sewage Group	F-11 - F-12
Window, Vent & Exterior Door Group	F-13 - F-23

LABELS GROUP



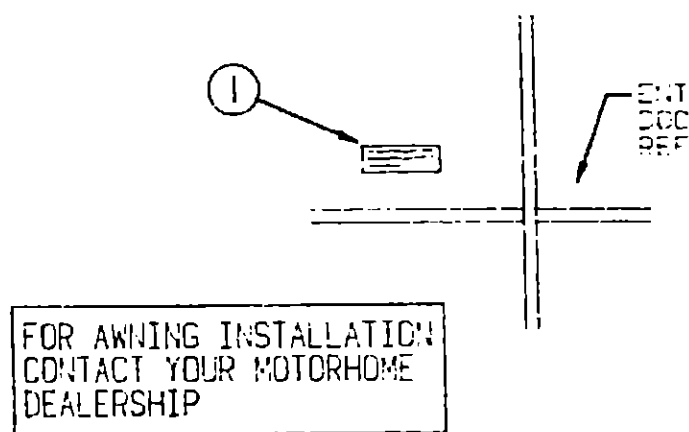
CAUTION

THIS MOTOR HOME HAS BEEN DESIGNED, MANUFACTURED AND TESTED WITH CONCERN FOR THE PROTECTION OF ITS OCCUPANTS. WE RECOMMEND YOU PERFORM THE FOLLOWING INSPECTIONS FOR YOUR SAFETY AND THE SAFETY OF YOUR PASSENGERS BEFORE STARTING YOUR VEHICLE.

1. LP GAS SYSTEM- TURN OFF AT TANK FOR TRAVELING. TEST FOR LEAKS UPON ARRIVAL AT DESTINATION, BEFORE LIGHTING PILOTS.
2. WHEELS- INSPECT FOR DAMAGE AND CHECK LUG NUTS FOR TIGHTNESS.
3. TIRES- INSPECT FOR WEAR AND DAMAGE AND CHECK FOR RECOMMENDED AIR PRESSURE.
4. LIGHTING- TEST FOR PROPER OPERATION OF ALL INTERIOR AND EXTERIOR LIGHTS INCLUDING DASH LIGHTS, HEADLIGHTS, TAIL LIGHTS, BRAKE LIGHTS, CLEARANCE LIGHTS AND TURN SIGNALS.
5. EXITS- INSPECT RELEASE MECHANISM ON EMERGENCY EXIT WINDOW. TEST BOTH LOCKS ON MAIN ENTRANCE DOOR FOR EASE OF OPERATION AND INSTRUCT PASSENGERS HOW TO USE BOTH MEANS OF EXIT.
6. SEAT BELTS- DIRECT PASSENGERS TO DESIGNATED SEATS AND REQUIRE USE OF SEAT BELTS.
7. APPLIANCES- TURN OFF AND LATCH OR LOCK DOORS WHERE PROVIDED.
8. LOOSE PARCELS- STORE SECURELY.
9. UTILITY SUPPLY LINES- DISCONNECT ALL ELECTRIC, SEWER AND WATER LINES AND SECURE PROPERLY.
10. ENTRANCE DOOR STEP- PLACE IN RETRACTED POSITION FOR TRAVELING.

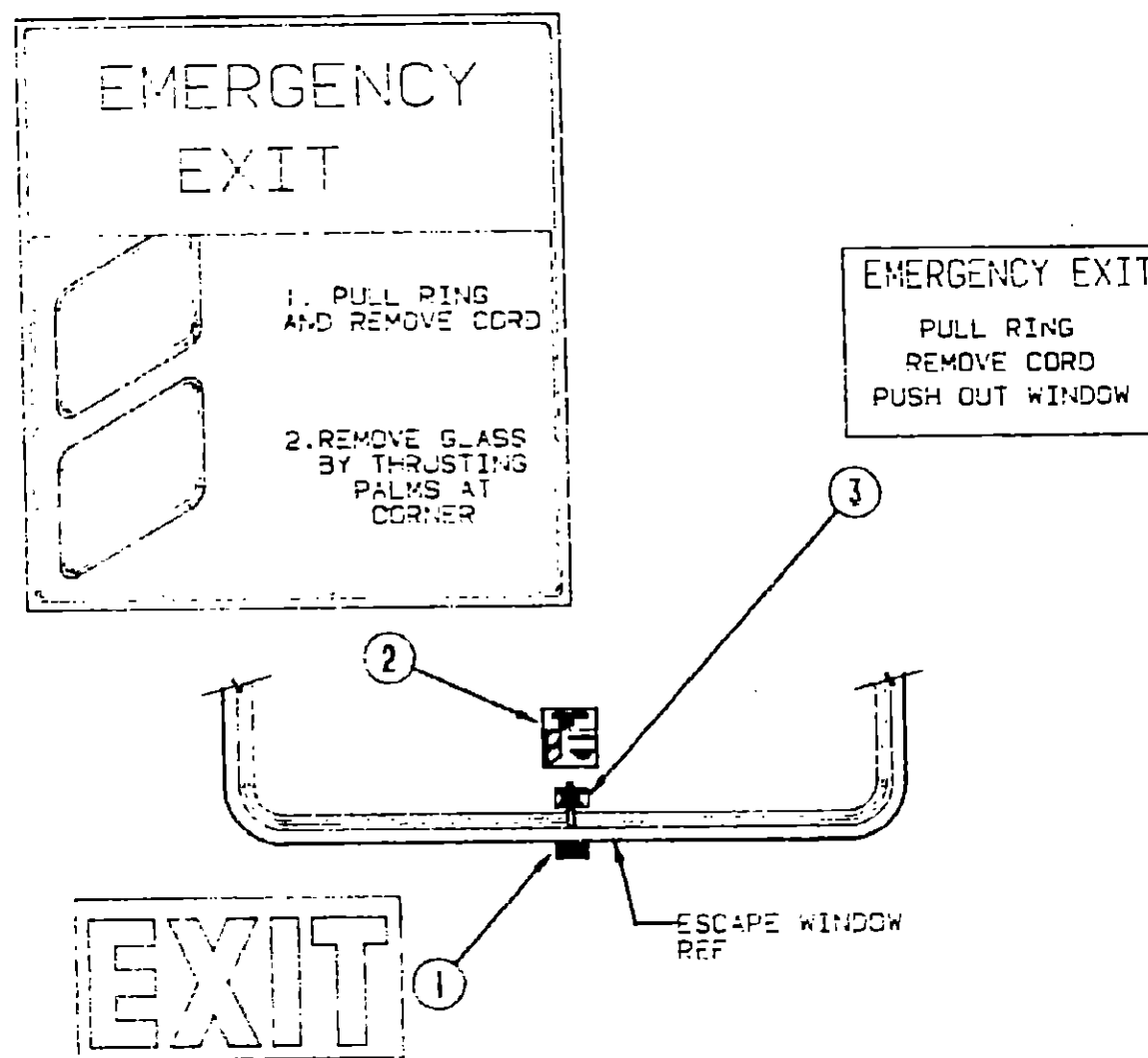
READ YOUR MOTOR HOME AND CHASSIS OWNER'S MANUAL FOR FURTHER PRECAUTIONS

Key	Part Number	U/M	Description
1	087207-02-000	EA	Label - Fuel Cap Removal
2	None	EA	Not Available
3	056259-01-000	EA	Label - Safety Check List

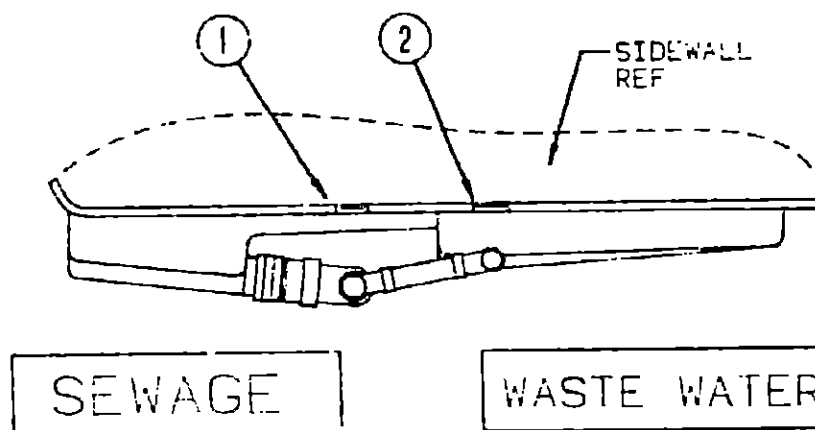


Key	Part Number	U/M	Description
1	099509-01-000	EA	Label - Awning Installation

LABELS GROUP (CONTINUED)



Key	Part Number	U/M	Description
1	039290-01-000	EA	Label - Warning - Exit
2	047731-01-000	EA	Label - Emergency Exit
3	006199-01-000	EA	Label - Exit - Escape Window



Key	Part Number	U/M	Description
1	006187-01-000	EA	Label - Sewage
2	006188-01-000	EA	Label - Waste Water

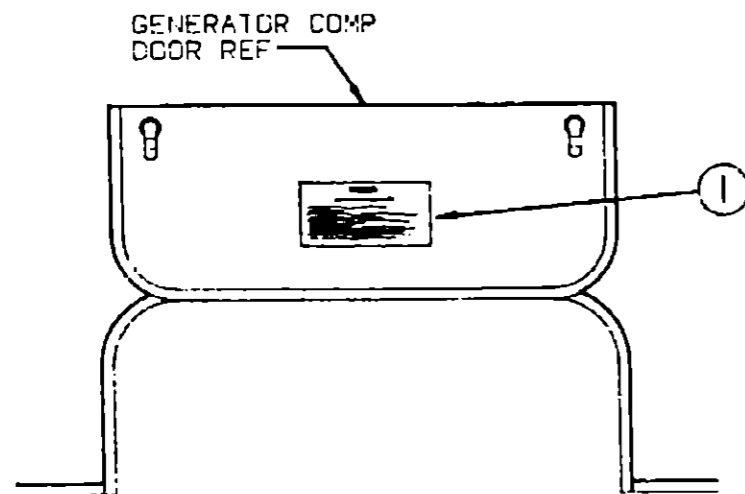
**1991 WINNEBAGO
TABLE OF CONTENTS**

INTRODUCTION	A-01 - A-02
ABBREVIATIONS	A-03
ALPHABETICAL/GROUP REFERENCE	A-04 - A-06
JCF23EC	A-07 - D-10
JF321RG	D-11 - F-23

1991 JF321RG INDEX

Floor Plan	D-11 - D-12
Accessories Group	D-13 - D-16
Bath Group	D-17 - D-18
Chassis Group	D-19 - D-21
Curtain, Cushion & Pad Group	D-22 - E-05
Dinette Group	E-06 - E-07
Driver's Compartment Group	E-08 - E-09
Electrical Group	E-10 - E-11
Exterior Body Group	E-12 - E-16
Galley Group	E-17 - E-19
Heating & Air Conditioning Group	E-20 - E-21
Interior Finish Group	E-22 - E-24
Labels Group	F-01 - F-06
Lounge Group	F-07 - F-08
Sealants & Fasteners Group	F-09 - F-10
Water & Sewage Group	F-11 - F-12
Window, Vent & Exterior Door Group	F-13 - F-23

LABELS GROUP (CONTINUED)

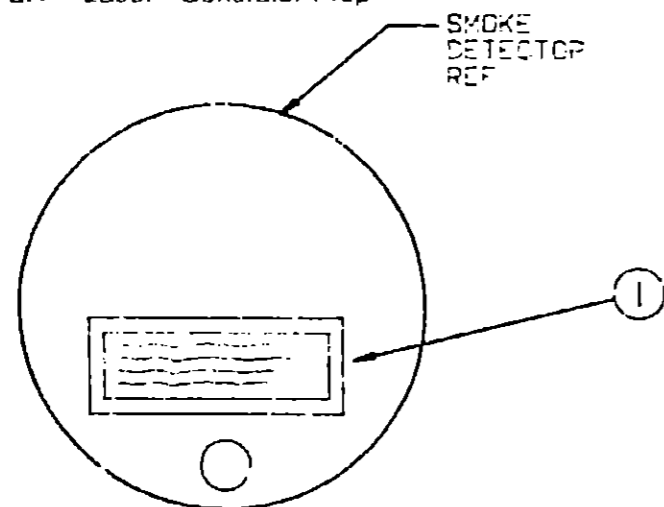


WARNING

WHEN ADDING A GENERATOR SET:

HIGH VOLTAGE-USE EXTREME CAUTION WHEN WORKING ON ELECTRICAL COMPONENTS.
 HAVE ALL ELECTRICAL INSTALLATION PERFORMED BY A QUALIFIED LICENSED ELECTRICIAN-FOLLOW ALL STATE AND LOCAL CODES.
 ONLY INSTALL GENERATOR SET APPROVED FOR R.V. APPLICATION. HAVE INSTALLED BY QUALIFIED TECHNICIAN.
 TO AVOID HEAT BUILD-UP AND TO GUARANTEE AN ADEQUATE AIR SUPPLY TO THE GENERATOR COMPARTMENT, FOLLOW INSTALLATION INSTRUCTIONS.
 GENERATOR ENGINE EXHAUST GASES ARE TOXIC AND MUST NOT RE-ENTRANCE UNDER THE VEHICLE-DISCHARGE EXHAUST AWAY FROM VEHICLE.

Key	Part Number	U/M	Description
1	077510-01-000	EA	Label - Generator Prep



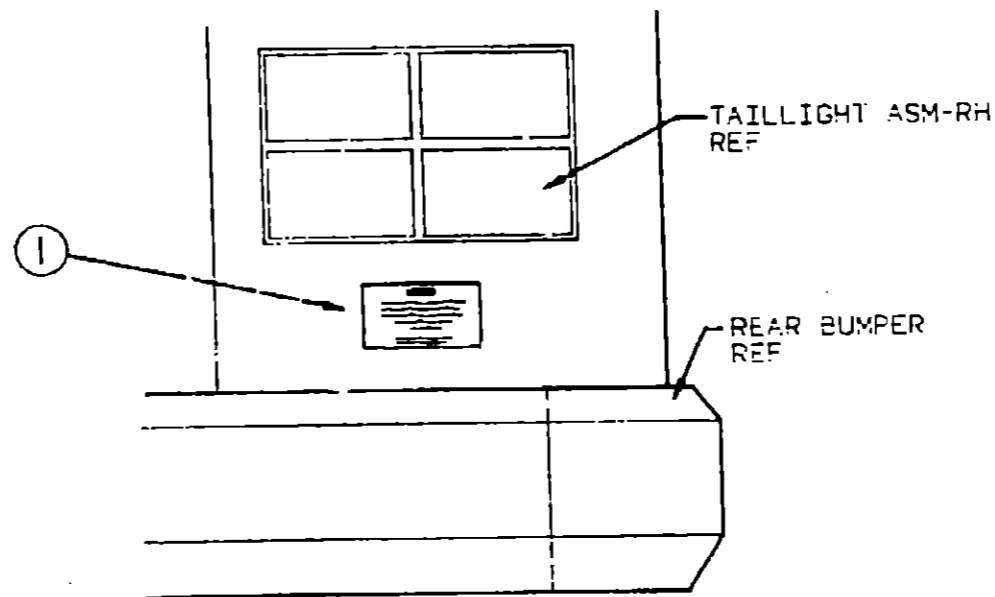
WARNING: TEST SMOKE DETECTOR OPERATION AFTER VEHICLE HAS BEEN IN STORAGE, BEFORE EACH TRIP AND AT LEAST ONCE PER WEEK DURING USE.

Key	Part Number	U/M	Description
1	077956-01-000	EA	Label - Warning - Smoke Detector

MISCELLANEOUS LABELS

Key	Part Number	U/M	Description
	006064-01-000	EA	Label - Seat - w/o Seat Belt
	054531-01-000	EA	Label - LP Gas Only
	091243-01-000	EA	Label - A/C Cover
	006019-01-000	EA	Tag - RVI Approved - Plastic

LABELS GROUP (CONTINUED)

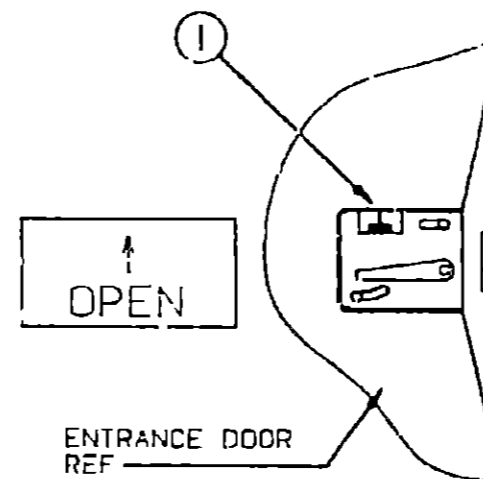


WARNING

DO NOT EXCEED THE VEHICLE WEIGHT RATINGS OR LOADING RECOMMENDATIONS (E.G., GROSS VEHICLE, GROSS AXLE, GROSS COMBINED) OF THE CHASSIS MANUFACTURER OR WINNEBAGO INC.

REFER TO YOUR OWNERS MANUAL, BEFORE LOADING OR TOWING.

Key	Part Number	U/M	Description
1	075220-01-000	EA	Label - Warning - Exterior Load
	075221-01-000	EA	Label - Warning - Towing Capacity



Key	Part Number	U/M	Description
1	040944-01-000	EA	Label - Open - Entrance Door

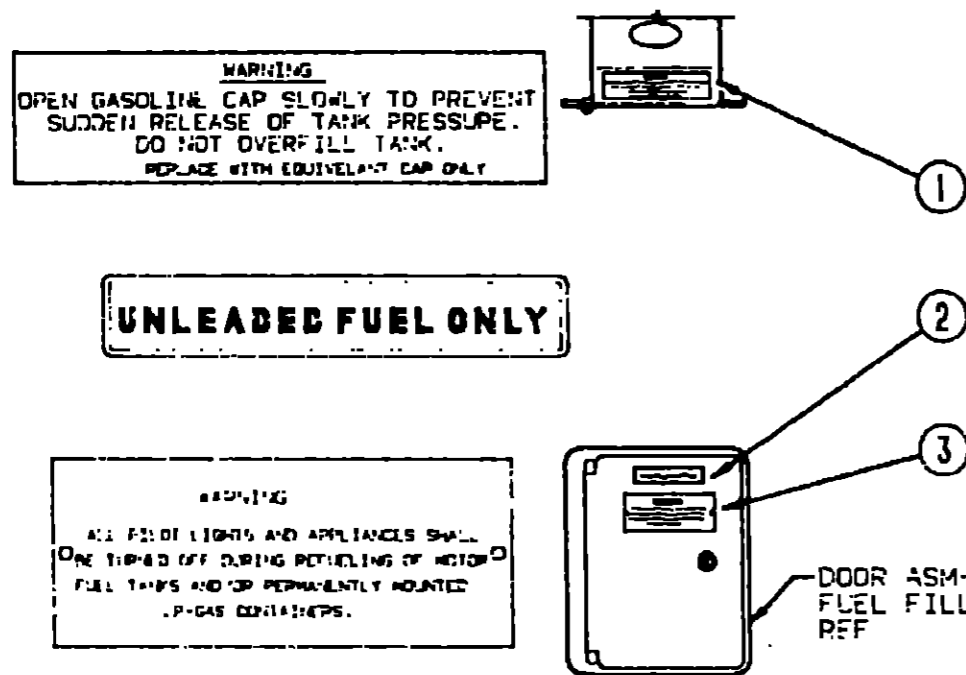
1991 WINNEBAGO TABLE OF CONTENTS

INTRODUCTION	A-01 - A-02
ABBREVIATIONS	A-03
ALPHABETICAL/GROUP REFERENCE	A-04 - A-06
JCF23EC	A-07 - D-10
JF321RG	D-11 - F-23

1991 JF321RG INDEX

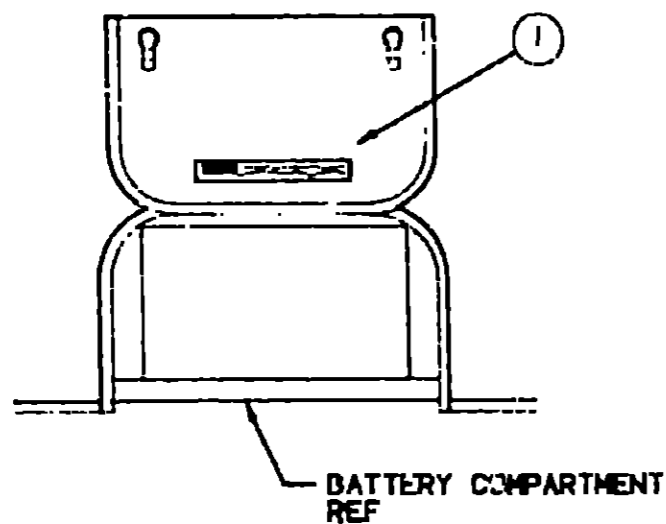
Floor Plan	D-11 - D-12
Accessories Group	D-13 - D-16
Bath Group	D-17 - D-18
Chassis Group	D-19 - D-21
Curain, Cushion & Pad Group	D-22 - E-05
Dinette Group	E-06 - E-07
Driver's Compartment Group	E-08 - E-09
Electrical Group	E-10 - E-11
Exterior Body Group	E-12 - E-16
Galley Group	E-17 - E-19
Heating & Air Conditioning Group	E-20 - E-21
Interior Finish Group	E-22 - E-24
Labels Group	F-01 - F-06
Lounge Group	F-07 - F-09
Sealants & Fasteners Group	F-09 - F-10
Water & Sewage Group	F-11 - F-12
Window, Vent & Exterior Door Group	F-13 - F-23

LABELS GROUP (CONTINUED)



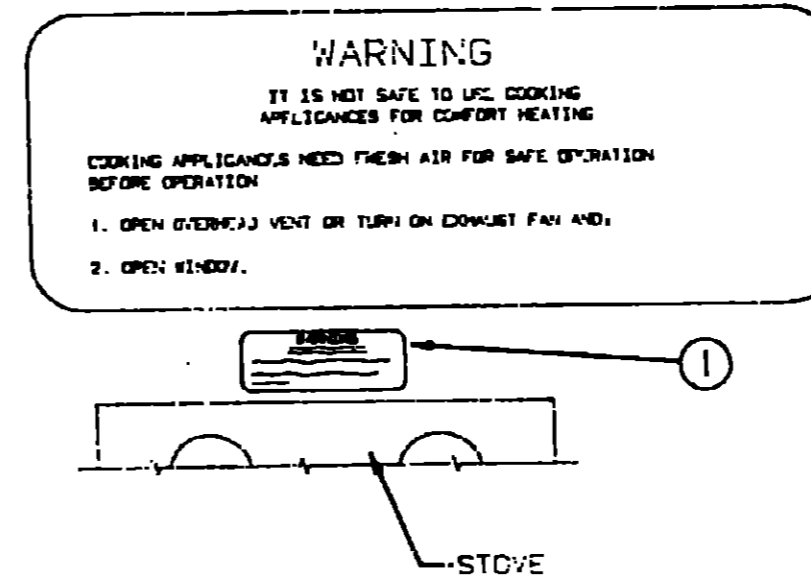
Key	Part Number	U/M	Description
1	087207-02-000	EA	Label - Fuel Cap Removal
2	062043-01-000	EA	Label - Unleaded Fuel Only
	061417-01-000	EA	Label - Fuel
3	006040-01-000	EA	Tag - Gas Refueling Warning

**WARNING DISCONNECT BATTERIES BEFORE
CONNECTING EXTERNAL CHARGING EQUIPMENT.**



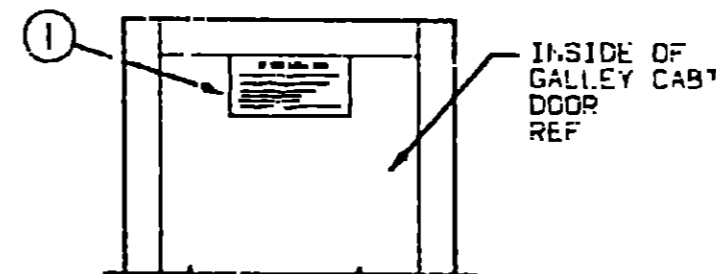
Key	Part Number	U/M	Description
1	065748-01-000	EA	Label - Caution - Battery Charging

LABELS GROUP (CONTINUED)



Key	Part Number	U/M	Description
1	050225-01-000	EA	Label - Warning - Stove Vent

Key	Part Number	U/M	Description
1	000062-03-000	EA	Tag - Electrical - 100 Volt Connection



IF YOU SMELL GAS

1. EXTINGUISH ANY OPEN FLAME, PILOT LIGHTS AND ALL SMOKING MATERIALS.
2. SHUT OFF THE GAS SUPPLY AT THE TANK VALVE OR GAS SUPPLY CONNECTION.
3. OPEN DOORS AND OTHER VENTILATING OPENINGS.
4. DO NOT TOUCH ELECTRICAL SWITCHES.
5. LEAVE THE AREA UNTIL DOOR CLEARS.
6. HAVE THE GAS SYSTEM CHECKED AND LEAKAGE SOURCE CORRECTED BEFORE USING AGAIN.

F-5	Key	Part Number	U/M	Description
	1	073938-01-000	EA	Label - LPG - Odor Warning

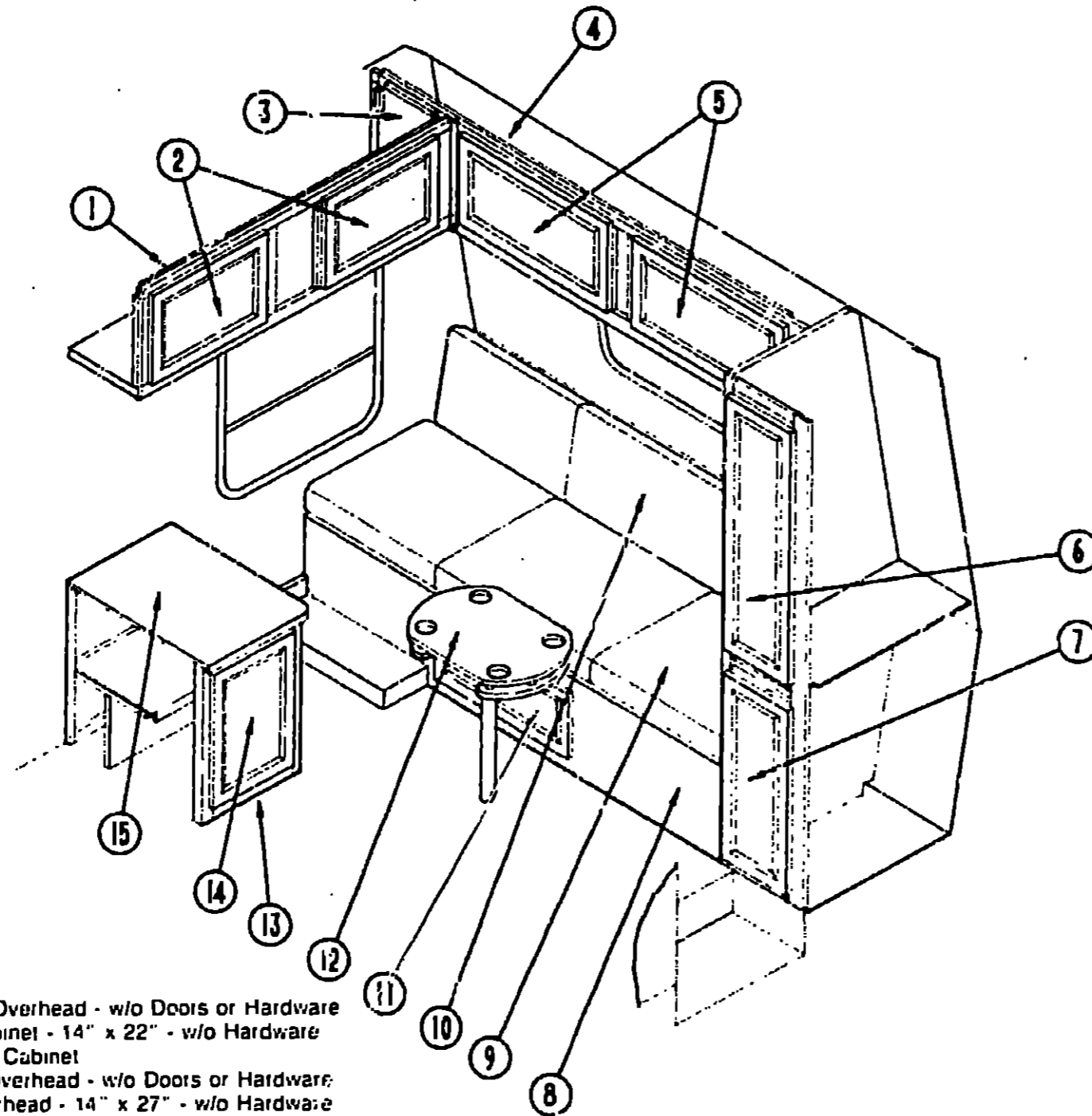
**1991 WINNEBAGO
TABLE OF CONTENTS**

INTRODUCTION	A-01 - A-02
ABBREVIATIONS	A-03
ALPHABETICAL/GROUP REFERENCE	A-04 - A-06
JCF23EC	A-07 - D-10
JF321RG	D-11 - F-23

1991 JF321RG INDEX

Floor Plan	D-11 - D-12
Accessories Group	D-13 - D-16
Bath Group	D-17 - D-18
Chassis Group	D-19 - D-21
Curtain, Cushion & Pad Group	D-22 - E-05
Dinette Group	E-06 - E-07
Driver's Compartment Group	E-08 - E-09
Electrical Group	E-10 - E-11
Exterior Body Group	E-12 - E-16
Galley Group	E-17 - E-19
Heating & Air Conditioning Group	E-20 - E-21
Interior Finish Group	E-22 - E-24
Labels Group	F-01 - F-06
Lounge Group	F-07 - F-08
Sealants & Fasteners Group	F-09 - F-10
Water & Sewage Group	F-11 - F-12
Window, Vent & Exterior Door Group	F-13 - F-23

LOUNGE GROUP
LOUNGE CABINETRY & HARDWARE



Key	Part Number	U/M	Description
1	P03547-01-B27	EA	Cabinet - Sidewall Overhead - w/o Doors or Hardware
2	P00099-33-B27	EA	Door - Sidewall Cabinet - 14" x 22" - w/o Hardware
3	082825-05-B27	EA	End Cap - Sidewall Cabinet
4	P03593-01-B27	EA	Cabinet - Lounge Overhead - w/o Doors or Hardware
5	P00099-32-B27	EA	Door - Lounge Overhead - 14" x 27" - w/o Hardware
6	P00099-43-B27	EA	Door - Wardrobe Cabinet - 12" x 40" - w/o Hardware
7	P00099-A3-B27	EA	Door - Wardrobe Cabinet - 12" x 29" - w/o Hardware
8	103446-01-B27	EA	Cabinet Asm. - Couch
9	100032-08-B27	EA	Seat - Couch/Presto Bed
9	100032-08-B28	EA	Seat - Couch/Presto Bed
10	100032-07-B27	EA	Back - Couch/Presto Bed
10	100032-07-B28	EA	Back - Couch/Presto Bed
11	P00099-38-B27	EA	Door - Couch Cabinet - 12" x 29" - w/o Hardware
12	071713-02-000	EA	Table - Oval - w/2 Ash Trays - 16" x 22"
	009040-03-000	EA	Table Base - Raised Table Mount
	009040-07-000	EA	Leg - Pedestal Table - 29.5"
	041194-01-000	EA	Table Base - Flush Floor Mount
	076840-01-000	EA	Hold Down - Bungee Cord - 24"
13	103597-01-B27	EA	Cabinet - Motor Aid
14	P00099-53-B27	EA	Door - Motor Aid Cabinet - 16" x 21 9" - w/o Hardware
15	103579-11-B27	EA	Countertop - Motor Aid Cabinet

*See Curtain, Cushion & Pad Group for further breakdown of these items.

1991 WINNEBAGO
TABLE OF CONTENTS

INTRODUCTION	A-01 - A-02
ABBREVIATIONS	A-03
ALPHABETICAL/GROUP REFERENCE	A-04 - A-06
JCF23EC	A-07 - D-10
JF321RG	D-11 - F-23

1991 JF321RG INDEX

Floor Plan	D-11 - D-12
Accessories Group	D-13 - D-16
Bath Group	D-17 - D-18
Chassis Group	D-19 - D-21
Curtain, Cushion & Pad Group	D-22 - E-05
Dinette Group	E-06 - E-07
Driver's Compartment Group	E-08 - E-09
Electrical Group	E-10 - E-11
Exterior Body Group	E-12 - E-16
Galley Group	E-17 - E-19
Heating & Air Conditioning Group	E-20 - F-21
Interior Finish Group	E-22 - E-24
Labels Group	F-01 - F-06
Lounge Group	F-07 - F-08
Sealants & Fasteners Group	F-09 - F-10
Water & Sewage Group	F-11 - F-12
Window, Vent & Exterior Door Group	F-13 - F-23

SEALANTS & FASTENERS GROUP

SCREWS & FASTENERS

Key	Part Number	U/M	Description
	000C13-07-488	EA	Bolt - Hex - 7/16 - 20 x 3 - Zn 5
	000C26-05-20B	EA	Bolt - Hex - Ser Flg 5/16 - 18 x 1 1/4" - Zinc
	000D24-10-00B	EA	Nut - Hex - Locking - 10-32 - Zn
	000D39-05-003	EA	Nut - Hex - Ser Flg Lk - 5/16 - 16 - Zn
	000D39-06-00B	EA	Nut - Hex - Ser Flg Lk - 3/8 - 16 - Zn
	000D39-08-00B	EA	Nut - Hex - Ser Flg Lk - 1/2 - 13 - Zn
	000D44-07-00B	EA	Nut - Hex - Ser Flg Lk - 7/16 - 20 - Zn
	000E13-11-00B	EA	Washer - Flat - 3/16" Wide - Zn
	000G11-05-10J	EA	Screw - 6 - 20 x 5/8 PPH - Brass
	000G11-07-08B	EA	Screw - 7 - 19 x 1/2 PPH - Zn
	000G11-08-06B	EA	Screw - 8 - 18 x 3/8 PPH - Zn
	000G11-08-12B	EA	Screw - 8 - 18 x 3/4 PPH - Zn
	000G11-08-12D	EA	Screw - 8 - 18 x 3/4 PFH - Black
	000G11-08-12P	EA	Screw - 8 - 18 x .75 - Dark Brown
	000G11-08-12R	EA	Screw - 8 - 18 x .75 PPH - Beige
	000G11-08-12S	EA	Screw - 8 - 18 x .75 PPH - Off White
	000G11-08-16S	EA	Screw - C - 18 x 1.00 PPH - Off White
	000G11-10-12D	EA	Screw - 10 - 16 x 3/4 PPH - Black
	000G11-10-24P	EA	Screw - 10 - 16 x 1 1/2 PPH - Dark Brown
	000G12-08-12S	EA	Screw - 8 - 18 x .75 POH - Off White
	000G12-08-16S	EA	Screw - 8 - 18 x 1" POH - Off White
	000G13-06-08B	EA	Screw - 6 - 20 x 1/2 PFH - Zn
	000G13-06-10G	EA	Screw - 6 - 20 x 5/8 PFH - Antique Brass
	000G13-07-12B	EA	Screw - 7 - 19 x 3/4 PFH - Zn
	000G13-08-16B	EA	Screw - 8 - 18 x 1 PFH - Zn
	000G18-08-12B	EA	Screw - Machine - 8 - 32 x 3/4" PPH - Zn
	000G18-08-16B	EA	Screw - Machine - 8 - 32 x 1 PPH - Zn
	000G18-08-22B	EA	Screw - Machine - 8 - 32 x 1 3/8 PPH - Zn
	000G39-08-08B	EA	Screw - SF/DR 8 - 18 x 1/2 PPH - Zn
	000G39-08-08R	EA	Screw - SF/DR 8 - 18 x 1/2 PPH - Beige
	000G39-08-12B	EA	Screw - SF/DR 8 - 18 x 3/4 PPH - Zn
	000G39-08-12R	EA	Screw - SF/DR 8 - 18 x 3/4 PPH - Beige
	000G39-08-16S	EA	Screw - SF/DR 8 - 18 x 1.00 PPH - Off White
	000G39-08-24B	EA	Screw - SF/DR 8 - 18 x 1 1/2 PPH - Zn
	000G39-08-24S	EA	Screw - SF/DR 8 - 18 x 1.50 PPH - Off White
	000G39-10-10S	EA	Screw - SF/DR 10 - 16 x .62" PPH - Off White
	000G39-10-12D	EA	Screw - SF/DR 10 - 16 x 3/4 PPH - Black
	000G39-10-203	EA	Screw - SF/DR 10 - 16 x 1 1/4 PPH - Zn
	000G42-04-16B	EA	Screw - SF/DR 1/4 - 14 x 1 HWH - Zn
	000G53-01-06B	EA	Screw - Machine - 1/4 - 20 x 3/8 PPH - Zn
	000G54-04-20B	EA	Screw - 1/4 - 20 x 1 1/4 PTH Typ 23 - Zn
	000G67-10-08B	EA	Screw - 10 - 12 x 1/2 PPH - Zn
	000G67-10-08F	EA	Screw - 10 - 12 x 1/2 PPH - Beige - Type A
	000G67-10-10B	EA	Screw - 10 - 12 x 5/8 PPH - Zn - Type A
	000G67-10-10R	EA	Screw - 10 - 12 x 5/8 PPH - Beige - Type A
	000G67-10-12B	EA	Screw - 10 - 12 x 3/4 PPH - Zn
	000G67-10-12P	EA	Screw - 10 - 12 x .75 PPH - Dark Brown
	000G67-10-120	EA	Screw - 10 - 12 x .75 PPH - Tan
	000G67-10-24B	EA	Screw - 10 - 12 x 1 1/2 PPH - Zn
	000G67-10-32B	EA	Screw - 10 - 12 x 2 PPH - Zn
	000G68-06-10G	EA	Screw - 6 - 18 x 5/8 POH - Antique Brass
	000H16-04-06R	EA	Rivet - Pop - AL 1/8 x .313 - .375
	005081-01-000	EA	Nut - Speed - C Type - No. 8 Screw
	062401-01-000	EA	Clamp - Hose - Wormgear - 1.56" - 2.5"
	062401-04-000	EA	Clamp - Hose - Wormgear - .69" - 1.25"
	062401-06-000	EA	Clamp - Hose - Wormgear - .22" x .62"
	007161-01-000	EA	Clamp - Hose - Spring Type - 1/2"
	083010-01-000	EA	Clamp - Wire, Dual - Unequal Diameters - .75" x 1.25"
	008343-01-000	EA	Tie - Wire - 6"
	008386-01-000	EA	Grommet - Snap - 3/8

SEALANTS & FASTENERS GROUP (CONTINUED)

SCREWS & FASTENERS (CONTINUED)

Key	Part Number	U/M	Description
	008401-01-000	EA	Strap - Conduit - 3/4" - 1 Hole - Galvanized Steel
	010495-01-000	EA	Clamp - Cable - 9/16"
	010497-01-000	EA	Clamp - Closed - 5/8" ID
	010497-03-000	EA	Clamp - Closed - 1" ID - Cushioned
	010499-01-000	EA	Clamp - Closed - 3/8" ID
	016804-01-000	EA	Brace - Cabinet - Angled Metal - 2.5"
	083809-01-000	EA	Clamp - Wire Dual - Equal 5/8" Dia.
	084884-01-000	EA	Plug - Brass - 3/8"
	087721-01-000	EA	Screw - Flat Head - Tapping - 1/4 x 1 1/4 LG - Zn
	089371-01-000	EA	Screw - Machine - 8 - 32 x 3 5/16 - Zn
	075148-02-000	EA	Clamp - Grounding - Bronze Screws
	075908-01-000	EA	Screw - Machine - 10 - 32 x .56 PTH - Zn
	076790-01-000	EA	Screw - 6 - 20 x 1 1/4 PPH - Black
	063729-04-000	EA	Rivet - 10 - 32 UNF - .010 - .080

SEALANTS & ADHESIVES

Key	Part Number	U/M	Description
	001020-01-000	Q1	Adhesive - ABS Cement (Plastic Fittings)
	004005-02-000	GL	Adhesive - Swifts - Glue (Sidewalls)
	053766-07-000	EA	Bedding Compound - Tube - Beige (Exterior)
	053766-06-000	EA	Bedding Compound - Tube - Clear (Window)
	053766-08-000	EA	Bedding Compound - Tube - Gray (Exterior)
	102352-01-000	EA	Bedding Compound - Tube - Black (Luggage Compartment)
	053766-02-000	EA	Bedding Compound - Tube - Off White (Exterior)
	002328-02-000	EA	Block - Rubber Spacer (Windshield)
	077967-01-000	EA	Sealant - Acrylic Latex - Tube - Off White (Interior Sealant)
	034552-04-000	EA	Sealant - Silicone - Beige
	034552-02-000	EA	Sealant - Silicone - Clear
	034552-07-000	EA	Sealant - Silicone - Dark Gray
	034552-06-000	EA	Sealant - Silicone - Off White
	039518-01-000	EA	Sealant - Silicone - Black
	069640-01-000	FT	Sealer Ribbon - .25" Bead x 20'
	069640-02-000	FT	Sealer Ribbon - .5" x .125" x 30'
	069640-03-000	FT	Sealer Ribbon - .75" x .125" x 30'
	069640-09-000	FT	Sealer Ribbon - 1/32" x 2.5" x 30'
	069640-06-000	FT	Sealer Ribbon - 5/16" Bead x 15'
	069640-07-000	FT	Sealer Ribbon - 2" x 3/32" x 30'
	069640-10-000	FT	Sealer Ribbon - 1/32" x 1.5" x 100'
	002707-02-000	FT	Sealer Tape - 5/16" x 1/2"
	074497-14-700	EA	Sealer - Stain (Ceiling)
	102353-01-700	EA	Seam Sealer - Tube - Gray (Roof Seams)
	094401-01-000	EA	Seam Sealer - Tube - Clear (Cap to Sidewall)
	063642-01-000	FT	Tape - Adhesive - .10mm x 1.5" Wide
	038886-01-000	EA	Tape - Butyl - .31" x .31" x 148" (Windshield)
	076322-01-000	FT	Tape - Foam - Double Coated - .025 x .75 x 72' (Fiberglass Sidewall Seams)
	076322-02-000	FT	Tape - Foam - Double Coated - .045 x 1" (Fiberglass Sidewall Seams)
	100028-01-000	FT	Tape - Foam - Double Coated - .031 x .75 x 72' (Non-Structural Fastening)
	069700-01-000	EA	Tape - Furnace - 1.5"
	002825-01-000	FT	Weather Stripping (Roof Vent)
	081377-01-700	EA	Adhesive - Cyanoacrylate - 10GM

**1991 WINNEBAGO
TABLE OF CONTENTS**

INTRODUCTION	A-01 - A-02
ABBREVIATIONS	A-03
ALPHABETICAL/GROUP REFERENCE	A-04 - A-06
JCF23EC	A-07 - D-10
JF321RG	D-11 - F-23

1991 JF321RG INDEX

Floor Plan	D-11 - D-12
Accessories Group	D-13 - D-16
Bath Group	D-17 - D-18
Chassis Group	D-19 - D-21
Curtain, Cushion & Pad Group	D-22 - E-05
Dinette Group	E-06 - E-07
Driver's Compartment Group	E-08 - E-09
Electric! Group	E-10 - E-11
Exterior Body Group	E-12 - E-16
Galley Group	E-17 - E-19
Heating & Air Conditioning Group	E-20 - E-21
Interior Finish Group	E-22 - E-24
Labels Group	F-01 - F-06
Lounge Group	F-07 - F-08
Sealants & Fasteners Group	F-09 - F-10
Water & Sewage Group	F-11 - F-12
Window, Vent & Exterior Door Group	F-13 - F-23

WATER & SEWAGE GROUP

DRAINAGE SYSTEM

Key	Part Number	U/M	Description
	062422-01-000	EA	Adapter - Offset Reducer - 3" x 1 1/2"
	062416-01-000	EA	Adapter - Sewer Hose to 3" Pipe
	011091-02-000	EA	Continuous Waste - Double Sink - 1 7/8"
	083511-01-000	EA	Catch Basin - Lavatory Cabinet - Off White
	101419-01-01A	EA	Catch Basin - Lavatory Sink - Off White
	078406-01-000	EA	Coupler - Rubber - 3" x 3"
	010051-01-000	EA	Elbow - Plastic - 1/8 90° x 1 1/2 x 45°
	010006-01-000	EA	Elbow - Plastic - 1/8 BD x 1 1/2 45° H x H
	010008-01-000	EA	Elbow - Plastic - 1/4 BD x 1 1/2 x 90° - Left
	033761-01-000	EA	Elbow - Turn 1/4 Bend x 1 5" Hub x 1 5" Spigot - Blk Plastic
	057457-01-000	EA	Elbow - Union - 1/2" x 1/2" Flare
	061607-01-000	EA	Grommet - Holding Tank Coupler - 1 1/2"
	061607-02-000	EA	Grommet - Holding Tank Coupler - 3"
	011066-03-000	EA	P-Trap - 1 1/4" - Plastic (US)
	083558-03-000	EA	Refrigerant - Covered - Vent Pipe
	062415-01-000	EA	Sew. Cap - 3"
	062415-01-700	EA	Strap - Sewer Cap
	010201-01-000	EA	Sewer Hose - 3" ID x 20'
	011048-02-000	EA	Shower Head w/60" Hose
	1402606-01-000	EA	Shower Pan Asm
	011029-01-000	EA	Sink - Double w/mounting Hardware - Stainless Steel
	066436-01-000	CA	Stop Nut - 1 5" Tailpiece
	066440-01-000	EA	Strainer - Shower Drain
	011069-04-000	EA	Tailpiece - 1 1/2" x 1 1/4" x 8" - Brass
	011069-05-000	EA	Tailpiece - 1 1/2" x 1 1/4" x 6" - Brass
	011069-02-000	EA	Tailpiece - 1 1/2" x 1 1/4" x 4" - Brass
	083268-01-000	EA	Tank - Holding - 25 Gal - 18 1/2" x 16 8" x 19 5"
	083269-01-000	EA	Tank - Holding - 25 Gal - 19 4" x 35 4" x 12 1"
	010079-01-000	EA	Tee - Plastic - 1 1/2" H x 1 1/2" H x 1 1/4" H
	010071-01-000	EA	Tee - Plastic - 1 1/2" H x H x H
	024676-01-000	EA	Toilet Closet Flange - 4" x 3" - Red
	067487-01-000	EA	Toilet - Ivory - Aqua Magic
	057487-01-700	EA	C L F L Seal & Bolt Package
	063740-01-710	EA	Link
	063740-01-711	EA	Spring - Return Lever
	063740-01-705	EA	Seal - Ivory - w/o Cover
	063740-01-700	EA	Lever - Water
	063740-01-701	EA	Lever - Flush
	063740-01-713	EA	Seal - Ball - Valve to Bowl
	063740-01-714	EA	Valve Asm - Water
	063740-01-707	EA	Seal - Closet Flange
	063740-01-706	EA	Bolt Package - Closet
	070916-01-000	EA	Valve - Dual - 3" x 1 5"
	070916-01-700	EA	Valve - Only - 3"
	070916-01-701	EA	Valve - Only - 1 1/2"
	079968-01-000	EA	Vent - Mechanical Trap Arm
	069735-01-000	EA	Washer - Tailpiece - 1 5" - Plastic

* These parts were used from 11/19/90 on
 NOTE: Items indented below assemblies are serviceable parts for that assembly

WATER & SEWAGE GROUP (CONTINUED)

WATER LINES & HARDWARE

Key	Part Number	U/M	Description
	010224-01-000	EA	Adapter - Hose to Pipe - 3/8" Barb - Black Plastic
	044927-01-000	EA	Adapter - Plastic - 1 1/4" MPT x 1 1/4" Bar (Water Tank)
	079317-01-000	EA	Adapter - Swivel - .5 Tube x .5 FPT
	052954-01-000	EA	Adapter - Nose Cone - 3/8" or 1/2" - Plastic
	036522-02-000	EA	Cap - Brass - 1/2" Flare
	065120-01-000	EA	Elbow - Plastic - Swivel - 1/2" FPT x 1/2" Flare - Gray
	052957-02-000	EA	Elbow - Male - 1/2" F x 1/2" MPT - Gray - Plastic
	070924-01-000	EA	Elbow - Swivel - 1/2" MPT x 1/2" FPT - Gray
	011053-04-000	EA	Faucet - Swing Spout - Galley - 8"
	091253-01-000	EA	Gasket - Faucet
	075240-06-000	EA	Faucet - Lavatory - Bone
	075241-05-000	EA	Faucet - Shower - Bone
	077954-02-000	EA	Filter/Screen (In Water Tank)
	052952-01-000	EA	Nut - Plastic - 1/2" F
	052953-01-000	EA	Nut - Faucet - 1/2" Tube x 1/2" FPT
	049032-01-000	EA	Patch - Spinweld - Plastic - 3/8"
	088475-01-000	EA	Pin - Connector
	098607-01-000	EA	Pump - Water - 2.8 GPM - Direct Flow
	098607-01-707	EA	Motor/Backplate - Replacement
	098607-01-701	EA	Drive Asm
	098607-01-702	EA	Diaphragm Kit
	098607-01-703	EA	Valve Asm
	098607-01-704	EA	Upper Housing
	098607-01-705	EA	Switch Asm - Complete
	098607-01-700	EA	Pumphead - Replacement
	098607-01-705	EA	Check - Valve Kit
	091208-01-000	EA	Rubber Washer - .06 x .75 x .50
	011048-02-000	EA	Shower Head - w/60" Hose
	042989-03-000	EA	Spinweld Fitting - Plastic - 1/4" NPT
	042989-05-000	EA	Spinweld Fitting - Plastic - 1/2" FPT
	042989-04-000	EA	Spinweld Fitting - Plastic - 3/8" FPT
	052955-01-000	EA	Tee - Plastic - 1/2" F x 1/2" F x 1/2" MPT
	052958-01-000	EA	Tee - Plastic - 1/2" F x 1/2" F x 1/2" F
	039600-01-000	FT	Tubing - Polybutyl - 1/2" OD x 20' (Water Line)
	079381-01-000	FT	Tubing - Flex/Smooth - 1 25 ID (Water Tank)
	074462-02-000	FT	Tubing - Vinyl - 3/8" ID
	046128-01-000	EA	Valve - Drain - Plastic - 1/2" FPT
	052960-01-000	EA	Valve - Line Drain - 1/2" F x 1/2" F
	052960-01-700	EA	Connector - Union - 1/2" F x 1/2" F
	057063-03-000	EA	Water Tank - 28 Gal w/Fittings - 19" x 25" x 17 5"
**	051391-01-000	EA	Water Heater - Atwood - G6A-3
**	051391-03-000	EA	Water Heater - w/o Motor/id - Electronic Tune - Atwood - G6A-3E

** The illustrated parts breakdown for this item is provided on the Common Items Fiche
 NOTE: Items indented below assemblies are serviceable parts for that assembly

EXTERIOR SHOWER

Key	Part Number	U/M	Description
	103173-01-01A	EA	Kit - Shower - Exterior - Off White
	103173-02-01A	EA	Kit - Shower - Exterior - Off White
	046128-01-000	EA	Valve - Drain - Plastic - 1/2" FPT
	052957-02-000	EA	Elbow - Male - 1/2" F x 1/2" MPT - Plastic
	052952-01-000	EA	Nut - Plastic - 1/2" F x 1/2" Tube
	104579-01-000	FT	Seal - Foam - Closed Cell

* These parts were used from 3/25/91 on.

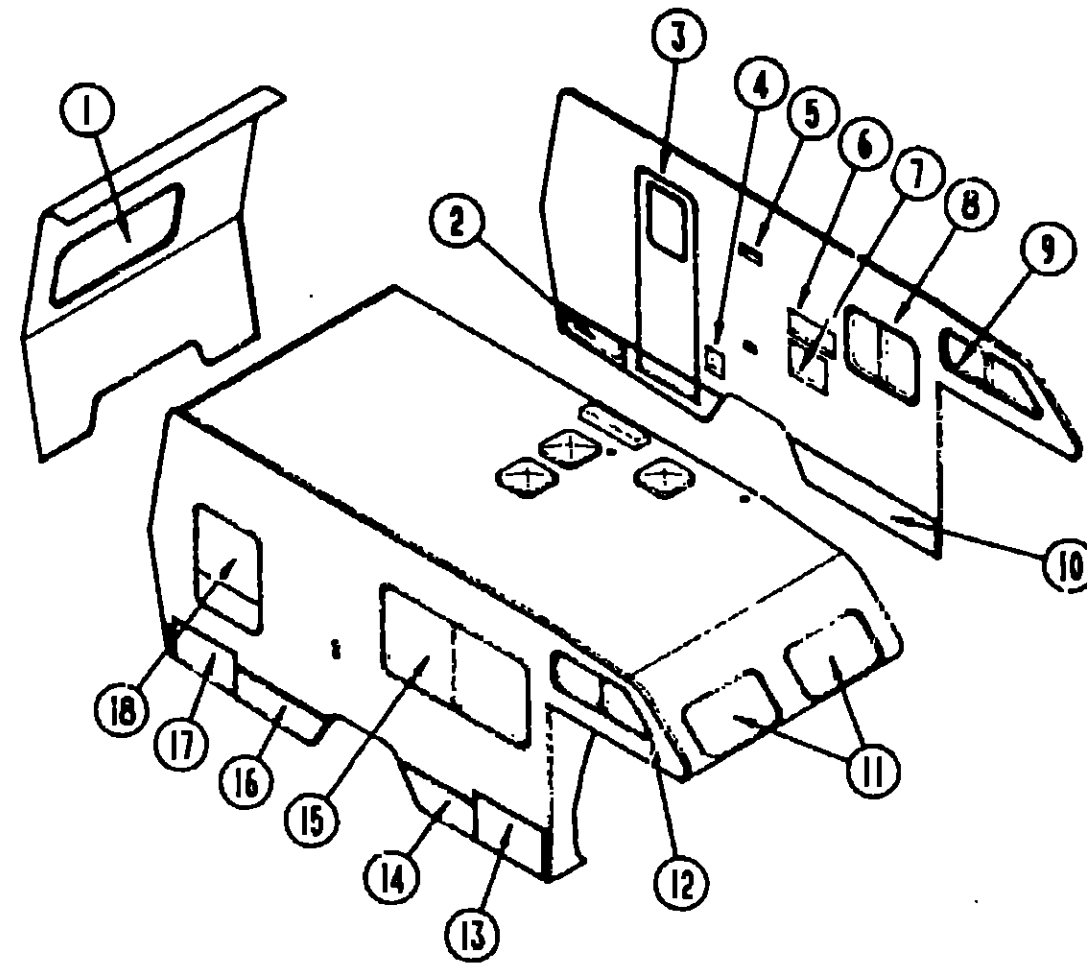
**1991 WINNEBAGO
 TABLE OF CONTENTS**

INTRODUCTION	A-01 - A-02
ABBREVIATIONS	A-03
ALPHABETICAL/GROUP REFERENCE	A-04 - A-06
JCF23EC	A-07 - D-10
JF321RG	D-11 - F-23

1991 JF321RG INDEX

Floor Plan	D-11 - D-12
Accessories Group	D-13 - D-16
Bath Group	D-17 - D-18
Chassis Group	D-19 - D-21
Curtain, Cushion & Pad Group	D-22 - E-05
Dinette Group	E-06 - E-07
Driver's Compartment Group	E-08 - E-09
Electrical Group	E-10 - E-11
Exterior Body Group	E-12 - E-16
Galley Group	E-17 - E-19
Heating & Air Conditioning Group	E-20 - E-21
Interior Finish Group	E-22 - E-24
Labels Group	F-01 - F-06
Lounge Group	F-07 - F-08
Sealants & Fasteners Group	F-09 - F-10
Water & Sewage Group	F-11 - F-12
Window, Vent & Exterior Door Group	F-13 - F-23

WINDOWS, VENTS & EXTERIOR DOORS
WINDOWS & ACCESS DOORS



**1991 WINNEBAGO
TABLE OF CONTENTS**

INTRODUCTION	A-01 - A-02
ABBREVIATIONS	A-03
ALPHABETICAL/GROUP REFERENCE	A-04 - A-05
JCF23EC	A-07 - D-10
JF321RG	D-11 - F-23

1991 JF321RG INDEX

Floor Plan	D-11 - D-12
Accessories Group	D-13 - D-16
Bath Group	D-17 - D-18
Chassis Group	D-19 - D-21
Curtain, Cushion & Pad Group	D-22 - E-05
Dinette Group	E-06 - E-07
Driver's Compartment Group	E-08 - E-09
Electrical Group	E-10 - E-11
Exterior Body Group	E-12 - E-16
Galley Group	E-17 - E-19
Heating & Air Conditioning Group	E-20 - E-21
Interior Finish Group	E-22 - E-24
Labels Group	F-01 - F-06
Lounge Group	F-07 - F-08
Sealants & Fasteners Group	F-09 - F-10
Water & Sewage Group	F-11 - F-12
Window, Vent & Exterior Door Group	F-13 - F-23

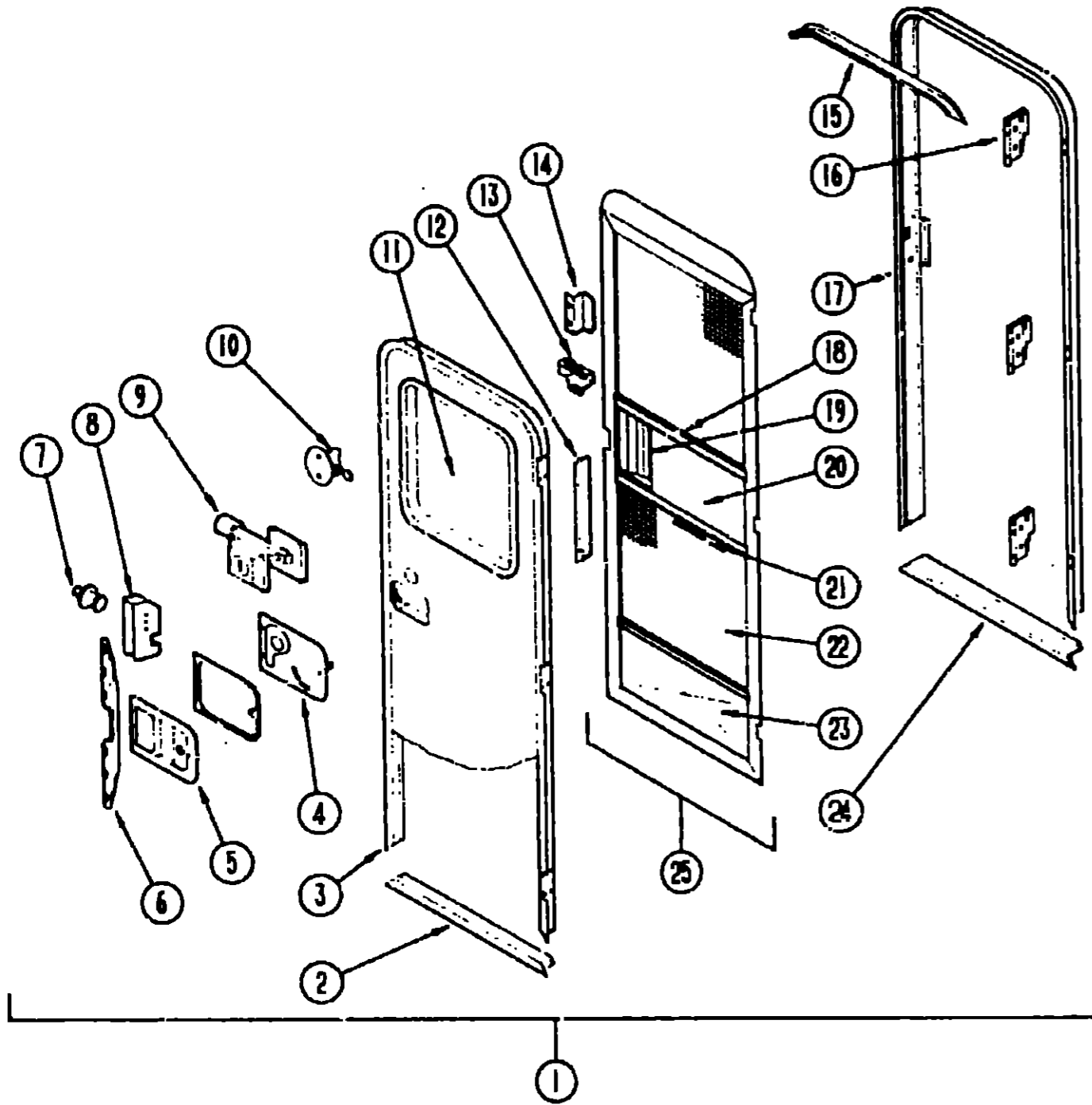
Key	Part Number	U/M	Description
1	078536-01-T03	EA	Window Asm - Rear Escape
2	096397-13-B27	EA	Door Asm - Storage Compartment
3	M01870-57-B27	EA	Door Asm - Entrance
4	078010-03-000	EA	Door Asm - Fuel Fill - Oil White
5	092698-03-01A	EA	Vent - Range Hood - Exterior - w/Door
6	084103-03-000	EA	Door Asm - Refrigerator - Vented
7	052009-01-000	EA	Door Asm - Water Heater
8	098644-01-715	EA	Window Asm - Single Slider (Excel)
9	100322-02-700	EA	Window Asm - Bunk Slider (Excel)

Key	Part Number	U/M	Description
10	096395-05-AA3	EA	Door Asm - Holding Tank & Dump Valve
11	078533-06-AA3	EA	Window Asm - Front Picture
11	078533-08-B13	EA	Window Asm - Front Picture
12	100322-01-720	EA	Window Asm - Bunk Slider (Excel)
13	098252-05-B27	EA	Door Asm - LP
14	096395-10-B27	EA	Door Asm - Storage - w/Radius
15	098647-03-706	EA	Window Asm - Single Slider (Excel)
16	096393-20-B27	EA	Door Asm - Storage - w/Radius
17	098252-03-B05	EA	Door Asm - Generator/Storage
18	092235-03-Y12	EA	Window Asm - Single Tipout

* These parts were used from 5/29/90 on.

WINDOW, VENT & EXTERIOR DOOR GROUP (CONTINUED)

ENTRANCE DOOR



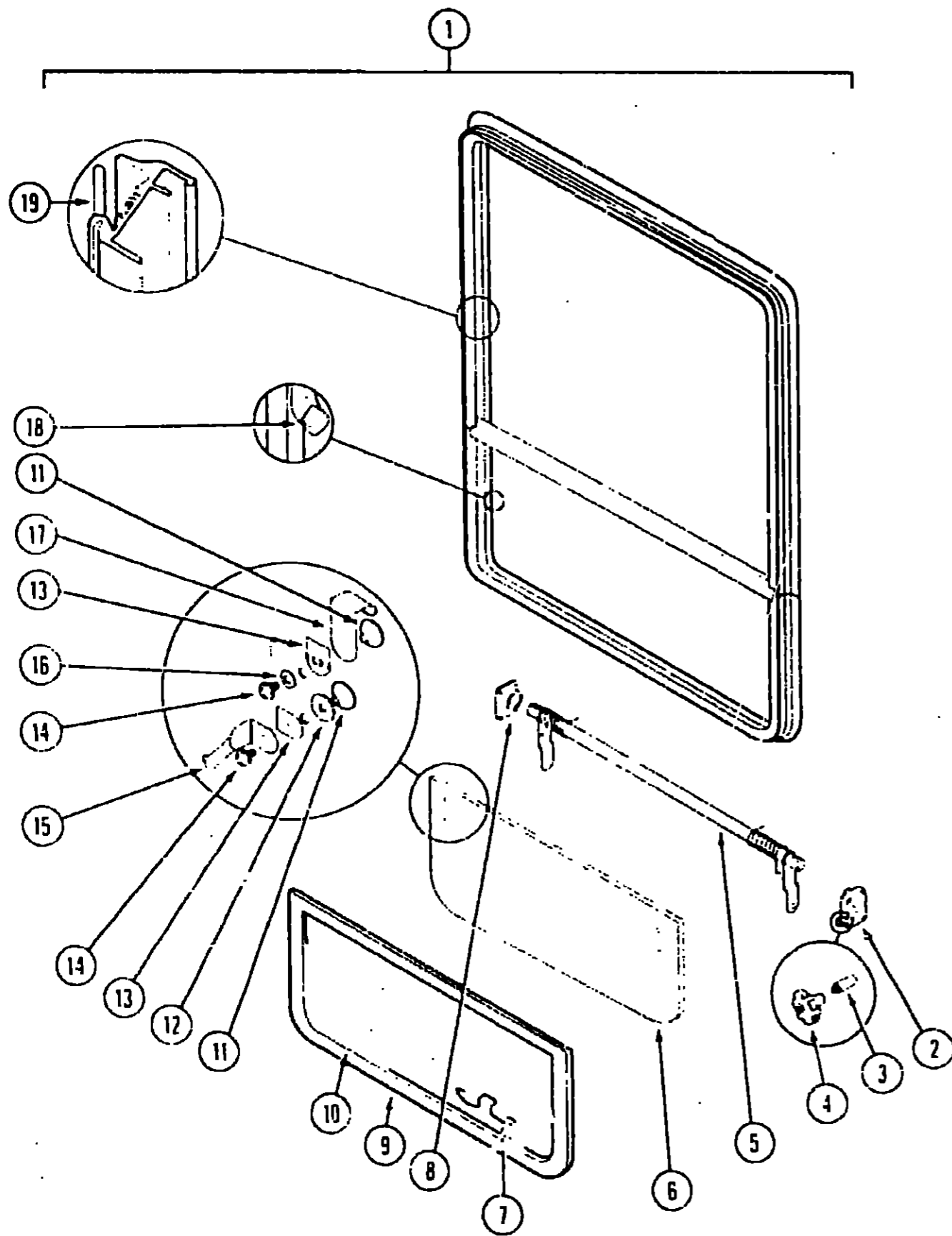
Key	Part Number	U/M	Description
1	1101870-57-B27	EA	Door Asm. - Entrance w/Screen
	175639-17-000	EA	Garnish - Radius - Entrance Door - Off White
2	189748-05-000	EA	Frame - Entrance Door - Bottom Portion
3	015276-04-02A	EA	Frame Asm. - Entrance Door - Off White
4	037979-05-000	EA	Cover Asm. - Latch Plate - Black
	035784-01-000	EA	Cap - Black Vinyl - Lock Grip
5	045117-12-000	EA	Latch Asm. - Plate - Black
6	098173-01-03A	EA	Stiffener - Entrance Door
7	039539-01-000	EA	Strike
8	039540-02-000	EA	Latch Asm. - Entrance Door
9	101145-01-01A	EA	Deadbolt Asm. - Black/Black
	101147-01-000	EA	Bolt - Security - 4.12" Backset
10	009016-01-000	EA	Catch - Screen Door
11	079733-07-AAB	EA	Window Asm. - Picture - 17" x 25" - Frosted Glass (w/o inside frame)
	069609-27-000	EA	Inside Frame - Black (not included in assembly)
	002181-07-000	EA	Glass - Picture - Frosted
	087561-01-000	FT	Spline - Glass - Exterior Vinyl - Black
12	075087-02-000	EA	Strike - Slider - Screen Door
13	009018-01-000	EA	Roller Catch - Screen Door
14	050712-04-000	EA	Door Handle - Screen Door
15	044582-28-000	EA	Drip Cap - Top Entrance
16	097724-01-02A	EA	Hinge - Entrance Door - Off White
17	095277-05-02A	EA	Door Jamb - Entrance Door
	079207-01-000	EA	Striker - Roller Catch - Welded to Door Jamb
18	078777-03-000	EA	Channel Slide - Screen Door Center Slider Cover
19	079086-02-000	EA	Slider - Screen Door
20	016454-01-000	EA	Insert - Screen Door - Center - Leather Grain Aluminum
21	002294-01-000	FT	Spline - Black
22	002293-02-000	SF	Screen - Window - 26" - Channel
23	078552-05-000	EA	Insert - Screen Door - Lower - Kick Panel
24	051049-04-000	EA	Jamb - Bottom - Entry Door
25	079012-06-925	EA	Screen Door Asm
	078595-02-000	EA	Plate - Screen Door
	100128-02-000	FT	Seal - Screen Door
	075671-01-000	FT	Seal - Sponge - Lazy T-Shaped
	002748-01-000	EA	Key - Corner
	063729-04-000	EA	Rivnut - 10 - 32 UNF - 0.16 - .080
	072893-01-000	EA	Nutsert - M5 x 0.8
	076231-01-000	EA	Spacer - Latch, Screen Door - w/2 Holes - 1" x 6" - Metal

1991 WINNEBAGO TABLE OF CONTENTS

INTRODUCTION	A-01 - A-02
ABBREVIATIONS	A-03
ALPHABETICAL/GROUP REFERENCE:	A-04 - A-06
JCF23EC	A-07 - D-10
JF321RG	D-11 - F-23

1991 JF321RG INDEX

Floor Plan	D-11 - D-12
Accessories Group	D-13 - D-16
Bath Group	D-17 - D-18
Chassis Group	D-19 - D-21
Curtain, Cushion & Pad Group	D-22 - E-05
Dinette Group	E-06 - E-07
Driver's Compartment Group	E-08 - E-09
Electrical Group	E-10 - E-11
Exterior Body Group	E-12 - E-15
Galley Group	E-17 - E-19
Heating & Air Conditioning Group	E-20 - E-21
Interior Finish Group	E-22 - E-24
Labels Group	F-01 - F-06
Lounge Group	F-07 - F-08
Sealants & Fasteners Group	F-09 - F-10
Water & Sewage Group	F-11 - F-12
Window, Vent & Exterior Door Group	F-13 - F-23



LOUNGE SINGLE TIPOUT WINDOW

Key	Part Number	U/M	Description
1	092235-03-Y12 090893-03-01A	EA	Window Asm. - Single Tipout (w/o inside frame)
2	035302-02-000	EA	Inside Frame (not included w/Window Assembly)
3	090025-01-000	EA	Operator Drive
4	067052-02-000 089371-01-000	EA	Extension - Window Knob (not included w/Window Assembly)
4	101290-01-01A 101289-01-01A	EA	Window Knob - Beige (not included w/Window Assembly)
4	101290-01-01A 101289-01-01A	EA	Window Knob - Brass (not included w/Window Assembly)
4	101290-01-01A 101289-01-01A	EA	Screw - Window Knob (not included w/Window Assembly)
5	080918-01-000 080918-02-000	EA	Screw - Window Knob - Brass (not included w/Window Assembly)
5	093150-11-000	EA	Spring - Torque Tube - Left
5	080918-01-000 080918-02-000	EA	Spring - Torque Tube - Right
5	093150-11-000	EA	Torque Tube Asm. w/Spring
6	084068-16-000	EA	Glass - 9.2" x 26"
7	100168-01-000	EA	Screen Clip
8	081354-01-000	EA	Torque Tube Sleeve
9	100235-03-B07	EA	Screen Asm.
10	080218-03-000 100240-01-000	SF	Window Screen - 12"
10	100240-01-000	FT	Window Screen Spline
11	086762-01-000	EA	Window T-Nut
12	068927-03-000	EA	Seal - Rubber
13	084473-01-000	EA	Seal - Rubber
14	086763-01-000	EA	Screw - #10 - 32 x 1/4" PTH
15	097578-01-000 081649-01-000	EA	Connecting Rod Asm.
15	081649-01-000	EA	Snap Ring Clip
16	084453-02-000 084453-01-000	EA	Plastic Washer - .06 x .50 x .25
16	084453-01-000	EA	Plastic Washer - .06" x .50" x .135"
17	089913-01-000	EA	Hinge
18	084067-02-000	FT	Seal - Sponge Fiber
19	069640-05-000 080914-01-000 085315-01-000 099154-01-000	FT	Ribbon Sealer (not included w/Window Assembly)
19	080914-01-000	EA	Corner Key
19	085315-01-000	EA	Rivet - Shoulder - Tipout Window
19	099154-01-000	FT	Glazing Channel

1991 WINNEBAGO
TABLE OF CONTENTS

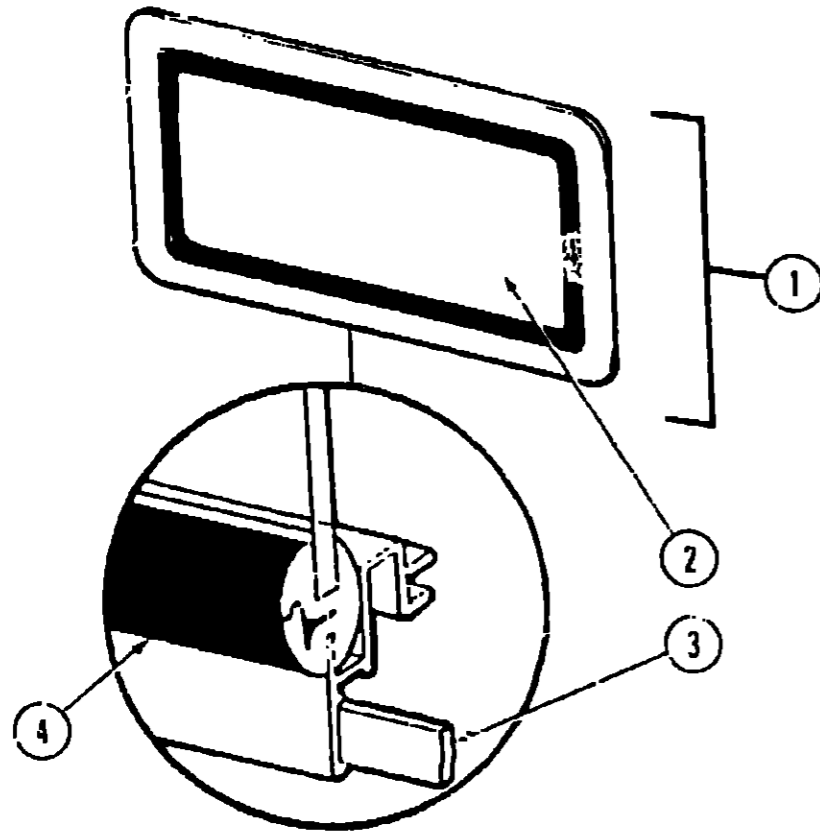
INTRODUCTION	A-01 - A-02
ABBREVIATIONS	A-03
ALPHABETICAL/GROUP REFERENCE	A-04 - A-06
JCF23EC	A-07 - D-10
JF321RG	D-11 - F-23

1991 JF321RG INDEX

Floor Plan	D-11 - D-12
Accessories Group	D-13 - D-16
Bath Group	D-17 - D-18
Chassis Group	D-19 - D-21
Curtain, Cushion & Pad Group	D-22 - E-05
Dinette Group	E-06 - E-07
Driver's Compartment Group	E-08 - E-09
Electrical Group	E-10 - E-11
Exterior Body Group	E-12 - E-16
Galley Group	E-17 - E-19
Heating & Air Conditioning Group	E-20 - E-21
Interior Finish Group	E-22 - E-24
Labels Group	F-01 - F-06
Lounge Group	F-07 - F-08
Sealants & Fasteners Group	F-09 - F-10
Water & Sewage Group	F-11 - F-12
Window, Vent & Exterior Door Group	F-13 - F-23

1991 WINNEBAGO
TABLE OF CONTENTS

INTRODUCTION	A-01 - A-02
ABBREVIATIONS	A-03
ALPHABETICAL GROUP REFERENCE	A-04 - A-06
JCF23EC	A-07 - D-10
JF321RG	D-11 - F-23

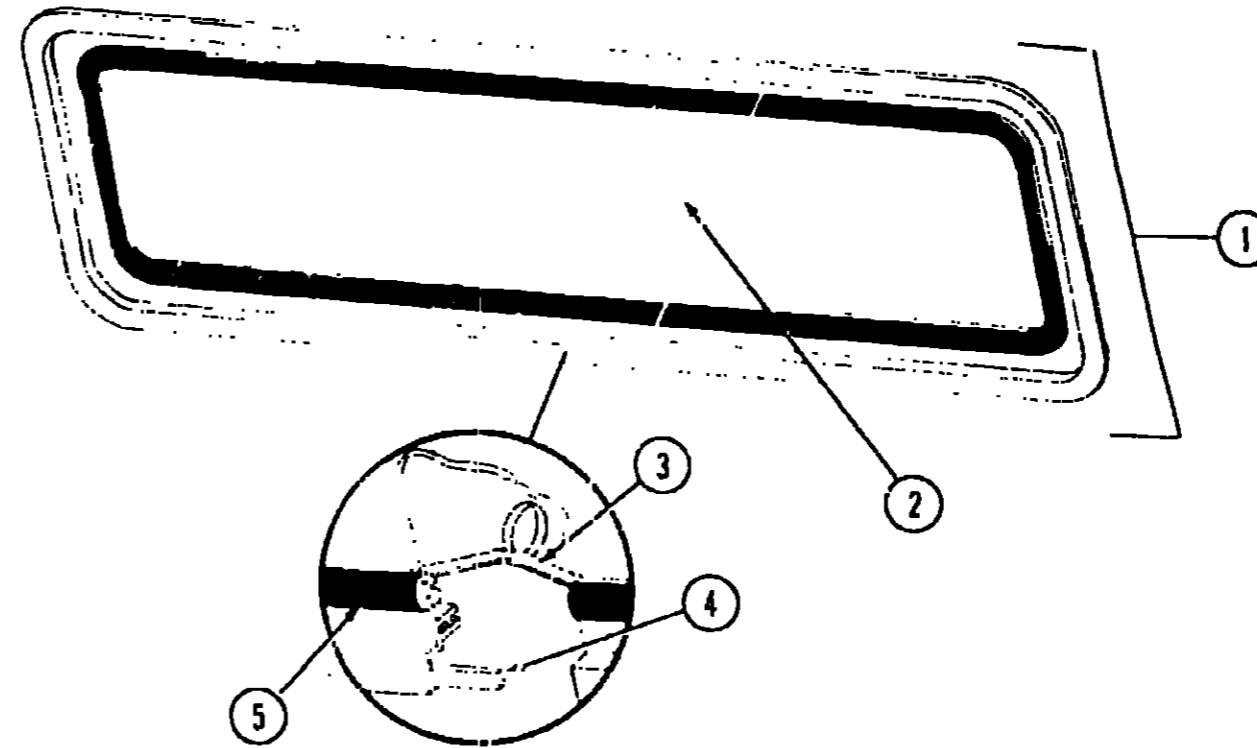


FRONT PICTURE WINDOW
(FROM 00/00/00 THRU 05/28/90)

Key	Part Number	U/M	Description
1	078533-06-AA3	EA	Window Asm. - Front Picture - 15" x 32" - Black (w/o inside frame)
	041938-12-000	EA	Inside Frame - Black (not included in assembly)
2	002200-07-000	EA	Glass - Tempered - Picture Window
3	069640-06-000	FT	Ribbon Sealer - 5/16" Bead x 15"
4	002231-01-000	EA	Weatherstrip - Self Seal - 06" Panel x 3/16" - Black

FRONT PICTURE WINDOW
(FROM 5/29/90 THRU 59/99/99)

Key	Part Number	U/M	Description
1	078533-08-B13	EA	Window Asm. - Front Picture - 14" x 24" - Black (w/o inside frame)
	041938-12-000	EA	Inside Frame - Black (not included in assembly)
2	002181-13-000	EA	Glass - Tempered - Picture Window
3	069640-06-000	FT	Ribbon Sealer - 5/16" Bead x 15"
4	002181-02-000	EA	Weatherstrip - Self Seal - 06" Panel x .125" - Black



ESCAPE WINDOW

Key	Part Number	U/M	Description
1	078536-01-T03	EA	Window Asm. - Rear Escape - 21" x 65" (w/o inside frame)
	042027-12-000	EA	Inside Frame - Black (not included in assembly)
2	002178-01-000	EA	Glass - 1.8" x 19.6" x 64.8"
3	002285-01-000	FT	Filter - Weatherstrip - Black
4	069640-05-000	FT	Ribbon Sealer - 5/16" Bead x 15"
5	002282-01-000	FT	Weatherstrip - 1.25" Window
	006199-01-000	EA	Label - Exit - Escape Window
	047731-01-000	EA	Label - Emergency Exit

1991 JF321RG INDEX

Floor Plan	D-11 - D-12
Accessories Group	D-13 - D-16
Bath Group	D-17 - D-18
Chassis Group	D-19 - D-21
Curtain, Cushion & Pad Group	D-22 - E-05
Dinette Group	E-06 - E-07
Driver's Compartment Group	E-08 - E-09
Electrical Group	E-10 - E-11
Exterior Body Group	E-12 - E-15
Galley Group	E-17 - E-19
Heating & Air Conditioning Group	E-20 - E-21
Interior Finish Group	E-22 - F-24
Labels Group	F-01 - F-06
Lounge Group	F-07 - F-08
Sealants & Fasteners Group	F-09 - F-10
Water & Sewage Group	F-11 - F-12
Window, Vent & Exterior Door Group	F-13 - F-23

WINDOW, VENT & EXTERIOR DOOR GROUP (CONTINUED)

PASSENGER & DRIVERS SIDE BUNK WINDOW (EXCEL)

Key	Part Number	U/M	Description
	100322-01-720	EA	Window - Vented - 12" x 38.5" (Passenger) (w/o inside frame)
	100322-02-700	EA	Window - Vented - 12" x 38.5" (Driver) (w/o inside frame)
	100322-01-719	EA	Inside Frame (not included in assembly)
	100322-01-700	EA	Filler Plug
	100322-01-701	EA	Vent Seal
	100322-01-702	EA	Weatherstrip - Horizontal Rail
	100322-01-703	EA	Glazing - Butyl Strip
	100322-01-704	EA	Butyl Tape
	100322-01-705	EA	Glass - Stationary - Small Top
	100322-01-706	EA	Glass - Stationary - Large Front
	100322-01-707	EA	Glass - Tipout - Sub Asm
	100322-01-710	EA	Splice Plate
	100322-01-708	EA	Screen - Driver Side
	100322-01-709	EA	Screen - Passenger Side
	100322-01-711	EA	Vent Operator - Sub Asm.
	100322-01-712	EA	Rail - Horizontal
	100322-01-713	EA	Bar - Division - Vertical
	100322-01-714	EA	Support - Torque Bar (Driver)
	100322-01-715	EA	Support - Torque Bar (Passenger)
	100322-01-716	EA	Support - Torque Bar - Center Rail
	100322-01-717	EA	E-Ring
	100322-01-718	EA	Handle - Dial

BATH SINGLE SLIDER (EXCEL)

Key	Part Number	U/M	Description
	098644-01-715	EA	Window Asm. - 22" x 15" (w/o inside frame)
	098644-01-714	EA	Inside Frame (not included in assembly)
	098644-01-701	EA	Splice Plate - Window
	098644-01-702	EA	Screw - Splice - #6 - 32 x 1/4" Pan Head
	098644-01-703	EA	Screw - Locking Rail - #6 x 15 Pro Head Recess - Black
	098644-01-704	EA	Glass - Stationary - 10 03" x 13 77"
	098644-01-705	FT	Glazing Strip
	098644-01-705	FT	Weatherstrip
	098644-01-707	EA	Rail - Locking w/Weatherstrip
	098644-01-708	FT	Channel - Pierced Run
	098644-01-700	EA	Latch - Repair Kit
	098644-01-709	EA	Sash w/Latch & Sliding Glass
	098644-01-710	FT	Track - Screen Spacer - 12' Length
	098644-01-711	FT	Weatherstrip - Screen - Black
	098644-01-712	EA	Screen w/Weatherstrip & Frame Spring (Clip)
	098644-01-713	EA	Spring - Screen Frame (Clip) - Plastic - Black
	098644-01-716	EA	Plug - Filler

DINETTE SINGLE SLIDING WINDOW (EXCEL)

Key	Part Number	U/M	Description
	098647-03-706	EA	Window Asm. - Single Slider - 30" x 54" (w/o inside frame)
	098647-03-705	EA	Inside Frame (not included in assembly)
	098644-01-701	EA	Splice Plate - Window
	098644-01-702	EA	Screw - Splice - #6 - 32 x 1/4" Pan Head
	098644-01-703	EA	Screw - Locking Rail - #6 x 15 Pro Head Recess - Black
	098647-03-700	EA	Stationary Glass - 26" x 28 7'
	098644-01-705	FT	Glazing Strip
	098644-01-706	FT	Weatherstrip
	098647-03-701	EA	Locking Rail w/Weatherstrip
	098644-01-708	FT	Channel - Pierced Run
	098644-01-700	EA	Latch - Repair Kit
	098647-03-702	EA	Sash Asm. - w/Lock & Glass
	098647-03-703	EA	Spacer Track
	098644-01-711	FT	Weatherstrip - Screen - Black
	098647-03-704	EA	Screen Asm. - w/Spring & Weatherstrip
	098644-01-713	EA	Spring - Screen Frame (Clip) - Black Plastic
	098644-01-716	EA	Filler Plug

WINDOW, VENT & EXTERIOR DOOR GROUP (CONTINUED)

ACCESS DOORS

Key	Part Number	U/M	Description
	096395-05-AA3	EA	Door Asm. - Holding Tank & Dump Valve - 63.5" Tapered
	079927-03-000	EA	Lock - Twist Type - Double Cam
	078010-03-000	EA	Door Asm. - Fuel Fill - Off White
	078200-01-000	EA	Gasket - Fuel Fill Door
	078040-02-000	EA	Shroud - Fuel Fill - Upper
	083578-01-000	EA	Boot - Fuel Fill
	084235-01-000	EA	Support - Flange
	088794-01-000	EA	Door Asm. - Power Cord w/atch - Off White
	090340-01-000	FT	Seal - Foam Closed Cell - 1/4" x 1/2" x 50'
	084103-03-000	EA	Door Asm. - Refrigerator - Vented - Off White
	084104-01-700	EA	Lock - Male - Dyrus Fasteners
	084104-01-701	EA	Lock - Female - Dyrus Fasteners
	084104-03-000	EA	Jamb - Door - Vented - Refrigerator - Off White
	081240-03-000	EA	Door Asm. - Water Fill - Lockable - 4" x 4 5/8" - Off White
	038252-03-B05	EA	Door Asm. - Storage/Generator - 27"
	058027-01-000	FT	Seal - "D" Shaped - Hollow - Sponge Rubber - Black
	079927-03-000	EA	Lock - Twist Type - Double Cam - 2.10 Off Set
	091801-02-000	EA	Hinge - 2" x 96"
	091876-01-000	EA	Retainer - Door - 1.97" x .79" - Metal
	096397-13-B27	EA	Door Asm. - Storage
	079366-03-000	EA	Lock - Door - Key Type w/o Keys
	062584-01-700	EA	Key - Compartment Door Lock
	096393-20-B27	EA	Door Asm. - Storage - w/Radius
	079356-04-000	EA	Lock - Door - Key Type w/o Keys
	082614-01-700	EA	Key - Compartment Door Lock - BH024
	096395-10-B27	EA	Door Asm. - Front w/Radius
	079365-04-000	EA	Lock - Door - Key Type w/o Keys
	082684-01-700	EA	Key - Compartment Door Lock - BH024
	052009-01-000	EA	Door Asm. - Water Heater - Off White
	098252-05-B27	EA	Door Asm. - LP
	096209-55-001	EA	U-Channel - Hinged - 16' - Off White
	097111-01-01A	EA	Pocket - Lock Valance - Off White
	098338-01-000	EA	Gasket - Lock Pocket

NOTE: Items indented below assemblies are serviceable parts for that assembly.

**1991 WINNEBAGO
TABLE OF CONTENTS**

INTRODUCTION	A-01 - A-02
ABBREVIATIONS	A-03
ALPHABETICAL/GROUP REFERENCE	A-04 - A-06
JCF23EC	A-07 - D-10
JF321RG	D-11 - F-23

1991 JF321RG INDEX

Floor Plan	D-11 - D-12
Accessories Group	D-13 - D-16
Bath Group	D-17 - D-18
Chassis Group	D-19 - D-21
Curtain, Cushion & Pad Group	D-22 - E-05
Dinette Group	E-06 - E-07
Driver's Compartment Group	E-08 - E-09
Electrical Group	E-10 - E-11
Exterior Body Group	E-12 - E-16
Galley Group	E-17 - E-19
Heating & Air Conditioning Group	E-20 - E-21
Interior Finish Group	E-22 - E-24
Labels Group	F-01 - F-06
Lounge Group	F-07 - F-08
Sealants & Fasteners Group	F-09 - F-10
Water & Sewage Group	F-11 - F-12
Window, Vent & Exterior Door Group	F-13 - F-23

WINDOW, VENT & EXTERIOR DOOR GROUP (CONTINUED)

POWERED ROOF VENT

Key	Part Number	U/M	Description
	084079-03-000	EA	Vent - Ceiling - Powered Exhaust - Off White - Fantastic Vent
	084079-01-700	EA	Vent Cover - Fantastic 1020-19
	084079-01-701	EA	Screen Asm. White - Fantastic 1030-80
	084079-01-701	EA	Crank - Exterior - Fantastic 1060-09
	084079-01-701	EA	Blade - Fan - Fantastic 1070-00
	084079-01-703	EA	Motor - Fantastic 1080-00
	084079-01-703	EA	Plug - 12 Volt - Fantastic 1090
	084079-01-707	EA	Switch - Satley - Fantastic 1120-00
	084079-01-703	EA	Switch - Reverse - Fantastic 1130-09
	084079-01-709	EA	Switch - On & Off - Fantastic 1100-00
	084079-01-710	EA	Thermostat - Fantastic 1140-00
	084079-01-711	EA	H - Molding - Motor Mount - Fantastic
	084079-01-712	EA	Garnish Int. Fin. 17/8 O/W
	009440-01-000	EA	Gear Arm - Vent Cover, Lift

NOTE: Items indented below assemblies are serviceable parts for that assembly.

NON-POWERED VENT

Key	Part Number	U/M	Description
	090395-01-Y12	EA	Vent Asm. - Roof - Non-Powered - w/o Screen
	009440-01-000	EA	Lift Mechanism Asm.
	009439-03-000	EA	Extension
	009439-04-000	EA	Screw
	009439-01-000	EA	Handle - Crank - Roof Vent
	015911-01-000	EA	Track - Slide - Roof Vent
	002825-01-000	EA	Weatherstrip Seal
	055218-01-000	EA	Cover Asm. - Roof Vent
	052639-01-200	EA	Hinge - 7" - Roof Vent
	078766-u1-Y12	EA	Screen Asm. - Charcoal
	002291-02-000	SF	Screen - Window - 16" - Charcoal
	002238-02-000	FT	Spline - Charcoal

VENTS & SHROUDS

Key	Part Number	U/M	Description
	083558-03-000	EA	Vent - Plumbing Pipe - Roof w/Cover
	065103-02-000	EA	Cap - Roof Vent - Refrigerator
	065103-01-000	EA	Base - Roof Vent - Norcold Refrigerator
	092698-03-01A	EA	Vent - Range Hood - Exterior - Door

1991 WINNEBAGO TABLE OF CONTENTS

INTRODUCTION	A-01 - A-02
ABBREVIATIONS	A-03
ALPHABETICAL/GROUP REFERENCE	A-04 - A-06
JCF23EC	A-07 - D-10
JF321RG	D-11 - F-23

1991 JF321RG INDEX

Floor Plan	D-11 - D-12
Accessories Group	D-13 - D-16
Ball Group	D-17 - D-18
Chassis Group	D-19 - D-21
Curtain, Cushion & Pad Group	D-22 - E-05
Dinette Group	E-06 - E-07
Driver's Compartment Group	E-08 - E-09
Electrical Group	E-10 - E-11
Exterior Body Group	E-12 - E-16
Galley Group	E-17 - E-19
Heating & Air Conditioning Group	E-20 - E-21
Interior Finish Group	E-22 - E-24
Labels Group	F-01 - F-06
Lounge Group	F-07 - F-08
Sealants & Fasteners Group	F-09 - F-10
Water & Sewage Group	F-11 - F-12
Window, Vent & Exterior Door Group	F-13 - F-23