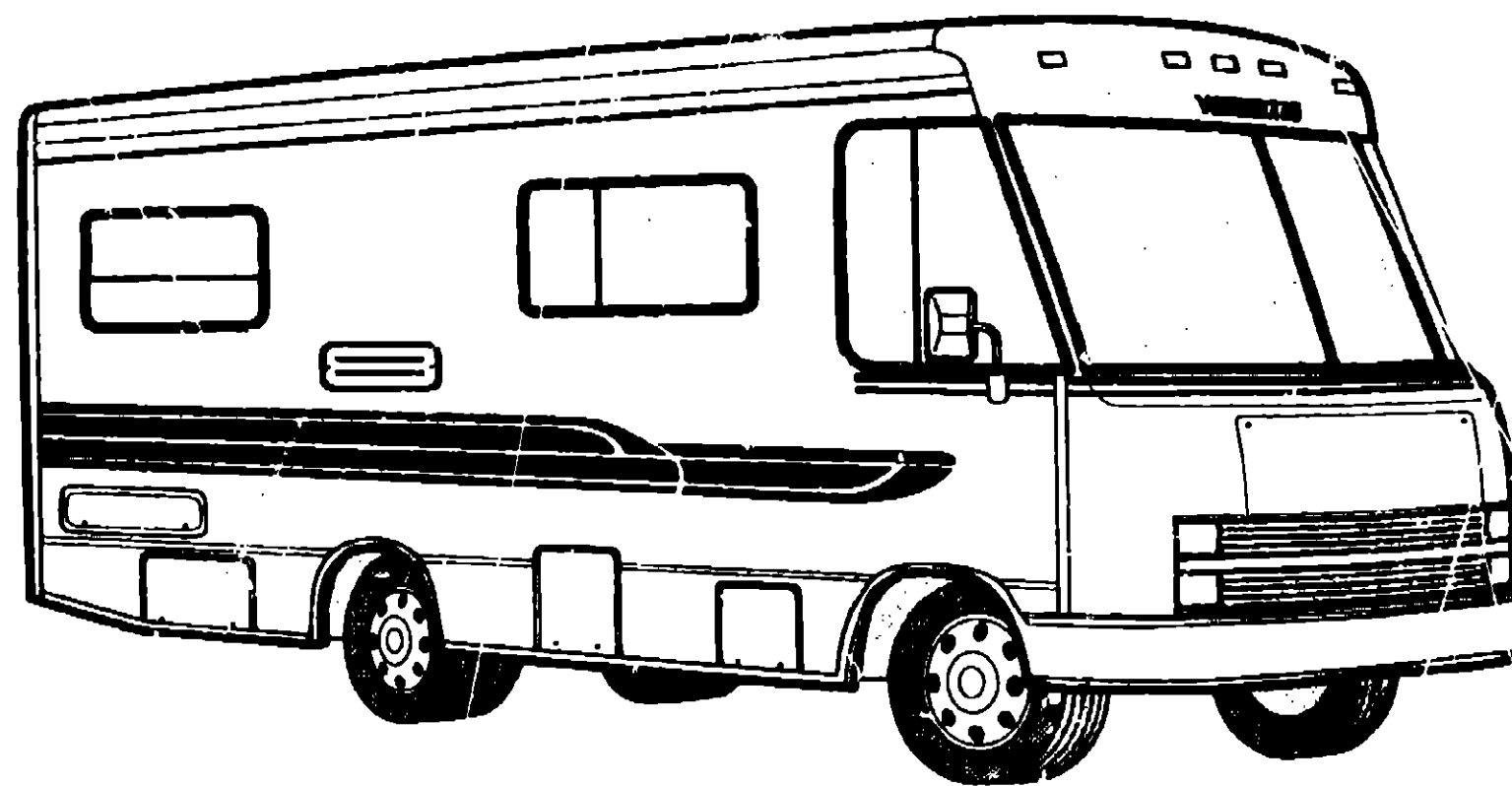


**1991 WINNEBAGO
TABLE OF CONTENTS**

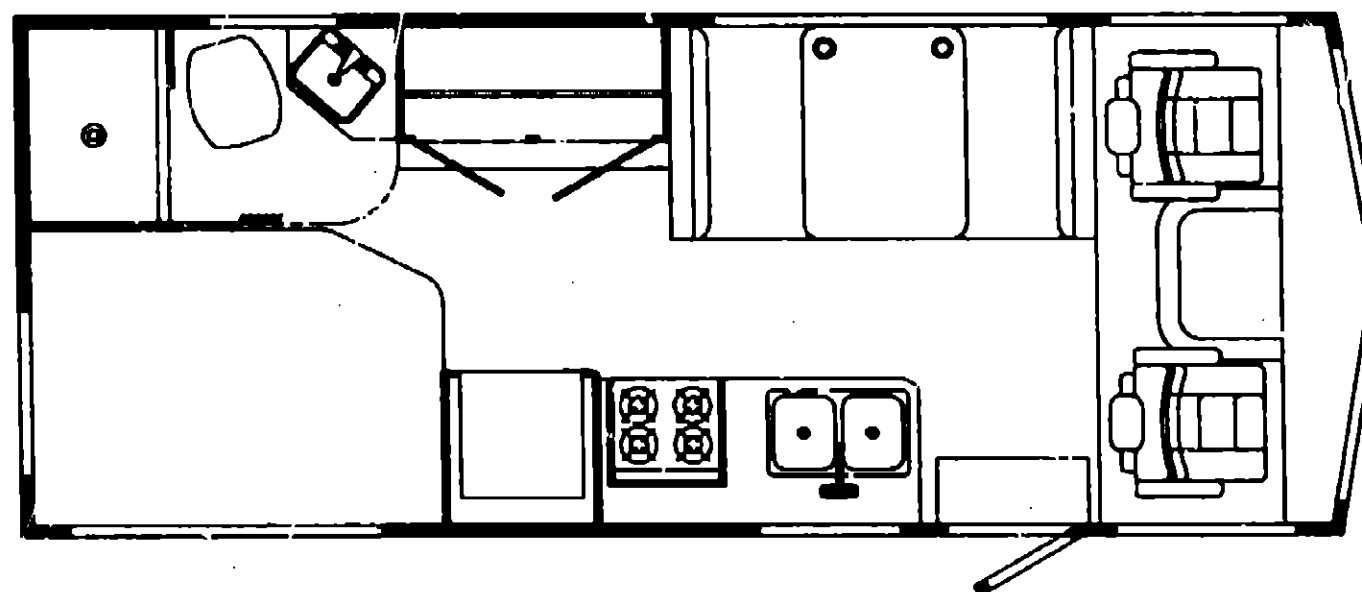
INTRODUCTION	A-01	A-02
ABBREVIATIONS		A-03
ALPHABETICAL INDEX	A-04	A-06
JCF23EC	A-07	D-10
JF321RG	D-11	F-23



1991 JCF23EC INDEX

FLOOR PLAN	A-07	A-08
ACCESSORIES	A-09	A-11
BATH	A-12	A-13
BEDROOM		A-14
CHASSIS	A-15	A-20
C C & PAD	A-21	B-02
DINETTE	B-03	B-04
DRIVERS	B-05	B-10
ELECTRICAL	B-11	B-14
EXTERIOR BODY	B-15	B-20
GALLEY	B-21	B-24
HEATING & A/C	C-01	C-04
INTERIOR FINISH	C-05	C-03
LABEL		C-09
SEALANTS & FASTENERS	C-10	C-12
WATER & SEWAGE	C-13	C-16
WINDCW, VENT AND EXTERIOR DOGR	C-16	D-10

**1991
JCF23EC**



ACCESSORIES GROUP

COVER-WHEEL, 16" - OPTION (OPT 194)

KEY PART NUMBER	U/M DESCRIPTION
083181-01-000	EA COVER-WHEEL, 16" - " SET OF 4 "
	WHEEL LINERS - CHROME 16" (OPTION 83J)

KEY PART NUMBER	U/M DESCRIPTION
091209-05-000	EA LINER-WHEEL, 16" SET/4
091209-05-700	EA SIMULATOR-FRONT WHEEL
091209-05-701	EA SIMULATOR-REAR WHEEL
091209-01-702	EA COVER - FRONT AXLE
091209-01-703	EA COVER - REAR AXLE
091209-01-704	EA COVER - LUG NUT
077030-02-000	EA EXTENSION-VALVE STEM, 1.25"
095012-03-000	EA EXTENSION-VALVE STEM, DUAL WHEEL

OPERATORS MANUAL

KEY PART NUMBER	U/M DESCRIPTION
054185-65-000	EA MANUAL-OPERATORS, 1991 A-BODY SPIRIT
092310-01-000	EA BINDER-3 RING, MOTOR HOME MANUAL
092319-01-000	EA POCKET PAGE-3 RING BINDER, PLASTIC
096084-05-000	EA CASSETTE-ITASCA SPIRIT

ACCESSORIES GROUP (CONTINUED)

EXTERIOR REAR VIEW MIRROR

KEY PART NUMBER	U/M DESCRIPTION
049347-01-000	EA MIRROR HEAD-EXTERIOR, 10 1/2" X 7 1/2" - STAINLESS STEEL FROM: 00-00-00 THRU: 05-25-91
049347-03-000	EA MIRROR HEAD-EXTERIOR, 10 1/2" X 7 1/2" - BLACK FROM: 05-26-91 THRU: 99-99-99
049348-03-000	EA ARM-EXTERIOR MIRROR, LOW MOUNT - BLACK
049944-04-000	EA BRACKET-EXTERIOR MIRROR, ARM TO SIDEWALL - BLACK

LUGGAGE RACK & LADDER (OPT 502)

KEY PART NUMBER	U/M DESCRIPTION
038327-01-000	EA TAPE-ANTI SLIP, 2" X 60'
081016-02-T03	EA LADDER-LUGGAGE RACK, HINGED
000G39-06-10T	EA SCREW-SF/DR, 6-20 X 5/8 PPH - BLACK
000G68-10-36T	EA SCREW-10-12 X 2.25 PPH BLACK
067125-01-000	EA STANDOFF-LADDER, BRIGHT DIPPED - LOWER
067165-01-000	EA MOUNTING BRACKET-LADDER, LOWER
076980-02-000	EA END CAP-STEP, BLACK
080866-01-000	EA STANDOFF-RACK AND LADDER, BRIGHT DIPPED FROM: 00-00-00 THRU: 03-04-90
091085-02-000	EA STANDOFF-RACK & LADDER, BRIGHT DIPPED FROM: 03-05-90 THRU: 99-99-99
081026-01-T03	EA RACK ASM-PASSENGER SIDE, INCLUDES 2 ANGLED STANDOFFS
081114-01-000	EA PLUG-ROUND, RACK & LADDER ENDS - PLASTIC - 1" DIA.
081026-14-B03	EA RACK-LUGGAGE, DRIVER SIDE
081114-01-000	EA PLUG-ROUND, RACK & LADDER ENDS - PLASTIC - 1" DIA.
091085-02-000	EA STANDOFF-RACK & LADDER, BRIGHT DIPPED

TV ANTENNA W/TV STAND (OPTION L42P) CABLE READY

KEY PART NUMBER	U/M DESCRIPTION
000G11-08-12B	EA SCREW, 8-18 X 3/4 PPH ZN
069726-02-000	EA BUMPER-88" DIA X .40" BLACK
076319-01-000	EA ANTENNA-TV, ROOF MOUNT - 44.5" MAST - RVA W02
076319-01-700	EA HEAD-ANTENNA, AMPLIFIED - WINEGARD# RVSA UV
076319-01-701	EA GEAR-ELEVATING, PLASTIC - WINEGARD# 2200046
076319-01-702	EA SHAFT ASM-ELEVATING, WINEGARD# RVP-400A
076319-01-703	EA BEARING-NYLON, 5" OD - WINEGARD# 3200658
076319-01-704	EA BEARING-NYLON, 1.25" OD - WINEGARD# 3200657
076319-01-705	EA GROMMET-NYLON, 7/8" ID - WINEGARD# 3200658
076319-01-706	EA CRANK-ELEVATING, W/SET SCREW - WINEGARD# 5755100
076319-01-707	EA SPRING-HANDLE, WINEGARD# 5160800
076319-01-708	EA DECAL-CRANK, WINEGARD# 5413002
076319-06-000	EA ADAPTER-CABLE ROOF PLATE, WINEGARD RPJ-1
076319-09-000	EA WALL PLATE-TV RECEPTACLE - BROWN
076319-11-000	EA ADAPTER-COAX WITH SPLITTER WINEGARD MSJ-6
080734-02-000	EA CLIP-WIRE, NYLON
084357-02-B25	EA TV STAND ASSEMBLY
023320-01-000	EA PAD-FELT, 3/8" DIAMETER - BROWN
058331-14-000	EA MIRROR-GLASS, SAFETY - 14" X 12.7"
084356-04-000	EA INSERT-TV STAND, BEIGE
084412-01-000	EA SUPPORT-HINGED

**1991 WINNEBAGO
TABLE OF CONTENTS**

INTRODUCTION	A-01 -	A-02
ABBREVIATIONS		A-03
ALPHABETICAL INDEX	A-04 -	A-08
JCF23EC	A-07 -	D-10
JF321RG	D-11 -	F-23

1991 JCF23EC INDEX

FLOOR PLAN	A-07 -	A-08
ACCESSORIES	A-09 -	A-11
BATH	A-12 -	A-13
BEDROOM		A-14
CHASSIS	A-15 -	A-20
C C & PAD	A-21 -	B-02
DINETTE	B-03 -	B-04
DRIVERS	B-05 -	B-10
ELECTRICAL	B-11 -	B-14
EXTERIOR BODY	B-15 -	B-20
GALLEY	B-21 -	U-24
HEATING & A/C	C-01 -	C-04
INTERIOR FINISH	C-05 -	C-08
LABEL		C-09
SEALANTS & FASTENERS	C-10 -	C-12
WATER & SEWAGE	C-13 -	C-16
WINDOW, VENT AND EXTERIOR DOOR	C-16 -	D-10

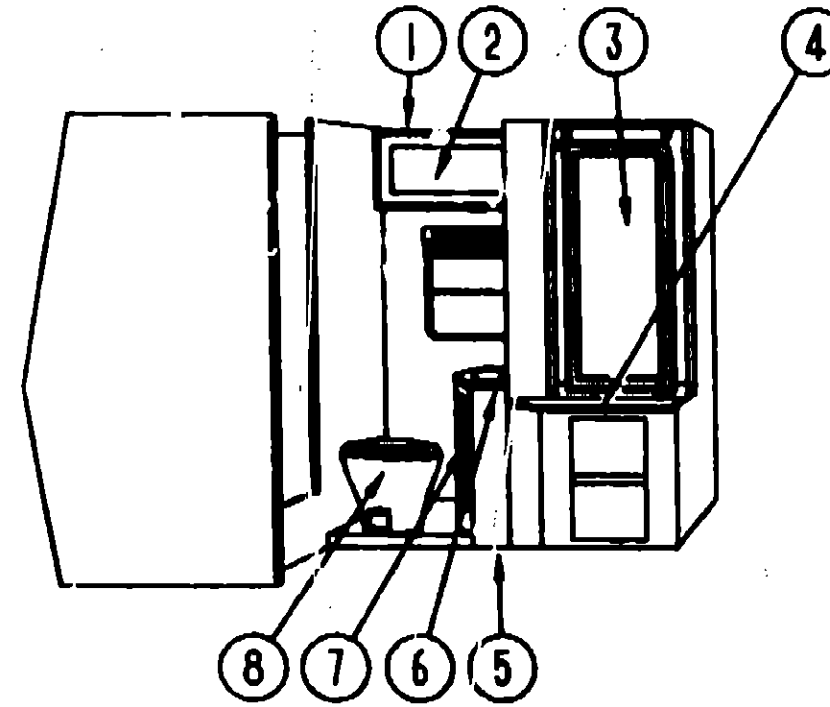
ACCESSORIES GROUP (CONTINUED)
4,000 WATT ONAN GENERATOR (OPTION L39E) US

KEY PART NUMBER	U/M DESCRIPTION
008054-01-000	EA CORD-POWER, 10/3 WIRE - 30 AMP - 25'
018289-01-000	EA BOX-ELECTRIC, STEEL - 1/2" AND 3/4" KNOCKOUTS - 4" X 4"
008328-01-000	EA TERMINAL-RING, 12/10 WIRE - #10 STUD FIT
008355-01-000	EA CONNECTOR-CABLE CLAMPING, 3/4"
008358-01-000	EA CONNECTOR-PLASTIC, 3/8" AVG
024924-02-000	EA RECEPTACLE-POWER CORD, W/PARTIAL PLATE
041953-01-000	FT CONDUIT-CONVOLUTED SLIT, .5" ID
069238-01-000	EA COVER-ELECTRICAL BOX, W/HOLE - 4" X 4" - GRAY
000C26-04-108	EA BOLT-HEX, SER FLG - 1/4-20 X 5/8 ZINC
000D39-05-008	EA NUT-HEX, SER FLG LK - 5/16 - 18 ZN
007067-01-000	SF INSULATION-FIBERGLASS, 1" THICK X 4'
007125-03-000	EA CLAMP-ASM-MUFFLER 1.50" DIAMETER
023942-01-000	EA GROMMET-RUBBER, 2" OD
078045-01-000	EA STRAP-SUPPORT, GENERATOR - 4 HOLE
079654-05-000	EA PIPE-EXHAUST, ANGL ED - W/FLANGE - EMERALD - ONAN# 154
081364-03-000	EA MUFFLER-GENERATOR, ONAN
084365-01-000	EA STRAP-SUPPORT, GENERATOR - 2 HOLE
083152-07-000	EA PIPE-EXHAUST, GENERATOR
100974-06-000	EA GENERATOR-EMERALD, 4.0 KW - ONAN BGE-FA/28101G
000D14-05-008	EA NUT-HEX, 5/16-18 - ZN 5
008294-01-000	EA COVER-ELECTRICAL BOX, STEEL/BLANK - 4" X 4" - GRAY
008311-01-000	EA CONNECTOR-WIRE NUT, INSULATED - RED
008312-01-000	EA CONNECTOR-WIRE NUT, INSULATED - BLUE
007063-01-000	FT HOSE-GAS 1/4" ID X 1/2" OD
100258-21-01A	EA HOOD-RANGE, W/MONITOR PANEL
	FROM: 00-00-00 THRU: 09-20-91
	EA HOOD-RANGE, 22" WIDE W/MONITOR PANEL
	FROM: 09-21-91 THRU: 99-99-99
	FOR PIECE PARTS SEE GALLEY GROUP

RADIO RELATED ITEMS

KEY PART NUMBER	U/M DESCRIPTION
073741-03-000	EA GRILLE-SPEAKER, OVAL - 4" X 6"
073741-04-000	EA GRILLE-SPEAKER, OVAL - 4" X 6" - BLACK
069340-01-000	EA GRILLE-SPEAKER, 6.5" SQUARE
	FROM: 00-00-00 THRU: 11-04-90
069340-02-000	EA GRILLE-SPEAKER, 6.5" SQUARE
	FROM: 11-05-90 THRU: 99-99-99
094097-01-000	EA SPEAKER-RADIO, W/O GRILLE - 5.25" DIA - AUDIOVOX 110C3030
093381-01-000	EA SWITCH-RADIO, MAIN TO AUXILIARY

BATH GROUP



BATH CABINETS

KEY PART NUMBER	U/M DESCRIPTION
1	M03972-13-B25
2	P00099-31-B27
	058331-35-000
3	P00099-65-B25
4	102168-12-B25
5	M99407-01-B25
6	099407-13-B03
7	P00099-01-B44
8	067487-01-000
	M02429-04-000
	099405-01-B25

SHOWER FIXTURES

KEY PART NUMBER	U/M DESCRIPTION
075241-05-000	EA FAUCET-SHOWER, BONE
075606-01-000	EA PANEL-FAUCET BACK, SHOWER - PLASTIC
081614-02-000	EA DISH-SOAP, W/PLASTIC COVER - BRASS
011048-02-000	EA HEAD-SHOWER, W/60" HOSE

SHOWER PAN

KEY PART NUMBER	U/M DESCRIPTION
M02429-04-000	EA PAN-SHOWER, W/STRAINER
066436-01-000	EA NUT-SLIP, TAILPIECE - 1"5"
066440-01-000	EA STRAINER W/RUBBER WASHER
069640-06-000	FT SEALER-RIBBON, 5/16" DIAMETER - INCREMENTS OF 25'
011069-02-000	EA TAILPIECE-TUB/SHOWER, 1 1/2" X 1 1/4" X 4" - BRASS
066436-01-000	EA NUT-SLIP, TAILPIECE - 1"5"
069735-01-000	EA WASHER-STRAINER TO TAILPIECE PLASTIC, 1"5"
057671-01-000	EA COVER-SCREW, #8 - PLASTIC - OFF WHITE

**1991 WINNEBAGO
TABLE OF CONTENTS**

INTRODUCTION	A-01 - A-02
ABBREVIATIONS	A-03
ALPHABETICAL INDEX	A-04 - A-06
JCF23EC	A-07 - D-10
JF321RG	D-11 - F-23

1991 JCF23EC INDEX

FLOOR PLAN	A-07 - A-08
ACCESSORIES	A-09 - A-11
BATH	A-12 - A-13
BEDROOM	- A-14
CHASSIS	A-15 - A-20
C C & PAD	A-21 - B-02
DINETTE	B-03 - B-04
DRIVERS	B-05 - B-10
ELECTRICAL	B-11 - B-14
EXTERIOR BODY	B-15 - B-20
GALLEY	B-21 - B-24
HEATING & AC	C-01 - C-04
INTERIOR FINISH	C-05 - C-08
LABEL	- C-09
SEALANTS & FASTENERS	C-10 - C-12
WATER & SEWAGE	C-13 - C-16
WINDOW, VENT AND EXTERIOR DOOR	C-16 - D-10

BATH GROUP (CONTINUED)

BATH HARDWARE

KEY PART NUMBER	U/M DESCRIPTION
075240-08-000	EA FAUCET-LAVATORY, BONE
091253-01-000	EA GASKET-FAUCET, LAVATORY
091255-02-000	FT SEAL-ADHESIVE BACKED FOAM, 1/5" X 4.8MM
096927-01-01A	EA SINK-LAVATORY, RECTANGULAR - PLASTIC - BONE
096927-01-700	EA SINK STOPPER
096927-01-701	EA TAILPIECE-SINK
075454-02-000	EA RING-TOWEL, W/MOUNTING HARDWARE - BRASS
075452-02-000	EA HOLDER-TOILET TISSUE, BRASS

SHOWER CURTAIN

KEY PART NUMBER	U/M DESCRIPTION
009700-02-000	EA TRACK-METAL CURTAIN, W/HOLES - 195.5" - OFF WHITE
094858-03-01A	EA TRACK-SHOWER CURTAIN, 29" - WHITE
084481-08-000	EA CURTAIN-SHOWER, VINYL SNAP TOP - 70" X 32"
009136-01-000	EA HANGER PIN - CURTAIN
009136-02-000	EA HANGER FIN - CURTAIN BRASS

FOLDING DOOR & TIEBACK

KEY PART NUMBER	U/M DESCRIPTION
086924-02-000	EA TRACK-FOLDING DOOR, CURVED - 41.5" - BEIGE
042488-01-700	EA ROLLER & CLAMP - FOLDING DOOR
042488-08-000	EA DOOR-FOLDING, WOVEN OAK - 75" X 50"
042488-01-700	EA LEAD EDGE & CATCH ASM.
057534-04-000	EA TIEBACK-FOLDING DOOR, 20" - CLEAR PLASTIC

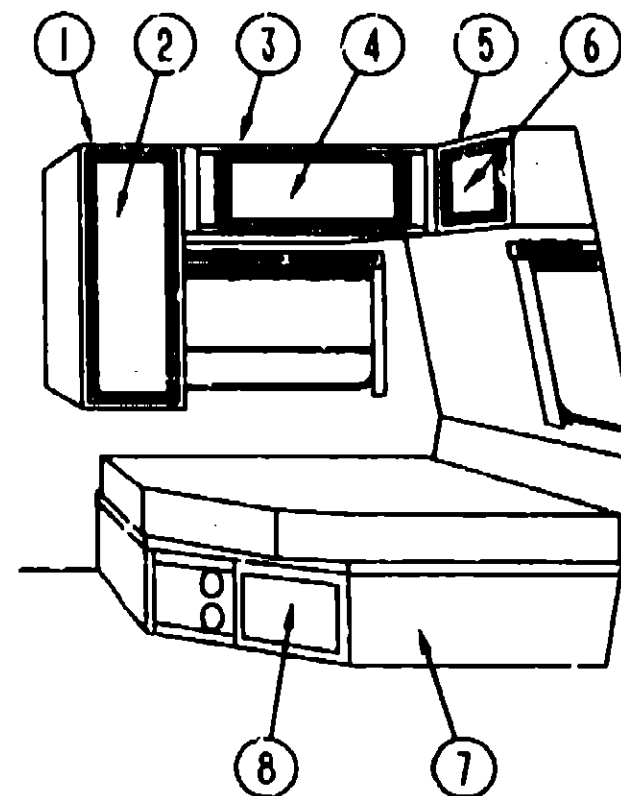
WARDROBE COMPONENTS

KEY PART NUMBER	U/M DESCRIPTION
023320-01-000	EA PAD-FELT, 3/8" DIAMETER - BROWN
009112-01-000	EA FLANGE-1" ROD, CLOTHES - PLASTIC - OFF WHITE
041953-03-000	FT CONDUIT-CONVOLUTED SLIT, 1" ID (CLOTHES ROD COVER)
042438-01-000	EA DOWEL-WOOD, CLOTHES ROD - 1" DIAMETER X 3'
052369-01-000	FT CORD STRAPPING-1/4" WIDE

TOILET

KEY PART NUMBER	U/M DESCRIPTION
024676-01-000	EA FLANGE-CLOSET, TOILET - 4" X 3" - RED
067487-01-000	EA TOILET-LOW, AQUA MAGIC IV - THETFORD 150110
067487-01-700	EA SEAL AND BOLT PKG
067487-01-701	EA WATER SAVER PKG - HAND SPRAYER
067487-01-702	EA CLAMP
063740-01-716	EA SEAT & COVER SET
063740-01-706	EA BOLT PACKAGE-CLOSET, THETFORD 12524
063740-01-700	EA LEVER-WATER, THETFORD 12514
063740-01-701	EA LEVER-FLUSH, THETFORD 12515
063740-01-707	EA SEAL-CLOSET FLANGE, THETFORD 02125
063740-01-710	EA LINK, THETFORD 12513
063740-01-711	EA SPRING-RETURN LEVER, THETFORD 12523
063740-01-713	EA SEAL-BALL VALVE TO BOWL, THETFORD 12502
063740-01-714	EA VALVE ASM-WATER, THETFORD 12492
063740-01-717	EA FLUSH TUBE

BEDROOM GROUP



PASSENGER SIDE OVERHEAD CABINET & COMPONENTS

KEY PART NUMBER	U/M DESCRIPTION
1 102411-01-B25	EA CABINET ASM. - SHIRT CLOSET
2 P00099-36-B27	EA DOOR ASM. - SHIRT CLOSET, W/O HARDWARE - 365 X 850
3 P02414-01-B25	EA CABINET ASM. OVERHEAD, PASSENGER SIDE - W/O DOORS OR HARDWARE
4 P00099-28-B27	EA DOOR ASM. - OVERHEAD CABINET, W/O HARDWARE - 705 X 660
5 M03972-12-B25	EA CABINET ASM. - OVERHEAD BACKWALL, W/O DOORS
6 P00099-26-B25	EA DOOR ASM. - OVERHEAD CABINET, W/O HARDWARE - 305 X 660
7 M99406-01-B25	EA CABINET - DOUBLE BED, W/O DOORS OR HARDWARE
8 P00099-63-B25	EA DOOR ASM. - CABINET, W/O HARDWARE - 305 X 475
101123-03-000	EA MATTRESS - DOUBLE - W/CUT CORNER - 53" X 74"

1991 WINNEBAGO TABLE OF CONTENTS

INTRODUCTION	A-01 - A-02
ABBREVIATIONS	A-03
ALPHABETICAL INDEX	A-04 - A-08
JCF23EC	A-07 - D-10
JF321RG	D-11 - F-23

1991 JCF23EC INDEX

FLOOR PLAN	A-07 - A-08
ACCESSORIES	A-09 - A-11
BATH	A-12 - A-13
BEDROOM	- A-14
CHASSIS	A-15 - A-20
CC & PAD	A-21 - B-02
DINETTE	B-03 - B-04
DRIVERS	B-05 - B-10
ELECTRICAL	B-11 - B-13
EXTERIOR BODY	B-15 - B-20
GALLEY	B-21 - B-24
HEATING & A/C	C-01 - C-04
INTERIOR FINISH	C-05 - C-08
LABEL	- C-09
SEALANTS & FASTENERS	C-10 - C-12
WATER & SEWAGE	C-13 - C-16
WINDOW, VENT AND EXTERIOR DOOR	C-18 - D-10

CHASSIS GROUP

SPEED CONTROL

FROM: 00-00-00 THRU: 02-10-91

KEY PART NUMBER	U/M DESCRIPTION
094369-03-000	EA SPEED CONTROL-SMART STICK, EFI - GAS - DANA# 59L-11129B
083211-01-703	EA SERVO CABLE ASM ONLY, DANA# 59C-02538
093212-04-701	EA MAIN WIRING HARNESS, DANA# 59D-02570
083212-01-704	EA STOP LAMP/CRUISE RELEASE SWITCH, DANA# 59C-02543
068629-01-704	EA SIGNAL GENERATOR ASM, DANA# 59L-08X221P
008129-01-706	EA GENERATOR (ONLY), DANA# 59D-02392-1
014359-01-701	EA SWITCH & LEVER ASM, DANA# 58D-11118-F
014369-01-702	EA REGULATOR ASM-ELECTRONIC, DANA# 57C-08X12-R
01900-01-702	EA WIPER CONTROL MODULE, DANA# 66C-00061
014369-01-704	EA HEADLIGHT DIMMER MODULE ASM-DANA# 63C-00001
014369-01-705	EA VACUUM RESERVOIR-DANA# 59C-02249
094369-01-706	EA SERVO-DANA# 53D-11116-R

SPEED CONTROL

FROM: 02-11-91 THRU: 99-99-99

KEY PART NUMBER	U/M DESCRIPTION
102362-01-000	EA SPEED CONTROL-1991 CHEVY, DANA 59L-111010B
094369-01-706	EA SERVO-DANA# 53D-11116-R
102362-01-700	EA CABLE ONLY-REPLACEMENT
102362-01-707	EA CONTROL SWITCH & LEVER ASM
102362-01-701	EA REGULATOR ASM-ELECTRONIC
102362-01-702	EA WIPER CONTROL MODULE
094369-01-705	EA VACUUM RESERVOIR-DANA# 59C-02249
102362-01-704	EA HARNESS ASM-MAIN WIRING
102362-01-703	EA HARNESS ASM-PIVOT SW TO WIPER CONTROL - DANA 59C-02973
094863-01-704	EA HOUSING-4 PIN, SPEED CONTROL - TOYOTA - DANA 59C-0229
102362-01-705	EA THROTTLE RETAINER CLIP
102362-01-706	EA THROTTLE STUD

SPEED CONTROL FOR DIESEL EXPORT

KEY PART NUMBER	U/M DESCRIPTION
102362-02-000	EA SPEED CONTROL-1991 CHEVY DIESEL, DANA 59L111020P
094369-01-706	EA SERVO-DANA# 53D-11116-R
094369-02-700	EA CABLE-SERVO, DIESEL - DANA# 59C-2262
094369-01-701	EA SWITCH & LEVER ASM, DANA# 58D-11118-F
094369-02-702	EA EXTENSION-WIRE HARNESS, DANA# 59C-02279
102362-01-701	EA REGULATOR-ELECTRONIC, DANA 57C-08X13-R
102362-01-702	EA MODULE-WIPER CONTROL, DANA 66D-00061
102362-01-707	EA SWITCH & LEVER-CONTROL, DANA 53D-08X63-F
102362-01-703	EA HARNESS-PIVOT SW TO WIPER CONTROL, DANA 59C-02973
102362-01-704	EA HARNESS-MAIN WIRING, DANA 59D-02975

CHASSIS GROUP (CONTINUED)

MISCELLANEOUS CHASSIS COMPONENTS

KEY PART NUMBER	U/M DESCRIPTION
076310-01-000	EA BAFFLE-RADIATOR, .12" X 15" X 62" - RUBBER
072359-01-000	EA BOTTLE-COOLANT EXPANSION
098833-01-000	EA BRACKET-EXHAUST,HANGER
092786-01-000	EA BUSS BAR, STEEL
081914-01-000	EA BUMPER-RUBBER, ROUND .43" DIAMETER - BLACK
009037-01-000	FT CABLE-BATTERY,1AWG STRANDED,BLACK
088751-01-000	FT CABLE-BATTERY,1/0 AWG, STRANDED, RED
099100-01-000	EA CAP-BOTTLE,OVERFLOW
007125-06-000	EA CLAMP-ASM-MUFFLER 2.25" DIAMETER
007125-07-000	EA CLAMP-ASM-MUFFLER 2.50" DIAMETER
094918-01-000	EA CLAMP-EXHAUST, 3" - GUILLOTINE STYLE
062401-02-000	EA CLAMP-HOSE, WORMGEAR, 1.56" - 2.5"
062401-03-000	EA CLAMP-HOSE WORMGEAR, .22" - 1" ID
062401-06-000	EA CLAMP-HOSE,WORMGEAR,22-.62ID
062401-09-000	EA CLAMP-HOSE, WORMGEAR - 2.3 - 3.75
062401-04-000	EA CLAMP-WORMGEAR HOSE, .69" - 1.25"
062401-05-000	EA CLAMP-WORMGEAR HOSE, 2" - 3" ID
041953-01-000	FT CONDUIT-CONVOLUTED SLIT.625"ID
041953-03-000	FT CONDUIT-CONVOLUTE SLIT, 1" ID (CLOTHES ROD COVER)
041953-05-000	FT CONDUIT-CONVOLUTE SOLID,.62"ID
041953-06-000	FT CONDUIT-CONVOLUTE,SLIT .375"ID
041953-07-000	FT CONDUIT-CONVOLUTE,SLIT,.25"ID
041953-08-000	FT CONDUIT-CONVOLUTE,SLIT,1.50"ID
041953-09-000	FT CONDUIT-CONVOLUTE,SLIT .50"ID
041953-10-000	FT CONDUIT-CONVOLUTE .SLIT .75" ID
041953-11-000	FT CONDUIT-CONVOLUTE,SLIT,1.06"ID
088192-01-000	EA COVER-ACCESS,HOOD BOARD
020167-03-000	EA DIRT GUARD-STEEL, FOR MUDFLAP
082733-01-000	EA DUCT-INTAKE,AIR CLEANER
081918-01-000	EA EXTENSION-EXHAUST, 2.25"OD X 9.44" - STAINLESS STEEL
023942-01-000	EA GROMMET-RUBBER 2" OD
071015-04-000	EA GROMMET-.19"ID,FITS .03" MATERIAL , RUBBER
071015-07-000	EA GROMMET-1.00"ID,FITS .06" MATERIAL,RUBBER
071015-11-000	EA GROMMET-1.00"ID,FITS .12 MATERIAL., RUBBER
071015-26-000	EA GROMMET-1.5" ID,FITS .06 NATAL
078464-01-000	EA HOODBOARD-UPPER, DRIVER - STEEL
078465-01-000	EA HOODBOARD-UPPER, PASSENGER - STEEL
007063-01-000	FT HOSE-GAS 1/4"ID X 1/2"OD
080208-02-000	EA LEVERAGE BAR-LUG WRENCH
080208-01-000	EA LUG WRENCH, 1.06X1.00
040731-01-000	EA NIPPLE-INLET MANIFOLD, GM-3838094
040731-02-000	EA NIPPLE-INLET MANIFOLD - 5/8H X 1/2P
099259-01-000	EA PANEL-HEAT SHIELD, 9.45" X 20.4"
096608-02-000	EA PIPE-EXHAUST. SINGLE
070579-06-000	EA PLATE ASM-ANCHOR W/NUT
084884-01-000	EA PLUG-BRASS, 3/8"
056747-01-000	EA PLUG-CAP, .75" DIAMETER
041791-01-000	FT SEAL-VINYL, FLEX U-CHANNEL
053322-08-000	EA SHIELD-HEAT,EXHAUST, 72"
099002-01-000	EA SHIELD-HEAT,CONVERTER
099010-02-000	EA SHIELD-HEAT,MUFFLER, 23.06"
063303-04-000	EA SHROUD-FUEL FILL,LOWER
008401-01-000	EA STRAP-CONDUIT-3/4",1 HOLE,GALVANIZED STEEL
080081-01-000	EA STRAP-MOUNTING,FUEL LINE
096054-02-000	EA SUPPORT-EXHAUST PIPE
072368-02-000	EA TRIM-VINYL,EDGE BLACK
086244-01-000	FT TAPE-FOAM, VINYL COATED - 2" WIDE - INCREMENTS OF 108 FT
089359-04-000	EA WHEEL-STEEL, 16" X 6"K - 8 HOLE - OFF WHITE
077953-01-000	EA GROMMET - EDGE LINER, FITS 1"

1991 WINNEBAGO

TABLE OF CONTENTS

INTRODUCTION	A-01 - A-02
ABBREVIATIONS	A-03
ALPHABETICAL INDEX	A-04 - A-06
JCF23EC	A-07 - D-10
JFJ21RG	D-11 - F-23

1991 JCF23EC INDEX

FLOOR PLAN	A-07 - A-08
ACCESSORIES	A-09 - A-11
BATH	A-12 - A-13
BEDROOM	- A-14
CHASSIS	A-15 - A-20
C C & PAD	A-21 - B-02
DINETTE	B-03 - B-04
DRIVERS	B-05 - B-10
ELECTRICAL	B-11 - B-14
EXTERIOR BODY	B-15 - B-20
GALLEY	B-21 - B-24
HEATING & AC	C-01 - C-04
INTERIOR FINISH	C-05 - C-08
LABEL	- C-09
SEALANTS & FASTENERS	C-10 - C-12
WATER & SEWAGE	C-13 - C-16
WINDOW, VENT AND EXTERIOR DOOR	C-16 - D-10

CHASSIS GROUP (CONTINUED)

MISCELLANEOUS CHASSIS COMPONENTS (CONT)

KEY PART NUMBER	U/M DESCRIPTION
094918-01-000	EA CLAMP-EXHAUST, 3" - GUILLOTINE STYLE
098054-02-000	EA SUPPORT-EXHAUST PIPE
098608-02-000	EA PIPE-EXHAUST, SINGLE
007125-07-000	EA CLAMP-ASM-MUFFLER 2.50" DIAMETER
053322-08-000	EA SHIELD-HEAT, EXHAUST, 72"
081918-01-000	EA EXTENSION-EXHAUST, 2.25" ID X 9.44" - STAINLESS STEEL
082733-01-000	EA DUCT-INTAKE, AIR CLEANER
088753-01-000	FT TUBE-ALUMINIZE(D) STEEL, 5/8" - 18 GAUGE
055080-01-000	EA WHEELWELL-PLASTIC, REAR - BLACK - LEFT OR RIGHT
078490-01-000	EA TRAY-BATTERY, STEP WELL
085987-01-000	EA COMPARTMENT-SEWER HOSE, 6" X 6.6" X 17.8" - PLASTIC
090189-01-000	EA COMPARTMENT-STORAGE, 53.27" WIDE X 21.65" DEEP
081252-04-000	EA COMPARTMENT-STORAGE, 31.18" WIDE X 25.39" DEEP
063977-01-000	EA STEP ASM-DRIVER DOOR, BLACK
082242-05-000	EA LINER-STEP BOX, DRIVER DOOR - BLACK
099840-01-01A	EA THRESHOLD-DRIVER DOOR, REAR - BLACK
099841-01-01A	EA THRESHOLD-DRIVER DOOR, FRONT - BLACK

FRONT AIRSHOCKS & REAR AIR BAGS

KEY PART NUMBER	U/M DESCRIPTION
079942-01-000	EA SHOCK ABSORBER-STABILIZER, FRONT - 4-WAY
084086-01-000	EA AIRSPRING-BELLOWS, REAR AXLE - FIRESTONE# MHA224
084086-01-700	EA AIRSPRING-BELLOWS, REAR AXLE - FIRESTONE# MHA224
084086-01-701	EA TUBING-DOT 1/4 X 18" - FIRESTONE# 21-0938
084086-01-702	EA BOLT-RIBBED NECK, 3/8 - 24 X 2.5 FIRESTONE# 21-0829
084086-01-703	EA INFLATING VALVE-DOT 1/4 TUBING, FIRESTONE# 21-0931
084086-01-704	EA ELBOW CONNECTOR, FIRESTONE# 21-0935
084086-01-705	EA TUBING PROTECTORS, FIRESTONE# 21-0899
084086-01-706	EA BRACKET-UPPER TO FRAME, FIRESTONE# 21-0150
084086-01-707	EA BRACKET-LOWER, TOP - FIRESTONE# 21-1182
084086-01-708	EA AIRLINE SERVICE KIT, FIRESTONE# W21-760-2012
084086-01-709	EA HEAT SHIELD, FIRESTONE# 21-1004
084086-03-000	EA BRACKET-AXLE, P30 CHASSIS - FIRESTONE# W21-760-2044

SPARE TIRE-W/CARRIER & COVER

KEY PART NUMBER	U/M DESCRIPTION
079762-02-000	EA COVER - TIRE, - GRAY
080378-02-000	EA BRACKET-SPARE TIRE CARRIER
080378-04-000	EA BRACKET-SPARE TIRE CARRIER
089359-02-000	EA WHEEL-STEEL, 16" X 6"K - 8 HOLE - OFF WHITE
089359-04-000	EA WHEEL-STEEL, 16" X 6"K - 8 HOLE - OFF WHITE
000C12-08-24B	EA BOLT-HEX, 1/2"-13 X 1 1/2" - ZN 5
077411-01-000	EA ROD-RETAINING, SPARE TIRE
083425-06-000	EA TIRE-LT215/85R16 LRE - MICHELIN XPS RIB
083425-07-000	EA TIRE-7.50R16 LRD, MICHELIN XPS RIB
051377-01-000	EA STEM - VALVE
051377-03-000	EA STEM - VALVE

ENTRY DOOR STEP & COMPONENTS

KEY PART NUMBER	U/M DESCRIPTION
076241-08-000	EA SUPPORT-PULLOUT STEP
077848-04-000	EA STEP ASM-PULLOUT

CHASSIS GROUP (CONTINUED)

FRONT BUMPER & COMPONENTS

KEY PART NUMBER	U/M DESCRIPTION
005200-01-000	EA BOLT-BUMPER, ROUND HEAD-SQUARE NECK - W/SST CAP
077850-11-000	EA BUMPER-FRONT, GRAY
077852-01-000	EA BRACKET-BUMPER, FRONT - 2 PER COACH - BENT 2" X 8"
096339-01-000	EA SUPPORT-BUMPER, 2 PER COACH

REAR BUMPER & COMPONENTS

KEY PART NUMBER	U/M DESCRIPTION
078584-10-000	EA BUMPER-REAR, GRAY
003200-01-000	EA BOLT-BUMPER, ROUND HEAD-SQUARE NECK - W/SST CAP
078668-01-000	EA SUPPORT ANGLE, BUMPER REAR
078670-02-000	EA BRACKET-BUMPER, REAR
078678-02-000	EA PLATE-MOUNTING, BUMPER - REAR - 46" X 5" - W/WELD NUT
083376-01-000	EA SKID PLATE ASM

TRAILER HITCH

KEY PART NUMBER	U/M DESCRIPTION
091224-02-000	FA LABEL-TRAILER LIGHTING
000C12-C3-24B	EA BOLT-HEX, 1/2-13 X 1 1/2 - ZN 5
024512-01-000	EA PIN-LOCKING, DRAWBAR
034513-01-000	EA PIN-HITCH, 3/16" WIRE
077613-01-000	EA DRAWBAR ONLY
077617-01-000	EA HITCH ASSEMBLY, W/O DRAWBAR
064398-01-000	EA HOUSING-TRAILER, RECEPTACLE
097744-02-000	EA HOUSING-TRAILER PIN, 48"
097746-01-000	EA HOUSING CAP-TRAILER PIN
097745-02-000	EA HOUSING-RECEPTACLE, TRAILER - 48" WIRE LENGTH

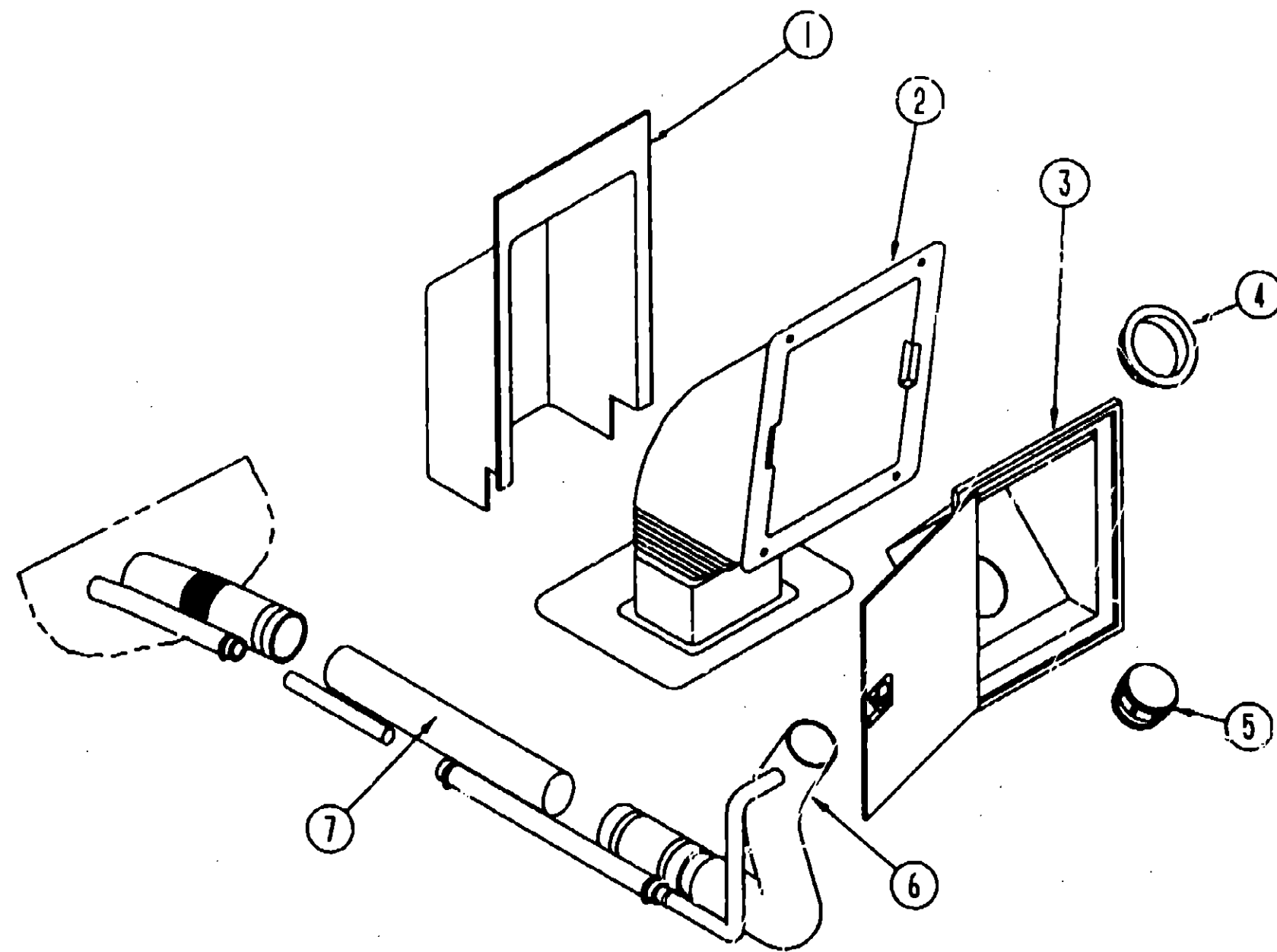
**1991 WINNEBAGO
TABLE OF CONTENTS**

INTRODUCTION	A-01	A-02
ABBREVIATIONS		A-03
ALPHABETICAL INDEX	A-04	A-08
JCF23EC	A-07	D-10
JF321RG	D-11	F-23

1991 JCF23EC INDEX

FLOOR PLAN	A-07	A-08
ACCESSORIES	A-09	A-11
BATH	A-12	A-13
BEDROOM		A-14
CHASSIS	A-15	A-20
C C & PAD	A-21	B-02
DINETTE	B-03	B-04
DRIVERS	B-05	B-10
ELECTRICAL	B-11	B-14
EXTERIOR BODY	B-15	B-20
GALLEY	B-21	B-24
HEATING & A/C	C-01	C-04
INTERIOR FINISH	C-05	C-08
LABEL		C-09
SEALANTS & FASTENERS	C-10	C-12
WATER & SEWAGE	C-13	C-16
WINDOW, VENT AND EXTERIOR DOOR	C-16	D-10

CHASSIS GROUP (CONTINUED)
FUEL FILL COMPONENTS



1991 WINNEBAGO
TABLE OF CONTENTS

INTRODUCTION	A-01 -	A-02
ABBREVIATIONS		A-03
ALPHABETICAL INDEX	A-04 -	A-06
JCF23EC	A-07 -	D-10
JF321RG	D-11 -	F-23

1991 JCF23EC INDEX

FLOOR PLAN	A-07 -	A-08
ACCESSORIES	A-09 -	A-11
BATH	A-12 -	A-13
BEDROOM		A-14
CHASSIS	A-15 -	A-20
C C & PAD	A-21 -	B-02
DINETTE	B-03 -	B-04
DRIVERS	B-05 -	B-10
ELECTRICAL	B-11 -	B-14
EXTERIOR BODY	B-15 -	B-20
GALLEY	B-21 -	B-24
HEATING & A/C	C-01 -	C-04
INTERIOR FINISH	C-05 -	C-08
LABEL		C-09
SEALANTS & FASTENERS	C-10 -	C-12
WATER & SEWAGE	C-13 -	C-16
WINDOW, VENT AND EXTERIOR DOOR	C-16 -	D-10

KEY PART NUMBER	U/M	DESCRIPTION
1 078040-02-000	EA	SHROUD - FUEL FILL - UPPER
2 083578-01-000	EA	BOOT - FUEL FILL
084235-01-000	EA	SUPPORT FLANGE - FUEL FILL BOOT
3 078010-05-000	EA	DOOR ASM. - FUEL FILL - GRAY
077963-01-000	EA	GASKET - FUEL FILL DOOR
4 078200-01-000	EA	GASKET - FUEL FILL
5 NOTE	EA	FUEL CAP
6 060105-02-000	EA	FILLER NECK - FUEL FILL
066732-01-000	EA	HOSE - FUEL FILL - .62 ID
7 075228-01-000	EA	NECK - FUEL FILL - 9.3" LONG
NOTE:		THIS ITEM IS CHASSIS SUPPLIED.

CURTAIN, CUSHION & PAD GROUP

DINETTE BACKREST PADS

KEY PART NUMBER	U/M DESCRIPTION
081519-10-B27	EA PAD-BACKREST, FRONT - B25 - DUSTY BLUE FROM: 00-00-00 THRU: 10-21-90
081519-16-B27	EA PAD-BACKREST, FRONT - B25 - DUSTY BLUE FROM: 10-22-90 THRU: 99-99-99
081519-10-B28	EA PAD-BACKREST, FRONT - B26 - TRUFFLE BROWN FROM: 00-00-00 THRU: 10-21-90
081519-16-B28	EA PAD-BACKREST, FRONT - B26 - TRUFFLE BROWN FROM: 10-22-90 THRU: 99-99-99
081519-11-B27	EA PAD-BACKREST, REAR - B25 - DUSTY BLUE FROM: 00-00-00 THRU: 10-21-90
081519-17-B27	EA PAD-BACKREST, REAR - B25 - DUSTY BLUE FROM: 10-22-90 THRU: 99-99-99
081519-11-B26	EA PAD-BACKREST, REAR - B26 - TRUFFLE BROWN FROM: 00-00-00 THRU: 10-21-90
081519-17-B26	EA PAD-BACKREST, REAR - B26 - TRUFFLE BROWN FROM: 10-22-90 THRU: 99-99-99

SHOWER CURTAIN

CURTAIN HARDWARE & TRACKS

KEY PART NUMBER	U/M DESCRIPTION
084481-08-000	EA CURTAIN-SHOWER, 70" X 32" - VINYL
029155-01-000	EA CAP-SNAP, NICKEL
029130-03-000	EA SOCKET-SNAP FASTENER, 1"
029156-01-000	EA SOCKET-SNAP FASTENER, NICKEL
094856-03-01A	EA TRACK-DOOR/CURTAIN - 26.9" - OFF WHITE
094856-06-01A	EA TRACK-DOOR CURTAIN, 37.6" - GRAY FROM: 04-28-90 THRU: 12-02-90
094856-06-02A	EA TRACK-DOOR/CURTAIN, 37.6" - OFF WHITE FROM: 12-03-90 THRU: 99-99-99
101589-01-B07	EA TRACK-CURTAIN, FRONT (89.1") TOP PASS SIDE (89.1") - GRAY FROM: 00-00-00 THRU: 12-02-90
101589-01-F04	EA TRACK-CURTAIN, FRONT (89.1") TOP PASS SIDE (34.2") FROM: 12-03-90 THRU: 99-99-99
101031-01-000	YD TAPE-GLIDE, CURTAIN - 4.25" SPACING
009700-04-002	EA ROD-EXTRUDED, 195.5" - OFF WHITE
009136-01-000	EA HANGER-PIN, CURTAIN FROM: 00-00-00 THRU: 03-03-91
009136-02-000	EA HANGER-PIN, CURTAIN - BRASS FROM: 03-04-91 THRU: 99-99-99
046857-01-000	EA GROMMET-BRASS - 7/16" ID X 1" OD
083170-01-000	EA BRACKET-BLIND, FRONT
083170-02-000	EA BRACKET-BLIND, REAR
095591-02-000	EA BRACKET-BLIND, HOLD-DOWN - W/PIN
093475-01-700	EA WAND-BLIND, W/METAL CLIP - 8" LONG
093475-01-701	EA END CAP-BLIND, W/STUD
102555-01-000	EA CLEAT-CORD, BLIND - OFF WHITE
089522-04-000	EA PANEL-LEG, WINDOW - 2.5" FACE
089522-03-000	EA PANEL-LEG, WINDOW - 2.5" FACE
089916-01-000	EA MOUNT-WINDOW LEG, BLACK
052858-05-B05	FT TRIM-STITCHED VINYL, OFF WHITE
079970-01-000	YD TAPE-MATTRESS, BUNK CUSHION - 5/8"
088792-01-000	YD VELCRO TAPE-HOOK, NON-ADHESIVE BACK - .75" WIDE - BEIGE
088792-02-000	YD VELCRO TAPE-LOOP, ADHESIVE BACKED - .75" WIDE - BEIGE
029084-04-000	YD VELCRO TAPE-LOOP, 1" WIDE - BLACK
029088-03-000	YD VELCRO TAPE-HOOK, 1" WIDE - BLACK
087625-01-000	EA HOOK-DRAPEARY
057534-04-000	EA TIEBACK-FOLDING DOOR, 20" - CLEAR PLASTIC
078155-01-000	EA STRAP-BACK CUSHION, SNAP

CURTAIN, CUSHION & PAD GROUP (CONTINUED)

FABRIC

KEY PART NUMBER	U/M DESCRIPTION
077484-01-000	YD FABRIC-VINYL, 54" WIDE - GRAY
079680-09-000	YD FABRIC-VINYL, 54" WIDE - OFF WHITE
075244-02-000	YD VINYL-SHOWER CURTAIN, 72" WIDE - BEIGE FROM: 00-00-00 THRU: 05-31-90
075244-03-000	YD VINYL-SHOWER CURTAIN, 72" WIDE - ALMOND FROM: 06-01-90 THRU: 99-99-99
084481-08-000	EA CURTAIN-SHOWER, 70" X 32" - VINYL
096008-42-000	YD FABRIC-UPHOLSTERY, PATTERN - 54" - B26 - TRUFFLE BROWN
096008-44-000	YD FABRIC-UPHOLSTERY, PATTERN - 54" - B25 - DUSTY BLUE
096008-45-000	YD FABRIC-UPHOLSTERY, PLAIN - 54" - B26 - TRUFFLE BROWN
096008-28-000	YD FABRIC-UPHOLSTERY, PLAIN - 54" - B25 - DUSTY BLUE FROM: 00-00-00 THRU: 03-03-91
104233-31-000	YD FABRIC-UPHOLSTERY, ACCENT - 54" - B25 - BLUE FROM: 03-04-91 THRU: 99-99-99
096008-46-000	YD FABRIC-UPHOLSTERY, PATTERN - 54" - B26 - TRUFFLE BROWN
087272-01-000	YD FABRIC-LINING, CURTAIN - 48" WIDE - IVORY
072333-75-000	YD FABRIC-CURTAIN - 54" WIDE - BEIGE
088273-67-000	YD FABRIC-CURTAIN, PLAIN - 54" - B25 - DUSTY BLUE
088273-50-000	YD FABRIC-BEDSPREAD, PATTERN - 54" - B26 - TRUFFLE BROWN
088273-51-000	YD FABRIC-BEDSPREAD, PATTERN - 54" - B25 - BROWN MINK
072333-79-000	YD FABRIC-CURTAIN, 54" WIDE - B25 - DUSTY BLUE
079349-01-AA1	YD WELTING-FABRIC, B25 - DUSTY BLUE
079349-01-B26	YD WELTING-FABRIC, B26 - TRUFFLE BROWN
029012-01-000	BF FOAM-ROLLED, 3/8" THICK - 72" WIDE
081926-01-000	YD BACKING-QUILTING, MATTRESS COVER - 59" WIDE - WHITE

BUTTONS

KEY PART NUMBER	U/M DESCRIPTION
070578-01-B27	EA BUTTON-SNAP TOP, #30 - B25 - DUSTY BLUE FROM: 10-15-90 THRU: 99-99-99
070578-01-B28	EA BUTTON-SNAP TOP, #30 - B26 - TRUFFLE BROWN FROM: 10-15-90 THRU: 99-99-99
059797-02-000	EA SHELL-BUTTON, PLASTIC - # 30
069734-01-000	EA BACK-BUTTON, DURASNAP - # 30
070578-02-U19	EA BUTTON-SCREW STUD, #30 - VINYL - SMOKE FROM: 00-00-00 THRU: 01-06-91
070578-02-B10	EA BUTTON-SCREW STUD, #30 - VINYL - OFF WHITE FROM: 01-07-91 THRU: 99-99-99
085774-01-000	FT FASTENER-DUAL HOOK, 1" WIDE - ADHESIVE BACK - BLACK
085774-02-000	FT FASTENER-DUAL LOOP, 1" WIDE - ADHESIVE BACK - BLACK

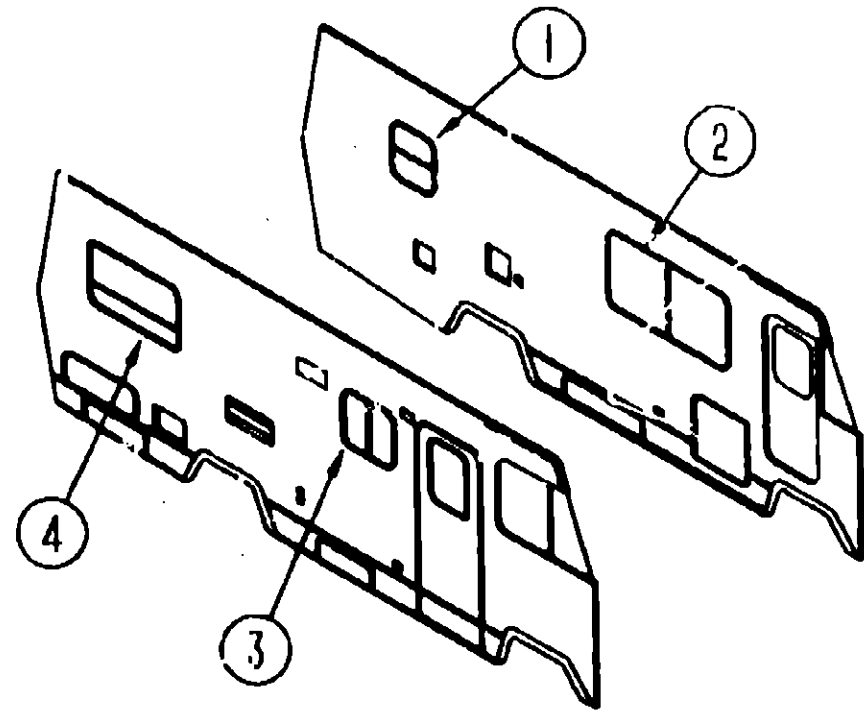
**1991 WINNEBAGO
TABLE OF CONTENTS**

INTRODUCTION	A-01	A-02
ABBREVIATIONS		A-03
ALPHABETICAL INDEX	A-04	A-06
JCF23EC	A-07	D-10
JF321RG	D-11	F-23

1991 JCF23EC INDEX

FLOOR PLAN	A-07	A-08
ACCESSORIES	A-09	A-11
BATH	A-12	A-13
BEDROOM		A-14
CHASSIS	A-15	A-20
CC & PAD	A-21	B-02
DINETTE	B-03	B-04
DRIVERS	B-05	B-10
ELECTRICAL	B-11	B-14
EXTERIOR BODY	B-15	B-20
GALLEY	B-21	B-24
HEATING & A/C	C-01	C-04
INTERIOR FINISH	C-05	C-08
LABEL		C-09
SEALANTS & FASTENERS	C-10	C-12
WATER & SEWAGE	C-13	C-16
WINDOW, VENT AND EXTERIOR DOOR	C-16	D-10

CURTAIN, CUSHION & PAD GROUP (CONTINUED)



BATH WINDOW TREATMENT

KEY PART NUMBER	U/M DESCRIPTION
1 100344-05-B27	EA VALANCE-WINDOW, BATH - 20" - B25 - DUSTY BLUE
1 100344-05-B28	EA VALANCE-WINDOW, BATH - 20" - B25 - TRUFFLE BROWN
1 093475-46-01A	EA BLIND-MINI, 17.5" X 23.5" DROP - BEIGE

DINETTE WINDOW TREATMENT

KEY PART NUMBER	U/M DESCRIPTION
2 100344-09-B27	EA VALANCE-WINDOW, 62" - B25 - DUSTY BLUE
2 100344-09-B28	EA VALANCE-WINDOW, 62" - B26 - TRUFFLE BROWN
2 100281-03-B27	EA LEG-WINDOW, FRONT - B25 - DUSTY BLUE
2 100281-03-B28	EA LEG-WINDOW, FRONT - B26 - TRUFFLE BROWN
2 100281-04-B27	EA LEG-WINDOW, REAR - B25 - DUSTY BLUE
2 100281-04-B28	EA LEG-WINDOW, REAR - B26 - TRUFFLE BROWN
2 093475-49-01A	EA BLIND-MINI, 58" WIDE X 32" DROP - BEIGE

CURTAIN, CUSHION & PAD GROUP (CONTINUED)

GALLEY WINDOW TREATMENT

KEY PART NUMBER	U/M DESCRIPTION
3 100344-22-B25	EA VALANCE-WINDOW, GALLEY - 48" - B25 - DUSTY BLUE
3 100344-22-B26	EA VALANCE-WINDOW, GALLEY - 48" - B26 - TRUFFLE BROWN
3 093475-75-01A	EA BLIND-MINI, 46" WIDE X 17" DROP - BEIGE

REAR PASSENGER SIDE WINDOW TREATMENT

KEY PART NUMBER	U/M DESCRIPTION
4 102514-07-B27	EA VALANCE-WINDOW, W/GATHERED INSERT - 45" - B25 - DUSTY BLUE FROM: 09-04-90 THRU: 99-99-99
4 102514-07-B28	EA VALANCE-WINDOW, W/GATHERED INSERT - 45" - B26 - TRUFFLE BR FROM: 09-04-90 THRU: 99-99-99
4 100281-30-B27	EA LEG-WINDOW, FRONT - 27" - W/O HOLE - B25 - DUSTY BLUE FROM: 09-04-90 THRU: 99-99-99
4 100281-30-B28	EA LEG-WINDOW, FRONT - 27" - W/O HOLE - B26 - TRUFFLE BROWN FROM: 09-04-90 THRU: 99-99-99
4 100281-31-B27	EA LEG-WINDOW, REAR - 27" - W/O HOLE - B25 - DUSTY BLUE FROM: 09-04-90 THRU: 99-99-99
4 100281-31-B28	EA LEG-WINDOW, REAR - 27" - W/O HOLE - B26 - TRUFFLE BROWN FROM: 09-04-90 THRU: 99-99-99
4 093475-45-01A	EA BLIND-MINI, 39.5" X 27" DROP - BEIGE

BACKWALL BEDROOM WINDOW TREATMENT

KEY PART NUMBER	U/M DESCRIPTION
102514-08-B27	EA VALANCE-WINDOW, 31.7" - B25 - DUSTY BLUE FROM: 09-04-90 THRU: 99-99-99
102514-08-B28	EA VALANCE-WINDOW, 31.7" - B26 - TRUFFLE BROWN FROM: 09-04-90 THRU: 99-99-99
100281-29-B27	EA LEG-WINDOW, DRIVER - 27" - W/O HOLE - B25 - DUSTY BLUE FROM: 09-04-90 THRU: 99-99-99
100281-29-B28	EA LEG-WINDOW, DRIVER - 27" - W/O HOLE - B26 - TRUFFLE BROWN FROM: 09-04-90 THRU: 99-99-99
100281-30-B27	EA LEG-WINDOW, PASS. - 27" - W/O HOLE - B25 - DUSTY BLUE FROM: 09-04-90 THRU: 99-99-99
100281-30-B28	EA LEG-WINDOW, PASS. - 27" - W/O HOLE - B26 - TRUFFLE BROWN FROM: 09-04-90 THRU: 99-99-99
093475-51-01A	EA BLIND-MINI, 28" WIDE X 28" DROP - BEIGE

WINDSHIELD PRIVACY CURTAIN

KEY PART NUMBER	U/M DESCRIPTION
097994-04-B05	EA CURTAIN-HOOK TOP, DRIVER PRIVACY - 32.5" X 40" - BEIGE
097994-05-B05	EA CURTAIN-HOOK TOP, PASS PRIVACY - 30.5" X 125" - BEIGE
073200-42-B05	EA TIEBACK-CURTAIN, 6" X 18" - BEIGE

aisle divider curtain & components

KEY PART NUMBER	U/M DESCRIPTION
101668-02-B27	EA CURTAIN-TAPE TOP, ROOM DIVIDER - 54" X 45" - B25 FROM: 00-00-00 THRU: 03-24-91
101668-24-B27	EA CURTAIN-TAPE TOP, PRIVACY - 54" X 45" - B25 FROM 03-25-91 THRU: 99-99-99
101668-02-B03	EA CURTAIN-TAPE TOP, PRIVACY - 54" X 45" - B26 FROM 00-00-00 THRU 03-24-91
101668-24-B03	EA CURTAIN-TAPE TOP, PRIVACY - 54" X 45" - B26 FROM 03-25-91 THRU: 99-99-99
073200-23-B05	EA TIEBACK-CURTAIN, 3" X 18" - BEIGE

**1991 WINNEBAGO
TABLE OF CONTENTS**

INTRODUCTION	A-01 - A-02
ABBREVIATIONS	A-03
ALPHABETICAL INDEX	A-04 - A-06
JCF23EC	A-07 - D-10
JF321RG	D-11 - F-23

1991 JCF23EC INDEX

FLOOR PLAN	A-07 - A-08
ACCESSORIES	A-09 - A-11
BATH	A-12 - A-13
BEDROOM	- A-14
CHASSIS	A-15 - A-20
C C & PAD	A-21 - B-02
DINETTE	B-03 - B-04
DRIVERS	B-05 - B-10
ELECTRICAL	B-11 - B-14
EXTERIOR BODY	B-15 - B-20
GALLEY	B-21 - B-24
HEATING & AC	C-01 - C-04
INTERIOR FINISH	C-05 - C-06
LABEL	- C-09
SEALANTS & FASTENERS	C-10 - C-12
WATER & SE-WAGE	C-13 - C-16
WINDOW, VENT AND EXTERIOR DOOR	C-16 - D-10

CURTAIN, CUSHION & PAD GROUP (CONTINUED)

DINETTE CUSHIONS

KEY PART NUMBER	U/M	DESCRIPTION
088927-79-B27	EA	CUSHION-BACKREST, 14.5" X 38" X 5" - B25 - DUSTY BLUE
088927-79-B28	EA	CUSHION-BACKREST, 14.5" X 38" X 5" - B26 - TRUFFLE BROWN
M88927-79-B27	EA	COVER-CUSHION, BACKREST 14.5" X 38" X 5" - B25 - DUSTY BLUE
M88927-79-B28	EA	COVER-CUSHION, BACKREST 14.5" X 38" X 5" - B26 - TRUFFLE BROWN
U88927-87-B27	EA	CUSHION-SEAT, 23" X 38" X 5" - B25 - DUSTY BLUE
088927-87-B28	EA	CUSHION-SEAT, 23" X 38" X 5" - B26 - TRUFFLE BROWN
M88927-87-B27	EA	COVER-CUSHION, 23" X 38" X 5" - B25 - DUSTY BLUE
M88927-87-B28	EA	COVER-CUSHION, 23" X 38" X 5" - B26 - TRUFFLE BROWN

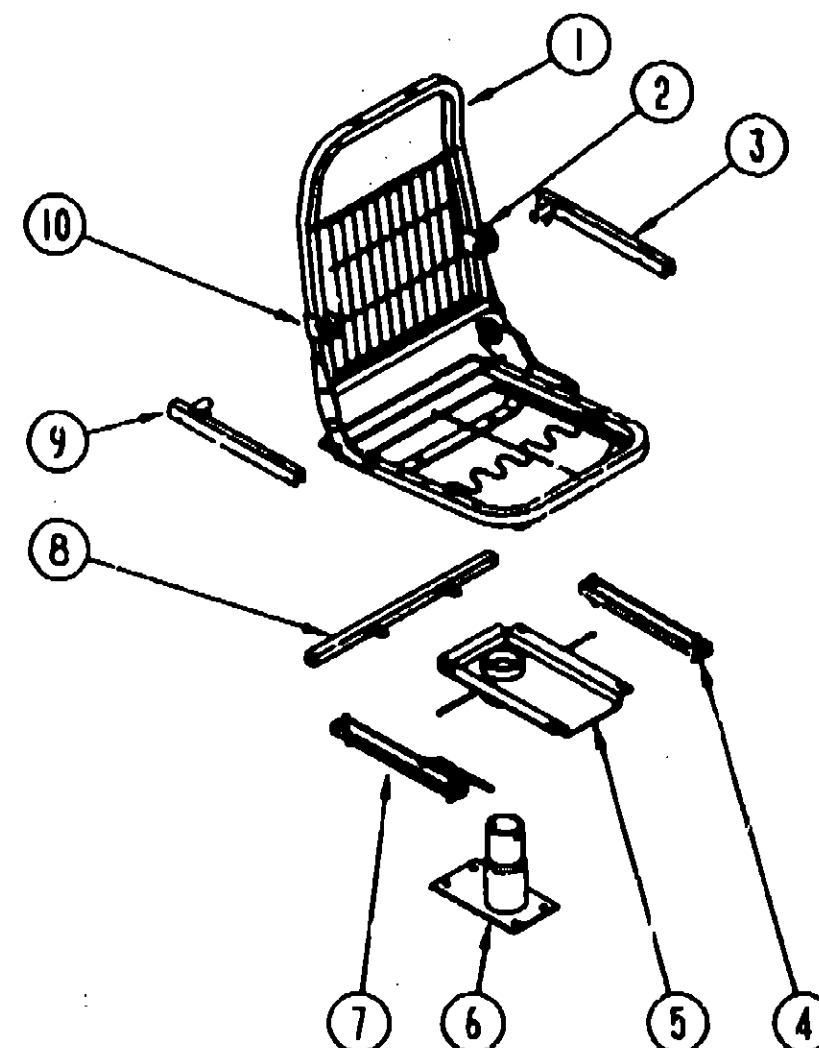
DOUBLE BEDSPREAD, SHAMS & MATTRESS

KEY PART NUMBER	U/M	DESCRIPTION
101123-03-000	EA	MATTRESS-DOUBLE, W/CUT CORNER - 53" X 74"
P01123-03-000	EA	COVER-MATTRESS, 53" X 74"
102161-01-B27	EA	SHAM-W/PILLOW INSERT, NON-QUILTED - B25 - DUSTY BLUE
102161-01-B28	EA	SHAM-W/PILLOW INSERT, NON-QUILTED - B26 - TRUFFLE BROWN
085385-08-B27	EA	BEDSPREAD-DOUBLE, W/ROUNDED CORNER - B25 - DUSTY BLUE
085385-08-B28	EA	BEDSPREAD-DOUBLE, W/ROUNDED CORNER - B26 - TRUFFLE BROWN

BUCKET SEAT CUSHIONS & SKIRT

KEY PART NUMBER	U/M	DESCRIPTION
093450-19-B23	EA	SEAT-BUCKET, W/O PEDESTAL & BASE - B25 - DUSTY BLUE
093450-19-B26	EA	SEAT-BUCKET, W/O PEDESTAL OR BASE - B26 - TRUFFLE BROWN
M03445-22-B23	EA	COVER-BACK, BUCKET SEAT - B25 - DUSTY BLUE
M03445-22-B28	EA	COVER-BACK, BUCKET SEAT - B26 - TRUFFLE BROWN
M03445-23-B23	EA	COVER-SEAT, BUCKET SEAT - B25 - DUSTY BLUE
M03445-23-B28	EA	COVER-SEAT, BUCKET CHAIR - B26 - TRUFFLE BROWN
080243-43-B07	EA	ARMREST-BUCKET SEAT, RIGHT HAND - B26 - DUSTY BLUE
080243-41-B28	EA	ARMREST-BUCKET SEAT, RIGHT HAND - B26 - TRUFFLE BROWN
M80243-43-B07	EA	COVER-ARMREST, RIGHT HAND - B25 - DUSTY BLUE
M80243-41-B28	EA	COVER-ARMREST, RIGHT HAND - B26 - TRUFFLE BROWN
080243-44-B07	EA	ARMREST-BUCKET SEAT, LEFT HAND - B25 - DUSTY BLUE
080243-42-B28	EA	ARMREST-BUCKET SEAT, LEFT HAND - B26 - TRUFFLE BROWN
M80243-44-B07	EA	COVER-ARMREST, LEFT HAND - B25 - DUSTY BLUE
M80243-42-B28	EA	COVER-ARMREST, LEFT HAND - B26 - TRUFFLE BROWN
085268-01-AA1	EA	HEADREST - BUCKET SEAT, B25 - DUSTY BLUE
U85268-01-B28	EA	HEADREST - BUCKET SEAT, B26 - TRUFFLE BROWN
M85268-01-AA1	EA	COVER HEADREST - BUCKET SEAT, B25 - DUSTY BLUE
M85268-01-B28	EA	COVER HEADREST - BUCKET SEAT, B26 - TRUFFLE BROWN
071126-24-AA1	EA	SKIRT-BUCKET SEAT, B25 - DUSTY BLUE
U71126-24-B28	EA	SKIRT-BUCKET SEAT, B26 - TRUFFLE BROWN
071126-26-AA1	EA	SKIRT-BUCKET SEAT, B25 (OPTION L63M)
071126-26-B28	EA	SKIRT-BUCKET SEAT, B26 (OPTION L63M)

CURTAIN, CUSHION & PAD GROUP (CONTINUED)



BUCKET SEAT HARDWARE

KEY PART NUMBER	U/M	DESCRIPTION
1 M80906-04-000	EA	FRAME-SEAT, BACK & SPRING
2 081362-02-000	EA	BRACKET-ARMREST, LEFT HAND
3 101124-02-000	EA	ROD & CHANNEL - ARMREST-LEFT-METAL
4 069246-02-000	EA	ADJUSTER-SEAT/CHAIR, W/O LOCK-FORWARD & BACK
069246-05-700	EA	SPRING F/SLIDE ADJUSTER
069246-05-701	EA	CLIP-CABLE, FOR REMOTE
5 093481-04-000	EA	TOP PLATE-PEDESTAL, BUCKET SEAT-W/O SEATBELT BAR
6 069585-08-000	EA	BASE-BUCKET SEAT, BOLTS TO FLOOR-VERTICAL 8"
6 069585-37-000	EA	BASE-BUCKET SEAT, BOLTS TO FLOOR-VERTICAL 5" (OPTIONAL L63M)
081373-01-000	EA	UNIT-POWER BUCKET SEAT - 8-WAY
7 069246-05-000	EA	ADJUSTER-SEAT/CHAIR, W/REMOTE
069246-05-700	EA	SPRING-ADJUSTER, FOR REMOTE
069246-05-701	EA	CLIP-CABLE, FOR REMOTE
8 069585-29-000	EA	BAR-SEAT BELT, BUCKET SEATS - 20"
9 101124-01-000	EA	ROD & CHANNEL-ARMREST-RIGHT-METAL
10 081362-01-000	EA	BRACKET-ARMREST, RIGHT HAND
101126-01-000	EA	RECLINER-SEAT BACK, LEFT HAND REMOTE
080731-02-000	EA	HINGE-SLAVE, RECLINER, LEFT HAND
081361-01-000	EA	ROD-ARMREST, METAL
081172-01-000	EA	TRIM-HEADREST, PLASTIC-BLACK
091313-01-000	EA	GRIMMET-HEADREST
069368-04-000	EA	FRAME-CABLE, REMOTE SWIVEL
069368-05-000	EA	FRAME-CABLE, REMOTE RECLINE

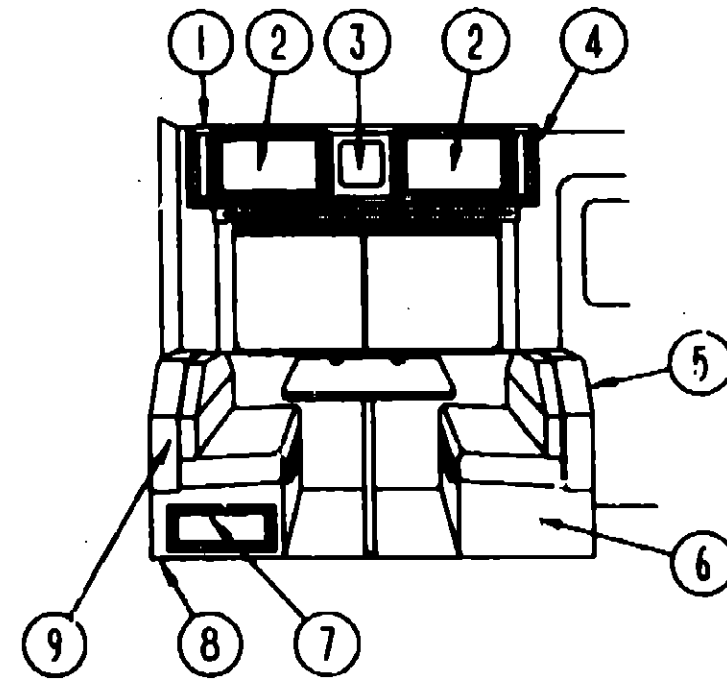
**1991 WINNEBAGO
TABLE OF CONTENTS**

INTRODUCTION	A-01 -	A-02
ABBREVIATIONS		A-03
ALPHABETICAL INDEX	A-04 -	A-06
JCF23EC	A-07 -	D-10
JF321RG	D-11 -	F-23

1991 JCF23EC INDEX

FLOOR PLAN	A-07 -	A-08
ACCESSORIES	A-09 -	A-11
BATH	A-12 -	A-13
BEDROOM		A-14
CHASSIS	A-15 -	A-20
C C & PAD	A-21 -	B-02
DINETTE	B-03 -	B-04
DRIVERS	B-05 -	B-10
ELECTRICAL	B-11 -	B-14
EXTERIOR BODY	B-15 -	B-20
GALLEY	B-21 -	B-24
HEATING & A/C	C-01 -	C-04
INTERIOR FINISH	C-05 -	C-08
LABEL		C-09
SEALANTS & FASTENERS	C-10 -	C-12
WATER & SEWAGE	C-13 -	C-16
WINDOW, VENT AND		
EXTERIOR DOOR	C-16 -	D-10

DINETTE GROUP



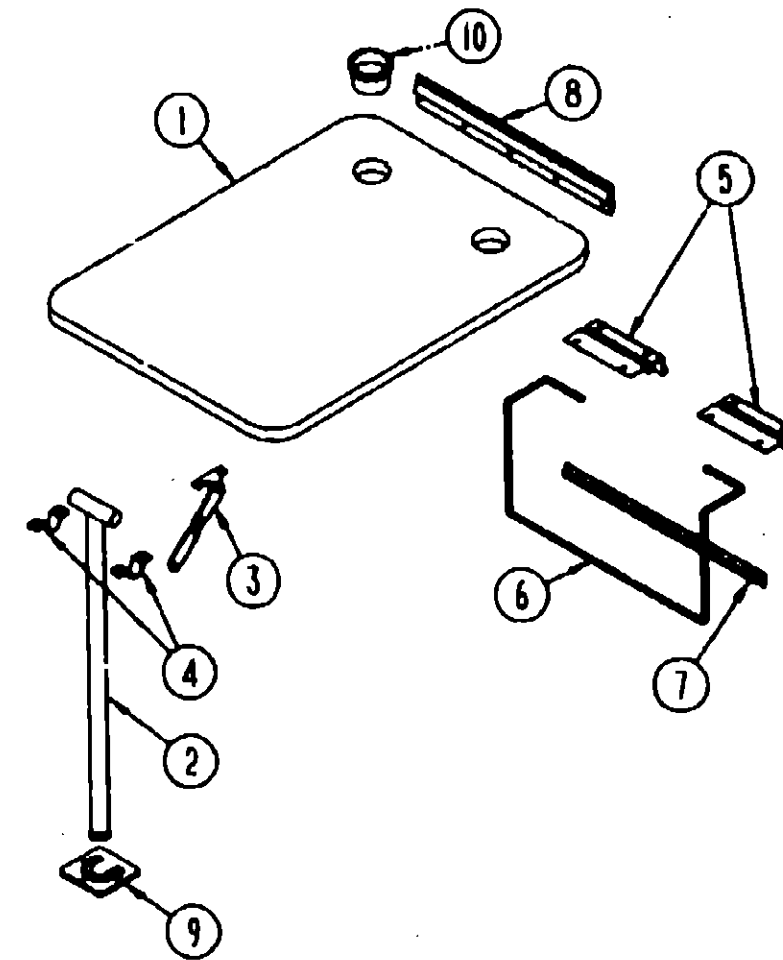
OVERHEAD CABINET & COMPONENTS

KEY PART NUMBER	U/M	DESCRIPTION
1 M03972-11-B25	EA	CABINET-OVERHEAD, DINETTE - W/O DOORS OR HARDWARE
2 P00099-26-B25	EA	DOOR-CABINET, OVERHEAD - W/O HARDWARE - 12" X 26"
3 089340-02-000	EA	GRILLE-SPEAKER, 6.5" SQUARE (ON OVERHEAD CABINET)
094097-01-000	EA	SPEAKER-RADIO, W/O GRILLE - AUDIOVOX 110C3030 5.25" DIAMETER
4 094580-01-B25	EA	END CAP-CABINET, OVERHEAD
5 M04174-02-B25	EA	CABINET-BACKREST, FRONT - W/O HARDWARE
6 M04175-02-925	EA	CABINET-SEATBASE, FRONT - W/O DOOR OR HARDWARE
7 P00099-64-B25	EA	DOOR-CABINET, SEATBASE - W/O HARDWARE - 10" X 18"
8 M03078-05-B25	EA	CABINET-SEATBASE, REAR - W/O DOOR OR HARDWARE
9 M03079-05-B25	EA	CABINET-RACKREST, REAR - W/O HARDWARE

SEATBELTS

KEY PART NUMBER	U/M	DESCRIPTION
057759-01-000	EA	WASHER BRACKET-SEAT BELT, 4 DIAMETER
000D39-06-008	EA	NUT-HEX, SER FLG LK - 3/8-16 ZN
000D44-07-008	EA	NUT-HEX, SER FLG LK - 7/16-20 ZN
007021-01-000	EA	BELT-SEAT, 2" X 90" - BLACK
056271-02-000	EA	BELT-SEAT, 2" X 72" - BLACK

DINETTE GROUP (CONTINUED)



DINETTE TABLE & COMPONENTS

KEY PART NUMBER	U/M	DESCRIPTION
1 M02946-50-B29	EA	TABLE-DINETTE, W/O HARDWARE
000G67-10-120	EA	SCREW-10-12X.75 PPH TAN
004354-01-000	EA	BUMPER-CABINET DOOR, RUBBER - BROWN
2 024276-21-000	EA	LEG-TABLE, BEIGE
3 024282-01-000	EA	BRACE-TABLE LEG, HINGED
024283-01-000	EA	CLIP-LEG, 1" X 1.125" OD - BLACK
4 064050-03-000	EA	CLAMP-SADDLE, LEG HINGE - TAN
5 088410-01-000	EA	BRACKET-LIFT, TABLE MOUNTED - BEIGE
6 024275-11-000	EA	ROD-TABLE LIFT, 8" X 18.5" - BEIGE
7 024281-11-000	EA	BRACKET-LIFT ROD, LOWER WALL MOUNTED - 17.2" - BEIGE
8 053200-09-000	EA	BRACKET-TABLE SUPPORT, UPPER WALL MOUNTED - 18.5" - BEIGE
9 049493-11-700	EA	CATCH-TABLE LEG, FLOOR MOUNTED - BEIGE
10 064781-05-000	EA	HOLDER-CUP, TWO STEP - OFF WHITE
089297-01-000	SF	PLYWOOD-LUAN, OVERLAY GRADE - 4' X 8' - INC OF 32 SF
074498-36-000	SF	LAMINATE-PLASTIC, 5' X 8' - INCREMENTS OF 40 SF
076325-30-000	FT	MOLDING-EDGE BAND, 1 1/16"
076325-28-000	FT	MOLDING-EDGE BAND, 1 1/16"

FROM: 00-00-00 THRU: 05-27-90

FROM: 05-28-90 THRU: 99-99-99

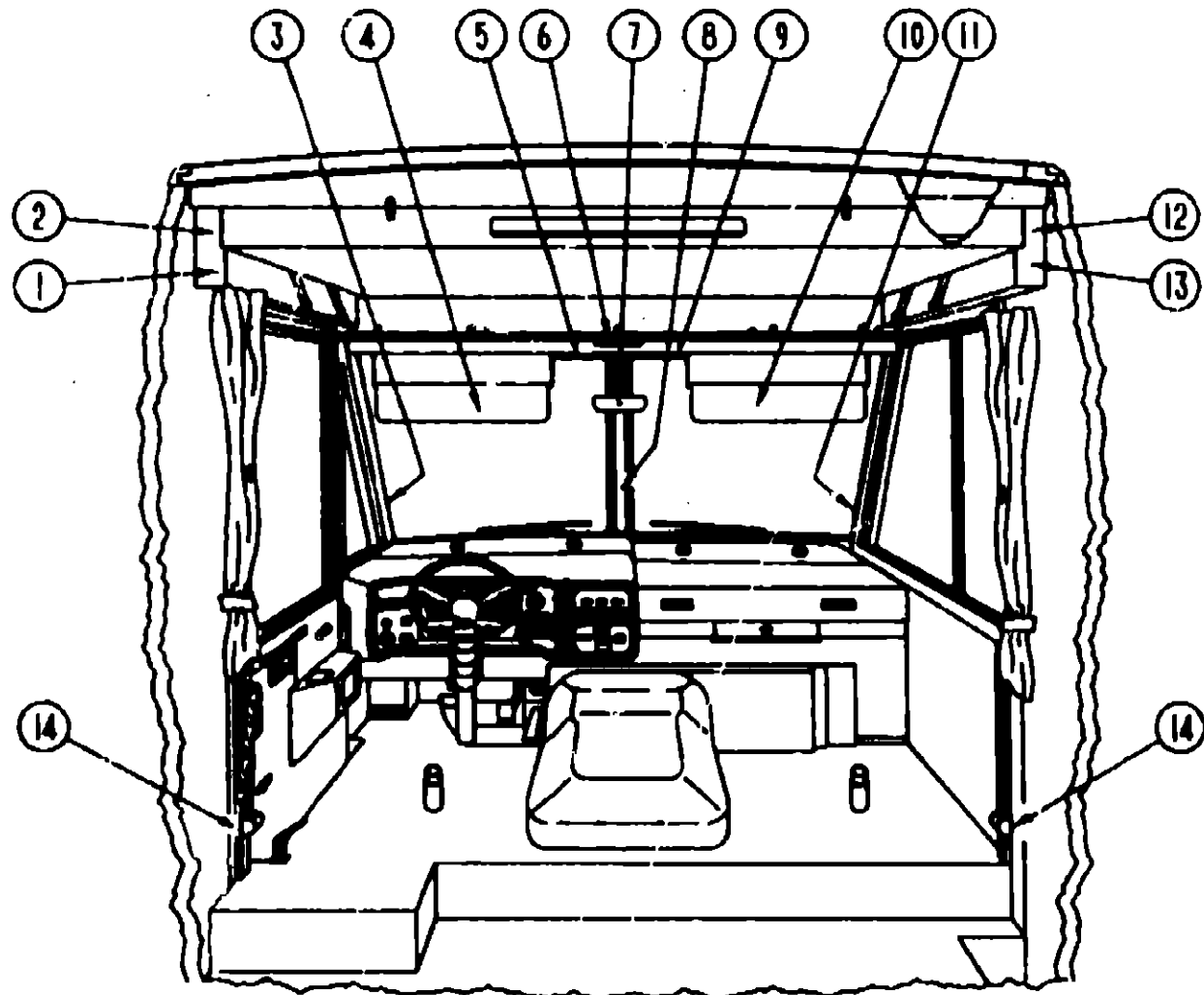
1991 WINNEBAGO TABLE OF CONTENTS

INTRODUCTION	A-01 - A-02
ABBREVIATIONS	A-03
ALPHABETICAL INDEX	A-04 - A-06
JCF23EC	A-07 - D-10
JF321RG	D-11 - F-23

1991 JCF23EC INDEX

FLOOR PLAN	A-07 - A-08
ACCESSORIES	A-09 - A-11
BATH	A-12 - A-13
BEDROOM	- A-14
CHASSIS	A-15 - A-20
C C & PAD	A-21 - B-02
DINETTE	B-03 - B-04
DRIVERS	B-05 - B-10
ELECTRICAL	B-11 - B-14
EXTERIOR BODY	B-15 - B-20
GALLEY	B-21 - B-24
HEATING & A/C	C-01 - C-04
INTERIOR FINISH	C-05 - C-08
LABEL	- C-09
SEALANTS & FASTENERS	C-10 - C-12
WATER & SEWAGE	C-13 - C-16
WINDOW, VENT AND EXTERIOR DOOR	C-16 - D-10

DRIVERS COMPARTMENT GROUP



UPPER TRIM COMPONENTS W/BUNK

KEY PART NUMBER	U/M	DESCRIPTION
1 101499-02-B03	EA	BOTTOM-SIDEWALL TRIM, DRIVER - 37.2" X 3" - VINYL WRAPPED FROM: 00-00-00 THRU: 01-06-91
1 101499-02-B04	EA	BOTTOM-SIDEWALL TRIM, DRIVER - 37.2" X 3" - VINYL WRAPPED FROM: 01-07-91 THRU: 99-99-99
2 101497-02-B03	EA	TRIM-SIDEWALL, UPPER DRIVER - 37.5" X 9.3" - VINYL WRAPPED FROM: 00-00-00 THRU: 01-06-91
2 101497-02-B04	EA	TRIM-SIDEWALL, UPPER DRIVER - 37.5" X 9.3" - VINYL WRAPPED FROM: 01-07-91 THRU: 99-99-99
3 079206-06-000	EA	TRIM POST-WINDSHIELD, DRIVER CORNER - METAL - GRAY FROM: 00-00-00 THRU: 01-06-91
3 079206-12-000	EA	TRIM POST-WINDSHIELD, DRIVER CORNER - METAL - BLACK FROM: 01-07-91 THRU: 99-99-99
4 082286-01-U1C	EA	SUNVISOR-DRIVER/PASSENGER - GRAY FROM: 00-00-00 THRU: 01-07-91
4 082286-01-B03	EA	SUNVISOR-DRIVER/PASSENGER, OFF WHITE FROM: 01-08-91 THRU: 99-99-99
5 078579-04-000	EA	TRIM-WINDSHIELD, UPPER DRIVER SIDE - PLASTIC - GRAY FROM: 00-00-00 THRU: 01-06-91
5 078579-06-000	EA	TRIM-WINDSHIELD, UPPER DRIVER SIDE - PLASTIC - BEIGE FROM: 01-07-91 THRU: 99-99-99
6 096280-01-000	EA	LIGHT-SURFACE MOUNT, 12V - JENSEN 1236
6 096280-01-700	EA	BULB-SURFACE MOUNT LIGHT, 12V - 6W
7 040714-01-700	EA	MIRROR-REAR VIEW W/AHM MOUNT & SET SCREW - GM # 911722
8 081105-01-AA8	EA	TRIM-HEADER, ROUTED/SHAPED WOOD - 1.7" X 83.75"
8 079765-04-000	EA	TRIM-CENTER WINDSHIELD, PLASTIC - GRAY FROM: 00-00-00 THRU: 01-06-91
8 079765-06-000	EA	TRIM-CENTER WINDSHIELD, PLASTIC - BEIGE FROM: 01-07-91 THRU: 99-99-99
9 078579-03-000	EA	TRIM-WINDSHIELD, UPPER PASSENGER SIDE - PLASTIC - GRAY FROM: 00-00-00 THRU: 01-06-91
9 078579-05-000	EA	TRIM-WINDSHIELD, UPPER PASSENGER SIDE - PLASTIC - BEIGE FROM: 01-07-91 THRU: 99-99-99
10 082286-01-U16	EA	SUNVISOR-DRIVER/PASSENGER - GRAY FROM: 00-00-00 THRU: 01-07-91

DRIVERS COMPARTMENT GROUP CONTINUED

UPPER TRIM COMPONENTS (CONT)

KEY PART NUMBER	U/M	DESCRIPTION
10 082286-01-B03	EA	SUNVISOR-DRIVER/PASSENGER, OFF WHITE FROM: 01-08-91 THRU: 99-99-9910
007211-01-000	EA	HINGE-SUNVISOR
074012-01-000	EA	CLIP-SUNVISOR, SQUARE - PINCH ON
085709-01-000	EA	MOUNT-SUNVISOR, CLIP TYPE - BLACK
102377-01-000	EA	BRACKET-SUNVISOR, 1 PIECE - STEEL
11 079206-05-000	EA	TRIM POST-WINDSHIELD, PASSENGER CORNER - METAL - GRAY FROM: 00-00-00 THRU: 01-06-91
11 079206-11-000	EA	TRIM POST-WINDSHIELD, PASSENGER CORNER - METAL - BLACK FROM: 01-07-91 THRU: 99-99-99
12 101497-01-B03	EA	TRIM-SIDEWALL, UPPER PASS - 37.5" X 9.3" - VINYL WRAPPED FROM: 00-00-00 THRU: 01-06-91
12 101497-01-B04	EA	TRIM-SIDEWALL, UPPER PASS - 37.5" X 9.3" - VINYL WRAPPED FROM: 01-07-91 THRU: 99-99-99
13 101499-01-B03	EA	BOTTOM-SIDEWALL TRIM, PASS - 37.2" X 3" - VINYL WRAPPED FROM: 00-00-00 THRU: 01-06-91
13 101499-01-B04	EA	BOTTOM-SIDEWALL TRIM, PASS - 37.2" X 3" - VINYL WRAPPED FROM: 01-07-91 THRU: 99-99-99
14 091990-01-01A	EA	SEAT BELT-SHOULDER HARNESS - DRIVERS/PASSENGERS - BLACK
048886-03-000	EA	ASHTRAY-CHROME, WCOVER
100024-01-B03	EA	PANEL-HEADLINER, 90.2" X 13" END - VINYL - GRAY FROM: 00-00-00 THRU: 01-06-91
100824-01-B04	EA	PANEL-HEADLINER, 90.2" X 13" END - VINYL - OFF WHITE FROM: 01-07-91 THRU: 99-99-99
078811-05-B03	EA	BOTTOM-HEADLINER, W/SPEAKER CUTOUTS - VINYL - GRAY FROM: 00-00-00 THRU: 01-06-91
078811-05-B11	EA	BOTTOM-HEADLINER, W/SPEAKER CUTOUTS - VINYL - OFF WHITE FROM: 01-07-91 THRU: 99-99-99

WINDSHIELD & CAB WINDOW CURTAIN TRACKS

KEY PART NUMBER	U/M	DESCRIPTION
101589-01-B03	EA	TRACK-CURTAIN, HOOK - 89" FRONT SECTION CURVED 3/4" AL PASS SIDE - GRAY FROM: 04-28-90 THRU: 12-02-90
101589-01-B04	EA	TRACK-CURTAIN, HOOK - 89" FRONT SECTION CURVED 3/4" AL PASS SIDE - OFF WHITE
094856-06-01A	EA	TRACK-DOOR/CURTAIN, 37.6" - GRAY FROM: 12-03-90 THRU: 99-99-99
094856-06-02A	EA	TRACK-DOOR/CURTAIN, 37.6" - OFF WHITE FROM: 04-28-90 THRU: 12-02-90 FROM: 12-03-90 THRU: 99-99-99

ROLL BAR COVERS

KEY PART NUMBER	U/M	DESCRIPTION
024700-32-000	EA	COVER-ROLL BAR, U-CHANNEL - 57.25" - PLASTIC - GRAY FROM: 00-00-00 THRU: 01-06-91
024700-31-000	EA	COVER-ROLL BAR, U-CHANNEL - 57.25" - PLASTIC - OFF WHITE FROM: 01-07-91 THRU: 99-99-99

ROLL BAR COVERS USED W/DRIVER'S DOOR

KEY PART NUMBER	U/M	DESCRIPTION
024700-33-000	EA	COVER-ROLL BAR, U-CHANNEL - 15.25" - PLASTIC - GRAY FROM: 00-00-00 THRU: 01-06-91
024700-38-000	EA	COVER-ROLL BAR, 15.25" - PLASTIC - OFF WHITE FROM: 01-07-91 THRU: 99-99-99
024700-34-000	EA	COVER-ROLL BAR, U-CHANNEL - 33.9" - PLASTIC - GRAY FROM: 00-00-00 THRU: 01-06-91

**1991 WINNEBAGO
TABLE OF CONTENTS**

INTRODUCTION	A-01	A-02
ABBREVIATIONS		A-03
ALPHABETICAL INDEX	A-04	A-06
JCF23EC	A-07	D-10
JF321RG	D-11	F-23

1991 JCF23EC INDEX

FLOOR PLAN	A-07	A-08
ACCESSORIES	A-09	A-11
BATH	A-12	A-13
BEDROOM		A-14
CHASSIS	A-15	A-20
C C & PAD	A-21	B-02
DINETTE	B-03	B-04
DRIVERS	B-05	B-10
ELECTRICAL	B-11	B-14
EXTERIOR BODY	B-15	B-20
GALLEY	B-21	B-24
HEATING & A/C	C-01	C-04
INTERIOR FINISH	C-05	C-08
LABEL		C-09
SEALANTS & FASTENERS	C-10	C-12
WATER & SEWAGE	C-13	C-16
WINDOW, VENT AND EXTERIOR DOOR	C-16	D-10

DRIVERS COMPARTMENT GROUP (CONTINUED)

1991 FORD & 1991 DIESEL

KEY	PART NUMBER	U/M	DESCRIPTION
	100390-04-01A	EA	BEZEL-INSTRUMENT PANEL, BLACK MATTE

1991 CHEVY

KEY	PART NUMBER	U/M	DESCRIPTION
	102344-01-000	EA	WIRE ASM.-INSTRUMENT PANEL, MAIN - 1991 CHEVY CHASSIS
	007940-01-000	EA	RECEPTACLE-SLIDE, 16 TO 12 AWG

MOTOR COVER

KEY	PART NUMBER	U/M	DESCRIPTION
	075564-01-000	EA	BRACKET-MOUNTING, MOTOR COVER
	097552-01-000	EA	COVER-MOTOR W/O CARPET
	002754-01-001	EA	ANGLE-EXTRUDED, .75" X .75" X 18" - MILL ALUMINUM
	039623-01-000	FT	SEAL-MOTOR COVER, RUBBER BULB TYPE - BLACK
	080544-01-000	EA	TRIM-MOTOR COVER, METAL - SCREWS TO FLOOR
	002754-01-001	EA	ANGLE-EXTRUDED, .75" X .75" X 18" - MILL ALUMINUM

DIESEL ENGINE (OPTION L33N)

KEY	PART NUMBER	U/M	DESCRIPTION
	072878-01-000	EA	INSULATION-SOUND FARRIER PAD, 29.25" X 40.19"
	M01113-83-B25	EA	DASH ASM. - COMPL. MAN. - DIESEL, 91 CHEVY - 91 CHASSIS
	M78068-03-000	EA	SUPPORT-DASH, 90 8" - METAL - BLACK
	076007-01-000	EA	SUPPORT-RADIO
	009118-01-000	EA	LOCK-TWIST W/NUT, GLOVE COMPARTMENT
	022219-01-000	EA	DOOR-GLOVE COMPARTMENT, BLACK
	023834-01-000	EA	PANEL-KNEE KICK, 3.25" X 45.38" - BLACK
	023892-01-000	EA	BOX-GLOVE COMPARTMENT, FIBERBOARD - BLACK
	024598-01-000	EA	HINGE-PIANO, GLOVE COMPARTMENT - 1 1/16" X 19"
	038846-01-000	EA	RETAINER-DASH, 1" X 1/2"
	038946-02-000	EA	RETAINER-DASH, 3" X 1.5"
	039044-01-000	EA	LOUVER-ADJUSTABLE A/C, 2.5" X 5.75"
	079088-03-000	EA	TOP-PADDED DASH, DRIVERS SIDE - VINYL COVERED - GRAY FROM: 00-00-00 THRU: 10-29-90
	079088-04-000	EA	TOP-PADDED DASH, DRIVERS SIDE - VINYL COVERED - GRAY FROM: 10-30-90 THRU: 99-99-99
	079089-02-000	EA	TOP-PADDED DASH, PASSENGER SIDE - VINYL COVERED - GRAY
	089294-01-000	EA	LIGHTER ASM-CIGARETTE
	093381-01-000	EA	SWITCH-RADIO, MAIN TO AUXILIARY
	100389-04-01A	EA	BEZEL-ENTERTAINMENT CENTER, BLACK MATTE
	100390-04-01A	EA	BEZEL-INSTRUMENT PANEL, BLACK MATTE
	094796-04-000	EA	CLUSTER - INSTRUMENT PANEL, KILOMETERS - DIESEL - GM# 1613848 FROM: 01-17-90 THRU: 99-99-99
	005081-01-000	EA	NUT-SPEED, C TYPE - NO 8 SCREW
	007093-01-000	EA	FLASHER-SIGNAL STAT
	008343-01-000	EA	WIRE-WIRE, 6"
	009066-01-000	EA	HINGE-ALUMINUM, NO HOLES - 1 1/16" X 6" - UNPAINTED
	031048-05-000	EA	PLATE-GAUGE COVER, BLACK
	061424-01-000	EA	LIGHT-AISLE, 12V - RECTANGULAR
	062401-05-000	EA	CLAMP-HOSE, WORMGEAR, - 2" X 3"
	062901-05-000	EA	FUSE-15 AMPS. AUTOMOTIVE

HOOD RELEASE & STEERING COLUMN COVERS

KEY	PART NUMBER	U/M	DESCRIPTION
	074178-01-000	EA	BRACKET-CABLE, HOOD RELEASE - BLACK FROM: 03-00-00 THRU: 02-10-91
	040594-01-000	EA	COVER-STEERING COLUMN, PLASTIC - BLACK FROM: 01-00-00 THRU: 02-11-91
	078245-01-000	EA	BOOT-STEERING COLUMN, VINYL - BLACK FROM: 00-00-00 THRU: 02-10-91

ROLL BAR COVER WHERE SEAT BELTS MOUNT PASSENGER SIDE

KEY	PART NUMBER	U/M	DESCRIPTION
	024700-32-000	EA	COVER-ROLL BAR, U-CHANNEL - 57.25" - PLASTIC - GRAY FROM: 00-10-00 THRU: 01-06-91
	024700-41-000	EA	COVER-ROLL BAR, U-CHANNEL - 57.25" - PLASTIC - OFF WHITE FROM: 01-07-91 THRU: 99-99-99

P-07

DRIVERS COMPARTMENT GROUP (CONTINUED)

SEATBELT

KEY	PART NUMBER	U/M	DESCRIPTION
	091990-01-01A	EA	SEAT BELT-SHOULDER HARNESS - DRIVERS/PASSENGERS - BLACK
	091990-01-700	EA	COVER-BOLT, SEATBELT - BLACK
	091990-02-01A	EA	BRACKET-DRIVERS SEAT BELT, FLOOR MOUNT

METRIC INSTRUMENT PANEL CLUSTER CHEVY

KEY	PART NUMBER	U/M	DESCRIPTION
	094796-01-000	EA	CLUSTER-INSTRUMENT PANEL, KILOMETERS - GAS - GM# 2508 FROM: 00-00-00 THRU: 12-16-90
	094796-03-000	EA	CLUSTER-INSTRUMENT PANEL, KILOMETERS - GAS - GM# 1613 FROM: 12-17-90 THRU: 99-99-99

SIDE OVERHEAD TRIMS PANELS

KEY	PART NUMBER	U/M	DESCRIPTION
	101497-04-B03	EA	TRIM-SIDEWALL, UPPER DRIVER - 37.5" X 9.3" - VINYL WRAPPED FROM: 00-00-00 THRU: 01-06-91
	101497-04-B04	EA	TRIM-SIDEWALL, UPPER DRIVER - 37.5" X 9.3" - VINYL WRAPPED FROM: 01-07-91 THRU: 99-99-99
	101499-04-B25	EA	BOTTOM-SIDEWALL TRIM, DRIVER - 34.6" X 3" - VINYL WRAPPED FROM: 00-00-00 THRU: 01-06-91
	101499-04-B11	EA	BOTTOM-SIDEWALL TRIM, DRIVER - 34.6" X 3" - VINYL WRAPPED FROM: 01-07-91 THRU: 99-99-99

FORWARD DASH PLASTIC PANELS

KEY	PART NUMBER	U/M	DESCRIPTION
	078581-04-000	EA	PANEL-DASH, PASSENGER FRONT - PLASTIC - GRAY
	078582-04-000	EA	PANEL-DASH, DRIVER SIDE FRONT - PLASTIC - GRAY

STEERING COLUMN COVER & BOOT

KEY	PART NUMBER	U/M	DESCRIPTION
	040514-01-000	EA	COVER-STEERING COLUMN, PLASTIC - BLACK FROM: 00-00-00 THRU: 02-11-91
	078245-01-000	EA	BOOT-STEERING COLUMN, VINYL - BLACK FROM: 00-00-00 THRU: 02-10-91

LOWER BLACK DASH PANELS

KEY	PART NUMBER	U/M	DESCRIPTION
	077367-01-000	EA	PANEL-LOWER PASS. SIDE, 68.5" - BLACK
	077368-01-000	EA	PANEL-LOWER DRIVER SIDE - 5.66" X 15.70" - BLACK FROM: 00-00-00 THRU: 03-10-91
	077369-01-000	EA	PANEL-ELECTRIC ACCESS - LOWER CENTER - 4" X 6.8" - BLACK FROM: 00-00-00 THRU: 12-05-90
	077539-01-000	EA	BRACKET-MOUNTING, DASH PANEL - UNWRAPPED - 2.5" X 1" X 1.5"

HOOD RELEASE CABLE, BRACKET & HEATER OUTLET

KEY	PART NUMBER	U/M	DESCRIPTION
	074178-01-000	EA	BRACKET-CABLE, HOOD RELEASE - BLACK FROM: 00-00-00 THRU: 02-10-91
	056402-04-000	EA	BRACKET-HEATER, W/BEND - GRAY FROM: 00-00-00 THRU: 01-06-91
	056402-05-000	EA	BRACKET-HEATER, W/BEND - BLACK FROM: 01-07-91 THRU: 99-99-99
	024990-03-000	EA	OUTLET-LOUVERED, W/SWIVEL - 2" - GRAY

PASSENGER SIDE CAB TRIMS

KEY	PART NUMBER	U/M	DESCRIPTION
	024700-32-000	EA	COVER-ROLL BAR, U-CHANNEL - 57.25" - PLASTIC - GRAY FROM: 00-00-00 THRU: 01-06-91
	024700-41-000	EA	COVER-ROLL BAR, U-CHANNEL - 57.25" - PLASTIC - OFF WHITE FROM: 01-07-91 THRU: 99-99-99

**1991 WINNEBAGO
TABLE OF CONTENTS**

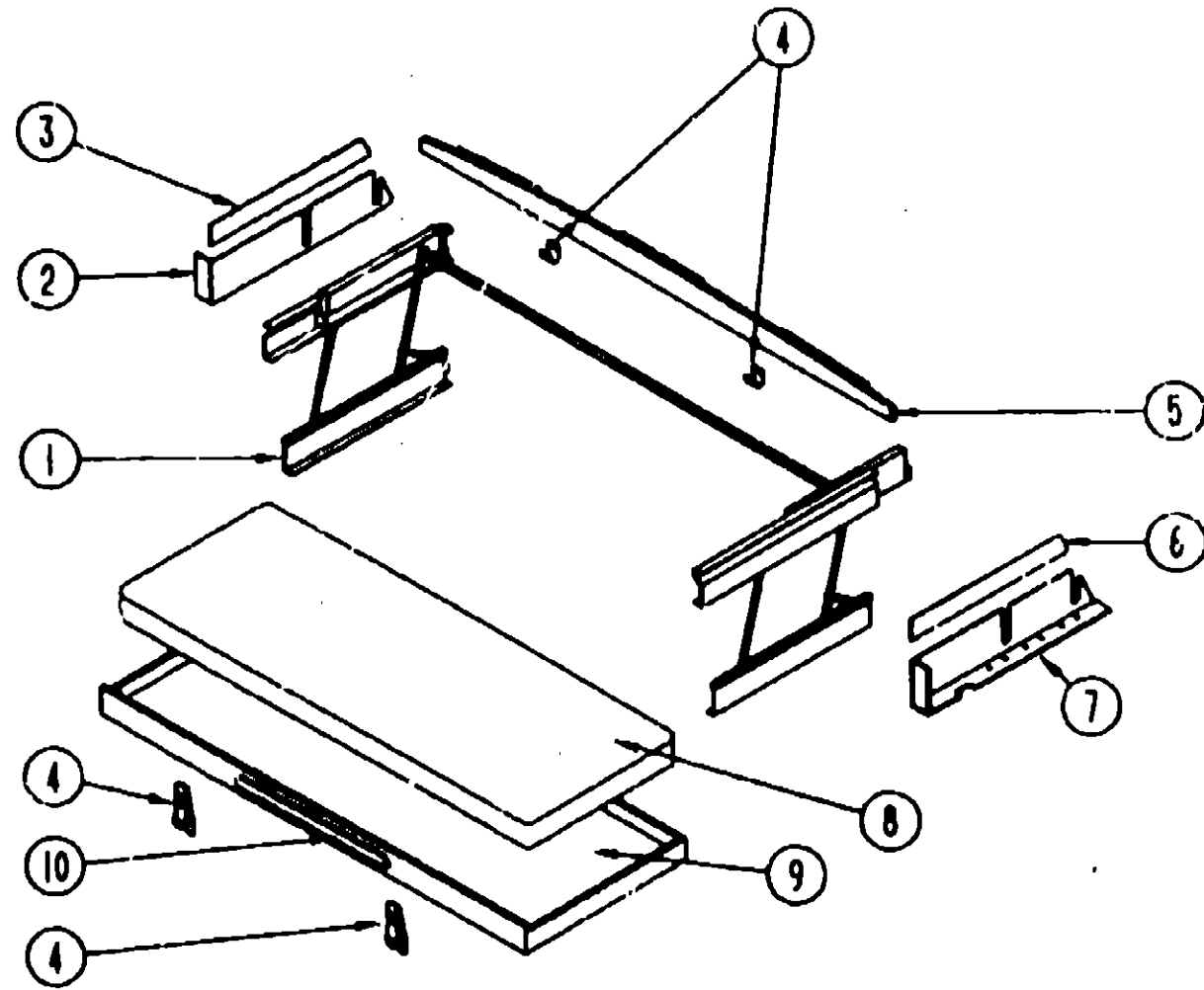
INTRODUCTION	A-01 -	A-02
ABBREVIATIONS		A-03
ALPHABETICAL INDEX	A-04 -	A-06
JCF23EC	A-07 -	D-10
JF321RG	D-11 -	F-23

1991 JCF23EC INDEX

FLOOR PLAN	A-07 -	A-08
ACCESSORIES	A-09 -	A-11
BATH	A-12 -	A-13
BEDROOM		A-14
CHASSIS	A-15 -	A-20
CO & PAD	A-21 -	B-02
DINETTE	B-03 -	B-04
DRIVERS	B-05 -	B-10
ELECTRICAL	B-11 -	B-14
EXTERIOR BODY	B-15 -	B-20
GALLEY	B-21 -	B-24
HEATING & AC	C-01 -	C-04
INTERIOR FINISH	C-05 -	C-08
LABEL		C-09
SEALANTS & FASTENERS	C-10 -	C-12
WATER & SEWAGE	C-13 -	C-16
WINDOW, VENT AND EXTERIOR DOOR	C-16 -	D-10

B-08

DRIVERS COMPARTMENT GROUP (CONTINUED)



FRONT BUNK-SINGLE (OPT 523)

KEY PART NUMBER	U/M	DESCRIPTION
1 076760-03-000	EA	SUPPORT HARDWARE ASM-BUNK
2 101499-02-B03	EA	TRIM-SIDEWALL, UPPER DRIVER - 37.5" X 9.3" - VINYL WRAPPED FROM: 00-00-00 THRU: 01-06-91
2 101499-02-B04	EA	TRIM-SIDEWALL, UPPER DRIVER - 37.5" X 9.3" - VINYL WRAPPED FROM: 01-07-91 THRU: 99-99-99
3 101497-02-B03	EA	TRIM-SIDEWALL, UPPER DRIVER - 37.5" X 9.3" - VINYL WRAPPED FROM: 00-00-00 THRU: 01-06-91
3 101497-02-B04	EA	TRIM-SIDEWALL, UPPER DRIVER - 37.5" X 9.3" - VINYL WRAPPED FROM: 01-07-91 THRU: 99-99-99
4 042541-04-700	EA	LATCH ASM-W/STRIKE, (2 SETS) - BRASS
042541-05-000	EA	STRIKE-BRASS
049485-03-000	EA	SCREW, 10-16 X 1 POH WWASHER - OFF WHITE
075943-08-000	EA	BRACE-ANGLE, W/HOLES - 1" X 1.5" X 14" - ALUMINUM - OFF WHITE
5 M81715-01-B03	EA	BOARD-TRIM, BUNK - VINYL COVERED - CEILING MOUNTED FROM: 00-00-00 THRU: 01-06-91
5 M81715-01-Y70	EA	BOARD-TRIM, BUNK - VINYL COVERED - CEILING MOUNTED FROM: 01-07-91 THRU: 99-99-99
016604-05-000	EA	BRACE-L/ANGLED, 2.5" - OFF WHITE
6 101497-01-B03	EA	TRIM-SIDEWALL, UPPER PASS - 37.5" X 9.3" - VINYL WRAPPED FROM: 00-00-00 THRU: 01-06-91
6 101497-01-B04	EA	TRIM-SIDEWALL, UPPER PASS - 37.5" X 9.3" - VINYL WRAPPED FROM: 01-07-91 THRU: 99-99-99
7 101499-01-B03	EA	BOTTOM-SIDEWALL TRIM, PASS - 37.2" X 3" - VINYL WRAPPED FROM: 00-00-00 THRU: 01-06-91
7 101499-01-B04	EA	BOTTOM-SIDEWALL TRIM, PASS - 37.2" X 3" - VINYL WRAPPED FROM: 01-07-91 THRU: 99-99-99
8 079145-04-000	EA	CUSHION-BUNK, OVERHEAD - 4" X 34" X 78" - B03/B04
M79145-04-000	EA	COVER-BUNK CUSHION, OVERHEAD - 4" X 34" X 78" - AA8 & AA9
9 081717-01-B03	EA	BED ASM-BUNK, FRONT - PADDED - W/O HARDWARE FROM: 00-00-00 THRU: 01-06-91
9 081717-01-B25	EA	BED ASM-BUNK, FRONT - PADDED - W/O HARDWARE FROM: 01-07-91 THRU: 99-99-99
10 J94658-01-Y25	EA	HANDLE-BUNK, OAK

DRIVERS COMPARTMENT GROUP (CONTINUED)

DASH & COMPONENTS

KEY PART NUMBER	U/M	DESCRIPTION
M01113-61-B25	EA	DASH ASSEMBLY W/RADIO-91 CHEVY, 90 CHASSIS FROM: 00-00-00 THRU: 02-10-91
M01113-60-B25	EA	DASH-COMPLETE, W/RADIO - 1991 CHEVY CHASSIS FROM: 02-11-91 THRU: 99-99-99
079088-04-000	EA	TOP-PADDED DASH, DRIVERS SIDE - VINYL COVERED - GRAY
079089-02-000	EA	TOP-PADDED DASH, PASSENGER SIDE - VINYL COVERED - GRAY
M78088-03-000	EA	SUPPORT-DASH, 90.8" METAL - BLACK FROM: 12-18-90 THRU: 99-99-99
076007-01-000	EA	SUPPORT-RADIO
009118-01-000	EA	LOCK-TWIST W/NUT, GLOVE COMPARTMENT
022219-01-000	EA	DOOR-GLOVE COMPARTMENT, BLACK
023834-01-000	EA	PANEL-KNEE KICK, 3.25" X 45.38" - BLACK
023892-01-000	EA	BOX-GLOVE COMPARTMENT, FIBERBOARD - BLACK
024461-01-000	EA	SWITCH-BATT, BATT/DUAL/MOM
024598-01-000	EA	HINGE-PIANO, GLOVE COMPARTMENT - 1 1/16" X 19"
038846-01-000	EA	RETAINER-DASH, 1" X 1/2"
038846-02-000	EA	RETAINER-DASH, 3" X 1.5"
039044-01-000	EA	LOUVER-ADJUSTABLE A/C, 2.5" X 5.75"
089294-01-000	EA	LIGHTER ASM-CIGARETTE
093381-01-000	EA	SWITCH-RADIO, MAIN TO AUXILIARY
100389-03-01A	EA	BEZEL-ENTERTAINMENT CENTER, BLACK MATTE FROM: 00-00-00 THRU: 02-10-91
100389-04-01A	EA	BEZEL-ENTERTAINMENT CENTER, BLACK MATTE FROM: 02-11-91 THRU: 99-99-99
100390-01-01A	EA	BEZEL-INSTRUMENT PANEL, BLACK MATTE FROM: 00-00-00 THRU: 02-10-91
100390-04-01A	EA	BEZEL-INSTRUMENT PANEL, BLACK MATTE FROM: 02-11-91 THRU: 99-99-99
090979-01-000	EA	PLUG-INSTRUMENT PANEL, .45"
007940-01-000	EA	RECEPTACLE-SLIDE, 18 TO 12 AWG
041953-01-000	FT	CONDUIT-CONVOLUTE SLIT, .5"ID
041953-02-000	FT	CONDUIT-CONVOLUTE SLIT, .625"ID
041953-03-000	FT	CONDUIT-CONVOLUTE SLIT, 1" ID (CLOTHES ROD COVER)
047443-01-000	EA	TERMINAL-.250 RECEPT, INSULATED - 18/14 AWG
047443-02-000	EA	TERMINAL-.250 RECEPT, INSULATED - 12/10 AWG
077000-01-000	EA	SOCKET ASM-W/8" PIGTAIL LEADS
088473-06-000	EA	PIN-HOUSING, 6 POSITION (TWO ROWS OF THREE)
088474-01-000	EA	HOUSING-SOCKET
088474-10-000	EA	HOUSING-SOCKET, 2 POSITION
088475-01-000	EA	PIN-CONNECTOR, 14 TO 20 AWG
088476-01-000	EA	SOCKET-CONNECTOR
098641-01-000	EA	LABEL-FUEL, UNLEADED - DASH
088252-02-000	FT	TRIM-CHROME, 1" WIDE WITH PRESSURE SENSITIVE BACKING
088474-09-000	EA	HOUSING-SOCKET, 3 POSITION

**1991 WINNEBAGO
TABLE OF CONTENTS**

INTRODUCTION	A-01 -	A-02
ABBREVIATIONS		A-03
ALPHABETICAL INDEX	A-04 -	A-08
JCF23EC	A-07 -	F-10
JF321RG	D-11 -	F-23

1991 JCF23EC INDEX

FLOOR PLAN	A-07 -	A-08
ACCESSORIES	A-09 -	A-11
BATH	A-12 -	A-13
BEDROOM		A-14
CHASSIS	A-15 -	A-20
C C & PAD	A-21 -	B-02
DINETTE	B-03 -	B-04
DRIVERS	B-05 -	B-10
ELECTRICAL	B-11 -	B-14
EXTERIOR BODY	B-15 -	B-20
GALLEY	B-21 -	B-24
HEATING & A/C	C-01 -	C-04
INTERIOR FINISH	C-05 -	C-08
LABEL		C-09
SEALANTS & FASTENERS	C-10 -	C-12
WATER & SEWAGE	C-13 -	C-15
WINDOW, VENT AND EXTERIOR DOOR	C-16 -	D-09

**ELECTRICAL GROUP
ELECTRIC CONTROL CENTER**

KEY PART NUMBER	U/M	DESCRIPTION
008331-01-000	EA	TERMINAL-RING,TONGUE - #4 WIRE - 3/8" STUD - COPPER
008356-01-000	EA	CONNECTOR-PLASTIC, 3/8" AVG
041953-01-000	FT	CONDUIT-CONVOLUTED SLIT, 1/2"ID
083208-05-000	EA	CONVERTOR-POWER, 45A - 100V/12V - BW
083209-01-000	EA	CIRCUIT BREAKER-15 AMP, 120V - B/W G-15
083209-03-000	EA	CIRCUIT BREAKER-15/20AMP, 120V - BW - 0-15/20
083209-04-000	EA	CIRCUIT BREAKER-30A, 120V - BW L-30
083209-02-000	EA	CIRCUIT BREAKER-15/15A, 120V - BW H-15/15
083210-02-000	EA	CIRCUIT BREAKER-GFI, 15A - 120V - BW U-15

ELECTRICAL COMPONENTS

KEY PART NUMBER	U/M	DESCRIPTION
007093-01-000	EA	FLASHER-SIGNAL STAT
077479-02-000	EA	BOOT-BATTERY TERMINAL, SINGLE CABLE
091910-01-000	EA	BOX-ELECTRIC, 3.75" X 3.5" X 1.75" - PLASTIC
008288-02-000	EA	BOX-ELECTRIC, PLASTIC - 3.94" X 3.13" X 1.81"
008289-01-000	EA	BOX-ELECTRIC, STEEL - 1/2" AND 3/4" KNOCKOUTS - 4" X 4"
059049-01-000	EA	BOX-ELECTRIC SWITCH, 2" X 3" X 2.25"
008289-02-000	EA	BOX-ELECTRICAL, 4" X 4" - 1/2" & 3/4" KNOCKOUTS - CANADIAN
008288-01-000	EA	BOX-PLASTIC ELECTRIC, 3" X 3 1/2"
094811-01-000	EA	BREAKER-CIRCUIT, DOUBLE 20 AMP - GE THQL2120
094810-01-000	EA	BREAKER-CIRCUIT, DOUBLE 30 AMP - GE THQL2130
038198-01-000	EA	BULB-12V - #194 - .27AMP
092786-01-000	EA	BUSS BAR-2.1" LONG
092786-02-000	EA	BUSS BAR-3.3" LONG
008037-01-000	FT	CABLE-BATTERY, 1AWG - STRANDED - BLACK
008037-02-000	FT	CABLE-BATTERY, 1AWG - STRANDED - RED
083209-01-000	EA	CIRCUIT BREAKER-15 AMP, 120V - BW G-15
083209-03-000	EA	CIRCUIT BREAKER-15/20AMP, 120V - BW - 0-15/20
093854-03-000	EA	CIRCUIT BREAKER-20 AMP, HOUSE CONTROL PANEL
083209-05-000	EA	CIRCUIT BREAKER-20A, 120V - BW J-20
083855-02-000	EA	CIRCUIT BREAKER-30 AMP, HOUSE CONTROL PANEL
083209-04-000	EA	CIRCUIT BREAKER-30A, 120V - BW L-30
083209-06-000	EA	CIRCUIT BREAKER-30/15 AMP, 120V - BW D-30/15
083855-03-000	EA	CIRCUIT BREAKER-40 AMP
093854-01-000	EA	CIRCUIT BREAKER-6 AMP, HOUSE CONTROL PANEL
097811-01-000	EA	CIRCUIT BREAKER-6 AMP, ATC - BLACK
083210-02-000	EA	CIRCUIT BREAKER-GFI, 15A - 120V - BW U-15
080734-02-000	EA	CLIP-WIRE, NYLON
041953-11-000	FT	CONDUIT-CONVOLUTED, SLIT- 1.06" ID
041953-03-000	FT	CONDUIT-CONVOLUTED SLIT, 1" ID (CLOTHES ROD COVER)
041953-01-000	FT	CONDUIT-CONVOLUTED SLIT, .5"ID
041953-08-000	FT	CONDUIT-CONVOLUTED,SLIT,1.50"ID
041953-07-000	FT	CONDUIT-CONVOLUTED,SLIT,.25"ID
041953-06-000	FT	CONDUIT-CONVOLUTED,SLIT,.375"ID
041953-09-000	FT	CONDUIT-CONVOLUTED,SLIT,.50"ID
041953-01-000	FT	CONDUIT-CONVOLUTED SLIT,825"ID
041953-05-000	FT	CONDUIT-CONVOLUTED SOLID,.62" ID
082742-01-000	EA	CONNECTOR BODY-3 CNCT FEMALE
008398-01-000	EA	CONNECTOR-1/2" X 90 DEGREE, FLEX CONDUIT - UL AND CSA
008355-01-000	EA	CONNECTOR-CABLE CLAMPING, 3/4"
008353-01-000	EA	CONNECTOR-CABLE CLAMPING, 3/8"
058028-01-000	EA	CONNECTOR-ELECTRICAL PIGTAIL, NYLON - CLEAR
008356-01-000	EA	CONNECTOR-PLASTIC, 3/8" AVG
082740-01-000	EA	CONNECTOR-PLASTIC BODY, FOR 2 MALE SPADES
041480-01-000	EA	CONNECTOR-STRAIGHT, 1/2" FLEX CONDUIT
008312-01-000	EA	CONNECTOR-WIRE NUT, INSULATED - BLUE
008314-01-000	EA	CONNECTOR-WIRE NUT, INSULATED - GRAY
008311-01-000	EA	CONNECTOR-WIRE NUT, INSULATED - RED
092815-01-000	EA	CONVERTER-40 AMP, W/CHARGER - B-W 32400P
083208-01-000	EA	CONVERTER-POWER, 32A - 120V/12V - BW 6332
008054-01-000	EA	CORD-POWER, 10/3 WIRE - 30 AMP - 25'
008052-01-000	EA	CORD-POWER, 10/3 - 30 AMP - 25' - CANADIAN
008294-01-000	EA	COVER-ELECTRICAL BOX, STEEL/BLANK - 4" X 4" - GRAY

**ELECTRICAL GROUP (CONTINUED)
ELECTRICAL COMPONENTS CONT**

KEY PART NUMBER	U/M	DESCRIPTION
089230-01-000	EA	COVER-ELECTRICAL BOX, W/HOLE - 4" X 4" - GRAY
091927-01-000	EA	COVER-RECEPTACLE, DOUBLE - IVORY
058781-01-000	EA	DIODE-5.0A/100 VOLT - MOTOROLA,NO MR751
097734-01-01A	EA	EXTENSION-RECEPTACLE, IVORY
007093-01-000	EA	FLASHER-SIGNAL STAT
100341-01-000	EA	FUSE HOLDER-IN LINE TYPE
008235-01-000	EA	FUSE-12V-15AMP
082901-05-000	EA	FUSE-15 AMPS, AUTOMOTIVE
097748-01-000	EA	HOUSING CAP-TRAILER PIN
101571-01-000	EA	HOUSING-2 POSITION, MALE
062037-03-000	EA	HOUSING-AUTO FUSE, BLACK
062037-06-000	EA	HOUSING-AUTO FUSE, BROWN
062037-05-000	EA	HOUSING-AUTO FUSE, GRAY
082037-02-000	EA	HOUSING-AUTO FUSE, GREEN
062037-01-000	EA	HOUSING-AUTO FUSE, NATURAL
088473-02-000	EA	HOUSING-PIN, 15 POSITION
088473-08-000	EA	HOUSING-PIN, 4 POSITION
097745-02-000	EA	HOUSING-RECEPTACLE, TRAILER - 48" WIRE LENGTH
063810-01-000	EA	HOUSING-RELAY
088474-01-000	EA	HOUSING-SOCKET
088474-02-000	EA	HOUSING-SOCKET, 15 POSITION (3 ROWS OF 5)
088474-10-000	EA	HOUSING-SOCKET, 2 POSITION
088474-09-000	EA	HOUSING-SOCKET, 3 POSITION
084386-01-000	EA	HOUSING-TRAILER, RECEPTACLE
097741-02-000	EA	HOUSING-TRAILER PIN, 48"
099078-01-000	EA	INVERTER-100 WATT
047338-03-000	EA	ISOLATOR-DUAL BATTERY, 70 AMP
077155-01-000	EA	J CLIP-VINYL COATED, 3/8"
094309-01-000	EA	LOAD CENTER-240 VOLT, 125 AMP
081475-02-000	EA	PIN-CONNECTOR, 10 TO 12 AWG
083475-01-000	EA	PIN-CONNECTOR, 14 TO 20 AWG
018473-10-000	EA	PIN-HOUSING, 2 POSITION
088473-09-000	EA	PIN-HOUSING, 3 POSITION (SINGLE ROW)
088473-01-000	EA	PIN-HOUSING, 4 ROWS OF 3
088473-06-000	EA	PIN-HOUSING, 8 POSITION (SINGLE ROW)
088473-08-000	EA	PIN-HOUSING, 8 POSITION (TWO ROWS OF THREE)
099833-01-000	EA	PLATE-CIRCUIT BREAKER
058708-02-000	EA	RECEPTACLE-DOUBLE ELECTRIC, IVORY
058707-01-000	EA	RECEPTACLE-ELECTRIC, SINGLE - BROWN
080015-02-000	EA	RECEPTACLE-FLAG, .185 - 18/14 GA - AMP 3
084078-01-000	EA	RECEPTACLE-GFI, 15A - 125V - IVORY
024924-02-000	EA	RECEPTACLE-POWER CORD, W/PARTIAL PLATE
077000-01-000	EA	SOCKET ASM-W/8" PIGTAIL LEADS
088478-01-000	EA	SOCKET-CONNECTOR
088478-02-000	EA	SOCKET-CONNECTOR 12-10 GA
088474-08-000	EA	SOCKET-HOUSING, 4 POSITION (SINGLE ROW)
088474-06-000	EA	SOCKET-HOUSING, 6 POSITION (2 ROWS OF THREE)
067789-02-000	EA	SOCKET-LAMP
008188-01-000	EA	SOLENOID-3 POST, BATTERY CHANGE OVER
090971-01-000	EA	SPLICE-CABLE, 110V
090971-02-000	EA	SPLICE-CABLE, 110V - TAP
024461-01-000	EA	SWITCH-BATT, BATT/DUAL/MOM
041250-01-000	EA	SWITCH-PUSH BUTTON, DOME LIGHT - CHROME
007949-01-000	EA	TAB-HOUSING, 1 POSITION
007942-01-000	EA	TAB-WIRE, 18 TO 14 AWG
062038-02-000	EA	TERMINAL-PACK-CON, 18/14 AWG
008328-01-000	EA	TERMINAL-RING, 12/10 WIRE - #10 STUD FIT
008328-01-000	EA	TERMINAL-RING, 18/14 WIRE - 3/8" STUD
008348-01-000	EA	TERMINAL-RING, 3/8" STUD - #2 WIRE
008331-01-000	EA	TERMINAL-RING,TONGUE - #4 WIRE - 3/8" STUD - COPPER
035416-04-000	EA	TERMINAL-RING #10 STUD FIT, INSULATED BARREL #18/14
079378-01-000	EA	TERMINAL-WEDGE BASE, 18 AWG
047443-02-000	EA	TERMINAL-.250 RECEPTACLE FIT, INSULATED - 12/10 AWG
047443-01-000	EA	TERMINAL-.250 RECEPTACLE FIT, INSULATED - 18/14 AWG
085450-06-000	EA	TIEDOWN-BATTERY
085450-01-000	EA	TIEDOWN-BATTERY
008343-01-000	EA	TIE-WIRE, 6"
081059-02-000	EA	WIRE ASM-9-PIN, RADIO - AUDIOVOX 112B-1761
097618-01-000	EA	WIRE ASM-MONITOR PANEL, W/4 WIRES & BLACK RESISTOR - LVS
008026-01-000	FT	WIRE-12/2, ROMEX - W/GROUND

**1991 WINNEBAGO
TABLE OF CONTENTS**

INTRODUCTION	A-01 -	A-02
ABBREVIATIONS		A-03
ALPHABETICAL INDEX	A-04 -	A-06
JCF23EC	A-07 -	D-10
JF321RG	D-11 -	F-23

1991 JCF23EC INDEX

FLOOR PLAN	A-07 -	A-08
ACCESSORIES	A-09 -	A-11
BATH	A-12 -	A-13
BEDROOM		A-14
CHASSIS	A-15 -	A-20
C C & PAD	A-21 -	B-02
DINETTE	B-03 -	B-04
DRIVERS	B-05 -	B-10
ELECTRICAL	B-11 -	B-14
EXTERIOR BODY	B-15 -	B-20
GALLEY	B-21 -	B-24
HEATING & A/C	C-01 -	C-04
INTERIOR FINISH	C-05 -	C-08
LABEL		C-09
SEALANTS & FASTENERS	C-10 -	C-12
WATER & SEWAGE	C-13 -	C-16
WINDOW, VENT AND EXTERIOR DOOR	C-18 -	D-10

ELECTRICAL GROUP (CONTINUED)

INTERIOR LIGHTS

KEY PART NUMBER	U/M	DESCRIPTION
098024-01-01A	EA	LIGHT-DOME, 1 BULB - US - IVORY
098024-03-01A	EA	LIGHT-DOME, 2 BULB - IVORY
098024-01-700	EA	LENS-DOME LIGHT
008218-01-000	EA	BULB-DOME LIGHT, 12V - NUMBER 1141
086280-01-000	EA	LIGHT-SURFACE MOUNT, 12V - JENSEN 1236
086280-01-700	EA	BULB-12 VOLT, 6 WATT

EXTERIOR LIGHTS

KEY PART NUMBER	U/M	DESCRIPTION
097917-01-03A	EA	LIGHT-PORCH, GRAY
097917-01-700	EA	LENS-PORCH LIGHT
042405-01-000	EA	LENS-REAR SIDE MARKER/CLEARANCE LIGHT, W/REFLEX - RED 042405-03
091983-01-000	EA	GASKET-SIDE MARKER LIGHT
007309-01-000	EA	LIGHT-STEP WELL, ROUND - 12V
050032-02-000	EA	TAIL LAMP-2 BULB, BLACK
037935-01-000	EA	BULB-TAIL LAMP, NUMBER 1157 - 12 V - 2.1 AMP
058032-02-700	EA	LENS-TAIL LAMP, W/BACK UP - RED
058032-02-701	EA	LENS-TAIL LAMP, W/O BACK UP - RED
007309-01-000	EA	LIGHT-STEP WELL, ROUND - 12V
049185-01-000	EA	HEADLAMP CAPSULE-DRIVER, HIGH/LOW BEAM - RECTANGULAR
049186-01-000	EA	HEADLAMP CAPSULE-PASSENGER, HIGH/LOW BEAM - RECTANGULAR
049187-01-000	EA	HEADLAMP CAPSULE-DRIVER, HIGH BEAM - RECTANGULAR
049188-01-000	EA	HEADLAMP CAPSULE-PASSENGER, HIGH BEAM - RECTANGULAR
049359-01-000	EA	SPRING-HEADLAMP RETAINER, GM # 498096
073308-01-000	EA	SCREW-ADJUSTING, HEADLAMP
096674-01-000	EA	NUT-HEADLAMP, BLACK
096675-01-000	EA	KNOB-HEADLAMP, W/SHAFT
050030-02-000	EA	HOUSING-HEADLAMP WIRING, HIGH BEAM
063749-01-000	EA	HOUSING-HEADLAMP WIRING, LOW BEAM
084901-01-000	EA	LAMP-PARK/TURN, GM # 918558 (BULB # MP82057)
081250-01-000	EA	LIGHT-FRONT CLEARANCE, AMBER - LENS AND BASE ONLY
081437-01-000	EA	BRACKET-CLEARANCE LIGHT, L SHAPED METAL
		FROM: 00-00-00 THRU: 09-09-90
102520-01-000	EA	LIGHT-CLEARANCE, AMBER
		FROM: 09-10-90 THRU: 99-99-99
102582-01-000	EA	BRACKET-LIGHT, CLEARANCE
		FROM: 09-10-90 THRU: 99-99-99
063542-01-000	FT	TAPE-ADHESIVE, 10MM X 1.5" WIDE
036196-01-000	EA	BULB-CLEARANCE LIGHT, 12V - #194 - 27AMP
077955-01-000	EA	J CLIP-VINYL COATED, 3/8"
079378-01-000	EA	TERMINAL-WEDGE BASE, 18 AWG
042405-03-000	EA	BASE-SIDE MARKER, RECTANGULAR
042405-02-000	EA	LENS-FRONT SIDE MARKER LIGHT, W/REFLEX - AMBER
036196-01-000	EA	BULB-SIDE MARKER, 12V - #194 - 27AMP
091983-01-000	EA	GASKET-SIDE MARKER LIGHT
0819294 01-000	EA	LIGHTER ASM-CIGARETTE

ELECTRICAL GROUP (CONTINUED)

REAR AUXILIARY HEATER & WATER HEATER W/MOTOR A/D (OPTION L611)

KEY PART NUMBER	U/M	DESCRIPTION
087202-02-000	EA	SWITCH-4 POSITION, W/O KNOB
090977-01-000	EA	KNOB-SWITCH, ROTARY

EXTERIOR SIDEWALL LIGHTS

KEY PART NUMBER	U/M	DESCRIPTION
042405-03-000	EA	BASE-SIDE MARKER, RECTANGULAR
042405-02-000	EA	LENS-FRONT SIDE MARKER LIGHT, W/REFLEX - AMBER
036196-01-000	EA	BULB-SIDE MARKER, 12V - #194 - 27AMP
091983-01-000	EA	GASKET-SIDE MARKER LIGHT
007309-01-000	EA	LIGHT-STEP WELL, ROUND - 12V
042405-01-000	EA	LENS-REAR SIDE MARKER/CLEARANCE LIGHT, W/REFLEX - RED
042405-03-000	EA	BASE-SIDE MARKER, RECTANGULAR
036196-01-000	EA	BULB-SIDE MARKER, 12V - #194 - 27AMP
091983-01-000	EA	GASKET-SIDE MARKER LIGHT

RECEPTACLES

KEY PART NUMBER	U/M	DESCRIPTION
084076-02-000	EA	RECEPTACLE-GFI, 15A - 125V - BROWN
058707-01-000	EA	RECEPTACLE-ELECTRIC, SINGLE - BROWN
058708-02-000	EA	RECEPTACLE-DOUBLE ELECTRIC, IVORY
084077-02-000	EA	PLATE-COVER, RECEPTACLE - GFI - BROWN
075723-01-000	EA	BLOCK-SWITCH, SPACER W/O HOLE
058708-01-000	EA	RECEPTACLE-ELECTRIC, DOUBLE - BROWN

SWITCHES

KEY PART NUMBER	U/M	DESCRIPTION
079364-01-000	EA	SWITCH-ON/OFF ROCKER, BROWN
096351-02-01A	EA	PLATE-SWITCH, 2 GANG - POLISHED BRASS
097967-01-000	EA	SWITCH-WATER HEATER, ATWOOD 91959
096351-01-01A	EA	PLATE - SWITCH, 1 GANG - POLISHED BRASS

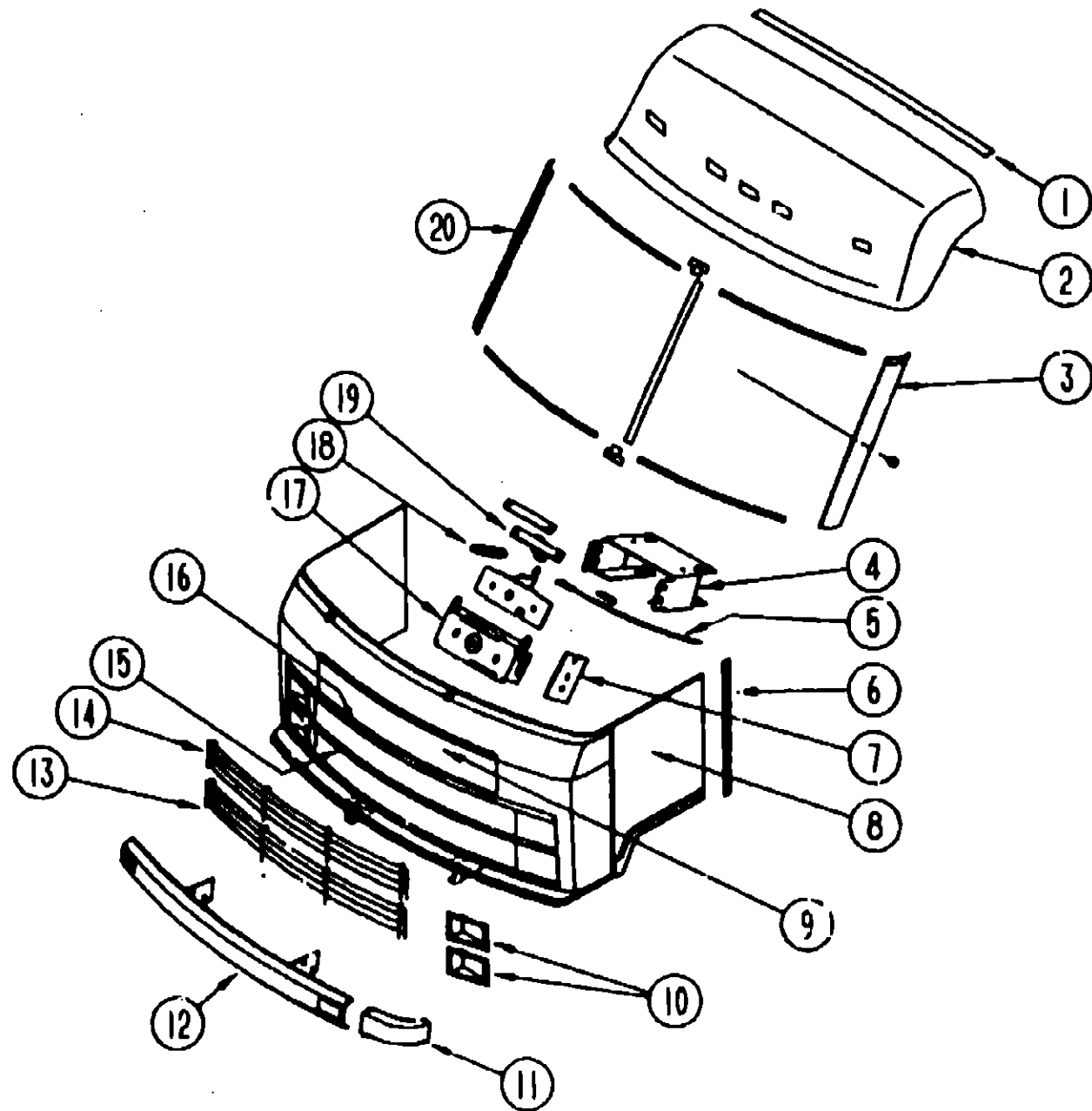
**1991 WINNEBAGO
TABLE OF CONTENTS**

INTRODUCTION	A-01 -	A-02
ABBREVIATIONS		A-03
ALPHABETICAL INDEX	A-04 -	A-06
JCF23EC	A-07 -	D-10
JF321RG	D-11 -	F-03

1991 JCF23EC INDEX

FLOOR PLAN	A-07 -	A-08
ACCESSORIES	A-09 -	A-11
BATH	A-12 -	A-13
BEDROOM		A-14
CHASSIS	A-15 -	A-20
C C & PAD	A-21 -	B-02
DINETTE	B-03 -	B-04
DRIVERS	B-05 -	B-10
ELECTRICAL	B-11 -	B-14
EXTERIOR BODY	B-15 -	B-20
GALLEY	B-21 -	B-24
HEATING & A/C	C-01 -	C-04
INTERIOR FINISH	C-05 -	C-08
LABEL		C-09
SEALANTS & FASTENERS	C-10 -	C-12
WATER & SEWAGE	C-13 -	C-16
WINDOW, VENT AND EXTERIOR DOOR	C-16 -	D-10

EXTERIOR BODY GROUP



EXTERIOR BODY GROUP (CONTINUED)

FRONT END COMPONENTS & BUMPER

KEY PART NUMBER	U/M	DESCRIPTION
1 078580-01-000	EA	TRIM-ROOF TO FRONT CAP
2 M01899-02-B25 M02001-01-C00	EA	CAP ASSEMBLY-FRONT - GRAY
	EA	HEADER-WINDSHIELD ASM BLACK
		FROM: 00-00-00 THRU: 04-02-90
055278-01-001	FT	TUBING-STEEL, .75" X 1.5" X 288"
077922-01-000	EA	HEADER-WINDSHIELD
M02001-02-000	EA	HEADER-WINDSHIELD, METAL - BLACK
		FROM: 04-09-90 THRU: 99-99-99
077922-01-000	EA	HEADER-WINDSHIELD
		FROM: 00-00-00 THRU: 05-13-90
077922-02-000	EA	HEADER-WINDSHIELD
		FROM: 05-14-90 THRU: 99-99-99
055278-01-001	FT	TUBING-STEEL, .75" X 1.5" X 288"
2 078572-03-000	EA	ROOF CAP-FRONT, PRIMED
3 079225-02-000	EA	TRIM POST-WINDSHIELD, DRIVERS - METAL - BLACK
4 073342-01-000	EA	BRACKET ASM-STRIKER, HOOD (MOUNTS TO CROSSMEMBER)
5 R77006-68-721	EA	CABLE ASM-HOOD RELEASE
5 R77006-19-785	EA	SHEATH-CABLE END, HOOD
6 069922-02-000	EA	TRIM-SEAM, FRONT END TO SIDEWALLS
7 090084-01-000	EA	BRACE-LATCH, HOOD
8 M01115-27-Y70	EA	FRONT END-FIBERGLASS, GRAY - W/O LIGHTS, GRILLE, OR DECALS
9 069788-01-X70	EA	HOOD ASM-GRAY, WITHOUT DECALS
058786-02-000	EA	BOLT-BUMPER, HOOD ADJUSTING, .31" #10 X 1.25"
073336-01-000	EA	STRIKER-LATCH (MOUNTS TO #073342-01-000)
076716-02-000	EA	BRACKET ASM-LATCH - INCLUDED WITH HOOD
078767-02-000	EA	PLATE ASM-MOUNTING, HINGES - INCLUDED WITH HOOD
069926-01-000	EA	ARM ASM-HINGE, HOOD - RIGHT
069926-02-000	EA	ARM ASM-HINGE, HOOD - LEFT
090197-01-000	EA	BRACKET-HINGE ARM, HOOD - RIGHT
090197-02-000	EA	BRACKET-HINGE ARM, HOOD - LEFT
10 090202-02-000	EA	BEZEL - HEADLIGHT, DRIVERS - BLACK
090202-01-000	EA	BEZEL - HEADLIGHT, PASSENGERS - BLACK
049185-01-000	EA	HEADLAMP CAPSULE, DRIVERS, HIGH/LOW BEAM - RECTANGULAR
049186-01-000	EA	HEADLAMP CAPSULE, PASSENGERS, HIGH/LOW BEAM - RECTANGULAR
049187-01-000	EA	HEADLAMP CAPSULE, DRIVERS, HIGH BEAM - RECTANGULAR
049188-01-000	EA	HEADLAMP CAPSULE, PASSENGERS, HIGH BEAM - RECTANGULAR
11 078577-10-000	EA	END CAP-BUMPER, FRONT DRIVERS SIDE - GRAY
078577-06-000	EA	END CAP-BUMPER, PASSENGERS FRONT SIDE - GRAY
12 077850-04-000	EA	BUMPER-FRONT, UNPAINTED
077852-01-000	EA	BRACKET-BUMPER, FRONT, 2 PER COACH
096339-01-000	EA	SUPPORT-BUMPER, 2 PER COACH
005200-01-000	EA	BOLT-BUMPER, ROUND HEAD-SQUARE NECK- W/SST CAP 7/16-14 X 1 1/4
13 090412-01-X70	EA	GRILLE ASM- LOWER - 5 BAR
14 090411-01-X70	EA	GRILLE ASM- UPPER - 5 BAR
090119-01-000	EA	BRACKET-GRILL
15 088252-03-000	FT	TRIM-CHROME, 2" WIDE WITH PRESSURE SENSITIVE BACKING
16 088252-02-000	FT	TRIM-CHROME, 1" WIDE WITH PRESSURE SENSITIVE BACKING
17 R77007-51-429	EA	LATCH ASM-HOOD RELEASE
18 R77006-38-499	EA	SPRING-CABLE, HOOD LATCH
19 R77007-01-950	EA	STRIKER-LATCH, HOOD
073610-01-000	EA	SPRING-STRIKER, LATCH - HOOD
20 079225-01-000	EA	TRIM POST-WINDSHIELD, PASSENGER - METAL - BLACK
061603-01-000	EA	GROMMET-SNAP, 3/16 ID - 3/8 HOLE - PLASTIC - BLACK
076322-04-000	FT	TAPE-FOAM, DOUBLE COATED - .045" X .75"
058833-01-000	EA	BRACKET-PROP ROD
062628-01-000	EA	CLIP-PROP ROD
072917-03-000	EA	ROD-PROP, HOOD
065747-01-000	SF	INSULATION-MICROFOAM, .5"
074048-01-000	EA	INSERT-KNURLED, BRASS - #6-32- FOR HEADLIGHT SCREWS
077049-01-000	EA	NUT-ACORN, 10-32 ALUMINUM

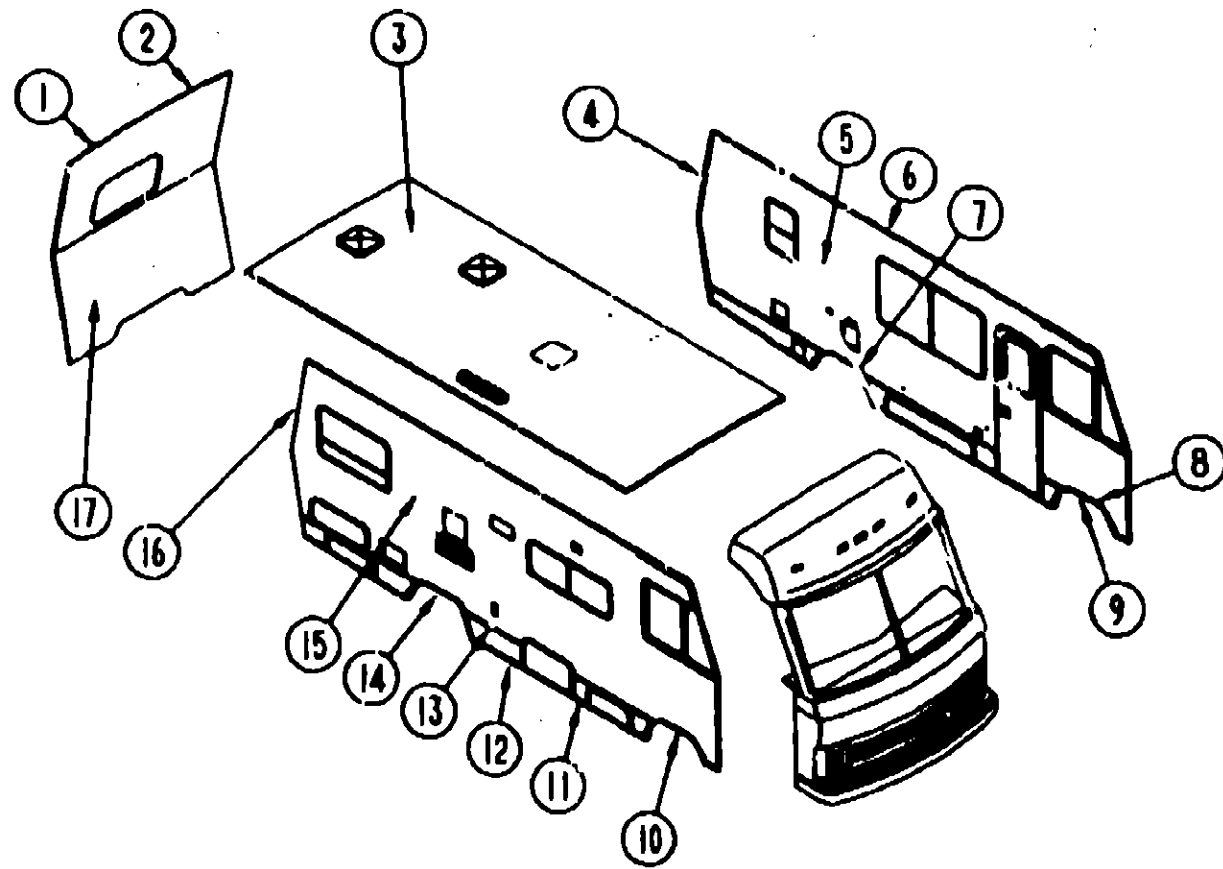
**1991 WINNEBAGO
TABLE OF CONTENTS**

INTRODUCTION	A-01 -	A-02
ABBREVIATIONS		A-03
ALPHABETICAL INDEX	A-04 -	A-06
JCF23EC	A-07 -	D-10
JF321RG	D-11 -	F-23

1991 JCF23EC INDEX

FLOOR PLAN	A-07 -	A-08
ACCESSORIES	A-09 -	A-11
BATH	A-12 -	A-13
BEDROOM		A-14
CHASSIS	A-15 -	A-20
C C & PAD	A-21 -	B-02
DINETTE	B-03 -	B-04
DRIVERS	B-05 -	B-10
ELECTRICAL	B-11 -	B-14
EXTERIOR BODY	B-15 -	B-20
GALLEY	B-21 -	B-24
HEATING & A/C	C-01 -	C-04
INTERIOR FINISH	C-05 -	C-08
LABEL		C-09
SEALANTS & FASTENERS	C-10 -	C-12
WATER & SEWAGE	C-13 -	C-16
WINDOW, VENT AND EXTERIOR DOOR	C-16 -	D-10

EXTERIOR BODY GROUP (CONTINUED)



EXTERIOR BODY PANELS AND TRIM

KEY PART NUMBER	U/M DESCRIPTION
1 086906-05-000	EA TRIM-BACKWALL TO ROOF, PASSENGER SIDE REAR - GRAY
2 086908-06-000	EA TRIM-BACKWALL TO ROOF, DRIVERS SIDE REAR - GRAY
3 102577-01-B25	EA ROOF-W/O VENTS (SPECIAL ORDER ITEM)
4 090203-04-000	EA TRIM-CORNER, DRIVERS SIDEWALL TO BACKWALL - GRAY
5 060406-05-000	EA TRIM-BACKWALL, LOWER, ALUMINUM, GRAY, 2 PER BACKWALL
5 P02358-01-B25	EA SIDEWALL-DRIVER, W/O DOORS, DECALS, OR WINDOWS (SPECIAL ORDER ITEM)
055278-01-001	FT TUBING-STEEL, .75" X 1.5" X 288"
058267-01-000	FT CHANNEL-SIDEWALL STIFFENER, W/HOLES - 2" X 20"
078376-01-000	FT MOLDING-T-SHAPED COVE, CEILING TO WALL - OFF WHITE
6 078967-01-000	EA ANGLE-JOINT, ROOF - 104.7"
7 075070-04-000	EA TRIM-WHEELWELL, DRIVER REAR - PLASTIC - GRAY
089749-01-000	EA TRIM-REAR WHEELWELL, ALUMINUM, DRIVERS OR PASSENGER
055080-01-000	EA WHEELWELL-PLASTIC, REAR - BLACK - LEFT OR RIGHT
8 078558-14-000	EA TRIM-WHEELWELL, DRIVER FRONT - PLASTIC - GRAY
9 089909-01-000	EA TRIM-FRONT WHEELWELL - DRIVER & PASSENGER - METAL
10 078558-13-000	EA TRIM-WHEELWELL, PASSENGER FRONT - PLASTIC - GRAY
11 079407-05-002	EA ROCKER PANEL 192" ALUMINUM, GRAY, WITHOUT DOOR PIN HOLES
002728-01-001	EA GARNISH-U-CHANNEL, 1.38" X 19" - SERRATED - MILL ALUMINUM
12 086528-55-002	EA ROCKER PANEL, 192" ALUMINUM, GRAY, WITH DOOR PIN HOLES
13 059578-11-000	EA EXTRUSION-FEATURE STRIP, 182" - GRAY
009731-01-000	EA CAP-END, FEATURE STRIP
14 075070-02-000	EA TRIM-WHEELWELL, PASSENGER REAR - PLASTIC - GRAY
089749-01-000	EA TRIM-REAR WHEELWELL, ALUMINUM, DRIVERS OR PASSENGER
055080-01-000	EA WHEELWELL-PLASTIC, REAR - BLACK - LEFT OR RIGHT
15 P02357-01-B25	EA SIDEWALL-PASSENGER, W/O DOORS, DECALS, OR WINDOWS (SPECIAL ORDER ITEM)
086767-01-000	EA SPACER-DOOR, LOWER
058267-01-000	FT CHANNEL-FORMED, 2" X .88" X 14GA - 20' W/HOLES
16 090203-02-000	EA TRIM-CORNER, PASSENGER SIDEWALL TO BACKWALL - GRAY
17 P02548-01-B25	EA BACKWALL-W/O WINDOW OR DECALS (SPECIAL ORDER ITEM)

EXTERIOR BODY GROUP (CONTINUED)

REAR BUMPER & END CAPS

KEY PART NUMBER	U/M DESCRIPTION
080815-01-W30	EA CAP-END, BUMPER - REAR PASSENGER - W/GUSSET - GRAY
080815-02-W30	EA CAP-END, BUMPER - REAR DRIVER - W/GUSSET - GRAY
078584-10-000	EA BUMPER - REAR - GRAY

MISCELLANEOUS EXTERNALLY MOUNTED PARTS

KEY PART NUMBER	U/M DESCRIPTION
094616-03-000	EA SHROUD-EXTERIOR VENT, RANGE HOOD - GRAY
087659-02-000	EA FILL-CITY WATER, ROUND - GRAY
075736-01-000	EA COVER-EXTERIOR RECEPTACLE, GRAY
048817-02-000	EA HANDLE ASM. - ASSIST W/LIGHT

FIBERGLASS, ALUMINUM AND PANEL

KEY PART NUMBER	U/M DESCRIPTION
081395-08-000	EA PANEL-FIBERGLASS & PARTICLE BOARD, 4' X 8' - GRAY
000868-01-000	SF STYROFOAM-.75" X 24" X 96" - INCREMENTS OF 16 SF
000870-03-000	SF STYROFOAM-1.34" X 48" X 96" - INCREMENTS OF 32 SF
083574-01-000	SF STYROFOAM, DOW TYPE SM - 1.5" X 24" X 85.25" - INC OF
089297-01-000	SF PLYWOOD-LUAN, OVERLAY GRADE - 4' X 8' - INC OF 32 SF
044487-01-001	EA ALUMINUM SHEET - .019" X 96" X 360" - MILL FINISH
001054-01-011	EA ALUMINUM-SHEET, 48" X 96" - FLAT - OFF WHITE
076054-D1-001	EA FIBERGLASS-SHEET, 36" X 252" - FLAT - GRAY
076054-D7-001	EA FIBERGLASS-SHEET, 60" X 308" - FLAT - GRAY
077517-23-000	EA FIBERGLASS-SHEET, FLAT - 48" X 96" - GRAY
077517-24-000	EA FIBERGLASS-SHEET, FLAT - 48" X 96" - OFF WHITE
076054-D4-001	EA FIBERGLASS-SHEET, FLAT - 48" X 96" - GRAY
088229-01-000	EA RETAINER-3/4"
088772-51-001	EA PIN-STAINLESS STEEL .25" DIAMETER X 4.17"
076322-02-000	FT TAPE-FOAM, DOUBLE COATED - .045" X 1" - INC. OF 108 FT
076322-03-000	FT TAPE-FOAM, DOUBLE COATED - .045" X .5"
001030-11-100	EA AL-.019X00.78X204.00 GRAY

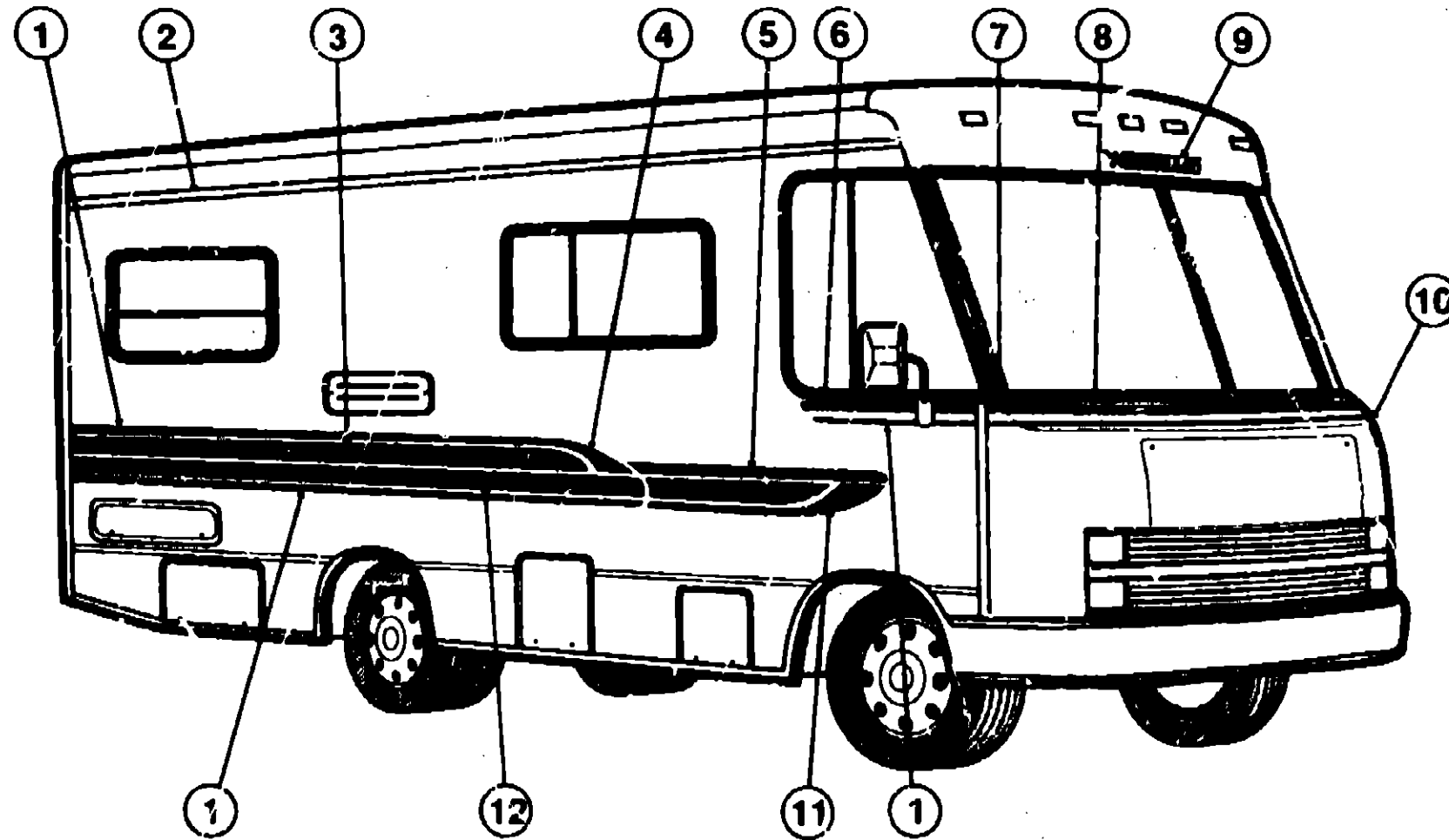
**1991 WINNEBAGO
TABLE OF CONTENTS**

INTRODUCTION	A-01 - A-02
ABBREVIATIONS	A-03
ALPHABETICAL INDEX	A-04 - A-06
JCF23EC	A-07 - D-10
JF321RG	D-11 - F-23

1991 JCF23EC INDEX

FLOOR PLAN	A-07 - A-08
ACCESSORIES	A-09 - A-11
BATH	A-12 - A-13
BEDROOM	- A-14
CHASSIS	A-15 - A-20
C C & PAD	A-21 - B-02
DINETTE	B-03 - B-04
DRIVERS	B-05 - B-10
ELECTRICAL	B-11 - B-14
EXTERIOR BODY	B-15 - B-20
GALLEY	B-21 - B-24
HEATING & A/C	C-01 - C-04
INTERIOR FINISH	C-05 - C-08
LABEL	- C-09
SEALANTS & FASTENERS	C-10 - C-12
WATER & SEWAGE	C-13 - C-16
WINDOW, VENT AND EXTERIOR DOOR	C-16 - D-10

EXTERIOR BODY GROUP (CONTINUED)



DECALS

1991 WINNEBAGO
TABLE OF CONTENTS

INTRODUCTION	A-01 -	A-02
ABBREVIATIONS		A-03
ALPHABETICAL INDEX	A-04 -	A-06
JCF23EC	A-07 -	D-10
JF321RG	D-11 -	F-23

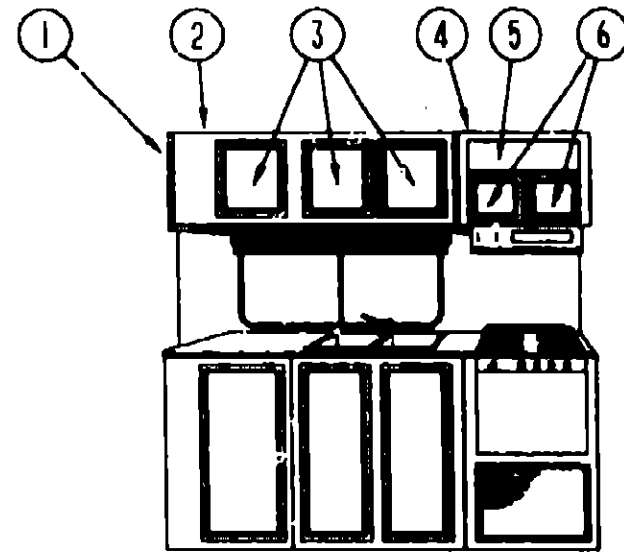
1991 JCF23EC INDEX

FLOOR PLAN	A-07 -	A-08
ACCESSORIES	A-09 -	A-11
BATH	A-12 -	A-13
BEDROOM/		A-14
CHASSIS	A-15 -	A-20
C C & P/D	A-21 -	B-02
DINETTE	B-03 -	B-04
DRIVERS	B-05 -	B-10
ELECTRICAL	B-11 -	B-14
EXTERIOR BODY	B-15 -	B-20
GALLEY	B-21 -	B-24
HEATING & A/C	C-01 -	C-04
INTERIOR FINISH	C-05 -	C-08
LABEL		C-09
SEALANTS & FASTENERS	C-10 -	C-12
WATER & SEWAGE	C-13 -	C-16
WINDOW, VENT AND EXTERIOR DOOR	C-16 -	D-10

KEY PART NUMBER

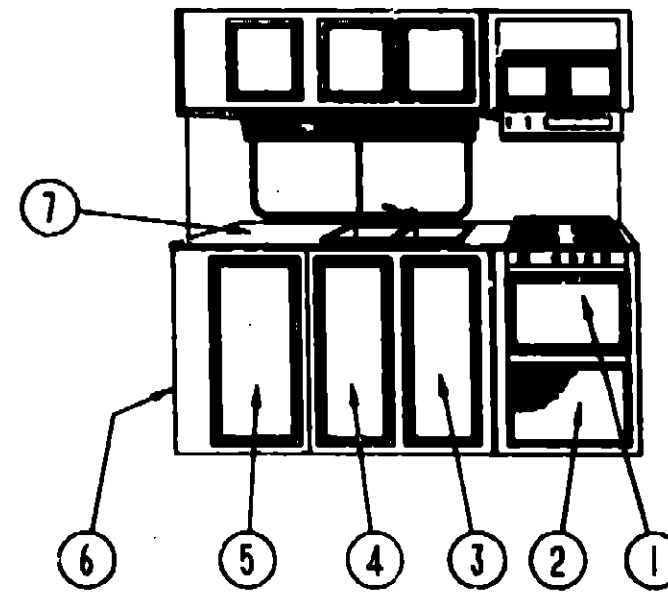
KEY PART NUMBER	U/M	DESCRIPTION
1 093681-18-01A	FT	STRIPE-1 LINE, 1.25" WIDE - DARK BLUE - DARK BLUE-DUPONT# K9456
2 093680-23-01A	FT	MULTISTRIPE-2 LINES, 3" WIDE - DARK BLUE & LIGHT BLUE - DARK BLUE-DUPONT# K9456, LIGHT BLUE-DUPONT# K9457
3 093681-16-01A	FT	STRIPE-1 LINE, 5" WIDE - DARK BLUE - DARK BLUE-DUPONT# K9456
4 100039-01-01A	EA	DECAL-SWEEP, DRIVER SIDE FRONT/PASSENGER SIDE REAR - DARK BLUE-DUPONT# K9456
5 093681-03-03A	FT	STRIPE-1 LINE, 1.5" WIDE - LIGHT BLUE - LIGHT BLUE-DUPONT# K9457
6 093681-17-01A	FT	STRIPE-1 LINE, 3.75" WIDE - LIGHT BLUE - DUPONT # K9456
7 100038-01-01A	EA	DECAL-CORNER, FRONT PASSENGER SIDE - LIGHT BLUE/DARK
8 100037-01-01A	EA	DECAL-HOOD, LIGHT BLUE & DARK BLUE - DARK BLUE DUPONT #K9456; LIGHT BLUE DUPONT #K9457
9 050313-16-060	EA	DECAL-LOGO, "WINNEBAGO" - SLACK
10 100038-02-01A	EA	DECAL-CORNER, FRONT DRIVER SIDE - LIGHT BLUE/DARK BLU
11 100039-02-01A	EA	DECAL-SWEEP, PASSENGER SIDE FRONT/DRIVER SIDE REAR - DARK BLUE-DUPONT# K9456
12 093681-16-02A	FT	STRIPE-1 LINE, 5" WIDE - LIGHT BLUE - LIGHT BLUE-DUPONT# K9457
		NOTE GRAY BODY PAINT - DUPONT # L8730A OR L8730L

GALLEY GROUP



OVERHEAD CABINETS & COMPONENTS

GALLEY GROUP (CONTINUED)



GALLEY CABINET

**1991 WINNEBAGO
TABLE OF CONTENTS**

INTRODUCTION	A-01 -	A-02
ABBREVIATIONS		A-03
ALPHABETICAL INDEX	A-04 -	A-08
JCF23EC	A-07 -	D-10
JF321RG	D-11 -	F-23

KEY	PART NUMBER	U/M	DESCRIPTION
1	081320-17-B25	EA	CAP-END, CABINET - FRONT
2	P02413-01-B25	EA	CABINET-OVERHEAD, SINK - W/O DOORS OR HARDWARE
3	P00099-81-B27	EA	DOOR-CABINET, OVHD SINK - W/O HARDWARE - 14" X 22"
4	M03972-09-B25	EA	CABINET-OVERHEAD, RANGE - W/O DOORS OR HARDWARE
5	P00099-88-B25	EA	DOOR-CABINET, W/O HARDWARE - 7" X 21.8"
6	P00099-24-B25	EA	DOOR-CABINET, W/O HARDWARE - 14.4" X 10.8"

KEY	PART NUMBER	U/M	DESCRIPTION
1	M82184-39-B25	EA	DRAWER ASM
	084466-02-000	EA	SLIDE ASM-DRAWER,RH
	084466-03-000	EA	SLIDE ASM-DRAWER,LH
	084466-04-000	EA	SLIDE ASM-CABINET,RH
	084466-05-000	EA	SLIDE ASM-CABINET,LH
2	P00099-92-B25	EA	DOOR-CABINET, UNDER RANGE - W/O HARDWARE - 21.8" X 13.4"
3	P00099-14-B27	EA	DOOR-CABINET, W/O HARDWARE - 26.7" X 14.4" - UNDER SINK
4	P00099-13-B25	EA	DOOR-CABINET, W/O HARDWARE - 26.7" X 14.4" - UNDER SINK
5	P00099-94-B25	EA	DOOR ASM-RAIL HDW-BEV
6	P02367-01-B25	EA	CABINET-GALLEY, W/O DOORS OR HARDWARE
7	102367-11-B25	EA	COUNTERTOP-GALLEY
	011053-04-000	EA	FAUCET-GALLEY, SWING SPOUT 6"
	077404-02-000	EA	DRAWER-PLASTIC 20.00X12.70
	011053-01-700	EA	AERATOR-SWING SPOUT FAUCET
	094067-01-01A	EA	DRAWER DIVIDER,LT OAK
	077409-02-000	EA	SLIDE-DRAWER,PLASTIC 20.75
	091253-01-000	EA	GASKET-FAUCET, LAVATORY
	098654-01-000	EA	SINK-GALLEY, DOUBLE W/MOUNTING HARDWARE - STAINLESS S
			FROM: 00-00-00 THRU: 12-11-90
	102551-01-000	EA	SINK-STAINLESS STEEL, DOUBLE - 17" X 25" - US
			FROM: 12-12-90 THRU: 99-99-99
	066437-01-000	EA	STRAINER-SINK, GALLEY W/BASKET
	066437-01-700	EA	BASKET-STRAINER, GALLEY SINK
	081530-01-B05	EA	COVER-SINK

1991 JCF23EC INDEX

FLOOR PLAN	A-07 -	A-08
ACCESSORIES	A-09 -	A-11
BATH	A-12 -	A-13
BEDROOM		A-14
CHASSIS	A-15 -	A-20
C C & PAD	A-21 -	B-02
DINETTE	B-03 -	B-04
DRIVERS	B-05 -	B-10
ELECTRICAL	B-11 -	B-14
EXTERIOR BODY	B-15 -	B-20
GALLEY	B-21 -	B-24
HEATING & A/C	C-01 -	C-04
INTERIOR FINISH	C-05 -	C-08
LABEL		C-09
SEALANTS & FASTENERS	C-10 -	C-12
WATER & SEWAGE	C-13 -	C-18
WINDOW, VENT AND		
EXTERIOR DOOR	C-16 -	D-10

GALLEY GROUP (CONTINUED)

4 BURNER RANGE

KEY PART NUMBER	U/M	DESCRIPTION
102019-01-02A	EA	RANGE TOP-4 BURNER BLACK
102020-01-724	EA	BUMPER,MAIN TOP
102020-01-709	EA	BUMPER,GRATE
102022-01-703	EA	REGULATOR,PRESSURE
102020-01-722	EA	VALVE, TOP BURNER
102020-01-719	EA	TOP,MAIN (BLACK)
102019-01-704	FA	TRIM,LEFT(BLACK)
102019-01-703	EA	TRIM,RIGHT(BLACK)
102020-01-711	EA	GRATE, TOP
102019-01-706	EA	TRIM,REAR(BLACK)
102019-01-706	EA	PANEL MANIFOLD
102019-01-707	EA	TRIM,(LEFT)FLAT
102019-01-708	EA	TRIM,(RIGHT)FLAT

MICROWAVE OVEN

KEY PART NUMBER	U/M	DESCRIPTION
100258-11-01A	EA	HOOD-RANGE W/MONITOR PANEL
100258-11-700	EA	CIRCUIT BOARD
100258-11-701	EA	PANEL ASM
100258-11-702	EA	TRIM PLATE (SCREENED)
100258-21-01A	EA	HOOD-RANGE 22W W/MONITOR PNL
096983-01-700	EA	SWITCH-ON-OFF
075470-01-703	EA	SWITCH/ON-MOMENTARY
096983-01-702	EA	SWITCH-TWO WAY MCM.
096983-01-703	EA	SWITCH ON-ON
100258-08-701	EA	SWITCH-FAN 2-SPEED
100258-10-700	EA	HOUR METER ONLY(PARTS SALES)
092698-03-03A	EA	VENT-W/DOOR AND SOLENOID GRAY

REFRIGERATOR

KEY PART NUMBER	U/M	DESCRIPTION
094038-01-000	EA	REFRIGERATOR - 3-WAY - DOUBLE DOOR - NORCOLD 663
104138-01-01A	EA	REFRIGERATOR - 3-WAY - DOUBLE DOOR - NORCOLD 663 BLACK
084879-03-700	EA	COOLING UNIT
064473-03-719	EA	FLUE
088248-01-709	EA	HEATER A/C
075217-01-737	EA	CONTROL MODULE
094039-04-702	EA	POWER SUPPLY (2-WAY)
064039-01-737	EA	POWER SUPPLY (3-WAY)
094039-04-701	EA	EYEBROW (2-WAY)
094039-01-701	EA	EYEBROW (3-WAY)
094030-04-700	EA	P.C. BOARD (2-WAY)
094039-01-700	EA	P.C. BOARD (3-WAY)
084880-01-715	EA	SHUT-ON VALVE - MANUAL
084880-01-713	EA	MALE CONNECTOR
084473-01-702	EA	ORFICE
084240-01-706	EA	BURNER
088248-01-708	EA	IGNITION ELECTRODE
084880-01-733	EA	DAIRY KEEPER
084880-01-734	EA	HINGE BRACKET - TOP RIGHT/BOTTOM LEFT (BROWN)
094039-01-723	EA	HINGE BRACKET - TOP RIGHT/BOTTOM LEFT (BLACK)
094039-01-707	EA	UPPER DOOR HANDLE ASM. (BROWN)
094039-01-708	EA	UPPER DOOR HANDLE ASM. (BLACK)
094039-01-705	EA	UPPER DOOR LINER - WHITE (BROWN)
094039-01-706	EA	UPPER DOOR LINER - WHITE (BLACK)
084880-01-735	EA	HINGE BRACKET - TOP LEFT/BOTTOM RIGHT (BROWN)
094039-01-724	EA	HINGE BRACKET - TOP LEFT/BOTTOM RIGHT (BLACK)

GALLEY GROUP (CONTINUED)

REFRIGERATOR CONT

KEY PART NUMBER	U/M	DESCRIPTION
084880-01-722	EA	CRISPER COVER
094039-01-731	EA	CRISPER W/SILVER TRIM - GRAY
094038-01-705	EA	CABINET ASM. - FRAME (BROWN)
094038-01-706	EA	CABINET ASM. - FRAME (BLACK)
084850-01-746	EA	CABLE
084880-01-751	EA	HINGE - PIN
094039-01-725	EA	HINGE PIN - MALE - BLACK
094039-01-729	EA	HINGE PIN SHAFT - CENTER HINGE (BROWN)
094039-01-730	EA	HINGE PIN SHAFT - CENTER HINGE (BLACK)
094039-01-727	EA	HINGE BRACKET - CENTER HINGE (BROWN)
094039-01-729	EA	HINGE BRACKET - CENTER HINGE (BLACK)
084880-01-749	EA	HINGE BUSHING
088248-01-707	EA	SENSOR ELECTRODE
088248-01-710	EA	HEATER DC - 3-WAY
094039-01-702	EA	GASKET - UPPER - GRAY
094038-01-700	EA	GASKET - LOWER - GRAY
094039-01-705	EA	UPPER DOOR LINER - WHITE (BROWN)
094039-01-706	EA	UPPER DOOR LINER - WHITE (BLACK)
094038-01-701	EA	LOWER DOOR LINER - WHITE (BROWN)
094038-01-702	EA	LOWER DOOR LINER - WHITE (BLACK)
094038-01-703	EA	LOWER DOOR HANDLE ASM. (BROWN)
094039-01-716	EA	LOWER DOOR HANDLE ASM. (BROWN)
094038-01-704	EA	LOWER DOOR HANDLE ASM. (BLACK)
094039-01-717	EA	LOWER DOOR HANDLE ASM. (BLACK)
084880-01-718	EA	GAS - VALVE
084880-03-705	EA	BRACKET - INTERIOR REFRIGERATOR LIGHT
084880-03-706	EA	LAMP - BULB
084880-01-736	EA	LIGHT SWITCH - BROWN
075217-01-738	EA	SWITCH ROCKER - 3 POSITION - BLACK
084880-01-732	EA	LATCH
084880-02-700	EA	LOWER - FLANGE
094039-01-732	EA	FRONT COVER - BOTTOM TRIM - BLACK
094039-01-712	EA	DOOR BIN - W/SILVER BORDER - GRAY
094039-01-718	EA	MILK BIN - W/SILVER TRIM - GRAY
084880-01-747	EA	HOLE PLUG
094039-01-722	EA	PLUG HOLE - HINGE POLES - BLACK
094039-01-711	EA	JUICE RACK W/SILVER TRIM
084472-01-749	EA	PLUG
094039-01-728	EA	EVAPORATOR SHELF
084880-03-707	EA	COVER - LAMP OR BULB
094039-01-733	EA	WIRE SHELF - MIDDLE
094039-01-734	EA	WIRE SHELF W/RISER - TOP
094039-01-703	EA	HINGE PLATE - LEFT (BROWN)
094039-01-704	EA	HINGE PLATE - LEFT (BLACK)
094039-01-709	EA	HINGE PLATE - TOP RIGHT/BOTTOM LEFT (BROWN)
094039-01-710	EA	HINGE PLATE - TOP RIGHT/BOTTOM LEFT (BLACK)
094039-01-741	EA	TRAY - SHELF - PLASTIC - GRAY
084880-01-753	EA	THERMISTER - 78" W/O CLIP

**1991 WINNEBAGO
TABLE OF CONTENTS**

INTRODUCTION	A-01	A-02
ABBREVIATIONS		A-03
ALPHABETICAL INDEX	A-04	A-08
JCF23EC	A-07	D-10
JF321RG	D-11	F-23

1991 JCF23EC INDEX

FLOOR PLAN	A-07	A-08
ACCESSORIES	A-09	A-11
BATH	A-12	A-13
BEDROOM		A-14
CHASSIS	A-15	A-20
C C & PAD	A-21	B-02
DINETTE	B-03	B-04
DRIVERS	B-05	B-10
ELECTRICAL	B-11	B-14
EXTERIOR BODY	B-15	B-20
GALLEY	B-21	B-24
HEATING & A/C	C-01	C-04
INTERIOR FINISH	C-05	C-08
LABEL		C-09
SEALANTS & FASTENERS	C-10	C-12
WATER & SEWAGE	C-13	C-15
WINDOW, VENT AND EXTERIOR DOOR	C-16	D-10

HEATING & AIR CONDITIONING GROUP

AIR CONDITIONER-ROOF, 13500 BTU

KEY PART NUMBER	U/M	DESCRIPTION
008366-01-000	EA	CONNECTOR-PLASTIC, 3/8" AVG
102289-01-000	EA	SPRING-SCREW, ROOF A/C GASKET - COLEMAN 6757-150
		FROM: 07-30-90 THRU: 99-99-99
		ROOF A/C

KEY PART NUMBER	U/M	DESCRIPTION
093763-01-02A	EA	A/C-ROOF, 13500 BTU - TSR - GRAY - COLEMAN 6759D702
093763-02-700	EA	SHROUD(GRAY/CHARCOAL), COLEMAN# 6759-4521
093308-01-701	EA	DECAL PKG. LEFT & RIGHT, COLEMAN 6798B3591
091225-01-709	EA	START RELAY, COLEMAN# 1497-4131
091225-01-710	EA	START CAPACITOR, COLEMAN# 1497-0881
073742-02-704	EA	RUN CAPACITOR (COMPRESSOR), COLEMAN 14994661
081606-01-708	EA	LIMIT SWITCH (OPEN 160,CLOSE 110), COLEMAN# 6703-3041
093763-01-712	EA	FAN BLADE-CONDENSER, COLEMAN# 6733-3221
076303-01-712	EA	MOTOR, COLEMAN# 6707A3119
093763-01-702	EA	OVERLOAD, COLEMAN# 6759-3931
093763-01-703	EA	IMPELLOR-7" DIA X 2.8" WIDE, COLEMAN# 6759-3271
093763-01-704	EA	CAPACITOR-FAN, COLEMAN# 1499-3461
093763-01-706	EA	HEAT ELEMENT-COLEMAN# 6798-3321
093763-01-707	EA	EVAPORATOR COIL-COLEMAN# 1452-1351
093763-01-708	EA	CONDENSER COIL-COLEMAN# 1452-1251
093763-01-709	EA	COMPRESSOR-COLEMAN# 6749A3609
093764-01-000	EA	CEILING ASM-A/C COOL ONLY, TSR - COLEMAN 6759D714
042204-01-709	EA	THERMOSTAT IN-64,OUT-58, COLEMAN# 6701-3401
042205-01-702	EA	THERMOSTAT IN-89,OUT-58, COLEMAN# 6703-3401
073742-01-701	EA	SELECTOR SWITCH (5 TERMINAL), COLEMAN# 6759-3251
073742-01-703	EA	DECAL HEAT & COOL, COLEMAN# 6759-3491
091225-01-713	EA	KNOB (2 PER PACKAGE), COLEMAN# 6701-3351
091225-01-717	EA	DECAL (THERMOSTAT) COOL ONLY, COLEMAN# 6799A3441
073742-01-702	EA	DECAL COOL ONLY, COLEMAN# 6759C3431
076303-01-707	EA	FILTER-6" X 14 3/4" X 1/2", 12 PER PKG - COLEMAN 6703A3151
093763-01-705	EA	DECAL-HEAT/COOL THERMOSTAT, COLEMAN# 6799A3471
093763-01-710	EA	SINGLE PARTS PACKAGE, COLEMAN# 6759-5841
093763-01-711	EA	GASKET PACKAGE, COLEMAN 67593281
081606-01-712	EA	CEILING SHROUD (IVORY), COLEMAN# 6769-5061

HEATING & AIR CONDITIONING GROUP (CONTINUED)

FURNACE-34,000 BTU

KEY PART NUMBER	U/M	DESCRIPTION
009198-01-000	FT	DUCT-HEAT, FLEXIBLE - 4" ID
069036-02-000	EA	CONNECTOR-DUCT, 4" ID
093365-01-000	EA	THERMOSTAT-WALL, FURNACE - SUBURBAN 0160902
075696-02-000	EA	FURNACE-34000 BTU, SUBURBAN - W/O THERMOSTAT - NT-34SP
075695-01-711	EA	CABINET ASM, SUBURBAN X100962
075696-01-703	EA	U CLIF-TINNERMAN, SUBURBAN 121378
075895-01-710	EA	FRONT-CABINET, SUBURBAN 100808
075696-02-703	EA	COLLAR-DUCT, SUBURBAN #050715
094334-01-000	EA	PLUG-ELECTRICAL, 3 POSITION - FURNACE - SUBURBAN 520322
092300-01-705	EA	ELECTRODE, SUBURBAN 230956
092300-01-706	EA	DOOR-BURNER ACCESS, SUBURBAN 030523
092300-01-704	EA	GASKET-ELECTRODE, SUBURBAN 070163
069634-01-732	EA	GASKET-BURNER ACCESS DOOR, SUBURBAN 070390
069633-01-700	EA	SWITCH-LIMIT, SUBURBAN# 230496
069634-01-706	EA	MODULE BOARD, SUBURBAN# 231427
069634-01-733	EA	RELAY,TIME DELAY 20&30 BTU, SUBURBAN 231202
075696-02-714	EA	VENT CAP & EXHAUST TUBE ASM. - SUBURBAN 260164
092300-01-712	EA	BURNER ASM, SUBURBAN X010701
069634-01-720	EA	ORIFICE-MAIN BURNER, SUBURBAN# 0180222
069634-01-712	EA	GASKET-MANIFOLD, SUBURBAN 070408
075695-01-704	EA	MANIFOLD ASM - SUBURBAN X170757
069634-01-729	EA	VALVE-GAS, JOHNSON - SUBURBAN 160832
075695-01-703	EA	PIPE-GAS INLET, SUBURBAN 170858
075696-02-721	EA	GASKET-GAS INLET PIPE, SUBURBAN# 070432
069634-01-709	EA	ELBOW-90 DEGREE BLACK IRON, SUBURBAN 170082
069634-01-716	EA	VALVE-MANUAL SHUTOFF, SUBURBAN 160740
092300-01-721	EA	MICROSWITCH ASM, SUBURBAN# X230509
075696-02-727	EA	BRACKET-MOTOR MOUNT, SUBURBAN# 062138
075696-02-728	EA	GASKET-CROSSOVER TUBE, SUBURBAN 070385
075696-02-729	EA	CROSSOVER TUBE, SUBURBAN X050751
075696-01-700	EA	MOTOR ASM-SUBURBAN# 231208
092300-01-724	EA	GASKET-MOTOR MOUNT, SUBURBAN 070384
075696-02-732	EA	HOUSING ASM-COMBUSTION AIR, SUBURBAN# X390410
092300-01-726	EA	WHEEL,COMB AIR
092300-01-727	EA	GASKET-COMBUSTION AIR HOUSING, SUBURBAN 070386
092300-01-728	EA	HOUSING-COMBUSTION AIR, OUTSIDE - SUBURBAN 390240

**1991 WINNEBAGO
TABLE OF CONTENTS**

INTRODUCTION	A-01	A-02
ABBREVIATIONS		A-03
ALPHABETICAL INDEX	A-04	A-06
JCF23EC	A-07	D-10
JF321RG	D-11	F-23

1991 JCF23EC INDEX

FLOOR PLAN	A-07	A-08
ACCESSORIES	A-09	A-11
BATH	A-12	A-13
BEDROOM		A-14
CHASSIS	A-15	A-20
C C & PAD	A-21	B-02
DINETTE	B-03	B-04
DRIVERS	B-05	B-10
ELECTRICAL	B-11	B-14
EXTERIOR BODY	B-15	B-20
GALLEY	B-21	B-24
HEATING & A/C	C-01	C-04
INTERIOR FINISH	C-05	C-08
LABEL		C-09
SEALANTS & FASTENERS	C-10	C-12
WATER & SEWAGE	C-13	C-16
WINDOW, VENT AND EXTERIOR DOOR	C-16	D-10

HEATING & AIR CONDITIONING GROUP (CONTINUED)

**STANDARD COMPONENTS
MOTIVAIR/SCS AUTOMOTIVE A/C & HEATER**

KEY PART NUMBER	U/M	DESCRIPTION
094831-01-000	EA	HEATER/EVAPORATOR COMPLETE, MOTIVAIR ZGH61131 OR SCS MOTIVAIR OR SCS EMBLEM IS DISPLAYED BELOW DASH ON
094831-01-700	EA	DOOR-FRESH AIR, MOTIVAIR/SCS AGG15037
094831-01-701	EA	ROD-FRESH AIR DOOR, MOTIVAIR/SCS ZGG15042
094831-01-702	EA	PAN-DRAIN, PLASTIC - MOTIVAIR/SCS ZGG15043
094831-01-703	EA	MOTOR-BLOWER, MOTIVAIR/SCS ZGG14864
094831-01-704	EA	WHEEL-BLOWER, MOTIVAIR/SCS ZGG14639
094831-01-705	EA	MOTOR-VACUUM, 2" OD - MOTIVAIR/SCS ZGG15256
094831-01-706	EA	RESISTOR-4 SPEED, MOTIVAIR/SCS ZGG15058
094831-01-708	EA	VACUUM HARNESS-UNIT, MOTIVAIR/SCS ZGG15328
094831-01-709	EA	CLAMPS-ROD, 3/16" - MOTIVAIR/SCS ZGG14431
094831-01-710	EA	RINGS-RETAINER, 3/16" ROD - MOTIVAIR/SCS ZGG12809
094831-01-711	EA	NUT-#10-32 KEPS, MOTIVAIR/SCS ZGG12946
094831-01-712	EA	NUT-#10-24 TIMMERMAN 'J', MOTIVAIR/SCS ZGG14670
094831-01-713	EA	EVAPORATOR COIL, MOTIVAIR/SCS ZGG15046
094831-01-714	EA	VALVE-EXPANSION, MOTIVAIR/SCS ZGG11845
094831-01-715	EA	THERMOSTAT, MOTIVAIR/SCS ZGG15047
094831-01-716	EA	SWITCH-TRINARY, MOTIVAIR/SCS ZGG14512
094831-01-717	EA	HOSE-#6, MOTIVAIR/SCS ZGG15048
094831-01-718	EA	HOSE-#10, MOTIVAIR/SCS ZGG15049
094831-01-719	EA	COUP-#4 SELF SEAL W/O RING, MOTIVAIR/SCS ZGG14428
094831-01-720	EA	VALVE-#10 SERVICE, MOTIVAIR/SCS ZGG11189
094831-01-721	EA	O-RING-#10, MOTIVAIR/SCS ZGG14560
094831-01-722	EA	O-RING-#8, MOTIVAIR/SCS ZGG14559
094831-01-723	EA	O-RING-#6, MOTIVAIR/SCS ZGG14558
094831-01-724	EA	O-RING-#4, MOTIVAIR/SCS ZGG14561
094831-01-725	EA	DOOR-AIR BLEND, MOTIVAIR/SCS ZGG15311
094831-01-726	EA	ROD-AIR BLEND DOOR, MOTIVAIR/SCS ZGG15312
094831-01-727	EA	COIL-HEAT, MOTIVAIR/SCS ZGG15078
094831-01-728	EA	DOOR-DAMPER, MOTIVAIR/SCS ZGG15324
094831-01-729	EA	ROD-DAMPER DOOR, MOTIVAIR/SCS ZGG15066
094831-01-730	EA	MOTOR-VACUUM, MOTIVAIR/SCS ZGG14916
094831-01-731	EA	ADAPTERS-2" HOSE, MOTIVAIR/SCS ZGG14075
094831-01-732	EA	HOUSING-CONTROL, MOTIVAIR/SCS ZGG14223
094831-01-733	EA	WIRING HARNESS-CONTROL, MOTIVAIR/SCS ZGG15073
094831-01-734	EA	WIRING HARNESS-LIGHT, MOTIVAIR/SCS ZGG15074
094831-01-735	EA	VACUUM HARNESS-CONTRCL, MOTIVAIR/SCS ZGG15076
094831-01-736	EA	SWITCH-VACUUM, MOTIVAIR/SCS ZGG15262
094831-01-737	EA	CABLE-AIR BLEND - 62" - MOTIVAIR/SCS ZGG15331
094831-01-738	EA	CLIP-CABLE, MOTIVAIR/SCS ZGG12797
094831-01-739	EA	CLIP-UNIT CABLE, MOTIVAIR/SCS ZGG15330
094831-01-740	EA	RELAY-AUTO, MOTIVAIR/SCS ZGG14275
094831-01-741	EA	TRIM-DASH LOUVER/CONTROL PANEL, MOTIVAIR/SCS ZGG15481
094831-01-742	EA	WIRING HARNESS-CONDENSER, MOTIVAIR/SCS ZGG15075
094831-01-743	EA	CANISTER-VACUUM, MOTIVAIR/SCS ZGG14190
094831-01-744	EA	VALVE-WATER, MOTIVAIR/SCS ZGG15245
094831-01-745	EA	TUBE-DRAIN, KAZOO - MOTIVAIR/SCS ZGG15051
094831-01-746	EA	CLAMP-BLEND CABLE, MOTIVAIR/SCS 77000-00

AUTOMOTIVE A/C COMPONENTS

KEY PART NUMBER	U/M	DESCRIPTION
056402-05-000	EA	BRACKET-HEATER, W/BEND - BLACK
039044-01-000	EA	LOUVER-ADJUSTABLE A/C, 2.5" X 5.75"
024990-03-000	EA	OUTLET-LOUVERED, W/SWIVEL - 2" - GRAY
094831-05-000	EA	MANUAL-OWNERS, HEATER-A/C - SCS 057-0044
056402-04-000	EA	BRACKET - HEATER, W/BEND - GRAY

HEATING & AIR CONDITIONING GROUP (CONTINUED)

SUBURBAN FURNACE

KEY PART NUMBER	U/M	DESCRIPTION
075895-01-000	EA	FURNACE-DIRECT INGHITION 24000 BTU, NT-24S & 24SP
075695-01-703	EA	PIPE-GAS INLET, SUBURBAN 170758
075695-01-704	EA	MANIFOLD ASM - SUBURBAN X170757
075695-01-708	EA	MICROSWITCH ASM, SUBURBAN X230510
075695-01-710	EA	CABINET FRONT, SUBURBAN 100808
075695-01-711	EA	CABINET ASM, SUBURBAN X100962
075695-01-712	EA	TUBE FOR VENT CAP ASM, 2 7/8" - SUBURBAN 260093
092300-01-723	EA	MOTOR, SUBURBAN 231208
093365-01-000	EA	THERMOSTAT-FURNACE, SUBURBAN# 160902
075696-02-714	EA	VENT CAP & EXHAUST TUBE ASSM - SUBURBAN 260164
092300-01-712	EA	BURNER ASSEMBLY, SUBURBAN X010701
092300-01-720	EA	WHEEL-ROOM AIR, SUBURBAN 350113
075696-01-703	EA	U CLIP-TINNERMAN, SUBURBAN# 121378
075696-02-703	EA	COLLAR-DUCT, SUBURBAN 050715
075696-02-705	EA	HARNESS-POWER SUPPLY, SUBURBAN 520322
092300-01-706	EA	DOOR-BURNER ACCESS, SUBURBAN# 030523
092300-01-704	EA	GASKET-ELECTRODE, SUBURBAN 070163
075696-02-709	EA	DISC-GLASS, SUBURBAN 310026
069634-01-732	EA	GASKET-BURNER ACCESS DOOR, SUBURBAN 070398
069533-01-706	EA	SCREW-VENT CAP, SUBURBAN 121249
069634-01-706	EA	MODULE BOARD, SUBURBAN 230587
069634-01-707	EA	SWITCH-FAN, SUBURBAN 230575
069634-01-733	EA	RELAY-TIME DELAY, SUBURBAN 231202
069634-01-709	EA	ELBOW-90 DEGREE BLACK IRON, SUBURBAN 170082
069634-01-729	EA	VALVE-GAS, JOHNSON - SUBURBAN 160832
069634-01-712	EA	GASKET-MANIFOLD, SUBURBAN 070408
069633-01-701	EA	ORIFICE-MAIN BURNER, SUBURBAN 180215
092300-01-724	EA	GASKET-MOTOR MOUNT, SUBURBAN 070384
092300-01-727	EA	GASKET-COMBUSTION AIR HOUSING, SUBURBAN 070386
075696-02-735	EA	HOUSING-COMBUSTION AIR, OUTSIDE - SUBURBAN 390240
069634-01-716	EA	VALVE-MANUAL SHUTOFF, SUBURBAN 160740
092300-01-705	EA	ELECTRODE, SUBURBAN 230956
075696-02-728	EA	GASKET-CROSSOVER TUBE, SUBURBAN 070385
075696-02-729	EA	CROSSOVER TUBE, SUBURBAN X050751
075696-01-706	EA	HOUSING-COMBUSTION AIR ASM, SUBURBAN X390179
074466-01-717	EA	THERMOSTAT F/24&30&34S
056464-05-000	EA	REGISTER-PLASTIC W/O DAMPER - 4" DIAMETER - GOLDEN
009198-01-000	FT	DUCT-HEAT, FLEXIBLE - 4" ID
009200-01-000	EA	TAPE-FURNACE, 1 1/2"
023146-01-000	EA	CLAMP-SCREW TYPE - 4"
069636-02-000	EA	CONNECTOR-DUCT, 4" ID
061946-01-000	EA	BRACKET-WIRE COVER, 90 DEGREE ANGLED METAL
007108-02-000	FT	HOSE-HEATER, 3/4" ID
062401-03-000	EA	CLAMP-HOSE WORMGEAR, .22"- 1" ID
087676-01-000	EA	FITTING-H, 1/2 ID - BRASS
062401-04-000	EA	CLAMP-WORMGEAR HOSE, .69"- 1.25"
079059-02-000	EA	HOSE- 90 DEGREE - .61 X 4.00 X 6.00
062401-05-000	EA	CLAMP-WORMGEAR HOSE, 2"- 3" ID
007076-01-700	FT	HOSE-FLEXIBLE PVC - 2" ID
007108-01-000	FT	HOSE-HEATER, 5/8" ID
007281-01-000	EA	HOSE-FLEXIBLE, 2 1/2 ID
007281-01-700	FT	HOSE-FLEXIBLE PUG 2 1/2" ID

1991 WINNEBAGO

TABLE OF CONTENTS:

INTRODUCTION	A-01	A-02
ABBREVIATIONS		A-03
ALPHABETICAL INDEX	A-04	A-06
JCF23EC	A-07	D-10
JF321RG	D-11	F-23

1991 JCF23EC INDEX

FLOOR PLAN	A-07	A-08
ACCESSORIES	A-09	A-11
BATH	A-12	A-13
BEDROOM		A-14
CHASSIS	A-15	A-20
C C & PAD	A-21	B-02
DINETTE	B-03	B-04
DRIVERS	B-05	B-10
ELECTRICAL	B-11	B-14
EXTERIOR BODY	B-15	B-20
GALLEY	B-21	B-24
HEATING & A/C	C-01	C-04
INTERIOR FINISH	C-05	C-06
LABEL		C-09
SEALANTS & FASTENERS	C-10	C-12
WATER & SEWAGE	C-13	C-16
WINDOW, VENT AND EXTERIOR DOOR	C-16	D-10

INTERIOR FINISH GROUP

ASSIST HANDLE

KEY PART NUMBER	U/M	DESCRIPTION
069178-02-000	EA	BRACKET-MOUNTING, ASSIST HANDLE
000C16-07-18B	EA	BOLT-CARRIAGE, ASSIST HANDLE - 7/16" - 14 X 1" ZN
000D20-07-00B	EA	NUT-ACORN, ASSIST HANDLE - 7/16" X 14 ZN
053552-02-AA8	EA	HANDLE-ASSIST, INTERIOR - ENTRY DOOR - VINYL - OFF WHITE
077461-03-000	EA	COVER-STRIKE, ENTRY DOOR - 6.5" X 2.5" - PLASTIC - OFF WHITE

PANELING, BATTS & PARTICLE BOARD

KEY PART NUMBER	U/M	DESCRIPTION
038272-72-000	SF	PANELING-SHOWER, 4' X 7' - OFF WHITE - INC OF 28 SF
074497-17-000	SF	PANELING-WOODGRAIN, 4' X 8' - INCREMENTS OF 32 SF
088272-81-000	SF	PANELING-DECORATIVE, W/BLOSSOMS - 4' X 7' - INC. OF 28 SF
068272-70-000	SF	PANELING-DECORATIVE PLAIN, 4' X 7' - INCREMENTS OF 28 SF
000885-48-000	SF	PARTICLE BOARD- 3/4 X 60" X 96" - 2 SIDES VINYL WOODGRAIN
000885-46-000	SF	PARTICLE BOARD- 3/8" X 48" X 96" - 1 SIDE VINYL WOODGRAIN
		INCREMENTS OF 32 SF - CABINET SHELF
081294-02-000	EA	MOLDING-SHELF, NOTCHED WOOD - 8' LONG
074498-36-000	SF	LAMINATE-PLASTIC, 5' X 8' - INCREMENTS OF 40 SF
076325-30-000	FT	MOLDING-EDGE BAND, 1 5/16"
		FROM: 00-00-00 THRU: 05-27-90
076325-28-000	FT	MOLDING-EDGE BAND, 1 5/16"
		FROM: 05-28-90 THRU: 99-99-99
089297-01-000	SF	PLYWOOD-LUAN, OVERLAY GRADE - 4' X 8' - INC OF 32 SF
000868-01-000	SF	STYROFOAM-.75" X 24" X 96" - INCREMENTS OF 16 SF
088263-51-000	EA	BATT STRIP-CEILING, 8' EA - OFF WHITE
		FROM: 00-00-00 THRU: 05-28-91
088263-71-000	EA	BATT STRIP - CEILING - TROWEL WORK
		FROM: 05-29-91 THRU: 99-99-99
086229-01-000	EA	RETAINER-BATTEN, CEILING - .75" WIDE - 7.6' EA
		FROM: 07-15-90 THRU: 99-99-99
085284-36-000	FT	BATT STRIP-DECORATIVE, W/BLOSSOMS - ADHESIVE BACK
		FROM: 00-00-00 THRU: 07-15-90
085284-38-000	FT	BATT STRIP-SHOWER, ADHESIVE BACK - OFF WHITE
069733-78-000	EA	BATT-STRIP, WOODGRAIN - 8' EA - RAMBLING OAK
079653-13-000	EA	BATT STRIP-KERFED, WHITE
085284-32-000	FT	BATT STRIP-WOODGRAIN, ADHESIVE BACK - RAMBLING OAK
088263-47-000	EA	BATT STRIP-DECORATIVE W/BLOSSOMS, 8' EA
088263-50-000	EA	BATT STRIP-SHOWER, 8' EACH - OFF WHITE
085284-35-000	FT	BATT STRIP-DECORATIVE PLAIN, ADHESIVE BACK

INTERIOR FINISH GROUP (CONTINUED)

CABINET TRIM & MOLDING

KEY PART NUMBER	U/M	DESCRIPTION
100040-01-000	EA	1 1/2" LUMBER-VINYL WRAPPED, 1.5" X 8" - RAMBLING OAK
100040-03-000	EA	1 1/2" LUMBER-VINYL WRAPPED, .71" X 2" X 8" - RAMBLING OAK
100041-02-000	EA	MOLDING-VINYL WRAPPED, 2.56" X 84.02" - RAMBLING OAK
022392-11-000	FT	MOLDING-REVERSE COVE, T-SHAPED - VINYL - IVORY
100041-01-000	EA	MOLDING-VINYL WRAPPED, 1.57" X 84.02" - RAMBLING OAK
083620-08-000	FT	T-MOLDING, END CAP EDGE - 3/4" - BIRCH
		FROM: 00-00-00 THRU: 01-06-91
083620-08-000	FT	T-MOLDING, 3/4 W/EDGE LIPS
		FROM: 01-07-91 THRU: 09-11-91
083620-07-000	FT	T-MOLDING, END CAP EDGE - W/EDGE CLIPS - 3/4" - THOR PECAN
009812-17-000	EA	MOLDING-CORNER, OUTSIDE - .5" - PLASTIC - LIGHT OAK
009812-24-000	EA	MOLDING-CORNER, OUTSIDE - .5" - PLASTIC - MODERN IVORY
009812-22-000	EA	MOLDING-CORNER, OUTSIDE - .5" X 7' - PLASTIC - BROWN
081294-02-000	EA	MOLDING-SHELF, NOTCHED WOOD - 8' LONG
070504-19-000	FT	U CHANNEL-EXTRUSION, .815" - BROWN

DINETTE TABLE HARDWARE

KEY PART NUMBER	U/M	DESCRIPTION
004354-01-000	EA	BUMPER-CABINET DOOR, RUBBER - BROWN
024276-21-000	EA	LEG-TABLE, METAL - BEIGE
024282-01-000	EA	BRACE-TABLE LEG, HINGED
024283-01-000	EA	CLIP-LEG, 1" X 1.125" OD - BLACK
074050-03-000	EA	CLAMP-SADDLE, LEG HINGE - TAN
088410-01-000	EA	BRACKET-LIFT, TABLE MOUNTED - BEIGE
049493-11-700	EA	CATCH-TABLE LEG, FLOOR MOUNTED - BEIGE
024275-11-000	EA	ROD-TABLE LIFT, 8" X 10.5" - BEIGE
053200-09-000	EA	BRACKET-TABLE SUPPORT, UPPER WALL MOUNTED - 18.5" - BEIGE
024281-11-000	EA	BRACKET-LIFT ROD, LOWER WALL MOUNTED - 17.12" - BEIGE
064781-06-000	EA	HOLDER-CUP, TWO STEP - OFF WHITE
083125-03-000	EA	BRACE-COUCH, TAN

CABINET HARDWARE

KEY PART NUMBER	U/M	DESCRIPTION
059777-02-000	EA	HINGE-CABINET DOOR, BURNISHED BRASS
100030-01-000	EA	PULL-CABINET
004354-01-000	EA	BUMPER-CABINET DOOR, RUBBER - BROWN
065740-01-000	EA	BRACE-CABINET CORNER, PLASTIC
016604-05-000	EA	BRACE-L/ANGLED, 2.5" - OFF WHITE
074493-02-000	EA	SUPPORT-OVERHEAD DOOR, SPRUNG
016604-03-000	EA	BRACE-CABINET ANGLE, 2.5" - BEIGE
009112-01-000	EA	FLANGE-1" ROD, CLOTHES - PLASTIC - OFF WHITE
041953-03-000	FT	CONDUIT-CONVOLUTED SLIT, 1" ID (CLOTHES ROD COVER)
042438-01-000	EA	DOWEL-WOOD, CLOTHES ROD - 1" DIAMETER X 4'
052369-01-000	FT	CORD STRAPPING-1/4" WIDE
098990-01-000	EA	PLASTER-ADJUSTABLE SHELF
089076-03-000	EA	H-CHANNEL, BED SUPPORT - 1.36" X 72.7" - BEIGE
091261-01-000	FT	BACKING-NON SKID, 1" WIDE (100' ROLL)
023320-01-000	EA	PAD-FELT, 3/8" DIAMETER - BROWN
093586-03-000	EA	CATCH-SPRING, ROLLER
093536-04-000	EA	STRIKE-SPRING STEEL

PLASTIC DRAWER & SLIDES

KEY PART NUMBER	U/M	DESCRIPTION
077404-02-000	EA	DRAWER-PLASTIC, 20" X 12.7" - BEIGE
094067-01-01A	EA	DIVIDER-DRAWER, PLASTIC - LIGHT OAK
077409-02-000	EA	SLIDE-DRAWER, MOUNTED TO CABINET - PLASTIC - 20.75"

**1991 WINNEBAGO
TABLE OF CONTENTS**

INTRODUCTION	A-01 -	A-02
ABBREVIATIONS		A-03
ALPHABETICAL INDEX	A-04 -	A-08
JCF23EC	A-07 -	D-10
JFJ21RG	D-11 -	F-23

1991 JCF23EC INDEX

FLOOR PLAN	A-07 -	A-08
ACCESSORIES	A-09 -	A-11
BATH	A-12 -	A-13
BEDROOM		A-14
CHASSIS	A-15 -	A-20
CC & PAD	A-21 -	B-02
DINETTE	B-03 -	B-04
DRIVERS	B-05 -	B-10
ELECTRICAL	B-11 -	B-14
EXTERIOR BODY	B-15 -	B-20
GALLEY	B-21 -	B-24
HEATING & A/C	C-01 -	C-04
INTERIOR FINISH	C-05 -	C-08
LABEL		C-09
SEALANTS & FASTENERS	C-10 -	C-12
WATER & SEWAGE	C-13 -	C-16
WINDOW, VENT AND EXTERIOR DOOR	C-16 -	D-10

INTERIOR FINISH GROUP (CONTINUED)

FABRIC AND TRIM

KEY PART NUMBER	U/M	DESCRIPTION
077484-01-000	YD	FABRIC-VINYL, 54" WIDE - GRAY
079680-09-000	YD	FABRIC-VINYL, 54" WIDE - OFF WHITE
075244-02-000	YD	VINYL-SHOWER CURTAIN, 72" WIDE - BEIGE FROM: 00-00-00 THRU: 05-31-90
075244-03-000	YD	VINYL-SHOWER CURTAIN, 72" WIDE - ALMOND FROM: 08-01-90 THRU: 09-99-99
096008-42-000	YD	FABRIC-UPHOLSTERY, PATTERN - 54" - B26 - TRUFFLE BROWN
096008-44-000	YD	FABRIC-UPHOLSTERY, PATTERN - 54" - B25 - DUSTY BLUE
096008-45-000	YD	FABRIC-UPHOLSTERY, PLAIN - 54" - B26 - TRUFFLE BROWN
096008-29-000	YD	FABRIC-UPHOLSTERY, PLAIN - 54" - B25 - DUSTY BLUE FROM: 00-00-00 THRU: 09-08-91
096008-46-000	YD	FABRIC-UPHOLSTERY, PATTERN - 54" - B26 - TRUFFLE BROWN
104233-31-000	YD	FABRIC-UPHOLSTERY, ACCENT - B25 - DUSTY BLUE
087272-01-000	YD	FABRIC-LINING, CURTAIN - 48" WIDE - IVORY
072333-75-000	YD	FABRIC-CURTAIN - 54" WIDE - BEIGE
088273-67-000	YD	FABRIC-CURTAIN, PLAIN - 54" - B25 - DUSTY BLUE
072333-70-000	YD	FABRIC-CURTAIN, 54" WIDE - B25 - DUSTY BLUE
029012-01-000	BF	FOAM-ROLLED, 3/8" THICK - 72" WIDE
081926-01-000	YD	BACKING-QUILTING, MATTRESS COVER - 59" WIDE - WHITE
088273-50-000	YD	FABRIC - BEDSPREAD, PATTERNED - 54" - B26 - TRUFFLE BROWN
088273-51-000	YD	FABRIC - BEDSPREAD, PATTERNED - 54" - B25 - BROWN/MINK

FLOOR COVERING & COMPONENTS

KEY PART NUMBER	U/M	DESCRIPTION
085746-01-000	FT	TRIM-J, CARPET - 1.2" X .5" ANGLE - 10' LONG - BEIGE
047034-02-000	SS	PLASTIC-CARPET, 4" WIDE - CLEAR POLY
096060-14-000	SY	CARPET-12' ROLL - B25 - DUSTY BLUE - INCREMENTS OF 4 SY
096060-15-000	SY	CARPET-12' ROLL - B26 - TRUFFLE BROWN - INCREMENTS OF 4 SY
075233-03-000	SY	PAD-CARPET, 3/8" X 3.5' ROLL
076314-02-000	FT	TAPE-CARPET SEAM, HEAT-BOND
NOTE:		REPLACE VINYL FLOORING LOCALLY

INTERIOR FINISH GROUP (CONTINUED)

MIRRORS

KEY PART NUMBER	U/M	DESCRIPTION
058331-35-000	EA	MIRROR-GLASS, SAFETY - 25.4" X 11.0"
058331-14-000	EA	MIRROR-GLASS, SAFETY - 14" X 12.7"
058331-22-000	EA	MIRROR-GLASS, SAFETY - 17" X 44.5"

PANTRY AND GALLEY EXT. HARDWARE

KEY PART NUMBER	U/M	DESCRIPTION
085740-01-000	EA	BRACE-CABINET CORNER, PLASTIC
016604-03-000	EA	BRACE-CABINET ANGLE, 2.5" - BEIGE
083125-03-000	EA	BRACE-COUCH, TAN FROM: 11-05-90 THRU: 99-99-99
023320-01-000	EA	PAD-FELT, 3/8" DIAMETER - BROWN
084356-04-000	EA	INSERT-TV STAND, BEIGE
084412-01-000	EA	SUPPORT-HINGED
084451-01-000	EA	CATCH-TV SHELF, BRASS
084413-01-000	EA	HINGE-CONTINUOUS, ALUMINUM - 1" X 72" - 1/4 HOLES
081295-01-AA8	EA	SUPPORT - BASE, DINETTE - 712 MM LONG

WALL CAPS AND U-CHANNEL

KEY PART NUMBER	U/M	DESCRIPTION
009778-11-000	FT	U-CHANNEL, PLASTIC - 1" - MODERN IVORY
009767-12-000	FT	MOLDING-SIDEWALL TO CEILING/CABINET - WELTING - OFF WHITE
009812-22-000	EA	MOLDING-CORNER, OUTSIDE - .5" X 7' - 1/4 PLASTIC - BROWN
078376-01-000	FT	MOLDING-T-SHAPED COVE, CEILING TO WALL - OFF WHITE
070504-19-000	FT	U CHANNEL-EXTRUSION, .815" - BROWN

TV STAND/GALLEY EXTENSION HARDWARE

KEY PART NUMBER	U/M	DESCRIPTION
084356-04-000	EA	INSERT-TV STAND, BEIGE
084412-01-000	EA	SUPPORT-HINGED
084451-01-000	EA	CATCH-TV SHELF, BRASS
084413-01-000	EA	HINGE-CONTINUOUS, ALUMINUM - 1" X 72" - 1/4 HOLES

**1991 WINNEBAGO
TABLE OF CONTENTS**

INTRODUCTION	A-01 -	A-02
ABBREVIATIONS		A-03
ALPHABETICAL INDEX	A-04 -	A-08
JCF23EC	A-07 -	D-10
JF321RG	D-11 -	F-23

1991 JCF23EC INDEX

FLOOR PLAN	A-07 -	A-08
ACCESSORIES	A-09 -	A-11
BATH	A-12 -	A-13
BEDROOM		A-14
CHASSIS	A-15 -	A-20
CU & PAD	A-21 -	B-02
DINETTE	B-03 -	B-04
DRIVERS	B-05 -	B-10
ELECTRICAL	B-11 -	B-14
EXTERIOR BODY	B-15 -	B-20
GALLEY	B-21 -	B-24
HEATING & AC	C-01 -	C-04
INTERIOR FINISH	C-05 -	C-08
LABEL		C-09
SEALANTS & FASTENERS	C-10 -	C-12
WATER & SEWAGE	C-13 -	C-16
WINDOW, VENT AND EXTERIOR DOOR	C-16 -	D-10

LABEL & TAG GROUP

KEY PART NUMBER	U/M	DESCRIPTION
056259-01-000	EA	LABEL - SAFETY CHECKLIST
079985-01-000	EA	LABEL - LPG 80% CAPACITY
090342-01-000	EA	LABEL-VAPOR RELIEF
087207-05-000	EA	LABEL-FUEL CAP REMOVAL
077510-01-000	EA	LABEL-GENERATOR PREP
075221-03-000	EA	LABEL-TRAILER HITCH
075220-01-000	EA	LABEL-WARNING, EXTERIOR LOAD
062043-01-000	EA	LABEL-FUEL, UNLEADED
061417-01-000	EA	LABEL-FUEL
054531-01-000	EA	LABEL-LP GAS ONLY
006188-01-000	EA	LABEL-WASTE WATER
006187-01-000	EA	LABEL-SEWAGE
006019-01-000	EA	TAG-RVI APPROVED, PLASTIC
006040-01-000	EA	TAG-GAS REFUELING WARNING
006062-03-000	EA	TAG-ELECTRIC, 100V CONNECTION
062043-01-000	EA	LABEL-FUEL, UNLEADED
093236-02-000	EA	LABEL - CIRCUIT BREAKER, MAIN
FROM: 00-00-00 THRU: 09-30-90		
093236-05-000	EA	LABEL-CIRCUIT BREAKER, MAIN
FROM: 10-01-90 THRU: 99-99-99		
006195-01-000	EA	LABEL-ELECTRICAL TEST
006196-01-000	EA	LABEL-GAS TEST
006197-01-000	EA	LABEL-WATER TEST
050225-01-000	EA	LABEL-WARNING, STOVE VENT - US
006199-01-000	EA	LABEL-EXIT, "ESCAPE WINDOW"
047731-01-000	EA	LABEL-EMERGENCY EXIT
077956-01-000	EA	LABEL - WARNING - SMOKE DETECTOR
091243-01-000	EA	LABEL - A/C COVER
040944-01-000	EA	LABEL - OPEN - ENTRANCE DOOR

SEALANTS & FASTENERS GROUP

SEALANTS AND FASTENERS

KEY PART NUMBER	U/M	DESCRIPTION
053706-02-000	EA	BEDDING COMPOUND-TUBE, WHITE
053786-06-000	EA	BEDDING COMPOUND-TUBE, CLEAR
005200-01-000	EA	BOLT-BUMPER, ROUND, 1/2" SQUARE NECK- W/SST CAP
051387-06-000	EA	BOLT-CARRIAGE, W/O HOLE - 5/16-18 X 9.5 ZN
000C12-05-16R	EA	BOLT-HEX, 5/16-18 X 1 - ZINC 5
000C12-05-24B	EA	BOLT-HEX-5/16-18X1 1/2 ZN 5
000C12-07-20B	EA	BOLT-HEX, 7/16 - 14 X 1 1/4" - ZN5
000C12-08-24B	EA	BOLT-HEX, 1/2-13 X 1 1/2 - ZN 5
000C12-10-24B	EA	BOLT-HEX, 5/8-11 X 1 1/2 ZN - 5
000C13-07-48B	EA	BOLT-HEX, 7/16 - 20 X 3 - ZN 5
000C18-06-48R	EA	BOLT-ELEV, 3/8-16 X 3 ZN - GDE 5
000C26-04-10B	EA	BOLT-HEX, SER FLG - 1/4-20 X 5/8 ZINC
000D14-05-00B	EA	NUT-HEX, 5/16-18 - ZN 5
000D15-05-00B	EA	NUT-HEX, 3/8-24 - ZN - 5
000D24-10-00B	EA	NUT-HEX, SF/LK - 10-32 ZN
000D34-04-00B	EA	NUT-HEX, LK 1/4 - 20 ZN
000D39-04-00B	EA	NUT-HEX, SER FLG LK 1/4 - 20 ZN
000D39-05-00B	EA	NUT-HEX, SER FLG LK - 5/16 - 18 ZN
000D39-06-00B	EA	NUT-HEX, SER FLG LK - 3/8-16 ZN
000D39-08-00B	EA	NUT-HEX, SER FLG LK - 1/2-13 ZN
000D44-07-00B	EA	NUT-HEX, SER FLG LK - 7/16-20 ZN
000G11-06-10B	EA	SCREW, 6-20 X 5/8 PPH ZN
000G11-06-10J	EA	SCREW, 6-20 X 5/8 PPH - BRASS
000G11-07-08B	EA	SCREW, 7-19 X 1/2 PPH - ZN
000G11-08-08B	EA	SCREW, 8-18 X 1/2 PPH - ZN
000G11-08-08T	EA	SCREW, 8-18 X 1/2 PPH
000G11-08-12B	EA	SCREW, 8-18 X 3/4 PPH ZN
000G11-08-12D	EA	SCREW, 8-18 X 3/4 PPH - BLACK
000G11-08-12R	EA	SCREW, 8-18 X 3/4 PPH - BEIGE
000G11-08-12T	EA	SCREW, 8-18 X 3/4 PPH - BLACK
000G11-08-12X	EA	SCREW, 8-18 X 3/4 PPH - GRAY
000G11-10-12D	EA	SCREW, 10-16 X 3/4 PPH - BLACK
000G11-10-12R	EA	SCREW, 10-16 X 3/4 PPH - BEIGE
000G11-10-24P	EA	SCREW, 10-18 X 1 1/2 PPH - DARK BROWN
000G12-08-12X	EA	SCREW, 8-18 X 3/4 PPH - GRAY
000G12-08-16S	EA	SCREW, 8-18 X 1.00 PPH - OFF WHITE
000G12-08-28P	EA	SCREW, 8-18 X 1 3/4 PPH - BEIGE
000G13-06-08B	EA	SCREW, 6-20 X 1/2 PPH ZN
000G13-08-10G	EA	SCREW-6-20 X 5/8 PPH, ANTIQUE BRASS
000G13-06-16R	EA	SCREW, 6-20 X 1 PPH - BEIGE
000G13-07-12B	EA	SCREW, 7-19 X 3/4 PPH ZN
000G13-07-16B	EA	SCREW, 8-18 X 1 PPH - ZN
000G18-08-16B	EA	SCREW-MACHINE, 8 X 32 X 1, PPH ZN
000G18-10-12B	EA	SCREW-MACH-10-24X3/4 PPH ZN
000G18-10-08B	EA	SCREW-MACHINE, 10-32 X 1/2 PPH ZN
000G19-10-12B	EA	SCREW-MACH, 10-32 TPI X .75
000G27-10-16D	EA	SCREW-MACH, 10-32 X 1 PPH - BLACK
000G39-16-10T	EA	SCREW-SF/DR, 6-20 X 5/8 PPH - BLACK
000G39-06-16T	EA	SCREW-SF/DR, 6-20 X 1 PPH - BLACK
000G39-08-06B	EA	SCREW-SF/DR, 8-18 X 3/8 PPH ZN
000G39-08-08B	EA	SCREW-SF/DR, 8-18 X 1/2 PPH ZN
000G39-08-08R	EA	SCREW-SF/DR, 8-18 X 1/2 PPH - BEIGE
000G39-08-08X	EA	SCREW-SF/DR, 8-18 X 1/2 PPH - GRAY
000G39-08-12B	EA	SCREW-SF/DR, 8-18 X 3/4 PPH ZN
000G39-08-12R	EA	SCREW-SF/DR, 8-18 X 3/4 PPH - BEIGE
000G39-08-12T	EA	SCREW-SF/DR, 8-18 X 3/4 PPH - BLACK
000G39-08-16B	EA	SCREW-SF/DR, 8-18 X 1 PPH ZN
000G39-08-16E	EA	SCREW-SF/DR, 8-18 X 1 PPH CHROME
000G39-08-16R	EA	SCREW-SF/DR 8-18X1.00 PPH BEIGE
000G39-08-16T	EA	SCREW-SF/DR, 8-18 X 1 PPH - BLACK
000G39-08-24B	EA	SCREW-SF/DR, 8-18 X 1 1/2 PPH ZN
000G39-08-24R	EA	SCREW-SF/DR, 8-18 X 1 1/2 PPH - BEIGE
000G39-08-32B	EA	SCREW-SF/DR, 8-18 X 2 PPH - ZINC
000G39-10-12D	EA	SCREW-SF/DR, 10-16 X 3/4 PPH - BLACK
000G39-10-12R	EA	SCREW-SF/DR, 10-16 X 3/4 PPH - BEIGE
000G39-10-20B	EA	SCREW-SF/DR, 10-16 X 1 1/4 PPH ZN
000G50-04-12B	EA	SCREW-MACH, 1/4-20 X 3/4 PPH ZN
000G53-04-06F	EA	SCREW-MACHINE, 1/4-20 X 3/8 PPH ZN - UNDERCUT HEAD
000G54-04-20B	EA	SCREW, 1/4-20 X 1 1/4 PPH - TYPE 23 - ZINC PLATED

**1991 WINNEBAGO
TABLE OF CONTENTS**

INTRODUCTION	A-01 -	A-02
ABBREVIATIONS		A-03
ALPHABETICAL INDEX	A-04 -	A-06
JCF231:G	A-07 -	D-10
JF321:RG	D-11 -	F-23

1991 JCF23EC INDEX

FLOOR PLAN	A-07 -	A-08
ACCESSORIES	A-09 -	A-11
BATH	A-12 -	A-13
BEDROOM		A-14
CHASSIS	A-15 -	A-20
C C & PAD	A-21 -	B-02
DINETTE	B-03 -	B-04
DRIVERS	B-05 -	B-10
ELECTRICAL	B-11 -	B-14
EXTERIOR BODY	B-15 -	B-20
GALLEY	B-21 -	B-24
HEATING & A/C	C-01 -	C-04
INTERIOR FINISH	C-05 -	C-08
LABEL		C-09
SEALANTS & FASTENERS	C-10 -	C-12
WATER & SEWAGE	C-13 -	C-16
WINDOW, VENT AND EXTERIOR DOOR	C-16 -	D-10

SEALANTS & FASTENERS GROUP (CONTINUED)

SEALANTS AND FASTENERS

KEY PART NUMBER	U/M	DESCRIPTION
000G67-10-08R	EA	SCREW, 10-12 X 1/2 PPH - BEIGE - TYPE A
000G67-10-10B	EA	SCREW, 10-12 X 5/8 PPH ZN - TYPE A
000G67-10-10R	EA	SCREW, 10-12 X 5/8 PPH - TYPE A - BEIGE
000G67-10-12B	EA	SCREW, 10-12 X 3/4 PPH - ZN
000G67-10-12P	EA	SCREW, 10-12 X .75 PPH - DARK BROWN
000G67-10-12R	EA	SCREW, 10-12 X .75 PPH - BEIGE
000G67-10-120	EA	SCREW, 10-12 X .75 PPH TAN
000G67-10-16P	EA	SCREW, 10-12 X 1 PPH - DARK BROWN
000G67-10-20D	EA	SCREW, 10-12 X 1 1/4 PPH - BLACK
000G67-10-24B	EA	SCREW, 10-12 X 1 1/2 PPH - ZN
000G68-06-10G	EA	SCREW, 6-18 X 5/8 POH, ANTIQUE BRASS
049465-01-000	EA	SCREW, 10-16 W/WASHER PTH - DARK BROWN
049465-03-000	EA	SCREW, 10-16 X 1 POH W/WASHER - OFF WHITE
049465-04-000	EA	SCREW, 10-16 X 1 PTH W/WASHER - BEIGE
049465-05-000	EA	SCREW, 10-16X1 PTH W/WASHER
081908-01-000	EA	SCREW-MACHINE, 6-32 X .62 W/NYLOCK
086763-01-000	EA	SCREW-MACH, 10 - 32 X 1/4 PTH
087721-01-000	EA	SCREW-FLAT HEAD, TAPPING - 1/4" X 1 1/4" LG ZN
089371-01-000	EA	SCREW-MACHINE, 8-32 X 3 5/16" - FOR EXTENDED WINDOW K
075908-01-000	EA	SCREW-MACHINE, 10-32 X .56 PTH - ZINC EXTERNAL TOOTH
076790-01-000	EA	SCREW, 6-20 X 1 1/4 PPH - BLACK
004005-02-000	EA	ADHESIVE-SWIFTS, 1 GAL - W1333
081377-01-700	EA	ADHESIVE-CYANOACRYLATE, 10 GRAM TUBE
005081-01-000	EA	NUT-SPEED, C TYPE - NO 8 SCREW
044364-02-000	EA	NUT-SPEED, FLAT - ROUND
077049-01-000	EA	NUT-ACORN, 10-32 ALUMINUM
072893-01-000	EA	NUTSERT-M5 X 0, 8
004363-01-000	FT	TAPE-ADHESIVE FOAM, 1 SIDE - 3/16" X 1/2" X 50' - GRA
009200-01-000	EA	TAPE-FURNACE, 1 1/2"
088244-01-000	FT	TAPE-FOAM, VINYL COATED - 2" WIDE - INCREMENTS OF 10'
076322-03-000	FT	TAPE-FOAM, DOUBLE COATED ADHESIVE BACKED - .5" X 108'
076322-04-000	FT	TAPE-FOAM, DOUBLE COATED - .045" X .75"
008343-01-000	EA	TIE-WIRE, 6"
023942-01-000	EA	GROMMET-RUBBER, 2" OD
077953-01-000	EA	GROMMET-EDGE LINER, FITS 1"
063729-01-000	EA	RIVNUT, 1/4 X 20 UNC - .030-.125
063729-04-000	EA	RIVNUT, 10-32 UNF - .010-.080
000H16-04-06R	EA	RIVET-POP, AL 1/8 X .313-.375
069640-02-000	FT	SEALER-RIBBON, 1/2" X 1/8" - INCREMENTS OF 30' OR 60'
069640-03-000	FT	SEALER-RIBBON, 3/4" X 1/8" - INCREMENTS OF 60'
069640-06-000	FT	SEALER-RIBBON, 5/16" DIAMETER - INCREMENTS OF 25'
069640-09-000	FT	SEALER-RIBBON, 1/32" X 2 1/2" - INCREMENTS OF 90'
090340-01-000	FT	SEAL-FOAM, CLOSED CELL - 1/4" X 1/2" X 50'
091255-03-000	FT	SEAL-FOAM, 1/4 X 3/16 ROLL
034552-02-000	EA	SILICONE-TUBE, 300 ML - CLEAR
034552-04-000	EA	SILICONE-TUBE, 300 ML - BEIGE
034552-07-000	EA	SILICONE-300 ML TUBE, DARK GRAY
039518-01-000	EA	SILICONE-300 ML TUBE, BLACK
008401-01-000	EA	STRAP-CONDUIT, 3/4" - 1 HOLE - GALVANIZED STEEL

SEALANTS & FASTENERS GROUP (CONTINUED)

SEALANTS AND FASTENERS

KEY PART NUMBER	U/M	DESCRIPTION
010495-01-000	EA	CLAMP-CABLE, 9/16"
010497-01-000	EA	CLAMP-CLOSED, 5/8" ID
010497-05-000	EA	CLAMP-CLOSED, 1/2" ID
010497-06-000	EA	CLAMP-CLOSED, 1 1/16" ID
010499-01-000	EA	CLAMP-CLOSED, 3/8" ID
062401-01-000	EA	CLAMP-HOSE, WORMGEAR .25" - 1"
062401-02-000	EA	CLAMP-HOSE, WORMGEAR, 1.56" - 2.5"
062401-03-000	EA	CLAMP-HOSE, WORMGEAR - .22" - 1"
062401-04-000	EA	CLAMP-HOSE, WORMGEAR .69" - 1.25"
062401-05-000	EA	CLAMP-HOSE, WORMGEAR - 2" X 3"
062401-06-000	EA	CLAMP-HOSE, WORMGEAR .22"-.62"
062401-08-000	EA	CLAMP-HOSE, WORMGEAR 4.06" - 5.0"
062401-09-000	EA	CLAMP-HOSE, WORMGEAR 2.8" - 3.75"
062401-10-000	EA	CLAMP-HOSE, WORMGEAR 1.06" - 2"
007125-06-000	EA	CLAMP-MUFFLER, 2.25" DIAMETER
007161-01-000	EA	CLAMP-HOSE, SPRING TYPE - 1/2"
073194-02-000	EA	CLAMP-HOSE, WORMGEAR 1.26"-1.97"
075148-02-000	EA	CLAMP-GROUNDING, BRONZE SCREWS
083609-01-000	EA	CLAMP-WIRE, DUAL EQUAL - 5/8" DIAMETER
077955-01-000	EA	J CLIP-VINYL COATED, 3/8"
084884-01-000	EA	PLUG-BRASS, 3/8"

**1991 WINNEBAGO
TABLE OF CONTENTS**

INTRODUCTION	A-01	A-02
ABBREVIATIONS		A-03
ALPHABETICAL INDEX	A-04	A-08
JCF23EC	A-07	D-10
JF321RG	D-11	F-23

1991 JCF23EC INDEX

FLOOR PLAN	A-07	A-08
ACCESSORIES	A-09	A-11
BATH	A-12	A-13
BEDROOM		A-14
CHASSIS	A-15	A-20
C C & PAD	A-21	B-02
DINETTE	B-03	B-04
DRIVERS	B-05	B-10
ELECTRICAL	B-11	B-14
EXTERIOR BODY	B-15	B-20
GALLEY	B-21	B-24
HEATING & AC	C-01	C-04
INTERIOR FINISH	C-05	C-08
LABEL		C-09
SEALANTS & FASTENERS	C-10	C-12
WATER & SEWAGE	C-13	C-18
WINDOW, VENT AND EXTERIOR DOOR	C-16	D-10

WATER & SEWAGE GROUP

SHOWER PAN, FAUCETS, SINKS, & SHOWER HEAD

KEY PART NUMBER	U/M	DESCRIPTION
MO2429-04-000	EA	PAN-SHOWER, W/STRAINER
066436-01-000	EA	NUT-SLIP, TAILPIECE - 1.5"
066440-01-000	EA	STRAINER W/RUBBER WASHER
069640-06-000	FT	SEALER-HIBBON, 5/16" DIAMETER - INCREMENTS OF 25'
057671-01-000	EA	COVER-SCREW, #8 - PLASTIC - OFF WHITE
011053-04-000	EA	FAUCET-GALLEY, US/CSA - SWING SPOUT 8"
102551-01-000	EA	SINK-GALLEY, DOUBLE W/MOUNTING HARDWARE - STAINLESS STEEL FROM: 12-12-90 THRU: 99-99-99
098654-01-000	EA	SINK-GALLEY, DOUBLE W/MOUNTING HARDWARE - STAINLESS STEEL FROM: 00-00-00 THRU: 12-11-90
066437-01-000	EA	STRAINER-SINK, GALLEY W/BASKET
066437-01-700	EA	BASKET-STRAINER, GALLEY SINK
075240-06-000	EA	FAUCET-LAVATORY, BONE
091253-01-000	EA	GASSET-FAUCET,LAVATORY
096927-01-01A	EA	SINK LAVATORY, RECTANGULAR - PLASTIC - BONE
096927-01-700	EA	SINK STOPPER
096927-01-701	EA	TAILPIECE-SINK
075241-05-000	EA	FAUCET-SHOWER, BONE
011048-02-000	EA	HEAD-SHOWER, W/60 HOSE

TOILET

KEY PART NUMBER	U/M	DESCRIPTION
067487-01-000	EA	TOILET-LOW, AQUA MAGIC IV - THETFORD 150110
067487-01-700	EA	C.L.F.L. SEAL & BOLT PACKAGE - AQUA MAGIC 06975
063740-01-710	EA	LINK, THETFORD 12513
063740-01-711	EA	SPRING-RETURN LEVER, THETFORD 12523
063740-01-705	EA	SEAT-IVORY, W/O COVER - THETFORD 12447
063740-01-700	EA	LEVER-WATER, THETFORD 12514
063740-01-713	EA	SEAL-BALL VALVE TO BOWL, THETFORD 12502
063740-01-714	EA	VALVE ASM-WATER, THETFORD 12492
063740-01-707	EA	SEAL-CLOSET FLANGE, THETFORD 02125
063740-01-706	EA	BOLT PACKAGE-CLOSET, THETFORD 12524
067487-01-701	EA	WATER SAVER PACKAGE-THETFORD 08993
067437-01-702	EA	CLAMP-THETFORD 03752
024676-01-000	EA	FLANGE-CLOSET, TOILET - 4" X 3" - RED

DRAINAGE VALVES & HOSE

KEY PART NUMBER	U/M	DESCRIPTION
070916-01-000	EA	VALVE-DUAL DUMP, W/CAP - 3" X 1 1/2" - PLASTIC - BLACK
070916-01-700	EA	VALVE ONLY, 3"
070916-01-701	EA	VALVE ONLY, 1 1/2"
062415-01-000	EA	CAP-SEWER, 3" DIAMETER
062415-01-700	EA	STRING, SEWER CAP
010201-01-000	EA	HOSE-SEWER, 3" ID X 8'
083558-02-000	EA	VENT-PLUMBING PIPE ROOF, W/COVER - GRAY
062416-01-000	EA	ADAPTER-SEWER HOSE TO 3" FITTING

WATER PUMPS

KEY PART NUMBER	U/M	DESCRIPTION
098607-01-000	EA	PUMP-WATER, W/ 5/8" MPT FITTING - FLOW 2.8 GPM - UL
098607-01-700	EA	PUMPHEAD-REPLACEMENT, SHURFLOW# 94-236-08
098607-01-701	EA	DRIVE ASM, SHURFLOW# 94-234-03
098607-01-702	EA	DIAPHRAGM-KIT, SHURFLOW# 94-233-10
098607-01-703	EA	VALVE ASM, SHURFLOW# 94-232-00
098607-01-704	EA	HOUSING-UPPER, SHURFLOW# 94-231-01
098607-01-705	EA	CHECK VALVE-KIT, SHURFLOW# 94-237-00
098607-01-706	EA	SWITCH ASM-COMPLI, SHURFLOW# 94-230-00
098607-01-707	EA	MOTOR/PLATE REPLACEMENT, SHURFLOW# 94-234-03

WATER & SEWAGE GROUP (CONTINUED)

WATER HEATER

KEY PART NUMBER	U/M	DESCRIPTION
051391-03-000	EA	HEATER-WATER, W/ELECTRIC IGNITION - ATWOOD G6A-3E
051391-01-700	EA	HINGE KIT-W/CLIP, ATWOOD # 92568 & 92559
051393-03-700	EA	TANK-INNER (G6A-3E), REAR MT - ATWOOD# 91409
051391-01-704	EA	VALVE-RELIEF, 1/2" FITTING - ATWOOD# 91604
051391-01-705	EA	FASTENER-CAMLOC, ATWOOD# 92609
051391-01-706	EA	GRILLE-EXHAUST, 3E ONLY - ATWOOD# 92787
051391-01-708	EA	BURNER-MAIN, 3E ONLY - ATWOOD# 92615
051391-01-710	EA	ORIFICE-MAIN BURNER, ATWOOD# 92742
051381-04-701	EA	THERMOSTAT 12 VDC-120 PRESET, FRONT MOUNT ONLY
051391-01-715	EA	DRAIN PLUG, ATWOOD# 91561
051391-04-700	EA	TANK-INNER (G6A-3E), FRNT MT - ATWOOD# 91608
051393-01-704	EA	CIRCUIT BOARD-W/BLACK BOX, ATWOOD# 91420
051393-01-702	EA	SWITCH-ENERGY CUT-OFF, ATWOOD# 91951
051393-01-701	EA	SWITCH PACKAGE-ATWOOD# 91959
051393-01-703	EA	THERMOSTAT-REAR MOUNT, ATWOOD# 91952
051393-01-721	EA	ECO & THERMOSTAT ASM-FRONT MOUNT, 140 DEGREE
051393-01-716	EA	SPARK & PROBE ASM, ATWOOD# 91606
051393-01-718	EA	VALVE-DUAL SOLENOID, ATWOOD# 91605
051393-01-705	EA	ORIFICE HOLDER-ATWOOD# 91925
052009-03-000	EA	DOOR-WATER HEATER, ATWOOD 5576-27 - GRAY
097967-01-000	EA	SWITCH-WATER HEATER, ATWOOD 91959

FRESH WATER TANK

KEY PART NUMBER	U/M	DESCRIPTION
039861-01-000	EA	SENDING UNIT W/SCREW, WASHER, WELL NUT AND TERMINAL R
007161-01-000	EA	CLAMP-HOSE, SPRING TYPE - 1/2"
052957-02-000	EA	ELBOW-MALE, 1/2" F X 1/2" MPT - PLASTIC - GRAY
062401-01-000	EA	CLAMP-HOSE, WORMGEAR, .25" - 1"
094116-04-000	EA	TANK-WATER, W/SPINWELD FITTINGS - 23 GALLON
042989-04-000	EA	FITTING-WATER TANK, SPINWELD - 3/8" FPT - PLASTIC - W
042989-05-000	EA	FITTING-WATER TANK, SPINWELD - 1/2" FPT - PLASTIC - W
049032-01-000	EA	PATCH-SPINWELD, 3/8" - PLASTIC
094116-01-000	EA	TANK-WATER, W/O FITTINGS - 23 GALLON - 36.6" X 18.4" X 10"
074462-02-000	FT	TUBING-VINYL, 3/8" ID - CLEAR
077954-02-000	EA	FILTER-WATER TANK, SCREEN IN TANK
079381-01-000	FT	TUBING-SMOOTH FLEXIBLE, 1 1/4" ID
096449-01-000	EA	WIRE ASSEMBLY-TANK, WATER
035416-04-000	EA	TERMINAL-RING #10 STUD FIT, INSULATED BAREL #16/14
097618-01-000	EA	WIRE ASM-MONITOR PANEL, W/4 WIRES & BLACK RESISTOR
052955-01-000	EA	TEE - PLASTIC, 1/2F X 1/2F X 1/2MPT
035539-01-000	EA	ELBOW - PLASTIC, 3/8MPT X 3/8 BARB
053520-01-000	EA	TANK - WATER, W/O FITTINGS - 18 GALLON - 17.2" X 27" X 10"
053520-11-000	EA	TANK - WATER, W/ SPINWELD FITTINGS - 18 GALLON - 17.2" X 27" X 10"

**1991 WINNEBAGO
TABLE OF CONTENTS**

INTRODUCTION	A-01	A-02
ABBREVIATIONS		A-03
ALPHABETICAL INDEX	A-04	A-08
JCF23EC	A-07	D-10
JF321RG	D-11	F-23

1991 JCF23EC INDEX

FLOOR PLAN	A-07	A-08
ACCESSORIES	A-09	A-11
BATH	A-12	A-13
BEDROOM		A-14
CHASSIS	A-15	A-20
C & C PAD	A-21	B-02
DINETTE	B-03	B-04
DRIVERS	B-05	B-10
ELECTRICAL	B-11	B-14
EXTERIOR BODY	B-15	B-20
GALLEY	B-21	B-24
HEATING & A/C	C-01	C-04
INTERIOR FINISH	C-05	C-08
LABEL		C-09
SEALANTS & FASTENERS	C-10	C-12
WATER & SEWAGE	C-13	C-16
WINDOW, VENT AND EXTERIOR DOOR	C-16	D-10

WATER & SEWAGE GROUP (CONTINUED)

WATER SYSTEM

KEY PART NUMBER	U/M	DESCRIPTION
087859-03-000	EA	FILL-CITY WATER, ROUND - GRAY
081240-02-000	EA	DOOR-WATER FILL, LOCKABLE W/FILL - GRAY
056134-02-000	EA	HOLDER-RING, 1.8" DIAMETER - METAL
075241-05-000	EA	FAUCET-SHOWER, BONE
011048-02-000	EA	HEAD-SHOWER, W/60" HOSE
011053-04-000	EA	FAUCET-GALLEY, SWING SPOUT 8"
075240-08-000	EA	FAUCET-LAVATORY, BONE
091253-01-000	EA	GASKET-FAUCET, LAVATORY
039800-01-000	FT	TUBING-POLYBUTYL, 1/2" OD - INCREMENTS OF 20' - BLACK
052952-01-000	EA	NUT-PLASTIC, 1/2" F X 1/2" TUBE - PLASTIC - GRAY
052953-01-000	EA	NUT-FAUCET, 1/2" TUBE X 1/2" FPT - PLASTIC - GRAY
052954-01-000	EA	ADAPTER-NOSE CONE, 3/8" OR 1/2" TUBING - PLASTIC - GR
052955-01-000	EA	TEE-WATER, 1/2" F X 1/2" F X 1/2" MPT - PLASTIC - GRAY
052958-01-000	EA	TEE, 1/2" F X 1/2" F X 1/2" F - PLASTIC - GRAY
052959-02-000	EA	CONNECTOR, 1/2" F X 1/2" MPT - PLASTIC - GRAY
052959-03-000	EA	CONNECTOR, 1/2" F X 3/8" MPT - PLASTIC - GRAY
052960-01-000	EA	DRAIN VALVE-IN LINE, HEADER - 1/2" F X 1/2" F - GRAY
052961-01-000	EA	DRAIN VALVE-IN LINE, HEADER - 1/2" F X 1/2" F X 1/2" F X
065120-01-000	EA	ELBOW-SWIVEL, 1/2" FPT X 1/2" FLARE - PLASTIC - GRAY
070924-01-000	EA	ELBOW-SWIVEL, 1/2" MPT X 1/2" FPT - PLASTIC - GRAY
074463-01-000	EA	TEE-4 WAY, 1/2" FLARE - PLASTIC - GRAY
079317-01-000	EA	ADAPTER-SWIVEL, 1/2" TUBE X 1/2" FPT - PLASTIC - GRAY

SEWAGE HOLDING TANK

KEY PART NUMBER	U/M	DESCRIPTION
000E14-10-00B	EA	WASHER-LK - NO 10 EXT TOOTH - ZN
039861-01-000	EA	SENDING UNIT W/SCREW, WASHER, WELL NUT AND TERMINAL R
061607-01-000	EA	GROMMET-HOLDING TANK, 1 1/2" NPS
061607-02-000	EA	GROMMET-HOLDING TANK, 3" NPS
072398-01-000	EA	TANK-HOLDING, W/O GROMMETS OR PROBES - 32 GALLON
035416-04-000	EA	TERMINAL-RING #10 STUD FIT, INSULATED BARREL #16/14

WASTE WATER HOLDING TANK

KEY PART NUMBER	U/M	DESCRIPTION
039861-01-00C	EA	SENDING UNIT W/SCREW, WASHER, WELL NUT AND TERMINAL R
061607-01-000	EA	GROMMET-HOLDING TANK, 1 1/2" NPS
064592-01-000	EA	TANK-HOLDING, W/O GROMMETS & PROBES - 25 GALLON
035416-04-000	EA	TERMINAL-RING #10 STUD FIT, INSULATED BARREL #16/14
097618-01-000	EA	WIRE ASM-MONITOR PANEL, W/4 WIRES & BLACK RESISTOR -

WATER & SEWAGE GROUP (CONTINUED)

REAR AUXILIARY HEATER & WATER HEATER W/MOTOR AID (OPT 311)

KEY PART NUMBER	U/M	DESCRIPTION
051393-01-000	EA	WATER HEATER-W/MOTOR AID, PILOTLESS IGNITION ATWOOD GH6-4E OR GH6-6E
051393-01-701	EA	SWITCH PACKAGE-ATWOOD# 91959
051393-01-702	EA	SWITCH-ENERGY CUT-OFF, ATWOOD# 91951
051393-01-704	EA	CIRCUIT BOARD-W/BLACK BOX, ATWOOD# 91420
051393-01-705	EA	ORIFICE HOLDER-ATWOOD# 91925
051393-01-716	EA	PROBE & SPARK ASM, ATWOOD# 91606
051393-01-718	EA	VALVE-DUAL SOLENOID, ATWOOD# 91605
051393-01-714	EA	TANK-INNER (GH6-3E), REAR MOUNT - ATWOOD# 91408
051393-01-716	EA	SPARK & PROBE ASM, ATWOOD# 91606
051393-01-721	EA	ECO & THERMOSTAT ASM-FRONT MOUNT, 140 DEGREE - ATWOOD
051391-01-700	EA	HINGE KIT-W/CLIP, ATWOOD # 92568 & 92559
051391-01-704	EA	VALVE-RELIEF, 1/2" FITTING - ATWOOD# 91604
051391-01-705	EA	FASTENER-CAMLOC, ATWOOD# 92609
051391-04-703	EA	BURNER MAIN, ATWOOD# 91638 - 4E AND 6E
051391-01-710	EA	ORIFICE-MAIN BURNER, ATWOOD# 92742
051391-04-701	EA	THERMOSTAT 12 VDC-120 PRESET, ATWOOD# 91470 - FRONT MOUNT ONLY
051391-01-715	EA	DRAIN PLUG, ATWOOD# 91561
051391-04-704	EA	TANK-INNER (FRT-MT), GH6-4E&6E - ATWOOD# 91642
051391-04-707	EA	KIT-GRILLE, FLUE, & GASKET - ATWOOD# 90960
062401-04-000	EA	CLAMP-HOSE, WORMGEAR .69" - 1.25"
007108-01-000	FT	HOSE-HEATER, 5/8" ID
079059-01-000	EA	HOSE-90 DEGREE, 5/8" ID X 4" X 36"
083081-01-000	EA	HOSE-FORMED, 90 DEGREES - 5/8" ID
088753-01-000	FT	TUBE-ALUMINIZED STEEL, 5/8" - 18 GAUGE

DRAINAGE SYSTEM

KEY PART NUMBER	U/M	DESCRIPTION
010700-01-000	EA	ELBOW-45 DEG, 1/8 BEND - 1 1/4" HUB X HUB - BLACK PLA
011005-01-000	EA	ELBOW-22 1/2 DEGREE, 1/16 BEND - 1 1/2" HUB X HUB
010006-01-000	EA	ELBOW-45 DEG, 1/8 BEND - 1 1/2" HUB X HUB - BLACK PLA
010008-01-000	EA	ELBOW-90 DEG, 1/4 BEND - 1 1/2" HUB X HUB - BLACK PLA
010051-01-000	EA	ELBOW-45 DEG BEND, 1 1/2" SPIGOT AND HUB - PLASTIC -
010071-01-000	EA	TEE-SANITARY, 1 1/2" HUB X HUB X HUB - PLASTIC - BLAC
010073-01-000	EA	WYE-45 DEGREE, 1 1/2" HUB X HUB X HUB - PLASTIC - BLA
010115-01-000	EA	COUPLING - 1 1/2" HUB X HUB - PLASTIC
062415-01-000	EA	CAP-SEWER, 3" DIAMETER
062415-01-700	EA	STRING, SEWER CAP
070916-01-000	EA	VALVE-DUAL DUMP, W/CAP 3" & 1.5" - BLACK PLASTIC
070916-01-700	EA	VALVE ONLY (WASTE) 3"
070916-01-701	EA	VALVE ONLY (WASTE) 1 1/2"
010079-01-000	EA	TEE-SANITARY, 1 1/2" H X 1 1/2" H X 1 1/4" H - PLASTIC -
010121-01-000	EA	BUSHING-REDUCER, 1 1/2" SMOOTH 1 1/4" HUB - PLASTIC - B
010122-01-000	EA	BUSHING-REDUCER, 1 1/2" SMOOTH X 1 1/4" THREAD - BLACK
010106-01-000	EA	PLUG-THREADED, 1 1/4" DIAMETER - PLASTIC - BLACK
011066-03-000	EA	P-TRAP, 1 1/2" TRAP X 1 1/4" SOCKET - PLASTIC
033761-01-000	EA	ELBOW-TURN, 1/4 BEND X 1.5" HUB X 1.5" SPIGOT - BLACK P
062422-01-000	EA	ADAPTER-OFFSET REDUCER, 3" X 1 1/2" - PLASTIC - BLACK
079968-01-000	EA	VENT-MECH. TRAP ARM, ANTI-SIPHON - 2" DIA. X 7.3" - P
096927-01-01A	EA	SINK-LAVATORY, RECTANGULAR - PLASTIC - BONE
066437-01-000	EA	STRAINER-SINK, GALLEY W/BASKET
066437-01-700	EA	BASKET-STRAINER, GALLEY SINK
098654-01-000	EA	SINK-GALLEY, DOUBLE W/MOUNTING HARDWARE - STAINLESS S
		FROM: 00-00-00 THRU: 12-11-90
096927-01-700	EA	SINK-STOPPER
096927-01-701	EA	TAILPIECE-SINK
102551-01-000	EA	SINK-STAINLESS STEEL, DOUBLE - 17" X 25" - US
		FROM: 12-12-90 THRU: 99-99-99
011089-02-000	EA	TAILPIECE-TUB/SHOWER, 1 1/2" X 1 1/4" X 4" - BRASS
011091-02-000	EA	PIPE-DRAIN, DOUBLE SINK - BAFFLE TEE - 1 1/2"
066436-01-000	EA	NUT-SLIP, TAILPIECE - 1.5"
067797-01-000	FT	SPACER-STRAP, W/FOAM ADHESIVE - .31" X 1.5" - NEOPREN
069640-06-000	FT	SEALER-RIBBON, 5/16" DIAMETER - INCREMENTS OF 25'
069735-01-000	EA	WASHER-STRAINER TO TAILPIECE PLASTIC, 1.5"
078406-01-000	EA	COUPLER-RUBBER, W/CLAMPS - 3" X 3"
091208-01-000	EA	WASHER-RUBBER, .06" X .75" X .5"

1991 WINNEBAGO TABLE OF CONTENTS

INTRODUCTION	A-01	A-02
ABBREVIATIONS		A-03
ALPHABETICAL INDEX	A-04	A-08
JCF23EC	A-07	D-10
JF321RG	D-11	F-23

1991 JCF23EC INDEX

FLOOR PLAN	A-07	A-08
ACCESSORIES	A-09	A-11
BATH	A-12	A-13
BEDROOM		A-14
CHASSIS	A-15	A-20
C C & PAD	A-21	B-02
DINETTE	B-03	B-04
DRIVERS	B-05	B-10
ELECTRICAL	B-11	B-14
EXTERIOR BODY	B-15	B-20
GALLEY	B-21	B-24
HEATING & A/C	C-01	C-04
INTERIOR FINISH	C-05	C-08
LABEL		C-09
SEALANTS & FASTENERS	C-10	C-12
WATER & SEWAGE	C-13	C-16
WINDOW, VENT AND EXTERIOR DOOR	C-16	D-10

WINDOW, VENT & EXTERIOR DOOR GROUP

REFRIGERATOR DOOR

KEY PART NUMBER	U/M	DESCRIPTION
084104-02-000	EA	JAMB-DOOR, VENTED REFRIGERATOR - GRAY
084103-02-000	EA	DOOR-REFRIGERATOR, VENTED W/O JAMB - GRAY
084104-01-700	EA	LOCK-MALE, FASTENER - REFRIGERATOR DOOR
084104-01-701	EA	LOCK-FEMALE, FASTENER - REFRIGERATOR DOOR

BATH NON-POWERED ROOF VENT

KEY PART NUMBER	U/M	DESCRIPTION
090392-01-Y12	EA	VENT-ROOF, NON POWERED
078786-01-Y12	EA	SCREEN-ROOF VENT, NON POWERED
002825-01-000	EA	WEATHER STRIP-ROOF VENT, GRAY
009440-01-000	EA	GEAR/ARM-VENT COVER, LIFT
015911-01-000	EA	TRACK-LIFT ARM, SLIDE - ROOF VENT
055218-01-000	EA	COVER-ROOF VENT
052639-01-200	EA	HINGE-EXTRUSION, ROOF VENT 7"

ROOF VENTS

KEY PART NUMBER	U/M	DESCRIPTION
083558-02-000	EA	VENT-PLUMBING PIPE ROOF, W/COVER - GRAY
084103-02-000	EA	COVER-ROOF VENT, NORCOLD REFRIGERATOR - GRAY
084073-04-000	EA	BASE-ROOF VENT, NORCOLD REFRIGERATOR - BLACK

WINDOW, VENT & EXTERIOR DOOR GROUP

POWER CORD DOOR

KEY PART NUMBER	U/M	DESCRIPTION
088580-04-000	EA	BOX-POWER CORD, PLASTIC
088794-03-000	EA	DOOR-POWER CORD, W/HATCH - GRAY
088794-12-000	EA	HATCH - POWER CORD DOOR - GRAY
091876-01-000	EA	RETAINER - DOOR, 1.97" X .79" - METAL

STORAGE DOOR & HARDWARE

KEY PART NUMBER	U/M	DESCRIPTION
090189-01-000	EA	COMPARTMENT-STORAGE, 55.27" WIDE X 21.65" DEEP
086531-06-Y33	EA	DOOR-STORAGE W/JAMB & LATCHES, 9" X 47.12" - GRAY
000G11-08-12T	EA	SCREW, 8-18 X 3/4 PPH - BLACK
002748-01-000	EA	CORNER KEY-DOOR
053766-06-000	EA	BEDDING COMPOUND-TUBE, CLEAR
076322-03-000	FT	TAPE-FOAM, DOUBLE COATED ADHESIVE BACKED - .5" X 108'
076767-05-000	EA	CABLE-STORAGE DOOR SUPPORT, 1/16" X 15.5" - STAINLESS
081067-02-000	EA	SEAL-LOCK, FLAT W/SLIT - BLACK
081377-01-700	EA	ADHESIVE-CYANOACRYLATE, 10 GRAM TUBE
085730-02-000	EA	PADDLE LATCH-COMPARTMENT DOOR, W/KEY LOCK - GRAY PLASTIC
004005-02-000	EA	ADHESIVE-SWIFTS, 1 GAL - W1333
081395-07-000	EA	PANEL-FRP, P'BOARD/FGLASS
086551-55-004	EA	TRIM-LOWER DOOR, ROCKER PANEL - 16" - GRAY
086803-02-000	EA	STRIKER-PADDLE LATCH, COMPARTMENT DOOR - GRAY
086810-02-000	EA	BRACKET-LOCK, 1.1" X 3.19" X 2.72" - PRIMED
082684-01-700	EA	KEY-COMPARTMENT DOOR LOCK, BH024
086772-51-001	EA	PIN-STAINLESS STEEL .25" DIAMETER X 4.17"
086767-01-000	EA	SPACER-DOOR, LOWER
031252-04-000	EA	COMPARTMENT-STORAGE, 31.18" WIDE X 25.39" DEEP
000870-05-000	SF	STYROFOAM .5" X 24" X 96", INCREMENTS OF 16 SF
004005-02-000	EA	ADHESIVE-SWIFTS, 1 GAL - W1333
077517-22-000	EA	SKIN-DOOR, FLAT FIBERGLASS - 48" X 96" - BEIGE
064075-07-000	FT	SEAL-BULB, DOOR JAMB - BLACK
079366-04-000	EA	LOCK-DOOR, KEY TYPE W/O KEYS - 1.9 OFF SET
081377-01-700	EA	ADHESIVE-CYANOACRYLATE, 10 GRAM TUBE
081801-03-000	EA	HINGE-DOOR, PIANO - 2" X 96" - GRAY
082684-01-700	EA	KEY-COMPARTMENT DOOR LOCK, SINGLE

WATER FILL

KEY PART NUMBER	U/M	DESCRIPTION
081240-02-000	EA	DOOR-WATER FILL, LOCKABLE W/FILL - GRAY

SEWER HOSE DOOR

KEY PART NUMBER	U/M	DESCRIPTION
085967-01-000	EA	COMPARTMENT-SEWER HOSE, 6" X 6.6" X 17.8" - PLASTIC
052423-03-000	EA	DOOR-SEWER HOSE, PLASTIC - GRAY
052424-03-000	EA	JAMB-DOOR, SEWER HOSE - PLASTIC - GRAY
042442-01-000	EA	LOCK-TWIST TYPE

FUEL FILL DOOR

KEY PART NUMBER	U/M	DESCRIPTION
072447-01-000	EA	SHROUD-FUEL FILL, NECK SURROUND - PLASTIC
083578-01-000	EA	BOOT-FUEL FILL
084235-01-000	EA	SUPPORT-FLANGE, FUEL FILL BOOT
078010-05-000	EA	DOOR-FUEL FILL W/JAMB - GRAY
077963-01-000	EA	GASKET - FUEL FILL DOOR
081801-03-000	EA	HINGE - DOOR, PIANO - 2" X 96" - GRAY
063303-04-000	EA	SHROUD - FUEL FILL, LOWER

BATTERY DOOR & COMPARTMENT

KEY PART NUMBER	U/M	DESCRIPTION
074889-01-000	EA	TRAY-BATTERY, STEP WELL
M03112-03-000	EA	FRAME AND JAMB ASM-BATTERY DOOR
002754-01-001	EA	ANGLE-EXTRUDED, .75" X .75" X 18" - MILL ALUMINUM
009063-01-000	EA	HINGE-CONTINUOUS, 1 1/2" X 72"
042541-04-700	EA	LATCH-CAM, W/STRIKE - (2 SETS) - BRASS

1991 WINNEBAGO

TABLE OF CONTENTS

INTRODUCTION	A-01 -	A-02
ABBREVIATIONS		A-03
ALPHABETICAL INDEX	A-04 -	A-06
JCF23EC	A-07 -	D-10
JF321RG	D-11 -	F-23

1991 JCF23E/C INDEX

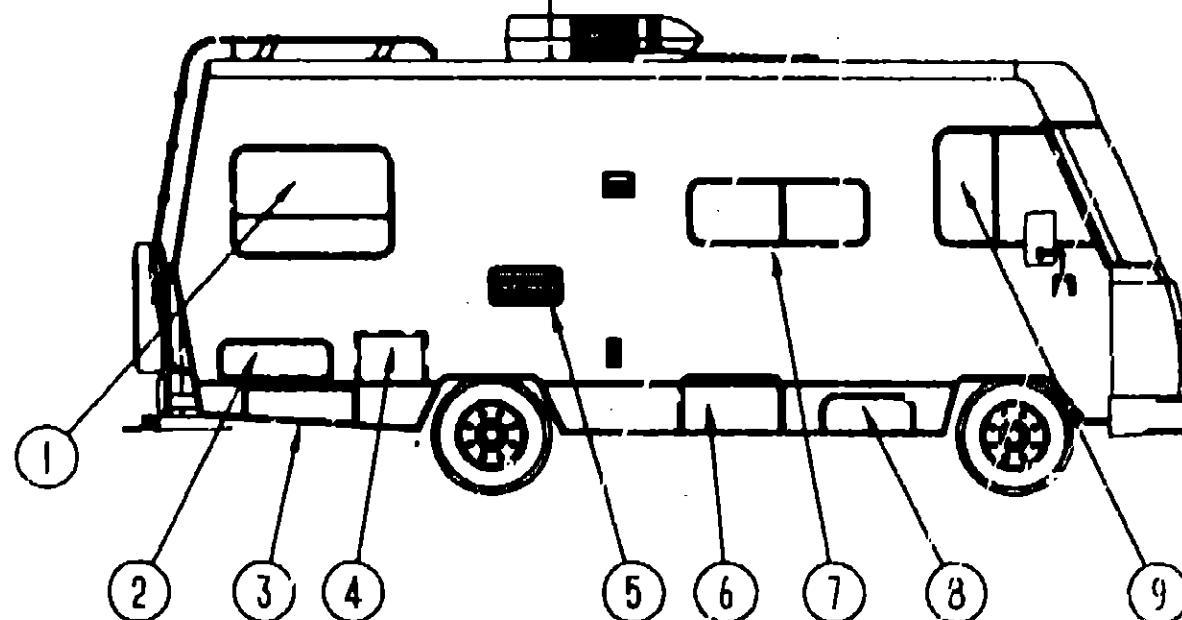
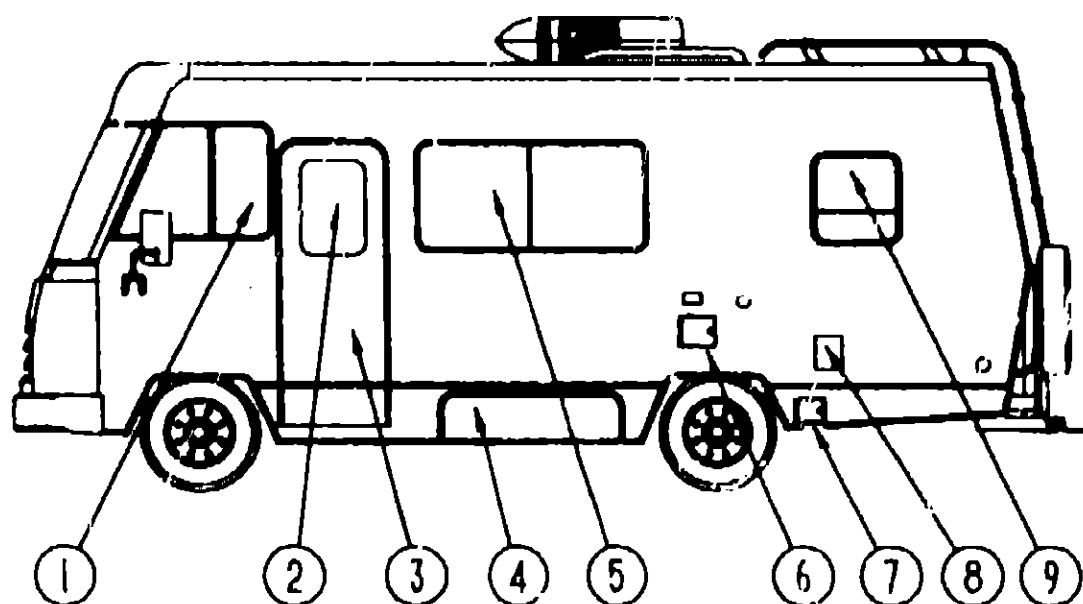
FLOOR PLAN	A-07 -	A-08
ACCESSORIES	A-09 -	A-11
BATH	A-12 -	A-13
BEDROOM		A-14
CHASSIS	A-15 -	A-20
C/C & PAD	A-21 -	B-02
DINETTE	B-03 -	B-04
DRIVERS	B-05 -	B-10
ELECTRICAL	B-11 -	B-14
EXTERIOR BODY	B-15 -	B-20
GALLEY	B-21 -	B-24
HEATING & A/C	C-01 -	C-04
INTERIOR FINISH	C-05 -	C-08
LABEL		C-09
SEALANTS & FASTENERS	C-10 -	C-12
WATER & SEWAGE	C-13 -	C-16
WINDOW, VENT AND EXTERIOR DOOR	C-16 -	D-10

WINDOW, VENT & EXTERIOR DOOR GROUP (CONTINUED)

WINDOW, VENT & EXTERIOR DOOR GROUP (CONTINUED)

**1991 WINNEBAGO
TABLE OF CONTENTS**

INTRODUCTION	A-01	A-02
ABBREVIATIONS		A-03
ALPHABETICAL INDEX	A-04	A-08
JCF23EC	A-07	D-10
JF321RG	D-11	F-23



DRIVER SIDE COMPARTMENTS, WINDOWS & DOORS

PASSENGER SIDE COMPARTMENTS, WINDOWS & DOORS

KEY PART NUMBER	U/M	DESCRIPTION
1	EA	WINDOW ASM. - DRIVERS SLIDER, W/O INSIDE FRAME
	EA	082056-02-AB1 FRAME - INSIDE WINDOW - DRIVERS - W/SCREEN - BLACK
	EA	M82202-04-B25 DOOR ASM. - DRIVERS, CRANK UP WINDOW - W/O JAMB
	EA	099933-01-Y12 WINDOW ASM. - SLANT, FRONT DRIVERS
2	EA	079733-07-AA8 WINDOW ASM ENTRANCE DOOR - 17" X 25" FROSTED GLASS -W/O INSIDE TRIM
3	EA	M01870-54-B25 ENTRANCE DOOR - W/SCREEN DOOR & JAMB - W/O DECALS
4	EA	086531-06-Y33 DOOR - COMPARTMENT, STORAGE W/LATCHES - 9" X 47" - GRAY
5	EA	098647-02-700 WINDOW ASM. - SINGLE SLIDER 30.5" X 57.5" (EXCEL)
6	EA	038794-03-000 DOOR-POWER CORD, W/HATCH - GRAY
	EA	038794-12-000 HATCH-POWER CORD DOOR - GRAY
	EA	091876-01-000 RETAINER-DOOR, 1.97" X .79" - METAL
	EA	038580-04-000 BOX-POWER CORD, PLASTIC
7	EA	052423-03-000 DOOR - SEWER HOSE COMPARTMENT - GRAY
	EA	052424-03-000 JAMB - DOOR, SEWER HOSE COMPARTMENT - GRAY
8	EA	078010-05-000 DOOR-FUEL FILL W/JAMB - GRAY
9	EA	098644-01-715 WINDOW ASM. SINGLE SLIDER - EXCEL
	EA	079415-01-T03 WINDOW ASM. - BACKWALL ESCAPE - 29" X 23" - W/O INSIDE FRAME

PARTS USED ON BACK WALL NOT SHOWN.

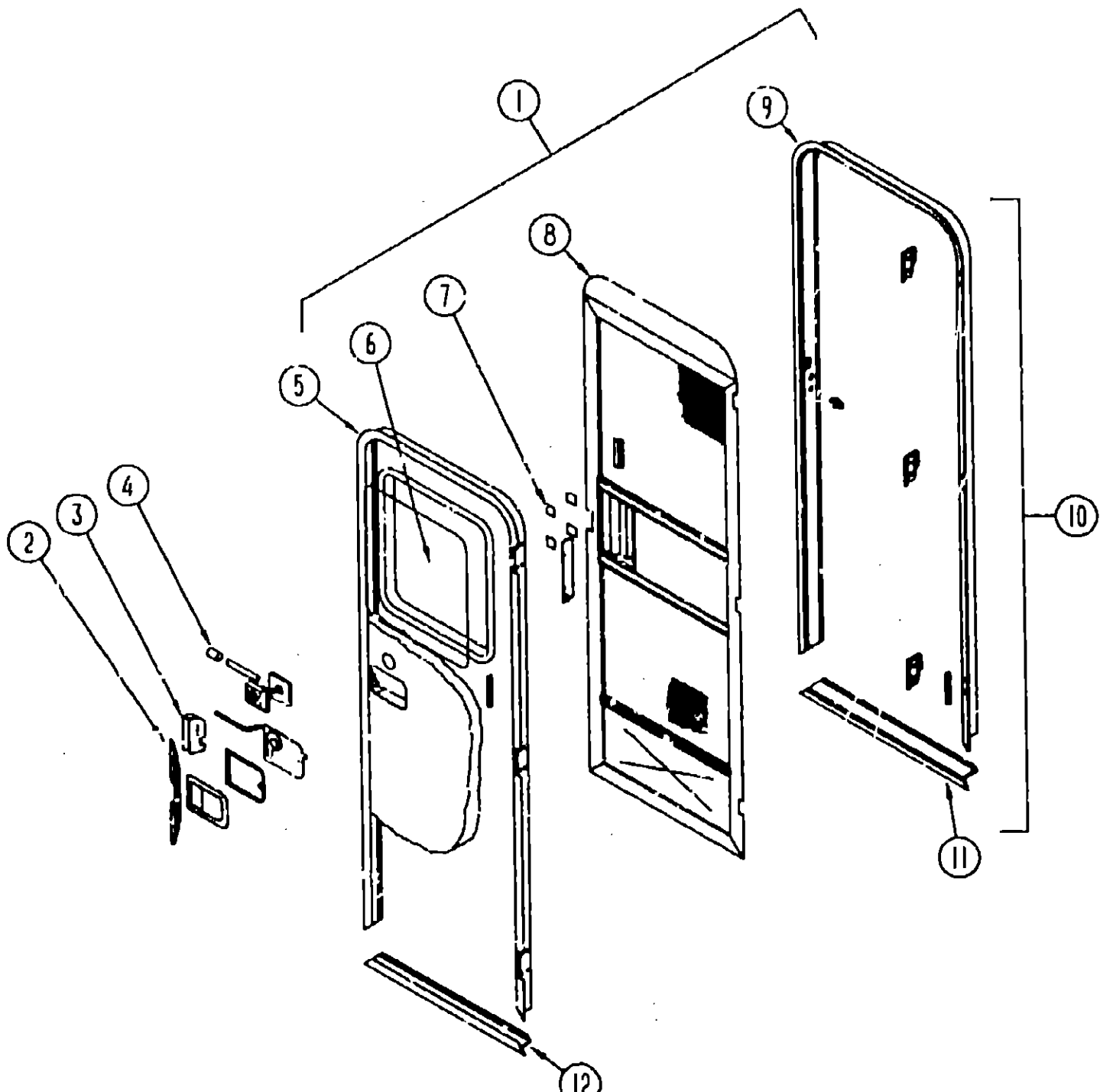
KEY PART NUMBER	U/M	DESCRIPTION
1	EA	092235-07-Y12 WINDOW ASM. - TIPOUT - 24.3" X 40.3" - W/O INSIRE RETAINER
2	EA	079578-01-T09 DOOR-STORAGE, W/JAMB & LOCKS - 10.75" X 30.30" - GRAY
	SF	000870-05-000 STYROFOAM-DOOR, .5" X 24" X 96"
	EA	077517-22-000 SKIN-DOOR, FLAT FIBERGLASS - 48" X 96" - BEIGE
	FT	064075-04-000 SEAL-DOOR JAMB, BULB - BLACK
	EA	081801-03-000 HINGE-DOOR, PIANO - 2" X 96" - GRAY
	EA	000G39-08-128 SCREW-SF,DR, 8-18 X 3/4 PPH ZN
	EA	079366-04-000 LOCK-DOOR, KEY TYPE W/O KEYS - 1.0 OFF SET - GRAY
	EA	082684-01-700 KEY-COMPARTMENT DOOR LOCK, BH024
3	EA	090198-01-Y33 DOOR-GENERATOR, W/JAMB & LOCKS - TAPERED - 27.5" WIDE
	EA	002748-01-000 CORNER KEY-DOOR
	EA	079927-03-000 LOCK-TWIST TYPE, DOUBLE CAM - 2.10 OFF SET
	EA	081801-03-000 HINGE-DOOR, PIANO - 2" X 96" - GRAY
	EA	084491-55-002 TRIM-DOOR, LOWER - HOCKER PANEL - 16" - GRAY
	EA	000G11-08-128 SCREW, 8-18 X 3/4 PPH ZN
	EA	078137-02-000 TRAY-STORAGE COMPARTMENT, 27.18" WIDE X 21" DEEP
	EA	056748-01-000 PLUG-CAP, 1.5" DIAMETER - BLACK
4	EA	052009-03-000 DOOR-WATER HEATER, ATWOOD 5576-27 - GRAY
5	EA	084103-02-000 DOOR-REFRIGERATOR, VENTED W/O JAMB - GRAY
	EA	084104-01-700 LOCK-MALE DYRUS FASTENER
	EA	084104-01-701 LOCK-FEMALE DYRUS FASTENER
	EA	084104-02-000 JAMB-DOOR, VENTED REFRIGERATOR - GRAY
6	EA	102090-02-B25 DOOR ASM. - LOWER
7	EA	098647-06-705 WINDOW ASM-HORIZONTAL SLIDER- W/O INSIDE TRIM (EXEL) FROM: 00-00-00 THRU: 01-19-91
7	EA	098647-13-700 WINDOW ASM. - HORIZONTAL SLIDER FROM: 01-20-91 THRU: 99-99-93
8	EA	102090-01-B25 DOOR ASM. - LOWER, BATTERY
9	EA	082057-01-U04 WINDOW ASM. - PASSENGER SLANT SLIDER - W/O INSIDE FRAME

1991 JCF23EC INDEX

FLOOR PLAN	A-07	A-08
ACCESSORIES	A-09	A-11
BATH	A-12	A-13
BED/ROOM		A-14
CHASSIS	A-15	A-20
C/C & PAD	A-21	B-02
DINETTE	B-03	B-04
DRIVERS	B-05	B-10
ELECTRICAL	B-11	B-14
EXTERIOR BODY	B-15	B-20
GALLEY	B-21	B-24
HEATING & A/C	C-01	C-04
INTERIOR FINISH	C-05	C-08
LABEL		C-09
SEALANTS & FASTENERS	C-10	C-12
WATER & SEWAGE	C-13	C-16
WINDOW, VENT AND EXTERIOR DOOR	C-16	D-10

WINDOW, VENT & EXTERIOR DOOR GROUP (CONTINUED)

WINDOW, VENT & EXTERIOR DOOR GROUP (CONTINUED)



ENTRANCE DOOR

KEY PART NUMBER	U/M	DESCRIPTION
075671-04-000	FT	SEAL-SPONGE, LAZY T SHAPE - WEATHERSTRIP ON ENTRY DOOR
075673-01-000	FT	SEAL-PILE, ADHESIVE BACK
5 095276-04-01A	EA	FRAME-ENTRY DOOR, W/O BOTTOM - GRAY
6 079733-07-AA8	EA	WINDOW-ENTRY DOOR, 17" X 25" - FROSTED GLASS
002181-07-000	EA	GLASS-WINDOW, .182" X 16.25" X 24" - FROSTED
050218-02-000	FI	SEAL-WINDOW, EXTERIOR - VINYL - BLACK
		FROM: 00-00-00 THRU: 01-07-90
087561-01-000	FT	SEAL-WINDOW, EXTERIOR - VINYL - BLACK
		FROM: 01-08-90 THRU: 00-00-00
067609-27-000	EA	FRAME-INSIDE PICTURE WINDOW - BLACK
7 065774-01-000	FT	FASTENER-DUAL HOOK, 1" WIDE - ADHESIVE BACK - BLACK
7 085774-02-000	FT	FASTENER-DUAL LOOP, 1" WIDE - ADHESIVE BACK - BLACK
039540-02-000	EA	LATCH MECHANISM-ENTRY DOOR, INTERIOR
039539-01-000	EA	STRIKE-ENTRANCE DOOR LOCK
039715-01-000	EA	NUT-SERT, 1/4" DIAMETER - 20 THREADS
039738-01-000	EA	DEADBOLT-ROUND, J SHAPED - INTERIOR USE ONLY
039800-03-000	FT	TUBING-POLYBUTYLENE, 3/8" OD
039979-05-000	EA	COVER-INTERIOR LATCH, W/TRIP ARM - BLACK
8 079012-06-B25	EA	DOOR-SCREEN
002293-02-000	SF	SCREENING- 26" - CHARCOAL
002294-01-000	FT	SPLINE-SCREENING, .135" X .133" - BLACK
002748-01-000	EA	CORNER KEY-DOOR
009019-01-000	EA	CATCH-SCREEN DOOR ROLLER
016454-09-000	EA	INSERT-SCREEN DOOR, CENTER - LEATHER GRAIN ALUMINUM - OFF WHITE
001014-01-013	EA	INSERT-CENTER, .024" X 10.25" X 16.31" - UNPAINTED ALUMINUM
050712-04-000	EA	HANDLE-SCREEN DOOR, ALUMINUM - OFF WHITE
		FROM: 09-18-90 THRU: 99-99-99
050712-05-000	EA	HANDLE-SCREEN DOOR, UNPAINTED
		FROM: 00-00-00 THRU: 09-17-90
079552-05-000	EA	KICK PANEL-SCREEN DOOR, LOWER INSERT - UNPAINTED
078595-02-000	EA	TOP PLATE-SCREEN DOOR, CURVED TOP - 4.7" X 25.35"
078777-01-000	EA	CHANNEL-SLIDE, SCREEN DOOR CENTER SLIDER COVER
079086-02-000	EA	COVER-SLIDER, SCREEN DOOR
079087-02-000	EA	STRIKE-SLIDER COVER, W/LIP FOR ELBOW CATCH - 8.6" X 1.45"
075639-15-000	EA	GARNISH-RADIUS, ENTRY DOOR - OFF WHITE
044582-27-000	EA	CAP-DRIP, ENTRY DOOR, ALUMINUM, GRAY
097724-01-03A	EA	HINGE-ENTRY DOOR, GRAY
097724-01-04A	EA	HINGE-ENTRY DOOR, UNPAINTED
081067-01-000	EA	SEAL-LOCK, FLAT W/SLIT - ONE SIDE ADHESIVE - BLACK
9 095278-04-01A	EA	JAMB-ENTRY DOOR, W/C BOTTOM - UNPAINTED
10 095277-05-01A	EA	JAMB-ENTRY DOOR, W/BOTTOM & ROLLER CATCH STRIKER - GRAY
11 051049-04-000	EA	JAMB BOTTOM-ENTRY DOOR
12 089748-06-000	EA	FRAME-BOTTOM ENTRY DOOR, GRAY
090340-01-000	FT	SEAL-FOAM, CLOSED CELL - 1/4" X 1/2" X 50'
091968-03-000	FT	TAPE-ADHESIVE, .04" X 1" WIDE
079207-01-000	EA	STRIKER-ROLLER CATCH, WELDED TO DOOR JAMB - 4" X 1.15"
100128-01-000	FT	SEAL-PILE, ADHESIVE BACK - GRAY
		FROM: 02-05-90 THRU: 05-24-90
100128-02-000	FT	SEAL-PILE, ADHESIVE BACK - SCREEN DOOR - GRAY
		FROM: 08-06-90 THRU: 99-99-99

1991 WINNEBAGO
TABLE OF CONTENTS

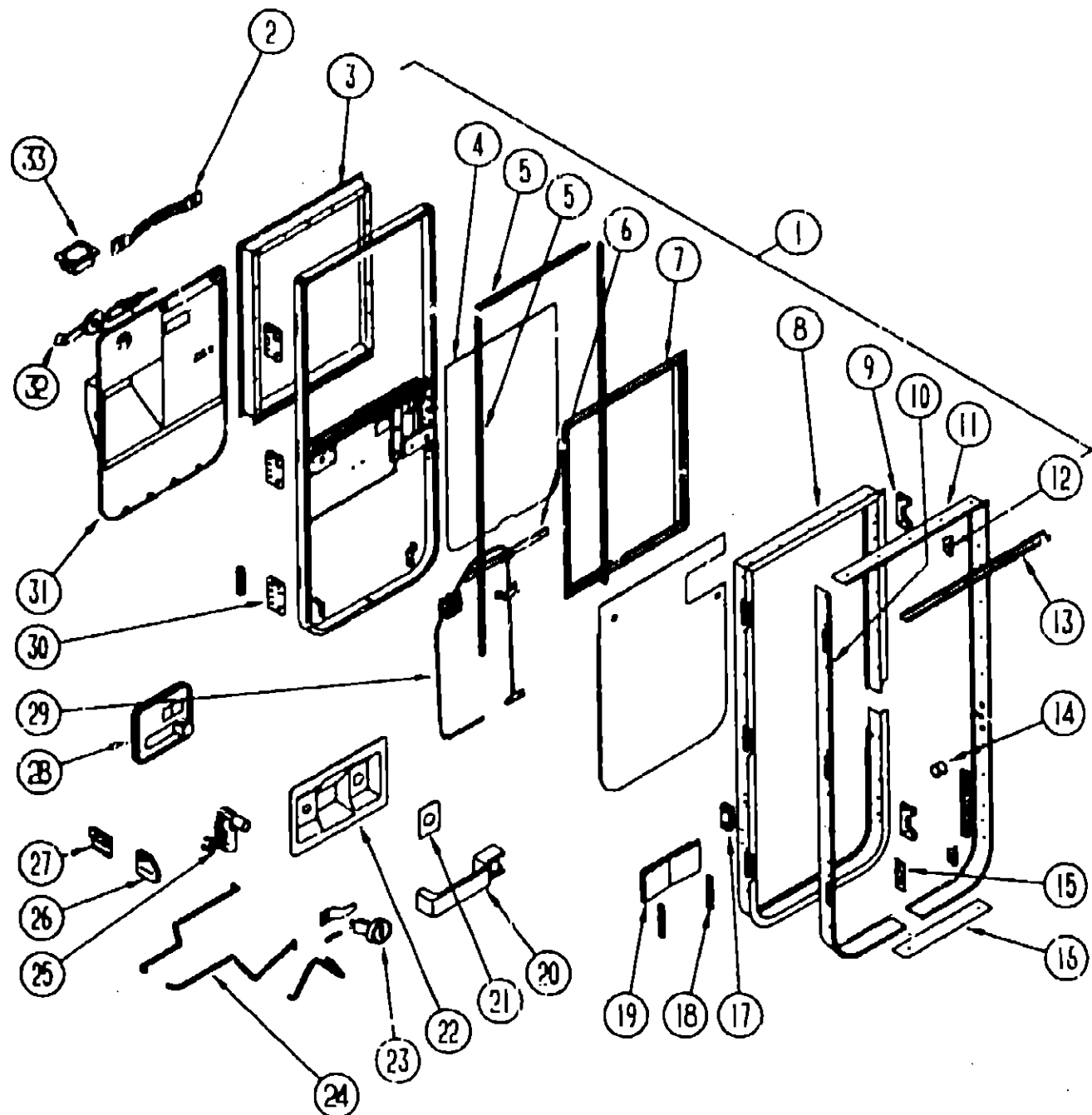
INTRODUCTION	A-01	A-02
ABBREVIATIONS		A-03
ALPHABETICAL INDEX	A-04	A-06
JCF23EC	A-07	D-10
JF321RG	D-11	F-23

1991 JCF23EC INDEX

FLOOR PLAN	A-07	A-08
ACCESSORIES	A-09	A-11
BATH	A-12	A-13
BEDROOM		A-14
CHASSIS	A-15	A-20
C C & PAD	A-21	B-02
DINETTE	B-03	B-04
DRIVERS	B-05	B-10
ELECTRICAL	B-11	B-14
EXTERIOR BODY	B-15	B-20
GALLEY	B-21	B-24
HEATING & A/C	C-01	C-04
INTERIOR FINISH	C-05	C-08
LABEL		C-09
SEALANTS & FASTENERS	C-10	C-12
WATER & SEWAGE	C-13	C-16
WINDOW, VENT AND EXTERIOR DOOR	C-16	D-10

KEY PART NUMBER	U/M	DESCRIPTION
1 M01870-54-B25	EA	DOOR-ENTRY, W/SCREEN DOOR & JAMB - W/O DECALS
2 098173-01-02A	EA	STIFFENER-ENTRY DOOR, SUPPORTS LATCH/STRIKE AREA - GRAY
088272-70-000	SF	PANELING-DECORATIVE, 4' X 7' - INC. OF 28 SF
3 045017-12-000	EA	LATCH-PADDLE, MECHANISM W/LOCK CYLINDER & KEY - BLACK
045017-08-700	EA	LOCK CYLINDER & KEY- SET OF THREE
045017-11-701	EA	KEY BLANK - ONE ONLY
056746-01-000	EA	PLUG-CAP, 1" DIAMETER
058025-02-000	EA	CLIP-ROLLER LATCH CATCH
059906-01-000	EA	PLUG-TAPERED, FOR DEADBOLT - PLASTIC - .66" DIAMETER - RED
063729-04-000	EA	RIVNUT- 10-32UNF .010-.080
072893-01-000	EA	NUTSERT-M5 X 0.8
009016-01-000	EA	CATCH-ELBOW, SPRING LOADED - SCREEN DOOR CATCH
100412-01-000	EA	CATCH SCREEN DOOR
		FROM: 00-00-00 THRU: 10-16-90
4 039984-01-000	EA	CAP-ROUND DEADBOLT, VINYL - .28" ID X .62" LONG - BLACK
040944-01-000	EA	LABEL-ENTRANCE DOOR, OPEN

WINDOW, VENT & EXTERIOR DOOR GROUP (CONTINUED)



DOOR-DRIVER, W/ROLL UP WINDOW (OPT 63U)

KEY PART NUMBER	U/M	DESCRIPTION
1 M82202-04-B25	EA	DOOR ASM-DRIVER, CRANK UP WINDOW - W/O JAMB
2 061400-04-000	EA	STRAP-ASSIST, 12" - BLACK - W/ WOODGRAIN SCREW COVERS FROM: 00-00-00 THRU: 05-04-91
2 061400-15-000	EA	STRAP-ASSIST, 12" - BLACK - W/ SILVER SCREW COVERS FROM: 05-05-91 THRU: 10-06-91
2 061400-16-000	EA	STRAP-ASSIST, 12" - BLACK - W/ BLACK SCREW COVERS FROM: 10-07-91 THRU: 99-99-99
063729-01-000	EA	RIVNUT, 1/4 X 20 UNC - .030-.125
3 082234-03-000	EA	FRAME ASM-WINDOW, INNER - BLACK
096284-01-000	EA	SPRING-COMPRESSION, .44" LONG X .36" OD
4 061488-01-000	EA	GLASS-CRANK UP, DRIVER DOOR
081500-02-000	EA	SUPPORT TUBE-DRIVER DOOR FRAME, STEEL
5 061910-01-000	EA	CHANNEL-DRIVER DOOR WINDOW, W/POLYPROPYLENE P/LE
061912-01-000	EA	WEATHERSTRIP-RIGID, BLACK
6 082472-01-000	EA	U CHANNEL-GLASS RETAINER, 2 HOLE - 16" LONG - MILL
7 082233-02-000	EA	FRAME ASM - WINDOW - OUTER - BLACK
8 061651-04-000	EA	JAMB - DRIVER'S DOOR - STEEL
8 M02684-12-000	EA	JAMB ASM-DRIVER DOOR, GRAY - W/SEAL
9 064465-01-000	EA	BLOCK - DOOR STOP - JAMB
10 065007-04-000	EA	FRAME - DRIVERS DOOR - FRONT & LOWER - GRAY

WINDOW, VENT & EXTERIOR DOOR GROUP (CONTINUED)

DOOR-DRIVER, W/ROLL UP WINDOW (OPT 63U) (CONTINUED)

KEY PART NUMBER	U/M	DESCRIPTION
11 062243-04-000	EA	FRAME-DRIVER DOOR, REAR & UPPER EDGE - ALUMINUM - GRAY
12 J84465-01-000	EA	BLOCK - ALIGNMENT - DOOR MOUNTED - BLACK PLASTIC
13 064184-01-000	EA	CAP-DRIP, DRIVER DOOR
098270-01-000	FT	SEAL-BULB, EPDM RUBBER
069952-01-000	FT	CORE-SEAL, BULB SUPPORT - 11 MM DIA
083551-01-000	FT	SEAL-LAZY T & D SHAPE, SPONGE RUBBER - BLACK - JAMB MOUNTED
14 058806-03-000	EA	PLUG-TAPERED, PLASTIC - RED FROM: 10-02-89 THRU: 99-99-99
15 041250-01-000	EA	SWITCH-PUSH BUTTON, DOME LIGHT - CHROME
063729-01-000	EA	RIVNUT, 1/4 X 20 UNC - .030-.125
063729-04-000	EA	RIVNUT, 1/4 X 20 UNF .010 - .080
16 099840-01-01A	EA	THRESHOLD-DRIVER DOOR, REAR - BLACK
16 099841-01-01A	EA	THRESHOLD-DRIVER DOOR, FRONT - BLACK
17 064465-01-000	EA	BLOCK-ALIGNMENT, DOOR MOUNTED- PLASTIC - BLACK
18 064219-01-000	EA	RETAINER-CHECK STRAP, DRIVER DOOR
19 098030-01-000	EA	CHECK STRAP-DRIVER DOOR, BLACK
20 R77040-01-538	EA	HANDLE - EXTERIOR DRIVERS DOOR
21 R77007-05-374	EA	GASKET SEAL - DRIVERS DOOR HANDLE
22 082107-02-000	EA	INSET - DRIVERS DOOR HANDLE - EXTERIOR - BEIGE
23 083223-01-000	EA	LOCK ASM-KEY TYPE, W/2 KEYS
083223-01-700	EA	KEY-BLANK
083911-01-000	EA	CAM-LOCK, DRIVER DOOR
24 073110-03-000	EA	ROD-LOCK CONTROL, DRIVERS DOOR
076542-04-000	EA	ROD-LATCH CONTROL, DRIVERS DOOR
081903-01-000	EA	SHAFT-MOUNTING, KNOB(CONNECTS KNOB TO SLIDE BOLT)
25 073303-03-000	EA	LATCH ASM-INNER, DRIVER DOOR - MODIFIED
26 082238-03-000	EA	COVER-STRIKE, DRIVER DOOR - GRAY
27 R77013-48-165	EA	STRIKER - DRIVER'S DOOR
076322-02-000	FT	TAPE-FOAM, DOUBLE COATED - .045" X 1" - INC. OF 108 FT
081485-01-000	EA	SUPPORT ASM-STRIKE, DRIVER DOOR
073118-01-000	EA	RETAINER-ATTACHMENT PLATE - PART OF 081485-01-000
073119-01-000	EA	ATTACHMENT PLATE-STRIKER - PART OF 081485-01-000
081903-01-000	EA	SHAFT-MOUNTING, KNOB(CONNECTS KNOB TO SLIDE BOLT)
28 081905-02-000	EA	KNOB-SLIDE BOLT, BLACK
081906-01-000	EA	SLIDE BOLT-DRIVER DOOR
R77006-50-326	EA	HANDLE-DOOR, INTERIOR, LT
29 081907-02-000	EA	REGULATOR ASM-DRIVER DOOR WINDOW
081908-01-000	EA	SCREW-MACH 6-32X.62 W/NYLOCK
30 063993-03-000	EA	HINGE ASM-DRIVER DOOR, GRAY - 3 PER DOOR
063731-01-000	EA	CAP-PUSH ON, ZINC - STYLE PW
31 082471-05-000	EA	PANEL-INSIDE, DRIVER DOOR - 31.7" X 24.2" - PLASTIC
32 094575-01-000	EA	CRANK - HAND - GLASS LIFT
32 094575-01-000	EA	WINDOW CRANK, GLASS LIFT
33 046886-03-000	EA	ASHTRAY-CHROME, W/COVER
081487-01-000	EA	HOUSING-SLIDE BOLT, STEEL
049465-04-000	EA	SCREW, 10-16 X 1 PTH W/WASHER - BEIGE
038886-01-000	EA	TAPE-BUTYL, .31" X .31" X 148" LONG
082242-02-000	EA	LINER-STEP BOX, DRIVER DOOR - ABS - BEIGE
084347-01-000	EA	SHIM-HINGE, DRIVER DOOR
079561-01-000	EA	SHIM-STRIKE, DRIVER DOOR - 16 GAUGE
079561-02-000	EA	SHIM-STRIKE, DRIVER DOOR - 22 GAUGE
068938-03-000	EA	BEARING-.38"ID, SNAP IN
063977-08-000	EA	STEP ASM-DRIVER DOOR, BLACK
044380-01-001	EA	EXTRUSION-DRIP RAIL 192.00 IN
068938-03-000	EA	BEARING-.38"ID, SNAP IN
R77006-64-355	EA	LINK-CONTROL
R77030-58-048	EA	WASHER
079370-04-000	FT	COVER-SCREW, WINDOW - VINYL - BLACK
091968-02-000	FT	TAPE-ADHESIVE, .04" X 1" WIDE

1991 WINNEBAGO
TABLE OF CONTENTS

INTRODUCTION	A-01 - A-02
ABBREVIATIONS	A-03
ALPHABETICAL INDEX	A-04 - A-06
JCF23EC	A-07 - D-10
JF321RG	D-11 - F-23

1991 JCF23EC INDEX

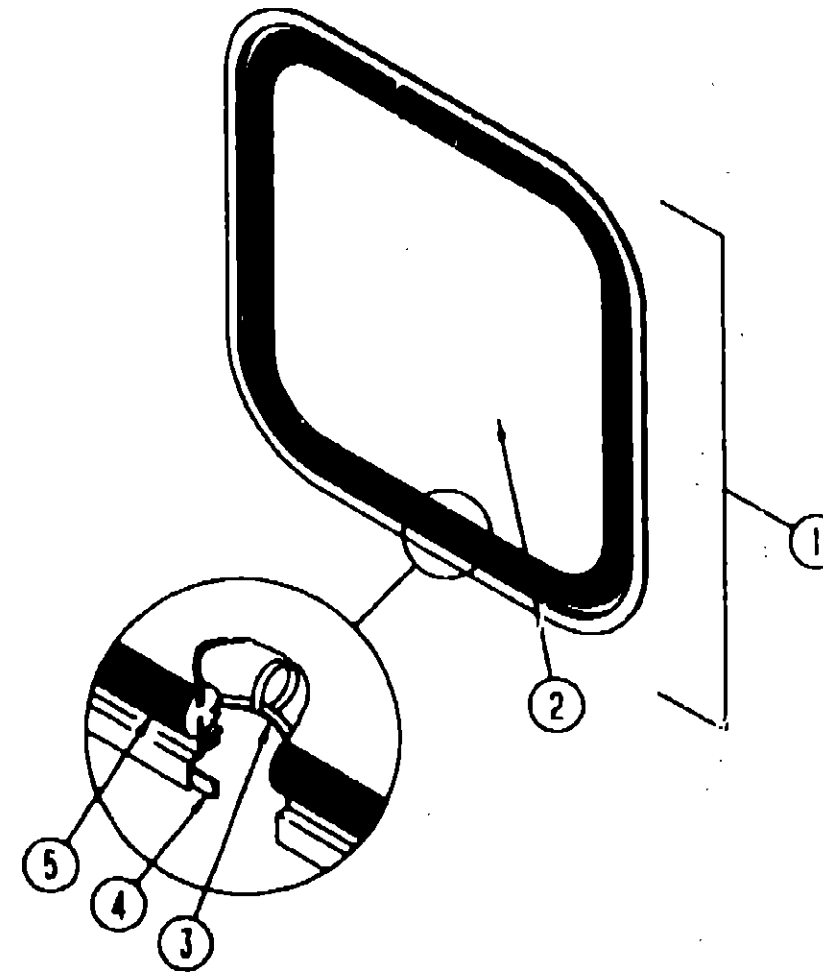
FLOOR PLAN	A-07 - A-08
ACCESSORIES	A-09 - A-11
BATH	A-12 - A-13
BEDROOM	- A-14
CHASSIS	A-15 - A-20
C C & PAD	A-21 - B-02
DINETTE	B-03 - B-04
DRIVERS	B-05 - B-10
ELECTRICAL	B-11 - B-14
EXTERIOR BODY	B-15 - B-20
GALLEY	B-21 - B-24
HEATING & A/C	C-01 - C-04
INTERIOR FINISH	C-05 - C-06
LABEL	- C-09
SEALANTS & FASTENERS	C-10 - C-12
WATER & SEWAGE	C-13 - C-16
WINDOW, VENT AND EXTERIOR DOOR	C-16 - D-10

WINDOW, VENT & EXTERIOR DOOR GROUP (CONTINUED)

BATH SLIDING WINDOW

KEY PART NUMBER	U/M	DESCRIPTION
098844-01-715	EA	WINDOW W/O INSIDE FRAME, 22" X 15" - EXCEL B155-G2
098844-01-714	EA	FRAME-INSIDE, EXCEL B963-67
098844-01-700	EA	LATCH REPAIR KIT, EXCEL B801-CK
098844-01-701	EA	SPLICE PLATE-WINDOW, EXCEL M801-23
098844-01-702	EA	SCREW-SPLICE, #6-32 X 1/4 PAN HEAD - EXCEL 270-010872
098844-01-703	EA	SCREW-LOCKING RAIL, #6 X 1.5 PRO HEAD RECESS BLACK - EXCEL 272-010808
098844-01-704	EA	GLASS-STATIONARY, 10.03" X 13.77" - EXCEL 106-011866
098844-01-705	FT	GLAZING STRIP, EXCEL M926-12
098844-01-706	FT	WEATHERSTRIP, EXCEL 171-010668
098844-01-707	EA	RAIL-LOCKING W/WEATHERSTRIP, EXCEL B370-17
098844-01-708	FT	CHANNEL-PIERCED RUN, EXCEL 122-016543
098844-01-709	EA	SASH W/LATCH & SLIDING GLASS, EXCEL B963-G9
098844-01-710	FT	TRACK-SCREEN SPACER, 12" LENGTH - EXCEL M401-31
098844-01-711	FT	WEATHERSTRIP-SCREEN, BLACK - EXCEL 171-010965
098844-01-712	EA	SCREEN W/WEATHERSTRIP & FRAME SPRING(CLIP) - EXCEL 410-016476
098844-01-713	EA	SPRING-SCREEN FRAME (CLIP), PLASTIC - BLACK - EXCEL 226-018986
098844-01-716	FT	PLUG-FILLER, EXCEL 132-014470

WINDOW, VENT & EXTERIOR DOOR GROUP (CONTINUED)



BACKWALL ESCAPE WINDOW

KEY PART NUMBER	U/M	DESCRIPTION
1 079415-01-T03	EA	WINDOW-ESCAPE, 29" X 23"
020749-08-000	EA	FRAME-INSIDE WINDOW, 23" X 29" - BLACK
2 002174-01-000	EA	GLASS-WINDOW, 25.92" X 19.81"
3 002285-01-000	FT	FILLER-WEATHER STRIP, RUBBER - BLACK
4 080640-08-000	FT	RIBBON SEALER, 5/16" BEAD X 15'
5 002282-01-000	FT	WEATHER STRIP-WINDOW, RUBBER - .125" - BLACK
		FROM: 00-00-00 THRU: 08-19-90
5 002202-03-000	EA	WEATHER STRIP-WINDOW, RUBBER - .125" - BLACK
		FROM: 08-20-90 THRU: 90-99-99
080640-07-000	FT	SEALER-RIBBON, 2" X 3/32" - INCREMENTS OF 30'
077086-01-702	EA	TAPE ASM-ESCAPE WINDOW
008199-01-000	EA	LABEL-EXIT, ESCAPE WINDOW

**1991 WINNEBAGO
TABLE OF CONTENTS**

INTRODUCTION	A-01 -	A-02
ABBREVIATIONS		A-03
ALPHABETICAL INDEX	A-04 -	A-08
JCF23EC	A-07 -	D-10
JF321RG	D-11 -	F-23

1991 JCF23EC INDEX

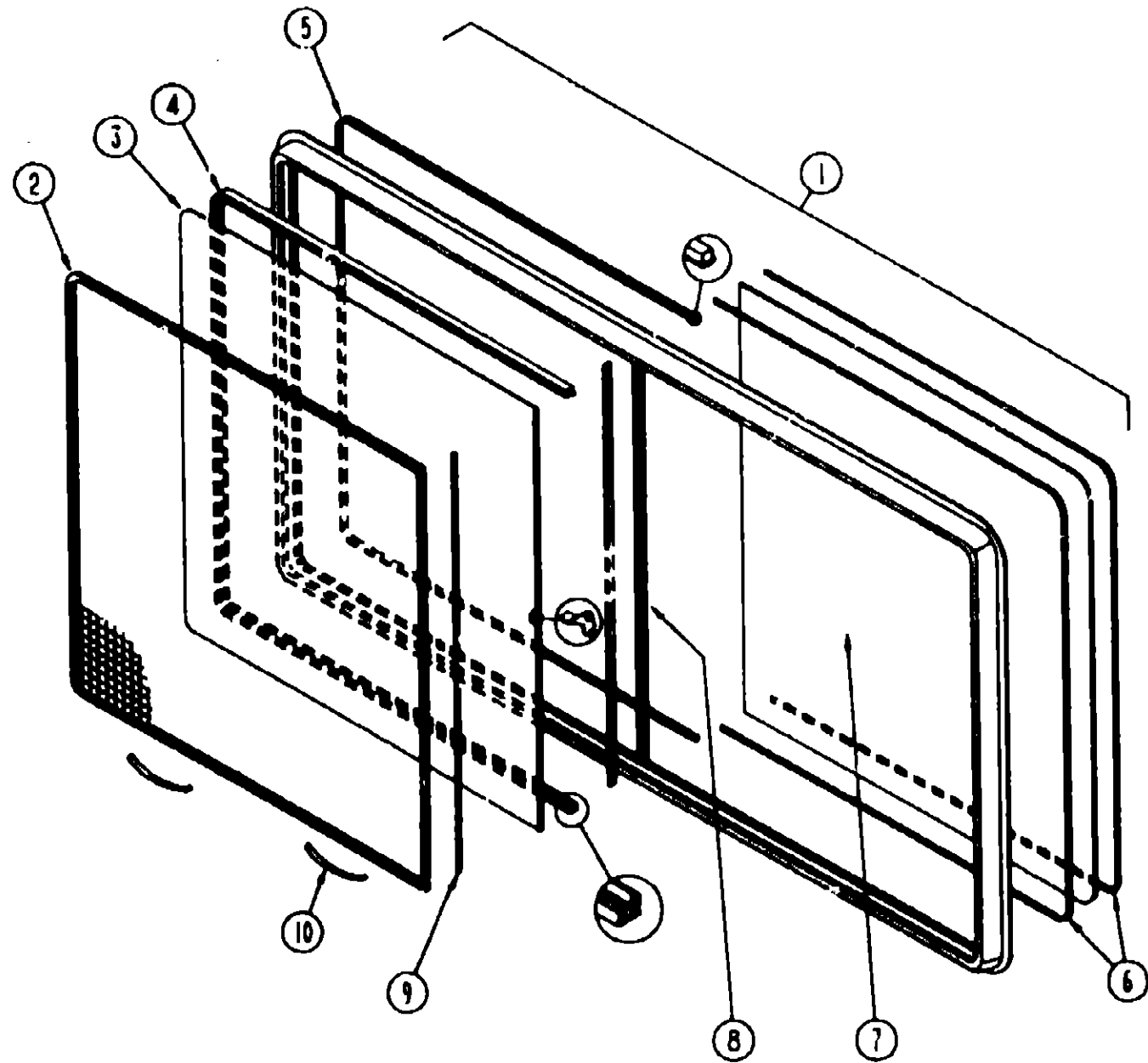
FLOOR PLAN	A-07 -	A-08
ACCESSORIES	A-09 -	A-11
BATH	A-12 -	A-13
BEDROOM		A-14
CHASSIS	A-15 -	A-20
C C & PAD	A-21 -	B-02
DINETTE	B-03 -	B-04
DRIVERS	B-05 -	B-10
ELECTRICAL	B-11 -	B-14
EXTERIOR BODY	B-15 -	B-20
GALLEY	B-21 -	B-24
HEATING & AC	C-01 -	C-04
INTERIOR FINISH	C-05 -	C-08
LABEL		C-09
SEALANTS & FASTENERS	C-10 -	C-12
WATER & SEWAGE	C-13 -	C-18
WINDOW, VENT AND EXTERIOR DOOR	C-18 -	D-10

WINDOW, VENT & EXTERIOR DOOR GROUP (CONTINUED)

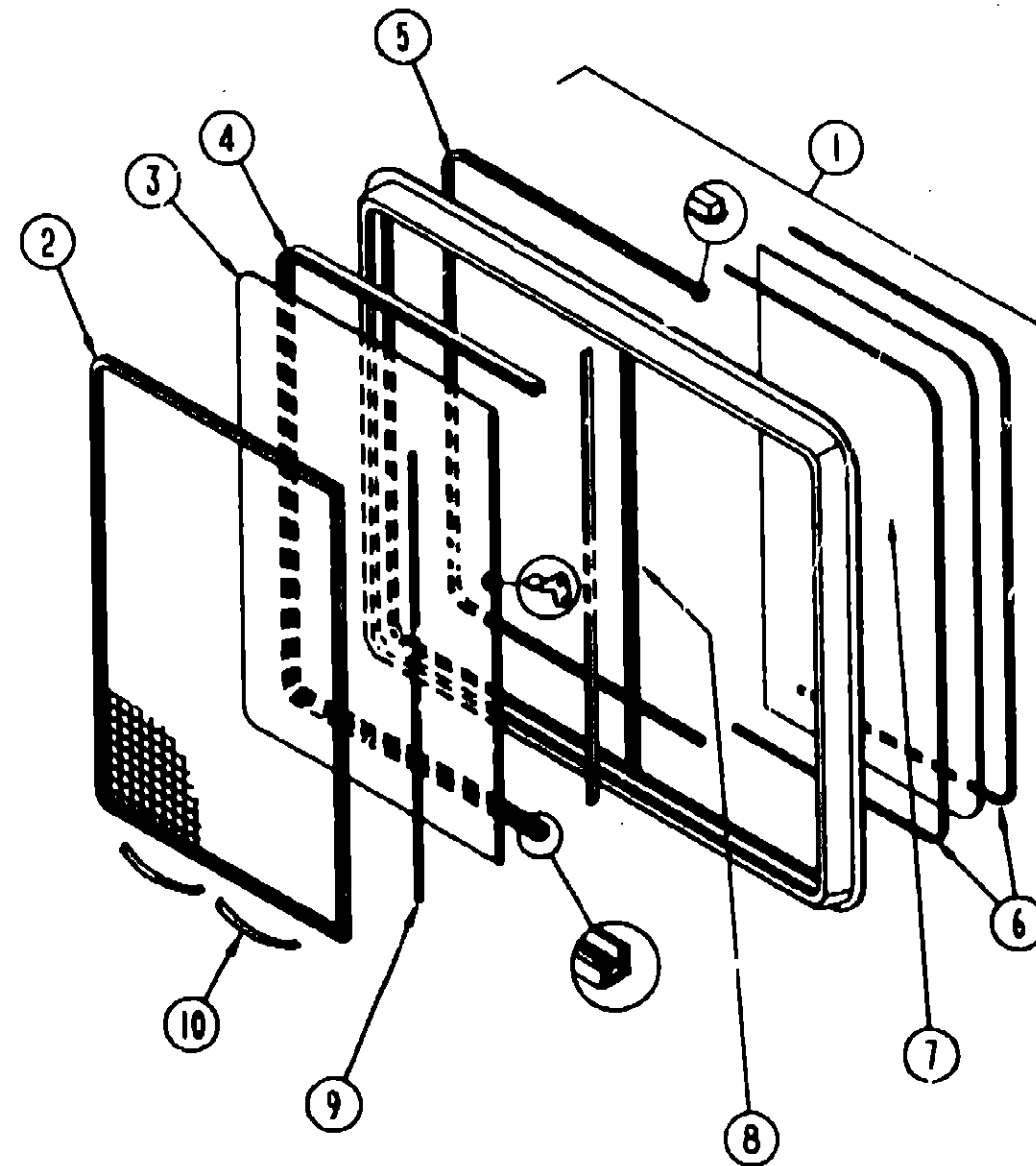
WINDOW, VENT & EXTERIOR DOOR GROUP (CONTINUED)

1991 WINNEBAGO
TABLE OF CONTENTS

INTRODUCTION	A-01 -	A-02
ABBREVIATIONS		A-03
ALPHABETICAL INDEX	A-04 -	A-06
JCF23EC	A-07 -	D-10
JF321RG	D-11 -	F-23



DINETTE SLIDING WINDOW (EXCEL)



GALLEY SLIDING WINDOW (EXCEL)
FROM: 00-00-00 THRU: 01-18-81

1991 JCF23EC INDEX

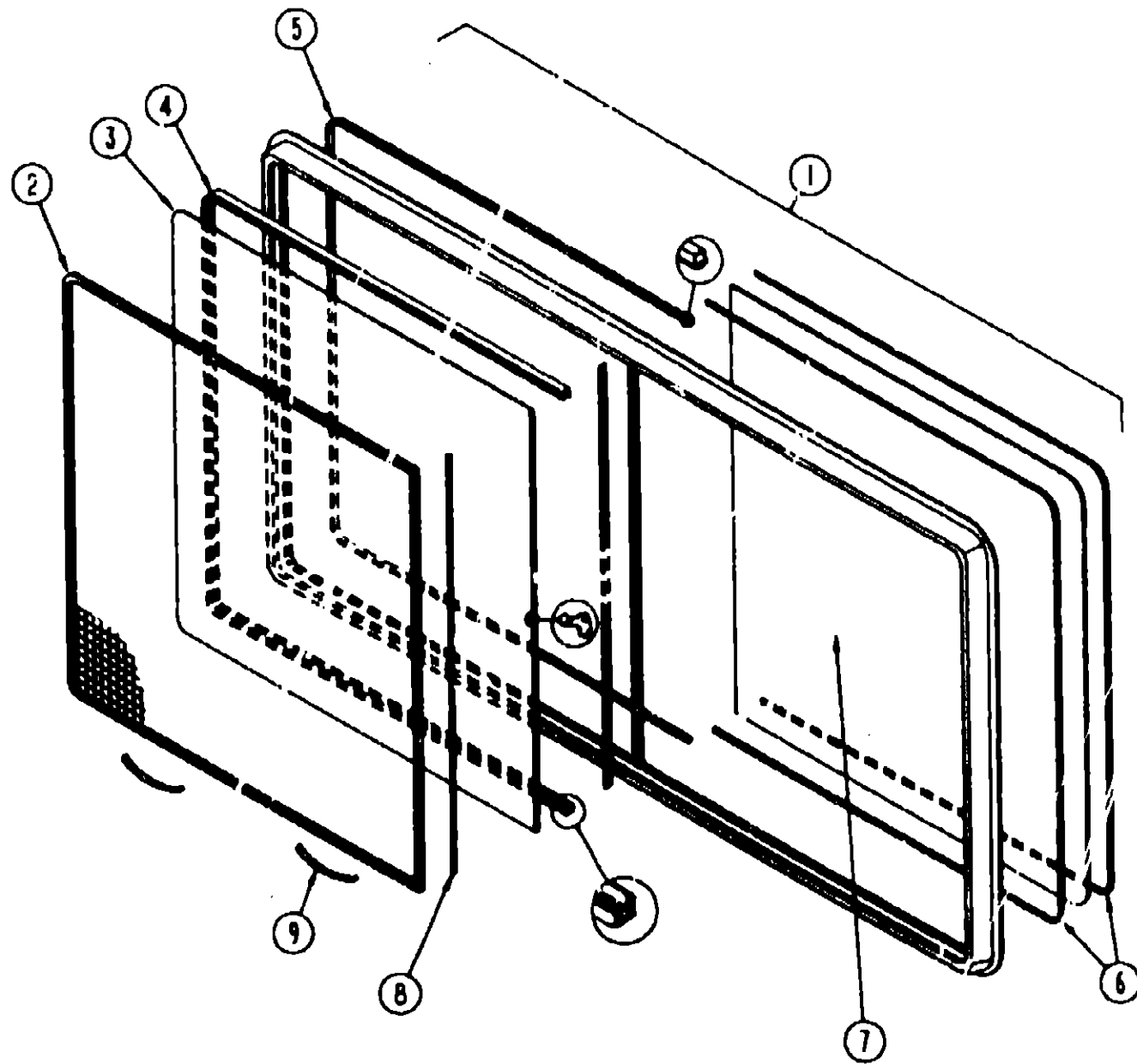
FLOOR PLAN	A-07 -	A-08
ACCESSORIES	A-09 -	A-11
BATH	A-12 -	A-13
BEDROOM		A-14
CHASSIS	A-15 -	A-20
C.C. & PAD	A-21 -	B-02
DINETTE	B-03 -	B-04
DRIVERS	B-05 -	B-10
ELECTRICAL	B-11 -	B-14
EXTERIOR BODY	B-15 -	B-20
GALLEY	B-21 -	B-24
HEATING & AC	C-01 -	C-04
INTERIOR FINISH	C-05 -	C-08
LABEL		C-09
SEALANTS & FASTENERS	C-10 -	C-12
WATER & SEWAGE	C-13 -	C-16
WINDOW, VENT AND EXTERIOR DOOR	C-16 -	D-10

KEY PART NUMBER	U/M	DESCRIPTION
1 098647-02-700	EA	WINDOW-SLIDING, SINGLE - 30.5" X 57.5" - EXCEL H112-G2L
098647-01-704	EA	FRAME-WINDOW, INSIDE - EXCEL H112-67
2 098647-01-706	EA	SCREEN ASM-SPRING W/WEATHERSTRIP & FRAME - EXCEL 410-016472
3 098647-01-702	EA	SASH ASM. W/LOCK & SLIDING GLASS, EXCEL H112-G9
098644-01-710	EA	LATCH REPAIR KIT, EXCEL B801-CK
4 098644-01-708	FT	CHANNEL PIERCED RUN , EXCEL 122-016543
5 098644-01-705	FT	WEATHERSTRIP, EXCEL 171-010888
6 098644-01-705	FT	GLAZING STRIP, EXCEL M926-12
7 098647-01-700	EA	GLASS-STATIONARY, 29.27" X 27.72" - EXCEL 106-015631
8 098647-01-701	EA	LOCKING RAIL W/WEATHERSTRIP, EXCEL B372-17
9 098644-01-711	FT	WEATHERSTRIP-BLACK F/SCREEN, EXCEL 171-016965
10 098644-01-713	EA	BLACK SCREEN CLIPS (PLASTIC), EXCEL 226-016966
098647-01-703	EA	SPACER-TRACK, EXCEL M402-31
098644-01-701	EA	WINDOW SPLICE PLATE, EXCEL M801-23
098644-01-702	EA	SCREW #6-32X1/4 PAN HEAD, EXCEL 270-010872
098644-01-703	EA	#8X1.50 PRO HEAD RECESS BLK, EXCEL 272-010808
098644-01-710	FT	SCREEN TRACK (12FT LENGTH), EXCEL M401-31
088757-01-000	EA	LABEL-RETAIL, 8 5/8" X 12 7/8"

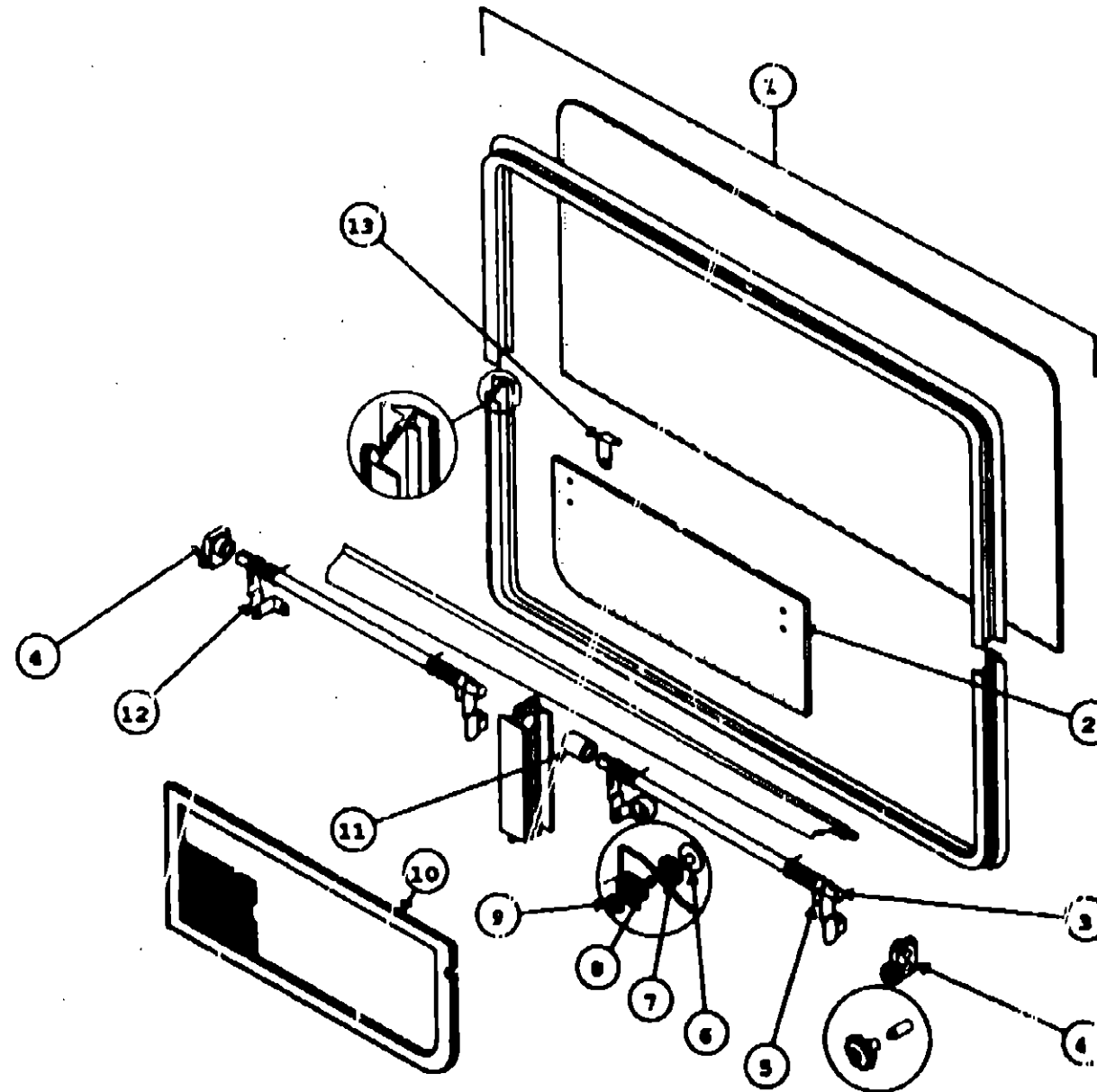
KEY PART NUMBER	U/M	DESCRIPTION
1 098647-06-706	EA	WINDOW ASM-SLIDER,HORIZONTAL - W/O INSIDE TRIM EXEL
098647-06-704	EA	TRIM-INSIDE FRAME EXEL
2 098647-06-703	EA	SCREEN ASM. W/SPRING & WEATHERSTRIPPING
3 098647-06-702	EA	SASH ASM. W/LATCH & GLASS
098644-01-700	EA	LATCH REPAIR KIT, EXCEL B801-CK
4 098644-01-708	FT	PIERCED RUN CHANNEL, EXCEL 122-016543
5 098644-01-706	FT	WEATHERSTRIP, EXCEL 171-010888
6 098644-01-705	FT	GLAZING STRIP, EXCEL M926-12
7 098647-06-700	EA	GLASS-STATIONARY 10.91X13.77
8 098647-06-701	EA	LOCKING RAIL W/WEATHERSTRIP
9 098644-01-711	FT	WEATHERSTRIP-BLACK F/SCREEN, EXCEL 171-016965
10 098644-01-713	EA	BLACK SCREEN CLIPS (PLASTIC), EXCEL 226-016966
098644-01-701	EA	WINDOW SPLICE PLATE, EXCEL M801-23
098644-01-702	EA	SCREW #6-32X1/4 PAN HEAD, EXCEL 270-010872
098644-01-703	EA	#8X1.50 PRO HEAD RECESS BLK, EXCEL 272-010808
098644-01-710	FT	SCREEN TRACK (12FT LENGTH), EXCEL M401-31
098644-01-716	EA	PLUG - FILLER, EXCEL 132-014470

WINDOW, VENT & EXTERIOR DOOR GROUP (CONTINUED)

WINDOW, VENT & EXTERIOR DOOR GROUP (CONTINUED)



GALLEY SLIDING WINDOW (EXCEL)
FROM: 01-20-01 THRU: 00-00-00



PASSENGER SIDE TIPOUT WINDOW

1991 WINNEBAGO
TABLE OF CONTENTS

INTRODUCTION	A-01 -	A-02
ABBREVIATIONS		A-03
ALPHABETICAL INDEX	A-04 -	A-06
JCF231EC	A-07 -	D-10
JF21RG	D-11 -	F-20

1991 JCF231EC INDEX

FLOOR PLAN	A-07 -	A-08
ACCESSORIES	A-09 -	A-11
BATH	A-12 -	A-13
BEDROOM		A-14
CHASSIS	A-15 -	A-20
C.C. & PAD	A-21 -	B-02
DINETTE	B-03 -	B-04
DRIVERS	B-05 -	B-10
ELECTRICAL	B-11 -	B-14
EXTERIOR BODY	B-15 -	B-20
GALLEY	B-21 -	B-24
HEATING & AC	C-01 -	C-04
INTERIOR FINISH	C-05 -	C-08
LABEL		C-09
SEALANTS & FASTENERS	C-10 -	C-12
WATER & SEWAGE	C-13 -	C-16
WINDOW, VENT AND EXTERIOR DOOR	C-18 -	D-10

KEY PART NUMBER	U/M	DESCRIPTION
1 098647-13-770	EA	WINDOW ASM-SLIDER, 15" X 23.75" - EXCEL
098647-13-701	EA	TRIM-INSIDE FRAME - BLACK
098647-13-705	EA	SCREEN ASM. W/SPRING & WEATHERSTRIPPING
098647-13-704	EA	SASH ASM. W/LATCH & GLASS
098644-01-700	EA	LATCH REPAIR KIT, EXCEL B801-CK
098644-01-708	FT	PIERCED RUN CHANNEL, EXCEL 122-016543
098644-01-708	FT	WEATHERSTRIP, EXCEL 171-010668
098644-01-705	FT	GLAZING STRIP, EXCEL M975-12
098647-13-703	EA	GLASS-STATIONARY
098644-01-711	FT	WEATHERSTRIP-BLACK F/SCREEN, EXCEL 171-016965
098644-01-713	EA	BLACK SCREEN CLIPS (PLASTIC), EXCEL 226-016966
098644-01-710	FT	SCREEN TRACK (12FT LENGTH), EXCEL M401-31
098644-01-716	EA	PLUG - FILLER, EXCEL 132-014470
088757-01-000	EA	LABEL - RETAIL, 8 5/8" X 12 7/8"

KEY PART NUMBER	U/M	DESCRIPTION
1 092236-07-Y12	EA	WINDOW-TIPOUT, W/O INSIDE FRAME - 24.3" X 40.3" STATIONARY GLASS IS NOT AVAILABLE SEPARATELY - MUST ORDER ASM.
090893-11-01A	EA	FRAME-INSIDE WINDOW, RETAINING - BLACK
2 084068-17-000	EA	GLASS-TIPOUT WINDOW, 9.2" X 40.1"
3 083150-12-000	EA	TUBE-TORQUE, TIPOUT WINDOW
4 035302-02-000	EA	OPERATOR-TORQUE, TIPOUT WINDOW
5 030918-01-000	EA	SPRING-TORQUE TUBE, REAR
080918-02-000	EA	SPRING-TORQUE TUBE, FRONT
084087-01-000	FT	SEAL-E, TIPOUT WINDOW - SPONGE RUBBER
6 086762-01-000	EA	T NUT 10-32
7 068927-03-000	EA	SEAL-WINDOW, RUBBER
8 034453-01-000	EA	WASHER-PLASTIC, .060X.50X.135
084473-01-000	EA	SEAL-RUBBER, TIPOUT WINDOW
9 088763-01-000	EA	SCREW-MACH, 10 - 32 X 1/4 PTH
087561-01-000	FT	SEAL-WINDOW, EXTERIOR - VINYL - BLACK
10 090830-52-003	EA	FRAME-TIPOUT WINDOW, SCREEN - BLACK
002291-02-000	SF	SCREENING-ROOF VENT/WINDOW, 18" - BLACK
000G39-06-16T	EA	SCREW-SF/DR, 8-20 X 1. PPH - BLACK
002298-02-000	FT	SPLINE-VENT/WINDOW SCREEN, .128 DIAMETER - BLACK
080914-01-000	EA	KEY-CORNER, TIPOUT WINDOW
11 081354-01-000	EA	SLEEVE-TORQUE TUBE, TIPOUT WINDOW
081649-01-000	EA	RING-SNAP, 7/32 SHAFT DIAMETER
085315-01-000	EA	RIVET-SHOULDER, TIPOUT WINDOW
12 097578-01-000	EA	LINKAGE-TIPOUT WINDOW
13 089913-01-000	EA	HINGE-TIPOUT WINDOW-BLACK

WINDOW, VENT & EXTERIOR DOOR GROUP (CONTINUED)

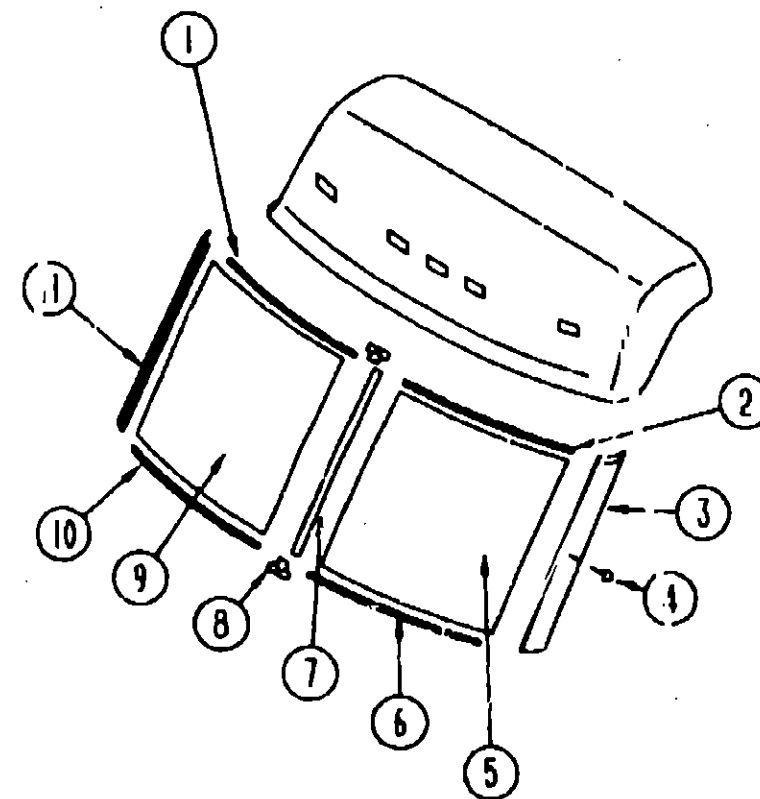
DRIVER SLIDING WINDOW

KEY PART NUMBER	U/M	DESCRIPTION
082057-02-U04	EA	WINDOW-DRIVER, SLIDER W/O INSIDE FRAME
082057-01-U04	EA	WINDOW - PASSENGER, SLIDER W/O INSIDE FRAME
082467-01-000	EA	FRAME - INSIDE WINDOW, PASSENGER SLANTED SLIDER - BLACK
082076-01-AB1	EA	FRAME - INSIDE WINDOW, PASSENGER, W/SCREEN - BLACK
082156-02-AB1	EA	FRAME-INSIDE WINDOW, DRIVER W/SCREEN - BLACK
001339-06-16T	EA	SCREW-SF/DR, 6-20 X 1. PPH - BLACK
002328-01-000	EA	BLOCK-WINDOW, 1/8" X 3/16" X 1"
012389-03-203	EA	HOLDER-GLASS, EXTERIOR VERTICAL - 27.125"
041928-02-000	FT	SEAL-EXTERIOR WINDOW, BLACK
042077-01-000	FT	CHANNEL-WEATHERSTRIP, GLASS RUN - U-SHAPED - 3/16"
047369-01-700	EA	LATCH KIT-WINDOW, W/SCREWS - PLASTIC - BLACK
050216-02-000	FT	SPLINE-EXTERIOR GLASS, VINYL - .19" - BLACK
057856-03-000	EA	GLASS-WINDOW, STATIONARY - .19" X 28.11" X 27"
073740-01-000	FT	SEAL-FIN, .46" PILE HEIGHT - GRAY
081980-08-000	EA	GLASS-WINDOW, SLIDER - .19" X 28.11" X 14.58"
082468-02-000	EA	FRAME-WINDOW, DRIVER SLANTED SLIDER - BLACK
084170-07-000	EA	MILLION-WINDOW, INTERIOR VERTICAL - 27.46" - BLACK
078384-01-000	EA	HOLDER-UPPER SCREEN, EXTRUDED PLASTIC - 9.5" - BLACK
078385-01-000	EA	HOLDER-LOWER SCREEN, EXTRUDED PLASTIC - 9.5" - BLACK
079574-02-T03	EA	SCREEN-WINDOW, DRIVER SLANTED SLIDER
079847-02-000	FT	TAPE-PLASTIC FILM, .575 WIDE
079824-01-000	FT	SEAL-WINDOW, WEATHER - C/FOLD - .5"

DRIVER'S FRONT SLANT

KEY PART NUMBER	U/M	DESCRIPTION
099933-01-Y12	EA	WINDOW ASM-FRONT SLANT, DRIVER FROM: 03-26-80 THRU: 99-99-99
099932-02-01A	EA	FRAME ASM. - INTERIOR FRONT SLANTED WINDOW - DRIVER - BLACK FROM: 03-26-80 THRU: 99-99-99
002328-01-000	EA	BLOCK-WINDOW, 1/8" X 3/16" X 1"
050216-02-000	FT	SPLINE-GLASS, EXTERIOR - VINYL - .19" - BLACK
057856-13-000	EA	GLASS-WINDOW, 13.6" X 28.11"
079296-01-000	FT	FOAM-OPIN CELL, .20" X .35" - BLACK FROM: 00-00-00 THRU: 07-25-89

WINDOW, VENT & EXTERIOR DOOR GROUP (CONTINUED)



WINDSHIELDS, TRIMS & MOLDINGS

KEY PART NUMBER	U/M	DESCRIPTION
1 077944-01-000	EA	REVEAL MOLDING-UPPER WINDSHIELD, PASSENGER
2 077944-02-000	EA	REVEAL MOLDING-UPPER WINDSHIELD, DRIVER
3 079225-02-000	EA	TRIM POST-WINDSHIELD, DRIVERS - METAL - BLACK
4 034141-02-000	EA	PLUG-HOLE, 3/8" - NYLON - BLACK
5 077875-02-000	EA	GLASS-DRIVER WINDSHIELD
6 077945-02-000	EA	REVEAL MOLDING-LOWER WINDSHIELD, DRIVER
7 078878-02-000	EA	REVEAL MOLDING-WINDSHIELD CENTER - 29.25"
8 077952-02-000	EA	CAP-REVEAL MOLDING, CENTER TOP AND BOTTOM WINDSHIELD
9 077875-01-000	EA	GLASS-PASSENGER WINDSHIELD
10 077945-01-000	EA	REVEAL MOLDING-LOWER WINDSHIELD, PASSENGER
11 079225-01-000	EA	TRIM POST-WINDSHIELD, PASSENGER - METAL - BLACK
058291-01-000	FT	EDGE MOLDINGS-WINDSHIELD TO TRIM POST - VINYL - BLACK
002328-02-000	EA	BLOCK-WINDSHIELD, .062" X .5" X .98"

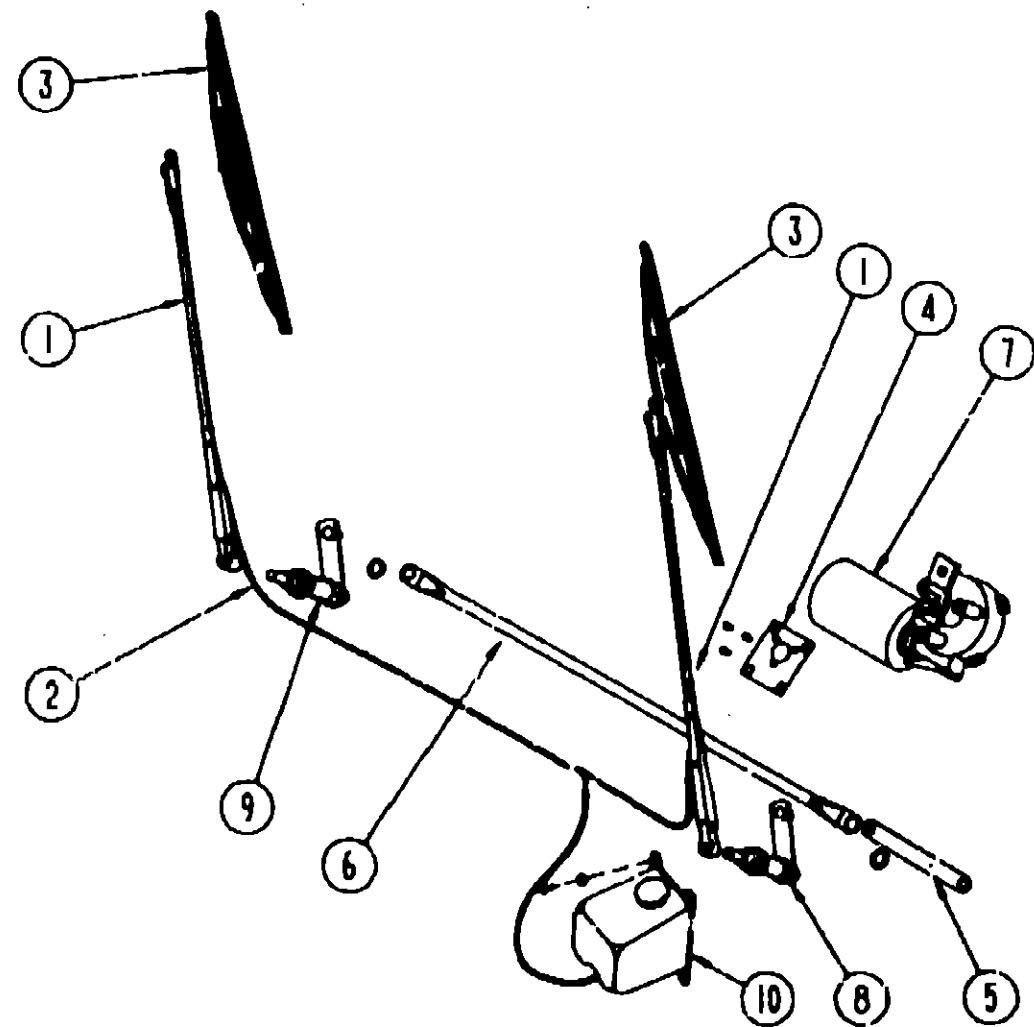
**1991 WINNEBAGO
TABLE OF CONTENTS**

INTRODUCTION	A-01 - A-02
ABBREVIATIONS	A-03
ALPHABETICAL INDEX	A-04 - A-08
JCF23EC	A-07 - D-10
JF321RG	D-11 - F-23

1991 JCF23EC INDEX

FLOOR PLAN	A-07 - A-08
ACCESSORIES	A-09 - A-11
BATH	A-12 - A-13
BEDROOM	- A-14
CHASSIS	A-15 - A-20
C C & PAD	A-21 - B-02
DINETTE	B-03 - B-04
DRIVERS	B-05 - B-10
ELECTRICAL	B-11 - B-14
EXTERIOR BODY	B-15 - B-20
GALLEY	B-21 - B-24
HEATING & A/C	C-01 - C-04
INTERIOR FINISH	C-05 - C-08
LABEL	- C-09
SEALANTS & FASTENERS	C-10 - C-12
WATER & SEWAGE	C-13 - C-16
WINDOW, VENT AND EXTERIOR DOOR	C-16 - D-10

WINDOW, VENT & EXTERIOR DOOR GROUP (CONTINUED)



WIPER COMPONENTS

KEY PART NUMBER	U/M	DESCRIPTION
1	096931-01-000	EA ARM-WIPER, 20"
2	096931-01-700	FT HOSE - WIPER TO BLADES
3	095964-01-000	EA BLADE-WIPER, 24"
4	063971-01-000	EA SUPPORT-WIPER MOTOR
5	067192-01-000	EA LINK-DRIVER CONNECTING, W/BLACK BUSHING - 37.85"
6	067192-02-000	EA LINK-PASSENGER CONNECTING, W/BLACK BUSHING - 43.57"
7	096380-01-000	EA MOTOR-WIPER
8	096504-01-000	EA PIVOT SHAFT-DRIVER
9	096505-02-000	EA PIVOT SHAFT-PASSENGER
	096526-01-000	EA SCREW-HEX, 1/4 - 28 UNF
10	056000-02-000	EA WASHER-WINDSHIELD, BOTTLE & PUMP
	056000-01-700	FT VACUUM HOSE 7/64 - 5/32
	041791-01-000	FT SEAL-VINYL, FLEX U-CHANNEL
	077049-01-000	EA NUT-ACORN, 10-32 ALUMINUM
	096931-01-701	EA NOZZLE HDWE. KIT
	081603-01-000	EA GROMMET-SNAP, 3/16"ID - 3/8" HOLE - PLASTIC - BLACK

**1991 WINNEBAGO
TABLE OF CONTENTS**

INTRODUCTION	A-01 -	A-02
ABBREVIATIONS		A-03
ALPHABETICAL INDEX	A-04 -	A-06
JCF23EC	A-07 -	D-10
JF321RG	D-11 -	F-23

1991 JCF23EC INDEX

FLOOR PLAN	A-07 -	A-08
ACCESSORIES	A-09 -	A-11
BATH	A-12 -	A-13
BEDROOM		A-14
CHASSIS	A-15 -	A-20
C C & PAD	A-21 -	B-02
DINETTE	B-03 -	B-04
DRIVERS	B-05 -	B-10
ELECTRICAL	B-11 -	B-14
EXTERIOR BODY	B-15 -	B-20
GALLEY	B-21 -	B-24
HEATING & A/C	C-01 -	C-04
INTERIOR FINISH	C-05 -	C-10
LABEL		C-10
SEALANTS & FASTENERS	C-10 -	C-12
WATER & SEWAGE	C-13 -	C-16
WINDOW, VENT AND EXTERIOR DOOR	C-16 -	D-10