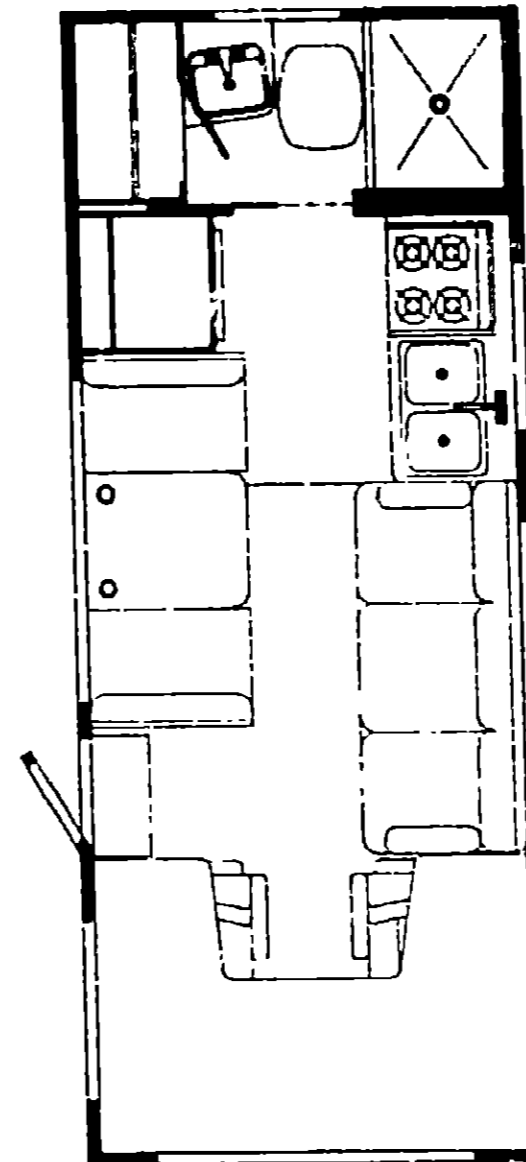


1991 IT321RB



1991 ITASCA TABLE OF CONTENTS

INTRODUCTION	A-01
ABBREVIATIONS	A-01
ALPHABETICAL INDEX	A-02 - A-04
IT320RB	A-05 - C-10
IT321RB	C-11 - E-18
IT321RL	E-19 - G-24

1991 IT321RB INDEX

Floor Plan	C-11 - C-12
Accessories Group	C-13
Bath Group	C-14 - C-15
Chassis Group	C-16 - C-17
Curtain, Cushion & Pad Group	C-18 - C-23
Dinette Group	C-24 - D-01
Driver's Compartment Group	D-02
Electrical Group	D-03 - D-04
Exterior Body Group	D-05 - D-09
Galleys Group	D-10 - D-14
Heating & Air Conditioning Group	D-15
Interior Finish Group	D-16 - D-17
Labels Group	D-18 - E-01
LP Group	E-02
Lounge Group	E-03
Sealants & Fasteners Group	E-04 - E-05
Water & Sewage Group	E-06 - E-08
Window, Vent & Exterior Door Group	E-09 - E-18

ACCESSORIES GROUP

MISCELLANEOUS ACCESSORIES

Key	Part Number	U/M	Description
	054185-70-000	EA	Owner's Manual - 1991 Sprint - Itasca
	092318-01-000	EA	Binder - 3 Ring - Plastic
	092319-01-000	EA	Pocket Page - 3 Ring Binder - Plastic
	098084-11-000	EA	Cassette - Itasca Sprint
	094499-01-000	EA	Fire Extinguisher - Dry 1A 10BC (UL)
	094499-02-000	EA	Fire Extinguisher - Dry 1A 10BC (CSA)
	094499-01-700	EA	Bracket - Mounting - w/Plastic Strap
	094651-01-01A	EA	Recessed Holder - Fire Extinguisher - Light Oak
	072852-01-000	EA	Smoke Detector w/9 Volt Battery
	100803-01-01A	EA	Clock - Wall - Round Bezel
	084445-03-000	EA	Mirror Asm - Exterior - Passenger Side
	084445-04-000	EA	Mirror Asm - Exterior - Driver Side
	086780-01-000	EA	Mud Flaps - Toyota (Set of 2) - Rubber - Black
	090050-01-000	EA	Antenna - Toyota

TV ANTENNA PARTS (OPTION L05R)

Key	Part Number	U/M	Description
**	07F319-01-000	EA	Antenna - TV - Roof Mount - 44.5"
	076319-06-000	EA	Adapter - Cable Roof Plate
	082134-01-000	EA	Adapter - TV - Cable to Cable
	086777-02-000	EA	Wall Plate - Antenna/Cable - Brown
	076319-11-000	EA	Adapter - Coaxial with Splitter

** The illustrated parts breakdown for this item is provided on the Common Items Fiche

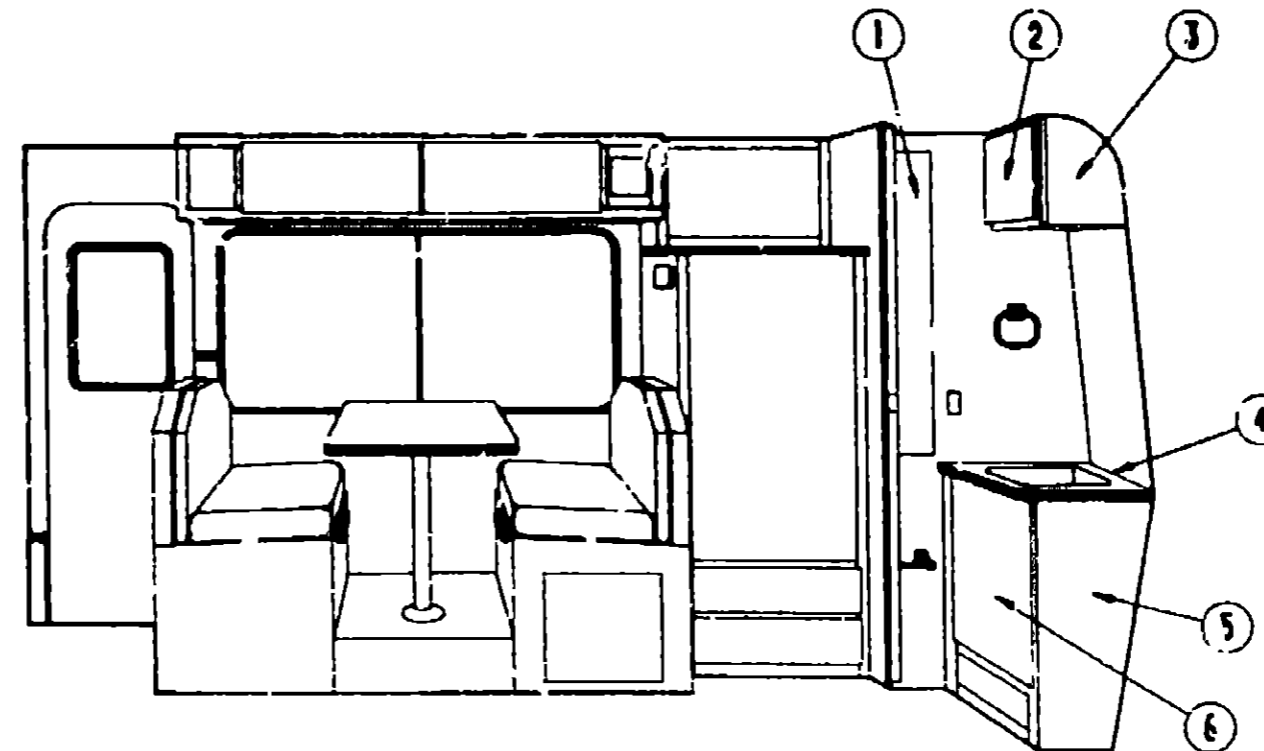
TV ANTENNA (OPTION L1931)

Key	Part Number	U/M	Description
	076319-13-000	EA	Antenna - TV Roof - 44.5" - Non-Powered
	076319-15-000	EA	Antenna - TV Roof - 23.5" - Non-Powered
	076319-06-000	EA	Adapter - Cable Roof Plate
	076319-11-000	EA	Adapter - Coax with Splitter
	082134-01-000	EA	Adapter - Cable to Cable
	076319-03-000	FT	Cable - Coaxial - 1000' - 75 OHM
	093252-01-01A	EA	Plate - Wall - Cable/Antenna - Beige
	102837-01-01A	EA	Plate - Wall - Cable/Antenna - Ivory
	102837-01-02A	EA	Plate - Wall - Cable/Antenna - Brown

KOHLER GENERATOR (OPTION L324)

Key	Part Number	U/M	Description
	083561-03-000	EA	Generator - 2.5 KW - Kohler
	096304-01-000	EA	Cover Asm - Baffle - Generator
	096302-02-000	EA	Compartment Asm - Generator
	083665-02-000	EA	Tray - Luggage
	007067-01-000	SF	Insulation - Fiberglass - 1"
	080662-03-000	EA	Exhaust Pipe - Generator
	080749-02-000	EA	Muffler - Kohler - Generator
	080749-03-000	EA	Hardware Kit - Muffler
	077510-01-000	EA	Label - Generator Prep

BATH GROUP



BATH & WARDROBE CABINERY

Key	Part Number	U/M	Description
1	P00099-09-B44	EA	Door w/Mirror - Wardrobe Cabinet - 15.5" x 45.5" - w/o Hardware
	058331-04-000	EA	Mirror - Safety Glass - 12" x 42"
*1	P02679-09-B27	EA	Door w/Mirror - Wardrobe Cabinet - 15.5" x 45.4" - w/o Hardware
	058331-39-000	EA	Mirror - Safety Glass - 12.7" x 42.7"
2	P00099-02-B44	EA	Door - Medicine Cabinet - 11" x 11" - w/o Hardware
*2	P02679-02-B27	EA	Door - Medicine Cabinet - 11" x 11" - w/o Hardware
3	099966-01-B44	EA	Cabinet - Medicine
4	099928-11-B05	EA	Countertop - Lavatory Cabinet
5	M99928-01-B27	EA	Cabinet w/Countertop - Lavatory - w/o Hardware or Door
6	P00099-83-B27	EA	Door - Lavatory Cabinet - 12" x 21.8" - w/o Hardware
*6	P02679-17-B27	EA	Door - Lavatory Cabinet - 12" x 21.8" - w/o Hardware
	099968-01-B27	EA	Door - Sliding
	* Doors used from 9/3/90 - 99/99/99		

1991 ITASCA TABLE OF CONTENTS

INTRODUCTION	A-01
ABBREVIATIONS	A-01
ALPHABETICAL INDEX	A-02 - A-04
IT320RB	A-05 - C-10
IT321RB	C-11 - E-18
IT321RL	E-19 - G-24

1991 IT321RB INDEX

Floor Plan	C-11 - C-12
Accessories Group	C-13
Bath Group	C-14 - C-15
Chassis Group	C-16 - C-17
Curtain, Cushion & Pad Group	C-18 - C-23
Dinette Group	C-24 - D-01
Driver's Compartment Group	D-02
Electrical Group	D-03 - D-04
Exterior Body Group	D-05 - D-09
Galley Group	D-10 - D-14
Heating & Air Conditioning Group	D-15
Interior Finish Group	D-16 - D-17
Labels Group	D-18 - E-01
LP Group	E-02
Lounge Group	E-03
Sealants & Fasteners Group	E-04 - E-05
Water & Sewage Group	E-06 - F-08
Window Vent & Exterior Door Group	E-09 - E-18

BATH GROUP (CONTINUED)

BATH & WARDROBE HARDWARE

Key	Part Number	U/M	Description
	M02830-03-U28	EA	Shower Pan w/Nut & Strainer
	066435-01-000	EA	Nut Strainer
	066438-01-000	EA	Nut - Slip - Tailpiece - 1.5"
	075241-05-000	EA	Faucet - Shower - Bone
	011048-02-000	EA	Shower Head - w/60" Hose - US
	011048-05-000	EA	Shower Head - w/60" Hose - CSA
	011069-03-000	EA	Tailpiece - Shower/Tub - 1 1/2" x 1 3/4" - Plastic
	066440-01-000	EA	Strainer w/Rubber Washer
	069735-01-000	EA	Washer - Strainer to Tailpiece - 1.5" - Plastic
	075806-01-000	EA	Panel - Shower - Faucet - Plastic
	092464-03-01A	EA	Track - Shower - 51.2" - Off White
	084481-12-000	EA	Shower Curtain - 65" x 58" - Vinyl
	084481-14-000	EA	Shower Curtain - 65" x 42" - Vinyl
	009701-01-000	EA	Carrier - Shower Curtain
	009702-01-000	EA	End Stop - Shower Curtain Carrier
	009136-01-000	EA	Hanger - Pin - Shower Curtain
	058034-02-000	EA	Latch - Sliding Door w/o Lock
	071817-08-000	EA	Track - Sliding Door - Off White
	064467-01-000	EA	Guide - Pocket - Sliding Door - Wall Mount
	098410-01-01A	EA	Finger Pull - Oval - Brass
	009156-01-000	EA	Hanger - Sliding Door
	057534-01-000	EA	Tieback Asm - 6" - Clear Plastic
	075240-06-000	EA	Faucet - Lavatory - Bone
	091253-01-000	EA	Gasket - Faucet - Lavatory
	096527-01-01A	EA	Sink - Lavatory - Rectangular - Plastic - Bone
	096927-01-700	EA	Sink - Stopper
	096927-01-701	EA	Tailpiece - Sink
	059783-01-000	FT	Rod - Clothes - Aluminum
	041953-03-000	FT	Conduit - Convolute (Clothes Rod)
	075454-02-000	EA	Ring - Towel w/Mounting Hardware - Brass
	075452-02-000	EA	Holder - Toilet Tissue - Brass
	075453-02-000	EA	Towel Bar - 18" - Plastic
	063740-01-000	EA	Toilet - High - Aqua Magic IV
	063641-01-000	EA	Flange - Closet - Red - 4 x 3
	000G13-06-10G	EA	Screw - 6 20 x 5/8 PFH - Antique Brass
	059777-02-000	EA	Hinge - Cabinet Door - Burnished Brass
	100030-01-000	EA	Pull - Cabinet Door
	004354-01-000	EA	Bumper - Cabinet Door - Rubber - Brown
	093586-03-000	EA	Catch - Spring Roller - Cabinet
	093586-04-000	EA	Strike - Spring Steel - Cabinet
	054250-01-000	EA	Cover - Angled - 3 62" x 4 5" - Plastic - Beige

These parts were used from 7/12/90 on

CHASSIS GROUP

REAR A/R BAG OPTION (L15T)

Key	Part Number	U/M	Description
	100293-01-700	EA	Air Spring - Micro Min - 4" Dia
	100293-01-700	EA	Air Bag
	100293-01-701	EA	Hose - Airline Kit
	100293-01-702	EA	Airline Fitting - Male w/Shade
	100293-01-703	EA	Airline Fitting - Female
	100293-01-704	EA	Air Bag w/Hose & Valves Kit
MISCELLANEOUS			
Key	Part Number	U/M	Description
	013985-01-700	EA	Clamp - Cable - 9/16"
	007125-06-700	EA	Clamp - Muffler - 2" Dia
	062401-01-000	EA	Clamp - Closed - 5/8" ID
	010497-03-030	EA	Clamp - Closed - 1" ID
	010499-01-000	EA	Clamp - Closed - 3/8" ID
	083609-01-000	EA	Clamp - Wire - Dual Equal - 5/8" Dia
	083610-01-000	EA	Clamp - Wire - Dual Unequal Dia
	062401-02-000	EA	Clamp - Hose - Wormgear - 1 56" - 2 5"
	062401-06-000	EA	Clamp - Hose - Wormgear - 22" - 62"
	007063-01-000	FT	Hose Gas - 1/4" ID x 1.2" OD
	084696-02-000	EA	Extension - Tailpipe - 2" Dia
	086780-01-000	EA	Guard - Splash - Rubber (Set of 2)
	102627-01-000	EA	Hub Cover - Rear Dual
	100715-01-000	EA	Speedometer - KM - Toyota (Option L048, L7651, L27D & L27E)
	094863-01-000	EA	Speed Control - Toyota
	094863-01-700	EA	Regulator - Speed Control - Toyota
	094863-01-701	EA	Cable - Regulator - Toyota
	034863-01-702	EA	Wiring Harness - Toyota
	094863-01-704	EA	Housing - 4 Pin - Toyota
	094863-01-705	EA	Switch Control - Toyota
	078040-03-000	EA	Shroud - Fuel Fill - Upper
	095854-01-02A	EA	Shroud - Fuel Fill - Off White
	078200-01-000	EA	Gasket - Fuel Fill
	08-637-01-000	EA	Wheel Well - Plastic
	M00080-65-000	EA	Wheel/Tire Asm - Toyota
	M00080-65-700	EA	Carrier - Spare Tire - Toyota (Option L38W)
	084772-01-000	EA	Bracket - Mounting - Spare Tire (Option L38W)
	064602-07-000	EA	Bumper - Rear - Square - 83.5" - Off White
†	102775-01-01A	EA	Bumper Asm - Rear
†	102776-01-000	EA	Bracket - Bumper
†	039779-01-700	EA	Cap - Rear Bumper - 4" x 4" - Black
*	Parts used after 9/21/90		
*	Parts used after 5/12/90		

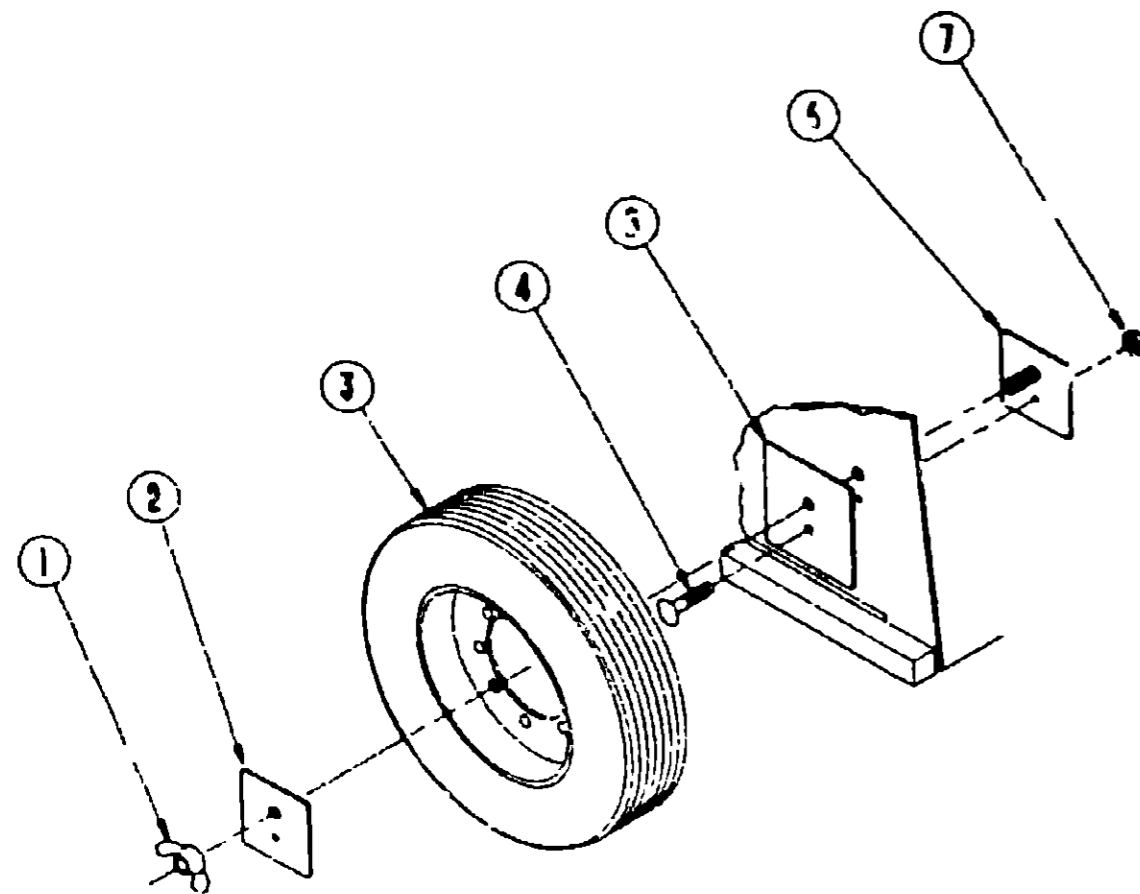
**1991 ITASCA
TABLE OF CONTENTS**

INTRODUCTION	A-01
ABBREVIATIONS	A-01
ALPHABETICAL INDEX	A-02 - A-04
IT320RB	A-05 - C-10
IT321RB	C-11 - E-18
IT321RL	E-19 - G-24

1991 IT321RB INDEX

Floor Plan	C-11 - C-12
Accessories Group	C-13
Bath Group	C-14 - C-15
Chassis Group	C-16 - C-17
Curtain - Cushion & Pad Group	C-18 - C-23
Dinette Group	C-24 - D-01
Driver's Compartment Group	D-02
Electrical Group	D-03 - D-04
Exterior Body Group	D-05 - D-09
Galley Group	D-10 - D-14
Heating & Air Conditioning Group	D-15
Interior Finish Group	D-16 - D-17
Labels Group	D-18 - E-01
LP Group	E-02
Lounge Group	E-03
Sealants & Fasteners Group	E-04 - E-05
Water & Sewage Group	E-06 - E-08
Window Vent & Exterior Door Group	E-09 - E-18

CHASSIS GROUP (CONTINUED)



SPARE TIRE INSTALLATION (OPTION 125R)

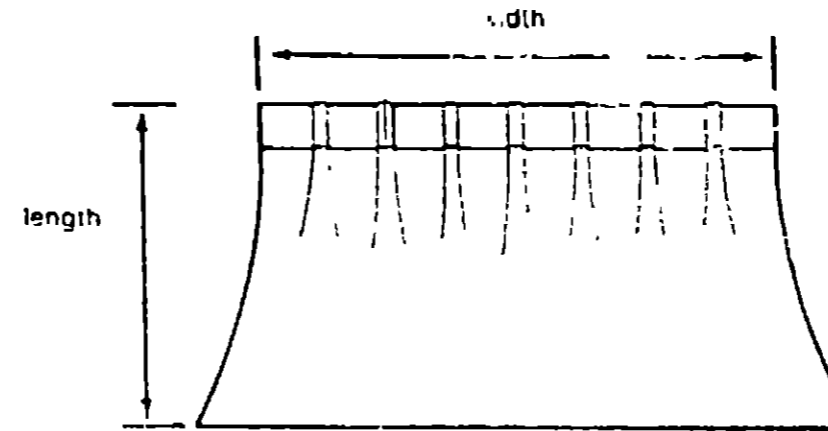
Key	Part Number	U/M	Description
1	064081-01-000	EA	Wing Nut
2	100723-01-000	EA	Plate - Spare Tire
3	M00080-65-000	EA	Wheel/Tire Asm - Toyota
	M00080-65-700	EA	Carrier - Spare Tire - Toyota
	084773-01-000	FA	Bracket Mtg - Spare Tire
4	000C27-04-20F	EA	Bolt - Carriage - 1/4 - 20 x 1.25"
5	100723-02-000	EA	Plate - Spare Tire
6	100723-03-000	EA	Plate - Spare Tire
7	000D39-04-00B	EA	Nut - Hex - Ser Fig LK - 1/4 - 20 Zn

CURTAIN, CUSHION & PAD GROUP

NOTICE

In order to assist our Part Sales Dept in providing interior software items, please include the serial number and the color code number from the vehicle certification label when ordering. This label is located on the left sidewall at the end of the dash (A-Body), or on the driver's door latch plate (C-Body).

An example of a color code number is P31, which designates an overall color scheme of a particular unit. The color listed after this item description on the microfiche, indicates the overall unit color. Order the item you desire according to unit color code.



NOTE Use this illustration when determining length and width measurements for curtains. You will note the width measurement is taken on the top of the curtain with the curtain fully extended. The length measurement is taken from top to bottom.

FABRICS, TRIMS & PADS

Key	Part Number	U/M	Description
	096008-44-000	YD	Fabric - Upholstery - Main - Dusk (B27)
	096008-46-000	YD	Fabric - Upholstery - Main - Brown (B28)
	096008-43-000	YD	Fabric - Upholstery - Patterned Accent - Blue (B27)
	096008-42-000	YD	Fabric - Upholstery - Patterned Accent - Brown (B28)
	096008-28-000	YD	Fabric - Upholstery - Plain Accent - Blue (B27)
	096008-45-000	YD	Fabric - Upholstery - Plain Accent - Brown (B28)
	072333-75-000	YD	Fabric - Drapery - Cream
	072333-79-000	YD	Fabric - Drapery - Slate
	072333-78-000	YD	Fabric - Drapery - Driftwood (Pull Shades)
	075244-03-000	YD	Vinyl - Almond (Shower Curtain)
	079680-09-000	YD	Vinyl - Off White (Wingwall Pad)
	079680-07-000	YD	Vinyl - Beige (Headliner)
	029219-01-000	YD	Vinyl - White (Assist Handle)
	078155-01-000	EA	Strap - Dinette Cushion - Snap
	099856-02-000	EA	Strap - Microwave
	084993-01-000	EA	Strap - Battery
	070578-01-B27	EA	Button Asm - Screw Stud #30
	070578-01-B28	EA	Button Asm - Screw Stud #30
	086120-01-B27	EA	Pad Asm - Map Pocket - 12" x 16"
	086120-01-B28	EA	Pad Asm - Map Pocket - 12" x 16"
	081519-12-B27	EA	Pad Asm - Dinette Seat - Rear
	081519-12-B28	EA	Pad Asm - Dinette Seat - Rear
	081519-13-B27	EA	Pad Asm - Dinette Seat - Front
	081519-13-B28	EA	Pad Asm - Dinette Seat - Front
	091178-01-B27	EA	Floor Mat - Driver (B27)
	091178-01-B05	EA	Floor Mat - Driver (B28)
	091179-01-B27	EA	Floor Mat - Passenger (B27)
	091179-01-B05	EA	Floor Mat - Passenger (B28)
	089916-01-000	CA	Trim - Window

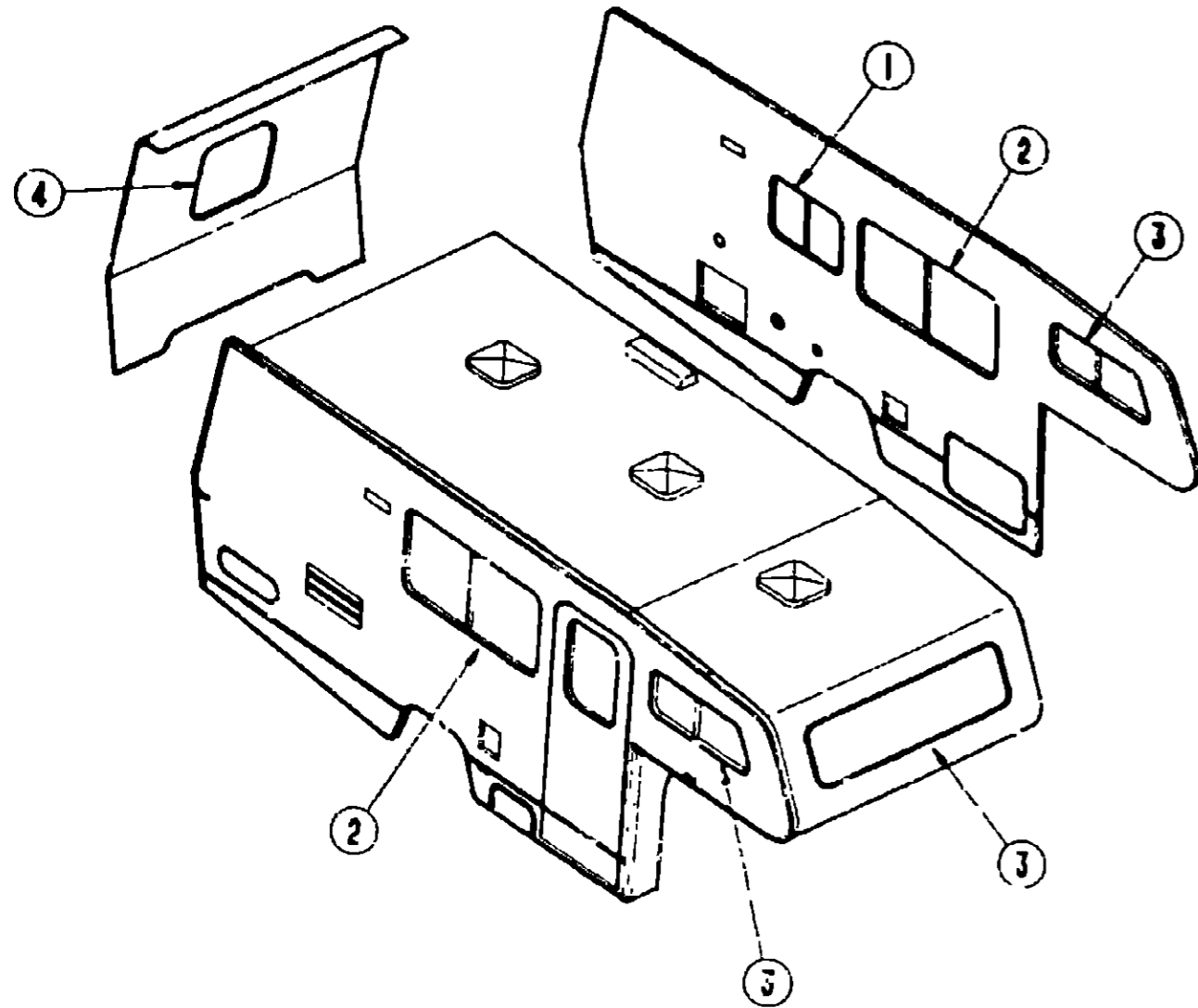
1991 ITASCA TABLE OF CONTENTS

INTRODUCTION	A-01
ABBREVIATIONS	A-01
ALPHABETICAL INDEX	A-02 - A-04
IT320RB	A-05 - C-10
IT321RB	C-11 - E-18
IT321RL	E-19 - G-24

1991 IT321RB INDEX

Floor Plan	C-11 - C-12
Accessories Group	C-13
Bath Group	C-14 - C-15
Chassis Group	C-16 - C-17
Curtain, Cushion & Pad Group	C-18 - C-23
Dinette Group	C-24 - D-01
Driver's Compartment Group	D-02
Electrical Group	D-03 - D-04
Exterior Body Group	D-05 - D-09
Galley Group	D-10 - D-14
Heating & Air Conditioning Group	D-15
Interior Finish Group	D-16 - D-17
Labels Group	D-18 - E-01
LP Group	E-02
Lounge Group	E-03
Sealants & Fasteners Group	E-04 - E-05
Water & Sewage Group	E-06 - E-08
Window, Vent & Exterior Door Group	E-09 - E-18

CURTAIN, CUSHION & PAD GROUP (CONTINUED)



CURTAIN, SHADES, VALANCES & TIEBACKS

Key	Part Number	U/M	Description
1	100344-02-B27	EA	Valance Asm. w/Wood Trim - 28"
1	100344-02-B28	EA	Valance Asm. w/Wood Trim - 28"
1	093475-22-07A	EA	Blind - Mini - 27" x 18" Drop
2	100344-01-B27	EA	Valance Asm. w/Wood Trim - 53"
2	100344-01-B28	EA	Valance Asm. w/Wood Trim - 53"
2	100281-07-B27	EA	Leg - Window - Front - 27" Tall
2	100281-07-B28	EA	Leg - Window - Front - 27" Tall
2	100281-08-B27	EA	Leg - Window - Rear - 27" Tall
2	100281-08-B28	EA	Leg - Window - Rear - 27" Tall
2	093475-42-01A	EA	Blind - Mini - 49" x 29" Drop
3	101034-03-B05	EA	Curtain Asm. - Tape Top - 17 5" x 25"
††3	101034-06-B05	EA	Curtain Asm. - Tape Top & Bottom w/Trim - 16" x 25"
‡3	101034-06-B27	EA	Curtain Asm. - Tape Top & Bottom w/Trim - 16" x 25" (B27)
‡3	101034-06-B05	EA	Curtain Asm. - Tape Top & Bottom w/Trim - 16" x 25" (B28)
4	100344-02-B27	EA	Valance Asm. w/Wood Trim - 28"
4	100344-02-B28	EA	Valance Asm. w/Wood Trim - 28"
4	093475-43-01A	EA	Blind - Mini - 26 5" x 26 5" Drop

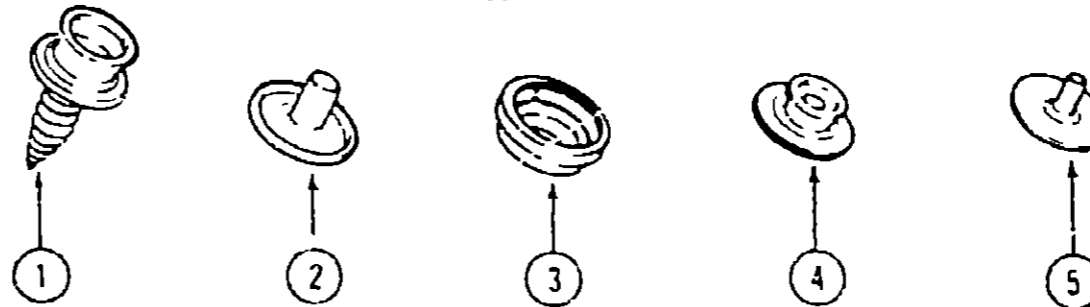
CURTAIN, CUSHION & PAD GROUP (CONTINUED)

CURTAIN, SHADES, VALANCES & TIEBACKS (CONT.)

Key	Part Number	U/M	Description
	084481-12-000	EA	Curtain Asm. - Shower Liner
†	084481-14-000	EA	Curtain Asm. - Shower Liner
•	073304-71-B05	EA	Curtain Asm. w/Snap Top - 37" x 50" - Passenger
•	101668-03-B03	EA	Curtain Asm. w/Tape Top - 37" x 50" - Passenger
•	101668-03-B27	EA	Curtain Asm. w/Tape Top - 37" x 50" - Passenger (B27)
•	101668-03-B03	EA	Curtain Asm. w/Tape Top - 37" x 50" - Passenger (B28)
‡†	101668-10-B27	EA	Curtain Asm. w/Tape Top - 30 5" x 50" - Passenger (B27)
‡†	101668-10-B05	EA	Curtain Asm. w/Tape Top - 30 5" x 50" - Passenger (B28)
•	073304-72-B05	EA	Curtain Asm. w/Snap Top - 37" x 50" - Driver
•	101668-04-B03	EA	Curtain Asm. w/Tape Top - 37" x 50" - Driver
•	101668-04-B27	EA	Curtain Asm. w/Tape Top - 37" x 50" - Driver (B27)
•	101668-04-B03	EA	Curtain Asm. w/Tape Top - 37" x 50" - Driver (B28)
‡†	101668-11-B27	EA	Curtain Asm. w/Tape Top - 38 5" x 50" - Driver (B27)
‡†	101668-11-B05	EA	Curtain Asm. w/Tape Top - 38 5" x 50" - Driver (B28)
‡	076892-03-B05	EA	Curtain Asm. w/Snap Top - Privacy
‡	076892-03-B27	EA	Curtain Asm. w/Snap Top - Privacy (B27)
‡	076892-03-B05	EA	Curtain Asm. w/Snap Top - Privacy (B28)
‡	073260-23-B05	EA	Tieback Asm. - 3" x 18"
‡	073260-23-B07	EA	Tieback Asm. - 3" x 18" (B27)
‡	073260-23-B05	EA	Tieback Asm. - 3" x 18" (B28)
•	These are parts used from 5/14/90 - 10/3/90		
†	These are parts used from 6/25/90 on		
††	These are parts used from 8/13/90 on		
‡	These are parts used from 10/5/90 on		
‡†	These are parts used from 11/5/90 on		
•	These are parts used from 10/4/90 - 11/4/90		

CURTAIN & CUSHION HARDWARE

Key	Part Number	U/M	Description
	084434-01-000	EA	Bracket - Mounting - Roller Shade - 1 3/8"
	084432-06-000	FT	Slat - Roller Shade - Plastic
	096843-01-000	EA	Spring - Rewind - Roller Shade
	087253-01-000	EA	Pull - Roller Shade - Plastic - Clear
	083170-01-000	EA	Bracket - Blind - Right
	083170-02-000	EA	Bracket - Blind - Left
	093475-01-700	EA	Wind - Blind - w/Metal Clip - 5" Long
	093475-01-701	EA	End Cap - Blind w/Stud
	095591-02-000	EA	Bracket - Blind - Hold Down w/Pin
	089916-01-000	EA	Mount - Window Leg - Black
	101033-01-000	FT	Track - Low Profile - White
	101033-02-000	EA	End Cap - Curtain Track - Clear
	101032-01-000	FT	Track - Ceiling Mount - White
	102555-01-000	EA	Blind - Cord Cleat



Key	Part Number	U/M	Description
1	029130-01-000	EA	Socket - Snap Fastener
2	029155-01-000	EA	Cap - Snap - .156" Dia x 17" Barrel
3	029156-01-000	EA	Socket - Snap Fastener
4	029092-01-000	EA	Stud - Nickel Finish
5	029093-01-000	EA	Eyelet - Nickel Finish

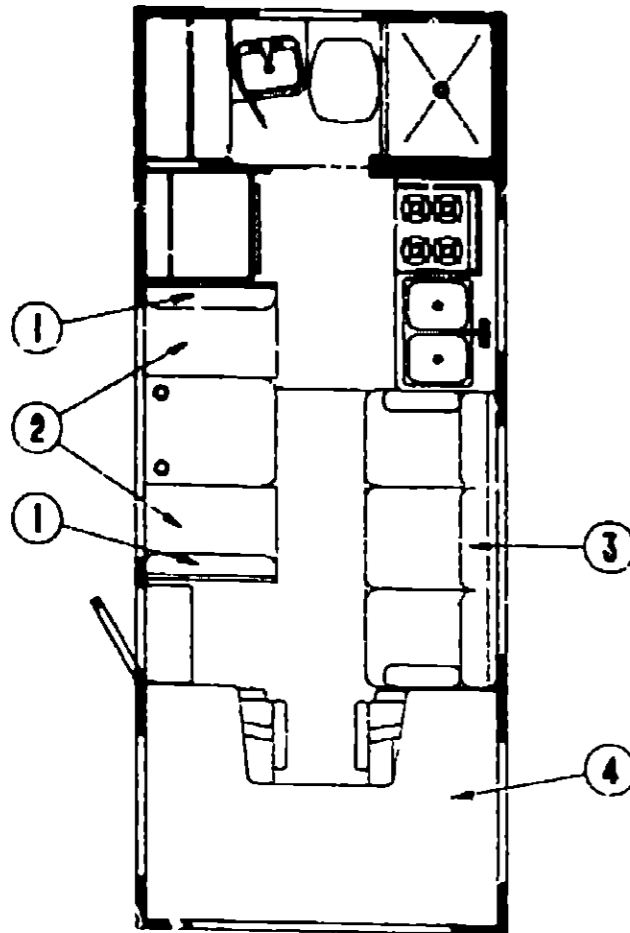
**1991 ITASCA
TABLE OF CONTENTS**

INTRODUCTION	A-01
ABBREVIATIONS	A-01
ALPHABETICAL INDEX	A-02 - A-04
IT320RB	A-05 - C-10
IT321RB	C-11 - E-18
IT321FL	E-19 - C-24

1991 IT321RB INDEX

Floor Plan	C-11 - C-12
Accessories Group	C-13
Bath Group	C-14 - C-15
Chassis Group	C-16 - C-17
Curtain, Cushion & Pad Group	C-18 - C-23
Dinette Group	C-24 - D-01
Driver's Compartment Group	D-02
Electrical Group	D-03 - D-04
Exterior Body Group	D-05 - D-09
Galley Group	D-10 - D-14
Heating & Air Conditioning Group	D-15
Interior Finish Group	D-16 - D-17
Labels Group	D-18 - E-01
LP Group	E-02
Lounge Group	E-03
Sealants & Fasteners Group	E-04 - E-05
Water & Sewage Group	E-06 - E-08
Window, Vent & Exterior Door Group	E-09 - C-11

CURTAIN, CUSHION & PAD GROUP (CONTINUED)



DINETTE CUSHIONS

Key	Part Number	U/M	Description
1	088927-81-B27	EA	Cushion Asm - Dinette Back - 14 5" x 38" x 5"
1	088927-81-B28	EA	Cushion Asm - Dinette Back - 14 5" x 38" x 5"
	M88927-81-B27	EA	Cover Asm - Dinette Back Cushion
	M68927-81-B28	EA	Cover Asm - Dinette Back Cushion
	078155-01-000	EA	Strap - Back Cushion - Snap
2	088927-84-B27	EA	Cushion Asm - Dinette Bottom - 22" x 38" x 5"
2	088927-84-B28	EA	Cushion Asm - Dinette Bottom - 22" x 33" x 5"
	M88927-84-B27	EA	Cover Asm - Dinette Bottom Cushion
	M88927-84-B28	EA	Cover Asm - Dinette Bottom Cushion
	096008-44-000	YD	Fabric - Dinette Cushion - Blue (B27)
	096008-46-000	YD	Fabric - Dinette Cushion - Brown (B28)

CURTAIN, CUSHION & PAD GROUP (CONTINUED)

PRESTO BED

Key	Part Number	U/M	Description
3	100032-03-B27	EA	Bed Asm - Presto Seat - 66 5" - w/Armrests
3	100032-03-B28	EA	Bed Asm - Presto Seat - 66 5" - w/Armrests
3	100032-10-B27	EA	Bed Asm - Presto Seat - 66 5" - w/o Armrests
3	100032-10-B28	EA	Bed Asm - Presto Seat - 66 5" - w/o Armrests
	P00032-03-B27	EA	Cover Asm - Presto Bed Seat
	P00032-03-B28	EA	Cover Asm - Presto Bed Seat
	P00032-10-B27	EA	Cover Asm - Presto Bed Seat
	P00032-10-B28	EA	Cover Asm - Presto Bed Seat
4	100032-04-B27	EA	Bed Asm - Presto Back - 66 5" - w/Armrests
4	100032-04-B28	EA	Bed Asm - Presto Back - 66 5" - w/Armrests
4	100032-09-B27	EA	Bed Asm - Presto Back - 66 5" - w/o Armrests
4	100032-09-B28	EA	Bed Asm - Presto Back - 66 5" - w/o Armrests
	P00032-04-B27	EA	Cover Asm - Presto Bed Back
	P00032-04-B28	EA	Cover Asm - Presto Bed Back
	P00032-09-B27	EA	Cover Asm - Presto Bed Back
	P00032-09-B28	EA	Cover Asm - Presto Bed Back
	101236-01-B27	EA	Armrest Asm - Jackknife - Right
	101236-01-B28	EA	Armrest Asm - Jackknife - Right
	101236-03-B27	EA	Armrest Asm - Jackknife - Right
	101236-03-B28	EA	Armrest Asm - Jackknife - Right
	P01236-01-B27	EA	Cover Asm - Armrest - Right
	P01236-01-B28	EA	Cover Asm - Armrest - Right
	P01236-03-B27	EA	Cover Asm - Armrest - Right
	P01236-03-B28	EA	Cover Asm - Armrest - Right
	101236-02-B27	EA	Armrest Asm - Jackknife - Left
	101236-02-B28	EA	Armrest Asm - Jackknife - Left
	101236-04-B27	EA	Armrest Asm - Jackknife - Left
	101236-04-B28	EA	Armrest Asm - Jackknife - Left
	P01236-02-B27	EA	Cover Asm - Armrest - Left
	P01236-02-B28	EA	Cover Asm - Armrest - Left
	P01236-04-B27	EA	Cover Asm - Armrest - Left
	P01236-04-B28	EA	Cover Asm - Armrest - Left
	101085-01-000	EA	Frame - Seat - 66 5"
	101085-02-000	EA	Frame - Back - 66 5"
	101085-03-000	EA	Frame Base - 66 5"
	101926-01-01A	EA	Bracket - Zee - Berge
	096008-44-000	YD	Fabric - Upholstery - Dusk (B27)
	096008-46-000	YD	Fabric - Upholstery - Brown (B28)
	* These parts were used from 9/4/90 on		
	** These parts were used from 6/4/90 - 9/3/90		

**1991 ITASCA
TABLE OF CONTENTS**

INTRODUCTION	A-01
ABBREVIATIONS	A-01
ALPHABETICAL INDEX	A-02 - A-04
IT320RB	A-05 - C-10
IT321RB	C-11 - E-18
IT321RL	E-19 - G-24

1991 IT321RB INDEX

Floor Plan	C-11 - C-12
Accessories Group	C-13
Bath Group	C-14 - C-15
Chassis Group	C-16 - C-17
Curtain, Cushion & Pad Group	C-18 - C-23
Dinette Group	C-24 - D-01
Driver's Compartment Group	D-02
Electrical Group	D-03 - D-04
Exterior Body Group	D-05 - D-09
Galley Group	D-10 - D-14
Heating & Air Conditioning Group	D-15
Interior Finish Group	D-16 - D-17
Labels Group	D-18 - E-01
LP Group	E-02
Lounge Group	E-03
Sealants & Fasteners Group	E-04 - E-05
Water & Sewage Group	E-06 - E-08
Window, Vent & Exterior Door Group	E-09 - E-18

CURTAIN, CUSHION & PAD GROUP (CONTINUED)

BUCKET SEAT COVERS

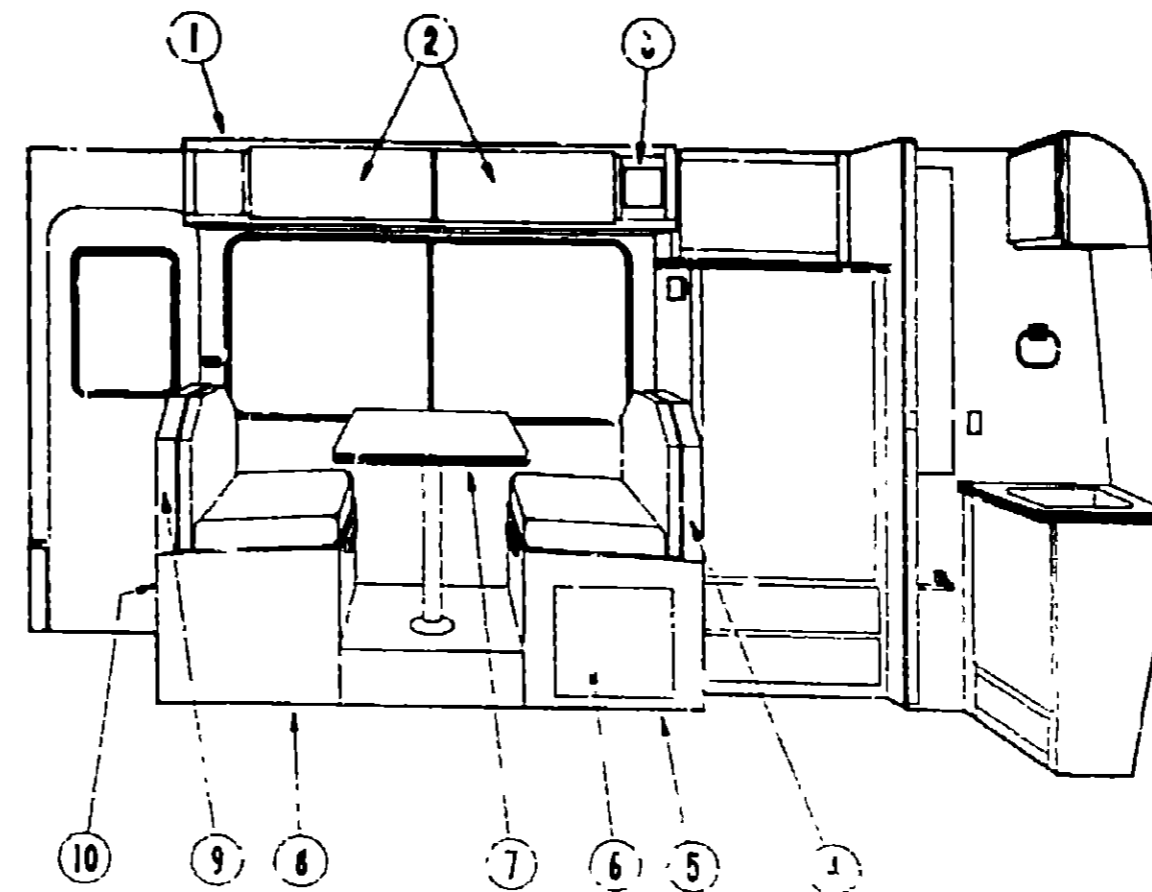
Key	Part Number	U/M	Description
	M86740-06-B27	EA	Cover Asm - Bucket Seat - Passenger
	M86740-06-B28	EA	Cover Asm - Bucket Seat - Passenger
	M86740-07-B27	EA	Cover Asm - Bucket Seat - Driver
	MP6740-07-B28	EA	Cover Asm - Bucket Seat - Driver
	102867-01-B27	EA	Cover Asm - Headrest - Toyota
	102867-01-B28	EA	Cover Asm - Headrest - Toyota
	096008-43-000	YD	Fabric - Patterned Accent - Blue (B27)
	096008-42-000	YD	Fabric - Patterned Accent - Brown (B28)
	096008-28-000	YD	Fabric - Plain Accent - Blue (B27)
	096008-45-000	YD	Fabric - Plain Accent - Brown (B28)

FRONT OVERHEAD BUNK CUSHION

Key	Part Number	U/M	Description
	084753-12-B27	EA	Cushion Asm - U-Shaped - 52" x 80" x 5"
	084753-12-B28	EA	Cushion Asm - U-Shaped - 52" x 80" x 5"
	084753-20-B27	EA	Cushion Asm - U-Shaped - 53" x 81" x 5"
	084753-20-B28	EA	Cushion Asm - U-Shaped - 53" x 81" x 5"
	M84753-12-B27	EA	Cover Asm - U-Shaped Cushion
	M84753-12-B28	EA	Cover Asm - U-Shaped Cushion
	M84753-20-B27	EA	Cover Asm - U-Shaped Cushion
	M84753-20-B28	EA	Cover Asm - U-Shaped Cushion
	084753-13-B27	EA	Cushion Asm - Filler - 24" x 41" x 5"
	084753-13-B28	EA	Cushion Asm - Filler - 24" x 41" x 5"
	084753-21-B27	EA	Cushion Asm - Filler - 24 1/2" x 40 5/8" x 5"
	084753-21-B28	EA	Cushion Asm - Filler - 24 1/2" x 40 5/8" x 5"
	M84753-13-B27	EA	Cover Asm - Filler Cushion
	M84753-13-B28	EA	Cover Asm - Filler Cushion
	M84753-21-B27	EA	Cover Asm - Filler Cushion
	M84753-21-B28	EA	Cover Asm - Filler Cushion
	096008-43-000	YD	Fabric - Patterned Accent - Blue (B27)
	096008-42-000	YD	Fabric - Patterned Accent - Brown (B28)

These parts were used from 5/1/90 on

DINETTE GROUP



DINETTE CABINETRY

Key	Part Number	U/M	Description
1	P00694-01-B44	EA	Cabinet - Dinette Overhead - w/o Doors or Hardware
2	P00099-01-B44	EA	Door - Dinette Overhead - 10" x 25 2" - w/o Hardware
**2	P02679-01-B27	EA	Door - Dinette Overhead - 10" x 25 2" - w/o Hardware
3	094097-01-000	EA	Speaker - Radio - w/o Grille - 5 25" Dia
	059340-01-000	EA	Grille - Speaker - 6 25" - Square
	059340-02-000	EA	Grille - Speaker - 6 25" - Square
	074979-01-000	EA	Cover - Speaker - Light Oak
4	M04136-01-B44	EA	Cabinet - Seat Back - Rear
††4	M04136-04-B44	EA	Cabinet - Seat Back - Rear (Option L05R)
5	M04139-01-B27	EA	Cabinet - Seat Base - Rear
5	M04139-05-B27	EA	Cabinet - Seat Base - Rear (Option L05P)
6	P00099-30-B44	EA	Door Asm - Dinette Seat - 15 7" x 19 6" - w/o Hardware
*6	P02679-11-B27	EA	Door Asm - Dinette Seat - 15 7" x 19 6" - w/o Hardware
7	031298-01-B44	EA	Table - Dinette - w/o Edge Band or Hardware
	009040-01-000	EA	Leg Asm - Table - Chrome
	009040-03-000	EA	Base - Table Leg
	054781-05-000	EA	Cupholder - Two Stage - Off White
8	M01133-03-B27	EA	Cabinet - Seat Base - Front
††8	M04139-05-B27	EA	Cabinet - Seat Base - Front (Option L05R)
9	M04130-02-B44	EA	Cabinet - Seat Back - Front
††9	M04130-05-B44	EA	Cabinet - Seat Back - Front (Option L05R)
	091257-05-000	EA	Handle Ass't - Wooden
10	P00099-06-B44	EA	Door Asm - Dinette Back - 14 3" x 26 7" - w/o Hardware
**10	P02679-06-B27	EA	Door Asm - Dinette Back - 14 3" x 26 7" - w/o Hardware

Parts used from 11/1/90 on

Door used from 9/1/90 on

†† These parts are used with the rental units (Option L05R)

1991 ITASCA TABLE OF CONTENTS

INTRODUCTION
ABBREVIATIONS
ALPHABETICAL INDEX
IT320FR
IT321R
IT321RL

A-01
A-01
A-02 - A-04
A-05 - C-10
C-11 - E-18
E-19 - G-24

1991 IT321RB INDEX

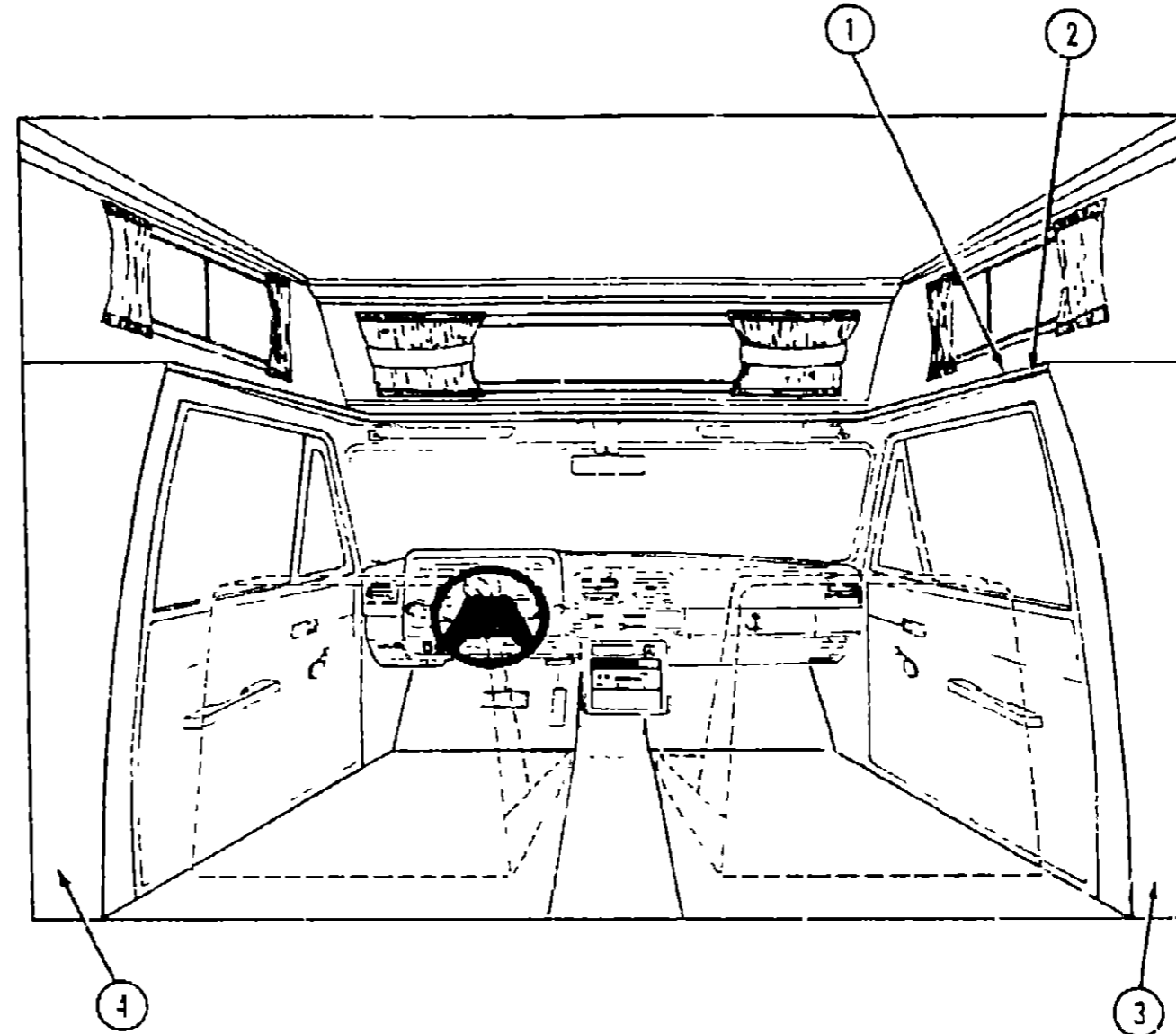
Floor Plan	C-11 - C-12
Accessories Group	C-13
Bath Group	C-14 - C-15
Chassis Group	C-16 - C-17
Curtain, Cushion & Pad Group	C-18 - C-23
Dinette Group	C-24 - D-01
Driver's Compartment Group	D-02
Electrical Group	D-03 - D-04
Exterior Body Group	D-05 - D-09
Galley Group	D-10 - D-14
Heating & Air Conditioning Group	D-15
Interior Finish Group	D-16 - D-17
Labels Group	D-18 - E-01
LP Group	E-02
Lounge Group	E-03
Sealants & Fasteners Group	E-04 - E-05
Water & Sewage Group	E-06 - E-08
Window, Vent & Exterior Door Group	E-09 - E-16

DINETTE GROUP (CONTINUED)

MISCELLANEOUS DINETTE HARDWARE

Key	Part Number	U/M	Description
	058777-02-000	EA	Hinge - Cabinet Door - Burnished Brass
	106030-01-000	EA	Pull - Cabinet Door
	093586-03-000	EA	Catch - Spring Roller - Cabinet
	093586-04-000	EA	Strike - Spring Steel - Cabinet
	074493-02-000	EA	Support - Overhead Door - Spring
	057753-01-000	EA	Bracket - Seat Belt Washer - 4"
	007021-01-000	EA	Seat Belt - 2" x 90" - Black

DRIVER'S COMPARTMENT GROUP



1991 ITASCA TABLE OF CONTENTS

INTRODUCTION	A-01
ABBREVIATIONS	A-01
ALPHABETIC/L INDEX	A-02 - A-04
IT320RB	A-05 - C-10
IT321RB	C-11 - E-18
IT321RL	E-19 - G-24

1991 IT321RB INDEX

Floor Plan	C-11 - C-12
Accessories Group	C-13
Bath Group	C-14 - C-15
Chassis Group	C-16 - C-17
Curtain, Cushion & Pad Group	C-18 - C-23
Dinette Group	C-24 - D-01
Driver's Compartment Group	D-02
Electrical Group	D-03 - D-04
Exterior Body Group	D-05 - D-09
Galley Group	D-10 - D-14
Heating & Air Conditioning Group	D-15
Interior Finish Group	D-16 - D-17
Labels Group	D-18 - E-01
LP Group	E-02
Lounge Group	E-03
Sealants & Fasteners Group	E-04 - E-05
Water & Sewage Group	E-06 - E-08
Window, Vent & Exterior Door Group	E-09 - E-18

MISCELLANEOUS DRIVER'S COMPARTMENT COMPONENTS

Key	Part Number	U/M	Description
1	P00072-01-B27	EA	Panel Asm - Sleeper Board w/o Vinyl
2	070900-06-000	EA	Trim - Front - Sleeper Board
	100085-01-01A	EA	Trim - Strap - Sleeper Board - Off White
	080742-03-000	FT	Insert - Trim - Sleeper Board - Vinyl
3	M95402-01-000	EA	Wingwall Transition - Inner - Passenger Side
4	M95402-02-000	EA	Wingwall Transition - Inner - Driver Side
	056271-01-000	EA	Seat Belt - 2" x 102" - Black
	091179-01-B27	EA	Floor Mat - Passenger (B27)
	091179-01-B03	EA	Floor Mat - Passenger (B28)
	091178-01-B27	EA	Floor Mat - Driver (B27)
	091178-01-B05	EA	Floor Mat - Driver (B28)

RADIO & RELATED COMPONENTS

Key	Part Number	U/M	Description
	090982-01-000	EA	Radio - AM/FM Cassette - Electronic Tune
	090051-02-000	EA	Speaker - 4" - Round (Front)
	090288-02-000	EA	Wire Asm - Speaker/Power
	005081-01-000	EA	Clip
	090050-01-000	EA	Antenna
	084424-01-000	EA	Plug - Rubber - Antenna Hole
	090052-03-000	EA	Trim Kit - Radio Mounting w/90° Antenna Adapter

ELECTRICAL GROUP

BULBS

Key	Part Number	U/M	Description
	092696-01-709	EA	Bulb - 912 (Stove Hood)
	008218-01-000	EA	Bulb - 1141 (Dome Light)
	008213-01-000	EA	Bulb - 57 (Clearance Light)
	008215-01-000	EA	Bulb - 1003 (Porch Light)

FUSES & CIRCUIT BREAKERS

Key	Part Number	U/M	Description
	008235-01-000	EA	Fuse - 15 Amp - 12 Volt
	062901-05-000	EA	Fuse - 15 Amp - Automotive
	083209-01-000	EA	Circuit Breaker - 15 Amp - 120 Volt
	063209-02-000	EA	Circuit Breaker - 15/15 Amp - 120 Volt
	033573-02-000	EA	Circuit Breaker - 15 Amp - 12 Volt
	083210-02-000	EA	Circuit Breaker - 15 Amp - 120 Volt
	083209-05-000	EA	Circuit Breaker - 20 Amp - 120 Volt
	094811-01-000	EA	Circuit Breaker - 20/20 Amp - 120 Volt
	008268-01-000	EA	Circuit Breaker - 30 Amp - 12 Volt
	083209-04-000	EA	Circuit Breaker - 20 Amp - 120 Volt
	083209-06-000	EA	Circuit Breaker - 30/15 Amp - 120 Volt
	094810-01-000	EA	Circuit Breaker - 30/30 Amp - 120 Volt (Export)
	083209-08-000	EA	Circuit Breaker Blank
	044456-03-000	EA	Circuit Breaker w/Mounting Bracket
	100341-01-000	EA	Fuse Holder - In Line Type

MISCELLANEOUS ELECTRICAL COMPONENTS

Key	Part Number	U/M	Description
	063739-01-000	EA	Battery - 12 Volt - 80 Amp - Gould
	072852-01-000	EA	Smoke Detector w/9 Volt Battery
	092615-01-000	EA	Converter - 40 Amp w/Charger
	094809-01-000	EA	Load Center - 240 Volt - 125 Amp (Export)
	048649-01-000	EA	Fan - 6 Blade - 6"
	084454-01-000	EA	Control Center - 25 Amp - 120V/12V
	083208-01-000	EA	Control Center - 32 Amp - 120V/12V

These parts are used from 5/9/90 on.

EXTERIOR LIGHTS

Key	Part Number	U/M	Description
	042405-01-000	EA	Lens - Clearance Light - Red w/Reflex
	042405-02-000	EA	Lens - Clearance Light - Amber w/Reflex
	042405-03-000	EA	Base - Rectangular Clearance Light
	091983-01-000	EA	Gasket - Light - Side Marker
	008213-01-000	EA	Bulb - #57
	081638-03-000	EA	Wedge - Angle Mount - Tail Light
	081638-02-000	EA	Tail Light
	065432-01-000	EA	Light/Bracket - License Plate
	097917-01-01A	EA	Porch Light - Recessed
	097917-01-700	EA	Lens - Porch Light
	091981-01-000	EA	Gasket - Porch Light
	008215-01-000	EA	Bulb - 1003 - Porch Light
	100138-01-000	EA	Daytime Running Light Module

ELECTRICAL GROUP (CONTINUED)

WIRES, SWITCHES, & RECEPTACLES

Key	Part Number	U/M	Description
	006286-01-000	EA	Box - Electrical - 3" x 3 1/2" - Plastic
	091910-01-000	EA	Box - Electrical - 3 7/8" x 3 5/8" x 1 7/8" - Plastic
	093603-01-000	EA	Box - Electrical - 4" x 2 1/8" x 2 1/8"
	008285-01-000	EA	Box - Electrical - 4" x 4" - 1/2 & 3/4 Steel
	004289-02-000	EA	Box - Electrical - 4" x 4" (CSA)
	050049-01-000	EA	Box - Electrical - 2" x 3" x 2 25" - Steel
	041953-01-000	FT	Conduit - Convolute Split - 5" ID
	080734-02-000	EA	Clip - Wire - Nylon
	003356-01-000	EA	Connector - Plastic - 3/8" Avg
	058028-01-000	EA	Connector - Pigtail - Clear Nylon
	008311-01-000	EA	Connector - Wire Nut - Red
	008314-01-000	EA	Connector - Wire Nut - Gray
	008398-01-000	EA	Connector - 1/2 x 90 - Flex
	008355-01-000	EA	Connector - 3/4 - Cable Clamping
	008054-01-000	EA	Cord - Power - 10 3 30 Amp - 25'
	008052-01-000	EA	Cord - Power - 10-3 30 Amp (CSA)
	069238-01-000	EA	Cover - Electrical Box - 4 x 4
	053337-01-000	EA	Cover Plate - Blank - Ivory
	008294-01-000	EA	Cover Plate - Blank - Steel 4 x 4 (USA)
	008294-02-000	EA	Cover Plate - Blank - Steel 4 x 4 (CSA)
	097724-01-02A	EA	Extension - Receptacle - Brown
	088473-03-000	EA	Housing Pin - 9 Position
	088473-08-000	EA	Housing Pin - 4 Position
	088473-10-000	EA	Housing Pin - 2 Position
	088474-03-000	EA	Housing - Socket - 9 Position
	088474-09-000	EA	Housing - Socket - 3 Position
	088474-10-000	EA	Housing - Socket - 2 Position
	063910-01-000	EA	Housing - Relay
	088475-01-000	EA	Pin - Connector
	088476-01-000	EA	Socket - Connector
	075736-02-000	EA	Receptacle/Cover Asm - Off White (Exterior)
	084077-02-000	EA	Receptacle Cover - Brown (Ground Fault Interrupter)
	084076-02-000	EA	Receptacle - 15 Amp - 125 Volt - Brown (Ground Fault Interrupter)
	024924-02-000	FA	Receptacle - Power Cord
	058707-01-000	EA	Receptacle - Single - Brown
	058708-01-000	EA	Receptacle - Duplex - Brown
	056708-02-000	EA	Receptacle - Duplex - Ivory
	007940-01-000	EA	Receptacle - Slide - 16 to 12 Awg
	098351-01-01A	EA	Switch Plate - 1 Gang - Polished Brass
	008326-01-000	EA	Terminal Ring - 16/14 - 3/8 Stud
	035416-04-000	EA	Terminal Ring - #10 Stud Fit
	008328-01-000	EA	Terminal Ring - 12/10 Wire
	047443-01-000	EA	Terminal - 250 Receptacle
	008348-01-000	EA	Terminal Ring - 2 - 3/8 Stud
	008331-01-000	EA	Terminal Ring - 4 - 3/8 Stud
	102837-01-01A	EA	Wallplate - Cable/Antenna - Ivory
	086777-02-000	EA	Wallplate - Antenna/Cable - Brown
	093252-01-01A	EA	Wallplate - Cable
	008026-01-000	FT	Wire - 12/2 Romex w/Ground
	008343-01-000	FA	Wire Tie - 5"
	008343-02-000	EA	Wire Tie - 4"

INTERIOR LIGHTS

Key	Part Number	U/M	Description
	098024-01-01A	EA	Dome Light - 1 Bulb - Ivory
	098024-02-01A	EA	Dome Light - 1 Bulb - Ivory (CSA)
	098024-03-01A	EA	Dome Light - 2 Bulb - Ivory
	098024-04-01A	EA	Dome Light - 2 Bulb - Ivory (CSA)
	096024-01-700	EA	Lens - Dome Light
	008218-01-000	EA	Bulb - Dome Light - 12 Volt - #1141

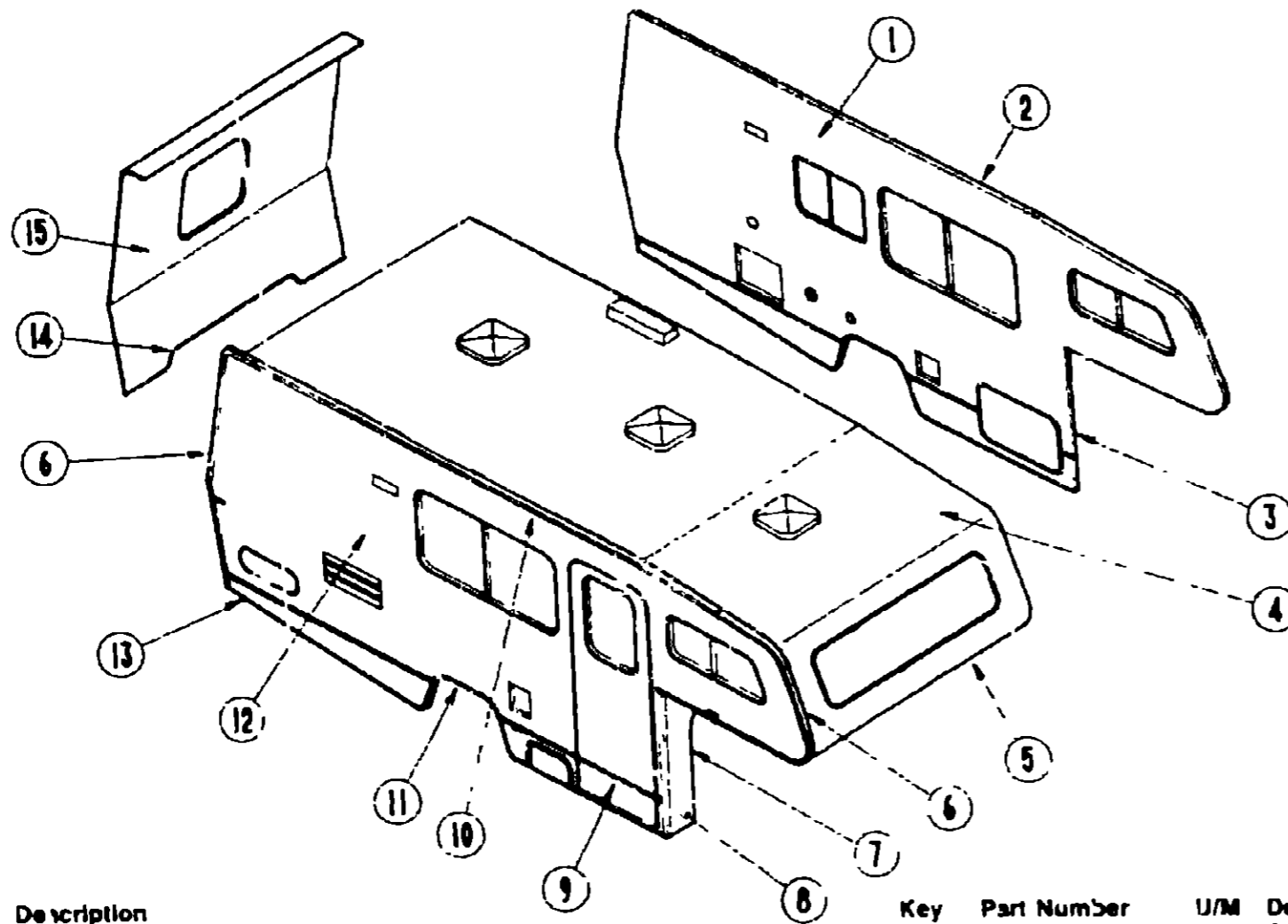
**1991 ITASCA
TABLE OF CONTENTS**

INTRODUCTION	A-01
ABBREVIATIONS	A-01
ALPHABETICAL INDEX	A-02 - A-04
IT320RB	A-05 - C-10
IT321RB	C-11 - E-18
IT321RL	E-19 - G-24

1991 IT321RB INDEX

Floor Plan	C-11 - C-12
Accessories Group	C-13
Bath Group	C-14 - C-15
Chassis Group	C-16 - C-17
Curtain, Cushion & Pad Group	C-18 - C-23
Dinette Group	C-24 - D-01
Driver's Compartment Group	D-02
Electrical Group	D-03 - D-04
Exterior Body Group	D-05 - D-09
Galley Group	D-10 - D-14
Heating & Air Conditioning Group	D-15
Interior Finish Group	D-16 - D-17
Labels Group	D-18 - E-01
LP Group	E-02
Lounge Group	E-03
Sealants & Fasteners Group	E-04 - E-05
Water & Sewage Group	E-06 - E-08
Window, Vent & Exterior Door Group	E-09 - E-18

EXTERIOR BODY GROUP
EXTERIOR BODY PANELS & TRIMS



1991 ITASCA
TABLE OF CONTENTS

INTRODUCTION	A-01
ABBREVIATIONS	A-01
ALPHABETICAL INDEX	A-02 - A-04
IT320RB	A-05 - C-10
IT321RB	C-11 - E-18
IT321RL	E-19 - G-24

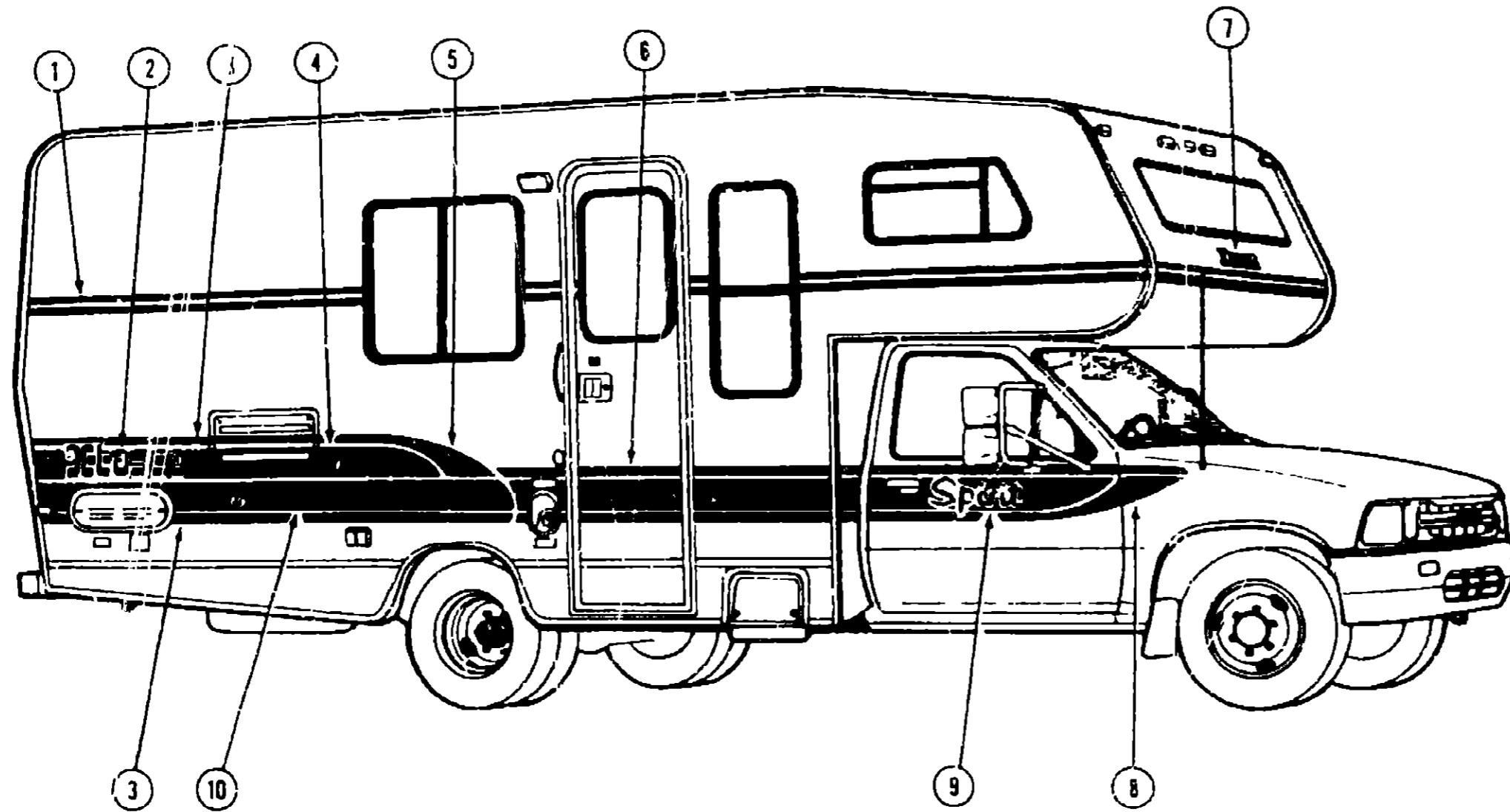
Key	Part Number	U/M	Description
1	P00788-01-B27	EA	Sidewall Asm - Driver
*1	P02034-01-B27	EA	Sidewall Asm - Driver
**1	P03567-01-B27	EA	Sidewall Asm - Driver
2	096864-01-01A	EA	Trim - Roof Contour - Off White
3	096970-06-01A	EA	Trim - Wingwall - Off White
4	P00034-01-B27	EA	Roof Asm
5	100086-01-01A	EA	Trim - Sleeper Board - Off White
6	096854-01-01A	EA	Trim - Contour - 107" - Front/Rear - Off White
7	100682-01-B05	EA	Wingwall Asm - Passenger
	100682-02-B05	EA	Wingwall Asm - Driver
8	096970-05-01A	EA	Trim - Wingwall - Off White
9	059576-05-000	EA	Feature Strip - w/o Insert - Extr - 14" - Off White
	002444-04-002	EA	Insert - Feature Strip - 17" - Off White
	009731-01-000	EA	End Cap - Feature Strip
10	100483-01-01A	EA	Trim - Roof Contour - Off White
	099583-55-001	EA	Awning Rail - 120"
11	100800-05-01A	EA	Trim - Wheel Well - Rear - Passenger - Off White
	100800-02-G1A	EA	Trim - Wheel Well - Rear - Driver - Off White

Key	Part Number	U/M	Description
12	P00868-01-B27	EA	Sidewall Asm - Passenger
**12	P03562-01-B27	EA	Sidewall Asm - Passenger
13	002776-03-012	EA	U-Channel - Extrusion - 1.75" x 192" - Off White
14	085004-01-000	EA	Trim - Backwall - Lower - Off White
15	P00035-01-B27	EA	Backwall Asm
†15	P00802-01-P27	EA	Backwall Asm
	002365-01-001	EA	U-Channel - Extrusion - 1" x 18"
	044582-26-000	EA	Drip Cap - Door Jamb - Mounted - Off White
	076054-98-000	EA	Fiberglass Sheet - 41" x 170" - Off White
	076054-99-000	EA	Fiberglass Sheet - 41" x 86" - Off White
	076054-92-000	EA	Fiberglass Sheet - 48" x 236" - Off White
	076054-A1-000	EA	Fiberglass Sheet - 46" x 86" - Off White
	076054-A2-000	EA	Fiberglass Sheet - 25" x 48" - Off White
	001054-01-011	EA	Aluminum - No Design - 48" x 96" - Roof - Off White
	000370-02-000	SF	Styrofoam - 1 5" x 48" x 96" (32 SF)
	000870-03-000	SF	Styrofoam - 1 34" x 48" x 96" (32 SF)
			* These parts were used from 10/4/90 - 1/6/91.
			† These parts are used in rental Option L05R
			** These parts were used from 1/7/91 on.

1991 IT321RB INDEX

Floor Plan	C-11 - C-12
Accessories Group	C-13
Bath Group	C-14 - C-15
Chassis Group	C-16 - C-17
Curtain, Cushion & Pad Group	C-18 - C-23
Dinette Group	C-24 - D-01
Driver's Compartment Group	D-02
Electrical Group	D-03 - D-04
Exterior Body Group	D-05 - D-09
Galley Group	D-10 - D-14
Heating & Air Conditioning Group	D-15
Interior Finish Group	D-16 - D-17
Labels Group	D-18 - E-01
LP Group	E-02
Lounge Group	E-03
Sealants & Fasteners Group	E-04 - E-05
Water & Sewage Group	E-06 - E-08
Window, Vent & Exterior Door Group	E-09 - E-18

EXTERIOR BODY GROUP (CONTINUED)
DECALS & MULTISTRIPE



Key	Part Number	U/M	Description
1	093681-23-01A	FT	Film - Multistripe - 2 9" x 150' - Dark Blue/Light Blue
2	078852-17-000	EA	Decal - Logo - "Itasca" - 6 50 - Dark Blue/Off White
3	093681-18-01A	FT	Film - 1 26" x 150' - Dark Blue
4	093681-16-01A	FT	Film - 5" x 150' - Dark Blue
5	100039-01-01A	EA	Decal - Sweep - Dark Blue/Light Blue (Passenger)
5	100039-02-01A	EA	Decal - Sweep - Dark Blue/Light Blue (Driver)
6	093681-03-03A	FT	Film - 1 5" x 150' - Light Blue
7	078191-03-000	EA	Decal - Logo - "Itasca" - Dark Blue Metallic
8	100039-02-01A	EA	Decal - Sweep - Dark Blue/Light Blue (Passenger)
8	100039-01-01A	EA	Decal - Sweep - Dark Blue/Light Blue (Driver)
9	093565-01-04A	EA	Decal - Logo - "Spirit" - Dark Blue/Off White
10	093681-16-02A	FT	Film - 2 5" x 150' - Light Blue
	084075-01-000	EA	Decal - "by Winnebago Ind." - Black (Backwall)

For your convenience here are the Dupont color codes that you can purchase locally

Dark Blue Metallic	K9456
Light Blue Metallic	K9457
Off White Enamel	L8723A
Off White Lacquer	L8723L
Black Enamel	99A
Black Imron	99U
Black Lacquer	99S

1991 ITASCA
TABLE OF CONTENTS

INTRODUCTION	A-01
ABBREVIATIONS	A-01
ALPHABETICAL INDEX	A-02 - A-04
IT320RB	A-05 - C-10
IT321RB	C-11 - E-18
IT321RL	C-19 - G-24

1991 IT321RB INDEX

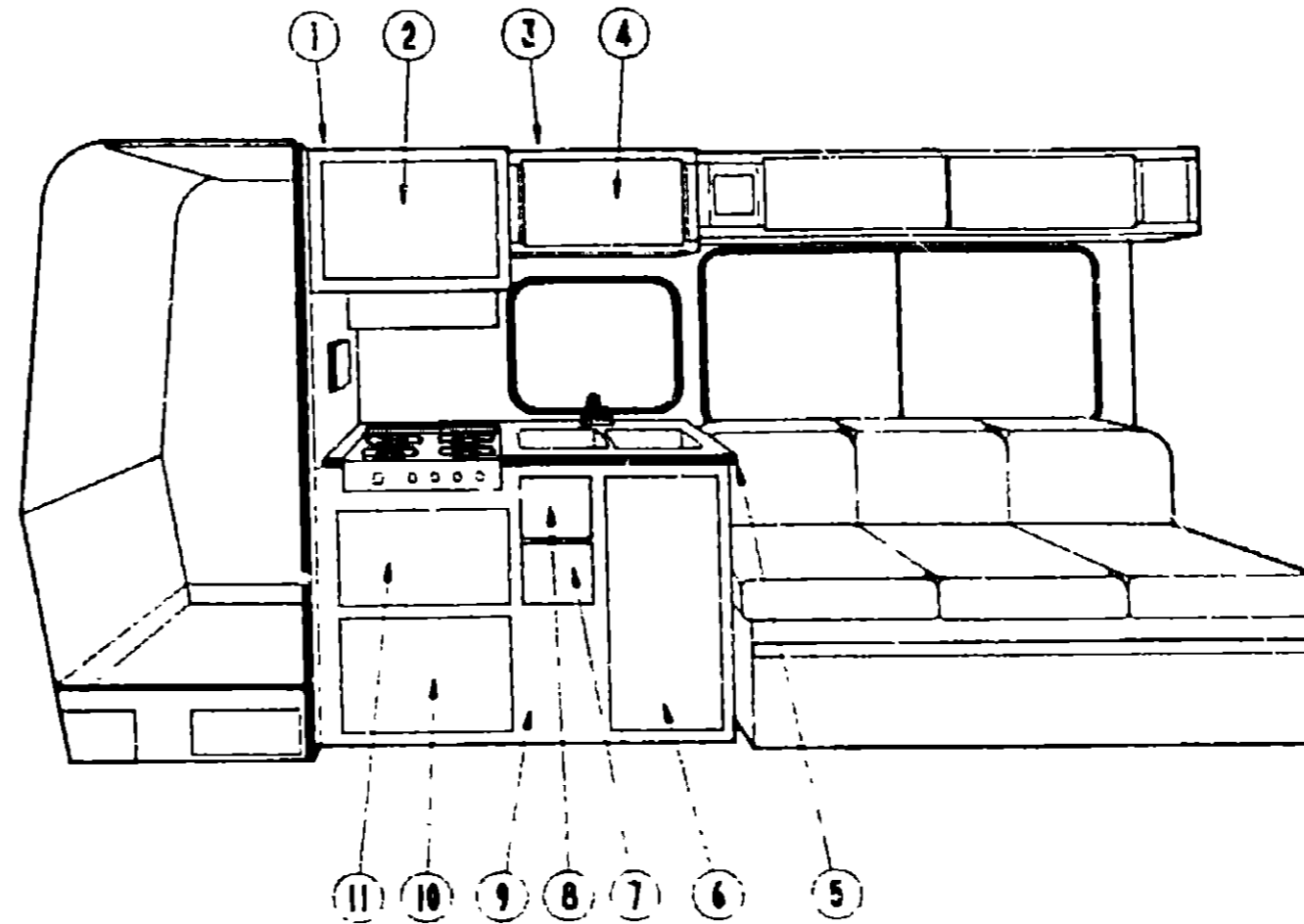
Floor Plan	C-11 - C-12
Accessories Group	C-13
Bath Group	C-14 - C-15
Chassis Group	C-16 - C-17
Curtain, Cushion & Pad Group	C-18 - C-23
Dinette Group	C-24 - D-01
Driver's Compartment Group	D-02
Electrical Group	D-03 - D-04
Exterior Body Group	D-05 - D-09
Galley Group	D-10 - D-14
Heating & Air Conditioning Group	D-15
Interior Finish Group	D-16 - D-17
Labels Group	D-18 - E-01
LP Group	E-02
Lounge Group	E-03
Sealants & Fasteners Group	E-04 - E-05
Water & Sewage Group	E-06 - E-08
Window Vent & Exterior Door Group	E-09 - E-18

EXTERIOR BODY GROUP (CONTINUED)

MISCELLANEOUS EXTERNALLY MOUNTED PARTS

Key	Part Number	U/M	Description
	063558-03-000	EA	Plumbing Seal - Roof Vent - 1.5" - Covered
	009126-02-000	EA	Assist Handle - Black
	069178-02-000	EA	Mounting Bracket - Assist Handle
	081240-03-000	EA	Fill - City Water - Lockable - Off White
	102768-01-000	EA	Door Stop
	084445-03-000	EA	Mirror Arm - Exterior - Passenger
	084445-04-000	EA	Mirror Arm - Exterior - Driver
	006043-01-000	EA	Mirror Convex - Exterior - Adhesive Back

GALLEY GROUP



**1991 ITASCA
TABLE OF CONTENTS**

INTRODUCTION	A-01
ABBREVIATIONS	A-01
ALPHABETICAL INDEX	A-02 - A-04
IT320RB	A-05 - C-10
IT321RB	C-11 - E-18
IT321RL	E-19 - G-24

1991 IT321RB INDEX

GALLEY CABINETRY

Key	Part Number	U/M	Description
1	M99931-01 B44	EA	Cabinet Asm. - Microwave Overhead - w/o Door or Hardware
2	P00099-07-B44	EA	Door Asm. - Microwave Overhead - 14.9" x 21.8" - w/o Hardware
*2	P02679-07-B27	EA	Door Asm. - Microwave Overhead - 14.9" x 21.8" - w/o Hardware
3	M99930-01 B44	EA	Cabinet Asm. - Overhead - w/o Door or Hardware
4	P00099-03-B44	EA	Door Asm. - Galley Overhead - 12" x 21.8" - w/o Hardware
*4	P02679-03 B27	EA	Door Asm. - Galley Overhead - 12" x 21.8" - w/o Hardware
5	100632-11-B05	EA	Countertop Asm. - Galley Cabinet
6	P00099-05-B44	EA	Door Asm. - Galley Cabinet - 12" x 25.9" - w/o Hardware
*6	P02679-05 B27	EA	Door Asm. - Galley Cabinet - 12" x 25.9" - w/o Hardware
7	P00145-02 B44	EA	Drawer Asm. - 10.7" x 15.9" - w/o Hardware
8	P00145-03-B44	EA	Drawer Asm. - 10.7" x 11" - w/o Hardware
9	M04164-05 B27	EA	Cabinet Asm. - Galley w/Countertop - w/o Doors, Drawers or Hardware (US)
**9	M04164-07-B27	EA	Cabinet Asm. - Galley w/Countertop - w/o Doors, Drawers or Hardware (US)
9	M04164-06-B27	EA	Cabinet Asm. - Galley w/Countertop - w/o Doors, Drawers or Hardware (CSA)
**9	M04164-08-B27	EA	Cabinet Asm. - Galley w/Countertop - w/o Doors, Drawers or Hardware (CSA)
10	P00099-08 B44	EA	Door Asm. - Galley Cabinet - 14.9" x 21.8" - w/o Hardware
*10	P02679-08-B27	EA	Door Asm. - Galley Cabinet - 14.9" x 21.8" - w/o Hardware
11	P00099-78-B27	EA	Door Asm. - Galley Cabinet - 12" x 21.8" - w/o Hardware
*11	P02679-15 B27	EA	Door Asm. - Galley Cabinet - 12" x 21.8" - w/o Hardware
*	P00145-01-B44	EA	Drawer Asm. - Refrigerator Cabinet - 6.1" x 23.2"

** These parts are used in rental Option L13B
 * These parts are used from 9/13/90 on

Floor Plan	C-11 - C-12
Accessories Group	C-13
Bath Group	C-14 - C-15
Chassis Group	C-16 - C-17
Curtain, Cushion & Pad Group	C-18 - C-23
Dinette Group	C-24 - D-01
Driver's Compartment Group	D-02
Electrical Group	D-03 - D-04
Exterior Body Group	D-05 - D-09
Galley Group	D-10 - D-14
Heating & Air Conditioning Group	D-15
Interior Finish Group	D-16 - D-17
Labels Group	D-18 - E-01
LP Group	E-02
Lounge Group	E-03
Sealants & Fasteners Group	E-04 - E-05
Water & Sewage Group	E-06 - E-08
Window Vent & Exterior Door Group	E-09 - E-18

GALLEY GROUP (CONTINUED)

GALLEY APPLIANCES

Key	Part Number	U/M	Description
	081374-01-000	EA	Range Top - 4 Burner - Almond w/Black Trim
	081374-01-700	EA	Trim - Top Right - Black
	081374-01-701	EA	Trim - Top Left - Black
	081374-01-702	EA	Manifold Panel - Black
	081374-01-703	EA	Trim - Top Rear
	081374-01-704	EA	Guard - Fabric
	102019-01-01A	EA	Range Top - 4 Burner - Almond w/Almond Trim
	102019-01-700	EA	Trim - Top Right - Almond
	102019-01-701	EA	Trim - Top Left - Almond
	102019-01-702	EA	Trim - Top Rear - Almond
	064473-03-000	EA	Refrigerator - 2 Way - 6' - 875-EG2
	064473-03-701	EA	Heater
	064473-03-719	EA	Flue
	064473-03-720	EA	Ignition Control Module
	064473-03-721	EA	Power Supply Board
	064472-01-700	EA	Thermocouple
	064473-03-722	EA	Control Panel Insert
	064473-03-715	EA	Thermostat Knob
	064473-03-714	EA	Mode Selector Knob
	064473-03-716	EA	Selector Switch
	084880-01-715	EA	Manual Shut-Off Valve
	084880-01-713	EA	Male Connector (Inlet Fitting)
	064473-03-703	EA	Burner Tube
	064473-01-702	EA	Orifice
	088248-01-706	EA	Burner
	064473-03-700	EA	Spark Electrode
	064473-01-725	EA	Single Door Asm.
	064473-03-704	EA	Single Door Gasket
	064473-03-705	EA	Single Foamed Door Liner
	046955-01-702	EA	Top or Bottom Hinge Bushing
	064472-01-728	EA	Hinge Bracket - Top Left or Bottom Right
	064472-01-727	EA	Hinge Bracket - Bottom Left or Top Right
	046955-01-713	EA	Hinge Pin Top Right
	064472-03-700	EA	Hinge Pin Bottom Right
	064473-03-706	EA	Door Frame (Sides & Bottom)
	064473-03-723	EA	Door Frame (Top)
	064473-03-707	EA	Door Shelf Trim Asm
	064473-03-708	EA	Connector Rod
	064473-01-720	EA	Dairy Door
	064473-03-709	EA	Pin & Chain Travel Lock
	064473-01-708	EA	Top Cabinet Trim
	064473-01-711	EA	Cabinet Trim - Right
	064473-01-712	EA	Cabinet Trim - Left
	064473-03-711	EA	Freezer Door Handle
	064473-03-712	EA	Freezer Door
	064473-03-713	EA	Drip Tray
	064473-01-714	EA	Crisper Cover
	064472-01-716	EA	Crisper
	064472-02-728	EA	Nameplate Decal
	064473-03-727	EA	Travel Latch
	064473-03-728	EA	Travel Latch Decorative Trim
	064473-03-729	EA	Cover - Burner Box
	103043-01-000	EA	Microwave Oven

GALLEY GROUP (CONTINUED)

GALLEY APPLIANCES (CONTINUED)

Key	Part Number	U/M	Description
	101991-01-000	EA	Refrigerator - 2 Way - 4.0 Cu. Ft. - Domestic
	101991-01-700	EA	Door w/o Shelves
	101991-01-701	EA	Bushing
	101991-01-702	EA	Catch Retainer
	101991-01-703	EA	Plug - Gray
	101991-01-704	EA	Handle
	101991-01-705	EA	Decoration Strip
	101991-01-706	EA	Door Shelf - Lower - Brown
	101991-01-707	EA	Door Shelf - Brown
	101991-01-708	EA	Bottle Holder - 7"
	101991-01-709	EA	Bottle Holder - 8"
	101991-01-710	EA	Hinge - Left Hand
	101991-01-711	EA	Hinge - Right Hand
	101991-01-712	EA	Shelf - Dia. Approx. 12"
	101991-01-713	EA	Drip Chute
	101991-01-714	EA	Shelf - Dia. Approx. 9.5"
	101991-01-715	EA	Shell Lock - Outer
	101991-01-716	EA	Shell Lock - Inner
	101991-01-717	EA	Spring Housing - Left Hand
	101991-01-718	EA	Spring Housing - Right Hand
	101991-01-719	EA	Spring - Left Hand
	101991-01-720	EA	Spring - Right Hand
	101991-01-721	EA	Carrier
	101991-01-722	EA	Retainer - Gray/Brown
	101991-01-723	EA	Hinge Pin - Upper
	101991-01-724	EA	Hinge Pin
	101991-01-725	EA	Shutter - Clip/White
	101991-01-726	EA	Hinge
	101991-01-727	EA	Gasket
	101991-01-728	EA	Push Button - Gray/Brown
	101991-01-729	EA	Push Button - Gray/Brown
	101991-01-730	EA	Knob - Selector - 12/120 Volt - Gray/Brown
	101991-01-731	EA	Knob - Selector - 120 Volt - Gray/Brown
	101991-01-732	EA	Hinge - Right Hand
	101991-01-733	EA	Hinge - Left Hand
	101991-01-734	EA	Masking Plug - Brown
	101991-01-735	EA	Panel - Gray/Brown
	101991-01-736	EA	Base Front - Gray/Brown
	101991-01-737	EA	Plug - Gray/Brown
	101991-01-738	EA	Cover - Gray/Brown
	101991-01-739	EA	Traveling Catch - Gray/Brown
	101991-01-740	EA	Thermo Electric Safety Valve
	101991-01-741	EA	Thermocouple Element
	101991-01-742	EA	Coupling
	101991-01-743	EA	Thermostat - Dual
	101991-01-744	EA	Bypass Screw
	101991-01-745	EA	Cutoff Valve
	101991-01-746	EA	Switch
	101991-01-747	EA	Spring
	101991-01-748	EA	Spring
	101991-01-749	EA	Lighter
	101991-01-750	EA	Spring
	101991-01-751	EA	Burner
	101991-01-752	EA	Electrode
	101991-01-753	EA	Sealing Ring
	101991-01-754	EA	Snap Catch for 12/120 Volt
	101991-01-755	EA	Snap Catch for 120 Volt
	101991-01-756	EA	Burner Retainer
	101991-01-757	EA	Burner Jet No. 39 for Propane
	101991-01-758	EA	Cooling Unit 335A
	101991-01-759	EA	Heater - 120V/160W
	101991-01-760	EA	Heater - 12V/175W

**1991 ITASCA
TABLE OF CONTENTS**

INTRODUCTION	A-01
ABBREVIATIONS	A-01
ALPHABETICAL INDEX	A-02 - A-04
IT320RB	A-05 - C-10
IT321RB	C-11 - E-18
IT321RL	E-19 - G-24

1991 IT321RB INDEX

Floor Plan	C-11 - C-12
Accessories Group	C-13
Bath Group	C-14 - C-15
Chassis Group	C-16 - C-17
Curtain, Cushion & Pad Group	C-18 - C-23
Dinette Group	C-24 - D-01
Driver's Compartment Group	D-02
Electrical Group	D-03 - D-04
Exterior Body Group	D-05 - D-09
Galley Group	D-10 - D-14
Heating & Air Conditioning Group	D-15
Interior Finish Group	D-16 - D-17
Labels Group	D-18 - E-01
LP Group	E-02
Lounge Group	E-03
Sealants & Fasteners Group	E-04 - E-05
Water & Sewage Group	E-06 - E-08
Window, Vent & Exterior Door Group	E-09 - E-18

GALLEY GROUP (CONTINUED)

GALLEY APPLIANCES (CONTINUED)

Key	Part Number	U/M	Description
	055282-04-000	EA	Range - 4 Burner w/Oven - Almond (Option L13B)
	055282-03-708	EA	Bumper - Main Top
	049045-01-742	EA	Bumper Asm - Oven
	064782-02-715	EA	Clip - Grate
	049045-01-739	EA	Fitting - Half Union
	055282-03-702	EA	Knob - Thermostat
	081374-02-701	EA	Regulator - Pressure
	055282-03-700	EA	Thermostat
	049045-01-703	EA	Valve - Top Burner
	064782-02-705	EA	Handle - Oven Door - Black
	049045-01-728	EA	Broiler Pan w/o Insert
	098507-02-700	EA	Filter - Pilot
	098507-02-701	EA	Insert - Burner (Slotted Vent)
	064782-02-701	EA	Shield - Deflector Flue - Black
	049045-01-741	EA	Insert - Broiler Pan
	064782-02-710	EA	Bracket - Front Glass
	064782-02-712	EA	Grate - Top Burner - Square Holes
	064702-02-714	EA	Fitting - Pipe Nipple - 1/8"
	098507-01-701	EA	Top - Main - Almond
	064782-02-708	EA	Valve - Mercury Control
	055232-04-700	EA	Panel - Oven Door - Almond
	098507-02-707	EA	Top - Main - Ebony
†	102022-01-01A	EA	Range - 4 Burner - w/Oven - Almond (Option L13B)
	102022-01-700	EA	Door Panel - Black
	102022-01-701	EA	Trim - Left
	102022-01-702	EA	Pipe - Manifold
	102022-01-703	EA	Regulator - Manifold
	100258-01-01A	EA	Hood - Range - w/o Monitor Panel - US
	100258-02-01A	EA	Hood - Range w/o Monitor Panel - CSA
	096983-01-702	EA	Switch - Two Way Momentary - Ventline 112
	096983-01-700	EA	Switch - On/Off - Ventline 108
	092696-01-709	EA	Bulb - 912
	092696-01-710	EA	Socket - Light
	096983-01-708	EA	Lamp Lens
	090973-01-700	EA	Motor
	090973-01-702	EA	Blade - Fan
	096983-01-707	EA	Filter - Grease - 8" x 8"
	092696-01-707	EA	Vent Gasket
	097617-01-01A	EA	Panel - Monitor - Almond
	097617-01-700	EA	Cover Plate
	097617-01-701	EA	Switch - On/Off - Almond
	097617-01-702	EA	Switch - 1 Way - Almond
	097617-01-703	EA	Circuit Board

* Parts used before 9/2/90

† Parts used after 9/3/90

GALLEY GROUP (CONTINUED)

GALLEY HARDWARE

Key	Part Number	U/M	Description
	054450-01-000	EA	Level - Refrigerator
	098654-01-000	EA	Sink - Stainless Steel - Double w/Bolts
	011053-04-000	EA	Faucet - Swing Spout - 8" - US/CSA
	091254-01-000	EA	Gasket - Galley Faucet
	011053-01-700	EA	Aerator - Swing Spout Faucet
	066437-01-000	EA	Strainer w/Basket - Sink
	066437-01-700	EA	Basket - Strainer - Galley Sink
	100030-01-000	EA	Pull - Cabinet - Polished Brass
	059777-02-000	EA	Hinge - Cabinet Door - Antique Light Brass
	077409-02-000	EA	Slide - Drawer - 20 75" - Plastic
	077404-02-000	EA	Drawer - 20" x 12 70" - Plastic
	066435-01-000	EA	Nut Strainer
	037688-01-000	EA	Rail - V-Guide - Drawer
	037666-03-000	EA	Slide - Center - Drawer
	074493-02-000	EA	Sprung Support - Overhead Door
	061530-01-B05	EA	Sink Cove

1991 ITASCA TABLE OF CONTENTS

INTRODUCTION	A-01
ABBREVIATIONS	A-01
ALPHABETICAL INDEX	A-02 - A-04
IT320RB	A-05 - C-10
IT321RB	C-11 - E-18
IT321RL	E-19 - G-24

1991 IT321RB INDEX

Floor Plan	C-11 - C-12
Accessories Group	C-13
Bath Group	C-14 - C-15
Chassis Group	C-16 - C-17
Curtain, Cushion & Pad Group	C-18 - C-23
Dinette Group	C-24 - D-01
Driver's Compartment Group	D-02
Electrical Group	D-03 - D-04
Exterior Body Group	D-05 - D-09
Galley Group	D-10 - D-14
Heating & Air Conditioning Group	D-15
Interior Finish Group	D-16 - D-17
Labels Group	D-18 - E-01
LP Group	E-02
Lounge Group	E-03
Sealants & Fasteners Group	E-04 - E-05
Water & Sewage Group	E-06 - E-08
Window, Vent & Exterior Door Group	E-09 - E-18

HEATING & AIR CONDITIONING GROUP

ROOF AIR CONDITIONER

Key	Part Number	U/M	Description
	093306-01-01A	EA	A/C Roof - 7100 BTU - Rotary - Ivory
	093306-01-700	EA	Shroud - Ivory/Bronze - w/o Logo
	093306-01-701	EA	Decal Package - Left & Right
	093306-01-702	EA	Fan Capacitor
	093306-01-703	EA	Fan - 4 Blade - 9" Dia
	093306-01-704	EA	Overload
	093306-01-705	EA	Motor
	093306-01-706	EA	Blower Wheel - 6 5/16" x 2 - 7/8" WVD
	093306-01-707	EA	Start Capacitor
	093306-01-708	EA	Start Relay
	093306-01-709	EA	Decal F/Thermostat & Selector
	093306-01-710	EA	Ceiling Shroud - Ivory w/Decal
	093306-01-711	EA	Condenser Coil
	093306-01-712	EA	Compressor
	093306-01-713	EA	Evaporator
	093306-01-714	EA	Switch - Selector
	076303-01-701	EA	Knob - Control - 2 Per Package
	093307-01-000	EA	Ceiling Asm - A/C Cool - Ivory

FURNACE

Key	Part Number	U/M	Description
	093365-01-000	EA	Thermostat - Wall - Furnace
	101990-01-000	EA	Furnace - 17,000 BTU - Suburban
	101990-01-700	EA	Microswitch
	101990-01-701	EA	Combustion Air Wheel
	101990-01-702	EA	Burner
	101990-01-703	EA	Room Air Impeller
	101990-01-704	EA	Motor
	101990-01-705	EA	Time Delay Relay
	101990-01-706	EA	Terminal Strip
	101990-01-707	EA	Valve
	101990-01-709	EA	Electrode
	101990-01-709	EA	Grille Assembly
	101990-01-710	EA	Limit Switch
	101990-01-711	EA	Orifice
	101990-01-712	EA	Piezo Kit
	101990-01-713	EA	Motor Gasket
	101990-01-714	EA	Microswitch Gasket
	101990-01-715	EA	Combustion Air Gasket - Front
	101990-01-716	EA	Combustion Air Gasket - Rear
	101990-01-717	EA	Manifold Gasket
	101990-01-718	EA	Burner Access Door Gasket
	092300-01-709	EA	Module Board
	085730-04-700	EA	Vacuum Breaker for Handspray
	101990-01-02-000	EA	Vent - Furnace - Outside

INTERIOR FINISH GROUP

FABRICS & FLOOR COVERINGS

Key	Part Number	U/M	Description
	072333-75-000	YD	Fabric - Drapery - Beige (Privacy)
	072333-79-000	YD	Fabric - Drapery - Blue (B27)
	072333-78-000	YD	Fabric - Drapery - Driftwood (Pullshade)
	096008-44-000	YD	Fabric - Upholstery - Main - Patterned (B27)
	096008-46-000	YD	Fabric - Upholstery - Main - Patterned (B28)
	096008-43-000	YD	Fabric - Upholstery - Accent - Patterned (B27)
	096008-42-000	YD	Fabric - Upholstery - Accent - Patterned (B28)
	096008-28-000	YD	Fabric - Upholstery - Accent - Plain (B27)
	096008-45-000	YD	Fabric - Upholstery - Accent - Plain (B28)
	075244-03-000	YD	Vinyl - Shower Curtain - Almond
	079680-09-000	YD	Vinyl - Off White (Wingwall)
	029219-01-000	YD	Vinyl - White (Assist Handle)
	079680-07-000	YD	Vinyl - Beige (Headliner)
	096060-14-000	YD	Carpet - Delft Blue (B27)
	096060-15-000	YD	Carpet - Sand (B28)
	047034-02-000	SF	Plastic Runner - Carpet - 4' Wide - Clear
	102595-04-000	YD	Tape - Carpet Bind - Blue (B27)
	085746-04-000	FT	Trim - J' - Carpet - PVC

* These parts are used from 10/4/90 on
NOTE Replace vinyl flooring locally

CABINETS & TABLE HARDWARE

Key	Part Number	U/M	Description
	053200-05-000	EA	Bracket - Table Support - Upper Wall Mount - 23 5" Beige
	024275-05-000	EA	Rod - Table Lift - 8" x 23 5" - Beige
	064781-05-000	EA	Cup Holder - Two Stage - Off White
	088410-01-000	EA	Bracket - Lift - Table Mounted - Beige
	024281-07-000	EA	Bracket - Lift - Rod - Lower Wall Mount - 22 12" - Beige
	049493-01-000	EA	Catch - Table Leg - Floor Mounted - Beige
	024276-21-000	EA	Leg Asm - Table - Beige
	064050-03-000	EA	Clamp - Saddle - Leg Hinge - Tan
	024282-01-000	EA	Brace - Table Leg - Hinged
	024283-01-000	EA	Clip - Leg - 1" x 1 1/2" OD - Black
	081295-01-001	EA	Support - Base - Dinette
	059777-02-000	EA	Hinge - Antique Light Brass
	077403-02-000	EA	Slide Drawer Plastic - 20 75'
	074493-02-000	EA	Support - Sprung - Door
	037688-01-000	FT	Rail - V Guide - Drawer - 10
	037688-03-000	EA	Guide - Center Drawer
	037688-04-000	EA	Bracket - Rail - Mounting - Front
	037688-05-000	EA	Bracket - Rail Mounting - Rear

CURTAIN & CUSHION HARDWARE

Key	Part Number	U/M	Description
	009136-01-000	EA	Pin - Shower Curtain
	029092-01-000	EA	Stud - Nickel Finish
	029093-01-000	EA	Eyelet - Nickel Finish
	029155-01-000	EA	Cap - Snap
	029156-01-000	EA	Socket - Snap Fastener
	059797-02-000	EA	Shell - Upholstery - Regular - #30
	059734-01-000	EA	Back - Button - Durasnap - #30
	078155-01-000	EA	Strap Asm - Cushion
	033170-01-000	EA	Bracket - Installation - Blind - Right
	083170-02-000	EA	Bracket - Installation - Blind - Left
	084432-06-000	FT	Slat - Plastic Roller Shade - 96
	095591-02-000	EA	Bracket - Holddown w/Pin
	102555-01-000	EA	Blind - Cord Cleat
	101031-01-000	YD	Tape - Glide - 4 25
	101032-01-000	FT	Track - Ceiling Mount - White
	101033-01-000	FT	Track - Low Profile - White
	101033-02-000	EA	End Cap - Track - Clear

1991 ITASCA TABLE OF CONTENTS

INTRODUCTION	A-01
ABBREVIATIONS	A-01
ALPHABETICAL INDEX	A-02 - A-04
IT320RB	A-05 - C-10
IT321RB	C-11 - E-18
IT321RL	E-19 - G-24

1991 IT321RB INDEX

Floor Plan	C-11 - C-12
Accessories Group	C-13
Bath Group	C-14 - C-15
Chassis Group	C-16 - C-17
Curtain Cushion & Pad Group	C-18 - C-23
Dinette Group	C-24 - D-01
Driver's Compartment Group	D-02
Electrical Group	D-03 - D-04
Exterior Body Group	D-05 - D-09
Galley Group	D-10 - D-14
Heating & Air Conditioning Group	D-15
Interior Finish Group	D-15 - D-17
Labels Group	D-18 - E-01
LP Group	E-02
Lounge Group	E-03
Sealants & Fasteners Group	E-04 - E-05
Water & Sewage Group	E-06 - E-08
Window Vent & Exterior Door Group	E-09 - E-18

INTERIOR FINISH GROUP (CONTINUED)

INTERIOR MOLDINGS & TRIMS

Key	Part Number	U/M	Description
	009809-17-000	EA	Molding - Plastic Corner - Outside - 1" - Light Oak
	009809-23-000	EA	Molding - Plastic Corner - Outside - 1" - Ivory
	009809-21-000	EA	Molding - Plastic Corner - Outside - 1" - Brown
	009812-17-000	EA	Molding - Plastic Corner - Outside - 1/2" - Light Oak
	009812-24-000	EA	Molding - Plastic Corner - Outside - 1/2" - Modern Ivory
	009812-22-000	EA	Molding - Plastic Corner - Outside - 1/2" - Brown
	022992-11-000	FT	Molding - Reverse Cove - T-Shaped - Vinyl - Ivory
	086279-02-000	FT	Molding - Trim - Off White
	070504-06-000	FT	U-Channel - 815" - Light Oak
	070504-19-000	FT	U-Channel - 815" - Brown
	009778-12-000	FT	U-Channel - 1" - Brown
	009778-13-000	FT	U-Channel - 1" - Pecan (Sliding Door)
	009767-12-000	FT	Wetling - Antique White
	100041-01-000	EA	Molding - Vinyl Wrapped - 1 5" x 84"
	100041-02-000	EA	Molding - Vinyl Wrapped - 2 5" x 84"
	100040-03-000	EA	Lumber - Vinyl Wrapped - 2 95 9"
	100040-01-000	EA	Lumber - Vinyl Wrapped - 1.5" x 90 9"
	000885-46-000	SF	Particle Board - Vinyl Wrapped - 48" x 96" (32 SF)
	069733-78-000	EA	Batt Strip - Rambling Oak - 8'
	080263-48-000	EA	Batt Strip - Montgomery - 8' (Wall)
	085284-35-000	EA	Batt Strip - Montgomery - Tape Adhesive (Wall)
	088253-50-000	EA	Batt Strip - Travertine - White - 8" (Wet Bath)
	085264-38-000	EA	Batt Strip - Travertine - White - Tape Adhesive (Wet Bath)
	088263-51-000	EA	Batt Strip - Crossik Spatter - Neutral (Ceiling)
	085284-48-000	EA	Batt Strip - Crossik Spatter - Neutral - Tape Adhesive (Ceiling)

PANELING & COUNTERTOP MATERIAL

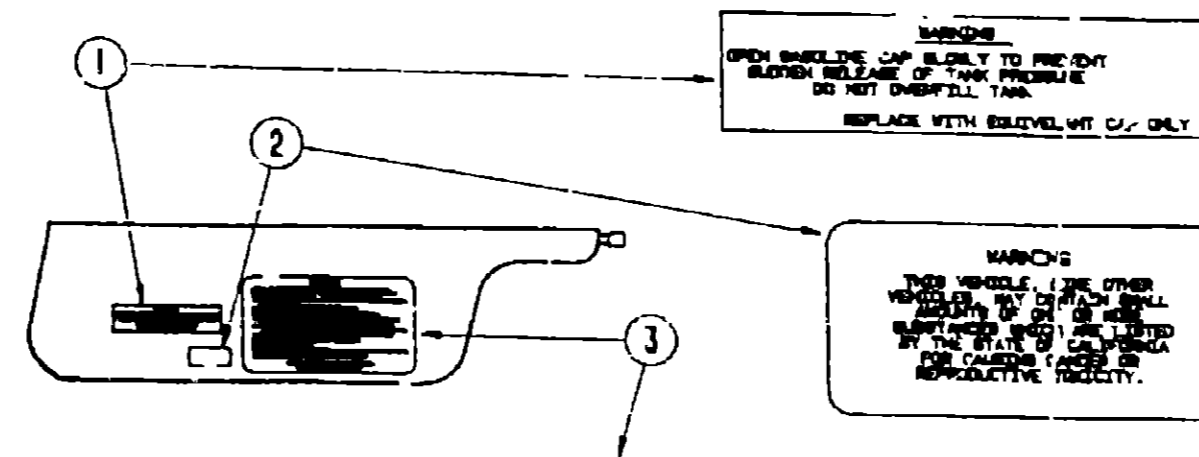
Key	Part Number	U/M	Description
	074497-17-000	SF	Paneling - Rambling Oak - 43" x 84" (28 SF) (Cabinets)
	074497-18-000	SF	Paneling - Crossik - 48" x 96" (32 SF) (Ceiling)
	088272-70-000	SF	Paneling - Montgomery Spring - 48" x 84" (28 SF) (Main Wall)
	088272-81-000	SF	Paneling - Fairfield Spring - 48" x 84" (28 SF) (Bath)
	088272-72-000	SF	Paneling - Travertine White - 48" x 84" (28 SF) (Wet Bath)
	088272-69-000	SF	Paneling - Ansel Blossom - 48" x 84" (28 SF) (Sliding Door)
	079616-02-000	SF	Paneling - Cedar - Solid - 48" x 96" (32 SF) (Closet)
	088272-38-000	SF	Paneling - Decor - Bona - 48" x 84" (28 SF) (Shower)
	076775-07-000	SF	Paneling - Rambling Oak - 2 Sided - 48" x 96" (32 SF)
	074498-36-000	SF	Plastic Laminate - Caldera Rose - 48" x 96" (32 SF)
	076325-28-000	FT	Molding - Edge Band - Beige
	076325-37-000	FT	Molding - Edge Band - Caldera Rose
	076325-25-000	FT	Molding - Edge Band - Rambling Oak

* These parts are used from 5/28/90 on

MISCELLANEOUS PARTS

Key	Part Number	U/M	Description
	053552-02-AA9	EA	Handle Asm - Interor Assist - Off White
	094499-01-000	EA	Fire Extinguisher - Dry IA 10BC (UL)
	094499-02-000	EA	Fire Extinguisher - Dry IA 10BC (CSA)
	094499-01-700	EA	Bracket - Mounting - w/Plastic Strap
	094651-01-01A	EA	Recessed Holder - Fire Extinguisher - Light Oak
	054185-70-000	EA	Owners Manual - 1991 'Spirit'
	098084-11-000	EA	Cassette - "Spirit"
	086120-01-B27	EA	Map Pocket - 12" x 16"
	086120-01-B28	EA	Map Pocket - 12" x 16"

LABELS GROUP



WARNING
OPEN FUEL TANK CAP SLOWLY TO PREVENT
SUDDEN RELEASE OF FUEL PRESSURE.
DO NOT OVERFILL TANK.
REPLACE WITH RELIEF CAP ONLY.

WARNING
THIS VEHICLE, LIKE OTHER
VEHICLES, MAY BE EQUIPPED
WITH AIR BAGS. AIR BAGS
OPERATED PROPERLY ARE LIMITED
BY THE STATE OF CALIFORNIA
FOR CALIFORNIA FAVOR OF
REPRODUCTIVE FACILITY.

CAUTION

THIS MOTOR HOME HAS BEEN DESIGNED, MANUFACTURED AND TESTED WITH CONCERN FOR THE PROTECTION OF IT'S OCCUPANTS. WE RECOMMEND YOU PERFORM THE FOLLOWING INSPECTIONS FOR YOUR SAFETY AND THE SAFETY OF YOUR PASSENGERS BEFORE STARTING YOUR VEHICLE.

1. LP GAS SYSTEM- TURN OFF AT TANK FOR TRAVELING. TEST FOR LEAKS UPON ARRIVAL AT DESTINATION BEFORE LIGHTING PILOTS.
2. WHEELS- INSPECT FOR DAMAGE AND CHECK LUB NUTS FOR TIGHTNESS.
3. TIRES- INSPECT FOR WEAR AND DAMAGE AND CHECK FOR RECOMMENDED AIR PRESSURE.
4. LIGHTS- TEST FOR PROPER OPERATION OF ALL INTERIOR AND EXTERIOR LIGHTS INCLUDING DASH LIGHTS, HEADLIGHTS, TAIL LIGHTS, BRAKE LIGHTS, CLEARANCE LIGHTS AND TURN SIGNALS.
5. EXITS- INSPECT RELEASE MECHANISM ON EMERGENCY EXIT WINDOW. TEST BOTH LOCKS ON MAIN ENTRANCE DOOR FOR EASE OF OPERATION AND INSTRUCT PASSENGERS HOW TO USE BOTH REARS OF EXIT.
6. SEAT BELTS- DIRECT PASSENGERS TO DESIGNATED SEATS AND REQUIRE USE OF SEAT BELTS.
7. APPLIANCES- TURN OFF AND LATCH OR LOCK DOORS WHERE PROVIDED.
8. LOOSE PARCELS- STORE SECURELY.
9. UTILITY SUPPLY LINES- DISCONNECT ALL ELECTRIC, WATER AND WATER LINES AND SECURE PROPERLY.
10. ENTRANCE DOOR STEP- PLACE IN RETRACTED POSITION FOR TRAVELING.

READ YOUR MOTOR HOME AND CHASSIS OWNER'S MANUAL FOR FURTHER PRECAUTIONS.

Key	Part Number	U/M	Description
1	087207-13-000	EA	Label - Fuel Cap Removal
2	099689-01-000	EA	Label - Warning - Cancer/Toxicity
3	056259-01-000	EA	Label - Safety Check List

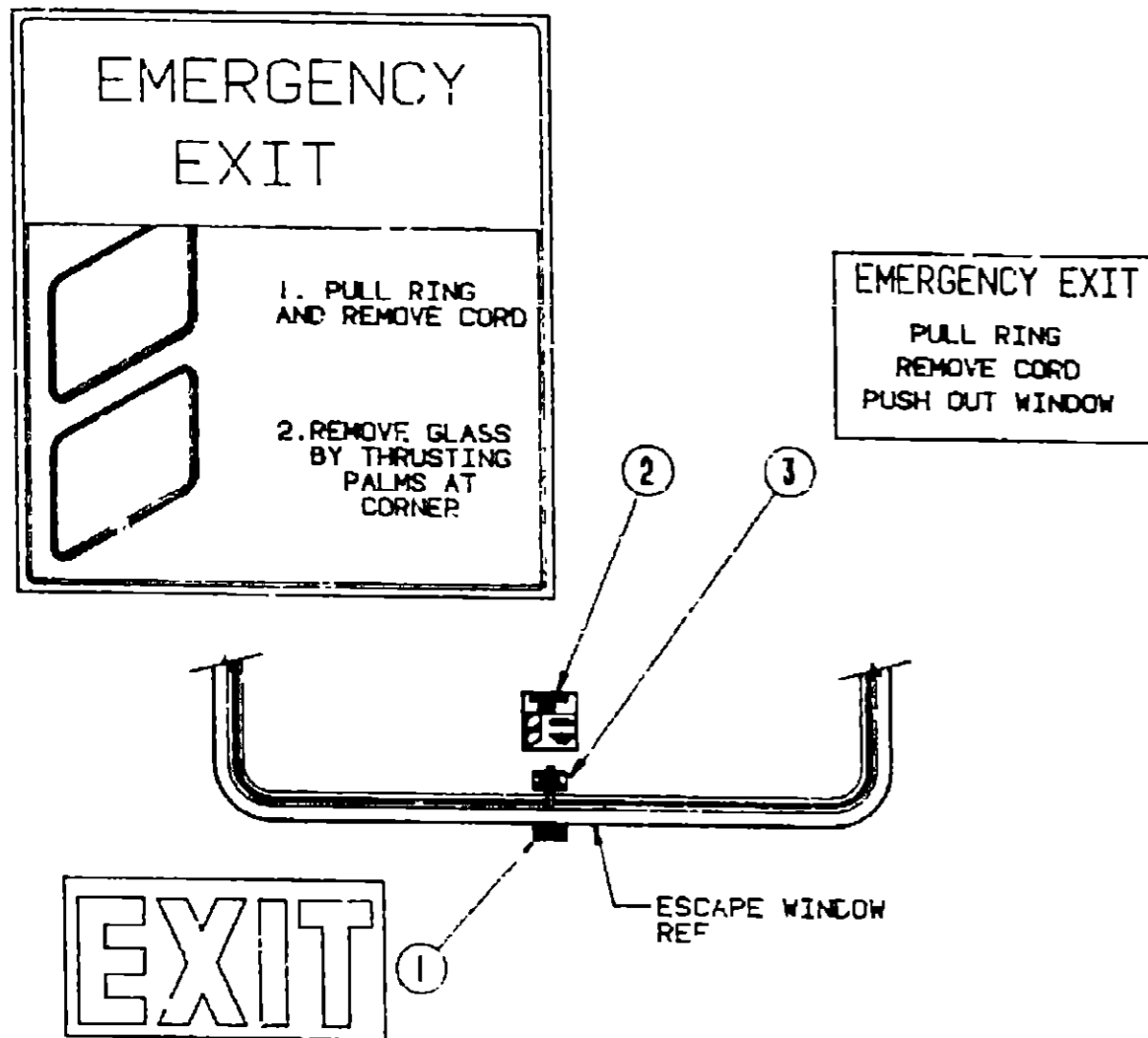
1991 ITASCA TABLE OF CONTENTS

INTRODUCTION	A-01
ABBREVIATIONS	A-01
ALPHABETICAL INDEX	A-02 - A-04
IT320RB	A-05 - C-10
IT321RB	C-11 - E-18
IT321RL	E-19 - G-24

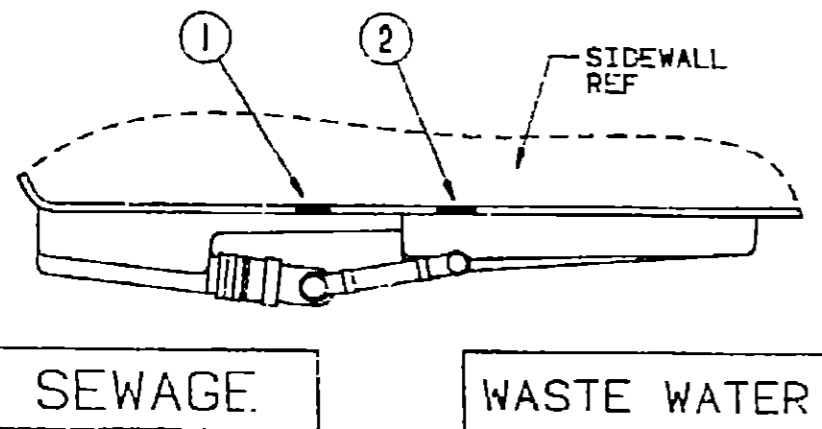
1991 IT321RB INDEX

Floor Plan	C-11 - C-12
Accessories Group	C-13
Bath Group	C-14 - C-15
Chassis Group	C-16 - C-17
Curtain, Cushion & Pad Group	C-18 - C-23
Dinette Group	C-24 - D-01
Driver's Compartment Group	D-02
Electrical Group	D-03 - D-04
Exterior Body Group	D-05 - D-09
Galley Group	D-10 - D-14
Heating & Air Conditioning Group	D-15
Interior Finish Group	D-16 - D-17
Labels Group	D-18 - E-01
LP Group	E-02
Lounge Group	E-03
Sealants & Fasteners Group	E-04 - E-05
Water & Sewage Group	E-06 - E-08
Window, Vent & Exterior Door Group	E-09 - E-18

LABELS GROUP (CONTINUED)



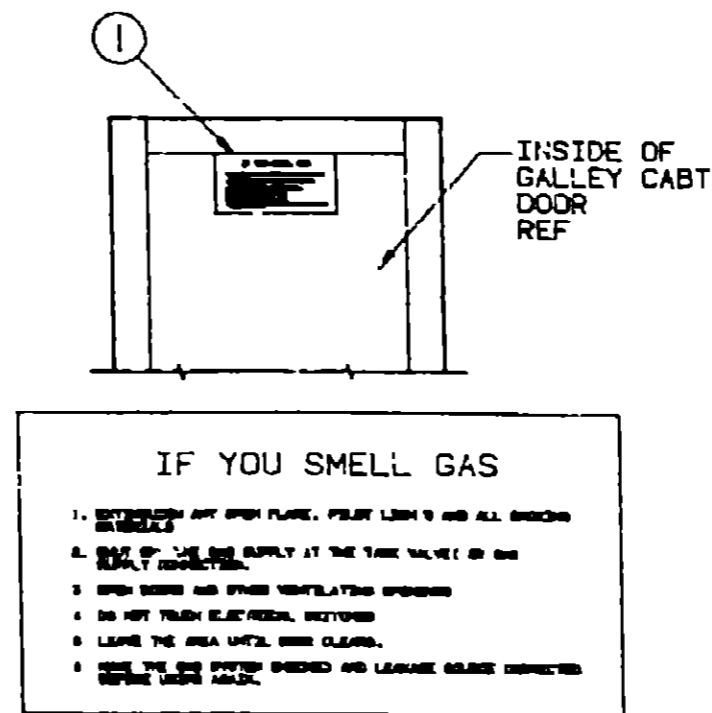
Key	Part Number	U/M	Description
1	039290-01-000	EA	Label - Warning - Exit
2	047731-01-000	EA	Label - Emergency Exit
3	006199-01-000	EA	Label - Exit - Escape Window



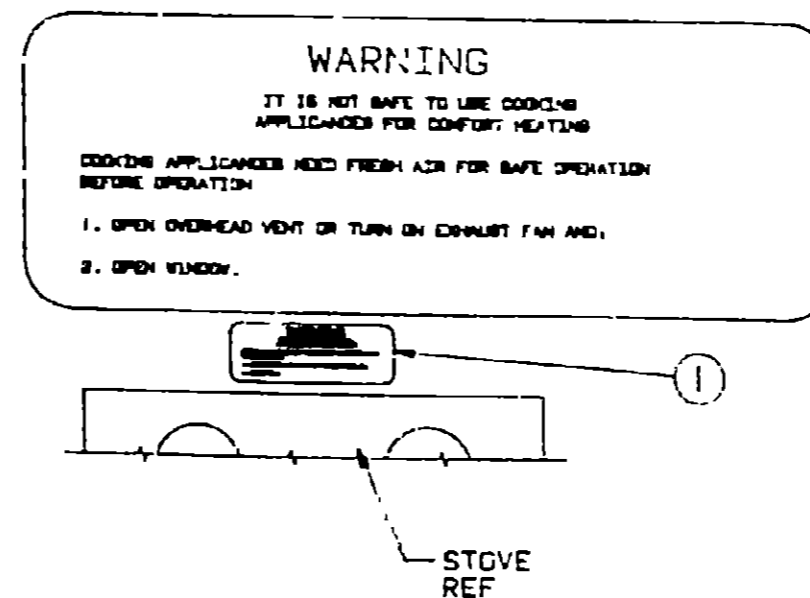
LOCATE LABEL TO ALIGN AS NEARLY AS POSSIBLE WITH THE APPROPRIATE VALVE.

Key	Part Number	U/M	Description
1	006187-01-000	EA	Label - Sewage
2	006188-01-000	EA	Label - Waste Water

LABELS GROUP (CONTINUED)



Key	Part Number	U/M	Description
1	073998-01-000	EA	Label - L ^{PG} - Odor Warning



Key	Part Number	U/M	Description
1	050225-01-000	EA	Label - Warning - Stove Vent (US)
1	050222-01-000	EA	Label - Warning - Stove Vent (CSA)

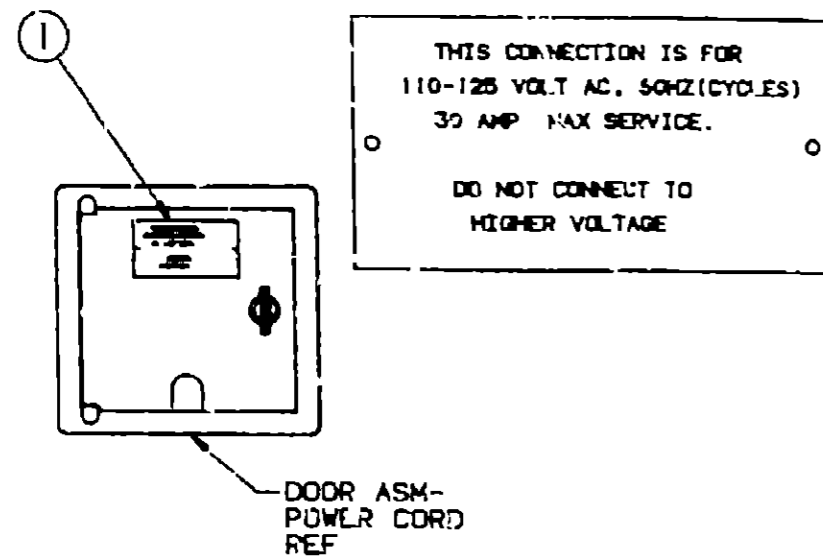
1991 ITASCA TABLE OF CONTENTS

INTRODUCTION	A-01
ABBREVIATIONS	A-01
ALPHABETICAL INDEX	A-02 - A-04
IT320RB	A-05 - C-10
IT321RB	C-11 - E-18
IT321AL	E-19 - G-24

1991 IT321RB INDEX

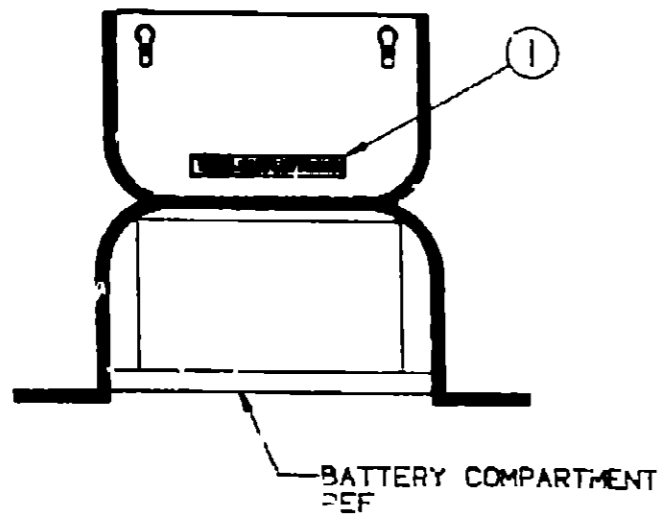
Floor Plan	C-11 - C-12
Accessories Group	C-13
Bath Group	C-14 - C-15
Chassis Group	C-16 - C-17
Curtain, Cushion & Pad Group	C-18 - C-23
Dinette Group	C-24 - D-01
Driver's Comp. ment Group	D-02
Electrical Group	D-03 - D-04
Exterior Body Group	D-05 - D-09
Galley Group	D-10 - D-14
Heating & Air Conditioning Group	D-15
Interior Finish Group	D-16 - D-17
Labels Group	D-18 - E-01
LP Group	E-02
Lounge Group	E-03
Sealants & Fasteners Group	E-04 - E-05
Water & Sewage Group	E-06 - E-03
Window, Vent & Exterior Door Group	E-09 - E-18

LABELS GROUP (CONTINUED)



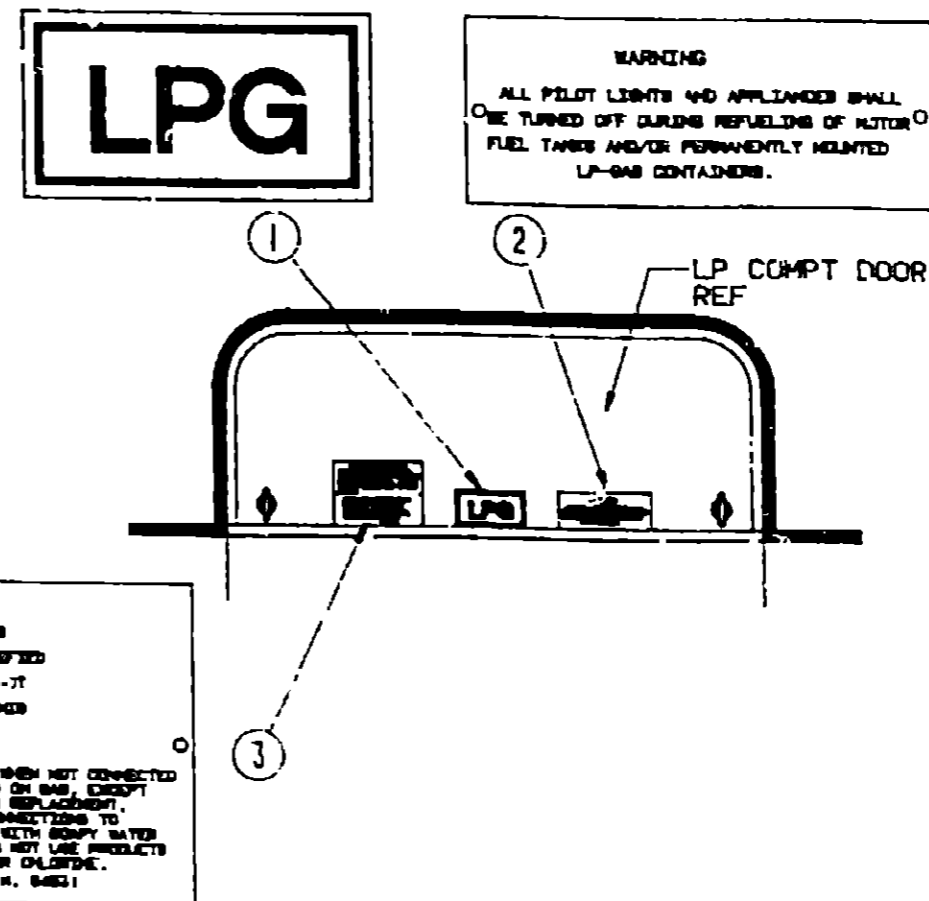
Key	Part Number	U/M	Description
1	006062-01-000	EA	Tag - Electrical - 110 Volt Connection

WARNING DISCONNECT BATTERIES BEFORE CONNECTING EXTERNAL CHARGING EQUIPMENT.

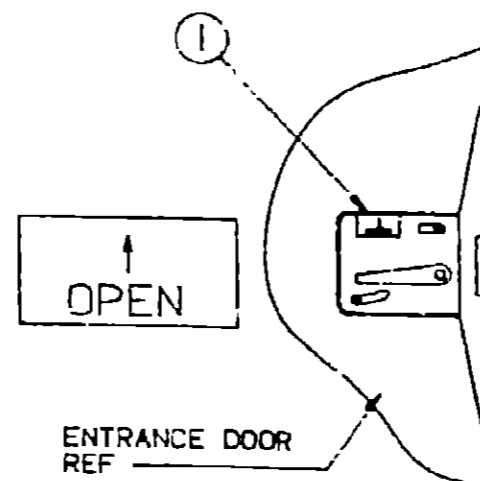


Key	Part Number	U/M	Description
1	065748-01-000	EA	Label - Caution - Battery Charging

LABELS GROUP (CONTINUED)



Key	Part Number	U/M	Description
1	074559-01-000	EA	Label - 'LPG' - 3 3/4" x 1 7/8" (California Code)
2	006040-01-000	EA	Tag - Gas Refueling - Warning (US)
2	006040-02-000	EA	Tag - Gas Refueling - Warning (CSA)
3	054531-01-000	EA	Label - LP Gas Only



Key	Part Number	U/M	Description
1	040944-01-000	EA	Label - Open - Entrance Door

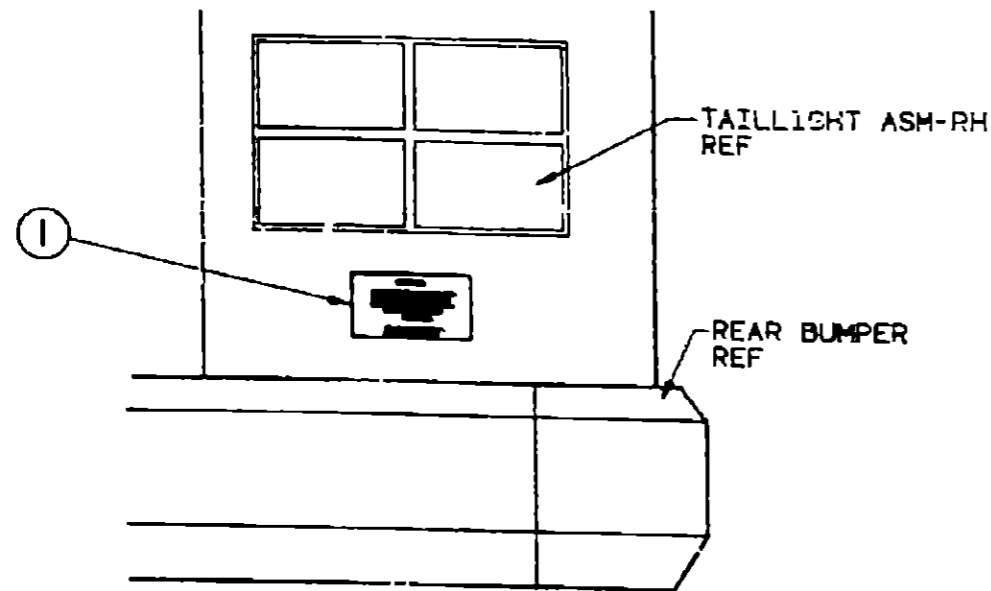
1991 ITASCA TABLE OF CONTENTS

INTRODUCTION	A-01
ABBREVIATIONS	A-01
ALPHABETICAL INDEX	A-02 - A-04
IT320RB	A-05 - C-10
IT321RB	C-11 - E-18
IT321RL	E-19 - G-24

1991 IT321RB INDEX

Floor Plan	C-11 - C-12
Accessories Group	C-13
Bath Group	C-14 - C-15
Chassis Group	C-16 - C-17
Curtain, Cushion & Pad Group	C-18 - C-23
Dinette Group	C-24 - D-01
Driver's Compartment Group	D-02
Electrical Group	D-03 - D-04
Exterior Body Group	D-05 - D-09
Galley Group	D-10 - D-14
Heating & Air Conditioning Group	D-15
Interior Finish Group	D-16 - D-17
Labels Group	D-18 - E-01
LP Group	E-02
Lounge Group	E-03
Sealants & Fasteners Group	E-04 - E-05
Water & Sewage Group	E-06 - E-08
Window, Vent & Exterior Door Group	E-09 - E-18

LABELS GROUP (CONTINUED)



WARNING

DO NOT EXCEED THE VEHICLE WEIGHT RATINGS OR LOADING RECOMMENDATIONS (E.G., GROSS VEHICLE, GROSS AXLE, GROSS COMBINED) OF THE CHASSIS MANUFACTURER OR WINNEBAGO INC.

REFER TO YOUR OWNERS MANUAL, BEFORE LOADING OR TOWING.

Key	Part Number	U/M	Description
1	075220-01-000	EA	Label - Warning - Exterior Load

Key	Part Number	U/M	Description
	006064-01-000	EA	Label - Seat - w/o Seat Belt
	006064-02-000	EA	Label - Seat - w/o Seat Belt (CSA)
	091243-01-000	EA	Label - A/C Cover
	006019-01-000	EA	Tag - RVJ Approved - Plastic

LABELS GROUP (CONTINUED)

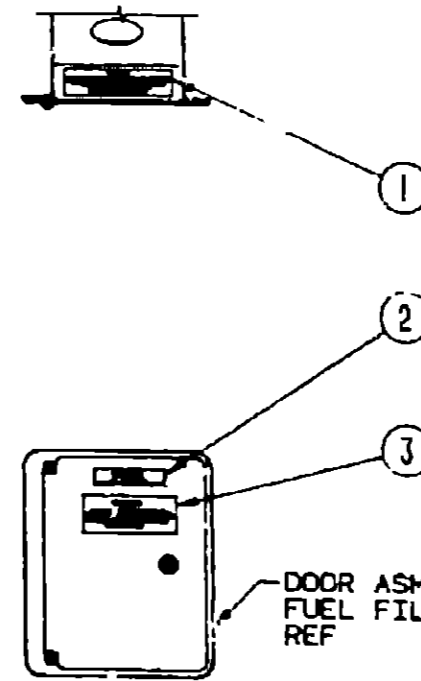
WARNING

OPEN GASOLINE CAP SLOWLY TO PREVENT SUDDEN RELEASE OF TANK PRESSURE. DO NOT OVERFILL TANK. REPLACE WITH EQUIVALENT GAS ONLY

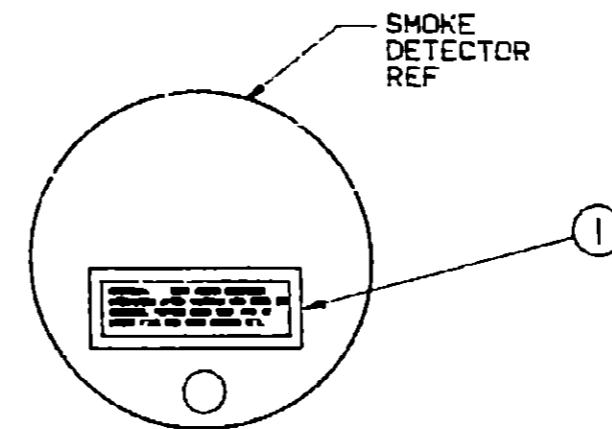
FUEL

WARNING

ALL PILOT LIGHTS AND APPLIANCES SHALL BE TURNED OFF DURING REFUELING OF MOTOR FUEL TANKS AND/OR PERMANENTLY MOUNTED LP-GAS CONTAINERS



Key	Part Number	U/M	Description
1	087207-05-000	EA	Label - Fuel Cap Removal
2	062043-01-000	EA	Label - Unleaded Fuel
3	006040-01-000	EA	Tag - Gas Refueling Warning (US)
3	006040-02-000	EA	Tag - Gas Refueling Warning (CSA)



WARNING

TEST SMOKE DETECTOR OPERATION AFTER VEHICLE HAS BEEN IN STORAGE, BEFORE EACH TRIP AND AT LEAST ONCE PER WEEK DURING USE.

Key	Part Number	U/M	Description
1	077956-01-000	EA	Label - Warning - Smoke Detector

1991 ITASCA TABLE OF CONTENTS

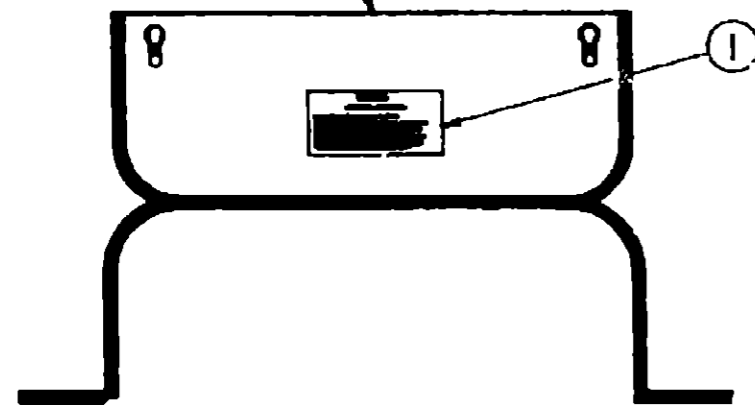
INTRODUCTION	A-01
ABBREVIATIONS	A-01
ALPHABETICAL INDEX	A-02 - A-04
IT320RB	A-05 - C-10
IT321RB	C-11 - E-18
IT321RL	E-19 - G-24

1991 IT321RB INDEX

Floor Plan	C-11 - C-12
Accessories Group	C-13
Bath Group	C-14 - C-15
Chassis Group	C-16 - C-17
Curtain, Cushion & Pad Group	C-18 - C-23
Dinette Group	C-24 - D-01
Driver's Compartment Group	D-02
Electrical Group	D-03 - D-04
Exterior Body Group	D-05 - D-09
Galley Group	D-10 - D-14
Heating & Air Conditioning Group	D-15
Interior Finish Group	D-16 - D-17
Labels Group	D-18 - E-01
LP Group	E-02
Lounge Group	E-03
Sealants & Fasteners Group	E-04 - E-05
Water & Sewage Group	E-06 - E-06
Window, Vent & Exterior Door Group	E-09 - E-18

LABELS GROUP (CONTINUED)

GENERATOR COMP
DOOR REF

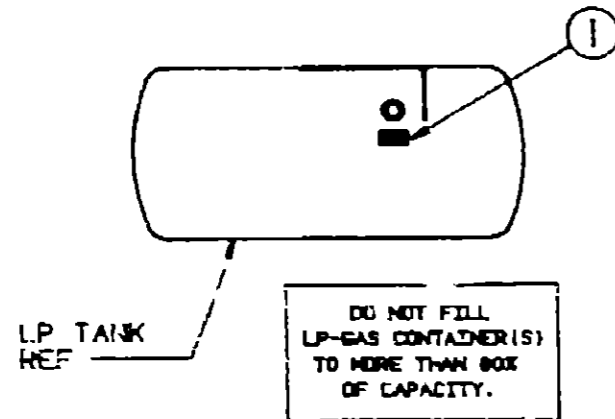


WARNING

INSTALLATION & MAINTENANCE

NEVER VOLTAGE-USE EXCESSIVE CURRENT OVER RATED OR ELECTRICAL EQUIPMENT.
 MAKE ALL ELECTRICAL INSTALLATIONS PERFORMED BY A QUALIFIED LICENSED ELECTRICIAN-FOLLOW ALL STATE AND LOCAL CODES.
 ONLY QUALIFIED PERSONNEL SHOULD BE APPLIED FOR A V. APPLICATIONS. MAKE SURE ALL ELECTRICAL CONNECTIONS ARE MADE CORRECTLY.
 TO AVOID HEAT BUILD-UP AND TO ENSURE AN ADEQUATE AIR SUPPLY TO THE GENERATOR COMPARTMENT, FOLLOW INSTALLATION INSTRUCTIONS.
 GENERATOR COMPARTMENT SHOULD BE TRACED AND MUST NOT TERMINATE UNDER THE VEHICLE-REARWARD EXHAUST AWAY FROM VEHICLE.

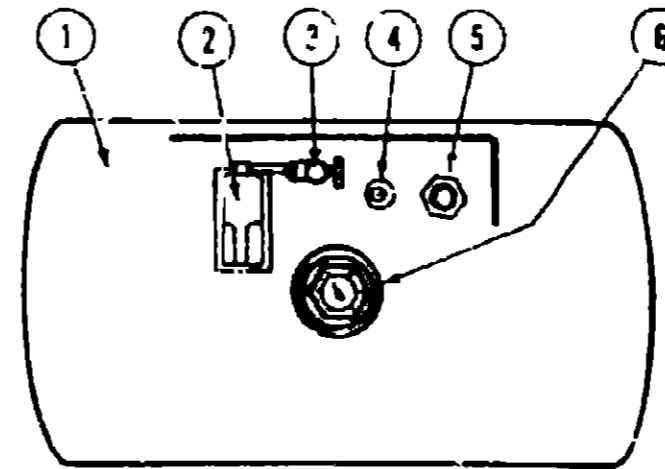
Key	Part Number	U/M	Description
1	077510-01-000	EA	Label - Generator Prep



DO NOT FILL
LP-GAS CONTAINER(S)
TO MORE THAN 80%
OF CAPACITY.

Key	Part Number	U/M	Description
1	079965-01-000	EA	Label - LPG - 80% Capacity

LP GROUP



Key	Part Number	U/M	Description
1	074039-03-000	EA	Tank Asm - LP - Bottom Mount - 28 Pound
2	058705-01-000	EA	Regulator - Two Stage - LP
3	040421-01-703	EA	Valve - Vapor Relief
4	040421-01-700	EA	Gauge - Liquid Level - 20% LP
5	060450-01-000	EA	Valve - Filler - LP
6	055741-01-000	EA	Cap - Plastic Fill Valve
	040421-01-706	EA	Gauge - Float - w/Visible Dial
	040440-01-000	EA	Dial - Visible Face - Float Gauge (Tank w/o Electric Transmitter)
	040421-01-708	EA	Dial - Transmitter - 0 - 90 Ghr. (Float Gauge)
	065742-01-000	EA	Handwheel - Vapor Relief Valve
	074039-02-700	EA	Tee - .38 F x .36 F x .25 FPT - Brass
	065742-01-000	EA	Float Asm w/o Gauge - Screw On
	006042-01-000	EA	Tee - .38 F x .38 F x .25 FPT
	010323-01-000	FT	Tubing - Vinyl - .65" ID
	010377-02-000	EA	Adapter - Brass - 3/8 F x 1/2 MPT
	074458-01-000	EA	Nut - Brass - 3/8 F - Forged
	075146-02-000	EA	Elbow - 3/8 M FL to 3/8 F FL SVL
	000G11-08-12R	EA	Clamp - Grounding - Bronze Screws
	071391-02-000	EA	Screw - 8 - 18 x 3/4 PPH ZN
		EA	Nipple - Hex - 1/4 Pipe

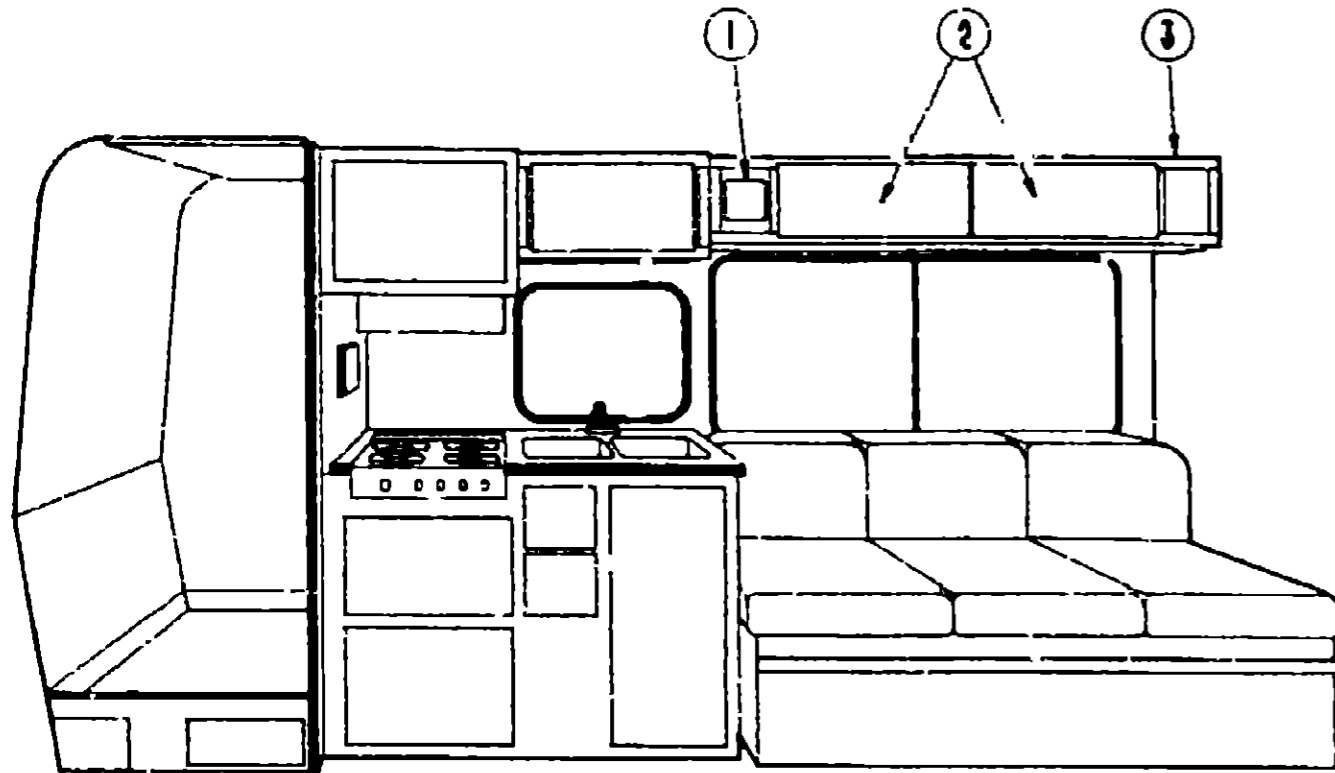
**1991 ITASCA
TABLE OF CONTENTS**

INTRODUCTION	A-01
ABBREVIATIONS	A-01
ALPHABETICAL INDEX	A-02 - A-04
IT320RB	A-05 - C-10
IT321RB	C-11 - E-18
IT321RL	E-19 - G-24

1991 IT321RB INDEX

Floor Plan	C-11 - C-12
Accessories Group	C-13
Bath Group	C-14 - C-15
Chassis Group	C-16 - C-17
Curtain, Cushion & Pad Group	C-18 - C-23
Dinette Group	C-24 - D-01
Driver's Compartment Group	D-02
Electrical Group	D-03 - D-04
Exterior Body Group	D-05 - D-09
Galley Group	D-10 - D-14
Heating & Air Conditioning Group	D-15
Interior Finish Group	D-15 - D-17
Labels Group	D-18 - E-01
LP Group	E-02
Lounge Group	E-03
Sealants & Fasteners Group	E-04 - E-05
Water & Sewage Group	E-06 - E-08
Window, Vent & Exterior Door Group	E-09 - E-18

LOUNGE GROUP



LOUNGE CABINETRY

Key	Part Number	U/M	Description
1	094097-01-000	EA	Speaker - Radio - w/o Grille - 5 25" Dia.
	089340-01-000	EA	Grille - Speaker - 6 25" - Square
**	089340-02-000	EA	Grille - Speaker - 6 25" - Square
	774979-01-000	EA	Cover - Speaker - 8" x 9" - Light Oak
2	P00099-01-B44	EA	Door Asm - Front Overhead - 10" x 25.2" - w/o Hardware
*2	P02679-01-B27	EA	Door Asm - Front Overhead - 10" x 25.2" - w/o Hardware
3	M99852-01-B44	EA	Cabinet Asm. - Front Overhead - w/o Doors or Hardware
			* These are the doors used from 9/3/90 on
**			** These are the parts used from 11/5/90 on

MISCELLANEOUS LOUNGE HARDWARE

Key	Part Number	U/M	Description
	007021-01-000	EA	Seat Belt - 2" x 90" - Black
	057759-01-000	EA	Bracket - Seat Belt Washer - 4"
	093586-03-000	EA	Catch - Spring Roller - Cabinet
	093586-04-000	EA	Strike - Spring Steel - Cabinet
	059777-02-000	EA	Hinge - Cabinet Door - Burnished Brass
	100030-01-000	EA	Pull - Cabinet Door
	074493-02-000	EA	Support - Overhead Door - Sprung

SEALANTS & FASTENERS GROUP

SCREWS & FASTENERS

Key	Part Number	U/M	Description
	000C13-07-488	EA	Bolt - Hex - 7/16 - 20 x 3 - Zn 5
	000C26-05-208	EA	Bolt - Hex - Ser Fig 5/16 - 18 x 1 1/4" - Zinc
	000D24-10-00B	EA	Nut - Hex - Locking - 10-32 - Zn
	000D39-05-00B	EA	Nut - Hex - Ser Fig Lk - 5/16 - 18 - Zn
	000D39-06-00B	EA	Nut - Hex - Ser Fig Lk - 3/8 - 16 - Zn
	000D39-08-00B	EA	Nut - Hex - Ser Fig Lk - 1/2 - 13 - Zn
	000D44-07-00B	EA	Nut - Hex - Ser Fig Lk - 7/16 - 20 - Zn
	000E13-11-00B	EA	Washer - Flat - 3/16" Wide - Zn
	000G11-06-10J	EA	Screw - 6 - 20 x 5/8 PPH - Brass
	000G11-07-08B	EA	Screw - 7 - 19 x 1/2 PPH - Zn
	000G11-08-06B	EA	Screw - 8 - 18 x 3/8 PPH - Zn
	000G11-08-12B	EA	Screw - 8 - 18 x 3/4 PPH - Zn
	000G11-08-12D	EA	Screw - 8 - 18 x 3/4 PPH - Black
	000G11-08-12P	EA	Screw - 8 - 18 x .75 - Dark Brown
	000G11-08-12R	EA	Screw - 8 - 18 x .75 PPH - Beige
	000G11-08-12S	EA	Screw - 8 - 18 x .75 PPH - Off White
	000G11-08-16S	EA	Screw - 8 - 18 x 1.00 PPH - Off White
	000G11-10-12D	EA	Screw - 10 - 16 x 3/4 PPH - Black
	000G11-10-24P	EA	Screw - 10 - 16 x 1 1/2 PPH - Dark Brown
	000G12-08-12S	EA	Screw - 8 - 18 x .75 POH - Off White
	000G12-08-16S	EA	Screw - 8 - 18 x 1" POH - Off White
	000G13-06-L9B	EA	Screw - 6 - 20 x 1/2 PFH - Zn
	000G13-06-10G	EA	Screw - 6 - 20 x 5/8 PFH - Antique Brass
	000G13-07-12B	EA	Screw - 7 - 19 x 3/4 PFH - Zn
	000G13-08-16B	EA	Screw - 8 - 18 x 1 PFH - Zn
	000G18-08-12B	EA	Screw - Machine - 8 - 32 x 3/4" PPH - Zn
	000G18-08-16B	EA	Screw - Machine - 8 - 32 x 1 PPH - Zn
	000G18-08-22B	EA	Screw - Machine - 8 - 32 x 1 3/8 PPH - Zn
	000G39-08-08B	EA	Screw - SF/DR 8 - 18 x 1/2 PPH - Zn
	000G39-08-08R	EA	Screw - SF/DR 8 - 18 x 1/2 PPH - Beige
	000G39-08-12B	EA	Screw - SF/DR 8 - 18 x 3/4 PPH - Zn
	000G39-08-12R	EA	Screw - SF/DR 8 - 18 x 3/4 PPH - Beige
	000G39-08-16S	EA	Screw - SF/DR 8 - 18 x 1.00 PPH - Off White
	000G39-08-24B	EA	Screw - SF/DR 8 - 18 x 1 1/2 PPH - Zn
	000G39-08-24S	EA	Screw - SF/DR 8 - 18 x 1.50 PPH - Off White
	000G39-10-10S	EA	Screw - SF/DR 10 - 16 x .62" PPH - Off White
	000G39-10-12D	EA	Screw - SF/DR 10 - 16 x 3/4 PPH - Black
	000G39-10-20B	EA	Screw - SF/DR 10 - 16 x 1 1/4 PPH - Zn
	000G42-04-16B	EA	Screw - SF/DR 1/4 - 14 x 1 HWH - Zn
	000G53-04-06B	EA	Screw - Machine - 1/4 - 20 x 3/8 PPH - Zn
	000G54-04-20B	EA	Screw - 1/4 - 20 x 1 1/4 PTH Typ 2S - Zn
	000G67-10-08B	EA	Screw - 10 - 12 x 1/2 PPH - Zn
	000G67-10-08R	EA	Screw - 10 - 12 x 1/2 PPH - Beige - Type A
	000G67-10-10R	EA	Screw - 10 - 12 x 5/8 PPH - Zn - Type A
	000G67-10-10R	EA	Screw - 10 - 12 x 5/8 PPH - Beige - Type A
	000G67-10-12B	EA	Screw - 10 - 12 x 3/4 PPH - Zn
	000G67-10-12P	EA	Screw - 10 - 12 x .75 PPH - Dark Brown
	000G67-10-120	EA	Screw - 10 - 12 x .75 PPH - Tan
	000G67-10-24B	EA	Screw - 10 - 12 x 1 1/2 PPH - Zn
	000G67-10-32B	EA	Screw - 10 - 12 x 2 PPH - Zn
	000G68-06-10G	EA	Screw - 6 - 18 x 5/8 POH - Antique Brass
	000H16-04-06R	EA	Rivet - Pop - AL 1/8 x .313 - .375
	0G5081-01-000	EA	Nut - Speed - C Type - No 8 Screw
	062401-02-000	EA	Clamp - Hose - Wormgear - 1.56" - 2.5"
	062401-06-000	EA	Clamp - Hose - Wormgear - 22" x .62"
	007161-01-000	EA	Clamp - hose - Spring Type - 1/2"
	008343-01-000	EA	Tie - Wire - 6"
	008386-01-000	EA	Grommet - Snap - 3/8
	008401-01-000	EA	Strap - Conduit - 3/4" - 1 Hole - Galvanized Steel

1991 ITASCA TABLE OF CONTENTS

INTRODUCTION	A-01
ABBREVIATIONS	A-01
ALPHABETICAL INDEX	A-02 - A-04
IT320RB	A-05 - C-10
IT321RB	C-11 - E-18
IT321RL	I-19 - G-24

1991 IT321RB INDEX

Floor Plan	C-11 - C-12
Accessories Group	C-13
Bath Group	C-14 - C-15
Chassis Group	C-16 - C-17
Curtain, Cushion & Pad Group	C-18 - C-23
Dinette Group	C-24 - D-01
Driver's Compartment Group	D-02
Electrical Group	D-03 - D-04
Exterior Body Group	D-05 - D-09
Galley Group	D-10 - D-14
Heating & Air Conditioning Group	D-15
Interior Finish Group	D-16 - D-17
Labels Group	D-18 - E-01
LP Group	E-02
Lounge Group	E-03
Sealants & Fasteners Group	E-04 - E-05
Water & Sewage Group	E-06 - E-08
Window, Vent & Exterior Door Group	E-09 - E-18

SEALANTS & FASTENERS GROUP (CONTINUED)

SCREWS & FASTENERS (CONTINUED)

Key	Part Number	U/M	Description
	010495-01-000	EA	Clamp - Cable - 9/16"
	010497-01-000	EA	Clamp - Closed - 5/8" ID
	010497-03-000	EA	Clamp - Closed - 1 ID - Cushioned
	010499-01-000	EA	Clamp - Closed - 3/8" ID
	016804-01-000	EA	Brace - Cabinet - Angled Metal - 2.5"
	063809-01-000	EA	Clamp - Wire Dual - Equal 5/8" Dia.
	084884-01-000	EA	Plug - Brass - 3/8"
	087721-01-000	EA	Screw - Flat Head - Tapping - 1/4 x 1 1/4 I.G. - Zn
	088371-01-000	EA	Screw - Machine - 8 - 32 x 3 5/16 - Zn
	075148-02-000	EA	Clamp - Grounding - Bronze Screws
	075908-01-000	EA	Screw - Machine - 10 - 32 x .56 PTH - Zn
	049465-04-000	EA	Screw - 10 - 16 x 1 PTH w/Washer - Beige
	076790-01-000	EA	Screw - 6 - 20 x 1 1/4 PPH - Black
	063729-04-000	EA	Rivnut - 10 - 32 UNF - .010 - 080

SEALANTS & ADHESIVES

Key	Part Number	U/M	Description
	004020-01-000	QT	Adhesive - ABS Cement (Plastic Fittings)
	004005-02-000	GL	Adhesive - Swirls - Glue (Sidewalls)
	053766-07-000	EA	Bedding Compound - Tube - Beige (Exterior)
	053776-06-000	EA	Bedding Compound - Tube - Clear (Window)
	053766-08-000	EA	Bedding Compound - Tube - Gray (Exterior)
	102352-01-000	EA	Bedding Compound - Tube - Black (Luggage Compartment)
	053766-02-000	EA	Bedding Compound - Tube - Off White (Exterior)
	002328-02-000	EA	Block - Rubber Spacer (Windshield)
	077967-01-000	EA	Sealant - Acrylic Latex - Tube - Off White (Interior Sealant)
	034552-04-000	EA	Sealant - Silicone - Beige
	034552-02-000	EA	Sealant - Silicone - Clear
	034552-07-000	EA	Sealant - Silicone - Dark Gray
	034552-06-000	EA	Sealant - Silicone - Off White
	039518-01-000	EA	Sealant Silicone - Black
	069640-01-000	FT	Sealer Ribbon - .25" Bead x 20'
	069640-02-000	FT	Sealer Ribbon - .5" x .125" x 30'
	069640-03-000	FT	Sealer Ribbon - .75" x .125" x 30'
	069640-09-000	FT	Sealer Ribbon - 1/32" x 2.5" x 30'
	069640-06-000	FT	Sealer Ribbon - 5/16" Bead x 15'
	069640-07-000	FT	Sealer Ribbon - 2" x 3/32" x 30'
	069640-10-000	FT	Sealer Ribbon - 1/32" x 1.5" x 100'
	002707-02-000	FT	Sealer Tape - 5/16" x 1/2"
	102353-01-700	EA	Seam Sealer - Tube - Gray (Roof Seams)
	094401-01-000	EA	Seam Sealer - Tube - Clear (Cap to Sidewall)
	102353-01-700	EA	Seam Sealer - Tube - Aluminum (Roof)
	063642-01-000	FT	Tape - Adhesive - .10mm x 1 5" Wide
	038886-01-000	EA	Tape - Butyl - 31" x 31" x 148" (Windshield)
	076322-01-000	FT	Tape - Foam - Double Coated - 025 x 75 x 72' (Fiberglass Sidewall Seams)
	076322-02-000	FT	Tape - Foam - Double Coated - 045 x 1" (Fiberglass Sidewall Seams)
	100028-01-000	FT	Tape - Foam - Double Coated - 031 x 75 x 72' (Non-Structural Fastening)
	009200-01-000	EA	Tape - Furnace - 1.5"
	002825-01-000	FT	Weather Stripping (Roof Vent)
	091377-01-700	EA	Adhesive - Cyanoacrylate - 10GM

WATER & SEWAGE GROUP

WATER LINES & HARDWARE

Key	Part Number	U/M	Description
	044927-01-000	EA	Adapter - Plastic - 1 1/4" MPT x 1 1/4" Bar (Water Tank)
	079317-01-000	EA	Adapter - Swivel - .5 Tube x .5 FPT
	010224-01-000	EA	Adapter - Plastic - 3/8 MPT x 3/8 BARB
	036522-02-000	EA	Cap - Brass - 1/2" Flare
	065120-01-000	EA	Elbow - Plastic - Swivel - 50
	075240-06-000	EA	Faucet - Lavatory - Bone
	091253-01-000	EA	Gasket - Lavatory Faucet
	011053-04-000	EA	Faucet - Swing Spout - Galley - 8"
	091254-01-000	EA	Gasket - Galley Faucet
	075241-05-000	EA	Faucet - Shower - Bone
	077954-02-000	EA	Filter/Screen (In Water Tank)
	052951-01-000	EA	Drain Valve - In Line - Header - 1/2 MPT x 1/2 F x 1/2 F x 1/2 F
	052952-01-000	EA	Nut - Plastic - 1/2" F
	049032-01-000	EA	Patch - Spinweld - Plastic - 3/8"
	099607-01-000	EA	Pump - Water - 2.8 GPM - Direct Flow (US)
	098607-02-000	EA	Pump - Water - 2.8 GPM - Direct Flow (CSA)
	098607-01-700	EA	Pumphead - Replacement
	098607-01-701	EA	Drive Asm
	098607-01-702	EA	Diaphragm Kit
	098607-01-703	EA	Valve Asm.
	098607-01-704	EA	Upper Housing
	098607-01-705	EA	Check List Kit
	098607-01-706	EA	Switch Asm - Complete
	098607-01-707	EA	Motor Baseplate Replacement
	011048-02-000	EA	Shower Head - w/60" Hose (US)
	011048-05-000	EA	Shower Head - w/60" Hose (CSA)
	042989-03-000	EA	Spinweld Fitting - Plastic - 1/4" NPT
	042989-05-000	EA	Spinweld Fitting - Plastic - 1/2" FPT
	042989-04-000	EA	Spinweld Fitting - Plastic - 3/8" FPT
	052955-01-000	EA	Tee - Plastic - 1/2" F x 1/2" F x 1/2" MPT
	052956-01-000	EA	Tee - Plastic - 1/2" F x 1/2" MPT x 1/2" F
	052958-01-000	EA	Tee - Plastic - 1/2" F x 1/2" F x 1/2" F
	039800-01-000	FT	Tubing - Polybutyl - 1/2" OD x 20' (Water Line)
	079381-01-000	FT	Tubing - Flex/Smooth - 1.25 ID (Water Tank)
	074462-02-000	FT	Tubing - Vinyl - 3/8" ID
	052960-01-000	EA	Valve - Line Drain - 1/2" F x 1/2" F
	087659-04-000	EA	Water Fill - City
	084677-03-000	EA	Water Tank - 14 Gal w/Fittings
**	051391-01-000	EA	Water Heater - w/o Motoraid - Electronic Ignition - Atwood G6A-3
**	051391-02-000	EA	Water Heater - w/o Motoraid - Electronic Ignition - Atwood - G4-5M
**	The illustrated parts breakdown for this item is provided on the Common Items Fiche		

WATER HEATER BYPASS (OPTION L53J)

Key	Part Number	U/M	Description
	039800-01-000	FT	Tubing - Polybutyl - 1/2 OD x 20'
	052956-01-000	EA	Tee - Plastic - 1/2 F x 1/2 MPT x 1/2 F
	052957-02-000	EA	Elbow - Plastic - 1/2 F x 1/2 MPT
	065120-01-000	EA	Elbow - Plastic - Swivel - .50"
	052958-01-000	EA	Tee - Plastic - 1/2 F x 1/2 F x 1/2 F
	052959-02-000	EA	Connector - Plastic - 1/2 F x 1/2 MPT
	039729-01-000	EA	Bypass Kit - Water Heater

1991 ITASCA TABLE OF CONTENTS

INTRODUCTION	A-11
ABBREVIATIONS	A-01
ALPHABETICAL INDEX	A-02 - A-04
IT320RB	A-05 - C-10
IT321RB	C-11 - E-18
IT321RL	E-19 - G-24

1991 IT321RB INDEX

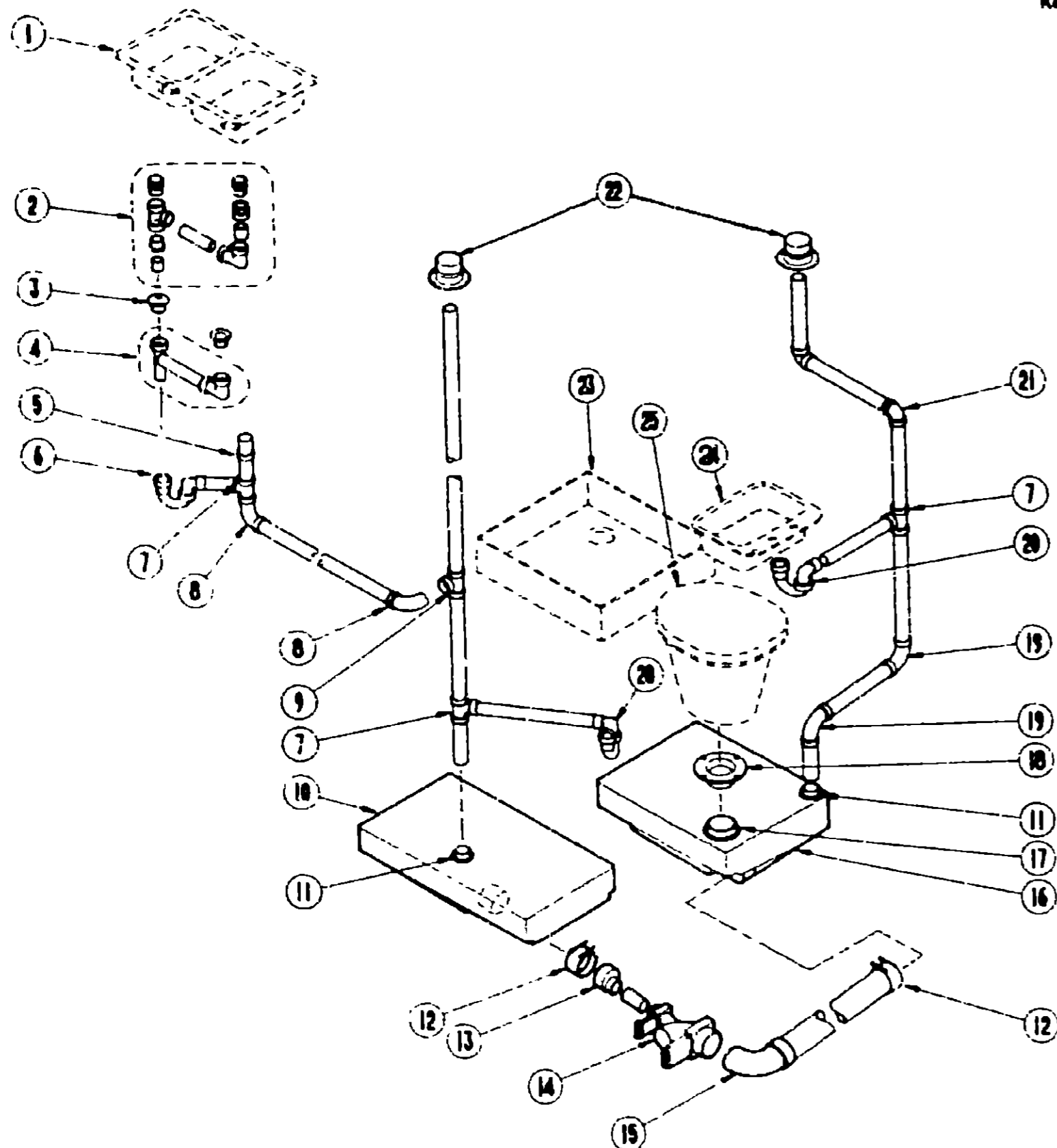
Floor Plan	C-11	C-12
Accessories Group		C-13
Bath Group	C-14	C-15
Chassis Group	C-16	C-17
Curtain, Cushion & Pad Group	C-18	C-23
Dinette Group	C-24	D-01
Driver's Compartment Group		D-02
Electrical Group	D-03	D-04
Exterior Body Group	D-05	D-09
Galley Group	D-10	D-14
Heating & Air Conditioning Group		D-15
Interior Finish Group	D-16	D-17
Labels Group	D-13	E-01
LP Group		E-02
Lounge Group		E-03
Sealants & Fasteners Group	E-04	E-05
Water & Sewage Group	E-06	E-08
Window, Vent & Exterior Door Group	E-09	E-18

WATER & SEWAGE GROUP (CONTINUED)

WATER & SEWAGE GROUP (CONTINUED)

DRAINAGE SYSTEM

**1991 ITASCA
TABLE OF CONTENTS**



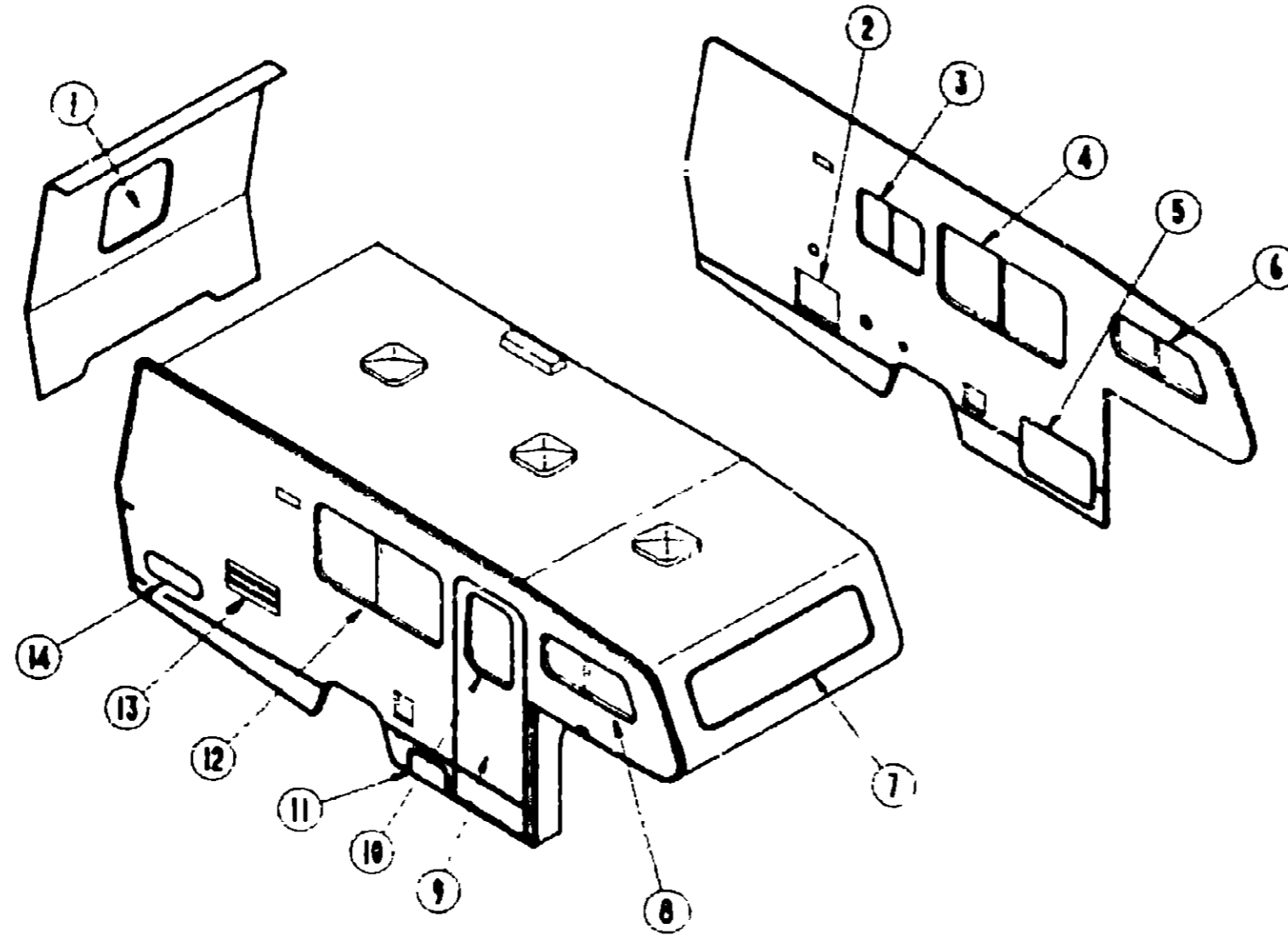
Key	Part Number	U/M	Description
1	098654-01-000	EA	Sink - Double - Stainless Steel
2		EA	Continuous Waste Asm (CSA)
	010071-01-000	EA	Tee - Plastic - 1 1/2 H x H x H
	010121-01-000	EA	Bushing - Red - Plastic - 1 1/2 S x 1 1/4 H (CSA)
	033302-02-000	EA	Adapter Asm - Strainer (CSA)
	037101-02-000	EA	Elbow - Plastic - 1/4" Bend Vert - 1 1/2" Hub (CSA)
3	058437-01-000	EA	Strainer - Galley Sink
	058437-01-700	EA	Strainer - Sink (Basket Only)
4	011091-02-000	EA	Continuous Waste - Double Sink (US)
5	079968-01-000	EA	Vent - Mechanical Trap Arm
6	011096-03-000	EA	P-Trap - 1 1/4" - Plastic (US)
6	053335-01-000	EA	P-Trap - Plastic - 1 1/4 H x H w/Union (CSA)
7	010079-01-000	EA	Tee - Plastic - 1 1/2 H x 1 1/2 H x 1 1/4 H
8	033761-01-000	EA	Elbow - ST - Plastic - 1/4 BD - 1 1/2 x 90 XLT
9	010071-01-000	EA	Tee - Plastic - 1 1/2 H x H x H
10	064679-01-000	EA	Tank - Holding - 11.5 Gallons w/o Fittings - Waste Water
11	061607-01-000	EA	Grommet - Holding Tank Coupler - 3"
12	078406-01-000	EA	Coupler - Rubber - 3" x 3"
13	062422-01-000	EA	Reducer Adapter - 3" x 1 1/2"
14	070916-01-000	EA	Valve - Dual - 3" x 1 1/2" - Black
	075726-01-000	EA	Outlet Extension - Sewer
	010201-01-000	EA	Sewer Hose - 3" ID x 20'
	062416-01-000	EA	Adapter - Sewer Hose to 3" Pipe
	062415-01-000	EA	Sewer Cap - 3"
	062415-01-700	EA	String - Sewer Cap
15	041956-01-000	EA	Elbow - ST - Plastic - 1/4 BD - 3 x 90 XLT
16	074300-01-000	EA	Tank - Holding - 13 Gallon w/o Fitting - Sewage
17	061607-02-000	EA	Grommet - Holding Tank Coupler - 1 1/2"
18	063641-01-000	EA	Flange - Closet Red - 4" x 3"
19	010008-01-000	EA	Elbow - Plastic - 1/4 BU x 1 1/2 x 90° - Left
20	011066-03-000	EA	P-Trap - 1 1/4" - Plastic (US)
20	011066-02-000	EA	P-Trap - 1 1/4" - Plastic (CSA)
21	010006-01-000	EA	Elbow - Plastic - 1/8 BD x 1 1/2 x 45° H x H
22	063558-03-000	EA	Roof Vent - Covered - Vent Pipe
23	M02630-03-U28	EA	Shower Pan Asm
	066440-01-000	EA	Strainer w/Rubber Washer
	066436-01-000	EA	Nut - Slip - 1.5 Tailpiece
	011069-03-000	EA	Tailpiece - 1 1/2" x 1 1/4" x 4" - Brass
	066435-01-000	EA	Nut - Strainer
24	096927-01-01A	EA	Sink - Bathroom - Rectangular
	096927-01-700	EA	Sink - Topper
	096927-01-701	EA	Tailpiece
25	063740-01-000	EA	Toilet - Ivory - Aqua Magic

INTRODUCTION	A-01
ABBREVIATIONS	A-01
ALPHABETICAL INDEX	A-02 - A-04
IT320RB	A-05 - C-10
IT321RB	C-11 - E-18
IT321RL	E-19 - G-24

1991 IT321RB INDEX

Floor Plan	C-11 - C-12
Accessories Group	C-13
Bath Group	C-14 - C-15
Chassis Group	C-16 - C-17
Curtain, Cushion & Pad Group	C-18 - C-23
Dinette Group	C-24 - D-31
Driver's Compartment Group	D-02
Electrical Group	D-03 - D-04
Exterior Body Group	D-05 - D-09
Galley Group	D-10 - D-14
Heating & Air Conditioning Group	D-15
Interior Finish Group	D-16 - D-17
Labels Group	D-18 - E-01
LP Group	E-02
Lounge Group	E-03
Sealants & Fasteners Group	E-04 - F-05
Water & Sewage Group	E-06 - E-08
Window, Vent & Exterior Door Group	E-09 - E-18

WINDOW, VENT & EXTERIOR DOOR GROUP
WINDOWS & ACCESS DOORS



Key	Part Number	U/M	Description
1	079722-02-T03	EA	Window Asm - Escape
2	052009-01-000	EA	Door Asm - Water Heater
3	098647-06-705	EA	Window Asm - Single Slider
4	098647-12-790	EA	Window Asm - Slider
5	079578-06-B42	EA	Door Asm - Luggage
**5	102038-02-B05	EA	Door Asm - Luggage
**5	102038-01-B05	EA	Door Asm - Generator
6	100322-04-700	EA	Window Asm - Vent - Driver
*6	098646-04-700	EA	Window Asm - Slant Slider - Driver
7	078533-07-AA3	EA	Window Asm - Picture - 12" x 59"
††7	078533-09-B05	EA	Window Asm - Picture - 12" x 59"
8	100322-03-702	EA	Window Asm - Vent - Passenger
*8	098646-03-702	EA	Window Asm - Slant Slider - Passenger
9	M01870-38-B27	EA	Door Asm - Entrance w/Screen Door & Window
9	M01870-38-B28	EA	Door Asm - Entrance w/Screen Door & Window
10	079733-07-AA8	EA	Window Asm - Picture - Frosted Glass
11	079455-09-B05	EA	Door Asm - Battery
12	098647-11-703	EA	Window Asm - Slider
13	084103-03-000	EA	Door Asm - Refrigerator
14	078720-02-T15	EA	Door Asm - LP

* These parts were used after 8/13/90
 ** These parts were used after 10/2/90
 †† These parts were used after 5/28/90

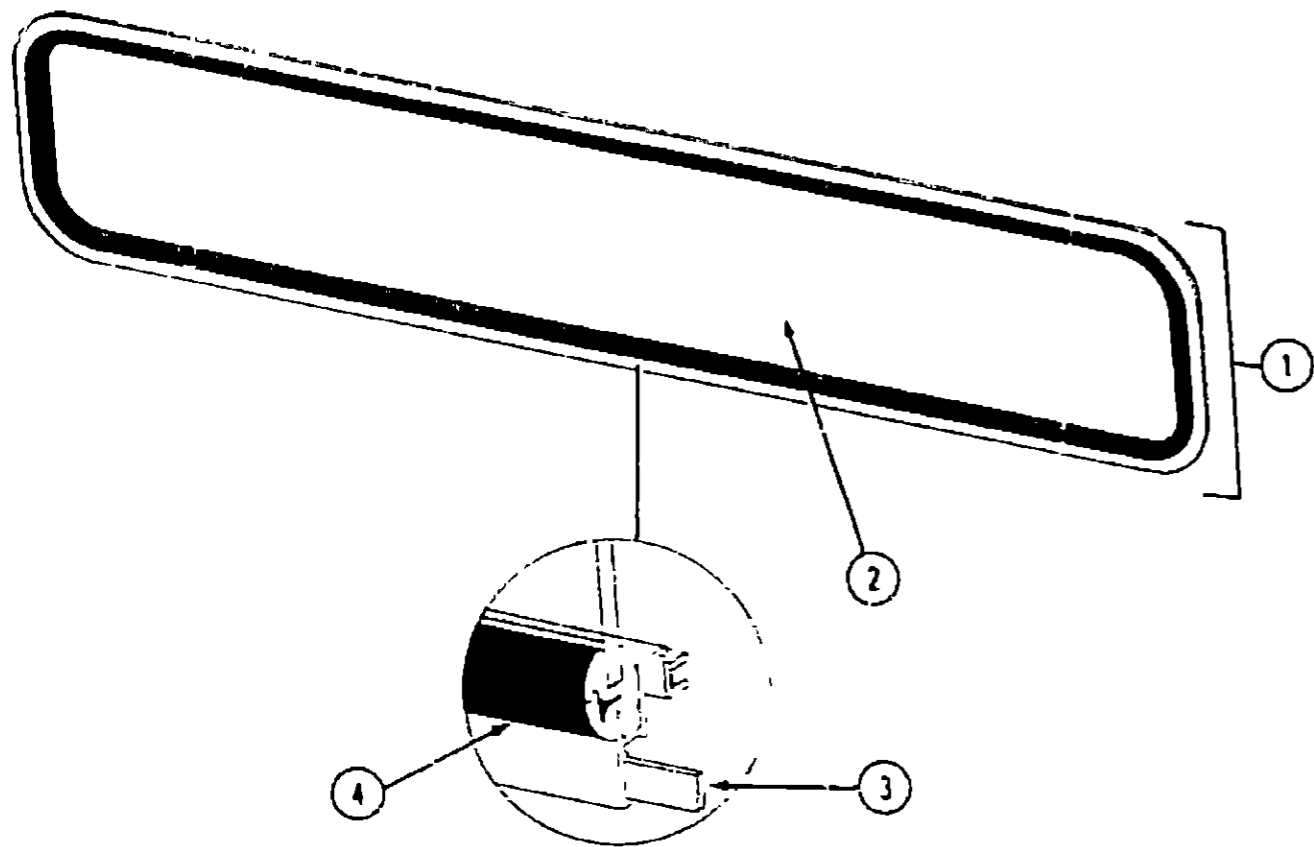
**1991 ITASCA
TABLE OF CONTENTS**

INTRODUCTION	A-01
ABBREVIATIONS	A-01
ALPHABETICAL INDEX	A-02 - A-04
IT320RB	A-05 - C-10
IT321RB	C-11 - F-18
IT321RL	E-19 - G-24

1991 IT321RB INDEX

Floor Plan	C-11 - C-12
Accessories Group	C-13
Bath Group	C-14 - C-15
Chassis Group	C-16 - C-17
Curtain, Cushion & Pad Group	C-18 - C-23
Dinette Group	C-24 - D-01
Driver's Compartment Group	D-02
Electrical Group	D-03 - D-04
Exterior Body Group	D-05 - D-09
Galley Group	D-10 - D-14
Heating & Air Conditioning Group	D-15
Interior Finish Group	D-16 - D-17
Labels Group	D-18 - E-01
LP Group	E-02
Lounge Group	E-03
Sealants & Fasteners Group	E-04 - E-05
Water & Sewage Group	E-06 - E-08
Window, Vent & Exterior Door Group	E-09 - E-18

WINDOW, VENT & EXTERIOR DOOR GROUP (CONTINUED)



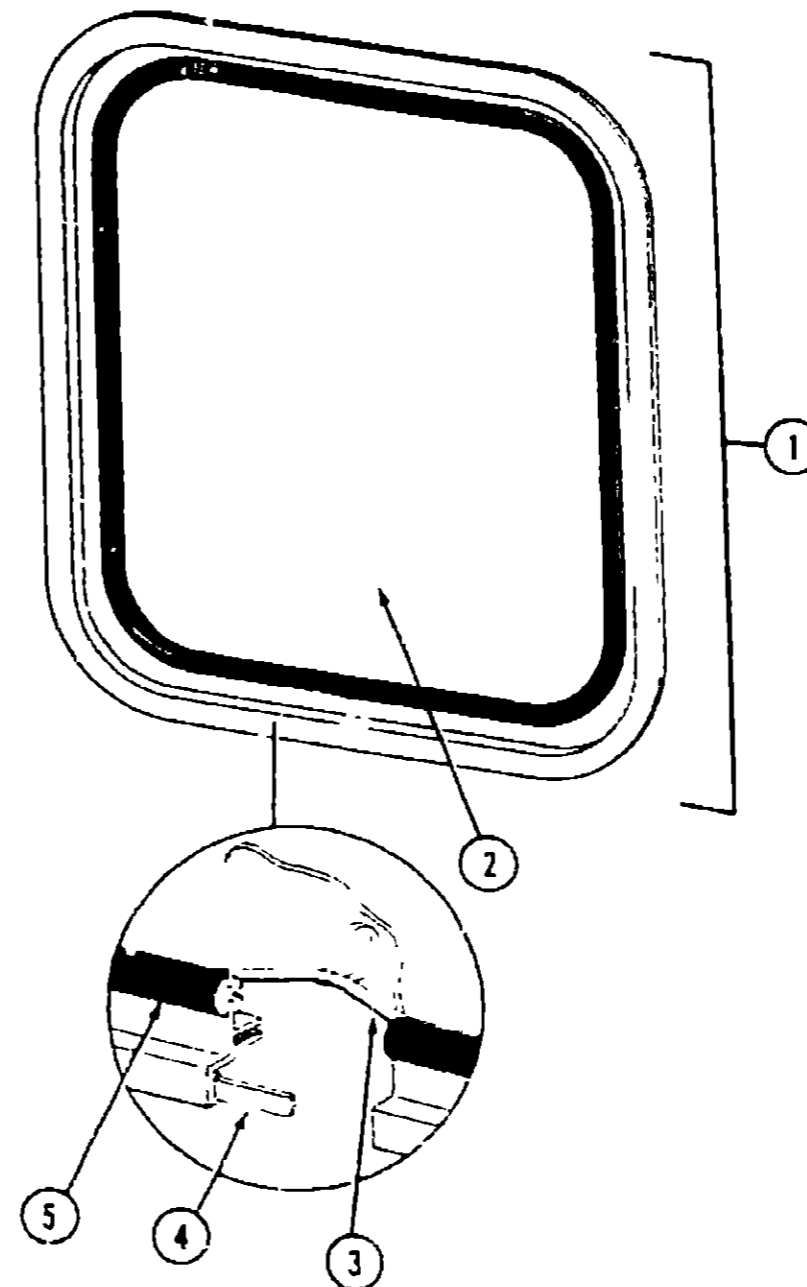
FRONT PICTURE WINDOW

Key	Part Number	U/M	Description
1	078533-07 AA3 041938-13-000	EA	Window Asm - Front Picture - 12" x 59" - Black (w/o inside frame)
2	002200-08-000	EA	Glass - Tempered - Picture Window - 10 3" x 57 3"
3	069640-06-000	FT	Ribbon Sealer - 5/16" Bead x 15'
4	002281-01-000	EA	Weatherstrip - Self Seal - .06" Panel x 3/16" - Black

FRONT PICTURE WINDOW

Key	Part Number	U/M	Description
1	078533-09-B05 041938-13-000	EA	Window Asm - Front Picture - 12" x 59" - Black (w/o inside frame)
2	002181-14-000	EA	Glass - Tinted - Picture Window - 10 3" x 57.3"
3	069640-06-000	FT	Ribbon Sealer - 5/16" Bead x 15'
4	002281-02-000	EA	Weatherstrip - Self Seal - .06" Panel x .125" - Black

WINDOW, VENT & EXTERIOR DOOR GROUP (CONTINUED)



REAR ESCAPE WINDOW

Key	Part Number	U/M	Description
1	079729-02-T03 020749-07-000	EA	Window Asm. - Rear Escape - 22 5" x 24 5" - Black (w/o inside frame)
2	041349-03-000	EA	Glass - 1/8" x 21 6" x 19 6"
3	002285-01-000	FT	Filler - Weatherstrip - Black
4	069640-07-000	FT	Ribbon Sealer - 5/16" Bead x 15'
5	002282-01-000 006199-01-000	EA	Label - Exit - Escape Window

1991 ITASCA
TABLE OF CONTENTS

INTRODUCTION	A-01
ABBREVIATIONS	A-01
ALPHABETICAL INDEX	A-02 - A-04
IT320RB	A-05 - C-10
IT321RB	C-11 - E-15
IT321RL	E-19 - G-24

1991 IT321RB INDEX

Floor Plan	C-11 - C-12
Accessories Group	C-13
Bath Group	C-14 - C-15
Chassis Group	C-16 - C-17
Curtain, Cushion & Pad Group	C-18 - C-23
Dinette Group	C-24 - D-01
Driver's Compartment Group	D-02
Electrical Group	D-03 - D-04
Exterior Body Group	D-05 - D-09
Galley Group	D-10 - D-14
Heating & Air Conditioning Group	D-15
Interior Finish Group	D-16 - D-17
Labels Group	D-18 - E-01
LP Group	E-02
Lounge Group	E-03
Sealants & Fasteners Group	E-04 - E-05
Water & Sewage Group	E-06 - E-08
Window, Vent & Exterior Door Group	E-09 - E-18

WINDOW, VENT & EXTERIOR DOOR GROUP (CONTINUED)

SLANT TIPOUT WINDOW

Key	Part Number	U/M	Description
	100322-04-700	EA	Window - Tipout - Slanted - Driver Side (w/o inside frame)
	100322-03-702	EA	Window - Tipout - Slanted - Passenger Side (w/o inside frame)
	100322-03-701	EA	Inside Frame - Window (not included in assembly)
	100322-01-700	EA	Filter Plug
	100322-01-701	EA	Vent Seal
	100322-01-702	EA	Weatherstrip - Horizontal Rail
	100322-01-703	EA	Glazing Strip - Butyl
	100322-01-704	EA	Butyl Tape
	100322-01-705	EA	Glass - Stationary - Small Top
	100322-03-700	EA	Glass - Stationary - Large Front
	100322-01-707	EA	Glass - Tipout - Sub Assembly
	100322-01-708	EA	Screen - Driver Side
	100322-09-000	EA	Screen - Passenger Side
	100322-01-710	EA	Splice Plate
	100322-01-711	EA	Operator - Window - Sub Assembly
	100322-01-712	EA	Horizontal Rail
	100322-01-713	EA	Vertical Division Bar
	100322-01-714	EA	Torque Bar Support - Driver Side
	100322-01-715	EA	Torque Bar Support - Passenger Side
	100322-01-716	EA	Torque Bar Support - Center Rail
	100322-01-717	EA	E-Ring
	100322-01-718	EA	Dial Handle

* This window was used until 8/12/90

SLANT SLIDER WINDOW

Key	Part Number	U/M	Description
	098646-04-700	EA	Window - Slant Slider (w/o inside frame)
	098646-03-702	EA	Window - Slant Slider (w/o inside frame)
	098646-03-701	EA	Inside Frame - Window (not included in assembly)
	098646-01-702	EA	Glass - Sliding w/Sash & Lock
	098644-01-700	EA	Latch Repair Kit
	098646-03-700	EA	Filter Strip
	098644-01-705	FT	Glazing Strip
	098644-01-708	FT	Channel - Pierced Run
	098646-01-700	EA	Glass - Stationary - 22 16" x 10 77"
	098646-01-703	EA	Spacer Track
	098646-01-704	EA	Screen - Window w/Sprng & Weatherstrip

* This window was used after 8/13/90

WINDOW, VENT & EXTERIOR DOOR GROUP (CONTINUED)

SINGLE SLIDER WINDOW

Key	Part Number	U/M	Description
	098647-06-705	EA	Window - Single Slider (w/o inside frame)
	098647-06-704	EA	Inside Frame (not included in assembly)
	098644-01-701	EA	Splice Plate - Window
	098644-01-702	EA	Screw - Splice
	098644-01-703	EA	Screw - Locking Rail
	098647-06-700	EA	Glass - Stationary - 10 91" x 13 77"
	098644-01-705	FT	Glazing Strip
	098644-01-706	FT	Weatherstrip
	098647-06-701	EA	Rail - Locking w/Weatherstrip
	098644-01-708	FT	Channel - Pierced Run
	098644-01-700	EA	Latch - Repair Kit
	098647-06-702	EA	Glass - Sliding w/Sash & Latch
	098644-01-710	FT	Track - Screen Spacer (12' Length)
	098644-01-711	FT	Weatherstrip - Screen - Black
	098647-06-703	EA	Screen w/Weatherstrip & Frame Spring (Clip)
	098644-01-713	EA	Spring - Screen Frame (Clip) - Plastic - Black

SLIDER WINDOW

Key	Part Number	U/M	Description
	098647-12-700	EA	Window - Single Slider - Lounge (w/o inside frame)
	098647-11-703	EA	Window - Single Slider - Dinette (w/o inside frame)
	098647-11-702	EA	Inside Frame (not included in assembly)
	098647-11-701	EA	Glass - Sliding w/Sash & Lock

**1991 ITASCA
TABLE OF CONTENTS**

INTRODUCTION	A-01
ABBREVIATIONS	A-01
ALPHABETICAL INDEX	A-02 - A-04
IT320RB	A-05 - C-10
IT321RB	C-11 - E-18
IT321RL	E-19 - G-24

1991 IT321RB INDEX

Floor Plan	C-11 - C-12
Accessories Group	C-13
Bath Group	C-14 - C-15
Chassis Group	C-16 - C-17
Curtain, Cushion & Pad Group	C-18 - C-23
Dinette Group	C-24 - D-01
Driver's Compartment Group	D-02
Electrical Group	D-03 - D-04
Exterior Body Group	D-05 - D-09
Galley Group	D-10 - D-14
Heating & Air Conditioning Group	D-15
Interior Finish Group	D-16 - D-17
Labels Group	D-18 - E-01
LP Group	E-02
Lounge Group	E-03
Sealants & Fasteners Group	E-04 - E-05
Water & Sewage Group	E-06 - E-08
Window Vent & Exterior Door Group	E-09 - E-18

WINDOW, VENT & EXTERIOR DOOR GROUP (CONTINUED)

POWERED ROOF VENT

Key	Part Number	U/M	Description
	090394-01-Y12	EA	Vent Asm - Roof - Powered - w/o Screen (IIS)
**	064469-08-000	EA	Vent Asm - Roof - Power (CSA)
	009440-01-000	EA	Lift Mechanism
	009439-03-000	EA	Extension
	009439-04-000	EA	Screw
	009439-02-000	EA	Knob - Roof Vent - Black
	048649-01-000	EA	Fan - Plastic - 6"
	008155-01-000	EA	Switch - Push Button - 12 Volt
	015911-01-000	EA	Track - Slide - Roof Vent
	002825-01-000	EA	Weatherstrip Seal
	048648-01-000	EA	Motor - 12 Volt
	051384-01-000	EA	Cover Asm - Roof Vent
	052639-01-200	EA	Hinge - 7" - Roof Vent
	078785-01-Y.2	EA	Screen Asm - Roof Vent - Powered
	002291-02-000	SF	Screen - Window - 16" - Charcoal
	002298-02-000	FT	Spline - Charcoal

** The illustrated parts breakdown of this item is provided on the Common Items Fiche

NON-POWERED VENT

Key	Part Number	U/M	Description
	090395-01-Y12	EA	Vent Asm - Roof - Non-Powered - w/o Screen
	009440-01-000	EA	Lift Mechanism Asm
	009439-03-000	EA	Extension
	009439-04-000	EA	Screw
	009439-02-000	EA	Knob - Roof Vent - Black
	015911-01-000	EA	Track - Slide - Roof Vent
	002825-01-000	EA	Weatherstrip Seal
	055218-01-000	EA	Cover Asm - Roof Vent
	052639-01-200	EA	Hinge - 7" - Roof Vent
	078786-01-Y12	EA	Screen Asm. - Charcoal
	002291-02-000	SF	Screen - Window - 16" - Charcoal
	002298-02-000	FT	Spline - Charcoal

VENTS & DOMES

Key	Part Number	U/M	Description
	065103-01-000	EA	Base - Roof Vent - Refrigerator - Norcold
	065103-03-000	EA	Base - Roof Vent - Refrigerator - Dometic
	065103-02-000	EA	Cap - Roof Vent - Refrigerator - Norcold
	065103-04-000	EA	Cap - Roof Vent - Refrigerator - Dometic
	083558-03-000	EA	Roof Vent - Pipe - Covered
	084878-09-000	EA	Hood Vent - Range - Short
	084616-01-000	EA	Shroud - Range Hood Vent - Off White
	101990-02-000	EA	Vent - Furnace Outside - 4" - 6"

WINDOW, VENT & EXTERIOR DOOR GROUP (CONTINUED)

ACCESS DOORS & HARDWARE

Key	Part Number	U/M	Description
	084103-03-000	EA	Door Asm - Refrigerator Access
	084103-01-700	EA	Lock - Male Fastener
	084103-01-701	EA	Lock - Female Fastener
	084104-03-000	EA	Jamb - Refrigerator Vent Door - Off White
	081240-03-000	EA	Door - Water Fill - Lockable - Off White
	079455-09-B05	EA	Door - Battery
	081801-02-000	EA	Hinge - 2" x 96" - Off White
	079366-04-000	EA	Lock - Key Type w/o Keys
	082684-01-700	EA	Key - Lock
	064075-07-000	FT	Seal - Bulb
	084993-01-000	EA	Strap - Battery
	100824-01-000	EA	Compartment - Battery
	078010-03-000	EA	Door - Fuel Fill - Off White
	078040-03-000	EA	Shroud - Fuel Fill - Upper
	100599-01-000	EA	Neck - Fuel Fill
	078200-01-000	EA	Gasket - Fuel Fill
	083572-01-000	EA	Boot - Fuel Fill
	084235-01-000	EA	Support Flange - Fuel Fill Boot
	058027-01-000	FT	Seal - "D" Shaped
	052009-01-000	EA	Door - Water Heater
	079578-05-B42	EA	Door - Luggage Compartment
	099779-01-000	EA	Compartment - Luggage
	064375-07-000	FT	Seal - Door - Bulb - Black
	079366-04-000	EA	Lock - Key Type w/o Key
	082684-01-700	EA	Key - Lock
	102038-01-B05	EA	Door - Generator
	009065-01-000	EA	Hinge - Aluminum - 1.5 x 96" - Unpainted
	009426-02-000	EA	Hatch - Off White
	052950-01-000	EA	Lock - Twist Type
	102038-02-B05	EA	Door Asm - Luggage
	096302-04-000	EA	Compartment Asm - Luggage
	083665-02-000	EA	Tray - Luggage
	009426-02-000	EA	Hatch - Off White
	009065-01-000	EA	Hinge - Aluminum - 1 1/2" x 96" - Unpainted
	083223-03-000	EA	Lock Asm. - Key Type (Set of 1)
	078720-02-T15	EA	Door Asm - LP
	009065-01-000	EA	Hinge - Aluminum - 1 1/2" x 96" - Unpainted
	052950-01-000	EA	Lock Asm. - Twist Type - White
	052951-01-000	EA	Clip - Twist Type - Lock - Retainer
	090340-01-000	FT	Foam Seal - Closed Cell
	091876-01-000	EA	Retainer - Door
	083615-06-000	EA	Door Stop - Plastic - Off White
	002748-01-000	EA	Corner Key - Door

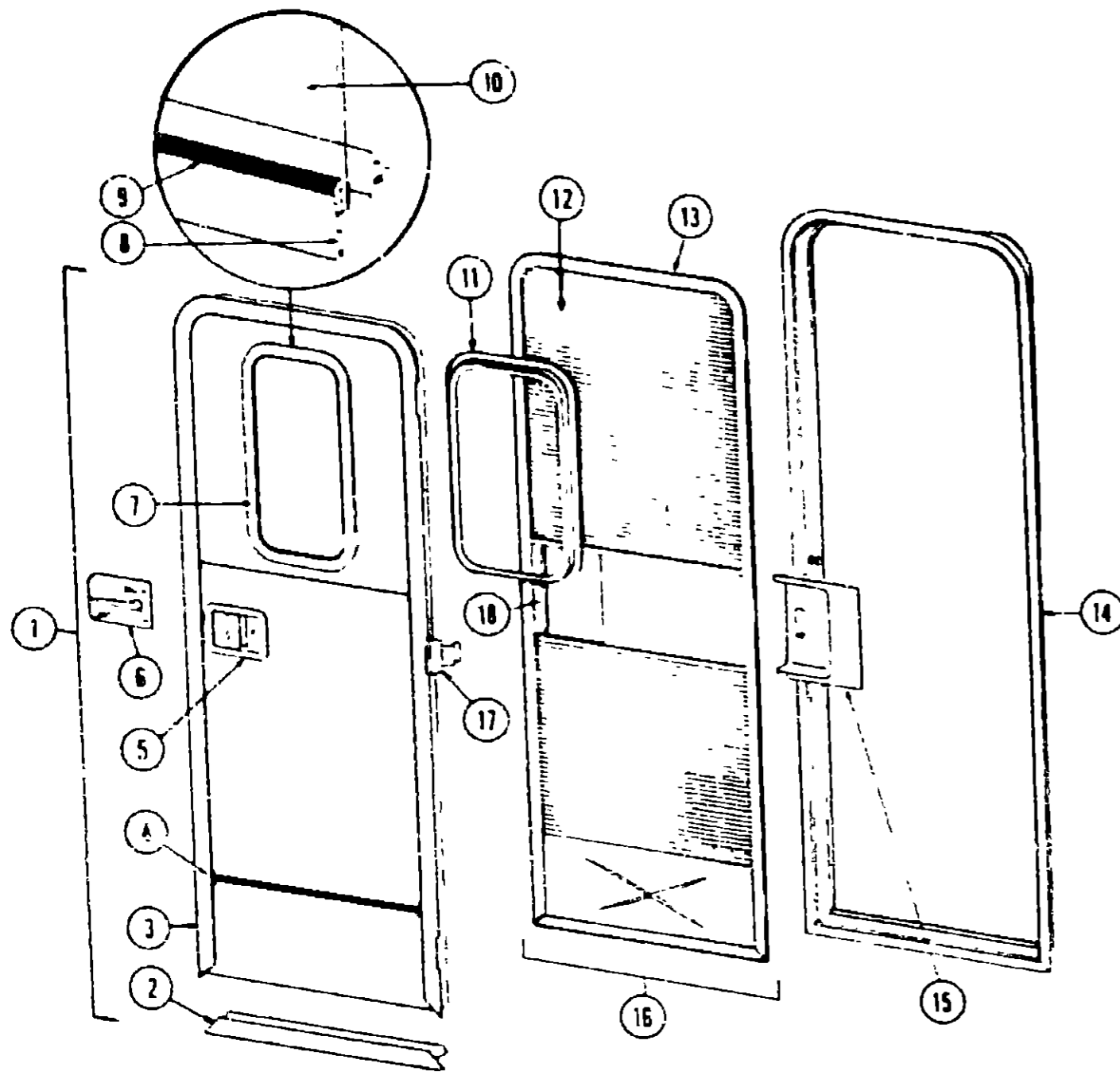
**1991 ITASCA
TABLE OF CONTENTS**

INTRODUCTION	A-01
ABBREVIATIONS	A-01
ALPHABETICAL INDEX	A-02 - A-04
IT320RB	A-05 - C-10
IT321RB	C-11 - E-18
IT321RL	E-19 - G-24

1991 IT321RB INDEX

Floor Plan	C-11 - C-12
Accessories Group	C-13
Bath Group	C-14 - C-15
Chassis Group	C-16 - C-17
Curtain Cushion & Pad Group	C-18 - C-23
Dinette Group	C-24 - D-01
Driver's Compartment Group	D-02
Electrical Group	D-03 - D-04
Exterior Body Group	D-05 - D-09
Galley Group	D-10 - D-14
Heating & Air Conditioning Group	D-15
Interior Finish Group	D-16 - D-17
Labels Group	D-18 - E-01
LP Group	E-02
Lounge Group	E-03
Sealants & Fasteners Group	E-04 - E-05
Water & Sewage Group	E-06 - E-08
Window Vent & Exterior Door Group	E-09 - E-18

WINDOW, VENT & EXTERIOR DOOR GROUP (CONTINUED)



WINDOW, VENT & EXTERIOR DOOR GROUP (CONTINUED)

ENTRANCE DOOR

Key	Part Number	U/M	Description
1	M01870-38-B27	EA	Door Asm. - Recess Entry - w/Window & Screen Door
1	M01870-38-B26	EA	Door Asm. - Radius Entry - w/Window & Screen Door
2	088748-05-000	EA	Frame - Entry Door (Bottom Portion Only)
3	095276-02-01A	EA	Frame - Entry Door (Except Bottom Portion)
4	059576-05-000	EA	Feature Strip w/o Insert - 14' - Off White
	001030-02-100	EA	Insert - Feature Strip - 17' - Off White
	009731-01-000	EA	End Cap - Feature Strip
5	045017-10-000	EA	Latch - Entrance Door - Black
5	045017-11-000	EA	Latch - Entrance Door - Black
	045017-11-700	EA	Master Key
	045017-11-701	EA	Key Blank
	039539-01-000	EA	Striker Bolt - Entrance Door
	039540-01-000	EA	Latch Asm - Interior - Entrance Door
6	039979-03-000	EA	Cover Asm - Interior Latch - Black
6	039979-04-000	EA	Cover Asm - Interior Latch - Black
7	079733-07-AA8	EA	Window Asm - Picture - Black (w/o inside frame)
8	069640-06-000	FT	Ribbon Sealer - 5/16" Bead x 15'
9	050216-02-000	FT	Spline - Glass - 19" - Black
10	002181-07-000	EA	Glass - Picture Window - Frosted
11	067609-27-000	EA	Inside Frame - Black (not included in assembly)
12	002293-02-000	SF	Screen - Window - 26" - Charcoal
13	056795-01-000	FT	Seal Tape - 1/8" x 3/8" - Press On
14	095277-03-01A	EA	Jamb Asm - Entrance Door - Off White
15	079086-02-000	EA	Slider - Screen Door - Plastic
	079087-02-000	EA	Strike - Slider - Screen Door - Off White
16	079012-04-AA3	EA	Door Asm - Screen
	009018-01-000	EA	Catch Asm - Single Roller (Screen Door)
	058025-02-000	EA	Clip - Roller Latch Catch
	002294-01-000	FT	Spline - Black - .135" x .138" (Screen Door)
	050712-04-000	EA	Handle - Screen Door - Off White
	078777-03-000	EA	Channel - Slider - .74"
17	097724-01-02A	EA	Hinge - Entrance Door (3 used per door)
18	079087-02-000	EA	Strike - Slider - Off White
	075671-01-000	FT	Seal - Sponge - Lazy "T" Shaped
	098173-01-03A	EA	Stiffener - Entrance Door - Off White
	100412-01-000	EA	Catch - Screen Door
	075673-01-000	FT	Seal - Screen Door - Adhesive Back - Gray
†	100128-02-000	FT	Seal - Screen Door
	101145-01-01A	EA	Dead Bolt Asm - Black
	101147-01-000	EA	Bolt - Security - 4 1/2" - Back Set
			Parts used after 8/6/90
†			Parts used after 8/6/90

1991 ITASCA
TABLE OF CONTENTS

INTRODUCTION	A-01
ABBREVIATIONS	A-01
ALPHABETICAL INDEX	A-02 - A-04
IT320RB	A-05 - C-10
IT321RB	C-11 - E-18
IT321RL	E-19 - G-24

1991 IT321RB INDEX

Floor Plan	C-11 - C-12
Accessories Group	C-13
Bath Group	C-14 - C-15
Chassis Group	C-16 - C-17
Curtain, Cushion & Pad Group	C-18 - C-23
Dinette Group	C-24 - D-01
Driver's Compartment Group	D-02
Electrical Group	D-03 - D-04
Exterior Body Group	D-05 - D-09
Galley Group	D-10 - D-14
Heating & Air Conditioning Group	D-15
Interior Finish Group	D-16 - D-17
Labels Group	E-01
LP Group	E-02
Lounge Group	E-03
Sealants & Fasteners Group	E-04 - E-05
Water & Sewage Group	E-06 - E-08
Window, Vent & Exterior Door Group	E-09 - E-18