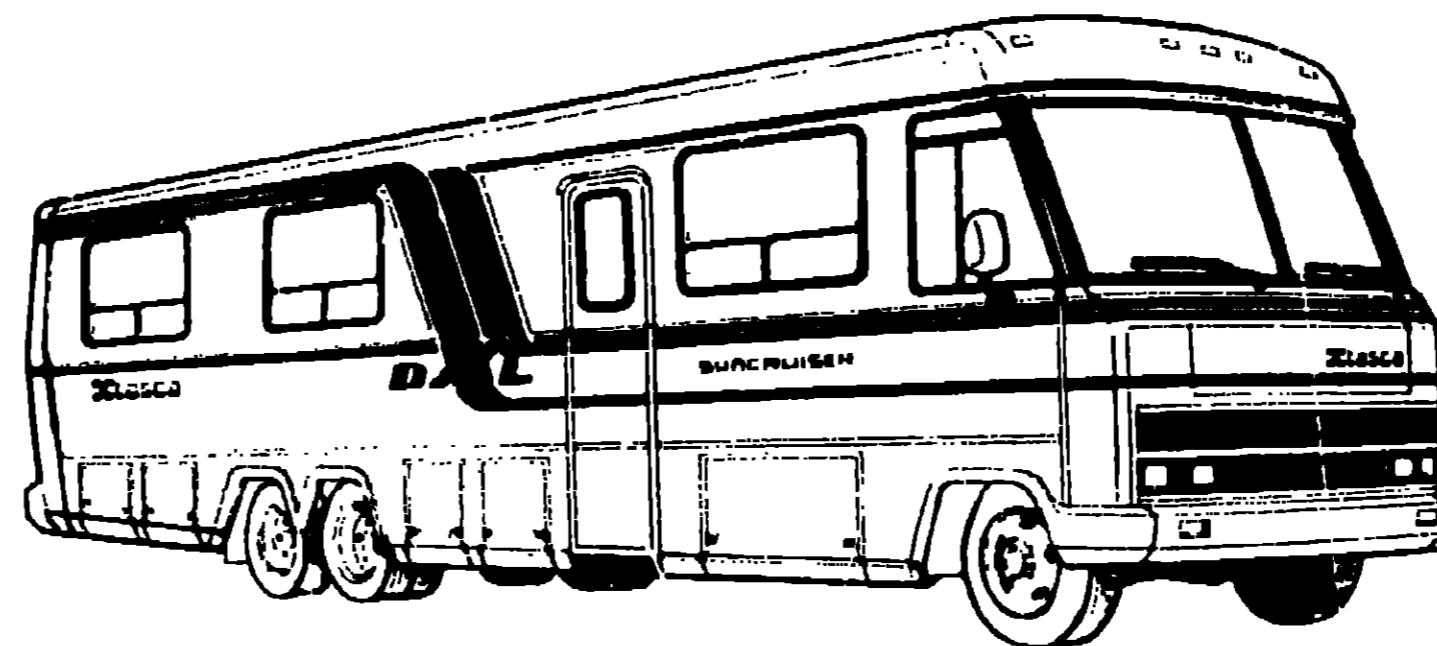


**1991 ITASCA
TABLE OF CONTENTS**

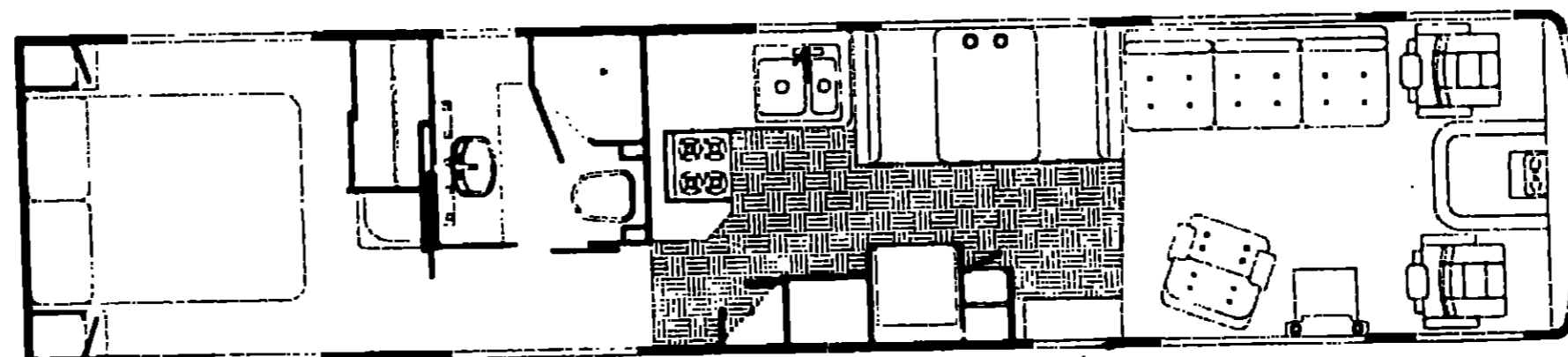
INTRODUCTION	A-01 - A-02
ABBREVIATIONS	A-03
ALPHABETICAL/GROUP REFERENCE	A-04 - A-06
ICM28RD	A-07 - E-15
IKM40DA	E-17 - I-18



**1991
IKM40DA**

1991 IKM40DA INDEX

Floor Plan	E-17 - E-18
Accessories Group	E-19 - E-22
Bath Group	E-23 - F-02
Bedroom Group	F-03 - F-05
Chassis Group	F-06 - F-15
Curtain, Cushion & Pad Group	F-16 - F-22
Dinette Group	F-23 - G-01
Driver's Compartment Group	G-02 - G-07
Electrical Group	G-08 - G-12
Exterior Body Group	G-13 - G-21
Galley Group	G-22 - H-02
Heating & Air Conditioning Group	H-03 - H-05
Interior Finish Group	H-06 - H-07
Labels Group	H-08 - H-16
LP Group	H-17
Lounge Group	H-18 - H-19
Sealants & Fasteners Group	H-20 - H-21
Water & Sewage Group	H-22 - H-24
Window, Vent & Exterior Door Group	I-01 - I-10



ACCESSORIES GROUP

POWER SEARCHLIGHT

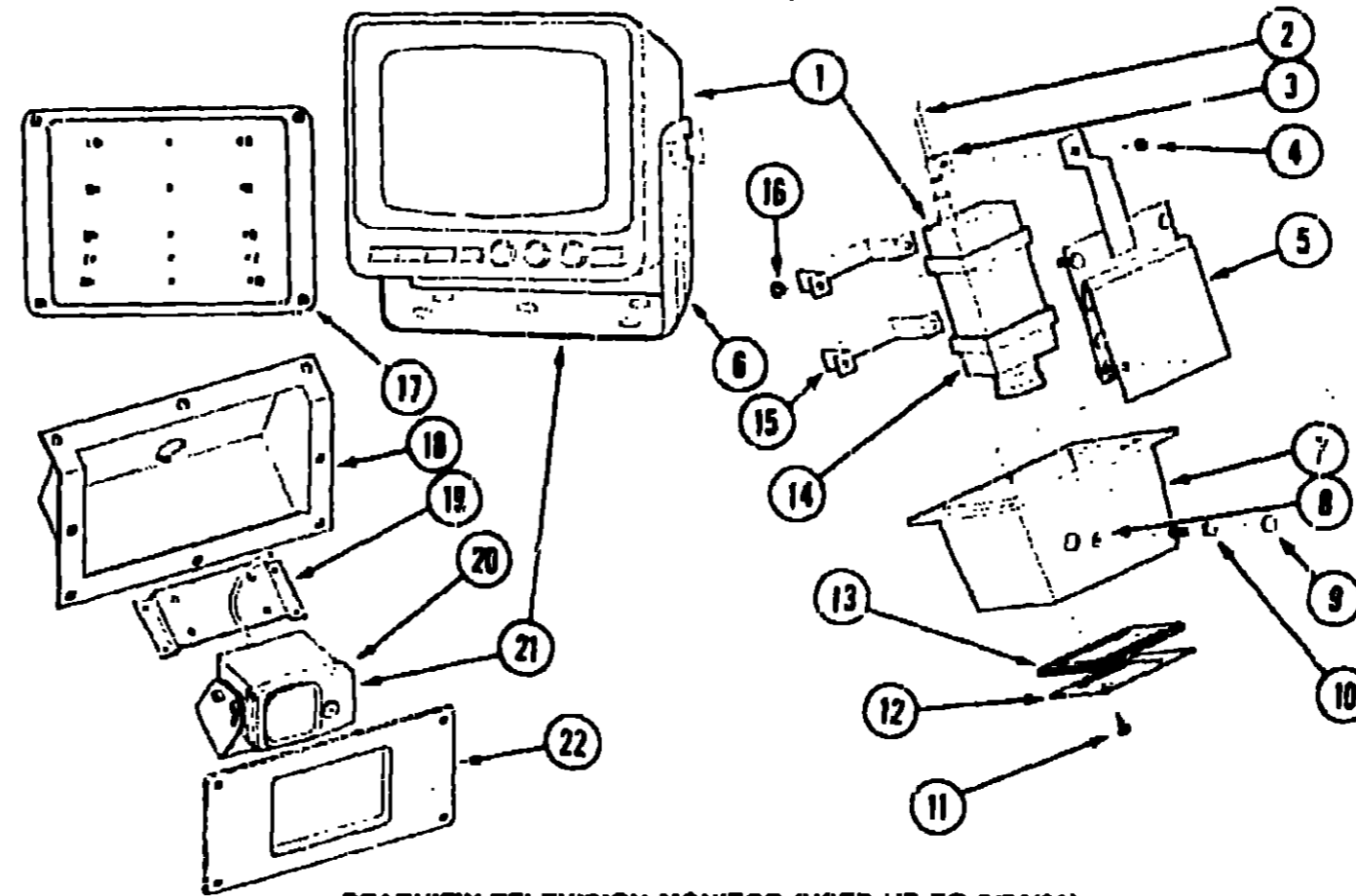
Key	Part Number	U/M	Description
	051057-02-000	EA	Searchlight - Power Driven - w/o Switch
	051057-04-000	EA	Switch Asm. - Searchlight
	051057-04-700	EA	Mounting Plate
	051057-04-701	EA	Switch - Non Rocker
	051057-04-702	EA	Switch - Rocker SPDT
	051057-04-703	EA	Lenses for LED Light w/Clip
	051057-01-704	EA	Micro Switch
	051057-01-705	EA	Bulb - Searchlight
	051057-01-706	EA	Base - Motor & Gear Asm.
	008326-01-000	EA	Terminal - Ring - 16/14 - 3/8 Stud
	035416-04-000	EA	Terminal - Ring - #10 Stud Fit
	044466-03-000	EA	Circuit Breaker - w/Mounting Bracket
	093654-02-000	EA	Circuit Breaker - 15 Amp.
	077368-04-000	EA	Instrument Panel Cover - Lower Left

AIR HORNS

Key	Part Number	U/M	Description
	077497-02-000	EA	Hose Kit - Aux. Air
	077497-03-000	EA	Parts Kit - Hose - Aux. Air
	077497-05-000	EA	Compressor/Tank/Solenoid Kit
	077497-06-000	EA	Air Horn Kit - Twin - Chromed
	077497-01-700	EA	Solenoid - Air Tank
	077497-01-701	EA	Compressor Switch
	077497-01-702	EA	Toggle Switch w/Wire
	077497-01-703	EA	Air Tank
	077497-01-704	EA	Compressor w/Switch
	077497-01-706	EA	Valve & Head Repair I/Compressor
	077497-01-707	EA	Bel & Screw Cover I/Compressor
	077497-01-708	EA	Filter & Mounting Hardware I/Compressor
	077457-01-709	EA	Plunger & Spring I/Solenoid
	081407-01-000	EA	Mounting Plate - Air Horns
	081404-01-000	EA	Mounting Bracket - Compressor
	078239-01-000	EA	Label Plate - Air Horns
	031048-04-000	EA	Cover Plate - Switch
	007940-01-000	EA	Slide Receptacle - 16 to 12 AWG
	041953-07-000	FT	Conduit - Slit Convolute - .25"
	047443-01-000	EA	Terminal - .25" Receptacle
	063910-01-000	EA	Relay Housing
	063912-02-000	EA	Canister Relay - SPDT - w/Resistor
	071390-04-000	EA	Air Tubing - 1/4" OD - Black
	088473-09-000	EA	Pin Housing
	088475-01-000	EA	Connector Pin
	093654-02-000	EA	Circuit Breaker - 15 Amp.

Parts used to make up complete air horn kit.

ACCESSORIES GROUP (CONTINUED)



REARVIEW TELEVISION MONITOR (USED UP TO 2/24/91)

Key	Part Number	U/M	Description
1		EA	Television System (Monitor & Camera w/Housing)
2	093041-01-000	EA	Cable - Monitor/Camera
3	031170-01-000	EA	Clamp - Cable - 3/16" Dia.
4	000G32-10-068	EA	Screw - #10 - 32 x 3/8"
5	099325-01-000	EA	Bracket Asm. - Camera Adjust
6		EA	Monitor - 6" - w/Bracket & Wire Harness
7	099323-01-01A	EA	Shroud - TV - Beige
8	099303-02-01A	EA	Caplug - RHW - Metal Washer
9	099303-01-01A	EA	Caplug - RH - Black
10	000G72-10-24B	EA	Screw - #10 - 32 x 1.50" - Slotted Hex
11	000G11-08-08T	EA	Screw - #8 - 18 x 1/2" (4 Used)
12	100319-01-000	EA	Retainer - Lens - Camera
13	099288-01-000	EA	Lens - Rear - Monitor Shroud
14		EA	Camera & Housing
15	094001-01-000	EA	Clamp - Camera (2 Used)
16	000D24-10-00B	EA	Nut - Hex (4 Used)
	099305-01-000	EA	Spring - Compression
	088756-01-000	EA	Grommet - Web - 1 1/8" ID
	093040-03-000	EA	Wire Asm. - Monitor - Lower
	052037-01-000	EA	Housing - Auto Fuse - Natural

* These parts are to be repaired by vendor (Sony).

REARVIEW TV MONITOR (USED AFTER 2/24/91)

Key	Part Number	U/M	Description
2	093041-01-000	EA	Cable - Monitor/Camera
6	093040-04-701	EA	Monitor - 6" - w/Bracket & Wire Harness
17	093040-04-703	EA	Monitor Lens (Sony)
18	103115-01-01A	EA	Inner Shroud
19	104311-01-000	EA	Rear Bracket
20	093040-04-700	EA	Camera & Mounting Bracket
21	093040-04-000	EA	Television System - Rearview (Monitor & Camera)
22	102903-01-01A	EA	Exterior Shroud
	093040-04-702	EA	Sun Hood (Monitor)

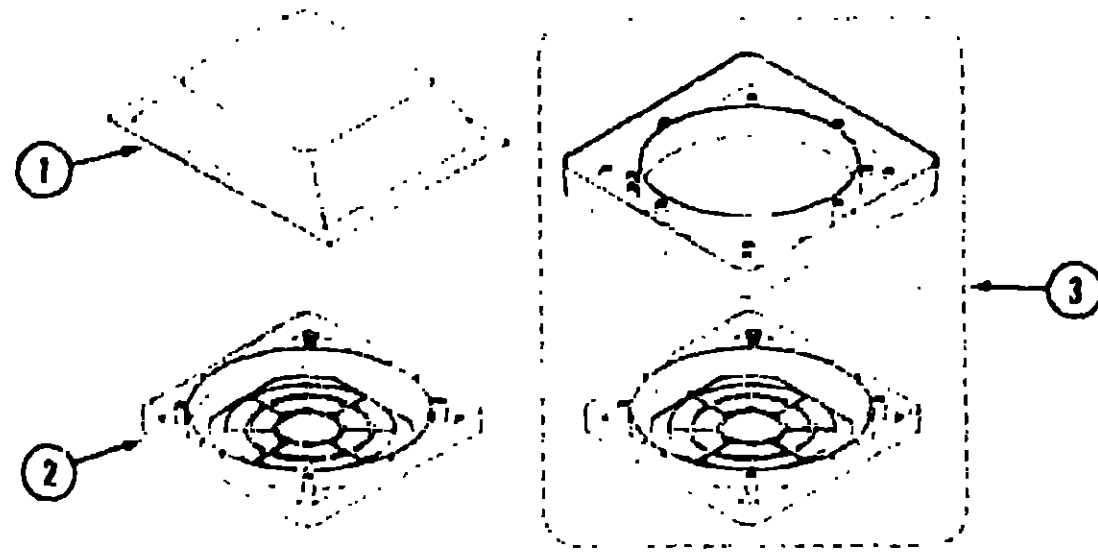
1991 ITASCA TABLE OF CONTENTS

INTRODUCTION	A-01 - A-02
ABBREVIATIONS	A-03
ALPHABETICAL/GROUP REFERENCE	A-04 - A-06
ICM28RQ	A-07 - E-15
IKM40DA	E-17 - I-18

1991 IKM40DA INDEX

Floor Plan	E-17 - E-18
Accessories Group	F-19 - E-22
Bath Group	E-23 - F-02
Bedroom Group	F-03 - F-05
Chassis Group	F-06 - F-15
Curtain, Cushion & Pad Group	F-16 - F-22
Dinette Group	F-23 - G-01
Driver's Compartment Group	G-02 - G-07
Electrical Group	G-08 - G-12
Exterior Body Group	G-13 - G-21
Galley Group	G-22 - H-02
Heating & Air Conditioning Group	H-03 - H-05
Interior Finish Group	H-06 - H-07
Labels Group	H-08 - H-16
LP Group	H-17
Lounge Group	H-18 - H-19
Sealants & Fasteners Group	H-20 - H-21
Water & Sewage Group	H-22 - H-24
Window, Vent & Exterior Door Group	I-01 - I-18

ACCESSORIES GROUP (CONTINUED)



FRONT RADIO

Key	Part Number	U/M	Description
	097460-02-000	EA	Radio - AM/FM - Cassette - Digital Clock - Seek - Sony XR-4147
	097620-03-000	EA	Mounting Kit - Sony Radio
	097620-04-000	EA	Mounting Bracket - Sony Radio
	031105-02-000	EA	Antenna - Side Mount - 12" w/Ground
	031105-01-700	EA	Upper Antenna Holder
	073741-03-000	EA	Speaker - Dash - 4" x 6" Oval - Audiovox 110-2074
	073741-04-000	EA	Speaker Grille - Dash - 4" x 6" Oval - Audiovox 136-1157
	094097-01-000	EA	Speaker - Cabinetry - 5.25" Dia. - w/o Grille - Audiovox 110C3030
1	074979-01-000	EA	Speaker Cover - Light Oak
2	089340-01-000	EA	Speaker Grille - 6.5" Square - Magnadyne
3	089340-02-000	EA	Speaker Grille & Adapter - 6.5" Square

REAR STEREO SYSTEM & RELATED COMPONENTS (US ONLY)

Key	Part Number	U/M	Description
	097153-01-000	EA	Radio - AM/FM Stereo Cassette - Advantiz AE9000MD
	103698-01-000	EA	Radio - AM/FM Stereo Cassette - Advantiz AE8000AR
	094097-01-000	EA	Speaker - 5.25" Dia. - w/o Grille
	089340-02-000	EA	Grille - Speaker
	074979-01-000	EA	Cover - Speaker - Light Oak
	090944-01-000	EA	Antenna - Radio - 16" Rubber
	090862-01-000	EA	Bracket - Antenna
	077069-02-000	EA	Cable - Antenna - Extension - 96"
	058028-01-000	EA	Connector - Pigtail
	010495-01-000	EA	Cable Clamp - 9/16"

VACUUM CLEANER & RELATED COMPONENTS

Key	Part Number	U/M	Description
	092304-01-000	EA	Vacuum Cleaner - Built-In
	092304-01-700	EA	Bags - Replacement (Pkg. of 5)
	092304-02-000	EA	Vacuum Cleaning Tool Set
	092304-02-700	EA	Hand Power Brush
	092304-02-701	EA	Dusting Tool
	092304-02-702	EA	Rug Tool
	092304-02-703	EA	Crevice Tool
	092304-02-704	EA	Motor/Relay
	096241-03-000	EA	Switch - Blank
	092304-03-000	EA	Vacuum Cleaner Door Asm.
	039681-01-000	EA	Coupling - Plastic - 1 1/4"
	010001-01-000	EA	Elbow - Plastic
	049910-01-000	EA	Tee - Plastic - 1 1/4" - H x H x H
	023146-01-000	EA	Clamp - Screw Type - 4"
	062422-01-000	EA	Offset Adaptor - Reducer - 3" x 1 1/2"

ACCESSORIES GROUP (CONTINUED)

FRONT TV SYSTEM

Key	Part Number	U/M	Description
	098447-01-000	EA	Color TV - 13" - w/Remote - Magnavox RX4029WA (US)
	098447-03-000	EA	Color TV - 13" - w/Remote - Magnavox RR1337W (US)
	098447-04-000	EA	Color TV - 13" - w/Remote - Magnavox RR1330W (CSA)
	098447-01-700	EA	TV Remote (For Magnavox RX4029WA)
	098447-03-700	EA	TV Remote (For Magnavox RR1337W, RR1330W)
	098446-01-000	EA	VCR - VHS - Cable Ready - w/Remote - Magnavox VR9815AT
	098446-02-000	EA	VCR - VHS - Cable Ready - w/Remote - Magnavox VR9912
	098446-03-000	EA	VCR - VHS - Cable Ready - w/Remote - Magnavox WR9010
	098446-01-700	EA	VCR Remote (For Magnavox VR9815AT)
	098446-02-700	EA	VCR Remote (For Magnavox VR9912)
	098446-03-700	EA	VCR Remote (For Magnavox WR9010)
	086757-02-000	EA	Control Center - Xantech 101020
	086757-03-000	EA	Control Center - Magnadyne VCS-6
	086756-01-000	EA	Splitter - 2 Way
	099717-01-000	EA	Tiedown - TV
	099717-02-000	EA	Tiedown - TV
	098819-01-000	EA	Remote Speaker - 4" - 2 Watt - 8 Ohm
	093214-01-02A	EA	Grille - Speaker - 4" - Brown
	099030-01-000	EA	Wire Asm. - Speaker
	076319-01-000	EA	TV Antenna - 44" Mast
	076319-01-700	EA	RVSA-U/V Sensor Antenna
	076319-01-701	EA	Elevating Gear
	076319-01-702	EA	Shaft Elevating Asm.
	076319-01-703	EA	Nylon Bearing - 5" OD
	076319-01-704	EA	Nylon Bearing - .125" OD
	076319-01-705	EA	Nylon Bearing - .718" ID
	076319-01-706	EA	Elevating Crank w/Set Screw
	076319-01-707	EA	Handle Spring
	076319-01-708	EA	Crank Decal
	076319-03-000	FT	Coaxial Cable - 75 Ohm
	076319-04-000	EA	Connector & Ferrule
	076319-06-000	EA	Adaptor - Cable Roof Plate
	076319-09-000	EA	Wallplate - Receptacle - Brown
	076319-11-000	EA	Adaptor - Coax w/Splitter
	076319-12-000	EA	Connector - Coaxial
	058708-02-000	EA	Duplex - Receptacle - Ivory
	086777-04-000	EA	Wall Plate - Antenna/Power - Brown
	086777-01-000	EA	Wall Plate - Antenna/Cable - Ivory
	090963-01-000	EA	Outside Receptacle - Cable TV
	090964-01-000	EA	Cover - Outside Receptacle
	087236-01-000	EA	Label - Cable Input
	087236-02-000	EA	Label - Cable Output
	088473-01-000	EA	Pin Housing
	088475-01-000	EA	Connector Pin
	088474-10-000	EA	Socket Housing
	088476-01-000	EA	Connector Socket
	099637-01-000	EA	Grommet

* Include make & model number of TV or VCR when ordering this part.

MISCELLANEOUS ACCESSORIES

Key	Part Number	U/M	Description
	054185-74-000	EA	Operator's Manual Suncruiser
	092318-01-000	EA	3 Ring Binder - Motor Home Manual
	092319-01-000	EA	Pocket Page - 3 Ring Binder
	098084-08-000	EA	Cassette - Suncruiser
	099048-01-000	EA	Inverter - 100 Watt
	094499-01-000	EA	Fire Extinguisher - 1A10BC w/Holder (US)
	094499-02-000	EA	Fire Extinguisher - 1A10BC (CSA)
	094499-01-700	EA	Holder - Fire Extinguisher
	072852-01-000	EA	Smoke Detector - w/9 Volt Battery (US)
	072852-02-000	EA	Smoke Detector - w/9 Volt Battery (CSA)

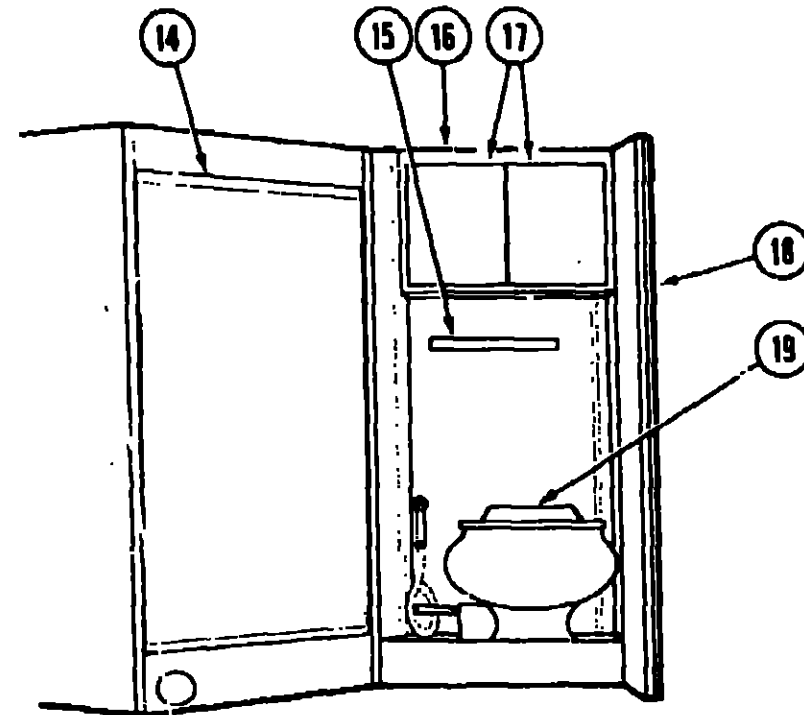
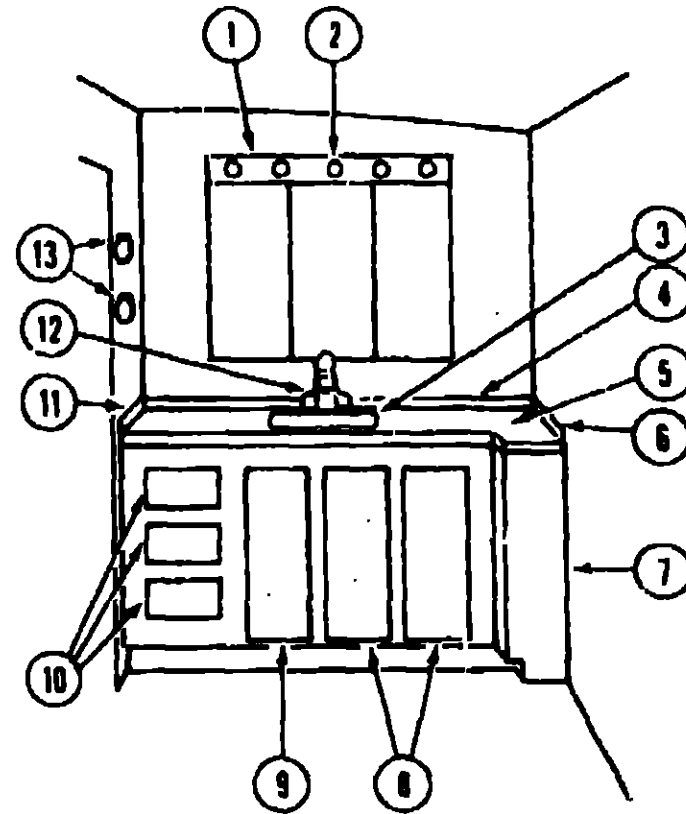
**1991 ITASCA
TABLE OF CONTENTS**

INTRODUCTION	A-01 - A-02
ABBREVIATIONS	A-03
ALPHABETICAL/GROUP REFERENCE	A-04 - A-06
ICM28RQ	A-07 - E-15
IKM40DA	E-17 - I-18

1991 IKM40DA INDEX

Floor Plan	E-17 - E-18
Accessories Group	E-19 - E-22
Bath Group	E-23 - F-02
Bedroom Group	F-03 - F-05
Chassis Group	F-06 - F-15
Curtain, Cushion & Pad Group	F-16 - F-22
Dinette Group	F-23 - G-01
Driver's Compartment Group	G-02 - G-07
Electrical Group	G-08 - G-12
Exterior Body Group	G-13 - G-21
Galley Group	G-22 - H-02
Heating & Air Conditioning Group	H-03 - H-05
Interior Finish Group	H-06 - H-07
Labels Group	H-08 - H-16
LP Group	H-17
Lounge Group	H-18 - H-19
Sealants & Fasteners Group	H-20 - H-21
Water & Sewage Group	H-22 - H-24
Window, Vent & Exterior Door Group	I-01 - I-18

**BATH GROUP
CABINETRY**



Key	Part Number	U/M	Description
1	096680-01-01A	EA	Medicine Cabinet Asm.
2	081663-01-700	EA	Bulb
3	092312-01-01A	EA	Oval Sink
	092313-01-000	EA	Sink Stopper Asm. - Rod Controlled (US)
	011083-01-000	EA	Plug - w/Stopper (CSA)
4	088090-06-715	EA	Backsplash - Countertop
5	094361-14-B18	EA	Countertop Asm.
6	088090-07-Y15	EA	Backsplash - Countertop
	088090-08-Y15	EA	Backsplash - Countertop - Shower Wall
7	M94361-01-B40	EA	Vanity Cabinet Asm.
8	P00523-78-B40	EA	Door Asm. - w/o Hardware
9	096686-03-B40	EA	Door Asm. - w/o Hardware
10	P00522-19-B40	EA	Drawer Asm. - w/o Hardware
11	088090-05-Y15	EA	Backsplash - Countertop
12	103548-01-01A	EA	Faucet (US)
	075240-08-000	EA	Faucet (CSA)
	075241-04-000	EA	Faucet - Shower (US)
	075241-05-000	EA	Faucet - Shower (CSA)
13	096644-01-000	EA	Towel Ring - Brass
14	089318-01-000	EA	Shower Door - Gold
14	089318-02-000	EA	Shower Door Jamb Expander - Gold
	089318-01-700	EA	Strap - Shower Door
	089318-01-701	EA	Vinyl Sweep
	089318-01-702	EA	Bushing w/Arm
	M03926-01-000	EA	Shower Pan Asm.
15	096643-01-000	EA	Towel Rack
16	094344-01-B40	EA	Medicine Cabinet Asm. - w/o Doors or Hardware
17	P00523-74-B40	EA	Door Asm. - w/o Hardware
18	094093-01-B18	EA	Sliding Bath Door Asm. - w Latch
	058034-G1-000	EA	Door Latch
	001955-U1-000	EA	Sliding Door Hanger
	071817-06-000	EA	Sliding Door Track
	075452-02-000	EA	Toilet Tissue Holder
	093608-01-01A	EA	Handrail - Towel Bar - Shower Stall - Brass
	081614-02-000	EA	Soap Dish - Shower Stall - Brass
	096696-01-01A	EA	Hair Dryer - Wall Mou.:
19	085330-04-000	EA	Toilet - Shorty - Chira - w/Spray
	085330-04-700	EA	Vacuum Beaker for Hand Spray
	085330-04-701	EA	Hand Spray w/Hose
	085330-04-702	EA	Flush Lever
	085330-04-703	EA	Pedal Cover Kit
	085330-04-704	EA	Base Asm. - Bone
	085330-04-705	EA	Pedestal Cover Kit
	085330-04-706	EA	Vacuum Breaker w/Hand Spray
	085330-04-707	EA	Seat Asm.

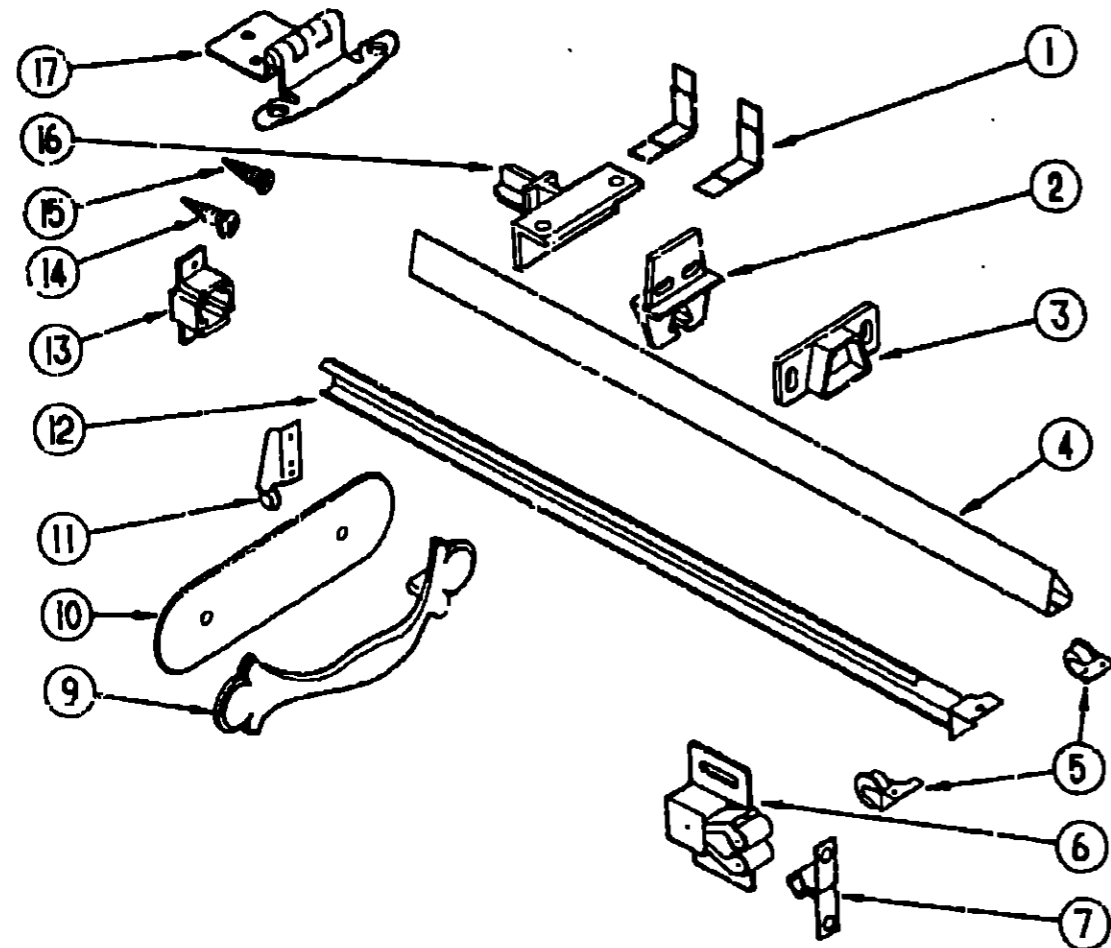
**1991 ITASCA
TABLE OF CONTENTS**

INTRODUCTION	A-01 - A-02
ABBREVIATIONS	A-03
ALPHABETICAL/GROUP REFERENCE	A-04 - A-06
ICM28RO	A-07 - E-15
IKM40DA	E-17 - I-18

1991 IKM40DA INDEX

Floor Plan	E-17 - E-18
Accessories Group	E-19 - E-22
Bath Group	E-23 - F-02
Bedroom Group	F-03 - F-05
Chassis Group	F-06 - F-15
Curtain, Cushion & Pad Group	F-16 - F-22
Dinette Group	F-23 - G-01
Driver's Compartment Group	G-02 - G-07
Electrical Group	G-08 - G-12
Exterior Body Group	G-13 - G-21
Galley Group	G-22 - H-02
Heating & Air Conditioning Group	H-03 - H-05
Interior Finish Group	H-06 - H-07
Labels Group	H-08 - H-16
LP Group	H-17
Lounge Group	H-18 - H-19
Sealants & Fasteners Group	H-20 - H-21
Water & Sewage Group	H-22 - H-24
Window, Vent & Exterior Door Group	I-01 - I-18

BATH GROUP (CONTINUED)



Key	Part Number	U/M	Description
1	037688-02-000	EA	L-Corner Glide (Drawers)
2	037688-03-000	EA	Center Glide (Drawers)
3	037688-05-000	EA	Rail Mounting Bracket - Rear (Drawers)
4	037688-01-000	FT	V-Rail (Drawers)
5	102837-03-000	EA	Nylon Rollers (Set of 2) (Drawers)
6	093586-03-000	EA	Roller Catch
7	093586-04-000	EA	Steel Strike
9	100273-01-000	EA	Cabinet Pull
10	100995-01-000	EA	Backplate - Brass
11	102827-02-000	EA	Rear Roller Bracket (Drawers)
12	102827-05-000	EA	Track (Drawers)
13	102827-04-000	EA	Rear Mounting Bracket (Drawers)
14	000G68-06-10G	EA	Screw - #6 - 18 x .625" POH - Antique Brass - Hinge to Cabinet
15	000G13-06-10G	EA	Screw - #6 - 20 x .625" PFH - Antique Brass - Hinge to Door
16	037688-04-000	EA	Rail Mounting Bracket - Front (Drawers)
17	059777-02-000	EA	Hinge - Burnished Brass
	084466-02-000	EA	Slide Asm. - Right (Drawers)
	084466-03-000	EA	Slide Asm. - Left (Drawers)
	084466-04-000	EA	Slide Asm. - Right (Cabinet)
	084466-05-000	EA	Slide Asm. - Left (Cabinet)
	016604-03-000	EA	Angle Support Bracket - 2.5" - Beige (Cabinets)
	009018-01-000	EA	Catch Asm. - Single Roller

CABINET HARDWARE (DOORS & CABINETS)

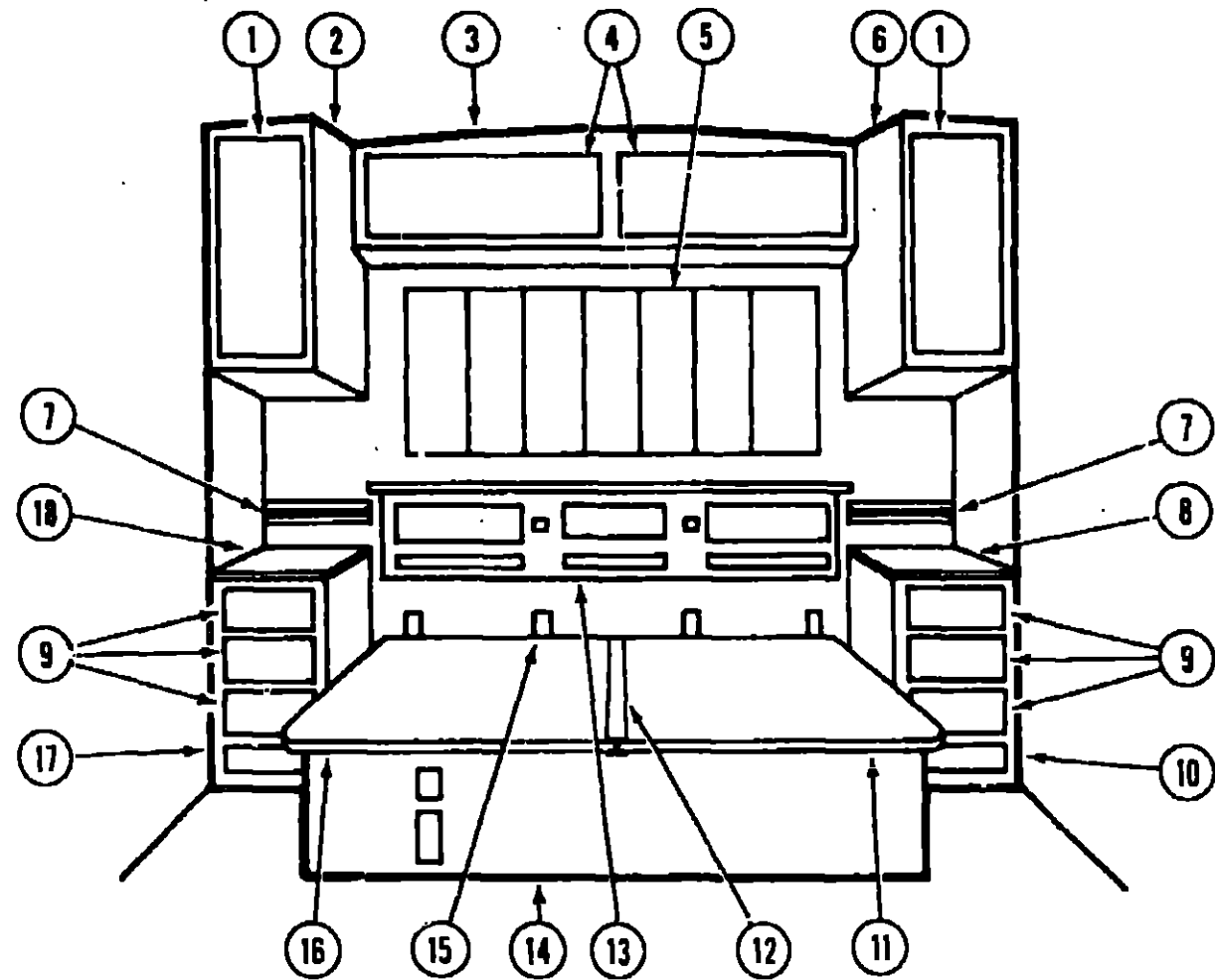
**1991 ITASCA
TABLE OF CONTENTS**

INTRODUCTION	A-01 - A-02
ABBREVIATIONS	A-03
ALPHABETICAL/GROUP REFERENCE	A-04 - A-06
ICM28RO	A-07 - E-15
IKM40DA	E-17 - I-18

1991 IKM40DA INDEX

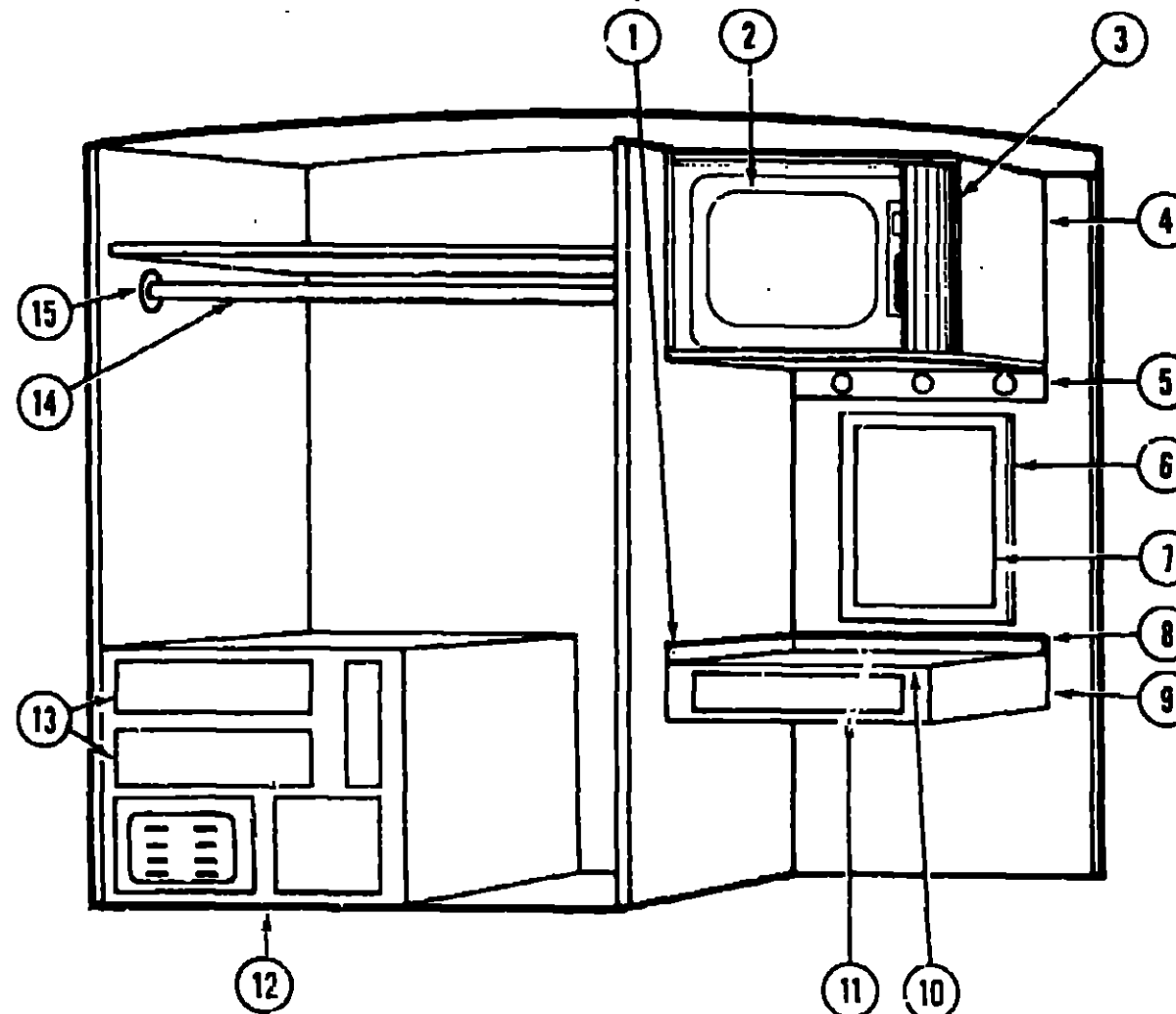
Floor Plan	E-17 - E-18
Accessories Group	E-19 - E-22
Bath Group	E-23 - F-02
Bedroom Group	F-03 - F-05
Chassis Group	F-06 - F-15
Curtain, Cushion & Pad Group	F-16 - F-22
Dinette Group	F-23 - G-01
Driver's Compartment Group	G-02 - G-07
Electrical Group	G-08 - G-12
Exterior Body Group	G-13 - G-21
Galley Group	G-22 - H-02
Heating & Air Conditioning Group	H-03 - H-05
Interior Finish Group	H-06 - H-07
Labels Group	H-08 - H-16
LP Group	H-17
Lounge Group	H-18 - H-19
Sealants & Fasteners Group	H-20 - H-21
Water & Sewage Group	H-22 - H-24
Window, Vent & Exterior Door Group	I-01 - I-18

BEDROOM GROUP



REAR LOUNGE BED & CABINERY

BEDROOM GROUP (CONTINUED)



REAR LOUNGE WARDROBE & VANITY

**1991 ITASCA
TABLE OF CONTENTS**

INTRODUCTION	A-01 - A-02
ABBREVIATIONS	A-03
ALPHABETICAL/GROUP REFERENCE	A-04 - A-06
ICM28RQ	A-07 - E-15
IKM40DA	E-17 - I-18

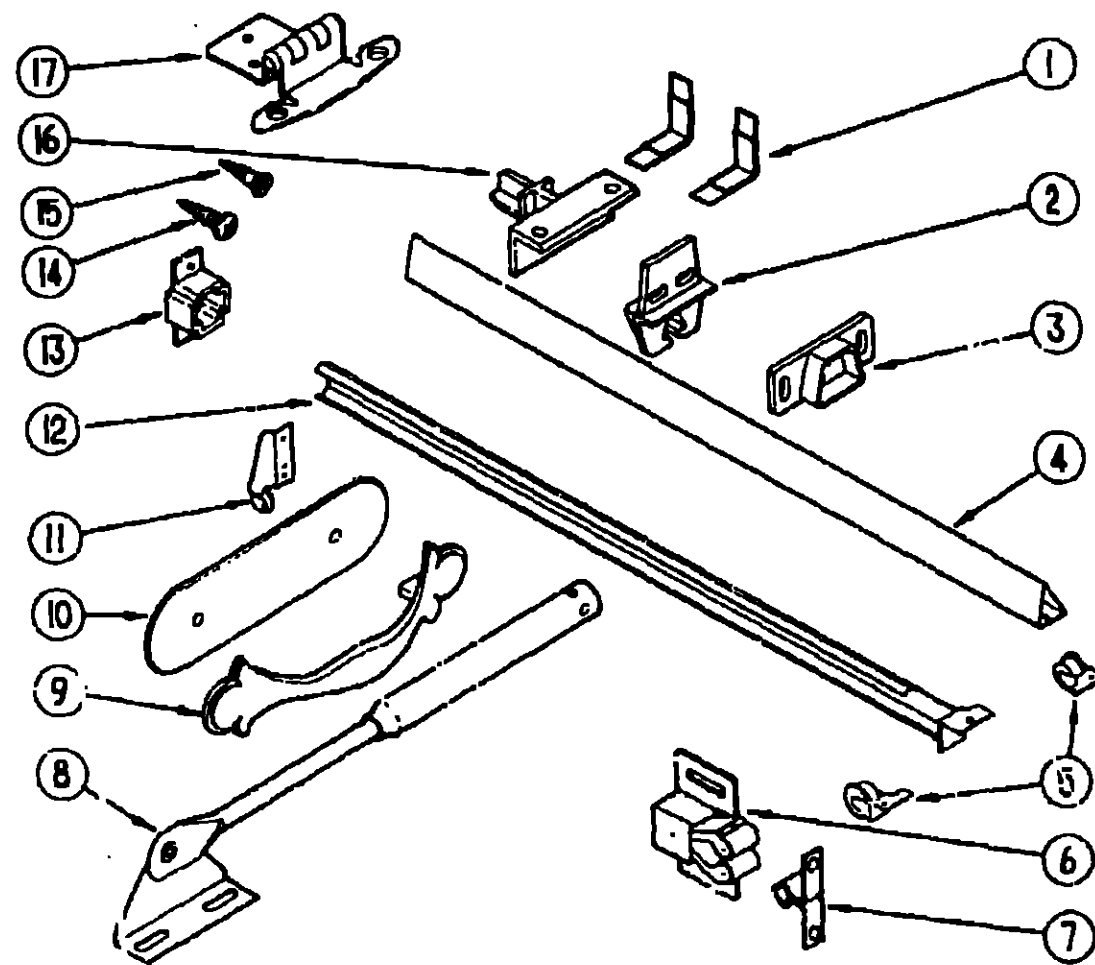
1991 IKM40DA INDEX

Key	Part Number	U/M	Description
1	P00970-19-B40	EA	Door Asm. - Wardrobe - w/o Hardware
2	M94817-01-B40	EA	Cabinet Asm. - Shirt Closet
3	M05046-04-B40	EA	Cabinet Asm. - Rear Overhead
4	P00970-05-B40	EA	Door Asm. - Rear Overhead - w/o Hardware
5	M94842-01-B40	EA	Cabinet Asm. - w/o Mirrors
	093606-01-000	EA	Mirror - Beveled
	M94842-13-B40	EA	Mirror Panel w/Oak Frame
6	M94931-01-B40	EA	Cabinet Asm. - Shirt Closet
7	089571-31-B40	EA	Oak Trim - 90"
	078394-01-000	EA	Gold Insert
8	097955-11-B18	EA	Countertop Asm.
9	P00522-19-B40	EA	Drawer Asm. - w/o Hardware
10	097955-01-B40	EA	Cabinet Asm. - Nightstand
11	M03924-02-B40	EA	Cabinet Asm. - Top - Driver Side
12	089076-02-000	EA	H Channel
13	094844-01-B40	EA	Headboard Asm.
14	M94566-01-B40	EA	Cabinet Asm. - Queen Bed
15	008199-01-X11	EA	Hinge Asm.
16	M03924-01-B40	EA	Cabinet Asm. - Top - Passenger Side
17	M94847-01-B40	EA	Cabinet Asm. - Nightstand
18	094847-11-B18	EA	Countertop Asm.
	057460-04-000	EA	Gas Spring Rods
	057460-02-000	EA	Gas Spring Ball Stud
	057460-03-000	EA	Gas Spring Safety Clip
	089024-01-000	EA	Gas Spring Support - Floor
	089025-01-000	EA	Gas Spring Support - Bed
	042438-01-000	EA	Wood Dowel - 1" x 4'
	009112-01-000	EA	Flange - 1" ABS Off White
	093576-01-03A	EA	Wall Swing Lamp (USA)
	093576-02-01A	EA	Wall Swing Lamp (CSA)
	065201-05-000	EA	Lamp Shade

Key	Part Number	U/M	Description
1	088090-10-Y15	EA	Backsplash - Countertop
2	092310-01-000	EA	TV - 9" AC/DC - Magnavox CH3940
	092310-01-700	EA	TV Remote (For Magnavox CH3940)
3	057882-04-000	SF	Tambour Door
	093622-01-000	EA	Track - Tambour Door
	093623-01-000	EA	Track - Corner - Tambour Door
	097191-01-Y15	EA	Handle - Tambour Door
4	094357-01-B40	EA	TV Cabinet Asm.
5	082169-11-000	EA	Make Up Light
6	093446-02-B35	EA	Mirror Asm.
7	058331-05-000	EA	Glass - Mirror Asm.
8	088090-19-Y15	EA	Backsplash - Countertop
9	101801-01-B40	EA	Cabinet Asm. - w/o Hardware
10	101801-11-B18	EA	Countertop Asm.
11	P00522-17-B40	EA	Drawer Asm. - w/o Hardware
12	094070-01-B40	EA	Cabinet Asm. (US) - w/o Hardware
12	094070-02-B40	EA	Cabinet Asm. (CSA) - w/o Hardware
13	P00522-20-B40	EA	Drawer Asm. - w/o Hardware
14	042438-01-000	EA	Wood Dowel - 1" x 4'
15	009112-01-000	EA	Flange - 1" ABS Off White
	091221-02-000	EA	Tissue Holder - Brass
	092315-01-01A	EA	Mirrored Wardrobe Doors
	094660-01-B40	EA	Sliding Bedroom Door
	058034-02-000	EA	Sliding Bedroom Door Latch - w/o Lock
	095048-01-01A	EA	Track
	075145-06-000	EA	Track Cover
	009156-01-000	EA	Roller Hanger
	093838-01-B40	EA	Jamb Molding (Sliding Door)

Floor Plan	E-17 - E-18
Accessories Group	E-19 - E-22
Bath Group	E-23 - F-02
Bedroom Group	F-03 - F-05
Chassis Group	F-06 - F-15
Curtain, Cushion & Pad Group	F-16 - F-22
Dinette Group	F-23 - G-01
Driver's Compartment Group	G-02 - G-07
Electrical Group	G-08 - G-12
Exterior Body Group	G-13 - G-21
Galley Group	G-22 - H-02
Heating & Air Conditioning Group	H-03 - H-05
Interior Finish Group	H-06 - H-07
Labels Group	H-08 - H-16
LP Group	H-17
Lounge Group	H-18 - H-19
Sealants & Fasteners Group	H-20 - H-21
Water & Sewage Group	H-22 - H-24
Window, Vent & Exterior Door Group	I-01 - I-18

BEDROOM GROUP (CONTINUED)



HARDWARE (DOORS, DRAWERS & CABINETS)

Key	Part Number	U/M	Description
1	037688-02-000	EA	L-Corner Glide (Drawers)
2	037688-03-000	EA	Center Glide (Drawers)
3	037688-05-000	EA	Rail Mounting Bracket - Rear (Drawers)
4	037688-01-000	FT	V-Rail (Drawers)
5	102837-03-000	EA	Nylon Rollers (Set of 2) (Drawers)
6	093586-03-000	EA	Roller Catch
7	093586-04-000	EA	Steel Strike
8	074493-02-000	EA	Door Support
9	100273-01-000	EA	Pull Handle
10	100995-01-000	EA	Backplate - Brass
11	102827-02-000	EA	Rear Roller Bracket (Drawers)
12	102927-05-000	EA	Track (Drawers)
13	102827-04-000	EA	Rear Mounting Bracket (Drawers)
14	000G69-05-10G	EA	Screw #6 - 18 x .625" POH - Antique Brass - Hinge to Door
15	000G13-06-10G	EA	Screw - #6 - 20 x .625" PFH - Antique Brass - Hinge to Cabinet
16	037688-04-000	EA	Rail Mounting Bracket - Front (Drawers)
17	059777-02-000	EA	Hinge - Burnished Brass
	084466-02-000	EA	Slide Asm. - Right (Drawers)
	084466-03-000	EA	Slide Asm. - Left (Drawers)
	084466-04-000	EA	Slide Asm. - Right (Cabinet)
	084466-05-000	EA	Slide Asm. - Left (Cabinet)
	084466-06-000	EA	Slide Asm. - 12" (Bedroom Vanity)
	009767-12-000	FT	Welting - Antique White (Cabinets)
	016504-03-000	EA	Angle Support Bracket - 2.5"
	065740-01-000	EA	Corner Support - Plastic

CHASSIS GROUP

MISCELLANEOUS

Key	Part Number	U/M	Description
	062401-01-000	EA	Clamp - Hose - Wormgear - .81" ID to 1.75" ID
	062401-02-000	EA	Clamp - Hose - Wormgear - 1.56" ID to 2.5" ID
	062401-03-000	EA	Clamp - Hose - Wormgear - .22" ID to 1" ID
	062401-04-000	EA	Clamp - Hose - Wormgear - .69" ID to 1.25" ID
	062401-05-000	EA	Clamp - Hose - Wormgear - 2" ID to 3" ID
	062401-06-000	EA	Clamp - Hose - Wormgear - .22" ID - .62" ID
	010497-01-000	EA	Clamp - Close - 5/8" ID
	010499-01-000	EA	Clamp - Close - 3/8" ID
	007161-01-000	EA	Clamp - Hose - Spring Type 112
	010495-01-000	EA	Clamp - Cable - 9/16" ID
	023146-01-000	EA	Clamp - Screw Type - 4"
	007125-03-000	EA	Clamp Asm. - Muffler - 1.5" Dia.
	007125-06-000	EA	Clamp Asm. - Muffler - 2.25" Dia.
	007125-07-000	EA	Clamp Asm. - Muffler - 2.50" Dia.
	053322-04-000	EA	Heat Shield - Exhaust
	071656-01-000	EA	Cover - Radiator - Rear
	017516-01-000	EA	Mud Flaps w/Holes - 14" x 18" - Black
	063977-08-000	EA	Step Asm. - Driver Door
	051377-01-000	EA	Valve Stem Asm. - TR500
	095012-01-000	EA	Extension - Valve Stem - Dual Wheels
	086273-01-000	EA	Relay - Battery Disconnect
	072342-07-000	EA	Condenser Asm.

ELECTRIC ENTRANCE STEP (Used until 3/15/91)

Key	Part Number	U/M	Description
	094707-01-01A	EA	Double Step Asm. - Electric
	094707-01-700	EA	Control Unit
	094707-01-701	EA	Electric Step Switch - Door Jamb
	094707-01-702	EA	Frame - Double Step
	091201-01-700	EA	Linkage Asm.
	091201-01-703	EA	Conversion Kit (Replaces old motor for new style)
	088746-01-701	EA	Motor Asm.
	098746-01-702	EA	Gear
	088746-01-703	EA	Motor Bearing Bracket
	088746-01-705	EA	Step Light
	088746-01-706	EA	Kill Switch

ELECTRIC ENTRANCE STEP (Used after 3/15/91)

Key	Part Number	U/M	Description
	094707-01-01A	EA	Double Step Asm. - Electric
	094707-01-702	EA	Double Step Frame
	094707-01-703	EA	Gear Box Assembly
	094707-02-700	EA	Motor Replacement Kit
	094707-02-701	EA	Linkage Asm.
	094707-02-702	EA	Gear Kit
	094707-02-703	EA	Parts Kit (Pins & Bearings)
	094707-02-704	EA	Motor Connector Kit
	094707-02-705	EA	Control Unit (Orange)
	088746-01-705	EA	Step Light
	088746-01-706	EA	Kill Switch
	100312-01-000	EA	Door Jamb Switch
	075723-02-000	EA	Door Jamb Switch - Spacer w/Hole

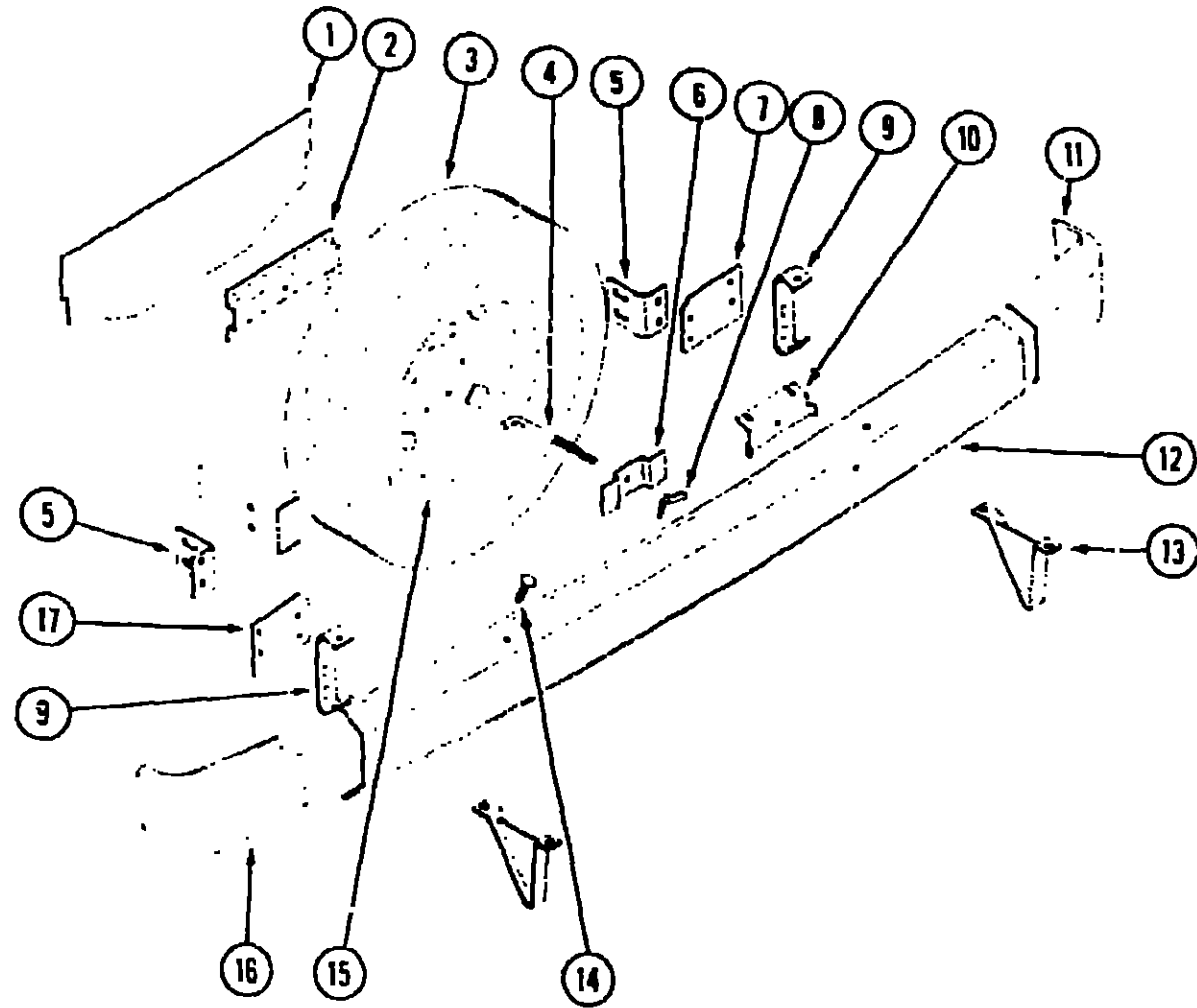
1991 ITASCA TABLE OF CONTENTS

INTRODUCTION	A-01 - A-02
ABBREVIATIONS	A-03
ALPHABETICAL/GROUP REFERENCE	A-04 - A-06
ICM28RQ	A-07 - E-15
IKM40DA	E-17 - I-18

1991 IKM40DA INDEX

Floor Plan	E-17 - E-18
Accessories Group	E-19 - E-22
Bath Group	E-23 - F-02
Bedroom Group	F-03 - F-05
Chassis Group	F-06 - F-15
Curtain, Cushion & Pad Group	F-16 - F-22
Dinette Group	F-23 - G-01
Driver's Compartment Group	G-02 - G-07
Electrical Group	G-08 - G-12
Exterior Body Group	G-13 - G-21
Galley Group	G-22 - H-02
Heating & Air Conditioning Group	H-03 - H-05
Interior Finish Group	H-06 - H-07
Labels Group	H-08 - H-16
LP Group	H-17
Lounge Group	H-18 - H-19
Sealants & Fasteners Group	H-20 - H-21
Water & Sewage Group	H-22 - H-24
Window, Vent & Exterior Door Group	I-01 - I-18

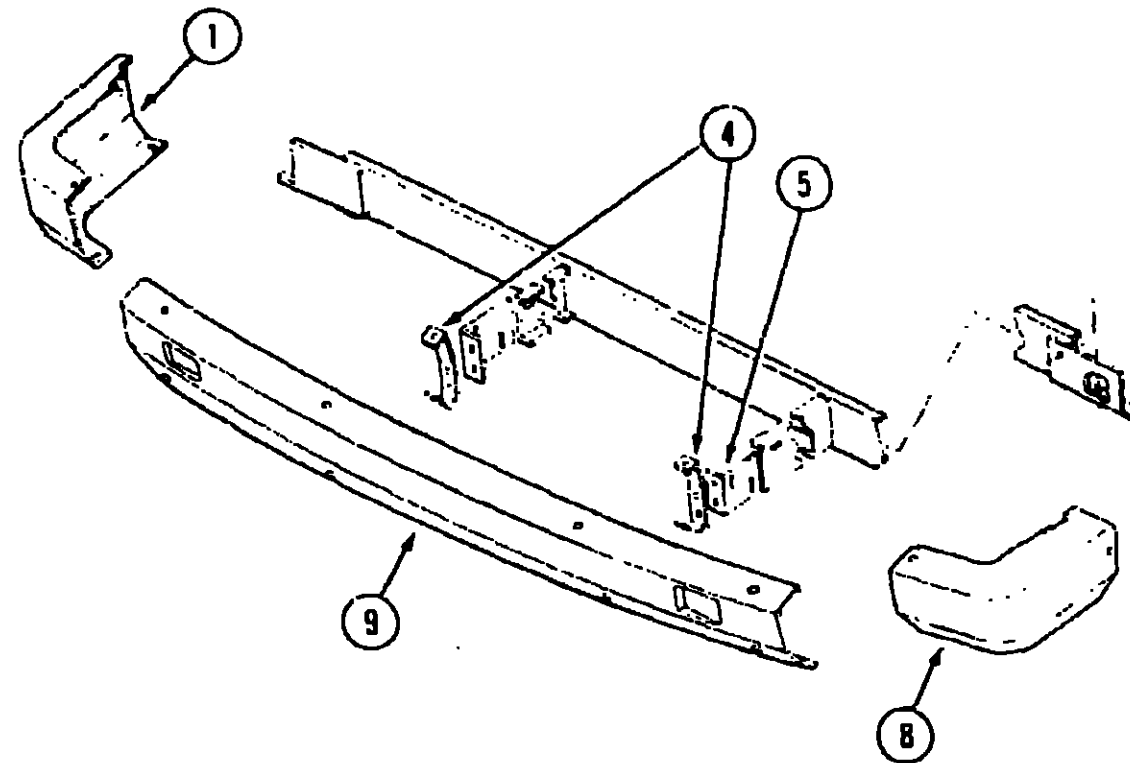
CHASSIS GROUP (CONTINUED)



SPARE TIRE & REAR BUMPER

Key	Part Number	U/M	Description
1	077395-01-000	EA	Shield - Sight - Spare Tire
2	077403-01-000	EA	Support - Rod - Spare Tire
3	007324-03-000	EA	Tire - 8R19.5LRF - Michelin
	051377-01-000	EA	Valve Stem Asm.
4	077411-01-000	EA	Rod - Retaining - Spare Tire
5	078668-01-000	EA	Support Angle - Bumper - Rear
6	077399-01-000	EA	Retainer - Spare Tire
7	078760-02-000	EA	Plate Asm. - Bumper - Mounting - Passenger Side
8	064081-01-000	EA	Wing Nut
	077400-01-000	EA	Support - Spare Tire
	077759-01-000	EA	Spacer - Support - Spare Tire
9	078670-02-000	EA	Bracket Asm. - Bumper - Rear
10	081107-01-000	EA	Bracket - Bumper Pin
11	078578-07-000	EA	Cap - Bumper End - Passenger Side
12	078584-01-000	EA	Bumper - Rear - Mill Finish
	078584-08-000	EA	Bumper - Rear - Chrome
13	083376-01-000	EA	Skid Plate Asm.
14	005200-01-000	EA	Bolt - Carriage - 7/16" x 14" x 1.25 w/Stainless Steel Cap
15	086281-01-000	EA	Wheel - Steel - 19.5 x 8.75
16	078578-08-000	EA	Cap - Bumper End - Driver Side
17	078760-03-000	EA	Plate Asm. - Bumper - Mounting - Driver Side

CHASSIS GROUP (CONTINUED)



FRONT BUMPER

Key	Part Number	U/M	Description
1	078577-09-000	EA	Bumper End Cap - Gray - Passenger
4	077052-01-000	EA	Bracket to Bumper - Front
5	096339-01-000	EA	Bracket to Frame - Front Bumper
8	078577-10-000	EA	Bumper End Cap - Gray - Driver
9	077850-09-000	EA	Bumper - Front - Chrome
	077850-04-000	EA	Bumper - Front Plain
	005200-01-000	EA	Carriage Bolt - 7/16" - 14 x 1 1/4" SST Head

**1991 ITASCA
TABLE OF CONTENTS**

INTRODUCTION	A-01 - A-02
ABBREVIATIONS	A-03
ALPHABETICAL/GROUP REFERENCE	A-04 - A-06
ICM28RO	A-07 - E-15
IKM40DA	E-17 - I-18

1991 IKM40DA INDEX

Floor Plan	E-17 - E-19
Accessories Group	E-19 - E-22
Bath Group	E-23 - F-02
Bedroom Group	F-03 - F-05
Chassis Group	F-06 - F-15
Curtain, Cushion & Pad Group	F-16 - F-22
Dinette Group	F-23 - G-01
Driver's Compartment Group	G-02 - G-07
Electrical Group	G-08 - G-12
Exterior Body Group	G-13 - G-21
Galley Group	G-22 - H-02
Heating & Air Conditioning Group	H-03 - H-05
Interior Finish Group	H-06 - H-07
Labels Group	H-08 - H-16
LP Group	H-17
Lounge Group	H-18 - H-19
Sealants & Fasteners Group	H-20 - H-21
Water & Sewage Group	H-22 - H-24
Window, Vent & Exterior Door Group	I-01 - I-18

CHASSIS GROUP (CONTINUED)

6.5 KW GENERATOR & COMPONENTS (OPTION 39G)

Key	Part Number	U/M	Description
	100975-01-000	EA	Generator - Onan Emerald Plus - 6.5KW (Option 39G)
	094657-02-000	EA	Tray Asm. - Generator
	083151-01-000	EA	Muffler
	007125-03-000	EA	Clamp Asm. - Muffler - 1.50" Dia.
	083152-06-000	EA	Exhaust Pipe - Generator - 90° Turn
	077476-03-000	EA	Exhaust Pipe - Generator - 47.5"
	008054-01-000	EA	Power Cord - 10/3 - 30 Amp. - 25' - USA
	008052-01-000	EA	Power Cord - 10/3 - 30 Amp. - 25' - CSA
	024924-02-000	EA	Receptacle - Power Cord
	069238-01-000	EA	Cover - Receptacle Box - Power Cord - 4" x 4"
	008026-01-000	EA	Wire - 12/2 Romex w/Ground
	008289-01-000	EA	Electrical Box - Steel - 4" x 4" - 1/2 & 3/4 - USA
	008294-01-000	EA	Cover Plate - Blank Steel - 4" x 4" - USA
	008289-02-000	EA	Electrical Box - Steel - 4" x 4" - 1/2 & 3/4 - CSA
	008294-02-000	EA	Cover Plate - Blank Steel - 4" x 4" - CSA
	008037-01-000	EA	Battery Cable - 1 AWG Strand
	010495-01-000	EA	Clamp - Cable - 9/16"
	010497-01-000	EA	Clamp - Closed - 5/8"
	062401-03-000	EA	Clamp - Hose - Wormgear - .22" to 1" I.D.
	062401-06-000	EA	Clamp - Hose - Wormgear - .22" to .62" I.D.
	041953-01-000	EA	Conduit - Plastic Convolute Slit - 1/2" I.D.
	008401-01-000	EA	Conduit - Strap - 3/4"
	008311-01-000	EA	Connector - Wire Nut - Red
	008312-01-000	EA	Connector - Wire Nut - Blue
	008314-01-000	EA	Connector - Wire Nut - Gray
	008356-01-000	EA	Connector - Plastic - 3/8"
	008353-01-000	EA	Connector - Cable Clamping - 3/8"
	008355-01-000	EA	Connector - Cable Clamping - 3/4"
	041480-01-000	EA	Connector - Straight - Flex Conduit
	023942-01-000	EA	Grommet - Rubber - 2" O.D.
	071015-07-000	EA	Grommet - Rubber - 1" I.D.
	071015-08-000	EA	Grommet - Rubber - 1.75" I.D.
	071015-13-000	EA	Grommet - Rubber - .62" I.D.
	007063-01-000	FT	Hose - Gasoline - 1/4" I.D. x 1/2" O.D.
	094059-01-000	EA	Spacer
	008328-01-000	EA	Terminal - Ring - 12/10 Wire
	008348-01-000	EA	Terminal - Ring - 2, 3/8 Stud
	008343-01-000	EA	Wire Tie - 5"
	024976-01-000	EA	Generator Switch - w/o Circuit Board

CHASSIS GROUP (CONTINUED)

7.0 KW GENERATOR & COMPONENTS

Key	Part Number	U/M	Description
	093547-01-000	EA	Generator - Kohler - 7.0KW
	093590-04-000	EA	Muffler
	007125-02-000	EA	Clamp Asm. - Muffler - 1.25" Dia.
	007125-03-000	EA	Clamp Asm. - Muffler - 1.50" Dia.
	083152-08-000	EA	Exhaust Pipe - 90° Turn
	077476-03-000	EA	Exhaust Pipe - 47.5"
	007131-01-000	EA	Tailpipe Hanger
	008054-01-000	EA	Power Cord - 10/3 - 30 Amp. - 25' - USA
	008052-01-000	EA	Power Cord - 10/3 - 30 Amp. - 25' - CSA
	024924-02-000	EA	Receptacle - Power Cord
	069238-01-000	EA	Cover - Receptacle Box - Power Cord - 4" x 4"
	008026-01-000	EA	Wire - 12/2 Romex w/Ground
	008289-01-000	EA	Electrical Box - Steel - 4" x 4" - 1/2 & 3/4 - USA
	008294-01-000	EA	Cover Plate - Blank Steel - 4" x 4" - USA
	008289-02-000	EA	Electrical Box - Steel - 4" x 4" - CSA
	008294-02-000	EA	Cover Plate - Blank Steel - 4" x 4" - CSA
	008037-01-000	EA	Battery Cable - 1 AWG Strand
	010495-01-000	EA	Clamp - 9/16"
	010497-01-000	EA	Clamp - Closed - 5/8" I.D.
	062401-03-000	EA	Clamp - Hose - Wormgear - .22" to 1" I.D.
	062401-06-000	EA	Clamp - Hose - Wormgear - .22" to .62" I.D.
	041953-01-000	EA	Conduit - Plastic Convolute Slit - .50" I.D.
	008401-01-000	EA	Conduit Strap - .75"
	008311-01-000	EA	Connector - Wire Nut - Red
	008312-01-000	EA	Connector - Wire Nut - Blue
	008314-01-000	EA	Connector - Wire Nut - Gray
	008356-01-000	EA	Connector - Plastic - 3/8"
	008353-01-000	EA	Connector - Cable Clamping - 3/4"
	008355-01-000	EA	Connector - Cable Clamping - 3/8"
	041480-01-000	EA	Connector - Straight Flex Conduit
	023942-01-000	EA	Grommet - Rubber - 2" O.D.
	071015-07-000	EA	Grommet - Rubber - 1" I.D.
	071015-08-000	EA	Grommet - Rubber - 1.75" I.D.
	071015-13-000	EA	Grommet - Rubber - .62" I.D.
	007063-01-000	FT	Hose - Gasoline - 1/4" I.D. x 1/2" O.D.
	008328-01-000	EA	Terminal - Ring - 12/10 Wire
	008348-01-000	EA	Terminal - Ring - 2, 3/8" Stud
	008343-01-000	EA	Wire Tie - 6"
	024976-01-000	EA	Generator Switch - w/o Circuit Board

1991 ITASCA TABLE OF CONTENTS

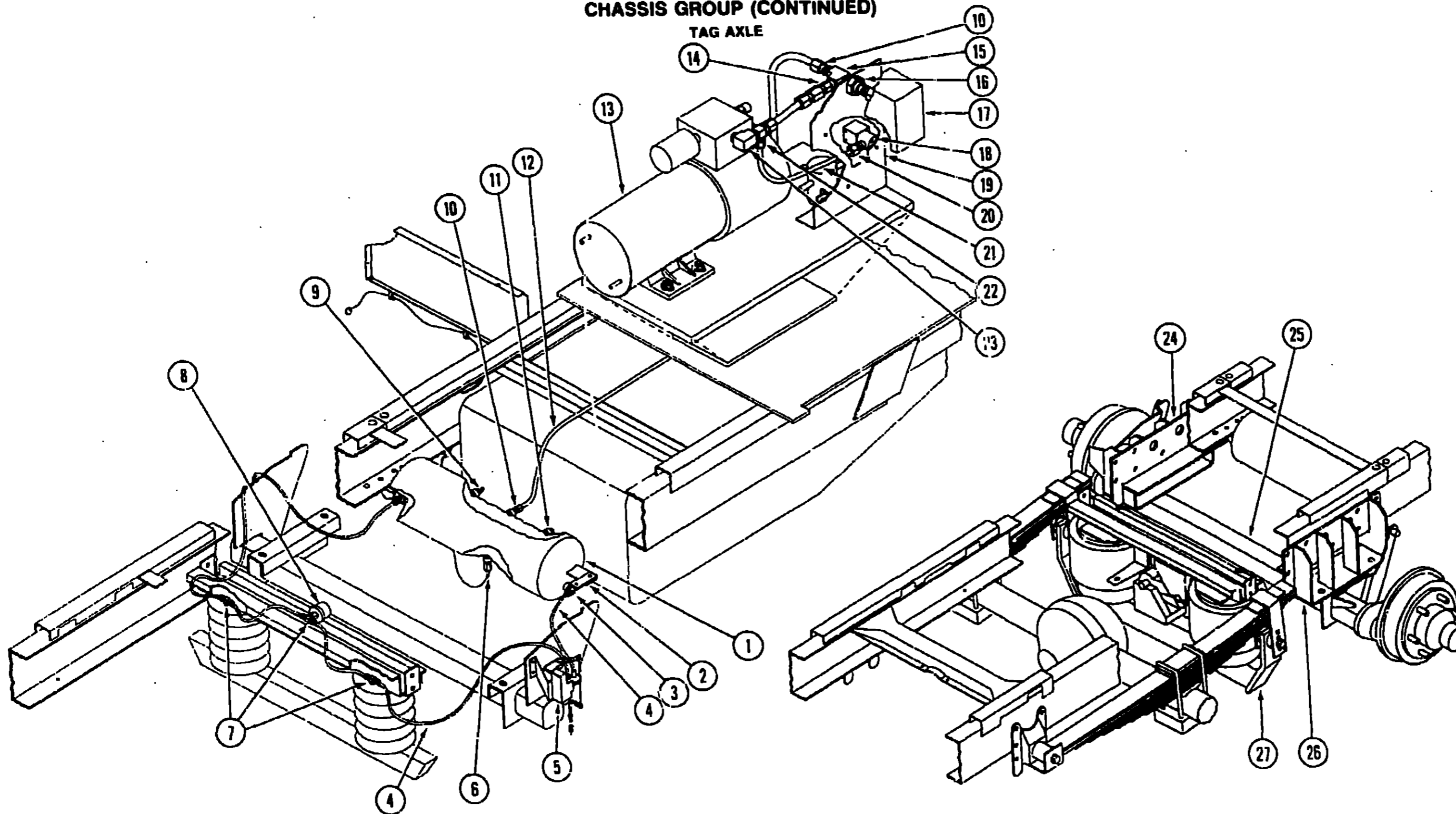
INTRODUCTION	A-01 - A-02
ABBREVIATIONS	A-03
ALPHABETICAL/GROUP REFERENCE	A-04 - A-06
ICM28RQ	A-07 - E-15
IKM40DA	E-17 - I-18

1991 IKM40DA INDEX

Floor Plan	E-17 - E-18
Accessories Group	E-19 - E-22
Bath Group	E-23 - F-02
Bedroom Group	F-03 - F-05
Chassis Group	F-06 - F-15
Curtain, Cushion & Pad Group	F-16 - F-22
Dinette Group	F-23 - G-01
Driver's Compartment Group	G-02 - G-07
Electrical Group	G-08 - G-12
Exterior Body Group	G-13 - G-21
Galley Group	G-22 - H-02
Heating & Air Conditioning Group	H-03 - H-05
Interior Finish Group	H-06 - H-07
Labels Group	H-08 - H-16
LP Group	H-17
Lounge Group	H-18 - H-19
Sealants & Fasteners Group	H-20 - H-21
Water & Sewage Group	H-22 - H-24
Window, Vent & Exterior Door Group	I-01 - I-18

CHASSIS GROUP (CONTINUED)

TAG AXLE



1991 ITASCA TABLE OF CONTENTS

INTRODUCTION	A-01 - A-02
ABBREVIATIONS	A-03
ALPHABETICAL/GROUP REFERENCE	A-04 - A-06
ICM28RQ	A-07 - E-15
IKM40DA	E-17 - I-18

1991 IKM40DA INDEX

Floor Plan	E-17 - E-18
Accessories Group	E-19 - E-22
Bath Group	E-23 - F-02
Bedroom Group	F-03 - F-05
Chassis Group	F-06 - F-15
Curtain, Cushion & Pad Group	F-16 - F-22
Dinette Group	F-23 - G-01
Driver's Compartment Group	G-02 - G-07
Electrical Group	G-08 - G-12
Exterior Body Group	G-13 - G-21
Galley Group	G-22 - H-02
Heating & Air Conditioning Group	H-03 - H-05
Interior Finish Group	H-06 - H-07
Labels Group	H-08 - H-16
LP Group	H-17
Lounge Group	H-18 - H-19
Sealants & Fasteners Group	H-20 - H-21
Water & Sewage Group	H-22 - H-24
Window, Vent & Exterior Door Group	I-01 - I-18

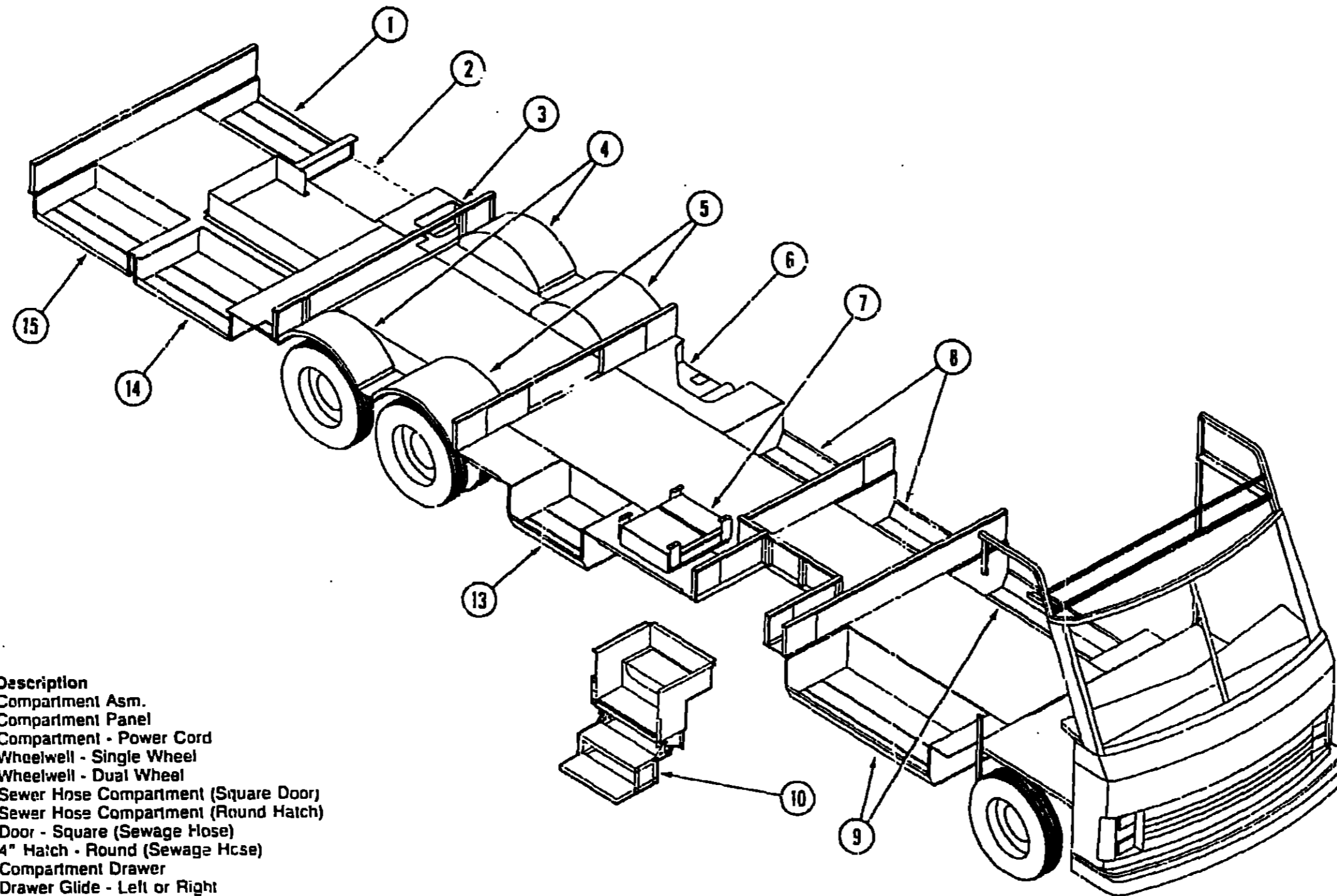
Key	Part Number	U/M	Description
1	071375-02-000	EA	Air Tank
2	071375-03-000	EA	Air Tank Mount Isolator Pad
3	071387-05-000	EA	Elbow - Male
4	071390-04-000	FT	Air Brake Tubing - 1/4" OD - Black
5	094558-07-000	EA	Valve Asm. - Height Control (Driver Side) (Used up to 9-30-90)
	094558-05-000	EA	Valve Asm. - Height Control (Passenger Side) (Used up to 9-30-90)
5	085754-02-000	EA	Valve Asm. - Height Control (Driver Side) (Used after 9-30-91)
	085754-01-000	EA	Valve Asm. - Height Control (Passenger Side) (Used after 9-30-91)
6	085773-01-000	EA	Drain Valve - Air Tank
7	071389-02-000	EA	Tee - Male
8	085758-02-000	EA	Switch Asm. (Low Air)
9	086241-01-000	EA	Air Valve
10	071386-04-000	EA	Connector - Male
11	071392-03-000	EA	Hex Head Plug
12	071390-03-000	FT	Air Brake Tubing - 3/8" OD - Red
13	085761-02-000	EA	Air Compressor - 12V

F-11

Key	Part Number	U/M	Description
14	085756-01-000	EA	Check Valve
15	085765-01-000	EA	Tee - Street
16	071374-03-000	EA	Bulkhead Fitting
17	085757-01-000	EA	Pressure Control Switch
18	085755-01-000	EA	Air Solenoid Valve
19	085375-01-000	EA	Mounting Bracket
20	071386-03-000	EA	Connector - Male
21	071390-03-000	FT	Air Brake Tubing - 3/8"
22	085763-01-000	EA	Tee - Male
23	095624-01-000	EA	Elbow - 90°
24	094558-03-000	EA	Axle Mount - Passenger Side
25	094558-02-000	EA	Tag Axle - Torsion
26	094558-04-000	EA	Axle Mount - Driver Side
27	094558-05-000	EA	Air Suspension Asm.

F-12

CHASSIS GROUP (CONTINUED)
WHEELWELLS & LUGGAGE COMPARTMENTS



Key	Part Number	U/M	Description
1	088015-04-000	EA	Compartment Asm.
2	093313-02-000	EA	Compartment Panel
3	089580-01-000	EA	Compartment - Power Cord
4	097823-02-000	EA	Wheelwell - Single Wheel
5	087883-01-000	EA	Wheelwell - Dual Wheel
6	089099-01-000	EA	Sewer Hose Compartment (Square Door)
6	089099-03-000	EA	Sewer Hose Compartment (Round Hatch)
	089099-01-000	EA	Door - Square (Sewage Hose)
	092887-03-000	EA	4" Hatch - Round (Sewage Hose)
7	M92486-01-000	EA	Compartment Drawer
	092914-01-000	EA	Drawer Glide - Left or Right
	009063-01-000	EA	Drawer Hinge
	074762-01-000	EA	Drawer Pull
	042442-01-000	EA	Twist Lock Asm.
8	081252-19-000	EA	Compartment Asm.
9	081252-27-000	EA	Compartment Asm.
10	094707-01-01A	EA	Step Asm. - Electric
13	081252-32-000	EA	Compartment Asm.
14	088015-05-000	EA	Compartment Asm.
15	068015-03-000	EA	Compartment Asm.
	093486-01-000	SY	Carpet - Luggage Compartment
	079368-01-000	FT	Bulb Seal

1991 ITASCA
TABLE OF CONTENTS

INTRODUCTION	A-01 - A-02
ABBREVIATIONS	A-03
ALPHABETICAL/GROUP REFERENCE	A-04 - A-06
ICM28RO	A-07 - E-15
IKM40DA	E-17 - I-18

1991 IKM40DA INDEX

Floor Plan	E-17 - E-18
Accessories Group	E-19 - E-22
Bath Group	E-23 - F-02
Bedroom Group	F-03 - F-05
Chassis Group	F-06 - F-15
Curtain, Cushion & Pad Group	F-16 - F-22
Dinette Group	F-23 - G-01
Driver's Compartment Group	G-02 - G-07
Electrical Group	G-08 - G-12
Exterior Body Group	G-13 - G-21
Galley Group	G-22 - H-02
Heating & Air Conditioning Group	H-03 - H-05
Interior Finish Group	H-06 - H-07
Labels Group	H-08 - H-16
LP Group	H-17
Lounge Group	H-18 - H-19
Sealants & Fasteners Group	H-20 - H-21
Water & Sewage Group	H-22 - H-24
Window, Vent & Exterior Door Group	I-01 - I-18

CHASSIS GROUP (CONTINUED)

LEVELING JACKS - HYDRAULIC

Key	Part Number	U/M	Description
	100532-01-000	EA	Leveling System - Hydraulic
	100533-01-000	EA	Brackets - Front Jacks
	100534-01-000	EA	Brackets - Rear Jacks
	100535-01-000	EA	Bracket - Pump
	100536-04-000	EA	Hose Kit
	096808-01-000	EA	Spacer - Pedestal, Driver
	041953-09-000	FT	Conduit - Conbolute Slit - .50" ID
	008343-01-000	EA	Terminal - Ring - 2 3/8" Stud
	100532-01-700	EA	Manual Level Valve
	089339-01-700	EA	Leveling Jack

Key	Part Number	U/M	Description
	086271-01-000	EA	Wheel Liner - (Chrome - 19.5" (Set/4)
	086271-06-000	EA	Wheel Liner - (Chrome - 19.5" (Set/2)
	086271-01-700	EA	Wheel Liner - (Chrome - 19.5" - Front (1)
	086271-01-701	EA	Wheel Liner - (Chrome - 19.5" - Rear (1)
	086271-01-702	EA	Axle Cover - 6 Lug - 19.5" - Front
	086271-01-703	EA	Axle Cover - 6 Lug - 19.5" - Rear
	086271-01-704	EA	Beauty Ring
	086271-01-705	EA	Cover - Lug Nut - 19.5"
	077030-02-000	EA	Valve Stem Extension - 1.25"
	095012-03-000	EA	Valve Stem Extension - Dual Wheel

FOG LAMP & COMPONENTS

Key	Part Number	U/M	Description
	088747-03-000	EA	Lamp Asm. - Fog - Clear Lens
	088747-03-700	EA	Cover - Fog Lamp
	088737-03-701	EA	Bezel - Fog Light
	089305-02-000	EA	Switch - Fog Lamp
	007940-01-000	EA	Receptacle - Slide - 16 to 12 AWG Wire
	007942-01-000	EA	Tab - 1/3 to 14 AWG Wire
	010499-01-000	EA	Clamp - Closed - 3/8" I.D.
	063910-01-000	EA	Housing - Relay
	063912-02-000	EA	Relay - Canister - SPDT - w/Resistor
	093654-02-000	EA	Circuit Breaker - 5 Amp

WHEEL COVER & MOUNTING HARDWARE

Key	Part Number	U/M	Description
	083181-03-000	EA	Wheel Cover - 19.5" (Set/4)
	083181-05-000	EA	Wheel Cover - 19.5" (Set/2)
	083181-03-700	EA	Wheel Cover - 19.5" (1)
	083181-09-000	EA	Retainer Kit - 19.5" Wheel Cover (Set/2)
	083181-10-000	EA	Retainer Kit - 19.5" Wheel Cover (Set/4)
	083181-10-700	EA	Retainer - 19.5" Wheel Cover (1) - Front
	083181-10-701	EA	Retainer - 19.5" Wheel Cover (1) - Rear
	083181-04-702	EA	Nut Cover - 19.5" Wheel
	083181-04-703	EA	Center Cap - Chrome

FUEL SYSTEM COMPONENTS

Key	Part Number	U/M	Description
	078010-05-000	EA	Door Asm. - Fuel Fill - Gray
	083578-01-000	EA	Boot - Fuel Fill
	087256-03-000	EA	Neck Asm. - Fuel Fill
	062401-03-000	EA	Hose Clamp - Wormgear - .12" to 1" ID
	062401-02-000	EA	Hose Clamp - Wormgear - 1.56" to 2.5" ID
	007111-02-000	EA	Hose - 2" x 3'
	007063-01-000	EA	Hose - 1/4" ID
	024138-01-000	EA	Hose - 5/16" I.D.
	066732-03-000	EA	Hose - 3/4" I.D.

CURTAIN, CUSHION & PAD GROUP

FRONT CURTAINS & ACCESSORIES

Key	Part Number	U/M	Description
	072260-42-809	EA	Tieback - 6" x 18" - Left or Right Side
	097994-06-840	EA	Curtain - Front Wraparound - Driver Side - 37" x 40"
	094856-07-01A	EA	Front Wraparound Track - Drivers Side (Gray)
	094856-07-02A	EA	Front Wraparound Track - Driver Side (Off White)
	101589-01-803	EA	Front Wraparound Track - Passenger Side (Gray)
	101589-01-804	EA	Front Wraparound Track - Passenger Side (Off White)
	009701-01-000	EA	Roller Carrier - Wraparound Curtain
	009702-01-000	EA	End Stop - Roller Carrier
	097994-07-840	EA	Curtain - Front Wraparound - Passenger Side - 35" x 125"
	088792-01-000	EA	Velcro - 5/8" Hook - Non-Adhesive
	088792-02-000	EA	Velcro - 3/4" Loop - Adhesive
	072333-77-000	YD	Curtain Fabric

SWIVEL CHAIR

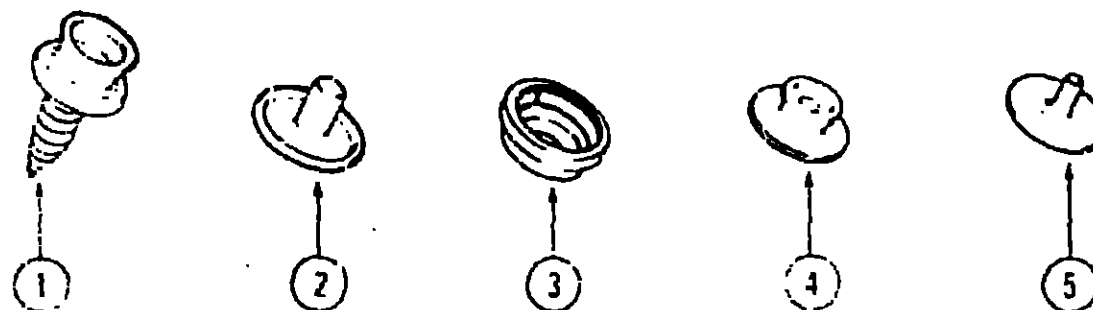
Key	Part Number	U/M	Description
	101866-06-000	EA	Swivel Chair (Flexsteel)

BUCKET SEAT ASM.

Key	Part Number	U/M	Description
	101866-10-000	EA	Seat Asm. - w/Armrest, Headrest & Skirt (Driver or Passenger Side)
	069585-08-000	EA	Sub Plate - 8" - Pedestal
	093481-04-000	EA	Top Plate - Pedestal
	091990-01-01A	EA	Seat Bolt

POWER SEAT

Key	Part Number	U/M	Description
	081373-01-000	EA	Power Control - 6-Way
	069585-39-000	EA	Top Plate (6-Way Power Seat)
	059585-37-000	EA	Seat Base (6-Way Power Seat)
	081591-04-000	EA	Wire Asm. (w-Way Power Seat)



MISCELLANEOUS

Key	Part Number	U/M	Description
1	029130-01-000	EA	Socket - Snap Fastener - 7 x 5/8"
2	029155-01-000	EA	Cap - Snap
3	029156-01-000	EA	Socket - Snap Fastener
4	029092-01-000	EA	Stud - Nickel Finish
5	029093-01-000	EA	Eyelet - Nickel Finish
	078245-01-000	EA	Boot - Steering Column
	029034-04-000	YD	Velcro Tape - Loop - 1" - Black
	029096-03-000	YD	Velcro Tape - Hook - 1" - Black

1991 ITASCA TABLE OF CONTENTS

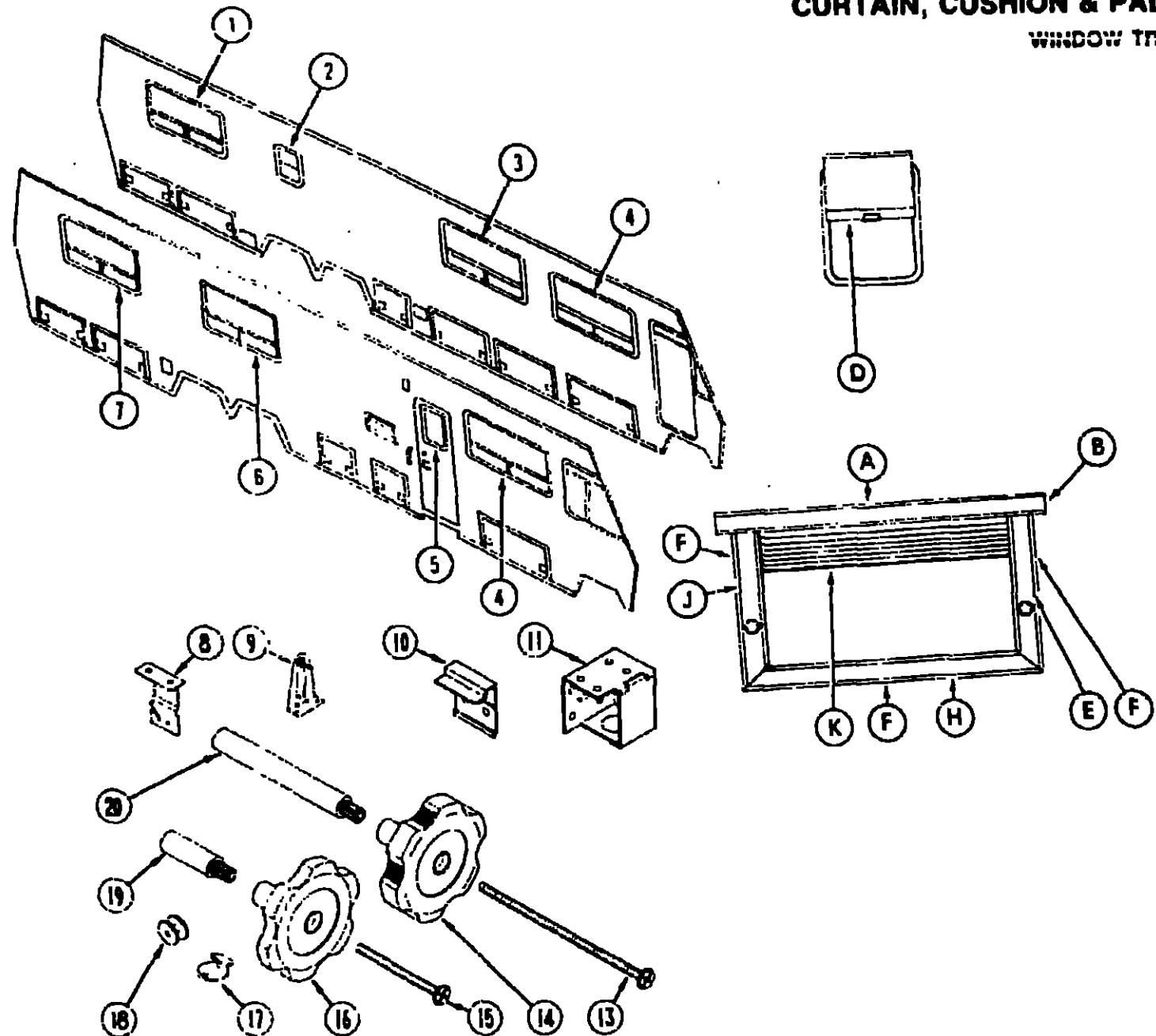
INTRODUCTION	A-01 - A-02
ABBREVIATIONS	A-03
ALPHABETICAL/GROUP REFERENCE	A-04 - A-06
ICM28RO	A-07 - E-15
IKM40DA	E-17 - I-18

1991 IKM40DA INDEX

Floor Plan	E-17 - E-18
Accessories Group	E-19 - E-22
Bath Group	E-23 - F-02
Bedroom Group	F-03 - F-05
Chassis Group	F-06 - F-15
Curtain, Cushion & Pad Group	F-16 - F-22
Dinette Group	F-23 - G-01
Driver's Compartment Group	G-02 - G-07
Electrical Group	G-08 - G-12
Exterior Body Group	G-13 - G-21
Galley Group	G-22 - H-02
Heating & Air Conditioning Group	H-03 - H-05
Interior Finish Group	H-06 - H-07
Labels Group	H-08 - H-16
LP Group	H-17
Lounge Group	H-18 - H-19
Sealants & Fasteners Group	H-20 - H-21
Water & Sewage Group	H-22 - H-24
Window, Vent & Exterior Door Group	I-01 - I-18

CURTAIN, CUSHION & PAD GROUP (CONTINUED)

WINDOW TREATMENT



Key	Part Number
4B	094328-01-B41
4B	094328-11-B41
4F	M03947-02-Y15
4E	094327-01-B40
4E	094327-01-B41
4E	094327-27-B41
4H	094327-02-B40
4H	094327-02-B41
4H	094327-29-B41
4J	094327-13-B40
4J	094327-13-B41
4J	094327-28-B41
4K	096803-09-B40
4K	096803-09-B41
4K	101778-01-01A
5D	084755-57-B07
5	048394-02-000
5	0C5792-02-000
6A	M03947-03-Y15
6B	094328-02-B40
6B	094328-02-B41
6B	094328-12-B41
6F	M03947-04-Y15
6E	094327-01-B40
6E	094327-01-B41
6E	094327-27-B41
6H	094327-03-B40
6H	094327-03-B41
6H	094327-31-B41
6J	094327-13-B40
6J	094327-13-B41
6J	094327-28-B41
6K	096803-05-B40
6K	096803-05-B41
6K	096803-05-B47
6K	101778-03-01A
7B	101906-01-B40
7B	101906-01-B41
7B	101906-01-B47
7E	100281-23-B40
7E	100281-23-B41
7J	100281-24-B40
7J	100281-24-B41
7K	096803-05-B40
7K	096803-05-B41
7K	096803-05-B47
	088273-63-000
	088273-64-000
	088273-61-000
	096008-28-000
	096008-75-000
	096006-74-000
8	084434-01-000
9	095591-01-000
10	097565-01-000
11	083170-01-000
	083170-02-000
13	101283-01-01A
14	101290-01-01A
15	009439-07-000
16	009439-05-000
17	102555-01-000
19	009439-06-000
20	090025-01-000

U/M	Description
EA	Valance Pad - Top - Pebble (Thru 12/9/90)
EA	Valance Pad - Top - Gray (From 12/10/90)
EA	Window Cabinet - Bottom & Sides
EA	Window Pad - Right Side (B47)
EA	Window Pad - Right Side - Pebble (Thru 12/9/90)
EA	Window Pad - Right Side - Gray (From 12/10/90)
EA	Window Pad - Bottom (B47)
EA	Window Pad - Bottom - Pebble (Thru 12/9/90)
EA	Window Pad - Bottom - Gray (From 12-10-90)
EA	Window Pad - Left Side (B47)
EA	Window Pad - Left Side Pebble (Thru 12/9/90)
EA	Window Pad - Left Side - Gray (From 12/10/90)
EA	Pleated Blind - 57.5" x 32" Drop (B47)
EA	Pleated Blind - 57.5" x 32" Drop
EA	Mini Blind - Wood 57.5" x 32" Drop (B40,B41,B47)
EA	Shade Asm. - 27.25"
YD	Velcro - Hook Tape
YD	Velcro - Loop Tape
EA	Valance Cabinet Asm. - Window Top
EA	Valance Pad - Top
EA	Valance Pad - Top - Pebble (Thru 12/9/90)
EA	Valance Pad - Top - Gray (From 12/10/90)
EA	Window Cabinet - Bottom & Sides
EA	Window Pad - Right Side (B47)
EA	Window Pad - Right Side - Pebble (Thru 12/9/90)
EA	Window Pad - Right Side - Gray (From 12/10/90)
EA	Window Pad - Bottom (B47)
EA	Window Pad - Bottom - Pebble (Thru 12/9/90)
EA	Window Pad - Bottom Gray (From 12/10/91)
EA	Window Pad - Left Side (B47)
EA	Window Pad - Left Side - Pebble (Thru 12/9/90)
EA	Window Pad - Left Side - Gray (From 12/10/90)
EA	Pleated Blind - 51" x 33" Drop
EA	Pleated Blind - 51" x 33" Drop
EA	Pleated Blind - 51" x 33" Drop
EA	Mini Blind - Wood (B40,B41,B47)
EA	Valance - Pleated Top
EA	Valance - Pleated Top
EA	Valance - Pleated Top
EA	Leg Asm. - Right Side (B47)
EA	Leg Asm. - Right Side
EA	Leg Asm. - Left Side (B47)
EA	Leg Asm. - Left Side (B19)
EA	Pleated Blind - 51" x 33" Drop
EA	Pleated Blind - 51" x 33" Drop
EA	Pleated Blind - 51" x 33" Drop
YD	Bedroom Window Fabric (B40) (Windows 1,7)
YD	Bedroom Window Fabric (B41) (Windows 1,7)
YD	Bedroom Window Fabric (B47) (Windows 1,7)
YD	Hallway, Bath, Dinette & Lounge Window Fabric: (B40,B47) (Windows 2,3,4,5)
YD	Hallway, Bath, Dinette & Lounge Window Fabric - Pebble (B41) (Windows 2,3,4,6)
YD	Hallway, Bath, Dinette & Lounge Window Fabric Gray (B41) (Windows 2,3,4,6)
EA	Roller Shade Bracket
EA	Hold Down Bracket - Blind
EA	Blind Mounting Bracket - Right or Left Side (Bedroom)
EA	Blind Mounting Bracket - Right Side (Shown) Clear Plastic
EA	Blind Mounting Bracket - Left Side - Clear Plastic
EA	Screw - Window Knob (Brass)
EA	Window Knob - Brass
EA	Screw - Window Knob - Black
EA	Window Knob - Black
EA	Cord Cleat - Blind
EA	Extension - Window Knob - Black
EA	Extension - Window Knob - Black

Key	Part Number	U/M	Description
1B	101906-02-B40	EA	Valance Asm. - w/Pleated Top
1B	101906-02-B41	EA	Valance Asm. - w/Pleated Top
1B	101906-02-B47	EA	Valance Asm. - w/Pleated Top
1E	100231-21-B40	EA	Window Leg - Right Side (B47)
1E	100231-21-B41	EA	Window Leg - Right Side
1J	100281-22-B40	EA	Window Leg - Left Side (B47)
1J	100281-22-B41	EA	Window Leg - Left Side
1K	096803-08-B40	EA	Blind - 53" x 33" Drop
1K	096803-08-B41	EA	Blind - 53" x 33" Drop
1K	096803-08-B47	EA	Blind - 53" x 33" Drop
2A	M03895-43-Y15	EA	Valance Cabinet Asm. - Window Top
2B	094328-10-B40	EA	Valance Pad (B47)
2B	094328-10-B41	EA	Valance Pad
2K	101778-04-01A	EA	Blind - 19" x 28.5" Drop
3F	094319-01-Y15	EA	Window Cabinet Asm. - Left & Right Side
3EJ	094327-04-B40	EA	Window Pad - Left or Right Side (B47)
3EJ	094327-04-B41	EA	Window Pad - Left or Right Side - Pebble (Thru 12/9/90)
3EJ	094327-20-B41	EA	Window Pad - Left or Right Side - Gray (From 12/10/90)
3K	096803-10-B40	EA	Pleated Blind - 57" x 36" Drop (B47)
3K	096803-10-B41	EA	Pleated Blind - 57" x 36" Drop
3K	101178-02-01A	EA	Mini Blind - Wood 57" x 36" Drop (B40,B41,B47)
4A	M03947-01-Y15	EA	Valance Cabinet Asm. - Window Top
4B	094328-01-B40	EA	Valance Pad - Top (B47)

F-17

**1991 ITASCA
TABLE OF CONTENTS**

INTRODUCTION	A-01 - A-02
ABBREVIATIONS	A-03
ALPHABETICAL/GROUP REFERENCE	A-04 - A-06
ICM28RO	A-07 - E-15
IKM40DA	E-17 - I-10

1991 IKM40DA INDEX

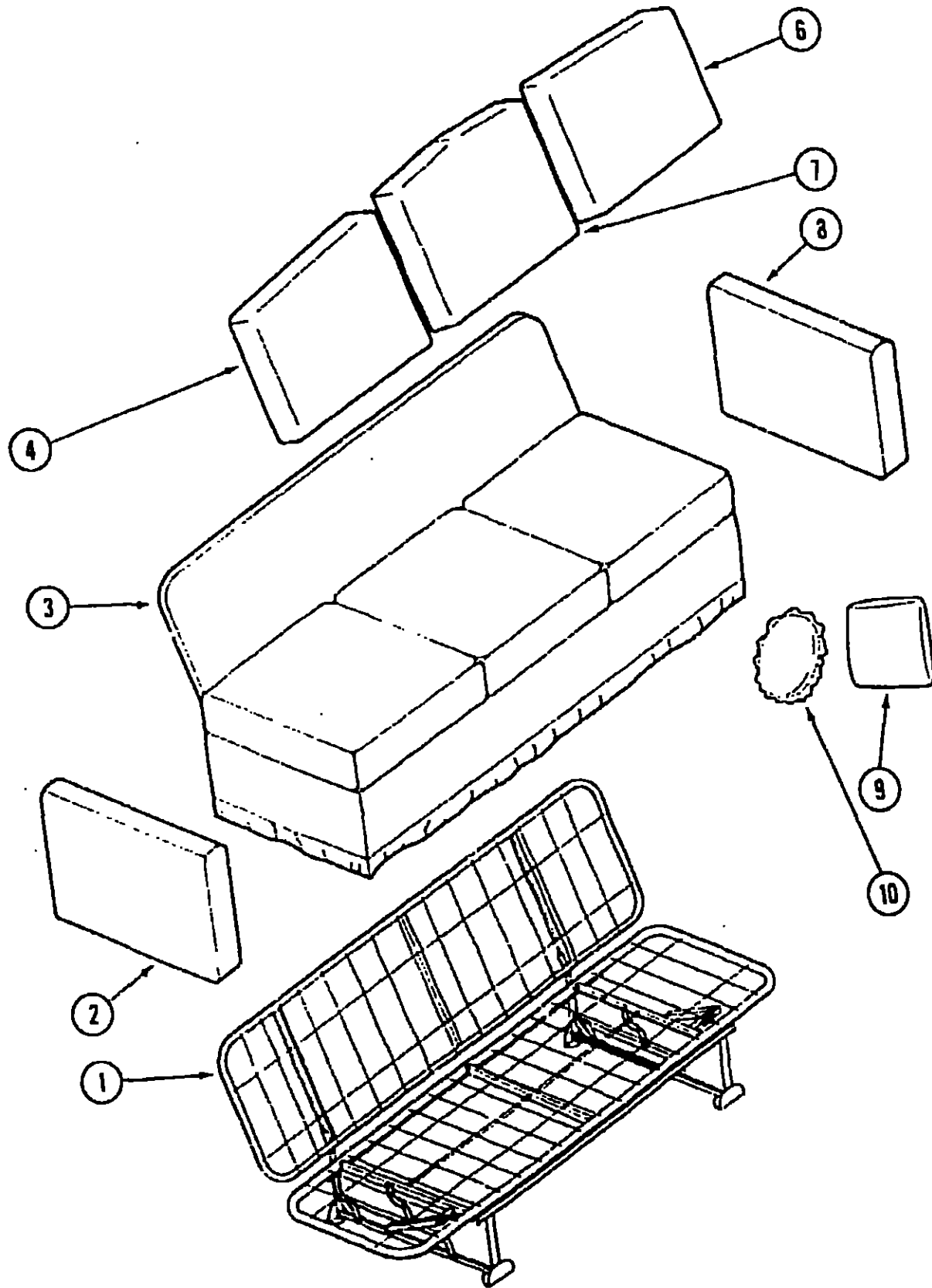
Floor Plan	E-17 - E-18
Accessories Group	E-19 - E-22
Bath Group	E-23 - F-02
Bedroom Group	F-03 - F-05
Chassis Group	F-06 - F-15
Curtain, Cushion & Pad Group	F-16 - F-22
Dinette Group	F-23 - G-01
Driver's Compartment Group	G-02 - G-07
Electrical Group	G-08 - G-12
Exterior Body Group	G-13 - G-21
Galley Group	G-22 - H-02
Heating & Air Conditioning Group	H-03 - H-05
Interior Finish Group	H-06 - H-07
Labels Group	H-08 - H-16
LP Group	H-17
Lounge Group	H-18 - H-19
Sealants & Fasteners Group	H-20 - H-21
Water & Sewage Group	H-22 - H-24
Window, Vent & Exterior Door Group	I-01 - I-18

F-18

CURTAIN, CUSHION & PAD GROUP (CONTINUED)

SOFA BED LOUNGER

Key	Part Number	U/M	Description
1	079386-04-000	EA	Frame Asm. - Sofa Bed
2	097993-03-B40	EA	Arm Asm.
2	097993-03-B41	EA	Arm Asm.
2	097993-03-B46	EA	Arm Asm. (B47)
2	M97993-03-B40	EA	Arm Cover
2	M97993-03-B41	EA	Arm Cover
2	M97993-03-B46	EA	Arm Cover (B47)
3	097986-01-B40	EA	Sofa Bed Asm.
3	097966-01-B41	EA	Sofa Bed Asm.
3	097986-01-B47	EA	Sofa Bed Asm.
3	M97986-01-B40	EA	Sofa Bed Cover
3	M97986-01-B41	EA	Sofa Bed Cover
3	M97986-01-B47	EA	Sofa Bed Cover
4	097992-01-B40	EA	Cushion Asm.
4	097992-01-B41	EA	Cushion Asm.
4	097992-01-B46	EA	Cushion Asm. (B47)
4	M97992-01-B40	EA	Cushion Cover
4	M97992-01-B41	EA	Cushion Cover
4	M97992-01-B46	EA	Cushion Cover (B47)
6	097992-02-B40	EA	Cushion Asm.
6	097992-02-B41	EA	Cushion Asm.
6	097992-02-B46	EA	Cushion Asm. (B47)
6	M97992-02-B40	EA	Cushion Cover
6	M97992-02-B41	EA	Cushion Cover
6	M97992-02-B46	EA	Cushion Cover (B47)
7	097992-03-B40	EA	Cushion Asm.
7	097992-03-B41	EA	Cushion Asm.
7	097992-03-B46	EA	Cushion Asm. (B47)
7	M97992-03-B40	EA	Cushion Cover
7	M97992-03-B41	EA	Cushion Cover
7	M97992-03-B46	EA	Cushion Cover (B47)
8	097993-04-B40	EA	Arm Asm.
8	097993-04-B41	EA	Arm Asm.
8	097993-04-B46	EA	Arm Asm. (B47)
8	M97993-04-B40	EA	Arm Cover
8	M97993-04-B41	EA	Arm Cover
8	M97993-04-B46	EA	Arm Cover (B47)
9	103669-01-B38	EA	Throw Pillow (B40,B47)
9	103669-01-B39	EA	Throw Pillow (B41)
10	104504-01-B38	EA	Throw Pillow (B40,B47)
10	104504-01-B39	EA	Throw Pillow (B41)
	096008-73-000	YD	Sofa Fabric (B40)
	096008-74-000	YD	Sofa Fabric (B41)
	096008-58-000	YD	Sofa Fabric (B47)



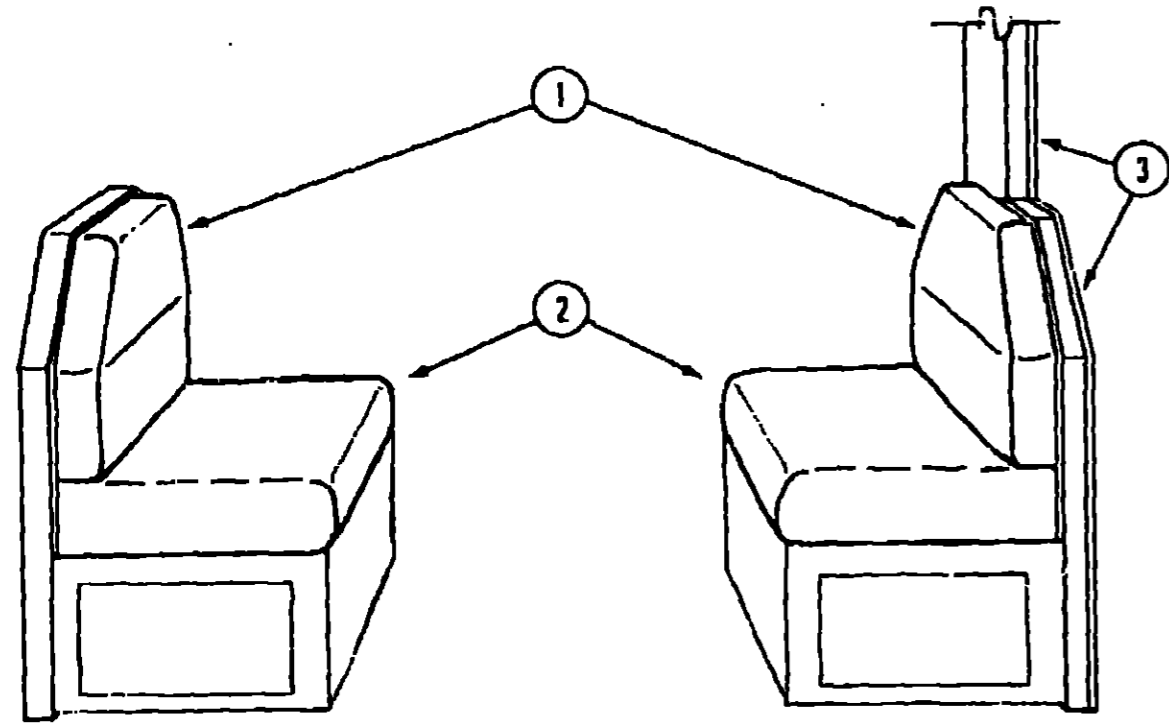
**1991 ITASCA
TABLE OF CONTENTS**

INTRODUCTION	A-01 - A-02
ABBREVIATIONS	A-03
ALPHABETICAL/GROUP REFERENCE	A-04 - A-06
ICM28RQ	A-07 - E-15
IKM40DA	E-17 - I-18

1991 IKM40DA INDEX

Floor Plan	E-17 - E-18
Accessories Group	E-19 - E-22
Bath Group	E-23 - F-02
Bedroom Group	F-03 - F-05
Chassis Group	F-06 - F-15
Curtain, Cushion & Pad Group	F-16 - F-22
Dinette Group	F-23 - G-01
Driver's Compartment Group	G-02 - G-07
Electrical Group	G-08 - G-12
Exterior Body Group	G-13 - G-21
Galley Group	G-22 - H-02
Heating & Air Conditioning Group	H-03 - H-05
Interior Finish Group	H-06 - H-07
Labels Group	H-08 - H-16
LP Group	H-17
Lounge Group	H-18 - H-19
Sealants & Fasteners Group	H-20 - H-21
Water & Sewage Group	H-22 - H-24
Window, Vent & Exterior Door Group	I-01 - I-18

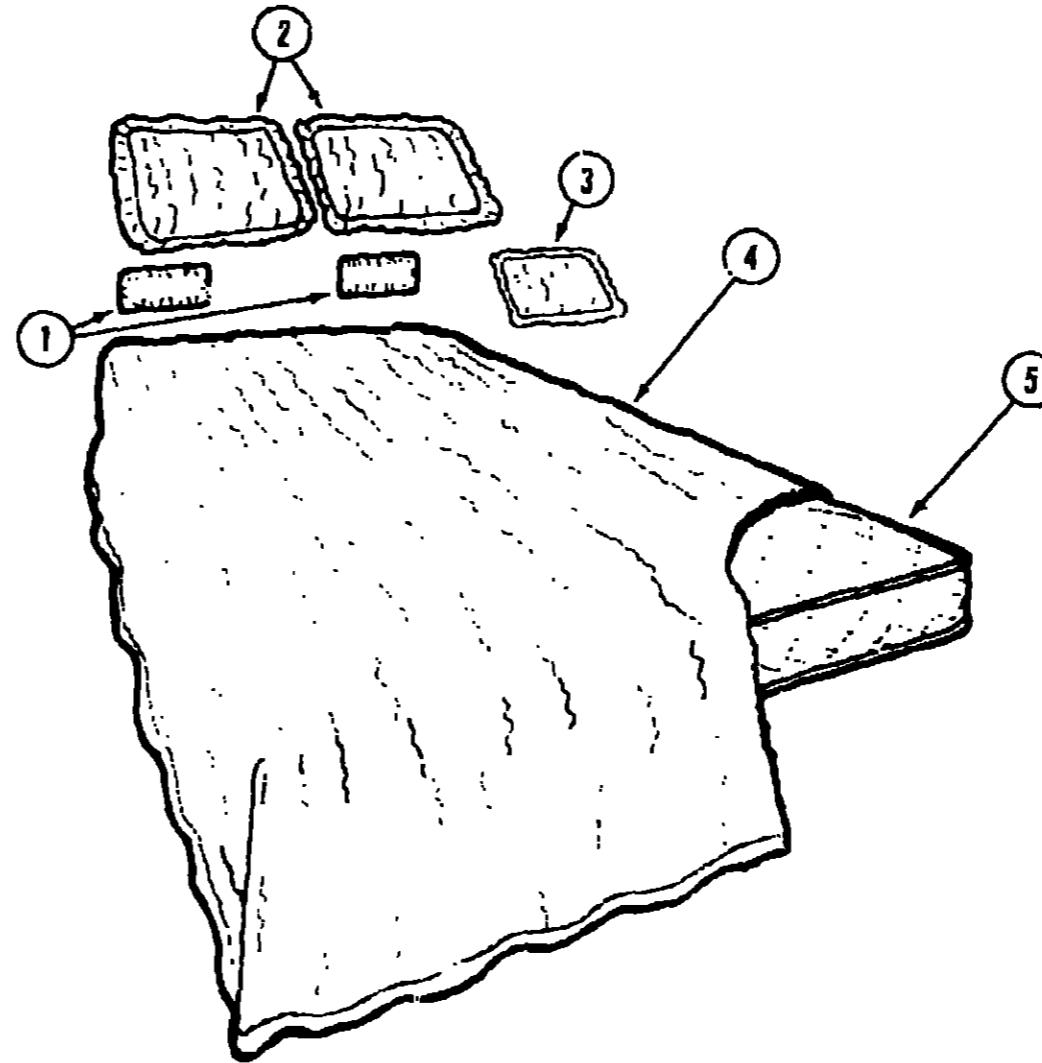
CURTAIN, CUSHION & PAD GROUP (CONTINUED)



DINETTE CUSHION

Key	Part Number	U/M	Description
1	088927-79-B40	EA	Cushion Asm. - Dinette Back
1	088927-79-B41	EA	Cushion Asm. - Dinette Back
1	088927-79-B07	EA	Cushion Asm. - Dinette Back (B47)
1	M88927-79-B40	EA	Cushion Cover Asm. - Dinette Back
1	M88927-79-B41	EA	Cushion Cover Asm. - Dinette Back
1	M88927-79-B07	EA	Cushion Cover Asm. - Dinette Back (B47)
2	088927-87-B40	EA	Cushion Asm. - Dinette Bottom
2	088927-87-B41	EA	Cushion Asm. - Dinette Bottom
2	088927-87-B07	EA	Cushion Asm. - Dinette Bottom (B47)
2	M88927-87-B40	EA	Cushion Cover Asm. - Dinette Bottom
2	M88927-87-B41	EA	Cushion Cover Asm. - Dinette Bottom
2	M88927-87-307	EA	Cushion Cover Asm. - Dinette Bottom (B47)
3	094323-01-B40	EA	Pad Asm. - Dinette Back Wall (B47)
3	094323-01-B41	EA	Pad Asm. - Dinette Back Wall
	096008-28-000	YD	Fabric - Back Wall (B40,47)
	096008-75-000	YD	Fabric - Back Wall (B41)
	096008-73-000	YD	Dinette Fabric (B40)
	096008-74-000	YD	Dinette Fabric (B41)
	096008-68-000	YD	Dinette Fabric (B47)

CURTAIN, CUSHION & PAD GROUP (CONTINUED)



QUEEN BED

Key	Part Number	U/M	Description
1	095056-03-B40	EA	Headboard Trim Inset (B47)
1	095056-03-B41	EA	Headboard Trim Inset
2	102161-06-B38	EA	Pillow Sham (B40, B47)
2	102161-06-B39	EA	Pillow Sham (B41)
2	081997-05-B38	EA	Pillow Sham Cover (B40, B47)
2	081997-05-B39	EA	Pillow Sham Cover (B41)
3	102374-02-B40	EA	Bedsread Throw Pillow (B47)
3	102374-02-B41	EA	Bedsread Throw Pillow
4	102410-01-B40	EA	Fitted Bedsread - w/Ruffle (B47)
4	102410-01-B41	EA	Fitted Bedsread - w/Ruffle
5	098176-05-000	EA	Innerspring Mattress

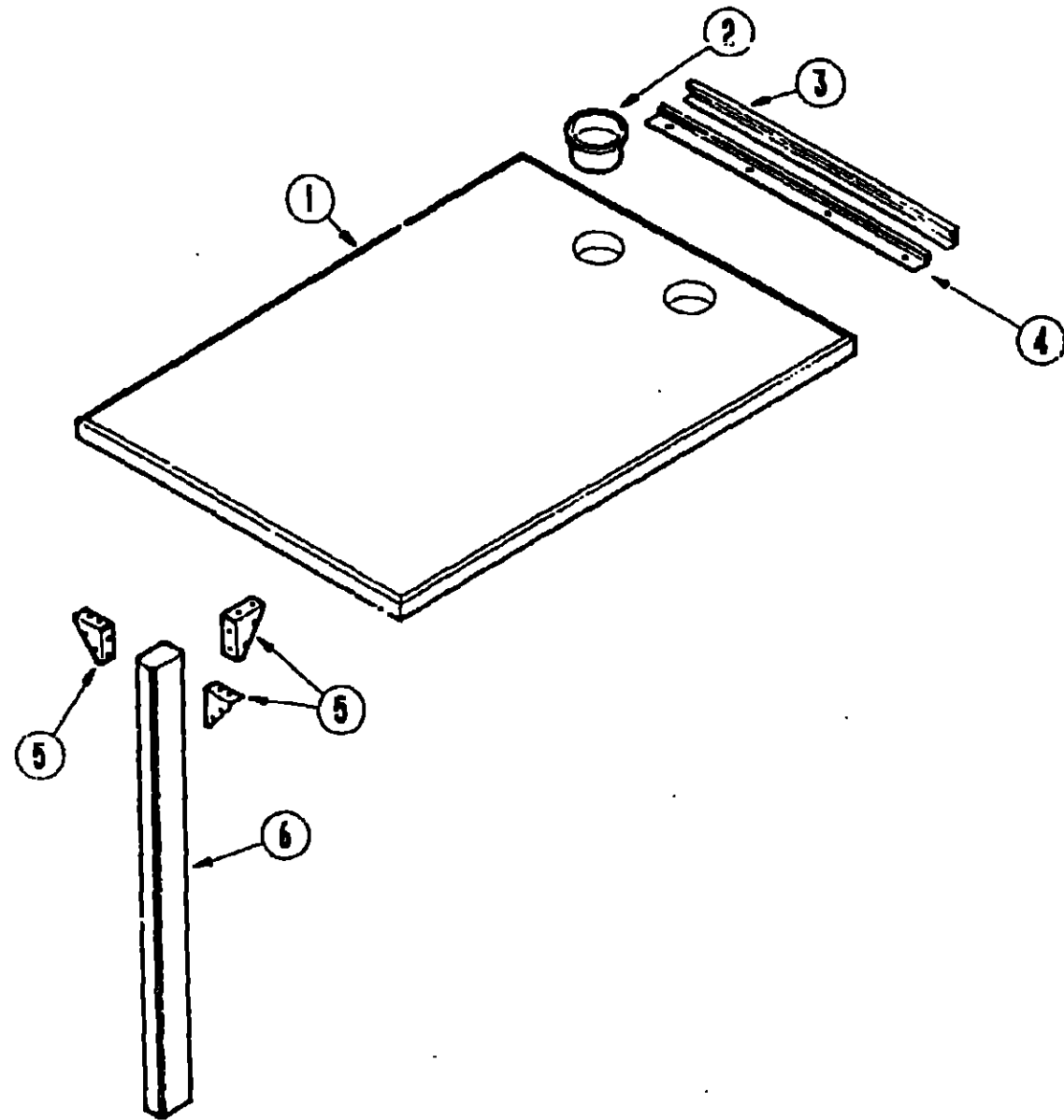
**1991 ITASCA
TABLE OF CONTENTS**

INTRODUCTION	A-01 - A-02
ABBREVIATIONS	A-03
ALPHABETICAL/GROUP REFERENCE	A-04 - A-06
ICM28RQ	A-07 - E-15
IKM40DA	E-17 - I-18

1991 IKM40DA INDEX

Floor Plan	E-17 - E-18
Accessories Group	E-19 - E-22
Bath Group	E-23 - F-02
Bedroom Group	F-03 - F-05
Chassis Group	F-06 - F-15
Curtain, Cushion & Pad Group	F-13 - F-22
Dinette Group	F-23 - G-01
Driver's Compartment Group	G-02 - G-07
Electrical Group	G-08 - G-12
Exterior Body Group	G-13 - G-21
Galley Group	G-22 - H-02
Heating & Air Conditioning Group	H-03 - H-05
Interior Finish Group	H-06 - H-07
Labels Group	H-08 - H-16
LP Group	H-17
Lounge Group	H-18 - H-19
Sealants & Fasteners Group	H-20 - H-21
Water & Sewage Group	H-22 - H-24
Window, Vent & Exterior Door Group	I-01 - I-18

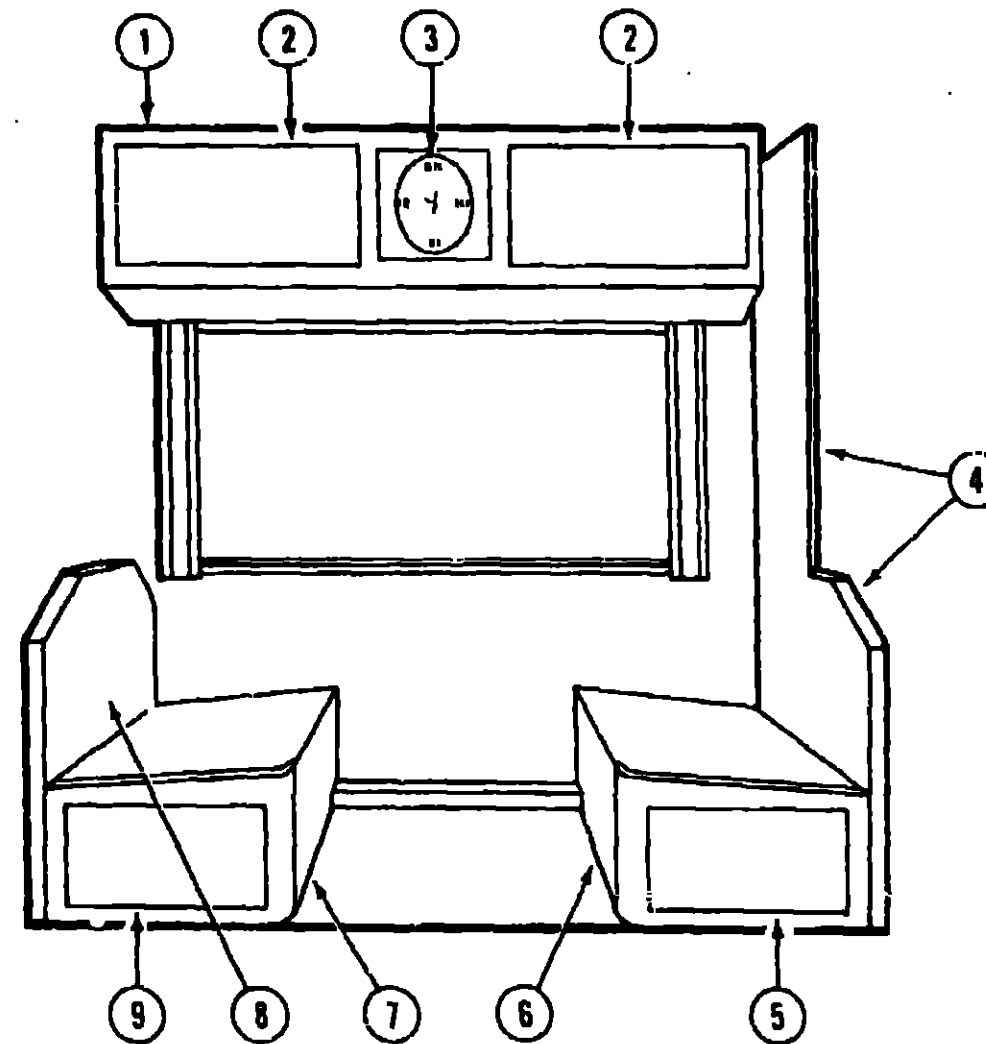
DINETTE GROUP



DINETTE TABLE

Key	Part Number	U/M	Description
1	M92743-09-B18	EA	Table Top Asm. - Dinette - w/o Hardware
	076325-28-000	EA	Molding - Edge Band
2	064781-06-000	EA	Cup Holder - White
3	102200-01-01A	EA	Support - Hinge Lock
4	102201-03-01A	EA	Hinge Catch
5	102810-01-01A	EA	Brace - Table Leg
6	092707-01-01A	EA	Table Leg - Regal Oak

DINETTE GROUP (CONTINUED)



DINETTE CABINTRY

Key	Part Number	U/M	Description
1	M05046-01-B40	EA	Cabinet Asm. - Overhead w/o Doors
2	P00971-06-B40	EA	Door Asm. - w/o Hardware
3	100793-01-01A	EA	Clock - 10" x 10"
	101333-01-000	EA	Backplate - Wall Clock
4	M03907-01-B40	EA	Dinette Seat Back Asm.
5	P00520-74-B40	EA	Door Asm. - w/o Hardware
6	M03906-01-B40	EA	Dinette Seat Bottom Asm.
7	M03908-01-B40	EA	Dinette Seat Bottom Asm.
8	M03909-01-B40	EA	Dinette Seat Back Asm.
9	096355-03-B40	EA	Door Asm. - w/Mesh Screen
	098913-01-B40	EA	Heat Duct Cover
	M94380-20-B40	EA	End Cap - Overhead Cabinet

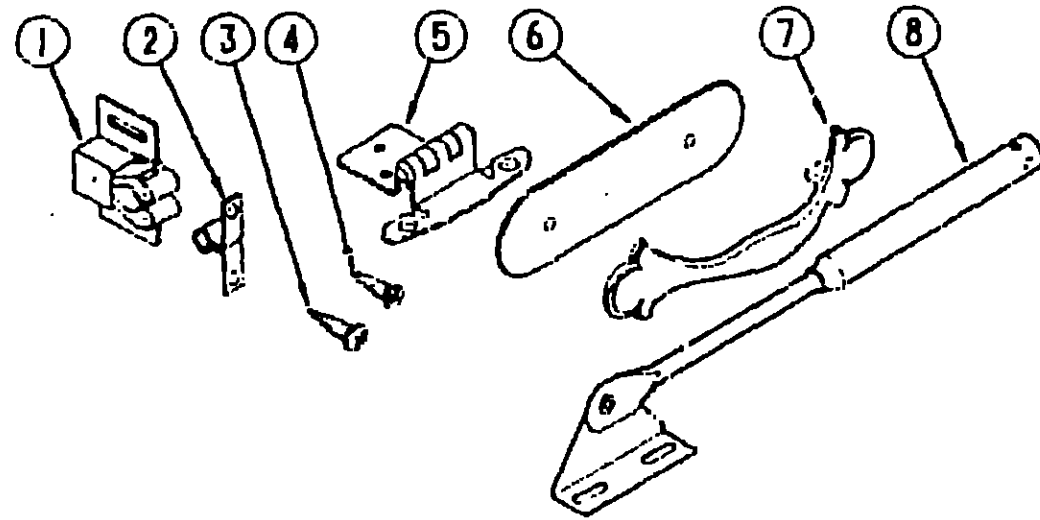
**1991 ITASCA
TABLE OF CONTENTS**

INTRODUCTION	A-01 - A-02
ABBREVIATIONS	A-03
ALPHABETICAL/GROUP REFERENCE	A-04 - A-06
ICM28RQ	A-07 - E-15
IKM40DA	E-17 - I-18

1991 IKM40DA INDEX

Floor Plan	E-17 - E-18
Accessories Group	E-19 - E-22
Bath Group	E-23 - F-02
Bedroom Group	F-03 - F-05
Chassis Group	F-06 - F-15
Curtain, Cushion & Pad Group	F-16 - F-22
Dinette Group	F-23 - G-01
Driver's Compartment Group	G-02 - G-07
Electrical Group	G-08 - G-12
Exterior Body Group	G-13 - G-21
Galley Group	G-22 - H-02
Heating & Air Conditioning Group	H-03 - H-05
Interior Finish Group	H-05 - H-07
Labels Group	H-08 - H-16
LP Group	H-17
Lounge Group	H-18 - H-19
Sealants & Fasteners Group	H-20 - H-21
Water & Sewage Group	H-22 - H-24
Window, Vent & Exterior Door Group	I-01 - I-18

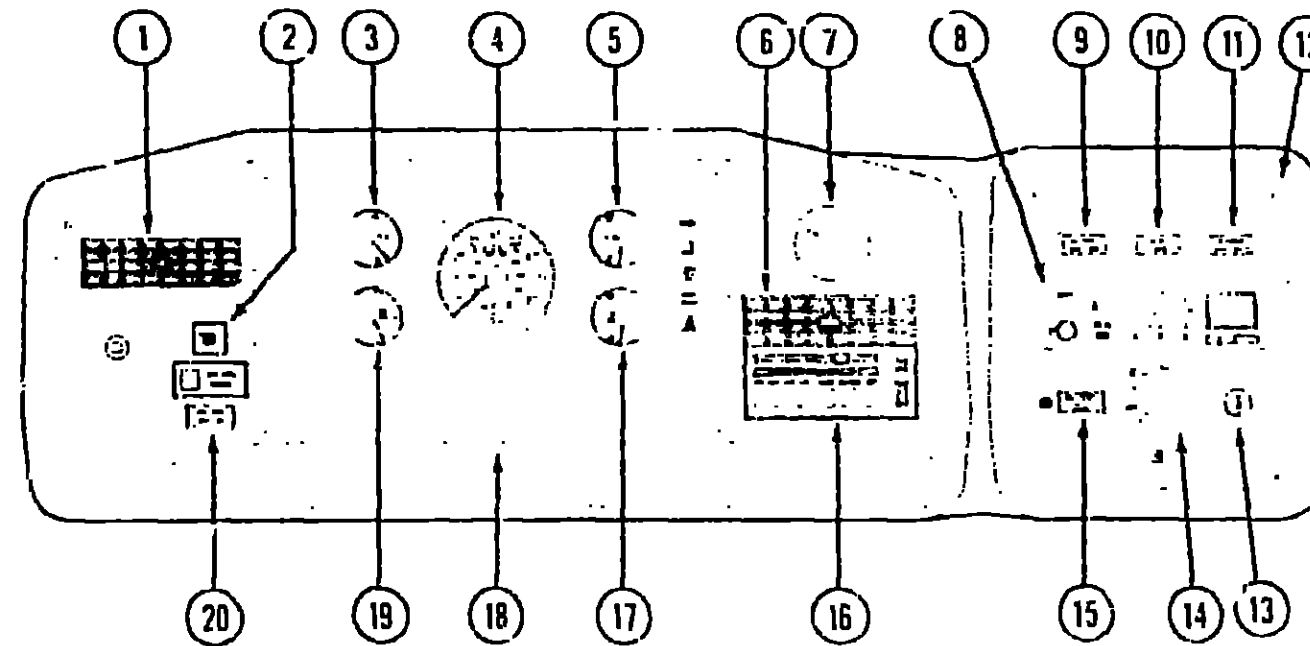
DINETTE GROUP (CONTINUED)



CABINET HARDWARE (DOORS & CABINETS)

Key	Part Number	U/M	Description
1	093586-03-000	EA	Roller Catch
2	093586-04-000	EA	Steel Strike
3	000G68-06-10G	EA	Screw - #6 - 1 1/2 x .625" POH - Antique Brass - Hinge to Cabinet
4	000G13-06-10G	EA	Screw - #6 - 2 0 x .625 PFH - Antique Brass - Hinge to Door
5	059777-02-000	EA	Hinge - Burnished Brass (Doors)
6	100995-01-000	EA	Brass Backplate
7	100273-01-000	EA	Pull Handle
8	074493-02-000	EA	Door Support

DRIVER'S COMPARTMENT GROUP



INSTRUMENT CLUSTER

Key	Part Number	U/M	Description
1	039044-01-000	EA	Louver Asm. - Air Conditioner - Adjustable Vent
2	089305-02-000	EA	Fog Light Switch
3	024459-04-000	EA	Gauge - Voltmeter
4	090434-01-000	EA	Speedometer
5	090433-02-000	EA	Oil Pressure Gauge
6	094231-01-741	EA	Dash Louver & Control Panel Trim
7	024460-04-000	EA	Vacuum/Fuel Economy Gauge
8	097460-01-000	EA	Radio - AM/FM - Cassette - Digital Clock - Seek - Sony XR-300
8	097460-02-000	EA	Radio - AM/FM - Cassette - Digital Clock - Seek - Sony XR-4147
9	024451-01-000	EA	Battery Mode Switch
10	089306-01-000	EA	Switch Auxiliary Defroster Fans
11	093381-11-000	EA	Radio - Battery Selection Switch
12	100389-05-01A	EA	Bezel - Entertainment Center
13	089294-01-000	EA	Cigarette Lighter
14	087202-02-000	EA	Rear Auto Heater Switch - w/o Knob
14	090977-01-000	EA	Knob - Rear Auto Heater Switch - Rotary
14	084410-02-000	EA	Decal - Rear Auto Heater Switch
15	065963-04-000	EA	Auxiliary Battery Disconnect Switch
16	094831-01-732	EA	Heater/Air Conditioner Controls
17	090432-01-000	EA	Coolant Temperature Gauge
18	100390-03-01A	EA	Bezel - Instrument Panel
19	090431-01-000	EA	Fuel Gauge
20	087266-02-000	EA	Air Horn Switch

**1991 ITASCA
TABLE OF CONTENTS**

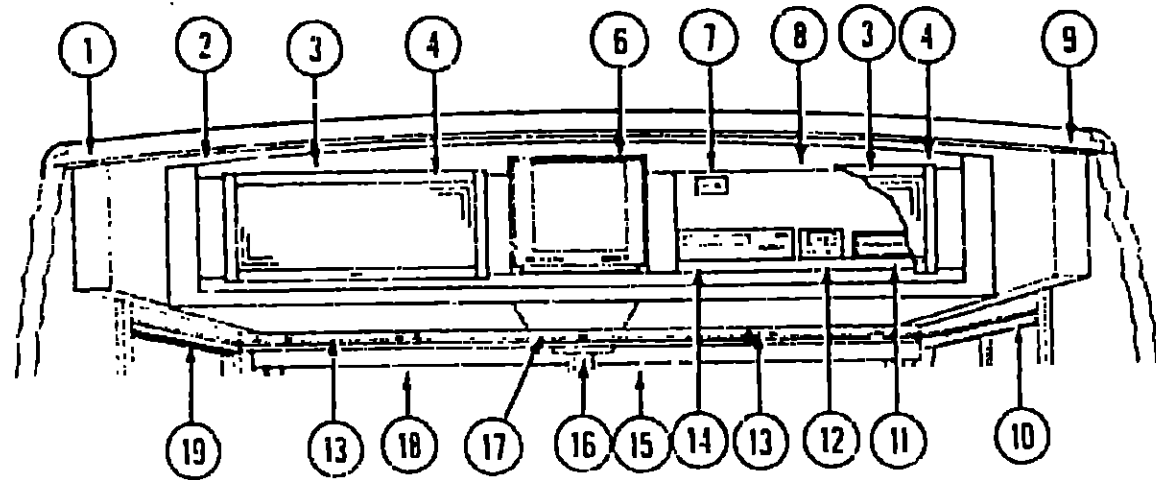
INTRODUCTION	A-01 - A-02
ABBREVIATIONS	A-03
ALPHABETICAL/GROUP REFERENCE	A-04 - A-06
ICM26RO	A-07 - E-15
IKM40DA	E-17 - I-18

1991 IKM40DA INDEX

Floor Plan	E-17 - E-18
Accessories Group	E-19 - E-22
Bath Group	E-23 - F-02
Bedroom Group	F-03 - F-05
Chassis Group	F-06 - F-15
Curtain, Cushion & Pad Group	F-16 - F-22
Dinette Group	F-23 - G-01
Driver's Compartment Group	G-02 - G-07
Electrical Group	G-08 - G-12
Exterior Body Group	G-13 - G-21
Galley Group	G-22 - H-02
Heating & Air Conditioning Group	H-03 - H-05
Interior Finish Group	H-06 - H-07
Labels Group	H-08 - H-16
LP Group	H-17
Lounge Group	H-18 - H-19
Sealants & Fasteners Group	H-20 - H-21
Water & Sewage Group	H-22 - H-24
Window, Vent & Exterior Door Group	I-01 - I-18

DRIVER'S COMPARTMENT GROUP (CONTINUED)

UPPER DRIVER'S COMPARTMENT COMPONENTS



Key	Part Number	U/M	Description
1	101286-02-B10	EA	Pad Asm. - End Cap - Driver - Gray - w/o Bunk
1	101286-02-B11	EA	Pad Asm. - End Cap - Driver - Off White - w/o Bunk
2	101277-01-B32	EA	Cabinet Asm. - Front Overhead - Face Only
3	P00523-87-B40	EA	Door Asm. - Front Overhead - Driver & Passenger - w/o Hardware
	000G13-06-10G	EA	Screw - #6 - 20 x .625" PFH - Antiqua Brass
	059777-02-000	EA	Hinge - Burnished Brass
	100273-01-000	EA	Door Pull - Brass
	100995-01-000	EA	Backplate - Brass
	074493-02-000	EA	Support - Door
4	101346-01-000	EA	Door Insert - Glass
6	098447-01-000	EA	Color TV - 13" - w/Remote - Magnavox RX4029VA (US)
6	098447-03-000	EA	Color TV - 13" - w/Remote - Magnavox RR1337W (US)
6	098447-04-000	EA	Color TV - 13" - w/Remote - Magnavox RR1330W (CSA)
*	098447-01-700	EA	TV Remote (For Magnavox RX4029VA)
*	098447-03-700	EA	TV Remote (For Magnavox RR1337W, RR1330W)
	101278-01-000	EA	Shell Asm. - TV
	099717-01-000	EA	Tiedown Asm. - TV (580 MM)
	099717-02-000	EA	Tiedown Asm. - TV (730 MM)
	085774-01-000	EA	Velcro - 1" Wide - Loop
	085774-02-000	EA	Velcro - 1" Wide - Hook
7	058708-02-000	EA	Duplex Receptacle
8	101284-04-B10	EA	Liner - Cabinet Asm. - Front Overhead - Gray
8	101284-04-B11	EA	Liner - Cabinet Asm. - Front Overhead - Off White
9	101286-01-B10	EA	Pad Asm. - End Cap - Passenger - Gray - w/o Bunk
9	101286-01-B11	EA	Pad Asm. - End Cap - Passenger - Off White - w/o Bunk
10	101509-01-B03	EA	Track - Wraparound Curtain - Passenger - Gray
10	101589-01-B04	EA	Track - Wraparound Curtain - Passenger - Off White
11	086757-02-00C	EA	Control Center - Switch - Xantech 101020
11	086757-03-000	EA	Control Center - Switch - Magnadyne VCS-6
12	099048-01-000	EA	Inverter - 100 Watt
13	P01282-01-B10	EA	Shell - Cabinet Base - Passenger or Driver - Gray
13	P01282-01-B11	EA	Shell - Cabinet Base - Passenger or Driver - Off White
14	098446-01-000	EA	VCR-VHS Cable Ready Remote - Magnavox VR9915AT
14	098446-02-000	EA	VCR-VHS Cable Ready Remote - Magnavox VR9912
14	098446-03-000	EA	VCR-VHS Cable Ready Remote - Magnavox VR9010
*	098446-01-700	EA	VCR Remote (For Magnavox VR9915AT)
*	098446-02-700	EA	VCR Remote (For Magnavox VR9912)
*	098446-03-700	EA	VCR Remote (For Magnavox VR9010)
	101676-01-000	EA	VCR Stand
15	078579-03-000	EA	Windshield Trim - Upper Passenger - Inner - Gray
16	086280-01-000	EA	Surface Mount Light - 12 Volt
	086280-01-700	EA	Bulb - 12 Volt - 6 Watt
17	P01903-01-B10	EA	Shell - Cabinet Base - Center - Gray
17	P01903-01-B11	EA	Shell - Cabinet Base - Center - Off White
18	078579-04-000	EA	Windshield Trim - Upper Driver - Inner - Gray
19	094856-07-01A	EA	Track - Wraparound Curtain - Driver - Gray
19	094856-07-02A	EA	Track - Wraparound Curtain - Driver - Off White
	078811-05-B03	EA	Pad Asm. - Trim - Header - Lower - Gray
*	Include make & model number of TV or VCR when ordering this part.		

1991 ITASCA TABLE OF CONTENTS

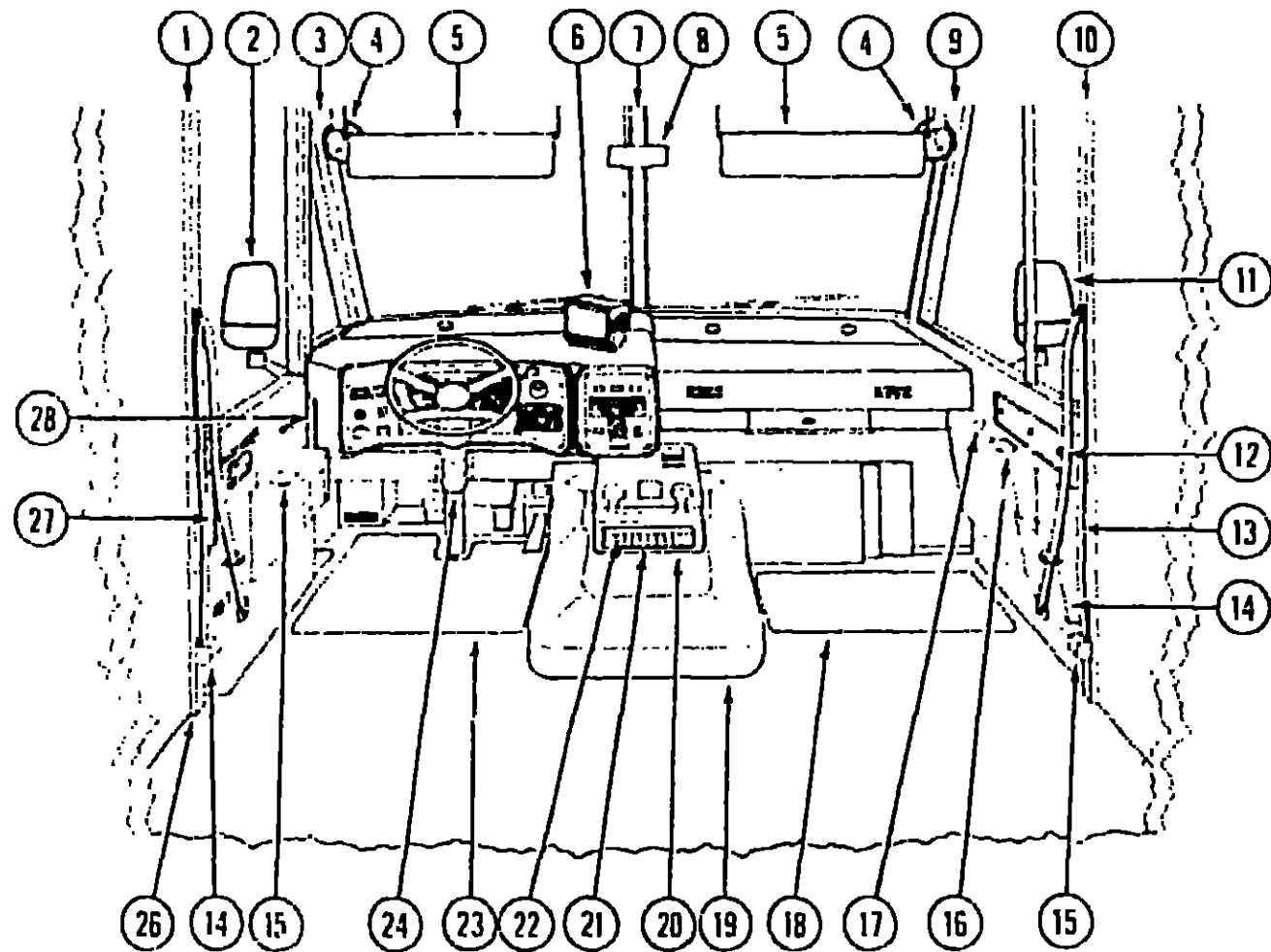
INTRODUCTION	A-01 - A-02
ABBREVIATIONS	A-03
ALPHABETICAL/GROUP REFERENCE	A-04 - A-06
ICM28RO	A-07 - E-15
IKM40DA	E-17 - I-18

1991 IKM40DA INDEX

Floor Plan	E-17 - E-18
Accessories Group	E-19 - E-22
Bath Group	E-23 - F-02
Bedroom Group	F-03 - F-05
Chassis Group	F-06 - F-15
Curtain, Cushion & Pad Group	F-16 - F-22
Dinette Group	F-23 - G-01
Driver's Compartment Group	G-02 - G-07
Electrical Group	G-08 - G-12
Exterior Body Group	G-13 - G-21
Galley Group	G-22 - H-02
Heating & Air Conditioning Group	H-03 - H-05
Interior Finish Group	H-06 - H-07
Labels Group	H-08 - H-16
LP Group	H-17
Lounge Group	H-18 - H-19
Sealants & Fasteners Group	H-20 - H-21
Water & Sewage Group	H-22 - H-24
Window, Vent & Exterior Door Group	I-01 - I-18

DRIVER'S COMPARTMENT GROUP (CONTINUED)

LOWER DRIVER'S COMPARTMENT COMPONENTS



Key	Part Number	U/M	Description
1	024700-37-000	EA	Roll Bar Cover - Driver - Upper - Gray
1	024700-40-000	EA	Roll Bar Cover - Driver Upper - Off White
2	086260-02-000	EA	Mirror Asm. - w/Convex - Driver
2	086255-05-000	EA	Mirror Asm. - w/Convex - Electrically Controlled & Heated - Driver
3	079206-03-000	EA	Windshield Trim - Driver - Inner - Gray
3	079206-10-000	EA	Windshield Trim - Driver - Inner - Black
4	036420-02-000	EA	Defroster Fan - 6" Dia. - 2 Speed
5	082286-05-Y35	EA	Sunvisor Asm. - Gray
5	082286-05-B07	EA	Sunvisor Asm. - Off White
	007211-01-000	EA	Hinge - Sunvisor
	074012-01-000	EA	Clip - Sunvisor - Square Pinch On
	102377-01-000	EA	Bracket
6	093040-01-701	EA	Monitor - w/Bracket - Rear Viewing System (Belcro 2/24/91)
6	093040-04-701	EA	Monitor - w/Bracket - Rear Viewing System (Alter 2/24/91)
7	079765-03-000	EA	Windshield Trim - Center - Inner - Gray
8	040714-01-000	EA	Mirror - Inside Rear View
9	079206-07-000	EA	Windshield Trim - Passenger - Inner - Gray
9	079206-09-000	EA	Windshield Trim - Passenger - Inner - Black
10	024700-35-000	EA	Roll Bar Cover - Passenger - Gray
10	024700-39-000	EA	Roll Bar Cover - Passenger - Off White
11	086260-01-000	EA	Mirror Asm. - w/Convex - Passenger
11	086259-04-000	EA	Mirror Asm. - w/Convex - Electrically Controlled & Heated - Passenger
12	059414-07-000	EA	Pad Asm. - Passenger Sidewall - 3 Button - Gray
13	072811-03-000	EA	Side Panel - Passenger Sidewall - Plastic - Gray
14	059467-04-B25	EA	Pad Asm. - Map Pocket - Gray
15	091990-01-01A	EA	Seat Belt - 3 Point - Black
16	046886-03-000	EA	Ash Tray - Chrome
17	064781-06-000	EA	Cup Holder - Chrome - Plastic
18	081202-02-000	EA	Floormat - Passenger - Itasca
19	097552-01-000	EA	Motor Cover - w/o Carpet
19	075564-01-000	EA	Mounting Bracket - Motor Cover
20	097151-01-AB1	EA	Beverage Tray - Oak - w/Cassette Holder
21	086411-02-000	EA	Cassette Holder - Housing - Plastic - Gray
22	086412-02-000	EA	Cassette Holder - Insert - Plastic - Gray
23	081201-02-000	EA	Floormat - Driver - Itasca
24	078245-01-000	EA	Boot - Steering Column
26	024700-33-000	EA	Roll Bar Cover - Driver - Lower - Gray
26	024700-38-000	EA	Roll Bar Cover - Driver - Lower - Off White
27	063886-07-000	EA	Assist Handle - Driver Door - Rear - Gray
27	063886-22-000	EA	Assist Handle - Driver Door - Rear - Off White
28	063886-09-000	EA	Assist Handle - Driver Door - Front - Gray
28	063886-23-000	EA	Assist Handle - Driver Door - Front - Off White

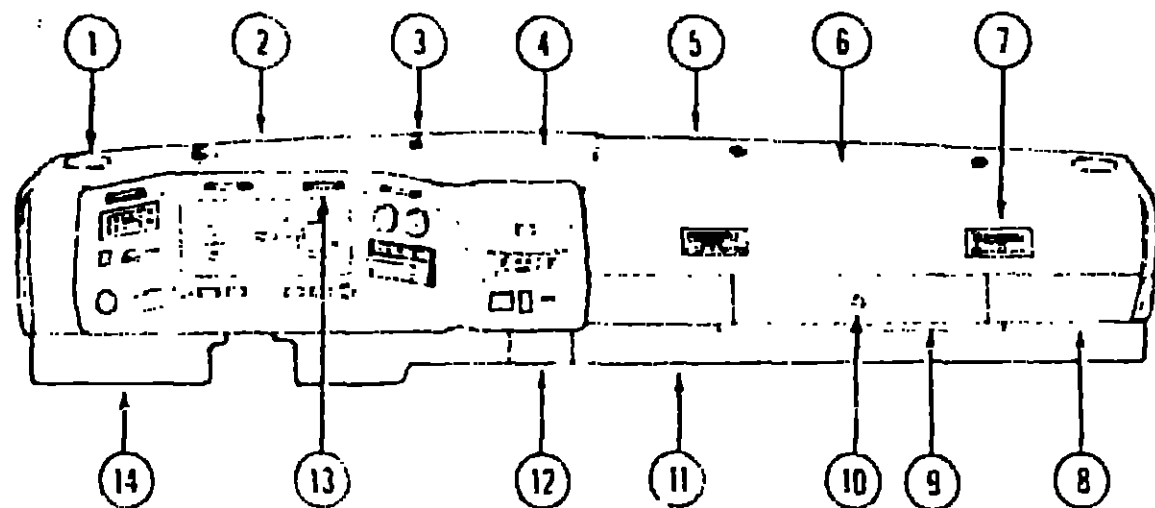
**1991 ITASCA
TABLE OF CONTENTS**

INTRODUCTION	A-01 - A-02
ABBREVIATIONS	A-03
ALPHABETICAL/GROUP REFERENCE	A-04 - A-06
ICKM28RO	A-07 - E-15
ICKM40DA	E-17 - I-18

1991 IKM40DA INDEX

Floor Plan	E-17 - E-18
Accessories Group	E-19 - E-22
Bath Group	E-23 - F-02
Bedroom Group	F-03 - F-05
Chassis Group	F-06 - F-15
Curtain, Cushion & Pad Group	F-16 - F-22
Dinette Group	F-23 - G-01
Driver's Compartment Group	G-02 - G-07
Electrical Group	G-08 - G-12
Exterior Body Group	G-13 - G-21
Galley Group	G-22 - H-02
Heating & Air Conditioning Group	H-03 - H-05
Interior Finish Group	H-06 - H-07
Labels Group	H-08 - H-16
LP Group	H-17
Lounge Group	H-18 - H-19
Sealants & Fasteners Group	H-20 - H-21
Water & Sewage Group	H-22 - H-24
Window, Vent & Exterior Door Group	I-01 - I-18

DRIVER'S COMPARTMENT GROUP (CONTINUED)



DASH PANEL COMPONENTS

Key	Part Number	U/M	Description
1	073741-04-000	EA	Speaker Grille - 4" x 6" Oval - Audiovox 136-1157
2	078582-04-000	EA	Pad Arm - Dash - Front Driver - Gray - w/o Defroster Vent
3	024990-03-000	EA	Defroster Outlet - w/Swivel - 2" Gray
3	024990-04-000	EA	Defroster Outlet - w/Swivel - 2" Tan
4	079088-04-000	EA	Pad Asm - Dash - Instrument Panel - Driver - Gray
5	078581-04-000	EA	Pad Asm - Dash - Front Passenger - Gray - w/o Defroster Vent
6	079089-02-000	EA	Pad Asm - Dash - Instrument Panel - Passenger - Gray
7	039044-01-000	EA	Louver Asm - Air Conditioner - Adjustable - Vent
8	023834-01-000	EA	Knee Kick
9	022219-01-000	EA	Glove Compartment Door
10	009118-01-000	EA	Twist Lock - Glove Compartment
	023892-01-000	EA	Glove Compartment Box - Black Fiberboard
	024598-01-000	EA	Glove Compartment Hinge
11	077367-03-000	EA	Instrument Panel Cover - Lower Right - Black
12	077369-01-000	EA	Access Panel - Lower Instrument Panel - Black
13	061424-01-000	EA	Light - 12 Volt - Rectangular
14	077368-02-000	EA	Instrument Panel Cover - Lower Left - Black
14	077368-04-000	EA	Instrument Panel Cover - Lower Left - Black (w/Spotlight)
14	077368-11-000	EA	Instrument Panel Cover - Lower Left - Black (w/Electric Mirror & Spotlight)

ELECTRICAL GROUP

BULBS

Key	Part Number	U/M	Description
	008218-01-000	EA	Bulb - #1141 - Dome Light
	067479-01-000	EA	Bulb - #1076 - Wall Lamps
	091937-03-000	EA	Bulb - Fluorescent Light - Recessed
	078424-02-700	EA	Bulb - Fluorescent Light - Galley
	081633-01-700	EA	Bulb - Makeup Light
	086280-01-700	EA	Bulb - Surface Mount Light (Cab)
	090737-01-710	EA	Bulb - Microwave Oven
	092696-01-709	EA	Bulb - Range Hood
	084880-01-706	EA	Bulb - Refrigerator
	037935-01-000	EA	Bulb - #1157 - Tail Lamp Asm
	036196-01-000	EA	Bulb - #1194 - Clearance & License Plate Lights
	008215-01-000	EA	Bulb - #1003 - Porch Light
	051057-01-705	EA	Bulb - Spotlight
	002214-01-000	EA	Bulb - Side Marker Lights

INTERIOR LIGHTS & BULBS

Key	Part Number	U/M	Description
	098024-01-01A	EA	Light - Dome - Ivory - Single (USA)
	098024-02-01A	EA	Light - Dome - Ivory - Single (CSA)
	098024-03-01A	EA	Light - Dome - Ivory - Double (USA)
	098024-04-01A	EA	Light - Dome - Ivory - Double (CSA)
	098024-01-700	EA	Lens - Dome Light
	008218-01-000	EA	Bulb - 12 Volt - #1141 (Used For All Above)
	065202-14-000	EA	Wall Lamp - Brass/Acrylic (USA)
	065202-15-000	EA	Wall Lamp - Brass/Acrylic (CSA)
	093576-01-03A	EA	Wall Lamp - Bedroom - Brass (USA)
	093576-02-01A	EA	Wall Lamp - Bedroom - Brass (CSA)
	065201-09-000	EA	Lamp Shade - Wall Lamp - Fabric
	092685-08-000	EA	Table Lamp - Chrome/Brass (USA)
	082696-10-000	EA	Table Lamp - Brass/Acrylic (CSA)
	067479-01-000	EA	Bulb - 12 Volt - #1076 - Wall Lamps
	091937-04-000	EA	Fluorescent Light - 12 Volt - Recessed (Ceiling)
	091937-02-000	EA	Lens - Recessed - Fluorescent Light
	091937-03-000	EA	Bulb - Recessed - Fluorescent Light
	078424-02-000	EA	Fluorescent Light - 18" - Almond (Galley)
	078424-02-701	EA	Lens - Fluorescent Light - 18" - Almond
	078424-02-700	EA	Bulb - Fluorescent Light - 18" - Almond
	082169-01-000	EA	Makeup Light - 3 Bulb
	081633-01-700	EA	Bulb - Makeup Light
	093610-01-01A	EA	Makeup Light - 5 Bulb
	086280-01-000	EA	Surface Mount Light - 12 Volt - Jensen 1236 (Cab)
	086280-01-700	EA	Bulb - Surface Mount Light
	061424-01-000	EA	Rectangular Light - Aisle & Instrument Panel
	092696-01-709	EA	Bulb - Range Hood
	084880-01-706	EA	Bulb - Refrigerator
	088737-01-710	EA	Bulb - Microwave Oven
	094488-03-000	EA	Flex Lights - 42" - Clear
	094488-04-000	EA	Flex Lights - 18" - Clear

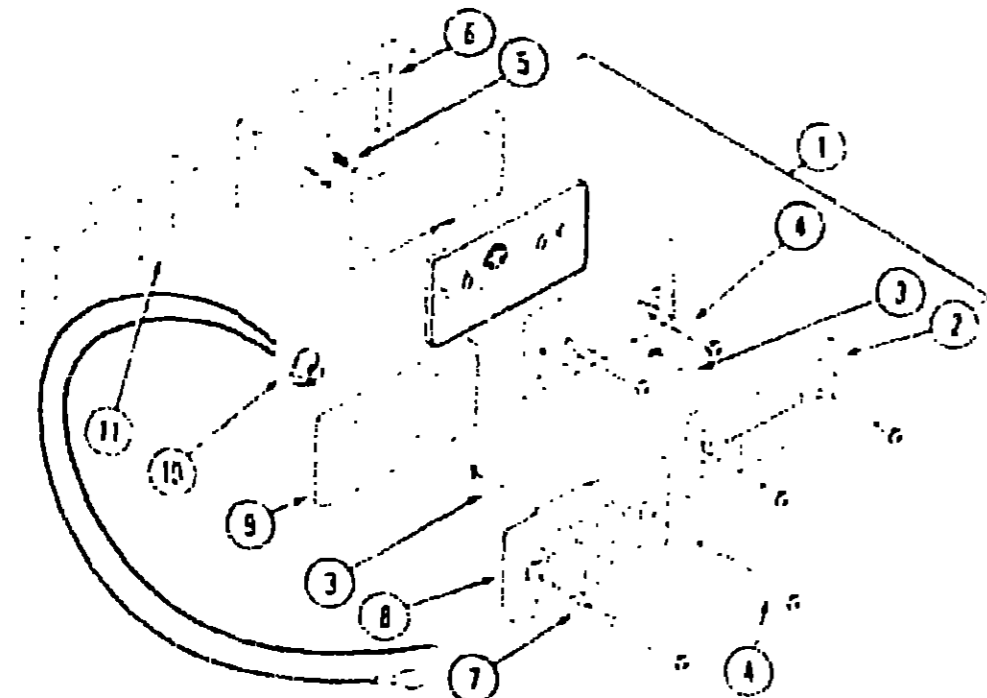
1991 ITASCA TABLE OF CONTENTS

INTRODUCTION	A-01 - A-02
ABBREVIATIONS	A-03
ALPHABETICAL/GROUP REFERENCE	A-04 - A-06
ICM28RO	A-07 - E-15
IKM40DA	E-17 - I-18

1991 IKM40DA INDEX

Floor Plan	E-17 - E-18
Accessories Group	E-19 - E-22
Bath Group	E-23 - F-02
Bedroom Group	F-03 - F-05
Chassis Group	F-06 - F-15
Curtain, Cushion & Pad Group	F-16 - F-22
Dinette Group	F-23 - G-01
Driver's Compartment Group	G-02 - G-07
Electrical Group	G-08 - G-12
Exterior Body Group	G-13 - G-21
Galley Group	G-22 - H-02
Heating & Air Conditioning Group	H-03 - H-05
Interior Finish Group	H-06 - H-07
Labels Group	H-08 - H-16
LP Group	H-17
Luunge Group	H-18 - H-19
Sealants & Fasteners Group	H-20 - H-21
Water & Sewage Group	H-22 - H-24
Window, Vent & Exterior Door Group	I-01 - I-18

ELECTRICAL GROUP (CONTINUED)



EXTERIOR LIGHTS & BULBS

Key	Part Number	U/M	Description
1	081250-01-000	EA	Clearance Light Asm - Amber (w/o Bulb & Screws)
1	081250-02-000	EA	Clearance Light Asm - Red (w/o Bulb & Screws)
2	081250-01-700	EA	Lens - Clearance Light - Amber
2	081250-02-700	EA	Lens - Clearance Light - Red
3	036196-01-000	EA	Bulb
4	060G37-08-24B	EA	Screw
5	079378-01-000	EA	Terminal
6	081437-01-000	EA	Bracket
7	102540-01-000	EA	Screw Seal
8	102520-02-000	EA	Light Asm. (Red)
8	102520-01-000	EA	Light Asm. (Amber)
9	102541-01-000	EA	Gasket
10	067789-02-000	EA	Socket
11	102592-01-000	EA	Bracket
	075459-04-000	EA	Lamp Asm. - Tail/Brake - Red
	075459-05-000	EA	Lamp Asm. - Turn - Amber
	075459-06-000	EA	Lamp Asm. - Backup/Reflector - Clear/Red
	037935-01-000	EA	Bulb - 12 Volt - #1157 - Used For Tail Lamp Asm
	076795-01-000	EA	Light Asm. - License Plate
	036196-01-000	EA	Bulb - 12 Volt - #184 - Used For Clearance & License Plate
	042405-03-000	EA	Base - Side Marker Light - w/Bulb (8GE 1985)
	042405-02-000	EA	Lens - Side Marker Light - Amber
	042405-01-000	EA	Lens - Side Marker Light - Red
	097917-01-03A	EA	Porch Light - Recessed - Gray
	097917-01-700	EA	Lens - Porch Light - Recessed
	008215-01-000	EA	Bulb - 12 Volt - #1003 - Porch Light
	051057-02-000	EA	Spotlight - Power Driven (Option 63E)
	051057-01-705	EA	Bulb - Spotlight (Option 63E)
	084901-01-000	EA	Lamp Asm. - Park/Turn
	079674-05-000	EA	Mount - Park/Turn Light - Black - Right
	029574-06-000	EA	Mount - Park/Turn Light - Black - Left
	049185-01-000	EA	Headlight Capsule Asm. - High/Low Beam - Passenger
	049186-01-000	EA	Headlight Capsule Asm. - High/Low Beam - Driver
	049187-01-000	EA	Headlight Capsule Asm. - High Beam - Passenger
	049188-01-000	EA	Headlight Capsule Asm. - High Beam - Driver
	049359-01-000	EA	Spring - Headlight Retainer
	062207-01-000	EA	Headlight Guard
	073308-01-000	EA	Adjusting Screw - Headlight
	074048-01-000	EA	Brass Insert - Headlight
	090202-01-000	EA	Headlight Bezel - Passenger - Black
	090202-02-000	EA	Headlight Bezel - Driver - Black
	088747-02-000	EA	Lamp Asm. - Fog - Clear Lens (Option 57M)
	098024-01-01A	EA	Light - Dome - Ivory - Storage Compartment (USA)
	098024-02-01A	EA	Light - Dome - Ivory - Storage Compartment (CSA)

ELECTRICAL GROUP (CONTINUED)

ELECTRICAL COMPONENTS

Key	Part Number	U/M	Description
	008288-02-000	EA	Box - Electrical - 3 9/4" x 3 1/2" x 1 8/16" - Plastic (USA)
	091910-01-000	EA	Box - Electrical - 3 7/8" x 3 5/8" x 1 7/8" - Plastic (CSA)
	008289-01-000	EA	Box - Electrical - 4" x 4" - 1/2" x 3/4" - Steel (USA)
	008289-02-000	EA	Box - Electrical - 4" x 4" - 1/2" x 3/4" - Steel (CSA)
	058049-01-000	EA	Box - Electrical - 2" x 3" x 2 25" - Steel
	088751-01-000	FT	Cable - Battery - 1/0 AWG Stranded
	010495-01-000	EA	Clamp - Cable - 9/16"
	010497-01-000	EA	Clamp - Closed - 5/8" ID
	010499-01-000	EA	Clamp - Closed - 3/8" ID
	041953-01-000	FT	Conduit - Convolute Slit - 50" ID
	041953-02-000	FT	Conduit - Convolute Slit - 625" ID
	041953-03-000	FT	Conduit - Convolute Slit - 1" ID
	041953-05-000	FT	Conduit - Convolute Solid - 625" ID
	041953-06-000	FT	Conduit - Convolute Slit - .375" ID
	041953-07-000	FT	Conduit - Convolute Slit - 250" ID
	041953-08-000	FT	Conduit - Convolute Slit - .50" ID
	041953-10-000	FT	Conduit - Convolute Slit - 75" ID
	041953-11-000	FT	Conduit - Convolute Slit - 1 063" ID
	008353-01-000	EA	Connector - 3/8" - Cable Clamping
	008355-01-000	EA	Connector - 3/4" - Cable Clamping
	008356-01-000	EA	Connector - 3/8" - Plastic
	008311-01-000	EA	Connector - Wire Nut - Red
	008312-01-000	EA	Connector - Wire Nut - Blue
	008313-01-000	EA	Connector - Wire Nut - Yellow
	008314-01-000	EA	Connector - Wire Nut - Gray
	058020-01-000	EA	Connector - Clear Nylon Pigtail
	038475-01-000	EA	Connector - Pin
	082740-01-000	EA	Connector Body - 2 Contact Female
	008052-01-000	EA	Cord - Power - 10/3 - 30 Amp. - 25' (CSA)
	008054-01-000	EA	Cord - Power - 10/3 - 30 Amp. - 25' (USA)
	008294-01-000	EA	Cover - Electrical Box - Flat Blank - 4" x 4" - Steel (USA)
	008294-02-000	EA	Cover - Electrical Box - Flat Blank - 4" x 4" - Steel (CSA)
	069238-01-000	EA	Cover - Electrical Box - 4" x 4"
	076319-09-000	EA	Cover - Receptacle - Brown
	084077-02-000	EA	Cover - Receptacle - Brown - GFI
	091927-01-000	EA	Cover - Receptacle - Double - Ivory
	084077-03-000	EA	Cover - Blank A/C - Ivory
	090964-01-000	EA	Cover - Exterior Receptacle
	092633-02-02A	EA	Cover - A/C - Plate - Off White - w/o A/C (USA)
	092633-01-02A	EA	Cover - A/C - Plate - Off White - w/o A/C (CSA)
	074897-01-000	EA	Cover - Electrical Box - A/C Dual Switch
	058781-01-000	EA	Diode - 6.0 Amp. - 100 Volt
	078490-01-000	EA	Extension - Electrical Box - Steel - 1 1/2"
	097734-01-02A	EA	Extension - Duplex Receptacle - Brown
	100341-01-000	EA	Holder - Fuse - In Line
	064399-01-000	EA	Housing Asm. - Trailer Pin
	097745-02-000	EA	Housing Asm. - Trailer Receptacle - 48"
	062037-01-000	EA	Housing - Automotive Fuse - Natural
	062037-02-000	EA	Housing - Automotive Fuse - Green
	062037-03-000	EA	Housing - Automotive Fuse - Black
	062037-05-000	EA	Housing - Automotive Fuse - Gray
	062037-06-000	EA	Housing - Automotive Fuse - Brown
	088074-01-000	EA	Housing - Socket - 1 Position
	088474-02-000	EA	Housing - Socket - 15 Position
	088474-03-000	EA	Housing - Socket - 9 Position
	088474-06-000	EA	Housing - Socket - 6 Position
	088474-08-000	EA	Housing - Socket - 4 Position
	088474-09-000	EA	Housing - Socket - 3 Position
	088474-10-000	EA	Housing - Socket - 2 Position

**1991 ITASCA
TABLE OF CONTENTS**

INTRODUCTION	A-01 - A-02
ABBREVIATIONS	A-03
ALPHABETICAL/GROUP REFERENCE	A-04 - A-06
ICM28RO	A-07 - E-15
IKM40DA	E-17 - I-18

1991 IKM40DA INDEX

Floor Plan	E-17 - E-18
Accessories Group	E-19 - E-22
Bath Group	E-23 - F-02
Bedroom Group	F-03 - F-05
Chassis Group	F-06 - F-15
Curtain, Cushion & Pad Group	F-16 - F-22
Dinette Group	F-23 - G-01
Driver's Compartment Group	G-02 - G-07
Electrical Group	G-08 - G-12
Exterior Body Group	G-13 - G-21
Galley Group	G-22 - H-02
Heating & Air Conditioning Group	H-03 - H-05
Interior Finish Group	H-06 - H-07
Labels Group	H-08 - H-16
LP Group	H-17
Lounge Group	H-18 - H-19
Sealants & Fasteners Group	H-20 - H-21
Water & Sewage Group	H-22 - H-24
Window, Vent & Exterior Door Group	I-01 - I-18

ELECTRICAL GROUP (CONTINUED)

ELECTRICAL COMPONENTS (CONTINUED)

Key	Part Number	U/M	Description
	088473-01-000	EA	Housing - Pin - 1 Position
	088473-02-000	EA	Housing - Pin - 15 Position
	088473-03-000	EA	Housing - Pin - 9 Position
	088473-06-000	EA	Housing - Pin - 6 Position
	088473-08-000	EA	Housing - Pin - 4 Position
	088473-09-000	EA	Housing - Pin - 3 Position
	088473-10-000	EA	Housing - Pin - 2 Position
	063910-01-000	EA	Housing - Relay - 3 Position
	101571-01-000	EA	Housing - Male - 2 Position
	098351-01-01A	EA	Plate - Switch - 1 Gang
	098351-02-01A	EA	Plate - Switch - 2 Gang
	098351-03-01A	EA	Plate - Switch - 3 Gang
	098351-04-01A	EA	Plate - Switch - Generator (Bedroom)
	024924-02-000	EA	Receptacle - Power Cord
	050707-01-000	EA	Receptacle - Single - Brown - T & B
	058708-01-000	EA	Receptacle - Duplex - Brown - T & B
	050708-02-000	EA	Receptacle - Duplex - Ivory - T & B
	084076-02-000	EA	Receptacle - Duplex - Brown - GFI
	090961-01-000	EA	Receptacle - Duplex - Exterior
	007940-01-000	EA	Receptacle - Slide - 16/12 AWG
	080015-02-000	EA	Receptacle - Flag - .185 - 1E/14 Gauge
	086273-01-000	EA	Relay - Battery Disconnect
	053912-02-000	EA	Relay - Canister - SPDT w/Resistor
	077000-01-000	EA	Socket Asm. - w/8" Pigtail Leads
	098476-01-000	EA	Socket - Connector
	088476-02-000	EA	Socket - Connector - 12/10 Gauge
	090971-01-000	EA	Splice - Cable - 110 Volt
	024976-01-000	EA	Switch - Generator (Bedroom)
	041250-01-000	EA	Switch - Push Button (Driver Door Jamb)
	079363-01-000	EA	Switch - Single - w/Switch Plate
	079363-01-700	EA	Switch Only
	079364-01-000	EA	Switch - On/Off Rocker - Brown
	079364-02-000	EA	Switch - Lock/Lock Rocker - Brown
	100312-01-000	EA	Switch - Electric Step (Entrance Door Jamb)
	007942-01-000	EA	Tab - 18/14 AWG Wire
	007943-01-000	EA	Tab - 14/10 AWG Wire
	007949-01-000	EA	Tab - HSG - 1 Position
	008326-01-000	EA	Terminal - Ring - 16/14 - 3/8" Stud
	008328-01-000	EA	Terminal - Ring - 12/10 Wire
	008329-01-000	EA	Terminal - Ring - 8 - 5/16" Stud
	008331-01-000	EA	Terminal - Ring - 4 - 3/8" Stud
	008332-01-000	EA	Terminal - Ring - 6 - 1/4" - Stud
	008348-01-000	EA	Terminal - Ring - 2 - 3/8" Stud
	035416-04-000	EA	Terminal - Ring - #10 Stud Fit
	047443-01-000	EA	Terminal - .250 Receptacle 16-14
	047443-02-000	EA	Terminal - .250 Receptacle 12-10
	047443-03-000	EA	Terminal - .187 Receptacle 16-14
	062038-01-000	EA	Terminal - Pack - 12/10 AWG
	062038-02-000	EA	Terminal - Pack - 16/14 AWG
	090926-01-000	EA	Wire w/Ground - Romex - 12/2
	098027-01-000	EA	Wire w/Ground - Romex - 14/2
	008343-01-000	EA	Wire Tie - 6"

ELECTRICAL GROUP (CONTINUED)

FUSES & CIRCUIT BREAKERS

Key	Part Number	U/M	Description
	008235-01-000	EA	Fuse - 15 Amp. (CSA)
	062901-02-000	EA	Fuse - Automotive - 5 Amp.
	062901-05-000	EA	Fuse - Automotive - 15 Amp.
	062901-07-000	EA	Fuse - Automotive - 25 Amp.
	083209-01-000	EA	Circuit Breaker - 15 Amp. - 120 Volt
	083209-02-000	EA	Circuit Breaker - 15/15 Amp. - 120 Volt (CSA)
	083209-03-000	EA	Circuit Breaker - 15/20 Amp. - 120 Volt (CSA)
	083209-04-000	EA	Circuit Breaker - 30/Amp. - 120 Volt
	083209-06-000	EA	Circuit Breaker - 30/15 Amp. - 120 Volt
	083209-07-000	EA	Circuit Breaker - 20/20 Amp. - 120 Volt
	093654-01-000	EA	Circuit Breaker - 5 Amp. - 12 Volt
	093654-02-000	EA	Circuit Breaker - 15 Amp. - 12 Volt
	093655-01-000	EA	Circuit Breaker - 25 Amp. - 12 Volt
	093655-02-000	EA	Circuit Breaker - 30 Amp. - 12 Volt
	093655-03-000	EA	Circuit Breaker - 40 Amp. - 12 Volt
	097611-01-000	EA	Circuit Breaker - 7.5 Amp. - 12 Volt
	092786-01-000	EA	Buss Bar - 2 Circuit
	092786-02-000	EA	Buss Bar - 3 Circuit

MISCELLANEOUS ELECTRICAL COMPONENTS

Key	Part Number	U/M	Description
	008188-01-000	EA	Solenoid - Dual Battery - Relay
	083208-02-000	EA	Control Center - 45 Amp. - BW63-5A
	036420-02-000	EA	Fan - 6" Defroster - 2 Speed (Option 3614)
	089294-01-000	EA	Lighter Asm. - Cigarette
	072852-01-000	EA	Smoke Detector (USA)
	072852-02-000	EA	Smoke Detector (CSA)

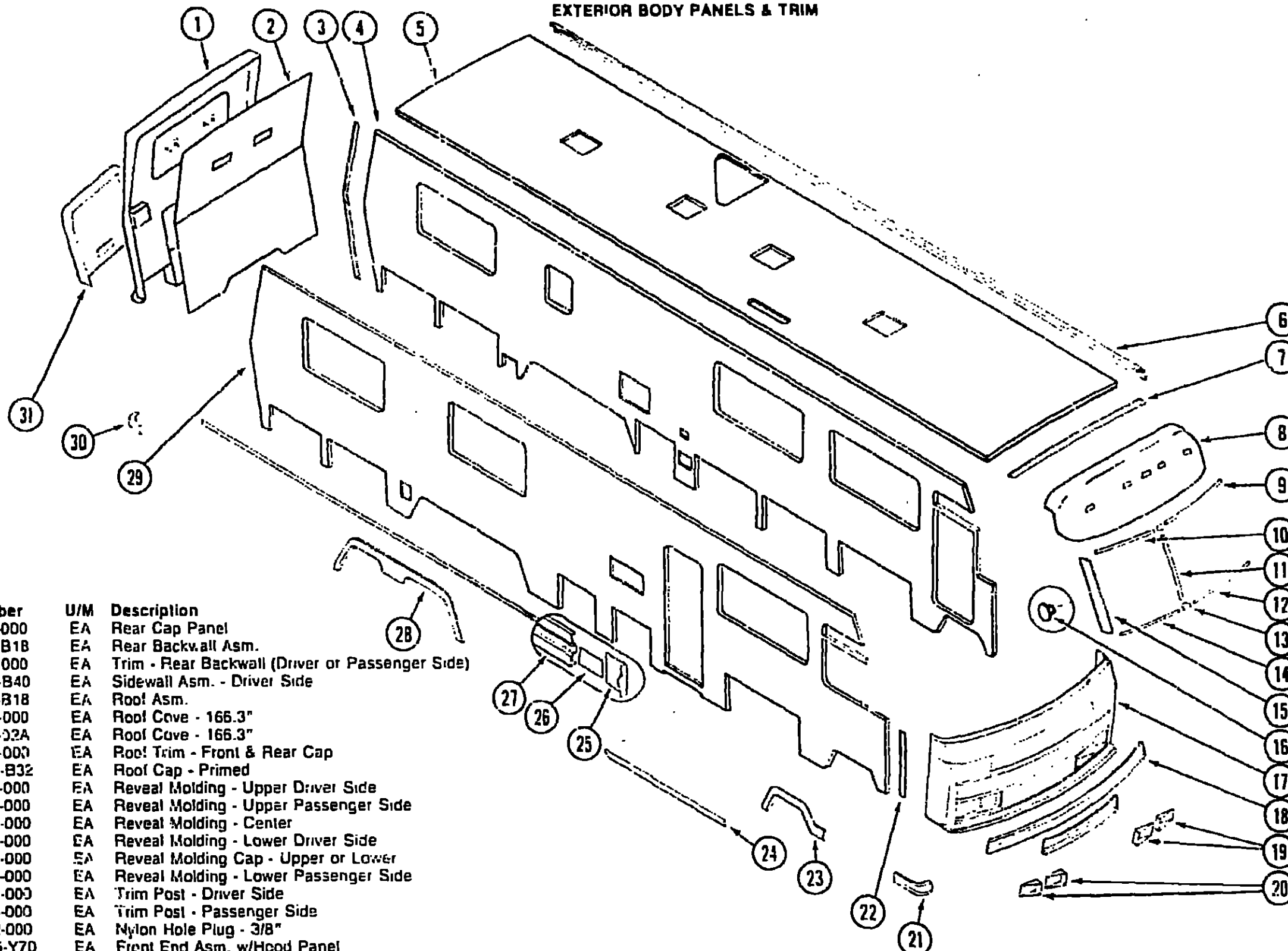
**1991 ITASCA
TABLE OF CONTENTS**

INTRODUCTION	A-01 - A-02
ABBREVIATIONS	A-03
ALPHABETICAL GROUP REFERENCE	A-04 - A-06
ICM28RD	A-07 - E-15
IKM40DA	E-17 - I-18

1991 IKM40DA INDEX

Floor Plan	E-17 - E-18
Accessories Group	E-19 - E-22
Bath Group	E-23 - F-02
Bedroom Group	F-03 - F-05
Chassis Group	F-06 - F-15
Curtain, Cushion & Pad Group	F-16 - F-22
Dinette Group	F-23 - G-01
Driver's Compartment Group	G-02 - G-07
Electrical Group	G-08 - G-12
Exterior Body Group	G-13 - G-21
Galley Group	G-22 - H-02
Heating & Air Conditioning Group	H-03 - H-05
Interior Finish Group	H-06 - H-07
Labels Group	H-08 - H-16
LP Group	H-17
Lounge Group	H-18 - H-19
Sealants & Fasteners Group	H-20 - H-21
Water & Sewage Group	H-22 - H-24
Window, Vent & Exterior Door Group	I-01 - I-18

EXTERIOR BODY GROUP
EXTERIOR BODY PANELS & TRIM



Key	Part Number	U/M	Description
1	086402-02-000	EA	Rear Cap Panel
2	091736-01-B18	EA	Rear Backwall Asm.
3	073507-26-000	EA	Trim - Rear Backwall (Driver or Passenger Side)
4	P00905-01-B40	EA	Sidewall Asm. - Driver Side
5	100307-01-B18	EA	Roof Asm.
6	078600-12-000	EA	Roof Cove - 166.3"
6	099434-06-02A	EA	Roof Cove - 166.3"
7	078580-01-000	EA	Roof Trim - Front & Rear Cap
8	M02959-09-B32	EA	Roof Cap - Primed
9	077944-02-000	EA	Reveal Molding - Upper Driver Side
10	077944-01-000	EA	Reveal Molding - Upper Passenger Side
11	076676-05-000	EA	Reveal Molding - Center
12	077945-02-000	EA	Reveal Molding - Lower Driver Side
13	077952-02-000	EA	Reveal Molding Cap - Upper or Lower
14	077945-01-000	EA	Reveal Molding - Lower Passenger Side
15	079225-04-000	EA	Trim Post - Driver Side
	079225-03-000	EA	Trim Post - Passenger Side
16	034141-02-000	EA	Nylon Hole Plug - 3/8"
17	M01115-25-Y70	EA	Front End Asm. w/Hood Panel
18	090411-01-X70	EA	Grill Asm. - Upper
	090412-01-X70	EA	Grill Asm. - Lower
	088252-02-000	FT	Chrome Trim - 1" Plastic
	088252-03-000	FT	Chrome Trim - 2" Plastic
19	090202-02-000	EA	Headlight Bezel - Driver Side
20	090202-01-000	EA	Headlight Bezel - Passenger Side
21	078577-09-000	EA	Bumper End Cap - Passenger Side
	078577-10-000	EA	Bumper End Cap - Driver Side
22	089922-01-000	EA	Trim - Front End Asm. (Driver or Passenger Side)
23	078556-13-000	EA	Trim - Front Wheelwell - Passenger Side
	078556-14-000	EA	Trim - Front Wheelwell - Driver Side
	089909-01-000	EA	Trim - Front Wheelwell - U Channel - Driver or Passenger Side
24	091161-55-004	EA	Rocker Panel

G-13

Key	Part Number	U/M	Description
25	009731-01-000	EA	End Cap - Feature Strip
26	001030-11-001	EA	Insert - Feature Strip - 17"
27	059576-11-000	EA	Feature Strip
28	093308-01-01A	EA	Trim - Wheelwell - Passenger Side
	093308-02-01A	EA	Trim - Wheelwell - Driver Side
	089749-02-000	EA	Rear Trim - Rear Wheelwell - U Channel - Driver or Passenger
	089749-03-000	EA	Front Trim - Rear Wheelwell - U Channel - Driver or Passenger
29	P00906-01-B40	EA	Sidewall Asm. - Passenger Side (B18, B19, B49)
30	078578-07-000	EA	Bumper End Cap - Passenger Side
	078578-08-000	EA	Bumper End Cap - Driver Side
31	088425-01-X70	EA	Tire Cover Asm.
	058027-01-000	FT	Tire Cover Seal

G-14

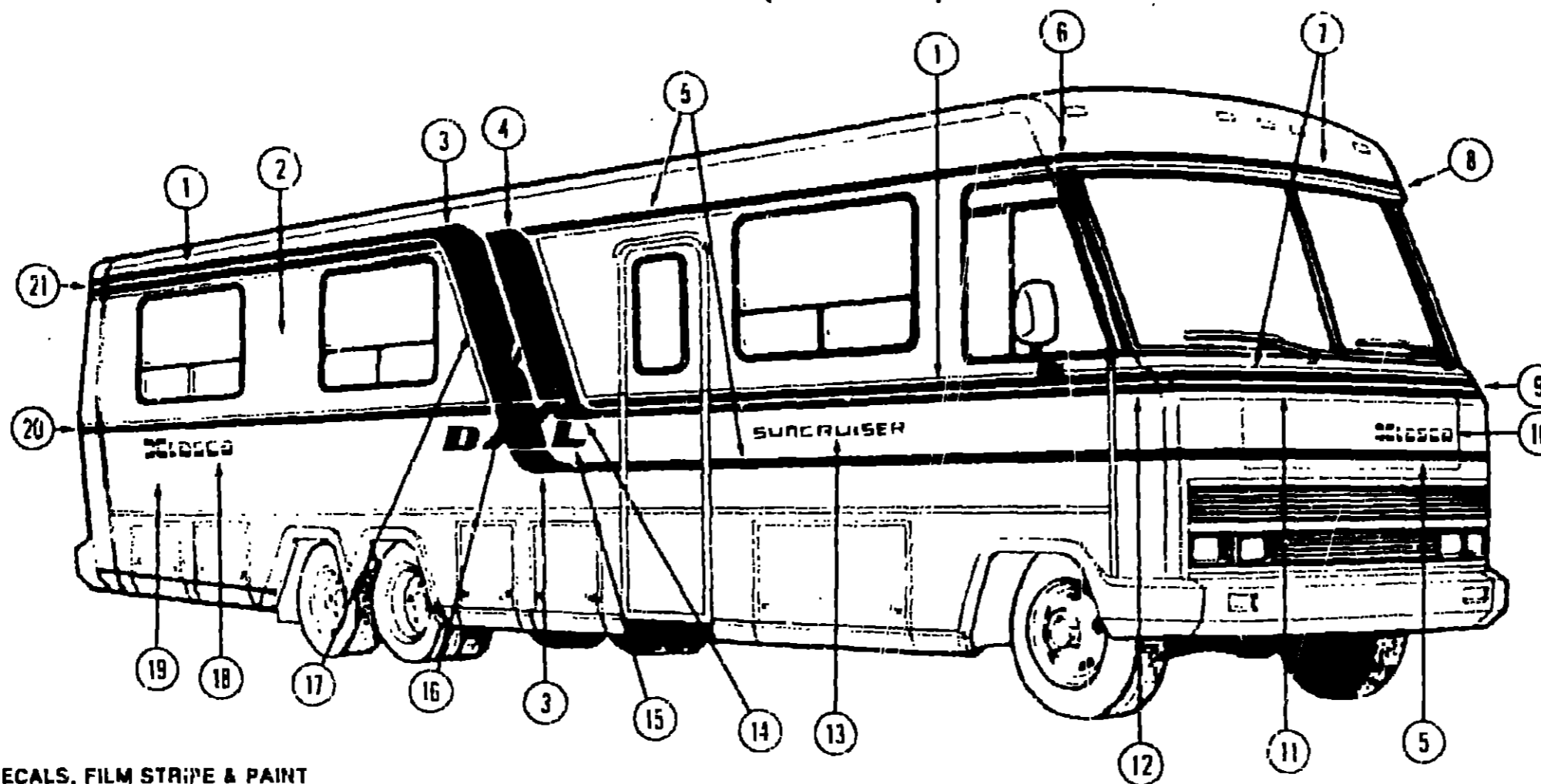
1991 ITASCA
TABLE OF CONTENTS

INTRODUCTION	A-01 - A-02
ABBREVIATIONS	A-03
ALPHABETICAL GROUP REFERENCE	A-04 - A-06
ICM28RO	A-07 - E-15
IKM40DA	E-17 - I-18

1991 IKM40DA INDEX

Floor Plan	E-17 - E-18
Accessories Group	E-19 - E-22
Bath Group	E-23 - F-02
Bedroom Group	F-03 - F-05
Chassis Group	F-06 - F-15
Curtain, Cushion & Pad Group	F-16 - F-22
Dinette Group	F-23 - G-01
Driver's Compartment Group	G-02 - G-07
Electrical Group	G-08 - G-12
Exterior Body Group	G-13 - G-21
Galley Group	G-22 - H-02
Heating & Air Conditioning Group	H-03 - H-05
Interior Finish Group	H-06 - H-07
Labels Group	H-08 - H-16
LP Group	H-17
Lounge Group	H-18 - H-19
Sealants & Fasteners Group	H-20 - H-21
Water & Sewage Group	H-22 - H-24
Window, Vent & Exterior Door Group	I-01 - I-18

EXTERIOR BODY GROUP (CONTINUED)



DECALS, FILM STRIPE & PAINT

Key	Part Number	U/M	Description
1	09330-25-01A	FT	Film Multistripe - Burgundy/Dark Blue
2		GL	Paint - Gray (Dupont H9283) (Non-Serviceable)
3	100299-01-01A	EA	Decal - End Cap - Passenger Side - Burgundy
	100299-02-01A	EA	Decal - End Cap - Driver Side - Burgundy
4	100298-01-01A	EA	Decal - End Cap - Passenger Side - Dark Blue
	100298-02-01A	EA	Decal - End Cap - Passenger Side - Dark Blue
5	093681-11-02A	FT	Film Stripe - Burgundy
6	100307-01-01A	EA	Decal - Upper Front Corner - Passenger - Burgundy
7	093681-19-01A	FT	Film Stripe - Burgundy
8	100307-02-01A	EA	Decal - Upper Front Corner - Driver - Burgundy
9	100304-02-01A	EA	Decal - Lower Front Corner - Driver - Burgundy/Dark Blue
10	078191-04-000	EA	Decal - ITASCA - Burgundy
11	093681-19-02A	FT	Film Stripe - Dark Blue
12	100304-01-01A	EA	Decal - Lower Front Corner - Passenger - Burgundy/Dark Blue
13	100300-01-01A	EA	Decal - SUNCRUISER - Passenger Side - Burgundy
	100300-02-01A	EA	Decal - SUNCRUISER - Drivers Side - Burgundy
14	100299-01-02A	EA	Decal - End Cap - Passenger Side - Dark Blue
	100299-02-02A	EA	Decal - End Cap - Driver Side - Dark Blue
15	100302-01-01A	EA	Decal - DXL - Passenger Side - Burgundy/Light Gray
	100302-02-01A	EA	Decal - DXL - Driver Side - Burgundy/Light Gray
16	093681-22-02A	FT	Film Stripe - Dark Blue
17	093681-22-01A	FT	Film Stripe - Burgundy
18	078852-19-000	EA	Decal - ITASCA - Burgundy/Light Gray
19		GL	Paint - Light Gray (DuPont LB730) (Non-Serviceable)
20	100306-01-01A	EA	Decal - Lower Rear Corner - Passenger Side - Burgundy
	100306-02-01A	EA	Decal - Lower Rear Corner - Drivers Side - Burgundy
21	100303-01-01A	EA	Decal - Upper Rear Corner - Passenger Side - Burgundy/Dark Blue
	100303-02-01A	EA	Decal - Upper Rear Corner - Drivers Side - Burgundy/Dark Blue

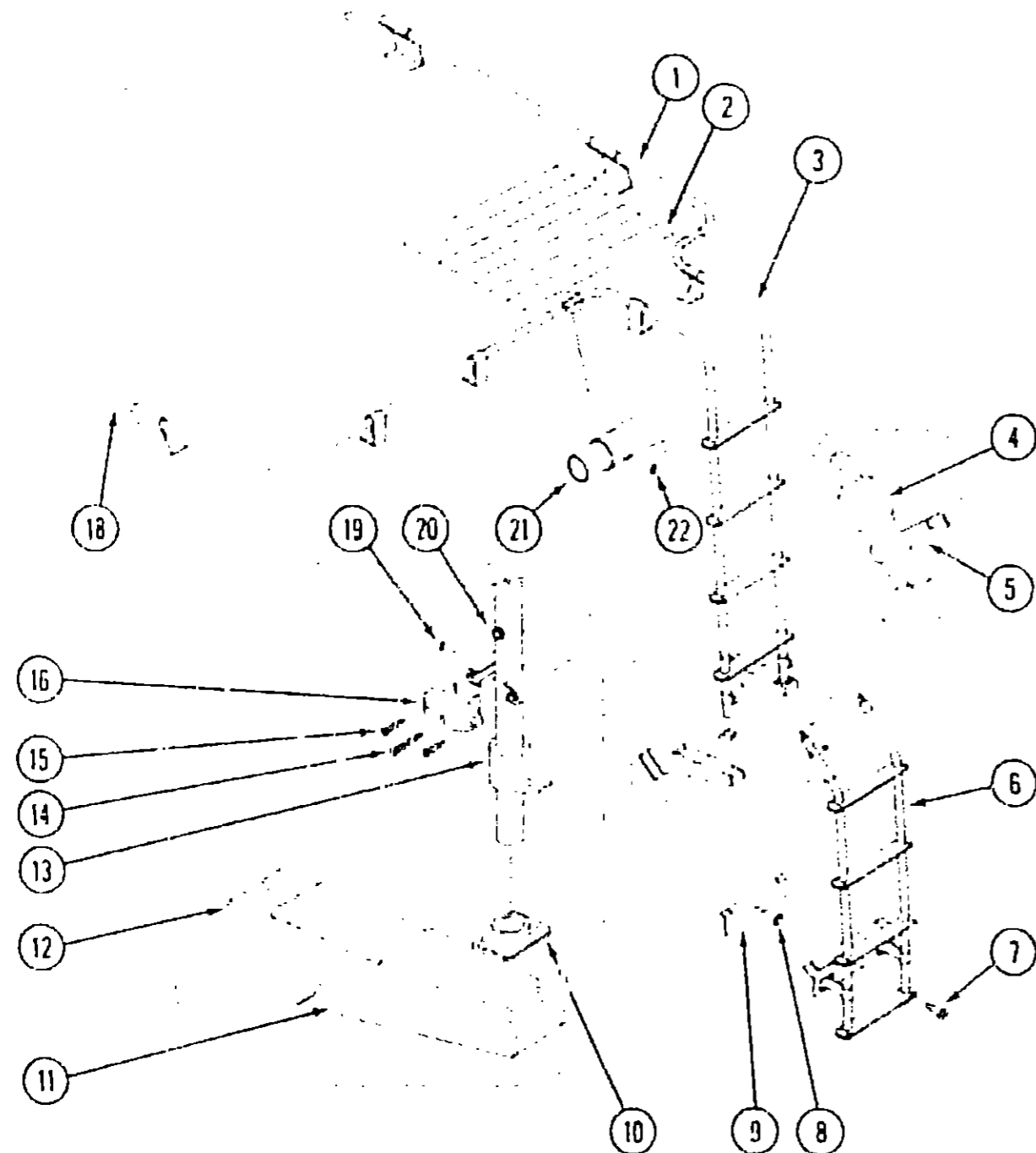
1991 ITASCA
TABLE OF CONTENTS

INTRODUCTION	A-01 - A-02
ABBREVIATIONS	A-03
ALPHABETICAL/GROUP REFERENCE	A-04 - A-05
ICM28RD	A-07 - E-15
IKM40DA	E-17 - I-18

1991 IKM40DA INDEX

Floor Plan	E-17 - E-18
Accessories Group	E-19 - E-22
Bath Group	E-23 - F-02
Bedroom Group	F-03 - F-05
Chassis Group	F-06 - F-15
Curtain, Cushion & Pad Group	F-16 - F-22
Dinette Group	F-23 - G-01
Driver's Compartment Group	G-02 - G-07
Electrical Group	G-08 - G-12
Exterior Body Group	G-13 - G-21
Galley Group	G-22 - H-02
Heating & Air Conditioning Group	H-03 - H-05
Interior Finish Group	H-06 - H-07
Labels Group	H-08 - H-16
LP Group	H-17
Lounge Group	H-18 - H-19
Sealants & Fasteners Group	H-20 - H-21
Water & Sewage Group	H-22 - H-24
Window, Vent & Exterior Door Group	I-01 - I-18

EXTERIOR BODY GROUP (CONTINUED)



RACK & LADDER COMPONENTS

Key	Part Number	U/M	Description
1	081026-01-T03	EA	Rack Asm. - Passenger Side
2	039327-01-000	EA	Tape - Anti-Slip - 2" x 60'
3	039999-02-T03	EA	Ladder Asm. - Upper
4	081115-01-000	EA	Top Cap - 1"
5	080873-01-000	EA	Latch - Lower Ladder
6	080997-04-X14	EA	Ladder Asm. - Lower
7	081056-01-000	EA	Pin - Quick Release
8	081055-01-000	EA	Springgrip - Internal Tooth Washer
9	081107-01-000	EA	Bracket - Bumper Pin
10	067165-01-000	EA	Mounting Bracket
11	080669-01-000	EA	Footing Bracket
12	081627-02-000	EA	Sponge Seal - 3/16" x 2" x 3.25"
13	081116-01-000	EA	Slide Bracket
14	000G69-10-36U	EA	Screw
15	000G39-05-10U	EA	Screw
16	075980-02-000	EA	Step Cap - Black
18	081025-02-T03	EA	Rack Asm. - Driver Side
19	000G39-08-16U	EA	Screw
20	081113-01-000	EA	Bushing - Plastic Flange - White
21	083891-51-002	EA	Splice
22	000G39-08-089	EA	Screw
0	114-01-000	EA	Cap Insert - Round - 1" Dia

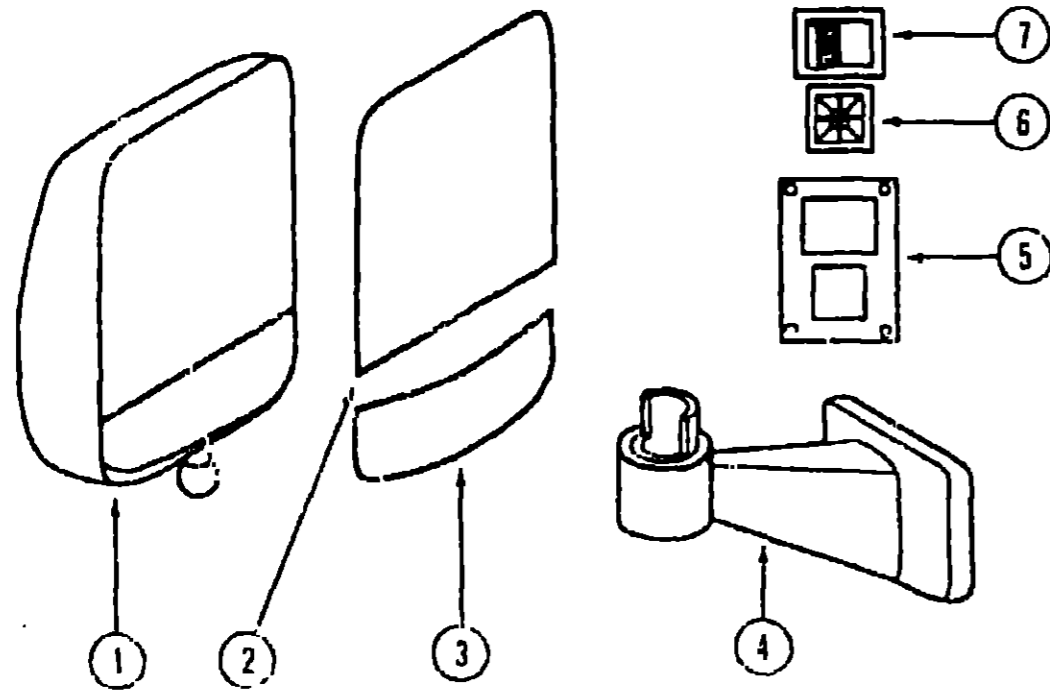
1991 ITASCA
TABLE OF CONTENTS

INTRODUCTION	A-01 - A-02
ABBREVIATIONS	A-03
ALPHABETICAL/GROUP REFERENCE	A-04 - A-06
ICKM2BRO	A-07 - E-15
ICKM40DA	E-17 - I-18

1991 IKM40DA INDEX

Floor Plan	E-17 - E-18
Accessories Group	E-19 - E-22
Bath Group	E-23 - F-02
Bedroom Group	F-03 - F-05
Chassis Group	F-06 - F-15
Curain, Cushion & Pad Group	F-16 - F-22
Dinette Group	F-23 - G-01
Driver's Compartment Group	G-02 - G-07
Electrical Group	G-08 - G-12
Exterior Body Group	G-13 - G-21
Galley Group	G-22 - H-02
Heating & Air Conditioning Group	H-03 - H-05
Interior Finish Group	H-06 - H-07
Labels Group	H-08 - H-16
LP Group	H-17
Lounge Group	H-18 - H-19
Sealants & Fasteners Group	H-20 - H-21
Water & Sewage Group	H-22 - H-24
Window, Vent & Exterior Door Group	I-01 - I-18

EXTERIOR BODY GROUP (CONTINUED)



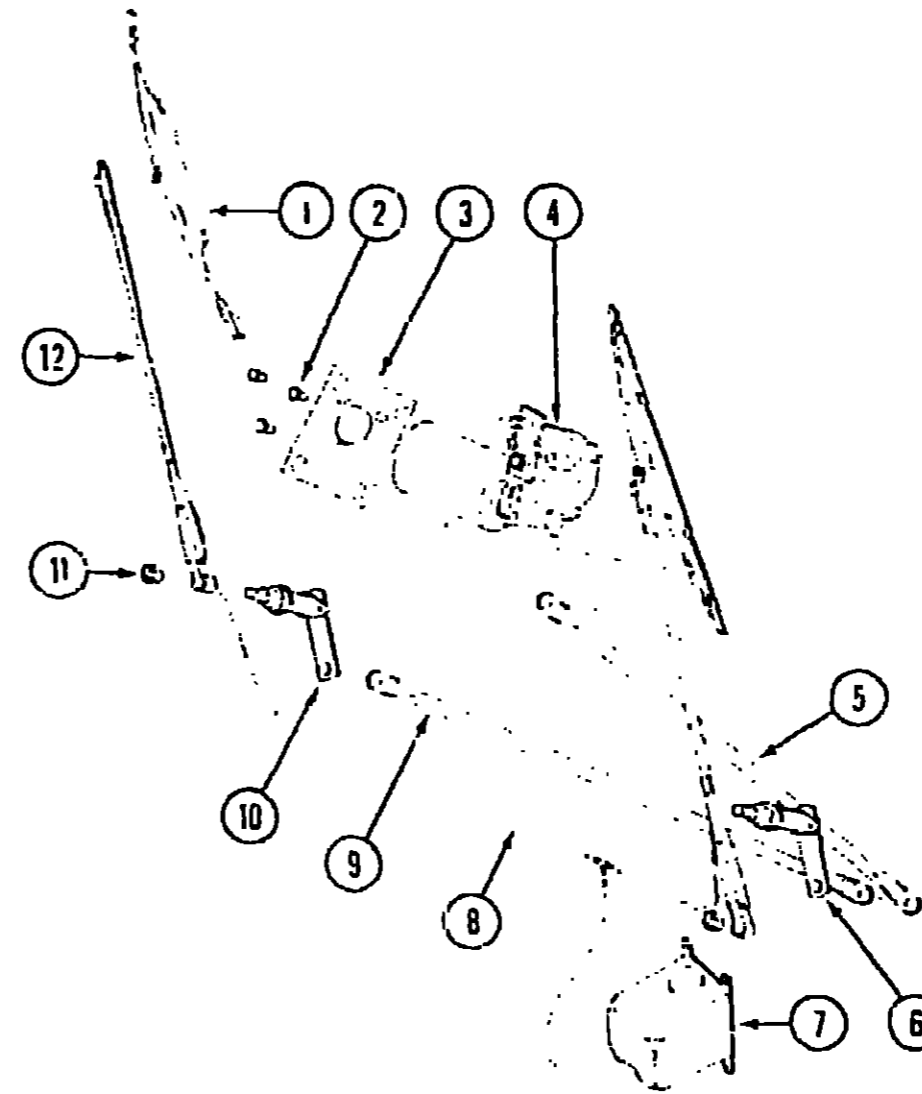
MIRRORS - NON-POWERED

Key	Part Number	U/M	Description
1	086260-01-000	EA	Mirror Asm. - Passenger Side (Includes Glass)
1	086260-02-000	EA	Mirror Asm. - Driver Side (Includes Glass)
2	086260-01-701	EA	Flat Glass - Passenger Side
2	086260-02-701	EA	Flat Glass - Driver Side
3	086260-01-700	EA	Convex Glass - Passenger Side
3	086260-02-700	EA	Convex Glass - Driver Side
4	086260-03-000	EA	Arm Asm. - Passenger & Driver Side

POWER MIRRORS - ELECTRICALLY HEATED & CONTROLLED

Key	Part Number	U/M	Description
1	086259-04-000	EA	Mirror Asm. - Passenger Side w/Remote & Heater (Includes Glass)
1	086259-05-000	EA	Mirror Asm. - Driver Side w/Remote & Heater (Includes Glass)
2	086259-04-701	EA	Flat Glass - Passenger Side - Heated
2	086259-05-701	EA	Flat Glass - Driver Side - Heated
3	086259-04-700	EA	Convex Glass - Passenger Side - Heated
3	086259-05-700	EA	Convex Glass - Driver Side - Heated
4	086260-03-000	EA	Arm Asm. - Passenger & Driver Side
5	099982-01-01A	EA	Switch Plate - Black
6	088246-01-000	EA	Switch Asm. - Mirror - Remote
7	087695-01-000	EA	Switch - Mirror Heater
	099836-03-000	EA	Wire Asm. - Mirror - Cab
	099837-01-000	EA	Wire Asm. - Mirror - Door
	063912-02-000	EA	Relay - Cannister - SPDT - w/Resist

EXTERIOR BODY GROUP (CONTINUED)



WINDSHIELD WIPER & DRIVE ASSEMBLY

Key	Part Number	U/M	Description
1	095964-01-000	EA	Blade - Wiper - 24"
2	000C26-04-10B	EA	Hex Bolt - Serrated Flange - 1/4" - 20 x 5/8" Zinc
3	063971-01-000	EA	Support Bracket - Motor Asm.
4	096380-01-000	EA	Motor Asm.
5	067192-01-000	EA	Connecting Link Asm.
6	096504-01-000	EA	Pivot Shaft Asm. - Driver
7	056000-02-000	EA	Washer Asm. - w/o Nozzles
8	096931-01-700	FT	Hose - Washer
9	067192-02-000	EA	Connecting Link Asm.
10	096505-02-000	EA	Pivot Shaft Asm. Passenger
11	077049-01-000	EA	Acorn Nut
12	096931-01-000	EA	Wiper Arm - 20"
	096931-01-701	EA	Nozzle Hardware Kit - Washer
	102362-01-702	EA	Wiper Control Module

**1991 ITASCA
TABLE OF CONTENTS**

INTRODUCTION	A-01 - A-02
ABBREVIATIONS	A-03
ALPHABETICAL GROUP REFERENCE	A-04 - A-06
ICM28RD	A-07 - E-15
IKM40DA	E-17 - I-18

1991 IKM40DA INDEX

Floor Plan	E-17 - E-18
Accessories Group	E-19 - E-22
Bath Group	E-23 - F-02
Bedroom Group	F-03 - F-05
Chassis Group	F-05 - F-15
Curtain, Cushion & Pad Group	F-16 - F-22
Dinette Group	F-23 - G-01
Driver's Compartment Group	G-02 - G-07
Electrical Group	G-08 - G-12
Exterior Body Group	G-13 - G-21
Galley Group	G-22 - H-02
Heating & Air Conditioning Group	H-03 - H-05
Interior Finish Group	H-06 - H-07
Labels Group	H-08 - H-16
LP Group	H-17
Lounge Group	H-18 - H-19
Sealants & Fasteners Group	H-20 - H-21
Water & Sewage Group	H-22 - H-24
Window, Vent & Exterior Door Group	I-01 - I-18

EXTERIOR BODY GROUP (CONTINUED)

SHEET FIBERGLASS PANEL, ALUMINUM & STYROFOAM

Key	Part Number	U/M	Description
	000860-01-000	SF	Styrofoam - .75" x 24" x 96"
	000870-03-000	SF	Styrofoam - 1.34" x 48" x 96"
	000870-05-000	SF	Styrofoam - .50" x 24" x 96"
	083574-02-000	SF	Styrofoam - .50" x 24" x 90.5"
	081395-22-000	EA	Panel - Fiberglass - Mende Board - Gray - 70.75" x 32.25"
	081395-24-000	EA	Panel - Fiberglass - Mende Board - Gray - 23.62" x 120"
	081395-08-000	EA	Panel - Fiberglass - Mende Board - Gray - 48" x 26"
	044487-01-001	EA	Aluminum - Mill Finish - Roof - 96" x 360"

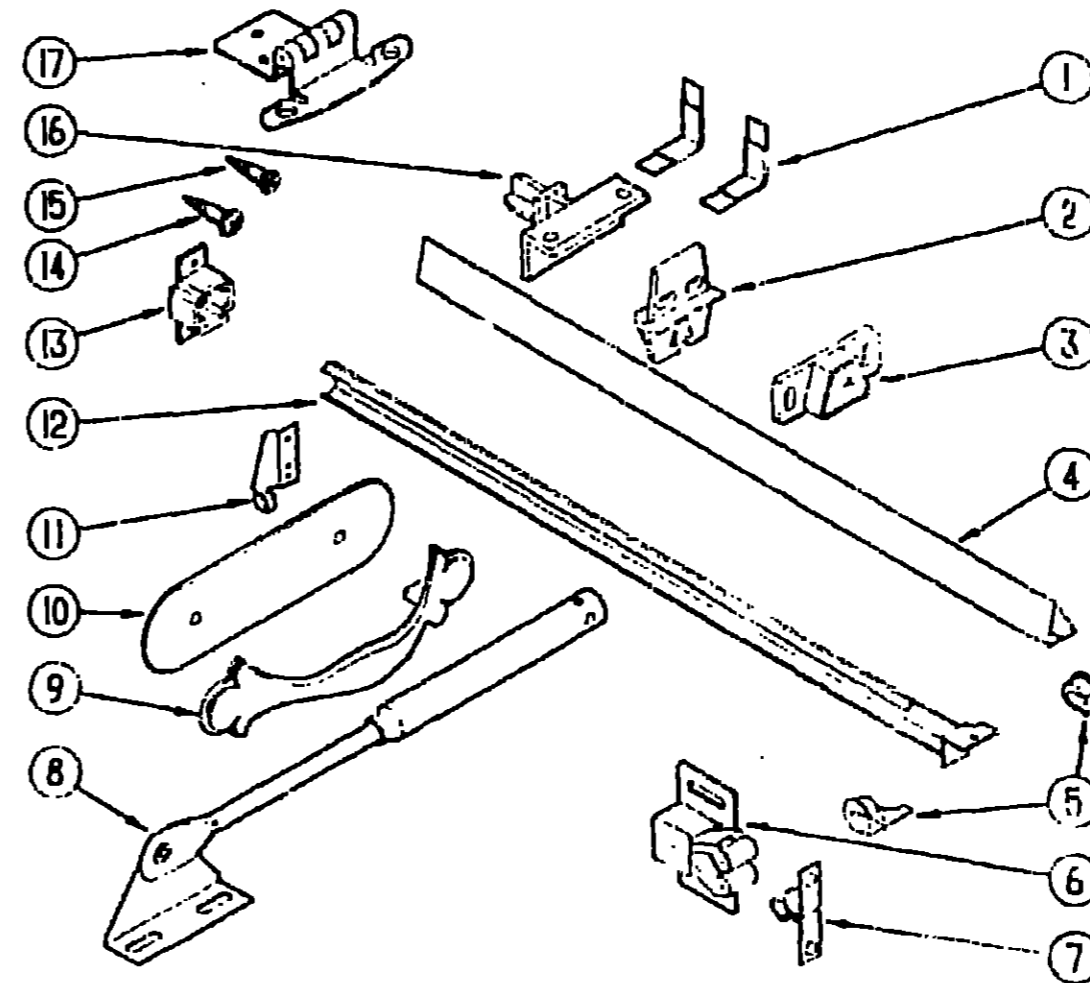
MISCELLANEOUS EXTERNALLY MOUNTED PARTS

Key	Part Number	U/M	Description
	009126-02-000	EA	Assist Handle - Black
	087659-03-000	EA	Fill - City Water - Grey - Brass Fittings
	090951-01-000	EA	Receptacle - Outside - Electric
	083615-03-000	EA	Door Stop - Plastic - Gray
	093767-02-01A	EA	Receptacle - Outside Telephone

FRONT HOOD PANEL & HARDWARE

Key	Part Number	U/M	Description
	089768-01-X14	EA	Panel Asm. - Hood
	076716-02-000	EA	Bracket - Striker Latch
	073611-01-000	EA	Striker Pin Asm
	073610-01-000	EA	Spring - Striker Pin
	R77006-13-172	EA	Shim Plate
	05971-01-000	EA	Bracket - Hinge Pivot - Left or Right Side
	073313-02-000	EA	Hood Arm - Left or Right Side
	R77006-68-721	EA	Hood Release Cable
	R77006-19-765	EA	Hood Release Sleeve
	R77006-38-499	EA	Spring
	072917-03-000	EA	Prop Rod
	052628-01-000	EA	Clip - Prop Rod
	058833-01-000	EA	Bracket - Prop Rod
	058786-01-000	EA	Hood Adjusting Bolt - 5/16 x 18 x 2"
	058786-02-000	EA	Hood Adjusting Bolt - 5/16 x 18 x 1 1/4"
	091955-02-000	EA	Squeegee w/Extended Handle
	091952-02-000	EA	Squeegee Clip
	093527-01-000	EA	Squeegee Bracket

GALLEY GROUP



HARDWARE (DOORS, DRAWERS & CABINETS)

Key	Part Number	U/M	Description
1	037688-02-000	EA	L-Corner Glide (Drawers)
2	037688-03-000	EA	Center Glide (Drawers)
3	037688-05-000	EA	Rail Mounting Bracket - Rear (Drawers)
4	037688-01-000	FT	V-Rail (Drawers)
5	102837-03-000	EA	Nylon Rollers (Set of 2) (Drawers)
6	093586-03-000	EA	Roller Catch
7	093586-04-000	EA	Steel Strike
8	074493-02-000	EA	Door Support
9	100273-01-000	EA	Cabinet Pull
10	100995-01-000	EA	Backplate - Brass
11	102827-02-000	EA	Rear Roller Bracket (Drawers)
12	102827-05-000	EA	Track (Drawers)
13	102827-04-000	EA	Rear Mounting Bracket (Drawers)
14	000G68-06-10G	EA	Screw - #6 - 18 x .625" PCH - Antique Brass - Hinge to Cabinet
15	000G13-06-10G	EA	Screw - #6 - 20 x .625" PFH - Antique Brass - Hinge to Door
16	037688-04-000	EA	Rail Mounting Bracket - Front (Drawers)
17	059777-02-000	EA	Hinge - Burnished Brass
	084466-02-000	EA	Slide Asm. - Right (Drawers)
	084466-03-000	EA	Slide Asm. - Left (Drawers)
	084466-04-000	EA	Slide Asm. - Right (Cabinet)
	084466-05-000	EA	Slide Asm. - Left (Cabinet)
	081521-02-007	EA	Molding - 64 Hole Space (Cabinets)
	042357-17-002	EA	Corner Molding - Radius - Plastic (Cabinets)
	083620-01-000	FT	T-Molding - 3/4" w/Edge Lips (Cabinets)
	009767-10-000	FT	Welling - Mahogany (Cabinets)
	009767-12-000	FT	Welling - Antique White (Cabinets)
	016604-03-000	EA	Brace - Seat Angle - 2.5" - Beige (Cabinets)
	009812-25-000	EA	Molding - Corner - .5" - Pecal (Cabinets)

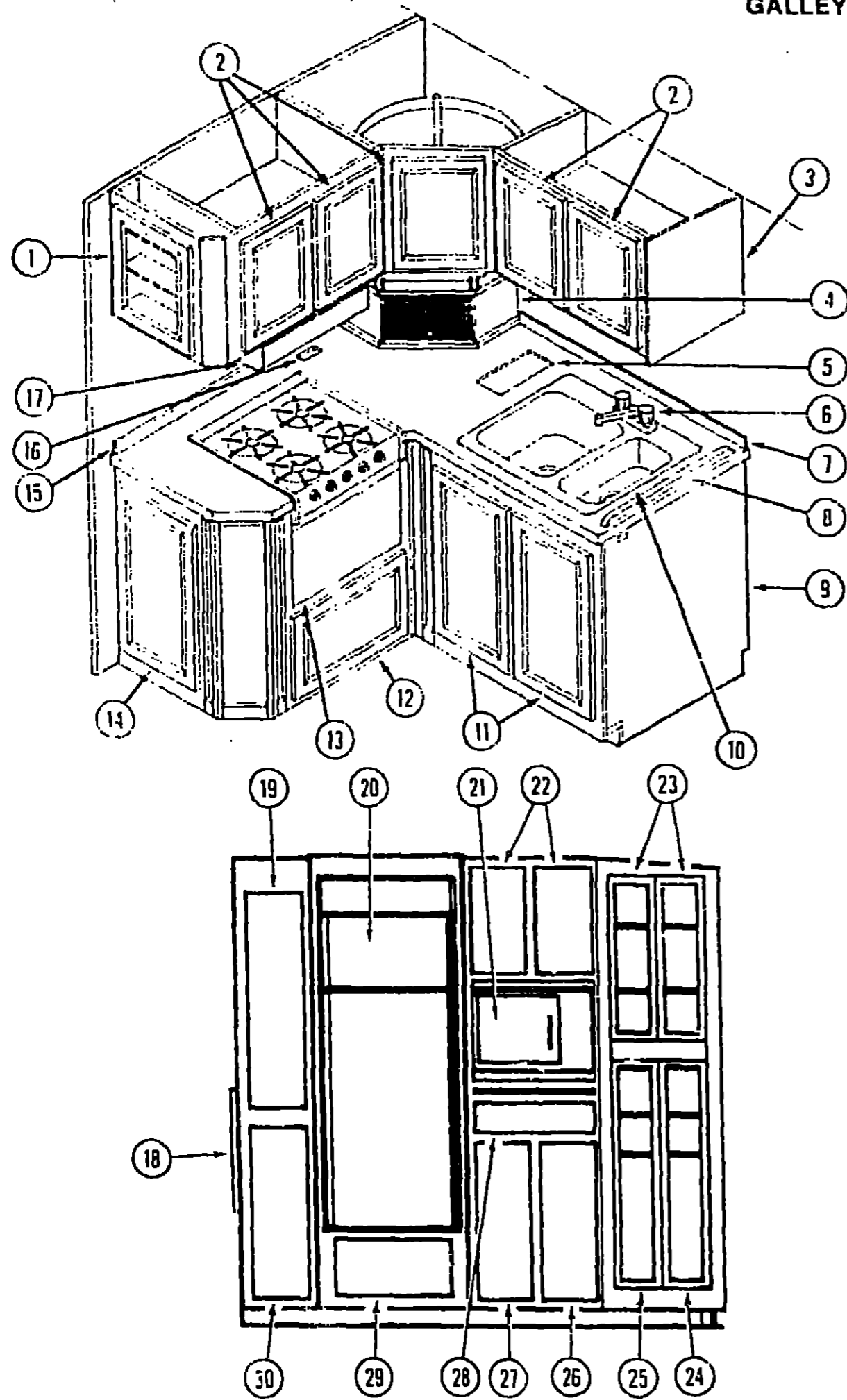
1991 ITASCA TABLE OF CONTENTS

INTRODUCTION	A-01 - A-02
ABBREVIATIONS	A-03
ALPHABETICAL/GROUP REFERENCE	A-04 - A-06
ICM28RO	A-07 - E-15
IKM40DA	E-17 - I-16

1991 IKM40DA INDEX

Floor Plan	E-17 - E-16
Accessories Group	E-19 - F-22
Bath Group	E-23 - F-02
Bedroom Group	F-03 - F-05
Chassis Group	F-06 - F-15
Curtain, Cushion & Pad Group	F-16 - F-22
Dinette Group	F-23 - G-01
Driver's Compartment Group	G-02 - G-07
Electrical Group	G-08 - G-12
Exterior Body Group	G-13 - G-21
Galley Group	G-22 - H-02
Heating & Air Conditioning Group	H-03 - H-05
Interior Finish Group	H-06 - H-07
Labels Group	H-08 - H-16
LP Group	H-17
Lounge Group	H-18 - H-19
Sealants & Fasteners Group	H-20 - H-2
Water & Sewage Group	H-22 - H-2
Window, Vent & Exterior Door Group	I-01 - I-11

GALLEY GROUP (CONTINUED)
CABINETS



Key	Part Number	U/M	Description
1	P00523-79-B40	EA	Door Asm. - w/o Hardware
2	P00970-21-B40	EA	Door Asm. - w/o Hardware
3	M05046-01-B40	EA	Cabinet Asm. - Overhead - w/o Doors or Hardware
4	1G0913-01-B40	EA	Cabinet Asm. - Bread Box
5	023111-01-000	EA	Food Center - Built-in (USA)
5	023111-03-000	EA	Food Center - Built-in (CSA)
6	091267-01-000	EA	Galley Faucet - Single Control - w/Spray
7	088090-03-Y15	EA	Backsplash - Countertop
8	095080-01-B18	EA	Rail - Countertop
	094386-1G-B18	EA	Countertop Asm.
9	M94386-01-B40	EA	Cabinet Asm. - Galley - w/o Doors or Hardware
10	091214-01-000	EA	Sink - Double Bowl - Stainless Steel - 25" x 22"
11	P00523-75-B40	EA	Door Asm. - w/o Hardware
12	M82184-38-B40	EA	Drawer Asm. - w/o Hardware
13	098507-02-000	EA	Range - 4 Burner w/Large Oven (Used before 8-12-90)
13	102020-01-02A	EA	Range - 4 Burner - w/Large Oven (Used after 8-12-90)
14	P00523-76-B40	EA	Door Asm. - w/o Hardware
15	088090-04-Y15	EA	Backsplash - Countertop
16	093238-01-B29	EA	Cover - Knife Holder
17	100258-06-01A	EA	Range Hood w/Monitor Panel (USA) (Used before 8-12-90)
17	100258-06-02A	EA	Range Hood w/Monitor Panel (USA) (Used after 8-12-90)
17	100258-07-01A	EA	Range Hood w/Monitor Panel (CSA) (Used before 8-12-90)
17	100258-07-02A	EA	Range Hood w/Monitor Panel (CSA) (Used after 8-12-90)
18	091772-01-B40	EA	Handrail
19	P00970-20-B40	EA	Door Asm. - w/o Hardware
20	091039-07-000	EA	Refrigerator - No-cold 10" w/Ico Maker
21	091259-03-000	EA	Microwave Oven
22	P00970-24-B40	EA	Door Asm. - w/o Hardware
23	P00523-71-B40	EA	Door Asm. - w/o Hardware
24	P00523-72-B40	EA	Door Asm. - w/o Hardware
25	P00523-73-B40	EA	Door Asm. - w/o Hardware
26	P00523-69-B40	EA	Door Asm. - w/o Hardware
27	P00523-70-B40	EA	Door Asm. - w/o Hardware
28	P00522-18-B40	EA	Drawer Asm. - w/o Hardware
29	P00523-80-B40	EA	Door Asm. - w/o Hardware
30	P00523-68-B40	EA	Door Asm. - w/o Hardware
	100495-01-000	EA	Coffee Maker - Thermal Carafe
	093605-01-01A	EA	Wire Towel Rack
	093653-01-B18	EA	Cover Asm. - Sink
	093018-01-000	EA	Cutting Board - Sink - Maple
	100081-01-01A	EA	Silverware Tray
	100793-01-01A	EA	Clock - Oval
	101333-01-000	EA	Mounting Plate - Clock
	095417-01-01A	EA	Lazy Susan Shell - 24"
	095417-02-01A	EA	Lazy Susan Shelf Pivot - Top & Bottom
	095417-03-01A	EA	Lazy Susan Shelf Adjustable Rod
	042438-01-000	EA	Wood Dowel - 1"x4"
	009112-01-000	EA	Flange - 1" ABS Off White

1991 ITASCA
TABLE OF CONTENTS

INTRODUCTION	A-01 - A-02
ABBREVIATIONS	A-03
ALPHABETICAL/GROUP REFERENCE	A-04 - A-06
ICM28EO	A-07 - E-15
IKM40DA	E-17 - I-16

1991 IKM40DA INDEX

Floor Plan	E-17 - E-18
Accessories Group	E-19 - E-22
Bath Group	E-23 - F-02
Bedroom Group	F-03 - F-05
Chassis Group	F-06 - F-15
Curtain, Cushion & Pad Group	F-16 - F-22
Dinette Group	F-23 - G-01
Driver's Compartment Group	G-02 - G-07
Electrical Group	G-08 - G-12
Exterior Body Group	G-13 - G-21
Galley Group	G-22 - H-02
Heating & Air Conditioning Group	H-03 - H-05
Interior Finish Group	H-06 - H-07
Labels Group	H-08 - H-16
LP Group	H-17
Lounge Group	H-18 - H-19
Sealants & Fasteners Group	H-20 - H-21
Water & Sewage Group	H-22 - H-24
Window, Vent & Exterior Door Group	I-01 - I-18

GALLEY GROUP (CONTINUED)

APPLIANCES

Key	Part Number	U/M	Description
	098507-02-000	EA	Range - 4 Burner - w/Glass Door - Black - Magic Chef (Used up to 8-12-90)
	055282-03-708	EA	Bumper - Main Top - Plastic Plug
	049045-01-742	EA	Burner Asm. - Oven
	064782-02-715	EA	Clip - Grate
	055282-03-702	EA	Knob - Thermostat
	081374-02-701	EA	Regulator - Pressure
	055282-03-700	EA	Thermostat
	049045-01-703	EA	Valve - Top Burner
	064762-02-705	EA	Handle - Oven Door - Black
	049045-01-728	EA	Broiler Pan w/o Insert
	098507-02-700	EA	Filter - Pilot
	098507-02-703	EA	Glass - Outer
	098507-02-702	EA	Deflector - Vent
	098507-02-704	EA	Panel - Oven Door - Ebony
	098507-02-701	EA	Insert - Burner (Slotted Vent)
	098507-02-707	EA	Top - Main - Ebony
	097507-02-705	EA	Trim - Left
	098507-02-706	EA	Trim - Right
	049045-01-741	EA	Insert - Broiler Pan
	064782-02-710	EA	Bracket - Front Glass
	064782-02-712	EA	Grate - Top Burner - Square Hole
	064782-02-714	EA	Fitting - Pipe Nipple - 1/8"
	098507-01-700	EA	Panel - Oven Door - Almond
	098507-01-701	EA	Top - Main - Almond
	064782-02-708	EA	Valve - Mercury Control
	085280-03-000	EA	Cover - Range - Bi-Fold - Almond
	102020-01-02A	EA	Range w/Large Oven - 4 Burner - Black (used after 8-12-90)
	102020-01-700	EA	Range - Oven Shell
	102020-01-701	EA	Range - Oven Door Handle
	102020-01-702	EA	Range - Manifold Panel
	102020-01-715	EA	Range - Manifold Pipe
	102020-01-704	EA	Range - Door Panel - Black
	102020-01-705	EA	Range - Cabinet Trim - Left - Black
	102020-01-706	EA	Range - Cabinet Trim - Right - Black
	102020-01-708	EA	Range - Burner Asm. - Oven
	102020-01-709	EA	Range - Grate Bumper
	102020-01-710	EA	Range - Pilot Filter
	102020-01-711	EA	Range - Top Grate
	102020-01-712	EA	Range - Knob - Burner Valve
	102020-01-713	EA	Range - Thermostat Knob
	102020-01-717	EA	Range - Thermostat
	102020-01-714	EA	Range - Pilot - Oven
	102020-01-715	EA	Range - Pressure Regulator
	102020-01-719	EA	Range - Main Top - 4 Burner - Black
	102020-01-720	EA	Range - Mercury Valve
	102020-01-721	EA	Range - Shut-Off Valve
	102020-01-722	EA	Range - Top Burner Valve
	102020-01-723	EA	Range - Pilot - Burner
	102020-01-724	EA	Range - Bumper - Main Top
	102020-01-725	EA	Range - Oven Door Glass
	102020-01-726	EA	Range - Vent Deflector
	102020-01-727	EA	Range - Trim - Flat - Left
	102020-01-728	EA	Range - Trim - Flat - Right
	102021-02-02A	EA	Cover - Range - Bi-Fold - Black
	055516-03-000	EA	Tiedown Bracket - Range w/Large Oven - Left
	055516-04-000	EA	Tiedown Bracket - Range w/Large Oven - Right
	091269-03-000	EA	Microwave/Browning Oven - Magic Chef M116-10PB
	091269-03-700	EA	Outer Door Panel
	091269-03-701	EA	Ceramic Plate - 9 1/2" Round
	091269-03-702	EA	Oven Shell Clip - White
	091269-03-703	EA	Oven Shell Clip - Black
	091269-03-704	EA	Window
	094745-01-01A	EA	Trim - Microwave - Bottom
	094774-03-01A	EA	Trim - Microwave - Right or Left
	094750-01-000	EA	Tiedown Bracket - Microwave
	100258-06-01A	EA	Range Hood - w/Monitor Panel (US) (Used before 8-12-90)
	100258-06-02A	EA	Range Hood - w/Monitor Panel (US) (Used after 8-12-90)
	096983-01-702	EA	Switch - Two Way Momentary

H-1

GALLEY GROUP (CONTINUED)

APPLIANCES

Key	Part Number	U/M	Description
	096983-01-703	EA	Switch - On/On - Jensen 115
	100258-05-701	EA	Switch - Fan - 2 Speed - Range Hood - Ventline
	075470-01-702	EA	Switch - On/Off - LVX CB494
	096983-01-701	EA	Switch - MOM One Way
	100258-10-01A	EA	Meter - Hour - Ventline 150
	100258-05-700	EA	Filter - Charcoal
	100258-04-700	EA	Circuit Board
	100258-06-700	EA	Control Panel Asm.
	100258-06-701	EA	Metal Face Plate Screened
	090973-01-700	EA	Motor - LVS CA508-1
	090973-01-702	EA	Blade - Fan, LVS VA183-1
	092696-01-709	EA	Bulb - 912 - Ventline VA415
	092696-01-710	EA	Socket - Light - Ventline CB267-2
	096983-01-708	EA	Lens - Lamp - Ventline CC179
	100258-06-700	EA	Control Panel Asm.
	100258-06-701	EA	Metal Face Plate - Screened
	100258-07-01A	EA	Range Hood - w/Monitor Panel (CSA) (Used before 8/12/90)
	100258-07-02A	EA	Range Hood - w/Monitor Panel (CSA) (Used after 8/12/90)
	091244-01-000	EA	Sink - Double Bowl - Stainless Steel - 25" x 22"
	091267-01-000	EA	Galley Faucet - Single Control - w/Spray
	092303-01-000	EA	Strainer - Sink
	093018-01-000	EA	Cutting Board - Maple
	093653-01-000	EA	Cover Asm. - Sink
	023111-01-000	EA	Food Center - Built In
	100495-01-000	EA	Coffee Maker - Thermal Carafe
	101333-01-000	EA	Mounting Plate - Wall Clock
	100793-01-01A	EA	Wall Clock - Oval
	100081-01-01A	EA	Silverware Tray - Almond
	093605-01-01A	EA	Wire Towel Rack - Almond
	094039-07-000	EA	Refrigerator - w/Large Double Door
	094039-04-700	EA	PC Board Asm. - 2-Way
	094039-04-701	EA	EyeBrow Shell - 2-Way
	094039-01-702	EA	Gasket - Upper - Gray
	094039-01-704	EA	Hinge Plate - Left Hand
	094039-01-706	EA	Upper Door Liner - White
	094039-01-708	EA	Upper Door Handle Asm.
	094039-01-710	EA	Hinge Plate - Right Hand (Top) - Left Hand (Bottom)
	094039-01-711	EA	Juice Rack - Gray w/Silver Trim
	094039-01-712	EA	Door Bin - Gray w/Silver Border
	094039-01-713	EA	Door Gasket - Lower - Gray
	094039-01-715	EA	Lower Door Liner - Black/White
	094039-01-717	EA	Lower Door Handle Asm.
	094039-01-718	EA	Milk Bin - Gray w/Silver Trim
	094039-01-719	EA	Dairy Keeper - Gray w/Silver Trim
	094039-01-721	EA	Cab Asm. - Black Frame/White Liner
	094039-01-722	EA	Hole Plug - Hinge Holes
	094039-01-723	EA	Hinge Bracket - Right Hand (Top) - Left Hand (Bottom)
	094039-01-724	EA	Hinge Bracket - Left Hand (Top) - Right Hand (Bottom)
	094039-01-725	EA	Hinge Pin - Male
	094039-01-726	EA	Evaporator Shelf
	094039-01-728	EA	Hinge Bracket - Center Hinge
	094039-01-730	EA	Hinge Pin Shaft - Center Hinge
	094039-01-731	EA	Crisper - Gray w/Silver Trim
	094039-01-732	EA	Front Cover - Black Bottom Trim
	094039-01-733	EA	Wire Shelf - Middle
	094039-01-734	EA	Wire Shelf - Top w/Riser
	094039-01-735	EA	Inside Drip Tray - White
	094039-01-736	EA	Light Switch - Black
	094039-04-702	EA	Power Supply - 2-Way
	094039-01-738	EA	Manual Shut-Off - Harper Wyman
	094039-01-739	EA	Shelf - Cutout
	094039-07-700	EA	Ice Maker Asm.
	094039-07-701	EA	Ice Cube Bin
	094039-07-702	EA	Tall Wire Shelf - Freezer
	094039-07-703	EA	Short Wire Shelf - Freezer
	094039-07-704	EA	Water Fill Valve
	089983-02-000	EA	Baffle - Refrigerator - Back
	065225-01-000	EA	Tiedown Plate - Refrigerator

H-2

**1991 ITASCA
TABLE OF CONTENTS**

INTRODUCTION	A-01 - A-02
ABBREVIATIONS	A-03
ALPHABETICAL/GROUP REFERENCE	A-04 - A-06
ICM28RO	A-07 - E-15
IKM40DA	E-17 - I-18

1991 IKM40DA INDEX

Floor Plan	E-17 - E-18
Accessories Group	E-19 - E-22
Bath Group	E-23 - F-02
Bedroom Group	F-03 - F-05
Chassis Group	F-06 - F-15
Curtain, Cushion & Pad Group	F-16 - F-22
Dinette Group	F-23 - G-01
Driver's Compartment Group	G-02 - G-07
Electrical Group	G-08 - G-12
Exterior Body Group	G-13 - G-21
Galley Group	G-22 - H-02
Heating & Air Conditioning Group	H-03 - H-05
Interior Finish Group	H-06 - H-07
Labels Group	H-09 - H-16
LP Group	H-17
Lounge Group	H-18 - H-19
Sealants & Fasteners Group	H-20 - H-21
Water & Sewage Group	H-22 - H-24
Window, Vent & Exterior Door Group	I-01 - I-18

HEATING & AIR CONDITIONING GROUP

AUTOMOTIVE HEATER/AIR CONDITIONER

Key	Part Number	U/M	Description
	094831-01-000	EA	Heater/Evaporator Asm. Complete
	094831-01-703	EA	Fresh Air Door
	094831-01-701	EA	Fresh Air Door Rod
	094831-01-702	EA	Plastic Drain Pan
	094831-01-703	EA	Blower Motor
	094831-01-704	EA	Stower Wheel
	094821-01-705	EA	2" OD Vacuum Motor
	094831-01-706	EA	4-Speed Resistor
	094831-01-707	EA	Unit Wiring Harness
	094831-01-708	EA	Unit Vacuum Harness
	094831-01-709	EA	3/16" Rod Clamps
	094831-01-710	EA	3/16" Rod Retainer Ring
	094831-01-711	EA	#10 - 32 Keps Nut
	094831-01-712	EA	#10 - 32 Timmerman's "J" Nut
	094831-01-713	EA	Evaporator Coil
	094831-01-714	EA	Expansion Valve
	094831-01-715	EA	Thermostat
	094831-01-716	EA	Trinary Switch
	094831-01-717	EA	#6 Hose Asm
	094831-01-718	EA	#10 Hose Asm.
	094831-01-719	EA	#4 - Self Sealing Coupler w/O Ring
	094831-01-720	EA	#10 Service Valve
	094831-01-721	EA	#10 O Ring
	094831-01-722	EA	#8 O Ring
	094831-01-723	EA	#6 O Ring
	094831-01-724	EA	#4 O Ring
	094831-01-725	EA	Blend Air Door
	094831-01-726	EA	Blend Air Door Rod
	094831-01-727	EA	Heat Coil
	094831-01-728	EA	Damper Door
	094831-01-729	EA	Damper Door Rod
	094831-01-730	EA	Vacuum Motor
	094831-01-731	EA	2" Hose Adapters
	094831-01-732	EA	Control Housing
	094831-01-733	EA	Control Wiring Harness
	094831-01-734	EA	Light Wiring Harness
	094831-01-735	EA	Control Vacuum Harness
	094831-01-736	EA	Vacuum Switch
	094831-01-737	EA	Blend Air Cable - 72"
	094831-01-738	EA	Cable Clip
	094831-01-739	EA	Unit Cable Clip
	094831-01-740	EA	Auto Relay
	094831-01-741	EA	Louver Asm./Control Panel Trim
	094831-01-742	EA	Condenser Wiring Harness (Chevrolet)
	094831-01-743	EA	Vacuum Canister
	094831-01-744	EA	Water Valve
	094831-01-745	EA	Kazoo Drain Tube
	094831-01-746	EA	Blend Cable Clamp
	094831-05-000	EA	Owner's Manual - Heater/Air Conditioner
	094831-06-000	EA	Service Manual - Heater/Air Conditioner
	072342-07-000	EA	Condenser Asm.
	072342-07-700	EA	Condenser Coil
	072342-07-701	EA	#8 Hose Asm.
	072342-07-704	EA	O Ring
	072342-03-701	FT	Receiver Dryer
	007108-01-000	EA	Hose - Heater - 5/8" ID
	007281-01-000	EA	Hose - Flexible - 2 1/2" ID
	009200-01-000	EA	Furnace Tape - 1 1/2"
	024990-03-000	EA	Defroster Outlet - w/Swivel - 2" Gray
	039044-01-000	EA	Louver Asm. - Air Conditioner - Adjustable Vent
	085000-01-000	EA	Air Conditioner Shield

HEATING & AIR CONDITIONING GROUP (CONTINUED)

AUXILIARY REAR HEATER W/MOTOR AID

Key	Part Number	U/M	Description
	084405-01-000	EA	Heater Asm. - Rear - Ducted
	084405-01-700	EA	Heater Core
	084405-01-701	EA	Fan
	084405-01-702	EA	Motor - 12 Volt Asm.
	069636-02-000	EA	Connector - 4" Duct
	009198-01-000	FT	Duct - Flexible - 4" ID x 25'
	023146-01-000	EA	Clamp - Screw Type - 4"
	056464-05-000	EA	Register - 4" Dia. - Plastic - w/o Damper
	094600-01-02A	EA	Register - Heat - Grill - Brown
	088753-01-000	FT	Tube - Aluminized Steel - 5/8" - 1 1/2 Ga.
	008042-01-000	FT	Vinyl Tubing - .65"
	062401-04-000	EA	Clamp - Hose - Wormgear - .69 - 1.25"
	008380-01-000	EA	Bushing - Rubber - 5/8" x 1 1/2"
	007108-01-000	FT	Hose - Heater - 5/8" - Hi-Temp
	010227-01-000	EA	Tee - Plastic - Barb - 5/8" or 3/4" Hose
	061673-01-000	EA	Clamp - Motor Aid
	087202-02-000	EA	Switch - w/o Knob - 4 Position
	090977-01-000	EA	Knob - Switch - Rotary
	084410-02-000	EA	Decal - Rear Auto Heater
	010329-01-000	EA	Brass Adapter - 1/2" F x 1/2" MPT
	052957-02-000	EA	Plastic Elbow - 1/2" F x 1/2" MPT

WATER HEATER W/MOTOR AID

Key	Part Number	U/M	Description
	051393-01-000	EA	Water Heater - w/Motoraid - Direct Ignition - GH6-6E
	051393-01-701	EA	Switch Package
	051393-01-716	EA	Spark & Probe Asm.
	051393-01-718	EA	Gas Valve (Only)
	051393-01-721	EA	Thermostat Asm. - Front Mount
	007108-01-000	FT	Heater Hose - 5/8" I.D. - SAE 20R3
	061673-01-000	EA	Clamp - Motoraid
	062401-04-000	EA	Hose Clamp - Wormgear - .69" to 1.25"
	051391-01-700	EA	Hinge Kit w/Clip
	051391-01-704	EA	Relief Valve - 1/2" Fitting
	051391-01-705	EA	Camloc Fastener
	051391-01-710	EA	Orifice - Main Burner
	051391-01-715	EA	Drain Plug
	051391-04-701	EA	Thermostat 12V DC - 120 - Preset
	051391-04-703	EA	Main Burner
	051391-04-704	EA	Inner Tank - Front Mount - GH6-4E & 6E
	051391-04-707	EA	Kit - Grille, Flue, Gasket

1991 ITASCA TABLE OF CONTENTS

INTRODUCTION	A-01 - A-02
ABBREVIATIONS	A-03
ALPHABETICAL/GROUP REFERENCE	A-04 - A-06
ICM28RQ	A-07 - E-15
IKM40DA	E-17 - I-18

1991 IKM40DA INDEX

Floor Plan	E-17 - E-18
Accessories Group	E-19 - E-22
Bath Group	E-23 - F-02
Bedroom Group	F-03 - F-05
Chassis Group	F-06 - F-15
Curtain, Cushion & Pad Group	F-16 - F-22
Dinette Group	F-23 - G-01
Driver's Compartment Group	G-02 - G-07
Electrical Group	G-08 - G-12
Exterior Body Group	G-13 - G-21
Galley Group	G-22 - H-02
Heating & Air Conditioning Group	H-03 - H-05
Interior Finish Group	H-06 - H-07
Labels Group	H-08 - H-16
LP Group	H-17
Lounge Group	H-18 - H-19
Sealants & Fasteners Group	H-20 - H-21
Water & Sewage Group	H-22 - H-24
Window, Vent & Exterior Door Group	I-01 - I-18

HEATING & AIR CONDITIONING GROUP (CONTINUED)

FURNACE & AIR CONDITIONING GROUP

Key	Part Number	U/M	Description
	090039-05-000	EA	Furnace - 30,000 BTU - Suburban - NT30K
	090039-05-700	EA	Thermostat
	090039-05-701	EA	Combustion Chamber
	090039-05-702	EA	Gasket - Manifold
	090039-05-703	EA	Manifold Pipe Asm.
	090039-05-704	EA	Combustion Chamber Asm.
	090039-05-705	EA	Wheel - Combustion Air
	090039-05-706	EA	Combustion Air Housing Asm.
	090039-05-707	EA	Gasket - Motor
	090039-05-708	EA	Gasket - Crossover Tube
	090039-05-709	EA	Crossover Tube Asm.
	090039-05-710	EA	Gasket - Crossover Tube
	090039-05-711	EA	Blower Housing Asm.
	09198-01-000	FT	Duct - Flexible - 4" ID x 25'
	056464-02-000	EA	Register - 4" Dia. - Plastic - w/o Damper
	093741-01-000	EA	Box - Boot Floor Register
	009200-01-000	EA	Tape - Furnace - 1 1/2"
	091225-01-000	EA	A/C - Roof - 13,500 BTU - Super Mach
	091225-01-700	EA	Shroud - Gray - Less Logos
	091225-01-703	EA	Decal Package (Super Mach) L&R
	091225-01-704	EA	Condenser Coil
	091225-01-705	EA	Condenser Blower Wheel
	091225-01-706	EA	Compressor
	091225-01-707	EA	Motor
	091225-01-708	EA	Evaporator Blower Wheel
	091225-01-709	EA	Start Relay
	091225-01-710	EA	Start Capacitor
	091225-01-711	EA	Run Capacitor (Comp)
	091225-01-712	EA	Run Capacitor (Fan)
	091225-01-713	EA	Knob
	091225-01-714	EA	Decal (Selector Switch) Cool
	091225-01-715	EA	Decal (Selector Switch) Heat & Cool
	091225-01-716	EA	Selector Switch
	091225-01-717	EA	Decal (Thermostat) Cool Only
	091225-01-718	EA	Decal (Thermostat) Heat & Cool
	091225-01-719	EA	Single Parts Package
	091225-01-720	EA	Overload
	091225-01-721	EA	Evaporator
	091225-01-722	EA	Filter
	091227-01-000	EA	Shroud Asm. - Ceiling - Cool Only

INTERIOR FINISH GROUP

MOLDINGS & TRIMS

Key	Part Number	U/M	Description
	069733-78-000	EA	Batt Strip - Rambling Oak
	085284-32-000	FT	Batt Strip - Rambling Oak - Tape Adhesive
	085284-45-000	FT	Batt Strip - Glacier - Tape Adhesive Main Wall, Galley & Bedroom
	085284-46-000	FT	Batt Strip - Glacier - Tape Adhesive - Dry Bath
	088263-59-000	EA	Batt Strip - Chameleon - Dry Bath
	088263-35-000	EA	Batt Strip - Travertine - Wet Bath
	088263-58-000	EA	Batt Strip - Glacier - Main Wall, Galley & Bedroom
	086229-04-000	EA	Batt Strip - Ivory - Ceiling
	009767-12-000	FT	Welling - Antique White
	009767-10-000	FT	Welling - Mahogany
	024700-38-000	EA	Cover - Sidewall Roll Bar - Off White - 15.25"
	024700-39-000	EA	Cover - Sidewall Roll Bar - Off White - 63.6"
	024700-40-000	EA	Cover - Sidewall Roll Bar - Off White - 40"
	009778-12-000	FT	U-Channel - Country Forest 1"
	009778-11-000	FT	U Channel - Ivory - 1"
	070504-01-000	FT	U-Channel - Light Brown - .65"
	070504-18-000	FT	U-Channel - Ivory - .65"
	070504-20-000	FT	U-Channel - Country Forest - .815"
	009809-21-000	EA	F Molding - Plastic Corner - Outside - 1" - Country Forest
	009812-22-000	EA	F Molding - Plastic Corner - Outside - .5" - Country Forest
	022992-11-000	FT	Molding - Reverse Cove - Ivory
	042357-15-000	FT	Corner Molding - Radius Plastic - Country Forest
	076325-28-000	FT	Molding - Edge Band
	100182-10-B29	FT	Cap Molding - Wall
	080176-04-000	FT	Corner Cap - Radius Plastic - Country Forest
	081521-02-007	FT	Corner Molding - Aluminum (Plastic Trim Holder)
	083620-08-000	FT	T Molding - .75" w/Lips - Country Forest
	092707-01-03A	EA	Molding - Rambling Oak - Table Leg
	085746-01-000	FT	J Trim - Carpet - Beige - PVC
	093998-02-B40	EA	Oak Trim - Roof to Sidewall
	093881-03-B40	EA	Oak Trim - Floor to Sidewall
	100820-01-AB1	EA	Oak Trim - Chair Rail

PANELING & COUNTERTOP

Key	Part Number	U/M	Description
	074497-17-000	SF	Paneling - Rambling Oak - Wall & Cabinets - 48" x 96"
	089351-03-000	SF	Paneling - Ceiling Headliner - Vinyl
	079666-01-000	SF	Paneling - Cedar - Closet
	088272-79-000	SF	Paneling - Glacier - Main Wall, Galley & Bedroom - 48" x 84"
	088272-80-000	SF	Paneling Chameleon - Dry Bath - 48" x 84"
	088272-72-000	SF	Paneling - Travertine - Wet Bath - 48" x 84"
	074498-36-000	SF	Laminate - Plastic - Dinette - 5' x 84'
	085217-03-000	EA	Countertop - Galley - Avonite - Almondine
	006621-01-000	SF	Veneer - Flat Luana - 48" x 96"
	059297-01-000	SF	Plywood - Luana - Overlay Grade - 48" x 96"
	000885-46-000	SF	Particle Board - 3/8" One Sided - Rambling Oak - 49" x 97"
	000885-47-000	SF	Particle Board - 3/4" One Sided - Rambling Oak - 49" x 97"
	000885-48-C00	SF	Particle Board - 3/4" Two Sided - Rambling Oak - 49" x 97"

1991 ITASCA TABLE OF CONTENTS

INTRODUCTION	A-01 - A-02
ABBREVIATIONS	A-03
ALPHABETICAL/GROUP REFERENCE	A-04 - A-06
ICM28RO	A-07 - E-15
IKM40DA	E-17 - I-18

1991 IKM40DA INDEX

Floor Plan	E-17 - E-18
Accessories Group	E-19 - E-22
Bath Group	E-23 - F-02
Bedroom Group	F-03 - F-05
Chassis Group	F-06 - F-15
Curtain, Cushion & Pad Group	F-16 - F-22
Dinette Group	F-23 - G-01
Driver's Compartment Group	G-02 - G-07
Electrical Group	G-08 - G-12
Exterior Body Group	G-13 - G-21
Galley Group	G-22 - H-02
Heating & Air Conditioning Group	H-03 - H-05
Interior Finish Group	H-06 - H-07
Labels Group	H-08 - H-16
LP Group	H-17
Lounge Group	H-18 - H-19
Sealants & Fasteners Group	H-20 - H-21
Water & Sewage Group	H-22 - H-24
Window, Vent & Exterior Door Group	I-01 - I-18

INTERIOR FINISH GROUP (CONTINUED)

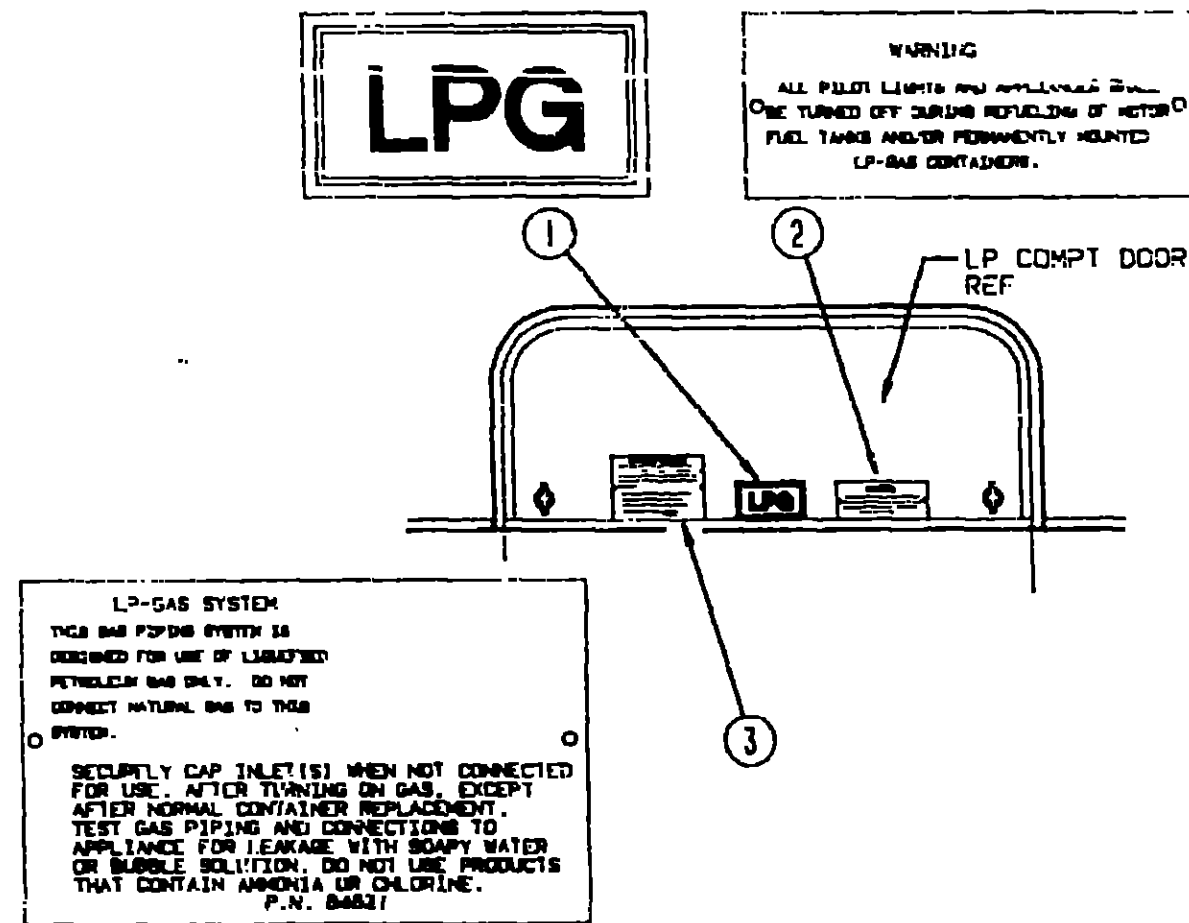
FABRIC & CARPET

Key	Part Number	U/M	Description
	036003-73-000	YD	Fabric - Upholstery - Main - B40
	096008-74-000	YD	Fabric - Upholstery - Main - B41
	096008-68-000	YD	Fabric - Upholstery - Main - B47
	096008-28-000	YD	Fabric - Upholstery - Accent - (B40,B47)
	096008-75-000	YD	Fabric - Upholstery - Accent - B41
	072333-76-000	YD	Fabric - Drapery - Silver
	088273-61-000	YD	Fabric - Bedspread - Colonial (B40,B47)
	088273-62-000	YD	Fabric - Bedspread - Whisper (B41)
	095060-14-000	SY	Carpet - Delli Blue (B40,B47)
	095060-20-000	SY	Carpet - Aubergine (B41)
	093486-01-000	SY	Carpet - Charcoal - Outside Storage Compartments
	075233-01-000	SY	Pad - Carpet - 3/8"
	079680-01-000	YD	Vinyl - 26 oz. - Buckskin
	092408-03-01A	SF	Flooring - Wood Parquet

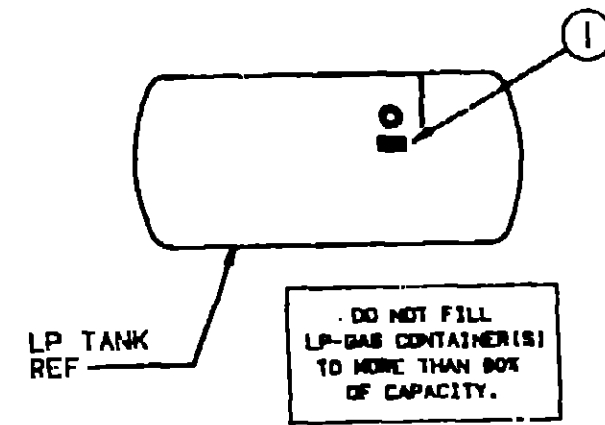
MISCELLANEOUS

Key	Part Number	U/M	Description
	094499-01-000	EA	Fire Extinguisher - 1A10 B.C. - USA
	094499-02-000	EA	Fire Extinguisher - 1A10 B.C. - CSA
	081075-02-000	EA	Floor Mat - Entrance
	081201-02-000	EA	Floor Mat - Driver
	081202-02-000	EA	Floor Mat - Passenger
	054185-74-000	EA	Owners Manual - 1991
	072852-01-000	EA	Smoke Detector - w/9 Volt Battery (USA)
	072852-02-000	EA	Smoke Detector - w/9 Volt Battery (CSA)

LABELS GROUP



Key	Part Number	U/M	Description
1	074559-01-000	EA	Label - "LPG" (California Code)
2	006040-01-000	EA	Tag - Gas Refueling Warning (USA)
2	006040-02-000	EA	Tag - Gas Refueling Warning (CSA)
3	054531-01-000	EA	Label - LP Gas Only (USA)
3	023769-01-000	EA	Label - LP Gas Only (CSA)



Key	Part Number	U/M	Description
1	079965-01-000	EA	Label - LPG - 80% Capacity

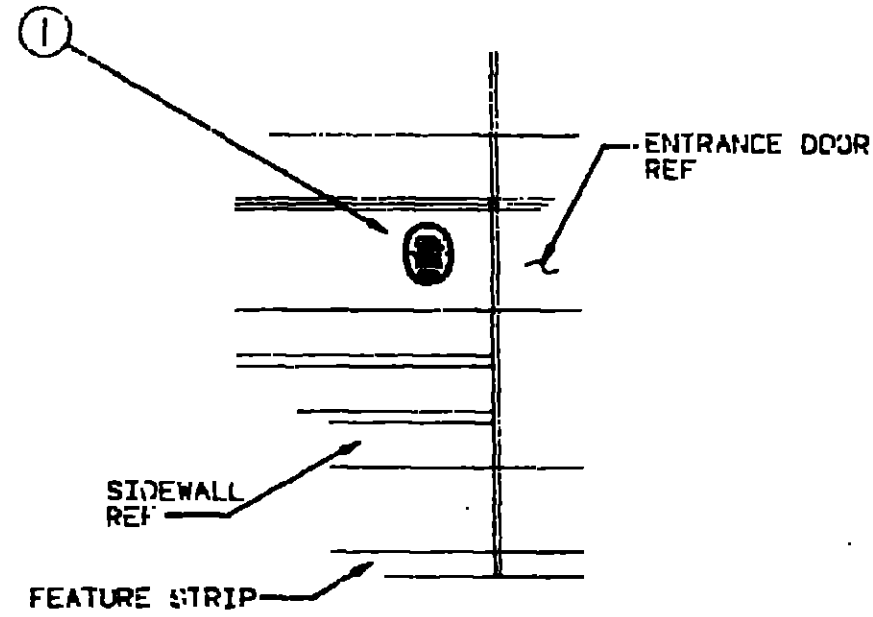
1991 ITASCA TABLE OF CONTENTS

INTRODUCTION	A-01 - A-02
ABBREVIATIONS	A-03
ALPHABETICAL/GROUP REFERENCE	A-04 - A-06
ICM28RQ	A-07 - E-15
IKM40DA	E-17 - I-18

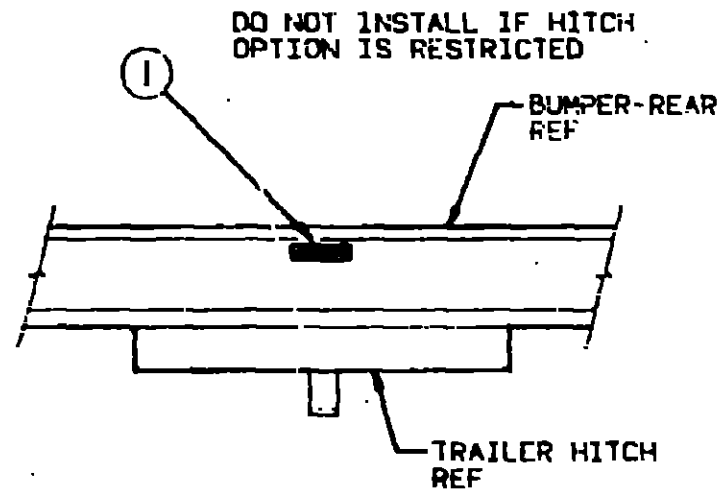
1991 IKM40DA INDEX

Floor Plan	E-17 - E-18
Accessories Group	E-19 - E-22
Bath Group	E-23 - F-02
Bedroom Group	F-03 - F-05
Chassis Group	F-06 - F-15
Curtain, Cushion & Pad Group	F-16 - F-22
Dinette Group	F-23 - G-01
Driver's Compartment Group	G-02 - G-07
Electrical Group	G-08 - G-12
Exterior Body Group	G-13 - G-21
Galley Group	G-22 - H-02
Heating & Air Conditioning Group	H-03 - H-05
Interior Finish Group	H-06 - H-07
Labels Group	H-08 - H-16
LP Group	H-17
Lounge Group	H-18 - H-19
Sealants & Fasteners Group	H-20 - H-21
Water & Sewage Group	H-22 - H-24
Window, Vent & Exterior Door Group	I-01 - I-18

LABELS GROUP (CONTINUED)



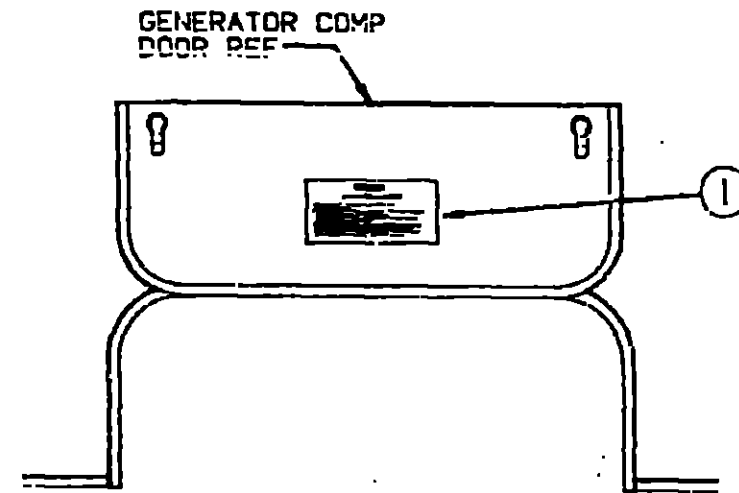
Key Part Number U/M Description
 1 006019-01-000 EA Tag - RVIA Approved - Plastic



TOWING CAPACITY
 TOWED VEHICLE 3500 LB. GROSS MAXIMUM
 HITCH BALL 200 LB. MAXIMUM

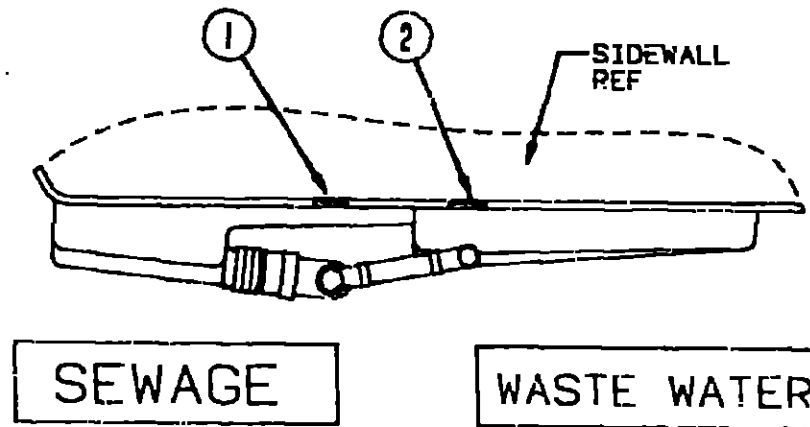
Key Part Number U/M Description
 1 075221-03-000 EA Label - Towing Capacity

LABELS GROUP (CONTINUED)



WARNING
 WHEN ADDING A GENERATOR SET:
 HIGH VOLTAGE—USE EXTREME CAUTION WHEN WORKING ON ELECTRICAL COMPONENTS.
 HAVE ALL ELECTRICAL INSTALLATION PERFORMED BY A QUALIFIED LICENSED ELECTRICIAN—FOLLOW ALL STATE AND LOCAL CODES.
 ONLY INSTALL GENERATOR SET APPROVED FOR R.V. APPLICATION. HAVE IT INSTALLED BY QUALIFIED TECHNICIAN.
 TO AVOID HEAT BUILD-UP AND TO GUARANTEE AN ADEQUATE AIR SUPPLY TO THE GENERATOR COMPARTMENT, FOLLOW INSTALLATION INSTRUCTIONS.
 GENERATOR EXHAUST MUST BE SECURED AND MUST NOT DISCHARGE NEAR THE VEHICLE—GENERATOR EXHAUST AWAY FROM VEHICLE.

Key Part Number U/M Description
 1 077510-01-000 EA Label - Generator Prep



Key Part Number U/M Description
 1 006187-01-000 EA Label - Sewage
 2 006188-01-000 EA Label - Waste Water

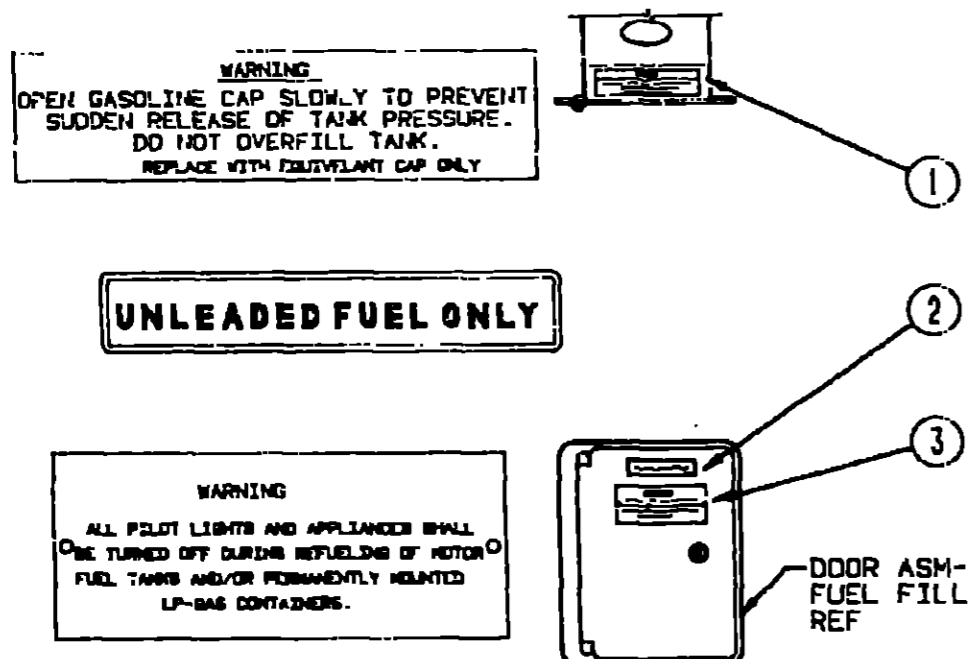
**1991 ITASCA
 TABLE OF CONTENTS**

INTRODUCTION	A-01 - A-02
ABBREVIATIONS	A-03
ALPHABETICAL/GROUP REFERENCE	A-04 - A-06
ICM28RO	A-07 - E-15
IKM40DA	E-17 - I-18

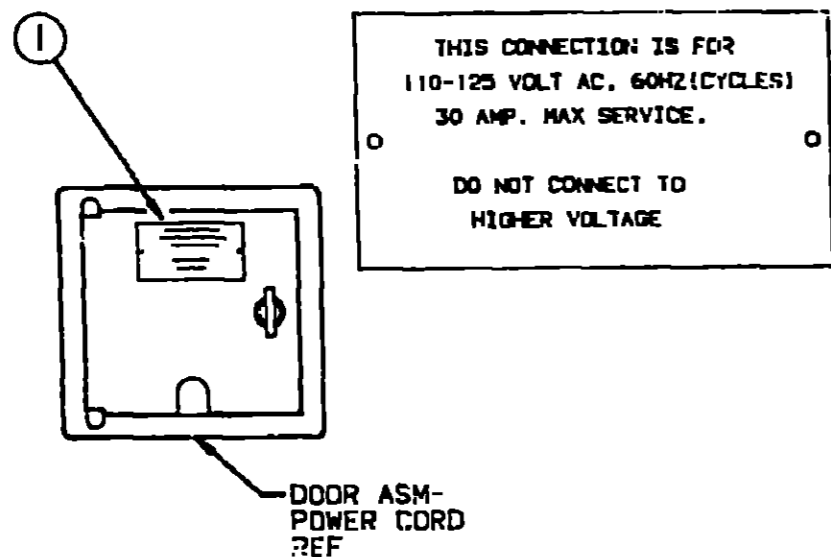
1991 IKM40DA INDEX

Floor Plan	E-17 - E-18
Accessories Group	E-19 - E-22
Bath Group	E-23 - F-02
Bedroom Group	F-03 - F-05
Chassis Group	F-06 - F-15
Curtain, Cushion & Pad Group	F-16 - F-22
Dinette Group	F-23 - G-01
Driver's Compartment Group	G-02 - G-07
Electrical Group	G-08 - G-12
Exterior Body Group	G-13 - G-21
Galley Group	G-22 - H-02
Heating & Air Conditioning Group	H-03 - H-05
Interior Finish Group	H-06 - H-07
Labels Group	H-08 - H-16
LP Group	H-17
Lounge Group	H-18 - H-19
Sealants & Fasteners Group	H-20 - H-21
Water & Sewage Group	H-22 - H-24
Window, Vent & Exterior Door Group	I-01 - I-18

LABELS GROUP (CONTINUED)

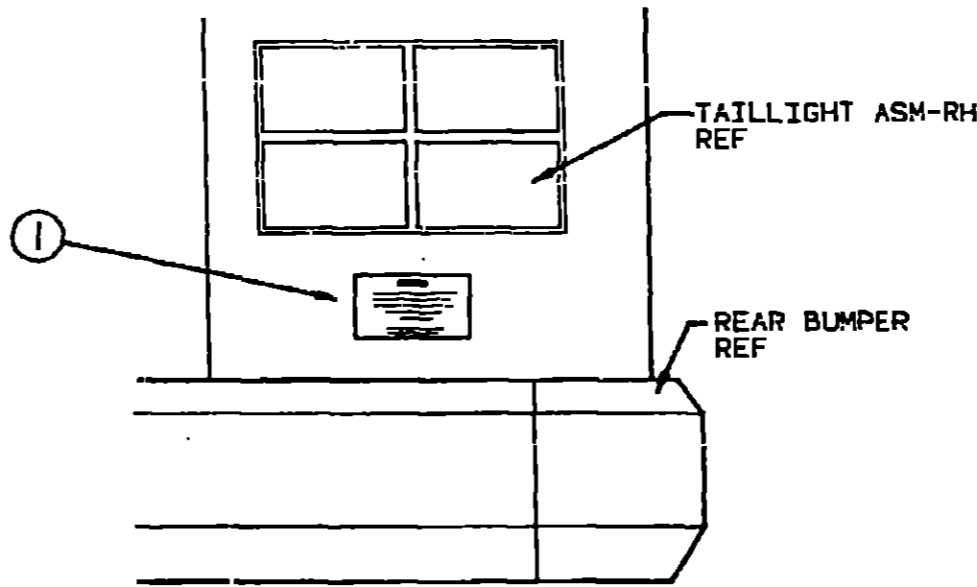


Key	Part Number	U/M	Description
1	087207-05-000	EA	Label - Fuel Cap Removal (GM-15611763)
2	062043-01-000	EA	Label - Unleaded Fuel
3	006040-01-000	EA	Tag - Gas Refueling Warning (USA)
3	006040-02-000	EA	Tag - Gas Refueling Warning (CSA)



Key	Part Number	U/M	Description
1	006062-01-000	EA	Tag - Electrical - 110 Volt Connection

LABELS GROUP (CONTINUED)

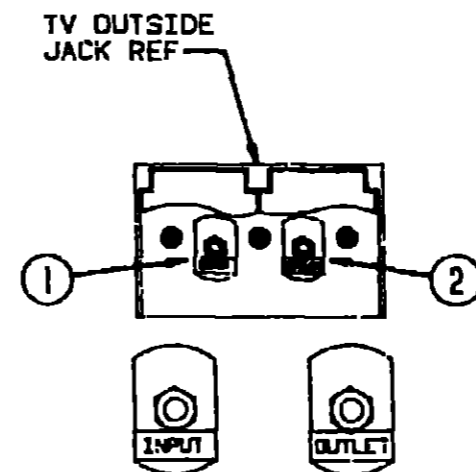


WARNING

DO NOT EXCEED THE VEHICLE WEIGHT RATINGS OR LOADING RECOMMENDATIONS (E.G., GROSS VEHICLE, GROSS AXLE, GROSS COMBINED) OF THE CHASSIS MANUFACTURER OR WINNEBAGO IND.

REFER TO YOUR OWNERS MANUAL, BEFORE LOADING OR TOWING.

Key	Part Number	U/M	Description
1	075220-01-000	EA	Label - Exterior Load Warning



Key	Part Number	U/M	Description
1	087236-01-000	EA	Label - Cable Input
2	087235-02-000	EA	Label - TV Outlet

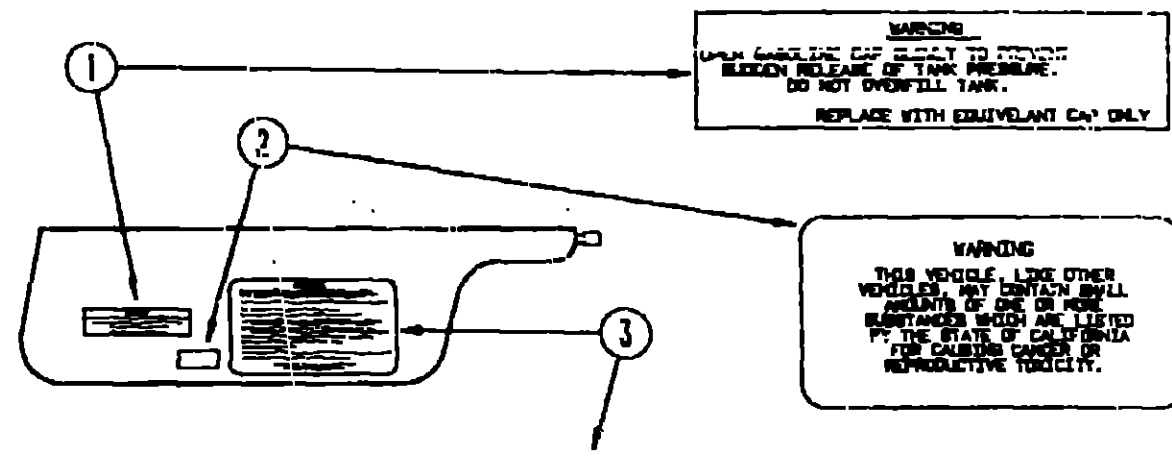
**1991 ITASCA
TABLE OF CONTENTS**

INTRODUCTION	A-01 - A-02
ABBREVIATIONS	A-03
ALPHABETICAL/GROUP REFERENCE	A-04 - A-06
ICM28RQ	A-07 - E-15
IKM40DA	E-17 - I-18

1991 IKM40DA INDEX

Floor Plan	E-17 - E-18
Accessories Group	E-19 - E-22
Bath Group	E-23 - F-02
Bedroom Group	F-03 - F-05
Chassis Group	F-06 - F-15
Curtain, Cushion & Pad Group	F-16 - F-22
Dinette Group	F-23 - G-01
Driver's Compartment Group	G-02 - G-07
Electrical Group	G-08 - G-12
Exterior Body Group	G-13 - G-21
Galley Group	G-22 - H-02
Heating & Air Conditioning Group	H-03 - H-05
Interior Finish Group	H-06 - H-07
Labels Group	H-08 - H-16
LP Group	H-17
Lounge Group	H-18 - H-19
Sealants & Fasteners Group	H-20 - H-21
Water & Sewage Group	H-22 - H-24
Window, Vent & Exterior Door Group	I-01 - I-18

LABELS GROUP (CONTINUED)



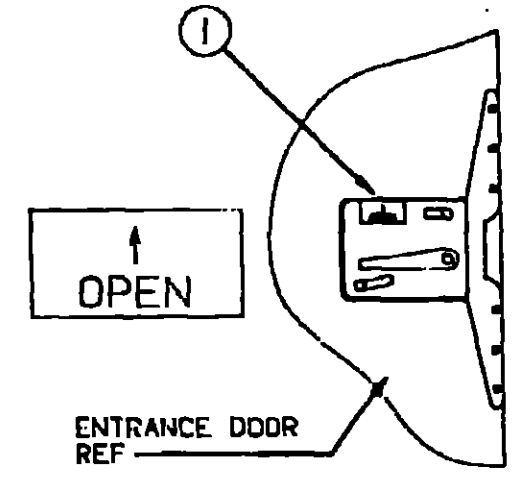
CAUTION

THIS MOTOR HOME HAS BEEN DESIGNED, MANUFACTURED AND TESTED WITH CONCERN FOR THE PROTECTION OF IT'S OCCUPANTS. WE RECOMMEND YOU PERFORM THE FOLLOWING INSPECTIONS FOR YOUR SAFETY AND THE SAFETY OF YOUR PASSENGERS BEFORE STARTING YOUR VEHICLE.

1. LP GAS SYSTEM- TURN OFF AT TANK FOR TRAVELING. TEST FOR LEAKS UPON ARRIVAL AT DESTINATION. BEFORE LIGHTING PILOTS.
2. WHEELS- INSPECT FOR DAMAGE AND CHECK LUG NUTS FOR TIGHTNESS.
3. TIRES- INSPECT FOR WEAR AND DAMAGE AND CHECK FOR RECOMMENDED AIR PRESSURE.
4. LIGHTING- TEST FOR PROPER OPERATION OF ALL INTERIOR AND EXTERIOR LIGHTS INCLUDING DASH LIGHTS, HEADLIGHTS, TAIL LIGHTS, BRAKE LIGHTS, CLEARANCE LIGHTS AND TURN SIGNALS.
5. EXITS- INSPECT RELEASE MECHANISM ON EMERGENCY EXIT WINDOW, TEST BOTH LOCKS ON MAIN ENTRANCE DOOR FOR EASE OF OPERATION AND INSTRUCT PASSENGERS HOW TO USE BOTH MEANS OF EXIT.
6. SEAT BELTS- DIRECT PASSENGERS TO DESIGNATED SEATS AND PROMOTE USE OF SEAT BELT.
7. APPLIANCES- TURN OFF AND LATCH OR LOCK DOORS WHERE PROVIDED.
8. LOOSE PARCELS- STORE SECURELY.
9. UTILITY SUPPLY LINES- DISCONNECT ALL ELECTRIC, SEWER AND WATER LINES AND SECURE PROPERLY.
10. ENTRANCE DOOR STOP- PLACE IN RETRACTED POSITION FOR TRAVELING.

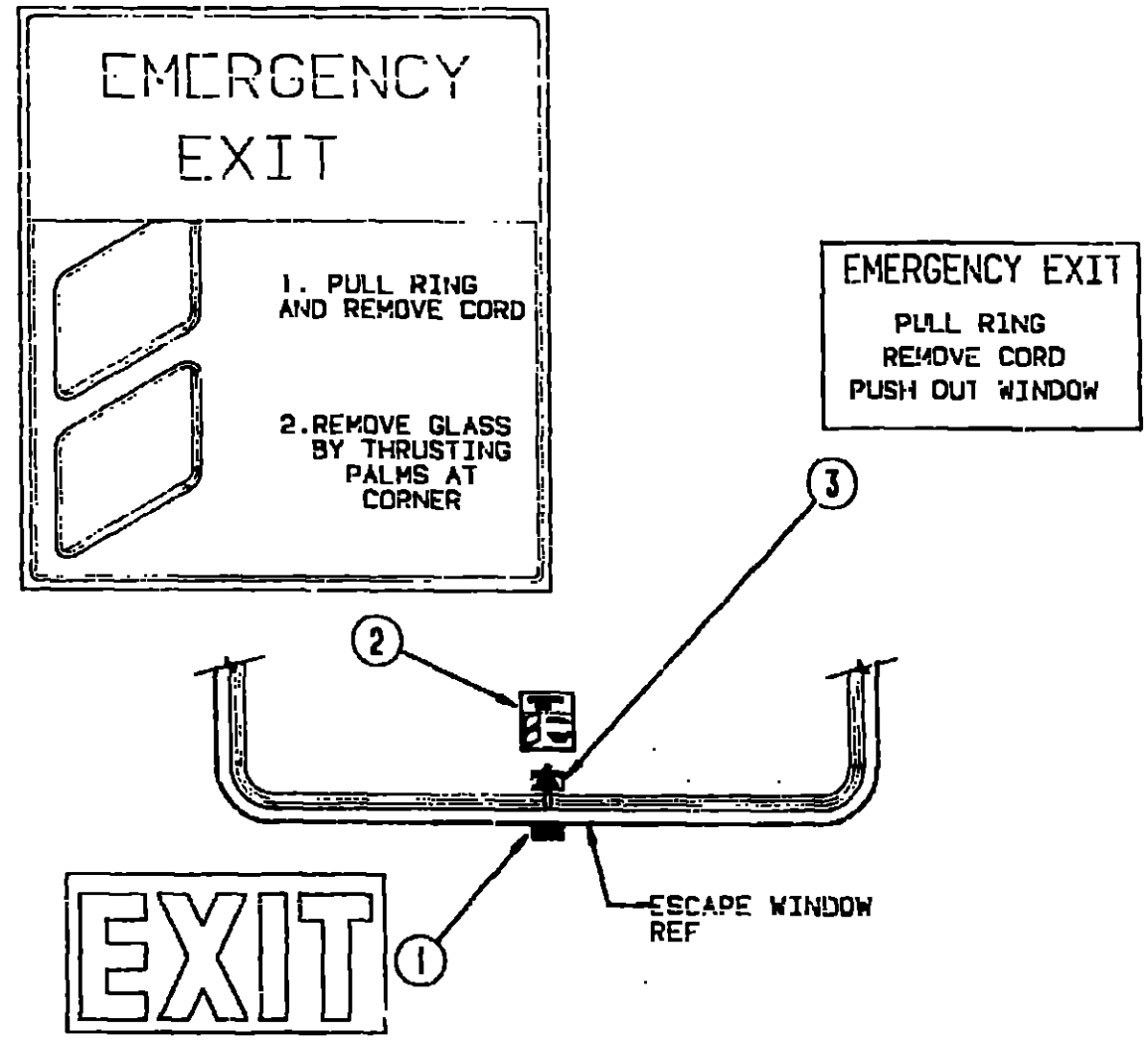
READ YOUR MOTOR HOME AND CHASSIS OWNER'S MANUAL FOR FURTHER PRECAUTIONS

Key	Part Number	U/M	Description
1	087207-05-000	EA	Label - Fuel Cap Removal
2	099689-01-000	EA	Label - Warning - Cancer/Toxicity (California Code)
3	056259-01-000	EA	Label - Safety Check List

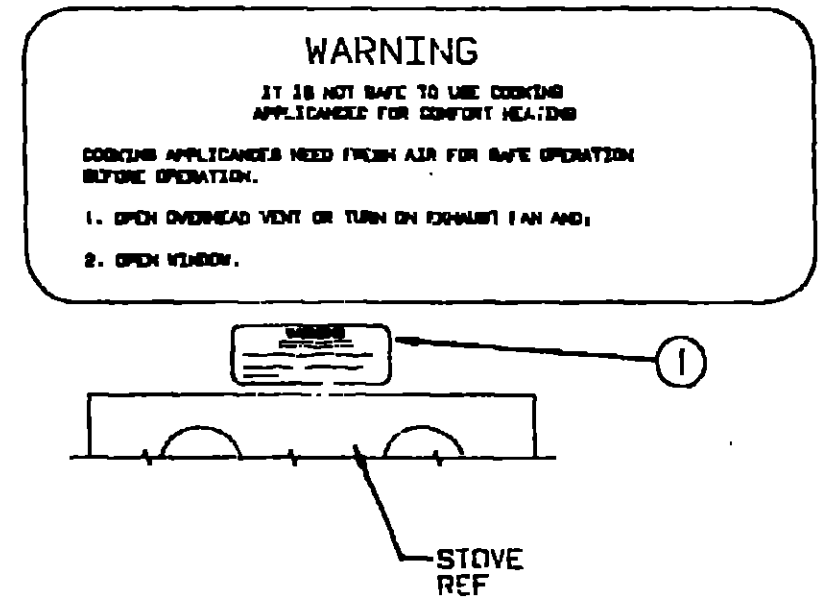


Key	Part Number	U/M	Description
1	040944-01-000	EA	Label - Open

LABELS GROUP (CONTINUED)



Key	Part Number	U/M	Description
1	039290-01-000	EA	Label - Warning - Exit
2	047731-01-000	EA	Label - Emergency Exit
3	006199-01-000	EA	Label - Exit - Escape Window



Key	Part Number	U/M	Description
1	050225-01-000	EA	Label - Warning - Stove Vent (USA)
1	050222-01-000	EA	Label - Warning - Stove Vent (CSA)

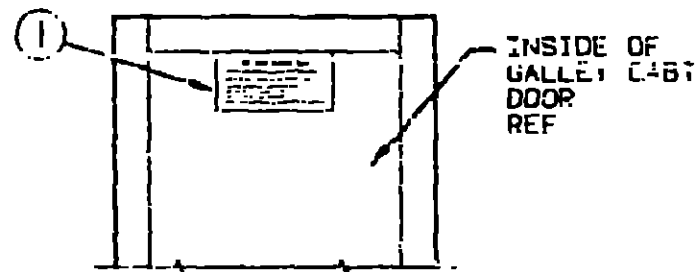
**1991 ITASCA
 TABLE OF CONTENTS**

INTRODUCTION	A-01 - A-02
ABBREVIATIONS	A-03
ALPHABETICAL/GROUP REFERENCE	A-04 - A-06
ICM28RQ	A-07 - E-15
IKM40DA	E-17 - I-18

1991 IKM40DA INDEX

Floor Plan	E-17 - E-18
Accessories Group	E-19 - E-22
Bath Group	E-23 - F-02
Bedroom Group	F-03 - F-05
Chassis Group	F-06 - F-15
Curtain, Cushion & Pad Group	F-16 - F-22
Dinette Group	F-23 - G-01
Driver's Compartment Group	G-02 - G-07
Electrical Group	G-08 - G-12
Exterior Body Group	G-13 - G-21
Galley Group	G-22 - H-02
Heating & Air Conditioning Group	H-03 - H-05
Interior Finish Group	H-06 - H-07
Labels Group	H-08 - H-16
LP Group	H-17
Lounge Group	H-18 - H-19
Sealants & Fasteners Group	H-20 - H-21
Water & Sewage Group	H-22 - H-24
Window, Vent & Exterior Door Group	I-01 - I-16

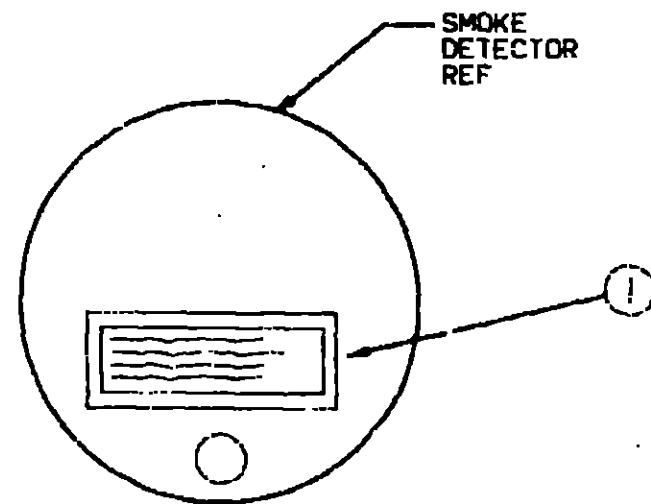
LABELS GROUP (CONTINUED)



IF YOU SMELL GAS

1. EXTINGUISH ANY OPEN FLAME, PILOT LIGHTS AND ALL SMOKING MATERIALS.
2. SHUT OFF THE GAS SUPPLY AT THE TANK VALVE OR GAS SUPPLY CONNECTION.
3. OPEN DOORS AND OTHER VENTILATING DEVICES.
4. DO NOT TOUCH ELECTRICAL SWITCHES.
5. LEAVE THE AREA UNTIL ODOR CLEARS.
6. HAVE THE GAS SYSTEM CHECKED AND LEAKAGE SOURCE CORRECTED BEFORE USING AGAIN.

Key	Part Number	U/M	Description
1	073998-01-00	EA	Label - LP Gas Odor Warning

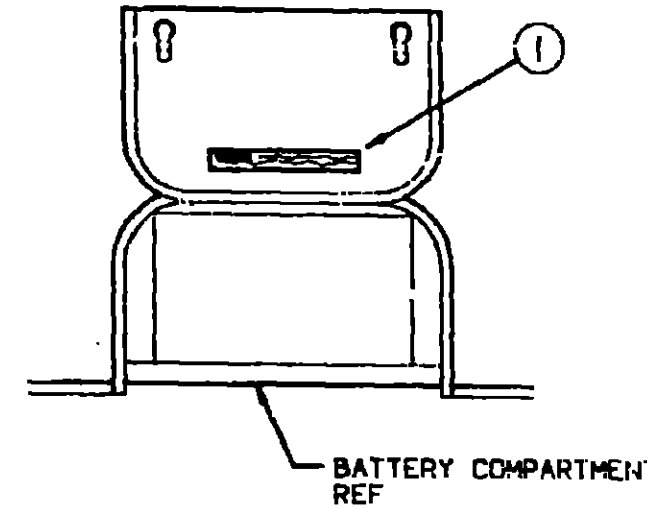


WARNING - TEST SMOKE DETECTOR OPERATION AFTER VEHICLE HAS BEEN IN STORAGE, BEFORE EACH TRIP AND AT LEAST ONCE PER WEEK DURING USE.

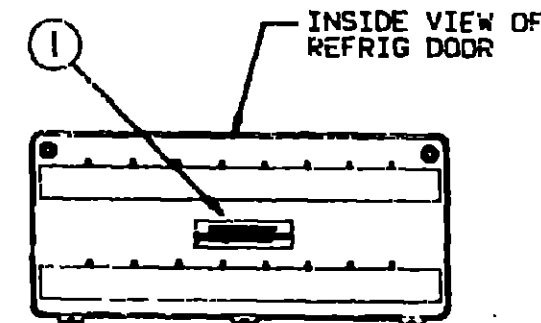
Key	Part Number	U/M	Description
1	077956-01-000	EA	Label - Warning - Smoke Detector

LABELS GROUP (CONTINUED)

WARNING DISCONNECT BATTERIES BEFORE CONNECTING EXTERNAL CHARGING EQUIPMENT.



Key	Part Number	U/M	Description
1	065748-01-000	EA	Label - Caution - Battery Charging



**COMBUSTION AIR KIT NO 04270
HURCOLE EG MODEL
THIS VENTILATION KIT MUST BE INSTALLED
AND USED WITHOUT MODIFICATION.**

Key	Part Number	U/M	Description
1	070905-02-000	EA	Label - Refrigerator Combustion Air

Key	Part Number	U/M	Description
	096054-01-000	EA	Label - Seat w/o Seat Belt (USA)
	006064-02-000	EA	Label - Seat w/o Seat Belt (CSA)
	035709-01-000	EA	Label - Warning - No Storage
	074983-01-000	EA	Label - Air Conditioner Selector Switch
	091224-02-000	EA	Label - Trailer Lighting
	091243-01-000	EA	Label - Air Conditioner Cover
	099509-01-000	EA	Label - Awning Installation

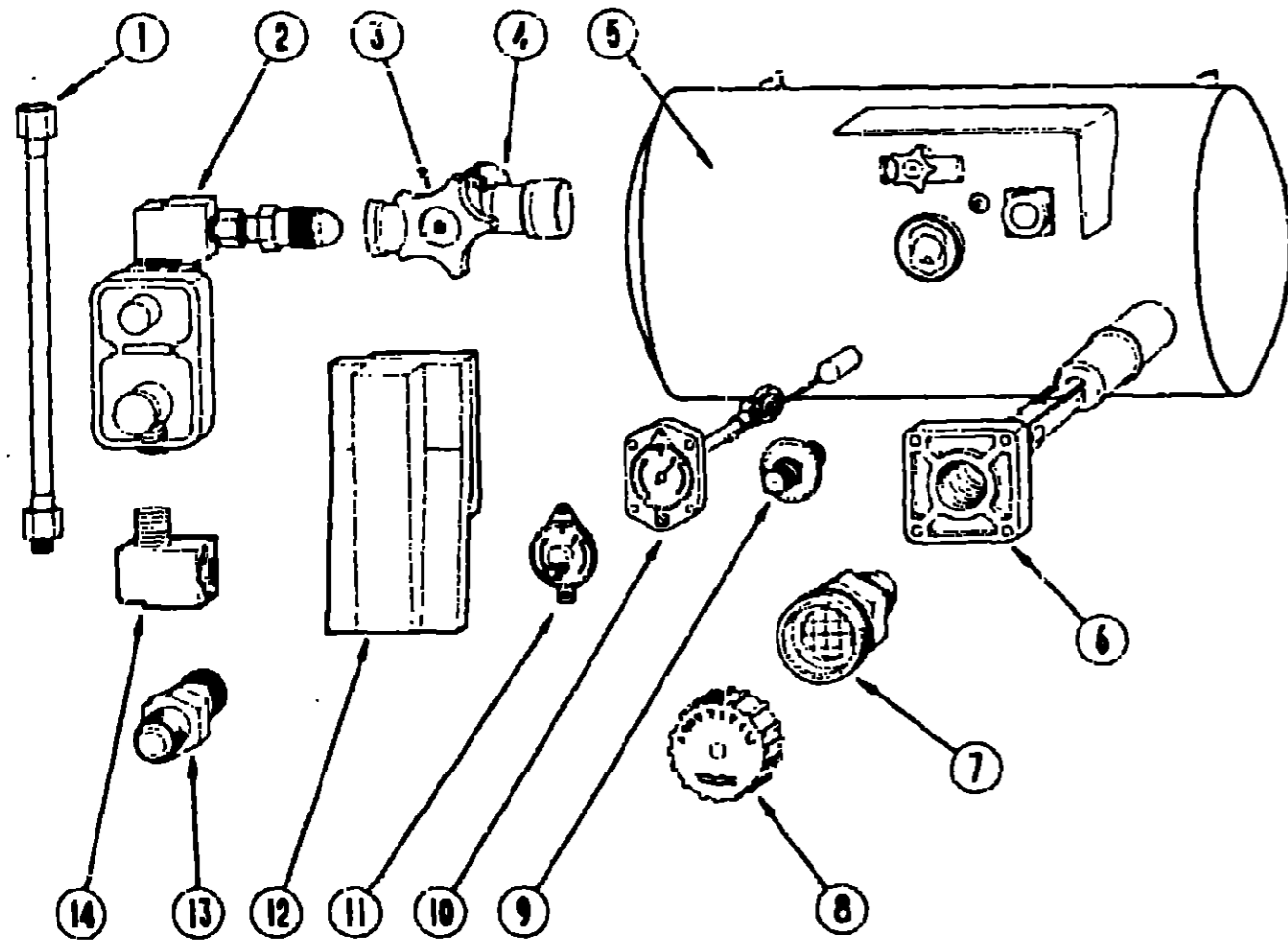
**1991 ITASCA
TABLE OF CONTENTS**

INTRODUCTION	A-01 - A-02
ABBREVIATIONS	A-03
ALPHABETICAL/GROUP REFERENCE	A-04 - A-06
ICM28RO	A-07 - E-15
IKM40DA	E-17 - I-18

1991 IKM40DA INDEX

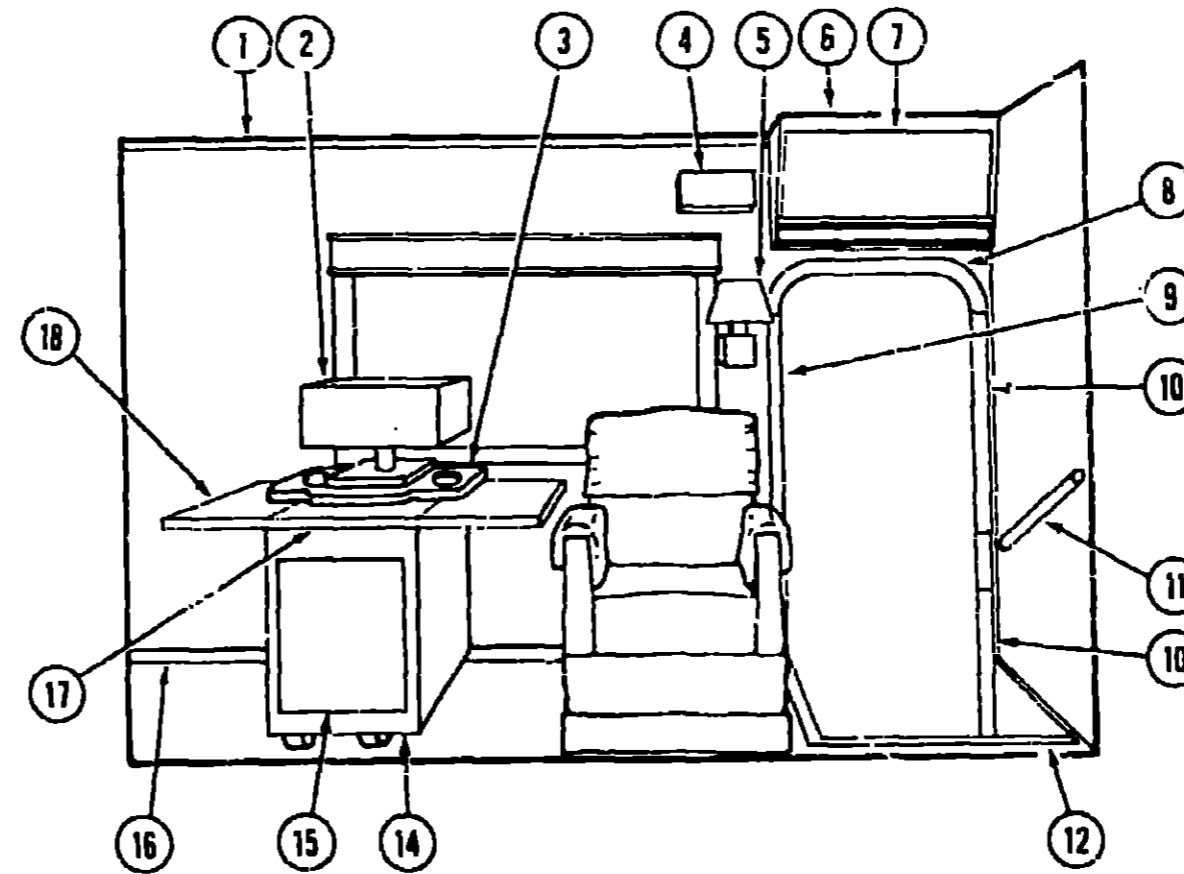
Floor Plan	E-17 - E-18
Accessories Group	E-19 - E-22
Bath Group	E-23 - F-02
Bedroom Group	F-03 - F-05
Chassis Group	F-06 - F-15
Curtain, Cushion & Pad Group	F-16 - F-22
Dinette Group	F-23 - G-01
Driver's Compartment Group	G-02 - G-07
Electrical Group	G-08 - G-12
Exterior Body Group	G-13 - G-21
Galley Group	G-22 - H-02
Heating & Air Conditioning Group	H-03 - H-05
Interior Finish Group	H-06 - H-07
Labels Group	H-08 - H-10
LP Group	H-11
Lounge Group	H-12 - H-17
Sealants & Fasteners Group	H-18 - H-19
Water & Sewage Group	H-20 - H-21
Window, Vent & Exterior Door Group	H-22 - H-24
	I-01 - I-18

LP GROUP



Key	Part Number	U/M	Description
1	045703-01-000	EA	Hose Asm. - LP - 3/8" ID x 24" (USA)
1	045703-02-000	EA	Hose Asm. - LP - 3/8" ID x 24" (CSA)
2	076301-01-000	EA	Regulator - Two Stage
3	040421-01-708	EA	Handwheel - Service Valve
4	040421-01-703	EA	Service Valve - Vapor Relief
5	088253-03-000	EA	LP Tank - 100 Pound - 16" Dia. x 36"
6	040421-01-711	EA	Inner Tank Valve - 80% Fill
7	040421-01-701	EA	Fill Valve
8	040421-01-702	EA	Fill Valve Cap
9	040421-01-700	EA	Liquid Level Gauge
10	040421-01-707	EA	Float Gauge
11	040440-02-000	EA	Dial - Visible Face - Float Gauge (w/Electric Transmitter)
12	081938-01-000	EA	Cover - LP Regulator
13	010329-01-000	EA	Adapter - Brass - 1/2" F x 1/2" MPT
14	065318-02-000	EA	Elbow - Brass - 90° - 3/8" MPT x 3/8" FPT
	065741-01-000	EA	Gauge - Diaphragm Pressure - Test Leak (Manometer)
	093380-01-000	EA	Coupler - Black Steel - 1/2" ID to 3/8" ID
	010271-01-000	EA	Elbow - Brass - 90° - 1/2" F x 1/2" MPT
	016188-03-000	EA	Grommet - 3/8" - 2.5" Long

LOUNGE GROUP



FRONT LOUNGE

Key	Part Number	U/M	Description
1	093998-04-B90	EA	Roof Trim Molding - 94"
2	082686-08-000	EA	Table Lamp w/o Shade - Chrome/Brass (USA)
2	082686-10-000	EA	Table Lamp w/o Shade - Brass/Acrylic (CSA)
3	094837-01-B40	EA	Lamp Shade
4	095186-01-000	EA	Cabinet Shelf
	095187-01-000	EA	Door Bell Alarm
5	065202-14-000	EA	Door Bell Switch
5	065202-15-000	EA	Lamp Asm. - Wall - Brass/Acrylic (USA)
5	065201-08-000	EA	Lamp Asm. - Wall - Brass/Acrylic (CSA)
5	065201-07-000	EA	Lamp Shade w/Gold Trim
6	M05046-08-B40	EA	Lamp Shade
	101905-13-B40	EA	Cabinet Asm.
7	P00970-03-B40	EA	End Cap
8	094744-01-B40	EA	Door Asm. - w/o Hardware
9	094743-04-B40	EA	Entrance Door Molding - Top
10	094743-05-B40	EA	Entrance Door Molding - Forward
11	094772-01-B40	EA	Entrance Door Molding - Rear Upper or Lower
	092309-03-01A	EA	Handrail
12	091073-07-B40	EA	Handrail Wall Bracket
14	094799-01-B40	EA	Step Trim
15	P00523-82-B40	EA	Cabinet Asm.
16	093581-03-B40	EA	Door Asm. - w/o Hardware
17	094799-13-B40	EA	Floor Molding
18	094799-12-B40	EA	Table Top
	009049-01-000	EA	Table Top Extension - Left or Right Side
	009059-02-000	EA	Support Bracket - Dropleaf Table
	099141-01-000	EA	Hinge - Drop Leaf Table
	095902-01-01A	EA	Caster
		EA	Gate Latch Asm. - Bronze (Cabinet to Wall)

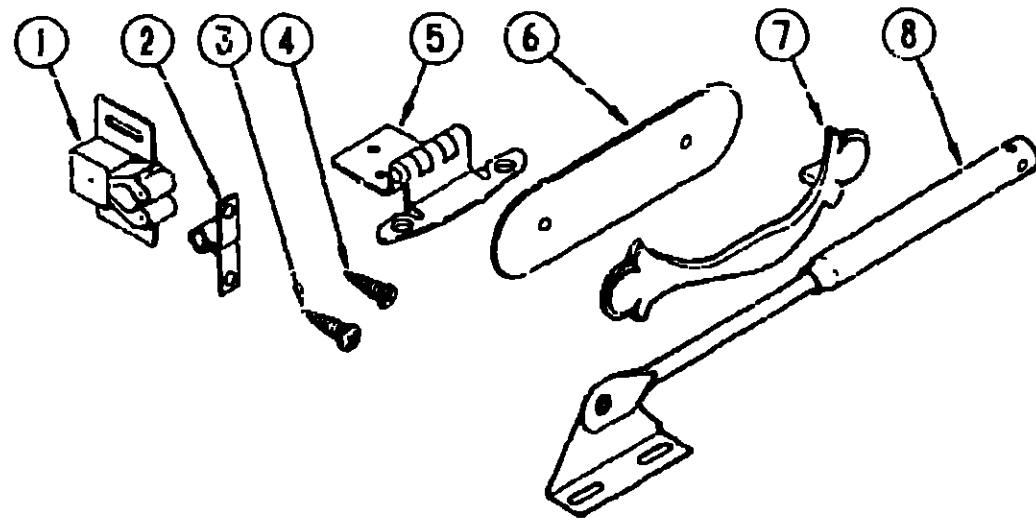
**1991 ITASCA
TABLE OF CONTENTS**

INTRODUCTION	A-01 - A-02
ABBREVIATIONS	A-03
ALPHABETICAL/GROUP REFERENCE	A-04 - A-06
ICM28RO	A-07 - E-15
IKM40DA	E-17 - I-18

1991 IKM40DA INDEX

Floor Plan	E-17 - E-18
Accessories Group	E-19 - E-22
Bath Group	E-23 - F-02
Bedroom Group	F-03 - F-05
Chassis Group	F-06 - F-15
Curtain, Cushion & Pad Group	F-16 - F-22
Dinette Group	F-23 - G-01
Driver's Compartment Group	G-02 - G-07
Electrical Group	G-08 - G-12
Exterior Body Group	G-13 - G-21
Galley Group	G-22 - H-02
Heating & Air Conditioning Group	H-03 - H-05
Interior Finish Group	H-06 - H-07
Labels Group	H-08 - H-16
LP Group	H-17
Lounge Group	H-18 - H-19
Sealants & Fasteners Group	H-20 - H-21
Water & Sewage Group	H-22 - H-24
Window, Vent & Exterior Door Group	I-01 - I-18

LOUNGE GROUP (CONTINUED)



CABINET HARDWARE (DOORS & CABINETS)

Key	Part Number	U/M	Description
1	093586-03-000	EA	Roller Catch
2	093586-04-000	EA	Steel Strike
3	000G68-06-10G	EA	Screw - #6 - 18 x .625" POH - Antique Brass - Hinge to Cabinet
4	000G13-06-10G	EA	Screw - #6 - 20 x .625" PFH - Antique Brass - Hinge to Door
5	059777-02-000	EA	Hinge - Burnished Brass (Doors)
5	100995-01-000	EA	Brass Backplate
7	100273-01-000	EA	Pull Handle
8	074493-02-000	EA	Door Support

SEALANTS & FASTENERS

SCREWS & FASTENERS

Key	Part Number	U/M	Description
	000C13-07-48B	EA	Doit - Hex - 7/16 - 20 x 3 - Zn 5
	000C26-05-20B	EA	Bolt - Hex - Ser Fig 5/16 - 18 x 1 1/4" - Zinc
	000D24-10-00B	EA	Nut - hex - Locking - 10-32 - Zn
	000D39-05-00B	EA	Nut - Hex - Ser Fig Lk - 5/16 - 18 - Zn
	000D39-06-00B	EA	Nut - Hex - Ser Fig Lk - 3/8 - 16 - Zn
	000D39-08-00B	EA	Nut - Hex - Ser Fig Lk - 1/2 - 13 - Zn
	000D44-07-00B	EA	Nut - Hex - Ser Fig Lk - 7/16 - 20 - Zn
	000E13-11-00B	EA	Washer - Flat - 3/16" Wide - Zn
	000G11-06-10J	EA	Screw - 6 - 20 x 5/8 PPH - Brass
	000G11-07-08B	EA	Screw - 7 - 19 x 1/2 PPH - Zn
	000G11-08-06B	EA	Screw - 8 - 18 x 3/8 PPH - Zn
	000G11-08-12B	EA	Screw - 8 - 18 x 3/4 PPH - Zn
	000G11-08-12D	EA	Screw - 8 - 18 x 3/4 PPH - Black
	000G11-08-12P	EA	Screw - 8 - 18 x .75 - Dark Brown
	000G11-08-12F	EA	Screw - 8 - 18 x .75 PPH - Beige
	000G11-08-12S	EA	Screw - 8 - 18 x .75 PPH - Off White
	000G11-08-16S	EA	Screw - 8 - 18 x 1.00 PPH - Off White
	000G11-10-12D	EA	Screw - 10 - 16 x 3/4 PPH - Black
	000G11-10-24P	EA	Screw - 10 - 16 x 1 1/2 PPH - Dark Brown
	000G12-08-12S	EA	Screw - 8 - 18 x .75 POH - Off White
	000G12-08-16S	EA	Screw - 8 - 18 x 1" POH - Off White
	000G13-06-08B	EA	Screw - 6 - 20 x 1/2 PFH - Zn
	000G13-06-10G	EA	Screw - 6 - 20 x 5/8 PFH - Antique Brass
	000G13-07-12B	EA	Screw - 7 - 19 x 3/4 PFH - Zn
	000G13-08-16B	EA	Screw - 8 - 18 x 1 PFH - Zn
	000G18-08-12B	EA	Screw - Machine - 8 - 32 x 3/4" PPH - Zn
	000G18-08-16B	EA	Screw - Machine - 8 - 32 x 1 PPH - Zn
	000G18-08-22B	EA	Screw - Machine - 8 - 32 x 1 3/8 PPH - Zn
	000G39-08-08B	EA	Screw - SF/DR 8 - 18 x 1/2 PPH - Zn
	000G39-08-08R	EA	Screw - SF/DR 8 - 18 x 1/2 PPH - Beige
	000G39-08-12B	EA	Screw - SF/DR 8 - 18 x 3/4 PPH - Zn
	000G39-08-12R	EA	Screw - SF/DR 8 - 18 x 3/4 PPH - Beige
	000G39-08-16S	EA	Screw - SF/DR 8 - 18 x 1.00 PPH - Off White
	000G39-08-24B	EA	Screw - SF/DR 8 - 18 x 1 1/2 PPH - Zn
	000G39-08-24S	EA	Screw - SF/DR 8 - 18 x 1.50 PPH - Off White
	000G39-10-10S	EA	Screw - SF/DR 10 - 16 x .62" PPH - Off White
	000G39-10-12D	EA	Screw - SF/DR 10 - 16 x 3/4 PPH - Black
	000G39-10-20B	EA	Screw - SF/DR 10 - 16 x 1 1/4 PPH - Zn
	000G42-04-16B	EA	Screw - SF/DR 1/4 - 14 x 1 HWH - Zn
	000G53-04-06B	EA	Screw - Machine - 1/4 - 20 x 3/8 PPH - Zn
	000G54-04-20B	EA	Screw - 1/4 - 20 x 1 1/4 PTH Typ 23 - Zn
	000G67-10-08B	EA	Screw - 10 - 12 x 1/2 PPH - Zn
	000G67-10-08R	EA	Screw - 10 - 12 x 1/2 PPH - Beige - Type A
	000G67-10-10B	EA	Screw - 10 - 12 x 5/8 PPH - Zn - Type A
	000G67-10-10R	EA	Screw - 10 - 12 x 5/8 PPH - Beige - Type A
	000G67-10-12B	EA	Screw - 10 - 12 x 3/4 PPH - Zn
	000G67-10-12P	EA	Screw - 10 - 12 x .75 PPH - Dark Brown
	000G67-10-12O	EA	Screw - 10 - 12 x .75 PPH - Tan
	000G67-10-24B	EA	Screw - 10 - 12 x 1 1/2 PPH - Zn
	000G67-10-32B	EA	Screw - 10 - 12 x 2 PPH - Zn
	000G68-06-10G	EA	Screw - 6 - 18 x 5/8 POH - Antique Brass
	000H16-04-06R	EA	Rivet - Pop - AL 1/8 x .313 - .375
	005081-01-000	EA	Nut - Speed - C Type - No. 8 Screw
	062401-02-000	EA	Clamp - Hose - Wormgear - 1.56" - 2.5"
	062401-06-000	EA	Clamp - Hose - Wormgear - .22" x .62"
	007161-01-000	EA	Clamp - Hose - Spring Type - 1/2"
	008343-01-000	EA	Tie - Wire - 6"
	008386-01-000	EA	Grommet - Snap - 3/8
	008401-01-000	EA	Strap - Conduit - 3/4" - 1 Hole - Galvanized Steel

**1991 ITASCA
TABLE OF CONTENTS**

INTRODUCTION	A-01 - A-02
ABBREVIATIONS	A-03
ALPHABETICAL/GROUP REFERENCE	A-04 - A-06
ICM28RQ	A-07 - E-15
IKM40DA	E-17 - I-18

1991 IKM40DA INDEX

Floor Plan	E-17 - E-18
Accessories Group	E-19 - E-22
Bath Group	E-23 - F-02
Bedroom Group	F-03 - F-05
Chassis Group	F-06 - F-15
Curtain, Cushion & Pad Group	F-16 - F-22
Dinette Group	F-23 - G-01
Driver's Compartment Group	G-02 - G-07
Electrical Group	G-08 - G-12
Exterior Body Group	G-13 - G-21
Galley Group	G-22 - H-02
Heating & Air Conditioning Group	H-03 - H-05
Interior Finish Group	H-06 - H-07
Labels Group	H-08 - H-16
LP Group	H-17
Lounge Group	H-18 - H-19
Sealants & Fasteners Group	H-20 - H-21
Water & Sewage Group	H-22 - H-24
Window, Vent & Exterior Door Group	I-01 - I-18

SEALANTS & FASTENERS GROUP (CONTINUED)

SCREWS & FASTENERS (CONTINUED)

Key	Part Number	U/M	Description
	010495-01-000	EA	Clamp - Cable - 9/16"
	010497-01-000	EA	Clamp - Closed - 5/8" ID
	010497-03-000	EA	Clamp - Closed - 1 ID - Cushioned
	010499-01-000	EA	Clamp - Closed - 3/8" ID
	016604-01-000	EA	Brace - Cabinet - Angled Metal - 2.5"
	083609-01-000	EA	Clamp - Wire Dual - Equal 5/8" Dia.
	084884-01-000	EA	Plug - Brass - 3/8"
	087721-01-000	EA	Screw - Flat Head - Tapping - 1/4 x 1 1/4 LG - Zn
	089371-01-000	EA	Screw - Machine - 8 - 32 x 3 5/16 - Zn
	075148-02-000	EA	Clamp - Grounding - Bronze Screws
	075908-01-000	EA	Screw - Machine - 10 - 32 x .56 PTH - Zn
	049465-04-000	EA	Screw - 10 - 16 x 1 PTH w/Washer - Beige
	076790-01-000	EA	Screw - 6 - 20 x 1 1/4 PPH - Black
	063729-04-000	EA	Rivnut - 10 - 32 UNF - .010 - .080

SEALANTS & ADHESIVES

Key	Part Number	U/M	Description
	004020-01-000	OT	Adhesive - ABS Cement (Plastic Fittings)
	004005-02-000	GL	Adhesive - Swills - Glue (Sidewalls)
	053766-07-000	EA	Bedding Compound - Tube - Beige (Exterior)
	053776-06-000	EA	Bedding Compound - Tube - Clear (Window)
	053765-08-000	EA	Bedding Compound - Tube - Gray (Exterior)
	102352-01-000	EA	Bedding Compound - Tube - Black (Luggage Compartment)
	053766-02-000	EA	Bedding Compound - Tube - Off White (Exterior)
	002328-02-000	EA	Block - Rubber Spacer (Windshield)
	077967-01-000	EA	Sealant - Acrylic Latex - Tube - Off White (Interior Sealant)
	034552-04-000	EA	Sealant - Silicone - Beige
	034552-02-000	EA	Sealant - Silicone - Clear
	034552-07-000	EA	Sealant - Silicone - Dark Gray
	034552-06-000	EA	Sealant - Silicone - Off White
	039518-01-000	EA	Sealant Silicone - Black
	069640-01-000	FT	Sealer Ribbon - .25" Bead x 20'
	069640-02-000	FT	Sealer Ribbon - .5" x .125" x 30'
	069640-03-000	FT	Sealer Ribbon - .75" x .125" x 30'
	069640-09-000	FT	Sealer Ribbon - 1/32" x 2.5" x 30'
	069640-06-000	FT	Sealer Ribbon - 5/16" Bead x 15'
	069640-07-000	FT	Sealer Ribbon - 2" x 3/32" x 30'
	069640-10-000	FT	Sealer Ribbon - 1/32" x 1.5" x 100'
	002707-02-000	FT	Sealer Tape - 5/16" x 1/2"
	102353-01-700	EA	Seam Sealer - Tube - Gray (Roof Seams)
	094401-01-000	EA	Seam Sealer - Tube - Clear (Cap to Sidewall)
	102353-01-700	EA	Seam Sealer - Tube - Aluminum (Roof)
	053642-01-000	FT	Tape - Adhesive - .10mm x 1.5" Wide
	038886-01-000	EA	Tape - Butyl - .31" x .31" x 148" (Windshield)
	076322-01-000	FT	Tape - Foam - Double Coated - .025 x .75 x 72' (Fiberglass Sidewall Seams)
	076322-02-000	FT	Tape - Foam - Double Coated - .045 x 1" (Fiberglass Sidewall Seams)
	100028-01-000	FT	Tape - Foam - Double Coated - .031 x .75 x 72' (Non-Structural Fastening)
	009200-01-000	EA	Tape - Furnace - 1.5"
	002825-01-000	FT	Weather Stripping (Roof Vent)
	081377-01-700	EA	Adhesive - Cyanoacrylate - 10GM

WATER & SEWAGE GROUP

WATER LINES & HARDWARE

Key	Part Number	U/M	Description
	091257-01-000	EA	Galley Faucet - Single Control w/Spray
	087659-03-000	EA	City Water Fill
	081240-02-000	EA	Water Fill - Lockable
	075241-05-000	EA	Shower Faucet (CSA)
	075241-04-000	EA	Shower Faucet (US)
	011048-05-000	EA	Shower Head - w/60" Hose (CSA)
	092314-01-01A	EA	Shower Head Asm. - w/Glide Post - Brass (US)
	075240-06-000	EA	Lavatory Faucet (CSA)
	103548-01-01A	EA	Lavatory Faucet (US)
	039800-01-000	FT	Water Line - Plastic - 1/2" OD x 20'
	079381-01-000	EA	Tubing - Flexible - Smooth - 1.25" ID
	074462-02-000	EA	Tubing Vinyl - 3/8" ID
	036522-02-000	EA	Cap - Brass - 1/2" Flare
	051393-01-000	EA	Water Heater - Motor Aid - Atwood
	079317-01-000	EA	Adapter - Swivel - 1/2" Tube x 1/2" FPT
	010224-01-000	EA	Plastic Adapter - 3/8" MPT x 3/8" Barb
	046128-01-000	EA	Plastic Valve Drain - 1/2" FPT
	052952-01-000	EA	Plastic Nut - 1/2" F
	052957-01-000	EA	Plastic Elbow - 1/2" F x 3/8" MPT
	065120-01-000	EA	Plastic Elbow - Swivel - 1/2"
	052959-01-000	EA	Plastic Connector - 1/2" F x 1/4" MPT
	052953-01-000	EA	Plastic Nut - Faucet - 1/2" Tube x 1/2" FPT
	052954-01-000	EA	Plastic Nose Cone Adapter - 3/8" or 1/2"
	052956-01-000	EA	Plastic Tee - 1/2" F x 1/2" MPT x 1/2" F
	052958-01-000	EA	Plastic Tee - 1/2" F x 1/2" F x 1/2" F
	093217-01-000	EA	Plastic Tee - Swivel - 1/2"
	052960-01-000	EA	Plastic Valve - Line Drain
	093193-01-000	EA	Plastic Header - 1/2" F x 1/2" F x 1/2" F x 1/2" MPT
	007161-01-000	EA	Hose Clamp - Spring Type - 1/2"
	062401-01-000	EA	Hose Clamp - Wormgear - .81" To 1.75"
	098607-01-000	EA	Water Pump (US)
	098607-01-700	EA	Replacement Pump Head
	098607-01-701	EA	Drive Asm.
	098607-01-702	EA	Diaphragm Kit
	098607-01-703	EA	Valve Asm.
	098607-01-704	EA	Upper Housing
	098607-01-705	EA	Check Valve Kit
	098607-01-706	EA	Switch Kit - Upper Housing
	098607-01-707	EA	Motor/Baseplate Replacement
	098607-02-000	EA	Water Pump (CSA)
	089180-01-000	EA	Water Tank 58 Gal.
	077954-02-000	EA	Filter & Screen (Water Tank)
	042989-03-000	EA	Spinweld Fitting - 1 1/4" NPT
	042989-04-000	EA	Spinweld Fitting - 3/8" FPT
	042989-05-000	EA	Spinweld Fitting - 1/2" FPT
	044927-01-000	EA	Adapter - Plastic - 1 1/4" MPT x 1 1/4" BAR
	049032-01-000	EA	Spinweld Patch - 3/8"
	099729-01-000	EA	Water Heater Bypass Kit
	103106-01-000	EA	External Water Faucet

1991 ITASCA TABLE OF CONTENTS

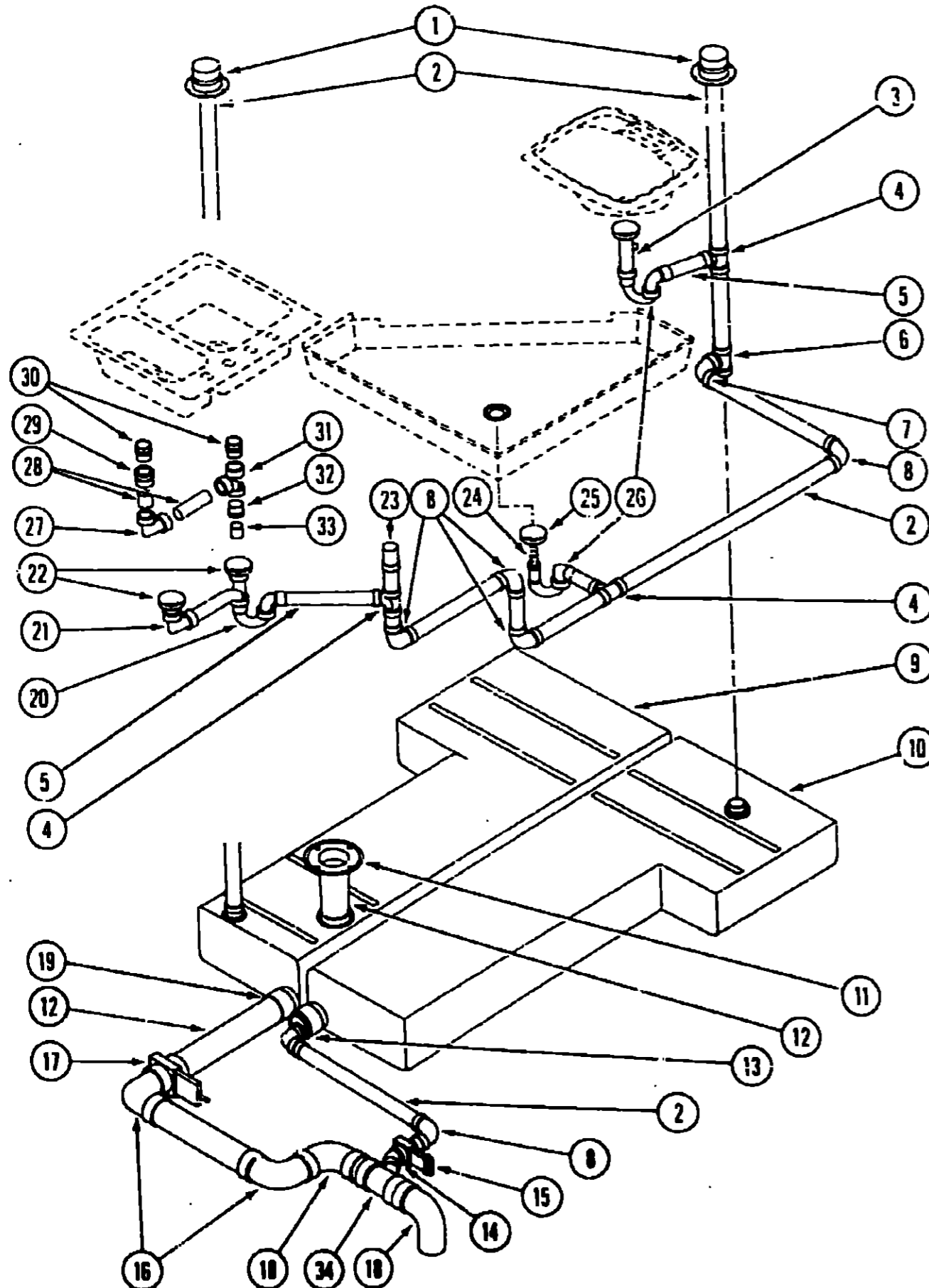
INTRODUCTION	A-01 - A-02
ABBREVIATIONS	A-03
ALPHABETICAL/GROUP REFERENCE	A-04 - A-06
ICM28RQ	A-07 - E-15
IKM40DA	E-17 - I-18

1991 IKM40DA INDEX

Floor Plan	E-17 - E-18
Accessories Group	E-19 - E-22
Bath Group	E-23 - F-02
Bedroom Group	F-03 - F-05
Chassis Group	F-06 - F-15
Curtain, Cushion & Pad Group	F-16 - F-22
Dinette Group	F-23 - G-01
Driver's Compartment Group	G-02 - G-07
Electrical Group	G-08 - G-12
Exterior Body Group	G-13 - G-21
Galley Group	G-22 - H-02
Heating & Air Conditioning Group	H-03 - H-05
Interior Finish Group	H-06 - H-07
Labels Group	H-08 - H-16
LP Group	H-17
Lounge Group	H-18 - H-19
Sealants & Fasteners Group	H-20 - H-21
Water & Sewage Group	H-22 - H-24
Window, Vent & Exterior Door Group	I-01 - I-18

WATER & SEWAGE GROUP (CONTINUED)

DRAINAGE SYSTEM



Key	Part Number	U/M	Description
1	083558-01-000	EA	Vent Cap
2	010195-01-000	FT	Plastic Pipe - 1 1/2" (US)
2	010195-02-000	FT	Plastic Pipe - 1 1/2" (CSA)
3	092313-01-000	EA	Drain Pipe - Rod Controlled Stopper (US)
3	011083-01-000	EA	Drain Pipe - Rod Controlled Stopper (CSA)
4	010079-01-000	EA	Tee - 1 1/2" H x 1 1/2" H x 1 1/4" H
5	010194-01-000	FT	Plastic Pipe - 1 1/4" (US)
5	010194-02-000	FT	Plastic Pipe - 1 1/4" (CSA)
6	010071-01-000	EA	Tee - 1 1/2" H x 1 1/2" H x 1 1/2" H
7	033761-01-000	EA	Street Elbow - 1 1/2" H x 90°
8	010008-01-000	EA	Elbow - 1 1/2" H x 1 1/2" H x 90°
9	092444-01-000	EA	Holding Tank
10	092479-01-000	EA	Holding Tank
	061607-01-000	EA	Grommet - Holding Tank - 1 1/2" NPS
	061607-02-000	EA	Grommet - Holding Tank - 3" NPS
11	063641-01-000	EA	Closet Flange (US)
11	063641-02-000	EA	Closet Flange (CSA)
12	010197-01-000	FT	Plastic Pipe - 3" (US)
12	010197-02-000	FT	Plastic Pipe - 3" (CSA)
13	062422-01-000	EA	Reducer Adapter - 3" x 1 1/2"
14	010051-01-000	EA	Street Elbow - 1 1/2" H x 45°
15	062421-01-000	EA	Valve - 1 1/2"
16	031126-01-000	EA	Elbow - 3" H x 3" H x 90°
17	062418-02-000	EA	Valve - 3"
18	041956-01-000	EA	Elbow - 3" H x 90°
19	078406-01-000	EA	Coupling - 3" - Rubber
20	011066-03-000	EA	P-Trap (US)
20	053335-01-000	EA	P-Trap (CSA)
21	091990-01-000	EA	Continuous Waste Asm. (US)
22	092303-01-000	EA	Sink Strainer
23	079968-01-000	EA	Vent
24	011069-02-000	EA	Brass Tailpiece - 1 1/2" x 1 1/4" x 4"
	069735-01-000	EA	Seal Washer
	066436-01-000	EA	Slipnut - 1 1/2" Tailpiece
25	064440-01-000	EA	Shower Strainer
26	011066-02-000	EA	P-Trap (CSA)
26	011066-03-000	EA	P-Trap (US)
34	031112-01-000	EA	Wye - 3" H x 3" x 1 1/2" H 45°
	010201-02-000	EA	Sewer Hose - 3" x 20' - w/o Twist Lock Adapter & Hose Clamp
	062416-01-000	EA	Twist Lock Adapter - 3" - Sewer Hose
	062401-09-000	EA	Hose Clamp - Worm Gear (2.8" - 3.75)

CONTINUOUS WASTE (CANADA)

Key	Part Number	U/M	Description
27	037101-02-000	EA	Elbow - 1 1/2" H x 1 1/2" H x 90°
28	010195-02-000	FT	Plastic Pipe - 1 1/2"
29	010115-01-000	EA	Coupling - 1 1/2" H x 1 1/2" H
30	035302-02-000	EA	Adapter
31	010071-01-000	EA	Tee - 1 1/2" H x 1 1/2" H x 1 1/2" H
32	010121-01-000	EA	Bushing Adapter - 1 1/2" x 1 1/4" H
33	010194-02-000	FT	Plastic Pipe - 1 1/4"

**1991 ITASCA
TABLE OF CONTENTS**

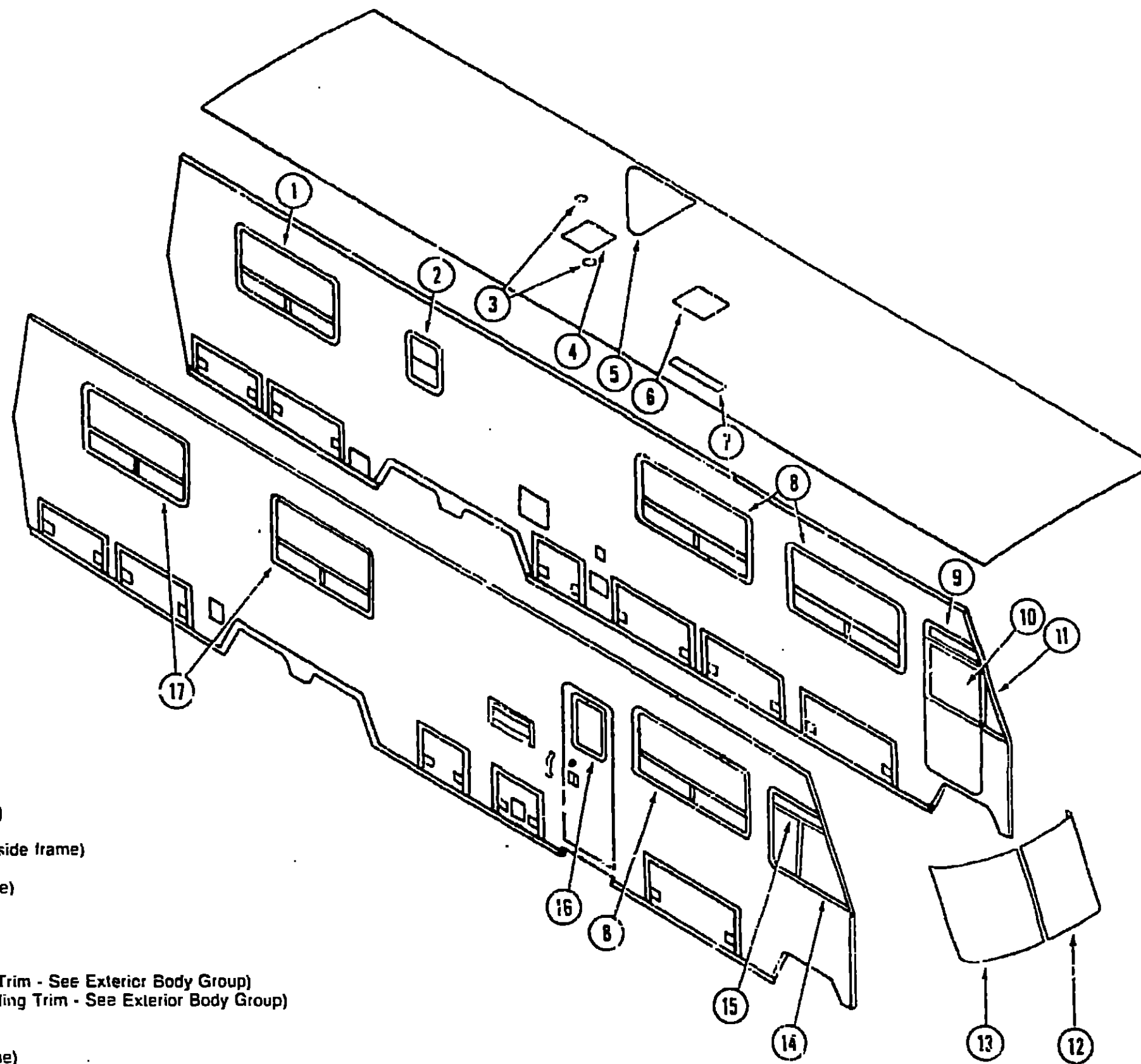
INTRODUCTION	A-01 - A-02
ABBREVIATIONS	A-03
ALPHABETICAL/GROUP REFERENCE	A-04 - A-06
ICM28RO	A-07 - E-15
IKM400A	E-17 - I-1E

1991 IKM400A INDEX

Floor Plan	E-17 - E-18
Accessories Group	E-19 - E-22
Bath Group	E-23 - F-02
Bedroom Group	F-03 - F-05
Chassis Group	F-06 - F-15
Curtain, Cushion & Pad Group	F-16 - F-22
Dinette Group	F-23 - G-01
Driver's Compartment Group	G-02 - G-07
Electrical Group	G-08 - G-12
Exterior Body Group	G-13 - G-21
Galley Group	G-22 - H-02
Heating & Air Conditioning Group	H-03 - H-05
Interior Finish Group	H-06 - H-07
Labels Group	H-08 - H-16
LP Group	H-17
Lounge Group	H-18 - H-19
Sealants & Fasteners Group	H-20 - H-21
Water & Sewage Group	H-22 - H-24
Window, Vent & Exterior Door Group	I-01 - I-1E

WINDOW, VENT & EXTERIOR DOOR GROUP

WINDOWS & VENTS



Key	Part Number	U/M	Description
1	095160-01-01A	EA	Window Asm. (w/o inside frame)
1	035160-02-01A	EA	Inside Frame
2	092235-10-Y12	EA	Window Asm. (w/o inside frame)
2	090893-15-01A	EA	Inside Frame
3	083558-01-000	EA	Roof Vent Panel Cap
4	064469-09-000	EA	Roof Vent - Powered (Bath)
5	092475-01-000	EA	Skylight Panel - Outer
5	092476-01-000	EA	Skylight Panel - Inner
5	093160-01-01A	EA	Skylight Outer Trim - Straight (37.2")
5	092579-01-01A	EA	Skylight Outer Trim - Preformed Ends
6	084079-05-000	EA	Roof Vent - Powered (Galley)
7	084073-01-000	EA	Roof Vent - Top - Styled (Refrigerator)
7	081073-04-000	EA	Roof Vent - Base
8	092234-03-Y12	EA	Window Asm. - Double Tipout (w/o inside frame)
8	090893-09-01A	EA	Inside Frame
9	099619-02-X14	EA	Window Asm. - Vista (w/o inside frame)
9	089727-06-000	EA	Inside Frame
10	081489-02-000	EA	Door Glass Only - Roll Up
11	099933-01-Y12	EA	Window Asm. (w/o inside frame)
11	099932-01-01A	EA	Inside Frame
12	068793-04-000	EA	Glass - Windshield - Driver (Molding Trim - See Exterior Body Group)
13	088793-03-000	EA	Glass - Windshield - Passenger (Molding Trim - See Exterior Body Group)
14	089607-01-X14	EA	Window Asm. (w/o inside frame)
14	089603-01-AB1	EA	Inside Frame w/Screen
15	089619-01-X14	EA	Window Asm. - Vista (w/o inside frame)
15	089727-05-000	EA	Inside Frame
16	079733-04-T03	EA	Window Asm. - Picture (w/o inside frame)
16	067609-27-000	EA	Inside Frame
17	092234-02-Y12	EA	Window Asm. (w/o inside frame)
17	090893-08-01A	EA	Inside Frame

1991 ITASCA TABLE OF CONTENTS

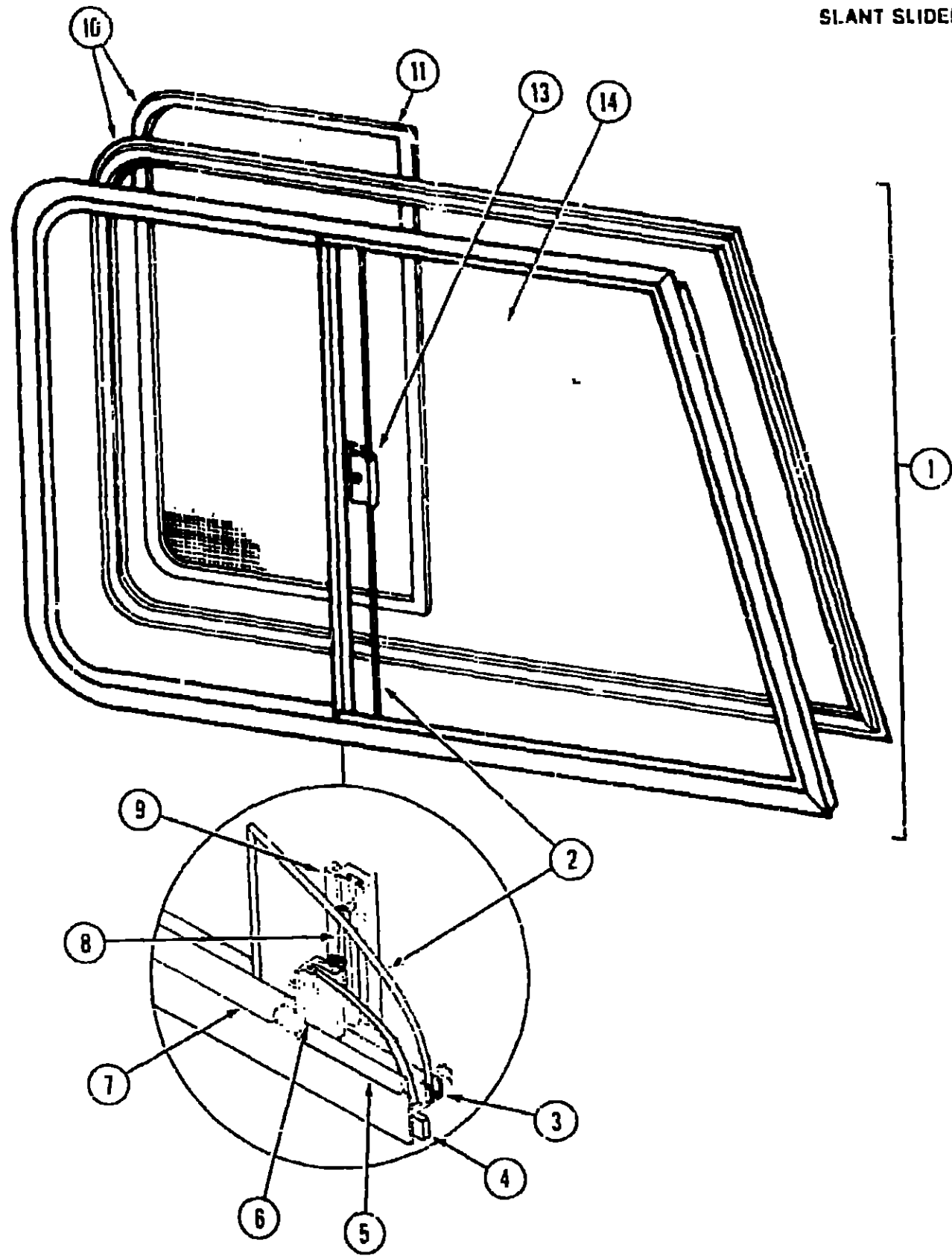
INTRODUCTION	A-01 - A-02
ABBREVIATIONS	A-03
ALPHABETICAL/GROUP REFERENCE	A-04 - A-06
ICM28RO	A-07 - E-15
IKM40DA	E-17 - I-18

1991 IKM40DA INDEX

Floor Plan	E-17 - E-18
Accessories Group	E-19 - E-22
Bath Group	E-23 - F-02
Bedroom Group	F-03 - F-05
Chassis Group	F-06 - F-15
Curtain, Cushion & Pad Group	F-16 - F-22
Dinette Group	F-23 - G-01
Driver's Compartment Group	G-02 - G-07
Electrical Group	G-08 - G-12
Exterior Body Group	G-13 - G-21
Galley Group	G-22 - H-02
Heating & Air Conditioning Group	H-03 - H-05
Interior Finish Group	H-06 - H-07
Labels Group	H-08 - H-16
LP Group	H-17
Lounge Group	H-18 - H-19
Sealants & Fasteners Group	H-20 - H-21
Water & Sewage Group	H-22 - H-24
Window, Vent & Exterior Door Group	I-01 - I-18

WINDOW, VENT & EXTERIOR DOOR GROUP (CONTINUED)

SLANT SLIDER WINDOW - PASSENGER



Key	Part Number	U/M	Description
1	039607-01-X14	EA	Window Asm - Front Slant (w/o inside frame or screen)
2	039298-01-000	EA	Glass - Slider
3	042077-01-000	FT	Channel - Weatherstrip - Glass Run - 1/8" Glass
4	039640-06-000	FT	Seal (not included in Window Asm)
5	050216-02-000	FT	Spine - Glass Seal - Black
6	002399-03-203	EA	Seal Holder - w/Fin Seal
7	041928-02-000	FT	Glass Seal - Black Vinyl
8	073740-01-000	FT	Fin Seal - .46" Pile Height
9	084170-07-000	EA	Inside Mullion - Slider Window - Black - w/Fin Seal
10	039603-01-AB1	EA	Inside Frame Asm - w/Slider Screen
11	089602-01-X14	EA	Slider Screen Asm.
	061310-03-000	EA	Slider - Screen Handle
	002291-02-000	SF	Screen - 16" Charcoal
	002298-02-000	FT	Spine - Charcoal
	078364-01-000	EA	Slider Screen Track - Top
	078365-01-000	EA	Slider Screen Track - Bottom
12	047369-01-700	EA	Latch Kit - Plastic w/Fastener
14	057656-11-000	EA	Glass - Stationary
	002328-01-000	EA	Window Block - 1/8" x 3/16" x 1"
	023330-01-000	EA	Felt Pad - 3/8" Dia
	079824-01-000	FT	Seal - C-Fold - .50"

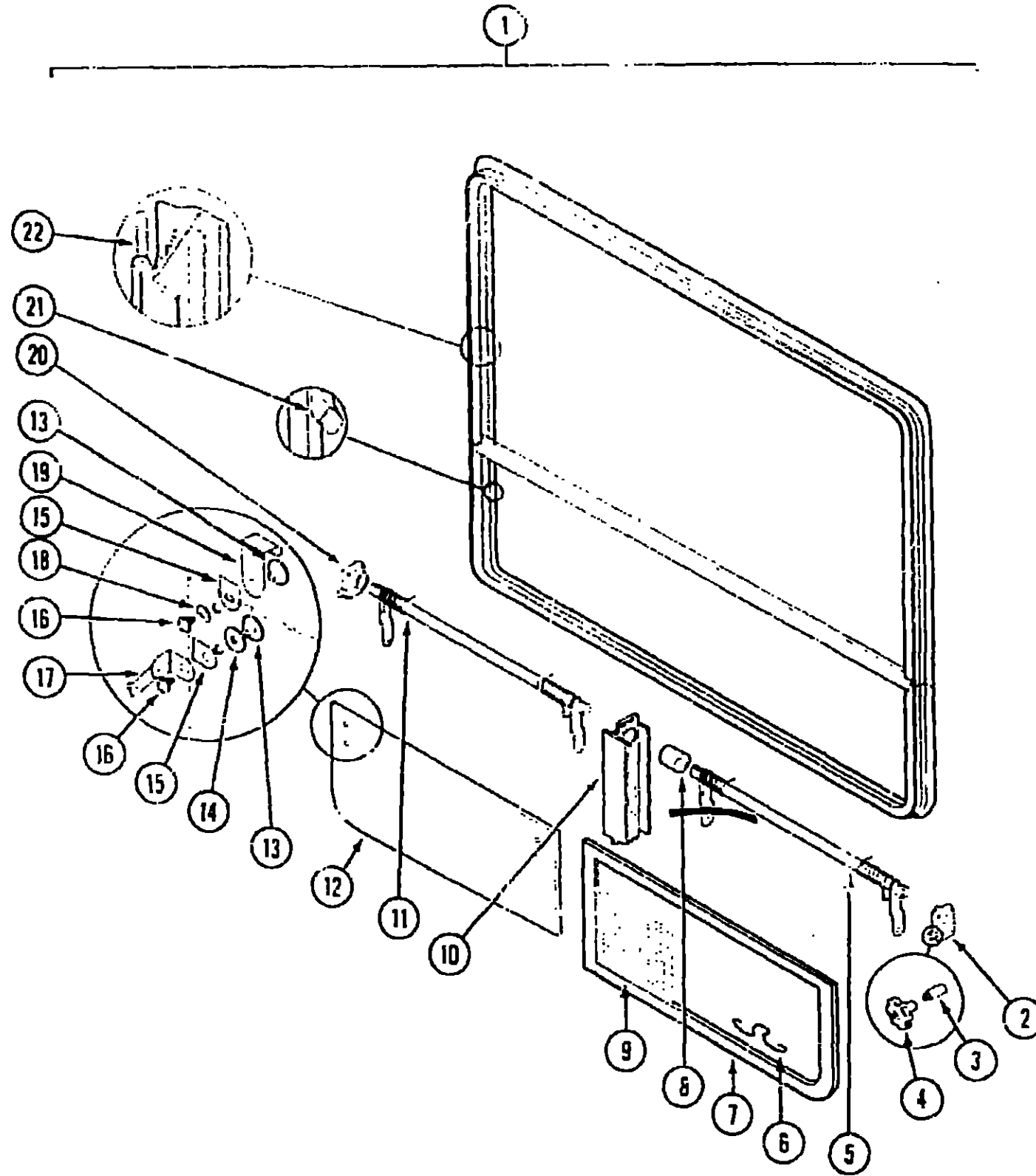
1991 ITASCA TABLE OF CONTENTS

INTRODUCTION	A-01 - A-02
ABBREVIATIONS	A-03
ALPHABETICAL/GROUP REFERENCE	A-04 - A-06
ICM23RD	A-07 - E-15
IKM40DA	E-17 - I-18

1991 IKM40DA INDEX

Floor Plan	E-17 - E-18
Accessories Group	E-19 - E-22
Bath Group	E-23 - F-02
Bedroom Group	F-03 - F-05
Chassis Group	F-06 - F-15
Curtain, Cushion & Pad Group	F-16 - F-22
Dinette Group	F-23 - G-01
Driver's Compartment Group	G-02 - G-07
Electrical Group	G-08 - G-12
Exterior Body Group	G-13 - G-21
Galley Group	G-22 - H-02
Heating & Air Conditioning Group	H-03 - H-05
Interior Finish Group	H-06 - H-07
Labels Group	H-08 - H-16
LP Group	H-17
Lounge Group	H-18 - H-19
Sealants & Fasteners Group	H-20 - H-21
Water & Sewage Group	H-22 - H-24
Window, Vent & Exterior Door Group	I-01 - I-18

WINDOW, VENT & EXTERIOR DOOR GROUP (CONTINUED)



BEDROOM & HALLWAY DOUBLE TIPOUT WINDOW

Key	Part Number	U/M	Description
1	092234-02-Y12	EA	Window Asm. - Double Tipout
	090893-08-01A	EA	Inside Frame (not included w/Window Assembly)
2	035302-02-000	EA	Operator Drive
3	090025-01-000	EA	Extension - Window Knob (not included w/Window Assembly)
4	067052-02-000	EA	Window Knob - Beige (not included w/Window Assembly)
	089371-01-000	EA	Screw - Window Knob (not included w/Window Assembly)
4	101290-01-01A	EA	Window Knob - Brass (not included w/Window Assembly)
	101289-01-01A	EA	Screw - Window Knob - Brass (not included w/Window Assembly)

WINDOW, VENT & EXTERIOR DOOR GROUP (CONTINUED)

BEDROOM & HALLWAY DOUBLE TIPOUT WINDOW (CONTINUED)

Key	Part Number	U/M	Description
5	083227-07-000	EA	Torque Tube Asm.
6	100168-01-000	EA	Screen Clip
7	100234-04-B07	EA	Screen Asm. - Right Side (Illustrated)
	100234-03-B07	EA	Screen Asm. - Left Side (Not Illustrated)
8	088816-51-001	EA	Torque Tube Sleeve
9	080218-03-000	SF	Window Screen - 12"
	100240-01-000	FT	Window Screen Spline
10	088803-01-01A	EA	Mullion - Black
11	083228-07-000	EA	Torque Tube Asm.
12	084068-21-000	EA	Glass - 2.9 mm x 234.7 mm x 517 mm
13	086762-01-000	EA	Window T-Nut
14	068927-03-000	EA	Seal - Rubber
15	084473-01-000	EA	Seal - Rubber
15	086763-01-000	EA	Screw - #10 - 32 x 1/4" PTH
17	097578-01-000	EA	Connecting Rod Asm.
	084453-01-000	EA	Plastic Washer - .06 x .50 x .135
	085315-01-000	EA	Shoulder Rivet
	081649-01-000	EA	Snap Ring Clip
18	084453-02-000	EA	Plastic Washer - .06 x .50 x .25
19	089913-01-000	EA	Hinge
20	035302-01-000	EA	Operator Drive
21	084067-01-000	FT	Seal - Sponge Rubber
22	069640-05-000	FT	Ribbon Seal (not included w/Window Assembly)

DINETTE & LOUNGE DOUBLE TIPOUT WINDOW

Key	Part Number	U/M	Description
1	092234-03-Y12	EA	Window Asm. - Double Tipout
	090893-09-01A	EA	Inside Frame (not included w/Window Assembly)
2	035302-02-000	EA	Operator Drive
3	090025-01-000	EA	Extension - Window Knob (not included w/Window Assembly)
4	067052-02-000	EA	Window Knob - Beige (not included w/Window Assembly)
	089371-01-000	EA	Screw - Window Knob (not included w/Window Assembly)
4	101290-01-01A	EA	Window Knob - Brass (not included w/Window Assembly)
	101289-01-01A	EA	Screw - Window Knob - Brass (not included w/Window Assembly)
5	083227-08-000	EA	Torque Tube Asm.
6	100168-01-000	EA	Screen Clip
7	100234-06-B07	EA	Screen Asm. - Right Side (Illustrated)
	100234-05-B07	EA	Screen Asm. - Left Side (Not Illustrated)
8	088816-51-001	EA	Torque Tube Sleeve
9	080218-03-000	SF	Window Screen - 12"
	100240-01-000	FT	Window Screen Spline
10	088803-01-01A	EA	Mullion - Black
11	083228-08-000	EA	Torque Tube Asm.
12	084068-22-000	EA	Glass - 2.9 mm x 234.7 mm x 758.5 mm
13	086762-01-000	EA	Window T-Nut
14	068927-03-000	EA	Seal - Rubber
15	084473-01-000	EA	Seal - Rubber
16	086763-01-000	EA	Screw - #10 - 32 x 1/4" PTH
17	097578-01-000	EA	Connecting Rod Asm.
	084453-01-000	EA	Plastic Washer - .06 x .50 x .135
	085315-01-000	EA	Shoulder Rivet
	081649-01-000	EA	Snap Ring Clip
18	084453-02-000	EA	Plastic Washer - .06 x .50 x .25
19	089913-01-000	EA	Hinge
20	035302-01-000	EA	Operator Drive
21	084067-01-000	FT	Seal - Sponge Rubber
22	069640-06-000	FT	Ribbon Seal (not included w/Window Assembly)

1991 ITASCA
TABLE OF CONTENTS

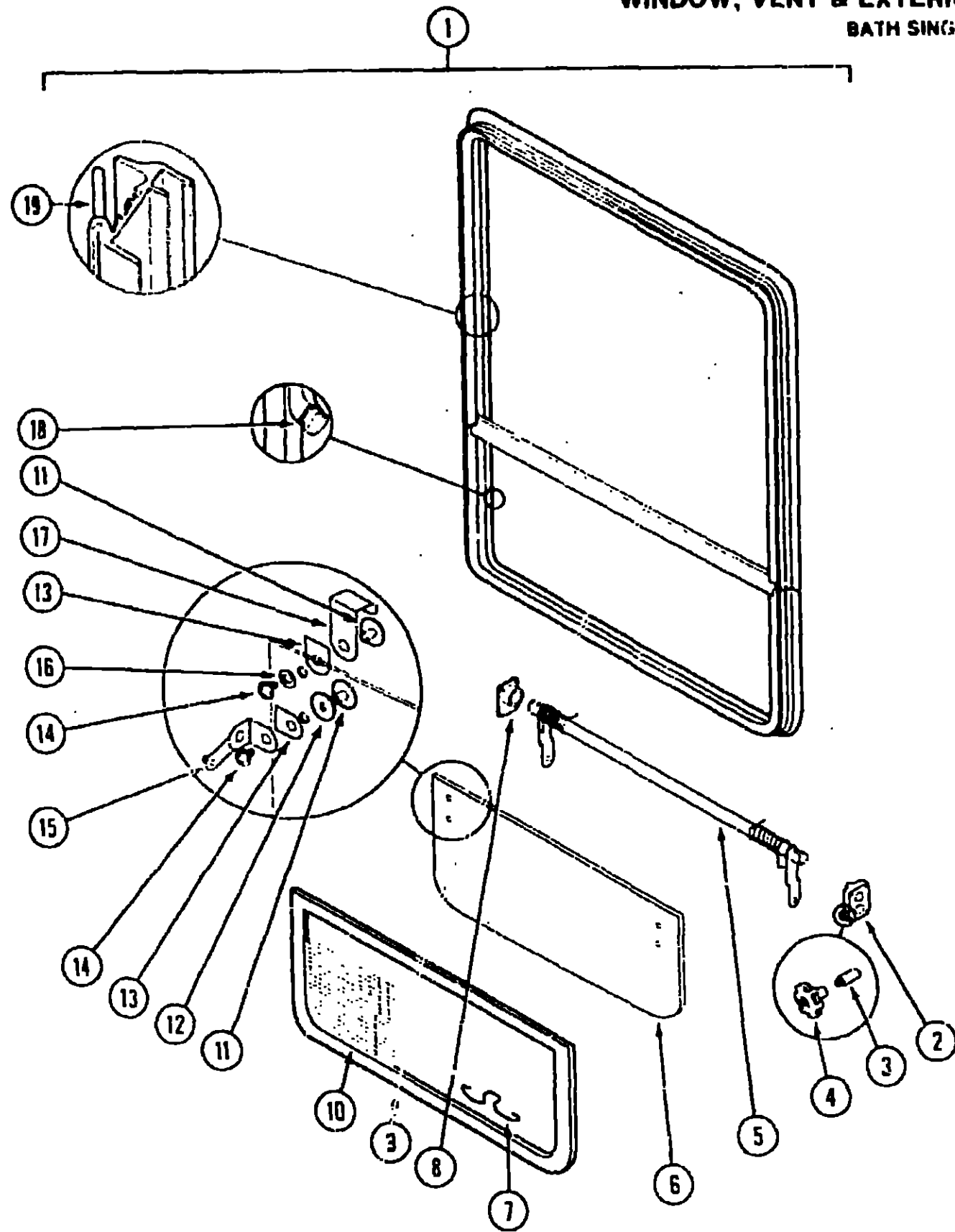
INTRODUCTION	A-01 - A-02
ABBREVIATIONS	A-03
ALPHABETICAL/GROUP REFERENCE	A-04 - A-06
ICKM28RQ	A-07 - E-15
ICKM46DA	E-17 - I-18

1991 IKM40DA INDEX

Floor Plan	E-17 - E-18
Accessories Group	E-19 - E-22
Bath Group	E-23 - F-02
Bedroom Group	F-03 - F-05
Chassis Group	F-06 - F-15
Curtain, Cushion & Pad Group	F-16 - F-22
Dinette Group	F-23 - G-01
Driver's Compartment Group	G-02 - G-07
Electrical Group	G-08 - G-12
Exterior Body Group	G-13 - G-21
Galley Group	G-22 - H-02
Heating & Air Conditioning Group	H-03 - H-05
Interior Finish Group	H-06 - H-07
Labels Group	H-08 - H-16
LP Group	H-17
Lounge Group	H-18 - H-19
Sealants & Fasteners Group	H-20 - H-21
Water & Sewage Group	H-22 - H-24
Window, Vent & Exterior Door Group	I-01 - I-18

WINDOW, VENT & EXTERIOR DOOR GROUP (CONTINUED)

BATH SINGLE TIPOUT WINDOW



Key	Part Number	U/M	Description
1	092235-10-Y12	EA	Window Asm. - Single Tipout
	090893-15-01A	EA	Inside Frame (not included w/Window Assembly)
2	035302-02-000	EA	Operator Drive
3	090025-01-000	EA	Extension - Window Knob (not included w/Window Assembly)
4	067052-02-000	EA	Window Knob - Beige (not included w/Window Assembly)
	089371-01-000	EA	Screw - Window Knob (not included w/Window Assembly)
4	101290-01-C1A	EA	Window Knob - Brass (not included w/Window Assembly)
	101283-01-01A	EA	Screw - Window Knob - Brass (not included w/Window Assembly)
5	083150-03-000	EA	Torque Tube Asm.
6	084068-14-000	EA	Glass - 1/8" x 9 1/4" x 15"
7	100168-01-000	EA	Screen Clip
8	081354-01-000	EA	Torque Tube Sleeve
9	100235-01-B07	EA	Screen Asm.
10	080218-03-000	SF	Window Screen - 12"
	100240-01-000	FT	Window Screen Spline
11	086762-01-000	EA	Window T-Nut
12	068927-03-000	EA	Seal - Rubber
13	034473-01-000	EA	Seal - Rubber
14	085763-01-000	EA	Screw - #10 - 32 x 1/4" PTH
15	097578-01-000	EA	Connecting Rod Asm.
	084453-01-000	EA	Plastic Washer - .05 x .50 x .135
	085315-01-000	EA	Shoulder Rivet
	081543-01-000	EA	Snap Ring Clip
16	084453-02-000	EA	Plastic Washer - .06 x .50 x .25
17	089913-01-000	EA	Hinge
18	084067-01-000	FT	Seal - Sponge Rubber
19	069640-05-000	FT	Ribbon Sealer (not included w/Window Assembly)

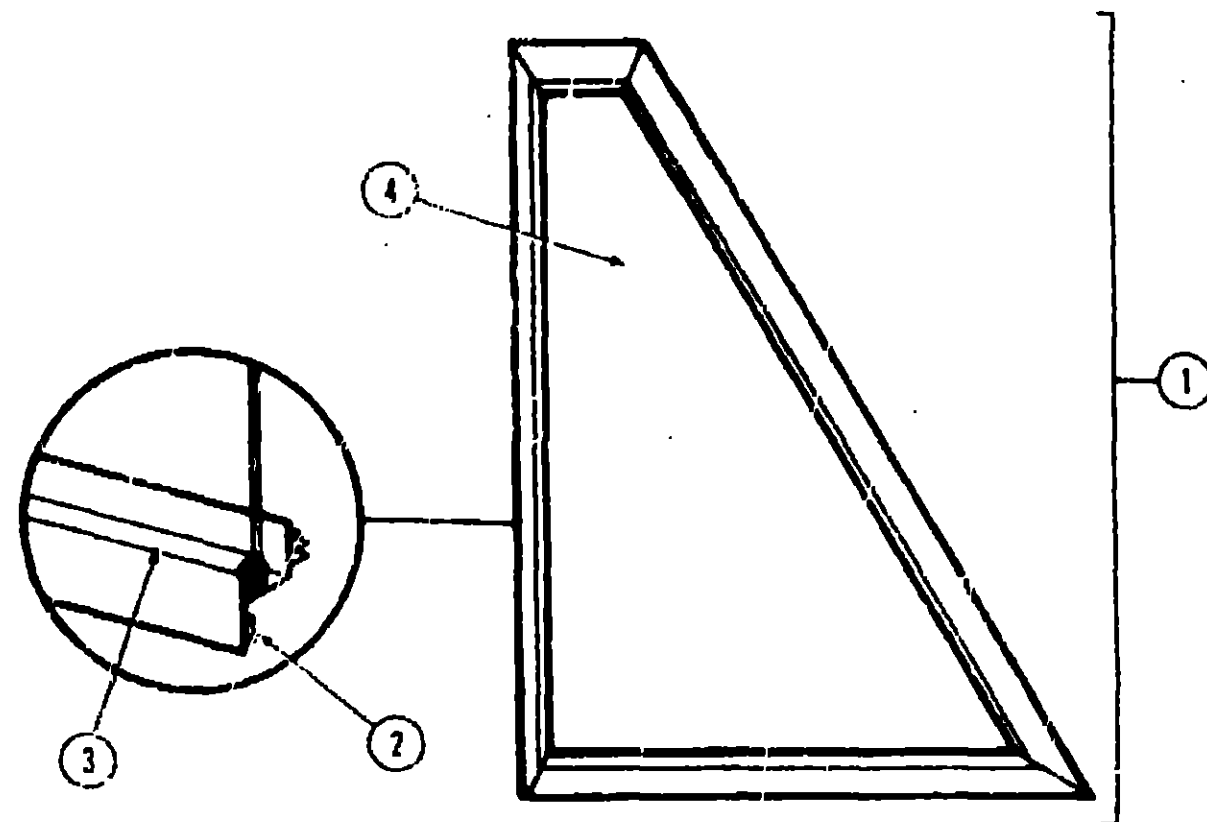
1991 ITASCA TABLE OF CONTENTS

INTRODUCTION	A-01 - A-02
ABBREVIATIONS	A-03
ALPHABETICAL/GROUP REFERENCE	A-04 - A-06
ICM28RQ	A-07 - E-15
IKM40DA	E-17 - I-18

1991 IKM40DA INDEX

Floor Plan	E-17 - E-18
Accessories Group	E-19 - E-22
Bath Group	E-23 - F-02
Bedroom Group	F-03 - F-05
Chassis Group	F-06 - F-15
Curtain, Cushion & Pad Group	F-16 - F-22
Dinette Group	F-23 - G-01
Driver's Compartment Group	G-02 - G-07
Electrical Group	G-08 - G-12
Exterior Body Group	G-13 - G-21
Galley Group	G-22 - H-02
Heating & Air Conditioning Group	H-03 - H-05
Interior Finish Group	H-06 - H-07
Labels Group	H-08 - H-16
LP Group	H-17
Lounge Group	H-18 - H-19
Sealants & Fasteners Group	H-20 - H-21
Water & Sewage Group	H-22 - H-24
Window, Vent & Exterior Door Group	I-01 - I-18

WINDOW, VENT & EXTERIOR DOOR GROUP (CONTINUED)



SLANT WINDOW - DRIVER

Key	Part Number	U/M	Description
1	099933-01-Y12	EA	Window Asm - Slant (w/o inside frame)
	099933-01-01A	EA	Inside Frame - Black (not included in assembly)
2	069640-06-000	FT	Ribbon Seal - 5/16" Bead (not included in assembly)
3	050216-02-000	FT	Spline - Glass - .19" - Black
4	057656-13-000	EA	Glass - Slant - .19" x 29.11" x 13.93"
	002328-01-000	EA	Window Block - 1/8" x 3/16" x 1"

VISTA WINDOW - DRIVER

Key	Part Number	U/M	Description
	089619-02-X14	EA	Window Asm - Vista (w/o inside frame)
	089727-05-000	EA	Inside Frame - Black (not included in assembly)
	089301-01-000	EA	Glass - Vista Window - Driver Side
	050216-02-000	FT	Spline - Glass - .19" - Black
	002328-01-000	EA	Window Block - 1/8" x 3/16" x 1"
	069640-06-000	FT	Ribbon Seal - 5/16" Bead (not included in assembly)

VISTA WINDOW - PASSENGER

Key	Part Number	U/M	Description
	089619-01-X14	EA	Window Asm - Vista (w/o inside frame)
	089727-05-000	EA	Inside Frame - Black (not included in assembly)
	089301-01-000	EA	Glass - Vista Window - Passenger Side
	050216-02-000	FT	Spline - Glass - .19" - Black
	002328-01-000	EA	Window Block - 1/8" x 3/16" x 1"
	069640-06-000	FT	Ribbon Seal - 5/16" Bead (not included in assembly)

WINDOW, VENT & EXTERIOR DOOR GROUP (CONTINUED)

POWERED ROOF VENT

Key	Part Number	U/M	Description
	064079-05-000	EA	Powered Roof Vent
	064079-01-700	EA	Cover - Roof Vent
	064079-07-701	EA	Screen Asm.
	064079-01-702	EA	Arm Lift Asm
	064079-01-703	EA	Crank Knob
	064079-01-704	EA	Fan
	064079-01-705	EA	Motor
	064079-01-706	EA	12 Volt W e Plug
	064079-01-707	EA	Safety Switch
	064079-01-708	EA	Reverse Switch
	064079-01-709	EA	3 Speed Switch
	064079-01-710	EA	Wall Thermostat
	064079-01-711	EA	H-Molding (Motor Mount)

Key	Part Number	U/M	Description
	054469-09-000	EA	Power Vent Asm. - Complete
	064469-03-702	EA	Roof Vent Lid - White
	064469-03-705	EA	Lift Mechanism
	054469-03-708	EA	Drive Gear
	048648-01-000	EA	Motor Asm.
	048649-01-000	EA	Fan Blade
	064469-07-700	EA	Garnish - Vent Trim
	064469-03-701	EA	Switch - On/Off
	064469-03-700	EA	Switch - On/Off/On
	054469-03-707	EA	Motor Lift

POWERED ROOF VENT (BATH) (CSA)

Key	Part Number	U/M	Description
**	064469-08-000	EA	Powered Roof Vent
**	The illustrated parts breakdown for this item is provided on the Common Items Fiche.		

**1991 ITASCA
TABLE OF CONTENTS**

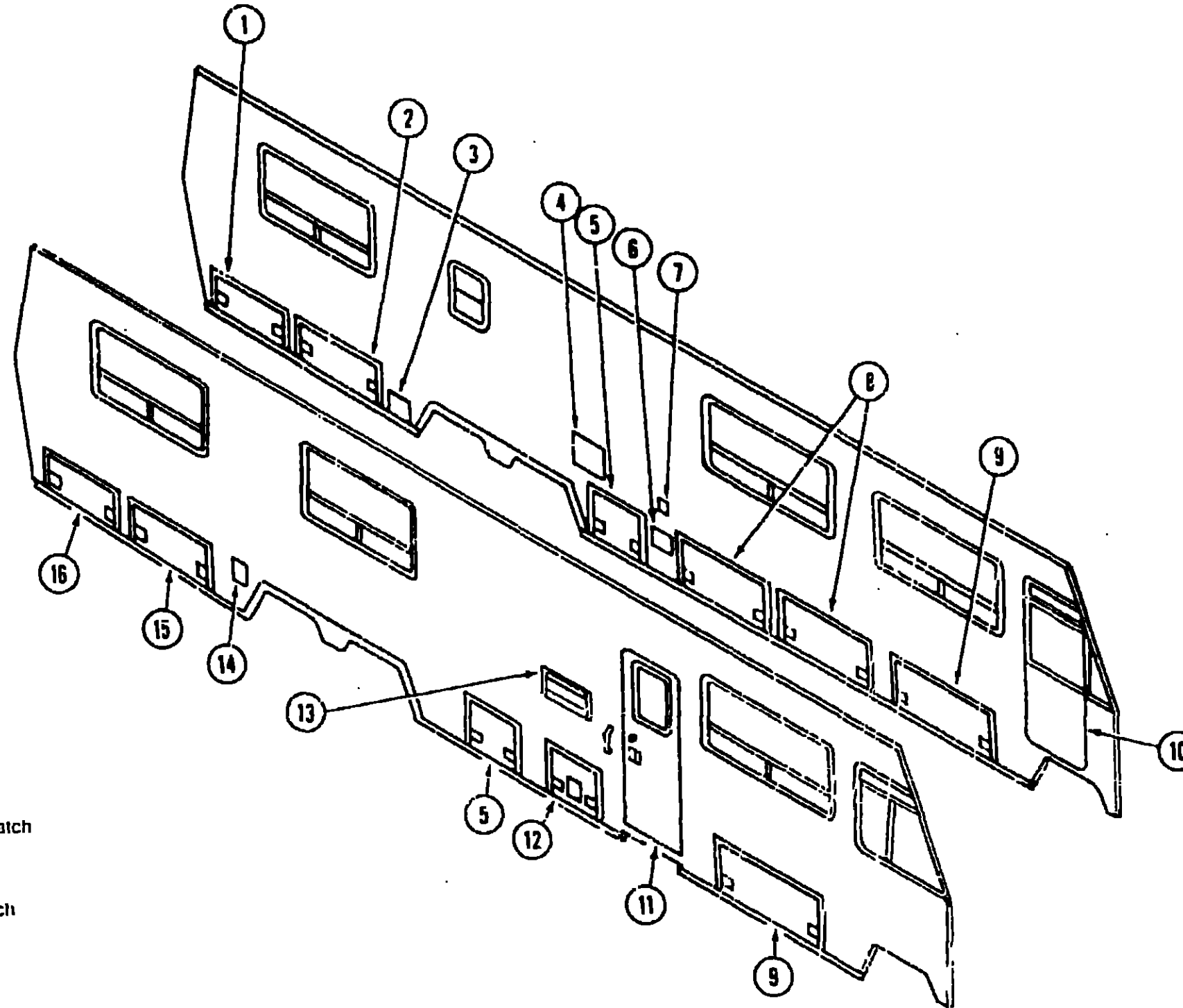
INTRODUCTION	A-01 - A-02
ABBREVIATIONS	A-03
ALPHABETICAL/GROUP REFERENCE	A-04 - A-06
ICM28RO	A-07 - E-15
IKM40DA	E-17 - I-18

1991 IKM40DA INDEX

Floor Plan	E-17 - E-18
Accessories Group	E-19 - E-22
Bath Group	E-23 - F-02
Bedroom Group	F-03 - F-05
Chassis Group	F-06 - F-15
Curtain, Cushion & Pad Group	F-16 - F-22
Dinette Group	F-23 - G-01
Driver's Compartment Group	G-02 - G-07
Electrical Group	G-08 - G-12
Exterior Body Group	G-13 - G-21
Galley Group	G-22 - H-02
Heating & Air Conditioning Group	H-03 - H-05
Interior Finish Group	H-06 - H-07
Labels Group	H-08 - H-16
LP Group	H-17
Lounge Group	H-18 - H-19
Sealants & Fasteners Group	H-20 - H-21
Water & Sewage Group	H-22 - H-24
Window, Vent & Exterior Door Group	I-01 - I-18

WINDOW, VENT & EXTERIOR DOOR GROUP (CONTINUED)

EXTERIOR DOORS



Key	Part Number	U/M	Description
1	087472-13-Y70	EA	Door Asm. - Luggage
2	087472-18-Y70	EA	Door Asm. - Generator
3	088794-03-000 042442-01-000	EA	Door Asm. - Power Cord w/Hatch Twist Lock Asm.
4	052009-03-000	EA	Door Asm. - Water Heater
5	087448-13-AE1	EA	Door Asm. - Sewage
6	088794-03-000 042442-01-000	EA	Door Asm. - Water Fill w/Hatch Twist Lock Asm.
7	081240-02-000 042441-01-000 082684-01-000	EA	Door Asm. - Water Fill Key Lock Asm (w/o Keys) Key
8	087448-03-W84	EA	Door Asm. - Luggage
9	087448-04-X70	EA	Door Asm. - Luggage
10	M89487-04-B32	EA	Door Asm. - Driver
11	M01870-53-B40	EA	Door Asm. - Entrance
12	087495-04-X70	EA	Door Asm. - LP
13	084103-02-000	EA	Door Vent
13	084104-02-000	EA	Door Vent Jamb
14	078010-05-000	EA	Door Asm. - Fuel Fill
15	087472-16-Y70	EA	Door Asm. - Luggage
16	087472-12-Y70	EA	Door Asm. - Luggage

1991 ITASCA TABLE OF CONTENTS

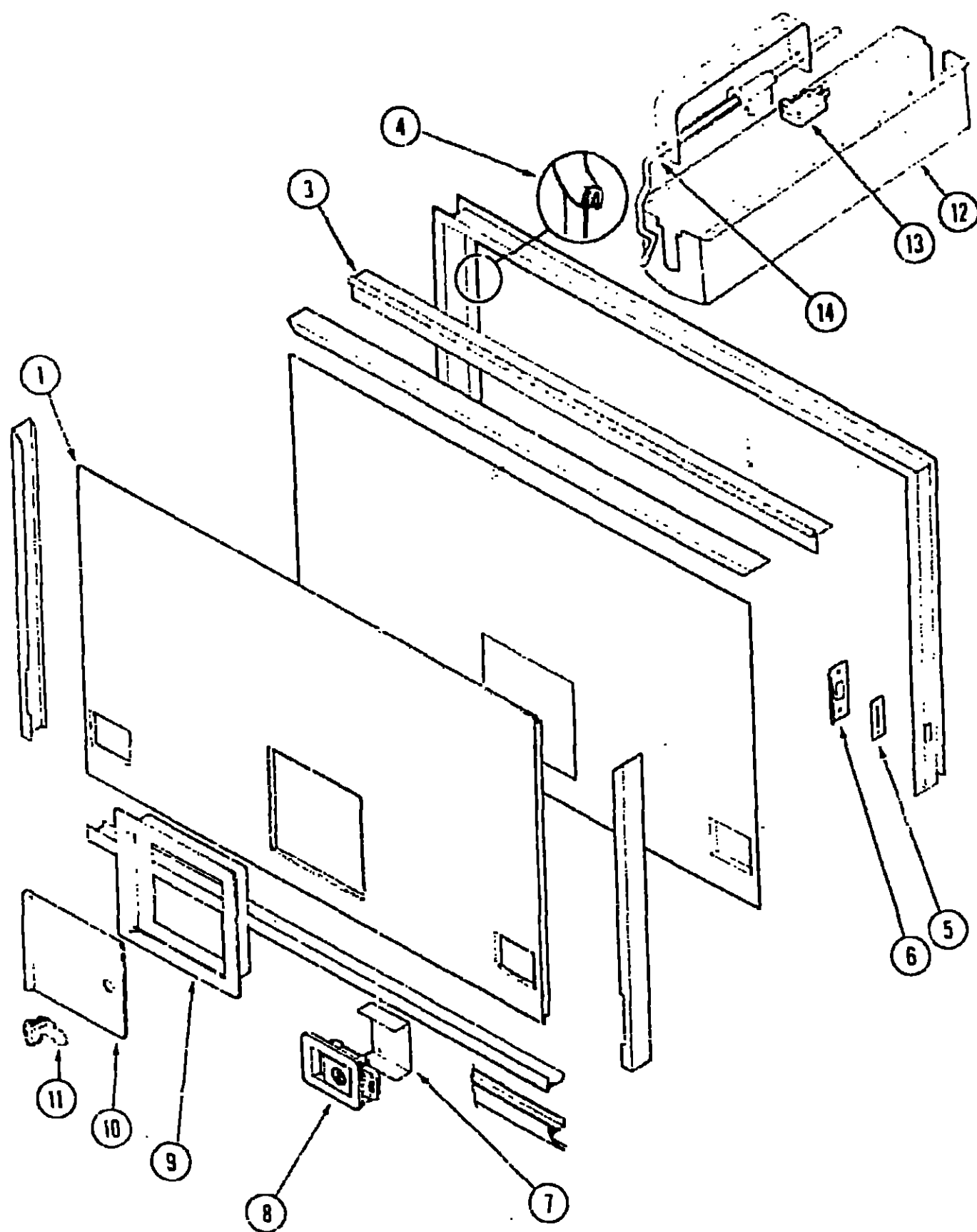
INTRODUCTION	A-01 - A-02
ABBREVIATIONS	A-03
ALPHABETICAL/GROUP REFERENCE	A-03 - A-06
ICM28RD	A-07 - E-15
IKM40DA	E-17 - I-18

1991 IKM40DA INDEX

Floor Plan	E-17 - E-18
Accessories Group	E-19 - E-22
Bath Group	E-23 - F-02
Bedroom Group	F-03 - F-05
Chassis Group	F-06 - F-15
Curtain, Cushion & Pad Group	F-16 - F-22
Dinette Group	F-23 - G-01
Driver's Compartment Group	G-02 - G-07
Electrical Group	G-08 - G-12
Exterior Body Group	G-13 - G-21
Galley Group	G-22 - H-02
Heating & Air Conditioning Group	H-03 - H-05
Interior Finish Group	H-06 - H-07
Labels Group	H-08 - H-16
LP Group	I-17
Lounge Group	H-18 - H-19
Sealants & Fasteners Group	H-20 - H-21
Water & Sewage Group	H-22 - H-24
Window, Vent & Exterior Door Group	I-01 - I-18

WINDOW, VENT & EXTERIOR DOOR GROUP (CONTINUED)

LUGGAGE & GENERATOR DOORS



Key	Part Number	U/M	Description
1	M03044-02-Y70	EA	Insert Asm. - Compartment Doors - 4' x 8'
3	081801-03-000	EA	Hinge - 2" x 96" - Beige
4	064075-07-000	EA	Bulb Seal
5	081067-02-000	EA	Seal
6	066809-01-000	EA	Strike
7	086810-02-000	EA	Bracket
8	00G11-08-12T	EA	Screw - #8 - 18 x 3/4" Black
8	085730-02-000	EA	Paddle Latch Asm. w/ Lock
8	085730-05-000	EA	Paddle Latch Asm. w/o Lock
9	052424-03-000	EA	Door Jamb
10	052423-03-000	EA	Door
11	042442-01-000	EA	Lock Asm. - Twist Type
12	093278-01-01A	EA	Prop Rod Cover - Black
13	092641-01-01A	EA	Switch
14	092644-01-Y15	EA	Prop Rod Asm.
	072917-01-000	EA	Prop Rod Asm. - Generator Door
	039984-01-000	EA	Prop Rod Asm. - End Cap (Black)
	092469-01-000	EA	Prop Rod Spring
	092639-01-000	EA	Prop Rod Bracket

1991 ITASCA TABLE OF CONTENTS

INTRODUCTION	A-01 - A-02
ABBREVIATIONS	A-03
ALPHABETICAL/GROUP REFERENCE	A-04 - A-06
ICM28RD	A-07 - E-15
IKM40DA	E-17 - I-18

1991 IKM40DA INDEX

Floor Plan	E-17 - E-18
Accessories Group	E-19 - E-22
Bath Group	E-23 - F-02
Bedroom Group	F-03 - F-05
Chassis Group	F-06 - F-15
Curtain, Cushion & Pad Group	F-16 - F-22
Dinette Group	F-23 - G-01
Driver's Compartment Group	G-02 - G-07
Electrical Group	G-08 - G-12
Exterior Body Group	G-13 - G-21
Galley Group	G-22 - H-02
Heating & Air Conditioning Group	H-03 - H-05
Interior Finish Group	H-06 - H-07
Labels Group	H-08 - H-16
LP Group	H-17
Lounge Group	H-18 - H-19
Sealants & Fasteners Group	H-20 - H-21
Water & Sewage Group	H-22 - H-24
Window, Vent & Exterior Door Group	I-01 - I-18

WINDOW, VENT & EXTERIOR JOOR GROUP (CONTINUED)

DRIVER DOOR

1991 ITASCA TABLE OF CONTENTS

INTRODUCTION	A-01 - A-02
ABBREVIATIONS	A-03
ALPHABETICAL/GROUP REFERENCE	A-04 - A-06
ICM28RO	A-07 - E-15
IKM40DA	E-17 - I-18

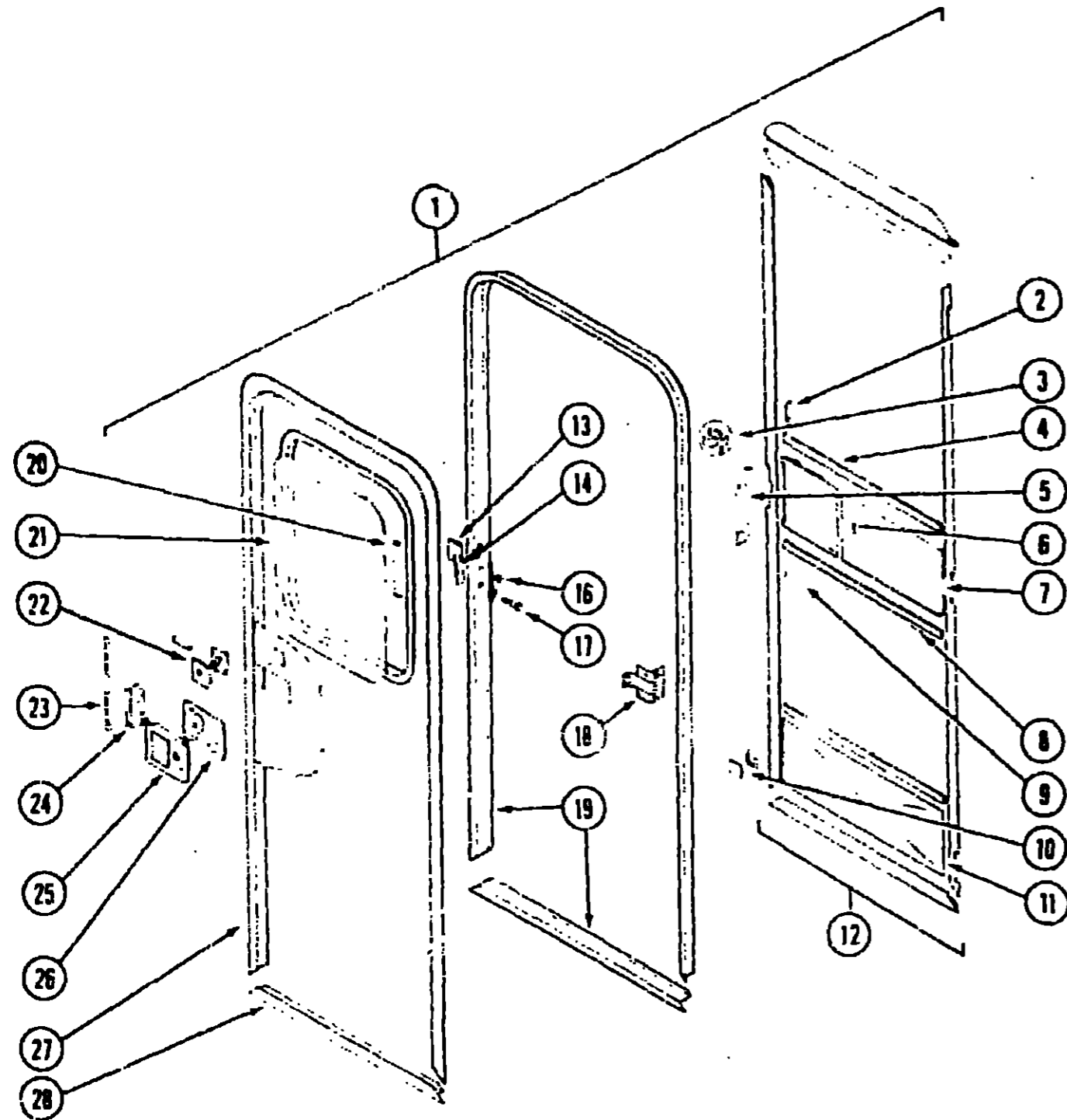
1991 IKM40DA INDEX

Floor Plan	E-17 - E-18
Accessories Group	E-19 - E-22
Bath Group	E-23 - F-02
Bedroom Group	F-03 - F-05
Chassis Group	F-06 - F-15
Curtain, Cushion & Pad Group	F-16 - F-22
Dinette Group	F-23 - G-01
Driver's Compartment Group	G-02 - G-07
Electrical Group	G-08 - G-12
Exterior Body Group	G-13 - G-21
Galley Group	G-22 - H-02
Heating & Air Conditioning Group	H-03 - H-05
Interior Finish Group	H-06 - H-07
Labels Group	H-08 - H-16
LP Group	H-17
Lounge Group	H-18 - H-19
Sealants & Fasteners Group	H-20 - H-21
Water & Sewage Group	H-22 - H-24
Window, Vent & Exterior Door Group	I-01 - I-18

Key	Part Number	U/M	Description
1	M89487-04-832	EA	Door Asm. - Complete w/o Door Jamb
2	089458-02-000	EA	Door Frame - Upper
3	089459-01-000	EA	Window Frame - Outer
4	081488-02-000	EA	Glass
	081911-01-000	EA	Glass Setting Tape
5	081907-02-000	EA	Regulator Asm.
7	081910-02-000	EA	Glass Run Channel - Seal - 10"
8	089461-02-000	EA	Window Frame - Inner
	079376-04-000	FT	Vinyl Screw Cover - Black
9	046666-03-000	EA	Ashtray
10	098030-01-000	EA	Check Strap
	064219-01-000	EA	Retainer - Check Strap
11	061400-16-000	EA	Assist Strap
12	094575-01-000	EA	Window Crank
13	099840-01-01A	EA	Door Threshold (Inner) (not included in Door Asm)
13	099841-01-01A	EA	Door Threshold (Outer) (not included in Door Asm.)
14	082471-05-000	EA	Trim Panel - Gray
15	081905-02-000	EA	Control Knob - Side Bolt
16	081903-01-000	EA	Knob Shaft
17	081487-01-000	EA	Slide Bolt Housing
18	031906-01-000	EA	Slide Bolt
19	R77005-50-526	EA	Interior Door Handle
20	076542-04-000	EA	Control Rod - Latch
21	073110-03-000	EA	Control Link Rod - Lock
22	082107-02-000	EA	Door Handle Escutcheon
23	073303-03-000	EA	Latch Asm.
24	R77007-56-702	EA	Pilot Strike Plate
25	R77007-05-374	EA	Seal
26	083223-01-000	EA	Key Lock Asm.
27	R77013-48-165	EA	Door Lock Catch
28	R77040-01-538	EA	Door Handle
29	085007-10-000	EA	Door Frame - Lower
30	084465-01-000	EA	Door Stop Block - Jamb
31	084465-02-000	EA	Door Stop Block - Door
32	092472-01-000	EA	Glass Retainer Channel
33	089455-04-000	EA	Door Frame - Upper Rear
34	089463-08-000	EA	Door Jamb Asm. (not included in Door Asm)
35	053993-01-000	EA	Hinge
	089270-01-000	EA	Bulb Seal - Door Jamb

WINDOW, VENT & EXTERIOR DOOR GROUP (CONTINUED)

ENTRANCE DOOR



Key	Part Number	U/M	Description
1	M01870-53-B40	EA	Door Asm. w/Screen Door (B41, D47)
	075639-14-000	EA	Door Garnish - Off White (Not included in door asm)
2	050712-04-000	EA	Door Handle - Screen Door
3	009018-01-000	EA	Roller Catch
4	078592-01-000	EA	Screen Door Mullion - Upper & Lower Slider
	078777-01-000	EA	Slider Channel (Mullion Insert)
5	079087-02-000	EA	Screen Door Slider Strike
6	079086-02-000	EA	Screen Door Slider
7	016454-01-000	EA	Screen Door Insert
8	002294-01-000	FT	Spine - Black
9	002203-02-000	SF	Window Screen - 26" Charcoal
10	085774-01-000	FT	Dual Lock Fastener - 1" Wide - Black
10	085774-02-000	FT	Dual Lock Fastener - 1" Wide - Black
11	078552-03-000	EA	Screen Door Insert - Lower
12	079012-05-B10	EA	Screen Door Asm.
13	077461-03-000	EA	Strike Cover
14	041546-03-000	EA	Angle Brackets
16	058806-01-000	EA	Plug - Tapered Plastic
17	039539-01-000	EA	Strike
18	097724-01-03A	EA	Hinge
19	095277-04-03A	EA	Door Jamb
	044582-06-000	EA	Drip Cap - Gray
20	087561-01-000	FT	Window Seal
21	002181-06-000	EA	Glass
	079733-04-T03	EA	Window Asm. w/o Inside Frame
	067603-27-000	EA	Inside Frame - Window Asm.
22	101115-01-01A	EA	Deadbolt Asm. - Square - Black
	095229-01-700	EA	Key Blank - Dead Bolt
	101147-01-000	EA	Bolt - Security
23	098173-01-02A	EA	Stiffener
	102524-01-000	EA	Bumper - Flat - Black Rubber
24	039540-01-000	EA	Latch Asm. - Hook
25	045017-11-000	EA	Latch Asm. - Plate - Black
	045017-11-701	EA	Key Blank - Door Latch Plate
26	039979-04-000	EA	Cover Asm. - Latch Plate - Black
27	095276-03-03A	EA	Door Frame - Gray
28	089748-03-000	EA	Door Frame - Bottom - Gray
	039984-01-000	EA	Cap - Black Vinyl - Lock Grip
	075673-01-000	FT	Seal - Pile - Adhesive Back
	075671-04-000	FT	Seal - Sponge - Lazy T Shape
	081914-01-000	EA	Bumper - Round - Black Rubber
	100126-02-000	FT	Seal - Screen Door
	100412-01-000	EA	Catch - Screen Door
	090340-01-000	FT	Door Jamb Seal

1991 ITASCA TABLE OF CONTENTS

INTRODUCTION	A-01 - A-02
ABBREVIATIONS	A-03
ALPHABETICAL/GROUP REFERENCE	A-04 - A-06
ICM28RQ	A-07 - E-15
IKM40DA	E-17 - I-18

1991 IKM40DA INDEX

Floor Plan	E-17 - E-18
Accessories Group	E-19 - E-22
Bath Group	E-23 - F-02
Bedroom Group	F-03 - F-05
Chassis Group	F-06 - F-15
Curtain, Cushion & Pad Group	F-16 - F-22
Dinette Group	F-23 - G-01
Driver's Compartment Group	G-02 - G-07
Electrical Group	G-08 - G-12
Exterior Body Group	G-13 - G-21
Galley Group	G-22 - H-02
Heating & Air Conditioning Group	H-03 - H-05
Interior Finish Group	H-06 - H-07
Labels Group	H-08 - H-16
LP Group	H-17
Lounge Group	H-18 - H-19
Sealants & Fasteners Group	H-20 - H-21
Water & Sewage Group	H-22 - H-24
Window, Vent & Exterior Door Group	I-01 - I-18