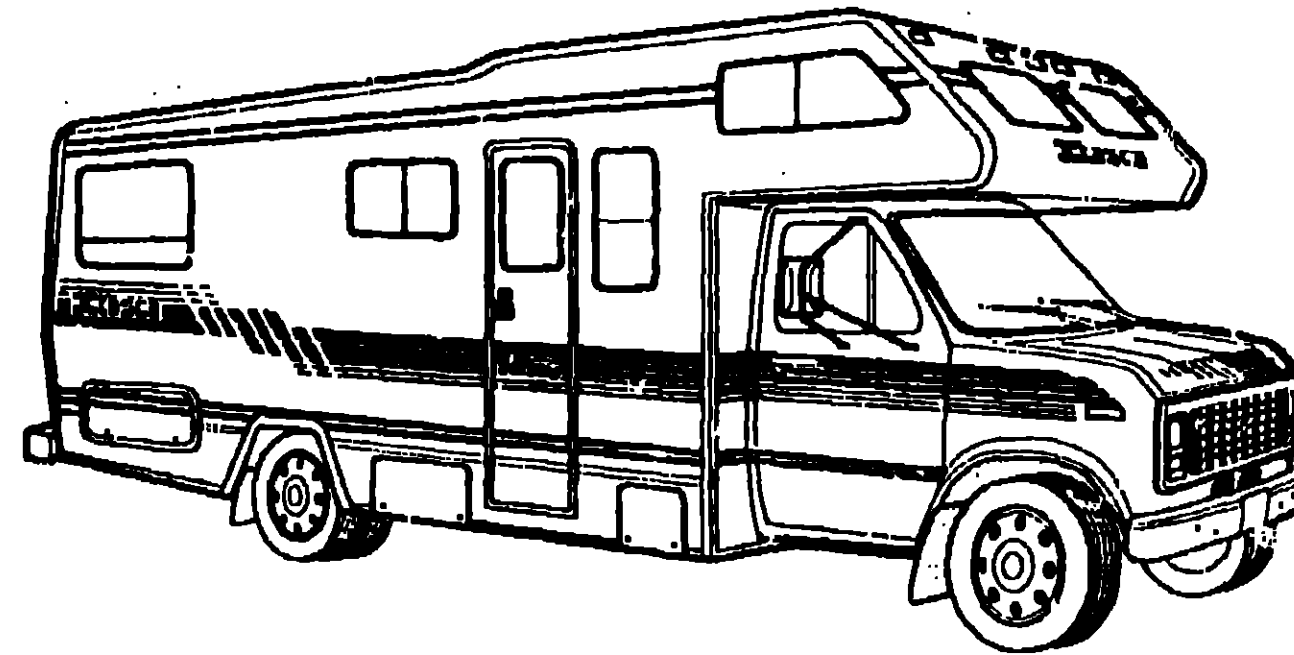
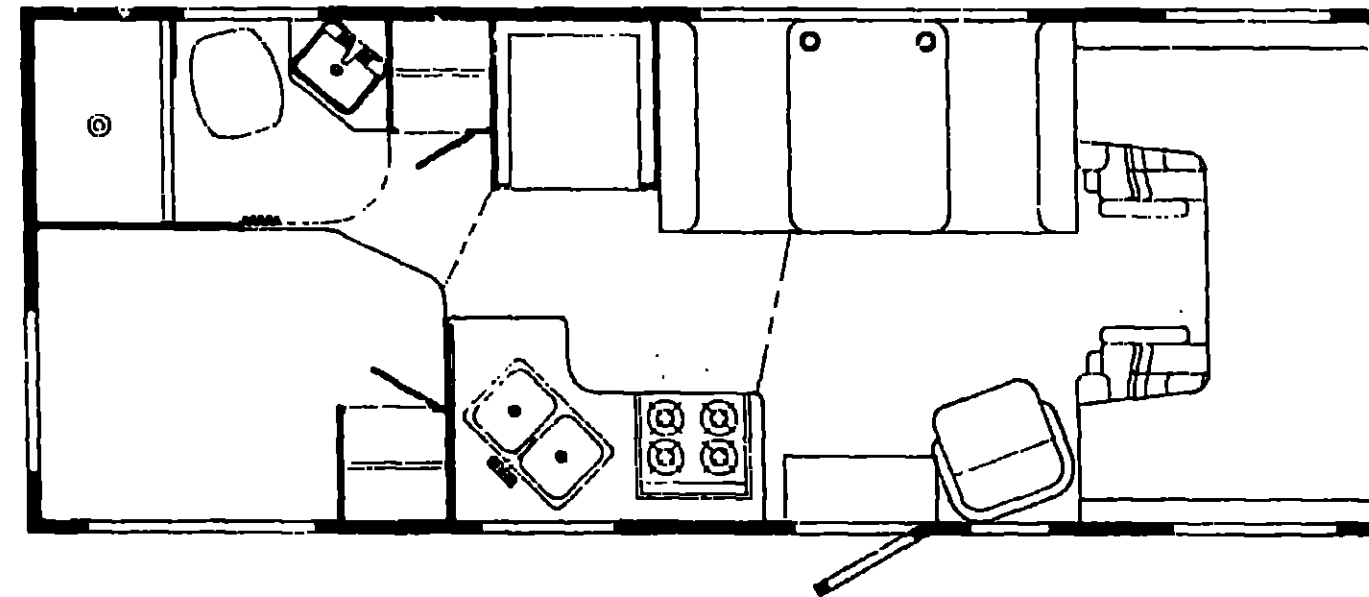


**1991 ITASCA
TABLE OF CONTENTS**

INTRODUCTION	A-01 - A-02
ABBREVIATIONS	A-03
ALPHABETICAL INDEX	A-04 - A-06
IF424RC	A-07 - D-10
IF427RT	D-11 - G-20



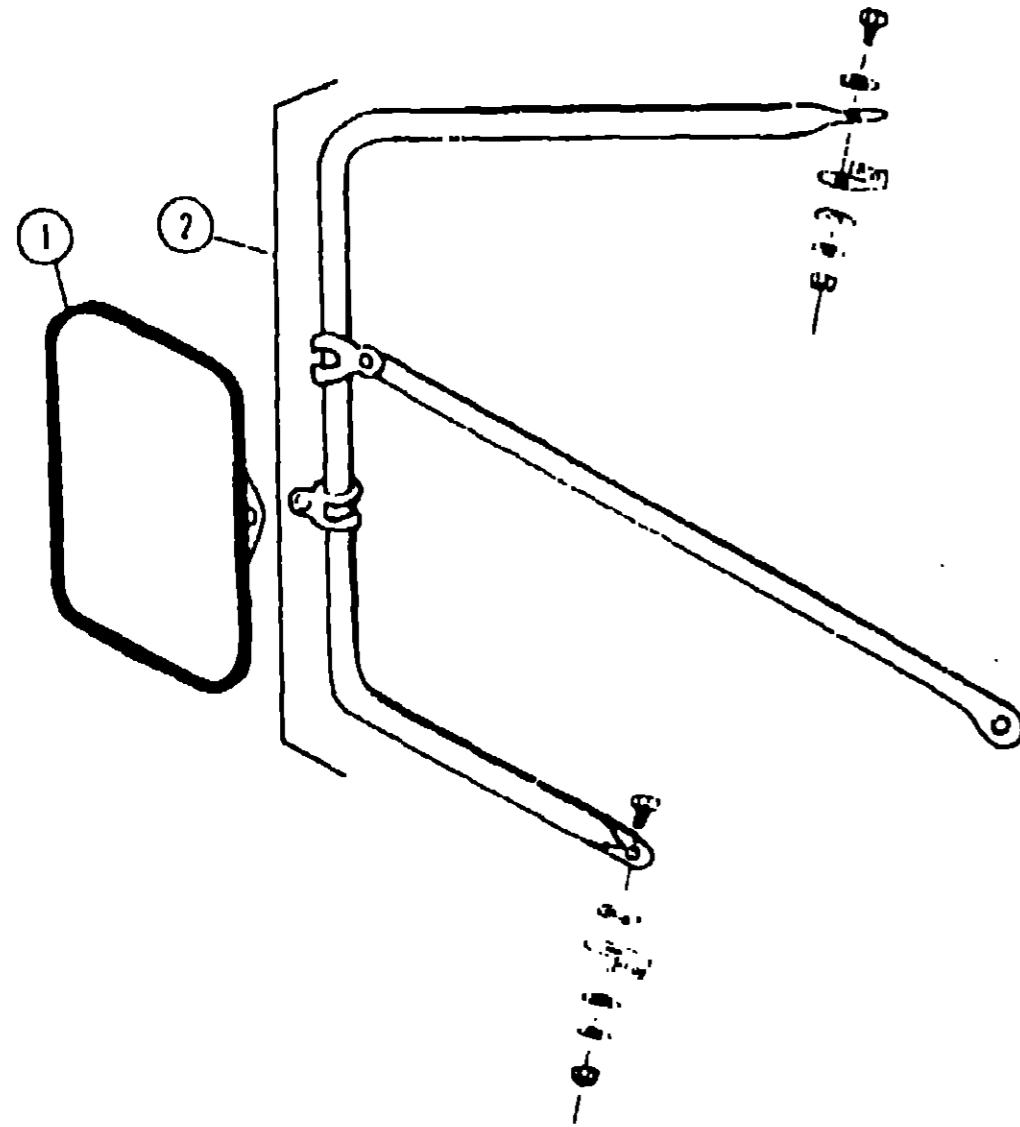
**1991
IF424RC**



1991 IF424RC INDEX

Floor Plan	A-07 - A-08
Accessories Group	A-09 - A-12
Bath Group	A-13 - A-14
Bedroom Group	A-15
Chassis Group	A-16 - A-19
Curtain, Cushion & Pad Group	A-20 - B-04
Dinette Group	B-05 - B-06
Driver's Compartment Group	B-07 - B-08
Electrical Group	B-09 - B-12
Exterior Body Group	B-13 - B-16
Galley Group	B-17 - B-21
Heating & Air Conditioning Group	B-22 - B-23
Interior Finish Group	B-24 - C-02
Labels Group	C-03 - C-10
LP Group	C-11
Lounge Group	C-12
Sealants & Fasteners Group	C-13 - C-15
Water & Sewage Group	C-16 - C-18
Window, Vent & Exterior Door Group	C-19 - D-09

ACCESSORIES GROUP



EXTERIOR MIRRORS

Key	Part Number	U/M	Description
1	049347-01-000	EA	Mirror Head - 7 1/2" x 10 1/2" - Stainless Steel
	049347-01-700	EA	Glass Exterior Mirror - 7 1/2" x 10 1/2"
2	062047-01-000	EA	Arm - West Coast Mirror - Stainless Steel
	006043-01-000	EA	Mirror - Convex - Adhesive Back

WHEEL COVER & MOUNTING HARDWARE

Key	Part Number	U/M	Description
	083181-01-000	EA	Wheel Cover - 16" (Set/4)
	083181-01-700	EA	Wheel Cover - 16" (1)
	083181-04-702	EA	Nut - Cover - 16"
	091209-05-000	EA	Wheel Liner - 16" Dia. - (Set/4) (Option L63)
	091209-05-701	EA	Liner - Rear Only (1)
	091209-05-700	EA	Liner - Front Only (1)
	091209-03-702	EA	Axle Cover - Front - 8 Lug
	091209-03-703	EA	Axle Cover - Rear - 8 Lug
	091209-03-704	EA	Snap Ring - Front or Rear - Lug

Note: Items indented below assemblies are serviceable parts for that assembly

ACCESSORIES GROUP (CONTINUED)

MISCELLANEOUS ACCESSORIES

Key	Part Number	U/M	Description
	054185-72-000	EA	Owner's Manual - 1991 - Sundancer
	094499-01-000	EA	Fire Extinguisher - Dry 1A 10BC (US)
	094499-02-000	EA	Fire Extinguisher - Dry 1A 10BC (CSA)
	094499-01-700	EA	Bracket - Mounting - w/Plastic Strap - Fire Extinguisher
	083218-03-000	EA	Floor Mat - Black - Right
	083219-04-000	EA	Floor Mat - Black - Left
	081075-02-000	EA	Mat - Entrance - "Itasca"
	072052-02-000	EA	Smoke Detector w/9 Volt Battery
	100793-01-01A	EA	Clock - Wall - Oval
	101333-01-000	EA	Backplate - Clock Mounting
	069580-01-000	EA	Lug Wrench - 1" x 1.25" x 16.3"
	069580-02-000	EA	Leverage Bar - 22" - Lug Wrench
	092318-01-000	EA	Binder - 3 Ring - Vendor Manual
	092319-01-000	EA	Pago - Plastic Pocket
	098084-14-000	EA	Cassette - Sundancer

TV ANTENNA & RELATED COMPONENTS

Key	Part Number	U/M	Description
	076319-01-000	EA	Antenna - TV Roof Mount - 44 5" Mast
	081234-01-000	EA	Adapter - TV - Cable to Cable
	086777-02-000	EA	Wallplate - TV - Cable
	076319-03-000	FT	Cable - Coaxial - 75 OHM
	076319-06-000	EA	Adapter - Cable Roof Plate
	076319-09-000	EA	Wallplate - Cable Receptacle - TV - Single - Brown
	076319-11-000	EA	Adapter - Coaxial w/Splitter
	076319-12-000	EA	Connector - Coaxial - One Piece
	074979-11-000	EA	Shield - Speaker Back - Molded Plastic - Off White
	086777-04-000	EA	Wallplate - TV Cable - w/Antenna Switch
	093252-01-01A	EA	Wallplate - Cable - Beige
	086778-01-000	EA	Receptacle - TV Cable - Exterior w/Cover - Off White
	086778-04-000	EA	Gasket - TV Cable Receptacle
	086756-01-000	EA	Splitter - TV - 2 Way
	082134-01-000	EA	Adapter - TV - Cable To Cable
	087236-01-000	EA	Label - Cable TV Input
	087236-02-000	EA	Label - Cable TV Output

RADIO & RELATED COMPONENTS

Key	Part Number	U/M	Description
	089340-01-000	EA	Grille - Speaker - 6 5" Square
	097459-01-000	EA	Radio - AM/FM - w/Cassette
	074979-01-000	EA	Speaker Cover Protector - Plastic
	094097-01-000	EA	Speaker - 5.25" - w/o Grille
	079385-03-000	EA	Radio - Mounting Kit - Ford
	081059-02-000	EA	Wire Asm. - 9 Pin - Radio

TV & VCR COMPONENTS (OPTION L44Y & L49G)

Key	Part Number	U/M	Description
	098446-03-000	EA	VCR - VHS - Cable Ready w/Remote Control - Magnavox #9010
	098446-03-700	EA	Remote Control - Model #9010
	098446-01-700	EA	Remote Control - Model #9815
	098446-02-700	EA	Remote Control - Model #9912
	098447-03-000	EA	TV - 13" Color w/Remote - Model #RR1337W
	098447-03-700	EA	Remote Control - Model #RR1337W & 1330W
	098447-01-700	EA	Remote Control - Model #RX4029 WA & TXK 4029 CH
	Check model of the TV or VCR when ordering the Remote Control.		

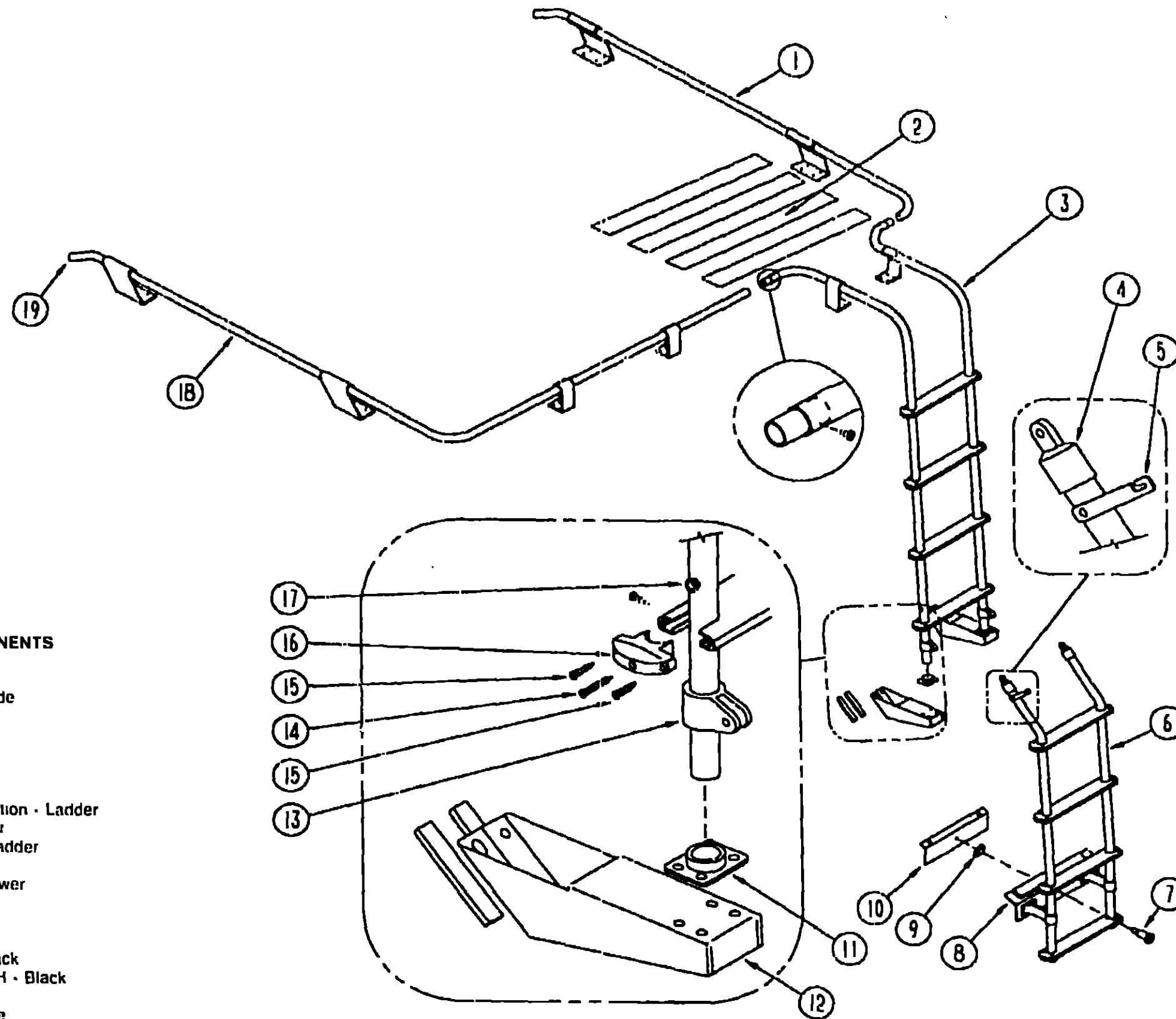
**1991 ITASCA
TABLE OF CONTENTS**

INTRODUCTION	A-01 - A-02
ABBREVIATIONS	A-03
ALPHABETICAL INDEX	A-04 - A-06
IF424RC	D-07 - D-10
IF427RT	D-11 - G-20

1991 IF424RC INDEX

Floor Plan	A-07 - A-08
Accessories Group	A-09 - A-12
Bath Group	A-13 - A-14
Bedroom Group	A-15
Chassis Group	A-16 - A-19
Curtain, Cushion & Pad Group	A-20 - B-04
Dinette Group	B-05 - B-06
Driver's Compartment Group	B-07 - B-08
Electrical Group	B-09 - B-12
Exterior Body Group	B-13 - B-16
Galley Group	B-17 - B-21
Heating & Air Conditioning Group	B-22 - D-23
Interior Finish Group	B-24 - C-02
Labels Group	C-03 - C-10
LP Group	C-11
Lounge Group	C-12
Sealants & Fasteners Group	C-13 - C-15
Water & Sewage Group	C-16 - C-18
Window, Vent & Exterior Door Group	C-19 - D-09

ACCESSORIES GROUP (CONTINUED)



RACK & LADDER COMPONENTS

Key	Part Number	U/M	Description
1	081026-01-T03	EA	Rack - Luggage - Passenger Side
2	038327-01-000	EA	Tape - Anti Slip - 2" x 60"
3	080999-01-T03	EA	Ladder - Upper
4	081115-01-000	EA	Cap - Top - 1"
5	080873-01-000	EA	Latch - Ladder - Lower - Gray
6	080997-01-T03	EA	Ladder - Lower
7	081056-01-000	EA	Pin - Quick Release - Single Action - Ladder
8	081152-01-000	EA	Plate - Bumper - Ladder - Lower
9	081055-01-000	EA	Spring Grip - Internal Tooth - Ladder
10	081107-01-000	EA	Bracket - Bumper Pin
11	067165-01-000	EA	Mounting Bracket - Ladder - Lower
12	080868-01-000	EA	Footing - Ladder - Upper
	080870-01-000	EA	Shim - Ladder Footing
13	081116-01-000	EA	Slide Top - Rack & Ladder - 1"
14	000G68-10-36T	EA	Screw - 10-12 x 2.25 PO:1 - Black
15	000G39-06-10T	EA	Screw - SF/DR - 6-20 x 5/8 PPH - Black
16	076980-02-000	EA	End Cap - Step - Black
17	081113-01-000	EA	Bushing - Flange Plastic - White
18	081026-02-T03	EA	Rack - Luggage - Driver Side
19	081114-01-000	EA	Plug - Round - Rack & Ladder Ends - Plastic - 1" Dia.

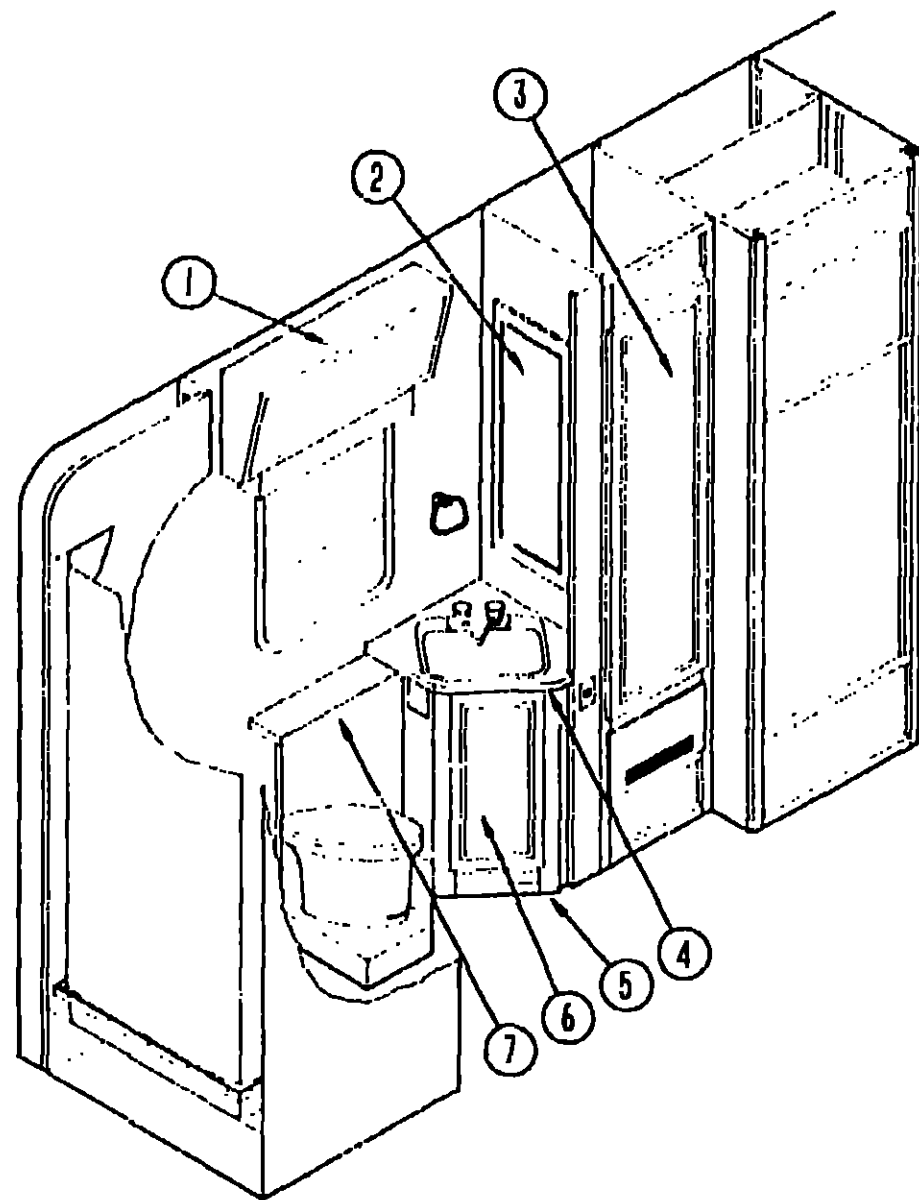
1991 ITASCA
TABLE OF CONTENTS

INTRODUCTION	A-01 - A-02
ABBREVIATIONS	A-03
ALPHABETICAL INDEX	A-04 - A-06
IF424RC	A-07 - D-10
IF427NT	D-11 - G-20

1991 IF424RC INDEX

Floor Plan	A-07 - A-08
Accessories Group	A-09 - A-12
Bath Group	A-13 - A-14
Bedroom Group	A-15
Chassis Group	A-16 - A-19
Curtain, Cushion & Pad Group	A-20 - B-04
Dinette Group	B-05 - B-06
Driver's Compartment Group	B-07 - B-08
Electrical Group	B-09 - B-12
Exterior Body Group	B-13 - B-16
Galley Group	B-17 - B-21
Heating & Air Conditioning Group	B-22 - B-23
Interior Finish Group	B-24 - C-02
Labels Group	C-03 - C-10
LP Group	C-11
Lounge Group	C-12
Sealants & Fasteners Group	C-13 - C-15
Water & Sewage Group	C-16 - C-18
Window, Vent & Exterior Door Group	C-19 - D-09

BATH GROUP



BATH & WARDROBE CABINETRY

Key	Part Number	U/M	Description
1	093446-06-B27	EA	Door Asm. - Medicine Cabinet w/Mirror - w/o Hardware
	058331-32-000	EA	Mirror - Medicine Cabinet Door - 13.6" x 28.3"
	076073-01-000	EA	Cabinet Asm. - Medicine - Almond
	076073-01-700	EA	Travel Lock
	076387-01-000	EA	Bracket - Medicine Cabinet
	099683-01-01A	EA	Cabinet Asm. - Medicine - w/Mirror Door - 16" x 29.7" - Jensen
2	093446-02-B35	EA	Mirror - Wood Framed - 27.7" x 13.7"
	M03450-02-000	EA	Trim Asm. - Oak - w/o Mirror
	058331-05-000	EA	Mirror - Safety Glass - 12" x 26"
3	P00523-54-B35	EA	Door Asm. - Wardrobe Cabinet - 15.5" x 45.4" - w/o Hardware
	058331-03-000	EA	Mirror - Safety Glass - 10" x 42"
4	099186-11-B13	EA	Countertop Asm. - Lavatory Cabinet
5	M99186-01-B35	EA	Cabinet Asm. - Lavatory - w/Countertop - w/o Doors or Hardware
6	P00523-57-B35	EA	Door Asm. - Lavatory Cabinet - 11" x 21.8" - w/o Hardware
7	M02473-01-B13	EA	Countertop Asm. - Pipe Cover
	042488-08-000	EA	Door Asm. - Folding - Woven Oak - 75" x 50"
	086924-02-000	EA	Track Asm. - Folding Door - 27.9"
	042488-01-700	EA	Roller & Clamp

* These parts were used after 7/2/91.

BATH GROUP (CONTINUED)

BATH & WARDROBE HARDWARE

Key	Part Number	U/M	Description
	004481-00-000	EA	Shower Curtain - 70" x 32" - Vinyl
	102075-03-01A	EA	Rod - Shower Curtain
	009136-02-000	EA	Hangar - Ring - Pin Type - Curtain - Brass
	075241-04-000	EA	Faucet - Shower - Brass (US)
	075241-05-000	EA	Faucet - Shower - Bone (CSA)
	011048-02-000	EA	Shower Head - w/60" Hose (US)
	011048-05-000	EA	Shower Head - w/60" Hose (CSA)
	075606-01-000	EA	Shower Panel - Faucet - Plastic
	M02673-05-B13	EA	Shower Pan Asm. - 29.0" x 22.7" x 5.7" - Off White
	101436-01-01A	EA	Shower Shroud - Passenger Side - Off White
	101437-01-01A	EA	Shower Shroud - Driver Side & Back - Off White
	101438-01-01A	EA	Cap - Shower - Off White
	066729-01-000	EA	Strainer - Bathtub Asm.
	066440-01-000	EA	Strainer w/Rubber Washer
	066435-01-000	EA	Nut Strainer - Plastic - Bathtub Asm.
	066436-01-000	EA	Slip Nut - 1.5" Tallpiece - Bathtub Asm.
	069735-01-000	EA	Washer - Tallpiece - 1.5" - Plastic - Bathtub Asm.
	075240-05-000	EA	Faucet - Lavatory - Brass (US)
	075240-06-000	EA	Faucet - Lavatory - Bone (CSA)
	091253-01-000	EA	Gasket - Lavatory Faucet
	011069-02-000	EA	Tallpiece - 1.5" x 1.25" x 4" - Plastic
	096927-01-01A	EA	Sink - Rectangular - Ivory Plastic
	075452-02-000	EA	Toilet Tissue Holder - Brass (US)
	075454-02-000	EA	Towel Ring - Bright Brass
	009089-01-000	EA	Clip - Mirror
	067487-01-000	EA	Toilet - Ivory
	063740-01-700	EA	Lever - Water - Thefford 12514
	063740-01-701	EA	Lever - Flush - Thefford 12515
	063740-01-706	EA	Bolt Package - Closet - Thefford 12524
	063740-01-710	EA	Link - Thefford 12513
	063740-01-711	EA	Spring - Return Lever - Thefford 12523
	063740-01-713	EA	Seal - Ball Valve To Bowl - Thefford 12502
	063740-01-714	EA	Valve - Asm. - Water - Thefford 12492
	063740-01-716	EA	Seat & Cover - Thefford 15017
	063740-01-717	EA	Tube - Flush - Toilet - Thefford 12509
	093586-03-000	EA	Catch - Spring - Roiler
	093586-04-000	EA	Strike - Spring Steel
	059777-02-000	EA	Hinge - Cabinet Door - Brass
	096645-01-000	EA	Pull - Cabinet Brass - Twist - 1.1" x 3.4"
	074493-02-000	EA	Support - Piston Spring - Cabinet Door

NOTE: Items indented below assemblies are serviceable parts for that assembly.

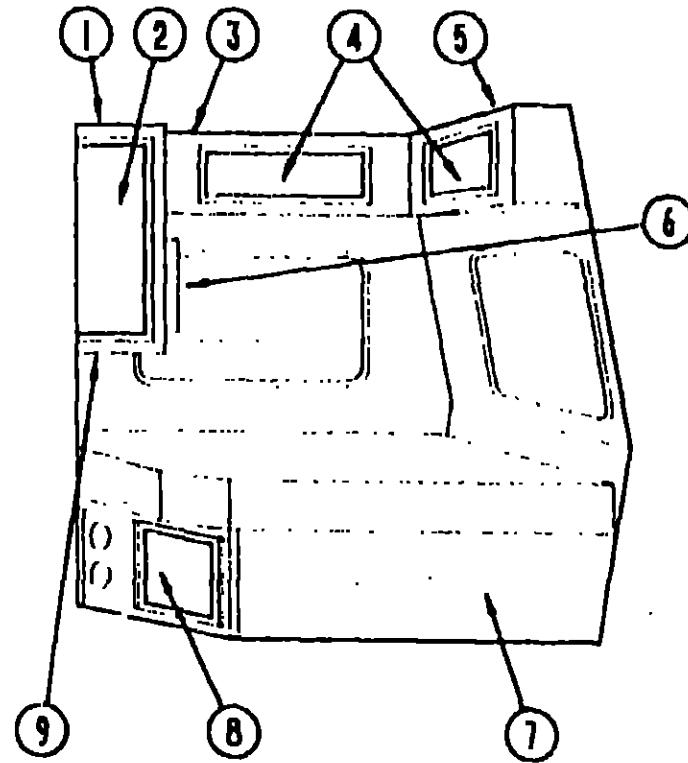
**1991 ITASCA
TABLE OF CONTENTS**

INTRODUCTION	A-01 - A-02
ABBREVIATIONS	A-03
ALPHABETICAL INDEX	A-04 - A-06
IF424RC	A-07 - D-10
IF427RT	D-11 - G-20

1991 IF424RC INDEX

Floor Plan	A-07 - A-08
Accessories Group	A-09 - A-12
Bath Group	A-13 - A-14
Bedroom Group	A-15
Chassis Group	A-16 - A-19
Curtain, Cushion & Pad Group	A-20 - B-04
Dinette Group	B-05 - B-06
Driver's Compartment Group	B-07 - B-08
Electrical Group	B-09 - B-12
Exterior Body Group	B-13 - B-16
Galley Group	B-17 - B-21
Heating & Air Conditioning Group	B-22 - B-23
Interior Finish Group	B-24 - C-02
Labels Group	C-03 - C-10
LP Group	C-11
Lounge Group	C-12
Sealants & Fasteners Group	C-13 - C-15
Water & Sewage Group	C-16 - C-18
Window, Vent & Exterior Door Group	C-19 - D-09

BEDROOM GROUP



BEDROOM CABINETHY

Key	Part Number	U/M	Description
1	099189-01-B35	EA	Cabinet Asm. - Shirt Closet - w/o Door or Hardware
2	P00523-24-B35	EA	Door Asm. - Shirt Closet - 14.3" x 33.5" - w/o Hardware
3	M04183-13-B35	EA	Cabinet Asm. - Overhead - w/o Door or Hardware
	081280-15-B35	EA	End Cap - Overhead Cabinet
4	P00523-35-B35	EA	Door Asm. - Overhead - 11.4" x 28.1" - w/o Hardware
5	M04183-14-B35	EA	Cabinet Asm. - Rear Overhead - w/o Door or Hardware
6	084357-02-W24	EA	TV Stand Asm.
7	P01623-01-B27	EA	Cabinet Asm. - Double Bed - w/o Doors, Hardware or Top
	M03093-04-B35	EA	Top - Double Bed Cabinet - Right Side
	M03093-05-B35	EA	Top - Double Bed Cabinet - Left Side
8	P00523-58-B35	EA	Door Asm. - Double Bed - 12" x 18 7" - w/o Hardware
9	099191-01-B35	EA	End Cap Asm. - Shirt Closet - Vinyl
	093586-03-000	EA	Catch - Spring - Roller
	093586-04-000	EA	Strike - Spring Steel
	059777-02-000	EA	Hinge - Cabinet Door - Brass
	096645-01-000	EA	Pull - Cabinet Brass - Twist - 1.1" x 3.4"
	074493-02-000	EA	Support - Piston Spring - Cabinet Door

The illustration for these items can be found in the Interior Finish Group.

TV STAND & HARDWARE

Key	Part Number	U/M	Description
	084357-02-W24	EA	Stand - Fold Down - TV w/Mirrors
	058331-04-000	EA	Mirror - Safety Glass - 14" x 12.7"
	084356-04-000	EA	Insert - TV Stand - w/Support Hinge - Beige
	084412-01-000	EA	Support - Hinged
	023320-01-000	EA	Pad - Felt - 3/8" Dia
	084451-01-000	EA	Catch - TV Shelf - Brass
	084413-01-000	EA	Continuous Hinge - Aluminum - 1" x 72" - w/Holes

CHASSIS GROUP

MISCELLANEOUS

Key	Part Number	U/M	Description
	065450-05-000	EA	Battery Terminal
	010497-01-000	EA	Clamp - Closed - 5/8" ID
	007161-01-000	EA	Clamp - Hose - Spring Type - 112
	062401-01-000	EA	Clamp - Hose - Wormgear - 22" ID - 1" ID
	062401-02-000	EA	Clamp - Hose - Wormgear - 1.56" ID - 2.5" ID
	062401-03-000	EA	Clamp - Hose - Wormgear - 25" ID - 1" ID
	062401-04-000	EA	Clamp - Hose - Wormgear - 69" ID - 1.25" ID
	062401-05-000	EA	Clamp - Hose - Wormgear - 2" ID - 3" ID
	062401-06-000	EA	Clamp - Hose - Wormgear - 22" ID - 62" ID
	023146-01-000	EA	Clamp - Screw Type - 4"
	091952-02-000	EA	Clip - Gripper - 3/4"
	077499-01-000	EA	Boot - Battery Terminal - Double Cable
	071015-07-000	EA	Grommet - Rubber - 1" ID x 2.25" OD - w/66" Groove - Black
	071015-13-000	EA	Grommet - Rubber - 62" ID x 1" OD w/09 Groove - Black
	071015-14-000	EA	Grommet - Rubber - 38" ID x 1.25" OD - w/09 Groove - Black
	071015-17-000	EA	Grommet - Rubber - 38" ID x 1.25" OD - w/06 Groove - Black
	007063-01-000	EA	Hose - Fuel - 1/4" ID x 1/2" OD
	045731-01-000	EA	Rock Guard - Rear Mud Flap - 8" x 18" (Steel)
	106141-01-000	EA	Mud Flap - Black w/Holes - "Winnabago" Logo - Black
	017516-01-000	EA	Mud Flaps w/Holes - 14" x 18" - Black
	064089-01-700	EA	Mud Flap - Black Rubber (Set/2)
	079384-05-000	EA	Running Boards - Passenger
	079384-06-000	EA	Running Boards - Driver
	079384-11-000	EA	Hardware Set - Running Boards
	101396-01-000	EA	Running Board - Passenger
	101396-02-000	EA	Running Board - Driver
	101396-03-000	EA	Hardware Kit - Running Boards
	079942-05-000	EA	Shock Absorber - Stabilizer - Front
	079942-06-000	EA	Shock Absorber - Stabilizer - Rear
	076241-01-000	EA	Support Asm. - Step
	077848-01-000	EA	Step Asm. - Entry
	057724-01-000	EA	Wheelwell - Plastic
	008343-01-000	EA	Wire Tie - 6"
	080359-02-000	EA	Step Well Plate - Ford

* These parts were used from 3/1/91 on

GENERATORS & COMPONENTS (OPTION L39E)

Key	Part Number	U/M	Description
	100974-02-000	EA	Generator - 4.0 kw - Emerald Plus - FA/26109G
	100974-05-000	EA	Generator - 4.0 kw - Emerald Plus - FA/29237
	093591-01-000	EA	Exhaust Pipe - Generator
	096252-01-000	EA	Exhaust Pipe - w/2 Bolt Holes - Flange
	068322-03-000	EA	Tube - Exhaust - 1.5" ID - 90° - 12.7" Long
	086494-01-000	EA	Bracket - Exhaust - w/Double Bend
	007125-01-000	EA	Clamp - Muffler - 1.62" Dia.
	007125-04-000	EA	Clamp - Muffler - 1.12" Dia.
	007161-01-000	EA	Clamp - Hose - Spring Type - 112
	007067-01-000	EA	Insulation - Fiberglass - 1"
	078137-02-000	EA	Tray Asm. - Compartment
	086246-01-000	EA	Mounting Tray - Generator
	007063-01-000	EA	Hose - Gas - 1 1/4" ID x 1/2" O.D.

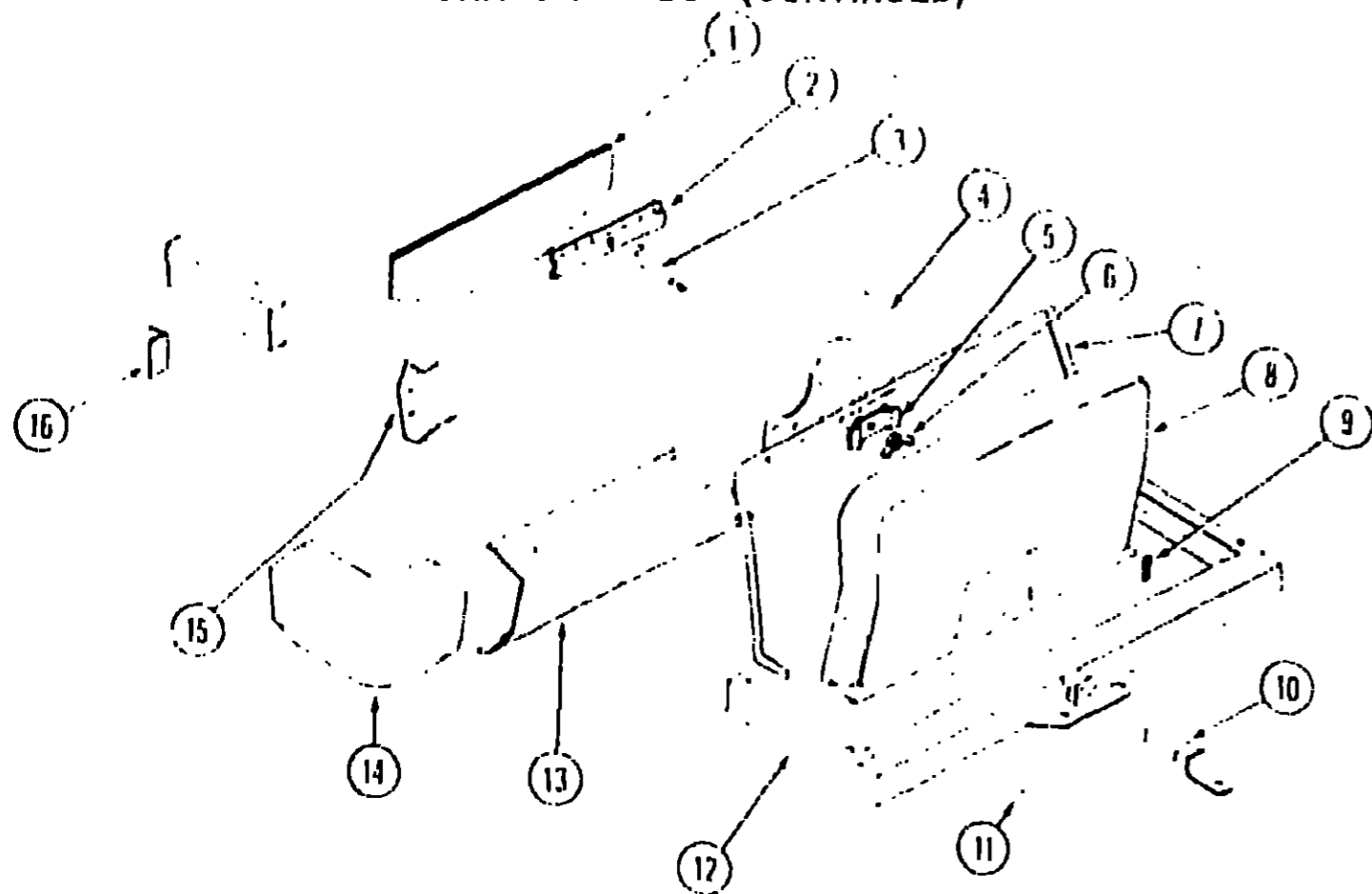
1991 ITASCA TABLE OF CONTENTS

INTRODUCTION	A-01 - A-02
ABBREVIATIONS	A-01
ALPHABETICAL INDEX	A-04 - A-66
IF424RC	A-07 - D-10
IF424RT	D-11 - G-26

1991 IF424RC INDEX

Floor Plan	A-07 - A-08
Accessories Group	A-09 - A-12
Bath Group	A-13 - A-14
Bedroom Group	A-15
Chassis Group	A-16 - A-19
Curtain, Cushion & Pad Group	A-20 - B-04
Dinette Group	B-05 - B-06
Driver's Compartment Group	B-07 - B-08
Electrical Group	B-09 - B-12
Exterior Body Group	B-13 - B-16
Galley Group	B-17 - B-21
Heating & Air Conditioning Group	B-22 - B-23
Interior Finish Group	B-24 - C-02
Labels Group	C-03 - C-10
LP Group	C-11
Lounge Group	C-12
Sealants & Fasteners Group	C-13 - C-15
Water & Sewage Group	C-16 - C-18
Window, Vent & Exterior Door Group	C-19 - D-09

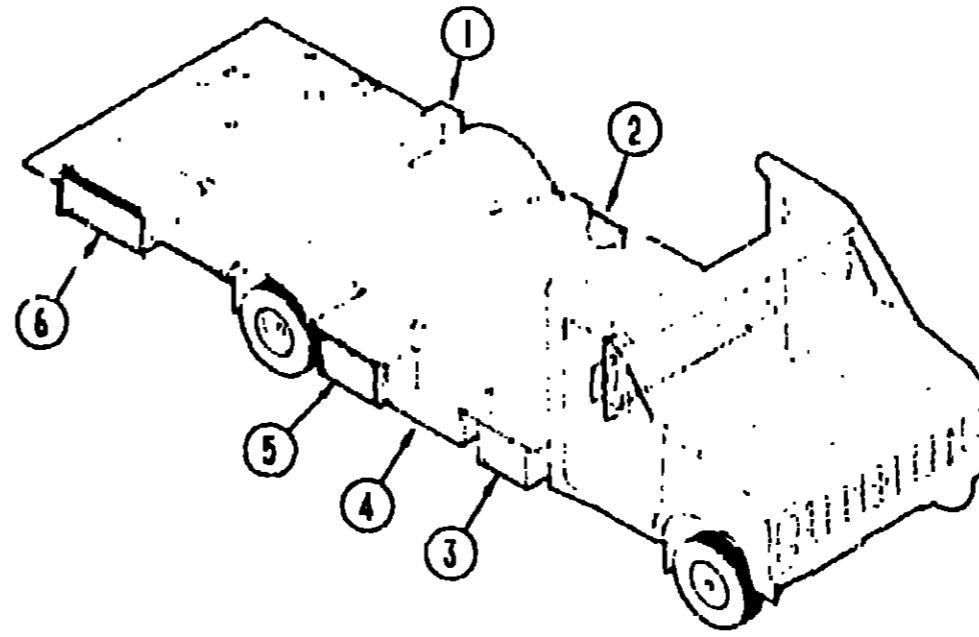
CHASSIS GROUP (CONTINUED)



TRAILER HITCH, SPARE TIRE & REAR BUMPER

Key	Part Number	U/M	Description
1	077395-01-000	EA	Dust Shield - Spare Tire
2	077403-01-000	EA	Rod Support - Spare Tire
3	077411-01-000	EA	Retaining Rod
4	070917-02-000	EA	Tire - LT215/85R16 LRD - Michelin XCA
4	070917-04-000	EA	Tire - LT215/85R16 LRD 4RS - Firestone
	083617-01-000	EA	Wheel - 6" x 16" - 8 Hole
	051377-01-000	EA	Valve Stem
	095012-03-000	EA	Extension - Valve Stem - Dual Wheel
	077030-02-000	EA	Extension - Valve Stem - 1.25
5	077399-01-000	EA	Spare Tire Retainer
	077759-01-000	EA	Support Spacer - Spare Tire
6	064081-01-000	EA	Wing Nut
7	077941-01-000	EA	Seal - Tire Cover
8	079165-01-U10	EA	Tire Cover Asm
	077408-01-000	EA	Lock Asm - Tire Cover
	077392-01-000	EA	Strike - Latch
	077394-02-000	EA	Support Asm - Strike
	058027-01-000	FT	Seal - Tire Cover - "D" Section - Sponge Rubber
9	034513-01-000	EA	Pin - Hitch - 3/16" Wire
10	077613-01-000	EA	Drawbar Asm.
11	034512-01-000	EA	Pin - Locking Drawbar
12	077617-02-000	EA	Hitch Asm - w/o Drawbar
	015365-01-000	EA	Pin - Tire Carrier
13	078584-09-000	EA	Bumper - Rear - Chrome
14	078578-06-000	EA	Bumper - End Cap - Rear - Driver
	078578-05-000	EA	Bumper - End Cap - Rear - Passenger
15	078670-02-000	EA	Bracket Asm. - Bumper Rear
16	078668-01-000	EA	Support Angle - Bumper Rear
	079018-01-000	EA	Strap - Tire Carrier
	078760-02-000	EA	Plate Asm. - Bumper - Mounting - Passenger
	078760-03-000	EA	Plate Asm. - Bumper - Mounting - Driver
	080374-01-000	EA	Plate - Tire Carrier Holder
	076767-02-000	EA	Cable - 1/16" x 16.5" - Stainless Steel
	072463-02-000	EA	Spring Hook - 5/8" Eye

CHASSIS GROUP (CONTINUED)



STORAGE COMPARTMENTS

Key	Part Number	U/M	Description
1	088580-08-000	EA	Compartment - Power Cord - Black Plastic
2	078781-03-000	EA	Compartment - Storage
3	074889-01-000	EA	Tray - Battery - 19.5" x 19.5" - Steel
3	074994-01-000	EA	Guide - Track - Battery Tray
4	077848-01-000	EA	Step Asm. - Pullout
5	078781-12-000	EA	Compartment - Storage
6	086246-01-000	EA	Tray - Mounting - Generator

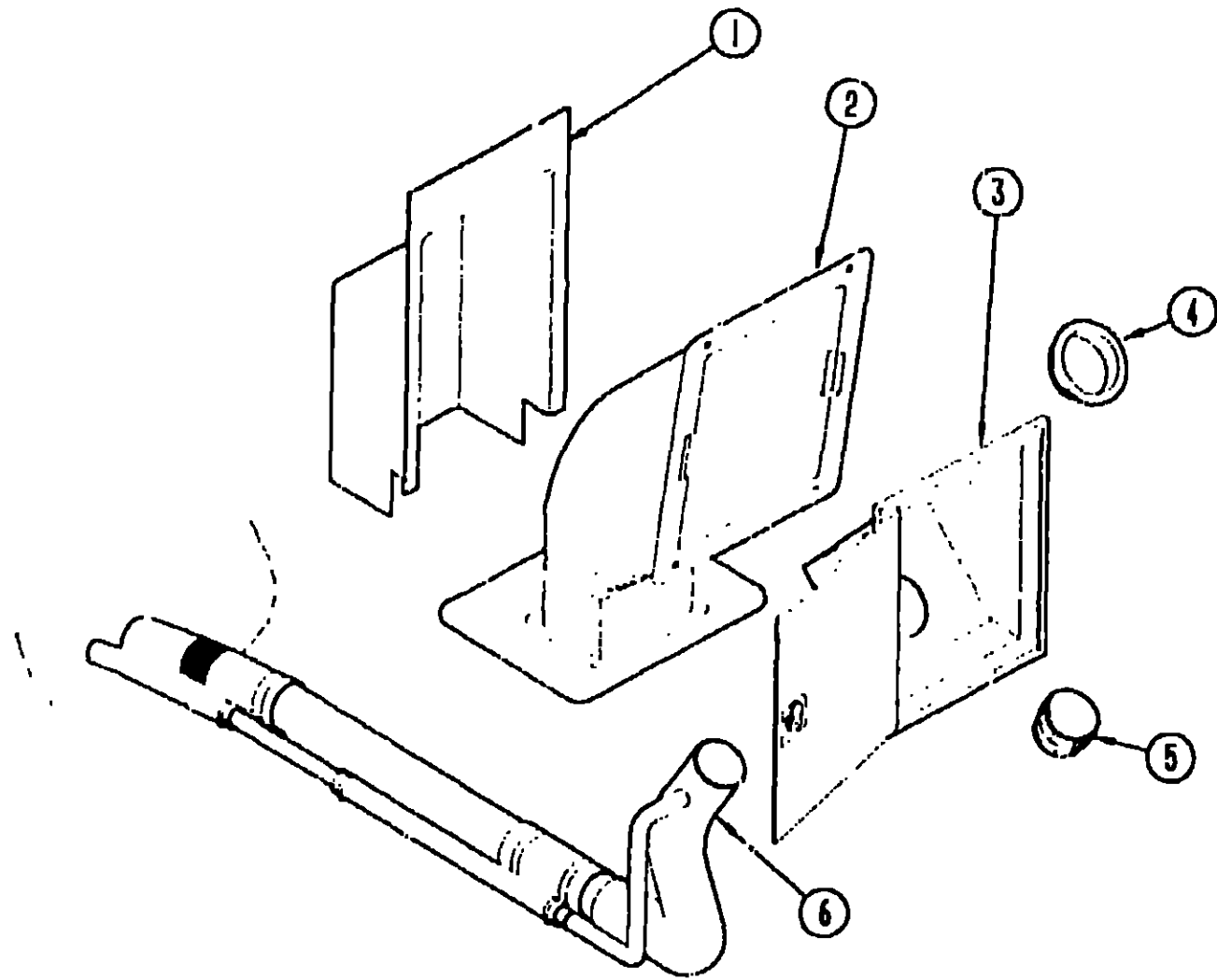
1991 ITASCA
TABLE OF CONTENTS

INTRODUCTION	A-01 - A-02
ABBREVIATIONS	A-03
ALPHABETICAL INDEX	A-04 - A-06
IF PARTS	A-07 - D-10
IF PART	D-11 - G-20

1991 IF424RC INDEX

Floor Plan	A-0 - A-08
Accessories Group	A-09 - A-12
Bath Group	A-13 - A-14
Bedroom Group	A-15
Chassis Group	A-16 - A-19
Curtain, Cushion & Pad Group	A-20 - B-04
Dinette Group	B-05 - B-06
Driver's Compartment Group	B-07 - B-08
Electrical Group	B-09 - B-12
Exterior Body Group	B-13 - B-16
Galley Group	B-17 - B-21
Heating & Air Conditioning Group	B-22 - B-23
Interior Finish Group	B-24 - C-02
Labels Group	C-03 - C-10
L.P. Group	C-11
Lounge Group	C-12
Sealants & Fasteners Group	C-13 - C-15
Water & Sewage Group	C-16 - C-18
Window, Vent & Exterior Door Group	C-19 - D-09

CHASSIS GROUP (CONTINUED)



FUEL FILL COMPARTMENT

Key	Part Number	U/M	Description
1	078040-01-000	EA	Shroud - Fuel Fill - Upper
2	083578-01-000	EA	Boot - Fuel Fill
	084235-01-000	EA	Support Flange - Fuel Fill Boot
3	078010-03-000	EA	Door Asm. - Fuel Fill - Off White
4	078200-01-000	EA	Gasket - Fuel Fill
5	NOTE	EA	Fuel Cap
6	081187-03-000	EA	Filler Neck - Fuel Fill
	066732-01-000	FT	Hose - Fuel Fill - 62" ID
	024138-01-000	FT	Hose - Fuel Fill - 5/16" ID
	087205-05-000	EA	Label - Fuel Cap Removal

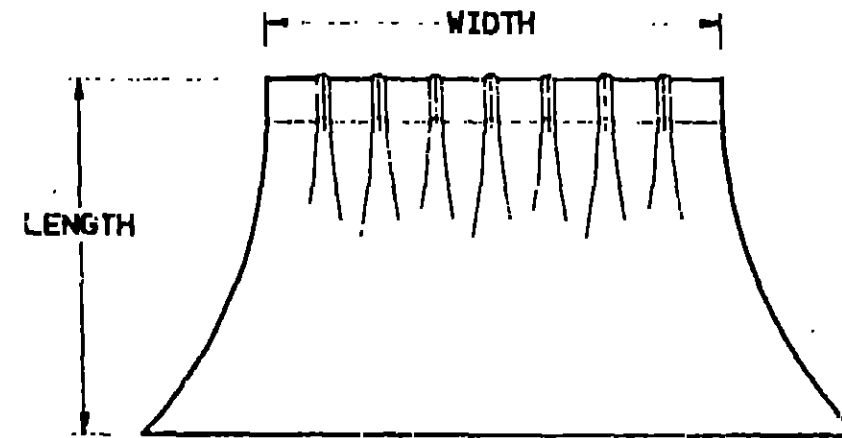
* This part is chassis supplied

CURTAIN, CUSHION & PAD GROUP

NOTICE

In order to assist our Parts Sales Dept. in providing interior software items, please include the serial number and the color code number from the vehicle certification label when ordering. This label is located on the left sidewall at the end of the dash (A-Body), or on the driver's door latch plate (C-Body).

An example of a color code number is P31, which designates an overall color scheme of a particular unit. The color listed after the item description on the microfiche, indicates the overall unit color. Order the item you desire according to unit color code.



NOTE: Use this illustration when determining length and width measurements for curtains. You will note the width measurement is taken on the top of the curtain with the curtain fully extended. The length measurement is taken from top to bottom.

FABRICS & FLOOR COVERINGS

Key	Part Number	U/M	Description
	096008-57-000	YD	Fabric - Main Upholstery - Cocoa (B35)
	096008-56-000	YD	Fabric - Main Upholstery - Gray (B36)
	096008-55-000	YD	Fabric - Main Upholstery - Plum (B37)
	096008-50-000	YD	Fabric - Patterned Accent - Cocoa (B35)
	096008-59-000	YD	Fabric - Patterned Accent - Gray (B36)
	096008-58-000	YD	Fabric - Patterned Accent - Plum (B37)
	096008-62-000	YD	Fabric - Plain Accent - Cocoa (B35)
	096008-31-000	YD	Fabric - Plain Accent - Gray (B36)
	096008-61-000	YD	Fabric - Plain Accent - Plum (B37)
	072333-67-000	YD	Fabric - Speaker Cover
	072333-77-000	YD	Fabric - Drapery/Curtain - Taupe
	072333-76-000	YD	Fabric - Drapery/Curtain - silver
	088273-53-000	YD	Fabric - Bedspread/Curtain - Patterned - 54" (B35)
	088273-55-000	YD	Fabric - Bedspread/Curtain - Patterned - 54" (B36)
	088273-54-000	YD	Fabric - Bedspread/Curtain - Patterned - 54" (B37)
	079680-07-000	YD	Vinyl - Expanded - Beige (End Caps)
	029219-01-000	YD	Vinyl - Fabric - 54" Wide - White (Assist Handle)
	075244-03-000	YD	Vinyl - Shower - Almond
	079680-09-000	YD	Vinyl - Off White (Wingwall)
	103907-01-01A	YD	Vinyl - Off White (Wingwall)
	047034-02-000	SF	Plastic - Carpet - Runner - 4" Wide - Clear Poly
	096060-15-000	SY	Carpet - Sand (B35)
	096060-18-000	SY	Carpet - Silver Cloud (B36)
	096060-20-000	SY	Carpet - Aubergine (B37)

* These parts are used from 4/7/91 on.

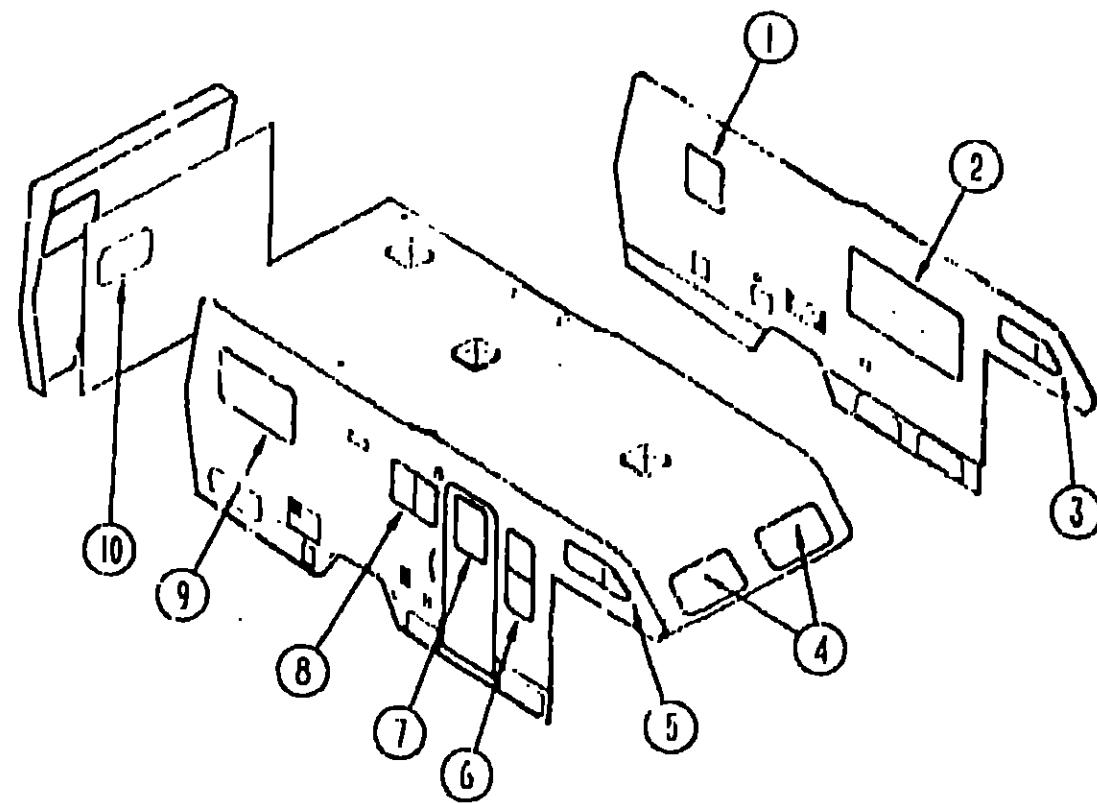
1991 ITASCA TABLE OF CONTENTS

INTRODUCTION	A-01 - A-02
ABBREVIATIONS	A-03
ALPHABETICAL INDEX	A-04 - A-06
IF424RC	A-07 - D-10
IF427RT	D-11 - G-20

1991 IF424RC INDEX

Floor Plan	A-07 - A-08
Accessories Group	A-09 - A-12
Bath Group	A-13 - A-14
Bedroom Group	A-15
Chassis Group	A-16 - A-19
Curtain, Cushion & Pad Group	A-20 - B-04
Dinette Group	B-05 - B-06
Driver's Compartment Group	B-07 - B-08
Electrical Group	B-09 - B-12
Exterior Body Group	B-13 - B-16
Galley Group	B-17 - B-21
Heating & Air Conditioning Group	B-22 - B-23
Interior Finish Group	B-24 - C-02
Labels Group	C-03 - C-10
LP Group	C-11
Lounge Group	C-12
Sealants & Fasteners Group	C-13 - C-15
Water & Sewage Group	C-16 - C-18
Window, Vent & Exterior Door Group	C-19 - D-09

CURTAIN, CUSHION & PAD GROUP (CONTINUED)



CURTAINS, SHADES, VALANCES & TIEBACKS

Key	Part Number	U/M	Description
1	101613-08-B35	EA	Valance Asm. - 20" w/Sweep
1	101613-08-B36	EA	Valance Asm. - 20" w/Sweep
1	101613-08-B37	EA	Valance Asm. - 20" w/Sweep
1	093475-72-01A	EA	Mini Blind - 13.5" x 28.5" Drop
*1	093475-72-02A	EA	Mini Blind - 13.5" x 28.5" Drop (B35)
*1	093475-72-03A	EA	Mini Blind - 13.5" x 28.5" Drop (B36, B37)
1	100281-15-B35	EA	Leg Asm. - Front w/Holes - 27"
1	100281-15-B36	EA	Leg Asm. - Front w/Holes - 27"
1	100281-15-B37	EA	Leg Asm. - Front w/Holes - 27"
1	100281-14-B35	EA	Leg Asm. - Rear w/o Holes - 27"
1	100281-14-B36	EA	Leg Asm. - Rear w/o Holes - 27"
1	100281-14-B37	EA	Leg Asm. - Rear w/o Holes - 27"
2	101427-01-B32	EA	Valance Asm. - Front w/Design - 31.5"
2	093475-11-08A	EA	Mini Blind - 57.5" x 33" Drop
*2	093475-11-03A	EA	Mini Blind - 57.5" x 33" Drop (B35)
*2	093475-11-10A	EA	Mini Blind - 57.5" x 33" (B35, B37)
2	101079-02-B29	EA	Leg Asm. - Front w/Hole - 31.5" (B35)
2	101079-02-B30	EA	Leg Asm. - Front w/Hole - 31.5" (B36)
2	101079-02-B31	EA	Leg Asm. - Front w/Hole - 31.5" (B37)
2	101079-04-B29	EA	Leg Asm. - Rear w/Hole - 31.5" (B35)
2	101079-04-B30	EA	Leg Asm. - Rear w/Hole - 31.5" (B36)
2	101079-04-B31	EA	Leg Asm. - Rear w/Hole - 31.5" (B37)
3	097878-24-B35	EA	Valance Asm. - 5.5" x 34" - Flat (B35)
3	097878-24-B36	EA	Valance Asm. - 5.5" x 34" - Flat (B36, B37)
3	101034-01-B13	EA	Curtain Asm. w/Darts - 16" x 25" (B35)
3	101034-01-B15	EA	Curtain Asm. w/Darts - 21" x 25" (B36, B37)
4	097878-22-B35	EA	Valance Asm. - 7" x 85.5" - Flat
4	097878-22-B36	EA	Valance Asm. - 7" x 85.5" - Flat
4	097878-22-B37	EA	Valance Asm. - 7" x 85.5" - Flat
4	101034-04-B13	EA	Curtain Asm. w/Darts - 21" x 45" (B35)
4	101034-04-B15	EA	Curtain Asm. w/Darts - 21" x 45" (B36, B37)

* These parts were used from 1-14-91 on.

CURTAIN, CUSHION & PAD GROUP (CONTINUED)

CURTAINS, SHADES, VALANCES & TIEBACKS (CONT.)

Key	Part Number	U/M	Description
5	097878-23-B35	EA	Valance Asm. - 5.5" x 34" - Flat (B35)
5	097878-23-B36	EA	Valance Asm. - 5.5" x 34" - Flat (B36, B37)
5	101034-01-B13	EA	Curtain Asm. w/Darts - 16" x 25" (B35)
5	101034-01-B15	EA	Curtain Asm. w/Darts - 21" x 25" (B36, B37)
6	101427-10-B35	EA	Valance Asm. - Wood w/Design - 52.2"
6	093475-66-01A	EA	Mini Blind - 17.5" x 40.5" Drop
*6	093475-66-02A	EA	Mini Blind - 17.5" x 40.5" Drop (B35)
*6	093475-66-03A	EA	Mini Blind - 17.5" x 40.5" Drop (B36, B37)
7	084755-57-007	EA	Shade Asm. - Laminate - 27.25"
8	101427-04-B35	EA	Valance Asm. - Wood w/Design
8	093475-61-01A	EA	Mini Blind - 26" x 17" Drop
*8	093475-61-02A	EA	Mini Blind - 26" x 17" Drop (B35)
*8	093475-61-03A	EA	Mini Blind - 26" x 17" Drop (B36, B37)
9	101613-04-B35	EA	Valance Asm. - 14.5" w/Sweep (B35)
9	101613-04-B36	EA	Valance Asm. - 14.5" w/Sweep (B36)
9	101613-01-B34	EA	Valance Asm. - 14.5" w/Sweep (B37)
9	096335-46-B35	EA	Plated Blind - 39.5" x 28" Drop (B35)
9	096335-46-B36	EA	Plated Blind - 39.5" x 28" Drop (B36)
9	096335-46-B37	EA	Plated Blind - 39.5" x 28" Drop (B37)
9	100281-15-B35	EA	Leg Asm. - Rear w/Hole - 27"
9	100281-15-B36	EA	Leg Asm. - Rear w/Hole - 27"
9	100281-15-B37	EA	Leg Asm. - Rear w/Hole - 27"
9	100281-16-B35	EA	Leg Asm. - Front w/Hole - 27"
9	100281-16-B36	EA	Leg Asm. - Front w/Hole - 27"
9	100281-16-B37	EA	Leg Asm. - Front w/Hole - 27"
10	101613-07-B35	EA	Valance Asm. - 31.7" w/Sweep
10	101613-07-B36	EA	Valance Asm. - 31.7" w/Sweep
10	101613-07-B37	EA	Valance Asm. - 31.7" w/Sweep
10	096335-31-B35	EA	Plated Blind - 27.5" x 28" (B35, B37)
10	096335-31-B36	EA	Plated Blind - 27.5" x 28" (B36)
10	100281-13-B35	EA	Leg Asm. - Right - w/o Hole - 27"
10	100281-13-B36	EA	Leg Asm. - Right - w/o Hole - 27"
10	100281-13-B37	EA	Leg Asm. - Right - w/o Hole - 27"
10	100281-14-B35	EA	Leg Asm. - Left - w/o Hole - 27"
10	100281-14-B36	EA	Leg Asm. - Left - w/o Hole - 27"
10	100281-14-B37	EA	Leg Asm. - Left - w/o Hole - 27"
084481-08-000	EA	Curtain Asm. - Shower - Vinyl	
101668-01-B13	EA	Curtain Asm. w/Tape Top - 54" x 50" (Room Divider) (B35)	
101668-01-B15	EA	Curtain Asm. w/Tape Top - 54" x 50" (Room Divider) (B36, B37)	
101668-05-B35	EA	Curtain Asm. w/Tape Top - 30" x 50" (Bunk Privacy) Right (B35)	
101668-05-B36	EA	Curtain Asm. w/Tape Top - 30" x 50" (Bunk Privacy) Right (B36, B37)	
101668-06-B35	EA	Curtain Asm. w/Tape Top - 30" x 50" (Bunk Privacy) Left (B35)	
101668-06-B36	EA	Curtain Asm. w/Tape Top - 30" x 50" (Bunk Privacy) Left (B36, B37)	
076892-06-B07	EA	Curtain Asm. w/Tape Top - 40" x 72" (Front Wraparound) (B35)	
076892-06-B09	EA	Curtain Asm. w/Tape Top - 40" x 72" (Front Wraparound) (B36, B37)	
073260-23-B14	EA	Tieback Asm. - 3" x 18" (Drapery) (B35)	
073260-23-B15	EA	Tieback Asm. - 3" x 18" (Drapery) (B36, B37)	
057534-01-000	EA	Tieback - Clear Plastic - 6"	

* These parts were used from 01/14/91 on.

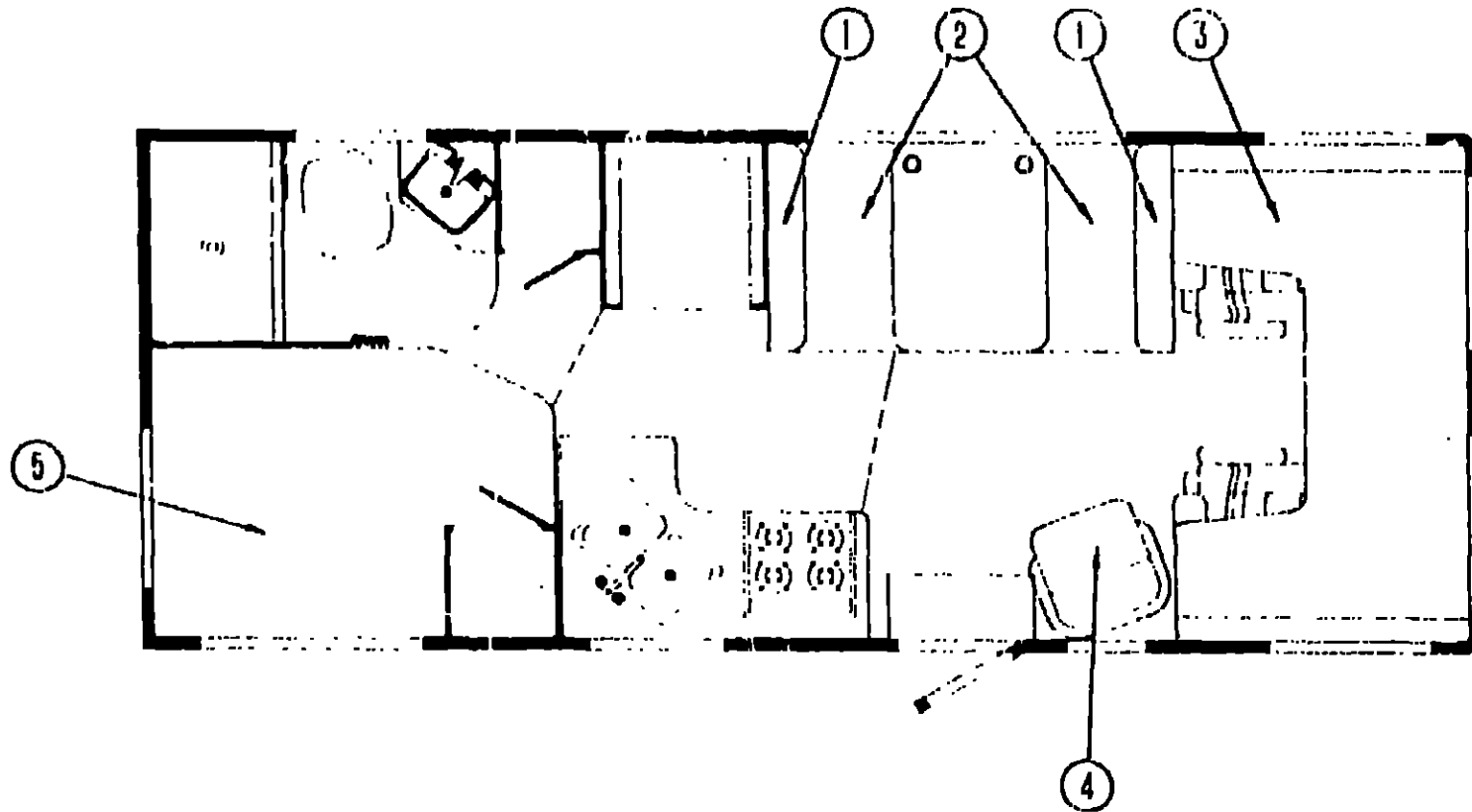
**1991 ITASCA
TABLE OF CONTENTS**

INTRODUCTION	A-01 - A-02
ABBREVIATIONS	A-03
ALPHABETICAL INDEX	A-04 - A-06
IF424RC	A-07 - D-10
IF427RT	D-11 - G-20

1991 IF424RC INDEX

Floor Plan	A-07 - A-08
Accessories Group	A-09 - A-12
Bath Group	A-13 - A-14
Bedroom Group	A-15
Chassis Group	A-16 - A-19
Curtain, Cushion & Pad Group	A-20 - B-04
Dinette Group	B-05 - B-06
Driver's Compartment Group	B-07 - B-08
Electrical Group	B-09 - B-12
Exterior Body Group	B-13 - B-16
Galley Group	B-17 - B-21
Heating & Air Conditioning Group	B-22 - B-23
Interior Finish Group	B-24 - C-02
Labels Group	C-03 - C-10
LP Group	C-11
Lounge Group	C-12
Sealants & Fasteners Group	C-13 - C-15
Water & Sewage Group	C-16 - C-18
Window, Vent & Exterior Door Group	C-19 - D-09

CURTAIN, CUSHION & PAD GROUP (CONTINUED)



DINETTE CUSHIONS

Key	Part Number	U/M	Description
1	088927-80-B29	EA	Cushion Asm. - Dinette Back - 14.5" x 38" x 5" (B35)
1	088927-80-B30	EA	Cushion Asm. - Dinette Back - 14.5" x 38" x 5" (B36)
1	088927-80-B31	EA	Cushion Asm. - Dinette Back - 14.5" x 38" x 5" (B37)
	M88927-80-B29	EA	Cover Asm. - Dinette Back Cushion (B35)
	M88927-80-B30	EA	Cover Asm. - Dinette Back Cushion (B36)
	M88927-80-B31	EA	Cover Asm. - Dinette Back Cushion (B37)
2	088927-87-B29	EA	Cushion Asm. - Dinette Seat - 23" x 38" x 5" (B35)
2	088927-87-B30	EA	Cushion Asm. - Dinette Seat - 23" x 38" x 5" (B36)
2	088927-87-B31	EA	Cushion Asm. - Dinette Seat - 23" x 38" x 5" (B37)
	M88927-87-B29	EA	Cover Asm. - Dinette Seat Cushion (B35)
	M88927-87-B30	EA	Cover Asm. - Dinette Seat Cushion (B36)
	M88927-87-B31	EA	Cover Asm. - Dinette Seat Cushion (B37)
	078155-01-000	EA	Strap Asm. - Dinette Cushions
	096008-57-000	YD	Fabric - Dinette Cushions (B35)
	096008-56-000	YD	Fabric - Dinette Cushions (B36)
	096008-55-000	YD	Fabric - Dinette Cushions (B37)

CURTAIN, CUSHION & PAD GROUP (CONTINUED)

FRONT BUNK CUSHIONS

Key	Part Number	U/M	Description
3	084753-18-B35	EA	Cushion Asm. - U - Shaped - 53" x 90" x 5"
3	084753-18-B36	EA	Cushion Asm. - U - Shaped - 53" x 90" x 5"
3	084753-18-B37	EA	Cushion Asm. - U - Shaped - 53" x 90" x 5"
	M84753-18-B35	EA	Cover Asm. - U - Shaped Bunk Cushions
	M84753-18-B36	EA	Cover Asm. - U - Shaped Bunk Cushions
	M84753-18-B37	EA	Cover Asm. - U - Shaped Bunk Cushions
	084753-19-B35	EA	Cushion Asm. - Front Bunk Filler - 25" x 54" x 5"
	084753-19-B36	EA	Cushion Asm. - Front Bunk Filler - 25" x 54" x 5"
	084753-19-B37	EA	Cushion Asm. - Front Bunk Filler - 25" x 54" x 5"
	M84753-19-B35	EA	Cover Asm. - Front Filler Cushion
	M84753-19-B36	EA	Cover Asm. - Front Filler Cushion
	M84753-19-B37	EA	Cover Asm. - Front Filler Cushion
3	084753-37-B35	EA	Cushion Asm. - U - Shaped - 53.5" x 92" x 5"
3	084753-37-B36	EA	Cushion Asm. - U - Shaped - 53.5" x 92" x 5"
3	084753-37-B37	EA	Cushion Asm. - U - Shaped - 53.5" x 92" x 5"
	M84753-37-B35	EA	Cover Asm. - U - Shaped Bunk Cushions
	084753-37-B36	EA	Cover Asm. - U - Shaped Bunk Cushions
	084753-37-B37	EA	Cover Asm. - U - Shaped Bunk Cushions
	084753-32-B35	EA	Cushion Asm. - Front Bunk Filler - 26.5" x 59.5" x 5"
	084753-32-B36	EA	Cushion Asm. - Front Bunk Filler - 26.5" x 59.5" x 5"
	084753-32-B37	EA	Cushion Asm. - Front Bunk Filler - 26.5" x 59.5" x 5"
	M84753-32-B35	EA	Cover Asm. - Front Filler Cushion
	M84753-32-B36	EA	Cover Asm. - Front Filler Cushion
	M84753-32-B37	EA	Cover Asm. - Front Filler Cushion
**	079145-08-000	EA	Cushion Asm. - Bunk - 25" x 74" x 3.5"
**	M99145-08-000	EA	Cover Asm. - Bunk Cushion
	096008-60-000	YD	Fabric - Front Bunk (B35)
	096008-59-000	YD	Fabric - Front Bunk (B36)
	096008-58-000	YD	Fabric - Front Bunk (B37)
	* The e parts were used from 4/24/91 on.		
	** These parts were used with the Front Entertainment Center.		

SWIVEL CHAIR

Key	Part Number	U/M	Description
4	096429-06-B35	EA	Chair Asm. - Aria
4	096429-06-B36	EA	Chair Asm. - Aria
4	096429-06-B37	EA	Chair Asm. - Aria
	M96429-06-B35	EA	Cover Asm. - Aria Chair
	M96429-06-B36	EA	Cover Asm. - Aria Chair
	M96429-06-B37	EA	Cover Asm. - Aria Chair
	099202-01-B35	EA	Skirt Asm. - Aria
	099202-01-B25	EA	Skirt Asm. - Aria (B36)
	099202-01-B37	EA	Skirt Asm. - Aria
	088245-03-000	EA	Plate - Non Tilt - Swivel Chair w/Lock
	088245-01-000	EA	Base w/Legs - Chair
	088245-07-000	EA	Extension - 6"
	069246-06-000	EA	Seat Adjuster - Manual
	069246-07-000	EA	Seat Adjuster - Manual w/Hand
	069705-02-000	EA	Bar - 2.5" x 12.75"
	096008-62-000	YD	Fabric - Swivel Chairs (B35)
	096008-31-000	YD	Fabric - Swivel Chairs (B36)
	096008-61-000	YD	Fabric - Swivel Chairs (B37)

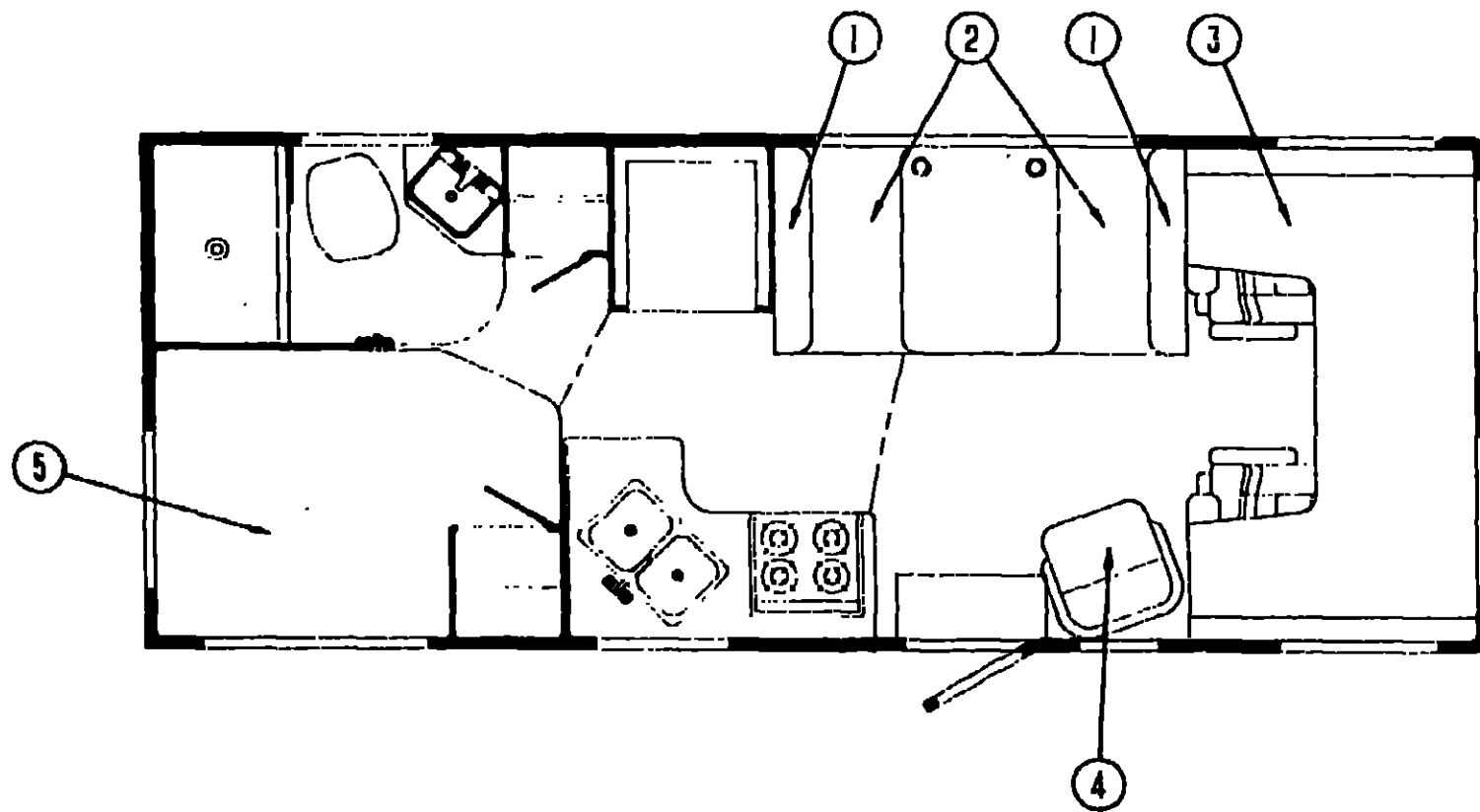
**1991 ITASCA
TABLE OF CONTENTS**

INTRODUCTION	A-01 - A-02
ABBREVIATIONS	A-02
ALPHABETICAL INDEX	A-04 - A-06
IF424RC	A-07 - D-16
IF427RT	D-11 - G-20

1991 IF424RC INDEX

Floor Plan	A-07 - A-08
Accessories Group	A-09 - A-12
Bath Group	A-13 - A-14
Bedroom Group	A-15
Chassis Group	A-16 - A-19
Curtain, Cushion & Pad Group	A-20 - B-04
Dinette Group	B-05 - B-06
Driver's Compartment Group	B-07 - B-08
Electrical Group	B-09 - B-12
Exterior Body Group	B-13 - B-16
Galley Group	B-17 - B-21
Heating & Air Conditioning Group	B-22 - B-23
Interior Finish Group	B-24 - C-02
Labels Group	C-03 - C-10
LP Group	C-11
Lounge Group	C-12
Sealants & Fasteners Group	C-13 - C-15
Water & Sewage Group	C-16 - C-18
Window, Vent & Exterior Door Group	C-19 - D-09

CURTAIN, CUSHION & PAD GROUP (CONTINUED)



DOUBLE BED MATTRESS & BEDSPREAD

Key	Part Number	U/M	Description
5	098176-08-000	EA	Mattress - Innerspring - 53" x 74"
5	085365-08-B35	EA	Bedsprad - 54" - Throw w/Rounded Corners
5	085365-08-B36	EA	Bedsprad - 54" - Throw w/Rounded Corners
5	085365-08-B37	EA	Bedsprad - 54" - Throw w/Rounded Corners
	102161-01-B29	EA	Sham Asm. w/Pillow (B35)
	102161-01-B30	EA	Sham Asm. w/Pillow (B36)
	102161-01-B31	EA	Sham Asm. w/Pillow (B37)
	081997-07-B35	EA	Sham Asm. - Only
	081997-07-B36	EA	Sham Asm. - Only
	081997-07-B37	EA	Sham Asm. - Only
	088273-53-000	YD	Fabric - Bedsprad (B35)
	088273-55-000	YD	Fabric - Bedsprad (B36)
	088273-54-000	YD	Fabric - Bedsprad (B37)

CURTAIN, CUSHION & PAD GROUP (CONTINUED)

CURTAIN & BLIND HARDWARE

Key	Part Number	U/M	Description
	048394-02-000	EA	Tapo - Hook - .75" Wide - Beige
	088792-01-000	EA	Tapo - Hook - 5/8" - Non-Adhesive
	088792-02-000	EA	Tape - Loop - .75" - Adhesive - Beige
	095591-02-000	EA	Bracket - Hold Down w/Pin - Clear Plastic
	101031-01-000	YD	Tape - Glide - Curtain - 4.25" Spacing
	101032-01-000	FT	Track - Curtain - Ceiling Mount - White
	101033-01-000	FT	Track - Curtain - Low Profile - White
	101033-02-000	EA	End Cap - Track - Clear
	101033-03-000	FT	Track - Wall - White
	087253-01-000	EA	Pull - Shade - Clear Plastic
	084432-06-000	EA	Slot - Roller Shade - Plastic
	095591-02-000	EA	Bracket - Holddown w/Pin
	084434-01-000	EA	Bracket - Roller Shade - 1 3/8"
	083170-01-000	EA	Bracket - Installation - Blind - Right
	083170-02-000	EA	Bracket - Installation - Blind - Left
	097565-01-000	EA	Bracket - Mounting - Pleated Blind
	082239-02-000	EA	Brace - Trim - 18.7" Long - Metal - Beige
	075943-01-000	EA	Brace - Window Valance - 1" x 1.5" x 20" - Aluminum Beige
	090025-01-000	EA	Extension - Control - Window - 2" - Metal
	097593-02-000	FT	Chord - 9mm - Dawn Gray (B35, B37)
	097593-06-000	FT	Chord - 9mm - Pewter (B36)
	102555-01-000	EA	Cleat - Cord - Blind - Off White
	091313-01-000	EA	Grommet - Headrest
	046867-01-000	EA	Grommet - Brass - Shower Curtain - 7/16" ID x 1" OD
	094896-02-000	EA	Grommet - Cord - Pleated Blind
	094907-02-000	EA	Hardware - End Cap - EZ Lift - Top
	094907-03-000	EA	Hardware - End Cap - EZ Lift - Bottom
	067052-02-000	EA	Knob - Operator - Window - Beige
	089916-01-000	EA	Mount - Window Leg - 6.3" - Aluminum - Black
	009136-02-000	EA	Hanger Pin - Shower Curtain - Brass
	102075-03-01A	EA	Rod - Shower Curtain - Off White
	009136-02-000	EA	Pin - Shower Curtain - Brass
	097591-01-000	EA	Springs - Extension - EZ Lift
	097592-01-000	EA	Spool - Cord - Elevated Blind Holdup - Clear Plastic
	076827-01-000	EA	Bracket - Leg - 2.9" x 18" - Triangle - Right
	076827-02-000	EA	Bracket - Leg - 2.9" x 18" - Triangle - Left
	029130-01-000	EA	Screw - Snap Socket - 8PII x 5/8"
	029155-01-000	EA	Cap Snap - Nickel
	029156-01-000	EA	Socket - Snap Fasteners
	089522-02-000	EA	Panel - Trim - Window - .800

TRIMS & PADS

Key	Part Number	U/M	Description
	070578-01-B29	EA	Button Asm. - Screw Type - #30 (Motor Cover) (B35)
	070578-01-AF3	EA	Button Asm. - Screw Type - #30 (Motor Cover) (B36)
	070578-01-B31	EA	Button Asm. - Screw Type - #30 (Motor Cover) (B37)
	070578-06-B05	EA	Button Asm. - #30 Vinyl (Wingwall)
	069885-16-B35	EA	Motor Cover w/Pocket
	069885-16-B36	EA	Motor Cover w/Pocket
	069885-16-B37	EA	Motor Cover w/Pocket
	098432-01-B29	EA	Pad Asm. - Seat Edge - Dinette - Rear (B35)
	098432-01-B30	EA	Pad Asm. - Seat Edge - Dinette - Rear (B36)
	098432-01-B31	EA	Pad Asm. - Seat Edge - Dinette - Rear (B37)
	098432-02-B29	EA	Pad Asm. - Seat Edge - Dinette - Front (B35)
	098432-02-B30	EA	Pad Asm. - Seat Edge - Dinette - Front (B36)
	098432-02-B31	EA	Pad Asm. - Seat Edge - Dinette - Front (B37)
	098433-01-B29	EA	Pad Asm. - Seat Base Edge - Dinette (B35)
	098433-01-B30	EA	Pad Asm. - Seat Base Edge - Dinette (B36)
	098433-01-B31	EA	Pad Asm. - Seat Base Edge - Dinette (B37)
	098454-01-B29	EA	Pad Asm. - Back Rest - Dinette (B35)
	098454-01-B30	EA	Pad Asm. - Back Rest - Dinette (B36)
	098454-01-B31	EA	Pad Asm. - Back Rest - Dinette (B37)
	052859-01-AAB	FT	Trim Asm. - Account (Cabinola)

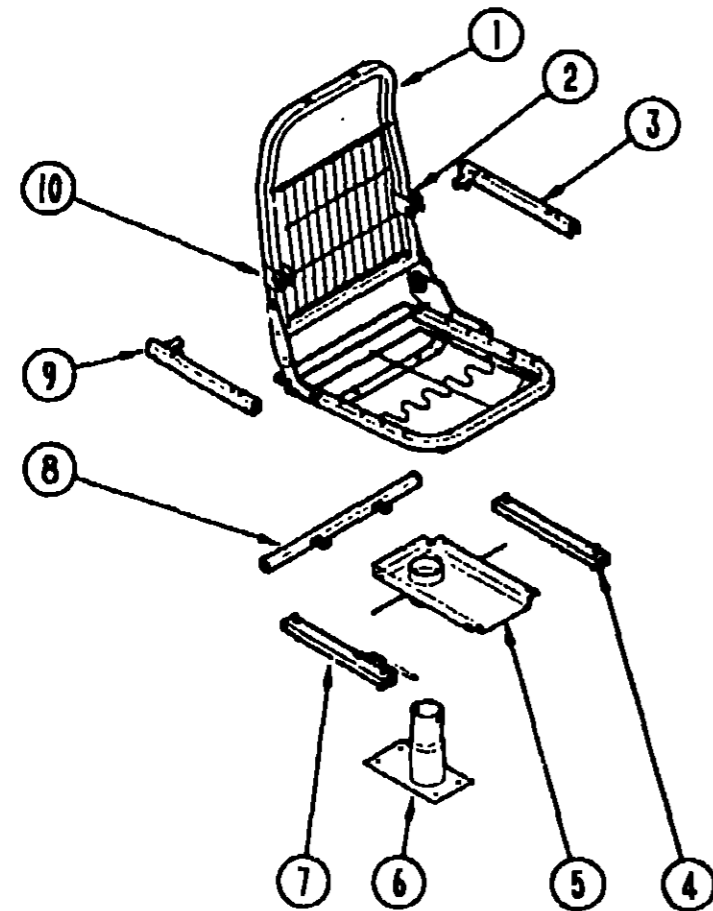
**1991 ITASCA
TABLE OF CONTENTS**

INTRODUCTION	A-01 - A-02
ABBREVIATIONS	A-03
ALPHABETICAL INDEX	A-04 - A-06
IF424RC	A-07 - D-10
IF427RT	D-11 - G-20

1991 IF424RC INDEX

Floor Plan	A-07 - A-08
Accessories Group	A-09 - A-12
Bath Group	A-13 - A-14
Bedroom Group	A-15
Chassis Group	A-16 - A-19
Curtain, Cushion & Pad Group	A-20 - B-04
Dinette Group	B-05 - B-06
Driver's Compartment Group	B-07 - B-08
Electrical Group	B-09 - B-12
Exterior Body Group	B-13 - B-16
Filler Group	B-17 - B-21
Heating & Air Conditioning Group	B-22 - B-23
Interior Finish Group	B-24 - C-02
Labels Group	C-03 - C-10
LP Group	C-11
Lounge Group	C-12
Sealants & Fasteners Group	C-13 - C-15
Water & Sewage Group	C-16 - C-18
Window, Vent & Exterior Door Group	C-19 - D-09

CURTAIN, CUSHION & PAD GROUP (CONTINUED)



BUCKET SEAT HARDWARE

Key	Part Number	U/M	Description
1	M80906-05-000	EA	Frame Asm. - Bucket Seat
2	081362-02-000	EA	Bracket - Armrest - Left
3	101124-02-000	EA	Rod & Channel - Armrest - Left
4	069246-02-000	EA	Adjuster Asm. - Seat w/o Lock
	069246-02-700	EA	Spring For Slide Adjuster
5	093481-04-000	EA	Top Plate - Pedestal - Bucket Seat - w/o Seat Bolt Bar
6	069585-03-000	EA	Sub Plate - Base - Bucket Seat - 12" x 13"
7	069246-05-000	EA	Adjuster Asm. - Seat w/Remote
	069246-05-700	EA	Spring For Remote Adjuster
	069246-05-701	EA	Clip Only For Cable Asm.
8	069585-29-000	EA	Bar - Seat Belt - 20"
9	101124-01-000	EA	Rod & Channel - Armrest - Right
10	081362-01-000	EA	Bracket - Armrest - Right
	101125-01-000	EA	Recliner - Seat Back - Remote - Left
	081361-01-000	EA	Rod - Armrest - Metal
	097683-02-000	EA	Bracket - Remote
	097683-03-000	EA	Bracket - Remote - Side Mount
	089368-04-000	EA	Frame - Cable Remote Swivel
	089369-08-000	EA	Frame - Recliner Cable Shield
	089368-05-000	EA	Frame - Cable - Remote Recliner
	007221-01-000	EA	Spacer - Seat Adjuster

Note: Items indented below assemblies are serviceable parts for that assembly.

CURTAIN, CUSHION & PAD GROUP (CONTINUED)

COMMANDER BUCKET SEAT

Key	Part Number	U/M	Description
	101294-03-B35	EA	Seat Asm. - Commander Bucket - Driver
	101294-03-B36	EA	Seat Asm. - Commander Bucket - Driver
	101294-03-B37	EA	Seat Asm. - Commander Bucket - Driver
	101294-06-B35	EA	Seat Asm. - Commander Bucket - Driver
	101294-06-B36	EA	Seat Asm. - Commander Bucket - Driver
	101294-06-B37	EA	Seat Asm. - Commander Bucket - Driver
	101294-04-B35	EA	Seat Asm. - Commander Bucket - Passenger
	101294-04-B36	EA	Seat Asm. - Commander Bucket - Passenger
	101294-04-B37	EA	Seat Asm. - Commander Bucket - Passenger
	101294-07-B35	EA	Seat Asm. - Commander Bucket - Passenger
	101294-07-B36	EA	Seat Asm. - Commander Bucket - Passenger
	101294-07-B37	EA	Seat Asm. - Commander Bucket - Passenger
	M03445-26-B29	EA	Cover Asm. - Bucket Seat Back (B35)
	M03445-26-B30	EA	Cover Asm. - Bucket Seat Back (B36)
	M03445-26-B31	EA	Cover Asm. - Bucket Seat Back (B37)
	M03445-27-B29	EA	Cover Asm. - Bucket Seat Base (B35)
	M03445-27-B30	EA	Cover Asm. - Bucket Seat Base (B36)
	M03445-27-B31	EA	Cover Asm. - Bucket Seat Base (B37)
	M03445-37-B29	EA	Cover Asm. - Bucket Seat Base (B35)
	M03445-37-B30	EA	Cover Asm. - Bucket Seat Base (B36)
	M03445-37-B31	EA	Cover Asm. - Bucket Seat Base (B37)
	071126-24-B29	EA	Skirt Asm. - Bucket Seat (B35)
	071126-24-AD2	EA	Skirt Asm. - Bucket Seat (B36)
	071126-24-B31	EA	Skirt Asm. - Bucket Seat (B37)
	079349-01-B29	EA	Welling Asm. - Fabric - Bucket Seat Skirt (B35)
	079349-01-AD2	EA	Welling Asm. - Fabric - Bucket Seat Skirt (B36)
	079349-01-B31	EA	Welling Asm. - Fabric - Bucket Seat Skirt (B37)
	080243-43-B29	EA	Armrest Asm. - Right (B35)
	080243-43-B30	EA	Armrest Asm. - Right (B36)
	080243-43-B31	EA	Armrest Asm. - Right (B37)
	M80243-43-B35	EA	Cover Asm. - Armrest - Right
	M80243-43-B36	EA	Cover Asm. - Armrest - Right
	M80243-43-B37	EA	Cover Asm. - Armrest - Right
	080243-44-B29	EA	Armrest Asm. - Left (B35)
	080243-44-B30	EA	Armrest Asm. - Left (B36)
	080243-44-B31	EA	Armrest Asm. - Left (B37)
	M80243-44-B35	EA	Cover Asm. - Armrest - Left
	M80243-44-B36	EA	Cover Asm. - Armrest - Left
	M80243-44-B37	EA	Cover Asm. - Armrest - Left
**	085268-02-B35	EA	Headrest Asm.
**	085268-02-B36	EA	Headrest Asm.
**	085268-02-B37	EA	Headrest Asm.
**	M85268-02-B35	EA	Cover Asm. - Headrest
**	M85268-02-B36	EA	Cover Asm. - Headrest
**	M85268-02-B37	EA	Cover Asm. - Headrest
**	079349-03-B35	EA	Welling Asm. - Accent - Headrest
**	079349-03-B36	EA	Welling Asm. - Accent - Headrest
**	079349-03-B37	EA	Welling Asm. - Accent - Headrest
**	081172-01-000	EA	Trim - Headrest - Black Plastic
**	091313-01-000	EA	Grommet - Headrest

* These parts were used from 2/11/91 on.

** These parts are used with Export Option only.

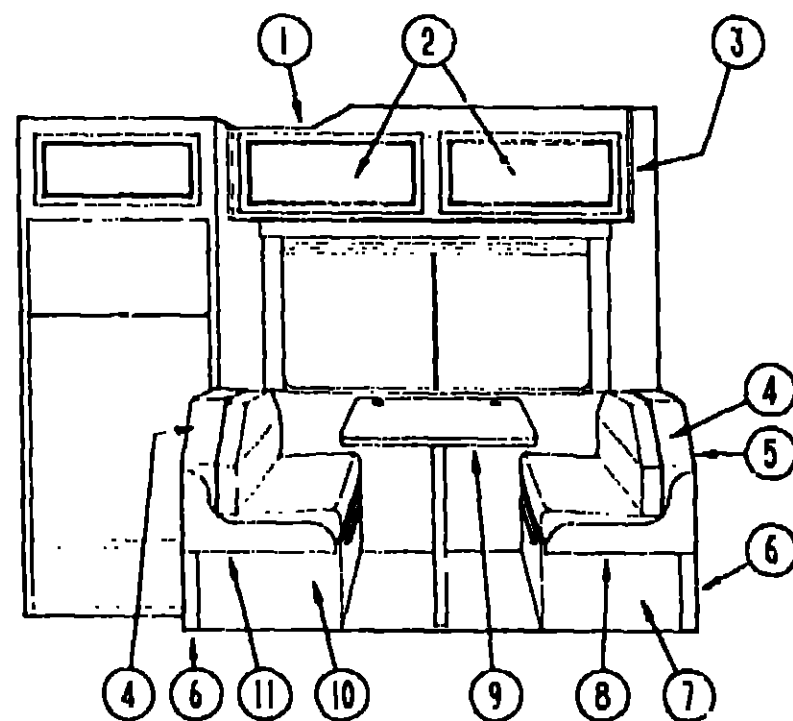
**1991 ITASCA
TABLE OF CONTENTS**

INTRODUCTION	A-01 - A-02
ABBREVIATIONS	A-03
ALPHABETICAL INDEX	A-04 - A-06
IF424RC	A-07 - D-10
IF427RT	D-11 - G-20

1991 IF424RC INDEX

Floor Plan	A-07 - A-08
Accessories Group	A-09 - A-12
Bath Group	A-13 - A-14
Bedroom Group	A-15
Chassis Group	A-16 - A-19
Curtain, Cushion & Pad Group	A-20 - B-04
Dinette Group	B-05 - B-06
Driver's Compartment Group	B-07 - B-08
Electrical Group	B-09 - B-12
Exterior Body Group	B-13 - B-16
Galley Group	B-17 - B-21
Heating & Air Conditioning Group	B-22 - B-23
Interior Finish Group	B-24 - C-02
Labels Group	C-03 - C-10
LP Group	C-11
Lounge Group	C-12
Sealants & Fasteners Group	C-13 - C-15
Water & Sewage Group	C-16 - C-18
Window, Vent & Exterior Door Group	C-19 - D-09

DINETTE GROUP

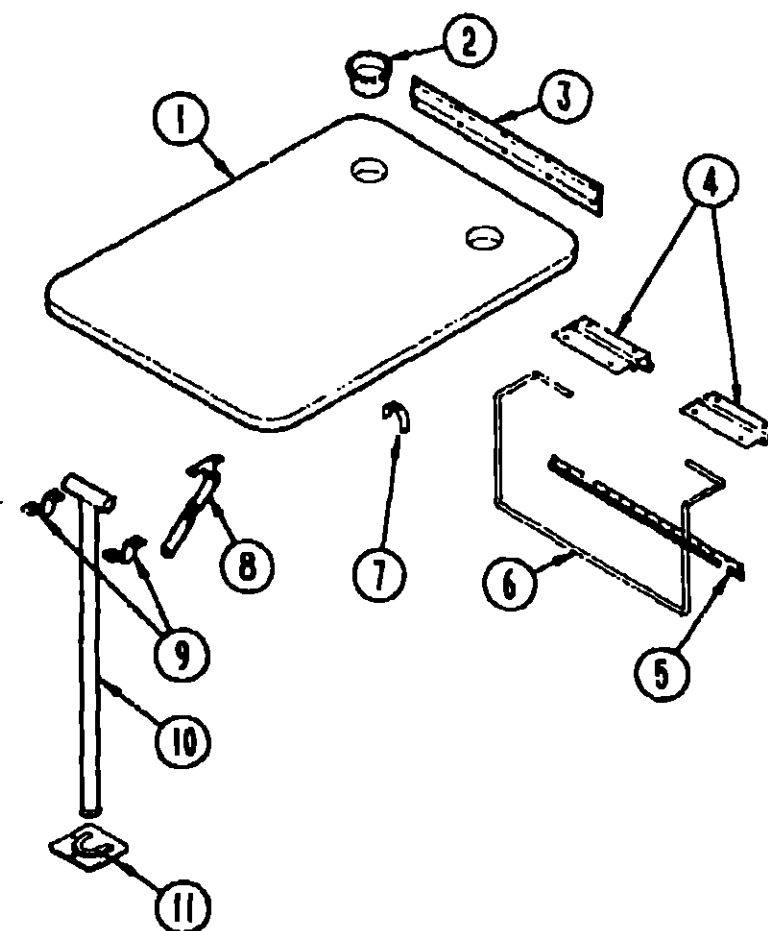


DINETTE CABINETRY & HARDWARE

Key	Part Number	U/M	Description
1	M04183-15-B35	EA	Cabinet Asm. - Dinette Overhead - w/o Door or Hardware
2	P00523-22-B29	EA	Door Asm. - Dinette Cabinet - 14.3" x 26.7" - w/o Hardware
3	081280-21-B27	EA	Pad Asm. - End Cap - Vinyl
4	098454-01-B29	EA	Pad Asm. - Backrest Top (B35)
4	090454-01-B30	EA	Pad Asm. - Backrest Top (B36)
4	098454-01-B31	EA	Pad Asm. - Backrest Top (B37)
5	M04109-01-B35	EA	Cabinet Asm. - Dinette Back
6	098433-01-B29	EA	Pad Asm. - Seat Base Edge (B35)
6	098433-01-B30	EA	Pad Asm. - Seat Base Edge (B36)
6	098433-01-B31	EA	Pad Asm. - Seat Base Edge (B37)
7	M04110-01-B35	EA	Cabinet Asm. - Dinette Seat
8	098432-02-B29	EA	Pad Asm. - Seat Edge - Front (B35)
8	098432-02-B30	EA	Pad Asm. - Seat Edge - Front (B36)
8	098432-02-B31	EA	Pad Asm. - Seat Edge - Front (B37)
9	M02115-09-B03	EA	Table Asm. - Dinette - w/o Hardware
10	M04110-02-B35	EA	Cabinet Asm. - Dinette Seat
	M04109-02-B35	EA	Cabinet Asm. - Dinette Back
11	098432-01-B29	EA	Pad Asm. - Seat Edge - Rear (B35)
11	098432-01-B30	EA	Pad Asm. - Seat Edge - Rear (B36)
11	098432-01-B31	EA	Pad Asm. - Seat Edge - Rear (B37)
	082525-01-000	EA	Brace - Couch - Floor Mount
	093586-03-000	EA	Catch - Spring - Roller
	093586-04-000	EA	Strike - Spring Steel
	059777-02-000	EA	Hinge - Cabinet Door - Brass
	096645-01-000	EA	Pull - Cabinet Brass - Twist - 1.1" x 3.4"
	074493-02-000	EA	Support - Piston Spring - Cabinet Door

The illustration for these items can be found in the Interior Finish Group.
See the following page for the breakdown of this item.

DINETTE GROUP (CONTINUED)



DINETTE TABLE & HARDWARE

Key	Part Number	U/M	Description
1	M02115-09-B03	EA	Table Asm. - Dinette - w/o Hardware or Edgo Band
2	064081-06-000	EA	Cup Holder - Two Step - Off White
3	053200-09-000	EA	Bracket - Upper Wall Mount - 18.5" - Beige
4	088410-01-000	EA	Bracket - Table Mount - Off White
5	024281-11-000	EA	Bracket - Lower Wall Mount - Lift Rod - 17.12" - Tan
6	024275-11-000	EA	Rod - Table Lift - 8" x 18.5" - Beige
7	024283-01-000	EA	Clip - Table Leg - 1" x 1.25" OD - Black
8	024282-01-000	EA	Brace - Table Leg - Hinged
9	064050-03-000	EA	Clamp - Saddle - Leg Hinge - Beige
10	024276-21-000	EA	Leg - Table Metal - Beige
11	049493-11-700	EA	Catch - Table Leg

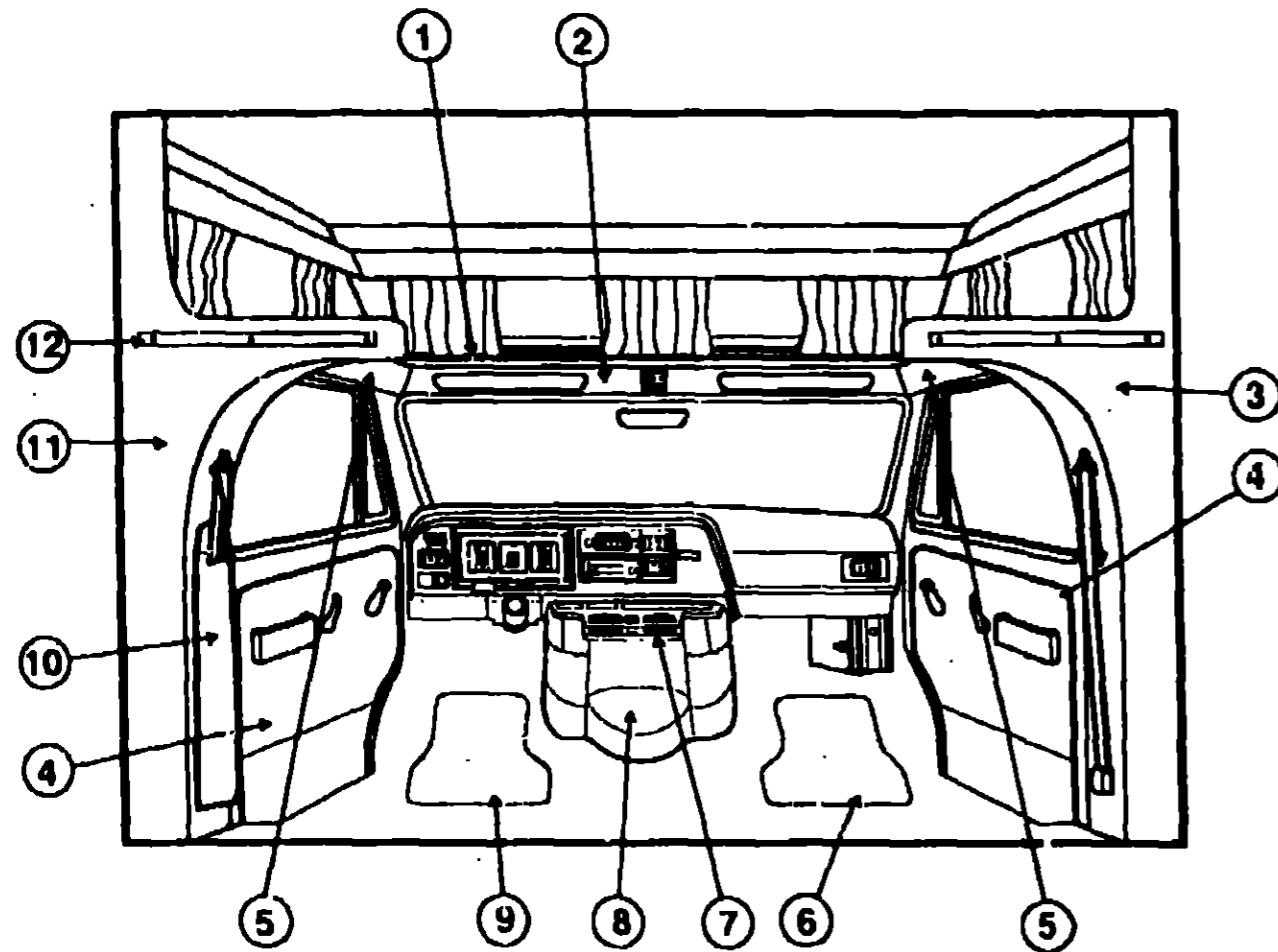
1991 ITASCA TABLE OF CONTENTS

INTRODUCTION	A-01 - A-02
ABBREVIATIONS	A-03
ALPHABETICAL INDEX	A-04 - A-06
IF424RC	A-07 - D-10
IF427RT	D-11 - G-20

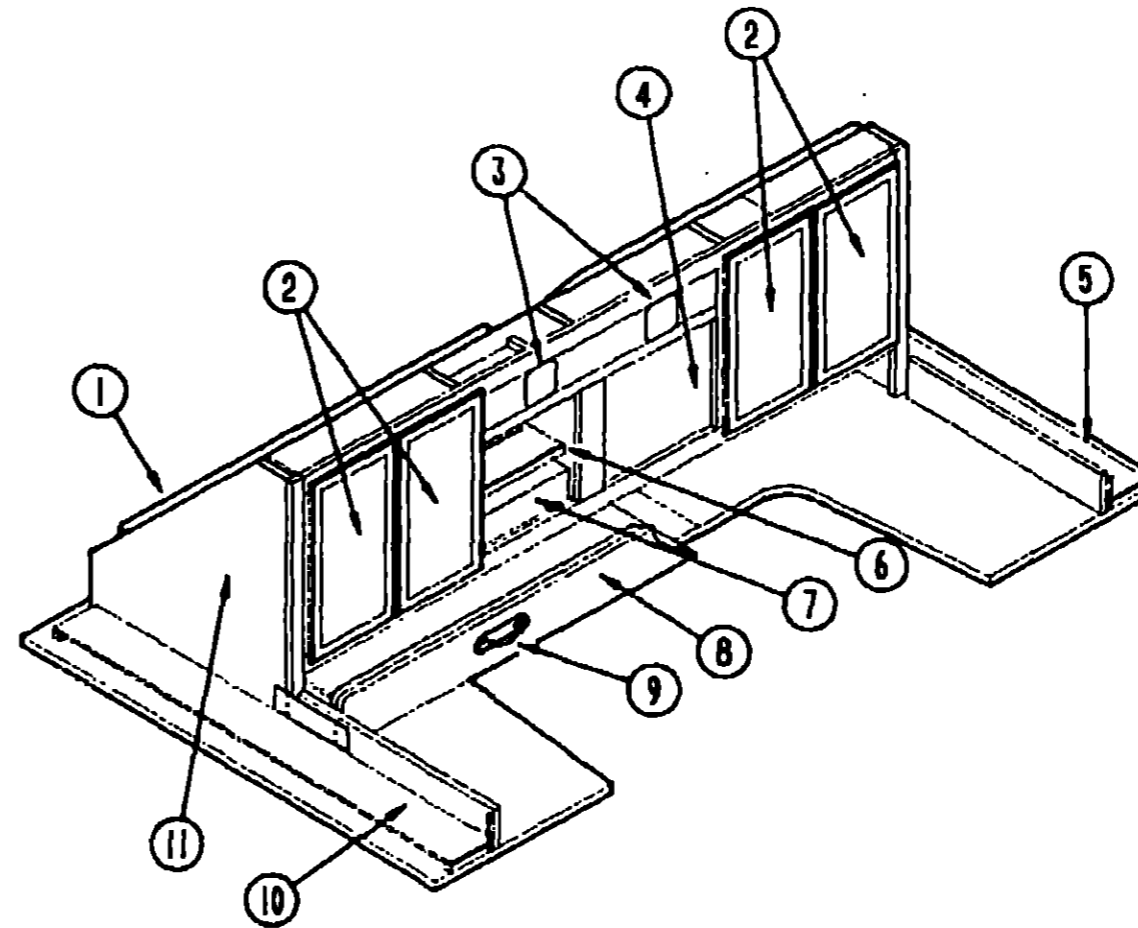
1991 IF424RC INDEX

Floor Plan	A-07 - A-08
Accessories Group	A-09 - A-12
Bath Group	A-13 - A-14
Bedroom Group	A-15
Chassis Group	A-16 - A-19
Curtain, Cushion & Pad Group	A-20 - B-04
Dinette Group	B-05 - B-06
Driver's Compartment Group	B-07 - B-08
Electrical Group	B-09 - B-12
Exterior Body Group	B-13 - B-16
Galley Group	B-17 - B-21
Heating & Air Conditioning Group	B-22 - B-23
Interior Finish Group	B-24 - C-02
Labels Group	C-03 - C-10
LP Group	C-11
Lounge Group	C-12
Sealants & Fasteners Group	C-13 - C-15
Water & Sewage Group	C-16 - C-18
Window, Vent & Exterior Door Group	C-19 - D-09

DRIVER'S COMPARTMENT GROUP



DRIVER'S COMPARTMENT GROUP (CONTINUED)



**1991 ITASCA
TABLE OF CONTENTS**

INTRODUCTION
ABBREVIATIONS
ALPHABETICAL INDEX
IF424RC
IF427RT

A-01 - A-02
A-03
A-04 - A-06
A-07 - D-10
D-11 - G-20

MISCELLANEOUS DRIVERS COMPARTMENT COMPONENTS

Key	Part Number	U/M	Description
1	101479-01-B13	EA	Sleeperboard Asm.
	079800-04-000	EA	Trim - Front Sleeperboard - Metal - Off White
	080742-03-000	FT	Trim - Vinyl - Sleeperboard - Metal Trim Insert - Off White
2	091831-01-B05	EA	Headliner Asm. w/Vinyl - Front - Off White
3	097037-01-B35	EA	Wingwall Asm. - Inner - Off White
4	NOTE	EA	Panel Asm. - Cab Door
5	091825-02-X01	EA	Headliner Asm. w/Vinyl - Side - Off White
6	083219-01-000	EA	Floor Mat - Passenger
7	099857-01-B27	EA	Beverage Tray - Wooden
	046886-03-000	EA	Ashtray - Chrome
8	069885-16-B35	EA	Motor Cover w/Pocket
8	069885-16-B36	EA	Motor Cover w/Pocket
8	069885-16-B37	EA	Motor Cover w/Pocket
9	083219-02-000	EA	Floor Mat - Driver
10	091871-05-000	EA	Seat Belt Cover - Off White
11	092037-02-B35	EA	Wingwall Asm. - Inner - Off White
12	082069-03-B27	EA	Trim - Wooden - Wingwall
	082071-07-B13	EA	Cover - Wingwall - Vinyl - Off White - 28.5" x 5.6"
	082081-03-B13	EA	Cover - Wingwall - Vinyl - Off White - 65.9" x 1.5"
	082081-04-B13	EA	Cover - Wingwall - Vinyl - Off White - 80" x 1.5"
	094795-01-000	EA	Speedometer - Kilometer
	094795-02-000	EA	Cluster - Instrument Panel - Kilometer

Note: These parts are supplied by your local Ford Dealer

TV, VCR & ENTERTAINMENT CENTER CABINETRY

Key	Part Number	U/M	Description
1	099879-01-01A	EA	Panel - Window - Black Plastic
2	P00523-19-B29	EA	Door Asm. - Cabinet - 10" x 19" - w/o Hardware
3	098819-01-000	EA	Speaker - 2 Watt - 8 OHM - 4"
	074979-11-000	EA	Speaker Cover - Off White Plastic
4	098447-01-000	EA	TV - 13" Color w/Remote - Model #RX4029 (US)
4	098447-02-000	EA	TV - 13" Color w/Remote - Model #XK4029 (CSA)
4	098447-01-700	EA	Remote Control - Models #RX4029 & #XK4029
	099856-01-000	EA	TV - Tiedown
	100849-23-B35	EA	Door Asm. - Tambour - 15" x 14.4" - w/ handle
5	100848-01-B35	EA	Cabinet Asm. - Headboard - Passenger
6	098447-01-000	EA	Track - Tambour Door - Plastic
	098447-01-000	EA	Track - Corner - Tambour Door
	097191-01-B35	EA	Handle - Tambour Door - 3.6
7	098446-01-000	EA	VCR - VHS Cable Ready w/Remote - Model #9815
7	098446-01-700	EA	Remote Control - Model #9815
7	098446-02-000	EA	VCR - VHS Cable Ready w/Remote - Model #9912
7	098446-02-700	EA	Remote Control - Model #9912
8	100847-01-B35	EA	Drawer - Front Entertainment
	079145-08-000	EA	Cushion - Front Bunk - 28" x 74" x 3.5"
9	096645-01-000	EA	Pull - Cabinet - Twist Brass - 1.1" x 3.4"
10	100848-02-B35	EA	Cabinet Asm. - Headboard - Driver
11	100849-01-B35	EA	Cabinet Asm. - Front Entertainment - w/o Doors or Hardware

* See Curtain, Cushion & Pad group for further breakdown of this item.

1991 IF424RC INDEX

Floor Plan	A-07 - A-08
Accessories Group	A-09 - A-12
Bath Group	A-13 - A-14
Bedroom Group	A-15
Chassis Group	A-16 - A-19
Curtain, Cushion & Pad Group	A-20 - B-04
Dinette Group	B-05 - B-06
Driver's Compartment Group	B-07 - B-08
Electrical Group	B-09 - B-12
Exterior Body Group	B-13 - B-16
Galley Group	B-17 - B-21
Heating & Air Conditioning Group	B-22 - B-23
Interior Finish Group	B-24 - C-02
Labels Group	C-03 - C-10
LP Group	C-11
Lounge Group	C-12
Sealants & Fasteners Group	C-13 - C-15
Water & Sewage Group	C-16 - C-18
Window, Vent & Exterior Door Group	C-19 - D-09

ELECTRICAL GROUP

MISCELLANEOUS ELECTRICAL COMPONENTS

Key	Part Number	U/M	Description
	008188-01-000	EA	Solenoid - Dual Battery - Relay
	083208-01-000	EA	Control Center - 32 Amp.
	094809-01-000	EA	Load Center - 240 Volt - 125 Amp.
	099048-01-000	EA	Inverter - 100 Watt

FUSES & CIRCUIT BREAKERS

Key	Part Number	U/M	Description
	008235-01-000	EA	Fuse - 15 Amp. - 12 Volt
	062901-05-000	EA	Fuse - 15 Amp. - Automotive
	008211-01-000	EA	Circuit Breaker - 6 Amp. - 12 Volt
	033573-02-000	EA	Circuit Breaker - 15 Amp. - 12 Volt - w/Mount
	033573-01-000	EA	Circuit Breaker - 20 Amp. - 12 Volt - w/Mount
	008268-01-000	EA	Circuit Breaker - 30 Amp. - 12 Volt - w/Mount
	083209-01-000	EA	Circuit Breaker - 15 Amp. - 120 Volt (CSA)
	083209-05-000	EA	Circuit Breaker - 20 Amp. - 120 Volt
	083209-04-000	EA	Circuit Breaker - 30 Amp. - 120 Volt
	083209-02-000	EA	Circuit Breaker - 15/15 Amp. - 120 Volt
	083209-03-000	EA	Circuit Breaker - 15/20 Amp. - 120 Volt
	083209-06-000	EA	Circuit Breaker - 30/15 Amp. - 120 Volt
	094810-01-000	EA	Circuit Breaker - Double - 30 Amp.
	094811-01-000	EA	Circuit Breaker - Double - 20 Amp.
	083209-08-000	EA	Circuit Breaker Blank
	050283-02-000	EA	Buss Bar - Circuit Breaker
	008277-01-000	EA	Fuse Holder - Panel Mount - Black
	100341-01-000	EA	Fuse Holder - In Line Type

INTERIOR LIGHT

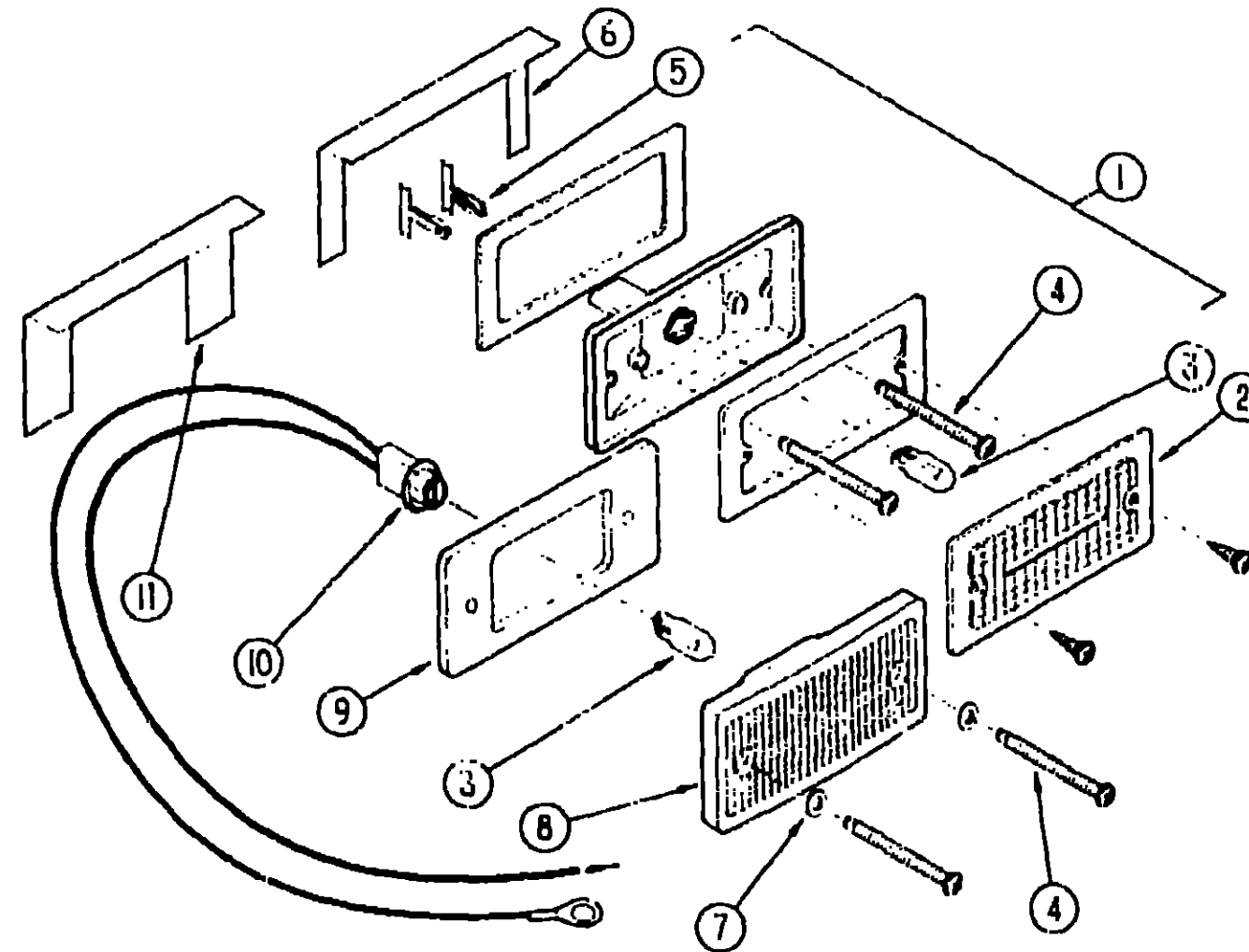
Key	Part Number	U/M	Description
	078424-02-000	EA	Light - Fluorescent - 12V
	078424-02-700	EA	Bulb - Fluorescent Light
	078424-02-701	EA	Lens - Fluorescent Light
	086280-01-000	EA	Light - Surface Mount - 12 Volt
	086280-01-700	EA	Bulb - 12 Volt - 6 Watt
	082169-01-000	EA	Light - Make-Up - 3 Bulb
	077026-01-000	EA	Lens - Courtesy Light - Clear
	098024-01-01A	EA	Dome Light - 1-Bulb - Ivory
	098024-03-01A	EA	Dome Light - 2-Bulb - Ivory
	008218-01-000	EA	Bulb - Dome Light - 12 V - #1141
	098024-01-700	EA	Lens - Dome Light
	087694-01-000	EA	Light - Wardrobe
	087694-01-700	EA	Bulb - GE - 561

Note: Items indented below assemblies are serviceable parts for that assembly.

BULBS

Key	Part Number	U/M	Description
	036196-01-000	EA	Bulb - 194 (Cab Marker Light)
	008215-01-000	EA	Bulb - 1003 (Porch Light)
	008218-01-000	EA	Bulb - 1141 (Dome Light)
	037935-01-000	EA	Bulb - 1157 (Tail Lamp)
	091937-03-000	EA	Bulb - Fluorescent Light - 12 Volt
	086280-01-700	EA	Bulb - 12 Volt - 6 Watt (Surface Light)
	087694-01-700	EA	Bulb - 561 (Wardrobe)

ELECTRICAL GROUP (CONTINUED)



EXTERIOR LIGHT & BULBS

Key	Part Number	U/M	Description
1	081250-02-000	EA	Light - Rear Clearance - Red (Lens & Base Only)
2	081250-02-700	EA	Lens - Clearance Light - Red
3	036196-01-000	EA	Bulb - 12V - #194 - 27 Amp. - Bayonette
4	000G39-08-240	EA	Screw - Self Driving
5	079378-01-000	EA	Terminal - Wedge Base - 18 AWG
6	081437-01-000	EA	Bracket - Clearance Light
7	102540-01-000	EA	Seal - Screw - Clearance Light
8	102520-02-000	EA	Light - Clearance - w/o Socket Connection - Red
9	102541-01-000	EA	Gasket - Clearance Light
10	075458-03-000	EA	Socket Asm. - Cab Marker
11	102582-01-000	EA	Bracket - Light - Clearance
	075459-04-000	EA	Taillight - Red - Black Base (Tail/Brake)
	075459-05-000	EA	Taillight - Amber - Black Base (Turn)
	075459-06-000	EA	Taillight - Red w/Backup - Black Base (Backup)
	037935-01-000	EA	Bulb - 12 Volt - #1157 (Tail Lamp Asm)
	073844-01-000	EA	Lamp Asm. - License
	079709-01-000	EA	Wire Asm. - License Plate Light
	042405-03-000	EA	Base - Clearance/Sidemarket Light w/Bulb - Plastic - White
	042405-02-000	EA	Lens - Clearance/Sidemarket Light w/Rollex - Amber
	042405-01-000	EA	Lens - Clearance/Sidemarket Light w/Rollex - Red
	008213-01-000	EA	Bulb - 12 Volt - #57 - 24 Amp.
	091903-01-000	EA	Gasket - Clearance/Sidemarket Light
	079378-01-000	EA	Terminal - Wedge Base - 18 AWG
	097917-01-01A	EA	Light - Porch - Recessed - Off White
	097917-01-700	EA	Lens - Porch Light - Recessed
	008215-01-000	EA	Bulb - 12 Volt - #1003 (Porch Light)

NOTE: Items indented below assemblies are serviceable parts for that assembly.

1991 ITASCA TABLE OF CONTENTS

INTRODUCTION
ABBREVIATIONS
ALPHABETICAL INDEX
IF424RC
IF427RT

A-01 - A-02
A-03
A-04 - A-06
A-07 - D-10
D-11 - G-20

1991 IF424RC INDEX

Floor Plan	A-07 - A-08
Accessories Group	A-09 - A-12
Bath Group	A-13 - A-14
Bedroom Group	A-15
Chassis Group	A-16 - A-19
Curtain, Cushion & Pad Group	A-20 - B-04
Dinette Group	B-05 - B-06
Driver's Compartment Group	B-07 - B-08
Electrical Group	B-09 - B-12
Exterior Body Group	B-13 - B-16
Galley Group	B-17 - B-21
Heating & Air Conditioning Group	B-22 - B-23
Interior Finish Group	B-24 - C-02
Labels Group	C-03 - C-10
LP Group	C-11
Lounge Group	C-12
Sealants & Fasteners Group	C-13 - C-15
Water & Sewage Group	C-16 - C-18
Window, Vent & Exterior Door Group	C-19 - D-09

ELECTRICAL GROUP (CONTINUED)

WIRE, SWITCHES & RECEPTACLES

Key	Part Number	U/M	Description
	008288-01-000	EA	Box - Electrical - 3" x 3.5" - Plastic
	008289-01-000	EA	Box - Electrical - 4" x 4" - 1/2 & 3/4 Steel (US)
	008289-02-000	EA	Box - Electrical - 4" x 4" - 1/2 x 3/4 Steel (CSA)
	093603-01-000	EA	Box - Electrical - 4" x 2 1/8" x 2 1/8"
	058049-01-000	EA	Box - Electrical - 2" x 3" x 2.25" - Steel
	041953-01-000	FT	Conduit - Convolute Slit - .5" ID
	041953-02-000	FT	Conduit - Convolute Slit - .625" ID
	041953-05-000	FT	Conduit - Convolute Slit - .62" ID
	041953-06-000	FT	Conduit - Convolute Slit - .375" ID
	041953-09-000	FT	Conduit - Convolute Slit - .50" ID
	058028-01-000	EA	Connector - Pigtail - Clear Nylon
	008314-01-000	EA	Connector - Wire Nut - Gray
	008311-01-000	EA	Connector - Wire Nut - Red
	008312-01-000	EA	Connector - Wire Nut - Blue
	008356-01-000	EA	Connector - Plastic - 3/8 AVG
	008353-01-000	EA	Connector - 3/8 Cable Clamping
	008355-01-000	EA	Connector - 3/4 Cable Clamping
	079090-01-000	EA	Connector - Molded - 12/2 Head
	088475-01-000	EA	Connector - Pin - 14-20 AWG
	088475-02-000	EA	Connector - Pin - 10-12 AWG
	088476-01-000	EA	Connector - Socket
	031968-01-000	EA	Contact Plug - Brass - Tin Plated
	031967-01-000	EA	Contact - Receptacle
	008054-01-000	EA	Cord - Power - 10-3 30 Amp. - 25' (US)
	008052-01-000	EA	Cord - Power - 10-3 30 Amp - 25' (CSA)
	008294-01-000	EA	Cover - Electrical Box - 4" x 4" - Gray
	069238-01-000	EA	Cover - Electrical Box - 4" x 4"
	091927-01-000	EA	Cover - Receptacle - Double - Ivory
	024571-03-000	EA	Cover Plate - Receptacle - Jumbo - Brown Plastic
	084077-02-000	EA	Cover Plate - Receptacle - GFI - Brown
	064399-01-000	EA	Housing Asm. - Male and Female
	097746-01-000	EA	Housing Cap - Trailer Pin
	088473-05-000	EA	Housing Pin - 6 Position (Single Row)
	088473-06-000	EA	Housing Pin - 6 Position (Two Rows of 3)
	038473-08-000	EA	Housing Pin - 4 Position
	088473-02-000	EA	Housing Pin - 9 Position
	088473-09-000	EA	Housing Pin - 3 Position (Single Row)
	088473-10-000	EA	Housing - 2 Position
	097744-01-000	EA	Housing - Trailer Pin - 12"
	097744-02-000	EA	Housing - Trailer Pin - 48"
	097745-01-000	EA	Housing - Receptacle - 12"
	097745-02-000	EA	Housing - Receptacle - 48"
	063910-01-000	EA	Housing - Relay
	088474-02-000	EA	Housing - Socket - 15 Position
	088474-06-000	EA	Housing - Socket - 6 Position
	088474-08-000	EA	Housing - Socket - 4 Position (Single Row)
	088474-09-000	EA	Housing - Socket - 3 Position
	088474-10-000	EA	Housing - Socket - 2 Position
	100138-01-000	EA	Module - Daytime Running Light (CSA)
	100159-02-000	EA	Daytime Running Lights (CSA)
	046885-01-000	EA	Plaque - Switch Mounting
	081082-01-000	EA	Plaque - Mounting - Battery/Fuel Switch - 2.4" x 1.4" - Black
	084076-02-000	EA	Receptacle - GFI - 15A - 125V - Brown
	075736-02-000	EA	Receptacle/Cover Asm. - Off White (Exterior)
	058708-01-000	EA	Receptacle - Duplex - Brown
	058708-02-000	EA	Receptacle - Electrical - Double - Ivory
	097734-01-02A	EA	Receptacle - Extension - 5" x 7" - Plastic - Brown
	024924-02-000	EA	Receptacle - Power Cord
	058707-01-000	EA	Receptacle - Single - Brown
	102568-01-B10	EA	Receptacle - Spacer

ELECTRICAL GROUP (CONTINUED)

WIRES SWITCHES & RECEPTACLES (CONT.)

Key	Part Number	U/M	Description
	067789-02-000	EA	Socket - Lamp
	088476-02-000	EA	Socket Connector - 12-10 AWG
	098351-03-01A	EA	Switch Plate - 3 Gang - 2 Switches
	098351-02-01A	EA	Switch Plate - 2 Gang - Polished Brass
	079364-01-000	EA	Switch - On/Off Rocker - Brown
	079364-03-000	EA	Switch - ON/OFF Rocker - 3 Prongs - Brown
	008195-01-000	EA	Switch - Push Button - 12 Volt
	007942-01-000	EA	Tab - Wire - 18 to 14 AWG
	007949-01-000	EA	Tab Housing - 1 Position
	007955-01-000	EA	Tab Housing - 6 Position
	047443-01-000	EA	Terminal - .250 Receptacle - 16/14 AWG
	047443-02-000	EA	Terminal - .250 Receptacle - 12/10 AWG
	050003-02-000	EA	Terminal - Pin - 16/14 AWG
	035416-04-000	EA	Terminal Ring - #10 Stud
	008348-01-000	EA	Terminal Ring - 2 - w/3/8 Stud
	008331-01-000	EA	Terminal Ring - 4 - w/3/8 Stud
	008326-01-000	EA	Terminal Ring - 3/8" Wire
	008328-01-000	EA	Terminal - Ring - 12/10 Wire
	008024-01-000	FT	Wire - 18.5 Bonded - Orange/White/Yellow/Blue/Brown
	008026-01-000	FT	Wire w/Ground - Romex - 12/2
	008343-01-000	EA	Wire Tie - 6"

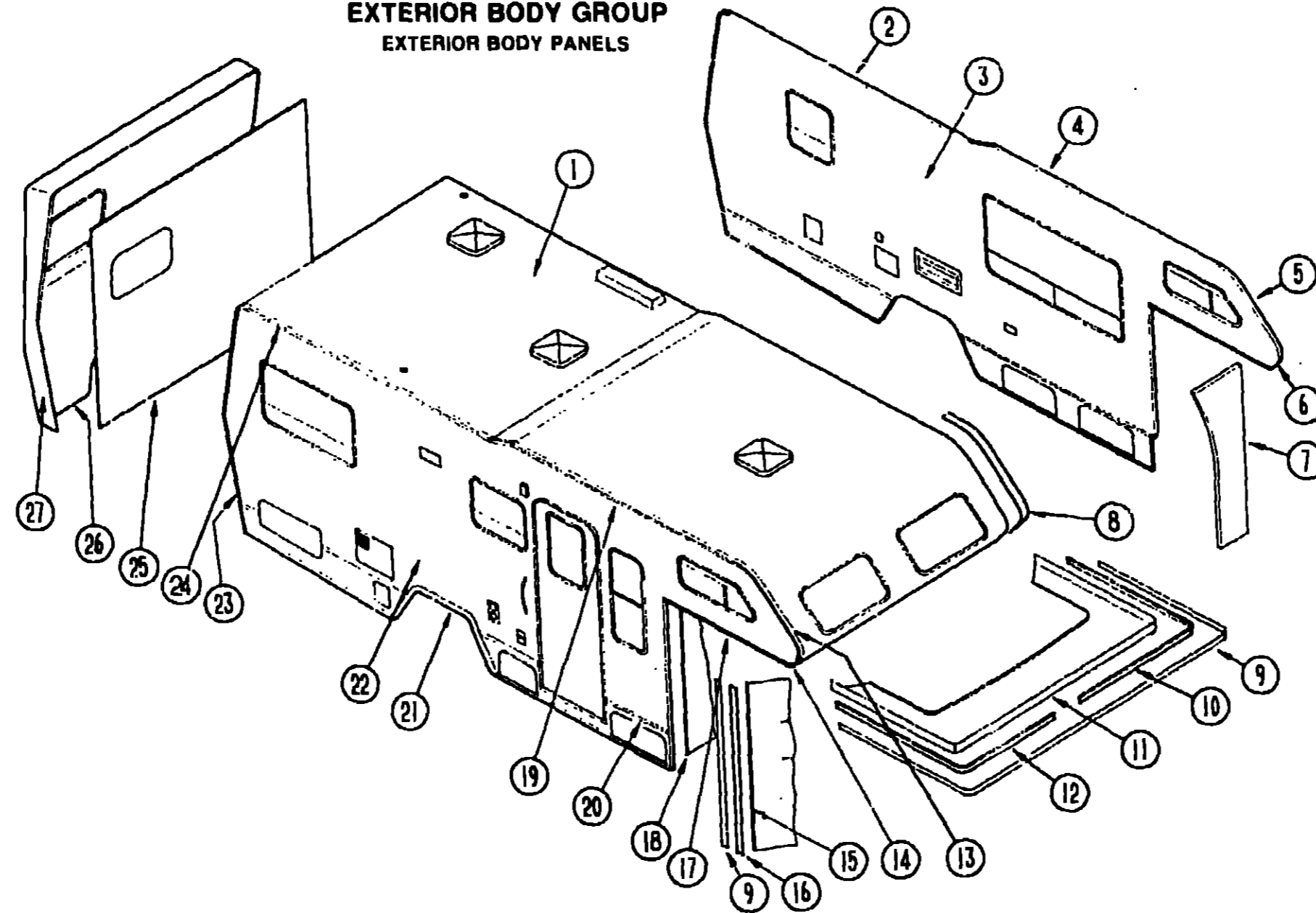
**1991 ITASCA
TABLE OF CONTENTS**

INTRODUCTION	A-01 - A-02
ABBREVIATIONS	A-03
ALPHABETICAL INDEX	A-04 - A-06
IF424RC	A-07 - D-10
IF427RT	D-11 - G-20

1991 IF424RC INDEX

Floor Plan	A-07 - A-08
Accessories Group	A-09 - A-12
Bath Group	A-13 - A-14
Bedroom Group	A-15
Chassis Group	A-16 - A-19
Curtain, Cushion & Pad Group	A-20 - B-04
Dinette Group	B-05 - B-06
Driver's Compartment Group	B-07 - B-08
Electrical Group	B-09 - B-12
Exterior Body Group	B-13 - B-16
Galley Group	B-17 - B-21
Heating & Air Conditioning Group	B-22 - B-23
Interior Finish Group	B-24 - C-02
Labels Group	C-03 - C-10
LP Group	C-11
Luggage Group	C-12
Seals & Fasteners Group	C-13 - C-15
Water & Sewage Group	C-16 - C-18
Window, Vent & Exterior Door Group	C-19 - D-09

EXTERIOR BODY GROUP
EXTERIOR BODY PANELS



1991 ITASCA
TABLE OF CONTENTS

INTRODUCTION	A-01 - A-02
ABBREVIATIONS	A-03
ALPHABETICAL INDEX	A-04 - A-06
IF424RC	A-07 - D-10
IF427RT	D-11 - G-20

Key	Part Number	U/M	Description
1	P01097-01-B13	EA	Roof Asm.
2	077339-04-000	EA	Trim - Contour - Upper Rear - Off White
2	076613-05-000	EA	Angle Joint - Roof to Sidewall - 1.5" x 99" - Metal
3	P00981-01-B35	EA	Sidewall Asm. - Driver
4	076802-08-000	EA	Trim - Contour - Upper Front - Driver - Off White
4	076613-15-000	EA	Angle Joint - Roof To Sidewall - 1.5" x 87" - Metal
5	085490-02-000	EA	Trim - Front Contour - Driver - Off White
6	086889-04-000	EA	Trim - Front Radius - Driver - Off White
7	M81653-04-X08	EA	Wingwall Asm. - Inner - w/Gusset & Vinyl Trim
	089334-01-000	FT	Vinyl - Exterior - Between Cab Seal - White
8	M76177-01-700	EA	Roof Section - Cab Over To First Seam
9	087279-02-000	FT	Insert Trim - .9" - Plastic - Off White
10	087191-02-000	EA	Trim - Transition Panel - Off White
	087275-02-000	EA	Cap - Feature Strip Trim - Off White
11	080858-01-000	EA	Panel - Transition - Sleeperboard - 94.8" x 57.7" - Off White
	101479-01-B13	EA	Sleeperboard - Overhead Cab
12	085491-01-000	EA	Trim - Transition Panel - Off White
	087275-01-000	EA	Cap - Feature Strip Trim - Off White
13	085490-01-000	EA	Trim - Contour - Front - Passenger - Off White
14	086889-03-000	EA	Trim - Front Radius - Passenger - Off White
15	080683-02-W04	EA	Wingwall Asm. - Outer - Passenger
	080683-01-W04	EA	Wingwall Asm. - Outer - Driver
	079207-03-000	EA	Trim - Wingwall - 14.2" - Off White
	021241-01-000	FT	Vinyl - Exterior - Used Between Wingwall & Cab Seal - White

B-13

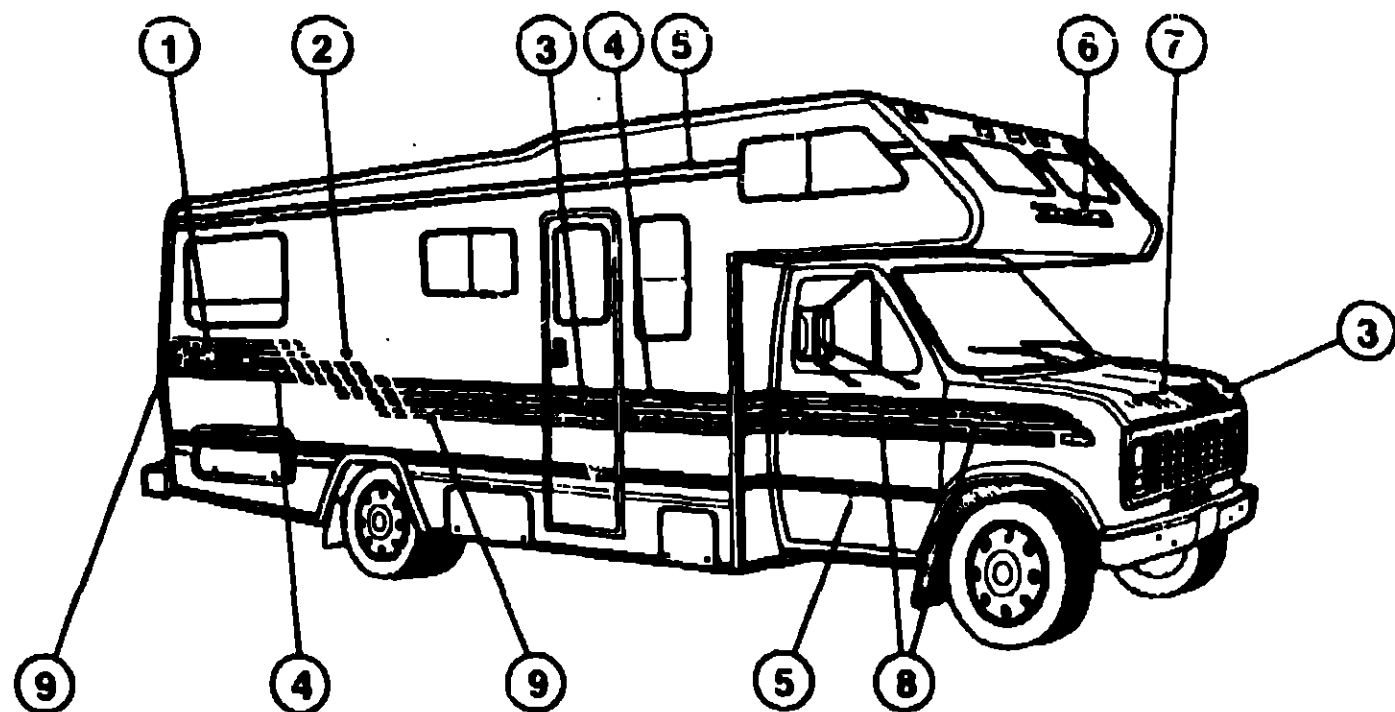
Key	Part Number	U/M	Description
16	085492-01-000	EA	Trim - Wingwall Transition - Off White
17	076975-05-000	EA	Trim - Sleeperboard - Passenger - 52" - Off White
	076975-06-000	EA	Trim - Sleeperboard - Driver - 52" - Off White
18	M81653-03-X08	EA	Wingwall Asm. - Inner - w/Gusset & Vinyl Trim
19	076802-07-000	EA	Trim - Contour - Upper Front - Passenger - Off White
19	076613-15-000	EA	Angle Joint - Roof To Sidewall - 1.5" x 87" - Metal
20	002444-04-000	EA	Feature Strip - w/o Insert - Extr. - 16' - Off White
	009731-01-000	EA	End Cap - Feature Strip
	001030-02-003	EA	Insert - Feature Strip - 17' Long - Off White
	086180-55-001	EA	U-Channel - Extrusion - 192" - Off White
21	075109-01-000	EA	Trim - Wheelwell - Rear Passenger - Off White
	075109-02-000	EA	Trim - Wheelwell - Rear Driver - Off White
	087313-01-000	EA	Trim - Wheelwell - Rear - Extrusion - Off White
22	P00981-01-B35	EA	Sidewall Asm. - Passenger
23	073502-15-000	EA	Trim - Sidewall To Rear Cap - Metal - Passenger - Off White
	073502-16-000	EA	Trim - Sidewall To Rear Cap - Metal - Driver - Off White
24	077339-03-000	EA	Trim - Contour - Upper Rear - Off White
24	076613-05-000	EA	Angle Joint - Roof To Sidewall - 1.5" x 99" - Metal
25	101451-01-B35	EA	Backwall Asm. - Inner
26	074968-02-000	EA	Trim - Backwall - Lower - Passenger or Driver
27	080252-02-000	EA	Rear Cap w/o Light - Primed
	077941-01-000	EA	Seal - Rubber - Flat w/Slit
	083805-08-000	EA	Trim - Backwall To Roof
	002365-01-001	EA	U-Channel - Extrusion - 1" x 18'

B-14

1991 IF424RC INDEX

Floor Plan	A-07 - A-08
Accessories Group	A-09 - A-12
Bath Group	A-13 - A-14
Bedroom Group	A-15
Chassis Group	A-16 - A-19
Curtain, Cushion & Pad Group	A-20 - B-04
Dinette Group	B-05 - B-06
Driver's Compartment Group	B-07 - B-08
Electrical Group	B-09 - B-12
Exterior Body Group	B-13 - B-16
Galley Group	B-17 - B-21
Heating & Air Conditioning Group	B-22 - B-23
Interior Finish Group	B-24 - C-02
Labels Group	C-03 - C-10
LP Group	C-11
Lounge Group	C-12
Sealants & Fasteners Group	C-13 - C-15
Water & Sewage Group	C-16 - C-18
Window, Vent & Exterior Door Group	C-19 - D-09

EXTERIOR BODY GROUP (CONTINUED)



DECALS & MULTISTRIPS

Key	Part Number	U/M	Description
1	078852-10-000	EA	Decals - Logo - "Itasca" - Black & Off White
2	093675-01-05A	EA	Decal - Side Step - Passenger Side - Gray/Blue/Violet
	093675-02-05A	EA	Decal - Side Step - Driver Side - Gray/Blue/Violet
3	078851-04-000	EA	Decal - Logo - "Sundancer" - Black & Off White
4	092322-03-05A	FT	Film - Multistripe - 6.1" Wide - Gray/Blue/Blue
5	093680-01-07A	FT	Film - Multistripe - 2.9" Wide - Blue/Violet
6	078191-01-000	EA	Decal - Logo - "Itasca" - Black
7	093676-01-05A	EA	Decal - Hood - Gray/Blue/Violet
8	093678-01-05A	EA	Decal - Fender & Door - Passenger Side - Gray/Blue/Violet
	093678-02-05A	EA	Decal - Fender & Door - Driver Side - Gray/Blue/Violet
9	092322-04-05A	FT	Film - Multistripe - 2.9" Wide - Violet/Violet/Violet
	084075-01-000	EA	By "Winnebago Industries" - Black

For your convenience here are the Dupont color codes you can purchase locally.

Blue Metallic	K9462
Violet Metallic	K9463
Gray Metallic	K9461
White	L8723
Gloss Black	99A

EXTERIOR BODY GROUP (CONTINUED)

FIBERGLASS & STYROFOAM

Key	Part Number	U/M	Description
	077514-24-000	EA	Fiberglass Sheet - 48' x 96" - Flat
	076054-90-000	EA	Fiberglass Sheet - 48' x 24.66" - Off White
	001054-01-011	EA	Alum. - No Design - 48" x 96" - Off White
	000868-01-000	SF	Styrofoam - .75" x 24" x 96"
	000870-05-000	SF	Styrofoam - 5" x 24" x 96"
	000870-03-000	SF	Styrofoam - 1.34" x 48" x 96"
	083574-01-000	SF	Styrofoam - Dow Type - SM - 1.5" x 24" x 85.25"
	083574-02-000	SF	Styrofoam - Dow Type - SM - 1.5" x 24" x 90.5"

MISCELLANEOUS EXTERNALLY MOUNTED PARTS

Key	Part Number	U/M	Description
	083558-03-000	EA	Plumbing Seal - Roof Vent - 1.5 - Off White
	009126-02-000	EA	Assist Handle - Black
	069178-02-000	EA	Bracket - Mounting - Assist Handle - "L" Angle w/Holes
	087659-04-000	EA	Fill - City Water - Off White
	081240-03-000	EA	Fill - City Water - Lockable - Off White
	102768-01-000	EA	Holder - Compartment/Entry Door - Metal

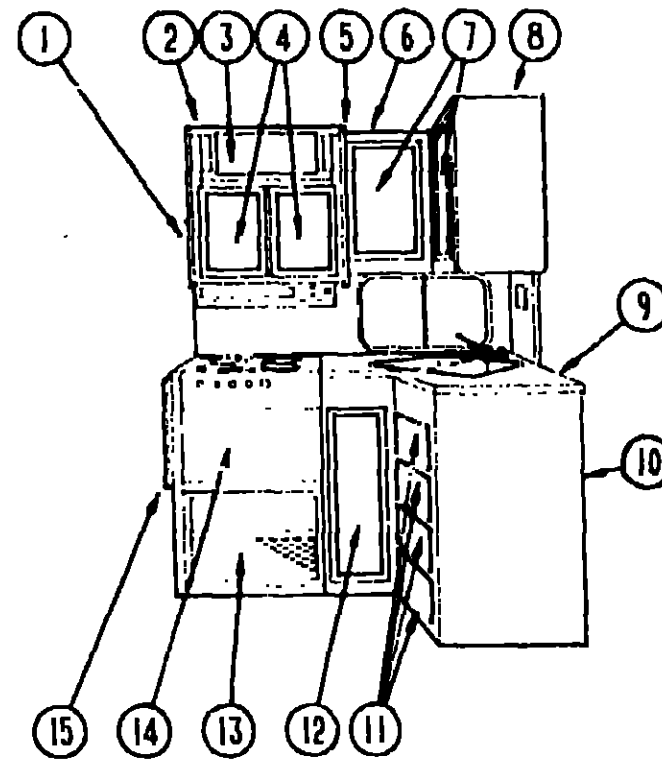
**1991 ITASCA
TABLE OF CONTENTS**

INTRODUCTION	A-01 - A-02
ABBREVIATIONS	A-03
ALPHABETICAL INDEX	A-04 - A-06
IF424RC	A-07 - D-10
IF427RT	D-11 - G-20

1991 IF424RC INDEX

Floor Plan	A-07 - A-08
Accessories Group	A-09 - A-12
Bath Group	A-13 - A-14
Bedroom Group	A-15
Chassis Group	A-16 - A-19
Curtain, Cushion & Pad Group	A-20 - B-04
Dinette Group	B-05 - B-06
Driver's Compartment Group	B-07 - B-08
Electrical Group	B-09 - B-12
Exterior Body Group	B-13 - B-16
Galley Group	B-17 - B-21
Heating & Air Conditioning Group	B-22 - B-23
Interior Finish Group	B-24 - C-02
Labels Group	C-03 - C-10
LP Group	C-11
Lounge Group	C-12
Sealants & Fasteners Group	C-13 - C-15
Water & Sewage Group	C-16 - C-18
Window Vent & Exterior Door Group	C-19 - D-09

GALLEY GROUP



GALLEY CABINETRY

Key	Part Number	U/M	Description
1	0R1280-37-B35	EA	End Cap Asm
2	M04183-18-B35	EA	Cabinet Asm - Overhead - w/o Doors or Hardware
**2	M04183-19-B35	EA	Cabinet Asm - Microwave Overhead - w/o Door or Hardware
3	P00523-A8-B35	EA	Door Asm. - Galley Overhead - 7" x 21.8" - w/o Hardware
4	P00523-02-B29	EA	Door Asm. - Galley Overhead - 10.8" x 14.4" - w/o Hardware
5	0B1280-33-B27	EA	End Cap Asm.
6	M04183-17-B35	EA	Cabinet Asm. - Center Overhead - w/o Doors or Hardware
7	P00523-88-B35	EA	Door Asm. - Center Overhead - 14.4" x 21.9" - w/o Hardware
8	M04183-16-B35	EA	Cabinet Asm - Galley Overhead - w/o Door or Hardware
9	100980-11-B13	EA	Countertop Asm - Galley Cabinet
10	M05051-01-B35	EA	Cabinet Asm - Galley - w/o Door or Hardware
**10	M05051-02-B35	EA	Cabinet Asm - Galley - w/o Door or Hardware
11	P00522-09-B35	EA	Drawer Asm. - Galley Cabinet - w/o Hardware
*11	P03397-25-B35	EA	Drawer Asm - Galley Cabinet - w/o Hardware
12	P00523-45-B29	EA	Door Asm. - Galley Cabinet - 10.8" x 27.9" - w/o Hardware
13	P00523-50-B35	EA	Door Asm. - Furnace w/Mesh Insert - 21.9" x 15.9" - w/o Hardware
**14	M02184-32-B35	EA	Drawer Asm - 12" x 21.85" - w/o Hardware
15	0B0812-04-B10	EA	Extension - Galley Countertop - 9.4" x 11.8" - w/o Hardware

* These parts were used from 1/7/91 on
 ** These parts are used with Microwave Option

GALLEY GROUP (CONTINUED)

GALLEY HARDWARE

Key	Part Number	U/M	Description
	009049-01-000	EA	Table Support - Drop Leaf
	074493-02-000	EA	Support - Overhead Sprung Door
	093586-03-000	EA	Catch - Spring Roller
	093586-04-000	EA	Strike - Spring Steel
	102551-01-000	EA	Sink - Double - w/Mounting Hardware - SST
	066437-01-000	EA	Strainer - Galley Sink w/Bas'et
	091253-01-000	EA	Gasket - Faucet
	064952-01-000	EA	Faucet - 8" Swing Spout
	055516-01-000	EA	Bracket - Front Tiedown - Range w/Oven
	055516-02-000	EA	Bracket - Rear Tiedown - Range w/Oven
	067544-01-000	EA	Bracket - Tiedown - Refrigerator - Left
	067544-02-000	EA	Bracket - Tiedown - Refrigerator - Right
	054450-01-000	EA	Level - Refrigerator
	065225-02-000	EA	Plate - Tiedown - Refrigerator
	085280-04-000	EA	Cover - Burner - Bi-Fold - Almond
	059777-02-000	EA	Hinge - Cabinet Door - Burnished Brass
	093153-01-000	EA	Cutting Board - Maple - Unfinished
	100081-01-01A	EA	Tray - Silverware - 9" x 13.3" - Almond - Rubbermaid
	058334-01-000	EA	Wastebasket - 9 3/4" x 7" x 10" - White - Rubbermaid
	104181-01-01A	EA	Support Leaf - 5.3" - Extends to 7.5" - Safety Ring
	081530-01-B05	EA	Sink Cover Large
	090329-01-000	FT	Seal "T" - Refrigerator Cabinet
	072852-02-000	EA	Smoke Detector w/9 Volt Battery
	094756-01-01A	EA	Bracket - "L" Microwave - 4.6" Long x 3.9" Wide - Steel - Tan
	094750-01-000	EA	Bracket Asm. - Microwave
	094745-01-01A	EA	Trim - Microwave - Lower - Black
	094774-03-01A	EA	Trim - Microwave - Either Side - 1.5" x 14.0" - Metal - Black
	098916-04-01A	EA	Brace - Microwave Cabinet - Right Hand
	098916-05-01A	EA	Brace - Microwave Cabinet - Left Hand
	102827-02-000	EA	Bracket - Roller - Drawer - Rear
	102827-03-000	EA	Rollers Nylon
	102827-04-000	EA	Bracket - Mounting - Rear
	102827-05-000	EA	Track - Drawer - 22.5"
	037688-01-000	FT	Rail - Drawer Guide "V" - 10"
	037688-03-000	EA	Glide - Center - For Drawer
	037688-04-000	EA	Bracket - Rail Mounting - Front
	037688-05-000	EA	Bracket - Rail Mounting - Rear
	058979-01-000	EA	Clip - Adjustable Shelf
	079980-01-000	EA	Plaster - Adjustable Shelf

RANGE HOODS

Key	Part Number	U/M	Description
	100258-04-01A	EA	Range Hood w/Monitor Panel (US)
	100258-05-01A	EA	Range Hood w/Monitor Panel (CSA)
	075470-01-702	EA	Switch - ON/OFF
	090973-01-700	EA	Motor - 12 Volt
	090973-01-702	EA	Blade - Fan
	092696-01-700	EA	Fastener - Plastic - For Cable
	092696-01-701	EA	Knob - Plastic - For Cable
	092696-01-702	EA	Register - Wire Asm
	092696-01-709	EA	Lamp - #912
	092696-01-710	EA	Lamp Holder
	096983-01-731	EA	Switch - Momentary - One Way
	096983-01-732	EA	Switch - Momentary - Two Way
	096983-01-703	EA	Switch - ON/ON
	096983-01-707	EA	Filter - Mesh
	096983-01-708	EA	Lens - Lamp
	100258-04-700	EA	Circuit Board
	100258-04-701	EA	Bezel - For Hood Fan w/Lever
	100258-04-702	EA	Switch & Lever w/Cable Asm.
	100258-04-703	EA	Control Panel Asm
	100258-04-704	EA	Metal Face Plate - Screened
	100258-10-01A	EA	Hour Meter

B-17

NOTE Items indented below assemblies are serviceable parts for that assembly

1991 ITASCA TABLE OF CONTENTS

INTRODUCTION	A-01 - A-02
ABBREVIATIONS	A-03
ALPHABETICAL INDEX	A-04 - A-06
IF424RC	A-07 - D-10
IF427RT	D-11 - G-20

1991 IF424RC INDEX

Floor Plan	A-07 - A-08
Accessories Group	A-09 - A-12
Bath Group	A-13 - A-14
Bedroom Group	A-15
Chassis Group	A-16 - A-19
Curtain, Cushion & Pad Group	A-20 - B-04
Dinette Group	B-05 - B-06
Driver's Compartment Group	B-07 - B-08
Electrical Group	B-09 - B-12
Exterior Body Group	B-13 - B-16
Galley Group	B-17 - B-21
Heating & Air Conditioning Group	B-22 - B-23
Interior Finish Group	B-24 - C-02
Labels Group	C-03 - C-10
LP Group	C-11
Lounge Group	C-12
Sealants & Fasteners Group	C-13 - C-15
Water & Sewage Group	C-16 - C-18
Window Vent & Exterior Door Group	C-19 - D-09

B-18

GALLEY GROUP (CONTINUED)

REFRIGERATOR

Key	Part Number	U/M	Description
	094038-02-060	EA	Refrigerator - 3-Way Small Double Door - Norcold 663 (Option L04E)
	094038-01-009	EA	Refrigerator - 2-Way Small Double Door - Norcold 662
	084879-03-700	EA	Cooling Unit
	064473-03-719	EA	Flue
	088248-01-709	EA	Heater A/C
	075217-01-737	EA	Control Module
	094039-04-702	EA	Power Supply (2-Way)
	094039-01-737	EA	Power Supply (3-Way)
	094039-04-701	EA	Eye-brow (2-Way)
	094039-01-701	EA	Eye-brow (3-Way)
	094039-04-700	EA	P.C. Board (2-Way)
	094039-01-700	EA	P.C. Board (3-Way)
	084880-01-715	EA	Shut-Off Valve - Manual
	084880-01-713	EA	Male Connector
	064473-01-702	EA	Orifice
	084248-01-706	EA	Burner
	088248-01-708	EA	Ignition Electrode
	084880-01-733	EA	Dairy Keeper
	084880-01-734	EA	Hinge Bracket - Top Right/Bottom - Left (Brown)
	094039-01-723	EA	Hinge Bracket - Top Right/Bottom - Left (Black)
	094039-01-707	EA	Upper Door Handle Asm. (Brown)
	094039-01-708	EA	Upper Door Handle Asm. (Black)
	094039-01-705	EA	Upper Door Liner - White (Brown)
	094039-01-706	EA	Upper Door Liner - White (Black)
	084880-01-735	EA	Hinge Bracket - Top Left/Bottom - Right (Brown)
	094039-01-724	EA	Hinge Bracket - Top Left/Bottom - Right (Black)
	075217-01-730	EA	Switch Rocker - 3 Position - Black
	084880-01-732	EA	Latch
	084880-02-700	EA	Lower - Flange
	094039-01-732	EA	Front Cover - Bottom Trim - Black
	094039-01-712	EA	Door Bin - w/Silver Border - Gray
	094039-01-718	EA	Milk Bin - w/Silver Trim - Gray
	084880-01-747	EA	Hole Plug
	094039-01-722	EA	Hole Plug - Hinge Holes - Black
	094039-01-711	EA	Juice Rack - w/Silver Trim
	094039-01-726	EA	Evaporator Shell
	084880-03-707	EA	Cover - Lamp or Bulb
	094039-01-733	EA	Wire Shelf - Middle
	094039-01-734	EA	Wire Shelf w/Riser - Top
	084880-01-722	EA	Crisper Cover
	094039-01-731	EA	Crisper w/Silver Trim - Gray
	094038-01-705	EA	Cabinet Asm. - Frame (Brown)
	094038-01-706	EA	Cabinet Asm. - Frame (Black)
	084880-01-746	EA	Cable
	084880-01-731	EA	Hinge - Pin
	094039-01-725	EA	Hinge Pin - Male - Black
	094039-01-729	EA	Hinge Pin Shell - Center Hinge (Brown)
	094039-01-730	EA	Hinge Pin Shell - Center Hinge (Black)
	094039-01-727	EA	Hinge Bracket - Center Hinge (Brown)
	094039-01-728	EA	Hinge Bracket - Center Hinge (Black)
	084880-01-749	EA	Hinge Bushing
	088248-01-707	EA	Sensor Electrode
	088248-01-710	EA	Heater DC (2-Way)

GALLEY GROUP (CONTINUED)

REFRIGERATORS (CONT.)

Key	Part Number	U/M	Description
	094039-01-702	EA	Gasket - Upper - Gray
	094038-01-700	EA	Gasket - Lower - Gray
	094039-01-705	EA	Upper Door Liner - White (Brown)
	094039-01-706	EA	Upper Door Liner - White (Black)
	094038-01-701	EA	Lower Door Liner - White (Brown)
	094038-01-702	EA	Lower Door Liner - White (Black)
	094038-01-703	EA	Lower Door Handle Asm. (Brown)
	094039-01-716	EA	Lower Door Handle Asm. (Brown)
	094038-01-704	EA	Lower Door Handle Asm. (Black)
	094039-01-717	EA	Lower Door Handle Asm. (Black)
	084880-01-718	EA	Gas - Valve
	084880-03-705	EA	Bracket - Interior Refrigerator Light
	084880-03-706	EA	Lamp - Bulb
	084880-01-736	EA	Light Switch - Brown
	094039-01-703	EA	Hinge Plate - Left (Brown)
	094039-01-704	EA	Hinge Plate - Left (Black)
	094039-01-709	EA	Hinge Plate - Top - Right/Bottom - Left (Brown)
	094039-01-710	EA	Hinge Plate - Top - Right/Bottom - Left (Black)
	094039-01-741	EA	Tray - Shell - Plastic - Gray
	084880-01-753	EA	Thermister - 78" w/o Chip

NOTE: Items indented below assembly are serviceable parts for that assembly.

RANGES

Key	Part Number	U/M	Description
	102022-01-01A	EA	Range w/Oven - 4 Burner - Almond - Magic Chef BT16RA - 4 - 49
**	102022-01-02A	EA	Range w/Oven - 4 Burner - Almond - Magic Chef - BT 16RA - 4Z
	012020-01-701	EA	Handle - Door
	102020-01-702	EA	Panel - Mainfold
	102022-01-700	EA	Panel - Door - Black - use w/102022-01-02A
	055282-04-700	EA	Panel - Door Almond - Use w/102022-01-01A
	102020-01-700	EA	Shell - Oven
	102022-01-701	EA	Trim (Left)
	102020-01-710	EA	Filter - Pilot
	102020-01-726	EA	Deflector - Vent
	102020-01-718	EA	Top - Main - Almond
	055282-03-705	EA	Trim - Cabinet - Left - Black
	055282-03-707	EA	Trim - Cabinet - Right - Black
	098507-02-701	EA	Insert - Burner (Slotted Vent)
	102020-01-708	EA	Burner Assembly (Oven)
	102020-01-709	EA	Bumper Grate
	102020-01-711	EA	Grate - Top
	102020-01-712	EA	Knob - Burner Valve
	102020-01-713	EA	Knob - Thermostat
	102020-01-714	EA	Pilot - Oven
	102022-01-702	EA	Pipe - Manifold
	102022-01-703	EA	Regulator - Pressure
	102020-01-717	EA	Thermostat
	102020-01-720	EA	Valve - Mercury Control
	102020-01-721	EA	Valve - Shut - Off
	102020-01-722	EA	Valve - Top Burner
	102020-01-723	EA	Pilot - Burner
	102020-01-724	EA	Bumper - Main Top

** These parts were used from 11/91 on.
Note: Items indented below are serviceable parts for that assembly.

**1991 ITASCA
TABLE OF CONTENTS**

INTRODUCTION	A-01 - A-02
ABBREVIATIONS	A-03
ALPHABETICAL INDEX	A-04 - A-06
IF424RC	A-07 - D-10
IF427RT	D-11 - G-20

1991 IF424RC INDEX

Floor Plan	A-07 - A-08
Accessories Group	A-09 - A-12
Bath Group	A-13 - A-14
Bedroom Group	A-15
Chassis Group	A-16 - A-19
Curtain, Cushion & Pad Group	A-20 - B-04
Dinette Group	B-05 - B-06
Driver's Compartment Group	B-07 - B-08
Electrical Group	B-09 - B-12
Exterior Body Group	B-13 - B-16
Galley Group	B-17 - B-21
Heating & Air Conditioning Group	B-22 - B-23
Interior Finish Group	B-24 - C-02
Labels Group	C-03 - C-10
LP Group	C-11
Lounge Group	C-12
Sealants & Fasteners Group	C-13 - C-15
Water & Sewage Group	C-16 - C-18
Window, Vent & Exterior Door Group	C-19 - D-09

GALLEY GROUP (CONTINUED)

RANGE TOPS , COVERS & MICROWAVES

Key	Part Number	U/M	Description
	081374-01-060	EA	Range Top - 4 Burner w/o Oven - Almond w/Black Trim
	081374-01-760	EA	Trim - Cabinet Top - Right - Black
	081374-01-701	EA	Trim - Cabinet Top - Left - Black
	081374-01-702	EA	Panel - Manifold - Warm Black
	081374-01-703	EA	Trim - Rear Top
	081375-01-704	EA	Guard - Fabric
	081374-03-000	EA	Range Top - 4 Burner w/o Oven - Almond w/Almond Trim
	081374-03-700	EA	Trim - Cab - Rear - Almond - Magic Chef 3608F015-74
	081374-03-701	EA	Trim - Cab - Front - Almond - Magic Chef 3608F015-74
	081374-03-704	EA	Regulator - Pressure - Magic Chef 7510P032-60
	081374-03-703	EA	Trim - Back - Almond - Magic Chef 3608F009-74
	049045-01-703	EA	Valve - Top Burner - Magic Chef 997-584
	064782-02-712	EA	Grate - Top Burner - Square Holes - Magic Chef 50-2543
	064782-02-715	EA	Clip - Grate - Magic Chef 413-00015
	064782-02-711	EA	Top - Main - Almond - 4 Burner Square - Magic Chef 50-27764A
	102021-02-01A	EA	Cover - Burner - Bi-Fold - Almond - 22" - Magic Chef - KR22A-1
	102021-01-01A	EA	Cover - Burner - Bi-Fold - Almond - 16" - Magic Chef - KR16A-1
	091269-03-000	EA	Over - Browning Microwave - Magic Chef M16-10PB
	091269-03-701	EA	Plate - Ceramic - 9.5" Dia. - Magic Chef 246-005
	091269-03-702	EA	Clip - Oven Shelf - White - Magic Chef 201-0044
	091269-05-000	EA	Oven - Microwave - Magic Chef M15E-9PB
	063752-01-000	EA	Shroud Asm. - Range
	085288-03-000	EA	Range Cover - Bi-Fold - Almond - 22"

These parts are used with Option L1361A

NOTE: Items indented below assemblies are serviceable parts for that assembly.

HEATING & AIR CONDITIONING

ROOF AIR CONDITIONER (Option L29D3A)

Key	Part Number	U/M	Description
	092440-01-000	EA	Air Conditioner - Roof - 13,500 BTU
	092441-01-000	EA	Ceiling Asm. - A/C - 220 Volt Roof Air Conditioner - 13,000 BTU

ROOF AIR CONDITIONER (Option L29D1A)

Key	Part Number	U/M	Description
	093763-01-04A	EA	Air Conditioner - 110 Volt & Roof Mount - 13,500 BTU - TSR
	093763-04-700	EA	Shroud-Roof A/C - w/o Logos
	093306-01-701	EA	Decal PKG. Left & Right
	091225-01-709	EA	Start Relay
	091225-01-710	EA	Start Capacitor
	073742-02-704	EA	Run Capacitor (Compressor)
	081606-01-708	EA	Limit Switch (Open 160, Close)
	093763-01-712	EA	Fan Blade - Condenser
	076303-01-712	EA	Motor
	093763-01-702	EA	Overload
	093763-01-703	EA	Impeller - 7" Dia x 2.8" Wide
	093763-01-704	EA	Capacitor Fan
	093763-01-707	EA	Evaporator Coil
	093763-01-708	EA	Condenser Coil
	093763-01-709	EA	Compressor
	093764-01-000	EA	Ceiling Asm. - A/C Cool Only - TSR
	042204-01-709	EA	Thermostat In-64 - Out-58
	042205-01-702	EA	Thermostat In-89 - Out-58
	073742-01-701	EA	Selector Switch (5 Terminal)
	073742-01-703	EA	Decal - Heat & Cool
	093763-01-705	EA	Decal - Heat & Cool - Thermostat
	091225-01-713	EA	Knob (2 Per Package)
	081606-01-712	EA	Ceiling Shroud (Ivory)
	073742-01-702	EA	Decal Cool Only
	076303-01-707	EA	Filter - 6" x 14 3/4" x 1/2" - 12 Per PKG
	093763-01-710	EA	Single Parts Package
	093763-01-711	EA	Gasket Package
	091225-01-717	EA	Decal (Thermostat) Cool Only
	084077-03-000	EA	Cover - Blank - Roof Air Conditioner - 5.2" x 3.5" - Ivory
	092633-02-02A	EA	Cover - Blank - Roof Air Conditioner - 5.1" x 5.1" - Off White

NOTE: Items indented below assemblies are serviceable parts for that assembly.

REAR AUXILIARY HEATER W/MOTOR AID (Option L6111A)

Key	Part Number	U/M	Description
	084405-01-000	EA	Heater Asm. - Rear - Ducted - w/Motor Aid - Evans
	084405-01-700	EA	Heater Core
	084405-01-701	EA	Fan Blades
	084405-01-702	EA	Motor Asm. - 12V
	056464-05-000	EA	Register - 4" Plastic - w/o Dampers
	084374-01-000	EA	Bracket - Switch - Heater
	084374-02-000	EA	Bracket - Switch - Heater
	084404-01-000	EA	Switch - Off/Low/Med/High - Black
	084410-02-000	EA	Decal - Rear Auto Heater

NOTE: Items indented below assemblies are serviceable parts for that assembly.

1991 ITASCA TABLE OF CONTENTS

INTRODUCTION	A-01 - A-02
ABBREVIATIONS	A-03
ALPHABETICAL INDEX	A-04 - A-06
IF424RC	C-07 - D-10
IF427RT	D-11 - G-20

1991 IF424RC INDEX

Floor Plan	A-07 - A-08
Accessories Group	A-09 - A-12
Bath Group	A-13 - A-14
Bedroom Group	A-15
Chassis Group	A-16 - A-19
Curtain, Cushion & Pad Group	A-20 - B-04
Dinette Group	B-05 - B-06
Driver's Compartment Group	B-07 - B-08
Electrical Group	B-09 - B-12
Exterior Body Group	B-13 - B-16
Galley Group	B-17 - B-21
Heating & Air Conditioning Group	B-22 - B-23
Interior Finish Group	B-24 - C-02
Labels Group	C-03 - C-10
LP Group	C-11
Lounge Group	C-12
Sealants & Fasteners Group	C-13 - C-15
Water & Sewage Group	C-16 - C-18
Window, Vent & Exterior Door Group	C-19 - D-09

HEATING & AIR CONDITIONING GROUP (CONTINUED)

FURNACES & REPAIR PARTS

Key	Part Number	U/M	Description
	009198-01-000	FT	Duct - Flexible - 4" ID x 25'
	069636-02-000	EA	Connector Duct
	056464-01-000	EA	Register - 4" Dia. - Plastic - w/Damper
	009200-01-000	EA	Tap - Furnace - 1 1/2"
	021146-01-000	EA	Clamp - Screw Type - 4"
	093365-01-000	EA	Thermostat - Furnace - Suburban (Wall)
	098668-01-000	EA	Furnace - 25,000 BTU - Suburban SF-25
	098668-04-000	EA	Furnace - 25,000 BTU - Suburban SF-25
	098668-03-000	EA	Furnace - 35,000 BTU - Suburban SF-35
	098668-08-000	EA	Furnace - 35,000 BTU - Suburban - SF-35
	098668-01-702	EA	Electrode
	069634-01-733	EA	Relay - Time Delay 20 & 30 BTU
	098668-01-709	EA	Motor Asm. - For/SF-25 - SF-30
	098668-03-700	EA	Motor Asm. - For SF-35
	098668-01-711	EA	Wheel - Room Air
	092300-02-702	EA	Microswitch Asm.
	098668-01-706	EA	Wheel - Combustion Air
	098668-01-707	EA	Vent Cap & Exhaust Tube Asm.
	098668-10-000	EA	Vent Asm. - Cap & Tube - 6.5"
	098668-01-704	EA	Valve
	098668-01-701	EA	Cabinet Asm.
	098668-01-700	EA	Cabinet Front
	098668-01-705	EA	Switch - Limit
	090039-01-703	EA	Orifice - Main Burner For SF-25
	069634-01-720	EA	Orifice - Main Burner - For SF-25
	092300-01-704	EA	Gasket - Electrode
	098668-01-712	EA	Board - Module
	098668-01-703	EA	Burner Asm. - Complete For SF-25
	098668-02-700	EA	Burner Asm. - Complete For SF-35
	098668-01-710	EA	Blower Asm. (Room Air)
	098668-01-708	EA	Blower Asm. (Combustion Air)
	075696-02-703	EA	Collar - Duct
	098668-06-000	EA	Access Door - Furnace - Off White (not provide w/Asm.)

These parts are used from 1/21/91 on.

NOTE: Items indented below assemblies are serviceable parts for that assembly.

INTERIOR FINISH GROUP

PANELING & COUNTERTOP

Key	Part Number	U/M	Description
	074497-17-000	SF	Paneling - Rambling Oak - 48" x 84" (Cabinets) (Wall) (28SF)
	074497-18-000	SF	Paneling - Crossilk - 48" x 84" (Ceiling) (28SF)
	074497-19-000	SF	Paneling - Fawn - 48" x 84" (Ceiling) (28SF)
	088272-75-000	SF	Paneling - Decor - Garden Blossoms - 48" x 84" (Main Wall) (28SF)
	088272-76-000	SF	Paneling - Decor - Summer Rain Mist - 48" x 84" (Bath) (28SF)
	088272-72-000	SF	Paneling - Shower - Travertine White - 4' x 7' (28 SF)
	073618-02-000	SF	Plywood - Oak - 1 Side Finished - 3/16" x 4' x 8' (32 SF)
	057882-04-000	EA	Tambour Door - 4' x 8' Sheet
	074498-36-000	SF	Plastic - Laminate - Rose - 60" x 96" (Countertop)
	076325-28-000	FT	Edge Molding - Thormoweb

These parts were used from 5/29/91 on.

CABINETRY & TABLE HARDWARE

Key	Part Number	U/M	Description
	064781-06-000	EA	Cup Holder - Two Step - Off White
	024281-11-000	EA	Bracket - Lower Wall Mount - Table Lift - 17.12" - Tan
	053200-09-000	EA	Bracket - Upper Wall Mount - 18.5" - Beige
	024275-11-000	EA	Rod - Table Lift - Beige
	024276-21-000	EA	Leg - Table - Metal - Beige
	024283-01-000	EA	Clip - Table Leg - 1" x 1.25" OD - Black
	024282-01-000	EA	Brace - Table Leg - Hinged
	064050-03-000	EA	Clamp - Saddle - Leg Hinge - Beige
	049493-11-700	EA	Catch - Table Leg - Mounts on Floor
	088410-01-000	EA	Hanger - Table
	016604-03-000	EA	Brace - Cabinet - "L" Angle - 2.5" - Beige
	084466-02-000	EA	Slide - Drawer - Right Side - Drawer Mounted
	084466-03-000	EA	Slide - Drawer - Left Side - Drawer Mounted
	037688-02-000	EA	Glide - Side Corner - L (For Drawer)
	037688-03-000	EA	Glide - Center (For Drawer)
	037688-04-000	EA	Bracket - Rail Mounting - Front (For Drawer)
	037688-05-000	EA	Bracket - Rail Mounting - Rear (For Drawer)
	102827-02-000	EA	Bracket - Roller - Rear (For Drawer)
	102827-03-000	EA	Roller - Nylon - Pair (For Drawer)
	102827-04-000	EA	Bracket - Mounting - Rear (For Drawer)
	102827-05-000	EA	Track - 22.6" (For Drawer)
	098980-01-000	EA	Pilaster - Adjustable Shelf - 18" Long
	098979-01-000	EA	Clip - Adjustable Shelf
	097191-01-Y15	EA	Handle - Door - Tambour - 3.6"

MISCELLANEOUS

Key	Part Number	U/M	Description
	053552-02-AAB	EA	Handle Asm. - Assist - Vinyl - Beige
	069178-02-000	EA	Mounting Bracket - Assist Handle
	094499-02-000	EA	Fire Extinguisher - 10 BC - w/Bracket (CSA)
	094499-01-000	EA	Fire Extinguisher - 10 BC - w/Bracket (US)
	094499-01-700	EA	Bracket - Mounting - Fire Extinguisher
	072852-02-000	EA	Smoke Detector w/9 Volt Battery
	054185-72-000	EA	Owners Manual - 1991 - Sundancer
	098084-14-000	EA	Cassette - 1991 - Sundancer
	100793-01-01A	EA	Clock
	101333-01-000	EA	Backplate - Clock
	099048-01-000	EA	Indicator - 110 Volt

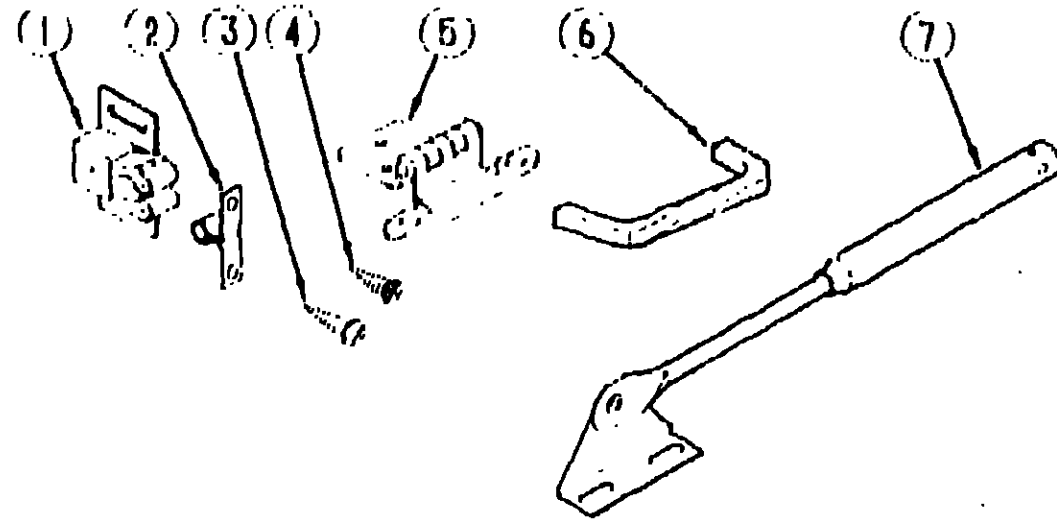
**1991 ITASCA
TABLE OF CONTENTS**

INTRODUCTION	A-01 - A-02
ABBREVIATIONS	A-03
ALPHABETICAL INDEX	A-04 - A-06
IF424RC	A-07 - D-10
IF427RT	D-11 - G-20

1991 IF424RC INDEX

Floor Plan	A-07 - A-08
Accessories Group	A-09 - A-12
Bath Group	A-13 - A-14
Bedroom Group	A-15
Chassis Group	A-16 - A-19
Curtain, Cushion & Pad Group	A-20 - B-04
Dinette Group	B-05 - B-06
Driver's Compartment Group	B-07 - B-08
Electrical Group	B-09 - B-12
Exterior Body Group	B-13 - B-16
Galley Group	B-17 - B-21
Heating & Air Conditioning Group	B-22 - B-23
Interior Finish Group	B-24 - C-02
Labels Group	C-03 - C-10
LP Group	C-11
Lounge Group	C-12
Sealants & Fasteners Group	C-13 - C-15
Water & Sewage Group	C-16 - C-18
Window, Vent & Exterior Door Group	C-19 - D-09

INTERIOR FINISH GROUP (CONTINUED)



CABINET DOOR HARDWARE

Key	Part Number	U/M	Description
1	093586-03-000	EA	Catch - Spring Roller
2	093586-04-000	EA	Strike - Steel Spring
3	000G68-06-10G	EA	Screw - 6-18 x 5/8 PPH - Antique Brass
4	000G13-06-10G	EA	Screw - 6-20 x 5/8 PPH - Antique Brass
5	059777-02-000	EA	Hinge - Cabinet Door - Burnished Brass
6	100273-01-000	EA	Pull - Cabinet - Antique Brass
7	074493-02-000	EA	Support - Piston Spring - Overhead Door

FABRICS & FLOOR COVERINGS

Key	Part Number	U/M	Description
	096008-57-000	YD	Fabric - Main Upholstery - Cocoa (B35)
	096008-56-000	YD	Fabric - Main Upholstery - Gray (B36)
	096008-55-000	YD	Fabric - Main Upholstery - Plum (B37)
	096008-60-000	YD	Fabric - Patterned Accent - Cocoa (B35)
	096008-59-000	YD	Fabric - Patterned Accent - Gray (B36)
	096008-58-000	YD	Fabric - Patterned Accent - Plum (B37)
	096008-62-000	YD	Fabric - Plain Accent - Cocoa (B35)
	096008-31-000	YD	Fabric - Plain Accent - Gray (B36)
	096008-61-000	YD	Fabric - Plain Accent - Plum (B37)
	072333-77-000	YD	Fabric - Drapery/Curtain - Beige
	072333-76-000	YD	Fabric - Drapery/Curtain - Silver
	088273-53-000	YD	Fabric - Bedspread/Curtain - Patterned - 54" (B35)
	088273-55-000	YD	Fabric - Bedspread/Curtain - Patterned - 54" (B36)
	088273-54-000	YD	Fabric - Bedspread/Curtain - Patterned - 54" (B37)
	072333-67-000	YD	Fabric - Beige (Speaker Cover)
	079680-07-000	YD	Vinyl - Expanded - Buckskin (End Caps)
	029219-01-000	YD	Vinyl - Fabric - 54" Wide - White (Assist Handle)
	079680-09-000	YD	Vinyl - off White (Wingwall)
	103907-01-01A	YD	Vinyl - off White (Wingwall)
	075244-03-000	YD	Vinyl - Shower Guard - Almond
	047034-02-000	SF	Plastic - Carpet - Runner - 4" Wide - Clear Poly
	096060-15-000	SY	Carpet - Sand (B35)
	096060-18-000	SY	Carpet - Silver Cloud (B36)
	09F060-20-000	SY	Carpet - Aubergine (B37)

• These parts were used from 4/17/91 on

INTERIOR FINISH GROUP (CONTINUED)

BATT STRIPS

Key	Part Number	U/M	Description
	069733-78-000	EA	Batt Strip - Pampling Oak - 8' (Woodgrain)
	085284-32-000	FT	Batt Strip - Pampling Oak - Adhesive Back (Woodgrain)
	088263-51-000	EA	Batt Strip - Crosswalk - 8' - (Coiling)
	085284-48-000	FT	Batt Strip - Crosswalk - Adhesive Back (Coiling)
	088263-71-000	EA	Batt Strip - Fawn - 8' (Coiling)
	085284-58-000	FT	Batt Strip - Fawn - Adhesive Back (Coiling)
	088263-55-000	EA	Batt Strip - Kow Garden Blossoms - 8' (Main Wall)
	085284-41-000	FT	Batt Strip - Kow Garden Blossoms - Adhesive Back (Main Wall)
	088263-54-000	EA	Batt Strip - Summer Rain Mist - 8' (Bath)
	085284-42-000	FT	Batt Strip - Summer Rain Mist - Adhesive Back (Bath)
	088263-18-000	EA	Batt Strip - Travertine - 8' (Shower)
	086229-01-000	EA	Retainer - Batten - Coiling - .75" Wide - 7'6"
	086229-04-000	EA	Batten - 1" - Coiling Molding - Ivory

• These parts were used from 5/29/91 on

INTERIOR MOLDINGS & TRIMS

Key	Part Number	U/M	Description
	065740-01-000	EA	Braco - Cabinet Corner - Plastic
	082111-02-000	EA	Cover - Roof Break - 2 28" Wide - Ivory
	009012-22-000	EA	Molding - Plastic Outside Corner - .5" - Brown
	009012-24-000	EA	Molding - Plastic - Outside Corner - 5" - Modern Ivory
	085746-01-000	FT	J-Molding - .75" w/Lips - Grady Brown
	009815-09-000	FT	T-Molding - .75" - Modern Ivory
	083620-06-000	FT	T-Molding - w/Edge Lips - .75" - Reber Birch
	076325-16-000	FT	Molding - Edge Band - 1 5/16" Wide - Regal Oak
	076325-28-000	FT	Molding - Edge Band - 1 5/16" Wide - Woodgrain
	076325-30-000	FT	Molding - Edge Band - 1 5/16" Wide - Rose
	086279-02-000	FT	Trim - Insert - .9" - Plastic - Off White
	022992-11-000	FT	Molding - Reverse Cove - T-Shaped - Vinyl - Ivory
	042357-15-000	EA	Molding - Corner - Radius - 1.5" x 7' - Plastic - Woodgrain
	077840-01-B27	EA	Molding - Wall Cap - 1.4" x 8" - L-Shaped Wood
	081521-02-007	EA	Mount - Metal - For Radius Corner Molding - 12.5'
	080176-04-000	EA	Corner Cap - Radius Corner Molding - Pecan
	070504-19-000	FT	U-Channel - .815 - Brown
	009778-11-000	FT	U-Channel - 1" - Ivory
	009778-12-000	FT	U-Channel - 1" - Thor Pecan
	009767-10-000	FT	Welting - Mahogany
	009767-12-000	FT	Welting - Off White
	100659-01-B25	EA	Trim - Floor - 72" x 1" x 1/2" - Wood
	078539-01-000	EA	Trim - Cab Carpet - Passenger Side - 29" Long
	078539-02-000	EA	Trim - Cab Carpet - Driver Side - 29" Long
	047034-02-000	SF	Plastic - Carpet - 4" Wide - Clear
	086279-02-000	FT	Trim Insert - 9" Plastic - Off White
	093743-02-01A	SF	Plastic - ABS - 11.5" Wide - Off White (Roof)
	052859-01-AA8	FT	Trim - Edge - Vinyl - 1.5" - Beige

• These parts were used from 9/2/89 on

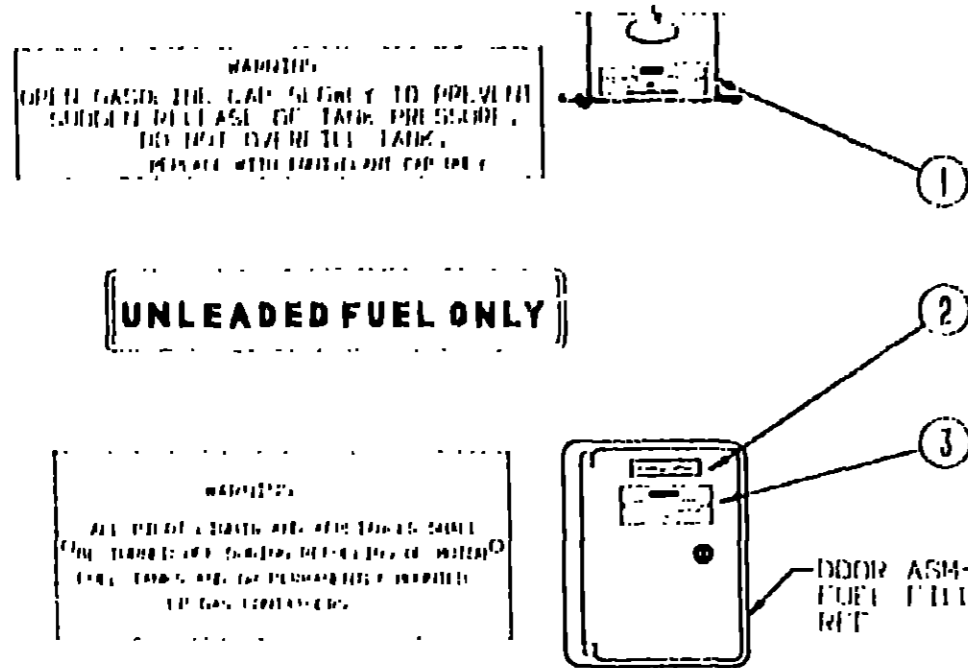
**1991 ITASCA
TABLE OF CONTENTS**

INTRODUCTION	A-01 - A-02
ABBREVIATIONS	A-03
ALPHABETICAL INDEX	A-04 - A-06
IF424RC	A-07 - D-10
IF427RT	D-11 - G-20

1991 IF424RC INDEX

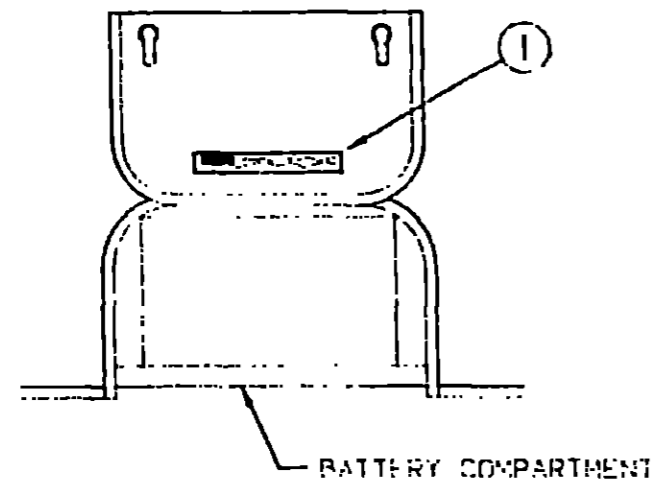
Floor Plan	A-07 - A-08
Accessories Group	A-09 - A-12
Bath Group	A-13 - A-14
Bedroom Group	A-15
Chassis Group	A-16 - A-19
Curtain, Cushion & Pad Group	A-20 - B-04
Dinette Group	B-05 - B-06
Driver's Compartment Group	B-07 - B-08
Electrical Group	B-09 - B-12
Exterior Body Group	B-13 - B-16
Galley Group	B-17 - B-21
Heating & Air Conditioning Group	B-22 - B-23
Interior Finish Group	B-24 - C-02
Labels Group	C-03 - C-10
LP Group	C-11
Lounge Group	C-12
Sealants & Fasteners Group	C-13 - C-15
Water & Sewage Group	C-16 - C-18
Window, Vent & Exterior Door Group	C-19 - D-09

LABELS GROUP



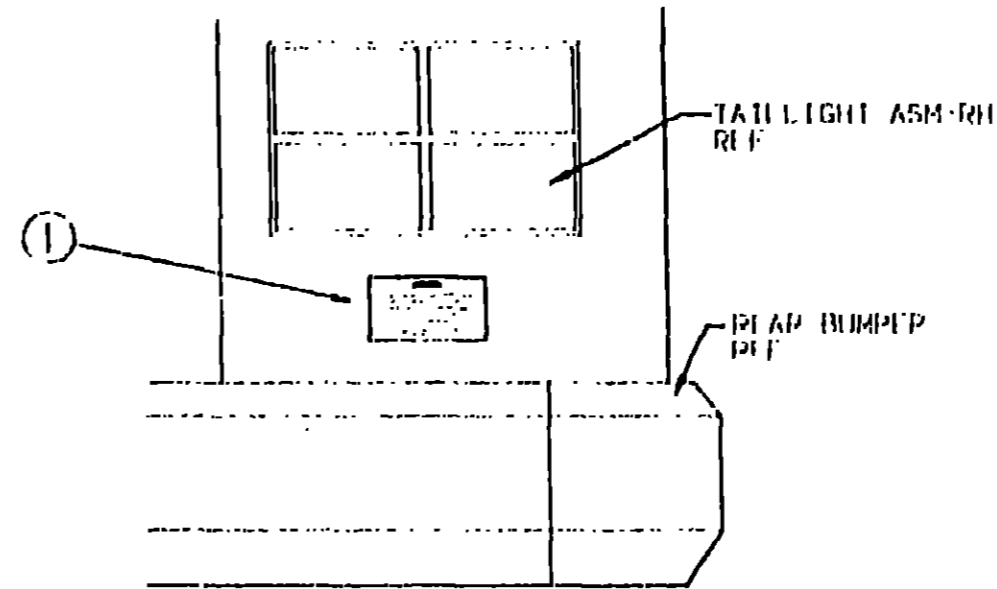
Key	Part Number	U/M	Description
1	087207-05-000	EA	Label - Fuel Cap Removal
2	062043-01-000	EA	Label - Unleaded Fuel
3	006040-01-000	EA	Tag - Gas Refueling Warning (US)
3	006040-02-000	EA	Tag - Gas Refueling Warning (CSA)

WARNING DISCONNECT BATTERIES BEFORE CONNECTING EXTERNAL CHARGING EQUIPMENT.



Key	Part Number	U/M	Description
1	065740-01-000	EA	Label - Caution - Battery Charging

LABELS GROUP (CONTINUED)

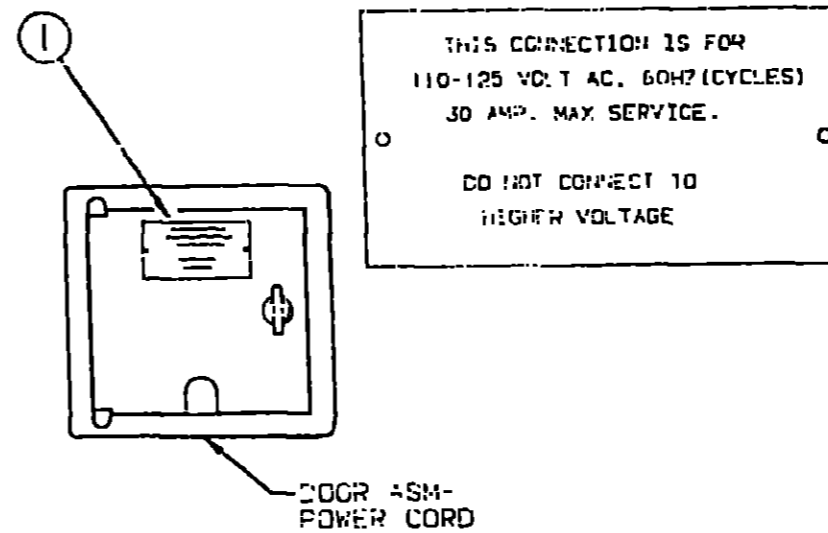


WARNING

DO NOT EXCEED THE VEHICLE WEIGHT RATINGS OR LOADING RECOMMENDATIONS (E.G., GROSS VEHICLE, GROSS AXLE, GROSS COMBINED) OF THE CHASSIS MANUFACTURER OR WINNEBAGO INC.

REFER TO YOUR OWNERS MANUAL, BEFORE LOADING OR TOWING.

Key	Part Number	U/M	Description
1	075220-01-000	EA	Label - Warning - Exterior Load



Key	Part Number	U/M	Description
1	006062-01-000	EA	Tag - Electrical - 110 Volt Connection

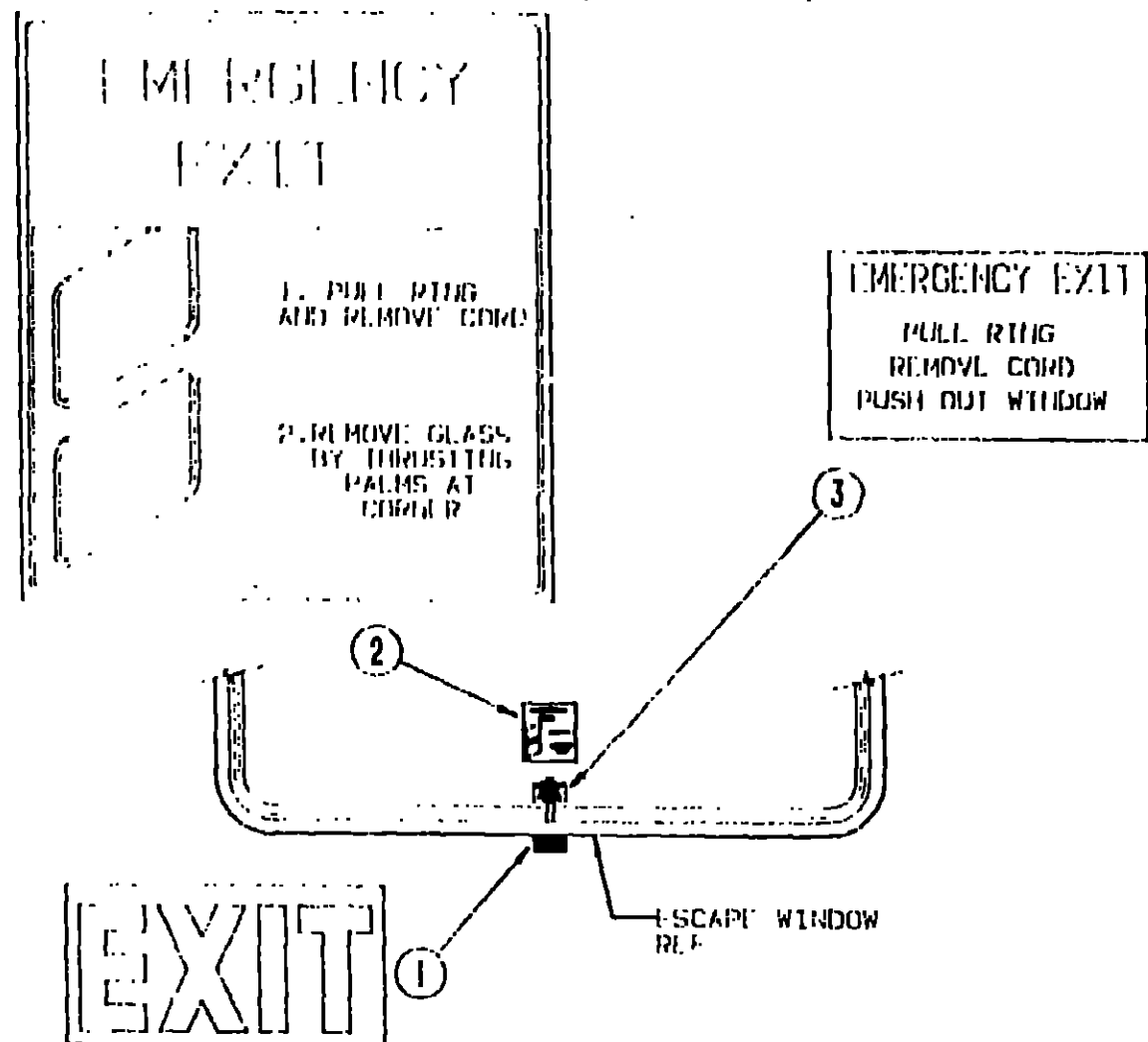
**1991 ITASCA
TABLE OF CONTENTS**

INTRODUCTION	A-01 - A-02
ABBREVIATIONS	A-03
ALPHABETICAL INDEX	A-04 - A-06
IF424PC	A-07 - D-10
IF427PT	D-11 - G-20

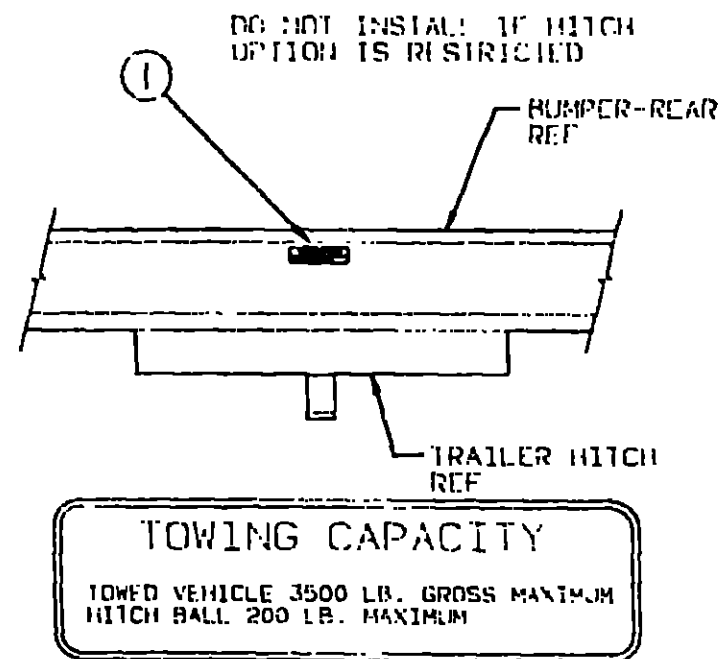
1991 IF424RC INDEX

Floor Plan	A-07 - A-08
Accessories Group	A-09 - A-12
Bath Group	A-13 - A-14
Bedroom Group	A-15
Chassis Group	A-16 - A-19
Curtain, Cushion & Pad Group	A-20 - B-04
Dinette Group	B-05 - B-06
Driver's Compartment Group	B-07 - B-08
Electrical Group	B-09 - B-12
Exterior Body Group	B-13 - B-16
Galley Group	B-17 - B-21
Heating & Air Conditioning Group	B-22 - B-23
Interior Finish Group	B-24 - C-02
Labels Group	C-03 - C-10
LP Group	C-11
Lounge Group	C-12
Sealants & Fasteners Group	C-13 - C-15
Water & Sewage Group	C-16 - C-18
Window, Vent & Exterior Door Group	C-19 - D-09

LABELS GROUP (CONTINUED)

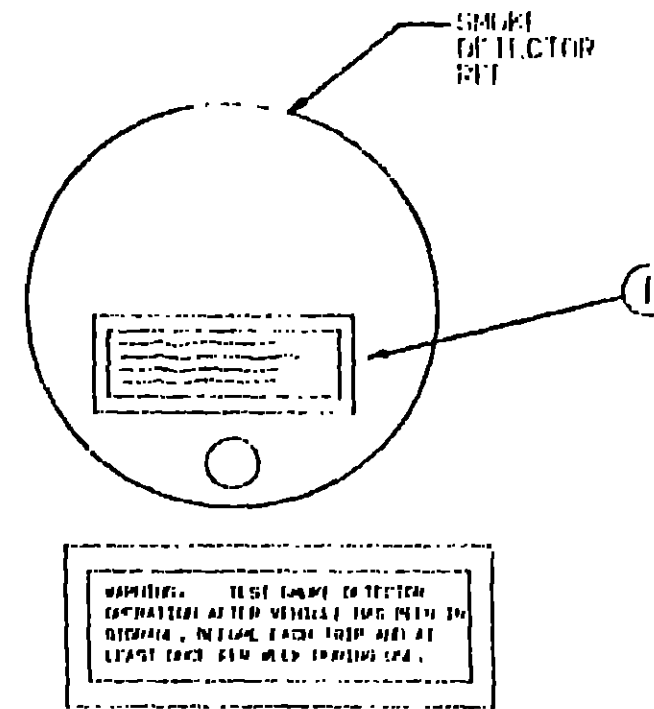


Key	Part Number	U/M	Description
1	039290-01-000	EA	Label - Warning - Exit
2	047731-01-000	EA	Label - Emergency Exit
3	006199-01-000	EA	Label - Exit - Escape Window

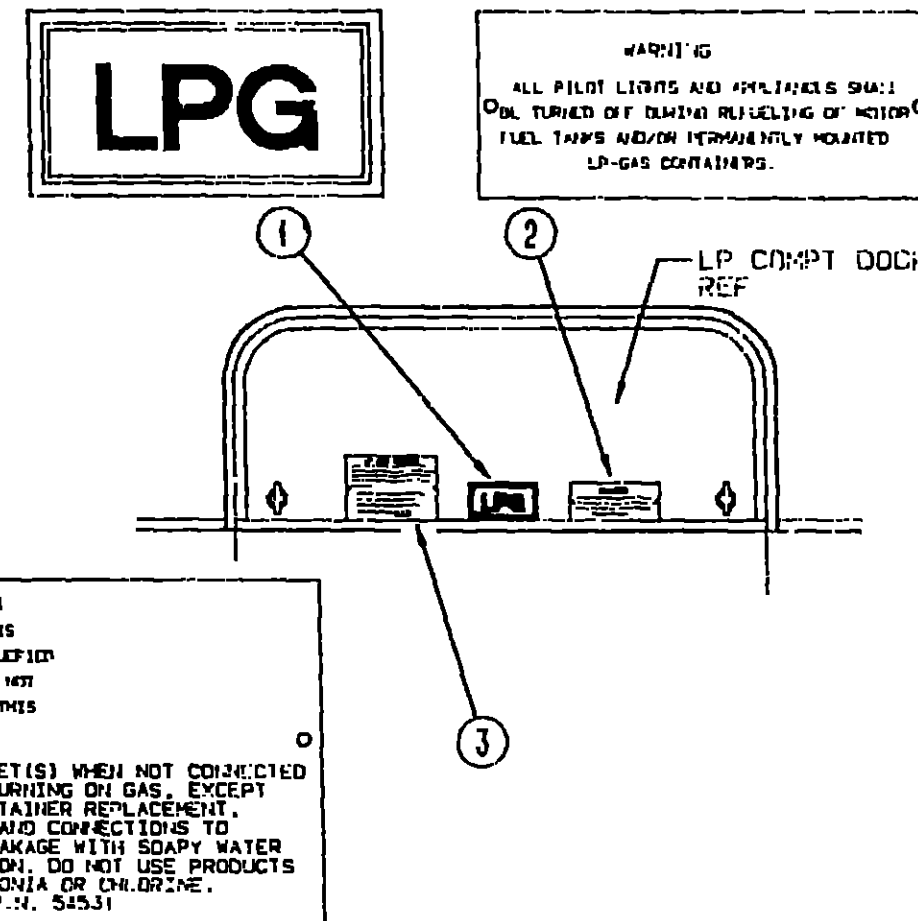


Key	Part Number	U/M	Description
1	075221-01-000	EA	Label - Towing Capacity

LABELS GROUP (CONTINUED)



Key	Part Number	U/M	Description
1	077956-01-000	EA	Label - Warning - Smoke Detector



Key	Part Number	U/M	Description
1	074559-01-000	EA	Label - "LPG" - 3.3" x 1.75" (California Code)
2	006040-01-000	EA	Tag - Gas Refueling Warning (US)
2	006040-02-000	EA	Tag - Gas Refueling Warning (CSA)
3	054531-01-000	EA	Label - LP Gas Only

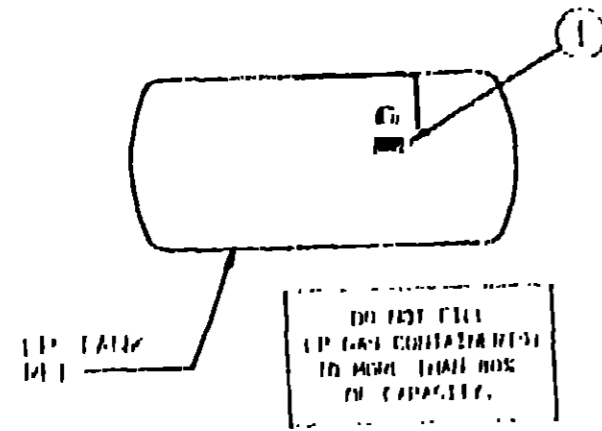
1991 ITASCA TABLE OF CONTENTS

INTRODUCTION	A-01 - A-02
ABBREVIATIONS	A-03
ALPHABETICAL INDEX	A-04 - A-06
IF424RC	A-07 - D-10
IF427RT	D-11 - G-20

1991 IF424RC INDEX

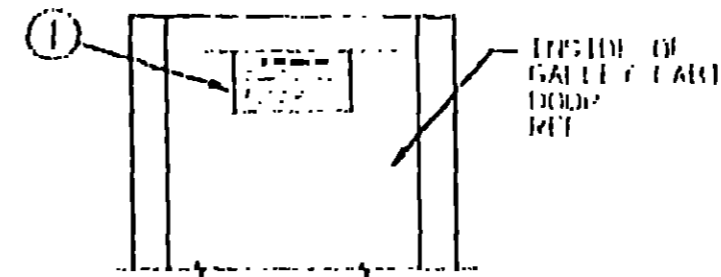
Floor Plan	A-07 - A-08
Accessories Group	A-09 - A-12
Bath Group	A-13 - A-14
Bedroom Group	A-15
Chassis Group	A-16 - A-19
Curtain, Cushion & Pad Group	A-20 - B-04
Dinette Group	B-05 - B-06
Driver's Compartment Group	B-07 - B-08
Electrical Group	B-09 - B-12
Exterior Body Group	B-13 - B-16
Galley Group	B-17 - B-21
Heating & Air Conditioning Group	B-22 - B-23
Interior Finish Group	B-24 - C-02
Labels Group	C-03 - C-10
LP Group	C-11
Lounge Group	C-12
Sealants & Fasteners Group	C-13 - C-15
Water & Sewage Group	C-16 - C-18
Window, Vent & Exterior Door Group	C-19 - D-09

LABELS GROUP (CONTINUED)



Key	Part Number	U/M	Description
1	079905-01-000	EA	Label - LPG - 80% Capacity

LABELS GROUP (CONTINUED)



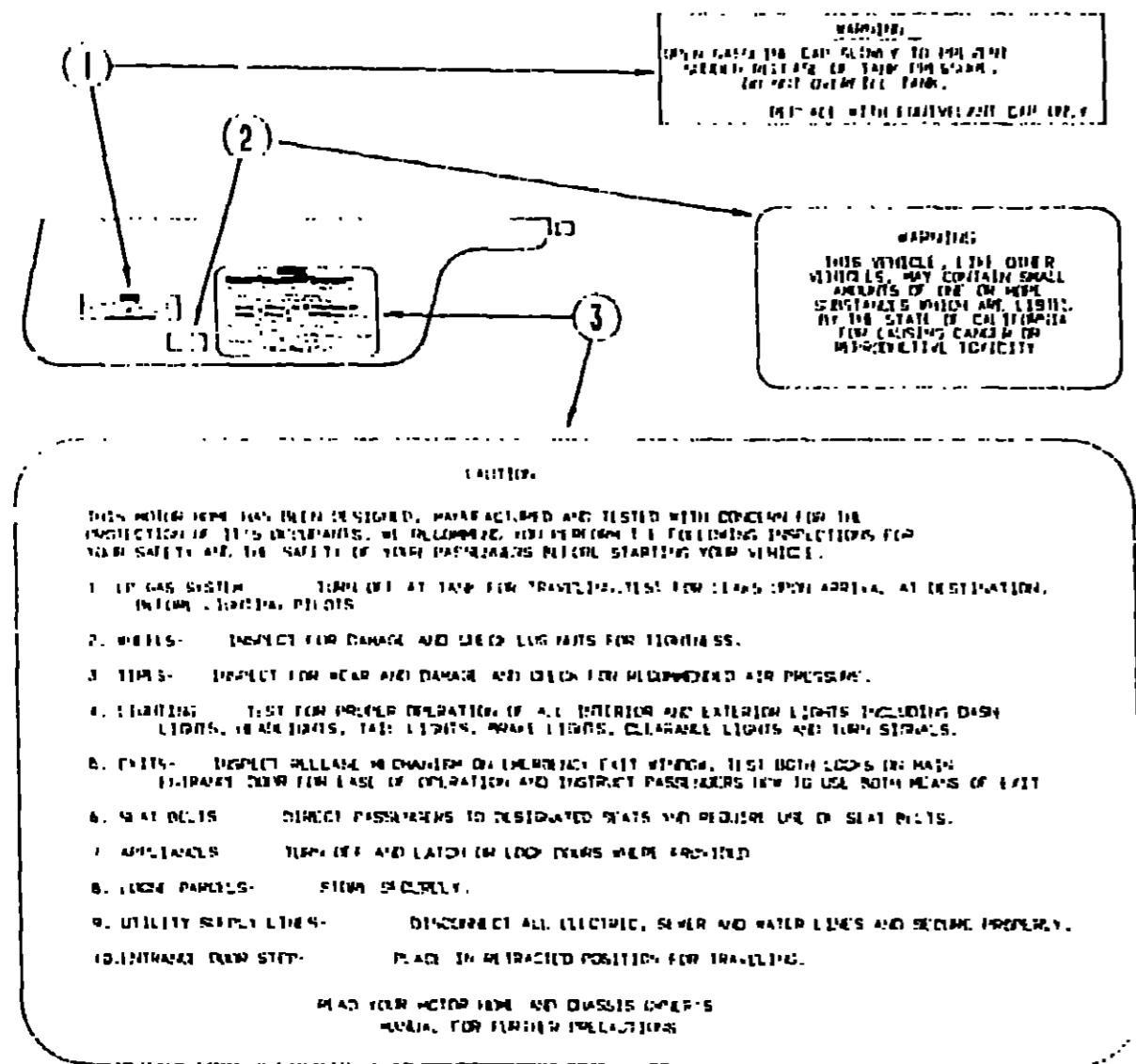
IF YOU SMELL GAS

1. EXTINGUISH ANY OPEN FLAME, REMOVE LIGHTS AND ALL WAXED OR OILED MATERIALS.
2. DO NOT USE THE GAS TAP OR AT THE TAP VALVE OR GAS TAP OR CONNECTION.
3. CHECK EXHAUST AND OTHER VENTILATION SYSTEMS.
4. DO NOT TOUCH ELECTRICAL SWITCHES.
5. LEAVE THE AREA UNTIL YOU CAN GET OUT.
6. HAVE THE GAS SYSTEM CHECKED AND REPAIRS MADE IMMEDIATELY BEFORE USING AGAIN.

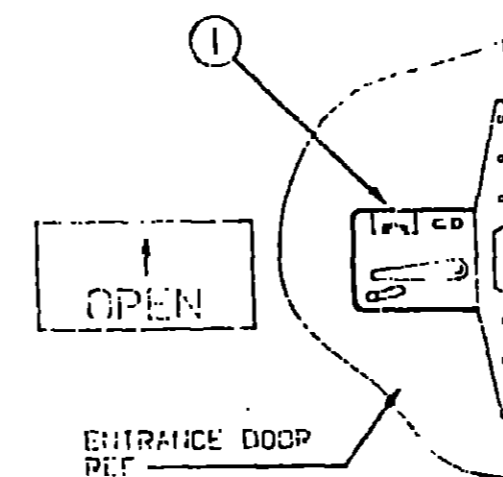
Key	Part Number	U/M	Description
1	050225-01-000	EA	Label - Warning - Stove Vent (US)
1	050222-01-000	EA	Label - Warning - Stove Vent (CSA)

**1991 ITASCA
TABLE OF CONTENTS**

INTRODUCTION	A-01 - A-02
ABBREVIATIONS	A-03
ALPHABETICAL INDEX	A-04 - A-06
IF424RC	A-07 - D-10
IF-42/RT	D-11 - G-20



Key	Part Number	U/M	Description
1	087207-05-000	EA	Label - Fuel Cap Removal
2	099689-01-000	EA	Label - Warning - Cancer/Toxicity
3	056259-01-000	EA	Label - Safety Check List

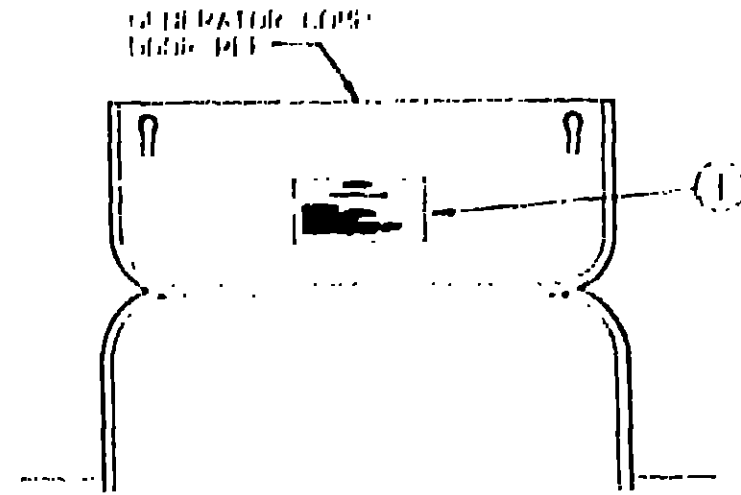


Key	Part Number	U/M	Description
1	040944-01-000	EA	Label - Open - Entrance Door

1991 IF424RC INDEX

Floor Plan	A-07 - A-08
Accessories Group	A-09 - A-12
Bath Group	A-13 - A-14
Bedroom Group	A-15
Chassis Group	A-16 - A-19
Curtain, Cushion & Pad Group	A-20 - B-04
Dinette Group	B-05 - B-05
Driver's Compartment Group	B-07 - B-08
Electrical Group	B-09 - B-12
Exterior Body Group	B-13 - B-16
Galley Group	B-17 - B-21
Heating & Air Conditioning Group	B-22 - B-23
Interior Finish Group	B-24 - C-02
Labels Group	C-03 - C-10
LP Group	C-11
Lounge Group	C-12
Sealants & Fasteners Group	C-13 - C-15
Water & Sewage Group	C-16 - C-18
Window, Vent & Exterior Door Group	C-19 - D-09

LABELS GROUP (CONTINUED)

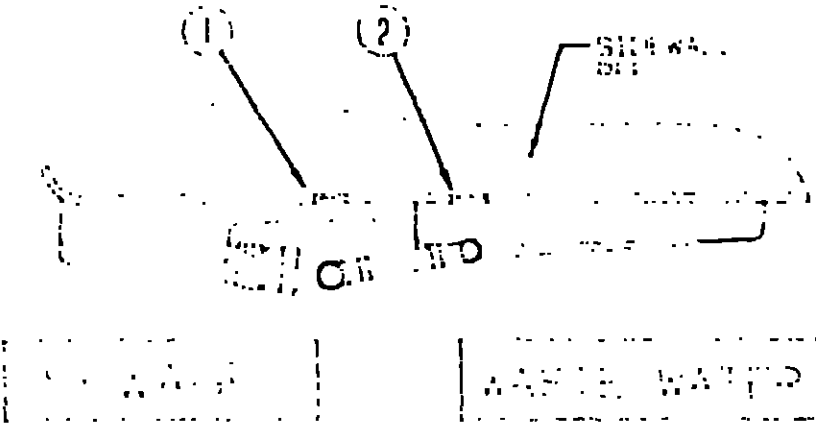


WARNING
 WITH ACCEL. & DECELERATION
 ...

Key	Part Number	U/M	Description
1	077510-01-000	EA	Label - Generator Prop

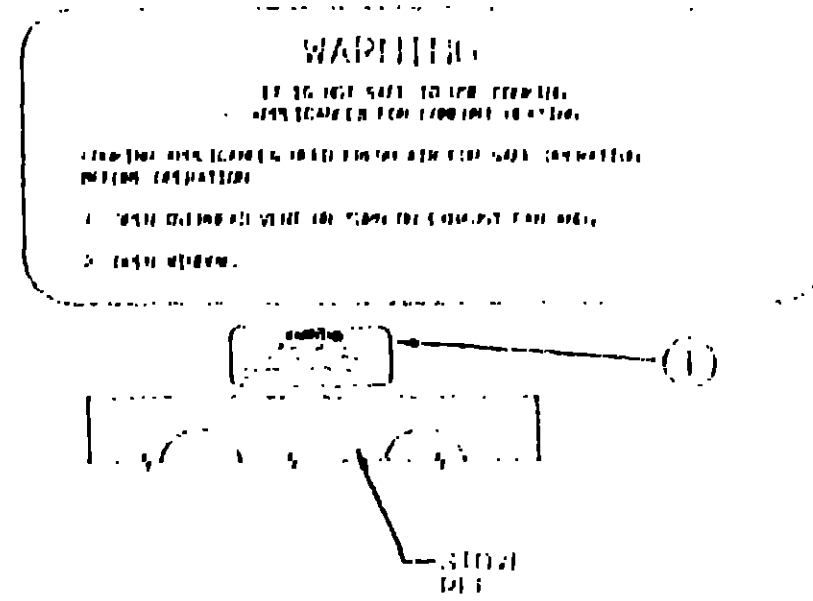
MISCELLANEOUS LABELS

Key	Part Number	U/M	Description
	006064-01-000	EA	Label - Seat - w/o Seat Belt (US)
	006064-02-000	EA	Label - Seat - w/o Seat Belt (CSA)
	091743-01-000	EA	Label - A/C Cover



Key	Part Number	U/M	Description
1	006187-01-000	EA	Label - Sewage
2	005188-01-000	EA	Label - Waste Water

LABELS GROUP (CONTINUED)



Key	Part Number	U/M	Description
1	07399B-01-000	EA	Label - LPG - Odor Warning (US)
1	023769-01-000	EA	Label - LPG - Odor Warning (CSA)

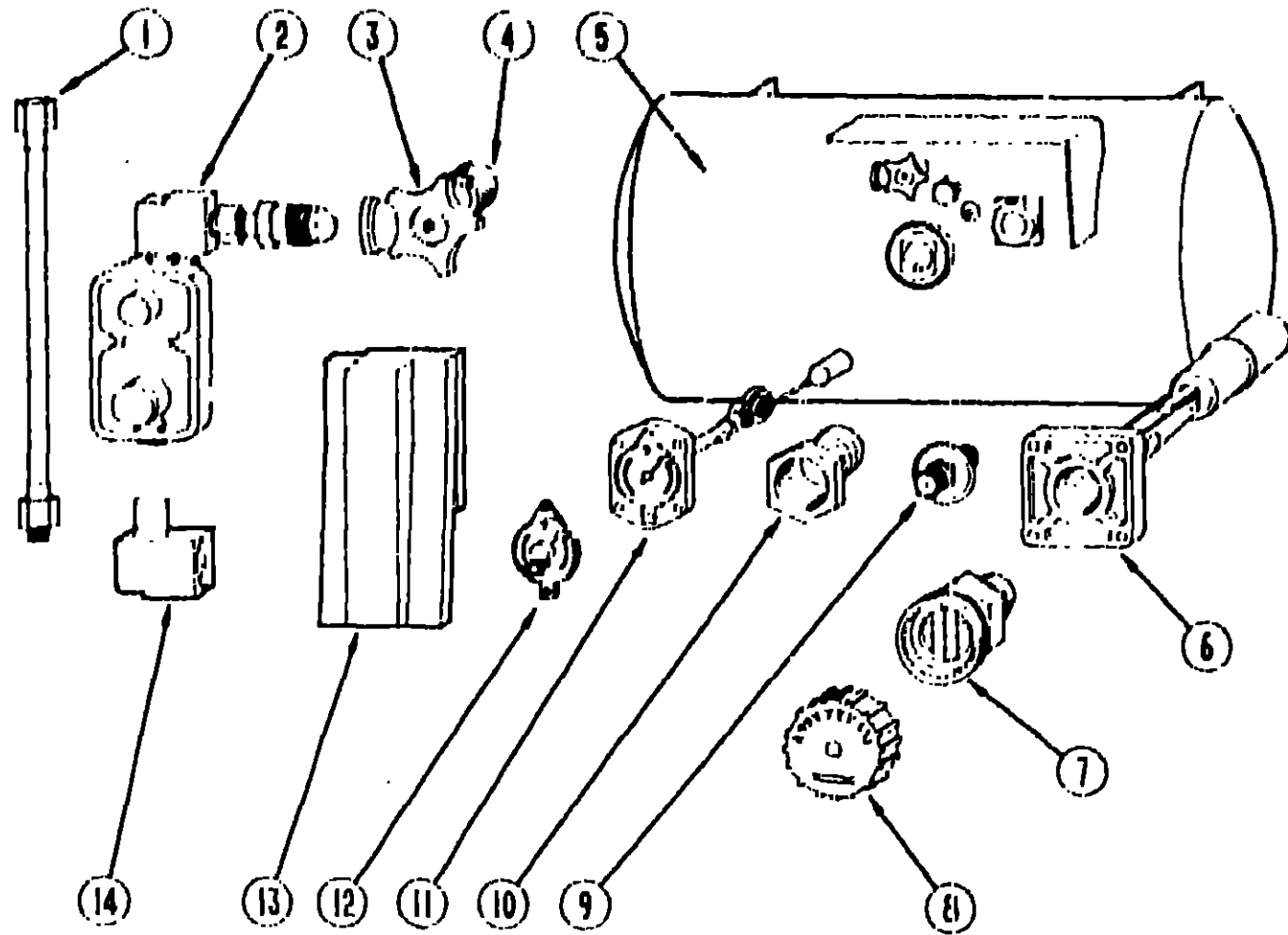
**1991 ITASCA
TABLE OF CONTENTS**

INTRODUCTION	A-01 - A-02
ABBREVIATIONS	A-03
ALPHABETICAL INDEX	A-04 - A-06
IF424RC	A-07 - D-10
IF427RT	D-11 - G-20

1991 IF424RC INDEX

Floor Plan	A-07 - A-08
Accessories Group	A-09 - A-12
Bath Group	A-13 - A-14
Bedroom Group	A-15
Chassis Group	A-16 - A-19
Curtain, Cushion & Pad Group	A-20 - B-04
Dinette Group	B-05 - B-06
Driver's Compartment Group	B-07 - B-08
Electrical Group	B-09 - B-12
Exterior Body Group	B-13 - B-16
Galley Group	B-17 - B-21
Heating & Air Conditioning Group	B-22 - B-23
Interior Finish Group	B-24 - C-02
Label Group	C-03 - C-10
LP Group	C-11
Lounge Group	C-12
Sealants & Fasteners Group	C-13 - C-15
Water & Sewage Group	C-16 - C-18
Window, Vent & Exterior Door Group	C-19 - D-09

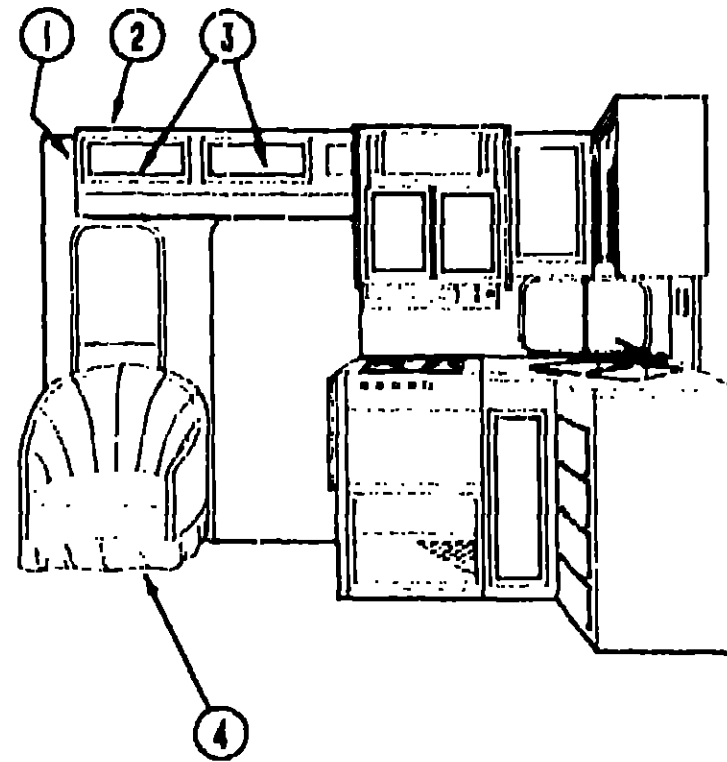
LP GROUP



LP TANK & PARTS

Key	Part Number	U/M	Description
1	045703-01-000	EA	Hose - LP - 3/8" ID x 24" - 3/8 MPT x 1/2 F Swivel (US)
1	045703-02-000	EA	Hose - LP - 3/8" ID x 24" - 3/8 MPT x 1/2 F Swivel (CSA)
2	076301-01-000	EA	Regulator - LPG - Two Stage
3	040421-01-708	EA	Handwheel - w/Service Valve
4	040421-01-712	EA	Service Valve w/o Vapor Relief
5	097821-01-000	EA	LP Tank - 60# - 14" x 30" - Brunner
6	040421-01-711	EA	Valve - 80% w/Float Plate, Bolts & Gasket
7	040421-01-701	EA	Valve - Short LP Filler w/Yellow Cap
8	040421-01-702	EA	Cap - LP Filler Valve - Plastic - Yellow
9	040421-01-700	EA	Valve - Liquid Level - 20% LP
10	040421-01-713	EA	Valve - Vapor Only
11	040421-01-707	EA	Gauge - Float w/Visible Dial
12	040440-02-000	EA	Transmitter - Dial - 0-90 OHM
13	081938-01-000	EA	Cover - LP Regulator
14	065318-02-000	EA	Elbow - 90° - 3/8" MPT to 3/8" FPT
	095624-01-000	EA	Elbow - 90° - 1/4" FPT x 1/4" FPT - Brass
	065742-01-000	EA	Tee - .38 F x .38 F x .25 FPT - Brass
	084884-01-000	EA	Plug - Brass - 3/8"
	065741-01-000	EA	Gauge - Diaphragm Pressure
	016188-01-000	EA	Grommet - Gas Line - .38 x 2.00 LG
	008042-01-000	EA	Tubing - Vinyl - .65" ID
	010323-01-000	EA	Adapter - Brass - 3/8 F x 1/2 MPT
	010377-01-000	EA	Nut - Brass - 3/8 F
	010377-02-000	EA	Nut - Brass - 3/8 Female - Forged
	010380-02-000	EA	Nut - Brass - 1/2" Female - Forged
	010265-01-000	EA	Elbow - Brass - 90° - 3/8" F x 1/2" FPT

LOUNGE GROUP



FRONT LOUNGE CABINETRY

Key	Part Number	U/M	Description
1	081280-20-B27	EA	Pad Asm. - End Cap - Entrance Overhead - Vinyl
2	M04183-12-B35	EA	Cabinet - Entrance Overhead - w/o Doors or Hardware
3	P00523-08-B29	EA	Door Asm. - Entrance Overhead - 10" x 19" - w/o Hardware
4	NOTE	EA	Swivel Chair

NOTE: See Curtain, Cushion & Pad Group for further breakdown of this item.

**1991 ITASCA
TABLE OF CONTENTS**

INTRODUCTION	A-01 - A-02
ABBREVIATIONS	A-03
ALPHABETICAL INDEX	A-04 - A-06
IF424RC	A-07 - D-10
IF427RT	D-11 - G-20

1991 IF424RC INDEX

Floor Plan	A-07 - A-08
Accessories Group	A-09 - A-12
Bath Group	A-13 - A-14
Bedroom Group	A-15
Chassis Group	A-16 - A-19
Curtain, Cushion & Pad Group	A-20 - B-04
Dinette Group	B-05 - B-06
Driver's Compartment Group	B-07 - B-08
Electrical Group	B-09 - B-12
Exterior Body Group	B-13 - B-16
Galley Group	B-17 - B-21
Heating & Air Conditioning Group	B-22 - E-23
Interior Finish Group	B-24 - C-02
Labels Group	C-03 - C-10
LP Group	C-11
Lounge Group	C-12
Sealants & Fasteners Group	C-13 - C-15
Water & Sewage Group	C-16 - C-18
Window, Vent & Exterior Door Group	C-19 - D-09

SEALANTS & FASTENERS GROUP

SCREWS & FASTENERS

Key	Part Number	U/M	Description
	000C12-05-16R	EA	Bolt - Hex - 5/16 - 18 x 1 - Zn 6
	000C12-10-24R	EA	Bolt - Hex - 5/8 - 11 x 1 1/2 - Zn 6
	000C13-07-48R	EA	Bolt - Hex - 7/16 - 20 x 3 - Zn 5
	000C18-06-48R	EA	Bolt - Elevator - 3/8 - 10 x 3 - Zn - Grade 6
	000C26-04-10B	EA	Bolt - Hex - Sor Flange - 1/4 - 20 x 5/8
	000C26-05-20B	EA	Bolt - Hex - Sor Flg 5/16 - 18 x 1 1/4 - Zinc
	000D24-10-00B	EA	Nut - Hex - Locking - 10-32 - Zn
	000D39-04-00B	EA	Nut - Hex - Sor Flange - Locking - 1/4 - 20 Zn
	000D39-05-00B	EA	Nut - Hex - Sor Flg Lk - 5/16 - 18 - Zn
	000D39-06-00B	EA	Nut - Hex - Sor Flg Lk - 3/8 - 16 - Zn
	000D39-08-00B	EA	Nut - Hex - Sor Flg Lk - 1/2 - 13 - Zn
	000D44-07-00B	EA	Nut - Hex - Sor Flg Lk - 7/16 - 20 - Zn
	000E13-11-00B	EA	Washer - Flat - 3/16" Wide - Zn
	000E13-14-00B	EA	Washer - Flat - 1/4" Wide - Zn
	000E13-20-00B	EA	Washer - Flat - 7/16" Wide - Zn
	000E14-10-00B	EA	Washer - Locking - Ho 10 Ext. Tooth - Zn
	000G11-06-10R	EA	Screw - 6 - 20 x 5/8 PPH - Zn
	000G11-06-10J	EA	Screw - 6 - 20 x 5/8 PPH - Brass
	000G11-07-00B	EA	Screw - 7 - 19 x 1/2 PPH - Zn
	000G11-08-00B	EA	Screw - 8 - 18 x 3/8 PPH - Zn
	000G11-08-08B	EA	Screw - 8 - 18 x 1/2 PPH - Zn
	000G11-08-12B	EA	Screw - 8 - 18 x 3/4 PPH - Zn
	000G11-08-12D	EA	Screw - 8 - 18 x 3/4 PPH - Black
	000G11-08-12E	EA	Screw - 8 - 18 x 3/4" PPH - Chrome
	000G11-08-12F	EA	Screw - 8 - 18 x .75 - Dark Brown
	000G11-08-12G	EA	Screw - 8 - 18 x .75 PPH - Beige
	000G11-08-12S	EA	Screw - 8 - 18 x 75 PPH - Off White
	000G11-08-16S	EA	Screw - 8 - 18 x 1.00 PPH - Off White
	000G11-10-12D	EA	Screw - 10 - 16 x 3/4 PPH - Black
	000G11-10-12S	EA	Screw - 10 - 16 x 3/4 PPH - Off White
	000G11-10-24P	EA	Screw - 10 - 16 x 1 1/2 PPH - Dark Brown
	000G12-06-08T	EA	Screw - 6 - 20 x 1/2 POH - Beige
	000G12-08-12R	EA	Screw - 8 - 18 x 3/4 POH - Beige
	000G12-08-12S	EA	Screw - 8 - 18 x 3/4 POH - Off White
	000G12-08-16S	EA	Screw - 8 - 18 x 1" POH - Off White
	000G13-06-08B	EA	Screw - 6 - 20 x 1/2 PPH - Zn
	000G13-06-10G	EA	Screw - 6 - 20 x 5/8 PPH - Antique Brass
	000G13-07-12B	EA	Screw - 7 - 19 x 3/4 PPH - Zn
	000G13-08-16D	EA	Screw - 8 - 18 x 1 PPH - Zn
	000G18-08-12B	EA	Screw - Machine - 8 - 32 x 3/4" PPH - Zn
	000G18-08-16E	EA	Screw - Machine - 8 - 32 x 1 PPH - Zn
	000G18-08-22B	EA	Screw - Machine - 8 - 32 x 1 3/8 PPH - Zn
	000G32-10-06B	EA	Screw - 10 - 32 x 3/8 PPH - Zn
	000G39-06-10T	EA	Screw - SF/DR - 6 - 20 x 5/8 PPH - Black
	000G39-06-16T	EA	Screw - SF/DR - 6 - 20 x 1 PPH - Black
	000G39-08-06B	EA	Screw - SF/DR - 8 - 18 x 3/8 PPH - Zn
	000G39-08-08B	EA	Screw - SF/DR - 8 - 18 x 1/2 PPH - Zn
	000G39-08-08S	EA	Screw - SF/DR - 8 - 18 x 1/2 PPH - Off White
	000G39-08-08R	EA	Screw - SF/DR - 8 - 18 x 1/2 PPH - Beige
	000G39-08-12B	EA	Screw - SF/DR - 8 - 18 x 3/4 PPH - Zn
	000G39-08-12R	EA	Screw - SF/DR - 8 - 18 x 3/4 PPH - Beige
	000G39-08-16S	EA	Screw - SF/DR - 8 - 18 x 1.00 PPH - Off White
	000G39-08-24B	EA	Screw - SF/DR - 8 - 18 x 1 1/2 PPH - Zn
	000G39-08-24S	EA	Screw - SF/DR - 8 - 18 x 1.50 PPH - Off White
	000G39-08-32B	EA	Screw - SF/DR - 8 - 18 x 2 - PPH - Zn
	000G39-10-10S	EA	Screw - SF/DR - 10 - 16 x .62" PPH - Off White
	000G39-10-12D	EA	Screw - SF/DR - 10 - 16 x 3/4 PPH - Black
	000G39-10-12R	EA	Screw - SF/DR - 10 - 16 x 3/4 - Beige
	000G39-10-20B	EA	Screw - SF/DR - 10 - 16 x 1 1/4 PPH - Zn
	000G39-12-12E	EA	Screw - SF/DR - 12 - 14 x 3/4 PPH - Chrome
	000G42-04-16B	EA	Screw - SF/DR - 1/4 - 14 x 1 RW1 - Zn

SEALANTS & FASTENERS GROUP (CONTINUED)

SCREWS & FASTENERS (CONTINUED)

Key	Part Number	U/M	Description
	000G53-04-06B	EA	Screw - Machine - 1/4 - 20 x 3/8 PPH - Zn
	000G54-04-20B	EA	Screw - 1/4 - 20 x 1 1/4 PPH Typ 23 - Zn
	000G56-12-48B	EA	Screw - Wood - 12 - 11 x 3 - POH
	000G80-10-28T	EA	Screw - SF/DR - 10 - 16 x 1.75 - Black
	000G87-10-08B	EA	Screw - 10 - 12 x 1/2 PPH - Zn
	000G87-10-08R	EA	Screw - 10 - 12 x 1/2 PPH - Beige - Type A
	000G87-10-16D	EA	Screw - 10 - 12 x 5/8 PPH - Black
	000G87-10-10B	EA	Screw - 10 - 12 x 5/8 PPH - Zn - Type A
	000G87-10-10R	EA	Screw - 10 - 12 x 5/8 PPH - Beige - Type A
	000G87-10-10S	EA	Screw - 10 - 12 x 5/8 PPH - Off White
	000G87-10-12B	EA	Screw - 10 - 12 x 3/4 PPH - Zn
	000G87-10-12P	EA	Screw - 10 - 12 x .75 PPH - Dark Brown
	000G87-10-12R	EA	Screw - 10 - 12 x 3/4 PPH - Beige
	000G87-10-12Q	EA	Screw - 10 - 12 x .75 PPH - Tan
	000G88-10-36T	EA	Screw - 10 - 12 x 2.25" POH - Black
	000G87-10-16B	EA	Screw - 10 - 12 x 1 PPH - Zn
	000G87-10-18P	EA	Screw - 10 - 12 x 1 PPH - Dark Brown
	000G67-10-20D	EA	Screw - 10 - 12 x 1.25" PPH - Black
	000G67-10-24B	EA	Screw - 10 - 12 x 1 1/2 PPH - Zn
	000G67-10-32B	EA	Screw - 10 - 12 x 2 PPH - Zn
	000G67-10-30T	EA	Screw - 10 - 12 x 2.25 PPH - Black
	000G88-08-10G	EA	Screw - 8 - 18 x 5/8 POH - Antique Brass
	000H18-04-08R	EA	Rivet - Pop - AL 1/8 x .313 - .375
	005081-01-000	EA	Nut - Spool - C Type - No. 8 Screw
	062401-01-000	EA	Clamp - Hose - Wormgear - .81" x 1.75"
	062401-02-000	EA	Clamp - Hose - Wormgear - 1.56" - 2.5"
	062401-04-000	EA	Clamp - Hose - Wormgear - .69" x 1.25"
	062401-06-000	EA	Clamp - Hose - Wormgear - .22" x .62"
	007161-01-000	EA	Clamp - Hose - Spring Type - 1/2"
	008343-01-000	EA	Tie - Wire - 6"
	008388-01-000	EA	Grommet - Snap - 3/8
	008401-01-000	EA	Strap - Conduit - 3/4" - 1 Hole - Galvanized Steel
	010495-01-000	EA	Clamp - Cable - 9/16"
	010497-01-000	EA	Clamp - Closed - 5/8" ID
	010497-03-000	EA	Clamp - Closed - 1 ID - Cushioned
	010499-01-000	EA	Clamp - Closed - 3/8" ID
	016604-01-000	EA	Brace - Cabinet - Angled Metal - 2.5"
	083609-01-000	EA	Clamp - Wire Dual - Equi. 2.5" Dia.
	084884-01-000	EA	Plug - Brass - 3/8"
	087721-01-000	EA	Screw - Flat Head - Tapping - 1/4 x 1 1/4 LG - Zn
	089371-01-000	EA	Screw - Machine - 8 - 32 x 3 5/16 - Zn
	075148-02-000	EA	Clamp - Grounding - Bronze Screws
	075908-01-000	EA	Screw - Machine - 10 - 32 x .56 PTH - Zn
	049465-04-000	EA	Screw - 10 - 16 x 1 PTH w/Washer - Beige
	076790-01-000	EA	Screw - 6 - 20 x 1 1/4 PPH - Black
	063729-04-000	EA	Rivet - 10 - 32 UNF - .010 - .080
	087277-02-000	EA	Washer - Plastic - Off White
	088497-01-000	EA	Nut - Inverted Flare - 3/16"
	088498-01-000	EA	Nut - Inverted Flare - 3/16"

**1991 ITASCA
TABLE OF CONTENTS**

INTRODUCTION	A-01 - A-02
ABBREVIATIONS	A-03
ALPHABETICAL INDEX	A-04 - A-06
IF424RC	A-07 - D-10
IF427RT	D-11 - Q-20

1991 IF424RC INDEX

Floor Plan	A-07 - A-08
Accessories Group	A-09 - A-12
Bath Group	A-13 - A-14
Bedroom Group	A-15
Chassis Group	A-16 - A-19
Curtain, Cushion & Pad Group	A-20 - B-04
Disette Group	B-05 - B-06
Driver's Compartment Group	B-07 - B-08
Electrical Group	B-09 - B-12
Exterior Body Group	B-13 - B-16
Galley Group	B-17 - B-21
Heating & Air Conditioning Group	B-22 - B-23
Interior Finish Group	B-24 - C-02
Labels Group	C-03 - C-10
L.P. Group	C-11
Lounge Group	C-12
Sealants & Fasteners Group	C-13 - C-15
Water & Sewage Group	C-16 - C-18
Window, Vent & Exterior Door Group	C-19 - D-09

SEALANTS & FASTENERS GROUP (CONTINUED)

SEALANTS & ADHESIVES

Key	Part Number	U/M	Description
	004020-01-000	QT	Adhesive - ABS Cement (Plastic Fittings)
	004005-02-000	GL	Adhesive - Swirls - Clear (Sidewalls)
	087211-01-000	GL	Adhesive - Promoter
	053760-07-000	EA	Bedding Compound - Tube - Beige (Exterior)
	053760-06-000	EA	Bedding Compound - Tube - Clear (Window)
	053760-08-000	EA	Bedding Compound - Tube - Gray (Exterior)
	102352-01-000	EA	Bedding Compound - Tube - Black (Luggage Compartment)
	053760-02-000	EA	Bedding Compound - Tube - Off White (Exterior)
	002328-02-000	LA	Block - Rubber Spacer (Windshield)
	091265-02-000	FT	Seal - Foam - 1.5 MM x 4.6 MM (Cabinets)
	104579-01-000	FT	Seal - Foam - Closed Cell (Exterior Shower)
	090340-01-000	FT	Seal - Foam - Closed Cell (Entrance Door)
	090329-01-000	FT	Seal - Refrigerator Cabinet
	077967-01-000	EA	Sealant - Acrylic Latex - Tube - Off White (Interior Sealant)
	034552-04-000	EA	Sealant - Silicone - Beige
	034552-02-000	EA	Sealant - Silicone - Clear
	034552-07-000	EA	Sealant - Silicone - Dark Gray
	034552-06-000	EA	Sealant - Silicone - Off White
	039518-01-000	EA	Sealant Silicone - Black
	069640-01-000	FT	Sealer Ribbon - .25" Bead x 20'
	069640-02-000	FT	Sealer Ribbon - .5" x 125" x 30'
	069640-03-000	FT	Sealer Ribbon - .75" x 125" x 30'
	069640-09-000	FT	Sealer Ribbon - 1/32" x 2.5" x 30'
	069640-06-000	FT	Sealer Ribbon - 5/16" Bead x 15'
	069640-07-000	FT	Sealer Ribbon - 2" x 3/32" x 30'
	069640-10-000	FT	Sealer Ribbon - 1/32" x 1.5" x 100'
	002707-02-000	FT	Sealer Tape - 5/16" x 1/2"
	074497-14-700	EA	Sealer - Slain (Cooling)
	102353-01-700	EA	Seam Sealer - Tube - Gray (Roof Seams)
	094401-01-000	EA	Seam Sealer - Tube - Clear (Cap to Sidewall)
	063642-01-000	FT	Tape - Adhesive - 10mm x 1.5" Wide
	091960-03-000	FT	Tape - Adhesive - .040" x 1" Wide
	030006-01-000	EA	Tape - Butyl - 31" x 31" x 148" (Windshield)
	076322-01-000	FT	Tape - Foam - Double Coated - .025 x 75 x 72' (Fiberglass Sidewall Seams)
	076322-02-000	FT	Tape - Foam - Double Coated - .045 x 1" (Fiberglass Sidewall Seams)
	076322-03-000	FT	Tape - Foam - Double Coated - .045" x 50"
	100028-01-000	FT	Tape - Foam - Double Coated - .031 x 75 x 72' (Non-Structural Fastening)
	009200-01-000	EA	Tape - Furnace - 1.5"
	002825-01-000	FT	Weather Stripping (Roof Vent)
	001377-01-700	EA	Adhesive - Cyanoacrylate - 10GM
	100028-01-000	FT	Tape - Foam - Double Coated - .031" x 75" x 72' (Non-Structural Fastening)
	009200-01-000	EA	Tape - Furnace - 1.5"
	002825-01-000	FT	Weather Stripping (Roof Vent)
	081377-01-700	EA	Adhesive - Cyanoacrylate - 10 GM

WATER & SEWAGE GROUP

WATER HEATER & REPAIR PARTS

Key	Part Number	U/M	Description
	051391-01-000	EA	Water Heater - Water - Atwood G6A-3
	051391-01-700	EA	Hinge Kit - w/Clip - Atwood #92568 & 92559
	051391-01-715	EA	Drain Plug - Atwood #11561
	051391-01-702	EA	Tank - Inner - G6A-2, 3, 6 - Water Heater - Atwood #91412
	051391-01-704	EA	Valve - Relief - 1/2" Fitting - Atwood #91604
	051391-01-705	EA	Fastener - Camloc - Atwood #92609
	051391-01-706	EA	Grille - Exhaust - Atwood #92787
	051391-01-712	EA	Thermostat - 30" MP1 Inlet
	051391-01-708	EA	Burner - Main - Atwood #92615
	051391-01-709	EA	Part Asm - w/Thermocouple & Tube
	051391-01-710	EA	Orifice - Main Burner - Atwood #92742
	051391-01-711	EA	Elbow - Orifice - Main Burner
	051391-01-714	EA	Elbow - 45 Degree - 3/8" F x 3/8" MP1 - Atwood #91034
	051391-03-000	EA	Water Heater - Water - w/Electronic Ignition - Atwood # G6A-3E, 4E & 6E
	051391-03-700	EA	Tank - Inner (G6A-3E) Rear Mount - Atwood #91409
	051391-04-700	EA	Tank - Inner (G6A-3E) Front Mount - Atwood #91608
	051391-04-706	EA	Tank - Inner - G6A-4E & 6E - Front Mount - Atwood #91634
	051391-01-704	EA	Valve - Relief - 1/2" Fitting - Atwood #91604
	051391-01-705	EA	Fastener - Camloc - Atwood #92609
	051391-01-701	EA	Switch Package - Atwood #91959
	051391-01-702	EA	Switch - Energy Cut Off - Atwood #91951
	051391-04-701	EA	Thermostat 12 VDC - 120 Preset - Atwood #91470 - Front Mount Only
	051391-01-703	EA	Thermostat - Rear Mount - Atwood #91952
	051391-01-721	EA	ECO & Thermostat Asm - Front Mount - 140 Degree - Atwood #
	051391-01-704	EA	Circuit Board - w/Black Box - Atwood #91420
	051391-01-706	EA	Grille - Exhaust - Atwood #92787
	051391-01-704	EA	Orifice Holder - Atwood #91925
	051391-01-710	EA	Orifice - Main Burner - Atwood #92742
	051391-01-716	EA	Spark & Probe Asm - Atwood #91606
	051391-01-709	EA	Burner - Main - Atwood #92615
	051391-01-710	EA	Valve - Dual Solenoid - Atwood #91605
	051391-01-715	EA	Drain Plug - Atwood #91561
	051391-01-700	EA	Hinge Kit - w/Clip - Atwood #92568 & 92559
	051391-01-000	EA	Water Heater - w/Motor Aid - Pilotless Ignition - Atwood G6H-3E, G6H-4E or G6H-6E
	051391-04-705	EA	Tank - Inner - G6H-3E - Front Mount - Atwood #91609
	051391-01-714	EA	Tank - Inner - G6H-3E - Rear Mount - Atwood #91408
	051391-04-704	EA	Tank - Inner - Front Mount - G6H-4E & 6E - Atwood #91632
	051391-01-704	EA	Valve - Relief - 1/2" Fitting - Atwood #91604
	051391-01-705	EA	Fastener - Camloc - Atwood #92609
	051391-01-701	EA	Switch Package - Atwood #91959
	051391-01-702	EA	Switch - Energy Cut-off - Atwood #91951
	051391-04-701	EA	Thermostat - 12 VDC - 120 Preset - Atwood #91470 - Front Mount Only
	051391-01-703	EA	Thermostat - Rear Mount - Atwood #91952
	051391-01-721	EA	ECO & Thermostat Asm - Front Mount - 140 Degree - Atwood #
	051391-01-704	EA	Circuit Board - w/Black Box - Atwood #91420
	051391-01-706	EA	Grille - Exhaust - Atwood #92787
	051391-01-705	EA	Orifice Holder - Atwood #91925
	051391-01-710	EA	Orifice - Main Burner - Atwood #92742
	051391-01-716	EA	Spark & Probe Asm - Atwood #91606
	051391-01-709	EA	Burner - Main - Atwood #92615
	051391-01-718	EA	Valve - Dual Solenoid - Atwood #91605
	051391-01-715	EA	Drain Plug - Atwood #91561
	051391-01-700	EA	Hinge Kit - w/Clip - Atwood #92568 & 92559

NOTE: Items indented below assemblies are serviceable parts for that assembly

1991 ITASCA TABLE OF CONTENTS

INTRODUCTION	A 01 - A 02
ABBREVIATIONS	A 03
ALPHABETICAL INDEX	A 04 - A 06
IF424RC	A 07 - D-10
IF42711	D-11 - G-20

1991 IF424RC INDEX

Floor Plan	A 07 - A-08
Accessories Group	A-09 - A-12
Bath Group	A-13 - A-14
Bedroom Group	A-15
Chassis Group	A-16 - A-19
Curtain Cushion & Pad Group	A-20 - B-01
Dinette Group	B-05 - B-06
Driver's Compartment Group	B-07 - B-08
Electrical Group	B-09 - B-12
Exterior Body Group	B-13 - B-16
Galley Group	B-17 - B-21
Heating & Air Conditioning Group	B-22 - B-23
Interior Finish Group	B-24 - C-02
Labels Group	C-03 - C-10
LP Group	C-11
Lounge Group	C-12
Sealants & Fasteners Group	C-13 - C-15
Water & Sewage Group	C-16 - C-18
Windows, Vent & Exterior Door Group	C-19 - D-09

WATER & SEWAGE GROUP (CONTINUED)

PLUMBING & REPAIR PARTS

Key	Part Number	U/M	Description
	033302-02-000	EA	Adapter Arm - Strainer - 1 1/2" (CSA)
	062422-01-000	EA	Adapter - Offset - Reducer - 3" x 1 1/2" - Plastic - Black
	052954-01-000	EA	Adapter - Hose Conn. - 3/8" or 1/2" Tubing - Plastic - Gray
	079317-01-000	EA	Adapter - Swivel - 1/2" Tube x 1/2" FPT - Plastic - Gray
	062415-01-000	EA	Adapter - Sewer Hose to 3" Pipe
	010121-01-000	EA	Bushing - Reducer - Plastic - 1 1/2 S x 1 1/4 T
	010023-01-000	EA	Bushing - 2" x 1 1/2" Hub - Plastic
	010122-01-000	EA	Bushing - Reducer - Plastic - 1 1/2 S x 1 1/4 T - Plastic - Black
	036522-02-000	EA	Brass Cap - 1/2" Flare
	062415-01-000	EA	Cap - Sewer - 3"
	052959-02-000	EA	Connector - 1/2" F x 1/2" MPT - Plastic - Gray
	052959-03-000	EA	Connector - 1/2" F x 3/8" FPT - Plastic
	011691-02-000	EA	Continuous Waste - Double Sink - 11 1/2" (US)
	078406-01-000	EA	Coupler Hubber - 3" x 3"
	010115-01-000	EA	Coupling - 1 1/2" Hub x Hub - Plastic
	052960-01-000	EA	Drain Valve - 1/2" F x 1/2" F - Plastic
	010006-01-000	EA	Elbow - Plastic - 1/8 BD x 1 1/2 x 45° H x H
	010008-01-000	EA	Elbow - Plastic - 1/4 BD x 1 1/2 x 90° Loh
	010051-01-000	EA	Elbow - 51 - Plastic - 1/8 BD x 1 1/2 x 45°
	010219-01-000	EA	Elbow - 1 1/4 Barb x 1 1/4 MPT x 90°
	037101-02-000	EA	Elbow - Plastic - 1/4 Bend Vent - 1 1/2" Hub (CSA)
	031111-01-000	EA	Elbow - Plastic - 1/4 BD x 1 1/4 x 90° Loh
	074250-01-000	EA	Elbow - Plastic - 1/4 BD x 1 1/2 x 90° H x H
	035539-01-000	EA	Elbow - Plastic - 3/8 MPT x 3/8 Barb
	052957-01-000	EA	Elbow - Plastic - 1/2" F x 3/8 MPT
	052957-02-000	EA	Elbow - Plastic - Male - 1/2" F x 1/2" MPT - Gray
	065120-01-000	EA	Elbow - Plastic - Swivel - .50
	070924-01-000	EA	Elbow - Plastic - Swivel - 1/2" MPT x 1/2" FPT - Gray
	010251-01-000	EA	Elbow - Brass - 90° - 3/8" F x 3/8" MPT
	010004-01-000	EA	Elbow - 90° - 1/4 Bend - 1 1/2" - Plastic
	010005-01-000	EA	Elbow - 22 1/2° - 1/16 Bend - 1 1/2" Hub x Hub
	010000-01-000	EA	Elbow - 45° - 1/8 Bend - 1 1/4" Hub x Hub
	033761-01-000	EA	Elbow - Turn - 1/4" Bend x 1 1/2" Hub x 1 1/2" Spigot - Black - Plastic
	077954-01-000	EA	Filter - Water Tank - Screen in Tank
	077954-02-000	EA	Filter - Water Tank - Screen in Tank
	024676-01-000	EA	Flange - Closet - Toilet 4" x 3" - Red (US)
	024676-02-000	EA	Flange - Closet - Toilet 4" x 3" - Red (CSA)
	061607-01-000	EA	Grommet - Holding Tank Coupler - 1 1/2"
	061607-02-000	EA	Grommet - Holding Tank Coupler - 3"
	079059-02-000	EA	Hose - 90° - 61" ID x 4" x 6"
	056134-02-000	EA	Holder - Ring - 1 8" Dia - Metal
	052953-01-000	EA	Nut - Faucet - 1/2 Tube x 1/2 FPT
	052952-01-000	EA	Nut - 1/2 F - Plastic
	066436-01-000	EA	Nut - Slip - Tailpiece - 1 1/2"
	011066-03-000	EA	P-Trap - 1 1/4" Plastic - (US)
	011066-02-000	EA	P-Trap - 1 1/4" Hub x Slip Joint (CSA)
	053335-01-000	EA	P-Trap - 1 1/4" Hub x Hub (CSA)
	049032-01-000	EA	Patch - Spinweld - 3/8" - Plastic
	011091-02-000	EA	Pipe - Drain - Double Sink - Baffle Tee - 1 1/2"
	045729-01-000	EA	Pump - Water - 2 8 G P M - Direct Drive - Shurflo (US)
	098607-02-000	EA	Pump - Water - 2 8 G P M - w/1/2 MPT Fittings (CSA)
	010201-01-000	EA	Sewer Hose - 3" x 8' - w/Clamp
	066729-01-000	EA	Strainer - Tub/Shower - w/Plug
	042989-02-000	EA	Spinweld Fitting - Water Tank - 1/2" NPT - Plastic - Off White
	042989-04-000	EA	Spinweld Fitting - Water Tank - 3/8" FPT - Plastic - Off White
	042989-03-000	EA	Spinweld Fittings - Plastic - 1/4 NPT
	042989-05-000	EA	Spinweld Fittings - Plastic - 1/2 FPT
	M02673-02-X11	EA	Shower Pan Asm
	011059-05-000	EA	Tailpiece - 1 1/2" x 1 3/4" - Plastic
	010079-01-000	EA	Tee - Plastic - 1 1/2 H x 1 1/2 H x 1 1/4 H
	052955-01-000	EA	Tee - Plastic - 1/2 F x 1/2 F x 1/2 MPT
	052956-01-000	EA	Tee - Plastic - 1/2 F x 1/2 MPT x 1/2 F
	052958-01-000	EA	Tee - Plastic - 1/2 F x 1/2 F x 1/2 F
	023441-01-000	EA	Tee - Barb - 3/8" Plastic
	076776-01-000	EA	Tee - Barb - 5/8" x 5/8" x 5/8"
	010071-01-000	EA	Tee - Sanitary - 1 1/2" Hub x Hub x Hub - Plastic - Black

WATER & SEWAGE GROUP (CONTINUED)

PLUMBING & REPAIR PARTS (CONT.)

Key	Part Number	U/M	Description
	079301-01-000	FT	Tubing - Smooth - Flexible - 1 1/4" ID
	074462-02-000	FT	Tubing - Vinyl - 3/8" ID
	072346-01-000	EA	Valve Asm - 3" E.L.L. - Slip x 3" Bayonette w/Cap & 2" Socket
	070916-01-000	EA	Valve - Dual Dump w/Cap - 3" x 1 1/2" - Plastic - Black
	052960-01-000	EA	Valve - Line Drain - 1/2 F x 1/2 F
	079968-01-000	EA	Vent - Mach - Trap Arm - Anti-Siphon - 2" Dia x 7 3/4" - Plastic
	069751-01-000	EA	Washer - Strainer To Tailpiece - Plastic - 1 1/2"

Key	Part Number	U/M	Description
	049800-01-000	FT	Tubing - Polybuty - 1/2 OD x 20'
	052955-01-000	EA	Tee - Plastic - 1/2" F x 1/2" F x 1/2" MPT
	052957-01-000	EA	Elbow - Plastic - 1/2" F x 3/8" MPT
	052957-02-000	EA	Elbow - Plastic - 1/2" F x 1/2" MPT
	052958-01-000	EA	Tee - Plastic - 1/2" F x 1/2" F x 1/2" F
	052959-02-000	EA	Connector - Plastic - 1/2" F x 1/2" F x 1/2" MPT
	099729-01-000	EA	Bypass Kit - Water Heater
	000639-08-2411	EA	Screw - SF/DH-B-18" x 1 1/2" PPH Zinc

HOLDING TANKS

Key	Part Number	U/M	Description
	053520-01-000	EA	Tank - Water - 18 Gal - w/o Fittings - 17 1/2" x 27" x 10"
	053520-05-000	EA	Tank - Water - 18 Gal - w/ Fittings - 17 1/2" x 27" x 10"
	074510-01-000	EA	Tank - Water - 16 Gal - w/o Fittings - 33 1/4" x 11 1/4" x 10 1/2"
	074510-03-000	EA	Tank - Water - 16 Gal - w/Fittings - 33 1/4" x 11 1/4" x 10 1/2"
	074661-01-000	EA	Tank - Holding - 35 Gal - w/o Fittings - 35" x 11" x 27"
	074870-01-000	EA	Tank - Holding - 30 Gal - w/Fittings - 36 5/8" x 13 3/4" x 23"

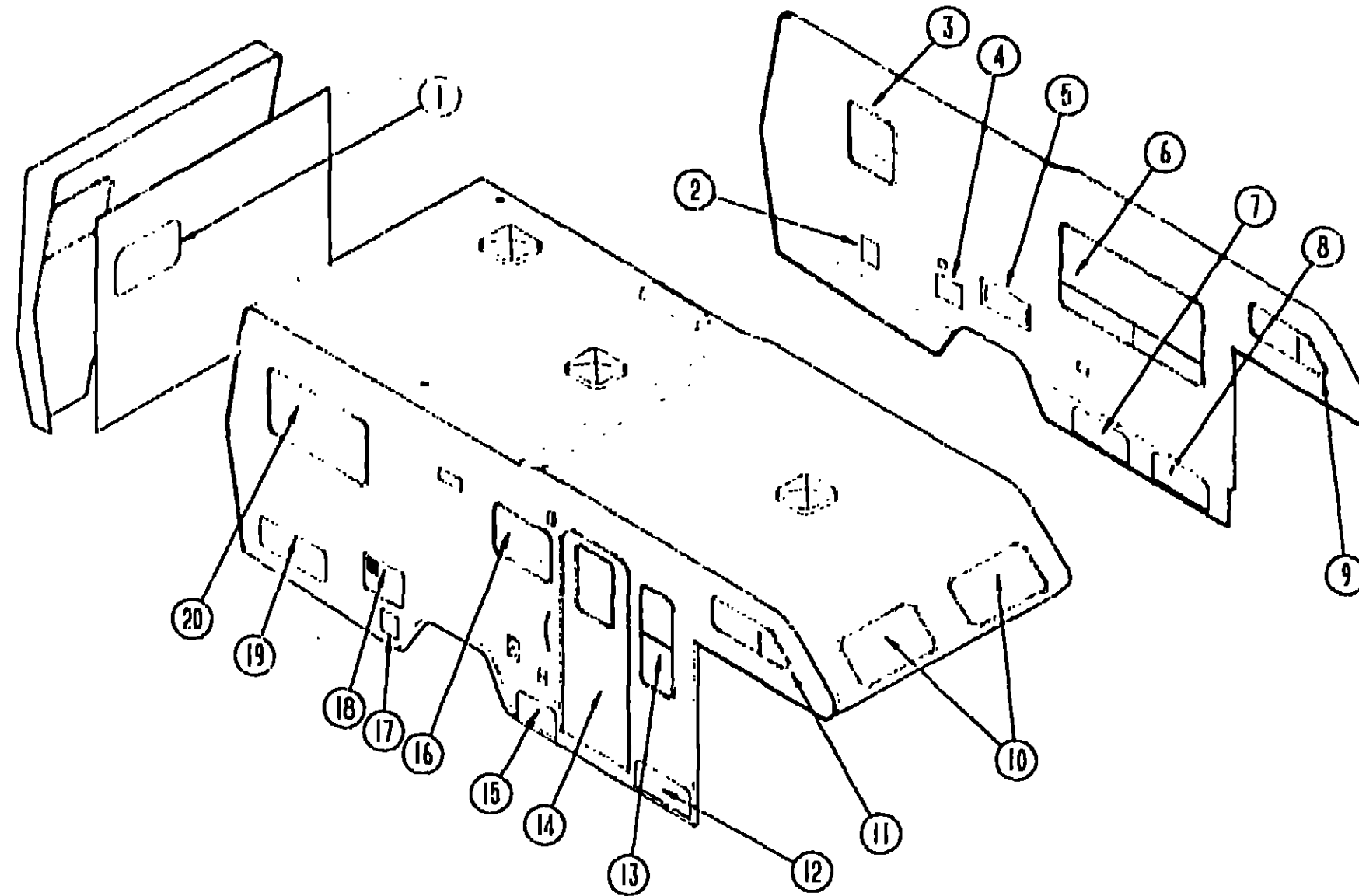
**1991 ITASCA
TABLE OF CONTENTS**

INTRODUCTION	A-01 - A-02
ABBREVIATIONS	A-03 - A-03
ALPHABETICAL INDEX	A-04 - A-06
IF424RC	A-07 - D-10
IF427RT	D-11 - G-20

1991 IF424RC INDEX

Floor Plan	A-07 - A-08
Accessories Group	A-09 - A-12
Bath Group	A-13 - A-14
Bedroom Group	A-15
Chassis Group	A-16 - A-19
Curtain, Cushion & Pad Group	A-20 - B-04
Dinette Group	B-05 - B-06
Driver's Compartment Group	B-07 - B-08
Electrical Group	B-09 - B-12
Exterior Body Group	B-13 - B-16
Galley Group	B-17 - B-21
Heating & Air Conditioning Group	B-22 - B-23
Interior Finish Group	B-24 - C-02
Labels Group	C-03 - C-10
LP Group	C-11
Lounge Group	C-12
Sealants & Fasteners Group	C-13 - C-15
Water & Sewage Group	C-16 - C-18
Window, Vent & Exterior Door Group	C-19 - D-09

WINDOW, VENT & EXTERIOR DOOR GROUP
WINDOWS & ACCESS DOORS



Key	Part Number	U/M	Description
1	097415-01-T03	EA	Window Asm. - Escape
2	078010-03-000	EA	Door Asm. - Fuel Fill
3	092235-10-Y14	EA	Window Asm. - Single Tipout
4	088794-01-000	EA	Door Asm. - Power Cord
5	084103-03-000	EA	Door Asm. - Refrigerator Access
6	092234-03-Y12	EA	Window Asm. - Double Tipout
7	079455-02-T95	EA	Door Asm. - Storage
8	079455-03-T95	EA	Door Asm. - Storage
9	100322-02-720	EA	Window Asm. - Bunk Slider - Left
10	078533-08-B13	EA	Window Asm. - Front - Picture

Key	Part Number	U/M	Description
11	100322-01-720	EA	Window Asm. - Bunk Slider - Right
12	079455-04-T95	EA	Door Asm. - Storage
13	098644-02-705	EA	Window Asm. - Vertical Slider
14	M01870-52-B35	EA	Door Asm. - Radius Entry w/Screen Door
15	079455-01-T95	EA	Door Asm. - Storage
16	098647-06-705	EA	Window Asm. - Single Slider
17	052423-01-000	EA	Door Asm. - Sewer Hose
18	052009-01-000	EA	Door Asm. - Water Heater
19	M01883-01-T95	EA	Door Asm. - Generator
20	092235-07-Y12	EA	Window Asm. - Single Tipout

1991 ITASCA
TABLE OF CONTENTS

INTRODUCTION	A-01 - A-02
ABBREVIATIONS	A-03
ALPHABETICAL INDEX	A-04 - A-06
IF424RC	A-07 - D-10
IF427PT	D-11 - G-20

1991 IF424RC INDEX

Floor Plan	A-07 - A-08
Accessories Group	A-09 - A-12
Bath Group	A-13 - A-14
Bedroom Group	A-15
Chassis Group	A-16 - A-19
Curtain, Cushion & Pad Group	A-20 - D-04
Dinette Group	B-05 - B-06
Driver's Compartment Group	B-07 - B-08
Electrical Group	B-09 - B-12
Exterior Body Group	B-13 - B-16
Galley Group	B-17 - B-21
Heating & Air Conditioning Group	B-22 - B-23
Interior Finish Group	B-24 - C-02
Labels Group	C-03 - C-10
LP Group	C-11
Lounge Group	C-12
Sealants & Fasteners Group	C-13 - C-15
Water & Sewage Group	C-16 - C-18
Window, Vent & Exterior Door Group	C-19 - D-09

WINDOW, VENT & EXTERIOR DOOR GROUP (CONTINUED)

ACCESS DOORS

Key	Part Number	U/M	Description
	070010-03-000	EA	Door Asm. - Fuel Fill
	070200-01-000	EA	Gasket - Fuel Fill
	083578-01-000	EA	Roof - Fuel Fill
	052009-01-000	EA	Door Asm. - Water Heater
	098688-00-000	EA	Door Asm. - Furnace Access - Off White
	M01083-01-T95	EA	Door Asm. - Generator
	000003-01-000	EA	Lock Asm. - Twist Type
	052181-01-000	EA	Baffle - Generator Door
	052431-02-000	EA	Tray - Luggage/Generator - 30.2" x 24"
	052423-01-000	EA	Door Asm. - Sewer Hose
	052424-01-000	EA	Jamb Asm. - Sewer Hose Door
	075726-01-000	EA	Outlet Extension - Sewer
	042442-01-000	EA	Lock Asm. - Twist Type
	000704-01-000	EA	Door Asm. - Power Cord w/ latch
	079455-01-T95	EA	Door Asm. - Storage
	064075-07-000	FT	Seal - Door - Bulb
	070366-04-000	EA	Lock Asm. - Key Type - w/o Keys
	082684-01-700	EA	Key - Compartments - Door Lock
	079927-03-000	EA	Lock Asm. - Twist Type
	081801-02-000	EA	Hinge - Continuous - 2" x 96"
	084103-03-000	EA	Door Asm. - Refrigerator Access
	084104-03-000	EA	Jamb - Vent Door - Refrigerator
	084104-01-700	EA	Lock - Male Dyrus Fastener
	084104-01-701	EA	Lock - Female Dyrus Fastener
	079455-04-T95	EA	Door Asm. - Storage
	064075-07-000	FT	Seal - Door - Bulb
	079366-04-000	EA	Lock Asm. - Key Type - w/o Keys
	081801-02-000	EA	Hinge - Continuous - 2" x 96"
	079455-02-T95	EA	Door Asm. - LP
	064075-07-000	FT	Seal - Door - Bulb
	079927-03-000	EA	Lock Asm. - Twist Type - Double Cam
	081801-02-000	EA	Hinge - Continuous - 2" x 96"
	079455-02-T95	EA	Door Asm. - Storage
	064075-07-000	FT	Seal - Door - Bulb
	079366-03-000	EA	Lock Asm. - Key Type - w/o Keys
	082684-01-700	EA	Key Compartment - Door Lock
	079927-03-000	EA	Lock Asm. - Twist Type
	081801-02-000	EA	Hinge - Continuous - 2" x 96"
	077408-01-000	EA	Lock Asm. - Key Type (Rear Cap)
	079368-01-000	FT	Seal - Access Door
	083615-06-000	EA	Door Holder - Off White

Note: Items indented below assemblies are serviceable parts for that assembly.

WINDOW, VENT & EXTERIOR DOOR GROUP (CONTINUED)

POWERED ROOF VENT

Key	Part Number	U/M	Description
	090394-01-Y12	EA	Vent Asm. - Roof - Powered
	009440-01-000	EA	Lift Mechanism
	009439-03-000	EA	Extension
	009439-04-000	EA	Screw
	009439-02-000	EA	Knob - Roof Vent - Black
	048049-01-000	EA	Fan - Plastic - 8"
	008195-01-000	EA	Switch - Push Button - 12 Volt
	015911-01-000	EA	Track - Slide - Roof Vent
	002025-01-000	EA	Weatherstrip Seal
	048048-01-000	EA	Motor - 12 Volt
	051384-01-000	EA	Cover Asm. - Roof Vent
	052639-01-200	EA	Hinge - 7" - Roof Vent
	070785-01-Y12	EA	Screen Asm. - Roof Vent - Powered
	002291-02-000	SF	Screen - Window - 16" - Charcoal
	002298-02-000	FT	Spline - Charcoal
	084079-03-000	EA	Vent Asm. - Roof - Powered - Off White - Fantastic
	084469-08-000	EA	Vent Asm. - Roof - Powered - 14" x 14" - Janson (CSA)

NON-POWERED VENT

Key	Part Number	U/M	Description
	090395-01-Y12	EA	Vent Asm. - Roof - Non-Powered - w/o Screen
	009440-01-000	EA	Lift Mechanism Asm.
	009439-03-000	EA	Extension
	009439-04-000	EA	Screw
	009439-02-000	EA	Knob - Roof Vent - Black
	015911-01-000	EA	Track - Slide - Roof Vent
	002025-01-000	EA	Weatherstrip Seal
	055210-01-000	EA	Cover Asm. - Roof Vent
	052639-01-200	EA	Hinge - 7" - Roof Vent
	070786-01-Y12	EA	Screen Asm. - Charcoal
	002291-02-000	SF	Screen - Window - 16" - Charcoal
	002298-02-000	FT	Spline - Charcoal

VENTS & SHROUDS

Key	Part Number	U/M	Description
	083558-03-000	EA	Vent - Plumbing Pipe - Roof w/Cover - Off White
	084073-03-000	EA	Vent - Refrigerator Roof - Off White
	084073-04-000	EA	Base - Roof Vent - Norcold Refrigerator - Black
	063752-01-000	EA	Shroud Asm. - Range
	092698-01-01A	EA	Vent - Range Hood
	092697-01-000	EA	Cable - Range Vent w/Nut - 12.3"

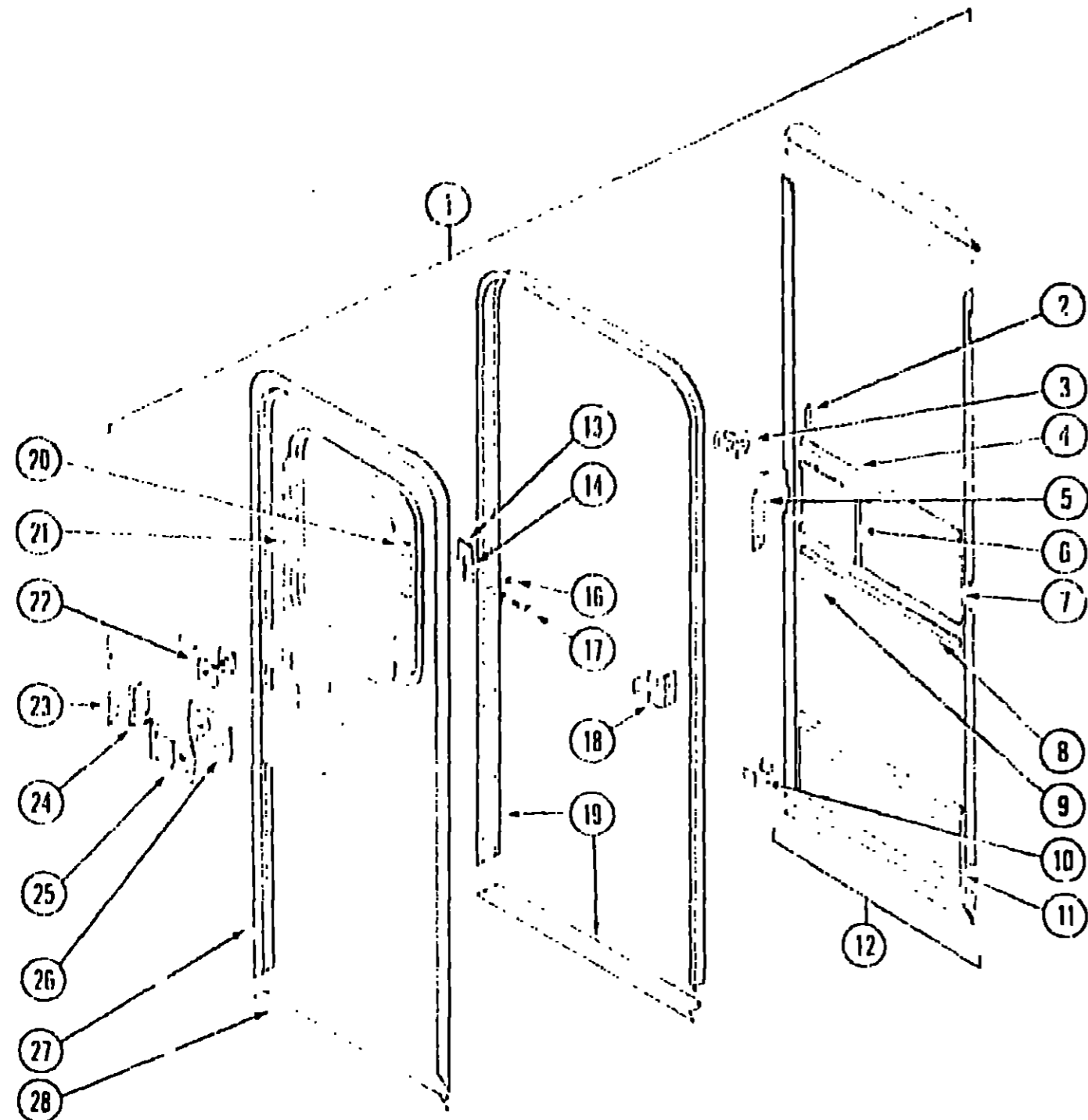
**1991 ITASC®
TABLE OF CONTENTS**

INTRODUCTION	A-01 - A-02
ABBREVIATIONS	A-03
ALPHABETICAL INDEX	A-04 - A-06
IF424RC	A-07 - D-10
IF427FT	D-11 - G-20

1991 IF424RC INDEX

Floor Plan	A-07 - A-08
Accessories Group	A-09 - A-12
Bath Group	A-13 - A-14
Bedroom Group	A-15
Chassis Group	A-16 - A-19
Curtain, Cushion & Pad Group	A-20 - B-04
Dinette Group	B-05 - B-06
Driver's Compartment Group	B-07 - B-08
Electrical Group	B-09 - B-12
Exterior Body Group	B-13 - B-16
Galley Group	B-17 - B-21
Heating & Air Conditioning Group	B-22 - B-23
Interior Finish Group	B-24 - C-02
Labels Group	C-03 - C-10
LP Group	C-11
Lounge Group	C-12
Sealants & Fasteners Group	C-13 - C-15
Water & Sewage Group	C-16 - C-18
Window, Vent & Exterior Door Group	C-19 - D-09

WINDOW, VENT & EXTERIOR DOOR GROUP (CONTINUED)



WINDOW, VENT & EXTERIOR DOOR GROUP (CONTINUED)

ENTRANCE DOOR

Key	Part Number	U/M	Description
1	M01870-62-035	EA	Door Asm. - Entrance - w/Screen Door
	044582-02-000	EA	Drip Cap - Top Entrance Door Jamb - Off White
	075639-04-000	EA	Cornish - Radius - Entrance Door
2	050712-05-000	EA	Door Handle - Screen Door
3	009018-01-000	EA	Roller Catch - Screen Door
	058025-02-000	EA	Clip - Roller Latch Catch
	009018-01-000	EA	Catch - Elbow - Spring Loaded - Screen Door
4	078777-01-000	EA	Slider Channel (Mullion Insert)
5	078087-02-000	LA	Strike - Slider - Screen Door
6	070080-02-000	EA	Slider - Screen Door
7	010454-01-000	EA	Insert - Screen Door
8	002204-01-000	FT	Spline - Black
9	002293-02-000	SF	Screen - Window - 26" - Charcoal
10	085774-01-000	FI	Fastener - Dual Lock - 1" Wide
10	085774-02-000	FT	Fastener - Dual Lock - 1" Wide
11	078552-03-000	EA	Insert - Screen Door - Lower
12	079012-01-001	EA	Screen Door Asm.
	078595-01-000	EA	Plate - Screen Door
13	077401-03-000	EA	Strike Cove - Off White
14	041546-03-000	EA	Angle Bracket
15	081067-01-000	LA	Deadbolt - Gasket - w/Sill
16	058806-01-000	EA	Plug - Tapered Plastic
17	039530-01-000	EA	Strike
18	097724-01-04A	EA	Hinge - Entrance Door - Unpainted
18	097724-01-01A	EA	Hinge Entry Door - Beige
19	095277-02-01A	EA	Door Jamb - Entrance Door
	051048-01-000	EA	Jamb - Bottom - Entrance Door - 25.9" - Unpainted
	079207-01-000	EA	Striker - Roller Catch - Welded to Door Jamb
	095278-01-01A	EA	Jamb - Door - Entrance - 25.9" x 74.6" - Unpainted
20	087561-01-000	FT	Window Seal
21	002181-06-000	EA	Glass - Picture Window
	079733-04-003	EA	Window Asm. - Picture - 17" x 25" (w/o inside frame)
	067609-27-000	EA	Inside Frame Black (not included in assembly)
	067609-32-000	EA	Inside Frame - Off White (not included in assembly)
22	039738-01-000	EA	Deadbolt Asm. - Round
22	095229-01-01A	EA	Deadbolt Asm. - Square - Black
22	101145-01-01A	EA	Deadbolt Asm. - Entrance Door - w/2 Keys - Black
	101147-01-000	EA	Bolt - Security - 4.12" - Back Set
	095229-01-700	EA	Key Blank
23	098173-01-03A	EA	Stiffener - Entrance Door
24	039540-01-000	EA	Latch Asm. - Entrance Door
25	045017-05-000	EA	Latch Asm. - Plate
26	039979-03-000	EA	Cover Asm. - Interior Latch w/Trip Arm - Black
*26	039979-04-000	EA	Cover Asm. - Interior Latch w/Trip Arm - Right - Black
27	095276-01-01A	EA	Frame Asm. - Entrance Door - Off White
28	089748-01-000	EA	Frame - Entrance Door - Bottom Portion
	039984-01-000	EA	Cap - Black Vinyl - Lock Grip
	075673-01-000	FT	Seal - Pile - Adhesive Back - Gray
	100128-01-000	FT	Seal - Pile - Adhesive Back - Gray
	100128-02-000	FT	Seal - Pile - Adhesive Back - Gray (Screen Door)
	075671-01-000	FT	Seal - Sponge - Lazy T Shaped - 1.3" Wide
	075671-04-000	FT	Seal - Sponge - Lazy T Shaped - .5" Wide
	002748-01-000	EA	Corner - Key
	076725-01-000	EA	Cover - Access/Hinge - 6" x 3.2" - Beige
	039715-01-000	EA	Nut - Serl - 1/4" Diameter
	072093-01-000	EA	Nut - Serl - M5 x 0.8
	081914-01-000	EA	Bumper - Rubber - Round - .43" Diameter - Black

* These parts were used from 8-08-90 on.

1991 ITASCA
TABLE OF CONTENTS

INTRODUCTION	A-01 - A-02
ABBREVIATIONS	A-03
ALPHABETICAL INDEX	A-04 - A-06
IF424RC	A-07 - D-10
IF427RT	D-11 - Q-20

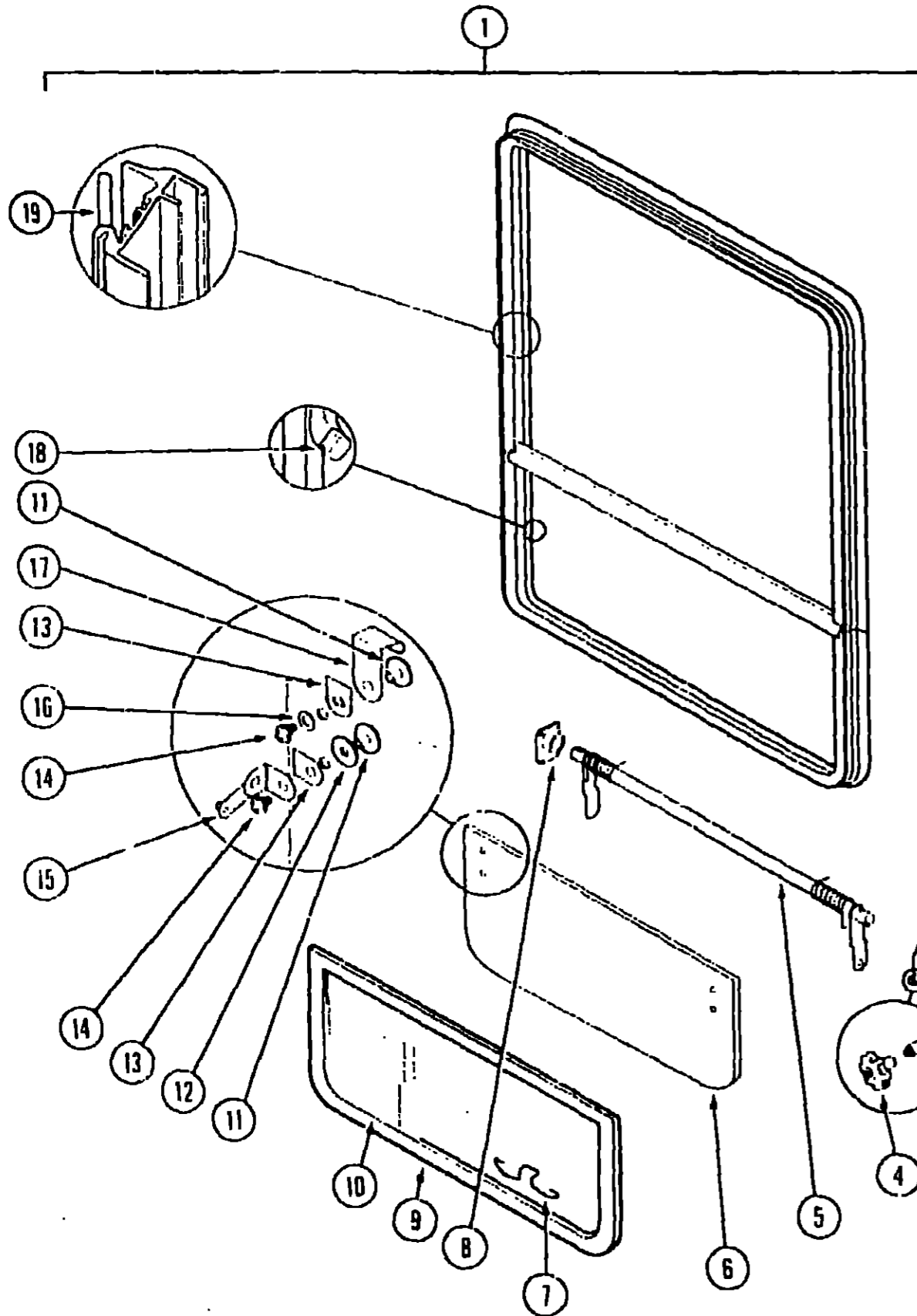
1991 IF424RC INDEX

Floor Plan	A-07 - A-08
Accessories Group	A-09 - A-12
Bath Group	A-13 - A-14
Bedroom Group	A-15
Chassis Group	A-16 - A-19
Curtain, Cushion & Pad Group	A-20 - B-04
Dinette Group	B-05 - B-06
Driver's Compartment Group	B-07 - B-08
Electrical Group	B-09 - B-12
Exterior Body Group	B-13 - B-16
Galley Group	B-17 - B-21
Heating & Air Conditioning Group	B-22 - B-23
Interior Finish Group	B-24 - C-02
Labels Group	C-03 - C-10
LP Group	C-11
Lounge Group	C-12
Sealants & Fasteners Group	C-13 - C-15
Water & Sewage Group	C-16 - C-18
Window, Vent & Exterior Door Group	C-19 - D-09

WINDOW, VENT & EXTERIOR DOOR GROUP (CONTINUED)

WINDOW, VENT & EXTERIOR DOOR GROUP (CONTINUED)

BEDROOM SINGLE TIPOUT WINDOW



Key	Part Number	U/M	Description
1	092235-07-Y12	EA	Window Asm - Single Tipout - 24.3" x 40.3" (w/o inside frame)
	090893-11-01A	EA	Inside Frame - Black (not included in assembly)
	090893-11-02A	EA	Inside Frame - Off White (not included in assembly)
2	035302-02-000	EA	Operator Drive
3	090025-01-000	EA	Extension - Window Knob (not included in assembly)
4	067052-02-000	EA	Window Knob - Beige (not included in assembly)
	089371-01-000	EA	Screw - Window Knob (not included in assembly)
5	083150-12-00	EA	Torque Tube Asm. w/Spring
	080918-01-000	EA	Spring - Torque Tube - Left
	080918-02-000	EA	Spring - Torque Tube - Right
6	084068-19-000	EA	Glass - 1/8" x 1/8" x 9.2" x 40"
7	100168-01-000	EA	Screen Clip
8	081354-01-000	EA	Torque Tube Sleeve
9	100235-04-B07	EA	Screen Asm.
10	080218-03-000	SF	Window Screen - 12"
	100240-01-000	FT	Window Screen Spline
11	086762-01-000	EA	Window T-Nut
12	068927-03-000	EA	Seal - Rubber
13	084473-01-000	EA	Seal - Rubber
14	086763-01-000	EA	Screw - #10 - 32 x 1/4" PTH
15	097578-01-000	EA	Connecting Rod Asm.
	081649-01-000	EA	Snap Ring Clip
16	084453-02-000	EA	Plastic Washer - .06 x .50 x .25
17	089913-01-000	EA	Hinge
18	084067-01-000	FT	Seal - Sponge Rubber
19	069640-16-000	FT	Ribbon Sealer (not included in assembly)

BATH SINGLE TIPOUT WINDOW

Key	Part Number	U/M	Description
1	092235-10-Y12	EA	Window Asm. - Single Tipout - 15.8" x 25.5" (w/o inside frame)
	090893-15-01A	EA	Inside Frame - Black (not included in assembly)
	090893-15-02A	EA	Inside Frame - Off White (not included in assembly)
2	035302-02-000	EA	Operator Drive
3	090025-01-000	EA	Extension - Window Knob (not included in assembly)
4	067052-02-000	EA	Window Knob - Beige (not included in assembly)
	089371-01-000	EA	Screw - Window Knob (not included in assembly)
5	083150-09-000	EA	Torque Tube Asm. w/Spring
	080918-01-000	EA	Spring - Torque Tube - Left
	080918-02-000	EA	Spring - Torque Tube - Right
6	084068-14-000	EA	Glass - 1/8" x 1/8" x 9.2" x 15"
7	100168-01-000	EA	Screen Clip
8	081354-01-000	EA	Torque Tube Sleeve
9	100235-04-B07	EA	Screen Asm.
10	080218-03-000	SF	Window Screen - 12"
	100240-01-000	FT	Window Screen Spline
11	086762-01-000	EA	Window T-Nut
12	068927-03-000	EA	Seal - Rubber
13	084473-01-000	EA	Seal - Rubber
14	086763-01-000	EA	Screw - #10 - 32 x 1/4" PTH
15	097578-01-000	EA	Connecting Rod Asm.
	081649-01-000	EA	Snap Ring Clip
16	084453-02-000	EA	Plastic Washer - .06 x .50 x .25
17	089913-01-000	EA	Hinge
18	084067-02-000	FT	Seal - Sponge Rubber
19	069640-06-000	FT	Ribbon Sealer (not included in assembly)

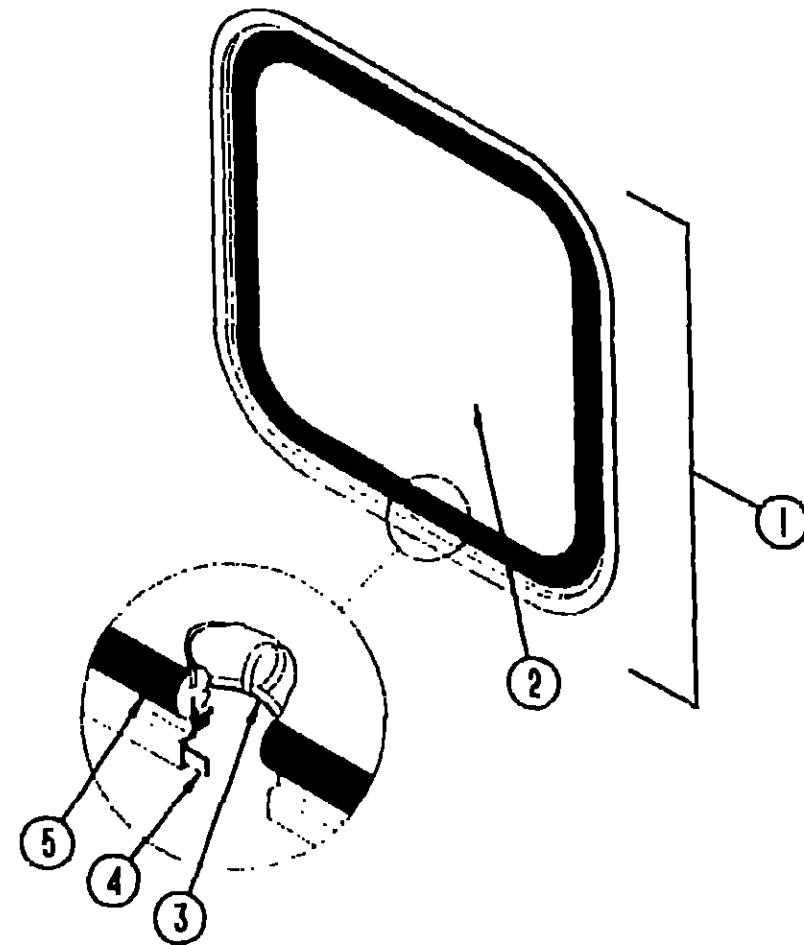
1991 ITASCA
TABLE OF CONTENTS

INTRODUCTION	A-01 - A-02
ABBREVIATIONS	A-03
ALPHABETICAL INDEX	A-04 - A-06
IF424RC	A-07 - D-10
IF427RT	D-11 - G-20

1991 IF424RC INDEX

Floor Plan	A-07 - A-08
Accessories Group	A-09 - A-12
Bath Group	A-13 - A-14
Bedroom Group	A-15
Chassis Group	A-16 - A-19
Curtain, Cushion & Pad Group	A-20 - B-04
Dinette Group	D-05 - B-06
Driver's Compartment Group	B-07 - B-08
Electrical Group	B-09 - B-12
Exterior Body Group	B-13 - B-16
Galley Group	B-17 - B-21
Heating & Air Conditioning Group	B-22 - B-23
Interior Finish Group	B-24 - C-02
Labels Group	C-03 - C-10
LP Group	C-11
Lounge Group	C-12
Sealants & Fasteners Group	C-13 - C-15
Water & Sewage Group	C-16 - C-18
Window, Vent & Exterior Door Group	C-19 - D-09

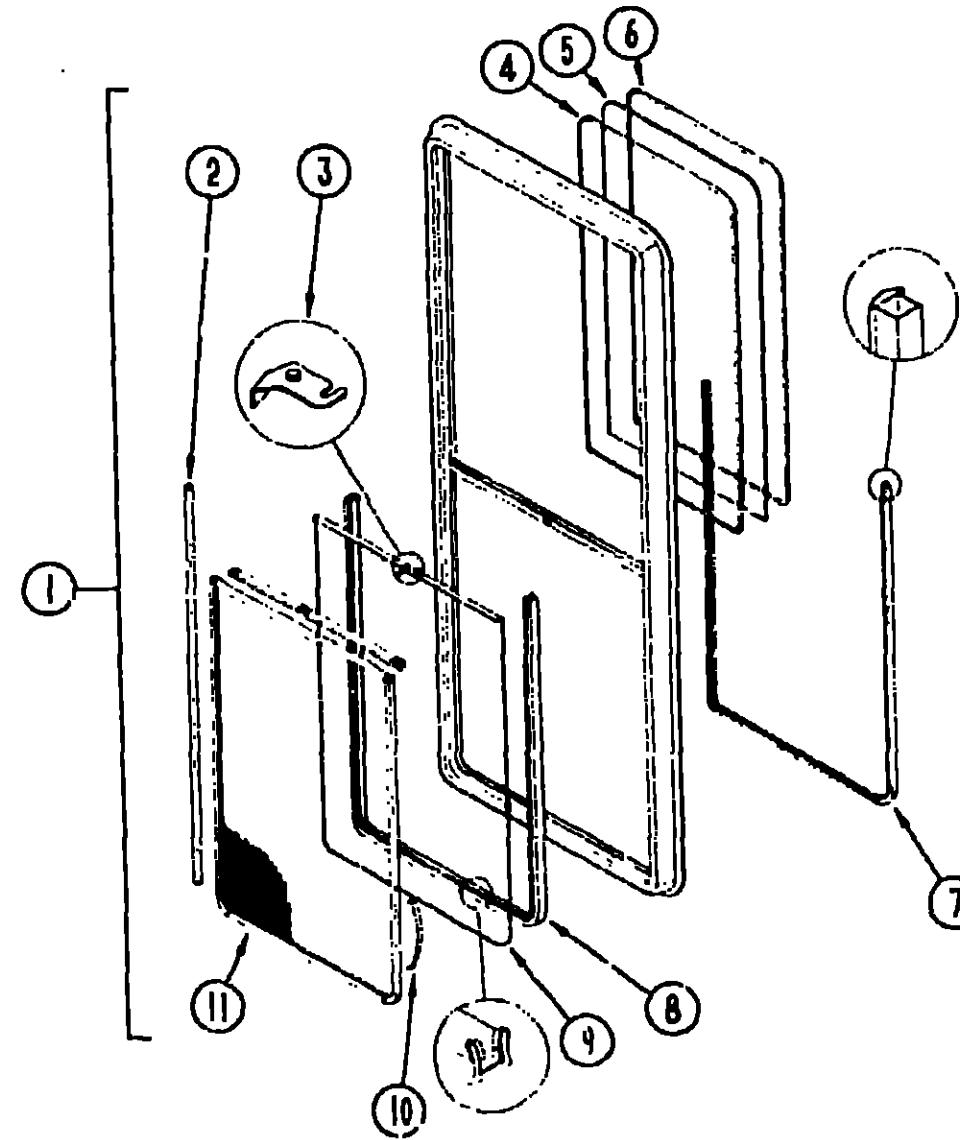
WINDOW, VENT & EXTERIOR DOOR GROUP (CONTINUED)



BEDROOM ESCAPE WINDOW

Key	Part Number	U/M	Description
1	079415-01-T03	EA	Window Asm. - Escape - 23" x 29" (w/o inside frame)
	020749-06-000	EA	Inside Frame - Black (not included in assembly)
	020749-11-000	EA	Inside Frame - Off White (not included in assembly)
2	002174-01-000	EA	Glass - 19.61" x 25.92"
3	002285-01-000	FT	Filler - Weatherstrip - Black
4	069640-05-000	FT	Ribbon Sealer - 5/16" Bead x 15'
5	002282-03-000	EA	Weatherstrip - 175 Window
	077066-01-702	EA	Tape Asm. - Escape Window - Red

WINDOW, VENT & EXTERIOR DOOR GROUP (CONTINUED)



LOUNGE VERTICAL SLIDER (EXCEL)

Key	Part Number	U/M	Description
1	098644-02-705	EA	Window Asm. - Vertical Slider - 34.25" x 15" (w/o inside frame)
	098644-02-704	EA	Inside Frame - Black (not included in assembly)
	098644-02-706	EA	Inside Frame - Off White (not included in assembly)
2	098644-01-711	FT	Weatherstrip - Screen - Black
3	098644-01-700	EA	Latch - Repair Kit
4	098644-01-707	EA	Rail - Locking w/Weatherstrip
	098644-01-710	FT	Track - Screen Spacer - 12' Length
5	098644-02-700	EA	Glass - Stationary - 13.77" x 16.15"
6	098644-01-705	FT	Glazing Strip
7	098644-01-706	FT	Weatherstrip
8	098644-01-708	FT	Channel - Pierced Run
	098644-01-701	EA	Splice Plate - Window
	098644-01-702	EA	Scrow - Splice - #6 - 32 x 14" Pan Head
	098644-01-703	EA	Scrow - Locking Rail - #6 x 15 Pro Head Recess - Black
9	098644-02-701	EA	Sash w/Latch & Sliding Glass
10	098644-01-713	EA	Spring - Screen Frame (Clip) - Plastic - Black
	098644-01-716	EA	Plug - Filler
11	098644-02-703	EA	Screen w/Weatherstrip & Frame Spring (Clip)

1991 ITASCA
TABLE OF CONTENTS

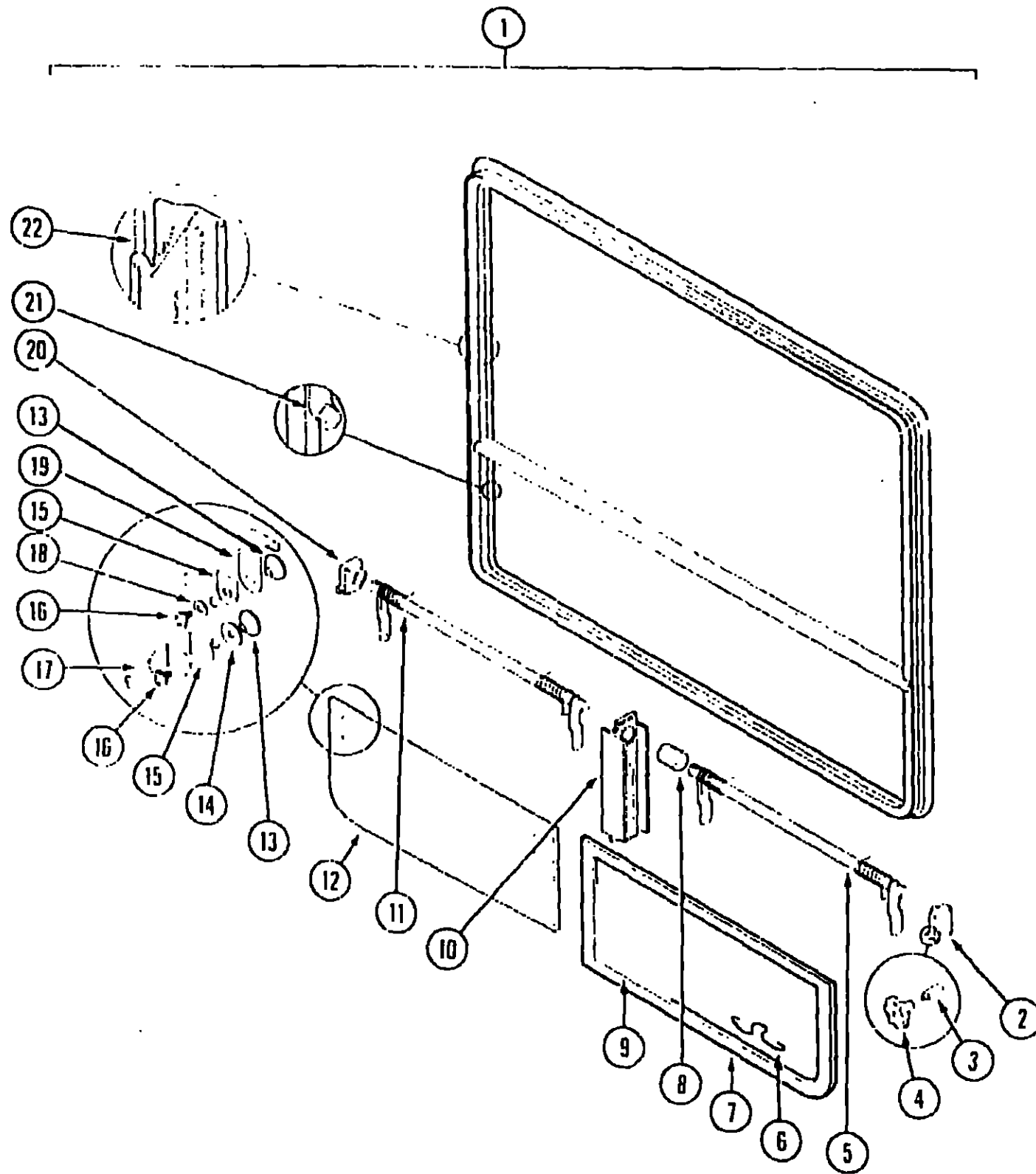
INTRODUCTION	A-01 - A-02
ABBREVIATIONS	A-03
ALPHABETICAL INDEX	A-04 - A-06
IF424RC	A-07 - D-10
IF427RT	D-11 - G-20

1991 IF424RC INDEX

Floor Plan	A-07 - A-08
Accessories Group	A-09 - A-12
Bath Group	A-13 - A-14
Bedroom Group	A-15
Chassis Group	A-16 - A-19
Curtain, Cushion & Pad Group	A-20 - B-04
Dinette Group	B-05 - B-06
Driver's Compartment Group	B-07 - B-08
Electrical Group	B-09 - B-12
Exterior Body Group	B-13 - D-16
Galley Group	B-17 - B-21
Heating & Air Conditioning Group	B-22 - B-23
Interior Finish Group	B-24 - C-02
Labels Group	C-03 - C-10
LP Group	C-11
Lounge Group	C-12
Sealants & Fasteners Group	C-13 - C-15
Water & Sewage Group	C-16 - C-18
Window, Vent & Exterior Door Group	C-19 - D-09

WINDOW, VENT & EXTERIOR DOOR GROUP (CONTINUED)

WINDOW, VENT & EXTERIOR DOOR GROUP (CONTINUED)



Key	Part Number	U/M	Description
1	092234-03-Y12	EA	Window Asm. - Double Tipout - 31.5" x 60.9" (w/o inside frame)
	090893-09-01A	EA	Inside Frame - Black (not included in assembly)
	090893-09-02A	EA	Inside Frame - Off White (not included in assembly)
2	035302-02-000	EA	Operator Drive
3	090025-01-000	EA	Extension - Window Knob (not included in assembly)
4	067052-02-000	EA	Window Knob - Beige (not included in assembly)
	089371-01-000	EA	Screw - Window Knob (not included in assembly)
5	083227-00-000	EA	Torque Tube Asm.
	080918-01-000	EA	Spring Torque - Torque Tube - Right
	080918-02-000	EA	Spring - Tube - Left
6	100168-01-000	EA	Screen Clip
7	100234-04-B07	EA	Screen Asm. - Right Side (Illustrated)
	100234-03-B07	EA	Screen Asm. - Left Side (Not illustrated)
	080914-01-000	EA	Corner Key - Screen Asm.
8	080816-51-001	EA	Torque Tube Sleeve
9	060218-03-000	SF	Window Screen - 12"
	100240-01-000	FT	Window Screen Spline
10	090636-55-001	EA	Mullion - Vertical - Black
11	083228-08-000	EA	Torque Tube Asm.
12	084068-22-000	EA	Glass - 9.2" x 29.9"
13	086762-01-000	EA	Window T-Nut
14	060927-03-000	EA	Seal - Rubber
15	084473-01-000	EA	Seal - Rubber
16	086763-01-000	EA	Seal - #10 - 32 x 1/4" PTH
17	097578-01-000	EA	Connecting Rod Asm.
	084453-01-000	EA	Plastic Washer - .06 x .50 x .135
	085315-01-000	EA	Shoulder Rivet
	061649-01-000	EA	Snap Ring Clip
18	084453-02-000	EA	Plastic Washer - .06 x .50 x .25
19	089913-01-000	EA	Hinge
20	035302-01-000	EA	Operator Drive
21	084067-02-000	FT	Seal - Sponge Rubber
22	069640-06-000	FT	Ribbon Seal (not included in assembly)

DINETTE DOUBLE TIPOUT WINDOW

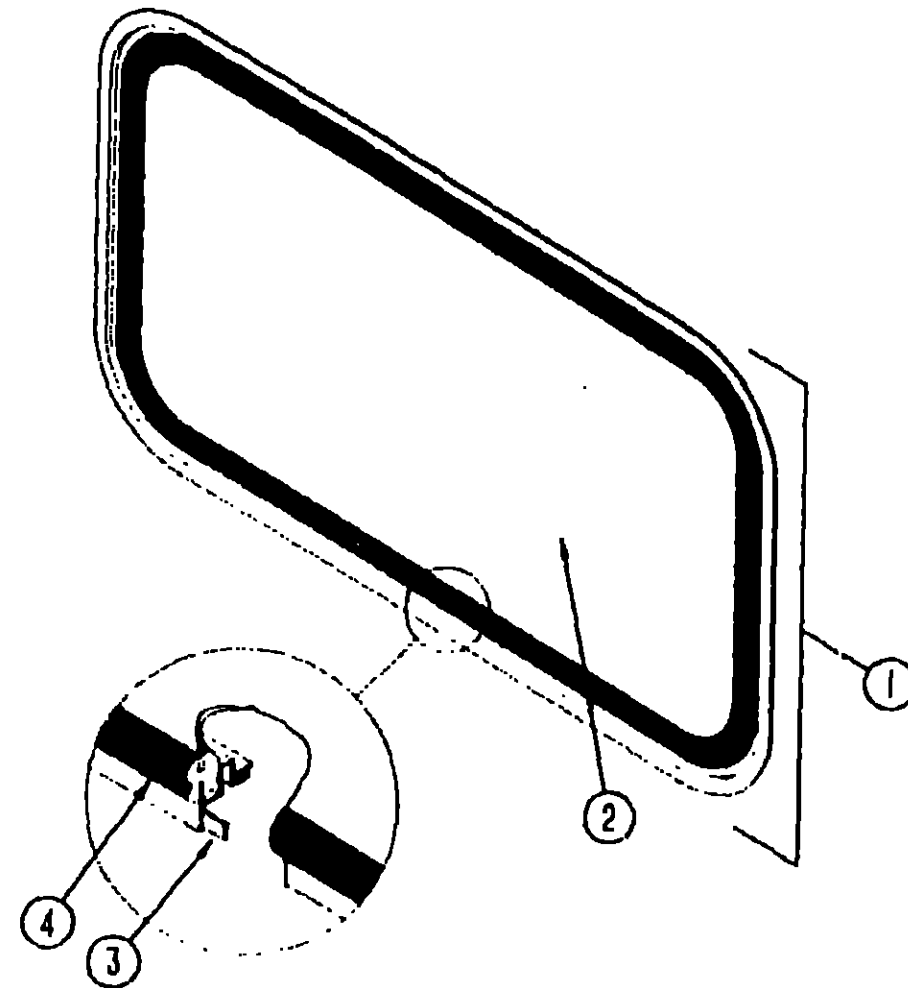
1991 ITASCA
TABLE OF CONTENTS

INTRODUCTION	A-01 - A-02
ABBREVIATIONS	A-03
ALPHABETICAL INDEX	A-04 - A-06
IF424RC	A-07 - D-10
IF427RT	D-11 - G-20

1991 IF424RC INDEX

Floor Plan	A-07 - A-08
Accessories Group	A-09 - A-12
Bath Group	A-13 - A-14
Bedroom Group	A-15
Chassis Group	A-16 - A-19
Curtain, Cushion & Pad Group	A-20 - B-04
Dinette Group	B-05 - B-06
Driver's Compartment Group	B-07 - B-08
Electrical Group	B-09 - B-12
Exterior Body Group	D-13 - B-16
Galley Group	B-17 - B-21
Heating & Air Conditioning Group	B-22 - B-23
Interior Finish Group	B-24 - C-02
Labels Group	C-03 - C-10
LP Group	C-11
Lounge Group	C-12
Sealants & Fasteners Group	C-13 - C-15
Water & Sewage Group	C-16 - C-18
Window, Vent & Exterior Door Group	C-19 - D-09

WINDOW, VENT & EXTERIOR DOOR GROUP (CONTINUED)



FRONT PICTURE WINDOW

Key	Part Number	U/M	Description
1	078533-08-135	EA	Window Asm - Picture - 15" x 32" Black (w/o inside frame)
	041938-12-000	EA	Inside Frame - Black (not included in assembly)
	041938-15-000	EA	Inside Frame - Off White (not included in assembly)
2	002181-13-000	EA	Glass - Window - Gray
3	069640-06-000	EA	Ribbon Sealer - 5/16" Bead x 15'
4	002281-02-000	EA	Seal - Window - Exterior - Weatherstrip - Self Seal - 125"

WINDOW, VENT & EXTERIOR DOOR GROUP (CONTINUED)

BUNK SLANT SLIDER - PASSENGER

Key	Part Number	U/M	Description
	100322-01-720	EA	Window Asm - Angled Vent - Right (w/o inside frame)
	100322-01-719	EA	Inside Frame - Black (not included in assembly)
	100322-01-724	EA	Inside Frame - Off White (not included in assembly)
	098644-01-716	EA	Plug - Filler - Window
	100322-01-701	FT	Seal - Vent - Window
	100322-01-702	EA	Weatherstrip - Horizontal Rail
	100322-01-703	EA	Glazing Strip - Butyl - Glass
	100322-01-704	EA	Tape - Butyl - Window
	100322-01-705	EA	Glass - Stationary - Small Top
	100322-01-706	EA	Glass - Stationary - Angled
	100322-01-707	EA	Glass - Vent - Right
	100322-01-709	EA	Screen Asm. - Right
	100322-01-710	EA	Plate - Splice - Window
	100322-01-711	EA	Operator Asm. - Vent Glass - Right
	100322-01-712	EA	Rail - Horizontal
	100322-01-713	EA	Bar - Vertical Division
	100322-01-715	EA	Support - Torque Bar - Right
	100322-01-716	EA	Support - Torque Bar - Center Rail
	100322-01-717	EA	E-Ring - Window
	100322-01-718	EA	Handle - Dial - Window

BUNK SLANT SLIDER - DRIVER

Key	Part Number	U/M	Description
	100322-02-700	EA	Window Asm - Angled Vent - Right (w/o inside frame)
	100322-01-721	EA	Inside Frame - Black (not included in assembly)
	100322-02-701	EA	Inside Frame - Off White (not included in assembly)
	098644-01-716	EA	Plug - Filler - Window
	100322-01-701	FT	Seal - Vent - Window
	100322-01-702	EA	Weatherstrip - Horizontal Rail
	100322-01-703	EA	Glazing Strip - Butyl - Glass
	100322-01-704	EA	Tape - Butyl - Window
	100322-01-705	EA	Glass - Stationary - Small Top
	100322-01-706	EA	Glass - Stationary - Angled
	100322-01-708	EA	Screen Asm. - Left
	100322-01-710	EA	Plate - Splice - Window
	100322-01-712	EA	Rail - Horizontal
	100322-01-713	EA	Bar - Vertical Division
	100322-01-714	EA	Support - Torque Bar - Left
	100322-01-716	EA	Support - Torque Bar - Center Rail
	100322-01-717	EA	E-Ring - Window
	100322-01-718	EA	Handle - Dial - Window
	100322-01-722	EA	Glass Asm. - Vent - Left
	100322-01-723	EA	Operator Asm. - Vent Glass - Left

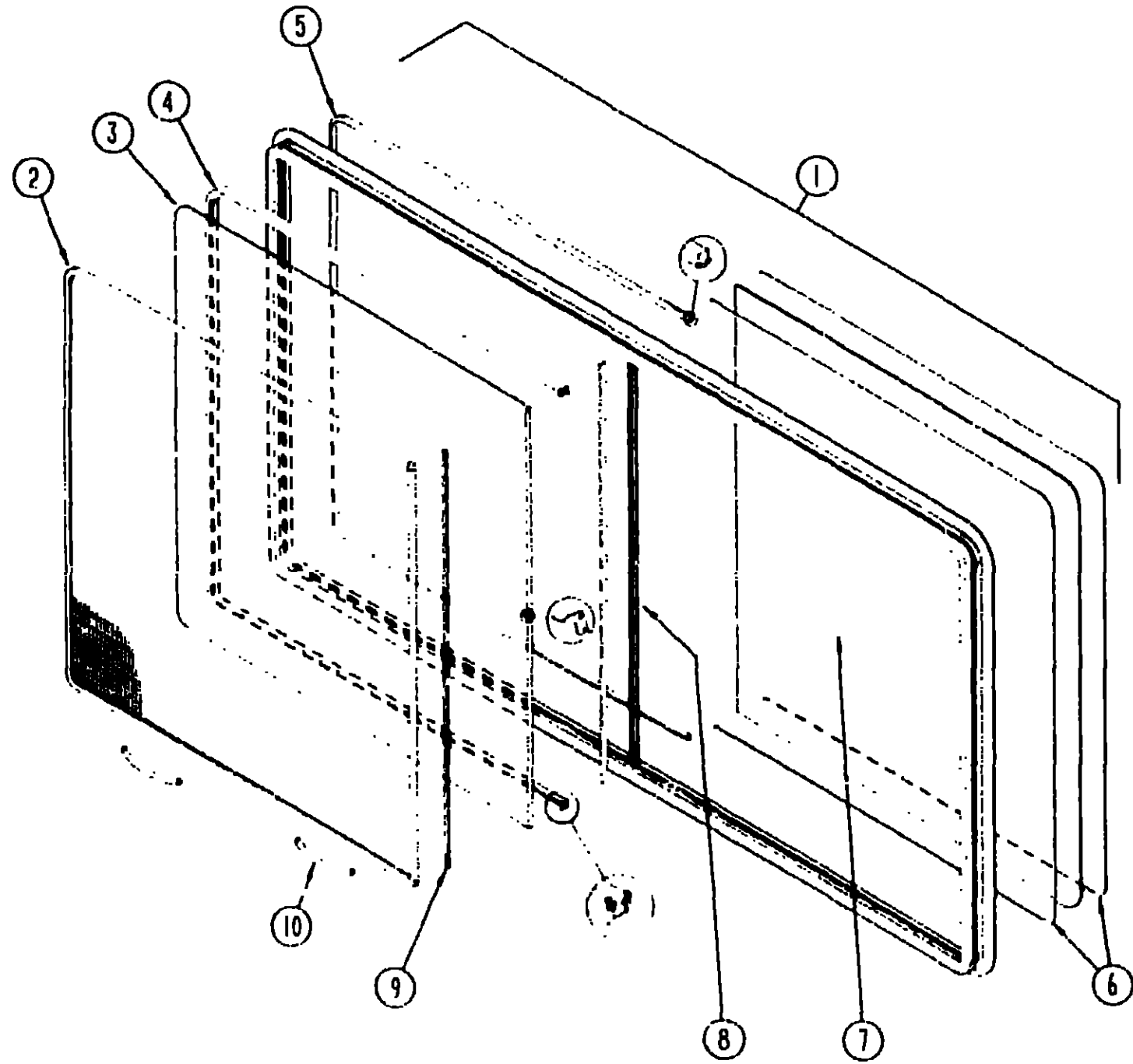
1991 ITASCA
TABLE OF CONTENTS

INTRODUCTION	A-01 - A-02
ABBREVIATIONS	A-03
ALPHABETICAL INDEX	A-04 - A-06
IF424RC	A-07 - D-10
IF427RT	D-11 - G-20

1991 IF424RC INDEX

Floor Plan	A-07 - A-08
Accessories Group	A-09 - A-12
Bath Group	A-13 - A-14
Bedroom Group	A-15
Chassis Group	A-16 - A-19
Curtain Cushion & Pad Group	A-20 - B-04
Dinette Group	B-05 - B-06
Driver's Compartment Group	B-07 - B-08
Electrical Group	B-09 - B-12
Exterior Body Group	B-13 - B-16
Galley Group	B-17 - B-21
Heating & Air Conditioning Group	B-22 - B-23
Interior Finish Group	B-24 - C-02
Labels Group	C-03 - C-10
LP Group	C-11
Lounge Group	C-12
Sealants & Fasteners Group	C-13 - C-15
Water & Sewage Group	C-16 - C-18
Window, Vent & Exterior Door Group	C-19 - D-09

WINDOW, VENT & EXTERIOR DOOR GROUP (CONTINUED)



GALLEY SINGLE SLIDER (EXCEL)

Key	Part Number	U/M	Description
1	098647-06-705	EA	Window Asm - Slider - Horizontal (w/o inside frame)
	098647-06-704	EA	Inside Frame - Black (not included in assembly)
	098647-06-706	EA	Inside Frame - Off White (not included in assembly)
2	098647-06-703	EA	Screen Asm - w/Spring & Weatherstripping
3	098647-06-702	EA	Sash Asm - w/Latch & Glass
	098644-01-700	EA	Latch Repair Kit
4	098644-01-708	FT	Pierced Run Channel
5	098644-01-706	FT	Weatherstrip
6	098644-01-705	FT	Glazing Strip
7	098647-06-700	EA	Glass - Stationary - 10 9/16" x 14 7/8"
8	098647-06-701	EA	Locking Rail w/Weatherstrip
9	098644-01-711	FT	Weatherstrip - Back For Screen
10	098644-01-713	EA	Screen Clips - Black Plastic
	098644-01-701	EA	Window Splice Plate
	098644-01-702	EA	Screw - #6 - 3/2" x 1/4 Pan Head (Splice)
	098644-01-703	EA	Screw - #6 x 1.50 - Pan Head - Recess - Black (Locking Rail)
	098644-01-710	FT	Screen Track (12)

1991 ITASCA
TABLE OF CONTENTS

INTRODUCTION	A-01 - A-02
ABBREVIATIONS	A-03
ALPHABETICAL INDEX	A-04 - A-06
IF424RC	A-07 - D-10
IF427RT	D-11 - G-20

1991 IF424RC INDEX

Floor Plan	A-07 - A-08
Accessories Group	A-09 - A-12
Bath Group	A-13 - A-14
Bedroom Group	A-15
Chassis Group	A-16 - A-19
Curtain, Cushion & Pad Group	A-20 - B-04
Dinette Group	B-05 - B-06
Driver's Compartment Group	B-07 - B-08
Electrical Group	B-09 - B-12
Exterior Body Group	B-13 - B-16
Galley Group	B-17 - B-21
Heating & Air Conditioning Group	B-22 - B-23
Interior Finish Group	B-24 - C-02
Labels Group	C-03 - C-10
L.P. Group	C-11
Lounge Group	C-12
Sealants & Fasteners Group	C-13 - C-15
Water & Sewage Group	C-16 - C-18
Window, Vent & Exterior Door Group	C-19 - D-09