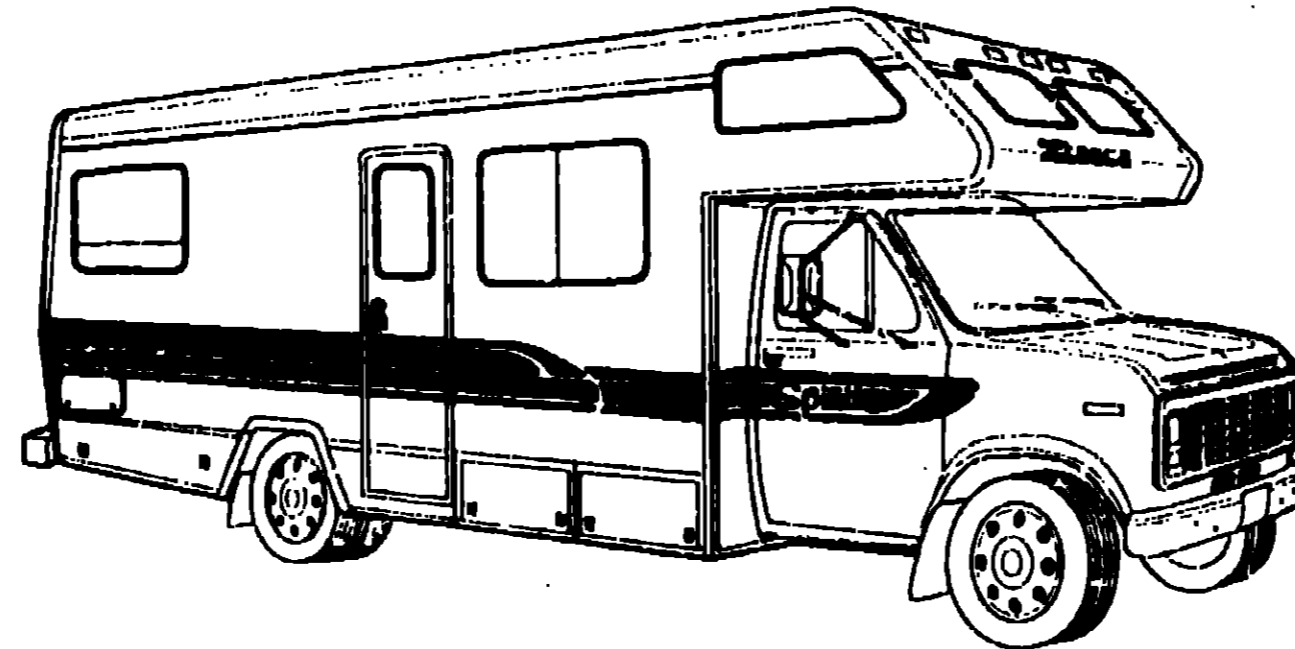
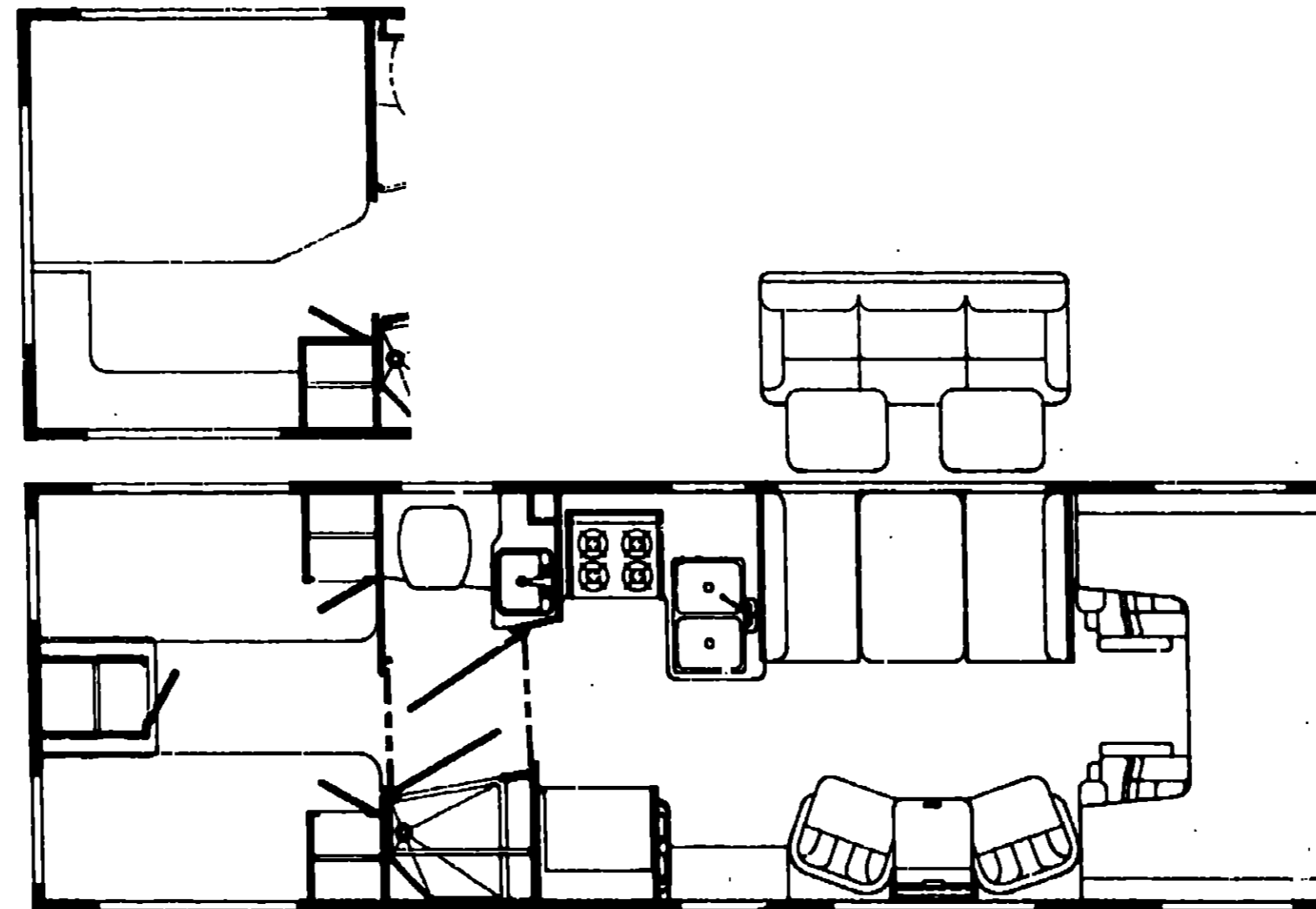


**1991 ITASCA  
TABLE OF CONTENTS**

INTRODUCTION	A-01 - A-02
ABBREVIATIONS	A-03
ALPHABETICAL/GROUP REFERENCE	A-04 - A-06
IF327RT	A-07 - D-14
IF327RB	D-15 - G-10
IF327RO	G-11 - J-18



**1991  
IF327RT**



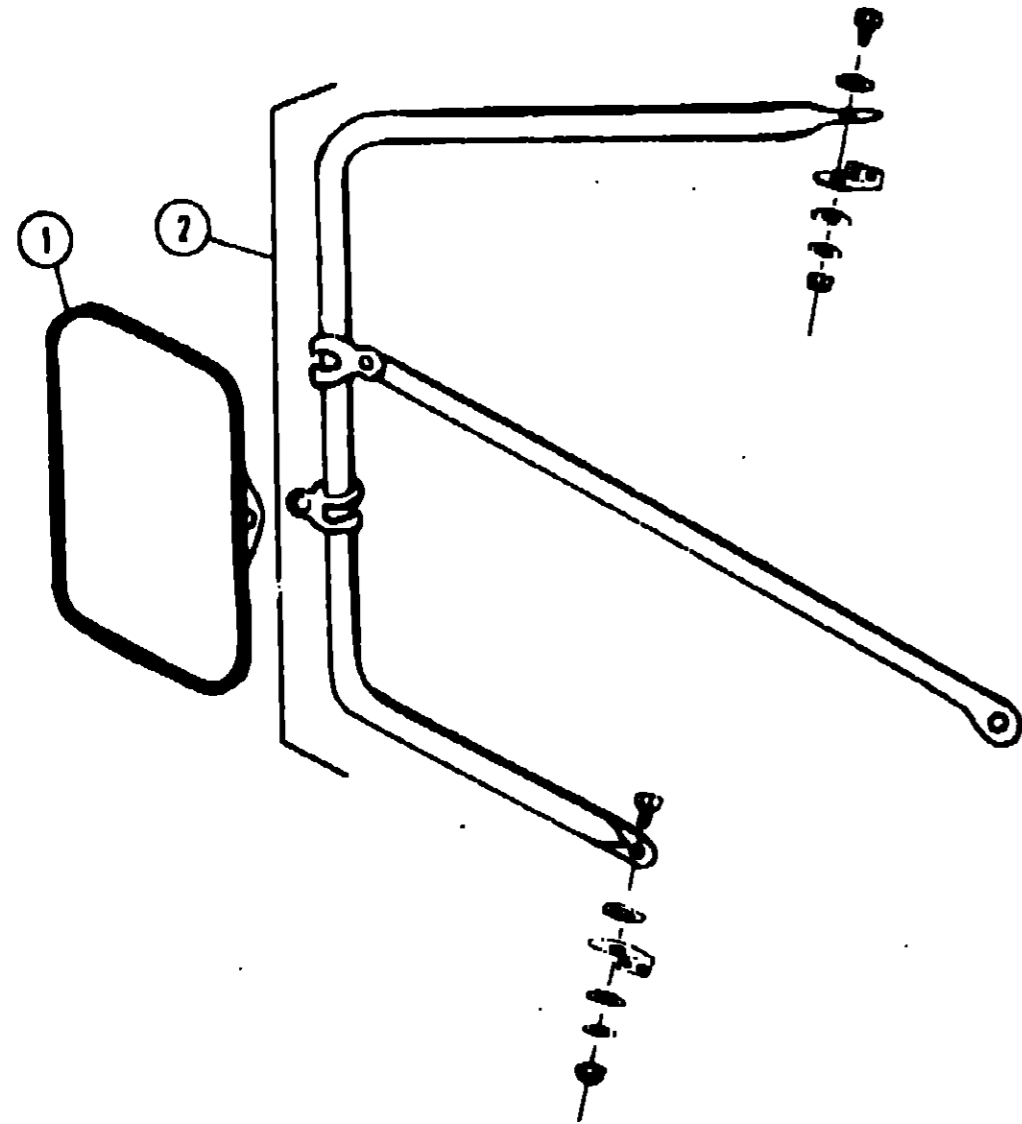
A-7

A-8

**1991 IF327RT INDEX**

Floor Plan	A-07 - A-08
Accessories Group	A-09 - A-11
Bath Group	A-12 - A-13
Bedroom Group	A-14 - A-16
Chassis Group	A-17 - A-20
Curtain, Cushion & Pad Group	A-21 - B-06
Dinette Group	B-07 - B-08
Driver's Compartment Group	B-10 - B-12
Electrical Group	B-13 - B-15
Exterior Body Group	B-16 - B-20
Galley Group	B-21 - B-24
Heating & Air Conditioning Group	C-01 - C-02
Interior Finish Group	C-03 - C-05
Labels Group	C-06 - C-12
LP Group	C-13
Lounge Group	C-14
Sealants & Fasteners Group	C-15 - C-17
Water & Sewage Group	C-18 - C-22
Window, Vent & Exterior Door Group	C-23 - D-13

**ACCESSORIES GROUP**



**EXTERIOR MIRRORS**

Key	Part Number	U/M	Description
1	049347-01-000	EA	Mirror Head - 7 1/2" x 10 1/2" - Stainless Steel
	049347-01-700	EA	Glass - Exterior Mirror - 7.5" x 10.5"
2	062047-01-000	EA	Arm - West Coast Mirror - Stainless Steel
	006043-01-000	EA	Mirror - Convex - Adhesive Back

**WHEEL COVER & MOUNTING HARDWARE**

Key	Part Number	U/M	Description
	063181-01-000	EA	Wheel Cover - 16" (Set/4)
	063181-01-700	EA	Wheel Cover - 16" (1)
	063181-04-702	EA	Nut - Wheel Cover

**RADIO & RELATED COMPONENTS**

Key	Part Number	U/M	Description
	090982-01-000	EA	Radio - AM/FM Stereo - w/Cassette
	074979-01-000	EA	Speaker Cover Protector - Plastic
	089340-01-000	EA	Speaker Grill - 6.5" - Square
	089340-02-000	EA	Speaker Grill - 6.5" - Square
	081082-01-000	EA	Plaque - Mounting Switch
	079385-02-000	EA	Radio Mounting Kit
	094097-01-000	EA	Speaker - 5.25" - w/o Grille
	081059-02-000	EA	Wire Asm. - 9 Pin - Audiotex Radio

These parts are used from 11/5/90 on.

**ACCESSORIES GROUP (CONTINUED)**

**TV ANTENNA (OPTION 193)**

Key	Part Number	U/M	Description
	076319-13-000	EA	Antenna - TV Roof Mount - 44.5"
	076319-13-700	EA	Head - Antenna - Non-Amplified
	076319-01-701	EA	Gear - Elevating - Plastic
	076319-01-702	EA	Shaft Asm. - Elevating
	076319-01-703	EA	Bearing - Nylon - .5" OD
	076319-01-704	EA	Bearing - Nylon - 1.25" OD
	076319-01-705	EA	Grommet - Nylon - 7/8" ID
	076319-01-706	EA	Crank - Elevating w/Set Screw
	076319-01-707	EA	Spring - Handle
	076319-01-708	EA	Decal - Crank
	076319-06-000	EA	Adaptor - Cable Roof Plate
	093252-01-01A	EA	Wallplate/Cable - Belge
	076319-11-00U	EA	Adapter - Coax w/Splitter
	076319-03-000	FT	Cable - Coaxial - 1000' Roll
	076319-12-000	EA	Connector - Coaxial
	076319-04-000	EA	Connector w/Ferrule
	080734-02-000	EA	Clip - Wire Nylon

NOTE: Items indented below assemblies are servicable parts for that assembly.

**TV/VCR & RELATED COMPONENTS (OPTION L43V)**

Key	Part Number	U/M	Description
	098447-01-000	EA	TV - 13" Color w/Remote - Magnavox (US)
	098447-02-000	EA	TV - 13" Color w/Remote - Magnavox (CSA)
	098447-01-700	EA	Remote Control - TV
	098446-01-000	EA	VCR - VHS - Cable Ready w/Remote - Magnavox 9815
	098446-01-700	EA	Remote Control - VCR
	098446-02-000	EA	VCR - VHS - Cable Ready w/Remote - Magnavox 9912
	098446-02-700	EA	Remote Control - VCR
	099856-01-000	EA	TV Tiedown
	098819-01-000	EA	Speaker - 2 Watt - 8 OHM - 4"
	074979-12-000	EA	Cover - Speaker - Off White - Plastic

Check make & model number of TV & VCR when ordering this part.

NOTE: Items indented below assemblies are servicable parts for that assembly.

**MISCELLANEOUS ACCESSORIES**

Key	Part Number	U/M	Description
	054185-70-000	EA	Owner's Manual - 1991 - Spirit
	082318-01-000	EA	Binder - 3 Ring - Vendor Manual
	082319-01-000	EA	Page - Plastic Packet
	088084-05-000	EA	Cassette - Winnebago Warrior
	094499-01-000	EA	Fire Extinguisher - IA 10BC (UL)
	094499-02-000	EA	Fire Extinguisher - IA 10BC (CSA)
	094499-01-700	EA	Bracket - Mounting w/Plastic Strap - Fire Extinguisher
	072852-01-000	EA	Smoke Detector w/9 Volt Battery
	100603-01-01A	EA	Wall Clock - Round - Bezel
	104764-01-01A	EA	Wall Clock - Spartus

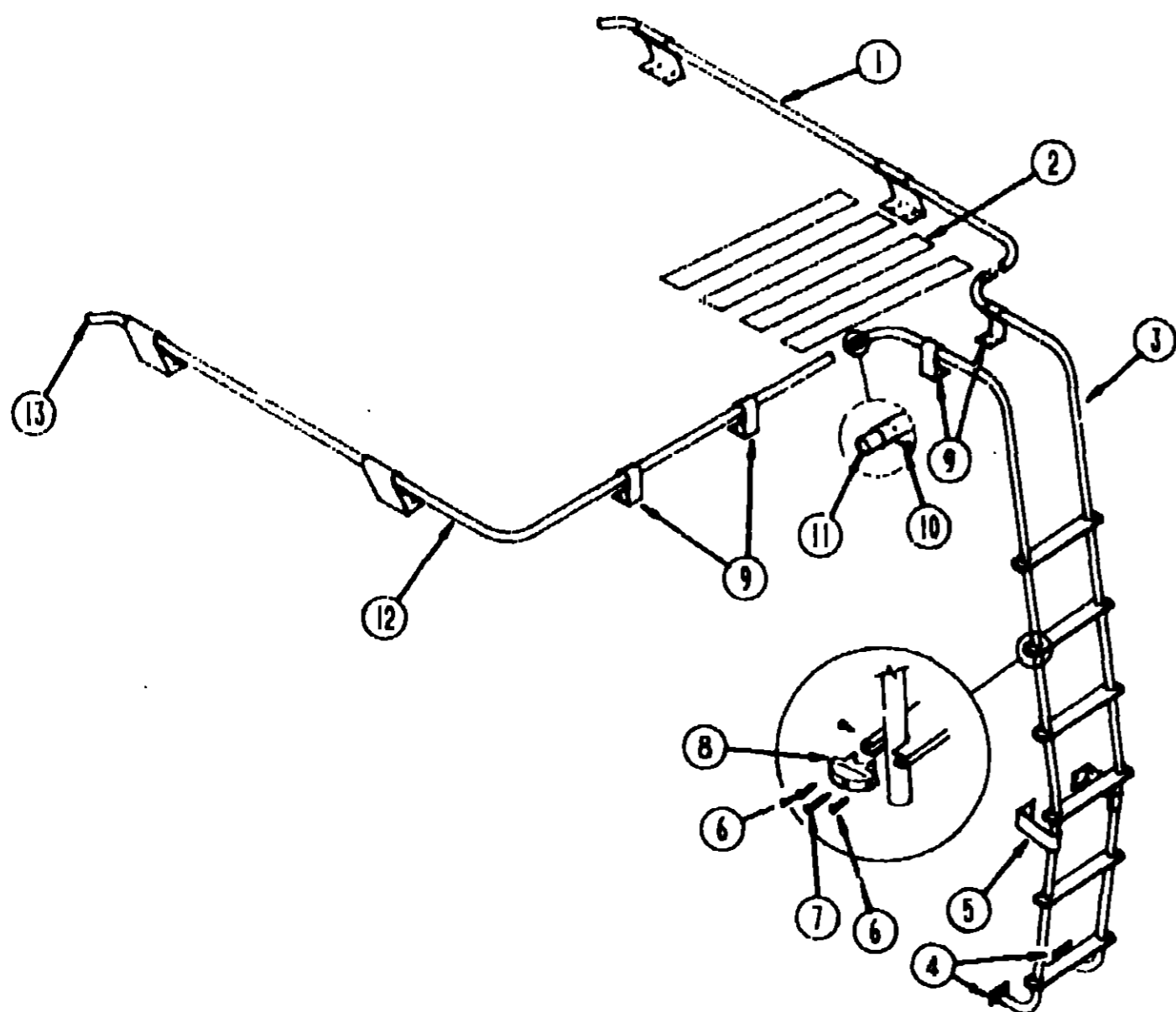
**1991 ITASCA  
TABLE OF CONTENTS**

INTRODUCTION	A-01 - A-02
ABBREVIATIONS	A-03
ALPHABETICAL/GROUP REFERENCE	A-04 - A-06
IF327RT	A-07 - D-14
IF327RB	D-15 - G-10
IF327RQ	G-11 - J-16

**1991 IF327RT INDEX**

Floor Plan	A-07 - A-08
Accessories Group	A-09 - A-11
Bath Group	A-12 - A-13
Bedroom Group	A-14 - A-16
Chassis Group	A-17 - A-20
Curtain, Cushion & Pad Group	A-21 - B-08
Dinette Group	B-07 - B-09
Driver's Compartment Group	B-10 - B-12
Electrical Group	B-13 - B-15
Exterior Body Group	B-16 - B-20
Galley Group	B-21 - B-24
Heating & Air Conditioning Group	C-01 - C-02
Interior Finish Group	C-03 - C-05
Labels Group	C-06 - C-12
LP Group	C-13
Lounge Group	C-14
Sealants & Fasteners Group	C-15 - C-17
Water & Sewage Group	C-18 - C-22
Window, Vent & Exterior Door Group	C-23 - D-13

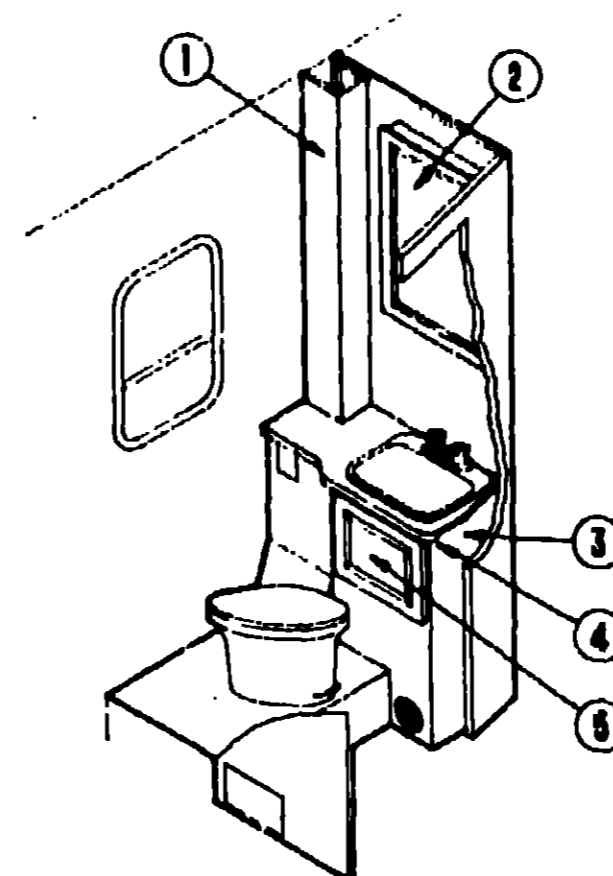
**ACCESSORIES GROUP (CONTINUED)**



**RACK & LADDER COMPONENTS (OPTION L502)**

Key	Part Number	U/M	Description
1	081026-01-T03	EA	Rack Asm. - Passenger Side w/2 Angled Standoff
2	038327-01-000	EA	Tape - Anti-Slip - 2" x 60'
3	081016-C4-AA3	EA	Ladder
4	067165-01-000	EA	Mounting Bracket - Ladder - Lower
5	Non-serviceable	EA	Standoff - Ladder - Bright Dipped - Lower
6	000G39-06-10T	EA	Screw - SF/DR - 6 - 20 x 5/8" PPH - Black
7	000G68-10-36T	EA	Screw - 10 - 12 x 2.25" POH - Black
8	076980-02-000	EA	End Cap - Step - Black
9	Non-serviceable	EA	Standoff - Rack & Ladder - Bright Dipped
10	000G39-08-08E	EA	Screw - SF/DR - 8 - 18 x 50 PPH
11	Non-serviceable	EA	Splice
12	081026-02-T03	EA	Rack Asm. - Driver Side w/2 Angled & 2 Straight Standoff
13	081114-01-000	EA	Cap - Insert - Round - 1" Dia.

**BATH GROUP**



**BATH CABINETRY**

Key	Part Number	U/M	Description
1	095927-01-B05	EA	Cabinet Asm. - Pipe Cover
2	P00099-31-B27	EA	Door Asm. - Medicine Cabinet - 15" x 29" - w/o Hardware
	M04144-01-B27	EA	Medicine Cabinet Asm. w/o Door
	058331-35-000	EA	Mirror - Safety Glass - 25.4" x 11.4"
3	M92359-02-B27	EA	Cabinet Asm. - Lavatory - w/Countertop - w/o Door or Hardware (US)
3	M04043-01-B27	EA	Cabinet Asm. - Lavatory - w/Countertop - w/o Door or Hardware (CSA)
4	092359-13-B05	EA	Countertop Asm. - Lavatory
5	P00099-65-B27	EA	Door Asm. - Lavatory Cabinet - 14" x 18" (w/o Hardware)
	M82429-05-B27	EA	Door Asm. - Bath - w/o Mirror or Hardware
	093448-01-B27	EA	Mirror Asm. - Bath Door
	058331-20-000	EA	Mirror - Safety Glass - 13.2" x 44.5"
	M02507-04-B27	EA	Door Asm. - Shower - w/o Mirror or Hardware

**1991 ITASCA  
TABLE OF CONTENTS**

INTRODUCTION	A-01 - A-02
ABBREVIATIONS	A-03
ALPHABETICAL/GROUP REFERENCE	A-04 - A-08
IF327RT	A-07 - D-14
IF327RB	D-15 - G-10
IF327RQ	G-11 - J-16

**1991 IF327RT INDEX**

Floor Plan	A-07 - A-08
Accessories Group	A-09 - A-11
Bath Group	A-12 - A-13
Bedroom Group	A-14 - A-16
Chassis Group	A-17 - A-20
Curtain, Cushion & Pad Group	A-21 - B-06
Dinette Group	B-07 - B-09
Driver's Compartment Group	B-10 - B-12
Electrical Group	B-13 - B-15
Exterior Body Group	B-16 - B-20
Galley Group	B-21 - B-24
Heating & Air Conditioning Group	C-01 - C-02
Interior Finish Group	C-03 - C-06
Labels Group	C-08 - C-12
LP Group	C-13
Lounge Group	C-14
Sealants & Fasteners Group	C-15 - C-17
Water & Sewage Group	C-18 - C-22
Window, Vent & Exterior Door Group	C-23 - D-13

## BATH GROUP (CONTINUED)

### BATH & WARDROBE HARDWARE

Key	Part Number	U/M	Description
	MO2673-03-XB1	EA	Shower Pan Asm.
	075808-01-000	EA	Panel - Shower Faucet - Plastic - Back
	084481-10-000	EA	Showr Curtain - 70" x 32" - Vinyl
	092464-01-01A	FT	Track - Shower Curtain - B' - Off White
	009701-01-000	EA	Carrier - Shower Curtain
	009702-01-000	EA	End Stop - Curtain Carrier
	009136-01-000	EA	Hanger - Pin - Shower Curtain
	075241-05-000	EA	Faucet - Shower - Bone
	011048-02-000	EA	Shower Head - w/60" Hose (US)
	011048-05-000	EA	Shower Head - w/60" Hose (CSA)
	086440-01-000	EA	Strainer - Shower Pan Asm.
	089735-01-000	EA	Washer - Tailpiece - 1.5" Plastic - Shower Pan Asm.
	086436-01-000	EA	Flip Nut - 1.5" Tailpiece - Shower Pan Asm.
	011089-02-000	EA	Tailpiece - 1 1/2" x 1 1/4" x 4" - Brass
	075240-06-000	EA	Faucet - Lavatory - Bone
	081253-01-000	EA	Gasket - Lavatory Faucet
	081614-02-000	EA	Soap Dish w/Plastic Cover - Brass
	096927-01-01A	EA	Sink - Lavatory - Rectangular - Plastic - Bone (US)
	096927-01-700	EA	Sink - Stopper
	096927-01-701	EA	Tailpiece - Sink
	067487-01-000	EA	Toilet - Thetford - Aqua Magic
	067487-01-700	EA	C.L.F.L. Seal & Bolt Package
	067487-01-701	EA	Water Saver Package
	063740-01-710	EA	Link
	063740-01-711	EA	Spring - Return Lever
	063740-01-716	EA	Seat & Cover - Ivory
	063740-01-700	EA	Lever - Water
	063740-01-701	EA	Lever - Flush
	063740-01-713	EA	Seal - Ball Valve to Bowl
	063740-01-714	EA	Valve Asm. - Water
	063740-01-707	EA	Seal - Closet Flange
	063740-01-706	EA	Bolt Package - Closet
	063740-01-717	EA	Flush Tube
	024676-01-000	EA	Closet Flange - 4" x 3" (US)
	024676-02-000	EA	Closet Flange - 4" x 3" (CSA)
	075452-02-000	EA	Tissue Holder - Brass
	075454-02-000	EA	Towel Ring - Bright Brass w/Mounting Hardware
	075453-02-000	EA	Towel Bar - 18" - Brass
	058331-20-000	EA	Mirror - 13.2" x 44.4" (Bath Door)
	058331-35-000	EA	Mirror - 25.4" x 11.4" (Medicine Cabinet)
	100030-01-000	EA	Pull - Medicine Cabinet (Mounts To Door)
	093586-03-000	EA	Catch - Medicine Cabinet (Mounts to Cabinet)
	093586-04-000	EA	Strike - Medicine Cabinet (Mounts to Cabinet)
	058335-02-000	EA	Latch - Shower/Bath Door
	009013-01-000	EA	Catch - Male Bulldog - Door Mounted (Shower/Bath Door)
	009013-02-000	EA	Catch - Female Bulldog - Wall Mounted
	005151-01-000	EA	Warp Guard - Shower/Bath Door - 48"
	059777-02-000	EA	Hinge - Cabinet Door - Burnished Brass
	080258-01-000	EA	Trim - Skylight
	080507-01-000	EA	Panel - Skylight - Outer - 23.25" x 20.3"
	080508-01-000	EA	Panel - Skylight - Inner - 23.25" x 20.3"

NOTE: Items indented below assemblies are serviceable parts for that assembly.

## BEDROOM GROUP

### BEDROOM HARDWARE

Key	Part Number	U/M	Description
	041953-03-000	FT	Conduit - Convolute Slit - 1" ID (Clothes Rod Cover)
	042438-01-000	EA	Dowel - Wood - Clothes Rod - 1" Dia. x 4'
	009112-01-000	EA	Flange - 1" Clothes Rod - Plastic - Off White
	089076-03-000	EA	H-Channel - Bed Support - Beige
	059777-02-000	EA	Hinge - Cabinet Door - Burnished Brass
	100030-01-000	EA	Pull - Cabinet
	074493-02-000	EA	Support - Overhead Door - Sprung
	093586-03-000	EA	Catch - Roller Spring
	093586-04-000	EA	Strike - Spring Steel
	077408-02-000	EA	Slide - Drawer - Plastic - 20.75"
	057205-01-000	EA	Angle - Support Bed - 1" x 1.5" x 24" - Metal - Off White
	057205-02-000	EA	Angle - Support Bed - 1" x 1.5" x 34" - Metal - Off White
	077404-02-000	EA	Drawer - Plastic - 20" x 12.7" - Beige
	083978-01-000	EA	Washer - Mounting Lamp
	004354-01-000	EA	Bumper - Cabinet Door - Rubber - Brown
	023320-01-000	EA	Pad - Felt - 3/8" Diameter - Brown
	074045-07-000	EA	Plug - Wood - 1/2"
	018504-03-000	EA	Brace - Cabinet Angle - 2.5" - Beige

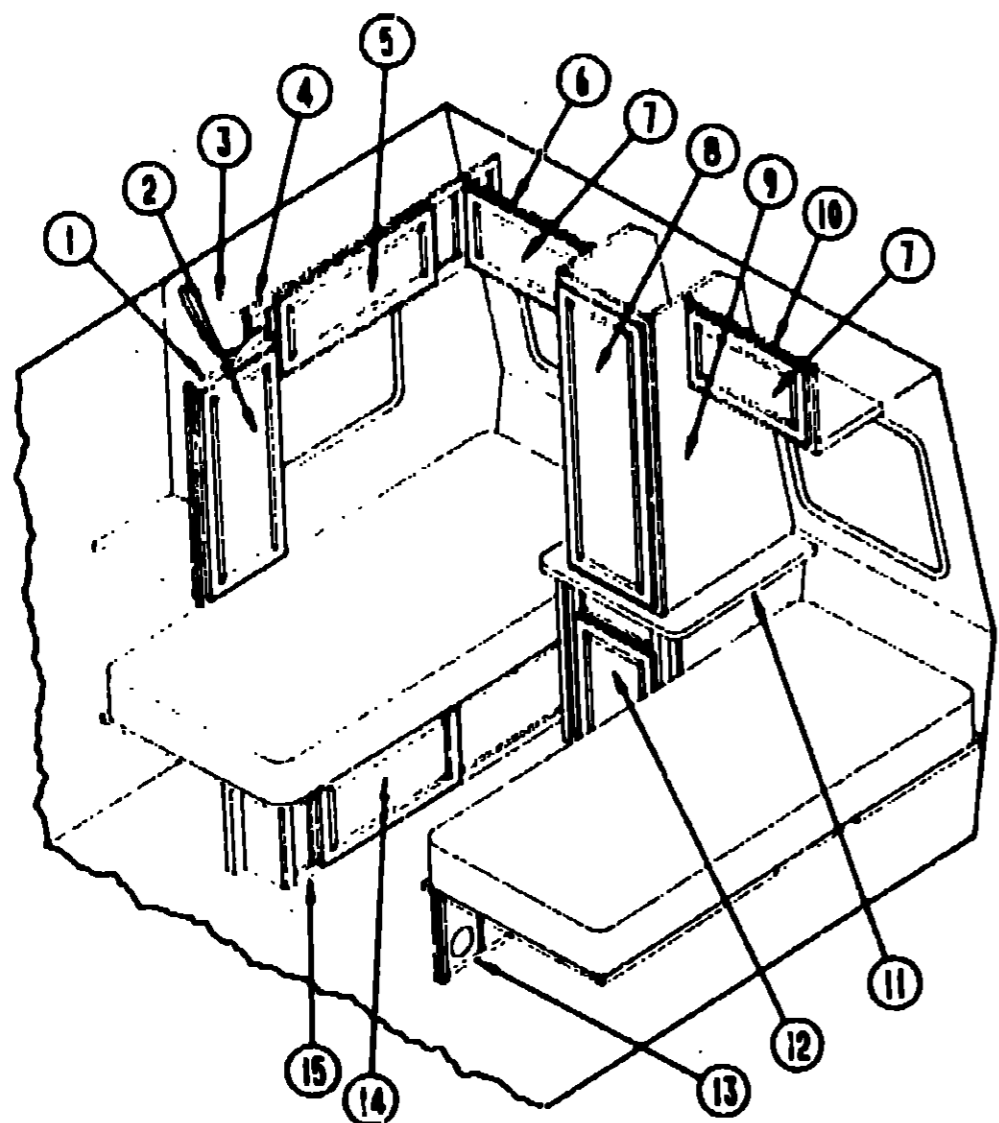
## 1991 ITASCA TABLE OF CONTENTS

INTRODUCTION	A-01 - A-02
ABBREVIATIONS	A-03
ALPHABETICAL/GROUP REFERENCE	A-04 - A-08
IF327RT	A-07 - D-14
IF327RB	D-15 - G-10
IF327RQ	G-11 - J-16

## 1991 IF327RT INDEX

Floor Plan	A-07 - A-08
Accessories Group	A-09 - A-11
Bath Group	A-12 - A-13
Bedroom Group	A-14 - A-16
Chassis Group	A-17 - A-20
Curtain, Cushion & Pad Group	A-21 - B-06
Dinette Group	B-07 - B-09
Driver's Compartment Group	B-10 - B-12
Electrical Group	B-13 - B-15
Exterior Body Group	B-16 - B-20
Galley Group	B-21 - B-24
Heating & Air Conditioning Group	C-01 - C-02
Interior Finish Group	C-03 - C-05
Labels Group	C-06 - C-12
LP Group	C-13
Lounge Group	C-14
Sealants & Fasteners Group	C-15 - C-17
Water & Sewage Group	C-18 - C-22
Window, Vent & Exterior Door Group	C-23 - D-15

**BEDROOM GROUP (CONTINUED)**

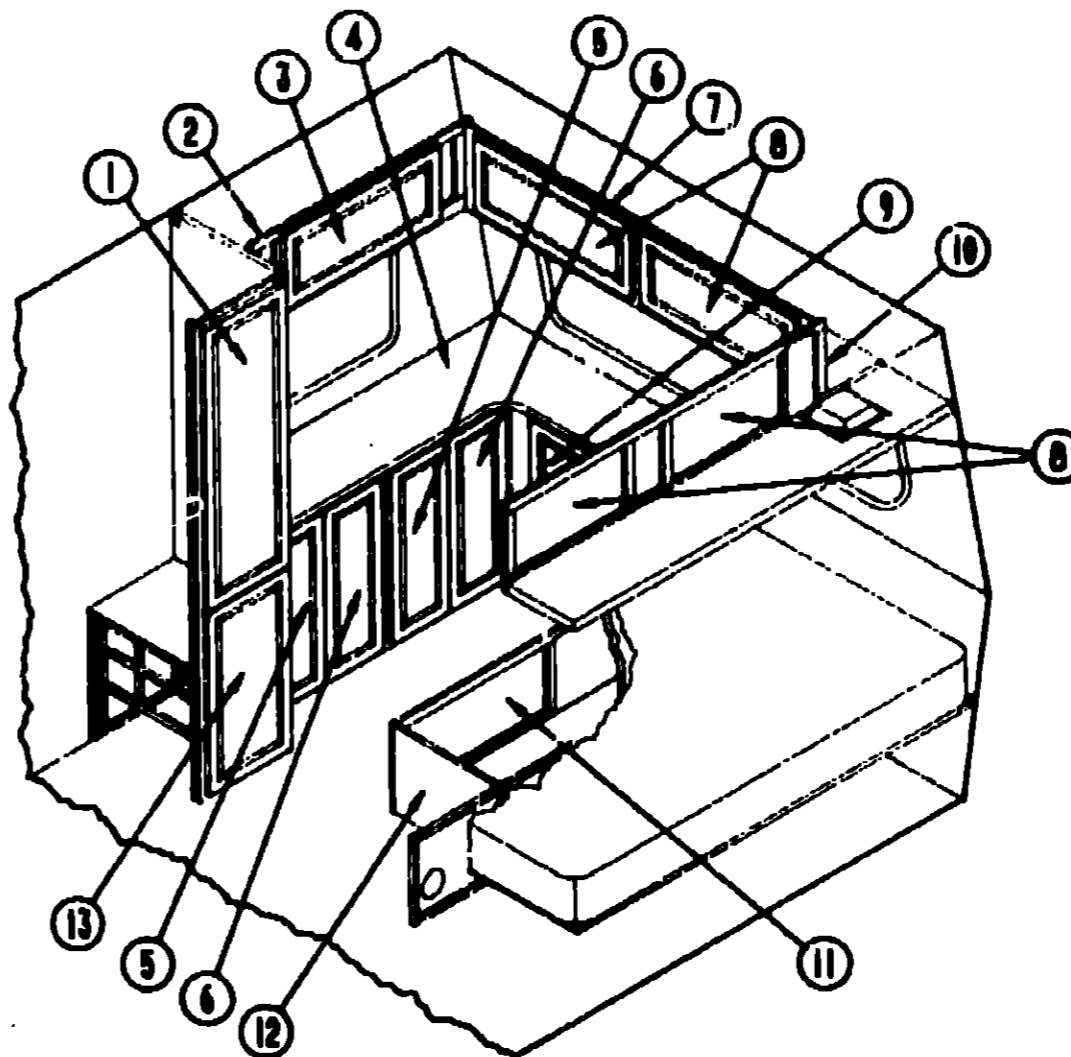


**TWIN BED CABINETY & HARDWARE**

Key	Part Number	U/M	Description
1	095937-01-B27	EA	Cabinet Asm. - Passenger Side Shirt Closet - w/o Door or Hardware
	095938-01-B27	EA	Cabinet Asm. - Driver Side Shirt Closet - w/o Door or Hardware
2	P00099-36-B27	EA	Door Asm. - Shirt Closets - 14" x 33" w/o Hardware
3	081280-18-B27	EA	End Cap - Cabinet - Passenger Side Overhead
4	P00190-01-B27	EA	Cabinet Asm. - Passenger Side Overhead - w/o Door or Hardware
	P00191-01-B27	EA	Cabinet Asm. - Driver Side Overhead - w/o Door or Hardware
	081280-21-B27	EA	End Cap - Cabinet - Driver Side Overhead
5	P00099-34-B27	EA	Door Asm. - Overheads - 14" x 33" - w/o Hardware
6	P00192-02-B27	EA	Cabinet Asm. - Rear Overhead - Passenger Side - w/o Door or Hardware
7	P00099-41-B27	EA	Door Asm. - Overhead - 14" x 18" - w/o Hardware
8	P00099-09-B44	EA	Door Asm. - Wardrobe - w/Mirror - 45" x 16" - w/o Hardware
	058331-04-000	EA	Mirror - Glass - Safety - 12" x 42"
9	M95928-01-B27	EA	Cabinet Asm. - Center Wardrobe - w/o Door or Hardware
10	P00192-01-B27	EA	Cabinet Asm. - Rear Overhead - Driver Side - w/o Door or Hardware
11	085928-14-B05	EA	Countertop - Wardrobe
12	P00099-81-B27	EA	Door Asm. - Cabinet - 22" x 14" - w/o Hardware
13	M92338-01-B27	EA	Cabinet Asm. - Twin Bed - Driver Side - w/o Hardware
14	P00099-88-B27	EA	Door Asm. - Twin Bed Cabinet - 12" x 26"
15	M92335-01-B27	EA	Cabinet Asm. - Twin Bed Cabinet - Passenger Side w/o Door or Hardware

NOTE Indented items are individual replacement parts for the assembly listed before them.

**BEDROOM GROUP (CONTINUED)**



**DOUBLE BED CABINETY (OPTION 46L)**

Key	Part Number	U/M	Description
1	P00099-09-B42	EA	Door Asm. - Wardrobe - 16" x 45" - w/o Hardware
2	P00194-01-B27	EA	Cabinet Asm. - Passenger Overhead - w/o Door or Hardware
	081280-18-B27	EA	End Cap - Cabinet - Front
3	P00099-34-B27	EA	Door Asm. - Passenger Side Overhead - 14" x 33" - w/o Hardware
4	M97945-01-B27	EA	Cabinet Asm. - Vanity w/Countertop - w/o Doors or Hardware
	097045-13-B05	EA	Countertop - Vanity Cabinet
	081294-02-G20	EA	Molding - Shelf - Knotted Wood - 8' Long
5	P00099-46-B27	EA	Door Asm. - Vanity Cabinet - 11" x 28" - w/o Hardware
6	P00099-47-B27	EA	Door Asm. - Vanity Cabinet - 11" x 26" - w/o Hardware
7	P00193-01-B27	EA	Cabinet Asm. - Backwall Overhead - w/o Doors or Hardware
8	P00099-32-B27	EA	Door Asm. - Backwall Cabinet - 14" x 27" - w/o Hardware
9	P00099-82-B27	EA	Door Asm. - Vanity Cabinet - 16" x 28" - w/o Hardware
10	P00195-01-B27	EA	Cabinet Asm. - Driver Side Overhead - w/o Doors or Hardware
	081280-21-B27	EA	End Cap - Cabinet - Front
11	P00099-87-B27	EA	Door Asm. - Double Bed Cabinet - 12" x 29" - w/o Hardware
12	M93438-01-B27	EA	Cabinet Asm. - Double Bed - w/o Door or Hardware
13	P00099-35-B27	EA	Door Asm. - Wardrobe Cabinet - 16" x 33" - w/o Hardware

**1991 ITASCA  
TABLE OF CONTENTS**

INTRODUCTION	A-01 - A-02
ABBREVIATIONS	A-03
ALPHABETICAL/GROUP REFERENCE	A-04 - A-08
IF327RT	A-07 - D-14
IF327RB	D-15 - G-10
IF327RO	G-11 - J-16

**1991 IF327RT INDEX**

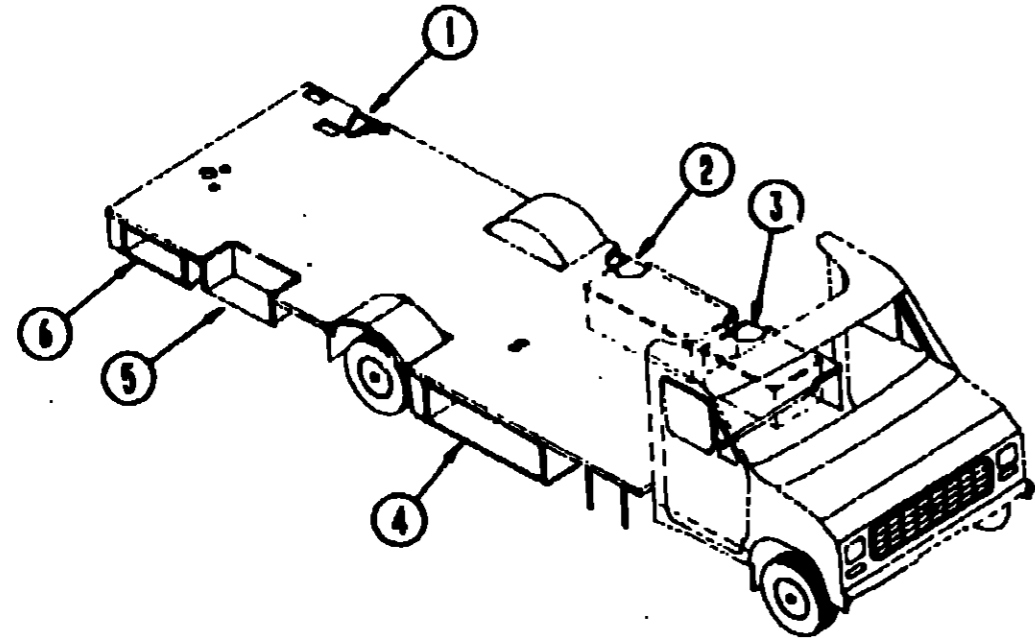
Floor Plan	A-07 - A-08
Accessories Group	A-09 - A-11
Bath Group	A-12 - A-13
Bedroom Group	A-14 - A-16
Chassis Group	J-17 - A-20
Curtain, Cushion & Pad Group	A-21 - B-08
Dinette Group	F-07 - F-09
Driver's Compartment Group	B-10 - B-12
Electrical Group	B-13 - B-15
Exterior Body Group	B-16 - B-20
Galley Group	B-21 - B-24
Heating & Air Conditioning Group	C-01 - C-02
Interior Finish Group	C-03 - C-05
Labels Group	C-06 - C-12
LP Group	C-13
Lounge Group	C-14
Sealants & Fasteners Group	C-15 - C-17
Water & Sewage Group	C-18 - C-22
Window, Vent & Exterior Door Group	C-23 - D-13

## CHASSIS GROUP

### MISCELLANEOUS CHASSIS PARTS

Key	Part Number	U/M	Description
	065450-05-000	EA	Tiedown - Battery
	010497-01-000	EA	Clamp - Closed - 5/8 ID
	007161-01-000	EA	Clamp - Hose - Spring Type 112
	062401-01-000	EA	Clamp - Hose - Wormgear - .22" ID - 1" ID
	062401-02-000	EA	Clamp - Hose - Wormgear - 1.56" - 2.5" ID
	062401-03-000	EA	Clamp - Hose - Wormgear - .25" ID - 1" ID
	062401-04-000	EA	Clamp - Hose - Wormgear - .69" ID - 1.25" ID
	062401-06-000	EA	Clamp - Hose - Wormgear - .22" ID - .62" ID
	023146-01-000	EA	Clamp - Screw Type - 4"
	091952-02-000	EA	Clip - Gripper - 3/4" (Tire Iron)
	056748-01-000	EA	Plug - Cap - 1.5" Dia. - Black
	007063-01-000	FT	Hose - Gas - 1/4 ID x 1/2 OD
	007108-01-000	FT	Hose - Heater - 5/8 ID
	024138-01-000	FT	Hose Fuel - 5/16" ID
	017516-01-000	EA	Mud Flap w/Holes - 14" x 18" - Black
	084089-01-700	EA	Splash Guard - Black Rubber (Set of 2)
	045731-04-000	EA	Rock Guard
	072884-20-000	EA	Running Boards - Ford - 40" (Option 66R)
	094795-01-000	EA	Speedometer - Kilometer
	096322-01-000	EA	Wheelwell - Plastic
	008343-01-000	EA	Wire Tie - 6"

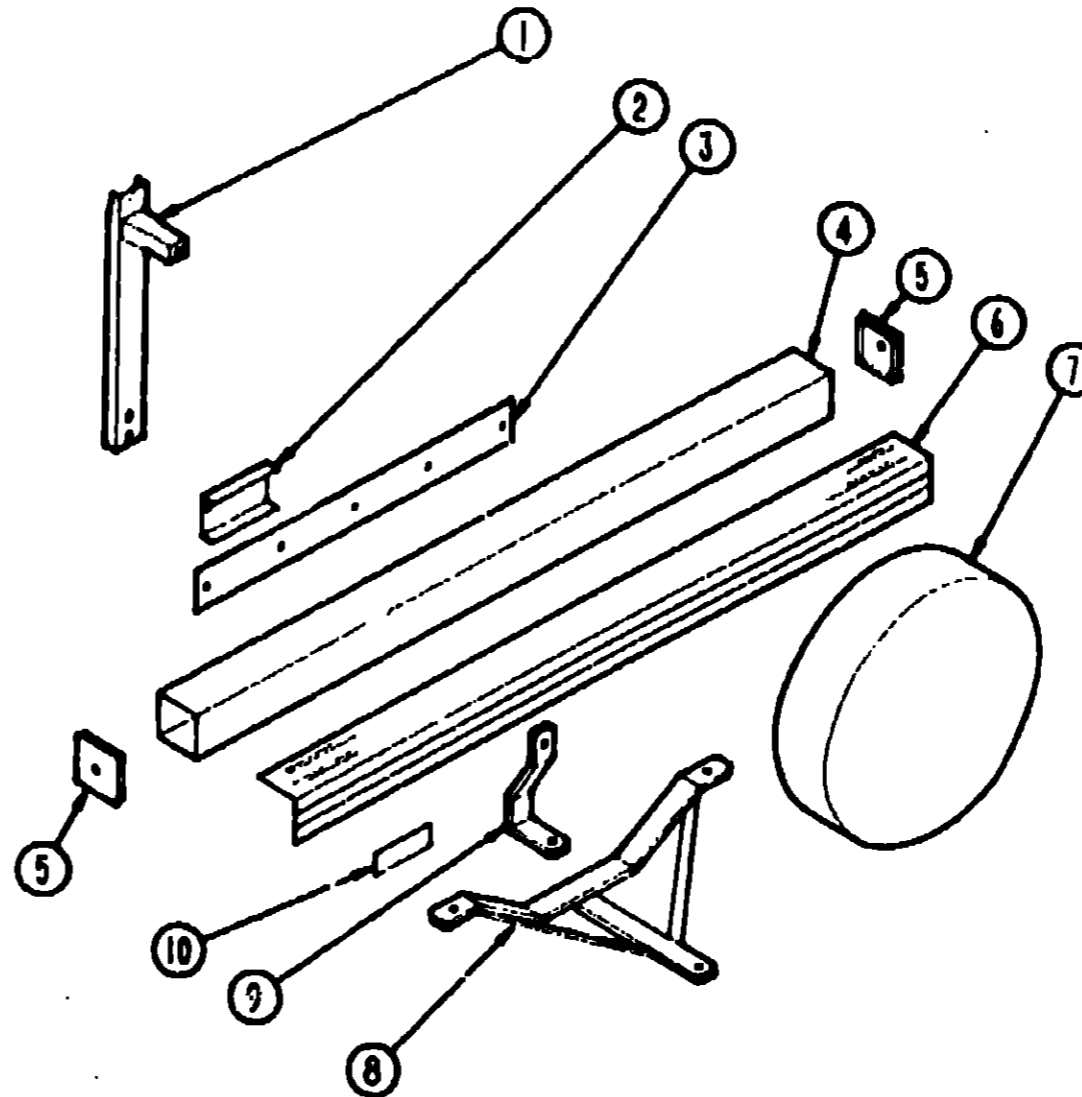
NOTE: Remainder of exhaust components available from Chassis Service Center.



### CHASSIS COMPARTMENTS & ENTRY DOOR STEP

Key	Part Number	U/M	Description
1	093020-08-000	EA	Rear Compartment - 52.3" Wide x 20.6" Deep
2	096820-01-000	EA	Storage Compartment - Plastic
	079388-01-000	EA	Bulb Seal w/Wire Rigid U-Channel - 1" - Black Rubber
3	077848-02-000	EA	Step Asm. - Pullout
	076241-01-000	EA	Support Box - Entry Door Step - 23.3" x 12.3" x 11.4"
4	096020-01-000	EA	Storage Compartment - 22.6" x 20.6"
5	078137-02-000	EA	Tray Asm. - Luggage Compartment - 27.18" Wide x 21" Deep
	088580-03-000	EA	Box - Power Cord
6	096020-02-000	EA	Storage Compartment - 46.4" Wide x 20.6" Deep
	064075-07-000	EA	Bulb Seal w/Wire Rigid U-Channel - 1" - Black Rubber
	058027-01-000	FT	Seal - D Shaped - Hollow - Rubber - Black
	081420-01-000	EA	Plug - Plastic - 1.75"
	088846-01-000	EA	Angle - Strike - Storage Compartment
	081876-01-000	EA	Retainer - Door - 1.97" x 79" - Metal
	000C28-04-106	EA	Bolt - Hex - Ser Flange - 1/4 - 20 x 5/8 Zinc
	000D39-04-000	EA	Nut - Hex - Ser Flange Lk - 1/4 - 20 Zinc

## CHASSIS GROUP (CONTINUED)



### SPARE TIRE, HITCH & REAR BUMPER

Key	Part Number	U/M	Description
1	079027-01-000	EA	Bracket Asm. - Tire Carrier
2	M84800-02-000	EA	Mount Support - Tire Carrier
3	M22150-01-000	EA	Bracket - Rear Bumper
4	064602-01-000	EA	Bumper Asm. - Square - Off White
5	039779-01-000	EA	Bumper Cap - Black Rubber - 4" x 4"
6	041332-03-000	EA	Cover - Bumper - w/o Reflector - 4" Square x 92"
7	088855-01-AA3	EA	Cover - Spare Tire - Vinyl - Off White
8	084833-03-000	EA	Trailer Hitch Asm.
9	084824-02-000	EA	Support - Trailer Hitch
10	041332-02-000	EA	Reflector - Bumper Cover - Self-Adhesive - 6 1/2" x 3/4"
	070917-02-000	EA	Tire - Michelin - Radial
	070917-04-000	EA	Tire - Firestone - Radial
	083617-01-000	EA	Wheel - Steel - 6" x 16" - 8 Hole
	051377-01-000	EA	Valve Stem Asm.

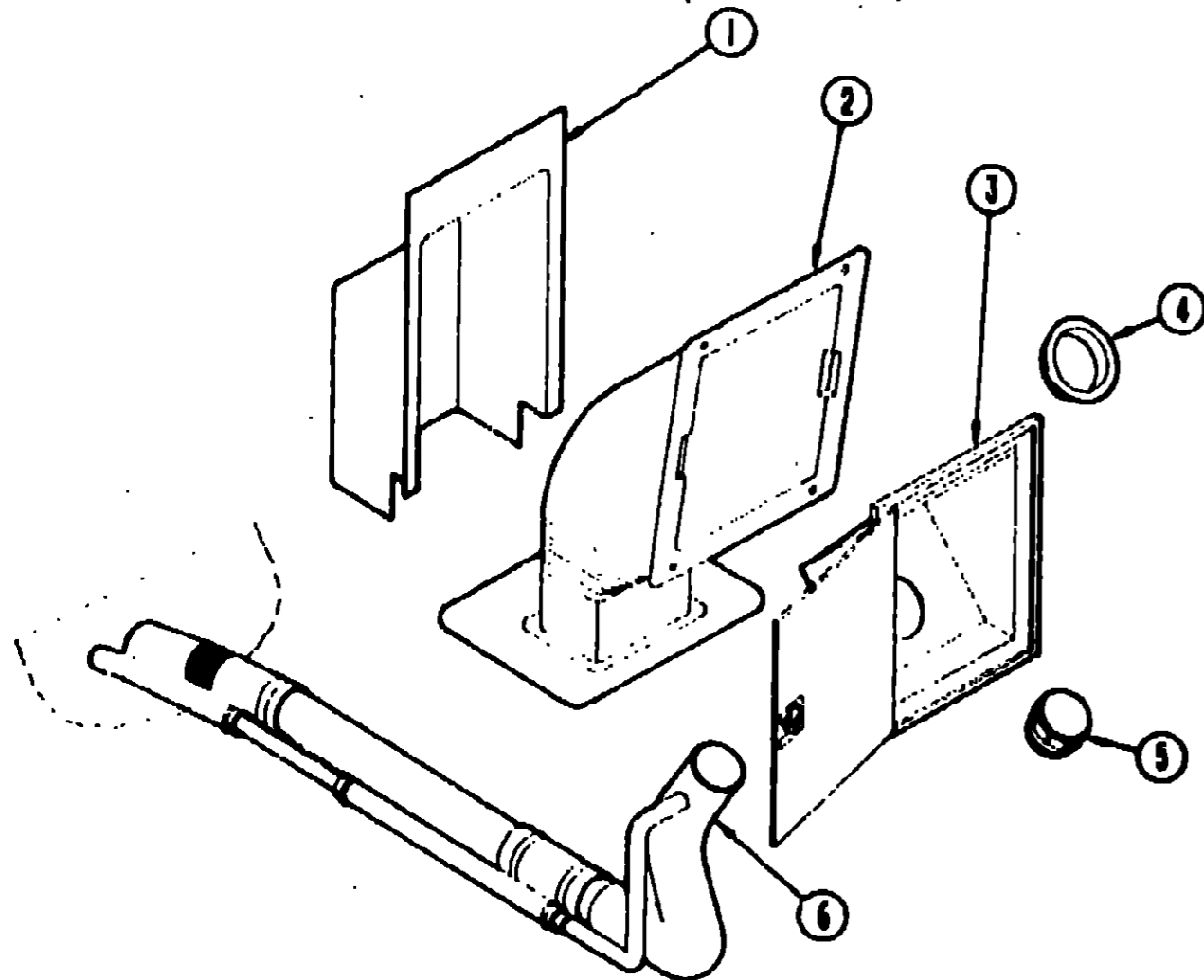
## 1991 ITASCA TABLE OF CONTENTS

INTRODUCTION	A-01 - A-02
ABBREVIATIONS	A-03
ALPHABETICAL/GROUP REFERENCE	A-04 - A-06
IF327RT	A-07 - D-14
IF327RB	D-15 - Q-10
IF327RO	Q-11 - J-16

## 1991 IF327RT INDEX

Floor Plan	A-07 - A-08
Accessories Group	A-09 - A-11
Bath Group	A-12 - A-13
Bedroom Group	A-14 - A-16
Chassis Group	A-17 - A-20
Curtain, Cushion & Pad Group	A-21 - B-06
Dinette Group	B-07 - B-09
Driver's Compartment Group	B-10 - B-12
Electrical Group	B-13 - B-15
Exterior Body Group	B-16 - B-20
Galley Group	B-21 - B-24
Heating & Air Conditioning Group	C-01 - C-02
Interior Finish Group	C-03 - C-06
Labels Group	C-08 - C-12
LP Group	C-13
Lounge Group	C-14
Sealants & Fasteners Group	C-15 - C-17
Water & Sewage Group	C-18 - C-22
Window, Vent & Exterior Door Group	C-23 - D-13

### CHASSIS GROUP (CONTINUED)



FUEL FILL COMPONENTS

Key	Part Number	U/M	Description
1	078040-02-000	EA	Shroud - Fuel Fill - Upper
2	083578-01-000	EA	Boot - Fuel Fill
	084235-01-000	EA	Support Flange - Fuel Fill Boot
3	078010-03-000	EA	Door Asm. - Fuel Fill - Off White
4	078200-01-000	EA	Gasket - Fuel Fill
	081914-01-000	EA	Bumper - Rubber - Round - Black
5	NOTE	EA	Fuel Cap
6	083675-02-000	EA	Filler Neck - Fuel Fill
	066732-01-000	EA	Hose - Fuel Fill - .62 ID
	087207-05-000	EA	Label - Fuel Cap Removal

NOTE: This item is chassis supplied.

### CHASSIS GROUP (CONTINUED)

#### GENERATORS & COMPONENTS (OPTION L38E)

Key	Part Number	U/M	Description
	100974-03-000	EA	Generator - Emerald - 4.0 kw
	082273-01-000	EA	Exhaust Pipe - Generator - w/2 Bolt Hole Flange (CSA)
	079854-05-000	EA	Exhaust Pipe - Generator - Angled w/Flange
	081364-01-000	EA	Muffler - Generator - Emerald
	081364-02-000	EA	Muffler - Generator - Emerald
	093591-02-000	EA	Exhaust Pipe - Generator
	082272-01-000	EA	Muffler - Generator
	007087-01-000	SF	Insulation - Fiberglass - 1"
	078045-01-000	EA	Strap - Support - Generator - 4 Hole
	084385-01-000	EA	Strap - Support - Generator - 2 Hole
	079854-01-700	EA	Hinge Kit - Emerald Generator (CSA)
	007083-01-000	EA	Hose - Gas - 1/4" ID x 1/2" OD
	007125-03-000	EA	Clamp - Muffler - 1.1" Dia.
	007125-04-000	EA	Clamp - Muffler - 1.5" Dia.
	007181-01-000	EA	Clamp - Hose - Spring Type - 1/2"
	083208-01-000	EA	Converter - 40 Amp. w/Charger (CSA)
	008052-01-000	EA	Power Cord - 10-3 Wire - 30 Amp. - 25' (CSA)

These are parts used from 8/20/90 on)

#### EXPORT GENERATORS (3.5KW) (OPTION 3831A)

Key	Part Number	U/M	Description
	100974-05-000	EA	Generator - Onan - 4.0 kw
	008054-01-000	EA	Power Cord - 10-3 - 30 Amp. - 25'
	083208-01-000	EA	Converter - 40 Amp. w/Charger
	079854-05-000	EA	Exhaust Pipe - Generator - Angled w/Flange
	093591-02-000	EA	Exhaust Pipe - 1.5" O.D. - Generator
	081364-01-000	EA	Muffler - Generator - 3.5KW
	081364-02-000	EA	Muffler - Generator
	081637-02-700	EA	LP System - For Onan Conversion
	078045-01-000	EA	Strap - Support - Generator - 4 Hole
	084385-01-000	EA	Strap - Support - Generator - 2 Hole
	007087-01-000	EA	Insulation - Fiberglass - 1"
	079854-01-700	EA	Hinge Kit - Emerald Generator
	007083-01-000	FT	Hose - Gas - 1/4" ID x 1/2" OD
	007125-04-000	EA	Clamp - Muffler - 1.1" Dia.
	007181-01-000	EA	Clamp - Hose - Spring Type - 1/2"
	023942-01-000	EA	Grommet - Rubber - 2" C.D.

These are parts used from 3/12/90 on.

### 1991 ITASCA TABLE OF CONTENTS

INTRODUCTION	A-01 - A-02
ABBREVIATIONS	A-03
ALPHABETICAL GROUP REFERENCE	A-04 - A-06
IF327RT	A-07 - D-14
IF327RB	D-15 - G-10
IF327RO	G-11 - J-16

### 1991 IF327RT INDEX

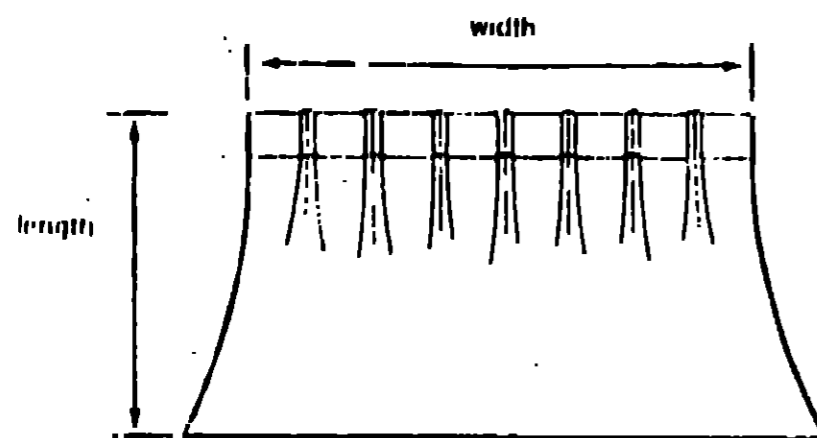
Floor Plan	A-07 - A-08
Accessories Group	A-09 - A-11
Bath Group	A-12 - A-13
Bedroom Group	A-14 - A-16
Chassis Group	A-17 - A-20
Curtain, Cushion & Pad Group	A-21 - B-06
Dinette Group	B-07 - B-09
Driver's Compartment Group	B-10 - B-12
Electrical Group	B-13 - B-15
Exterior Body Group	B-16 - B-20
Galley Group	B-21 - B-24
Heating & Air Conditioning Group	C-01 - C-02
Interior Finish Group	C-03 - C-06
Labels Group	C-08 - C-12
LP Group	C-13
Lounge Group	C-14
Sealants & Fasteners Group	C-15 - C-17
Water & Sewage Group	C-18 - C-22
Window, Vent & Exterior Door Group	C-23 - D-13

**CURTAIN, CUSHION & PAD GROUP**

**NOTICE**

In order to assist our Part Sales Dept. in providing interior software items, please include the serial number and the color code number from the vehicle certification label when ordering. This label is located on the left sidewall at the end of the dash (A-Body), or on the driver's door latch plate (C-Body).

An example of a color code number is P31, which designates an overall color scheme of a particular unit. The color listed after the item description on the microfiche, indicates the overall unit color. Order the item you desire according to unit color code.



NOTE: Use this illustration when determining length and width measurements for curtains. You will note the width measurement is taken on the top of the curtain with the curtain fully extended. The length measurement is taken from top to bottom.

**FABRIC & CARPETS**

Key	Part Number	U/M	Description
	072333-79-000	YD	Fabric - Drapery - Dusty Blue (Privacy)
	072333-75-000	YD	Fabric - Drapery - Beige (Privacy)
	084416-25-000	YD	Fabric - Drapery Laminate - Driftwood (Pull Shades)
	096008-44-000	YD	Fabric - Upholstery - Main - Patterned (B27)
	096008-46-000	YD	Fabric - Upholstery - Main - Patterned (B28)
	096008-28-000	YD	Fabric - Upholstery - Accent - Plain (B27)
	096008-45-000	YD	Fabric - Upholstery - Accent - Plain (B28)
	096008-43-000	YD	Fabric - Upholstery - Accent - Patterned (B27)
	096008-42-000	YD	Fabric - Upholstery - Accent - Patterned (B28)
	072333-67-000	YD	Fabric - Speaker Cover
	075244-03-000	YD	Vinyl - Shower Curtain - Almond
	097580-09-000	YD	Vinyl - Off White (Headliner)
	103907-01-01A	YD	Vinyl - Off White (Headliner)
	029219-01-000	YD	Fabric - Vinyl - 54" - White
	086060-14-000	YD	Carpet - Delft Blue (B27)
	086060-15-000	YD	Carpet - Sand (B28)
	076314-02-000	FT	Tape - Heat Bonded - Carpet Seam
	047034-02-000	SF	Plastic Runner - Carpet - 4' Wide - Clear
	078539-01-000	EA	Trim - Carpet - Cab - Passenger - 29" Long
	078539-02-000	EA	Trim - Carpet - Cab - Driver - 29" Long
	093873-01-02A	EA	Trim - "J" - 12' Long - Vinyl - T
	085746-01-000	FT	Trim - "J" - Carpet - PVC - Beige - 10' Long
	087956-04-000	EA	Trim - Cab Carpet - Extruded - 12" x 25.4" - Black
	100659-01-B27	EA	Molding - Trim - Vinyl Floor

These parts were used from 4/17/91 on.

NOTE: Replace vinyl flooring locally.

**CURTAIN, CUSHION & PAD GROUP (CONTINUED)**

**CURTAIN & CUSHION HARDWARE**

Key	Part Number	U/M	Description
	092464-01-01A	EA	Track - Shower Curtain - Off White
	009701-01-000	EA	Carrier - Shower Curtain
	009702-01-000	EA	End - Stop - Curtain Carrier - Shower
	046667-01-000	EA	Grommet - Brass - 7/16" ID x 1" OD (Shower Curtain)
	005136-01-000	EA	Pin - Shower Curtain
	020022-01-000	EA	Stud - Nickel Finish
	029093-01-000	EA	Eyelet - Nickel Finish
	029155-01-000	EA	Cap - Snap
	029156-01-000	EA	Socket - Snap Fastener
	088792-03-000	YD	Velcro Tape - Adhesive Backed - Loop - 3/4" - Beige
	048394-02-000	YD	Velcro Tape - Adhesive Backed - Hook - 3/4" - Beige
	089916-01-000	EA	Mount - Window Leg - Black
	091904-02-000	FT	Track - Curtain - Plastic - Off White (Blackout)
	101032-01-000	FT	Track - Curtain - Ceiling Mount - White (Valance)
	101033-01-000	FT	Track - Curtain - Low Profile - White
	101033-02-000	EA	End Cap - Track - Clear
	101031-01-000	EA	Tape - Glide - 4.25" Spacing
	095591-02-000	EA	Bracket - Blind - Hold Down w/Pin
	082239-02-000	EA	Brace - Window Valance - Beige
	075943-01-000	EA	Brace - Window Valance - Beige
	083170-01-000	EA	Bracket - Blind - Right
	083170-02-000	EA	Bracket - Blind - Left
	093475-01-700	EA	Wand - Blind w/Metal Clip - 8" Long
	093475-01-701	EA	End Cap - Blind w/Stud
	089522-03-000	EA	Panel - Leg - Window - 2.5" Face - 27.1" Long
	079970-01-000	YD	Tape Mattress - Bunk Cushion - 5/8"

**TRIMS & PADS**

Key	Part Number	U/M	Description
	070578-06-B05	EA	Button Asm. - Snap Top - #30 - Vinyl
	070578-01-B27	EA	Button Asm. - Snap Top - #30 - Accent - Plain
	070578-01-B28	EA	Button Asm. - Snap Top - #30 - Accent - Plain
	059797-02-000	EA	Shell - Upholstery Button - #30
	089734-01-000	EA	Back - Upholstery Button - #30
	078155-01-000	EA	Strap Asm. - Cushion (Dinette Cushion)
	058632-01-AA3	EA	Strap Asm. - Bunk (Front Overhead)
	081519-10-B27	EA	Pad Asm. - Dinette - Front
	081519-10-B28	EA	Pad Asm. - Dinette - Front
	081519-16-B27	EA	Pad Asm. - Dinette - Front
	081519-16-B28	EA	Pad Asm. - Dinette - Front
	081519-11-B27	EA	Pad Asm. - Dinette - Rear
	081519-11-B28	EA	Pad Asm. - Dinette - Rear
	081519-11-B27	EA	Pad Asm. - Dinette - Back
	081519-11-B28	EA	Pad Asm. - Dinette - Back
	069885-16-B27	EA	Motor Cover w/Map Pocket
	069885-16-B28	EA	Motor Cover w/Map Pocket
	079349-01-B03	YD	Weking - Skirt (B27 & B28)

These parts were used from 10/22/90 on.

**1991 ITASCA  
TABLE OF CONTENTS**

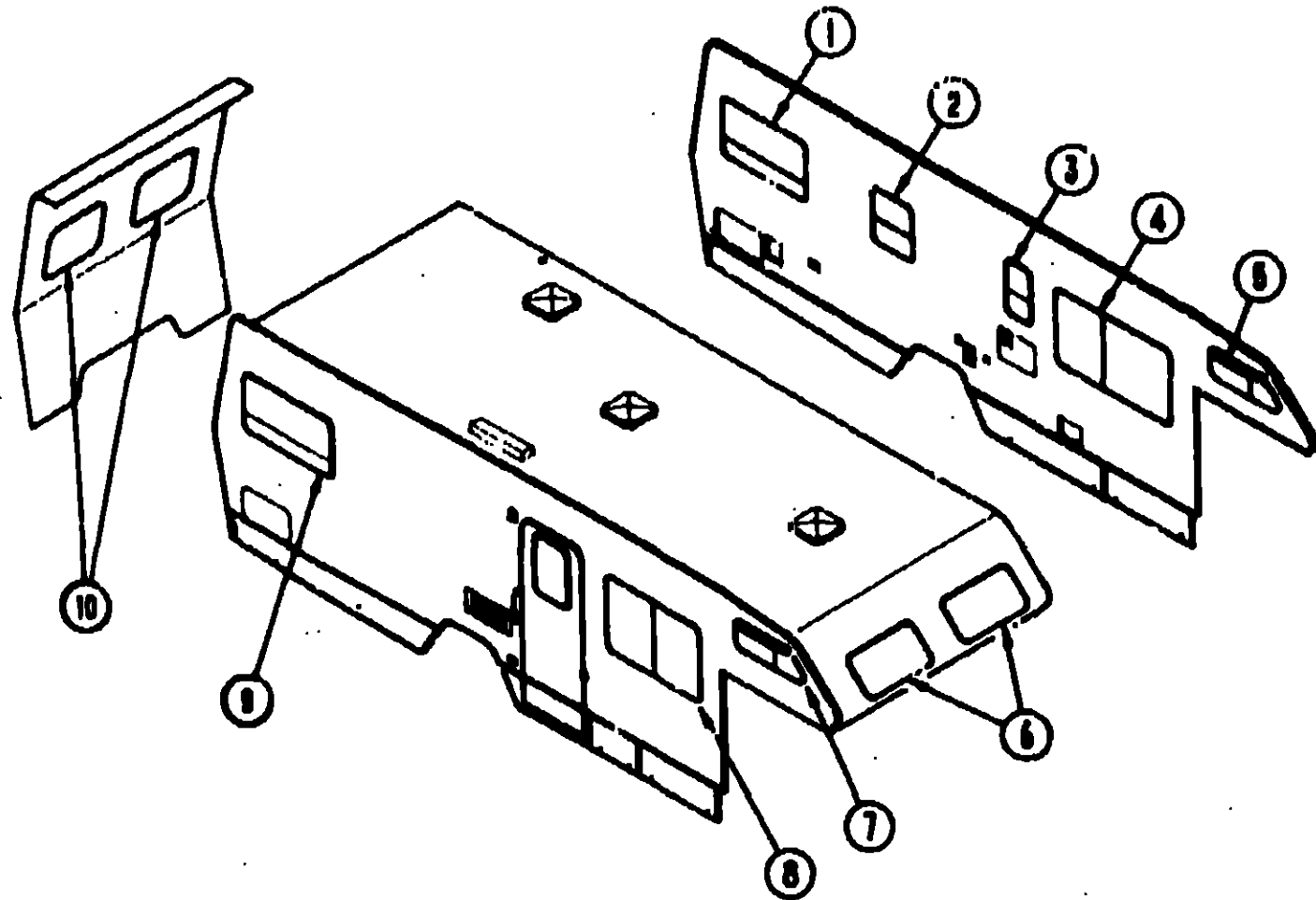
INTRODUCTION	A-01 - A-02
ABBREVIATIONS	A-03
ALPHABETICAL/GROUP REFERENCE	A-04 - A-06
IF327FI	A-07 - D-14
IF327RB	D-15 - G-10
IF327RO	G-11 - J-16

**1991 IF327HT INDEX**

Floor Plan	A-07 - A-08
Accessories Group	A-09 - A-11
Bath Group	A-12 - A-13
Bedroom Group	A-14 - A-16
Chassis Group	A-17 - A-20
Curtain, Cushion & Pad Group	A-21 - B-06
Dinette Group	B-07 - B-09
Driver's Compartment Group	B-10 - B-12
Electrical Group	B-13 - B-15
Exterior Body Group	B-16 - B-20
Galley Group	B-21 - B-24
Heating & Air Conditioning Group	C-01 - C-02
Interior Finish Group	C-03 - C-06
Labels Group	C-08 - C-12
LP Group	C-13
Lounge Group	C-14
Sealants & Fasteners Group	C-15 - C-17
Water & Sewage Group	C-18 - C-22
Window, Vent & Exterior Door Group	C-23 - D-13



**CURTAIN, CUSHION & PAD GROUP (CONTINUED)**



**CURTAINS, BLINDS, VALANCES & TIEBACKS**

Key	Part Number	U/M	Description
1	100344-07-B27	EA	Valance Asm. w/Wood Trim - 45"
1	100344-07-B28	EA	Valance Asm. w/Wood Trim - 45"
**1	102514-07-B27	EA	Valance Asm. - 45"
**1	102514-07-B28	EA	Valance Asm. - 45"
1	100281-06-B27	EA	Leg Asm. w/Hole - Window - Front
1	100281-06-B28	EA	Leg Asm. w/Hole - Window - Front
**1	100281-31-B27	EA	Leg Asm. w/Hole - Window - 27" - Front
**1	100281-31-B28	EA	Leg Asm. w/Hole - Window - 27" - Front
1	100281-06-B27	EA	Leg Asm. w/Hole - Window - Rear
1	100281-06-B28	EA	Leg Asm. w/Hole - Window - Rear
**1	100281-30-B27	EA	Leg Asm. w/Hole - Window - 27" - Rear
**1	100281-30-B28	EA	Leg Asm. w/Hole - Window - 27" - Rear
1	093475-45-01A	EA	Mini Blinds - 39.5" x 27" Drop - Beige
2	100344-05-B27	EA	Valance Asm. w/Wood Trim - 20"
2	100344-05-B28	EA	Valance Asm. w/Wood Trim - 20"
2	093475-46-01A	EA	Mini Blind - 17.5" x 23.5" Drop - Beige
3	093475-46-01A	EA	Mini Blind - 17.5" x 23.5" Drop - Beige

**CURTAIN, CUSHION & PAD GROUP (CONTINUED)**

**CURTAINS, BLINDS, VALANCES & TIEBACKS (CONT.)**

Key	Part Number	U/M	Description
4	100344-03-B27	EA	Valance Asm. w/Wood Trim - 58.3"
4	100344-03-B28	EA	Valance Asm. w/Wood Trim - 58.3"
4	100281-03-B27	EA	Leg Asm. - 31.5" Tall - Front
4	100281-03-B28	EA	Leg Asm. - 31.5" Tall - Front
4	100281-04-B27	EA	Leg Asm. - 31.5" Tall - Rear
4	100281-04-B28	EA	Leg Asm. - 31.5" Tall - Rear
4	093475-44-01A	EA	Mini Blind - 54.5" x 52" Drop - Beige
5	097878-21-B27	EA	Valance Asm. w/Wood Trim - 43"
5	097878-21-B28	EA	Valance Asm. w/Wood Trim - 43"
5	101034-01-B05	EA	Curtain - Tape Top - 16" x 25" - Beige
6	097878-19-B27	EA	Valance Asm. w/Wood Trim - 85.5"
6	097878-19-B28	EA	Valance Asm. w/Wood Trim - 85.5"
6	101034-02-B05	EA	Curtain - Tape Top - 22" x 45" - Beige
7	097878-20-B27	EA	Valance Asm. w/Wood Trim - 43"
7	097878-20-B28	EA	Valance Asm. w/Wood Trim - 43"
7	101034-01-B05	EA	Curtain - Tape Top - 16" x 25" - Beige
8	100344-04-B27	EA	Valance Asm. w/Wood Trim - 44.5"
8	100344-04-B28	EA	Valance Asm. w/Wood Trim - 44.5"
8	100281-07-B27	EA	Leg Asm. - Rear
8	100281-07-B28	EA	Leg Asm. - Rear
8	100281-08-B27	EA	Leg Asm. - Front
8	100281-08-B28	EA	Leg Asm. - Front
8	093475-45-01A	EA	Mini Blind - 39.5" x 27" Drop - Beige
9	100344-07-B27	EA	Valance Asm. w/Wood Trim - 45" x 29"
9	100280-07-B28	EA	Valance Asm. w/Wood Trim - 45" x 29"
**9	102514-07-B27	EA	Valance Asm. - 45"
**9	102514-07-B28	EA	Valance Asm. - 45"
9	100281-08-B27	EA	Leg Asm. - Window - Front
9	100281-08-B28	EA	Leg Asm. - Window - Front
**9	100281-30-B27	EA	Leg Asm. - Window - Front
**9	100281-30-B28	EA	Leg Asm. - Window - Front
9	100281-06-B27	EA	Leg Asm. - Window - Rear
9	100281-06-B28	EA	Leg Asm. - Window - Rear
**9	100281-31-B27	EA	Leg Asm. - Window - Rear
**9	100281-31-B28	EA	Leg Asm. - Window - Rear
9	093475-45-01A	EA	Mini Blind - 39.5" x 27" Drop - Beige
10	100344-06-B27	EA	Valance Asm. w/Wood Trim - 29"
10	100344-06-B28	EA	Valance Asm. w/Wood Trim - 29"
**10	102514-09-B27	EA	Valance Asm. 29"
**10	102514-09-B28	EA	Valance Asm. 29"
10	100281-08-B27	EA	Leg - Window - Passenger Side
10	100281-08-B28	EA	Leg - Window - Passenger Side
**10	100281-30-B27	EA	Leg - Window - Passenger Side
**10	100281-30-B28	EA	Leg - Window - Passenger Side
10	100281-07-B27	EA	Leg - Window - Driver Side
10	100281-07-B28	EA	Leg - Window - Driver Side
**10	100281-29-B27	EA	Leg - Window - Driver Side
**10	100281-29-B28	EA	Leg - Window - Driver Side
10	100344-08-B27	EA	Valance - Window - 72.5" (Option L46L)
10	100344-08-B28	EA	Valance - Window - 72.5" (Option L46L)
**10	102514-10-B27	EA	Valance - Window - 72.5" (L46L)
**10	102514-10-B28	EA	Valance - Window - 72.5" (L46L)
10	093475-47-01A	EA	Mini Blind - 25" x 28" Drop - Beige (Option L46L)
.	073304-70-B05	EA	Curtain Asm. w/Snap Top - 30" x 50" (Driver Side)
.	073304-69-B05	EA	Curtain Asm. w/Snap Top - 30" x 50" (Passenger Side)
.	101688-05-B03	EA	Curtain Asm. w/Tape Top - 30" x 50" (Drivers Side)
.	101688-05-B03	EA	Curtain Asm. w/Tape Top - 30" x 50" (Passenger Side)
.	076892-06-B05	EA	Curtain Asm. w/Snap Top - Cab Privacy - 40" x 72"
.	073260-23-B05	EA	Tieback Asm. - 3" x 18" - Beige
.	073260-26-B05	EA	Tieback Asm. - 3" x 18" - Beige

.. These parts are used from 5/14/90 on.

\*\* These parts are used from 9/4/90 on.

**1991 ITASCA  
TABLE OF CONTENTS**

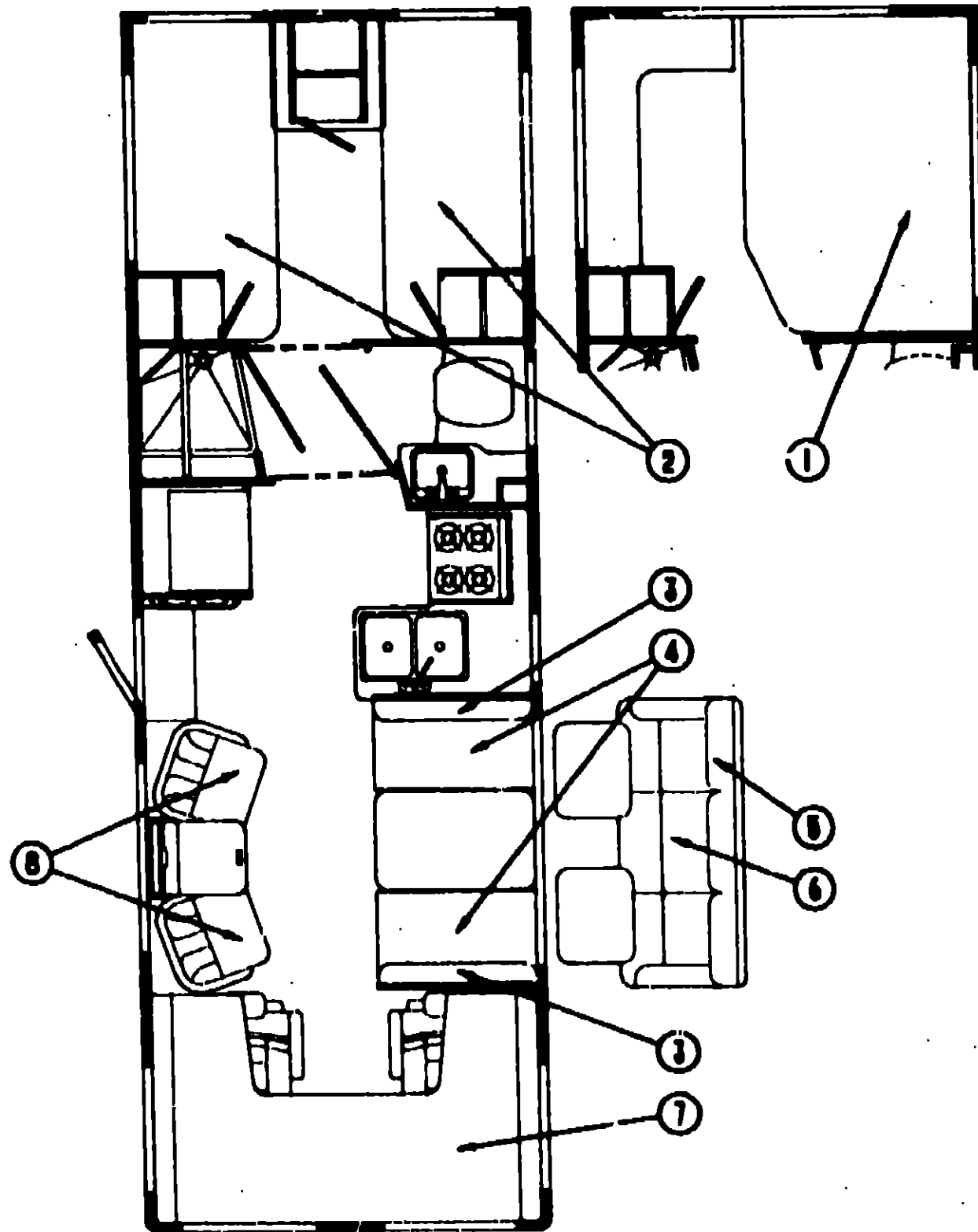
INTRODUCTION	A-01	A-02
ABBREVIATIONS		A-03
ALPHABETICAL/GROUP REFERENCE	A-04	A-08
IF327RT	A-07	D-14
IF327RB	D-15	G-10
IF327RO	G-11	J-16

**1991 IF327RT INDEX**

Floor Plan	A-07	A-08
Accessories Group	A-09	A-11
Bath Group	A-12	A-13
Bedroom Group	A-14	A-16
Chassis Group	A-17	A-20
Curtain, Cushion & Pad Group	A-21	B-06
Dinette Group	B-07	B-08
Driver's Compartment Group	B-10	B-12
Electrical Group	B-13	B-15
Exterior Body Group	B-16	B-20
Galley Group	B-21	B-24
Heating & Air Conditioning Group	C-01	C-02
Interior Finish Group	C-03	C-05
Labels Group	C-06	C-12
LP Group		C-13
Lounge Group		C-14
Sealants & Fasteners Group	C-15	C-17
Water & Sewage Group	C-18	C-22
Window, Vent & Exterior Door Group	C-23	D-13

**CURTAIN, CUSHION & PAD GROUP (CONTINUED)**

**CURTAIN, CUSHION & PAD GROUP (CONTINUED)**



Key	Part Number	U/M	Description
1	085385-08-B27	EA	Bedspread - Double w/Rounded Corners - 54"
1	085385-08-B28	EA	Bedspread - Double w/Rounded Corners - 54"
1	101123-03-000	EA	Mattress - Double - 53" x 74"
	P01123-03-000	EA	Cover - Mattress - 53" x 74"
	081997-06-B27	EA	Pillow Sham w/2" Flange
	081997-06-B28	EA	Pillow Sham w/2" Flange
	081997-07-B27	EA	Pillow Sham w/2" Flange - Non Quilted
	081997-07-B28	EA	Pillow Sham w/2" Flange - Non Quilted
	102181-01-B27	EA	Pillow Sham w/Foam Pillow
	102181-01-B28	EA	Pillow Sham w/Foam Pillow
	088273-80-000	YD	Fabric - Bedspread - Patterned (B27)
	088273-81-000	YD	Fabric - Bedspread - Patterned (B28)

**DOUBLE BED**

Key	Part Number	U/M	Description
2	085385-07-B27	EA	Bedspread - Twin w/Rounded Corners - 33"
2	085385-07-B28	EA	Bedspread - Twin w/Rounded Corners - 33"
2	101123-02-000	EA	Mattress - Foam - 32" x 74"
	P01123-02-000	EA	Cover - Foam Mattress - 32" x 74"
	081997-06-B27	EA	Pillow Sham - w/2" Flange
	081997-06-B28	EA	Pillow Sham - w/2" Flange
	081997-07-B27	EA	Pillow Sham - w/2" Flange - Non Quilted
	081997-07-B28	EA	Pillow Sham - w/2" Flange - Non Quilted
	102181-01-B27	EA	Pillow Sham w/Foam Pillow
	102181-01-B28	EA	Pillow Sham w/Foam Pillow
	088273-80-000	YD	Fabric - Bedspread - Patterned (B27)
	088273-81-000	YD	Fabric - Bedspread - Patterned (B28)

**TWIN BED**

**DINETTE CUSHION**

Key	Part Number	U/M	Description
3	088927-77-B27	EA	Cushion Asm. - 13" x 38" x 5" - Back
3	088927-77-B28	EA	Cushion Asm. - 13" x 38" x 5" - Back
	M88927-77-B27	EA	Cover Asm. - Back - Dinette Cushion
	M88927-77-B28	EA	Cover Asm. - Back - Dinette Cushion
4	088927-83-B27	EA	Cushion Asm. - 22" x 38" x 5" - Seat
4	088927-83-B28	EA	Cushion Asm. - 22" x 38" x 5" - Seat
	M88927-83-B27	EA	Cover Asm. - Seat - Dinette Cushion
	M88927-83-B28	EA	Cover Asm. - Seat - Dinette Cushion
4	088927-85-B27	EA	Cushion Asm. - 21" x 38" x 5" - Seat
4	088927-85-B28	EA	Cushion Asm. - 21" x 38" x 5" - Seat
	M88927-85-B27	EA	Cover Asm. - Seat - Dinette Cushion
	M88927-85-B28	EA	Cover Asm. - Seat - Dinette Cushion
	078155-01-000	EA	Strap Asm. - Cushion Strap
	088008-44-000	YD	Fabric - Dinette Cushion (B27)
	088008-46-000	YD	Fabric - Dinette Cushion (B28)

These parts were used from 8/27/80 on.

**1991 ITASCA  
TABLE OF CONTENTS**

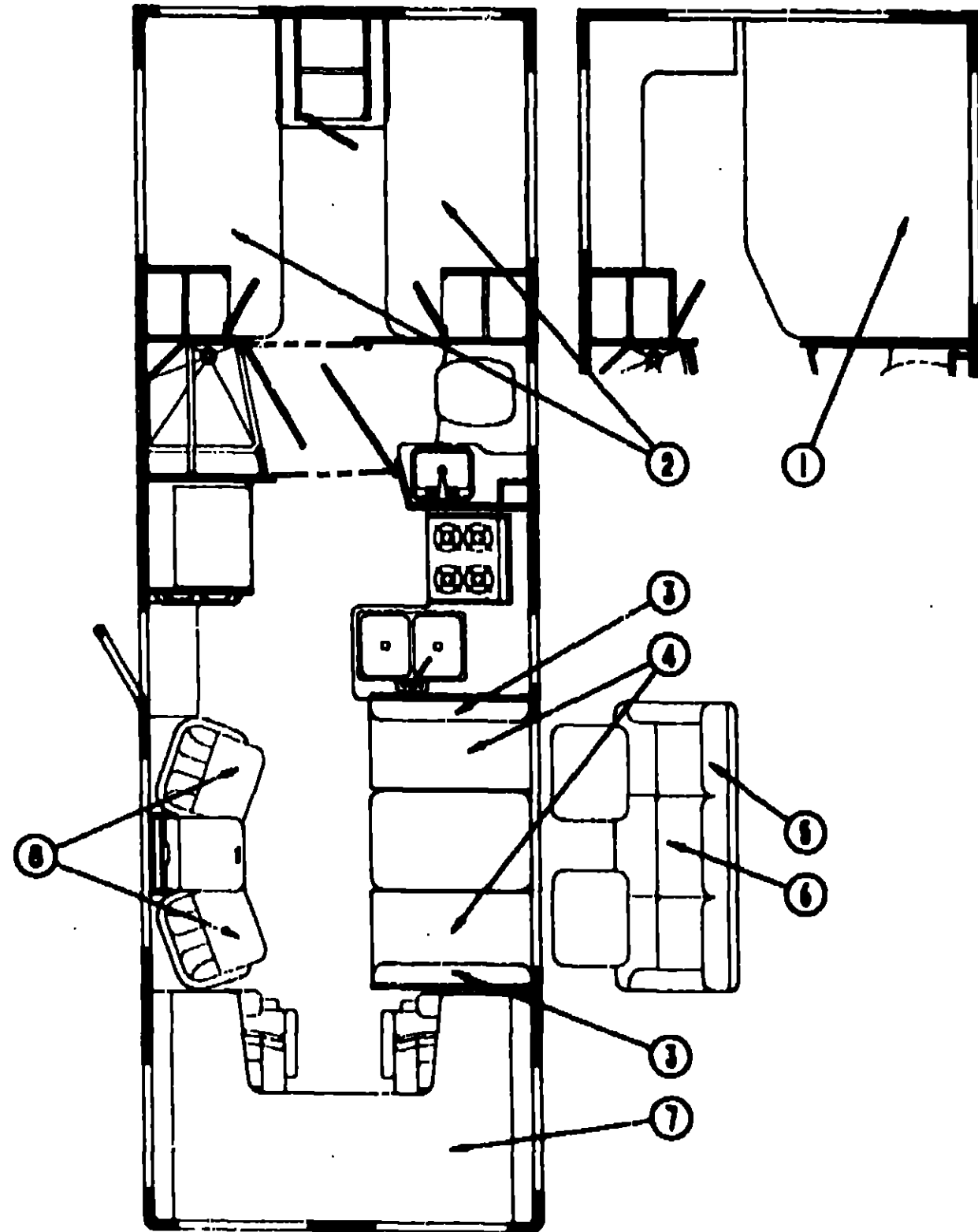
INTRODUCTION	A-01 - A-02
ABBREVIATIONS	A-03
ALPHABETICAL/GROUP REFERENCE	A-04 - A-08
IF327RT	A-07 - D-14
IF327RB	D-15 - G-10
IF327RO	G-11 - J-18

**1991 IF327RT INDEX**

Floor Plan	A-07 - A-08
Accessories Group	A-09 - A-11
Bath Group	A-12 - A-13
Bedroom Group	A-14 - A-18
Chassis Group	A-17 - A-20
Curtain, Cushion & Pad Group	A-21 - B-06
Dinette Group	B-07 - B-09
Driver's Compartment Group	B-10 - B-12
Electrical Group	B-13 - B-15
Exterior Body Group	B-16 - B-20
Galley Group	B-21 - B-24
Heating & Air Conditioning Group	C-01 - C-02
Interior Finish Group	C-03 - C-05
Labels Group	C-06 - C-12
LP Group	C-13
Lounge Group	C-14
Sealants & Fasteners Group	C-15 - C-17
Water & Sewage Group	C-18 - C-22
Window, Vent & Exterior Door Group	C-23 - D-13

**CURTAIN, CUSHION & PAD GROUP (CONTINUED)**

**CURTAIN, CUSHION & PAD GROUP (CONTINUED)**



**PRESTO BED COUCH**

Key	Part Number	U/M	Description
5	100032-09-B27	EA	Presto Bed - Couch Back
5	100032-09-B28	EA	Presto Bed - Couch Back
	P00032-09-B27	EA	Cover Asm. - Presto Bed Back
	P00032-09-B28	EA	Cover Asm. - Presto Bed Back
6	100032-10-B27	EA	Presto Bed - Couch Seat
6	100032-10-B28	EA	Presto Bed - Couch Seat
	P00032-10-B27	EA	Cover Asm. - Presto Bed Seat
	P00032-10-B28	EA	Cover Asm. - Presto Bed Seat
	101085-03-000	EA	Frame - Base - 66.5"
	101085-01-000	EA	Frame - Seat - 66.5"
	101085-02-000	EA	Frame - Back - 66.5"

**FRONT BUNK**

Key	Part Number	U/M	Description
7	084753-16-B27	EA	Cushion - "U" Shaped - 57" x 90" x 5"
7	084753-16-B28	EA	Cushion - "U" Shaped - 57" x 90" x 5"
7	084753-22-B27	EA	Cushion - "U" Shaped - 57" x 90" x 5"
7	084753-22-B28	EA	Cushion - "U" Shaped - 57" x 90" x 5"
	M84753-16-B27	EA	Cover - "U" Shaped Cushion
	M84753-16-B28	EA	Cover - "U" Shaped Cushion
	M84753-22-B27	EA	Cover - "U" Shaped Cushion
	M84753-22-B28	EA	Cover - "U" Shaped Cushion
	084753-17-B27	EA	Cushion - Filler - 55" x 27.5" x 5"
	084753-17-B28	EA	Cushion - Filler - 55" x 27.5" x 5"
	084753-19-B27	EA	Cushion - Filler - 55" x 27.5" x 5"
	084753-19-B28	EA	Cushion - Filler - 55" x 27.5" x 5"
	M84753-17-B27	EA	Cover - Filler Cushion
	M84753-17-B28	EA	Cover - Filler Cushion
	M84753-19-B27	EA	Cover - Filler Cushion
	M84753-19-B28	EA	Cover - Filler Cushion
	086008-43-000	YD	Fabric - Front Bunk Cushion (B27)
	086008-42-000	YD	Fabric - Front Bunk Cushion (B28)
	079145-07-000	EA	Cushion Asm. - Front Bunk - 27.5" x 74" x 3.5" (L43V)
	M79145-07-000	EA	Cover Asm. - Front Bunk (L43V)

These parts are used from 8/12/90 on.

**SWIVEL CHAIR**

Key	Part Number	U/M	Description
8	088429-03-B27	EA	Swivel Chair
8	088429-03-B28	EA	Swivel Chair
8	088429-05-B27	EA	Swivel Chair
8	088429-06-B28	EA	Swivel Chair
	M88429-03-B27	EA	Cover - Swivel Chair
	M88429-03-B28	EA	Cover - Swivel Chair
	M88429-05-B27	EA	Cover - Swivel Chair
	M88429-05-B28	EA	Cover - Swivel Chair
	088202-01-B27	EA	Skirt - Swivel Chair
	088202-01-B28	EA	Skirt - Swivel Chair
	086008-28-000	YD	Fabric - Swivel Chair (B27)
	086008-45-000	YD	Fabric - Swivel Chair (B28)
	086008-44-000	YD	Fabric - Chair (B27)
	086008-46-000	YD	Fabric - Chair (B28)
	088245-01-000	EA	Base - Swivel Chair w/Legs
	088245-03-000	EA	Plate - Swivel Top w/o Tilt - w/Lock
	088245-06-000	EA	Extension - 7" - Base To Top Plate
	088245-07-000	EA	Extension - 8" - Base To Top Plate
	088705-02-000	EA	Bar - Seat Belt - 2.5" x 12.75"
	089246-06-000	EA	Adjuster - Manual
	089246-07-000	EA	Adjuster - Manual - w/Arm

These parts are used from 8/11/90 on.

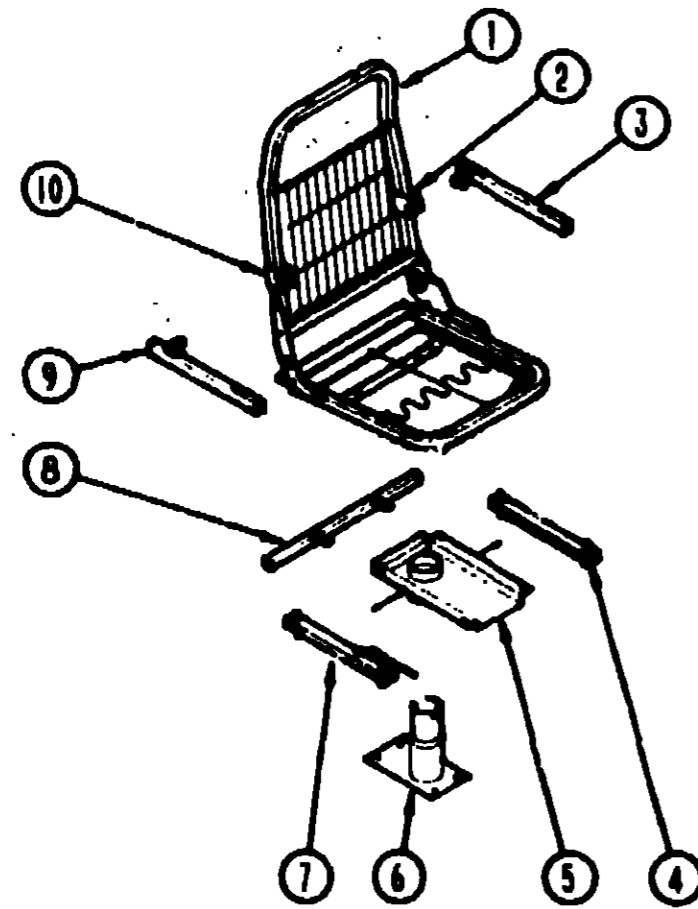
**1991 ITASCA  
TABLE OF CONTENTS**

INTRODUCTION	A-01 - A-02
ABBREVIATIONS	A-03
ALPHABETICAL/GROUP REFERENCE	A-04 - A-06
IF327RT	A-07 - D-14
IF327RB	D-15 - G-16
IF327RC	G-11 - J-16

**1991 IF327RT INDEX**

Floor Plan	A-07 - A-08
Accessories Group	A-09 - A-11
Bath Group	A-12 - A-13
Bedroom Group	A-14 - A-16
Chassis Group	A-17 - A-20
Curtain, Cushion & Pad Group	A-21 - B-06
Dinette Group	B-07 - B-09
Driver's Compartment Group	B-10 - B-12
Electrical Group	B-13 - B-15
Exterior Body Group	B-16 - B-20
Galley Group	B-21 - B-24
Heating & Air Conditioning Group	C-01 - C-02
Interior Finish Group	C-03 - C-05
Labels Group	C-06 - C-12
LP Group	C-13
Lounge Group	C-14
Sealants & Fasteners Group	C-15 - C-17
Water & Sewage Group	C-18 - C-22
Window, Vent & Exterior Door Group	C-23 - D-13

**CURTAIN, CUSHION & PAD GROUP (CONTINUED)**



**BUCKET SEAT HARDWARE**

Key	Part Number	U/M	Description
1	M80906-01-000	EA	Frame Asm. - Seat, Back & Spring
1	M80906-04-000	EA	Frame Asm. - Seat, Back & Spring
2	081362-02-000	EA	Bracket - Armrest - Left Hand
3	081268-02-000	EA	Rod & Channel - Armrest - Left - Metal
4	069245-02-000	EA	Adjuster - Bucket Seat w/o Lock - Forward & Back
5	093451-04-000	EA	Top Plate - Pedestal - Bucket Seats
6	089585-03-000	EA	Base - Bucket Seats - Bolts to Floor - Vertical - 8"
7	089248-01-000	EA	Adjuster - Bucket Seat w/ Lock - Forward & Back
7	089248-05-000	EA	Adjuster - Bucket Seat w/ Remote
8	089585-29-000	EA	Bar - Seat Belt - Bucket Seats - 20"
9	081268-01-000	EA	Rod & Channel - Armrest - Right - Metal
10	081362-01-000	EA	Bracket - Armrest - Right Hand
	089248-05-700	EA	Spring for Slide Adjuster
	089248-05-701	EA	Clip Only For Cable Asm.
	080730-02-000	EA	Recliner - Seat Back - Left Hand (Export)
	101125-01-000	EA	Recliner - Seat Back - Left Hand (Export)
	080731-02-000	EA	Slave Hinge - Recliner - Left Hand (Export)
	089368-04-000	EA	Cable - Swivel w/ Switch
	089368-05-000	EA	Cable - Recliner - w/ Switch
	081361-01-000	EA	Rod - Armrest - Metal

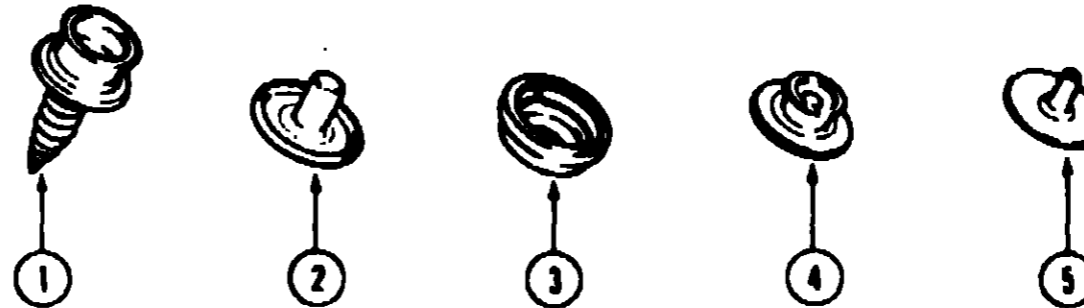
These parts are used from 7/9/90 on.

**CURTAIN, CUSHION & PAD GROUP (CONTINUED)**

**BUCKET SEAT CUSHIONS**

Key	Part Number	U/M	Description
	093450-10-B27	EA	Seat Arm. - Bucket
	093450-10-B28	EA	Seat Arm. - Bucket
	093450-17-B27	EA	Seat Arm. - Bucket - Driver
	093450-17-B28	EA	Seat Arm. - Bucket - Driver
	093450-18-B27	EA	Seat Arm. - Bucket - Passenger
	093450-18-B28	EA	Seat Arm. - Bucket - Passenger
	M03445-23-B27	EA	Cover - Seat - Bucket Seat
	M03445-23-B28	EA	Cover - Seat - Bucket Seat
	M03445-22-B27	EA	Cover - Back - Bucket Seat
	M03445-22-B28	EA	Cover - Back - Bucket Seat
	080243-41-B27	EA	Armrest - Bucket Seat - Right Hand
	080243-41-B28	EA	Armrest - Bucket Seat - Right Hand
	M80243-41-B27	EA	Cover - Right Armrest - Bucket Seat
	M80243-41-B28	EA	Cover - Right Armrest - Bucket Seat
	080243-42-B27	EA	Armrest - Bucket Seat - Left Hand
	080243-42-B28	EA	Armrest - Bucket Seat - Left Hand
	M80243-42-B27	EA	Cover - Left Armrest - Bucket Seat
	M80243-42-B28	EA	Cover - Left Armrest - Bucket Seat
	071126-24-B27	EA	Skirt Arm. - Single Bucket
	071126-24-B28	EA	Skirt Arm. - Single Bucket

These parts are used from 7/9/90 on.



Key	Part Number	U/M	Description
1	029130-01-000	EA	Socket - Snap Fastener
2	029155-01-000	EA	Cap - Snap - .188" Dia. x 17" Barrel
3	029156-01-000	EA	Socket - Snap Fastener
4	029092-01-000	EA	Stud - Nickel Finish
5	029093-01-000	EA	Eyelet - Nickel Finish

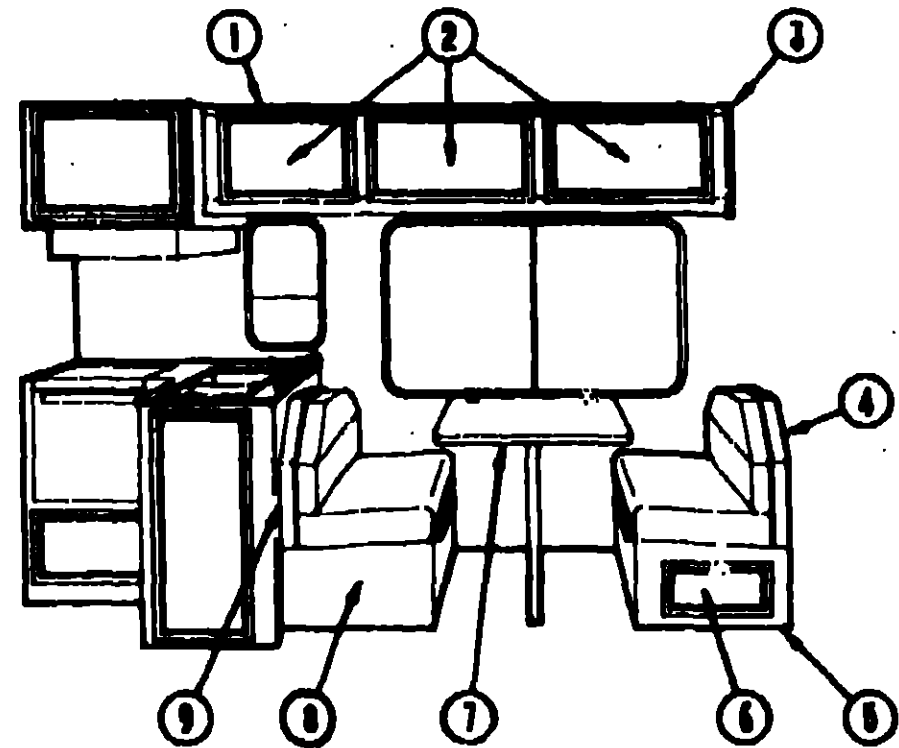
**1991 ITASCA  
TABLE OF CONTENTS**

INTRODUCTION	A-01 - A-02
ABBREVIATIONS	A-03
ALPHABETICAL/GROUP REFERENCE	A-04 - A-06
IF327RT	A-07 - D-14
IF327RB	D-15 - G-10
IF327RQ	G-11 - J-16

**1991 IF327RT INDEX**

Floor Plan	A-07 - A-08
Accessories Group	A-09 - A-11
Bath Group	A-12 - A-13
Bedroom Group	A-14 - A-16
Chassis Group	A-17 - A-20
Curtain, Cushion & Pad Group	A-21 - B-06
Dinette Group	B-07 - B-09
Driver's Compartment Group	B-10 - B-12
Electrical Group	B-13 - B-15
Exterior Body Group	B-16 - B-20
Galley Group	B-21 - B-24
Heating & Air Conditioning Group	C-01 - C-02
Interior Finish Group	C-03 - C-06
Labels Group	C-08 - C-12
LP Group	C-13
Lounge Group	C-14
Sealants & Fasteners Group	C-15 - C-17
Water & Sewage Group	C-18 - C-22
Window, Vent & Exterior Door Group	C-23 - D-13

### DINETTE GROUP

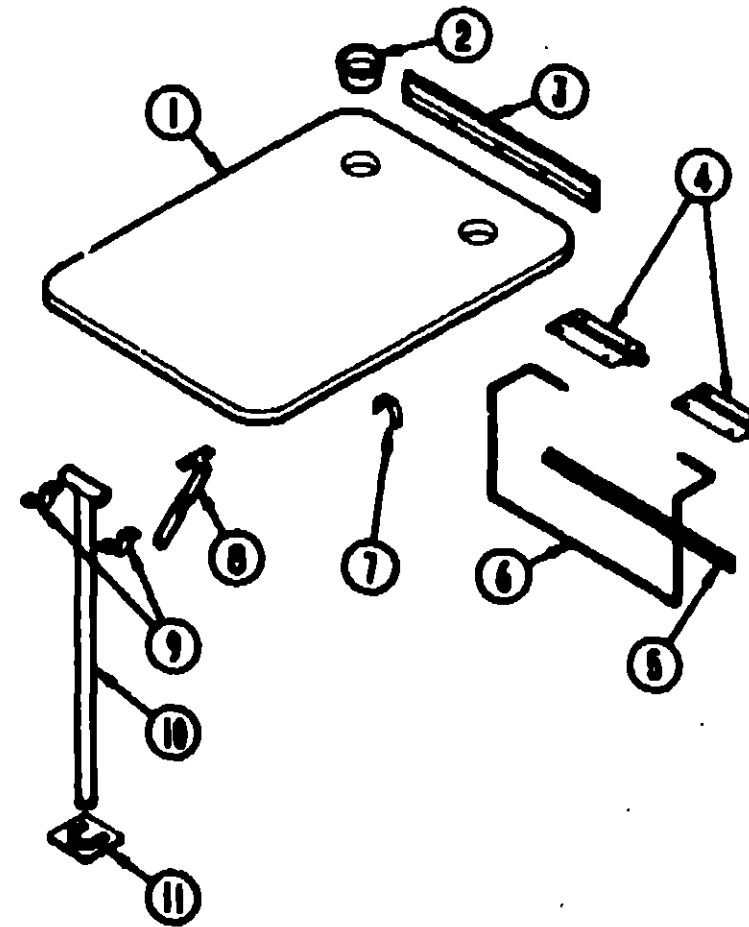


#### DINETTE CABINETRY

Key	Part Number	U/M	Description
1	P00186-01-B27	EA	Cabinet Arm - Dinette Overhead - w/o Door or Hardware
2	P00088-32-B27	EA	Door Arm - Dinette Cabinet - 14" x 27" - w/o Hardware
3	081280-21-B27	EA	End Cap Arm.
4	M02174-08-B27	EA	Cabinet Arm - Dinette Back
5	M02175-10-B27	EA	Cabinet Arm - Dinette Seat
	081519-10-B27	EA	Pad Arm - Dinette Back
	081519-10-B28	EA	Pad Arm - Dinette Back
..	081519-16-B27	EA	Pad Arm - Dinette Back
..	081519-16-B28	EA	Pad Arm - Dinette Back
6	P00088-12-B27	EA	Door Arm - Dinette Seat Cabinet - 10" x 19" - w/o Hardware
7	M81298-08-B05	EA	Table Arm - Dinette - w/o Hardware
8	M02175-08-B27	EA	Cabinet Arm - Dinette Seat
9	081519-11-B27	EA	Pad Arm - Dinette Back
9	081519-11-B28	EA	Pad Arm - Dinette Back
..9	081519-17-B27	EA	Pad Arm - Dinette Back
..9	081519-17-B28	EA	Pad Arm - Dinette Back
	068777-02-000	EA	Hinge - Cabinet Door - Brass
	100030-01-000	EA	Pull - Cabinet Door
	074493-02-000	EA	Support - Overhead Door - Sprung
	018804-03-000	EA	Brace - Cabinet Angle - 2.5" - Beige
	007021-01-000	EA	Seat Belt - 2" x 90" - Black
	057759-01-000	EA	Washer Bracket - Seat Belt - 4" Dia.
	000D44-07-088	EA	Hex Nut - Ser Fig. - LK

.. See the next page for the breakdown of this item.  
 .. These parts were used from 10/22/90 on.

### DINETTE GROUP (CONTINUED)



#### DINETTE TABLE & HARDWARE

Key	Part Number	U/M	Description
1	M81298-08-B05	EA	Table Arm - Dinette - w/o Hardware
2	084781-35-000	EA	Cup Holder - Two Step - Beige
2	084781-08-000	EA	Cup Holder - Two Step - Off White
3	004354-01-000	EA	Bumper - Rubber - Brown
4	063300-08-000	EA	Support - Table - 18.5" - Beige
4	088410-01-000	EA	Hanger - Table - Beige
5	024281-11-000	EA	Bracket - Table Lift - 17.12" - Beige
6	024275-11-000	EA	Rod - Table Lift - Beige
7	048483-11-700	EA	Catch - Table Leg
8	024278-21-000	EA	Leg Arm - Table - Beige
8	084080-03-000	EA	Clamp - Saddle - Leg Hinge - Beige
10	024882-01-000	EA	Brace - Table Leg
11	024383-01-000	EA	Clip - 1" - 1.125" - OD Tube - Black
	081288-01-U01	EA	Support - Dinette - 1.5" x 28" - Wood

### 1991 ITASCA TABLE OF CONTENTS

INTRODUCTION	A-01 - A-02
ABBREVIATIONS	A-03
ALPHABETICAL/GROUP REFERENCE	A-04 - A-06
IF327RT	A-07 - D-14
IF327RB	D-15 - Q-10
IF327RO	Q-11 - J-16

### 1991 IF327RT INDEX

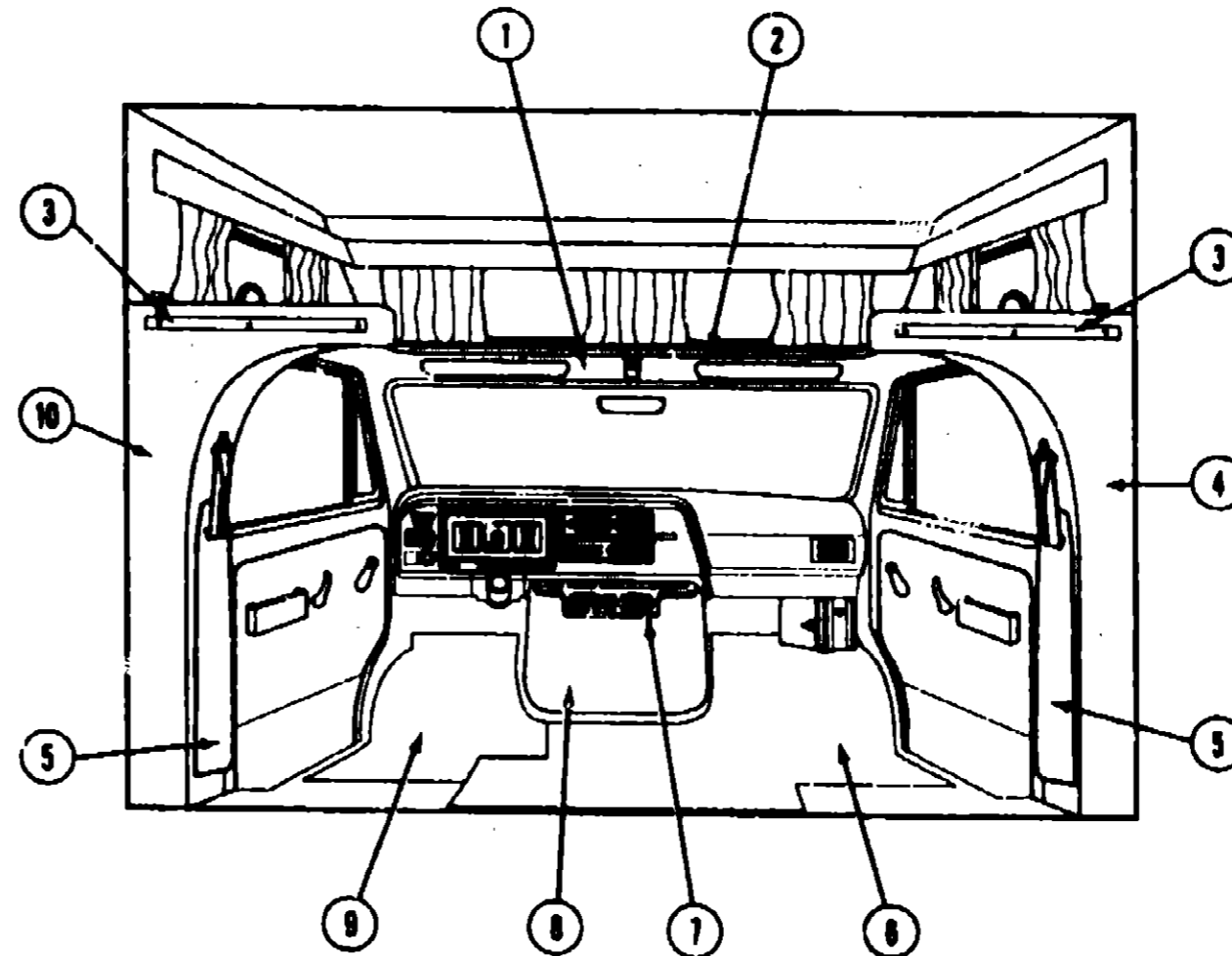
Floor Plan	A-07 - A-08
Accessories Group	A-09 - A-11
Bath Group	A-12 - A-13
Bedroom Group	A-14 - A-16
Cheese Group	A-17 - A-20
Curtain, Cushion & Pad Group	A-21 - B-06
Dinette Group	B-07 - B-09
Driver's Compartment Group	B-10 - B-12
Electrical Group	B-13 - B-15
Exterior Body Group	B-16 - B-20
Galley Group	B-21 - B-24
Heating & Air Conditioning Group	C-01 - C-02
Interior Finish Group	C-03 - C-05
Labels Group	C-06 - C-12
LP Group	C-13
Lounge Group	C-14
Seats & Fasteners Group	C-15 - C-17
Water & Sewage Group	C-18 - C-22
Window, Vent & Exterior Door Group	C-23 - D-13

## DINETTE GROUP (CONTINUED)

### PRESTO BED CABINETS (OPTION L941)

Key	Part Number	U/M	Description
	M04187-12-B27	EA	Panel Arm. - Couch w/Fabric - Front
	M04187-12-B28	EA	Panel Arm. - Couch w/Fabric - Front
	M04187-13-B27	EA	Panel Arm. - Couch w/Fabric - Left Side
	M04187-13-B28	EA	Panel Arm. - Couch w/Fabric - Left Side
..	100032-04-B27	EA	Couch - Presto Bed - Back
..	100032-04-B28	EA	Couch - Presto Bed - Back
..	100032-03-B27	EA	Couch - Presto Bed - Seat
..	100032-03-B28	EA	Couch - Presto Bed - Seat
	081288-01-B05	EA	Pedestal Table Asm.
	009040-04-000	EA	Leg - Pedestal Table - 27.5" x 2.25" - Brown
	041184-01-000	EA	Table Base - Flush Floor Mount
	042438-02-000	EA	Wood Dowel - 2" x 2"
	039040-03-000	EA	Base - Raised Table Mount
	041483-01-000	EA	Catch - Table Leg
	083588-03-000	EA	Catch - Roller Spring
	083588-04-000	EA	Strike - Spring Steel
	082525-01-000	EA	Brace - Presto Bed - Floor Mount (4 Required)
	082525-02-000	EA	Brace - Angle - Presto Bed - 2.5" Beige (4 Required)
..	See Curtain, Cushion & Pad Group for breakdown of this item.		

## DRIVER'S COMPARTMENT GROUP



## 1991 ITASCA TABLE OF CONTENTS

INTRODUCTION	A-01 - A-02
ABBREVIATIONS	A-03
ALPHABETICAL/GROUP REFERENCE	A-04 - A-08
IF327RT	A-07 - D-14
IF327RB	D-15 - Q-10
IF327RO	Q-11 - J-18

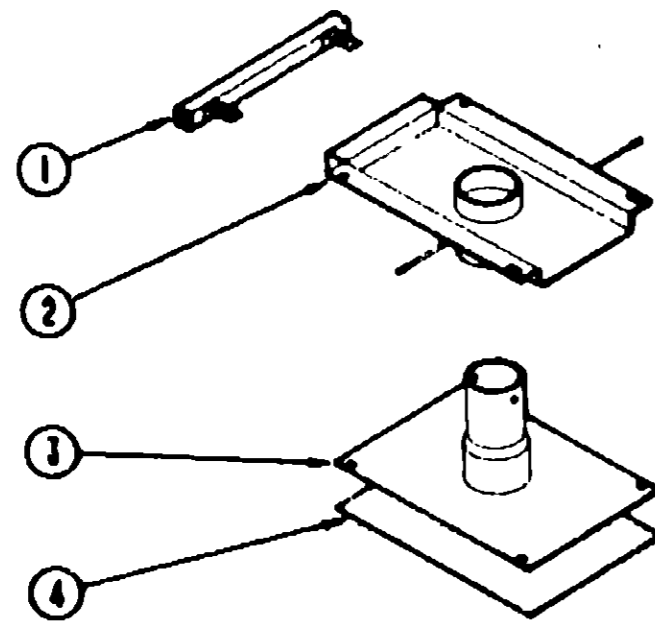
## MISCELLANEOUS DRIVER'S COMPARTMENT COMPONENTS

Key	Part Number	U/M	Description
1	091831-01-B05	EA	Headliner - Front - Off White Vinyl
	091825-02-A93	EA	Headliner - Sides - Off White Vinyl
	086208-01-B27	EA	Cabinet Asm. - Headboard
	086703-01-B27	EA	Sleeper Board Asm.
	079600-04-000	EA	Trim - Front Sleeper Board - Metal - Off White
2	080742-03-000	FT	Accent Trim - Off White Vinyl
3	082069-03-B27	EA	Wood Trim - Wingwall - 1b,8"
	074046-07-000	EA	Oak Plug - 1/2"
4	098244-01-B27	EA	Wingwall Asm. - Inner - Passenger - Off White
5	091871-06-000	EA	Seat Belt Cover - Off White
	076302-03-000	EA	Seat Belt - Driver or Passenger
	057758-01-000	EA	Bracket - Seat Belt - Washer
6	083219-03-C30	EA	Floor Mat - Passenger
7	099887-01-B27	EA	Beverage Tray
8	088885-16-B27	EA	Motor Cover w/Pocket
	070678-01-B27	EA	Button - Snap Top - #30
	070678-01-B28	EA	Button - Snap Top - #30
	070678-06-B05	EA	Button - Snap Top - #30 - Vinyl
9	083219-04-000	EA	Floor Mat - Driver
10	098244-02-B27	EA	Wingwall Asm. - Inner - Driver - Off White
	024481-01-000	EA	Switch - Battery
	084795-02-000	EA	Speedometer - Kilometer

## 1991 IF327RT INDEX

Floor Plan	A-07 - A-08
Accessories Group	A-09 - A-11
Bath Group	A-12 - A-13
Bedroom Group	A-14 - A-16
Chassis Group	A-17 - A-20
Curtain, Cushion & Pad Group	A-21 - B-06
Dinette Group	B-07 - B-08
Driver's Compartment Group	B-10 - B-12
Electrical Group	B-13 - B-16
Exterior Body Group	B-18 - B-20
Galley Group	B-21 - B-24
Heating & Air Conditioning Group	C-01 - C-02
Interior Finish Group	C-03 - C-05
Labels Group	C-06 - C-12
LP Group	C-13
Lounge Group	C-14
Sealants & Fasteners Group	C-15 - C-17
Water & Sewage Group	C-18 - C-22
Window, Vent & Exterior Door Group	C-23 - D-13

**DRIVER'S COMPARTMENT GROUP (CONTINUED)**

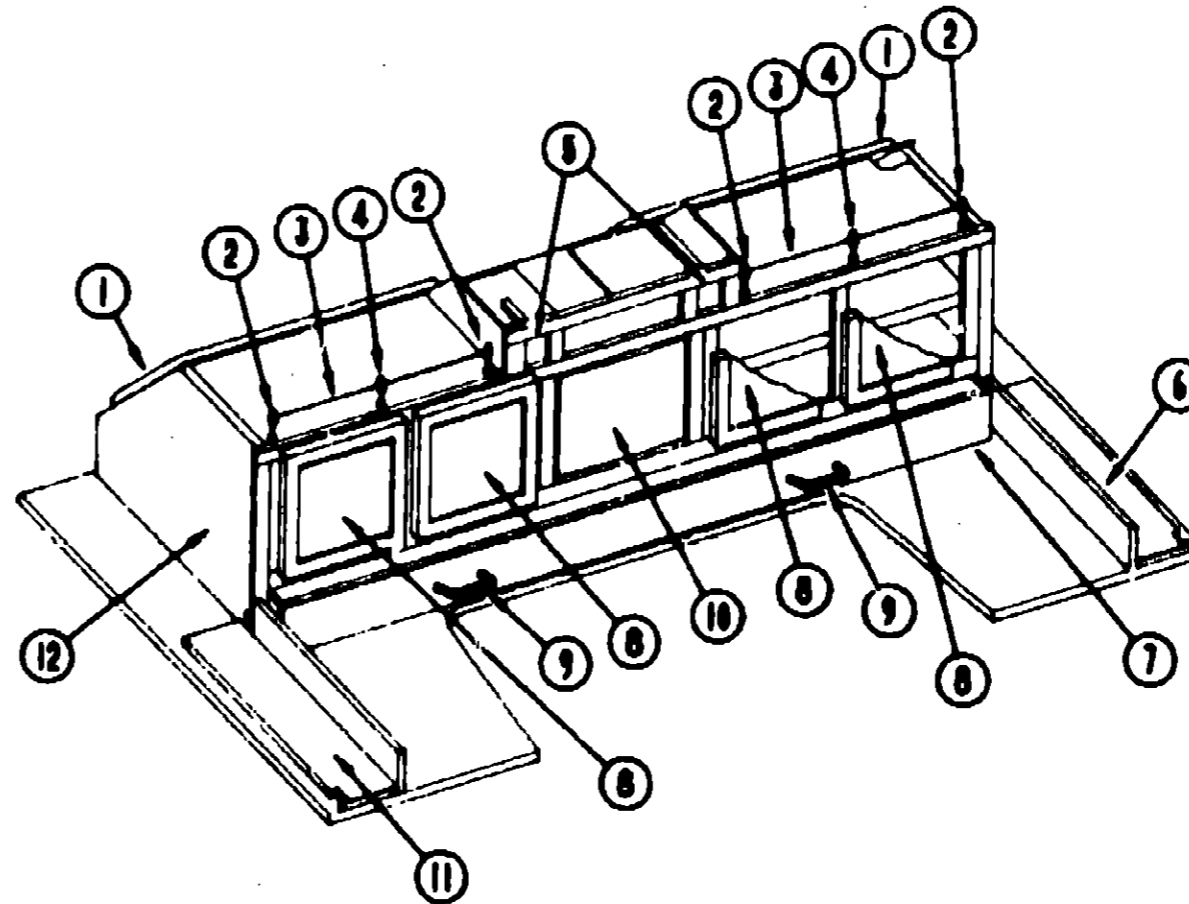


**BUCKET SEAT PEDESTAL & SEAT BELTS**

Key	Part Number	U/M	Description
1	069585-29-000	EA	Bar - Seat Belt - 20"
2	093481-04-000	EA	Plate - Top - Pedestal Asm.
3	069585-03-000	EA	Plate - Sub - Pedestal Asm.
4	069585-02-000	EA	Plate - Base - Pedestal Asm. - Bucket Seat
	069585-29-000	EA	Bar - Seat Belt - 20" - Bucket Seat
	069246-02-000	EA	Adjuster Asm. - Seat - w/o Lock
	069246-05-000	EA	Adjuster Asm. w/Remote
	069246-05-700	EA	Spring For Slide Adjuster
	069246-05-701	EA	Clip - For Cable Asm. Only

\* These parts are used from 7/9/90 on.

**DRIVER'S COMPARTMENT GROUP (CONTINUED)**



**TV & ENTERTAINMENT CABINETRY (OPTION L43V)**

Key	Part Number	U/M	Description
1	099879-01-01A	EA	Panel - Window - Black Plastic
2	084070-02-000	EA	Post - End - Brass
3	084071-06-000	EA	Rod - Brass - 25"
4	084070-01-000	EA	Post - Center - Brass
5	072333-71-000	YD	Fabric - Speaker Cover
	069819-01-000	EA	Speaker - 2 Watt - 8 OHM - 4"
	074978-11-000	EA	Cover - Speaker - Plastic - Off White
6	099887-01-827	EA	Cabinet - Headboard - Passenger
7	099839-01-827	EA	Drawer - Entertainment - Front
	079145-07-000	EA	Cushion - Front Bunk - 28" x 75" x 2.5"
8	P00099-70-827	EA	Door - Cabinet - 13.9" x 13.9" - w/o Hardware
9	100030-01-000	EA	Pull - Drawer - Polished Brass
10	088447-01-000	EA	TV - 13" Color w/Remote (USA)
10	088447-02-000	EA	TV - 13" Color w/Remote (CSA)
**	088447-01-700	EA	Remote Control
	099858-01-000	EA	TV - Tiedown
	098448-01-000	EA	VCR-VHS - w/Remote - #9915
	098448-01-700	EA	Remote
	098448-02-000	EA	VCR-VHS - w/Remote - #9912
	098448-02-700	EA	Remote
11	099887-02-827	EA	Cabinet - Headboard - Driver
12	099445-01-827	EA	Cabinet - Entertainment - Front
	059777-02-000	EA	Hinge - Cabinet Door - Brass
	100030-01-000	EA	Pull - Cabinet Door
	088262-02-000	FT	Trim - Chrome - 1" Wide - w/Adhesive Back
	066740-01-000	EA	Brace - Cabinet - Corner - Plastic

\* See Curtain, Cushion & Pad Group for further breakdown of this item.  
 \*\* Include make & model number of TV when ordering this part.

**1991 MASCA  
TABLE OF CONTENTS**

INTRODUCTION	A-01 - A-02
ABBREVIATIONS	A-03
ALPHABETICAL/GROUP REFERENCE	A-04 - A-06
IF327RT	A-07 - D-14
IF327RB	D-15 - G-10
IF327RQ	G-11 - J-18

**1991 IF327RT INDEX**

Floor Plan	A-07 - A-08
Accessories Group	A-09 - A-11
Bath Group	A-12 - A-13
Bedroom Group	A-14 - A-16
Chassis Group	A-17 - A-20
Curtain, Cushion & Pad Group	A-21 - B-06
Dinette Group	B-07 - B-09
Driver's Compartment Group	B-10 - B-12
Electrical Group	B-13 - B-15
Exterior Body Group	B-16 - B-20
Galley Group	B-21 - B-24
Heating & Air Conditioning Group	C-01 - C-02
Interior Finish Group	C-03 - C-05
Labels Group	C-06 - C-12
I.P Group	C-13
Lounge Group	C-14
Sealants & Fasteners Group	C-15 - C-17
Water & Sewage Group	C-18 - C-22
Window, Vent & Exterior Door Group	C-23 - D-19

## ELECTRICAL GROUP

### MISCELLANEOUS ELECTRICAL COMPONENTS

Key	Part Number	U/M	Description
	072882-01-000	EA	Smoke Detector w/9 Volt Battery
	082615-01-000	EA	Converter - 40 Amp. w/Charger
	084809-01-000	EA	Load Center - 240 Volt - 125 Amp. (Export)
	083208-01-000	EA	Control Center - 32 Amp. - 120V/12V

### WIRES, SWITCHES, & RECEPTACLES

Key	Part Number	U/M	Description
	008289-01-000	EA	Box - Electrical - 3" x 3.5" - Plastic
	003803-01-000	EA	Box - Electrical - 4" x 2 1/8" x 2 1/8"
	008289-01-000	EA	Box - Electrical - 4" x 4" - 1/2 & 3/4 Steel
	008289-02-007	EA	Box - Electrical - 4" x 4" (CSA)
	068049-01-000	EA	Box - Electrical - 2" x 3" x 2.25" - Steel
	041863-01-000	FT	Conduit - Convolute SHH - .6" ID
	041863-03-000	FT	Conduit - Convolute SHH - 1" ID
	041863-09-000	FT	Conduit - Convolute SHH - .50" ID
	008366-01-000	EA	Connector - Cable Clamping - 3/4"
	008366-01-000	EA	Connector - Plastic - 3/8" Avg.
	058028-01-000	EA	Connector - Pigtail - Clear Nylon
	008311-01-000	EA	Connector - Wire Nut - Red
	008314-01-000	EA	Connector - Wire Nut - Gray
	031988-01-000	EA	Contact - Plug
	008064-01-000	EA	Cord - Power - 10-3 30 Amp. - 25' (US)
	008062-01-000	EA	Cord - Power - 10-3 30 Amp. - 25' (CSA)
	069238-01-000	EA	Cover - Electrical Box - w/Hole - 4" x 4" - Gray
	063810-01-000	EA	Housing - Relay
	088474-08-000	EA	Housing - Socket - 4 Position
	088474-09-000	EA	Housing - Socket - 3 Position
	097744-01-000	EA	Housing - Trailer Pin - 12"
	097744-02-000	EA	Housing - Trailer Pin - 48"
	097748-01-000	EA	Housing Asm. - Trailer Cap
	097745-01-000	EA	Housing Asm. - Trailer Receptacle - 12"
	097745-02-000	EA	Housing Asm. - Trailer Receptacle - 48"
	088473-05-000	EA	Housing Pin - 6 Position In Line
	088473-01-000	EA	Housing Pin - 4 Rows of 3
	088473-08-000	EA	Housing Pin - 3 Position
	088473-10-000	EA	Housing Pin - 2 Position
	088474-01-000	EA	Housing Socket
	088475-01-000	EA	Pin - Connector
	048886-01-000	EA	Plaque - Switch Mounting
	075738-02-000	EA	Receptacle/Cover Asm. - Off White (Exterior)
	084077-01-000	EA	Receptacle Cover - Ivory (Ground Fault Interrupter)
	084078-01-000	EA	Receptacle - 15 Amp. - 125 Volt - Ivory (Ground Fault Interrupter)
	024824-02-000	EA	Receptacle - Power Cord
	058707-01-000	EA	Receptacle - Single - Brown
	007840-01-000	EA	Receptacle - Slide - 18 to 12 Awg.
	058708-01-000	EA	Receptacle - Double Electrical - Brown
	058708-02-000	EA	Receptacle - Double Electrical - Ivory
	097734-01-01A	EA	Receptacle - Extension - 3.2" x 5" x 7" - Plastic - Ivory

## ELECTRICAL GROUP (CONTINUED)

### WIRES, SWITCHES & RECEPTACLES (CONTINUED)

Key	Part Number	U/M	Description
	095188-01-01A	EA	Spacer - Switch - Dark Brown
	102588-01-810	EA	Spacer - Receptacle - Between Sidewall & Plate - Wood
	090971-01-000	EA	Splice - Cable - 110V
	090971-02-000	EA	Splice - Cable - 110V - Tap
	088476-01-000	EA	Socket - Connector
	088476-02-000	EA	Socket - Connector - 12-10 Ga.
	002188-01-000	EA	Solenoid - 3 Post - Battery Charge Over
	088361-02-01A	EA	Switch Plate - 2 Gang - Polished Brass
	078384-01-000	EA	Switch - On/Off Rocker - Brown
	007942-01-000	EA	Tab - 18 to 14 Awg. Wire
	007949-01-000	EA	Tab - 14 to 10 Awg. Wire
	031986-01-000	EA	Tab - Housing - 2 Position
	047443-01-000	EA	Terminal - .250 Receptacle Fit - Insulated - 18/14 AWG
	047443-02-000	EA	Terminal - .250 Receptacle Fit - Insulated - 12/10 AWG
	060003-02-000	EA	Terminal Pin - 18-14 AWG
	008326-01-000	EA	Terminal Ring - 18/14 Wire - 3/8" Stud
	035418-04-000	EA	Terminal Ring - #10 Stud Fit
	008328-01-000	EA	Terminal Ring - 12/10 Wire
	008348-01-000	EA	Terminal Ring - 2 - 3/8 Stud
	008331-01-000	EA	Terminal Ring - 4 - 3/8 Stud
	083252-01-01A	EA	Wall Plate - Cable - Beige
	008029-01-000	FT	Wire - 12/2 Romex w/Ground
	008030-01-000	FT	Wire - Bonded
	008343-01-000	EA	Wire Tie - 6"

### EXTERIOR LIGHTS

Key	Part Number	U/M	Description
	042405-01-000	EA	Lens - Side Marker/Clearance Light - w/Reflex - Red
	042405-02-000	EA	Lens - Side Marker Light - w/Reflex - Amber
	042405-03-000	EA	Base - Clearance Light - Rectangular
	091983-01-000	EA	Gasket - Light - Side Marker
	008213-01-000	EA	Bulb - 12 Volt - #57
	062740-04-000	EA	Wedge - Tail Light - Plastic - Passenger Side - Off White
	062742-04-000	EA	Wedge - Tail Light - Plastic - Driver Side - Off White
	007309-01-000	EA	Light - License Plate
	058540-01-000	EA	Bracket - License Plate
	058032-02-000	EA	Tail Lamp - 2 Bulb - Black Bezel
	058032-02-700	EA	Lens - Tail Lamp - w/Backup - Red
	058032-02-701	EA	Lens - Tail Lamp - w/o Backup - Red
	037936-01-000	EA	Bulb - Tail Lamp - #1157 - 12 Volt
	097917-01-01A	EA	Light - Porch/Entry Door - Off White
	097917-01-700	EA	Lens - Porch Light
	008215-01-000	EA	Bulb - Porch Light
	100138-01-000	EA	Module - Daytime Running Lights (CSA)
	100128-02-000	EA	Wire Asm. - Daytime Running Lights - w/Fuse (CSA)
	100158-01-000	EA	Wire Asm. - Daytime Running Lights (CSA)

Note: Items indented below assemblies are serviceable parts for that assembly.

## 1991 ITASCA TABLE OF CONTENTS

INTRODUCTION	A-01 - A-02
ABBREVIATIONS	A-03
ALPHABETICAL/GROUP REFERENCE	A-04 - A-08
IF327RT	A-07 - D-14
IF327RB	D-15 - G-10
IF327RQ	G-11 - J-18

## 1991 IF327RT INDEX

Floor Plan	A-07 - A-08
Accessories Group	A-09 - A-11
Bath Group	A-12 - A-13
Bedroom Group	A-14 - A-18
Chassis Group	A-17 - A-20
Curtain, Cushion & Pad Group	A-21 - B-08
Dinette Group	B-07 - B-08
Driver's Compartment Group	B-10 - B-12
Electrical Group	B-13 - B-18
Exterior Body Group	B-18 - B-20
Galley Group	B-21 - B-24
Heating & Air Conditioning Group	C-01 - C-02
Interior Finish Group	C-03 - C-08
Labels Group	C-08 - C-12
LP Group	C-13
Lounge Group	C-14
Sealants & Fasteners Group	C-15 - C-17
Water & Sewage Group	C-18 - C-22
Window, Vent & Exterior Door Group	C-23 - D-13



## ELECTRICAL GROUP (CONTINUED)

### BULBS

Key	Part Number	U/M	Description
	082698-01-709	EA	Bulb - 812 (Stove Hood)
	008215-01-000	EA	Bulb - 1003 (Porch Light)
	008218-01-000	EA	Bulb - 1141 (Dome Light)
	037934-01-000	EA	Bulb - 1156 (Back-Up Light)
	037935-01-000	EA	Bulb - 1157 (Tail Lamp)
	084880-01-706	EA	Bulb - DC Light (Refrigerator) (Export)
	088737-01-710	EA	Bulb - 30W (Microwave Oven)
	038198-01-000	EA	Bulb - 184 (Clearance Light)
	088280-01-700	EA	Bulb - 12 Volt - 6 Watt (Surface Light)

### FUSES & CIRCUIT BREAKERS

Key	Part Number	U/M	Description
	008235-01-000	EA	Fuse - 12 Volt - 15 Amp.
	082901-05-000	EA	Fuse - 15 Amp. - Automotive
	008211-01-000	EA	Circuit Breaker - 6 Amp. - 12 Volt
	083209-01-000	EA	Circuit Breaker - 15 Amp. 120 Volt
	083210-02-000	EA	Circuit Breaker - 15 Amp. - 120 Volt (Ground Fault Interrupter)
	083209-02-000	EA	Circuit Breaker - 15/15 Amp. - 120 Volt
	083209-03-000	EA	Circuit Breaker - 15/20 Amp. - 120 Volt
	033573-01-000	EA	Circuit Breaker - 20 Amp. - 12 Volt
	094811-01-000	EA	Circuit Breaker - 20/20 Amp. - 120 Volt
	008268-01-000	EA	Circuit Breaker - 30 Amp. - 12 Volt
	083209-04-000	EA	Circuit Breaker - 20 Amp. - 120 Volt
	083209-06-000	EA	Circuit Breaker - 30/15 Amp. - 120 Volt
	094810-01-000	EA	Circuit Breaker - 30/30 Amp. - 120 Volt (Export)
	083209-08-000	EA	Circuit Breaker Blank
	050283-02-000	EA	Circuit Breaker - Bus Bar
	100341-01-000	EA	Fuse Holder - In Line Type
	008277-01-000	EA	Fuse Holder - Panel Mount - Black

### INTERIOR LIGHTS

Key	Part Number	U/M	Description
	007309-01-000	EA	Light - Step Well - Round - 12V
	098024-01-01A	EA	Dome Light - 1 Bulb - Ivory
	098024-03-01A	EA	Dome Light - 2 Bulb - Ivory
	098024-01-700	EA	Lens - Dome Light
	008218-01-000	EA	Bulb - Dome Light - 12 Volt - #1141
	088280-01-000	EA	Light - Surface Mount - 12 Volt
	088280-01-700	EA	Bulb - 12 Volt - 6 Watt

NOTE: Items indented below assemblies are serviceable parts for that assembly.

## EXTERIOR BODY GROUP

### MISCELLANEOUS EXTERNALLY MOUNTED PARTS

Key	Part Number	U/M	Description
	083558-03-000	EA	Plumbing Seal - Roof Vent - 1.5 - Off White
	009126-02-000	EA	Assist Handle - Black
	087859-04-000	EA	Fill - City Water - Off White
	075736-02-000	EA	Cover - Exterior Receptacle - Off White
	083815-06-000	EA	Holder - Compartment Door - Plastic - Off White
	049347-01-000	EA	Head - Mirror - 7.5" x 10.59" - Stainless Steel
	049347-01-700	EA	Glass - Exterior Mirror
	082047-01-000	EA	Arm - West Coast Mirror
	008043-01-000	EA	Mirror - Exterior - Convex - Adhesive Backed

### SHEET FIBERGLASS, ALUMINUM & STYROFOAM

Key	Part Number	U/M	Description
	044487-01-001	EA	Aluminum - Mill Finish - No Design - 98" x 360" (Roof)
	001054-01-011	EA	Aluminum Sheet - 48" x 98" - Flat - Off White
	000888-01-000	SF	Styrofoam - 3/4" x 24" x 98"
	000870-03-000	SF	Styrofoam - 1.34" x 48" x 98"
	000870-05-000	SF	Styrofoam - .50" x 24" x 98"
	076054-90-000	EA	Fiberglass Sheet - 48" x 288" - Off White
	077517-24-000	EA	Fiberglass Sheet - 48" x 98" - Off White
	076054-C9-001	EA	Fiberglass Sheet - 36" x 240" (20') - Off White
	076054-D3-001	EA	Fiberglass Sheet - 48" x 98" - Off White
	076054-D3-008	EA	Fiberglass Sheet - 48" x 288" (24.8') - Off White
	076054-06-001	EA	Fiberglass Sheet - 60" x 288"

## 1991 ITASCA TABLE OF CONTENTS

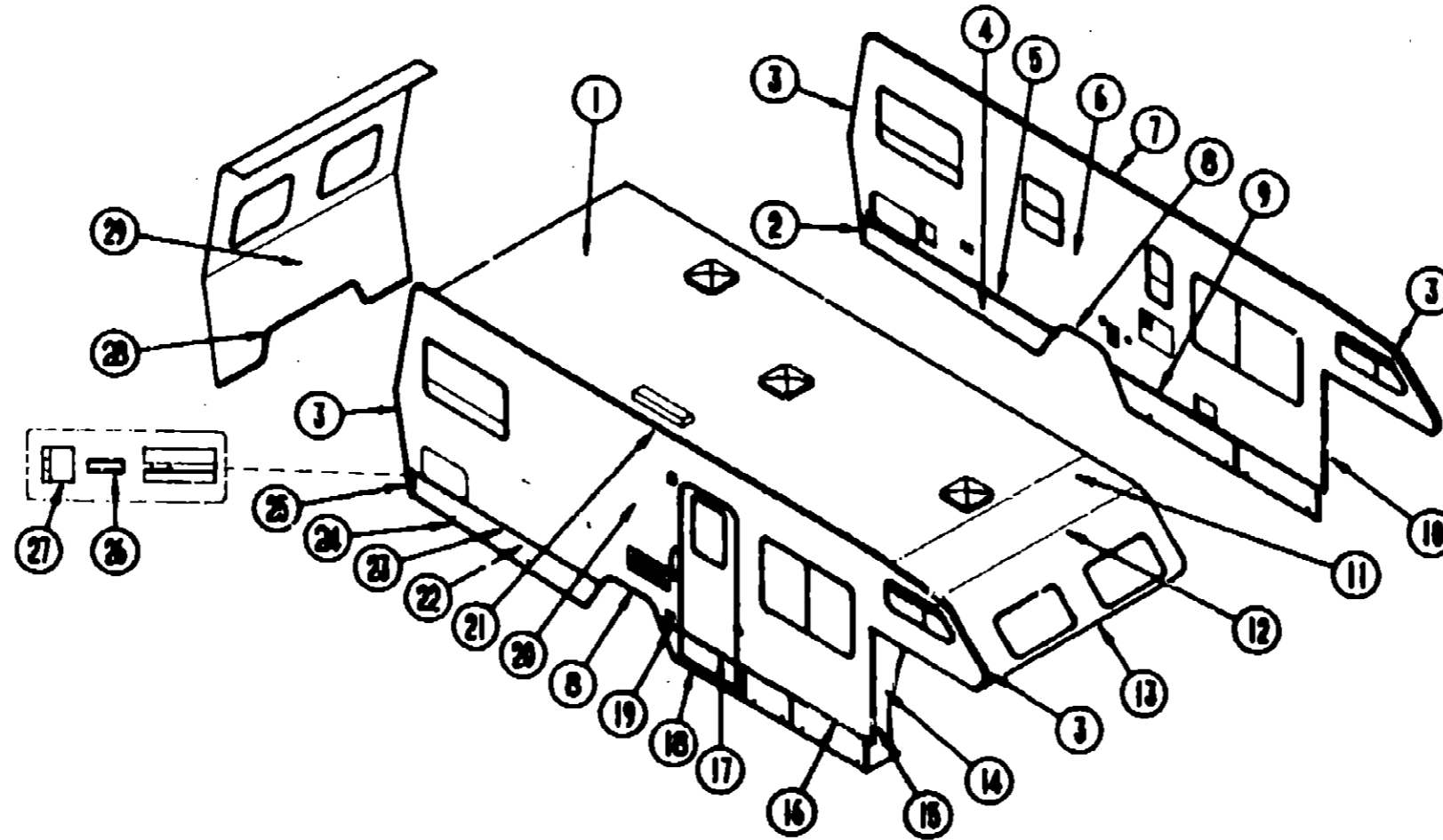
INTRODUCTION	A-01 - A-02
ABBREVIATIONS	A-03
ALPHABETICAL/GROUP REFERENCE	A-04 - A-06
IF327RT	A-07 - D-14
IF327RB	D-15 - G-10
IF327RQ	G-11 - J-18

## 1991 IF327RT INDEX

Floor Plan	A-07 - A-08
Accessories Group	A-09 - A-11
Bath Group	A-12 - A-13
Bedroom Group	A-14 - A-16
Chassis Group	A-17 - A-20
Curtain, Cushion & Pad Group	A-21 - B-06
Dinette Group	B-07 - B-08
Driver's Compartment Group	B-10 - B-12
Electrical Group	B-13 - B-15
Exterior Body Group	B-16 - B-20
Galley Group	B-21 - B-24
Heating & Air Conditioning Group	C-01 - C-02
Interior Finish Group	C-03 - C-05
Labels Group	C-06 - C-12
LP Group	C-13
Lounge Group	C-14
Sealants & Fasteners Group	C-15 - C-17
Water & Sewage Group	C-18 - C-22
Window, Vent & Exterior Door Group	C-23 - D-13

EXTERIOR BODY GROUP (CONTINUED)

EXTERIOR BODY PANELS



1991 ITABCA  
TABLE OF CONTENTS

INTRODUCTION	A-01 - A-02
ABBREVIATIONS	A-03
ALPHABETICAL/GROUP REFERENCE	A-04 - A-08
IF327RT	A-07 - D-14
IF327RE	D-15 - G-10
IF327RO	G-11 - J-16

1991 IF327RT INDEX

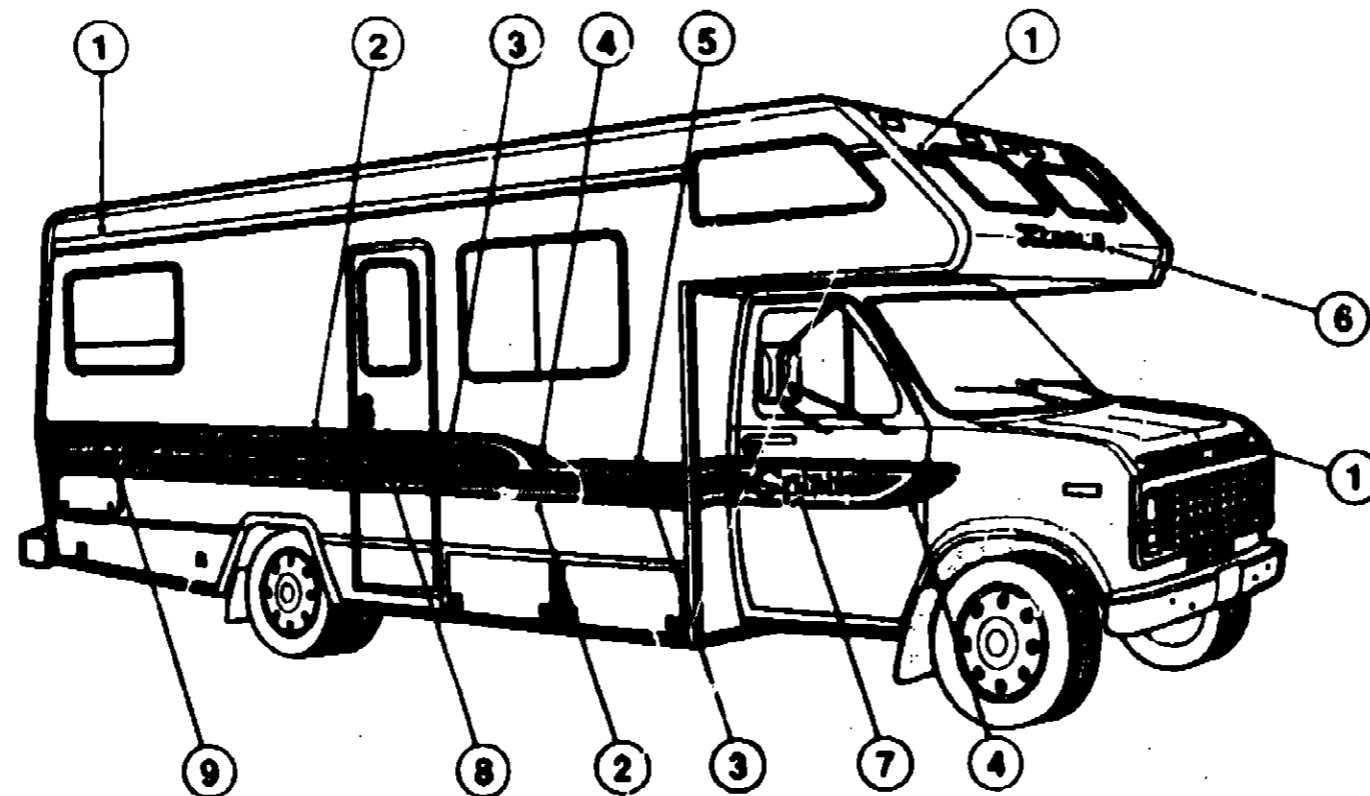
Key	Part Number	U/M	Description
1	P00217-01-B27	EA	Roof Asm. (Special Order Item)
11	P00217-02-B27	EA	Roof Asm. (Special Order Item)
	055278-01-001	FT	Tubing - Steel - .75" x 1.5" x 288"
	096703-01-B27	EA	Sleeper Board - Overhead Cab
2	097907-05-02A	EA	Filler - Valance Panel - Rear - Off White
3	096854-01-01A	EA	Trim - Contour - Off White
4	096393-10-B05	EA	Valance Asm. - Rear (Stationary)
4	096393-10-B05	EA	Valance Asm. - Rear (Hinged)
5	096818-02-01A	EA	Trim - Sidewall - Lower - 75.2" - Off White
6	P00488-01-B27	EA	Sidewall Asm. - Driver (Special Order Item)
7	096864-01-01A	EA	Trim - Contour - Roof - Off White
8	096215-01-01A	EA	Trim - Wheelwell - Rear - Metal - Off White
9	096817-01-01A	EA	Trim - Sidewall - To Valance - 102.9" - Off White
10	096970-02-01A	EA	Trim - Wingwall - Off White
	079280-01-01A	FT	Vinyl Insert - Contour Trim - 72" - Off White
	M96154-02-AA3	EA	Wingwall - Driver Side w/Gusset
	079203-03-000	EA	Trim - Wingwall - Off White
	096845-02-01A	EA	Trim - "L" Angled - Driver Wingwall - Off White
	096334-01-000	FT	Vinyl - Exterior Trim - Between Wingwall & Cab Seal - White
11	M76177-01-700	EA	Roof Section - Cab Over to First Seam
12	078580-01-000	EA	Trim - Roof to Front Cab
13	038644-08-000	EA	Trim - Sleeper Board - Off White
14	M96154-01-AA3	EA	Wingwall - Passenger Side w/Gusset (Ford)
	079203-03-000	EA	Trim - Wingwall - Off White
	096845-01-01A	EA	Trim - "L" Angled - Passenger Wingwall - Off White
	096334-01-000	FT	Vinyl - Exterior Trim - Between Wingwall & Cab Seal - White

Key	Part Number	U/M	Description
15	096970-01-01A	EA	Trim - Wingwall - Off White
	079280-01-01A	FT	Insert - Vinyl - .72" - Off White
16	096818-01-01A	EA	Trim - Sidewall - To Valance - 84" - Off White
17	002444-04-002	EA	Feature Strip w/o Insert - 15' Long - Off White
	001030-02-003	EA	Insert - Feature Strip - Stucco
	009731-01-000	EA	End Cap - Feature Strip
18	M96388-01-AD3	EA	Valance - Entry Door
	044582-02-000	EA	Drip Cap - Entry Door - Off White
	096882-02-01A	EA	Trim - Angle - Entrance Valance - Off White
	096382-06-000	EA	Tube - Support - Floor To Valance Panel - 17"
19	096818-02-01A	EA	Trim - Sidewall - To Valance - 10.3" - Off White
20	M96880-01-B27	EA	Sidewall Asm. - Passenger (Special Order Item)
21	100483-01-01A	EA	Trim - Roof Contour - Off White (Awning)
	096583-55-001	EA	Awning Rail - 10' EA - Off White
22	096393-11-B05	EA	Valance Asm. - Rear
23	096818-01-01A	EA	Trim - Sidewall - To Valance - 95.7" - Off White
24	096217-55-001	EA	U-Channel - Extrusion - 17.5" - Off White
	002728-01-001	EA	U-Channel - 1.38" x 19' - Serrated - Aluminum
	002754-01-000	EA	Angle - Extruded - .75" x .75" x 18' - Aluminum
25	097907-04-02A	EA	Filler - Valance Panel - Rear - Off White
26	001030-02-003	EA	Insert - Lower Sidewall Trim
27	096424-02-01A	EA	End Cap - Sidewall Trim - Rear (Passenger Side) & Front (Driver Side)
	096424-01-01A	EA	End Cap - Sidewall Trim - Rear (Driver Side) & Front (Passenger Side)
28	096197-02-01A	EA	Trim - Backwall - Lower - U-Channel - 1" Wide - Off White
29	P00218-01-B27	EA	Backwall Asm. (Special Order Item)
	002366-01-001	EA	U-Channel - 1" x 18' - Serrated - Aluminum

\* See the inset illustration for additional parts.  
 \*\* These parts were used from 9/24/90 on.  
 † These parts were used from 10/1/90 on.

Floor Plan	A-07 - A-08
Accessories Group	A-09 - A-11
Bath Group	A-12 - A-13
Bedroom Group	A-14 - A-16
Chester Group	A-17 - A-20
Curtain, Cushion & Pad Group	A-21 - B-08
Dinette Group	B-07 - B-09
Driver's Compartment Group	B-10 - B-12
Electrical Group	B-13 - B-16
Exterior Body Group	B-18 - B-20
Galley Group	B-21 - B-24
Heating & Air Conditioning Group	C-01 - C-02
Interior Finish Group	C-03 - C-06
Labels Group	C-08 - C-12
LP Group	C-13
Lounge Group	C-14
Sealants & Fasteners Group	C-15 - C-17
Water & Sewage Group	C-18 - C-22
Window, Vent & Exterior Door Group	C-23 - D-10

**EXTERIOR BODY GROUP (CONTINUED)**  
DECALS & FILM STRIPE



Key	Part Number	U/M	Description
1	093680-23-01A	FT	Multistripe - 2 Lines, 3" Wide - Dark Blue & Light Blue
2	093681-18-01A	FT	Stripe - 1 Line, 1.25" Wide - Dark Blue
3	093681-16-01A	FT	Stripe - 1 Line, 5" Wide - Dark Blue
4	100039-02-01A	EA	Decal - Sweep, Passenger Side Front/Drivers Side Rear
	100039-01-01A	EA	Decal - Sweep, Passenger Side Front/Drivers Side Rear
5	093681-03-03A	FT	Stripe - 1 Line, 1.5" Wide - Light Blue
6	078191-03-000	EA	Decal - Logo, "Itasca" - Dark Blue
7	093585-10-04A	EA	Decal - Logo, "Spirit" - Dark Blue & Off White
8	093681-16-02A	FT	Stripe - 1 Line, 5" Wide - Light Blue
9	078852-17-000	EA	Decal - Logo, "Itasca" - 6.8" - Dark Blue & Off White
	084075-01-000	EA	Decal - "By Winnebago Ind.", Black (Backwall)

For your convenience here are the Dupont color codes that you can purchase locally:  
 Off White L8723  
 Black 99A  
 Dark Blue K9456  
 Light Blue K9457

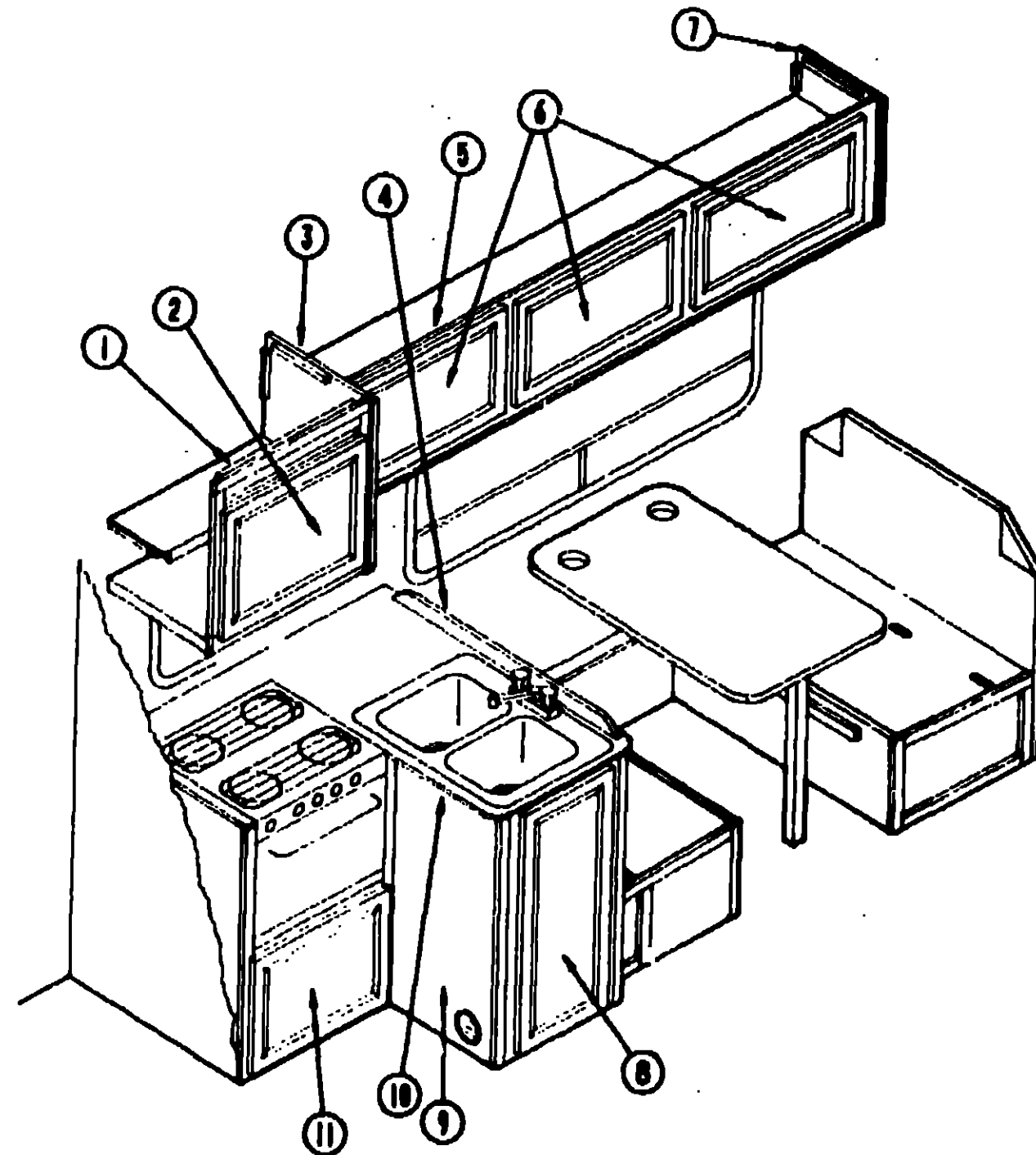
**1991 ITASCA**  
**TABLE OF CONTENTS**

INTRODUCTION	A-01 - A-02
ABBREVIATIONS	A-03
ALPHABETICAL/GROUP REFERENCE	A-04 - A-06
IF327HT	A-07 - D-14
IF327RB	D-15 - G-10
IF327RQ	G-11 - J-16

**1991 IF327HT INDEX**

Floor Plan	A-07 - A-08
Accessories Group	A-09 - A-11
Bath Group	A-12 - A-13
Bedroom Group	A-14 - A-16
Chassis Group	A-17 - A-20
Curtain, Cushion & Pad Group	A-21 - B-06
Dinette Group	B-07 - B-09
Driver's Compartment Group	B-10 - B-12
Electrical Group	B-13 - B-16
Exterior Body Group	B-18 - B-20
Galley Group	B-21 - B-24
Heating & Air Conditioning Group	C-01 - C-02
Interior Finish Group	C-03 - C-06
Labels Group	C-08 - C-12
LP Group	C-13
Lounge Group	C-14
Sealants & Fasteners Group	C-15 - C-17
Water & Sewage Group	C-18 - C-22
Window, Vent & Exterior Door Group	C-23 - D-13

### GALLEY GROUP



GALLEY CABINETRY

Key	Part Number	U/M	Description
1	P00204-01-B27	EA	Cabinet Asm. - Galley Overhead - w/o Door or Hardware
2	P00099-33-B27	EA	Door Asm. - Galley Overhead - 14" x 22" - w/o Hardware
3	081280-24-B27	EA	End Cap - Overhead
4	098335-01-B05	EA	Galley Rail - 31.5"
5	P00186-01-B27	EA	Cabinet Asm. - Dinette Overhead - w/o Door or Hardware
6	P00099-32-B27	EA	Door Asm. - Dinette Cabinet - 14" x 27" - w/o Hardware
7	081280-21-B27	EA	End Cap Asm.
8	P00099-14-B27	EA	Door Asm. - Galley Cabinet - 14" x 27" - w/o Hardware
9	M03981-01-B27	EA	Cabinet Asm. - Galley w/Countertop - w/o Doors or Hardware
10	082034-11-B05	EA	Countertop Asm. - Galley Cabinet
11	P00099-71-B27	EA	Door Asm. - Furnace - 22" x 16" - w/o Hardware
	P00099-27-B27	EA	Door Asm. - Refrigerator Cabinet - 12" x 22" - w/o Hardware
	091257-08-000	EA	Handrail - Refrigerator Cabinet - Regal Oak

### GALLEY GROUP (CONTINUED)

#### GALLEY HARDWARE

Key	Part Number	U/M	Description
	094745-01-01A	EA	Trim - Microwave - Lower
	094774-01-01A	EA	Trim - Microwave - Either Side - .5"
	094774-03-01A	EA	Trim - Microwave - Either Side - 1.5"
	094756-02-01A	EA	Bracket - Microwave - Tan
	094750-01-000	EA	Bracket - Microwave - 90°
	084073-03-000	EA	Vent - Refrigerator - Roof - Off White
	084073-04-000	EA	Base - Roof Vent - Norcold Refrigerator - Black
	054450-01-000	EA	Level - Refrigerator
	084878-09-000	EA	Vent - Range Hood - Short
	086437-01-000	EA	Strainer - w/Basket - Sink
	086437-01-700	EA	Basket - Strainer
	011053-04-000	EA	Faucet - w/Swing Spout - 8"
	011053-01-700	EA	Aerator - Swing Spout Faucet
	091253-01-000	EA	Gasket - Faucet
	059777-02-000	EA	Hinge - Burnished Brass
	100030-01-000	EA	Pull - Cabinet
	074483-02-000	EA	Support - Overhead Door - Sprung
	072369-34-000	EA	Mesh - Expanded Aluminum - Bronze
	037888-03-000	EA	Center Guide - Drawer
	093586-03-000	EA	Catch - Spring Roller
	093586-04-000	EA	Strike - Spring Steel
	065740-01-000	EA	Brace - Cabinet Corner - Plastic
	090329-01-000	FT	Seal - Refrigerator Cabinet
	077404-02-000	EA	Drawer - Plastic - 20" x 12.7" - Beige
	077409-02-000	EA	Drawer Slide - Plastic - 20.75"
	094087-01-01A	EA	Drawer Divider - Plastic
	098064-01-000	EA	Sink - Galley - Double w/Mounting Hardware - Stainless Steel
	081530-01-B05	EA	Sink Cover
	099979-01-000	EA	Clip - Adjustable Shelf
	098980-01-000	EA	Pilester - Adjustable Shelf - 18" Long

### 1991 ITASCA TABLE OF CONTENTS

INTRODUCTION	A-01 - A-02
ABBREVIATIONS	A-03
ALPHABETICAL/GROUP REFERENCE	A-04 - A-08
IF327RT	A-07 - D-14
IF327RB	D-15 - G-10
IF327RQ	G-11 - J-18

### 1991 IF327RT INDEX

Floor Plan	A-07 - A-08
Accessories Group	A-09 - A-11
Bath Group	A-12 - A-13
Bedroom Group	A-14 - A-16
Chassis Group	A-17 - A-20
Curtain, Cushion & Pad Group	A-21 - B-06
Dinette Group	B-07 - B-09
Driver's Compartment Group	B-10 - B-12
Electrical Group	B-13 - B-18
Exterior Body Group	B-19 - B-20
Galley Group	B-21 - B-24
Heating & Air Conditioning Group	C-01 - C-02
Interior Finish Group	C-03 - C-05
Labels Group	C-06 - C-12
LP Group	C-13
Lounge Group	C-14
Sealants & Fasteners Group	C-15 - C-17
Water & Sewage Group	C-18 - C-22
Window, Vent & Exterior Door Group	C-23 - D-15

**GALLEY GROUP (CONTINUED)**

**GALLEY APPLIANCES**

Key	Part Number	U/M	Description
	088248-02-000	EA	Refrigerator - 2 Way - Norcold #76-EG2
	094879-03-700	EA	Cooling Unit - Horizontal Burner - Norcold #61687237
	064473-03-719	EA	Flue - Horizontal Burner - Norcold #616162
	088248-01-709	EA	Heater - AC - (Horizontal) - Norcold #615627
	084880-01-713	EA	Connector - Male - Inlet Fitting - Norcold #615256
	084880-01-705	EA	Orifice - Norcold #614522
	088248-01-706	EA	Burner (Horizontal) Norcold #15881
	088248-01-708	EA	Electrode - Ignition (Horizontal) - Norcold #615732
	088248-01-712	EA	Frame - Door - Lower - Brown - Norcold #615576
	075217-01-700	EA	Trim - Shelf - Upper Door - Inside - Norcold #615223
	084472-01-744	EA	Dairy Keeper - Norcold #614720
	084472-02-716	EA	Trim - Cabinet - Top - Brown - Norcold #613614
	084472-01-727	EA	Hinge - Upper Right - Norcold #613528
	075217-01-700	EA	Trim - Shelf - Upper Door - Inside - Norcold #615223
	075217-01-737	EA	Control Module - Norcold #61525022
	088248-01-701	EA	Insert - Control Panel - (3-Way) - Norcold #616039
	084880-01-715	EA	Valve - Shut Off - Manual - Norcold #61697922
	088248-01-715	EA	Tray - Drip - Almond - Norcold #61542522
	084472-03-700	EA	Pin - Hinge - Bottom - Norcold #615507
	084472-01-728	EA	Hinge - Lower Right - Norcold #613529
	084472-01-731	EA	Cover - Crisper - Norcold #613376
	075217-01-713	EA	Drawer - Crisper - Norcold #615180
	084472-01-726	EA	Frame Strips - Cabinet - Left - Norcold #613820
	088248-01-714	EA	Cabinet Arm - Foamed - (Almond) - Norcold #616008
	084472-01-727	EA	Hinge - Upper Right - Norcold #613528
	088248-02-701	EA	Insert - Control Panel - Lower - 2/Way - Norcold #616038
	084472-01-728	EA	Hinge - Lower Right - Norcold #613529
	088248-02-700	EA	P/C Board - 2/Way - Norcold #616027
	100258-01-01A	EA	Hood Range w/o Monitor Panel (US)
	100258-03-01A	EA	Hood Range - w/o Monitor Panel - Almond (US & Export) (Option L39E & L393)
	100258-02-01A	EA	Hood Range - w/o Monitor Panel - Almond (CSA) (Option L39E)
	088983-01-702	EA	Switch - Two Way - Momentary - Generator (If used)
	088983-01-700	EA	Switch - ON/OFF - Fan/Lamp
	092898-01-709	EA	Bulb - #912
	082898-01-710	EA	Socket - Light
	088983-01-708	EA	Lens - Lamp
	080973-01-700	EA	Motor
	080973-01-702	EA	Blade - Fan
	088983-01-707	EA	Filter - Grease
	092898-01-707	EA	Vent - Gasket
	084878-09-000	EA	Vent - Range Hood - Exterior
	100258-10-01A	EA	Hourmeter - Ventline (Option 39E)

NOTE: Items indented below assemblies are serviceable parts for that assembly.

**GALLEY GROUP (CONTINUED)**

**GALLEY APPLIANCES (CONTINUED)**

Key	Part Number	U/M	Description
	091269-04-000	EA	Oven - Microwave - Magic Chef
	091264-04-700	EA	Panel Door - Outer
	055282-04-000	EA	Range - 4 Burner w/Oven - Magic Chef
	055282-03-708	EA	Bumper - Main Top - Plastic Plug
	049045-01-742	EA	Burner Arm - Oven
	084782-02-715	EA	Clip - Grate
	049045-01-739	EA	Fitting - Half Union
	055282-03-702	EA	Knob - Thermostat
	049045-01-742	EA	Burner Arm - Oven
	081374-02-701	EA	Regulator - Pressure
	055282-03-700	EA	Thermostat
	049045-01-703	EA	Valve - Top - Burner
	084782-02-705	EA	Handle - Oven Door - Black
	049045-01-728	EA	Broiler Pan - w/o Insert
	088507-02-700	EA	Filter - Pilot
	088507-02-701	EA	Insert - Burner (Slotted Vent)
	084782-02-701	EA	Shield - Deflector Flue - Black
	102020-01-705	EA	Trim (Left)
	049045-01-741	EA	Insert - Broiler Pan
	084782-02-710	EA	Bracket - Front Glass
	084782-02-712	EA	Grate - Top - Burner - Square Holes
	084782-02-714	EA	Fitting - Pipe Nipple - 1/8"
	088507-01-701	EA	Top - Main - Almond
	084782-02-708	EA	Valve - Mercury Control
	055282-04-700	EA	Panel - Oven Door - Almond
	088507-02-707	EA	Top - Main - Ebony
	102022-01-01A	EA	Range - 18" - 4 Burner - Almond
	102022-01-02A	EA	Range - 18" - 4 Burner - Almond
	102020-01-724	EA	Main Top Burner
	102020-01-708	EA	Bumper Arm (Oven)
	102020-01-709	EA	Grate Bumper
	102020-01-713	EA	Thermostat Knob
	102022-01-703	EA	Pressure Regulator
	102020-01-717	EA	Thermostat
	102020-01-722	EA	Top Burner Valve
	020120-01-701	EA	Door Handle
	102022-01-704	EA	Glass - Outer
	102020-01-710	EA	Pilot - Filter
	102020-01-726	EA	Deflector Vent
	102020-01-703	EA	Panel Door - Almond
	102020-01-718	EA	Main Top - Almond
	055282-03-705	EA	Trim - Left
	102022-01-706	EA	Trim - Left - Flat
	055282-03-707	EA	Trim - Right
	102022-01-707	EA	Trim - Right - Flat
	102020-01-711	EA	Top Grate
	102020-01-720	EA	Mercury Control - Valve
	102020-01-712	EA	Burner Valve Knob
	102020-01-714	EA	Oven Pilot
	102022-01-702	EA	Mainfold Pipe
	102020-01-721	EA	Shutoff Valve
	102020-01-702	EA	Panel - Manifold
	088507-02-701	EA	Burner Insert (Slotted Vent)
	097817-01-01A	EA	Panel - Monitor - Almond
	097817-01-700	EA	Plate - Cover
	097817-01-701	EA	Switch - On/Off - Almond
	097817-01-702	EA	Switch - 1 Way - Almond
	097817-01-703	EA	Circuit Board
	097818-01-000	EA	Wire Arm - Monitor Panel

\* These parts were used from 8/3/90 - 3/10/91.

\*\* These parts were used from 8/13/90 on.

NOTE: Items indented below assemblies are serviceable parts for that assembly.

**1991 ITASCA  
TABLE OF CONTENTS**

INTRODUCTION	A-01 - A-02
ABBREVIATIONS	A-03
ALPHABETICAL/GROUP REFERENCE	A-04 - A-08
IF327RT	A-07 - D-14
IF327RB	D-15 - G-10
IF327RQ	G-11 - J-16

**1991 IF327RT INDEX**

Floor Plan	A-07 - A-08
Accessories Group	A-09 - A-11
Bath Group	A-12 - A-13
Bedroom Group	A-14 - A-16
Chassis Group	A-17 - A-20
Curtain, Cushion & Pad Group	A-21 - B-06
Dinette Group	B-07 - B-09
Driver's Compartment Group	B-10 - B-12
Electrical Group	B-13 - B-16
Exterior Body Group	B-16 - B-20
Galley Group	B-21 - B-24
Heating & Air Conditioning Group	C-01 - C-02
Interior Finish Group	C-03 - C-05
Labels Group	C-06 - C-12
LP Group	C-13
Lounge Group	C-14
Sealants & Fasteners Group	C-15 - C-17
Water & Sewage Group	C-18 - C-22
Window, Vent & Exterior Door Group	C-23 - D-13

## HEATING & AIR CONDITIONING GROUP

### FURNACES & REPAIR PARTS

Key	Part Number	U/M	Description
	093385-01-000	EA	Thermostat - Wall - Furnace
	090039-05-000	EA	Furnace - 90,000 BTU - Suburban
	090039-01-701	EA	Electrode
	074486-01-702	EA	Relay - Time Delay
	090039-01-706	EA	Motor
	090039-01-707	EA	Impeller Wheel - Forced Air
	075885-01-709	EA	Micro Switch
	074486-01-712	EA	Gasket - Combustion Air
	082834-01-729	EA	Valve - Gas
	090039-01-700	EA	Cabinet
	090039-01-708	EA	Door - Front Cabinet
	090039-01-702	EA	Switch - Limit
	090039-01-703	EA	Orifice - Main Burner
	092300-01-704	EA	Gasket - Electrode
	069634-01-706	EA	Module Board
	090039-01-704	EA	Burner Asm.
	090039-05-702	EA	Gasket - Manifold
	090039-05-703	EA	Manifold Pipe
	090039-05-705	EA	Wheel - Combustion Air
	090039-05-707	EA	Gasket - Blower Motor
	090039-05-710	EA	Gasket - Crossover Tube

NOTE: Items indented below assemblies are serviceable parts for that assembly.

### ROOF AIR CONDITIONER & PARTS

Key	Part Number	U/M	Description
	093764-01-000	EA	Ceiling Asm. - Air Conditioner - Cool Only (Option 29)
	042204-01-709	EA	Thermostat In - 64, Out - 58
	042205-01-702	EA	Thermostat In - 89, Out - 58
	073742-01-701	EA	Selector Switch (5 - Terminal)
	073742-01-702	EA	Decal - Cool Only
	073742-01-703	EA	Decal - Heat & Cool
	081606-01-708	EA	Limit Switch (Open 160, Close 110)
	091225-01-713	EA	Knob (2 Per Package)
	076303-01-707	EA	Filter - 8" x 14 3/4" x 1/2" (12 Per Package)
	091225-01-717	EA	Decal (Thermostat) Cool Only
	081606-01-712	EA	Ceiling Shroud (Ivory)
	093763-01-705	EA	Decal - Heat/Cool - Thermostat
	093763-01-706	EA	Heat Element
	093763-01-710	EA	Single Parts Package
	093763-01-04A	EA	Air Conditioner - 110 Volt - Roof Mount - 13,500 BTU - Off White (Option 29)
	093763-04-700	EA	Shroud - Roof A/C - w/o Logos
	093763-01-711	EA	Gasket - Package
	093763-01-712	EA	Fan Blade - Condenser
	093306-01-701	EA	Decal Package - Left & Right
	073742-02-704	EA	Run Capacitor (Compressor)
	091225-01-710	EA	Start Capacitor
	091225-01-709	EA	Start Relay
	076303-01-712	EA	Motor
	093763-01-702	EA	Overload
	093763-01-703	EA	Impeller - 7" Dia. x 2.8" Wide
	093763-01-704	EA	Capacitor - Fan
	093763-01-707	EA	Evaporator Coil
	093763-01-708	EA	Condenser Coil
	093763-01-713	EA	Compressor - E Series
	084077-03-000	EA	Cover - Blank - Roof A/C - Ivory
	092441-01-000	EA	Ceiling Asm. - Air Conditioner - 220 Volt (European) (Option 29)
	092440-01-000	EA	Air Conditioner - 220 Volt - Roof Mount - 13,500 BTU (European) (Option 29)

NOTE: Items indented below assemblies are serviceable parts for that assembly.

## HEATING & AIR CONDITIONING GROUP (CONTINUED)

### REAR HEATER (OPTION 53Q)

Key	Part Number	U/M	Description
	084405-01-000	EA	Rear Heater Asm. - w/o Switch
	094405-01-700	EA	Heater Core
	084405-01-701	EA	Fan Blades
	084405-01-702	EA	Motor Asm.
	082401-04-000	EA	Clamp - Hose - Wormgear
	007108-01-000	EA	Hose - Heater - 5/8 ID SAE
	083081-01-000	EA	Hose Formed
	076776-01-000	EA	Tee - Barb - 5/8" x 5/8" x 5/8"
	083610-01-000	EA	Clamp - Wire Dual - Unequal Diameters - .75" x 1.25"
	009198-01-000	FT	Duct - Heat Flexible - 4" ID
	023146-01-000	EA	Clamp - Screw Type - 4"
	089836-02-700	EA	Connector - Duct - 4" ID
	058404-02-000	EA	Register - Plastic - w/o Damper - 4" Dia. - Brown
	050464-05-000	EA	Register - Plastic - w/o Damper - 4" Dia. - Golden
	088753-01-000	EA	Tube - Aluminized Steel - 5/8" - 18 Gauge
	084404-01-000	EA	Switch - Off/Low/Medium/High - Heater
	084410-01-000	EA	Decal - Rear Auto Heater
	098078-01-000	EA	Decal - Auto Air & Rear Heater
	084374-01-000	EA	Bracket - Heater Switch - Right
	084374-02-000	EA	Bracket - Heater Switch - Left

NOTE: Items indented below assemblies are serviceable parts for that assembly.

## 1991 ITASCA TABLE OF CONTENTS

INTRODUCTION	A-01 - A-02
ABBREVIATIONS	A-03
ALPHABETICAL/GROUP REFERENCE	A-04 - A-08
IF327RT	A-07 - D-14
IF327RB	D-15 - G-10
IF327HQ	G-11 - J-18

## 1991 IF327RT INDEX

Floor Plan	A-07 - A-08
Accessories Group	A-09 - A-11
Bath Group	A-12 - A-13
Bedroom Group	A-14 - A-16
Chassis Group	A-17 - A-20
Curtain, Cushion & Pad Group	A-21 - B-06
Dinette Group	B-07 - B-09
Driver's Compartment Group	B-10 - B-12
Electrical Group	B-13 - B-15
Exterior Body Group	B-16 - B-20
Galley Group	B-21 - C-24
Heating & Air Conditioning Group	C-01 - C-02
Interior Finish Group	C-03 - C-05
Labels Group	C-06 - C-12
LP Group	C-13
Lounge Group	C-14
Sealants & Fasteners Group	C-15 - C-17
Water & Sewage Group	C-18 - C-22
Window, Vent & Exterior Door Group	C-23 - D-13

## INTERIOR FINISH GROUP

### INTERIOR MOLDINGS & TRIMS

Key	Part Number	U/M	Description
	081284-02-000	EA	Molding - Shelf - Knotted Wood - 8' Long
	083820-06-000	FT	T-Molding - End Cap - Edge - 3/4" - Reber Birch
	083820-08-000	FT	T-Molding - End Cap - Edge - 3/4" - Western Oak
	088815-09-000	FT	T-Molding - .75" - Ivory
	088809-21-000	EA	F-Molding - Outside Corner - 1" - Plastic
	088812-21-000	EA	Molding - Plastic Corner - Outside - 1/2" - Brown
	088812-22-000	EA	Molding - Plastic Corner - Outside - 1/2" - Brown
	022882-11-000	FT	Molding - Reverse Cove - T-Shaped - Vinyl - Ivory
	070604-19-000	FT	U-Channel - .815" - Oak
	009778-12-000	FI	U-Channel - 1" - Country Forest
	009778-07-000	FT	U-Channel - 1" - Light Oak
	009787-12-000	FT	Wetling - Antique White (Ceiling to Wall)
	100040-03-000	EA	Lumber - Vinyl Wrapped - 2" x 8" - Rambling Oak
	100040-01-000	EA	Lumber - Vinyl Wrapped - 1.8" x 8" - Rambling Oak
	100041-01-000	EA	Molding - Vinyl Wrapped - 1.5" x 84" - Rambling Oak
	100041-02-000	EA	Molding - Vinyl Wrapped - 2.5" x 84" - Rambling Oak
	074045-07-000	EA	Plug - Wood - 1/2"

These parts were used from 1/7/91 on.

### BATT STRIPS

Key	Part Number	U/M	Description
	089733-78-000	EA	Batt Strip - Rambling Oak - 8'
	085284-32-000	FT	Batt Strip - Rambling Oak - Tape Adhesive
	088263-48-000	EA	Batt Strip - Decorative - Plain - 8' (Wall)
	085284-25-000	FT	Batt Strip - Decorative - Plain - Tape Adhesive (Wall)
	088263-51-000	EA	Batt Strip - Crosshik Spatter - Beige (Ceiling)
	088263-50-000	EA	Batt Strip - Shower - 8'
	085284-38-000	FT	Batt Strip - Off White - Shower - Tape Adhesive

### PANELING & COUNTERTOP MATERIAL

Key	Part Number	U/M	Description
	074497-17-000	SF	Paneling - Oak - 48" x 84" (28 SF) (Cabinets)
	074497-18-000	SF	Paneling - Crosshik - 48" x 96" (32 SF) (Ceiling)
	074497-14-700	EA	Sealer - Stain - Ceiling
	089351-03-000	YD	Vinyl - Ceiling Diamond Design - 54" Wide
	088272-70-000	SF	Paneling - Decorative - Plain - 48" x 84" (28 SF) (Wall)
	088272-72-000	SF	Paneling - Travertine White - 48" x 84" (28 SF) (Shower)
	074498-36-000	SF	Plastic Laminate - Rose - 48" x 96" (32 SF)
	078325-30-000	FT	Molding - Edge Band - Rose
	078325-28-000	FT	Molding - Edge Band - Beige
	088272-81-000	SF	Paneling - Decorative - Plain (Main Wall)

These parts were used from 10/1/90 on.

## INTERIOR FINISH GROUP (CONTINUED)

### FABRICS & CARPETS

Key	Part Number	U/M	Description
	072332-78-000	YD	Fabric - Drapery - Dusty Blue (Privacy)
	072333-75-000	YD	Fabric - Drapery - Beige (Privacy)
	084418-25-000	YD	Fabric - Drapery Laminate - Driftwood (Pull Shades)
	088008-44-000	YD	Fabric - Upholstery - Main - Patterned (B27)
	088008-46-000	YD	Fabric - Upholstery - Main - Patterned (B28)
	088008-28-000	YD	Fabric - Upholstery - Accent - Plain (B27)
	088008-45-000	YD	Fabric - Upholstery - Accent - Plain (B28)
	088008-43-000	YD	Fabric - Upholstery - Accent - Patterned (B27)
	088008-42-000	YD	Fabric - Upholstery - Accent - Patterned (B28)
	072333-87-000	YD	Fabric - Speaker Cover
	075244-03-000	YD	Vinyl - Shower Curtain - Almond
	079880-09-000	YD	Vinyl - Off White (Headliner)
	103907-01-01A	YD	Vinyl - Off White (Headliner)
	029219-01-000	YD	Fabric - Vinyl - 54" - White
	098080-14-000	YD	Carpet - Delft Blue (B27)
	098080-15-000	YD	Carpet - Sand (B28)
	076314-02-000	FT	Tape - Heat Bonded - Carpet Seam
	047034-02-000	SF	Plastic Runner - Carpet - 4' Wide - Clear
	078539-01-000	EA	Trim - Carpet - Cab - Passenger - 29" Long
	078539-02-000	EA	Trim - Carpet - Cab - Driver - 29" Long
	083873-01-02A	EA	Trim - "J" - 12' Long - Vinyl - 1
	085748-01-000	FT	Trim - "J" - Carpet - PVC - Beige - 10' Long
	087958-04-000	EA	Trim - Cab Carpet - Extruded - 12" x 25.4" - Black
	100859-01-B27	EA	Molding - Trim - Vinyl Floor

These parts were used from 4/17/91 on.

NOTE: Replace vinyl flooring locally.

### CABINETRY & TABLE HARDWARE

Key	Part Number	U/M	Description
	053200-05-000	EA	Bracket - Table Support - Upper Wall Mount - 23.5" - Beige
	024275-05-000	EA	Rod - Table Lift - 8" x 23.5" - Beige
	084781-07-000	EA	Cup Holder - Two Stage - Beige
	088410-01-000	EA	Bracket - Lift - Table Mounted - Beige
	024281-00-000	EA	Bracket - Lift - Rod - Lower Wall Mount - Beige
	024276-21-000	EA	Leg Asm. - Table - Beige
	084060-03-000	EA	Clamp - Saddle - Leg Hinge - Tan
	024282-01-000	EA	Brace - Table Leg - Hinged
	024283-01-000	EA	Clip - Leg - 1" x 1.12" OD - Black
	058777-02-000	EA	Hinge - Antique Light Brass
	103030-01-000	EA	Pull - Cabinet Door
	098379-01-000	EA	Clip - Adjustable Shelf
	088680-01-000	EA	Pilaster - Adjustable Shelf
	074483-02-000	EA	Support - Sprung - Door
	004354-01-000	EA	Bumper - Cabinet Door - Rubber - Brown
	083888-03-000	EA	Catch - Spring - Roller
	083588-04-000	EA	Strike - Spring Steel
	072388-28-000	EA	Mesh - Expanded Aluminum - 14" x 10" - Bronze
	084070-01-000	EA	Center Post - Brass
	084070-02-000	EA	End Post - Brass
	084071-08-000	EA	Rod - Brass - 2.5"
	009112-01-000	EA	Flange - 1" - Clothes Rod - Plastic - Off White
	042438-01-000	EA	Wood Dowel - Clothes Rod - 1" Dia. x 4'
	041953-03-000	FT	Conduit - Convolute Slit - 1" ID (Clothes Rod Cover)
	078840-01-000	EA	Hold Down Cord - Bungle - 24"
	082048-01-000	EA	Clip - Pedestal Leg
	077409-02-000	EA	Slide - Drawer - Plastic - 20.75"
	077404-02-000	EA	Plastic Drawer - 20" x 12.7" - Beige
	094087-01-01A	EA	Divider - Plastic Drawer
	085740-01-000	EA	Brace - Cabinet Corner - Plastic
	088252-02-000	FT	Trim - Chrome - 1" Wide w/Pressure Sensitive Backing

## 1991 ITASCA TABLE OF CONTENTS

INTRODUCTION	A-01 - A-08
ABBREVIATIONS	A-08
ALPHABETICAL/GROUP REFERENCE	A-04 - A-08
IF327RT	A-07 - D-14
IF327RB	D-18 - G-10
IF327RO	G-11 - J-18

## 1991 IF327RT INDEX

Floor Plan	A-07 - A-08
Accessories Group	A-08 - A-11
Bath Group	A-12 - A-13
Bedroom Group	A-14 - A-16
Chassis Group	A-17 - A-20
Curtain, Cushion & Pad Group	A-21 - B-08
Dinette Group	B-07 - B-08
Driver's Compartment Group	B-10 - B-12
Electrical Group	B-13 - B-15
Exterior Body Group	B-16 - B-20
Galley Group	B-21 - B-24
Heating & Air Conditioning Group	C-01 - C-02
Interior Finish Group	C-03 - C-05
Labels Group	C-08 - C-12
LP Group	C-13
Lounge Group	C-14
Sealants & Fasteners Group	C-15 - C-17
Water & Sewage Group	C-18 - C-22
Window, Vent & Exterior Door Group	C-23 - D-13

## INTERIOR FINISH GROUP (CONTINUED)

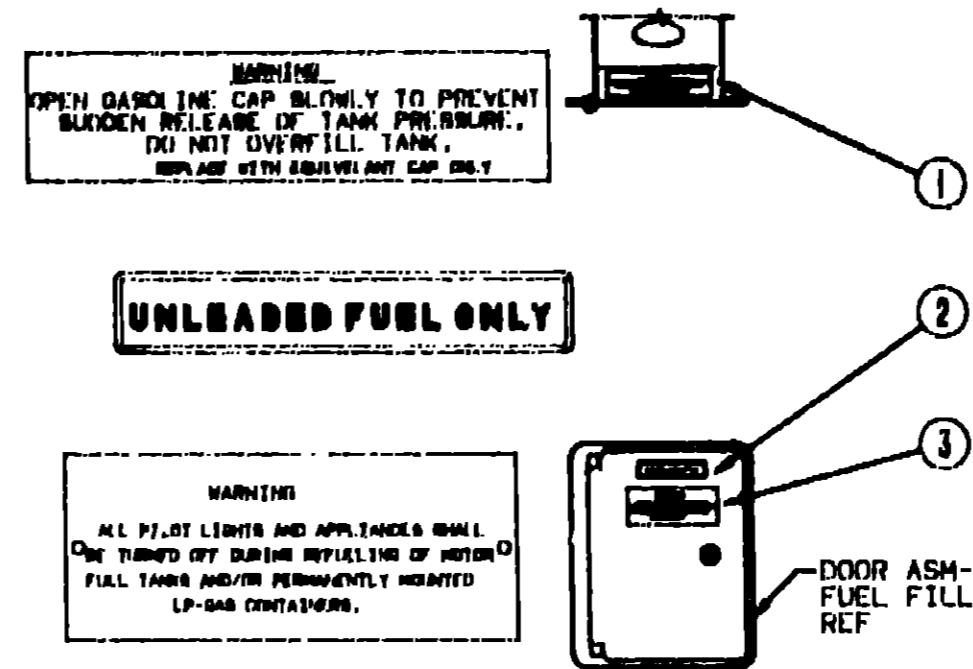
### CURTAIN & CUSHION HARDWARE

Key	Part Number	U/M	Description
	083801-01-000	EA	Track - Shower Curtain - Off White
	008701-01-000	EA	Carrier - Shower Curtain
	009702-01-000	EA	End - Stop - Curtain Carrier - Shower
	009136-01-000	EA	Pin - Shower Curtain
	029092-01-000	EA	Stud - Nickel Finish
	029093-01-000	EA	Eyelet - Nickel Finish
	029155-01-000	EA	Cap - Snap
	029156-01-000	EA	Socket - Snap Fastener
	089916-01-000	EA	Mount - Window Leg - Black
	089522-04-000	EA	Panel - Window Leg - 2.5" Face
	101032-01-000	FT	Track - Curtain - Ceiling Mount - White (Valance)
	101033-01-000	FT	Track - Curtain - Low Profile - White
	101033-02-000	EA	End Cap - Track - Clear
	101031-01-000	EA	Tape - Glide - 4.25" Spacing
	095591-02-000	EA	Bracket - Blind - Hold Down w/Pin
	075943-01-000	EA	Brace - Window Valance - Beige
	083170-01-000	EA	Bracket - Blind - Right
	083170-02-000	EA	Bracket - Blind - Left
	093475-01-700	EA	Wend - Blind w/Metal Clip - 8" Long
	093475-01-701	EA	End Cap - Blind w/Stud
	057534-01-000	EA	Tieback - 6" - Clear Plastic
	085774-01-000	FT	Fastener - Dual Hook - 1" Wide - Adhesive Back - Black
	085774-02-000	FT	Fastener - Dual Loop - 1" Wide - Adhesive Back - Black
	088792-02-000	YD	Velcro Tape - Adhesive Back - Loop - 3/4" Wide
	048394-02-000	YD	Velcro Tape - Adhesive Back - Hook - 3/4" Wide
	088792-03-000	YD	Velcro - Loop - 3/4"
	087253-01-000	EA	Pull - Roller Shade - Clear Plastic
	084434-01-000	EA	Bracket - Mounting - Roller Shade - 1 3/8"
	087253-01-000	EA	Pull - Roller Shade - Clear Plastic
	096843-01-000	EA	Spring - Rewind - Roller Shade
	084432-06-000	FT	Slat - Roller Shade - Plastic

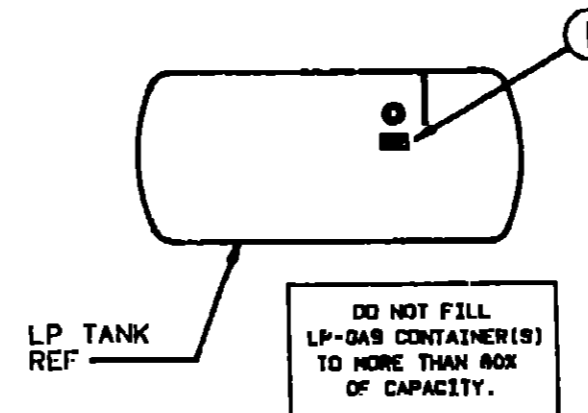
### MISCELLANEOUS PARTS

Key	Part Number	U/M	Description
	053552-02-AA8	EA	Handle Asm. - Interior Assist
	000D20-07-008	EA	Nut - Acorn - Assist Handle - 7/16" x 14 ZN
	000C16-07-16B	EA	Bolt - Carriage - Assist Handle - 7/16" - 14 x 1" ZN
	069178-02-000	EA	Bracket - Mounting - Assist Handle
	094499-02-000	EA	Fire Extinguisher - Dry IA 10BC
	094499-01-000	EA	Fire Extinguisher w/Mounting Bracket - Dry IA 10BC
	094499-01-700	EA	Bracket - Mounting - w/Plastic Strap
	094651-01-01A	EA	Recessed Holder - Fire Extinguisher - Light Oak
	072852-01-000	EA	Smoke Detector w/9 Volt Battery
	054185-70-000	EA	Owners Manual - 1991 "Spirit"
	092318-01-000	EA	Binder - 3-Ring - Motor Home Manual
	092319-01-000	EA	Pocket Page - 3-Ring Binder - Plastic
	098084-11-000	EA	Cassette - Winnebago "Spirit"
	100603-01-01A	EA	Wall Clock - Round Bezel
	083219-03-000	EA	Floor Mat - w/"Itasca" Logo - Passenger (Ford)
	083219-04-000	EA	Floor Mat - w/"Itasca" Logo - Driver (Ford)
	040069-01-000	EA	Floor Mat - w/"Itasca" Logo - 10.5" x 26" - Black Rubber

## LABELS GROUP



Key	Part Number	U/M	Description
1	087207-05-000	EA	Label - Fuel Cap Removal
2	062043-01-000	EA	Label - Unleaded Fuel
3	008040-01-000	EA	Tag - Gas Refueling Warning (US)
3	008040-02-000	EA	Tag - Gas Refueling Warning (CSA)



Key	Part Number	U/M	Description
1	079965-01-000	EA	Label - LPG - 80% Capacity

### MISCELLANEOUS LABELS

Key	Part Number	U/M	Description
	006064-01-000	EA	Label - Seat - w/o Seat Belt
	091243-01-000	EA	Label - A/C Cover
	008019-01-000	EA	Tag - RVI Approved - Plastic
	098641-01-000	EA	Label - Unleaded Fuel (Dash)
	099509-01-000	EA	Label - Awning Installation

## 1991 ITASCA TABLE OF CONTENTS

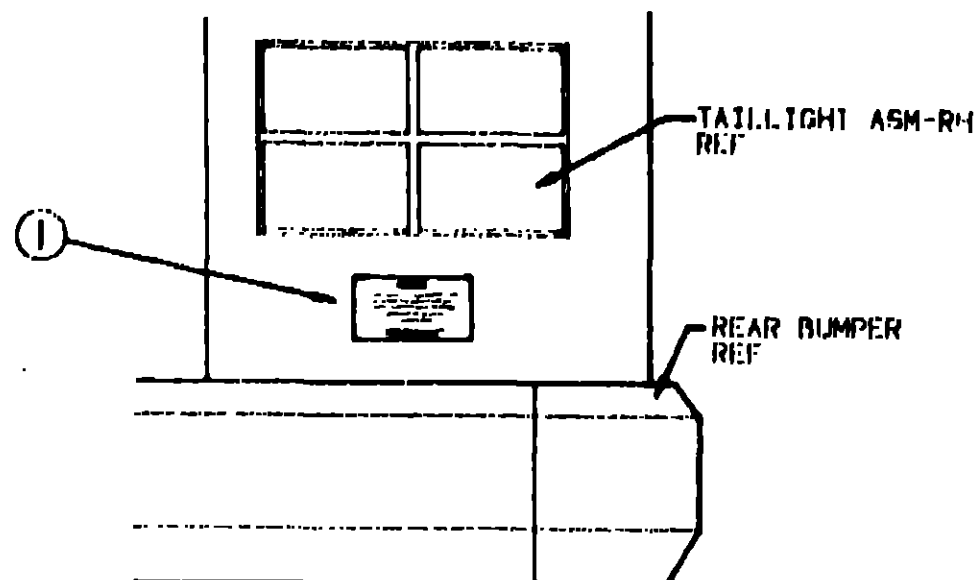
INTRODUCTION	A-01 - A-02
ABBREVIATIONS	A-03
ALPHABETICAL/GROUP REFERENCE	A-04 - A-06
IF327RT	A-07 - D-14
IF327RB	D-15 - G-10
IF327RO	G-11 - J-16

## 1991 IF327RT INDEX

Floor Plan	A-07 - A-08
Accessories Group	A-09 - A-11
Bath Group	A-12 - A-13
Bedroom Group	A-14 - A-15
Chassis Group	A-17 - A-20
Curtain, Cushion & Pad Group	A-21 - B-06
Dinette Group	B-07 - B-09
Driver's Compartment Group	B-10 - B-12
Electrical Group	B-13 - B-15
Exterior Body Group	B-16 - B-20
Galley Group	B-21 - B-24
Heating & Air Conditioning Group	C-01 - C-02
Interior Finish Group	C-03 - C-05
Labels Group	C-06 - C-12
LP Group	C-13
Lounge Group	C-14
Sealants & Fasteners Group	C-15 - C-17
Water & Sewage Group	C-18 - C-22
Window, Vent & Exterior Door Group	C-23 - D-13



**LABELS GROUP (CONTINUED)**

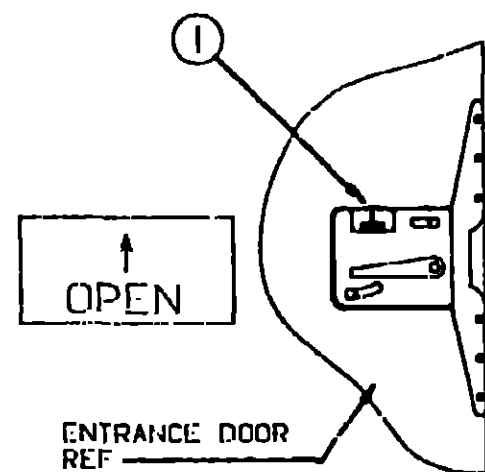


**WARNING**

DO NOT EXCEED THE VEHICLE WEIGHT RATINGS OR LOADING RECOMMENDATIONS (E.G., GROSS VEHICLE, GROSS AXLE, GROSS COMBINED) OF THE CHASSIS MANUFACTURER OR WINNEBAGO INC.

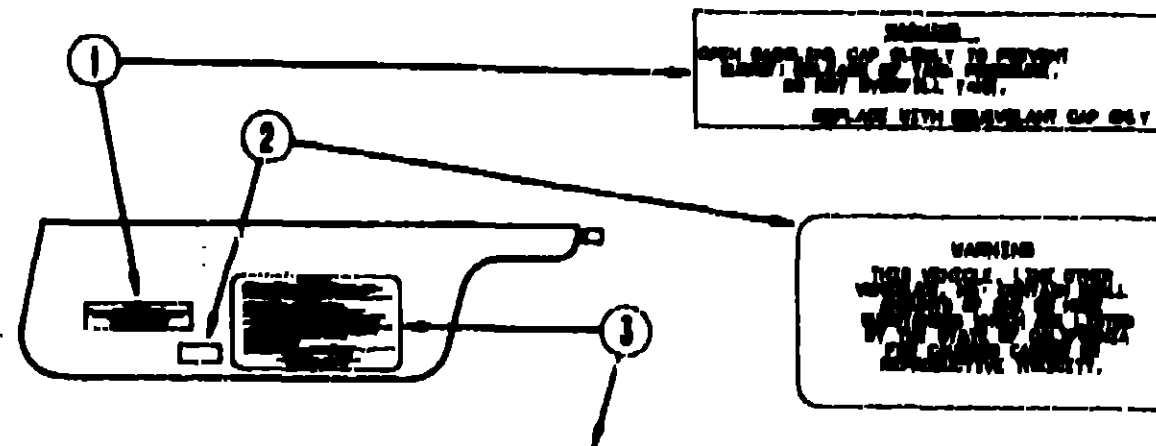
REFER TO YOUR OWNERS MANUAL, BEFORE LOADING OR TOWING.

Key	Part Number	U/M	Description
1	075220-01-000	EA	Label - Warning - Exterior Load
	075221-01-000	EA	Label - Towing Capacity



Key	Part Number	U/M	Description
1	040944-01-000	EA	Label - Open - Entrance Door

**LABELS GROUP (CONTINUED)**



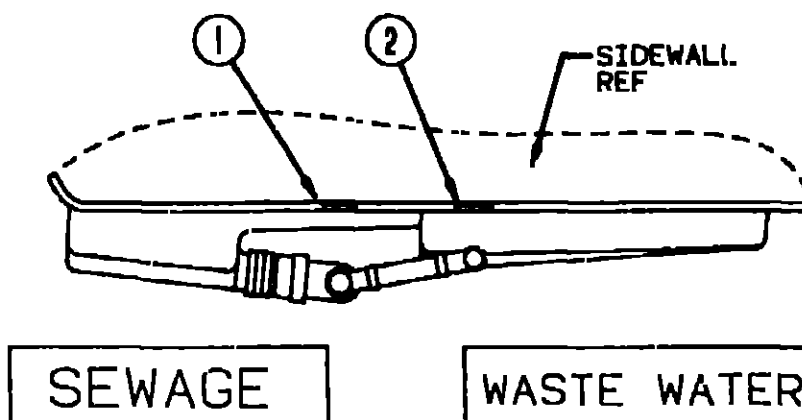
**CAUTION**

THIS MOTOR HOME HAS BEEN DESIGNED, MANUFACTURED AND TESTED WITH CONSIDERATION FOR THE PROTECTION OF IT'S OCCUPANTS. WE RECOMMEND YOU PERFORM THE FOLLOWING INSPECTIONS FOR YOUR SAFETY AND THE SAFETY OF YOUR PASSENGERS BEFORE STARTING YOUR VEHICLE.

1. LP GAS SYSTEM- TURN OFF AT TANK FOR TRAVELLING. TEST FOR LEAKS UPON ARRIVAL AT DESTINATION. BEFORE LIGHTING PILOTS.
2. WHEELS- INSPECT FOR DAMAGE AND CHECK LUG NUTS FOR TIGHTNESS.
3. TIRES- INSPECT FOR WEAR AND DAMAGE AND CHECK FOR RECOMMENDED AIR PRESSURE.
4. LIGHTING- TEST FOR PROPER OPERATION OF ALL INTERIOR AND EXTERIOR LIGHTS INCLUDING DOME LIGHTS, HEADLIGHTS, TAIL LIGHTS, BRAKE LIGHTS, CLEARANCE LIGHTS AND TURN SIGNALS.
5. EXITS- INSPECT RELEASE MECHANISM ON EMERGENCY EXIT WINDOW, TEST BOTH LOCKS ON MAIN ENTRANCE DOOR FOR EASE OF OPERATION AND INSTRUCT PASSENGERS HOW TO USE BOTH MEANS OF EXIT.
6. SEAT BELTS- DIRECT PASSENGERS TO DESIGNATED SEATS AND REASURE USE OF SEAT BELTS.
7. APPLIANCES- TURN OFF AND LATCH ON LOCK DOORS WHERE PROVIDED.
8. LOOSE PARCELS- STORE SECURELY.
9. UTILITY SUPPLY LINES- DISCONNECT ALL ELECTRIC, SEWER AND WATER LINES AND SECURE PROPERLY.
10. ENTRANCE DOOR STEP- PLACE IN RETRACTED POSITION FOR TRAVELLING.

READ YOUR MOTOR HOME AND CHASSIS OWNER'S MANUAL FOR FURTHER PRECAUTIONS

Key	Part Number	U/M	Description
1	087207-05-000	EA	Label - Fuel Cap Removal
2	099689-01-000	EA	Label - Warning - Cancer/Toxicity
3	056259-01-000	EA	Label - Safety Check List
	061417-01-000	EA	Label - Fuel On Fill Door



Key	Part Number	U/M	Description
1	006187-01-000	EA	Label - Sewage
2	006188-01-000	EA	Label - Waste Water

**1991 ITASCA  
TABLE OF CONTENTS**

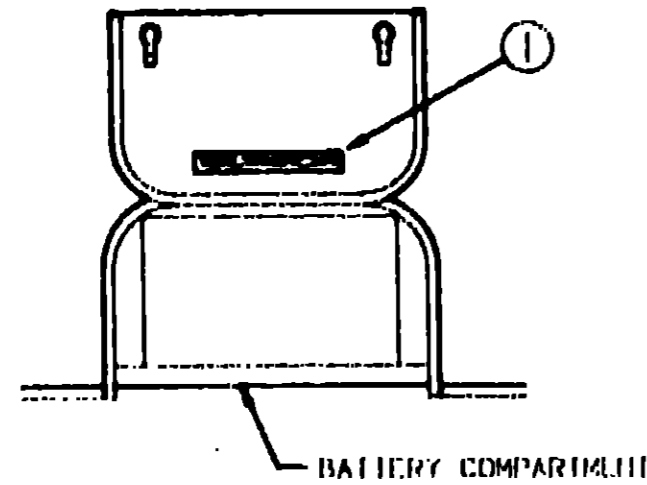
INTRODUCTION	A-01 - A-08
ABBREVIATIONS	A-08
ALPHABETICAL/GROUP REFERENCE	A-04 - A-08
IF327RT	A-07 - D-14
IF327RB	D-15 - G-10
IF327RQ	G-11 - J-18

**1991 IF327RT INDEX**

Floor Plan	A-07 - A-08
Accessories Group	A-08 - A-11
Bath Group	A-12 - A-13
Bedroom Group	A-14 - A-16
Chassis Group	A-17 - A-20
Curtain, Cushion & Pad Group	A-21 - B-08
Dinette Group	B-07 - B-08
Driver's Compartment Group	B-10 - B-12
Electrical Group	B-13 - B-15
Exterior Body Group	B-16 - B-20
Galley Group	B-21 - B-24
Heating & Air Conditioning Group	C-01 - C-02
Interior Finish Group	C-03 - C-05
Labels Group	C-06 - C-12
LP Group	C-13
Lounge Group	C-14
Sealants & Fasteners Group	C-15 - C-17
Water & Sewage Group	C-18 - C-22
Window, Vent & Exterior Door Group	C-23 - D-13

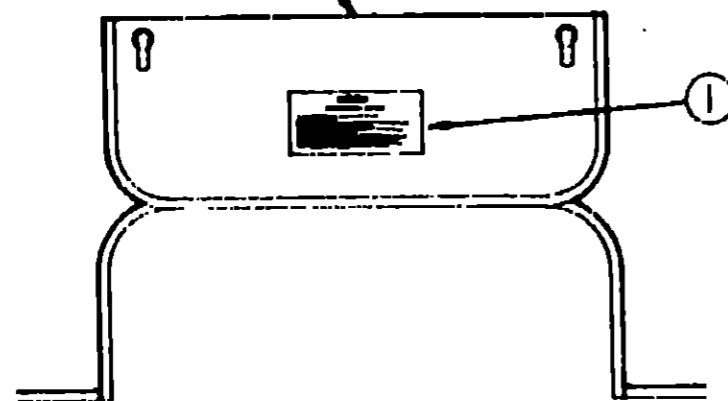
**LABELS GROUP (CONTINUED)**

**WARNING** DISCONNECT BATTERIES BEFORE CONNECTING EXTERNAL CHARGING EQUIPMENT.



Key	Part Number	U/M	Description
1	065748-01-000	EA	Label - Caution - Battery Charging

GENERATOR COMP  
DOOR REF

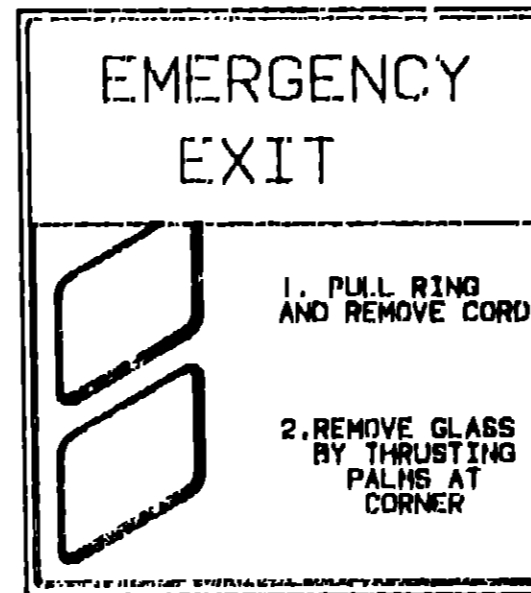


**WARNING**  
WHEN ADDING A GENERATOR SET:

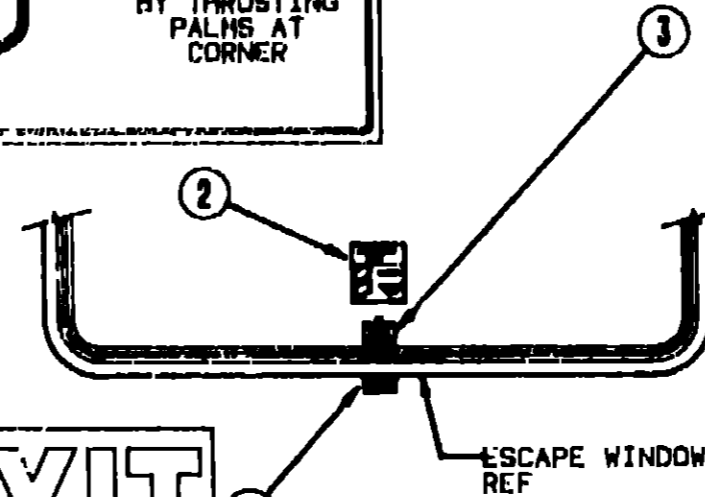
HIGH VOLTAGE—USE EXTREME CAUTION WHEN WORKING ON ELECTRICAL COMPONENTS.  
HAVE ALL ELECTRICAL INSTALLATION PERFORMED BY A QUALIFIED LICENSED ELECTRICIAN—FOLLOW ALL STATE AND LOCAL CODES.  
ONLY INSTALL GENERATOR SET APPROVED FOR R.V. APPLICATION. HAVE INSTALLED BY QUALIFIED TECHNICIAN.  
TO AVOID HEAT BUILD-UP AND TO GUARANTEE AN ADEQUATE AIR SUPPLY TO THE GENERATOR COMPARTMENT, FOLLOW INSTALLATION INSTRUCTIONS.  
GENERATOR ENGINE EXHAUST GASES ARE TOXIC AND MUST NOT ILLUMINATE UNDER THE VEHICLE—DISCHARGE EXHAUST AWAY FROM VEHICLE.

Key	Part Number	U/M	Description
1	077510-01-000	EA	Label - Generator Prep

**LABELS GROUP (CONTINUED)**

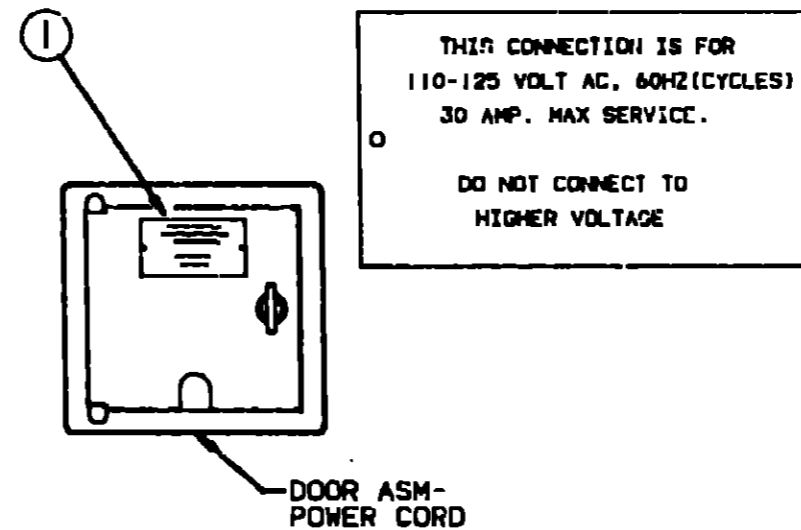


**EMERGENCY EXIT**  
PULL RING  
REMOVE CORD  
PUSH OUT WINDOW



**EXIT**

Key	Part Number	U/M	Description
1	039290-01-000	EA	Label - Warning - Exit
2	047731-01-000	EA	Label - Emergency Exit
3	006199-01-000	EA	Label - Exit - Escape Window



Key	Part Number	U/M	Description
1	006062-01-000	EA	Tag - Electrical - 110 Volt Connection

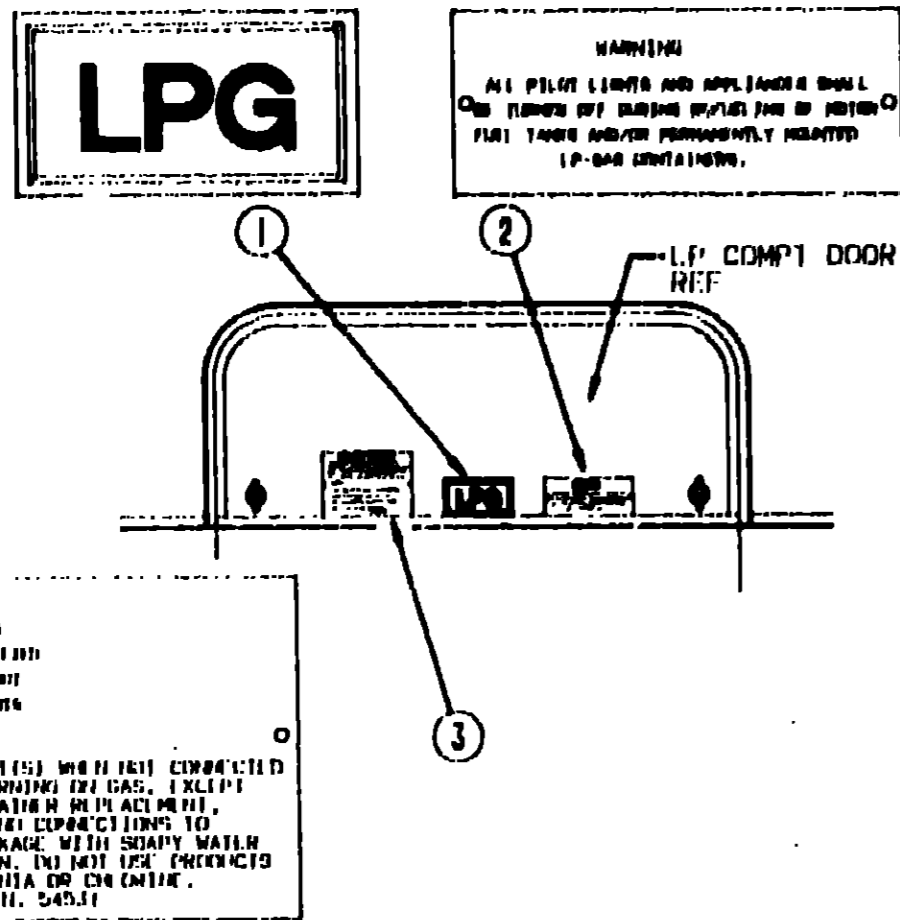
**1991 ITASCA  
TABLE OF CONTENTS**

INTRODUCTION	A-01 - A-08
ABBREVIATIONS	A-08
ALPHABETICAL/GROUP REFERENCE	A-04 - A-08
IF327RT	A-07 - D-14
IF327RB	D-15 - G-10
IF327RQ	G-11 - J-18

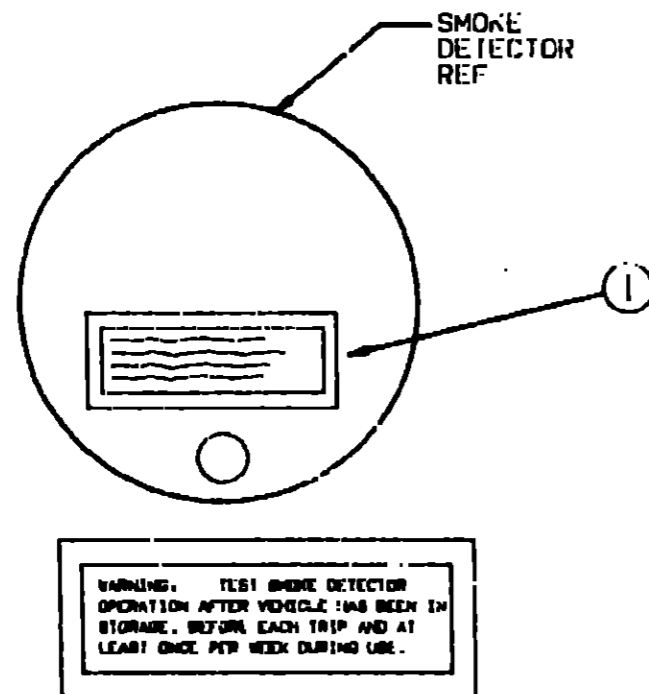
**1991 IF327RT INDEX**

Floor Plan	A-07 - A-08
Accessories Group	A-08 - A-11
Bath Group	A-12 - A-13
Bedroom Group	A-14 - A-16
Chassis Group	A-17 - A-20
Curtain, Cushion & Pad Group	A-21 - B-06
Dinette Group	B-07 - B-09
Driver's Compartment Group	B-10 - B-12
Electrical Group	B-13 - B-16
Exterior Body Group	B-16 - B-20
Galley Group	B-21 - B-24
Heating & Air Conditioning Group	C-01 - C-02
Interior Finish Group	C-03 - C-05
Labels Group	C-06 - C-12
LP Group	C-13
Lounge Group	C-14
Sealants & Fasteners Group	C-15 - C-17
Water & Sewage Group	C-18 - C-22
Window, Vent & Exterior Door Group	C-23 - D-13

**LABELS GROUP (CONTINUED)**

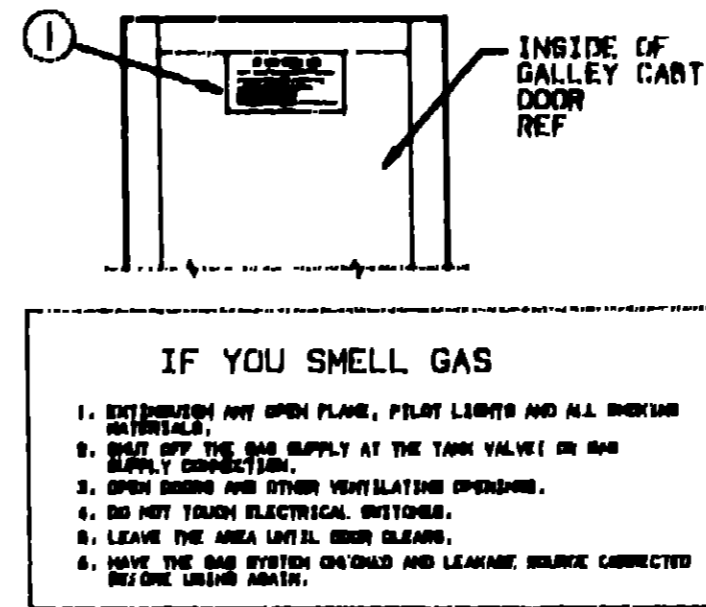


Key	Part Number	U/M	Description
1	074559-01-000	EA	Label - "LPG" - 3.3" x 1.75" (California Code)
2	006040-01-000	EA	Tag - Gas Refueling Warning (US)
2	006040-02-000	EA	Tag - Gas Refueling Warning (CSA)
3	054531-01-000	EA	Label - LP Gas Only

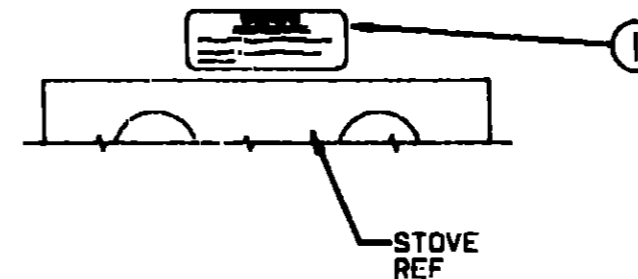
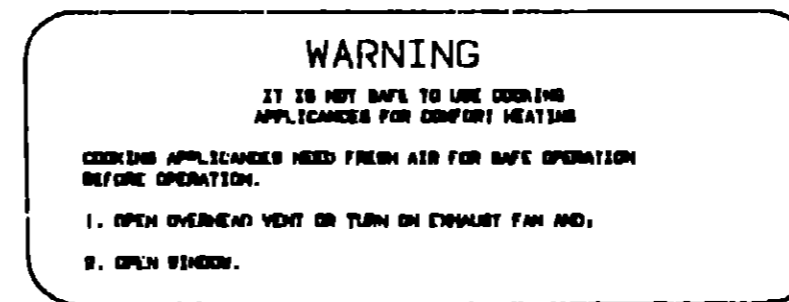


Key	Part Number	U/M	Description
1	077956-01-000	EA	Label - Warning - Smoke Detector

**LABELS GROUP (CONTINUED)**



Key	Part Number	U/M	Description
1	073998-01-000	EA	Label - LPG - Odor Warning



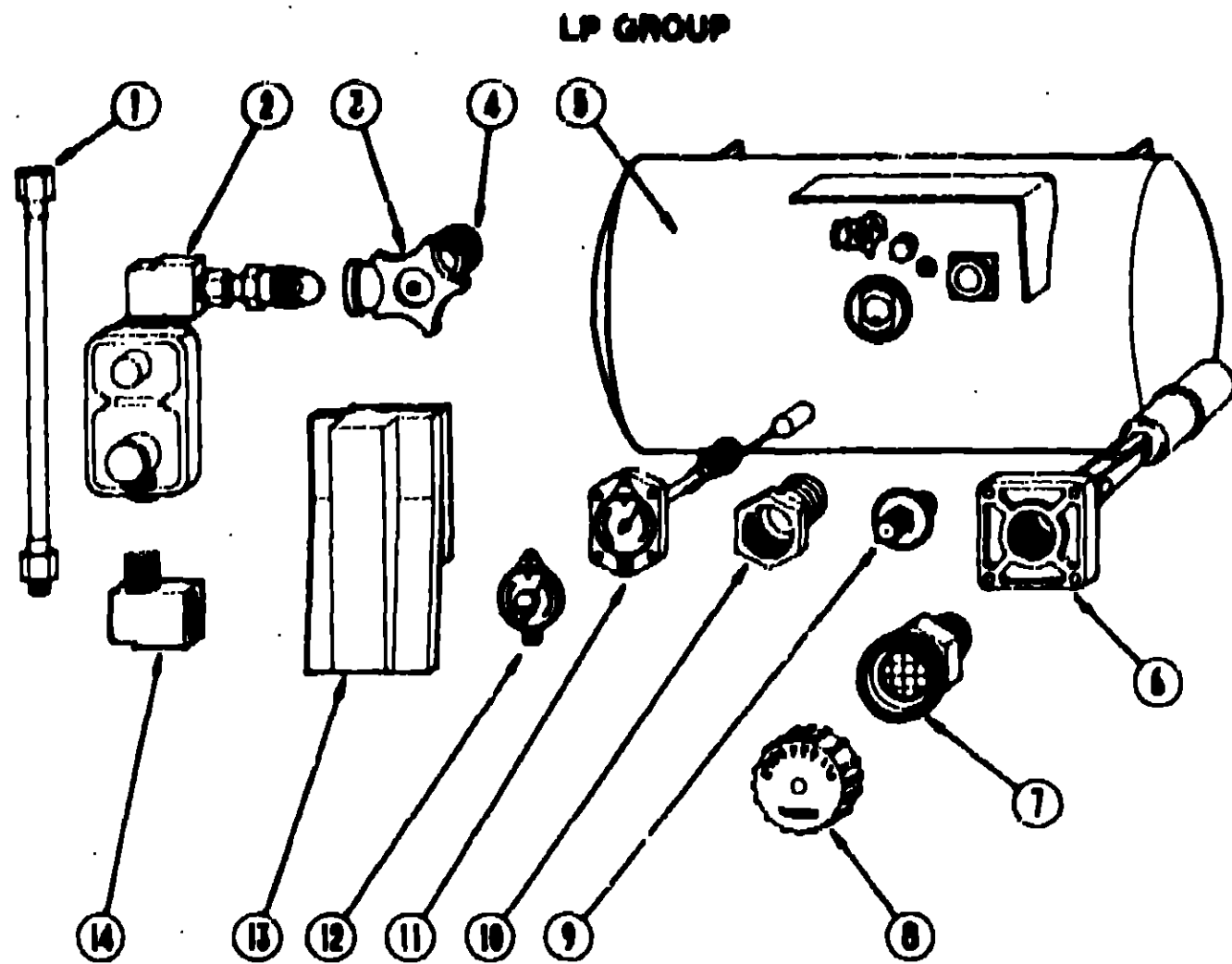
Key	Part Number	U/M	Description
1	050225-01-000	EA	Label - Warning - Stove Vent

**1991 ITASCA TABLE OF CONTENTS**

INTRODUCTION	A-01 - A-02
ABBREVIATIONS	A-03
ALPHABETICAL/GROUP REFERENCE	A-04 - A-06
IF327RT	A-07 - D-14
IF327RB	D-15 - G-10
IF327RQ	G-11 - J-16

**1991 IF327RT INDEX**

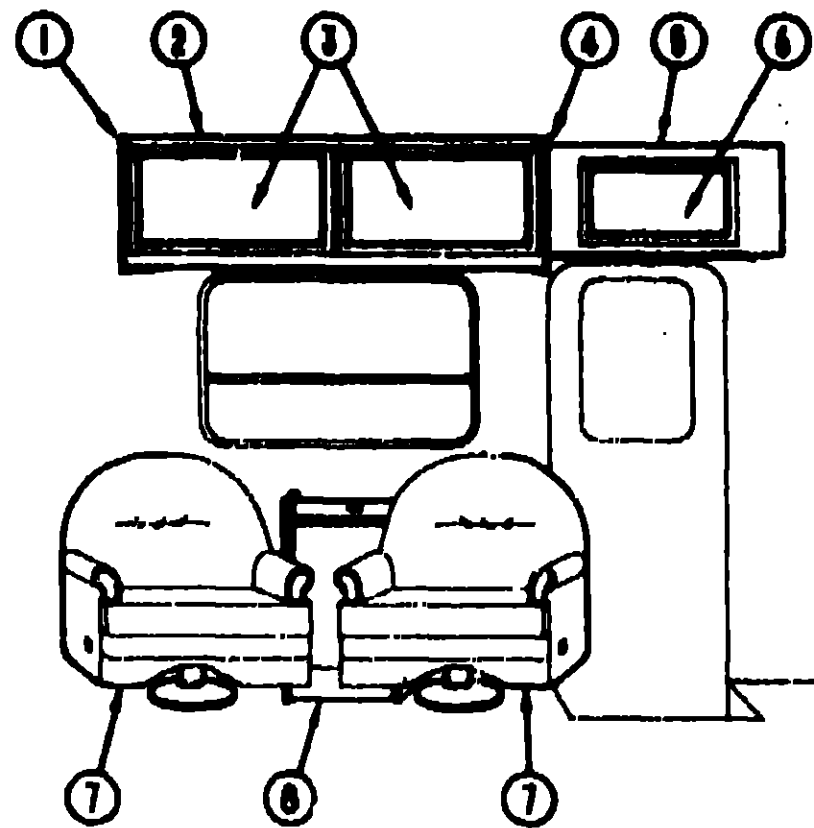
Floor Plan	A-07 - A-08
Accessories Group	A-09 - A-11
Bath Group	A-12 - A-13
Bedroom Group	A-14 - A-16
Chassis Group	A-17 - A-20
Curtain, Cushion & Pad Group	A-21 - B-06
Dinette Group	B-07 - B-08
Driver's Compartment Group	B-10 - B-12
Electrical Group	B-13 - B-15
Exterior Body Group	B-16 - B-20
Galley Group	B-21 - B-24
Heating & Air Conditioning Group	C-01 - C-02
Interior Finish Group	C-03 - C-05
Labels Group	C-06 - C-12
LP Group	C-13
Lounge Group	C-14
Sealants & Fasteners Group	C-15 - C-17
Water & Sewage Group	C-18 - C-22
Window, Vent & Exterior Door Group	C-23 - D-13



LP TANK & PARTS

Key	Part Number	U/M	Description
1	045703-01-000	EA	Hose - LP - 3/8" ID x 24" - 3/8 MPT x 1/2 F Swivel (US)
1	045703-02-000	EA	Hose - LP - 3/8" ID x 24" - 3/8 MPT x 1/2 F Swivel (CSA)
2	076301-01-000	EA	Regulator - LPG - Two Stage
3	040421-01-708	EA	Handwheel - w/Service Valve
4	040421-01-712	EA	Service Valve w/o Vapor Relief
5	097821-01-000	EA	LP Tank - 60# - 14" x 30" - Brunner
6	040421-01-711	EA	Valve - 80% w/Float Plate, Bolts & Gasket
7	040421-01-701	EA	Valve - Short LP Filler w/Yellow Cap
8	040421-01-702	EA	Cap - LP Filler Valve - Plastic - Yellow
9	040421-01-700	EA	Valve - Liquid Level - 20% LP
10	040421-01-713	EA	Valve - Vapor Only
11	040421-01-707	EA	Gauge - Float w/Visible Dial
12	040440-02-000	EA	Transmitter - Dial - 0-90 OHM
13	081838-01-000	EA	Cover - LP Regulator
14	086318-02-000	EA	Elbow - 90° - 3/8" MPT to 3/8" FPT
	085824-01-000	EA	Elbow - 90° - 1/2" FPT x 1/4" FPT - Brass
	085742-01-000	EA	Tee - .38 F x .38 F x .25 FPT - Brass
	084824-01-000	EA	Plug - Brass - 3/8"
	085741-01-000	EA	Gauge - Diaphragm Pressure
	018188-01-000	EA	Grimmet - Gas Line - .38 x 2.00 LG
	008042-01-000	EA	Tubing - Vinyl - .65" ID
	010323-01-000	EA	Adapter - Brass - 3/8 F x 1/2 MPT
	010377-01-000	EA	Nut - Brass - 3/8 F
	010377-02-000	EA	Nut - Brass - 3/8 Female - Forged
	010380-02-000	EA	Nut - Brass - 1/2" Female - Forged
	010285-01-000	EA	Elbow - Brass - 90° - 3/8" F x 1/2" FPT

LOUNGE GROUP



LOUNGE CABINETRY

Key	Part Number	U/M	Description
1	081280-18-B27	EA	End Cap - Front Overhead Cabinet
2	P00197-01-B27	EA	Cabinet - Overhead - Entry Door - w/o Doors or Hardware
3	P00088-32-B27	EA	Door - Overhead Cabinet - 14" x 27" - w/o Hardware
4	081280-21-B27	EA	End Cap - Front Overhead Cabinet
5	P00205-02-B27	EA	Cabinet Asm. - Entrance Overhead - w/o Door or Hardware
6	P00088-42-B27	EA	Door Asm. - Entrance Overhead - 10" x 19" - w/o Hardware
7	086429-03-B27	EA	Chair - Swivel
7	086429-03-B27	EA	Chair - Swivel
7	086429-05-B27	EA	Chair - Swivel
7	086429-05-B27	EA	Chair - Swivel
8	M98873-01-B27	EA	Table Asm. - Cabinet Only
8	086873-11-B27	EA	Table Asm. - Pullout Top
	079921-01-000	EA	Roller Nylon w/Steel Shaft
	009018-01-000	EA	Catch Asm. - Single Roller
	088245-03-000	EA	Plate - Swivel - Top w/o Tilt - w/Lock
	088245-06-000	EA	Extension - Chair Base - 7"
	088245-07-000	EA	Extension - Chair Base - 8"
	088245-01-000	EA	Base - Swivel Chair w/Legs
	057758-01-000	EA	Washer - Bracket - Seat Belt - 4" Dia.
	088705-02-000	EA	Bar - Seat Belt - 2.5" x 12.75"
	007021-01-000	EA	Belt - Seat - 2" x 90" - Black
	004354-01-000	EA	Bumper - Cabinet Door - Rubber - Brown
	074483-02-000	EA	Support - Overhead Door - Sprung
	083588-03-000	EA	Catch - Spring - Roller
	083588-04-000	EA	Striker - Spring - Steel
	058777-02-000	EA	Hinge - Cabinet Door - Brass
	100030-01-000	EA	Pull - Cabinet Door

† See Curtain, Cushion & Pad Group for the breakdown of these items.  
 \* Used from 6-11-90 on.

1991 ITASCA  
TABLE OF CONTENTS

INTRODUCTION	A-01 - A-02
ABBREVIATIONS	A-03 - A-03
ALPHABETICAL/GROUP REFERENCE	A-04 - A-08
IF327RT	A-07 - D-14
IF327RB	D-15 - G-10
IF327RQ	G-11 - J-18

1991 IF327RT INDEX

Floor Plan	A-07 - A-08
Accessories Group	A-09 - A-11
Bath Group	A-12 - A-13
Bedroom Group	A-14 - A-16
Chassis Group	A-17 - A-20
Curtain, Cushion & Pad Group	A-21 - B-06
Dinette Group	B-07 - B-09
Driver's Compartment Group	B-10 - B-12
Electrical Group	B-13 - B-15
Exterior Body Group	B-16 - B-20
Galley Group	B-21 - B-24
Heating & Air Conditioning Group	C-01 - C-02
Interior Finish Group	C-03 - C-05
Labels Group	C-06 - C-12
LP Group	C-13
Lounge Group	C-14
Sealants & Fasteners Group	C-15 - C-17
Water & Sewage Group	C-18 - C-22
Window, Vent & Exterior Door Group	C-23 - D-13

**SEALANTS & FASTENERS GROUP**

**SCREWS & FASTENERS**

Key	Part Number	U/M	Description
	000C12-05-16B	EA	Bolt - Hex - 5/16 - 18 x 1 - Zn 5
	000C12-10-24B	EA	Bolt - Hex - 5/8 - 11 x 1 1/2 - Zn 5
	000C13-07-48B	EA	Bolt - Hex - 7/16 - 20 x 3 - Zn 5
	000C18-08-48B	EA	Bolt - Elevator - 3/8 - 18 x 3 - Zn - Grade 5
	000C26-04-10B	EA	Bolt - Hex - Ser Flange - 1/4 - 20 x 5/8
	000C26-05-20B	EA	Bolt - Hex - Ser Flg 5/16 - 18 x 1 1/4 - Zinc
	000D24-10-00B	EA	Nut - Hex - Locking - 10-32 - Zn
	000D39-04-00C	EA	Nut - Hex - Ser Flange - Locking - 1/4 - 20 Zn
	000D39-05-00B	EA	Nut - Hex - Ser Flg Lk - 5/16 - 18 - Zn
	000D39-06-00B	EA	Nut - Hex - Ser Flg Lk - 3/8 - 16 - Zn
	000D39-08-00B	EA	Nut - Hex - Ser Flg Lk - 1/2 - 13 - Zn
	000D44-07-00B	EA	Nut - Hex - Ser Flg Lk - 7/16 - 20 - Zn
	000E13-11-00B	EA	Washer - Flat - 3/16" Wide - Zn
	000E13-14-00B	EA	Washer - Flat - 1/4" Wide - Zn
	000E13-20-00B	EA	Washer - Flat - 7/16" Wide - Zn
	000E14-10-01B	EA	Washer - Locking - No 10 Ext. Tooth - Zn
	000G11-06-10B	EA	Screw - 6 - 20 x 5/8 PPH - Zn
	000G11-06-10J	EA	Screw - 6 - 20 x 5/8 PPH - Brass
	000G11-07-08B	EA	Screw - 7 - 19 x 1/2 PPH - Zn
	000G11-08-06B	EA	Screw - 8 - 18 x 3/8 PPH - Zn
	000G11-08-08B	EA	Screw - 8 - 18 x 1/2 PPH - Zn
	000G11-08-12B	EA	Screw - 8 - 18 x 3/4 PPH - Zn
	000G11-08-12D	EA	Screw - 8 - 18 x 3/4 PPH - Black
	000G11-08-12E	EA	Screw - 8 - 18 x 3/4" PPH - Chrome
	000G11-08-12P	EA	Screw - 8 - 18 x .75 - Dark Brown
	000G11-08-12R	EA	Screw - 8 - 18 x .75 PPH - Beige
	000G11-08-12S	EA	Screw - 8 - 18 x .75 PPH - Off White
	000G11-08-18S	EA	Screw - 8 - 18 x 1.00 PPH - Off White
	000G11-10-12D	EA	Screw - 10 - 16 x 3/4 PPH - Black
	000G11-10-12S	EA	Screw - 10 - 16 x 3/4 PPH - Off White
	000G11-10-24P	EA	Screw - 10 - 16 x 1 1/2 PPH - Dark Brown
	000G12-06-08T	EA	Screw - 6 - 20 x 1/2 POH - Beige
	000G12-06-12R	EA	Screw - 8 - 18 x 3/4 POH - Beige
	000G12-06-12S	EA	Screw - 8 - 18 x 3/4 POH - Off White
	000G12-06-16S	EA	Screw - 8 - 18 x 1" POH - Off White
	000G13-08-08B	EA	Screw - 6 - 20 x 1/2 PFH - Zn
	000G13-06-10G	EA	Screw - 6 - 20 x 5/8 PFH - Antique Brass
	000G13-07-12D	EA	Screw - 7 - 19 x 3/4 PFH - Zn
	000G13-08-16B	EA	Screw - 8 - 18 x 1 PFH - Zn
	000G18-08-12B	EA	Screw - Machine - 8 - 32 x 3/4" PPH - Zn
	000G18-08-18B	EA	Screw - Machine - 8 - 32 x 1 PPH - Zn
	000G18-08-22B	EA	Screw - Machine - 8 - 32 x 1 3/8 PPH - Zn
	000G32-10-06B	EA	Screw - 10 - 32 x 3/8 PPH - Zn
	000G39-06-10T	EA	Screw - SF/DR - 6 - 20 x 5/8 PPH - Black
	000G39-06-16T	EA	Screw - SF/DR - 6 - 20 x 1 PPH - Black
	000G39-08-06B	EA	Screw - SF/DR - 8 - 18 x 3/8 PPH - Zn
	000G39-08-08B	EA	Screw - SF/DR 8 - 18 x 1/2 PPH - Zn
	000G39-08-08S	EA	Screw - SF/DR 8 - 18 x 1/2 PPH - Off White
	000G39-08-08R	EA	Screw - SF/DR 8 - 18 x 1/2 PPH - Beige
	000G39-08-12B	EA	Screw - SF/DR 8 - 18 x 3/4 PPH - Zn
	000G39-08-12R	EA	Screw - SF/DR 8 - 18 x 3/4 PPH - Beige
	000G39-08-16S	EA	Screw - SF/DR 8 - 18 x 1.00 PPH - Off White
	000G39-08-24B	EA	Screw - SF/DR 8 - 18 x 1 1/2 PPH - Zn
	000G39-08-24S	EA	Screw - SF/DR 8 - 18 x 1.50 PPH - Off White
	000G39-08-32B	EA	Screw - SF/DR 8 - 18 x 2 - PPH - Zn
	000G39-10-10S	EA	Screw - SF/DR 10 - 16 x .62" PPH - Off White
	000G39-10-12D	EA	Screw - SF/DR 10 - 16 x 3/4 PPH - Black
	000G39-10-12R	EA	Screw - SF/DR 10 - 16 x 3/4 - Beige
	000G39-10-20B	EA	Screw - SF/DR 10 - 16 x 1 1/4 PPH - Zn
	000G39-12-12E	EA	Screw - SF/DR 12 - 14 x 3/4 PPH - Chrome
	000G42-04-16B	EA	Screw - SF/DR 1/4 - 14 x 1 HWH - Zn

**SEALANTS & FASTENERS GROUP (CONTINUED)**

**SCREWS & FASTENERS (CONTINUED)**

Key	Part Number	U/M	Description
	000G53-04-08B	EA	Screw - Machine - 1/4 - 20 x 3/8 PPH - Zn
	000G54-04-20B	EA	Screw - 1/4 - 20 x 1 1/4 PTH Typ 23 - Zn
	000G56-12-48B	EA	Screw - Wood - 12 - 11 x 3 - POH
	000G60-10-20T	EA	Screw - SF/DR 10 - 16 x 1.75 - Black
	000G67-10-08B	EA	Screw - 10 - 12 x 1/2 PPH - Zn
	000G67-10-08R	EA	Screw - 10 - 12 x 1/2 PPH - Beige - Type A
	000G67-10-10D	EA	Screw - 10 - 12 x 5/8 PPH - Black
	000G67-10-10B	EA	Screw - 10 - 12 x 5/8 PPH - Zn - Type A
	000G67-10-10R	EA	Screw - 10 - 12 x 5/8 PPH - Beige - Type A
	000G67-10-10S	EA	Screw - 10 - 12 x 5/8 PPH - Off White
	000G67-10-12B	EA	Screw - 10 - 12 x 3/4 PPH - Zn
	000G67-10-12P	EA	Screw - 10 - 12 x .75 PPH - Dark Brown
	000G67-10-12R	EA	Screw - 10 - 12 x 3/4 PPH - Beige
	000G67-10-120	EA	Screw - 10 - 12 x .75 PPH - Tan
	000G68-10-36T	EA	Screw - 10 - 12 x 2.25" POH - Black
	000G67-10-16B	EA	Screw - 10 - 12 x 1 PPH - Zn
	000G67-10-16P	EA	Screw - 10 - 12 x 1 PPH - Dark Brown
	000G67-10-20D	EA	Screw - 10 - 12 x 1.25" PPH - Black
	000G67-10-24B	EA	Screw - 10 - 12 x 1 1/2 PPH - Zn
	000G67-10-32B	EA	Screw - 10 - 12 x 2 PPH - Zn
	000G67-10-36T	EA	Screw - 10 - 12 x 2.25 PPH - Black
	000G68-06-10G	EA	Screw - 6 - 18 x 5/8 POH - Antique Brass
	000H16-04-08R	EA	Rivet - Pop - AL 1/8 x .313 - .375
	005061-01-000	EA	Nut - Speed - C Type - No. 6 Screw
	082401-01-000	EA	Clamp - Hose - Wormgear - .81" x 1.75"
	082401-02-000	EA	Clamp - Hose - Wormgear - 1.56" - 2.5"
	082401-04-000	EA	Clamp - Hose - Wormgear - .89" x 1.25"
	082401-06-000	EA	Clamp - Hose - Wormgear - .22" x .62"
	007181-01-000	EA	Clamp - Hose - Spring Type - 1/2"
	008343-01-000	EA	Tie - Wire - 6"
	008366-01-000	EA	Grommet - Snap - 3/8
	008401-01-000	EA	Strap - Conduit - 3/4" - 1 Hole - Galvanized Steel
	010495-01-000	EA	Clamp - Cable - 9/16"
	010497-01-000	EA	Clamp - Closed - 5/8" ID
	010497-03-000	EA	Clamp - Closed - 1 ID - Cushioned
	010499-01-000	EA	Clamp - Closed - 3/8" ID
	016604-01-000	EA	Brace - Cabinet - Angled Metal - 2.5"
	063609-01-000	EA	Clamp - Wire Dual - Equal 5/8" Dia.
	064684-01-000	EA	Plug - Brass - 3/8"
	067721-01-000	EA	Screw - Flat Head - Tapping - 1/4 x 1 1/4 LG - Zn
	069371-01-000	EA	Screw - Machine - 8 - 32 x 3 5/16 - Zn
	075148-02-000	EA	Clamp - Grounding - Bronze Screws
	075908-01-000	EA	Screw - Machine - 10 - 32 x .56 PTH - Zn
	049465-04-000	EA	Screw - 10 - 16 x 1 PTH w/Washer - Beige
	076790-01-000	EA	Screw - 6 - 20 x 1 1/4 PPH - Black
	063729-04-000	EA	Rivet - 10 - 32 UNF - .010 - .080
	087277-02-000	EA	Washer - Plastic - Off White
	088497-01-000	EA	Nut - Inverted Flare - 3/16"
	088498-01-000	EA	Nut - Inverted Flare - 3/16"

**1991 ITASCA  
TABLE OF CONTENTS**

INTRODUCTION	A-01 - A-02
ABBREVIATIONS	A-03
ALPHABETICAL/GROUP REFERENCE	A-04 - A-08
IF327RT	A-07 - D-14
IF327RB	D-15 - G-10
IF327RO	G-11 - J-16

**1991 IF327RT INDEX**

Floor Plan	A-07 - A-08
Accessories Group	A-09 - A-11
Bath Group	A-12 - A-13
Bedroom Group	A-14 - A-16
Chassis Group	A-17 - A-20
Curtain, Cushion & Pad Group	A-21 - B-08
Dinette Group	B-07 - B-09
Driver's Compartment Group	B-10 - B-12
Electrical Group	B-13 - B-15
Exterior Body Group	B-16 - B-20
Galley Group	B-21 - B-24
Heating & Air Conditioning Group	C-01 - C-02
Interior Finish Group	C-03 - C-05
Labels Group	C-06 - C-12
LP Group	C-13
Lounge Group	C-14
Sealants & Fasteners Group	C-15 - C-17
Water & Sewage Group	C-18 - C-22
Window, Vent & Exterior Door Group	C-23 - D-13

## SEALANTS & FASTENERS GROUP (CONTINUED)

### SEALANTS & ADHESIVES

Key	Part Number	U/M	Description
	004020-01-000	QT	Adhesive - ABS Cement (Plastic Fittings)
	004006-02-000	GL	Adhesive - Swifts - Glue (Sidewalls)
	087211-01-000	QL	Adhesive - Promotor
	053786-07-000	EA	Bedding Compound - Tube - Beige (Exterior)
	053786-08-000	EA	Bedding Compound - Tube - Clear (Window)
	053786-09-000	EA	Bedding Compound - Tube - Gray (Exterior)
	102352-01-000	EA	Bedding Compound - Tube - Black (Luggage Compartment)
	053786-02-000	EA	Bedding Compound - Tube - Off White (Exterior)
	002328-02-000	EA	Block - Rubber Spacer (Windshield)
	091255-02-000	FT	Seal - Foam - 1.5 MM x 4.8 MM (Cabinets)
	104579-01-000	FT	Seal - Foam - Closed Cell (Exterior Shower)
	090340-01-000	FT	Seal - Foam - Closed Cell (Entrance Door)
	090329-01-000	FT	Seal - Refrigerator Cabinet
	077967-01-000	EA	Sealant - Acrylic Latex - Tube - Off White (Interior Sealant)
	034552-04-000	EA	Sealant - Silicone - Beige
	034552-02-000	EA	Sealant - Silicone - Clear
	034552-07-000	EA	Sealant - Silicone - Dark Gray
	034552-06-000	EA	Sealant - Silicone - Off White
	039518-01-000	EA	Sealant Silicone - Black
	069840-01-000	FT	Sealer Ribbon - .25" Bead x 20'
	069840-02-000	FT	Sealer Ribbon - .5" x .125" x 30'
	069840-03-000	FT	Sealer Ribbon - .75" x .125" x 30'
	069840-09-000	FT	Sealer Ribbon - 1/32" x 2.5" x 30'
	069840-06-000	FT	Sealer Ribbon - 5/16" Bead x 15'
	069840-07-000	FT	Sealer Ribbon - 2" x 3/32" x 30'
	069840-10-000	FT	Sealer Ribbon - 1/32" x 1.5" x 100'
	002707-02-000	FT	Sealer Tape - 5/16" x 1/2"
	074497-14-700	EA	Sealer - Stain (Ceiling)
	102353-01-700	EA	Seam Sealer - Tube - Gray (Roof Seams)
	094401-01-000	EA	Seam Sealer - Tube - Clear (Cap to Sidewall)
	063642-01-000	FT	Tape - Adhesive - .10mm x 1.5" Wide
	091968-03-000	FT	Tape - Adhesive - .040" x 1" Wide
	038886-01-000	EA	Tape - Butyl - .31" x .31" x 148" (Windshield)
	076322-01-000	FT	Tape - Foam - Double Coated - .025 x .75 x 72' (Fiberglass Sidewall Seams)
	076322-02-000	FT	Tape - Foam - Double Coated - .045 x 1" (Fiberglass Sidewall Seams)
	076322-03-000	FT	Tape - Foam - Double Coated - .045" x .50"
	100028-01-000	FT	Tape - Foam - Double Coated - .031 x .75 x 72' (Non-Structural Fastening)
	009200-01-000	EA	Tape - Furnace - 1.5"
	002825-01-000	FT	Weather Stripping (Roof Vent)
	081377-01-700	EA	Adhesive - Cyanoacrylate - 10GM
	100028-01-000	FT	Tape - Foam - Double Coated - .031" x .75" x 72' (Non-Structural Fastening)
	009200-01-000	EA	Tape - Furnace - 1.5"
	002825-01-000	FT	Weather Stripping (Roof Vent)
	081377-01-700	EA	Adhesive - Cyanoacrylate - 10 GM

## WATER & SEWAGE GROUP

### WATER LINES & HARDWARE

Key	Part Number	U/M	Description
	044827-01-000	EA	Adapter - Plastic - 1 1/4" MPT x 1 1/4" Bar (Water Tank)
	079317-01-000	EA	Adapter - Swivel - .5 Tube x .5 FPT
	052964-01-000	EA	Adapter - Nose Cone - 3/8" or 1/2" - Plastic
	038622-02-000	EA	Cap - Brass - 1/2" Flare
	062969-02-000	EA	Connector - Plastic - 1/2" F x 1/2" MPT
	062969-03-000	EA	Connector - 1/2" x 3/8 MPT - Plastic
	010219-01-000	EA	Elbow - Plastic - 1 1/3" MPT x 1 1/4" Barb
	086120-01-000	EA	Elbow - Plastic - Swivel - 1/2" FPT x 1/2" Flare - Gray
	036639-01-000	EA	Elbow - Plastic - 3/8" MPT x 3/8" BARB
	070924-01-000	EA	Elbow - Swivel - 1/2" MPT x 1/2" FPT - Gray
	075240-06-000	EA	Faucet - Lavatory - Bone
	011053-04-000	EA	Faucet - Swing Spout - Galley - 8"
	091253-01-000	EA	Gasket - Faucet
	075241-06-000	EA	Faucet - Shower - Bone
	077954-02-000	EA	Filter/Screen (In Water Tank)
	052961-02-000	EA	Header - 1/2" MPT x 1/2" F x 1/2" F x 1/2" F
	052952-01-000	EA	Nut - Plastic - 1/2" F
	052953-01-000	EA	Nut - Faucet - 1/2" Tube x 1/2" FPT
	048032-01-000	EA	Patch - Spinweld - Plastic - 3/8"
	098807-01-000	EA	Pump - Water - 2.8 GPM - Direct Flow (US)
	098807-02-000	EA	Pump - Water - 2.8 GPM - Direct Flow (CSA)
	098807-01-707	EA	Motor/Backplate - Replacement
	098807-01-701	EA	Drive Arm.
	098807-01-702	EA	Diaphragm Kit
	098807-01-703	EA	Valve Arm.
	098807-01-704	EA	Upper Housing
	098807-01-706	EA	Switch Arm. - Complete
	098807-01-700	EA	Pumphead - Replacement
	098807-01-705	EA	Check - Valve Kit
	091208-01-000	EA	Rubber Washer - .06 x .75 x .50
	039681-01-000	EA	Sending Unit
	011048-02-000	EA	Shower Head - w/80" Hose (US)
	011048-05-000	EA	Shower Head - w/80" Hose (CSA)
	042989-03-000	EA	Spinweld Fitting - Plastic - 1/4" NPT
	042989-05-000	EA	Spinweld Fitting - Plastic - 1/2" FPT
	042989-04-000	EA	Spinweld Fitting - Plastic - 3/8" FPT
	097967-01-000	EA	Switch - Water Heater
	052955-01-000	EA	Tee - Plastic - 1/2" F x 1/2" F x 1/2" MPT
	052956-01-000	EA	Tee - Plastic - 1/2 F x 1/2 MPT x 1/2 F
	052958-01-000	EA	Tee - Plastic - 1/2" F x 1/2" F x 1/2" F
	074463-01-000	EA	Tee - 4 Way - Plastic - 1/2" Flare - Gray
	039800-01-000	FT	Tubing - Polybutyl - 1/2" OD x 20' (Water Line)
	079381-01-000	FT	Tubing - Flex/Smooth - 1.25 ID (Water Tank)
	074462-02-000	FT	Tubing - Vinyl - 3/8" ID
	052960-01-000	EA	Valve - Line Drain - 1/2" F x 1/2" F
	087659-04-000	EA	Fill - Water - City - Off White
	064214-01-000	EA	Water Tank - 31 Gal. w/o Fittings
	064214-05-000	EA	Water Tank - 31 Gal. w/Fittings - 24" x 12.75" x 30"

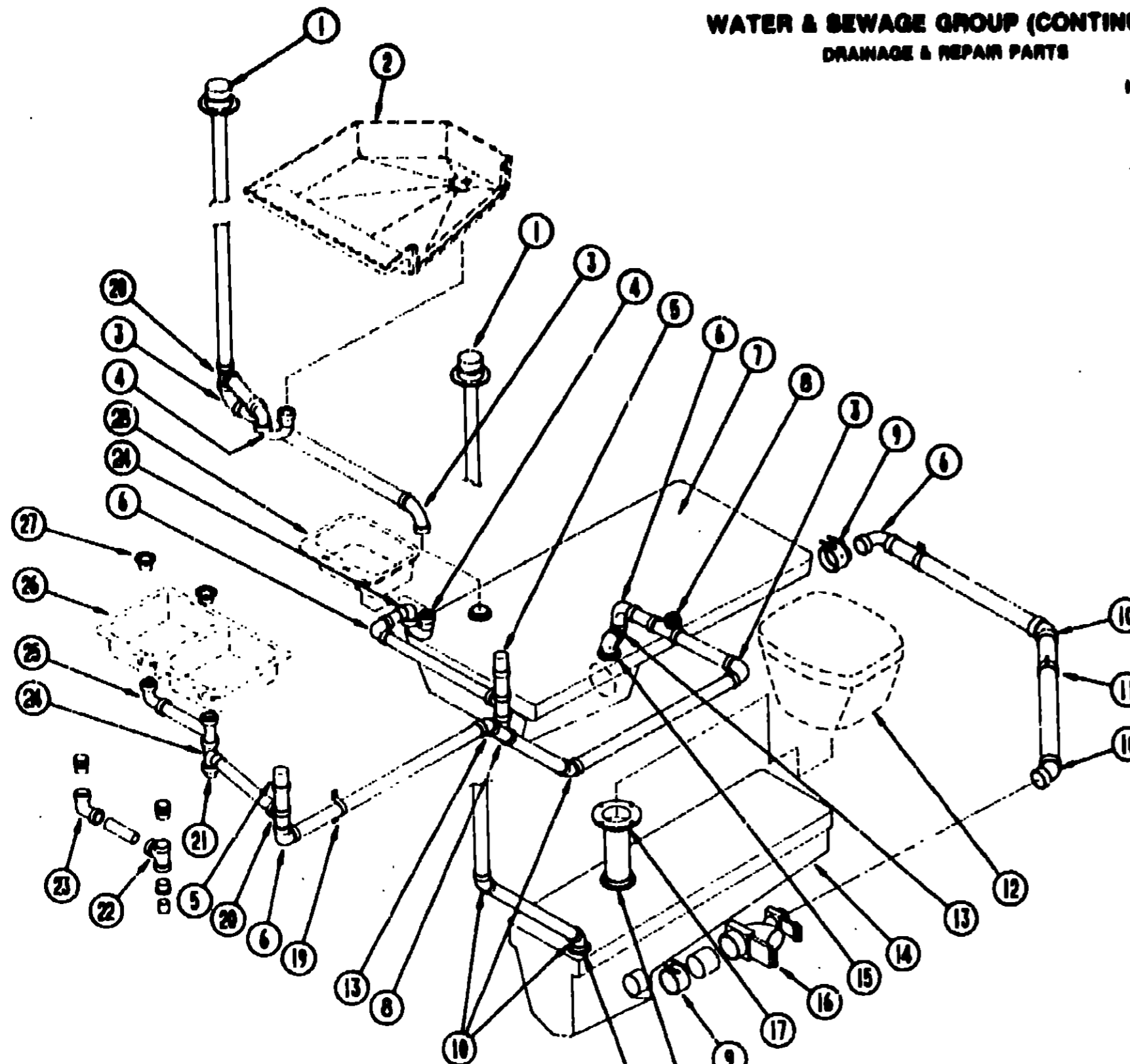
## 1991 ITASCA TABLE OF CONTENTS

INTRODUCTION	A-01 - A-02
ABBREVIATIONS	A-03
ALPHABETICAL/GROUP REFERENCE	A-04 - A-08
IF327RT	A-07 - D-14
IF327RB	D-15 - G-10
IF327RQ	G-11 - J-18

## 1991 IF327RT INDEX

Floor Plan	A-07 - A-08
Accessories Group	A-09 - A-11
Bath Group	A-12 - A-13
Bedroom Group	A-14 - A-16
Chassis Group	A-17 - A-20
Curtain, Cushion & Pad Group	A-21 - B-06
Dinette Group	B-07 - B-09
Driver's Compartment Group	B-10 - B-12
Electrical Group	B-13 - B-15
Exterior Body Group	B-16 - B-20
Galley Group	B-21 - B-24
Heating & Air Conditioning Group	C-01 - C-02
Interior Finish Group	C-03 - C-05
Labels Group	C-06 - C-12
LP Group	C-13
Lounge Group	C-14
Sealants & Fasteners Group	C-15 - C-17
Water & Sewage Group	C-18 - C-22
Window, Vent & Exterior Door Group	C-23 - D-13

**WATER & SEWAGE GROUP (CONTINUED)**  
**DRAINAGE & REPAIR PARTS**



Key	Part Number	U/M	Description
5	079968-01-000	EA	Vent - Mechanical - Trap Arm.
6	033781-01-000	EA	Elbow - Plastic - 1/4 BD x 1 1/2" x 90°
7	081804-01-000	EA	Tank Asm. - Holding - 38 Gallon
8	010073-01-000	EA	Wye - Plastic - 1 1/2" x 45° H x H
	010106-01-000	EA	Plug - Plastic - 1/4" (US)
	010106-02-000	EA	Plug - Plastic - 1/4" (CSA)
	010122-01-000	EA	Bushing - Plastic - Red - 1 1/2" S x 1 1/4" T
9	078408-01-000	EA	Coupler - Rubber - 3" x 3"
	082422-01-000	EA	Adapter - Offset Reducer - 3" x 1/2"
10	010008-01-000	EA	Elbow - Plastic - 1/8" BD x 1 1/2" x 45° H x H
11	086134-02-000	EA	Holder - Ring
12	067487-01-000	EA	Toilet - Aqua Magic IV - Low
	063740-01-718	EA	Seat & Cover
	063740-01-706	EA	Bolt Package - Closet
	063740-01-700	EA	Lever - Water
	063740-01-701	EA	Lever - Flush
	063740-01-707	EA	Seal - Closet Flange
	063740-01-710	EA	Link
	063740-01-711	EA	Spring - Return Lever
	063740-01-713	EA	Seal - Ball Valve to Bowl
	063740-01-714	EA	Valve Asm. - Water
	063740-01-717	EA	Flush Tube
	067487-01-700	EA	C.L.F.L. - Seal & Bolt
	067487-01-701	EA	Water Saver Package
	067487-01-702	EA	Clamp
13	010051-01-000	EA	Elbow - ST - Plastic - 1/8 BD x 1 1/2" x 45°
14	083041-01-000	EA	Tank - Holding - 30 Gallons w/o Fittings
15	061807-01-000	EA	Grommet - Holding Tank - 1 1/2" NPS
16	070918-01-000	EA	Valve - Dual - 3" x 1.5"
	070918-01-700	EA	Valve - 3"
	070918-01-701	EA	Valve - 1.5"
	082416-01-000	EA	Adapter - Hose - 3"
	082415-01-000	EA	Sewer Cap - 3"
	082415-01-700	EA	String - Sewer Cap
	010201-01-000	EA	Sewer Hose - 3" ID
17	024676-01-000	EA	Flange - Closet Rod - 4" x 3" (US)
17	024676-02-000	EA	Flange - Closet Rod - 4" x 3" (CSA)
18	061807-02-000	EA	Grommet - Holding Tank - 3" NPS
19	008408-01-000	EA	Strap - Conduit - 2 In 2 Hole
20	010079-01-000	EA	Tee - Plastic - Red - 1 1/2" H x 1 1/2" H x 1 1/4" H
21	011066-03-000	EA	P-Trap - 1 1/4" x 1 1/2" (US)
21	053335-01-000	EA	P-Trap - Plastic - 1 1/4" H x H w/Union (CSA)
22	010071-01-000	EA	Tee - Plastic - 1 1/2" H x H x H (CSA)
23	037101-02-000	EA	Elbow - Plastic - 1/4 BD Vent 1 1/2" H (CSA)
24	010000-01-000	EA	Elbow - Plastic - 1/8 BD x 1 1/4" x 45° H x H
25	011091-02-000	EA	Continuous Waste - Double Sink (US)
26	088854-01-000	EA	Sink - Stainless Steel - Double w/Mounting Hardware
	011053-04-000	EA	Faucet - Swing Spout - 8" - Galley
27	066437-01-000	EA	Strainer w/Basket - Sink
	066437-01-700	EA	Basket Only
28	066927-01-01A	EA	Sink - Lavatory - Rectangular
	066927-01-700	EA	Sink - Strainer
	066927-01-701	EA	Tailpiece
	075240-06-000	EA	Faucet - Lavatory - Bone
	091253-01-000	EA	Gasket - Lavatory Faucet
	039881-01-000	EA	Sending Unit

Key	Part Number	U/M	Description
1	083558-03-000	EA	Roof Vent - Covered - Vent Pipe
2	M02630-03-X81	EA	Shower Pan Asm.
	066440-01-000	EA	Strainer - Shower Drain
	066435-01-000	EA	Nut Strainer
	089735-01-000	EA	Washer - Tailpiece - 1.5" - Plastic
	011069-02-000	EA	Tailpiece - 1 1/2" x 1 1/4" x 4" - Plastic
	066436-01-000	EA	Slip Nut - 1.5" - Tailpiece
	011048-02-000	EA	Head - Shower w/80" Hose (US)
	011048-05-000	EA	Head - Shower w/80" Hose - w/o Vacuum Breaker (CSA)
	075241-05-000	EA	Faucet - Shower - Bone
3	010008-01-000	EA	Elbow - Plastic - 1/4 BD x 1 1/2" x 90° - Left
4	011066-03-000	EA	P-Trap - Plastic - 1 1/4" x 1 1/2" (US)
4	011066-02-000	EA	P-Trap - Plastic - 1 1/4" (CSA)

**1991 ITASCA**  
**TABLE OF CONTENTS**

INTRODUCTION	A-01 - A-02
ABBREVIATIONS	A-03
ALPHABETICAL/GROUP REFERENCE	A-04 - A-08
IF327RT	A-07 - D-14
IF327RB	D-15 - G-10
IF327RO	G-11 - J-16

**1991 IF327RT INDEX**

Floor Plan	A-07 - A-08
Accessories Group	A-09 - A-11
Bath Group	A-12 - A-13
Bedroom Group	A-14 - A-16
Chassis Group	A-17 - A-20
Curtain, Cushion & Pad Group	A-21 - B-06
Dinette Group	B-07 - B-09
Driver's Compartment Group	B-10 - B-12
Electrical Group	B-13 - B-15
Exterior Body Group	B-16 - B-20
Galley Group	B-21 - B-24
Heating & Air Conditioning Group	C-01 - C-02
Interior Finish Group	C-03 - C-06
Labels Group	C-08 - C-12
LP Group	C-13
Lounge Group	C-14
Sealants & Fasteners Group	C-15 - C-17
Water & Sewage Group	C-18 - C-22
Window, Vent & Exterior Door Group	C-23 - D-13

NOTE: Items indented below assemblies are serviceable parts for that assembly.

**WATER & SEWAGE GROUP (CONTINUED)**

**BYPASS FOR WATER HEATER (OPTION L63J)**

Key	Part Number	U/M	Description
	089729-01-000	EA	Bypass Kit - Water Heater
	052957-02-000	EA	Elbow - 1/2 F x 1/2 MPT - Plastic
	062866-01-000	EA	Tee - 1/2 F x 1/2 MPT x 1/2 F - Plastic
	036800-01-000	FT	Tubing - Polybutyl - 1/2" OD - Black

**EXTERIOR SHOWER KIT (OPTION L64R)**

Key	Part Number	U/M	Description
	103173-01-01A	EA	Shower Washdown Kit
	103173-02-01A	EA	Shower Washdown Kit
	101814-01-000	EA	Coupler - Female - 1/2" F x 1/2" MPT
	046128-01-000	EA	Drain Valve - 1/2" FPT - Plastic
	052957-02-000	EA	Elbow - 1/2" F x 1/2" MPT - Plastic

These are parts used after 3/25/90 on.

**WATER & SEWAGE GROUP (CONTINUED)**

**WATER HEATER & REPAIR PARTS**

Key	Part Number	U/M	Description
	051391-01-000	EA	Heater - Water - Atwood G6A-3
	051391-01-700	EA	Hinge Kit - w/Clip - Atwood #92588 & 92559
	051391-01-715	EA	Drain Plug - Atwood #91561
	051391-01-702	EA	Tank - Inner - G6A-2, 3, 6 - Water Heater - Atwood #1412
	051391-01-704	EA	Valve - Relief - 1/2" Fitting - Atwood #91804
	051391-01-705	EA	Fastener - Camloc - Atwood #92809
	051391-01-708	EA	Grille - Exhaust - Atwood #92787
	051391-01-712	EA	Thermostat - 3/8" NPT Inlet
	051391-01-708	EA	Burner - Main - Atwood #92815
	051391-01-709	EA	Pilot Asm. - w/Thermocouple & Tube
	051391-01-710	EA	Orifice - Main Burner - Atwood #92742
	051391-01-711	EA	Elbow - Orifice - Main Burner
	051391-01-714	EA	Elbow - 45 Degree - 3/8" F x 3/8" MPT - Atwood #91044
	051391-03-000	EA	Heater - Water - w/Electric Ignition - Atwood # G6A-3E, 4E & 6E
	051393-03-700	EA	Tank - Inner (G6A-3E) Rear Mount - Atwood #91409
	051391-04-700	EA	Tank - Inner (G6A-3E) Front Mount - Atwood #91808
	051391-04-706	EA	Tank - Inner - G6A-4E & 6E - Front Mount - Atwood #9184
	051391-01-704	EA	Valve - Relief - 1/2" Fitting - Atwood #91804
	051391-01-705	EA	Fastener - Camloc - Atwood #92809
	051393-01-701	EA	Switch Package - Atwood #91959
	051393-01-702	EA	Switch - Energy Cut-Off - Atwood #91951
	051391-04-701	EA	Thermostat 12 VDC - 120 Preset - Atwood #91470 - Front Mount Only
	051393-01-703	EA	Thermostat - Rear Mount - Atwood #91952
	051393-01-721	EA	ECO & Thermostat Asm. - Front Mount - 140 Degree - Atwood #
	051393-01-704	EA	Circuit Board - w/Black Box - Atwood #91420
	051391-01-708	EA	Grille - Exhaust - Atwood #92787
	051393-01-705	EA	Orifice Holder - Atwood #91925
	051391-01-710	EA	Orifice - Main Burner - Atwood #92742
	051393-01-716	EA	Spark & Probe Asm. - Atwood #91808
	051391-01-708	EA	Burner - Main - Atwood #92815
	051393-01-718	EA	Valve - Dual Solenoid - Atwood #91805
	051391-01-715	EA	Drain Plug - Atwood #91561
	051391-01-700	EA	Hinge Kit - w/Clip - Atwood #92588 & 92559
	051393-01-000	EA	Water Heater - w/Motor Aid - Pilotless Ignition - Atwood GH6-3E, GH6-4E or GH6-6E
	051391-04-705	EA	Tank - Inner - GH6-3E - Front Mount - Atwood #91609
	051393-01-714	EA	Tank - Inner - GH6-3E - Rear Mount - Atwood #91408
	051391-04-704	EA	Tank - Inner - Front Mount - GH6-4E & 6E - Atwood #91642
	051391-01-704	EA	Valve - Relief - 1/2" Fitting - Atwood #91804
	051391-01-705	EA	Fastener - Camloc - Atwood #92809
	051393-01-701	EA	Switch Package - Atwood #91959
	051393-01-702	EA	Switch - Energy Cut-off - Atwood #91951
	051391-04-701	EA	Thermostat - 12 VDC - 120 Preset - Atwood #91470 - Front Mount Only
	051393-01-703	EA	Thermostat - Rear Mount - Atwood #91952
	051393-01-721	EA	ECO & Thermostat Asm. - Front Mount - 140 Degree - Atwood #
	051393-01-704	EA	Circuit Board - w/Black Box - Atwood #91420
	051391-01-708	EA	Grille - Exhaust - Atwood #92787
	051393-01-705	EA	Orifice Holder - Atwood #91925
	051391-01-710	EA	Orifice - Main Burner - Atwood #92742
	051393-01-716	EA	Spark & Probe Asm. - Atwood #91808
	051391-01-708	EA	Burner - Main - Atwood #92815
	051393-01-718	EA	Valve - Dual Solenoid - Atwood #91805
	051391-01-715	EA	Drain Plug - Atwood #91561
	051391-01-700	EA	Hinge Kit - w/Clip - Atwood #92588 & 92559

NOTE: Items indented below assemblies are serviceable parts for that assembly.

**1991 ITASCA  
TABLE OF CONTENTS**

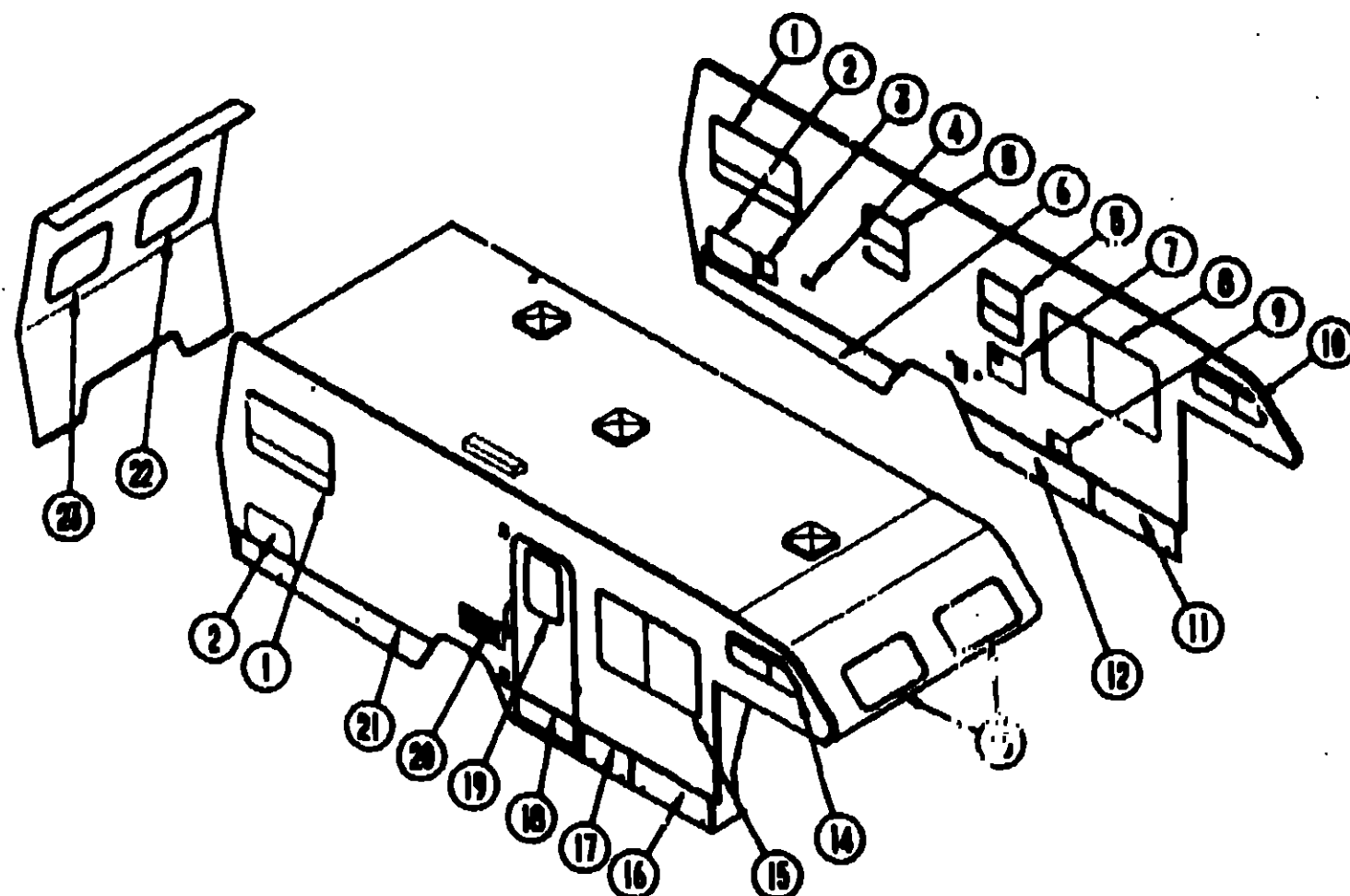
INTRODUCTION	A-01 - A-08
ABBREVIATIONS	A-09
ALPHABETICAL/GROUP REFERENCE	A-04 - A-08
IF327RT	A-07 - D-14
IF327RB	D-15 - G-10
IF327RQ	G-11 - J-18

**1991 IF327RT INDEX**

Floor Plan	A-07 - A-08
Accessories Group	A-09 - A-11
Bath Group	A-12 - A-13
Bedroom Group	A-14 - A-16
Chassis Group	A-17 - A-20
Curtain, Cushion & Pad Group	A-21 - B-08
Dinette Group	B-07 - B-09
Driver's Compartment Group	B-10 - B-12
Electrical Group	B-13 - B-15
Exterior Body Group	B-16 - B-20
Galley Group	B-21 - B-24
Heating & Air Conditioning Group	C-01 - C-02
Interior Finish Group	C-03 - C-05
Labels Group	C-06 - C-12
LP Group	C-13
Lounge Group	C-14
Sealants & Fasteners Group	C-15 - C-17
Water & Sewage Group	C-18 - C-22
Window, Vent & Exterior Door Group	C-23 - D-13



**WINDOWS, VENTS & EXTERIOR DOORS**  
WINDOWS & ACCESS DOORS



**1991 ITASCA  
TABLE OF CONTENTS**

INTRODUCTION	A-01 - A-02
ABBREVIATIONS	A-03
ALPHABETICAL/GROUP REFERENCE	A-04 - A-09
IF327RT	A-07 - D-14
IF327RB	D-15 - G-10
IF327RQ	G-11 - J-18

Key	Part Number	U/M	Description
1	092236-07-Y12	EA	Window Asm. - Tipout - 24.3" x 40.3"
2	079578-04-U28	EA	Door Asm. - Storage - 12.9" x 22.1" - Off White
3	078010-03-000	EA	Door Asm. - Fuel Fill - Off White
4	081240-03-000	EA	Door Asm. - Water Fill - Lockable - 4" x 4 5/8" - Off White
5	098844-01-715	EA	Window Asm. - Vertical Slider - 22" x 15" (Excel)
6	096393-10-B05	EA	Door Asm. - Rear
**6	096393-19-B05	EA	Door Asm. - Rear
7	052009-01-000	EA	Door Asm. - Water Heater - Off White
8	098847-04-700	EA	Window Asm. - Slider - 31" x 54" (Excel)
9	098794-01-000	EA	Door Asm. - Power Cord w/Hatch - Off White
10	100322-02-700	EA	Window Asm. - Slant Slider - 12" x 36" (Excel)
11	096398-03-AA3	EA	Door Asm. - Storage/Generator - 13.7" x 39.9"
12	096395-01-AA3	EA	Door Asm. - Storage/Luggage - 13.7" x 61.6"
13	078533-06-AA3	EA	Window Asm. - Picture - 15" x 32"
*14	078533-09-B13	EA	Window Asm. - Picture - 15" x 32"

Key	Part Number	U/M	Description
14	100322-01-720	EA	Window Asm. - Slant Slider - 12" x 36" (Excel)
15	098847-06-706	EA	Window Asm. - Single Slider (Excel)
16	096396-01-AA3	EA	Door Asm. - LP Compartment - 13.7" x 36.8"
17	096398-02-AA3	EA	Door Asm. - Storage - 13.7" x 23.3"
18	M01870-32-B27	EA	Door Asm. - Entrance
19	079733-07-AA8	EA	Window Asm. - Frosted Glass - 17" x 25"
20	084103-03-000	EA	Door Asm. - Refrigerator - Vented - Off White
21	096393-11-B05	EA	Door Asm. - Valance - Rear
22	079729-03-W17	EA	Window Asm. - Rear Escape - 24" x 22"
23	079729-02-T03	EA	Window Asm. - Rear Escape - 24" x 22"
†	078536-01-T03	EA	Window Asm. - Escape - 23" x 68"
-			These parts are used from 5/29/90 on.
**			These parts were used from 9/24/90 on.
†			These parts were used in the Double Bed (Option L46)

**1991 IF327RT INDEX**

Floor Plan	A-07 - A-09
Accessories Group	A-09 - A-11
Bath Group	A-12 - A-13
Bedroom Group	A-14 - A-16
Chairs Group	A-17 - A-20
Cu*ph), Cushion & Pad Group	A-21 - B-06
Dinette Group	B-07 - B-09
Driver's Compartment Group	B-10 - B-12
Electrical Group	B-13 - B-16
Exterior Body Group	B-16 - B-20
Galley Group	B-21 - B-24
Heating & Air Conditioning Group	C-01 - C-02
Interior Finish Group	C-03 - C-06
Labels Group	C-06 - C-12
LP Group	C-13
Lounge Group	C-14
Sealants & Fasteners Group	C-15 - C-17
Water & Sewage Group	C-18 - C-22
Window, Vent & Exterior Door Group	C-23 - D-13

**WINDOW, VENT & EXTERIOR DOOR GROUP (CONTINUED)**

**ACCESS DOORS**

Key	Part Number	U/M	Description
	078010-03-000	EA	Door Asm. - Fuel Fill - Off White
	078200-01-000	EA	Gasket - Fuel Fill Door
	078040-02-000	EA	Shroud - Fuel Fill - Upper
	083578-01-000	EA	Boot - Fuel Fill
	084235-01-000	EA	Support - Flange
	079578-04-U28	EA	Door Asm. - Storage - 12.9" x 22.1"
	079366-04-000	EA	Lock - Key Type w/o Keys
	082684-01-700	EA	Key - Compartment Door Lock
	084075-07-000	EA	Seal - Bulb - Door Jamb - Black
	081801-02-000	EA	Hinge - 2" x 96"
	088338-01-000	EA	Gasket - Lock Pocket
	088794-01-000	EA	Door Asm. - Power Cord w/Hatch - Off White
	084103-03-000	EA	Door Asm. - Refrigerator - Vented - Off White
	084104-01-700	EA	Lock - Male - Dyrus Fasteners
	084104-01-701	EA	Lock - Female - Dyrus Fasteners
	084104-03-000	EA	Jamb - Door - Vented - Refrigerator - Off White
	081240-03-000	EA	Door Asm. - Water Fill - Lockable - 4" x 4 5/8" - Off White
	096395-01-AA3	EA	Door Asm. - Storage - 13.7" x 81.6"
	064075-07-000	FT	Seal - Door - Bulb - 240"
	079366-04-000	EA	Lock - Door - Key Type w/o Keys
	082684-01-700	EA	Key - Storage Compartment - Single
	097111-01-01A	EA	Pocket - Lock - Off White
	088338-01-000	EA	Gasket - Lock Pocket
	098209-55-001	EA	U-Channel - Hinged - 16" - Off White
	096386-01-AA3	EA	Door Asm. - LP Compartment - 13.7" x 36.8"
	079927-03-000	EA	Lock - Twist Type - Double Cam
	096386-02-AA3	EA	Door Asm. - Battery Compartment - 13.7" x 23.3"
	079366-04-000	EA	Lock - Key Type - w/o Keys
	082684-01-700	EA	Key - Compartment Door Lock
	079578-04-U28	EA	Door Asm. - Storage Compartment - 12.9" x 22.1"
	079366-04-000	EA	Lock - Key Type w/o Keys
	082684-01-700	EA	Key - Compartment Door Lock
	052009-01-000	EA	Door Asm. - Water Heater - Off White
	096386-03-AA3	EA	Door Asm. - Storage/Generator - w/Locks - 13.7" x 39.9"
	079927-03-000	EA	Lock - Twist Type - Double Cam
	098393-10-B05	EA	Door Asm. - Rear Compartment - Driver
	079927-03-000	EA	Lock Asm. - Twist Type - Double Cam
	097111-01-01A	EA	Pocket - Lock - Off White
	101687-01-000	EA	Prop Rod - Valance Door
	089320-01-000	EA	Clip - Spring - 3/8" (Prop Rod)
	098393-19-B05	EA	Door Asm. - Rear Compartment - Driver
	079927-03-000	EA	Lock Asm. - Twist Type - Double Cam
	098393-11-B05	EA	Door Asm. - Rear Compartment - Passenger
	079366-04-000	EA	Lock Asm. - Key Type - w/o Keys
	082684-01-700	EA	Key - Compartment Door Lock
	098209-55-001	EA	U-Channel - Hinged - 16" - Off White
	097111-01-01A	EA	Pocket - Lock Valance - Off White
	088338-01-000	EA	Gasket - Lock Pocket

NOTE: Items indented below assemblies are serviceable parts for that assembly.

**WINDOW, VENT & EXTERIOR DOOR GROUP (CONTINUED)**

**BATH POWERED ROOF VENT**

Key	Part Number	U/M	Description
	090394-01-Y12	EA	Vent Asm. - Roof - Powered - w/o Screen (USA)
	009440-01-000	EA	Lift Mechanism
	009439-01-000	EA	Crank Handle - Roof Vent
	009439-04-000	EA	Screw
	061803-01-000	EA	Grommet - Snap - 3/16 ID - Black Plastic
	048848-01-000	EA	Fan - Plastic - 6"
	008195-01-000	EA	Switch - Push Button - 12 Volt
	015911-01-000	EA	Track - Slide - Roof Vent
	002825-01-000	EA	Weatherstrip Seal
	048848-01-000	EA	Motor - 12 Volt
	055218-01-000	EA	Cover Asm. - Roof Vent
	052839-01-200	EA	Hinge - 7" - Roof Vent
	078785-01-Y12	EA	Screen Asm. - Roof Vent - Powered
	002291-02-000	SF	Screen - Window - 16" - Charcoal
	002298-02-000	FT	Spline - Charcoal
**	084489-08-000	EA	Vent Asm. - Roof Powered - w/o Screen (CSA)
**	The illustrated parts breakdown of this item is provided on the Common Items Fiche.		

**NON-POWERED VENT**

Key	Part Number	U/M	Description
	090395-01-Y12	EA	Vent Asm. - Roof - Non-Powered - w/o Screen
	009440-01-000	EA	Lift Mechanism Asm.
	009439-04-000	EA	Screw
	009439-01-000	EA	Crank Handle - Roof Vent
	015911-01-000	EA	Track - Slide - Roof Vent
	002825-01-000	EA	Weatherstrip Seal
	055218-01-000	EA	Cover Asm. - Roof Vent
	052839-01-200	EA	Hinge - 7" - Roof Vent
	078786-01-Y12	EA	Screen Asm. - Charcoal
	002291-02-000	SF	Screen - Window - 16" - Charcoal
	002298-02-000	FT	Spline - Charcoal

**VENTS & SHROUDS**

Key	Part Number	U/M	Description
	083558-03-000	EA	Vent - Plumbing Pipe - Roof w/Cover - Off White
	084073-03-000	EA	Vent - Refrigerator Roof - Off White
	084073-04-000	EA	Base - Roof Vent - Norcold Refrigerator - Black
	084878-09-000	EA	Vent - Range Hood - Short - LVS
	083752-01-000	EA	Shroud Asm. - Range
	084818-01-100	EA	Shroud Asm. - Range Vent - Off White
	080507-01-000	EA	Panel - Skylight - Outer - 23.25" x 20.3"
	080508-01-000	EA	Panel - Skylight - Inner - 23.25" x 20.3"
	080258-01-000	EA	Trim - Skylight

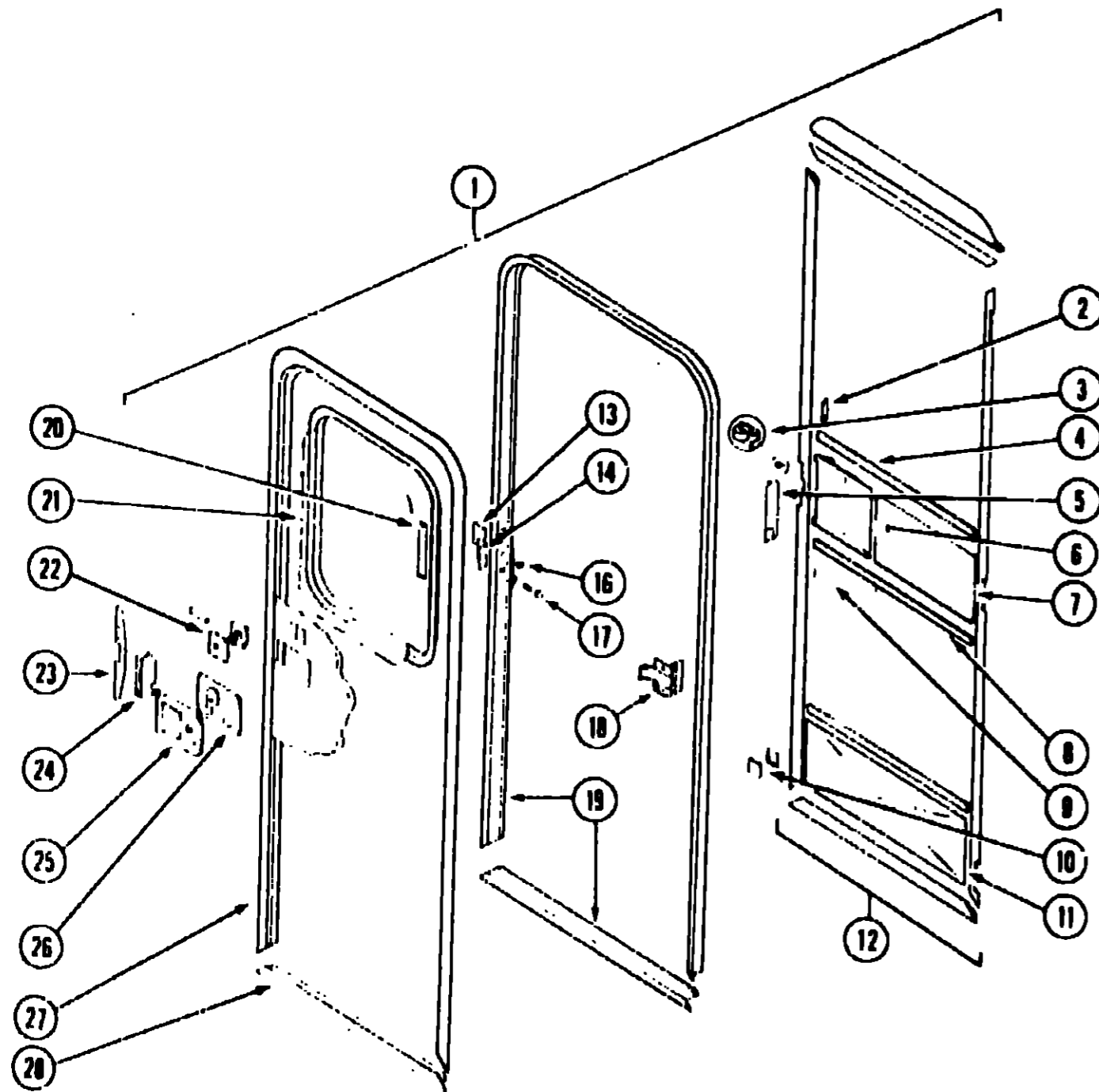
**1991 ITASCA  
TABLE OF CONTENTS**

INTRODUCTION	A-01 - A-02
ABBREVIATIONS	A-03
ALPHABETICAL/GROUP REFERENCE	A-04 - A-08
IF327RT	A-07 - D-14
IF327RB	D-15 - G-10
IF327RQ	G-11 - J-18

**1991 IF327RT INDEX**

Floor Plan	A-07 - A-08
Accessories Group	A-09 - A-11
Bath Group	A-12 - A-13
Bedroom Group	A-14 - A-16
Chassis Group	A-17 - A-20
Curtain, Cushion & Pad Group	A-21 - B-20
Dinette Group	B-07 - B-09
Driver's Compartment Group	B-10 - B-12
Electrical Group	B-13 - B-15
Exterior Body Group	B-16 - B-20
Galley Group	B-21 - B-24
Heating & Air Conditioning Group	C-01 - C-02
Interior Finish Group	C-03 - C-05
Labels Group	C-06 - C-12
LP Group	C-13
Lounge Group	C-14
Sealants & Fasteners Group	C-15 - C-17
Water & Sewage Group	C-18 - C-22
Window, Vent & Exterior Door Group	C-23 - D-13

WINDOW, VENT & EXTERIOR DOOR GROUP (CONTINUED)



ENTRANCE DOOR

Key	Part Number	U/M	Description
1	M01870-32-B27	EA	Door Asm. - Entrance w/Screen Door
	044582-02-000	EA	Drip Cap - Top Entrance Door Jamb - Off White
	075839-11-000	EA	Garnish - Radius - Entrance Door
2	050712-05-000	EA	Door Handle - Screen Door - Mill Finished
2	050712-04-000	EA	Door Handle - Screen Door - Off White
3	009018-01-000	EA	Roller Catch - Screen Door
	058025-02-000	EA	Clip - Roller Latch Catch
	009015-01-000	EA	Catch - Elbow - Spring Loaded - Screen Door
††	100412-01-000	EA	Catch - Spring Door

WINDOW, VENT & EXTERIOR DOOR GROUP (CONTINUED)

ENTRANCE DOOR (CONT.)

Key	Part Number	U/M	Description
4	078777-01-000	EA	Channel - Slide - Screen Door Center Slider Cover
5	079087-02-000	EA	Strike - Slider - Screen Door
6	079086-02-000	EA	Slider - Screen Door
7	018454-01-000	EA	Insert - Screen Door - Center - Leather Grain Aluminum
8	002294-01-000	FT	Spline - Black
9	002293-02-000	SF	Screen - Window - 28" Charcoal
10	085774-01-000	FT	Fastener - Dual Lock - 1" Wide
10	085774-02-000	FT	Fastener - Dual Lock - 1" Wide
11	078552-03-000	EA	Insert - A Screen Door - Lower - Kick Panel
12	079012-01-U01	EA	Screen Door Asm.
	078595-01-000	EA	Plate - Screen Door
13	077481-03-000	EA	Strike Cover - Off White
14	041546-03-000	EA	Angle Bracket
16	058808-03-000	EA	Plug - Tapered Plastic - Red
17	039539-01-000	EA	Strike
18	097724-01-02A	EA	Hinge - Entrance Door - Off White
	078725-01-000	EA	Hinge Cover - Light Oak
19	095277-02-01A	EA	Door Jamb - Entrance Door
	051049-01-000	EA	Jamb Bottom - Entry Door - Beige
	079207-01-000	EA	Striker - Roller Catch - Welded to Door Jamb
	095278-01-01A	EA	Jamb Door - Entrance - Unpainted
20	087581-01-000	FT	Window Seal
21	002181-07-000	EA	Glass - Picture Window - Frosted
	079733-07-AA8	EA	Window Asm. - Picture - 17" x 25" - Frosted Glass (w/o inside frame)
	067809-27-000	EA	Inside Frame - Black (not included in assembly)
	087581-01-000	FT	Spline - Glass - Exterior Vinyl - Black
22	095229-01-01A	EA	Deadbolt Asm.
	095229-01-700	EA	Key - Blank
**22	101145-01-01A	EA	Dead Bolt - Entry Door - Black
	101147-01-000	EA	Security Bolt - 4.12" Backset
23	098173-01-04A	EA	Stiffener - Entrance Door
24	039540-01-000	EA	Latch Asm. - Entrance Door
25	045017-10-000	EA	Paddle Latch - Mechanism - w/Lock Cylinder & Key
	045017-08-700	EA	Cylinder Asm. w/Keys (Set of 3)
	045017-01-701	EA	Blank Key (1 only)
*25	045017-11-000	EA	Latch Asm. - Entrance Door w/Lock & Key - Black
	045017-11-700	EA	Master Key
	045017-11-701	EA	Blank Key
26	039979-03-000	EA	Cover Asm. - Latch Plate - Black
*26	039979-04-000	EA	Cover Asm. - Latch Plate - Black
27	095276-01-01A	EA	Frame - Entry Door - Off White
28	089748-01-000	EA	Frame - Entrance Door - Bottom Portion
	039738-01-000	EA	Deadbolt - "J" Shaped - Latch Asm.
	039984-01-000	EA	Cap - Black Vinyl - Lock Grip
	058808-01-000	EA	Plug - Tapered for Deadbolt - Plastic - .86" Dia.
	081914-01-000	EA	Bumper - Round Rubber - .43" Dia - Black
	080340-01-000	FT	Seal Foam - Closed Cell
	091988-03-000	FT	Tape Adhesive - 1" Wide
	075873-01-000	FT	Seal - Pile - Adhesive Back
†	100128-02-000	FT	Seal - Pile - Adhesive Back - Gray
	075871-01-000	FT	Seal - Sponge - Lazy T Shaped
	002748-01-000	EA	Corner - Key
	083729-04-000	EA	Rivnut - 10 - 32 UNF - .010 - .080
	072893-01-000	EA	Nutsert - M5 x 0.8

\* These are the parts used from 8/8/90 on.

† These are the parts used from 8/8/90 on.

\*\* These are the parts used from 5/7/90 on.

†† These are the parts used from 7/8/90 on.

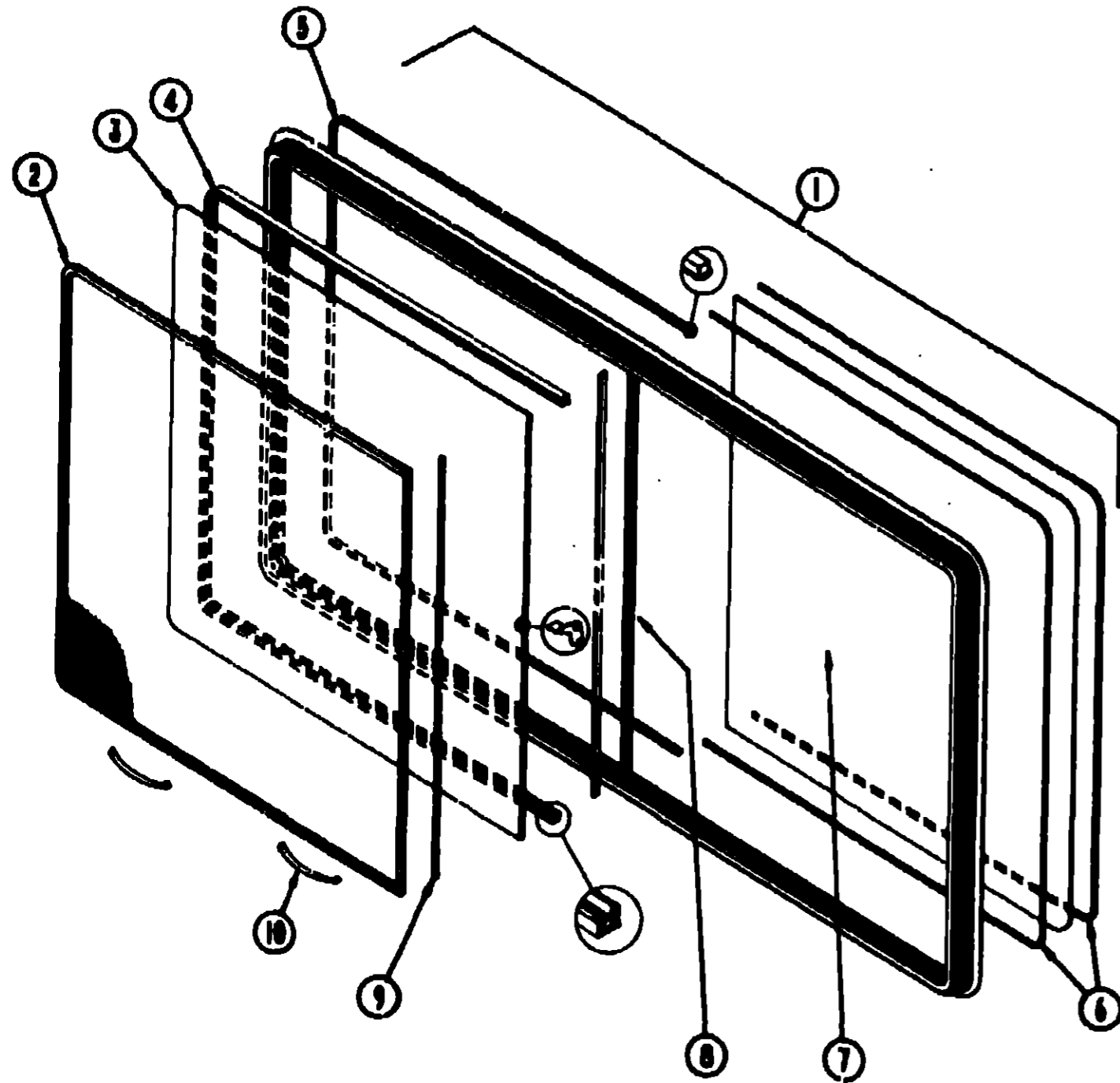
1991 ITASCA  
TABLE OF CONTENTS

INTRODUCTION	A-01 - A-02
ABBREVIATIONS	A-03
ALPHABETICAL GROUP REFERENCE	A-04 - A-08
IF327RT	A-07 - D-14
IF327RB	D-15 - G-10
IF327RO	G-11 - J-18

1991 IF327RT INDEX

Floor Plan	A-07 - A-08
Accessories Group	A-09 - A-11
Bath Group	A-12 - A-13
Bedroom Group	A-14 - A-16
Chassis Group	A-17 - A-20
Curtain, Cushion & Pad Group	A-21 - B-06
Dinette Group	B-07 - B-09
Driver's Compartment Group	B-10 - B-12
Electrical Group	B-13 - B-16
Exterior Body Group	B-16 - B-20
Galley Group	B-21 - B-24
Heating & Air Conditioning Group	C-01 - C-02
Interior Finish Group	C-03 - C-05
Labels Group	C-06 - C-12
LP Group	C-13
Lounge Group	C-14
Sealants & Fasteners Group	C-15 - C-17
Water & Sewage Group	C-18 - C-22
Window, Vent & Exterior Door Group	C-23 - D-19

**WINDOW, VENT & EXTERIOR DOOR GROUP (CONTINUED)**



Key	Part Number	U/M	Description
1	088847-04-700	EA	Window Asm. - Single Slider (w/o inside frame)
	088847-03-705	EA	Inside Frame (not included in assembly)
2	088847-03-704	EA	Screen Asm. - w/Spring & Weatherstrip
3	088847-03-702	EA	Seal Asm. - w/Lock & Glass
	088847-03-703	EA	Spacer Track
	088847-01-704	EA	Screen - Window w/Spring & Seal
4	088844-01-708	FT	Channel - Pierced Run
5	088844-01-708	FT	Weatherstrip
6	088844-01-705	FT	Glazing Strip
7	088847-03-700	EA	Glass - Stationary - 26.03" x 28.77"
8	088847-03-701	EA	Locking Rail w/Weatherstrip
9	088844-01-711	FT	Weatherstrip - Screen - Black
10	088844-01-713	EA	Spring - Screen Frame (Clip) Plastic - Black
	088844-01-716	FT	Plug - Filler
	088844-01-701	EA	Splice Plate - Window
	088844-01-702	EA	Screw - Splice - #6 - 32 x 1/4" Pan Head
	088844-01-703	EA	Screw - Locking Rail - #6 x 15 Pro-Head Recess - Black
	088844-01-700	EA	Latch Repair Kit

Key	Part Number	U/M	Description
1	088847-05-708	EA	Window - Single Slider (w/o inside frame)
	088847-05-705	EA	Inside Frame (not included in assembly)
	088847-05-703	EA	Spacer Track
	088844-01-710	FT	Track - Screen Spacer (12' Length)
2	088847-05-704	EA	Screen Asm. - w/Spring & Weatherstrip
3	088847-05-702	EA	Seal Asm. w/Sliding Glass & Latch
4	088844-01-708	FT	Channel - Pierced Run
	088844-01-700	EA	Latch - Repair Kit
5	088844-01-708	FT	Weatherstripping
6	088844-01-705	FT	Glazing Strip
7	088847-05-700	EA	Glass - Stationary - 19.3" x 22.7"
8	088847-05-701	EA	Rail - Locking w/Weatherstrip
9	088844-01-711	FT	Weatherstrip - Screen - Black
10	088844-01-713	EA	Spring - Screen Frame (Clip) - Plastic - Black
	078844-01-716	FT	Plug - Filler
	088844-01-701	EA	Splice Plate - Window
	088844-01-702	EA	Screw - Splice
	088844-01-703	EA	Screw - Locking Rail

**WINDOW, VENT & EXTERIOR DOOR GROUP (CONTINUED)**

**DINETTE SINGLE SLIDING WINDOW (EXCEL)**

**LOUNGE SINGLE SLIDER WINDOW (EXCEL)**

**1991 ITASCA  
TABLE OF CONTENTS**

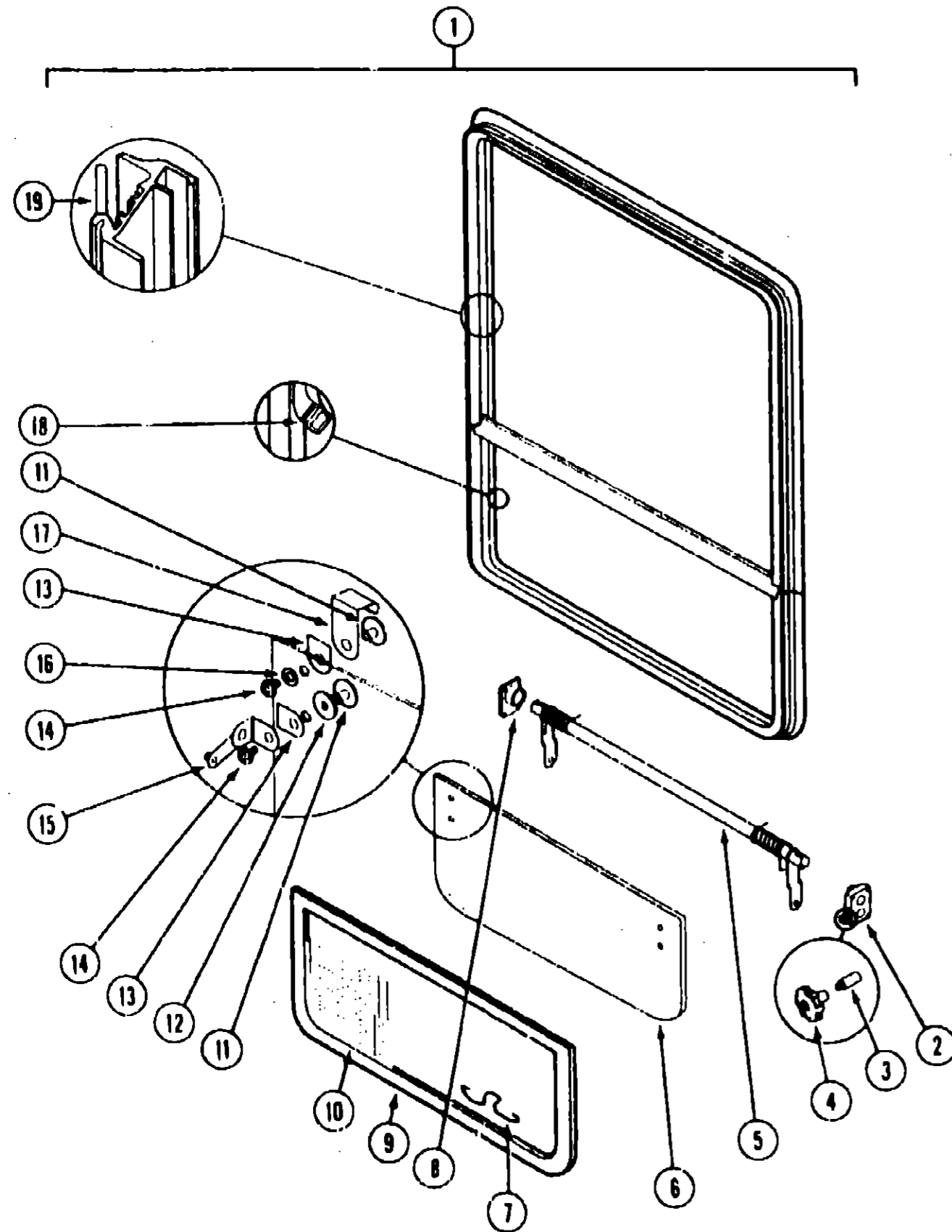
INTRODUCTION	A-01 - A-02
ABBREVIATIONS	A-03
ALPHABETICAL/GROUP REFERENCE	A-04 - A-06
IF327RT	A-07 - D-14
IF327R8	D-15 - G-10
IF327RQ	G-11 - J-18

**1991 IF327RT INDEX**

Floor Plan	A-07 - A-08
Accessories Group	A-09 - A-11
Bath Group	A-12 - A-13
Bedroom Group	A-14 - A-16
Chassis Group	A-17 - A-20
Curtain, Cushion & Pad Group	A-21 - B-06
Dinette Group	B-07 - B-09
Driver's Compartment Group	B-10 - B-12
Electrical Group	B-13 - B-16
Exterior Body Group	B-18 - B-20
Galley Group	B-21 - B-24
Heating & Air Conditioning Group	C-01 - C-02
Interior Finish Group	C-03 - C-05
Labels Group	C-06 - C-12
LP Group	C-13
Lounge Group	C-14
Sealants & Fasteners Group	C-15 - C-17
Water & Sewage Group	C-18 - C-22
Window, Vent & Exterior Door Group	C-23 - D-18

WINDOW, VENT & EXTERIOR DOOR GROUP (CONTINUED)

WINDOW, VENT & EXTERIOR DOOR GROUP (CONTINUED)



BEDROOM SINGLE TIPOUT WINDOW

Key	Part Number	U/M	Description
1	092235-07-Y12	EA	Window Asm. - Single Tipout (w/o inside frame)
	090893-11-01A	EA	Inside Frame (not included w/Window Assembly)
2	035302-02-000	EA	Operator Drive
3	090025-01-000	EA	Extension - Window Knob (not included w/Window Assembly)
4	067052-02-000	EA	Window Knob - Beige (not included w/Window Assembly)
	069371-01-000	EA	Screw - Window Knob (not included w/Window Assembly)
4	101260-01-01A	EA	Window Knob - Brass (not included w/Window Assembly)
	101289-01-01A	EA	Screw - Window Knob - Brass (not included w/Window Assembly)
5	080918-01-000	EA	Spring - Torque Tube - Rear Driver Side/Front Pass Side
	080918-02-000	EA	Spring - Torque Tube - Front Driver Side/Rear Pass Side
5	083150-12-000	EA	Torque Tube Asm. w/Spring
6	106408-17-000	EA	Glass - 1/8" x 1/8" x 9.2" x 40"
7	100168-01-000	EA	Screen Clip
8	081354-01-000	EA	Torque Tube Sleeve
9	100236-04-Y12	EA	Screen Asm.
10	080218-03-000	SF	Window Screen - 12"
	100240-01-000	FT	Window Screen Spline
11	086782-01-000	EA	Window T-Nut
12	068927-03-000	EA	Seal - Rubber - Round - .80" Dia. - Black
13	084473-01-000	EA	Seal - Rubber - Flat w/Centerhole & Adhesive Back - .8" x 9" - Black
14	088763-01-000	EA	Screw - #10 - 32 x 1/4" PTH
15	097578-01-000	EA	Connecting Rod Asm.
	081649-01-000	EA	Snap Ring Clip
16	084453-02-000	EA	Plastic Washer - .06 x .50 x .25
17	089913-01-000	EA	Hinge
18	084067-01-000	FT	Seal - Sponge Rubber - E-Shaped - .4" x .4" - Black
19	089840-08-000	FT	Ribbon Sealer (not included w/Window Assembly)
	085315-01-000	EA	Rivet - Shoulder
	000G39-08-18T	EA	Screw - BF/DR - 6-20 x 1 PPH - Black
	080914-01-000	EA	Key - Corner - Tipout Window
	084453-01-000	EA	Washer - .08" x .5" x .135" - Plastic

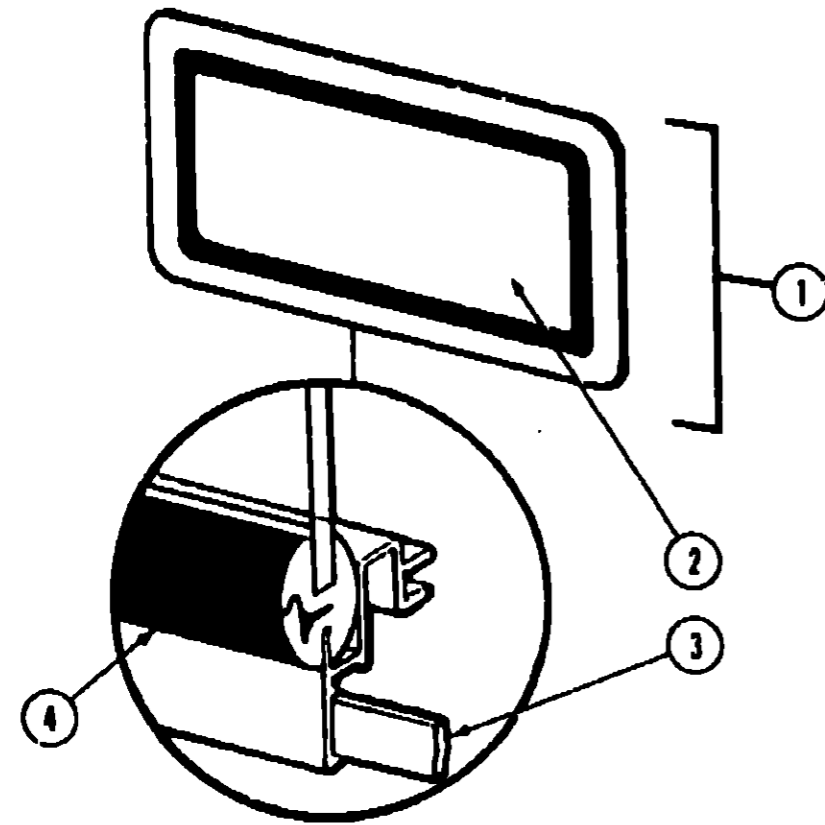
1991 ITASCA  
TABLE OF CONTENTS

INTRODUCTION	A-01 - A-02
ABBREVIATIONS	A-03
ALPHABETICAL/GROUP REFERENCE	A-04 - A-08
IF327RT	A-07 - D-14
IF327RB	D-15 - G-10
IF327RQ	G-11 - J-18

1991 IF327RT INDEX

Floor Plan	A-07 - A-08
Accessories Group	A-09 - A-11
Bath Group	A-12 - A-13
Bedroom Group	A-14 - A-18
Chassis Group	A-17 - A-20
Curtain, Cushion & Pad Group	A-21 - B-06
Dinette Group	B-07 - B-08
Driver's Compartment Group	B-10 - B-12
Electrical Group	B-13 - B-15
Exterior Body Group	B-16 - B-20
Galley Group	B-21 - B-24
Heating & Air Conditioning Group	C-01 - C-02
Interior Finish Group	C-03 - C-05
Labels Group	C-06 - C-12
LP Group	C-13
Lounge Group	C-14
Sealants & Fasteners Group	C-15 - C-17
Water & Sewage Group	C-18 - C-22
Window, Vent & Exterior Door Group	C-23 - D-13

**WINDOW, VENT & EXTERIOR DOOR GROUP (CONTINUED)**



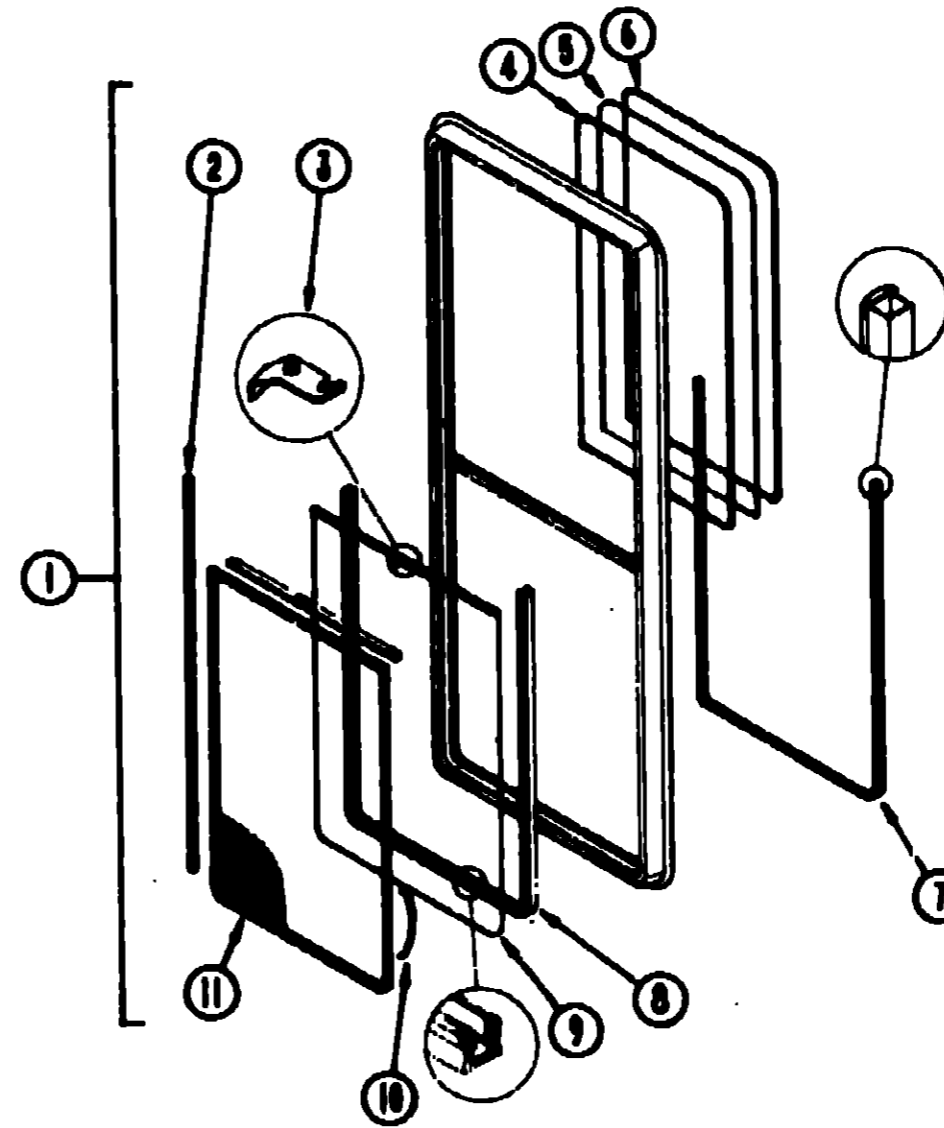
**FRONT PICTURE WINDOW**

Key	Part Number	U/M	Description
1	078533-06-AA3 041938-12-000	EA	Window Asm. - Front Picture - 15' x 32" - Black (w/o inside frame) Inside Frame - Black (not included in assembly)
2	002200-07-000	EA	Glass - Tempered - Picture Window - 15.3" x 32.5"
3	089840-04-000	FT	Ribbon Sealer - 5/16" Bead x 15'
4	002281-01-000	EA	Weatherstrip - Self Seal - .06" Panel x 3/16" - Black

**FRONT BUNK PICTURE WINDOW**

Key	Part Number	U/M	Description
1	078533-06-B13 041938-12-000	EA	Window Asm. - Front Picture - 15.3" x 32.5" (w/o inside frame) Inside Frame - Black (not included in assembly)
2	002181-13-000	EA	Glass - Window - 15.3" x 32.5" - Gray
3	089840-04-000	FT	Ribbon Sealer - 5/16" Bead x 15'
4	002281-01-000	EA	Weatherstrip - Self Seal - .125"

**WINDOW, VENT & EXTERIOR DOOR GROUP (CONTINUED)**



**GALLEY/BATH VERTICAL SLIDER**

Key	Part Number	U/M	Description
1	098844-01-715 098844-01-714	EA	Window Asm. - Vertical Slider - Black (w/o inside frame) Inside Frame (not included in assembly)
2	098844-01-711	EA	Weatherstrip
3	098844-01-700	EA	Latch Repair Kit
4	098844-01-707	EA	Locking Rail
5	098844-01-704	EA	Stationary Glass
6	098844-01-705	EA	Glazing Strip
7	098844-01-708	FT	Weatherstrip
8	098844-01-708	FT	Channel (Glass Slide)
9	098844-01-709	EA	Sliding Glass - w/Latch
10	098844-01-713	EA	Screen Clips
11	098844-01-712 098844-01-701 098844-01-710 098844-01-702 098844-01-703 098844-01-716	EA EA FT EA EA EA	Screen Asm. Splice Plate Screen Track Screw - Splice - #6 - 32 x 1/4" - Pan Head Screw - Locking Rail - #8 x 15 Pro Head Recess - Black Plug - Filler

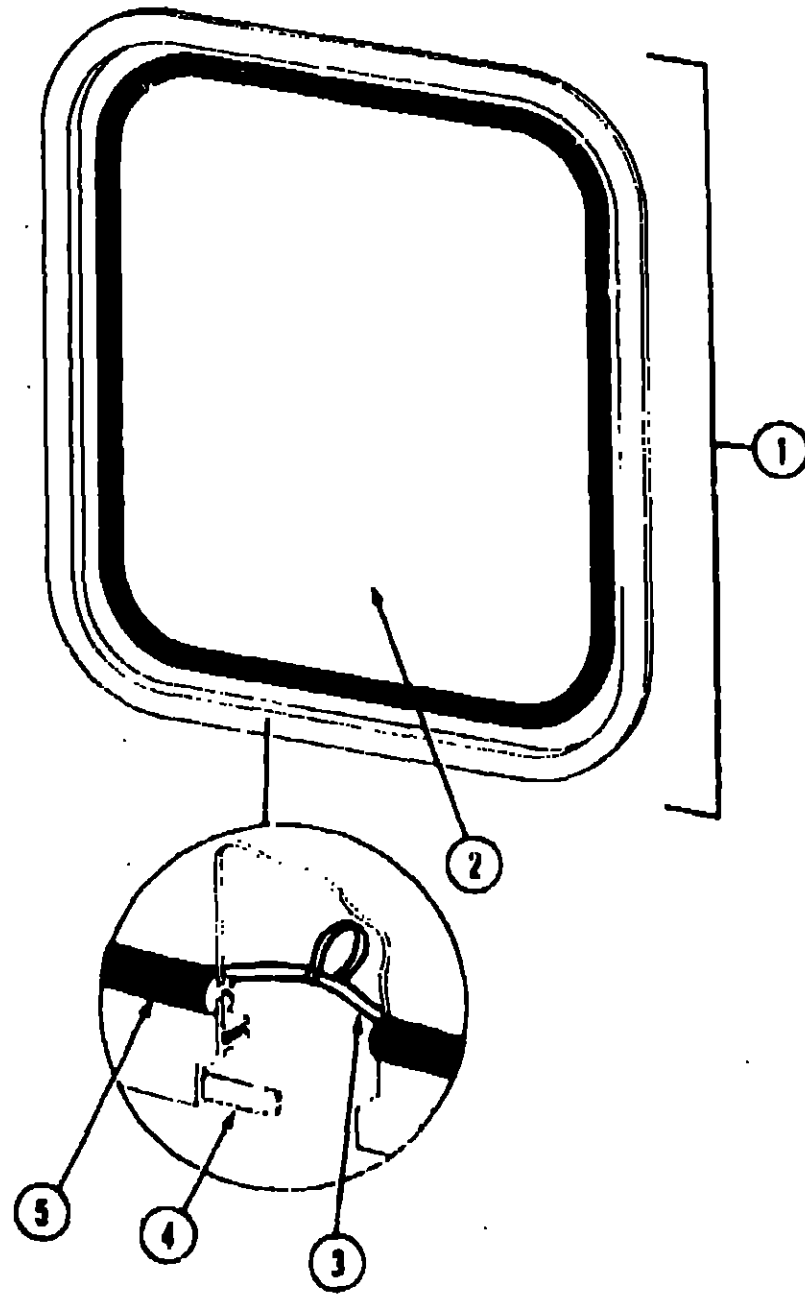
**1991 ITASCA  
TABLE OF CONTENTS**

INTRODUCTION	A-01 - A-02
ABBREVIATIONS	A-03
ALPHABETICAL/GROUP REFERENCE	A-04 - A-06
IF327RT	A-07 - D-14
IF327RB	D-15 - G-10
IF327RQ	G-11 - J-18

**1991 IF327RT INDEX**

Floor Plan	A-07 - A-08
Accessories Group	A-09 - A-11
Bath Group	A-12 - A-13
Bedroom Group	A-14 - A-16
Chassis Group	A-17 - A-20
Curtain, Cushion & Pad Group	A-21 - B-08
Dinette Group	B-07 - B-08
Driver's Compartment Group	B-10 - B-12
Electrical Group	B-13 - B-16
Exterior Body Group	B-16 - B-20
Galley Group	B-21 - B-24
Heating & Air Conditioning Group	C-01 - C-02
Interior Finish Group	C-03 - C-05
Labels Group	C-06 - C-12
LP Group	C-13
Lounge Group	C-14
Sealants & Fasteners Group	C-15 - C-17
Water & Sewage Group	C-18 - C-22
Window, Vent & Exterior Door Group	C-23 - D-13

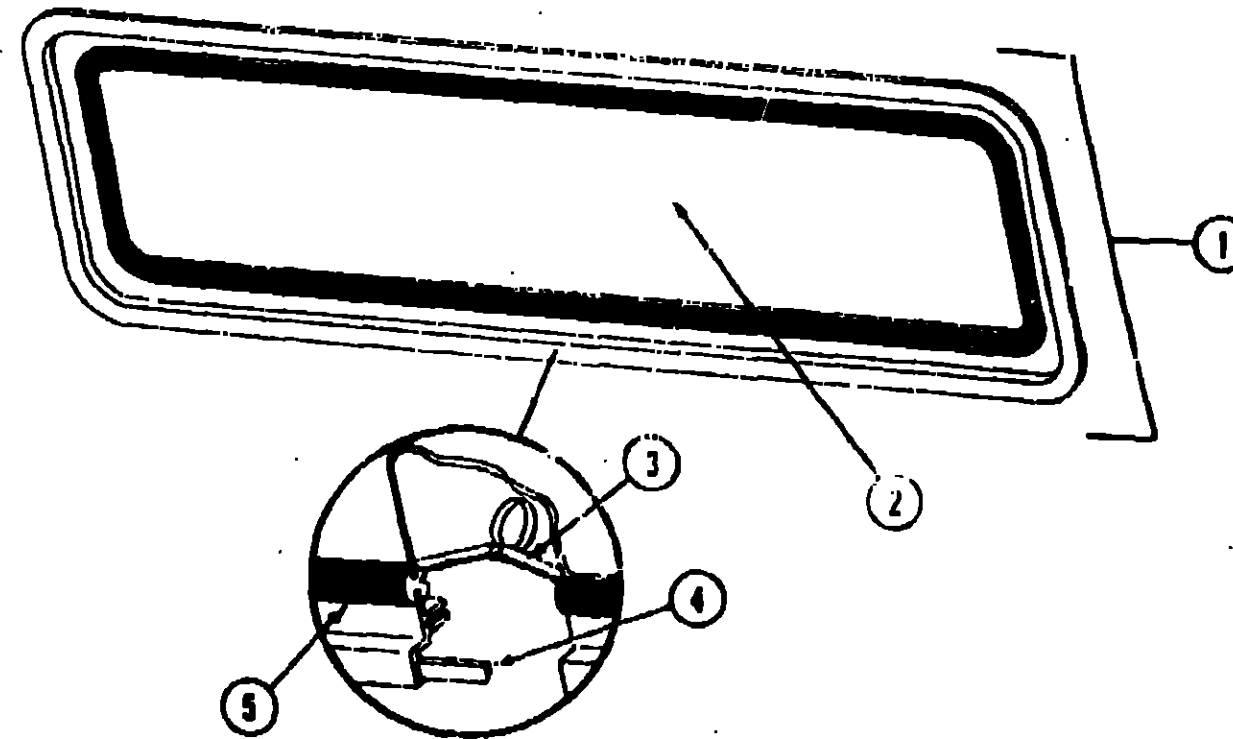
WINDOW, VENT & EXTERIOR DOOR GROUP (CONTINUED)



ESCAPE WINDOW

Key	Part Number	U/M	Description
1	079729-02-T03	EA	Window Asm. - Rear Escape - 24" x 22" - Black (w/o inside frame)
1	079729-03-W17	EA	Window Asm. - Rear Escape - 24" x 22" - Black (w/o inside frame)
	020749-09-000	EA	Inside Frame - Black (not included in assembly)
	020749-07-000	EA	Inside Frame - Beige (not included in assembly)
2	041382-03-000	EA	Glass - 1/8" x 21.6" x 19.6"
3	002285-01-000	FT	Filler - Weatherstrip - Black
4	089840-07-000	FT	Ribbon Sealer - 5/16" Bead x 15'
5	002282-01-000	FT	Weatherstrip - 1.25" Window
	008199-01-000	EA	Label - Exit - Escape Window
	077086-01-702	EA	Tape Asm. - Escape Window

WINDOW, VENT & EXTERIOR DOOR GROUP (CONTINUED)



BEDROOM ESCAPE WINDOW (OPTION L46L)

Key	Part Number	U/M	Description
1	078536-01-T03	EA	Window Asm. - Escape - 23" x 68" (w/o inside frame)
	042027-12-000	EA	Inside Frame - Black (not included in assembly)
2	002178-01-000	EA	Glass - 19.6" x 64.8"
3	002285-01-000	FT	Filler - Weatherstrip - Black
4	089840-05-000	FT	Ribbon Sealer - 5/16" Bead x 15'
5	002282-01-000	FT	Weatherstrip - 1.25" Window
	077086-01-702	EA	Tape Asm. - Escape Window

1991 ITABCA  
TABLE OF CONTENTS

INTRODUCTION	A-01 - A-02
ABBREVIATIONS	A-03
ALPHABETICAL/GROUP REFERENCE	A-04 - A-06
IF327RT	A-07 - D-14
IF327RB	E-15 - G-10
IF327RO	G-11 - J-16

1991 IF327RT INDEX

Floor Plan	A-07 - A-08
Accessories Group	A-09 - A-11
Bath Group	A-12 - A-13
Bedroom Group	A-14 - A-16
Cheeks Group	A-17 - A-20
Curtain, Cushion & Pad Group	A-21 - B-06
Dinette Group	B-07 - B-09
Driver's Compartment Group	B-10 - B-12
Electrical Group	B-13 - B-15
Exterior Body Group	B-16 - B-20
Galley Group	B-21 - B-24
Heating & Air Conditioning Group	C-01 - C-02
Interior Finish Group	C-03 - C-05
Labels Group	C-06 - C-12
LP Group	C-13
Lounges Group	C-14
Sealants & Fasteners Group	C-15 - C-17
Water & Sewage Group	C-18 - C-22
Window, Vent & Exterior Door Group	C-23 - D-13

## WINDOW, VENT & EXTERIOR DOOR GROUP (CONTINUED)

### FRONT BUNK SLIDER

Key	Part Number	U/M	Description
	100322-01-720	EA	Window - Vented - 12" x 35.8" - Passenger Side (w/o inside frame)
	100322-02-700	EA	Window - Vented - 12" x 35.8" - Driver Side (w/o inside frame)
	100322-01-719	EA	Inside Frame - Clamping (not included in assembly)
	098644-01-718	EA	Filler Plug
	100322-01-701	FT	Seal - Vent
	100322-01-702	EA	Weatherstrip - Horizontal Rail
	100322-01-703	EA	Glazing Strip - Butyl
	100322-01-704	EA	Butyl Tape
	100322-01-705	EA	Stationary Glass - Small Top
	100322-01-708	EA	Stationary Glass - Large - Front
	100322-01-707	EA	Tipout Glass - Sub-Assembly
	100322-01-708	EA	Screen - Driver Side
	100322-01-709	EA	Screen - Passenger Side
	100322-01-710	EA	Plate - Splice
	100322-01-711	EA	Operator Vent - Sub Assembly
	100322-01-712	EA	Rail - Horizontal
	100322-01-713	EA	Bar Division - Vertical
	100322-01-714	EA	Support - Torque Bar - Driver Side
	100322-01-715	EA	Support - Torque Bar - Passenger Side
	100322-01-716	EA	Support - Torque Bar - Center Rail
	100322-01-717	EA	E-Ring
	100322-01-718	EA	Handle - Dial

## 1991 ITA3CA TABLE OF CONTENTS

INTRODUCTION	A-01 - A-02
ABBREVIATIONS	A-03
ALPHABETICAL/GROUP REFERENCE	A-04 - A-06
IF327RT	A-07 - D-14
IF327RB	D-15 - G-10
IF327RQ	G-11 - J-16

## 1991 IF327RT INDEX

Floor Plan	A-07 - A-08
Accessories Group	A-09 - A-11
Bath Group	A-12 - A-13
Bedroom Group	A-14 - A-16
Chassis Group	A-17 - A-20
Curtain, Cushion & Pad Group	A-21 - B-06
Dinette Group	B-07 - B-09
Driver's Compartment Group	B-10 - B-12
Electrical Group	B-13 - B-15
Exterior Body Group	B-16 - B-20
Galley Group	B-21 - B-24
Heating & Air Conditioning Group	C-01 - C-02
Interior Finish Group	C-03 - C-05
Labels Group	C-06 - C-12
LP Group	C-13
Lounge Group	C-14
Sealants & Fasteners Group	C-15 - C-17
Waste & Sewage Group	C-18 - C-22
Window, Vent & Exterior Door Group	C-23 - D-13