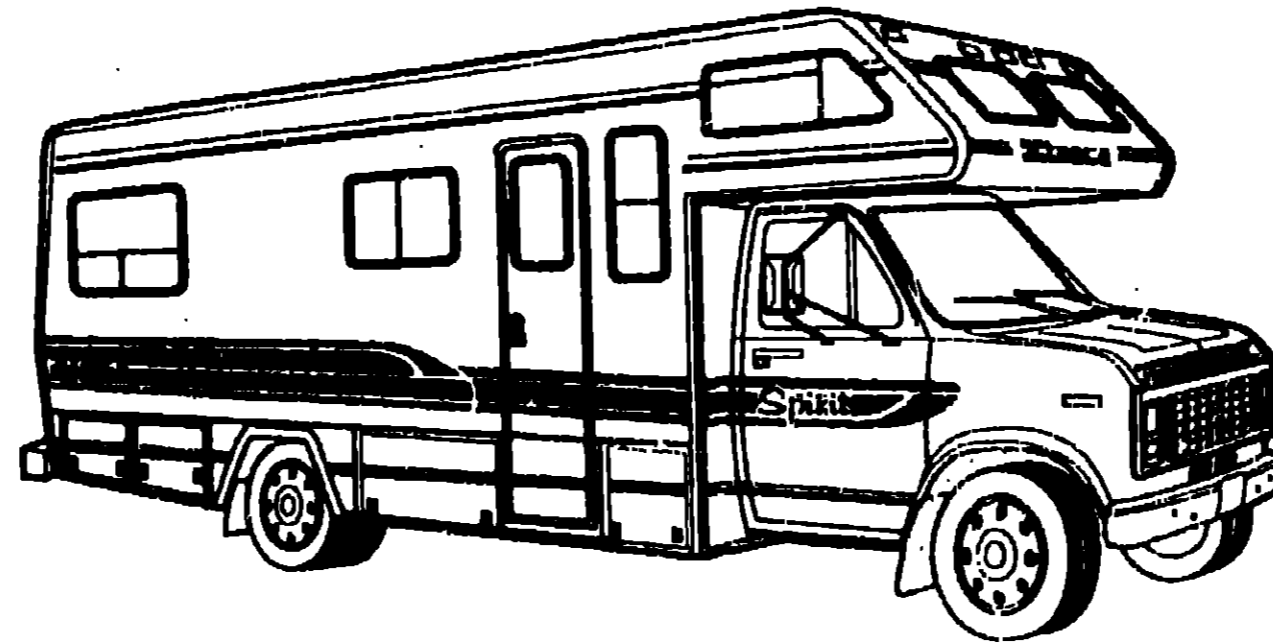
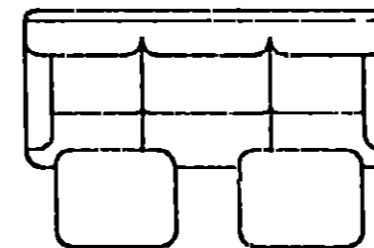
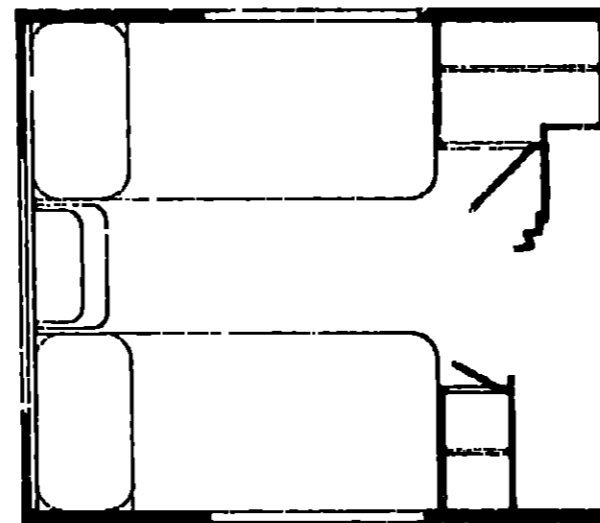


**1991 ITASCA  
TABLE OF CONTENTS**

INTRODUCTION	A-01 - A-02
ABBREVIATIONS	A-03
ALPHABETICAL GROUP REFERENCE	A-04 - A-06
IF327RT	A-07 - D-14
IF327RB	D-15 - G-10
IF327RQ	G-11 - J-16

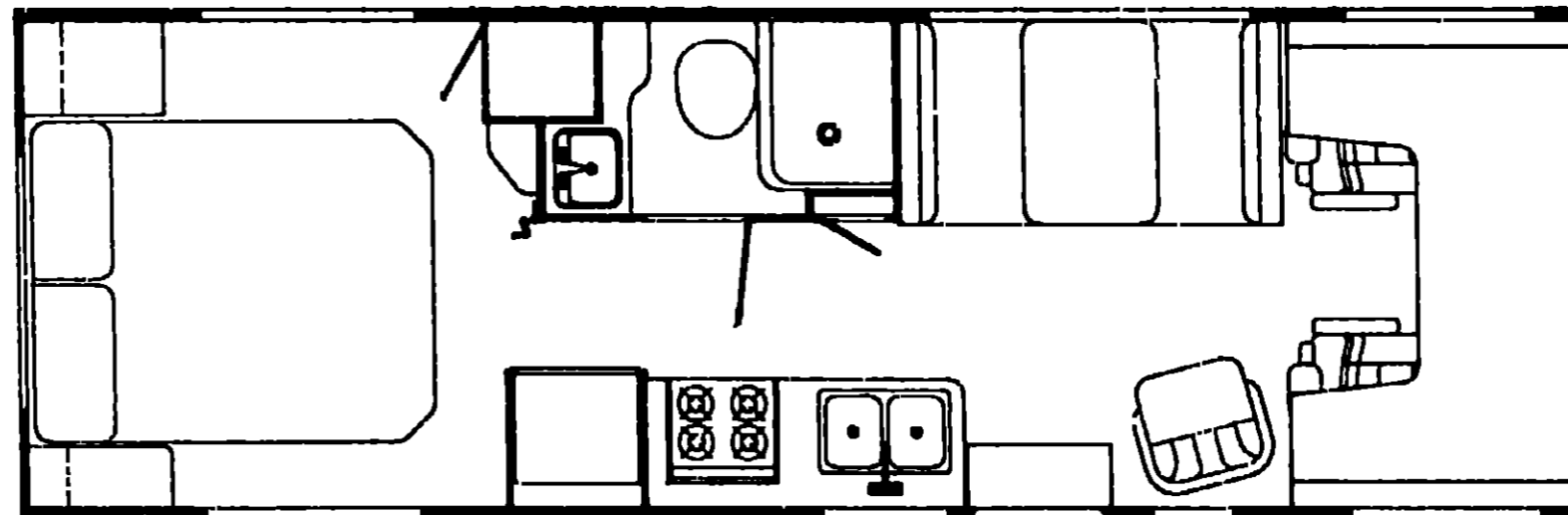


**1991  
IF327RQ**



**1991 IF327RQ INDEX**

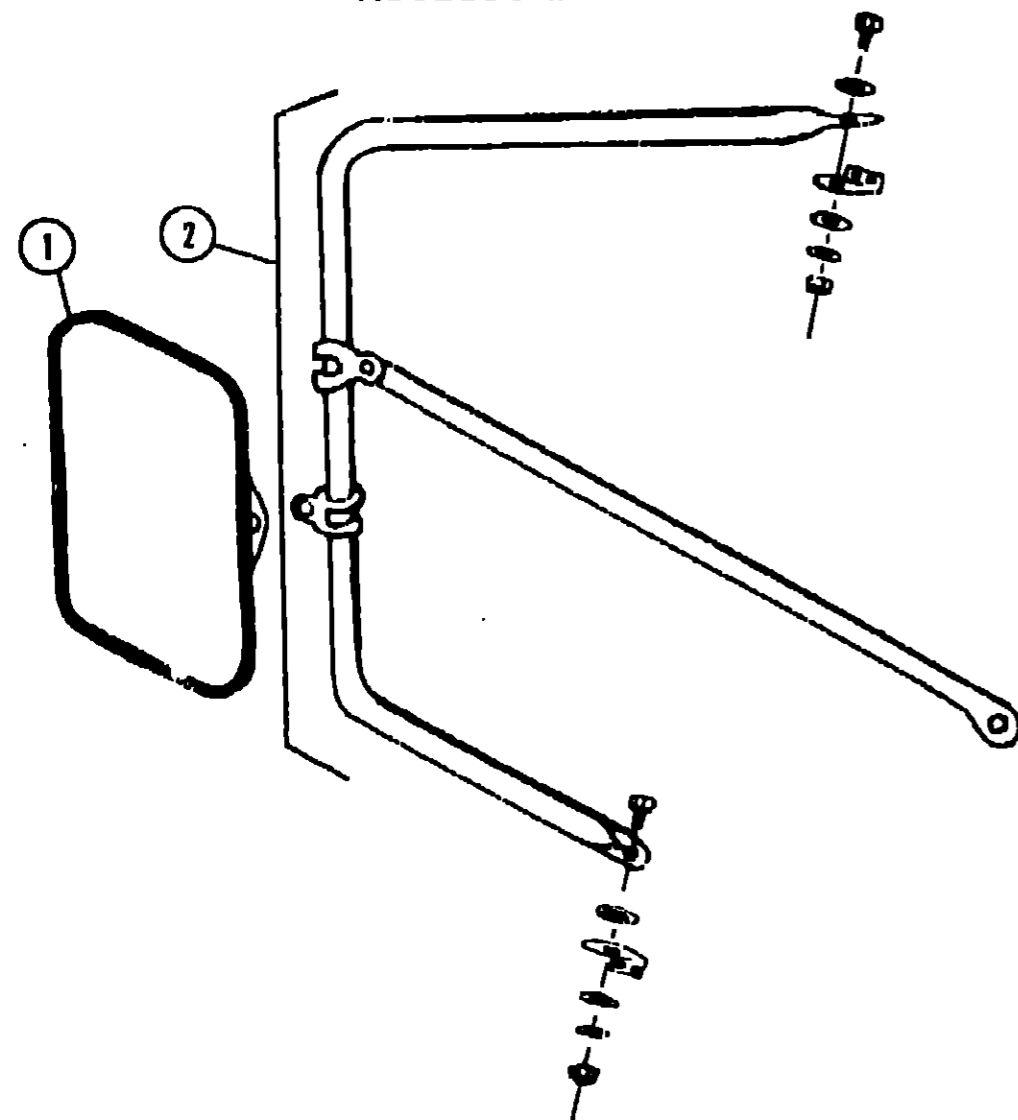
Floor Plan	G-11 - G-12
Accessories Group	G-13 - G-15
Bath Group	G-16 - G-17
Bedroom Group	G-18 - G-20
Chassis Group	G-21 - G-23
Curtain, Cushion & Pad Group	G-24 - H-08
Dinette Group	H-09 - H-11
Driver's Compartment Group	H-12 - H-14
Electrical Group	H-15 - H-17
Exterior Body Group	H-18 - H-22
Galley Group	H-23 - I-03
Heating & Air Conditioning Group	I-04 - I-05
Interior Finish Group	I-06 - I-09
Labels Group	I-10 - I-17
LP Group	I-18
Lounge Group	I-19
Sealants & Fasteners Group	I-20 - I-22
Water & Sewage Group	I-23 - J-02
Window, Vent & Exterior Door Group	J-03 - J-16



G-11

G-12

## ACCESSORIES GROUP



EXTERIOR MIRRORS

Key	Part Number	U/M	Description
1	049347-01-000	EA	Mirror Head - 7 1/2" x 10 1/2" - Stainless Steel (Option L63W)
	049347-01-700	EA	Glass - Mirror Head - 7.5" x 10.5"
2	062047-01-000	EA	Arm - West Coast Mirror - Stainless Steel
	006043-01-000	EA	Mirror - Convex - Adhesive Back

NOTE: Items indented below assemblies are serviceable parts for that assembly.

## WHEEL COVER & MOUNTING HARDWARE

Key	Part Number	U/M	Description
	083181-01-000	EA	Wheel Cover - 16" (Set/4)
	083181-01-700	EA	Wheel Cover - 16" (1)
	083181-04-702	EA	Nut - Wheel Cover

## RADIO & RELATED COMPONENTS

Key	Part Number	U/M	Description
	074979-01-000	EA	Speaker Cover Protector - Plastic
	089340-02-000	EA	Speaker Grill - 6.5" - Square
	090982-01-000	EA	Radio - AM/FM Stereo - w/Cassette
	081082-01-000	EA	Plaque - Mounting Switch
	079385-02-000	EA	Radio Mounting Kit
	094097-01-000	EA	Speaker - 5.25" - w/o Grille
	081059-02-000	EA	Wire Asm. - 9 Pin - Audiovox Radio

## ACCESSORIES GROUP (CONTINUED)

### MISCELLANEOUS ACCESSORIES

Key	Part Number	U/M	Description
	054185-63-000	EA	Owner's Manual - 1991 - Spirit
	092318-01-000	EA	Binder - 3 Ring - Vendor Manual
	092319-01-000	EA	Page - Plastic Packet
	098094-11-000	EA	Cassette - Itasca Spirit
	094499-01-000	EA	Fire Extinguisher - IA 10BC (UL)
	094499-02-000	EA	Fire Extinguisher - IA 10BC (CSA)
	094499-01-700	EA	Bracket - Mounting w/Plastic Strap - Fire Extinguisher
	072852-01-000	EA	Smoke Detector w/9 Volt Battery
	072852-02-000	EA	Smoke Detector w/9 Volt Battery
	100603-01-01A	EA	Wall Clock - Round - Bezel
	104764-01-01A	EA	Wall Clock - Spartus
	101333-01-000	EA	Back Plate - Clock Mounting

These parts were used from 5/1/91 on.

### TV ANTENNA

Key	Part Number	U/M	Description
	076319-13-000	EA	Antenna - TV Roof Mount - 44.5"
	076319-13-700	EA	Head - Antenna - Non-Amplified
	076319-01-701	EA	Gear - Elevating - Plastic
	076319-01-702	EA	Shaft Asm. - Elevating
	076319-01-703	EA	Bearing - Nylon - .5" OD
	076319-01-704	EA	Bearing - Nylon - 1.25" OD
	076319-01-705	EA	Grommet - Nylon - 7/8" ID
	076319-01-706	EA	Crank - Elevating w/Set Screw
	076319-01-707	EA	Spring - Handle
	076319-01-708	EA	Decal - Crank
	076319-06-000	EA	Adaptor - Cable Roof Plate
	093252-01-01A	EA	Wallplate/Cable - Beige
	076319-11-000	EA	Adapter - Coax w/Splitter
	076319-03-000	FT	Cable - Coaxial - 1000' Roll
	076319-12-000	EA	Connector - Coaxial
	080734-02-000	EA	Clip - Wire Nylon

NOTE: Items indented below assemblies are serviceable parts for that assembly.

### TV/VCR & RELATED COMPONENTS

Key	Part Number	U/M	Description
	098447-01-000	EA	TV - 13" Color w/Remote - Magnavox (US)
	098447-02-000	EA	TV - 13" Color w/Remote - Magnavox (CSA)
	098447-01-700	EA	Remote Control - TV
	098448-02-000	EA	VCR - VHS - Cable Ready w/Remote - Magnavox 9912
	098448-02-700	EA	Remote Control - VCR
	099856-01-000	EA	TV Tiedown
	098819-01-000	EA	Speaker - 2 Watt - 8 OHM - 4"
	074979-12-000	EA	Cover - Speaker - Off White - Plastic

NOTE: Items indented below assemblies are serviceable parts for that assembly.

### CHROME WHEEL LINERS

Key	Part Number	U/M	Description
	091209-05-000	EA	Liner - Wheel - 16" (Set of 4)
	091209-05-700	EA	Simulator - Front Wheel
	091209-05-701	EA	Simulator - Rear Wheel
	091209-03-702	EA	Cover - Front Axle
	091209-03-703	EA	Cover - Rear Axle
	091209-03-704	EA	Cover - Lug Nut
	091209-10-000	EA	Liner - Wheel (Set of 4)
	091209-10-700	EA	Axle Cover - Front
	091209-10-701	EA	Axle Cover - Rear
	091209-10-702	EA	Simulator - Front
	091209-10-703	EA	Simulator - Rear
	091209-10-704	EA	Lug Nut & Washer
	091209-10-705	EA	Lug Nut Cover

G-13 \*These parts are from 5/17/91 on.

NOTE: Items indented below assemblies are serviceable parts for that assembly.

## 1991 ITASCA TABLE OF CONTENTS

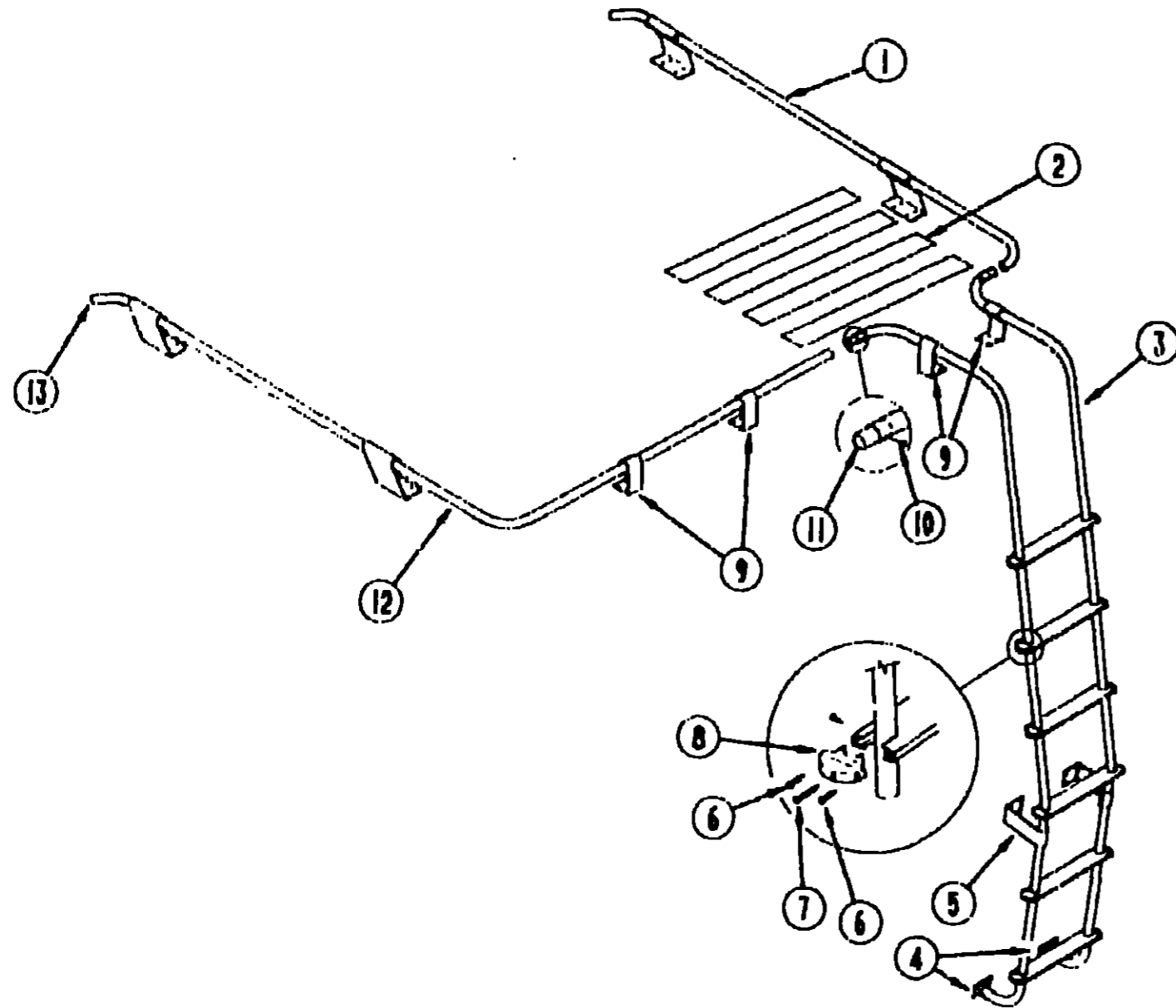
INTRODUCTION	A-01 - A-02
ABBREVIATIONS	A-03
ALPHABETICAL GROUP REFERENCE	A-04 - A-08
IF327RT	A-07 - D-14
IF327RB	D-15 - G-10
IF327RQ	G-11 - J-18

## 1991 IF327RQ INDEX

Floor Plan	G-11 - G-12
Accessories Group	G-13 - G-15
Bath Group	G-16 - G-17
Bedroom Group	G-18 - G-20
Chassis Group	G-21 - G-23
Curtain, Cushion & Pad Group	G-24 - H-08
Dinette Group	H-09 - H-11
Driver's Compartment Group	I-2 - H-14
Electrical Group	H-15 - H-17
Exterior Body Group	H-18 - H-22
Galley Group	H-23 - I-03
Heating & Air Conditioning Group	I-04 - I-05
Interior Finish Group	I-06 - I-09
Labels Group	I-10 - I-17
LP Group	I-18
Lounge Group	I-19
Sealants & Fasteners Group	I-20 - I-22
Water & Sewage Group	I-23 - J-02
Window, Vent & Exterior Door Group	J-03 - J-18

G-14

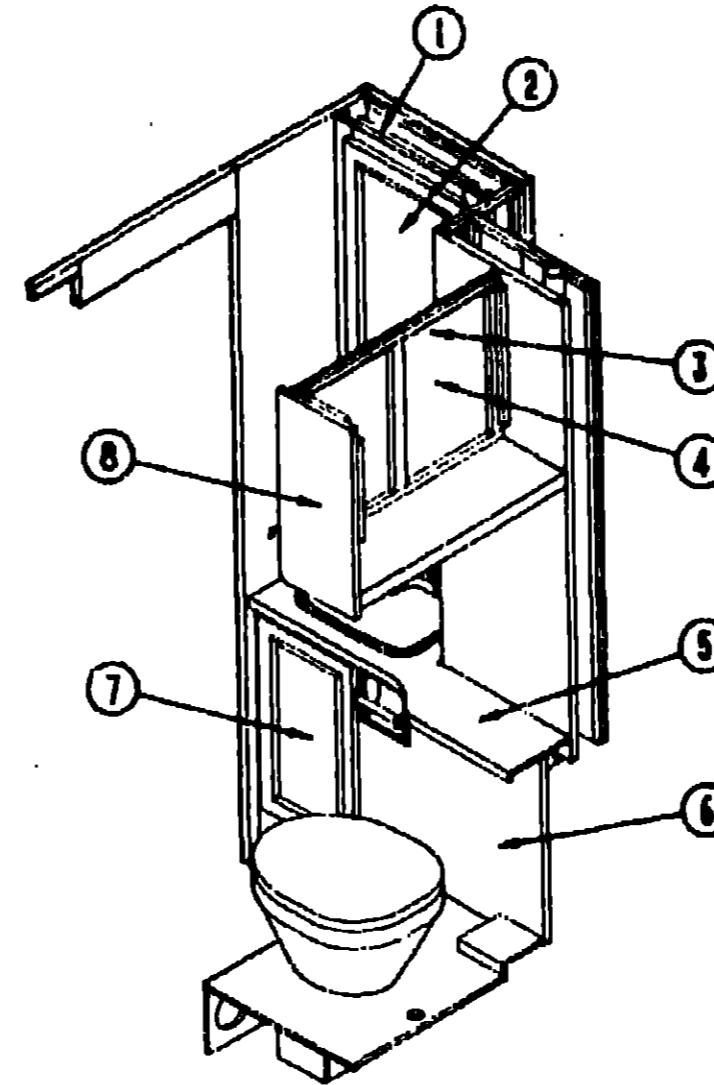
**ACCESSORIES GROUP (CONTINUED)**



**RACK & LADDER COMPONENTS**

Key	Part Number	U/M	Description
1	081026-01-T03	EA	Rack Asm. - Passenger Side w/2 Angled Standoff
2	038327-01-000	EA	Tape - Anti-Slip - 2" x 60'
3	081016-06-B05	EA	Ladder
4	067165-01-000	EA	Mounting Bracket - Ladder - Lower
5	Non-serviceable	EA	Standoff - Ladder - Bright Dipped - Lower
6	000G39-06-10T	EA	Screw - SF/DR - 6 - 20 x 5/8" PPH - Black
7	000G68-10-36T	EA	Screw - 10 - 12 x 2.25" POH - Black
8	076980-02-000	EA	End Cap - Step - Black
9	Non-serviceable	EA	Standoff - Rack & Ladder - Bright Dipped
10	000G39-06-08E	EA	Screw - SF/DR - 8 - 18 x 50 PPH
11	Non-serviceable	EA	Splice
12	081026-02-T03	EA	Rack Asm. - Driver Side w/2 Angled & 2 Straight Standoff
13	081114-01-000	EA	Cap - Insert - Round - 1" Dia.

**BATH GROUP**



**BATH CABINETRY**

Key	Part Number	U/M	Description
1	103279-01-B27	EA	Medicine Cabinet - w/o Door or Hardware
2	P03661-01-B87	EA	Door Asm. - Medicine Cabinet - w/o Hardware
	093446-10-B27	EA	Mirror - Hood Framed
	M03450-11-000	EA	Trim - Mirror - Oak
	074015-07-000	EA	Plug - Wood - 1/2" Dia.
	058331-32-000	EA	Mirror - 13.6" x 27.6"
3	103129-01-B87	EA	Cabinet Asm. - Bath Overhead - w/o Doors or Hardware
4	P03701-57-B87	EA	Door Asm. - Bath Cabinet - 12.8" x 17.7" - w/o Hardware
5	103126-11-B85	EA	Countertop - Lavatory Cabinet
6	P03126-01-B87	EA	Lavatory Cabinet w/Countertop - w/o Doors or Hardware
7	P03702-14-B87	EA	Door Asm. - Lavatory Cabinet - w/o Hardware
8	081280-38-B87	EA	End Cap - Overhead Cabinet
	M82429-06-B27	EA	Door Asm. - Bath - w/o Hardware

**1991 ITASCA  
TABLE OF CONTENTS**

INTRODUCTION	A-01 - A-02
ABBREVIATIONS	A-03
ALPHABETICAL GROUP REFERENCE	A-04 - A-08
IF327RT	A-07 - D-14
IF327RB	D-15 - G-10
IF327RQ	G-11 - J-16

**1991 IF327RQ INDEX**

Floor Plan	G-11 - G-12
Accessories Group	G-13 - G-15
Bath Group	G-16 - G-17
Bedroom Group	G-18 - G-20
Chassis Group	G-21 - G-23
Curtain, Cushion & Pad Group	G-24 - H-08
Dinette Group	H-09 - H-11
Driver's Compartment Group	H-12 - H-14
Electrical Group	H-15 - H-17
Exterior Body Group	H-18 - H-22
Galley Group	H-23 - I-03
Heating & Air Conditioning Group	I-04 - I-05
Interior Finish Group	I-06 - I-09
Labels Group	I-10 - I-17
LP Group	I-18
Lounge Group	I-19
Sealants & Fasteners Group	I-20 - I-22
Water & Sewage Group	I-23 - J-02
Window, Vent & Exterior Door Group	J-03 - J-16

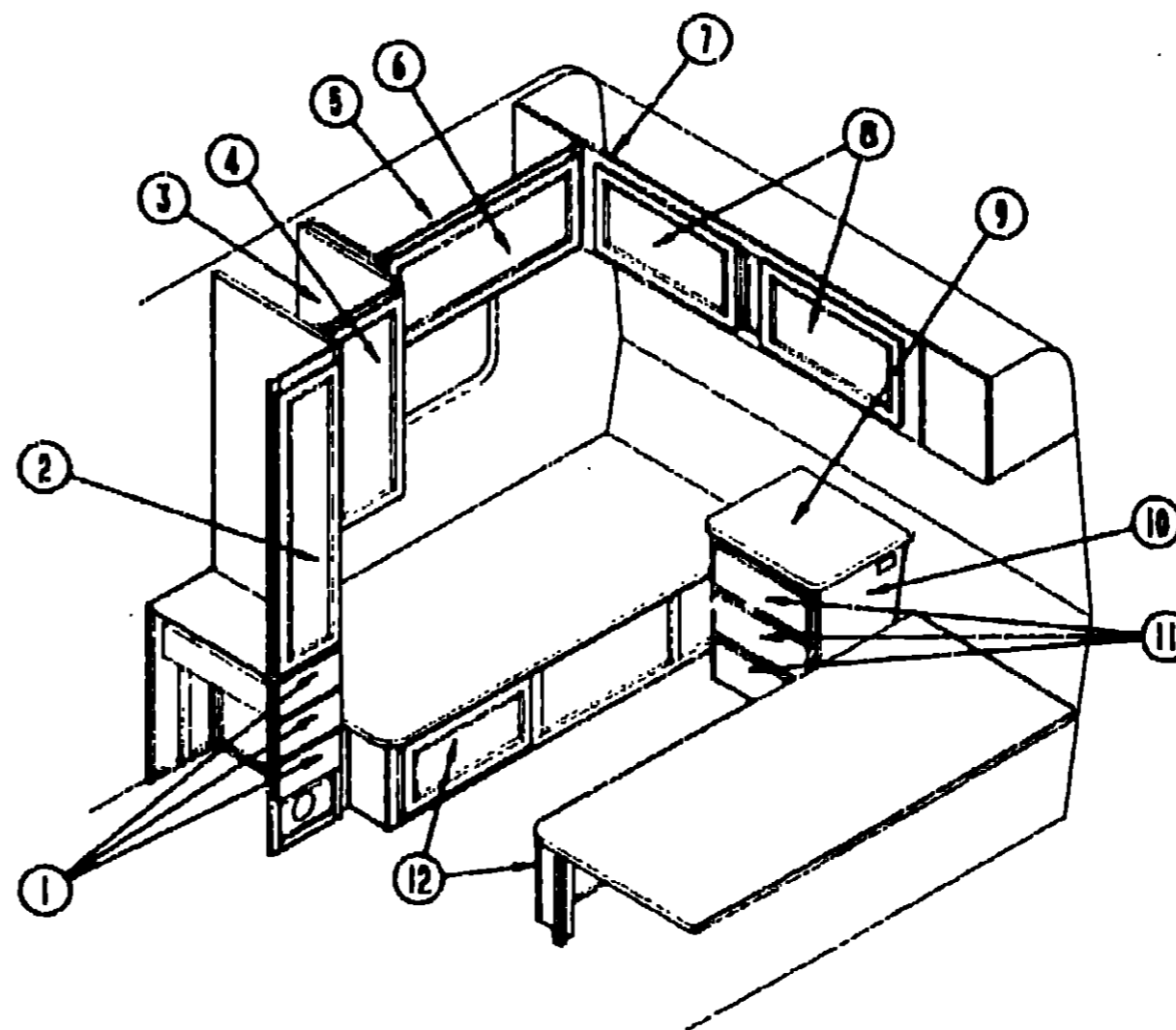
## BATH GROUP (CONTINUED)

### BATH & WARDROBE HARDWARE

Key	Part Number	U/M	Description
	M02673-06-005	EA	Shower Pan Asm.
	057671-01-000	EA	Cover - Screw - 1 - Plastic - Off White
	075606-01-000	EA	Panel - Shower Faucet - Plastic - Back
	102803-01-01A	EA	Shower Surround - 3 Sided Section - Off White
	102804-01-01A	EA	Shower Surround - Single Side Section - Off White
	084181-19-B85	EA	Shower Curtain - 70" x 32" - Vinyl
	057534-01-000	EA	Tieback - Curtain - 6" Plastic - Clear
	092464-04-01A	FT	Track - Shower Curtain - 8' - Off White
	009701-01-000	EA	Carrier - Curtain
	009702-01-000	EA	End Stop - Carrier
	009136-01-000	EA	Hanger - Pin - Curtain - Chrome
	009156-02-000	EA	Hanger - Pin - Chrome Curtain - Brass
	075241-05-000	EA	Faucet - Shower - Bone
	011048-02-000	EA	Shower Head - w/60" Hose (US)
	011048-05-000	EA	Shower Head - w/60" Hose (CSA)
	066440-01-000	EA	Strainer - Shower Pan Asm.
	069735-01-000	EA	Washer - Tailpiece - 1.5" Plastic - Shower Pan Asm.
	068436-01-000	EA	Slip Nut - 1.5" Tailpiece - Shower Pan Asm.
	011069-02-000	EA	Tailpiece - 1 1/2" x 1 1/4" x 4" - Brass
	075240-06-000	EA	Faucet - Lavatory - Bone
	091253-01-000	EA	Gasket - Faucet
	096927-01-01A	EA	Sink - Lavatory - Rectangular - Plastic - Bone (US)
	096927-01-700	EA	Sink - Stopper
	096927-01-701	EA	Tailpiece - Sink
	067487-01-000	EA	Toilet - Thetford - Aqua Magic
	067487-01-700	EA	C.L.F.L. Seal & Bolt Package
	067487-01-701	EA	Water Saver Package
	063740-01-710	EA	Link
	063740-01-711	EA	Spring - Return Lever
	063740-01-716	EA	Seat & Cover - Ivory
	063740-01-700	EA	Lever - Water
	063740-01-701	EA	Lever - Flush
	063740-01-713	EA	Seal - Ball Valve to Bowl
	063740-01-714	EA	Valve Asm. - Water
	063740-01-707	EA	Seal - Closet Flange
	063740-01-706	EA	Bolt Package - Closet
	063740-01-717	EA	Flush Tube
	063741-01-000	EA	Closet Flange - 4" x 3"
	085278-01-000	EA	Tissue Holder - Brass
	100357-01-000	EA	Rod - Towel - Brass (Bath Door)
	102089-12-B25	EA	Mounting Rod Left Side - 53.5" Long (Towel Bar)
	102089-11-B25	EA	Mounting Rod Right Side - 53.5" Long (Towel Bar)
	075454-02-000	EA	Towel Ring - Bright Brass w/Mounting Hardware
	058331-32-000	EA	Mirror - 13.6" x 27.6" (Medicine Cabinet)
	083204-03-000	EA	Button - Mirror Retaining - Square Tip - Walnut
	103856-01-000	EA	Pull
	081376-01-000	EA	Backplate - Door Pull - Brass
	025320-01-000	EA	Pad - Felt - 3/8" Dia. - Brown
	093586-03-000	EA	Catch - Spring Roller
	093586-04-000	EA	Strike - Spring Steel
	058335-02-000	EA	Latch - Shower/Bath Door
	059777-02-000	EA	Hinge - Cabinet Door - Burnished Brass

NOTE: Items indented below assemblies are serviceable parts for that assembly.

## BEDROOM GROUP



TWIN BED CABINETRY

Key	Part Number	U/M	Description
1	P03397-66-B87	EA	Drawer Asm. - Passenger Wardrobe - 10.5" x 19.7" - w/o Hardware
2	P03397-64-B87	EA	Drawer Asm. - Driver Wardrobe - 13.9" x 21.1" - w/o Hardware
3	P03702-61-B87	EA	Door Asm. - Passenger Wardrobe - 12" x 48" - w/o Hardware
4	P03702-44-B87	EA	Door Asm. - Driver Wardrobe - 15.4" x 49.2" - w/o Hardware
5	095937-01-B27	EA	Cabinet Asm. - Shirt Closet - w/o Door or Hardware
6	095938-01-B27	EA	Cabinet Asm. - Shirt Closet - w/o Door or Hardware
7	P03702-31-B87	EA	Door Asm. - Shirt Closet - 14.4" x 33.5" - w/o Hardware
8	M05150-04-B87	EA	Cabinet Asm. - Overhead - Passenger - w/o Door or Hardware
9	081280-21-B27	EA	End Cap - Cabinet - Overhead
10	M05150-05-B87	EA	Cabinet Asm. - Overhead - Driver - w/o Door or Hardware
11	081280-18-B27	EA	End Cup - Cabinet Overhead
12	P03702-26-B87	EA	Door Asm. - Overheads - Passenger & Driver - 14.4" x 33.5" - w/o Hardware
	M05150-02-B87	EA	Cabinet Asm. - Rear Overhead - w/o Doors or Hardware
	P03702-23-B87	EA	Door Asm. - Rear Overhead - 14.4" x 26.8" - w/o Hardware
	103847-02-000	EA	Mirror - Decorating - 11.6" x 24"
	083204-03-000	EA	Button - Mirror Retaining
	103516-11-B87	EA	Countertop Asm. - Nightstand
	103516-01-B87	EA	Nightstand Asm. - w/Countertop - w/o Drawers
	P03397-68-B87	EA	Drawer Asm. - Nightstand - 10.5" x 19.7" - w/o Hardware
	P03702-46-B87	EA	Door Asm. - 12" x 26" - w/o Hardware
	M05138-01-B87	EA	Cabinet - Twin Bed Top - Passenger
	M05138-02-B87	EA	Cabinet - Twin Bed Top - Driver
	042488-10-000	EA	Door - Folding - Fabric - 37" x 75" - Off White
	057534-04-000	EA	Tieback - Door - 20" - Clear Plastic

\* These parts are used on Driver's Side, Only.

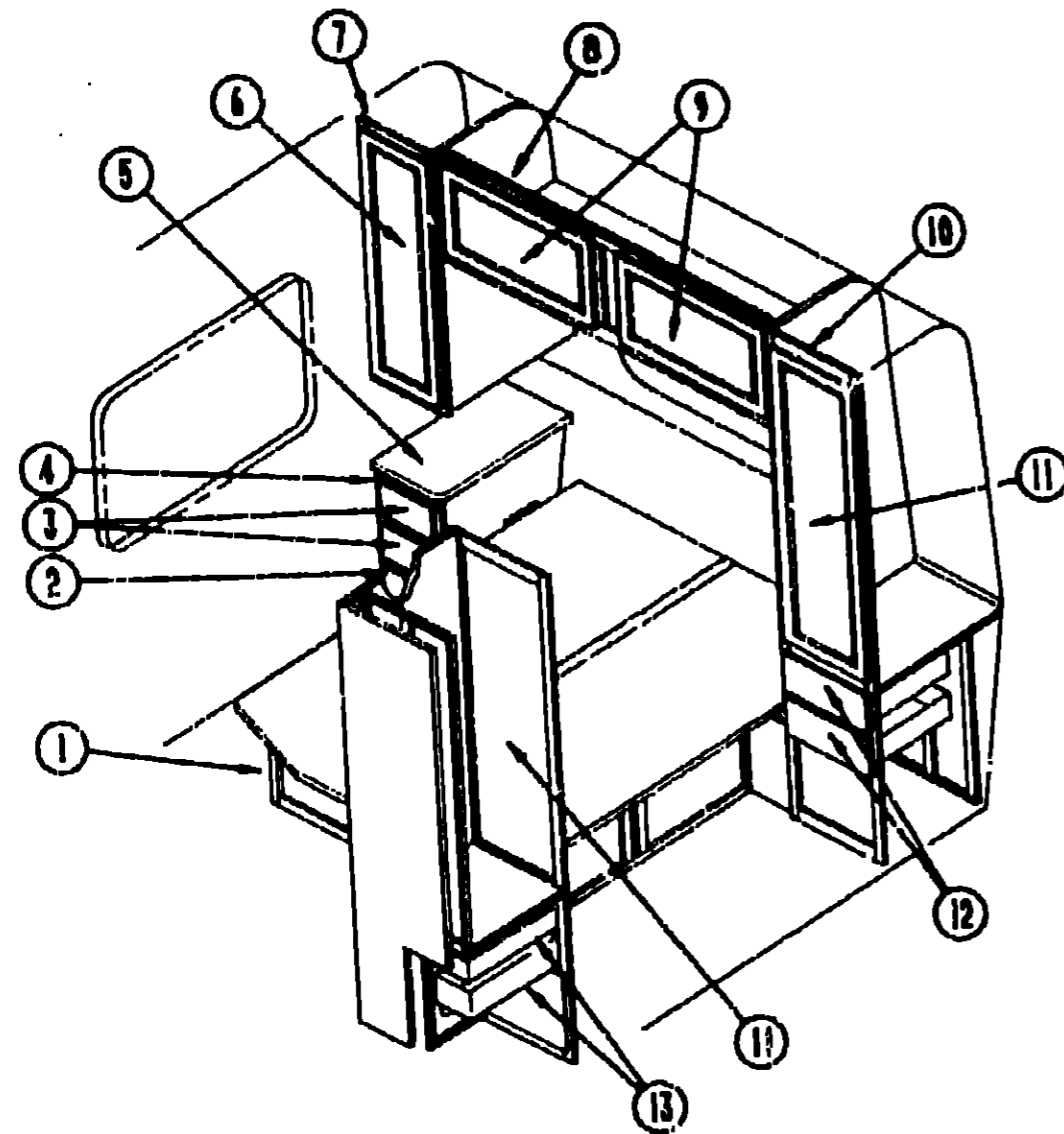
## 1991 ITASCA TABLE OF CONTENTS

INTRODUCTION	A-01 - A-02
ABBREVIATIONS	A-03
ALPHABETICAL/GROUP REFERENCE	A-04 - A-08
IF327RT	A-07 - D-14
IF327RB	D-15 - G-10
IF327RQ	G-11 - J-18

## 1991 IF327RQ INDEX

Floor Plan	G-11 - G-12
Accessories Group	G-13 - G-15
Bath Group	G-16 - G-17
Bedroom Group	G-18 - G-20
Chassis Group	G-21 - G-23
Curtain, Cushion & Pad Group	G-24 - H-08
Dinette Group	H-09 - H-11
Driver's Compartment Group	H-12 - H-14
Electrical Group	H-15 - H-17
Exterior Body Group	H-18 - H-22
Galley Group	H-23 - I-03
Heating & Air Conditioning Group	I-04 - I-05
Interior Finish Group	I-06 - I-09
Labels Group	I-10 - I-17
LP Group	I-18
Lounge Group	I-19
Sealants & Fasteners Group	I-20 - I-22
Water & Sewage Group	I-23 - J-02
Window, Vent & Exterior Door Group	J-03 - J-18

**BEDROOM GROUP (CONTINUED)**



**QUEEN BED CABINETRY**

Key	Part Number	U/M	Description
1	P03076-01-B27	EA	Cabinet Asm. - Queen Bed
2	P03397-60-B87	EA	Drawer Asm. - 8.4" x 18.5" - w/o Hardware
*2	P03397-B2-B87	EA	Drawer Asm. - 8.4" x 11.2" - w/o Hardware
3	P03397-60-B87	EA	Drawer Asm. - 8.4" x 18.5" - w/o Hardware
*3	P03397-B6-B87	EA	Drawer Asm. - 8.4" x 15.9" - w/o Hardware
4	P03184-01-B87	EA	Cabinet Asm. - Nightstand - w/o Drawers or Hardware
5	103184-12-B87	EA	Countertop Asm. - Nightstand
6	P03701-59-B87	EA	Door Asm. - 12" x 40" - w/o Hardware
7	103201-01-B27	EA	Cabinet Asm. - Shirt Closet - w/o Door or Hardware
8	M05150-01-B87	EA	Cabinet Asm. - Rear Overhead - w/c Doors or Hardware
9	P03701-23-B87	EA	Door Asm. - Rear Overhead - 14.4" x 26.8" - w/o Hardware
	103847-02-000	EA	Mirror - Decorating - 11.6" x 24"
10	P02644-01-B27	EA	Cabinet - Wardrobe - w/o Doors or Hardware
11	P03702-44-B87	EA	Door Asm. - Wardrobe Cabinet - 15.3" x 49.2" - w/o Hardware
12	P03397-B8-B87	EA	Drawer Asm. - 15.1" x 15.9" - w/o Hardware
13	P03397-62-B87	EA	Drawer Asm. - 13.9" x 16.5" - w/o Hardware
	103195-01-B87	EA	Shelf Asm. - Make-up
	083446-07-B32	EA	Mirror Asm. - Wall
	058331-27-000	EA	Glass - Safety Mirror - 11.8" x 45.7"

\* Parts used from 4/22/91 on.

**BEDROOM GROUP (CONTINUED)**

**BEDROOM HARDWARE**

Key	Part Number	U/M	Description
	094856-07-02A	EA	Track - Folding Door - Off White
	009701-01-000	EA	Carrier - Door
	009702-01-000	EA	End Stop - Carrier
	041953-03-000	FT	Conduit - Convoluted Slit - 1" ID (Clothes Rod Cover)
	042438-01-000	EA	Dowel - Wood - Clothes Rod - 1" Dia. x 4"
	009112-01-000	EA	Flange - 1" Clothes Rod - Plastic - Off White
	102827-02-000	EA	Bracket - Roller - Rear - Cabinet Drawers
	102827-03-000	EA	Rollers - Drawer - Pair
	102827-04-000	EA	Bracket - Drawer - Rear
	102827-05-000	EA	Track - Drawer - 22.8"
	059777-02-000	EA	Hinge - Cabinet Door - Burnished Brass
	103856-01-000	EA	Pull - Cabinet - Brass - 3" Center.
	081378-01-000	EA	Backplate - Brass - .8" x 4.25"
	074493-02-000	EA	Support - Overhead Door - Sprung
	093586-03-000	EA	Catch - Roller Spring
	093586-04-000	EA	Strike - Spring Steel
	052859-01-AA8	FT	Trim - Edge - Vinyl - Beige
	057205-02-000	EA	Angle - Support Bed - 1" x 1.5" x 34" - Metal - Off White
	019076-03-000	EA	A-Channel - Bed Support - 1.8" x 72.7" - Beige
	031261-01-000	FT	Backing - Non Skid - 1" Wide
	057480-02-000	EA	Ball Stud
	057480-03-060	EA	Safety Clip - Wireform Type
	057480-04-000	EA	Gas Spring
	088199-01-X11	EA	Hinge Asm. - Bed
	088199-02-Y12	EA	Hinge Asm. - Bed
	093276-01-000	EA	Brace - Prop Rod - Gas
	077252-01-000	EA	Hinge Pin - SST - 3/16 x 79 mm
	057205-03-000	EA	Support - Rear Bunk

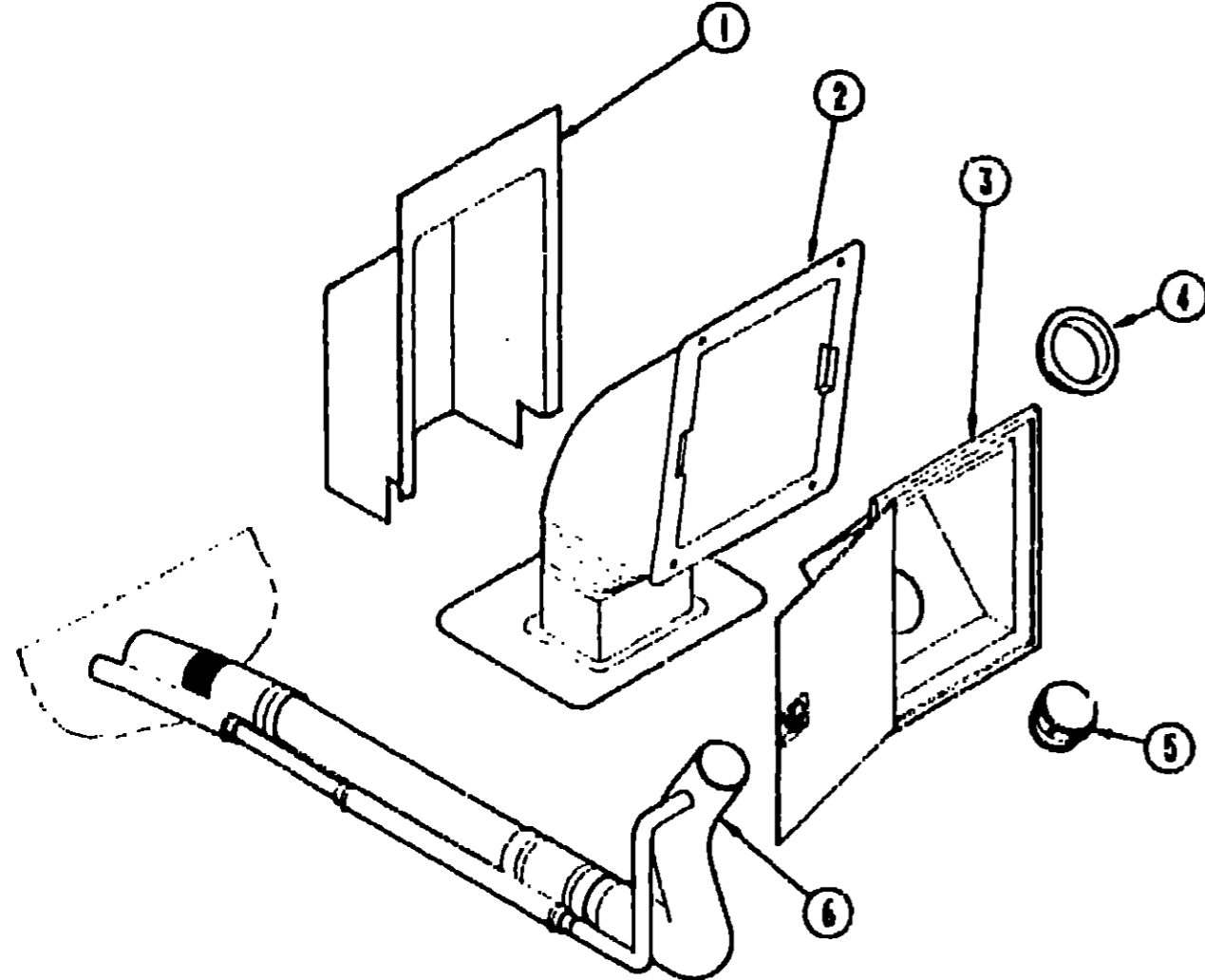
**1991 ITASCA  
TABLE OF CONTENTS**

INTRODUCTION	A-01 - A-02
ABBREVIATIONS	A-03
ALPHABETICAL/GROUP REFERENCE	A-04 - A-06
IF327RT	A-07 - D-14
IF327RB	D-15 - G-10
IF327RQ	G-11 - J-18

**1991 IF327RQ INDEX**

Floor Plan	G-11 - G-12
Accessories Group	G-13 - G-15
Bath Group	G-16 - G-17
Bedroom Group	G-18 - G-20
Chassis Group	G-21 - G-23
Curtain, Cushion & Pad Group	G-24 - H-08
Dinette Group	H-09 - H-11
Driver's Compartment Group	H-12 - H-14
Electrical Group	H-15 - H-17
Exterior Body Group	H-18 - H-22
Galley Group	H-23 - I-03
Heating & Air Conditioning Group	I-04 - I-05
Interior Finish Group	I-06 - I-09
Labels Group	I-10 - I-17
LP Group	I-18
Lounge Group	I-19
Sealants & Fasteners Group	I-20 - I-22
Water & Sewage Group	I-23 - J-02
Window, Vent & Exterior Door Group	J-03 - J-16

**CHASSIS GROUP**



**FUEL FILL COMPONENTS**

Key	Part Number	U/M	Description
1	078040-04-000	EA	Shroud - Fuel Fill - Upper
	063303-04-000	EA	Shroud - Fuel Fill - Lower
2	083578-01-000	EA	Boot - Fuel Fill
	084235-01-000	EA	Support Flange - Fuel Fill Boot
3	078010-03-000	EA	Door Asm. - Fuel Fill - Off White
4	078200-01-000	EA	Gasket - Fuel Fill
5	NOTE	EA	Fuel Cap
6	090105-02-000	EA	Filler Neck - Fuel Fill
	063303-04-000	EA	Shroud - Fuel Fill - Lower
	066732-01-000	EA	Hose - Fuel Fill - .62 ID
	087207-05-000	EA	Label - Fuel Cap Removal

\* NOTE: This item is chassis supplied.

**U.S. & C.S.A. GENERATORS & COMPONENTS (OPTION L39E)**

Key	Part Number	U/M	Description
	100974-03-000	EA	Generator - Emerald - 4.0 kw
	079654-05-000	EA	Exhaust Pipe - Generator - Emerald
	093591-02-000	EA	Exhaust Pipe - Generator
	086494-01-000	EA	Bracket - Exhaust
	081364-02-000	EA	Muffler - Generator - Emerald
	007067-01-000	SF	Insulation - Fiberglass - 1"
	078045-01-000	EA	Strap - Support - Generator - 4 Hole
	084365-01-000	EA	Strap - Support - Generator - 2 Hole
	079654-01-700	EA	Hinge Kit - Emerald Generator
	007063-01-000	EA	Hose - Gas - 1/4" ID x 1/2" OD
	007125-01-000	EA	Clamp - Muffler - 1.62" Dia.
	007125-04-000	EA	Clamp - Muffler - 1.5" Dia.
	007161-01-000	EA	Clamp - Hose - Spring Type - 1/2"
	086252-01-000	EA	Exhaust Pipe

**CHASSIS GROUP (CONTINUED)**

**MISCELLANEOUS CHASSIS PARTS**

Key	Part Number	U/M	Description
	077479-02-000	EA	Boot - Battery Term - Single Cable
	065450-05-000	EA	Tiedown - Battery
	010495-01-000	EA	Clamp - Cable - 9/16"
	010497-01-000	EA	Clamp - Closed - 5/8 ID
	010497-07-000	EA	Clamp - Closed - 3/8" I.D.
	010497-03-000	EA	Clamp - Closed - 1" I.D. - Cushioned
	094918-03-000	EA	Clamp - Exhaust - 2.5"
	007161-01-000	EA	Clamp - Hose - Spring Type 112
	062401-01-000	EA	Clamp - Hose - Wormgear - .22" ID - 1" ID
	062401-02-000	EA	Clamp - Hose - Wormgear - 1.56" - 2.5" ID
	062401-04-000	EA	Clamp - Hose - Wormgear - .89" ID - 1.25" ID
	062401-06-000	EA	Clamp - Hose - Wormgear - .22" ID - .82" ID
	023148-01-000	EA	Clamp - Screw Type - 4"
	091952-02-000	EA	Clip - Gripper - 3/4" (Tire Iron)
	103853-04-000	EA	Drive Shaft (Ford)
	096753-04-000	EA	Exhaust Pipe
	024138-01-000	FT	Hose - Fuel - 5/16 I.D.
	044317-01-000	FT	Hose - Fuel - 3/8 I.D.
	007063-01-000	FT	Hose - Gas - 1/4 ID x 1/2 OD
	007108-01-000	FT	Hose - Heater - 5/8 ID
	024138-01-000	FT	Hose Fuel - 5/16" ID
	094795-02-000	EA	Instrument Cluster - KM-91
	017516-01-000	EA	Mud Flap w/Holes - 14" x 18" - Black
	106141-01-000	EA	Mud Flap w/Holes - Winnebago Logo - Black
	056748-01-000	EA	Plug - Cap - 1.5" Dia. - Black
	061420-01-000	EA	Plug - Plastic - Brown
	064089-01-700	EA	Splash Guard - Black Rubber (Set of 2)
	045731-04-000	EA	Rock Guard
	072884-20-000	EA	Running Boards - Ford - 40" (Option 66R)
**	079384-05-000	EA	Running Boards - Ford - Right (Option 66R)
**	079384-06-000	EA	Running Boards - Ford - Left (Option 66R)
**	079384-11-000	EA	Hardware Set - Running Board (Option 66R)
	101396-01-000	EA	Running Board - Ford - Passenger (Option 04C)
	101396-02-000	EA	Running Board - Ford - Driver (Option 04C)
	101396-03-000	EA	Kit - Hardware - Ford (Option 04C)
	077848-02-000	EA	Step Asm. - Pullout
	076241-09-000	EA	Support Box - Entry Door Step
	096322-01-000	EA	Wheelwell - Plastic
	008343-01-000	EA	Wire Tie - 6"

\* These parts were used from 10/21/91 on.

\*\* These parts were used from 2/28/91 on.

NOTE: Remainder of exhaust components available from Chassis Service Center.

**EXPORT GENERATOR & COMPONENTS (OPTION L383)**

Key	Part Number	U/M	Description
	100974-05-000	EA	Generator - Emerald Plus - 4.0 kw
	093591-02-000	EA	Exhaust Pipe - 1.5" OD - Generator
	079654-05-000	EA	Exhaust Pipe - Angled w/Flange - Emerald
	079654-01-700	EA	Hinge Kit - Emerald
	081364-01-000	EA	Muffler - Generator
	086494-01-000	EA	Bracket - Exhaust
	007125-04-000	EA	Clamp - Muffler - 1.1" Dia.
	007161-01-000	EA	Clamp - Hose - Spring Type - 1/2"
	007063-01-000	FT	Hose - Gas - 1/4" ID X 1/2" OD
	078045-01-000	EA	Strap - Support - 4 Hole
	084365-01-000	EA	Strap - Support - 2 Hole
	023942-01-000	EA	Rubber Grommet - 2" OD
	086252-01-000	EA	Exhaust Pipe
	007067-01-000	SF	Fiberglass Insulation - 1" Thick x 4'

NOTE: Items indented below assemblies are serviceable parts for that assembly.

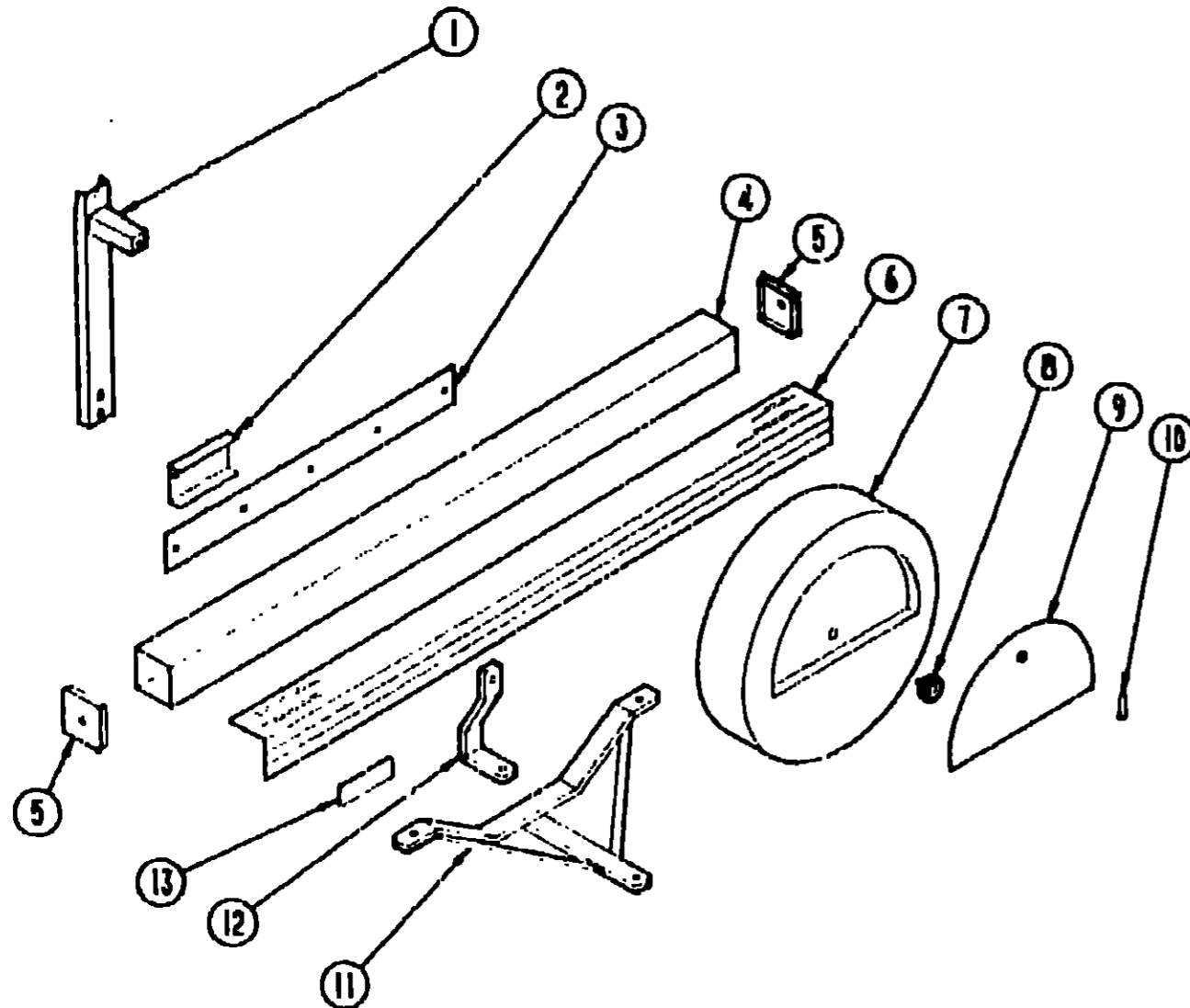
**1991 ITASCA  
TABLE OF CONTENTS**

INTRODUCTION	A-01 - A-02
ABBREVIATIONS	A-03
ALPHABETICAL/GROUP REFERENCE	A-04 - A-06
IF327RT	A-07 - D-14
IF327RB	D-15 - G-10
IF327RQ	G-11 - J-16

**1991 IF327RQ INDEX**

Floor Plan	G-11 - G-12
Accessories Group	G-13 - G-15
Bath Group	G-16 - G-17
Bedroom Group	G-18 - G-20
Chassis Group	G-21 - G-23
Curtain, Cushion & Pad Group	G-24 - H-06
Dinette Group	H-09 - H-11
Driver's Compartment Group	H-12 - H-14
Electrical Group	H-15 - H-17
Exterior Body Group	H-18 - H-22
Galley Group	H-23 - I-03
Heating & Air Conditioning Group	I-04 - I-05
Interior Finish Group	I-06 - I-09
Labels Group	I-10 - I-17
LP Group	I-18
Lounge Group	I-19
Sealants & Fasteners Group	I-20 - I-22
Water & Sewage Group	I-23 - J-02
Window, Vent & Exterior Door Group	J-03 - J-16

## CHASSIS GROUP (CONTINUED)



### SPARE TIRE, HITCH & REAR BUMPER

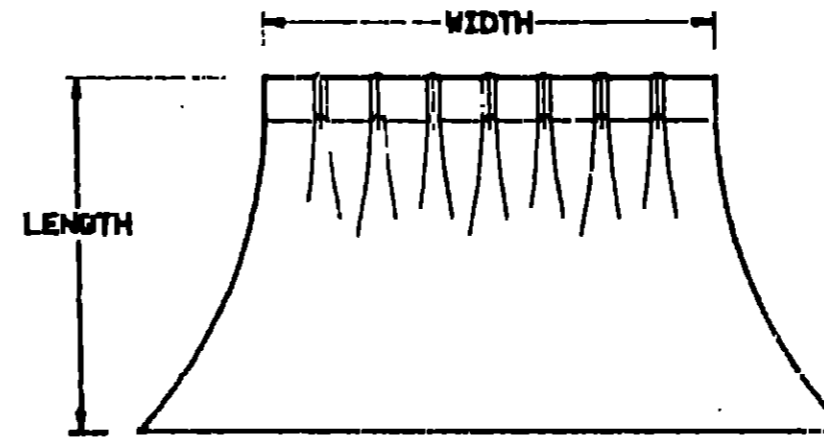
Key	Part Number	U/M	Description
1	079027-01-000	EA	Bracket Asm. - Tire Carrier
2	M64600-02-000	EA	Mount Support - Tire Carrier
3	M22150-01-000	EA	Bracket - Rear Bumper
4	103422-01-01A	EA	Bumper Asm. - Square - Off White
5	039779-01-000	EA	Bumper Cap - Black Rubber - 4" x 4"
6	041332-03-000	EA	Cover - Bumper - w/o Reflector - 4" Square x 92"
	098855-01-AA3	EA	Cover - Tire - Vinyl - Off White
7	079799-01-000	EA	Cover - Spare Tire - Off White (Option 04C)
8	064082-02-000	EA	Nut - Retaining - Wheel Cover (Option 04C)
9	M02047-01-T95	EA	Panel - Door - Tire Cover (Option 04C)
10	077408-02-000	EA	Lock Asm. - Key Type (Option 04C)
11	064833-03-000	EA	Trailer Hitch Asm.
12	064824-03-000	EA	Support - Trailer Hitch
13	041332-02-000	EA	Reflector - Bumper Cover - Self-Adhesive - 5 1/2" x 3/4"
	070917-04-000	EA	Tire - Firestone - Radial
	083617-01-000	EA	Wheel - Steel - 6" x 16" - 8 Hole
	051377-01-000	EA	Valve Stem Asm.
	095012-03-000	EA	Extension - Valve Stem - Dual
	077030-02-000	EA	Extension - Valve Stem - 1.25"

## CURTAIN, CUSHION & PAD GROUP

### NOTICE

In order to assist our Part Sales Dept. in providing interior software items, please include the serial number and the color code number from the vehicle certification label when ordering. This label is located on the left sidewall at the end of the dash (A-Body), or on the driver's door latch plate (C-Body).

An example of a color code number is P31, which designates an overall color scheme of a particular unit. The color listed after the item description on the microfiche, indicates the overall unit color. Order the item you desire according to unit color code.



NOTE: Use this illustration when determining length and width measurements for curtains. You will note the width measurement is taken on the top of the curtain with the curtain fully extended. The length measurement is taken from top to bottom.

### FABRICS & CARPETS

Key	Part Number	U/M	Description
	072333-82-000	YD	Fabric - Drapery - Beige (Privacy)
	096008-90-000	YD	Fabric - Upholstery - Woven - Patterned (B87)
	096008-83-000	YD	Fabric - Upholstery - Velour - Patterned (B88)
	096008-92-000	YD	Fabric - Upholstery - Plain Velour (B87)
	096008-85-000	YD	Fabric - Upholstery - Plain Velour (B88)
	096008-91-000	YD	Fabric - Upholstery - Striped Woven (B87)
	096008-84-000	YD	Fabric - Upholstery - Dotted Velour (B88)
	088273-73-000	YD	Fabric - Bedspread (B87)
	088273-70-000	YD	Fabric - Bedspread (B88)
	088273-72-000	YD	Fabric - Bedspread - Plain Accent (B87)
	088273-71-000	YD	Fabric - Bedspread - Plain Accent (B88)
	038273-67-000	YD	Fabric - Bedspread - Plain Accent (B88)
	079680-09-000	YD	Vinyl - Expanded - 28 oz. - Off White (Wingwall)
	075244-04-000	YD	Vinyl - Shower Curtain - Quartz
	089351-03-000	YD	Vinyl - Headliner - Off White
	096060-21-000	SY	Carpet - Pale Orchid (B87)
	096060-23-000	SY	Carpet - Blue Mist (B88)
	093486-01-000	SY	Carpet - Compartments - Dark Gray
	047034-02-000	SF	Plastic Runner - Carpet - 4' Wide - Clear
	078539-01-000	EA	Trim - Carpet - Cab - Passenger - 29" Long
	078539-02-000	EA	Trim - Carpet - Cab - Driver - 29" Long
	093873-01-02A	EA	Trim - "J" - 12' Long - Vinyl - T
	085746-01-000	FT	Trim - "J" - Carpet - PVC - Beige - 10' Long
	100659-01-803	EA	Floor Trim - 72" x 1" x 1/2" (Vinyl Floor Option)

These parts are used from 3/11/91 on.  
NOTE: Replace vinyl flooring locally.

## 1991 ITASCA TABLE OF CONTENTS

INTRODUCTION	A-01 - A-02
ABBREVIATIONS	A-03
ALPHABETICAL/GROUP REFERENCE	A-04 - A-08
IF327RT	A-07 - D-14
IF327RB	D-15 - G-10
IF327RQ	G-11 - J-16

### 1991 IF327RQ INDEX

Floor Plan	G-11 - G-12
Accessories Group	G-13 - G-15
Bath Group	G-16 - G-17
Bedroom Group	G-18 - G-20
Chassis Group	G-21 - G-23
Curtain, Cushion & Pad Group	G-24 - H-08
Dinette Group	H-09 - H-11
Driver's Compartment Group	H-12 - H-14
Electrical Group	H-15 - H-17
Exterior Body Group	H-18 - H-22
Galley Group	H-23 - I-03
Heating & Air Conditioning Group	I-04 - I-05
Interior Finish Group	I-06 - I-09
Labels Group	I-10 - I-17
LP Group	I-18
Lounge Group	I-19
Sealants & Fasteners Group	I-20 - I-22
Water & Sewage Group	I-23 - J-02
Window, Vent & Exterior Door Group	J-03 - J-16

**CURTAIN, CUSHION & PAD GROUP (CONTINUED)**

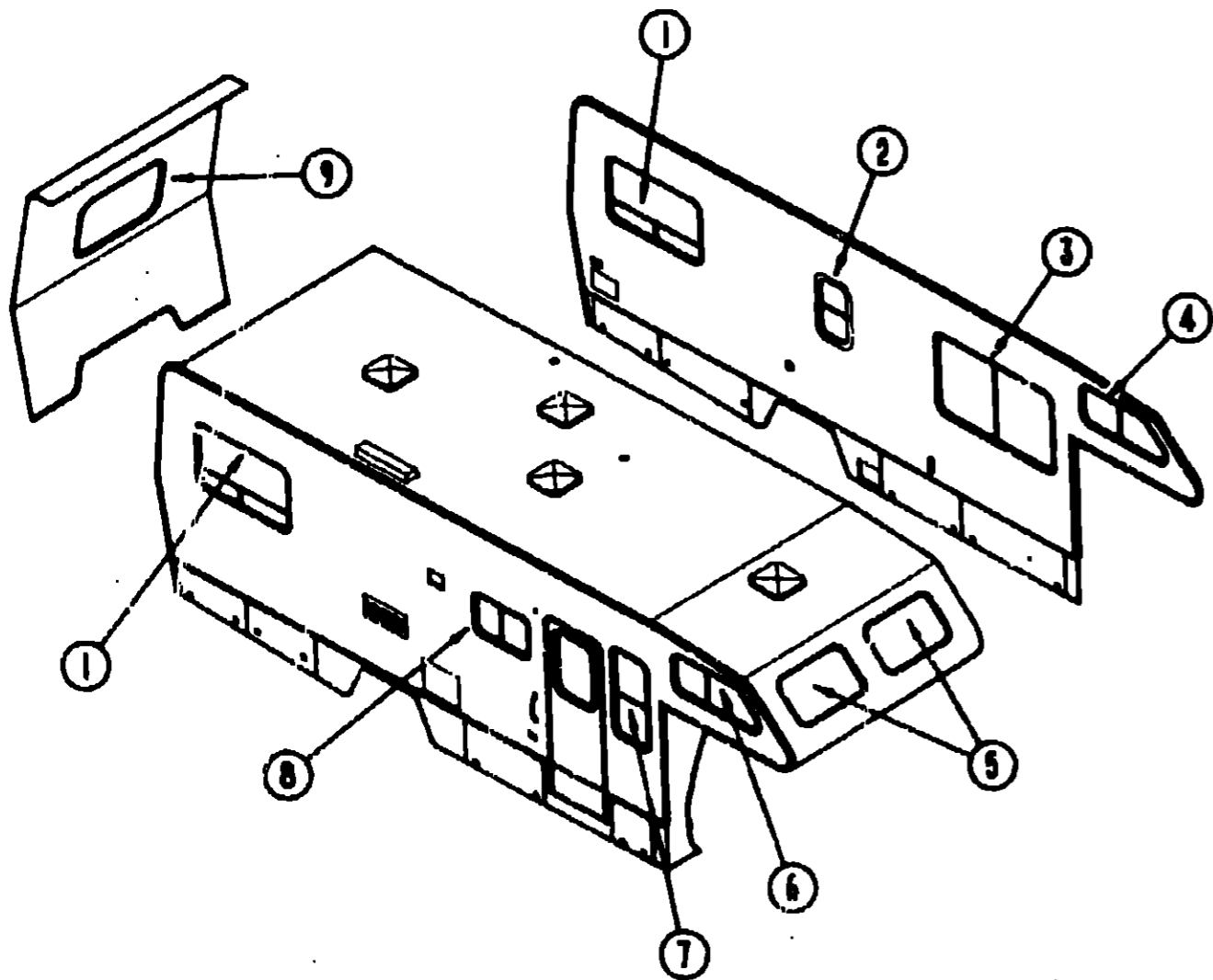
**TRIMS & PADS**

Key	Part Number	U/M	Description
	070578-06-B05	EA	Button Asm. - Snap Top - #30 - Vinyl
	070578-01-B87	EA	Button Asm. - Snap Top - #30 - Accent - Plain
	070578-01-B88	EA	Button Asm. - Snap Top - #30 - Accent - Plain
	059797-02-000	EA	Shell - Upholstery Button - #30
	069734-01-000	EA	Back - Upholstery Button - #30
	078155-01-000	EA	Strap Asm. - Cushion (Dinette Cushion)
	056632-01-AA3	EA	Strap Asm. - Bunk (Front Overhead)
	081519-16-B87	EA	Pad Asm. - Dinette - Front
	081519-16-B88	EA	Pad Asm. - Dinette - Front
	081519-17-B87	EA	Pad Asm. - Dinette - Rear
	081519-17-B88	EA	Pad Asm. - Dinette - Rear
	069885-16-B87	EA	Motor Cover w/Map Pocket (Option 26Y)
	069885-16-B88	EA	Motor Cover w/Map Pocket (Option 26Y)
	079349-01-B87	YD	Welling - Skirt
	079349-01-B88	YD	Welling - Skirt
	084415-31-000	YD	Trim - Braid - Curtain - Plum (B87)
	084415-30-000	YD	Trim - Braid - Curtain - Blue (B88)

**CURTAIN, CUSHION & PAD GROUP (CONTINUED)**

**CURTAINS, BLINDS, VALANCES & TIEBACKS**

Key	Part Number	U/M	Description
1	104348-02-B87	EA	Topper - w/Gathers - Valance Asm.
1	104348-02-B88	EA	Topper - w/Gathers - Valance Asm.
1	102514-07-B85	EA	Valance Asm. w/Gathered Insert - 45" (B87)
1	102514-07-B88	EA	Valance Asm. w/Gathered Insert - 45"
1	100281-31-B85	EA	Leg Asm. - Window - 27" Tall - w/Hole (B87)
1	100281-31-B88	EA	Leg Asm. - Window - 27" Tall - w/Hole
1	100281-30-B85	EA	Leg Asm. - Window - 27" Tall - w/o Hole (B87)
1	100281-30-B88	EA	Leg Asm. - Window - 27" Tall - w/o Hole
1	096335-48-B87	EA	Pleated Blind - 39.5" x 28" Drop
1	096335-48-B88	EA	Pleated Blind - 39.5" x 28" Drop
2	102514-12-B87	EA	Valance Asm. w/Gathered Insert - Two-Toned - 20"
2	102514-12-B88	EA	Valance Asm. w/Gathered Insert - Two-Toned - 20"
2	093475-33-08A	EA	Mini Blind - 18.5" x 24.5" Drop (B87)
2	093475-33-10A	EA	Mini Blind - 18.5" x 24.5" Drop (B88)
3	104021-01-B87	EA	Valance Asm. - Window - 58.5"
3	104021-01-B88	EA	Valance Asm. - Window - 58.5"
3	100281-01-B87	EA	Leg Asm. - Window - 31.5" - Front
3	100281-01-B88	EA	Leg Asm. - Window - 31.5" - Front
3	100281-02-B87	EA	Leg Asm. - Window - 31.5" - Rear
3	100281-02-B88	EA	Leg Asm. - Window - 31.5" - Rear
3	093475-44-02A	EA	Mini Blind - 54" x 31.5" Drop
4	097878-27-B87	EA	Valance Asm. - 5.5" x 43"
4	097878-27-B88	EA	Valance Asm. - 5.5" x 43"
4	101034-01-B85	EA	Curtain Asm. w/Tape Top - 16" x 25" - Beige
5	097878-25-B87	EA	Valance Asm. - 7" x 85.5"
5	097878-25-B88	EA	Valance Asm. - 7" x 85.5"
5	101034-02-B85	EA	Curtain Asm. w/Tape Top - 22" x 45" - Beige
6	097878-28-B87	EA	Valance Asm. - 5.5" x 43"
6	097878-28-B88	EA	Valance Asm. - 5.5" x 43"
6	101034-01-B85	EA	Curtain Asm. w/Tape Top - 16" x 25" - Beige
7	104021-02-B87	EA	Valance Asm. - Arch - w/Brass Trim - 19"
7	104021-02-B88	EA	Valance Asm. - Arch - w/Brass Trim - 19" (B86)
7	093475-65-02A	EA	Mini Blind - 17" x 36" Drop
8	093475-33-08A	EA	Mini Blind - 18.5" x 24.5" Drop (B87)
8	093475-33-10A	EA	Mini Blind - 18.5" x 24.5" Drop (B88)
9	102514-06-B87	EA	Valance Asm. w/Gathered Insert - 52"
9	102514-06-B88	EA	Valance Asm. w/Gathered Insert - 52"
9	100281-29-B85	EA	Leg Asm. - 27" - w/o Hole (Driver Side) (B87)
9	100281-29-B88	EA	Leg Asm. - 27" - w/o Hole (Driver Side)
9	100281-30-B85	EA	Leg Asm. - 27" - w/o Hole (Passenger Side) (B87)
9	100281-30-B88	EA	Leg Asm. - 27" - w/o Hole (Passenger Side)
9	096335-50-B87	EA	Pleated Blind - 48" x 27" Drop
9	096335-50-B88	EA	Pleated Blind - 48" x 27" Drop
	076892-06-B85	EA	Curtain Asm. - 40" x 72" - Privacy - Beige
	101868-14-B87	EA	Curtain Asm. - w/Tape Top - 30 x 50 - Right (Front Wraparound)
	101868-14-B88	EA	Curtain Asm. - w/Tape Top - 30 x 50 - Right (Front Wraparound)
	101868-15-B87	EA	Curtain Asm. - w/Tape Top - 30 x 50 - Left (Front Wraparound)
	101868-15-B88	EA	Curtain Asm. - w/Tape Top - 30 x 50 - Left (Front Wraparound)
	073260-49-B87	EA	Tieback Asm. - 3" x 18"
	073260-49-B88	EA	Tieback Asm. - 3" x 18"



**1991 ITASCA  
TABLE OF CONTENTS**

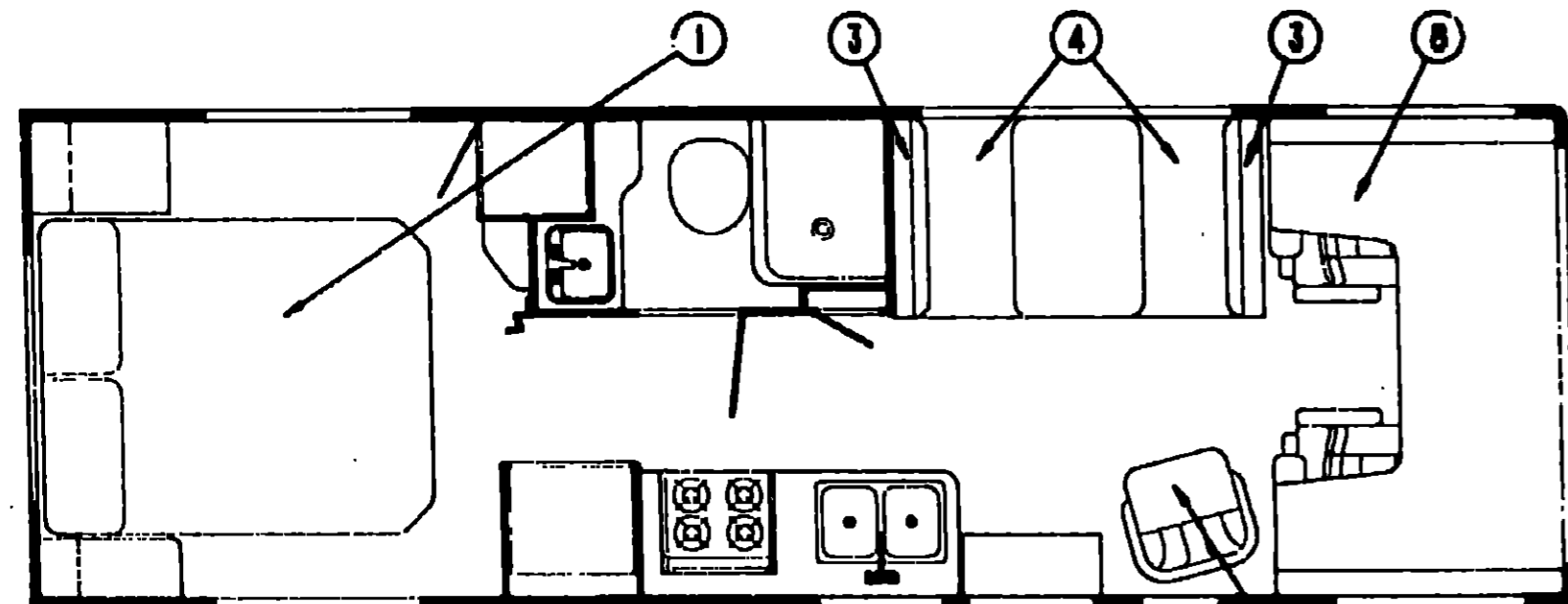
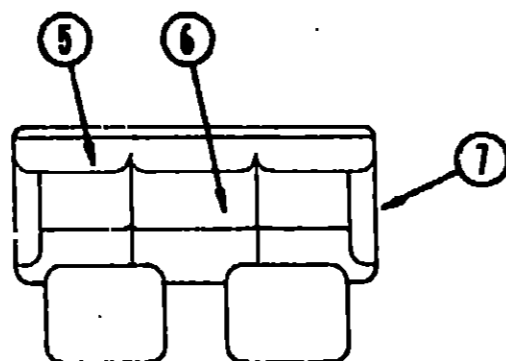
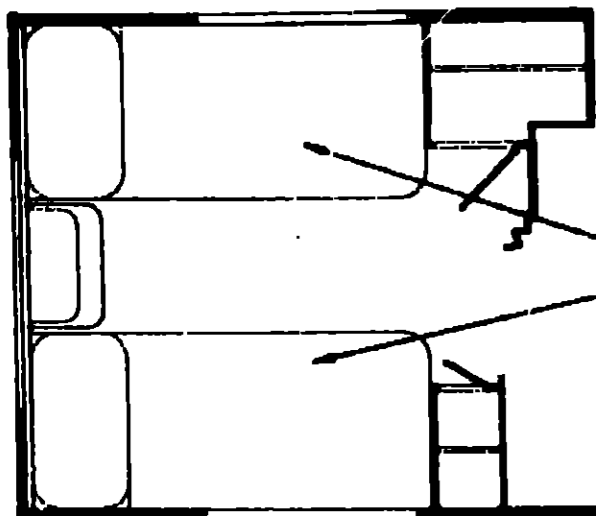
INTRODUCTION	A-01 - A-02
ABBREVIATIONS	A-03
ALPHABETICAL/GROUP REFERENCE	A-04 - A-08
IF327RT	A-07 - D-14
IF327RB	D-15 - G-10
IF327RQ	G-11 - J-18

**1991 IF327RQ INDEX**

Floor Plan	G-11 - G-12
Accessories Group	G-13 - G-15
Bath Group	G-16 - G-17
Bedroom Group	G-18 - G-20
Chassis Group	G-21 - G-23
Curtain, Cushion & Pad Group	G-24 - H-08
Dinette Group	H-09 - H-11
Driver's Compartment Group	H-12 - H-14
Electrical Group	H-15 - H-17
Exterior Body Group	H-18 - H-22
Galley Group	H-23 - I-03
Heating & Air Conditioning Group	I-04 - I-05
Interior Finish Group	I-06 - I-08
Labels Group	I-10 - I-17
LP Group	I-18
Lounge Group	I-19
Sealants & Fasteners Group	I-20 - I-22
Water & Sewage Group	I-23 - J-02
Window, Vent & Exterior Door Group	J-03 - J-18



**CURTAIN, CUSHION & PAD GROUP (CONTINUED)**



**DOUBLE BED**

Key	Part Number	U/M	Description
1	085365-09-B87	EA	Bedsprad - Double w/Rounded Corners - 54"
1	085365-09-B88	EA	Bedsprad - Double w/Rounded Corners - 54"
1	101123-05-000	EA	Mattress - Double - 53" x 74"
	102161-01-B87	EA	Pillow Sham w/2" Flange
	102161-01-B88	EA	Pillow Sham w/2" Flange
	081997-07-B87	EA	Pillow Sham w/2" Flange - Non-Quilted
	081997-07-B88	EA	Pillow Sham w/2" Flange - Non-Quilted
	102161-07-B87	EA	Pillow Sham w/Foam Pillow
	102161-07-B88	EA	Pillow Sham w/Foam Pillow
	088273-73-000	YD	Fabric - Bedsprad - Frost (B87)
	088273-70-000	YD	Fabric - Bedsprad - Sky (B88)

These parts are used from 4/8/91 on.

**TWIN BED**

Key	Part Number	U/M	Description
2	085365-07-B87	EA	Bedsprad - Twin w/Rounded Corners - 33"
2	085365-07-B88	EA	Bedsprad - Twin w/Rounded Corners - 33"
2	101123-02-000	EA	Mattress - Foam - 32" x 74"
	102161-01-B87	EA	Pillow Sham - w/2" Flange
	102161-01-B88	EA	Pillow Sham - w/2" Flange
	102161-07-B87	EA	Pillow Sham w/Foam Pillow
	102161-07-B88	EA	Pillow Sham w/Foam Pillow
	088273-73-000	YD	Fabric - Bedsprad - Frost (B87)
	088273-70-000	YD	Fabric - Bedsprad - Sky (B88)

These parts are used from 4/8/91 on.

**DINETTE CUSHION**

Key	Part Number	U/M	Description
3	088927-77-B87	EA	Cushion Asm. - 13" x 38" x 5" - Back
3	088927-77-B88	EA	Cushion Asm. - 13" x 38" x 5" - Back
	M88927-77-B87	EA	Cover Asm. - Back - Dinette Cushion
	M88927-77-B88	EA	Cover Asm. - Back - Dinette Cushion
4	088927-86-B87	EA	Cushion Asm. - 21" x 38" x 5" - Seat
4	088927-86-B88	EA	Cushion Asm. - 21" x 38" x 5" - Seat
	M88927-86-B87	EA	Cover Asm. - Seat - Dinette Cushion
	M88927-86-B88	EA	Cover Asm. - Seat - Dinette Cushion
	078155-01-000	EA	Strap Asm. - Cushion Snap
	096008-90-000	YD	Fabric - Dinette Cushion (B87)
	096008-33-000	YD	Fabric - Dinette Cushion (B88)

**PRESTO BED COUCH**

Key	Part Number	U/M	Description
5	100032-04-B87	EA	Presto Bed - Couch Back
5	100032-04-B88	EA	Presto Bed - Couch Back
	P00032-04-B87	EA	Cover Asm. - Presto Bed Back
	P00032-04-B88	EA	Cover Asm. - Presto Bed Back
6	100032-03-B87	EA	Presto Bed - Couch Seat
6	100032-03-B88	EA	Presto Bed - Couch Seat
	P00032-03-B87	EA	Cover Asm. - Presto Bed Seat
	P00032-03-B88	EA	Cover Asm. - Presto Bed Seat
7	101236-03-B87	EA	Armrest - Presto Bed - Right
7	101236-03-B88	EA	Armrest - Presto Bed - Right
	P01236-03-B87	EA	Cover - Armrest Presto Bed - Right
	P01236-03-B88	EA	Cover - Armrest Presto Bed - Right
	101236-04-B87	EA	Armrest - Presto Bed - Left
	101236-04-B88	EA	Armrest - Presto Bed - Left
	P01236-04-B87	EA	Cover - Armrest - Presto Bed - Left
	P01236-04-B88	EA	Cover - Armrest - Presto Bed - Left
	101085-03-000	EA	Frame - Base - 66.5"
	101085-01-000	EA	Frame - Seat - 66.5"
	101085-02-000	EA	Frame - Back - 66.5"
	101085-07-000	EA	Frame - Armrest - Right
	101085-08-000	EA	Frame - Armrest - Left
	101568-03-000	EA	Bracket Asm. - Armrest - Right
	101568-01-000	EA	Bracket - Arm - Couch - Right
	101568-04-000	EA	Bracket - Arm - Armrest - Left
	101568-02-000	EA	Bracket - Arm - Couch - Left
	096008-90-000	YD	Fabric - Presto Bed (B87)
	096008-83-000	YD	Fabric - Presto Bed (B88)

These parts were used from 4/15/91 on.

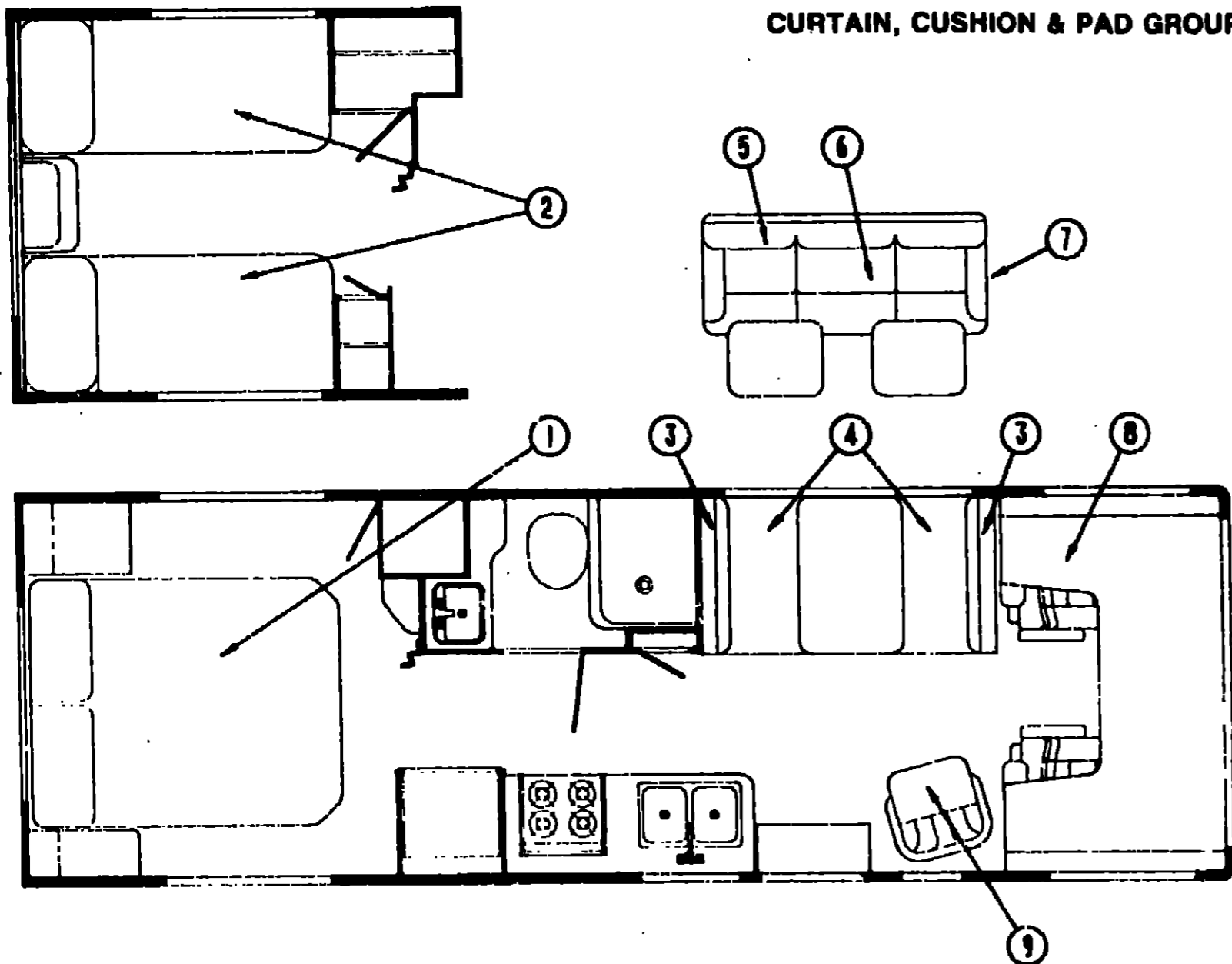
**1991 ITASCA  
TABLE OF CONTENTS**

INTRODUCTION	A-01 - A-02
ABBREVIATIONS	A-03
ALPHABETICAL/GROUP REFERENCE	A-04 - A-08
IF327RT	A-07 - D-14
IF327RB	D-15 - G-10
IF327RQ	G-11 - J-16

**1991 IF327RQ INDEX**

Floor Plan	G-11 - G-12
Accessories Group	G-13 - G-15
Bath Group	G-16 - G-17
Bedroom Group	G-18 - G-20
Chassis Group	G-21 - G-23
Curtain, Cushion & Pad Group	G-24 - H-08
Dinette Group	H-09 - H-11
Driver's Compartment Group	H-12 - H-14
Electrical Group	H-15 - H-17
Exterior Body Group	H-18 - H-22
Galley Group	H-23 - I-03
Heating & Air Conditioning Group	I-04 - I-05
Interior Finish Group	I-06 - I-09
Labels Group	I-10 - I-17
LP Group	I-18
Lounge Group	I-19
Sealants & Fasteners Group	I-20 - I-22
Water & Sewage Group	I-23 - J-02
Window, Vent & Exterior Door Group	J-03 - J-16

**CURTAIN, CUSHION & PAD GROUP (CONTINUED)**



**FRONT BUNK**

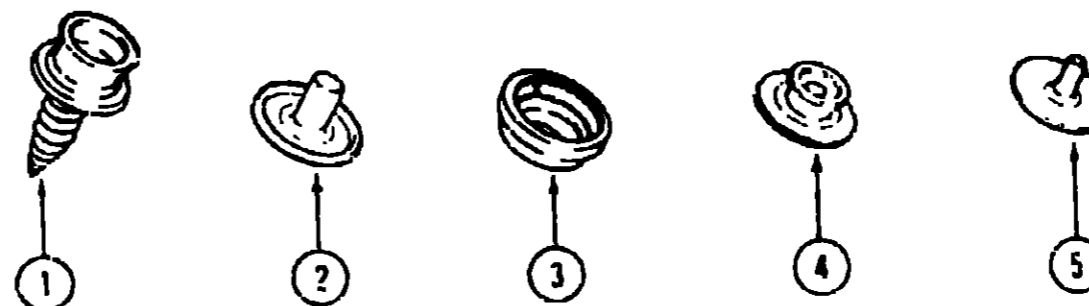
Key	Part Number	U/M	Description
8	084753-22-B87	EA	Cushion - "U" Shaped - 57" x 90" x 5"
8	084753-22-B88	EA	Cushion - "U" Shaped - 57" x 90" x 5"
*8	084753-31-B87	EA	Cushion - "U" Shaped - 58" x 92" x 5"
*8	084753-31-B88	EA	Cushion - "U" Shaped - 58" x 92" x 5"
	M84753-16-B87	EA	Cover - "U" Shaped Cushion
	M84753-16-B88	EA	Cover - "U" Shaped Cushion
	M84753-31-B87	EA	Cover - "U" Shaped Cushion
	M84753-31-B88	EA	Cover - "U" Shaped Cushion
	084753-19-B87	EA	Cushion - Filler - 54" x 25" x 5"
	084753-19-B88	EA	Cushion - Filler - 54" x 25" x 5"
	084753-32-B87	EA	Cushion - Filler - 59.5" x 26.5" x 5"
	084753-32-B88	EA	Cushion - Filler - 59.5" x 26.5" x 5"
	M84753-19-B87	EA	Cover - Filler Cushion
	M84753-19-B88	EA	Cover - Filler Cushion
	M84753-32-B87	EA	Cover - Filler Cushion
	M84753-32-B88	EA	Cover - Filler Cushion
	096008-91-000	YD	Fabric - Front Bunk Cushion (B87)
	096008-84-000	YD	Fabric - Front Bunk Cushion (B88)
†	079145-08-000	EA	Cushion Asm. - Front Bunk - 25" x 74" x 3.5"
†	M79145-08-000	EA	Cover Asm. - Front Bunk

\* These parts are used from 4/24/91 on.

† These parts are used with Front Entertainment Option.

**SWIVEL CHAIR**

Key	Part Number	U/M	Description
9	096429-07-B87	EA	Swivel Chair
9	096429-07-B88	EA	Swivel Chair
	M96429-07-B87	EA	Cover - Swivel Chair
	M96429-07-B88	EA	Cover - Swivel Chair
	099202-04-B87	EA	Skirt - Swivel Chair
	099202-04-B88	EA	Skirt - Swivel Chair
	096008-91-000	EA	Fabric - Swivel Chair (B87)
	096008-84-000	EA	Fabric - Swivel Chair (B88)
	069246-06-000	EA	Adjuster - Swivel Chair - Manual w/Lock
	069246-07-000	EA	Adjuster - Swivel Chair w/Lock
	007221-01-000	EA	Spacer - Seat - Adjuster
	009245-01-000	EA	Base - Swivel Chair w/Legs
	068245-03-000	EA	Plate - Swivel Top w/o Tilt - w/Lock
	068245-07-000	EA	Extension - 6" - Base To Top Plate
	069705-02-000	EA	Bar - Seat Belt - 2.5" x 12.75"



**CURTAIN HARDWARE**

Key	Part Number	U/M	Description
1	029130-01-000	EA	Socket - Snap Fastener
2	029155-01-000	EA	Cap - Snap - .156" Dia. x 17" Barrel
3	029156-01-000	EA	Socket - Snap Fastener
4	029092-01-000	EA	Stud - Nickel Finish
5	029093-01-000	EA	Eyelet - Nickel Finish

**BUCKET SEAT CUSHIONS**

Key	Part Number	U/M	Description
	093450-17-B87	EA	Seat Asm. - Bucket - Driver
	093450-17-B88	EA	Seat Asm. - Bucket - Driver
	093450-18-B87	EA	Seat Asm. - Bucket - Passenger
	093450-18-B88	EA	Seat Asm. - Bucket - Passenger
	M03445-23-B87	EA	Cover - Seat - Bucket Seat
	M03445-23-B88	EA	Cover - Seat - Bucket Seat
	M03445-22-B87	EA	Cover - Back - Bucket Seat
	M03445-22-B88	EA	Cover - Back - Bucket Seat
	080243-41-B87	EA	Armrest - Bucket Seat - Right Hand
	080243-41-B88	EA	Armrest - Bucket Seat - Right Hand
	080243-41-B87	EA	Cover - Right Armrest - Bucket Seat
	080243-41-B88	EA	Cover - Right Armrest - Bucket Seat
	080243-42-B87	EA	Armrest - Bucket Seat - Left Hand
	080243-42-B88	EA	Armrest - Bucket Seat - Left Hand
	M80243-42-B87	EA	Cover - Left Armrest - Bucket Seat
	M80243-42-B88	EA	Cover - Left Armrest - Bucket Seat
	071126-24-B87	EA	Skirt Asm. - Single Bucket
	071126-24-B88	EA	Skirt Asm. - Single Bucket
	085268-02-B87	EA	Headrest - Bucket Seat (B87) (Option 04C)
	085268-02-B88	EA	Headrest - Bucket Seat (B88) (Option 04C)
	M85268-02-B87	EA	Cover - Headrest (B87) (Option 04C)
	M85268-02-B88	EA	Cover - Headrest (B88) (Option 04C)

**1991 ITASCA  
TABLE OF CONTENTS**

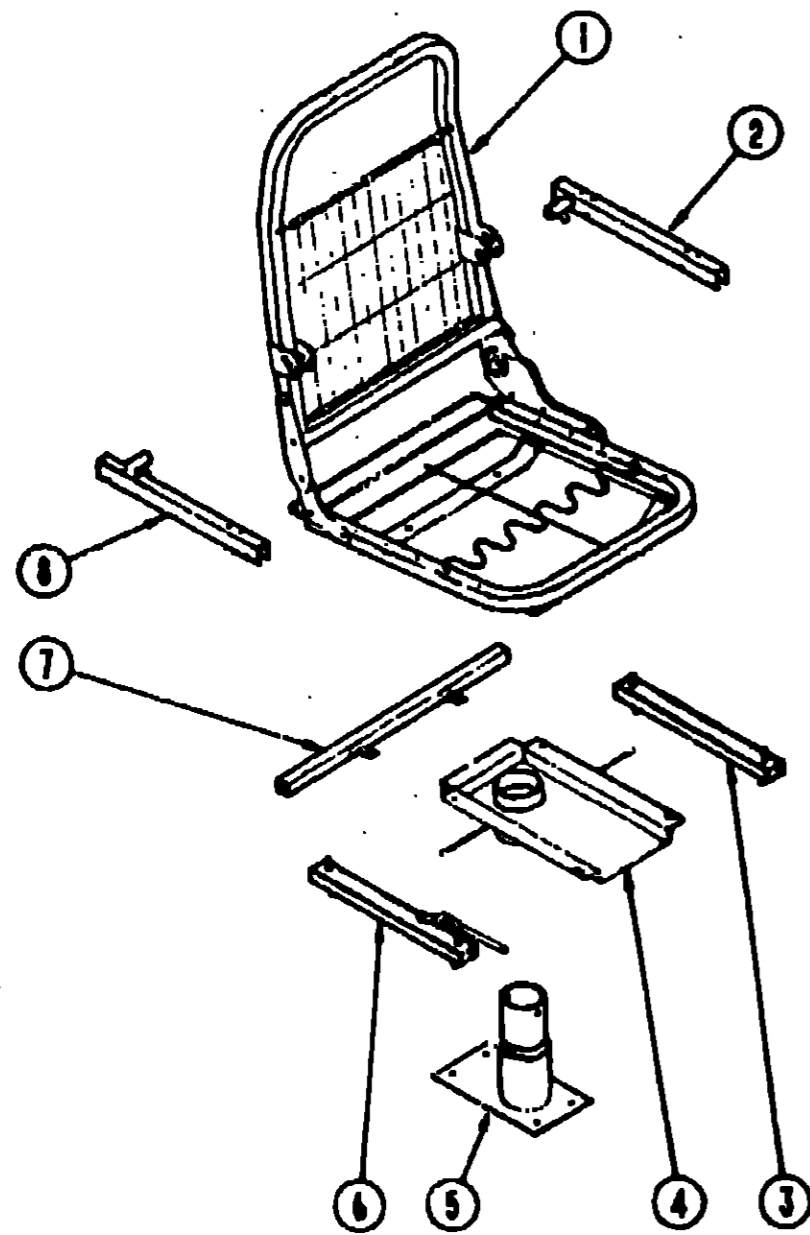
Section	Page Range
INTRODUCTION	A-01 - A-02
ABBREVIATIONS	A-03
ALPHABETICAL/GROUP REFERENCE	A-04 - A-08
IF327RT	A-07 - D-14
IF327RB	D-15 - G-10
IF327RQ	G-11 - J-16

**1991 IF327RQ INDEX**

Section	Page Range
Floor Plan	G-11 - G-12
Accessories Group	G-13 - G-15
Bath Group	G-16 - G-17
Bedroom Group	G-18 - G-20
Chassis Group	G-21 - G-23
Curtain, Cushion & Pad Group	G-24 - H-08
Dinette Group	H-09 - H-11
Driver's Compartment Group	H-12 - H-14
Electrical Group	H-15 - H-17
Exterior Body Group	H-18 - H-22
Galley Group	H-23 - I-03
Heating & Air Conditioning Group	I-04 - I-06
Interior Finish Group	I-08 - I-08
Labels Group	I-10 - I-17
LP Group	I-18
Lounge Group	I-19
Sealants & Fasteners Group	I-20 - I-22
Water & Sewage Group	I-23 - J-02
Window, Vent & Exterior Door Group	J-03 - J-16

**CURTAIN, CUSHION & PAD GROUP (CONTINUED)**

**CURTAIN, CUSHION & PAD GROUP (CONTINUED)**



**BUCKET SEAT HARDWARE**

Key	Part Number	U/M	Description
1	M8090C-05-000	EA	Frame Asm. - Seat, Back & Spring
2	081268-02-000	EA	Rod & Channel - Armrest - Left - Metal
	081362-01-000	EA	Bracket - Armrest - Right
	081362-02-000	EA	Bracket - Armrest - Left
	101124-02-000	EA	Rod & Channel - Armrest - Left - Metal
3	069248-02-000	EA	Adjuster - Bucket Seat w/o Lock - Forward & Back
4	093481-04-000	EA	Top Plate - Pedestal - Bucket Seats
5	069585-03-000	EA	Base - Bucket Seats - Bolts to Floor - Vertical - 8"
	069585-02-000	EA	Plate - Sub - Base - 12" x 13"
6	069248-05-000	EA	Adjuster - Bucket Seat w/Remote
	069248-05-700	EA	Spring for Slide Adjuster
	069248-05-701	EA	Clip Only For Cable Asm.
7	069585-29-000	EA	Bar - Seal Bolt - Bucket Seats - 20"
8	101124-01-000	EA	Rod & Channel - Armrest - Right - Metal
	091313-01-000	EA	Grommet - Headrest (Export)
	101125-01-000	EA	Recliner - Seal Back - Left Hand (Export)
	080731-02-000	EA	Slave Hinge - Recliner - Left Hand (Export)
	069368-04-000	EA	Cable - Swivel w/Switch
	069368-05-000	EA	Cable - Recliner - w/Switch
	081361-01-000	EA	Rod - Armrest - Metal
	097683-02-000	EA	Bracket - Remote Mount
	097683-03-000	EA	Bracket - Slide Mount Remote

**CURTAIN & CUSHION HARDWARE**

Key	Part Number	U/M	Description
	092464-04-01A	EA	Track - Shower Curtain - Off White
	009701-01-000	EA	Carrier - Shower Curtain
	009702-01-000	EA	End - Stop - Curtain Carrier - Shower
	009136-01-000	EA	Hanger - Ring - Chrome
	009136-02-000	EA	Hanger - Ring - Brass
	046867-01-000	EA	Grommet - Brass - 7/16" ID x 1" OD (Shower Curtain)
	029155-01-000	EA	Cap - Snap
	029156-01-000	EA	Socket - Snap Fastener
	089522-03-000	EA	Panel - Window Leg - 2.5" Face - 27.1" Long
	105450-02-01A	EA	Track - Curtain - 48" - Off White
	105450-05-01A	EA	Track - Curtain - 70" - Off White
	105450-06-01A	EA	Track - Curtain - 88" - Off White
	101032-01-000	FT	Track - Curtain - Ceiling Mount - White
	101033-01-000	FT	Track - Curtain - Low Profile - White
	101033-02-000	EA	End Cap - Track - Clear
	101031-01-000	EA	Tape - Glide - 4.25" Spacing
	095591-02-000	EA	Bracket - Blind - Hold Down w/Pin
	083170-01-000	EA	Bracket - Blind - Right
	083170-02-000	EA	Bracket - Blind - Left
	093475-01-700	EA	Wand - Blind w/Metal Clip - 8" Long
	093475-01-701	EA	End Cap - Blind w/Stud
	094898-02-000	EA	Grommet - Cord - Pleated Blind - Nylon - Gray
	094907-02-000	EA	End Cap - Pleated Blind - Plastic - Gray
	094907-03-000	EA	End Cap - Bottom - Pleated Blind - Plastic - Gray
	097591-01-000	EA	Spring - Extension - Pleated Blind
	097592-01-000	EA	Spool - Cord - Elevated Blind Holdup - Clear Plastic
	097593-02-000	FT	Cord - Blind - Pleated (B87)
	097593-06-000	FT	Cord - Blind - Pleated (B88)
	078155-01-000	EA	Strap - Back Cushion
	100085-02-01A	EA	Strap - Headboard - 9.6" x 2.5" w/Screw Holes - Off White
	063774-01-000	FT	Fastener - Dual Hook - 1" Wide - Adhesive Back - Black
	063774-02-000	FT	Fastener - Dual Loop - 1" Wide - Adhesive Back - Black
	068792-02-000	YD	Velcro Tape - Adhesive Back - Loop - 3/4" Wide
	048394-02-000	YD	Velcro Tape - Adhesive Back - Hook - 3/4" Wide
	097565-01-000	EA	Bracket - Mounting - Pleated Blind
	097591-01-000	EA	Spring Extension - Pleated Blind
	097592-01-000	EA	Cord - Spool - Elevated Blind Holdup - Clear Plastic
	097492-02-000	EA	Cord - Pleated Blind
	103988-01-000	FT	Trim - U-Channel - .75" Wide - Brass
	084415-31-000	YD	Trim - Braid - Curtain - Plum (B87)
	084415-30-000	YD	Trim - Braid - Curtain - Blue (B88)
	079349-01-B87	YD	Wetling - Fabric (Skirt)
	079349-01-B88	YD	Wetling - Fabric (Skirt)
	079349-03-B87	YD	Wetling - Fabric (Headrest)
	079349-03-B88	EA	Wetling - Fabric (Headrest)
	081172-01-000	EA	Trim - Headrest - Black Plastic
	052859-01-W30	FT	Trim - Edge Vinyl - 1.5" x 1.5" Wide - Beige

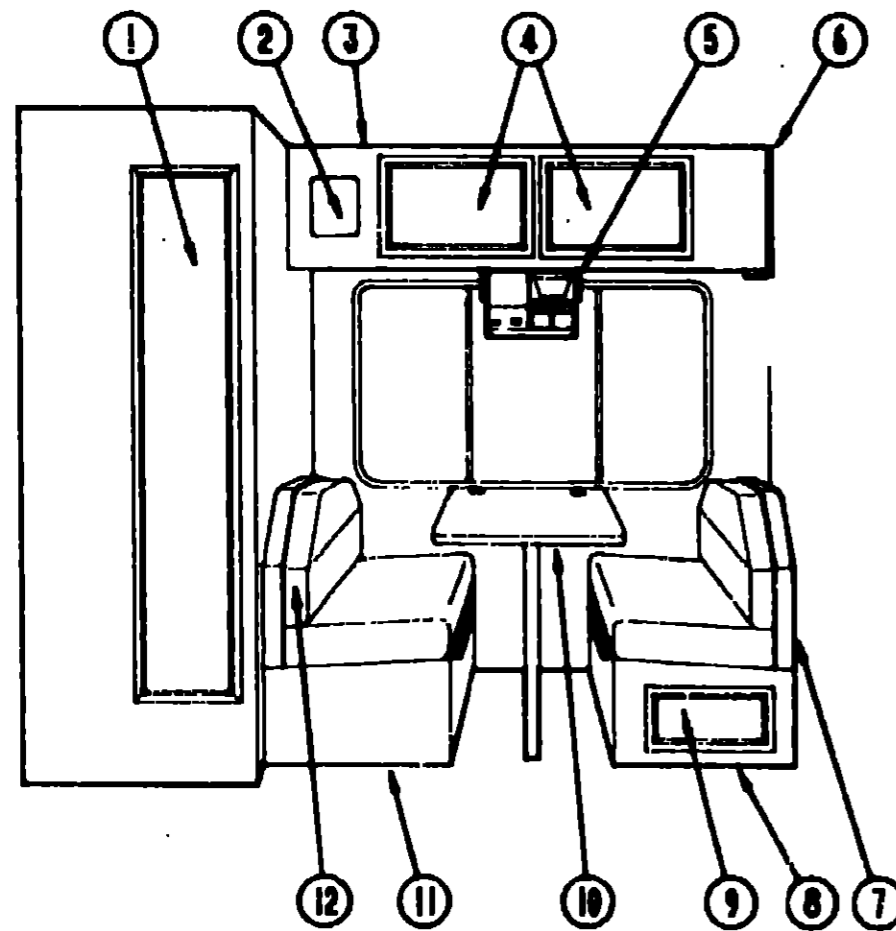
**1991 ITASCA  
TABLE OF CONTENTS**

INTRODUCTION	A-01 - A-02
ABBREVIATIONS	A-03
ALPHABETICAL/GROUP REFERENCE	A-04 - A-06
IF327RT	A-07 - D-14
IF327RB	D-15 - G-10
IF327RQ	G-11 - J-16

**1991 IF327RQ INDEX**

Floor Plan	G-11 - G-12
Accessories Group	G-13 - G-15
Bath Group	G-16 - G-17
Bedroom Group	G-18 - G-20
Chassis Group	G-21 - G-23
Curtain, Cushion & Pad Group	G-24 - H-08
Dinette Group	H-09 - H-11
Driver's Compartment Group	H-12 - H-14
Electrical Group	H-15 - H-17
Exterior Body Group	H-18 - H-22
Galley Group	H-23 - I-03
Heating & Air Conditioning Group	I-04 - I-05
Interior Finish Group	I-06 - I-08
Labels Group	I-10 - I-17
LP Group	I-18
Lounge Group	I-19
Sealants & Fasteners Group	I-20 - I-22
Water & Sewage Group	I-23 - J-02
Window, Vent & Exterior Door Group	J-03 - J-16

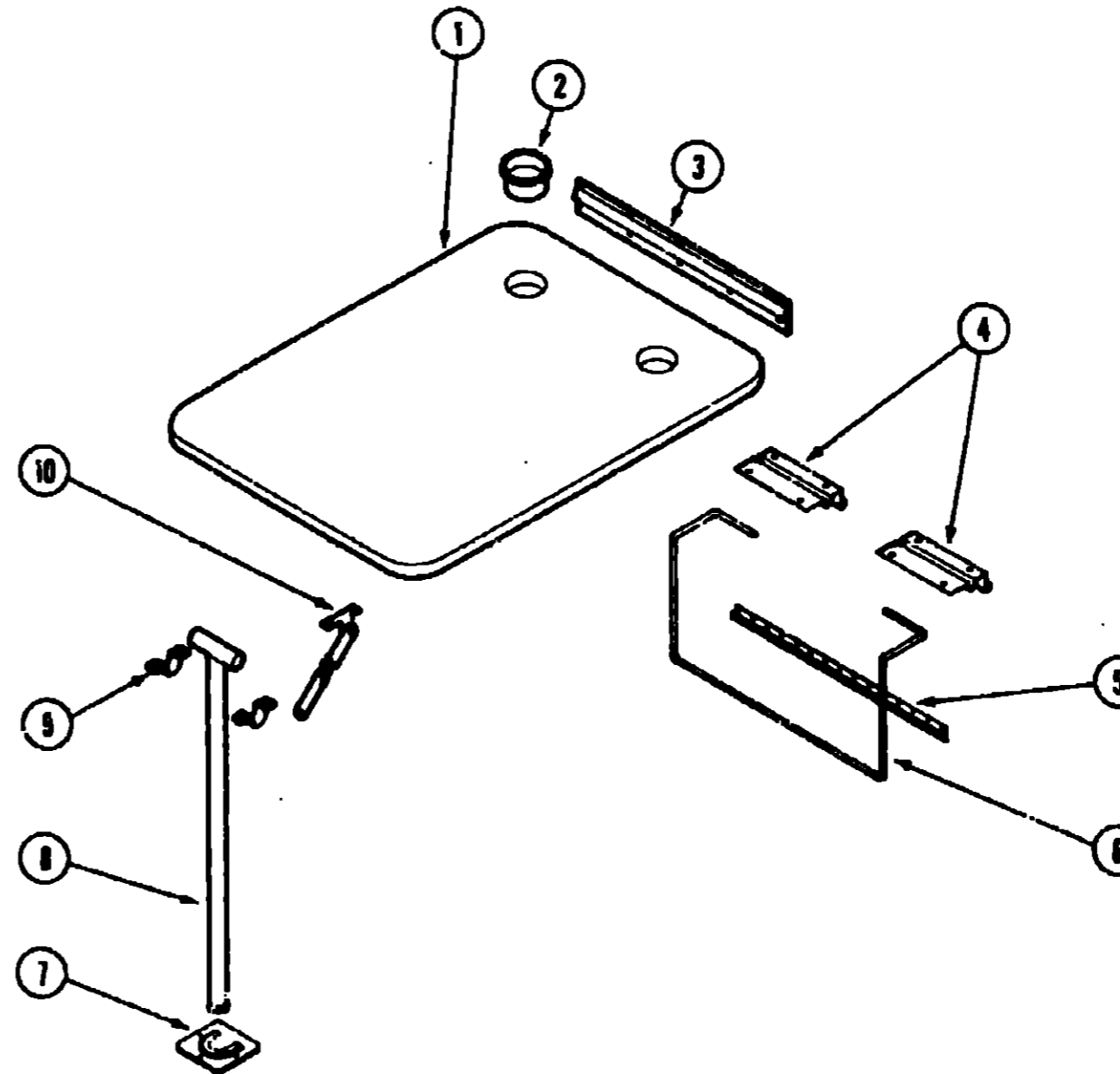
### DINETTE GROUP



DINETTE CABINERY

Key	Part Number	U/M	Description
1	P03380-01-B85	EA	Door Asm. - 12.9" x 67.7" - w/o Hardware
2	089340-01-000	EA	Speaker Grill
2	089340-02-000	EA	Speaker Grill
3	M05150-03-B87	EA	Cabinet Asm. - Overhead - w/o Doors or Hardware
4	P03702-25-B87	EA	Door Asm. - Overhead - 14.4" x 21.8" - w/o Hardware
	103847-01-000	EA	Mirror - Decorative - 11.6" x 19"
	083204-03-000	EA	Button - Mirror Retaining
5	103799-01-01A	EA	Coffee Maker - Almond
	104610-01-000	EA	Strap Asm. - Coffee Maker
	088792-02-000	EA	Velcro - 3/4" Loop - Adhesive
6	081280-21-B27	EA	End Cap - Overhead
7	M02174-08-B27	EA	Cabinet Asm. - Dinette Back
7	081519-16-B87	EA	Pad Asm. - Dinette
7	081519-16-B88	EA	Pad Asm. - Dinette
8	M02175-12-B87	EA	Cabinet Asm. - Dinette Seat
9	P03702-13-B87	EA	Door Asm. - 10" x 19" - w/o Hardware
10	M81299-08-B87	EA	Table Asm. - Dinette - w/o Hardware
11	M02175-11-B27	EA	Cabinet Asm. - Dinette Seat
12	081519-17-B87	EA	Pad Asm. - Dinette
12	081519-17-B88	EA	Pad Asm. - Dinette
	093446-04-B87	EA	Mirror - Wood Framed
	059777-02-000	EA	Hinge - Door - Burnished Brass
	081376-01-000	EA	Backplate - Door Pull - Brass
	103857-01-000	EA	Pull - Door - Brass

### DINETTE GROUP (CONTINUED)



DINETTE TABLE & HARDWARE

Key	Part Number	U/M	Description
1	M81299-08-B87	EA	Table Asm. - Dinette - w/o Hardware
2	084781-08-000	EA	Cup Holder - Two Step - Off White
3	053200-09-000	EA	Support - Table - 18.5" - Beige
4	088410-01-000	EA	Hanger - Table - Beige
5	024261-11-000	EA	Bracket - Table Lift - 17.12" - Beige
6	024275-11-000	EA	Rod - Table Lift - Beige
7	049493-11-700	EA	Catch - Table Leg
8	024276-21-000	EA	Leg Asm. - Table - Beige
9	084050-03-000	EA	Clamp - Saddle - Leg Hinge - Beige
10	024282-01-000	EA	Brace - Table Leg
	024283-01-000	EA	Clip - 1" - 1.125" - OD Tube - Black
	081295-01-AA8	EA	Support - Dinette - 1.5" x 28" - Wood
	004354-01-000	EA	Bumper - Rubber - Brown

### 1991 ITASCA TABLE OF CONTENTS

INTRODUCTION	A-01 - A-02
ABBREVIATIONS	A-03
ALPHABETICAL/GROUP REFERENCE	A-04 - A-08
IF327RT	A-07 - D-14
IF327RB	D-15 - G-10
IF327RQ	G-11 - J-16

### 1991 IF327RQ INDEX

Floor Plan	G-11 - G-12
Accessories Group	G-13 - G-15
Bath Group	G-16 - G-17
Bedroom Group	G-18 - G-20
Chassis Group	G-21 - G-23
Curtain, Cushion & Pad Group	G-24 - H-08
Dinette Group	H-09 - H-11
Driver's Compartment Group	H-12 - H-14
Electrical Group	H-15 - H-17
Exterior Body Group	H-18 - H-22
Galley Group	H-23 - I-03
Heating & Air Conditioning Group	I-04 - I-08
Interior Finish Group	I-08 - I-09
Labels Group	I-10 - I-17
LP Group	I-18
Lounge Group	I-19
Sealants & Fasteners Group	I-20 - I-22
Water & Sewage Group	I-23 - J-02
Window, Vent & Exterior Door Group	J-03 - J-16

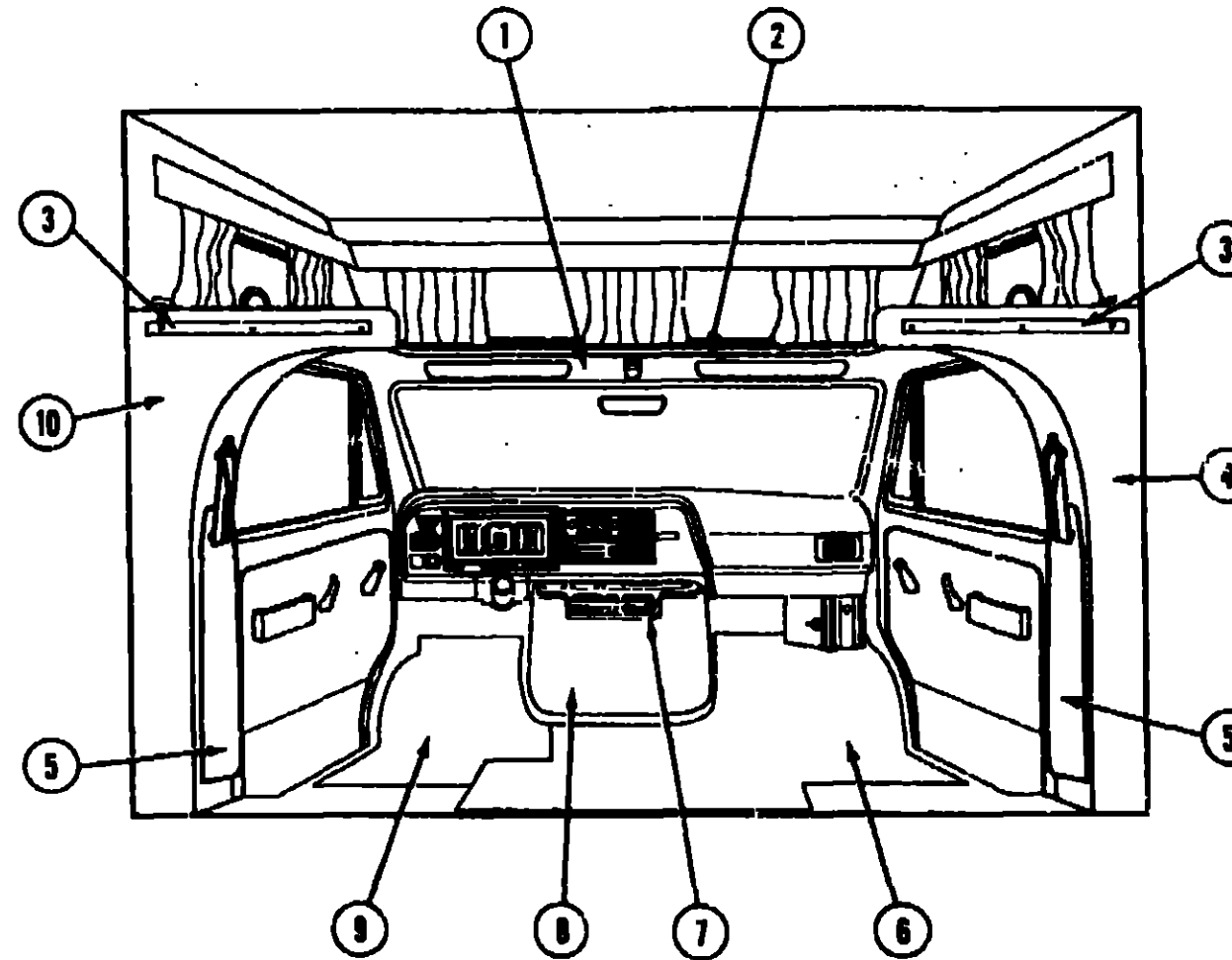
## DINETTE GROUP (CONTINUED)

### PRESTO BED CABINERY (OPTION L041)

Key	Part Number	U/M	Description
	MC4187-17-B87	EA	Panel Asm. - Couch Front w/Fabric
	M04187-17-B88	EA	Panel Asm. - Couch Front w/Fabric
	M04187-18-B87	EA	Panel Asm. - Couch Side w/Fabric
	M04187-18-B88	EA	Panel Asm. - Couch Side w/Fabric
**	100032-03-B87	EA	Couch - Presto Bed - Seat
**	100032-03-B88	EA	Couch - Presto Bed - Seat
**	100032-04-B87	EA	Couch - Presto Bed - Back
**	100032-04-B88	EA	Couch - Presto Bed - Back
	081298-01-B87	EA	Pedestal Table Asm.
	009040-04-000	EA	Leg - Pedestal Table - 27.5" x 2.25" - Brown
	009040-02-000	EA	Leg - Pedestal Table - 27.5" x 2.25" - Chrome
	041194-01-000	EA	Table Base - Flush Floor Mount
	062046-01-000	EA	Clip - Pedestal Leg
	009040-03-000	EA	Base - Raised Table Mount
	093586-03-000	EA	Catch - Roller Spring
	093586-04-000	EA	Strike - Spring Steel
	082525-01-000	EA	Brace - Presto Bed - Floor Mount (4 Required)
	083125-05-000	EA	Brace - Angle - Couch - 2.5" - Beige
	103513-02-000	EA	Couch Support Asm.
	101926-01-01A	EA	Bracket - ZEE - Beige

\*\* See Curtain, Cushion & Pad Group for Breakdown of this Item.

## DRIVER'S COMPARTMENT GROUP



### MISCELLANEOUS DRIVER'S COMPARTMENT COMPONENTS

Key	Part Number	U/M	Description
1	091631-01-B05	EA	Headliner - Front - Off White Vinyl
	091825-02-AA5	EA	Headliner - Sides - Off White Vinyl
	P03290-01-B05	EA	Sleeper Board Asm.
	079800-04-000	EA	Trim - Front Sleeper Board - Metal - Off White
2	080742-03-000	FT	Accent Trim - Off White Vinyl
3	082089-03-Y05	EA	Wood Trim - Wingwall - 15.8"
	074045-07-000	EA	Oak Plug - 1/2"
4	103384-01-B05	EA	Wingwall Asm. - Inner - Passenger - Off White
5	091871-05-000	EA	Seal Belt Cover - Off White
	057759-01-000	EA	Bracket - Seal Belt - Washer
6	083219-04-000	EA	Floor Mat - Passenger
7	099857-01-AA5	EA	Beverage Tray
8	069885-16-B87	EA	Motor Cover w/Pocket
8	069885-16-B88	EA	Motor Cover w/Pocket
9	083219-03-000	EA	Floor Mat - Driver
10	103384-02-B05	EA	Wingwall Asm. - Inner - Driver - Off White
	082071-12-B05	EA	Trim - Wingwall - 5.5" x 31.5"
	082081-20-B05	EA	Trim - Wingwall - 1.5" x 78.8"
	082081-16-B16	EA	Trim - Wingwall - 1.5" x 53.7"
	082081-28-B85	EA	Trim - Wingwall - 1.5" x 53.7"
	093614-01-01A	EA	Grille - Return Air - Brown
	024461-01-000	EA	Switch - Battery
	094795-02-000	EA	Speedometer - Kilometer

\* Parts used from 04/22/91 on.

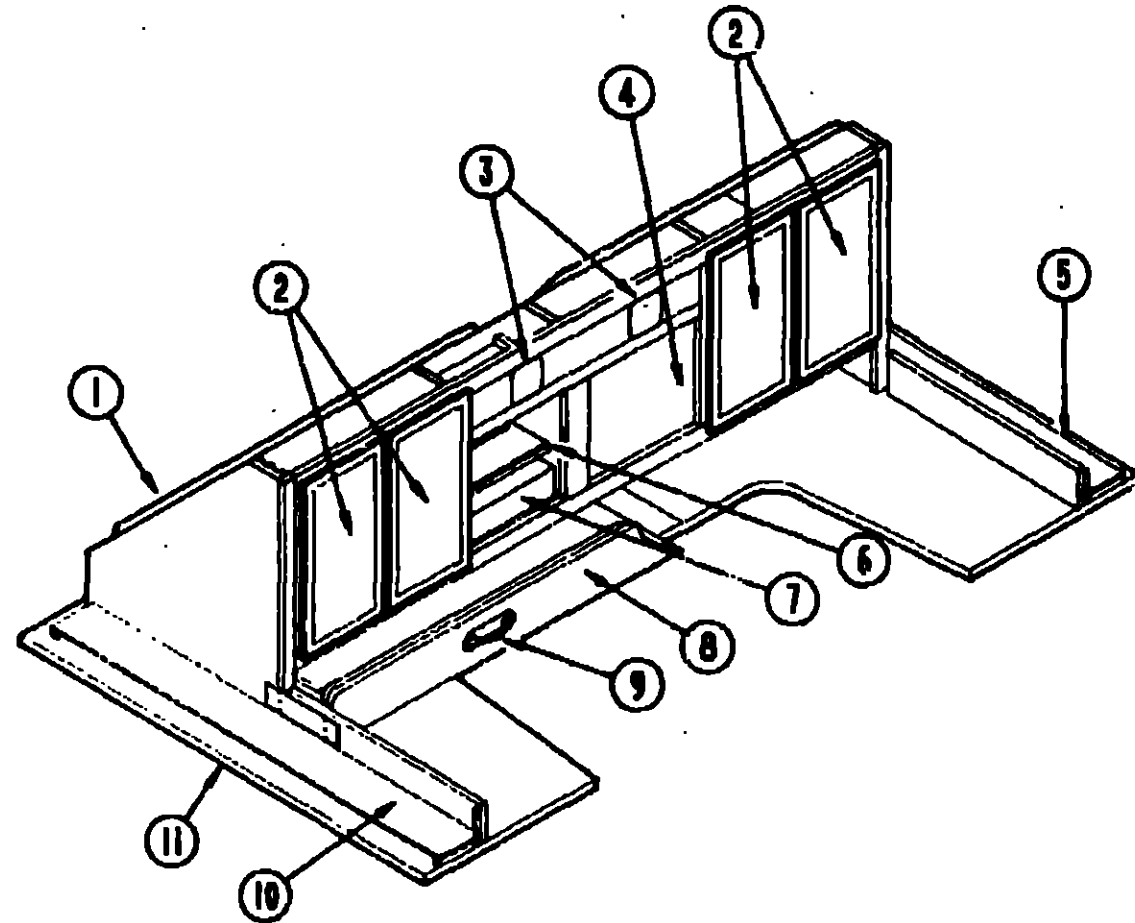
## 1991 ITASCA TABLE OF CONTENTS

INTRODUCTION	A-01 - A-02
ABBREVIATIONS	A-03
ALPHABETICAL/GROUP REFERENCE	A-04 - A-08
IF327RT	A-07 - D-14
IF327RB	D-15 - G-10
IF327RQ	G-11 - J-18

## 1991 IF327RQ INDEX

Floor Plan	G-11 - G-12
Accessories Group	G-13 - G-15
Bath Group	G-16 - G-17
Bedroom Group	G-18 - G-20
Chassis Group	G-21 - G-23
Curtain, Cushion & Pad Group	G-24 - H-08
Dinette Group	H-09 - H-11
Driver's Compartment Group	H-12 - H-14
Electrical Group	H-15 - H-17
Exterior Body Group	H-18 - H-22
Galley Group	H-23 - I-03
Heating & Air Conditioning Group	I-04 - I-05
Interior Finish Group	I-06 - I-09
Labels Group	I-10 - I-17
LP Group	I-18
Lounge Group	I-19
Sealants & Fasteners Group	I-20 - I-22
Water & Sewage Group	I-23 - J-02
Window, Vent & Exterior Door Group	J-03 - J-18

**DRIVER'S COMPARTMENT GROUP (CONTINUED)**

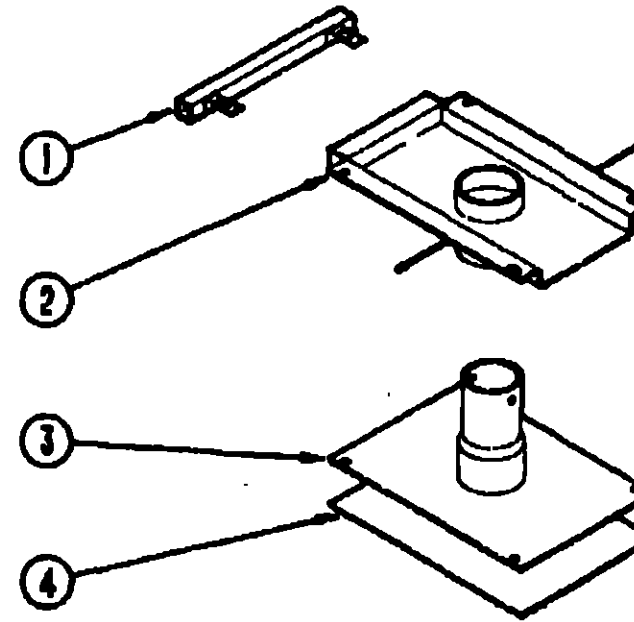


**TV & ENTERTAINMENT CABINETRY (OPTION L43V)**

Key	Part Number	U/M	Description
1	099879-02-01A	EA	Panel - Window - Black Plastic
2	P03701-55-B87	EA	Door - Cabinet - 10" x 19" - w/o Hardware
3	098819-01-000 074979-11-000	EA	Speaker - 2 Watt - 8 OHM - 4" Cover - Speaker - Plastic - Off White
4	098447-01-000	EA	TV - 13" Color w/Remote - Magnavox RX4029 (US)
14	098447-03-000	EA	TV - 13" Color w/Remote - Magnavox RR1337 (US)
4	098447-02-000	EA	TV - 13" Color w/Remote - Magnavox XK4029 (CSA)
14	098447-04-000	EA	TV - 13" Color w/Remote - Magnavox RR1330W (CSA)
	098447-01-700	EA	Remote Control - Magnavox RX4029 & XK4029
	098447-03-700	EA	Remote Control - Magnavox RR1337 & RR1330W
	099856-01-000	EA	TV - Tiedown
5	100848-01-B35	EA	Cabinet - Headboard - Passenger
	097191-01-B35	EA	Handle - Door - Tambour - 3.6"
6	093622-01-000	EA	Track - Tambour Door - Plastic
	093623-01-000	EA	Track - Corner - Tambour Door
	103381-23-B27	EA	Door Tambour (Roll - up)
7	098446-02-000	EA	VCR - VHS Cable Ready w/Remote - Magnavox VR9912
**7	098446-03-000	EA	VCR - VHS Cable Ready w/Remote - Magnavox VR9010
	098446-02-700	EA	Remote Control - Magnavox VR9912
**	098446-03-700	EA	Remote Control - Magnavox VR9010
8	100847-01-B87	EA	Drawer - Entertainment - Front
	079145-08-000	EA	Cushion - Front Bunk - 28" x 74" x 3.5"
	103858-01-000	EA	Pull - Drawer - Polished Brass
10	100848-02-B35	EA	Cabinet - Headboard - Driver
11	103381-01-B27	EA	Cabinet - Entertainment - Front
	085774-01-000	EA	Velcro - Dual Fasteners - Lock - 1" Wide
	085774-02-000	EA	Velcro - Dual Fasteners - Lock - 1" Wide

† These parts are used from 6/24/91 on.  
 \*\* These parts are used from 7/22/91 on.  
 \* See Curtain, Cushion & Pad Group for further breakdown of this item.

**DRIVER'S COMPARTMENT GROUP (CONTINUED)**



**BUCKET SEAT PEDESTAL**

Key	Part Number	U/M	Description
1	069585-28-000	EA	Bar - Seat Belt - 18"
2	093481-04-000	EA	Plate - Top - Pedestal Asm.
3	069585-03-000	EA	Plate - Sub - Pedestal Asm.
4	069585-02-000	EA	Plate - Base - Pedestal Asm. - Bucket Seat
**	069246-01-000	EA	Adjuster Asm. - Seat - w/Lock
	069246-02-000	EA	Adjuster Asm. - Seat - w/o Lock
*	069246-05-000	EA	Adjuster Asm. w/Remote
	069246-05-700	EA	Spring For Slide Adjuster
	069246-05-701	EA	Clip - For Cable Asm. Only
*	These parts are used from 7/9/90 on.		
**	These parts are used until 7/8/90.		

**1991 ITASCA  
TABLE OF CONTENTS**

INTRODUCTION	A-01 - F-02
ABBREVIATIONS	A-03
ALPHABETICAL/GROUP REFERENCE	A-04 - A-08
IF327RT	A-07 - D-14
IF327RB	D-15 - G-10
IF327RQ	G-11 - J-16

**1991 IF327RQ INDEX**

Floor Plan	G-11 - G-12
Accessories Group	G-13 - G-15
Bath Group	G-16 - G-17
Bedroom Group	G-18 - G-20
Chessels Group	G-21 - G-23
Curtain, Cushion & Pad Group	G-24 - H-08
Dinette Group	H-09 - H-11
Driver's Compartment Group	H-12 - H-14
Electrical Group	H-15 - H-17
Exterior Body Group	H-18 - H-22
Galley Group	H-23 - I-03
Heating & Air Conditioning Group	I-04 - I-05
Interior Finish Group	I-06 - I-08
Labels Group	I-10 - I-17
LP Group	I-18
Lounge Group	I-19
Sealants & Fasteners Group	I-20 - I-22
Water & Sewage Group	I-23 - J-02
Window, Vent & Exterior Door Group	J-03 - J-16

## ELECTRICAL GROUP

### MISCELLANEOUS ELECTRICAL COMPONENTS

Key	Part Number	U/M	Description
	072852-01-000	EA	Smoke Detector w/9 Volt Battery
	092615-01-000	EA	Converter - 40 Amp. w/Charger
	094909-01-000	EA	Load Center - 240 Volt - 125 Amp. (Export)
	083208-01-000	EA	Control Center - 32 Amp. - 120V/12V

### WIRES, SWITCHES, & RECEPTACLES

Key	Part Number	U/M	Description
	008298-01-000	EA	Box - Electrical - 3" x 3.5" - Plastic
	091910-01-000	EA	Box - Electrical - Plastic - 3.75" x 3.50" x 1.75"
	093603-01-000	EA	Box - Electrical - 4" x 2 1/8" x 2 1/8"
	008289-01-000	EA	Box - Electrical - 4" x 4" - 1/2 & 3/4 Steel
	008289-02-000	EA	Box - Electrical - 4" x 4" (CSA)
	058049-01-000	EA	Box - Electrical - 2" x 3" x 2.25" - Steel
	008380-01-000	EA	Bushing - Rub - 5/8" x 1 1/2"
	080734-02-000	EA	Clip - Nylon - Wire
	041953-01-000	FT	Conduit - Convolute Slit - .5" ID
	041953-02-000	EA	Conduit - Convolute - .625" ID
	041953-03-000	FT	Conduit - Convolute Slit - 1" ID
	041953-07-000	FT	Conduit - Convolute Slit - .25" ID
	008355-01-000	EA	Connector - Cable Clamping - 3/4"
	008356-01-000	EA	Connector - Plastic - 3/8" Avg.
	058028-01-000	EA	Connector - Pigtail - Clear Nylon
	008311-01-000	EA	Connector - Wire Nut - Red
	008314-01-000	EA	Connector - Wire Nut - Gray
	031988-01-000	EA	Contact - Plug
	008054-01-000	EA	Cord - Power - 10-3 30 Amp. - 25' (US)
	008052-01-000	EA	Cord - Power - 10-3 30 Amp. - 25' (CSA)
	069238-01-000	EA	Cover - Electrical Box - w/Hole - 4" x 4" - Gray
	008294-02-000	EA	Cover Plate - BLN - Steel 4 x 4 (CSA)
	063910-01-000	EA	Housing - Relay
	088474-03-000	EA	Housing - Socket - 9 Position
	088474-07-000	EA	Housing - Socket - 5 Position
	088474-08-000	EA	Housing - Socket - 4 Position
	088474-09-000	EA	Housing - Socket - 3 Position
	088474-10-000	EA	Housing - Socket - 2 Position
	097744-01-000	EA	Housing - Trailer Pin - 12"
	097744-02-000	EA	Housing - Trailer Pin - 48"
	097746-01-000	EA	Housing Asm. - Trailer Cap
	097745-01-000	EA	Housing Asm. - Trailer Receptacle - 12"
	097745-02-000	EA	Housing Asm. - Trailer Receptacle - 48"
	088473-05-000	EA	Housing Pin - 6 Position In Line
	088473-01-000	EA	Housing Pin - 4 Rows of 3
	088473-03-000	EA	Housing Pin - 9 Position
	088473-08-000	EA	Housing Pin - 4 Position
	088473-09-000	EA	Housing Pin - 3 Position
	088473-10-000	EA	Housing Pin - 2 Position
	088475-01-000	EA	Pin - Connector
	088475-02-000	EA	Pin - Connector
	046885-01-000	EA	Plaque - Switch Mounting
	081082-01-000	EA	Plaque - Switch Mounting
	075736-02-000	EA	Receptacle/Cover Asm. - Off White (Exterior)
	084077-01-000	EA	Receptacle Cover - Ivory (Ground Fault Interrupter)
	084076-01-000	EA	Receptacle - 15 Amp. - 125 Volt - Ivory (Ground Fault Interrupter)
	024924-02-000	EA	Receptacle - Power Cord
	058707-01-000	EA	Receptacle - Single - Brown
	007947-01-000	EA	Receptacle - Slide - 13 to 12 Awg.
	058708-01-000	EA	Receptacle - Double Electrical - Brown
	058708-02-000	EA	Receptacle - Double Electrical - Ivory
	097734-01-01A	EA	Receptacle - Extension - 3.2" x 5" x 7" - Plastic - Ivory

## ELECTRICAL GROUP (CONTINUED)

### WIRES, SWITCHES & RECEPTACLES (CONTINUED)

Key	Part Number	U/M	Description
	102588-01-810	EA	Spacer - Receptacle - Between Sidewall & Plate - Wood
	089476-01-000	EA	Socket - Connector
	002476-02-000	EA	Socket - Connector - 12-10 Ga.
	008188-01-000	EA	Solenoid - 3 Post - Battery Change Over
	024461-01-000	EA	Switch - Battery
	098351-01-01A	EA	Switch Plate - Polished Brass
	098351-02-01A	EA	Switch Plate - 2 Gang - Polished Brass
	079384-01-000	EA	Switch - On/Off Rocker - Brown
	047443-01-000	EA	Terminal - .250 Receptacle Fit - Insulated - 16/14 AWG
	047443-02-000	EA	Terminal - .250 Receptacle Fit - Insulated - 12/10 AWG
	050003-02-000	EA	Terminal Pin - 16-14 AWG
	008328-01-000	EA	Terminal Ring - 16/14 Wire - 3/8" Stud
	035416-04-000	EA	Terminal Ring - #10 Stud Fit
	008328-01-000	EA	Terminal Ring - 12/10 Wire
	008348-01-000	EA	Terminal Ring - 2 - 3/8 Stud
	008331-01-000	EA	Terminal Ring - 4 - 3/8 Stud
	093252-01-01A	EA	Wall Plate - Cable - Beige
	008028-01-000	FT	Wire - 12/2 Romex w/Ground
	008343-01-000	EA	Wire Tie - 6"
	081059-02-000	EA	Wire Asm. - 9 Pin - Radio

### EXTERIOR LIGHTS

Key	Part Number	U/M	Description
	042405-01-000	EA	Lens - Side Marker/Clearance Light - w/Reflex - Red
	042405-02-000	EA	Lens - Side Marker Light - w/Reflex - Amber
	042405-03-000	EA	Base - Clearance Light - Rectangular
	091983-01-000	EA	Gasket - Light - Side Marker
	008213-01-000	EA	Bulb - 12 Volt - #57
	082740-04-000	EA	Wedge - Tail Light - Plastic - Passenger Side - Off White
	082742-04-000	EA	Wedge - Tail Light - Plastic - Driver Side - Off White
	007309-01-000	EA	Light - License Plate
	059540-01-000	EA	Bracket - License Plate
	058032-02-000	EA	Tail Lamp - 2 Bulb - Black Bezel
	058032-02-700	EA	Lens - Tail Lamp - w/Backup - Red
	058032-02-701	EA	Lens - Tail Lamp - w/o Backup - Red
	037935-01-000	EA	Bulb - Tail Lamp - #1157 - 12 Volt
	097917-01-01A	EA	Light - Porch/Entry Door - Off White
	097917-01-700	EA	Lens - Porch Light
	008215-01-000	EA	Bulb - Porch Light
	100138-01-000	EA	Module - Daytime Running Lights (CSA)
	100159-02-000	EA	Wire Asm. - Daytime Running Lights - w/Fuse (CSA)
	100158-01-000	EA	Wire Asm. - Daytime Running Lights (CSA)

Note: Items indented below assemblies are serviceable parts for that assembly.

### INTERIOR LIGHTS

Key	Part Number	U/M	Description
	007309-01-000	EA	Light - Step Well - Round - 12V
	098024-01-01A	EA	Dome Light - 1 Bulb - Ivory
	098024-03-01A	EA	Dome Light - 2 Bulb - Ivory
	098024-01-700	EA	Lens - Dome Light
	008218-01-000	EA	Bulb - Dome Light - 12 Volt - #1141
	088280-01-000	EA	Light - Surface Mount - 12 Volt
	088280-01-700	EA	Bulb - 12 Volt - 6 Watt

NOTE: Items indented below assemblies are serviceable parts for that assembly.

## 1991 ITASCA TABLE OF CONTENTS

INTRODUCTION	A-01 - A-02
ABBREVIATIONS	A-03
ALPHABETICAL/GROUP REFERENCE	A-04 - A-08
IF327RT	A-07 - D-14
IF327RB	D-15 - G-10
IF327RQ	G-11 - J-16

## 1991 IF327RQ INDEX

Floor Plan	G-11 - G-12
Accessories Group	G-13 - G-15
Bath Group	G-16 - G-17
Bedroom Group	G-18 - G-20
Chassis Group	G-21 - G-23
Curtain, Cushion & Pad Group	G-24 - H-08
Dinette Group	H-09 - H-11
Driver's Compartment Group	H-12 - H-14
Electrical Group	H-15 - H-17
Exterior Body Group	H-18 - H-22
Galley Group	H-23 - I-03
Heating & Air Conditioning Group	I-04 - I-06
Interior Finish Group	I-08 - I-09
Labels Group	I-10 - I-17
LP Group	I-18
Lounge Group	I-19
Sealants & Fasteners Group	I-20 - I-22
Water & Sewage Group	I-23 - J-02
Window, Vent & Exterior Trim Group	J-03 - J-16

**ELECTRICAL GROUP (CONTINUED)**

**BULBS**

Key	Part Number	U/M	Description
	092896-01-709	EA	Bulb - 912 (Stove Hood)
	008215-01-000	EA	Bulb - 1003 (Porch Light)
	008218-01-000	EA	Bulb - 1141 (Dome Light)
	037934-01-000	EA	Bulb - 1156 (Back-Up Light)
	037935-01-000	EA	Bulb - 1157 (Tail Lamp)
	084880-01-706	EA	Bulb - DC Light (Refrigerator) (Export)
	088737-01-710	EA	Bulb - 30W (Microwave Oven)
	036196-01-000	EA	Bulb - 194 (Clearance Light)
	006280-01-700	EA	Bulb - 12 Volt - 6 Watt (Surface Light)

**FUSES & CIRCUIT BREAKERS**

Key	Part Number	U/M	Description
	008235-01-000	EA	Fuse - 12 Volt - 15 Amp.
	062901-05-000	EA	Fuse - 15 Amp. - Automotive
	008211-01-000	EA	Circuit Breaker - 6 Amp. - 12 Volt
	083209-01-000	EA	Circuit Breaker - 15 Amp. 120 Volt
	083210-02-000	EA	Circuit Breaker - 15 Amp. - 120 Volt (Ground Fault Interrupter)
	083209-02-000	EA	Circuit Breaker - 15/15 Amp. - 120 Volt
	083209-03-000	EA	Circuit Breaker - 15/20 Amp. - 120 Volt
	033573-01-000	EA	Circuit Breaker - 20 Amp. - 12 Volt
	094811-01-000	EA	Circuit Breaker - 20/20 Amp. - 120 Volt
	008268-01-000	EA	Circuit Breaker - 30 Amp. - 12 Volt
	083209-04-000	EA	Circuit Breaker - 20 Amp. - 120 Volt
	083209-06-000	EA	Circuit Breaker - 30/15 Amp. - 120 Volt
	094810-01-000	EA	Circuit Breaker - 30/30 Amp. - 120 Volt (Export)
	083209-08-000	EA	Circuit Breaker Blank
	050283-02-000	EA	Circuit Breaker - Buss Bar
	100341-01-000	EA	Fuse Holder - In Line Type
	008277-01-000	EA	Fuse Holder - Panel Mount - Black

**EXTERIOR BODY GROUP**

**MISCELLANEOUS EXTERNALLY MOUNTED PARTS**

Key	Part Number	U/M	Description
	083558-03-000	EA	Plumbing Seal - Roof Vent - 1.5 - Off White
	009126-02-000	EA	Assist Handle - Black
	087659-04-000	EA	Fill - City Water - Off White
	075738-02-000	EA	Cover - Exterior Receptacle - Off White
	082239-02-000	EA	Brace - Valance - Beige
	049347-01-000	EA	Head - Mirror - 7.5" x 10.59" - Stainless Steel
	049347-01-700	EA	Glass - Ext. Mirror - 7.5" x 10.5"
	062047-01-000	EA	Arm - West Coast Mirror
	006043-01-000	EA	Mirror - Exterior - Convex - Adhesive Backed
	099583-55-001	EA	Awning Rail - 120"

**SHEET FIBERGLASS, ALUMINUM & STYROFOAM**

Key	Part Number	U/M	Description
	044487-01-001	EA	Aluminum - Mill Finish - No Design - 96" x 360" (Roof)
	001054-01-011	EA	Aluminum Sheet - 48" x 96" - Flat - Off White
	000888-01-000	SF	Styrofoam - 3/4" x 24" x 96"
	000870-03-000	SF	Styrofoam - 1.34" x 48" x 96"
	000870-05-000	SF	Styrofoam - .50" x 24" x 96"
	078054-80-000	EA	Fiberglass Sheet - 48" x 296" - Off White
	077517-24-500	EA	Fiberglass Sheet - 48" x 96" - Off White
	078054-C9-001	EA	Fiberglass Sheet - 48" x 240" (20') - Off White
	078054-D3-001	EA	Fiberglass Sheet - 48" x 96" - Off White
	078054-D3-006	EA	Fiberglass Sheet - 48" x 296" (24.8') - Off White

**1991 ITASCA  
TABLE OF CONTENTS**

INTRODUCTION	A-01 - A-02
ABBREVIATIONS	A-03
ALPHABETICAL/GROUP REFERENCE	A-04 - A-06
IF327RT	A-07 - D-14
IF327RB	D-15 - G-10
IF327RQ	G-11 - J-18

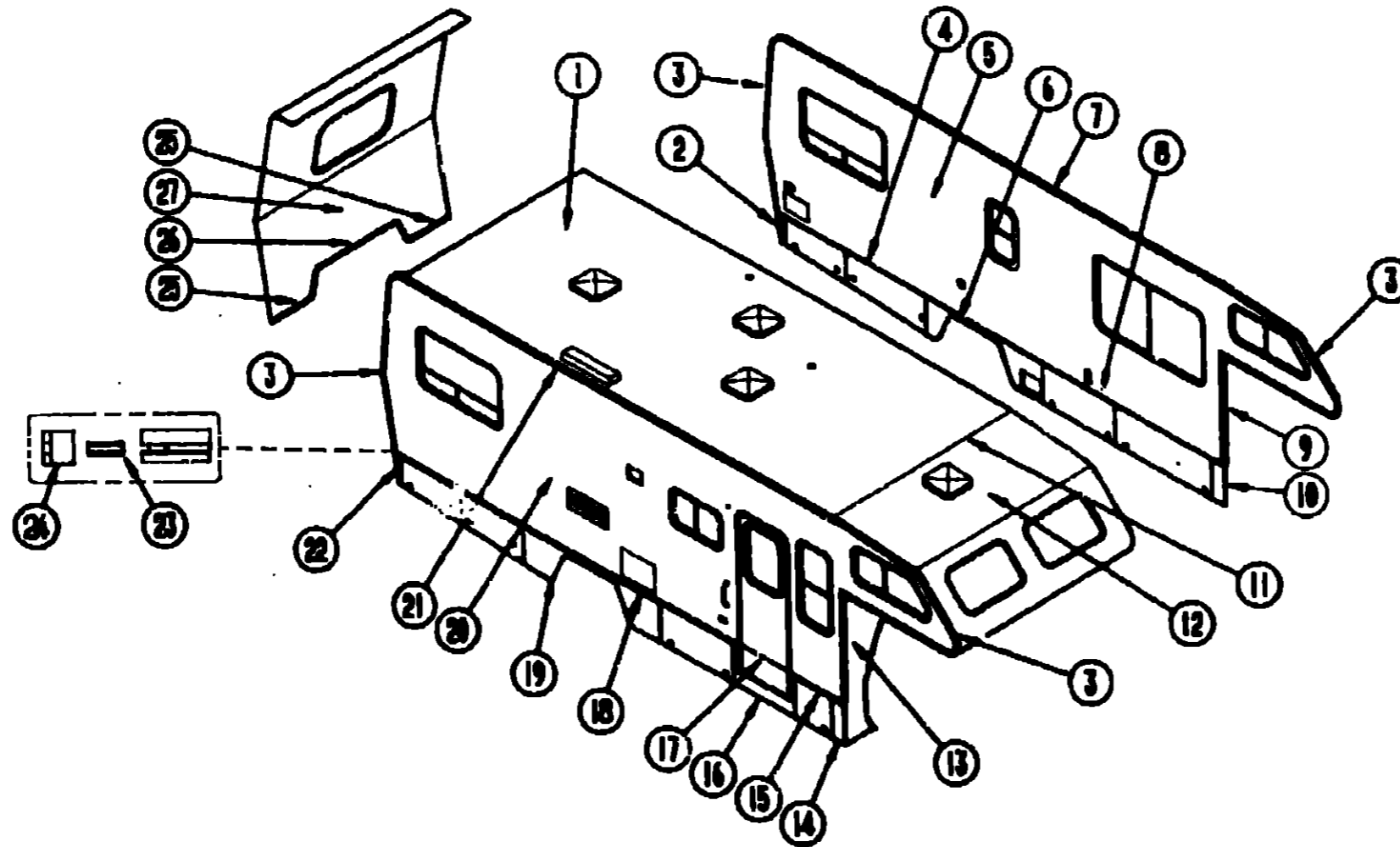
**1991 IF327RQ INDEX**

Floor Plan	G-11 - G-12
Accessories Group	G-13 - G-15
Bath Group	G-16 - G-17
Bedroom Group	G-18 - G-20
Chassis Group	G-21 - G-23
Curtain, Cushion & Pad Group	G-24 - H-08
Dinette Group	H-09 - H-11
Driver's Compartment Group	H-12 - H-14
Electrical Group	H-15 - H-17
Exterior Body Group	H-18 - H-22
Galley Group	H-23 - I-03
Heating & Air Conditioning Group	I-04 - I-05
Interior Finish Group	I-06 - I-09
Labels Group	I-10 - I-17
LP Group	I-18
Lounge Group	I-19
Sealants & Fasteners Group	I-20 - I-22
Water & Sewage Group	I-23 - J-02
Window, Vent & Exterior Door Group	J-03 - J-18



**EXTERIOR BODY GROUP (CONTINUED)**

**EXTERIOR BODY PANELS**



**1991 ITASCA  
TABLE OF CONTENTS**

INTRODUCTION	A-01 - A-02
ABBREVIATIONS	A-03
ALPHABETICAL/GROUP REFERENCE	A-04 - A-08
IF327RT	A-07 - D-14
IF327RB	D-15 - G-10
IF327RQ	G-11 - J-16

**1991 IF327RQ INDEX**

Floor Plan	G-11 - G-12
Accessories Group	G-13 - G-15
Bath Group	G-16 - G-17
Bedroom Group	G-18 - G-20
Chassis Group	G-21 - G-23
Curtain, Cushion & Pad Group	G-24 - H-08
Dinette Group	H-09 - H-11
Driver's Compartment Group	H-12 - H-14
Electrical Group	H-15 - H-17
Exterior Body Group	H-18 - H-22
Galley Group	H-23 - I-03
Heating & Air Conditioning Group	I-04 - I-05
Interior Finish Group	I-06 - I-08
Labels Group	I-10 - I-17
LP Group	I-18
Lounge Group	I-19
Sealants & Fasteners Group	I-20 - I-22
Water & Sewage Group	I-23 - J-02
Window, Vent & Exterior Door Group	J-03 - J-16

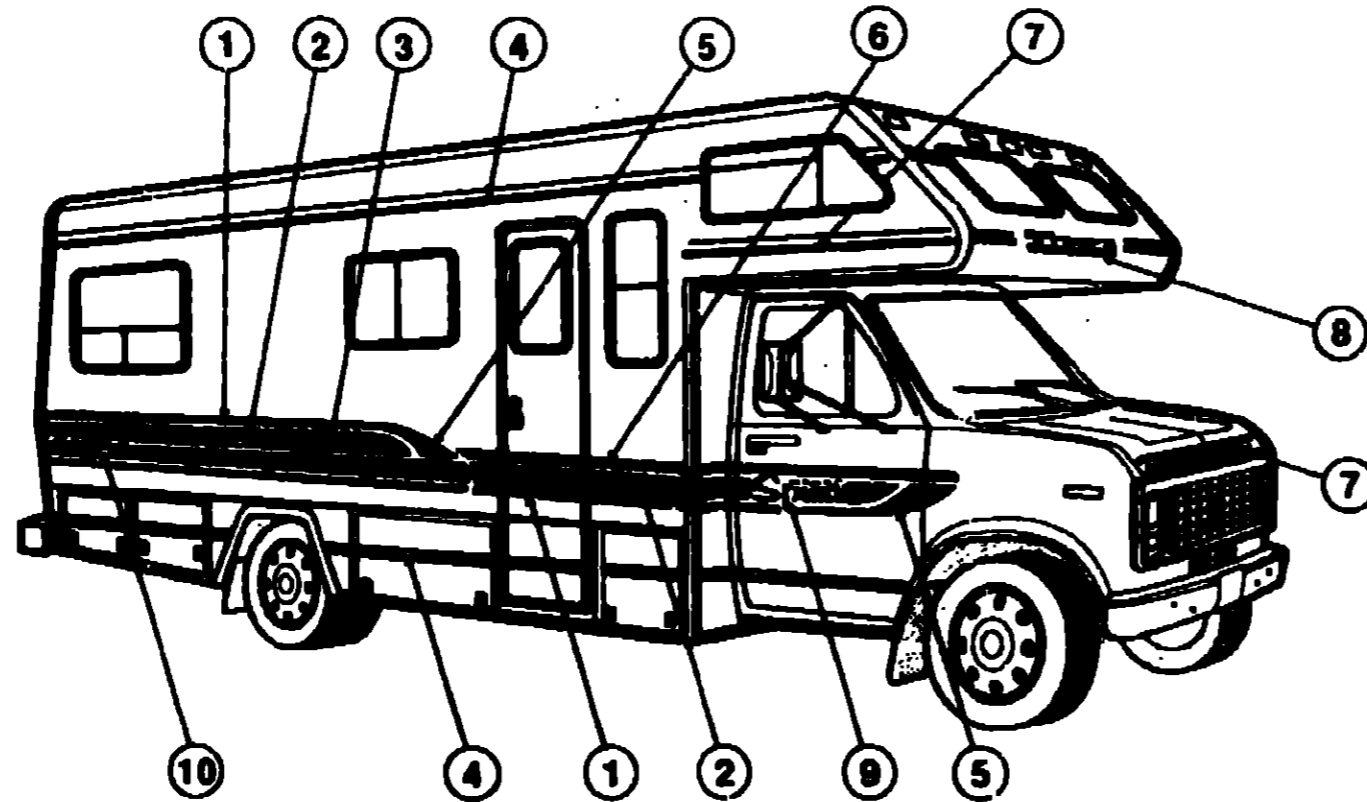
Key	Part Number	U/M	Description
1	P02972-01-B05	EA	Roof Asm. (Special Order Item)
2	097907-08-02A	EA	Filler - Valance Panel - Rear - Off White
3	096854-01-01A	EA	Trim Contour - Off White
4	096816-09-01A	EA	Trim - Sidewall - Lower - 163"
5	P02971-01-B87	EA	Sidewall Asm. - Driver (Special Order Item)
6	103320-02-B05	EA	Valance Asm. - Wheelwell
7	096864-01-01A	EA	Trim - Contour - Roof - Off White
8	096816-11-01A	EA	Trim - Sidewall - Lower Front - 67.2" - Off White
9	104479-02-01A	EA	Trim - Contour - Sidewall - Driver - Off White
	104479-01-01A	EA	Trim - Contour - Sidewall - Passenger - Off White
10	096386-12-B05	EA	Valance Asm. - Driver Side - Front
11	078580-01-000	EA	Trim - Roof to Front Cap
12	M76177-01-700	EA	Front Cap w/o Windows
13	P04000-01-B85	EA	Wingwall Asm. - Passenger Side w/Gusset
	096945-03-01A	EA	Trim - Wingwall - Angle - Off White
	P04000-02-B85	EA	Wingwall Asm. - Driver Side - w/Gusset
	096945-04-01A	EA	Trim - Wingwall - Angle - Off White
	P03290-01-B05	EA	Sleeperboard - Overhead Cab
	100085-03-01A	EA	Trim - Sleeperboard - Flat - 2.5" x 87.5" - Off White
	100086-02-01A	EA	Trim - Sleeperboard - 2" x 90.7" - Off White

Key	Part Number	U/M	Description
14	096386-12-B05	EA	Valance Asm. - Passenger Side - Front
15	096816-10-01A	EA	Trim - Sidewall - Lower Front - 26.8" - Off White
16	096835-02-B05	EA	Valance Asm. - Entrance Door
17	002444-04-002	EA	Feature Strip - w/o Insert - 15' Long - Off White
	001030-02-003	EA	Insert - Feature Strip - Stucco
	009731-01-000	EA	End Cap - Feature Strip
18	096816-08-01A	EA	Trim - Sidewall - Lower Front - 174.8" - Off White
19	103320-01-B05	EA	Valance Asm. - Wheelwell
20	P02970-01-B87	EA	Sidewall Asm. - Passenger (Special Order Item)
21	100483-01-01A	EA	Trim - Contour - Roof - Off White
22	097907-07-02A	EA	Filler - Valance Panel - Rear - Off White
23	001030-02-003	EA	Insert - Lower Sidewall Trim
24	098424-02-01A	EA	End Cap - Sidewall Trim - Rear (Passenger Side) & Front (Driver Side)
	098424-01-01A	EA	End Cap - Sidewall Trim - Rear (Driver Side) & Front (Passenger Side)
25	103334-01-01A	EA	Trim - Backwall - Lower - Off White (2 Required)
26	103335-01-01A	EA	Trim - Backwall - Lower - Off White
27	P02973-01-B87	EA	Backwall Asm. (Special Order Item)

See the inset illustration for additional parts.

**EXTERIOR BODY GROUP (CONTINUED)**

**DECALS & FILM STRIPE**



Key	Part Number	U/M	Description
1	093681-18-01A	FT	Stripe - 1 Line - 1.25" Wide - Dark Blue
2	094433-01-01A	FT	Multistripe - 2 Lines - 3" - Dark Blue & Lt. Blue w/1 Magenta
3	094433-01-02A	FT	Stripe - 1 Line - 5" - Lt. Blue w/W Magenta Stripes
4	094423-01-01A	FT	Multistripe - 2 Lines - 3" - Dark Blue & Lt. Blue w/1 Magenta
5	100039-03-01A	EA	Decal - Sweep - Driver Side Front/Passenger Side Rear
5	100039-04-01A	EA	Decal - Sweep - Passenger Side Front/Driver Side Rear
6	093681-03-03A	FT	Stripe - 1 Line - 1.5" Wide - Light Blue
7	094423-01-01A	FT	Multistripe - 2 Lines - 3" - Dark Blue & Lt Blue w/1 Magenta
8	078191-03-000	EA	Decal - Logo - "Itasca" - Dark Blue - Front & Backwall
9	093565-01-04A	EA	Decal - Logo - "Spirit" - Dark Blue & Off White
10	078852-17-000	EA	Decal - Logo - "Itasca" - 6.5" - Dark Blue & Off White
	084075-01-000	EA	Decal - "By Winnebago Ind." - Black

For your convenience here are the Dupont color codes that you may purchase locally.  
 Dark Blue K9456  
 Light Blue K9457  
 Off White L8723  
 Black 99A

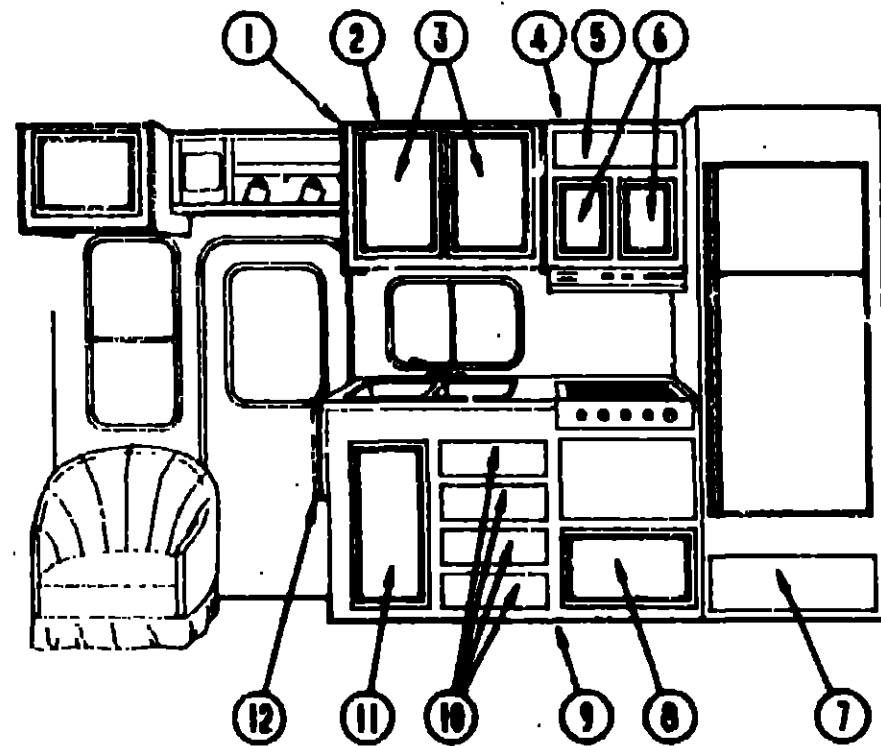
**1991 ITASCA  
TABLE OF CONTENTS**

INTRODUCTION	A-01 - A-02
ABBREVIATIONS	A-03
ALPHABETICAL/GROUP REFERENCE	A-04 - A-08
IF327RT	A-07 - D-14
IF327RB	D-15 - G-10
IF327RQ	G-11 - J-16

**1991 IF327RQ INDEX**

Floor Plan	G-11 - G-12
Accessories Group	G-13 - G-15
Bath Group	G-16 - G-17
Bedroom Group	G-18 - G-20
Chassis Group	G-21 - G-23
Curtain, Cushion & Pad Group	G-24 - H-08
Dinette Group	H-09 - H-11
Driver's Compartment Group	H-12 - H-14
Electrical Group	H-15 - H-17
Exterior Body Group	H-18 - H-22
Galley Group	H-23 - I-03
Heating & Air Conditioning Group	I-04 - I-05
Interior Finish Group	I-06 - I-09
Labels Group	I-10 - I-17
LP Group	I-18
Lounge Group	I-19
Sealants & Fasteners Group	I-20 - I-22
Water & Sewage Group	I-23 - J-02
Window, Vent & Exterior Door Group	J-03 - J-16

### GALLEY GROUP



#### GALLEY CABINETRY

Key	Part Number	U/M	Description
1	081280-36-B27	EA	End Cap - Galley Overhead
*1	104335-04-C43	EA	End Cap - Galley Overhead
2	P02558-01-B87	EA	Cabinet Asm. - Galley Cabinetry - w/o Doors or Hardware
3	P03702-56-B87	EA	Door Asm. - Galley Overhead - 12" x 21.9" - w/o Hardware
4	M05150-07-B87	EA	Cabinet Asm. - Galley Overhead - w/o Doors or Hardware
**4	M05150-08-B87	EA	Cabinet Asm. - Microwave - w/o Doors or Hardware
	081280-34-B27	EA	End Cap - Overhead Cabinet
**5	P00523-B2-B87	EA	Door Asm. - Galley Overhead - 7" x 21.9" - w/o Doors or Hardware
6	P03702-83-B87	EA	Door Asm. - Galley Overhead - 10.8" x 14.4" - w/o Doors or Hardware
7	P03397-53-B87	EA	Door Asm. - Refrigerator Cabinet - 23.3" x 20.5" - w/o Hardware
8	P03702-60-B87	EA	Door Asm. - Galley Cabinet - 21.9" x 15" - w/o Hardware
9	P02694-01-B87	EA	Cabinet Asm. - Galley - w/o Doors, Drawers or Hardware
	102694-11-B87	EA	Countertop - Cabinet - Galley
10	P03397-58-B87	EA	Drawer Asm. - Galley Cabinet - w/o Hardware
11	P03702-17-B87	EA	Door Asm. - Galley Cabinet - 14.4" x 26.8" - w/o Hardware
12	080812-04-B87	EA	Extension Asm. - Galley Cabinet - w/o Hardware
	P03380-01-B87	EA	Door - Cabinet - w/o Hardware - 13" x 6.77"

\* These parts were used from 8/30/91 on.

\*\* Parts used with Microwave Option

### GALLEY GROUP (CONTINUED)

#### GALLEY HARDWARE

Key	Part Number	U/M	Description
	094745-01-01A	EA	Trim - Microwave - Lower
	094774-03-01A	EA	Trim - Microwave - Either Side - 1.5"
	094750-01-000	EA	Bracket - Microwave - 90°
	082363-03-000	EA	Bracket - Microwave
	055516-03-000	EA	Bracket - Stove TieDown - Right
	055516-04-000	EA	Bracket - Stove TieDown - Left
	084073-03-000	EA	Vent - Refrigerator - Roof - Off White
	084073-04-000	EA	Base - Roof Vent - Norcold Refrigerator - Black
	054450-01-000	EA	Level - Refrigerator
	084878-09-000	EA	Vent - Range Hood - Short
	066437-01-000	EA	Strainer - w/Basket - Sink
	066437-01-700	EA	Basket - Strainer
	011053-04-000	EA	Faucet - w/Swing Spout - 8"
	011053-01-700	EA	Aerator - Swing Spout Faucet
	091253-01-000	EA	Gasket - Faucet
	059777-02-000	EA	Hinges - Burnished Brass
	103856-01-000	EA	Pull - Cabinet - Brass
	081376-01-000	EA	Backplate - Brass - 8" x 4.25"
	093586-03-000	EA	Catch - Spring Roller
	093586-04-000	EA	Strike - Spring Steel
	090329-01-000	FT	Seal - Refrigerator Cabinet
	009049-01-000	EA	Table - Support - Dropleaf
	104181-01-01A	EA	Support - Leaf - 8" - Self-T-Ring
	098979-01-000	EA	Clip - Adjustable Shelf
	098980-01-000	EA	Pilaster - Adjustable Shelf - 18" Long
	098980-04-000	EA	Pilaster - Adjustable Shelf - 48" long
	102551-01-000	EA	Sink - SST - Double Mounting Hardware
	102827-02-000	EA	Bracket - Roller - Rear (Mount. to Drawer)
	102827-03-000	EA	Rollers - Nylon
	102827-04-000	EA	Bracket - Mounting Rear (Mounts to Cabinet)
	102827-05-000	EA	Track - Drawer - 22.5"
	031681-05-000	EA	Drawer Slide
	009059-01-000	EA	Hinges - 2" - Brass
	074470-02-000	EA	Pull - Pin - Release Hinge - Left
	093653-01-C12	EA	Sink Cover

These parts are used from 10/7/91 on.

### 1991 ITASCA TABLE OF CONTENTS

INTRODUCTION	A-01 - A-02
ABBREVIATIONS	A-03
ALPHABETICAL/GROUP REFERENCE	A-04 - A-08
IF327RT	A-07 - D-14
IF327RB	D-15 - G-10
IF327RQ	G-11 - J-18

### 1991 IF327RQ INDEX

Floor Plan	G-11 - G-12
Accessories Group	G-13 - G-15
Bath Group	G-16 - G-17
Bedroom Group	G-18 - G-20
Chassis Group	G-21 - G-23
Curtain, Cushion & Pad Group	G-24 - H-08
Dinette Group	H-09 - H-11
Driver's Compartment Group	H-12 - H-14
Electrical Group	H-15 - H-17
Exterior Body Group	H-18 - H-22
Galley Group	H-23 - I-08
Heating & Air Conditioning Group	I-04 - I-05
Interior Finish Group	I-06 - I-09
Labels Group	I-10 - I-17
LP Group	I-18
Lounge Group	I-19
Sealants & Fasteners Group	I-20 - I-22
Water & Sewage Group	I-23 - J-07
Window, Vent & Exterior Door Group	J-08 - J-16

**GALLEY GROUP (CONTINUED)**

**GALLEY APPLIANCES**

Key	Part Number	U/M	Description
	100258-01-01A	EA	Hood Range w/o Monitor Panel (US)
	100258-03-01A	EA	Hood Flange - w/o Monitor Panel - w/Hourmeter (US & Export)
	100258-02-01A	EA	Hood Range - w/o Monitor Panel - Almond (CSA)
	096983-01-702	EA	Switch - Two Way - Momentary - Generator (If used)
	096983-01-700	EA	Switch - ON/OFF - Fan/Lamp
	092696-01-709	EA	Bulb - #D12
	092696-01-710	EA	Socket - Light
	096983-01-708	EA	Lens - Lamp
	090973-01-700	EA	Motor
	090973-01-702	EA	Blade - Fan
	096983-01-707	EA	Filter - Grease
	092696-01-707	EA	Vent - Gasket
**	100258-16-01A	EA	Hood Range - w/o Monitor Panel (US)
**	100258-18-01A	EA	Hood Range w/o Monitor Panel - w/Hourmeter (US & Export)
**	100258-17-01A	EA	Hood Range w/o Monitor Panel - (CSA)
	100258-10-01A	EA	Hourmeter - Ventline (option 39E)
	088248-02-000	EA	Refrigerator - 2-Way, Norcold 876-EG2
	084879-03-700	EA	Cooling Unit - Horizontal Burner
	064473-03-719	EA	Flue - Horizontal Burner
	088248-01-709	EA	Heater - AC, Horizontal
	075217-01-737	EA	Control Module
	088248-01-701	EA	Insert - Control Panel 3-Way
	084880-01-715	EA	Valve - Shut Off - Manual
	084880-01-713	EA	Connector - Male Inlet Fitting
	084880-01-705	EA	Orifice
	088248-01-706	EA	Burner - Horizontal
	088248-01-708	EA	Electrode - Ignition Horizontal
	088248-01-712	EA	Frame - lower Door - Brown
	075217-01-700	EA	Trim - Upper Door Shell - Inside
	064472-01-744	EA	Dairy Keeper
	064472-02-716	EA	Electrode - Ignition - Horizontal
	064472-01-727	EA	Hinge - Upper Right
	046955-01-713	EA	Pin-Hinge
	088248-01-715	EA	Tray - Drip - Almond
	064472-03-700	EA	Pin - Hinge - Bottom
	064472-01-731	EA	Cover - Crisper
	075217-01-713	EA	Drawer - Crisper
	064472-01-726	EA	Frame Strip - Cabinet - Left
	088248-01-714	EA	Cabinet Asm - Foamed Almond
	064472-01-727	EA	Hinge - Upper Right
	064472-01-728	EA	Hinge - Lower Right
	088248-02-700	EA	PIC Board - 2-Way
	088248-02-701	EA	Insert - Control Panel - Lower - 2-Way

**GALLEY GROUP (CONTINUED)**

**GALLEY APPLIANCES**

Key	Part Number	U/M	Description
	103622-01-01A	EA	Refrigerator - 2-Way - Norcold 462 - Black
	094039-01-702	EA	Gasket (Gray) Upper - Norcold 61567630
	094039-01-704	EA	Hinge Plate (Black) L.H. - Norcold 61631430
	103622-01-700	EA	Handle Asm. - Door - Upper - Norcold 61846038
	094039-01-710	EA	Hinge Plate (Black) RH Top - LH Bottom - Norcold 61631330
	103622-01-701	EA	Flack - Juice - Norcold 61580540
	103622-01-702	EA	Bin - Shelf - Door - Norcold 61564040
	094038-01-700	EA	Gasket (Gray) Lower
	094039-01-704	EA	Hinge Plate (Black) LH - Norcold 61631430
	094038-01-702	EA	Lower Door Liner (Black/White)
	103622-01-705	EA	Handle Asm. - Door - Lower - Norcold 61648938
	094039-01-710	EA	Hinge Plate (Black) RH Top LH Bottom - Norcold 61631330
	103622-01-706	EA	Bin - Milk - Norcold 61579440
	103622-01-702	EA	Bin - Shelf - Door - Norcold 61564040
	103622-01-707	EA	Keeper - Dairy - Norcold 61580440
	084879-03-700	EA	Cooling Unit - Horizontal Burner - Norcold #61687237
	088248-01-709	EA	Heater - AC - (Horizontal) - Norcold #615627
	088248-01-710	EA	Heater - DC (Horizontal) - 3 Way - Norcold #615628
	094039-01-722	EA	Hole Plug - Black - Hinge Holes - Norcold 61582030
	094039-01-723	EA	Hinge Bracket - Top - RH - Bottom - LH Black - Norcold 61580838
	094039-01-725	EA	Hinge Pin - Black - Male - Norcold 61578130
	094039-01-726	EA	Shell - Freezer Evaporator - Norcold 615236
	094039-01-728	EA	Hinge Bracket - Black - Center Hinge - Norcold 61566530
	094039-01-730	EA	Hinge Pin Shaft - Black - Center Hinge - Norcold 61566730
	084880-03-705	EA	Bracket for Interior Refrig Light - Norcold 616297
	084880-03-706	EA	Lamp (Bulb) - Norcold 616289
	084880-03-707	EA	Cover for Lamp or Bulb - Norcold 616279
	084880-01-722	EA	Crisper Cover - Norcold 615641
	103622-01-708	EA	Crisper - Norcold 61571340
	094039-01-724	EA	Hinge Bracket - Top LH - Bottom RH - Black
	103622-01-709	EA	Knob - Selector - Norcold 61641822
	103622-01-710	EA	Knob - Thermostat - Norcold 61642322
	094039-01-732	EA	Front Cover - Black - Bottom Trim - Norcold 61622130
	103622-01-711	EA	Panel - Control - 2-Way - Norcold 61644022
	094039-01-733	EA	Wire Shelf - Middle - Norcold 61563822
	094039-01-734	EA	Wire Shelf - Top - w/Riser - Norcold 61563722
	094039-01-735	EA	Inside Drip Tray - White
	094039-01-736	EA	Switch - Light - Black - Norcold 615810
	075217-01-738	EA	Switch - Humidity - Norcold 615259
	084880-01-732	EA	Latch - Norcold 615785
	088248-01-706	EA	Burner - Horizontal - Norcold 615881
	084880-01-705	EA	Orifice - Norcold 614522
	064472-01-700	EA	Thermocouple - Norcold 614363
	064473-03-720	EA	Relighter - Norcold 616088
	084880-01-715	EA	Valve - Shut Off - Manual - Norcold 61697922
	064473-03-721	EA	Combination Control - Norcold 616084
	064473-03-716	EA	Switch - 3-way - For EG-2 & EG-3 Models - Norcold 61611
	103622-01-709	EA	Knob - Selector - Norcold 61641822
	103622-01-711	EA	Panel - Control - 2 Way - Norcold 61644022
	103622-01-712	EA	Indicator - Flame - Norcold 61609022
	103622-01-713	EA	Switch - Ignition - Norcold 61649722
	103799-01-01A	EA	Coffee Maker - Almond

\*\* These parts were used from 9/2/91 on.

NOTE: Items indented below assemblies are serviceable parts for that assembly.

**1991 ITASCA  
TABLE OF CONTENTS**

INTRODUCTION	A-01 - A-02
ABBREVIATIONS	A-03
ALPHABETICAL/GROUP REFERENCE	A-04 - A-08
IF327RT	A-07 - D-14
IF327RB	D-15 - G-10
IF327RQ	G-11 - J-16

**1991 IF327RQ INDEX**

Floor Plan	G-11 - G-12
Accessories Group	G-13 - G-15
Bath Group	G-16 - G-17
Bedroom Group	G-18 - G-20
Chassis Group	G-21 - G-23
Curtain, Cushion & Pad Group	G-24 - H-06
Dinette Group	H-09 - H-11
Driver's Compartment Group	H-12 - H-14
Electrical Group	H-15 - H-17
Exterior Body Group	H-18 - H-22
Galley Group	H-23 - I-03
Heating & Air Conditioning Group	I-04 - I-05
Interior Finish Group	I-06 - I-09
Labels Group	I-10 - I-17
LP Group	I-18
Lounge Group	I-19
Sealants & Fasteners Group	I-20 - I-22
Water & Sewage Group	I-23 - J-02
Window, Vent & Exterior Door Group	J-03 - J-16

**GALLEY GROUP (CONTINUED)**

**GALLEY APPLIANCES (CONTINUED)**

Key	Part Number	U/M	Description
	091269-04-000	EA	Oven - Microwave - Magic Chef
**	102022-01-01A	EA	Range - 16" - 4 Burner - Almond
	102022-01-02A	EA	Range - 16" - 4 Burner - Almond
	102020-01-724	EA	Main Top Burner
	102020-01-708	EA	Bumper Asm. (Oven)
	102020-01-709	EA	Grate Bumper
	102020-01-713	EA	Thermostat Knob
	102022-01-703	EA	Pressure Regulator
	102020-01-717	EA	Thermostat
	102020-01-722	EA	Top Burner Valve
	010120-01-701	EA	Door Handle
	102022-01-704	EA	Glass - Outer
	102020-01-710	EA	Pilot - Filter
	102020-01-726	EA	Deflector Vent
	102020-01-703	EA	Panel Door - Almond
	102020-01-718	EA	Main Top - Almond
	055282-03-705	EA	Trim - Left
	102022-01-706	EA	Trim - Left - Flat
	055282-03-707	EA	Trim - Right
	102022-01-707	EA	Trim - Right - Flat
	102020-01-711	EA	Top Grate
	102020-01-720	EA	Mercury Control - Valve
	102020-01-712	EA	Burner Valve Knob
	102020-01-714	EA	Oven Pilot
	102022-01-702	EA	Mainfold Pipe
	102020-01-721	EA	Shutoff Valve
	102020-01-702	EA	Panel - Manifold
	098507-02-701	EA	Burner Insert (Slotted Vent)
	097617-01-01A	EA	Panel - Monitor - Almond
	097617-01-700	EA	Plate - Cover
	097617-01-701	EA	Switch - On/Off - Almond
	097617-01-702	EA	Switch - 1 Way - Almond
	097617-01-703	EA	Circuit Board
	097618-01-000	EA	Wire Asm. - Monitor Panel
	102765-02-01A	EA	Panel - Monitor - w/Plug
	102765-04-01A	EA	Panel - Monitor - w/Plug (Option 53F)

\*\* These parts were used from 3/11/91 on.

NOTE: Items indented below assemblies are serviceable parts for that assembly.

**HEATING & AIR CONDITIONING GROUP**

**FURNACES & REPAIR PARTS**

Key	Part Number	U/M	Description
	093385-01-000	EA	Thermostat - Wall - Furnace
	098668-02-000	EA	Furnace - 30,000 BTU - Suburban
	098668-02-700	EA	Burner Asm. - Complete
	098668-01-702	EA	Electrode
	098634-01-733	EA	Relay - Time Delay
	098658-01-709	EA	Motor Asm.
	098668-01-711	EA	Wheel - Room Air
	092300-02-702	EA	Microswitch Asm.
	098668-01-706	EA	Wheel - Combustion Air
	098668-01-707	EA	Vent Cap & Exhaust Tube Asm.
	098668-01-704	EA	Valve
	098668-01-701	EA	Cabinet Asm.
	098668-01-700	EA	Cabinet Front
	098668-01-705	EA	Switch - Limit
	092300-02-701	EA	Orifice - Main Burner
	092300-01-704	EA	Gasket - Electrode
	098668-01-712	EA	Board - Module
	075698-02-709	EA	Disc - Glass
	098668-01-710	EA	Blower Asm. (Room Air)
	098668-01-708	EA	Blower Asm. (Combustion Air)
	075698-02-703	EA	Collar - Duct

NOTE: Items indented below assemblies are serviceable parts for that assembly.

**ROOF AIR CONDITIONER & PARTS**

Key	Part Number	U/M	Description
	093764-01-000	EA	Ceiling Asm. - Air Conditioner - Cool Only (Option 29)
	042204-01-709	EA	Thermostat In - 64, Out - 58
	042205-01-702	EA	Thermostat In - 89, Out - 58
	073742-01-701	EA	Selector Switch (5 - Terminal)
	073742-01-702	EA	Decal - Cool Only
	073742-01-703	EA	Decal - Heat & Cool
	081606-01-708	EA	Limit Switch (Open 160, Close 110)
	091225-01-713	EA	Knob (2 Per Package)
	076303-01-707	EA	Filter - 6" x 14 3/4" x 1/2" (12 Per Package)
	091225-01-717	EA	Decal (Thermostat) Cool Only
	081606-01-712	EA	Ceiling Shroud (Ivory)
	093763-01-705	EA	Decal - Heat/Cool - Thermostat
	093763-01-708	EA	Heat Element
	093763-01-710	EA	Single Parts Package
	093763-01-04A	EA	Air Conditioner - 110 Volt - Roof Mount - 13,500 BTU - Off White (Option 29)
	093763-04-700	EA	Shroud - Roof A/C - w/o Logos
	093763-01-711	EA	Gasket - Package
	093763-01-712	EA	Fan Blade - Condenser
	093306-01-701	EA	Decal Package - Left & Right
	073742-02-704	EA	Run Capacitor (Compressor)
	091225-01-710	EA	Start Capacitor
	091225-01-709	EA	Start Relay
	076303-01-712	EA	Motor
	093763-01-702	EA	Overload
	093763-01-703	EA	Impeller - 7" Dia. x 2.8" Wide
	093763-01-704	EA	Capacit. - Fan
	093763-01-707	EA	Evaporator Coil
	093763-01-708	EA	Condenser Coil
	093763-01-713	EA	Compressor - E Series
	084077-03-000	EA	Cover - Blank - Roof A/C - Ivory
	092441-01-000	EA	Ceiling Asm. - Air Conditioner - 220 Volt (European) (Option 29)
	092440-01-000	EA	Air Conditioner - 220 Volt - Roof Mount - 13,500 BTU (European) (Option 29)
	102289-01-000	EA	Spring - Screw - Roof Air Conditioner Gasket (European) (Option 29)

NOTE: Items indented below assemblies are serviceable parts for that assembly.

**1991 ITASCA  
TABLE OF CONTENTS**

INTRODUCTION	A-01 - A-02
ABBREVIATIONS	A-03
ALPHABETICAL/GROUP REFERENCE	A-04 - A-06
IF327RT	A-07 - D-14
IF327RB	D-15 - G-10
IF327RQ	G-11 - J-16

**1991 IF327RQ INDEX**

Floor Plan	G-11 - G-12
Accessories Group	G-13 - G-15
Bath Group	G-16 - G-17
Bedroom Group	G-18 - G-20
Chassis Group	G-21 - G-23
Curtain, Cushion & Pad Group	G-24 - H-08
Dinette Group	H-09 - H-11
Driver's Compartment Group	H-12 - H-14
Electrical Group	H-15 - H-17
Exterior Body Group	H-18 - H-22
Galley Group	H-23 - I-03
Heating & Air Conditioning Group	I-04 - I-05
Interior Finish Group	I-06 - I-09
Labels Group	I-10 - I-17
LP Group	I-18
Lounge Group	I-19
Sealants & Fasteners Group	I-20 - I-22
Water & Sewage Group	I-23 - J-02
Window, Vent & Exterior Door Group	J-03 - J-15

**HEATING & AIR CONDITIONING GROUP (CONTINUED)**

**REAR HEATER (OPTION 53G)**

Key	Part Number	U/M	Description
	084405-01-000	EA	Rear Heater Asm. - w/o Switch
	084405-01-700	EA	Heater Core
	084405-01-701	EA	Fan Blades
	084405-01-702	EA	Motor Asm.
	062401-04-000	EA	Clamp - Hose - Wormgear
	007108-01-000	EA	Hose - Heater - 5/8 ID SAE
	083081-01-000	EA	Hose Formed
	078776-01-000	EA	Tee - Barb - 5/8" x 5/8" x 5/8"
	083610-01-000	EA	Clamp - Wire Dual - Unequal Diameters - .75" x 1.25"
	009198-01-000	FT	Duct - Heat Flexible - 4" ID
	023146-01-000	EA	Clamp - Screw Type - 4"
	069636-02-000	EA	Connector - Duct - 4" ID
	056464-02-000	EA	Register - Plastic - w/o Damper - 4" Dia. - Brown
	056464-05-000	EA	Register - Plastic - w/o Damper - 4" Dia. - Golden
	088753-01-000	EA	Tube - Aluminized Steel - 5/8" - 18 Gauge
	084404-01-000	EA	Switch - Off/Low/Medium/High - Heater
	084410-01-000	EA	Decal - Rear Auto Heater
	098076-01-000	EA	Decal - Auto Air & Rear Heater
	084374-01-000	EA	Bracket - Heater Switch - Right
	084374-02-000	EA	Bracket - Heater Switch - Left

NOTE: Items indented below assemblies are serviceable parts for that assembly.

Key	Part Number	U/M	Description
	081284-02-000	EA	Molding - Shell - Notched Wood - 8' Long
	103187-01-02A	FT	Molding - Edge - Shell - .78" Wide - Plastic - Oak
	083820-08-000	FT	T-Molding - End Cap - Edge - 3/4" - Brick
	083820-08-000	FT	T-Molding - End Cap - Edge - 3/4" - Oak
	083820-04-000	FT	T-Molding - End Cap - Edge - 3/4" - Light Oak
	008815-08-000	FT	T-Molding - .75" - Ivory
	008809-23-000	EA	Molding - Outside Corner - 1" x 7" - Modern Ivory
	008809-24-000	EA	Molding - Outside Corner - 1" x 7" - Pecan
	008809-21-000	EA	Molding - Outside Corner - 1" x 7" - Forest
	008812-17-000	EA	Molding - Plastic Corner - Outside - 1/2" - Oak
	008812-22-000	EA	Molding - Plastic Corner - Outside - 1/2" - Modern Ivory
	022982-11-000	FT	Molding - Reverse Cove - T-Shaped - Vinyl - Ivory
	022982-01-000	EA	Molding - Reverse Cove - T-Shaped - Vinyl - White
	009778-12-000	FT	U-Channel - 1" - Brown
	009767-12-000	FT	Walling - Antique White (Ceiling to Wall)
	100041-02-000	EA	Molding - Vinyl Wrapped - 2.5" x 7'
	100041-01-000	EA	Molding - Vinyl Wrapped - 1.57" x 7'
	100040-03-000	EA	Lumber - Vinyl Wrapped - 2" x 8"
	100040-01-000	EA	Lumber - Vinyl Wrapped - 1.5" x 8"
	074045-07-000	EA	Plug - Wood - 1/2"
	070504-19-000	FT	U-Channel - Plastic - .815" Wide - Brown
	070504-01-000	FT	U-Channel - Plastic - .065" Wide - Light Brown

**BATT STRIPS**

Key	Part Number	U/M	Description
	069733-78-000	EA	Batt Strip - Oak - 8'
	085284-32-000	FT	Batt Strip - Oak - Tape Adhesive
	088263-51-000	EA	Batt Strip - Crosshik Spatter - Beige (Ceiling)
	088263-65-000	EA	Batt Strip - Decorative - Plain - 8' (Wall)
	085284-53-000	FT	Batt Strip - Decorative - Plain - Tape Adhesive (Wall)
	088263-66-000	EA	Batt Strip - Decorative w/Flowers
	085284-54-000	FT	Batt Strip - Decorative w/Flowers - Adhesive Back

**PANELING & COUNTERTOP MATERIAL**

Key	Part Number	U/M	Description
	074497-17-000	SF	Paneling - Woodgrain - 48" x 84" (28 SF) (Cabinets)
	074497-18-000	SF	Paneling - Crosshik - 48" x 96" (32 SF) (Ceiling)
	089351-03-000	YD	Vinyl - Headliner - 54" Wide
	086229-01-000	EA	Retainer - Batten - Ceiling - .75" Wide - 7.6" Ea
	086229-04-000	EA	Batten - Ceiling - 1" Wide - Ivory - 7.6" Ea
	057882-04-000	EA	Tambour Door - 4' x 8' Sheet
	088272-86-000	SF	Paneling - Decorative - Plain - 48" x 84" (28 SF) (Wall)
	088272-87-000	SF	Paneling - Decorative - Patterned w/Flowers - 48" x 84" (28 SF) (Wall)
	088272-72-000	SF	Paneling - Travertine White - 48" x 84" (28 SF) (Shower)
	074498-40-000	SF	Plastic Laminate - Off White - 48" x 96" (32 SF)
	076325-28-000	FT	Molding - Edge Band - Off White
	083616-02-000	SF	Plywood - Oak - 1 Side Finished - 4' x 8'
	089297-01-000	SF	Plywood - Luan - 4' x 8'
	000885-48-000	SF	Particle Board - 3/4" x 60" x 96" - 2 Sides Vinyl Woodgrain

**1991 ITASCA  
TABLE OF CONTENTS**

INTRODUCTION	A-01 - A
ABBREVIATIONS	A - A
ALPHABETICAL/GROUP REFERENCE	A-04 - A
IF327RT	A-07 - D
IF327RB	D-15 - G
IF327RQ	G-11 - J

**1991 IF327RQ INDEX**

Floor Plan	G-11 - G
Accessories Group	G-13 - G
Bath Group	G-16 - G
Bedroom Group	G-18 - G
Chassis Group	G-21 - G
Curtain, Cushion & Pad Group	G-24 - F
Dinette Group	H-09 - F
Driver's Compartment Group	H-12 - F
Electrical Group	H-15 - F
Exterior Body Group	H-18 - F
Galley Group	H-23 -
Heating & Air Conditioning Group	I-04 -
Interior Finish Group	I-08 -
Labels Group	I-10 -
LP Group	
Lounge Group	
Sealants & Fasteners Group	I-20 -
Water & Sewage Group	I-23 -
Window, Vent & Exterior Door Group	J-03 -

**INTERIOR FINISH GROUP (CONTINUED)**

**CABINETS & TABLE HARDWARE**

Key	Part Number	U/M	Description
	053200-09-000	EA	Bracket - Table Support - Upper Wall Mount - 23.5" - Beige
	024275-11-000	EA	Rod - Table Lift - 8" x 18.5" - Beige
	064781-06-000	EA	Cup Holder - Two Stage - Off White
	103130-01-000	EA	Hook - Cup - Brass - 1.25"
	089410-01-000	EA	Bracket - Lift - Table Mounted - Beige
	024281-11-000	EA	Bracket - Lift - Rod - Lower Wall Mount - Beige
	024276-21-000	EA	Leg Asm. - Table - Beige
	064050-03-000	EA	Clamp - Saddle - Leg Hinge - Tan
	024282-01-000	EA	Brace - Table Leg - Hinged
	024283-01-000	EA	Clip - Leg - 1" x 1.12" OD - Black
	059777-02-000	EA	Hinge - Antique Light Brass
	103856-01-000	EA	Pull - Cabinet - Brass - 3" on Center
	074493-02-000	EA	Support - Sprung - Door
	004354-01-000	EA	Bumper - Cabinet Door - Rubber - Brown
	093586-03-000	EA	Catch - Spring - Roller
	093586-04-000	EA	Strike - Spring Steel
	009112-01-000	EA	Flange - 1" - Clothes Rod - Plastic - Off White
	042438-01-000	EA	Wood Dowel - Clothes Rod - 1" Dia. x 4'
	042438-02-000	EA	Dowel - Wood - 2" x 2"
	041953-03-000	FT	Conduit - Convolute Slot - 1" ID (Clothes Rod Cover)
	062046-01-000	EA	Clip - Pedestal Leg
	042356-01-000	EA	Plug - Button - Mahogany - 3/8" Dia.
	074045-07-000	EA	Wooden Plug - 1/2"
	081376-01-000	EA	Backplate - Brass - 8" x 4.25"
	009059-01-000	EA	Hinge - 2" x 1.4" - Brass
	009049-01-000	EA	Support - Galley Extension
	074470-02-000	EA	Pin - Pull - Hinge Release
	009040-04-000	EA	Leg - Pedestal Table - 27.5"
	009040-03-000	EA	Base - Table - Raised - Table Mount
	041194-01-000	EA	Base - Table - Flush - Floor Mounted
	062046-01-000	EA	Clip - Pedestal Table Leg - 1.7" x 2.2"
	094856-07-02A	EA	Track - Folding Door - 34.25"
	093622-01-000	EA	Track - Tambour Door - Plastic
	093623-01-000	E	Track - Corner - Tambour Door
	097191-01-000	E	Handle - Tambour Door
	077252-01-000	EA	Pin - Hinge - 3/16 x 3.1" - Stainless Steel
	102827-02-000	EA	Bracket - Roller - Drawer - Rear
	102827-03-000	EA	Roller - Drawer - Nylon (Pair)
	102827-04-000	EA	Bracket - Drawer Mounting - Rear
	102627-05-000	EA	Track - Drawer - 22.6" - Long
	098979-01-000	EA	Clip - Adjustable Shelf
	098960-01-000	EA	Pilaster - Adjustable Shelf - 18" Long
	098980-04-000	EA	Pilaster - Adjustable Shelf - 48" Long
	088199-01-X11	EA	Hinge - Double Bed
	088199-02-Y12	EA	Hinge - Bed Top - Lift - Beige
	057460-02-000	EA	Stud - Ball - Gas Spring - 5/16"
	057460-03-000	EA	Clip - Safety - Wireform Type - Gas Spring
	057460-04-000	EA	Spring - Gas
	089076-01-000	EA	Bed Support - H-Channel - 1.9" x 74.8" - Beige
	089025-01-000	EA	Spring Support - Angle - To Bed - 1.5" x 11.8" Long
	089024-01-000	EA	Spring Support - To Floor - 5.9" Wide x 7" High
	083204-03-000	EA	Button - Retaining - Mirror - Square Tip

**INTERIOR FINISH GROUP (CONTINUED)**

**MISCELLANEOUS PARTS**

Key	Part Number	U/M	Description
	053552-02-AAB	EA	Handle Arm - Interior Assist
	000020-07-008	EA	Nut - Acorn - Assist Handle - 7/16" x 14 ZN
	000C16-07-168	EA	Bolt - Carriage - Assist Handle - 7/16" - 14 x 1" ZN
	089178-02-000	EA	Bracket - Mounting - Assist Handle
	105847-03-C05	EA	Holder - Key Ring
	094499-02-000	EA	Fire Extinguisher - Dry IA 10BC
	094499-01-000	EA	Fire Extinguisher w/Mounting Bracket - Dry IA 10BC
	094499-01-700	EA	Bracket - Mounting - w/Plastic Strap
	072852-01-000	EA	Smoke Detector w/9 Volt Battery
	072852-02-000	EA	Smoke Detector w/9 Volt Battery
	054185-83-000	EA	Owners Manual - 1991 Warrior
	092318-01-000	EA	Binder - 3-Ring - Motor Home Manual
	092318-01-000	EA	Pocket Page - 3-Ring Binder - Plastic
	098084-05-000	EA	Cassette - Winnebago "Warrior"
	100803-01-01A	EA	Wall Clock - Round - Bezel
	104784-01-01A	EA	Wall Clock - Sportus
	083219-04-000	EA	Floor Mat - w/"Itasca" Logo - Passenger
	083219-03-000	EA	Floor Mat - w/"Itasca" Logo - Driver
	040069-01-000	EA	Floor Mat - w/"Itasca" Logo - 10.5" x 26" - Black Rubber

\* These parts were used from 5/1/91 on.

**FABRICS & CARPETS**

Key	Part Number	U/M	Description
	072333-82-000	YD	Fabric - Drapery - Beige (Privacy)
	096008-90-000	YD	Fabric - Upholstery - Woven - Patterned (B87)
	096008-83-000	YD	Fabric - Upholstery - Velour - Patterned (B88)
	096008-92-000	YD	Fabric - Upholstery - Plain Velour (B87)
	096008-85-000	YD	Fabric - Upholstery - Plain Velour (B88)
	096008-91-000	YD	Fabric - Upholstery - Striped Woven (B87)
	096008-84-000	YD	Fabric - Upholstery - Dotted Velour (B88)
	088273-73-000	YD	Fabric - Bedspread (B87)
	088273-70-000	YD	Fabric - Bedspread (B88)
	088273-72-000	YD	Fabric - Bedspread - Plain Accent (B87)
	088273-71-000	YD	Fabric - Bedspread - Plain Accent (B88)
	088273-67-000	YD	Fabric - Bedspread - Plain Accent (B88)
	079680-09-000	YD	Vinyl - Expanded - 26 oz. - Off White (Wingwall)
	075244-04-000	YD	Vinyl - Shower Curtain - Quartz
	089351-03-000	YD	Vinyl - Headliner - Off White
	096060-21-000	SY	Carpet - Pale Orchid (B87)
	096060-23-000	SY	Carpet - Blue Mist (B88)
	093486-01-000	SY	Carpet - Compartments - Dark Gray
	347034-02-000	SF	Plastic Runner - Carpet - 4' Wide - Clear
	078539-01-000	EA	Trim - Carpet - Cab - Passenger - 29" Long
	078539-02-000	EA	Trim - Carpet - Cab - Driver - 29" Long
	093873-01-02A	EA	Trim - "J" - 12" Long - Vinyl - T
	085748-01-000	FT	Trim - "J" - Carpet - PVC - Beige - 10' Long
	100659-01-B03	EA	Floor Trim - 72" x 1" x 1/2" (Vinyl Floor Option)

\* These parts are used from 3/11/91 on.  
NOTE: Replace vinyl flooring locally.

**1991 ITASCA  
TABLE OF CONTENTS**

INTRODUCTION	A-01 - A-02
ABBREVIATIONS	A-03
ALPHABETICAL/GROUP REFERENCE	A-04 - A-08
IF327RT	A-07 - D-14
IF327RQ	D-15 - G-10
IF327RQ	G-11 - J-18

**1991 IF327RQ INDEX**

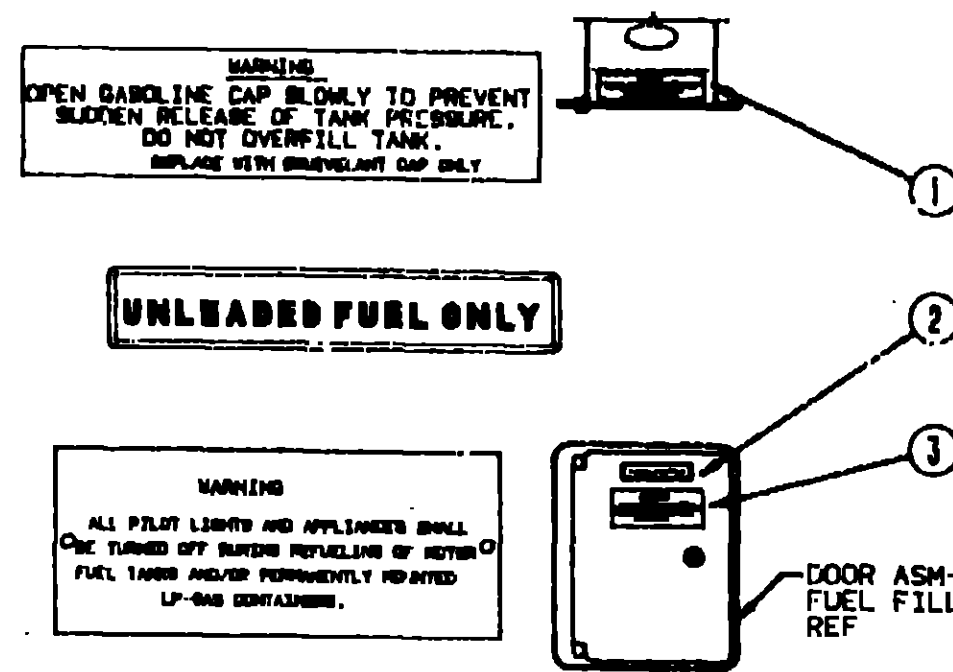
Floor Plan	G-11 - G-12
Accessories Group	G-13 - G-15
Bath Group	G-16 - G-17
Bedroom Group	G-18 - G-20
Chassis Group	G-21 - G-23
Curtain, Cushion & Pad Group	G-24 - H-08
Dinette Group	H-09 - H-11
Driver's Compartment Group	H-12 - H-14
Electrical Group	H-15 - H-17
Exterior Body Group	H-18 - H-22
Galley Group	H-23 - I-03
Heating & Air Conditioning Group	I-04 - I-06
Interior Finish Group	I-08 - I-09
Labels Group	I-10 - I-17
LP Group	I-18
Lounge Group	I-19
Sealants & Fasteners Group	I-20 - I-22
Water & Sewage Group	I-23 - J-02
Window, Vent & Exterior Door Group	J-03 - J-16

**INTERIOR FINISH GROUP (CONTINUED)**

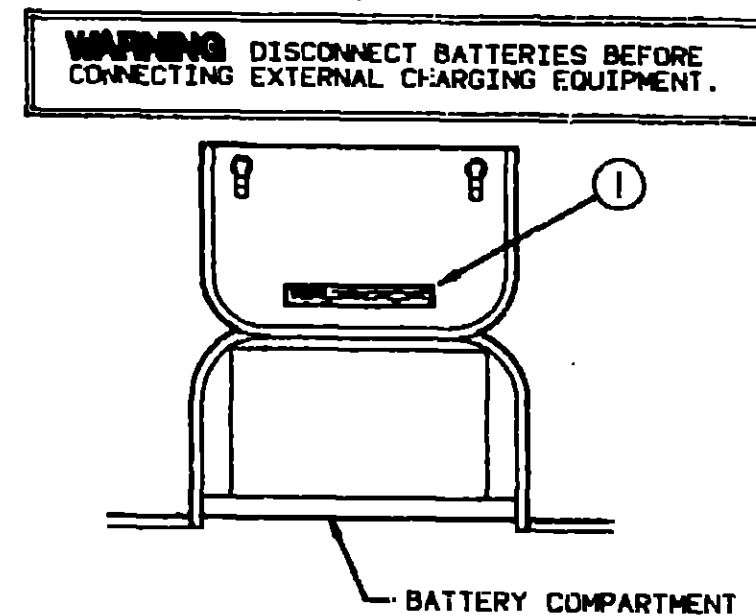
**CURTAIN & CUSHION HARDWARE**

Key	Part Number	U/M	Description
	092464-04-01A	EA	Track - Shower Curtain - Off White
	009701-01-000	EA	Carrier - Shower Curtain
	009702-01-000	EA	End - Stop - Curtain Carrier - Shower
	009136-01-000	EA	Hanger - Ring - Chrome
	009136-02-000	EA	Hanger - Ring - Brass
	046867-01-000	EA	Grommet - Brass - 7/16" ID x 1" OD (Shower Curtain)
	029155-01-000	EA	Cap - Snap
	029156-01-000	EA	Socket - Snap Fastener
	089522-03-000	EA	Panel - Window Leg - 2.5" Face - 27.1" Long
	105450-02-01A	EA	Track - Curtain - 48" - Off White
	105450-05-01A	EA	Track - Curtain - 79" - Off White
	105450-06-01A	EA	Track - Curtain - 88" - Off White
	101032-01-000	FT	Track - Curtain - Ceiling Mount - White
	101033-01-000	FT	Track - Curtain - Low Profile - White
	101033-02-000	EA	End Cap - Track - Clear
	101031-01-000	EA	Tape - Glide - 4.25" Spacing
	095591-02-000	EA	Bracket - Blind - Hold Down w/Pin
	083170-01-000	EA	Bracket - Blind - Right
	083170-02-000	EA	Bracket - Blind - Left
	093475-01-700	EA	Wand - Blind w/Metal Clip - 8" Long
	093475-01-701	EA	End Cap - Blind w/Stud
	094896-02-000	EA	Grommet - Cord - Pleated Blind - Nylon - Gray
	094907-02-000	EA	End Cap - Pleated Blind - Plastic - Gray
	094907-03-000	EA	End Cap - Bottom - Pleated Blind - Plastic - Gray
	097591-01-000	EA	Spring - Extension - Pleated Blind
	097592-01-000	EA	Spool - Cord - Elevated Blind Holdup - Clear Plastic
	097593-02-000	FT	Cord - Blind - Pleated (B87)
	097593-06-000	FT	Cord - Blind - Pleated (B88)
	078155-01-000	EA	Strap - Back Cushion
	100085-02-01A	EA	Strap - Headboard - 9.6" x 2.5" w/Screw Holes - Off White
	085774-01-000	FT	Fastener - Dual Hook - 1" Wide - Adhesive Back - Black
	085774-02-000	FT	Fastener - Dual Loop - 1" Wide - Adhesive Back - Black
	088792-02-000	YD	Velcro Tape - Adhesive Back - Loop - 3/4" Wide
	048394-02-000	YD	Velcro Tape - Adhesive Back - Hook - 3/4" Wide
	097565-01-000	EA	Bracket - Mounting - Pleated Blind
	097591-01-000	EA	Spring Extension - Pleated Blind
	097592-01-000	EA	Cord - Spool - Elevated Blind Hookup - Clear Plastic
	097492-02-000	EA	Cord - Pleated Blind
	103986-01-000	FT	Trim - U-Channel - .75" Wide - Brass
	084415-31-000	YD	Trim - Braid - Curtain - Plum (B87)
	084415-30-000	YD	Trim - Braid - Curtain - Blue (B88)
	079349-01-B87	YD	Wetling - Fabric (Skirt)
	079349-01-B88	YD	Wetling - Fabric (Skirt)
	079349-03-B87	YD	Wetling - Fabric (Headrest)
	079349-03-B88	EA	Wetling - Fabric (Headrest)
	081172-01-000	EA	Trim - Headrest - Black Plastic
	052859-01-W30	FT	Trim - Edge Vinyl - 1.5" x 1.5" Wide - Beige

**LABELS GROUP**



Key	Part Number	U/M	Description
1	087207-05-000	EA	Label - Fuel Cap Removal
2	062043-01-000	EA	Label - Unleaded Fuel
3	006040-01-000	EA	Tag - Gas Refueling Warning (US)
3	006040-02-000	EA	Tag - Gas Refueling Warning (CSA)



Key	Part Number	U/M	Description
1	065748-01-000	EA	Label - Caution - Battery Charging

**1991 ITASCA TABLE OF CONTENTS**

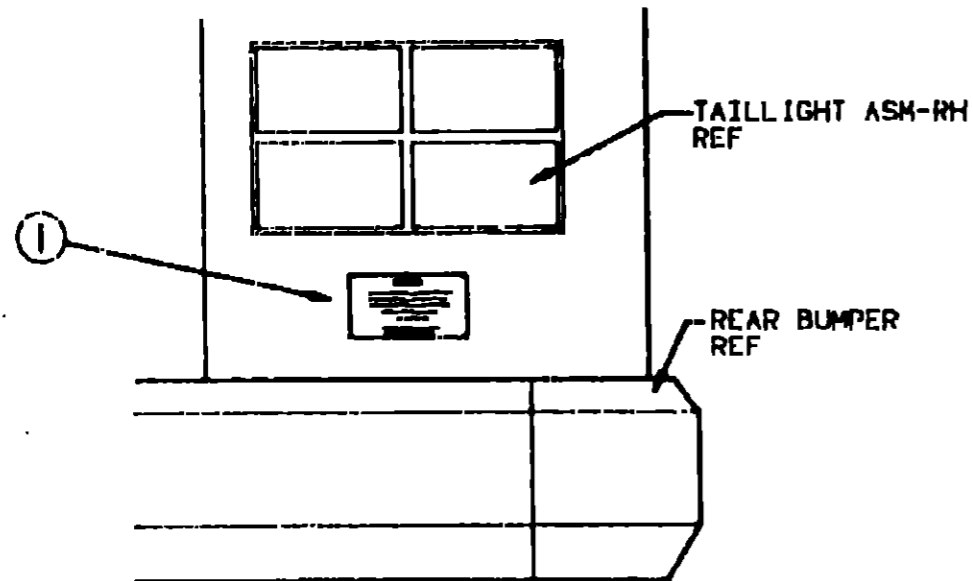
INTRODUCTION	A-01 - A-02
ABBREVIATIONS	A-03
ALPHABETICAL/GROUP REFERENCE	A-04 - A-06
IF327RT	A-07 - D-14
IF327RB	D-15 - G-10
IF327RQ	G-11 - J-16

**1991 IF327RQ INDEX**

Floor Plan	G-11 - G-12
Accessories Group	G-13 - G-15
Bath Group	G-16 - G-17
Bedroom Group	G-18 - G-20
Chassis Group	G-21 - G-23
Curtain, Cushion & Pad Group	G-24 - H-08
DINETTE Group	H-09 - H-11
Driver's Compartment Group	H-12 - H-14
Electrical Group	H-15 - H-17
Exterior Body Group	H-18 - H-22
Galley Group	H-23 - I-03
Heating & Air Conditioning Group	I-04 - I-05
Interior Finish Group	I-06 - I-08
Labels Group	I-10 - I-17
LP Group	I-18
Lounge Group	I-19
Sealants & Fasteners Group	I-20 - I-22
Water & Sewage Group	I-23 - J-02
Window, Vent & Exterior Door Group	J-03 - J-16



**LABELS GROUP (CONTINUED)**

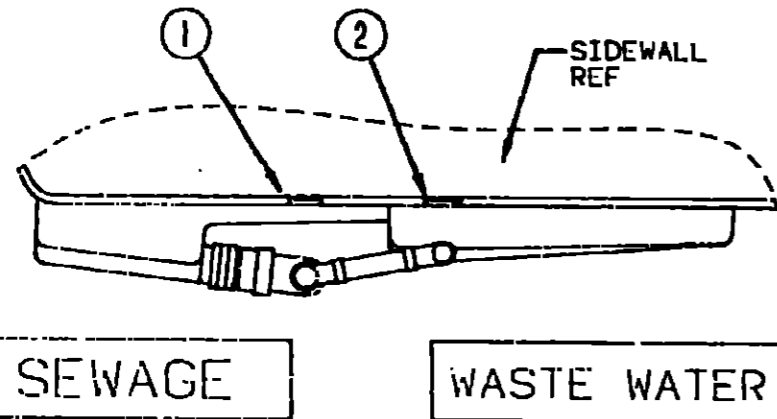


**WARNING**

DO NOT EXCEED THE VEHICLE WEIGHT RATINGS OR LOADING RECOMMENDATIONS (E.G., GROSS VEHICLE, GROSS AXLE, GROSS COMBINED) OF THE CHASSIS MANUFACTURER OR WINNEBAGO INC.

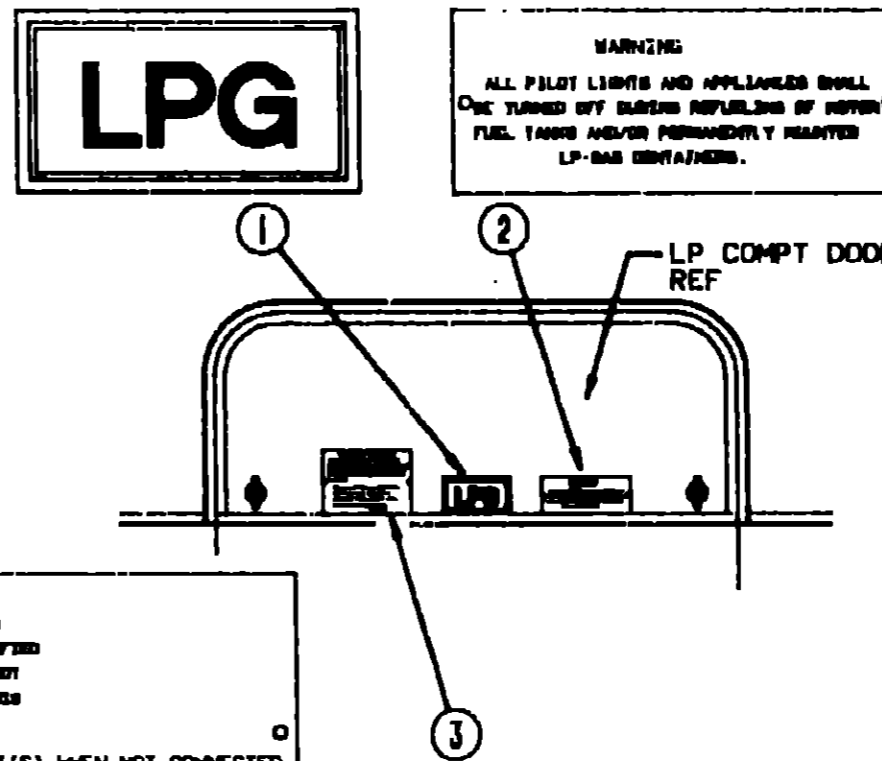
REFER TO YOUR OWNERS MANUAL, BEFORE LOADING OR TOWING.

Key	Part Number	U/M	Description
1	075220-01-000	EA	Label - Warning - Exterior Load



Key	Part Number	U/M	Description
1	006187-01-000	EA	Label - Sewage
2	006188-01-000	EA	Label - Waste Water

**LABELS GROUP (CONTINUED)**

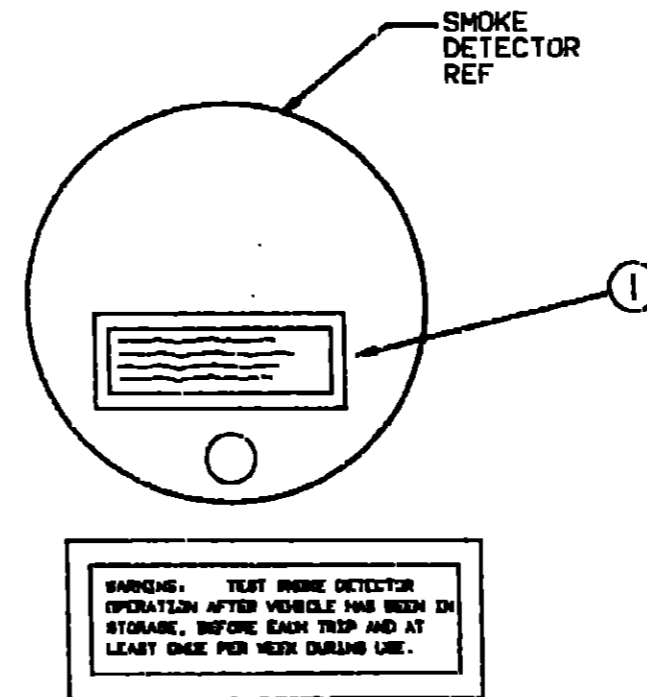


**LP-GAS SYSTEM**

THIS GAS PIPING SYSTEM IS DESIGNED FOR USE OF LIQUEFIED PETROLEUM GAS ONLY. DO NOT CONNECT NATURAL GAS TO THIS SYSTEM.

SECURELY CAP INLET(S) WHEN NOT CONNECTED FOR USE. AFTER TURNING ON GAS, EXCEPT AFTER NORMAL CONTAINER REPLACEMENT, TEST GAS PIPING AND CONNECTIONS TO APPLIANCE FOR LEAKAGE WITH SOAPY WATER OR BUBBLE SOLUTION. DO NOT USE PRODUCTS THAT CONTAIN AMMONIA OR CHLORINE.  
P.N. 04531

Key	Part Number	U/M	Description
1	074559-01-000	EA	Label - "LPG" - 3.3" x 1.75" (California Code)
2	006040-01-000	EA	Tag - Gas Refueling Warning (US)
2	006040-02-000	EA	Tag - Gas Refueling Warning (CSA)
3	054531-01-000	EA	Label - LP Gas Only



**WARNING - TEST SMOKE DETECTOR OPERATION AFTER VEHICLE HAS BEEN IN STORAGE, BEFORE EACH TRIP AND AT LEAST ONCE PER WEEK DURING USE.**

Key	Part Number	U/M	Description
1-11	1 077956-01-000	EA	Label - Warning - Smoke Detector

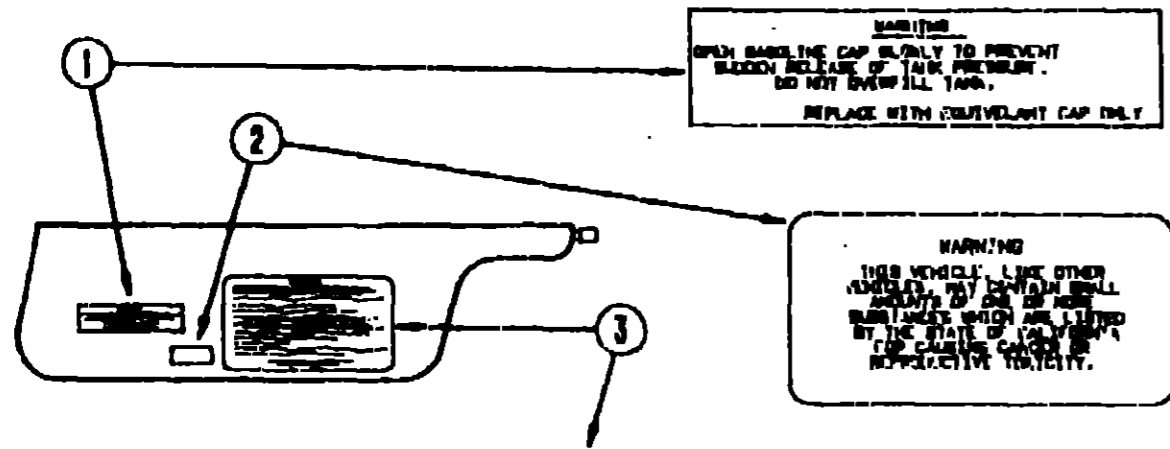
**1991 ITASCA  
TABLE OF CONTENTS**

INTRODUCTION	A-01 - A-02
ABBREVIATIONS	A-03
ALPHABETICAL/GROUP REFERENCE	A-04 - A-06
IF327RT	A-07 - D-14
IF327RB	D-15 - G-10
IF327RQ	G-11 - J-16

**1991 IF327RQ INDEX**

Floor Plan	G-11 - G-12
Accessories Group	G-13 - G-15
Bath Group	G-16 - G-17
Bedroom Group	G-18 - G-20
Chassis Group	G-21 - G-23
Curtain, Cushion & Pad Group	G-24 - H-08
Dinette Group	H-09 - H-11
Driver's Compartment Group	H-12 - H-14
Electrical Group	H-15 - H-17
Exterior Body Group	H-18 - H-22
Galley Group	H-23 - I-03
Heating & Air Conditioning Group	I-04 - I-05
Interior Finish Group	I-06 - I-09
Labels Group	I-10 - I-17
LP Group	I-18
Lounge Group	I-19
Sealants & Fasteners Group	I-20 - I-22
Water & Sewage Group	I-23 - J-02
Window, Vent & Exterior Door Group	J-03 - J-16

**LABELS GROUP (CONTINUED)**



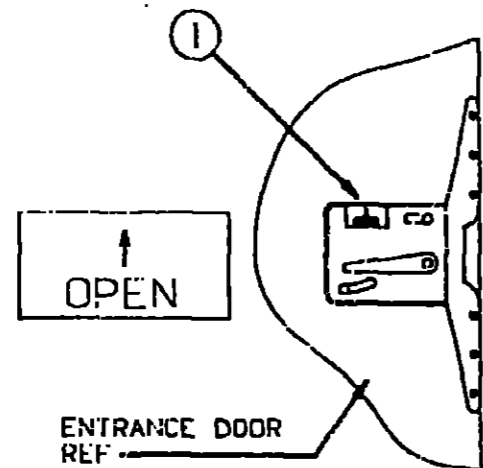
**CAUTION**

THIS MOTOR HOME HAS BEEN DESIGNED, MANUFACTURED AND TESTED WITH CONCERN FOR THE PROTECTION OF IT'S OCCUPANTS. WE RECOMMEND YOU PERFORM THE FOLLOWING INSPECTIONS FOR YOUR SAFETY AND THE SAFETY OF YOUR PASSENGERS BEFORE STARTING YOUR VEHICLE.

1. LP GAS SYSTEM- TURN OFF AT TANK FOR TRAVELING. TEST FOR LEAKS UPON ARRIVAL AT DESTINATION. WATCH LIGHTING FIXTURES.
2. WHEELS- INSPECT FOR DAMAGE AND CHECK LUG NUTS FOR TIGHTNESS.
3. TIRES- INSPECT FOR WEAR AND DAMAGE AND CHECK FOR RECOMMENDED AIR PRESSURE.
4. LIGHTING- TEST FOR PROPER OPERATION OF ALL INTERIOR AND EXTERIOR LIGHTS INCLUDING DASH LIGHTS, HEADLIGHTS, TAIL LIGHTS, BRAKE LIGHTS, CLEARANCE LIGHTS AND TURN SIGNALS.
5. EXITS- INSPECT RELEASE MECHANISM ON EMERGENCY EXIT WINDOW. TEST BOTH LOCKS ON MAIN ENTRANCE DOOR FOR EASY OPERATION AND INSTRUCT PASSENGERS HOW TO USE BOTH MEANS OF EXIT.
6. SEAT BELTS- DIRECT PASSENGERS TO DESIGNATED SEATS AND REQUIRE USE OF SEAT BELTS.
7. APPLIANCES- TURN ON AND LATCH OR LOCK DOORS WHERE PROVIDED.
8. LOOSE PACKAGES- STORE SECURELY.
9. UTILITY SUPPLY LINES- DISCONNECT ALL ELECTRIC, SEWER AND WATER LINES AND SECURE PROPERLY.
10. ENTRANCE DOOR STOP- PLACE IN RETRACTED POSITION FOR TRAVELING.

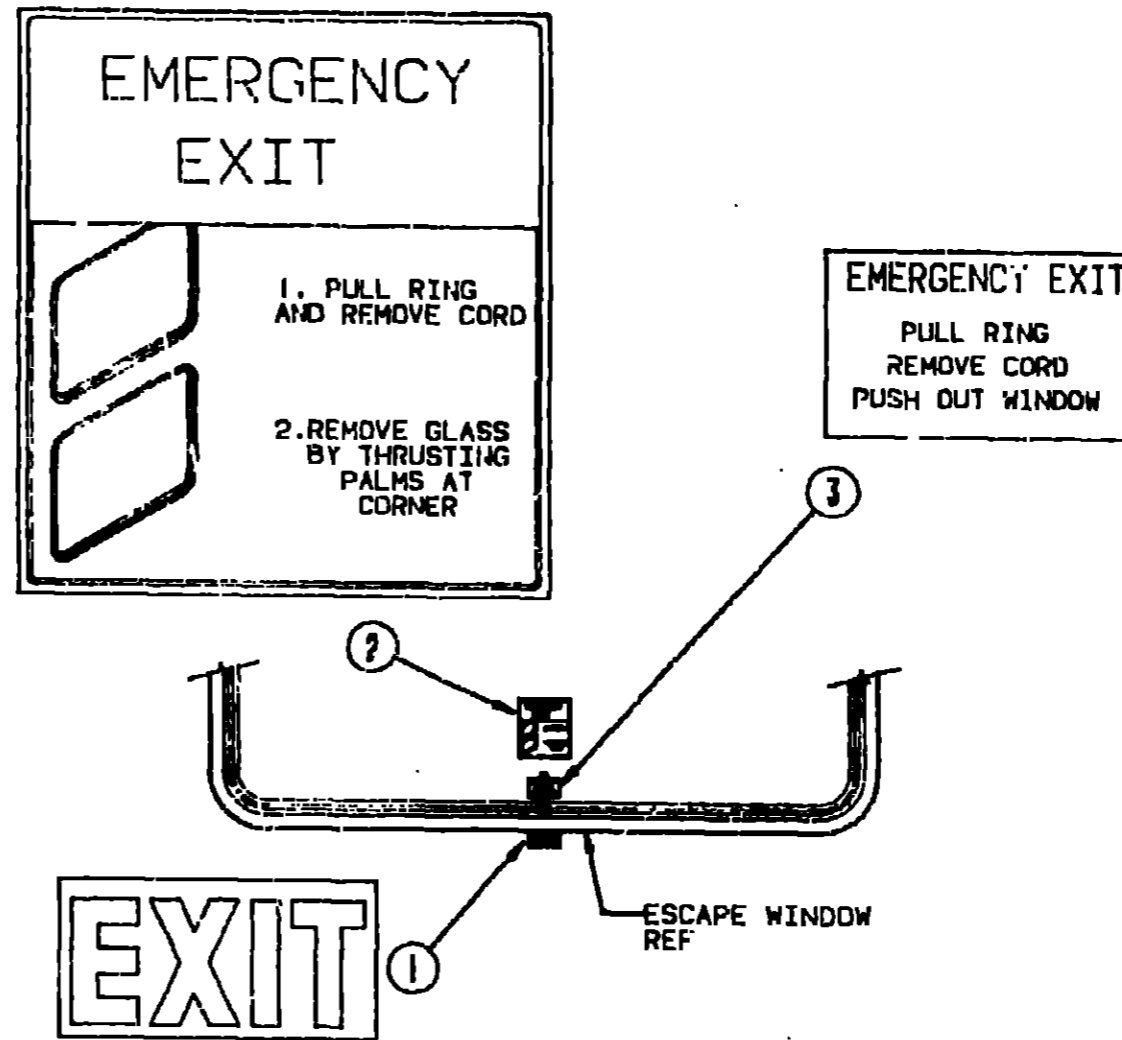
READ YOUR MOTOR HOME AND CHASSIS OWNER'S MANUAL FOR FURTHER PRECAUTIONS.

Key	Part Number	U/M	Description
1	087207-05-000	EA	Label - Fuel Cap Removal
2	099689-01-000	EA	Label - Warning - Cancer/Toxicity
3	056259-01-000	EA	Label - Safety Check List

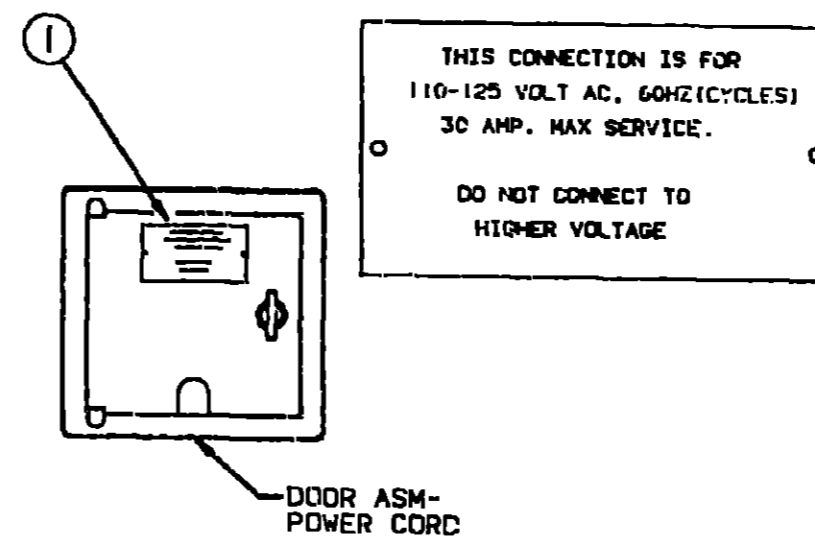


Key	Part Number	U/M	Description
1	040944-01-000	EA	Label - Open - Entrance Door

**LABELS GROUP (CONTINUED)**



Key	Part Number	U/M	Description
1	039290-01-000	EA	Label - Warning - Exit
2	047731-01-000	EA	Label - Emergency Exit
3	006199-01-000	EA	Label - Exit - Escape Window



Key	Part Number	U/M	Description
1	005062-01-000	EA	Tag - Electrical - 110 Volt Connection

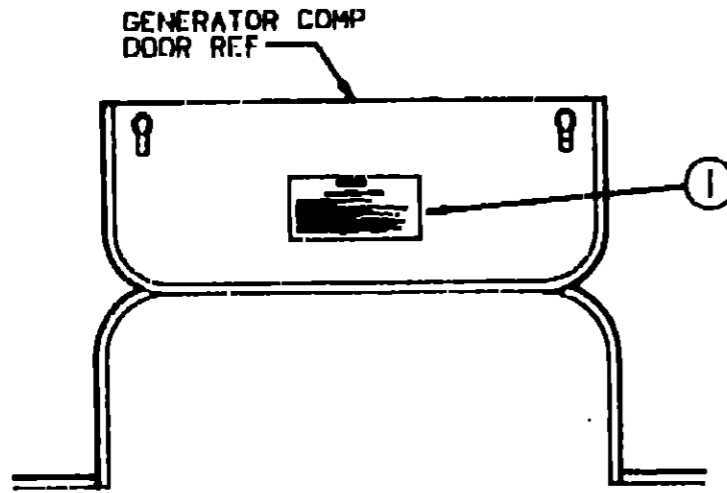
**1991 ITASCA  
 TABLE OF CONTENTS**

INTRODUCTION	A-01 - A-02
ABBREVIATIONS	A-03
ALPHABETICAL/GROUP REFERENCE	A-04 - A-08
IF327RT	A-07 - D-14
IF327RB	D-15 - G-10
IF327RQ	G-11 - J-16

**1991 IF327RQ INDEX**

Floor Plan	G-11 - G-12
Accessories Group	G-13 - G-15
Bath Group	G-16 - G-17
Bedroom Group	G-18 - G-20
Chassis Group	G-21 - G-23
Curtain, Cushion & Pad Group	G-24 - H-08
Dinette Group	H-09 - H-11
Driver's Compartment Group	H-12 - H-14
Electrical Group	H-15 - H-17
Exterior Body Group	H-18 - H-22
Galley Group	H-23 - I-03
Heating & Air Conditioning Group	I-04 - I-05
Interior Finish Group	I-06 - I-06
Labels Group	I-10 - I-17
LP Group	I-18
Lounge Group	I-19
Sealants & Fasteners Group	I-20 - I-22
Water & Sewage Group	I-23 - J-02
Window, Vent & Exterior Door Group	J-03 - J-16

**LABELS GROUP (CONTINUED)**



**WARNING**

**WHEN ADDING A GENERATOR SET:**

HIGH VOLTAGE-USE EXTREME CAUTION WHEN WORKING ON ELECTRICAL COMPONENTS.  
 HAVE ALL ELECTRICAL INSTALLATION PERFORMED BY A QUALIFIED LICENSED ELECTRICIAN-FOLLOW ALL STATE AND LOCAL CODES.  
 ONLY INSTALL GENERATOR SET APPROVED FOR R.V. APPLICATION. HAVE INSTALLED BY QUALIFIED TECHNICIAN.  
 TO AVOID HEAT BUILD-UP AND TO GUARANTEE AN ADEQUATE AIR SUPPLY TO THE GENERATOR COMPARTMENT, FOLLOW INSTALLATION INSTRUCTIONS.  
 GENERATOR ENGINE EXHAUST GASES ARE TOXIC AND MUST NOT TERMINATE UNDER THE VEHICLE-DISCHARGE EXHAUST AWAY FROM VEHICLE.

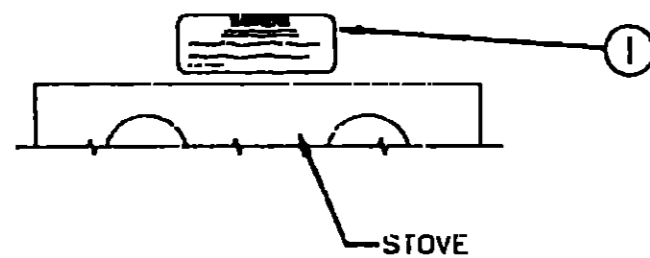
Key	Part Number	U/M	Description
1	077510-01-000	EA	Label - Generator Prep

**WARNING**

**IT IS NOT SAFE TO USE COOKING APPLIANCES FOR COMFORT HEATING**

COOKING APPLIANCES NEED FRESH AIR FOR SAFE OPERATION BEFORE OPERATION.

1. OPEN OVERHEAD VENT OR TURN ON EXHAUST FAN AND;
2. OPEN WINDOW.

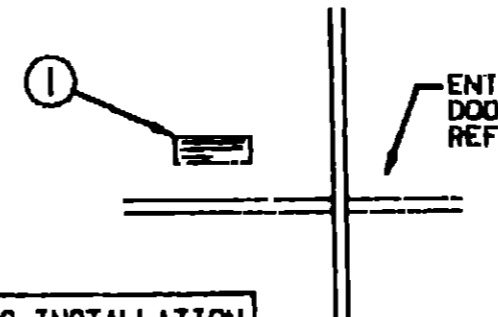


Key	Part Number	U/M	Description
1	050225-01-000	EA	Label - Warning - Stove Vent

**MISCELLANEOUS LABELS**

Key	Part Number	U/M	Description
	006064-01-000	EA	Label - Seal - w/o Seat Belt
	091243-01-000	EA	Label - A/C Cover
	005019-01-000	EA	Tag - RVI Approved - Plastic
	091224-02-000	EA	Label - Trailer Lighting
	061417-01-000	EA	Label - Fuel

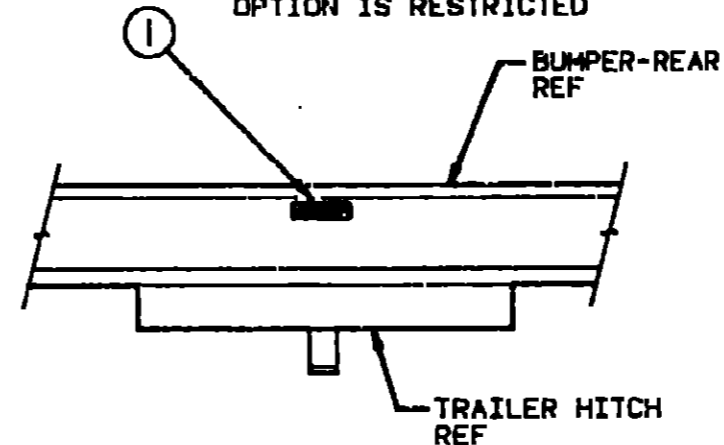
**LABELS GROUP (CONTINUED)**



**FOR AWNING INSTALLATION CONTACT YOUR MOTORHOME DEALERSHIP**

Key	Part Number	U/M	Description
1	099509-01-000	EA	Label - Awning Installation

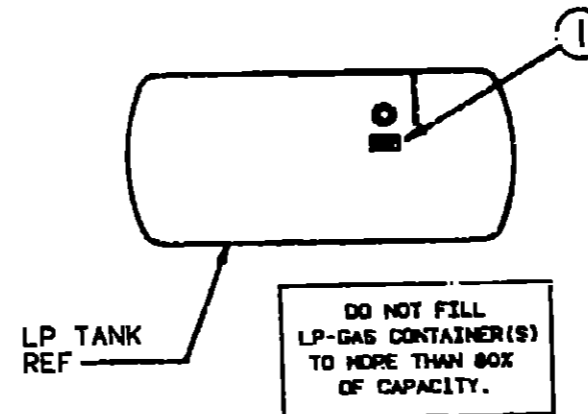
**DO NOT INSTALL IF HITCH OPTION IS RESTRICTED**



**TOWING CAPACITY**

TOWED VEHICLE 3500 LB. GROSS MAXIMUM  
 HITCH BALL 200 LB. MAXIMUM

Key	Part Number	U/M	Description
1	075221-01-000	EA	Label - Trailer Hitch Capacity



**DO NOT FILL LP-GAS CONTAINER(S) TO MORE THAN 80% OF CAPACITY.**

Key	Part Number	U/M	Description
1	079965-01-000	EA	Label - LPG - 80% Capacity

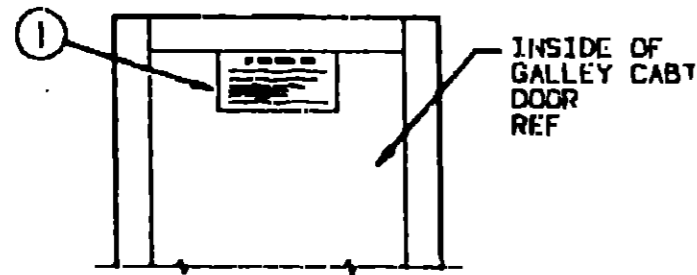
**1991 ITASCA TABLE OF CONTENTS**

INTRODUCTION	A-01 - A-02
ABBREVIATIONS	A-03
ALPHABETICAL/GROUP REFERENCE	A-04 - A-06
IF327RT	A-07 - D-14
IF327R8	D-15 - G-10
IF327RQ	G-11 - J-18

**1991 IF327RQ INDEX**

Floor Plan	G-11 - G-12
Accessories Group	G-13 - G-15
Bath Group	G-16 - G-17
Bedroom Group	G-18 - G-20
Chassis Group	G-21 - G-23
Curtain, Cushion & Pad Group	G-24 - H-08
Dinette Group	H-09 - H-11
Driver's Compartment Group	H-12 - H-14
Electrical Group	H-15 - H-17
Exterior Body Group	H-18 - H-22
Galley Group	H-23 - I-03
Heating & Air Conditioning Group	I-04 - I-05
Interior Finish Group	I-06 - I-09
Labels Group	I-10 - I-17
LP Group	I-18
Lounge Group	I-19
Sealants & Fasteners Group	I-20 - I-22
Water & Sewage Group	I-23 - J-02
Window, Vent & Exterior Door Group	J-03 - J-16

**LABELS GROUP (CONTINUED)**



INSIDE OF  
GALLEY CABT  
DOOR  
REF

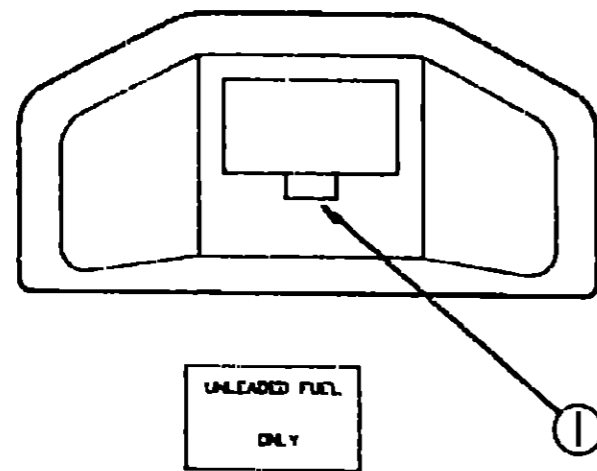
**IF YOU SMELL GAS**

1. EXTINGUISH ANY OPEN FLAME, PILOT LIGHTS AND ALL BURNING MATERIALS.
2. SHUT OFF THE GAS SUPPLY AT THE TANK VALVE OR GAS SUPPLY CONNECTION.
3. OPEN DOORS AND OTHER VENTILATING OPENINGS.
4. DO NOT TOUCH ELECTRICAL SWITCHES.
5. LEAVE THE AREA UNTIL DOOR CLEARS.
6. HAVE THE GAS SYSTEM CHECKED AND LEAKAGE SOURCE CORRECTED BEFORE USING AGAIN.

Key Part Number  
1 073998-01-000

U/M Description  
EA Label - LPG - Odor Warning

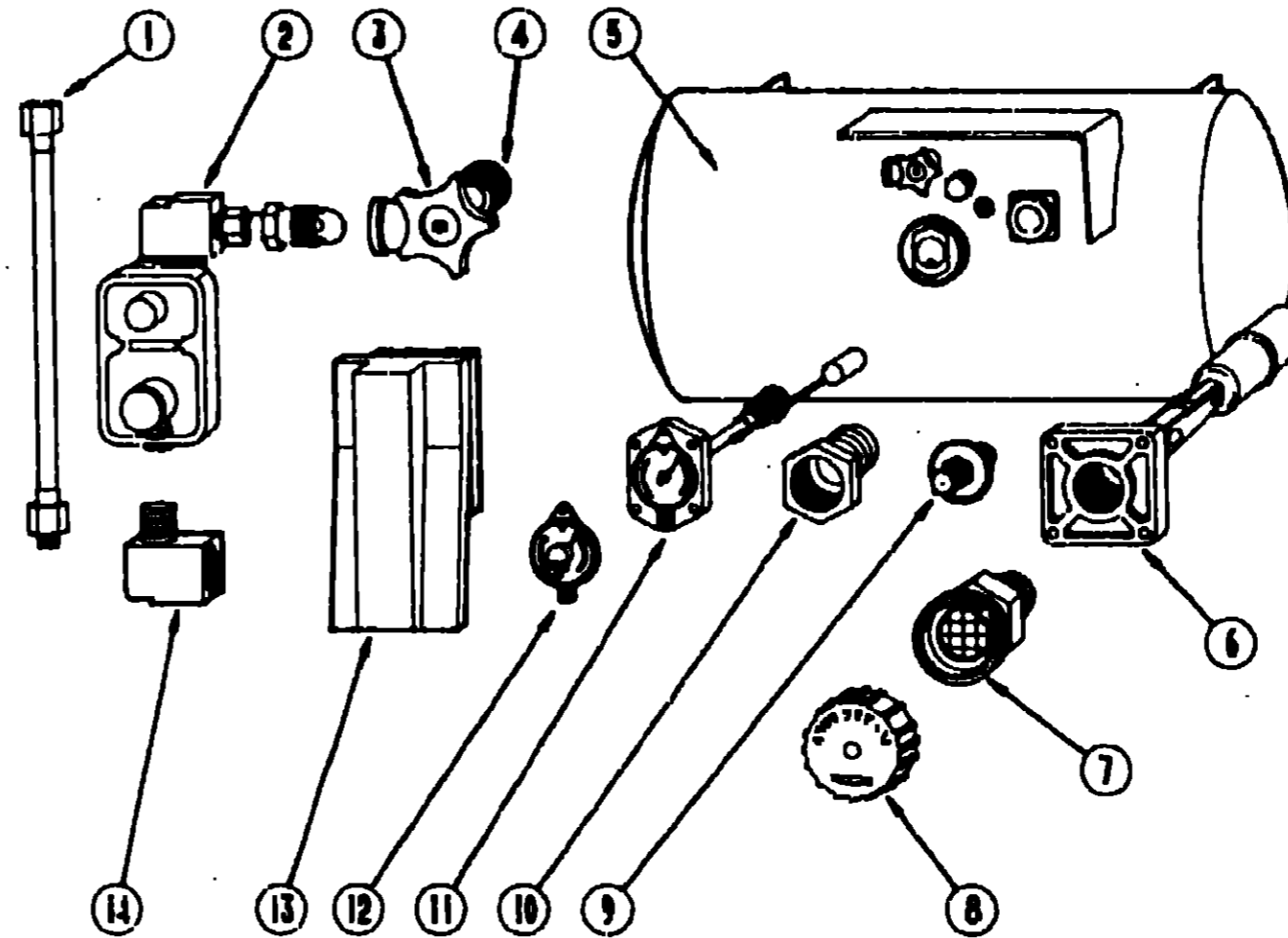
**DASH I. P.**



Key Part Number  
1 098541-01-000

U/M Description  
EA Label - Unleaded Fuel (Dash)

**LP GROUP**



**LP TANK & PARTS**

Key	Part Number	U/M	Description
1	045703-01-000	EA	Hose - LP - 3/8" ID x 24" - 3/8 MPT x 1/2 F Swivel (US)
1	045703-02-000	EA	Hose - LP - 3/8" ID x 24" - 3/8 MPT x 1/2 F Swivel (CSA)
2	076301-01-000	EA	Regulator - LPG - Two Stage
3	040421-01-708	EA	Handwheel - w/Service Valve
4	040421-01-712	EA	Service Valve w/o Vapor Relief
5	097821-01-000	EA	LP Tank - 60# - 14" x 30" - Brunner
6	040421-01-711	EA	Valve - 80% w/Float Plate, Bolts & Gasket
7	040421-01-701	EA	Valve - Short LP Filler w/Yellow Cap
8	040421-01-702	EA	Cap - LP Filler Valve - Plastic - Yellow
9	040421-01-700	EA	Valve - Liquid Level - 20% LP
10	040421-01-713	EA	Valve - Vapor Only
11	040421-01-707	EA	Gauge - Float w/Visible Dial
12	040440-02-000	EA	Transmitter - Dial - 0-90 OHM
13	081938-01-000	EA	Cover - LP Regulator
14	065318-02-000	EA	Elbow - 90° - 3/8" MPT to 3/8" FPT
	095624-01-000	EA	Elbow - 90° - 1/4" FPT x 1/4" FPT - Brass
	065742-01-000	EA	Tee - .38 F x .38 F x .25 FPT - Brass
	084884-01-000	EA	Plug - Brass - 3/8"
	065741-01-000	EA	Gauge - Diaphragm Pressure
	016188-01-000	EA	Grommet - Gas Line - .38 x 2.00 LG
	008042-01-000	EA	Tubing - Vinyl - .65" ID
	010323-01-000	EA	Adapter - Brass - 3/8 F x 1/2 MPT
	010377-01-000	EA	Nut - Brass - 3/8 F
	010377-02-000	EA	Nut - Brass - 3/8 Female - Forged
	010380-02-000	EA	Nut - Brass - 1/2" Female - Forged
	010265-01-000	EA	Elbow - Brass - 90° - 3/8" F x 1/2" FPT

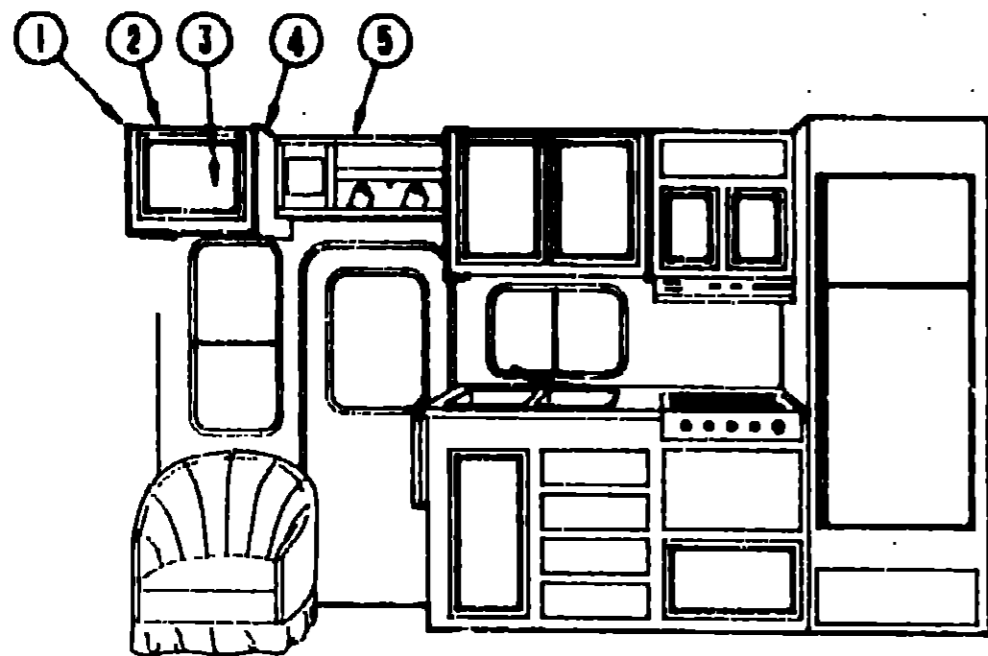
**1991 ITASCA  
TABLE OF CONTENTS**

INTRODUCTION	A-01 - A-02
ABBREVIATIONS	A-03
ALPHABETICAL/GROUP REFERENCE	A-04 - A-08
IF327RT	A-07 - D-14
IF327RB	D-15 - G-10
IF327RQ	G-11 - J-18

**1991 IF327RQ INDEX**

Floor Plan	G-11 - G-12
Accessories Group	G-13 - G-15
Bath Group	G-16 - G-17
Bedroom Group	G-18 - G-20
Chassis Group	G-21 - G-23
Curtain, Cushion & Pad Group	G-24 - H-08
Dinette Group	H-09 - H-11
Driver's Compartment Group	H-12 - H-14
Electrical Group	H-15 - H-17
Exterior Body Group	H-18 - H-22
Galley Group	H-23 - I-03
Heating & Air Conditioning Group	I-04 - I-05
Interior Finish Group	I-06 - I-08
Labels Group	I-10 - I-17
LP Group	I-18
Lounge Group	I-19
Sealants & Fasteners Group	I-20 - I-22
Water & Sewage Group	I-23 - J-02
Window, Vent & Exterior Door Group	J-03 - J-18

**LOUNGE GROUP**



**FRONT LOUNGE CABNETRY & HARDWARE**

Key	Part Number	U/M	Description
1	081280-18-B27	EA	End Cap - Front Overhead
2	M05150-06-B87	EA	Cabinet Asm.-Front Lounge - w/o Doors or Hardware
3	P03702-28-B87	EA	Door Asm. - Front Lounge Cabinet - w/o Hardware
4	081280-21-B27	EA	End Cap - Front Overhead
5	P02599-01-B87	EA	Cabinet Asm. - Entrance Overhead - w/o Hardware
	059777-02-000	EA	Hinge - Burnished Brass
	081376-01-000	EA	Backplate - Brass - 5.6"
	103856-01-000	EA	Pull - Cabinet - Brass - 3" Center
	103130-01-000	EA	Hook - Cup - 1 1/4" - Brass
	105847-03-CC5	EA	Holder - Key Ring

**SEALANTS & FASTENERS GROUP**

**SCREWS & FASTENERS**

Key	Part Number	U/M	Description
	000C12-05-16B	EA	Bolt - Hex - 5/16 - 18 x 1 - Zn 5
	000C12-10-24B	EA	Bolt - Hex - 5/8 - 11 x 1 1/2 - Zn 5
	000C13-07-48B	EA	Bolt - Hex - 7/16 - 20 x 3 - Zn 5
	000C18-08-48B	EA	Bolt - Elevator - 3/8 - 16 x 3 - Zn - Grade 5
	000C26-04-10B	EA	Bolt - Hex - Ser Flange - 1/4 - 20 x 5/8
	000C26-05-20B	EA	Bolt - Hex - Ser Fig 5/16 - 18 x 1 1/4" - Zinc
	000D24-10-00B	EA	Nut - Hex - Locking - 10-32 - Zn
	000D39-04-00B	EA	Nut - Hex - Ser Flange - Locking - 1/4 - 20 Zn
	000D39-05-00B	EA	Nut - Hex - Ser Fig Lk - 5/16 - 18 - Zn
	000D39-06-00B	EA	Nut - Hex - Ser Fig Lk - 3/8 - 18 - Zn
	000D39-08-00B	EA	Nut - Hex - Ser Fig Lk - 1/2 - 13 - Zn
	000D44-07-00B	EA	Nut - Hex - Ser Fig Lk - 7/16 - 20 - Zn
	000E13-11-00B	EA	Washer - Flat - 3/16" Wide - Zn
	000E13-14-00B	EA	Washer - Flat - 1/4" Wide - Zn
	000E13-20-00B	EA	Washer - Flat - 7/16" Wide - Zn
	000E14-10-00B	EA	Washer - Locking - No 10 Ext. Tooth - Zn
	000G11-08-10B	EA	Screw - 6 - 20 x 5/8 PPH - Zn
	000G11-08-10J	EA	Screw - 6 - 20 x 5/8 PPH - Brass
	000G11-07-08B	EA	Screw - 7 - 19 x 1/2 PPH - Zn
	000G11-08-06B	EA	Screw - 8 - 18 x 3/8 PPH - Zn
	000G11-08-08B	EA	Screw - 8 - 18 x 1/2 PPH - Zn
	000G11-08-12B	EA	Screw - 8 - 18 x 3/4 PPH - Zn
	000G11-08-12D	EA	Screw - 8 - 18 x 3/4 PPH - Black
	000G11-08-12E	EA	Screw - 8 - 18 x 3/4" PPH - Chrome
	000G11-08-12P	EA	Screw - 8 - 18 x .75 - Dark Brown
	000G11-08-12R	EA	Screw - 8 - 18 x .75 PPH - Beige
	000G11-08-12S	EA	Screw - 8 - 18 x .75 PPH - Off White
	000G11-08-16S	EA	Screw - 8 - 18 x 1.00 PPH - Off White
	000G11-10-12D	EA	Screw - 10 - 16 x 3/4 PPH - Black
	000G11-10-12S	EA	Screw - 10 - 16 x 3/4 PPH - Off White
	000G11-10-24P	EA	Screw - 10 - 16 x 1 1/2 PPH - Dark Brown
	000G12-06-08T	EA	Screw - 6 - 20 x 1/2 PPH - Beige
	000G12-08-12R	EA	Screw - 8 - 18 x 3/4 PPH - Beige
	000G12-08-12S	EA	Screw - 8 - 18 x 3/4 PPH - Off White
	000G12-08-16S	EA	Screw - 8 - 18 x 1" PPH - Off White
	000G13-06-08B	EA	Screw - 6 - 20 x 1/2 PFH - Zn
	000G13-06-10G	EA	Screw - 6 - 20 x 5/8 PFH - Antique Brass
	000G13-07-12B	EA	Screw - 7 - 19 x 3/4 PFH - Zn
	000G13-08-16B	EA	Screw - 8 - 18 x 1 PFH - Zn
	000G18-08-12B	EA	Screw - Machine - 8 - 32 x 3/4" PPH - Zn
	000G18-08-16B	EA	Screw - Machine - 8 - 32 x 1 PPH - Zn
	000G18-08-22B	EA	Screw - Machine - 8 - 32 x 1 3/8 PPH - Zn
	000G32-10-06B	EA	Screw - 10 - 32 x 3/8 PPH - Zn
	000G39-06-10T	EA	Screw - SF/DR - 6 - 20 x 5/8 PPH - Black
	000G39-06-16T	EA	Screw - SF/DR - 6 - 20 x 1 PPH - Black
	000G39-08-06B	EA	Screw - SF/DR - 8 - 18 x 3/8 PPH - Zn
	000G39-08-08B	EA	Screw - SF/DR 8 - 18 x 1/2 PPH - Zn
	000G39-08-08S	EA	Screw - SF/DR 8 - 18 x 1/2 PPH - Off White
	000G39-08-08R	EA	Screw - SF/DR 8 - 18 x 1/2 PPH - Beige
	000G39-08-12B	EA	Screw - SF/DR 8 - 18 x 3/4 PPH - Zn
	000G39-08-12R	EA	Screw - SF/DR 8 - 18 x 3/4 PPH - Beige
	000G39-08-16S	EA	Screw - SF/DR 8 - 18 x 1.00 PPH - Off White
	000G39-08-24B	EA	Screw - SF/DR 8 - 18 x 1 1/2 PPH - Zn
	000G39-08-24S	EA	Screw - SF/DR 8 - 18 x 1.50 PPH - Off White
	000G39-08-32B	EA	Screw - SF/DR 8 - 18 x 2 - PPH - Zn
	000G39-10-10S	EA	Screw - SF/DR 10 - 16 x .62" PPH - Off White
	000G39-10-12D	EA	Screw - SF/DR 10 - 16 x 3/4 PPH - Black
	000G39-10-12R	EA	Screw - SF/DR 10 - 16 x 3/4 - Beige
	000G39-10-20B	EA	Screw - SF/DR 10 - 16 x 1 1/4 PPH - Zn
	000G39-12-12E	EA	Screw - SF/DR 12 - 14 x 3/4 PPH - Chrome
	000G42-04-16B	EA	Screw - SF/DR 1/4 - 14 x 1 HWH - Zn

**1991 ITASCA  
TABLE OF CONTENTS**

INTRODUCTION	A-01 - A-02
ABBREVIATIONS	A-03
ALPHABETICAL/GROUP REFERENCE	A-04 - A-06
IF327RT	A-07 - D-14
IF327RB	D-15 - G-10
IF327RQ	G-11 - J-16

**1991 IF327RQ INDEX**

Floor Plan	G-11 - G-12
Accessories Group	G-13 - G-15
Bath Group	G-16 - G-17
Bedroom Group	G-18 - G-20
Chassis Group	G-21 - G-23
Curtain, Cushion & Pad Group	G-24 - H-08
Dinette Group	H-09 - H-11
Driver's Compartment Group	H-12 - H-14
Electrical Group	H-15 - H-17
Exterior Body Group	H-18 - H-22
Galley Group	H-23 - I-03
Heating & Air Conditioning Group	I-04 - I-05
Interior Finish Group	I-06 - I-09
Labels Group	I-10 - I-17
L <sup>T</sup> Group	I-18
Lounge Group	I-19
Sealants & Fasteners Group	I-20 - I-22
Water & Sewage Group	I-23 - J-02
Window, Vent & Exterior Door Group	J-03 - J-16

**SEALANTS & FASTENERS GROUP (CONTINUED)**

**SCREWS & FASTENERS (CONTINUED)**

Key	Part Number	U/M	Description
	000G53-04-08B	EA	Screw - Machine - 1/4 - 20 x 3/8 PPH - Zn
	000G54-04-20B	EA	Screw - 1/4 - 20 x 1 1/4 PTH Typ 23 - Zn
	000G56-12-48B	EA	Screw - Wood - 12 - 11 x 3 - POH
	000G60-10-26T	EA	Screw - SF/DR 10 - 16 x 1.75 - Black
	000G67-10-08B	EA	Screw - 10 - 12 x 1/2 PPH - Zn
	000G67-10-08R	EA	Screw - 10 - 12 x 1/2 PPH - Beige - Type A
	000G67-10-10D	EA	Screw - 10 - 12 x 5/8 PPH - Black
	000G67-10-10B	EA	Screw - 10 - 12 x 5/8 PPH - Zn - Type A
	000G67-10-10R	EA	Screw - 10 - 12 x 5/8 PPH - Beige - Type A
	000G67-10-10S	EA	Screw - 10 - 12 x 5/8 PPH - Off White
	000G67-10-12B	EA	Screw - 10 - 12 x 3/4 PPH - Zn
	000G67-10-12P	EA	Screw - 10 - 12 x .75 PPH - Dark Brown
	000G67-10-12R	EA	Screw - 10 - 12 x 3/4 PPH - Beige
	000G67-10-12D	EA	Screw - 10 - 12 x .75 PPH - Tan
	000G68-10-36T	EA	Screw - 10 - 12 x 2.25" POH - Black
	000G67-10-16B	EA	Screw - 10 - 12 x 1 PPH - Zn
	000G67-10-16P	EA	Screw - 10 - 12 x 1 PPH - Dark Brown
	000G67-10-20D	EA	Screw - 10 - 12 x 1.25" PPH - Black
	000G67-10-24B	EA	Screw - 10 - 12 x 1 1/2 PPH - Zn
	000G67-10-32B	EA	Screw - 10 - 12 x 2 PPH - Zn
	000G67-10-36T	EA	Screw - 10 - 12 x 2.25 PPH - Black
	000G68-06-10G	EA	Screw - 6 - 18 x 5/8 POH - Antique Brass
	000H16-04-06R	EA	Rivet - Pcp - AL 1/8 x .313 .375
	005081-01-000	EA	Nut - Speed - C Type - No. 8 Screw
	062401-01-000	EA	Clamp - Hose - Wormgear - .81" x 1.75"
	062401-02-000	EA	Clamp - Hose - Wormgear - 1.56" - 2.5"
	062401-04-000	EA	Clamp - Hose - Wormgear - .69" x 1.25"
	062401-06-000	EA	Clamp - Hose - Wormgear - .22" x .62"
	007161-01-000	EA	Clamp - Hose - Spring Type - 1/2"
	008343-01-000	EA	Tie - Wire - 6"
	008386-01-000	EA	Grommet - Snap - 3/8
	008401-01-000	EA	Strap - Conduit - 3/4" - 1 Hole - Galvanized Steel
	010495-01-000	EA	Clamp - Cable - 9/16"
	010497-01-000	EA	Clamp - Closed - 5/8" ID
	010497-03-000	EA	Clamp - Closed - 1 ID - Cushioned
	010499-01-000	EA	Clamp - Closed - 3/8" ID
	016604-01-000	EA	Brace - Cabinet - Angled Metal - 2.5"
	083609-01-000	EA	Clamp - Wire Dual - Equal 5/8" Dia.
	084884-01-000	EA	Plug - Brass - 3/8"
	087721-01-000	EA	Screw - Flat Head - Tapping - 1/4 x 1 1/4 LG - Zn
	089371-01-000	EA	Screw - Machine - 8 - 32 x 3 5/16 - Zn
	075148-02-000	EA	Clamp - Grounding - Bronze Screws
	075908-01-000	EA	Screw - Machine - 10 - 32 x .56 PTH - Zn
	049465-04-000	EA	Screw - 10 - 16 x 1 PTH w/Washer - Beige
	076790-01-000	EA	Screw - 6 - 20 x 1 1/4 PPH - Black
	063729-04-000	EA	Rivet - 10 - 32 UNF - 010 - .080
	087277-02-000	EA	Washer - Plastic - Off White
	088497-01-000	EA	Nut - Inverted Flare - 3/16"
	088498-01-000	EA	Nut - Inverted Flare - 3/16"

**SEALANTS & FASTENERS GROUP (CONTINUED)**

**SEALANTS & ADHESIVES**

Key	Part Number	U/M	Description
	004020-01-000	QT	Adhesive - ABS Cement (Plastic Fittings)
	004195-02-000	GL	Adhesive - Swiffs - Glue (Sidewalls)
	087211-01-000	GL	Adhesive - Promotor
	063788-07-000	EA	Bedding Compound - Tube - Beige (Exterior)
	063788-08-000	EA	Bedding Compound - Tube - Clear (Window)
	053788-08-000	EA	Bedding Compound - Tube - Gray (Exterior)
	102362-01-000	EA	Bedding Compound - Tube - Black (Luggage Compartment)
	063788-02-000	EA	Bedding Compound - Tube - Off White (Exterior)
	002328-02-000	EA	Block - Rubber Spacer (Windshield)
	081255-02-000	FT	Seal - Foam - 1.5 MM x 4.8 MM (Cabinets)
	104579-01-000	FT	Seal - Foam - Closed Cell (Exterior Shower)
	090340-01-000	FT	Seal - Foam - Closed Cell (Entrance Door)
	080328-01-000	FT	Seal - Refrigerator Cabinet
	077867-01-000	EA	Sealant - Acrylic Latex - Tube - Off White (Interior Sealant)
	034552-04-000	EA	Sealant - Silicone - Beige
	034552-02-000	EA	Sealant - Silicone - Clear
	034552-07-000	EA	Sealant - Silicone - Dark Gray
	034552-08-000	EA	Sealant - Silicone - Off White
	039518-01-000	EA	Sealant Silicone - Black
	088640-01-000	FT	Sealer Ribbon - .25" Bead x 20'
	088640-02-000	FT	Sealer Ribbon - .5" x .125" x 30'
	088640-03-000	FT	Sealer Ribbon - .75" x .125" x 30'
	088640-09-000	FT	Sealer Ribbon - 1/32" x 2.5" x 30'
	088640-06-000	FT	Sealer Ribbon - 5/16" Bead x 15'
	088640-07-000	FT	Sealer Ribbon - 2" x 3/32" x 30'
	088640-10-000	FT	Sealer Ribbon - 1/32" x 1.5" x 100'
	002707-02-000	FT	Sealer Tape - 5/16" x 1/2"
	074497-14-700	EA	Sealer - Stain (Ceiling)
	102353-01-700	EA	Seam Sealer - Tube - Gray (Roof Seams)
	094401-01-000	EA	Seam Sealer - Tube - Clear (Cap to Sidewall)
	063642-01-000	FT	Tape - Adhesive - .10mm x 1.5" Wide
	091988-03-000	FT	Tape - Adhesive - .040" x 1" Wide
	038886-01-000	EA	Tape - Butyl - .31" x .31" x 148" (Windshield)
	076322-01-000	FT	Tape - Foam - Double Coated - .025 x .75 x 72' (Fiberglass Sidewall Seams)
	076322-02-000	FT	Tape - Foam - Double Coated - .045 x 1" (Fiberglass Sidewall Seams)
	076322-03-000	FT	Tape - Foam - Double Coated - .045" x .50"
	100028-01-000	FT	Tape - Foam - Double Coated - .031 x .75 x 72' (Non-Structural Fastening)
	009200-01-000	EA	Tape - Furnace - 1.5"
	002825-01-000	FT	Weather Stripping (Roof Vent)
	081377-01-700	EA	Adhesive - Cyanoacrylate - 10GM
	100028-01-000	FT	Tape - Foam - Double Coated - .031" x .75" x 72' (Non-Structural Fastening)
	009200-01-000	EA	Tape - Furnace - 1.5"
	002825-01-000	FT	Weather Stripping (Roof Vent)
	061377-01-700	EA	Adhesive - Cyanoacrylate - 10 GM

**1991 ITASCA  
TABLE OF CONTENTS**

INTRODUCTION	A-01 - A-02
ABBREVIATIONS	A-03
ALPHABETICAL/GROUP REFERENCE	A-04 - A-06
IF327RT	A-07 - D-14
IF327R6	D-15 - G-10
IF327RQ	G-11 - J-16

**1991 IF327RQ INDEX**

Floor Plan	G-11 - G-12
Accessories Group	G-13 - G-15
Bath Group	G-16 - G-17
Bedroom Group	G-18 - G-20
Chassis Group	G-21 - G-22
Curtain, Cushion, & Pad Group	G-24 - H-08
Dinette Group	H-09 - H-11
Driver's Compartment Group	H-12 - H-14
Electrical Group	H-15 - H-17
Exterior Body Group	H-18 - H-22
Galley Group	H-23 - I-03
Heating & Air Conditioning Group	I-04 - I-05
Interior Finish Group	I-06 - I-08
Labels Group	I-10 - I-17
LP Group	I-18
Lounge Group	I-19
Sealants & Fasteners Group	I-20 - I-22
Water & Sewage Group	J-23 - J-02
Window, Vent & Exterior Door Group	J-03 - J-16

**WATER & SEWAGE GROUP  
DRAINAGE SYSTEM**

Key	Part Number	U/M	Description
	082422-01-000	EA	Adapter - Offset Reducer - 3" x 1 1/2"
	082416-01-000	EA	Adapter - Sewer Hose to 3" Pipe
	033302-02-000	EA	Adapter Asm. - Strainer - 1 1/2" (CSA)
	010121-01-000	EA	Bushing - Plastic - Red - 1 1/2 S x 1 1/4 H
	011091-02-000	EA	Continuous Waste - Double Sink - 11 7/8"
	078408-01-000	EA	Coupler - Rubber - 3" x 3"
	010051-01-000	EA	Elbow - ST - Plastic - 1/8 BD x 1 1/2" x 45°
	033761-01-000	EA	Elbow - Plastic - 1/4 BD x 1 1/2" x 90°
	010000-01-000	EA	Elbow - Plastic - 1/8 BD x 1 1/4 x 45° H x H
	010006-01-000	EA	Elbow - Plastic - 1/8 BD x 1 1/2 x 45° H x H
	010008-01-000	EA	Elbow - Plastic - 1/4 BD x 1 1/2 x 90° - Left
	010081-01-000	EA	Elbow - Plastic - 1/8 BD x 3 x 45 S x H
	037101-02-000	EA	Elbow - Plastic - 1/4" Bend Vent - 1 1/2" Hub (CSA)
	075240-06-000	EA	Faucet - Lavatory - Bone
	075241-05-000	EA	Faucet - Shower - Bone
	011053-04-000	EA	Faucet - Swing Spout - 8" - Galley
	091253-01-000	EA	Gasket - Faucet
	061607-01-000	EA	Grommet - Holding Tank Coupler - 1 1/2"
	061607-02-000	EA	Grommet - Holding Tank - 3" NPS
	011066-03-000	EA	P-Trap - 1 1/4" - Plastic (US)
	011066-02-000	EA	P-Trap - 1 1/4" - Plastic (CSA) (Lavatory/Shower)
	053335-01-000	EA	P-Trap - 1 1/4" - Plastic w/Union (CSA) (Galley)
	083558-03-000	EA	Roof Vent - Covered - Vent Pipe - Off White
	062415-01-000	EA	Sewer Cap - 3"
	062415-01-700	EA	String - Sewer Cap
	010201-01-000	EA	Sewer Hose - 3" ID x 20'
	011048-02-000	EA	Shower Head w/60" Hose (US)
	011048-05-000	EA	Shower Head w/60" Hose (CSA)
	M02673-06-B05	EA	Shower Pan Asm.
	096927-01-01A	EA	Sink - Lavatory - Rectangular Plastic - Bone
	096927-01-700	EA	Sink - Stopper
	096927-01-701	EA	Tailpiece - Sink
	102551-01-000	EA	Sink - Double - w/Mounting Hardware - Stainless Steel
	066440-01-000	EA	Slip Nut - 1.5 - Tailpiece
	066729-01-000	EA	Strainer - Shower Drain
	066437-01-000	EA	Strainer - Sink - Galley
	066437-01-700	EA	Basket - Strainer - Galley Sink
	011069-02-000	EA	Tailpiece - 1 1/2 x 1 1/4 x 4" - Brass
	102761-01-000	EA	Tank - Holding - 28 Gal. - 66.9" x 17.7" x 15.7"
	102762-01-000	EA	Tank - Holding - 42 Gal. - 57.4" x 8.4" x 29"
	010079-01-000	EA	Tee - Plastic - 1 1/2" H x 1 1/2" H x 1 1/4" H
	010071-01-000	EA	Tee - Plastic - 1 1/2" H x H x H
	024676-01-000	EA	Toilet Closet Flange - 4" x 3" - Red (US)
	024676-02-000	EA	Toilet Closet Flange - 4" x 3" - Red (CSA)
	067487-01-000	EA	Toilet - Ivory - Aqua Magic
	067487-01-700	EA	C.L.F.L. Seal & Bolt Package
	067487-01-701	EA	Water Saver Pkg.
	067487-01-702	EA	Clamp
	063740-01-710	EA	Link
	063740-01-711	EA	Spring - Return Lever
	063740-01-716	EA	Seal and Cover Asm.
	063740-01-700	EA	Lever - Water
	063740-01-701	EA	Lever - Flush
	063740-01-717	EA	Flush Tube
	063740-01-713	EA	Seal - Ball - Valve to Bowl
	063740-01-714	EA	Valve Asm. - Water
	063740-01-707	EA	Seal - Closet Flange
	063740-01-706	EA	Bolt Package - Closet
	070916-01-000	EA	Valve - Dual - 3" x 1 1/2"
	070916-01-700	EA	Valve - Only - 3"
	070916-01-701	EA	Valve - Only - 1 1/2"
	079968-01-000	EA	Vent - Mechanical Trap Arm
	069735-01-000	EA	Washer - Tailpiece - 1.5 - Plastic

NOTE: Items indented below assemblies are serviceable parts for that assembly.

**WATER & SEWAGE GROUP (CONTINUED)  
WATER LINES & HARDWARE**

Key	Part Number	U/M	Description
	044827-01-000	EA	Adapter - Plastic - 1 1/4" MPT x 1 1/4" Bar (Water Tank)
	079317-01-000	EA	Adapter - Swivel - .5 Tube x .5 FPT
	052954-01-000	EA	Adapter - Nose Cone - 3/8" or 1/2" - Plastic
	036522-02-000	EA	Cap - Brass - 1/2" Flare
	088417-01-000	EA	Connector Plastic - 5/8 F x 1/2 MPT
	052957-02-000	EA	Elbow - Plastic - 1/2 F x 1/2 MFT
	085318-02-000	EA	Elbow - 90° - 3/8 MPT to 3/8 FPT
	055290-01-000	EA	Elbow - 5/8 F x 1/2 MPT
	085120-01-000	EA	Elbow - Plastic - Swivel - 1/2" FPT x 1/2" Flare - Gray
	036539-01-000	EA	Elbow - Plastic - 3/8" MPT x 3/8" Barb
	077954-02-000	EA	Filter/Screen (In Water Tank)
	052981-01-000	EA	Header - 1/2 F x 1/2 F x 1/2 F x 1/2 F
	052952-01-000	EA	Nut - Plastic - 1/2" F
	052952-02-000	EA	Nut - Plastic - 5/8 Flare
	052953-01-000	EA	Nut - Faucet - 1/2" Tube x 1/2" FPT
	048032-01-000	EA	Patch - Spinweld - Plastic - 3/8"
	088475-01-000	EA	Pin - Connector
	098607-01-000	EA	Pump - Water - 2.8 GPM - Direct Flow (US)
	098607-02-000	EA	Pump - Water - 2.8 GPM - Direct Flow (CSA)
	098607-01-707	EA	Motor/Backplate - Replacement
	098607-01-701	EA	Drive Asm.
	098607-01-702	EA	Diaphragm Kit
	098607-01-703	EA	Valve Asm.
	098607-01-704	EA	Upper Housing
	098607-01-706	EA	Switch Asm. - Complete
	098607-01-700	EA	Pumphead - Replacement
	098607-01-705	EA	Check - Valve Kit
	091208-01-000	EA	Rubber Washer - .06 x .75 x .50
	042989-03-000	EA	Spinweld Fitting - Plastic - 1/4" NPT
	042989-05-000	EA	Spinweld Fitting - Plastic - 1/2" FPT
	042989-04-000	EA	Spinweld Fitting - Plastic - 3/8" FPT
	097967-01-000	EA	Switch - Water Heater
	052955-01-000	EA	Tee - Plastic - 1/2" F x 1/2" F x 1/2" MPT
	052958-01-000	EA	Tee - Plastic - 1/2" F x 1/2" MPT x 1/2" F
	052957-02-000	EA	Elbow - Plastic - 1/2" F x 1/2" MPT
	052958-01-000	EA	Tee - Plastic - 1/2" F x 1/2" F x 1/2" F
	055292-01-000	EA	Tee - Plastic - 5/8 F x 5/8 F x 5/8 F
	057973-01-000	EA	Tee - Plastic - 1/2 F x 1/2 F x 5/8 F
	076776-01-000	EA	Tee - Barb - 5/8" x 5/8" x 5/8"
	039800-01-000	FT	Tubing - Polybutyl - 1/2" OD x 20' (Water Line)
	079381-01-000	FT	Tubing - Flex/Smooth - 1.25 ID (Water Tank)
	074482-02-000	FT	Tubing - Vinyl - 3/8" ID
	046128-01-000	EA	Valve - Drain - Plastic - 1/2 MPT
	052960-01-000	EA	Valve - Line Drain - 1/2" F x 1/2" F
	052960-01-700	EA	Connector - Union - 1/2" F x 1/2" F
	052961-01-000	EA	Header - 1/2 F x 1/2 F x 1/2 F x 1/2 F
	064214-06-000	EA	Water Tank - 31 Gal. w/Fittings - 30" x 24" x 12.7" (Queen Bed)
	064214-07-000	EA	Water Tank - 31 Gal. w/Fittings - 30" x 24" x 12.7" (Twin Bed)

NOTE: Items indented below assemblies are serviceable parts for that assembly.

**WATER HEATER BYPASS (OPTION L53J)**

Key	Part Number	U/M	Description
	039800-01-000	FT	Tubing - Polybutyl - 1/2 OD x 20'
	052957-02-000	EA	Elbow - Plastic - 1/2 F x 1/2 MPT
	090729-01-000	EA	Bypass Kit - Water Heater
	052952-01-000	EA	Nut - Plastic - 1/2" F
	103258-01-000	EA	Bracket - Bypass - Water Heater
	052959-02-000	EA	Connector - Plastic - 1/2 F x 1/2 MPT

**1991 ITASCA  
TABLE OF CONTENTS**

INTRODUCTION	A-01 - A-02
ABBREVIATIONS	A-03
ALPHABETICAL/GROUP REFERENCE	A-04 - A-08
IF327RT	A-07 - D-14
IF327RB	D-15 - G-10
IF327RQ	G-11 - J-16

**1991 IF327RQ INDEX**

Floor Plan	G-11 - G-12
Accessories Group	G-13 - G-15
Bath Group	G-16 - G-17
Bedroom Group	G-18 - G-20
Chassis Group	G-21 - G-23
Curtain, Cushion & Pad Group	G-24 - H-08
Dinette Group	H-09 - H-11
Driver's Compartment Group	H-12 - H-14
Electrical Group	H-15 - H-17
Exterior Body Group	H-18 - H-22
Galley Group	H-23 - I-03
Heating & Air Conditioning Group	I-04 - I-05
Interior Finish Group	I-06 - I-08
Labels Group	I-10 - I-17
LP Group	I-18
Lounge Group	I-19
Sealants & Fasteners Group	I-20 - I-22
Water & Sewage Group	I-23 - J-02
Window, Vent & Exterior Door Group	J-03 - J-16

**WATER & SEWAGE GROUP (CONTINUED)**

**EXTERIOR SHOWER KIT (Option L64R)**

Key	Part Number	U/M	Description
	103173-01-01A	EA	Shower Washdown Kit
	103173-02-01A	EA	Shower Washdown Kit
	101814-01-000	EA	Coupler - Female - 1/2" F x 1/2" MPT
	046128-01-000	EA	Drain Valve - 1/2" FPT - Plastic
	052956-02-000	EA	Elbow - 1/2" F x 1/2" MPT - Plastic
	039600-01-000	FT	Tubing - Polybuty - 1/2" O.D. x 20 FT
	080015-02-000	EA	Receptacle - Flag - .185" - 16/14 GA
	088473-09-000	EA	Housing Pin
	088475-02-000	EA	Pinn - Connector

These are parts used after 3/25/91 on.

**WATER & SEWAGE GROUP (CONTINUED)**

**WATER HEATER & REPAIR PARTS**

Key	Part Number	U/M	Description
	051391-01-000	EA	Heater - Water - Atwood G6A-3
	051391-01-700	EA	Hinge Kit - w/Clip - Atwood #92568 & 92559
	051391-01-715	EA	Drain Plug - Atwood #91561
	051391-01-702	EA	Tank - Inner - G6A-2, 3, 6 - Water Heater - Atwood 91412
	051391-01-704	EA	Valve - Relief - 1/2" Fitting - Atwood 91604
	051391-01-705	EA	Fastener - Camloc - Atwood #92609
	051391-01-706	EA	Grille - Exhaust - Atwood #92787
	051391-01-712	EA	Thermostat - 3/8" NPT Inlet
	051391-01-708	EA	Burner - Main - Atwood #92615
	051391-01-709	EA	Pilot Asm. - w/Thermocouple & Tube
	051391-01-710	EA	Orifice - Main Burner - Atwood #92742
	051391-01-711	EA	Elbow - Orifice - Main Burner
	051391-01-714	EA	Elbow - 45 Degree - 3/8" F x 3/8" MPT - Atwood #91044
	051391-03-000	EA	Heater - Water - w/Electric Ignition - Atwood # G6A-3E, 4E & 6E
	051393-03-700	EA	Tank - Inner (G6A-3E) Rear Mount - Atwood #91409
	051391-04-700	EA	Tank - Inner (G6A-3E) Front Mount - Atwood #91608
	051391-04-708	EA	Tank - Inner - G6A-4E & 6E - Front Mount - Atwood #9164
	051391-01-704	EA	Valve - Relief - 1/2" Fitting - Atwood #91604
	051391-01-705	EA	Fastener - Camloc - Atwood #92609
	051393-01-701	EA	Switch Package - Atwood #91959
	051393-01-702	EA	Switch - Energy Cut-Off - Atwood #91951
	051391-04-701	EA	Thermostat 12 VDC - 120 Preset - Atwood #91470 - Front Mount Only
	051393-01-703	EA	Thermostat - Rear Mount - Atwood #91952
	051393-01-721	EA	ECO & Thermostat Asm. - Front Mount - 140 Degree - Atwood #
	051393-01-704	EA	Circuit Board - w/Black Box - Atwood #91420
	051391-01-706	EA	Grille - Exhaust - Atwood #92787
	051393-01-705	EA	Orifice Holder - Atwood #91925
	051391-01-710	EA	Orifice - Main Burner - Atwood #92742
	051393-01-716	EA	Spark & Probe Asm. - Atwood #91606
	051391-01-708	EA	Burner - Main - Atwood #92615
	051393-01-718	EA	Valve - Dual Solenoid - Atwood #91605
	051391-01-715	EA	Drain Plug - Atwood #91561
	051391-01-700	EA	Hinge Kit - w/Clip - Atwood #92568 & 92559
	051393-01-000	EA	Water Heater - w/Motor Aid - Pilotless Ignition - Atwood GH6-3E, GH6-4E or GH6-6E
	051391-04-705	EA	Tank - Inner - GH6-3E - Front Mount - Atwood #91609
	051393-01-714	EA	Tank - Inner - GH6-3E - Rear Mount - Atwood #91408
	051391-04-704	EA	Tank - Inner - Front Mount - GH6-4E & 6E - Atwood #91642
	051391-01-704	EA	Valve - Relief - 1/2" Fitting - Atwood #91604
	051391-01-705	EA	Fastener - Camloc - Atwood #92609
	051393-01-701	EA	Switch Package - Atwood #91959
	051393-01-702	EA	Switch - Energy Cut-off - Atwood #91951
	051391-04-701	EA	Thermostat - 12 VDC - 120 Preset - Atwood #91470 - Front Mount Only
	051393-01-703	EA	Thermostat - Rear Mount - Atwood #91952
	051393-01-721	EA	ECO & Thermostat Asm. - Front Mount - 140 Degree - Atwood #
	051393-01-704	EA	Circuit Board - w/Black Box - Atwood #91420
	051391-01-706	EA	Grille - Exhaust - Atwood #92787
	051393-01-705	EA	Orifice Holder - Atwood #91925
	051391-01-710	EA	Orifice - Main Burner - Atwood #92742
	051393-01-716	EA	Spark & Probe Asm. - Atwood #91606
	051391-01-700	EA	Burner - Main - Atwood #92615
	051393-01-718	EA	Valve - Dual Solenoid - Atwood #91605
	051391-01-715	EA	Drain Plug - Atwood #91561
	051391-01-700	EA	Hinge Kit - w/Clip - Atwood #92568 & 92559

**1991 ITASCA  
TABLE OF CONTENTS**

INTRODUCTION	A-01 - A-02
ABBREVIATIONS	A-03
ALPHABETICAL/GROUP REFERENCE	A-04 - A-06
IF327RT	A-07 - D-14
IF327RB	D-15 - G-10
IF327RQ	G-11 - J-16

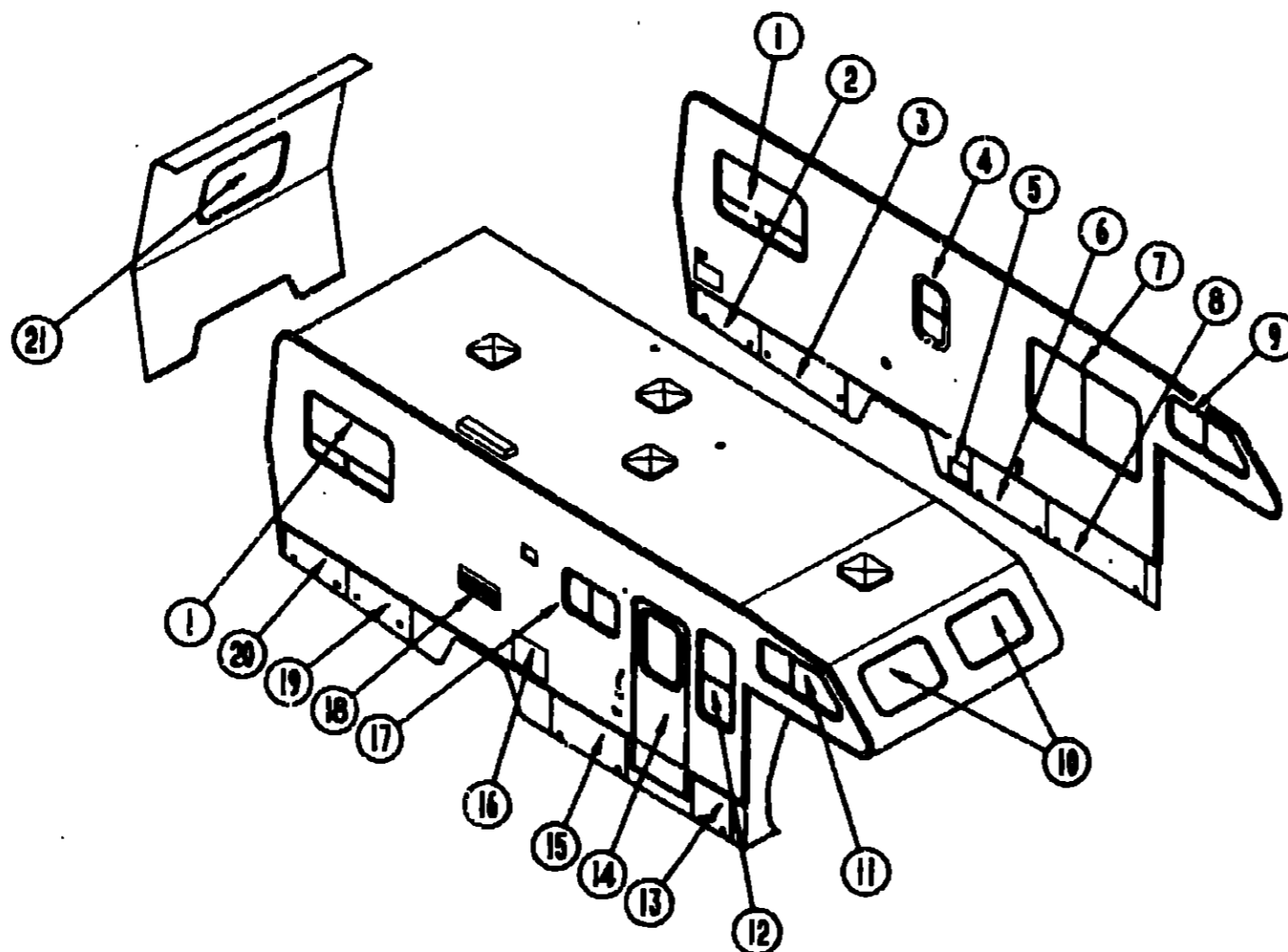
**1991 IF327RQ INDEX**

Floor Plan	G-11 - G-12
Accessories Group	G-13 - G-15
Bath Group	G-16 - G-17
Bedroom Group	G-18 - G-20
Chaises Group	G-21 - G-23
Curtain, Cushion & Pad Group	G-24 - H-08
Dinette Group	H-09 - H-11
Driver's Compartment Group	H-12 - H-14
Electrical Group	H-15 - H-17
Exterior Body Group	H-18 - H-22
Galley Group	H-23 - I-03
Heating & Air Conditioning Group	I-04 - I-06
Interior Finish Group	I-08 - I-06
Labels Group	I-10 - I-17
LP Group	I-18
Lounge Group	I-19
Sealants & Fasteners Group	I-20 - I-22
Water & Sewage Group	I-23 - J-02
Window, Vent & Exterior Door Group	J-03 - J-16



## WINDOWS, VENTS & EXTERIOR DOORS

### WINDOWS & ACCESS DOORS



Key	Part Number	U/M	Description
1	092235-07-Y12	EA	Window Asm. - Tipout - 24.3" x 40.3"
	078010-03-000	EA	Door Asm. - Fuel Fill
	081240-03-000	EA	Door Asm. - Water Fill - Lockable - Off White
2	096397-10-B05	EA	Door Asm. - Storage - Rear
3	096397-09-B05	EA	Door Asm. - Generator/Storage
4	098644-01-715	EA	Window Asm. - Vertical Slider - 22" x 15"
5	088794-01-000	EA	Door Asm. - Power Cord
6	096386-09-B05	EA	Door Asm. - Storage
	103639-01-000	EA	Door Asm. - Drainage Compartment
7	078647-04-700	EA	Window Asm. - Horizontal Slider
8	096386-08-B05	EA	Door Asm. - Storage - Front
9	100322-02-700	EA	Window Asm. - Vented - 12" x 35.8"
10	103313-01-B05	EA	Window Asm. - Picture

Key	Part Number	U/M	Description
11	100322-01-720	EA	Window Asm. - Vented - 12" x 35.8"
12	098644-02-705	EA	Window Asm. - Vertical Slider - 34.25" x 15"
13	096386-10-B05	EA	Door Asm. - Valance - Front
14	M01870-32-B87	EA	Door Asm. - Entrance
	044582-02-000	EA	Drip Cap - Jamb Mounted - Off White
15	096386-11-B05	EA	Door Asm. - Valance
16	052009-01-000	EA	Door Asm. - Water Heater
17	098647-06-705	EA	Window Asm. - Slider
18	081103-03-000	EA	Door Asm. - Refrigerator
19	096397-11-B05	EA	Door Asm. - Valance
20	096397-12-B05	EA	Door Asm. - Valance - Rear
21	078528-03-Y12	EA	Window Asm. - Escape - 27" x 48"

## 1991 ITASCA TABLE OF CONTENTS

INTRODUCTION	A-01 - A-02
ABBREVIATIONS	A-03
ALPHABETICAL/GROUP REFERENCE	A-04 - A-06
IF327RT	A-07 - D-14
IF327RB	D-15 - G-10
IF327RQ	G-11 - J-16

## 1991 IF327RQ INDEX

Floor Plan	G-11 - G-12
Accessories Group	G-13 - G-15
Bath Group	G-16 - G-17
Bedroom Group	G-18 - G-20
Chassis Group	G-21 - G-23
Curtain, Cushion & Pad Group	G-24 - H-06
Dinette Group	H-09 - H-11
Driver's Compartment Group	H-12 - H-14
Electrical Group	H-15 - H-17
Exterior Body Group	H-18 - H-22
Galley Group	H-23 - I-03
Heating & Air Conditioning Group	I-04 - I-05
Interior Finish Group	I-06 - I-09
Labels Group	I-10 - I-17
LP Group	I-18
Lounge Group	I-19
Sealants & Fasteners Group	I-20 - I-22
Water & Sewage Group	I-23 - J-02
Window, Vent & Exterior Door Group	J-03 - J-16

**WINDOW, VENT & EXTERIOR DOOR GROUP (CONTINUED)**

**ACCESS DOORS**

Key	Part Number	U/M	Description
	078010-03-000	EA	Door Asm. - Fuel Fill - Off White
	078200-01-000	EA	Gasket - Fuel Fill
	052009-01-000	EA	Door Asm. - Water Heater - Off White
	088794-01-000	EA	Door Asm. - Power Cord w/Hatch - Off White
	084103-03-000	EA	Door Asm. - Refrigerator - Vented - Off White
	084104-01-700	EA	Lock - Male - Dyrus Fasteners
	084104-01-701	EA	Lock - Female - Dyrus Fasteners
	084104-03-000	EA	Jamb - Door - Vented - Refrigerator - Off White
	081240-03-000	EA	Door Asm. - Water Fill - Lockable - 4" x 4 5/8" - Off White
	096386-11-B05	EA	Door Asm. - LP Compartment - 36.5" x 17.8" - Off White
	079927-03-000	EA	Lock - Twist Type - Double Cam - 2.10" Off Set
	096397-11-B05	EA	Door Asm. - Storage - Tapered - 30.3" Wide
	079366-04-000	EA	Lock - Door - Key Type w/o Keys
	082684-01-700	EA	Key - Storage Compartment
	096386-09-B05	EA	Door Asm. - Storage Compartment - 17.8" x 36.8"
	079927-03-000	EA	Lock - Twist Type - Double Cam
	701667-01-000	EA	Prop - Rod
	096386-08-B05	EA	Door Asm. - Storage - 48.8" x 17.8"
	079366-04-000	EA	Lock - Key Type w/o Keys
	082684-01-700	EA	Key - Storage Compartment
	096397-09-B05	EA	Door Asm. - Storage/Generator - w/Locks - 30.9"
	079927-03-000	EA	Lock Asm. - Twist Type - Double Cam
	078137-02-000	EA	Tray - Storage Compartment - 27.18" x 21"
	096397-10-B05	EA	Door Asm. - Rear Compartment
	079366-04-000	EA	Lock Asm. - Key Type w/o Keys
	082684-01-700	EA	Key - Storage Compartment
	096397-12-B05	EA	Door Asm. - Rear Compartment
	079366-04-000	EA	Lock Asm. - Key Type w/o Keys
	082684-01-700	EA	Key - Compartment Door
	103639-01-000	EA	Door Asm. - Drainage Compartment - 7.9" x 7.6"
	074470-01-000	EA	Pull - Hinge - Release Pin
	009066-01-000	EA	Hinge - Aluminum - No Holes - 1 1/16" x 61" - Unpainted
	088270-01-000	FT	Seal - Bulb - Rubber
	096376-10-B05	EA	Door Asm. - Compartment - 18.9" x 17.8" - Off White
	079366-04-000	EA	Lock Asm. - Key Type w/o Keys
	082684-01-000	EA	Key - Compartment Lock
	096209-55-001	EA	U-Channel - Hinged - 16" - Off White
	093486-01-000	SY	Carpet - Storage Compartment
	061420-01-000	EA	Plug - Plastic - 1.75" - Brown
	064075-07-000	FT	Seal - Bulb - Door Jamb - Black
	097111-01-01A	EA	Pocket - Lock Valance - Off White
	098338-01-000	EA	Gasket - Lock Pocket

NOTE: Items indented below assemblies are serviceable parts for that assembly

**WINDOW, VENT & EXTERIOR DOOR GROUP (CONTINUED)**

**POWERED ROOF VENT**

Key	Part Number	U/M	Description
	090394-01-Y12	EA	Vent Asm. - Roof - Powered - w/o Screen (USA)
	009440-01-000	EA	Lift Mechanism
	009439-01-000	EA	Crank Handle - Roof Vent
	009439-04-000	EA	Screw
	061603-01-000	EA	Grommet - Snap - 3/16 ID - Black Plastic
	008386-01-000	EA	Grommet - Snap - 3/8"
	048649-01-000	EA	Fan - Plastic - 6"
	008195-01-000	EA	Switch - Push Button - 12 Volt
	015911-01-000	EA	Track - Slide - Roof Vent
	002825-01-000	EA	Weatherstrip Seal
	048648-01-000	EA	Motor - 12 Volt
	055218-01-000	EA	Cover Asm. - Roof Vent
	052639-01-200	EA	Hinge - 7" - Roof Vent
	078785-01-Y12	EA	Screen Asm. - Roof Vent - Powered
	002291-02-000	SF	Screen - Window - 16" - Charcoal
	002298-02-000	FT	Spline - Charcoal
**	064469-08-000	EA	Vent Asm. - Roof Powered - w/o Screen (CSA)
**	The illustrated parts breakdown of this item is provided on the Common Items Fiche.		

**NON-POWERED VENT**

Key	Part Number	U/M	Description
	090395-01-Y12	EA	Vent Asm. - Roof - Non-Powered - w/o Screen
	009440-01-000	EA	Lift Mechanism Asm.
	009439-04-000	EA	Screw
	009439-01-000	EA	Crank Handle - Roof Vent
	015911-01-000	EA	Track - Slide - Roof Vent
	002825-01-000	EA	Weatherstrip Seal
	055218-01-000	EA	Cover Asm. - Roof Vent
	052639-01-200	EA	Hinge - 7" - Roof Vent
	078786-01-Y12	EA	Screen Asm. - Charcoal
	002291-02-000	SF	Screen - Window - 16" - Charcoal
	002298-02-000	FT	Spline - Charcoal

**VENTS & SHROUDS**

Key	Part Number	U/M	Description
	083558-03-000	EA	Vent - Plumbing Pips - Roof w/Cover - Off White
	084073-03-000	EA	Vent - Refrigerator Roof - Off White
	004073-04-000	EA	Base - Roof Vent - Norcold Refrigerator - Black
	084878-09-000	EA	Vent - Range Hood - Short - LVS
	063752-01-000	EA	Shroud Asm. - Range
	084616-01-000	EA	Shroud Asm. - Range Vent - Off White

**1991 ITASCA  
TABLE OF CONTENTS**

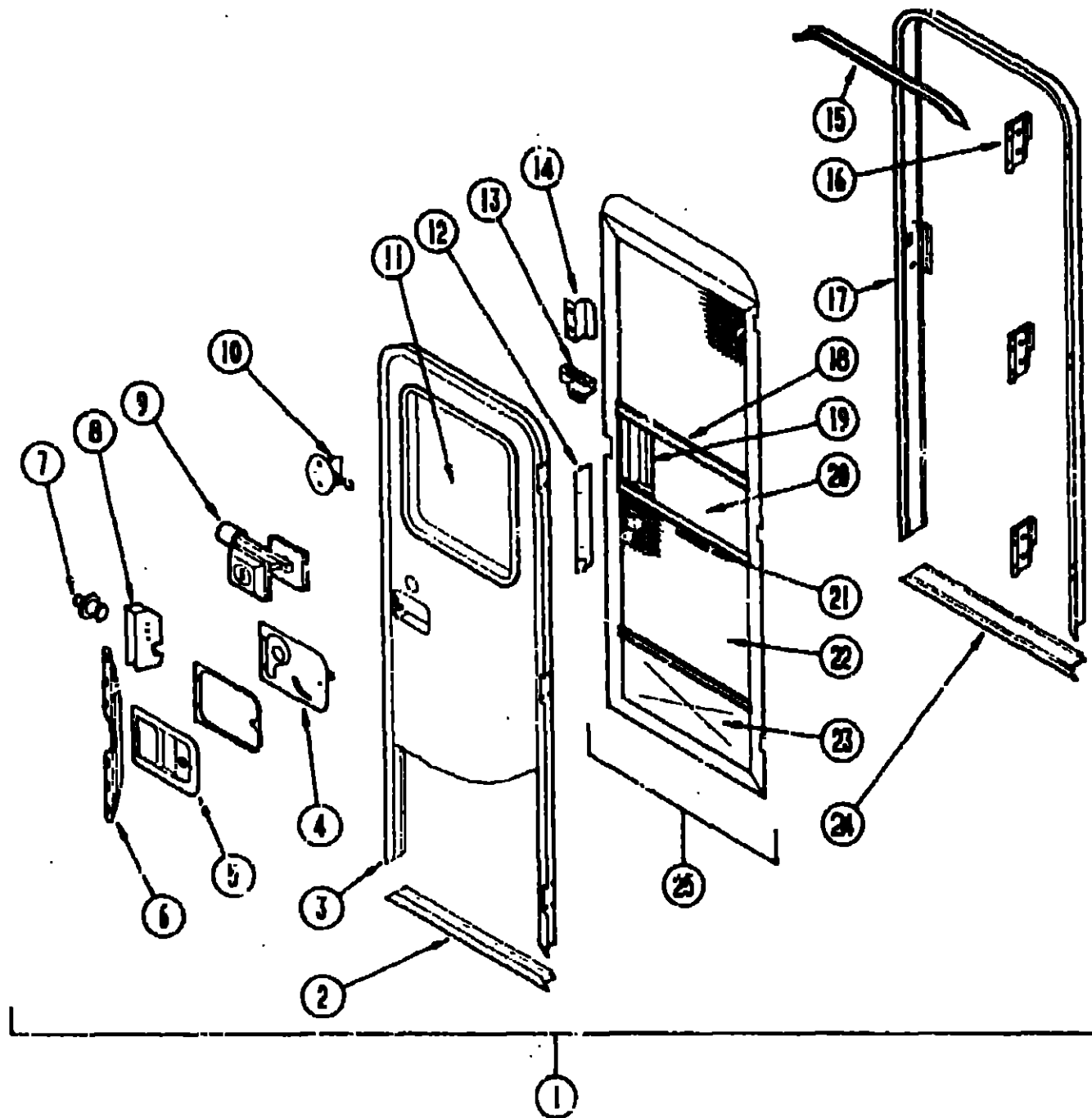
INTRODUCTION	A-01 - A-02
ABBREVIATIONS	A-03
ALPHABETICAL/GROUP REFERENCE	A-04 - A-08
IF327RT	A-07 - D-14
IF327RB	D-15 - G-10
IF327RQ	G-11 - J-16

**1991 IF327RQ INDEX**

Floor Plan	G-11 - G-12
Accessories Group	G-13 - G-15
Bath Group	G-16 - G-17
Bedroom Group	G-18 - G-20
Chassis Group	G-21 - G-23
Curtain, Cushion & Pad Group	G-24 - H-08
Diner's Group	H-09 - H-11
Driver's Compartment Group	H-12 - H-14
Electrical Group	H-15 - H-17
Exterior Body Group	H-18 - H-22
Galley Group	H-23 - I-03
Heating & Air Conditioning Group	I-04 - I-05
Interior Finish Group	I-06 - I-09
Labels Group	I-10 - I-17
LP Group	I-18
Lounge Group	I-19
Sealants & Fasteners Group	I-20 - I-22
Water & Sewage Group	I-23 - J-02
Window, Vent & Exterior Door Group	J-03 - J-16

WINDOW, VENT & EXTERIOR DOOR GROUP (CONTINUED)

WINDOW, VENT & EXTERIOR DOOR GROUP (CONTINUED)



ENTRANCE DOOR

Key	Part Number	U/M	Description
1	1A01870-32-887	EA	Door Asm. - Entrance w/Screen
	075639-11-000	EA	Garnish - Radius - Entrance Door
2	069748-01-000	EA	Frame - Entrance Door - Bottom Portion
3	095276-01-01A	EA	Frame Asm. - Entrance Door - Off White
4	039979-04-000	EA	Cover Asm. - Latch Plate - Black
	039738-01-000	EA	Deadbolt - "J" Shaped - Latch Asm.
	039984-01-000	EA	Cap - Black Vinyl - Lock Grip
5	045017-11-000	EA	Latch Asm. - Plate - Black
	045017-11-700	EA	Master Key
	045017-11-701	EA	Blank Key
6	098173-01-04A	EA	Stiffener - Entrance Door
7	039538-01-000	EA	Strike
8	039540-01-000	EA	Latch Asm. - Entrance Door
9	101145-01-01A	EA	Deadbolt Asm. - Black/Black
	095229-01-700	EA	Key - Blank
	101147-01-000	EA	Bolt - Security - 4.12" Backset
10	100412-01-000	EA	Catch - Screen Door
	085774-01-000	FT	Fastener - Dual Hook - 1" Wide - Black
	085774-02-000	FT	Fastener - Dual Loop - 1" Wide - Black
11	079733-07-AA8	EA	Window Asm. - Picture - 17" x 25" - Frosted Glass (w/o inside frame)
	067609-04-000	EA	Inside Frame - Black (not included in assembly)
	002181-07-000	EA	Glass - Picture - Frosted
	087581-01-000	FT	Spline - Glass - Exterior Vinyl - Black
12	077087-02-000	EA	Strike - Slider - Screen Door
	077461-03-000	EA	Strike Cover - Off White
13	009018-01-000	EA	Roller Catch - Screen Door
	058025-02-000	EA	Clip - Roller Catch - Screen Door
	009016-01-000	EA	Catch - Elbow - Spring Loaded - Screen Door
14	050712-03-000	EA	Door Handle - Screen Door - Mill Finished
14	050712-04-000	EA	Door Handle - Screen Door - Off White
15	044582-02-000	EA	Drip Cap - Top Entrance
16	097724-01-02A	EA	Hinge - Entrance Door - Off White
	075725-01-000	EA	Hinge Cover - Light Oak
17	095278-01-01A	EA	Door Jamb - Entrance Door - Mill Finished
17	095277-02-01A	EA	Door Jamb - Entrance Door - Off White
	079207-01-000	EA	Striker - Roller Catch - Welded to Door Jamb
18	078777-01-000	EA	Channel Slide - Screen Door Center Slider Cover
19	070086-02-000	EA	Slider - Screen Door
20	016454-01-000	EA	Insert - Screen Door - Center - Leather Grain Aluminum
21	002294-01-000	FT	Spline - Black
22	002293-02-000	SF	Screen - Window - 26" - Channel
23	078552-03-000	EA	Insert - Screen Door - Lower - Kick Panel
24	051049-01-000	EA	Jamb - Bottom - Entry Door
25	079012-01-U01	EA	Screen Door Asm.
	078595-01-000	EA	Plate - Screen Door
	100128-02-000	FT	Seal - Screen Door
	075671-04-000	FT	Seal - Sponge - Lazy T-Shaped
	002748-01-000	EA	Key - Corner
	081067-01-000	EA	Seal - Lock w/Flat Slit
	083729-04-000	EA	Rivnut - 10 - 32 UNF - .010 - .080
	072893-01-000	EA	Nutsert - M5 x 0.8
	041548-03-000	EA	Angle Bracket
	058806-03-000	EA	Plug - Tapered Plastic - Red
	081914-01-000	EA	Bumper - Round Rubber - .43" Dia. - Black
	100188-01-000	EA	Clip - Spring - Screw
	039175-01-000	EA	Nutsert - 1/4" - 20
	091988-03-000	FT	Tape Adhesive - 1" Wire
	090340-01-000	FT	Seal Foam - Closed Cell

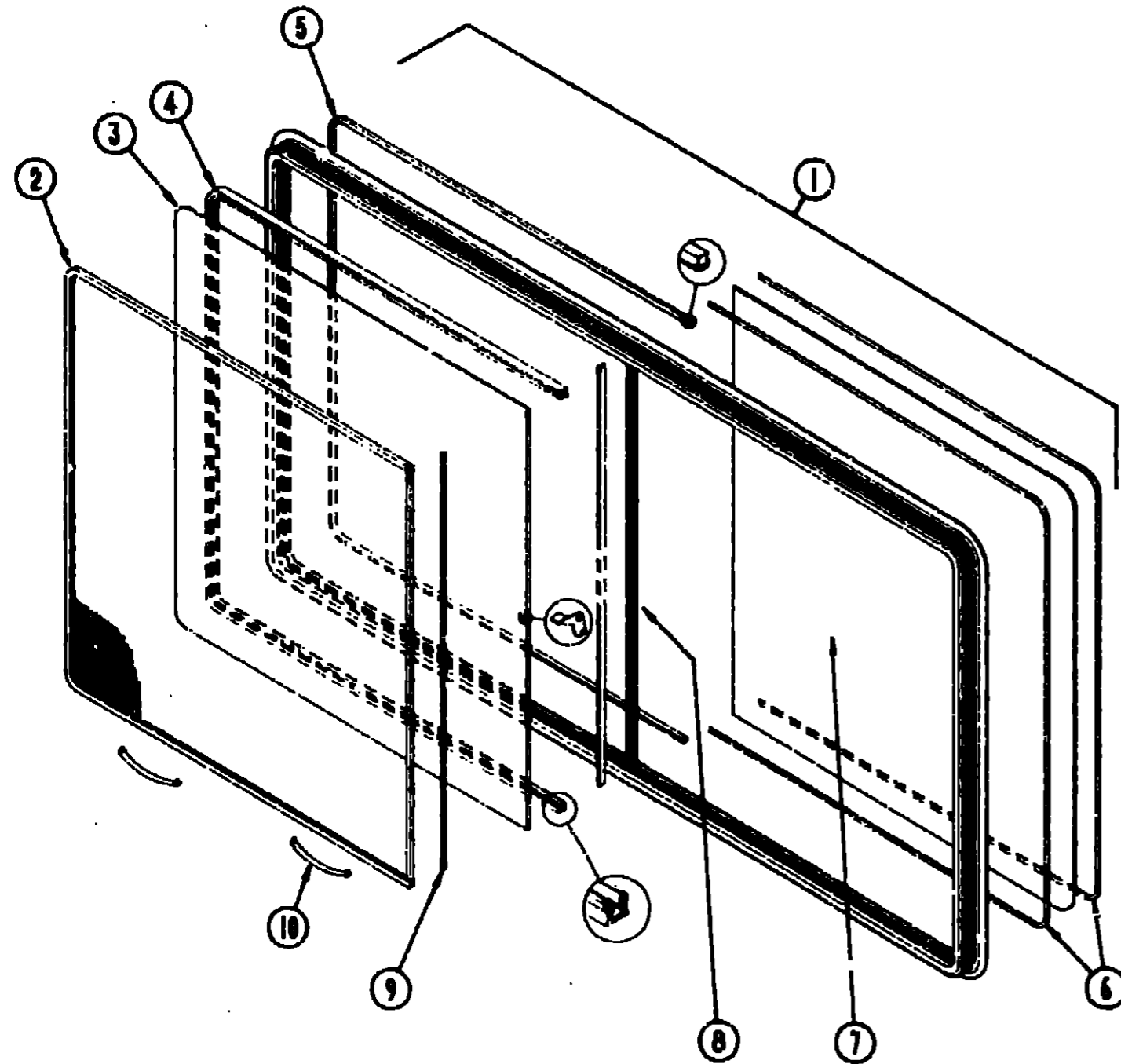
1991 ITASCA  
TABLE OF CONTENTS

INTRODUCTION	A-01 - A-02
ABBREVIATIONS	A-03
ALPHABETICAL/GROUP REFERENCE	A-04 - A-08
IF327RT	A-07 - D-14
IF327RB	D-15 - G-10
IF327RQ	G-11 - J-16

1991 IF327RQ INDEX

Floor Plan	G-11 - G-12
Accessories Group	G-13 - G-15
Bath Group	G-16 - G-17
Bedroom Group	G-18 - G-20
Chassis Group	G-21 - G-23
Curtain, Cushion & Pad Group	G-24 - H-08
Dinette Group	H-09 - H-11
Driver's Compartment Group	H-12 - H-14
Electrical Group	H-15 - H-17
Exterior Body Group	H-18 - H-22
Galley Group	H-23 - I-03
Heating & Air Conditioning Group	I-04 - I-05
Interior Finish Group	I-06 - I-09
Labels Group	I-10 - I-17
LP Group	I-18
Lounge Group	I-19
Sealants & Fasteners Group	I-20 - I-22
Water & Sewage Group	I-23 - J-02
Window, Vent & Exterior Door Group	J-03 - J-16

**WINDOW, VENT & EXTERIOR DOOR GROUP (CONTINUED)**



Key	Part Number	U/M	Description	
1	098647-04-700	EA	Window Asm. - Single Slider (w/o inside frame)	
	098647-03-705	EA	Inside Frame - Black (not included in assembly)	
	098647-04-707	EA	Inside Frame - Off White (not included in assembly)	
	098644-01-701	EA	Splice Plate - Window	
	098644-01-702	EA	Screw - Splice - #6 - 32 x 1/4" Pan Head	
	098644-01-703	EA	Screw - Locking Rail - #6 x 15 Pro-Head Recess - Black	
	2	098647-03-704	EA	Screen Asm. - w/Spring & Weatherstrip
		098647-03-702	EA	Sash Asm. w/Sliding Glass & Latch
	3	098647-03-703	EA	Spacer - Track
		098644-01-708	FT	Channel - Pierced Run
4	098644-01-706	FT	Weatherstrip	
5	098644-01-705	FT	Glazing Strip	
	098644-01-700	EA	Latch - Repair Kit	
6	098647-03-700	EA	Glass - Stationary - 26.03" x 28.77"	
7	098647-03-701	EA	Locking Rail w/Weatherstrip	
8	098644-01-711	FT	Weatherstrip - Screen - Black	
9	098644-01-713	EA	Spring - Screen Frame (Clip) Plastic - Black	
	098644-01-716	FT	Plug - Filler	

**DINETTE SINGLE SLIDING WINDOW**

Key	Part Number	U/M	Description	
1	098647-06-705	EA	Window - Single Slider (w/o inside frame)	
	098647-06-704	EA	Inside Frame - Black (not included in assembly)	
	098647-06-706	EA	Inside Frame - Off White (not included in assembly)	
	098644-01-701	EA	Splice Plate - Window	
	098644-01-702	EA	Screw - Splice	
	098644-01-703	EA	Screw - Locking Rail	
	2	098647-06-703	EA	Screen w/Weatherstrip & Frame Spring (Clip)
		098647-06-702	EA	Sash Asm. w/Sliding Glass & Latch
	3	098644-01-710	FT	Track - Screen Spacer (12' Length)
		098644-01-708	FT	Channel - Pierced Run
4	098644-01-700	EA	Latch - Repair Kit	
5	098644-01-706	FT	Weatherstripping	
6	098644-01-705	FT	Glazing Strip	
7	098647-06-700	EA	Glass - Stationary - 10.9" x 13.7"	
8	098647-06-701	EA	Rail - Locking w/Weatherstrip	
9	098644-01-711	FT	Weatherstrip - Screen - Black	
	098644-01-713	EA	Spring - Screen Frame (Clip) - Plastic - Black	
10	098644-01-716	FT	Plug - Filler	

**GALLEY SINGLE SLIDER WINDOW**

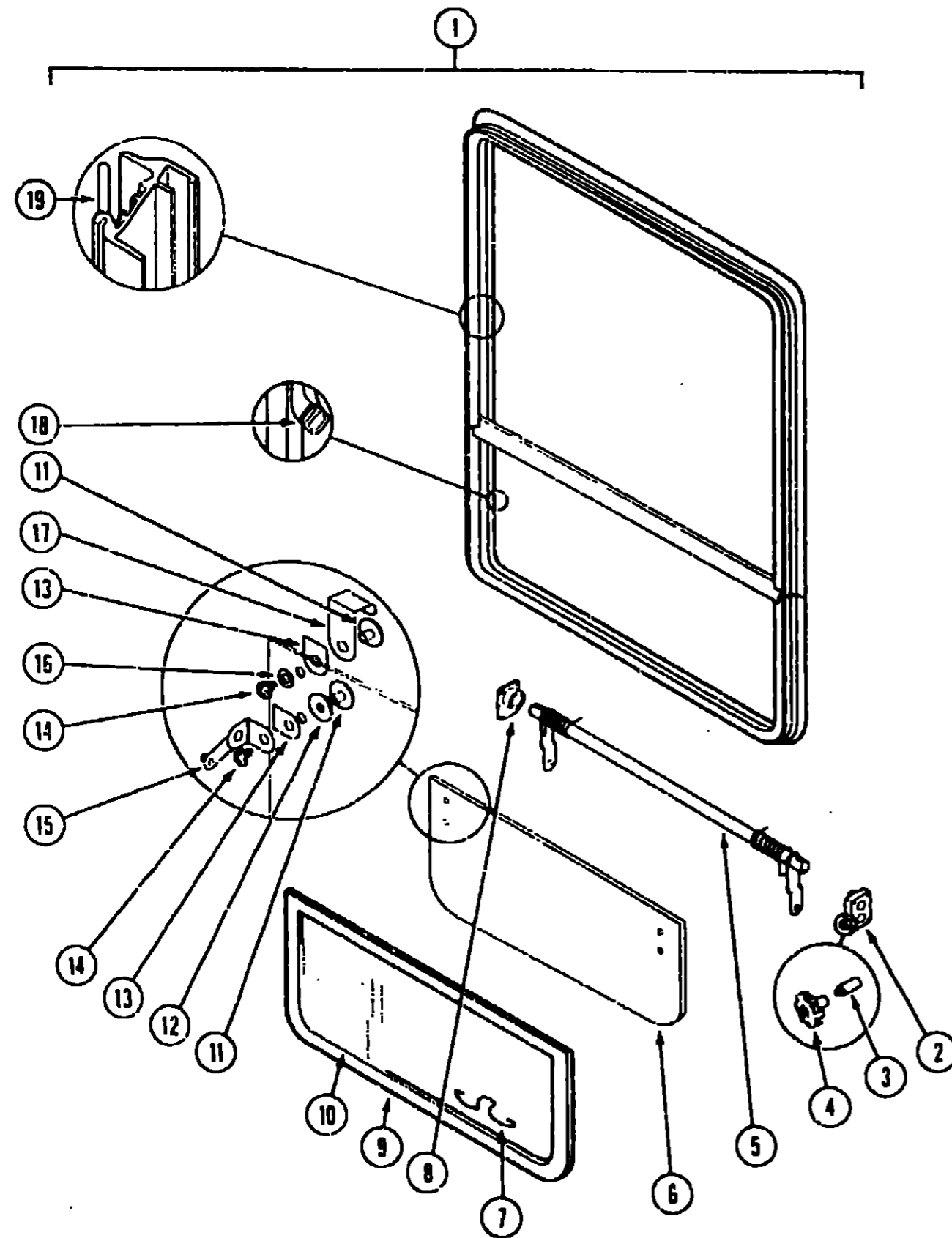
**1991 ITASCA  
TABLE OF CONTENTS**

INTRODUCTION	A-01 - A-02
ABBREVIATIONS	A-03
ALPHABETICAL/GROUP REFERENCE	A-04 - A-06
IF327RT	A-07 - D-14
IF327RB	D-15 - G-10
IF327RQ	G-11 - J-16

**1991 IF327RQ INDEX**

Floor Plan	G-11 - G-12
Accessories Group	G-13 - G-15
Bath Group	G-16 - G-17
Bedroom Group	G-18 - G-20
Chassis Group	G-21 - G-23
Curtain, Cushion & Pad Group	G-24 - H-08
Dinette Group	H-09 - H-11
Driver's Compartment Group	H-12 - H-14
Electrical Group	H-15 - H-17
Exterior Body Group	H-18 - H-22
Galley Group	H-23 - I-03
Heating & Air Conditioning Group	I-04 - I-05
Interior Finish Group	I-06 - I-09
Labels Group	I-10 - I-17
LP Group	I-18
Lounge Group	I-19
Sealants & Fasteners Group	I-20 - I-22
Water & Sewage Group	I-23 - J-02
Window, Vent & Exterior Door Group	J-03 - J-16

WINDOW, VENT & EXTERIOR DOOR GROUP (CONTINUED)



WINDOW, VENT & EXTERIOR DOOR GROUP (CONTINUED)

BEDROOM SINGLE TIPOUT WINDOW

Key	Part Number	U/M	Description
1	092235-07-Y12	EA	Window Asm. - Single Tipout (w/o Inside frame)
	090893-11-01A	EA	Inside Frame (not included w/Window Assembly)
2	035302-02-000	EA	Operator Drive
3	090025-01-000	EA	Extension - Window Knob (not included w/Window Assembly)
4	067052-02-000	EA	Window Knob - Beige (not included w/Window Assembly)
	089371-01-000	EA	Screw - Window Knob (not included w/Window Assembly)
4	101290-01-01A	EA	Window Knob - Brass (not included w/Window Assembly)
	101289-01-01A	EA	Screw - Window Knob - Brass (not included w/Window Assembly)
5	083150-12-000	EA	Torque Tube Asm. w/Spring
5	080918-01-000	EA	Spring - Torque Tube - Left - Rear Driver Side - Front Passenger Side
	080918-02-000	EA	Spring - Torque Tube - Right - Front Driver Side - Rear Passenger Side
6	084068-19-000	EA	Glass - 1/8" x 1/8" x 9.2" x 40"
7	100168-01-000	EA	Screen Clip
8	081354-01-000	EA	Torque Tube Sleeve
9	100235-04-Y12	EA	Screen Asm.
10	080218-03-000	SF	Window Screen - 12"
	100240-01-000	FT	Window Screen Spline
11	086762-01-000	EA	Window T-Nut
12	068927-03-000	EA	Seal - Rubber
13	084473-01-000	EA	Seal - Rubber
14	086763-01-000	EA	Screw - #10 - 32 x 1/4" PTH
15	097578-01-000	EA	Connecting Rod Asm.
	081649-01-000	EA	Snap Hing Clip
16	084453-02-000	EA	Plastic Washer - .06 x .50 x .25
17	089915-01-000	EA	Hinge
18	084067-01-000	FT	Seal - Sponge Rubber
19	069640-06-000	FT	Ribbon Sealer (not included w/Window Assembly)

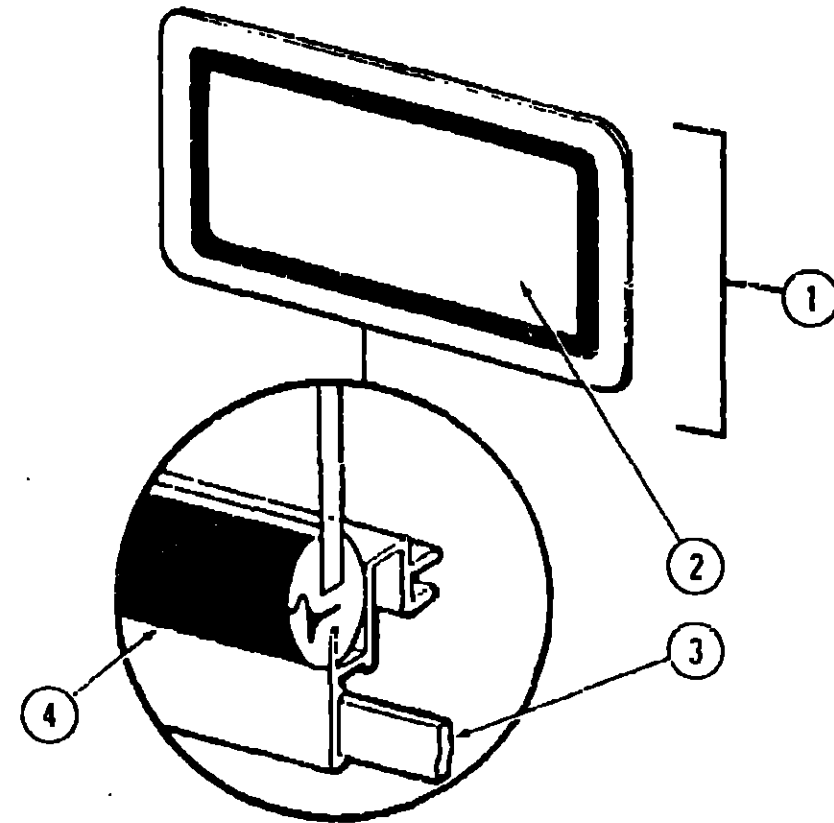
1991 ITASCA  
TABLE OF CONTENTS

INTRODUCTION	A-01 - A-02
ABBREVIATIONS	A-03
ALPHABETICAL/GROUP REFERENCE	A-04 - A-08
IF327RT	A-07 - D-14
IF327RB	D-15 - G-10
IF327RQ	G-11 - J-16

1991 IF327RQ INDEX

Floor Plan	G-11 - G-12
Accessories Group	G-13 - G-15
Bath Group	G-16 - G-17
Bedroom Group	G-18 - G-20
Chassis Group	G-21 - G-23
Curtain, Cushion & Pad Group	G-24 - H-08
Dinette Group	H-09 - H-11
Driver's Compartment Group	H-12 - H-14
Electrical Group	H-15 - H-17
Exterior Body Group	H-18 - H-22
Galley Group	H-23 - I-03
Heating & Air Conditioning Group	I-04 - I-05
Interior Finish Group	I-06 - I-08
Labels Group	I-10 - I-17
LP Group	I-18
Lounge Group	I-19
Sealants & Fasteners Group	I-20 - I-22
Water & Sewage Group	I-23 - J-02
Window, Vent & Exterior Door Group	J-03 - J-16

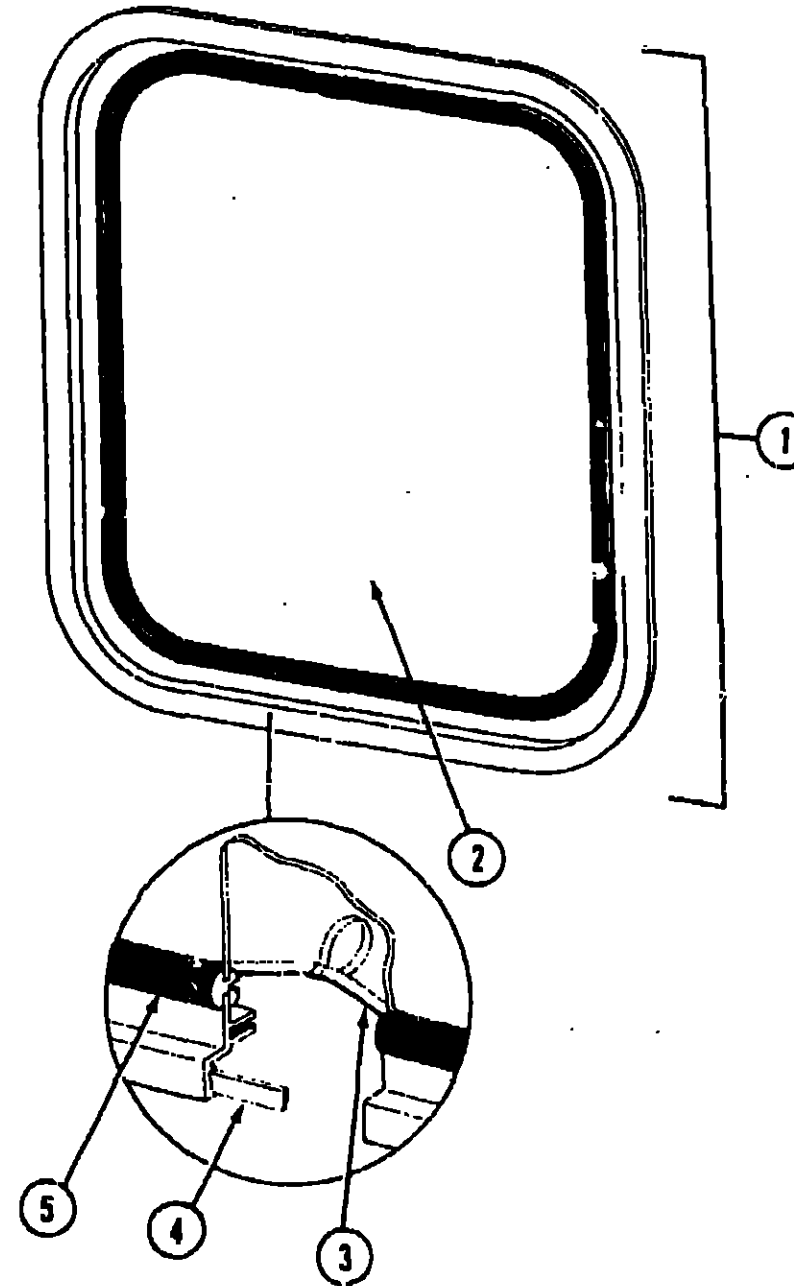
WINDOW, VENT & EXTERIOR DOOR GROUP (CONTINUED)



FRONT BUNK WINDOW

Key	Part Number	U/M	Description
1	1103313-01-B05	EA	Window Asm. - Front Picture - (w/o inside frame)
	067609-31-000	EA	Inside Frame - Black (not included in assembly)
2	002181-15-000	EA	Glass - Window - 16.4" x 71.2" Gray
3	069640-06-000	FT	Ribbon Sealer - 5/16" Bead x 15'
4	099154-01-000	FT	Channel Glazing

WINDOW, VENT & EXTERIOR DOOR GROUP (CONTINUED)



BEDROOM ESCAPE WINDOW

Key	Part Number	U/M	Description
1	078528-03-Y12	EA	Window Asm. - Escape - 27" x 48" (w/o inside frame)
	074818-06-000	EA	Inside Frame - Black (not included in assembly)
2	076337-08-000	EA	Glass - 44.8" x 23.5"
3	002285-01-000	FT	Filler - Weatherstrip - Black
4	069640-05-000	FT	Ribbon Sealer - 5/16" Bead x 15'
5	002282-06-000	FT	Weatherstrip - .125" x 1.33" - Black
	077066-01-702	EA	Tape Asm. - Escape Window

1991 ITASCA  
TABLE OF CONTENTS

INTRODUCTION	A-01 - A-02
ABBREVIATIONS	A-03
ALPHABETICAL/GROUP REFERENCE	A-04 - A-06
IF327RT	A-07 - D-14
IF327RB	D-15 - G-10
IF327RQ	G-11 - J-16

1991 IF327RQ INDEX

Floor Plan	G-11 - G-12
Accessories Group	G-13 - G-15
Bath Group	G-16 - G-17
Bedroom Group	G-18 - G-20
Chassis Group	G-21 - G-23
Curtain, Cushion & Pad Group	G-24 - H-08
Dinette Group	H-09 - H-11
Driver's Compartment Group	H-12 - H-14
Electrical Group	H-15 - H-17
Exterior Body Group	H-18 - H-22
Galley Group	H-23 - I-03
Heating & Air Conditioning Group	I-04 - I-06
Interior Finish Group	I-06 - I-09
Labels Group	I-10 - I-17
LP Group	I-18
Lounge Group	I-19
Sealants & Fasteners Group	I-20 - I-22
Water & Sewage Group	I-23 - J-02
Window, Vent & Exterior Door Group	J-03 - J-16

**WINDOW, VENT & EXTERIOR DOOR GROUP (CONTINUED)**

**BATH VERTICAL SLIDER (EXCEL)**

Key	Part Number	U/M	Description
	098644-01-715	EA	Window Asm. - 22" x 15" (w/o inside frame)
	098644-01-714	EA	Inside Frame - Black (not included in assembly)
	098644-01-718	EA	Inside Frame - Off White (not included in assembly)
	098644-01-701	EA	Splice Plate - Window
	098644-01-702	EA	Screw - Splice - #6 - 32 x 1/4" Pan Head
	098644-01-703	EA	Screw - Locking Rail - #6 x 15 Pro Head Recess - Black
	098644-01-704	EA	Glass - Stationary - 10.03" x 13.77"
	098644-01-705	FT	Glazing Strip
	098644-01-706	FT	Weatherstrip
	098644-01-707	EA	Rail - Locking w/Weatherstrip
	098644-01-708	FT	Channel - Pierced Run
	098644-01-700	EA	Latch - Repair Kit
	098644-01-709	EA	Sash w/Latch & Sliding Glass
	098644-01-710	FT	Track - Screen Spacer - 12" Length
	098644-01-711	FT	Weatherstrip - Screen - Black
	098644-01-712	EA	Screen w/Weatherstrip & Frame Spring (Clip)
	098644-01-713	EA	Spring - Screen Frame (Clip) - Plastic - Black
	098644-01-717	EA	Spline
	098644-01-716	EA	Plug - Filler

**LOUNGE VERTICAL SLIDER**

Key	Part Number	U/M	Description
	098644-02-705	EA	Window Asm. - Vertical Slider (w/o inside frame)
	098644-02-704	EA	Inside Frame - Black (not included in assembly)
	098644-02-706	EA	Inside Frame - Off White (not included in assembly)
	098644-01-701	EA	Splice Plate - Window
	098644-01-702	EA	Screw - Splice - #6-32 x 1/4 Pan Head
	098644-01-703	EA	Screw - Locking Rail - #6 x 1.5 Pro Head Recess Black
	098644-02-700	EA	Glass - Stationary - 16.15" x 13.77"
	098644-01-705	FT	Glazing Strip
	098644-01-706	FT	Weatherstrip
	098644-01-707	EA	Rail - Locking w/Weatherstrip
	098644-01-708	FT	Channel - Pierced Run
	098644-01-700	EA	Latch - Repair Kit
	098644-02-701	EA	Sash w/Latch & Sliding Glass
	098644-01-711	FT	Weatherstrip - Screen - Black
	098644-02-703	EA	Screen w/Weatherstrip & Frame Spring (Clip)
	098644-01-713	EA	Spring - Screen Frame (Clip) Plastic - Black
	098644-01-716	FT	Plug - Filler

**WINDOW, VENT & EXTERIOR DOOR GROUP (CONTINUED)**

**FRONT BUNK SLANT SLIDER**

Key	Part Number	U/M	Description
	100322-01-720	EA	Window - Vented - 12" x 35.8" - Passenger Side (w/o inside frame)
	100322-02-700	EA	Window - Vented - 12" x 35.8" - Driver Side (w/o inside frame)
	100322-01-719	EA	Inside Frame - Black - Passenger (not included in assembly)
	100322-01-721	EA	Inside Frame - Black - Driver (not included in assembly)
	098646-01-707	EA	Inside Frame - Off White - Passenger (not included in assembly)
	098646-02-702	EA	Inside Frame - Off White - Driver (not included in assembly)
	098644-01-716	EA	Filler Plug
	100322-01-701	FT	Seal - Vent
	100322-01-702	EA	Weatherstrip - Horizontal Rail
	100322-01-703	EA	Glazing Strip - Butyl
	100322-01-704	EA	Butyl Tape
	100322-01-705	EA	Stationary Glass - Small Top
	100322-01-706	EA	Stationary Glass - Large - Front
	100322-01-707	EA	Tipout Glass - Sub-Assembly
	100322-01-708	EA	Screen - Driver Side
	100322-01-709	EA	Screen - Passenger Side
	100322-01-710	EA	Plate - Splice
	100322-01-711	EA	Operator Vent - Sub Assembly
	100322-01-712	EA	Rail - Horizontal
	100322-01-713	EA	Bar Division - Vertical
	100322-01-714	EA	Support - Torque Bar - Driver Side
	100322-01-715	EA	Support - Torque Bar - Passenger Side
	100322-01-716	EA	Support - Torque Bar - Center Rail
	100322-01-717	EA	E-Ring
	100322-01-718	EA	Handle - Dial

**1991 ITASCA  
TABLE OF CONTENTS**

INTRODUCTION	A-01 - A-02
ABBREVIATIONS	A-03
ALPHABETICAL/GROUP REFERENCE	A-04 - A-06
IF327RT	A-07 - D-14
IF327RB	D-15 - G-10
IF327RQ	G-11 - J-16

**1991 IF327RQ INDEX**

Floor Plan	G-11 - G-12
Accessories Group	G-13 - G-15
Bath Group	G-16 - G-17
Bedroom Group	G-18 - G-20
Chassis Group	G-21 - G-23
Curtain, Cushion & Pad Group	G-24 - H-06
Dinette Group	H-09 - H-11
Driver's Compartment Group	H-12 - H-14
Electrical Group	H-15 - H-17
Exterior Body Group	H-18 - H-22
Galley Group	H-23 - I-03
Heating & Air Conditioning Group	I-04 - I-06
Interior Finish Group	I-06 - I-09
Labels Group	I-10 - I-17
LP Group	I-18
Lounge Group	I-19
Sealants & Fasteners Group	I-20 - I-22
Water & Sewage Group	I-23 - J-02
Window, Vent & Exterior Door Group	J-03 - J-16