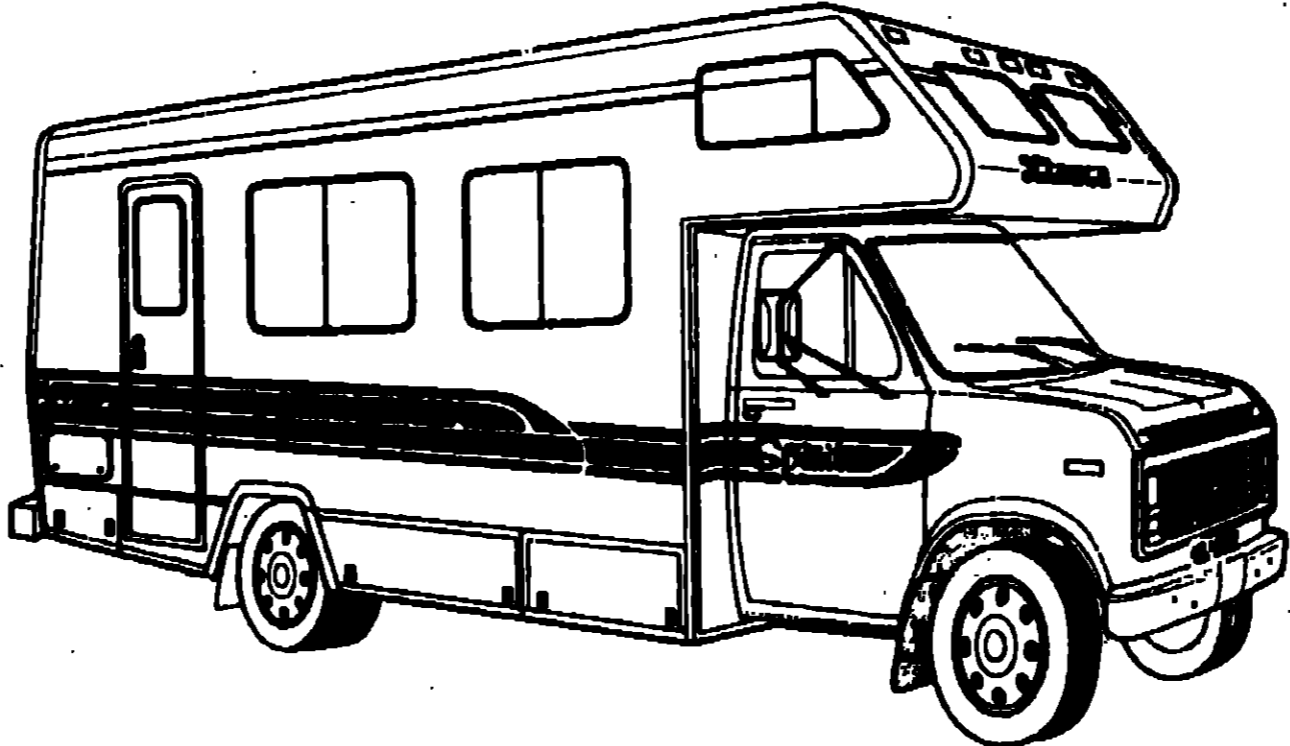


**1991 ITASCA  
TABLE OF CONTENTS**

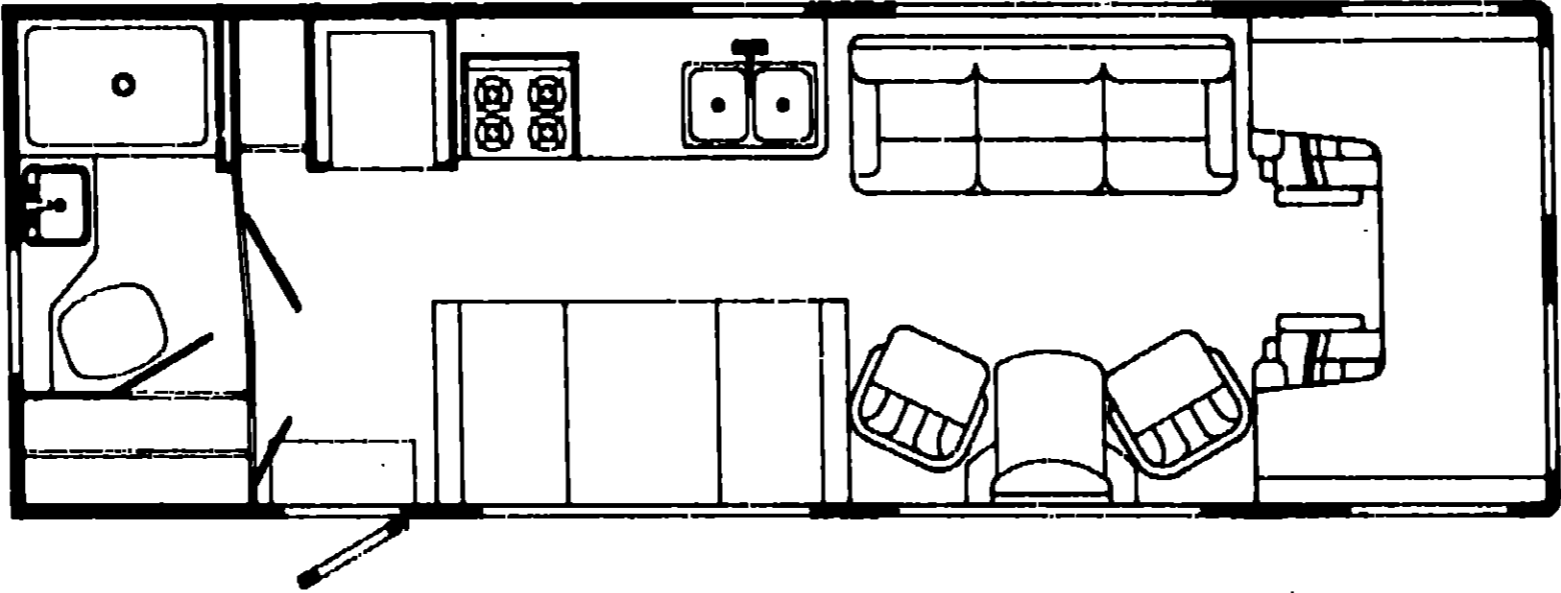
INTRODUCTION	A-01 - A-02
ABBREVIATIONS	A-03
ALPHABETICAL/GROUP REFERENCE	A-04 - A-08
IF327RT	A-07 - D-14
IF327RB	D-15 - G-10
IF327RQ	G-11 - J-16



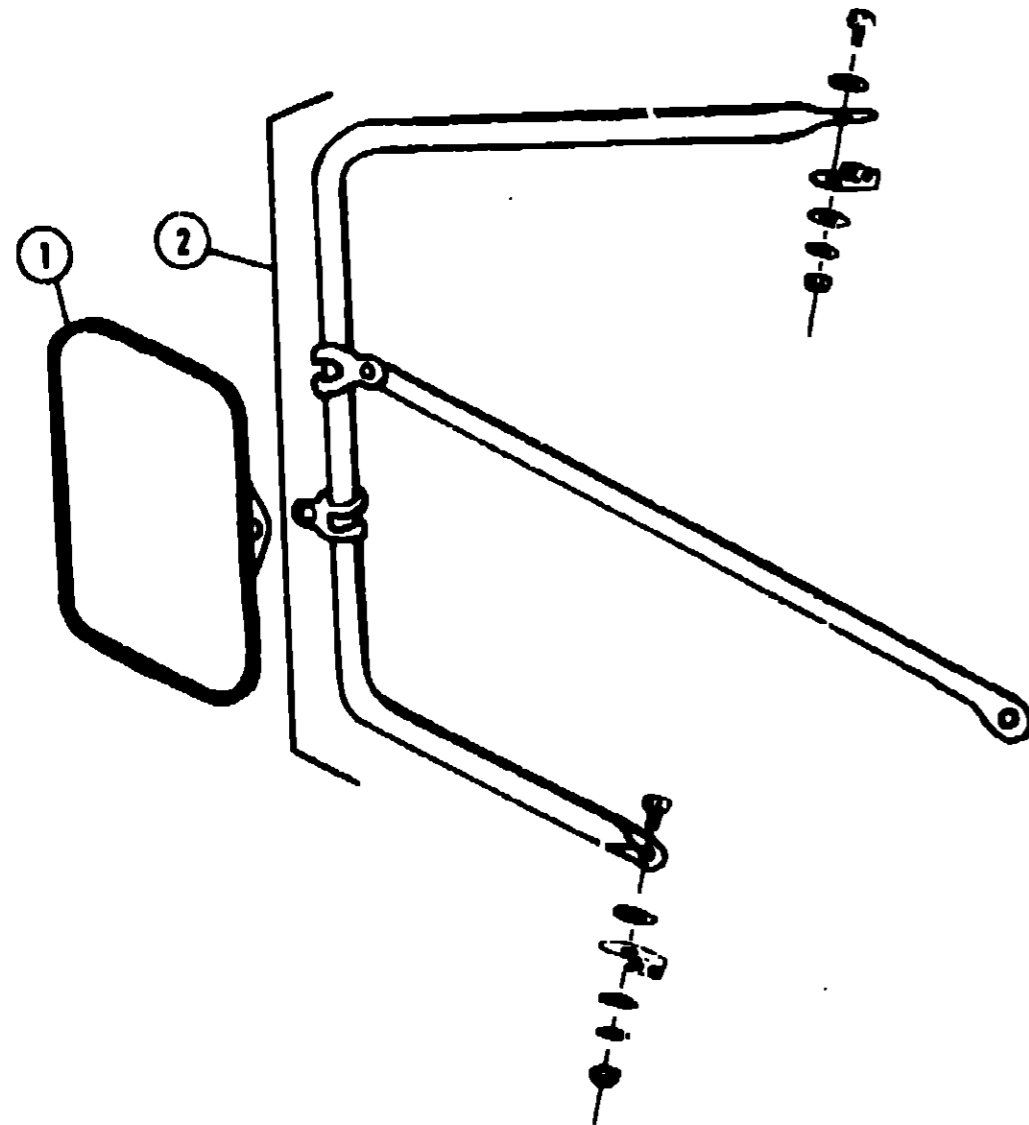
**1991  
IF327RB**

**1991 IF327RB INDEX**

Floor Plan	D-15 - D-16
Accessories Group	A-17 - D-18
Bath Group	D-20 - D-21
Chassis Group	D-22 - E-01
Curtain, Cushion & Pad Group	E-02 - E-07
Dinette Group	E-08 - E-09
Driver's Compartment Group	E-10 - E-12
Electrical Group	E-13 - E-16
Exterior Body Group	E-18 - E-20
Galley Group	E-21 - E-24
Heating & Air Conditioning Group	F-01 - F-02
Interior Finish Group	F-03 - F-06
Labels Group	F-08 - F-12
LP Group	F-13
Lounge Group	F-14 - F-16
Sealants & Fasteners Group	F-17 - F-19
Water & Sewage Group	F-20 - F-22
Window, Vent & Exterior Door Group	F-23 - G-09



## ACCESSORIES GROUP



### EXTERIOR MIRRORS

Key	Part Number	U/M	Description
1	049347-01-000	EA	Mirror Head - 7 1/2" x 10 1/2" - Stainless Steel
	049347-01-700	EA	Glass - Mirror Head - 7.5" x 10.5"
1	049347-03-000	EA	Mirror Head - 7 1/2" x 10 1/2" - Black
2	082047-01-000	EA	Arm - West Coast Mirror - Stainless Steel
	006043-01-000	EA	Mirror - Convex - Adhesive Back

These parts were used from 5/26/91 on.

### WHEEL COVER & MOUNTING HARDWARE

Key	Part Number	U/M	Description
	083181-01-000	EA	Wheel Cover - 16" (Set/4)
	083181-01-700	EA	Wheel Cover - 16" (1)

### RADIO & RELATED COMPONENTS

Key	Part Number	U/M	Description
	074979-01-000	EA	Speaker Cover Protector - Plastic
	089340-01-000	EA	Speaker - Grille - 6.50" - Square
	089340-02-000	EA	Speaker Grille & Adapter - 6.5" Square
	090882-01-000	EA	Radio - AM/FM Stereo - w/Cassette
	081082-01-000	EA	Plaque - Mounting Switch
	079386-02-000	EA	Radio Mounting Kit
	084087-01-000	EA	Speaker - 5.25" - w/o Grille
	081069-02-000	EA	Wire Ass. - 9 Pin - Audiovox Radio

## ACCESSORIES GROUP (CONTINUED)

### MISCELLANEOUS ACCESSORIES

Key	Part Number	U/M	Description
	054185-70-000	EA	Owner's Manual - 1991 - Spirit
	092318-01-000	EA	Binder - 3 Ring - Vendor Manual
	092318-01-000	EA	Page - Plastic Packet
	098084-05-000	EA	Cassette - Winnebago Spirit
	094499-01-000	EA	Fire Extinguisher - 1A 10BC (UL)
	094499-02-000	EA	Fire Extinguisher - 1A 10BC (CSA)
	094499-01-700	EA	Bracket - Mounting w/Plastic Strap - Fire Extinguisher
	072852-01-000	EA	Smoke Detector w/9 Volt Battery
	098855-01-AA3	EA	Tire Cover - Off White
	104784-01-01A	EA	Wall Clock - Spartus

### TV ANTENNA (OPTION 193)

Key	Part Number	U/M	Description
	076319-13-000	EA	Antenna - TV Roof Mount - 44.5"
	076319-13-700	EA	Head - Antenna - Non-Amplified
	070319-01-701	EA	Gear - Elevating - Plastic
	076319-01-702	EA	Shaft Ass. - Elevating
	076319-01-703	EA	Bearing - Nylon - .5" OD
	076319-01-704	EA	Bearing - Nylon - 1.25" OD
	076319-01-705	EA	Grommet - Nylon - 7/8" ID
	076319-01-706	EA	Crank - Elevating w/Set Screw
	076319-01-707	EA	Spring - Handle
	076319-01-708	EA	Decal - Crank
	076319-06-000	EA	Adaptor - Cable Roof Plate
	093252-01-01A	EA	Wallplate/Cable - Beige
	076319-11-000	EA	Adapter - Coax w/Splitter
	076319-03-000	FT	Cable - Coaxial - 1000' Roll
	076319-12-000	EA	Connector - Coaxial
	076319-04-000	EA	Connector w/Ferrule
	080734-02-000	EA	Clip - Wire Nylon

NOTE: Items indented below assemblies are serviceable parts for that assembly.

### TV/VCR & RELATED COMPONENTS (OPTION L43V)

Key	Part Number	U/M	Description
	098447-01-000	EA	TV - 13" Color w/Remote - Magnavox (US)
	098447-02-000	EA	TV - 13" Color w/Remote - Magnavox (CSA)
	098447-01-700	EA	Remote Control - TV
	098446-01-000	EA	VCR - VHS - Cable Ready w/Remote - Magnavox 9815
	098446-01-700	EA	Remote Control - VCR
	098446-02-000	EA	VCR - VHS - Cable Ready w/Remote - Magnavox 9912
	098446-02-700	EA	Remote Control - VCR
	099856-01-000	EA	TV Tiedown
	098819-01-000	EA	Speaker - 2 Watt - 8 OHM - 4"
	074979-12-000	EA	Cover - Speaker - Off White - Plastic

Check make & model number of TV & VCR when ordering this part.

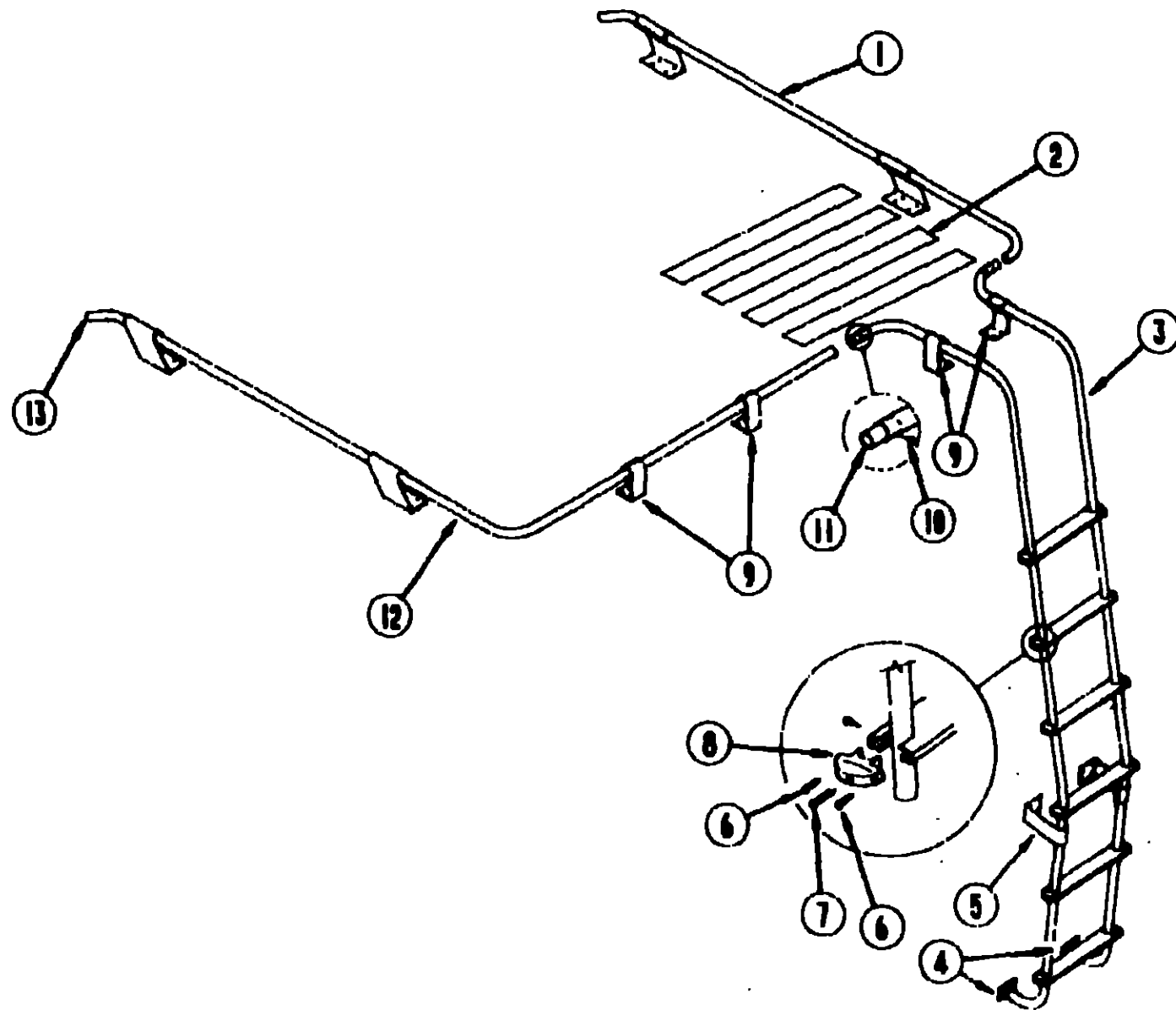
## 1991 ITASCA TABLE OF CONTENTS

INTRODUCTION	A-01 - A-02
ABBREVIATIONS	A-03
ALPHABETICAL/GROUP REFERENCE	A-04 - A-09
IF327RT	A-07 - D-14
IF327RB	D-15 - G-10
IF327RC	G-11 - J-18

## 1991 IF327RB INDEX

Floor Plan	D-15 - D-16
Accessories Group	A-17 - D-19
Bath Group	D-20 - D-21
Chassis Group	D-22 - E-01
Curtain, Cushion & Pad Group	E-02 - E-07
Dinette Group	E-08 - E-09
Driver's Compartment Group	E-10 - E-12
Electrical Group	E-13 - E-18
Exterior Body Group	E-19 - E-20
Galley Group	E-21 - E-24
Heating & Air Conditioning Group	F-01 - F-08
Interior Finish Group	F-09 - F-08
Labels Group	F-09 - F-12
LP Group	F-13
Lounge Group	F-14 - F-16
Sealants & Fasteners Group	F-17 - F-18
Water & Sewage Group	F-20 - F-22
Window, Vent & Exterior Door Group	F-23 - G-09

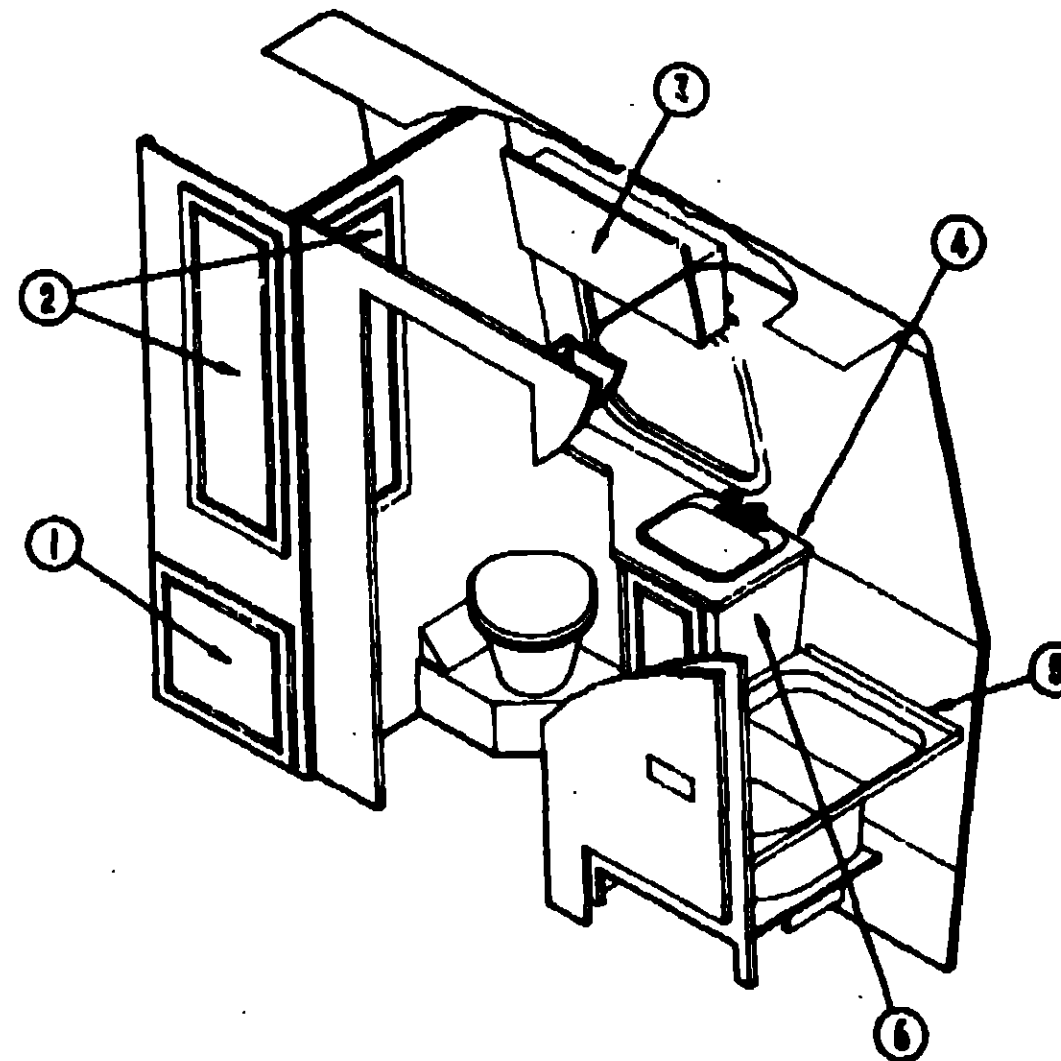
**ACCESSORIES GROUP (CONTINUED)**



**RACK & LADDER COMPONENTS (OPTION L802)**

Key	Part Number	U/M	Description
1	081026-01-T03	EA	Rack Asm. - Passenger Side w/2 Angled Standoff
2	038327-01-000	EA	Tape - Anti-Slip - 2" x 50'
3	081016-04-AA3	EA	Ladder
4	087185-01-000	EA	Mounting Bracket - Ladder - Lower
5	Non-serviceable	EA	Standoff - Ladder - Bright Dipped - Lower
6	000G39-08-10T	EA	Screw - SF/DR - 6 - 20 x 5/8" PPH - Black
7	000G68-10-36T	EA	Screw - 10 - 12 x 2.25" POH - Black
8	076980-02-000	EA	End Cap - Step - Black
9	Non-serviceable	EA	Standoff - Rack & Ladder - Bright Dipped
10	000G39-08-08E	EA	Screw - SF/DR - 8 - 18 x 50 PPH
11	Non-serviceable	EA	Splice
12	081026-13-AA3	EA	Rack Asm. - Driver Side w/2 Angled & 2 Straight Standoff
13	081114-01-000	EA	Cap - Insert - Round - 1" Dia.

**BATH GROUP**



**BATH CABINETRY**

Key	Part Number	U/M	Description
1	P00088-58-B27	EA	Door Asm. - Wardrobe Cabinet - 21.8" x 19.8" - w/o Hardware
	077404-02-000	EA	Drawer - Plastic - 20" x 12.7"
2	P00088-08-B44	EA	Door Asm. - Wardrobe Cabinet - 45" x 18" - w/o Hardware
	058331-04-000	EA	Mirror - Safety Glass - 12" x 42"
3	083446-06-B27	EA	Mirror Asm. - Medicine Cabinet w/Wood Frame
	058331-32-000	EA	Mirror - Safety Glass - 13.5" x 27.5"
	M03450-08-000	EA	Trim - Mirror - Oak
	078073-01-000	EA	Cabinet - Medicine
	078073-01-700	EA	Travel Lock - Medicine Cabinet
4	088726-11-B05	EA	Countertop - Lavatory Cabinet
5	M02630-13-AA3	EA	Shower Pan Asm.
6	M98726-01-B27	EA	Cabinet Asm. - Lavatory
	P00088-05-B44	EA	Door Asm. - Lavatory Cabinet - 12" x 25.9" - w/o Hardware
	M82429-05-B27	EA	Door Asm. - Bath - 73.8" x 30" - w/o Hardware
	083446-01-B27	EA	Mirror Asm. - Bath Door w/Wood Frame
	058331-20-000	EA	Mirror - Safety Glass - 44.5" x 13.2"

**1991 ITASCA  
TABLE OF CONTENTS**

INTRODUCTION	A-01 - A-02
ABBREVIATIONS	A-03
ALPHABETICAL/GROUP REFERENCE	A-04 - A-08
IF327RT	A-07 - D-14
IF327RB	D-15 - G-10
IF327RQ	G-11 - J-16

**1991 IF327RB INDEX**

Floor Plan	D-15 - D-16
Accessories Group	A-17 - D-19
Bath Group	D-20 - D-21
Chassis Group	D-22 - E-01
Curtain, Cushion & Pad Group	E-02 - E-07
Dinette Group	E-08 - E-09
Driver's Compartment Group	E-10 - E-12
Electrical Group	E-13 - E-15
Exterior Body Group	E-16 - E-20
Galley Group	E-21 - E-24
Heating & Air Conditioning Group	F-01 - F-02
Interior Finish Group	F-03 - F-05
Labels Group	F-06 - F-12
LP Group	F-13
Lounge Group	F-14 - F-16
Sealants & Fasteners Group	F-17 - F-19
Water & Sewage Group	F-20 - F-22
Window, Vent & Exterior Door Group	F-23 - G-09

## BATH GROUP (CONTINUED)

### BATH & WARDROBE HARDWARE

Key	Part Number	U/M	Description
	M02630-13-AA3	EA	Shower Pan Asm.
	057671-01-000	EA	Cover - Screw Off White
	084481-11-000	EA	Shower Curtain - 80" x 62" - Vinyl
	083801-01-000	FT	Track - Shower Curtain - Off White
	009702-01-000	EA	End Stop - Curtain Carrier
	009701-01-000	EA	Carrier - Curtain
	009136-01-000	EA	Hanger - Pin - Curtain
	075242-04-000	EA	Faucet - Shower - Bone
	011048-02-000	EA	Head - Shower - w/80" Hose (US)
	011048-05-000	EA	Head - Shower - w/80" Hose (CSA)
	075606-01-000	EA	Shower Panel - Faucet - Plastic
	088726-01-000	EA	Strainer - Shower Pan Asm.
	089735-01-000	EA	Washer - Tailpiece - 1.5" Plastic - Shower Pan Asm.
	086436-01-000	EA	Slip Nut - 1.5" Tailpiece - Shower Pan Asm.
	011099-02-000	EA	Tailpiece - 1 1/2" x 1 1/4" x 4" - Brass
	075240-06-000	EA	Faucet - Lavatory - Bone
	091253-01-000	EA	Gasket - Lavatory Faucet
	081614-02-000	EA	Soap Dish w/Plastic Cover - Brass
	098927-01-01A	EA	Sink - Lavatory - Rectangular - Plastic - Bone (US)
	088927-01-700	EA	Sink - Stopper
	088927-01-701	EA	Tailpiece - Sink
	067487-01-000	EA	Toilet - Thetford - Aqua Magic
	087487-01-700	EA	C.L.F.L. Seal & Bolt Package
	067487-01-701	EA	Water Saver Package
	067487-01-702	EA	Clamp
	063740-01-710	EA	Link
	063740-01-711	EA	Spring - Return Lever
	063740-01-716	EA	Seat - w/Cover
	063740-01-700	EA	Lever - Water
	063740-01-701	EA	Lever - Flush
	063740-01-713	EA	Seal - Ball Valve to Bowl
	063740-01-714	EA	Valve Asm. - Water
	063740-01-707	EA	Seal - Closet Flange
	063740-01-706	EA	Bolt Package - Closet
	063740-01-717	EA	Flush Tube
	024676-01-000	EA	Closet Flange - 4" x 3" (US)
	024676-02-000	EA	Closet Flange - 4" x 3" (CSA)
	075452-02-000	EA	Tissue Holder - Brass
	075453-02-000	EA	Towel Bar - 18" - Brass
	075454-02-000	EA	Ring - Towel - Brass
	058335-02-000	EA	Latch - Shower/Bath Door
	009151-01-000	EA	Warp Guard - Shower/Bath Door - 48"
	058777-02-000	EA	Hinge - Cabinet Door - Burnished Brass
	083586-03-000	EA	Catch - Spring - Roller
	083586-04-000	EA	Strike - Spring - Steel
	100030-01-000	EA	Pull - Cabinet Door
	004354-01-000	EA	Bumper - Cabinet Door - Rubber - Brown
	023320-01-000	EA	Pad - Felt - 3/8" - Brown
	059783-01-000	FT	Clothes Rod - Aluminum Slotted - 7'
	077409-02-000	EA	Slide - Plastic Drawer - 20.75"
	084067-01-01A	EA	Divider - Drawer - LT Oak

The illustrated parts breakdown for this item is provided on the Common Items Fiche.  
NOTE: Items indented below assemblies are serviceable parts for that assembly.

## CHASSIS GROUP

### MISCELLANEOUS CHASSIS PARTS

Key	Part Number	U/M	Description
	065450-05-000	EA	Tiedown - Battery
	010487-01-000	EA	Clamp - Closed - 5/8 ID
	007181-01-000	EA	Clamp - Hose - Spring Type 112
	082401-01-000	EA	Clamp - Hose - Wormgear - .22" ID - 1" ID
	082401-02-000	EA	Clamp - Hose - Wormgear - 1.56" - 2.5" ID
	082401-03-000	EA	Clamp - Hose - Wormgear - .25" ID - 1" ID
	082401-04-000	EA	Clamp - Hose - Wormgear - .69" ID - 1.25" ID
	082401-06-000	EA	Clamp - Hose - Wormgear - .22" ID - .62" ID
	023146-01-000	EA	Clamp - Screw Type - 4"
	091962-02-000	EA	Clip - Gripper - 3/4" (Tire Iron)
	081420-01-000	EA	Plug - Plastic - 1.75" - Storage Compartment
	007063-01-000	FT	Hose - Gas - 1/4 ID x 1/2 OD
	007108-01-000	FT	Hose - Heater - 5/8 ID
	017516-01-000	EA	Mud Flap w/Holes - 14" x 16" - Black
	084089-01-700	EA	Splash Guard - Black Rubber (Set of 2)
	045731-04-000	EA	Rock Guard
	072884-20-000	EA	Running Boards - Ford - 40" (Option 66R)
	094795-01-000	EA	Speedometer - Kilometer
	077848-02-000	EA	Step Asm. - Pullout
	096322-01-000	EA	Wheelwell - Plastic
	008343-01-700	EA	Wire Tie - 8"

NOTE: Remainder of exhaust components available from Chassis Service Center.

### GENERATORS & COMPONENTS (OPTION L38E)

Key	Part Number	U/M	Description
	100974-03-000	EA	Generator - Emerald - 4.0 kw
	082273-01-000	EA	Exhaust Pipe - Generator - w/2 Bolt Hole Flange (CSA)
	079654-06-000	EA	Exhaust Pipe - Generator - Angled w/Flange
	081364-01-000	EA	Muffler - Generator - Emerald - w/8.5" Long Tailpipe
	081364-02-000	EA	Muffler - Generator - w/1.5" Long Tailpipe
	083691-02-000	EA	Exhaust Pipe - Generator
	082272-01-000	EA	Muffler - Generator (CSA)
	007067-01-000	8F	Insulation - Fiberglass - 1"
	078045-01-000	EA	Strap - Support - Generator - 4 Hole
	084366-01-000	EA	Strap - Support - Generator - 2 Hole
	079654-01-700	EA	Hinge Kit - Emerald Generator
	007063-01-000	EA	Hose - Gas - 1/4" ID x 1/2" OD
	007125-04-000	EA	Clamp - Muffler - 1.1" Dia.
	007125-03-000	EA	Clamp - Muffler - 1.5" Dia.
	007181-01-000	EA	Clamp - Hose - Spring Type - 1/2"
	083208-01-000	EA	Converter - 40 Amp. w/Charger (CSA)
	008062-01-000	EA	Power Cord - 10-3 Wire - 30 Amp. - 25' (CSA)

These are parts used from 8/10/90 on.

### EXPORT GENERATORS (3.5KW) (OPTION 3631A)

Key	Part Number	U/M	Description
	100974-06-000	EA	Generator - Onan - 4.0 kw
	008064-01-000	EA	Power Cord - 10-3 - 30 Amp. - 25'
	083208-01-000	EA	Converter - 40 Amp. w/Charger
	079654-06-000	EA	Exhaust Pipe - Generator - Angled - w/Flange - 2" ID
	081364-01-000	EA	Muffler - Generator - w/8.5" Long Tailpipe
	081634-02-700	EA	LP System - For Onan Conversion
	078045-01-000	EA	Strap - Support - Generator - 4 Hole
	084366-01-000	EA	Strap - Support - Generator - 2 Hole
	007067-01-000	EA	Insulation - Fiberglass - 1"
	079654-01-700	EA	Hinge Kit - Emerald Generator
	007063-01-000	FT	Hose - Gas - 1/4" ID x 1/2" OD
	007125-04-000	EA	Clamp - Muffler - 1.1" Dia.
	007181-01-000	EA	Clamp - Hose - Spring Type - 1/2"

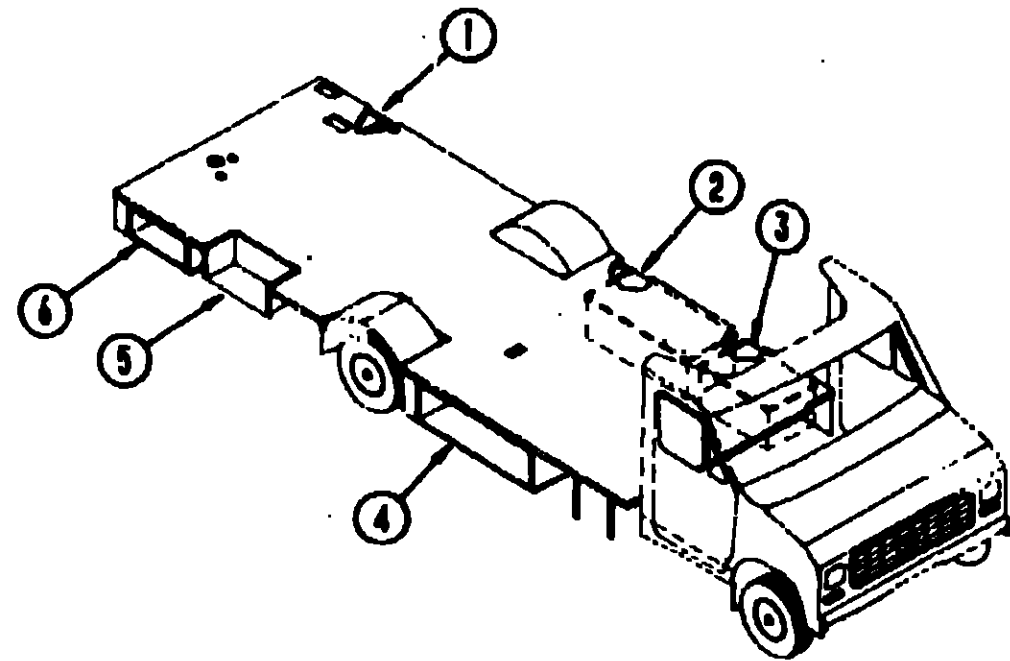
## 1991 ITASCA TABLE OF CONTENTS

INTRODUCTION	A-01 - A-02
ABBREVIATIONS	A-03
ALPHABETICAL/GROUP REFERENCE	A-04 - A-06
IF327RT	A-07 - D-14
IF327RB	D-15 - G-10
IF327RQ	G-11 - J-16

## 1991 IF327RB INDEX

Floor Plan	D-16 - D-16
Accessories Group	A-17 - D-19
Bath Group	D-20 - D-21
Chassis Group	D-22 - E-01
Curtain, Cushion & Pad Group	E-02 - E-07
Dinette Group	E-08 - E-09
Driver's Compartment Group	E-10 - E-12
Electrical Group	E-13 - E-15
Exterior Body Group	E-16 - E-20
Galley Group	E-21 - E-24
Heating & Air Conditioning Group	F-01 - F-02
Interior Finish Group	F-03 - F-06
Labels Group	F-08 - F-12
LP Group	F-13
Lounge Group	F-14 - F-16
Sealants & Fasteners Group	F-17 - F-19
Water & Sewage Group	F-20 - F-22
Window, Vent & Exterior Door Group	F-23 - G-09

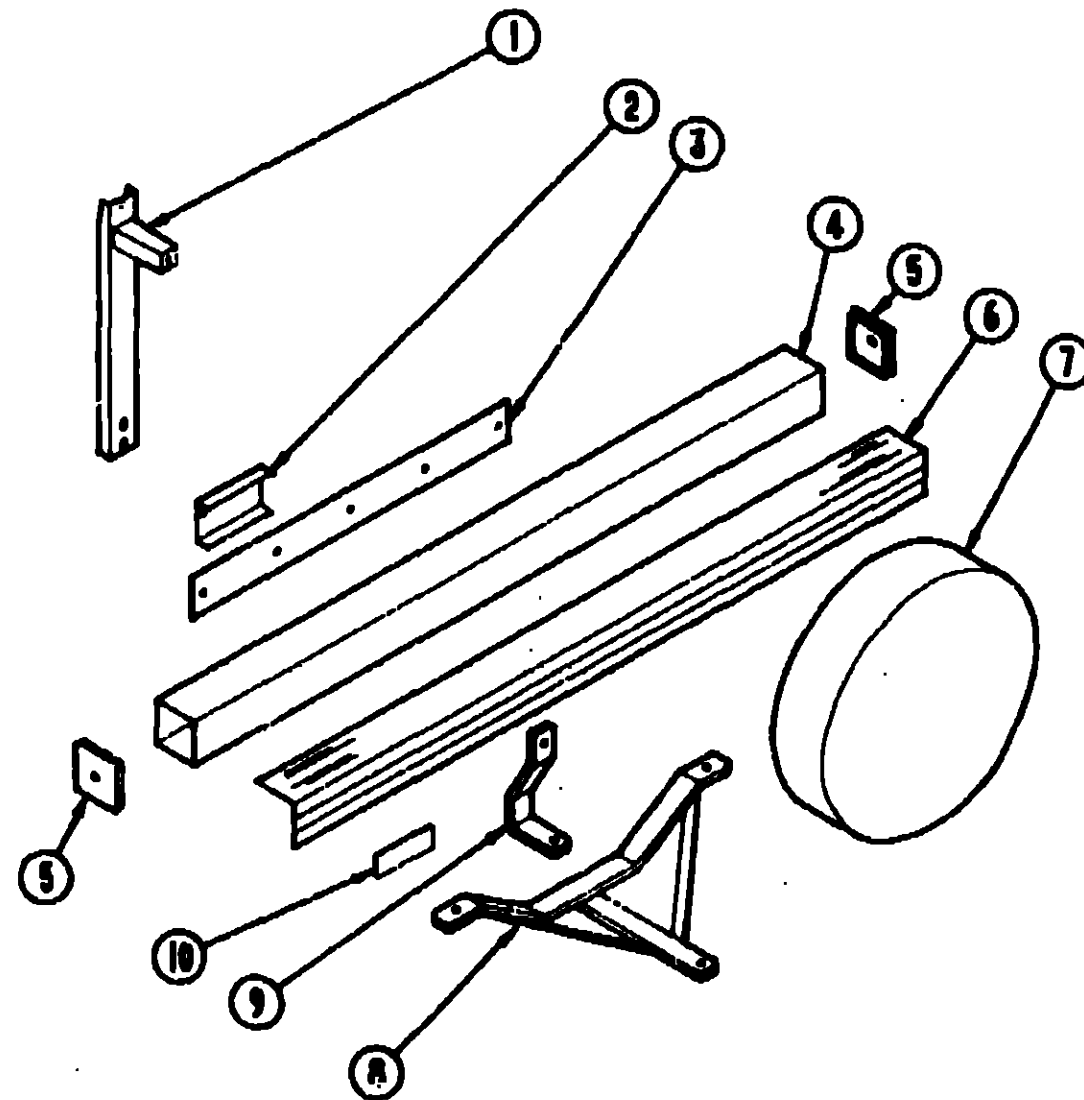
**CHASSIS GROUP (CONTINUED)**



**COMPARTMENTS & ENTRY DOOR STEP**

Key	Part Number	U/M	Description
1	101572-01-000	EA	Compartment Asm. - Power Cord
	000C18-05-40A	EA	Bolt
	000034-05-00C	EA	Nut
	101578-01-000	EA	Filter Panel
	000G39-10-12B	EA	Screw
2	092908-02-000	EA	Grommet - Edging - Black
	098020-02-000	EA	Compartment Asm. - Storage - 48.4" Wide x 20.8" Deep
3	078137-02-000	EA	Tray - Storage Compartment - 27.18" Wide x 21" Deep
	000C26-04-14B	EA	Bolt
4	000G39-10-12B	EA	Screw
	098020-07-000	EA	Compartment Asm. - Storage - 52.36" Wide x 20.8" High
5	078241-01-000	EA	Box - Support - Step Asm.
	077848-02-000	EA	Step Asm. - Pullout
	000G39-10-12B	EA	Screw
	000D39-05-00B	EA	Nut
	098020-09-000	EA	Compartment Asm. - Storage - 29.2" x 20.8"
6	094075-07-000	FT	Seal - Bulb - Rubber - Black
	081420-01-000	EA	Plug - Plastic - 1.75" - Brown
	098848-01-000	EA	Angle - Strike
	000C26-04-10B	EA	Bolt
	000D39-04-00B	EA	Nut
	058027-01-000	FT	Seal - D Shaped - Hollow - Sponge Rubber - Black
	090340-01-000	FT	Seal - Foam - Closed Cell - 1/4" x 1/2" x 50'
	091878-01-000	EA	Retainer - Door - 1.97" x .79" - Metal

**CHASSIS GROUP (CONTINUED)**



**SPARE TIRE, HITCH & REAR BUMPER**

Key	Part Number	U/M	Description
1	079027-01-000	EA	Bracket Asm. - Tire Carrier
2	M84800-02-000	EA	Mount Support - Tire Carrier
3	M22150-01-000	EA	Bracket - Rear Bumper
4	084802-01-000	EA	Bumper Asm. - Square - Off White
5	039779-01-000	EA	Bumper Cap - Black Rubber - 4" x 4"
6	041332-03-000	EA	Cover - Bumper - w/o Reflector - 4" Square x 82"
7	098865-01-AA3	EA	Cover - Spare Tire - Vinyl - Off White
8	084833-03-000	EA	Trailer Hitch Asm.
9	084824-02-000	EA	Support - Trailer Hitch
10	041332-02-000	EA	Reflector - Bumper Cover - Self-Adhesive - 5 1/2" x 3/4"
	070917-02-000	EA	Tire - Michelin - Radial
	070917-04-000	EA	Tire - Firestone - Radial
	083617-01-000	EA	Wheel - Steel - 6" x 16" - 8 Hole
	051377-01-000	EA	Valve Stem Asm.

**1991 ITASCA  
TABLE OF CONTENTS**

INTRODUCTION	A-01 - A-02
ABBREVIATIONS	A-03
ALPHABETICAL/GROUP REFERENCE	A-04 - A-08
IF327RT	A-07 - D-14
IF327RB	D-15 - G-10
IF327RQ	G-11 - J-16

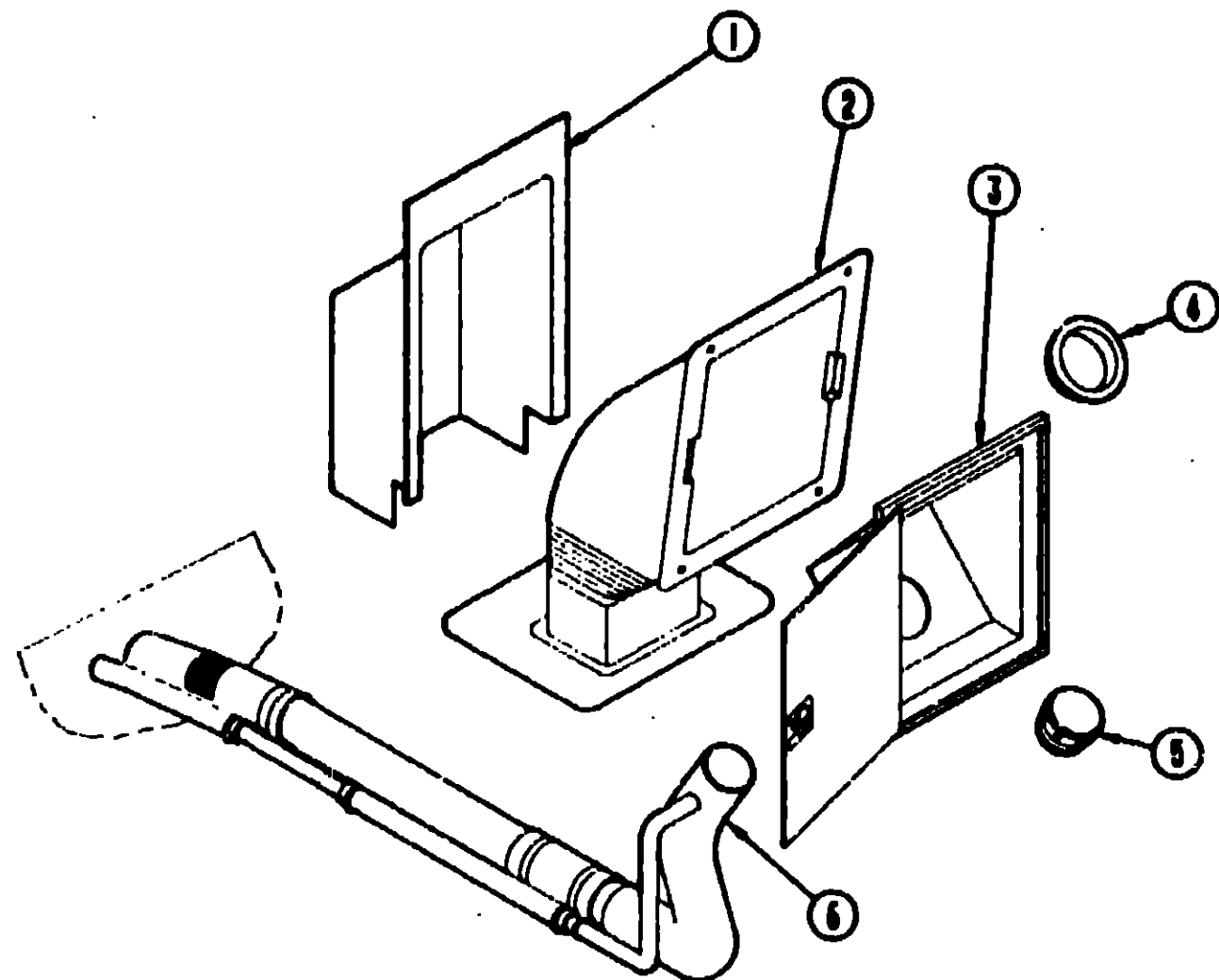
**1991 IF327RB INDEX**

Floor Plan	D-15 - D-16
Accessories Group	A-17 - D-16
Bath Group	D-20 - D-31
Chassis Group	D-22 - E-01
Curtain, Cushion & Pad Group	E-02 - E-07
Dinette Group	E-08 - E-09
Driver's Compartment Group	E-10 - E-12
Electrical Group	E-13 - E-15
Exterior Body Group	E-16 - E-30
Galley Group	E-31 - E-34
Heating & Air Conditioning Group	F-01 - F-08
Interior Finish Group	F-03 - F-05
Labels Group	F-06 - F-12
LP Group	F-13
Lounge Group	F-14 - F-16
Sealants & Fasteners Group	F-17 - F-19
Water & Sewage Group	F-20 - F-22
Window, Vent & Exterior Door Group	F-23 - G-09

**CHASSIS GROUP (CONTINUED)**

**CURTAIN, CUSHION & PAD GROUP  
NOTICE**

**1991 ITASCA  
TABLE OF CONTENTS**



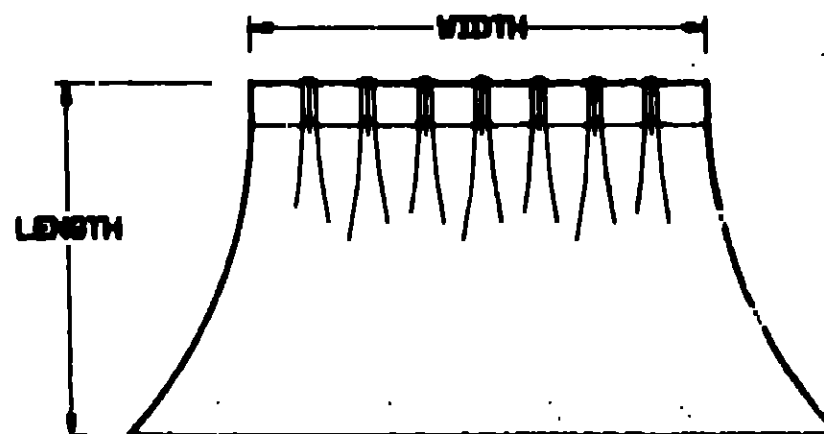
**FUEL FILL COMPONENTS**

Key	Part Number	U/M	Description
1	078040-02-000	EA	Shroud - Fuel Fill - Upper
2	083578-01-000	EA	Boot - Fuel Fill
	084235-01-000	EA	Support Flange - Fuel Fill Boot
3	078010-03-000	EA	Door Asm. - Fuel Fill - Off White
4	078200-01-000	EA	Gasket - Fuel Fill
	081914-01-000	EA	Bumper - Rubber - Round - Black
5	NOTE	EA	Fuel Cap
6	099273-01-000	EA	Filler Neck - Fuel Fill

NOTE: This item is chassis supplied.

In order to assist our Part Sales Dept. in providing interior software items, please include the serial number and the color code number from the vehicle certification label when ordering. This label is located on the left sidewall at the end of the dash (A-Body), or on the driver's door latch plate (C-Body).

An example of a color code number is P31, which designates an overall color scheme of a particular unit. The color listed after the item description on the microfiche, indicates the overall unit color. Order the item you desire according to unit color code.



NOTE: Use this illustration when determining length and width measurements for curtains. You will note the width measurement is taken on the top of the curtain with the curtain fully extended. The length measurement is taken from top to bottom.

**BUCKET SEAT CUSHIONS**

Key	Part Number	U/M	Description
	093450-10-B27	EA	Seat Arm. - Bucket
	093450-10-B28	EA	Seat Arm. - Bucket
	093450-17-B27	EA	Seat Arm. - Bucket - Driver
	093450-17-B28	EA	Seat Arm. - Bucket - Driver
	093450-18-B27	EA	Seat Arm. - Bucket - Passenger
	093450-18-B28	EA	Seat Arm. - Bucket - Passenger
	M03445-23-B27	EA	Cover - Seat - Bucket Seat
	M03445-23-B28	EA	Cover - Seat - Bucket Seat
	M03445-22-B27	EA	Cover - Back - Bucket Seat
	M03445-22-B28	EA	Cover - Back - Bucket Seat
	080243-41-B27	EA	Armrest - Bucket Seat - Right Hand
	080243-41-B28	EA	Armrest - Bucket Seat - Right Hand
	M80243-41-B27	EA	Cover - Right Armrest - Bucket Seat
	M80243-41-B28	EA	Cover - Right Armrest - Bucket Seat
	080243-42-B27	EA	Armrest - Bucket Seat - Left Hand
	080243-42-B28	EA	Armrest - Bucket Seat - Left Hand
	M80243-42-B27	EA	Cover - Left Armrest - Bucket Seat
	M80243-42-B28	EA	Cover - Left Armrest - Bucket Seat
	071128-24-B27	EA	Skirt Asm. - Single Bucket
	071128-24-B28	EA	Skirt Asm. - Single Bucket

These parts are used from 7/9/90 on.



Key	Part Number	U/M	Description
1	029130-01-000	EA	Socket - Snap Fastener
2	029155-01-000	EA	Cap - Snap - .156" Dia. x 17" Barrel
3	029158-01-000	EA	Socket - Snap Fastener
4	029092-01-000	EA	Stud - Nickel Finish
5	029093-01-000	EA	Eyelet - Nickel Finish

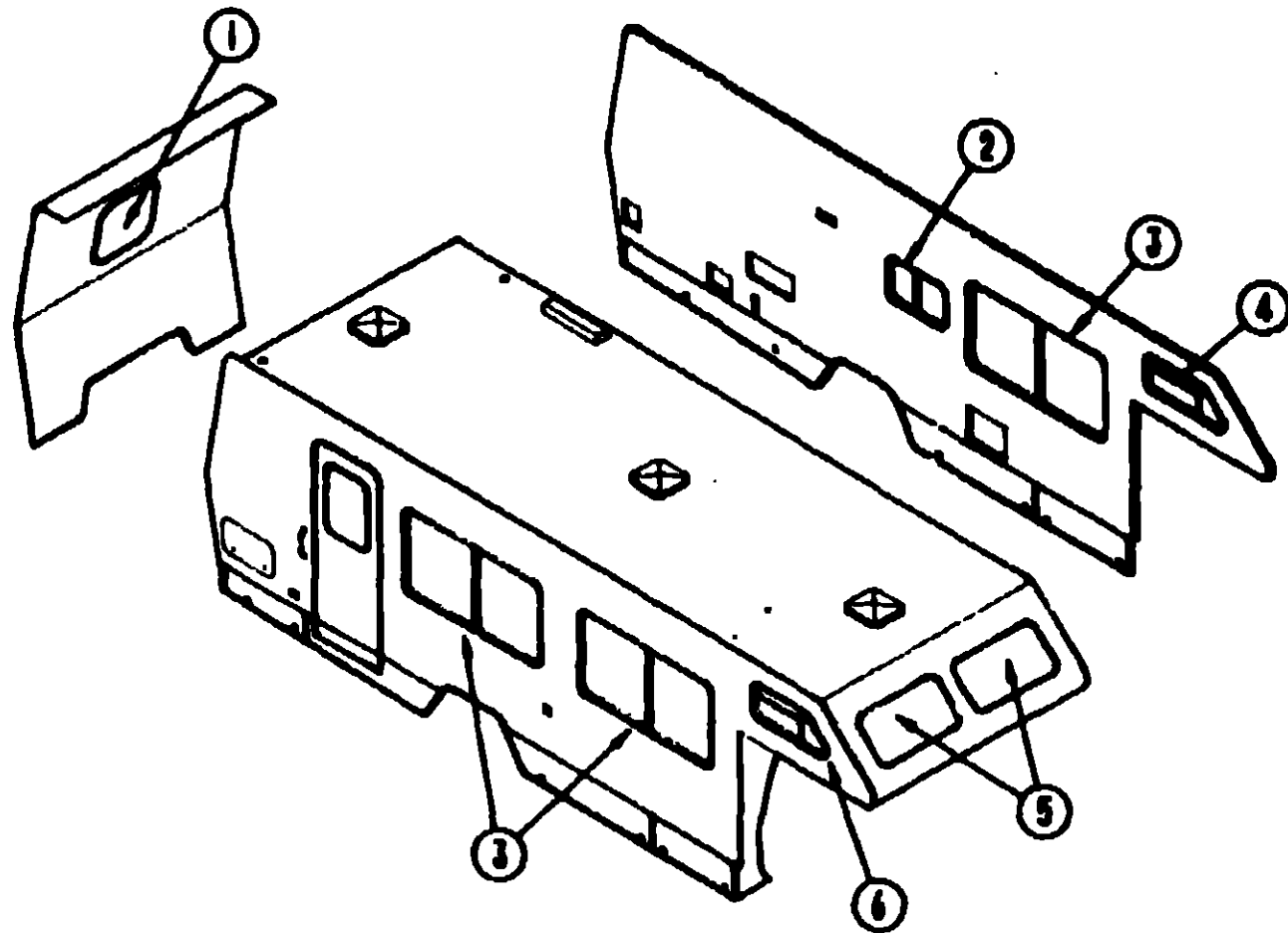
INTRODUCTION	A-01 - A-02
ABBREVIATIONS	A-03
ALPHABETICAL/GROUP REFERENCE	A-04 - A-08
IF327RT	A-07 - D-14
IF327RB	D-15 - G-10
IF327RO	G-11 - J-18

**1991 IF327RB INDEX**

Floor Plan	D-15 - D-16
Accessories Group	A-17 - D-19
Bath Group	D-20 - D-21
Chassis Group	D-22 - E-01
Curtain, Cushion & Pad Group	E-02 - E-07
Dinette Group	E-08 - E-09
Driver's Compartment Group	E-10 - E-12
Electrical Group	E-13 - E-16
Exterior Body Group	E-16 - E-20
Galley Group	E-21 - E-24
Heating & Air Conditioning Group	F-01 - F-02
Interior Finish Group	F-03 - F-05
Labels Group	F-08 - F-12
LP Group	F-13
Lounge Group	F-14 - F-16
Sealants & Fasteners Group	F-17 - F-19
Water & Sewage Group	F-20 - F-22
Window, Vent & Exterior Door Group	F-23 - G-09

**CURTAIN, CUSHION & PAD GROUP (CONTINUED)**

**CURTAIN, CUSHION & PAD GROUP (CONTINUED)**



**CURTAINS, BLINDS, VALANCES & TIEBACKS**

Key	Part Number	U/M	Description
1	100344-12-B27	EA	Valance Asm. w/Wood Trim - 30.5"
1	100344-12-B28	EA	Valance Asm. w/Wood Trim - 30.5"
1	093475-52-01A	EA	Mini Blinds - 26.5" x 28" Drop - Beige
2	093475-34-07A	EA	Mini Blind - 26" x 18" Drop - Beige
3	100344-09-B27	EA	Valance Asm. w/Wood Trim - 20"
3	100344-09-B26	EA	Valance Asm. w/Wood Trim - 20" (B26)
3	100281-03-B27	EA	Leg Asm. - 31.5" Tall - Right
3	100281-03-B28	EA	Leg Asm. - 31.5" Tall - Right
3	100281-04-B27	EA	Leg Asm. - 31.5" Tall - Left
3	100281-04-B28	EA	Leg Asm. - 31.5" Tall - Left
3	093475-49-01A	EA	Mini Blind - 58" x 32" Drop - Beige
4	097878-21-B27	EA	Valance Asm. w/Wood Trim - 43"
4	097878-21-B28	EA	Valance Asm. w/Wood Trim - 43"
4	101034-01-B05	EA	Curtain - Tape Top - 16" x 25" - Beige
5	097878-19-B27	EA	Valance Asm. w/Wood Trim - 85.5"
5	097878-19-B28	EA	Valance Asm. w/Wood Trim - 85.5"
5	101034-02-B05	EA	Curtain - Tape Top - 22" x 45" - Beige
6	097878-20-B27	EA	Valance Asm. w/Wood Trim - 43"
6	097878-20-B28	EA	Valance Asm. w/Wood Trim - 43"
6	101034-01-B05	EA	Curtain - Tape Top - 16" x 25" - Beige
	073304-70-B05	EA	Curtain Asm. w/Snap Top - 30" x 50" (Driver Side)
	073304-69-B05	EA	Curtain Asm. w/Snap Top - 30" x 50" (Passenger Side)
	101688-06-B03	EA	Curtain Asm. w/Tape Top - 30" x 50" (Drivers Side)
	101688-05-B03	EA	Curtain Asm. w/Tape Top - 30" x 50" (Passenger Side)
	076882-08-B05	EA	Curtain Asm. w/Snap Top - Cab Privacy - 40" x 72"
	073280-23-B05	EA	Tieback Asm. - 3" x 18" - Beige
	073280-26-B05	EA	Tieback Asm. - 3" x 18" - Beige

These parts are used from 5/14/90 on.

**CURTAIN & CUSHION HARDWARE**

Key	Part Number	U/M	Description
	092484-01-01A	EA	Track - Shower Curtain - Off White
	008701-01-000	EA	Carrier - Shower Curtain
	008702-01-000	EA	End - Stop - Curtain Carrier - Shower
	048887-01-000	EA	Grommet - Brass - 7/16" ID x 1" OD (Shower Curtain)
	008136-01-000	EA	Pin - Shower Curtain
	029082-01-000	EA	Stud - Nickel Finish
	029083-01-000	EA	Eyelet - Nickel Finish
	029155-01-000	EA	Cap - Snap
	029156-01-000	EA	Socket - Snap Fastener
	088782-03-000	YD	Velcro Tape - Adhesive Backed - Loop - 3/4" - Beige
	048384-02-000	YD	Velcro Tape - Adhesive Backed - Hook - 3/4" - Beige
	088816-01-000	EA	Mount - Window Leg - Black
	091904-02-000	FT	Track - Curtain - Plastic - Off White (Blackout)
	101032-01-000	FT	Track - Curtain - Ceiling Mount - White (Valance)
	101033-01-000	FT	Track - Curtain - Low Profile - White
	101033-02-000	EA	End Cap - Track - Clear
	101031-01-000	EA	Tape - Glide - 4.25" Spacing
	095591-02-000	EA	Bracket - Blind - Hold Down w/Pin
	082239-02-000	EA	Brace - Window Valance - Beige
	075843-01-000	EA	Brace - Window Valance - Beige
	083170-01-000	EA	Bracket - Blind - Right
	083170-02-000	EA	Bracket - Blind - Left
	083475-01-700	EA	Wand - Blind w/Metal Clip - 8" Long
	083475-01-701	EA	End Cap - Blind w/Stud
	089522-03-000	EA	Panel - Leg - Window - 2.5" Face - 27.1" Long
	079970-01-000	YD	Tape Mattress - Bunk Cushion - 5/8"

**FABRIC & CARPETS**

Key	Part Number	U/M	Description
	072333-79-000	YD	Fabric - Drapery - Dusty Blue (Privacy)
	072333-75-000	YD	Fabric - Drapery - Beige (Privacy)
	084416-25-000	YD	Fabric - Drapery Laminate - Driftwood (Pull Shades)
	098008-44-000	YD	Fabric - Upholstery - Main - Patterned (B27)
	098008-46-000	YD	Fabric - Upholstery - Main - Patterned (B28)
	098008-28-000	YD	Fabric - Upholstery - Accent - Plain (B27)
	098008-45-000	YD	Fabric - Upholstery - Accent - Plain (B28)
	098008-43-000	YD	Fabric - Upholstery - Accent - Patterned (B27)
	098008-42-000	YD	Fabric - Upholstery - Accent - Patterned (B28)
	072333-67-000	YD	Fabric - Speaker Cover
	075244-03-000	YD	Vinyl - Shower Curtain - Almond
	097890-09-000	YD	Vinyl - Off White (Headliner)
	103807-01-01A	YD	Vinyl - Off White (Headliner)
	028219-01-000	YD	Fabric - Vinyl - 54" - White
	098080-14-000	YD	Carpet - Delft Blue (B27)
	098080-15-000	YD	Carpet - Sand (B28)
	078314-02-000	FT	Tape - Heat Bonded - Carpet Seam
	047034-02-000	SF	Plastic Runner - Carpet - 4' Wide - Clear
	078539-01-000	EA	Trim - Carpet - Cab - Passenger - 29" Long
	078539-02-000	EA	Trim - Carpet - Cab - Driver - 29" Long
	093873-01-02A	EA	Trim - "J" - 12' Long - Vinyl - T
	085748-01-000	FT	Trim - "J" - Carpet - PVC - Beige - 10' Long
	087958-04-000	EA	Trim - Cab Carpet - Extruded - 12" x 25.4" - Black
	100658-01-B27	EA	Molding - Trim - Vinyl Floor

These parts were used from 4/17/91 on.

NOTE: Replace vinyl flooring locally.

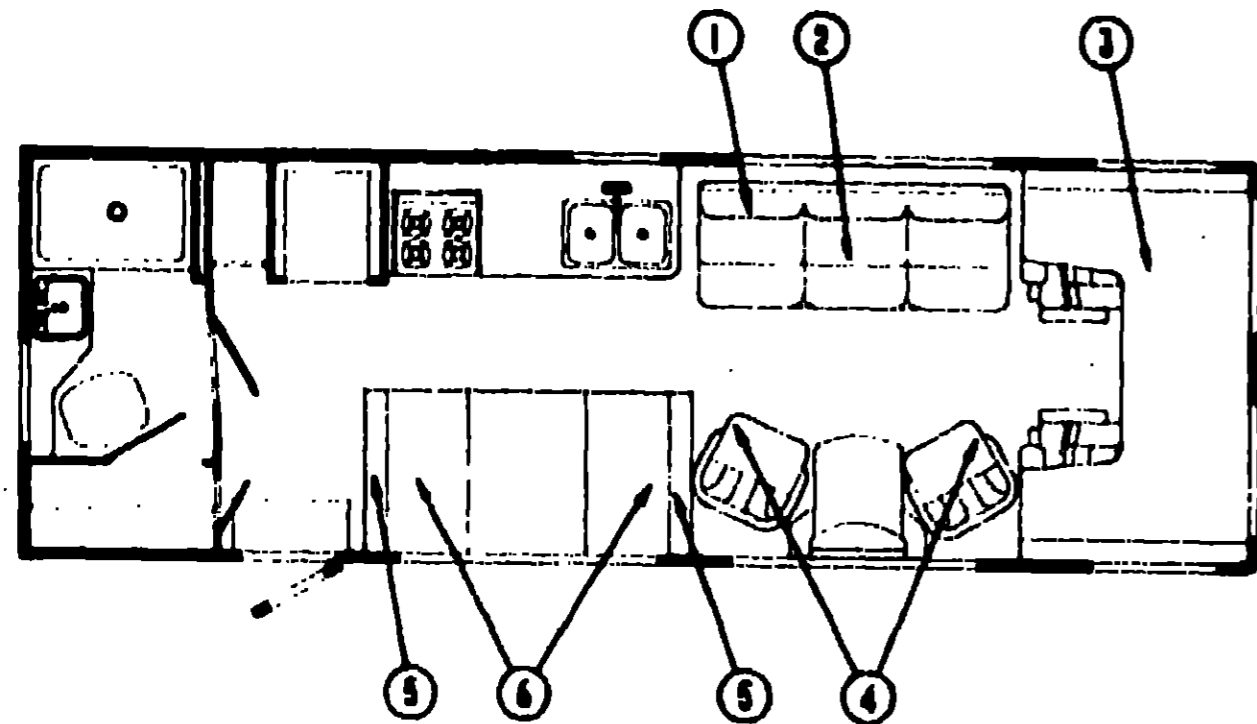
**1991 ITASCA  
TABLE OF CONTENTS**

INTRODUCTION	A-01 - A-02
ABBREVIATIONS	A-03
ALPHABETICAL/GROUP REFERENCE	A-04 - A-08
IF327RT	A-07 - D-14
IF327RB	D-15 - G-10
IF327RQ	G-11 - J-18

**1991 IF327RB INDEX**

Floor Plan	D-15 - D-16
Accessories Group	A-17 - D-18
Bath Group	D-20 - D-21
Chassis Group	D-22 - E-01
Curtain, Cushion & Pad Group	E-02 - E-07
Dinette Group	E-08 - E-09
Driver's Compartment Group	E-10 - E-12
Electrical Group	E-13 - E-15
Exterior Body Group	E-16 - E-20
Galley Group	E-21 - E-24
Heating & Air Conditioning Group	F-01 - F-02
Interior Finish Group	F-03 - F-05
Labels Group	F-06 - F-12
LP Group	F-13
Lounge Group	F-14 - F-18
Sealants & Fasteners Group	F-17 - F-19
Water & Sewage Group	F-20 - F-22
Window, Vent & Exterior Door Group	F-23 - G-09

**CURTAIN, CUSHION & PAD GROUP (CONTINUED)**



**PRESTO BED COUCH**

Key	Part Number	U/M	Description
1	100032-07-B27	EA	Presto Bed - Couch Back
1	100032-07-B28	EA	Presto Bed - Couch Back
	P00032-07-B27	EA	Cover Asm. - Presto Bed Back
	P00032-07-B28	EA	Cover Asm. - Presto Bed Back
2	100032-08-B27	EA	Presto Bed - Couch Seat
2	100032-08-B28	EA	Presto Bed - Couch Seat
	P00032-08-B27	EA	Cover Asm. - Presto Bed Seat
	P00032-08-B28	EA	Cover Asm. - Presto Bed Seat
	101085-08-000	EA	Frame - Base - 74.75"
	101085-04-000	EA	Frame - Seat - 74.75"
	101085-05-000	EA	Frame - Back - 74.75"

These parts were used from 6/4/90 on.

**FRONT BUNK**

Key	Part Number	U/M	Description
3	084753-16-B27	EA	Cushion - "U" Shaped - 57" x 90" x 5"
3	084753-16-B28	EA	Cushion - "U" Shaped - 57" x 90" x 5"
3	084753-22-B27	EA	Cushion - "U" Shaped - 57" x 90" x 5"
3	084753-22-B28	EA	Cushion - "U" Shaped - 57" x 90" x 5"
	M84753-16-B27	EA	Cover - "U" Shaped Cushion
	M84753-16-B28	EA	Cover - "U" Shaped Cushion
	M84753-22-B27	EA	Cover - "U" Shaped Cushion
	M84753-22-B28	EA	Cover - "U" Shaped Cushion
	084753-17-B27	EA	Cushion - Filler - 55" x 27.5" x 5"
	084753-17-B28	EA	Cushion - Filler - 55" x 27.5" x 5"
	084753-19-B27	EA	Cushion - Filler - 55" x 27.5" x 5"
	084753-19-B28	EA	Cushion - Filler - 55" x 27.5" x 5"
	M84753-17-B27	EA	Cover - Filler Cushion
	M84753-17-B28	EA	Cover - Filler Cushion
	M84753-19-B27	EA	Cover - Filler Cushion
	M84753-19-B28	EA	Cover - Filler Cushion
	088008-43-000	YD	Fabric - Front Bunk Cushion (B27)
	088008-42-000	YD	Fabric - Front Bunk Cushion (B28)
	079145-07-000	EA	Cushion Asm. - Front Bunk - 27.5" x 74" x 3.5" (L43V)
	M79145-07-000	EA	Cover Asm. - Front Bunk (L43V)

These parts are used from 8/12/90 on.

**CURTAIN, CUSHION & PAD GROUP (CONTINUED)**

**SWIVEL CHAIR**

Key	Part Number	U/M	Description
4	088429-03-B27	EA	Swivel Chair
4	088429-03-B28	EA	Swivel Chair
4	088429-05-B27	EA	Swivel Chair
4	088429-05-B28	EA	Swivel Chair
	M88429-03-B27	EA	Cover - Swivel Chair
	M88429-03-B28	EA	Cover - Swivel Chair
	M88429-05-B27	EA	Cover - Swivel Chair
	M88429-05-B28	EA	Cover - Swivel Chair
	088202-01-B27	EA	Skirt - Swivel Chair
	088202-01-B28	EA	Skirt - Swivel Chair
	088008-28-000	YD	Fabric - Swivel Chair (B27)
	088008-45-000	YD	Fabric - Swivel Chair (B28)
	088008-44-000	YD	Fabric - Chair (B27)
	088008-46-000	YD	Fabric - Chair (B28)
	088245-01-000	EA	Base - Swivel Chair w/Legs
	088245-03-000	EA	Plate - Swivel Top w/o Tilt - w/Lock
	088245-08-000	EA	Extension - 7" - Base To Top Plate
	088245-07-000	EA	Extension - 6" - Base To Top Plate
	088705-02-000	EA	Bar - Seat Belt - 2.5" x 12.75"
	088246-06-000	EA	Adjuster - Manual
	088246-07-000	EA	Adjuster - Manual - w/Arm

These parts are used from 8/11/90 on.

**DINETTE CUSHION**

Key	Part Number	U/M	Description
5	088927-79-B27	EA	Cushion Asm. - 13" x 38" x 5" - Back
5	088927-79-B28	EA	Cushion Asm. - 13" x 38" x 5" - Back
	M88927-79-B27	EA	Cover Asm. - Back - Dinette Cushion
	M88927-79-B28	EA	Cover Asm. - Back - Dinette Cushion
6	088927-83-B27	EA	Cushion Asm. - 22" x 38" x 5" - Seat
6	088927-83-B28	EA	Cushion Asm. - 22" x 38" x 5" - Seat
	M88927-83-B27	EA	Cover Asm. - Seat - Dinette Cushion
	M88927-83-B28	EA	Cover Asm. - Seat - Dinette Cushion
6	088927-87-B27	EA	Cushion Asm. - 21" x 38" x 5" - Seat
6	088927-87-B28	EA	Cushion Asm. - 21" x 38" x 5" - Seat
	M88927-87-B27	EA	Cover Asm. - Seat - Dinette Cushion
	M88927-87-B28	EA	Cover Asm. - Seat - Dinette Cushion
	078155-01-000	EA	Strap Asm. - Cushion Snap
	088008-44-000	YD	Fabric - Dinette Cushion (B27)
	088008-46-000	YD	Fabric - Dinette Cushion (B28)

These parts were used from 8/27/90 on.

**TRIMS & PADS**

Key	Part Number	U/M	Description
	070578-08-B05	EA	Button Asm. - Snap Top - #30 - Vinyl
	070578-01-B27	EA	Button Asm. - Snap Top - #30 - Accent - Plain
	070578-01-B28	EA	Button Asm. - Snap Top - #30 - Accent - Plain
	059797-02-000	EA	Shell - Upholstery Button - #30
	088734-01-000	EA	Back - Upholstery Button - #30
	078156-01-000	EA	Strap Asm. - Cushion (Dinette Cushion)
	058632-01-AA3	EA	Strap Asm. - Bunk (Front Overhead)
	081519-10-B27	EA	Pad Asm. - Dinette - Front
	081519-10-B28	EA	Pad Asm. - Dinette - Front
	081519-11-B27	EA	Pad Asm. - Dinette - Rear
	081519-11-B28	EA	Pad Asm. - Dinette - Rear
	088885-16-B27	EA	Motor Cover w/Map Pocket
	088885-16-B28	EA	Motor Cover w/Map Pocket
	078349-01-B03	YD	Wetling - Skirt (B27 & B28)

**1991 ITASCA  
TABLE OF CONTENTS**

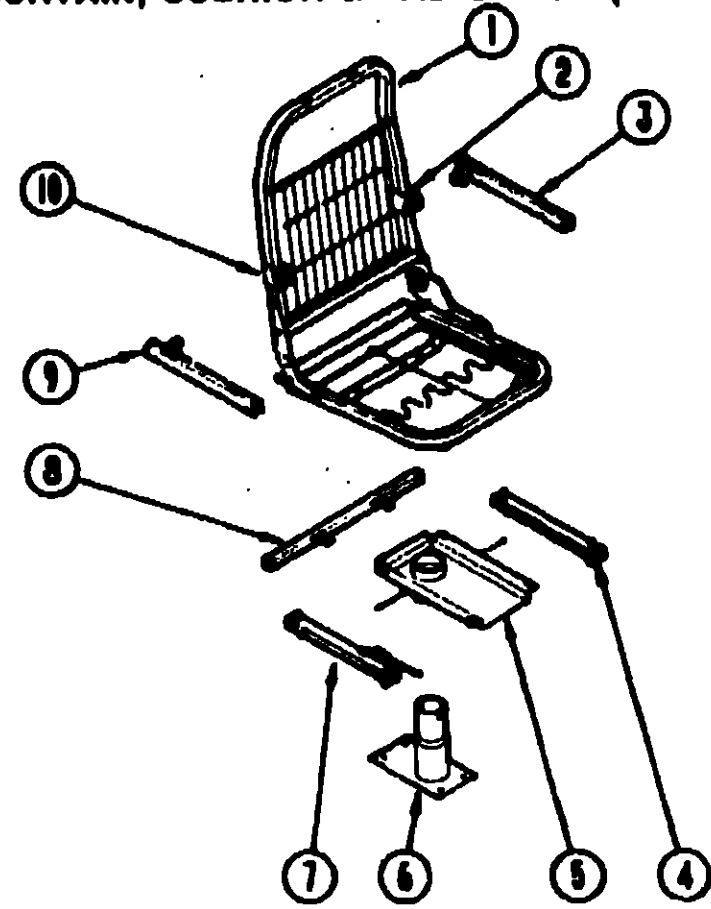
INTRODUCTION	A-01 - A-02
ABBREVIATIONS	A-03
ALPHABETICAL/GROUP REFERENCE	A-04 - A-06
IF327RT	A-07 - D-14
IF327RB	D-15 - G-10
IF327RO	G-11 - J-10

**1991 IF327RB INDEX**

Floor Plan	D-15 - D-16
Accessories Group	A-17 - D-18
Bath Group	D-20 - D-21
Chassis Group	D-22 - E-01
Curtain, Cushion & Pad Group	E-02 - E-07
Dinette Group	E-08 - E-09
Driver's Compartment Group	E-10 - E-12
Electrical Group	E-13 - E-15
Exterior Body Group	E-16 - E-20
Galley Group	E-21 - E-24
Heating & Air Conditioning Group	F-01 - F-02
Interior Finish Group	F-03 - F-05
Labels Group	F-06 - F-12
LP Group	F-13
Lounge Group	F-14 - F-16
Sealants & Fasteners Group	F-17 - F-19
Water & Sewage Group	F-20 - F-22
Window, Vent & Exterior Door Group	F-23 - G-06



**CURTAIN, CUSHION & PAD GROUP (CONTINUED)**

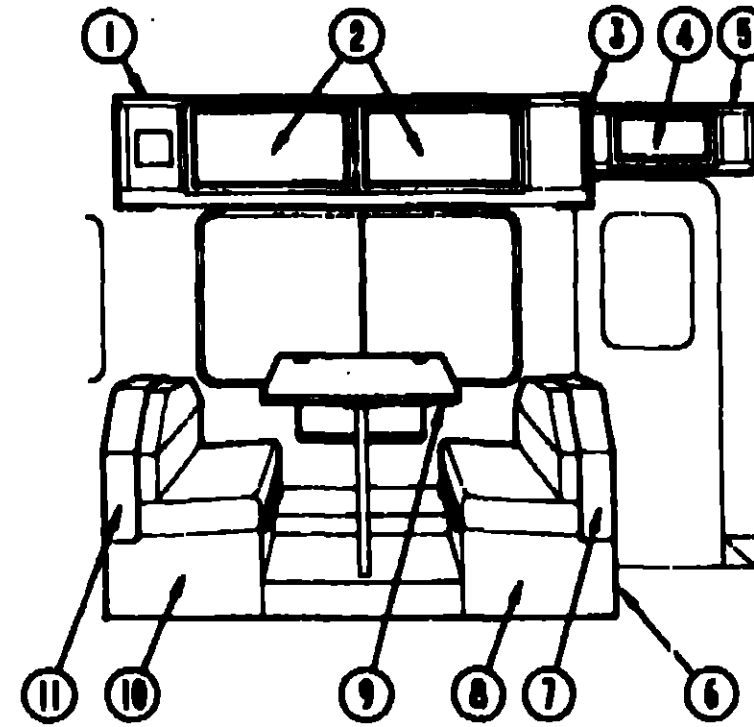


**BUCKET SEAT HARDWARE**

Key	Part Number	U/M	Description
1	M80908-01-000	FA	Frame Asm. - Seat, Back & Spring
*1	M80908-04-000	EA	Frame Asm. - Seat, Back & Spring
2	081362-02-000	EA	Bracket - Armrest - Left Hand
3	081268-02-000	EA	Rod & Channel - Armrest - Left - Metal
4	089246-02-000	EA	Adjuster - Bucket Seat w/o Lock - Forward & Back
5	093481-04-000	EA	Top Plate - Pedestal - Bucket Seats
6	069585-03-000	EA	Base - Bucket Seats - Bolts to Floor - Vertical - 8"
7	089246-01-000	EA	Adjuster - Bucket Seat w/lock - Forward & Back
*7	089246-05-000	EA	Adjuster - Bucket Seat w/Remote
8	069585-29-000	EA	Bar - Seat Belt - Bucket Seats - 20"
9	081268-01-000	EA	Rod & Channel - Armrest - Right - Metal
10	081362-01-000	EA	Bracket - Armrest - Right Hand
	089246-05-700	EA	Spring for Slide Adjuster
	089246-05-701	EA	Clip Only For Cable Asm.
	080730-02-000	EA	Recliner - Seat Back - Left Hand (Export)
	101125-01-000	EA	Recliner - Seat Back - Left Hand (Export)
	080731-02-000	EA	Slave Hinge - Recliner - Left Hand (Export)
	089368-04-000	EA	Cable - Swivel w/Switch
	089368-05-000	EA	Cable - Recliner - w/Switch
	081361-01-000	EA	Rod - Armrest - Metal

• These parts are used from 7/9/90 on.

**DINETTE GROUP**



**DINETTE CABINETRY**

Key	Part Number	U/M	Description
1	P00205-01-B27	EA	Cabinet Asm. - Dinette Overhead - w/o Doors or Hardware
2	P00099-32-B27	EA	Door Asm. - Dinette Overhead - 14.4" x 26.8" - w/o Hardware
3	081280-21-B27	EA	End Cap - Overhead Cabinet
4	P00099-42-B27	EA	Door Asm. - Entrance Overhead - 10" x 19" - w/o Hardware
5	P00205-01-B27	EA	Cabinet Asm. - Entrance Overhead - w/o Door or Hardware
6	P00099-59-B27	EA	Door Asm. - Dinette Cabinet - 14.3" x 26.7" - w/o Hardware
7	081519-10-B27	EA	Pad - Backrest
7	081519-10-B26	EA	Pad - Backrest
7	M04123-01-B27	EA	Cabinet Asm. - Seat Back
8	M04124-01-B27	EA	Cabinet Asm. - Seat Base
*9	M89464-01-B05	EA	Table Asm. - Dinette - w/o Hardware
10	M04124-02-B27	EA	Cabinet Asm. - Seat Base
11	081519-11-B27	EA	Pad - Backrest
11	081519-11-B26	EA	Pad - Backrest (B26)
11	M04123-02-B27	EA	Cabinet Asm. - Seat Back
	000G13-06-10G	EA	Screw - 8-20 x 5/8 PPH - Brass
	059777-02-000	EA	Hinge - Cabinet Door
	100030-01-000	EA	Pull - Cabinet Door
	074493-02-000	EA	Support - Overhead Door
	057759-01-000	EA	Washer Bracket - Seat Belt
	000D44-07-008	EA	Nut - Hex - Ser Fig Lk
	007021-01-000	EA	Seatbelt - 2" x 90" - Black

• See the next page for the breakdown of this item.

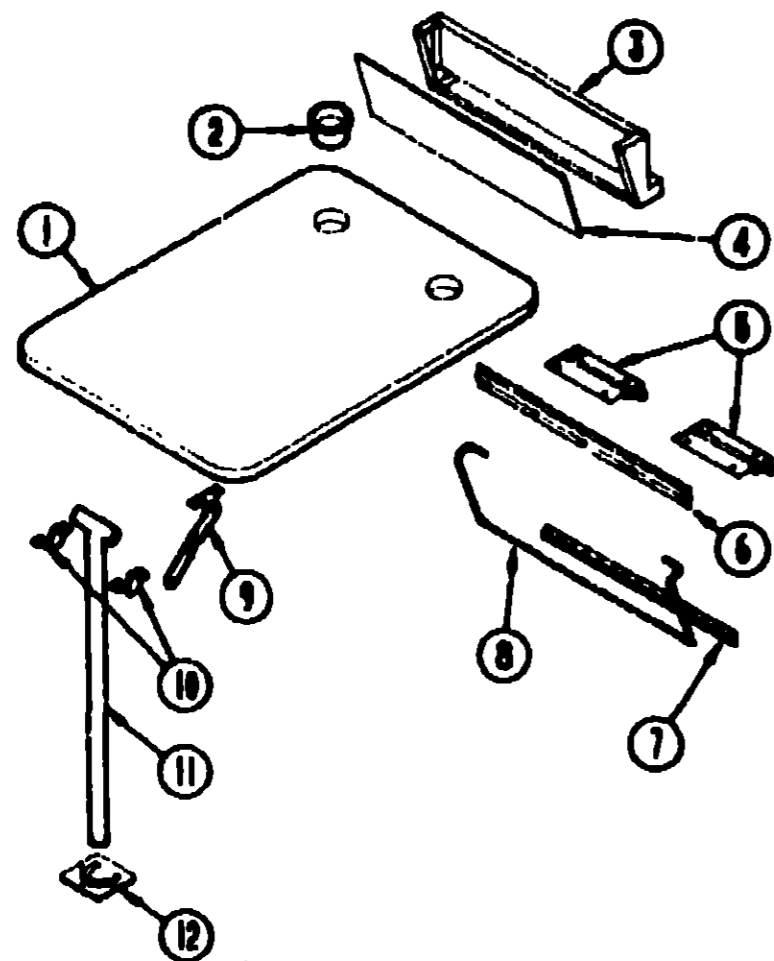
**1991 ITASCA  
TABLE OF CONTENTS**

INTRODUCTION	A-01 - A-02
ABBREVIATIONS	A-03
ALPHABETICAL/GROUP REFERENCE	A-04 - A-05
IF327RT	A-07 - D-14
IF327RB	D-15 - G-10
IF327RQ	G-11 - J-16

**1991 IF327RB INDEX**

Floor Plan	D-15 - D-16
Accessories Group	A-17 - D-19
Bath Group	D-20 - D-21
Chassis Group	D-22 - E-01
Curtain, Cushion & Pad Group	E-02 - E-07
Dinette Group	E-08 - E-09
Driver's Compartment Group	E-10 - E-12
Electrical Group	E-13 - E-16
Exterior Body Group	E-18 - E-20
Galley Group	E-21 - E-24
Heating & Air Conditioning Group	F-01 - F-02
Interior Finish Group	F-03 - F-06
Labels Group	F-08 - F-12
LP Group	F-13
Lounge Group	F-14 - F-16
Sealants & Fasteners Group	F-17 - F-19
Water & Sewage Group	F-20 - F-22
Window, Vent & Exterior Door Group	F-23 - G-09

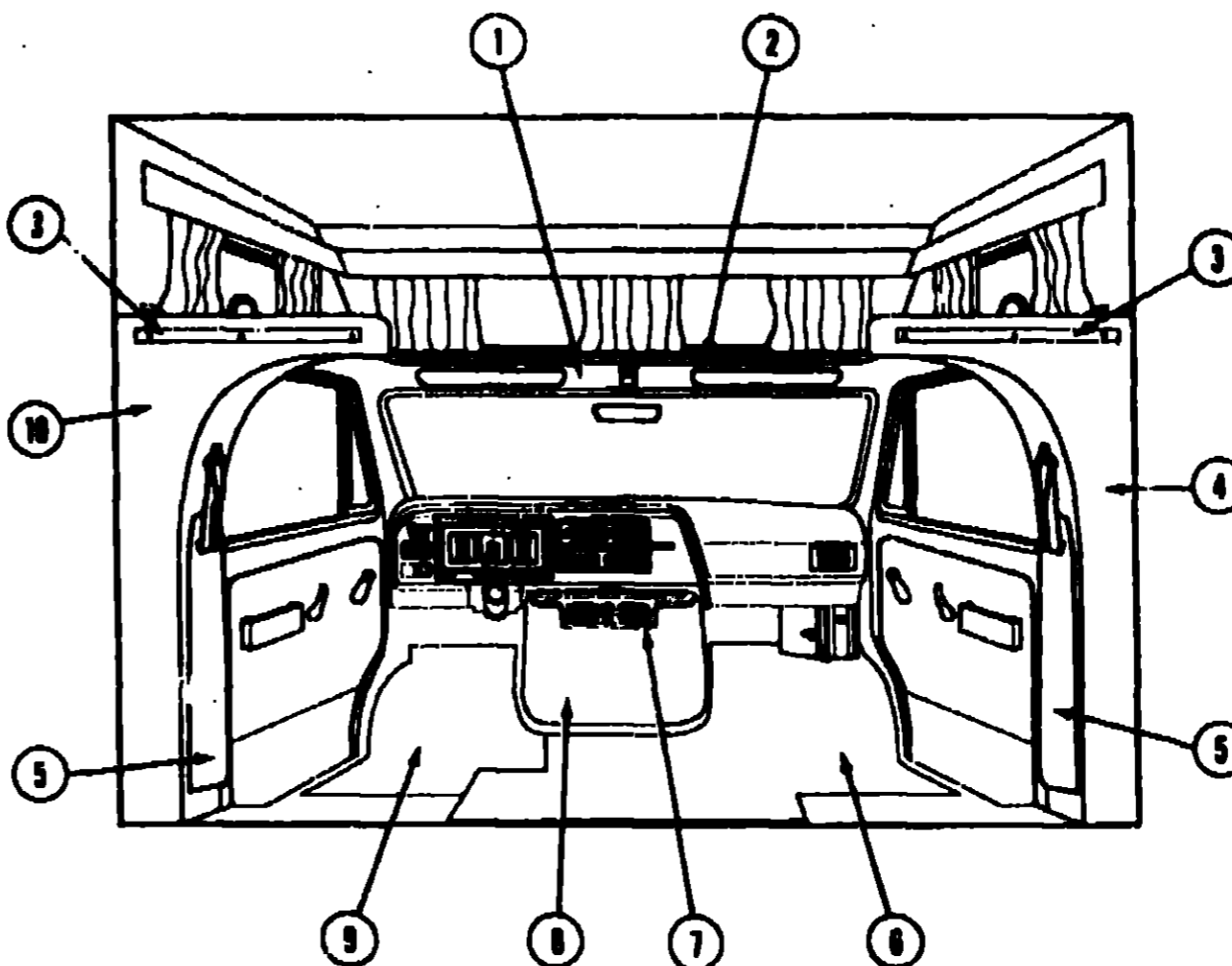
**DINETTE GROUP (CONTINUED)**



**DINETTE & TABLE HARDWARE**

Key	Part Number	U/M	Description
1	M99464-01-B05	EA	Table Asm. - Dinette - w/o Hardware
2	064781-06-000	EA	Cup Holder - Two-Stage - Colonial White
3	099483-01-01A	EA	Support Table - 22.8" x 6.4" - Metal - Beige
4	082071-11-B05	EA	Cover Asm. - Table Support Pad
5	088410-01-000	EA	Hanger - Table - Beige
6	053200-05-000	EA	Support - Table - 23.5" - Beige
7	024281-07-000	EA	Bracket - Table Lift - Beige
8	024275-05-000	EA	Rod - Table Lift - Beige
9	024282-01-000	EA	Brace - Table Leg
10	064050-03-000	EA	Clamp - Table Leg - Beige
11	024278-21-000	EA	Leg Asm. - Table - Beige
12	049493-11-700	EA	Catch - Table Leg
	024283-01-000	EA	Clip - Leg - 1" x 1.125" O.D. - Black

**DRIVER'S COMPARTMENT GROUP**



**MISCELLANEOUS DRIVER'S COMPARTMENT COMPONENTS**

Key	Part Number	U/M	Description
1	091831-01-B05	EA	Headliner - Front - Off White Vinyl
	091825-02-A93	EA	Headliner - Sides - Off White Vinyl
	066208-01-B27	EA	Cabinet Asm. - Headboard
	098703-01-B27	EA	Sleeper Board Asm.
	079800-04-000	EA	Trim - Front Sleeper Board - Metal - Off White
2	080742-03-000	FT	Accent Trim - Off White Vinyl
3	082069-03-B27	EA	Wood Trim - Wingwall - 15.8"
	074045-07-000	EA	Oak Plug - 1/2"
4	068244-01-B27	EA	Wingwall Asm. - Inner - Passenger - Off White
5	091871-05-000	EA	Seat Belt Cover - Off White
	076302-03-000	EA	Seat Belt - Driver or Passenger
	057759-01-000	EA	Bracket - Seat Belt - Washer
6	083219-03-000	EA	Floor Mat - Passenger
7	098857-01-B27	EA	Beverage Tray
8	068885-16-B27	EA	Motor Cover w/Pocket
8	068885-16-B28	EA	Motor Cover w/Pocket
	070578-01-B27	EA	Button - Snap Top - #30
	070578-01-B28	EA	Button - Snap Top - #30
	070578-06-B05	EA	Button - Snap Top - #30 - Vinyl
9	083219-04-000	EA	Floor Mat - Driver
10	068244-02-B27	EA	Wingwall Asm. - Inner - Driver - Off White
	024461-01-000	EA	Switch - Battery
	094795-02-000	EA	Speedometer - Kilometer

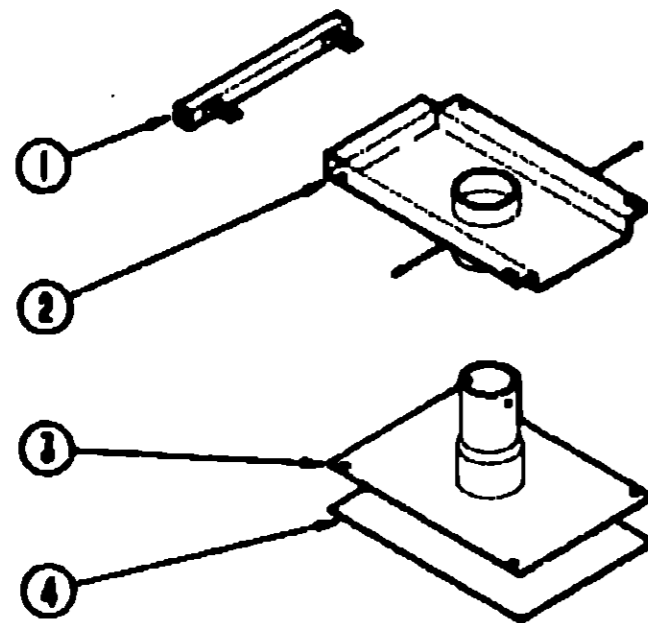
**1991 ITASCA  
TABLE OF CONTENTS**

INTRODUCTION	A-01 - A-02
ABBREVIATIONS	A-03
ALPHABETICAL/GROUP REFERENCE	A-04 - A-06
IF327RT	A-07 - D-14
IF327RB	D-15 - G-10
IF327RQ	G-11 - J-16

**1991 IF327RB INDEX**

Floor Plan	D-15 - D-16
Accessories Group	D-17 - D-19
Bath Group	D-20 - D-21
Chassis Group	D-22 - E-01
Curtain, Cushion & Pad Group	E-02 - E-07
Dinette Group	E-08 - E-09
Driver's Compartment Group	E-10 - E-12
Electrical Group	E-13 - E-16
Exterior Body Group	E-18 - E-20
Galley Group	E-21 - E-24
Heating & Air Conditioning Group	F-01 - F-07
Interior Finish Group	F-08 - F-09
Labels Group	F-08 - F-12
LP Group	F-13
Lounge Group	F-14 - F-16
Sealants & Fasteners Group	F-17 - F-19
Water & Sewage Group	F-20 - F-22
Window, Vent & Exterior Door Group	F-23 - G-08

**DRIVER'S COMPARTMENT GROUP (CONTINUED)**

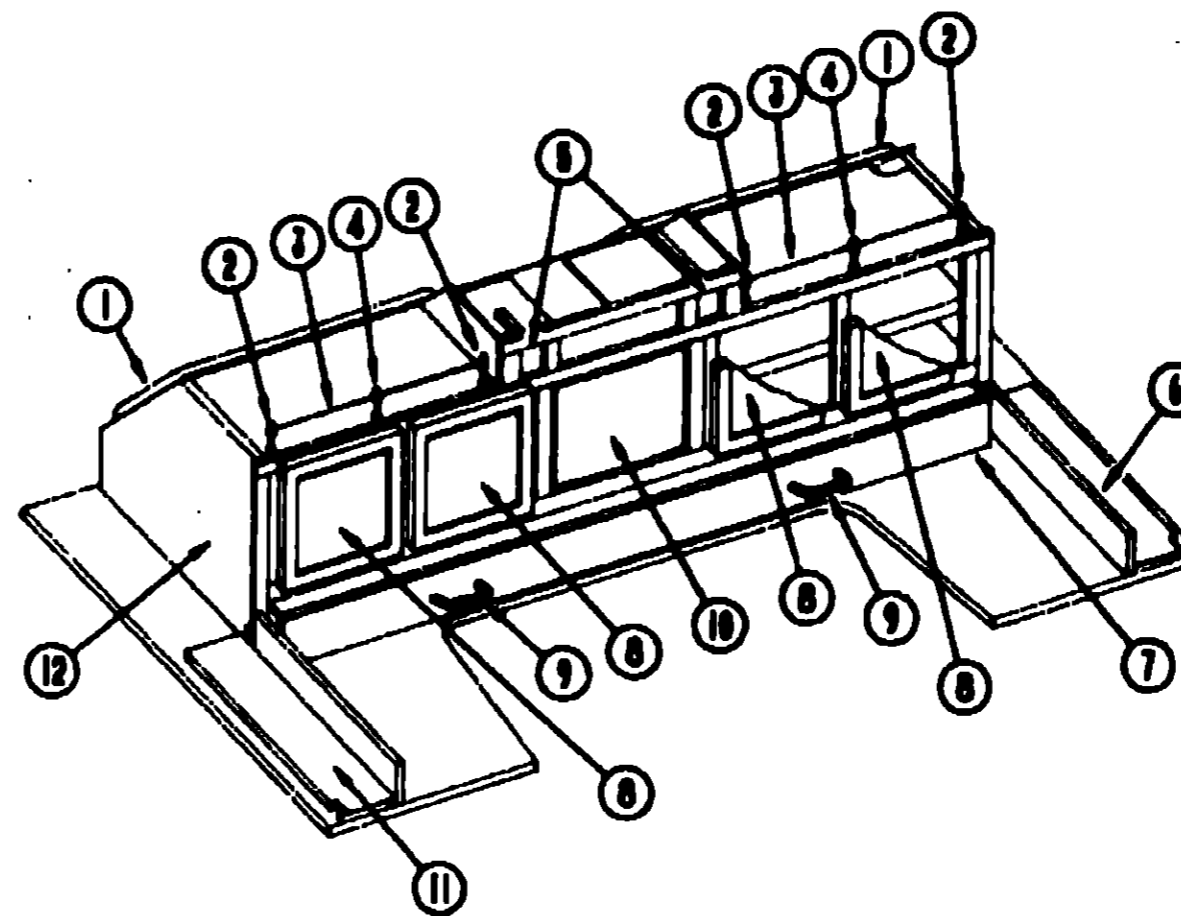


**BUCKET SEAT PEDESTAL**

Key	Part Number	U/M	Description
1	069585-29-000	EA	Bar - Seat Belt - 20"
2	093481-04-000	EA	Plate - Top - Pedestal Asm.
3	069585-03-000	EA	Plate - Sub - Pedestal Asm.
4	069585-02-000	EA	Plate - Base - Pedestal Asm. - Bucket Seat
	069585-29-000	EA	Bar - Seat Belt - 20" - Bucket Seat
	069246-02-000	EA	Adjuster Asm. - Seat - w/o Lock
	069246-05-000	EA	Adjuster Asm. w/Remote
	069246-05-700	EA	Spring For Side Adjuster
	069246-05-701	EA	Clip - For Cable Asm. Only

These parts are used from 7/9/90 on.

**DRIVER'S COMPARTMENT GROUP (CONTINUED)**



**TV & ENTERTAINMENT CABINETRY (OPTION L43V)**

Key	Part Number	U/M	Description
1	099679-01-01A	EA	Panel - Window - Black Plastic
2	084070-02-000	EA	Post - End - Brass
3	084071-06-000	EA	Rod - Brass - 25"
4	084070-01-000	EA	Post - Center - Brass
5	072333-71-000	YD	Fabric - Speaker Cover
	098818-01-000	EA	Speaker - 2 Watt - 8 OHM - 4"
	074979-11-000	EA	Cover - Speaker - Plastic - Off White
6	099687-01-B27	EA	Cabinet - Headboard - Passenger
7	099639-01-B27	EA	Drawer - Entertainment - Front
	079145-07-000	EA	Cushion - Front Bunk - 28" x 75" x 2.5"
8	P00069-70-B27	EA	Door - Cabinet - 13.9" x 13.9" - w/o Hardware
9	100030-01-000	EA	Pull - Drawer - Polished Brass
10	098447-01-000	EA	TV - 13" Color w/Remote (USA)
10	098447-02-000	EA	TV - 13" Color w/Remote (CSA)
**	098447-01-700	EA	Remote Control
	098656-01-000	EA	TV - Tiedown
	098446-01-000	EA	VCR-VHS - w/Remote - #9815
	098446-01-700	EA	Remote
	098446-02-000	EA	VCR-VHS - w/Remote - #9812
	098446-02-700	EA	Remote
11	099687-02-B27	EA	Cabinet - Headboard - Driver
12	099445-01-B27	EA	Cabinet - Entertainment - Front
	059777-02-000	EA	Hinge - Cabinet Door - Brass
	100030-01-000	EA	Pull - Cabinet Door
	088252-02-000	FT	Trim - Chrome - 1" Wide - w/Adhesive Back
	085740-01-000	EA	Brace - Cabinet - Corner - Plastic

\* See Curtain, Cushion & Pad Group for further breakdown of this item.  
 \*\* include make & model number of TV when ordering this part.

**1991 ITASCA  
TABLE OF CONTENTS**

INTRODUCTION	A-01 - A-02
ABBREVIATIONS	A-03
ALPHABETICAL/GROUP REFERENCE	A-04 - A-06
IF327RT	A-07 - D-14
IF327RB	D-15 - G-10
IF327RQ	G-11 - J-16

**1991 IF327RB INDEX**

Floor Plan	D-15 - D-16
Accessories Group	D-17 - D-19
Bath Group	D-20 - D-21
Chassis Group	D-22 - E-01
Curtain, Cushion & Pad Group	E-02 - E-07
Dinette Group	E-08 - E-09
Driver's Compartment Group	E-10 - E-12
Electrical Group	E-13 - E-16
Exterior Body Group	E-16 - E-20
Galley Group	E-21 - E-24
Heating & Air Conditioning Group	F-01 - F-02
Interior Finish Group	F-03 - F-05
Labels Group	F-06 - F-12
LP Group	F-13
Lounge Group	F-14 - F-16
Sealants & Fasteners Group	F-17 - F-19
Water & Sewage Group	F-20 - F-22
Window, Vent & Exterior Door Group	F-23 - G-08

## ELECTRICAL GROUP

### MISCELLANEOUS ELECTRICAL COMPONENTS

Key	Part Number	U/M	Description
	072852-01-000	EA	Smoke Detector w/9 Volt Battery
	092615-01-000	EA	Converter - 40 Amp. w/Charger (Export)
	054808-01-000	EA	Load Center - 240 Volt - 125 Amp. (Export)
	093208-01-000	EA	Control Center - 32 Amp. - 120V/12V

### WIRES, SWITCHES, & RECEPTACLES

Key	Part Number	U/M	Description
	008288-01-000	EA	Box - Electrical - 3" x 3.5" - Plastic
	091910-01-000	EA	Box - Electrical - 3.75" x 3.5" x 1.75" - Plastic
	093803-01-000	EA	Box - Electrical - 4" x 2 1/8" x 2 1/8"
	008289-01-000	EA	Box - Electrical - 4" x 4" - 1/2 & 3/4 Steel
	008289-02-000	EA	Box - Electrical - 4" x 4" (CSA)
	041953-01-000	FT	Conduit - Convolute Slt - .5" ID
	041953-03-000	FT	Conduit - Convolute Slt - 1" ID
	041953-06-000	FT	Conduit - Convolute Slt - .375"
	041953-07-000	FT	Conduit - Convolute Slt - .25" ID
	008355-01-000	EA	Connector - Cable Clamping - 3/4"
	008356-01-000	EA	Connector - Plastic - 3/8" Avg.
	050028-01-000	EA	Connector - Pigtail - Clear Nylon
	008311-01-000	EA	Connector - Wire Nut - Red
	008314-01-000	EA	Connector - Wire Nut - Gray
	008054-01-000	EA	Cord - Power - 10-3 30 Amp. - 25'
	008052-01-000	EA	Cord - Power - 10-3 30 Amp. (CSA)
	099238-01-000	EA	Cover - Electrical Box - w/Hole - 4" x 4" - Gray
	100258-10-01A	EA	Hourmeter
	063910-01-000	EA	Housing - Relay
	088474-08-000	EA	Housing - Socket - 4 Position (Single Row)
	088474-09-000	EA	Housing - Socket
	097744-02-000	EA	Housing - Trailer Pin - 48"
	064398-01-000	EA	Housing - Trailer Receptacle
	064450-01-000	EA	Housing - Trailer Plug
	097746-01-000	EA	Housing Asm. - Trailer Cap
	097745-01-000	EA	Housing Asm. - Trailer Receptacle - 12"
	097745-02-000	EA	Housing Asm. - Trailer Receptacle - 48"
	088473-05-000	EA	Housing Pin - 6 Position In Line
	088473-06-000	EA	Housing Pin - 6 Position
	088473-01-000	EA	Housing Pin - 4 Rows of 3
	088473-09-000	EA	Housing Pin - 3 Position
	088473-10-000	EA	Housing Pin - 2 Position
	088475-01-000	EA	Pin - Connector
	075736-02-000	EA	Receptacle/Cover Asm. - Off White (Exterior)
	084077-01-000	EA	Receptacle Cover - Ivory (Ground Fault Interrupter)
	084076-01-000	EA	Receptacle - 15 Amp. - 125 Volt - Ivory (Ground Fault Interrupter)
	024824-02-000	EA	Receptacle - Power Cord
	058707-01-000	EA	Receptacle - Single - Brown
	007940-01-000	EA	Receptacle - Slide - 16 to 12 Awg.
	058708-01-000	EA	Receptacle - Double Electrical - Brown
	058708-02-000	EA	Receptacle - Double Electrical - Ivory
	097734-01-01A	EA	Receptacle - Extension - 3.2" x 5" x 7" - Plastic - Ivory
	095188-01-01A	EA	Spacer - Switch - 2.3" x 3.4" - Dark Brown

## ELECTRICAL GROUP (CONTINUED)

### WIRES, SWITCHES & RECEPTACLES (CONTINUED)

Key	Part Number	U/M	Description
	088474-08-000	EA	Socket Housing - 6 Position
	088478-01-000	EA	Socket - Connector
	008188-01-000	EA	Solenoid - 3 Post - Battery Charge Over
	090971-01-000	EA	Splice - Cable - 110V
	090971-02-000	EA	Splice - Cable - 110V - Tap
	024461-01-000	EA	Switch - Battery
	088361-02-01A	EA	Switch Plate - 2 Gang - Polished Brass
	079384-01-000	EA	Switch - On/Off Rocker - Brown
	007942-01-000	EA	Tab - 18 to 14 Awg. Wire
	007949-01-000	EA	Tab - 14 to 10 Awg. Wire
	047443-01-000	EA	Terminal - .250 Receptacle Ft - Insulated - 18/14 AWG
	047443-02-000	EA	Terminal - .250 Receptacle Ft - Insulated - 12/10 AWG
	008328-01-000	EA	Terminal Ring - 18/14 Wire - 3/8" Stud
	035418-04-000	EA	Terminal Ring - #10 Stud Ft
	008328-01-000	EA	Terminal Ring - 12/10 Wire
	008348-01-000	EA	Terminal Ring - 2 - 3/8 Stud
	008331-01-000	EA	Terminal Ring - 4 - 3/8 Stud
	093252-01-01A	EA	Wall Plate - Cable - Beige
	008026-01-000	FT	Wire - 12/2 Romex w/Ground
	008343-01-000	EA	Wire Tie - 8"
	097618-01-000	EA	Wire Asm. - Monitor Panel - w/4 Wires and Black Resistor

### EXTERIOR LIGHTS

Key	Part Number	U/M	Description
	042405-01-000	EA	Lens - Side Marker/Clearance Light - w/Reflex - Red
	042405-02-000	EA	Lens - Side Marker Light - w/Reflex - Amber
	042405-03-000	EA	Base - Clearance Light - Rectangular
	091983-01-000	EA	Gasket - Light - Side Marker
	008213-01-000	EA	Bulb - 12 Volt - #57
	082740-04-000	EA	Wedge - Tail Light - Plastic - Passenger Side - Off White
	082742-04-000	EA	Wedge - Tail Light - Plastic - Driver Side - Off White
	007309-01-000	EA	Light - License Plate
	059540-01-000	EA	Bracket - License Plate
	058032-02-000	EA	Tail Lamp - 2 Bulb - Black Bezel
	058032-02-700	EA	Lens - Tail Lamp - w/Backup - Red
	058032-02-701	EA	Lens - Tail Lamp - w/o Backup - Red
	037935-01-000	EA	Bulb - Tail Lamp - #1157 - 12 Volt
	097917-01-01A	EA	Light - Porch/Entry Door - Off White (US)
	097917-01-700	EA	Lens - Porch Light
	100138-01-000	EA	Module - Daytime Running Lights (CSA)
	100158-02-000	EA	Wire Asm. - Daytime Running Lights - w/Fuse (CSA)

### INTERIOR LIGHTS

Key	Part Number	U/M	Description
	007309-01-000	EA	Light - Step Well - Round - 12V
	088024-01-01A	EA	Dome Light - 1 Bulb - Ivory
	088024-03-01A	EA	Dome Light - 2 Bulb - Ivory
	088024-01-700	EA	Lens - Dome Light
	008218-01-000	EA	Bulb - Dome Light - 12 Volt - #1141
	086280-01-000	EA	Light - Surface Mount - 12 Volt
	086280-01-700	EA	Bulb - 12 Volt - 6 Watt

## 1991 ITASCA TABLE OF CONTENTS

INTRODUCTION	A-01 - A-02
ABBREVIATIONS	A-03
ALPHABETICAL/GROUP REFERENCE	A-04 - A-06
IF327RT	A-07 - D-14
IF327RB	D-15 - G-10
IF327RO	G-11 - J-18

## 1991 IF327RR INDEX

Floor Plan	D-15 - D-16
Accessories Group	D-17 - D-19
Bath Group	D-20 - D-21
Chassis Group	D-22 - E-01
Curtain, Cushion & Pad Group	E-02 - E-07
Dinette Group	E-08 - E-09
Driver's Compartment Group	E-10 - E-12
Electrical Group	E-13 - E-16
Exterior Body Group	E-16 - E-20
Galley Group	E-21 - E-24
Heating & Air Conditioning Group	F-01 - F-02
Interior Finish Group	F-03 - F-06
Labels Group	F-06 - F-12
LP Group	F-13
Lounge Group	F-14 - F-16
Sealants & Fasteners Group	F-17 - F-19
Water & Sewage Group	F-20 - F-22
Window, Vent & Exterior Door Group	F-23 - G-08

## ELECTRICAL GROUP (CONTINUED)

### BULBS

Key	Part Number	U/M	Description
	08288-01-709	EA	Bulb - 812 (Stove Hood)
	008215-01-000	EA	Bulb - 1003 (Porch Light)
	008218-01-000	EA	Bulb - 1141 (Home Light)
	037934-01-000	EA	Bulb - 1158 (Back-Up Light)
	037935-01-000	EA	Bulb - 1157 (Tail Lamp)
	084880-01-706	EA	Bulb - DC Light (Refrigerator) (Export)
	086737-01-710	EA	Bulb - 30W (Microwave Oven)
	038198-01-000	EA	Bulb - 194 (Clearance Light)
	086280-01-700	EA	Bulb - 12 Volt - 8 Watt (Surface Light)

### FUSES & CIRCUIT BREAKERS

Key	Part Number	U/M	Description
	008235-01-000	EA	Fuse - 12 Volt - 15 Amp.
	082901-05-000	EA	Fuse - 15 Amp. - Automotive
	008211-01-000	EA	Circuit Breaker - 8 Amp. - 12 Volt
	083209-01-000	EA	Circuit Breaker - 15 Amp. 120 Volt
	033573-02-000	EA	Circuit Breaker w/Mount - 15 Amp. - 12 V
	083209-02-000	EA	Circuit Breaker - 15/15 Amp. - 120 Volt
	083209-03-000	EA	Circuit Breaker - 15/20 mp. - 120 Volt
	033573-01-000	EA	Circuit Breaker - 20 Amp. - 12 Volt
	094811-01-000	EA	Circuit Breaker - 20/20 Amp. - 120 Volt
	008288-01-000	EA	Circuit Breaker - 30 Amp. - 12 Volt
	083209-04-000	EA	Circuit Breaker - 20 Amp. - 120 Volt
	083209-06-000	EA	Circuit Breaker - 30/15 Amp. - 120 Volt
	094810-01-000	EA	Circuit Breaker - 30/30 Amp. - 120 Volt (Export)
	083209-08-000	EA	Circuit Breaker Blank
	050283-02-000	EA	Circuit Breaker - Buss Bar
	100341-01-000	EA	Fuse Holder - In Line Type

## EXTERIOR BODY GROUP

### MISCELLANEOUS EXTERNALLY MOUNTED PARTS

Key	Part Number	U/M	Description
	063658-03-000	EA	Plumbing Seal - Roof Vent - 1.5
	009128-02-000	EA	Assist Handle - Black
	087859-04-000	EA	FW - City Water - Off White
	088382-06-000	EA	Tube - Support - Floor to Valance - 17"
	078735-02-000	EA	Cover - Exterior Receptacle - Off White
	102788-01-000	EA	Holder - Compartment Door - Metal
	048347-01-000	EA	Head - Mirror - 7 5/8" x 10.58" - Stainless Steel
	048347-01-700	EA	Glass - Mirror, Ext.
	082047-01-000	EA	Arm - West Coast Mirror
	008043-01-000	EA	Mirror - Exterior - Convex - Adhesive Backed

### SHEET FIBERGLASS, ALUMINUM & STYROFOAM

Key	Part Number	U/M	Description
	044487-01-001	EA	Aluminum - Mill Finish - No Design - 96" x 360" (Roof)
	001064-01-011	EA	Aluminum Sheet - 48" x 96" - Flat - Off White
	000868-01-000	SF	Styrofoam - 3/4" x 24" x 96"
	000870-03-000	SF	Styrofoam - 1.34" x 48" x 96"
	000870-06-000	SF	Styrofoam - .50" x 24" x 96"
	078054-C9-001	EA	Fiberglass Sheet - 36" x 240" - Off White
	078054-D3-001	EA	Fiberglass Sheet - 48" x 96" - Off White
	078054-D6-001	EA	Fiberglass Sheet - 60" x 288" - Off White

## 1991 ITASCA TABLE OF CONTENTS

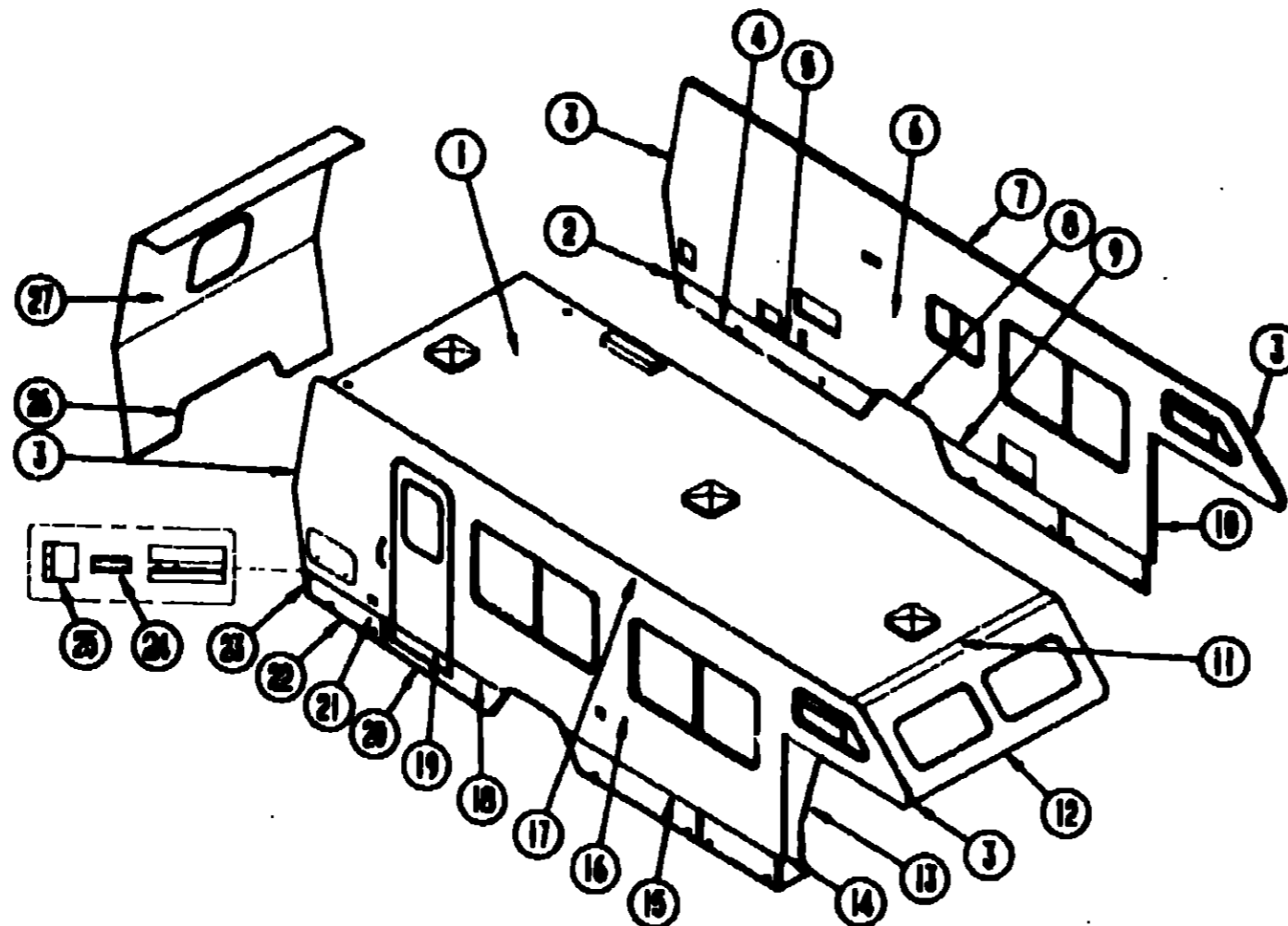
INTRODUCTION	A-01 - A-02
ABBREVIATIONS	A-03
ALPHABETICAL/GROUP REFERENCE	A-04 - A-08
IF327RT	A-07 - D-14
IF327RB	D-15 - G-10
IF327RQ	G-11 - J-16

## 1991 IF327RB INDEX

Floor Plan	D-16 - D-18
Accessories Group	D-17 - D-19
Bath Group	D-20 - D-21
Chassis Group	D-22 - E-01
Curtain, Cushion & Pad Group	E-02 - E-07
Dinette Group	E-08 - E-09
Driver's Compartment Group	E-10 - E-12
Electrical Group	E-13 - E-15
Exterior Body Group	E-16 - E-20
Galley Group	E-21 - E-24
Heating & Air Conditioning Group	F-01 - F-02
Interior Finish Group	F-03 - F-05
Labels Group	F-06 - F-12
LP Group	F-13
Lounge Group	F-14 - F-16
Sealants & Fasteners Group	F-17 - F-19
Water & Sewage Group	F-20 - F-22
Window, Vent & Exterior Door Group	F-23 - G-09

## EXTERIOR BODY GROUP (CONTINUED)

### EXTERIOR BODY PANELS



Key	Part Number	U/M	Description
1	M98700-01-B27	EA	Roof Asm. (Special Order Item)
**1	M99700-02-B27	EA	Roof Asm. (Special Order Item)
	055278-01-000	FT	Tubing - steel, .75" x 1.5"
	098703-01-B27	EA	Sleeperboard - Ovhd Cab 288"
2	097907-05-02A	EA	Filler - Valance Panel - Rear - Off White
3	098854-01-01A	EA	Trim - Contour - Off White
4	098393-10-B05	EA	Valance Asm. - Rear (Hinged)
*5	098816-02-01A	EA	Trim - Sidewall - Lower - 75.2" - Off White
6	P00499-01-B27	EA	Sidewall Asm. - Driver (Special Order Item)
7	098884-01-01A	EA	Trim - Contour - Roof - Off White
8	098215-01-01A	EA	Trim - Wheelwell - Rear - Metal - Off White
*9	098817-01-01A	EA	Trim - Sidewall - To Valance - 102.9" - Off White
10	098970-02-01A	EA	Trim - Wingwall - Off White
	079280-01-01A	FT	Vinyl Insert - Contour Trim - 72" - Off White
	M98154-02-B05	EA	Wingwall - Driver Side w/Gusset (Ford)
	079203-03-000	EA	Trim - Wingwall - 14.2" - Off White
	098845-02-01A	EA	Trim - "L" Angled - Driver Wingwall - Off White
	098334-01-000	FT	Vinyl - Exterior Trim - Between Wingwall & Cab Seal - White
11	079580-01-000	EA	Trim - Roof to Front Cab
12	039844-09-000	EA	Trim - Sleeper Board - Off White
13	M98154-01-B05	EA	Wingwall - Passenger Side w/Gusset (Ford)
	079203-03-000	EA	Trim - Wingwall - 14.2" - Off White
	098845-01-01A	EA	Trim - "L" Angled - Passenger Wingwall - Off White
	098334-01-000	FT	Vinyl - Exterior Trim - Between Wingwall & Cab Seal - White

Key	Part Number	U/M	Description
14	098970-01-01A	EA	Trim - Wingwall - Off White
	079280-01-01A	EA	Insert - Vinyl, .72" - Off White
*15	098818-06-01A	EA	Trim - Sidewall - To Valance - 102.6" - Off White
	098362-08-000	EA	Tube - Support, Floor to Valance Panel - 17"
16	M98838-01-B27	EA	Sidewall Asm. - Passenger (Special Order Item)
17	100483-01-01A	EA	Trim - Contour - Roof (Awning) - Off White
18	098817-08-01A	EA	Trim - Sidewall - To Valance - 28.3" - Off White
19	002444-04-002	EA	Feature Strip w/o Insert - 15' Long - Off White
	001030-02-003	EA	Insert - Feature Strip - Stucco
	009731-01-000	EA	End Cap - Feature Strip
20	098898-02-B05	EA	Valance - Entry Door
21	098816-07-01A	EA	Trim - Sidewall - To Valance - 40.7" - Off White
22	098217-55-001	EA	U-Channel - Extrusion - 17.5' - Off White
	002728-01-001	EA	U-Channel, 1.38" x 18' - Serrated - Aluminum
	002754-01-001	EA	Angle - Extruded, .75" x .75" x 18' - Aluminum
23	097907-04-02A	EA	Filler - Valance Panel - Rear - Off White
24	001030-02-003	EA	Insert - Lower Sidewall Trim
25	098424-02-01A	EA	End Cap - Sidewall Trim - Rear (Passenger Side) & Front (Driver Side)
	098424-01-01A	EA	End Cap - Sidewall Trim - Rear (Driver Side) & Front (Passenger Side)
26	098197-02-01A	EA	Trim - Backwall - Lower - U-Channel - 1" Wide - Off White
	002385-01-000	EA	U-Channel, 1" x 18' - Serrated - Aluminum
27	P00382-01-B27	EA	Backwall Asm. (Special Order Item)
			See the inset illustration for additional parts.
**			These parts were used from 10/1/90 on.

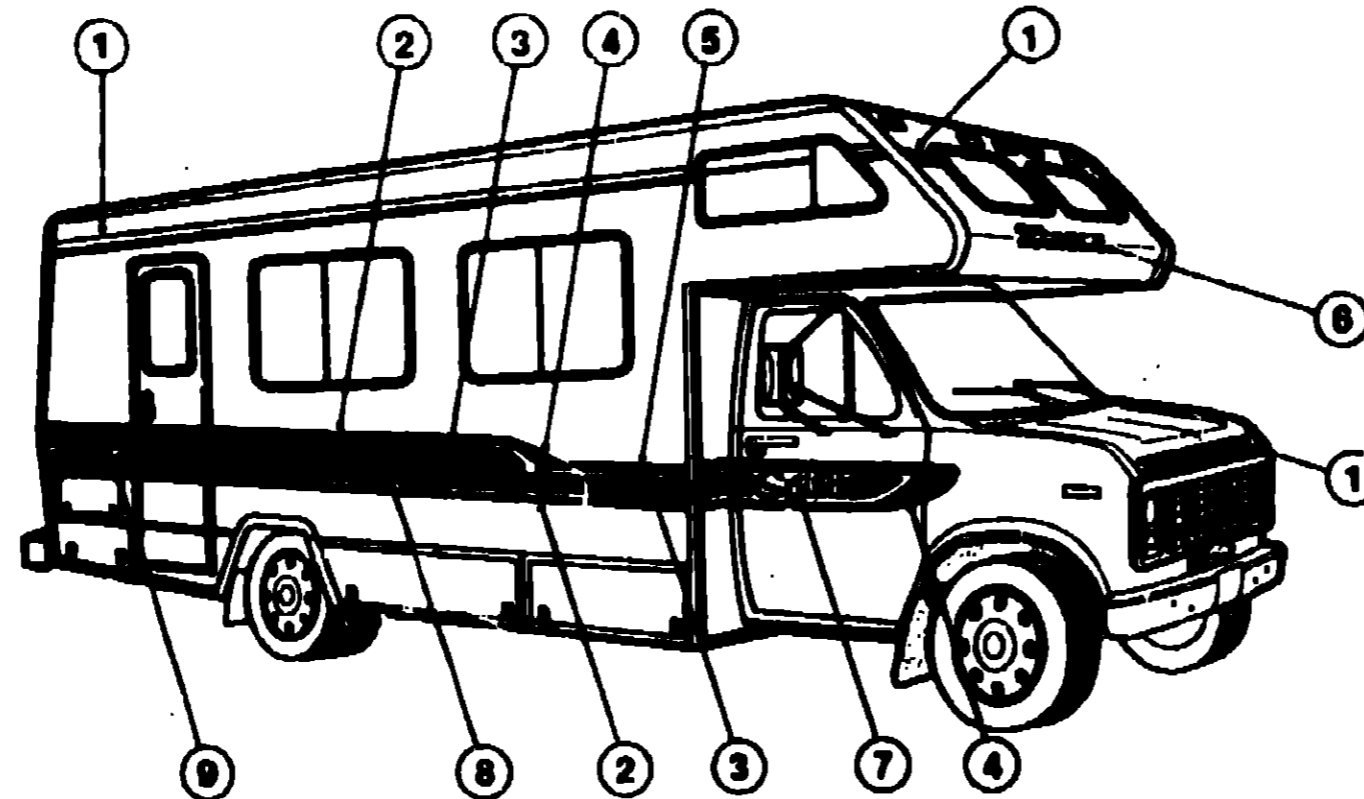
## 1991 ITASCA TABLE OF CONTENTS

INTRODUCTION	A-01 - A-02
ABBREVIATIONS	A-03
ALPHABETICAL/GROUP REFERENCE	A-04 - A-06
IF327RT	A-07 - D-14
IF327RB	D-15 - G-10
IF327RQ	G-11 - J-16

## 1991 IF327RB INDEX

Floor Plan	D-16 - D-16
Accessories Group	D-17 - D-18
Bath Group	D-20 - D-21
Chassis Group	D-22 - E-01
Curtain, Cushion & Pad Group	E-02 - E-07
Dinette Group	E-08 - E-09
Driver's Compartment Group	E-10 - E-12
Electrical Group	E-13 - E-15
Exterior Body Group	E-16 - E-30
Galley Group	E-21 - E-24
Heating & Air Conditioning Group	F-01 - F-02
Interior Finish Group	F-03 - F-05
Labels Group	F-06 - F-12
LP Group	F-13
Lounge Group	F-14 - F-16
Sealants & Fasteners Group	F-17 - F-19
Water & Sewage Group	F-20 - F-22
Window, Vent & Exterior Door Group	F-23 - G-09

**EXTERIOR BODY GROUP (CONTINUED)**  
DECALS & FILM STRIPE



Key	Part Number	U/M	Description
1	093680-23-01A	FT	Multistripe - 2 Lines, 3" Wide - Dark Blue & Light Blue
2	093681-16-01A	FT	Stripe - 1 Line, 1.25" Wide - Dark Blue
3	093681-16-01A	FT	Stripe - 1 Line, 5" Wide - Dark Blue
4	100039-02-01A	EA	Decal - Sweep, Passenger Side Front/Drivers Side Rear
	100039-01-01A	EA	Decal - Sweep, Passenger Side Front/Drivers Side Rear
5	093681-03-03A	FT	Stripe - 1 Line, 1.5" Wide - Light Blue
6	078191-03-000	EA	Decal - Logo, "Itasca" - Dark Blue
7	093565-10-04A	EA	Decal - Logo, "Spirit" - Dark Blue & Off White
8	093681-16-02A	FT	Stripe - 1 Line, 5" Wide - Light Blue
9	078852-17-000	EA	Decal - Logo, "Itasca" - 5.5" - Dark Blue & Off White
	084075-01-000	EA	Decal - "By Winnebago Ind." - Black (Backwall)

For your convenience here are the Dupont color codes that you can purchase locally:  
 Off White L8723  
 Black 89A  
 Dark Blue K9456  
 Light Blue K9457

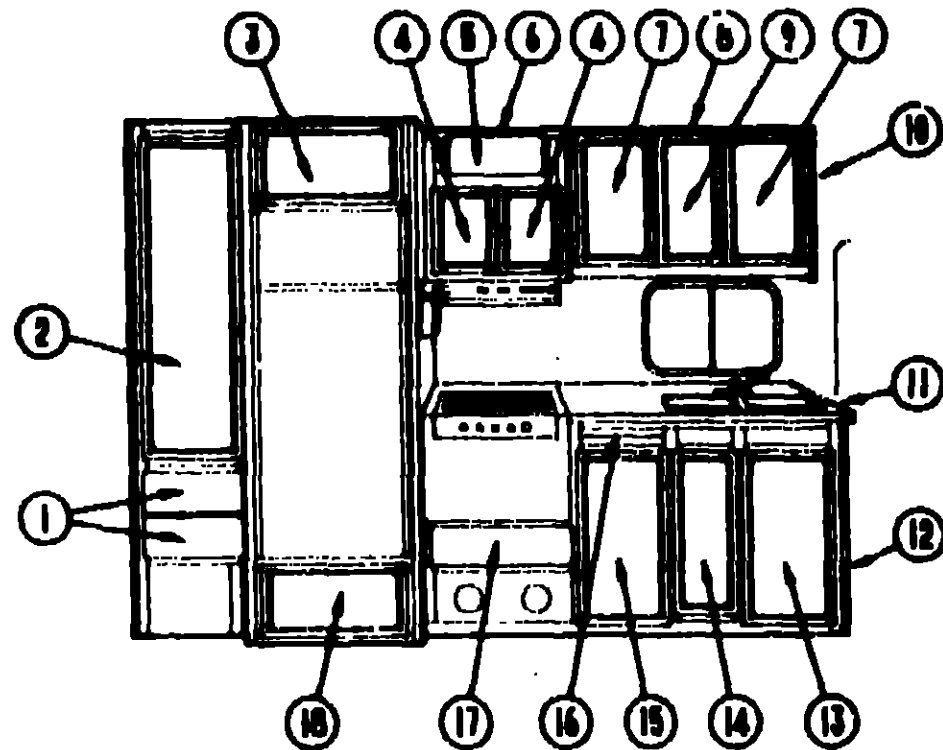
**1991 ITASCA  
TABLE OF CONTENTS**

INTRODUCTION	A-01 - A-02
ABBREVIATIONS	A-03
ALPHABETICAL GROUP REFERENCE	A-04 - A-05
IF327RT	A-07 - D-14
IF327RB	D-15 - G-16
IF327RQ	G-11 - J-10

**1991 IF327RB INDEX**

Floor Plan	D-15 - D-16
Accessories Group	D-17 - D-19
Bath Group	D-20 - D-21
Chassis Group	D-22 - E-01
Curtain, Cushion & Pad Group	E-02 - E-07
Dinette Group	E-08 - E-09
Driver's Compartment Group	E-10 - E-12
Electrical Group	E-13 - E-15
Exterior Body Group	E-16 - E-30
Galley Group	E-21 - E-24
Heating & Air Conditioning Group	F-01 - F-02
Interior Finish Group	F-03 - F-05
Labels Group	F-06 - F-12
LP Group	F-13
Lounge Group	F-14 - F-16
Seats & Fasteners Group	F-17 - F-19
Water & Sewage Group	F-20 - F-22
Window, Vent & Exterior Door Group	F-23 - G-09

**GALLEY GROUP**



**GALLEY CABINERY**

Key	Part Number	U/M	Description
1	P00145-07-B27	EA	Drawer Asm. - Pantry Cabinet - w/o Hardware
11	P03397-49-B27	EA	Drawer Asm. - Pantry Cabinet - w/o Hardware
2	P00099-61-B27	EA	Door Asm. - Pantry Cabinet - 15.3" x 49.2" - w/o Hardware
3	P00099-27-B27	EA	Door Asm. - Refrigerator Cabinet - 12" x 22" - w/o Hardware
4	P00099-24-B25	EA	Door Asm. - Galley Overhead - 14.4" x 10.8" - w/o Hardware
5	P00099-88-B25	EA	Door Asm. - Galley Overhead - 7.8" x 21.85" - w/o Hardware
6	M04188-01-B27	EA	Cabinet Asm. - Over Range - w/o Doors or Hardware
6	M04188-03-B27	EA	Cabinet Asm. - Microwave - w/o Doors or Hardware
	081280-33-B27	EA	End Cap - Microwave Cabinet
7	P00099-55-B27	EA	Door Asm. - Galley Overhead - 21.8" x 13.4" - w/o Hardware
8	P00208-01-B27	EA	Cabinet Asm. - Overhead - w/o Doors or Hardware
9	P00099-40-B27	EA	Door Asm. - Galley Overhead - 11" x 21.9" - w/o Hardware
10	081280-35-B27	EA	End Cap - Galley Overhead Cabinet
11	098731-11-B05	EA	Countertop - Galley Cabinet
12	M98731-01-B27	EA	Cabinet Asm. - Galley - w/Countertop - w/o Doors or Hardware
13	P00099-13-B25	EA	Door Asm. - Galley Cabinet - 26.7" x 14.4" - w/o Hardware
14	P00099-87-B27	EA	Door Asm. - Galley Cabinet - 10" x 25" - w/o Hardware
15	P00099-14-B27	EA	Door Asm. - Galley Cabinet - 14.4" x 26.7" - w/o Hardware
16	099441-01-B27	EA	Cutting Board - Pullout
17	P00145-06-B27	EA	Drawer Asm. - Galley Cabinet
17	P03397-50-B27	EA	Drawer Asm. - Galley Cabinet
18	P00099-74-B27	EA	Door Asm. - Furnace - 10" x 25.2" - w/o Hardware

1 These parts are used from 3/31/91 on.

**GALLEY GROUP (CONTINUED)**

**GALLEY HARDWARE**

Key	Part Number	U/M	Description
	084745-01-01A	EA	Trim - Microwave - Lower
	084774-01-01A	EA	Trim - Microwave - Either Side - .5"
	084774-03-01A	EA	Trim - Microwave - Either Side - 1.5"
	082383-03-000	EA	Bracket - Microwave
	084750-01-000	EA	Bracket - Microwave - 90°
	088918-03-01A	EA	Brace - Microwave Cabinet - Left
	088918-04-01A	EA	Brace - Microwave Cabinet - Right
	084073-03-000	EA	Vent - Refrigerator - Roof - Off White
	084073-04-000	EA	Base - Roof Vent - Norcold Refrigerator - Black
	084480-01-000	EA	Level - Refrigerator
	084878-08-000	EA	Vent - Range Hood - Short
	088437-01-000	EA	Strainer - w/Basket - Sink
	088437-01-700	EA	Basket - Strainer
	011063-04-000	EA	Faucet - w/Swing Spout - 8"
	011063-01-700	EA	Aerator - Swing Spout Faucet
	091253-01-000	EA	Gasket - Faucet
	090329-01-000	FT	Seal - Refrigerator Cabinet
	098884-01-000	EA	Sink - Galley - Double w/Mounting Hardware - Stainless Steel
	081830-01-B06	EA	Sink Cover
	037888-03-000	EA	Slide - Center (Drawer)
	100030-01-000	EA	Pull - Cabinet
	077408-02-000	EA	Slide - Plastic Drawer - 20.75"
	081710-01-000	EA	Slide - Plastic Drawer
	102827-03-000	EA	Rollers - Nylon
	102827-04-000	EA	Bracket - Rear Mounting
	102827-05-000	EA	Track - Drawer - 22.5"
	098980-01-000	EA	Plaster - Adjustable Shelf - 18" Long
	098980-04-000	EA	Plaster - Adjustable Shelf - 48" Long

**GALLEY APPLIANCES**

Key	Part Number	U/M	Description
	102022-01-01A	EA	Range - 4 Burner - Magic Chef - BT16RA-4-49
	102022-01-02A	EA	Range - 4 Burner - Magic Chef - BT16RA-4Z
	102020-01-701	EA	Handle, Door
	102020-01-702	EA	Panel, Mainfold
	102022-01-700	EA	Panel, Door (Black) Spec 49 (BT16RA-4-49)
	055282-04-700	EA	Panel - Oven Door - Almond (BT16RA-4Z)
	102020-01-700	EA	Shelf - Oven
	055282-03-707	EA	Trim (Right)
	102022-01-707	EA	Trim (Right) Flat
	055282-03-705	EA	Trim (Left)
	102022-01-708	EA	Trim (Left) - Flat
	102020-01-708	EA	Burner Assembly (Oven)
	102020-01-709	EA	Bumper, Grate
	102020-01-711	EA	Grate, Top
	102020-01-712	EA	Knob - Burner Valve
	102020-01-713	EA	Knob - Thermostat
	102020-01-714	EA	Pilot - Oven
	102022-01-702	EA	Pipe - Manifold
	102022-01-703	EA	Regulator - Pressure
	102022-01-704	EA	Glass - Outer (BT16RA-4Z)
	102020-01-717	EA	Thermostat
	102020-01-718	EA	Top - Main (Almond)
	102020-01-720	EA	Valve - Mercury Control
	102020-01-721	EA	Valve - Shut Off
	102020-01-722	EA	Valve - Top Burner
	102020-01-724	EA	Bumper - Main Top

These parts are used from 3/11/91 on.

NOTE: Items indented below assemblies are serviceable parts for that assembly.

**1991 ITASCA  
TABLE OF CONTENTS**

INTRODUCTION	A-01 - A-02
ABBREVIATIONS	A-03
ALPHABETICAL/GROUP REFERENCE	A-04 - A-08
IF327RT	A-07 - D-14
IF327RB	D-15 - G-10
IF327RQ	G-11 - J-18

**1991 IF327RB INDEX**

Floor Plan	D-15 - D-16
Accessories Group	D-17 - D-19
Bath Group	D-20 - D-21
Chassis Group	D-22 - E-01
Curtain, Cushion & Pad Group	E-02 - E-07
Dinette Group	E-08 - E-09
Driver's Compartment Group	E-10 - E-12
Electrical Group	E-13 - E-15
Exterior Body Group	E-16 - E-20
Galley Group	E-21 - E-24
Heating & Air Conditioning Group	F-01 - F-02
Interior Finish Group	F-03 - F-06
Labels Group	F-08 - F-12
LP Group	F-13
Lounge Group	F-14 - F-16
Sealants & Fasteners Group	F-17 - F-18
Water & Sewage Group	F-20 - F-22
Window, Vent & Exterior Door Group	F-23 - G-08



## GALLEY GROUP (CONTINUED)

### GALLEY APPLIANCES (CONTINUED)

Key	Part Number	U/M	Description
	088248-02-000	EA	Refrigerator - 2 Way (Norcold 878-EG2)
	084879-03-700	EA	Cooling Unit - Horizontal Burner
	084473-03-719	EA	Flue - Horizontal Burner
	088248-01-709	EA	Heater - AC (Horizontal)
	075217-01-737	EA	Control Module
	088248-01-701	EA	Insert - Control Panel (3 Way)
	084880-01-715	EA	Valve - Shut Off Manual
	084880-01-713	EA	Connector - Male Insert Fitting
	084880-01-705	EA	Orifice
	088248-01-706	EA	Burner (Horizontal)
	088248-01-708	EA	Electrode - Ignition
	088248-01-712	EA	Frame - Door - Lower
	075217-01-700	EA	Trim - Shelf - Upper Door
	084472-01-744	EA	Dairy Keeper
	084472-02-718	EA	Trim - Cabinet Top - Brown
	084472-01-727	EA	Hinge - Upper - Right
	048955-01-713	EA	Pin - Hinge
	088248-01-715	EA	Tray - Drip - Almond
	084472-03-700	EA	Pin - Hinge - Bottom
	084472-01-728	EA	Hinge - Lower - Right
	084472-01-731	EA	Cover - Crisper
	075217-01-713	EA	Drawer - Crisper
	084472-01-726	EA	Frame - Strip - Cabinet - Left
	088248-01-714	EA	Cabinet Asm. - Foamed - Almond
	084472-01-727	EA	Hinge - Upper - Right
	084472-01-728	EA	Hinge - Lower - Right
	088248-02-700	EA	P/C Board - 2 Way
	088248-02-701	EA	Insert - Control Panel - Lower
	100258-01-01A	EA	Hood Range - w/o Monitor Panel - (US)
	100258-02-01A	EA	Hood Range - w/o Monitor Panel - (CSA) (Option L265)
	100258-03-01A	EA	Hood Range - w/o Monitor Panel - (Used with generator options)
	092696-01-710	EA	Socket - Light
	092696-01-709	EA	Bulb - #912
	090973-01-700	EA	Motor
	090973-01-702	EA	Blade - Fan
	096983-01-707	EA	Filter - Grease - 8" x 8"
	100258-10-01A	EA	Hourmeter (CSA)
	096983-01-702	EA	Switch - 2 Way - Momentary
	096983-01-700	EA	Switch - On/Off
	096983-01-708	EA	Lens Lamp
	097618-01-000	EA	Wire Asm. - Monitor Panel

## GALLEY GROUP (CONTINUED)

### GALLEY APPLIANCES (CONTINUED)

Key	Part Number	U/M	Description
	091289-04-000	EA	Oven - Microwave - Magic Chef
	055282-04-000	EA	Range - 4 Burner w/Oven - Magic Chef
	055282-03-708	EA	Bumper - Main Top - Plastic Plug
	049045-01-742	EA	Burner Asm. - Oven
	084782-02-718	EA	Clip - Grate
	055282-03-702	EA	Knob - Thermostat
	081374-02-701	EA	Regulator - Pressure
	055282-03-700	EA	Thermostat
	049045-01-703	EA	Valve - Top - Burner
	084782-02-705	EA	Handle - Oven Door - Black
	049045-01-728	EA	Broiler Pan - w/o Insert
	098507-02-700	EA	Filter - Pilot
	098507-02-701	EA	Insert - Burner (Slotted Vent)
	084782-02-701	EA	Shield - Deflector Flue - Black
	049045-01-741	EA	Insert - Broiler Pan
	084782-02-710	EA	Bracket - Front Glass
	084782-02-712	EA	Grate - Top - Burner - Square Holes
	084782-02-714	EA	Fitting - Pipe Nipple - 1/8"
	098507-01-701	EA	Top - Main - Almond
	084782-02-708	EA	Valve - Mercury Control
	055282-04-700	EA	Panel - Oven Door - Almond
	098507-02-707	EA	Top - Main - Ebony
	083752-01-000	EA	Shroud Asm. - Range
	097617-01-01A	EA	Panel - Monitor - Almond
	097617-01-700	EA	Plate - Cover
	097617-01-701	EA	Switch - On/Off - Almond
	097617-01-702	EA	Switch - 1 Way - Almond
	097617-01-703	EA	Circuit Board
	097618-01-000	EA	Wire Asm. - Monitor Panel - w/4 Wires & Black Resistor

## 1991 ITABCA TABLE OF CONTENTS

INTRODUCTION	A-01 - A-02
ABBREVIATIONS	A-03
ALPHABETICAL/GROUP REFERENCE	A-04 - A-08
IF327RT	A-07 - D-14
IF327RB	D-15 - G-10
IF327RQ	G-11 - J-18

## 1991 IF327RB INDEX

Floor Plan	D-15 - D-16
Accessories Group	D-17 - D-19
Bath Group	D-20 - D-21
Chassis Group	D-22 - E-01
Curtain, Cushion & Pad Group	E-02 - E-07
Dinette Group	E-08 - E-09
Driver's Compartment Group	E-10 - E-12
Electrical Group	E-13 - E-16
Exterior Body Group	E-18 - E-20
Galley Group	E-21 - E-24
Heating & Air Conditioning Group	F-01 - F-02
Interior Finish Group	F-03 - F-06
Labels Group	F-08 - F-12
LP Group	F-13
Lounge Group	F-14 - F-16
Sealants & Fasteners Group	F-17 - F-19
Water & Sewage Group	F-20 - F-22
Window, Vent & Exterior Door Group	F-23 - G-09

## HEATING & AIR CONDITIONING GROUP

## HEATING & AIR CONDITIONING GROUP (CONTINUED)

### FURNACES & REPAIR PARTS

Key	Part Number	U/M	Description
	098668-02-000	EA	Furnace - 30,000 BTU - Suburban
	098668-02-700	EA	Burner Asm. - Complete
	098668-01-702	EA	Electrode
	069634-01-733	EA	Relay - Time Delay
	098668-01-709	EA	Motor Asm.
	098668-01-711	EA	Wheel - Room Air
	092300-02-702	EA	Microswitch Asm.
	098668-01-706	EA	Wheel - Combustion Air
	098668-01-707	EA	Vent Cap & Exhaust Tube Asm.
	098668-01-704	EA	Valve
	098668-01-701	EA	Cabinet Asm.
	098668-01-700	EA	Cabinet - Front
	098668-01-705	EA	Switch - Limit
	092300-02-701	EA	Orifice - Main Burner
	092300-01-704	EA	Gasket - Electrode
	098668-01-712	EA	Board Mod. '1
	075696-02-709	EA	Disc - Glass
	098668-01-710	EA	Blower Asm. (Room Air)
	098668-01-708	EA	Blower Asm. (Combustion Air)
	075696-02-703	EA	Collar - Duct
	093365-01-030	EA	Thermostat - Wall - Furnace

NOTE: Items indented below assemblies are serviceable parts for that assembly.

### ROOF AIR CONDITIONER & PARTS

Key	Part Number	U/M	Description
	093764-01-000	EA	Ceiling Asm. - Air Conditioner - Cool Only (Option 29)
	042204-01-709	EA	Thermostat In - 64, Out - 58
	042205-01-702	EA	Thermostat In - 89, Out - 58
	073742-01-701	EA	Selector Switch (5 - Terminal)
	073742-01-702	EA	Decal - Cool Only
	073742-01-703	EA	Decal - Heat & Cool
	081606-01-708	EA	Limit Switch (Open 160, Close 110)
	091225-01-713	EA	Knob (2 Per Package)
	076303-01-707	EA	Filter - 6" x 14 3/4" x 1/2" (12 Per Package)
	091225-01-717	EA	Decal (Thermostat) Cool Only
	081606-01-712	EA	Ceiling Shroud (Ivory)
	093763-01-705	EA	Decal - Heat/Cool - Thermostat
	093763-01-706	EA	Heat Element
	093763-01-710	EA	Single Parts Package
	093763-01-04A	EA	Air Conditioner - 110 Volt - Roof Mount - 13,500 BTU - Off White (Option 29)
	093763-04-700	EA	Shroud - Roof A/C - w/o Logos
	093763-01-711	EA	Gasket - Package
	093763-01-712	EA	Fan Blade - Condenser
	093306-01-701	EA	Decal Package - Left & Right
	073742-02-704	EA	Run Capacitor (Compressor)
	091225-01-710	EA	Start Capacitor
	091225-01-709	EA	Start Relay
	076303-01-712	EA	Motor
	093763-01-702	EA	Overload
	093763-01-703	EA	Impellor - 7" Dia. x 2.8" Wide
	093763-01-704	EA	Capacitor - Fan
	093763-01-707	EA	Evaporator Coil
	093763-01-706	EA	Condenser Coil
	093763-01-713	EA	Compressor - E Series
	084077-03-000	EA	Cover - Blank - Roof A/C - Ivory
	092441-01-000	EA	Ceiling Asm. - Air Conditioner - 220 Volt (European) (Option 29)
	092440-01-000	EA	Air Conditioner - 220 Volt - Roof Mount - 13,500 BTU (European) (Option 29)

NOTE: Items indented below assemblies are serviceable parts for that assembly.

### REAR HEATER (OPTION 53G)

Key	Part Number	U/M	Description
	084405-01-000	EA	Rear Heater Asm. - w/o Switch
	084405-01-700	EA	Heater Core
	084405-01-701	EA	Fan Blades
	084405-01-702	EA	Motor Asm.
	084404-01-000	EA	Switch - Off/Low/Medium/High - Heater
	082401-04-300	EA	Clamp - Hose - Wormgear
	007108-01-000	EA	Hose - Heater - 5/8 ID SAE
	083081-01-000	EA	Hose Formed
	076776-01-000	EA	Tee - Barb - 5/8" x 5/8" x 5/8"
	083810-01-000	EA	Clamp - Wire Dual - Unequal Diameters - .75" x 1.25"
	039198-01-000	FT	Duct - Heat Flexible - 4" ID
	023146-01-000	EA	Clamp - Screw Type - 4"
	069636-02-000	EA	Connector - Duct - 4" ID
	007108-01-000	EA	Heater Hose - 5/8" ID
	009200-01-000	EA	Furnace Tape - 1 1/2"
	058484-05-000	EA	Register - Plastic - w/o Damper - 4" Dia. - Golden
	088753-01-000	EA	Tube - Aluminized Steel - 5/8" - 18 Gauge
	097967-01-000	EA	Switch - Off/Low/Medium/High - Heater
	084410-01-000	EA	Decal - Rear Auto Heater
	098076-01-000	EA	Decal - Auto Air & Rear Heater
	084374-01-000	EA	Bracket - Switch - Heater
	084374-02-000	EA	Bracket - Switch - Heater

NOTE: Items indented below assemblies are serviceable parts for that assembly.

## 1991 ITASCA TABLE OF CONTENTS

INTRODUCTION	A-01 - A-02
ABBREVIATIONS	A-03
ALPHABETICAL/GROUP REFERENCE	A-04 - A-06
IF327RT	A-07 - D-14
IF327RB	D-15 - G-10
IF327RQ	G-11 - J-16

## 1991 IF327RB INDEX

Floor Plan	D-15 - D-16
Accessories Group	D-17 - D-19
Bath Group	D-20 - D-21
Chassis Group	D-22 - E-01
Curtain, Cushion & Pad Group	E-02 - E-07
Dinette Group	E-08 - E-09
Driver's Compartment Group	E-10 - E-12
Electrical Group	E-13 - E-15
Exterior Body Group	E-16 - E-20
Galley Group	E-21 - E-24
Heating & Air Conditioning Group	F-01 - F-02
Interior Finish Group	F-03 - F-05
Labels Group	F-06 - F-12
LP Group	F-13
Lounge Group	F-14 - F-16
Sealants & Fasteners Group	F-17 - F-19
Water & Sewage Group	F-20 - F-22
Window, Vent & Exterior Door Group	F-23 - G-09

## INTERIOR FINISH GROUP

### INTERIOR MOLDINGS & TRIMS

Key	Part Number	U/M	Description
	081284-02-000	EA	Molding - Shelf - Knotted Wood - 8' Long
	083620-08-000	FT	T-Molding - End Cap - Edge - 3/4" - Reber Birch
	083620-08-000	FT	T-Molding - End Cap - Edge - 3/4" - Western Oak
	009815-09-000	FT	T-Molding - .75" - Ivory
	009809-21-000	EA	F-Molding - Outside Corner - 1" - Plastic
	009812-21-000	EA	Molding - Plastic Corner - Outside - 1/2" - Brown
	009812-22-000	EA	Molding - Plastic Corner - Outside - 1/2" - Brown
	022992-11-000	FT	Molding - Reverse Cove - T-Shaped - Vinyl - Ivory
	070504-19-000	FT	U-Channel - .815" - Oak
	009778-12-000	FT	U-Channel - 1" - Country Forest
	009778-07-000	FT	U-Channel - 1" - Light Oak
	009767-12-000	FT	Welting - Antique White (Ceiling to Wall)
	100040-03-000	EA	Lumber - Vinyl Wrapped - 2" x 8' - Rambling Oak
	100040-01-000	EA	Lumber - Vinyl Wrapped - 1.5" x 8' - Rambling Oak
	100041-01-000	EA	Molding - Vinyl Wrapped - 1.5" x 84" - Rambling Oak
	100041-02-000	EA	Molding - Vinyl Wrapped - 2.5" x 84" - Rambling Oak
	074045-07-000	EA	Plug - Wood - 1/2"

These parts were used from 1/7/91 on.

### BATT STRIPS

Key	Part Number	U/M	Description
	069733-78-000	EA	Batt Strip - Rambling Oak - 8'
	085284-32-000	FT	Batt Strip - Rambling Oak - Tape Adhesive
	088263-48-000	EA	Batt Strip - Decorative - Plain - 8' (Wall)
	085284-35-000	FT	Batt Strip - Decorative - Plain - Tape Adhesive (Wall)
	088263-51-000	EA	Batt Strip - Crossilk Spatter - Beige (Ceiling)
	088263-50-000	EA	Batt Strip - Shower - 8'
	085284-38-000	FT	Batt Strip - Off White - Shower - Tape Adhesive

### PANELING & COUNTERTOP MATERIAL

Key	Part Number	U/M	Description
	074497-17-000	SF	Paneling - Oak - 48" x 84" (28 SF) (Cabinets)
	074497-18-000	SF	Paneling - Crossilk - 48" x 96" (32 SF) (Ceiling)
	074497-14-700	EA	Sealer - Stain - Ceiling
	089351-03-000	YD	Vinyl - Ceiling Diamond Design - 54" Wide
	088272-70-000	SF	Paneling - Decorative - Plain - 48" x 84" (28 SF) (Wall)
	088272-72-000	SF	Paneling - Travertine White - 48" x 84" (28 SF) (Shower)
	074498-36-000	SF	Plastic Laminate - Rose - 48" x 96" (32 SF)
	076325-30-000	FT	Molding - Edge Band - Rose
	076325-28-000	FT	Molding - Edge Band - Beige
	088272-81-000	SF	Paneling - Decorative - Plain (Main Wall)

These parts were used from 10/1/90 on.

## INTERIOR FINISH GROUP (CONTINUED)

### FABRICS & CARPETS

Key	Part Number	U/M	Description
	072333-79-000	YD	Fabric - Drapery - Dusty Blue (Privacy)
	072333-75-000	YD	Fabric - Drapery - Beige (Privacy)
	084418-25-000	YD	Fabric - Drapery Laminate - Driftwood (Pull Shades)
	098008-44-000	YD	Fabric - Upholstery - Main - Patterned (B27)
	098008-46-000	YD	Fabric - Upholstery - Main - Patterned (B28)
	098008-28-000	YD	Fabric - Upholstery - Accent - Plain (B27)
	098008-45-000	YD	Fabric - Upholstery - Accent - Plain (B28)
	098008-43-000	YD	Fabric - Upholstery - Accent - Patterned (B27)
	098008-42-000	YD	Fabric - Upholstery - Accent - Patterned (B28)
	072333-87-000	YD	Fabric - Speaker Cover
	075244-03-000	YD	Vinyl - Shower Curtain - Almond
	079880-09-000	YD	Vinyl - Off White (Headliner)
	103807-01-01A	YD	Vinyl - Off White (Headliner)
	029219-01-000	YD	Fabric - Vinyl - 54" - White
	098080-14-000	YD	Carpet - Delft Blue (B27)
	098080-15-000	YD	Carpet - Sand (B28)
	076314-02-000	FT	Tape - Heat Bonded - Carpet Seam
	047034-02-000	SF	Plastic Runner - Carpet - 4' Wide - Clear
	078539-01-000	EA	Trim - Carpet - Cab - Passenger - 29" Long
	078539-02-000	EA	Trim - Carpet - Cab - Driver - 29" Long
	093873-01-02A	EA	Trim - "J" - 12' Long - Vinyl - T
	085746-01-000	FT	Trim - "J" - Carpet - PVC - Beige - 10' Long
	087956-04-000	EA	Trim - Cab Carpet - Extruded - 12" x 25.4" - Black
	100659-01-B27	EA	Molding - Trim - Vinyl Floor

These parts were used from 4/17/91 on.

NOTE: Replace vinyl flooring locally.

### CABINERY & TABLE HARDWARE

Key	Part Number	U/M	Description
	053200-05-000	EA	Bracket - Table Support - Upper Wall Mount - 23.5" - Beige
	024275-05-000	EA	Rod - Table Lift - 8" x 23.5" - Beige
	084781-07-000	EA	Cup Holder - Two Stage - Beige
	068410-01-000	EA	Bracket - Lift - Table Mounted - Beige
	024281-06-000	EA	Bracket - Lift - Rod - Lower Wall Mount - Beige
	024276-21-000	EA	Leg Asm. - Table - Beige
	064050-03-000	EA	Clamp - Saddle - Leg Hinge - Tan
	024282-01-000	EA	Brace - Table Leg - Hinged
	024283-01-000	EA	Clip - Leg - 1" x 1.12" OD - Black
	059777-02-000	EA	Hinge - Antique Light Brass
	100030-01-000	EA	Pull - Cabinet Door
	098979-01-000	EA	Clip - Adjustable Shelf
	098980-01-000	EA	Pilaster - Adjustable Shelf
	074493-02-000	EA	Support - Sprung - Door
	004354-01-000	EA	Bumper - Cabinet Door - Rubber - Brown
	093586-03-000	EA	Catch - Spring - Roller
	093586-04-000	EA	Strike - Spring Steel
	072369-28-000	EA	Mesh - Expanded Aluminum - 14" x 10" - Bronze
	084070-01-000	EA	Center Post - Brass
	084070-02-000	EA	End Post - Brass
	084071-06-000	EA	Rod - Brass - 2.5"
	009112-01-000	EA	Flange - 1" - Clothes Rod - Plastic - Off White
	042438-01-000	EA	Wood Dowel - Clothes Rod - 1" Dia. x 4'
	041953-03-000	FT	Conduit - Convoluted Slit - 1" ID (Clothes Rod Cover)
	076840-01-000	EA	Hold Down Cord - Bungle - 24"
	062046-01-000	EA	Clip - Pedestal Leg
	077409-02-000	EA	Slide - Drawer - Plastic - 20.75"
	077404-02-000	EA	Plastic Drawer - 20" x 12.7" - Beige
	094067-01-01A	EA	Divider - Plastic Drawer
	065740-01-000	EA	Brace - Cabinet Corner - Plastic
	088252-02-000	FT	Trim - Chrome - 1" Wide w/Pressure Sensitive Backing

## 1991 ITASCA TABLE OF CONTENTS

INTRODUCTION	A-01 - A-02
ABBREVIATIONS	A-03
ALPHABETICAL/GROUP REFERENCE	A-04 - A-08
IF327RT	A-07 - D-14
IF327RB	D-15 - G-10
IF327RQ	G-11 - J-16

## 1991 IF327RB INDEX

Floor Plan	D-15 - D-16
Accessories Group	A-17 - D-19
Bath Group	D-20 - D-21
Chassis Group	D-22 - E-01
Curtain, Cushion & Pad Group	E-02 - E-07
Dinette Group	E-08 - E-09
Driver's Compartment Group	E-10 - E-12
Electrical Group	E-13 - E-15
Exterior Body Group	E-16 - E-20
Galley Group	E-21 - E-24
Heating & Air Conditioning Group	F-01 - F-02
Interior Finish Group	F-03 - F-05
Labels Group	F-06 - F-12
LP Group	F-13
Lounge Group	F-14 - F-16
Sealants & Fasteners Group	F-17 - F-19
Water & Sewage Group	F-20 - F-22
Window, Vent & Exterior Door Group	F-23 - G-09

## INTERIOR FINISH GROUP (CONTINUED)

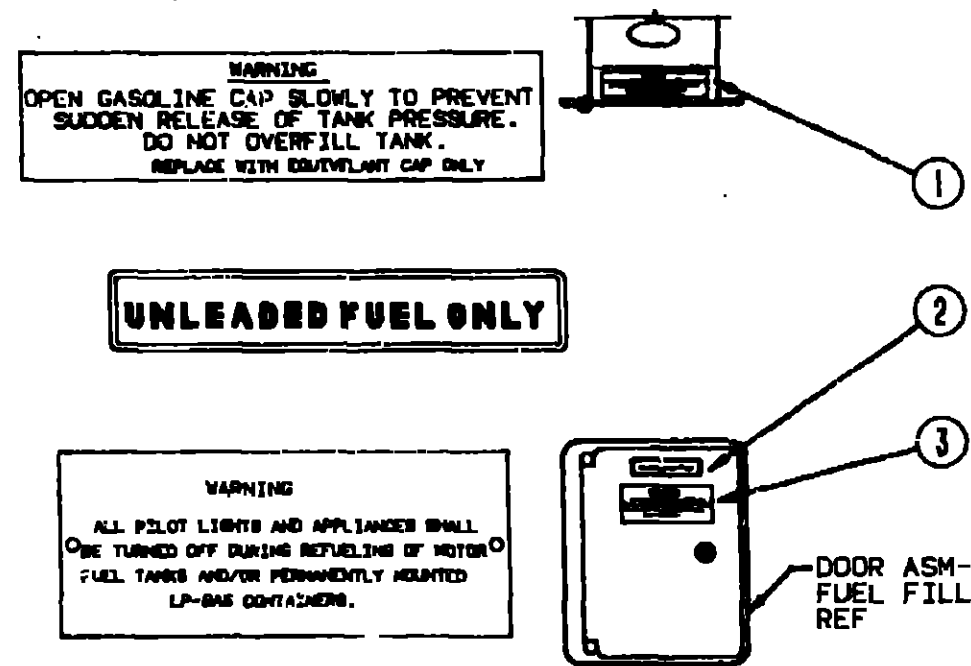
### CURTAIN & CUSHION HARDWARE

Key	Part Number	U/M	Description
	083601-01-000	EA	Track - Shower Curtain - Off White
	009701-01-000	EA	Carrier - Shower Curtain
	009702-01-000	EA	End - Stop - Curtain Carrier - Shower
	005136-01-000	EA	Pin - Shower Curtain
	029092-01-000	EA	Stud - Nickel Finish
	029093-01-000	EA	Eyelet - Nickel Finish
	029155-01-000	EA	Cap - Snap
	029156-01-000	EA	Socket - Snap Fastener
	089916-01-000	EA	Mount - Window Leg - Black
	089522-04-000	EA	Panel - Window Leg - 2.5" Face
	101032-01-000	FT	Track - Curtain - Ceiling Mount - White (Valance)
	101033-01-000	FT	Track - Curtain - Low Profile - White
	101033-02-000	EA	End Cap - Track - Clear
	101031-01-000	EA	Tape - Glide - 4.25" Spacing
	095591-02-000	EA	Bracket - Blind - Hold Down w/Pin
	075943-01-000	EA	Brace - Window Valance - Beige
	083170-01-000	EA	Bracket - Blind - Right
	083170-02-000	EA	Bracket - Blind - Left
	093475-01-700	EA	Wand - Blind w/Metal Clip - 8" Long
	093475-01-701	EA	End Cap - Blind w/Stud
	057534-01-000	EA	Tieback - 6" - Clear Plastic
	085774-01-000	FT	Fastener - Dual Hook - 1" Wide - Adhesive Back - Black
	085774-02-000	FT	Fastener - Dual Loop - 1" Wide - Adhesive Back - Black
	088792-02-000	YD	Velcro Tape - Adhesive Back - Loop - 3/4" Wide
	048394-02-000	YD	Velcro Tape - Adhesive Back - Hook - 3/4" Wide
	088792-03-000	YD	Velcro - Loop - 3/4"
	087253-01-000	EA	Pull - Roller Shade - Clear Plastic
	084434-01-000	EA	Bracket - Mounting - Roller Shade - 1 3/8"
	087253-01-000	EA	Pull - Roller Shade - Clear Plastic
	096843-01-000	EA	Spring - Rewind - Roller Shade
	084432-06-000	FT	Slat - Roller Shade - Plastic

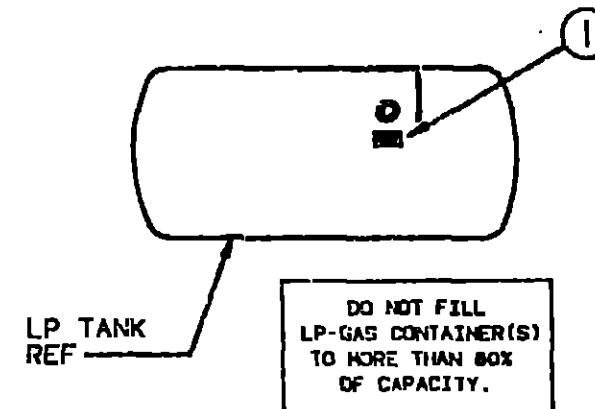
### MISCELLANEOUS PARTS

Key	Part Number	U/M	Description
	053552-02-AA8	EA	Handle Asm. - Interior Assist
	000D20 07-00B	EA	Nut - Acorn - Assist Handle - 7/16" x 14 ZN
	000C16-07-16B	EA	Bolt - Carriage - Assist Handle - 7/16" - 14 x 1" ZN
	069178-02-000	EA	Bracket - Mounting - Assist Handle
	094499-02-000	EA	Fire Extinguisher - Dry IA 10BC
	094499-01-000	EA	Fire Extinguisher w/Mounting Bracket - Dry IA 10BC
	094499-01-700	EA	Bracket - Mounting - w/Plastic Strap
	094651-01-01A	EA	Recessed Holder - Fire Extinguisher - Light Oak
	072852-01-000	EA	Smoke Detector w/9 Volt Battery
	054185-70-000	EA	Owners Manual - 1991 "Spirit"
	092318-01-000	EA	Binder - 3-Ring - Motor Home Manual
	092319-01-000	EA	Pocket Page - 3-Ring Binder - Plastic
	098084-11-000	EA	Cassette - Winnebago "Spirit"
	100603-01-01A	EA	Wall Clock - Round Bezel
	083219-03-000	EA	Floor Mat - w/"Itasca" Logo - Passenger (Ford)
	083219-04-000	EA	Floor Mat - w/"Itasca" Logo - Driver (Ford)
	040069-01-000	EA	Floor Mat - w/"Itasca" Logo - 10.5" x 26" - Black Rubber

## LABELS GROUP



Key	Part Number	U/M	Description
1	087207-05-000	EA	Label - Fuel Cap Removal
2	082043-01-000	EA	Label - Unleaded Fuel
3	006040-01-000	EA	Tag - Gas Refueling Warning (US)
3	006040-02-000	EA	Tag - Gas Refueling Warning (CSA)



Key	Part Number	U/M	Description
1	079965-01-000	EA	Label - LPG - 80% Capacity

### MISCELLANEOUS LABELS

Key	Part Number	U/M	Description
	006064-01-000	EA	Label - Seat - w/o Seat Belt
	091243-01-000	EA	Label - A/C Cover
	006018-01-000	EA	Tag - RVI Approved - Plastic
	098641-01-000	EA	Label - Unleaded Fuel (Dash)
	099509-01-000	EA	Label - Awning Installation

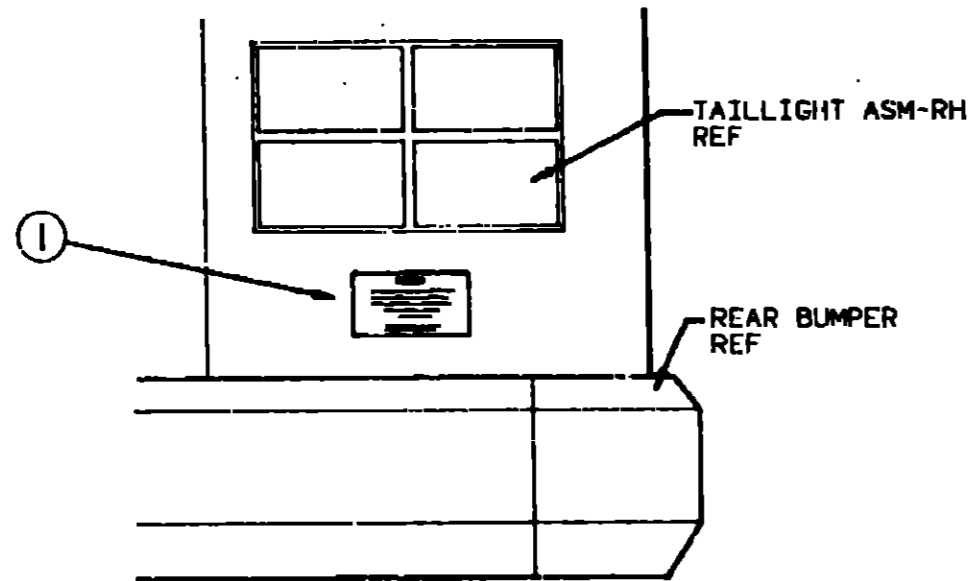
## 1991 ITASCA TABLE OF CONTENTS

INTRODUCTION	A-01 - A-02
ABBREVIATIONS	A-03
ALPHABETICAL/GROUP REFERENCE	A-04 - A-06
IF327RT	A-07 - D-14
IF327RB	D-15 - G-10
IF327RQ	G-11 - J-18

## 1991 IF327RB INDEX

Floor Plan	D-15 - D-16
Accessories Group	A-17 - D-19
Bath Group	D-20 - D-21
Chassis Group	D-22 - E-01
Curtain, Cushion & Pad Group	E-02 - E-07
Dinette Group	E-08 - E-09
Driver's Compartment Group	E-10 - E-12
Electrical Group	E-13 - E-15
Exterior Body Group	E-16 - E-20
Galley Group	E-21 - E-24
Heating & Air Conditioning Group	F-01 - F-02
Interior Finish Group	F-03 - F-06
Labels Group	F-08 - F-12
LP Group	F-13
Lounge Group	F-14 - F-16
Sealants & Fasteners Group	F-17 - F-19
Water & Sewage Group	F-20 - F-22
Window, Vent & Exterior Door Group	F-23 - G-09

**LABELS GROUP (CONTINUED)**

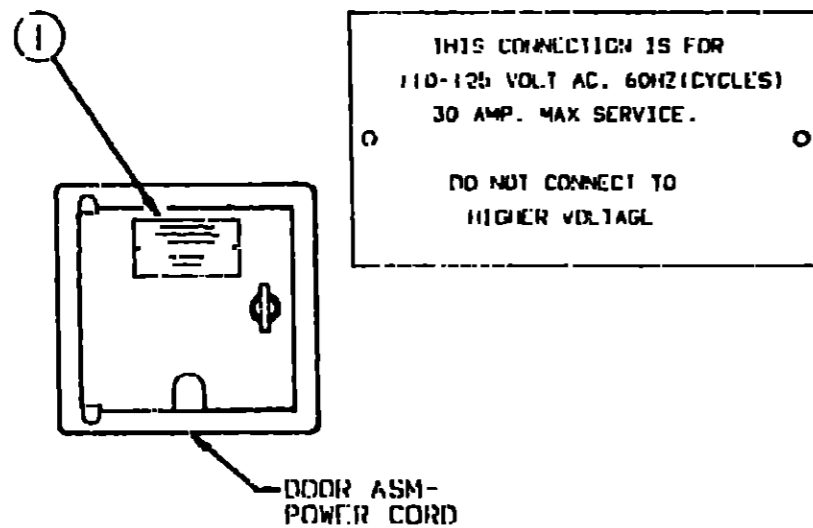


**WARNING**

DO NOT EXCEED THE VEHICLE WEIGHT RATINGS OR LOADING RECOMMENDATIONS (E.G., GROSS VEHICLE, GROSS AXLE, GROSS COMBINED) OF THE CHASSIS MANUFACTURER OR WINNEBAGO INC.

REFER TO YOUR OWNERS MANUAL, BEFORE LOADING OR TOWING.

Key	Part Number	U/M	Description
1	075220-01-000	EA	Label - Warning - Exterior Load
	075221-01-000	EA	Label - Towing Capacity

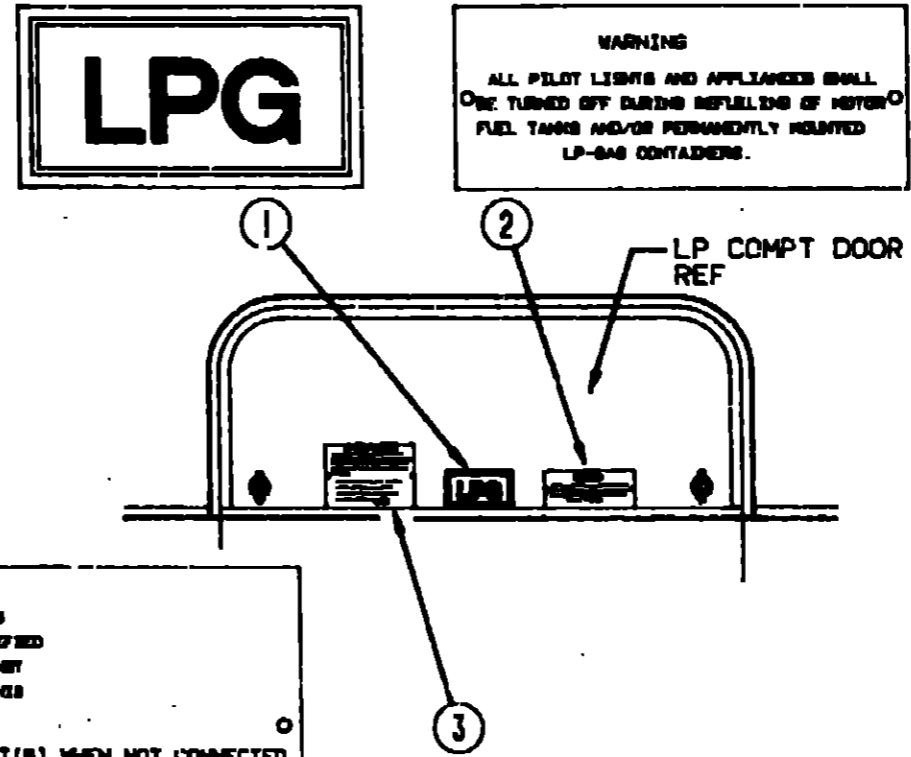


THIS CONNECTION IS FOR  
110-125 VOLT AC. 60HZ(CYCLES)  
30 AMP. MAX SERVICE.

DO NOT CONNECT TO  
HIGHER VOLTAGE.

Key	Part Number	U/M	Description
1	006062-01-000	EA	Tag - Electrical - 110 Volt Connection

**LABELS GROUP (CONTINUED)**

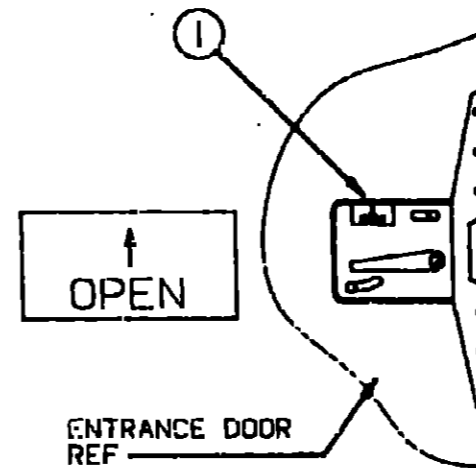


**LP-GAS SYSTEM**

THIS GAS PIPING SYSTEM IS DESIGNED FOR USE OF LIQUEFIED PETROLEUM GAS ONLY. DO NOT CONNECT NATURAL GAS TO THIS SYSTEM.

SECURELY CAP INLET(S) WHEN NOT CONNECTED FOR USE. AFTER TURNING ON GAS, EXCEPT AFTER NORMAL CONTAINER REPLACEMENT, TEST GAS PIPING AND CONNECTIONS TO APPLIANCE FOR LEAKAGE WITH SOAPY WATER OR BUBBLE SOLUTION. DO NOT USE PRODUCTS THAT CONTAIN AMMONIA OR CHLORINE.  
P.N. 84531

Key	Part Number	U/M	Description
1	074559-01-000	EA	Label - "LPG" - 3.3" x 1.75" (California Code)
2	006040-01-000	EA	Tag - Gas Refueling Warning (US)
2	006040-02-000	EA	Tag - Gas Refueling Warning (CSA)
3	054531-01-000	EA	Label - LP Gas Only



Key	Part Number	U/M	Description
1	040944-01-000	EA	Label - Open - Entrance Door

**1991 ITASCA  
TABLE OF CONTENTS**

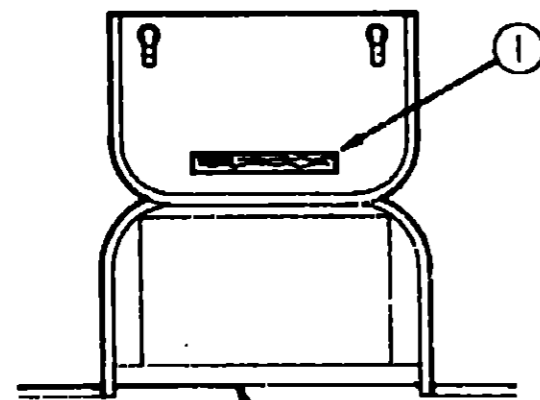
INTRODUCTION	A-01 - A-02
ABBREVIATIONS	A-03
ALPHABETICAL/GROUP REFERENCE	A-04 - A-08
IF327RT	A-07 - D-14
IF327RB	D-15 - G-10
IF327RQ	G-11 - J-16

**1991 IF327RB INDEX**

Floor Plan	D-15 - D-16
Accessories Group	A-17 - D-19
Bath Group	D-20 - D-21
Chassis Group	D-22 - E-01
Curtain, Cushion & Pad Group	E-02 - E-07
Dinette Group	E-08 - E-09
Driver's Compartment Group	E-10 - E-12
Electrical Group	E-13 - E-15
Exterior Body Group	E-16 - E-20
Galley Group	E-21 - E-24
Heating & Air Conditioning Group	F-01 - F-02
Interior Finish Group	F-03 - F-05
Labels Group	F-06 - F-12
LP Group	F-13
Lounge Group	F-14 - F-16
Sealants & Fasteners Group	F-17 - F-19
Water & Sewage Group	F-20 - F-22
Window, Vent & Exterior Door Group	F-23 - G-08

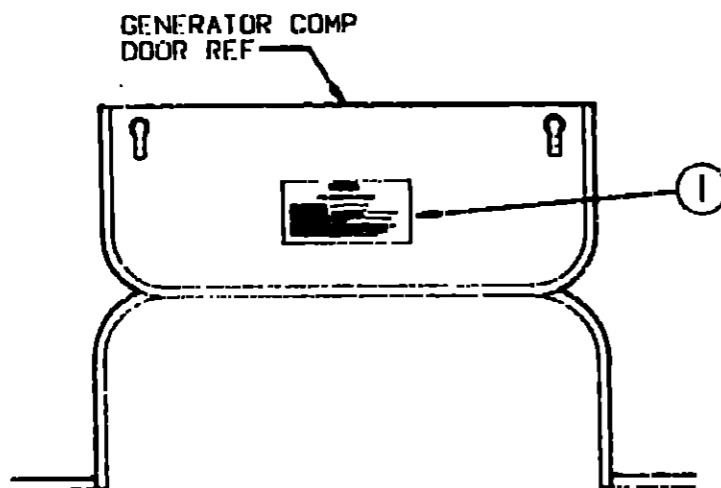
**LABELS GROUP (CONTINUED)**

**WARNING** DISCONNECT BATTERIES BEFORE CONNECTING EXTERNAL CHARGING EQUIPMENT.



BATTERY COMPARTMENT

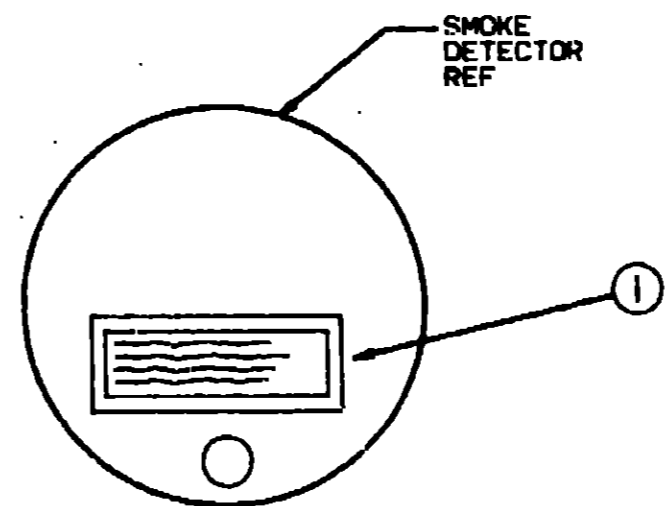
Key	Part Number	U/M	Description
1	065748-01-000	EA	Label - Caution - Battery Charging



**WARNING**  
WHEN ADDING A GENERATOR SET,  
HIGH VOLTAGE-USE EXTREME CAUTION WHEN WORKING ON ELECTRICAL COMPONENTS.  
HAVE ALL ELECTRICAL INSTALLATION PERFORMED BY A QUALIFIED LICENSED ELECTRICIAN-FOLLOW ALL STATE AND LOCAL CODES.  
ONLY INSTALL GENERATOR SET APPROVED FOR R.V. APPLICATION. HAVE INSTALLED BY QUALIFIED TECHNICIAN.  
TO AVOID HEAT BUILD-UP AND TO GUARANTEE AN ADEQUATE AIR SUPPLY TO THE GENERATOR COMPARTMENT, FOLLOW INSTALLATION INSTRUCTIONS.  
GENERATOR ENGINE EXHAUST GASES ARE TOXIC AND MUST NOT TERMINATE UNDER THE VEHICLE-DISCHARGE EXHAUST AWAY FROM VEHICLE.

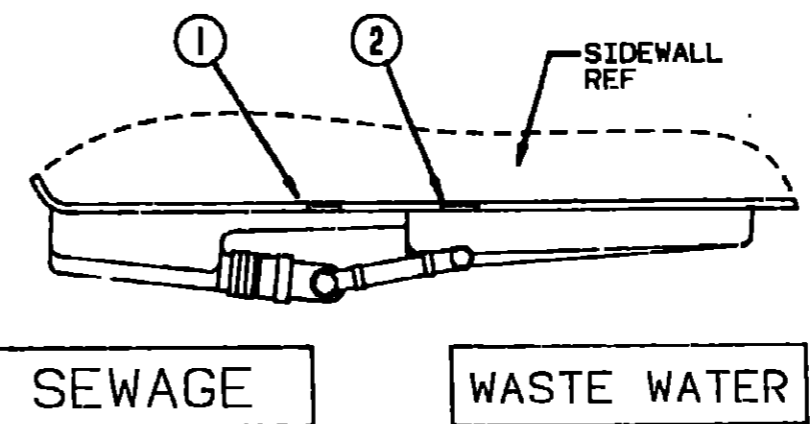
Key	Part Number	U/M	Description
1	077510-01-000	EA	Label - Generator Prep

**LABELS GROUP (CONTINUED)**



**WARNING.** TEST SMOKE DETECTOR OPERATION AFTER VEHICLE HAS BEEN IN STORAGE, BEFORE EACH TRIP AND AT LEAST ONCE PER WEEK DURING USE.

Key	Part Number	U/M	Description
1	077956-01-000	EA	Label - Warning - Smoke Detector



SEWAGE      WASTE WATER

Key	Part Number	U/M	Description
1	006187-01-000	EA	Label - Sewage
2	006188-01-000	EA	Label - Waste Water

**1991 ITASCA  
TABLE OF CONTENTS**

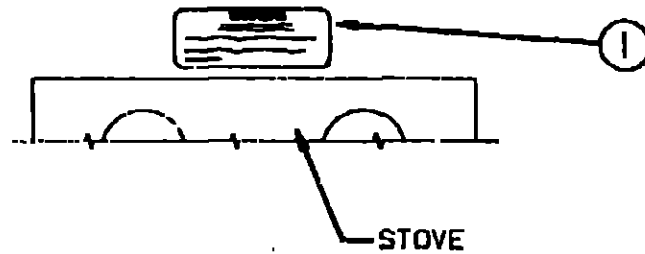
INTRODUCTION	A-01 - A-02
ABBREVIATIONS	A-03
ALPHABETICAL/GROUP REFERENCE	A-04 - A-08
IF327RT	A-07 - D-14
IF327RB	D-15 - G-10
IF327RQ	G-11 - J-16

**1991 IF327RB INDEX**

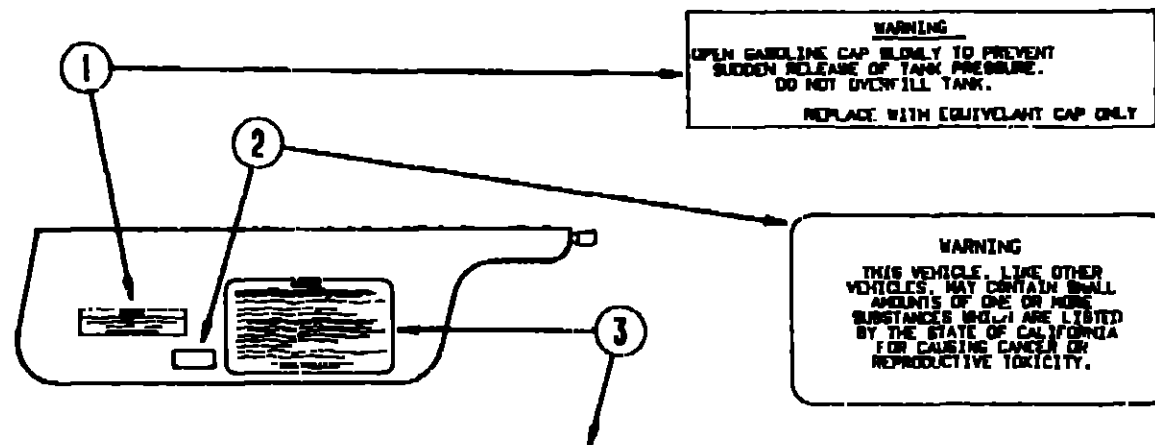
Floor Plan	D-15 - D-16
Accessories Group	A-17 - D-19
Bath Group	D-20 - D-21
Chassis Group	D-22 - E-01
Curtain, Cushion & Pad Group	E-02 - E-07
Dinette Group	E-08 - E-09
Driver's Compartment Group	E-10 - E-12
Electrical Group	E-13 - E-15
Exterior Body Group	E-16 - E-20
Galley Group	E-21 - E-24
Heating & Air Conditioning Group	F-01 - F-02
Interior Finish Group	F-03 - F-05
Labels Group	F-06 - F-12
LP Group	F-13
Lounge Group	F-14 - F-16
Sealants & Fasteners Group	F-17 - F-19
Water & Sewage Group	F-20 - F-22
Window, Vant & Exterior Door Group	F-23 - G-08

**LABELS GROUP (CONTINUED)**

**WARNING**  
 IT IS NOT SAFE TO USE COOKING APPLIANCES FOR COMFORT HEATING.  
 COOKING APPLIANCES NEED FRESH AIR FOR SAFE OPERATION BEFORE OPERATION.  
 1. OPEN OVERHEAD VENT OR TURN ON EXHAUST FAN AND,  
 2. OPEN WINDOW.



Key	Part Number	U/M	Description
1	050225-01-000	EA	Label - Warning - Stove Vent



**WARNING**  
 OPEN GASOLINE CAP SLOWLY TO PREVENT SUDDEN RELEASE OF TANK PRESSURE. DO NOT OVERFILL TANK. REPLACE WITH EQUIVALENT CAP ONLY.

**WARNING**  
 THIS VEHICLE, LIKE OTHER VEHICLES, MAY CONTAIN SMALL AMOUNTS OF ONE OR MORE SUBSTANCES WHICH ARE LISTED BY THE STATE OF CALIFORNIA FOR CAUSING CANCER OR REPRODUCTIVE TOXICITY.

**CAUTION**  
 THIS MOTOR HOME HAS BEEN DESIGNED, MANUFACTURED AND TESTED WITH CONCERN FOR THE PROTECTION OF IT'S OCCUPANTS. WE RECOMMEND YOU PERFORM THE FOLLOWING INSPECTIONS FOR YOUR SAFETY AND THE SAFETY OF YOUR PASSENGERS BEFORE STARTING YOUR VEHICLE.

1. LP GAS SYSTEM- TURN OFF AT TANK FOR TRAVELING. TEST FOR LEAKS UPON ARRIVAL AT DESTINATION. RETIRE LIGHTING PILDS.
2. WHEELS- INSPECT FOR DAMAGE AND CHECK LUG NUTS FOR TIGHTNESS.
3. TIRES- INSPECT FOR WEAR AND DAMAGE AND CHECK FOR RECOMMENDED AIR PRESSURE.
4. LIGHTING- TEST FOR PROPER OPERATION OF ALL INTERIOR AND EXTERIOR LIGHTS INCLUDING DASH LIGHTS, HEADLIGHTS, TAIL LIGHTS, BRAKE LIGHTS, CLEARANCE LIGHTS AND TURN SIGNALS.
5. EXITS- IMPULS RELEASE MECHANISM ON EMERGENCY EXIT WINDOW. TEST BOTH LOCKS ON MAIN ENTRANCE (KEY FOR EASE OF OPERATION) AND INSTRUCT PASSENGERS HOW TO USE BOTH MEANS OF EXIT.
6. SEAT BELTS- DIRECT PASSENGERS TO DESIGNATED SEATS AND REQUIRE USE OF SEAT BELTS.
7. APPLIANCES- TURN OFF AND LATCH OR LOCK DOORS WHERE PROVIDED.
8. LOOSE PARTS- STOP SECURELY.
9. UTILITY SUPPLY LINES- DISCONNECT ALL ELECTRIC, SEWER AND WATER LINES AND SECURE PROPERLY.
10. ENTRANCE DOOR STEP- PLACE IN RETRACTED POSITION FOR TRAVELING.

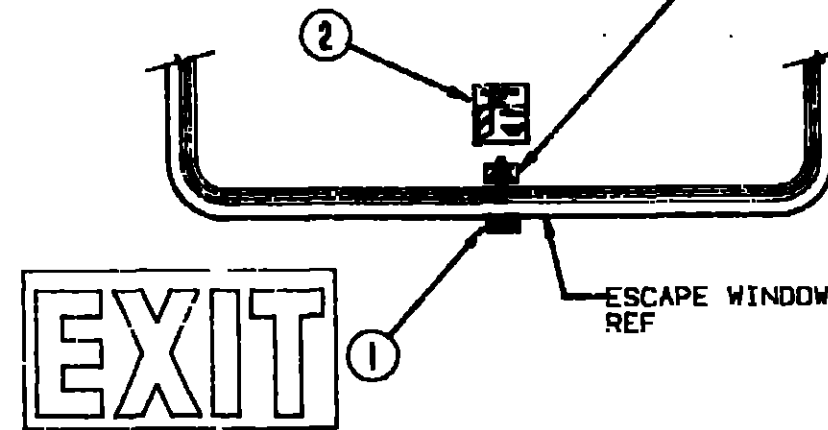
READ YOUR MOTOR HOME AND CHASSIS OWNER'S MANUAL FOR FURTHER PRECAUTIONS

Key	Part Number	U/M	Description
1	087207-05-000	EA	Label - Fuel Cap Removal
2	099689-01-000	EA	Label - Warning - Cancer/Toxicity
3	056259-01-000	EA	Label - Safety Check List
	061417-01-000	EA	Label - Fuel On Fill Door

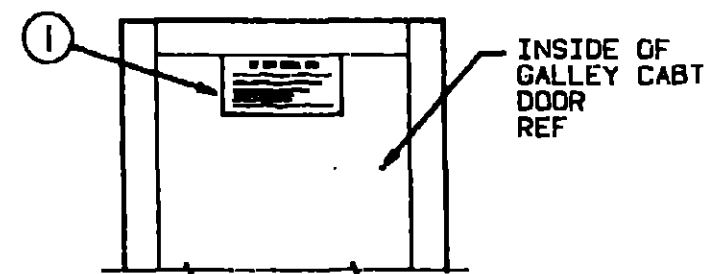
**LABELS GROUP (CONTINUED)**

**EMERGENCY EXIT**  
 1. PULL RING AND REMOVE CORD  
 2. REMOVE GLASS BY THRUSTING PALMS AT CORNER

**EMERGENCY EXIT**  
 PULL RING  
 REMOVE CORD  
 PUSH OUT WINDOW



Key	Part Number	U/M	Description
1	039290-01-000	EA	Label - Warning - Exit
2	047731-01-000	EA	Label - Emergency Exit
3	006199-01-000	EA	Label - Exit - Escape Window



**IF YOU SMELL GAS**  
 1. EXTINGUISH ANY OPEN FLAME, PILOT LIGHTS AND ALL SMOKING MATERIALS.  
 2. SHUT OFF THE GAS SUPPLY AT THE TANK VALVE OR GAS SUPPLY CONNECTION.  
 3. OPEN DOORS AND OTHER VENTILATING OPENINGS.  
 4. DO NOT TOUCH ELECTRICAL SWITCHES.  
 5. LEAVE THE AREA UNTIL ODOR CLEARS.  
 6. HAVE THE GAS SYSTEM CHECKED AND LEAKAGE SOURCE CORRECTED BEFORE USING AGAIN.

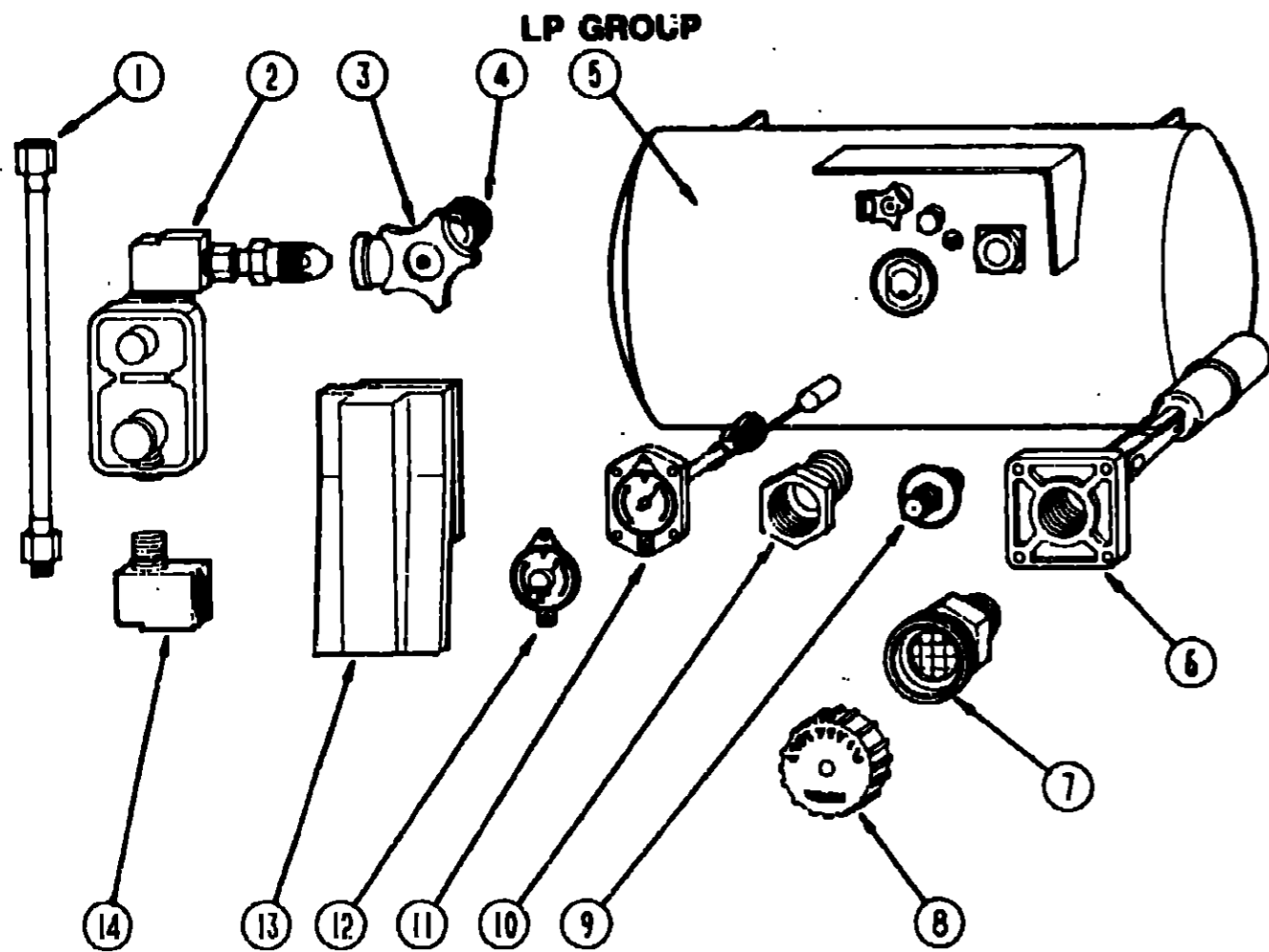
Key	Part Number	U/M	Description
1	073998-01-000	EA	Label - LPG - Odor Warning

**1991 ITASCA TABLE OF CONTENTS**

INTRODUCTION	A-01 - A-02
ABBREVIATIONS	A-03
ALPHABETICAL/GROUP REFERENCE	A-04 - A-06
IF327RT	A-07 - D-14
IF327RB	D-15 - G-10
IF327RQ	G-11 - J-16

**1991 IF327RB INDEX**

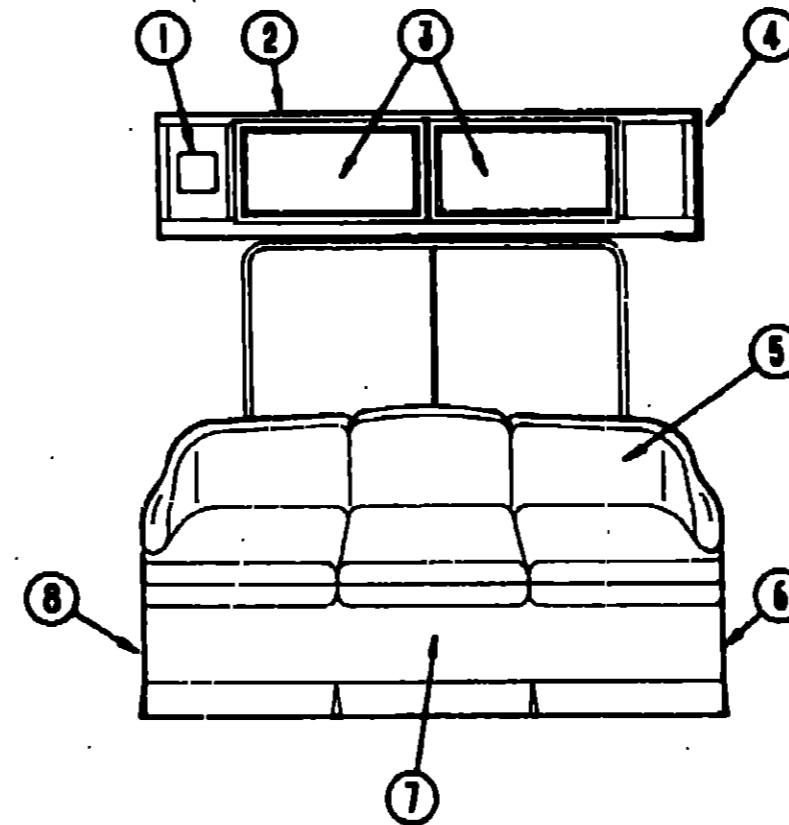
Floor Plan	D-15 - D-16
Accessories Group	A-17 - D-19
Bath Group	D-20 - D-21
Chassis Group	D-22 - E-01
Curtain, Cushion & Pad Group	E-02 - E-07
Dinette Group	E-08 - E-09
Driver's Compartment Group	E-10 - E-12
Electrical Group	E-13 - E-15
Exterior Body Group	E-16 - E-20
Galley Group	E-21 - E-24
Heating & Air Conditioning Group	F-01 - F-02
Interior Finish Group	F-03 - F-05
Labels Group	F-06 - F-12
LP Group	F-13
Lounge Group	F-14 - F-16
Sealants & Fasteners Group	F-17 - F-19
Water & Sewage Group	F-20 - F-22
Window, Vent & Exterior Door Group	F-23 - G-06



LP TANK & PARTS

Key	Part Number	U/M	Description
1	045703-01-000	EA	Hose - LP - 3/8" ID x 24" - 3/8 MPT x 1/2 F Swivel (US)
1	045703-02-000	EA	Hose - LP - 3/8" ID x 24" - 3/8 MPT x 1/2 F Swivel (CSA)
2	076301-01-000	EA	Regulator - LPG - Two Stage
3	040421-01-708	EA	Handwheel - w/Service Valve
4	040421-01-712	EA	Service Valve w/o Vapor Relief
5	097821-01-000	EA	LP Tank - 60# - 14" x 30" - Brunner
6	040421-01-711	EA	Valve - 80% w/Float Plate, Bolts & Gasket
7	040421-01-701	EA	Valve - Short LP Filler w/Yellow Cap
8	040421-01-702	EA	Cap - LP Filler Valve - Plastic - Yellow
9	040421-01-700	EA	Valve - Liquid Level - 20% LP
10	040421-01-713	EA	Valve - Vapor Only
11	040421-01-707	EA	Gauge - Float w/Visible Dial
12	040440-02-000	EA	Transmitter - Dial - 0-90 OHM
13	081930-01-000	EA	Cover - LP Regulator
14	065318-02-000	EA	Elbow - 90° - 3/8" MPT to 3/8" FPT
	095624-01-000	EA	Elbow - 90° - 1/4" FPT x 1/4" FPT - Brass
	065742-01-000	EA	Tee - .38 F x .38 F x .25 FPT - Brass
	084884-01-000	EA	Plug - Brass - 3/8"
	065741-01-000	EA	Gauge - Diaphragm Pressure
	016188-01-000	EA	Grommet - Gas Line - .38 x 2.00 LG
	008042-01-000	EA	Tubing - Vinyl - .65" ID
	010323-01-000	EA	Adapler - Brass - 3/8 F x 1/2 MPT
	010377-01-000	EA	Nut - Brass - 3/8 F
	010377-02-000	EA	Nut - Brass - 3/8 Female - Forged
	010380-02-000	EA	Nut - Brass - 1/2" Female - Forged
	010265-01-000	EA	Elbow - Brass - 90° - 3/8" F x 1/2" FPT

LOUNGE GROUP



LOUNGE CABINETRY & HARDWARE

Key	Part Number	U/M	Description
1	089340-01-000	EA	Grille - Speaker - 6.5" Square - Tan
**1	089340-02-000	EA	Grille - Speaker - 6.5" Square - Brown
	094097-01-000	EA	Speaker - Radio w/o Grille - 5.25" Dia.
2	P00208-02-B27	EA	Shield - Speaker Back - Molded Plastic - Beige
3	P00099-32-B27	EA	Cabinet Asm. - Overhead - w/o Doors or Hardware
4	081200-21-B27	EA	Door Asm. - Overhead Cabinet - w/o Hardware
*5	100032-07-B27	EA	End Cap - Front Overhead
*5	100032-07-B28	EA	Bed Asm. - Presto
6	M04187-09-B27	EA	Bed Asm. - Presto
6	M04187-09-B28	EA	Cabinet Asm. - Couch/Presto Bed
6	M04187-09-B28	EA	Cabinet Asm. - Couch/Presto Bed
7	M04187-10-B27	EA	Cabinet Asm. - Couch/Presto Bed
7	M04187-10-B28	EA	Cabinet Asm. - Couch/Presto Bed
7	M04187-10-B28	EA	Cabinet Asm. - Couch/Presto Bed
8	M04187-11-B27	EA	Cabinet Asm. - Couch/Presto Bed
8	M04187-11-B28	EA	Cabinet Asm. - Couch/Presto Bed

\* See Curtain, Cushion & Pad Group for the breakdown of this item.  
 \*\* These parts were used from 11/5/90 on.

1991 ITASCA  
TABLE OF CONTENTS

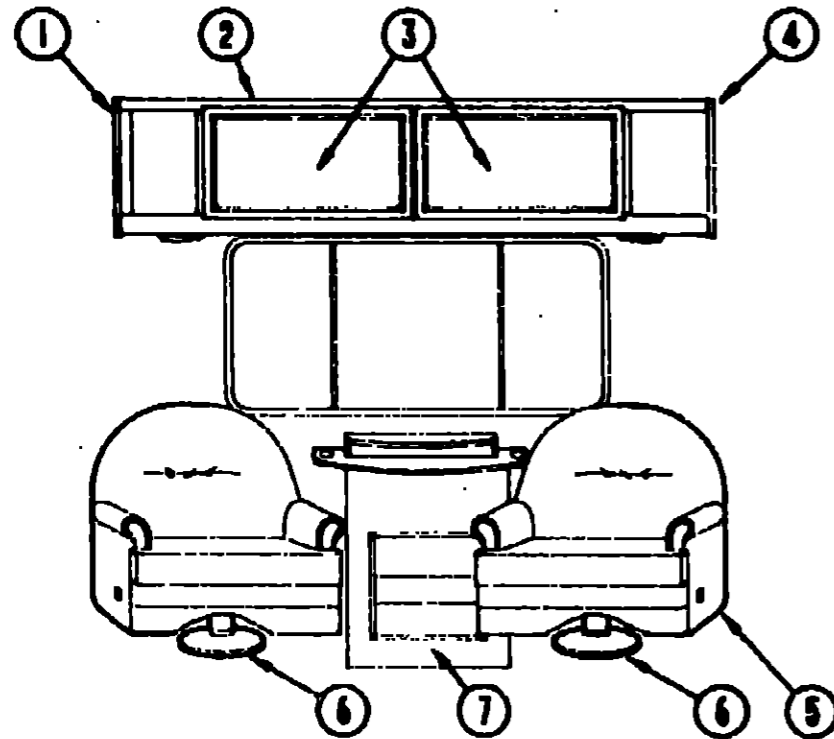
INTRODUCTION	A-01 - A-02
ABBREVIATIONS	A-03
ALPHABETICAL/GROUP REFERENCE	A-04 - A-08
IF327RT	A-07 - D-14
IF327RB	D-15 - G-10
IF327RQ	G-11 - J-16

1991 IF327RB INDEX

Floor Plan	D-15 - D-16
Accessories Group	A-17 - D-19
Bath Group	D-20 - D-21
Chassis Group	D-22 - E-01
Curtain, Cushion & Pad Group	E-02 - E-07
Dinette Group	E-08 - E-09
Driver's Compartment Group	E-10 - E-12
Electrical Group	E-13 - E-15
Exterior Body Group	E-16 - E-20
Galley Group	E-21 - E-24
Heating & Air Conditioning Group	F-01 - F-02
Interior Finish Group	F-03 - F-05
Labels Group	F-06 - F-12
LP Group	F-13
Lounge Group	F-14 - F-16
Sealants & Fasteners Group	F-17 - F-19
Water & Sewage Group	F-20 - F-22
Window, Vent & Exterior Door Group	F-23 - G-09



**LOUNGE GROUP (CONTINUED)**

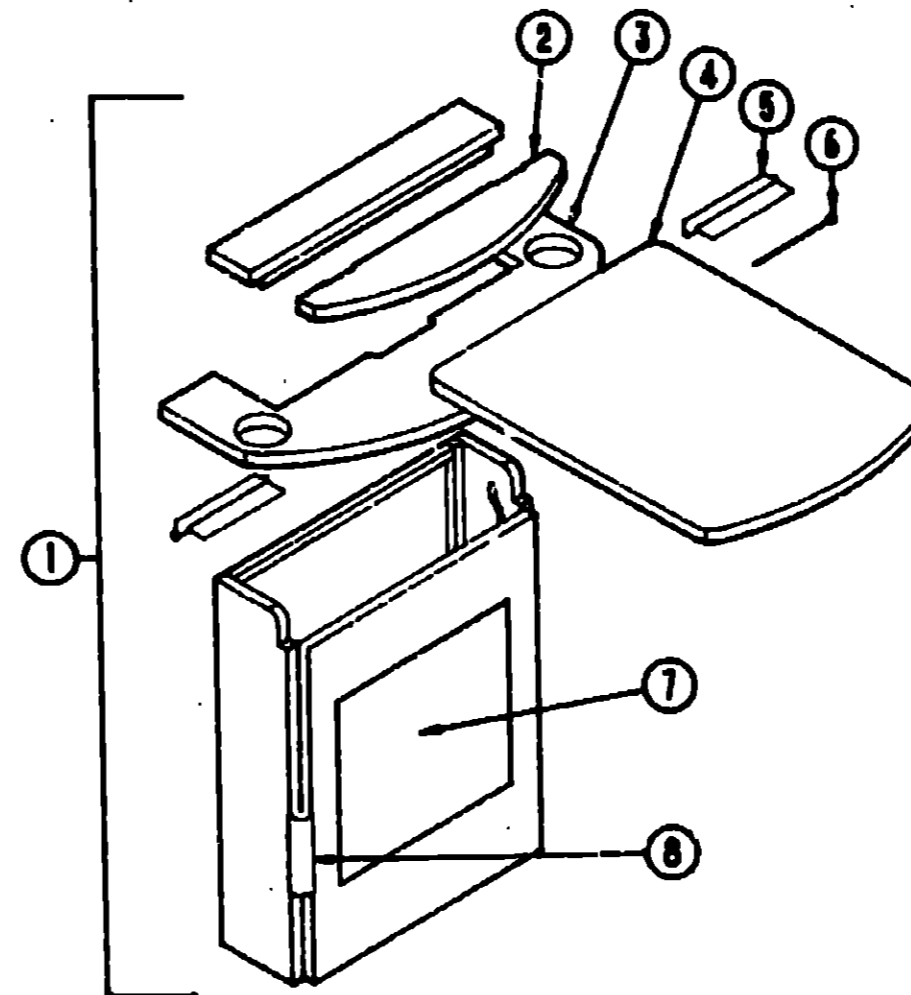


**SWIVEL CHAIRS CABINTRY**

Key	Part Number	U/M	Description
1	081280-18-B27	EA	End Cap - Overhead
2	P00207-01-B27	EA	Cabinet Asm. - Front Overhead - w/o Doors or Hardware
3	P00099-32-B27	EA	Door Asm. - Overhead Cabinet - w/o Hardware
4	081280-21-B27	EA	End Cap - Overhead
*5	096429-03-B27	EA	Swivel Chair
*5	096429-03-B28	EA	Swivel Chair
†	096429-05-B27	EA	Swivel Chair
†	096429-05-B28	EA	Swivel Chair
*6	088245-01-000	EA	Base - Swivel Chair w/Legs
**7	096928-04-B05	EA	Table Asm. - Pull Out
	007021-01-000	EA	Seal Belt - 2" x 90" - Black
	057759-01-000	EA	Washer Bracket - Seat Belt - 4" Dia.

\* See Curtain, Cushion & Pad Group for breakdown of this item.  
 \*\* See the following page for a breakdown of this item.  
 † These parts were used from 6/11/90 on.

**LOUNGE GROUP (CONTINUED)**



**PULLOUT TABLE & HARDWARE**

Key	Part Number	U/M	Description
1	096928-04-B27	EA	Table Asm. - Pullout Table - w/o Hardware
2	096928-13-B27	EA	Cover - Flip-Up - Pullout Table - w/o Hardware
3	096928-24-B27	EA	Top
	064781-06-000	EA	Cup Holder - Two Step - Off White
4	096928-11-B05	EA	Top - Table - Pullout
	080728-01-000	EA	Pull Handle - Table Top
5	009059-01-000	EA	Hinge - 2" - Brass
6	079921-01-000	EA	Roller - Nylon w/Shaft
7	097208-02-B27	EA	Magazine Rack
	084071-05-000	EA	Rod - Brass - 15" Long
8	042357-17-000	EA	Corner Molding
	079789-01-000	EA	Support - Pullout Table - Beige
	081521-02-007	EA	Corner Molding - Aluminum (Plastic Trim Holder)

**1991 ITASCA  
TABLE OF CONTENTS**

INTRODUCTION	A-01 - A-02
ABBREVIATIONS	A-03
ALPHABETICAL/GROUP REFERENCE	A-04 - A-08
IF327RT	A-07 - D-14
IF327RB	D-15 - G-10
IF327RQ	G-11 - J-18

**1991 IF327RB INDEX**

Floor Plan	D-15 - D-16
Accessories Group	A-17 - D-19
Bath Group	D-20 - D-21
Chassis Group	D-22 - E-01
Curtain, Cushion & Pad Group	E-02 - E-07
Dinette Group	E-08 - E-09
Driver's Compartment Group	E-10 - E-12
Electrical Group	E-13 - E-15
Exterior Body Group	E-16 - E-20
Galley Group	E-21 - E-24
Heating & Air Conditioning Group	F-01 - F-02
Interior Finish Group	F-03 - F-05
Labels Group	F-06 - F-12
LP Group	F-13
Lounge Group	F-14 - F-16
Sealants & Fasteners Group	F-17 - F-19
Water & Sewage Group	F-20 - F-22
Window, Vent & Exterior Door Group	F-23 - G-09

**SEALANTS & FASTENERS GROUP**

**SCREWS & FASTENERS**

Key	Part Number	U/M	Description
	000C12-05-16B	EA	Bolt - Hex - 5/16 - 18 x 1 - Zn 5
	000C12-10-24B	EA	Bolt - Hex - 5/8 - 11 x 1 1/2 - Zn 5
	000C13-07-48B	EA	Bolt - Hex - 7/16 - 20 x 3 - Zn 5
	000C18-06-48B	EA	Bolt - Elevator - 3/8 - 16 x 3 - Zn - Grade 5
	000C26-04-10B	EA	Bolt - Hex - Ser Flange - 1/4 - 20 x 5/8
	000C26-05-20B	EA	Bolt - Hex - Ser Fig 5/16 - 18 x 1 1/4" - Zinc
	000D24-10-00B	EA	Nut - Hex - Locking - 10-32 - Zn
	000D39-04-00B	EA	Nut - Hex - Ser Flange - Locking - 1/4 - 20 Zn
	000D39-05-00B	EA	Nut - Hex - Ser Fig Lk - 5/16 - 18 - Zn
	000D39-06-00B	EA	Nut - Hex - Ser Fig Lk - 3/8 - 16 - Zn
	000D39-08-00B	EA	Nut - Hex - Ser Fig Lk - 1/2 - 13 - Zn
	000D44-07-00B	EA	Nut - Hex - Ser Fig Lk - 7/16 - 20 - Zn
	000E13-11-00B	EA	Washer - Flat - 3/16" Wide - Zn
	000E13-14-00B	EA	Washer - Flat - 1/4" Wide - Zn
	000E13-20-00B	EA	Washer - Flat - 7/16" Wide - Zn
	000E14-10-00B	EA	Washer - Locking - No 10 Ext. Tooth - Zn
	000G11-06-10B	EA	Screw - 6 - 20 x 5/8 PPH - Zn
	000G11-06-10J	EA	Screw - 6 - 20 x 5/8 PPH - Brass
	000G11-07-08B	EA	Screw - 7 - 19 x 1/2 PPH - Zn
	000G11-08-06B	EA	Screw - 8 - 18 x 3/8 PPH - Zn
	000G11-08-08B	EA	Screw - 8 - 18 x 1/2 PPH - Zn
	000G11-08-12B	EA	Screw - 8 - 18 x 3/4 PPH - Zn
	000G11-08-12D	EA	Screw - 8 - 18 x 3/4 PPH - Black
	000G11-08-12E	EA	Screw - 8 - 18 x 3/4" PPH - Chrome
	000G11-08-12P	EA	Screw - 8 - 18 x .75 - Dark Brown
	000G11-08-12R	EA	Screw - 8 - 18 x .75 PPH - Beige
	000G11-08-12S	EA	Screw - 8 - 18 x .75 PPH - Off White
	000G11-08-16S	EA	Screw - 8 - 18 x 1.00 PPH - Off White
	000G11-10-12D	EA	Screw - 10 - 16 x 3/4 PPH - Black
	000G11-10-12S	EA	Screw - 10 - 16 x 3/4 PPH - Off White
	000G11-10-24P	EA	Screw - 10 - 16 x 1 1/2 PPH - Dark Brown
	000G12-06-08T	EA	Screw - 6 - 20 x 1/2 POH - Beige
	000G12-08-12R	EA	Screw - 8 - 18 x 3/4 POH - Beige
	000G12-08-12S	EA	Screw - 8 - 18 x 3/4 POH - Off White
	000G12-08-16S	EA	Screw - 8 - 18 x 1" POH - Off White
	000G13-06-08B	EA	Screw - 6 - 20 x 1/2 PFH - Zn
	000G13-06-10G	EA	Screw - 6 - 20 x 5/8 PFH - Antique Brass
	000G13-07-12B	EA	Screw - 7 - 19 x 3/4 PFH - Zn
	000G13-08-16B	EA	Screw - 8 - 18 x 1 PFH - Zn
	000G18-08-12B	EA	Screw - Machine - 8 - 32 x 3/4" PPH - Zn
	000G18-08-16B	EA	Screw - Machine - 8 - 32 x 1 PPH - Zn
	000G18-08-22B	EA	Screw - Machine - 8 - 32 x 1 3/8 PPH - Zn
	000G32-10-06B	EA	Screw - 10 - 32 x 3/8 PPH - Zn
	000G39-06-10T	EA	Screw - SF/DR - 6 - 20 x 5/8 PPH - Black
	000G39-06-16T	EA	Screw - SF/DR - 6 - 20 x 1 PPH - Black
	000G39-08-06B	EA	Screw - SF/DR - 8 - 18 x 3/8 PPH - Zn
	000G39-08-08B	EA	Screw - SF/DR 8 - 18 x 1/2 PPH - Zn
	000G39-08-08S	EA	Screw - SF/DR 8 - 18 x 1/2 PPH - Off White
	000G39-08-08R	EA	Screw - SF/DR 8 - 18 x 1/2 PPH - Beige
	000G39-08-12B	EA	Screw - SF/DR 8 - 18 x 3/4 PPH - Zn
	000G39-08-12R	EA	Screw - SF/DR 8 - 18 x 3/4 PPH - Beige
	000G39-08-16S	EA	Screw - SF/DR 8 - 18 x 1.00 PPH - Off White
	000G39-08-24B	EA	Screw - SF/DR 8 - 18 x 1 1/2 PPH - Zn
	000G39-08-24S	EA	Screw - SF/DR 8 - 18 x 1.50 PPH - Off White
	000G39-08-32B	EA	Screw - SF/DR 8 - 18 x 2 - PPH - Zn
	000G39-10-10S	EA	Screw - SF/DR 10 - 16 x .62" PPH - Off White
	000G39-10-12D	EA	Screw - SF/DR 10 - 16 x 3/4 PPH - Black
	000G39-10-12F	EA	Screw - SF/DR 10 - 16 x 3/4 - Beige
	000G39-10-20B	EA	Screw - SF/DR 10 - 16 x 1 1/4 PPH - Zn
	000G39-12-12E	EA	Screw - SF/DR 12 - 14 x 3/4 PPH - Chrome
	000G42-04-16B	EA	Screw - SF/DR 1/4 - 14 x 1 HWH - Zn

**SEALANTS & FASTENERS GROUP (CONTINUED)**

**SCREWS & FASTENERS (CONTINUED)**

Key	Part Number	U/M	Description
	000G53-04-08B	EA	Screw - Machine - 1/4 - 20 x 3/8 PPH - Zn
	000G54-04-20B	EA	Screw - 1/4 - 20 x 1 1/4 PTH Typ 23 - Zn
	000G56-12-48B	EA	Screw - Wood - 12 - 11 x 3 - POH
	000G60-10-28T	EA	Screw - SF/DR 10 - 16 x 1.75 - Black
	000G67-10-08B	EA	Screw - 10 - 12 x 1/2 PPH - Zn
	000G67-10-08R	EA	Screw - 10 - 12 x 1/2 PPH - Beige - Type A
	000G67-10-10D	EA	Screw - 10 - 12 x 5/8 PPH - Black
	000G67-10-10B	EA	Screw - 10 - 12 x 5/8 PPH - Zn - Type A
	000G67-10-10R	EA	Screw - 10 - 12 x 5/8 PPH - Beige - Type A
	000G67-10-10S	EA	Screw - 10 - 12 x 5/8 PPH - Off White
	000G67-10-12B	EA	Screw - 10 - 12 x 3/4 PPH - Zn
	000G67-10-12P	EA	Screw - 10 - 12 x .75 PPH - Dark Brown
	000G67-10-12R	EA	Screw - 10 - 12 x 3/4 PPH - Beige
	000G67-10-12D	EA	Screw - 10 - 12 x .75 PPH - Tan
	000G68-10-36T	EA	Screw - 10 - 12 x 2.25" POH - Black
	000G67-10-16B	EA	Screw - 10 - 12 x 1 PPH - Zn
	000G67-10-16P	EA	Screw - 10 - 12 x 1 PPH - Dark Brown
	000G67-10-20D	EA	Screw - 10 - 12 x 1.25" PPH - Black
	000G67-10-24B	EA	Screw - 10 - 12 x 1 1/2 PPH - Zn
	000G67-10-32B	EA	Screw - 10 - 12 x 2 PPH - Zn
	000G67-10-36T	EA	Screw - 10 - 12 x 2.25 PPH - Black
	000G88-06-10G	EA	Screw - 6 - 18 x 5/8 POH - Antique Brass
	000H16-04-06R	EA	Rivet - Pop - AL 1/8 x .313 - .375
	005081-01-000	EA	Nut - Speed - C Type - No. 8 Screw
	082401-01-000	EA	Clamp - Hose - Wormgear - .81" x 1.75"
	082401-02-000	EA	Clamp - Hose - Wormgear - 1.56" - 2.5"
	082401-04-000	EA	Clamp - Hose - Wormgear - .69" x 1.25"
	082401-06-000	EA	Clamp - Hose - Wormgear - .22" x .82"
	007181-01-000	EA	Clamp - Hose - Spring Type - 1/2"
	008343-01-000	EA	Tie - Wire - 6"
	008386-01-000	EA	Grommet - Snap - 3/8
	008401-01-000	EA	Strap - Conduit - 3/4" - 1 Hole - Galvanized Steel
	010495-01-000	EA	Clamp - Cable - 9/16"
	010497-01-000	EA	Clamp - Closed - 5/8" ID
	010497-03-000	EA	Clamp - Closed - 1 ID - Cushioned
	010499-01-000	EA	Clamp - Closed - 3/8" ID
	016604-01-000	EA	Brace - Cabinet - Angled Metal - 2.5"
	083609-01-000	EA	Clamp - Wire Dual - Equal 5/8" Dia.
	084884-01-000	EA	Plug - Brass - 3/8"
	087721-01-000	EA	Screw - Flat Head - Tapping - 1/4 x 1 1/4 LG - Zn
	089371-01-000	EA	Screw - Machine - 8 - 32 x 3 5/16 - Zn
	075148-02-000	EA	Clamp - Grounding - Bronze Screws
	075906-01-000	EA	Screw - Machine - 10 - 32 x .56 PTH - Zn
	049465-04-000	EA	Screw - 10 - 16 x 1 PTH w/Washer - Beige
	076790-01-000	EA	Screw - 6 - 20 x 1 1/4 PPH - Black
	063729-04-000	EA	Rivet - 10 - 32 UNF - .010 - .080
	087277-02-000	EA	Washer - Plastic - Off White
	088497-01-000	EA	Nut - Inverted Flare - 3/16"
	088498-01-000	EA	Nut - Inverted Flare - 3/16"

**1991 ITASCA  
TABLE OF CONTENTS**

INTRODUCTION	A-01 - A-02
ABBREVIATIONS	A-03
ALPHABETICAL/GROUP REFERENCE	A-04 - A-06
IF327RT	A-07 - D-14
IF327RB	D-15 - G-10
IF327RO	G-11 - J-16

**1991 IF327RB INDEX**

Floor Plan	D-15 - D-16
Accessories Group	A-17 - D-19
Bath Group	D-20 - D-21
Chassis Group	D-22 - E-01
Curtain, Cushion & Pad Group	E-02 - E-07
Dinette Group	E-08 - E-09
Driver's Compartment Group	E-10 - E-12
Electrical Group	E-13 - E-15
Exterior Body Group	E-16 - E-20
Galley Group	E-21 - E-24
Heating & Air Conditioning Group	F-01 - F-02
Interior Finish Group	F-03 - F-05
Labels Group	F-06 - F-12
LP Group	F-13
Lounge Group	F-14 - F-16
Sealants & Fasteners Group	F-17 - F-19
Water & Sewage Group	F-20 - F-22
Window, Vent & Exterior Door Group	F-23 - G-09

**SEALANTS & FASTENERS GROUP (CONTINUED)**

**SEALANTS & ADHESIVES**

Key	Part Number	U/M	Description
	004020-01-000	QT	Adhesive - ABS Cement (Plastic Fittings)
	004005-02-000	GL	Adhesive - Swifts - Glue (Sidewalls)
	087211-01-000	GL	Adhesive - Promotor
	053766-07-000	EA	Bedding Compound - Tube - Beige (Exterior)
	053766-06-000	EA	Bedding Compound - Tube - Clear (Window)
	053766-08-000	EA	Bedding Compound - Tube - Gray (Exterior)
	102352-01-000	EA	Bedding Compound - Tube - Black (Luggage Compartment)
	053766-02-000	EA	Bedding Compound - Tube - Off White (Exterior)
	002328-02-000	EA	Block - Rubber Spacer (Windshield)
	091255-02-000	FT	Seal - Foam - 1.5 MM x 4.8 MM (Cabinets)
	104579-01-000	FT	Seal - Foam - Closed Cell (Exterior Shower)
	090340-01-000	FT	Seal - Foam - Closed Cell (Entrance Door)
	090329-01-000	FT	Seal - Refrigerator Cabinet
	077967-01-000	EA	Sealant - Acrylic Latex - Tube - Off White (Interior Sealant)
	034552-04-000	EA	Sealant - Silicone - Beige
	034552-02-000	EA	Sealant - Silicone - Clear
	034552-07-000	EA	Sealant - Silicone - Dark Gray
	034552-06-000	EA	Sealant - Silicone - Off White
	039518-01-000	EA	Sealant Silicone - Black
	069640-01-000	FT	Sealer Ribbon - .25" Bead x 20'
	069640-02-000	FT	Sealer Ribbon - .5" x .125" x 30'
	069640-03-000	FT	Sealer Ribbon - .75" x .125" x 30'
	069640-09-000	FT	Sealer Ribbon - 1/32" x 2.5" x 30'
	069640-06-000	FT	Sealer Ribbon - 5/16" Bead x 15'
	069640-07-000	FT	Sealer Ribbon - 2" x 3/32" x 30'
	069640-10-000	FT	Sealer Ribbon - 1/32" x 1.5" x 100'
	002707-02-000	FT	Sealer Tape - 5/16" x 1/2"
	074497-14-700	EA	Sealer - Stair (Ceiling)
	102353-01-700	EA	Seam Sealer - Tube - Gray (Roof Seams)
	094401-01-000	EA	Seam Sealer - Tube - Clear (Cap to Sidewall)
	063642-01-000	FT	Tape - Adhesive - .10mm x 1.5" Wide
	091968-03-000	FT	Tape - Adhesive - .040" x 1" Wide
	038886-01-000	EA	Tape - Butyl - .31" x .31" x 148" (Windshield)
	076322-01-000	FT	Tape - Foam - Double Coated - .025 x .75 x 72' (Fiberglass Sidewall Seams)
	076322-02-000	FT	Tape - Foam - Double Coated - .045 x 1" (Fiberglass Sidewall Seams)
	076322-03-000	FT	Tape - Foam - Double Coated - .045" x .50"
	100028-01-000	FT	Tape - Foam - Double Coated - .031 x .75 x 72' (Non-Structural Fastening)
	009200-01-000	EA	Tape - Furnace - 1.5"
	002825-01-000	FT	Weather Stripping (Roof Vent)
	081377-01-700	EA	Adhesive - Cyanoacrylate - 10GM
	100028-01-000	FT	Tape - Foam - Double Coated - .031" x .75" x 72' (Non-Structural Fastening)
	009200-01-000	EA	Tape - Furnace - 1.5"
	002825-01-000	FT	Weather Stripping (Roof Vent)
	081377-01-700	EA	Adhesive - Cyanoacrylate - 10 GM

**WATER & SEWAGE GROUP**

**DRAINAGE SYSTEM**

Key	Part Number	U/M	Description
	062422-01-000	EA	Adapter - Offset Reducer - 3" x 1 1/2"
	062416-01-000	EA	Adapter - Sewer Hose to 3" Pipe
	033302-02-000	EA	Adapter Arm - Strainer - 1 1/2" (CSA)
	010121-01-000	EA	Bushing - Plastic - Red - 1 1/2 S x 1 1/4 H
	011091-02-000	EA	Continuous Waste - Double Sink - 11 7/8"
	078406-01-000	EA	Coupler - Rubber - 3" x 3"
	010006-01-000	EA	Elbow - Plastic - 1/8 BD x 1 1/2 x 45° H x H
	010008-01-000	EA	Elbow - Plastic - 1/4 BD x 1 1/2 x 90° - Left
	010061-01-000	EA	Elbow - Plastic - 1/8 BC x 3 x 45 S x H
	037101-02-000	EA	Elbow - Plastic - 1/4" Bend Vent - 1 1/2" Hub (CSA)
	075240-06-000	EA	Faucet - Lavatory - Bone
	011053-04-000	EA	Faucet - Swing Spout - 8" - Galley
	091253-01-000	EA	Gasket - Faucet
	061607-01-000	EA	Grommet - Holding Tank Coupler - 1 1/2"
	011066-03-000	EA	P-Trap - 1 1/4" - Plastic (US)
	011066-02-000	EA	P-Trap - 1 1/4" - Plastic (CSA) (Lavatory/Shower)
	053335-01-000	EA	P-Trap - 1 1/4" - Plastic w/Union (CSA) (Galley)
	083558-01-000	EA	Roof Vent - Covered - Vent Pipe
	062415-01-000	EA	Sewer Cap - 3"
	062415-01-700	EA	String - Sewer Cap
	010201-01-000	EA	Sewer Hose - 3" ID x 20'
	011048-02-000	EA	Head - Shower - w/60" Hose (US)
	011048-05-000	EA	Head - Shower w/60" Hose (CSA)
	M02630-13-AA3	EA	Shower Pan Asm.
	096927-01-01A	EA	Sink - Lavatory - Rectangular Plastic - Bone
	096927-01-700	EA	Sink - Stopper
	096927-01-701	EA	Tailpiece - Sink
	102551-01-000	EA	Sink - Double - w/Mounting Hardware - Stainless Steel
	066436-01-000	EA	Slip Nut - 1.5 - Tailpiece
	066729-01-000	EA	Strainer - Shower Drain
	066437-01-000	EA	Strainer - Sink - Galley
	066437-01-700	EA	Basket - Strainer - Galley Sink
	011069-02-000	EA	Tailpiece - 1 1/2 x 1 1/4 x 4" - Brass
	083041-01-000	EA	Tank - Holding - 30 Gal. - 14.5" x 51.9" (Waste Water)
	075298-01-000	EA	Tank - Holding - 37 Gal. - 13.3" x 35" x 27" (Sewage)
	010079-01-000	EA	Tee - Plastic - 1 1/2" H x 1 1/2" H x 1 1/4" H
	010071-01-000	EA	Tee - Plastic - 1 1/2" H x H x H
	024676-01-000	EA	Toilet Closet Flange - 4" x 3" - Red (US)
	024676-02-000	EA	Toilet Closet Flange - 4" x 3" - Red (CSA)
	067487-01-000	EA	Toilet - Ivory - Aqua Magic
	067487-01-700	EA	C.L.F.L. Seal & Bolt Package
	067487-01-701	EA	Water Saver Pkg.
	067487-01-702	EA	Clamp
	063740-01-710	EA	Link
	063740-01-711	EA	Spring - Return Lever
	063740-01-716	EA	Seat and Cover Asm.
	063740-01-700	EA	Lever - Water
	063740-01-701	EA	Lever - Flush
	063740-01-717	EA	Flush Tube
	063740-01-713	EA	Seal - Ball - Valve to Bowl
	063740-01-714	EA	Valve Asm. - Water
	063740-01-707	EA	Seal - Closet Flange
	063740-01-706	EA	Bolt Package - Closet
	070916-01-000	EA	Valve - Dual - 3" x 1.5"
	070916-01-700	EA	Valve - Only - 3"
	070916-01-701	EA	Valve - Only - 1 1/2"
	062419-02-000	EA	Rod Extension - 53" - w/Handle & Adapter
	062419-02-700	EA	Handle Only - For Extension Rod
	079968-01-000	EA	Vent - Mechanical Trap Arm
	069735-01-000	EA	Washer - Tailpiece - 1.5 - Plastic

NOTE: Items indented below assemblies are serviceable parts for that assembly.

**1991 ITASCA  
TABLE OF CONTENTS**

INTRODUCTION	A-01 - A-02
ABBREVIATIONS	A-03
ALPHABETICAL/GROUP REFERENCE	A-04 - A-08
IF327RT	A-07 - D-14
IF327RB	D-15 - G-10
IF327RQ	G-11 - J-16

**1991 IF327RB INDEX**

Floor Plan	D-15 - D-16
Accessories Group	A-17 - D-19
Bath Group	D-20 - D-21
Chassis Group	D-22 - E-01
Curtain, Cushion & Pad Group	E-02 - E-07
Dinette Group	E-08 - E-09
Driver's Compartment Group	E-10 - E-12
Electrical Group	E-13 - E-15
Exterior Body Group	E-16 - E-20
Galley Group	E-21 - E-24
Heating & Air Conditioning Group	F-01 - F-02
Interior Finish Group	F-03 - F-05
Labels Group	F-06 - F-12
LP Group	F-13
Lounge Group	F-14 - F-16
Sealants & Fasteners Group	F-17 - F-19
Water & Sewage Group	F-20 - F-22
Window, Vent & Exterior Door Group	F-23 - G-09

**WATER & SEWAGE GROUP (CONTINUED)**

**WATER LINES & HARDWARE**

Key	Part Number	U/M	Description
	044927-01-000	EA	Adapter - Plastic - 1 1/4" MPT x 1 1/4" Bar (Water Tank)
	079317-01-000	EA	Adapter - Swivel - .5 Tube x .5 FPT
	052954-01-000	EA	Adapter - Noce Cone - 3/8" or 1/2" - Plastic
	036522-02-000	EA	Cap - Brass - 1/2" Flare
	065120-01-000	EA	Elbow - Plastic - Swivel - 1/2" FPT x 1/2" Flare - Gray
	075539-01-000	EA	Elbow - Plastic - 3/8" MPT x 3/8" Barb
	077954-02-000	EA	Filter/Screen (In Water Tank)
	052952-01-000	EA	Nut - Plastic - 1/2" F
	052953-01-000	EA	Nut - Faucet - 1/2" Tube x 1/2" FPT
	049032-01-000	EA	Patch - Spinweld - Plastic - 3/8"
	068475-01-000	EA	Pin - Connector
	098607-01-000	EA	Pump - Water - 2.8 GPM - Direct Flow (US)
	098607-02-000	EA	Pump - Water - 2.8 GPM - Direct Flow (CSA)
	098607-01-707	EA	Motor/Backplate - Replacement
	098607-01-701	EA	Drive Asm.
	098607-01-702	EA	Diaphragm Kit
	098607-01-703	EA	Valve Asm.
	098607-01-704	EA	Upper Housing
	098607-01-706	EA	Switch Asm. - Complete
	098607-01-700	EA	Pumphead - Replacement
	098607-01-705	EA	Check - Valve Kit
	091208-01-000	EA	Rubber Washer - .06 x .75 x .50
	042989-03-000	EA	Spinweld Fitting - Plastic - 1/4" NPT
	042989-05-000	EA	Spinweld Fitting - Plastic - 1/2" FPT
	042989-04-000	EA	Spinweld Fitting - Plastic - 3/8" FPT
	052955-01-000	EA	Tee - Plastic - 1/2" F x 1/2" F x 1/2" MPT
	052956-01-000	EA	Tee - Plastic - 1/2" F x 1/2" MPT x 1/2" F
	052957-02-000	EA	Elbow - Plastic - 1/2" F x 1/2" MPT
	052958-01-000	EA	Tee - Plastic - 1/2" F x 1/2" F x 1/2" F
	076776-01-000	EA	Tee - Barb - 5/8" x 5/8" x 5/8"
	039800-01-000	FT	Tubing - Polybutyl - 1/2" OD x 20' (Water Line)
	079331-01-000	FT	Tubing - Flex/Smooth - 1.25 ID (Water Tank)
	074462-02-000	FT	Tubing - Vinyl - 3/8" ID
	052960-01-000	EA	Valve - Line Drain - 1/2" F x 1/2" F
	052960-01-700	EA	Connector - Union - 1/2" F x 1/2" F
	052961-02-000	EA	Header - 1/2" MPT x 1/2" F x 1/2" F x 1/2" F
	099400-02-000	EA	Water Tank - 36 Gal. w/Fittings - 19" x 25" x 17.5"

NOTE: Items indented below assemblies are serviceable parts for that assembly.

**WATER HEATER BYPASS (OPTION LS3J)**

Key	Part Number	U/M	Description
	039800-01-000	FT	Tubing - Polybutyl - 1/2 OD x 20'
	052956-01-000	EA	Tee - Plastic - 1/2 F x 1/2 MPT x 1/2 F
	052957-01-000	EA	Elbow - Plastic - 1/2 F x 1/2 MPT
	099729-01-000	EA	Bypass Kit - Water Heater
	052952-01-000	EA	Nut - Plastic - 1/2" F
	052955-01-000	EA	Tee - Plastic - 1/2" F x 1/2" F x 1/2" MPT

**WATER & SEWAGE GROUP (CONTINUED)**

**WATER HEATER & REPAIR PARTS**

Key	Part Number	U/M	Description
	051391-01-000	EA	Heater - Water - Atwood G6A-3
	051391-01-700	EA	Hinge Kit - w/Clip - Atwood #92568 & 92559
	051391-01-715	EA	Drain Plug - Atwood #91561
	051391-01-702	EA	Tank - Inner - G6A-2, 3, 6 - Water Heater - Atwood 91412
	051391-01-704	EA	Valve - Relief - 1/2" Fitting - Atwood 91604
	051391-01-705	EA	Fastener - Camloc - Atwood #92609
	051391-01-706	EA	Grille - Exhaust - Atwood #92787
	051391-01-712	EA	Thermostat - 3/8" NPT Inlet
	051391-01-708	EA	Burner - Main - Atwood #92615
	051391-01-709	EA	Pilot Asm. - w/Thermocouple & Tube
	051391-01-710	EA	Orifice - Main Burner - Atwood #92742
	051391-01-711	EA	Elbow - Orifice - Main Burner
	051391-01-714	EA	Elbow - 45 Degree - 3/8" F x 3/8" MPT - Atwood #91044
	051391-03-000	EA	Heater - Water - w/Electric Ignition - Atwood # G6A-3E, 4E & 6E
	051393-03-700	EA	Tank - Inner (G6A-3E) Rear Mount - Atwood #91409
	051391-04-700	EA	Tank - Inner (G6A-3E) Front Mount - Atwood #91608
	051391-04-706	EA	Tank - Inner - G6A-4E & 6E - Front Mount - Atwood #9164
	051391-01-704	EA	Valve - Relief - 1/2" Fitting - Atwood #91604
	051391-01-705	EA	Fastener - Camloc - Atwood #92609
	051393-01-701	EA	Switch Package - Atwood #91959
	051393-01-702	EA	Switch - Energy Cut-Off - Atwood #91951
	051391-04-701	EA	Thermostat 12 VDC - 120 Preset - Atwood #91470 - Front Mount Only
	051393-01-703	EA	Thermostat - Rear Mount - Atwood #91952
	051393-01-721	EA	ECO & Thermostat Asm. - Front Mount - 140 Degree - Atwood #
	051393-01-704	EA	Circuit Board - w/Black Box - Atwood #91420
	051391-01-706	EA	Grille - Exhaust - Atwood #92787
	051393-01-705	EA	Orifice Holder - Atwood #91925
	051391-01-710	EA	Orifice - Main Burner - Atwood #92742
	051393-01-716	EA	Spark & Probe Asm. - Atwood #91606
	051391-01-708	EA	Burner - Main - Atwood #92615
	051393-01-718	EA	Valve - Dual Solenoid - Atwood #91605
	051391-01-715	EA	Drain Plug - Atwood #91561
	051391-01-700	EA	Hinge Kit - w/Clip - Atwood #92568 & 92559
	051393-01-000	EA	Water Heater - w/Motor Aid - Pilotless Ignition - Atwood GH6-3E, GH6-4E or GH6-6E
	051391-04-705	EA	Tank - Inner - GH6-3E - Front Mount - Atwood #91603
	051393-01-714	EA	Tank - Inner - GH6-3E - Rear Mount - Atwood #91408
	051391-04-704	EA	Tank - Inner - Front Mount - GH6-4E & 6E - Atwood #91642
	051391-01-704	EA	Valve - Relief - 1/2" Fitting - Atwood #91604
	051391-01-705	EA	Fastener - Camloc - Atwood #92609
	051393-01-701	EA	Switch Package - Atwood #91959
	051393-01-702	EA	Switch - Energy Cut-off - Atwood #91951
	051391-04-701	EA	Thermostat - 12 VDC - 120 Preset - Atwood #91470 - Front Mount Only
	051393-01-703	EA	Thermostat - Rear Mount - Atwood #91952
	051393-01-721	EA	ECO & Thermostat Asm. - Front Mount - 140 Degree - Atwood #
	051393-01-704	EA	Circuit Board - w/Black Box - Atwood #91420
	051391-01-706	EA	Grille - Exhaust - Atwood #92787
	051393-01-705	EA	Orifice Holder - Atwood #91925
	051391-01-710	EA	Orifice - Main Burner - Atwood #92742
	051393-01-716	EA	Spark & Probe Asm. - Atwood #91606
	051391-01-708	EA	Burner - Main - Atwood #92615
	051393-01-718	EA	Valve - Dual Solenoid - Atwood #91605
	051391-01-715	EA	Drain Plug - Atwood #91561
	051391-01-700	EA	Hinge Kit - w/Clip - Atwood #92568 & 92559

NOTE: Items indented below assemblies are serviceable parts for that assembly.

**1991 ITASCA  
TABLE OF CONTENTS**

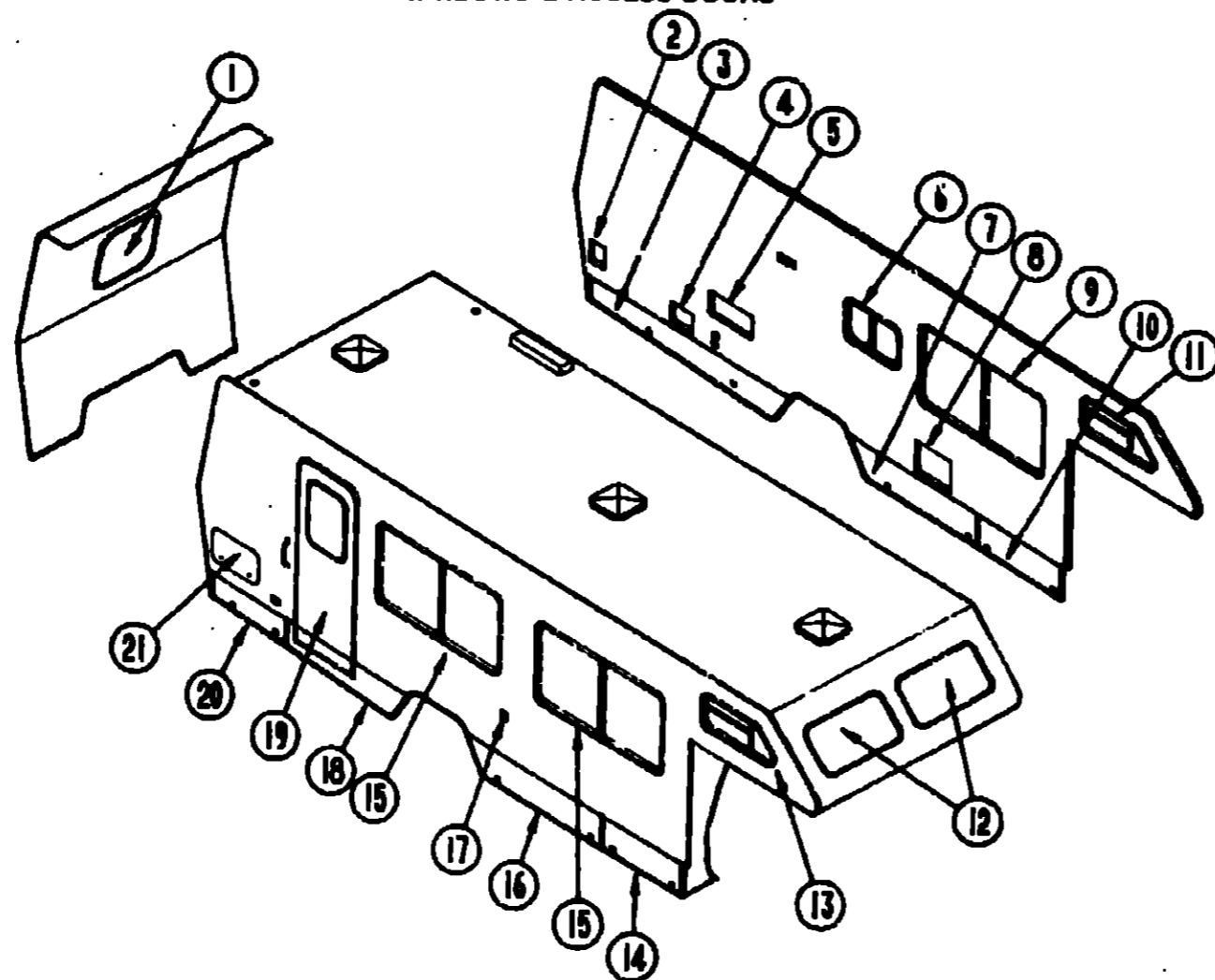
INTRODUCTION	A-01 - A-02
ABBREVIATIONS	A-03
ALPHABETICAL/GROUP REFERENCE	A-04 - A-08
IF327RT	A-07 - D-14
IF327RB	D-15 - G-10
IF327RQ	G-11 - J-16

**1991 IF327RB INDEX**

Floor Plan	D-15 - D-16
Accessories Group	A-17 - D-19
Bath Group	D-20 - D-21
Chassis Group	D-22 - E-01
Curtain, Cushion & Pad Group	E-02 - E-07
Dinette Group	E-08 - E-09
Driver's Compartment Group	E-10 - E-12
Electrical Group	E-13 - E-15
Exterior Body Group	E-16 - E-20
Galley Group	E-21 - E-24
Heating & Air Conditioning Group	F-01 - F-02
Interior Finish Group	F-03 - F-05
Labels Group	F-06 - F-12
LP Group	F-13
Lounge Group	F-14 - F-16
Sealants & Fasteners Group	F-17 - F-19
Water & Sewage Group	F-20 - F-22
Window, Vent & Exterior Door Group	F-23 - G-09

## WINDOWS, VENTS & EXTERIOR DOORS

### WINDOWS & ACCESS DOORS



Key	Part Number	U/M	Description
1	079729-02-T03	EA	Window Asm. - Escape
2	078010-03-000	EA	Door Asm. - Fuel Fill
3	096393-10-B05	EA	Door Asm. - Valance - Storage
4	088794-01-000	EA	Door Asm. - Power Cord
5	084103-03-000	EA	Door Asm. - Refrigerator
6	098647-07-700	EA	Window Asm. - Single Slider
7	096395-01-AA3	EA	Door Asm. - Valance - Storage
8	052009-01-000	EA	Door Asm. - Water Heater
9	098647-02-700	EA	Window Asm. - Single Slider
10	096386-03-AA3	EA	Door Asm. - Valance - Storage/Generator
11	100322-02-700	EA	Window - Vented - 12" x 35.8" - w/o Inside Frame

Key	Part Number	U/M	Description
12	078533-06-AA3	EA	Window Asm. - Picture - 15" x 32"
12	078533-08-B13	EA	Window - Picture - 15" x 32"
13	100322-01-720	EA	Window - Vented - 12" x 35.8" - w/o Inside Frame
14	096386-01-AA3	EA	Door Asm. - Valance - Storage
15	098647-01-705	EA	Window Asm. - Single Slider
16	096395-08-AA3	EA	Door Asm. - Valance - Storage
17	081240-03-000	EA	Door Asm. - Water Fill
18	098698-02-B05	EA	Valance Asm. - Entrance
19	M01870-32-B27	EA	Door Asm. - Entrance
20	096397-06-B05	EA	Door Asm. - Valance - Rear
21	079578-04-U28	EA	Door Asm. - Storage

\* These parts were used from 5/29/90 on.

## 1991 ITASCA TABLE OF CONTENTS

INTRODUCTION	A-01 - A-02
ABBREVIATIONS	A-03
ALPHABETICAL/GROUP REFERENCE	A-04 - A-06
IF327RT	A-07 - D-14
IF327RB	D-15 - G-10
IF327RQ	G-11 - J-16

## 1991 IF327RB INDEX

Floor Plan	D-15 - D-16
Accessories Group	D-17 - D-19
Bath Group	D-20 - D-21
Chassis Group	D-22 - E-01
Curtain, Cushion & Pad Group	E-02 - E-07
Dinette Group	E-08 - E-09
Driver's Compartment Group	E-10 - E-12
Electrical Group	E-13 - E-15
Exterior Body Group	E-16 - E-20
Galley Group	E-21 - E-24
Heating & Air Conditioning Group	F-01 - F-02
Interior Finish Group	F-03 - F-06
Labels Group	F-06 - F-12
LP Group	F-13
Lounge Group	F-14 - F-18
Sealants & Fasteners Group	F-17 - F-19
Water & Sewage Group	F-20 - F-22
Window, Vent & Exterior Door Group	F-23 - G-09

**WINDOW, VENT & EXTERIOR DOOR GROUP (CONTINUED)**

**BATH POWERED ROOF VENT**

Key	Part Number	U/M	Description
	090394-01-Y12	EA	Vent Asm. - Roof - Powered - w/o Screen (USA)
	009440-01-000	EA	Lift Mechanism
	009439-01-000	EA	Handle - Crank - Roof Vent
	009439-04-000	EA	Screw
	048649-01-000	EA	Fan - Plastic - 6"
	008195-01-000	EA	Switch - Push Button - 12 Volt
	015911-01-000	EA	Track - Slide - Roof Vent
	002825-01-000	EA	Weatherstrip Seal
	048648-01-000	EA	Motor - 12 Volt
	055218-01-000	EA	Cover Asm. - Roof Vent
	052639-01-200	EA	Hinge - 7" - Roof Vent
	070785-01-Y12	EA	Screen Asm. - Roof Vent - Powered
	002291-02-000	SF	Screen - Window - 16" - Charcoal
	002298-02-000	FT	Spline - Charcoal
	064469-00-000	EA	Vent Asm. - Roof Powered - w/o Screen (CSA)

**NON-POWERED VENT**

Key	Part Number	U/M	Description
	090395-01-Y12	EA	Vent Asm. - Roof - Non-Powered - w/o Screen
	009440-01-000	EA	Lift Mechanism Asm.
	009439-01-000	EA	Handle - Crank - Roof Vent
	009439-04-000	EA	Screw
	015911-01-000	EA	Track - Slide - Roof Vent
	002825-01-000	EA	Weatherstrip Seal
	055218-01-000	EA	Cover Asm. - Roof Vent
	052639-01-200	EA	Hinge - 7" - Roof Vent
	070786-01-Y12	EA	Screen Asm. - Charcoal
	002291-02-000	SF	Screen - Window - 16" - Charcoal
	002298-02-000	FT	Spline - Charcoal

**VENTS & SHROUDS**

Key	Part Number	U/M	Description
	083558-03-000	EA	Vent - Plumbing Pipe - Roof w/Cover - Off White
	094073-03-000	EA	Vent - Refrigerator Roof - Off White
	084073-04-000	EA	Base - Roof Vent - Norcold Refrigerator - Black
	084878-09-000	EA	Vent - Range Hood - Short - LVS
	084616-01-000	EA	Shroud - Range Hood Vent - Off White

**WINDOW, VENT & EXTERIOR DOOR GROUP (CONTINUED)**

**ACCESS DOORS**

Key	Part Number	U/M	Description
	098393-10-B05	EA	Door Asm. - Near Drivers Side - /2.25" - Taped
	079927-03-000	EA	Lock - Twist Type - Double Cam
	078010-03-000	EA	Door Asm. - Fuel Fill - Off White
	078200-01-000	EA	Gasket - Fuel Fill Door
	078040-02-000	EA	Shroud - Fuel Fill - Upper
	083578-01-000	EA	Door - Fuel Fill
	084235-01-000	EA	Support - Flange
	079578-04-U28	EA	Door Asm. - Storage - 12.9" x 22.1"
	079366-04-000	EA	Lock - Key Type w/o Keys
	082684-01-700	EA	Key - Compartment Door Lock
	079368-01-000	FT	Seal - Access Door
	058027-01-000	FT	Seal - D Shaped - Hollow - Sponge Rubber
	081801-02-000	EA	Hinge - 2" x 96"
	088784-01-000	EA	Door Asm. - Power Cord w/Hatch - Off White
	090340-01-000	FT	Seal - Foam Closed Cell - 1/4" x 1/2" x 50'
	084103-03-000	EA	Door Asm. - Refrigerator - Vented - Off White
	084104-01-700	EA	Lock - Male - Dyrus Fasteners
	084104-01-701	EA	Lock - Female - Dyrus Fasteners
	084104-03-000	EA	Jamb - Door - Vented - Refrigerator - Off White
	081240-03-000	EA	Door Asm. - Water Fill - Lockable - 4" x 4 5/8" - Off White
	096395-01-AA3	EA	Door Asm. - Storage - 13.7" x 61.6"
	064075-07-000	FT	Seal - Door - Bulb
	079366-04-000	EA	Lock - Door - Key Type w/o Keys
	082684-01-700	EA	Key - Storage Compartment - Single
	096386-01-AA3	EA	Door Asm. - LP Compartment - 13.7" x 36.8"
	079927-03-000	EA	Lock - Twist Type - Double Cam
	095397-06-B05	EA	Door Asm. - Rear Passenger - 8.4" x 35.7" x 10.5"
	079366-04-000	EA	Lock - Key Type - w/o Keys
	082684-01-700	EA	Key - Compartment Door Lock
	096395-08-AA3	EA	Door Asm. - Passenger Side - 13.7" x 61.6" - Taped
	079366-04-000	EA	Lock - Key Type - w/o Keys
	082684-01-000	EA	Key - Compartment Door - Lock
	064075-07-000	EA	Seal - Bulb - Black
	052009-01-000	EA	Door Asm. - Water Heater - Off White
	096386-03-AA3	EA	Door Asm. - Storage/Generator - w/Locks - 13.7" x 39.9"
	079927-03-000	EA	Lock - Twist Type - Double Cam
	078137-02-000	EA	Tray - Storage Compartment - 27.18" x 21" Deep
	096209-55-001	EA	U-Channel - Hinged - 16' - Off White
	096217-55-001	EA	U-Channel - 17.5' - Off White
	097111-01-01A	EA	Pocket - Lock Valance - Off White
	098338-01-000	EA	Gasket - Lock Pocket

NOTE: Items indented below assemblies are serviceable parts for that assembly.

**1991 ITASCA  
TABLE OF CONTENTS**

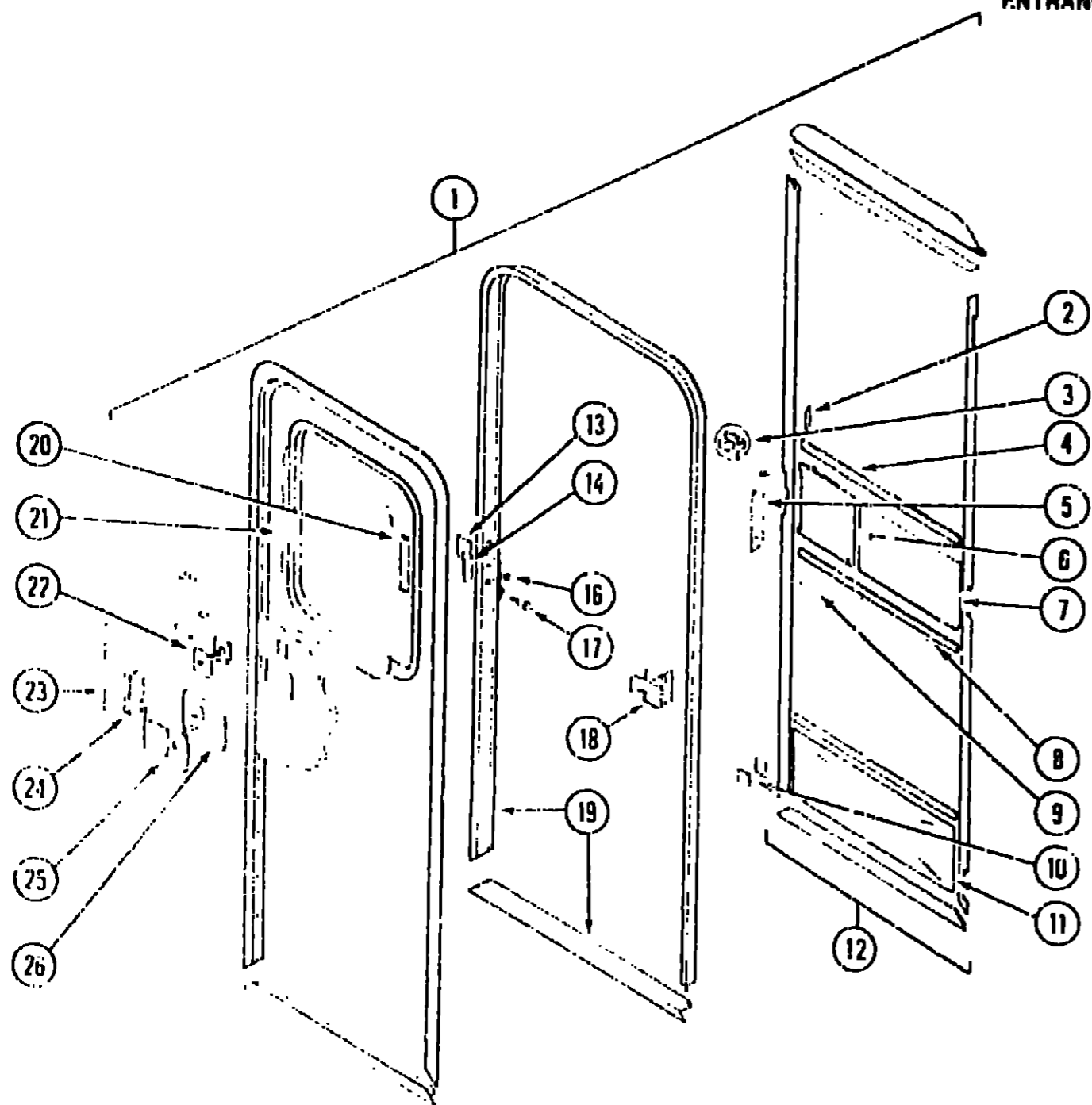
INTRODUCTION	A-01 - A-02
ABBREVIATIONS	A-03
ALPHABETICAL/GROUP REFERENCE	A-04 - A-06
IF327R1	A-07 - D-14
IF327R3	D-15 - G-10
IF327RQ	G-11 - J-18

**1991 IF327RB INDEX**

Floor Plan	D-15 - D-16
Accessories Group	D-17 - D-19
Bath Group	D-20 - D-21
Chassis Group	D-22 - E-01
Curtain, Cushion & Pad Group	E-02 - E-07
Dinette Group	E-08 - E-09
Driver's Compartment Group	E-10 - E-12
Electrical Group	E-13 - E-15
Exterior Body Group	E-16 - E-20
Galley Group	E-21 - E-24
Heating & Air Conditioning Group	F-01 - F-02
Interior Finish Group	F-03 - F-05
Labels Group	F-06 - F-12
LP Group	F-13
Lounge Group	F-14 - F-16
Sealants & Fasteners Group	F-17 - F-19
Water & Sewage Group	F-20 - F-22
Window, Vent & Exterior Door Group	F-23 - G-09

# WINDOW, VENT & EXTERIOR DOOR GROUP (CONTINUED)

## ENTRANCE DOOR



Key	Part Number	U/M	Description
4	078777-01-000	EA	Channel - Slide - Screen Door Center Slider Cover
5	079087-02-000	EA	Strike - Slider - Screen Door
6	079087-02-000	EA	Slider - Screen Door
7	016454-01-000	EA	Insert - Screen Door - Center - Leather Grain Aluminum
8	002294-01-000	FT	Spine - Black
9	002293-02-000	SF	Screen - Window - 20" Charcoal
10	095774-01-000	FT	Fastener - Dual Lock - 1" Wide
10	085774-02-000	FT	Fastener - Dual Lock - 1" Wide
11	078552-03-000	EA	Insert - Screen Door - Lower - Kick Panel
12	079012-01-U01	EA	Screen Door Asm.
	078595-01-000	EA	Plate - Screen Door
13	077461-03-000	EA	Strike Cover - Off White
14	041548-03-000	EA	Angle Backset
16	058806-03-000	EA	Plug - Tapered Plastic - Red
17	039539-01-000	EA	Strike
10	097724-01-02A	EA	Hinge - Entrance Door - Off White
	0767225-01-000	EA	Hinge Cover - Light Oak
19	095277-02-01A	EA	Door Jamb - Entrance Door
	051049-01-000	EA	Jamb Bottom - Entry Door - Beige
	079207-01-000	EA	Striker - Roller Catch - Welded to Door Jamb
	095278-01-01A	EA	Jamb Door - Entrance - Unpainted
20	087561-01-000	FT	Window Seal
21	002181-07-000	EA	Glass - Picture Window - Frosted
	079733-07-AA8	EA	Window Asm. - Picture - 17" x 25" - Frosted Glass (w/o inside frame)
	067609-27-000	EA	Inside Frame - Black (not included in assembly)
22	095229-01-01A	EA	Deadbolt Asm.
	095229-01-700	EA	Key - Blank
**22	101145-01-01A	EA	Deadbolt - Entry Door - Black
	101147-01-000	EA	Security Bolt - 4.12" Bracket
23	098173-01-04A	EA	Stiffener - Entrance Door
24	039540-01-000	EA	Latch Asm. - Entrance Door
25	045017-10-000	EA	Paddle Latch - Mechanism - w/Lock Cylinder & Key
	045017-08-700	EA	Cylinder Asm. w/Keys (Set of 3)
	045017-01-701	EA	Blank Key (1 only)
*25	045017-11-000	EA	Latch Asm. - Entrance Door w/Lock & Key - Black
	045017-11-700	EA	Master Key
	045017-11-701	EA	Blank Key
26	039978-03-000	EA	Cover Asm. - Latch Plate - Black
*26	039979-04-000	EA	Cover Asm. - Latch Plate - Black
	039739-01-000	EA	Deadbolt - "J" Shaped - Latch Asm.
	039984-01-000	EA	Cap - Black Vinyl - Lock Grip
	058806-01-000	EA	Plug - Tapered for Deadbolt - Plastic - .66" Dia.
	081914-01-000	EA	Bumper - Round Rubber - .43" Dia. - Black
	090340-01-000	FT	Seal Foam - Closed Cell
	091968-03-000	FT	Tape Adhesive - 1" Wide
	056748-01-000	EA	Plug - Cap - 1.5" Dia.
	075673-01-000	FT	Seal - Pile - Adhesive Back
†	100128-02-000	FT	Seal - Pile - Adhesive Back - Gray
	075671-01-000	FT	Seal - Sponge - Lazy T Shaped
	002748-01-000	EA	Corner - Key
	081067-01-000	EA	Seal - Lock - Flat w/Slit
	063729-04-000	EA	Rivnut - 10 - 32 UNF - .010 - .080
	072893-01-000	EA	Nutsert - M5 x 0.8

Key	Part Number	U/M	Description
1	M01870-32-627	EA	Door Asm. - Entrance w/Screen Door
	095276-01-01A	EA	Frame Asm. - Entrance Door - Off White
	089748-01-000	EA	Frame - Entrance Door - Bottom Portion
	044582-02-000	EA	Drip Cap - Top Entrance Door Jamb - Off White
	075639-11-000	EA	Garnish - Radius - Entrance Door
2	050712-05-000	EA	Door Handle - Screen Door - Mill Finished
2	050712-04-000	EA	Door Handle - Screen Door - Off White
3	009018-01-000	EA	Roller Catch - Screen Door
	058025-02-000	EA	Clip - Roller Latch Catch
	009016-01-000	EA	Catch - Elbow - Spring Loaded - Screen Door
††	100412-01-000	EA	Catch - Screen Door

\* These are the parts used from 8/8/90 on.  
† These are the parts used from 8/8/90 on.  
\*\* These are the parts used from 5/7/90 on.  
†† These are the parts used from 7/9/90 on.

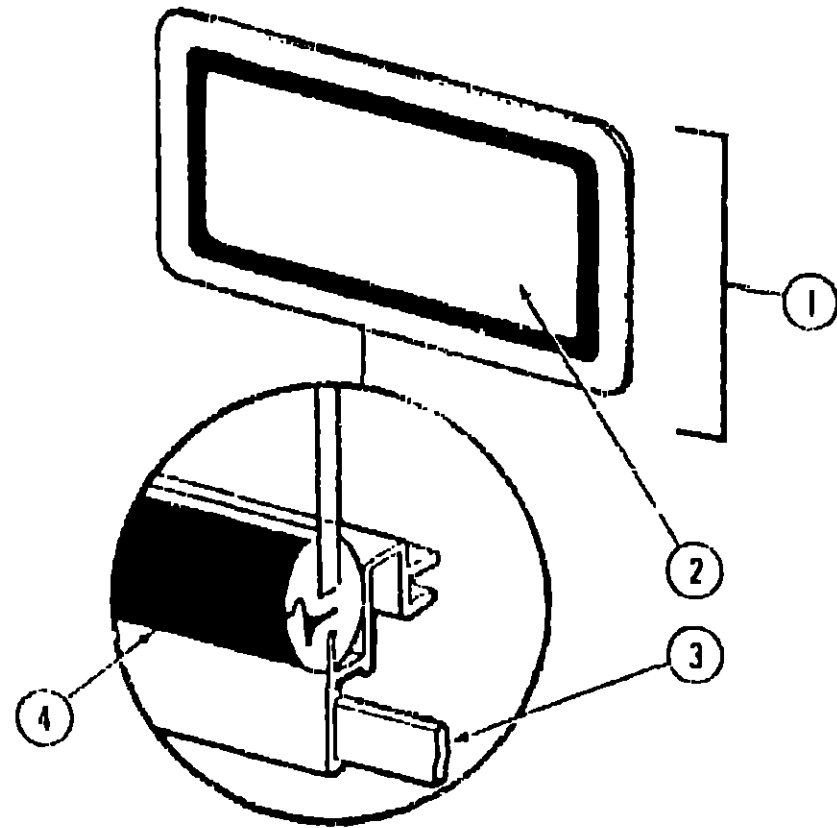
## 1991 ITASCA TABLE OF CONTENTS

INTRODUCTION	A-01 - A-02
ABBREVIATIONS	A-03
ALPHABETICAL/GROUP REFERENCE	A-04 - A-08
IF327RT	A-07 - D-14
IF327RB	D-15 - G-10
IF327RQ	G-11 - J-16

## 1991 IF327RB INDEX

Floor Plan	D-15 - D-16
Accessories Group	D-17 - D-19
Bath Group	D-20 - D-21
Chassis Group	D-22 - E-01
Curtain, Cushion & Pad Group	E-02 - E-07
Dinette Group	F-08 - E-09
Driver's Compartment Group	E-10 - E-12
Electrical Group	E-13 - E-15
Exterior Body Group	E-16 - E-20
Galley Group	E-21 - E-24
Heating & Air Conditioning Group	F-01 - F-02
Interior Finish Group	F-03 - F-05
Labels Group	F-06 - F-12
LP Group	F-13
Lounge Group	F-14 - F-16
Sealants & Fasteners Group	F-17 - F-19
Water & Sewage Group	F-20 - F-22
Window, Vent & Exterior Door Group	F-23 - G-09

WINDOW, VENT & EXTERIOR DOOR GROUP (CONTINUED)



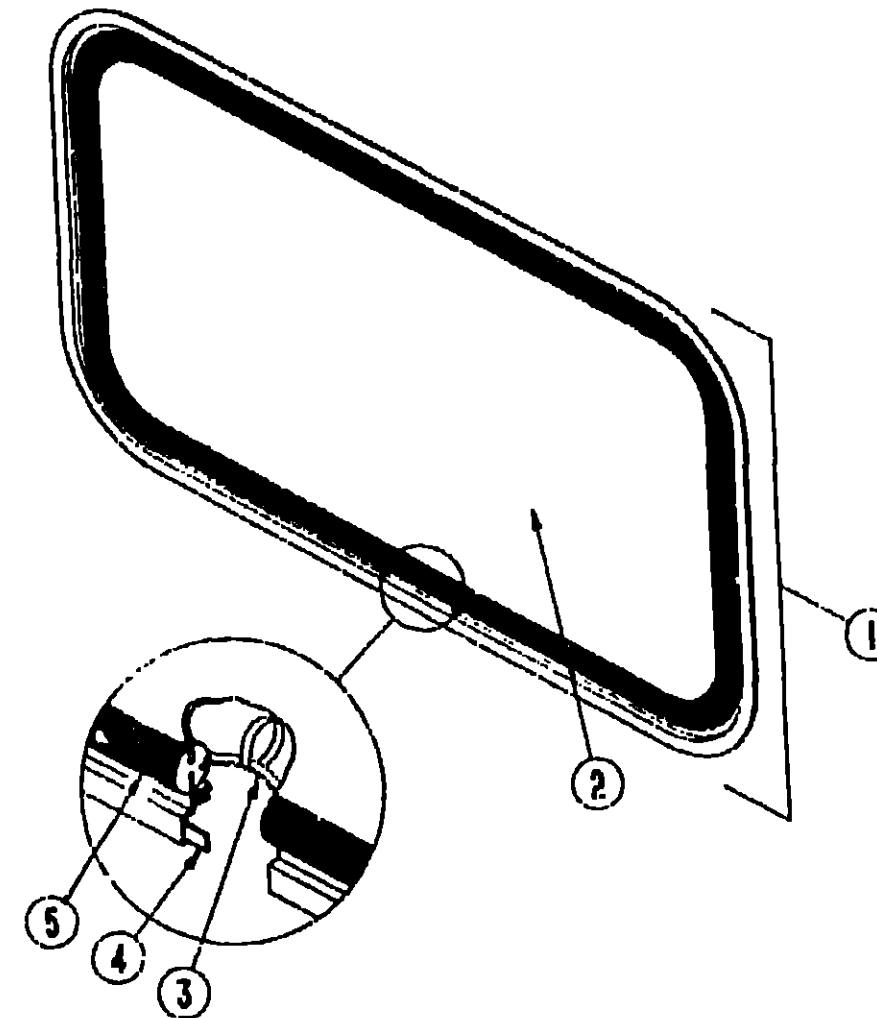
**FRONT PICTURE WINDOW**  
(From: 00-00-00 Thru: 5-28-90)

Key	Part Number	U/M	Description
1	078533-06-AA3 041938-12-000	EA	Window Asm. - Front Picture - 15" x 32" - Black (w/o inside frame)
2	002200-07-000	EA	Inside Frame - Black (not included in assembly)
3	069640-06-000	FT	Glass - Tempered - Picture Window - 15.3" x 32.5"
4	002281-01-000	EA	Ribbon Sealer - 5/16" Bead x 15"
		EA	Weatherstrip - Self Seal - .06" Panel x 3/16" - Black

**FRONT PICTURE WINDOW**  
(From: 5-29-90 Thru: 99-99-99)

Key	Part Number	U/M	Description
1	078533-08-B13 041938-12-000	EA	Window Asm. - Front Picture - 15" x 32" - Black (w/in inside frame)
2	002181-13-000	EA	Inside Frame - Black (not included in assembly)
3	069640-06-000	EA	Glass - Window - 15.3" x 32.5" - Gray
4	002281-02-000	FT	Ribbon Sealer - 5/16" Bead x 15"
		EA	Weatherstrip - Self Seal - .06" Panel x .125"

WINDOW, VENT & EXTERIOR DOOR GROUP (CONTINUED)



**BATH ESCAPE WINDOW**

Key	Part Number	U/M	Description
1	079729-02-T03 020749-09-000	EA	Window Asm. - Rear Escape - 24" x 22" - Black (w/o inside frame)
2	041392-03-000	EA	Inside Frame - Black (not included in assembly)
3	002285-01-000	EA	Glass - 1/8" x 21.6" x 19.6"
4	069640-07-000	FT	Filler - Weatherstrip - Black
5	002282-01-000 077066-01-702 006199-01-000	FT	Ribbon Sealer - 5/16" Bead x 15"
		EA	Tape Asm. - Escape Window
		EA	Label - Exit - Escape Window

**1991 ITASCA  
TABLE OF CONTENTS**

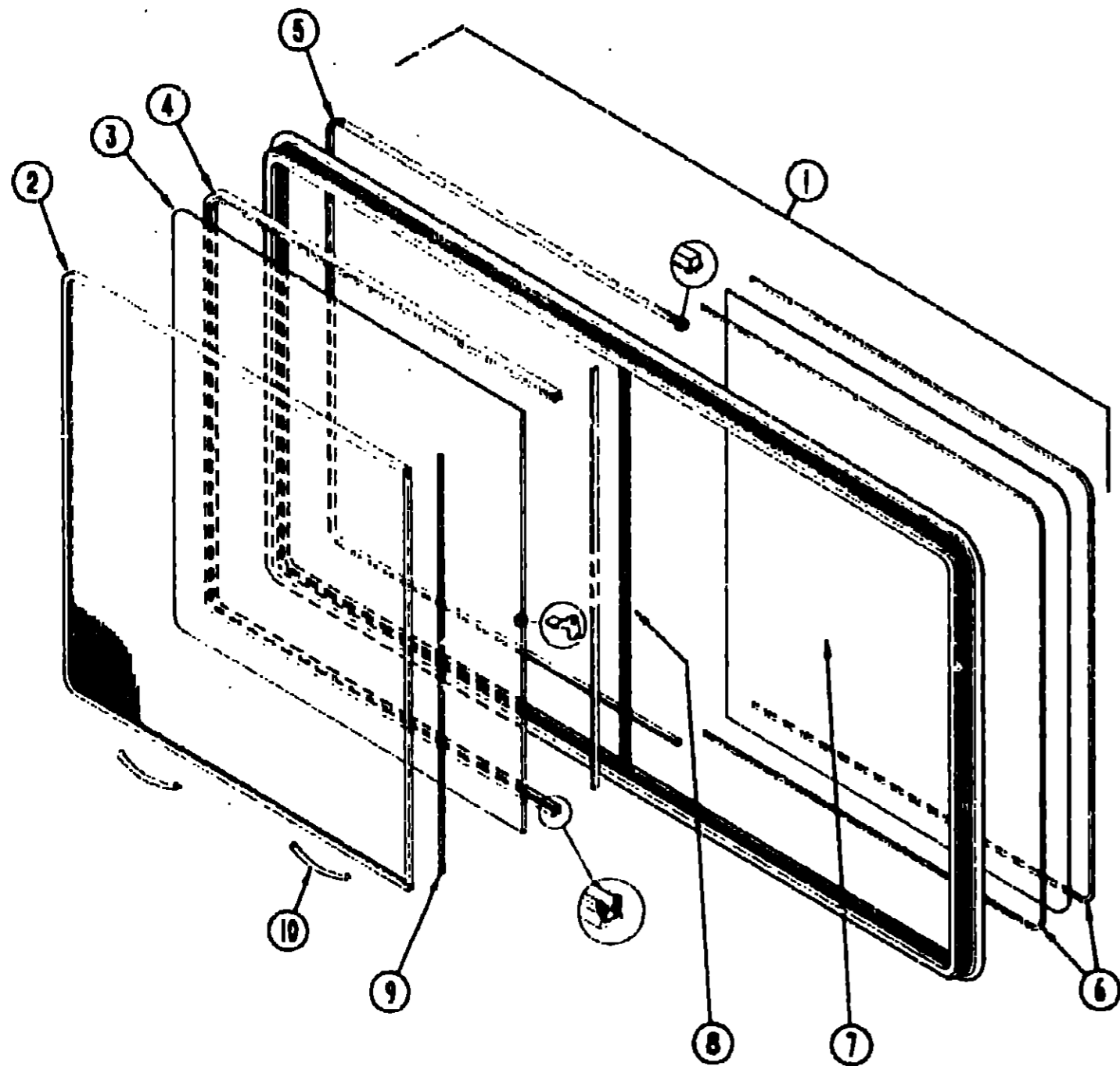
INTRODUCTION	A-01 - A-02
ABBREVIATIONS	A-03
ALPHABETICAL/GROUP REFERENCE	A-04 - A-06
IF327RT	A-07 - D-14
IF327RB	D-15 - G-10
IF327RO	G-11 - J-16

**1991 IF327RB INDEX**

Floor Plan	D-15 - D-16
Accessories Group	D-17 - D-19
Bath Group	D-20 - D-21
Chassis Group	D-22 - E-01
Curtain, Cushion & Pad Group	E-02 - E-07
Dinette Group	E-08 - E-09
Driver's Compartment Group	E-10 - E-12
Electrical Group	E-13 - E-15
Exterior Body Group	E-16 - E-20
Galley Group	E-21 - E-24
Heating & Air Conditioning Group	F-01 - F-02
Interior Finish Group	F-03 - F-05
Labels Group	F-06 - F-12
LP Group	F-13
Lounge Group	F-14 - F-16
Sealants & Fasteners Group	F-17 - F-19
Water & Sewage Group	F-20 - F-22
Window, Vent & Exterior Door Group	F-23 - G-00



WINDOW, VENT & EXTERIOR DOOR GROUP (CONTINUED)



Key	Part Number
1	098647-01-705
1	098647-02-700
	098647-01-704
	098644-01-701
	098644-01-702
	098644-01-703
2	098647-01-708
3	098647-01-702
	098647-01-703
4	098644-01-708
5	098644-01-708
6	098644-01-705
7	098647-01-700
8	098647-01-701
9	098644-01-711
10	098644-01-713
	098644-01-716

LOUNGE/DINETTE SINGLE SLIDING WINDOW (EXCEL)

U/M	Description
EA	Window Asm. - Single Slider - 30.5" x 57.5" (w/o inside frame) - Passenger Side
EA	Window Asm. - Single Slider - 30.5" x 57.5" (w/o inside frame) - Driver Side
EA	Inside Frame (not included in assembly)
EA	Splice Plate - Window
EA	Screw - Splice - #8 - 32 x 1/4" Pan Head
EA	Screw - Locking Rail - #8 x 15 Pro-Head Recess - Black
EA	Screen - Window w/Spring & Seal
EA	Sash Asm.
EA	Spacer - Track
FT	Channel - Pierced Run
FT	Weatherstrip
FT	Glazing Strip
EA	Glass - Stationary - 29.27" x 27.72"
EA	Locking Rail w/Weatherstrip
FT	Weatherstrip - Screen - Black
EA	Spring - Screen Frame (Clip) Plastic - Black
FT	Plug - Filler

Key	Part Number
1	098647-07-700
	098647-06-704
	098644-01-701
	098644-01-702
	098644-01-703
2	098647-06-703
3	098647-06-702
	098644-01-710
4	098644-01-708
5	098644-01-706
6	098644-01-705
7	098647-06-700
8	098647-06-701
9	098644-01-711
10	098644-01-713
	098644-01-716

GALLEY SINGLE SLIDER WINDOW (EXCEL)

U/M	Description
EA	Window - Single Slider (w/o inside frame)
EA	Inside Frame (not included in assembly)
EA	Splice Plate - Window
EA	Screw - Splice
EA	Screw - Locking Rail
EA	Screen w/Weatherstrip & Frame Spring (Clip)
EA	Sash Asm. w/Sliding Glass & Latch
FT	Track - Screen Spacer (12' Length)
FT	Channel - Pierced Run
FT	Weatherstripping
FT	Glazing Strip
EA	Glass - Stationary - 10.91" x 13.77"
EA	Rail - Locking w/Weatherstrip
FT	Weatherstrip - Screen - Black
EA	Spring - Screen Frame (Clip) - Plastic - Black
FT	Plug - Filler

WINDOW, VENT & EXTERIOR DOOR GROUP (CONTINUED)

1991 ITASCA  
TABLE OF CONTENTS

INTRODUCTION	A-01 - A-02
ABBREVIATIONS	A-03
ALPHABETICAL/GROUP REFERENCE	A-04 - A-06
IF327RT	A-07 - D-14
IF327RB	D-15 - G-10
IF327RQ	G-11 - J-18

1991 IF327RB INDEX

Floor Plan	D-15 - D-16
Accessories Group	D-17 - D-19
Bath Group	D-20 - D-21
Chassis Group	D-22 - E-01
Curtain, Cushion & Pad Group	E-02 - E-07
Dinette Group	E-08 - E-09
Driver's Compartment Group	E-10 - E-12
Electrical Group	E-13 - E-15
Exterior Body Group	E-16 - E-20
Galley Group	E-21 - E-24
Heating & Air Conditioning Group	F-01 - F-02
Interior Finish Group	F-03 - F-05
Labels Group	F-06 - F-12
LP Group	F-13
Lounge Group	F-14 - F-18
Sealants & Fasteners Group	F-17 - F-18
Water & Sewage Group	F-20 - F-22
Window, Vent & Exterior Door Group	F-23 - G-09

## WINDOW, VENT & EXTERIOR DOOR GROUP (CONTINUED)

### BUNK SLANT SLIDER WINDOW

Key	Part Number	U/M	Description
	100322-02-700	EA	Window - Vented - 12" x 35.8" - w/o Inside Frame - Driver
	100322-01-720	EA	Window - Vented - 12" x 35.8" - w/o Inside Frame - Passenger
	100322-01-719	EA	Inside Frame - Window (not included in assembly)
	098644-01-716	EA	Filter Plug
	100322-01-701	EA	Seal - Vent
	100322-01-702	EA	Weatherstrip - Horizontal Rail
	100322-01-703	EA	Strip - Glazing - Butyl
	100322-01-704	EA	Butyl Tape
	100322-01-705	EA	Glass - Stationary - Small Top
	100322-01-706	EA	Glass - Stationary - Large Front
	100322-01-707	EA	Glass - Tipout - Sub Assembly
	100322-01-708	EA	Screen - Driver Side
	100322-01-709	EA	Screen - Passenger Side
	100322-01-710	EA	Plate - Splice
	100322-01-711	EA	Operator - Vent - Sub Assembly
	100322-01-712	EA	Rail - Horizontal
	100322-01-713	EA	Division Bar - Vertical
	100322-01-714	EA	Support - Torque Bar - Left
	100322-01-715	EA	Support - Torque Bar - Right
	100322-01-716	EA	Support - Torque Bar - Center Rail
	100322-01-717	EA	E-Ring
	100322-01-718	EA	Handle - Dial

## 1991 ITASCA TABLE OF CONTENTS

INTRODUCTION	A-01 - A-02
ABBREVIATIONS	A-03
ALPHABETICAL/GROUP REFERENCE	A-04 - A-06
IF327RT	A-07 - D-14
IF327RB	D-15 - G-10
IF327RQ	G-11 - J-16

## 1991 IF327RB INDEX

Floor Plan	D-15 - D-16
Accessories Group	D-17 - D-19
Bath Group	D-20 - D-21
Chassis Group	D-22 - E-01
Curtain, Cushion & Pad Group	E-02 - E-07
Dinette Group	E-08 - E-09
Driver's Compartment Group	E-10 - E-12
Electrical Group	E-13 - E-15
Exterior Body Group	E-16 - E-20
Galley Group	E-21 - E-24
Heating & Air Conditioning Group	F-01 - F-02
Interior Finish Group	F-03 - F-05
Labels Group	F-06 - F-12
LP Group	F-13
Lounge Group	F-14 - F-16
Sealants & Fasteners Group	F-17 - F-19
Water & Sewage Group	F-20 - F-22
Window, Vent & Exterior Door Group	F-23 - G-06