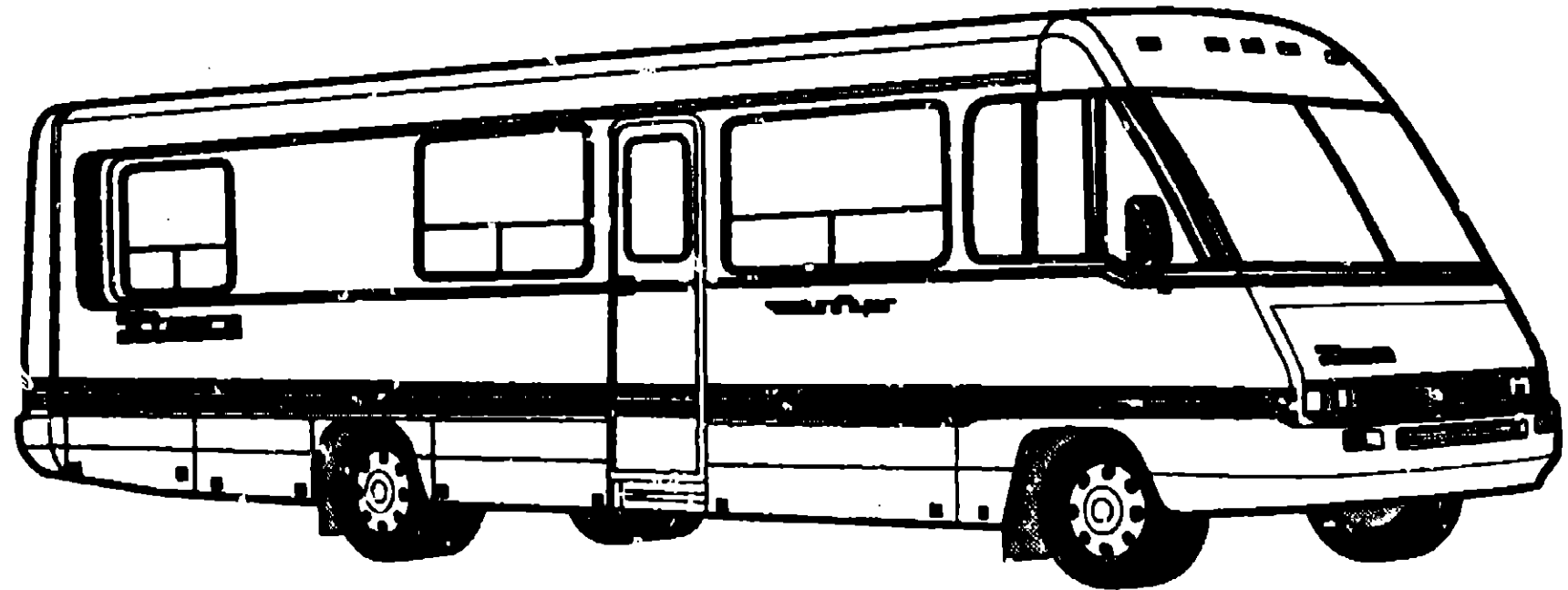


**1991 ITASCA
TABLE OF CONTENTS**

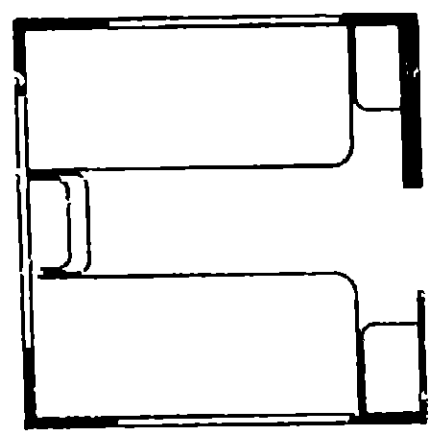
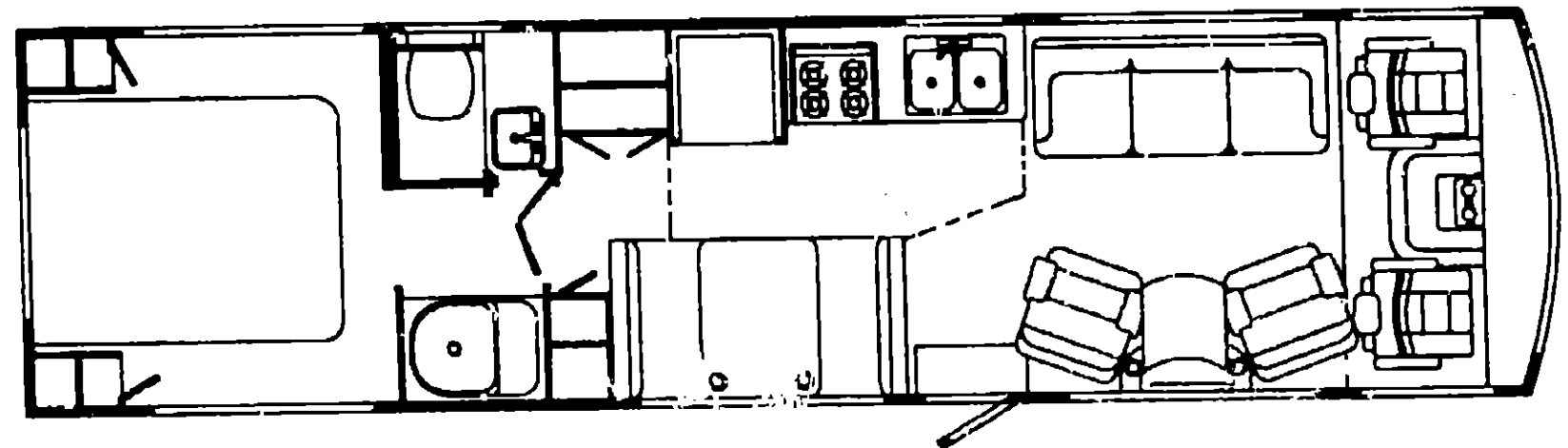
INTRODUCTION	A-01 -	A-02
ABBREVIATIONS		A-03
ALPHABETICAL INDEX	A-04 -	A-08
ICN25PC	A-07 -	F-02
ICN34RQ	F-03 -	K-08



**1991
ICN34RQ**

1991 ICN34RQ INDEX

FLOOR PLAN	F-03 -	F-04
ACCESSORIES	F-05 -	F-12
BATH	F-13 -	F-16
BEDROOM	F-17 -	F-20
CHASSIS	F-21 -	G-08
C C & PAD	G-09 -	G-18
DINETTE	G-19 -	G-20
DRIVERS	G-21 -	H-04
ELECTRICAL	H-05 -	H-12
EXTERIOR BODY	H-13 -	H-20
GALLEY	H-21 -	I-04
HEATING & A/C	I-05 -	I-08
INTERIOR FINISH	I-09 -	I-12
LABEL	I-13 -	I-20
LP		I-21
LOUNGE	I-22 -	I-23
SEALANTS & FASTENERS	I-24 -	J-02
WATER & SEWAGE	J-03 -	J-07
WINDOW, VENT AND EXTERIOR DOOR	J-08 -	K-08



ACCESSORIES GROUP
RADIO SYSTEM AND COMPONENTS

KEY	PART NUMBER	U/M	DESCRIPTION
	084087-01-000	EA	SPEAKER-RADIO W/O GRILLE-6.25" DIA
	074878-01-000	EA	COVER-SPEAKER, BACK SHIELD - PLASTIC FROM: 00-00-00 THRU: 09-04-90
	074878-09-000	EA	COVER-SPEAKER, BACK SHIELD - PLASTIC FROM: 09-05-90 THRU: 09-09-90
	089340-01-000	EA	GRILLE-SPEAKER-6.25" SQUARE FROM: 00-00-00 THRU: 09-09-90
	089340-02-000	EA	GRILLE-SPEAKER-6.25" SQUARE FROM: 09-10-90 THRU: 09-09-90
	073741-03-000	EA	SPEAKER-RADIO, OVAL - AUDIOVOX 110-2074 - 4" X 6"
	073741-04-000	EA	GRILLE-SPEAKER, OVAL - 4" X 6" - BLACK
	087459-01-000	EA	RADIO-AM/FM STEREO, CASSETTE - AUDIOVOX 111-DXA
	089998-01-000	EA	BRACKET-RADIO, AUDIOVOX
	087821-01-000	EA	MOUNTING KIT-RADIO, AUDIOVOX W/1K-AB01 - CHEVY
	087822-01-000	EA	RADIO OUTPUT ADAPTOR HARNESS - AUDIOVOX 112B-1969
	087480-02-000	EA	RADIO-AM/FM STEREO/CASSETTE, ELECTRIC TUNE - SONY XR-4147
	087820-03-000	EA	MOUNTING KIT-RADIO, SONY
	087820-04-000	EA	BRACKET-RADIO FACE-SONY
	100014-01-000	EA	BRACKET-RADIO, SONY
	100014-01-000	EA	BRACKET-RADIO, SONY

TV ANTENNA

KEY	PART NUMBER	U/M	DESCRIPTION
	078319-01-000	EA	ANTENNA-TV, ROOF MOUNT - 4.5' MAST - RVA W02
	078319-01-700	EA	HEAD-ANTENNA, AMPLIFIED
	078319-01-701	EA	GEAR-ELEVATING, PLASTIC
	078319-01-702	EA	SHAFT ASM-ELEVATING
	078319-01-703	EA	BEARING-NYLON, 5"OD
	078319-01-704	EA	BEARING-NYLON, 1.25"OD
	078319-01-705	EA	GROMMET-NYLON, 7/16"ID
	078319-01-708	EA	CRANK-ELEVATING, W/SET SCREW
	078319-01-707	EA	SPRING,HANDLE
	078319-01-708	EA	DECAL-CRANK
	078319-01-709	EA	DIRECTIONAL PLATE F/HEAD
	088758-01-000	EA	SPLITTER-TV, 2 WAY
	078319-03-000	FT	CABLE-COAXIAL, 75 OHM
	078319-04-000	EA	CONNECTOR W/FERRULE
	078319-12-000	EA	CONNECTOR-COAXIAL, ONE PIECE
	078319-01-710	EA	CRANK-ELEVATING(HALF MOON)
	078319-06-000	EA	ADAPTER-CABLE ROOF PLATE, WINEGARD RPJ-1
	078319-11-000	EA	ADAPTER-COAX WITH SPLITTER WINEGARD MSJ-C

ACCESSORIES GROUP (CONTINUED)
REAR VIEW TELEVISION

KEY	PART NUMBER	U/M	DESCRIPTION
	063040-01-000	EA	TELEVISION SYSTEM-REAR VIEW, SONY FROM: 00-00-00 THRU: 01-08-91
	063040-04-000	EA	TELEVISION SYSTEM-REAR VIEW FROM: 01-07-91 THRU: 09-09-90
	083041-01-000	EA	CABLE-MONITOR/CAMERA, INTERNAL USE
	083041-02-000	EA	CABLE-MONITOR/CAMERA, EXTERNAL USE
	093071-01-000	FT	TAPE-BONDING, DOUBLE SIDED - 1/84" X 2"
	092881-01-000	EA	WIRE-INSTRUMENT PANEL, REAR MONITOR - CHEVY
	062037-01-000	EA	HOUSING-AUTO FUSE, NATURAL - CHEVY
	064001-01-000	EA	CLAMP-CAMERA
	099319-01-000	EA	BRACKET-CAMERA, ADJUSTABLE
	099083-01-000	EA	HINGE-CONTINUOUS, 1 1/2" X 72"
	088474-09-000	EA	HOUSING-SOCKET - FORD
	088476-01-000	EA	SOCKET-CONNECTOR - FORD
	099289-01-000	EA	LENS-REAR, MONITOR SHROUD
	093957-02-01A	EA	SHROUD-TV, OFF WHITE
	096717-01-000	EA	WIRE ASM-REAR MONITOR, UPPER
	083040-03-000	EA	WIRE-REAR MONITOR
	099305-01-000	EA	SPRING-COMPRESSION
	096719-01-000	EA	WIRE ASM-BACKUP LAMP, GM
	100319-01-000	EA	RETAINER-LENS, CAMERA
	102814-01-03A	EA	SHROUD-CAMERA, OUTER - OFF WHITE
	102918-01-01A	EA	SHROUD-CAMERA, INNER
	104311-01-000	EA	BRACKET-CAMERA, REAR
	099303-01-01A	EA	CAPLUG-RIGHT HAND, BLACK
	099305-01-01A	EA	CAPLUG-RIGHT HAND, WHITE

TV AND VCR SWITCHING SYSTEM

KEY	PART NUMBER	U/M	DESCRIPTION
	086757-03-000	EA	CONTROL CENTER-SWITCHING - MAGNADYNE
	086777-03-000	EA	PLATE-WALL, ANTENNA/POWER, IVORY
	076319-03-000	FT	CABLE-COAXIAL, 75 OHM
	076319-12-000	EA	CONNECTOR-COAXIAL, ONE PIECE
	078319-04-000	EA	CONNECTOR W/FERRULE
	093214-01-02A	EA	GRILL-SPEAKER 4" BROWN
	098446-01-000	EA	VCR-VHS-CABLE READY - REMOTE - MAGNAVOX VR9815 FROM: 00-00-00 THRU: 09-24-90
	098446-01-700	EA	REMOTE-MAGNAVOX 9815
	098446-02-000	EA	VCR-VHS, CABLE READY - REMOTE - MAGNAVOX VR9812 FROM: 09-25-90 THRU: 09-09-90
	098446-02-700	EA	REMOTE-MAGNAVOX 9812
	098447-01-000	EA	TV-13" COLOR REMOTE U.S.A. MAGNAVOX RX4029WA FROM: 00-00-00 THRU: 06-23-91
	098447-02-000	EA	TV-13", COLOR W/REMOTE - CANADIAN - MAGNAVOX XK4029CH FROM: 00-00-00 THRU: 06-23-91
	098447-01-700	EA	REMOTE-TV, MAGNAVOX RX4029WA & XK4029CH
	098447-03-000	EA	TV-13" COLOR REMOTE U.S.A. MAGNAVOX RR1337W FROM: 03-24-91 THRU: 09-09-90
	098447-04-000	EA	TV-13", COLOR W/REMOTE - CANADIAN - MAGNAVOX RR1330W FROM: 06-24-91 THRU: 09-09-90
	098447-03-700	EA	REMOTE-TV, MAGNAVOX RR1337W & RR1330W
	098319-01-000	EA	SPEAKER-2 WATT, 8 OHM - 4"
	099030-01-000	EA	WIRE-SPEAKER, TV
	099837-01-000	EA	GROMMET
	099717-02-000	EA	TIEDOWN, TV - 28.7" LONG
	076319-09-000	EA	WALLPLATE-TV RECEPTACLE - BROWN
	099717-02-000	EA	TIEDOWN, TV - 22.8" LONG
	100954-01-000	EA	SHELF-TV, STEEL
	101150-01-000	EA	SUPPORT-TV SHELF, RIGHT SIDE - STEEL
	101150-02-000	EA	SUPPORT-TV SHELF, LEFT SIDE - STEEL
	086758-01-000	EA	SPLITTER-TV, 2 WAY

1991 ITASCA
TABLE OF CONTENTS

INTRODUCTION	A-01	A-02
ABBREVIATIONS		A-03
ALPHABETICAL INDEX	A-04	A-08
ICN25RC	A-07	F-02
ICN34RQ	F-03	K-08

1991 ICN34RQ INDEX

FLOOR PLAN	F-03	F-04
ACCESSORIES	F-05	F-12
BATH	F-13	F-18
BEDROOM	F-17	F-20
CHASSIS	F-21	G-08
C C & PAD	G-06	G-18
DINETTE	G-19	G-20
DRIVEHS	G-21	H-04
ELECTRICAL	H-05	H-12
EXTERIOR BODY	H-13	H-20
GALLEY	H-21	I-04
HEATING & A/C	I-05	I-08
INTERIOR FINISH	I-09	I-12
LABEL	I-13	I-20
LP		I-21
LOUNGE	I-22	I-23
SEALANTS & FASTENERS	I-24	J-02
WATER & SEWAGE	J-03	J-07
WINDOW, VENT AND		
EXTERIOR DOOR	J-08	K-08

ACCESSORIES GROUP (CONTINUED)

WHEEL COVERS - FORD

KEY	PART NUMBER	U/M DESCRIPTION
	088532-01-000	EA COVER-WHEEL, FORD - SET OF 4 - 16"
	088532-01-701	EA COVER-WHEEL, FORD - 1 EACH ONLY - 16"
	088532-01-700	EA COVER-LUG NUT, FORD - CHROME

WHEEL COVERS - CHEVY

KEY	PART NUMBER	U/M DESCRIPTION
	083181-03-700	EA COVER-WHEEL, 19.5 (1) ONLY
	083181-04-702	EA NUT-COVER F/19.5&16.5
	083181-04-703	EA CAP-CENTER, CHROME
	083181-12-000	EA RETAINER-4/SET, 19.5" - CHEVY - DEL-MET
	083181-04-700	EA RETAINER F/19.5 FRONT (1) ONLY
	083181-04-701	EA RETAINER F/19.5 REAR (1) ONLY
	083181-12-700	EA RETAINER-CHEVY (1) ONLY, FRONT
	083181-12-701	EA RETAINER-CHEVY (1) ONLY, REAR

STAINLESS STEEL WHEEL LINERS - 16" - FORD

KEY	PART NUMBER	U/M DESCRIPTION
	091209-06-000	EA LINER-WHEEL, 16" - FORD - SET OF 4 - KAPER II 1604-10-F FROM: 00-00-00 THRU: 05-20-91
	091209-07-000	EA LINER-WHEEL, 16" - FORD - SET OF 2 - KAPER FROM: 00-00-00 THRU: 05-20-91
	091209-06-700	EA LINER-WHEEL, FRONT - 16" - FORD - KAPER
	091209-06-701	EA LINER-WHEEL, REAR - 16" - FORD - KAPER
	091209-06-702	EA COVER-AXLE, FRONT - 16" - FORD - KAPER
	091209-06-703	EA COVER-AXLE, REAR - 16" - FORD - KAPER
	091209-06-704	EA COVER-LUG NUT, 16" - FORD - KAPER
	091209-09-000	EA LINER-WHEEL, OVER LUG - 16" - FORD - SET OF 2 - KAPER FROM: 05-21-91 THRU: 99-99-99
	091209-08-000	EA LINER-WHEEL, OVER LUG - 16" - FORD - SET OF 4 - KAPER I FROM: 05-21-91 THRU: 99-99-99
	091209-08-700	EA LINER-WHEEL, FRONT - FORD - 16" - 10 LUG - KAPER
	091209-08-701	EA LINER-WHEEL, REAR - FORD - 16" - 10 LUG - KAPER
	091209-08-702	EA COVER-AXLE, REAR - 16" - FORD - KAPER
	091209-08-703	EA COVER-LUG NUT, 16" - FORD - KAPER
	095012-02-000	EA EXTENSION-VALVE STEM, DUAL WHEEL FROM: 00-00-00 THRU: 04-28-91
	095012-03-000	EA EXTENSION-VALVE STEM, DUAL WHEEL FROM: 04-29-91 THRU: 99-99-99
	077030-02-000	EA EXTENSION-VALVE STEM, 1.25"

STAINLESS STEEL WHEEL LINERS - 19.5 - CHEVY

KEY	PART NUMBER	U/M DESCRIPTION
	077030-02-000	EA EXTENSION-VALVE STEM, 1.25"
	091209-01-000	EA LINER-WHEEL, SET OF 4 - 19.5" - GM - KAPER II
	091209-01-700	EA SIMULATOR-FRONT WHEEL EA=1
	091209-01-701	EA SIMULATOR-REAR WHEEL EA=1
	091209-01-702	EA COVER-FRONT AXLE
	091209-01-703	EA REAR AXLE COVER
	091209-01-704	EA COVER-LUG NUT
	095012-01-000	EA EXTENSION-VALVE STEM, DUAL WHEEL

AUXILIARY DEFROSTER FANS W/SWITCH

KEY	PART NUMBER	U/M DESCRIPTION
	097372-03-01A	EA SWITCH-ON-OFF-ON
	000G39-08-24B	EA SCREW-SF/DR, 8-18 X 1 1/2 PPH ZN
	036420-02-000	EA FAN-DEFROSTER, 2 SPEED - 6" DIAMETER

ACCESSORIES GROUP (CONTINUED)

MISCELLANEOUS COMPONENTS

KEY	PART NUMBER	U/M DESCRIPTION
	054186-73-000	EA MANUAL-OPERATORS, 1991 SUNFLYER
	082318-01-000	EA BINDER-3 RING, MOTOR HOME MANUAL
	082319-01-000	EA POCKET PAGE-3 RING BINDER, PLASTIC
	088084-09-000	EA CASSETTE-ITASCA SUNFLYER
	072852-01-000	EA DETECTOR-SMOKE, W/9 VOLT BATTERY
	094499-01-000	EA EXTINGUISHER-FIRE, DRY W/MOUNTING BRACKET - 10 BC
	072852-02-000	EA DETECTOR-SMOKE, W/9 VOLT BATTERY CSA
	094499-02-000	EA EXTINGUISHER-FIRE, DRY W/MOUNTING BRACKET - 10 BC CSA
	094499-01-700	EA BRACKET-MOUNTING, W/PLASTIC STRAP - FIRE EXTINGUISHER
	094661-01-01A	EA HOLDER-RECESSED, FIRE EXTINGUISHER - FLASTIC - LIGHT OAK

CHROME ROOF AIR HORN

KEY	PART NUMBER	U/M DESCRIPTION
	077497-06-000	EA HORN KIT-AIR, CHROME, TWIN
	077497-01-700	EA SOLENOID-AIR TANK
	077497-01-701	EA SWITCH-COMPRESSOR
	077497-01-702	EA SWITCH, TOGGLE W/WIRE
	077497-01-703	EA TANK-AIR
	077497-01-704	EA COMPRESSOR W/SWITCH
	077497-01-705	EA REPAIR KIT F/HADLEY 120 COMP
	077497-01-706	EA VALVE & HEAD REPAIR F/COMP.
	077497-01-707	EA BELT & SCREW COVER F/COMP
	077497-01-708	EA FILTER & MTG HOWE F/COMP.
	077497-01-709	EA PLUNGER & SPRING F/SOLENOID
	077497-02-000	EA HOSE KIT-AUX AIR
	077497-03-000	EA PARTS KIT-HOSE, AUX AIR
	071390-04-000	FT TUBING-AIR BRAKE 1/4 OD BLK
	077497-05-000	EA COMPRESSOR/TANK/SOLENOID KIT
	081404-01-000	EA BRACKET-MOUNTING, COMPRESSOR
	093258-01-000	EA WIRE ASM-IP, HORN-FOG LMP
	063382-01-000	EA BRACKET-TANK, AIRHORN
	093654-02-000	EA CIRCUIT BREAKER-15 AMP
	097372-01-01A	EA SWITCH-SPST, ON-OFF
	097372-06-01A	EA SWITCH-BLANK
	077497-02-000	EA HOSE KIT-AUX AIR
	078239-01-000	EA PLATE-LABEL, HORN
	081407-01-000	EA PLATE-MOUNTING, AIR HORNS

FOG LAMP

KEY	PART NUMBER	U/M DESCRIPTION
	097372-01-01A	EA SWITCH-ON/OFF, SPST
	088747-02-000	EA LAMP-FOG, CLEAR LENS - PER-LUX - 550 SERIES
	088747-01-700	EA COVER-FOG LIGHT
	092879-01-000	EA WIRE ASM-FOGLAMP
	088473-01-000	EA SOCKET-CONNECTOR
	093159-01-000	EA BRACKET-LAMP, FOG - PASSENGER SIDE
	093159-02-000	EA BRACKET-LAMP, FOG - DRIVER SIDE
	093258-01-000	EA WIRE-INSTRUMENT PANEL, AIR HORN & FOG LAMP

DELUXE STEERING WHEEL

KEY	PART NUMBER	U/M DESCRIPTION
	080752-15-000	EA WHEEL-STEERING, W/3 SPOKES & BUTTON HORN
	080752-17-000	EA WHEEL-STEERING, W/3 SPOKES & 2 THUMB HORN BUTTONS
	080752-08-000	EA HUB-ADAPTER, STEERING WHEEL
	080752-09-000	EA SCREW-CUSTOM, STEERING WHEEL

**1991 ITASCA
TABLE OF CONTENTS**

INTRODUCTION	A-01	A-02
ABBREVIATIONS		A-03
ALPHABETICAL INDEX	A-04	A-06
ICN25RC	A-07	F-02
ICN34RQ	F-03	K-08

1991 ICN34RQ INDEX

FLOOR PLAN	F-03	F-04
ACCESSORIES	F-05	F-12
BATH	F-13	F-18
BEDROOM	F-17	F-20
CHASSIS	F-21	G-08
C C & PAD	G-09	G-18
DINETTE	G-19	G-20
DRIVERS	G-21	H-04
ELECTRICAL	H-05	H-12
EXTERIOR BODY	H-13	H-20
GALLEY	H-21	I-04
HEATING & A/C	I-05	I-08
INTERIOR FINISH	I-09	I-12
LABEL	I-13	I-20
LP		I-21
LOUNGE	I-22	I-23
SEALANTS & FASTENERS	I-24	J-02
WATER & SEWAGE	J-03	J-07
WINDOW, VENT AND		
EXTERIOR DOOR	J-08	K-08

ACCESSORIES GROUP (CONTINUED)

**EXTERIOR ACCESSORY PACKAGE
HOSE, TOOL BOX & DRAWERS**

KEY	PART NUMBER	U/M	DESCRIPTION
	077404-02-000	EA	DRAWER-PLASTIC, 20" X 12.7" - BEIGE
	094057-01-01A	EA	DRAWER-DRAWER, PLASTIC - LIGHT OAK
	098785-01-000	EA	FAIL-DRAWER
	091270-01-000	EA	HOSE-5/8", ON REEL - WATER - NON TOXIC - 50' - TORO
	093300-01-000	EA	BOX-TOOL, W/TRAY - 16" X 7" X 7.5"

SQUEEGEE

KEY	PART NUMBER	U/M	DESCRIPTION
	091952-02-000	EA	CLIP-GRIPPER, 3/4"
	091955-02-000	EA	SQUEEGEE-EXTENDED HANDLE
	093527-01-000	EA	BRACKET-SQUEEGEE

SPOTLIGHT

KEY	PART NUMBER	U/M	DESCRIPTION
	051057-02-000	EA	SEARCHLIGHT-POWER DRIVEN
	051057-01-700	EA	SWITCH-PANEL ASM (AUX)
	051057-01-701	EA	SWITCH-PANEL ASM MAIN
	051057-01-702	EA	JOY SWITCH & HOUSING
	051057-01-703	EA	SWITCH, TOGGLE ON/OFF
	051057-01-704	EA	MICRO SWITCH
	051057-01-705	EA	BULB-SEARCHLIGHT
	051057-01-706	EA	BASE-MOTOR & GEAR ASM
	093654-02-000	EA	CIRCUIT BREAKER-15 AMP
	044486-03-000	EA	BREAKER-CIRCUIT, W/MOUNT BRACKET - 25 AMP - 12V DC
	051057-03-000	EA	SWITCH-SEARCHLIGHT

FROM: 00-00-00 THRU: 01-20-91

FROM: 01-21-91 THRU: 99-99-99

GENERATOR-ONAN, 6.5 KW - US - CHEVY & FORD

KEY	PART NUMBER	U/M	DESCRIPTION
	100975-01-000	EA	GENERATOR-6.5KW EMERALD PLUS, ONAN NHE-FA/26100G
	007125-03-000	EA	CLAMP-MUFFLER - 1.5" DIA
	007125-04-000	EA	CLAMP-MUFFLER, 1.1" DIA
	077476-03-000	EA	PIPE-EXHAUST, GENERATOR - ONAN - 1.4" X 47.8"
	079854-06-000	EA	PIPE-EXHAUST, ANGLED - W/FLANGE - EMERALD - ONAN# 154-2539
	081364-03-000	EA	MUFFLER-GENERATOR, ONAN
	083151-01-000	EA	MUFFLER-GENERATOR, ONAN - 1.8" OD
	083152-01-000	EA	PIPE-EXHAUST, GENERATOR - ONAN - 1.3" OD X 33.3" X 27.7"
	083152-06-000	EA	PIPE-EXHAUST, GENERATOR - ONAN - 1.3" OD X 4.9" X 55.1"
	094059-01-000	EA	SPACER-GENERATOR, ONAN
	094657-02-000	EA	TRAY-GENERATOR, 22.5" X 30.4" X 6.9"
	094657-01-000	EA	TRAY-GENERATOR, 22.5" X 30.4" X 6.9"
	088238-01-000	EA	COVER-AC SELECTOR SWITCH FOR FRONT OR REAR
	073937-03-000	EA	SWITCH-ROTARY SELECTOR, 3 DECK - AC - CA20-USA892
	073937-01-700	EA	KNOB-ROTARY SWITCH-AC SEL
	007131-01-000	EA	HANGER-TAILPIPE
	024976-01-000	EA	SWITCH-GENERATOR, W/O CIRCUIT BOARD
	088238-01-000	EA	COVER-AC SELECTOR SWITCH FOR FRONT OR REAR
	077353-09-000	EA	SHROUD-INSTRUMENT PANEL CLUSTER, GENERATOR

ACCESSORIES GROUP (CONTINUED)

GENERATOR-KOHLER, 7 KW - US - CHEVY & FORD

KEY	PART NUMBER	U/M	DESCRIPTION
	083547-01-000	EA	GENERATOR-KOHLER, 7KW - OCKM21
	007125-03-000	EA	CLAMP-MUFFLER - 1.5" DIA
	007125-04-000	EA	CLAMP-MUFFLER, 1.1" DIA
	083152-06-000	EA	PIPE-EXHAUST, GENERATOR - ONAN - 1.3" OD X 4.9" X 55.1"
	083540-04-000	EA	MUFFLER-GENERATOR, 7KW - KOHLER
	083152-06-000	EA	PIPE-EXHAUST, GENERATOR
	073937-03-000	EA	SWITCH-ROTARY SELECTOR, 3 DECK - AC - CA20-USA892
	073937-01-700	EA	KNOB-ROTARY SWITCH-AC SEL
	007131-01-000	EA	HANGER-TAILPIPE
	024976-01-000	EA	SWITCH-GENERATOR, W/O CIRCUIT BOARD
	088238-01-000	EA	COVER-AC SELECTOR SWITCH FOR FRONT OR REAR
	077353-09-000	EA	SHROUD-INSTRUMENT PANEL CLUSTER, GENERATOR
	007083-01-000	FT	HOSE-GAS 1/4" ID X 1.3" OD

GENERATOR-KOHLER, 4.5 KW - US - CHEVY & FORD

KEY	PART NUMBER	U/M	DESCRIPTION
	083740-01-000	EA	GENERATOR-KOHLER, 4500KW - 4.5CKM21
	007125-03-000	EA	CLAMP-MUFFLER - 1.5" DIA
	007125-04-000	EA	CLAMP-MUFFLER, 1.1" DIA
	083152-10-000	EA	PIPE-EXHAUST, GENERATOR - 1.4" DIA X 7.9" X 22"
	083590-02-000	EA	MUFFLER-GENERATOR
	007131-01-000	EA	HANGER-TAILPIPE
	073937-03-000	EA	SWITCH-ROTARY SELECTOR, 3 DECK - AC - CA20-USA892
	073937-01-700	EA	KNOB-ROTARY SWITCH-AC SEL
	024976-01-000	EA	SWITCH-GENERATOR, W/O CIRCUIT BOARD
	077353-09-000	EA	SHROUD-INSTRUMENT PANEL CLUSTER, GENERATOR

GENERATOR-ONAN, 3.6 KW - EXPORT

KEY	PART NUMBER	U/M	DESCRIPTION
	100974-04-000	EA	GENERATOR-4.0 KW EMERALD PLUS, ONAN
	007125-03-000	EA	CLAMP-MUFFLER - 1.5" DIA
	007125-04-000	EA	CLAMP-MUFFLER, 1.1" DIA
	083152-04-000	EA	PIPE-EXHAUST, GENERATOR
	083590-02-000	EA	MUFFLER-GENERATOR
	073937-03-000	EA	SWITCH-ROTARY SELECTOR, 3 DECK - AC - CA20-USA892
	073937-01-700	EA	KNOB-ROTARY SWITCH-AC SEL
	007131-01-000	EA	HANGER-TAILPIPE
	024976-01-000	EA	SWITCH-GENERATOR, W/O CIRCUIT BOARD
	077353-09-000	EA	SHROUD-INSTRUMENT PANEL CLUSTER, GENERATOR

GENERATOR-ONAN, 4 KW - US - CHEVY & FORD

KEY	PART NUMBER	U/M	DESCRIPTION
	100974-01-000	EA	GENERATOR-4.0KW EMERALD PLUS, ONAN BGE-FA/26100G
	007125-03-000	EA	CLAMP-MUFFLER - 1.5" DIA
	007125-04-000	EA	CLAMP-MUFFLER, 1.1" DIA
	077476-03-000	EA	PIPE-EXHAUST, GENERATOR - ONAN - 1.4" X 47.8"
	079854-06-000	EA	PIPE-EXHAUST, ANGLED - W/FLANGE - EMERALD - ONAN# 154-2539
	081364-03-000	EA	MUFFLER-GENERATOR, ONAN
	083151-01-000	EA	MUFFLER-GENERATOR, ONAN - 1.8" OD
	083152-01-000	EA	PIPE-EXHAUST, GENERATOR - ONAN - 1.3" OD X 33.3" X 27.7"
	083152-06-000	EA	PIPE-EXHAUST, GENERATOR - ONAN - 1.3" OD X 4.9" X 55.1"
	094059-01-000	EA	SPACER-GENERATOR, ONAN
	094657-02-000	EA	TRAY-GENERATOR, 22.5" X 30.4" X 6.9" WWELD NUTS
	094657-01-000	EA	TRAY-GENERATOR, 22.5" X 30.4" X 6.9"
	073937-03-000	EA	SWITCH-ROTARY SELECTOR, 3 DECK - AC - CA20-USA892
	073937-01-700	EA	KNOB-ROTARY SWITCH-AC SEL
	007131-01-000	EA	HANGER-TAILPIPE
	024976-01-000	EA	SWITCH-GENERATOR, W/O CIRCUIT BOARD
	077353-09-000	EA	SHROUD-INSTRUMENT PANEL CLUSTER, GENERATOR

1991 ITASCA

TABLE OF CONTENTS

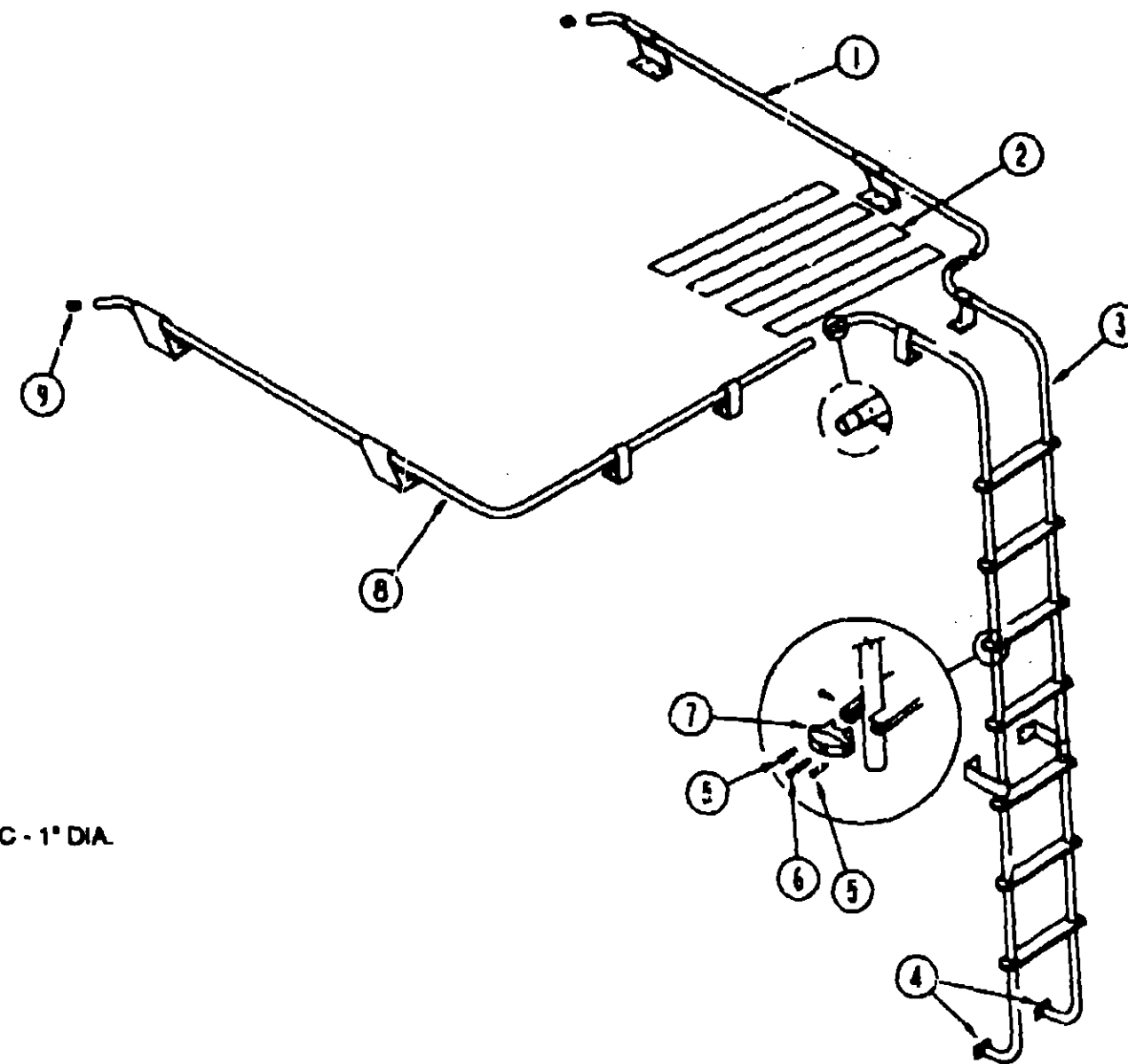
INTRODUCTION	A-01 -	A-02
ABBREVIATIONS		A-03
ALPHABETICAL INDEX	A-04 -	A-08
ICN25RC	A-07 -	F-02
ICN34RQ	F-03 -	K-08

1991 ICN34RQ INDEX

FLOOR PLAN	F-03 -	F-04
ACCESSORIES	F-05 -	F-12
BATH	F-13 -	F-16
BEDROOM	F-17 -	F-20
CHASSIS	F-21 -	G-08
C C & PAD	G-09 -	G-18
DINETTE	G-19 -	G-20
DRIVERS	G-21 -	H-04
ELECTRICAL	H-05 -	H-12
EXTERIOR BODY	H-13 -	H-20
GALLEY	H-21 -	I-04
HEATING & A/C	I-05 -	I-08
INTERIOR FINISH	I-09 -	I-12
PANEL	I-13 -	I-20
		I-21
LOUNGE	I-22 -	I-23
SEALANTS & FASTENERS	I-24 -	J-02
WATER & SEWAGE	J-03 -	J-07
WINDOW, VENT AND		
EXTERIOR DOOR	J-08 -	K-08

ACCESSORIES GROUP (CONTINUED)

LUGGAGE RACK & LADDER



1991 ITASCA TABLE OF CONTENTS

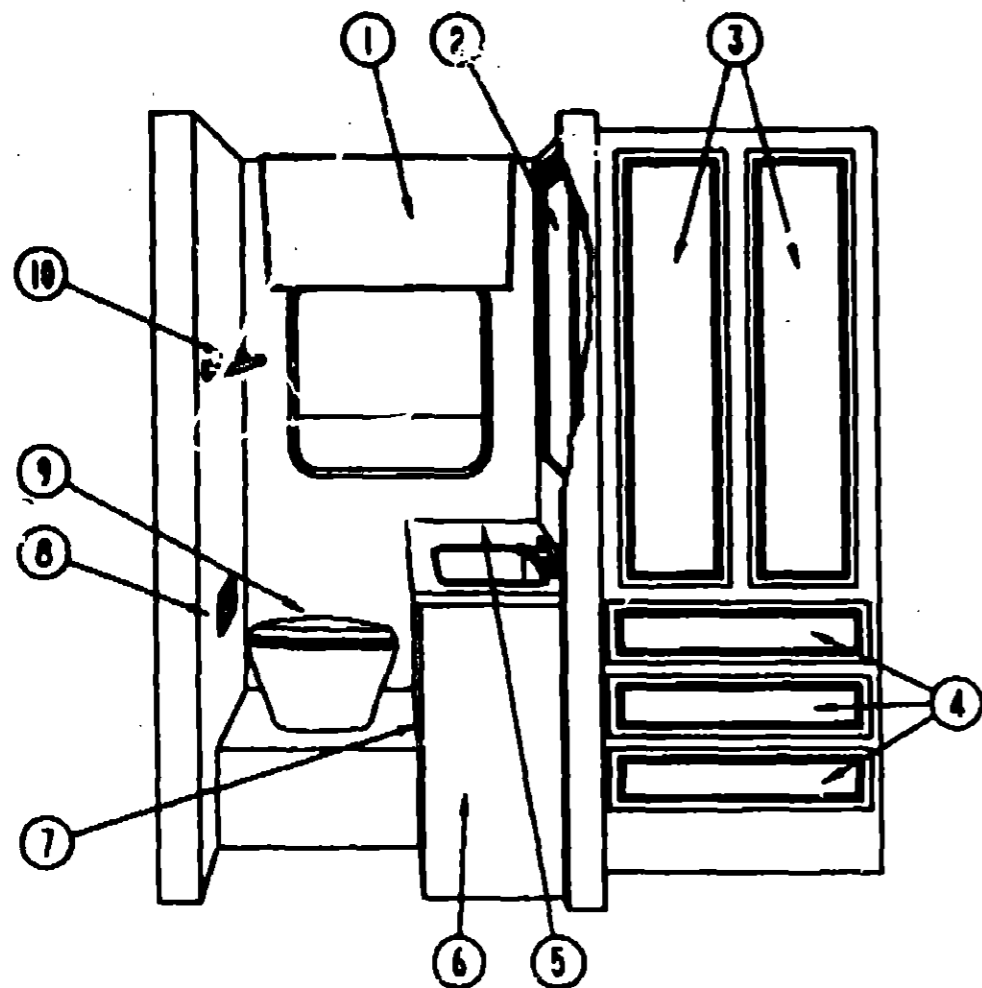
INTRODUCTION	A-01 -	A-02
ABBREVIATIONS		A-03
ALPHABETICAL INDEX	A-04 -	A-06
ICN2SRC	A-07 -	F-02
ICN34RQ	F-03 -	K-03

1991 ICN34RQ INDEX

FLOOR PLAN	F-03 -	F-04
ACCESSORIES	F-05 -	F-12
BATH	F-13 -	F-16
BEDROOM	F-17 -	F-20
CHASSIS	F-21 -	G-08
C C & PAD	G-09 -	G-18
DINETTE	G-19 -	G-23
DRIVERS	G-24 -	H-04
ELECTRICAL	H-05 -	H-12
EXTERIOR BODY	H-13 -	H-20
GALLEY	H-21 -	I-04
HEATING & AC	I-05 -	I-08
INTERIOR FINISH	I-09 -	I-12
LABEL	I-13 -	I-20
LP		I-21
LOUNGE	I-22 -	I-23
SEALANTS & FASTENERS	I-24 -	J-02
WATER & SEWAGE	J-03 -	J-07
WINDOW, VENT AND EXTERIOR DOOR	J-08 -	K-08

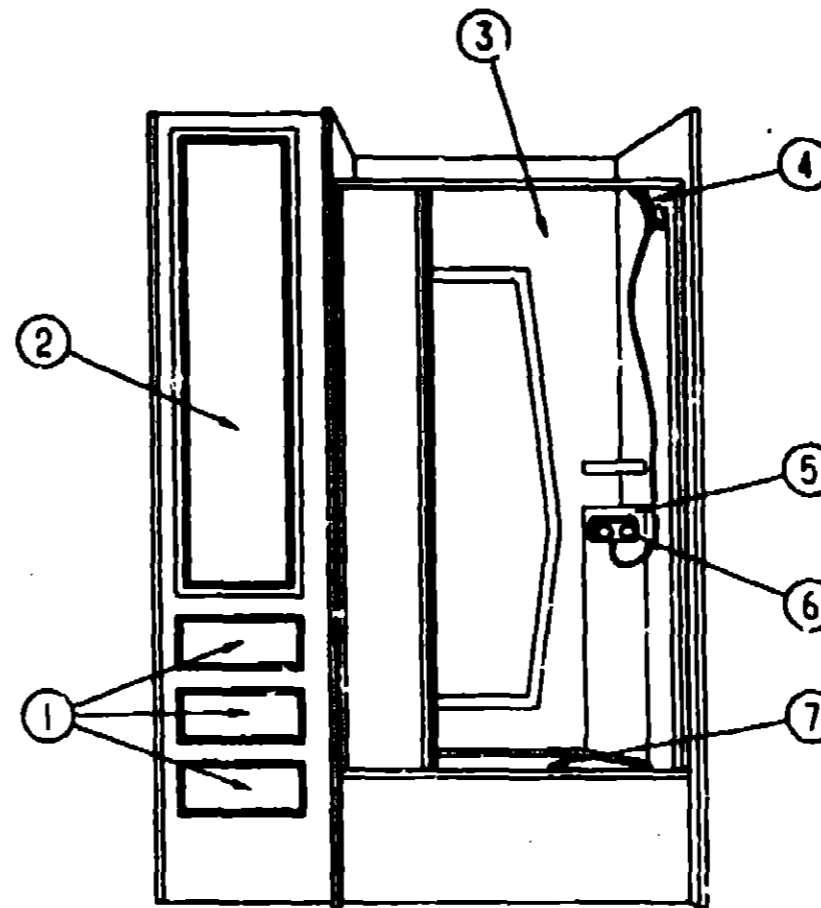
KEY	PART NUMBER	U/M	DESCRIPTION
1	081026-06-Y12	EA	RACK-LUGGAGE, PASSENGER
2	038327-01-000	EA	TAPE-ANTI SLIP, 2' X 60'
3	067220-01-AE8	EA	LADDER-ONE PIECE
4	067165-01-000	EA	MOUNTING BRACKET-LADDER, LOWER
5	000G39-06-10T	EA	SCREW-SF/DR, 6-20 X 5/8 PPH - BLACK
6	000G68-10-36T	EA	SCREW-10-12 X 2.25 POH BLACK
7	076980-02-000	EA	END CAP-STEP, BLACK
8	081026-10-Y12	EA	RACK-LUGGAGE, DRIVER
9	081114-01-000	EA	PLUG-ROUND, RACK & LADDER ENDS - PLASTIC - 1" DIA.

BATH GROUP



BATH CABINET - PASSENGER SIDE

BATH GROUP (CONTINUED)



BATH CABINET-DRIVER SIDE

**1991 ITASCA
TABLE OF CONTENTS**

INTRODUCTION	A-01 -	A-02
ABBREVIATIONS		A-03
ALPHABETICAL INDEX	A-04 -	A-08
ICN2SRC	A-07 -	F-32
ICN34RQ	F-03 -	K-08

1991 ICN34RQ INDEX

FLOOR PLAN	F-03 -	F-04
ACCESSORIES	F-05 -	F-12
BATH	F-13 -	F-18
BEDROOM	F-17 -	F-20
CHASSIS	F-21 -	G-08
C & PAD	G-09 -	G-18
DINETTE	G-19 -	G-20
DRIVERS	G-21 -	H-04
ELECTRICAL	H-05 -	H-12
EXTERIOR BODY	H-13 -	H-20
GALLEY	H-21 -	I-04
HEATING & A/C	I-05 -	I-08
INTERIOR FINISH	I-09 -	I-12
LABEL	I-13 -	I-20
LP		I-21
LOUNGE	I-22 -	I-23
SEALANTS & FASTENERS	I-24 -	J-02
WATER & SEWAGE	J-03 -	J-07
WINDOW, VENT AND EXTERIOR DOOR	J-08 -	K-08

KEY	PART NUMBER	U/M DESCRIPTION
1	090683-01-01A	EA CABINET-MEDICINE, JENSEN
	093448-08-Y15	EA DOOR ASM. - MIRROR - MEDICINE CABINET
	083513-03-000	EA BRACKET-MEDICINE CABINET, FRONT SIDE - BEIGE
	083513-04-000	EA BRACKET-MEDICINE CABINET, REAR SIDE - BEIGE
	078028-31-W13	EA TRIM-MEDICINE CABINET, 2.5" X 12.7" - WOOD
2	093448-03-Y15	EA MIRROR ASM
3	P00523-15-B29	EA DOOR-CABINET, W/O HARDWARE - 12" X 48"
4	P00523-06-B29	EA DRAWER-CABINET, W/O HARDWARE - 24.1" X 15"
		FROM: 00-00-00 THRU: 01-06-91
4	P03397-35-B29	EA DRAWER-CABINET, W/O HARDWARE - 24.2" X 20.9"
		FROM: 01-07-91 THRU: 03-31-91
4	P03397-A1-B29	EA DRAWER-CABINET, W/O HARDWARE - 24.3" X 15"
		FROM: 04-01-91 THRU: 99-99-99
5	016990-11-B07	EA COUNTERTOP-CABINET, LAVATORY
6	M04173-01-B29	EA CABINET-LAVATORY, W/O DOORS OR HARDWARE
7	P00523-17-B29	EA DOOR-CABINET, W/O HARDWARE - 12" X 21.8"
8	085278-01-000	EA HOLDER-PAPER, RECESSED - BRASS
9	084076-01-000	EA TOILET-THETFORD, MODEL 50 - 15.6" X 18.9" X 11.1" - IVORY
10	075453-02-000	EA BAR-TOWEL, 1 1/2" BRASS
	075454-02-000	EA RING-TOWEL, W/MOUNTING HARDWARE - BRASS
	075240-05-000	EA FAUCET-LAVATORY, BRASS
	091253-01-000	EA GASKET-FAUCET, LAVATORY
	105218-01-01A	EA SPACER-FAUCET, LAVATORY SINK
	011048-05-000	EA SHOWER HEAD-W/60" HOSE, W/O VACUUM BREAKER - CANADIAN
	075240-06-000	EA FAUCET-LAVATORY, BONE - CANADIAN
	075241-05-000	EA FAUCET-SHOWER, BONE - CANADIAN
	081211-02-000	EA PLUG-PLASTIC, 3/8" - BLACK - CANADIAN
	024676-02-000	EA FLANGE-CLOSET, 4" X 3" - ABS - CANADIAN
	010147-02-000	EA FLANGE-CLOSET, 4" X 3" - FPT - CANADIAN

KEY	PART NUMBER	U/M DESCRIPTION
1	P00523-03-B29	EA DRAWER-CABINET, W/O HARDWARE - 8.4" X 18.1"
		FROM: 00-00-00 THRU: 01-06-91
1	P03397-33-B29	EA DRAWER-CABINET, W/O HARDWARE - 12" X 20.9"
		FROM: 01-07-91 THRU: 99-99-99
2	P00523-15-B29	EA DOOR-CABINET, W/O HARDWARE - 14.1" X 20.9"
	041953-03-000	FT CONDUIT-CONVOLUTED SLIT, 1" ID (CLOTHES ROD COVER)
	009112-01-000	EA FLANGE-1" ROD, CLOTHES - PLASTIC - OFF WHITE
	042438-01-000	EA DOWEL-WOOD, CLOTHES ROD - 1" DIAMETER X 4'
	101532-01-01A	EA TOP CAP-SHOWER, 35" X 23" X 9" - PLASTIC - OFF WHITE
	101530-01-01A	EA SURROUND-SHOWER, 59" X 24" - PLASTIC - OFF WHITE
3	101531-01-01A	EA SURROUND-SHOWER, TWO SIDED - PLASTIC - OFF WHITE
4	103092-01-000	EA HEAD-SHOWER, W/60" HOSE
5	075608-01-000	EA PANEL-FAUCET BACK, SHOWER - PLASTIC
6	075241-04-000	EA FAUCET-SHOWER, BRASS
7	M02630-16-307	EA PAN-SHOWER, W/STRAINER
	066729-01-000	EA STRAINER-TUB/SHOWER DRAIN
	069735-01-000	EA WASHER-STRAINER TO TAILPIECE PLASTIC, 1.5"
	069640-01-000	FT SEALER-RIBBON, 1/4" DIAMETER - INCREMENTS OF 20"
	060950-01-02A	EA TRIM-THRESHOLD, SHOWER - TAN
	091255-01-000	FT SEAL-FORM, 3.2MM X 4.8MM
	057671-01-000	EA COVER-SCREW, #6 - PLASTIC - OFF WHITE
	041953-03-000	FT CONDUIT-CONVOLUTED SLIT, 1" ID (CLOTHES ROD COVER)
	009112-01-000	EA FLANGE-1" ROD, CLOTHES - PLASTIC - OFF WHITE
	042438-01-000	EA DOWEL-WOOD, CLOTHES ROD - 1" DIAMETER X 4'
THESE PARTS NOT USED AFTER: 07-16-90		
	092874-01-01A	EA CADDIE-CORNER, REAR - OFF WHITE
	092874-02-01A	EA CADDIE-CORNER, FRONT - OFF WHITE
	093069-01-01A	EA MOLDING-BATH TUB, OFF WHITE - 36.2"
	093069-02-01A	EA MOLDING-BATHTUB, OFF WHITE - 26.6"

BATH GROUP (CONTINUED)

BATH DOOR & COMPONENTS

KEY	PART NUMBER	U/M	DESCRIPTION
	M92870-01-829	EA	DOOR-CABINET, W/O HARDWARE - 24.4" X 75"
	065040-01-01A	EA	HEADER-DOOR, BATH - TAN - FRONT AISLE MOUNT
	063251-01-829	EA	HEADER-BATH, 36.7" X 2.3" - BIFOLD & BATH DOOR - WALL MOUNT
	063188-01-01A	EA	TRIM-DOOR, BATH - 75.4" - TAN
	063189-01-01A	EA	TRIM-DOOR, BATH - 75" - TAN
	068068-02-000	EA	HINGE-2" X 2.7", BRASS
	064465-01-01A	EA	KNOB-DOOR, POLISHED BRASS
	063184-01-01A	EA	PLATE-STRIKE, BATH DOOR - TAN
	063213-01-000	EA	CATCH-ROLLER, NYLON
	061604-01-000	EA	SLIDE-BOLT, ANTIQUE BRASS
	062652-01-000	EA	GUIDE WHEEL-DOOR, TOP MOUNT
	063212-01-01A	EA	BOLT-DOOR, BRASS
	101430-01-01A	EA	HINGE-2 IN BRASS, .060 IN
	102920-01-01A	EA	HINGE-SPRING LOADED
	100357-01-000	EA	BAR-TOWEL, BRASS - WENDS BENT FOR BACK OF BATH DOOR
	102069-13-807	EA	MOUNT-ROD, RIGHT SIDE - FOR TOWEL RODS - 26" LONG - WOOD
	102069-14-807	EA	MOUNT-ROD, LEFT SIDE - FOR TOWEL RODS - 26" LONG - WOOD

BIFOLD DOOR & COMPONENTS

KEY	PART NUMBER	U/M	DESCRIPTION
	M92871-01-P25	EA	DOOR-BI-FOLD - W/O HARDWARE - 13.2" X 75.4" EACH
	063250-01-829	EA	HEADER-DOOR, BATH - 28.7" - AISLE MOUNT - PANELED
	065040-01-01A	EA	HEADER-DOOR, BATH - TAN - FRONT AISLE MOUNT
	063170-03-01A	EA	HEADER-DOOR, BATH BIFOLD - FRONT AISLE MOUNT - PANELED
	061604-01-000	EA	SLIDE-BOLT, ANTIQUE BRASS
	062652-01-000	EA	GUIDE WHEEL-DOOR, TOP MOUNT
	063212-01-01A	EA	BOLT-DOOR, BRASS
	063281-01-Y12	EA	TRIM-OAK, DOOR - 2" X 74.3"
	063632-01-01A	EA	KNOB-DOOR, BRIGHT BRASS DRIVER SIDE WARDROBE CABINET

SHOWER DOOR & COMPONENTS

KEY	PART NUMBER	U/M	DESCRIPTION
	062574-03-01A	EA	DOOR-SHOWER, SOLID W/PANEL - GOLD TRIM
	062574-01-700	EA	KNOB-SAFETY LATCH
	062574-01-701	EA	BRACKETS-TOWEL BAR, W/STUDS
	062574-01-702	EA	TOWEL BAR 30"
	062574-01-703	EA	PULL-DOOR, GOLD
	062574-01-704	EA	SCREW-GOLD #8 3/8
	062574-01-706	EA	MAGNETIC STRIP 56-7/8"
	062574-01-708	EA	STRIKE JAMB 56-7/8"
	02299C-08-000	FT	MOLDING-REVERSE COVE, T-SHAPED - VINYL - WHITE
	009767-12-000	FT	MOLDING-SIDEWALL TO CEILING/CABINET - WELTING - OFF WHITE
	077840-26-Y12	EA	MOLDING-CAP, WALL - WOOD - W/LIP - 78.66"

BATH GROUP (CONTINUED)

TOILET & COMPONENTS

KEY	PART NUMBER	U/M	DESCRIPTION
	067467-01-000	EA	TOILET-LOW, AQUA MAGIC IV - THETFORD 150110
	067467-01-700	EA	C.L.F.L. SEAL & BOLT PACKAGE - AQUA MAGIC 06975
	063740-01-710	EA	LINK, THETFORD 12513
	063740-01-711	EA	SPRING-RETURN LEVER, THETFORD 12523
	063740-01-718	EA	SEAT&COVER, THETFORD 15017
	063740-01-700	EA	LEVER-WATER, THETFORD 12514
	063740-01-701	EA	LEVER-FLUSH, THETFORD 12515
	063740-01-713	EA	SEAL-BALL VALVE TO BOWL, THETFORD 12502
	063740-01-714	EA	VALVE ASM-WATER, THETFORD 12482
	063740-01-717	EA	TUBE-FLUSH, TOILET
	063740-01-706	EA	BOLT PACKAGE-CLOSET, THETFORD 12524
	063641-01-000	EA	FLANGE-CLOSET, 4" X 3"

**1991 ITASCA
TABLE OF CONTENTS**

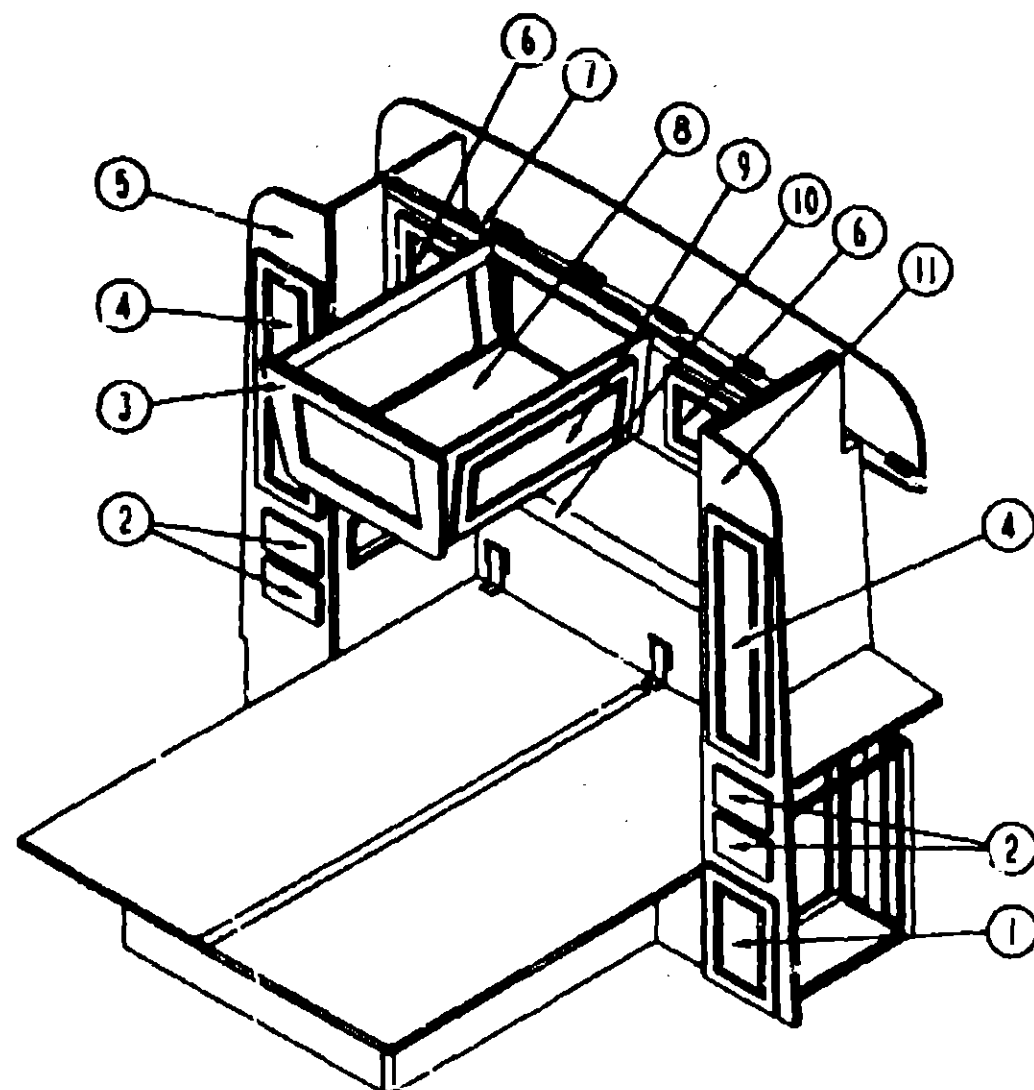
INTRODUCTION	A-01	A-02
ABBREVIATIONS		A-03
ALPHABETICAL INDEX	A-04	A-06
ICN25RC	A-07	F-02
ICN34RQ	F-03	K-08

1991 ICN34RQ INDEX

FLOOR PLAN	F-03	F-04
ACCESSORIES	F-05	F-12
BATH	F-13	F-16
BEDROOM	F-17	F-20
CHASSIS	F-21	G-08
C C & PAD	G-09	G-18
DINETTE	G-19	G-20
DRIVERS	G-21	H-04
ELECTRICAL	H-05	H-12
EXTERIOR BODY	H-13	H-20
GALLEY	H-21	I-04
HEATING & A/C	I-05	I-08
INTERIOR FINISH	I-09	I-12
LABEL	I-13	I-20
LP		I-21
LOUNGE	I-22	I-23
SEALANTS & FASTENERS	I-24	J-02
WATER & SEWAGE	J-03	J-07
WINDOW, VENT AND EXTERIOR DOOR	J-08	K-08

BEDROOM GROUP

QUEEN BED CABINETS AND COMPONENTS



KEY	PART NUMBER	U/M DESCRIPTION
1	P00523-16-B29	EA DOOR-CABINET, W/O HARDWARE - 11.4" X 18.1"
2	P00522-05-B22	EA DRAWER-CABINET, W/O HARDWARE - 8.5" X 19.5"
		FROM: 00-00-00 THRU: 01-08-91
2	P03397-29-B29	EA DRAWER-CABINET, W/O HARDWARE - 8.4" X 18.5"
		FROM: 01-07-91 THRU: 09-09-99
3	089599-01-B29	EA END CAP-CABINET, OVERHEAD - CENTER ISLAND
	058331-18-000	EA MIRROR - SAFETY GLASS 11.25" X 22.4"
4	P00523-14-B29	EA DOOR-CABINET, W/O HARDWARE - 9.8" X 33.5"
5	M04183-03-B29	EA CABINET-SHIRT CLOSET, PASSENGER SIDE - W/O DOORS OR HARDWARE
5	M04183-04-B29	EA CABINET-SHIRT CLOSET, PASS SIDE - W/O DOORS OR HARDWARE (RALSJ OPT.)
	041953-03-000	FT CONDUIT-CONVOLUTED SLIT, 1" ID (CLOTHES ROD COVER)
	009112-01-000	EA FLANGE-1" ROD, CLOTHES - PLASTIC - OFF WHITE
	042438-01-000	EA DOWEL-WOOD, CLOTHES ROD - 1" DIAMETER X 4"
6	P00523-07-B29	EA DOOR-CABINET, BACKWALL - W/O HARDWARE - 11" X 11"
7	M04165-08-B29	EA CABINET-OVERHEAD, BACKWALL - W/O DOORS OR HARDWARE
	092082-02-01A	EA SHELF-CABINET, BACKWALL OVERHEAD
8	M04185-01-B29	EA CABINET-OVERHEAD, BED ISLAND - W/O DOORS OR HARDWARE
9	P00523-06-B29	EA DOOR-CABINET, W/O HARDWARE - 12" X 29.1"
10	082525-01-B07	EA COUNTERTOP-BACKWALL
	094791-01-Y12	EA TRIM-CABINET TO BACKWALL COUNTERTOP - 1.5" X 4.25" - WOOD
11	082865-01-B29	EA CABINET-SHIRT CLOSET, DRIVER SIDE - W/O DOORS OR HARDWARE
11	082865-02-B29	EA CABINET-SHIRT CLOSET, DR. SIDE - W/O DOORS OR HARDWARE - CANADIAN
	M92734-01-B29	EA CABINET-QUEEN BED
	M03489-01-B29	EA TOP-CABINET, QUEEN BED - PASSENGER SIDE
	M03489-02-B29	EA TOP-CABINET, QUEEN BED - DRIVER SIDE

TV STAND

KEY	PART NUMBER	U/M DESCRIPTION
	084357-01-B29	EA STAND-TV, W/MIRROR
	058331-10-000	EA MIRROR-GLASS, SAFETY - 14" X 17"
	084356-03-000	EA INSERT-TV STAND TAN
	023320-01-000	EA PAD-FELT, 3/8" DIAMETER - BROWN
	084412-01-000	EA SUPPORT-HINGED
	084451-01-000	EA CATCH-TV SHELF, BRASS
	084825-02-000	EA HINGE-ALUMINUM, W/HOLES - 17.2" - TAN
	084413-01-000	EA HINGE-CONTINUOUS, ALUMINUM - 1" X 72" - W/HOLES

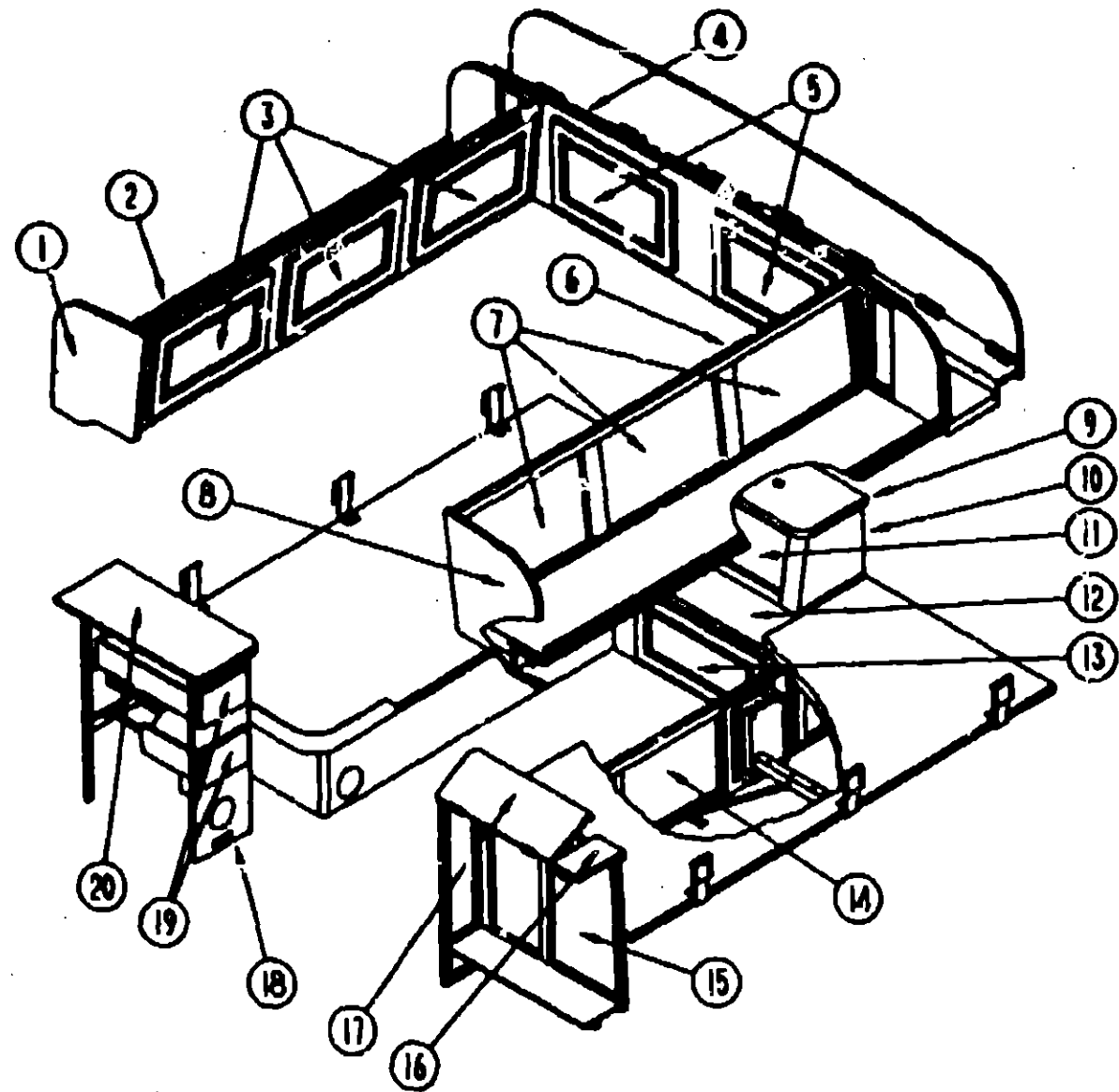
1991 ITASCA TABLE OF CONTENTS

INTRODUCTION	A-01 - A-02
ABBREVIATIONS	A-03
ALPHABETICAL INDEX	A-04 - A-08
ICN25RC	A-07 - F-02
ICN34RQ	F-03 - K-08

1991 ICN34RQ INDEX

FLOOR PLAN	F-03 - F-04
ACCESSORIES	F-05 - F-12
BATH	F-13 - F-18
BEDROOM	F-17 - F-20
CHASSIS	F-21 - G-08
C C & PAD	G-09 - G-18
DINETTE	G-19 - G-20
DRIVERS	G-21 - H-04
ELECTRICAL	H-05 - H-12
EXTERIOR BODY	H-13 - H-20
GALLEY	H-21 - I-04
HEATING & A/C	I-05 - I-08
INTERIOR FINISH	I-09 - I-12
LABEL	I-13 - I-20
LP	I-21
LOUNGE	I-22 - I-23
SEALANTS & FASTENERS	I-24 - J-02
WATER & SEWAGE	J-03 - J-07
WINDOW, VENT AND EXTERIOR DOOR	J-08 - K-08

BEDROOM GROUP (CONTINUED)
TWIN BEDS CABINETS AND COMPONENTS



KEY	PART NUMBER	U/M DESCRIPTION
1	092747-01-B29	EA END CAP-CABINET, OVERHEAD - FRONT
2	M04165-29-B29	EA CABINET-OVERHEAD, PASSENGER SIDE - W/O DOORS OR HARDWARE
3	P00523-01-B29	EA DOOR-CABINET, W/O HARDWARE - 14.4" X 21.9"
4	M04165-08-B29	EA CABINET-OVERHEAD, BACKWALL - W/O DOORS OR HARDWARE
5	P00523-04-B29	EA DOOR-CABINET, W/O HARDWARE - 13.4" X 21.9"
6	M04165-17-B29	EA CABINET-OVERHEAD, DRIVER SIDE - W/O DOORS OR HARDWARE
7	P00523-01-B29	EA DOOR-CABINET, W/O HARDWARE - 14.4" X 21.9"
8	092747-01-B29	EA END CAP-CABINET, OVERHEAD - FRONT
9	096869-12-B07	EA COUNTERTOP-NIGHTSTAND, UPPER
10	096869-01-B29	EA CABINET-NIGHTSTAND, W/O DOORS OR HARDWARE
11	096869-14-B29	EA DOOR-TAMBOUR, W/O HARDWARE - 11.8" X 15"
12	096869-11-B07	EA COUNTERTOP-NIGHTSTAND, LOWER
13	M02184-30-B29	EA DRAWER-CABINET, W/O HARDWARE - 11" X 21.9"
14	P00523-18-B29	EA DOOR-CABINET, W/O HARDWARE - 12.8" X 17.7"
	M03231-01-B29	EA CABINET-TWIN BED, DRIVER SIDE - W/O DOORS OR HARDWARE
	M03231-02-B29	EA CABINET-TWIN BED, DRIVER SIDE - W/O DOORS OR HARDWARE - CANADIAN
	M03664-01-B29	EA TOP-CABINET, TWIN BED - DRIVER SIDE
	M02683-01-B29	EA CABINET-TWIN BED, PASSENGER SIDE - W/O DOORS OR HARDWARE
	M03663-01-B29	EA TOP-CABINET, TWIN BED - PASSENGER SIDE
15	M02681-01-B29	EA CABINET-CLOTHES HAMPER, W/O HARDWARE OR FLIP-UP TOP
16	092861-11-B07	EA COUNTERTOP-HAMPER, STATIONARY
17	092861-12-B07	EA TOP-HAMPER, FLIP-UP - W/HINGE
18	M02658-01-B29	EA CABINET-NIGHTSTAND, W/O DOORS, HARDWARE OR COUNTERTOP
19	P00522-04-B29	EA DRAWER-CABINET, W/O HARDWARE - 8.4 X 18.5 FROM: 00-00-00 THRU: 01-06-91
19	P03397-31-B29	EA DRAWER-CABINET, W/O HARDWARE - 7.9" X 18.9" FROM: 01-07-91 THRU: 99-99-99
20	092858-11-B07	EA COUNTERTOP-NIGHTSTAND
	092525-02-B07	EA COUNTERTOP-BACKWALL
	094791-01-B29	EA TRIM-CABINET TO BACKWALL COUNTERTOP - 1.5" X 4.25" - WOOD PASSENGER SIDE
	094791-02-B29	EA TRIM-CABINET TO BACKWALL COUNTERTOP - 1.5" X 4.25" - WOOD DRIVER SIDE

1991 ITASCA
TABLE OF CONTENTS

INTRODUCTION	A-01 - A-02
ABBREVIATIONS	A-03
ALPHABETICAL INDEX	A-04 - A-06
ICN25RC	A-07 - F-02
ICN34RQ	F-03 - K-08

1991 ICN34RQ INDEX

FLOOR PLAN	F-03 - F-04
ACCESSORIES	F-05 - F-12
BATH	F-13 - F-16
BEDROOM	F-17 - F-20
CHASSIS	F-21 - G-06
C C & PAD	G-09 - G-18
DINETTE	G-19 - G-20
DRIVERS	G-21 - H-04
ELECTRICAL	H-05 - H-12
EXTERIOR BODY	H-13 - H-20
GALLEY	H-21 - I-04
HEATING & A/C	I-05 - I-08
INTERIOR FINISH	I-09 - I-12
LABEL	I-13 - I-20
LP	I-21
LOUNGE	I-22 - I-23
SEALANTS & FASTENERS	I-24 - J-02
WATER & SEWAGE	J-03 - J-07
WINDOW, VENT AND EXTERIOR DOOR	J-08 - K-08

CHASSIS GROUP
FORD CHASSIS COMPONENTS

KEY	PART NUMBER	U/M DESCRIPTION
	007125-08-000	EA CLAMP-MUFFLER, 2.00" DIAMETER
	007125-07-000	EA CLAMP-MUFFLER, 2.50" DIAMETER
	007125-11-000	EA CLAMP-MUFFLER, 2.75"
	080081-01-000	EA STRAP-MOUNTING, FUEL LINE - 2" X 32"
	087475-02-000	EA BRACKET-TIE DOWN, BATTERY - 13.5" X 1.3"
	080804-04-000	EA TRAY-BATTERY
	083283-02-000	EA PANEL-COWL, PASSENGER - STEEL - FORD
	083008-01-000	EA PANEL-COWL, DRIVER - STEEL - FORD OR CHEVY

FORD TIRE & WHEEL

083425-02-000	EA TIRE-MICHELIN, LT235 / 85R16 LRE
051377-01-000	EA STEM-VALVE
085853-01-000	EA WHEEL-STEEL, 16" X 6K - E8TZ - 1015 - A - ACCURIDE 28375-12

FUEL NECK & HOSE - FORD

KEY	PART NUMBER	U/M DESCRIPTION
	085804-01-000	EA HOSE-FUEL FILL, FORMED 2" ID
	044317-01-000	FT HOSE-FUEL, 3/8 ID
	085808-01-000	EA NECK-FUEL FILL, W/CHECK VALVE - L-SHAPED - 18 2" LONG
	088753-01-000	FT TUBE-ALUMINIZED STEEL, 5/8" - 18 GAUGE
	088055-02-000	EA SUPPORT-EXHAUST PIPE, BENT
	088087-02-000	EA BRACKET-STRAP, EXHAUST PIPE - W/CENTER BENT LIP - 13" X 5.

PARK BRAKE CABLE

KEY	PART NUMBER	U/M DESCRIPTION
	088361-01-000	EA CABLE-BRAKE, PARK - FORD CHASSIS

CHASSIS GROUP (CONTINUED)
JETRIDE SUSPENSION W/PARK & LEVEL - CHEVY

KEY	PART NUMBER	U/M DESCRIPTION
	101619-01-000	EA WIRE ASSEMBLY-INSTRUMENT PANEL, AIR RIDE CONTROL
	000C12-05-168	EA BOLT-HEX, 5/16-18 X 1 - ZINC 5
	000E13-17-002	EA WASHER-FLARE, 3/8" AIR ZN
	007125-11-000	EA CLAMP-MUFFLER, 2.75"
	016379-02-000	EA STRAP-HANGER EXTENSION, 2" X 1" - STEEL
	071374-03-000	EA FITTING-BULKHEAD, 1/4" X 1/4" MNPT
	080436-38-000	EA SPRING-LEAF, 7 SEMI - JET# AR P30-1C
	070436-05-000	EA VALVE-HEIGHT, PARK/LEVEL - JET# 358-359
	090436-08-000	EA CONTROL-PARK/LEVEL, W/WIRING - JET# 340-364
	090436-08-000	EA MOUNT-AIRSPRING, UPPER DRIVER - JET# 375
	090436-09-000	EA MOUNT-AIRSPRING, UPPER PASSENGER - JET# 378
	090436-34-000	EA WIRING-ELECTRONIC, JET #80712
	090436-35-000	EA COMPRESSOR-TANK, W/O WIRING - JET# 80703
	090436-36-000	EA MOUNT-SPRING, LH - UPPER ELT - CHEVY - JET# 80750
	090436-37-000	EA MOUNT-SPRING, RH - UPPER ELT - CHEVY - JET# 80751
	090436-10-000	EA MOUNT-SPRING/AXLE, LOWER DRIVER - JET# 373
	090436-11-000	EA MOUNT-SPRING/AXLE, LOWER PASSENGER - JET# 374
	090436-12-000	EA U-BOLT-FORWARD, STRAIGHT - 7/8" - JET# 351
	090436-13-000	EA U-BOLT-REARWARD, BENT - 7/8" - JET# 351-1
	090436-14-000	EA BAR-TRACK, W/PIVOT BOLTS & BRACKET - JET# 356-1
	090436-16-000	EA BRACKET-BRAKE HOSE/AXLE MOUNT, P-30 CHASSIS - JET# 370
	091250-01-000	EA BUSHING-SWAY BAR, 1.25" CUT - HELLWIG# PB 731
	091250-02-000	EA BUSHING-SWAY BAR, 1.25" UNCUT - HELLWIG# PB 734
	091250-03-000	EA BUSHING-SWAY BAR, 1.75" CUT - HELLWIG# PB 732
	093237-04-000	EA LABEL-CIRCUIT BREAKER, FRONT - AIR BAG COMP

JETRIDE SUSPENSION- W/PARK & LEVEL - FORD

KEY	PART NUMBER	U/M DESCRIPTION
	101619-01-000	EA WIRE ASSEMBLY-INSTRUMENT PANEL, AIR RIDE CONTROL
	090436-27-000	EA COMPRESSOR-W/TANK & WIRING, JET# 345-1
	090436-07-700	EA COMPRESSOR (ONLY)
	090436-18-000	EA MOUNT-AIRSPRING, UPPER DRIVER - JET# 40375
	090436-19-000	EA MOUNT-AIRSPRING, UPPER PASSENGER - JET# 40378
	090436-20-000	EA MOUNT-SPRING/AXLE, LOWER DRIVER - JET# 40373
	090436-21-000	EA MOUNT-SPRING/AXLE, LOWER PASSENGER - JET# 40374
	090436-22-000	EA U-BOLT, 1-14 X 4" X 14" - W/NUTS - JET# 40351
	090436-23-000	EA SPRING-LEAF, SEMI - FORD - JET# 40381
	090436-25-000	EA U-BOLT, 1-14 X 5" X 15" - W/NUTS - JET# 40352
	090436-26-000	EA BAR-STABILIZER, REAR - JET# 40358
	090436-28-000	EA SHIELD-HEAT, FUEL TANK - JET# 40380
	090436-29-000	EA BRACKET-BRAKE HOSE/FRAME, JET# 40382
	090436-30-000	EA BRACKET-BRAKE HOSE/CALIPER, JET# 40364
	090436-31-000	EA BAR-TRACK, W/BOLTS & BRACKETS - JET# 40356
	090436-32-000	EA CONTROL-PARK/LEVEL, ELECTRIC - JET #80778
	090436-34-000	EA WIRING-ELECTRONIC, JET #80712
	090436-35-000	EA COMPRESSOR-TANK, W/O WIRING - JET# 80703
	086753-02-000	EA PIPE-EXHAUST, FORD - 8.5" X 14.8"
	100572-01-000	EA PIPE-EXHAUST, OFFSET - 15.2" LONG - 2.5" ID - FORD
	100593-01-000	EA PIPE-EXHAUST, EXTENSION - FORD
	10060C 01-000	EA PIPE-EXHAUST, REAR - 42" LONG - FORD
	100801-01-000	EA PIPE-EXHAUST, FRONT - 40.7" LONG - FORD
	080436-32-000	EA CONTROL-PARK/LEVEL, ELECTRIC - JET #80778
	101025-01-01A	EA PANEL-DASH, LOWER - W/CUTOUTS - CHEVY - 11.9" LONG - BLACK
	087372-04-01A	EA SWITCH-MOMENTARY/OFF/MOMENTARY

1991 ITASCA
TABLE OF CONTENTS

INTRODUCTION	A-01 -	A-02
ABBREVIATIONS		A-03
ALPHABETICAL INDEX	A-04 -	A-08
ICN25RC	A-07 -	F-02
ICN34RQ	F-03 -	K-08

1991 ICN34RQ INDEX

FLOOR PLAN	F-03 -	F-04
ACCESSORIES	F-05 -	F-12
BATH	F-13 -	F-16
BEDROOM	F-17 -	F-20
CHASSIS	F-21 -	G-08
C C & PAD	G-09 -	G-18
DINETTE	G-19 -	G-20
DRIVERS	G-21 -	H-04
ELECTRICAL	H-05 -	H-12
EXTERIOR BODY	H-13 -	H-20
GALLEY	H-21 -	I-04
HEATING & A/C	I-05 -	I-08
INTERIOR FINISH	I-09 -	I-12
LABEL	I-13 -	I-20
LP		I-21
LOUNGE	I-22 -	I-22
SEALANTS & FASTENERS	I-24 -	J-02
WATER & SEWAGE	J-03 -	J-07
WINDOW, VENT AND		
EXTERIOR DOOR	J-08 -	K-08

CHASSIS GROUP (CONTINUED)

HYDRAULIC LEVELING JACKS - CHEVY

KEY	PART NUMBER	U/M DESCRIPTION
	100532-01-000	EA LEVELING SYSTEM-HYDRAULIC, HWH# AP7371
	100533-04-000	EA BRACKETS-FRONT LEVELING JACK, HWH# AP7392
	100534-05-000	EA BRACKETS-REAR LEVELING JACKS, HWH# AP6959
	100535-02-000	EA BRACKET-PUMP, LEVELING JACK, HWH P6282
	100538-02-000	EA HOSE KIT-LEVELING JACKS, HWH# AP7374
	068808-01-000	EA SPACER-PEDESTAL, DRIVER

HYDRAULIC LEVELING JACKS - FORD

KEY	PART NUMBER	U/M DESCRIPTION
	100532-01-000	EA LEVELING SYSTEM-HYDRAULIC, HWH# AP7371
	068808-01-000	EA SPACER-PEDESTAL, DRIVER
	100533-02-000	EA BRACKETS-FRONT LEVELING JACK, HWH# AP7390
	100534-06-000	EA BRACKETS-REAR LEVELING JACKS, HWH# AP6957
	100535-02-000	EA BRACKET-PUMP, LEVELING JACK, HWH P6282
	100538-02-000	EA HOSE KIT-LEVELING JACKS, HWH# AP7374

MANUAL LEVELING JACKS

KEY	PART NUMBER	U/M DESCRIPTION
	090025-01-000	EA STABILIZER-JACK, PASSENGER
	090025-02-000	EA STABILIZER-JACK, DRIVER
	090116-01-000	EA BRACKET-STABILIZER JACK, W/2 SQUARE TUBES
	090641-02-000	EA BRACKET-JACK, REAR
	090642-01-000	EA BRACKET-JACK, W/ANGLE BRACE
	090642-02-000	EA BRACKET-JACK, FRONT

PARK BRAKE LEVER & CABLE

KEY	PART NUMBER	U/M DESCRIPTION
	090631-01-000	EA LEVER-PARK BRAKE, FOOT OPERATED CHEVY PROVIDED AUTOMATIC PARK BRAKE AFTER 5-13-90
	090074-01-000	EA CABLE-PARK BRAKE, FOOT OPERATED
	090770-02-000	EA SUPPORT-STEERING COLUMN
	090009-01-000	EA PANEL-COWL, DRIVER - STEEL - FORD OR CHEVY
	090137-01-000	EA PANEL-COWL, PASSENGER - STEEL - CHEVY

RADIATOR OVERFLOW COMPONENTS

KEY	PART NUMBER	U/M DESCRIPTION
	099100-01-000	EA CAP-BOTTLE, OVERFLOW - GM 14054390 - FORD OR CHEVY
	090630-01-000	EA BOTTLE-OVERFLOW, RADIATOR - GM 14042454
	076310-01-000	EA BAFFLE-RADIATOR, .12" X 15" X 62" - RUBBER
	070059-02-000	EA HOSE-90 DEGREE, .61"ID X 4" X 6"

CHASSIS GROUP (CONTINUED)

SPEED CONTROL

KEY	PART NUMBER	U/M DESCRIPTION
	094369-03-000	EA SPEED CONTROL-SMART STICK, EFI - GAS - DANA# 59L-1112CB
	094369-01-702	EA REGULATOR ASM-ELECTRONIC, DANA# 57C-06X12-R
	094369-01-708	EA SERVO-DANA# 53D-11116-R
	069622-01-704	EA SIGNAL GENERATOR ASM, DANA# 59L-09X221P
	083212-04-701	EA MAIN WIRING HARNESS, DANA# 59D-0257 0
	094369-01-701	EA SWITCH & LEVER ASM, DANA# 59D-11118-F
	094369-01-704	EA HEADLIGHT DIMMER MODULE ASM-DANA# 63C-00001
	059778-01-710	EA TESTER CRUISE CONT.W/HARNESS, DANA# 56L-06X33-B
	069329-01-708	EA SIGNAL GENERATOR ONLY, DANA# 59D-02392-1
	083212-01-705	EA RELEASE VALVE ONLY, DANA# 59C-02297
	079972-01-707	EA EXTENSION HARNESS ASM-SIGNAL GENERATOR, DANA# 59C-2379-1
	094369-01-705	EA VACUUM RESERVOIR-DANA# 59C-02249
	083212-01-704	EA STOP LAMP/CRUISE RELEASE SWITCH, DANA# 59C-02543
	083211-01-703	EA SERVO CABLE ASM ONLY, DANA# 59C-02538
	091900-01-702	EA WIPER CONTROL MODULE-DANA# 66C-00081
	102362-01-000	EA SPEED CONTROL-1991 CHEVY, DANA 59L-111010B
	094369-01-708	EA SERVO-DANA# 53D-11116-R
	102362-01-700	EA CABLE ONLY-REPLACEMENT
	102362-01-707	EA CONTROL SWITCH & LEVER ASM
	102362-01-701	EA REGULATOR ASM-ELECTRONIC
	102362-01-702	EA WIPER CONTROL MODULE
	094369-01-705	EA VACUUM RESERVOIR-DANA# 59C-02249
	102362-01-704	EA HARNESS ASM-MAIN WIRING
	102362-01-703	EA HARNESS ASM-PIVOT SW. TO WPR
	094863-01-704	EA HOUSING-4 PIN, SPEED CONTROL - TOYOTA - DANA 59C-02291
	102362-01-705	EA THROTTLE RETAINER CLIP
	102362-01-706	EA THROTTLE STUD

ELECTRIC ENTRY STEP

KEY	PART NUMBER	U/M DESCRIPTION
	094707-01-01A	EA STEP-DOUBLE, ENTRANCE - ELECTRIC
	094708-02-708	EA MOTOR REPLACEMENT KIT - KWIKEE 9570
	094707-01-700	EA CONTROL UNIT, KWIKEE 8310
	088746-01-702	EA GEAR-ALL MODELS, KWIKEE 9033
	088746-01-703	EA BRACKET MOTOR BEARING, KWIKEE 7040
	091201-01-700	EA LINKAGE ASM - KWIKEE 8289
	094707-01-702	EA FRAME-DOUBLE STEP - KWIKEE 8285W
	088746-01-708	EA PIN-HAIR, KWIKEE 9018
	088746-01-705	EA LIGHT-UNDER STEP, KWIKEE 9004
	088746-01-706	EA SWITCH-KILL, KWIKEE 9016
	094707-01-701	EA SWITCH-DOOR JAMB, PLASTIC - KWIKEE - 9316
	054707-02-705	EA CONTROL UNIT, (ORANGE) - KWIKEE 9513
	088746-01-705	EA LIGHT-UNDER STEP, KWIKEE 9004
	088746-01-706	EA SWITCH-KILL, KWIKEE 9016
	094707-01-701	EA SWITCH-DOOR JAMB, PLASTIC - KWIKEE 9316
	094707-01-702	EA FRAME-DOUBLE STEP, KWIKEE 8285W
	094707-01-703	EA GEAR BOX ASM, FOR SINGLE & DOUBLE STEP - KWIKEE 5210
	094707-02-700	EA MOTOR REPLACEMENT KIT - MODELS 32 & 28 - KWIKEE 9520
	094707-02-701	EA LINKAGE ASM - MODEL 32 - KWIKEE 9523
	094707-02-702	EA GEAR KIT - KWIKEE 9525
	094707-02-703	EA PARTS KIT, (BEARINGS & PINS) - KWIKEE 9530
	094707-02-704	EA CONNECTOR KIT-MOTOR, KWIKEE 9537
	100312-01-000	EA SWITCH-DOOR JAMB, ELECTRIC ENTRY STEP
	075723-02-000	EA SPACER-SWITCH, W/HOLE - .9" X 2" - METAL - OFF WHITE
	* THESE PARTS WERE USED FOR COACHES BUILT FROM 03-10-91 ON.	

**1991 ITASCA
TABLE OF CONTENTS**

INTRODUCTION	A-01 -	A-02
ABBREVIATIONS		A-03
ALPHABETICAL INDEX	A-04 -	A-06
ICN25RC	A-07 -	F-02
ICN34RQ	F-03 -	K-08

1991 ICN34RQ INDEX

FLOOR PLAN	F-03 -	F-04
ACCESSORIES	F-05 -	F-12
BATH	F-13 -	F-16
BEDROOM	F-17 -	F-20
CHASSIS	F-21 -	G-06
C C & PAD	G-09 -	G-18
DINETTE	G-19 -	G-20
DRIVERS	G-21 -	H-04
ELECTRICAL	H-05 -	H-12
EXTERIOR BODY	H-13 -	H-20
GALLEY	H-21 -	I-04
HEATING & AC	I-05 -	I-08
INTERIOR FINISH	I-09 -	I-12
LABEL	I-13 -	I-20
LP		I-21
LOUNGE	I-22 -	I-23
SEALANTS & FASTENERS	I-24 -	J-02
WATER & SEWAGE	J-03 -	J-07
WINDOW, VENT AND EXTERIOR DOOR	J-08 -	K-08

CHASSIS GROUP (CONTINUED)

FUEL FILL COMPONENTS - CHEVY

KEY	PART NUMBER	U/M	DESCRIPTION
	07247-04-000	EA	SHROUD-FUEL FILL, UPPER
	063576-01-000	EA	BOOT-FUEL FILL
	084235-01-000	EA	SUPPORT-FLANGE, FUEL FILL BOOT
	086254-01-000	EA	RETAINER-SENDER, FUEL
	086255-01-000	EA	GASKET-SENDER, FUEL
	086486-02-000	EA	STRAP-FUEL TANK, STEEL
	088804-01-000	EA	PIPE-VENT, FILL - 12" LONG
	088805-01-000	EA	PIPE-FUEL, FILL - 11.4" LONG
	079860-01-000	EA	GROMMET-SEAL, VALVE - FUEL - FORD# E1FZ-9B078-B
	007023-01-000	FT	HOSE-GAS 1/4"ID X 1/2"OD
	040731-01-000	EA	NIPPLE-INLET MANIFOLD, GM 3838094
	062401-03-000	EA	CLAMP-HOSE WORMGEAR, .22" - 1"
	062401-05-000	EA	CLAMP-HOSE, WORMGEAR 2" - 3"
	067797-01-000	FT	SPACER-STRAP, W/FOAM ADHESIVE - .31" X 1.5" - NEOPRENE
	073785-02-000	EA	ELBOW-BRASS, 90 DEGREE - 3/4" FPT X 3/4" MPT
	088753-01-000	FT	TUBE-ALUMINIZED STEEL, 5/8" - 18 GAUGE

CHEVY TIRE

KEY	PART NUMBER	U/M	DESCRIPTION
	007324-04-000	EA	TIRE-8R19.5 LRD, MICHELIN XZA
	051377-01-000	EA	STEM-VALVE
	093287-02-01A	EA	NET-CARGO, SPARE TIRE RETAINER

DRIVESHAFT - FORD OR CHEVY

KEY	PART NUMBER	U/M	DESCRIPTION
	075302-13-000	EA	DRIVESHAFT-YOKE/YOKE
	094554-01-000	EA	SUPPORT ASM-BEARING
	074833-04-000	EA	SPACER-BEARING, DRIVESHAFT - 8" X 2" - STEEL

ENTRY STEP BOX

KEY	PART NUMBER	U/M	DESCRIPTION
	088412-04-000	EA	TRIM-STEPBOX, ENTRY DOOR - BEIGE
	077309-02-000	EA	TRIM-STEPWELL, ENTRY DOOR
	092993-02-01A	EA	LINER-STEP BOX, ENTRANCE DOOR - 5" - BLACK
	M92055-J1-000	EA	ACCESS PNL-STEP BOX W/HINGE
	086254-01-000	EA	CATCH-MAGNETIC, 1.8" X .7"
	009063-01-000	EA	HINZE-CONTINUOUS, 1 1/2" X 72"
	096645-01-000	EA	PULL-CABINET, BRASS - RIBBON

PLASTIC WHEELWELL

KEY	PART NUMBER	U/M	DESCRIPTION
	095071-01-000	EA	WHEELWELL-PLASTIC

FRONT STABILIZER SHOCKS

KEY	PART NUMBER	U/M	DESCRIPTION
	079942-01-000	EA	SHOCK ABSORBER-STABILIZER, FRONT - 4-WAY
	091250-01-000	EA	BUSHING-SWAY BAR, 1.25 CUT

MUDFLAP & LUG WRENCH

KEY	PART NUMBER	U/M	DESCRIPTION
	026187-03-000	EA	DIRT GUARD-STEEL, FOR MUDFLAP
	017516-01-000	EA	FLAP-MUD, BLACK
	080208-01-000	EA	LUG WRENCH, 1.06X1.00
	080208-02-000	EA	LEVERAGE BAR-LUG WRENCH

CHASSIS GROUP (CONTINUED)

EXHAUST COMPONENTS

CANADIAN OPTION

KEY	PART NUMBER	U/M	DESCRIPTION
	007131-01-000	EA	HANGER-TAILPIPE
	076059-02-000	EA	HOSE-90 DEGREE, .81"ID X 4" X 6"
	088753-01-000	FT	TUBE-ALUMINIZED STEEL, 5/8" - 18 GAUGE
	100138-01-000	EA	MODULE-DAYTIME RUNNING LIGHT
	100158-01-000	EA	WIRE ASM-DAYTIME RUNNING LIGHTS
	100159-01-000	EA	WIRE ASM-DAYTIME RUNNING LIGHTS, W/FLUSE
	100138-01-000	EA	MODULE-DAYTIME RUNNING LIGHT

MISCELLANEOUS COMPONENTS

KEY	PART NUMBER	U/M	DESCRIPTION
	015385-01-000	EA	PIN-TIRE CARRIER, CADMIUM PLATED
	075466-01-000	EA	UNION-INVERTED FL TUBE, 1/4"
	088498-01-000	EA	UNION-INVERTED, BRASS - 3/16 - 3/8 - 24"ID
	075467-01-000	EA	NUT-INVERTED FLARE, 1/4"
	088497-02-000	EA	NUT-INVERTED FLARE, 1/4"
	084884-01-000	EA	PLUG-BRASS, 3/8"
	000C12-05-16B	EA	BOLT-HEX, 5/16-18 X 1 - ZINC 5
	000D39-05-00B	EA	NUT-HEX, SER FLG LK - 5/16 - 18 ZN
	062401-07-000	EA	CLAMP-HOSE, WORMGEAR 5" - 7"
	088244-01-000	FT	TAPE-FOAM, VINYL COATED - 2" WIDE - INCREMENTS OF 108 FT.
	000D39-05-00B	EA	NUT-HEX, SER FLG LK - 5/16 - 18 ZN
	051387-06-000	EA	BOLT-CARRIAGE, W/O HOLE - 5/16-18 X 9.5 ZN
	102333-01-01A	EA	BOLT-CARRIAGE, 7/16 - 14 - STAINLESS STEEL CAP-BEIGE
	000E13-17-00B	EA	WASHER-FL-3/8 AR ZN
	071015-08-000	EA	GROMMET-1.75"ID, FITS .06" MATERIAL, RUBBER
	000D39-05-00B	EA	NUT-HEX, SER FLG LK - 5/16 - 18 ZN
	000D33-05-00B	EA	NUT-HEX, SER FLG LK - 5/16 - 18 ZN
	000C12-10-24E	EA	BOLT-HEX, 5/8-11 X 1 1/2 ZN - 5
	079942-01-000	EA	SHOCK ABSORBER-STABILIZER, FRONT - 4-WAY
	098342-01-000	EA	WYE-CONNECTOR, 2.5" - FLEX HOSE

BATTERY COMPARTMENT COMPONENTS

KEY	PART NUMBER	U/M	DESCRIPTION
	090604-03-000	EA	TRAY-BATTERY, AUTO - ENGINE COMPARTMENT
	093895-01-000	EA	TRAY-BATTERY, W/GUIDE & LATCH STRIKE - HOUSE BATTERY
	077479-01-000	EA	BOOT-BATTERY TERM, DBL CABLE
	077479-02-000	EA	BOOT-BATTERY TERMINAL, SINGLE CABLE
	051697-01-000	EA	BRACKET-BATTERY, TIE DOWN
	051387-06-000	EA	BOLT-CARRIAGE, W/O HOLE - 5/16-18 X 9.5 ZN
	085233-01-000	EA	STUD-ISOLATED, 3/8" X 7/8" LONG
	074994-01-000	EA	GUIDE-TRACK, BATTERY TRAY
	093718-01-000	EA	PLATE-STRIKE, BATTERY/STORAGE COMPARTMENT
	015365-01-000	EA	PIN-CADMIUM PLATED

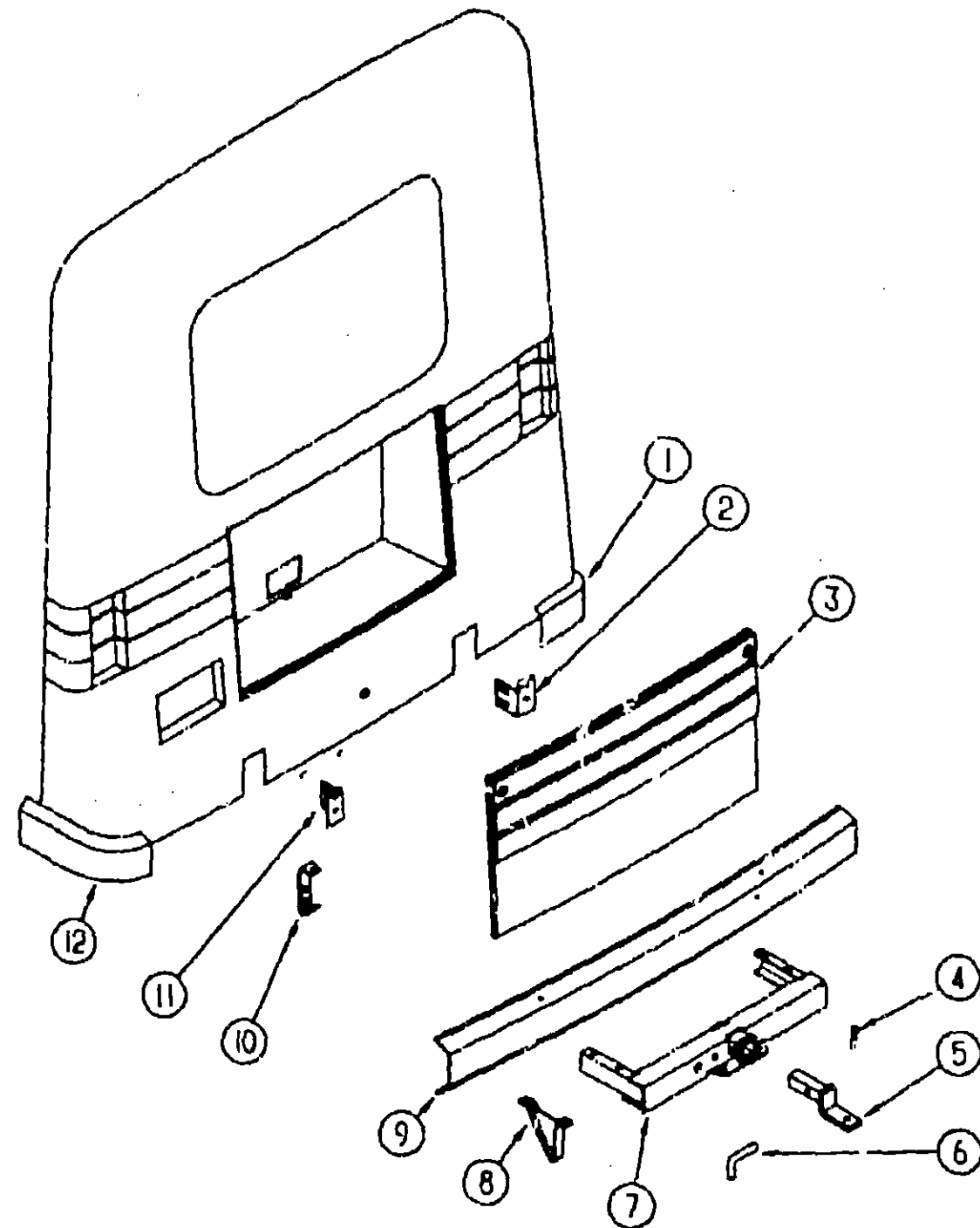
**1991 ITASCA
TABLE OF CONTENTS**

INTRODUCTION	A-01	A-02
ABBREVIATIONS		A-03
ALPHABETICAL INDEX	A-04	A-06
ICN253C	A-07	F-02
ICN34RQ	F-03	K-08

1991 ICN34RQ INDEX

FLOOR PLAN	F-03	F-04
ACCESSORIES	F-05	F-12
BATH	F-13	F-16
BEDROOM	F-17	F-20
CHASSIS	F-21	G-08
C C & PAD	G-09	G-18
DINETTE	G-19	G-20
DRIVERS	G-21	H-04
ELECTRICAL	H-05	H-12
EXTERIOR BODY	H-13	H-20
GALLEY	H-21	I-04
HEATING & A/C	I-05	I-08
INTERIOR FINISH	I-09	I-12
LABEL	I-13	I-20
LP		I-21
LOUNGE	I-22	I-23
SEALANTS & FASTENERS	I-24	J-02
WATER & SEWAGE	J-03	J-07
WINDOW, VENT AND		
EXTERIOR DOOR	J-08	K-08

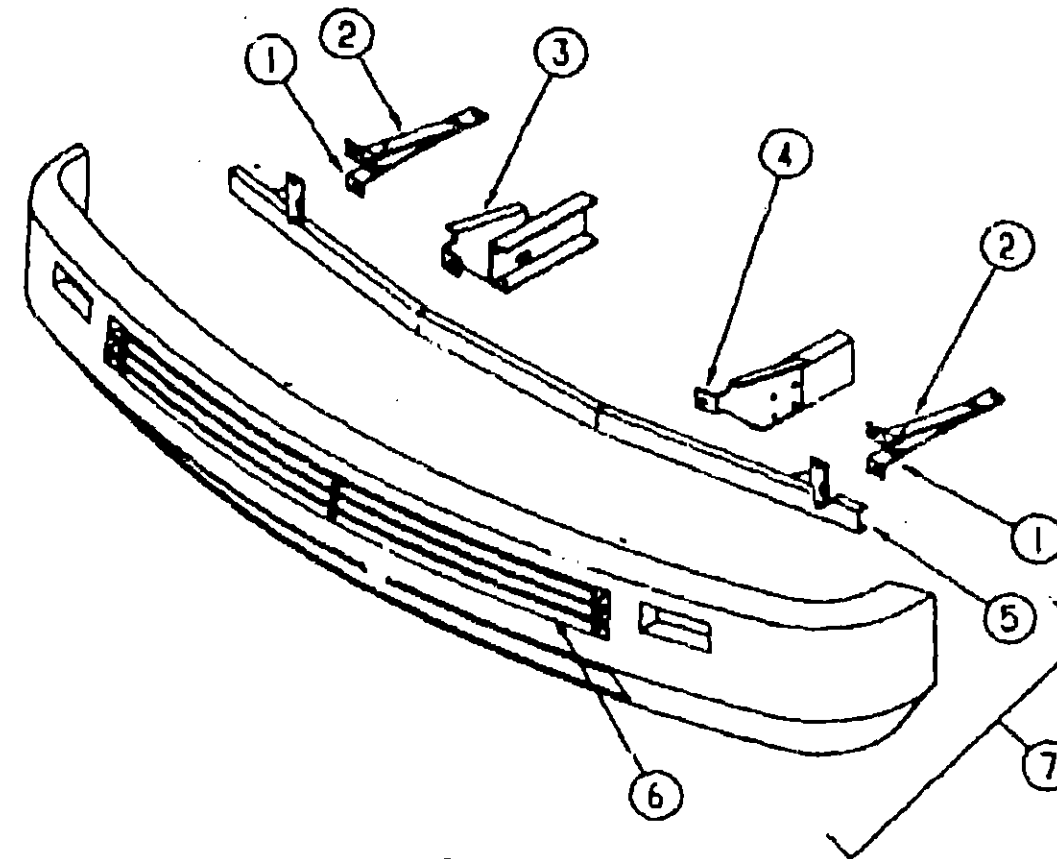
CHASSIS GROUP (CONTINUED)



REAR BUMPER, END CAP & TRAILER TOWING HOUSINGS

KEY	PART NUMBER	U/M DESCRIPTION
1	082551-01-01A	EA END CAP-REAR BUMPER
2	078556-01-000	EA ANGLE SUPPORT-REAR BUMPER
3	087198-01-AE6	EA DOOR PANEL-REAR
4	034513-01-000	EA PIN-HITCH, 3/16" WIRE
5	077813-01-000	EA DRAWBAR-HITCH, TRILER TOWING
6	034512-01-000	EA PIN-LOCKING, DRAWBAR
7	077817-04-000	EA HITCH W/O DRAWBAR
8	093048-01-000	EA PLATE-SKID, REAR BUMPER
9	077851-08-000	EA BUMPER-REAR, OFF WHITE
9	077851-06-000	EA BUMPER-REAR, UNFINISHED
	102333-01-02A	EA BOLT-BUMPER, OFF WHITE W/STAINLESS STEEL CAP
	005200-01-000	EA BOLT-BUMPER, STAINLESS STEEL
	093275-01-000	EA BRACE-BUMPER LOWER, 2" X 16.3" - BLACK
10	077855-01-000	EA BRACKET-REAR BUMPER
11	078558-02-000	EA SUPPORT-ANGLE, REAR BUMPER
12	082251-02-01A	EA CAP-END, REAR BUMPER
	081107-01-000	EA BRACKET-BUMPER PIN
	093385-01-000	EA BRACKET-LICENSE PLATE

CHASSIS GROUP (CONTINUED)



FRONT BUMPER & END CAP

KEY	PART NUMBER	U/M DESCRIPTION
1	093275-01-000	EA BRACE-BUMPER, LOWER - 2" X 16.3" - BLACK
2	093034-01-000	EA BRACE-BUMPER, UPPER - 2" X 16.3" - BLACK
3	093749-01-000	EA SUPPORT-BUMPER, EXTENSION - RIGHT
4	093749-02-000	EA SUPPORT-BUMPER, EXTENSION - LEFT
5	093000-01-000	EA CHANNEL ASM.-STEEL BUMPER
6	003004-01-Y33	EA GRILLE-5 BAR, BRIGHT FINISH
7	M83816-01-Y35	EA PANEL-BUMPER, W/GRILLE & LIGHTS

COMPARTMENTS AND PROP RODS

KEY	PART NUMBER	U/M DESCRIPTION
	092264-06-C30	EA COMPARTMENT, STORAGE/FURNACE - 45.9" X 24.3" - GALVANIZED
	092252-01-000	EA SPARE TIRE - COMPARTMENT
	093834-04-000	EA COMPARTMENT-TANK, HOLDING - 63" X 27.8" - GALVANIZED
		FROM: 00-00-00 THRU: 10-21-90
	093834-07-000	EA COMPARTMENT-TANK, HOLDING - 63" X 27.8" - GALVANIZED
		FROM: 10-22-90 THRU: 99-99-99
	102590-01-000	EA HATCH-COMPARTMENT, SEWER HOSE - STEEL
	092644-02-Y12	EA PROP ROD-COMPARTMENT DOOR, W/SPRING & BRACKET
	092469-01-000	EA SPRING-#020-050 COMP
	092639-01-000	EA BRACKET-DOOR PROP
	093061-01-02A	EA STRIKER-DOOR, LUGGAGE, BLACK
	078368-01-000	FT SEAL-ACCESS DOOR
	081113-01-300	EA BUSHING-FLANGE, PLASTIC - WHITE
	089329-01-000	EA CLIP-SPRING, 3/8"
	008386-01-000	EA GR0MMET-SNAP, 3/8"
	094376-02-000	EA ROD-PROP, GENERATOR DOOR
	094387-02-000	EA STRIKER-DOOR, GENERATOR
	093305-01-01A	FT TRIM-EDGE, C-TYPE - WIRE CARRIER - .35" X .24" - VINYL
	M03636-04-000	EA TRAY-COMPARTMENT, W/O HATCH - 63"
		FROM: 00-00-00 THRU: 10-21-91
	M03636-07-000	EA TRAY-COMPARTMENT, W/O HATCH - 63"
		FROM: 10-22-91 THRU: 99-99-99
	091255-02-000	FT SEAL-ADHESIVE BACKED FOAM, 1.5" X .18"
	094376-01-000	EA ROD-PROP, HOLDING TANK DOOR
	093718-01-000	EA PLATE-STRIKE, BATTERY STORAGE COMPARTMENT

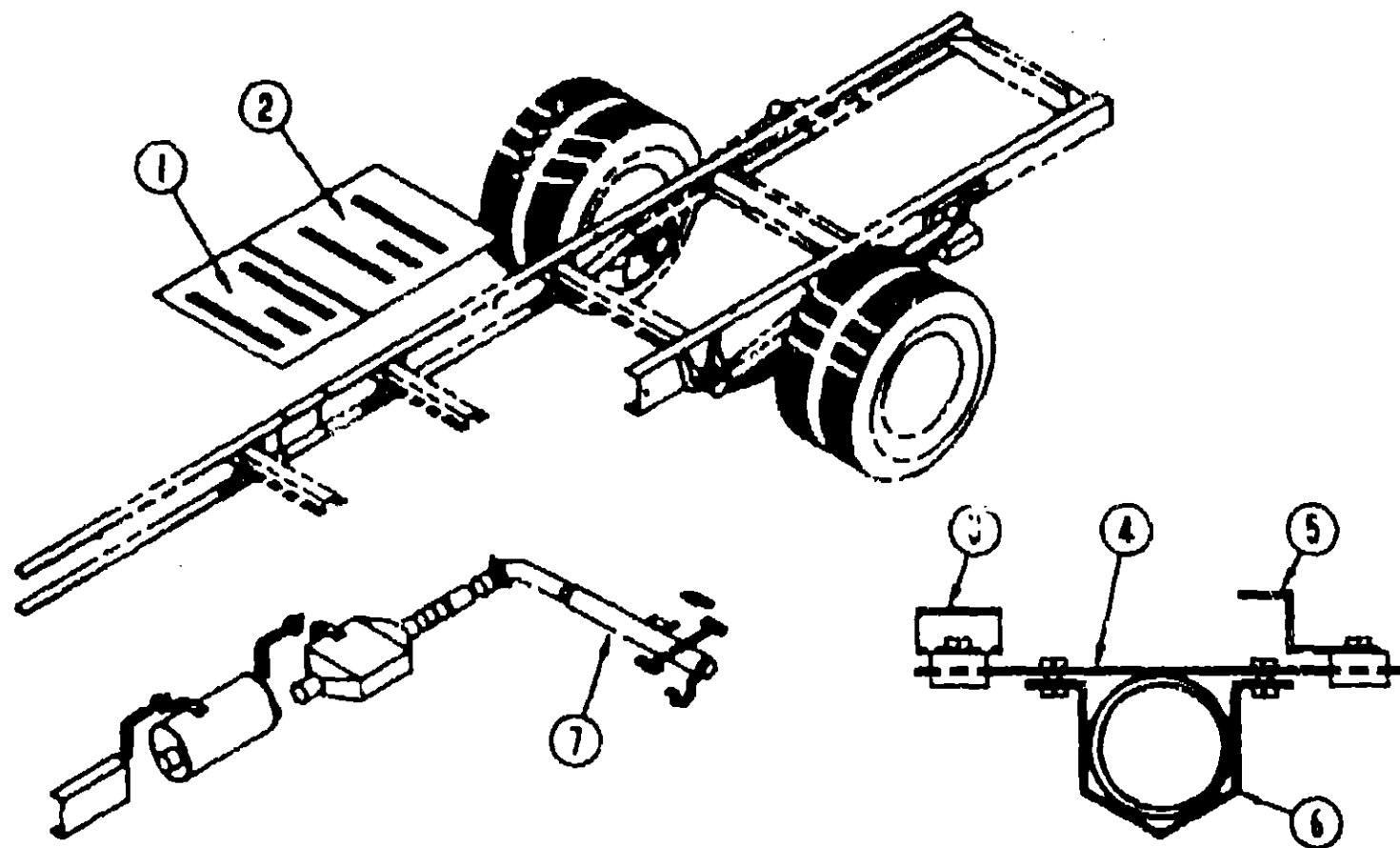
**1991 ITASCA
TABLE OF CONTENTS**

INTRODUCTION	A-01 - A-02
ABBREVIATIONS	A-03
ALPHABETICAL INDEX	A-04 - A-06
ICN25RC	A-07 - F-02
ICN34RQ	F-03 - K-08

1991 ICN34RQ INDEX

FLOOR PLAN	F-03 - F-04
ACCESSORIES	F-05 - F-12
BATH	F-13 - F-16
BEDROOM	F-17 - F-20
CHASSIS	F-21 - G-08
C C & PAD	G-09 - G-18
DINETTE	G-19 - G-20
DRIVERS	G-21 - H-04
ELECTRICAL	H-05 - H-12
EXTERIOR BODY	H-13 - H-20
GALLEY	H-21 - I-04
HEATING & A/C	I-05 - I-08
INTERIOR FINISH	I-09 - I-12
LABEL	I-13 - I-20
LP	I-21
LOUNGE	I-22 - I-23
SEALANTS & FASTENERS	J-24 - J-02
WATER & SEWAGE	J-03 - J-07
WINDOW, VENT AND EXTERIOR DOOR	J-08 - K-08

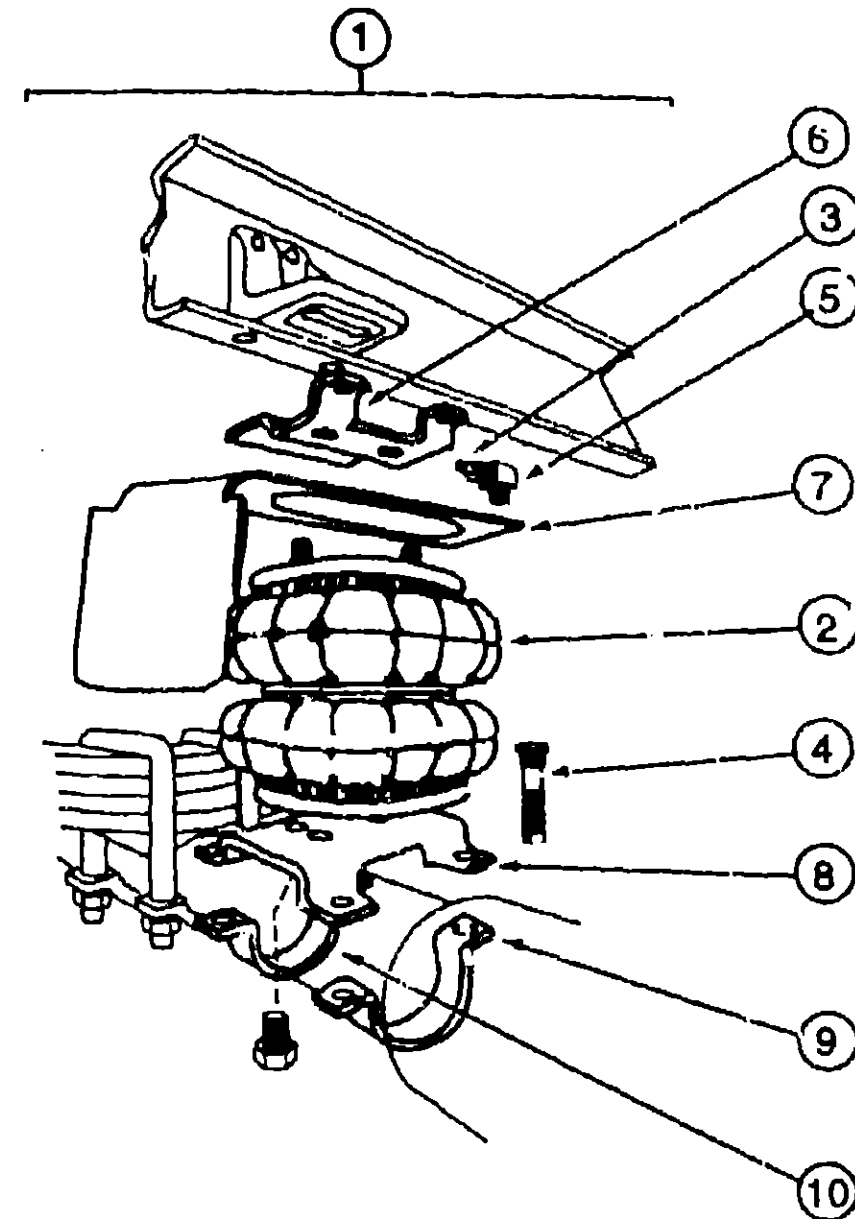
CHASSIS GROUP (CONTINUED)



CHEVY EXHAUST COMPONENTS

KEY	PART NUMBER	U/M	DESCRIPTION
1	100366-03-000	EA	SHIELD-HEAT,MUFFLER - 15.3" X 21"
1	101544-01-000	EA	SHIELD-HEAT,EXHAUST - 19.7" X 28.9" FROM 04-04-90 THRU 05-10-90
2	101544-02-000	EA	SHIELD-HEAT,EXHAUST - 30" X 28.9" FROM 06-11-90 THRU 99-99-99
2	099009-01-000	EA	SHIELD-HEAT,CONVERTOR - 25.7" X 31.5" FROM 06-11-90 THRU 99-99-99
3	095523-04-000	EA	BRACKET ASM-EXHAUST,UPPER
4	095523-03-000	EA	BRACKET-EXHAUST,UPPER
5	095222-02-000	EA	BRACKET-EXHAUST, UPPER - W/BEND & NUTS CHEVY PROVIDED PRIOR TO 12-89 FROM: 12-05-89 THRU: 99-99-99
6	095223-02-000	EA	BRACKET-EXHAUST, LOWER - STRAIGHT - W/NUTS CHEVY PROVIDED PRIOR TO 12-89 FROM: 12-05-89 THRU: 99-99-99
7	098599-01-000	EA	PIPE-EXHAUST, W/BENDS - 36.8" LONG
	095190-01-000	EA	HANGER-EXHAUST, 4" X 1.4" - CHEVY PROVIDED PRIOR TO 12-89 FROM: 12-05-89 THRU: 99-99-99

CHASSIS GROUP (CONTINUED)



REAR AXLE AIRSPRINGS

KEY	PART NUMBER	U/M	DESCRIPTION
1	084086-01-000	EA	AIRSPRING-BELLOWS, REAR AXLE - FIRESTONE# MHA224
2	084086-01-700	EA	AIR BAG-ONLY, FIRESTONE# W21-760-0335
3	084086-01-701	EA	TUBING-DOT 1/4" X 18" - FIRESTONE# 21-0938
4	084086-01-702	EA	BOLT-RIBBED NECK, 3/8"-24" X 2.5" FIRESTONE# 21-0829
5	084086-01-703	EA	INFLATING VALVE-DOT 1/4" TUBING, FIRESTONE# 21-0931
6	084086-01-704	EA	ELBOW CONNECTOR, FIRESTONE# 21-0935
7	084086-01-705	EA	TUBING PROTECTORS, FIRESTONE# 21-0899
8	084086-01-706	EA	BRACKET-UPPER TO FRAME, FIRESTONE# 21-0150
	084086-01-708	EA	AIRLINE SERVICE KIT, FIRESTONE# W21-760-2012
	084086-01-709	EA	HEAT SHIELD, FIRESTONE# 21-1004
	084086-01-710	EA	BOLT PACKAGE, FIRESTONE 2135823002
7	084086-01-711	EA	HEAT SHIELD-224 DOS SYSTEM, FIRESTONE 21-5042
8	084086-01-707	EA	BRACKET-LOWER, TOP - PASSENGER SIDE - FIRESTONE# 21-1162
8	084086-01-712	EA	BRACKET-LOWER, TOP - DRIVER SIDE - FIRESTONE 21-5037
9	084086-01-713	EA	AXLE STRAP BRACKET, AXLE TUBE - 3 USED - FIRESTONE 21-1163
10	084086-01-714	EA	AXLE STRAP BRACKET, DIFFERENTIAL - 1 USED - FIRESTONE 21-5038
	084086-03-000	EA	BRACKET-AXLE, FIRESTONE #W21-760-2044

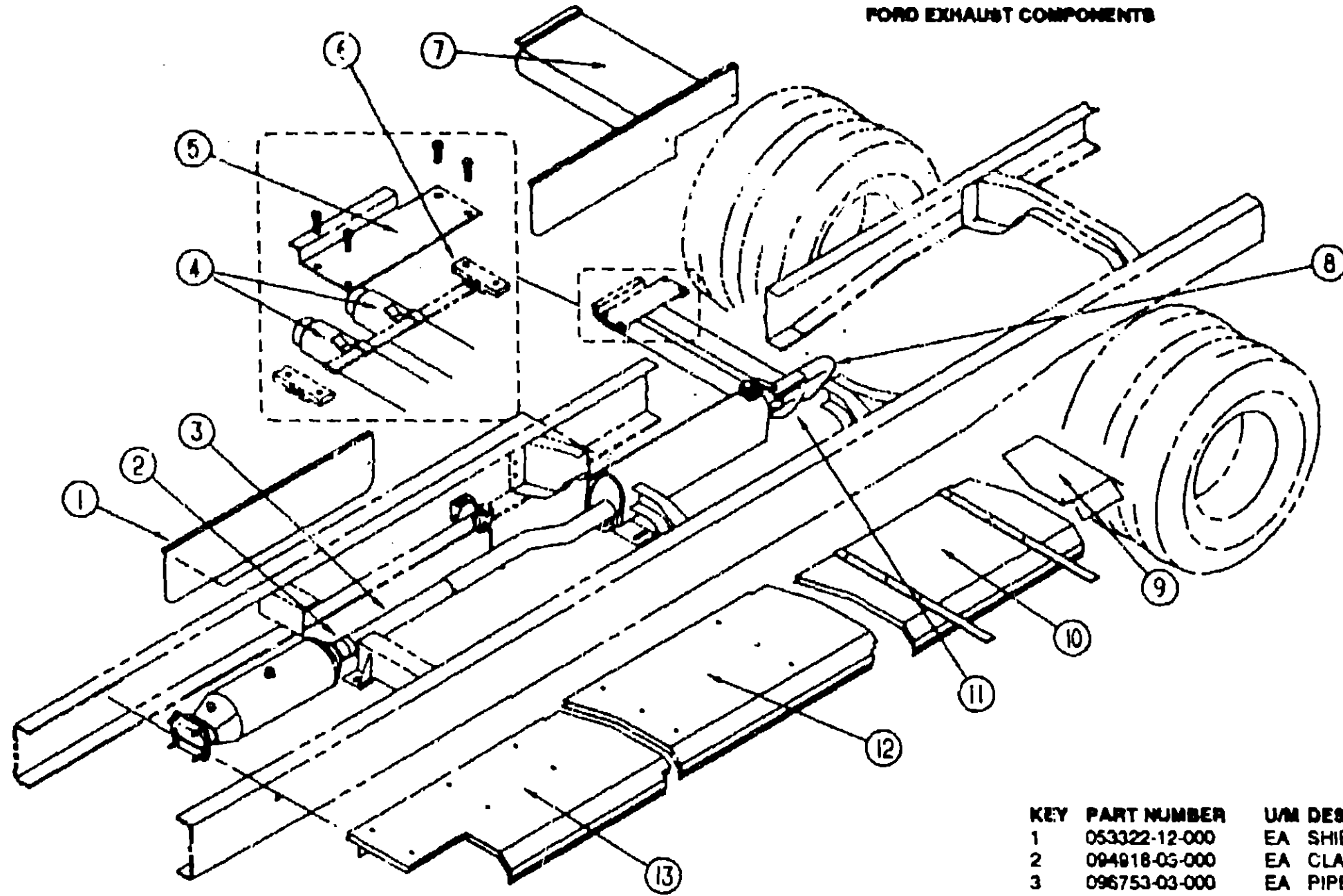
**1991 ITASCA
TABLE OF CONTENTS**

INTRODUCTION	A-01 -	A-02
ABBREVIATIONS		A-03
ALPHABETICAL INDEX	A-04 -	A-06
ICN25RC	A-07 -	F-02
ICN34RQ	F-03 -	K-08

1991 ICN34RQ INDEX

FLOOR PLAN	F-03 -	F-04
ACCESSORIES	F-05 -	F-12
BATH	F-13 -	F-16
BEDROOM	F-17 -	F-20
CHASSIS	F-21 -	G-08
C C & PAD	G-09 -	G-18
DINETTE	G-19 -	G-20
DRIVERS	G-21 -	H-04
ELECTRICAL	H-05 -	H-12
EXTERIOR BODY	H-13 -	H-20
GALLEY	H-21 -	I-04
HEATING & A/C	I-05 -	I-08
INTERIOR FINISH	I-09 -	I-12
LABEL	I-13 -	I-20
LP		I-21
LOUNGE	I-22 -	I-23
SEALANTS & FASTENERS	I-24 -	J-02
WATER & SEWAGE	J-03 -	J-07
WINDOW, VENT AND EXTERIOR DOOR	J-08 -	K-08

CHASSIS GROUP (CONTINUED)
FORD EXHAUST COMPONENTS



KEY	PART NUMBER	U/M DESCRIPTION
1	053322-12-000	EA SHIELD-HEAT EXHAUST, - 32" X 8" - STEEL
2	094918-05-000	EA CLAMP-EXHAUST PIPE, 2.5"
3	096753-03-000	EA PIPE-EXHAUST, OFFSET - 15.2" LONG - 2.5"ID - FORD
3	096753-02-000	EA PIPE-EXHAUST, DOUBLE WALL - 14.8" FORD FROM: 00-00-00 THRU: 03-15-91
4	096055-02-000	EA SUPPORT-EXHAUST PIPE, 1" X 15.8" FROM: 03-16-91 THRU: 99-99-99
5	096087-02-000	EA BRACKET-STRAP, EXHAUST PIPE - 5.6" X 13" - W/NUTS
6	095190-01-000	EA HANGER-EXHAUST, 4" X 1.4"
7	099312-01-000	EA SHIELD-EXHAUST, - 9" X 30.6" - STEEL
8	099345-01-000	EA PIPE-EXHAUST, REAR - 42" LONG - FORD FROM: 00-00-00 THRU: 03-15-91
8	100600-01-000	EA PIPE-EXHAUST, REAR - 42" LONG - FORD FROM: 03-16-91 THRU: 99-99-99
9	099430-01-000	EA SHIELD-EXHAUST, REAR - 14" X 19.1" - FROM EDGE TO BEND
10	098795-02-000	EA SHIELD-EXHAUST 15.67" X 35.39"
11	099344-01-000	EA PIPE-EXHAUST, FRONT - 40.7" LONG FROM: 00-00-00 THRU: 03-15-91
11	100601-01-000	EA PIPE-EXHAUST, FRONT - 40.7" LONG - FORD FROM: 03-16-91 THRU: 99-99-99
12	098795-03-000	EA SHIELD-EXHAUST, - GALVANIZED STEEL
13	098795-04-000	EA SHIELD-EXHAUST, CONVERTER - 28.3" X 19.9"

1991 ITASCA
TABLE OF CONTENTS

INTRODUCTION	A-01 - A-02
ABBREVIATIONS	A-03
ALPHABETICAL INDEX	A-04 - A-08
ICN25RC	A-07 - F-02
ICN34RQ	F-03 - K-08

1991 ICN34RQ INDEX

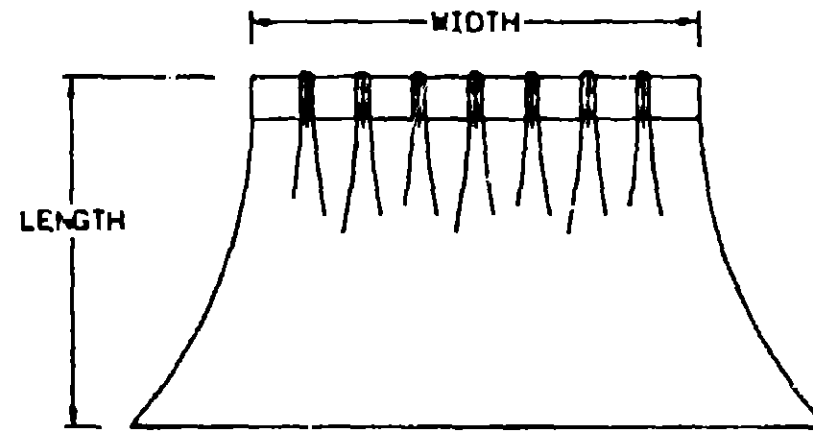
FLOOR PLAN	F-03 - F-04
ACCESSORIES	F-05 - F-12
BATH	F-13 - F-16
BEDROOM	F-17 - F-20
CHASSIS	F-21 - G-08
C C & PAD	G-09 - G-18
DINETTE	G-19 - G-20
DRIVERS	G-21 - H-04
ELECTRICAL	H-05 - H-12
EXTERIOR BODY	H-13 - H-20
GALLEY	H-21 - I-04
HEATING & A/C	I-05 - I-08
INTERIOR FINISH	I-09 - I-12
LABEL	I-13 - I-20
LP	I-21
LOUNGE	I-22 - I-23
SEALANTS & FASTENERS	I-24 - J-02
WATER & SEWAGE	J-03 - J-07
WINDOW, VENT AND EXTERIOR DOOR	J-08 - K-08

CURTAIN, CUSHION & PAD GROUP

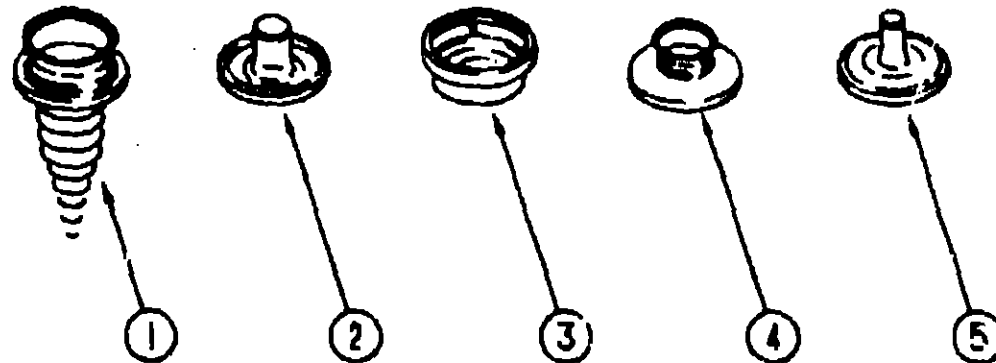
NOTICE

IN ORDER TO ASSIST OUR PARTS SALES DEPT. IN PROVIDING INTERIOR SOFTWARE ITEMS, PLEASE INCLUDE THE SERIAL NUMBER AND THE COLOR CODE NUMBER FROM THE VEHICLE CERTIFICATION LABEL WHEN ORDERING. THIS LABEL IS LOCATED ON THE LEFT SIDEWALL AT THE END OF THE DASH (A-BODY), OR ON THE DRIVER'S DOOR LATCH PLATE (C-BODY).

AN EXAMPLE OF A COLOR CODE NUMBER IS B07, WHICH DESIGNATES AN OVERALL COLOR SCHEME OF A PARTICULAR UNIT. THE COLOR LISTED AFTER THE ITEM DESCRIPTION ON THE MICROFICHE, INDICATES THE OVERALL UNIT COLOR. ORDER THE ITEM YOU DESIRE ACCORDING TO UNIT COLOR CODE.



NOTE: USE THIS ILLUSTRATION WHEN DETERMINING LENGTH AND WIDTH MEASUREMENTS FOR CURTAINS. YOU WILL NOTE THE WIDTH MEASUREMENT IS TAKEN ON THE TOP OF THE CURTAIN WITH THE CURTAIN FULLY EXTENDED. THE LENGTH MEASUREMENT IS TAKEN FROM TOP TO BOTTOM.



SNAP FASTENERS

KEY	PART NUMBER	U/M DESCRIPTION
1	029130-01-000	EA SCREW-SNAP SOCKET, 8 PH X 5/8"
2	029156-01-007	EA CAP-SNAP, .156" DIA X .17" BARREL
3	029156-01-000	EA SOCKET-SNAP FASTENER, NICKEL - 9/16" O.D.
4	029092-01-070	EA STUD-NICKEL FINISH
5	029093-01-000	EA EYELET-NICKEL FINISH

CURTAIN, CUSHION & PAD GROUP (CONTINUED)

FABRICS AND TRIMS

KEY	PART NUMBER	U/M DESCRIPTION
	068008-57-000	YD FABRIC-UPHOLSTERY, MAIN(B29)
	068008-58-000	YD FABRIC-UPHOLSTERY, MAIN(B30)
	068008-55-000	YD FABRIC-UPHOLSTERY, MAIN(B31)
	068008-82-000	YD FABRIC-UPHOLSTERY, PLAIN ACCENT (B29)
	068008-31-000	YD FABRIC-UPHOLSTERY, PLAIN ACCENT (B30)
	068009-81-000	YD FABRIC-UPHOLSTERY, PLAIN ACCENT (B31)
	068008-80-000	YD FABRIC-UPHOLSTERY, PATTERN ACCENT (B29)
	068008-59-000	YD FABRIC-UPHOLSTERY, PATTERN ACCENT (B30)
	068008-58-000	YD FABRIC-UPHOLSTERY, PATTERN ACCENT (B31)
	072333-77-000	YD FABRIC-DRAPERY (B29)
	072333-78-000	YD FABRIC-DRAPERY (B30/B31)
	068273-53-000	YD FABRIC-BEDSPREAD, MAIN (B29)
	068273-55-000	YD FABRIC-BEDSPREAD, MAIN (B30)
	068273-54-000	YD FABRIC-BEDSPREAD, MAIN (B31)
	067272-01-000	YD FABRIC-LINING, CURTAIN - 48" WIDE - IVORY
	081928-01-000	YD BACKING-QUILTING, MATTRESS COVER - 59" WIDE - WHITE
	079680-09-000	YD FABRIC-VINYL, 54" WIDE - OFF WHITE
	029219-01-000	YD FABRIC-VINYL, 54" WIDE - OFF WHITE
	079680-01-000	YD FABRIC-VINYL, 54" WIDE - BEIGE
	078798-01-000	YD VINYL-FOAMBACK, 54" WIDE - LIGHT SLATE GRAY
	069351-03-000	YD VINYL-HEADLINER, DIAMOND DESIGN - 54" WIDE
	079349-01-B29	YD WELTING-FABRIC (B29)
	079349-01-AD2	YD WELTING-FABRIC (B30)
	079340-01-B31	YD WELTING-FABRIC (B31)
	068792-01-000	YD VELCRO-5/8" HOOK, NON-ADHES
	068792-02-000	YD VELCRO-3/4" LOOP, ADHESIVE

CURTAIN TRACKS AND HARDWARE

KEY	PART NUMBER	U/M DESCRIPTION
	097919-04-01A	EA TRACK-CURTAIN, WRAPAROUND - DRIVER - OFF WHITE
	097919-03-01A	EA TRACK-CURTAIN, WRAPAROUND - PASSENGER - OFF WHITE
	097925-01-000	EA HOOK-DRAPERY
	048394-02-000	YD VELCRO TAPE-HOOK, ADHESIVE BACK - .75" WIDE - BEIGE
	029094-04-000	YD TAPE-LOOP, 1.0 WIDE, BLACK
	029094-05-000	YD TAPE-LOOP, .50 WIDE, BEIGE
	029096-03-000	YD TAPE-HOOK, 1.0 WIDE, BLACK
	068276-01-000	EA TAPE-DOUBLE SIDED, 1/2"
	067253-01-000	EA PULL-ROLLER SHADE, PLASTIC - CLEAR
	098843-01-000	EA SPRING-REWIND, ROLLER SHADE
	084434-01-000	EA BRACKET-MOUNTING, ROLLER SHADE - 1 3/8"
	069918-01-000	EA MOUNT-WINDOW LEG, BLACK
	083170-01-000	EA BRACKET-BLIND, REAR
	083170-02-000	EA BRACKET-BLIND, FRONT
	083475-01-700	EA WAND-BLIND, W/METAL CLIP - 8" LONG
	083475-01-701	EA END CAP-BLIND, W/STUD
	065591-02-000	EA BRACKET-BLIND, HOLD-DOWN - W/PIN
	046887-01-000	EA GROMMET-BRASS - 7/16" ID X 1" OD
	069734-01-000	EA BACK-BUTTON, DURASHAP - 8 3/32
	067565-01-000	EA MOUNTING BRACKET CLIPS
	102555-01-000	EA CLEAT-CORD, BLIND
	078155-01-000	EA STRAP-BACK CUSHION, SNAP
	009136-02-000	EA HANGER-RING, PIN TYPE - BRASS
	075943-08-000	EA BRACE-VALANCE, 1" X 105" X 14" - OFF WHITE
	101031-01-000	YD TAPE-GLIDE, CURTAIN - 4.25" SPACING

1991 ITASCA TABLE OF CONTENTS

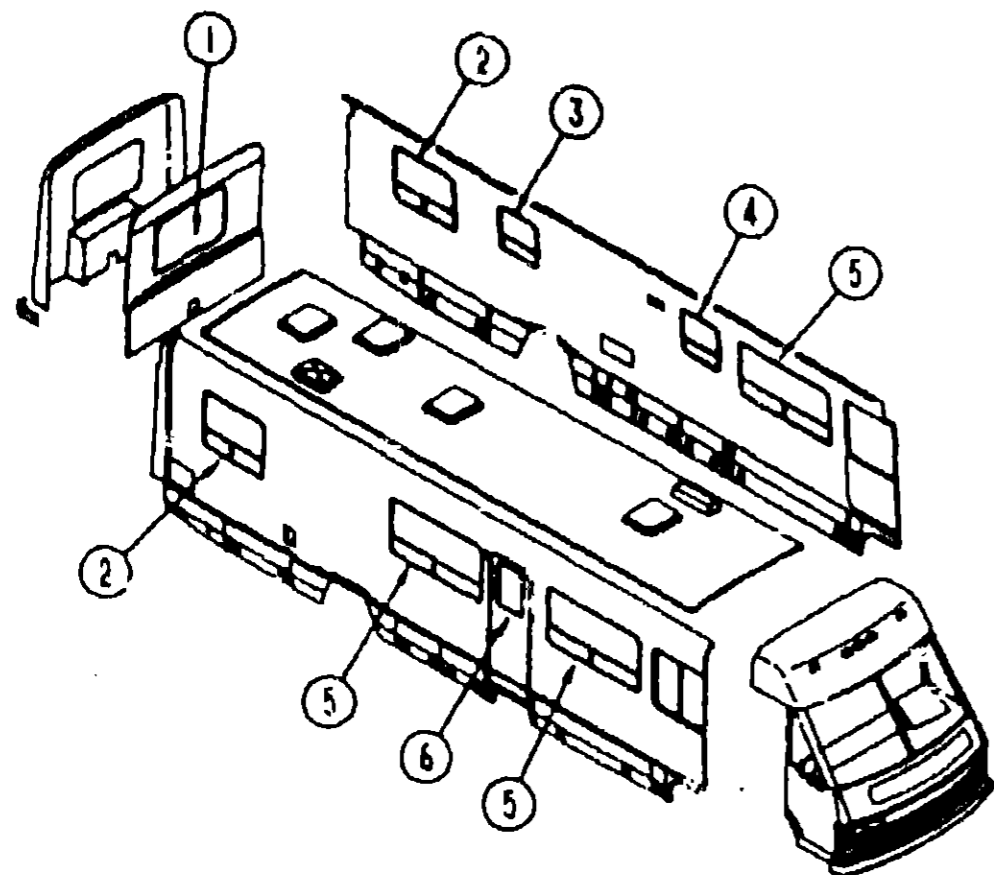
INTRODUCTION	A-01 -	A-02
ABBREVIATIONS		A-03
ALPHABETICAL INDEX	A-04 -	A-06
ICN25RC	A-07 -	F-02
ICN34RQ	F-03 -	K-08

1991 ICN34RQ INDEX

FLOOR PLAN	F-03 -	F-04
ACCESSORIES	F-06 -	F-12
BATH	F-13 -	F-18
BEDROOM	F-17 -	F-20
CHASSIS	F-21 -	G-08
C C & PAD	G-09 -	G-18
DINETTE	G-19 -	G-20
DRIVERS	G-21 -	H-04
ELECTRICAL	H-05 -	H-12
EXTERIOR BODY	H-13 -	H-20
GALLEY	H-21 -	I-04
HEATING & AC	I-05 -	I-09
INTERIOR FINISH	I-09 -	I-12
LABEL	I-13 -	I-20
LP		I-21
LOUNGE	I-22 -	I-23
SEALANTS & FASTENERS	I-24 -	J-02
WATER & SEWAGE	J-03 -	J-07
WINDOW, VENT AND EXTERIOR DOOR	J-05 -	K-08

CURTAIN, CUSHION & PAD GROUP (CONTINUED)

WINDOW TREATMENT



KEY	PART NUMBER	U/M DESCRIPTION
1	100281-18-B29	EA LEG ASM-LEFT SIDE
1	100281-18-B30	EA LEG ASM-LEFT SIDE
1	100281-18-B31	EA LEG ASM-LEFT SIDE
1	100281-17-B29	EA LEG ASM-RIGHT SIDE
1	100281-17-B30	EA LEG ASM-RIGHT SIDE
1	100281-17-B31	EA LEG ASM-RIGHT SIDE
1	096335-13-B29	EA BLIND-PLEATED, 45.5" X 33" DROP (B29/B31)
1	096335-13-B30	EA BLIND-PLEATED, 45.5" X 33" DROP (B30)
2	100281-20-B29	EA LEG ASM-LEFT SIDE
2	100281-20-B30	EA LEG ASM-LEFT SIDE
2	100281-20-B31	EA LEG ASM-LEFT SIDE
2	100281-19-B29	EA LEG ASM-RIGHT SIDE
2	100281-19-B30	EA LEG ASM-RIGHT SIDE
2	100281-19-B31	EA LEG ASM-RIGHT SIDE
2	101189-01-B29	EA VALANCE-WINDOW, 45" FROM 00-00-00 THRU 02-10-91
2	104189-01-B30	EA VALANCE-WINDOW, 45" FROM 00-00-00 THRU 02-10-91
2	101189-01-B31	EA VALANCE-WINDOW, 45" FROM 00-00-00 THRU 02-10-91
2	104189-01-B29	EA VALANCE-WINDOW, 45" FROM 02-11-91 THRU 99-99-99
2	101189-01-B30	EA VALANCE-WINDOW, 45" FROM 02-11-91 THRU 99-99-99
2	104189-01-B31	EA VALANCE-WINDOW, 45" FROM 02-11-91 THRU 99-99-99
2	096335-43-B29	EA BLIND-PLEATED, 39.5" X 34" DROP - (B29/B31)
2	096335-43-B30	EA BLIND-PLEATED, 39.5" X 34" DROP - (B30)

KEY	PART NUMBER	U/M DESCRIPTION
3	101079-07-B35	EA LEG-ASM, LEFT SIDE (B29)
3	101079-07-B36	EA LEG-ASM, LEFT SIDE (B30)
3	101079-07-B37	EA LEG-ASM, LEFT SIDE (B31)
3	101079-08-B35	EA LEG-ASM, RIGHT SIDE (B29)
3	101079-08-B36	EA LEG-ASM, RIGHT SIDE (B30)
3	101079-08-B37	EA LEG-ASM, RIGHT SIDE (B31)
3	093475-72-01A	EA BLIND-MINI, 13.5" X 28.5" DROP (B29/B30/B31) FROM 00-00-00 THRU 01-13-91
3	093475-72-02A	EA BLIND-MINI, 13.5" X 28.5" DROP (B29) FROM 01-14-91 THRU 99-99-99
3	093475-72-03A	EA BLIND-MINI, 13.5" X 28.5" DROP (B30/B31) FROM 01-14-91 THRU 99-99-99
4	093475-37-07A	EA BLIND-MINI, 28" X 21" DROP (B29/B30/B31) FROM 00-00-00 THRU 01-13-91
4	093475-37-01A	EA BLIND-MINI, 28" X 21" DROP (B29) FROM 01-14-91 THRU 99-99-99
4	093475-37-09A	EA BLIND-MINI, 28" X 21" DROP (B30/B31) FROM 01-14-91 THRU 99-99-99
5	101079-04-B29	EA LEG ASM, LEFT
5	101079-04-B30	EA LEG ASM, LEFT
5	101079-04-B31	EA LEG ASM, LEFT
5	101079-02-B29	EA LEG ASM, RIGHT
5	101079-02-B30	EA LEG ASM, RIGHT
5	101079-02-B31	EA LEG ASM, RIGHT
5	093475-63-01A	EA BLIND-MINI, 57.5" X 31.5" DROP (B29/B30/B31) FROM 00-00-00 THRU 01-13-91
5	093475-63-03A	EA BLIND-MINI, 57.5" X 31.5" DROP (B29) FROM 01-14-91 THRU 99-99-99
5	093475-63-04A	EA BLIND-MINI, 57.5" X 31.5" DROP (B30/B31) FROM 01-14-91 THRU 99-99-99
6	084755-57-B07	EA SHADE ASM-PULL-27.25, BEIGE
	073260-42-B07	EA TIEBACK-CURTAIN, 6" X 18" (B29)
	073260-42-B09	EA TIEBACK-CURTAIN, 6" X 18" (B30/B31)
	057534-01-000	EA TIEBACK-CLEAR, 6

KEY	PART NUMBER	U/M DESCRIPTION
	077994-03-B07	EA CURTAIN-WHOOK TOP 34 X 75 - 2 USED (B29)

KEY	PART NUMBER	U/M DESCRIPTION
	097994-03-B09	EA CURTAIN-WHOOK TOP 34 X 75 - 2 USED (B30/B31) FROM 00-00-00 THRU 12-16-90
	097994-01-B40	EA CURTAIN WHOOK TOP 36 X 78 - 2 USED (B30/B31) FROM 12-17-90 THRU 99-99-99

**1991 ITASCA
TABLE OF CONTENTS**

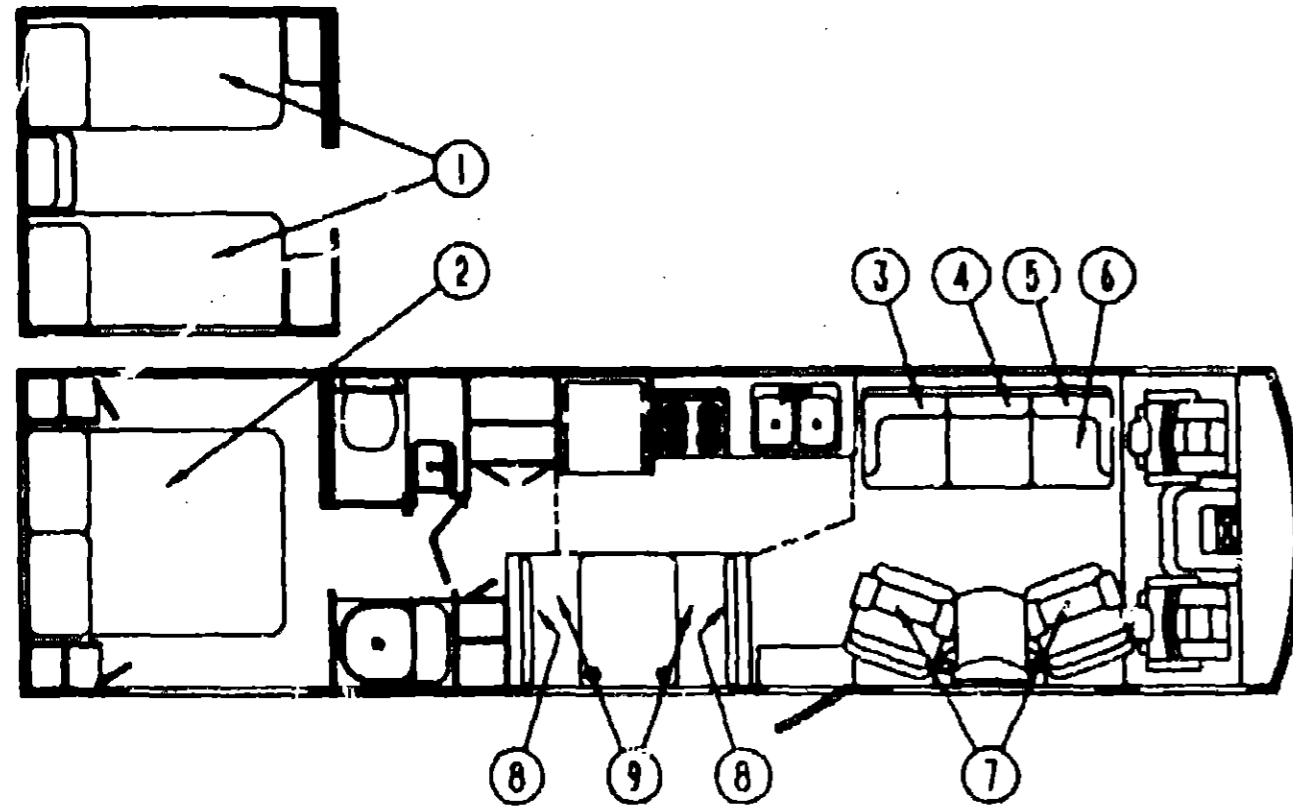
INTRODUCTION	A-01	A-02
ABBREVIATIONS		A-03
ALPHABETICAL INDEX	A-04	A-06
ICN25RC	A-07	F-02
ICN34RQ	F-03	K-08

1991 ICN34RQ INDEX

FLOOR PLAN	F-03	F-04
ACCESSORIES	F-05	F-12
BATH	F-13	F-16
BEDROOM	F-17	F-20
CHASSIS	F-21	G-08
C C & PAD	G-09	G-18
DINETTE	G-19	G-20
DRIVERS	G-21	H-04
ELECTRICAL	H-05	H-12
EXTERIOR BODY	H-13	H-20
GALLEY	H-21	I-04
HEATING & A/C	I-05	I-08
INTERIOR FINISH	I-09	I-12
LABEL	I-13	I-20
LP		I-21
LOUNGE	I-22	I-23
SEALANTS & FASTENERS	I-24	J-02
WATER & SEWAGE	J-03	J-07
WINDOW, VENT AND EXTERIOR DOOR	J-08	K-08

CURTAIN, CUSHION & PAD GROUP (CONTINUED)

PILLOWS AND SHAMS FROM: 02-11-81 THRU: 99-09-99



TWIN BEDSPREADS FROM: 00-00-00 THRU: 02-10-81

KEY	PART NUMBER	U/M DESCRIPTION
1	085365-07-B29	EA BEDSPREAD-TWIN, 33"
1	085365-07-B30	EA BEDSPREAD-TWIN, 33"
1	085365-07-B31	EA BEDSPREAD-TWIN, 33"

TWIN BEDSPREADS FROM: 02-11-81 THRU: 99-06-99

KEY	PART NUMBER	U/M DESCRIPTION
1	085365-12-B29	EA BEDSPREAD-TWIN, 33"
1	085365-12-B30	EA BEDSPREAD-TWIN, 33"
1	085365-12-B31	EA BEDSPREAD-TWIN, 33"
	088176-01-000	EA MATTRESS-INNERSPRING, 32 X 74

QUEEN BEDSPREADS FROM: 00-00-00 THRU: 02-10-81

KEY	PART NUMBER	U/M DESCRIPTION
2	083986-04-B29	EA BEDSPREAD-FITTED, QUEEN - 60"
2	083986-04-B30	EA BEDSPREAD-FITTED, QUEEN - 60"
2	083986-04-B31	EA BEDSPREAD-FITTED, QUEEN - 60"

QUEEN BEDSPREADS FROM: 02-11-81 THRU: 99-09-99

KEY	PART NUMBER	U/M DESCRIPTION
2	104170-01-B29	EA BEDSPREAD-FITTED, QUEEN - 60"
2	104170-01-B30	EA BEDSPREAD-FITTED, QUEEN - 60"
2	104170-01-B31	EA BEDSPREAD-FITTED, QUEEN - 60"
	088176-04-000	EA MATTRESS-INNERSPRING, 59 X 74

PILLOWS AND SHAMS FROM: 00-00-00 THRU: 02-10-81

KEY	PART NUMBER	U/M DESCRIPTION
	102181-01-B29	EA PILLOW W/SHAM
	102181-01-B30	EA PILLOW W/SHAM
	102181-01-B31	EA PILLOW W/SHAM
	081997-07-B36	EA SHAM-W/O PILLOW (B29)
	081997-07-B37	EA SHAM-W/O PILLOW (B30)
	081997-07-B38	EA SHAM-W/O PILLOW (B31)

KEY	PART NUMBER	U/M DESCRIPTION
	102181-04-B29	EA SHAM-W/PILLOW
	102181-04-B30	EA SHAM-W/PILLOW
	102181-04-B31	EA SHAM-W/PILLOW
	104176-01-B29	EA SHAM-W/O PILLOW
	104176-01-B30	EA SHAM-W/O PILLOW
	104176-01-B31	EA SHAM-W/O PILLOW

DRIVERS SIDE COUCH

KEY	PART NUMBER	U/M DESCRIPTION
3	101175-04-B29	EA CUSHION-BACK, RIGHT SIDE
3	101175-04-B30	EA CUSHION-BACK, RIGHT SIDE
3	101175-04-B31	EA CUSHION-BACK, RIGHT SIDE
	P01175-04-B29	EA COVER-BACK CUSHION
	P01175-04-B30	EA COVER-BACK CUSHION
	P01175-04-B31	EA COVER-BACK CUSHION
4	101175-06-B29	EA CUSHION-BACK, CENTER
4	101175-06-B30	EA CUSHION-BACK, CENTER
4	101175-06-B31	EA CUSHION-BACK, CENTER
	P01175-06-B29	EA COVER-BACK CUSHION
	P01175-06-B30	EA COVER-BACK CUSHION
	P01175-06-B31	EA COVER-BACK CUSHION
5	101175-05-B29	EA CUSHION-BACK, LEFT SIDE
5	101175-05-B30	EA CUSHION-BACK, LEFT SIDE
5	101175-05-B31	EA CUSHION-BACK, LEFT SIDE
	P01175-05-B29	EA COVER-BACK CUSHION
	P01175-05-B30	EA COVER-BACK CUSHION
	P01175-05-B31	EA COVER-BACK CUSHION
6	089007-05-B29	EA BED ASM-SOFA SEAT
6	089007-05-B30	EA BED ASM-SOFA SEAT
6	089007-05-B31	EA BED ASM-SOFA SEAT
	M89007-05-B29	EA COVER-CUSHION, SOFA SEAT
	M89007-05-B30	EA COVER-CUSHION, SOFA SEAT
	M89007-05-B31	EA COVER-CUSHION, SOFA SEAT
	079386-01-000	EA FRAME ASM-BED
	079386-02-000	EA HARDWARE-KIT
	102874-01-000	EA CATCH-COUCH, W/BRACKET & SPRING - STEEL - CANADIAN
	102872-01-000	EA STRIKE-COUCH, W/ROD - 4.5" - STEEL - CANADIAN

ROCKER SWIVEL CHAIR

KEY	PART NUMBER	U/M DESCRIPTION
7	101178-02-B29	EA CHAIR-SWIVEL, W/O BASE OR SKIRT
7	101178-02-B30	EA CHAIR-SWIVEL, W/O BASE OR SKIRT
7	101178-02-B31	EA CHAIR-SWIVEL, W/O BASE OR SKIRT

BACKREST CUSHIONS

KEY	PART NUMBER	U/M DESCRIPTION
8	088927-80-B29	EA CUSHION BACKREST - 15" X 38" X 5"
8	088927-80-B30	EA CUSHION BACKREST - 15" X 38" X 5"
8	088927-80-B31	EA CUSHION BACKREST - 15" X 38" X 5"
	M88927-80-B29	EA COVER BACKREST - 15" X 38" X 5"
	M88927-80-B30	EA COVER BACKREST - 15" X 38" X 5"
	M88927-80-B31	EA COVER BACKREST - 15" X 38" X 5"

SEAT CUSHIONS

KEY	PART NUMBER	U/M DESCRIPTION
9	088927-86-B29	EA CUSHION SEAT - 22" X 38" X 5"
9	088927-86-B30	EA CUSHION SEAT - 22" X 38" X 5"
9	088927-86-B31	EA CUSHION SEAT - 22" X 38" X 5"
	M88927-86-B29	EA COVER-SEAT, DINETTE - 22" X 38" X 5"
	M88927-86-B30	EA COVER-SEAT, DINETTE - 22" X 38" X 5"
	M88927-86-B31	EA COVER-SEAT, DINETTE - 22" X 38" X 5"

BUNK CUSHION

KEY	PART NUMBER	U/M DESCRIPTION
	079145-05-000	EA CUSHION-BUNK
	M79145-05-000	EA COVER, CUSHION - BUNK

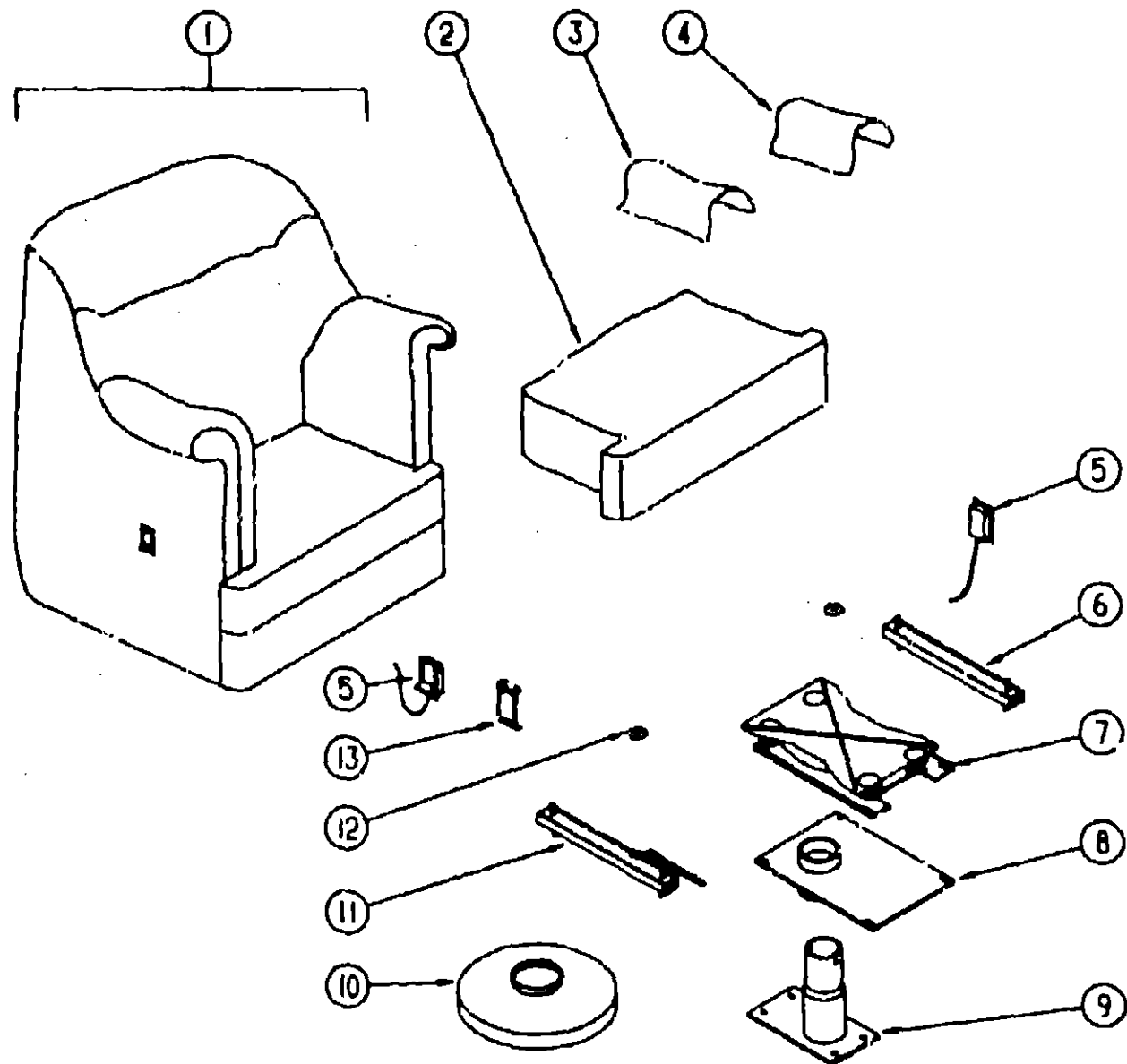
**1991 ITASCA
TABLE OF CONTENTS**

INTRODUCTION	A-01 -	A-02
ABBREVIATIONS		A-03
ALPHABETICAL INDEX	A-04 -	A-08
ICN25RC	A-07 -	F-02
ICN34RQ	F-03 -	K-06

1991 ICN34RQ INDEX

FLOOR PLAN	F-03 -	F-04
ACCESSORIES	F-05 -	F-12
BATH	F-13 -	F-16
BEDROOM	F-17 -	F-20
CHASSIS	F-21 -	G-08
C C & PAD	G-09 -	G-18
DINETTE	G-19 -	G-20
DRIVERS	G-21 -	H-04
ELECTRICAL	H-05 -	H-12
EXTERIOR BODY	H-13 -	H-20
GALLEY	H-21 -	I-04
HEATING & A/C	I-05 -	I-08
INTERIOR FINISH	I-09 -	I-12
LABEL	I-13 -	I-20
LP		I-21
LOUNGE	I-22 -	I-23
SEALANTS & FASTENERS	I-24 -	J-02
WATER & SEWAGE	J-03 -	J-07
WINDOW, VENT AND		
EXTERIOR DOOR	J-09 -	K-08

CURTAIN, CUSHION & PAD GROUP (CONTINUED)
PASSENGER SIDE SWIVEL CHAIR



KEY	PART NUMBER	UM DESCRIPTION
1	101178-02-B29	EA CHAIR-SWIVEL, W/O BASE OR SKIRT
1	101178-02-B30	EA CHAIR-SWIVEL, W/O BASE OR SKIRT
1	101178-02-B31	EA CHAIR-SWIVEL, W/O BASE OR SKIRT
	P01178-02-B29	EA COVER-SWIVEL CHAIR
	P01178-02-B30	EA COVER-SWIVEL CHAIR
	P01178-02-B31	EA COVER-SWIVEL CHAIR
2	102754-02-B29	EA SEAT-SWIVEL CHAIR
2	102754-02-B30	EA SEAT-SWIVEL CHAIR
2	102754-02-B31	EA SEAT-SWIVEL CHAIR
	P02754-02-B29	EA COVER-SEAT, SWIVEL CHAIR
	P02754-02-B30	EA COVER-SEAT, SWIVEL CHAIR
	P02754-02-B31	EA COVER-SEAT, SWIVEL CHAIR
3	P01178-25-B29	EA COVER-ARMREST, SWIVEL CHAIR - RIGHT SIDE
3	P01178-25-B30	EA COVER-ARMREST, SWIVEL CHAIR - RIGHT SIDE
3	P01178-25-B31	EA COVER-ARMREST, SWIVEL CHAIR - RIGHT SIDE
4	P01178-26-B29	EA COVER-ARMREST, SWIVEL CHAIR - LEFT SIDE
4	P01178-26-B31	EA COVER-ARMREST, SWIVEL CHAIR - LEFT SIDE
4	P01178-26-B31	EA COVER-ARMREST, SWIVEL CHAIR - LEFT SIDE
5	097683-03-000	EA CABLE-SWIVEL, W/SWITCH - BUCKET SEAT
	089368-01-000	EA FRAME-CHAIR, REMOTE RECLINER
	089368-02-000	EA FRAME-CABLE, REMOTE RECLINER
	089368-03-000	EA FRAME-CABLE, REMOTE SLIDE
6	069248-01-000	EA ADJUSTER-SEAT/CHAIR, W/LOCK - FORWARD & BACK
7	101187-01-000	EA ROCKER BOX-CHAIR, SWIVEL
8	093481-05-000	EA TOP PLATE-PEDESTAL, W/LOCK
9	093481-01-000	EA BASE-PEDESTAL, W/B' EXTENSION
10	093482-01-000	EA SHROUD-PEDESTAL, 13" - PLASTIC - BLACK
11	069248-02-000	EA ADJUSTER-SEAT/CHAIR, W/O LOCK - FORWARD & BACK
	069248-05-700	EA SPRING-ADJUSTER, FOR REMOTE
	069248-01-701	EA CLIP-CABLE, FOR REMOTE
12	007221-01-000	EA SPACER-SEAT, ADJUSTER
13	087330-01-000	EA BRACKET-REMOTE, SLIDING MOUNT
	087330-01-000	EA BRACKET-STOP, SLIDING TRACK

1991 ITASCA
TABLE OF CONTENTS

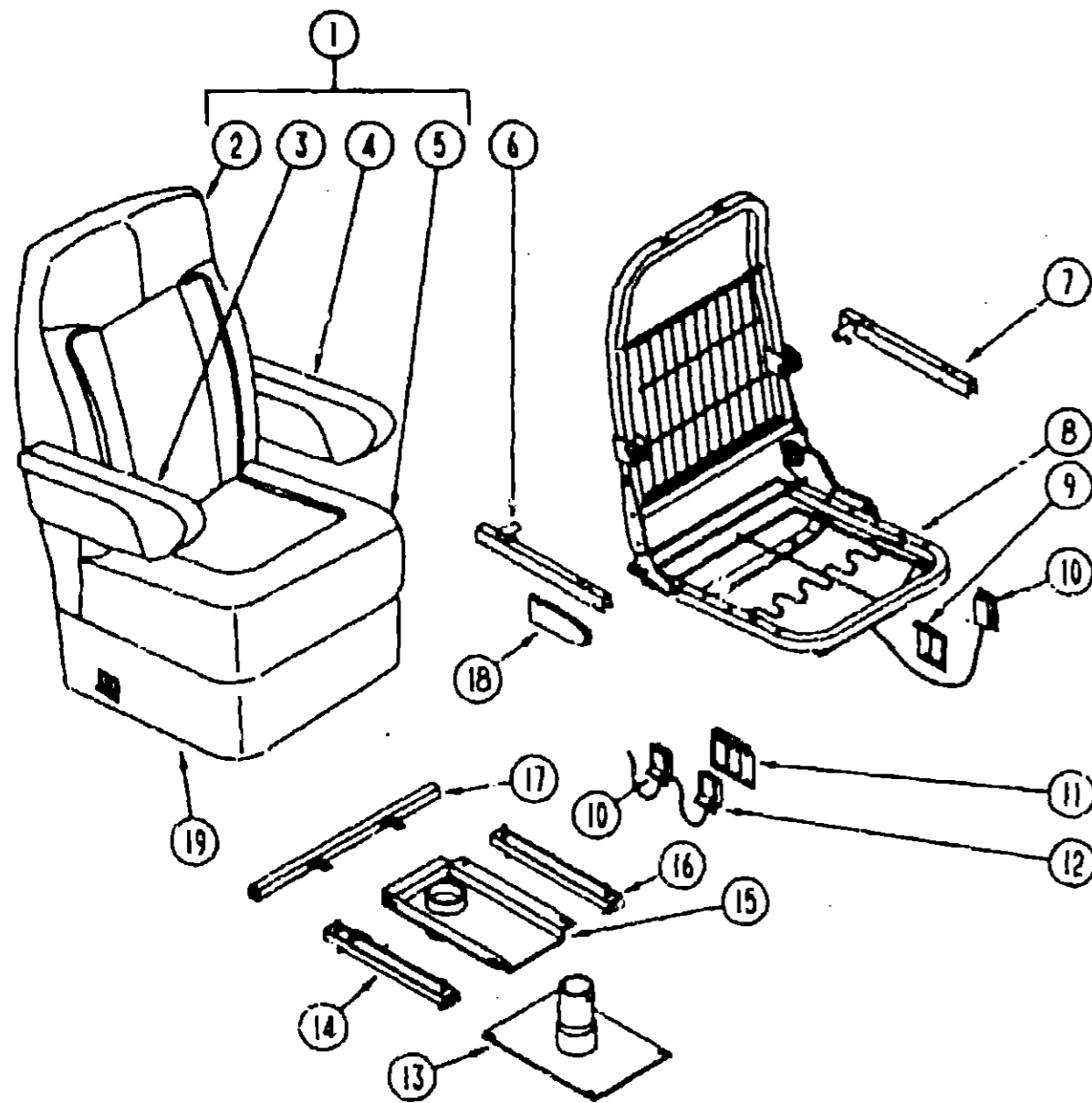
INTRODUCTION	A-01 - A-02
ABBREVIATIONS	A-03
ALPHABETICAL INDEX	A-04 - A-06
ICN28RQ	A-07 - F-02
ICN34RQ	F-03 - K-08

1991 ICN34RQ INDEX

FLOOR PLAN	F-03 - F-04
ACCESSORIES	F-05 - F-12
BATH	F-13 - F-16
BEDROOM	F-17 - F-20
CHASSIS	F-21 - G-08
C C & PAD	G-09 - G-18
DINETTE	G-19 - G-20
DRIVERS	G-21 - H-04
ELECTRICAL	H-05 - H-12
EXTERIOR BODY	H-13 - H-20
GALLEY	H-21 - I-04
HEATING & A/C	I-05 - I-08
INTERIOR FINISH	I-09 - I-12
LABEL	I-13 - I-20
LP	I-21
LOUNGE	I-22 - I-23
SEALANTS & FASTENERS	I-24 - J-02
WATER & SEWAGE	J-03 - J-07
WINDOW, VENT AND EXTERIOR DOOR	J-08 - K-08

CURTAIN, CUSHION & PAD GROUP (CONTINUED)

DRIVER & PASSENGER BUCKET SEATS



KEY	PART NUMBER	U/M DESCRIPTION
1	101294-01-B29	EA SEAT-BUCKET, W/O BASE OR SKIRT FROM: 00-00-00 THRU: 02-10-91
1	101294-01-B30	EA SEAT-BUCKET, W/O BASE OR SKIRT FROM: 00-00-00 THRU: 02-10-91
1	101294-01-B31	EA SEAT-BUCKET, W/O BASE OR SKIRT FROM: 06-00-00 THRU: 02-10-91
1	101294-04-B29	EA SEAT-BUCKET, W/O BASE OR SKIRT FROM: 02-11-91 THRU: 99-99-99
1	101294-04-B30	EA SEAT-BUCKET, W/O BASE OR SKIRT FROM: 02-11-91 THRU: 99-99-99
1	101294-04-B31	EA SEAT-BUCKET, W/O BASE OR SKIRT FROM: 02-11-91 THRU: 99-99-99
2	M03445-26-B29	EA COVER-BACK
2	M03445-26-B30	EA COVER-BACK
2	M03445-26-B31	EA COVER-BACK
3	080243-43-B29	EA ARMREST-RIGHT SIDE
3	080243-43-B30	EA ARMREST-RIGHT SIDE
3	080243-43-B31	EA ARMREST-RIGHT SIDE
	M80243-43-B35	EA COVER-ARMREST, RIGHT SIDE (B29)
	M80243-43-B36	EA COVER-ARMREST, RIGHT SIDE (B30)
	M80243-43-B37	EA COVER-ARMREST, RIGHT SIDE (B31)

KEY	PART NUMBER	U/M DESCRIPTION
4	080243-44-B29	EA ARMREST-LEFT SIDE
4	080243-44-B30	EA ARMREST-LEFT SIDE
4	080243-44-B31	EA ARMREST-LEFT SIDE
	M80243-44-B35	EA COVER-ARMREST, LEFT SIDE (B29)
	M80243-44-B36	EA COVER-ARMREST, LEFT SIDE (B30)
	M80243-44-B37	EA COVER-ARMREST, LEFT SIDE (B31)
5	M03445-27-B29	EA COVER-SEAT FROM: 00-00-00 THRU: 02-10-91
5	M03445-27-B30	EA COVER-SEAT FROM: 00-00-00 THRU: 02-10-91
5	M03445-27-B31	EA COVER-SEAT FROM: 00-00-00 THRU: 02-10-91
5	M03445-37-B29	EA COVER-SEAT FROM: 00-00-00 THRU: 02-10-91
5	M03445-37-B30	EA COVER-SEAT FROM: 02-11-91 THRU: 99-99-99
5	M03445-37-B31	EA COVER-SEAT FROM: 02-11-91 THRU: 99-99-99
6	101124-01-000	EA CHANNEL-ARMREST, RIGHT HAND
7	101124-02-000	EA CHANNEL-ARMREST, LEFT HAND
	081361-01-000	EA ROD-ARMREST, METAL
8	080366-04-000	EA FRAME-CABLE, REMOTE SWIVEL
	080731-02-000	EA HINGE-SLAVE, RECLINER - LEFT HAND
	081362-01-000	EA BRACKET-ARMREST, RIGHT HAND
	081362-02-000	EA BRACKET-ARMREST, LEFT HAND
	101125-01-000	EA RECLINER-SEATBACK LEFT HAND REMOTE
9	097683-03-000	EA BRACKET-CABLE
10	097683-03-000	EA CABLE-SWIVEL, W/SWITCH - BUCKET SEAT
11	097683-02-000	EA BRACKET-CABLE
12	089368-05-000	EA CABLE-RECLINER, W/SWITCH - BUCKET SEAT
13	069585-08-000	EA BASE-BUCKET SEAT, BOLTS TO FLOOR - VERTICAL 8"
14	069246-05-000	EA ADJUSTER-SLIDE, W/LOCK
	069246-05-700	EA SPRING-ADJUSTER, FOR REMOTE
	069246-01-701	EA CLIP-CABLE, FOR REMOTE
15	093481-03-000	EA TOP PLATE-PEDESTAL, BUCKET SEAT - W/O SEATBELT BAR
16	069246-02-000	EA ADJUSTER-BUCKET SEAT W/O LOCK, FORWARD AND BACK
	092759-01-000	EA PEDESTAL-TELESCOPING, PASSENGER
17	069585-29-000	EA BAR-SEAT BELT, BUCKET SEATS - 20"
	093481-02-000	EA PEDESTAL-10" SUB-PLATE
18	089368-06-000	EA SHIELD-CABLE, REMOTE RECLINER - BUCKET SEAT
	069246-01-000	EA ADJUSTER-SEAT/CHAIR, W/LOCK
19	071126-24-B29	EA SKIRT-BUCKET SEAT (B29)
19	071126-24-AD2	EA SKIRT-BUCKET SEAT (B30)
19	071126-24-B31	EA SKIRT-BUCKET SEAT (B31)
	092759-01-700	EA POWER HEAD F/TELESCOPING PEDESTAL
	092759-02-000	EA PEDESTAL-TELESCOPING
	091990-01-01A	EA SEAT BELT-SHOULDER HARNESS - DRIVERS/PASSENGERS - BLACK
	091990-01-700	EA BOLT COVER
	091990-02-01A	EA BRACKET-SEAT BELT, DRIVERS - FLOOR MOUNT

DRIVERS POWERED SEAT

KEY	PART NUMBER	U/M DESCRIPTION
	069585-39-000	EA PLATE-TOP, BUCKET SEAT - POWERED
	071126-26-B29	EA SKIRT ASM-POWER SEAT (B29)
	071126-26-AF3	EA SKIRT ASM-POWER SEAT (B30)
	071126-26-B31	EA SKIRT ASM-POWER SEAT (B31)
	081373-03-000	EA UNIT-POWER, BUCKET SEAT - 5 WAY
	081373-01-700	EA SWITCH-CONTROL, W/L BRACKET
	069585-37-000	EA PLATE-SUB, VERTICAL - 5"
	096808-01-000	EA SPACER-PEDESTAL, DRIVER

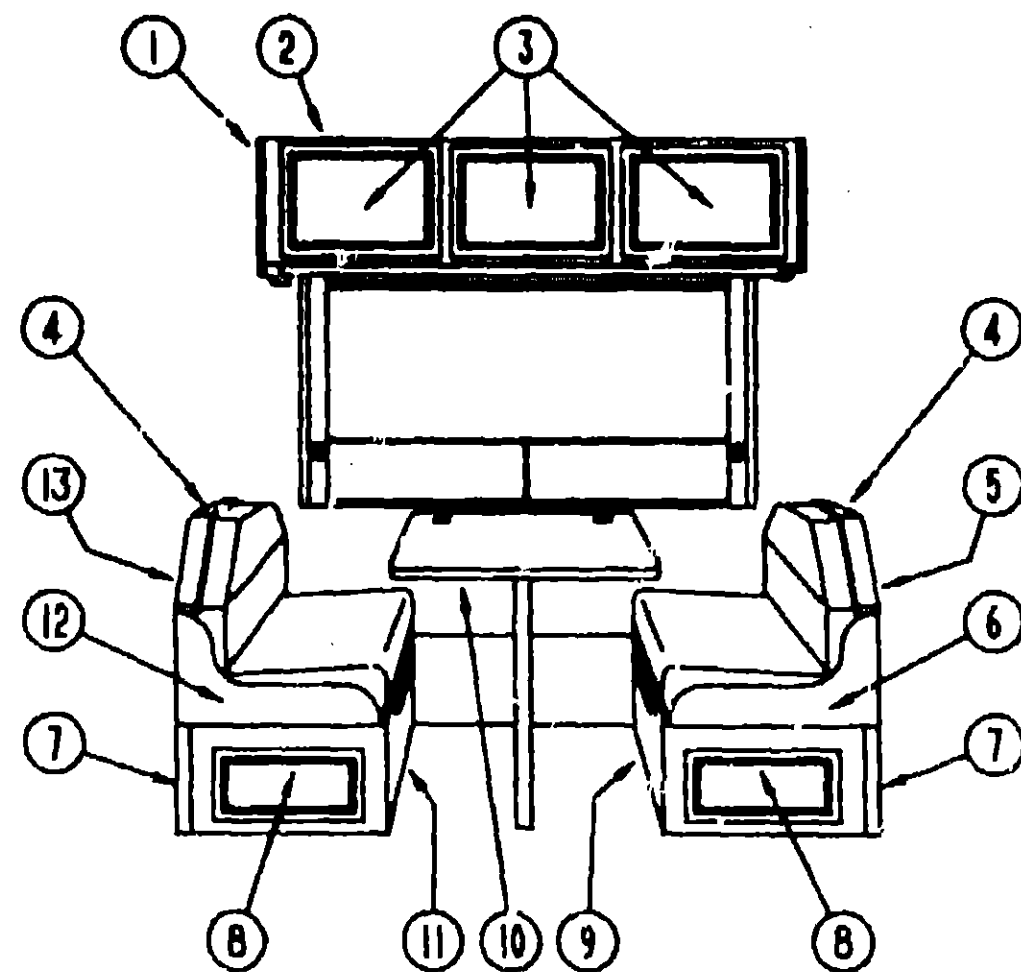
**1991 ITASCA
TABLE OF CONTENTS**

INTRODUCTION	A-01 - A-02
ABBREVIATIONS	A-03
ALPHABETICAL INDEX	A-04 - A-08
ICN25RC	A-07 - F-02
ICN34RQ	F-03 - K-08

1991 ICN34RQ INDEX

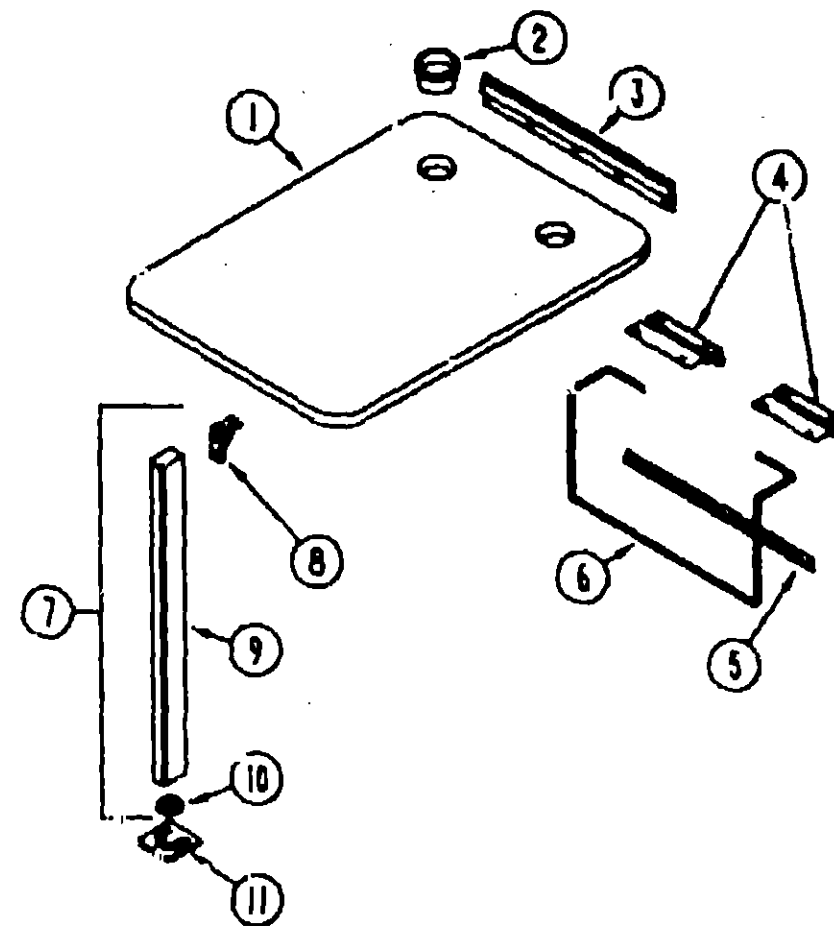
FLOOR PLAN	F-03 - F-04
ACCESSORIES	F-05 - F-12
BATH	F-13 - F-16
BEDROOM	F-17 - F-20
CHASSIS	F-21 - G-08
C C & PAD	G-09 - G-18
DINETTE	G-19 - G-20
DRIVERS	G-21 - H-04
ELECTRICAL	H-05 - H-12
EXTERIOR BODY	H-13 - H-20
GALLEY	H-21 - I-04
HEATING & A/C	I-05 - I-08
INTERIOR FINISH	I-09 - I-12
LABEL	I-13 - I-20
LP	I-21
LOUNGE	I-22 - I-23
SEALANTS & FASTENERS	I-24 - J-02
WATER & SEWAGE	J-03 - J-07
WINDOW, VENT AND EXTERIOR DOOR	J-08 - K-08

DINETTE GROUP



OVERHEAD CABINET, PADS & SEATBELT

DINETTE GROUP (CONTINUED)



DINETTE TABLE & COMPONENTS

1991 ITASCA TABLE OF CONTENTS

INTRODUCTION	A-01 -	A-02
ABBREVIATIONS		A-03
ALPHABETICAL INDEX	A-04 -	A-08
ICN25RC	A-07 -	F-02
ICN34RO	F-03 -	K-08

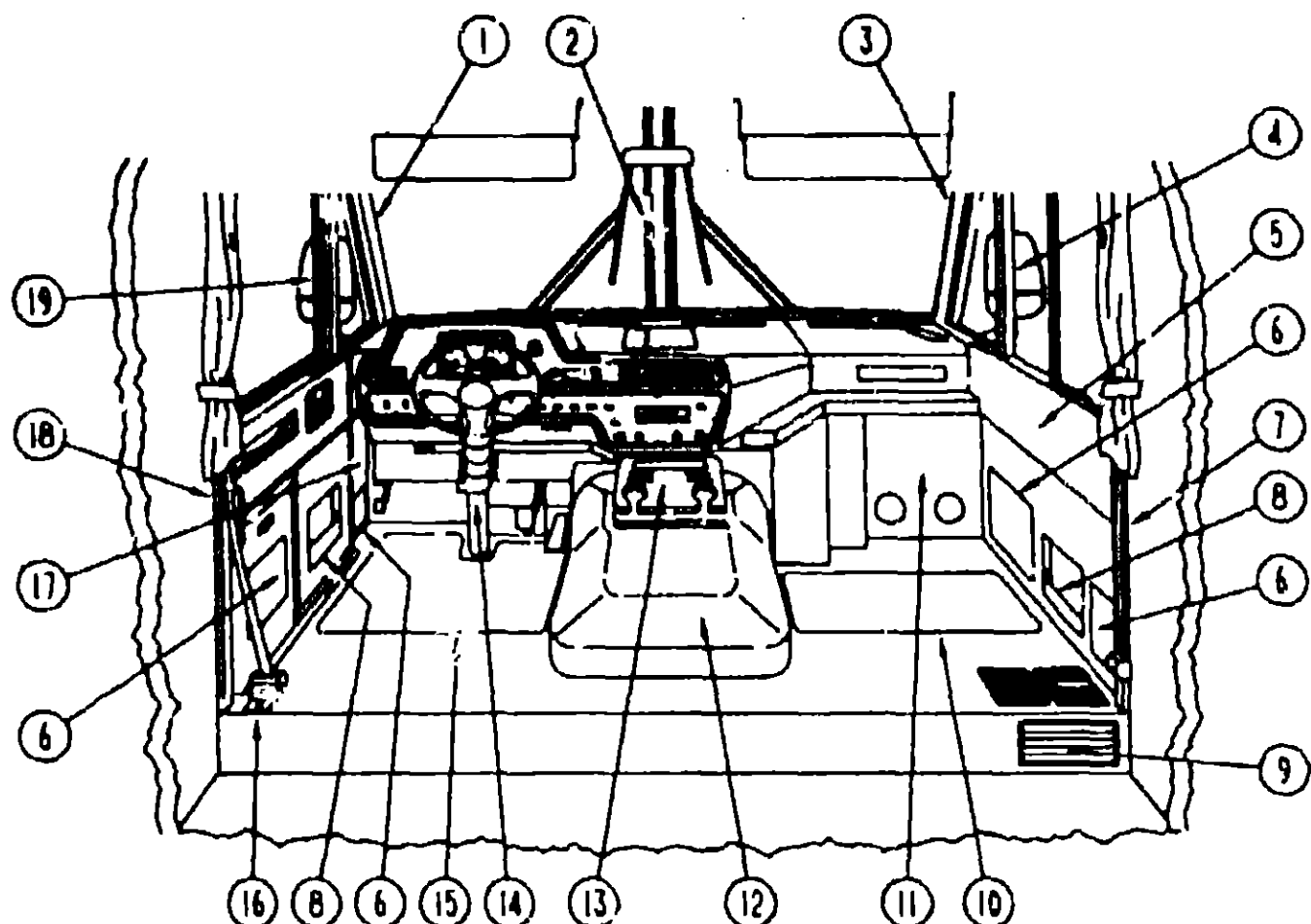
1991 ICN34RQ INDEX

FLOOR PLAN	F-03 -	F-04
ACCESSORIES	F-05 -	F-12
BATH	F-13 -	F-18
BEDROOM	F-17 -	F-20
CHASSIS	F-21 -	G-08
C/C & PAD	G-09 -	G-18
DINETTE	G-19 -	G-20
DRIVERS	G-21 -	H-04
ELECTRICAL	H-05 -	H-12
EXTERIOR BODY	H-13 -	H-20
GALLEY	H-21 -	I-04
HEATING & A/C	I-05 -	I-08
INTERIOR FINISH	I-09 -	I-12
LABEL	I-13 -	I-20
LP		I-21
LOUNGE	I-22 -	I-23
SEALANTS & FASTENERS	I-24 -	J-02
WATER & SEWAGE	J-03 -	J-07
WINDOW, VENT AND EXTERIOR DOOR	J-08 -	K-08

KEY	PART NUMBER	U/M DESCRIPTION
1	092747-01-B29	EA END CAP-CABINET, OVERHEAD - LEFT
2	M04185-22-B29	EA CABINET-OVERHEAD, DINETTE - W/O DOORS OR HARDWARE
3	P00523-01-B29	EA DOOR-CABINET, W/O HARDWARE - 14.4" X 21.9"
4	098454-01-B29	EA PAD-BACKREST TOP, DINETTE (B07/B22)
4	098454-01-B30	EA PAD-BACKREST TOP, DINETTE (B08)
4	098454-01-B31	EA PAD-BACKREST TOP, DINETTE (B09)
5	M04089-02-B29	EA CABINET-BACKREST, RIGHT - W/O DOORS OR HARDWARE
6	098432-01-B29	EA PAD-SEAT EDGE, DINETTE - RIGHT (B07/B22)
6	098432-01-B30	EA PAD-SEAT EDGE, DINETTE - RIGHT (B08)
6	098432-01-B31	EA PAD-SEAT EDGE, DINETTE - RIGHT (B09)
7	098433-01-B29	EA PAD-SEATBASE EDGE, DINETTE (B07/B22)
7	098433-01-B30	EA PAD-SEATBASE EDGE, DINETTE (B08)
7	098433-01-B31	EA PAD-SEATBASE EDGE, DINETTE (B09)
8	P00523-19-B29	EA DOOR-CABINET SEATBASE 10" X 19.1"
9	M04070-02-B29	EA CABINET-SEATBASE, RIGHT - W/O DOORS OR HARDWARE OR SEAT PADS
10	M02115-09-B03	EA TABLE-DINETTE, W/O HARDWARE
11	M04189-01-B29	EA CABINET-SEATBASE, LEFT - W/O DOORS OR HARDWARE OR SEAT PADS
12	098432-02-B29	EA PAD-SEAT EDGE, DINETTE - LEFT
12	098432-02-B30	EA PAD-SEAT EDGE, DINETTE - LEFT
12	098432-02-B31	EA PAD-SEAT EDGE, DINETTE - LEFT
13	M04188-01-B29	EA CABINET-BACKREST, LEFT - W/O DOORS OR HARDWARE
	070578-01-B29	EA BUTTON-SCREW-STUD, #30 (B29)
	070578-01-AF3	EA BUTTON-SCREW-STUD, #30 (B30)
	070578-01-B31	EA BUTTON-SCREW-STUD, #30 (B31)
	070578-02-B29	EA BUTTON-SNAP TOP, VINYL COVERED
	007021-01-000	EA BELT-SEAT, 2" X 90" - BLACK
	000044-07-008	EA NUT-HEX, SER FLG LK - 7/16-20 ZN
	057759-01-000	EA WASHER BRACKET-SEAT BELT, 4" DIAMETER

KEY	PART NUMBER	U/M DESCRIPTION
1	M02115-09-B03	EA TABLE-DINETTE, W/O HARDWARE
	004354-01-000	EA BUMPER-CABINET DOOR, RUBBER - BROWN
2	064781-06-000	EA HOLDER-CUP, TWO STEP - OFF WHITE
3	053200-05-000	EA SUPPORT-TABLE, 23.5", BEIGE
4	088410-01-030	EA BRACKET-LIFT, TABLE MOUNTED - BEIGE
5	024281-07-000	EA BRACKET-LIFT ROD, LOWER WALL MOUNTED - BEIGE
6	024275-11-000	EA ROD-TABLE LIFT, 8" X 18.5" - BEIGE
7	092707-01-01A	EA MOLDING-WOOD, TABLE LEG - 27" - REGAL OAK
8	093550-01-000	EA BRACKET-FOLDING LEG
9	092708-01-B35	EA LEG-TABLE, V-CATCH & BRACKET - 27" - WOOD
10	092593-01-04A	EA CATCH-TABLE LEG, BEIGE
11	049493-01-000	EA FLOOR CATCH - TABLE LEG - BEIGE

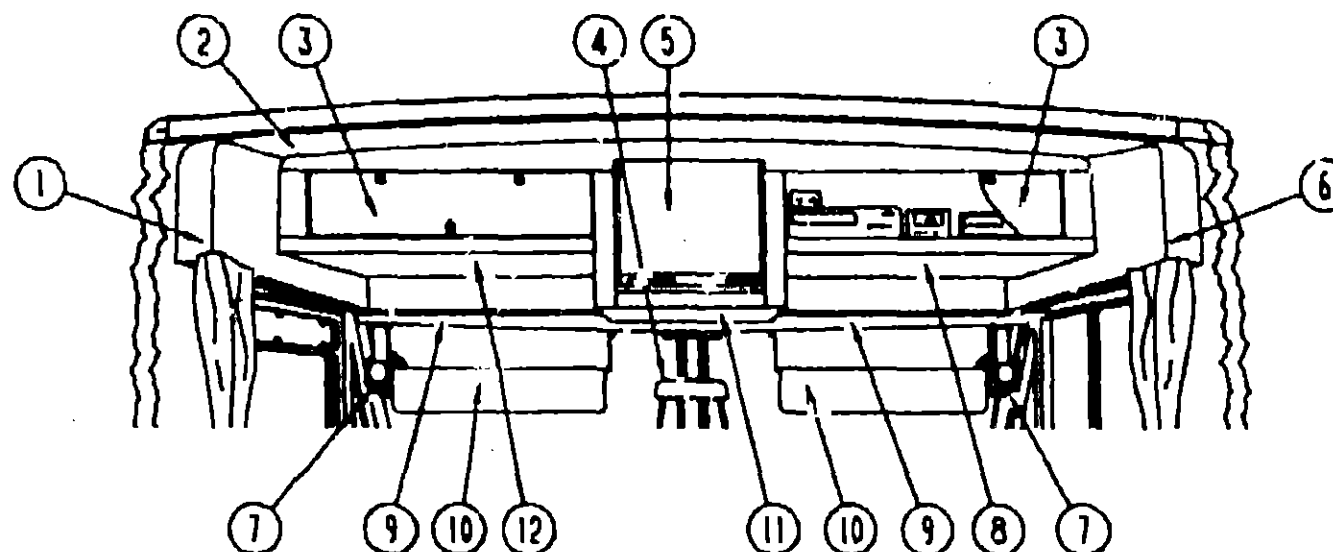
**DRIVERS COMPARTMENT GROUP
LOWER DRIVERS COMPARTMENT**



KEY	PART NUMBER	UM DESCRIPTION
14	078245-01-000	EA BOOT-STEERING COLUMN
14	103498-01-000	EA BOOT-STEERING COLUMN - BOTTOM
14	103498-03-000	EA BOOT-STEERING COLUMN - TOP
	096770-02-000	EA SUPPORT-STEERING COLUMN
15	081202-02-000	EA MAT-FLOOR, FRONT - DRIVER
	091739-02-000	EA PANEL-TOE KICK, DRIVER SIDE
16	091990-02-01A	EA BRACKET-SEAT BELT, DRIVERS - FLOOR MOUNT
17	092583-02-02A	EA PANEL-KICK, LOWER DRIVER SIDE - GRAY
18	097239-01-01A	EA COVER-B PILLAR, DR - 58" X 2.2" - PLASTIC - OFF WHITE
	091990-01-01A	EA SEAT BELT-SHOULDER HARNESS - DRIVERS/PASSENGERS - BLACK
	091990-01-700	EA BOLT COVER
19	092585-02-02A	EA COVER-HINGE PILLAR, DRIVER - GRAY

**1991 ITASCA
TABLE OF CONTENTS**

INTRODUCTION	A-01 - A-02
ABBREVIATIONS	A-03
ALPHABETICAL INDEX	A-04 - A-08
ICN25HC	A-07 - F-02
ICN34RQ	F-03 - K-08



UPPER DRIVERS COMPARTMENT

KEY	PART NUMBER	UM DESCRIPTION
1	092471-04-01A	EA TRIM-SIDE, UPPER DRIVER - OFF WHITE - 33 1/4"
2	100898-01-B29	EA CABINET FACE, FRONT OVERHEAD
3	100708-03-000	EA DOOR-GLASS, W/O HARDWARE
4	040714-01-700	EA MIRROR INSIDE REAR VIEW KIT
5	P00523-84-B29	EA DOOR-CABINET, CENTER OVERHEAD - W/O HARDWARE
6	092171-03-01A	EA TRIM-SIDE, UPPER PASSENGER - OFF WHITE - 33 1/4"
7	036420-02-000	EA FAN-DEFROSTER, 2 SPEED - 8" DIAMETER
	097372-03-01A	EA SWITCH-ON/OFF/ON
	000G39-08-24B	EA SCREW-SF/DR, 9-18 X 1 1/2 PPH ZN
8	P00957-01-B07	EA SHELF-CABINET BASE, PASSENGER SIDE
9	093884-01-700	EA HEADLINER-FRONT, PLASTIC - OFF WHITE
10	082286-05-B07	EA SUNVISOR-DRIVER OR PASSENGER - OFF WHITE
	070G39-10-12D	EA SCREW-SF/DR, 10-18 X 3/4 PPH - BLACK
	102377-01-000	EA BRACKET-VISOR, 1 PIECE
	007211-01-000	EA HINGE-SUNVISOR
	074012-01-000	EA CLIP-SUNVISOR, SQUARE - PINCH ON
	065709-01-000	EA MOUNT-SUNVISOR, CLIP TYPE - BLACK
11	P00958-01-B07	EA SHELF-CABINET BASE, CENTER
	100954-01-000	EA SHELF-TV, STEEL
	101150-01-000	EA SUPPORT-SHELF, TV - PASSENGER SIDE - STEEL
	101150-02-000	EA SUPPORT-SHELF, TV - DRIVER SIDE - STEEL
12	P00957-02-B07	EA SHELF-CABINET BASE, DRIVER SIDE

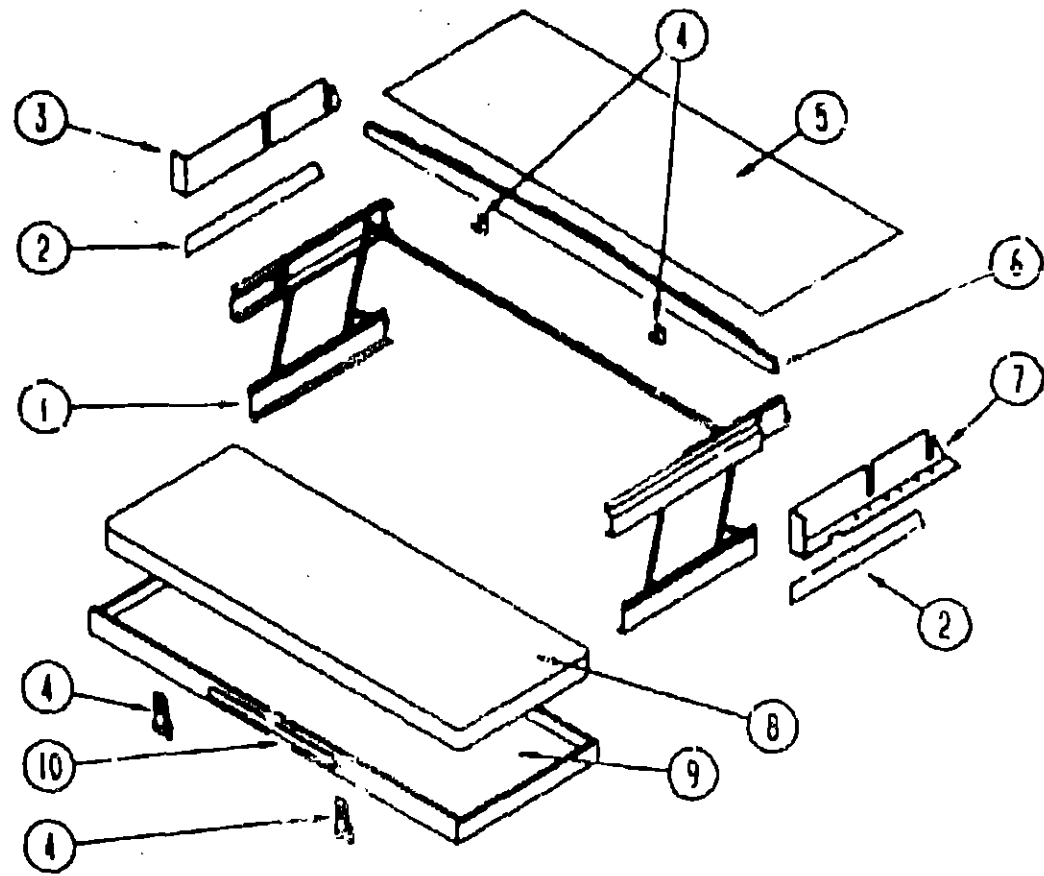
1991 ICN34RQ INDEX

FLOOR PLAN	F-03 - F-04
ACCESSORIES	F-05 - F-12
BATH	F-13 - F-19
BEDROOM	F-17 - F-20
CHASSIS	F-21 - G-08
C C & PAD	G-09 - G-18
DINETTE	G-19 - G-20
DRIVERS	G-21 - H-04
ELECTRICAL	H-05 - H-12
EXTERIOR BODY	H-13 - H-20
GALLEY	H-21 - I-04
HEATING & A/C	I-05 - I-08
INTERIOR FINISH	I-09 - I-12
LABEL	I-13 - I-20
LP	I-21
LOUNGE	I-22 - I-23
SEALANTS & FASTENERS	I-24 - J-02
WATER & SEWAGE	J-03 - J-07
WINDOW, VENT AND EXTERIOR DOOR	J-08 - K-08

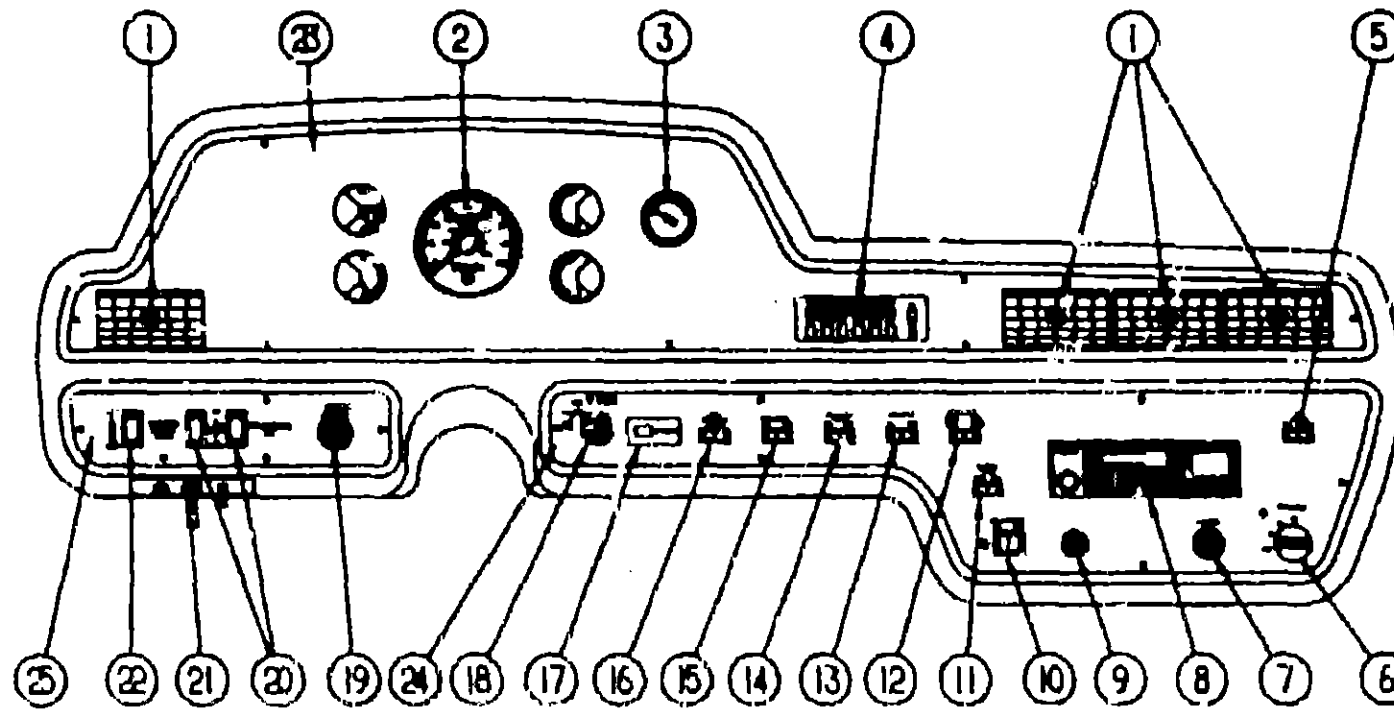
KEY	PART NUMBER	UM DESCRIPTION
1	092584-02-02A	EA COVER-A PILLAR, DRIVER - GRAY
2	077144-08-000	EA COVER-CENTER PILLAR, WINDSHIELD - GRAY
2	077144-03-000	EA COVER-CENTER PILLAR, WINDSHIELD - GRAY - UNCLUT
3	092584-01-02A	EA COVER-A PILLAR, PASSENGER - GRAY
4	092585-01-02A	EA COVER-A PILLAR, PASSENGER SIDE - GRAY
5	092583-01-02A	EA PANEL - PASSENGER SIDE - GRAY
6	093195-01-B29	EA PAD-DOOR (B07, B22)
6	093195-01-B30	EA PAD-DOOR (B08)
6	093195-01-B31	EA PAD-DOOR (B09)
7	097240-01-01A	EA COVER-B PILLAR, PASS - 58" X 2.1" - PLASTIC - OFF WHITE
8	097308-01-02A	EA COVER-MAP POCKET - GRAY
9	093614-01-01A	EA GRILLE-RETURN AIR, FURNACE - 15.6" X 7.6" - BROWN
10	081202-02-000	EA MAT-FLOOR, FRONT - PASSENGER
	091739-01-000	EA PANEL-TOE KICK, PASSENGER SIDE
11	096757-01-B29	EA COVER-HEATER, W/2 LOUVERED OUTLETS - 10.2" X 17.5" (B07)
11	096757-01-B30	EA COVER-HEATER, W/2 LOUVERED OUTLETS - 10.2" X 17.5" (B08)
11	096757-01-B31	EA COVER-HEATER, W/2 LOUVERED OUTLETS - 10.2" X 17.5" (B09)
	024990-03-000	EA OUTLET DEFROSTER, W/SWIVEL - 2" DIA - GRAY
	092583-01-02A	EA PANEL-KICK, LOWER PASSENGER SIDE - GRAY
12	097562-01-000	EA COVER-MOTOR W/O CARPET
	075564-01-000	EA BRACKET-MOUNTING, MOTOR COVER
	092408-01-000	EA TRIM-MOTOR COVER, ALUMINUM
	079823-01-000	FT SEAL-MOTOR COVER, RUBBER BULB TYPE - BLACK
13	098133-01-B29	EA TRAY-BEVERAGE, WOOD
	098911-01-01A	EA INSERT-BEVERAGE TRAY
	M04032-01-B29	EA DOWEL-WOOD STAINED
	077920-02-000	EA WIRE ASM-BEVERAGE TRAY

DRIVERS COMPARTMENT GROUP (CONTINUED)

DRIVERS COMPARTMENT GROUP (CONTINUED)



FRONT BUNK-SINGLE



1991 ITASCA
TABLE OF CONTENTS

INTRODUCTION	A-01 -	A-02
ABBREVIATIONS		A-03
ALPHABETICAL INDEX	A-04 -	A-06
ICN2SRC	A-07 -	F-02
ICN34RQ	F-03 -	K-08

KEY	PART NUMBER	U/M DESCRIPTION
1	076780-02-000	EA BUNK HARDWARE
	076780-02-700	EA SPRING-GAS-BUNK HARDWARE
2	092472-02-01A	EA TRIM-SIDE, SIDE - LOWER DR & PASS - 15.5' LONG - OFF WHITE
3	092471-02-01A	EA TRIM-SIDE, UPPER DRIVER - OFF WHITE - 33 1/4"
4	042541-04-700	EA LATCH ASM-W/STRIKE, (2 SETS) - BRASS
	042541-04-000	EA LATCH-W/STRIKE - BRASS
	042541-05-000	EA STRIKE-BRASS
	049415-04-000	EA SCREW, 10-16 X 1 PTH W/WASHER - BEIGE
	075943-02-000	EA BRACE-ANGLE, W/HOLES - 1" X 1.5" X 14" - ALUMINUM - BEIGE
5	089352-03-000	YD VINYL-FABRIC, 54" WIDE - CEILING
	093884-01-700	EA HEADLINER-FRONT, PLASTIC - OFF WHITE
	100423-01-01A	EA PLATE-MOUNTING, TRIANGLE SHAPED - PLASTIC
6	M93055-01-Y12	EA BOARD-BUNK, TRIM - CEILING MOUNTED
	016604-03-000	EA BRACE-L/ANGLED, 2.5" - BEIGE
7	092471-01-01A	EA TRIM-SIDE, UPPER PASSENGER - OFF WHITE - 33 1/4"
8	079145-05-000	EA CUSHION-BUNK, OVERHEAD - 30" X 73" X 4"
	M79145-05-000	EA COVER-BUNK CUSHION, OVERHEAD - 30" X 73" X 4"
9	081717-04-Y12	EA BED-BUNK, FRONT
10	094658-01-Y12	EA HANDLE-BUNK, OAK

DASH SWITCHES, GAUGES & COMPONENTS (FORD)

KEY	PART NUMBER	U/M DESCRIPTION
1	076783-02-000	EA LOUVER ASM-ADJUSTABLE VENT - AIR CONDITIONING
2	094796-01-000	EA INSTRUMENT CLUSTER (CANADIAN)
3	024460-04-000	EA VACUUM GAUGE
4	072341-01-710	EA CONTROL HEAD ASM-W/O DECAL - AIR CONDITIONING
	072341-01-722	EA DECAL ASM-CONTROL HEAD
5	097372-01-01A	EA MAP LIGHT SWITCH
6	087202-02-000	EA SWITCH- W/O KNOB, 4 POSITION
	090977-01-000	EA KNOB-SWITCH, ROTARY
7	089294-01-000	EA CIGARETTE LIGHTER
8	037459-01-000	EA RADIO-AM/FM STEREO, CASSETTE (STANDARD)
	097460-02-000	EA RADIO-AM/FM STEREO, CASSETTE - W/ELECTRONIC TUNE (OPTIONAL)
9	085759-01-000	EA LIGHT-WARNING, "LOW AIR"
10	086272-02-000	EA AUXILIARY BATTERY DISCONNECT SWITCH
11	097372-05-01A	EA BATTERY MODE SWITCH
12	097372-08-01A	EA RADIO POWER SWITCH
13	097372-01-01A	EA AIR HORN SWITCH
14	097372-03-01A	EA AUXILIARY DEFROST FAN SWITCH
15	097372-01-01A	EA FOG LIGHT SWITCH
16	097372-07-01A	EA ICC COURTESY BLINK SWITCH
17	NONE	EA OVERDRIVE CANCEL SWITCH (CHASSIS SUPPLIED)
18	091206-02-000	EA WINDSHIELD W/PERWASHER SWITCH
19	096675-01-000	EA HEADLIGHT SWITCH
20	087372-04-01A	EA LEVEL SWITCH-AIR RIDE, LEFT OR RIGHT
21	051057-03-000	EA SEARCHLIGHT SWITCH
21	051057-04-000	EA SEARCHLIGHT SWITCH
		FROM: 00-00-00 THRU 01-20-91
		FROM: 01-21-91 THRU 99-99-99
22	097372-08-01A	EA AIR RIDE MODE SWITCH
23	100602-03-02A	EA BEZEL ASM. - INSTRUMENT PANEL - UPPER (FORD)
		FROM: 00-00-00 THRU: 08-11-91
23	100602-06-01A	EA BEZEL ASM. - INSTRUMENT PANEL - UPPER - NO APPLIQUE - (FORD)
		FROM: 08-12-91 THRU: 99-99-99
23	100602-09-02A	EA APPLIQUE-BEZEL - INSTRUMENT PANEL - SUNFLYER - (FORD)
		FROM: 08-12-91 THRU: 99-99-99
24	101024-03-01A	EA BEZEL ASM. - INSTRUMENT PANEL, LOWER - RIGHT - (FORD)
25	101025-02-01A	EA BEZEL ASM. - INSTRUMENT PANEL, LOWER - LEFT - (FORD)

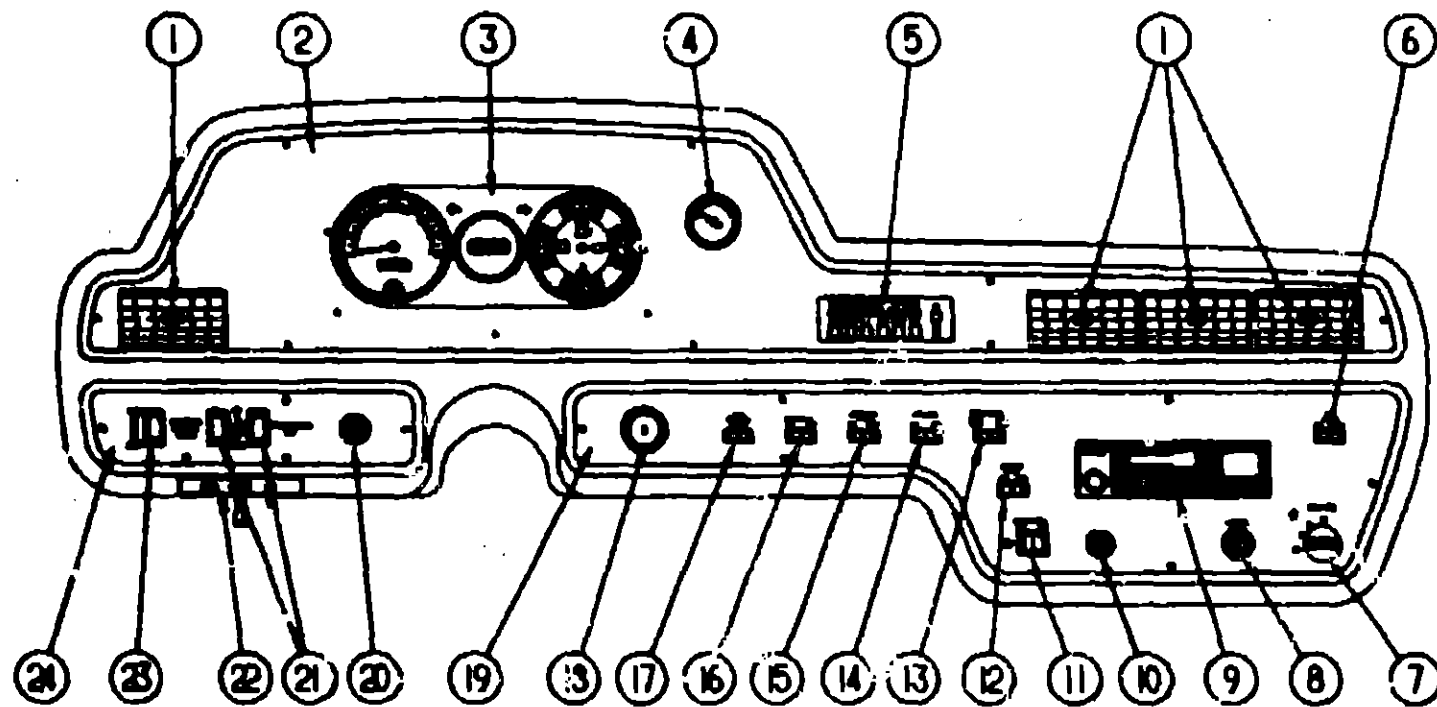
1991 ICN34RQ INDEX

FLOOR PLAN	F-03 -	F-04
ACCESSORIES	F-05 -	F-12
BATH	F-13 -	F-16
BEDROOM	F-17 -	F-20
CHASSIS	F-21 -	G-08
C C & PAD	G-09 -	G-18
DINETTE	G-19 -	G-20
DRIVERS	G-21 -	H-04
ELECTRICAL	H-05 -	H-12
EXTERIOR BODY	H-13 -	H-20
GALLEY	H-21 -	I-04
HEATING & A/C	I-05 -	I-08
INTERIOR FINISH	I-09 -	I-12
LABEL	I-13 -	I-20
LP		I-21
LOUNGE	I-22 -	I-23
SEALANTS & FASTENERS	I-24 -	J-02
WATER & SEWAGE	J-03 -	J-07
WINDOW, VENT AND		
EXTERIOR DOOR	J-08 -	K-08

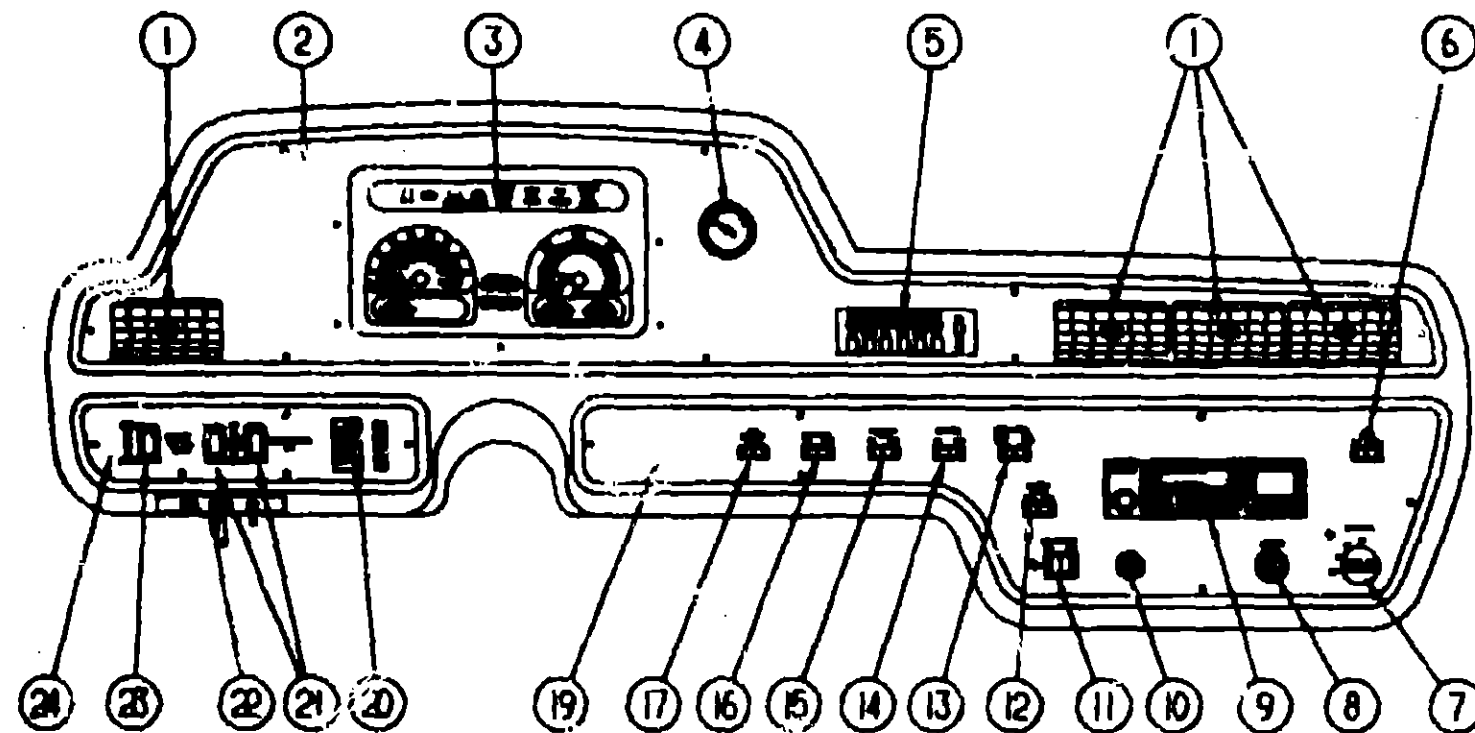
DRIVERS COMPARTMENT GROUP (CONTINUED)

DASH SWITCHES, GAUGES & COMPONENTS

DASH SWITCHES, GAUGES & COMPONENTS (CHEVY 1990)



DASH SWITCHES, GAUGES & COMPONENTS (CHEVY 1991)



KEY	PART NUMBER	U/M DESCRIPTION
1	076783-02-000	EA LOUVER ASM. - ADJUSTABLE VENT - AIR CONDITIONING
2	100602-01-02A	EA BEZEL ASM. - INSTRUMENT PANEL - UPPER (90 CHASSIS) FROM: 00-00-00 THRU: 04-01-91
2	100602-02-02A	EA BEZEL ASM. - INSTRUMENT PANEL - UPPER (91 CHASSIS) FROM: 04-02-91 THRU: 04-21-91
2	100602-05-01A	EA BEZEL ASM. - INSTRUMENT PANEL - UPPER (91 CHASSIS) FROM: 04-22-91 THRU: 99-99-99
2	100602-08-02A	EA APPLIQUE-BEZEL - INSTRUMENT PANEL - SUNFLYER (91 CHASSIS) FROM: 04-22-91 THRU: 99-99-99
3	NOTE	EA INSTRUMENT CLUSTER - GAS (US) IS SUPPLIED BY CHASSIS MANUFACTURER
3	094796-01-000	EA INSTRUMENT CLUSTER - GAS (CANADIAN) (90 CHASSIS) FROM: 00-00-00 THRU: 04-01-91
3	094796-03-000	EA INSTRUMENT CLUSTER - GAS (CANADIAN) (91 CHASSIS) FROM: 04-02-91 THRU: 99-99-99
4	024460-04-000	EA VACUUM GAUGE
5	072341-01-710	EA CONTROL HEAD ASM. - W/O DECAL - AIR CONDITIONING
5	072341-01-720	EA DECAL ASM. - CONTROL HEAD
6	097372-01-01A	EA SWITCH-MAP LIGHT
7	090979-01-000	EA PLUG-INSTRUMENT PANEL, 45° DIA
7	087202-02-000	EA SWITCH-REAR AUTO HEATER
7	090977-01-000	EA KNOB-REAR AUTO HEATER SWITCH
8	089294-01-000	EA LIGHTER-CIGARETTE
9	097459-01-000	EA RADIO-AM/FM STEREO, CASSETTE
9	097460-02-000	EA RADIO-AM/FM STEREO, CASSETTE W/ELECTRONIC TUNE
10	085759-01-000	EA LIGHT-WARNING, "LOW AIR"
11	086272-02-000	EA SWITCH-BATTERY DISCONNECT
11	081087-01-000	EA LIGHT ASM. - INDICATOR, JENSEN
12	097372-05-01A	EA SWITCH-DUAL BATTERY
13	097372-08-01A	EA SWITCH-RADIO POWER
14	097372-06-01A	EA SWITCH-BLANK
15	097372-06-01A	EA SWITCH-BLANK
15	097372-03-01A	EA SWITCH-ALARMARY FANS
16	097372-08-01A	EA SWITCH-BLANK
17	097372-07-01A	EA SWITCH-COURTESY BLINKERS
18	NOTE	EA SWITCH-IGNITION (CHASSIS PROVIDED)
19	101024-01-01A	EA INSTRUMENT PANEL, LOWER - RIGHT (90 CHASSIS) FROM: 00-00-00 THRU: 04-01-91
19	101024-02-01A	EA INSTRUMENT PANEL, LOWER - RIGHT (91 CHASSIS) FROM: 04-02-91 THRU: 99-99-99
20	NOTE	EA SWITCH-HEADLAMP (CHASSIS PROVIDED)
21	097372-04-01A	EA LEVEL SWITCH-AIR RIDE, LEFT OR RIGHT
22	051057-03-000	EA SEARCHLIGHT SWITCH FROM: 00-00-00 THRU: 01-20-91
22	051057-04-000	EA SEARCHLIGHT SWITCH FROM: 01-21-91 THRU: 99-99-99
23	097372-08-01A	EA AIR RIDE MODE SWITCH
24	101025-02-01A	EA BEZEL ASM. - INSTRUMENT PANEL, LOWER - LEFT (90 CHASSIS) FROM: 00-00-00 THRU: 04-01-91
24	101025-04-01A	EA BEZEL ASM. - INSTRUMENT PANEL, LOWER - LEFT (91 CHASSIS) FROM: 04-02-91 THRU: 99-99-99
	076788-01-000	EA SOCKET-MINI BAYONET LAMP
	076788-02-000	EA CYLINDER-CARDBOARD, LAMP
	076788-03-000	EA LAMP PLATE ASM.
	076788-04-000	EA LAMP PLATE ASM. - TURN SIGNAL
	077031-01-000	EA FILM-BLACK, 1" X 1.75"
	077031-02-000	EA FILM-AMBER, 1" X 1.75"

1991 ITASCA

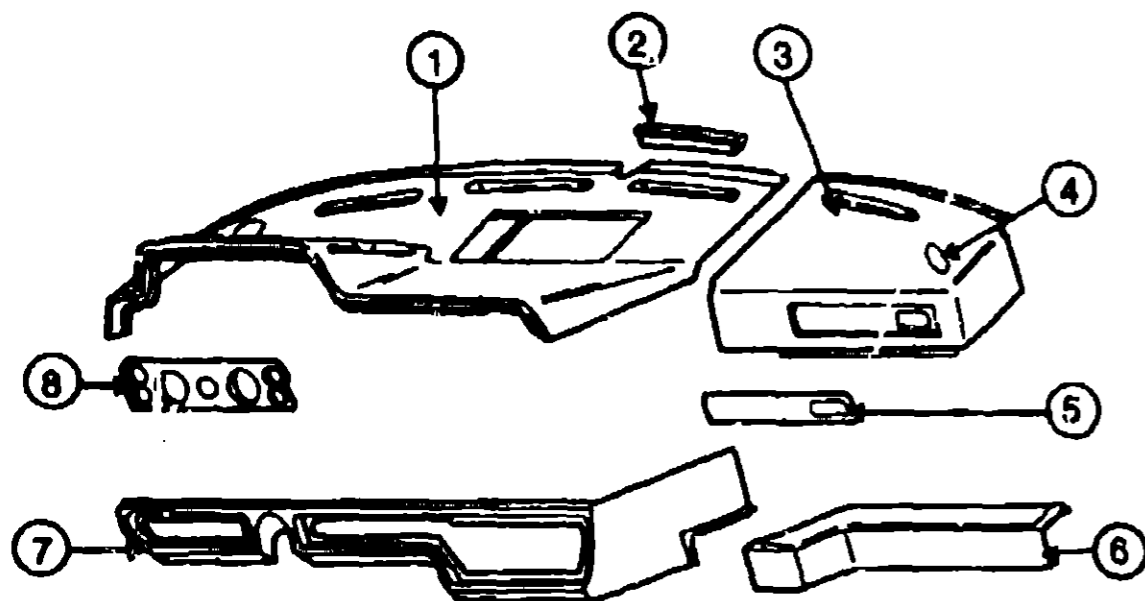
TABLE OF CONTENTS

INTRODUCTION	A-01 -	A-02
ABBREVIATIONS		A-03
ALPHABETICAL INDEX	A-04 -	A-06
ICN25RC	A-07 -	F-02
ICN34RQ	F-03 -	K-08

1991 ICN34RQ INDEX

FLOOR PLAN	F-03 -	F-04
ACCESSORIES	F-05 -	F-12
BATH	F-13 -	F-16
BEDROOM	F-17 -	F-20
CHASSIS	F-21 -	G-08
C C & PAD	G-09 -	G-18
DINETTE	G-19 -	G-20
DRIVERS	G-21 -	H-04
ELECTRICAL	H-05 -	H-12
EXTERIOR BCDY	H-13 -	H-20
GALLEY	H-21 -	I-04
HEATING & A/C	I-05 -	I-08
INTERIOR FINISH	I-09 -	I-12
LABEL	I-13 -	I-20
LP		I-21
LOUNGE	I-22 -	I-23
SEALANTS & FASTENERS	I-24 -	J-02
WATER & SEWAGE	J-03 -	J-07
WINDOW, VENT A:ID		
EXTERIOR DOOR	J-08 -	K-08

DRIVERS COMPARTMENT GROUP (CONTINUED)



DASH & INSTRUMENT PANELS

KEY	PART NUMBER	U/M DESCRIPTION
1	102122-01-829	EA TOP-PADDED DASH, UPPER - LEFT - VINYL - GRAY FROM: 00-00-00 THRU: 01-27-91
1	102122-02-829	EA TOP-PADDED DASH, UPPER - LEFT - VINYL - GRAY FROM: 01-28-91 THRU: 99-99-99
2	091930-02-000	EA DUCT-DEFROSTER, W/O SIDE OUTL. ARA 0571020 FROM: 00-00-00 THRU: 07-22-90
2	091930-03-000	EA DUCT-DEFROSTER, W/O SIDE OUTLET - ARE 0571109 FROM: 07-22-90 THRU: 05-12-91
2	103017-01-000	EA PLENUM-DEFROSTER FROM: 05-13-91 THRU: 99-99-99
	077075-01-000	EA GASKET-INSTRUMENT PANEL TO DEFROSTER PLENUM, 6" X 11.3"
	077075-02-000	EA GASKET-INSTRUMENT PANEL TO DEFROSTER PLENUM, 6" X 10.2"
3	095252-02-Y33	EA TOP-PADDED DASH, UPPER - RIGHT - VINYL - GRAY
4	073741-03-000	EA SPEAKER-OVAL, 4" X 6"
4	073741-04-000	EA GRILLE-OVAL SPEAKER, 4" X 6"
5	076797-03-000	EA INSTRUMENT PANEL, RIGHT - MATTE
6	076734-04-000	EA TRAY-INSTRUMENT PANEL, RIGHT - PLASTIC - GRAY
7	101024-01-01A	EA INSTRUMENT PANEL, LOWER - RIGHT - (GM)
	101024-03-01A	EA INSTRUMENT PANEL, LOWER - RIGHT - (FORD)
	076867-01-000	EA BRACKET-V LIPPED, 3.5" X 1" - STEEL - W/O SCREW HOLE
	076867-02-000	EA BRACKET-V LIPPED, 3.4" X 1" - STEEL - W/SCREW HOLE
	076872-01-000	EA BRACKET-V LIPPED, 2.7" X 1" - STEEL - W/O SCREW HOLE
	077001-01-000	EA ANGLE-MOUNTING, ROOF PANEL - V ANGLE - 3" X 2.4" X 1.5"
8	077363-01-000	EA SHROUD-INSTRUMENT CLUSTER, 20" X 5.1" - PLASTIC - BLACK
8	077363-09-000	EA SHROUD-INSTRUMENT CLUSTER, 20" X 5.1" - PLASTIC - BLACK (W/GENERATOR)

DRIVERS COMPARTMENT GROUP (CONTINUED)

DASH COMPONENTS

KEY	PART NUMBER	U/M DESCRIPTION
	100158-01-000	EA WIRE ASM-DAYTIME RUNNING LIGHTS
	100159-01-000	EA WIRE ASM-DAYTIME RUNNING LIGHTS, W/FUSE
	097372-06-01A	EA SWITCH-BLANK
	096241-03-000	EA SWITCH-BLANK
	079384-01-000	FA SWITCH-ON/OFF, ROCKER - BROWN
	097372-03-01A	EA SWITCH-AUXILIARY FANS
	063912-02-000	EA RELAY-CANISTER, SPDT - W/RESISTOR
	076788-01-000	EA SOCKET-MINI BAYONET LAMP
	076788-02-000	EA CYLINDER-CARDBOARD, LAMP
	076788-03-000	EA LAMP PLATE ASM.
	076788-04-000	EA LAMP PLATE ASM. - TURN SIGNAL
	087201-01-000	EA LIGHT-DUMP VALVE
	098476-01-000	EA SOCKET-CONNECTOR
	077031-01-000	EA FILM-BLACK, 1" X 1.75"
	077031-02-000	EA FILM-AMBER, 1" X 1.75"
	024990-01-000	EA OUTLET-DEFROSTER, W/SWIVEL - 2" - TAN
	082901-02-000	EA FUSE-5 AMP, AUTOMOTIVE
	081914-01-000	EA BUMPER-RUBBER, ROUND - .43" DIA. - BLACK
	086285-01-000	EA SPACER-NYLON, .5" OD X .257" ID
	079382-01-000	EA SCREW-SOCKET, 8-18 X 1" - BLACK
	079383-03-000	EA SCREW-SF/DR, 8-20 X 1/4" WASHER - BEIGE

**1991 ITASCA
TABLE OF CONTENTS**

INTRODUCTION	A-01 -	A-02
ABBREVIATIONS		A-03
ALPHABETICAL INDEX	A-04 -	A-06
ICN25RC	A-07 -	F-02
ICN34RQ	F-03 -	K-06

1991 ICN34RQ INDEX

FLOOR PLAN	F-03 -	F-04
ACCESSORIES	F-05 -	F-12
BATH	F-13 -	F-16
BEDROOM	F-17 -	F-20
CHASSIS	F-21 -	G-08
C C & PAD	G-09 -	G-18
DINETTE	G-19 -	G-20
DRIVERS	G-21 -	H-04
ELECTRICAL	H-05 -	H-12
EXTERIOR BODY	H-13 -	H-20
GALLEY	H-21 -	I-04
HEATING & A/C	I-05 -	I-08
INTERIOR FINISH	I-09 -	I-12
LABEL	I-13 -	I-20
LP		I-21
LOUNGE	I-22 -	I-23
SEALANTS & FASTENERS	I-24 -	J-02
WATER & SEWAGE	J-03 -	J-07
WINDOW, VENT AND EXTERIOR DOOR	J-08 -	K-08

ELECTRICAL GROUP

FORD OPTION - US & CANADIAN

KEY	PART NUMBER	U/M	DESCRIPTION
	036186-01-000	EA	BULB-12V - #194 - 27AMP
	068028-01-000	EA	CONNECTOR-ELECTRICAL PIGTAIL, NYLON - CLEAR
	035416-04-000	EA	TERMINAL-RING #10 STUD FIT, INSULATED BARREL #16/14
	037789-02-000	EA	SOCKET-LAMP
	077855-01-000	EA	J CLIP-VINYL COATED, 3/8" USED IN WIRING TO CLEARANCE LIGHTS
	035416-04-000	EA	TERMINAL-RING #10 STUD FIT, INSULATED BARREL #16/14
	041953-01-000	FT	CONDUIT-CONVOLUTE SLIT .50ID
	041953-01-000	FT	CONDUIT-CONVOLUTE SLIT .625ID
	041953-03-000	FT	CONDUIT-CONVOLUTE SLIT, 1" ID (CLOTHES ROD COVER)
	041953-06-000	FT	CONDUIT-CONVOLUTE SLIT .375
	041953-07-000	FT	CONDUIT-CONVOLUTE SLIT .25ID
	047443-01-000	EA	TERMINAL-.250 RECEPTACLE FIT, INSULATED - 16/14 AWG
	087745-02-000	EA	HOUSING-RECEPTACLE, TRAILER - 48" WIRE LENGTH
	079090-01-000	EA	CONNECTOR-MOLDED, 12/2 LEAD
	078378-01-000	EA	TERMINAL-WEDGE BASE, 18 AWG NEEDED TO ATTACH BULB TO SIDEMARKER AND CLEARANCE LIGHTS
	088473-08-000	EA	HOUSING-PIN, 4 POSITION
	088474-09-000	EA	HOUSING-SOCKET
	088473-01-000	EA	PIN-CONNECTOR
	088478-01-000	EA	SOCKET-CONNECTOR
	087744-02-000	EA	HOUSING-TRAILER PIN, 48"
	087745-01-000	EA	HOUSING CAP-TRAILER PIN
	007093-01-000	EA	FLASHER-SIGNAL STAT
	008188-01-000	EA	SOLENOID-3 POST, BATTERY CHANGE OVER
	008211-01-000	EA	BREAKER-CIRCUIT, 12V - 6AMP
	008343-02-000	EA	TIE-WIRE, 14"
	024459-04-000	EA	GAUGE-VOLTMETER
	058028-01-000	EA	CONNECTOR-ELECTRICAL PIGTAIL, NYLON - CLEAR
	082901-05-000	EA	FUSE-15 AMPS, AUTOMOTIVE
	083749-02-000	EA	HOUSING-HEADLAMP, 2 BULB
	083912-02-000	EA	RELAY-CANISTER, SPOT W/RESIST
	073328-F2-000	EA	CABLE-8 GA, BLACK
	008037-01-000	FT	CABLE-BATTERY, 1AWG - STRANDED - BLACK
	008348-01-000	EA	TERMINAL-RING, 3/8" STUD - #2 WIRE CONNECTS CABLE TO BATT. DISC. RELAY AND BATTERY
	081087-01-000	EA	LIGHT ASM-INDICATOR
	088273-01-000	EA	RELAY-BATTERY DISCONNECT
	088286-01-000	EA	SPACER-NYLON, .5" OD X .257" ID
	088298-01-000	EA	WIRE-BATTERY DISCONNECT, RED
	088298-02-000	EA	WIRE-BATTERY DISCONNECT, GREEN
	047443-01-000	EA	TERMINAL-.250 RECEPTACLE FIT, INSULATED - 16/14 AWG
	088474-08-000	EA	SOCKET-HOUSING, 8 POSITION (2 ROWS OF THREE)
	088478-01-000	EA	SOCKET-CONNECTOR
	092786-01-000	EA	BUSS BAR-2.1" LONG
	092788-02-000	EA	BUSS BAR-3.3" LONG
	008331-01-000	EA	TERMINAL-RING, TONGUE - #4 WIRE - 3/8" STUD - COPPER
	007840-01-000	EA	RECEPTACLE-SLIDE, 18 TO 12 AWG
	047443-02-000	EA	CONDUIT-CONVOLUTE SLIT .625ID
	083910-01-000	EA	HOUSING-RELAY
	088473-01-000	EA	PIN-HOUSING, 4 ROWS OF 3
	088474-08-000	EA	SOCKET-HOUSING, 4 POSITION (SINGLE ROW)
	088473-03-000	EA	HOUSING-PIN, 9-POSITION
	007840-01-000	EA	RECEPTACLE-SLIDE, 18 TO 12 AWG

ELECTRICAL GROUP (CONTINUED)

FORD OPTION - US & CANADIAN CONTINUED

KEY	PART NUMBER	U/M	DESCRIPTION
	007949-01-000	EA	TAB-HOUSING, 1 POSITION
	035416-04-000	EA	TERMINAL-RING #10 STUD FIT, INSULATED BARREL #16/14
	087372-04-01A	EA	SWITCH-MOMENTARY-OFF-MOMENTARY
	007942-01-000	EA	TAB-WIRE, 18 TO 14 AWG
	058781-01-000	EA	DIODE-8.0A/100 VOLT - MOTOROLA, NO MR751
	082740-01-000	EA	CONNECTOR-PLASTIC BODY, FOR 2 MALE SPADES
	086298-01-000	EA	WIRE-BATTERY DISCONNECT, RED
	086298-02-000	EA	WIRE-BATTERY DISCONNECT, GREEN
	088473-02-000	EA	HOUSING-PIN, 15 POSITION
	088473-09-000	EA	PIN-HOUSING, 3 POSITION (SINGLE ROW)
	088473-10-000	EA	PIN-HOUSING, 2 POSITION
	088474-01-000	EA	HOUSING-SOCKET
	088474-02-000	EA	HOUSING-SOCKET, 15 POSITION (3 ROWS OF 5)
	088474-03-000	EA	HOUSING-SOCKET, 9-POSITION
	088474-08-000	EA	SOCKET-HOUSING, 8 POSITION (2 ROWS OF THREE)
	088474-08-000	EA	SOCKET-HOUSING, 4 POSITION (SINGLE ROW)
	088478-01-000	EA	SOCKET-CONNECTOR
	097811-01-000	EA	CIRCUIT BREAKER-6AMP, ATC - BLACK
	088478-02-000	EA	SOCKET-CONNECTOR 12-10 GA
	008328-01-000	EA	TERMINAL-RING, 16/14 WIRE - 3/8" STUD
	000039-04-008	EA	NUT-HEX, SER FLG LK 1/4 - 20 ZN
	000039-08-008	EA	NUT-HEX, SER FLG LK 1/2-13 ZN
	041953-09-000	FT	CONDUIT-CONVOLUTE SLIT .50ID
	052901-05-000	EA	FUSE-15 AMPS, AUTOMOTIVE
	083810-01-000	EA	CLAMP-WIRE, DUAL - UNEQUAL 5/8" AND 1 1/4" DIAMETERS
	088779-03-000	EA	CIRCUIT BREAKER-25 AMP
	008604-04-000	EA	TRAY-BATTERY

ELECTRICAL CONVERSION OPTION

KEY	PART NUMBER	U/M	DESCRIPTION
	008054-01-000	EA	CORD-POWER, 10/3 WIRE - 30 AMP - 25'
	000G11-08-088	EA	SCREW, 8-18 X 1/2 PPH ZN
	000G11-10-188	EA	SCREW, 10-18 X 1 - PPH ZN
	000G87-10-128	EA	SCREW, 10-12 X 3/4 - PPH ZN
	008028-01-000	FT	WIRE-12/2, ROMEX - W/GROUND
	008289-01-000	EA	BOX-ELECTRIC, STEEL - 1/2" AND 3/4" KNOCKOUTS - 4" X 4"
	008311-01-000	EA	CONNECTOR-WIRE NUT, INSULATED - RED
	008314-01-000	EA	CONNECTOR-WIRE NUT, INSULATED - GRAY
	008328-01-000	EA	TERMINAL-RING, 12/10 WIRE - #10 STUD FIT
	008331-01-000	EA	TERMINAL-RING, TONGUE - #4 WIRE - 3/8" STUD - COPPER
	008355-01-000	EA	CONNECTOR-CABLE CLAMPING, 3/4"
	041953-01-000	FT	CONDUIT-CONVOLUTE SLIT .50ID
	073937-03-000	EA	SWITCH-ROTARY SELECTOR, 3 DECK - AC - CA20-USA892
	073937-01-700	EA	KNOB-ROTARY SWITCH-AC BEL
	074890-01-000	EA	BOX-EXTENSION, STEEL - OPEN SIDES - 4" X 4" X 1 1/2"
	008294-01-000	EA	COVER-ELECTRICAL BOX, STEEL/BLANK - 4" X 4" - GRAY
	091213-01-000	EA	BOX-CIRCUIT BREAKER-W/KNOCKOUTS - 5.3" X 11.8" X 2.5"
	092815-01-000	EA	CONVERTER-40 AMP, W/CHARGER - B-W 32400P
	094009-01-000	EA	LOAD CENTER-240 VOLT, 125 AMP
	094810-01-000	EA	CIRCUIT BREAKER-DOUBLE 30 AMP, GE THQL2130
	094811-01-000	EA	CIRCUIT BREAKER-DOUBLE 20 AMP, GE THQL2120

ELECTRICAL SERVICE DOORS (UNDER HOOD)

KEY	PART NUMBER	U/M	DESCRIPTION
	088527-01-000	EA	DOOR-CIRCUIT BREAKERS
	088527-02-000	EA	DOOR ASM-FUSES
	093633-01-000	EA	LATCH-1/4 TURN, HANDLE
	088188-01-000	EA	LATCH-1/4 TURN, T-BAR
	082482-01-000	EA	SEAL-ELECTRICAL BOX

1991 ITASCA TABLE OF CONTENTS

INTRODUCTION	A-01	A-02
ABBREVIATIONS		A-03
ALPHABETICAL INDEX	A-04	A-06
ICN25RC	A-07	F-02
ICN34RQ	F-03	K-08

1991 ICN34RQ INDEX

FLOOR PLAN	F-03	F-04
ACCESSORIES	F-05	F-12
PATH	F-13	F-18
BEDROOM	F-17	F-20
CHASSIS	F-21	G-08
C C & PAD	G-09	G-18
DINETTE	G-19	G-20
DRIVERS	G-21	H-04
ELECTRICAL	H-05	H-12
EXTERIOR BODY	H-13	H-20
GALLEY	H-21	I-04
HEATING & AC	I-05	I-08
INTERIOR FINISH	I-09	I-12
LABEL	I-13	I-20
LP		I-21
LOUNGE	I-22	I-23
SEALANTS & FASTENERS	I-24	J-02
WATER & SEWAGE	J-03	J-07
WINDOW, VENT AND EXTERIOR DOOR	J-08	K-08

ELECTRICAL GROUP (CONTINUED)

INVERTER OPTION

KEY PART NUMBER U/M DESCRIPTION
 069048-01-000 EA INVERTER-100 WATT
 068475-01-000 EA PIN-CONNECTOR
 068476-01-000 EA SOCKET-CONNECTOR

SWITCH, PLATES & RECEPTACLES

KEY PART NUMBER U/M DESCRIPTION
 068351-02-01A EA PLATE-SWITCH, 2 GANG - POLISHED BRASS
 073384-01-000 EA SWITCH-ON/OFF ROCKER, BROWN
 073384-03-000 EA SWITCH-ON/OFF ROCKER, BLACK
 064075-02-000 EA RECEPTACLE-GFI, 15A - 125V - BROWN
 064077-02-000 EA PLATE-COVER, RECEPTABLE - GFI - BROWN
 02568-01-B10 EA SPACER-RECEPTACLE, BETWEEN SIDE WALL & PLATE - WOOD
 058708-02-000 EA RECEPTACLE-DOUBLE ELECTRIC, IVORY
 068351-03-01A EA PLATE-SWITCH, 3 GANG - POLISHED BRASS
 068707-01-000 EA RECEPTACLE-ELECTRIC, SINGLE - BROWN
 068708-02-000 EA RECEPTACLE-DOUBLE ELECTRIC, IVORY
 068351-01-01A EA PLATE-SWITCH, 1 GANG - POLISHED BRASS
 064086-01-01A EA SWITCH PLATE-SINGLE GANG - BLACK
 065188-01-01A EA SPACER-SWITCH, DARK BROWN
 075736-03-000 EA COVER-EXTERIOR RECEPTACLE, BEIGE

WIRE HARNESS ASSEMBLIES

KEY PART NUMBER U/M DESCRIPTION
 063354-01-000 EA WIRE ASSEMBLY-BACKWALL, GM FROM: 00-00-00 THRU: 04-07-81
 102882-01-000 EA WIPE ASSEMBLY-BACKWALL, GM FROM: 04-08-91 THRU: 99-99-99
 102882-02-000 EA WIRE ASSEMBLY-BACKWALL, FORD
 101849-01-000 EA WIRE ASSEMBLY-COOLING FAN ADAPTER
 101619-01-000 EA WIRE ASSEMBLY-INSTRUMENT PANEL, AIR RIDE CONTROL
 101137-01-000 EA WIRE ASSEMBLY-INSTRUMENT PANEL, AIR RIDE LIGHTS
 102343-02-000 EA WIRE ASSEMBLY-INSTRUMENT PANEL, CHEVY
 105513-01-000 EA WIRE ASSEMBLY-INSTRUMENT PANEL, FORD
 077920-02-000 EA WIRE ASSEMBLY-BEVERAGE TRAY

INTERIOR LIGHTS

KEY PART NUMBER U/M DESCRIPTION
 091937-04-000 EA LIGHT-FLUORESCENT, 12 V - RECESSED - THIN-LITE
 078424-02-000 EA LIGHT-FLUORESCENT, 12V DC - 18" - ALMOND
 078424-02-7C1 EA LENS-LIGHT, FLOURESCENT - 18"
 062189-01-000 EA LIGHT-MAKE-UP, 3 BULB - JENSEN X148-168R
 081633-01-700 EA BULB-MAKE UP LIGHT, JENSEN
 068280-01-700 EA LIGHT-SURFACE MOUNT, 12V - JENSEN 1236
 067694-02-000 EA LIGHT-WARDROBE/CLOSET, W/SWITCH
 067694-01-700 EA BULB-WARDROBE/CLOSET, GE 561
 068024-01-01A EA LIGHT-DOME, 1 BULB - US - IVORY
 068024-01-700 EA LENS-DOME LIGHT
 068216-01-000 EA BULB-DOME LIGHT, 12V - NUMBER 1141
 061424-01-000 EA LIGHT-AISLE, 12V - RECTANGULAR
 068103-01-000 EA BULB-AISLE LIGHT, NUMBER 53 - 12 V - .12 AMP
 068201-08-000 EA SHADE-LAMP, W/GOLD TRIM - PARCHMENT
 068201-09-000 EA SHADE-LAMP, FABRIC - PARCHMENT
 068202-14-000 EA LAMP-WALL, W/O SHADE - BRASS
 067479-01-000 EA BULB-12V, NUMBER 1078 - WALL LAMP
 060363-06-000 EA LIGHT-READING, DOUBLE - BLACK
 068103-01-000 EA BULB-AISLE LIGHT, NUMBER 53 - 12 V - .12 AMP
 062686-07-000 EA SHADE-TABLE LAMP
 062686-09-000 EA LAMP-TABLE, W/O SHADE
 067479-01-000 EA BULB-12V, NUMBER 1078 - WALL LAMP
 063978-01-000 EA WASHER-MOUNTING, LAMP
 062686-10-000 EA LAMP-TABLE, W/O SHADE - BRASS - CANADIAN

ELECTRICAL GROUP (CONTINUED)

ELECTRICAL CONNECTORS

KEY PART NUMBER U/M DESCRIPTION
 047443-01-000 EA TERMINAL-250 RECEPT. FIT, INSULATED - 18/14 AWG
 079378-01-000 EA TERMINAL-WEDGE BASE, 18 AWG
 047443-01-000 EA TERMINAL-250 RECEPTACLE. FIT, INSULATED - 16/14 AWG
 035416-04-000 EA TERMINAL-RING #10 STUD FIT, INSULATED BARREL #16/14
 066273-01-700 EA TERMINAL WIRE ASM
 068348-01-000 EA TERMINAL-RING, 3/8" STUD - #2 WIRE
 068331-01-000 EA TERMINAL-RING, TONGUE - #4 WIRE - 3/8" STUD - COPPER
 068326-01-000 EA TERMINAL-RING, 18/14 WIRE - 3/8" STUD
 068328-01-000 EA TERMINAL-RING, 12/10 WIRE - #10 STUD FIT
 062037-01-000 EA HOUSING-AUTO FUSE, NATURAL
 062037-02-000 EA HOUSING-AUTO FUSE, GREEN
 062037-03-000 EA HOUSING-AUTO FUSE, BLACK
 062037-04-000 EA HOUSING-AUTO FUSE, BLUE
 062037-05-000 EA HOUSING-AUTO FUSE, GRAY
 062037-06-000 EA HOUSING-AUTO FUSE, BROWN
 063910-01-000 EA HOUSING-RELAY
 101571-01-000 EA HOUSING-2 POSITION, MALE
 064398-01-000 EA HOUSING-TRAILER, RECEPTACLE
 067744-02-000 EA HOUSING-TRAILER PIN, 48"
 097746-01-000 EA HOUSING CAP-TRAILER PIN
 068474-03-000 EA HOUSING-SOCKET, 9-POSITION
 074017-02-000 EA HOUSING-5 POSITION, RIGHT ANGLED
 031965-01-000 EA HOUSING-TAB 2 POSITION
 068474-08-000 EA HOUSING-SOCKET, 4 POSITION (SINGLE ROW)
 068473-01-000 EA PIN-HOUSING, 4 ROWS OF 3
 068473-02-000 EA PIN-HOUSING, 15 POSITION
 068473-03-000 EA PIN-HOUSING, 9-POSITION
 068473-05-000 EA PIN-HOUSING, 8 POSITION (SINGLE ROW)
 068473-06-000 EA PIN-HOUSING, 6 POSITION (TWO ROWS OF THREE)
 068473-07-000 EA PIN-HOUSING, 5 CAVITY
 068473-08-000 EA PIN-HOUSING, 4 POSITION
 068473-09-000 EA PIN-HOUSING, 3 POSITION (SINGLE ROW)
 068473-10-000 EA PIN-HOUSING, 2 POSITION
 100680-01-000 EA HOUSING-5 PIN, WEATHER PACK
 101751-01-000 EA HOUSING-1 PIN, WEATHER PACK
 079090-01-000 EA CONNECTOR-MOLDED, 12/2 LEAD
 068314-01-000 EA CONNECTOR-WIRE NUT, INSULATED - GRAY
 068028-01-000 EA CONNECTOR-ELECTRICAL PIGTAIL, NYLON - CLEAR
 062740-01-000 EA CONNECTOR-PLASTIC BODY, FOR 2 MALE SPADES
 062742-01-000 EA CONNECTOR BODY-3 CNCT FEMALE
 068355-01-000 EA CONNECTOR-CABLE CLAMPING, 3/4"
 068356-01-000 EA CONNECTOR-PLASTIC, 3/8" AVG
 068311-01-000 EA CONNECTOR-WIRE NUT, INSULATED - RED
 068478-01-000 EA SOCKET-CONNECTOR
 068476-02-000 EA SOCKET-CONNECTOR 12-10 GA
 068475-01-000 EA PIN-CONNECTOR
 068475-02-000 EA PIN-CONNECTOR
 068474-02-000 EA SOCKET-HOUSING, 15 POSITION (3 ROWS OF 5)
 068474-03-000 EA SOCKET-HOUSING, 9 POSITION
 068474-05-000 EA SOCKET-HOUSING, 5 POSITION (2 ROWS OF THREE)
 068474-07-000 EA SOCKET-HOUSING
 068474-08-000 EA SOCKET-HOUSING, 4 POSITION (SINGLE ROW)
 068474-09-000 EA SOCKET-HOUSING, 3 POSITION (SINGLE ROW)
 067789-02-000 EA SOCKET-LAMP
 077000-01-000 EA SOCKET ASM-W/8" PIGTAIL LEADS

1991 ITASCA

TABLE OF CONTENTS

INTRODUCTION	A-01 - A-02
ABBREVIATIONS	A-03
ALPHABETICAL INDEX	A-04 - A-06
ICN25PC	A-07 - F-02
ICN34RQ	F-03 - K-08

1991 ICN34RQ INDEX

FLOOR PLAN	F-03 - F-04
ACCESSORIES	F-05 - F-12
BATH	F-13 - F-16
BEDROOM	F-17 - F-20
CHASSIS	F-21 - G-08
C C & PAD	G-09 - G-10
DINETTE	G-19 - G-20
DRIVERS	G-21 - H-04
ELECTRICAL	H-05 - H-12
EXTERIOR BODY	H-13 - I-20
GALLEY	H-21 - I-04
HEATING & AC	I-05 - I-08
INTERIOR FINISH	I-06 - I-12
LABEL	I-13 - I-21
LP	I-21
LOUNGE	I-22 - I-23
SEALANTS & FASTENERS	I-24 - J-02
WATER & SEWAGE	J-03 - J-07
WINDOW, VENT AND EXTERIOR DOOR	J-08 - K-08

ELECTRICAL GROUP (CONTINUED)
STANDARD COMPONENTS CONTINUED

CIRCUIT BREAKERS

KEY	PART NUMBER	U/M DESCRIPTION
	083674-01-000	EA PLATE-CIRCUIT BREAKER, HOUSE
	082547-01-000	EA LABEL-CIRCUIT BREAKER
	081213-01-000	EA BOX-CIRCUIT BREAKER-W/KNOCKOUTS - 5.3" X 11.8" X 2.5"
	083654-01-000	EA CIRCUIT BREAKER-8 AMP, HOUSE CONTROL PANEL
	083654-02-000	EA CIRCUIT BREAKER-15 AMP
	083654-03-000	EA CIRCUIT BREAKER-20 AMP, HOUSE CONTROL PANEL
	083655-01-000	EA CIRCUIT BREAKER-25 AMP
	083655-02-000	EA CIRCUIT BREAKER-30 AMP, HOUSE CONTROL PANEL
	083655-03-000	EA CIRCUIT BREAKER-40 AMP
	087811-01-000	EA CIRCUIT BREAKER-8AMP,ATC - BLACK
	008211-01-000	EA CIRCUIT-BREAKER, 12V - 8AMP
	083209-02-000	EA CIRCUIT BREAKER-15/15AMP, 120V
	083209-03-000	EA CIRCUIT BREAKER-15/20AMP, 120V - BW - 0-15/20
	083209-05-000	EA CIRCUIT BREAKER-20A, 120V - BW J-20
	083209-08-000	EA CIRCUIT BREAKER-30/15 AMP, 120V - BW D-30/15
	088779-01-000	EA CIRCUIT BREAKER-15 AMP, FASCO 1781

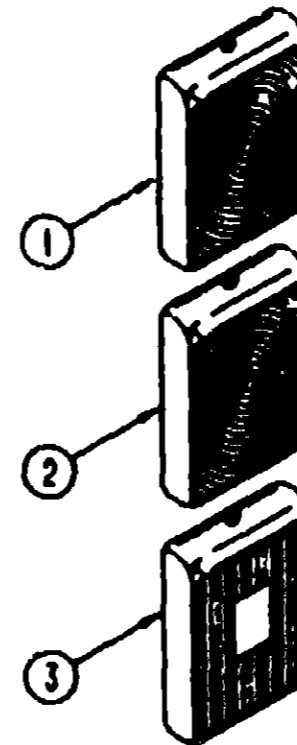
MISCELLANEOUS ELECTRICAL HARDWARE COMPONENTS

KEY	PART NUMBER	U/M DESCRIPTION
	087782-01-000	EA CONVERTER-40 AMP, W/CHARGER - TRIAD TU-740-2
	038188-01-000	EA BULB-12V - #194 - .27AMP
	080734-02-000	EA CLIP-WIRE, NYLON
	083810-01-000	EA CLAMP-WIRE, DUAL - UNEQUAL 5/8" AND 1 1/4" DIAMETERS
	008343-01-000	EA TIE-WIRE, 8"
	008343-02-000	EA TIE-WIRE, 14"
	007942-01-000	EA TAB-WIRE, 18 TO 14 AWG
	007949-01-000	EA TAB-HOUSING, 1 POSITION
	008028-01-000	FT WIRE-1/2, ROMEX - W/GROUND
	008001-01-000	FT WIRE-10AWG, STRAND - WHITE
	008028-01-000	FT WIRE-1/2, ROMEX - W/GROUND
	088288-01-000	EA WIRE-BATTERY DISCONNECT, RED
	088288-02-000	EA WIRE-BATTERY DISCONNECT, GREEN
	008037-01-000	FT CABLE-BATTERY, 1AWG - STRANDED - BLACK
	008037-02-000	FT CABLE-BATTERY, 1AWG - STRANDED - RED
	088273-01-000	EA RELAY-BATTERY DISCONNECT
	077479-01-000	EA BOOT-BATTERY TERM, DBL CABLE
	077479-02-000	EA BOOT-BATTERY TERMINAL, SINGLE CABLE
	073328-F2-000	EA CABLE-8 GA, BLACK
	041863-01-000	FT CONDUIT-CONVOLUTE SLIT, 1/2" ID
	041863-11-000	FT CONDUIT-CONVOLUTE, SLIT- 1.06" ID
	041863-07-000	FT CONDUIT-CONVOLUTE, SLIT, .25" ID
	041863-08-000	FT CONDUIT-CONVOLUTE, SLIT, .50" ID
	041863-05-000	FT CONDUIT-CONVOLUTE SOLID, .82" ID
	083144-01-000	EA CONDUIT-WIRE, GMA# 15592048
	041863-09-000	FT CONDUIT-CONVOLUTE SLIT, 1" ID (CLOTHES ROD COVER)
	058049-01-000	EA BOX-ELECTRIC SWITCH, 2" X 3" X 2.25"
	008288-01-000	EA BOX-PLASTIC ELECTRIC, 3" X 3 1/2"
	008288-02-000	EA BOX-ELECTRIC, PLASTIC - 3.04" X 3.13" X 1.81"
	008288-01-000	EA BOX-ELECTRIC, STEEL - 1/2" AND 3/4" KNOCKOUTS - 4" X 4"
	074880-01-000	EA BOX-EXTENSION, STEEL - OPEN SIDES - 4" X 4" X 1 1/2"
	074887-01-000	EA COVER-ELECTRIC BOX, 1 LARGE & 2 SMALL HOLES - 4" X 4"
	008294-01-000	EA COVER-ELECTRICAL BOX, STEEL/BLANK - 4" X 4" - GRAY
	008294-01-000	EA COVER-ELECTRICAL BOX, STEEL/BLANK - 4" X 4" - GRAY
	082788-01-000	EA BUSS BAR-2.1" LONG
	082788-02-000	EA BUSS BAR-3.3" LONG
	000311-08-088	EA SCREW, 8-18 X 1/2 PPH ZN
	056278-01-001	FT TUBING-STEEL, .75" X 1.5" X 288"
	080871-02-000	EA SPLICE-CALBE, 110V - TAP
	031888-01-000	EA PLUG-CONTACT, BRASS

ELECTRICAL GROUP (CONTINUED)

MISCELLANEOUS ELECTRICAL HARDWARE COMPONENTS CONTINUED

KEY	PART NUMBER	U/M DESCRIPTION
	068781-01-000	EA DIODE-8.0A/100 VOLT - MOTOROLA, NO MR751
	008054-02-000	EA CORD-POWER, 10-3 - 30AMP - 33"
	063912-02-000	EA RELAY-CANISTER, SPDT W/RESIST
	008188-01-000	EA SOLENOID-3 POST, BATTERY CHANGE OVER
	007083-01-000	EA FLASHER-SIGNAL STAT
	062036-02-000	EA TERMINAL-PACK-CON, 18/14 AWG
	080015-02-000	EA RECEPTACLE-FLAG, .185 - 18/14 GA - AMP 3
	007940-01-000	EA RECEPTACLE-SLIDE, 18 TO 12 AWG
	000C26-04-108	EA BOLT-HEX, SER FLG - 1/4-20 X 5/8 ZINC
	088233-01-000	EA STUD-ISOLATED, 3/8" X 7/8" LONG
	077955-01-000	EA J CLIP-VINYL COATED, 3/8"
	000D39-04-008	EA NUT-HEX, SER FLG LK 1/4 - 20 ZN
	085318-01-000	EA SCREW-8-68X1/2, CRIMP TITE HD



EXTERIOR TAILLIGHTS

KEY	PART NUMBER	U/M DESCRIPTION
1	088291-01-000	EA LIGHT-TURN, W/RED LENS - LENS NA SEPERATELY
	037835-01-000	EA BULB-# 1157 - 12V - 2.1 AMP
2	088292-01-000	EA LIGHT-TURN, W/AMBER LENS - LENS NA SEPERATELY
	037834-01-000	EA BULB-12V, # 1158 2.1 AMP
	078345-02-000	EA SOCKET-PARK/TURN LAMP
3	088290-01-000	EA LIGHT-BACKUP, W/RED & CLEAR LENS - LENS NA SEPERATELY
	037834-01-000	EA BULB-12V, # 1158 2.1 AMP

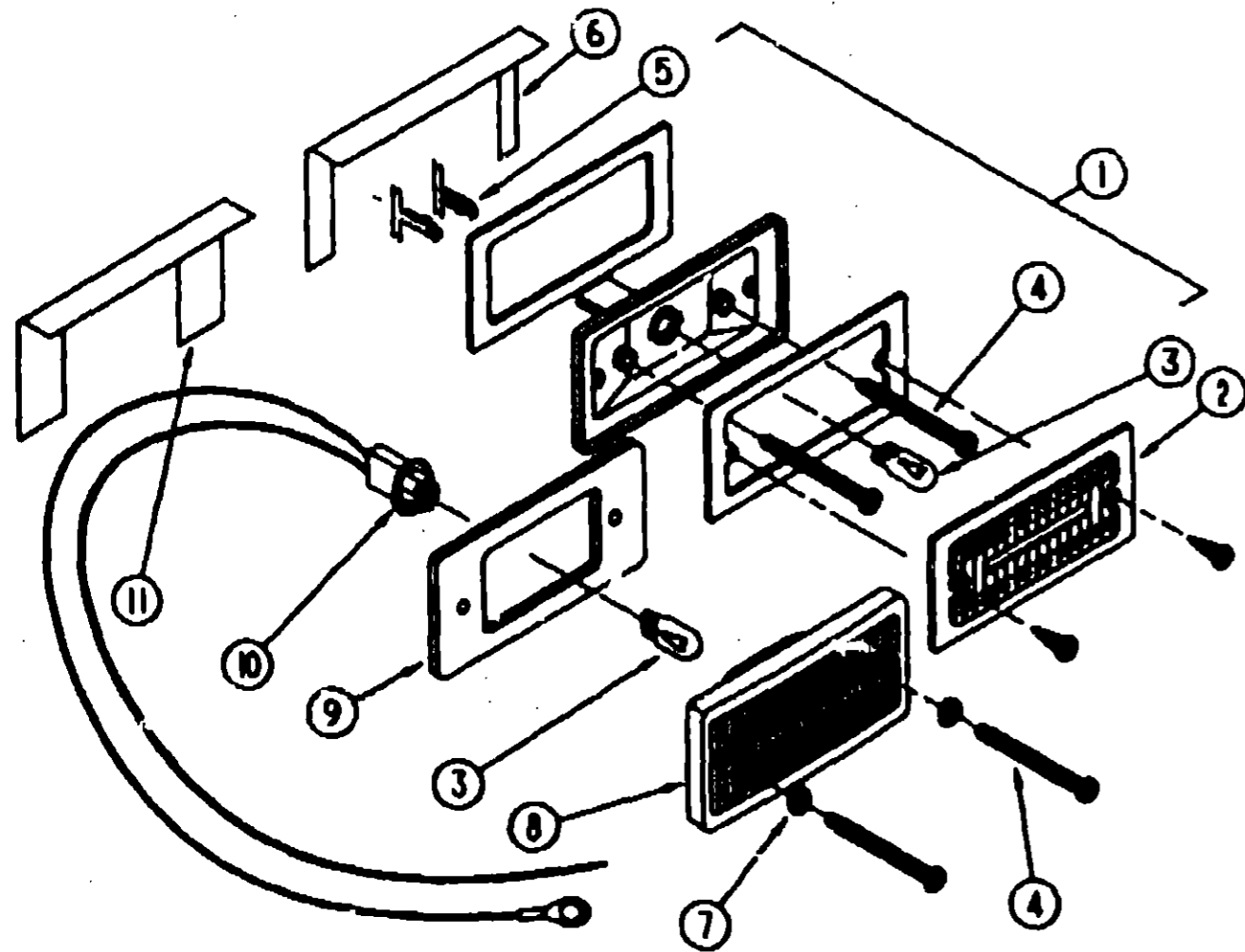
1991 ITASCA
TABLE OF CONTENTS

INTRODUCTION	A-01 -	A-02
ABBREVIATIONS		A-03
ALPHABETICAL INDEX	A-04 -	A-06
ICN25RC	A-07 -	F-02
ICN34RQ	F-03 -	K-08

1991 ICN34RQ INDEX

FLOOR PLAN	F-03 -	F-04
ACCESSORIES	F-05 -	F-12
BATH	F-13 -	F-16
BEDROOM	F-17 -	F-20
CHASSIS	F-21 -	G-08
C C & PAD	G-09 -	G-18
DINETTE	G-19 -	G-20
DRIVERS	G-21 -	H-04
ELECTRICAL	H-05 -	H-12
EXTERIOR BODY	H-13 -	H-20
GALLEY	H-21 -	I-04
HEATING & A/C	I-05 -	I-08
INTERIOR FINISH	I-09 -	I-12
LABEL	I-13 -	I-20
LP		I-21
LOUNGE	I-22 -	I-23
SEALANTS & FASTENERS	I-24 -	J-02
WATER & SEWAGE	J-03 -	J-07
WINDOW, VENT AND		
EXTERIOR DOOR	J-08 -	K-08

ELECTRICAL GROUP (CONTINUED)



KEY	PART NUMBER	U/M	DESCRIPTION
1	081250-02-000	EA	LIGHT-REAR CLEARANCE, RED - LENS AND BASE ONLY FROM: 00-00-00 THRU: 04-07-91
2	081250-01-700	EA	LENS ONLY, AMBER
2	081250-02-700	EA	LENS ONLY, RED
3	036198-01-000	EA	BULB-12V - #194 - .27AMP
4	000G39-08-24B	EA	SCREW, SELF DRIVEING
	077955-01-000	EA	J CLIP-VINYL COATED, 3/8" USED IN WIRING TO CLEARANCE LIGHTS
5	079378-01-000	EA	TERMINAL-WEDGE BASE, 18 AWG NEEDED TO ATTACH SIDEMARKER AND CLEARANCE LIGHTS
6	081437-01-000	EA	BRACKET-CLEARANCE LIGHT, L SHAPED METAL FROM: 00-00-00 THRU: 04-07-91
7	102540-01-000	EA	SEAL-SCREW, CLEARANCE LIGHT FROM: 04-08-91 THRU: 99-99-99
8	102520-02-000	EA	LIGHT-CLEARANCE, W/O SOCKET CONNECTION - RED FROM: 04-08-91 THRU: 99-99-99
9	102541-01-000	EA	GASKET-CLEARANCE LIGHT FROM: 04-08-91 THRU: 99-99-99
10	075458-03-000	EA	SOCKET ASM -CAB MARKER FROM: 04-08-91 THRU: 99-99-99
11	102582-01-000	EA	BRACKET-CLEARANCE LIGHT FROM: 04-08-91 THRU: 99-99-99

ELECTRICAL GROUP (CONTINUED)

CLEARANCE LIGHTS

KEY	PART NUMBER	U/M	DESCRIPTION
	097917-01-01A	EA	LIGHT-PORCH, OFF WHITE
	097917-01-700	EA	LENS-LIGHT, PORCH
	042405-03-000	EA	BASE-CLEARANCE/SIDEMARKER LIGHT - RECTANGULAR
	042405-01-000	EA	LENS-CLEARANCE/SIDEMARKER LIGHT - FRONT - W/REFLEX - RED
	036198-01-000	EA	BULB-12V - #194 - .27AMP
	091983-01-000	EA	GASKET-SIDE MARKER LIGHT
	089362-01-000	EA	LIGHT-SIDE MARKER, AMBER LENS & BASE - W/O BULB
	036198-01-000	EA	BULB-12V - #194 - .27AMP
	078795-01-000	EA	LIGHT-LICENSE PLATE, GM# 912368
	087201-01-000	EA	LIGHT-DUMP VALVE
	007309-01-000	EA	LIGHT-STEP WELL - 12V

EXTERIOR LIGHTS

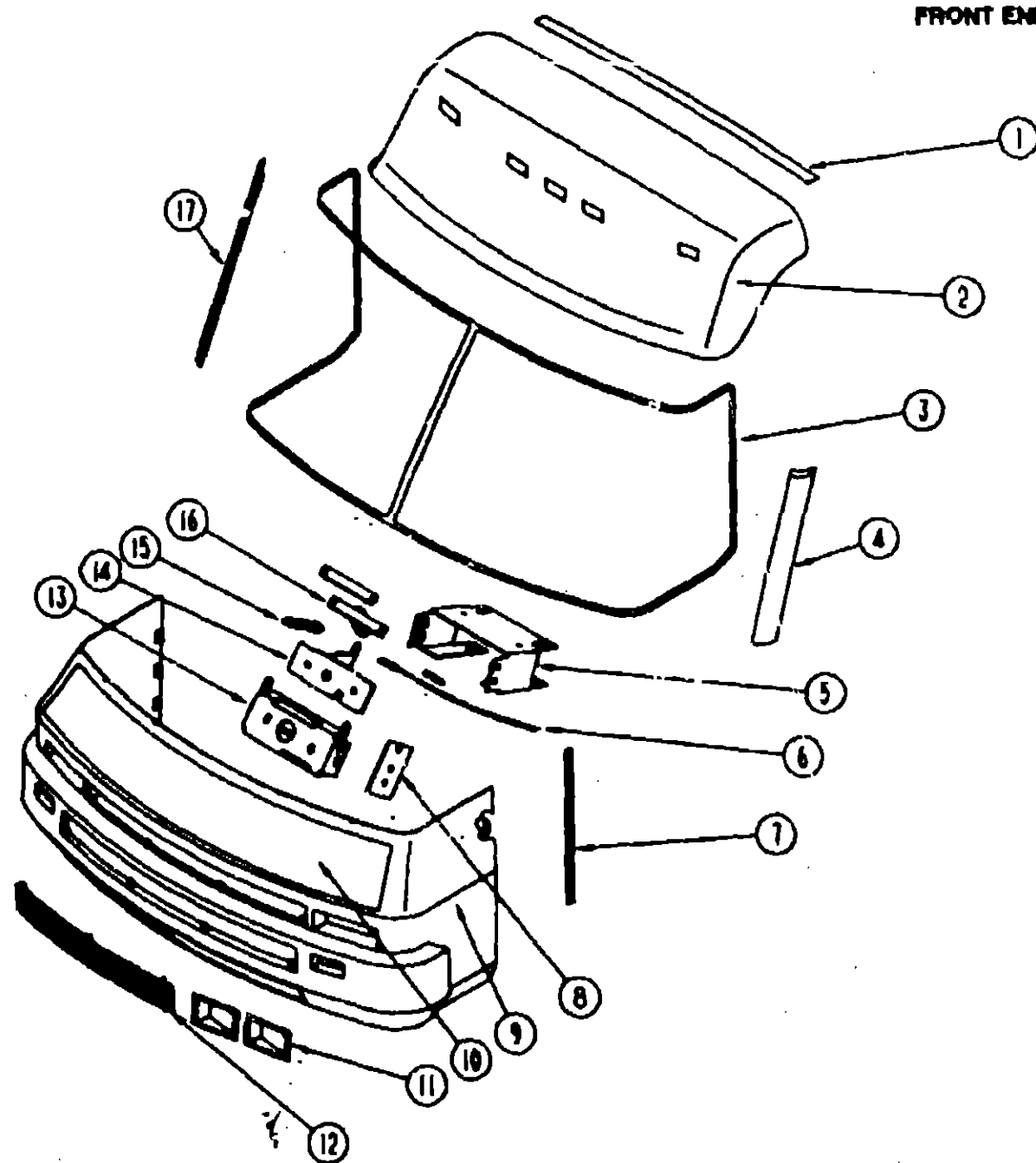
**1991 ITASCA
TABLE OF CONTENTS**

INTRODUCTION	A-01 - A-02
ABBREVIATIONS	A-02
ALPHABETICAL INDEX	A-04 - A-06
ICN25RC	A-07 - F-02
ICN34RQ	F-03 - K-08

1991 ICN34RQ INDEX

FLOOR PLAN	F-03 - F-04
ACCESSORIES	F-05 - F-12
BATH	F-13 - F-16
BEDROOM	F-17 - F-20
CHASSIS	F-21 - G-08
C C & PAD	G-09 - G-18
DINETTE	G-19 - G-20
DRIVERS	G-21 - H-04
ELECTRICAL	H-05 - H-12
EXTERIOR BODY	H-13 - H-20
GALLEY	H-21 - I-04
HEATING & A/C	I-05 - I-08
INTERIOR FINISH	I-09 - I-12
LABEL	I-13 - I-20
LP	I-21
LOUNGE	I-22 - I-23
SEALANTS & FASTENERS	I-24 - J-02
WATER & SEWAGE	J-03 - J-07
WINDOW, VENT AND EXTERIOR DOOR	J-08 - K-08

**EXTERIOR BODY GROUP
FRONT END COMPONENTS**



KEY	PART NUMBER
9	M01115-21-Y33
10	M02678-01-Y33
	062663-02-000
	058833-01-000
	062628-01-000
	094080 01 000
	068927-01-000
	076718-02-000
	085498-05-000
	085498-06-000
	093851-01-Y35
	093851-02-Y35
	077252-01-000
	058786-01-000
	R77007-51-429
	076772-01-000
	077049-01-000
	063295-02-000
	077048-01-000
	066235-02-000
	065094-01-000
11	091839-02-01A
	091839-01-01A
	049185-01-000
	049186-01-000
	049187-01-000
	049188-01-000
	050030-02-000
	083749-01-000
	048359-01-000
	074048-01-000
	040830-01-000
	073308-01-000
	096674-01-000
	096675-01-000
	093350-02-000
	078896-01-000
	078897-01-000
12	093004-01-Y33
13	073336-02-000
14	R77007-51-429
15	R77006-38-499
16	R77007-01-950
17	091901-01-000

U/M	DESCRIPTION
EA	FRONT END-FIBERGLASS, OFF WHITE - W/O HOOD OR HINGES
EA	PANEL-HOOD, W/BRACKETS ONLY - OFF WHITE
EA	CROSSMEMBER-CENTER, U-CHANNEL STEEL - 2" X 44.8"
EA	BRACKET-PROP ROD
EA	CLIP-PROP ROD
EA	ROD ASM-PROP,HOOD
EA	GROMMET RUBBER - PROP RED
EA	BRACKET ASM-LATCH - INCLUDED WITH HOOD
EA	HINGE-HOOD, UPPER PASSENGER
EA	HINGE-HOOD, UPPER DRIVER
EA	HINGE-HOOD, PASSENGER
EA	HINGE-HOOD, DRIVER
EA	PIN-HINGE
EA	BOIT-HOOD / ADJUSTING
EA	BRACKET-HOOD RELEASE
EA	CLIP-SPEED, TUBE TYPE
EA	NUT-ACORN, 10-32 ALUMINUM
EA	BRACKET-LATCH, HOOD
EA	SHAFT-ADAPTOR, WINDSHIELD PANTOGRAPH ARM
EA	BEARING-SNAPIN, 3/16" ID X 3/16"
EA	NUT-ACORN, 1/4 - 20 ALUMINUM
EA	BEZEL-HEADLAMP, DRIVER - BLACK
EA	BEZEL-HEADLAMP, PASSENGER - BLACK
EA	HEADLAMP ASM-PASSENGER HIGH/LO
EA	HEADLAMP ASM-DRIVERS HIGH/LO
EA	HEADLAMP ASM-PASSENGER HIGH
EA	HEADLAMP ASM-DRIVERS HIGH
EA	HOUSING-HEADLAMP WIRING, HIGHBEAM
EA	HOUSING-HEADLAMP WIRING, LOW BEAM
EA	SPRING-HEADLAMP RETAINER, GM - #0498098
EA	INSEPT-KNURLED, BRASS - #8-32 - FOR HEADLIGHTS
EA	NUT-HEADLAMP BEZEL
EA	SCREW-ADJUSTING, HEADLAMP
EA	NUT-HEADLAMP, BLACK - FORD
EA	KNOB-HEADLAMP, W/SHAFT - FORD
EA	BRACKET ASM-HOOD,BUMPER,LWR
EA	BRACKET-HINGE MOUNTING,HOOD
EA	PLATE-TAPPING
EA	GRILLE-5 BAR, BRIGHT FINISHED
EA	BRACKET-MOUNTING, LATCH
EA	LATCH ASM-HOOD RELEASE
EA	SPRING-CABLE,HOOD LATCH
EA	STRIKER-LATCH, HOOD
EA	TRIM-A-PILLAR, PASS - BETWEEN WINDSHIELD & VENT GLASS

**1991 ITASCA
TABLE OF CONTENTS**

INTRODUCTION	A-01 - A-02
ABBREVIATIONS	A-03
ALPHABETICAL INDEX	A-04 - A-06
ICN25RC	A-07 - F-02
ICN34RQ	F-03 - K-08

1991 ICN34RQ INDEX

FLOOR PLAN	F-03 - F-04
ACCESSORIES	F-05 - F-12
BATH	F-13 - F-18
BEDROOM	F-17 - F-20
CHASSIS	F-21 - G-08
C C & PAD	G-09 - G-18
DINETTE	G-19 - G-20
DRIVERS	G-21 - H-04
ELECTRICAL	H-05 - H-12
EXTERIOR BODY	H-13 - H-20
GALLEY	H-21 - I-04
HEATING & AC	I-05 - I-08
INTERIOR FINISH	I-09 - I-12
LABEL	I-13 - I-20
LP	I-21
LOUNGE	I-22 - I-23
SEALANT & FASTENERS	I-24 - J-02
WATER & SEWAGE	J-03 - J-07
WINDOW, VENT AND EXTERIOR DOOR	J-08 - K-08

FRONT END COMPONENTS

KEY	PART NUMBER	U/M	DESCRIPTION
1	083805-14-000	EA	TRIM-ROOF TO FRONT CAP
2	M02959-07-AE6	EA	CAP-ROOF, FRONT - W/LIGHTS - OFF WHITE
3	091988-01-000	EA	MOLDING-REVEAL, WINDSHIELD - SURROUNDS BOTH WINDSHIELDS
4	091901-02-000	EA	TRIM-A-PILLAR, DR - BETWEEN WINDSHIELD & VENT GLASS - BLK
5	073342-01-000	EA	BRACKET ASM-STRIKER,HOOD (MOUNTS TO CROSSMEMBER)
6	062663-02-000	EA	CROSSMEMBER-CENTER, U-CHANNEL STEEL - 2" X 48"
6	077064 01 000	EA	CABLE ASM-HOOD RELEASE
6	102087 01 000	EA	CABLE ASM-HOOD RELEASE
	010437-08-000	EA	CLAMP-CLOSED, .125"
7	098204-01-02A	EA	TRIM-BEAM, FRONT END TO SIDEWALLS
8	077407 01 000	EA	BRACKET-HOOD RELEASE CABLE
8	102515 01 000	EA	BRACKET-HOOD RELEASE CABLE

FROM: 00-00-00 THRU: 90-07-08

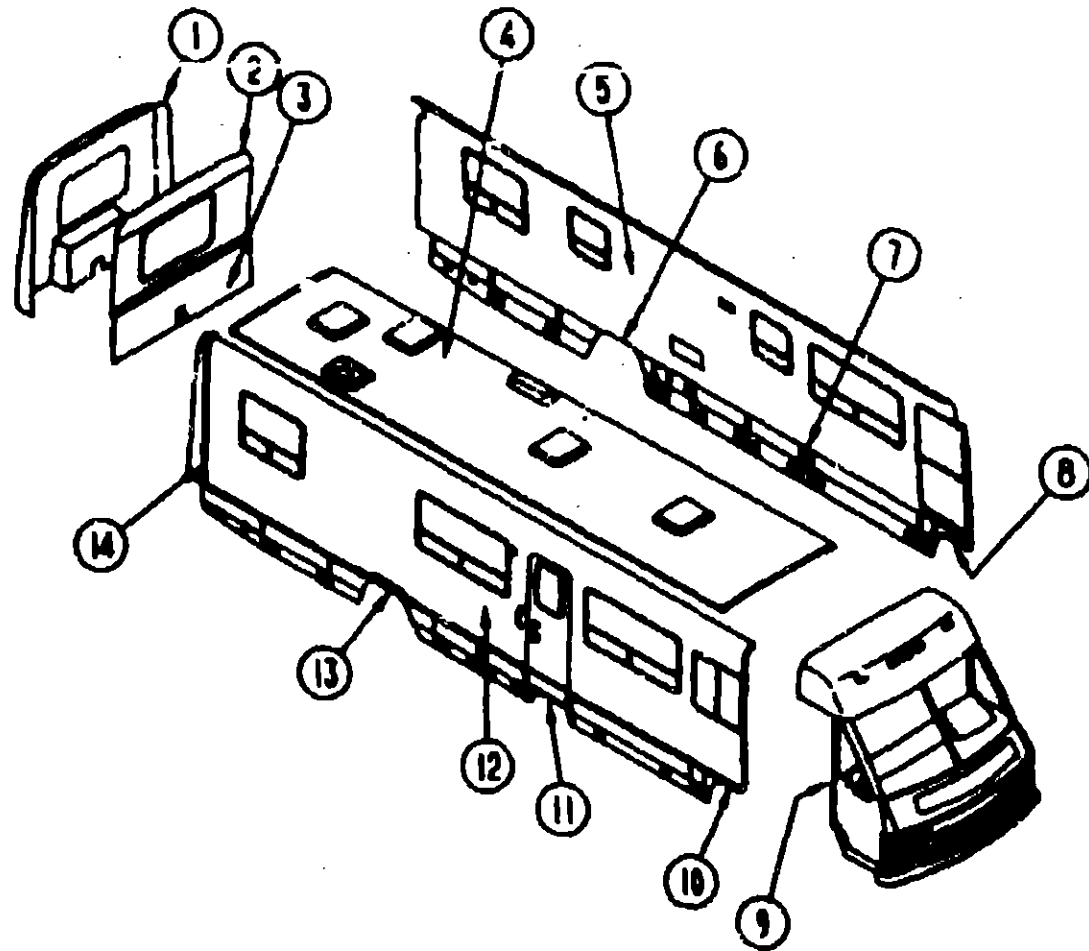
FROM: 07-09-90 THRU: 99-99-99

FROM: 07-09-90 THRU: 99-99-99

FROM: 00-00-00 THRU: 08-12-90

FROM: 08-13-90 THRU: 99-99-99

EXTERIOR BODY GROUP (CONTINUED)



EXTERIOR BODY PANELS AND TRIM

KEY	PART NUMBER
	100127-01-000
	092240-01-000
	071767-02-000
	070767-06-000
	092550-01-01A
	092765-01-Y12
	082701-01-000

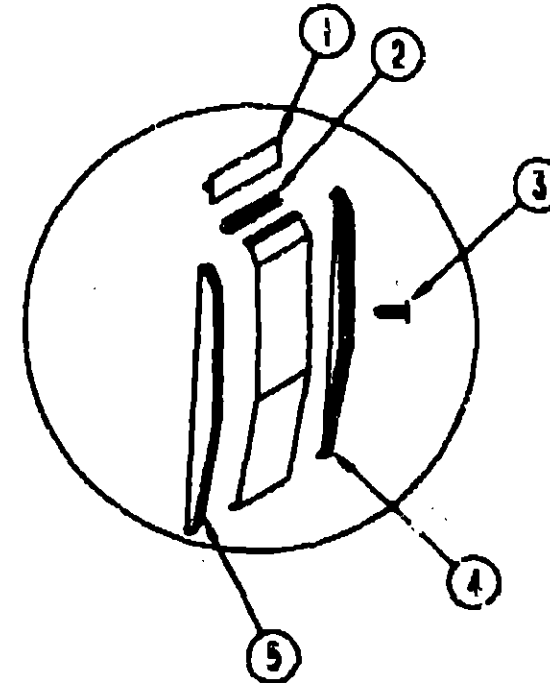
EXTERIOR BODY GROUP (CONTINUED)

EXTERIOR BODY PANELS AND TRIM CONTINUED

U/M	DESCRIPTION
FT	SEAL-PILE, ADHESIVE BACK - GRAY
FT	SEAL-FOAM, CLOSED CELL - 1/4" X 1/2" X 50'
EA	CABLE-1/16" X 18.5" - STAINLESS STEEL
EA	CABLE-SUPPORT, 25.6" - STAINLESS STEEL
EA	PLUG-PLASTIC, W/FLUSH TYPE HEAD - 1/4" - WHITE
EA	PANEL-FILLER, BACKWALL - LEFT - RADIUS CORNER - 11.8" X 28"
SF	PANEL-SHEATHING, WAFERBOARD - 4' X 8' - INCREMENTS OF 32 SF

**1991 ITASCA
TABLE OF CONTENTS**

INTRODUCTION	A-01 - A-02
ABBREVIATIONS	A-03
ALPHABETICAL INDEX	A-04 - A-06
ICN25RC	A-07 - F-02
ICN34RQ	F-03 - K-08



VALANCE PANELS & COMPONENTS

KEY	PART NUMBER
1	092301-01-01A
2	009088-01-000
3	094362-02-000
4	092690-01-01A
5	092690-02-01A
	094355-52-01A

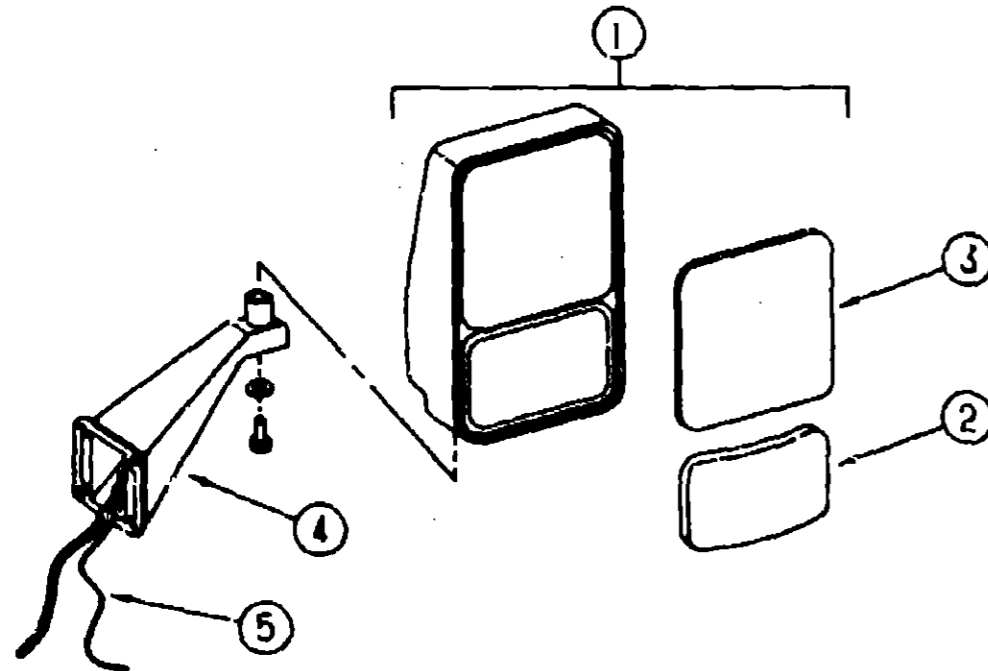
U/M	DESCRIPTION
FT	MOLDING-VALANCE TO SIDEWALL, 1.3" WIDE - PLASTIC - OFF WHITE
EA	HINGE-ALUMINUM, NO HOLES - 1 1/16" X 6" - UNPAINTED
EA	CLIP-CHRISTMAS TREE, FLAT HEAD
EA	END CAP-VALANCE, REAR ON DRIVERS, FRONT ON PASSENGERS
EA	END CAP-VALANCE, FRONT ON DRIVERS, REAR ON PASSENGERS
EA	RETAINER-VALANCE, 84" - OFF WHITE

1991 ICN34RQ INDEX

FLOOR PLAN	F-03 - F-04
ACCESSORIES	F-05 - F-12
BATH	F-13 - F-16
BEDROOM	F-17 - F-20
CHASSIS	F-21 - G-08
C C & PAD	G-09 - G-18
DINETTE	G-19 - G-20
DRIVERS	G-21 - H-04
ELECTRICAL	H-05 - H-12
EXTERIOR BODY	H-13 - H-20
GALLEY	H-21 - I-04
HEATING & A/C	I-05 - I-08
INTERIOR FINISH	I-09 - I-12
LABEL	I-13 - I-20
LP	I-21
LUNGE	I-22 - I-23
SEALANTS & FASTENERS	I-24 - J-02
WATER & SEWAGE	J-03 - J-07
WINDOW, VENT AND EXTERIOR DOOR	J-08 - K-08

KEY	PART NUMBER	U/M	DESCRIPTION
1	M03491-04-AE8	EA	CAP-REAR, FIBERGLASS - W/LIGHTS - W/O DOORS
1	M03491-08-B29	EA	CAP-REAR, FIBERGLASS - W/LIGHTS AND CAMERA SHROUD
2	092732-01-B29	EA	BACKWALL-UPPER, TWIN BED
2	M06007-02-B29	EA	BACKWALL-UPPER, QUEEN BED
3	M06069-01-B29	EA	BACKWALL-LOWER, TWIN BED
3	M06069-02-B29	EA	BACKWALL-LOWER, QUEEN BED
4	P00350-01-807	EA	ROOF-W/O VENTS OR CUTOUTS
	083806-14-000	EA	TRIM-ROOF, FRONT & REAR CAP TO ROOF - 6.4" MILL FINISHED
5	P01151-01-B29	EA	SIDEWALL-DRIVERS, W/O WINDOWS, LIGHTS OR DOORS
6	093245-10-Y35	EA	PANEL-WHEEL LIP, REAR - DRIVER SIDE - OFF WHITE
	094345-02-01A	EA	TRIM-WHEELWELL, MILL FINISH - 21.3" LONG
	M04019-01-000	EA	BRIDGE-WHEELWELL, E-COATED
7	093022-07-Y35	EA	PANEL-VALANCE - OFF WHITE
8	096685-02-01A	EA	PANEL-WHEEL LIP, DRIVER SIDE - FRONT - PLASTIC - OFF WHITE
9	096204-01-01A	EA	TRIM-J, .5" WIDTH EXPOSED - 1" X 20" LONG - ALUMINUM - OFF WHITE
10	096685-01-01A	EA	PANEL-WHEEL LIP, PASSENGER SIDE - FRONT - PLASTIC - OFF WHITE
11	092894-01-01A	EA	VALANCE-STEP, ENTRY DOOR - OFF WHITE
	093873-02-01A	EA	TRIM-ENTRY DOOR - 1.3" WIDE - OFF WHITE
12	P01151-01-B29	EA	SIDEWALL-PASSENGER, W/O WINDOW, LIGHT, OR DOOR
	095023-J1-000	EA	SUPPORT-VALANCE, 10.6" X 10.6"
13	093245-09-Y35	EA	PANEL-WHEEL LIP, REAR - PASSENGER SIDE - OFF WHITE
	094345-02-01A	EA	TRIM-WHEELWELL, MILL FINISH - 21.3" LONG
	M04019-01-000	EA	BRIDGE-WHEELWELL, E-COATED
	090024-01-000	EA	SHROUD-WHEELWELL
14	092041-01-02A	EA	TRIM-REAR CAP TO SIDEWALL, 1.8" X 83" - ALUMINUM - OFF WHITE
	091985-01-01A	FT	INSERT-TRIM, 66" WIDE - VINYL - OFF WHITE
	001064-01-011	EA	SKIN-ALUMINUM, 4' X 8' - FLAT - OFF WHITE
	092301-01-03A	EA	MOLDING-VALANCE TO SIDEWALL - 1.3" WIDE - OFF WHITE
	099023-04-000	EA	SUPPORT-VALANCE, 8.3" X 8.3"
	090085-01-000	EA	HINGE-ALUMINUM, 1 1/2" X 98" - UNPAINTED
	034007-01-000	EA	HINGE-PIANO, 1.5" X 98" - OFF WHITE - ALUMINUM

EXTERIOR BODY GROUP (CONTINUED)



EXTERIOR MIRRORS

KEY	PART NUMBER	U/M DESCRIPTION
1	088260-01-000	EA MIRROR-W/CONVEX, PASSENGER
2	088260-01-700	EA GLASS-CONVEX-PASSENGER
3	088260-01-701	EA GLASS-FLAT-PASSENGER
1	088260-02-000	EA MIRROR-W/CONVEX, DRIVER
2	088260-02-700	EA GLASS-CONVEX-DRIVER
3	088260-02-701	EA GLASS-FLAT-DRIVER
4	088260-03-000	EA MIRROR MOUNTING ARM - EXTERIOR - DRIVER AND PASSENGER
	088260-03-700	EA BALL-CUP MOUNT (SET/2)
	088260-03-701	EA BRACKET-MOUNTING-BLACK

EXTERIOR MIRRORS WITH HEAT & REMOTE

KEY	PART NUMBER	U/M DESCRIPTION
1	088258-04-000	EA MIRROR-REMOTE HEAT, PRE-WIRED - PASSENGER
2	088258-04-700	EA GLASS-CONVEX-PASSENGER
3	088258-04-701	EA GLASS-FLAT-PASSENGER
1	088258-05-000	EA MIRROR-REMOTE HEAT, PRE-WIRED - DRIVER
2	088258-05-700	EA GLASS-CONVEX-DRIVER
3	088258-05-701	EA GLASS-FLAT-DRIVER
4	088260-03-000	EA MIRROR MOUNTING ARM - EXTERIOR - DRIVER AND PASSENGER
	088260-03-700	EA BALL-CUP MOUNT (SET/2)
	088260-03-701	EA BRACKET-MOUNTING-BLACK
5	088260-01-000	EA WIRE-INSTRUMENT PANEL REMOTE MIRROR
	088246-01-000	EA SWITCH-REMOTE-EXTERIOR MIRROR-SQUARE PUSH
	087895-01-000	EA SWITCH-HEATER-EXTERIOR MIRROR

EXTERIOR BODY GROUP (CONTINUED)

SKINS AND PANELS APT/ STYROFOAM

KEY	PART NUMBER	U/M DESCRIPTION
	084882-14-010	EA PANEL-FIBERGLASS, W/BACKING 83.34" X 985.35" OFF WHITE
	084882-15-000	EA PANEL-FIBERGLASS, W/BACKING 83.34" X 247.04" OFF WHITE
	084882-17-000	EA PANEL-FIBERGLASS, W/BACKING 83.34" X 377.30" OFF WHITE
	001034-01-011	EA ALUMINUM-SHEET, 4' X 8' - FLAT - OFF WHITE
	044487-01-001	EA ALUMINUM SHEET - .019" X 96" X 360" - MILL FINISH
	069237-01-000	SF PLYWOOD-LUAN, OVERLAY GRADE - 4' X 6' - INC OF 32 SF
	093743-01-02^	SF PLASTIC-ABS, 11.5" WIDE - OFF WHITE
	000870-05-000	SF STYROFOAM-.5" X 24" X 96", INCREMENTS OF 16 SF
	083574-01-000	SF STYROFOAM, DOW TYPE SM - 1.5" X 24" X 85.25" - INC OF 14 SF
	083574-04-000	SF STYROFOAM, DCW TYPE SM - 1.5" X 24" X 69.3
	000868-01-000	SF STYROFOAM-.75" X 24" X 96" - INCREMENTS OF 16 SF
	000870-03-000	SF STYROFOAM-1.34" X 48" X 96" - INCREMENTS OF 32 SF

ASSIST HANDLE & ENTRY DOOR STRIKE COVER

KEY	PART NUMBER	U/M DESCRIPTION
	077461-01-000	EA COVER-STRIKE, ENTRY DOOR - 6.5" X 2.58" - PLASTIC - BEIGE FROM: 00-00-00 THRU: 07-09-90
	077461-03-000	EA COVER-STRIKE, ENTRY DOOR - 6.5" X 2.5" - PLASTIC - OFF WHITE FROM: 07-10-90 THRU: 99-99-99
	069178-02-000	EA BRACKET-MOUNTING, ASSIST HANDLE
	000C16-07-168	EA BOLT-CARRIAGE, ASSIST HANDLE - 7/16" - 14 X 1" ZN
	000020-07-008	EA NUT-ACORN, ASSIST HANDLE - 7/16" X 14 ZN
	053552-02-AA8	EA HANDLE-ASSIST, INTERIOR - ENTRY DOOR - VINYL - OFF WHITE

**1991 ITASCA
TABLE OF CONTENTS**

INTRODUCTION	A-01 -	A-02
ABBREVIATIONS		A-03
ALPHABETICAL INDEX	A-04 -	A-08
ICN25RC	A-07 -	F-02
ICN34RQ	F-03 -	K-08

1991 ICN34RQ INDEX

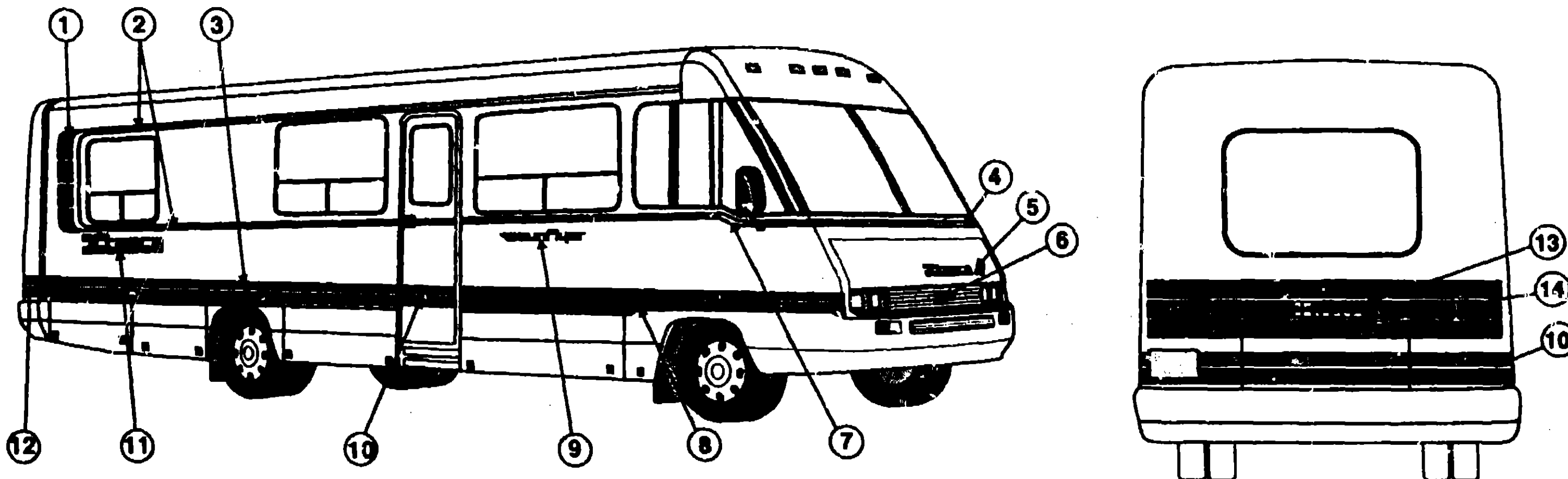
FLOOR PLAN	F-03 -	F-04
ACCESSORIES	F-05 -	F-12
BATH	F-13 -	F-16
BEDROOM	F-17 -	F-20
CHASSIS	F-21 -	G-08
C C & PAD	G-09 -	G-16
DINETTE	G-19 -	G-20
DRIVERS	G-21 -	H-04
ELECTRICAL	H-05 -	H-12
EXTERIOR BODY	H-13 -	H-20
GALLEY	H-21 -	I-04
HEATING & A/C	I-05 -	I-08
INTERIOR FINISH	I-09 -	I-12
LABEL	I-13 -	I-20
LP		I-21
LOUNGE	I-22 -	I-23
SEALANTS & FASTENERS	I-24 -	J-02
WATER & SEWAGE	J-03 -	J-07
WINDOW, VENT AND EXTERIOR DOOR	J-08 -	K-08

EXTERIOR BODY GROUP (CONTINUED)

DECALS & PAINT

1991 ITASCA
TABLE OF CONTENTS

INTRODUCTION	A-01 -	A-02
ABBREVIATIONS		A-03
ALPHABETICAL INDEX	A-04 -	A-06
ICN25RC	A-07 -	F-02
ICN34RQ	F-03 -	K-08

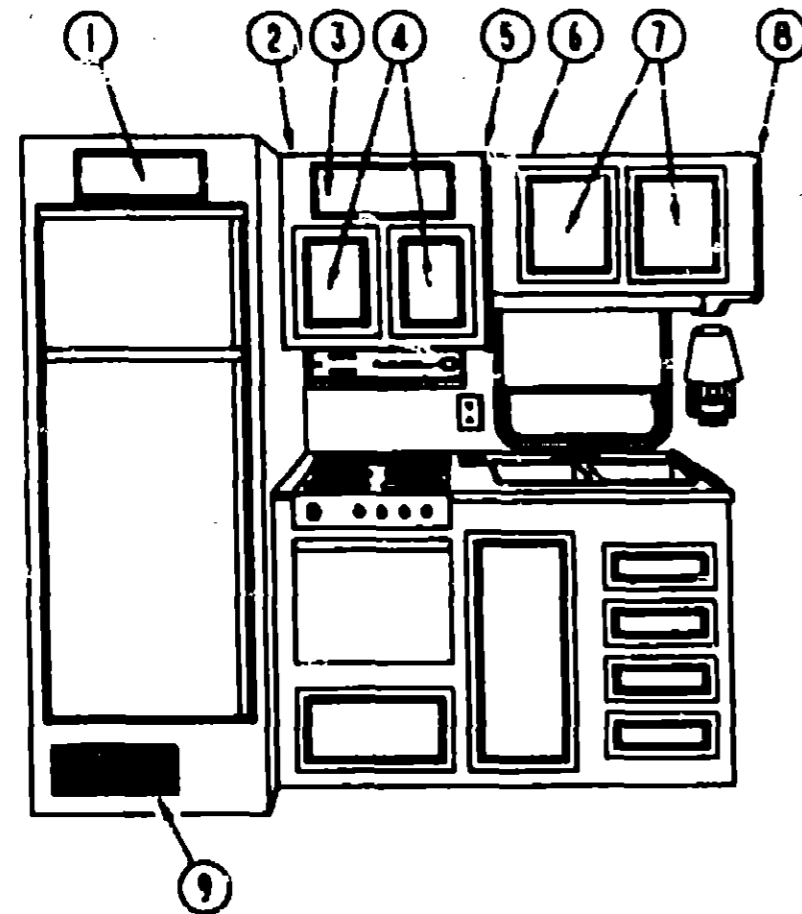


1991 ICN34RQ INDEX

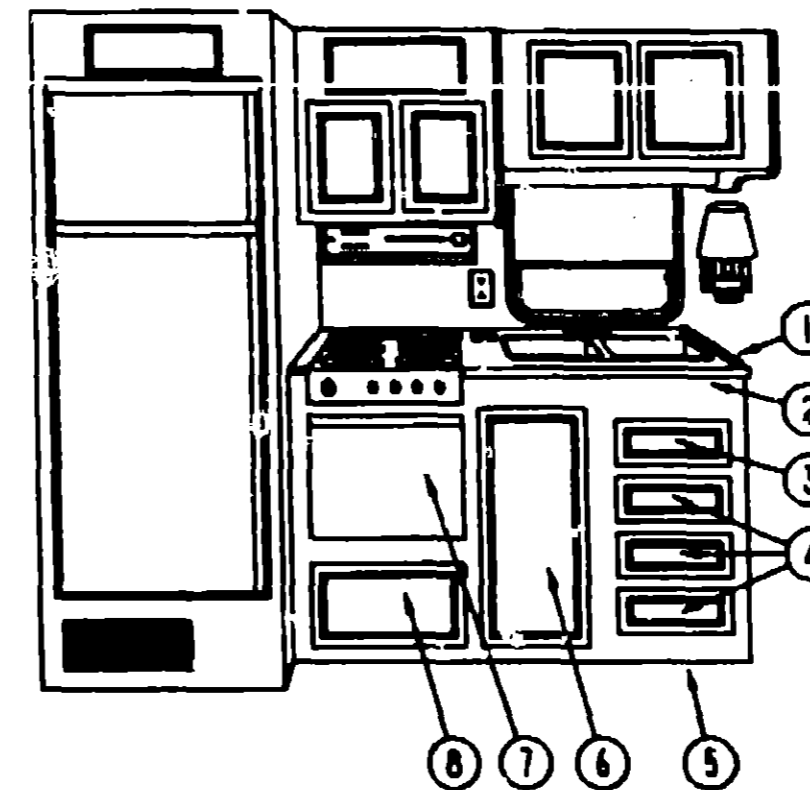
FLOOR PLAN	F-03 -	F-04
ACCESSORIES	F-05 -	F-12
BATH	F-13 -	F-16
BEDROOM	F-17 -	F-20
CHASSIS	F-21 -	G-08
C C & PAD	G-09 -	G-18
DINETTE	G-19 -	G-20
DRIVERS	G-21 -	H-04
ELECTRICAL	H-05 -	H-12
EXTERIOR BODY	H-13 -	H-20
GALLEY	H-21 -	I-04
HEATING & AC	I-05 -	I-08
INTERIOR FINISH	I-09 -	I-12
LABEL	I-13 -	I-20
LP		I-21
LOUNGE	I-22 -	I-23
SEALANTS & FASTENERS	I-24 -	J-02
WATER & SEWAGE	J-03 -	J-07
WINDOW, VENT AND EXTERIOR DOOR	J-08 -	K-08

KEY	PART NUMBER	U/M	DESCRIPTION
1	087911-01-04A	EA	DECAL-WINDOW, ALL 4 SECTIONS - REAR PASSENGER SIDE - CONNECTS ABOVE WINDOW TO BELOW WINDOW SIDEWALL STRIPES - BLUE DUPONT #K9432, VIOLET #K9463
	087911-02-04A	EA	DECAL-WINDOW, ALL 4 SECTION - REAR DRIVER SIDE - CONNECTS ABOVE WINDOW TO BELOW WINDOW SIDEWALL STRIPES - BLUE DUPONT #K9462, VIOLET DUPONT #K9463
2	083889-02-05A	FT	MULTISTRIPES-4 LINES, 2.24" WIDE - ABOVE & BELOW SIDEWALL WINDOWS - VIOLET DUPONT #K9463, BLUE DUPONT #K9462
3	083889-04-06A	FT	MULTISTRIPES-4 LINES, 5.9" WIDE - ABOVE VALANCE PANELS, FRONT TO CAB DOOR TRANSITION - VIOLET DUPONT #K9463, BLUE DUPONT #K9462
4	083889-03-06A	FT	MULTISTRIPES-4 LINES, 2.8" WIDE - ACROSS FRONT BELOW WINDSHIELD - VIOLET DUPONT #K9463, BLUE DUPONT #K9462
5	083789-02-01A	EA	DECAL-LOGO "ITASCA", HOOD - BLACK & BLUE - BLUE DUPONT #D8734
6	083790-01-01A	EA	DECAL-LOGO, "T" - 3 DIMENSIONAL - FRONT GRILLE
7	083792-01-08A	EA	DECAL-CORNER ANGLE, PASSENGER - FRONT - BELOW WINDSHIELD CORNER UP TO CAB WINDOW - VIOLET DUPONT #K9463, BLUE DUPONT #K9462
	083792-02-08A	EA	DECAL-CORNER ANGLE, DRIVER - FRONT - BELOW WINDSHIELD CORNER UP TO CAB WINDOW - VIOLET DUPONT #K9463, BLUE DUPONT #K9462
8	083797-01-08A	EA	DECAL-TRANSITION, 2 LINES - PASSENGER SIDE - ABOVE VALANCE PANELS, CONNECTS FRONT 5.9" TALL TO REAR 8" - VIOLET DUPONT #K9463, BLUE DUPONT #K9462
	083797-02-08A	EA	DECAL-TRANSITION, 2 LINE - DRIVER SIDE - ABOVE VALANCE PANELS, CONNECTS FRONT 5.9" TALL TO REAR 8" - VIOLET DUPONT #K9463, BLUE DUPONT #K9462
9	083793-01-08A	EA	DECAL-LOGO, "SUNFLYER" - FRONT PASSENGER SIDE - BLUE DUPONT #B8734, VIOLET DUPONT #K9463 & BLACK
	083793-02-08A	EA	DECAL-LOGO, "SUNFLYER" - FRONT DRIVER SIDE - BLUE DUPONT #B8734, VIOLET DUPONT #K9463 & BLACK
10	083889-05-06A	FT	MULTISTRIPES-4 LINES, 8" WIDE - ABOVE VALANCE PANELS, FROM CAB DOOR TRANSITION TO REAR - VIOLET DUPONT #K9463, BLUE DUPONT #K9462
11	078852-18-000	EA	DECAL-LOGO, "ITASCA" - DR. & PASS. SIDEWALL - 1.5" - BLUE DUPONT #B8734 & BLACK
12	083798-01-08A	EA	DECAL-CORNER, 4 LINES - REAR PASSENGER SIDE - ABOVE VALANCE PANELS, REAR CORNER - VIOLET DUPONT #K9463, BLUE DUPONT #K9462
	083798-02-08A	EA	DECAL-CORNER, 4 LINES - REAR DRIVER SIDE - ABOVE VALANCE PANELS, REAR CORNER - VIOLET DUPONT #K9463, BLUE DUPONT #K9462
13	083791-01-01A	EA	DECAL-LOGO, "ITASCA" - RAISED LETTERS - REAR CAP
14	084075-02-000	EA	DECAL-"BY WINNEBAGO INDUSTRY" - SILVER
NOTE: - -			BODY PAINT - OFF WHITE, DUPONT# L8723

GALLEY GROUP



GALLEY GROUP (CONTINUED)



1991 ITASCA TABLE OF CONTENTS

INTRODUCTION	A-01 -	A-02
ABBREVIATIONS		A-03
ALPHABETICAL INDEX	A-04 -	A-08
ICN25RC	A-07 -	F-02
ICN34RC	F-03 -	K-08

GALLEY CABINETS & COMPONENTS

KEY	PART NUMBER	U/M DESCRIPTION
1	P00523-03-B29 090329-01-000	EA DOOR-CABINET, W/O HARDWARE - 6.4' X 16' FT SEAL-REFRIGERATOR CABINET
2	M04092-17-B29	EA CABINET-OVERHEAD, W/O DOORS OR HARDWARE - RANGE
2	M04092-18-B29	EA CABINET-OVERHEAD, W/O DOORS OR HARDWARE - MICROWAVE
3	P00523-03-B29	EA DOOR-CABINET, W/O HARDWARE - 6.4' X 16"
4	P00523-02-B29	EA DOOR-CABINET, W/O HARDWARE - 10.2" X 14.4"
5	092090-04-B29	EA END CAP-CABINET, OVERHEAD - FRONT
6	098925-01-B29	EA CABINET-OVERHEAD, SINK - W/O DOORS OR HARDWARE
7	P00523-05-B29	EA DOOR ASM-W/O HARDWARE 14.37' X 18.14"
8	098982-02-B29	EA END CAP-CABINET, OVERHEAD - FRONT
9	M02516-56-B29 098979-01-000 098980-02-000	EA DOOR-FURNACE, W/MESH INSERT EA CLIP-ADJUSTABLE SHELF EA PILASTER-ADJUSTABLE SHELF

KEY	PART NUMBER	U/M DESCRIPTION
1	098926-11-B07	EA COUNTERTOP-GALLEY
2	098335-02-B03	EA RAIL-GALLEY, .75" X 1.5" X 22.3"
3	P00522-02-B29	EA DRAWER-CABINET, W/O HARDWARE - 13" X 6.7" - TOP DRAWER FROM: 00-00-00 THRU: 01-08-91
3	P03397-12-B32	EA DRAWER-CABINET, W/O HARDWARE - 12.9" X 6.7" - TOP DRAWER FROM: 01-07-91 THRU: 99-99-99
4	P00522-01-B29	EA DRAWER-CABINET, W/O HARDWARE - 13" X 15.2" - LOWER 3 DRAWERS FROM: 00-00-00 THRU: 01-08-91
4	P03397-10-B32	EA DRAWER-CABINET, W/O HARDWARE - 13" X 6.7" - TOP DRAWER FROM: 01-07-91 THRU: 99-99-99
5	M04091-02-B29	EA CABINET-GALLEY, W/O DOORS OR HARDWARE - 4 BURNER ENAMEL/HOT PLATE
5	M04091-03-B29	EA CABINET-GALLEY, W/O DOORS OR HARDWARE - BLACK OVEN FROM: 00-00-00 THRU: 09-02-90
5	M04091-01-B29	EA CABINET-GALLEY, W/O DOORS OR HARDWARE - BLACK OVEN FROM: 09-03-90 THRU: 99-99-99
6	P00523-12-B29	EA DOOR-CABINET, W/O HARDWARE - 14.4" X 26.8"
7	P00523-13-B29	EA DOOR-CABINET, W/O HARDWARE - 9.6" X 21.8"
8	M82184-27-B29 P00523-20-B29 098507-01-000	EA DRAWER-CABINET, W/O HARDWARE - 17.7" X 21.9" EA DOOR-CABINET, W/O HARDWARE - 17.7" X 21.9" EA RANGE-4 BURNER, SMALL - ALMOND- MAGIC CHEF BT22NA FROM: 00-00-00 THRU: 09-02-90
	102020-01-01A	EA RANGE-4 BURNER, W/ALMOND TOP & DOOR - MAGIC CHEF BT22RA4T4 FROM: 09-03-90 THRU: 03-10-91
	102020-01-03A	EA RANGE-4 BURNER, ALMOND - 22" MAGIC CHEF BT22RA4TZ FROM: 03-10-91 THRU: 99-99-99

GALLEY CABINETS & COMPONENTS

1991 ICN34RC INDEX

FLOOR PLAN	F-03 -	F-04
ACCESSORIES	F-05 -	F-12
BATH	F-13 -	F-16
BEDROOM	F-17 -	F-20
CHASSIS	F-21 -	G-08
C C & PAD	G-09 -	G-18
DINETTE	G-19 -	G-20
DRIVERS	G-21 -	H-04
ELECTRICAL	H-05 -	H-12
EXTERIOR BODY	H-13 -	H-20
GALLEY	H-21 -	I-04
HEATING & A/C	I-05 -	I-08
INTERIOR FINISH	I-09 -	I-12
LABEL	I-13 -	I-20
LP		I-21
LOUNGE	I-22 -	I-23
SEALANTS & FASTENERS	I-24 -	J-02
WATER & SEWAGE	J-03 -	J-07
WINDOW, VENT AND EXTERIOR DOOR	J-08 -	K-08

GALLEY GROUP (CONTINUED)

MISCELLANEOUS GALLEY COMPONENTS

KEY	PART NUMBER	U/M	DESCRIPTION
	058334-01-000	EA	WASTEBASKET-9 3/4" X 7" X 10", WHITE - RUBBERMAID
	100031-01-01A	EA	TRAY-SILVERWARE, ALMOND - RUBBERMAID
	082408-01-Y12	EA	HOLDER-PAPER TOWEL
	083063-01-K07	EA	COVER-SINK
	077953-01-000	EA	GROMMET-EDGE LINER, FITS 1"
	083238-01-B29	EA	HOLDER-KNIFE, COUNTERTOP - OAK
	083282-01-000	EA	BONNET-KNIFE HOLDER, UNDER COUNTER - METAL

RANGE

KEY	PART NUMBER	U/M	DESCRIPTION
	085280-03-000	EA	COVER-BIFOLD, RANGE - ALMOND - MAGIC CHEF K122A-1 FROM: 00-00-00 THRU: 09-02-90
	102021-02-01A	EA	COVER-RANGE, BIFOLD - 22" - ALMOND - MAGIC CHEF KR22A-1 FROM: 09-03-90 THRU: 99-99-99
	098507-01-000	EA	FLANGE-4 BURNER, W/ALMOND TOP & DOOR - MAGIC CHEF BT22NA-4T FROM: 00-00-00 THRU: 09-02-90
	055282-03-708	EA	BUMPER-MAIN TOP, PLASTIC PLUG - MAGIC CHEF 744-178
	049045-01-742	EA	BURNER ASM-OVEN, MAGIC CHEF 50-20216
	084782-02-715	EA	CLIP-GRATE, MAGIC CHEF 413-00015
	055282-03-702	EA	KNOB-THERMOSTAT, MAGIC CHEF 50-20281
	081374-02-701	EA	REGULATOR PRESSURE, MAGIC CHEF 978-27
	055282-03-700	EA	THERMOSTAT, MAGIC CHEF 983-478
	049045-01-703	EA	VALVE-TOP BURNER, MAGIC CHEF 997-584
	084782-02-705	EA	HANDLE-OVEN DOOR, BLACK - MAGIC CHEF 50-25104
	049045-01-728	EA	BROILER PAN W/O INSERT, MAGIC CHEF 50-22114-2
	088507-02-700	EA	FILTER-PILOT, MAGIC CHEF 735-126
	088507-02-703	EA	GLASS, OUTER - MAGIC CHEF 50-27098-1
	088507-02-702	EA	DEFLECTOR VENT - MAGIC CHEF 50-27039-1
	088507-02-704	EA	PANEL, OVEN DOOR-EBONY - MAGIC CHEF 2401F082-70
	088507-02-701	EA	INSERT-BURNER (SLOTTED VENT), MAGIC CHEF 7214P015-60
	088507-02-707	EA	TOP-MAIN, EBONY - MAGIC CHEF 2001F057-70
	088507-02-705	EA	TRIM, LEFT - MAGIC CHEF 3808F018-70
	088507-02-708	EA	TRIM, RIGHT - MAGIC CHEF 3808F017-70
	049045-01-741	EA	INSERT-BROILER PAN, MAGIC CHEF 5022119-1 OR 2
	084782-02-710	EA	BRACKET-FRONT GLASS, MAGIC CHEF 58-82097
	102021-02-01A	EA	COVER-RANGE, BIFOLD - 22" - ALMOND - MAGIC CHEF KR22A-1 FROM: 09-03-90 THRU: 99-99-99
	102020-01-01A	EA	RANGE-4 BURNER ALMOND - 22" - MAGIC CHEF BT22RA-4T-400 FROM: 09-03-90 THRU: 03-11-91
	102020-01-701	EA	HANDLE-DOOR, MAGIC CHEF - 7701P082-60
	102020-01-702	EA	PANEL-MANIFOLD, MAGIC CHEF 2618F080-70
	102020-01-703	EA	PANEL-DOOR, ALMOND - MAGIC CHEF 2401F075-71
	102020-01-700	EA	SHELF-OVEN, MAGIC CHEF - 7801-P027-80
	102020-01-705	EA	TRIM-LEFT, MAGIC CHEF 3808F018-70
	102020-01-708	EA	TRIM-RIGHT, MAGIC CHEF 3808F017-70
	102020-01-708	EA	BURNER ASSEMBLY-OVEN, MAGIC CHEF 3403W003-45
	102020-01-709	EA	BUMPER-GRATE, MAGIC CHEF 8007P018-80
	102020-01-710	EA	FILTER-PILOT, MAGIC CHEF 7507P046-80
	102020-01-711	EA	GRATE-TOP, MAGIC CHEF 7518P012-80
	102020-01-712	EA	KNOB-BURNER VALVE, MAGIC CHEF 7733P044-80
	102020-01-713	EA	KNOB-THERMOSTAT, MAGIC CHEF 7731P042-80
	102020-01-714	EA	PILOT-OVEN, MAGIC CHEF 988-143
	102020-01-715	EA	PIPE-MANIFOLD, MAGIC CHEF 7513P095-80
	102020-01-716	EA	REGULATOR-PRESSURE, MAGIC CHEF 7510P033-80
	102020-01-717	EA	THERMOSTAT, MAGIC CHEF 7515P024-80
	102020-01-718	EA	TOP-MAIN, ALMOND - MAGIC CHEF 2001F085-84
	102020-01-719	EA	TOP-MAIN, BLACK - MAGIC CHEF 2001F085-90
	102020-01-720	EA	VALVE-MERCURY CONTROL, MAGIC CHEF 7501P056-80
	102020-01-721	EA	VALVE-SHUT OFF, MAGIC CHEF 7506F098-80
	102020-01-722	EA	VALVE-TOP BURNER, MAGIC CHEF 7502P095-80
	102020-01-723	EA	PILOT-BURNER, MAGIC CHEF 7505P147-80
	102020-01-724	EA	BUMPER-MAIN TOP, MAGIC CHEF 8003P008-80

GALLEY GROUP (CONTINUED)

RANGES CONTINUED

KEY	PART NUMBER	U/M	DESCRIPTION
	102020-01-03A	EA	RANGE-22" 4 BURNER ALMOND - MAGIC CHEF BT22RA-4TZ FROM: 03-11-91 THRU: 99-99-99
	102020-01-701	EA	HANDLE-DOOR, MAGIC CHEF - 7701P082-60
	102020-01-702	EA	PANEL-MANIFOLD, MAGIC CHEF 2618F080-70
	102020-01-700	EA	SHELF-OVEN, MAGIC CHEF - 7801-P027-80
	102020-01-700	EA	PANEL-DOOR, WINDOW - EBONY - MAGIC CHEF - 2401-F08
	102020-01-705	EA	TRIM-LEFT, MAGIC CHEF 3808F018-70
	102020-01-708	EA	TRIM-RIGHT, MAGIC CHEF 3808F017-70
	102020-01-708	EA	BURNER ASSEMBLY-OVEN, MAGIC CHEF 3403W003-45
	102020-01-709	EA	BUMPER-GRATE, MAGIC CHEF 8007P018-80
	102020-01-710	EA	FILTER-PILOT, MAGIC CHEF 7507P046-80
	102020-01-711	EA	GRATE-TOP, MAGIC CHEF 7518P012-80
	102020-01-712	EA	KNOB-BURNER VALVE, MAGIC CHEF 7733P044-80
	102020-01-713	EA	KNOB-THERMOSTAT, MAGIC CHEF 7731P042-80
	102020-01-714	EA	PILOT-OVEN, MAGIC CHEF 988-143
	102020-01-715	EA	PIPE-MANIFOLD, MAGIC CHEF 7513P095-80
	102020-01-716	EA	REGULATOR-PRESSURE, MAGIC CHEF 7510P033-80
	102020-01-717	EA	THERMOSTAT, MAGIC CHEF 7515P024-80
	102020-01-718	EA	TOP-MAIN, ALMOND - MAGIC CHEF 2001F085-84
	102020-01-720	EA	VALVE-MERCURY CONTROL, MAGIC CHEF 7501P056-80
	102020-01-721	EA	VALVE-SHUT OFF, MAGIC CHEF 7506F098-80
	102020-01-722	EA	VALVE-TOP BURNER, MAGIC CHEF 7502P095-80
	102020-01-723	EA	PILOT-BURNER, MAGIC CHEF 7505P147-80
	102020-01-725	EA	BUMPER-MAIN TOP, MAGIC CHEF 8003P008-80
	102020-01-727	EA	GLASS-OUTER, MAGIC CHEF 7902P288-80
	102020-01-727	EA	TRIM-LEFT, FLAT - MAGIC CHEF 3808W026-70
	102020-01-728	EA	TRIM-RIGHT, FLAT - MAGIC CHEF 3808W027-70

RANGE HOOD

KEY	PART NUMBER	U/M	DESCRIPTION
	088503-09-01A	EA	HOOD-RANGE, W/MONITOR PANEL - VENTLINE TCS 4003SAD
	100258-04-700	EA	CIRCUIT BOARD - VENTLINE 5037
	079983-09-700	EA	BEZEL-SWITCH LEVER, CABLE TO VENT - VENTLINE CC118
	088583-01-709	EA	SWITCH-LEVER, W/CABLE - VENTLINE CB547-4
	082896-01-700	EA	FASTENER-W/CABLE - PLASTIC - VENTLINE VB337
	062898-01-701	EA	KNOB-LEVER, CABLE - PLASTIC - BLACK - VENTLINE CC225
	082896-01-702	EA	RESISTOR-WIRE, VENTLINE L7314
	082896-01-709	EA	BULB-912, LVS VA415
	082896-01-710	EA	SOCKET-LIGHT, LVS CB287-2
	088583-01-708	EA	LENS-LAMP, VENTLINE CC179
	080673-01-702	EA	BLADE-FAN, LVS VA183-1
	088583-01-707	EA	FILTER-GREASE, 8" X 8" - LVS CC246
	088583-01-703	EA	SWITCH-ON/OFF - JENSEN 115
	088583-01-702	EA	SWITCH-TWO WAY MOMENTARY, VENTLINE 112
	101258-10-01A	EA	METER-HOUR, VENTLINE 150
	080673-01-700	EA	MOTOR - LVS CA508-1
	088583-09-701	EA	CONTROL PANEL ASM.
	088583-01-700	EA	SWITCH - ON - OFF
	088583-01-701	EA	SWITCH - MOMENTARY ONE WAY

1991 ITASCA

TABLE OF CONTENTS

INTRODUCTION	A-01	A-02
ABBREVIATIONS		A-03
ALPHABETICAL INDEX	A-04	A-06
ICN25RC	A-07	F-02
ICN34RC	F-03	K-08

1991 ICN34RC INDEX

FLOOR PLAN	F-03	F-04
ACCESSORIES	F-05	F-12
BATH	F-13	F-18
BEDROOM	F-17	F-20
CHASSIS	F-21	G-08
C C & PAD	G-09	G-18
DINETTE	G-19	G-20
DRIVERS	G-21	H-04
ELECTRICAL	H-05	H-12
EXTERIOR BODY	H-13	H-20
GALLEY	H-21	I-04
HEATING & AC	I-05	I-08
INTERIOR FINISH	I-09	I-12
LABEL	I-13	I-20
LP		I-21
LOUNGE	I-22	I-23
SEALANTS & FASTENERS	I-24	J-02
WATER & SEWAGE	J-03	J-07
WINDOW, VENT AND		
EXTERIOR DOOR	J-08	K-08

GALLEY GROUP (CONTINUED)

RANGE HOODS CONTINUED

KEY	PART NUMBER	U/M	DESCRIPTION
	100258-04-01A	EA	HOOD-RANGE, W/MONITOR PANEL - VENTLINE TCS 4003SAD
	100258-04-700	EA	CIRCUIT BOARD - VENTLINE 5037
	100258-04-701	EA	BEZEL-SWITCH LEVER, CABLE TO VENT - VENTLINE CC118
	100258-04-702	EA	SWITCH-LEVER, W/CABLE - VENTLINE CB547-1
	082888-01-701	EA	KNOB-LEVER, CABLE - PLASTIC - BLACK - VENTLINE CC225
	082888-01-702	EA	REGISTER-WIRE, VENTLINE L7314
	082888-01-709	EA	BULB-912, LVS VA415
	082888-01-710	EA	SOCKET-LIGHT, LVS CB267-2
	086983-01-708	EA	LENS-LAMP, VENTLINE CC170
	100258-04-702	EA	SWITCH-LEVER, W/CABLE - VENTLINE CB547-1
	080973-01-702	EA	BLADE-FAN, LVS VA183-1
	086983-01-707	EA	FILTER-GREASE, 8" X 8" - LVS CC246
	100258-04-700	EA	CIRCUIT BOARD, VENTLINE 5037
	078798-01-715	EA	SWITCH-S.P. D.T., VENTLINE 110
	100258-08-701	EA	SWITCH-FAN 2-SPEED, VENTLINE CC118
	086983-01-703	EA	SWITCH-ON/OFF - JENSEN 115
	086983-01-702	EA	SWITCH-TWO WAY MOMENTARY, VENTLINE 112
	100258-10-01A	EA	METER-HOUR, VENTLINE 150
	075470-01-703	EA	SWITCH-ON/MOMENTARY, JENSEN RP1016
	080973-01-700	EA	MOTOR - LVS C/508-1

CANADIAN RANGE HOOD

KEY	PART NUMBER	U/M	DESCRIPTION
	100258-06-01A	EA	HOOD-RANGE, W/MONITOR PANEL - VENTLINE TCS 4003SAC
	100258-04-701	EA	BEZEL-SWITCH LEVER, CABLE TO VENT - VENTLINE CC116
	100258-04-703	EA	CONTROL PANEL ASM
	100258-04-703	EA	METAL FACE PLATE-SCREENED
	082888-01-704	EA	KNOB-LEVER, CABLE - PLASTIC - BLACK - VENTLINE CC225
	082888-01-702	EA	REGISTER-WIRE, VENTLINE L7314
	082888-01-709	EA	BULB-912, VENTLINE VA415
	082888-01-710	EA	SOCKET-LIGHT, VENTLINE CB267-2
	086983-01-708	EA	LENS-LAMP, VENTLINE CC179
	100258-04-702	EA	SWITCH-LEVER, W/CABLE - VENTLINE CB547-1
	080973-01-702	EA	BLADE-FAN, LVS VA183-1
	086983-01-707	EA	FILTER-GREASE, 8" X 8" - LVS CC246
	100258-04-700	EA	CIRCUIT BOARD, VENTLINE 5037
	075470-01-702	EA	SWITCH-ON/OFF, LVS CB484
	100258-08-701	EA	SWITCH-FAN, 2 SPEED - VENTLINE 122
	086983-01-703	EA	SWITCH-ON/OFF - JENSEN 115
	086983-01-702	EA	SWITCH-TWO WAY MOMENTARY, VENTLINE 112
	100258-10-01A	EA	METER-HOUR, VENTLINE 150
	080973-01-700	EA	MOTOR - LVS CA508-1

MICROWAVE OVEN

KEY	PART NUMBER	U/M	DESCRIPTION
	081289-02-000	EA	OVEN-MICROWAVE, W/ BROWNING OVEN - MAGIC CHEF M16-10PB
	081289-03-701	EA	PLATE-CERAMIC, 9.5" - ROUND - MAGIC CHEF 246-0005
	081289-03-702	EA	CLIP-OVEN SHELF, WHITE - MAGIC CHEF 201-0044
	081289-03-703	EA	CLIP-OVEN SHELF, BLACK - MAGIC CHEF 201-0031
	081289-05-000	EA	OVEN-MICROWAVE, MAGIC CHEF M15E-9PB
	094745-01-01A	EA	TRIM-MICROWAVE, LOWER - BLACK
	094774-03-01A	EA	TRIM-MICROWAVE, EITHER SIDE - BLACK
	083744-03-000	EA	BRACKET-TIEDOWN, STOVE - FRONT
	083744-04-000	EA	BRACKET-TIEDOWN, STOVE - REAR
	094750-01-000	EA	BRACKET-MICROWAVE, 90 DEGREE

GALLEY GROUP (CONTINUED)

LARGE 8 CUBIC FOOT REFRIGERATOR

KEY	PART NUMBER	U/M	DESCRIPTION
	094039-06-000	EA	REFRIGERATOR-2-WAY, LARGE DOUBLE DOOR - NORCOLD #882
	084880-03-701	EA	COOLING UNIT (HORIZ BURNER) - NORCOLD 81887337
	084880-03-700	EA	FLUE(HORIZONTAL) BURNER - NORCOLD 818181
	084880-01-725	EA	HINGE BRKT, TOP LH-RH RH BRN - NORCOLD 815809
	084880-01-722	EA	CRISPER COVER - NORCOLD 815841
	088248-01-709	EA	HEATER-AC, (HORIZONTAL) - NORCOLD# 815827
	075217-01-737	EA	CONTROL MODULE, NORCOLD# 81525022
	094039-04-701	EA	EYEBROW (SHELL) 2 WAY-NORCOLD 81680222
	094039-04-700	EA	PC BOARD (2 WAY) - NORCOLD 81847322
	094039-04-702	EA	POWER SUPPLY (2 WAY) - NORCOLD 81847422
	094039-01-731	EA	CRISPER (GRAY) SILVER TRIM - NORCOLD 81571380
	094039-01-720	EA	CAB ASSEMBLY (BRN FRAME/WHT LINER) - NORCOLD# 818832
	084880-01-715	EA	VALVE-SHUT OFF, MANUAL - NORCOLD# 81897322
	084880-01-713	EA	CONNECTOR-MALE, INLET FITTING - NORCOLD# 815258
	034473-01-702	EA	ORIFICE REG-2, NORCOLD 814521
	088248-01-708	EA	BURNER(HORIZONTAL), NORCOLD# 815861
	084880-01-733	EA	ELECTRODE-IGNITION, (HORIZONTAL) - NORCOLD# 815732
	084880-01-734	EA	DAIRY KEEPER - NORCOLD 815804
	084880-01-734	EA	BRACKET-HINGE, TOP RH - BOTTOM LH - BROWN NORCOLD 81
	094039-01-707	EA	UPPER DOOR HANDLE ASSY(BRN) - NORCOLD 81850037
	094039-01-705	EA	UPPER DOOR LINER (WHITE) BRN - NORCOLD 81581837-B
	084880-01-731	EA	HINGE PIN, NORCOLD 815781
	084880-01-744	EA	HINGE PIN SHAFT (CTR HINGE), NORCOLD 815667
	084880-01-728	EA	HINGE BRACKET (CTR HINGE), NORCOLD 815665
	084880-01-749	EA	HINGE BUSHING - NORCOLD 815807
	084880-01-746	EA	CABLE, NORCOLD 815715
	094039-01-702	EA	GASKET (GRAY) UPPER - NORCOLD 81587830
	094039-01-713	EA	DOOR GASKET(LOWER) GRAY - NORCOLD 81588030
	094039-01-705	EA	UPPER DOOR LINER (WHITE) BRN - NORCOLD 81581837-B
	094039-01-714	EA	LOWER DOOR LINER (BRN/WHT) - NORCOLD# 81581737-B
	088248-01-707	EA	ELECTRODE-SENSOR, (HORIZONTAL), NORCOLD# 815733
	094039-01-716	EA	LOWER DOOR HANDLE ASSY (BRN) - NORCOLD# 81649837
	084880-03-705	EA	BRACKET FANT, RERIG LIGHT - NORCOLD 816297
	094039-01-718	EA	MILK BIN (GRAY)W/SILVER TRIM - NORCOLD 81579460
	084880-01-748	EA	PLUG-INSTALLATION, BROWN - NORCOLD 815797
	034473-01-747	EA	PLUG-HOLE, NORCOLD 81582022
	094039-01-711	EA	JUICE RACK(GRAY)W/SILVER TRIM - NORCOLD 81530540
	064472-01-749	EA	PLUG-1/8", NORCOLD# 814453
	075217-01-734	EA	FUSE-3 AMP, NORCOLD# 815388
	094039-01-726	EA	SHELF-FREEZER EVAPORATOR, NORCOLD 815238
	084880-03-707	EA	COVER FLAMP OR BULB - NORCOLD 816279
	094039-01-733	EA	WIRE SHELF (MIDDLE) - NORCOLD 81583822
	094039-01-734	EA	SHELF (TOP) W/RISER - NORCOLD 81563722
	094039-01-703	EA	PLATE-HINGE, LH - BROWN - NORCOLD 81631422
	094039-01-709	EA	PLATE-HINGE, TOP RH - LH BOTTOM - BROWN - NORCOLD 81
	094039-01-741	EA	TRAY-SHELF, PLASTIC - GRAY - NORCOLD 81680922
	084880-03-706	EA	LAMP (BULB) - NORCOLD 816289
	084880-01-718	EA	VALVE-GAS, NORCOLD 815518
	084880-01-736	EA	SWITCH-LIGHT, BLACK - NORCOLD# 815810
	075217-01-738	EA	SWITCH-HUMIDITY, NORCOLD 815259
	084880-01-732	EA	LATCH, NORCOLD 815785
	084880-02-700	EA	LOWER FLANGE 8083&80833, NORCOLD 816221
	094039-01-712	EA	DOOR BIN(GRAY)SILVER BORDER - NORCOLD 81564060

1991 ITASCA

TABLE OF CONTENTS

INTRODUCTION	A-01	A-07
ABBREVIATIONS		A-03
ALPHABETICAL INDEX	A-04	A-08
ICN25RC	A-07	F-02
ICN34RQ	F-03	K-08

1991 ICN34RQ INDEX

FLOOR PLAN	F-03	F-04
ACCESSORIES	F-05	F-12
BATH	F-13	F-18
BEDROOM	F-17	F-20
CHASSIS	F-21	G-08
C C & PAD	G-09	G-18
DINETTE	G-19	G-20
DRIVERS	G-21	H-04
ELECTRICAL	H-05	H-12
EXTERIOR BODY	H-13	H-20
GALLEY	H-21	I-04
HEATING & A/C	I-05	I-08
INTERIOR FINISH	I-09	I-12
LABEL	I-13	I-20
LP		I-21
LOUNGE	I-22	I-23
SEALANTS & FASTENERS	I-24	J-02
WATER & SEWAGE	J-03	J-07
WINDOW, VENT AND EXTERIOR DOOR	J-08	K-08

GALLEY GROUP (CONTINUED)

REFRIGERATOR WITH ICE MAKER

KEY	PART NUMBER	U/M	DESCRIPTION
	094039-09-000	EA	REFRIGERATOR-NORCOLD, 2 WAY - W/ICE MAKER & DOUBLE DOOR - #882
	094880-03-701	EA	COOLING UNIT (HORIZ BURNER) - NORCOLD #81687337
	094880-03-700	EA	FLUE(HORIZONTAL) BURNER - NORCOLD #815181
	088248-01-709	EA	HEATER-AC, (HORIZONTAL) - NORCOLD #815827
	075217-01-737	EA	CONTROL MODULE, NORCOLD #81525022
	094039-04-702	EA	POWER SUPPLY (2 WAY) - NORCOLD #81647422
	094039-04-701	EA	EYEBROW (SHELL) 2 WAY - NORCOLD #81689822
	084473-03-718	EA	KNOB-THERMOSTAT, NORCOLD #816117
	084473-03-714	EA	KNOB-MODE SELECTOR, NORCOLD #816118
	094039-04-700	EA	PC BOARD (2 WAY), NORCOLD #81647322
	094039-01-739	EA	MANUAL SHUT-OFF HARPER WYMAN #81635022
	084880-01-713	EA	CONNECTOR-MALE, INLET FITTING - NORCOLD #815258
	084473-03-703	EA	TUBE-BURNER, NORCOLD #8118055
	084473-01-702	EA	ORIFICE-NORCOLD #814521
	088248-01-708	EA	BURNER-HORIZONTAL, NORCOLD #815881
	088248-01-708	EA	ELECTRODE-IGNITION, (HORIZONTAL) - NORCOLD #815732
	088248-01-712	EA	FRAME-DOOR, LOWER - BROWN - NORCOLD #815578
	084880-01-733	EA	DAIRY KEEPER - NORCOLD 815804
	084472-02-718	EA	TRIM-CABINET, TOP - BROWN - NORCOLD #813814
	094039-01-723	EA	HINGE BRACKET, TOP RH-BTM LH BLK - NORCOLD #81580838
	088955-01-713	EA	PIN-HINGE, NORCOLD #811148
	094039-01-708	EA	UPPER DOOR HANDLE ASM. (BLK) - NORCOLD #81650038
	094039-01-708	EA	UPPER DOOR LINER (WHITE) BLK - NORCOLD #81581838-B
	084472-03-700	EA	PIN-HINGE, BOTTOM - NORCOLD #815507
	084472-03-700	EA	PIN-HINGE, BOTTOM - NORCOLD 815507
	084472-01-727	EA	HINGE-UPPER RIGHT, NORCOLD #813528
	094039-01-707	EA	UPPER DOOR HANDLE ASSY(BRN) - NORCOLD 81650
	094039-01-705	EA	UPPER DOOR LINER (WHITE) BRN - NORCOLD 8158
	084880-01-735	EA	HINGE BRKT, TOP LH-BTM RH BRN - NORCOLD 8158
	084880-01-722	EA	CRISPER COVER - NORCOLD 815641
	094039-01-731	EA	CRISPER (GRAY) SILVER TRIM - NORCOLD 815713
	084472-01-728	EA	FRAME STRIP-CABINET, LEFT - NORCOLD 813820
	094039-01-720	EA	CAB ASSEMBLY (BRN FRAME/WHT LINER) - NORCOL
	084880-01-746	EA	CABLE, NORCOLD 81571522
	084880-01-731	EA	HINGE PIN, NORCOLD 81578123
	084880-01-744	EA	HINGE PIN SHAFT (CTR HINGE), NORCOLD 815667
	084880-01-728	EA	HINGE BRACKET (CTR HINGE), NORCOLD 81566523
	084880-01-749	EA	HINGE BUSHING - NORCOLD 815807
	088248-01-707	EA	ELECTRODE SENSOR, (HORIZONTAL), NORCOLD# 81
	094039-01-702	EA	GASKET (GRAY) UPPER - NORCOLD 81567830
	094039-01-713	EA	DOOR GASKET(LOWER) GRAY - NORCOLD 81568030
	094039-01-705	EA	UPPER DOOR LINER (WHITE) BRN - NORCOLD 8158

GALLEY GROUP (CONTINUED)

REFRIGERATOR WITH ICE MAKER CONTINUED

KEY	PART NUMBER	U/M	DESCRIPTION
	094039-01-714	EA	LOWER DOOR LINER (BRN/WHT) - NORCOLD# 81581
	094039-01-715	EA	LOWER DOOR LINER (BLK/WHT) - NORCOLD 815817
	094039-01-718	EA	LOWER DOOR HANDLE ASSY (BRN) - NORCOLD# 818
	094039-01-717	EA	LOWER DOOR HANDLE ASSY (BLK) - NORCOLD 8184
	084880-01-718	EA	VALVE-GAS, NORCOLD 81561822
	084880-03-705	EA	BRACKET F/INT. REFRIG LIGHT - NORCOLD 818297
	084880-03-708	EA	LAMP (BULB) - NORCOLD 81828822
	084880-01-738	EA	SWITCH-LIGHT, BLACK - NORCOLD# 81581022
	075217-01-739	EA	SWITCH-HUMIDITY, NORCOLD 81525822
	084880-01-732	EA	LATCH, NORCOLD 81578522
	084880-02-700	EA	LOWER FLANGE 8883&8883, NORCOLD 81822123
	094039-01-732	EA	FRONT COVER(BLK) BTM TRIM - NORCOLD 8182213
	094039-01-712	EA	DOOR BIN(GRAY)SILVER BORDER - NORCOLD 81524
	094039-01-718	EA	MILK BIN (GRAY)W/SILVER TRIM - NORCOLD 8157
	084880-01-748	EA	PLUG-INSTALLATION, BROWN - NORCOLD 815787
	094039-01-740	EA	PLUG-INSTALLATION, BLACK - NORCOLD 81578730
	084880-01-747	EA	PLUG-HOLE, NORCOLD 81582022
	094039-01-722	EA	HOLE PLUG (BLK) HINGE HOLES - NORCOLD 81582
	094039-01-711	EA	JUICE RACK(GRAY)W/SILVER TRM - NORCOLD 8158
	084472-01-749	EA	PLUG-1/8", NORCOLD# 814453
	084472-02-733	EA	FRAME CAP-LOWER DOOR, TOP - NORCOLD 815580
	088248-01-711	EA	FRAME-DOOR, UPPER - BROWN - NORCOLD 815575
	075217-01-734	EA	FUSE-3 AMP, NORCOLD# 81538822
	084880-03-707	EA	COVER FLAMP OR BULB - NORCOLD 81827922
	094039-01-733	EA	WIRE SHELF (MIDDLE) - NORCOLD 81563822
	094039-01-734	EA	WIRE SHELF (TOP) W/RAISER - NORCOLD 81563722
	094039-01-703	EA	PLATE-HINGE, LH - BROWN - NORCOLD 81821422
	094039-01-704	EA	HINGE PLATE (BLK) L.H. - NORCOLD 81631430
	094039-01-709	EA	PLATE-HINGE, TOP RH - LH BOTTOM - BROWN - N
	094039-01-710	EA	HINGE PLATE(BLK) RHTOP LHBTM - NORCOLD 5:53
	094039-07-700	EA	ICE MAKER, NORCOLD 81684837
	094039-07-701	EA	BIN-ICE CUBE, NORCOLD 81688322
	094039-07-702	EA	SHELF-WIRE, FREEZER - TALL - NORCOLD 816677
	094039-07-703	EA	SHELF-WIRE, FREEZER - SHORT - NORCOLD 81674
	094039-01-741	EA	TRAY-SHELF, PLASTIC - GRAY - NORCOLD 816809
	094039-07-704	EA	VALVE-WATER FILL, NORCOLD 81657022

**1991 ITASCA
TABLE OF CONTENTS**

INTRODUCTION	A-01	A-02
ABBREVIATIONS		A-03
ALPHABETICAL INDEX	A-04	A-08
ICN25RC	A-07	F-02
ICN34RQ	F-03	I-08

1991 ICN34RQ INDEX

FLOOR PLAN	F-03	F-04
ACCESSORIES	F-05	F-12
BATH	F-13	F-16
BEDROOM	F-17	F-20
CHASSIS	F-21	G-08
C C & PAD	G-09	G-18
DINETTE	G-19	G-20
DRIVERS	G-21	H-04
ELECTRICAL	H-05	H-12
EXTERIOR BODY	H-13	H-20
GALLEY	H-21	I-04
HEATING & AC	I-05	I-08
INTERIOR FINISH	I-09	I-12
LABEL	I-13	I-20
LP		I-21
LOUNGE	I-22	I-23
SEALANTS & FASTENERS	I-24	J-02
WATER & SEWAGE	J-03	J-07
WINDOW, VENT AND EXTERIOR DOOR	J-08	K-08

HEATING & AIR CONDITIONING GROUP

REAR HEATER

KEY	PART NUMBER	U/M DESCRIPTION
	084408-01-000	EA HEATER ASM-REAR, DUCTED - W/MOTOR AID - EVANS
	084408-01-700	EA HEATER CORE-EVANS# FT200229
	084408-01-701	EA FAN BLADES-EVANS# HV029831
	084408-01-702	EA MOTOR ASM-12 V, EVANS# 200146
	087208-C2-000	EA SWITCH-W/O KNOB, 4 POSITION
	088877-01-000	EA KNOB-SWITCH, ROTARY
	081873-01-000	EA BRACKET-MOTOR A/D TUBES, 4" X 1.5" - STEEL

HEATING SYSTEM COMPONENTS

KEY	PART NUMBER	U/M DESCRIPTION
	0C7108-02-000	FT HOSE-HEATER, 3/4" ID
	007108-01-000	FT HOSE-HEATER, 5/8" ID
	078058-01-000	EA HOSE 90 DEGREE, .81" ID X 4" X 38"
	078058-02-000	EA HOSE 90 DEGREE, .81" ID X 4" X 8"
	083081-01-000	EA HOSE-FORMED, 90 DEGREES
	007078-01-000	FT HOSE-FLEXIBLE PVC - 2" ID
	088342-01-000	EA WYE-CONNECTOR, 2.5" FLEXHOSE
	023148-01-000	EA CLAMP-SCREW TYPE - 4"
	073184-02-000	EA CLAMP-HOSE, WORMGEAR 1.28" - 1.97"
	082401-01-000	EA CLAMP-HOSE, WORMGEAR .25" - 1"
	082401-04-000	EA CLAMP-HOSE, WORMGEAR .88" - 1.25"
	008042-01-000	FT TUBING-VINYL, .65" ID
	088753-01-000	FT TUBE-ALUMINIZED STEEL, 5/8" - 18 GAUGE
	040731-01-000	EA NIPPLE-INLET MANIFOLD, GM-3838094
	071015-13-000	EA GROMMET-5/8" ID, FITS .09" MATERIAL, RUBBER
	080179-01-000	EA BRACKET-SUPPORT, HEATER HOSE - IN ENGINE COMPARTMENT
	008200-01-000	EA TAPE-FURNACE, 1 1/2"
	000G87-10-128	EA SCREW, 10-12 X 3/4 PPH. - ZN
	082321-01-000	FT II, SULATION-FIBERGLASS, W/ALUMINUM FOIL
	024990-01-000	EA OUTLET-DEFROSTER, WITH SWIVEL - 2" - TAN
	024990-03-000	EA OUTLET-LOUVERED, W/SWIVEL - 2" - GRAY
	0J9198-01-000	FT DUCT-HEAT, FLEXIBLE - 4" ID
	082778-01-000	EA ADAPTER-DUCT, 2"
	088538-02-000	EA CONNECTOR-DUCT, 4" ID
	088326-01-000	EA GRILLE-FLOOR, HEATING - 9.3" X 5.4" - BROWN
	088814-01-01A	EA GRILLE-RETURN AIR, FURNACE - 15.6" X 7.6" - BROWN
	088484-05-000	EA REGISTER-PLASTIC W/O DAMPER - 4" DIAMETER - GOLDEN
	094800-01-02A	EA REGISTER-HEAT, FLOOR-W/O DAMPER-3.6" X 10.5" X 1.4" - BROW
	094800-02-02A	EA REGISTER-HEAT, FLOOR - W/DAMPER - 3.6" X 10.5" X 1.4" BROW
	088402-03-000	EA BRACKET-MOUNTING, ROUND HEAT VENT - METAL - GRAY
	088402-04-000	EA BRACKET-MOUNTING, ROUND HEAT VENT - W/BEND - METAL - GRAY

FORD - US & CANADIAN A/C CONDENSER

KEY	PART NUMBER	U/M DESCRIPTION
	088815-01-000	EA CONDENSER ASM-A/C, FORD - ARA# 0518539
	088815-01-700	EA COIL CONDENSER, ARA 0518545
	072342-03-701	EA RECEIVER-DRYER, ARA 1273235
	072342-03-707	EA O'RING, #6 - ARA 0058805
	075789-01-718	EA O'RING-AEROQUIP FITTING, ARA 0543513
	074013-02-718	EA VALVE-SERVICE, ARA 0058337
	088815-01-701	EA HOSE ASM #8, ARA 0887061
	088815-01-702	EA O'RING, #8 - ARA 0058806
	072342-03-709	EA O'RING, #10 - ARA 0058807
	072341-01-718	EA VALVE-DISCHARGE, 1/2" O'RING - ARA 0548325

HEATING & AIR CONDITIONING GROUP (CONTINUED)

AUTO A/C COMPONENTS ADDED TO BOTH FORD & CHEVY CHASSIS

KEY	PART NUMBER	U/M DESCRIPTION
	000G11-08-088	EA SCREW, 8-18 X 1/2 PPH - ZN
	007078-01-000	FT HOSE-FLEXIBLE PVC - 2" ID
	007108-01-000	FT HOSE-HEATER, 5/8" ID
	0G7281-01-000	EA HOSE-FLEXIBLE PVC, 2.5" ID X 50'
	0G7281-01-700	FT HOSE-FLEXIBLE PVC, 2.5" ID
	024990-01-000	EA OUTLET-DEFROSTER, WITH SWIVEL - 2" - TAN
	082401-04-000	EA CLAMP-HOSE, WORMGEAR .88" - 1.25"

A/C EVAPORATOR

KEY	PART NUMBER	U/M DESCRIPTION
	088227-02-000	EA EVAPORATOR-A/C, ARA 0508213
	103930-01-000	EA AIR CONDITIONING-HEATING SYSTEM, COMPLETE - UNDER DASH FROM: 00-00-00 THRU: 07-21-91 FROM: 07-22-91 THRU: 99-99-99
	088227-02-701	EA BRACKET-BOWDEN CABLE MOUNTING, ARA 0408417
	088227-02-702	EA DOOR ASM., F.A./RECYCLING - ARA 0321330
	088227-02-703	EA SUCTION HOSE #10, ARA 0888712
	088227-02-705	EA HOSE, LIQUID, ARA 0888713
	088227-01-700	EA DOOR ASSEMBLY, ARA 0320518
	088227-01-701	EA CRANK-MIX, ROUND DOOR - ARA 0318225
	088227-01-703	EA EVAPORATOR, CORE, ARA 0560571
	088227-01-704	EA VALVE, EXPANSION BLOCK, ARA 1297022
	088227-01-707	EA RESISTOR, FUSED A/C, ARA 0885515
	088227-01-708	EA MOTOR BLOWER, ARA 1120060
	088227-01-709	EA WHEEL REQUIRED BALANCING, ARA 0252084
	088227-01-711	EA CRANK, MIXING DOOR, ARA 0320480
	077052-01-700	EA COIL-EVAPORATOR, ARA 0580456
	072342-03-709	EA O'RING, #10 - ARA 0058807
	072342-03-707	EA O'RING, #6 - ARA 0058805
	072341-01-708	EA SERVO-VACUUM CONTROL, ARA 1120040
	075789-01-718	EA O'RING-AEROQUIP FITTING, ARA 0543513
	088782-02-705	EA PIN, RETAINER, ARA 1701787
	072341-01-707	EA THERMOSTAT, ARA 1247312
	091902-05-000	EA W/FE-COOLING FAN, ARA 0571123

CONTROL & PLENUM

KEY	PART NUMBER	U/M DESCRIPTION
	091903-03-000	EA CONTROL/PLENUM ASM-ARA 0508350
	103930-02-000	EA CONTROL/PLENUM ASM-SC3 083-0031 FROM: 00-00-00 THRU: 07-21-91 FROM: 07-22-91 THRU: 99-99-99

1991 ITASCA

TABLE OF CONTENTS

INTRODUCTION	A-01 -	A-02
ABBREVIATIONS		A-03
ALPHABETICAL INDEX	A-04 -	A-08
ICN2SRC	A-07 -	F-02
ICN34RQ	F-03 -	K-08

1991 ICN34RQ INDEX

FLOOR PLAN	F-03 -	F-04
ACCESSORIES	F-05 -	F-12
BATH	F-13 -	F-18
BEDROOM	F-17 -	F-20
CHASSIS	F-21 -	G-08
C C & PAD	G-09 -	G-18
DINETTE	G-19 -	G-20
DRIVERS	G-21 -	H-04
ELECTRICAL	H-05 -	H-12
EXTERIOR BODY	H-13 -	H-20
GALLEY	H-21 -	I-04
HEATING & A/C	I-06 -	I-08
INTERIOR FINISH	I-09 -	I-12
LABEL	I-13 -	I-20
LP		I-21
LOUNGE	I-22 -	I-23
SEALANTS & FASTENERS	I-24 -	J-02
WATER & SEWAGE	J-03 -	J-07
WINDOW, VENT AND		
EXTERIOR DOOR	J-08 -	K-08

HEATING & AIR CONDITIONING GROUP (CONTINUED)

SUBURBAN FURNACE & WALL THERMOSTAT

HEATING & AIR CONDITIONING GROUP (CONTINUED)

ROOF AC-13600 BTU

1991 I.T.A.S.C.A.

TABLE OF CONTENTS

INTRODUCTION	A-01	A-02
ABBREVIATIONS		A-03
ALPHABETICAL INDEX	A-04	A-08
ICN35RC	A-07	F-02
ICN34RQ	F-03	K-08

KEY	PART NUMBER	U/M DESCRIPTION
	082388-01-000	EA THERMOSTAT-WALL FURNACE - SUBURBAN 0180802
	082300-03-000	EA FURNACE-SUBURBAN, 34,000 BTU - NT-348 FROM: 00-00-00 THRU: 02-10-91
	082300-01-706	EA ELECTRODE, SUBURBAN 230968
	088834-C1-733	EA RELAY, TIME DELAY 20&37 BTU, SUBURBAN 231202
	075898-01-700	EA MOTOR ASM-SUBURBAN# 231208
	082300-01-720	EA WHEEL-ROOM AIR, SUBURBAN 350113
	082300-02-702	EA MICROSWITCH ASM, SUBURBAN# X230508
	082300-01-726	EA WHEEL-COMB AIR, SUBURBAN 350110
	075898-02-728	EA GASKET-CROSSOVER TUBE, SUBURBAN 070385
	082300-01-724	EA GASKET-MOTOR MOUNT, SUBURBAN 070384
	082300-01-727	EA GASKET-COMBUSTION AIR HOUSING, SUBURBAN 070386
	082300-01-711	EA VENT CAP ASSEMBLY, SUBURBAN X280179
	088834-01-729	EA VALVE-GAS, JOHNSON - SUBURBAN 160832
	082300-01-701	EA CABINET FRONT, SUBURBAN 101172
	082300-01-708	EA SWITCH LIMIT, SUBURBAN 231440
	088834-01-720	EA ORIFICE-MAIN BURNER, SUBURBAN# 0180222
	082300-01-704	EA GASKET-ELECTRODE, SUBURBAN 070183
	088834-01-708	EA MODULE BOARD, SUBURBAN# 231427
	082300-01-718	EA ELBOW 90°, SUBURBAN 170374
	088834-01-718	EA VALVE-MANUAL SHUTOFF, SUBURBAN 160740
	082300-01-717	EA WIRE ASSEMBLY (POWER SUPPLY) - SUBURBAN X231426
	082300-01-706	EA DOOR-BURNER ACCESS, SUBURBAN 030523
	088834-01-732	EA GASKET-BURNER ACCESS DOOR, SUBURBAN 070398
	075898-02-709	EA DISC-GLASS, SUBURBAN 310026
	082300-01-715	EA MANIFOLD ASSEMBLY, SUBURBAN 171034
	088834-01-712	EA GASKET-MANIFOLD, SUBURBAN 070408
	082300-01-712	EA BURNER ASM, SUBURBAN X010701
	082300-01-721	EA BLOWER HOUSING ASSEMBLY, SUBURBAN 390283
	075898-02-727	EA BRACKET-MOTOR MOUNT, SUBURBAN# 082138
	082300-03-702	EA HOUSING, COMB AIR ASM NT-348W - SUBURBAN X390417
	082300-01-728	EA HOUSING, COMB AIR (OUTSIDE) - SUBURBAN 390424
	082300-02-700	EA COMBUSTION CHAMBER ASM, 30&34 BW - SUBURBAN X021015
	088834-01-720	EA ORIFICE-MAIN BURNER, SUBURBAN 180222
	082300-03-701	EA MOTOR ASSEMBLY (NT-348W)
	082300-01-703	EA CABINET, SUBURBAN X101176
	082300-06-000	EA FURNACE-34,000 BTU, - SUBURBAN NT348W FROM: 02-11-91 THRU: 99-99-99
	082300-01-705	EA ELECTRODE, SUBURBAN 230968
	088834-01-733	EA RELAY, TIME DELAY 20&30 BTU, SUBURBAN 231202
	075898-01-700	EA MOTOR ASM-SUBURBAN# 231208
	082300-01-720	EA WHEEL-ROOM AIR, SUBURBAN 350113
	082300-02-702	EA MICROSWITCH ASM, SUBURBAN# X230508
	082300-01-726	EA WHEEL-COMB AIR, SUBURBAN 350110
	075898-02-728	EA GASKET-CROSSOVER TUBE, SUBURBAN 070385
	082300-01-724	EA GASKET-MOTOR MOUNT, SUBURBAN 070384
	082300-01-727	EA GASKET-COMBUSTION AIR HOUSING, SUBURBAN 070386
	082300-01-711	EA VENT CAP ASSEMBLY, SUBURBAN X280179
	088834-01-729	EA VALVE-GAS, JOHNSON - SUBURBAN 160832
	082300-01-701	EA CABINET FRONT, SUBURBAN 101172
	082300-01-708	EA SWITCH LIMIT, SUBURBAN 231440
	088834-01-720	EA ORIFICE-MAIN BURNER, SUBURBAN# 0180222
	082300-01-704	EA GASKET-ELECTRODE, SUBURBAN 070183
	088834-01-708	EA MODULE BOARD, SUBURBAN# 231427
	082300-01-718	EA ELBOW 90°, SUBURBAN 170374
	088834-01-718	EA VALVE-MANUAL SHUTOFF, SUBURBAN 160740
	082300-01-717	EA WIRE ASSEMBLY (POWER SUPPLY) - SUBURBAN X231426
	082300-01-706	EA DOOR-BURNER ACCESS, SUBURBAN 030523
	088834-01-732	EA GASKET-BURNER ACCESS DOOR, SUBURBAN 070398
	075898-02-709	EA DISC-GLASS, SUBURBAN 310026
	082300-01-715	EA MANIFOLD ASSEMBLY, SUBURBAN 171034
	088834-01-712	EA GASKET-MANIFOLD, SUBURBAN 070408

KEY	PART NUMBER	U/M DESCRIPTION
	083783-01-04A	EA AC-ROOF, 13600 BTU - OFF WHITE - COLEMAN 67580707
	003388-01-000	EA CONNECTOR-PLASTIC, 3/8" AVG
	074983-01-000	EA LABEL-AC SELECTOR
	083783-04-700	EA SHROUD(OFF WHITE/CY/RCOAL), COLEMAN# 67580707
	093708-01-701	EA DECAL PKG. LEFT&RIGHT, COLEMAN 675883681
	083783-01-702	EA O'ERLOAD, COLEMAN# 6758-3631
	083783-01-712	EA FAN BLADE-CONDENSER, COLEMAN# 6733-3221
	078303-01-712	EA MOTOR, COLEMAN# 6707A3118
	083783-01-703	EA IMPELLOR-7" DIA X 2.5" WIDE, COLEMAN# 1759-3271
	081225-01-709	EA START RELAY, COLEMAN# 1487-4131
	081225-01-710	EA START CAPACITOR, COLEMAN# 1487-0881
	073742-02-704	EA RUN CAPACITOR (COMPRESSOR), COLEMAN 14894861
	083783-01-704	EA CAPACITOR-FAN, COLEMAN# 1488-3481
	042204-01-708	EA THERMOSTAT IN-84, OUT-58, COLEMAN# 6701-3401
	042205-01-702	EA THERMOSTAT IN-89, OUT-58, COLEMAN# 6703-3401
	083783-01-708	EA HEAT ELEMENT-COLEMAN# 6788-3321
	083783-01-708	EA CONDENSER COIL-COLEMAN# 1452-1251
	083783-01-714	EA COMPRESSOR-TECUMSEH, COLEMAN 6746-3599
	083783-01-707	EA EVAPORATOR COIL-COLEMAN# 1452-1351
	073742-01-701	EA SELECTOR SWITCH (5 TERMINAL), COLEMAN# 6758-3051
	073742-01-702	EA DECAL COOL ONLY, COLEMAN# 6758C5431
	073742-01-703	EA DECAL HEAT&COOL, COLEMAN# 6758-3491
	081608-01-708	EA LIMIT SWITCH (OPEN 180, CLOSE 110), COLEMAN# 6703-3041
	081225-01-713	EA KNOB (2 PER PACKAGE), COLEMAN# 6701-3351
	078303-01-707	EA FILTER-6" X 14 3/4" X 1/2", 12 PER PKG - COLEMAN 6703A3151
	083783-01-710	EA SINGLE PARTS PACKAGE, COLEMAN# 6758-5841
	081225-01-717	EA DECAL (THERMOSTAT) COOL ONLY, COLEMAN# 6788A3441
	083783-01-705	EA DECAL-HEAT/COOL THERMOSTAT, COLEMAN# 6788A3471
	081806-01-712	EA CEILING SHROUD (IVORY), COLEMAN# 6758-5031
	083783-01-711	EA GASKET PACKAGE, COLEMAN 67583281

ROOF AC-13600 BTU - TWO UNITS - EUROPEAN

KEY	PART NUMBER	U/M DESCRIPTION
	092440-01-000	EA AC-ROOF, 13600 BTU - 220V - 50HZ - COLEMAN# 6713C750
	003388-01-000	EA CONNECTOR-PLASTIC, 3/8" AVG
	074983-01-000	EA LABEL-AC SELECTOR
	092441-01-000	EA CEILING ASM-AC, 220V - 50HZ - COLEMAN# 6712ET18
	073937-03-000	EA SWITCH-ROTARY SELECTOR, 3 DECK - AC - CA20-USA892
	073237-01-700	EA KNOB-ROTARY SWITCH-AC SEL
	008311-01-000	EA CONNECTOR-WIRE NUT, INSULATED - RED
	008328-01-000	EA TERMINAL-RING, 12/10 WIRE - #10 STUD FIT
	000867-10-12P	EA SCREW, 10-12 X .75 PPH - DARK BROWN
	009439-07-000	EA SCREW, 8-32 X 1 1/4 PPH - BLACK
	000867-10-12B	EA SCREW, 10-12 X 3/4 PPH - ZN
	102269-01-000	EA SPRING-SCREW, ROOF AC GASKET - COLEMAN 6757-150

CEILING ASSEMBLY

KEY	PART NUMBER	U/M DESCRIPTION
	083783-01-000	EA CEILING ASM-AC COOL ONLY, TSR - COLEMAN 67580714
	073937-03-000	EA SWITCH-ROTARY SELECTOR, 3 DECK - AC - CA20-USA892
	073937-01-700	EA KNOB-ROTARY SWITCH, AC SELECTOR - 145749
	081806-01-712	EA CEILING SHROUD (IVORY), COLEMAN# 6788-5051
	102269-01-000	EA SPRING-SCREW, ROOF AC GASKET - COLEMAN 6757-150

1991 ICN34RQ INDEX

FLOOR PLAN	F-03	F-04
ACCESSORIES	F-05	F-12
BATH	F-13	F-16
BEDROOM	F-17	F-20
CHASSIS	F-21	G-08
C C & PAD	G-09	G-18
DINETTE	G-19	G-20
DRIVERS	G-21	H-04
ELECTRICAL	H-05	H-12
EXTERIOR BODY	H-13	H-20
GALLEY	H-21	I-04
HEATING & AC	I-05	I-08
INTERIOR FINISH	I-09	I-12
LABEL	I-13	I-20
LP		I-21
LOUNGE	I-22	I-23
SEALANTS & FASTENERS	I-24	J-02
WATER & SEWAGE	J-03	J-07
WINDOW, VENT AND EXTERIOR DOOR	J-08	K-08

INTERIOR FINISH GROUP

ASSIST HANDRAIL

KEY	PART NUMBER	U/M	DESCRIPTION
	702788-03-832	EA	HANDRAIL-W/O MOUNTING BRACKETS, 26" - WOOD
	042438-08-000	EA	DOWEL-WOOD, 1.5" X 28" - OAK
	09082-01-01A	EA	BRACKET-MOUNTING, HANDRAIL - BRASS

ASSIST HANDLE

KEY	PART NUMBER	U/M	DESCRIPTION
	088178-02-000	EA	BRACKET-MOUNTING, ASSIST HANDLE
	000C18-07-18B	EA	BOLT-APPLIAGE, ASSIST HANDLE - 7/16" - 14 X 1" ZN
	000D20-07-00B	EA	MUT-ACORN, ASSIST HANDLE - 7/16" X 14 ZN
	063682-02-AAS	EA	HANDLE-ASSIST, INTERIOR - ENTRY DOOR - VINYL
	048867-01-000	EA	GROMMET-BRASS, 7/16" ID X 10 D

WALL CLOCK

KEY	PART NUMBER	U/M	DESCRIPTION
	100783-01-01A	EA	CLOCK-WALL, OVAL - GOLDENAIRE, 545121 A
	101333-31-000	EA	BACKPLATE-CLOCK, IN WALL SHIELD FOR CLOCK

MIRRORS

KEY	PART NUMBER	U/M	DESCRIPTION
	083448-03-825	EA	MIRROR-WOOD FRAMED
	058331-31-000	EA	MIRROR-GLASS, SAFETY 8.5" X 44.5"
	058331-08-000	EA	MIRROR-GLASS, SAFETY 24" X 30"
	058331-10-000	EA	MIRROR-GLASS, SAFETY 14.00" X 17.00"
	058331-18-000	EA	MIRROR-GLASS, SAFETY 11.25" X 22.4"

PANELING AND LAMINATES

KEY	PART NUMBER	U/M	DESCRIPTION
	083743-01-02A	SF	PLASTIC-ABS, 11.5" WIDE - OFF WHITE
	074468-34-000	SF	LAMINATE-PLASTIC, 5' X 8' - RANDOM OFF WHITE - INCREMENTS OF 40 SF
	074497-17-000	SF	PANELING-WOODGRAIN, 4' X 8' - INCREMENTS OF 32 SF
	088272-75-000	SF	PANELING-DECORATIVE, W/BLOSSOMS - DRY BATH - 4' X 7' - INC. OF 28 SF
	088272-72-000	SF	PANELING-DECORATIVE, W/BLOSSOMS - WET BATH - 4' X 7' - INC. OF 28 SF
	088272-76-000	SF	PANELING-DECORATIVE, PLAIN - 4' X 7' - INC OF 28 SF
	078773-07-000	SF	PANELING-WOODGRAIN, 2 SIDED - 4' X 8' - INCREMENTS OF 32SF
	078773-08-000	SF	PANELING-WOODGRAIN, 2 SIDED - 4' X 8' - INCREMENTS OF 32SF
	000821-01-000	SF	VENEER-FLAT LUANA, 4' X 8' - INCREMENTS OF 32 SF
	057882-04-000	SF	TAMBOUR-DOOR, 4' X 8' SHEET
	088297-01-000	SF	PLYWOOD-LUAN, OVERLAY GRADE - 4' X 8' - INC OF 32 SF
	083618-02-000	SF	PLYWOOD-OAK, FINISHED ON 1 SIDE - 3/16" - 4' X 8'-INC. 28S
	000885-34-000	SF	PARTICLE BOARD-3/8 X 48" X 97", 1 SIDE VINYL WOODGRAIN
	000885-46-000	SF	PARTICLE BOARD-3/8 X 48" X 96", 1 SIDE VINYL WOODGRAIN
	000885-47-000	SF	PARTICLE BOARD-3/8 X 48" X 96", 1 SIDE VINYL WOODGRAIN
	000885-48-000	SF	PARTICLE BOARD-VINYL COVERED, 2 SIDED - .75" X 5' X 8' WOODGRAIN

BATT STRIPS

KEY	PART NUMBER	U/M	DESCRIPTION
	088229-01-000	EA	RETAINER-BATTEN, CEILING - .75" WIDE - 7.6' EA
	088229-04-000	EA	BATTEN-CEILING, 1" WIDE - IVORY - 7.6' EA
	088733-70-000	EA	BATT STRIP-WOODGRAIN, 8' EA - REGAL OAK
	085284-03-000	FT	BATT STRIP-WOODGRAIN, ADHESIVE BACKED - REGAL OAK
	085284-41-000	FT	BATT STRIP-DECORATIVE, W/BLOSSOMS - ADHESIVE BACKED
	088263-50-000	EA	BATT STRIP-BATH PANELING, 8' EA - TRAVERTINE - WHITE
	088263-55-000	EA	BATT STRIP-BATH PANELING, 9' EA
	088263-54-000	EA	BATT STRIP-DECORATIVE, MAIN - 8' EA
	085284-42-000	FT	BATT STRIP-DECORATIVE, MAIN - ADHESIVE BACK
	088733-78-000	EA	BATT STRIP-WOODGRAIN, 8' EA - RAMBLING OAK
	085284-32-000	FT	BATT STRIP-WOODGRAIN, ADHESIVE BACK - RAMBLING OAK
	085284-67-000	FT	BATT STRIP-WOODGRAIN, ADHESIVE BACK - WINNI OAK

INTERIOR FINISH GROUP (CONTINUED)

CABINET AND WALL MOLDINGS AND TRIMS

KEY	PART NUMBER	U/M	DESCRIPTION
	088571-01-01A	EA	TRIM-ROOF C. VE, INTERIOR - OFF WHITE - 12'
	102239-01-01A	EA	COVER-SPICE, COVE TRIM - 1.5" X 3" - PLASTIC - OFF WHITE
	008767-12-000	FT	MOLDING-SIDEWALL TO CEILING/CABINET - WELTING - OFF WHITE
	008809-21-000	EA	MOLDING-PLASTIC CORNER, OUTSIDE - 1" - WOODGRAIN
	008812-22-000	EA	MOLDING-PLASTIC CORNER, OUTSIDE - 1" - BROWN
	022982-11-000	FT	MOLDING-REVERSE COVE, T-SHAPED - VINYL - IVORY
	042357-15-000	EA	MOLDING CORNER, RADIUS - 1.5" X 7' EA - PLASTIC - WOODGRAIN
	081294-02-000	EA	MOLDING-SHELF, KNOTCHED WOOD - 8" INC
	078325-25-000	FT	MOLDING-EDGE BAND, 1 5/16" - RAMBLING OAK
	078325-28-000	FT	MOLDING-EDGE BAND, 1 5/16" - RAMBLING OAK
	100041-02-000	EA	MOLDING-7" X 3.5" X 72", VINYL WRAPPED - RAMBLING OAK
	100041-04-000	EA	MOLDING-7" X 3.5" X 72", VINYL WRAPPED - RAMBLING OAK
	077707-01-03A	FT	MOLDING-WOOD, TABLE LEG - RAMBLING OAK
	078325-34-000	FT	MOLDING-EDGE BAND, 1 5/16" WIDE
	078325-16-000	FT	MOLDING-EDGE BAND, 1 5/16" WIDE - WOODGRAIN - REGAL OAK
	083620-08-000	FT	T-MOLDING, END CAP EDGE - 3/4" - REBER BIRCH
	080176-04-000	EA	CAP-TOP, RADIUS CORNER MOLDING - PLASTIC - BROWN
	081521-02-007	EA	MOUNT-METAL MOLDING, FOR RADIUS CORNER MOLDING - 12.5'
	M03450-03-000	EA	TRIM-OAK, MIRROR
	082330-03-000	EA	LUMBER-VINYL WRAPPED, 2" X 86" - WOODGRAIN
	100040-01-000	EA	LUMBER-VINYL WRAPPED
	078898-01-018	EA	LUMBER-7" X 1.4" X 70.8", W/7 DEGREE BEVEL ON 1 FACE
	068778-12-000	EA	U-CHANNEL - 1" X 8" - WOODGRAIN
	070504-18-000	EA	U-CHANNEL - 1" X 8" - BROWN

FLOOR COVERINGS & COMPONENTS

KEY	PART NUMBER	U/M	DESCRIPTION
	088080-15-000	SY	CARPET, 12' WIDE ROLLS - B29 - INC. OF 4 SY
	088080-18-000	SY	CARPET, 12' WIDE ROLLS - B30 - INC. OF 4 SY
	088080-20-000	SY	CARPET, 12' WIDE ROLLS - B31 - INC. OF 4 SY
	075233-01-000	SY	PAD-CARPET, 3/8" X 8"
	078314-02-000	FT	TAPE-CARPET SEAM, HEAT-BOND
	083488-01-000	SY	CARPET-COMPARTMENT, 54" WIDE - DARK GRAY
	078314-02-000	FT	TAPE-CARPET SEAM, HEAT-BOND
	047034-02-000	SF	PLASTIC-CARPET, 4" WIDE - CLEAR POLY

FLOOR MATS

KEY	PART NUMBER	U/M	DESCRIPTION
	081075-02-000	EA	MAT-FLOOR, ENTRANCE - ITASCA LOGO
	081201-02-000	EA	MAT-FLOOR, FRONT - DRIVER - ITASCA LOGO
	081202-02-000	EA	MAT-FLOOR, FRONT - PASSENGER - ITASCA LOGO

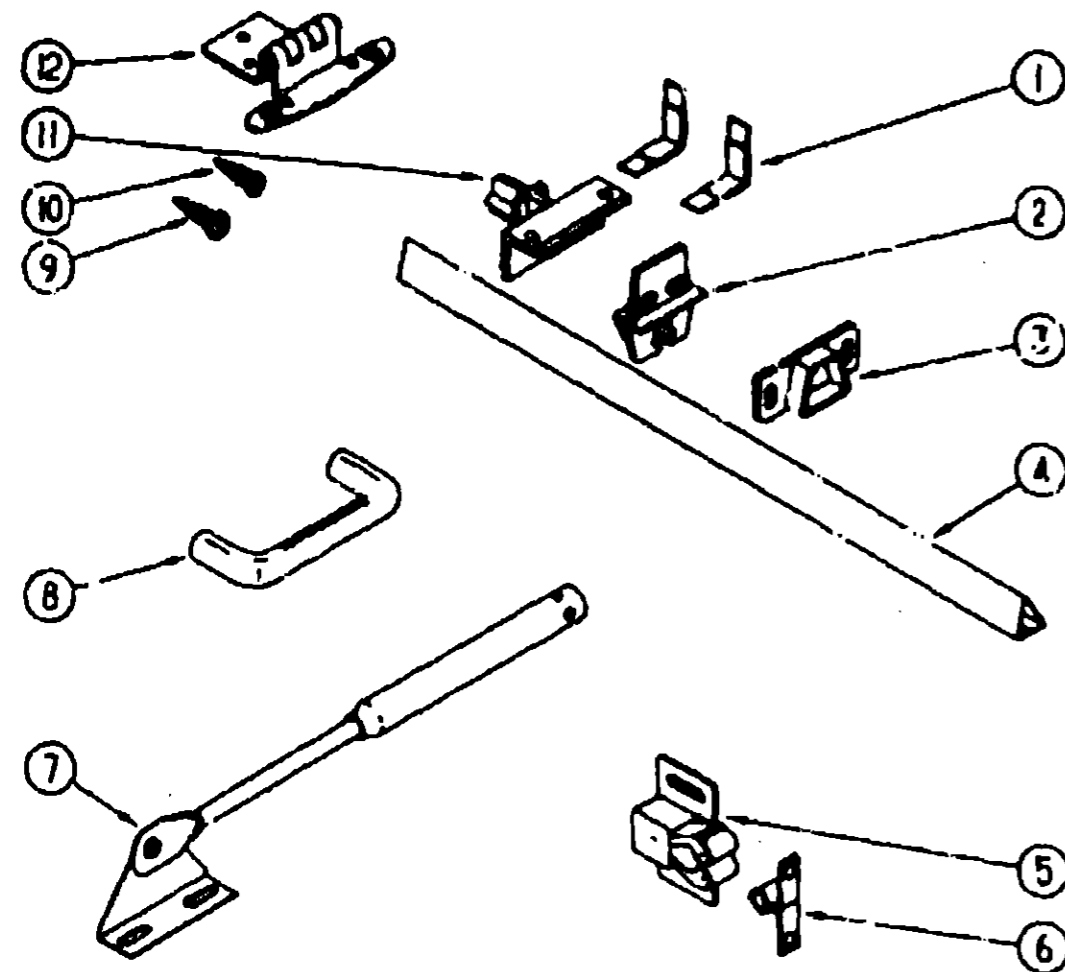
**1991 ITASCA
TABLE OF CONTENTS**

INTRODUCTION	A-01 -	A-02
ABBREVIATIONS		A-03
ALPHABETICAL INDEX	A-04 -	A-08
ICN28FC	A-07 -	F-02
ICN34RQ	F-03 -	K-08

1991 ICN34RQ INDEX

FLOOR PLAN	F-03 -	F-04
ACCESSORIES	F-05 -	F-12
BATH	F-13 -	F-18
BEDROOM	F-17 -	F-20
CHASSIS	F-21 -	G-08
C C & PAD	G-09 -	G-18
DINETTE	G-19 -	G-20
DRIVERS	G-21 -	H-04
ELECTRICAL	H-05 -	H-12
EXTERIOR BODY	H-13 -	H-20
GALLEY	H-21 -	I-04
HEATING & AC	I-05 -	I-08
INTERIOR FINISH	I-09 -	I-12
LABEL	I-13 -	I-20
LP		I-21
LOUNGE	I-22 -	I-23
SEALANTS & FASTENERS	I-24 -	J-02
WATER & SEWAGE	J-03 -	J-07
WINDOW, VENT AND EXTERIOR DOOR	J-08 -	K-08

INTERIOR FINISH GROUP (CONTINUED)



CABINET HARDWARE

KEY	PART NUMBER	U/M	DESCRIPTION
1	037688-02-000	EA	L-CORNER GUIDE (DRAWERS)
2	037688-03-000	EA	GLIDE-CENTER, DRAWER
3	037688-05-000	FA	BRACKET-RAIL MOUNTING, REAR
4	037688-01-000	FT	RAIL-V GUIDE, DRAWER - INC OF 10"
5	093588-03-000	EA	CATCH-SPRING, ROLLER
6	093588-04-000	EA	STRIKE-SPRING STEEL
7	074483-02-000	EA	SUPPORT-OVERHEAD DOOR, SPRUNG
8	099346-01-000	EA	PULL-CABINET, BRASS
9	000G13-08-10G	EA	SCREW-#20 X 5/8 PPH, ANTIQUE BRASS
10	000G11-08-12B	EA	SCREW-#18 X 3/4 PPH - ZINC
11	037688-04-000	EA	BRACKET-RAIL MOUNTING, FRONT
12	051777-02-000	EA	HINGE-CABINET DOOR, BURNISHED BRASS

THESE PARTS REPLACED KEY NUMBERS 1 THRU 4 ON 01-07-91

101227-02-000	EA	BRACKET-ROLLER, DRAWER - REAR
101227-03-000	EA	ROLLER-DRAWER, 1 PAIR - NYLON
102627-04-000	EA	BRACKET-MOUNTING, DRAWER - REAR
102827-05-000	EA	TRACK-DRAWER, 22.6" LONG

DRAWER SLIDES

KEY	PART NUMBER	U/M	DESCRIPTION
	064466-06-000	EA	SLIDE-COMplete, 12"
	064466-02-000	EA	SLIDE-DRAWER, FRONT
	064466-03-000	EA	SLIDE-DRAWER, REAR
	064466-04-000	EA	SLIDE-CABINET, FRONT
	064466-05-000	EA	SLIDE-CABINET, REAR

INTERIOR FINISH GROUP (CONTINUED)
CABINET HARDWARE

KEY	PART NUMBER	U/M	DESCRIPTION
	054858-01-000	EA	RAIL-CORNER, BED - METAL - BEIGE
	072389-19-000	EA	MESH-EXPANDED, 15.5" X 8.5" - BRONZE
	068879-01-000	EA	CLIP-ADJUSTABLE SHELF
	086380-02-000	EA	PILASTER-ADJUSTABLE SHELF, 12" LONG
	023320-01-000	EA	PAD-FELT, 3/8" DIAMETER - BROWN
	101447-01-000	EA	CLIP-U TYPE, TINNEMAN
	018804-05-000	EA	BRACE-CABINET, ANGLED METAL - 2.5" - OFF WHITE
	083204-02-000	EA	BUTTON-MIRROR RETAINING
	018804-03-000	EA	BRACE-CABINET ANGLE, 2.5" - BEIGE
	042356-01-000	EA	PLUG-BUTTON-MAHOGANY 3/8 DIA
	074045-01-000	EA	PLUG-OAK, 1/2" DIAMETER
	101272-01-000	EA	CATCH-OVERHEAD GLASS DOOR
	100711-01-01A	EA	HINGE-DOOR, GLASS
	100710-01-01A	EA	LOCK-GLASS DOOR, TWIST TYPE - BRASS
	101788-01-000	EA	PIN-SUPPORT, GLASS DOOR
	100707-01-000	EA	SPACER-DOOR, GLASS - 8" DIA - .7" HOLE - PLASTIC
	065740-01-000	EA	BRACE-CABINET CORNER, PLASTIC
	083125-03-000	EA	BRACE-COUCH, TAN
	100622-01-01A	EA	BRACKET-CABINET, TV - 9" X 1.5" - METAL - OFF WHITE
	081295-01-U01	EA	SUPPORT-BASE, DINETTE - 1.5" X 28" - WOOD
	081295-01-VAB	EA	SUPPORT-BED, DINETTE
	085774-01-000	FT	FASTENER-DUAL HOOK, 1" WIDE - ADHESIVE BACK - BLACK
	085774-02-000	FT	FASTENER-DUAL LOOP, 1" WIDE - ADHESIVE BACK - BLACK
	075943-02-000	EA	BRACE-ANGLE, WHOLES - 1" X 1.5" X 14" - ALUMINUM - BEIGE
	088718-01-001	EA	BRACE-90 DEGREE ANGLE, 192" - EXTRUDED ALUMINUM
	029094-04-000	YD	VELCRO TAPE-LOOP, 1" WIDE - BLACK
	029096-03-000	YD	VELCRO TAPE-HOOK, 1" WIDE - BLACK
	009018-01-000	EA	CATCH-SCREEN DOOR ROLLER
	076921-01-000	EA	ROLLER-NYLON, W/STEEL SHAFT - BARBED
	080738-01-000	EA	PULL-RECESSED, 1.25" X 4" - OAK
	091261-01-000	FT	BACKING-NON SKID, 1" WIDE (100' ROLL)
	034358-03-000	EA	INSERT-TV STAND TAN
	094412-01-000	EA	SUPPORT-HINGED
	084451-01-000	EA	CATCH-TV SHELF, BRASS
	084625-02-000	EA	HINGE-ALUMINUM, WHOLES - 17.2" - TAN
	084413-01-000	EA	HINGE-CONTINUOUS, ALUMINUM - 1" X 72" - WHOLES
	093278-01-000	EA	BRACE-PROP ROD, GAS
	089024-01-000	EA	SUPPORT-SPRING, TO FLOOR
	089025-01-000	EA	SUPPORT-SPRING, TO BED
	088189-02-Y12	EA	HINGE-BED, TOP LIFT - METAL - BEIGE
	077252-01-000	EA	PIN-HINGE
	086235-02-000	EA	BEARING-SNAPIN, 3/16" ID X 3/16"
	057460-02-000	EA	STUD-BALL, GAS SPRING - 10MM - 5/16" - 18
	057460-03-000	EA	CLIP-SAFETY, WIREFORM TYPE - GAS SPRING
	057460-04-000	EA	SPRING-GAS
	057460-04-000	EA	SPRING-GAS

1991 ITASCA
TABLE OF CONTENTS

INTRODUCTION	A-01 -	A-02
ABBREVIATIONS		A-03
ALPHABETICAL INDEX	A-04 -	A-08
ICN25RC	A-07 -	F-02
ICN34RQ	F-03 -	K-06

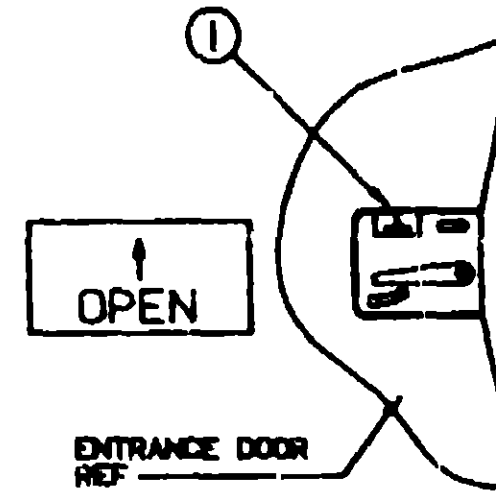
1991 ICN34RQ INDEX

FLOOR PLAN	F-03 -	F-04
ACCESSORIES	F-05 -	F-12
BATH	F-13 -	F-16
BEDROOM	F-17 -	F-20
CHASSIS	F-21 -	G-08
C G & PAD	G-09 -	G-18
DINETTE	G-19 -	G-20
DRIVERS	G-21 -	H-04
ELECTRICAL	H-05 -	H-12
EXTERIOR BODY	H-13 -	H-20
GALLEY	H-21 -	I-04
HEATING & A/C	I-05 -	I-08
INTERIOR FINISH	I-09 -	I-12
LABEL	I-13 -	I-20
LP		I-21
LCUNGE	I-22 -	I-23
SEALANTS & FASTENERS	I-24 -	J-02
WATER & SEWAGE	J-03 -	J-07
WINDOW, VENT AND		
EXTERIOR DOOR	J-08 -	K-06

LABEL GROUP
MISCELLANEOUS LABELS

KEY	PART NUMBER	U/M	DESCRIPTION
	092236-03-000	EA	LABEL-CIRCUIT BREAKER, MAIN
	092236-04-000	EA	LABEL-CIRCUIT BREAKER
	092237-02-000	EA	LABEL-CIRCUIT BREAKER, FRONT, POWER SEAT
	092237-04-000	EA	LABEL-CIRCUIT BREAKER, FRONT - AIR BAG COMP
	092547-04-000	EA	LABEL-CIRCUIT BREAKER
	091243-01-000	EA	LABEL-AC COVER - CANADIAN EXPORT
	09EJ08-01-000	EA	LABEL-"COMPARTMENT NOT SEALED"
	088983-01-000	EA	LABEL-DIESEL FUEL
	087238-02-000	EA	LABEL-TV, OUTLET
	098031-01-000	EA	LABEL-POTABLE WATER ONLY
	079888-01-000	EA	LABEL-WARNING, STOWED, MOTION
	090342-01-000	EA	LABEL-VAPOR RELIEF
	084875-01-000	EA	LABEL-EXTERIOR LIGHT, SERVICE
	090225-01-000	EA	LABEL-WARNING, STOVE VENT - US
	098084-01-000	EA	LABEL-SEAT W/O SEATBELT "NOT INTENDED FOR USE WHILE COACH IN MOTION"
	098084-02-000	EA	LABEL-SEAT W/O SEAT BELT - CANADA

LABEL GROUP (CONTINUED)



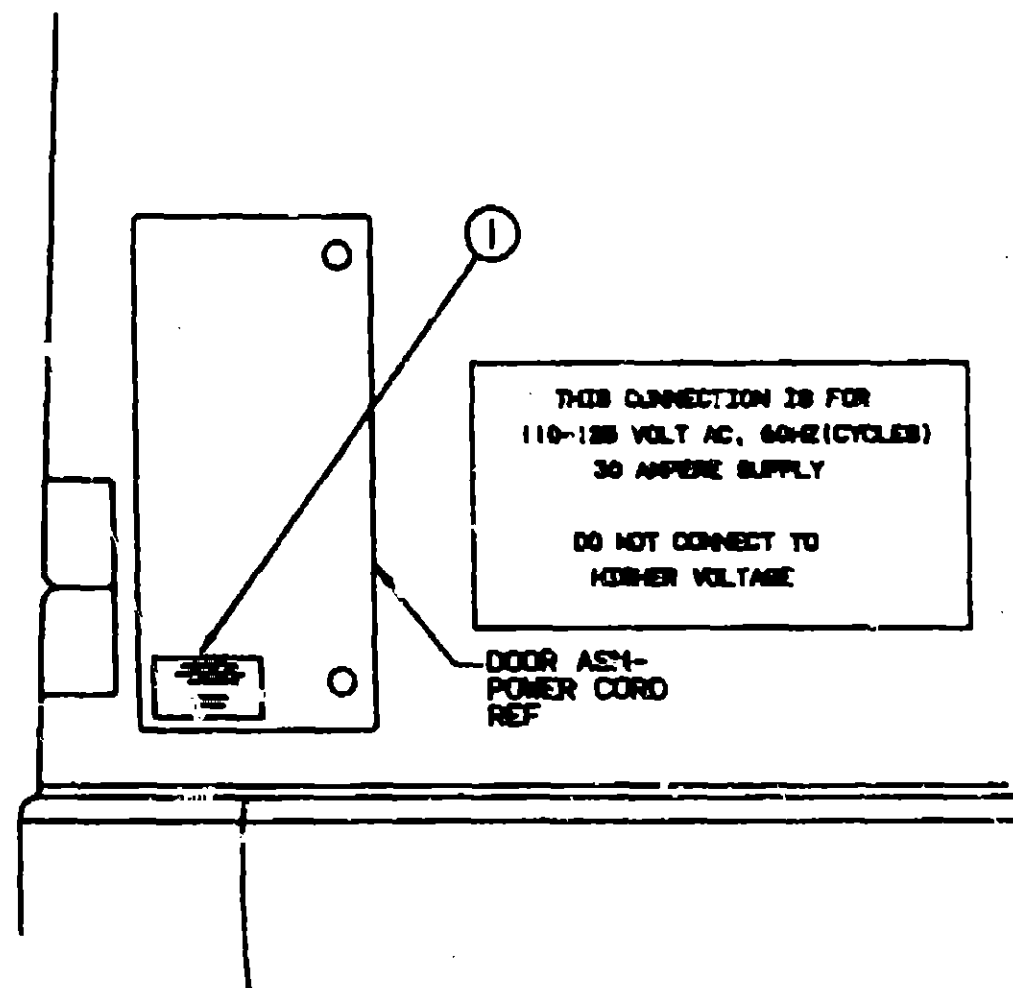
KEY	PART NUMBER	U/M	DESCRIPTION
1	040C-14-01-000	EA	LABEL-ENTRANCE DOOR, "OPEN"

1991 ITASCA
TABLE OF CONTENTS

INTRODUCTION	A-01	A-02
ABBREVIATIONS		A-03
ALPHABETICAL INDEX	A-04	A-08
ICN25RC	A-07	F-02
ICN34RQ	F-03	K-08

1991 ICN34RQ INDEX

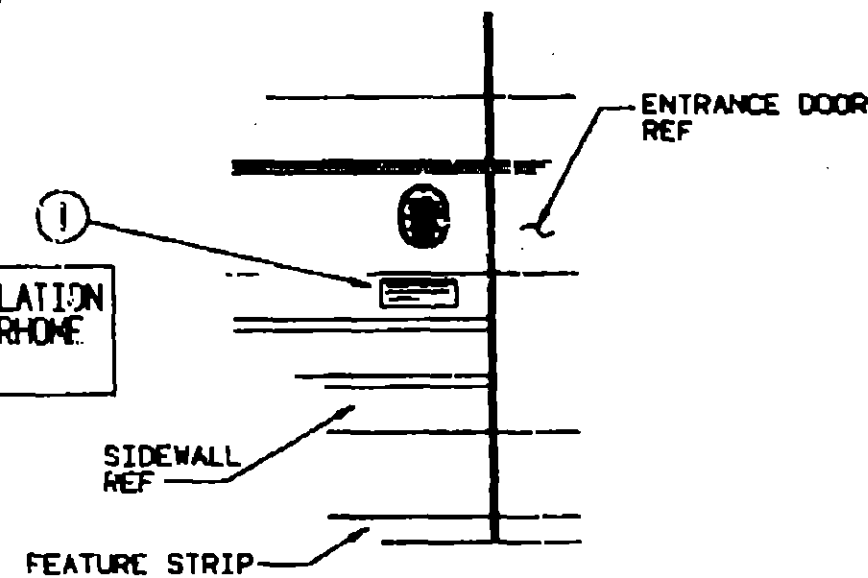
FLOOR PLAN	F-03	F-04
ACCESSORIES	F-05	F-12
BATH	F-13	F-16
BEDROOM	F-17	F-20
CHASSIS	F-21	G-08
C C & PAD	G-09	G-18
DINETTE	G-19	G-20
DRIVERS	G-21	H-04
ELECTRICAL	H-05	H-12
EXTERIOR BODY	H-13	H-20
GALLEY	H-21	I-04
HEATING & A/C	I-05	I-08
INTERIOR FINISH	I-09	I-12
LABEL	I-13	I-20
LP		I-21
LOUNGE	I-22	I-23
SEALANTS & FASTENERS	I-24	J-02
WATER & SEWAGE	J-03	J-07
WINDOW, VENT AND EXTERIOR DOOR	J-08	K-08



KEY	PART NUMBER	U/M	DESCRIPTION
1	098082-01-000	EA	TAG-ELECTRIC, 110V CONNECTION

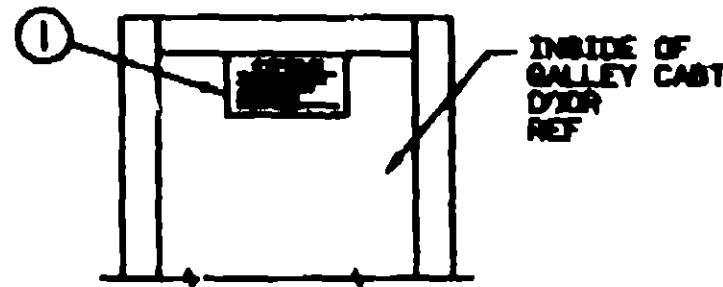


FOR AWNING INSTALLATION
CONTACT YOUR MOTORHOME
DEALERSHIP



KEY	PART NUMBER	U/M	DESCRIPTION
1	099509-01-000	EA	LABEL-AWNING INSTALLATION

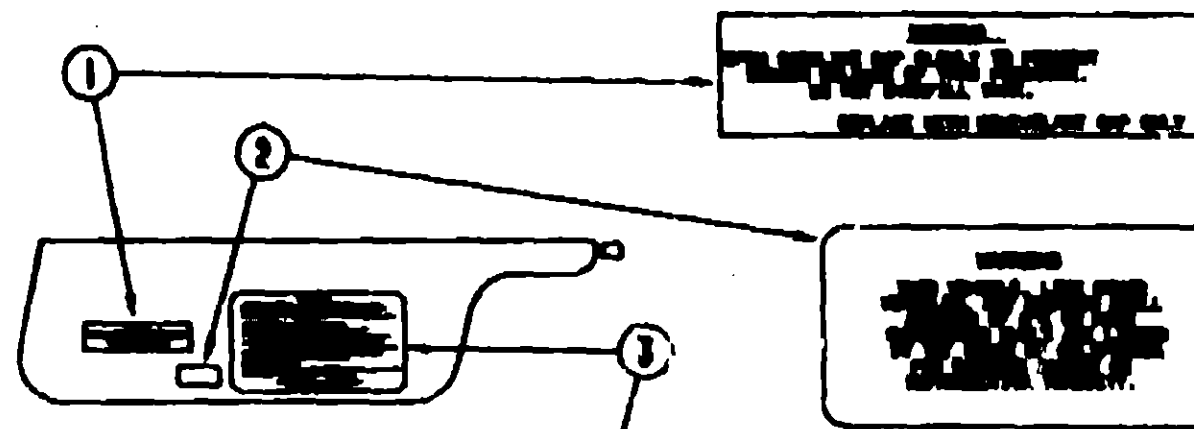
LABEL GROUP (CONTINUED)



IF YOU SMELL GAS

1. STOP THE AIR FLOW FROM ALL OPENINGS.
2. STOP THE AIR SUPPLY AT THE MAIN VALVE OR GAS CONTROL VALVE.
3. OPEN DOORS AND OTHER VENTILATED OPENINGS.
4. DO NOT TOUCH ELECTRICAL SWITCHES.
5. LEAVE THE AREA UNTIL YOU ARE CALLED.
6. DO NOT USE OPEN FLAMES AND LIGHTS UNTIL YOU ARE CALLED.

LABEL GROUP (CONTINUED)



CAUTION

THIS AREA HAS BEEN DESIGNED, MANUFACTURED AND TESTED WITH CARE FOR THE PROTECTION OF IT'S OPERATOR. BE ADVISED YOU MUST FOLLOW THE FOLLOWING INSTRUCTIONS FOR YOUR SAFETY AND THE SAFETY OF YOUR PASSENGERS BEFORE LEAVING THE VEHICLE.

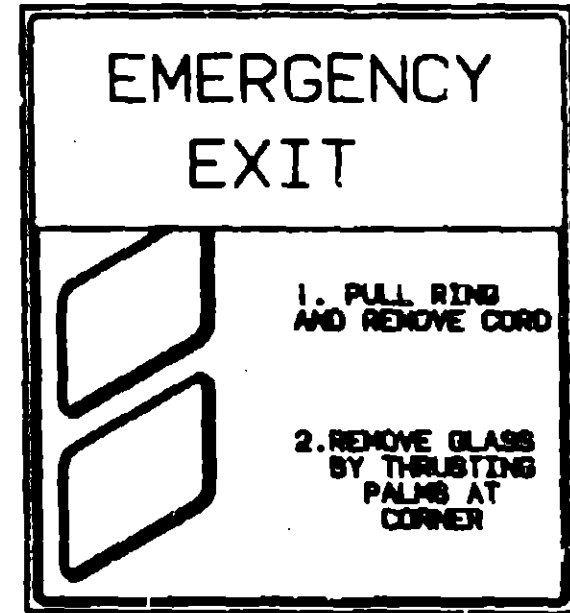
1. LP GAS SHUT-OFF- TURN OFF AT TIME FOR TRAVELING. TURN FOR LEAVE AFTER ARRIVAL AT DESTINATION. BEFORE LEAVING VEHICLE.
2. WHEELS- INSPECT FOR TIRING AND CHECK AIR PRESSURE FOR TIRE-WEAR.
3. TIRES- INSPECT FOR WEAR AND CHECK FOR UNUSUAL AIR PRESSURE.
4. LIGHTS- TEST FOR PROPER OPERATION OF ALL EXTERIOR AND INTERIOR LIGHTS INCLUDING BRAKE LIGHTS, HEADLIGHTS, TAIL LIGHTS, SIGNAL LIGHTS, GLASSMOUNT LIGHTS AND TURN SIGNALS.
5. BATTERY- INSPECT BATTERY CONNECTIONS ON OVERHEAD BATTERY. TEST BATTERY LEVEL ON BENCH CHARGER TEST FOR STATE OF OPERATION AND DETERMINE PROPERNESS FOR USE WITH KINDS OF BATTERY.
6. BATTERY BELTS- DETERMINE PROPERNESS TO SECURE BATTERY AND REMOVE USE OF BATTERY BELTS.
7. APPLIANCES- TURN OFF AND LOCK OR LOCK DOWN WHEN FINISHED.
8. LAUNDRY FACILITY- OPERATE CORRECTLY.
9. UTILITY SUPPLY LINES- DISCONNECT ALL ELECTRICAL, WATER AND OTHER LINES AND SECURE PROPERLY.
10. STORAGE BENCH BUMP- PLACE IN RETRACTED POSITION FOR TRAVELING.

READ YOUR OWNER'S MANUAL AND OVERHEAD OWNER'S MANUAL FOR FURTHER PRECAUTIONS

1991 ITASCA TABLE OF CONTENTS

INTRODUCTION	A-01 - A-02
ABBREVIATIONS	A-03
ALPHABETICAL INDEX	A-04 - A-06
ICN25RC	A-07 - F-02
ICN34RQ	F-03 - K-08

KEY	PART NUMBER	U/M DESCRIPTION
1	073998-01-000	EA LABEL-LPG ODOOR WARNING

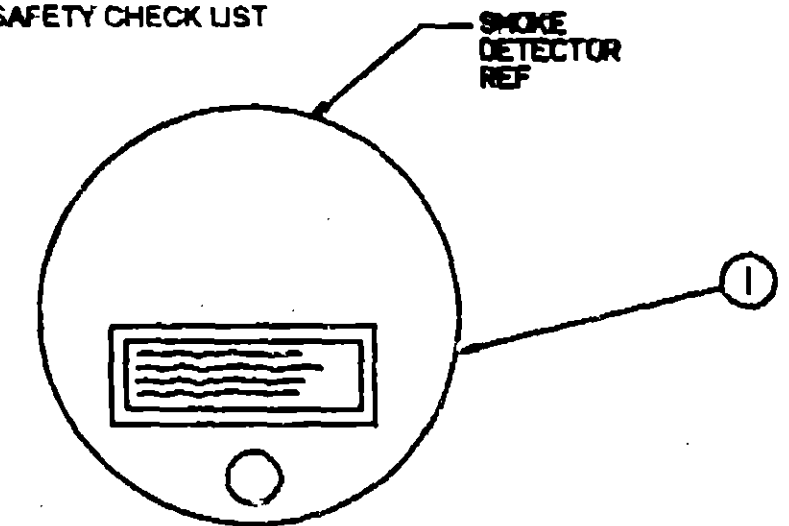


EMERGENCY EXIT
PULL RING
REMOVE CORD
PUSH OUT WINDOW

KEY	PART NUMBER	U/M DESCRIPTION
1	087207-05-000	EA LABEL-FUEL CAP REMOVAL
2	009689-01-000	EA LABEL-WARNING, CANCER/TOXICITY
3	056259-01-000	EA LABEL-SAFETY CHECK LIST

1991 ICN34RQ INDEX

FLOOR PLAN	F-03 - F-04
ACCESSORIES	F-05 - F-12
BATH	F-13 - F-16
BEDROOM	F-17 - F-20
CHASSIS	F-21 - G-08
C C & PAD	G-09 - G-18
DINETTE	G-19 - G-20
DRIVERS	G-21 - H-04
ELECTRICAL	H-05 - H-12
EXTERIOR BODY	H-13 - H-20
GALLEY	H-21 - I-04
HEATING & A/C	I-05 - I-08
INTERIOR FINISH	I-09 - I-12
LABEL	I-13 - I-20
LP	I-21
LOUNGE	I-22 - I-23
SEALANTS & FASTENERS	I-24 - J-02
WATER & SEWAGE	J-03 - J-07
WINDOW, VENT AND EXTERIOR DOOR	J-08 - K-08

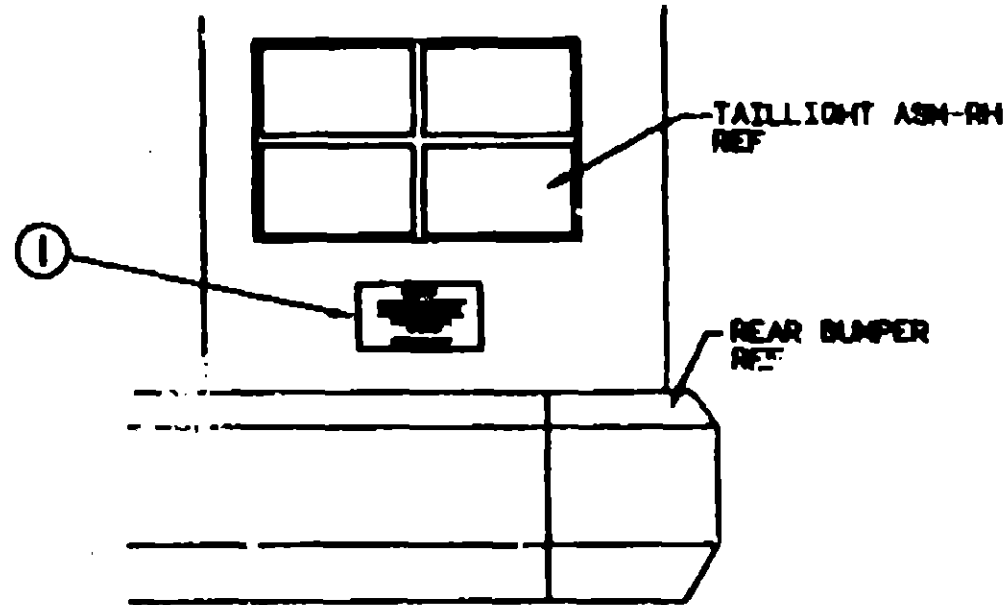


WARNING TEST SMOKE DETECTOR OPERATOR AFTER VEHICLE HAS BEEN IN STORAGE. BEFORE OPEN TRAP AND AT LEAST ONCE FOR EACH SERVICE USE.

KEY	PART NUMBER	U/M DESCRIPTION
1	039290-01-000	EA LABEL-WARNING-EXIT
2	047731-01-000	EA LABEL-EMERGENCY EXIT - ESCAPE WINDOW
3	006199-01-000	EA LABEL-EXIT-ESCAPE WINDOW

KEY	PART NUMBER	U/M DESCRIPTION
1	077956-01-000	EA LABEL-WARNING, SMOKE DETECTOR

LABEL GROUP (CONTINUED)

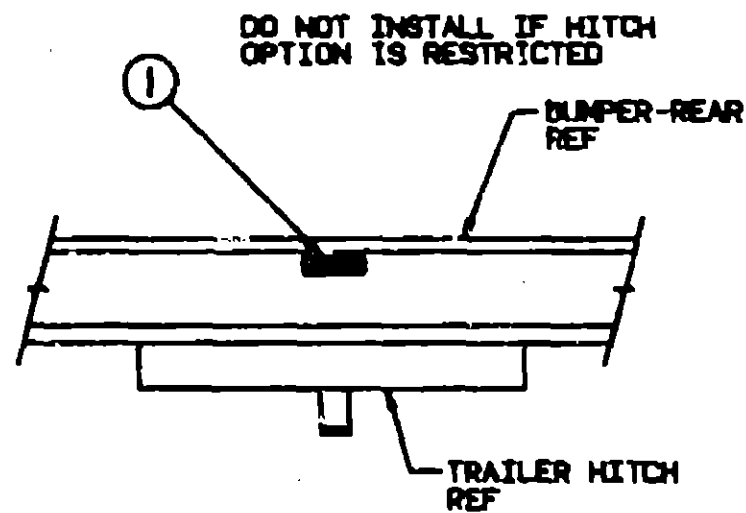


WARNING

DO NOT EXCEED THE VEHICLE WEIGHT RATINGS
OR LOADING RECOMMENDATIONS (E.G., GROSS
VEHICLE, GROSS AXLE, GROSS COMBINED) OF
THE CHASSIS MANUFACTURER OR
WINNEBAGO INC.

REFER TO YOUR OWNERS MANUAL,
BEFORE LOADING OR TOWING.

KEY PART NUMBER U/M DESCRIPTION
1 075220-01-000 EA LABEL-WARNING, EXTERIOR LOAD



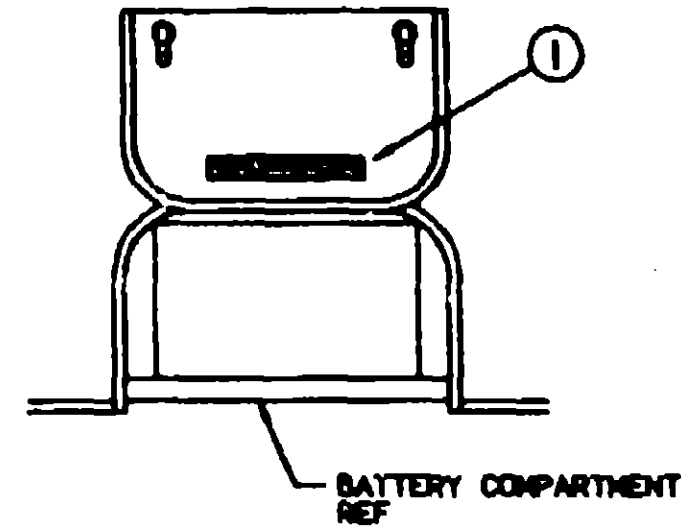
TOWING CAPACITY

TOWED VEHICLE 3000 LB. MAXIMUM
HITCH BALL 200 LB. MAXIMUM

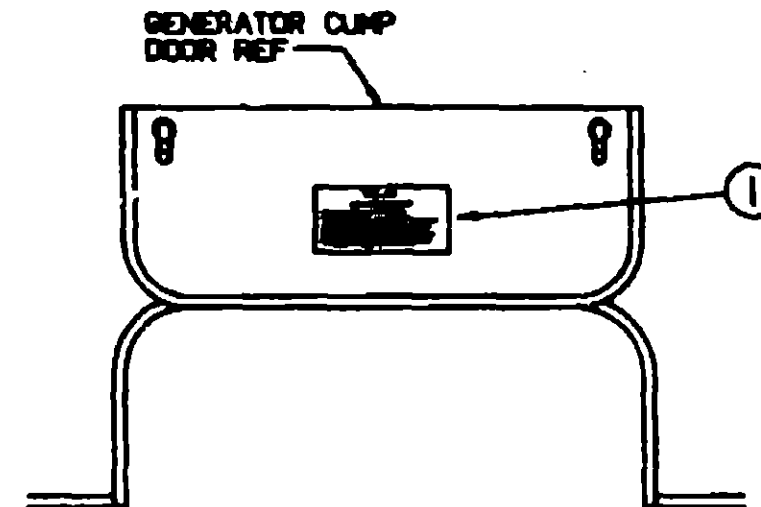
KEY PART NUMBER U/M DESCRIPTION
1 075221-03-000 EA LABEL-TRAILER HITCH

LABEL GROUP (CONTINUED)

WARNING
DISCONNECT BATTERIES BEFORE
CONNECTING EXTERNAL CHARGING EQUIPMENT.



KEY PART NUMBER U/M DESCRIPTION
1 065748-01-000 EA LABEL-CAUTION, BATTERY CHARGING



WARNING

WHEN ADDING A GENERATOR SET,

NEVER USE TOOLS OR OTHER DEVICES WITH METALS IN
ELECTRICAL CONTACT.
USE ALL ELECTRICAL CONNECTIONS PERFORMED BY A QUALIFIED LICENSED
ELECTRICIAN-FOLLOW ALL CODES AND LOCAL ORDINANCES.
ONLY QUALIFIED SERVICE TECHNICIANS SHOULD PERFORM S.V. APPLICATIONS. HAVE
TECHNICIAN QUALIFIED TO PERFORM.
TO ADD NEW LOADS AND TO CORRECT AN EXISTING LOAD REFER TO
THE GENERATOR CONNECTION, FOLLOW THE LATER INSTRUCTIONS.
GENERATOR SHOULD BE USED IN THE TRAILER AND NOT BE USED
UNDER THE VEHICLE-GENERATOR SHOULD NOT BE USED UNDER THE VEHICLE.

KEY PART NUMBER U/M DESCRIPTION
1 077510-01-000 EA LABEL-GENERATOR PREP

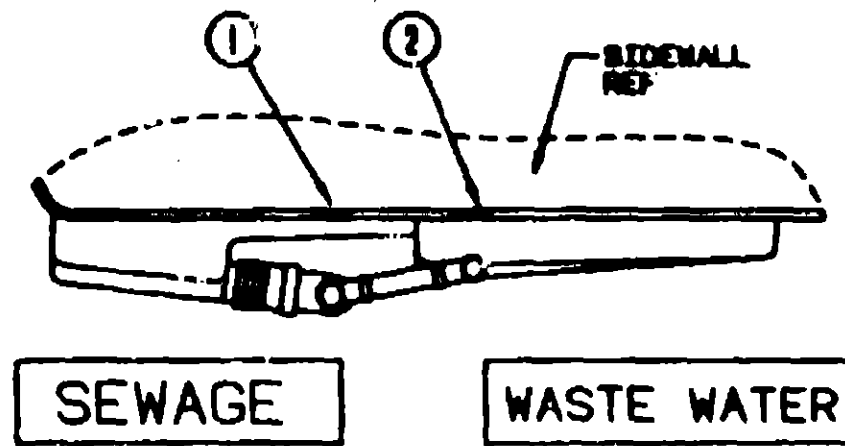
**1991 ITASCA
TABLE OF CONTENTS**

INTRODUCTION	A-01 - A-02
ABBREVIATIONS	A-03
ALPHABETICAL INDEX	A-04 - A-06
ICN25RC	A-07 - F-02
ICN34RQ	F-03 - K-08

1991 ICN34RQ INDEX

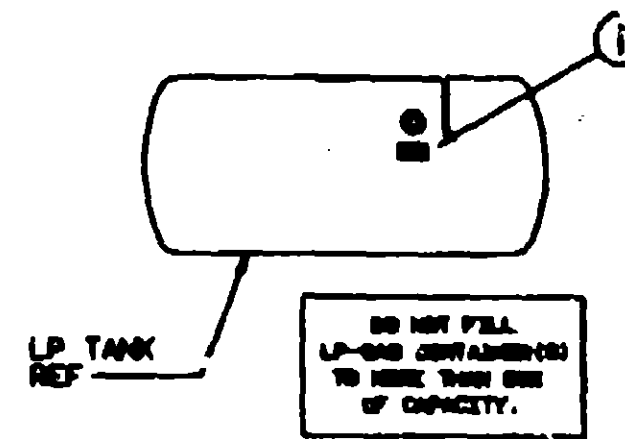
FLOOR PLAN	F-03 - F-04
ACCESSORIES	F-05 - F-12
BATH	F-13 - F-16
BEDROOM	F-17 - F-20
CHASSIS	F-21 - G-08
C C & PAD	G-09 - G-18
DINETTE	G-19 - G-20
DRIVERS	G-21 - H-04
ELECTRICAL	H-05 - H-12
EXTERIOR BODY	H-13 - H-20
GALLEY	H-21 - I-04
HEATING & AC	I-05 - I-08
INTERIOR FINISH	I-09 - I-12
LABEL	I-13 - I-20
LP	I-21
LOUNGE	I-22 - I-23
SEALANTS & FASTENERS	I-24 - J-02
WATER & SEWAGE	J-03 - J-07
WINDOW, VENT AND EXTERIOR DOOR	J-08 - K-08

LABEL GROUP (CONTINUED)



KEY	PART NUMBER	U/M DESCRIPTION
1	008187-01-000	EA LABEL-SEWAGE
2	008188-01-000	EA LABEL-WASTE WATER

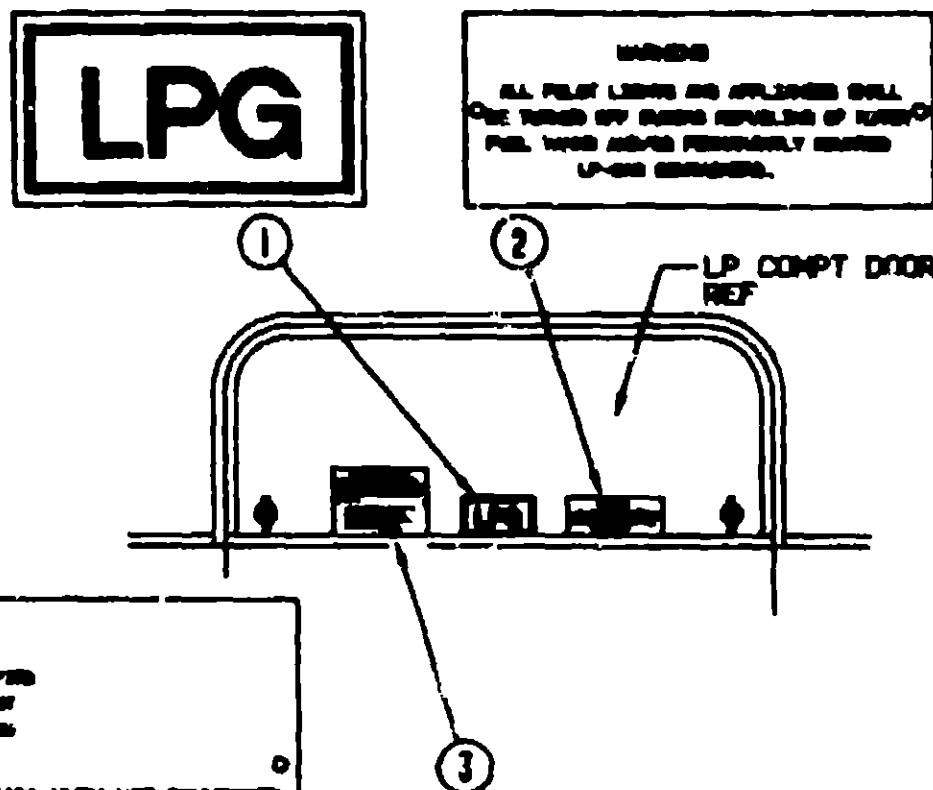
LABEL GROUP (CONTINUED)



KEY	PART NUMBER	U/M DESCRIPTION
1	079985-01-000	EA LABEL-LPG 80% CAPACITY

**1991 ITASCA
TABLE OF CONTENTS**

INTRODUCTION	A-01	A-02
ABBREVIATIONS		A-03
ALPHABETICAL INDEX	A-04	A-05
ICN25RC	A-07	F-02
ICN34RQ	F-03	K-08



LP-GAS SYSTEM
THIS GAS FUELING SYSTEM IS DESIGNED FOR USE OF LIQUEFIED PETROLEUM GAS ONLY. DO NOT RECONNECT TO OTHER GAS TO THIS SYSTEM.

SECURELY CAP BULKHEAD WHEN NOT CONNECTED FOR USE. AFTER TIGHTENING OF BULKHEAD CAP, CHECK FOR LEAKS. CONTAINER REPLACEMENT - ONLY USE PARTS AND CONNECTIONS TO SPECIFICALLY LISTED FOR LEAKAGE WITH COPY WATER OR FLAME RESISTANT. DO NOT USE PRODUCTS THAT CONTAIN APPROX. OF OXYGEN. P.N. 84821

KEY	PART NUMBER	U/M DESCRIPTION
1	074558-01-000	EA DECAL-LOGO, LPG - RED - (CALIF CODE)
2	006040-01-000	EA TAG-GAS REFUELING WARNING
2	006040-02-000	EA TAG-GAS REFUEL WARNING, CANADIAN
3	064531-01-000	EA LABEL-LP GAS ONLY
3	023729-01-000	EA LABEL-WARNING, LPG - CANADIAN

WARNING
OPEN BULKHEAD CAP SLOWLY TO PREVENT SUDDEN RELEASE OF TANK PRESSURE. DO NOT OVERFILL TANK. CAPSULE WITH BULKHEAD CAP ONLY

UNLEADED FUEL ONLY

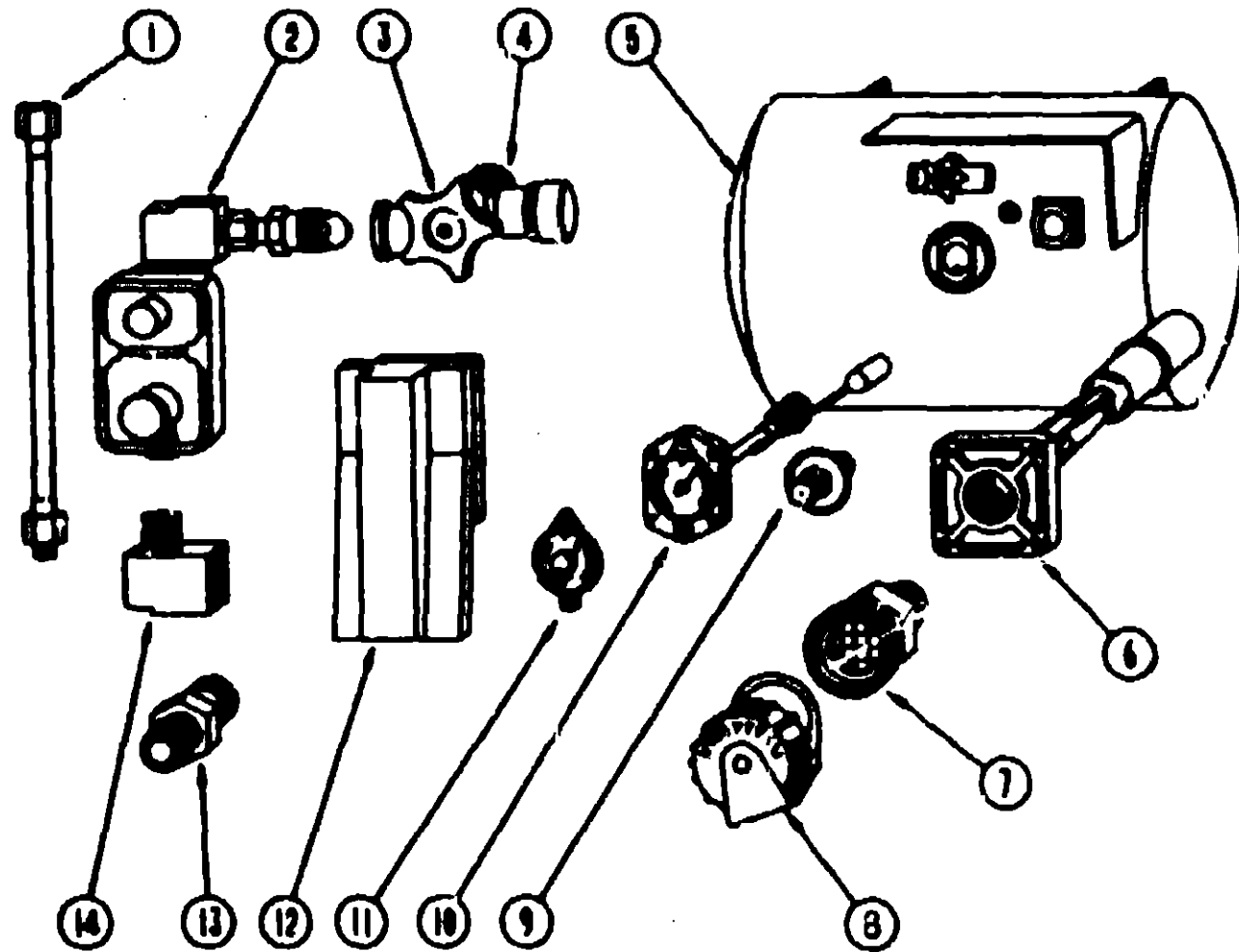
WARNING
ALL FUEL LINES AND APPLIANCES SHALL BE TIGHTLY SECURED BY BONDING REPAIRS OF REPAIRS. FUEL TANKS SHOULD PERMANENTLY BE MARKED LP-GAS CONTAINER.

KEY	PART NUMBER	U/M DESCRIPTION
1	067207-05-000	EA LABEL-FUEL CAP REMOVAL
2	062043-01-000	EA LABEL-FUEL, UNLEADED
3	006040-01-000	EA TAG-GAS REFUELING WARNING
3	006040-02-000	EA TAG-GAS REFUEL WARNING, CANADIAN

1991 ICN34RQ INDEX

FLOOR PLAN	F-03	F-04
ACCESSORIES	F-05	F-12
BATH	F-13	F-18
BEDROOM	F-17	F-20
CHASSIS	F-21	G-08
C C & PAD	G-08	G-18
DINETTE	G-19	G-20
DRIVERS	G-21	H-04
ELECTRICAL	H-05	H-12
EXTERIOR BODY	H-13	H-20
GALLEY	H-21	I-04
HEATING & AC	I-05	I-08
INTERIOR FINISH	I-09	I-12
LABEL	I-13	I-20
LP		I-21
LOUNGE	I-22	I-23
SEALANTS & FASTENERS	I-24	J-02
WATER & SEWAGE	J-03	J-07
WINDOW, VENT AND EXTERIOR DOOR	J-08	K-08

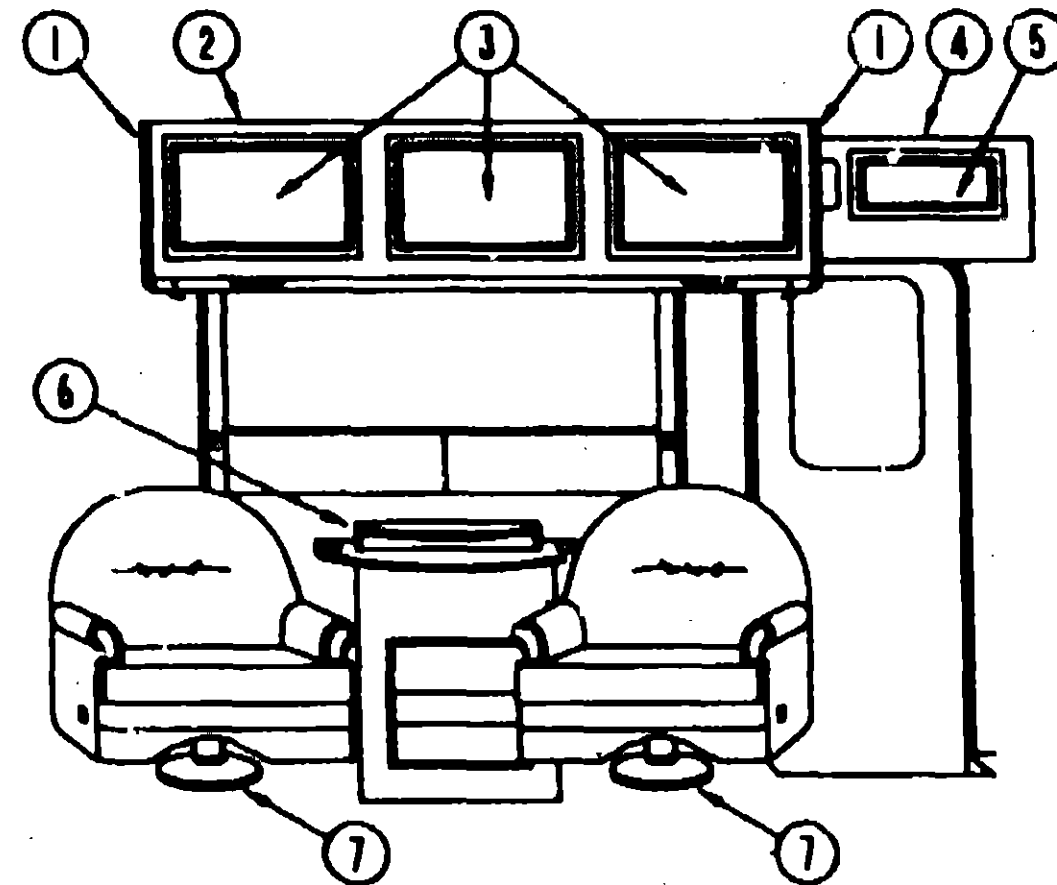
LP GROUP



LP TANK & COMPONENTS

KEY	PART NUMBER	U/M DESCRIPTION
1	045703-01-000	EA HOSE-LP, 3/8" ID X 24" US - 3/8 MPT X 1/2 F SWIVEL
1	045703-02-000	EA HOSE-LP, 3/8" ID X 24" - 3/8 MPT X 1/2 F SWIVEL - CANADA
2	076301-01-000	EA REGULATOR-LPG, TWO STAGE
3	040421-01-708	EA HANDWHEEL-VAPOR RELIEF VALVE, BRUNNER G-1015-A
4	040421-01-703	EA VALVE-SERVICE W/HANDWHEEL W/VAPOR RELIEF (REGC210800) BRUNNER G-1015
5	091970-01-000	EA TANK-LP, 80 LBS - 20" X 24"
6	040421-01-711	EA VALVE-80% W/FLOAT, PLATE, BOLTS & GASKET - BRUNNER
7	040421-01-701	EA VALVE-SHORT LP FILLER W/YELLOW CAP - BRUNNER 75478
8	040421-01-702	EA CAP-LP FILLER VALVE, PLASTIC - YELLOW - BRUNNER G-1014-A
9	040421-01-700	EA GAUGE-LIQUID LEVEL, 20% LP - BRUNNER G-1013
10	040421-01-707	EA GAUGE-FLOAT W/VISIBLE DIAL - BRUNNER MA-9 6244-4
11	040440-01-000	EA TRANSMITTER-DIAL, 90 OHM
12	081938-01-000	EA COVER-COMPARTMENT - LP REGULATOR - BLACK
13	010328-01-000	EA ADAPTER-BRASS-1/2" F X 1/2" MPT
14	065318-02-000	EA ELBOW-90 DEGREE, 3/8" MPT TO 3/8" FPT
	010285-01-000	EA CROSS, 3/8" F X 3/8" F X 3/8" F X 1/2" FPT - BRASS
	010377-02-000	EA NUT-BPASS, 3/8 FEMALE - FORGED
	010380-02-000	EA NUT-BRASS, 1/2" FEMALE - FORGED
	016188-03-000	EA GROMMET-GAS LINE, FLOOR - 3/8" HOLE X 2 1/8" DIAMETER RUBBER
	021642-01-000	EA TEE, 1/2" MPT X 1/2" FL X 3/8" FL - BRASS
	010497-05-000	EA CLAMP-CLOSED, .50" ID
	075148-02-000	EA CLAMP-GROUNDING, BRONZE SCREWS
	008390-01-000	EA GROMMET-RUBBER, 5/8" HOLE X 1 1/2" DIAMETER - BLACK
	010328-01-000	EA ADAPTER-FLARE, W/CONE GASKET 3/8" FEMALE FL X 1/2" MALE F
	065741-01-000	EA GAUGE-DIAPHRAGM PRESSURE - MARSHALLTOWN MFG
	065742-01-000	EA TEE, .38F X .38F X .25FPT - BRASS
	071391-02-000	EA NIPPLE-HEX, .25 PIPE
	008042-01-000	FT TUBING-VINYL, .65" ID
	054531-01-000	EA LABEL-LP GAS ONLY

LOUNGE GROUP



OVERHEAD CABINET & COMPONENTS

KEY	PART NUMBER	U/M DESCRIPTION
1	082747-01-B29	EA END CAP-CABINET, OVERHEAD
2	M04154-10-B29	EA CABINET-OVERHEAD, LOUNGE - W/O DOORS OR HARDWARE
3	P00520-01-B29	EA DOOR-CABINET, W/O HARDWARE - 14.4" X 29.1"
4	M04151-01-B29	EA CABINET-OVERHEAD, ENTRANCE DOOR - W/O DOORS OR HARDWARE
5	P00520-08-B29	EA DOOR-CABINET, W/O HARDWARE - 10" X 19.1"
6	096928-02-B29	EA TABLE-PULLOUT
	004354-01-000	EA BUMPER-CABINET DOOR, RUBBER - BROWN
	009059-01-000	EA HINGE-2" X 1.4", BRASS
	079799-01-000	EA SUPPORT-TABLE, PULLOUT - METAL - BEIGE
	096928-11-B05	EA TOP-TABLE, PULLOUT
	096928-12-B29	EA SUPPORT-BOTTOM TABLE, W/CUPHOLDER HOLES
	096928-25-B29	EA SUPPORT-TABLE, W/CUPHOLDER HOLES - 32.3" LONG
	096928-13-B29	EA COVER-FLIP UP, PULLOUT TABLE - W/O HARDWARE
	064781-05-000	EA HOLDER-CUP, TWO STEP - BEIGE
	080728-01-000	EA HANDLE-PULL, TABLE TOP - PLASTIC - BROWN
	096928-14-B29	EA SHELF-TOP, PULLOUT TABLE - UPPER SUPPORT FOR PULLOUT
	097208-02-B27	EA RACK-MAGAZINE
	084071-05-000	EA ROD-BRASS, 15" LONG
7	083482-01-000	EA SHROUD-PEDESTAL, 13" - BLACK PLASTIC
	093481-02-000	EA BASE-PEDESTAL, SWIVEL CHAIR - 10" EXTENSION

SEAT BELT

KEY	PART NUMBER	U/M DESCRIPTION
	007021-01-000	EA BELT-SEAT, 2" X 90" - BLACK

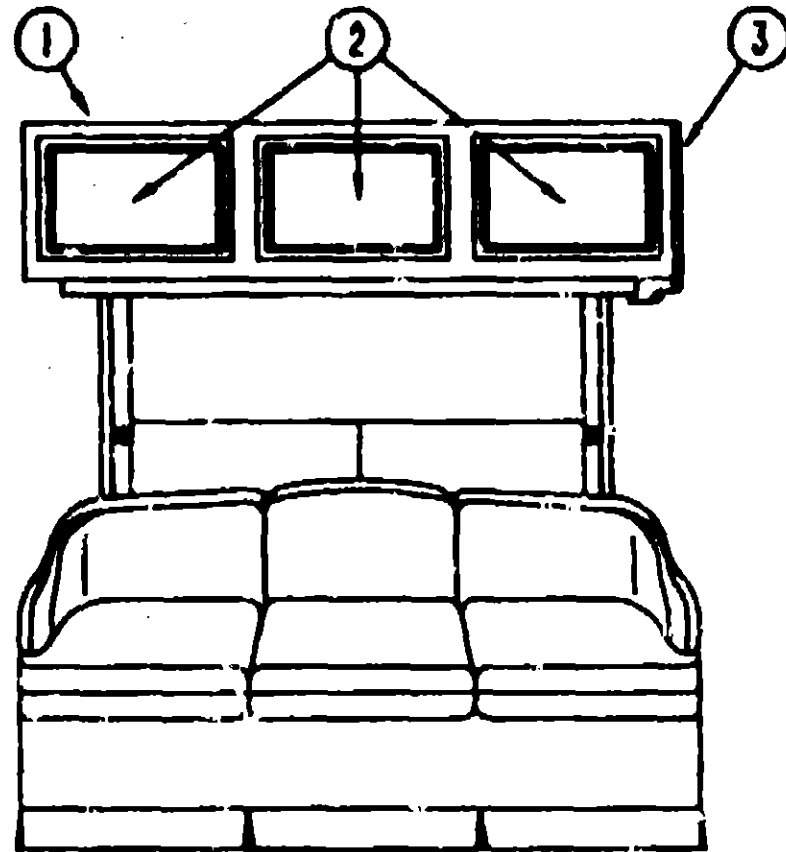
**1991 ITASCA
TABLE OF CONTENTS**

INTRODUCTION	A-01 - A-02
ABBREVIATIONS	A-03
ALPHABETICAL INDEX	A-04 - A-06
ICN256C	A-07 - F-02
ICN34RQ	F-03 - K-08

1991 ICN34RQ INDEX

FLOOR PLAN	F-03 - F-04
ACCESSORIES	F-05 - F-12
BATH	F-13 - F-16
BEDROOM	F-17 - F-20
CHASSIS	F-21 - G-08
C C & PAD	G-09 - G-18
DINETTE	G-19 - G-20
DRIVERS	G-21 - H-04
ELECTRICAL	H-05 - H-12
EXTERIOR BODY	H-13 - H-20
GALLEY	H-21 - I-04
HEATING & A/C	I-05 - I-08
INTERIOR FINISH	I-09 - I-12
LABEL	I-13 - I-20
LP	I-21
LOUNGE	I-22 - I-23
SEALANTS & FASTENERS	I-24 - J-02
WATER & SEWAGE	J-03 - J-07
WINDOW, VENT AND EXTERIOR DOOR	J-08 - K-08

LOUNGE GROUP (CONTINUED)



DRIVER SIDE CABINETS

KEY	PART NUMBER	U/M DESCRIPTION
1	004135-16-B23	EA CABINET-OVERHEAD, FRONT - W/O DOORS OR HARDWARE
2	P00523-01-B20	EA DOOR-CABINET, W/O HARDWARE - 14.4" X 21.0"
3	002747-01-B20	EA END CAP-CABINET, OVERHEAD - FRONT
	079386-01-000	EA FRAME-COUCH, CONTINENTAL
	079385-02-000	EA HARDWARE-KIT, COUCH, CONTINENTAL

SEAT BELT

KEY	PART NUMBER	U/M DESCRIPTION
	056271-02-000	EA BELT-SEAT, 2" X 72" - BLACK

SEALANTS & FASTENERS GROUP

ADHESIVES AND BOLTS

KEY	PART NUMBER	U/M DESCRIPTION
	004020-01-000	QT ADHESIVE-ABS CEMENT, QUART
	081377-01-700	EA ADHESIVE-CYANOACRYLATE, 10 GRAM TUBE
	087211-01-000	QL ADHESIVE-PROMOTER
	00400X-02-000	EA ADHESIVE-SWIFTS, 1 GAL - W1333
	099039-01-000	EA ADHESIVE-WEATHERSTRIP, 8 OZ
	053785-02-000	EA BEDDING COMPOUND-TUBE, WHITE
	005200-01-000	EA BOLT-BUMPER, ROUND HEAD-SQUARE NECK- WSSST CAP 7/16- 14 X 1 1/4
	102333-01-01A	EA BOLT-CARRIAGE, 7/16 - 14 - STAINLESS STEEL CAP- BEIGE
	051367-08-000	EA BOLT-CARRIAGE, W/O HOLE - 5/16-18 X 9.5 ZINC
	000C12-08-248	EA BOLT-HEX, 1/2-13 X 1 1/2 - ZINC - 5
	000C12-05-188	EA BOLT-HEX, 5/16-18 X 1 - ZINC - 5
	000C12-10-248	EA BOLT-HEX, 5/8-11 X 1 1/2 ZINC - 5
	000C12-07-208	EA BOLT-HEX, 7/16 - 14 X 1 1/4" - ZINC - 5
	000C13-07-488	EA BOLT-HEX, 7/16 - 20 X 3 - ZINC - 5
	000C25-04-108	EA BOLT-HEX, SER FLG - 1/4-20 X 5/8 ZINC
	000C25-05-208	EA BOLT-HEX, SER FLG 5/16-18 X 1 1/4" - ZINC
	000C12-05-248	EA BOLT-HEX-5/16-18X1 1/2 - ZINC - 5

CLAMPS, GROMMETS AND HOLDERS

KEY	PART NUMBER	U/M DESCRIPTION
	010495-01-000	EA CLAMP-CABLE, 9/16"
	010497-08-000	EA CLAMP-CLOSED, 1 1/16" ID
	010497-03-000	EA CLAMP-CLOSED, 1" ID - CUSHIONED
	010499-01-000	EA CLAMP-CLOSED, 3/8" ID
	010497-01-000	EA CLAMP-CLOSED, 5/8" ID
	010497-08-000	EA CLAMP-CLOSED, .125"
	075148-02-000	EA CLAMP-GROUNDING, BRONZE SCREWS
	062401-02-000	EA CLAMP-HOSE, WORMGEAR, 1.56" - 2.5"
	062401-09-000	EA CLAMP-HOSE, WORMGEAR, 2.8" - 3.75"
	062401-10-000	EA CLAMP-HOSE, WORMGEAR 1.06" - 2"
	073194-02-000	EA CLAMP-HOSE, WORMGEAR 32-50 MM
	062401 07-000	EA CLAMP-HOSE, WORMGEAR 5" - 7"
	062401-06-000	EA CLAMP-HOSE, WORMGEAR .22"-.62"
	062401-01-000	EA CLAMP-HOSE, WORMGEAR .25" - 1"
	062401-04-000	EA CLAMP-HOSE, WORMGEAR .68" - 1.25"
	062401-03-000	EA CLAMP-HOSE WORMGEAR (.22" - 1"
	083609-01-000	EA CLAMP-WIRE, DUAL - EQUAL 5/8" DIAMETER
	094362-02-000	EA CLIP-CHRISTMAS TREE, FLAT HEAD
	077953-01-000	EA GROMMET-EDGE LINER, FITS 1"
	023942-01-000	EA GROMMET-RUBBER, 2" OD
	071015-21-000	EA GROMMET-.50"ID, FITS .19" MATERIAL, HUBBER- SPLIT
	071015-29-000	EA GROMMET-.38"ID, FITS .05" MATERIAL, W/.12" GROOVE - BLACK
	056134-02-000	EA HOLDER-RING, 1.5" ID PIPE SIZE - STEEL

NUTS AND RIVETS

KEY	PART NUMBER	U/M DESCRIPTION
	072893-01-000	EA NUTSERT-M5 X 0, 8
	077048-01-000	EA NUT-ACORN, 10-32 ALUMINUM
	095094-01-000	EA NUT-ACORN, 1/4 - 20 ALUMINUM
	000D14-05-008	EA NUT-HEX, 5/16-18 - ZINC - 5
	000D34-04-008	EA NUT-HEX, LK 1/4 - 20 ZINC
	000D39-04-008	EA NUT-HEX, SER FLG LK 1/4 - 20 ZINC
	000D39-08-008	EA NUT-HEX, SER FLG LK - 1/2-13 ZINC
	000D39-06-008	EA NUT-HEX, SER FLG LK - 3/8-16 ZINC
	000D39-05-008	EA NUT-HEX, SER FLG LK - 5/16 - 18 ZINC
	000D44-07-008	EA NUT-HEX, SER FLG LK - 7/16-20 ZINC
	000D24-10-008	EA NUT-HEX, SF/LK - 10-32 ZINC
	000D34-06-008	EA NUT-HEX LK-3/8-16 GRADE C ZINC
	075467-01-000	EA NUT-INVERTED FLARE, 1/4"
	088497-02-000	EA NUT-INVERTED FLARE, 1/4"
	063253-07-000	EA NUT-J, #8 X .120- .130 PNL THK
	044364-02-000	EA NUT-SPEED, FLAT - ROUND
	040921-06-000	EA NUT-SPEED, U TYPE - NO. 8
	040921-04-000	EA NUT-SPEED, U TYPE - NO. 8
	040921-05-000	EA NUT-SPEED, U TYPE - NO. 8

**1991 ITASCA
TABLE OF CONTENTS**

INTRODUCTION	A-01 -	A-02
ABBREVIATIONS		A-03
ALPHABETICAL INDEX	A-04 -	A-08
ICN25RC	A-07 -	F-02
ICN34RQ	F-03 -	K-08

1991 ICN34RQ INDEX

FLOOR PLAN	F-03 -	F-04
ACCESSORIES	F-05 -	F-12
BATH	F-13 -	F-18
BEDROOM	F-17 -	F-20
CHASSIS	F-21 -	G-08
C C & PAD	G-00 -	G-18
DINETTE	G-19 -	G-20
DRIVERS	G-21 -	H-04
ELECTRICAL	H-05 -	H-12
EXTERIOR BODY	H-13 -	H-20
GALLEY	H-21 -	I-04
HEATING & A/C	I-05 -	I-08
INTERIOR FINISH	I-09 -	I-12
LABEL	I-13 -	I-20
LP		I-21
LOUNGE	I-22 -	I-23
SEALANTS & FASTENERS	I-24 -	J-02
WATER & SEWAGE	J-03 -	J-07
WIND-A, VENT AND EXTERIOR DOOR	J-08 -	K-08

SEALANTS & FASTENERS GROUP (CONTINUED)

NUTS AND RIVETS CONTINUED

KEY	PART NUMBER	U/M DESCRIPTION
	044364-01-000	EA NUT-SPEED, FLAT
	084081-01-000	EA NUT-WING, 3/8" X 16 THREAD
	084884-01-000	EA PLUG-BRASS, 3/8"
	081211-04-000	EA PLUG-PLASTIC, .46" - BLACK
	000118-04-06R	EA RIVET-POP, AL 1/8 X .313-.375
	080592-02-000	EA RIVET-T (POP) 1/4X.093-.156
	083729-04-000	EA RIVNUT, 10-32 UNF - .010-.080
	083729-01-000	EA RIVNUT, 1/4 X 20 UNC - .030-.125

SCREWS

KEY	PART NUMBER	U/M DESCRIPTION
	000G67-10-24B	EA SCREW, 10-12 X 1 1/2 PPH - ZINC
	000G67-10-16P	EA SCREW, 10-12 X 1 PPH - DARK BROWN
	000G67-10-16B	EA SCREW, 10-12 X 1 PPH - ZINC
	000G67-10-08B	EA SCREW, 10-12 X 1/2 PPH ZINC
	000G67-10-08R	EA SCREW, 10-12 X 1/2 PPH - BEIGE - TYPE A
	000G67-10-12B	EA SCREW, 10-12 X 3/4 - PPH ZINC
	000G67-10-10B	EA SCREW, 10-12 X 5/8 PPH ZINC - TYPE A
	000G67-10-10R	EA SCREW, 10-12 X 5/8 PPH - TYPE A - BEIGE
	000G67-10-12P	EA SCREW, 10-12 X .75 PPH - DARK BROWN
	049465-01-000	EA SCREW, 10-16 W/WASHER PTH - DARK BROWN
	049465-04-000	EA SCREW, 10-16 X 1 PTH W/WASHER - BEIGE
	000G11-10-16B	EA SCREW, 10-16 X 1 - PPH ZINC
	000G11-10-12R	EA SCREW, 10-16 X 3/4 PPH - BEIGE
	000G11-10-12D	EA SCREW, 10-16 X 3/4 PPH - BLACK
	000G11-10-08B	EA SCREW, 10-16 X 1/2 PPH - ZINC
	000G68-06-10G	EA SCREW, 6-18 X 5/3 POH - ANTIQUE BRASS
	076790-01-000	EA SCREW, 6-20 X 1 1/4 PPH - BLACK
	000G13-06-16R	EA SCREW, 6-20 X 1 PFH - BEIGE
	000G13-06-08B	EA SCREW, 6-20 X 1/2 PFH ZINC
	000G13-06-10G	EA SCREW, 6-20 X 5/8 PFH - ANTIQUE BRASS
	000G11-06-10B	EA SCREW, 6-20 X 5/8 PFH ZINC
	000G11-06-10J	EA SCREW, 6-20 X 5/8 PPH - BRASS
	000G11-07-08B	EA SCREW, 7-19 X 1/2 PPH - ZINC
	000G13-07-12B	EA SCREW, 7-19 X 3/4 PFH ZINC
	000G13-08-16B	EA SCREW, 8-18 X 1 PFH - ZINC
	000G11-09-08T	EA SCREW, 8-18 X 1/2 PPH
	000G11-08-08B	EA SCREW, 8-18 X 1/2 PPH ZINC
	000G11-08-12B	EA SCREW, 8-18 X 3/4 PPH ZINC
	000G11-08-12R	EA SCREW, 8-18 X 3/4 PPH - BEIGE
	000G11-08-12D	EA SCREW, 8-18 X 3/4 PPH - BLACK
	000G11-08-16R	EA SCREW, 8-18X1.00 PPH - BEIGE
	000G67-10-32B	EA SCREW, NO. 10 - 12 X 2 PPH ZINC
	000G55-08-12W	EA SCREW, SF/DR-8-18X.75 PPH
	000G67-10-12R	EA SCREW-10-12X.75 PPH BEIGE
	000G67-10-12D	EA SCREW-10-12X.75 PPH TAN
	049465-03-000	EA SCREW-10-16X1 POH W/WASHER
	000G11-10-12S	EA SCREW-10-16X.75 PPH OFF WHITE
	000G54-04-20B	EA SCREW-1/4-20X1 1/4 PTH TYP 23
	000G57-05-16J	EA SCREW-5-20X1 PFH BRASS
	000G12-06-08T	EA SCREW-6-20 X .50 POH - BLACK
	000G13-08-16J	EA SCREW-6-20X1.00 PFH BRASS
	000G11-08-12P	EA SCREW-8-18X.75 DARK BROWN
	085318-01-000	EA SCREW-8-08X1/2, CRIMP TITE HD
	000G67-08-32B	EA SCREW-8-15X2 PPH ZINC
	000G12-08-16S	EA SCREW-8-18 X 1" POH - OFF WHITE
	000G11-08-16S	EA SCREW-8-18X1.00 PPH OFF WHITE
	000G39-07-000	EA SCREW-8-32X1 1/4 POH, BLACK
	087721-01-000	EA SCREW-FLAT HEAD, TAPPING - 1/4 X 1 1/4 LG ZINC
	08G783-01-000	EA SCREW-MACH, 10 - 32 X 1/4 PTH
	000G19-10-09B	EA SCREW-MACH, 10-32 X 1/2 PPH ZINC
	000G19-10-10B	EA SCREW-MACH, 10-32 X 5/8 - PPH - ZINC
	000G50-04-12B	EA SCREW-MACH, 1/4-20 X 3/4 PPH ZINC
	079383-03-000	EA SCREW-SF/DR, 8-20 X 1 PL WASHER - BEIGE

SEALANTS & FASTENERS GROUP (CONTINUED)

SCREWS CONTINUED

KEY	PART NUMBER	U/M DESCRIPTION
	081908-01-000	EA SCREW-MACH 6-32X.62 WNYLOCK
	089371-01-000	EA SCREW-MACH 8-32X3 5/16. ZINC
	000G19-10-20B	EA SCREW-MACHINE, 10-32 X 1 1/4 PPH ZINC
	000G18-08-16B	EA SCREW-MACHINE, 8 X 32 X 1, PPH ZINC
	075906-01-000	EA SCREW-MACH-10-32X.56PTH(SEMS)
	000G53-04-06B	EA SCREW-MACH-1/4-20X3/8 PPH 2N
	000G18-08-22B	EA SCREW-MACH-5-32X1 3/8 PPH ZINC
	000G39-10-12P	EA SCREW-SF/DR, 10-18 X 3/4 PPH - BEIGE
	000G37-08-32B	EA SCREW-8-15 X 2 PPH - ZINC
	000G39-10-20B	EA SCREW-SF/DR, 10-16 X 1 1/4 PPH ZINC
	000G39-08-08S	EA SCREW-SF/DR, 8-8 X 1/2 PPH - OFF WHITE
	000G39-10-12D	EA SCREW-SF/DR, 10-12 X 3/4 PPH - BLACK
	000G39-06-18T	EA SCREW-SF/DR, 6-20 X 1 PPH - BLACK
	000G39-06-10T	EA SCREW-SF/DR, 6-20 X 5/8 PPH - BLACK
	000G39-09-24B	EA SCREW-SF/DR, 8-18 X 1 1/2 PPH ZINC
	000G39-08-16B	EA SCREW-SF/DR, 8-18 X 1 PPH ZINC
	000G39-10-20B	EA SCREW-SF/DR, 10-16 X 1 1/4 PPH ZINC
	000G29-10-12R	EA SCREW-SF/DR, 10-16X 3/4 PPH - BEIGE
	000G55-08-16Z	EA SCREW-SF/DR, 8-18 X 1.00 - BEIGE
	000G39-08-08B	EA SCREW-SF/DR, 8-18 X 1/2 PPH ZINC
	000G39-08-32S	EA SCREW-SF/DR, 8-18 X 2 PPH - ZINC
	000G39-08-12B	EA SCREW-SF/DR, 8-18 X 3/4 PPH ZINC
	000G39-08-12T	EA SCREW-SF/DR, 8-18 X 3/4 PPH - BLACK
	000G39-08-06B	EA SCREW-SF/DR, 8-18 X 3/8 PPH ZINC
	000G80-10-28T	EA SCREW-SF/DR, 10-16X1.75
	000G39-08-16R	EA SCREW-SF/DR 8-18X1.00 PPH BEIGE
	000G39-08-08R	EA SCREW-SF/DR-8-18X1/2 PPH
	079382-01-000	EA SCREW-SOCKET, 8-18 X 1" - BLACK

SEALERS

KEY	PART NUMBER	U/M DESCRIPTION
	106205-01-000	EA SEALER-PUMPABLE
	102352-C1-000	EA SEALER-PUMPABLE, BLACK
	069640-02-000	FT SEALER-RIBBON, 1/2" X 1/8" - INCREMENTS OF 30'
	069640-09-000	FT SEALER-RIBBON, 1/32" X 2 1/2"
	069640-01-000	FT SEALER-RIBBON, 1/4" DIAMETER - INCREMENTS OF 20'
	069640-03-000	FT SEALER-RIBBON, 3/4" X 1/8" - INCREMENTS OF 60'
	069640-06-000	FT SEALER-RIBBON, 5/16" DIAMETER - INCREMENTS OF 25'
	081255-03-000	FT SEAL-FOAM, 1/4 X 3/16 ROLL
	081255-01-000	FT SEAL-FOAM, 3.2MM X 4.8MM
	090340-01-000	FT SEAL-FOAM, CLOSED CELL - 1/4" X 1/2" X 50'
	053752-01-000	GL SEAM SEALER-5 GAL ALUMINUM
	034552-04-000	EA SILICONE-TUBE, 300 ML - BEIGE
	034552-02-000	EA SILICONE-TUBE, 300 ML - CLEAR
	053768-02-000	EA BEDDING COMPOUND-TUBE, WHITE
	008401-01-000	EA STRAP-CONDUIT, 3/4" - 1 HOLE - GALVANIZED STEEL

TAPES AND TIES

KEY	PART NUMBER	U/M DESCRIPTION
	100028-01-000	FT TAPE-ADHESIVE, .031" X .75" WIDE
	004363-01-000	FT TAPE-ADHESIVE FOAM, 1 SIDE - 3/16" X 1/2" - GRAY
	083071-01-000	FT TAPE-BONDING, DOUBLE SIDED - 1/64" X 2"
	076322-03-000	FT TAPE-FOAM, DOUBLE COATED - .045" X .5"
	088244-01-000	FT TAPE-FOAM, VINYL COATED - 2" WIDE - INCREMENTS OF 108 FT
	009200-01-000	EA TAPE-FLUORINE, 1 1/2"
	087891-01-000	EA TAPE-MASKING, WEATHER RESISTANT
	008343-02-000	EA TIE-WIRE, 14"
	008343-01-000	EA TIE-WIRE, 6"

WASHERS

KEY	PART NUMBER	U/M DESCRIPTION
	077071-01-000	EA WASHER-FENDER, 3/16" ID X 1" OD
	000E13-14-00B	EA WASHER-FL, 1/4" WIDE ZINC
	000E13-11-00B	EA WASHER-FL, 3/16" WIDE ZINC
	000E13-17-00B	EA WASHER-FL-3/8 AR ZINC
	000E14-10-00B	EA WASHER-LKL, NO 10 EXT TOOTH - ZINC
	000E13-21-00B	EA WASHER-FL, W/2 NAR ZINC

1991 ITASCA

TABLE OF CONTENTS

INTRODUCTION	A-01 -	A-02
ABBREVIATIONS		A-03
ALPHABETICAL INDEX	A-04 -	A-06
ICN25RQ	A-07 -	F-02
ICN34RQ	F-03 -	I-08

1991 ICN34RQ INDEX

FLOOR PLAN	F-03 -	F-04
ACCESSORIES	F-05 -	F-12
BATH	F-13 -	F-18
BEDROOM	F-17 -	F-20
CHASSIS	F-21 -	G-08
C C & PAD	G-09 -	G-18
DINETTE	G-19 -	G-20
DRIVERS	G-21 -	H-04
ELECTRICAL	H-05 -	H-12
EXTERIOR BODY	H-13 -	H-20
GALLEY	H-21 -	I-04
HEATING & A/C	I-05 -	I-08
INTERIOR FINISH	I-09 -	I-12
LABEL	I-13 -	I-20
LP		I-21
LOUNGE	I-22 -	I-23
SEALANTS & FASTENERS	I-24 -	J-02
WATER & SEWAGE	J-03 -	J-07
WINDOW, VENT AND		
EXTERIOR DOOR	J-08 -	K-08

WATER & SEWAGE GROUP
FRESH WATER TANK - 40 GALLON

KEY	PART NUMBER	U/M DESCRIPTION
	078252-07-000	EA TANK-WATER, 40 GALLON - W/FITTINGS - 10' X 24' X 48.5'
	078252-01-000	EA TANK-WATER, 40 GALLON - W/O FITTINGS - 10' X 24' X 48.5'
	062957-04-000	EA ELBOW-5/8" F X 3/4" MPT
	062957-02-000	EA ELBOW-MALE, 1/2" F X 1/2" MPT - PLASTIC - GRAY
	077954-02-000	EA FILTER-WATER TANK, SCREEN IN TANK
	042989-06-000	EA FITTING-SPINWELD, PLASTIC - 3/4 FPT
	042989-05-000	EA FITTING-WATER TANK, SPINWELD - 1/2" FPT - PLASTIC - WHITE
	046032-01-000	EA PATCH-SPINWELD, 3/8" - PLASTIC
	039881-01-000	EA SENDING UNIT W/SCREW, WASHER, WELL NUT AND TERMINAL RING
	062956-01-000	EA TEE-WATER, 1/2" F X 1/2" F X 1/2" MPT - PLASTIC - GRAY

WATER HEATER

KEY	PART NUMBER	U/M DESCRIPTION
	051391-03-000	EA HEATER-WATER, W/ELECTRIC IGNITION - ATWOOD G6A-3E
	051391-01-700	EA HINGE KIT-W/CLIP, ATWOOD # 92568 & 92559
	051393-03-700	EA TANK-INNER (G6A-3E), REAR MT - ATWOOD# 91409
	051391-01-704	EA VALVE-RELIEF, 1/2" FITTING - ATWOOD# 91604
	051391-01-705	EA FASTENER-CAMLOC, ATWOOD# 92609
	051391-01-708	EA GRILLE-EXHAUST, 3E ONLY - ATWOOD #92787
	051391-01-708	EA BURNER-MAIN, 3E ONLY - ATWOOD# 92615
	051391-01-710	EA ORIFICE-MAIN BURNER, ATWOOD# 92742
	051391-04-701	EA THERMOSTAT 12 VDC-120 PRESET, FRONT MOUNT ONLY - ATWOOD# 91470
	051391-01-715	EA DRAIN PLUG, ATWOOD# 91581
	051391-04-708	EA TANK-INNER, FRONT MOUNT - G6A-4E & 6E
	051391-04-700	EA TANK-INNER (G6A-3E), FRT MT - ATWOOD# 91608
	051393-01-704	EA CIRCUIT BOARD-W/BLACK BOX, ATWOOD# 91420
	051393-01-702	EA SWITCH-ENERGY CUT-OFF, ATWOOD# 91951
	051393-01-701	EA SWITCH PACKAGE-ATWOOD# 91955
	051393-01-703	EA THERMOSTAT-REAR MOUNT, ATWOOD# 91952
	051393-01-721	EA ECO&THERMOSTAT ASM-FRONT MOUNT, 140 DEGREE - ATWOOD# 91447
	051393-01-716	EA SPARK & PROBE ASM, ATWOOD# 91608
	051393-01-718	EA VALVE-DUAL SOLENOID, ATWOOD# 91605
	051393-01-705	EA ORIFICE HOLDER-ATWOOD# 91925
	062009-01-000	EA DOOR-WATER HEATER, ATWOOD 5578-27 - OFF WHITE

WATER & SEWAGE GROUP (CONTINUED)
WATER HEATER W/MOTOR AID AND REAR HEATER

KEY	PART NUMBER	U/M DESCRIPTION
	051393-01-000	EA WATER HEATER-W/MOTOR AID, PILOTLESS IGNITION ATWOOD GH6-4E OR GH6-6E
	051393-01-701	EA SWITCH PACKAGE-ATWOOD# 91959
	051393-01-702	EA SWITCH-ENERGY CUT-OFF, ATWOOD# 91951
	051393-01-703	EA THERMOSTAT-REAR MOUNT, ATWOOD# 91952
	051393-01-704	EA CIRCUIT BOARD-W/BLACK BOX, ATWOOD# 91420
	051393-01-705	EA ORIFICE HOLDER-ATWOOD# 91925
	051393-01-716	EA PROBE & SPARK ASM, ATWOOD# 91608
	051391-01-708	EA BURNER-MAIN, 3E ONLY - ATWOOD# 92615
	051393-01-718	EA VALVE-DUAL SOLENOID, ATWOOD# 91605
	051393-01-714	EA TANK-INNER (GH6-3E), REAR MOUNT - ATWOOD# 91408
	051393-01-718	EA VALVE-DUAL SOLENOID, ATWOOD# 91605
	051393-01-721	EA ECO&THERMOSTAT ASM-FRONT MOUNT, 140 DEGREE - ATWOOD# 91447
	051391-01-704	EA RELIEF VALVE 1/2" FITTING - ATWOOD# 91604
	051391-01-705	EA FASTENER-CAMLOCK, ATWOOD# 92609
	051391-01-706	EA GRILLE-EXHAUST, ATWOOD# 92787
	051391-01-710	EA ORIFICE-MAIN BURNER, ATWOOD# 92742
	051391-01-714	EA ELBOW-FITTING, 45 DEGREE - 3/8" F X 3/8" MPT - ATWOOD 91044
	051391-01-715	EA DRAIN PLUG - ATWOOD# 91581
	051391-04-701	EA THERMOSTAT 12VDC-120 PRESET - 91470 ATWOOD#
	051391-04-704	EA TANK-INNER (FRT-MT)GH6-4E&6E - 91642 ATWOOD#
	051391-04-705	EA TANK-INNER, FRONT MOUNT - GH6-3E
	051391-04-707	EA KIT-GRILLE, FLUE, & GASKET - ATWOOD# 90960
	051391-01-700	EA PIN & CLIP-HINGE, ATWOOD # 92568 & 92559
	062401-01-000	EA CLAMP-HOSE, WORMGEAR, 2 1/2" - 1"
	079059-01-000	EA HOSE-90 DEGREE, 817D X 4" X 3/8"
	079059-02-000	EA HOSE-90DEG. 81X4.00X5.00
	007103-01-000	EA HOSE-HEATER 5/8 HI-TEMP
	083081-01-000	EA HOSE-FORMED, 90 DEGREE - 5/8" ID
	088753-01-000	FT TUBE-ALUMINIZED STEEL, 5/8" - 18 GAUGE
	010227-01-000	EA TEE-PLASTIC, BARB 5/8" OR 3/4" HOSE
	062401-04-000	EA CLAMP-HOSE, WORMGEAR, 60" - 1.25"

WATER PUMPS

KEY	PART NUMBER	U/M DESCRIPTION
	045729-01-000	EA PUMP-WATER, W/5MPT FITTINGS - FLOW 2.8 GPM - SHURFLOW FROM: 00-00-00 THRU: 09-17-90
	045729-02-000	EA PUMP-WATER, W/5MPT FITTINGS - FLOW 2.8 GPM - SHURFLOW - CANADIAN
	045729-01-700	EA MOTOR, SHURFLO 11-021
	045729-01-701	EA BASEPLATE-KIT, SHURFLOW# 94-052
	045729-01-702	EA DIAPHRAGM-KIT, SHURFLOW# 94-213-00
	045729-01-703	EA VALVE ASM-KIT, SHURFLOW# 94-110
	045729-01-704	EA UPPER HOUSING-SHURFLOW# 94-025-00
	045729-01-705	EA SWITCH CAP KIT W/SWITCH-SHURFLOW# 94-255-01
	045729-01-706	EA PUMPHEAD-SHURFLOW# 94-056-11
	045729-01-707	EA LOWER-HOUSING, SHURFLO 94-017-01
	098607-01-000	EA PUMP-WATER, W/5" MPT FITTING - FLOW 2.8 GPM - UL FROM: 09-18-89 THRU: 99-99-99
	098607-01-700	EA PUMPHEAD-REPLACEMENT, SHURFLOW# 94-238-08
	098607-02-000	EA PUMP-WATER, 2.8 GPM - W/1/2" MPT FITTINGS - CANADIAN
	098607-01-701	EA DRIVE ASM, SHURFLOW# 94-234-03
	098607-01-702	EA DIAPHRAGM-KIT, SHURFLOW# 94-233-10
	098607-01-703	EA VALVE ASM, SHURFLOW# 94-232-00
	098607-01-704	EA HOUSING-UPPER, SHURFLOW# 94-231-01
	098607-01-705	EA CHECK VALVE-KIT, SHURFLOW# 94-237-00
	098607-01-707	EA MOTOR/BASEPLATE REPLACEMENT, SHURFLOW# 94-234-03

1991 ITASCA
TABLE OF CONTENTS

INTRODUCTION	A-01 -	A-02
ABBREVIATIONS		A-03
ALPHABETICAL INDEX	A-04 -	A-06
ICN25RC	A-07 -	F-02
ICN34RQ	F-03 -	K-08

1991 ICN34RQ INDEX

FLOOR PLAN	F-03 -	F-04
ACCESSORIES	F-05 -	F-12
BATH	F-13 -	F-16
BEDROOM	F-17 -	F-20
CHASSIS	F-21 -	G-08
COIL & PAD	G-09 -	G-18
DIAPHRAGM	G-19 -	G-20
DRIVERS	G-21 -	H-04
ELECTRICAL	H-05 -	H-12
EXTERIOR BODY	H-13 -	H-20
GALLEY	H-21 -	I-04
HEATING & AC	I-05 -	I-08
INTERIOR FINISH	I-09 -	I-12
LABEL	I-13 -	I-20
LP		I-21
LOUNGE	I-22 -	I-23
SEALANTS & FASTENERS	I-24 -	J-02
WATER & SEWAGE	J-03 -	J-07
WINDOW, VENT AND		
EXTERIOR DOOR	J-08 -	K-08

WATER & SEWAGE GROUP (CONTINUED)

WATER SYSTEM

KEY	PART NUMBER	U/M	DESCRIPTION
	036522-02-000	EA	CAP-BRASS, 1/2" FLARE
	052959-02-000	EA	CONNECTOR, 1/2" F X 1/2" MPT - PLASTIC - GRAY
	073417-01-000	EA	CONNECTOR, 5/8" F X 1/2" MPT - PLASTIC - KEYCO
	098420-01-000	EA	CONNECTOR-SWIVEL, 1/2" FPT X 5/8" TUBE - PLASTIC
	093193-02-000	EA	DRAIN VALVE-IN LINE, HEADER - 1/2" MPT X 1/2" F X 1/2" M
	103106-01-000	EA	FAUCET-EXTEHNAL WATER 90 DEG
	087859-04-000	EA	FILL-WATER, CITY - OFF WHITE
	093207-02-01A	EA	BRACKET-VACUUM BREAKER, WATER CENTER - OFF WHITE
	093207-03-01A	EA	BRACKET-VACUUM BREAKER, WATER CENTER - OFF WHITE
	071015-08-000	EA	GROMMET-1.75"ID, FITS .06" MATERIAL RUBBER
	052956-01-000	EA	TEE-1/2" F X 1/2" MPT X 1/2" F - PLASTIC
	039800-01-000	FT	TUBING-POLYBUTYL, 1/2" OD - INCREMENTS OF 20' - BLACK
	098341-01-000	EA	VACUUM BREAKER-3/4 FPT X 3/4 MPT
	046128-01-000	EA	VALVE-DRAIN, PLASTIC - 1/2" FPT WATER SYSTEM
	093193-02-000	EA	DRAIN VALVE-IN LINE, HEADER - 1/2" MPT X 1/2" F X 1/2" M
	079317-01-000	EA	ADAPTER-SWIVEL, 1/2" TUBE X 1/2" FPT - PLASTIC - GRAY
	033302-02-000	EA	ADAPTER-ASM-STRAINER, 1 1/2" - ABS - CANADIAN
	082401-03-000	EA	CLAMP-HOSE WORMGEAR, .22" - 1"
	052960-01-000	EA	DRAIN VALVE-IN LINE, HEADER - 1/2" F X 1/2" F - GRAY PLASTIC
	031126-01-000	EA	ELBOW-1/4 BEND, 3 X 90 XLT - PLASTIC - GRAY
	010081-01-000	EA	ELBOW-45 DEGREE, STREET - 1/8 BEND - 3" - SXH - PLASTIC
	010117-01-000	EA	COUPLING-PLASTIC, 3" - HXH
	101814-01-000	EA	COUPLING-FEMALE, PLASTIC, 1/2" F X 1/2" FPT
	052957-02-000	EA	ELBOW-MALE, 1/2" F X 1/2" MPT - PLASTIC - GRAY
	052957-01-000	EA	ELBOW-PLASTIC, 1/2" F X 3/8" MPT
	037101-02-000	EA	ELBOW-PLASTIC, 1/4" BEND VENT 1 1/2" HUB - CANADIAN
	065120-01-000	EA	ELBOW-SWIVEL, 1/2" FPT X 1/2" FLARE - PLASTIC - GRAY
	057457-01-000	EA	ELBOW-UNION, 1/2" X 1/2" FLARE
	057457-02-000	EA	ELBOW-UNION, 5/8" X 5/8" FLARE
	011053-04-000	EA	FAUCET-GALLEY, 8" SWING SPOUT US/CSA FROM: 00-00-00 THRU: 11-12-89
	064952-01-000	EA	FAUCET-GALLEY FROM: 11-13-89 THRU: 99-99-99
	075240-05-000	EA	FAUCET-LAVATORY, BRASS
	075242-03-000	EA	FAUCET-SHOWER, BRASS
	091253-01-000	EA	GASKET-FAUCET, LAVATORY/GALLEY
	011048-02-000	EA	HEAD-SHOWER, W/90" HOSE
	052952-01-000	EA	NUT-PLASTIC, 1/2" F X 1/2" TUBE - PLASTIC - GRAY
	052952-02-000	EA	NUT-PLASTIC, 5/8" FLARE
	052953-01-000	EA	NUT-PLASTIC, 1/2" TUBE X 1/2" FPT - PLASTIC - GRAY
	065292-01-000	EA	TEE-PLASTIC, 5/8" F X 5/8" F X 1/2" F
	055293-01-000	EA	TEE-PLASTIC, 5/8" F X 1/2" F X 5/8" F
	052958-01-000	EA	TEE, 1/2" F X 1/2" F X 1/2" F - PLASTIC - GRAY
	039798-01-000	EA	TEE, 1/2" MPT X 1/2" MPT X 1/2" MPT - PLASTIC
	093217-01-000	EA	TEE-SWIVEL, 1/2" - PLASTIC
	052955-01-000	EA	TEE-WATER, 1/2" F X 1/2" F X 1/2" MPT - PLASTIC - GRAY
	057973-01-000	EA	TEE-WATER, 1/2" F X 1/2" F X 5/8" F - PLASTIC
	039800-02-000	FT	TUBING-POLYBUTYL, 5/8" OD - INCREMENTS OF 20' - BLACK
	039800-01-000	FT	TUBING-POLYBUTYL, 1/2" OD - INCREMENTS OF 20' - BLACK
	091208-01-000	EA	WASHER-RUBBER, .06" X .75" X .5"

WATER PURIFICATION SYSTEM

KEY	PART NUMBER	U/M	DESCRIPTION
	079317-01-000	EA	ADAPTER-SWIVEL, 1/2" TUBE X 1/2" FPT - PLASTIC - GRAY
	087200-02-000	EA	CARTRIDGE-WATER FILTER, EVERPURE 9801-11
	052959-02-000	EA	CONNECTOR, 1/2" F X 1/2" MPT - PLASTIC - GRAY
	052957-01-000	EA	ELBOW-PLASTIC, 1/2" F X 3/8" MPT
	065120-01-000	EA	ELBOW-SWIVEL, 1/2" FPT X 1/2" FLARE - PLASTIC - GRAY
	087200-01-000	EA	FILTER-WATER PURIFICATION, EVERPURE QC2-AC
	052952-01-000	EA	NUT-PLASTIC, 1/2" F X 1/2" TUBE - PLASTIC - GRAY
	039800-01-000	FT	TUBING-POLYBUTYL, 1/2" OD - INCREMENTS OF 20' - BLACK
	091208-01-000	EA	WASHER-RUBBER, .06" X .75" X .5"

WATER & SEWAGE GROUP (CONTINUED)

DRAINAGE SYSTEM

WASTE WATER HOLDING TANK

KEY	PART NUMBER	U/M	DESCRIPTION
	082271-01-000	EA	TANK-HOLDING, W/O GROMMETS - 42 GL - 24.6" X 59.9" X 8.8" FROM: 00-00-00 THRU: 09-30-90
	101787-01-000	EA	TANK-HOLDING, W/O GROMMETS - 42 GL - 24.6" X 59.9" X 8.8" FROM: 10-01-90 THRU: 99-99-99
	061607-01-000	EA	GROMMET-HOLDING TANK, 1 1/2" NPS
	039861-01-000	EA	SENDING UNIT W/SCREW, WASHER, WELL NUT AND TERMINAL RING

SEWAGE HOLDING TANK

KEY	PART NUMBER	U/M	DESCRIPTION
	082272-01-000	EA	TANK-HOLDING, W/O GROMMETS - 50 GL - 25.8" X 59.9" X 18.6" FROM: 00-00-00 THRU: 09-30-90
	101788-01-000	EA	TANK-HOLDING, W/O GROMMETS - 38 GL - 21.6" X 59.9" X 8.7" FROM: 10-01-90 THRU: 99-99-99
	061607-01-000	EA	GROMMET-HOLDING TANK, 1 1/2" NPS
	061607-02-000	EA	GROMMET-HOLDING TANK, 3" NPS
	039861-01-000	EA	SENDING UNIT W/SCREW, WASHER, WELL NUT AND TERMINAL RING

DRAINAGE VALVES & HOSE

KEY	PART NUMBER	U/M	DESCRIPTION
	093552-01-000	EA	ADAPTER-PLASTIC, SEWER HOSE - 45 DEGREE
	089330-01-000	EA	ADAPTER-SEWER HOSE END
	082418-01-000	EA	ADAPTER-SEWER TO 3" PIPE
	082415-01-000	EA	CAP-SEWER, 3" DIAMETER
	078408-01-000	EA	COUPLER-RUBBER, W/CLAMPS - 3" X 3"
	089355-01-000	EA	COUPLER-RUBBER, 1 1/2" X 1 1/2"
	103354-01-000	EA	CONNECTOR-HOSE-SEWER
	062419-02-700	EA	HANDLE ONLY - FOR EXTENSION ROD
	010201-01-000	EA	HOSE-SEWER, 3 ID X 6"
	070918-01-701	EA	VALVE ONLY, 1 1/2"
	070918-01-700	EA	VALVE ONLY, 3"
	070918-01-000	EA	VALVE-DUAL DUMP, W/CAP - 3" X 1 1/2" - PLASTIC - BLACK
	083558-01-000	EA	VENT-PLUMBING PIPE ROOF, W/COVER - BEIGE

SINK

KEY	PART NUMBER	U/M	DESCRIPTION
	093528-01-000	EA	SINK-DOUBLE BOWL, STAINLESS STEEL - 19" X 25"
	057871-01-000	EA	COVER-SCREW, #8 - PLASTIC - OFF WHITE
	090927-01-01A	EA	SINK-LAVATORY, RECTANGULAR - PLASTIC - BONE
	090927-01-700	EA	SINK-STOPPER
	092303-01-000	EA	STRAINER-SINK
	090927-01-701	EA	TAILPIECE-SINK

1991 ITASCA

TABLE OF CONTENTS

INTRODUCTION	A-01	A-02
ABBREVIATIONS		A-03
ALPHABETICAL INDEX	A-04	A-06
ICN25RC	A-07	F-02
ICN34RQ	F-03	K-08

1991 ICN34RQ INDEX

FLOOR PLAN	F-03	F-04
ACCESSORIES	F-05	F-12
BATH	F-13	F-16
BEDROOM	F-17	F-20
CHASSIS	F-21	G-08
C C & PAD	G-09	G-18
DINETTE	G-19	G-20
DRIVERS	G-21	H-04
ELECTRICAL	H-05	H-12
EXTERIOR BODY	H-13	H-20
GALLEY	H-21	I-04
HEATING & A/C	I-05	I-08
INTERIOR FINISH	I-09	I-12
LABEL	I-13	I-20
LP		I-21
LOUNGE	I-22	I-23
SEALANTS & FASTENERS	I-24	J-02
WATER & SEWAGE	J-03	J-07
WINDOW, VENT AND EXTERIOR DOOR	J-08	K-08

WATER & SEWAGE GROUP (CONTINUED)

SHOWER PAN

KEY	PART NUMBER	U/M DESCRIPTION
	M02630-10-Y12	EA PAN-SHOWER, W/S TRAINER
	066729-01-000	EA STRAINER-TUB/SHOWER DRAIN
	069640-01-000	FT SEALER-RIBBON, 1/4" DIAMETER - INCREMENTS OF 20'
	069735-01-000	EA WASHER-STRAINER TO TAILPIECE PLASTIC, 1.5"
	011069-04-000	EA TAILPIECE, 1 1/2 X 1 1/4 X 8 - BRASS
	066438-01-000	EA NUT-SLIP, TAILPIECE - 1.5"
	011091-02-000	EA PIPE-DRAIN, DOUBLE SINK - BAFFLE TEE - 1 1/2" ONE PIPE W/TEE TO DRAIN BOTH SIDES OF SINK
	011091-03-000	EA PIPE-DRAIN, W/SEALS - DOUBLE SINK - EXTENDS 8" TO 16" - CANADIAN
	011068-03-000	EA P-TRAP, 1 1/2" TRAP X 1 1/4" SOCKET - PLASTIC
	011071-01-000	EA P-TRAP, 1 1/2" - PLASTIC - CANADIAN
	079968-01-000	EA VENT-MECH. TRAP ARM, ANTI-SIPHON - 2" DIA. X 7.3" - PLASTIC

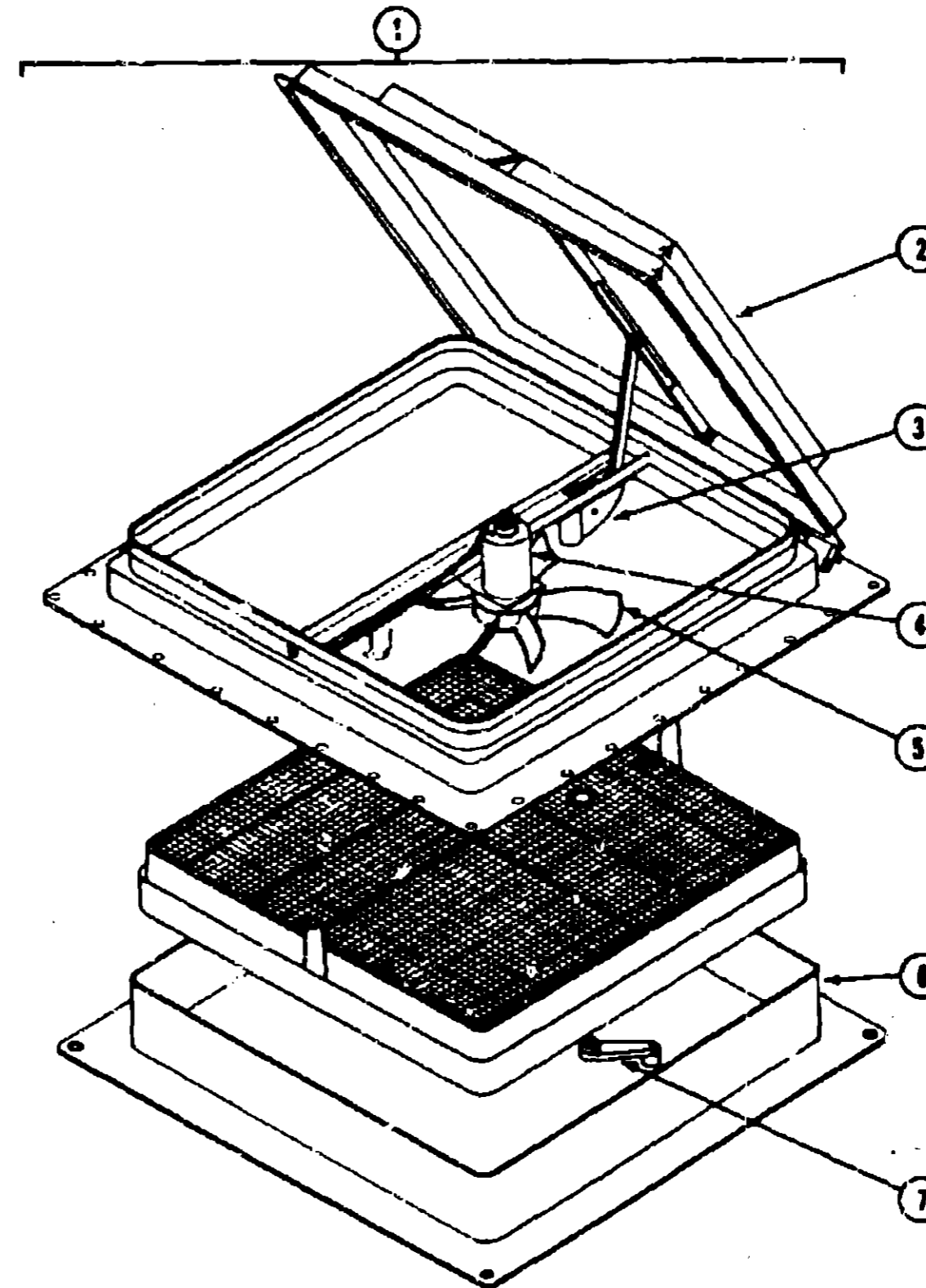
EXTERIOR SHOWER AND COMPONENTS

KEY	PART NUMBER	U/M DESCRIPTION
	046129-01-000	EA VALVE-DRAIN, PLASTIC - 1/2" FPT
	052957-02-000	EA ELBOW-MALE, 1/2" F X 1/2" MPT - PLASTIC - GRAY
	067211-01-000	OL PROMOTER-ADHESIVE
	103173-01-01A	EA KIT-SHOWER, EXTERIOR - WITH EXTERIOR DOOR, FAUCET, HEAD & HOSE FROM: 00-00-00 THRU: 03-24-91
	103173-02-01A	EA KIT-SHOWER, EXTERIOR - WITH EXTERIOR DOOR, FAUCET, HEAD & HOSE FROM: 03-25-91 THRU: 99-99-99
	002726-01-001	EA GARNISH-U-CHANNEL, 1.38" X 19" - SERRATED - MILL ALUMIN
	103226-51-003	EA EXTR-ZEE, 3658
	082144-02-000	EA CAP-PIPE, 1/2" FPT BRASS HEX
	104579-01-000	EA SEAL-FOAM, CLOSED CELL
	098351-01-01A	EA PLATE-SWITCH, 1 GANG - POLISHED BRASS
	079364-06-000	EA SWITCH-MOMENTARY, OFF/MCM ON

MISCELLANEOUS PLUMBING COMPONENTS

KEY	PART NUMBER	U/M DESCRIPTION
	010168-01-000	EA PLUG-THREADED, 1 1/4" DIAMETER - PLASTIC - BLACK
	031111-01-000	EA ELBOW-90 DEGREE, 1/4" BEND - 1 1/4" - PLASTIC
	010122-01-000	EA BUSHING-REDUCER, 1 1/2" SMOOTH X 1 1/4" THREAD - BLACK PLASTIC
	010121-01-000	EA BUSHING-REDUCER, 1 1/2" SMOOTH X 1 1/4" HUB - PLASTIC - BLACK
	010115-01-000	EA COUPLING-1 1/2" HUB X HUB, PLASTIC
	010079-01-000	EA TEE-SANITARY, 1 1/2" H X 1 1/2" H X 1 1/4" H - PLASTIC - BLACK
	010073-01-000	EA WYE-45 DEGREE, 1 1/2" HUB X HUB X HUB - PLASTIC - BLACK
	033761-01-000	EA ELBOW-TURN, 25° BEND X 1.5" HUB X 1.5" SPIGOT - BLACK PLASTIC
	034250-01-000	EA ELBOW-90 DEGREE, LONG TURN - 1 1/2" HUB X HUB - ABS
	010072-01-000	EA TEE-SANITARY, 1 1/2" H X 1 1/4" H X 1 1/2" H - PLASTIC
	010071-01-000	EA TEE-SANITARY, 1 1/2" HUB X HUB X HUB - PLASTIC - BLACK
	004020-01-000	QT ADHESIVE-ABS CEMENT
	010006-01-000	EA ELBOW-45 DEG, 1/8" BEND - 1 1/2" HUB X HUB - BLACK PLASTIC
	010008-01-000	EA ELBOW-90 DEG, 1/4" BEND - 1 1/2" HUB X HUB - BLACK PLASTIC
	010051-01-000	EA ELBOW-45 DEG BEND, 1 1/2" SPIGOT AND HUB - PLASTIC - BLACK
	010081-01-000	EA ELBOW-45 DEGREE, STREET - 1/8" BEND - 3" S X H - PLASTIC

WINDOW, VENT & EXTERIOR DOOR GROUP



POWERED ROOF VENT (CANADIAN EXPORT)

KEY	PART NUMBER	U/M DESCRIPTION
1	064469-08-000	EA VENT-ROOF, POWERED - 14" X 14" - 12V - CANADIAN
2	064469-03-702	EA LID-VENT WHITE
3	064469-03-708	EA LIFT MECHANISM
4	048848-01-000	EA MOTOR-ROOF VENT, 1/8" SHAFT - 12V
5	048849-01-000	EA FAN-ROOF VENT, 8 BLADES - 8"
6	064469-03-706	EA GARNISH, VENT 2.5 IN. WIDE
7	009434-01-000	EA CRANK HANDLE-ROOF VENT

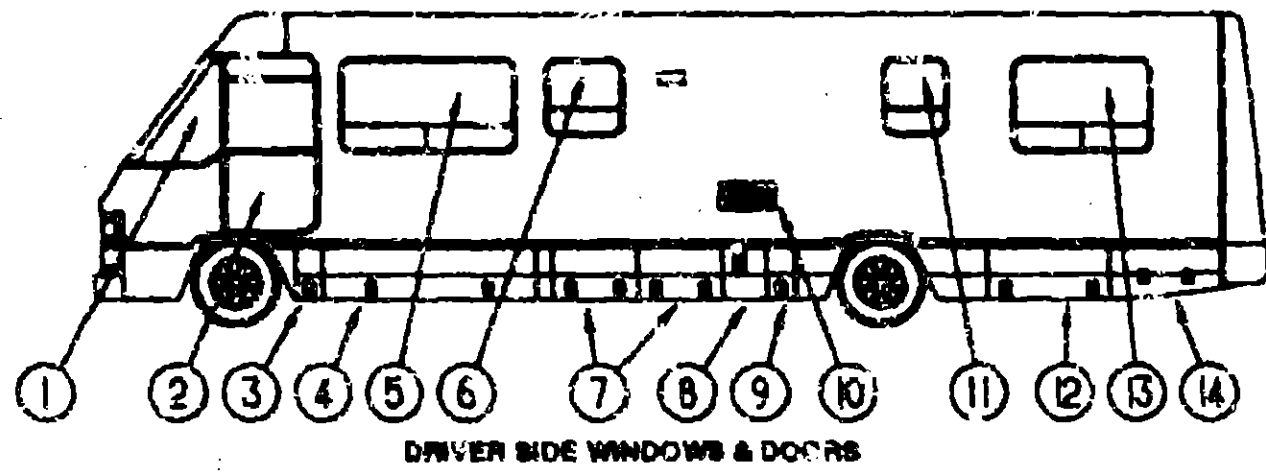
**1991 ITASCA
TABLE OF CONTENTS**

INTRODUCTION	A-01 -	A-02
ABBREVIATIONS		A-03
ALPHABETICAL INDEX	A-04 -	A-06
ICN25RC	A-07 -	F-02
ICN34RQ	F-03 -	K-08

1991 ICN34RQ INDEX

FLOOR PLAN	F-03 -	F-04
ACCESSORIES	F-05 -	F-12
BATH	F-13 -	F-18
BEDROOM	F-17 -	F-20
CHASSIS	F-21 -	G-08
C C & F AD	G-09 -	G-18
DINETTE	G-19 -	G-20
DRIVERS	G-21 -	H-04
ELECTRICAL	H-05 -	H-12
EXTERIOR BODY	H-13 -	H-20
GALLEY	H-21 -	I-04
HEATING & AC	I-05 -	I-08
INTERIOR FINISH	I-09 -	I-12
LABEL	I-13 -	I-20
LP		I-21
LOUNGE	I-22 -	I-23
SEALANTS & FASTENERS	I-24 -	J-02
WATER & SEWAGE	J-03 -	J-07
WINDOW, VENT AND EXTERIOR DOOR	J-08 -	K-08

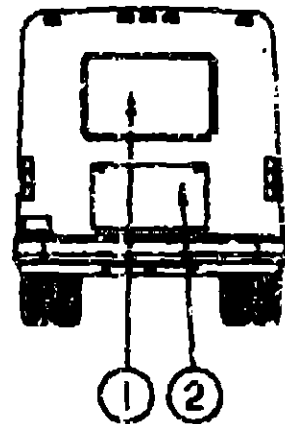
WINDOW, VENT & EXTERIOR DOOR GROUP (CONTINUED)



DRIVER SIDE WINDOWS & DOORS

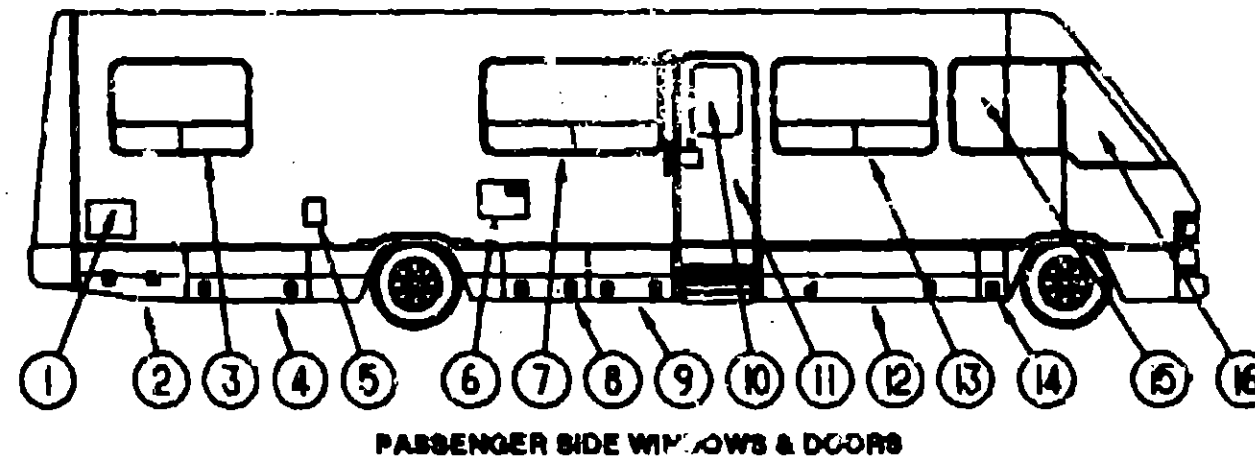
KEY	PART NUMBER	U/M DESCRIPTION
1	091953-04-000	EA GLASS-CORNER VENT, DRIVER
2	M97819-02-AE8	EA DOOR-DRIVER
3	M05432-02-AE8	EA DOOR-STORAGE/BATTERY, WLATCHES - 19.4" X 9.5
4	092482-01-Y35	EA DOOR-STORAGE, WLATCHES - 19.4" X 76.3" - OFF WHITE
5	092234-03-Y12	EA WINDOW-TIPOUT, DOUBLE - W/O INSIDE FRAME - 31.5" X 60.9"
6	092235-09-Y12	EA WINDOW-TIPOUT, W/O INSIDE FRAME - 25.5" X 25.4"
7	092482-04-Y33	EA DOOR-STORAGE, WLATCHES - 19.4" X 29.5"
8	093028-06-AE8	EA DOOR-FURNACE VENT, 19.4" X 15.8"
9	092482-03-Y33	EA DOOR-STORAGE/WATER CENTER, WLATCHES - 19.4" X 9.5
10	084103-03-000	EA DOOR-REFRIGERATOR, VENTED W/O JAMB - OFF WHITE
	084104-01-700	EA LOCK-MALE, FASTENER - REFRIGERATOR DOOR
	084104-01-701	EA LOCK-FEMALE, FASTENER - REFRIGERATOR DOOR
	084104-03-000	EA JAMB-DOOR, VENTED REFRIGERATOR - OFF WHITE
11	092235-10-Y12	EA WINDOW-TIPOUT, W/O INSIDE FRAME - 15.8" X 25.5"
12	092482-08-AE8	EA DOOR-STORAGE/SEWAGE TANK, WLATCHES - 19.4" X 43.7" - OFF WHITE
13	092234-01-Y12	EA WINDOW-TIPOUT, DOUBLE - W/O INSIDE FRAME - 31.5" X 60.9"
14	092831-02-Y35	EA DOOR-STORAGE/GENERATOR, WLATCHES - 40" TAPERED - OFF WHITE

BACKWALL ESCAPE WINDOW AND DOORS



KEY	PART NUMBER	U/M DESCRIPTION
1	067785-14-Y12	EA WINDOW-ESCAPE, W/O INSIDE FRAME - 30.2" X 46.8"
2	097198-01-AE8	EA DOOR-STORAGE, TRUNK, OFF WHITE

WINDOW, VENT & EXTERIOR DOOR GROUP (CONTINUED)



PASSENGER SIDE WINDOWS & DOORS

KEY	PART NUMBER	U/M DESCRIPTION
1	103173-02-01A	EA DOOR / JAMB - EXTERIOR SHOWER - WASHDOWN
2	092831-01-Y33	EA DOOR-STORAGE, WLATCHES - 40" TAPERED - OFF WHITE
3	092234-01-Y12	EA WINDOW-TIPOUT, DOUBLE - W/O INSIDE FRAME - 31.5" X 60.9"
4	092482-02-Y33	EA DOOR-STORAGE/SEWAGE TANK, WLATCHES - 19.4" X 43.7" - OFF WHITE
5	078010-03-000	EA DOOR-FUEL FILL W/JAMB - OFF WHITE
6	052009-01-000	EA DOOR-WATER HEATER, ATWOOD 5576-27 - OFF WHITE
7	092234-03-Y12	EA WINDOW-TIPOUT, DOUBLE - W/O INSIDE FRAME - 31.5" X 60.9"
8	092482-04-Y33	EA DOOR-STORAGE, WLATCHES - 19.4" X 29.5" - OFF WHITE
9	092482-05-Y35	EA DOOR-LP, WLATCHES - 19.4" X 29.5" - OFF WHITE
10	078733-04-T03	EA WINDOW-PICTURE, W/O INSIDE FRAME - 17" X 25"
11	M01870-50-B29	EA DOOR-ENTRY, W/JAMB AND SCREEN DOOR
12	092482-01-Y35	EA DOOR-STORAGE, WLATCHES - 19.4" X 76.3" - OFF WHITE
13	092234-03-Y12	EA WINDOW-TIPOUT, DOUBLE - W/O INSIDE FRAME
14	M05432-01-AE8	EA DOOR-STORAGE/BATTERY, WLATCHES - 19.4" X 9.5
15	093703-01-Y10	EA WINDOW-SLIDING, W/O INSIDE FRAME
16	091953-03-000	EA GLASS-CORNER VENT, PASSENGER

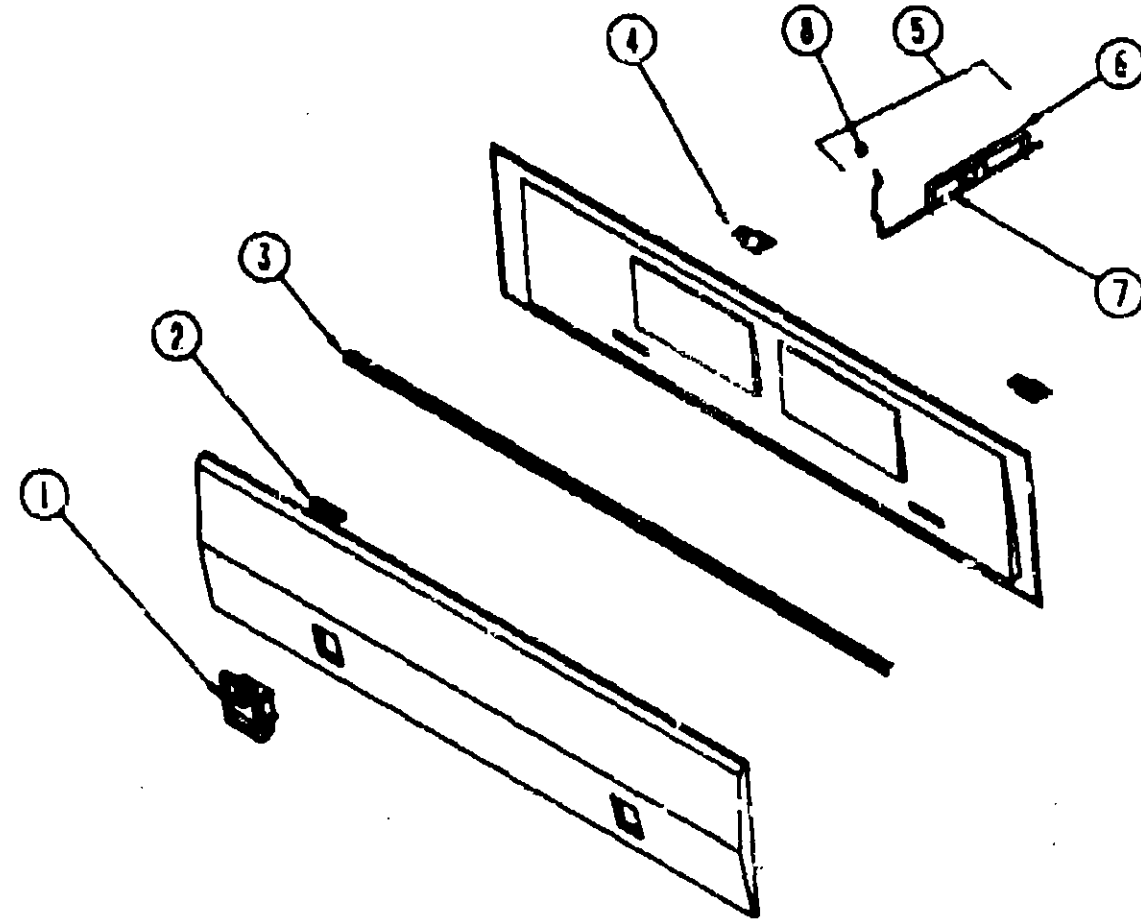
1991 ITASCA
TABLE OF CONTENTS

INTRODUCTION	A-01 -	A-02
ABBREVIATIONS		A-03
ALPHABETICAL INDEX	A-04 -	A-08
ICN25RC	A-07 -	F-02
ICN34RQ	F-03 -	K-08

1991 ICN34RQ INDEX

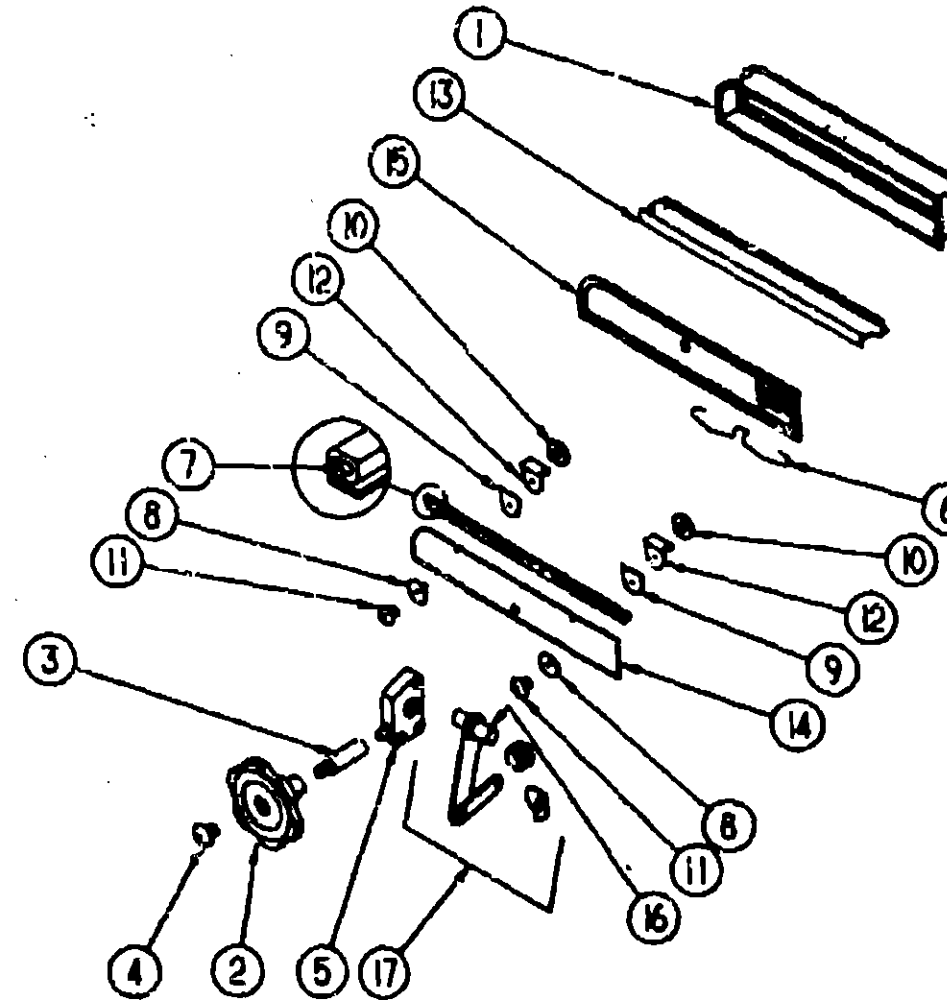
FLOOR PLAN	F-03 -	F-04
ACCESSORIES	F-05 -	F-12
BATH	F-13 -	F-18
BEDROOM	F-17 -	F-20
CHASSIS	F-21 -	G-08
C C & PAD	G-09 -	G-18
DINETTE	G-19 -	G-20
DRIVERS	G-21 -	H-04
ELECTRICAL	H-06 -	H-12
EXTERIOR BODY	H-13 -	H-20
GALLEY	H-21 -	I-04
HEATING & A/C	I-05 -	I-08
INTERIOR FINISH	I-09 -	I-12
LABEL	I-13 -	I-20
LP		I-21
LOUNGE	I-22 -	I-23
SEALANTS & FASTENERS	I-24 -	J-02
WATER & SEWAGE	J-03 -	J-07
WINDOW, VENT AND EXTERIOR DOOR	J-08 -	K-08

WINDOW, VENT & EXTERIOR DOOR GROUP (CONTINUED)



COMPARTMENT DOOR HARDWARE & SEALS

WINDOW, VENT & EXTERIOR DOOR GROUP (CONTINUED)



DRIVER DOOR UPPER TIPOUT WINDOW

1991 ITASCA
TABLE OF CONTENTS

INTRODUCTION	A-01	A-02
ABBREVIATIONS		A-03
ALPHABETICAL INDEX	A-04	A-08
ICN25HC	A-07	F-02
ICN34RC	F-03	K-08

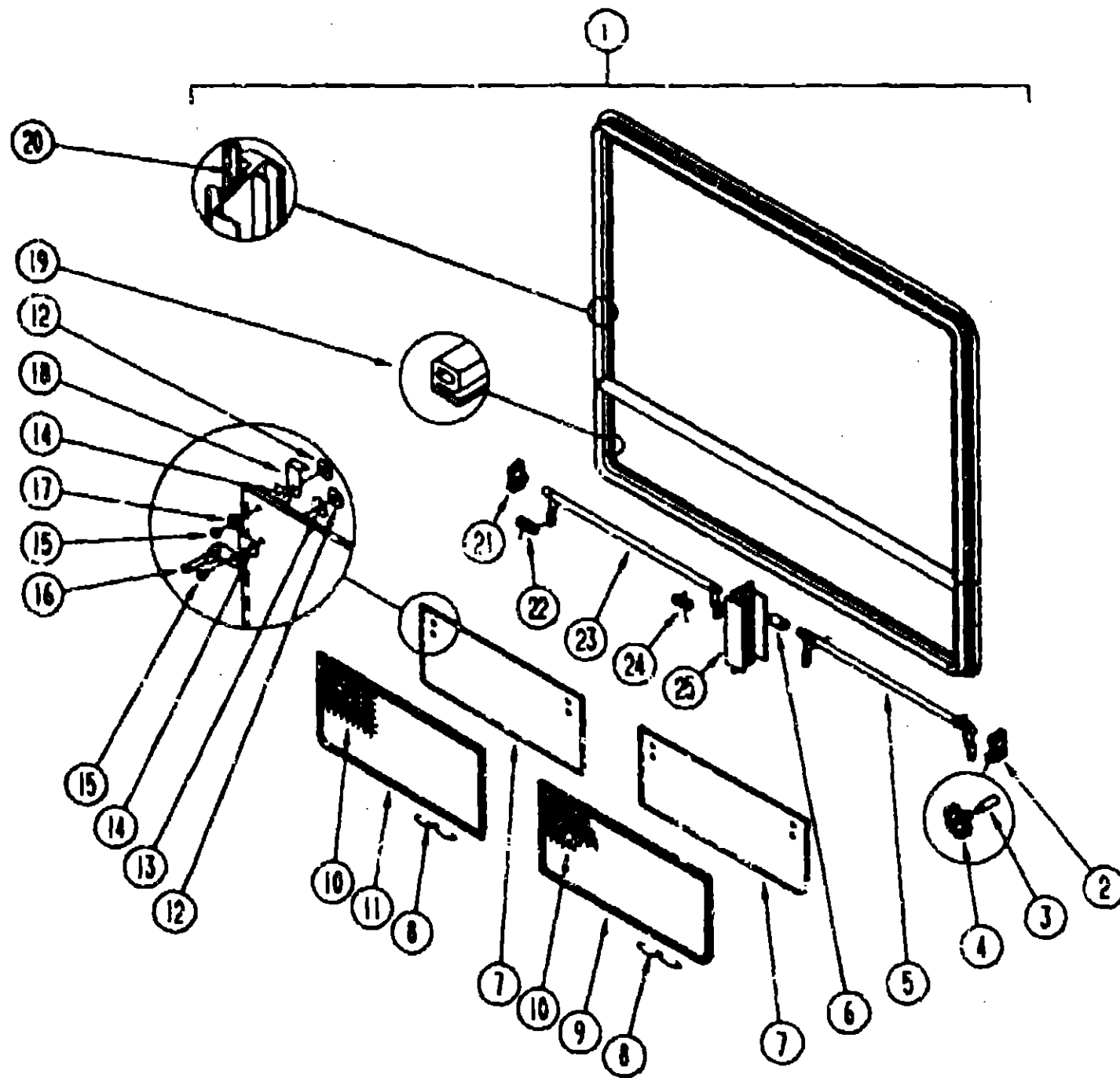
1991 ICN34RQ INDEX

FLOOR PLAN	F-03	F-04
ACCESSORIES	F-05	F-12
BATH	F-13	F-16
BEDROOM	F-17	F-20
CHASSIS	F-21	G-08
C C & PAD	G-09	G-18
DINETTE	G-19	G-20
DRIVERS	G-21	H-04
ELECTRICAL	H-05	H-12
EXTERIOR BODY	H-13	H-20
GALLEY	H-21	I-04
HEATING & AC	I-05	I-08
INTERIOR FINISH	I-09	I-12
LABEL	I-13	I-20
LP		I-21
LOUNGE	I-22	I-23
SEALANTS & FASTENERS	I-24	J-02
WATER & SEWAGE	J-03	J-07
WINDOW, VENT AND EXTERIOR DOOR	J-08	K-08

KEY	PART NUMBER	U/M DESCRIPTION
1	085730-09-000	EA LATCH-PADDLE, W/KEY LOCK - PLASTIC
	082884-01-700	EA KEY-COMPARTMENT DOOR LOCK, BH024
1	085736-12-000	EA LATCH-PADDLE, W/O KEY LOCK - PLASTIC - BEIGE
	077408-02-000	EA LOCK-KEY TYPE
	079927-03-000	EA LOCK-TWIST TYPE
2	079368-01-000	FT SEAL-BULB, W/WIRED U CHANNEL - .37" X .57" CHANNEL - BLKS
3	092367-01-01A	EA HINGE-COMPARTMENT DOOR, 78"
	101829-01-01A	EA HINGE-COMPARTMENT DOOR, 1 1/16" WIDE (BACKWALL DOORS)
	099088-01-000	EA HINGE-COMPARTMENT DOOR, 1 1/16" WIDE X 6' - UNPAINTED
4	093081-01-02A	EA STRIKER-DOOR, LUGGAGE, BLACK
	094387-02-000	EA STRIKER-DOOR, GENERATOR
	093718-01-000	EA PLATE-STRIKE, COMPARTMENT - 3 1/4" X 2.5" FLAT - STEEL - BLK
5	092844-02-Y12	EA PROP ROD-COMPARTMENT DOOR, W/SPRING & BRACKET
6	092839-01-000	EA BRACKET-DOOR PROP
7	092469-01-000	EA SPRING #020-050 COMP
8	039084-01-000	EA CAP-ROUND, VINYL - .26" ID X .62" LONG - BLACK
	064378-02-000	EA ROD-PROP (GENERATOR/LP)
	094378-01-000	EA ROD-PROP (HOLDING TANK)
	090340-01-000	FT SEAL-FOAM, CLOSED CELL - 1/4" X 1/2" X 50'
	004383-01-000	FT TAPE-ADHESIVE FOAM, ONE SIDE - 3/16" X 1/2" X 50' - GRAY
	170128-01-000	FT SEAL-PILE, ADHESIVE BACK - GRAY
	081113-01-000	EA BUSHING-FLANGE, PLASTIC - WHITE
	093305-01-01A	FT TRIM-EDGE, C-TYPE - WIRE CARRIER - .35" X .24" - VINYL

KEY	PART NUMBER	U/M DESCRIPTION
1	092974-01-Y12	EA WINDOW ASM.-UPPER TIPOUT - 4.5" X 27.9" GLASS - OVHD BUNK ONLY
2	009439-05-000	EA KNOB-CRANK, TIPOUT WINDOW - METAL - BLACK
3	009439-03-000	EA EXTENSION-CRANK KNOB, 9" - METAL - BLACK
4	009439-07-000	EA SCREW-8 32 X 1 1/4 POH - BLACK
5	035302-01-000	EA OPERATOR-TORQUE, TIPOUT WINDOW
6	081243-02-000	EA CLIP-SCREEN, PLASTIC - BLACK
	031649-01-000	EA RING-SNAP, 7/32 CHAFT DIAMETER 7
	081067-01-000	FT SEAL-E SHAPED, SPONGE - TIPOUT WINDOW - .42" X .44" - BLACK FROM: 00-00-00 THRU: 03-03-91
7	084087-02-000	FT SEAL-E SHAPED, SPONGE - TIPOUT WINDOW - .42" X .38" - BLACK FROM: 03-04-91 THRU: 99-99-99
	094453-01-000	EA WASHER-.06" X .5" X .125" - PLASTIC
8	094453-02-000	EA WASHER-.06" X .5" X .25" - PLASTIC
9	084473-01-000	EA SEAL-FLAT, W/CENTRAL HOLE & ADHESIVE SIDE - .8" X .9" - BLK
	085315-01-000	EA RIVET-SHOULDER, TIPOUT WINDOW
10	066782-01-000	EA T NUT 10-32
11	086783-01-000	EA SCREW-MACH, 10 - 32 X 1/4 PTH
12	089913-01-000	EA HINGE-TIPOUT WINDOW, BLACK
13	092928-01-01A	EA MULLION-WINDOW, DOOR - BLACK
14	092970-01-000	EA GLASS-TIPOUT, 4.5" X 27.9"
15	095954-01-Y12	EA SCREEN-SINGLE TIPOUT, 1 RADIUS CORNER - 8" X 29.2"
	002291-02-000	FT SCREENING-ROOF VENT/WINDOW, 16" - BLACK
	100240-01-000	FT SPLINE-SCREEN, T-SHAPED
16	096294-01-000	EA TUBE ASM-TORQUE
17	097578-02-000	EA LINKAGE ASM-TIPOUT

WINDOW, VENT & EXTERIOR DOOR GROUP (CONTINUED)
DRIVER SIDE AND PASSENGER SIDE BEDROOM WINDOWS



KEY	PART NUMBER	U/M	DESCRIPTION
1	090893-07-01A	EA	FRAME-WINDOW, INSIDE - 31.4" X 60.9" - BLACK
1	092234-01-Y12	EA	WINDOW-TIPOUT, DOUBLE - W/O INSIDE FRAME - 31.5" X 60.9" - STATIONARY GLASS IS NOT AVAILABLE - ORDER ENTIRE ASSEMBLY
2	000939-06-16T	EA	SCREW-SF/DR, 8-20 X 1 FPH - BLACK
2	035302-02-000	EA	OPERATOR-TORQUE, TIPOUT WINDOW - LEFT
3	090025-01-000	EA	EXTENSION-WINDOW CONTROL
4	101290-01-01A	EA	KNOB-OPERATOR, TIPOUT WINDOW - BRASS
5	083227-06-000	EA	TUBE-TORQUE, WINDOW - RIGHT
6	088816-51-001	EA	TUBE-EXTRUDED, .021" ID X .135" OD X 1.2" LONG - ALUMINUM
7	084068-20-000	EA	GLASS-TIPOUT, 9.2" X 20.4"
8	100168-01-000	EA	CLIP-SPRING, SCREEN
9	100234-02-B07	EA	SCREEN-DOUBLE TIPOUT WINDOW, FRONT DR SIDE/REAR PASS SIDE
10	080218-03-000	SF	SCREEN-FIBERGLASS, 12" WIDE
10	100240-01-000	FT	SPLINE-SCREEN, T-SHAPED
10	081377-01-700	EA	ADHESIVE-CYANOACRYLATE, 10 GRAM TUBE
11	100234-01-B07	EA	SCREEN-DOUBLE TIPOUT WINDOW, REAR DR SIDE/FRONT PASS SIDE
12	086762-01-000	EA	T NUT 10-32
13	068927-03-000	EA	SEAL-WINDOW, RUBBER - ROUND - .80" DIA. - BLACK
14	084473-01-000	EA	SEAL-RUBBER, TIPOUT WINDOW
15	086763-01-000	EA	SCREW-MACH, 10 - 32 X 1/4 PTH
16	097572-01-000	EA	LINKAGE-TIPOUT WINDOW
16	084453-01-000	EA	WASHER-.060 X .50 X .135 - PLASTIC
16	085315-01-000	EA	RIVET-SHOULDER, TIPOUT WINDOW
16	081649-01-000	EA	RING-SNAP, 7/32 SHAFT DIAMETER
17	101289-01-01A	EA	SCREW-MACHINE, 8-32 X 4 - PCH - BRASS - FOR EXTENDED KNOB
17	084453-02-000	EA	WASHER-.060 X .50 X .135 - PLASTIC
18	089913-01-000	EA	HINGE-TIPOUT WINDOW, BLACK
19	084067-02-000	FT	SEAL-E SHAPED, SPONGE - TIPOUT WINDOW - .4" X .4" - BLACK
20	069840-11-000	EA	SEALER-TAPE, 3/16" X 3/8" BLACK
21	035302-01-000	EA	OPERATOR-TORQUE, TIPOUT WINDOW - RIGHT
21	038686-01-000	EA	TAPE-BUTYL, .31" X .31" X 148" LONG
22	080918-02-000	EA	SPRING-TORQUE TUBE, LEFT
23	083229-06-000	EA	TUBE-TORQUE, WINDOW - REAR
24	030918-01-000	EA	SPRING-TORQUE TUBE, RIGHT
25	088803-01-01A	EA	MULLION-VERTICAL, 9.5" LONG - ALUMINUM - BLACK

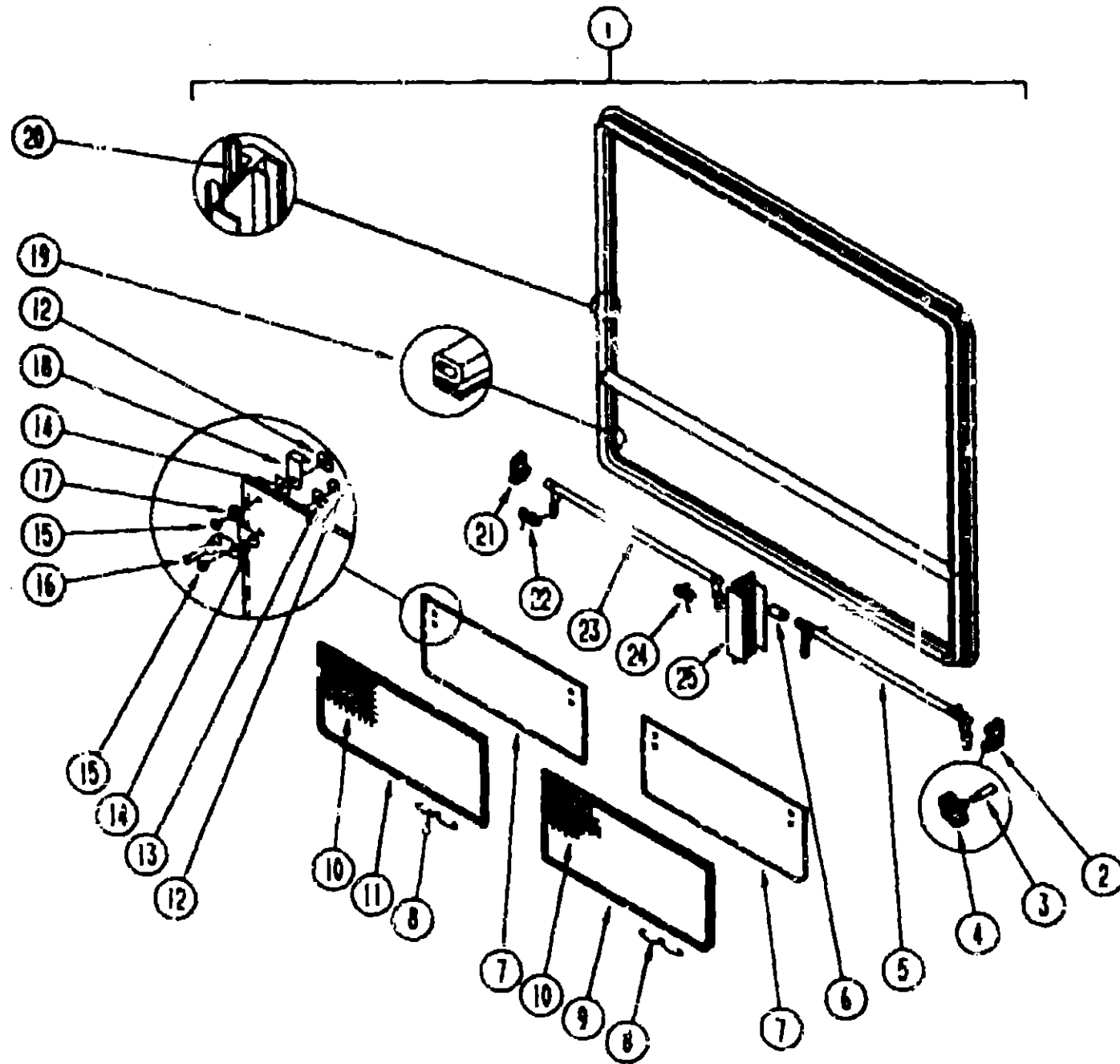
1991 ITASCA
TABLE OF CONTENTS

INTRODUCTION	A-01	A-02
ABBREVIATIONS		A-03
ALPHABETICAL INDEX	A-04	A-08
ICN2SRC	A-07	F-02
ICN34RQ	F-03	K-08

1991 ICH34RQ INDEX

FLOOR PLAN	F-03	F-04
ACCESSORIES	F-05	F-12
BATH	F-13	F-18
BEDROOM	F-17	F-20
CHASSIS	F-21	G-08
C C & PAD	G-09	G-18
DINETTE	G-19	G-20
DRIVERS	G-21	H-01
ELECTRICAL	H-05	H-12
EXTERIOR BODY	H-13	H-20
GALLEY	H-21	I-04
HEATING & A/C	I-05	I-07
INTERIOR FINISH	I-09	I-12
LABEL	I-13	I-20
LP		I-21
LOUNGE	I-22	I-23
SEALANTS & FASTENERS	I-24	J-02
WATER & SEWAGE	J-03	J-07
WINDOW, VENT AND EXTERIOR DOOR	J-08	K-08

WINDOW, VENT & EXTERIOR DOOR GROUP (CONTINUED)
DINETTE & LOUNGE WINDOWS



KEY	PART NUMBER	U/M	DESCRIPTION
1	090893-08-01A 092234-03-Y12	EA	FRAME-WINDOW, INSIDE - 31.4" X 60.0" - BLACK
		EA	WINDOW-TIPOUT, DOUBLE - W/O INSIDE FRAME - 31.5" X 60.0" STATIONARY GLASS IS NOT AVAILABLE - ORDER ENTIRE ASSEMBLY
2	000639-01-16T	EA	SCREW-SF/DR, 6-20 X 1 PPH - BLACK
3	035302-02-000	EA	OPERATOR-TORQUE, TIPOUT WINDOW - LEFT
4	090025-01-000	EA	EXTENSION-WINDOW CONTROL
5	101290-11-01A	EA	KNOB-OPERATOR, TIPOUT WINDOW - BRASS
6	083227-02-000	EA	TUBE-TORQUE, WINDOW - RIGHT
7	088812-01-001	EA	TUBE-EXTRUDED, .02" ID X .035" OD X 1.2" LONG - ALUMINUM
8	084068-22-000	EA	GLASS-TIPOUT, 9.2" X 29.9"
9	100168-01-000	EA	CLIP-SPRING, SCREEN
10	100234-02-B07	EA	SCREEN-DOUBLE TIPOUT WINDOW, FRONT DR SIDE/REAR PASS SIDE
	080218-03-000	SF	SCREEN-FIBERGLASS, 12" WIDE
	100240-01-000	FT	SPLINE-SCREEN, T-SHAPED
	081377-01-700	EA	ADHESIVE-CYANOACRYLATE, 10 GRAM TUBE
11	100234-01-B07	EA	SCREEN-DOUBLE TIPOUT WINDOW, REAR DR SIDE/FRONT PASS SIDE
12	086762-01-000	EA	T NUT 10-32
13	068927-03-000	EA	SEAL-WINDOW, RUBBER - ROUND - .80" DIA - BLACK
14	084473-01-000	EA	SEAL-RUBBER, TIPOUT WINDOW
15	086763-01-000	EA	SCREW-MACH, 10 - 32 X 1/4 PTH
16	037578-01-000	EA	LINKAGE-TIPOUT WINDOW
	081453-01-000	EA	WASHER-.060 X .50 X .135 - PLASTIC
	085315-01-000	EA	RIVET-SHOULDER, TIPOUT WINDOW
	081549-01-000	EA	RING-SNAP, 7/32 SHAFT DIAMETER
	101288-01-01A	EA	SCREW-MACHINE, 8-32 X 4 - PPH - BRASS - FOR EXTENDED KNOB
17	084453-02-000	EA	WASHER-.060 X .50 X .135 - PLASTIC
18	089913-01-000	EA	HINGE-TIPOUT WINDOW, BLACK
19	084067-02-000	FT	SEAL-E SHAPED, SPONGE - TIPOUT WINDOW - 4" X 4" - BLACK
20	069840-11-000	EA	SEALER-TAPE, 3/16" X 3/8" BLACK
21	035302-01-000	EA	OPERATOR-TORQUE, TIPOUT WINDOW - RIGHT
	038886-01-000	EA	TAPE-BUTYL, .31" X .31" X 148" LONG
22	080918-02-000	EA	SPRING-TORQUE TUBE, LEFT
23	083229-08-000	EA	TUBE-TORQUE, WINDOW - LEFT
24	080918-01-000	EA	SPRING-TORQUE TUBE, RIGHT
25	088803-01-01A	EA	MULLION-VERTICAL, 9.5" LONG - ALUMINUM - BLACK

1991 ITASCA
TABLE OF CONTENTS

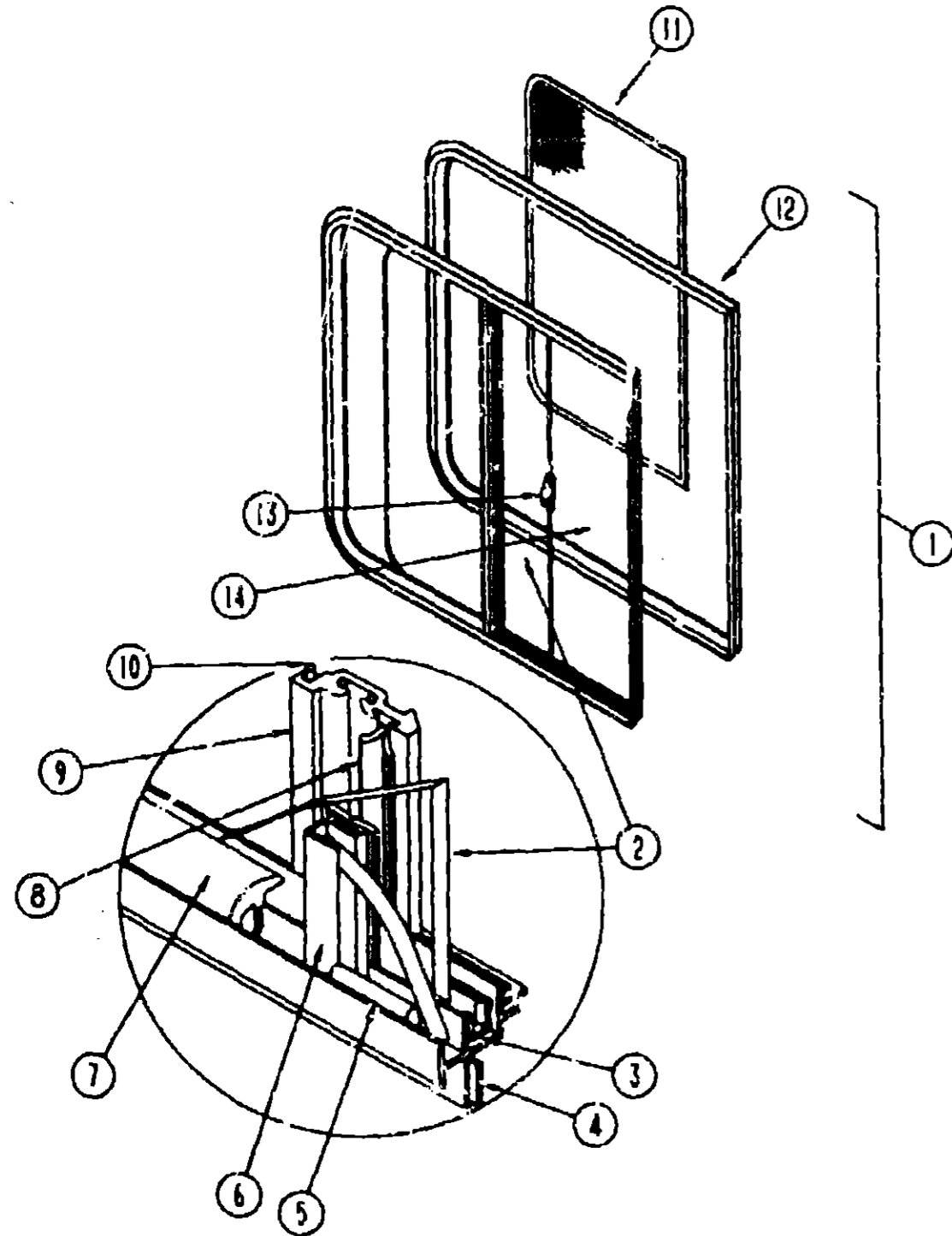
INTRODUCTION	A-01 -	A-02
ABBREVIATIONS		A-03
ALPHABETICAL INDEX	A-04 -	A-06
ICN25RC	A-07 -	F-02
ICN34RQ	F-03 -	K-08

1991 ICN34RQ INDEX

FLOOR PLAN	F-03 -	F-04
ACCESSORIES	F-05 -	F-12
BATH	F-13 -	F-18
BEDROOM	F-17 -	F-20
CHASSIS	F-21 -	G-08
C C & PAD	G-09 -	G-18
DINETTE	G-19 -	G-20
DRIVERS	G-21 -	H-04
ELECTRICAL	H-05 -	H-12
EXTERIOR BODY	H-13 -	H-20
GALLEY	H-21 -	I-04
HEATING & AC	I-05 -	I-08
INTERIOR FINISH	I-09 -	I-12
LABEL	I-13 -	I-20
LP		I-21
LOUNGE	I-22 -	I-23
SEALANTS & FASTENERS	I-24 -	J-02
WATER & SEWAGE	J-03 -	J-07
WINDOW, VENT AND EXTERIOR DOOR	J-08 -	K-08

WINDOW, VENT & EXTERIOR DOOR GROUP (CONTINUED)

PASSENGER SIDE SLIDING CAB WINDOW



KEY	PART NUMBER	U/M	DESCRIPTION
1	093703-01-Y10	EA	WINDOW ASM-SINGLE SLIDER - W/O INSIDE FRAME
2	081980-11-000	EA	GLASS-SLIDER 3.2X772.9X420.8
3	042077-01-000	FT	CHANNEL-W/O-GLASS RUN 2/16
4	069640-11-000	FT	SEALER-TAPE, 3/16"X3/8" 1/2" DIA
5	050216-02-000	FT	SPLINE-VINYL GLASS .19
	050778-01-000	EA	SCREW-1/4-14X2.8 RHYH BLK
6	002389-03-209	EA	EXTR-PDR BLK, GLS HLDR, 29.57
	023320-01-000	EA	PAD-FELT-3/8 DIA
7	041928-02-000	FT	SEAL-W/O-CHANNEL USE 3/16 GL
8	073740-01-000	FT	SEAL-FIN, .460 PILE HEIGHT
	079824-01-000	FT	SEAL-WEATHER, C-FOLD .500
9	084170-09-000	EA	MULLION-SLIDER, WINDOW BLACK
10	002665-01-Y10	EA	FRAME ASM-W/O, INSIDE, SCREEN
	000G39-06-16T	EA	SCREW-SF/DR-6-20X1.00 PPH
	002328-01-000	EA	BLOCK-WINDOW-1/8X3/16X1
11	092664-01-Y10	EA	SCREEN ASSEMBLY
	002291-02-000	FT	SCREENING-ROOF VENT/WINDOW, 16" - BLACK
	002298-02-000	FT	SPLINE-VENT/WINDOW SCREEN, .128 DIAMETER - BLACK
	078364-01-000	EA	HOLDER-UPPER SCREEN, EXTRUDED PLASTIC - 9.5" - BLACK
	078365-01-000	EA	HOLDER-LOWER SCREEN, EXTRUDED PLASTIC - 9.5" - BLACK
12	082538-01-Y10	EA	FRAME-WINDOW, INSIDE
13	047369-01-700	EA	LATCH KIT-WINDOW, PLASTIC
14	057656-12-000	EA	GLASS-.19X30.43X15.70

1991 ITASCA TABLE OF CONTENTS

INTRODUCTION	A-01 - A-02
ABBREVIATIONS	A-03
ALPHABETICAL INDEX	A-04 - A-06
ICN25RC	A-07 - F-02
ICN34RQ	F-03 - K-08

1991 ICN34RQ INDEX

FLOOR PLAN	F-03 - F-04
ACCESSORIES	F-05 - F-12
BATH	F-13 - F-16
BEDROOM	F-17 - F-20
CHASSIS	F-21 - G-08
C C & PAD	G-09 - G-18
DINETTE	G-19 - G-20
DRIVERS	G-21 - H-04
ELECTRICAL	H-05 - H-12
EXTERIOR BODY	H-13 - H-20
GALLEY	H-21 - I-04
HEATING & A/C	I-05 - I-08
INTERIOR FINISH	I-09 - I-12
LABEL	I-13 - I-20
LP	I-21
LOUNGE	I-22 - I-23
SEALANTS & FASTENERS	I-24 - J-02
WATER & SEWAGE	J-03 - J-07
WINDOW, VENT AND EXTERIOR DOOR	J-08 - K-08

WINDOW, VENT & EXTERIOR DOOR GROUP (CONTINUED)

GALLEY WINDOW

KEY	PART NUMBER	U/M	DESCRIPTION
1	090893-02-01A	EA	FRAME-WINDOW, INSIDE - 25.3" X 25.5" - BLACK
1	092235-09-Y12	EA	WINDOW-TIPOUT, W/O INSIDE FRAME - 25.5" X 25.4" STATIONARY GLASS IS N/A ORDER ENTIRE ASSEMBLY
2	000G39-06-16T	EA	SCREW-SF/DR, 8-20 X 1 PPH - BLACK
2	080918-01-000	EA	SPRING-TORQUE TUBE, HIGH
3	035302-02-000	EA	OPERATOR-TORQUE, TIPOUT WINDOW - LEFT
4	009439-08-000	EA	EXTENSION-CRANK HANDLE, WINDOW/ROOF VENT - .9" - BLACK
5	009439-05-000	EA	KNOB-OPERATOR, TIPOUT WINDOW - BLACK
5	009439-07-000	EA	SCREW, 8-32 X 1 1/4 POH - BLACK
6	083150-10-000	EA	TUBE ASM. - TORQUE, WINDOW
7	084066-15-000	EA	GLASS-TIPOUT, 9.2" X 24.5"
8	100168-01-000	EA	CLIP-SPRING, SCREEN
9	100235-02-B07	EA	SCREEN-SINGLE TIPOUT WINDOW
10	080218-03-000	SF	SCREEN-FIBERGLASS, 12" WIDE
10	100240-01-000	FT	SPLINE-SCREEN, T-SHAPED
11	086762-01-000	EA	T NUT 10-32
12	068927-03-000	EA	SEAL-WINDOW, RUBBER - ROUND - .80" DIA - BLACK
13	084473-01-000	EA	SEAL-RUBBER, TIPOUT WINDOW
14	086763-01-000	EA	SCREW-MACH, 10 - 32 X 1/4 PTH
15	097578-01-000	EA	LINKAGE-TIPOUT WINDOW
	081649-01-000	EA	RING - SNAP, 7/32 SHAFT DIA.
	084453-01-000	EA	WASHER-.060 X .50 X .135 - PLASTIC
16	085315-01-000	EA	RIVET-SHOULDER, TIPOUT WINDOW
16	084453-02-000	EA	WASHER-.060 X .50 X .250 - PLASTIC
17	089913-01-000	EA	HINGE-TIPOUT WINDOW, BLACK
18	084067-02-000	FT	SEAL-E SHAPED, SPONGE - TIPOUT WINDOW - .4" X .4" - BLACK
19	069840-11-000	EA	SEALER-TAPE, 3/16" X 3/8" BLACK
20	080918-02-000	EA	SPRING-TORQUE TUBE, LEFT
21	081354-01-000	EA	SLEEVE-TORQUE TUBE, TIPOUT WINDOW - 1.3" X 1.2" X .7"

BATH WINDOW

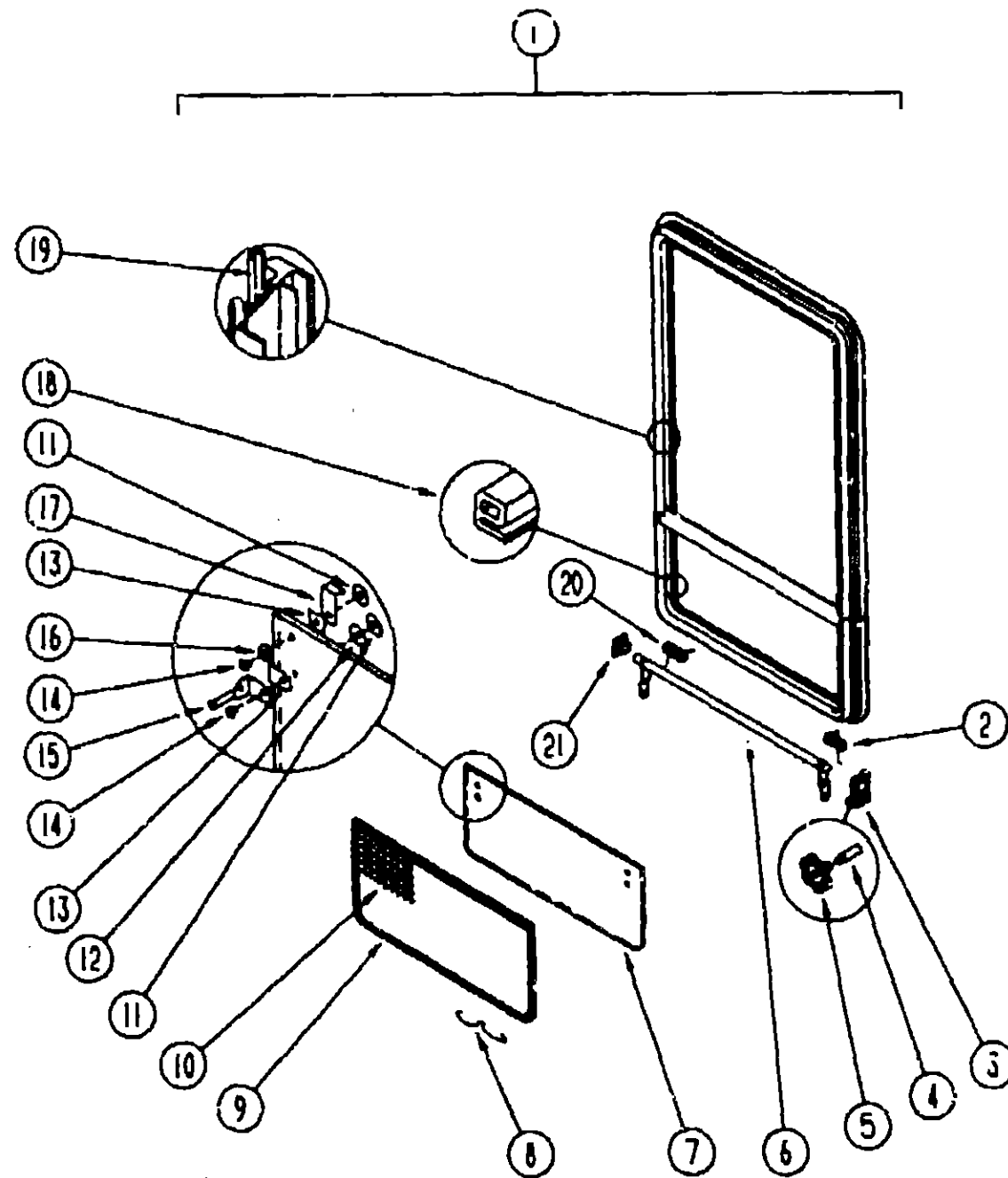
KEY	PART NUMBER	U/M	DESCRIPTION
1	090893-15-01A	EA	FRAME-WINDOW, INSIDE - 25.5" X 15.9" - BLACK
1	092235-10-Y12	EA	WINDOW-TIPOUT, W/O INSIDE FRAME - 15.8" X 25.5" STATIONARY GLASS IS N/A ORDER ENTIRE ASSEMBLY
2	000G39-06-16T	EA	SCREW-SF/DR, 8-20 X 1 PPH - BLACK
2	080918-01-000	EA	SPRING-TORQUE TUBE, RIGHT
3	035302-02-000	EA	OPERATOR-TORQUE, TIPOUT WINDOW - LEFT
4	090025-01-000	EA	EXTENSION-WINDOW CONTROL
5	101290-01-01A	EA	KNOB-OPERATOR, TIPOUT WINDOW - BRASS
5	101289-01-01A	EA	SCREW-MACHINE, 8-32 X 4 - POH - BRASS - FOR EXTENDED KNOB
6	083150-09-000	EA	TUBE ASM. - TORQUE, WINDOW
7	084068-14-000	EA	GLASS-TIPOUT, 8" X 15"
8	100168-01-000	EA	CLIP-SPRING, SCREEN
9	100235-02-B07	EA	SCREEN-SINGLE TIPOUT WINDOW
10	080218-03-000	SF	SCREEN-FIBERGLASS, 12" WIDE
10	100240-01-000	FT	SPLINE-SCREEN, T-SHAPED
11	086762-01-000	EA	T NUT 10-32
12	068927-03-000	EA	SEAL-WINDOW, RUBBER - ROUND - .80" DIA - BLACK
13	084473-01-000	EA	SEAL-RUBBER, TIPOUT WINDOW
14	086763-01-000	EA	SCREW-MACH, 10 - 32 X 1/4 PTH
15	097578-01-000	EA	LINKAGE-TIPOUT WINDOW
	081649-01-000	EA	RING - SNAP, 7/32 SHAFT DIA.
	084453-01-000	EA	WASHER-.060 X .50 X .135 - PLASTIC
	085315-01-000	EA	RIVET-SHOULDER, TIPOUT WINDOW
16	084453-02-000	EA	WASHER-.060 X .50 X .250 - PLASTIC
17	089913-01-000	EA	HINGE-TIPOUT WINDOW, BLACK
18	084067-01-000	FT	SEAL-E SHAPED, SPONGE - TIPOUT WINDOW - .4" X .4" - BLACK
19	069840-11-000	EA	SEALER-TAPE, 3/16" X 3/8" BLACK
20	080918-02-000	EA	SPRING-TORQUE TUBE, LEFT
21	081354-01-000	EA	SLEEVE-TORQUE TUBE, TIPOUT WINDOW - 1.3" X 1.2" X .7"

1991 ITASCA
TABLE OF CONTENTS

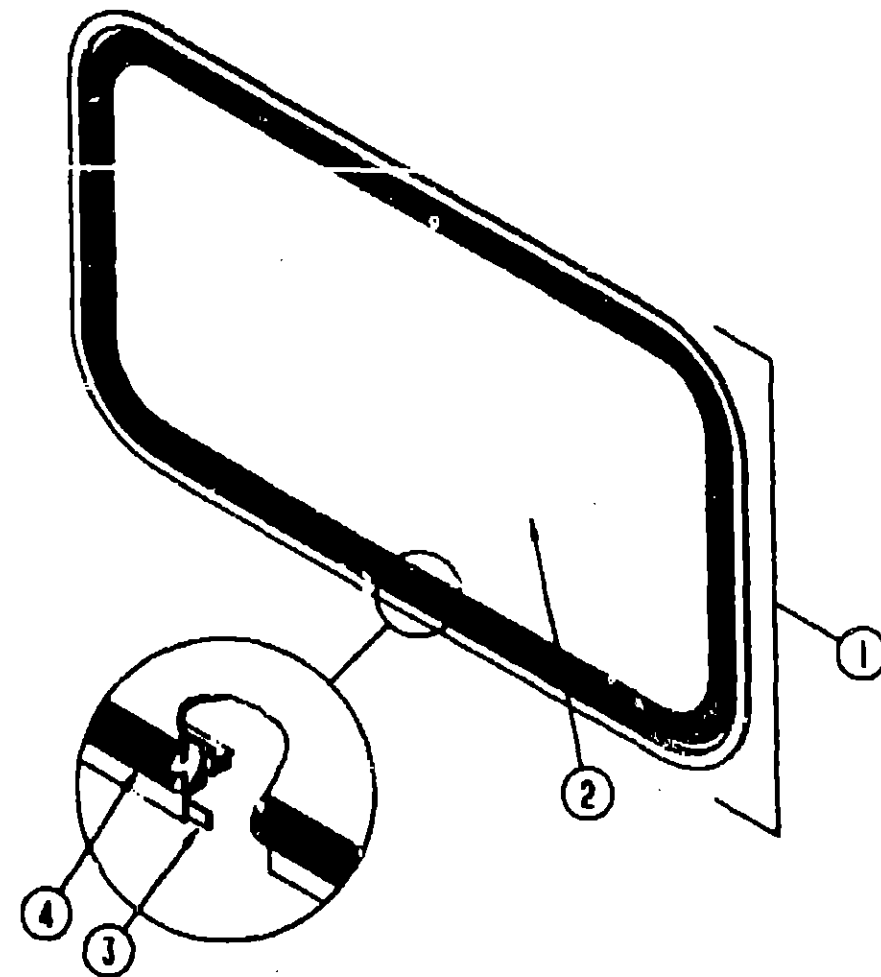
INTRODUCTION	A-01 -	A-02
ABBREVIATIONS		A-03
ALPHABETICAL INDEX	A-04 -	A-08
ICN25RC	A-07 -	F-02
ICN34RQ	F-03 -	K-08

1991 ICN34RQ INDEX

FLOOR PLAN	F-03 -	F-04
ACCESSORIES	F-05 -	F-12
BATH	F-13 -	F-16
BEDROOM	F-17 -	F-20
CHASSIS	F-21 -	G-08
C C & PAD	G-09 -	G-18
DINETTE	G-19 -	G-20
DRIVERS	G-21 -	H-04
ELECTRICAL	H-05 -	H-12
EXTERIOR BODY	H-13 -	H-20
GALLEY	H-21 -	I-04
HEATING & A/C	I-05 -	I-08
INTERIOR FINISH	I-09 -	I-12
LABEL	I-13 -	I-20
LF		I-21
LOUNGE	I-22 -	I-23
SEALANTS & FASTENERS	I-24 -	J-02
WATER & SEWAGE	J-03 -	J-07
WINDOW, VENT AND EXTERIOR DOOR	J-08 -	K-08



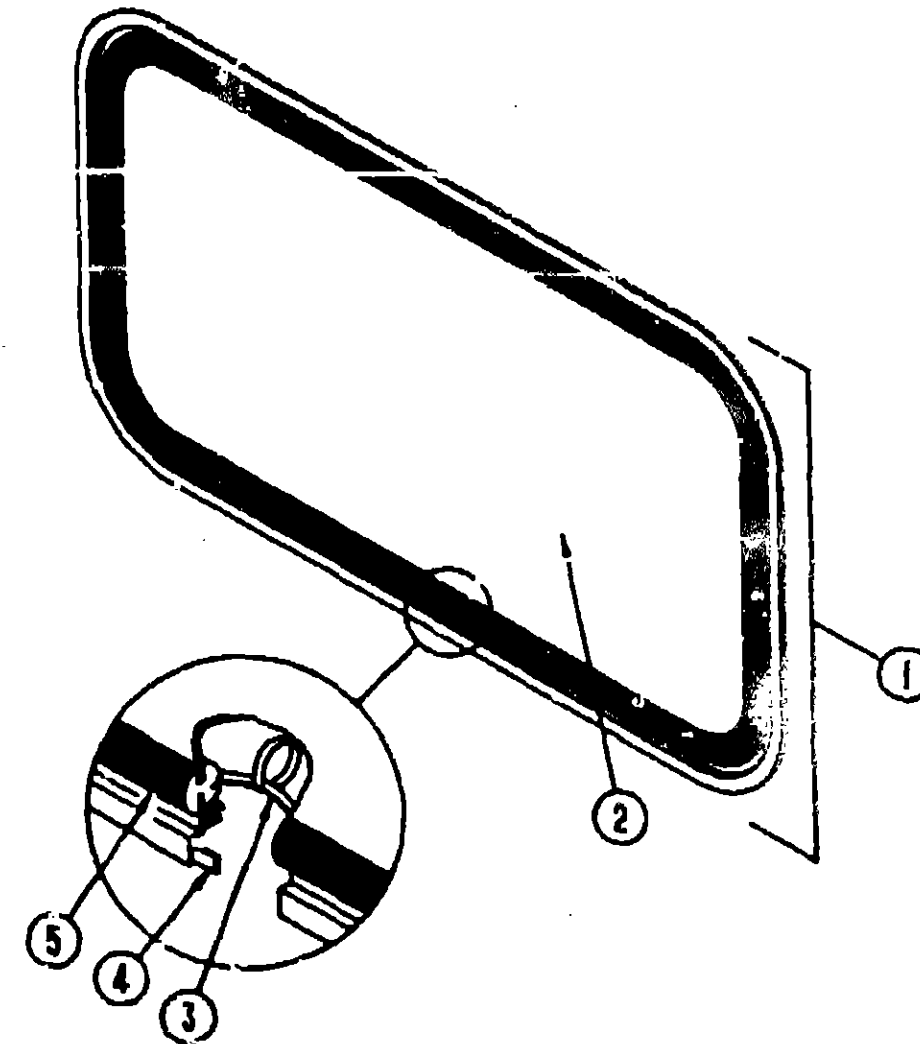
WINDOW, VENT & EXTERIOR DOOR GROUP (CONTINUED)



ENTRY DOOR WINDOW

KEY	PART NUMBER	U/M DESCRIPTION
1	079733-04-T03	EA WINDOW-ENTRY DOOR, 17" X 25"
2	002181-06-000	EA GLASS-WINDOW, .182' X 16.25" X 24"
3	069640-11-000	FT SEAL-TAPE, 3/16 X 3/8 - BLACK
4	087581-01-000	FT SEAL-GLASS, EXTERIOR - VINYL - BLACK
	097609-27-000	EA FRAME-WINDOW, INSIDE PICTURE - BLACK

WINDOW, VENT & EXTERIOR DOOR GROUP (CONTINUED)



BACKWALL ESCAPE WINDOW

KEY	PART NUMBER	U/M DESCRIPTION
1	087985-04-Y12	EA WINDOW-ESCAPE, W/O INSIDE FRAME - 30.2" X 46.8"
	076650-04-000	EA FRAME-WINDOW, INSIDE - BLACK
2	076337-06-000	EA GLASS-ESCAPE, - 44.8" X 28"
3	002285-01-000	FT FILLER-WEATHER STRIP, RUBBER - BLACK
4	069640-07-000	FT SEALER-RIBBON, 2" X 3/32" - INCREMENTS OF 30"
5	002262-01-000	FT WEATHER STRIP-WINDOW, RUBBER - .125" - BLACK
	006199-01-000	EA LABEL-EXIT, "ESCAPE WINDOW"
	047731-01-000	EA LABEL-EMERGENCY EXIT
	077066-01-702	FT TAPE ASM-ESCAPE WINDOW

1991 ITASCA
TABLE OF CONTENTS

INTRODUCTION	A-01 -	A-02
ABBREVIATIONS		A-03
ALPHABETICAL INDEX	A-04 -	A-06
ICN25RC	A-07 -	F-02
ICN34RQ	F-03 -	K-08

1991 ICN34RQ INDEX

FLOOR PLAN	F-03 -	F-04
ACCESSORIES	F-05 -	F-12
BATH	F-13 -	F-16
BEDROOM	F-17 -	F-20
CHASSIS	F-21 -	G-08
C C & PAD	G-09 -	G-18
DINETTE	G-19 -	G-20
DRIVERS	G-21 -	H-04
ELECTRICAL	H-05 -	H-12
EXTERIOR BODY	H-13 -	H-20
GALLEY	H-21 -	I-04
HEATING & A/C	I-05 -	I-08
INTERIOR FINISH	I-09 -	I-12
LABEL	I-13 -	I-20
LP		I-21
LOUNGE	I-22 -	I-23
SFALANTS & FASTENERS	I-24 -	J-02
WATER & SEWAGE	J-03 -	J-07
WINDOW, VENT AND EXTERIOR DOOR	J-08 -	K-08

WINDOW, VENT & EXTERIOR DOOR GROUP (CONTINUED)

POWERED ROOF VENT

KEY	PART NUMBER	U/M DESCRIPTION
	060393-01-Y12	EA VENT-ROOF, POWERED W/O SCREEN
	002825-01-000	EA WEATHER STRIP-ROOF VENT, GRAY
	008195-01-000	EA SWITCH-ROOF VENT, PUSH BUTTON, 12V
	008386-01-000	EA GROMMET-SNAP, 3/8"
	009440-01-000	EA GEAR/ARM-VENT COVER, LIFT
	015911-01-000	EA TRACK-LIFT ARM, SLIDE - ROOF VENT
	028648-01-000	EA MOTOR-ROOF VENT, 1/8 SHAFT - 12V
	048649-01-000	EA FAN-ROOF VENT, 6 BLADES - 6"
	055218-01-000	EA COVER-ROOF VENT
	061803-01-000	EA GROMMET-SNAP, 3/16 ID - 3/8 HOLE - PLASTIC - BLACK
	052639-01-200	EA HINGE-EXTRUSION, ROOF VENT 7"
	052639-01-001	EA HINGE-VENT COVER, 192"
	078785-01-Y12	EA SCREEN-ROOF VENT, POWERED
	002291-02-000	SF SCREENING-ROOF VENT/WINDOW, 16" - BLACK
	002298-02-000	FT SPLINE-VENT/WINDOW SCREEN, .128 DIAMETER - BLACK
	009439-01-000	EA CRANK HANDLE-ROOF VENT
	009439-03-000	EA EXTENSION-CRANK HANDLE, ROOF VENT - 9"
	009439-05-000	EA KNOB-CRANK, WINDOW AND ROOF VENT - BLACK
	009439-07-000	EA SCREW-8-32X1 1/4 PH, BLACK

NON POWERED ROOF VENT

KEY	PART NUMBER	U/M DESCRIPTION
	090392-01-Y12	EA VENT-ROOF, NON POWERED
	002825-01-000	EA WEATHER STRIP-ROOF VENT, GRAY
	009440-01-000	EA GEAR/ARM-VENT COVER, LIFT
	015911-01-000	EA TRACK-LIFT ARM, SLIDE - ROOF VENT
	055218-01-000	EA COVER-ROOF VENT
	052639-01-001	EA HINGE-VENT COVER, 192"
	009439-01-000	EA CRANK HANDLE-ROOF VENT
	009439-03-000	EA EXTENSION-CRANK HANDLE, ROOF VENT - 9"
	078786-01-Y12	EA SCREEN-ROOF VENT, NON POWERED
	002291-02-000	SF SCREENING-ROOF VENT/WINDOW, 16" - BLACK
	002298-02-000	FT SPLINE-VENT/WINDOW SCREEN, .128 DIAMETER - BLACK

WINDOW, VENT & EXTERIOR DOOR GROUP (CONTINUED)

VENTILATOR FAN

KEY	PART NUMBER	U/M DESCRIPTION
	084079-06-000	EA VENT-EXHAUST, POWERED - OFF WHITE - FANTASTIC VENT
	084079-01-700	EA VENT COVER - FANTASTIC 1020-19
	084079-01-701	EA SCREEN ASM WHITE - FANTASTIC 1030-80
	084079-01-702	EA ARM LIFT ASM
	084079-01-703	EA CRANK EXTERIOR
	084079-01-704	EA FAN BLADE
	084079-01-705	EA MOTOR
	034079-01-706	EA 12 VOLT PLUG
	084079-01-707	EA SAFETY SWITCH - FANTASTIC 1120-00
	084079-01-708	EA REVERSE SWITCH - FANTASTIC 1130-09
	084079-01-709	EA SWITCH ON & OFF (MAIN POWER) - FANTASTIC - 1100-00
	084079-01-710	EA THERMOSTAT - FANTASTIC 1140-00
	084079-01-711	EA H-MOLDING (MOTOR MOUNT)

ROOF VENTS

KEY	PART NUMBER	U/M DESCRIPTION
	093556-03-000	EA VENT-PLUMBING PIPE ROOF, W/COVER - OFF WHITE
	084073-03-000	EA COVER-ROOF VENT, NORCOLD REFRIGERATOR - OFF WHITE
	084073-04-000	EA BASE-ROOF VENT, NORCOLD REFRIGERATOR - BLACK

SIDEWALL VENT

KEY	PART NUMBER	U/M DESCRIPTION
	092698-02-01A	EA VENT-RANGE HOOD, W/DOOR - OFF WHITE

SKYLIGHT

KEY	PART NUMBER	U/M DESCRIPTION
	077902-01-000	EA COLLAR-SKYLITE
	080910-01-000	EA COVER-SKYLITE, OUTER - 15.25"X 22.25" - PLASTIC
	081171-01-000	EA TRIM-SKYLITE, OUTER - MILL FINISHED

**1991 ITASCA
TABLE OF CONTENTS**

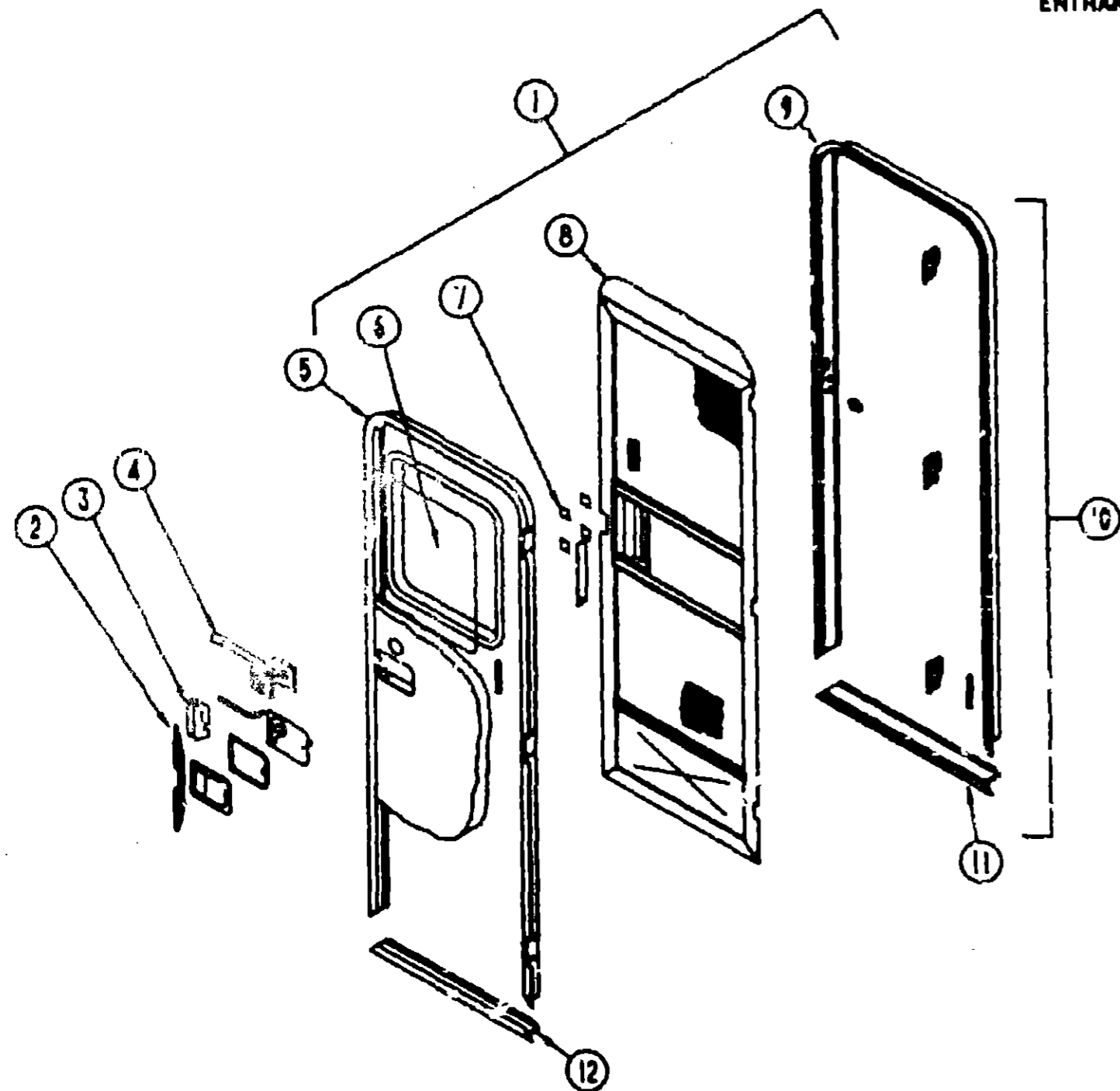
INTRODUCTION	A-01	A-02
ABBREVIATIONS		A-03
ALPHABETICAL INDEX	A-04	A-06
ICN25RC	A-07	F-02
ICN34RQ	F-03	K-09

1991 ICN34RQ INDEX

FLOOR PLAN	F-03	F-04
ACCESSORIES	F-05	F-12
BATH	F-13	F-16
BEDROOM	F-17	F-20
CHASSIS	F-21	G-08
C C & PAD	G-09	G-18
DINETTE	G-19	G-20
DRIVERS	G-21	H-04
ELECTRICAL	H-05	H-12
EXTERIOR BODY	H-13	H-20
GALLEY	H-21	I-04
HEATING & A/C	I-05	I-08
INTERIOR FINISH	I-09	I-12
LABEL	I-13	I-20
L.P.		I-21
LOUNGE	I-22	I-23
SEALANTS & FASTENERS	I-24	J-02
WATER & SEWAGE	J-03	J-07
WINDOW, VENT AND EXTERIOR DOOR	J-08	K-08

WINDOW, VENT & EXTERIOR DOOR GROUP (CONTINUED)

ENTRANCE DOOR



KEY	PART NUMBER	U/M	DESCRIPTION
1	M01870-50-807	EA	DOOR-ENTRY, W/JAMB AND SCREEN DOOR
	078054-03-001	EA	SHEET-FIBERGLASS, 4' X 8' - OFF WHITE - FILON
	088272-78-000	SF	PANELING-DECORATIVE - 4' X 7' - INCREMENTS OF 28 SF
	000G11-08-12S	EA	SCREW, 8-18 X 3/4 PPH - OFF WHITE
	000G39-08-08R	EA	SCREW-SFDR 8-18X1/2 PPH
	000G53-04-088	EA	SCREW-MACH-1/4-20X3/8 PPH 2N
	000G54-04-208	EA	SCREW-1/4-20X1 1/4 PTH TYP 23
2	098173-01-04A	EA	STIFFENER-ENTRY DOOR, SUPPORTS LATCH/STRIKE AREA - OFF WHITE
3	046017-10-000	EA	LATCH-PAD/LE, MECHANISM W/NO LOCK CYLINDER & KEY - BLACK
			FROM: 00-00-00 THRU: 08-07-90
3	046017-11-000	EA	LATCH-PADDLE, MECHANISM W/NO LOCK CYLINDER & KEY - BLACK
			FROM: 08-08-90 THRU: 99-99-99
	046017-11-700	EA	MASTER KEY, F SERIES
	046017-11-701	EA	KEY BLANK, F1 SERIES
	038539-01-000	EA	STRIKE-ENTRANCE DOOR LOCK
	038540-01-000	EA	LATCH MECHANISM-HOOK, ENTRY DOOR - INTERIOR
	088810-01-01A	EA	COVER-LATCH, ENTRANCE DOOR LOCK
	038540-01-701	EA	KEY-MASTER-ATWOOD-DOOR-LOCK
	058715-01-000	EA	NUT-SERT, 1/4" DIAMETER - 20 THREADS

K-01

KEY	PART NUMBER	U/M	DESCRIPTION
4	039084-01-000	EA	CAP-ROUND DEADBOLT, VINYL - 28" ID X .E2" LONG - BLACK
	040944-01-000	EA	LABEL-ENTRANCE DOOR, 'OPEN'
	058306-01-000	EA	PLUG-TAPERED, FOR DEADBOLT - PLASTIC - .56" DIAMETER - RED
	039738-01-000	EA	DEADBOLT-ROUND, J SHAPED - INTERIOR USE ONLY
	101145-01-01A	EA	DEADBOLT-ENTRY DOOR, BLACK
	085229-01-700	EA	KEY ONLY-BLANK
	101147-01-000	EA	BOLT-SECURITY, 4.12" BACKSET
	035800-03-000	FT	TUBING-POLYBUTYLENE, 3/8" OD
	039979-03-000	EA	COVER-INTERIOR LATCH, W/TRIP ARM - BLACK
			FROM: 00-00-00 THRU: 08-07-90
	039979-04-000	EA	COVER-INTERIOR LATCH, W/TRIP ARM - RIGHT - BLACK
			FROM: 08-08-90 THRU: 99-99-99
	081914-01-000	EA	BUMPER-RUBBER, ROUND - BLACK
	102524-01-000	EA	BUMPER-RUBBER, FLAT - BLACK
5	095278-01-01A	EA	FRAME-ENTRY DOOR, W/O BOTTOM - OFF WHITE
6	079733-04-T03	EA	WINDOW-PICTURE, W/O INSIDE FRAME - 17" X 25"
	067609-27-000	EA	FRAME-WINDOW, INSIDE PICTURE - BLACK
	002181-06-000	EA	GLASS-PICTURE WINDOW, .115" X 16.25" X 24"
	087561-01-000	FT	SPLINE-GLASS, EXTERIOR - VINYL - BLACK
	063729-04-000	EA	RIV/NUT, 10-32 UNF - G18-080
	072893-01-000	EA	NUT-SERT-M5 X 0, 8
	075671-01-000	FT	SEAL-SPONGE, LAZY T SHAPE - WEATHERSTRIP ON ENTRY DOOR
	075673-01-000	FT	SEAL-PILE, ADHESIVE BACK - GRAY
	075908-01-000	EA	SCREW-MACH-10-32X.56PTH(SEMS)
	093145-01-000	EA	SLEEVE-WIRE
	093148-01-000	EA	GROMMET-WIRE, DOOR
	093673-02-01A	EA	MOLDING-BODY, ENTRANCE DOOR
7	009016-01-000	EA	CATCH-SCREEN DOOR ROLLER
	058025-02-000	EA	CLIP-ROLLER LATCH CATCH
	009016-01-000	EA	CATCH-ELBOW, SPRING LOADED - SCREEN DOOR CATCH
	079087-02-000	EA	STRIKE-SLIDER, W/UP FOR ELBOW CATCH - 1.5" X 8.6" OFF WHITE
8	100412-01-000	EA	CATCH-SCREEN DOOR
	079012-01-U01	EA	DOOR ASM-SCREEN
	002293-02-000	SF	SCREENING-WINDOW/DOOR, 26" - CHARCOAL
	002294-01-000	FT	SPLINE-SCREENING, .135" X .138" - BLACK
	002748-01-000	EA	CORNER KEY-DOOR
	016454-01-000	EA	INSERT-SCREEN DOOR, CENTER - LEATHER GRAIN ALUMINUM - BEIGE
	001014-01-013	EA	INSERT-CENTER, .024" X 10.25" X 16.31" - UNPAINTED ALUMINUM
	050712-05-000	EA	HANDLE-SCREEN DOOR, UNPAINTED
	078552-03-000	EA	KICK PANEL-SCREEN DOOR, LOWER INSERT - UNPAINTED
	001014-01-016	EA	ALUMINUM-LEATHER GRAIN, 10.3" X 29.69" - UNFINISHED
	078595-01-000	EA	TOP PLATE-SCREEN DOOR, CURVED TOP - 4.7" X 25.35"
	078777-01-000	EA	CHANNEL-SLIDE, SCREEN DOOR CENTER SLIDER COVER
	079086-02-000	EA	SLIDER-SCREEN DOOR, OFF WHITE
	100412-01-000	EA	CATCH-SCREEN DOOR
	100128-02-000	FT	SEAL-PILE, ADHESIVE BACK - SCREEN DOOR - GRAY
9	095278-01-01A	EA	JAMB-DOOR, ENTRANCE - UNPAINTED
10	095277-02-01A	EA	JAMB-DOOR, ENTRANCE - W/COTTOM & ROLLER CATCH STRIKER
11	051049-01-000	EA	JAMB-DOOR, ENTRANCE BOTTOM - BEIGE
	079207-01-000	EA	STRIKER-ROLLER CATCH, WELDED TO DOOR JAMB - 4" X 1.15"
	097724-01-04A	EA	HINGE-ENTRY DOOR, UNPAINTED
12	089748-01-000	EA	FRAME-BOTTOM ENTRY DOOR, OFF WHITE
	080340-01-000	FT	SEAL-FOAM, CLOSED CELL - 1/4" X 1/2" X 50'
	081988-02-000	FT	TAPE-ADHESIVE, .04" X 1" WIDE
	083988-01-02A	EA	GARNISH-RADIUS, ENTRANCE DOOR - ALUMINUM - OFF WHITE
			FROM: 00-00-00 THRU: 09-23-90
	083976-02-02A	EA	GARNISH-RADIUS, ENTRANCE DOOR - ALUMINUM - OFF WHITE
			FROM: 09-24-90 THRU: 99-99-99
	044582-02-000	EA	CAP-DRIP, ENTRY DOOR, ALUMINUM, OFF WHITE
	100312-01-000	EA	SWITCH-DOOR JAMB ELECTRIC ENTRY STEP
	041546-06-000	EA	BRACKET - DOOR ANGLE - OFF WHITE
	085774-01-000	FT	FASTENER - DUEL LOCK, 1" WIDE
	085774-02-000	FT	FASTENER - DUEL LOCK, 1" WIDE

1991 ITASCA
TABLE OF CONTENTS

INTRODUCTION	A-01	A-02
ABBREVIATIONS		A-03
ALPHABETICAL INDEX	A-04	A-06
ICN25RC	A-07	F-02
ICN34RQ	F-03	K-08

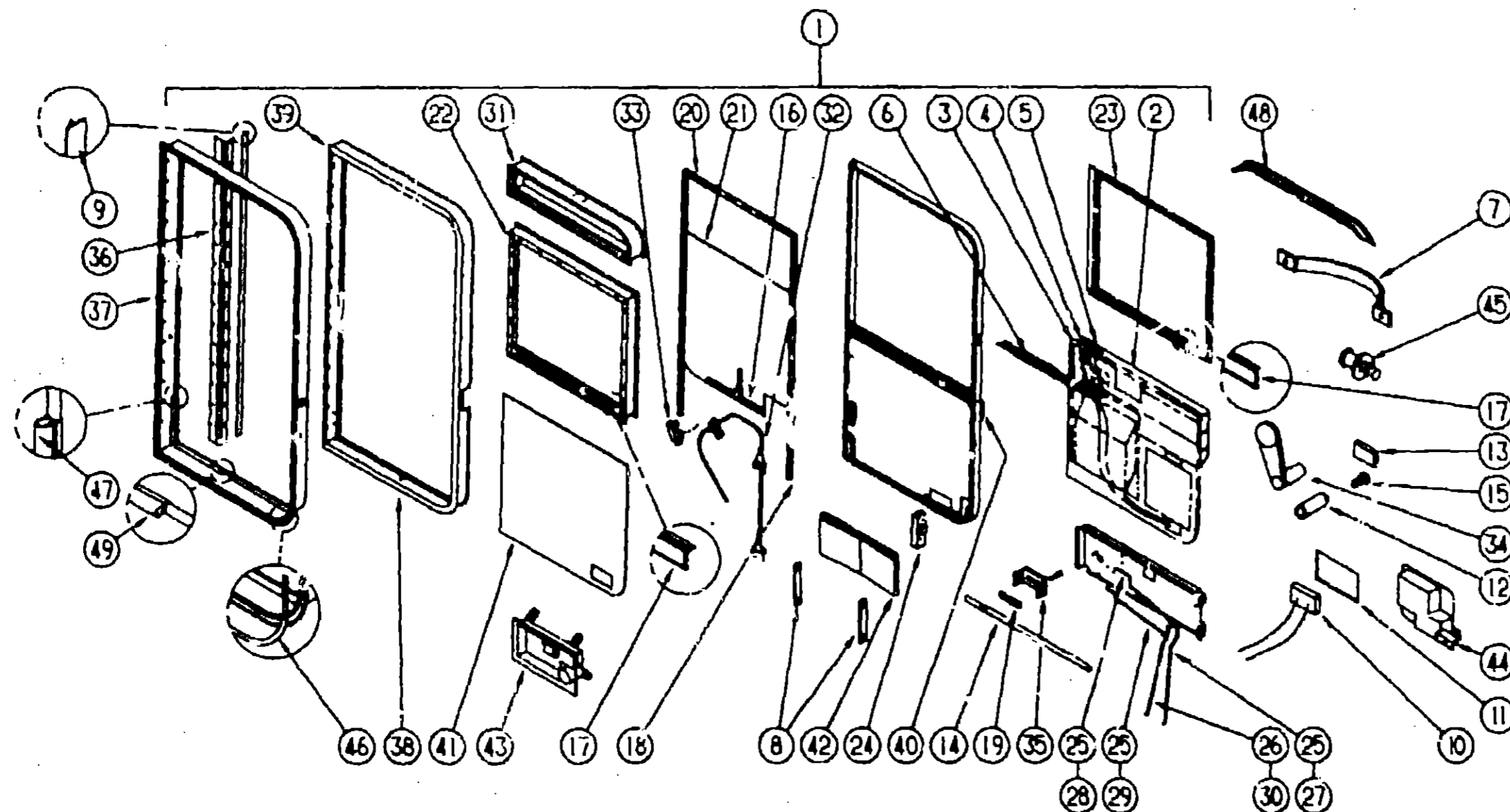
1991 ICN34RQ INDEX

FLOOR PLAN	F-03	F-04
ACCESSORIES	F-05	F-12
BATH	F-13	F-16
BEDROOM	F-17	F-20
CHASSIS	F-21	G-08
C C & PAD	G-09	G-18
DINETTE	G-19	G-20
DRIVERS	H-21	H-24
ELECTRICAL	H-05	H-12
EXTERIOR BODY	H-13	H-20
GALLEY	H-21	I-04
HEATING & /A/C	I-05	I-08
INTERIOR FINISH	I-09	I-12
LABEL	I-13	I-20
LP		I-21
LOUNGE	I-22	I-23
SEALANTS & FASTENERS	I-24	J-02
WATER & SEWAGE	J-03	J-07
WINDOW, VENT AND EXTERIOR DOOR	J-08	K-08

K-02

WINDOW, VENT & EXTERIOR DOOR GROUP (CONTINUED)

DRIVERS DOOR & COMPONENTS



1991 ITASCA TABLE OF CONTENTS

INTRODUCTION	A-01 -	A-02
ABBREVIATIONS		A-03
ALPHABETICAL INDEX	A-04 -	A-06
ICN25RC	A-07 -	F-02
ICN34RQ	F-03 -	K-06

1991 ICN34RQ INDEX

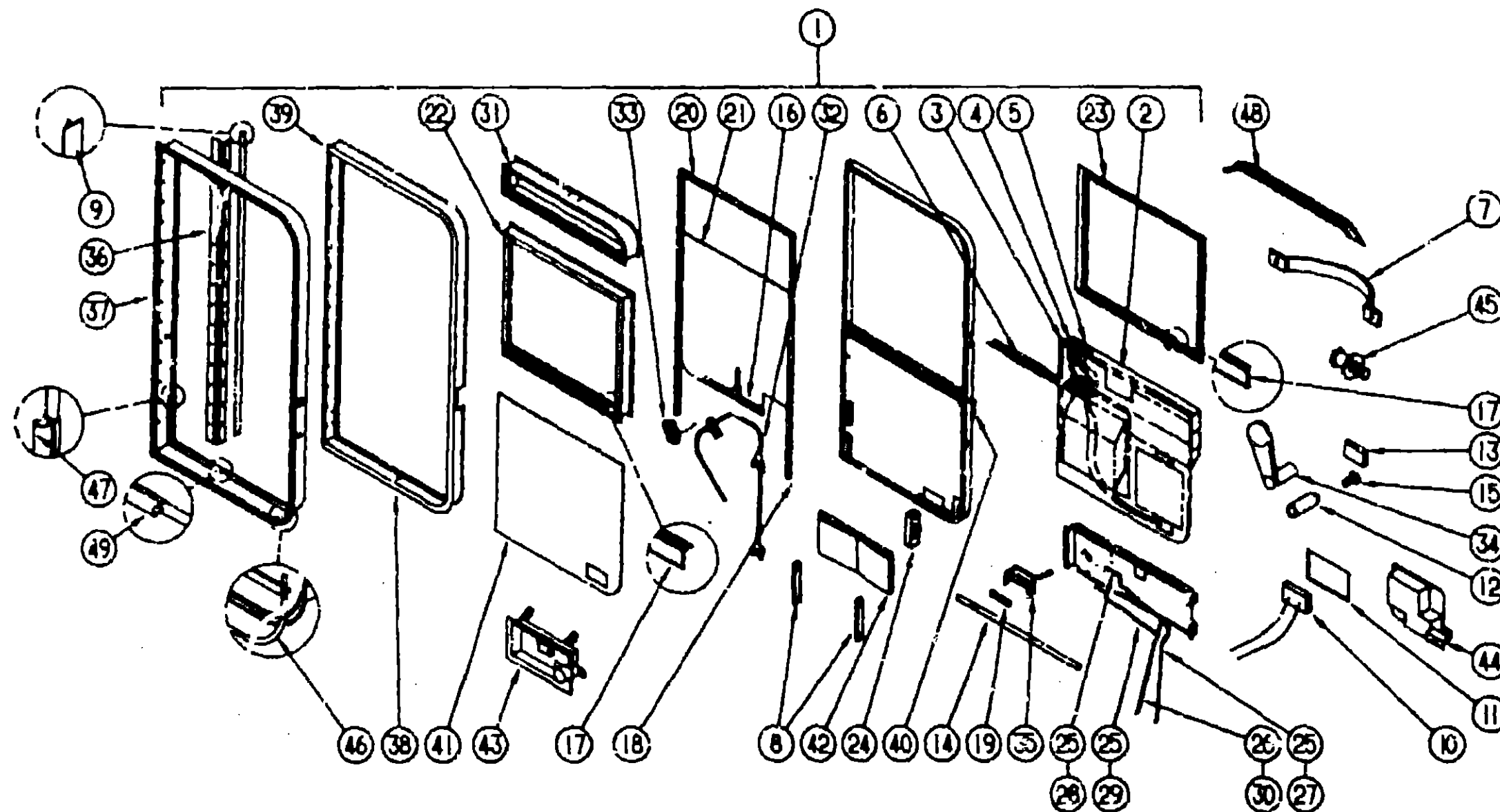
FLOOR PLAN	F-03 -	F-04
ACCESSORIES	F-05 -	F-12
BATH	F-13 -	F-16
BEDROOM	F-17 -	F-20
CHASSIS	F-21 -	G-06
C C & FAD	G-09 -	G-18
DINETTE	G-19 -	G-20
DRIVERS	G-21 -	H-04
ELECTRICAL	H-05 -	H-12
EXTERIOR BODY	H-13 -	H-20
GALLEY	H-21 -	I-04
HEATING & AC	I-05 -	I-08
INTERIOR FINISH	I-09 -	I-12
LABEL	I-13 -	I-20
LP		I-21
LOUNGE	I-22 -	I-23
SEALANTS & FASTENERS	I-24 -	J-02
WATER & SEWAGE	J-03 -	J-07
WINDOW, VENT AND EXTERIOR DOOR	J-08 -	K-06

KEY	PART NUMBER	U/M	DESCRIPTION
1	M97816-01-AE6	EA	DOOR-DRIVER, W/TIPOUT - NON POWERED - USE WITH OVHD BUNK ONLY
1	M97816-02-AE6	EA	DOOR-DRIVER, W/O TIPOUT - NON POWERED
1	M97816-03-AE6	EA	DOOR-DRIVER, W/TIPOUT - POWERED - USE WITH OVHD BUNK ONLY
1	M97816-04-AE6	EA	DOOR-DRIVER, W/O TIPOUT - POWERED
2	M97748-01-02A	EA	PANEL-DOOR, INTERIOR - PLASTIC - GRAY
	097308-01-02A	EA	COVER-MAP POCKET, GRAY
3	087896-01-000	EA	SWITCH-HEATER, EXTERIOR MIRROR
4	088248-01-000	EA	SWITCH-REMOTE, EXT. MIRROR - SQUARE PUSH - VELVAC 7471290
5	083132-01-000	EA	SWITCH-ROCKER, 5 TERMINAL W/ARROW GRAPHICS - TORRIX 1737
	082845-01-000	EA	WIRE ASSEMBLY-DRIVER DOOR CONTROL PANEL
	082845-01-000	EA	WIRE ASSEMBLY-DRIVER DOOR CONTROL PANEL
			FROM: 00-00-00 THRU: 03-03-91
			FROM: 03-04-91 THRU: 99-99-99
8	083144-01-000	EA	CONDUIT-WIRE, GMI 15592048
7	081400-04-000	EA	STRAP-ASSIST, 12" - BLACK W/WOOD GRAIN SCREW COVERS
			FROM: 00-00-00 THRU: 05-04-91
	081400-15-000	EA	STRAP-ASSIST, 12" - BLACK W/SILVER SCREW COVERS
			FROM: 05-05-91 THRU: 99-99-99
	083728-01-000	EA	RIVNUT, 1/4 X 20 UNC - .030 - 125
8	084218-01-000	EA	RETAINER-CHECK STRAP, DRIVER DOOR
9	079871-01-000	FT	SEAL-SPONGE, LAZY T SHAPE - WEATHERSTRIP - ENTRY DOOR
10	077000-01-000	EA	SOCKET ASM-W/8" P/TAIL LEADS
11	077028-01-000	EA	LENS-COURTESY LIGHT, CLEAR
	080734-02-000	EA	CLIP-WARE, NYLON
12	081903-02-000	EA	SHAFT-MOUNTING, KNOB
13	081906-02-000	EA	KNOB-SLIDE BOLT, BLACK

KEY	PART NUMBER	U/M	DESCRIPTION
14	081906-02-000	EA	BOLT-SLIDE
15	081908-01-000	EA	SCREW-MACHINE, 8-32 X .62 W/NYLOCK
16	081911-01-000	FT	TAPE-GLASS SETTING, 1/16" X 1.5"
17	081912-02-000	EA	WEATHERSTRIP-RIGID
18	082240-03-000	EA	CHANNEL-GLASS RUN, BLACK
19	086284-01-000	2A	SPRING-COMPRESSION, .44" LONG X .38" OD
20	086454-02-000	EA	CHANNEL-GLASS RUN, TOP - BLACK
	090340-01-000	FT	SEAL-FOAM, CLOSED CELL - 1/4" X 1/2" X 50'
21	092446-02-000	EA	GLASS-DOOR, ROLL UP - 27.5" X 26.3"
22	092752-01-Y10	EA	FRAME-WINDOW, INNER - 23.6" X 28"
23	092753-01-Y10	EA	FRAME-WINDOW, OUTER
24	092927-04-700	EA	LATCH-DRIVER DOOR, MECHANISM
25	092927-05-300	EA	CLIP-ROD END - RIGHT
26	092927-05-000	EA	CLIP-ROD END - LEFT
27	092928-01-000	EA	ROD-LOCK, OUTSIDE
28	092928-03-000	EA	ROD-RELEASE, INSIDE
29	092928-04-000	EA	ROD-LOCK, INSIDE
30	092928-05-000	EA	ROD-RELEASE, OUTSIDE - 19.8" LONG
31	093043-01-Y12	EA	WINDOW ASM.-UPPER STATIONARY - 4.6" X 28" GLASS
31	092974-01-Y12	EA	WINDOW ASM.-UPPER TIPOUT - 4.5" X 27.9" GLASS - OVHD BUNK ONLY
32	093634-01-000	EA	REGULATOR-WINDOW, DRIVER - NON POWERED
32	092998-01-000	EA	REGULATOR-POWER WINDOW
			FROM: 00-00-00 THRU: 03-03-91
32	103392-02-000	EA	REGULATOR-POWER WINDOW
			FROM: 03-04-91 THRU 99-99-99

WINDOW, VENT & EXTERIOR DOOR GROUP (CONTINUED)

DRIVERS DOOR & COMPONENTS (CONTINUED)



1991 ITASCA TABLE OF CONTENTS

INTRODUCTION	A-01 -	A-02
ABBREVIATIONS		A-03
ALPHABETICAL INDEX	A-04 -	A-08
ICN259C	A-07 -	F-02
ICN34RQ	F-03 -	K-08

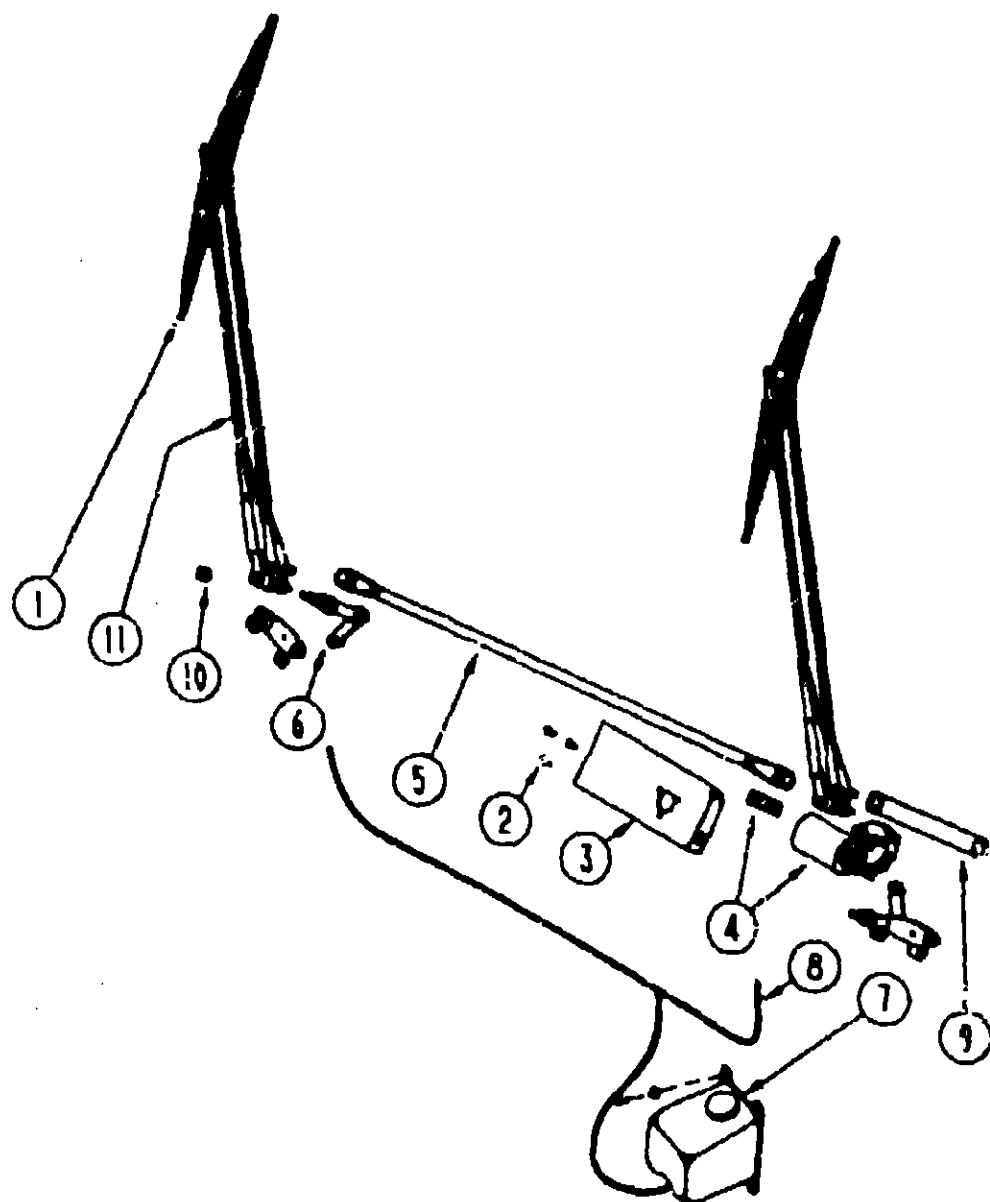
1991 ICN34RQ INDEX

FLOOR PLAN	F-03 -	F-04
ACCESSORIES	F-05 -	F-12
BATH	F-13 -	F-18
BEDROOM	F-17 -	F-20
CHASSIS	F-21 -	G-08
C C & PAD	G-08 -	G-18
DINETTE	G-19 -	G-20
DRIVERS	G-21 -	H-04
ELECTRICAL	H-05 -	H-12
EXTERIOR BODY	H-13 -	H-20
GALLEY	H-21 -	I-04
HEATING & A/C	I-05 -	I-08
INTERIOR FINISH	I-09 -	I-12
LASSI	I-13 -	I-20
LP		I-21
LOUNGE	I-22 -	I-23
SEALANTS & FASTENERS	I-24 -	J-02
WATER & SEWAGE	J-03 -	J-07
WINDOW, VENT AND EXTERIOR DOOR	J-08 -	K-08

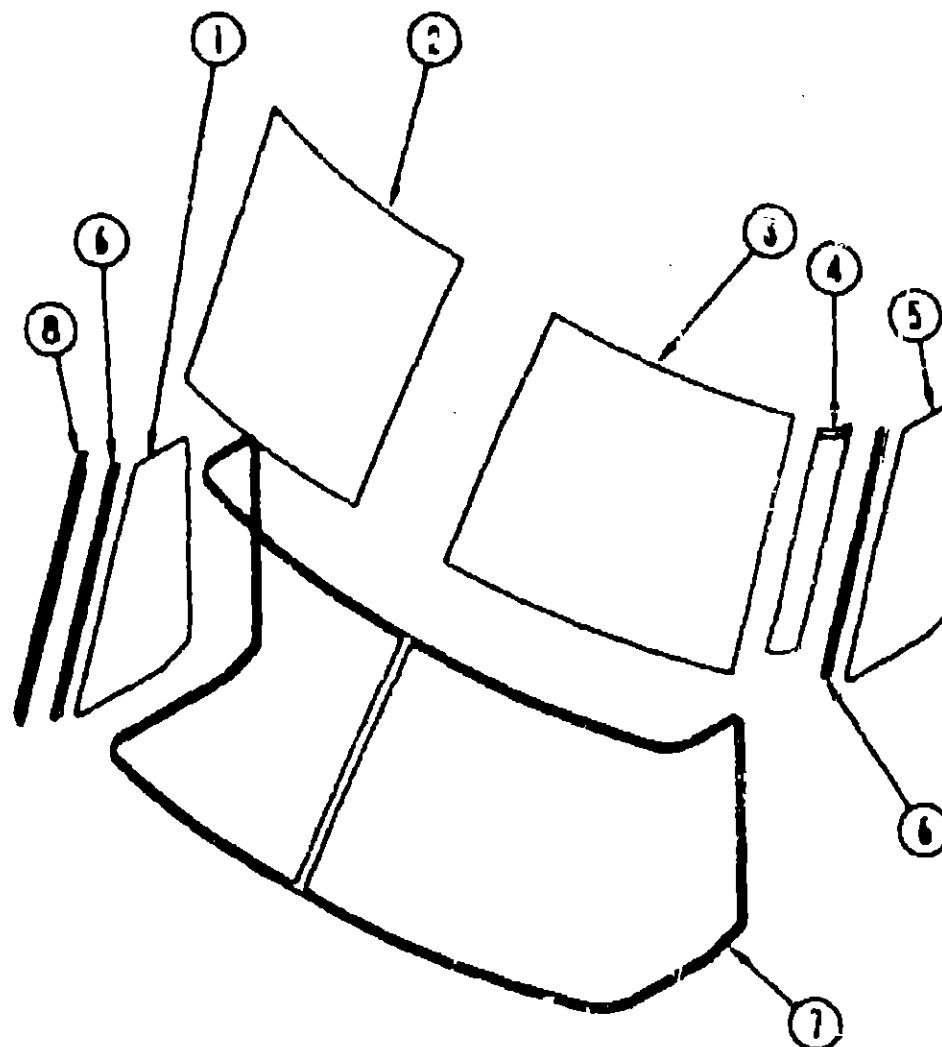
KEY	PART NUMBER	UOM DESCRIPTION
33	062998-01-710	EA MOTOR-POWER WINDOW, DRIVER DOOR
34	064575-01-000	EA CRANK-HAND, GLASS LIFT
35	098809-01-000	EA BRACKET-DEADBOLT
36	067207-01-03A	EA HINGE-CONTINUOUS, OFF WHITE
37	067278-01-AE8	EA JAMB-DOOR
38	067279-01-02A	EA FRAME-DOOR, REAR OUTER - OFF WHITE
39	067280-01-02A	EA FRAME-DOOR, FRONT OUTER - OFF WHITE
	055278-01-001	FT TUBING-STEEL, .75" X 1.5" X 268"
40	067367-01-000	EA BRACKET-SUPPORT, DOOR LOCK
41	077517-52-000	EA FIBERGLASS-SHEET, 29.7" X 27.9" - OFF WHITE - FLAT
42	068030-01-000	EA STRAP-CHECK, DRIVER DOOR - BLACK
43	102235-01-01A	EA LATCH-OUTSIDE, DRIVER DOOR - BLACK BLANK KEY# 045017-11-701
44	102237-01-01A	EA LATCH-INSIDE, DRIVER DOOR - BLACK
45	062627-03-000	EA STRIKER-ROUND, JAMB MOUNTED - TRIMARK 10335-16
	063899-02-000	EA PLATE-STRIKER BOLT
46	067315-01-01A	FT TRIM-INSERT, DRIVER DOOR - .43" WIDE - VINYL - OFF WHITE
47	081632-01-000	FT SEAL-BULB, W/WIRE CARRIER - DOOR - .8" WIDE - RUBBER
48	064164-05-000	EA CAP-DRIP, DRIVER DOOR - OFF WHITE
49	034075-07-000	FT SEAL-BULB, W/WIRED U CHANNEL - .3" X .5" CHANNEL - BLACK
	034113-01-01A	EA GARNISH-DRIVERS DOOR, OFF WHITE
	061255-02-000	FT SEAL-ADHESIVE BACKED FOAM, .18" THICK X 1.5" WIDE
	100028-01-000	FT TAPE-ADHESIVE, .091" X .75" WIDE
	061668-03-000	FT TAPE-ADHESIVE, .04" X 1" WIDE
	062693-02-01A	EA LINER-STEP BOX, ENTRANCE DOOR - 5" - BLACK

WINDOW, VENT & EXTERIOR DOOR GROUP (CONTINUED)

WINDOW, VENT & EXTERIOR DOOR GROUP (CONTINUED)



WIPER COMPONENTS



WINDSHIELDS, TRIMS & MOLDINGS

1981 ITASCA
TABLE OF CONTENTS

INTRODUCTION	A-01 -	A-02
ABBREVIATIONS		A-03
ALPHABETICAL INDEX	A-04 -	A-08
ICN25RC	A-07 -	F-02
ICN34RQ	F-03 -	X-08

1981 ICN34RQ INDEX

FLOOR PLAN	F-03 -	F-04
ACCESSORIES	F-05 -	F-12
BATH	F-13 -	F-18
BEDROOM	F-17 -	F-20
CHASSIS	F-21 -	G-08
C C & PAD	G-09 -	G-18
DINETTE	G-19 -	G-20
DRIVERS	G-21 -	H-04
ELECTRICAL	H-05 -	H-12
EXTERIOR BODY	H-13 -	H-20
GALLEY	H-21 -	I-04
HEATING & A/C	I-05 -	I-08
INTERIOR FINISH	I-09 -	I-12
LABEL	I-13 -	I-20
LP		I-23
LOUNGE	I-22 -	I-23
SEALANTS & FASTENERS	I-24 -	J-02
WATER & SEWAGE	J-03 -	J-07
WINDOW, VENT AND EXTERIOR DOOR	J-08 -	K-08

KEY	PART NUMBER	U/M	DESCRIPTION
1	085984-01-000	EA	BLADE ASM.-WIPER, 24"
	085984-01-700	EA	BLADE-REFILL, WIPER - PAIR - 24"
2	085528-01-700	EA	SCREW-HEX, 1/4 - 28 UNF
3	082334-01-000	EA	BRACKET-WIPER, MOTOR
4	104366-02-000	EA	MOTOR ASM., WDR'VE ARM
	087188-01-000	EA	STUD-CRANK, WIPER
5	087182-01-000	EA	LINK-CONNECTING, W/BLACK BUSHING - 37.85"
6	088606-01-000	EA	PIVOT SHAFT
7	088000-02-000	EA	WASHER-WINDSHIELD, BOTTLE & PUMP
	088000-01-700	FT	VACUUM HOSE 7/84 - 5/32
8	046794-01-000	FT	HOSE-WASHER, WINDSHIELD - 5/32" ID - BLACK
9	087193-02-000	EA	LINK-CONNECTING, W/BLACK BUSHING - 9.2"
10	077048-01-000	EA	NUT-ACORN, 10-32 ALUMINUM
11	088931-01-000	EA	ARM-WIPER, PANTOGRAPH - 28"
	088931-01-700	EA	HOSE F/WIPER BLADES
	088931-01-701	EA	NOZZLE HIGHRE, KIT
	088931-01-702	EA	NUT
	088931-01-703	EA	SHORT SCREW
	088931-01-704	EA	LONG SCREW
	088931-01-705	EA	PLASTIC CAP
	088931-01-706	EA	SPRAY NOZZLE
	077048-01-000	EA	SHAFT-ADAPTER, WINDSHIELD PANTOGRAPH ARM

KEY	PART NUMBER	U/M	DESCRIPTION
1	091953-03-000	EA	GLASS-CORNER VENT, PASSENGER
2	091215-01-000	EA	GLASS-WINDSHIELD, PASSENGER
3	091215-02-000	EA	GLASS-WINDSHIELD, DRIVER
4	091901-02-000	EA	TRIM-APILLAR, DR - BETWEEN WINDSHIELD & VENT GLASS - BLK
5	091953-04-000	EA	GLASS-CORNER VENT, DRIVER
6	088788-01-000	EA	CHANNEL-RIGID, WINDSHIELD - .38" - PVC
7	091989-01-000	EA	MOLDING-REVEAL, WINDSHIELD - SURROUNDS BOTH WINDSHIELDS
8	091901-01-000	EA	TRIM-APILLAR, PASS - BETWEEN WINDSHIELD & VENT GLASS - BLK
	002328-02-000	EA	BLOCK-WINDSHIELD, .082" X .5" X .98"
	091989-01-000	EA	FRAME-WINDSHIELD, LOWER - INNER - PASSENGER
	091989-02-000	EA	FRAME-WINDSHIELD, LOWER - INNER - DRIVER
	040821-04-000	EA	NUT-SPEED, U TYPE - NO. 8 - .58" LENGTH X .45" WIDTH
	040821-05-000	EA	NUT-SPEED, U TYPE - NO. 8 - .67" LENGTH X .44" WIDTH
	040821-06-000	EA	NUT-SPEED, U TYPE - NO. 8 - .57" LENGTH X .63" WIDTH