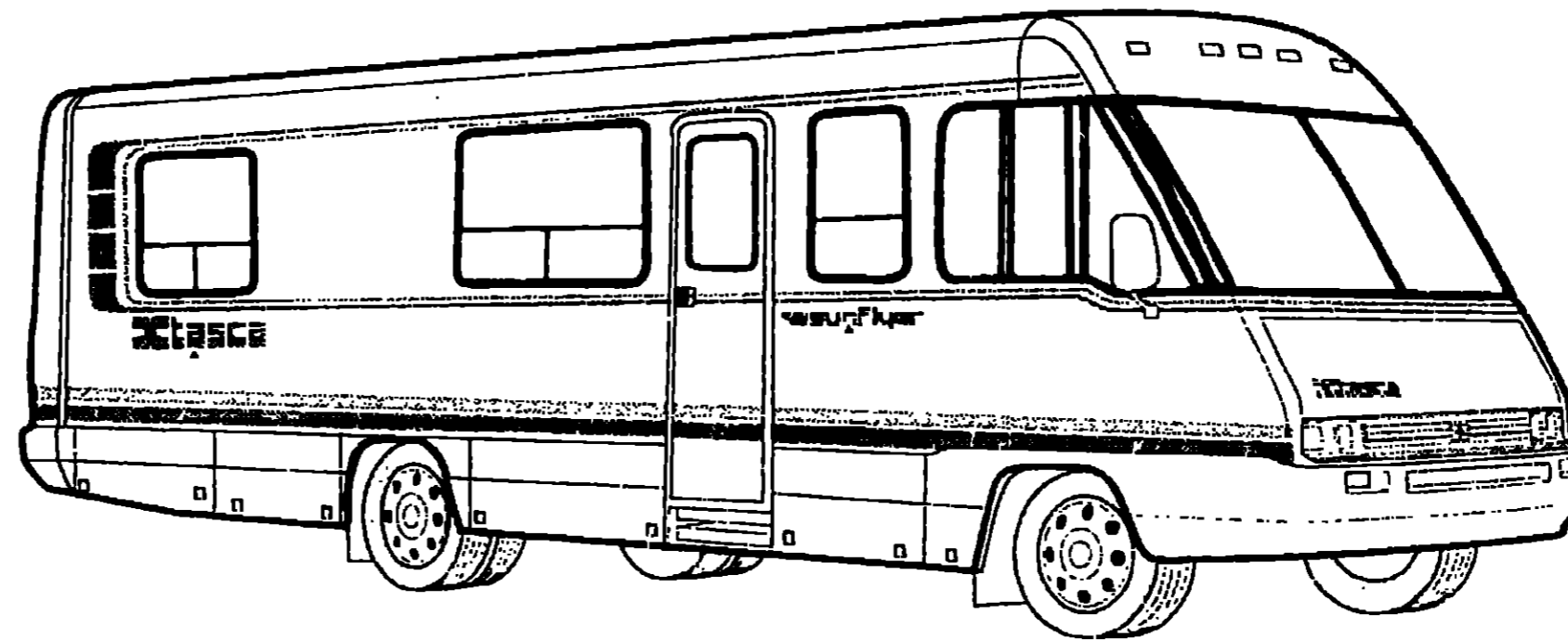


1991 ICN32RQ

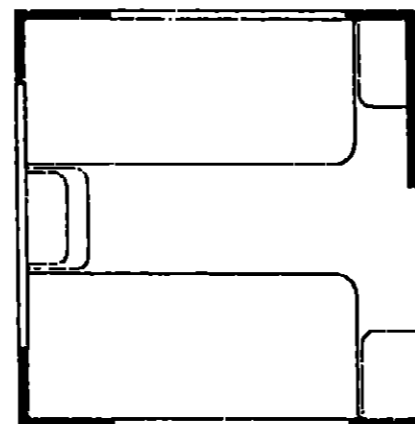
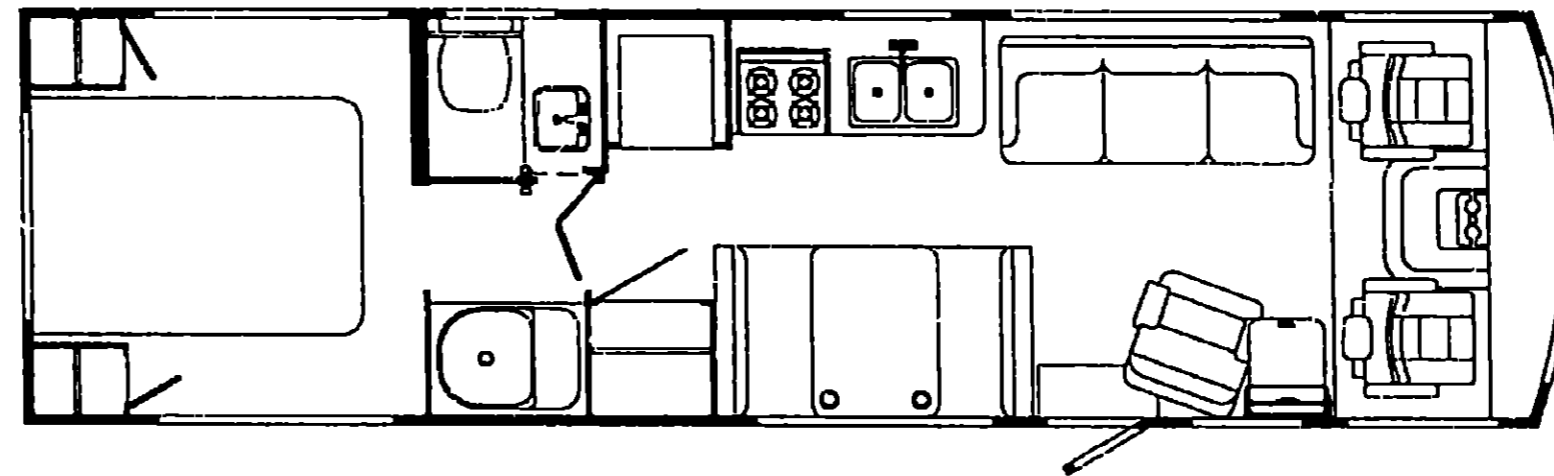


1991 ITASCA TABLE OF CONTENTS

INTRODUCTION	A-01 -	A-02
ABBREVIATIONS		A-03
ALPHABETICAL INDEX	A-04 -	A-06
ICN28RT	A-07 -	F-12
ICN32RQ	F-13 -	K-22

1991 ICN32RQ INDEX

FLOOR PLAN	F-13 -	F-14
ACCESSORIES	F-15 -	G-02
BATH	G-03 -	G-06
BEDROOM	G-07 -	G-10
CHASSIS	G-11 -	H-04
C.C. & PAD	H-05 -	H-12
DINETTE	H-13 -	H-14
DRIVERS	H-15 -	H-18
ELECTRICAL	H-19 -	I-02
EXTERIOR BODY	I-03 -	I-10
GALLEY	I-11 -	I-16
HEATING & A.C.	I-17 -	I-22
INTERIOR FINISH	I-23 -	J-03
LABEL	J-04 -	J-12
LP		J-13
LCUNGE	J-14 -	J-15
SEALANTS & FASTENERS	J-16 -	J-18
WATER & SEWAGE	J-19 -	J-23
WINDOW, VENT AND EXTERIOR DOOR	J-24 -	K-22



ACCESSORIES GROUP

EXTERIOR MIRROR

KEY PART NUMBER	U/M DESCRIPTION
092880-01-000	EA WIRE-IP, REMOTE MIRROR
086259-04-000	EA MIRROR-REMOTE HEAT. W/OUT ARM - PRE-WIRED - PASSENGER
086259-05-000	EA MIRROR-REMOTE HEAT. W/OUT ARM - PRE-WIRED - DRIVER
086260-01-000	EA MIRROR-W.CONVEX. PASSENGER
086260-02-000	EA MIRROR-W.CONVEX. DRIVER
086259-04-700	EA GLASS ONLY CONVEX HEATED RH
086259-04-701	EA GLASS ONLY FLAT HEATED RH
086259-05-700	EA GLASS ONLY CONVEX HEATED LH
086259-05-701	EA GLASS ONLY FLAT HEATED LH
086260-01-700	EA GLASS ONLY CONVEX RH
086260-01-701	EA GLASS ONLY FLAT RH
086260-02-700	EA GLASS ONLY CONVEX LH
086260-02-701	EA GLASS ONLY FLAT LH
086260-03-000	EA ACCESSORY KIT-MIRROR, EXTENSION

REAR VIEW TELEVISION OPTION

KEY PART NUMBER	U/M DESCRIPTION
093040-01-000	EA TELEVISION SYSTEM-REAR VIEW, SONY FROM: 00-00-00 THRU. 01-06-91
093040-01-701	EA MONITOR 6"W.BRKT & WIRE HARNESS
093040-01-702	EA CAMERA & HOUSING
093040-04-000	EA TELEVISION SYSTEM-REAR VIEW FROM: 01-07-90 THRU. 99-99-99
093040-01-700	EA CAMERA, BRKT. & WIRING
093040-04-701	EA 6" B.W MONITOR
093040-04-702	EA MONITOR SUN HOOD
093040-04-703	EA LENS ONLY F/SONY SSM-620AM
093071-01-000	FT TAPE-BONDING, DOUBLE SIDED - 1 1/2" X 2"
093952-02-01A	EA SHROUD-TV, OFF WHITE FROM: 00-00-00 THRU. 02-10-91
102814-01-03A	EA SHROUD-TV, OFF WHITE FROM: 02-11-91 THRU. 99-99-99
093040-03-000	EA WIRE-MONITOR
093041-01-000	EA CABLE-MONITOR/CAMERA, INTERNAL USE
093041-02-000	EA CABLE-MONITOR/CAMERA, EXTERNAL USE
094001-01-000	EA CLAMP-CAMFRA
100319-01-000	EA RETAINER-LENS, CAMERA FROM: 00-00-00 THRU. 02-10-91
092881-01-000	EA WIRE-INSTRUMENT PANEL, REAR MONITOR

AM/FM CASSETTE RADIO OPTION L57E - ELECTRONIC TUNE

KEY PART NUMBER	U/M DESCRIPTION
097460-01-000	EA RADIO-AM-FM STEREO CASSETTE, SONY XR-300 REPLACED BY 097460-02-000 FROM: 00-00-00 THRU. 07-22-90
097460-02-000	EA RADIO-AM-FM STEREO CASSETTE, SONY XR-417 FROM: 07-23-90 THRU. 99-99-99
097620-03-000	EA MOUNTING KIT-RADIO, SONY - XR-300
100014-01-000	EA BRACKET-RADIO, SONY
097621-01-000	EA MOUNTING KIT-RADIO, AUDIOVOX WMK-AB01

AM/FM CASSETTE RADIO

KEY PART NUMBER	U/M DESCRIPTION
099998-01-000	EA BRACKET-RADIO, AUDIOVOX
097459-01-000	EA RADIO-AM-FM STEREO CASSETTE - AUDIOVOX IM-DXA
097622-01-000	EA RADIO OUTPUT ADAPTER HARNESS, AUDIOVOX 112B-1909
073741-03-000	EA SPEAKER-RADIO, OVAL - AUDIOVOX 110-2074 - 4" X 6"
073741-04-000	EA GRILLE-SPEAKER, OVAL - 4" X 6" - BLACK

ACCESSORIES GROUP (CONTINUED)

REAR STEREO OPTION L26L

KEY PART NUMBER	U/M DESCRIPTION
097460-01-000	EA RADIO-AM-FM STEREO CASSETTE FROM: 00-00-00 THRU. 05-05-91
103698-01-000	EA RADIO-AM-FM STEREO CASSETTE FROM: 05-06-91 THRU. 99-99-99
077059-02-000	EA CABLE ANTENNA EXTENSION 65"
090862-01-000	EA BRACKET-HAT ANTENNA
090944-01-000	EA ANTENNA-RADIO, 16" RUBBER
089340-01-000	EA GRILLE-SPEAKER, 6.5" SQUARE FROM: 00-00-00 THRU. 11-01-90
089340-02-000	EA GRILLE-SPEAKER, 6.5" SQUARE FROM: 11-02-90 THRU. 99-99-99
094097-01-000	EA SPEAKER-RADIO, W/O GRILLE - 5.25" DIA - AUDIOVOX 110C3030
074979-01-000	EA COVER SPEAKER 8" X 9" - BEIGE

TV AND VCR SWITCHING SYSTEM OPTION L42C

KEY PART NUMBER	U/M DESCRIPTION
086757-03-000	EA CONTROL CENTER-SWITCH VCR-TV
086777-03-000	EA PLATE-WALL, ANTENNA POWER, IVORY
076319-03-000	FT CABLE-COAXIAL, 75 OHM
076319-12-000	EA CONNECTOR COAXIAL, ONE PIECE
076319-04-000	EA CONNECTOR W FERRULE
098446-01-000	EA VCR VHS-CABLE READY - REMOTE - MAGNAVOX VR9015 FROM: 00-00-00 THRU. 09-24-90
098446-02-000	EA REMOTE F.MODEL#9915 FROM: 09-25-90 THRU. 99-99-99
098446-01-700	EA REMOTE F.MODEL#9915
098446-02-000	EA VCR-VHS, CABLE READY - REMOTE - MAGNAVOX VR9912 FROM: 09-25-90 THRU. 99-99-99
098446-02-700	EA REMOTE F.MODEL#9912
098447-01-000	EA TV-13", COLOR W REMOTE - U.S. - MAGNAVOX RX4029WA
098447-01-700	EA REMOTE
098447-02-000	EA TV-13", COLOR W.REMOTE - CANADIAN - MAGNAVOX XK4029CH
098447-01-700	EA REMOTE-TV, MAGNAVOX 0822338
093214-01-02A	EA GRILL-SPEAKER, 4" BROWN
098819-01-000	EA SPEAKER-2 WATT, 8 OHM - 4"
099030-01-000	EA WIRE-SPEAKER, TV
099637-01-000	EA GROMMET
099717-02-000	EA TIEDOWN, TV

FRONT OVERHEAD TV OPTION

KEY PART NUMBER	U/M DESCRIPTION
056756-01-000	EA SPLITTER-TV, 2 WAY
076319-12-000	EA CONNECTOR COAXIAL, ONE PIECE
076319-03-000	FT CABLE-COAXIAL, 75 OHM
076319-04-000	EA CONNECTOR W FERRULE
076319-12-000	EA CONNECTOR COAXIAL, ONE PIECE
098447-01-000	EA TV-13", COLOR W REMOTE - U.S. - MAGNAVOX RX4029WA
098447-01-700	EA REMOTE
098447-02-000	EA TV-13", COLOR W REMOTE - CANADIAN - MAGNAVOX XK4029CH
098447-01-700	EA REMOTE-TV, MAGNAVOX 0822338
093214-01-02A	EA GRILL-SPEAKER, 4" BROWN
098819-01-000	EA SPEAKER-2 WATT, 8 OHM - 4"
099030-01-000	EA WIRE-SPEAKER, TV
099637-01-000	EA GROMMET
099717-02-000	EA TIEDOWN, TV

TV

KEY PART NUMBER	U/M DESCRIPTION
098447-01-000	EA TV-13", COLOR W.REMOTE - U.S. - MAGNAVOX RX4029WA
098447-01-700	EA REMOTE
098447-02-000	EA TV-13", COLOR W.REMOTE - CANADIAN - MAGNAVOX XK4029CH
098447-01-700	EA REMOTE-TV, MAGNAVOX 0822338
098819-01-000	EA SPEAKER-2 WATT, 8 OHM - 4"
099030-01-000	EA WIRE-SPEAKER, TV
099637-01-000	EA GROMMET
099717-02-000	EA TIEDOWN, TV
076319-03-000	EA WALLPLATE-TV RECEPTACLE - BROWN

NOTE: INCLUDE MAKE & MODEL OF TV OR VCR WHEN ORDERING REMOTE

1991 ITASCA

TABLE OF CONTENTS

INTRODUCTION	A-01	A-02
ABBREVIATIONS		A-03
ALPHABETICAL INDEX	A-04	A-06
ICN32R1	A-07	F-12
ICN32R2	F-13	K-22

1991 ICN32R2 INDEX

FLOOR PLAN	F-13	F-14
ACCESSORIES	F-15	G-02
BATH	G-03	G-06
BEDROOM	G-07	G-10
CHASSIS	G-11	H-04
C C & PAD	H-05	H-12
DINETTE	H-13	H-14
DRIVERS	H-15	H-16
ELECTRICAL	H-19	I-02
EXTERIOR BODY	I-03	I-10
GALLEY	I-11	I-16
HEATING & A/C	I-17	I-22
INTERIOR FINISH	I-23	J-03
LABEL	J-04	J-12
LP		J-13
LOUNGE	J-14	J-15
SEALANTS & FASTENERS	J-16	J-18
WATER & SEWAGE	J-19	J-23
WINDOW, VENT AND EXTERIOR DOOR	J-24	K-22

ACCESSORIES GROUP (CONTINUED)

FORD WHEEL COVERS

KEY PART NUMBER	U/M DESCRIPTION
098532-01-000	EA COVER-WHEEL, FORD - SET OF 4 - 16"
098532-01-701	EA COVER-WHEEL, FORD - 1 EACH ONLY - 16"
098532-01-700	EA COVER-LUG NUT, FORD - CHROME

STAINLESS STEEL WHEEL LINERS OPTION L63J - 16" - FORD

KEY PART NUMBER	U/M DESCRIPTION
091209-06-000	EA LINER-WHEEL, SET OF 4 - 16" - FORD FROM: 00-00-00 THRU 05-20-91
091209-06-700	EA FRONT SIMULATOR
091209-06-701	EA REAR SIMULATOR
091209-06-702	EA FRONT AXLE COVER
091209-06-703	EA REAR AXLE COVER
091209-06-704	EA LUG NUT COVER
091209-08-000	EA LINER-WHEEL, SET OF 4 F53 OVR LG FROM: 05-21-91 THRU 99-99-99
091209-08-700	EA FRONT SIMULATOR 16" FRT 10 LUG
091209-08-701	EA REAR SIMULATOR 16" RR 10 LUG
091209-08-702	EA REAR AXLE COVER
091209-08-703	EA LUG NUT COVER
095012-02-000	EA EXTENSION-VALVE STEM, DUAL WHEEL FROM: 00-00-00 THRU 04-28-91
095012-03-000	EA EXTENSION-VALVE STEM, DUAL WH FROM: 04-29-91 THRU 99-99-99

STAINLESS STEEL WHEEL LINERS OPTION L63K- 19.5" - CHEVY

KEY PART NUMBER	U/M DESCRIPTION
077030-02-000	EA EXTENSION-VALVE STEM, 1.25"
091209-01-000	EA LINER-WHEEL, SET OF 4 - 19.5" - GM - KAPER II
091209-01-700	EA SIMULATOR-FRONT WHEEL EA=1
091209-01-701	EA SIMULATOR-REAR WHEEL EA=1
091209-01-702	EA COVER-FRONT AXLE
091209-01-703	EA REAR AXLE COVER
091209-01-704	EA COVER-LUG NUT
095012-01-000	EA EXTENSION-VALVE STEM, DUAL WHEEL FROM: 00-00-00 THRU 05-06-91
095012-03-000	EA EXTENSION-VALVE STEM, DUAL WH FROM: 05-07-91 THRU 99-99-99

WHEEL COVERS, CHEVY

KEY PART NUMBER	U/M DESCRIPTION
083181-03-700	EA COVER-WHEEL, 19.5 - 1 ONLY
083181-04-702	EA NUT-COVER F/19 5 & 16 5
083181-04-703	EA CAP CTR CHROME
083181-12-000	EA RETAINER-4:SET, 19.5" - CHEVY - DEL-MET
083181-12-700	EA RETAINER F/19 5 FRONT (1) ONLY
083181-12-701	EA RETAINER F/19 5 REAR (1) ONLY

DELUXE STEERING WHEEL OPTION L38P

KEY PART NUMBER	U/M DESCRIPTION
080752-06-000	EA HUB-ADAPTER, STEERING WHEEL
080752-08-000	EA SCREW-CUSTOM STEERING WHEEL
090752-17-000	EA WHEEL-STEERING WITH 2 HORN BUTTONS FROM: 00-00-00 THRU 02-24-91 FROM: 04-16-91 THRU 99-99-99
080752-15-000	EA WHEEL-STEERING 4-SPOKE FROM: 02-25-91 THRU 04-15-91

ACCESSORIES GROUP (CONTINUED)

MISCELLANEOUS COMPONENTS

KEY PART NUMBER	U/M DESCRIPTION
054185-73-000	EA MANUAL-OPERATORS, 1991 SUNFLYER
092318-01-000	EA BINDER-3 RING, MOTOR HOME MANUAL
092319-01-000	EA POCKET PAGE-3 RING BINDER, PLASTIC
058084-09-000	EA CASSETTE-ITASCA SUNFLYER
091270-01-000	EA HOSE-5/8", ON REEL - WATER - NON TOXIC - 50' - 10" RC
093300-01-000	EA BOX-TOOL, W/TRAY - 16" X 7" X 7.5"
072852-01-000	EA DETECTOR-SMOKE, W/9 VOLT BATTERY
094499-01-000	EA EXTINGUISHER-FIRE, DRY W.MOUNTING BRACKET - 10 BC
094499-01-700	EA BRACKET-MOUNTING, W/PLASTIC STRAP - FIRE EXTINGUISHER
094651-01-01A	EA HOLDER-RECESSED, FIRE EXTINGUISHER - PLASTIC - LIGHT OAK

CHROME ROOF AIR HORN OPTION L36R

KEY PART NUMBER	U/M DESCRIPTION
097372-01-01A	EA SWITCH-ON-OFF, SPST
081407-01-000	EA PLATE-MOUNTING, AIR HORN
077497-02-000	EA HOSE-AUXILIARY AIR HORN, MIDLAND 891D
075239-01-000	EA PLATE-LABEL, AIR HORN
071390-04-000	FT TUBING-AIR BRAKE 1/4 OD BLACK
077497-06-000	EA HORN-AIR, CHROME - TWIN - HADLEY H00977P
077497-01-700	EA SOLENOID-AIR TANK, HADLEY 746NS
077497-01-701	EA SWITCH-COMPRESSOR, HADLEY 13940-S
077497-01-702	EA SWITCH-TOGGLE, W/WIRE - HADLEY 12949-S
077497-01-703	EA TANK-AIR, HADLEY 751-N
077497-01-704	EA COMPRESSOR W/SWITCH, HADLEY 852EC
077497-01-706	EA VALVE & HEAD REPAIR, HADLEY H00852HV
077497-01-707	EA BELT & SCREW COVER FOR COMPRESSOR, HADLEY H00852BR
077497-01-705	EA REPAIR KIT FOR HADLEY 120 COMPRESSOR, HADLEY 852SS
077497-01-708	EA FILTER & MOUNTING HARDWARE FOR COMPRESSOR, HADLEY H00852FM
077497-01-709	EA PLUNGER & SPRING FOR SOLENOID, HADLEY H136215
077497-03-000	EA FITTING KIT-HOSE, AUXILIARY AIR HORN -
081404-01-000	EA BRACKET-MOUNTING, COMPRESSOR
093258-01-000	EA WIRE-INSTRUMENT PANEL, HORN-FOG LAMP
077497-05-000	EA COMPRESSOR/TANK/SOLENOID KIT

SQUEEGEE

KEY PART NUMBER	U/M DESCRIPTION
091952-01-000	EA CLIP-GRIPPER, 1" FROM: 00-00-00 THRU 05-26-90
091952-02-000	EA CLIP-GRIPPER, 3/4" FROM: 05-27-90 THRU 99-99-99
091955-02-000	EA SQUEEGEE-EXTENDED HANDLE
093527-01-000	EA BRACKET-SQUEEGEE

**1991 ITASCA
TABLE OF CONTENTS**

INTRODUCTION	A-01	A-02
ABBREVIATIONS		A-03
ALPHABETICAL INDEX	A-04	A-06
ICN32RQ	A-07	F-12
ICN32RO	F-13	K-22

1991 ICN32RQ INDEX

FLOOR PLAN	F-13	F-14
ACCESSORIES	F-15	G-02
BATH	G-03	G-06
BEDROOM	G-07	G-10
CHASSIS	G-11	H-04
C C & PAD	H-05	H-12
DINETTE	H-13	H-14
DRIVERS	H-15	H-18
ELECTRICAL	H-19	I-02
EXTERIOR BODY	I-03	I-10
GALLEY	I-11	I-16
HEATING & A C	I-17	I-22
INTERIOR FINISH	I-23	J-03
LABEL	J-04	J-12
LP		J-13
LOUNGE	J-14	J-15
SEALANTS & FASTENERS	J-16	J-18
WATER & SEWAGE	J-19	J-23
WINDOW, VENT AND EXTERIOR DOOR	J-24	K-22

ACCESSORIES GROUP (CONTINUED)

TV ANTENNA

KEY PART NUMBER	U/M DESCRIPTION
076319-01-000	EA ANTENNA-TV ROOF MOUNT - 44 5" MAST - RVA W02
076319-01-700	EA HEAD-ANTENNA, AMPLIFIED - WINEGARD# RVSA U-V
076319-01-701	EA GEAR-ELEVATING, PLASTIC - WINEGARD# 2200046
076319-01-702	EA SHAFT ASM-ELEVATING, WINEGARD# RVP-400A
076319-01-703	EA BEARING-NYLON, 5"OD - WINEGARD# 3200656
076319-01-704	EA BEARING-NYLON, 1.25"OD - WINEGARD# 3200657
076319-01-705	EA GROMMET-NYLON, 7/8"ID - WINEGARD# 3200658
076319-01-706	EA CRANK-ELEVATING, W/SET SCREW - WINEGARD# 575510C
076319-01-707	EA SPRING-HANDLE, WINEGARD# 5160800
076319-06-000	EA ADAPTER-CABLE ROOF PLATE, WINEGARD RPJ-1
076319-11-000	EA ADAPTER-COAX WITH SPLITTER WINEGARD MSJ-6

AUXILIARY DEFROSTER FANS OPTION L36N - W/SWITCH

KEY PART NUMBER	U/M DESCRIPTION
097372-03-01A	EA SWITCH-ON-OFF-ON
000G39-08-24B	EA SCREW-SF:DR. 8-18 X 1 1/2 PPH ZN
036420-02-000	EA FAN-DEFROSTER, 2 SPEED - 6" DIAMETER

ELECTRIC ENTRY STEP

KEY PART NUMBER	U/M DESCRIPTION
094707-01-01A	EA STEP-DOUBLE, ELECTRIC - KWIKEE 3218 NEW MODEL USED 3-16-91 ON, CHECK BUILT DATE OF COACH & REFERENCE CORRECT REPAIR PARTS LIST REPAIR PARTS LIST FROM 00-00-00 TO 03-15-91
094707-01-700	EA CONTROL UNIT, KWIKEE 8310
088746-01-701	EA MOTOR ASSEMBLY, ALL MODELS - KWIKEE 9035 NOT MANDATORY, BUT MAY REPLACE WITH CONTROL & MOTOR VERSION KIT W/1 YEAR WARRANTY BY KWIKEE - #094708-02
088746-01-702	EA GEAR-ALL MODELS, KWIKEE 9038
088746-01-703	EA BRACKET,MOTOR BEARING, KWIKEE 7040
091201-01-700	EA LINKAGE ASSEMBLY, KWIKEE 8289
088746-01-705	EA LIGHT-UNDER STEP, KWIKEE 9004
088746-01-706	EA SWITCH-KILL, KWIKEE 9016
094707-01-701	EA SWITCH-DOOR JAMB, PLASTIC - KWIKEE - 9316
094707-01-702	EA FRAME-DOUBLE STEP, KWIKEE 8285-W REPAIR PARTS LIST FROM 03-16-91 TO 99-99-99
094707-02-705	EA CONTROL UNIT, (ORANGE) - KWIKEE 9513
088746-01-705	EA LIGHT-UNDER STEP, KWIKEE 9004
088746-01-706	EA SWITCH-KILL, KWIKEE 9016
094707-01-701	EA SWITCH-DOOR JAMB, PLASTIC - KWIKEE - 9316
094707-01-702	EA FRAME-DOUBLE STEP, KWIKEE 8285-W
094707-01-703	EA GEAR BOX ASM, FOR SINGLE & DOUBLE STEP - KWIKEE 5210
094707-02-700	EA MOTOR REPLACEMENT KIT - MODELS 32 & 28 - KWIKEE 9520
034707-02-701	EA LINKAGE ASM - MODEL 32 - KWIKEE 9523
094707-02-702	EA GEAR KIT - KWIKEE 9525
094707-02-703	EA PARTS KIT, (BEARINGS & PINS) - KWIKEE 9530
094707-02-704	EA CONNECTOR KIT-MOTOR, KWIKEE 9537
100312-01-000	EA SWITCH-DOOR JAMB, ELECTRIC ENTRY STEP
075723-02-000	EA SPACER-SWITCH, W/HOLE - .9" X 2" - METAL - OFF WHITE FOR ELECTRIC STEP DOOR JAMB SWITCH
088412-04-000	EA TRIM-STEPBOX, ENTRY DOOR - BEIGE
088746-01-704	EA LINKAGE ASM
088746-01-707	EA PIN-CLEVIS, ALL MODELS - KWIKEE V 9017
088746-01-708	EA PIN-HAIR, KWIKEE 9018
088746-01-705	EA LIGHT-UNDER STEP, KWIKEE 9004
088746-01-706	EA SWITCH-KILL, KWIKEE 9016
094707-01-701	EA SWITCH DOOR JAMB, PLASTIC - KWIKEE - 9316

ACCESSORIES GROUP (CONTINUED)
GENERATOR-KOHLER, 4.5 KW - US OPTION L350 - CHEVY & FORD

KEY PART NUMBER	U/M DESCRIPTION
007125-03-000	EA CLAMP-MUFFLER - 1.5" DIA
007125-04-000	EA CLAMP-MUFFLER, 1.1" DIA
008289-01-000	EA BOX-ELECTRIC, STEEL - 1/2" AND 3/4" KNOCKOUTS - 4" X 4"
008294-01-000	EA COVER-ELECTRICAL BOX, STEEL/BLANK - 4" X 4" - GRAY
083152-10-000	EA PIPE-EXHAUST,GENERATOR - 1.4" DIA X 7.9" X 22"
093590-02-000	EA MUFFLER-GENERATOR
093740-01-000	EA GENERATOR-KOHLER 4500KW - 4.5CKM21
008054-02-000	EA CORD-POWER, 10-3 - 30AMP - 33'
000G11-08-08B	EA SCREW, 8-18 X 1/2 PPH ZN
000G67-10-12B	EA SCREW, 10-12 X 3/4 - PPH ZN
008001-01-000	FT WIRE-10AWG, STRAND - WHITE
008026-01-000	FT WIRE-12/2, ROMEX - W/GROUND
008311-01-000	EA CONNECTOR-WIRE NUT, INSULATED - RED
008314-01-000	EA CONNECTOR-WIRE NUT, INSULATED - GRAY
008328-01-000	EA TERMINAL-RING, 12/10 WIRE - #10 STUD FIT
008331-01-000	EA TERMINAL-RING,TONGUE - #4 WIRE - 3/8" STUD - COPPER
008353-01-000	EA CONNECTOR-CABLE CLAMPING, 3/8"
008355-01-000	EA CONNECTOR-CABLE CLAMPING, 3/4"
008356-01-000	EA CONNECTOR-PLASTIC, 3/8" AVG
024924-02-000	EA RECEPTACLE-POWER CORD, W/PARTIAL PLATE
041953-01-000	FT CONDUIT-CONVOLUTE SLIT .50ID
067762-01-000	EA CONVERTER-40 AMP, W/CHARGER - TRIAD TU-740-2
069238-01-000	EA COVER-ELECTRICAL BOX, W/HOLE - 4" X 4" - GRAY USED WITH 30 OR 50 AMP RECEPTACLE
073937-03-000	EA SWITCH-ROTARY SELECTOR, 3 DECK - A/C - CA20-USA892
073937-01-700	EA KNOB-ROTARY SWITCH-A/C SEL
074890-01-000	EA BOX-EXTENSION, STEEL - OPEN SIDES - 4" X 4" X 1 1/2"
074897-01-000	EA COVER-ELECTRIC BOX, 1 LARGE & 2 SMALL HOLES - 4" X 4"
083209-03-000	EA CIRCUIT BREAKER-15/20AMP, 120V - BW - 0-15/20
083209-05-000	EA CIRCUIT BREAKER-20A, 120V - BW J-20
083209-06-000	EA CIRCUIT BREAKER-30/15 AMP, 120V - BW D-30/15
091213-01-000	EA BOX-CIRCUIT BREAKER- W/KNOCKOUTS - 5.3" X 11.8" X 2.5"
000C26-04-10B	EA BOLT-HEX, SER FLG - 1/4-20 X 5/8 ZINC
000D14-05-00B	EA NUT-HEX, 5/16-18 - ZN 5
000D39-04-00B	EA NUT-HEX, SER FLG LK 1/4 - 20 ZN
000D39-05-00B	EA NUT-HEX, SER FLG LK - 5/16 - 18 ZN
007125-03-000	EA CLAMP-MUFFLER - 1.5" DIA
007131-01-000	EA HANGER-TAILPIPE
008311-01-000	EA CONNECTOR-WIRE NUT, INSULATED - RED
024976-01-000	EA SWITCH-GENERATOR, W/O CIRCUIT BOARD
041480-01-000	EA CONNECTOR-STRAIGHT, 1/2" FLEX CONDUIT
031035-01-000	EA GAUGE-HOURMETER
081087-01-000	EA LIGHT ASM-INDICATOR
097372-04-01A	EA SWITCH-MOMENTARY-OFF-MOMENTARY
077353-09-000	EA SHROUD-INSTRUMENT PANEL CLUSTER, GENERATOR

GENERATOR-KOHLER, 4.5 KW - CANADIAN OPTION L350 - CHEVY & FORD
SAME AS U.S. OPTION EXCEPT FOR THE FOLLOWING

KEY PART NUMBER	U/M DESCRIPTION
008289-02-000	EA BOX-ELECTRICAL, 4" X 4" - 1/2"&3/4" KNOCKOUTS - CANADIAN
008294-02-000	EA COVER-ELCTRICAL BOX, BLANK STEEL - 4" X 4" - CANADIAN
008052-01-000	EA CORD-POWER, 10/3 - 30 AMP - 25' - CANADIAN
067762-02-000	EA CONVERTER-40AMP, W/CHARGER - TRIAD TU-840-2
083210-02-000	EA CIRCUIT BREAKER-GFI, 15A - 120V - BW U-15
093257-01-000	EA BOX-ELECTRICAL, CIRCUIT BREAKER

1991 ITASCA

TABLE OF CONTENTS

INTRODUCTION	A-01	A-02
ABBREVIATIONS		A-03
ALPHABETICAL INDEX	A-04	A-06
ICN28RT	A-07	F-12
ICN32RQ	F-13	K-22

1991 ICN32RQ INDEX

FLOOR PLAN	F-13	F-14
ACCESSORIES	F-15	G-02
BATH	G-03	G-06
BEDROOM	G-07	G-10
CHASSIS	G-11	H-04
C C & PAD	H-05	H-12
DINETTE	H-13	H-14
DRIVERS	H-15	H-18
ELECTRICAL	H-19	I-02
EXTERIOR BODY	I-03	I-10
GALLEY	I-11	I-16
HEATING & A/C	I-17	I-22
INTERIOR FINISH	I-23	J-03
LABEL	J-04	J-12
LP		J-13
LOUNGE	J-14	J-15
SEALANTS & FASTENERS	J-16	J-18
WATER & SEWAGE	J-19	J-23
WINDOW, VENT AND EXTERIOR DOOR	J-24	K-22

ACCESSORIES GROUP (CONTINUED)

GENERATOR-KOHLER, 7 KW - US OPTION L37M - CHEVY & FORD

KEY PART NUMBER	U/M DESCRIPTION
007125-03-000	EA CLAMP-MUFFLER - 1.5" DIA
007125-04-000	EA CLAMP-MUFFLER, 1.1" DIA
008289-01-000	EA BOX-ELECTRIC, STEEL - 1/2" AND 3/4" KNOCKOUTS - 4" X 4"
008294-01-000	EA COVER-ELECTRICAL BOX, STEEL/BLANK - 4" X 4" - GRAY
083152-06-000	EA PIPE-EXHAUST, GENERATOR - ONAN - 1.3" OD X 4.9" X 55.1"
093547-01-000	EA GENERATOR-KOHLER, 7KW - OCKM21
093590-04-000	EA MUFFLER-GENERATOR, 7KW - KOHLER
083152-05-000	EA PIPE-EXHAUST, GENERATOR
008054-02-000	EA CORD-POWER, 10-3 - 30AMP - 33'
000G11-08-08B	EA SCREW, 8-18 X 1/2 PPH ZN
000G11-10-16B	EA SCREW, 10-16 X 1 - PPH ZN
000G67-10-12B	EA SCREW, 10-12 X 3/4 - PPH ZN
008026-01-000	FT WIRE-12/2, ROMEX - W/GROUND
008311-01-000	EA CONNECTOR-WIRE NUT, INSULATED - RED
008314-01-000	EA CONNECTOR-WIRE NUT, INSULATED - GRAY
008328-01-000	EA TERMINAL-RING, 12/10 WIRE - #10 STUD FIT
008331-01-000	EA TERMINAL-RING, TONGUE - #4 WIRE - 3/8" STUD - COPPER
008353-01-000	EA CONNECTOR-CABLE CLAMPING, 3/8"
008355-01-000	EA CONNECTOR-CABLE CLAMPING, 3/4"
008356-01-000	EA CONNECTOR-PLASTIC, 3/8" AVG
024924-02-000	EA RECEPTACLE-POWER CORD, W/PARTIAL PLATE
041953-01-000	FT CONDUIT-CONVOLUTE SLIT, 1/2"ID
067762-01-000	EA CONVERTER-40 AMP, W/CHARGER - TRIAD TU-740-2
069238-01-000	EA COVER-ELECTRICAL BOX, W/HOLE - 4" X 4" - GRAY USED WITH 30 OR 50 AMP RECEPTACLE
073937-03-000	EA SWITCH-ROTARY SELECTOR, 3 DECK - A/C - CA20-USA892
073937-01-700	EA KNOB-ROTARY SWITCH-A/C SEL
074890-01-000	EA BOX-EXTENSION, STEEL - OPEN SIDES - 4" X 4" X 1 1/2"
074897-01-000	EA COVER-ELECTRIC BOX, 1 LARGE & 2 SMALL HOLES - 4" X 4"
083209-03-000	EA CIRCUIT BREAKER-15/20AMP, 120V - BW - 0-15/20
083209-05-000	EA CIRCUIT BREAKER-20A, 120V - BW J-20
083209-06-000	EA CIRCUIT BREAKER-30/15 AMP, 120V - BW D-30/15
091213-01-000	EA BOX-CIRCUIT BREAKER- W/KNOCKOUTS - 5.3" X 11.8" X 2.5"
000C26-04-10B	EA BOLT-HEX, SER FLG - 1/4-20 X 5/8 ZINC
000D14-05-00B	EA NUT-HEX, 5/16-18 - ZN 5
000D39-04-00B	EA NUT-HEX, SER FLG LK 1/4 - 20 ZN
000D39-05-00B	EA NUT-HEX, SER FLG LK - 5/16 - 18 ZN
007131-01-000	EA HANGER-TAILPIPE
024976-01-000	EA SWITCH-GENERATOR, W/O CIRCUIT BOARD
041480-01-000	EA CONNECTOR-STRAIGHT, 1/2" FLEX CONDUIT
088238-01-000	EA COVER-A/C SELECTOR SWITCH FOR FRONT OR REAR
031035-01-000	EA GAUGE-HOURMETER
081087-01-000	EA LIGHT ASM-INDICATOR
097372-04-01A	EA SWITCH-MOMENTARY-OFF-MOMENTARY
077353-09-000	EA SHROUD-INSTRUMENT PANEL CLUSTER, GENERATOR
007063-01-000	FT HOSE-GAS 1/4"ID X 1/2"OD

GENERATOR-KOHLER, 7 KW - CANADIAN OPTION L37M- CHEVY & FORD
SAME AS U.S. OPTION EXCEPT FOR THE FOLLOWING

KEY PART NUMBER	U/M DESCRIPTION
008289-02-000	EA BOX-ELECTRICAL, 4" X 4" - 1/2" & 3/4" KNOCKOUTS - CANADIAN
008294-02-000	EA COVER-ELECTRICAL BOX, BLANK STEEL - 4" X 4" - CANADIAN
008315-01-000	EA MUFFLER-GENERATOR, ONAN - 1.6" OD
008289-02-000	EA BOX-ELECTRICAL, 4" X 4" - 1/2" & 3/4" KNOCKOUTS - CANADIAN
067762-02-000	EA CONVERTER-40AMP, W/CHARGER - TRIAD TU-840-2

ACCESSORIES GROUP (CONTINUED)

GENERATOR-ONAN, 3.5 KW - EXPORT OPTION L383

KEY PART NUMBER	U/M DESCRIPTION
007125-03-000	EA CLAMP-MUFFLER - 1.5" DIA
007125-04-000	EA CLAMP-MUFFLER, 1.1" DIA
008289-01-000	EA BOX-ELECTRIC, STEEL - 1/2" AND 3/4" KNOCKOUTS - 4" X 4"
008294-01-000	EA COVER-ELECTRICAL BOX, STEEL/BLANK - 4" X 4" - GRAY
100974-05-000	EA GENERATOR-4.0 KW EMERALD PLUS, ONAN BGE-FH
083152-04-000	EA PIPE-EXHAUST, GENERATOR
093590-02-000	EA MUFFLER-GENERATOR
008054-01-000	EA CORD-POWER, 10/3 WIRE - 30 AMP - 25'
U00G11-09-08B	EA SCREW, 8-18 X 1/2 PPH ZN
000G67-10-12B	EA SCREW, 10-12 X 3/4 - PPH ZN
008001-01-000	FT WIRE-10AWG, STRAND - WHITE
008026-01-000	FT WIRE-12/2, ROMEX - W/GROUND
008311-01-000	EA CONNECTOR-WIRE NUT, INSULATED - RED
008314-01-000	EA CONNECTOR-WIRE NUT, INSULATED - GRAY
008328-01-000	EA TERMINAL-RING, 12/10 WIRE - #10 STUD FIT
008331-01-000	EA TERMINAL-RING, TONGUE - #4 WIRE - 3/8" STUD - COPPER
008353-01-000	EA CONNECTOR-CABLE CLAMPING, 3/8"
008355-01-000	EA CONNECTOR-CABLE CLAMPING, 3/4"
008356-01-000	EA CONNECTOR-PLASTIC, 3/8" AVG
024924-02-000	EA RECEPTACLE-POWER CORD, W/PARTIAL PLATE
041953-01-000	FT CONDUIT-CONVOLUTE SLIT, 1/2"ID
069238-01-000	EA COVER-ELECTRICAL BOX, WHOLE - 4" X 4" - GRAY USED WITH 30 OR 50 AMP RECEPTACLE
073937-03-000	EA SWITCH-ROTARY SELECTOR, 3 DECK - A/C - CA20-USA892
073937-01-700	EA KNOB-ROTARY SWITCH-A/C SEL
074890-01-000	EA BOX-EXTENSION, STEEL - OPEN SIDES - 4" X 4" X 1 1/2"
074897-01-000	EA COVER-ELECTRIC BOX, 1 LARGE & 2 SMALL HOLES - 4" X 4"
091213-01-000	EA BOX-CIRCUIT BREAKER- W/KNOCKOUTS - 5.3" X 11.8" X 2.5"
092615-01-000	EA CONVERTER-40 AMP, W/CHARGER - B-W 32400P
094809-01-000	EA LOAD CENTER-240 VOLT, 125 AMP
094810-01-000	EA CIRCUIT BREAKER-DOUBLE 30 AMP, GE THQL2130
094811-01-000	EA CIRCUIT BREAKER-DOUBLE 20 AMP, GE THQL2120
000C26-04-10B	EA BOLT-HEX, SER FLG - 1/4-20 X 5/8 ZINC
000D14-05-00B	EA NUT-HEX, 5/16-18 - ZN 5
000D39-04-00B	EA NUT-HEX, SER FLG LK 1/4 - 20 ZN
000D39-05-00B	EA NUT-HEX, SER FLG LK - 5/16 - 18 ZN
007131-01-000	EA HANGER-TAILPIPE
024976-01-000	EA SWITCH-GENERATOR, W/O CIRCUIT BOARD
041480-01-000	EA CONNECTOR-STRAIGHT, 1/2" FLEX CONDUIT
031035-01-000	EA GAUGE-HOURMETER
077353-09-000	EA SHROUD-INSTRUMENT PANEL CLUSTER, GENERATOR
081087-01-000	EA LIGHT ASM-INDICATOR
097372-04-01A	EA SWITCH-MOMENTARY-OFF-MOMENTARY

**1991 ITASCA
TABLE OF CONTENTS**

INTRODUCTION	A-01 - A-02
ABBREVIATIONS	A-03
ALPHABETICAL INDEX	A-04 - A-06
ICN28RT	A-07 - F-12
ICN32RO	F-13 - K-22

1991 ICN32RQ INDEX

FLOOR PLAN	F-13 - F-14
ACCESSORIES	F-15 - G-02
BATH	G-03 - G-06
BEDROOM	G-07 - G-10
CHASSIS	G-11 - H-04
C C & PAD	H-05 - H-12
DINETTE	H-13 - H-14
DRIVERS	H-15 - H-18
ELECTRICAL	H-19 - I-02
EXTERIOR BODY	I-03 - I-10
GALLEY	I-11 - I-16
HEATING & A/C	I-17 - I-22
INTERIOR FINISH	I-23 - J-03
LABEL	J-04 - J-12
LP	J-13
LOUNGE	J-14 - J-15
SEALANTS & FASTENERS	J-16 - J-18
WATER & SEWAGE	J-19 - J-23
WINDOW, VENT AND EXTERIOR DOOR	J-24 - K-22

ACCESSORIES GROUP (CONTINUED)

GENERATOR-ONAN, 4 KW - US OPTION L39E - CHEVY & FORD

KEY PART NUMBER	U/M DESCRIPTION
007125-03-000	EA CLAMP-MUFFLER - 1.5" DIA
007125-04-000	EA CLAMP-MUFFLER, 1.1" DIA
008289-01-000	EA BOX-ELECTRIC, STEEL - 1/2" AND 3/4" KNOCKOUTS - 4" X 4"
008294-01-000	EA COVER-ELECTRICAL BOX, STEEL/BLANK - 4" X 4" - GRAY
077476-03-000	EA PIPE-EXHAUST, GENERATOR - ONAN - 1.4" X 47.6"
079654-05-000	EA PIPE-EXHAUST, ANGLED - W/FLANGE - EMERALD - ONAN# 154-2530
081364-03-000	EA MUFFLER-GENERATOR, ONAN
083151-01-000	EA MUFFLER-GENERATOR, ONAN - 1.6" OD
083152-01-000	EA PIPE-EXHAUST, GENERATOR - ONAN - 1.3"OD X 33.3" X 27.7"
083152-06-000	EA PIPE-EXHAUST, GENERATOR - ONAN - 1.3" OD X 4.9" X 55.1"
094059-01-000	EA SPACER-GENERATOR, ONAN
055278-01-001	FT TUBING-STEEL, .75" X 1.5" X 288"
094657-02-000	EA TRAY-GENERATOR, 22.5" X 30.4" X 6.9"
094657-01-000	EA TRAY-GENERATOR, 22.5" X 30.4" X 6.9"
100975-01-000	EA GENERATOR-4.0KW EMERALD PLUS, ONAN BGE-FA/26100G
008054-02-000	EA CORD-POWER, 10-3 - 30AMP - 33'
000G11-08-08B	EA SCREW, 8-18 X 1/2 PPH ZN
000G67-10-12B	EA SCREW, 10-12 X 3/4 - PPH ZN
008001-01-000	FT WIRE-10AWG, STRAND - WHITE
008026-01-000	FT WIRE-12/2, ROMEX - W/GROUND
009311-01-000	EA CONNECTOR-WIRE NUT, INSULATED - RED
008314-01-000	EA CONNECTOR-WIRE NUT, INSULATED - GRAY
008328-01-000	EA TERMINAL-RING, 12/10 WIRE - #10 STUD FIT
008331-01-000	EA TERMINAL-RING, TONGUE - #4 WIRE - 3/8" STUD - COPPER
008353-01-000	EA CONNECTOR-CABLE CLAMPING, 3/8"
008355-01-000	EA CONNECTOR-CABLE CLAMPING, 3/4"
008356-01-000	EA CONNECTOR-PLASTIC, 3/8" AVG
024924-02-000	EA RECEPTACLE-POWER CORD, W/PARTIAL PLATE
041953-01-000	FT CONDUIT-CONVOLUTE SLIT, 1/2"ID
067762-01-000	EA CONVERTER-40 AMP, W/CHARGER - TRIAD TU-740-2
069238-01-000	EA COVER-ELECTRICAL BOX, W/HOLE - 4" X 4" - GRAY USED WITH 30 OR 50 AMP RECEPTACLE
073937-03-000	EA SWITCH-ROTARY SELECTOR, 3 DECK - A/C - CA20-USA892
073937-01-700	EA KNOB-ROTARY SWITCH-A/C SEL
074890-01-000	EA BOX-EXTENSION, STEEL - OPEN SIDES - 4" X 4" X 1 1/2"
074897-01-000	EA COVER-ELECTRIC BOX, 1 LARGE & 2 SMALL HOLES - 4" X 4"
083209-03-000	EA CIRCUIT BREAKER-15/20AMP, 120V - BW - D-15/20
083209-05-000	EA CIRCUIT BREAKER-20A, 120V - BW J-20
083209-06-000	EA CIRCUIT BREAKER-30/15 AMP, 120V - BW D-30/15
091213-01-000	EA BOX-CIRCUIT BREAKER, W/KNOCKOUTS - 5.3" X 11.8" X 2.5"
000C26-04-10B	EA BOLT-HEX, SER FLG - 1/4-20 X 5/8 ZINC
000D14-05-00B	EA NUT-HEX, 5/16-18 - ZN 5
000D39-04-00B	EA NUT-HEX, SER FLG LK 1/4 - 20 ZN
000D39-05-00B	EA NUT-HEX, SER FLG LK - 5/16 - 18 ZN
007131-01-000	EA HANGER-TAILPIPE
024976-01-000	EA SWITCH-GENERATOR, W/O CIRCUIT BOARD
041480-01-000	EA CONNECTOR-STRAIGHT, 1/2" FLEX CONDUIT
031035-01-000	EA GAUGE-HOURMETER
081087-01-000	EA LIGHT ASM-INDICATOR
097372-04-01A	EA SWITCH-MOMENTARY-OFF-MOMENTARY
077353-09-000	EA SHROUD-INSTRUMENT PANEL CLUSTER, GENERATOR

GENERATOR-ONAN, 4 KW - CANADIAN OPTION L39E
SAME AS U.S. OPTION EXCEPT FOR THE FOLLOWING

KEY PART NUMBER	U/M DESCRIPTION
008289-02-000	EA BOX-ELECTRICAL, 4" X 4" - 1/2"&3/4" KNOCKOUTS - CANADIAN
008294-02-000	EA COVER-ELECTRICAL BOX, BLANK STEEL - 4" X 4" - CANADIAN
008052-01-000	EA CORD-POWER, 10/3 - 30 AMP - 25' - CANADIAN
008289-02-000	EA BOX-ELECTRICAL, 4" X 4" - 1/2"&3/4" KNOCKOUTS - CANADIAN
067762-02-000	EA CONVERTER-40AMP, W/CHARGER - TRIAD TU-840-2
083210-02-000	EA CIRCUIT BREAKER-GFI, 15A - 120V - BW U-15
093257-01-000	EA BOX-ELECTRICAL, CIRCUIT BREAKER

ACCESSORIES GROUP (CONTINUED)

GENERATOR-ONAN, 6.5 KW - US OPTION L39G - CHEVY & FORD

KEY PART NUMBER	U/M DESCRIPTION
007125-03-000	EA CLAMP-MUFFLER - 1.5" DIA
007125-04-000	EA CLAMP-MUFFLER, 1.1" DIA
008289-01-000	EA BOX-ELECTRIC, STEEL - 1/2" AND 3/4" KNOCKOUTS - 4" X 4"
008294-01-000	EA COVER-ELECTRICAL BOX, STEEL/BLANK - 4" X 4" - GRAY
077476-03-000	EA PIPE-EXHAUST, GENERATOR - ONAN - 1.4" X 47.6"
079654-05-000	EA PIPE-EXHAUST, ANGLED - W/FLANGE - EMERALD - ONAN# 154-2530
081364-03-000	EA MUFFLER-GENERATOR, ONAN
083151-01-000	EA MUFFLER-GENERATOR, ONAN - 1.6" OD
083152-01-000	EA PIPE-EXHAUST, GENERATOR - ONAN - 1.3"OD X 33.3" X 27.7"
083152-06-000	EA PIPE-EXHAUST, GENERATOR - ONAN - 1.3" OD X 4.9" X 55.1"
094059-01-000	EA SPACER-GENERATOR, ONAN
055278-01-001	FT TUBING-STEEL, .75" X 1.5" X 288"
094657-02-000	EA TRAY-GENERATOR, 22.5" X 30.4" X 6.9"
094657-01-000	EA TRAY-GENERATOR, 22.5" X 30.4" X 6.9"
100975-01-000	EA GENERATOR-6.5KW EMERALD PLUS, ONAN NHE-FA/26100G
008054-02-000	EA CORD-POWER, 10-3 - 30AMP - 33'
000G11-08-08B	EA SCREW, 8-18 X 1/2 PPH ZN
000G11-10-16B	EA SCREW, 10-16 X 1 - PPH ZN
000G67-10-12B	EA SCREW, 10-12 X 3/4 - PPH ZN
008026-01-000	FT WIRE-12/2, ROMEX - W/GROUND
008311-01-000	EA CONNECTOR-WIRE NUT, INSULATED - RED
008314-01-000	EA CONNECTOR-WIRE NUT, INSULATED - GRAY
008328-01-000	EA TERMINAL-RING, 12/10 WIRE - #10 STUD FIT
008331-01-000	EA TERMINAL-RING, TONGUE - #4 WIRE - 3/8" STUD - COPPER
008353-01-000	EA CONNECTOR-CABLE CLAMPING, 3/8"
008355-01-000	EA CONNECTOR-CABLE CLAMPING, 3/4"
008356-01-000	EA CONNECTOR-PLASTIC, 3/8" AVG
024924-02-000	EA RECEPTACLE-POWER CORD, W/PARTIAL PLATE
041953-01-000	FT CONDUIT-CONVOLUTE SLIT, 1/2"ID
067762-01-000	EA CONVERTER 40 AMP, W/CHARGER - TRIAD TU-740-2
069238-01-000	EA COVER-ELECTRICAL BOX, W/HOLE - 4" X 4" - GRAY USED WITH 30 OR 50 AMP RECEPTACLE
088238-01-000	EA COVER-A/C SELECTOR SWITCH FOR FRONT OR REAR
073937-03-000	EA SWITCH-ROTARY SELECTOR, 3 DECK - A/C - CA20-USA892
073937-01-700	EA KNOB-ROTARY SWITCH-A/C SEL
074890-01-000	EA BOX-EXTENSION, STEEL - OPEN SIDES - 4" X 4" X 1 1/2"
074897-01-000	EA COVER-ELECTRIC BOX, 1 LARGE & 2 SMALL HOLES - 4" X 4"
083209-03-000	EA CIRCUIT BREAKER-15/20AMP, 120V - BW - D-15/20
083209-05-000	EA CIRCUIT BREAKER-20A, 120V - BW J-20
083209-06-000	EA CIRCUIT BREAKER-30/15 AMP, 120V - BW D-30/15
091213-01-000	EA BOX-CIRCUIT BREAKER, W/KNOCKOUTS - 5.3" X 11.8" X 2.5"
000C26-04-10B	EA BOLT-HEX, SER FLG - 1/4-20 X 5/8 ZINC
000D14-05-00B	EA NUT-HEX, 5/16-18 - ZN 5
000D39-04-00B	EA NUT-HEX, SER FLG LK 1/4 - 20 ZN
000D39-05-00B	EA NUT-HEX, SER FLG LK - 5/16 - 18 ZN
007131-01-000	EA HANGER-TAILPIPE
024976-01-000	EA SWITCH-GENERATOR, W/O CIRCUIT BOARD
041480-01-000	EA CONNECTOR-STRAIGHT, 1/2" FLEX CONDUIT
088238-01-000	EA COVER-A/C SELECTOR SWITCH FOR FRONT OR REAR
031035-01-000	EA GAUGE-HOURMETER
081087-01-000	EA LIGHT ASM-INDICATOR
097372-04-01A	EA SWITCH-MOMENTARY-OFF-MOMENTARY
077353-09-000	EA SHROUD-INSTRUMENT PANEL CLUSTER, GENERATOR

GENERATOR-ONAN, 6.5 KW - CANADIAN OPTION L39G - CHEVY OR FORD
SAME AS U.S. OPTION EXCEPT FOR THE FOLLOWING

KEY PART NUMBER	U/M DESCRIPTION
008289-02-000	EA BOX-ELECTRICAL, 4" X 4" - 1/2"&3/4" KNOCKOUTS - CANADIAN
008294-02-000	EA COVER-ELECTRICAL BOX, BLANK STEEL - 4" X 4" - CANADIAN
008289-02-000	EA BOX-ELECTRICAL, 4" X 4" - 1/2"&3/4" KNOCKOUTS - CANADIAN
093257-01-000	EA BOX-ELECTRICAL, CIRCUIT BREAKER

**1991 ITASCA
TABLE OF CONTENTS**

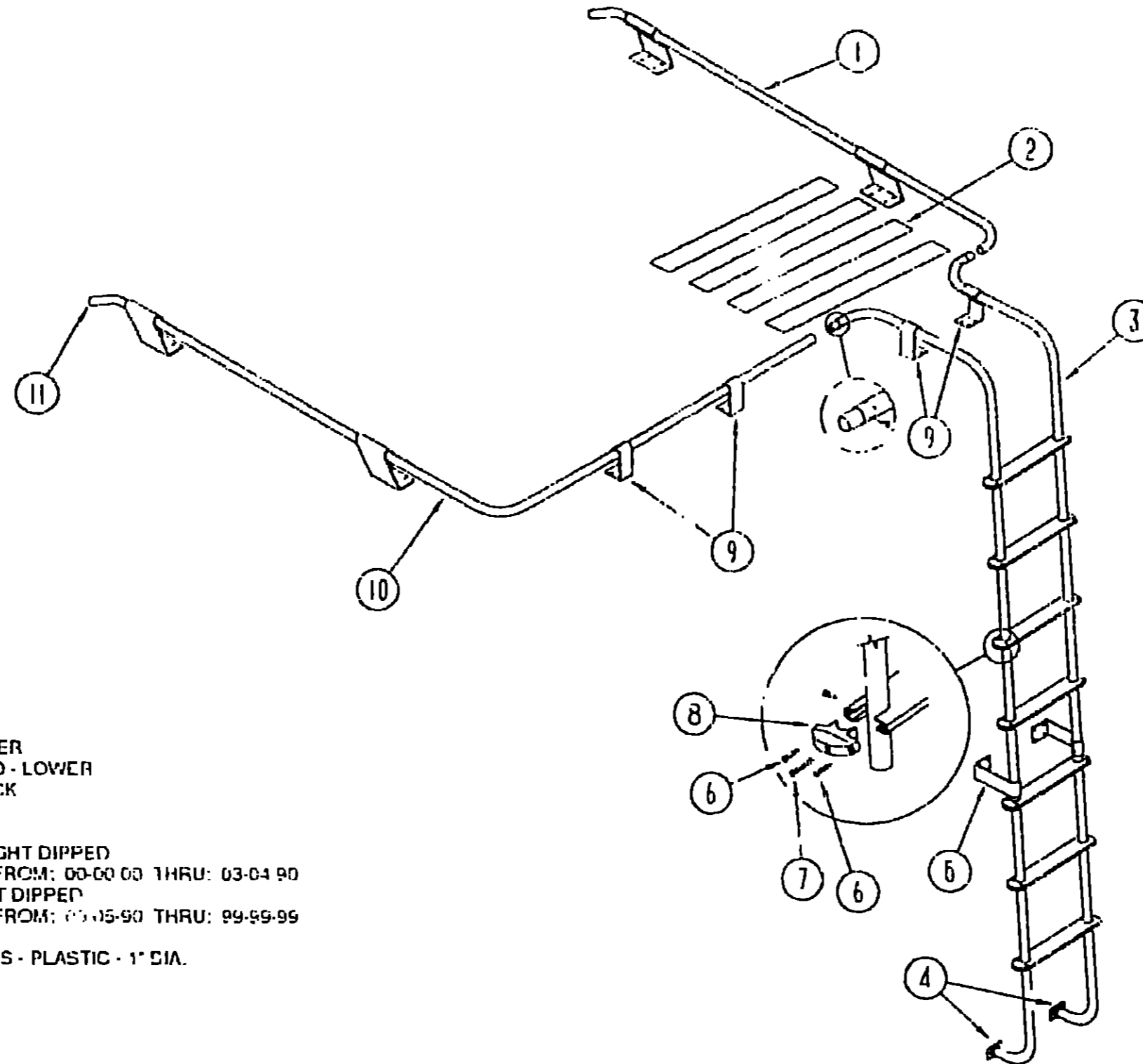
INTRODUCTION	A-01 - A-02
ABBREVIATIONS	A-03
ALPHABETICAL INDEX	A-04 - A-06
ICN28RT	A-07 - F-12
ICN32RQ	F-13 - K-22

1991 ICN32RQ INDEX

FLOOR PLAN	F-13 - F-14
ACCESSORIES	F-15 - G-02
BATH	G-03 - G-06
BEDROOM	G-07 - G-10
CHASSIS	G-11 - H-04
C C & PAD	H-05 - H-12
DINETTE	H-13 - H-14
DRIVERS	H-15 - H-18
ELECTRICAL	H-19 - I-02
EXTERIOR BODY	I-03 - I-10
GALLEY	I-11 - I-16
HEATING & A/C	I-17 - I-22
INTERIOR FINISH	I-23 - J-03
LABEL	J-04 - J-12
LP	J-13
LOUNGE	J-14 - J-15
SEALANTS & FASTENERS	J-16 - J-18
WATER & SEWAGE	J-19 - J-23
WINDOW, VENT AND EXTERIOR DOOR	J-24 - K-22

ACCESSORIES GROUP (CONTINUED)

LUGGAGE RACK & LADDER OPTION L35U



1991 ITASCA TABLE OF CONTENTS

INTRODUCTION	A-01 -	A-02
ABBREVIATIONS		A-03
ALPHABETICAL INDEX	A-04 -	A-06
ILLUSTR	A-07 -	F-12
INDEX	F-13 -	K-22

1991 ICN32RQ INDEX

FLOOR PLAN	F-13 -	F-14
ACCESSORIES	F-15 -	G-02
BATH	G-03 -	G-06
BEDROOM	G-07 -	G-10
CHASSIS	G-11 -	H-04
C.C. & PAD	H-05 -	H-12
DINETTE	H-13 -	H-14
DRIVERS	H-15 -	H-18
ELECTRICAL	H-19 -	I-02
EXTERIOR BODY	I-03 -	I-10
GALLEY	I-11 -	I-16
HEATING & A.C.	I-17 -	I-22
INTERIOR FINISH	I-23 -	J-03
LABEL	J-04 -	J-12
LP		J-13
LOUNGE	J-14 -	J-15
SEALANTS & FASTENERS	J-16 -	J-18
WATER & SEWAGE	J-19 -	J-23
WINDOW, VENT AND EXTERIOR DOOR	J-24 -	K-22

KEY	PART NUMBER	U/M	DESCRIPTION
1	091026-09-Y12	EA	RACK-LUGGAGE, PASSENGER
2	050327-01-000	EA	TAPE-ANTI SLIP, 2' X 60'
3	067210-01-AE6	EA	LADDER-ONE PIECE
4	067165-01-000	EA	MOUNTING BRACKET-LADDER, LOWER
5	067125-01-000	EA	STANDOFF-LADDER, BRIGHT DIPPED - LOWER
6	000G39-06-10T	EA	SCREW-SF/DR, 6-20 X 5/8 PPH - BLACK
7	000G68-10-361	EA	SCREW-10-12 X 2.25 POH BLACK
8	076980-02-000	EA	END CAP-STEP, BLACK
9	080866-01-000	EA	STANDOFF-RACK AND LADDER, BRIGHT DIPPED
9	091065-02-000	EA	STANDOFF-RACK & LADDER, BRIGHT DIPPED
			FROM: 00-00-00 THRU: 03-04-90
10	081026-10-Y12	EA	RACK-LUGGAGE, DRIVER
11	081114-01-000	EA	PLUG-ROUND, RACK & LADDER ENDS - PLASTIC - 1" DIA.

BATH GROUP (CONTINUED)

SHOWER CABINET

KEY PART NUMBER	U M DESCRIPTION
069767-01-000	FT MOLDING-SIDEWALL TO CEILING CABINET - WELTING - OFF WHITE
062992-01-000	FT MOLDING-REVERSE COVE. T-SHAPED - WHITE - 1/2" X 3/4"
011046-01-000	EA HEAD-SHOWER W/02 HOSE
075241-01-000	EA FAUCET SHOWER, BRASS
075666-01-000	EA PANEL FAUCET BACK, SHOWER - PLASTIC
067671-01-000	EA COVER SCREW, #8 - PLASTIC - OFF WHITE
062874-01-01A	EA LADDIE-CORNER, REAR - OFF WHITE NOT REPLACED AFTER 06/16/99
	FROM 06/16/99 THROUGH 07/16/99
062874-02-01A	EA LADDIE-CORNER, FRONT - OFF WHITE NOT REPLACED AFTER 06/16/99
	FROM 06/16/99 THROUGH 07/16/99
063069-01-01A	EA MOLDING BATH TUB, OFF WHITE NOT REPLACED AFTER 06/16/99
	FROM 06/16/99 THROUGH 07/16/99
063069-02-01A	EA MOLDING BATH TUB, OFF WHITE NOT REPLACED AFTER 07/16/99
	FROM 07/16/99 THROUGH 07/16/99

INNER SHOWER CABINET COMPONENTS

KEY PART NUMBER	U M DESCRIPTION
101530-01-01A	EA SUBPOND SHOWER 50" X 30" PLASTIC - OFF WHITE FROM 06/20/99 THROUGH 06/20/99
101531-01-01A	EA SUBPOND SHOWER, TWO SIDED - PLASTIC - OFF WHITE FROM 06/20/99 THROUGH 06/20/99
101532-01-01A	EA TOP SHOWER 15" X 23" X 9" - PLASTIC - OFF WHITE FROM 06/20/99 THROUGH 06/20/99

SHOWER PAN

KEY PART NUMBER	U M DESCRIPTION
102600-16-007	EA SHOWER PAN
066779-01-000	EA STRAINER-TUB SHOWER DRAIN
066735-01-000	EA WASHER-STRAINER TO TAILPIECE PLASTIC 1.5"
066496-01-000	EA NUT-SLIP, TAILPIECE 1.5"

SHOWER DOOR

KEY PART NUMBER	U M DESCRIPTION
092550-01-02A	EA TRIM-THRESHOLD, SHOWER - TAN
092574-01-01A	EA DOOR-SHOWER HINGED PANEL - COASTAL
092574-01-709	EA KNOB-SAFETY LATCH
092574-01-701	EA BRACKETS-TOWEL BAR, W/STUDS
092574-01-702	EA BAR TOWEL, 30"
092574-01-703	EA PULL-DOOR, GOLD
092574-01-704	EA SCREW-GOLD, #6 3/8
092574-01-705	EA MAGNETIC STRIP-56 9"
092574-01-706	EA JAMB-STRIKE 56 7/8"

BATH GROUP (CONTINUED)

TOILET & COMPONENTS

KEY PART NUMBER	U M DESCRIPTION
067487-01-000	EA TOILET-LOW, AQUA MAGIC IV - THETFORD 150110
067487-01-700	EA O-RING SEAL & BOLT PACKAGE - AQUA MAGIC 06975
063740-01-710	EA LINK THETFORD 12543
063740-01-711	EA SPRING TURN LEVER, THETFORD 12524
063740-01-705	EA SEAT BOLTS W/COVER - THETFORD 12487
063740-01-700	EA LEVER-WATER, THETFORD 12514
063740-01-701	EA LEVER FLUSH THETFORD 12515
063740-01-713	EA SEAL BALL VALVE TO FLOOR THETFORD 12502
063740-01-714	EA VALVE ASM WATER, THETFORD 12490
063740-01-706	EA BOLT PACKAGE-CLOSET THETFORD 12524
063641-01-000	EA FLANGE-CLOSET 4" X 3"

**1991 ITASCA
TABLE OF CONTENTS**

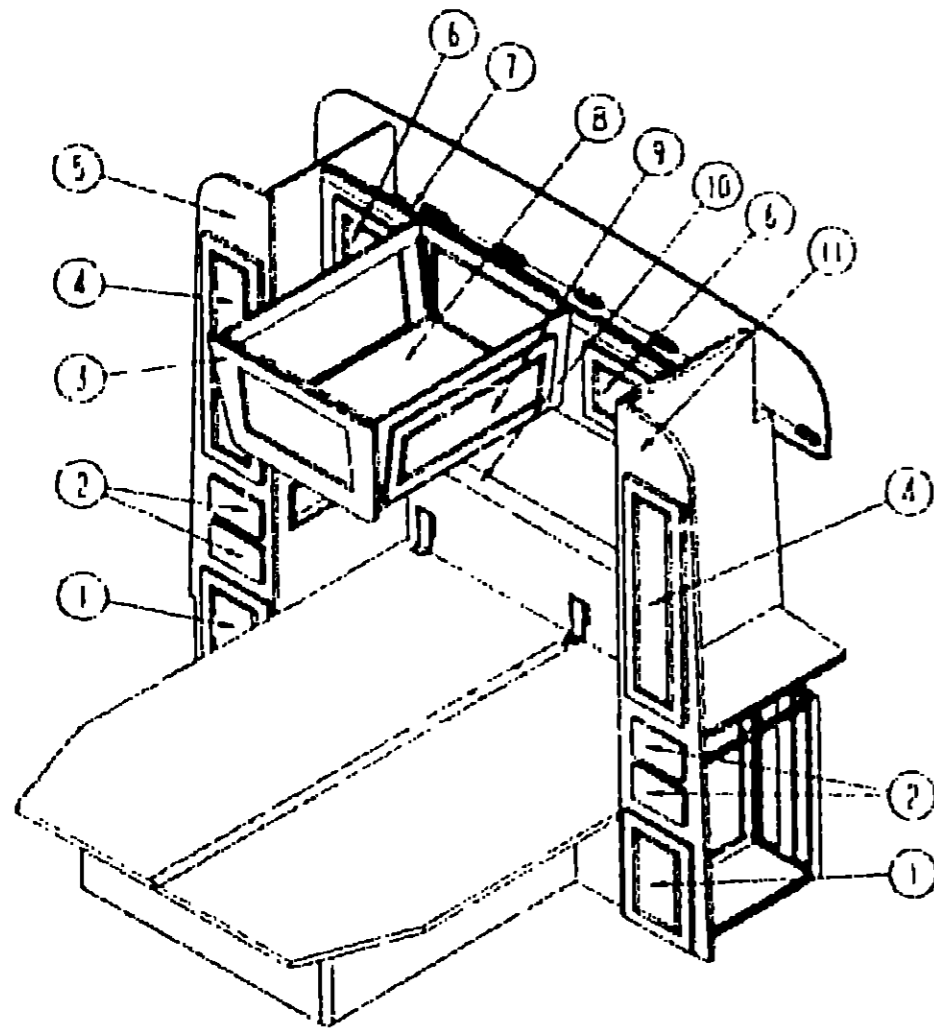
INTRODUCTION	A-01 - A-02
ABBREVIATIONS	A-03 - A-04
ALPHABETICAL INDEX	A-04 - A-20
REPORT	A-07 - E-12
GENERAL	F-13 - K-21

1991 ICN32RQ INDEX

FLOOR PLAN	F-01 - F-03
ACCESSORIES	F-15 - G-02
BATH	G-03 - G-06
BEDROOM	G-07 - G-10
CHASSIS	G-11 - H-04
C.C. & PAD	H-05 - H-12
ENHETTE	H-13 - H-14
DRIVERS	H-15 - H-18
ELECTRICAL	H-19 - I-02
EXTERIOR BODY	I-03 - I-10
GALLEY	I-11 - I-16
HEATING & A/C	I-17 - I-22
INTERIOR FINISH	I-23 - J-03
LABEL	J-04
	J-12
LP	J-13
LOUNGE	J-14 - J-15
SEALANTS & FASTENERS	J-16 - J-18
WATER & SEWAGE	J-19 - J-23
WINDOW, VENT AND	
EXTERIOR DOOR	J-24 - K-22

BEDROOM GROUP

DOUBLEBED CABINRY AND COMPONENTS



FROM: 00-00-00 THRU: 03-05-91

KEY PART NUMBER	U/M DESCRIPTION
084201 01 B29	EA DOOR CABINET W/O HARDWARE
084202 01 B29	EA DRAWER CABINET W/O HARDWARE
084203 01 B29	EA TRIM CABINET TO DAY WALL
084204 01 B29	EA END CABINET OVER HEAD CENTER ISLAND
084205 01 B29	EA DOOR CABINET W/O HARDWARE
084206 01 B29	EA CABINET FRONT LEFT DAY WALL
084207 01 B29	EA CABINET FRONT RIGHT DAY WALL
084208 01 B29	EA CONTINUOUS ALUMINUM HINGE TO THIS SIDE OVER ISLAND
084209 01 B29	EA FLANGE OVER CENTER ISLAND OFF WHITE
084210 01 B29	EA LOWER WOOD ALUMINUM HINGE TO THIS SIDE
084211 01 B29	EA DOOR CABINET DAY WALL W/O HARDWARE
084212 01 B29	EA CABINET OVER HEAD DAY WALL W/O DOORS OR HARDWARE
084213 01 B29	EA TRIM CABINET DAY WALL OVER HEAD
084214 01 B29	EA CABINET OVER HEAD DAY WALL W/O DOORS OR HARDWARE
084215 01 B29	EA DOOR CABINET DAY WALL W/O HARDWARE
084216 01 B29	EA CONTINUOUS ALUMINUM HINGE TO THIS SIDE OVER ISLAND
084217 01 B29	EA TRIM CABINET TO DAY WALL OVER HEAD
084218 01 B29	EA TRIM CABINET TO DAY WALL OVER HEAD
084219 01 B29	EA CABINET FRONT LEFT DAY WALL W/O DOORS OR HARDWARE

U/M DESCRIPTION
EA DOOR CABINET W/O HARDWARE
EA DRAWER CABINET W/O HARDWARE
EA TRIM CABINET TO DAY WALL
EA END CABINET OVER HEAD CENTER ISLAND
EA DOOR CABINET W/O HARDWARE
EA CABINET FRONT LEFT DAY WALL
EA CABINET FRONT RIGHT DAY WALL
EA CONTINUOUS ALUMINUM HINGE TO THIS SIDE OVER ISLAND
EA FLANGE OVER CENTER ISLAND OFF WHITE
EA LOWER WOOD ALUMINUM HINGE TO THIS SIDE
EA DOOR CABINET DAY WALL W/O HARDWARE
EA CABINET OVER HEAD DAY WALL W/O DOORS OR HARDWARE
EA TRIM CABINET DAY WALL OVER HEAD
EA CABINET OVER HEAD DAY WALL W/O DOORS OR HARDWARE
EA DOOR CABINET DAY WALL W/O HARDWARE
EA CONTINUOUS ALUMINUM HINGE TO THIS SIDE OVER ISLAND
EA TRIM CABINET TO DAY WALL OVER HEAD
EA TRIM CABINET TO DAY WALL OVER HEAD
EA CABINET FRONT LEFT DAY WALL W/O DOORS OR HARDWARE

TV STAND

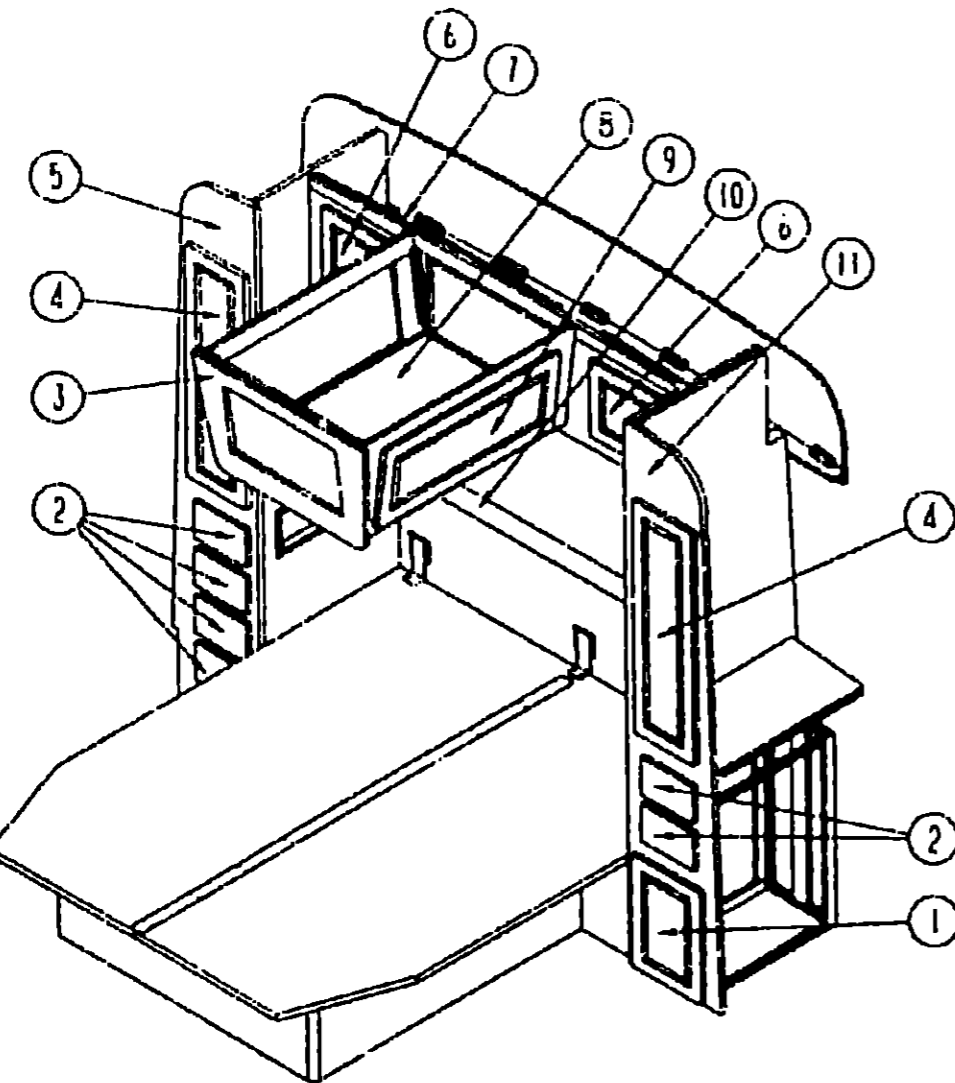
KEY PART NUMBER	U/M DESCRIPTION
084220 01 B29	EA TV STAND
084221 01 B29	EA FASTENER W/O CORNERS
084222 01 B29	EA PANEL 1/2" DIAMETER HIR W/O
084223 01 B29	EA MIRROR GLASS SAFETY 12" X 17"
084224 01 B29	EA INSERT TV STAND TAN
084225 01 B29	EA SUPPORT HINGED
084226 01 B29	EA CATCH TV SHELF BRASS
084227 01 B29	EA HINGE ALUMINUM WHOLESALE 1/2" TAN
084228 01 B29	EA HINGE CONTINUOUS ALUMINUM 1/2" X 1/2" WHOLESALE

U/M DESCRIPTION
EA TV STAND
EA FASTENER W/O CORNERS
EA PANEL 1/2" DIAMETER HIR W/O
EA MIRROR GLASS SAFETY 12" X 17"
EA INSERT TV STAND TAN
EA SUPPORT HINGED
EA CATCH TV SHELF BRASS
EA HINGE ALUMINUM WHOLESALE 1/2" TAN
EA HINGE CONTINUOUS ALUMINUM 1/2" X 1/2" WHOLESALE

QUEEN BED CABINET

KEY PART NUMBER	U/M DESCRIPTION
M02734 01 B29	EA CABINET-QUEEN BED, W/O DOORS & HARDWARE
M03485 01 B29	EA CABINET ASM-QUEEN BED TOP RIGHT HAND
M03486 02 B29	EA CABINET ASM-QUEEN BED TOP LEFT HAND
085146 02 Y12	EA HINGE ASM BED

U/M DESCRIPTION
EA CABINET-QUEEN BED, W/O DOORS & HARDWARE
EA CABINET ASM-QUEEN BED TOP RIGHT HAND
EA CABINET ASM-QUEEN BED TOP LEFT HAND
EA HINGE ASM BED



FROM: 03-06-91 THRU: 99-99-99

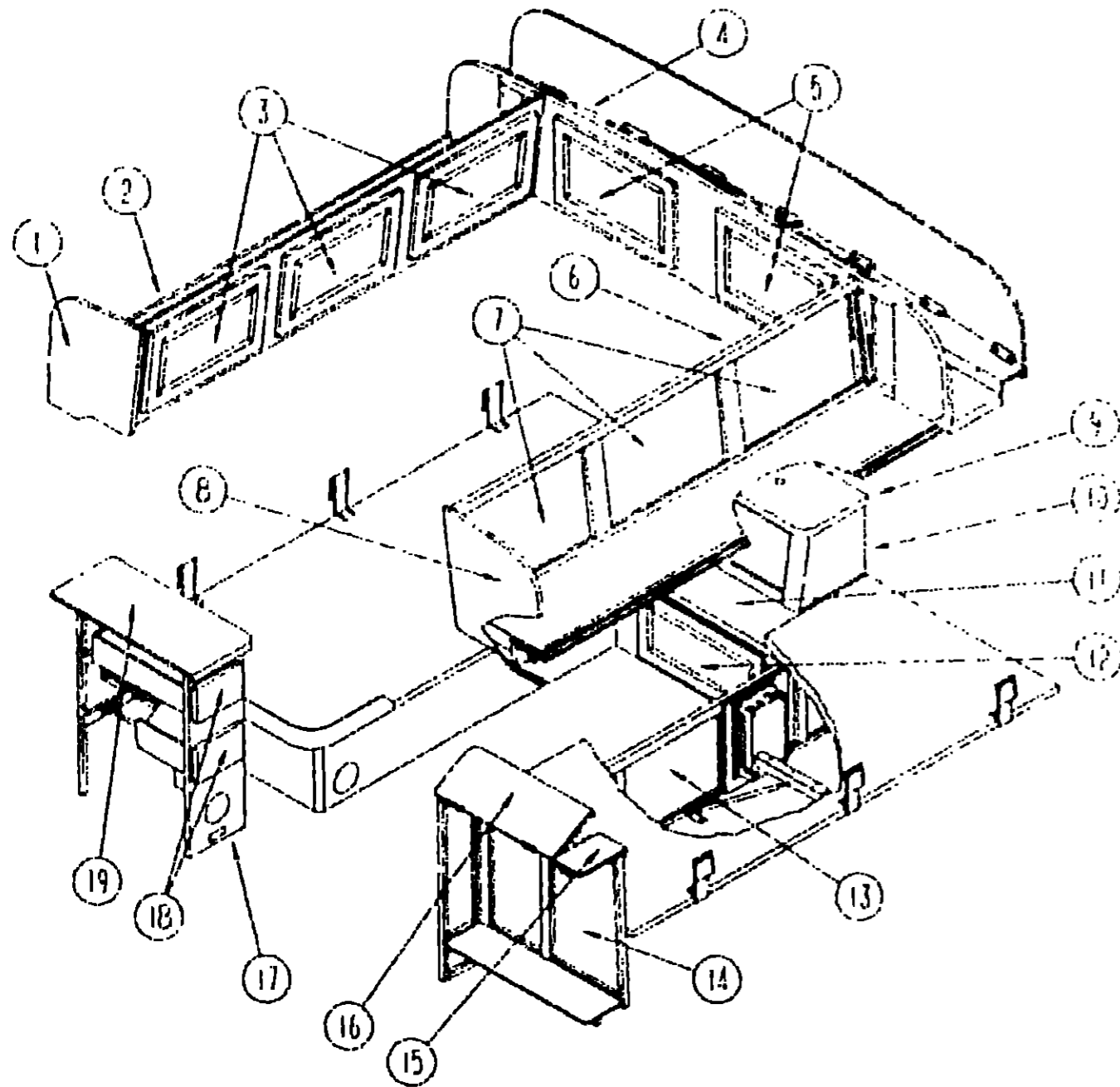
1991 ITASCA TABLE OF CONTENTS

ITEM OR TITLE	A-01	A-02
APPROXIMATE	A-01	A-02
ACTUAL TO ASSEMBLY	A-03	A-04
INDEX	A-05	F-01
INDEX	F-01	K-22

1991 ICM32RQ INDEX

FLOOR PLAN	F-01	F-14
ACCESSORIES	F-15	G-02
BATH	G-03	G-06
BEDROOM	G-07	G-10
CHAIR	G-11	H-04
CLO & PAD	H-05	H-12
DINETTE	H-13	H-14
DRIVERS	H-15	H-18
ELECTRICAL	H-19	I-02
EXTERIOR BODY	I-03	I-16
GALLEY	I-17	I-18
HEATING & A/C	I-19	I-22
INTERIOR FINISH	I-23	J-02
LABEL	J-03	J-12
LP	J-13	J-13
COURSE	J-14	J-15
SEALANTS & FASTENERS	J-16	J-18
WATER & SEWAGE	J-19	J-23
WINDOW VENT AND EXTERIOR DOOR	J-24	K-22

BEDROOM GROUP (CONTINUED)
TWIN BEDS CABINRY AND COMPONENTS



KEY PART NUMBER

- 1. DORMER CABINET
- 2. MOUNTING BRACKET
- 3. DORMER CABINET
- 4. MOUNTING BRACKET
- 5. MOUNTING BRACKET
- 6. MOUNTING BRACKET
- 7. MOUNTING BRACKET
- 8. MOUNTING BRACKET
- 9. MOUNTING BRACKET
- 10. MOUNTING BRACKET
- 11. MOUNTING BRACKET
- 12. MOUNTING BRACKET
- 13. MOUNTING BRACKET
- 14. MOUNTING BRACKET
- 15. MOUNTING BRACKET
- 16. MOUNTING BRACKET
- 17. MOUNTING BRACKET
- 18. MOUNTING BRACKET
- 19. MOUNTING BRACKET

U/M DESCRIPTION

- EA END CABINET ASSEMBLY OVERHEAD FRONT
- EA CABINET OVERHEAD FRONT CENTER LINE - WOODWORK & HARDWARE
- EA END CABINET WOOD HARDWARE - MOUNTING
- EA CABINET OVERHEAD BACK WALL - WOODWORK & HARDWARE
- EA END CABINET WOOD HARDWARE - MOUNTING
- EA CABINET OVERHEAD FRONT CENTER LINE - WOODWORK & HARDWARE
- EA END CABINET WOOD HARDWARE - MOUNTING
- EA END CABINET OVERHEAD FRONT
- EA CENTERLINE FRONT STAND UPPER
- EA CABINET OVERHEAD TANK WOODWORK & HARDWARE
- EA END CABINET WOOD HARDWARE - MOUNTING
- EA CENTERLINE NIGHTSTAND LOWER
- EA DRAWER CABINET WOOD HARDWARE - MOUNTING
- EA END CABINET WOOD HARDWARE - MOUNTING
- EA CABINET OVERHEAD CENTERLINE WOODWORK & HARDWARE - FRONT OF TOP
- EA CENTERLINE HANGER - STATIONARY
- EA END CABINET OVERHEAD WOODWORK
- EA CABINET NIGHTSTAND WOODWORK & HARDWARE - FRONT CENTERLINE
- EA END CABINET WOOD HARDWARE - MOUNTING
- EA TRANSFERAL MOUNTING BRACKET - FRONT CENTERLINE
- EA TRANSFERAL MOUNTING BRACKET - FRONT CENTERLINE
- EA CENTERLINE OF NIGHTSTAND
- EA CENTERLINE OF BACKWALL
- EA FROM CABINET TO BACKWALL CENTERLINE - 1/2" x 3/8" x 3/8" WOOD PASSENGER
- EA FROM CABINET TO BACKWALL CENTERLINE - 1/2" x 3/8" x 3/8" WOOD DRIVERS
- EA TRACK SERIAL TAMBOUR LOCK
- EA TRACK SERIAL TAMBOUR LOCK
- EA CABINET ASM TWIN BED TYPICAL
- EA CABINET ASM BED TYPICAL
- EA CABINET ASM TWIN BED TYPICAL
- EA CABINET ASM BED TYPICAL

1991 ITASCA
TABLE OF CONTENTS

INTRODUCTION	A-01 - A-02
ABBREVIATIONS	A-03
ALPHABETICAL INDEX	A-04 - A-06
ICN32RT	A-07 - F-12
ICN32RO	F-13 - K-22

1991 ICN32RO INDEX

FLOOR PLAN	F-13 - F-14
ACCESSORIES	F-15 - G-02
BATH	G-03 - G-06
BEDROOM	G-07 - G-10
CHASSIS	G-11 - H-04
C & PAD	H-05 - H-12
DINETTE	H-13 - H-14
DRIVERS	H-15 - H-18
ELECTRICAL	H-19 - I-02
EXTERIOR BODY	I-03 - I-10
GALLEY	I-11 - I-16
HEATING & A/C	I-17 - I-22
INTERIOR FINISH	I-23 - J-03
LABEL	J-04 - J-12
LP	J-13
LOUNGE	J-14 - J-15
SEALANTS & FASTENERS	J-16 - J-18
WATER & SEWAGE	J-19 - J-23
WINDOW, VENT AND EXTERIOR DOOR	J-24 - K-22

CHASSIS GROUP

FORD CHASSIS COMPONENTS & FORD TIRE & WHEEL L16K

KEY PART NUMBER	U/M DESCRIPTION
007125-07-000	EA CLAMP-MUFFLER, 2.50" DIAMETER
007125-11-000	EA CLAMP-MUFFLER, 2.75"
053322-12-000	EA SHIELD-HEAT, EXHAUST - 32" X 9"
080031-01-000	EA STRAP-MOUNTING, FUEL LINE - 2" X 32"
087475-02-000	EA BRACKET-TIE DOWN, BATTERY - 13.5" X 13"
093009-01-000	EA PANEL-ASM-COWL
093393-02-000	EA PANEL-COWL, PASSENGER
094918-03-000	EA CLAMP-EXHAUST, 2.5"
051377-01-000	EA STEM-VALVE
083425-02-000	EA TIRE-MICHELIN, LT235 / 85R16 LRE
095853-01-000	EA WHEEL-STEEL, 16" X 6K - EBTZ - 1015 - A - ACCURIDE 28375-12

FORD FUEL NECK & HOSE

KEY PART NUMBER	U/M DESCRIPTION
095601-01-000	EA HOSE-FUEL, FILL, FORMED 2" ID
044317-01-000	FT HOSE-FUEL, 3 BID
095606-01-000	EA NECK-FUEL FILL, W-CHECK VALVE - L-SHAPED - 18.2" L W/UG
088753-01-000	FT TUBE-ALUMINIZED STEEL, 5/8" - 18 GAUGE
096054-01-000	EA SUPPORT-EXHAUST PIPE, BENT - 2.6" X 6" - STEEL
096097-01-000	EA BRACKET-STRAP, EXHAUST PIPE - W CENTER BENT LIP - 13" X 5"

FORD PARK BRAKE CABLE

KEY PART NUMBER	U/M DESCRIPTION
096351-01-000	EA CABLE-BRAKE, PARK - FORD CHASSIS

FORD EXHAUST COMPONENTS

KEY PART NUMBER	U/M DESCRIPTION
076310-01-000	EA BAFFLE-RADIATOR, .12" X 15" X 62" - RUBBER
098795-01-000	EA SHIELD-EXHAUST, 41" X 19.9" - GALVANIZED STEEL
099344-01-000	EA PIPE-EXHAUST, FRONT - 40.7" LONG - FORD FORD PROVIDED PART PRIOR TO 11-89 FROM: 11-13-89 THRU: 04-30-90
099345-01-000	EA PIPE-EXHAUST, REAR - 42" LONG - FORD FORD PROVIDED PART PRIOR TO 11-89 FROM: 11-13-89 THRU: 04-30-90
095753-01-000	EA PIPE-EXHAUST, DOUBLE WALL - 24.8" FROM: 00-00-00 THRU: 04-30-90
100572-01-000	EA PIPE-EXHAUST, OFFSET - 15.2" LONG - 2.5" ID - FORD FROM: 05-01-90 THRU: 99-99-99
100600-01-000	EA PIPE-EXHAUST, REAR - 42" LONG - FORD FROM: 05-01-90 THRU: 99-99-99
100601-01-000	EA PIPE-EXHAUST, FRONT - 40.7" LONG - FORD FROM: 05-01-90 THRU: 99-99-99
096087-04-000	EA BRACKET-STRAP, EXHAUST PIPE - W/SIDE LIP & NUTS - 13" X 5.6" FORD PROVIDED PART PRIOR TO 11-89 FROM: 11-13-89 THRU: 01-14-90
096087-02-000	EA BRACKET-STRAP, EXHAUST PIPE - 5.6" X 13" - W/NUTS FROM: 01-15-90 THRU: 99-99-99
095618-01-000	EA SUPPORT-EXHAUST PIPE, 6.3" X 2" - STEEL - BLACK FROM: 00-00-00 THRU: 11-12-89
096055-02-000	EA SUPPORT-EXHAUST PIPE, 1" X 15.8" FORD PROVIDED PART PRIOR TO 11-89 FROM: 11-13-89 THRU: 99-99-99

CANADIAN OPTION L265

KEY PART NUMBER	U/M DESCRIPTION
007131-01-000	EA HANGER-TAILPIPE
079059-02-000	EA HOSE-90 DEGREE, .61" ID X 4" X 6"
088753-01-000	FT TUBE-ALUMINIZED STEEL, 5/8" - 18 GAUGE
100138-01-000	EA MODULE-DAYTIME RUNNING LIGHT
100158-01-000	EA WIRE ASM-DAYTIME RUNNING LIGHTS
100159-01-000	EA WIRE ASM-DAYTIME RUNNING LIGHTS, W/FUSE

CHASSIS GROUP CONTINUED

CHEVY & FORD RADIATOR OVERFLOW BOTTLE

KEY PART NUMBER	U/M DESCRIPTION
096630-01-000	EA BOTTLE-OVERFLOW, RADIATOR - GM 14042454

JETRIDE SUSPENSION W/PARK & LEVEL L60C - CHEVY

KEY PART NUMBER	U/M DESCRIPTION
000C17-05-16R	EA BOLT HEX 5/16-18 X 1 - ZINC 5
000E13-17-00B	EA WASHER-FLARE, 3/8" AR ZN
007125-11-000	EA CLAMP-MUFFLER, 2.75"
016374-02-000	EA STRAP-HANGER EXTENSION, 2" X 1" - STEEL
071374-03-000	EA FITTING-BULKHEAD, 1/4" X 1/4" MNPT
090436-34-000	EA WIRING ASM-ELECTRONIC - 91C:F
090436-35-000	EA COMPRESS/TNK ELECT 91 W/O WG
090436-07-700	EA COMPRESSOR (ONLY)
090436-36-000	EA MOUNT-SPRG,CHEV LH UPPER FLT
090436-37-000	EA MOUNT-SPRG,CHEV RH UPPER FLT
090436-38-000	EA SPRING 7-LEAF SEMI 16000 GVW
090436-10-000	EA MOUNT-SPRING/AXLE, LOWER DRIVER - JET# 373
090436-11-000	EA MOUNT-SPRING/AXLE, LOWER PASSENGER - JET# 374
090436-12-000	EA U-BOLT FORWARD, STRAIGHT - 7/8" - JET# 351
090436-13-000	EA U-BOLT REARWARD, BENT - 7/8" - JET# 351-1
090436-14-000	EA BAR-TRACK, W/PIVOT BOLTS & BRACKET - JET# 356-1
091250-01-000	EA BUSHING-SWAY BAR, 1.25" CUT - HELLWIG# PB 731
091250-02-000	EA BUSHING-SWAY BAR, 1.25" UNCUT - HELLWIG# PB 734
091250-03-000	EA BUSHING-SWAY BAR, 1.75" CUT - HELLWIG# PD 732
101025-01-01A	EA PANEL-INSTRUMENT LOWER LEFT FROM: 00-00-00 THRU: 04-01-91
101025-03-01A	EA PANEL-INSTRUMENT, LOWER LEFT FROM: 04-02-91 THRU: 99-99-99
097372-04-01A	EA SWITCH-SPDT,MOM-OFF-MOM
097372-08-01A	EA SWITCH-SPDT,ON-ON
101137-01-000	EA WIRE ASM-IP,AIR RIDE LIGHTS
101619-01-000	EA WIRE ASM-IP,AIR RIDE CONTROL

JETRIDE SUSPENSION- W/PARK & LEVEL L60C - FORD

KEY PART NUMBER	U/M DESCRIPTION
090436-14-000	EA BAR-TRACK, W/PIVOT BOLTS & BRACKET - JET# 356-1 FROM: 00-00-00 THRU: 02-09-90
090436-31-000	EA BAR-TRACK, W/BOLTS & BRACKETS - JET# 40356 FROM: 02-10-90 THRU: 99-99-99
090436-18-000	EA MOUNT-AIRSPRING, UPPER DRIVER - JET# 40375
090436-19-000	EA MOUNT-AIRSPRING, UPPER PASSENGER - JET# 40376
090436-20-000	EA MOUNT-SPRING/AXLE, LOWER DRIVER - JET# 40373
090436-21-000	EA MOUNT-SPRING/AXLE, LOWER PASSENGER - JET# 40374
090436-22-000	EA U-BOLT, 1-1/4 X 4" X 14" - W/NUTS - JET# 40351
090436-23-000	EA SPRING-LEAF, SEMI - FORD - JET# 40361
090436-25-000	EA U-BOLT, 1-1/4 X 4" X 15" - W/NUTS - JET# 40352
090436-26-000	EA BAR-STABILIZER, REAR - JET# 40358
090436-28-000	EA SHIELD-HEAT, FUEL TANK - JET# 40360
090436-29-000	EA BRACKET-BRAKE HOSE/FRAME, JET# 40362
090436-30-000	EA BRACKET-BRAKE HOSE/CALIPER, JET# 40364
100572-01-000	EA PIPE-EXHAUST, OFFSET - 15.2" LONG - 2.5" ID - FORD
100593-01-000	EA PIPE-EXHAUST, EXTENSION - FORD
090436-07-700	EA COMPRESSOR (ONLY)
090436-34-000	EA WIRING ASM-ELECTRONIC, 91C:F
090436-35-000	EA COMPRESS/TNK ELECT 91 W/O WG
096753-02-000	EA PIPE-EXHAUST

**1991 ITASCA
TABLE OF CONTENTS**

INTRODUCTION	A-01 - A-02
ABBREVIATIONS	A-03
ALPHABETICAL INDEX	A-04 - A-06
ICN32RT	A-07 - F-12
ICN32RQ	F-13 - K-22

1991 ICN32RQ INDEX

FLOOR PLAN	F-13 - F-14
ACCESSORIES	F-15 - G-02
BATH	G-03 - G-06
BEDROOM	G-07 - G-10
CHASSIS	G-11 - H-04
C C & PAD	H-05 - H-12
DINETTE	H-13 - H-14
DRIVERS	H-15 - H-18
ELECTRICAL	H-19 - I-02
EXTERIOR BODY	I-03 - I-10
GALLEY	I-11 - I-16
HEATING & A/C	I-17 - I-22
INTERIOR FINISH	I-23 - J-03
LABEL	J-04 - J-12
LP	J-13
LOUNGE	J-14 - J-15
SEALANTS & FASTENERS	J-16 - J-18
WATER & SEWAGE	J-19 - J-23
WINDOW, VENT AND EXTERIOR DOOR	J-24 - K-22

CHASSIS GROUP CONTINUED

JET RIDE SUSPENSION WITH PARK AND LEVEL OPTION L60C - FORD & CHEVY

KEY PART NUMBER	U/M DESCRIPTION
101025-01-01A	EA PANEL-DASH, LOWER - W/CUTOUTS - CHEVY - 11 9" LONG - BLACK
097372-04-01A	EA SWITCH-MOMENTARY OFF-MOMENTARY
097372-08-01A	EA SWITCH-SPDT.ON-OFF
101137-01-000	EA WIRE ASM-IP,AIR RIDE LIGHTS
101619-01-000	EA WIRE ASM-IP,AIR RIDE CONTROL

STABILIZER SHOCKS OPTION L61A (FRONT ONLY)

KEY PART NUMBER	U/M DESCRIPTION
075942-01-000	EA SHOCK ABSORBER-STABILIZER, FRONT - 4-WAY

KEY PART NUMBER
100532-01-000
100533-04-000
100534-05-000
100535-02-000
100536-03-000
096808-01-000

KEY PART NUMBER
100532-01-000
096808-01-000
100533-02-000
100534-05-000
100535-02-000
100536-03-000

KEY PART NUMBER
096025-01-000
096025-02-000
096110-01-000
096411-02-000
096412-01-000
096412-02-000

CHASSIS GROUP CONTINUED

HYDRAULIC LEVELING JACKS OPTION L64H - CHEVY

U/M DESCRIPTION
EA LEVELING SYSTEM-HYDRAULIC, HW# AP7371
EA BRACKETS-FRONT LEVELING JACK, HW# AP7392
EA BRACKETS-REAR LEVELING JACKS, HW# AP6056
EA BRACKET-PUMP, LEVELING JACK, HW# P6282
EA HOSE KIT-LEVELING JACKS, HW# AP7374
EA SPACER-PEDESTAL, DRIVER METAL, W/6" DIA HOLE IN EACH CORNER - 4 9" X 8 9"

HYDRAULIC LEVELING JACKS OPTION L64H - FORD

U/M DESCRIPTION
EA LEVELING SYSTEM-HYDRAULIC, HW# AP7371
EA SPACER-PEDESTAL, DRIVER METAL, W/6" DIA HOLE IN EACH CORNER - 4 9" X 8 9"
EA BRACKETS-FRONT LEVELING JACK, HW# AP7392
EA BRACKETS-REAR LEVELING JACKS, HW# AP6057
EA BRACKET-PUMP, LEVELING JACK, HW# P6282
EA HOSE KIT-LEVELING JACKS, HW# AP7374

MANUAL LEVELING JACKS OPTION L64L

U/M DESCRIPTION
EA STABILIZER JACK, PASSENGER
EA STABILIZER JACK, DRIVER
EA BRACKET-STABILIZER JACK, W/2 SQUARE TUBES
EA BRACKET-JACK, REAR
EA BRACKET-JACK, W/ANGLE BRACE
EA BRACKET-JACK, FRONT

**1991 ITASCA
TABLE OF CONTENTS**

INTRODUCTION	A-01 - A-02
ABBREVIATIONS	A-03
ALPHABETICAL INDEX	A-04 - A-06
ICN32RT	A-07 - F-12
ICN32RO	F-13 - K-22

1991 ICN32RQ INDEX

FLOOR PLAN	F-13 - F-14
ACCESSORIES	F-15 - G-02
BATH	G-03 - G-06
BEDROOM	G-07 - G-10
CHASSIS	G-11 - H-04
C.C. & PAD	H-05 - H-12
DINETTE	H-13 - H-14
DRIVERS	H-15 - H-18
ELECTRICAL	I-19 - I-22
EXTERIOR BODY	I-23 - I-26
GALLEY	I-27 - I-30
HEATING & A/C	I-31 - I-34
INTERIOR FINISH	I-35 - J-03
LABEL	J-04 - J-12
LP	J-13
LOUNGE	J-14 - J-15
SEALANTS & FASTENERS	J-16 - J-18
WATER & SEWAGE	J-19 - J-23
WINDOW, VENT AND EXTERIOR DOOR	J-24 - K-22

CHASSIS GROUP CONTINUED

GENERATOR-KOHLER, 4.5 KW - US OPTION L350 - CHEVY & FORD

KEY PART NUMBER	U/M DESCRIPTION
007125-03-000	EA CLAMP-MUFFLER - 1.5" DIA
007125-04-000	EA CLAMP-MUFFLER - 1" DIA
008269-01-000	EA
	BOX-ELECTRIC, STEEL - 1 1/2" AND 3/4" KNOCKOUTS - 4" X 4"
008294-01-000	EA COVER-ELECTRICAL BOX, STEEL BLANK - 4" X 4" - GRAY
008315-02-000	EA PIPE-EXHAUST GENERATOR - 1 1/2" DIA X 24" X 24"
008350-02-000	EA MUFFLER-GENERATOR
008374-01-000	EA GENERATOR-KOHLER, 4500KW - 4 SCHEM21
008054-02-000	EA CORD-POWER, 10-3 - 30AMP - 25'
000611-08-000	EA SCREW, 8-18 X 1/2 PHEN
000667-10-12B	EA SCREW, 10-12 X 3/4 - PHEN
008001-01-000	FT WIRE-10AWG, STRAND - WHITE
008026-01-000	FT WIRE-12-2, ROMEX, W GROUND
008311-01-000	EA CONNECTOR-WIRE NUT, INSULATED - RED
008314-01-000	EA CONNECTOR-WIRE NUT, INSULATED - GRAY
008328-01-000	EA TERMINAL-RING, 12-10 WIRE - #10 STUD FIT
008331-01-000	EA TERMINAL-RING, TONGUE - #4 WIRE - 3/8" STUD - COPPER
008333-01-000	EA CONNECTOR-CABLE CLAMPING, 3/8"
008355-01-000	EA CONNECTOR-CABLE CLAMPING, 3/4"
008356-01-000	EA CONNECTOR-PLASTIC, 3/8" AVG
024924-02-000	EA RECEPTACLE-POWER CORD, W PARTIAL PLATE
041953-01-000	FT CONDUIT-CONVOLUTE SLIT, 50ID
067762-01-000	EA CONVERTER-40 AMP, W CHARGER - TRIAD TU-740-2
069230-01-000	EA COVER-ELECTRICAL BOX, WHOLE - 4" X 4" - GRAY USED WITH 30 OR 50 AMP RECEPTACLE
073037-03-000	EA SWITCH-ROTARY SELECTOR, 3 DECK - AC - CA20-USA692
073937-01-700	EA KNOB-ROTARY SWITCH A.C. SEL
074890-01-000	EA BOX-EXTENSION, STEEL - OPEN SIDES - 4" X 4" X 1 1/2"
074897-01-000	EA COVER-ELECTRIC BOX, 1 LARGE & 2 SMALL HOLES - 4" X 4"
083209-03-000	EA CIRCUIT BREAKER-15/20AMP, 120V - BW - 0 15 20
083209-05-000	EA CIRCUIT BREAKER 20A, 120V - BW J 20
083209-06-000	EA CIRCUIT BREAKER-30/15 AMP, 120V - BW D-30 15
091213-01-000	EA BOX-CIRCUIT BREAKER-W KNOCKOUTS - 5 3/4" X 11 1/8" X 2 1/2"
000026-04-10B	EA BOLT-HEX, SER FLG - 1/4-20 X 5/8 ZINC
000014-05-00B	EA NUT-HEX, 5-16-18 - ZN 5
000039-04-00B	EA NUT-HEX, SER FLG LK - 1/4 - 20 ZN
000039-05-00B	EA NUT-HEX, SER FLG LK - 5-16 - 18 ZN
007125-03-000	EA CLAMP-MUFFLER - 1.5" DIA
007131-01-000	EA HANGER-TAILPIPE
008311-01-000	EA CONNECTOR-WIRE NUT, INSULATED - RED
024976-01-000	EA SWITCH-GENERATOR, W/O CIRCUIT BOARD
041480-01-000	EA CONNECTOR-STRAIGHT, 1 1/2" FLEX CONDUIT
031035-01-000	EA GAUGE-HOURMETER
081087-01-000	EA LIGHT ASM-INDICATOR
097372-04-01A	EA SWITCH-MOMENTARY-OFF-MOMENTARY
077353-00-000	EA SHROUD-INSTRUMENT PANEL CLUSTER, GENERATOR

GENERATOR-KOHLER, 4.5 KW - CANADIAN OPTION L350 - CHEVY & FORD
SAME AS U.S. OPTION EXCEPT FOR THE FOLLOWING

KEY PART NUMBER	U/M DESCRIPTION
008289-02-000	EA BOX-ELECTRICAL, 4" X 4" - 1/2" & 3/4" KNOCKOUTS - CANADIAN
008294-02-000	EA COVER-ELECTRICAL BOX, BLANK STEEL - 4" X 4" - CANADIAN
008052-01-000	EA CORD-POWER, 10-3 - 30 AMP - 25' - CANADIAN
067762-02-000	EA CONVERTER-40AMP, W.CHARGER - TRIAD TU-840-2

CHASSIS GROUP CONTINUED

GENERATOR-KOHLER, 7 KW - US OPTION L37M- CHEVY & FORD

KEY PART NUMBER	U/M DESCRIPTION
007125-03-000	EA CLAMP-MUFFLER - 1.5" DIA
007125-04-000	EA CLAMP-MUFFLER - 1" DIA
008269-01-000	EA
	BOX-ELECTRIC, STEEL - 1 1/2" AND 3/4" KNOCKOUTS - 4" X 4"
008294-01-000	EA COVER-ELECTRICAL BOX, STEEL BLANK - 4" X 4" - GRAY
008315-02-000	EA PIPE-EXHAUST, GENERATOR-ONAN - 1 1/2" OD X 48" X 24"
008350-02-000	EA GENERATOR-KOHLER, 7KW - C6RM21
008374-01-000	EA MUFFLER-GENERATOR, 7KW - KOHLER
008054-02-000	EA PIPE-EXHAUST, GENERATOR
000611-08-000	EA CORD-POWER, 10-3 - 30AMP - 25'
000667-10-12B	EA SCREW, 8-18 X 1/2 PHEN
008001-01-000	EA SCREW, 10-12 X 3/4 - PHEN
008026-01-000	EA SCREW, 10-12 X 3/4 - PHEN
008311-01-000	EA CONNECTOR-WIRE NUT, INSULATED - RED
008314-01-000	EA CONNECTOR-WIRE NUT, INSULATED - GRAY
008328-01-000	EA TERMINAL-RING, 12-10 WIRE - #10 STUD FIT
008331-01-000	EA TERMINAL-RING, TONGUE - #4 WIRE - 3/8" STUD - COPPER
008333-01-000	EA CONNECTOR-CABLE CLAMPING, 3/8"
008355-01-000	EA CONNECTOR-CABLE CLAMPING, 3/4"
008356-01-000	EA CONNECTOR-PLASTIC, 3/8" AVG
024924-02-000	EA RECEPTACLE-POWER CORD, W PARTIAL PLATE
041953-01-000	FT CONDUIT-CONVOLUTE SLIT, 50ID
067762-01-000	EA CONVERTER-40 AMP, W CHARGER - TRIAD TU-740-2
069230-01-000	EA COVER-ELECTRICAL BOX, WHOLE - 4" X 4" - GRAY USED WITH 30 OR 50 AMP RECEPTACLE
073037-03-000	EA SWITCH-ROTARY SELECTOR, 3 DECK - AC - CA20-USA692
073937-01-700	EA KNOB-ROTARY SWITCH A.C. SEL
074890-01-000	EA BOX-EXTENSION, STEEL - OPEN SIDES - 4" X 4" X 1 1/2"
074897-01-000	EA COVER-ELECTRIC BOX, 1 LARGE & 2 SMALL HOLES - 4" X 4"
083209-03-000	EA CIRCUIT BREAKER 15/20AMP, 120V - BW - 0 15 20
083209-05-000	EA CIRCUIT BREAKER-20A, 120V - BW J-20
083209-06-000	EA CIRCUIT BREAKER-30/15 AMP, 120V - BW D-30 15
091213-01-000	EA BOX-CIRCUIT BREAKER-W KNOCKOUTS - 5 3/4" X 11 1/8" X 2 1/2"
000026-04-10B	EA BOLT-HEX, SER FLG - 1/4-20 X 5/8 ZINC
000014-05-00B	EA NUT-HEX, 5-16-18 - ZN 5
000039-04-00B	EA NUT-HEX, SER FLG LK - 1/4 - 20 ZN
000039-05-00B	EA NUT-HEX, SER FLG LK - 5-16 - 18 ZN
007125-03-000	EA CLAMP-MUFFLER - 1.5" DIA
007131-01-000	EA HANGER-TAILPIPE
008311-01-000	EA CONNECTOR-WIRE NUT, INSULATED - RED
024976-01-000	EA SWITCH-GENERATOR, W/O CIRCUIT BOARD
041480-01-000	EA CONNECTOR-STRAIGHT, 1 1/2" FLEX CONDUIT
031035-01-000	EA GAUGE-HOURMETER
081087-01-000	EA LIGHT ASM-INDICATOR
097372-04-01A	EA SWITCH-MOMENTARY-OFF-MOMENTARY
077353-00-000	EA SHROUD-INSTRUMENT PANEL CLUSTER, GENERATOR
	FT
	HOSE-GAS 1 1/2" ID X 1 3/8" OD

GENERATOR-KOHLER, 7 KW - CANADIAN OPTION L37M- CHEVY & FORD
SAME AS U.S. OPTION EXCEPT FOR THE FOLLOWING

KEY PART NUMBER	U/M DESCRIPTION
008289-02-000	EA BOX-ELECTRICAL, 4" X 4" - 1/2" & 3/4" KNOCKOUTS - CANADIAN
008294-02-000	EA COVER-ELECTRICAL BOX, BLANK STEEL - 4" X 4" - CANADIAN
008315-01-000	EA MUFFLER-GENERATOR, ONAN - 1 1/2" OD
008269-02-000	EA BOX-ELECTRICAL, 4" X 4" - 1/2" & 3/4" KNOCKOUTS - CANADIAN

**1991 TASCA
TABLE OF CONTENTS**

INTRODUCTION	A-01 - A-02
ABBREVIATIONS	A-03
ALPHABETICAL INDEX	A-04 - A-06
INDEX	A-07 - F-32
FIGURES	F-13 - K-23

1991 ICN32RQ INDEX

FLOOR PLAN	F-13 - F-14
ACCESSORIES	F-15 - G-02
BATH	G-03 - G-05
BEDROOM	G-07 - G-10
CHASSIS	G-11 - H-04
C.C.S. PAD	H-05 - H-12
LINENETTE	H-13 - H-14
DRIVERS	H-15 - H-18
ELECTRICAL	H-19 - I-02
EXTERIOR BODY	I-03 - I-10
CALLEY	I-11 - I-16
HEATING & A/C	I-17 - I-21
INTERIOR FINISH	I-23 - J-03
LABEL	J-04 - J-12
LP	J-13
LOUNGE	J-14 - J-15
SEALANTS & FASTENERS	J-16 - J-19
WATER & S.WAGE	J-19 - J-23
WINDOW, VENT AND EXTERIOR DOOR	J-24 - K-22

CHASSIS GROUP CONTINUED
GENERATOR-ONAN, 3.5 KW - EXPORT OPTION L383

KEY PART NUMBER	U M DESCRIPTION
007125-03-000	EA CLAMP-MUFFLER - 1.5" DIA
007125-04-000	EA CLAMP-MUFFLER - 1.7" DIA
008289-01-000	EA BOX-ELECTRIC STEEL - 1.2" AND 3.4" KNOCKOUTS - 4" X 4"
008294-01-000	EA COVER-ELECTRICAL BOX STEEL BLANK - 4" X 4" GRAY
100974-05-000	EA GENERATOR 4.0 KW EMERALD PLUS ONAN GEN
003152-04-000	EA PIPE-EXHAUST GENERATOR
003550-02-000	EA MUFFLER-GENERATOR
008054-01-000	EA CORD-POWER, 10/3 WIRE - 3 AMP - 25'
000011-06-000	EA SCREW, 8-18 X 1.2 PHEN
000067-10-12R	EA SCREW, 10-12 X 3.4 - PHEN
000001-01-000	FT WIRE-10AWG STRAND WHITE
000026-01-000	FT WIRE-12/2 ROMEX - W GROUND
008011-01-000	EA CONNECTOR-WIRE NUT INSULATED - RED
008014-01-000	EA CONNECTOR-WIRE NUT INSULATED - GRAY
008029-01-000	EA TERMINAL RING 1/2" WIRE #10 STUD FIT
008031-01-000	EA TERMINAL RING 1/2" WIRE #4 WIRE - 3/8" STUD - COPPER
008053-01-000	EA CONNECTOR-CABLE CLAMPING 3/8"
008055-01-000	EA CONNECTOR-CABLE CLAMPING 3/4"
008056-01-000	EA CONNECTOR-PLASTIC - 6" AVG
024924-02-000	EA RECEPTACLE POWER CORD - W PARTIAL PLATE
041090-01-000	FT CONDUIT CONVOLUTE SLE 1.2" ID
000028-01-000	EA COVER-ELECTRICAL BOX WHOLE - 4" X 4" GRAY USED WITH 30 OR 50 AMP RECEPTACLE
073937-01-000	EA SWITCH-ROTARY SELECTOR 3 DECK - A/C - 250V USA992
073937-01-700	EA KNOB-ROTARY SWITCH-A/C SEL
074890-01-000	EA BOX-EXTENSION, STEEL - OPEN SIDES - 4" X 4" X 1.2"
074897-01-000	EA COVER-ELECTRIC BOX - 1 LARGE & 2 SMALL HOLES - 4" X 4"
091213-01-000	EA BOX-CIRCUIT BREAKER W KNOCKOUTS - 5.3" X 11.8" X 2.5"
000015-01-000	EA CONVERTER 40 AMP W CHARGER - TRIAD TU-240-2
004509-01-000	EA LOAD CENTER 240 VOLT, 12.5 AMP
091810-01-000	EA CIRCUIT BREAKER DOUBLE 35 AMP, GE THCB2100
000011-01-000	EA CIRCUIT BREAKER-DOUBLE 20 AMP, GE THCB2120
000026-04-10B	EA BOLT-HEX, SER FLG LK - 1/4-20 X 5.8 ZINC
000014-05-00B	EA NUT-HEX, 5-16-18 ZN 5
000039-04-00B	EA NUT-HEX, SER FLG LK - 1/4-20 ZN
000039-05-00B	EA NUT-HEX, SER FLG LK - 5-16-18 ZN
007131-01-000	EA HANGER-TAIL PIPE
024976-01-000	EA SWITCH-GENERATOR W/O CIRCUIT BOARD
041450-01-000	EA CONNECTOR-STRAIGHT 1.2" FLEX CONDUIT
031035-01-000	EA GAUGE-HOURMETER
077353-09-000	EA SHROUD-INSTRUMENT PANEL CLUSTER, GENERATOR
081087-01-000	EA LIGHT ASM-INDICATOR
097372-04-01A	EA SWITCH-MOMENTARY OFF-MOMENTARY

KEY PART NUMBER	U M DESCRIPTION
007125-03-000	EA CLAMP-MUFFLER - 1.5" DIA
007125-04-000	EA CLAMP-MUFFLER - 1.7" DIA
008289-01-000	EA BOX-ELECTRIC STEEL - 1.2" AND 3.4" KNOCKOUTS - 4" X 4"
008294-01-000	EA COVER-ELECTRICAL BOX STEEL BLANK - 4" X 4" GRAY
074876-03-000	EA PIPE-EXHAUST GENERATOR
079054-05-000	EA MUFFLER-GENERATOR
051364-03-000	EA MUFFLER-GENERATOR ONAN - 1.6" CD
080151-01-000	EA PIPE-EXHAUST GENERATOR - ONAN - 1.3" CD X 33.1" X 27.7"
080152-06-000	EA PIPE-EXHAUST GENERATOR - ONAN - 1.3" CD X 4.9" X 55.1"
054059-01-000	EA SPACER-GENERATOR ONAN
055276-01-001	FT TUBING-STEEL 7/8" X 1/2" X 280"
004657-02-000	EA TRAY-GENERATOR 22.5" X 30.4" X 6.9"
004657-01-000	EA TRAY-GENERATOR 22.5" X 30.4" X 6.9"
100974-01-000	EA GENERATOR 4.0 KW EMERALD PLUS ONAN BGE EA 251005
000054-02-000	EA CORD-POWER 10/3 - 3 AMP - 25'
000011-09-000	EA SCREW 8-18 X 1.2 PHEN
000067-10-12R	EA SCREW 10-12 X 3.4 - PHEN
000001-01-000	FT WIRE-10AWG STRAND WHITE
000026-01-000	FT WIRE-12/2 ROMEX - W GROUND
008011-01-000	EA CONNECTOR-WIRE NUT INSULATED - RED
008014-01-000	EA CONNECTOR-WIRE NUT INSULATED - GRAY
008029-01-000	EA TERMINAL RING 1/2" WIRE #10 STUD FIT
008031-01-000	EA TERMINAL RING 1/2" WIRE #4 WIRE - 3/8" STUD - COPPER
008053-01-000	EA CONNECTOR-CABLE CLAMPING 3/8"
008055-01-000	EA CONNECTOR-CABLE CLAMPING 3/4"
008056-01-000	EA CONNECTOR-PLASTIC - 6" AVG
024924-02-000	EA RECEPTACLE POWER CORD - W PARTIAL PLATE
041090-01-000	FT CONDUIT CONVOLUTE SLE 1.2" ID
000028-01-000	EA COVER-ELECTRICAL BOX WHOLE - 4" X 4" GRAY USED WITH 30 OR 50 AMP RECEPTACLE
073937-01-000	EA SWITCH-ROTARY SELECTOR 3 DECK - A/C - 250V USA992
073937-01-700	EA KNOB-ROTARY SWITCH-A/C SEL
074890-01-000	EA BOX-EXTENSION, STEEL - OPEN SIDES - 4" X 4" X 1.2"
074897-01-000	EA COVER-ELECTRIC BOX - 1 LARGE & 2 SMALL HOLES - 4" X 4"
091213-01-000	EA BOX-CIRCUIT BREAKER W KNOCKOUTS - 5.3" X 11.8" X 2.5"
000015-01-000	EA CONVERTER 40 AMP W CHARGER - TRIAD TU-240-2
004509-01-000	EA LOAD CENTER 240 VOLT, 12.5 AMP
091810-01-000	EA CIRCUIT BREAKER DOUBLE 35 AMP, GE THCB2100
000011-01-000	EA CIRCUIT BREAKER-DOUBLE 20 AMP, GE THCB2120
000026-04-10B	EA BOLT-HEX, SER FLG LK - 1/4-20 X 5.8 ZINC
000014-05-00B	EA NUT-HEX, 5-16-18 ZN 5
000039-04-00B	EA NUT-HEX, SER FLG LK - 1/4-20 ZN
000039-05-00B	EA NUT-HEX, SER FLG LK - 5-16-18 ZN
007131-01-000	EA HANGER-TAIL PIPE
024976-01-000	EA SWITCH-GENERATOR, W/O CIRCUIT BOARD
041450-01-000	EA CONNECTOR-STRAIGHT 1.2" FLEX CONDUIT
031035-01-000	EA GAUGE-HOURMETER
077353-09-000	EA SHROUD-INSTRUMENT PANEL CLUSTER, GENERATOR
081087-01-000	EA LIGHT ASM-INDICATOR
097372-04-01A	EA SWITCH-MOMENTARY OFF-MOMENTARY

KEY PART NUMBER	U M DESCRIPTION
008289-02-000	EA BOX-ELECTRICAL, 4" X 4" - 1.2" & 3.4" KNOCKOUTS - CANADIAN
008294-02-000	EA COVER-ELECTRICAL BOX, BLANK STEEL - 4" X 4" - CANADIAN
008052-01-000	EA CORD-POWER, 10/3 - 30 AMP - 25' - CANADIAN
008289-02-000	EA BOX-ELECTRICAL, 4" X 4" - 1.2" & 3.4" KNOCKOUTS - CANADIAN
067762-02-000	EA CONVERTER-40AMP, W CHARGER - TRIAD TU-240-2
083210-02-000	EA CIRCUIT BREAKER-GFI, 15A - 120V - BW U-15
093257-01-000	EA BOX-ELECTRICAL, CIRCUIT BREAKER

CHASSIS GROUP CONTINUED
GENERATOR-ONAN, 4 KW - US OPTION L39E - CHEVY & FORD

KEY PART NUMBER	U M DESCRIPTION
007125-03-000	EA CLAMP-MUFFLER - 1.5" DIA
007125-04-000	EA CLAMP-MUFFLER - 1.7" DIA
008289-01-000	EA BOX-ELECTRIC STEEL - 1.2" AND 3.4" KNOCKOUTS - 4" X 4"
008294-01-000	EA COVER-ELECTRICAL BOX STEEL BLANK - 4" X 4" GRAY
074876-03-000	EA PIPE-EXHAUST GENERATOR
079054-05-000	EA MUFFLER-GENERATOR
051364-03-000	EA MUFFLER-GENERATOR ONAN - 1.6" CD
080151-01-000	EA PIPE-EXHAUST GENERATOR - ONAN - 1.3" CD X 33.1" X 27.7"
080152-06-000	EA PIPE-EXHAUST GENERATOR - ONAN - 1.3" CD X 4.9" X 55.1"
054059-01-000	EA SPACER-GENERATOR ONAN
055276-01-001	FT TUBING-STEEL 7/8" X 1/2" X 280"
004657-02-000	EA TRAY-GENERATOR 22.5" X 30.4" X 6.9"
004657-01-000	EA TRAY-GENERATOR 22.5" X 30.4" X 6.9"
100974-01-000	EA GENERATOR 4.0 KW EMERALD PLUS ONAN BGE EA 251005
000054-02-000	EA CORD-POWER 10/3 - 3 AMP - 25'
000011-09-000	EA SCREW 8-18 X 1.2 PHEN
000067-10-12R	EA SCREW 10-12 X 3.4 - PHEN
000001-01-000	FT WIRE-10AWG STRAND WHITE
000026-01-000	FT WIRE-12/2 ROMEX - W GROUND
008011-01-000	EA CONNECTOR-WIRE NUT INSULATED - RED
008014-01-000	EA CONNECTOR-WIRE NUT INSULATED - GRAY
008029-01-000	EA TERMINAL RING 1/2" WIRE #10 STUD FIT
008031-01-000	EA TERMINAL RING 1/2" WIRE #4 WIRE - 3/8" STUD - COPPER
008053-01-000	EA CONNECTOR-CABLE CLAMPING 3/8"
008055-01-000	EA CONNECTOR-CABLE CLAMPING 3/4"
008056-01-000	EA CONNECTOR-PLASTIC - 6" AVG
024924-02-000	EA RECEPTACLE POWER CORD - W PARTIAL PLATE
041090-01-000	FT CONDUIT CONVOLUTE SLE 1.2" ID
000028-01-000	EA COVER-ELECTRICAL BOX WHOLE - 4" X 4" GRAY USED WITH 30 OR 50 AMP RECEPTACLE
073937-01-000	EA SWITCH-ROTARY SELECTOR 3 DECK - A/C - 250V USA992
073937-01-700	EA KNOB-ROTARY SWITCH-A/C SEL
074890-01-000	EA BOX-EXTENSION, STEEL - OPEN SIDES - 4" X 4" X 1.2"
074897-01-000	EA COVER-ELECTRIC BOX - 1 LARGE & 2 SMALL HOLES - 4" X 4"
091213-01-000	EA BOX-CIRCUIT BREAKER W KNOCKOUTS - 5.3" X 11.8" X 2.5"
000015-01-000	EA CONVERTER 40 AMP W CHARGER - TRIAD TU-240-2
004509-01-000	EA LOAD CENTER 240 VOLT, 12.5 AMP
091810-01-000	EA CIRCUIT BREAKER DOUBLE 35 AMP, GE THCB2100
000011-01-000	EA CIRCUIT BREAKER-DOUBLE 20 AMP, GE THCB2120
000026-04-10B	EA BOLT-HEX, SER FLG LK - 1/4-20 X 5.8 ZINC
000014-05-00B	EA NUT-HEX, 5-16-18 ZN 5
000039-04-00B	EA NUT-HEX, SER FLG LK - 1/4-20 ZN
000039-05-00B	EA NUT-HEX, SER FLG LK - 5-16-18 ZN
007131-01-000	EA HANGER-TAIL PIPE
024976-01-000	EA SWITCH-GENERATOR, W/O CIRCUIT BOARD
041450-01-000	EA CONNECTOR-STRAIGHT 1.2" FLEX CONDUIT
031035-01-000	EA GAUGE-HOURMETER
077353-09-000	EA SHROUD-INSTRUMENT PANEL CLUSTER, GENERATOR
081087-01-000	EA LIGHT ASM-INDICATOR
097372-04-01A	EA SWITCH-MOMENTARY OFF-MOMENTARY

GENERATOR-ONAN, 4 KW - CANADIAN OPTION L39E
SAKE AS U.S. OPTION EXCEPT FOR THE FOLLOWING

KEY PART NUMBER	U M DESCRIPTION
008289-02-000	EA BOX-ELECTRICAL, 4" X 4" - 1.2" & 3.4" KNOCKOUTS - CANADIAN
008294-02-000	EA COVER-ELECTRICAL BOX, BLANK STEEL - 4" X 4" - CANADIAN
008052-01-000	EA CORD-POWER, 10/3 - 30 AMP - 25' - CANADIAN
008289-02-000	EA BOX-ELECTRICAL, 4" X 4" - 1.2" & 3.4" KNOCKOUTS - CANADIAN
067762-02-000	EA CONVERTER-40AMP, W CHARGER - TRIAD TU-240-2
083210-02-000	EA CIRCUIT BREAKER-GFI, 15A - 120V - BW U-15
093257-01-000	EA BOX-ELECTRICAL, CIRCUIT BREAKER

1991 ITASCA
TABLE OF CONTENTS

INTRODUCTION	A-01	A-02
ABBREVIATIONS		A-03
ALPHABETICAL INDEX	A-04	A-06
ICN32RQ	A-07	F-12
ICN32RQ	F-13	F-22

1991 ICN32RQ INDEX

FLOOR PLAN	F-13	F-14
ACCESSORIES	F-15	G-02
BATH	G-03	G-05
BEDROOM	G-07	G-10
CHASSIS	G-11	H-04
C.C. & PAD	H-05	H-12
DINETTE	H-13	H-14
DRIVERS	H-15	H-18
ELECTRICAL	H-19	I-02
EXTERIOR BODY	I-03	I-10
GALLEY	I-11	I-16
HEATING & A/C	I-17	I-22
INTERIOR FINISH	I-23	J-03
LABEL	J-04	J-12
LP		J-13
LOUNGE	J-14	J-15
SEALANTS & FASTENERS	J-16	J-18
WATER & SEWAGE	J-19	J-23
WINDOW, VENT AND EXTERIOR DOOR	J-24	K-22

CHASSIS GROUP CONTINUED

GENERATOR-ONAN, 6.5 KW - US OPTION L39G - CHEVY & FORD

KEY PART NUMBER	U/M DESCRIPTION
007125-03-000	EA CLAMP-MUFFLER - 1.5" DIA
007125-04-000	EA CLAMP-MUFFLER, 1" DIA
008289-01-000	EA BOX-ELECTRIC, STEEL - 1/2" AND 3/4" KNOCKOUTS - 4" X 4"
008294-01-000	EA COVER-ELECTRICAL BOX, STEEL BLANK - 4" X 4" - GRAY
077476-03-000	EA PIPE-EXHAUST, GENERATOR - ONAN - 1 1/2" X 27 1/2"
075654-05-000	EA PIPE-EXHAUST, ANGLED - W/FLANGE - EMERALD - ONAN# 154, 1 1/2"
081364-03-000	EA MUFFLER-GENERATOR, ONAN
083151-01-000	EA MUFFLER-GENERATOR, ONAN - 1 1/2" OD
083152-01-000	EA PIPE-EXHAUST, GENERATOR - ONAN - 1 3/4" OD X 33 3/4" X 27 1/2"
083152-06-000	EA PIPE-EXHAUST, GENERATOR - ONAN - 1 1/2" OD X 4 1/2" X 55 1/2"
084059-01-000	EA SPACER-GENERATOR, ONAN
055278-01-001	FT TUBING-STEEL, .75" X 1.5" X 289"
054657-02-000	EA TRAY-GENERATOR, 22 1/2" X 30 1/4" X 6 1/2"
054657-01-000	EA TRAY-GENERATOR, 22 1/2" X 30 1/4" X 6 1/2"
100975-01-000	EA GENERATOR 6.5KW EMERALD PLUS, ONAN INC. EA, 6.5KW
006054-02-000	EA CORD POWER, 10 3 - 30AMP - 3W
020011-08-08B	EA SCREW, 8 16 X 1.2 PPH ZN
000511-10-16B	EA SCREW, 10 16 X 1 - PPH ZN
000667-10-12B	EA SCREW, 10 12 X 3/4 - PPH ZN
012026-01-000	FT WIRE-12 2, ROMEX - W/GROUND
006311-01-000	EA CONNECTOR WIRE NUT, INSULATED - RED
008314-01-000	EA CONNECTOR WIRE NUT, INSULATED - GRAY
008328-01-000	EA TERMINAL RING, 12 10 WIRE - #10 STUD FIT
008331-01-000	EA TERMINAL RING, TONGUE - #4 WIRE - 3/8" STUD - COPPER
008353-01-000	EA CONNECTOR-CABLE CLAMPING, 3 1/2"
008355-01-000	EA CONNECTOR-CABLE CLAMPING, 3 1/4"
008356-01-000	EA CONNECTOR-PLASTIC, 3 1/2" AVG
013424-02-000	EA RECEPTACLE-POWER CORD, W/PARTIAL PLATE
041953-01-000	FT CONDUIT-CONVOLUTE SLIT, 1 1/2" ID
057762-01-000	EA CONVERTER-40 AMP, W/CHARGER - TRIAD TU-740 2
069238-01-000	EA COVER-ELECTRICAL BOX, W/HOLE - 4" X 4" - GRAY USED WITH 30 OR 50 AMP RECEPTACLE
088238-01-000	EA COVER-A/C SELECTOR SWITCH FOR FRONT OR REAR
073937-03-000	EA SWITCH ROTARY SELECTOR, 3 DECK - A/C - CA29-USA852
073937-01-700	EA KNOB-ROTARY SWITCH-A/C SEL
074860-01-000	EA BOX-EXTENSION, STEEL - OPEN SIDES - 4" X 4" X 1 1/2"
074897-01-000	EA COVER-ELECTRIC BOX, 1 LARGE & 2 SMALL HOLES - 4" X 4"
083209-03-000	EA CIRCUIT BREAKER-15/20AMP, 120V - BW - 0-15 20
083209-05-000	EA CIRCUIT BREAKER-20A, 120V - BW J-20
083209-06-000	EA CIRCUIT BREAKER-30/15 AMP, 120V - BW D-30-15
091213-01-000	EA BOX-CIRCUIT BREAKER- W/KNOCKOUTS - 5 3/4" X 11 1/8" X 2 1/2"
000026-04-10B	EA BOLT-HEX, SER FLG - 1 1/4-20 X 5 1/2 ZINC
000014-05-00B	EA NUT-HEX, 5/16-18 - ZN 5
000039-04-00B	EA NUT-HEX, SER FLG LK 1/4 - 20 ZN
000039-05-00B	EA NUT-HEX, SER FLG LK - 5/16 - 18 ZN
007131-01-000	EA HANGER-TAILPIPE
024976-01-000	EA SWITCH-GENERATOR, W/O CIRCUIT BOARD
041480-01-000	EA CONNECTOR-STRAIGHT, 1/2" FLEX CONDUIT
088238-01-000	EA COVER-A/C SELECTOR SWITCH FOR FRONT OR REAR
031035-01-000	EA GAUGE-HOURMETER
061087-01-000	EA LIGHT ASM-INDICATOR
097372-04-01A	EA SWITCH-MOMENTARY-OFF-MOMENTARY
077353-09-000	EA SHROUD-INSTRUMENT PANEL CLUSTER, GENERATOR

GENERATOR-ONAN, 6.5 KW - CANADIAN OPTION L39G- CHEVY OR FORD
SAME AS U.S. OPTION EXCEPT FOR THE FOLLOWING

KEY PART NUMBER	U/M DESCRIPTION
008289-02-000	EA BOX-ELECTRICAL, 4" X 4" - 1/2" & 3/4" KNOCKOUTS - CANADIAN
008294-02-000	EA COVER-ELECTRICAL BOX, BLANK STEEL - 4" X 4" - CANADIAN
008289-02-000	EA BOX-ELECTRICAL, 4" X 4" - 1/2" & 3/4" KNOCKOUTS - CANADIAN
083210-02-000	EA CIRCUIT BREAKER-GFI, 15A - 120V - BW U-15
093257-01-000	EA BOX-ELECTRICAL, CIRCUIT BREAKER

CHASSIS GROUP CONTINUED

SPEED CONTROL

KEY PART NUMBER	U/M DESCRIPTION
054369-03-000	EA SPEED CONTROL-SMART STICK, EH - GAS - DANA# 59L-11129R FROM: 00-00-00 THRU: 04-01-91
054369-01-702	EA REGULATOR ASM-ELECTRONIC, DANA# 57C 08X12-R
054369-01-700	EA SERVO-DANA# 53D-11116-R
054369-01-704	EA SIGNAL GENERATOR ASM, DANA# 59L-08X221P
083212-04-701	EA MAIN WIRING HARNESS, DANA# 59D-02570
054369-01-701	EA SWITCH & LEVER ASM, DANA# 58D-11118-F
054369-01-704	EA HEADLIGHT DIMMER MODULE ASM-DANA# 69C-00091
054776-01-710	EA TESTER CRUISE CONT W/HARNESS, DANA# 56L-08X33 B
054369-01-704	EA SIGNAL GENERATOR ONLY, DANA# 59D-02392 1
083212-01-705	EA LA RELEASE VALVE ONLY, DANA# 59C-02297
070972-01-707	EA EXTENSION HARNESS ASM-SIGNAL GENERATOR, DANA# 59C-237B-1
054369-01-705	EA VACUUM RESERVOIR DANA# 59C-02249
083212-01-704	EA STOP LAMP CRUISE RELEASE SWITCH, DANA# 59C-02543
083211-01-703	EA SERVO CABLE ASM ONLY, DANA# 59C-02538
054369-01-702	EA WIPER CONTROL MODULE DANA# 69C-00061
102362-01-000	EA SPEED CONTROL-1991 CHEVY, DANA 59L-111016R FROM: 04-02-91 THRU: 09-09-99
054369-01-706	EA SERVO-DANA# 53D-11116-R
102362-01-709	EA CABLE ONLY-REPLACEMENT
102362-01-702	EA CONTROL SWITCH & LEVER ASM
102362-01-001	EA REGULATOR ASM ELECTRONIC
102362-01-702	EA WIPER CONTROL MODULE
054369-01-705	EA VACUUM RESERVOIR-DANA# 59C-02249
102362-01-704	EA HARNESS ASM-MAIN WIRING
102362-01-703	EA HARNESS ASM PIVOT SW TO WIPER
054369-01-704	EA HOUSING-4 PIN, SPEED CONTROL - TOYOTA - DANA 59C-02291
102362-01-705	EA THROTTLE RETAINER CLIP
102362-01-706	EA THROTTLE STUD

RADIATOR OVERFLOW COMPONENTS

KEY PART NUMBER	U/M DESCRIPTION
059100-01-000	EA CAP-BOTTLE, OVERFLOW - GM 14054390
086630-01-000	EA BOTTLE-OVERFLOW, RADIATOR - GM 14042454
076310-01-000	EA RAFFLE-RADIATOR, 12" X 15" X 62" - RUBBER

1991 ITASCA

TABLE OF CONTENTS

INTRODUCTION	A-01	A-02
ABBREVIATIONS		A-03
ALPHABETICAL INDEX	A-04	A-06
ICN32RT	A-07	F-12
ICN32RQ	F-13	F-22

1991 ICN32RQ INDEX

FLOOR PLAN	F-13	F-14
ACCESSORIES	F-15	G-02
BATH	G-03	G-06
BEDROOM	G-07	G-10
CHASSIS	G-11	H-04
C/C & PAD	H-05	H-12
DINETTE	H-13	H-14
DRIVERS	H-15	H-18
ELECTRICAL	H-19	I-02
EXTERIOR BODY	I-03	I-10
GALLEY	I-11	I-16
HEATING & A/C	I-17	I-22
INTERIOR FINISH	I-23	J-03
LABEL	J-04	J-12
LP		J-13
LOUNGE	J-14	J-15
SEALANTS & FASTENERS	J-16	J-18
WATER & SEWAGE	J-19	J-23
WINDOW, VENT AND EXTERIOR DOOR	J-24	K-22

CHASSIS GROUP CONTINUED

FUEL FILL COMPONENTS

KEY PART NUMBER	U/M DESCRIPTION
093810-03-000	EA SHROUD-FUEL FILL, LOWER
072447-04-000	EA SHROUD-FUEL FILL, UPPER
083578-01-000	EA BOOT-FUEL FILL
094235-01-000	EA SUPPORT-FLANGE, FUEL FILL BOOT
086254-01-000	EA RETAINER-SENDER, FUEL
086255-01-000	EA GASKET-SENDER, FUEL
086486-02-000	EA STRAP-FUEL TANK, STEEL
098804-01-000	EA PIPE-VENT, FILL - 12" LONG
	FROM: 09-24-99 THRU: 09-29-99
098805-01-000	EA PIPE-FUEL, FILL - 11.4" LONG
	FROM: 09-09-00 THRU: 09-23-99
079660-01-000	EA GROMMET-SEAL VALVE - FUEL - FORD# E1FZ-9B976-B
007063-01-000	FT HOSE GAS 1/2"ID X 1/2"OD
040731-01-000	EA HIPPLE-INLET MANIFOLD, GM 3838054
062401-03-000	EA CLAMP-HOSE WORMGEAR, 2 1/2" 1"
062401-05-000	EA CLAMP-HOSE, WORMGEAR 2" 3"
067797-01-000	FT SPACER-STRAP, W/FOAM ADHESIVE - 31" X 15" - NEOPRENE
076785-02-000	EA ELBOW-BRASS, 60 DEGREE - 3/4" FPT X 3/4" MPT
089753-01-000	FT TUBE-ALUMINIZED STEEL, 5 8" 18 GAUGE

SPARE TIRE CARGO NET

KEY PART NUMBER	U/M DESCRIPTION
073287-02-01A	EA NET-CARGO SPARE TIRE RETAINER

TIRE

KEY PART NUMBER	U/M DESCRIPTION
007324-04-000	EA TIRE-BR19.5LRD, MICHELIN XZA
051377-01-000	EA STEM-VALVE
M01019-01-000	EA WHEELWELL-BRIDGE, E-COATED

DRIVESHAFT

KEY PART NUMBER	U/M DESCRIPTION
075302-09-000	EA DRIVESHAFT-YOKE-YOKE
094554-01-000	EA SUPPORT ASM BEARING
096069-01-000	EA SHIELD-HEAT CONVERTOR
	FROM: 12-05-99 THRU: 06-10-99
083415-01-000	EA SHIELD-HEAT, 4" X 4.5" - STEEL

REAR AXLE AIRSPRINGS

KEY PART NUMBER	U/M DESCRIPTION
084086-01-000	EA AIRSPRING-BELLOWS, REAR AXLE - FIRESTONE# MHA224
084086-01-700	EA AIR BAG-ONLY, FIRESTONE# W21-760-0335
084086-01-701	EA TUBING-DOT 1/4" X 18" - FIRESTONE# 21-0938
084086-01-702	EA BOLT-RIBBED NECK, 3/8"-24 X 2.5" FIRESTONE# 21-0829
084086-01-703	EA INFLATING VALVE-DOT 1/4" TUBING, FIRESTONE# 21-0931
084086-01-704	EA ELBOW CONNECTOR, FIRESTONE# 21-0935
084086-01-705	EA TUBING PROTECTORS, FIRESTONE# 21-0899
084086-01-706	EA BRACKET-UPPER TO FRAME, FIRESTONE# 21-0150
084086-01-707	EA BRACKET-LOWER, TOP - FIRESTONE# 21-1162
084086-01-708	EA AIRLINE SERVICE KIT, FIRESTONE# W21-760-2012
084086-01-709	EA HEAT SHIELD, FIRESTONE# 21-1004
084086-01-710	EA BOLT PACKAGE, FIRESTONE 2135823002
084086-01-711	EA HEAT SHIELD-224 DOS SYSTEM, FIRESTONE 21-5042
084086-01-712	EA BRACKET-LOWER DRIVERS 224DOS, FIRESTONE 21-5037
084086-01-713	EA AXLE STRAP BRACKET, FIRESTONE 21-1163
084086-01-714	EA AXLE STRAP BRACKET, FIRESTONE 21-5038

CHASSIS GROUP CONTINUED

EXHAUST COMPONENTS

KEY PART NUMBER	U/M DESCRIPTION
095199-01-000	EA HANGER-EXHAUST, 4" X 1.4"
095222-02-000	EA BRACKET-EXHAUST UPPER - WBEND & NUTS
095223-02-000	EA BRACKET-EXHAUST LOWER - STRAIGHT - W/NUTS
098599-01-000	EA PIPE-EXHAUST

MUDFLAP & LUG WRENCH

KEY PART NUMBER	U/M DESCRIPTION
020167-03-000	EA DIRT GUARD-STEEL FOR MUDFLAP
017516-01-000	EA FLAP-MUD, BLACK
050208-01-000	EA LUG WRENCH 1 00X1 00
090208-02-000	EA LEVERAGE BAR-LUG WRENCH

MISCELLANEOUS COMPONENTS

KEY PART NUMBER	U/M DESCRIPTION
011265-01-000	EA PIN-TIRE CARRIER, CADMIUM PLATED
075466-01-000	EA UNION-INVERTED FL TUBE, 1.4"
075467-01-000	EA NUT-INVERTED FLARE 1.4"
098497-02-000	EA NUT-INVERTED FLARE, 1.4"
084684-01-000	EA PLUG-BRASS, 3/8"
006012-05-10B	EA BOLT-HEX, 5/16-18 X 1 - ZINC 5
006039-05-00B	EA NUT-HEX, SER FLG LK - 5/16 - 18 ZN
062401-07-000	EA CLAMP HOSE, WORMGEAR 5" 7"
008244-01-000	FT TAPE-FOAM, VINYL COATED - 2" WIDE - INCREMENTS OF 100 FT
000039-05-00B	EA NUT-HEX, SER FLG LK - 5/16 - 18 ZN
051387-06-000	EA BOLT-CARRIAGE, W/O HOLE - 5/16-18 X 9.5 ZN
000E13-17-00B	EA WASH R-FI-3/8 AR ZN
071015-08-000	EA GROMMET-1.75"ID, FITS 1/4" MATERIAL, RUBBER
000039-05-00B	EA NUT-HEX, SER FLG LK - 5/16 - 18 ZN
000039-05-00B	EA NUT-HEX, SER FLG LK - 5/16 - 18 ZN
000012-10-24D	EA BOLT-HEX, 5/8-11 X 1 1/2 ZN - 5
097475-01-000	EA BRACKET-BATTERY TIE DOWN

BATTERY

KEY PART NUMBER	U/M DESCRIPTION
051697-01-000	EA BRACKET-BATTERY, TIE DOWN
051387-06-000	EA BOLT-CARRIAGE, W/O HOLE - 5/16-18 X 9.5 ZN
086233-01-000	EA STUD-ISOLATED, 3/8" X 7.8" LONG
074994-01-000	EA GUIDE-TRACK, BATTERY TRAY
093895-01-000	EA TRAY-BATTERY, W/GUIDE & LATCH STRIKE
065450-05-000	EA TIEDOWN-BATTERY
076767-02-000	EA CABLE-1/16" X 16.5" - STAINLESS STEEL
098196-01-000	EA LATCH-1/4 TURN, T-BAR
090604-03-000	EA TRAY ASM-BATTERY - CHEVY
090604-04-000	EA TRAY - BATTERY, FORD

**1991 ITASCA
TABLE OF CONTENTS**

INTRODUCTION	A-01	A-02
ABBREVIATIONS		A-03
ALPHABETICAL INDEX	A-04	A-05
ICN28RT	A-07	F-12
ICN32RO	F-13	K-22

1991 ICN32RQ INDEX

FLOOR PLAN	F-13	F-14
ACCESSORIES	F-15	G-02
BATH	G-03	G-06
BEDROOM	G-07	G-10
CHASSIS	G-11	H-04
C.C. & PAD	H-05	H-12
DINETTE	H-13	H-14
DRIVERS	H-15	H-18
ELECTRICAL	H-19	I-02
EXTERIOR BODY	I-03	I-10
GALLEY	I-11	I-16
HEATING & A/C	I-17	I-22
INTERIOR FINISH	I-23	
		J-03
LABEL	J-04	J-12
LP		J-13
LOUNGE	J-14	J-15
SEALANTS & FASTENERS	J-16	J-18
WATER & SEWAGE	J-19	J-23
WINDOW, VENT AND EXTERIOR DECOR	J-24	F-22

CHASSIS GROUP CONTINUED

FRONT & REAR BUMPERS

KEY PART NUMBER	U/M DESCRIPTION
M93846-01-Y35	EA PANEL-BUMPER, FRONT W/GRILLE & LIGHTS
093005-01-Y33	EA GRILLE-2 BAR
093749-01-000	EA SUPPORT-BUMPER EXTENSION, PASS SIDE - 7.5" X 12.5" - METAL
093749-02-000	EA SUPPORT-BUMPER EXTENSION, DRIVER SIDE - 7.5" X 12.5" - METAL
077851-09 000	EA BUMPER-REAR, OFF WHITE
077851-05 000	EA BUMPER-REAR, UNFINISHED
102333-01-02A	EA BOLT-CARRIAGE, 7/16 - 14 SST CAP OFF WHITE BUMPER BOLT
093034-01-000	EA BRACE-BUMPER, UPPER - 2" X 16.3" - METAL - BLACK
093048-01-000	EA PLATE-SKID, REAR BUMPER - V SHAPED
093275-01 000	EA BRACE-BUMPER, LOWER - 2" X 16.3" - METAL - BLACK
076558-01 000	EA SUPPORT-L ANGLE, BUMPER - PASSENGER SIDE - 5" X 4.5"
076558-02-000	EA SUPPORT-L ANGLE, BUMPER - DRIVER SIDE - 5" X 4.5"
077855-01-000	EA BRACKET-BUMPER, REAR - BEIT ENDS - 2" WIDE X 8" LONG
081107-01-000	EA BRACKET-BUMPER, FRN, ANGLE 2.6" X 7.6" - METAL - BLACK

PLASTIC WHEELWELL

KEY PART NUMBER	U/M DESCRIPTION
095071-01-000	EA WHEELWELL-PLASTIC, REAR - DRIVER AND PASSENGER

CHASSIS GROUP CONTINUED

TRAILER TOWING HOUSINGS

KEY PART NUMBER	U/M DESCRIPTION
097744-02-000	EA HOUSING-TRAILER PIN, 48"
097745-02-000	EA HOUSING-RECEPTACLE, TRAILER - 48" WIRE LENGTH
097746 01-000	EA HOUSING, CAP-TRAILER PIN

LICENSE PLATE BRACKET

KEY PART NUMBER	U/M DESCRIPTION
093355 01-000	EA BRACKET-LICENSE PLATE, FRONT

ENTRY STEP BOX

KEY PART NUMBER	U/M DESCRIPTION
088412-02-000	EA TRIM-STEPBOX, ENTRY DOOR - TAN
088412-04-000	EA TRIM-STEPBOX, ENTRY DOOR - BEIGE
092893-02-01A	EA LINER-STEP BOX, ENTRANCE DOOR - 5" - BLACK
M92055-01-000	EA PANEL-ACCESS, STEP BOX - W/HINGE
088254-01-000	EA CATCH-MAGNETIC, 1.4" X .17"
009063 01-000	EA HINGE-CONTINUOUS, 1.12" X .72"
096045-01 000	EA PULL-CABINET, BRASS

**1991 ITASCA
TABLE OF CONTENTS**

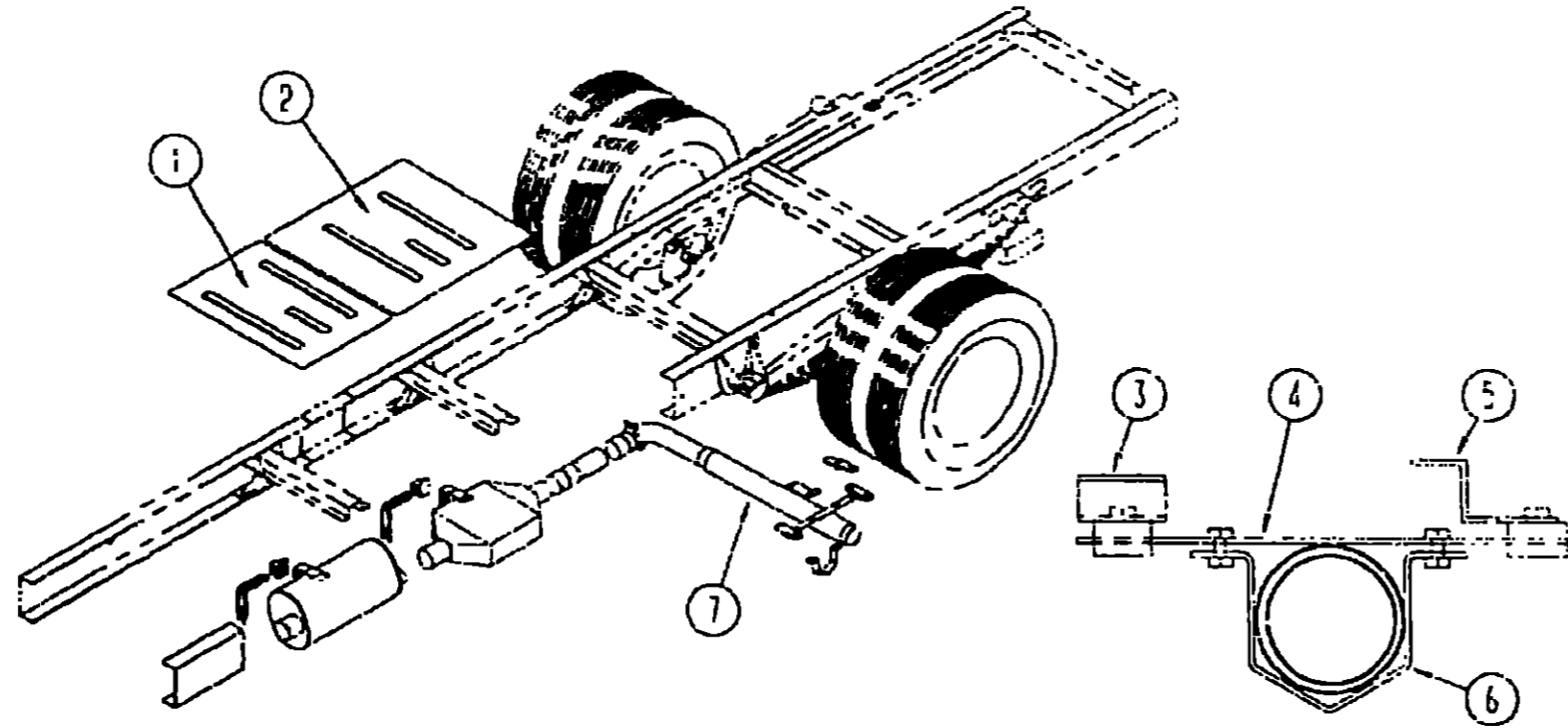
INTRODUCTION	A-01 - A-02
ABBREVIATIONS	A-03
ALPHABETICAL INDEX	A-04 - A-06
ICN32RT	A-07 - F-12
ICN32RQ	F-13 - K-23

1991 ICN32RQ INDEX

FLOOR PLAN	F-13 - F-14
ACCESSORIES	F-15 - G-02
BATH	G-03 - G-06
BEDROOM	G-07 - G-10
CHASSIS	G-11 - H-04
C C & PAD	H-05 - H-12
DINETTE	H-13 - H-14
DRIVERS	H-15 - H-18
ELECTRICAL	H-19 - I-02
EXTERIOR BODY	I-03 - I-10
GALLEY	I-11 - I-16
HEATING & A/C	I-17 - I-22
INTERIOR FINISH	I-23 - J-03
LABEL	J-04 - J-12
LP	J-13
LOUNGE	J-14 - J-15
SEALANTS & FASTENERS	J-16 - J-18
WATER & SEWAGE	J-19 - J-23
WINDOW, VENT AND EXTERIOR DOOR	J-24 - K-22

CHASSIS GROUP CONTINUED

EXHAUST COMPONENTS



1991 ITASCA TABLE OF CONTENTS

INTRODUCTION	A-01 -	A-02
ABBREVIATIONS		A-03
ALPHABETICAL INDEX	A-04 -	A-06
ICN26RT	A-07 -	F-12
ICN32RG	F-13 -	K-22

1991 ICN32RQ INDEX

FLOOR PLAN	F-13 -	F-14
ACCESSORIES	F-15 -	G-02
BATH	G-03 -	G-06
BEDROOM	G-07 -	G-10
CHASSIS	G-11 -	H-04
C C & PAD	H-05 -	H-12
DINETTE	H-13 -	H-14
DRIVERS	H-15 -	H-18
ELECTRICAL	H-19 -	I-02
EXTERIOR BODY	I-03 -	I-10
GALLEY	I-11 -	I-16
HEATING & A/C	I-17 -	I-22
INTERIOR FINISH	I-23 -	J-03
LABEL	J-04 -	J-12
LP		J-13
LOUNGE	J-14 -	J-15
SEALANTS & FASTENERS	J-16 -	J-18
WATER & SEWAGE	J-19 -	J-23
WINDOW, VENT AND EXTERIOR DOOR	J-24 -	K-22

KEY PART NUMBER	U/M	DESCRIPTION
1	101544 01 000	EA SHIELD-HEAT,EXHAUST
2	101544 02 000	EA SHIELD-HEAT,EXHAUST
3	NOTE	EA BRACKET ASM-EXHAUST,UPPER
4	NOTE	EA BRACKET-EXHAUST,UPPER
5	095222-02-000	EA BRACKET-EXHAUST, UPPER - W/BEND & NUTS
6	095223-02-000	EA BRACKET-EXHAUST, LOWER - STRAIGHT - W/NUTS
7	098599-01-000	EA PIPE-EXHAUST
	095190-01-000	EA HANGER-EXHAUST, 4" X 1 4"

NOTE: THIS PART IS NOT SERVICED BY WINNEBAGO. CHECK WITH CHASSIS MANUFACTURER

CHASSIS GROUP (CONTINUED)
STORAGE COMPARTMENTS & TRAYS

KEY	PART NUMBER	U/M	DESCRIPTION
	M03636-04-000	EA	TRAY-BTM. W/HATCH FOAM
	M03636-07-000	EA	TRAY-BTM. W/HATCH FOAM
	M03496-01-000	EA	FURNACE COMPARTMENT E-COATED
	092203-01-000	EA	PANEL-EXHAUST,FURNACE
	096361-01-000	EA	PANEL-STORAGE.FRONT
	095361-05-000	EA	PANEL-STORAGE,FRONT
	093636-06-000	EA	PANEL-STORAGE.CENTER
	093636-08-000	EA	PANEL-STORAGE.CENTER
	M03466-01-000	EA	SPARE TIRE COMPT 89N CHEVY
	099008-01-02A	EA	DOOR-COMPARTMENT.SW.HS.O.WHT
	053895-01-000	EA	TRAY-BATTERY, W.GUIDE & LATCH STRIKE
	051387-06-000	EA	BOLT-CARRIAGE, W/O HOLE - 5'16-18 X 9.5 ZN
	086233-01-000	EA	STUD-ISOLATED, 3/8" X 7/8" LONG
	074994-01-000	EA	GUIDE-TRACK,BATTERY TRAY
	015365-01-000	EA	PIN-TIRE CARRIER, CADMIUM PLATED
	093718-01-000	EA	PLATE-STRIKE, BATTERY/STORAGE COMPARTMENT
	092644-02-Y12	EA	PROP ROD-COMPARTMENT DOOR, W.SPRING & BRACKET
	052469-01-000	EA	SPRING-#020-050 COMP
	092639-01-000	EA	BRACKET-DOOR PROP
	039984-01-000	EA	CAP-ROUND, VINYL - .28" ID X .62" LONG - BLACK
	093061-01-02A	EA	STRIKER-DOOR, LUGGAGE, BLACK
	089329-01-000	EA	CLIP-SPRING, 3/8"
	008396-01-000	EA	GROMMET-SNAP, 3.5"
	094376-02-000	EA	ROD-PROP, GENERATOR DOOR
	094387-02-000	EA	STRIKER-DOOR, GENERATOR
	094798-01-000	EA	SUPPORT-L ANGLE, DOOR STRIKER - 1.25" X 3.17" LONG - STEEL
	069726-02-000	EA	BUMPER-.88"DIA X .40", BLACK
	093305-01-01A	FT	TRIM-EDGE, C-TYPE - WIRE CARRIER - .35" X .24" - VINYL

CHASSIS GROUP (CONTINUED)
ELECTRIC ENTRY STEP

KEY	PART NUMBER	U/M	DESCRIPTION
	094707-01-01A	EA	STEP-DOUBLE, ENTRANCE - ELECTRIC
	094707-01-01A	EA	STEP-DOUBLE, ELECTRIC - KWIKEE 9016 NEW MODEL USED 3-16-91 ON. CHECK BUILT DATE OF COACH REFERENCE CORRECT REPAIR PARTS LIST REPAIR PARTS LIST FROM 000000 TO 031591
	094707-01-700	EA	CONTROL UNIT, KWIKEE 8310
	088746-01-701	EA	MOTOR ASSEMBLY, ALL MODELS - KWIKEE 9035 NOT MANDATORY, BUT MAY REPLACE WITH CONTROL & MOTOR VERSION KIT W/1 YEAR WARRANTY BY KWIKEE - #094709-02
	088746-01-702	EA	GEAR-ALL MODELS, KWIKEE 9038
	088746-01-703	EA	BRACKET,MOTOR BEARING, KWIKEE 7040
	091201-01-700	EA	LINKAGE ASSEMBLY, KWIKEE R289
	088746-01-705	EA	LIGHT-UNDER STEP, KWIKEE 9004
	086746-01-706	EA	SWITCH-KILL, KWIKEE 9016
	094707-01-701	EA	SWITCH-DOOR JAMB, PLASTIC - KWIKEE - 9316
	094707-01-702	EA	FRAME-DOUBLE STEP, KWIKEE 8285-W REPAIR PARTS LIST FROM 031691 TO 999999
	094707-02-705	EA	CONTROL UNIT, (ORANGE) - KWIKEE 9513
	088746-01-705	EA	LIGHT-UNDER STEP, KWIKEE 9004
	088746-01-706	EA	SWITCH-KILL, KWIKEE 9016
	094707-01-701	EA	SWITCH-DOOR JAMB, PLASTIC - KWIKEE - 9316
	094707-01-702	EA	FRAME-DOUBLE STEP, KWIKEE 8285-W
	094707-01-703	EA	GEAR BOX ASM, FOR SINGLE & DOUBLE STEP - KWIKEE 5210
	094707-02-700	EA	MOTOR REPLACEMENT KIT - MODELS 32 & 28 - KWIKEE 9520
	094707-02-701	EA	LINKAGE ASM - MODEL 32 - KWIKEE 9523
	094707-02-702	EA	GEAR KIT - KWIKEE 9525
	094707-02-703	EA	PARTS KIT, (BEARINGS & PINS) - KWIKEE 9530
	094707-02-704	EA	CONNECTOR KIT-MOTOR, KWIKEE 9537
	060312-01-000	EA	SWITCH-DOOR JAMB, ELECTRIC ENTRY STEP
	075723-02-000	EA	SPACER-SWITCH, W/HOLE - .9" X 2" - METAL - OFF WHITE FOR ELECTRIC STEP DOOR JAMB SWITCH
	094707-02-703	EA	PARTS KIT, (BEARINGS & PINS) - KWIKEE 9530 FROM: 03-16-91 THRU: 99-99-99
	088746-01-703	EA	BRACKET,MOTOR BEARING, KWIKEE 7040
	088746-01-705	EA	LIGHT-UNDER STEP, KWIKEE 9004
	088746-01-706	EA	SWITCH-KILL, KWIKEE 9016
	094707-01-701	EA	SWITCH-DOOR JAMB, PLASTIC - KWIKEE - 9316

1991 ITASCA
TABLE OF CONTENTS

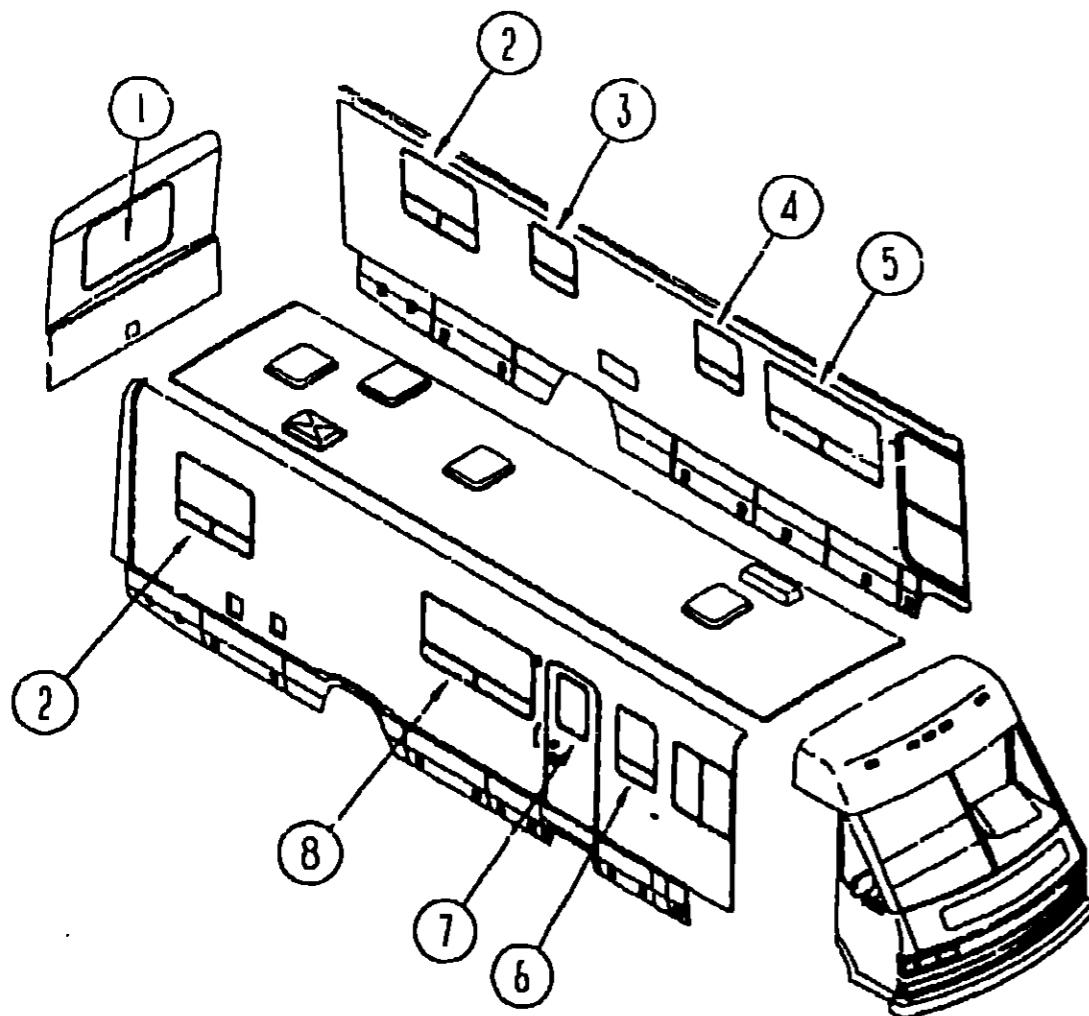
INTRODUCTION	A-01	A-02
ABBREVIATIONS		A-03
ALPHABETICAL INDEX	A-04	A-06
ICN28RT	A-07	F-12
ICN32RQ	F-13	K-22

1991 ICN32RQ INDEX

FLOOR PLAN	F-13	F-14
ACCESSORIES	F-15	G-02
BATH	G-03	G-06
BEDROOM	G-07	G-10
CHASSIS	G-11	H-04
C C & PAD	H-05	H-12
DINETTE	H-13	H-14
DRIVERS	H-15	H-18
ELECTRICAL	H-19	I-02
EXTERIOR BODY	I-03	I-10
GALLERY	I-11	I-16
HEATING & A/C	I-17	I-22
INTERIOR FINISH	I-23	J-03
LABEL	J-04	J-12
LP		J-13
LOUNGE	J-14	J-15
SEALANTS & FASTENERS	J-16	J-19
WALLS & SEWAGE	J-19	J-23
WINDOW, VENT AND EXTERIOR DOOR	J-24	K-22

CURTAIN, CUSHION & PAD GROUP

CURTAIN, CUSHION & PAD GROUP (CONTINUED)
WINDOW TREATMENT CONT



WINDOW TREATMENT

KEY PART NUMBER

- 3 101079-06-B35
- 3 101079-06-B30
- 3 101079-06-B31
- 3 101079-07-B35
- 3 101079-07-B30
- 3 101079-07-B31
- 3 093475-72-01A

U M DESCRIPTION

- EA LEG-WINDOW, 27.5" - FRONT - B29 - RANCH MINK
- EA LEG-WINDOW, 27.5" - FRONT - B30 - SILVER FOX
- EA LEG-WINDOW, 27.5" - FRONT - B31 - HEATHER SUEDE
- EA LEG-WINDOW, 27.5" - REAR - B29 - RANCH MINK
- EA LEG-WINDOW, 27.5" - REAR - B30 - SILVER FOX
- EA LEG-WINDOW, 27.5" - REAR - B31 - HEATHER SUEDE
- EA BLIND-MINI, 13.5" X 27.5" DROP - BEIGE

1991 ITASCA
TABLE OF CONTENTS

INTRODUCTION	A-01 - A-02
ABBREVIATIONS	A-03
ALPHABETICAL INDEX	A-04 - A-06
ICN28RT	A-07 - F-12
ICN32RQ	F-13 - K-22

- 3 093475-72-02A
- 3 093475-72-03A
- 4 093475-37-07A
- 4 093475-37-01A
- 4 093475-37-09A

- EA BLIND-MINI, 13.5" X 28.5" DROP - B29 FROM: 00-00-0 THRU: 01-15-91
- EA BLIND-MINI, 13.5" X 28.5" DROP - B30 B31 FROM: 01-14-91 THRU: 99-99-99
- EA BLIND-MINI, 28" X 21" DROP - BEIGE FROM: 01-14-91 THRU: 99-99-99
- EA BLIND-MINI, 28" X 21" DROP - B29 FROM: 00-00-0 THRU: 01-15-91
- EA BLIND-MINI, 28" X 21" DROP - B30 B31 FROM: 01-14-91 THRU: 99-99-99

- 5 101079-02-B29
- 5 101079-02-B30
- 5 101079-02-B31
- 5 101079-04-B29
- 5 101079-04-B30
- 5 101079-04-B31
- 5 093475-63-01A

- EA LEG-WINDOW, 31.5" - FRONT - B29 - RANCH MINK
- EA LEG-WINDOW, 31.5" - FRONT - B30 - SILVER FOX
- EA LEG-WINDOW, 31.5" - FRONT - B31 - HEATHER SUEDE
- EA LEG-WINDOW, 31.5" - REAR - B29 - RANCH MINK
- EA LEG-WINDOW, 31.5" - REAR - B30 - SILVER FOX
- EA LEG-WINDOW, 31.5" - REAR - B31 - HEATHER SUEDE
- EA BLIND-MINI, 57.5" X 31.5" - BEIGE FROM: 00-00-0 THRU: 01-15-91

- 5 093475-63-03A
- 5 093475-63-04A

- EA BLIND-MINI, 57.5" X 31.5" DROP - B29 FROM: 01-14-91 THRU: 99-99-99
- EA BLIND-MINI, 57.5" X 31.5" DROP - B30 B31 FROM: 01-14-91 THRU: 99-99-99

- 6 101079-02-B29
- 6 101079-02-B30
- 6 101079-02-B31
- 6 101079-05-B32
- 6 101079-05-B33
- 6 101079-05-B34
- 6 093475-22-08A

- EA LEG-WINDOW, 31.5" - REAR - B29 - RANCH MINK
- EA LEG-WINDOW, 31.5" - REAR - B30 - SILVER FOX
- EA LEG-WINDOW, 31.5" - REAR - B31 - HEATHER SUEDE
- EA LEG-WINDOW, 31.5" - FRONT - B29 - RANCH MINK
- EA LEG-WINDOW, 31.5" - FRONT - B30 - SILVER FOX
- EA LEG-WINDOW, 31.5" - FRONT - B31 - HEATHER SUEDE
- EA BLIND-MINI, 21" X 32" DROP - BEIGE FROM: 00-00-0 THRU: 01-15-91

- 6 093475-22-03A
- 6 093475-22-10A

- EA BLIND-MINI, 21" X 32" DROP - B29 FROM: 01-14-91 THRU: 99-99-99
- EA BLIND-MINI, 21" X 32" DROP - B30 B31 FROM: 01-14-91 THRU: 99-99-99

- 7 084755-57-B07
- 8 101079-02-B29
- 8 101079-02-B30
- 8 101079-02-B31
- 8 101079-04-B29
- 8 101079-04-B30
- 8 101079-04-B31
- 8 093475-63-01A

- EA SHADE-PULL, 27.25"
- EA LEG-WINDOW, 31.5" - REAR - B29 - RANCH MINK
- EA LEG-WINDOW, 31.5" - REAR - B30 - SILVER FOX
- EA LEG-WINDOW, 31.5" - REAR - B31 - HEATHER SUEDE
- EA LEG-WINDOW, 31.5" - FRONT - B29 - RANCH MINK
- EA LEG-WINDOW, 31.5" - FRONT - B30 - SILVER FOX
- EA LEG-WINDOW, 31.5" - FRONT - B31 - HEATHER SUEDE
- EA BLIND-MINI, 57.5" X 31.5" - BEIGE FROM: 00-00-0 THRU: 01-15-91

- 8 093475-63-03A
- 8 093475-63-04A

- EA BLIND-MINI, 57.5" X 31.5" DROP - B29 FROM: 01-14-91 THRU: 99-99-99
- EA BLIND-MINI, 57.5" X 31.5" DROP - B30 B31 FROM: 01-14-91 THRU: 99-99-99

KEY PART NUMBER
097994-03-B07

U M DESCRIPTION

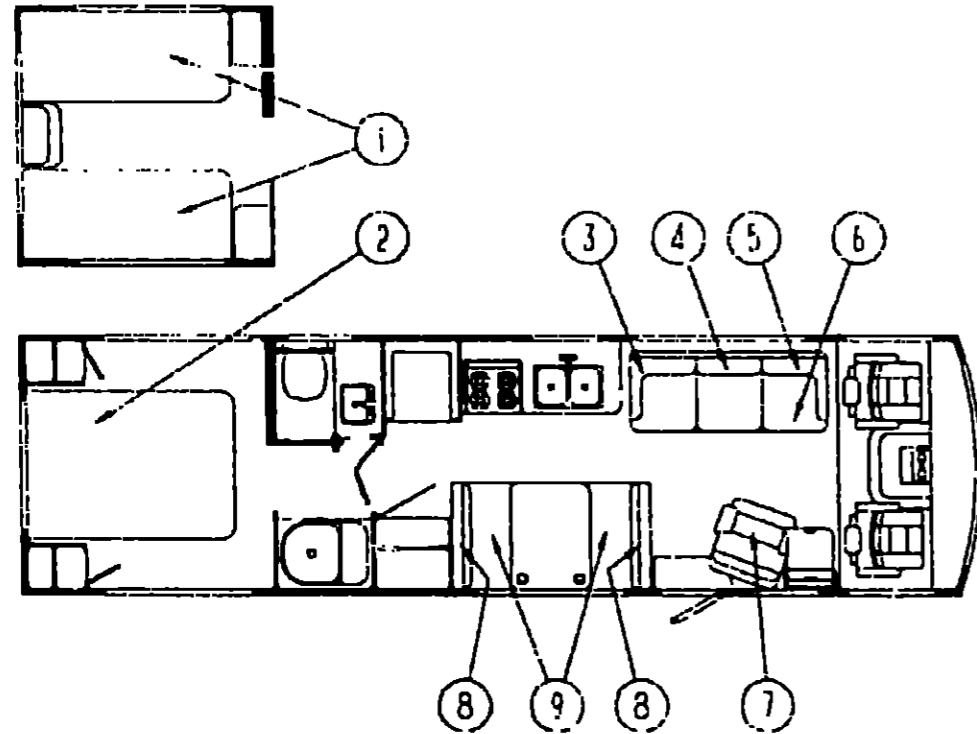
- EA CURTAIN-HOOK TOP, 34" X 75" - B29 - RANCH MINK

1991 ICN32RQ INDEX

FLOOR PLAN	F-13 - F-14
ACCESSORIES	F-15 - G-02
BATH	G-03 - G-06
BEDROOM	G-07 - G-10
CHASSIS	G-11 - H-04
C C & PAD	H-05 - H-12
DINETTE	H-13 - H-14
DRIVERS	H-15 - H-18
ELECTRICAL	H-19 - I-02
EXTERIOR BODY	I-03 - I-10
GALLEY	I-11 - I-16
HEATING & A/C	I-17 - I-22
INTERIOR FINISH	I-23 - J-03
LABEL	J-04 - J-12
LP	J-13
LOUNGE	J-14 - J-15
SEALANTS & FASTENERS	J-16 - J-18
WATER & SEWAGE	J-19 - J-23
WINDOW, VENT AND EXTERIOR DOOR	J-24 - K-22

WINDSHIELD PRIVACY CURTAINS

CURTAIN, CUSHION & PAD GROUP (CONTINUED)



MATTRESS & BEDSPREAD

KEY PART NUMBER	U/M DESCRIPTION
1 098176-01-000	EA MATTRESS-TWIN, 32" X 74"
1 085365-07-B29	EA BEDSPREAD-TWIN, 33" - B29 - RANCH MINK
1 085365-07-B30	EA BEDSPREAD-TWIN, 33" - B30 - SILVER FOX
1 085365-07-B31	EA BEDSPREAD-TWIN, 33" - B31 - HEATHER SUEDE

MATTRESS & BED COVERINGS

KEY PART NUMBER	U/M DESCRIPTION
2 098176-04-000	EA MATTRESS-QUEEN, 59" X 74"
2 083986-04-B29	EA BEDSPREAD-QUEEN, 60" - B29 - RANCH MINK
2 083986-04-B30	EA BEDSPREAD-QUEEN, 60" - B30 - SILVER FOX
2 083986-04-B31	EA BEDSPREAD-QUEEN, 60" - B31 - HEATHER SUEDE
102161-01-B29	EA SHAM-PILLOW, B29 - RANCH MINK
102161-01-B30	EA SHAM-PILLOW, B30 - SILVER FOX
102161-01-B31	EA SHAM-PILLOW, B31 - HEATHER SUEDE

DRIVERS SIDE COUCH

KEY PART NUMBER	U/M DESCRIPTION
3 101175-05-B29	EA CUSHION-BACK, COUCH - W/ARMREST - REAR - B29 - RANCH MINK
3 101175-05-B30	EA CUSHION-BACK, COUCH - W/ARMREST - REAR - B30 - SILVER FOX
3 101175-05-B31	EA CUSHION-BACK, COUCH - W/ARMREST - REAR - B31 - HEATHER SUEDE
P01175-05-B29	EA COVER-BACK, COUCH - W/ARMREST - REAR - B29 - RANCH MINK
P01175-05-B30	EA COVER-BACK, COUCH - W/ARMREST - REAR - B30 - SILVER FOX
P01175-05-B31	EA COVER-BACK, COUCH - W/ARMREST - REAR - B31 - HEATHER SUEDE
4 101175-06-B29	EA CUSHION-BACK, COUCH - CENTER - B29 - RANCH MINK
4 101175-06-B30	EA CUSHION-BACK, COUCH - CENTER - B30 - SILVER FOX
4 101175-06-B31	EA CUSHION-BACK, COUCH - CENTER - B31 - HEATHER SUEDE
P01175-06-B29	EA COVER-BACK, COUCH - CENTER - B29 - RANCH MINK
P01175-06-B30	EA COVER-BACK, COUCH - CENTER - B30 - SILVER FOX
P01175-06-B31	EA COVER-BACK, COUCH - CENTER - B31 - HEATHER SUEDE
5 101175-04-B29	EA CUSHION-BACK, COUCH - W/ARMREST - FRONT - B29 - RANCH MINK
5 101175-04-B30	EA CUSHION-BACK, COUCH - W/ARMREST - FRONT - B30 - SILVER FOX
5 101175-04-B31	EA CUSHION-BACK, COUCH - W/ARMREST - FRONT - B31 - HEATHER SUEDE
P01175-04-B29	EA COVER-BACK, COUCH - W/ARMREST - FRONT - B29 - RANCH MINK
P01175-04-B30	EA COVER-BACK, COUCH - W/ARMREST - FRONT - B30 - SILVER FOX
P01175-04-B31	EA COVER-BACK, COUCH - W/ARMREST - FRONT - B31 - HEATHER SUEDE
6 089007-05-B29	EA SEAT-COUCH, W/O BACK CUSHIONS - B30 - SILVER FOX
6 089007-05-B31	EA SEAT-COUCH, W/O BACK CUSHIONS - B31 - HEATHER SUEDE
M89007-05-B29	EA COVER-SEAT, COUCH - B29 - RANCH MINK
M89007-05-B30	EA COVER-SEAT, COUCH - B30 - SILVER FOX
M89007-05-B31	EA COVER-SEAT, COUCH - B31 - HEATHER SUEDE
079386-01-000	EA FRAME-COUCH, CONTINENTAL

CURTAIN, CUSHION & PAD GROUP (CONTINUED)

PASSENGER SIDE SWIVEL CHAIR

KEY PART NUMBER	U/M DESCRIPTION
7 101178-02-B29	EA CHAIR-SWIVEL, W/O BASE OR SKIRT - B29 - RANCH MINK
7 101178-02-B30	EA CHAIR-SWIVEL, W/O BASE OR SKIRT - B30 - SILVER FOX
7 101178-02-B31	EA CHAIR-SWIVEL, W/O BASE OR SKIRT - B31 - HEATHER SUEDE
P01178-02-B29	EA COVER-CHAIR, SWIVEL - B29 - RANCH MINK
P01178-02-B30	EA COVER-CHAIR, SWIVEL - B30 - SILVER FOX
P01178-02-B31	EA COVER-CHAIR, SWIVEL - B31 - HEATHER SUEDE
087330-01-000	EA BRACKET-STOP, SLIDING TRACK
101083-02-000	EA FRAME-CHAIR, SWIVEL - W/RIGHT HAND ARM BRACKET
101083-03-000	EA FRAME-CHAIR, SWIVEL - W/LEFT HAND ARM BRACKET
101187-01-000	EA ROCKER BOX-CHAIR, SWIVEL
089369-04-000	EA CABLE - SWIVEL, W/SWITCH
089369-05-000	EA CABLE - RECLINER, W/SWITCH
093481-01-000	EA PEDESTAL-CHAIR, SWIVEL - 6"
093481-05-000	EA TOP PLATE-PEDESTAL, SWIVEL CHAIR - W.REMOTE SWIVEL
093482-01-000	EA SHROUD-PEDESTAL, 13" - PLASTIC - BLACK
069246-02-000	EA ADJUSTER-BUCKET SEAT W/O LOCK, FORWARD AND BACK
069246-05-000	EA ADJUSTER ASM-TT,W.REMOTE
069246-05-700	EA SPRING F.REMOTE ADJUSTER
069246-05-701	EA CLIP ONLY F CABLE ASM.

BACKREST CUSHIONS

KEY PART NUMBER	U/M DESCRIPTION
8 088927-80-B29	EA CUSHION-BACK, DINETTE - 14.5" X 38" - B29 - RANCH MINK
8 088927-80-B30	EA CUSHION-BACK, DINETTE - 14.5" X 38" - B30 - SILVER FOX
8 088927-80-B31	EA CUSHION-BACK, DINETTE - 14.5" X 38" - B31 - HEATHER SUEDE
M88927-80-B29	EA COVER-BACK, DINETTE - 14.5" X 38" - B29 - RANCH MINK
M88927-80-B30	EA COVER-BACK, DINETTE - 14.5" X 38" - B30 - SILVER FOX
M88927-80-B31	EA COVER-BACK, DINETTE - 14.5" X 38" - B31 - HEATHER SUEDE

SEAT CUSHIONS

KEY PART NUMBER	U/M DESCRIPTION
9 088927-86-B29	EA CUSHION-SEAT, DINETTE - 21" X 38" - B29 - RANCH MINK
9 088927-86-B30	EA CUSHION-SEAT, DINETTE - 21" X 38" - B30 - SILVER FOX
9 088927-86-B31	EA CUSHION-SEAT, DINETTE - 21" X 38" - B31 - HEATHER SUEDE
M88927-86-B29	EA COVER-SEAT, DINETTE - 21" X 38" - B29 - RANCH MINK
M88927-86-B30	EA COVER-SEAT, DINETTE - 21" X 38" - B30 - SILVER FOX
M88927-86-B31	EA COVER-SEAT, DINETTE - 21" X 38" - B31 - HEATHER SUEDE

**1991 ITASCA
TABLE OF CONTENTS**

INTRODUCTION	A-01 - A-02
ABBREVIATIONS	A-03
ALPHABETICAL INDEX	A-04 - A-06
ICN28RT	A-07 - F-12
ICN32RQ	F-13 - K-22

1991 ICN32RQ INDEX

FLOOR PLAN	F-13 - F-14
ACCESSORIES	F-15 - G-02
BATH	G-03 - G-06
BEDROOM	G-07 - G-10
CHASSIS	G-11 - H-04
C & PAD	H-05 - H-12
DINETTE	H-13 - H-14
DRIVERS	H-15 - H-18
ELECTRICAL	H-19 - I-02
EXTERIOR BODY	I-03 - I-10
GALLEY	I-11 - I-16
HEATING & A/C	I-17 - I-22
INTERIOR FINISH	I-23 - J-03
LABEL	J-04 - J-12
LP	J-13
LOUNGE	J-14 - J-15
SEALANTS & FASTENERS	J-16 - J-18
WATER & SEWAGE	J-19 - J-23
WINDOW, VENT AND EXTERIOR DOOR	J-24 - K-22

CURTAIN, CUSHION & PAD GROUP (CONTINUED)

BUNK CUSHION

KEY PART NUMBER	U M DESCRIPTION
079145-05-000	EA CUSHION BUNK 30" X 23" X 4"
M79145-05-007	EA COVER-CUSHION, BUNK 30" X 23" X 4"

CURTAIN TRACKS AND HARDWARE

KEY PART NUMBER	U M DESCRIPTION
083916-01-000	EA MOUNT WINDOW LEG, BLACK
083170-01-000	EA BRACKET-BLIND RIGHT
093170-02-000	EA BRACKET-BLIND, LEFT
093475-01-700	EA WAND-BLIND, W/METAL CLIP - 6" LONG
093475-01-701	EA END CAP-BLIND, W/STUD
095591-02-000	EA BRACKET-BLIND HOLD DOWN W/SPIN
102555-01-000	EA CLEAT CORD, BLIND
089522-02-000	EA PANEL-PLASTIC LEG, 31.5" - BLACK MUST ORDER 089916-01-000 TO MOUNT THIS PANEL TO THE WALL
078155-01-000	LA STRAP-BACK CUSHION SNAP
029155-01-000	EA CAP-SNAP, NICKEL
029156-01-000	EA SOCKET-SNAP FASTENER NICKEL
070578-01-B29	EA BUTTON-SNAP TOP #30 - B29 - RANCH MINK
070578-01-AF3	EA BUTTON SNAP TOP #30 - B30 - SILVER FOX
070578-01-B31	EA BUTTON SNAP TOP #30 - B31 - HEATHER SUEDE
059797-02-000	EA SHELL-BUTTON PLASTIC # 30
059734-01-000	EA BACK-BUTTON, DURASNAP - # 30
097625-01-000	EA HOOK-DRAPEY
079094-04-000	YD VELCRO TAPE-LOOP, 1" WIDE - BLACK
079096-03-000	YD VELCRO TAPE-HOOK, 1" WIDE - BLACK
084434-01-000	EA BRACKET-MOUNTING, ROLLER SHADE - 1.34"
048394-02-000	YD VELCRO TAPE-HOOK, ADHESIVE BACK - 75" WIDE - BEIGE
077333-78-000	YD FABRIC-DRAPEY, DRIFTWOOD
084432-06-000	FT SLAT-ROLLER SHADE, PLASTIC
086276-01-000	EA TAPE-DOUBLE SIDED, 1.2"
087253-01-000	EA FULL-ROLLER SHADE, PLASTIC - CLEAR
089522-02-000	EA PANEL-PLASTIC LEG, 31.5" - BLACK
078026-31-B29	EA TRIM-VALANCE, 2.5" X 12.7"
048394-02-000	YD VELCRO TAPE-HOOK, ADHESIVE BACK - 75" WIDE - BEIGE
089702-02-000	YD VELCRO TAPE-LOOP, ADHESIVE BACKED 3.4" BEIGE
029092-01-000	EA STUD SNAP NICKEL
029093-01-000	EA EYELET-SNAP, NICKEL

WALL PADS

KEY PART NUMBER	U M DESCRIPTION
023195-01-B29	EA PAD-DOOR, B29 - RANCH MINK
023195-01-B30	EA PAD-DOOR, B30 - SILVER FOX
023195-01-B31	EA PAD-DOOR, B31 - HEATHER SUEDE

FLOOR COVERINGS & COMPONENTS

KEY PART NUMBER	U M DESCRIPTION
024060-15-000	SY CARPET-12" ROLL, B29 - RANCH MINK - INCHMENTS OF 3 BY
024060-18-000	SY CARPET-12" ROLL, B30 - SILVER FOX - INCHMENTS OF 3 BY
024060-20-000	SY CARPET-12" ROLL, B31 - HEATHER SUEDE - INCHMENTS OF 3 BY
075333-01-000	SY PAD-CARPET, 3.8" X 6"
076314-02-000	FT TAPE-CARPET SEAM, HEAT-BOND
063486-01-000	SY CARPET-COMPARTMENT 54" WIDE - DARK GRAY

SEATBELT

KEY PART NUMBER	U M DESCRIPTION
007021-01-000	EA BELT-SLAT 2" X 19" BLACK
057759-01-000	EA WASHER BRACKET-SEAT BELT, 4" DIAMETER
000039-05-200	EA NUT-HEX SER FLG LK - 3.8-16 ZN
020044-07-000	EA NUT-HEX SER FLG LK - 7.16-20 ZN
021950-01-01A	EA SEAT BELT SHOULDER HARNESS - DRIVERS PASSENGERS - BLACK
021950-01-700	EA BELT COVER

CURTAIN, CUSHION & PAD GROUP (CONTINUED)

FABRICS AND TRIMS

KEY PART NUMBER	U M DESCRIPTION
024008-02-000	YD FABRIC-UPHOLSTERY, PLAIN - 54" - B29 - RANCH MINK
024008-03-000	YD FABRIC-UPHOLSTERY, PLAIN - 54" - B30 - SILVER FOX
024008-04-000	YD FABRIC-UPHOLSTERY, PLAIN - 54" - B31 - HEATHER SUEDE
024008-05-000	YD FABRIC-UPHOLSTERY, PATTERN - 54" - B29 - RANCH MINK
024008-06-000	YD FABRIC-UPHOLSTERY, PATTERN - 54" - B30 - SILVER FOX
024008-07-000	YD FABRIC-UPHOLSTERY, PATTERN - 54" - B31 - HEATHER SUEDE
024008-08-000	YD FABRIC-UPHOLSTERY, DOTTED - 54" - B29 - RANCH MINK
024008-09-000	YD FABRIC-UPHOLSTERY, DOTTED - 54" - B30 - SILVER FOX
024008-10-000	YD FABRIC-UPHOLSTERY, DOTTED - 54" - B31 - HEATHER SUEDE
024008-11-000	YD WELTING-FABRIC, B29 - RANCH MINK
024008-12-000	YD WELTING-FABRIC, B30 - SILVER FOX
024008-13-000	YD WELTING-FABRIC, B31 - HEATHER SUEDE
024008-14-000	YD FABRIC-CURTAIN, 54" WIDE - B29 - RANCH MINK
024008-15-000	YD FABRIC-CURTAIN, 54" WIDE - B30 - SILVER FOX/HEATHER SUEDE
024008-16-000	YD FABRIC-LINING, CURTAIN 48" WIDE IVORY
024008-17-000	YD VINYL-HEADLINER, DIAMOND DESIGN - 54" WIDE
024008-18-000	YD FABRIC-VINYL, 54" WIDE - BEIGE
024008-19-000	YD BACKING-QUILTING, MATTRESS COVER 50" V. DE - WHITE
024008-20-000	YD FABRIC-BEDSPREAD, 54" - B29 - RANCH MINK
024008-21-000	YD FABRIC-BEDSPREAD, 54" - B30 - SILVER FOX
024008-22-000	YD FABRIC-BEDSPREAD, 54" - B31 - HEATHER SUEDE

**1991 ITASCA
TABLE OF CONTENTS**

INTRODUCTION	A-01 - A-02
ABBREVIATIONS	A-03
ALPHABETICAL INDEX	A-01 - A-06
ICN28RT	A-07 - F-12
ICN32RO	F-13 - K-22

1991 ICN32RQ INDEX

FLOOR PLAN	F-13 - F-14
ACCESSORIES	F-15 - G-02
BATH	G-03 - G-06
BEDROOM	G-07 - G-10
CHASSIS	G-11 - H-04
C C & PAD	H-05 - H-12
DINETTE	H-13 - H-14
DRIVERS	H-15 - H-18
ELECTRICAL	H-19 - I-02
EXTERIOR BODY	I-03 - I-10
GALLEY	I-11 - I-16
HEATING & A-C	I-17 - I-22
INTERIOR FINISH	I-23 - J-03
LABEL	J-04 - J-12
LP	J-13
LOUNGE	J-14 - J-15
SEALANTS & FASTENERS	J-16 - J-18
WATER & SEWAGE	J-19 - J-23
WINDOW, VENT AND EXTERIOR DOOR	J-24 - K-22

CURTAIN, CUSHION & PAD GROUP (CONTINUED)

DRIVER & PASSENGER BUCKET SEATS

KEY PART NUMBER	U/M DESCRIPTION
101294-01-B29	EA SEAT-BUCKET, W/O BASE OR SKIRT - B29 - RANCH MINK
101294-01-B30	EA SEAT-BUCKET, W/O BASE OR SKIRT - B30 - SILVER FOX
101294-01-B31	EA SEAT-BUCKET, W/O BASE OR SKIRT - B31 - HEATHER SUEDE
M03445-26-B29	EA COVER-BACK, B29 - RANCH MINK
M03445-26-B30	EA COVER-BACK, B30 - SILVER FOX
M03445-26-B31	EA COVER-BACK, B31 - HEATHER SUEDE
M03445-27-B29	EA COVER-SEAT, B29 - RANCH MINK
M03445-27-B30	EA COVER-SEAT, B30 - SILVER FOX
M03445-27-B31	EA COVER-SEAT, B31 - HEATHER SUEDE
080243-43-B29	EA ARM-BUCKET SEAT, RH - B29 - RANCH MINK
080243-43-B30	EA ARM-BUCKET SEAT, RH - B30 - SILVER FOX
080243-43-B31	EA ARM-BUCKET SEAT, RH - B31 - HEATHER SUEDE
080243-44-B29	EA ARM-BUCKET SEAT, LH - B29 - RANCH MINK
080243-44-B30	EA ARM-BUCKET SEAT, LH - B30 - SILVER FOX
080243-44-B31	EA ARM-BUCKET SEAT, LH - B31 - HEATHER SUEDE
M80243-43-B35	EA COVER-ARM REST, BUCKET SEAT - RH - B29 - RANCH MINK
M80243-43-B36	EA COVER-ARM REST, BUCKET SEAT - RH - B30 - SILVER FOX
M80243-43-B37	EA COVER-ARM REST, BUCKET SEAT - RH - B31 - HEATHER SUEDE
M80243-44-B35	EA COVER-ARM REST, BUCKET SEAT - LH - B29 - RANCH MINK
M80243-44-B36	EA COVER-ARM REST, BUCKET SEAT - LH - B30 - SILVER FOX
M80243-44-B37	EA COVER-ARM REST, BUCKET SEAT - LH - B31 - HEATHER SUEDE
071126-24-B29	EA SKIRT-BUCKET SEAT, B29 - RANCH MINK
071126-24-AD2	EA SKIRT-BUCKET SEAT, B30 - SILVER FOX
071126-24-B31	EA SKIRT-BUCKET SEAT, B31 - HEATHER SUEDE
M80906-04-000	EA FRAME-SEAT, BACK & SPRING
080731-02-000	EA HINGE-SLAVE, RECLINER, LEFT HAND
081362-01-000	EA BRACKET-ARMREST, RIGHT HAND
081362-02-000	EA BRACKET-ARMREST, LEFT HAND
101125-01-000	EA RECLINER-SEAT BACK, LEFT HAND REMOTE
029012-01-000	BF FOAM-ROLLED, 3/8- THICK - 72- WIDE
081361-01-000	EA ROD-ARMREST, METAL
089368-04-000	EA CABLE-SWIVEL, W/SWITCH - BUCKET SEAT
089368-05-000	EA CABLE-RECLINER, W/SWITCH - BUCKET SEAT
089369-08-000	EA SHIELD-CABLE, REMOTE RECLINER - BUCKET SEAT
069585-08-000	EA BASE-BUCKET SEAT, BOLTS TO FLOOR - VERTICAL 8"
007221-01-000	EA SPACER-SEAT, ADJUSTER
069246-02-000	EA ADJUSTER-BUCKET SEAT W/O LOCK, FORWARD AND BACK
069246-05-000	EA ADJUSTER-SEAT/CHAIR, W/REMOTE
069246-05-700	EA SPRING F/REMOTE ADJUSTER
069246-05-701	EA CLIP ONLY F/CABLE ASM
069585-29-000	EA BAH-SEAT BELT, BUCKET SEATS - 20"
092759-01-000	EA PEDESTAL-TELESCOPING, PASSENGER
092759-01-700	EA POWER HEAD FOR TELESCOPING PEDESTAL

CURTAIN, CUSHION & PAD GROUP (CONTINUED)

DRIVERS POWERED SEAT OPTION L63M

KEY PART NUMBER	U/M DESCRIPTION
069585-37-000	EA PLATE-SUB, VERTICAL - 5"
096808-01-000	EA SPACER-PEDESTAL, DRIVER
069585-39-000	EA PLATE-TOP, BUCKET SEAT - POWERED
071126-26-B29	EA SKIRT-BUCKET SEAT, B29 - RANCH MINK
071126-26-AF3	EA SKIRT-BUCKET SEAT, B30 - SILVER FOX
071126-26-B31	EA SKIRT-BUCKET SEAT, B31 - HEATHER SUEDE
081373-01-000	EA UNIT-POWER, BUCKET SEAT - 6 WAY
081373-01-700	EA SWITCH-CONTROL, W/L BRACKET

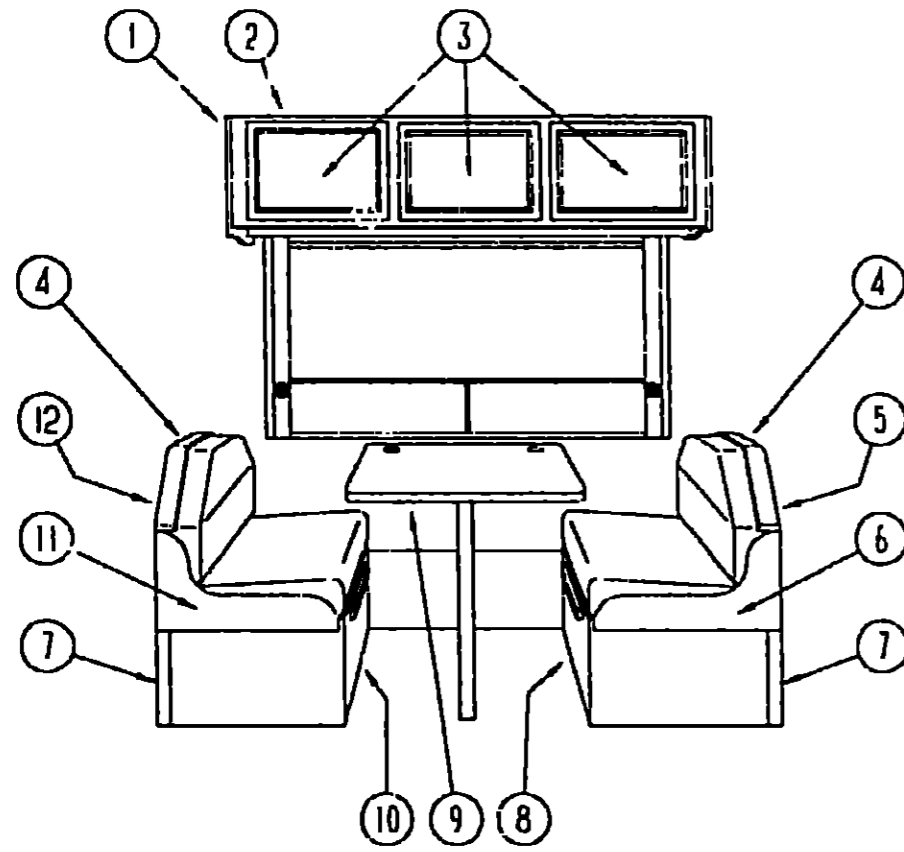
**1991 ITASCA
TABLE OF CONTENTS**

INTRODUCTION	A-01 - A-02
ABBREVIATIONS	A-03
ALPHABETICAL INDEX	A-04 - A-06
ICN28RT	A-07 - F-12
ICN32RO	F-13 - K-22

1991 ICN32RQ INDEX

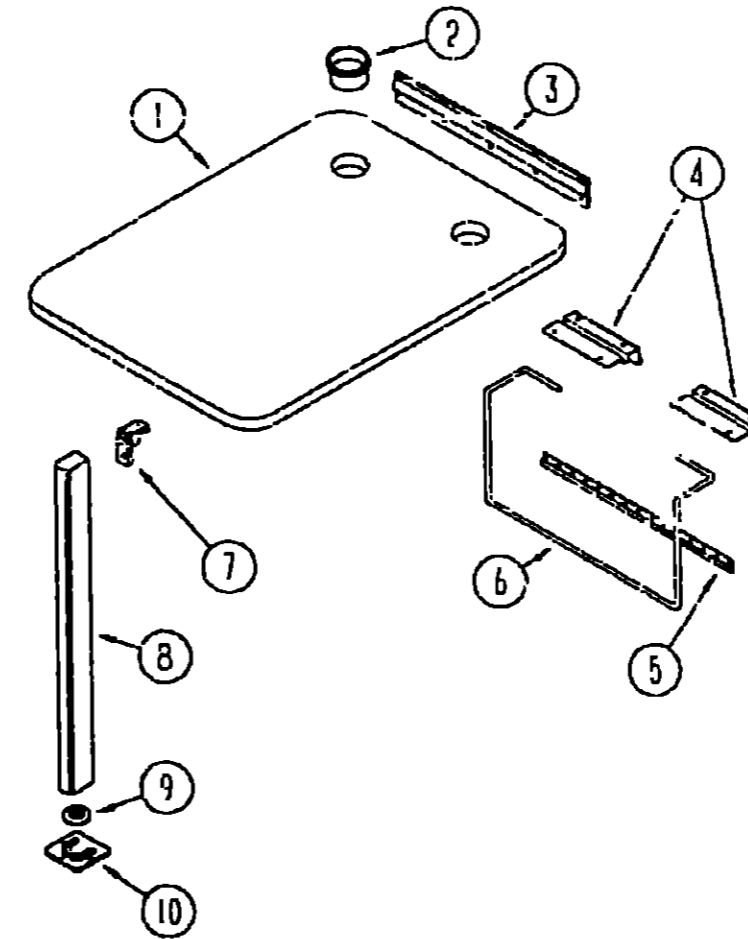
FLOOR PLAN	F-13 - F-14
ACCESSORIES	F-15 - G-02
BATH	G-03 - G-06
BEDROOM	G-07 - G-10
CHASSIS	G-11 - H-04
C C & PAD	H-05 - H-12
DINETTE	H-13 - H-14
DRIVERS	H-15 - H-18
ELECTRICAL	H-19 - I-02
EXTERIOR BODY	I-03 - I-10
GALLEY	I-11 - I-16
HEATING & A/C	I-17 - I-22
INTERIOR FINISH	I-23 - J-03
LABEL	J-04 - J-12
LP	J-13
LOUNGE	J-14 - J-15
SEALANTS & FASTENERS	J-16 - J-18
WATER & SEWAGE	J-19 - J-23
WINDOW, VENT AND EXTERIOR DOOR	J-24 - K-22

DINETTE GROUP



OVERHEAD CABINET

DINETTE GROUP (CONTINUED)



DINETTE TABLE & COMPONENTS

KEY PART NUMBER	U/M DESCRIPTION
1	M02946-50-B29 EA TABLE-DINETTE, W/O HARDWARE - W/EDGE BAND
1	M02115-09-B03 EA TABLE-DINETTE, W/O EDGE BAND OR HARDWARE
2	004354-01-000 EA BUMPER-CABINET DOOR, RUBBER - BROWN
3	064781-06-000 EA HOLDER-CUP, TWO STEP - OFF WHITE
3	053200-09-000 EA SUPPORT-TABLE, 18.5", BEIGE
4	088410-01-000 EA BRACKET-LIFT, TABLE MOUNTED - BEIGE
5	024281-11-000 EA BRACKET-LIFT ROD, LOWER WALL MOUNTED - 17.12" - BEIGE
6	024275-11-000 EA ROD-TABLE LIFT, 8" X 10.5" - BEIGE
7	093550-01-000 EA BRACKET-FOLDING LEG
8	024276-21-000 EA LEG ASM-TABLE BEIGE
8	092708-01-B35 EA LEG ASM-TABLE
9	092593-01-02A EA CATCH-TABLE LEG, BEIGE
10	049493-11-700 EA FLOOR CATCH - TABLE LEG - TAN
	024282-01-000 EA BRACE-TABLE LEG, HINGED
	024283-01-000 EA CLIP-LEG, 1" X 1.125" OD - BLACK
	064050-03-000 EA CLAMP-SADDLE, LEG HINGE - TAN

SEATBELT

KEY PART NUMBER	U/M DESCRIPTION
007021-01-000	EA BELT-SEAT, 2" X 50" - BLACK
057759-01-000	EA WASHER BRACKET-SEAT BELT, 4" DIAMETER
000D44-07-00B	EA NUT-HEX, SER FLG LK - 7/16-20 ZN

1991 ITASCA TABLE OF CONTENTS

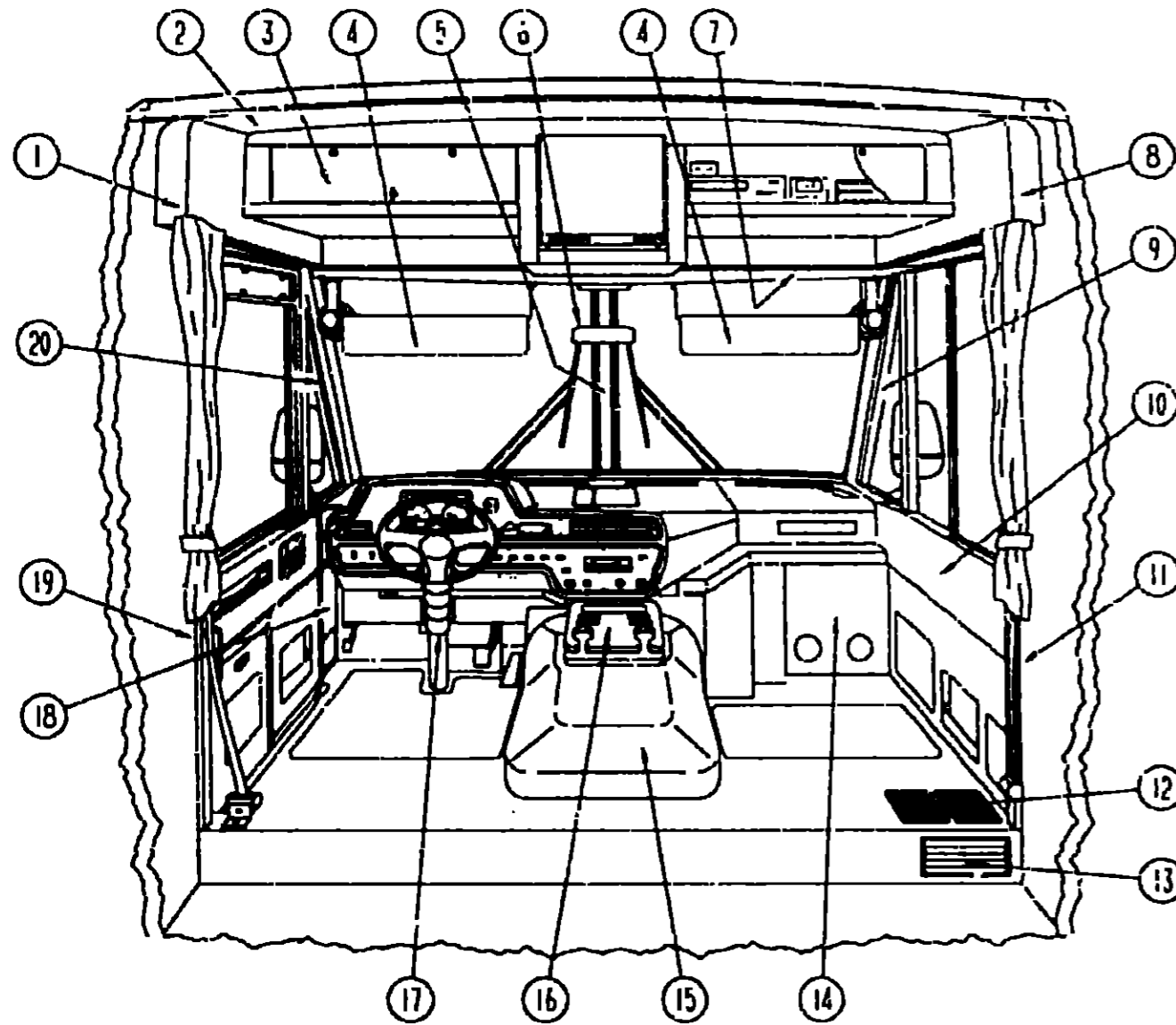
INTRODUCTION	A-01 - A-02
ABBREVIATIONS	A-03
ALPHABETICAL INDEX	A-04 - A-06
ICN28RT	A-07 - F-12
ICN32RQ	F-13 - K-22

1991 ICN32RQ INDEX

FLOOR PLAN	F-13 - F-14
ACCESSORIES	F-15 - G-02
BATH	G-03 - G-06
BEDROOM	G-07 - G-10
CHASSIS	G-11 - H-04
C C & PAD	H-05 - H-12
DINETTE	H-13 - H-14
DRIVERS	H-15 - H-18
ELECTRICAL	H-19 - I-02
EXTERIOR BODY	I-03 - I-10
GALLEY	I-11 - I-16
HEATING & A/C	I-17 - I-22
INTERIOR FINISH	I-23 - J-03
LABEL	J-04 - J-12
LP	J-13
LOUNGE	J-14 - J-15
SEALANTS & FASTENERS	J-16 - J-18
WATER & SEWAGE	J-19 - J-23
WINDOW, VENT AND EXTERIOR DOOR	J-24 - K-22

KEY PART NUMBER	U/M DESCRIPTION
1	092747-01-B29 EA END CAP-CABINET, OVERHEAD - FRONT
2	M04165-20-B29 EA CABINET-OVERHEAD, DINETTE - W/O DOORS OR HARDWARE
3	P00523-01-B29 EA DOOR-CABINET, W/O HARDWARE - 14.4" X 21.9"
4	098454-01-B29 EA PAD-BACKREST TOP, DINETTE - B29 - RANCH MINK
4	098454-01-B30 EA PAD-BACKREST TOP, DINETTE - B30 - SILVER FOX
4	098454-01-B31 EA PAD-BACKREST TOP, DINETTE - B31 - HEATHER SUEDE
5	M04069-02-B29 EA CABINET-SEATBACK, DINETTE - REAR
6	098432-02-B29 EA PAD-SEAT EDGE, DINETTE - REAR - B29 - RANCH MINK
6	098432-02-B30 EA PAD-SEAT EDGE, DINETTE - REAR - B30 - SILVER FOX
6	098432-02-B31 EA PAD-SEAT EDGE, DINETTE - REAR - B31 - HEATHER SUEDE
7	098433-01-B29 EA PAD-SEATBASE EDGE, DINETTE - B29 - RANCH MINK
7	098433-01-B30 EA PAD-SEATBASE EDGE, DINETTE - B30 - SILVER FOX
7	098433-01-B31 EA PAD-SEATBASE EDGE, DINETTE - B31 - HEATHER SUEDE
8	M04070-07-B29 EA CABINET-SEATBASE, DINETTE - REAR
9	M02946-50-B29 EA TABLE-DINETTE, W/O HARDWARE - W/EDGE BAND
	FROM: 00-00-00 THRU: 08-03-90
9	M02115-09-B03 EA TABLE-DINETTE, W/O EDGE BAND OR HARDWARE
	FROM: 08-04-90 THRU: 99-99-99
10	M04189-01-B29 EA CABINET-SEATBASE, DINETTE - FRONT
11	098432-01-B29 EA PAD-SEAT EDGE, DINETTE - FRONT - B29 - RANCH MINK
11	098432-01-B30 EA PAD-SEAT EDGE, DINETTE - FRONT - B30 - SILVER FOX
11	098432-01-B31 EA PAD-SEAT EDGE, DINETTE - FRONT - B31 - HEATHER SUEDE
12	M04188-01-B29 EA CABINET-SEATBACK, DINETTE - FRONT
	070578-01-B27 EA BUTTON-SNAP TOP, #30 - B07 - CAMEO BLUE
	070578-01-B05 EA BUTTON-SNAP TOP, #30 - B05 - AUTUMN LEAVES
	070578-01-B09 EA BUTTON-SNAP TOP, #30 - B09 - WINTER FOREST

DRIVERS COMPARTMENT GROUP



DRIVERS COMPARTMENT

KEY	PART NUMBER	U/M DESCRIPTION
1	092471-04-01A	EA TRIM-OVERHEAD, DRIVER SIDE - OFF WHITE
	092472-01-01A	EA TRIM-SIDE, LOWER - DR & PASS - 15.5' LONG - OFF WHITE
2	100898-01-B29	EA CABINET -OVERHEAD, TV
	100622-01-01A	EA BRACKET-CABINET, TV - OFF WHITE
	P00957-01-B07	EA SHELF-OVERHEAD, FRONT PASSENGER - VINYL COVERED
	P00957-02-B07	EA SHELF-OVERHEAD, FRONT DRIVER - VINYL COVERED
	P00958-01-B07	EA SHELF-OVERHEAD, CENTER - VINYL COVERED
	100707-01-000	EA SPACER
	P00520-84-B29	EA DOOR-CABINET, W/O HARDWARE - 14.4" X 16.1"
	100708-03-000	EA DOOR-GLASS, TV CABINET - W/O HARDWARE - 6.3" X 27"
	100710-01-01A	EA LOCK-TWIST TYPE
	100711-01-01A	EA HINGE-DOOR, GLASS
3	101272-01-000	EA CATCH-GLASS DOOR
	101766-01-000	EA PIN-SUPPORT, GLASS DOOR
	082286-05-B07	EA SUNVISOR-DRIVER OR PASSENGER - OFF WHITE
	100423-01-01A	EA PLATE-MOUNT, SUNVISOR - TRIANGLE SHAPED - PLASTIC
	000G39-10-12D	EA SCREW-SF/DR, 10-16 X 3.1 PPH - BLACK
	007211-01-000	EA HINGE-SUNVISOR
	074012-01-000	EA CLIP-SUNVISOR, SQUARE - PINCH ON
	085709-01-000	EA MOUNT-SUNVISOR, CLIP TYPE - BLACK
	102377-01-000	EA BRACKET-SUNVISOR, 1 PIECE - STEEL
	077114-08-000	EA COVER-CENTER PILLAR, WINDSHIELD - GRAY
5	077114-02-000	EA COVER-CENTER PILLAR, WINDSHIELD - GRAY UNCHIT
	040714-01-700	EA MIRROR INSIDE REAR VIEW KIT
6	093084-03-B07	EA HEADLINER-FRONT, PLASTIC - OFF WHITE

DRIVERS COMPARTMENT GROUP (CONTINUED)

DRIVERS COMPARTMENT CONT

KEY	PART NUMBER	U/M DESCRIPTION
8	092471-03-01A	EA TRIM-OVERHEAD, PASSENGER SIDE - OFF WHITE
	092472-01-01A	EA TRIM-SIDE, LOWER - DR & PASS - 15.5' LONG - OFF WHITE
9	092583-01-02A	EA COVER A PILLAR, PASSENGER - GRAY
	092583-01-02A	EA PANEL-KICK, LOWER PASSENGER SIDE - GRAY
10	092583-01-02A	EA COVER B PILLAR, PASS - 58" X 2.2" - PLASTIC - OFF WHITE
	092585-01-02A	EA COVER-HINGE PILLAR, PASSENGER-GRAY-BETWEEN PASS DOOR & VENT WIN
12	093020-01-000	EA GRILLE-FLOOR, HEATING - 9.3" X 5.4" - BROWN
	093014-01-01A	EA GRILLE-RETURN AIR, FURNACE - 15.6" X 7.6" - BROWN
14	095757-01-B29	EA COVER-HEATER, W/2 LOUVERED OUTLETS - 10.2" X 17.5"
	095757-01-B30	EA COVER-HEATER, W/2 LOUVERED OUTLETS - 10.2" X 17.5"
14	095757-01-B31	EA COVER-HEATER, W/2 LOUVERED OUTLETS - 10.2" X 17.5"
	095757-01-000	EA COVER-MOTOR W/O CARPET
15	075564-01-000	EA BRACKET-MOUNTING, MOTOR COVER
	092406-01-000	EA TRIM-MOTOR COVER, ALUMINUM
16	099133-01-B29	EA SEAL-MOTOR COVER, RUBBER BULB TYPE - BLACK
	099133-01-01A	EA TRAY-BEVERAGE, WOOD
17	M04022-01-AB1	EA INSERT-BEVERAGE TRAY
	078245-01-000	EA DOWEL-WOOD STAINED
17	103498-01-000	EA BOOT-COLUMN, 91 CHEVY, BOTTOM
	103498-03-000	EA BOOT-COLUMN, 91 CHEVY, TOP
18	092583-02-02A	EA PANEL-KICK, LOWER DRIVER SIDE - GRAY
	092239-01-01A	EA COVER-B PILLAR, DR - 56" X 2.2" - PLASTIC - OFF WHITE
19	091990-01-01A	EA SEAT BELT SHOULDER HARNESS - DRIVERS PASSENGERS - BLACK
	091990-01-700	EA BOLT COVER
20	091990-02-01A	EA BRACKET-SEAT BELT, DRIVERS - FLOOR MOUNT
	092585-02-02A	EA COVER-HINGE PILLAR, DRIVER - GRAY
20	093999-02-000	EA PLATE-STRIKER BOLT
	092584-02-02A	EA COVER-A PILLAR, DRIVER - GRAY
20	091990-01-700	EA COVER-BOLT, SEATBELT - BLACK
	081201-02-000	EA MAT-FLOOR, FRONT - DRIVER - W/ITASCA LOGO 14"X24"
20	081202-02-000	EA MAT-FLOOR, FRONT - PASSENGER - W/ITASCA LOGO 14"X24"

CANADIAN OPTION L265 ,L27E -CHEVY

KEY	PART NUMBER	U/M DESCRIPTION
20	094796-01-000	EA CLUSTER-INSTRUMENT PANEL, KILOMETERS - GAS - GM# 25088535
	094796-03-000	EA CLUSTER-INSTRUMENT PANEL, KILOMETERS - GAS - GM# 16138135
20	100158-01-000	EA WIRE ASM-DAYTIME RUNNING LIGHTS
	100159-01-000	EA WIRE ASM-DAYTIME RUNNING LIGHTS, W FUSE

CANADIAN NATIONAL STANDARD OPTION L27E+D - CHEVY - GAS & DIESEL

KEY	PART NUMBER	U/M DESCRIPTION
20	094796-01-000	EA CLUSTER-INSTRUMENT PANEL, KILOMETERS - GAS - GM# 25088535
	094796-03-000	EA CLUSTER-INSTRUMENT PANEL, KILOMETERS - GAS - GM# 16138135
20	094796-04-000	EA CLUSTER-INSTRUMENT PANEL, KILOMETERS - DIESEL - GM#16138136
	100138-01-000	EA MODULE-DAYTIME RUNNING LIGHT
20	100158-01-000	EA WIRE ASM-DAYTIME RUNNING LIGHTS
	100159-01-000	EA WIRE ASM-DAYTIME RUNNING LIGHTS, W.FUSE - GAS
20	100159-01-000	EA WIRE ASM-DAYTIME RUNNING LIGHTS, W.FUSE - DIESEL
	100159-06-000	EA WIRE ASM-DAYTIME RUNNING LIGHTS, W.FUSE - GAS
20	100159-06-000	EA WIRE ASM-DAYTIME RUNNING LIGHTS, W.FUSE - DIESEL
	100159-06-000	EA WIRE ASM-DAYTIME RUNNING LIGHTS, W.FUSE - DIESEL

**1991 ITASCA
TABLE OF CONTENTS**

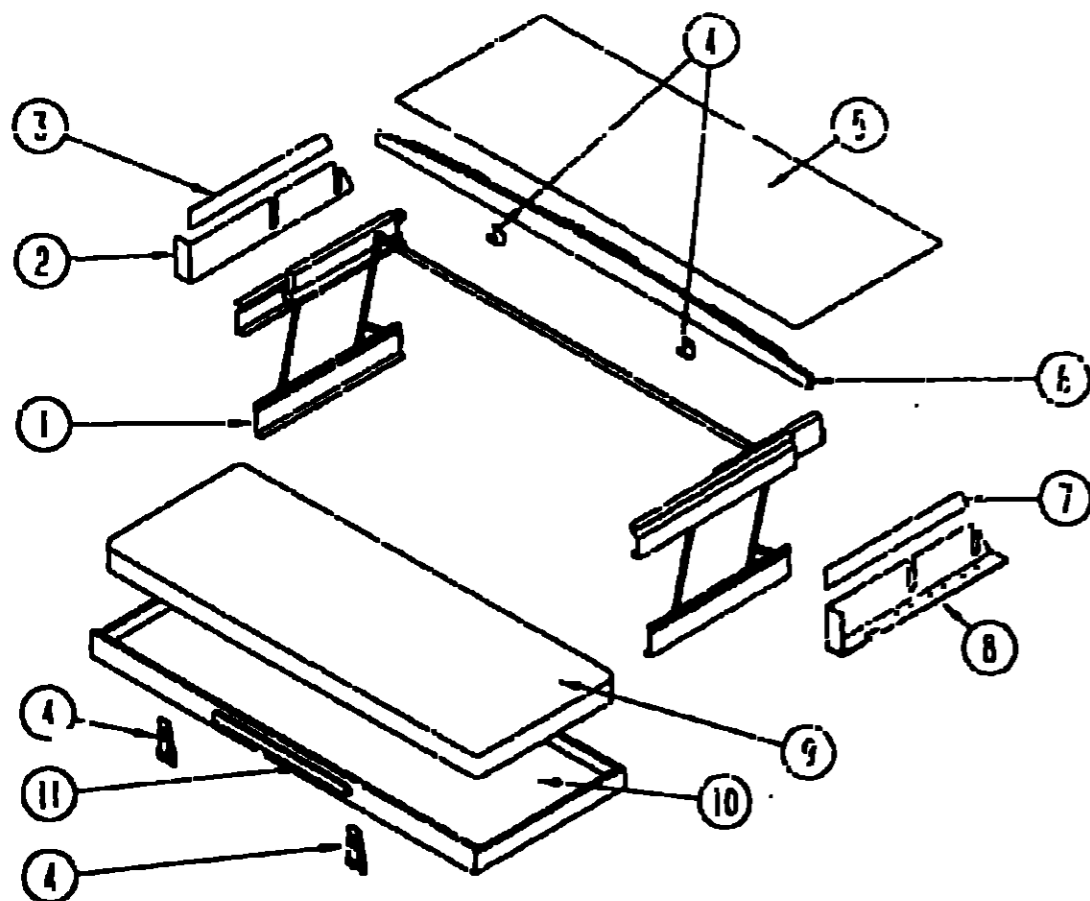
INTRODUCTION	A-01	A-02
ABBREVIATIONS		A-03
ALPHABETICAL INDEX	A-04	A-06
ICN28RT	A-07	F-12
ICN32RQ	F-13	K-22

1991 ICN32RQ INDEX

FLOOR PLAN	F-13	F-14
ACCESSORIES	F-15	G-02
BATH	G-03	G-06
BEDROOM	G-07	G-10
CHASSIS	G-11	H-04
C C & PAD	H-05	H-12
DINETTE	H-13	H-14
DRIVERS	H-15	H-18
ELECTRICAL	H-19	I-02
EXTERIOR BODY	I-03	I-10
GALLEY	I-11	I-16
HEATING & A/C	I-17	I-22
INTERIOR FINISH	I-23	J-03
LABEL	J-04	J-12
LP		J-13
LOUNGE	J-14	J-15
SEALANTS & FASTENERS	J-16	J-18
WATER & SEWAGE	J-19	J-23
WINDOW, VENT AND EXTERIOR DOOR	J-24	K-22

DRIVERS COMPARTMENT GROUP (CONTINUED)

FRONT BUNK-SINGLE (OPT 523)



KEY	PART NUMBER	U/M DESCRIPTION
1	076760-02-000	EA BUNK HARDWARE
	076760-02-700	EA SPRING-GAS-BUNK HARDWARE
2	092471-02-01A	EA TRIM-SIDE, UPPER DRIVER - OFF WHITE - 33 1/4"
3	092472-02-01A	EA TRIM-SIDE, SIDE - LOWER DR & PASS - 15.5" LONG - OFF WHITE
4	042541-04-700	EA LATCH ASM-W/STRIKE, (2 SETS) - BRASS
	042541-05-000	EA STRIKE-BRASS
	075943-02-000	EA BRACE-ANGLE, W/HOLES - 1" X 1.5" X 14" - ALUMINUM - BEIGE
5	074497-14-000	SF PANELING-CEILING, 4' X 8' - INCREMENTS OF 32 SF
	093884-01-700	EA HEADLINER-FRONT, PLASTIC - OFF WHITE
6	M03055-01-Y12	EA BOARD-BUNK, TRIM - CEILING MOUNTED
	016604-05-000	EA BRACE-UNGLUED, 2 5/8" - OFF WHITE
7	092471-01-01A	EA TRIM-SIDE, UPPER PASSENGER - OFF WHITE - 33 1/4"
8	092472-02-01A	EA TRIM-SIDE, SIDE - LOWER DR & PASS - 15.5" LONG - OFF WHITE
9	079145-05-000	EA CUSHION-BUNK, OVERHEAD - 4' X 34" X 78" - EUCALYPTUS
	M79145-05-000	EA COVER-BUNK CUSHION, OVERHEAD - 4' X 34" X 78" - AAB & AA9
10	081717-04-Y12	EA BED-BUNK, FRONT
11	094656-01-B25	EA HANDLE BUNK, OAK

DASH & COMPONENTS

KEY	PART NUMBER	U/M DESCRIPTION
	091930-02-000	EA DUCT-DEFROSTER, W/O SIDE OUTLET - AREA 0571020 FROM: 00-00-00 THRU: 07-22-90
	091930-03-000	EA DUCT-DEFROSTER, W/O SIDE OUTLET - AREA 0571109 FROM: 07-23-90 THRU: 05-12-91
	103017-01-000	EA PLENUM-DEFROSTER FROM: 05-13-91 THRU: 09-99-99
	085252-02-Y33	EA TOP-PADDED DASH, PASSENGER SIDE - VINYL - GRAY
	100602-01-02A	EA PANEL-INSTRUMENT, UPPER W/CUTOUTS - "SUNFLYER" - BLACK FROM: 00-00-00 THRU: 04-04-91
	100602-02-02A	EA PANEL-INSTRUMENT, UPPER W/CUTOUTS - "SUNFLYER" - BLACK FROM: 04-05-91 THRU: 04-21-91
	100602-05-01A	EA PANEL-INSTRUMENT, UPPER W/CUTOUTS - NO LOGO - BLACK FROM: 04-22-91 THRU: 09-99-99
	100602-08-02A	EA APPLIQUE-INSTRUMENT PANEL, "SUNFLYER" - BLACK FROM: 04-22-91 THRU: 09-99-99
	101055-01-02A	EA PANEL-DASH, LOWER - DRIVER - ABOVE STEERING COLUMN - GREY
	102122-01-B29	EA TOP-PADDED DASH, DRIVER - VINYL - GREY

DRIVERS COMPARTMENT GROUP (CONTINUED)

DASH & COMPONENTS

KEY	PART NUMBER	U/M DESCRIPTION
	076797-02-000	EA PANEL-INSTRUMENT, PASSENGER SIDE W/ LOUVER CUTOUT - 15.5" X 25" - BLACK FROM: 00-00-00 THRU: 06-03-90
	076797-03-000	EA PANEL-INSTRUMENT, W/ LOUVER CUTOUT - W/O BORDER - 15.5" X 25" - BLACK FROM: 06-04-90 THRU: 06-06-90
	101024-01-01A	EA PANEL-DASH, LOWER W/ CUTOUTS - CHEVY - MOUNTS RADIO - BLACK FROM: 00-00-00 THRU: 04-04-91
	101024-02-01A	EA PANEL-DASH, LOWER W/ CUTOUTS - CHEVY - MOUNTS RADIO - BLACK FROM: 04-05-91 THRU: 09-99-99
	101025-02-01A	EA PANEL-DASH, DRIVER SIDE - LOWER W/ CUTOUTS - 11.9" LONG - BLACK FROM: 00-00-00 THRU: 04-04-91
	101025-04-01A	EA PANEL-DASH, DRIVER SIDE - LOWER W/ CUTOUTS - 11.9" - BLACK FROM: 04-05-91 THRU: 09-99-99
	097372-01-01A	EA SWITCH-ON/OFF, SPST - FOG LAMPS, AIR HORNS & MAP LIGHT SWITCH
	097372-05-01A	EA SWITCH-ON/OFF MOMENTARY - DUAL BATTERY SWITCH
	097372-06-01A	EA SWITCH-BLANK
	097372-07-01A	EA SWITCH-ON MOMENTARY (OFF) - COURTESY BLINK SWITCH
	097372-08-01A	EA SWITCH-ON ON - REAR RADIO POWER & AIR RIDE MODE SWITCH
	086772-02-000	EA SWITCH-ROCKER, 3 POSITION DPDT
	046674-01-000	EA NUT-HEADLAMP, BLACK
	056675-01-000	EA KNOB-HEADLAMP, W/ SHAFT
	077031-01-000	EA FILM-BLACK, 1" X 1.75"
	077031-02-000	EA FILM-AMBER, 1" X 1.75"
	076788-03-000	EA LAMP PLATE-RECTANGULAR
	075785-04-000	EA LAMP PLATE-DIAMOND SHAPED
	076788-01-000	EA SOCKET-MINI BAYONET LAMP, DASH
	076788-02-000	EA CYLINDER-CARDBOARD, LAMP
	088475-01-000	EA PIN-CONNECTOR
	007940-01-000	EA RECEPTACLE-SLIDE, 16 TO 12 AWG
	086473-06-000	EA PIN-HOSING, 6 POSITION (TWO ROWS OF THREE)
	088476-01-000	EA SOCKET-CONNECTOR
	008103-01-000	EA BULB-AISLE LIGHT, NUMBER 53 - 12 V - .12 AMP
	034400-04-000	EA GAUGE ASM-VACUUM
	020979-01-000	EA P/UG-INSTRUMENT PANEL, 11.5 MM
	076783-02-000	EA LOUVER BEZEL-BLACK, 2 1/2"
	076867-01-000	EA BRACKET-V, LIPPED - 3 5/8" X 1" - STEEL - W/O SCREW HOLES
	076867-02-000	EA BRACKET-V, LIPPED - 8 4/8" X 1" - STEEL - W/SCREW HOLES
	076872-01-000	EA BRACKET-V, LIPPED - 2 7/8" X 1" - STEEL - W/O SCREW HOLES
	077001-01-000	EA ANGLE-MOUNTING, ROOF PANEL - V ANGLE - 3" X 2 1/4" X 1 5/8"
	000655-09-162	EA SCREW-SF/DR, 8-18 X 1 00 - BEIGE
	040921-04-000	EA NUT-SPEED, U TYPE - NO. 8
	040921-05-000	EA NUT-SPEED, U TYPE - NO. 8
	040921-06-000	EA NUT-SPEED, U TYPE - NO. 8
	044364-01-000	EA NUT-SPEED, FLAT
	079382-01-000	EA SCREW-SOCKET, 8-18 X 1" - BLACK
	077075-01-000	EA GASKET-INSTRUMENT PANEL TO DEFROSTER PLENUM - 6" X 11.3" HOLE SIZE
	077075-02-000	EA GASKET-INSTRUMENT PANEL TO DEFROSTER PLENUM - 6" X 10 2/8" HOLE SIZE
	081914-01-000	EA BUMPER-RUBBER, ROUND - .43" DIAMETER - BLACK
	086285-01-000	EA SPACER-NYLON, 5" OD X .257" ID
	097091-01-000	EA TAPE-MASKING, WEATHER RESISTANT
	077064-01-000	EA CABLE-HOOD RELEASE REPLACED BY 102097-01-000, YOU WILL ALSO NEED PART 102515-01-000 BRACKET & 010497-09-000 CLAMP FROM: 00-00-00 THRU: 07-08-90
	077407-01-000	EA BRACKET-HOOD RELEASE CABLE FROM: 00-00-00 THRU: 08-12-90
	102087-01-000	EA CABLE-HOOD RELEASE FROM: 07-09-90 THRU: 09-99-99
	102515-01-000	EA BRACKET-CABLE, HOOD RELEASE
	010497-08-000	EA CLAMP-CLOSED, .125"
	000039-05-000	EA NUT-HEX, SER FLG LK - 5/16 - 18 ZN
	076734-04-000	EA TRAY-INSTRUMENT PANEL, PASSENGER - PLASTIC - GRAY
	024990-03-000	EA OUTLET-LOUVERED, W/SWIVEL - 2" GRAY
	056402-03-000	EA BRACKET-MOUNTING, ROUND HEAT VENT - METAL - GREY
	056402-04-000	EA BRACKET-MOUNTING, ROUND HEAT VENT - W/BEND - METAL - GRAY

**1991 ITASCA
TABLE OF CONTENTS**

INTRODUCTION	A-01	A-02
ABBREVIATIONS		A-03
ALPHABETICAL INDEX	A-04	A-05
ICN28RT	A-07	F-12
ICN32RQ	F-13	K-22

1991 ICN32RQ INDEX

FLOOR PLAN	F-13	F-14
ACCESSORIES	F-15	G-02
BATH	G-03	G-06
BEDROOM	G-07	G-10
CHASSIS	G-11	H-04
C C & PAD	H-05	H-12
DINETTE	H-13	H-14
DRIVERS	H-15	H-18
ELECTRICAL	H-19	I-02
EXTERIOR BODY	I-03	I-10
GALLEY	I-11	I-16
HEATING & A/C	I-17	I-22
INTERIOR FINISH	I-23	J-03
LABEL	J-04	J-12
LP		J-13
LOUNGE	J-14	J-15
SEALANTS & FASTENERS	J-16	J-18
WATER & SEWAGE	J-19	J-23
WINDOW, VENT AND EXTERIOR DOOR	J-24	K-22

ELECTRICAL GROUP

FORD OPTION L16K - US & CANADIAN

KEY PART NUMBER	U/M DESCRIPTION
036196-01-000	EA BULB-12V - #194 - .27AMP
058025-01-000	EA CONNECTOR-ELECTRICAL PIGTAIL, NYLON - CL EAR
035416-04-000	EA TERMINAL-RING #10 STUD FIT, INSULATED BARREL #16-14
067789-02-000	EA SOCKET-LAMP
077955-01-000	EA J CLIP-VINYL COATED, 3/8" USED IN WIRING TO CLEARANCE LIGHTS
035416-04-000	EA TERMINAL-RING #10 STUD FIT, INSULATED BARREL #16-14
041953-01-000	FT CONDUIT-CONVOLUTED SLIT, 1/2"ID
041953-01-000	FT CONDUIT-CONVOLUTED SLIT.625"ID
041953-03-000	FT CONDUIT-CONVOLUTED SLIT, 1" ID (CLOTHES ROD COVER)
041953-06-000	FT CONDUIT-CONVOLUTED,SLIT .375"ID
041953-07-000	FT CONDUIT-CONVOLUTED,SLIT .25"ID
047443-01-000	EA TERMINAL-.250 RECEP. FIT, INSULATED - 16/14 AWG
097745-02-000	EA HOUSING-RECEPTACLE, TRAILER - 48" WIRE LENGTH
079090-01-000	EA CONNECTOR-MOLDED, 12/2 LEAD
079376-01-000	EA TERMINAL-WEDGE BASE, 18 AWG NEEDED TO ATTACH BULB TO SIDEMARKER AND CLEARANCE LIGHTS
088473-08-000	EA HOUSING-PIN, 4 POSITION
088474-09-000	EA HOUSING-SOCKET
088475-01-000	EA PIN-CONNECTOR
088476-01-000	EA SOCKET-CONNECTOR
097744-02-000	EA HOUSING-TRAILER PIN, 48"
097746-01-000	EA HOUSING CAP-TRAILER PIN
007093-01-000	EA FLASHER-SIGNAL STAT
008188-01-000	EA SOLENOID-3 POST, BATTERY CHANGE OVER
008211-01-000	EA BREAKER-CIRCUIT, 12V - 6AMP
000343-02-000	EA TIE-WIRE, 14"
024459-04-000	EA GAUGE-VOLTMETER
058028-01-000	EA CONNECTOR-ELECTRICAL PIGTAIL, NYLON - CLEAR
002901-05-000	EA FUSE-15 AMPS,AUTOMOTIVE
063749-02-000	EA HOUSING-HEADLAMP, 2 BULB
063912-02-000	EA RELAY-CANISTER,SPDT W/RESIST
073328-F2-000	EA CABLE-8 GA, BLACK
008037-01-000	FT CABLE-BATTERY, 1AWG - STRANDED - BLACK
008348-01-000	EA TERMINAL-RING, 3/8" STUD - #2 WIRE CONNECTS CABLE TO BATT. DISC. RELAY AND BATTERY
081087-01-000	EA LIGHT ASM-INDICATOR
086273-01-000	EA RELAY-BATTERY DISCONNECT
086285-01-000	EA SPACER-NYLON, .5" OD X .257" ID
086298-01-000	EA WIRE-BATTERY DISCONNECT, RED
086298-02-000	EA WIRE-BATTERY DISCONNECT, GREEN
047443-01-000	EA TERMINAL-.250 RECEP. FIT, INSULATED - 16/14 AWG
088474-06-000	EA SOCKET-HOUSING, 6 POSITION (2 ROWS OF THREE)
088476-01-000	EA SOCKET-CONNECTOR
092786-01-000	EA BUSS BAR-2.1" LONG
092786-02-000	EA BUSS BAR-3.3" LONG
008331-01-000	EA TERMINAL-RING,TONGUE - #4 WIRE - 3/8" STUD - COPPER
007940-01-000	EA RECEPTACLE-SLIDE, 16 TO 12 AWG
047443-02-000	EA TERMINAL-.250 RECEP FIT, INSULATED - 12/10 AWG
063910-01-000	EA HOUSING-RELAY
088473-01-000	EA PIN-HOUSING, 4 ROWS OF 3
088474-08-000	EA SOCKET-HOUSING, 4 POSITION (SINGLE ROW)
088473-03-000	EA HOUSING-PIN, 9-POSITION
007940-01-000	EA RECEPTACLE-SLIDE, 16 TO 12 AWG
008326-01-000	EA TERMINAL-RING, 16/14 WIRE - 3/8" STUD
093654-01-000	EA CIRCUIT BREAKER-6 AMP, HOUSE CONTROL PANEL
093654-02-000	EA CIRCUIT BREAKER-15 AMP
093654-03-000	EA CIRCUIT BREAKER-20 AMP, HOUSE CONTROL PANEL
093655-01-000	EA CIRCUIT BREAKER-25 AMP
093655-02-000	EA CIRCUIT BREAKER-30 AMP, HOUSE CONTROL PANEL
093655-03-000	EA CIRCUIT BREAKER-40 AMP
097372-01-01A	EA SWITCH-MOMENTARY-OFF-MOMENTARY
007942-01-000	EA TAB-WIRE, 18 TO 14 AWG
007949-01-000	EA TAB-HOUSING, 1 POSITION
035416-04-000	EA TERMINAL-RING #10 STUD FIT, INSULATED BARREL #16/14
041953-01-000	FT CONDUIT-CONVOLUTED SLIT, 1/2"ID
041953-01-000	FT CONDUIT-CONVOLUTED SLIT.625"ID
041953-03-000	FT CONDUIT-CONVOLUTED SLIT, 1" ID (CLOTHES ROD COVER)

ELECTRICAL GROUP (CONTINUED)

FORD OPTION L16K - US & CANADIAN CONT

KEY PART NUMBER	U/M DESCRIPTION
041953-06-000	FT CONDUIT-CONVOLUTED,SLIT .375"ID
041953-07-000	FT CONDUIT-CONVOLUTED,SLIT .25"ID
058781-01-000	EA DIODE-6.0A/100 VOLT - MOTOROLA,NO MR751
082740-01-000	EA CONNECTOR-PLASTIC BODY, FOR 2 MALE SPADES
086298-01-000	EA WIRE-BATTERY DISCONNECT, RED
086298-02-000	EA WIRE-BATTERY DISCONNECT, GREEN
088473-02-000	EA HOUSING-PIN, 15 POSITION
088473-09-000	EA PIN-HOUSING, 3 POSITION (SINGLE ROW)
088473-10-000	EA PIN-HOUSING, 2 POSITION
088474-01-000	EA HOUSING-SOCKET
088474-02-000	EA HOUSING-SOCKET, 15 POSITION (3 ROWS OF 5)
089474-03-000	EA HOUSING-SOCKET, 9-POSITION
088474-06-000	EA SOCKET-HOUSING, 6 POSITION (2 ROWS OF THREE)
088474-08-000	EA SOCKET-HOUSING, 4 POSITION (SINGLE ROW)
088476-01-000	EA SOCKET-CONNECTOR
097611-01-000	EA CIRCUIT BREAKER-6AMP,ATC - BLACK FROM: 00-00-00 THRU: 05-21-90
097611-01-000	EA CIRCUIT BREAKER-6AMP,ATC - BLACK FROM: 05-22-90 THRU: 99-99-99
088476-02-000	EA SOCKET-CONNECTOR 12-10 GA
008326-01-000	EA TERMINAL-RING, 16/14 WIRE - 3/8" STUD
000039-04-00B	EA NUT-HEX, SER FLG LK 1/4 - 20 ZN
000039-08-00B	EA NUT-HEX, SER FLG LK - 1/2-13 ZN
041953-09-000	FT CONDUIT-CONVOLUTED,SLIT .50"ID
062901-05-000	EA FUSE-15 AMPS,AUTOMOTIVE
083610-01-000	EA CLAMP-WIRE, DUAL - UNEQUAL 5/8" AND 1 1/4"DIAMETERS
088779-03-000	EA CIRCUIT BREAKER-25 AMP
090604-04-000	EA TRAY-BATTERY

INVERTOR OPTION L40F

KEY PART NUMBER	U/M DESCRIPTION
099048-01-000	EA INVERTER-100 WATT
088475-01-000	EA PIN-CONNECTOR
088476-01-000	EA SOCKET-CONNECTOR

FOG LAMPS OPTION L57M

KEY PART NUMBER	U/M DESCRIPTION
000339-08-12B	EA SCREW-SF/DR, 8-18 X 3/4 PPH ZN
077031-02-000	EA FILM-AMBER, 1" X 1.75"
088747-02-000	EA LAMP-FOG, CLEAR LENS - PER-LUX
092879-01-000	EA WIRE ASM-FOGLAMP
088476-01-000	EA SOCKET-CONNECTOR
093162-01-000	EA BRACKET-LAMP, FOG
093258-01-000	EA WIRE-INSTRUMENT PANEL, HORN-FOG LAMP
092472-02-01A	EA TRIM-SIDE, SIDE - LOWER DR & PASS - 15.5" LONG - OFF WHITE

SEARCHLIGHT OPTION L63E

KEY PART NUMBER	U/M DESCRIPTION
051057-02-000	EA SEARCHLIGHT-POWER DRIVEN
051057-01-705	EA BULB-SEARCHLIGHT
051057-03-000	EA SWITCH-SEARCHLIGHT FROM: 00-00-00 THRU: 01-20-91
051057-04-000	EA SWITCH ASM.-SEARCHLIGHT FROM: 01-21-91 THRU: 99-99-99
050283-02-000	EA BAR-BUSS, CIRCUIT BREAKER
077368-03-000	EA PANEL-INSTRUMENT PANEL COVER, LOWER DRIVER - BLACK
087949-01-000	EA BUSS BAR-2 POSITION, UNDER HOOD

AUXILIARY DEFROSTER FANS OPTION L36H

KEY PART NUMBER	U/M DESCRIPTION
000G39-08-24B	EA SCREW-SF/DR, 8-18 X 1 1/2 PPH ZN
097372-03-01A	EA SWITCH-ON-OFF-ON

**1991 ITASCA
TABLE OF CONTENTS**

INTRODUCTION	A-01	A-02
ABBREVIATIONS		A-03
ALPHABETICAL INDEX	A-04	A-06
ICN28RT	A-07	F-12
ICN32RQ	F-13	K-22

1991 ICN32RQ INDEX

FLOOR PLAN	F-13	F-14
ACCESSORIES	F-15	G-02
BATH	G-03	G-06
BEDROOM	G-07	G-10
CHASSIS	G-11	H-04
C C & PAD	H-05	H-12
DINETTE	H-13	H-14
DRIVERS	H-15	H-18
ELECTRICAL	H-19	I-02
EXTERIOR BODY	I-03	I-10
GALLEY	I-11	I-16
HEATING & A/C	I-17	I-22
INTERIOR FINISH	I-23	J-03
LABEL	J-04	J-12
LP		J-13
LOUNGE	J-14	J-15
SEALANTS & FASTENERS	J-16	J-18
WATER & SEWAGE	J-19	J-23
WINDOW, VENT AND EXTERIOR DOOR	J-24	K-22

ELECTRICAL GROUP (CONTINUED)

STANDARD COMPONENTS

KEY PART NUMBER	U/M DESCRIPTION
098527-01-000	EA DOOR-CIRCUIT BREAKERS
098196-01-000	EA LATCH-1/4 TURN, T-BAR
093674-01-000	EA PLATE-CIRCUIT BREAKER, HOUSE
092547-01-000	EA LABEL-CIRCUIT BREAKER"
067762-01-000	EA CONVERTER-40 AMP, W/CHARGER - TRIAD TIL-710-2
007942-01-000	EA TAB-WIRE, 18 TO 14 AWG
007949-01-000	EA TAB-HOUSING, 1 POSITION
041953-09-000	FT CONDUIT-CONVOLUTED,SLIT .50"ID
007940-01-000	EA RECEPTACLE-SLIDE, 16 TO 12 AWG
008326-01-000	EA TERMINAL-RING, 16/14 WIRE - 3/8" STUD
088474-09-000	EA HOUSING-SOCKET
088476-01-000	EA SOCKET-CONNECTOR
008037-02-000	FT CABLE-BATTERY, 1AWG - STRANDED - RED
008343-02-000	EA TIE-WIRE, 14"
008348-01-000	EA TERMINAL-RING, 3/8" STUD - #2 WIRE
083610-01-000	EA CLAMP-WIRE, DUAL - UNEQUAL 5/8" AND 1 1/4" DIAMETERS
007940-01-000	EA RECEPTACLE-SLIDE, 16 TO 12 AWG
007942-01-000	EA TAB-WIRE, 18 TO 14 AWG
008001-01-000	FT WIRE-10AWG, STRAND - WHITE
047443-01-000	EA TERMINAL-.250 RECEP. FIT, INSULATED - 16/14 AWG
047443-02-000	EA TERMINAL-.250 RECEP FIT, INSULATED - 12/10 AWG
088473-05-000	EA PIN-HOUSING, 6 POSITION (SINGLE ROW)
088473-06-000	EA PIN-HOUSING, 5 POSITION (TWO ROWS OF THREE)
088473-08-000	EA PIN-HOUSING, 4 POSITION
088473-09-000	EA PIN-HOUSING, 3 POSITION (SINGLE ROW)
088474-02-000	EA SOCKET-HOUSING, 15 POSITION (3 ROWS OF 5)
088474-06-000	EA SOCKET-HOUSING, 6 POSITION (2 ROWS OF THREE)
088474-08-000	EA SOCKET-HOUSING, 4 POSITION (SINGLE ROW)
088476-01-000	EA SOCKET-CONNECTOR
092549-01-000	EA PLATE-FUSE BOX
007093-01-000	EA FLASHER-SIGNAL STAT
008188-01-000	EA SOLENOID-3 POST, BATTERY CHANGE OVER
008211-01-000	EA BREAKER-CIRCUIT, 12V - 6AMP
008343-01-000	EA TIE-WIRE, 6"
008343-02-000	EA TIE-WIRE, 14"
024459-04-000	EA GAUGE-VOLTMETER
035416-04-000	EA TERMINAL-RING #10 STUD FIT, INSULATED BARREL #16/14
062901-02-000	EA FUSE-5 AMP,AUTOMOTIVE
062901-05-000	EA FUSE-15 AMPS,AUTOMOTIVE
063912-02-000	EA RELAY-CANISTER,SPDT W/RESIST
073328-F2-000	EA CABLE-6 GA, BLACK
008037-01-000	FT CABLE-BATTERY, 1AWG - STRANDED - BLACK
008348-01-000	EA TERMINAL-RING, 3/8" STUD - #2 WIRE
082742-01-000	EA CONNECTOR BODY-3 CNCT FEMALE
085318-01-000	EA SCREW-8-08BX1/2,CHIMPTITE HD
086273-01-000	EA RELAY-BATTERY DISCONNECT
086273-01-700	EA TERMINAL WIRE ASM
086298-01-000	EA WIRE-BATTERY DISCONNECT, RED
086298-02-000	EA WIRE-BATTERY DISCONNECT, GREEN
008326-01-000	EA TERMINAL-RING, 16/14 WIRE - 3/8" STUD
092786-01-000	EA BUSS BAR-2.1" LONG
092786-02-000	EA BUSS BAR-3.3" LONG
008331-01-000	EA TERMINAL-RING,TONGUE - #4 WIRE - 3/8" STUD - COPPER
063910-01-000	EA HOUSING RELAY
088473-01-000	EA PIN-HOUSING, 4 ROWS OF 3
088474-08-000	EA SOCKET-HOUSING, 4 POSITION (SINGLE ROW)
088476-01-000	EA SOCKET-CONNECTOR
101571-01-000	EA HOUSING-2 POSITION, MALE
088473-03-000	EA PIN-HOUSING, 9-POSITION
007542-01-000	EA TAB-WIRE, 18 TO 14 AWG
007949-01-000	EA TAB-HOUSING, 1 POSITION
088473-02-000	EA PIN-HOUSING, 15 POSITION
088476-01-000	EA SOCKET-CONNECTOR
007940-01-000	EA RECEPTACLE-SLIDE, 16 TO 12 AWG
008326-01-000	EA TERMINAL-RING, 16/14 WIRE - 3/8" STUD
093654-01-000	EA CIRCUIT BREAKER-6 AMP, HOUSE CONTROL PANEL
093654-02-000	EA CIRCUIT BREAKER-15 AMP
093654-03-000	EA CIRCUIT BREAKER-20 AMP, HOUSE CONTROL PANEL
093655-01-000	EA CIRCUIT BREAKER-25 AMP

ELECTRICAL GROUP (CONTINUED)

STANDARD COMPONENTS CONT

KEY PART NUMBER	U/M DESCRIPTION
093655-02-000	EA CIRCUIT BREAKER-30 AMP, HOUSE CONTROL PANEL
093655-03-000	EA CIRCUIT BREAKER-40 AMP
007940-01-000	EA RECEPTACLE-SLIDE, 16 TO 12 AWG
007942-01-000	EA TAB-WIRE, 18 TO 14 AWG
007949-01-000	EA TAB-HOUSING, 1 POSITION
035416-04-000	EA TERMINAL-RING #10 STUD FIT, INSULATED BARREL #16/14
041953-01-000	FT CONDUIT-CONVOLUTED SLIT, 1/2"ID
041953-03-000	FT CONDUIT-CONVOLUTED SLIT, 1" ID (CLOTHES ROD COVER)
041953-06-000	FT CONDUIT-CONVOLUTED,SLIT .375"ID
041953-07-000	FT CONDUIT-CONVOLUTED,SLIT,.25"ID
047443-02-000	EA TERMINAL-.250 RECEP FIT, INSULATED - 12/10 AWG
058781-01-000	EA DIODE-6.0A/100 VOLT - MOTOROLA,NO MR751
062036-02-000	EA TERMINAL-PACK-CON, 16/14 AWG
062037-01-000	EA HOUSING-AUTO FUSE, NATURAL
052037-02-000	EA HOUSING-AUTO FUSE, GREEN
062037-03-000	EA HOUSING-AUTO FUSE, BLACK
062037-04-000	EA HOUSING-AUTO FUSE, BLUE
062037-05-000	EA HOUSING-AUTO FUSE, GRAY
062037-06-000	EA HOUSING-AUTO FUSE, BROWN
062740-01-000	EA CONNECTOR-PLASTIC BODY, FOR 2 MALE SPADES
086298-01-000	EA WIRE-BATTERY DISCONNECT, RED
086298-02-000	EA WIRE-BATTERY DISCONNECT, GREEN
083473-02-000	EA HOUSING-PIN, 15 POSITION
088473-10-000	EA PIN-HOUSING, 2 POSITION
088474-03-000	EA HOUSING-SOCKET, 9-POSITION
088476-01-000	EA SOCKET-CONNECTOR
088476-02-000	EA SOCKET-CONNECTOR 12-10 GA
097611-01-000	EA CIRCUIT BREAKER-6AMP,ATC - BLACK
000C26-04-10B	EA BOLT-HEX, SER FLG - 1/4-20 X 5.8 ZINC
000D39-05-00B	EA NUT-HEX, SER FLG LK - 5/16 - 18 ZN
008343-02-000	EA TIE-WIRE, 14"
041953-07-000	FT CONDUIT-CONVOLUTED,SLIT,.25"ID
050028-01-000	EA CONNECTOR-ELECTRICAL PIGTAIL, NYLON - CLEAR
008348-01-000	EA TERMINAL-RING, 3/8" STUD - #2 WIRE
086233-01-000	EA STUD-ISOLATED, 3/8" X 7/8" LONG
000D39-04-00B	EA NUT-HEX, SER FLG LK 1/4 - 20 ZN
000D39-05-00B	EA NUT-HEX, SER FLG LK - 5/16 - 18 ZN
008343-01-000	EA TIE-WIRE, 6"
035416-04-000	EA TERMINAL-RING #10 STUD FIT, INSULATED BARREL #16/14
008054-02-000	EA CORD-POWER, 10-3 - 30AMP - 33'
008026-01-000	FT WIRE-12/2, ROMEX W/GROUND
008289-01-000	EA BOX-ELECTRIC, STEEL - 1/2" AND 3/4" KNOCKOUTS - 4" X 4"
008311-01-000	EA CONNECTOR-WIRE NUT, INSULATED - RED
008328-01-000	EA TERMINAL-RING, 12/10 WIRE - #10 STUD FIT
008331-01-000	EA TERMINAL-RING,TONGUE - #4 WIRE - 3/8" STUD - COPPER
008355-01-000	EA CONNECTOR-CABLE CLAMPING, 3/4"
008356-01-000	EA CONNECTOR-PLASTIC, 3/8" AVG
074890-01-000	EA ROX-EXTENSION, STEEL - OPEN SIDES - 4" X 4" X 1 1/2"
074897-01-000	EA COVER-ELECTRIC BOX, 1 LARGE & 2 SMALL HOLES - 4" X 4"
008294-01-000	EA COVER-ELECTRICAL BOX, STEEL/BLANK - 4" X 4" - GRAY
083209-02-000	EA CIRCUIT BREAKER-15/15AMP, 120V
083209-03-000	EA CIRCUIT BREAKER-15/20AMP, 120V - BW - 0-15/20
083209-05-000	EA CIRCUIT BREAKER-20A, 120V - BW J-20
083209-06-000	EA CIRCUIT BREAKER-30/15 AMP, 120V - BW D-30 15
091213-01-000	EA BOX-CIRCUIT BREAKER- W/KNOCKOUTS - 5.3" X 11.8" X 2.5"
035416-04-000	EA TERMINAL-RING #10 STUD FIT, INSULATED BARREL #16/14
041953-01-000	FT CONDUIT-CONVOLUTED SLIT, 1/2"ID
088474-06-000	EA SOCKET-HOUSING, 6 POSITION (2 ROWS OF THREE)
035416-04-000	EA TERMINAL-RING #10 STUD FIT, INSULATED BARREL #16/14
088474-07-000	EA HOUSING-SOCKET
098475-01-000	EA PIN-CONNECTOR
088475-02-000	EA PIN-CONNECTOR
008294-01-000	EA COVER-ELECTRICAL BOX, STEEL/BLANK - 4" X 4" - GRAY
008311-01-000	EA CONNECTOR-WIRE NUT, INSULATED - RED
008001-01-000	FT WIRE-10AWG, STRAND - WHITE
080015-02-000	EA RECEPTACLE-FLAG, .195 - 16/14 GA - AMP 3
041953-11-000	FT CONDUIT-CONVOLUTED, SLIT- 1.06" ID
088474-01-000	EA HOUSING-SOCKET

**1991 ITASCA
TABLE OF CONTENTS**

INTRODUCTION	A-01	A-01
ABBREVIATIONS		A-02
ALPHABETICAL INDEX	A-04	A-06
ICN28RT	A-07	F-12
ICN32RO	F-13	K-22

1991 ICN32RQ INDEX

FLOOR PLAN	F-13	F-14
ACCESSORIES	F-15	G-02
BATH	G-03	G-06
BEDROOM	G-07	G-10
CHASSIS	G-11	H-04
C C & PAD	H-05	H-12
DINETTE	H-13	H-14
DRIVERS	H-15	H-18
ELECTRICAL	H-19	I-02
EXTERIOR BODY	I-03	I-10
GALLEY	I-11	I-16
HEATING & A/C	I-17	I-22
INTERIOR FINISH	I-23	J-03
LABEL	J-04	J-12
LP		J-13
LOUNGE	J-14	J-15
SEALANTS & FASTENERS	J-16	J-18
WATER & SEWAGE	J-19	J-23
WINDOW, VENT AND EXTERIOR DOOR	J-24	K-22

ELECTRICAL GROUP (CONTINUED)

STANDARD COMPONENTS CONT

KEY PART NUMBER	U/M DESCRIPTION
077955-01-000	EA J CLIP-VINYL COATED, 3/8"
079378-01-000	EA TERMINAL-WEDGE BASE, 18 AWG
067789-02-000	EA SOCKET-LAMP
058028-01-000	EA CONNECTOR-ELECTRICAL PIGTAIL, NYLON - CLEAR
035416-04-000	EA TERMINAL-RING #10 STUD FIT, INSULATED BARREL #16-14
067789-02-000	EA SOCKET-LAMP
077955-01-000	EA J CLIP-VINYL COATED, 3/8"
035416-04-000	EA TERMINAL-RING #10 STUD FIT, INSULATED BARREL #16-14
064398-01-000	EA HOUSING-TRAILER, RECEPTACLE
079090-01-000	EA CONNECTOR-MOLDED, 12/2 LEAD
079378-01-000	EA TERMINAL-WEDGE BASE, 18 AWG
097744-02-000	EA HOUSING-TRAILER PIN, 48"
097746-01-000	EA HOUSING CAP-TRAILER PIN
008026-01-000	FT WIRE-12/2, ROMEX - W/GROUND
041953-05-000	FT CONDUIT-CONVOLUTED SOLID, .62" ID
047443-01-000	EA TERMINAL .250 RECP. FIT, INSULATED - 16/14 AWG
088473-03-000	EA HOUSING-PIN, 9-POSITION
088474-03-000	EA HOUSING-SOCKET, 9-POSITION
082740-01-000	EA CONNECTOR-PLASTIC BODY, FOR 2 MALE SPADES
041953-05-000	FT CONDUIT-CONVOLUTED SOLID, .62" ID
074017-02-000	EA HOUSING-5 POSITION, RIGHT ANGLED
041953-05-000	FT CONDUIT-CONVOLUTED SOLID, .62" ID
088474-06-000	EA SOCKET-HOUSING, 4 POSITION (SINGLE ROW)
036196-01-000	EA BULB-12V - #194 - .27AMP
077955-01-000	EA J CLIP-VINYL COATED, 3/8"
067789-02-000	EA SOCKET-LAMP
079090-01-000	EA CONNECTOR-MOLDED, 12/2 LEAD
041953-03-000	FT CONDUIT-CONVOLUTED SLIT, 1" ID (CLOTHES ROD COVER)
000D39-04-008	EA NUT-HEX, SER FLG LK 1/4 - 20 ZN
077000-01-000	EA SOCKET ASM-W/8" PIGTAIL LEADS
080734-02-000	EA CLIP-WIRE, NYLON
093144-01-000	EA CONDUIT-WIRE, GM# 15592046
055278-01-001	FT TUBING-STEEL, .75" X 1.5" X 288"
000C11-08-088	EA SCREW, B-18 X 1/2 PPH ZN
008288-01-000	EA BOX-PLASTIC ELECTRIC, 3" X 3 1/2"
008288-02-000	EA BOX-ELECTRIC, PLASTIC - 3.94" X 3.13" X 1.81"
008314-01-000	EA CONNECTOR-WIRE NUT, INSULATED - GRAY
008328-01-000	EA TERMINAL-RING, 12/10 WIRE - #10 STUD FIT
058028-01-000	EA CONNECTOR-ELECTRICAL PIGTAIL, NYLON - CLEAR
058049-01-000	EA BOX-ELECTRIC SWITCH, 2" X 3" X 2.25"
008343-01-000	EA TIE-WIRE, 6"
058028-01-000	EA CONNECTOR-ELECTRICAL PIGTAIL, NYLON - CLEAR
090971-01-000	EA SPLICE-CABLE, 110V
090971-02-000	EA SPLICE-CABLE, 110V - TAP
092547-01-000	EA LABEL-"CIRCUIT BREAKER"
036196-01-000	EA BULB-12V - #194 - .27AMP
031965-01-000	EA TAB-HOUSING, 2 POSITION
031968-01-000	EA PLUG-CONTACT, BRASS
077000-01-000	EA SOCKET ASM-W/8" PIGTAIL LEADS
077920-02-000	EA WIRE ASM-BEVERAGE TRAY
077000-01-000	EA SOCKET ASM-W/8" PIGTAIL LEADS
063739-01-700	EA BATTERY-12V, DRY - 24TM-WNT-DRY
077479-01-000	EA BOOT-BATTERY TERM, DBL CABLE
077479-02-000	EA BOOT-BATTERY TERMINAL, SINGLE CABLE
077510-01-000	EA LABEL-GENERATOR PREP

ELECTRICAL GROUP (CONTINUED)

INTERIOR LIGHTS

KEY PART NUMBER	U/M DESCRIPTION
098024-01-01A	EA LIGHT-DOME, 1 BULB - US - IVORY
098024-03-01A	EA LIGHT-DOME, 2 BULB - US - IVORY
098024-01-700	EA LENS-DOME LIGHT
008218-01-000	EA BULB-DOME LIGHT, 12V - NUMBER 1141
091937-04-000	EA LIGHT-FLUORESCENT, 12 V - RECESSED - THIN-LITE
091937-02-000	EA LENS-LIGHT FLUORESCENT 12V
091937-03-000	EA BULB-LIGHT FLUORESCENT 12V
062169-01-000	EA LIGHT-MAKE-UP, 3 BULB - JENSEN X148-16BR
081633-01-700	EA BULB FLIGHT MAKE UP
078424-02-000	EA LIGHT-FLUORESCENT, 12V DC - 18" - ALMOND
091937-03-000	EA BULB-FLUORESCENT
078424-02-701	EA LENS C/ FLUORESCENT LIGHT 18"

aisle LIGHT

KEY PART NUMBER	U/M DESCRIPTION
061424-01-000	EA LIGHT-AISLE, 12V - RECTANGULAR
067479-01-000	EA BULB-12V, NUMBER 1076 - WALL LAMP

CLOSET LIGHT

KEY PART NUMBER	U/M DESCRIPTION
087694-01-000	EA LIGHT-WARDROBE/CLOSET, W/SWITCH
087694-01-700	EA BULB

WALL LAMP

KEY PART NUMBER	U/M DESCRIPTION
055202-14-000	EA LAMP-WALL, W/O SHADE - BRASS
067479-01-000	EA BULB-12V, NUMBER 1076 - WALL LAMP
065201-08-000	EA SHADE-LAMP, W/GOLD TRIM - PARCHMENT

DOME LIGHT

KEY PART NUMBER	U/M DESCRIPTION
086280-01-000	EA LIGHT-SURFACE MOUNT, 12V - JENSEN 1236
086280-01-700	EA BULB, 12V 6W

TWIN BED OPTION L46P TABLE LAMP

KEY PART NUMBER	U/M DESCRIPTION
082686-07-000	EA SHADE-LAMP, TABLE
082686-09-000	EA LAMP-TABLE, W/O SHADE - ACRYLIC
083978-01-000	EA WASHER-MOUNTING, LAMP
091937-04-000	EA LIGHT-FLUORESCENT, 12 V - RECESSED - THIN-LITE
091937-05-700	EA BULB FLOURESCENT 12"
098024-03-01A	EA LIGHT-DOME, 2 BULB - US - IVORY
098024-01-700	EA LENS-DOME LIGHT
008218-01-000	EA BULB-DOME LIGHT, 12V - NUMBER 1141

TWIN BED OPTION L46P- CANADIAN SAME AS US EXCEPT FOR THE FOLLOWING

KEY PART NUMBER	U/M DESCRIPTION
082686-10-000	EA LAMP-TABLE, BRASS - CANADIAN

RECEPTACLES & SWITCHES

KEY PART NUMBER	U/M DESCRIPTION
075736-02-000	EA COVER-EXTERIOR RECEPTACLE - OFF WHITE
084076-02-000	EA RECEPTACLE-GFI, 15A - 125V - BROWN
050708-01-000	EA RECEPTACLE-DUPLEX, BROWN
079364-01-000	EA SWITCH-ON/OFF ROCKER, BROWN
079364-03-000	EA SWITCH-ON/OFF ROCKER, BLACK
024976-01-000	EA SWITCH-GENERATOR, W/O CIRCUIT BOARD
090351-01-01A	EA PLATE-SWITCH, 1 GANG - POLISHED BRASS

1991 ITASCA

TABLE OF CONTENTS

INTRODUCTION	A-01 -	A-02
ABBREVIATIONS		A-03
ALPHABETICAL INDEX	A-04 -	A-06
ICN28FT	A-07 -	F-12
ICN32RQ	F-13 -	K-22

1991 ICN32RQ INDEX

FLOOR PLAN	F-13 -	F-14
ACCESSORIES	F-15 -	G-02
BATH	G-03 -	G-06
BEDROOM	G-07 -	G-10
CHASSIS	G-11 -	H-04
C C & PAD	H-05 -	H-12
D'NETTE	H-13 -	H-14
DRIVERS	H-15 -	H-18
ELECTRICAL	H-19 -	I-02
EXTERIOR BODY	I-03 -	I-10
GALLEY	I-11 -	I-16
HEATING & A/C	I-17 -	I-22
INTERIOR FINISH	I-23 -	J-03
LABEL	J-04 -	J-12
LP		J-13
LOUNGE	J-14 -	J-15
SEALANTS & FASTENERS	J-16 -	J-18
WATER & SEWAGE	J-19 -	J-23
WINDOW, VENT AND EXTERIOR DOOR	J-24 -	K-22

ELECTRICAL GROUP (CONTINUED)

SWITCH PLATE & RECEPTACLES

KEY PART NUMBER	U/M DESCRIPTION
098351-02-01A	EA PLATE-SWITCH, 2 GANG - POLISHED BRASS
084076-02-000	EA RECEPTACLE-GFI, 15A - 125V - BROWN
084077-02-000	EA PLATE-COVER, RECEPTACLE - GFI - BROWN
058707-01-000	EA RECEPTACLE-ELECTRIC, SINGLE - BROWN
102566 01-B10	EA SPACER-RECEPTACLE, BETWEEN SIDE WALL & PLATE - WOOD NOT USED PRIOR TO 08-02-90
	FROM: 08-02-90 THRU: 09-09-99
058708-02-000	EA RECEPTACLE-DOUBLE ELECTRIC, IVORY
098351-03-01A	EA PLATE-SWITCH, 3 GANG - POLISHED BRASS
079364-01-000	EA SWITCH-ON OFF HOCKER, BROWN
075723-02-000	EA BLOCK-SWITCH, SPACER W/HOLE
097734-01-02A	EA EXTENSION-RECEPTACLE, BROWN
098351-01-01A	EA PLATE-SWITCH, 1 GANG - POLISHED BRASS

EXTERIOR LIGHTS

KEY PART NUMBER	U/M DESCRIPTION
035084-02-000	EA LIGHT-PORCH, RECESSED - CANADIAN
009-15-01-000	EA BULB-12V NO1003 0.94AMP
009019-01-700	EA LENS-LIGHT, RECESSED - PORCH
081250-01-000	EA LIGHT-FRONT CLEARANCE, AMBER - LENS AND BASE ONLY
081250-01-700	EA LENS-CLEARANCE LIGHT, AMBER
081437-01-000	EA BRACKET-CLEARANCE LIGHT, L SHAPED METAL
036196-01-000	EA BULB-12V - #194 - .27AMP
079378-01-000	EA TERMINAL-WEDGE BASE, 18 AWG NEEDED TO ATTACH BULB TO SIDEMARKER AND CLEARANCE LIGHTS
077955-01-000	EA J CLIP-VINYL COATED, 3/8"
049186-01-000	EA HEADLAMP CAPSULE-PASSENGER, HIGH/LOW BEAM - RECTANGULAR
049188-01-000	EA HEADLAMP CAPSULE-PASSENGER, HIGH BEAM - RECTANGULAR
049185-01-000	EA HEADLAMP CAPSULE-DRIVER, HIGH/LOW BEAM - RECTANGULAR
049187-01-000	EA HEADLAMP CAPSULE-DRIVER, HIGH BEAM - RECTANGULAR
049359-01-000	EA SPRING-HEADLAMP RETAINER, GM # 496096
074048-01-000	EA INSERT-KNURLED, BRASS - #8-32- FOR HEADLIGHT SCREWS
073308-01-000	EA SCREW-ADJUSTING, HEADLAMP
050030-02-000	EA HOUSING-HEADLAMP WIRING, HIGH BEAM
063749-01-000	EA HOUSING-HEADLAMP WIRING, LOW BEAM
084901-01-000	EA LAMP-PARK/TURN, GM # 916555 (BULB # MP62057)
076345-01-000	EA LENS-PARK/TURN, AMBER
037936-01-000	EA BULB-12V NUMBER 1157A - 2.10 AMP
059292-01-000	EA LIGHT-TURN, AMBER
037935-01-000	EA BULB-LAMP, NUMBER 1157 - 12 V - 2.1 AMP
091981-01-000	EA GASKET-PORCH LIGHT
	FROM: 08-00-00 THRU: 04-08-90
097917-01-02A	EA LIGHT-PORCH, BEIGE
008215-01-000	EA BULB-12V NO1003 0.94AMP
097917-01-700	EA LENS-LIGHT, PORCH
042405-03-000	EA BASE-SIDEMARKER LIGHTS, RECTANGULAR
042405-01-000	EA LENS-REAR SIDE MARKER-CLEARANCE LIGHT, W/REFLEX - RED
008213-01-000	EA BULB-12V NO57 0.24AMP
091983-01-000	EA GASKET-SIDE MARKER LIGHT
079378-01-000	EA TERMINAL-WEDGE BASE, 18 AWG NEEDED TO ATTACH BULB TO SIDEMARKER AND CLEARANCE LIGHTS
089362-01-000	EA LAMP-SIDE MARKER, AMBER
008213-01-000	EA BULB-12V NO57 0.24AMP
007309-01-000	EA LIGHT-STEP WELL, ROUND - 12V
042405-02-000	EA LENS-FRONT SIDE MARKER LIGHT, W/REFLEX - AMBER

ELECTRICAL GROUP (CONTINUED)

BACKWALL LIGHTS & COMPONENTS

KEY PART NUMBER	U/M DESCRIPTION
091250-02-000	EA LIGHT-CLEARANCE, CAB MARKER - W/RED LENS
051250-02-700	EA LENS ONLY, RED
036196-01-000	EA BULB-12V - #194 - .27AMP
081437-01-000	EA BRACKET-CLEARANCE LIGHT, L SHAPED METAL
077955-01-000	EA J CLIP-VINYL COATED, 3/8"
079378-01-000	EA TERMINAL-WEDGE BASE, 18 AWG NEEDED TO ATTACH BULB TO SIDEMARKER AND CLEARANCE LIGHTS
089291-01-000	EA LIGHT-TURN, W/RED LENS
037935-01-000	EA BULB-LAMP, NUMBER 1157 - 12 V - 2.1 AMP
099290-01-000	EA LIGHT-BACKUP, W/RED & CLEAR LENS
037934-01-000	EA BULB-12V NO1156 2.10AMP
089292-01-000	EA LIGHT-TURN, AMBER
037935-01-000	EA BULB-LAMP, NUMBER 1157 - 12 V - 2.1 AMP
098024-01-01A	EA LIGHT-DOME, 1 BULB - US - IVORY
087201-01-000	EA LIGHT - HALF ROUND, 1" X 1 7/8" - PLASTIC - BLACK

CIGARETTE LIGHTER

KEY PART NUMBER	U/M DESCRIPTION
069294-01-000	EA LIGHTER ASM-CIGARETTE

POWER CORD HATCHES

KEY PART NUMBER	U/M DESCRIPTION
009426-01-000	EA HATCH-POWER COHD, WHITE
092985-01-000	EA BRACKET-POWER CORD

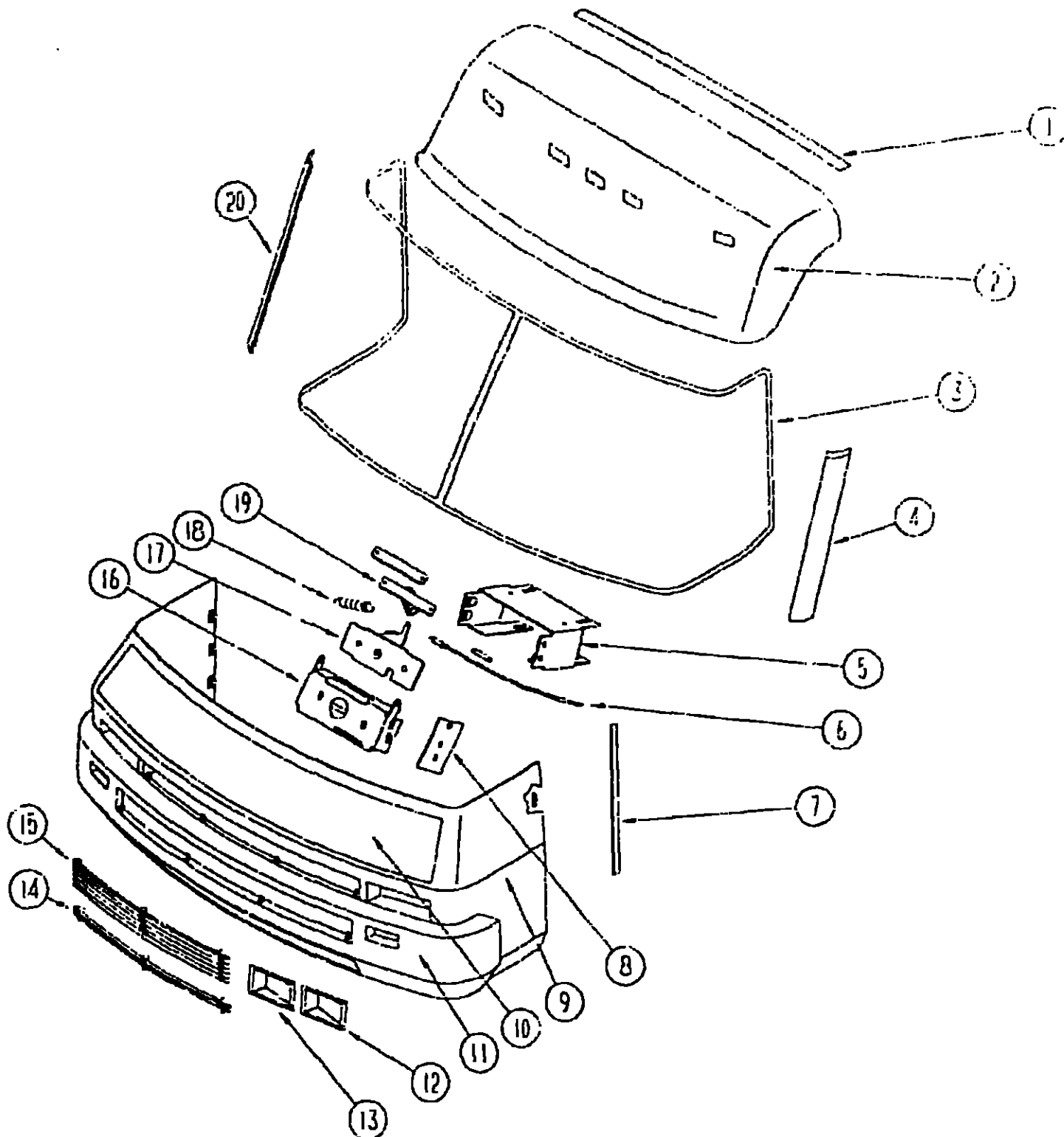
**1991 ITASCA
TABLE OF CONTENTS**

INTRODUCTION	A-01	A-02
ABBREVIATIONS		A-03
ALPHABETICAL INDEX	A-04	A-06
ICN28RT	A-07	F-12
ICN32RO	F-13	K-22

1991 ICN32RQ INDEX

FLOOR PLAN	F-13	F-14
ACCESSORIES	F-15	G-02
BATH	G-03	G-06
BEDROOM	G-07	G-10
CHASSIS	G-11	H-04
C C & PAD	H-05	H-12
DINETTE	H-13	H-14
DRIVERS	H-15	H-18
ELECTRICAL	H-19	I-02
EXTERIOR BODY	I-03	I-10
GALLEY	I-11	I-16
HEATING & A/C	I-17	I-22
INTERIOR FINISH	I-23	J-03
LABEL	J-04	J-12
LP		J-13
LOUNGE	J-14	J-15
SEALANTS & FASTENERS	J-16	J-18
WATER & SEWAGE	J-19	J-23
WINDOW, VENT AND EXTERIOR DOOR	J-24	K-22

EXTERIOR BODY GROUP



EXTERIOR BODY GROUP (CONTINUED)

FRONTEND COMPONENTS & BUMPER

KEY	PART NUMBER	U M DESCRIPTION
1	083205-05-000	EA TRIM-CAP, ROOF - FRONT & REAR - 76.2" - OFF WHITE
2	M02959-07-AE0	EA CAP-ROOF, FRONT - WEIGHTS - OFF WHITE
3	091986-01-000	EA MOLDING - REVEAL, WINDSHIELD SURROUNDS BOTH WINDSHIELDS
4	091901-02-000	EA TRIM-A PILLAR, DR - BETWEEN WINDSHIELD & VENT GLASS - BLACK
5	063595-02-000	EA BRACKET-LATCH, HOOD - 3 SIDED - 2 1/2" X 5 5/8" X 2 1/2"
6	060284-02-000	EA BRACE-LATCH, HOOD - 25 7/8" X 1 1/2" L ANGLE - STEEL
6	077054-01-000	EA CABLE HOOD RELEASE REPLACED BY 102987 01 000. YOU WILL ALSO NEED PART 102515-01-000 BRACKET & 010497-08-000 CLAMP
6	102987 01 000	EA CABLE-HOOD RELEASE
7	065204-01-02A	EA TRIM - SEAM, FRONTEND TO SIDEWALL - PASS SIDE ONLY
8	102515-01-000	EA BRACKET-CABLE, HOOD RELEASE
9	M01115-21-Y33	EA FRONT END-FIBERGLASS, W O HOOD & HOOD HINGES
	063749-01-000	EA HOUSING ASM-HEADLP WIRING, LOW
	091202-01-000	SF BACKING-STIFFENER, FIBERGLASS
	050020-02-000	EA HOUSING HEADLAMP WIRING, HIGH BEAM
10	M92678-01-Y33	EA PANEL-HOOD, W O HINGES OR DECALS
11	M93846-01-Y35	EA PANEL-BUMPER, FRONT W GRILLE & LIGHTS
12	091839-02-01A	EA BEZEL-HEADLAMP, DRIVER SIDE - BLACK
13	091839-02-01A	EA BEZEL-HEADLAMP, DRIVER SIDE - BLACK
	091839-01-01A	EA BEZEL-HEADLAMP, PASSENGER SIDE - BLACK
14	093005-01-Y33	EA GRILLE-2 BAR
15	093004-01-Y33	EA GRILLE-5 BAR
	055278-01-001	FT TUBING-STEEL, .75" X 1.5" X 288"
	077001-01-000	EA ANGLE-MOUNTING, ROOF PANEL - V ANGLE - 3" X 2.4" X 1.5"
	087684-51-002	EA CHANNEL-STEEL, HAT
16	073336-02-000	EA BRACKET-MOUNTING, LATCH
17	R77007-51-429	EA BRACKET-HOOD RELEASE
	076772-01-000	EA CLIP-SPEED, TUBE TYPE
	077049-01-000	EA NUT-ACORN, 10-32 ALUMINUM
	010497-08-000	EA CLAMP-CLOSED, .125"
18	R77007-01-950	EA SPRING-HOOD RELEASE
18	R77006-39-499	EA SPRING-CABLE, HOOD LATCH
19	073210-01-000	EA SPRING-STRIKER, LATCH - HOOD
	076596-01-000	EA BRACKET-MOUNTING, HOOD HINGE
	076697-01-000	EA PLATE-TAPPING, 1.4" X 2.9" - METAL
	058786-01-000	EA BOLT-ADJUSTING, HOOD - W BLACK PAD - 3/16" #18 X 2"
	093350-02-000	EA BRACKET-HOOD BUMPER, LOWER - W WELD NUT FOR ADJUSTING BOLT 3.6" TALL X 2.35" END GLUED TO FIBERGLASS (2 USED)
	061603-01-000	EA GROMMET-SNAP, 3/16" ID - 3/8" HOLE - PLASTIC - BLACK
20	091901-01-000	EA TRIM-A PILLAR, PASS - BETWEEN WINDSHIELD & VENT GLASS - BLACK
	069592-02-000	EA RIVET-T (POP) 1/4X.093- 156
	093851-01-Y35	EA HINGE-HOOD, PASSENGER SIDE
	077252-01-000	EA PIN-HINGE
	095496-05-000	EA HINGE-HOOD, UPPER PASSENGER SIDE - OFF WHITE
	077048-01-000	EA SHAFT-ADAPTER, WINDSHIELD PANTOGRAPH ARM
	086235-02-000	EA BEARING-SNAPIN, 3/16" ID X 3.16"
	093851-02-Y35	EA HINGE-HOOD, DRIVER
	077252-01-000	EA PIN-HINGE
	085496-06-000	EA HINGE-HOOD, UPPER DRIVER - OFF WHITE
	077048-01-000	EA SHAFT-ADAPTER, WINDSHIELD PANTOGRAPH ARM
	086235-02-000	EA BEARING-SNAPIN, 3/16" ID X 3.16"
	094060-02-000	EA ROD-PROP, HOOD PANEL
	060E13-11-00B	EA WASHER-FLARE, 3/16" WIDE - ZN
	076767-02-000	EA CABLE-1/16" X 16.5" - STAINLESS STEEL

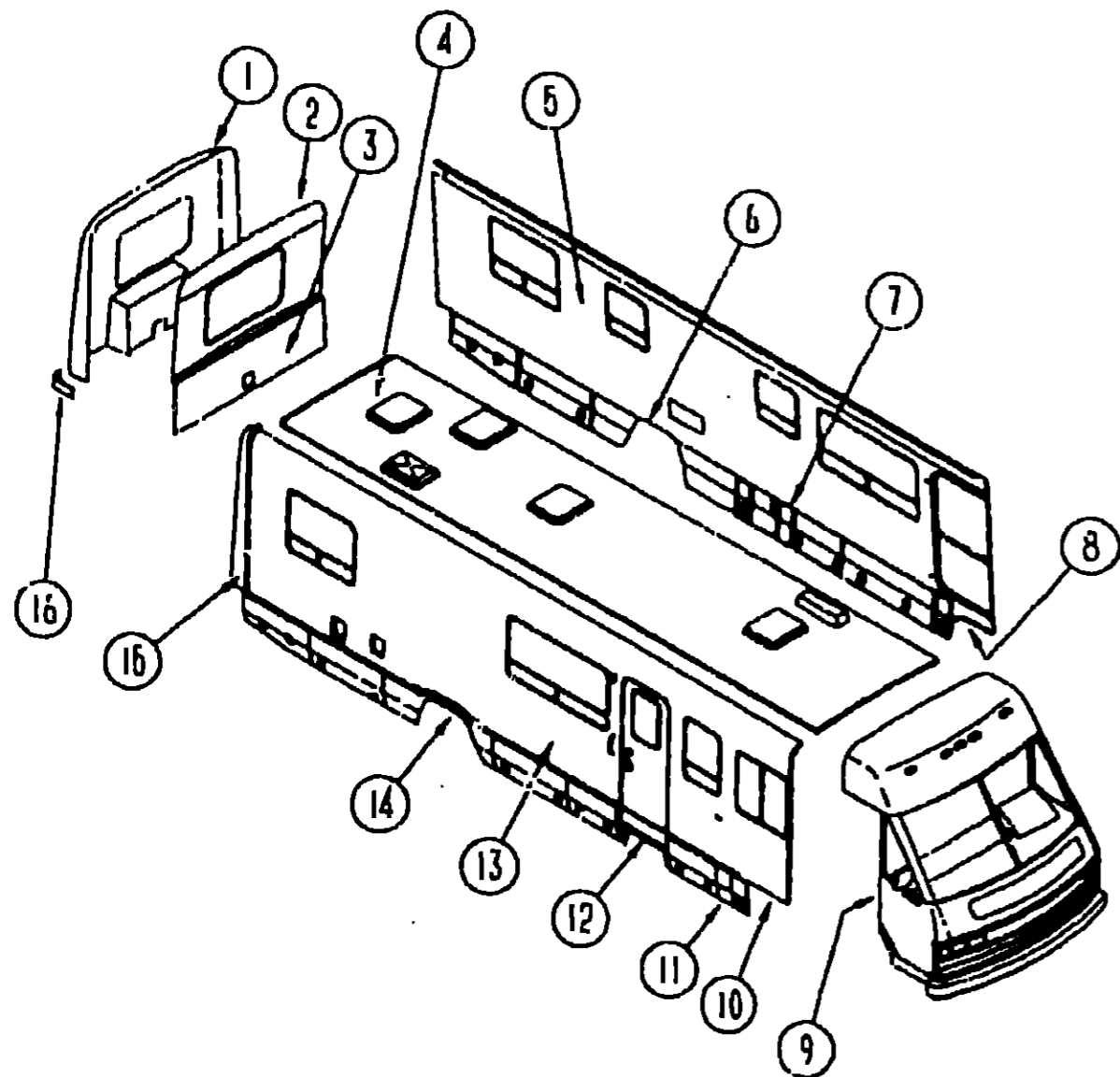
**1991 ITASCA
TABLE OF CONTENTS**

INTRODUCTION	A-01 - A-02
ABBREVIATIONS	A-03
ALPHABETICAL INDEX	A-04 - A-06
ICN32RQ	A-07 - F-12
ICN32RQ	F-13 - K-22

1991 ICN32RQ INDEX

FLOOR PLAN	F-13 - F-14
ACCESSORIES	F-15 - G-02
BATH	G-03 - G-06
BEDROOM	G-07 - G-10
CHASSIS	G-11 - H-04
C.C. & PAD	H-05 - H-12
DINETTE	H-13 - H-14
DRIVERS	H-15 - H-18
ELECTRICAL	H-19 - I-02
EXTERIOR BODY	I-03 - I-10
GALLEY	I-11 - I-16
HEATING & A/C	I-17 - I-22
INTERIOR FINISH	I-23 - J-03
LABEL	J-04 - J-12
LP	J-13
LOUNGE	J-14 - J-15
SEALANTS & FASTENERS	J-16 - J-18
WATER & SEWAGE	J-19 - J-23
WINDOW, VENT AND EXTERIOR DOOR	J-24 - K-22

EXTERIOR BODY GROUP (CONTINUED)



EXTERIOR BODY GROUP (CONTINUED)

EXTERIOR BODY PANELS AND TRIM

KEY PART NUMBER	U M	DESCRIPTION
1 M03491-01-AE6	EA	CAP-BACKWALL, FIBERGLASS - W/LIGHTS - W/O DOOR - OFF WHITE
2 002701-01-BL7	EA	BACKWALL-UPPER, W/O WINDOWS OR CUTOUTS (SPECIAL ORDER ITEM)
3 002701-01-BL7	EA	RACKWALL LOWER, W/O WINDOWS & DOORS (SPECIAL ORDER ITEM)
4 P00254-01-B29	EA	ROOF-W/O VENTS OR CUTOUTS (SPECIAL ORDER ITEM)
081605-06-001	EA	TRIM-CAP, ROOF 0'W, 76 1/8"
081605-14-001	EA	TRIM-ROOF, FRONT & REAR CAP TO ROOF - 6 1/2" MILL FINISHED
5 P00245-01-B29	EA	SIDEWALL-DRIVERS, W/O WINDOWS & DOORS (SPECIAL ORDER ITEM)
6 004045-02-01A	EA	TRIM-WHEELWELL, MILL FINISH - 21 3/4" LONG
M04019-01-000	EA	BRIDGE-WHEELWELL, E-COATED
7 003245-15-AE6	EA	PANEL-WHEEL LIP, REAR - DRIVER SIDE - OFF WHITE
8 003022-03-Y35	EA	PANEL ASM-VALANCE, ITASCA
9 002589-12-01A	EA	PANEL-WHEEL LIP, FRONT - DRIVER SIDE - OFF WHITE
10 006204-01-02A	EA	TRIM-J, 5" WIDTH EXPOSED - 1" X 24" LONG - ALUMINUM - OFF WHITE
002589-01-01A	EA	PANEL-WHEEL LIP, PASSENGER SIDE - FRONT - PLASTIC - OFF WHITE
002301-01-01A	FT	MOLDING-VALANCE TO SIDEWALL - 1.3" WIDE - PLASTIC - OFF WHITE
11 003021-03-Y12	EA	PANEL ASM-VALANCE
12 002894-01-01A	EA	STEP-VALANCE, ITASCA 0'W
13 P00216-01-B29	EA	SIDEWALL-PASSENGER W/O WINDOWS & DOORS (SPECIAL ORDER ITEM)
095023-01-000	EA	SUPPORT-VALANCE, 10 6" X 10 6"
002301-01-01A	FT	MOLDING-VALANCE TO SIDEWALL - 1.3" WIDE - PLASTIC - OFF WHITE
14 004345-02-01A	EA	TRIM-WHEELWELL, MILL FINISH - 21 3/4" LONG
M04019-01-000	EA	BRIDGE-WHEELWELL, E-COATED
14 003245-11-Y35	EA	PANEL-WHEEL LIP, REAR - PASSENGER SIDE - OFF WHITE
15 002041-01-02A	EA	TRIM-REAR CAP TO SIDEWALL, 1.8" X 83" - ALUMINUM - OFF WHITE
15 001985-01-01A	FT	INSERT-TRIM, .65" WIDE - VINYL - OFF WHITE
089297-01-000	SF	PLYWOOD-LUAN, OVERLAY GRADE - 10" X 4" X 8" INC OF 32 SF
093743-01-02A	SF	PLASTIC-ABS, 11 5" WIDE - OFF WHITE
100128-01-030	FT	SEAL-PILE, ADHESIVE BACK - GRAY
090340-01-000	FT	SEAL-FOAM, CLOSED CELL - 1.4" X 1.2" X .50"
009066-01-000	EA	HINGE-ALUMINUM, NO HOLES - 1 1/16" X 6" - UNPAINTED
076767-02-000	EA	CABLE-1/16" X 16 5" - STAINLESS STEEL
16 052251-01-01A	EA	CAP-BUMPER END, REAR PASSENGER, OFF WHITE
092251-02-01A	EA	CAP-BUMPER END, REAR DRIVERS, OFF WHITE
076322-03-000	FT	TAPE-FOAM, DOUBLE COATED ADHESIVE BACKED - .5" X 108"
092690-01-01A	EA	END CAP-VALANCE, REAR - OFF WHITE
092690-02-01A	EA	END CAP-VALANCE, FRONT - OFF WHITE
094355-01-01A	EA	RETAINER-VALANCE, 75.6" - OFF WHITE
094362-02-000	EA	CLIP-CHRISTMAS TREE, FLAT HEAD - 354-220000-00-0078
092701-01-000	SF	PANEL-SHEATHING, WAFERBOARD - 4" X 8" - INCREMENTS OF 32 S
077941-01-000	EA	SEAL-RUBBER, FLAT - W.SLIT

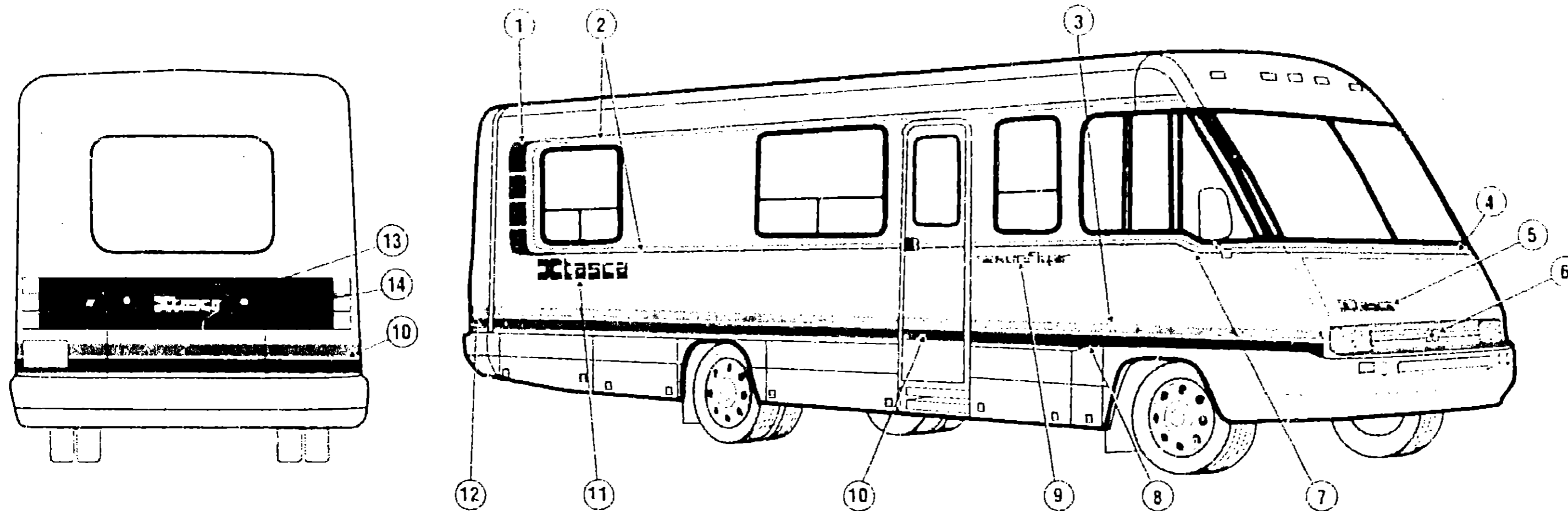
1991 ITASCA
TABLE OF CONTENTS

INTRODUCTION	A-1	A-02
ABBREVIATIONS	A-03	A-03
ALPHABETICAL INDEX	A-04	A-06
INDEX	A-07	F-12
INDEX	F-13	F-29

1991 ICN32RQ INDEX

FLOOR PLAN	F-13	F-14
ACCESSORIES	F-15	G-02
BATH	G-03	G-05
BEDROOM	G-07	G-10
CHASSIS	G-11	H-01
C C & PAD	H-05	H-12
DINETTE	H-13	H-14
DRIVERS	H-15	H-18
ELECTRICAL	H-19	I-02
EXTERIOR BODY	I-03	I-10
GALLEY	I-11	I-16
HEATING & A/C	I-17	I-22
INTERIOR FINISH	I-23	J-03
LABEL	J-04	J-12
LP		J-13
LOUNGE	J-14	J-15
SEALANTS & FASTENERS	J-16	J-18
WATER & SEWAGE	J-19	J-23
WINDOW, VENT AND EXTERIOR DOOR	J-24	K-22

EXTERIOR BODY GROUP (CONTINUED)
DECALS, TAGS & PAINT



1991 ITASCA
TABLE OF CONTENTS

INTRODUCTION	A-01	A-02
ABBREVIATIONS	A-03	A-03
ALPHABETICAL INDEX	A-04	A-06
ICN32RT	A-10	F-10
ICN32RQ	F-13	K-22

1991 ICN32RQ INDEX

FLOOR PLAN	F-13	F-14
ACCESSORIES	F-15	G-02
BATH	G-03	G-06
BEDROOM	G-07	G-10
CHASSIS	G-11	H-04
C.C. & PAD	H-05	H-10
DINETTE	H-13	H-14
DRIVERS	H-15	H-19
ELECTRICAL	H-19	I-02
EXTERIOR BODY	I-03	I-10
GALLEY	I-11	I-16
HEATING & A/C	I-17	I-22
INTERIOR FINISH	I-23	J-03
LABEL	J-04	J-12
LP		J-13
LOUNGE	J-14	J-15
SEALANTS & FASTENERS	J-16	J-18
WATER & SEWAGE	J-19	J-23
WINDOW, VENT AND EXTERIOR DOOR	J-24	K-22

KEY	PART NUMBER	U M DESCRIPTION
1	097911-01-04A	EA DECAL-WINDOW, ALL 4 SECTIONS - REAR PASSENGER SIDE - CONNECTS ABOVE WINDOW TO BELOW WINDOW SIDEWALL STRIPES - BLUE DUPONT #K9462, VIOLET #K9463
	097911-02-04A	EA DECAL-WINDOW, ALL 4 SECTION - REAR DRIVER SIDE - CONNECTS ABOVE WINDOW TO BELOW WINDOW SIDEWALL STRIPES - BLUE DUPONT #K9462, VIOLET DUPONT #K9463
2	093689-02-05A	FT MULTISTRIPE-4 LINES, 2.24" WIDE - ABOVE & BELOW SIDEWALL WINDOWS - VIOLET DUPONT #K9463, BLUE DUPONT #K9462
3	093689-04-05A	FT MULTISTRIPE-4 LINES, 5.9" WIDE - ABOVE VALANCE PANELS, FRONT TO CAB DOOR TRANSITION - VIOLET DUPONT #K9463, BLUE DUPONT #K9462
4	093662-03-05A	FT MULTISTRIPE-4 LINES, 2.6" WIDE - ACROSS FRONT BELOW WINDSHIELD - VIOLET DUPONT #K9463, BLUE DUPONT #K9462
5	093789-02-01A	EA DECAL-LOGO "ITASCA", HOOD - BLACK & BLUE - BLUE DUPONT #B8734
6	093790-01-01A	EA DECAL-LOGO, "I" - 3 DIMENSIONAL - FRONT GRILLE
7	093792-01-06A	EA DECAL-CORNER ANGLE, PASSENGER - FRONT - BELOW WINDSHIELD CORNER UP TO CAB WINDOW - VIOLET DUPONT #K9463, BLUE DUPONT #K9462
	093792-02-06A	EA DECAL-CORNER ANGLE, DRIVER - FRONT - BELOW WINDSHIELD CORNER UP TO CAB WINDOW - VIOLET DUPONT #K9463, BLUE DUPONT #K9462
8	093797-01-06A	EA DECAL-TRANSITION, 2 LINES - PASSENGER SIDE - ABOVE VALANCE PANELS, CONNECTS FRONT 5.9" TALL TO REAR 8" - VIOLET DUPONT #K9463, BLUE DUPONT #K9462
	093797-02-06A	EA DECAL-TRANSITION, 2 LINE - DRIVER SIDE - ABOVE VALANCE PANELS, CONNECTS FRONT 5.9" TALL TO REAR 8" - VIOLET DUPONT #K9463, BLUE DUPONT #K9462
9	093793-01-06A	EA DECAL-LOGO, "SUNFLYER" - FRONT PASSENGER SIDE - BLUE DUPONT #B8734, VIOLET DUPONT #K9463 & BLACK
	093793-02-06A	EA DECAL-LOGO, "SUNFLYER" - FRONT DRIVER SIDE - BLUE DUPONT #B8734, VIOLET DUPONT #K9463 & BLACK
10	093689-05-06A	FT MULTISTRIPE-4 LINES, 8" WIDE - ABOVE VALANCE PANELS, FROM CAB DOOR TRANSITION TO REAR - VIOLET DUPONT #K9463, BLUE DUPONT #K9462
11	078852-18-000	EA DECAL-LOGO, "ITASCA" - DR. & PASS. SIDEWALL - 6.5" - BLUE DUPONT #B8734 & BLACK
12	093798-01-06A	EA DECAL-CORNER, 4 LINES - REAR PASSENGER SIDE - ABOVE VALANCE PANELS, REAR CORNER - VIOLET DUPONT #K9463, BLUE DUPONT #K9462
	093798-02-06A	EA DECAL-CORNER, 4 LINES - REAR DRIVER SIDE - ABOVE VALANCE PANELS, REAR CORNER - VIOLET DUPONT #K9463, BLUE DUPONT #K9462
13	093791-01-01A	EA DECAL-LOGO, "ITASCA" - RAISED LETTERS - REAR CAP
14	084075-02-000	EA DECAL "BY WINNEBAGO INDUSTRY" - SILVER
	NOTE: -	BODY PAINT - OFF WHITE, DUPONT# L8723

EXTERIOR BODY GROUP (CONTINUED)

FIBERGLASS STYROFOAM & ALUMINUM

KEY	PART NUMBER	U M DESCRIPTION
	077517-02-000	EA FIBERGLASS SHEET 20'7" X 20'0" OFF WHITE FLAT
	084862-04-000	EA PANEL FIBERGLASS FANTAIL BOARD 53" X 20" X 1/4" OFF WHITE
	074354-03-000	EA SHEET FIBERGLASS 4' X 8' OFF WHITE
	074354-06-000	EA SHEET FIBERGLASS 5' X 24' OFF WHITE
	074354-09-000	EA SHEET FIBERGLASS 4' X 8' OFF WHITE
	061906-01-000	SF STYROFOAM 72" X 24" X 1/2" INCREMENTS OF 1/8"
	061906-05-000	SF STYROFOAM 12' X 24" X 1/2" INCREMENTS OF 1/8"
	060574-01-000	SF STYROFOAM DOW TYPE 5M 15' X 24" X 1/2" INCREMENTS OF 1/8"
	060670-01-000	SF STYROFOAM 15' X 48" X 1/2" INCREMENTS OF 1/8"
	044487-01-000	EA ALUMINUM SHEET 60" X 48" X .002 MIL FINISH
	051024-01-011	EA ALUMINUM SHEET 60" X 48" X .002 FLAT OFF WHITE
	061018-01-000	EA SKIN ALUMINUM 60" X 48" X .002 FLAT BEIGE

EXTERIOR BODY GROUP (CONTINUED)

DRIVER DOOR WITH POWER WINDOW AND MIRROR OPTION L28P

KEY	PART NUMBER	U M DESCRIPTION
	062559-04-000	EA MIRROR REMOTE HEAT WARM & MIRRORS - PRE-WIRED - PASSENGER
	060250-04-000	EA GLASS MIRROR HEATED CONVEX - PASSENGER SIDE
	061250-04-000	EA GLASS MIRROR HEATED FLAT - PASSENGER SIDE
	061250-05-000	EA MIRROR REMOTE HEAT WARM & MIRRORS - PRE-WIRED - DRIVER
	060250-05-000	EA GLASS MIRROR HEATED CONVEX - DRIVER SIDE
	060250-06-000	EA GLASS MIRROR HEATED FLAT - DRIVER SIDE
	061980-01-000	EA WIRE INSTRUMENT PANEL - REMOTE MIRROR
	064404-01-000	EA HEUSING SOCKET - POSITION
	064470-01-000	EA SOCKET CONNECTOR
	060250-04-000	EA GLASS ONLY CONVEX HEATED RH
	061250-04-000	EA GLASS ONLY FLAT HEATED RH
	061250-05-000	EA GLASS ONLY CONVEX HEATED LH
	061250-06-000	EA GLASS ONLY FLAT HEATED LH

EXTERIOR MIRRORS

KEY	PART NUMBER	U M DESCRIPTION
	060250-01-000	EA MIRROR W CONVEX - PASSENGER
	060250-02-000	EA MIRROR W CONVEX - DRIVER
	060250-03-000	EA ACCESSORY KIT MIRROR EXTENSION
	060250-04-000	EA GLASS ONLY CONVEX RH
	060250-05-000	EA GLASS ONLY FLAT RH
	060250-06-000	EA GLASS ONLY CONVEX LH
	060250-07-000	EA GLASS ONLY FLAT LH

PLUMBING VENT

KEY	PART NUMBER	U M DESCRIPTION
	083558-03-000	EA VENT-PLUMBING PIPE BODY W COVER - OFF WHITE

DOOR HOLDERS & PROP RODS

KEY	PART NUMBER	U M DESCRIPTION
	083615-06-000	EA HOLDER COMPARTMENT DOOR - PLASTIC - OFF WHITE
	083615-01-000	EA HOLDER DOOR PLASTIC BEIGE
	054376-01-000	EA ROD-PROP. HOLDING TANK DOOR
	054376-02-000	EA ROD DOOR GEN
	052044-02-Y12	EA ROD ASM -PROP

ASSIST HANDLE

KEY	PART NUMBER	U M DESCRIPTION
	009126-02-000	EA HANDLE-ASSIST. ENTRY DOOR - BLACK
	060726-02-000	EA BUMPER- 86"DIA X 40" BLACK
	063866-12-000	EA HANDLE-ASSIST. DRIVER DOOR - METAL - OFF WHITE

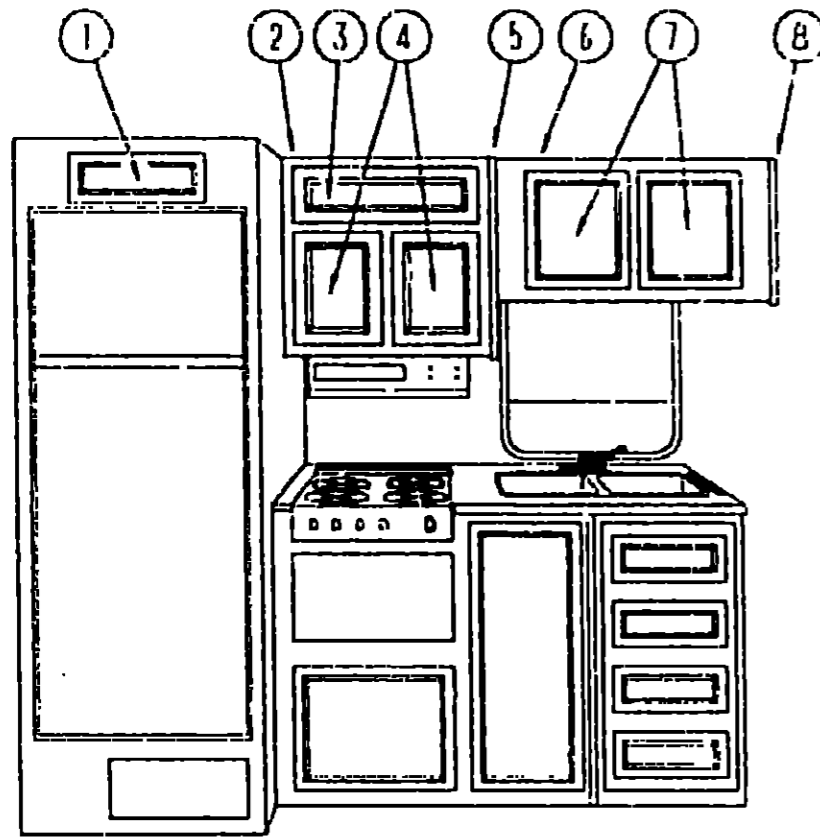
**1991 ITASCA
TABLE OF CONTENTS**

INTRODUCTION	A-01 -	A-02
ABBREVIATIONS		A-03
ALPHABETICAL INDEX	A-04 -	A-06
IGNITION	A-07 -	F-12
IGNITION	F-13 -	K-22

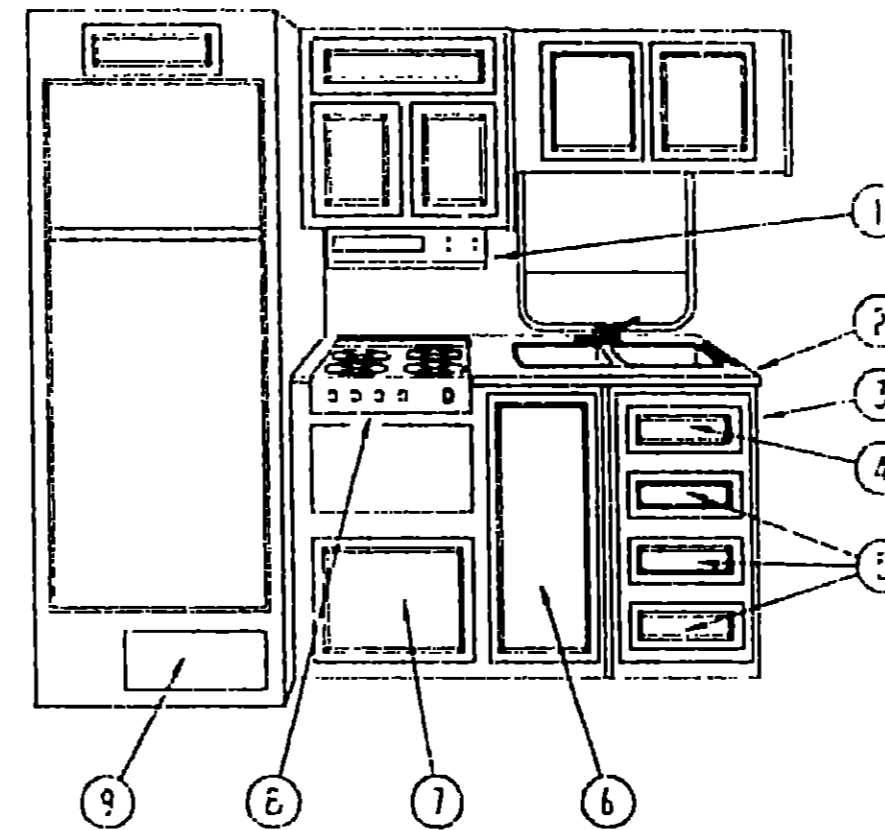
1991 ICN32RQ INDEX

FLOOR PLAN	F-13 -	F-14
ACCESSORIES	F-15 -	G-02
BATH	G-03 -	G-06
BEDROOM	G-07 -	G-10
CHASSIS	G-11 -	H-04
C C & PAD	H-05 -	H-12
DINETTE	H-13 -	H-14
DRIVERS	H-15 -	H-18
ELECTRICAL	H-19 -	I-02
EXTERIOR BODY	I-03 -	I-10
GALLEY	I-11 -	I-16
HEATING & A/C	I-17 -	I-22
INTERIOR FINISH	I-23 -	J-03
LABEL	J-04 -	J-12
LP		J-13
LOUNGE	J-14 -	J-15
SEALANTS & FASTENERS	J-16 -	J-18
WATER & SEWAGE	J-19 -	J-23
WINDOW, VENT AND		
EXTERIOR DOOR	J-24 -	K-22

GALLEY GROUP



GALLEY CABINETS & COMPONENTS



GALLEY GROUP (CONTINUED)

GALLEY CABINETS & COMPONENTS CONT.

1991 ITASCA TABLE OF CONTENTS

INTRODUCTION	A-01	A-02
ABBREVIATIONS		A-03
ALPHABETICAL INDEX	A-04	A-06
ICN28RT	A-07	F-12
ICN32RQ	F-13	K-23

1991 ICN32RQ INDEX

FLOOR PLAN	F-13	F-14
ACCESSORIES	F-15	G-02
BATH	G-03	G-10
CHASSIS	G-11	H-04
C C & PAD	H-05	H-12
DINETTE	H-13	H-14
DRIVERS	H-15	H-18
ELECTRICAL	H-19	I-02
EXTERIOR BODY	I-03	I-10
GALLEY	I-11	I-16
HEATING & A/C	I-17	I-22
INTERIOR FINISH	I-23	J-03
LABEL	J-04	J-12
LP		J-13
LOUNGE	J-14	J-15
SEALANTS & FASTENERS	J-16	J-18
WATER & SEWAGE	J-19	J-23
WINDOW, VENT AND EXTERIOR DOOR	J-24	K-22

KEY PART NUMBER	U/M	DESCRIPTION
1	P00523-03-B29	EA DOOR-CABINET, W/O HARDWARE - 6.4" X 16"
2	M04092-17-B29	EA CABINET-OVERHEAD, RANGE - W/O DOORS OR HARDWARE
2	M04092-18-B29	EA CABINET-OVERHEAD, USED W/MICROWAVE - W/O DOORS OR HARDWARE
3	P00523-03-B29	EA DOOR-CABINET, W/O HARDWARE - 6.4" X 16"
4	P00523-02-B29	EA DOOR-CABINET, W/O HARDWARE - 10.6" X 14.4"
5	092090-04-B29	EA END CAP-CABINET OVERHEAD - FRONT
6	098925-01-B29	EA CABINET-OVERHEAD, SINK - W/O DOORS OR HARDWARE
7	P00523-05-B29	EA DOOR-CABINET, W/O HARDWARE - 14.4" X 16"
8	099092-02-B29	EA END CAP-CABINET, OVERHEAD - FRONT

KEY PART NUMBER	U/M	DESCRIPTION
1	100258-04-01A	EA HOOD-RANGE, W MONITOR PANEL - VENTLINE TCS 4003SAD
2	098926-11-B07	EA COUNTERTOP-GALLEY - CAMEO BLUE
3	M04091-03-B29	EA CABINET-GALLEY, W/O DOORS OR HARDWARE
		FROM: 00-00-00 THRU: 09-02-90
3	M04091-01-B29	EA CABINET-GALLEY, W/O DOORS OR HARDWARE, BLK OVEN
		FROM: 09-03-90 THRU: 99-99-99
4	P00522-02-B29	EA DRAWER-CABINET, W/O HARDWARE - 13" X 6.7" - TOP DRAWER
5	P00522-01-B29	EA DRAWER-CABINET, W/O HARDWARE - 13" X 15.2" - LOWER 3 DRAWERS
6	P00523-12-B29	EA DOOR-CABINET, W/O HARDWARE - 14.4" X 26.8"
7	P00523-13-B29	EA DOOR-CABINET, W/O HARDWARE - 9.6" X 21.8"
8	098507-01-000	EA RANGE-4 BURNER, W/ALMOND TOP & DOOR - MAGIC CHEF BT22NA-4T
		FROM: 00-00-00 THRU: 09-02-90
8	102020-01-01A	EA RANGE-4 BURNER, W/ALMOND TOP & DOOR - MAGIC CHEF BT22RA-4T
		FROM: 09-03-90 THRU: 99-99-99
9	M02516-56-B29	EA DOOR-FURNACE, W/MESH INSERT
	M82184-27-B29	EA DRAWER-CABINET, USED W/MICROWAVE - W/O HARDWARE - 17.7" X 19.7"
	100081-01-01A	EA TRAY-SILVERWARE, ALMOND - RUBBERMAID
	056334-01-000	EA WASTEBASKET-9 3.4" X 7" X 10", WHITE - RUBBERMAID
	093605-01-01A	EA RACK-TOWEL, WIRE - ALMOND
	055516-03-000	EA BRACKET-REAR TIEDOWN, RANGE W/OVEN
	064952-01-000	EA FAUCET-GALLEY
	093526-01-000	EA SINK-DOUBLE, STAINLESS STEEL - 19" X 25"
	092303-01-000	EA STRAINER-SINK
	091208-01-000	EA WASHER-RUBBER, .06" X .75" X .5"
	091255-02-000	FT SEAL-ADHESIVE BACKED FOAM, 1.5" X .18"
	093653-01-B07	EA COVER-SINK, 607 - CAMEO BLUE
	093153-01-000	EA BOARD-CUTTING, MAPLE - 10.6" X 14.5"
	093236-01-B29	EA HOLDER-KNIFE, COUNTERTOP - OAK
		FROM: 00-00-00 THRU: 09-02-90
	093238-01-Y12	EA COVER-KNIFE HOLDER
		FROM: 09-03-90 THRU: 99-99-99
	093282-01-000	EA BONNET-KNIFE HOLDER, UNDER COUNTER - METAL
	098335-02-B03	EA RAIL-GALLEY, 75" X 22.34"

GALLEY GROUP (CONTINUED)

RANGE

KEY PART NUMBER	U.M DESCRIPTION
085280-03-000	EA COVER-BIFOLD, RANGE - ALMOND - MAGIC CHEF KL22A-1 FROM: 00-00-00 THRU: 09-02-90
102021-02-01A	EA COVER-RANGE, BIFOLD - 22" - ALMOND - MAGIC CHEF KR22A-1 FROM: 09-03-90 THRU: 99-99-99
098507-01-000	EA RANGE-4 BURNER, W/ALMOND TOP & DOOR - MAGIC CHEF BT221A-4T FROM: 00-00-00 THRU: 09-02-90
055282-03-708	EA BUMPER-MAIN TOP, PLASTIC PLUG - MAGIC CHEF 744-176
049045-01-742	EA BURNER ASM-OVEN, MAGIC CHEF 50-20216
064782-02-715	EA CLIP-GRATE, MAGIC CHEF 413-00015
055282-03-702	EA KNOB-THERMOSTAT, MAGIC CHEF 50-20281
081374-02-701	EA REGULATOR-PRESSURE, MAGIC CHEF 976-27
055282-03-700	EA THERMOSTAT, MAGIC CHEF 993-476
049045-01-703	EA VALVE-TOP BURNER, MAGIC CHEF 997-584
064782-02-705	EA HANDLE-OVEN DOOR, BLACK - MAGIC CHEF 50-25104
049045-01-728	EA BROILER PAN W/O INSERT, MAGIC CHEF 50-20114-2
098507-02-709	EA FILTER-PILOT, MAGIC CHEF 735-126
098507-02-703	EA GLASS OUTER - MAGIC CHEF 50-27096-1
098507-02-702	EA DEFLECTOR, VENT - MAGIC CHEF 50-27039-1
098507-02-704	EA PANEL, OVEN DOOR-EBONY - MAGIC CHEF 2401F082-70
098507-02-701	EA INSERT-BURNER (SLOTTED VENT), MAGIC CHEF 7214PD15-60
098507-02-707	EA TOP-MAIN, EBONY - MAGIC CHEF 2001F057-70
098507-02-705	EA TRIM, LEFT - MAGIC CHEF 3608F018-70
098507-02-706	EA TRIM, RIGHT - MAGIC CHEF 3608F017-70
049045-01-741	EA INSERT-BROILER PAN, MAGIC CHEF 5022119-1 OR 2
064782-02-710	EA BRACKET-FRONT GLASS, MAGIC CHEF 56-62007
102020-01-01A	EA RANGE-4 BURNER, W/ALMOND TOP & DOOR - MAGIC CHEF BT22RA4T-4 FROM: 09-03-90 THRU: 99-99-99
102020-01-701	EA HANDLE, DOOR
102020-01-702	EA PANEL, MANIFOLD
102020-01-703	EA PANEL, DOOR (ALMOND)
102020-01-700	EA SHELF-OVEN
102020-01-705	EA TRIM (LEFT)
102020-01-706	EA TRIM (RIGHT)
102020-01-708	EA BURNER ASSEMBLY (OVEN)
102020-01-709	EA BUMPER, GRATE
102020-01-710	EA FILTER, PILOT
102020-01-711	EA GRATE, TOP
102020-01-712	EA KNOB, BURNER VALVE
102020-01-713	EA KNOB, THERMOSTAT
102020-01-714	EA PILOT, OVEN
102020-01-715	EA PIPE, MANIFOLD
102020-01-716	EA REGULATOR, PRESSURE
102020-01-717	EA THERMOSTAT
102020-01-718	EA TOP, MAIN (ALMOND)
102020-01-719	EA TOP, MAIN (BLACK)
102020-01-720	EA VALVE, MERCURY CONTROL
102020-01-721	EA VALVE, SHUT-OFF
102020-01-722	EA VALVE, TOP BURNER
102020-01-723	EA PILOT, BURNER
102020-01-724	EA BUMPER, MAIN TOP

GALLEY GROUP (CONTINUED)

RANGE TOP

KEY PART NUMBER	U.M DESCRIPTION
081374-01-000	EA TOP-RANGE, ALMOND TOP W BLACK TRIM - MAGIC CHEF BT851A-4 FROM: 00-00-00 THRU: 08-05-90
081374-03-000	EA TOP-RANGE, ALMOND TOP W ALMOND TRIM - MAGIC CHEF BT851A-4 FROM: 08-06-90 THRU: 09-02-90
064782-02-715	EA CLIP-GRATE, MAGIC CHEF 413-00015
081374-03-704	EA REGULATOR-PRESSURE, MAGIC CHEF 7510P032-60
049045-01-703	EA VALVE-TOP BURNER, MAGIC CHEF 997-584
064782-02-700	EA TOP-MAIN-ALMOND-4BURNER
064782-02-714	EA FITTING-PIPE NIPPLE, 1/8" - MAGIC CHEF 063-1
098507-01-701	EA TOP-MAIN, ALMOND - MAGIC CHEF 2001F057-74
081374-03-700	EA TRIM-CAB, REAR - ALMOND - MAGIC CHEF 3608F016-74
081374-03-701	EA TRIM-CAB, FRONT - ALMOND - MAGIC CHEF 3608F015-74
081374-03-704	EA REGULATOR-PRESSURE, MAGIC CHEF 7510P032-60
081374-03-705	EA TRIM-BACK, ALMOND - MAGIC CHEF 3608F009-74
102019-01-01A	EA TOP-RANGE, ALMOND TOP W/ALMOND TRIM - MAGIC CHEF BT85RA-4 FROM: 09-03-90 THRU: 99-99-99
102020-01-709	EA BUMPER, GRATE
102020-01-711	EA GRATE, TOP
052583-04-701	EA KNOB-TOP BURNER
102020-01-718	EA TOP, MAIN (ALMOND)
102019-01-700	EA TRIM, RIGHT (ALMOND)
102019-01-701	EA TRIM, LEFT (ALMOND)
102019-01-702	EA TRIM, REAR (ALMOND)
102020-01-724	EA BUMPER, MAIN TOP
102022-01-702	EA PIPE, MANIFOLD
102022-01-703	EA REGULATOR, PRESSURE
102020-01-721	EA VALVE, SHUT-OFF
102020-01-722	EA VALVE, TOP BURNER
093744-03-000	EA BRACKET-TIEDOWN, STOVE - FRONT
093744-04-000	EA BRACKET-TIEDOWN, STOVE - REAR

CANADIAN

KEY PART NUMBER	U.M DESCRIPTION
100258-05-01A	EA HOOD-RANGE, W/MONITOR PANEL - VENTLINE TCS 4003SAC
100258-04-701	EA BEZEL-SWITCH LEVER, CABLE TO VENT - VENTLINE CC116
092696-01-701	EA KNOB-LEVER, CABLE - PLASTIC - BLACK - VENTLINE CC225
092696-01-702	EA RESISTER-WIRE, VENTLINE L7314
092696-01-709	EA BULB-912, VENTLINE VA415
092696-01-710	EA SOCKET-LIGHT, VENTLINE CB267-2
096983-01-708	EA LENS-LAMP, VENTLINE CC179
100258-04-702	EA SWITCH-LEVER, W/CABLE - VENTLINE CB547-1
090973-01-702	EA BLADE-FAN, LVS VA183-1
096983-01-707	EA FILTER-GREASE, 8" X 8" - LVS CC246
100258-04-700	EA CIRCUIT BOARD, VENTLINE 5037
075470-01-702	EA SWITCH-ON/OFF, LVS CB464
100258-08-701	EA SWITCH-FAN, 2 SPEED - VENTLINE 122
096983-01-703	EA SWITCH-ON/ON - JENSEN 115
096983-01-702	EA SWITCH-TWO WAY MOMENTARY, VENTLINE 112
100258-10-01A	EA METER-HOUR, VENTLINE 150
090973-01-700	EA MOTOR - LVS CA508-1

**1991 ITASCA
TABLE OF CONTENTS**

INTRODUCTION	A-01 - A-02
ABBREVIATIONS	A-03
ALPHABETICAL INDEX	A-04 - A-06
ICN28RT	A-07 - F-12
ICN32RO	F-13 - K-22

1991 ICN32RQ INDEX

FLOOR PLAN	F-13 - F-14
ACCESSORIES	F-15 - G-02
BATH	G-03 - G-06
BEDROOM	G-07 - G-10
CHASSIS	G-11 - H-04
C C & PAD	H-05 - H-12
DINETTE	H-13 - H-14
DRIVERS	H-15 - H-18
ELECTRICAL	H-19 - I-02
EXTERIOR BODY	I-03 - I-10
GALLEY	I-11 - I-16
HEATING & A/C	I-17 - I-22
INTERIOR FINISH	I-23 - J-03
LABEL	J-04 - J-12
LP	J-13
LOUNGE	J-14 - J-15
SEALANTS & FASTENERS	J-16 - J-18
WATER & SEWAGE	J-19 - J-23
WINDOW, VENT AND EXTERIOR DOOR	J-24 - K-22

GALLEY GROUP (CONTINUED)

MICROWAVE OVEN OPTION

KEY PART NUMBER	U M DESCRIPTION
091269-05-000	EA OVEN-MICROWAVE, MAGIC CHEF MISC-9PB OPTIC N L130
094745-01-01A	EA TRIM-MICROWAVE, LOWER, BLACK
094774-01-01A	EA TRIM-MICROWAVE, EITHER SIDE - BLACK
	FROM 05-00-90 THRU 05-01-00
094774-03-01A	EA TRIM-MICROWAVE, EITHER SIDE - BLACK
	FROM 05-08-00 THRU 05-09-00
094750-01-000	EA BRACKET-MICROWAVE, 90 DEGREE
091269-03-000	EA OVEN-MICROWAVE W BROWNING OVEN - M CHEF MISC-9PB OPTIC N L130
091269-03-701	EA PLATE-CERAMIC 9 5" - ROUND - MAGIC CHEF 246-0304
091269-03-702	EA CLIP-OVEN SHELF, WHITE - MAGIC CHEF 201-0034
091269-03-703	EA CLIP-OVEN SHELF, BLACK - MAGIC CHEF 201-0034
093744-03-000	EA BRACKET-TIEDOWN, STOVE - FRONT
093744-04-000	EA BRACKET-TIEDOWN, STOVE - REAR
094750-01-000	EA BRACKET-MICROWAVE 90 DEGREE

RANGE HOOD

KEY PART NUMBER	U M DESCRIPTION
100258-04-01A	EA HOOD-RANGE, W/MONITOR PANEL - VENTLINE 105-4003B40
100258-04-700	EA CIRCUIT BOARD - VENTLINE 5037
100258-04-701	EA SEZEL-SWITCH LEVER, CABLE TO VENT - VENTLINE CC110
100258-04-702	EA SWITCH-LEVER, W CABLE - VENTLINE CB547-1
092696-01-701	EA KNOB-LEVER, CABLE - PLASTIC - BLACK - VENTLINE CC225
092696-01-702	EA RESISTER-WIRE, VENTLINE L7314
092696-01-707	EA BULB-912, LVS VA415
092696-01-710	EA SOCKET-LIGHT, LVS CB267-2
096983-01-700	EA LENS-LAMP, VENTLINE CC179
100258-04-702	EA SWITCH-LEVER, W CABLE - VENTLINE CB547-1
090973-01-702	EA BLADE-FAN, LVS VA183-1
096983-01-707	EA FILTER-GREASE, 9" X 8" - LVS CC246
100258-04-700	EA CIRCUIT BOARD, VENTLINE 5037
076799-01-715	EA SWITCH-S.P. D.T., VENTLINE 110
100258-00-701	EA SWITCH-FAN 2-SPEED, VENTLINE CC115
096983-01-703	EA SWITCH-ON ON - JENSEN 115
096983-01-702	EA SWITCH-TWO WAY MOMENTARY VENTLINE 112
100258-10-01A	EA METER-HOUR, VENTLINE 150
075170-01-703	EA SWITCH-ON MOMENTARY, JENSEN RP1916
090973-01-700	EA MOTOR - LVS CA508-1

GALLEY GROUP (CONTINUED)

REFRIGERATOR & COMPONENTS

KEY PART NUMBER	U M DESCRIPTION
094039-05-000	EA REFRIGERATOR-2-WAY, LARGE DOUBLE DOOR - NORCOLD #6662
094039-04-700	EA COOLING UNIT (HORIZ BURNER) - NORCOLD #61697337
094039-04-701	EA FLUE (HORIZONTAL) BURNER - NORCOLD #616161
094039-04-702	EA HEATER-AC. (HORIZONTAL) - NORCOLD #615627
094039-04-703	EA CONTROL MODULE, NORCOLD # 6155922
094039-04-704	EA POWER SUPPLY (2 WAY) - NORCOLD #61647423
094039-04-705	EA EYEBROW (SHELL) 2 WAY - NORCOLD #61609922
094039-04-706	EA KNOB-THERMOSTAT - NORCOLD #616117
094039-04-707	EA KNOB-MODE SELECTOR - NORCOLD #616118
094039-04-708	EA PC BOARD (2 WAY)
094039-04-709	EA MANUAL SHUT-OFF HARPER WYMAN
094039-04-710	EA CONNECTOR-MALE INLET FITTING - NORCOLD # 615256
094039-04-711	EA TUBE-BURNER, NORCOLD #616055
094039-04-712	EA ORIFICE -NORCOLD #614521
094039-04-713	EA BURNER-HORIZONTAL, NORCOLD #615951
094039-04-714	EA ELECTRODE-IGNITION, (HORIZONTAL) - NORCOLD # 615732
094039-04-715	EA FRAME-DOOR, LOWER - BROWN - NORCOLD #615576
094039-04-716	EA DAIRY KEEPER - NORCOLD #615804
094039-04-717	EA TRIM-CABINET, TOP - BROWN - NORCOLD # 613614
094039-04-718	EA HINGE BRACKET, TOP RH-BTM LH BLK - NORCOLD #61580838
094039-04-719	EA PIN-HINGE, NORCOLD # 611146
094039-04-720	EA UPPER DOOR HANDLE ASM (BLK)
094039-04-721	EA UPPER DOOR LINER (WHITE, BLK - NORCOLD #61581838 B
094039-04-722	EA PIN-HINGE, BOTTOM - NORCOLD #615507
094039-04-723	EA COVER-ROOF VENT, NORCOLD REFRIGERATOR - BEIGE
094039-04-724	EA BASE-ROOF VENT, NORCOLD REFRIGERATOR - BLACK
094039-04-725	EA BASE-ROOF VENT, NORCOLD REFRIGERATOR - BLACK

REFRIGERATOR WITH ICE MAKER OPTION L21C

KEY PART NUMBER	U M DESCRIPTION
094039-05-000	EA REFRIGERATOR-NORCOLD, 2-WAY - W/ICE MAKER & DOUBLE DOOR
094039-04-700	EA COOLING UNIT (HORIZ BURNER) - NORCOLD #61697337
094039-04-701	EA FLUE (HORIZONTAL) BURNER - NORCOLD #616161
094039-04-702	EA HEATER-AC. (HORIZONTAL) - NORCOLD #615627
094039-04-703	EA CONTROL MODULE, NORCOLD # 6155922
094039-04-704	EA POWER SUPPLY (2 WAY) - NORCOLD #61647423
094039-04-705	EA EYEBROW (SHELL) 2 WAY - NORCOLD #61609922
094039-04-706	EA KNOB-THERMOSTAT - NORCOLD #616117
094039-04-707	EA KNOB-MODE SELECTOR - NORCOLD #616118
094039-04-708	EA PC BOARD (2 WAY)
094039-04-709	EA MANUAL SHUT-OFF HARPER WYMAN
094039-04-710	EA CONNECTOR-MALE INLET FITTING - NORCOLD # 615256
094039-04-711	EA TUBE-BURNER, NORCOLD #616055
094039-04-712	EA ORIFICE -NORCOLD #614521
094039-04-713	EA BURNER-HORIZONTAL, NORCOLD #615951
094039-04-714	EA ELECTRODE-IGNITION, (HORIZONTAL) - NORCOLD # 615732
094039-04-715	EA FRAME-DOOR, LOWER - BROWN - NORCOLD #615576
094039-04-716	EA DAIRY KEEPER - NORCOLD #615804
094039-04-717	EA TRIM-CABINET, TOP - BROWN - NORCOLD # 613614
094039-04-718	EA HINGE BRACKET, TOP RH-BTM LH BLK - NORCOLD #61580838
094039-04-719	EA PIN-HINGE, NORCOLD # 611146
094039-04-720	EA UPPER DOOR HANDLE ASM (BLK)
094039-04-721	EA UPPER DOOR LINER (WHITE, BLK - NORCOLD #61581838 B
094039-04-722	EA PIN-HINGE, BOTTOM - NORCOLD #615507

REFRIGERATOR CABINET

KEY PART NUMBER	U M DESCRIPTION
090929-01-000	FT SEAL-REFRIGERATOR CABINET
P06520-03-B07	EA DOOR-CABINET, W/O HARDWARE - 6 4" X 16"
M02516-56-Y12	EA DOOR-FURNACE, W MESH INSERT

**1991 ITASCA
TABLE OF CONTENTS**

INTRODUCTION	A-01 - A-02
ABBREVIATIONS	A-03
ALPHABETICAL INDEX	A-04 - A-06
INDEX	A-07 - F-12
FLOOR PLAN	F-13 - F-14

1991 ICN32RQ INDEX

FLOOR PLAN	F-13 - F-14
ACCESSORIES	F-15 - G-02
BATH	G-03 - G-06
BEDROOM	G-07 - G-10
CHASSIS	G-11 - H-04
C.G. & PAD	H-05 - H-12
DINETTE	H-13 - H-14
DRIVERS	H-15 - H-18
ELECTRICAL	H-19 - I-02
EXTERIOR BODY	I-03 - I-10
GALLEY	I-11 - I-16
HEATING & A/C	I-17 - I-22
INTERIOR FINISH	I-23 - J-03
LABEL	J-04 - J-12
LP	J-13
LOUNGE	J-14 - J-15
SEALANTS & FASTENERS	J-16 - J-18
WATER & SEWAGE	J-19 - J-23
WINDOW, VENT AND EXTERIOR DOOR	J-24 - K-22

HEATING & AIR CONDITIONING GROUP

REAR HEATER & WATER HEATER W MOTOR AID L611

HEATING & AIR CONDITIONING GROUP (CONTINUED)

A/C EVAPORATOR & CONTROL PLENUM

**1991 ITASCA
TABLE OF CONTENTS**

INTRODUCTION	A-01 -	A-02
ABBREVIATIONS		A-03
ALPHABETICAL INDEX	A-04 -	A-06
IGNITION	A-07 -	F-12
IGNITION	F-13	K-22

KEY PART NUMBER	U/M DESCRIPTION
009198-01-000	FT DUCT-HEAT FLEXIBLE - 4" ID
009200-01-000	EA TAPE-FURNACE 1 1/2"
023140-01-000	EA CLAMP SCREW TYPE, 4"
009636-02-000	EA CONNECTOR-DUCT, 4" ID
000667-10-12B	EA SCREW, 10-12 X 3/4 PPH, ZN
007108-01-000	FT HOSE-HEATER, 5 8" ID
008042-01-000	FT TUBING-VINYL, 65" ID
056464-05-000	EA REGISTER-PLASTIC W/O DAMPER - 4" DIAMETER GOLDEN
062401-01-000	EA CLAMP HOSE, WORMGEAR .25" - 1"
075054-01-000	EA HOSE-90 DEGREE - 6" ID X 4" X 36"
075054-02-000	EA HOSE-90 DEGREE - 6" ID X 4" X 6"
083011-01-000	EA HOSE-FORMED, 90 DEGREES

EVANS REAR HEATER

KEY PART NUMBER	U/M DESCRIPTION
064405-01-000	EA HEATER ASM-REAR, DUCTED - W/MOTOR AID - EVANS
074405-01-700	EA HEATER CORE-EVANS# FT200029
064405-01-701	EA FAN BLADES-EVANS# HV020031
064405-01-702	EA MOTOR ASM 1/2 V. EVANS# 200146
088753-01-000	FT TUBE-ALUMINIZED STEEL, 5 8" - 18 GAUGE
007108-02-000	FT HOSE-HEATER, 3 4" ID
040731-01-000	EA NIPPLE-INLET MANIFOLD, GM-3835094
061673-01-000	EA BRACKET-MOTOR AID TUBES, 4" X 1 1/2" - STEEL
062401-01-000	EA CLAMP-HOSE, WORMGEAR .25" - 1"
062401-04-000	EA CLAMP-HOSE, WORMGEAR .69" - 1 25"
071015-13-000	EA GROMMET-5 8" ID, FITS .09" MATERIAL, RUBBER
073194-02-000	EA CLAMP HOSE, WORMGEAR 1 26" - 1 97"
080179-01-000	EA BRACKET-SUPPORT, HEATER HOSE - IN ENGINE COMPARTMENT
088753-01-000	FT TUBE ALUMINIZED STEEL, 5 8" - 18 GAUGE

FORD - US & CANADIAN L16K A/C CONDENSER

KEY PART NUMBER	U/M DESCRIPTION
096815-01-000	EA CONDENSER ASM-A/C, FORD - ARA# 0519539
096815-01-700	EA COIL CONDENSER, ARA 0519545
072342-03-701	EA RECEIVER-DRYER, ARA 1273235
072342-03-707	EA O-RING, #6 - ARA 0059605
075789-01-718	EA O-RING-AEROQUIP FITTING, ARA 0543513
074013-02-716	EA VALVE-SERVICE, ARA 0058337
096815-01-701	EA HOSE ASM #8, ARA 0987061
096815-01-702	EA O-RING, #8 - ARA 0059606
072342-03-709	EA O-RING, #10 - ARA 0059607
072341-01-716	EA VALVE-DISCHARGE, 1.2" O-RING - ARA 0548325

FORD A/C COMPRESSOR & SYSTEM COMPONENTS

KEY PART NUMBER	U/M DESCRIPTION
072343-05-000	EA COMPRESSOR CLUTCH-460 EFI, TOP DISCHARGE - ARA# 0529039
056814-02-000	EA MOUNT & DRIVE PACKAGE, A/C COMPRESSOR - 460 EFI
093610-01-000	EA CLAMP-WIRE, DUAL - UNEQUAL DIAMETERS - .75" & 1.25"
088753-01-000	FT TUBE-ALUMINIZED STEEL, 5 8" - 18 GAUGE
091930-02-000	EA DUCT-DEFROSTER, W/O SIDE OUTLET - ARA# 0571020
062401-01-000	EA CLAMP-HOSE, WORM GEAR .25" - 1"

AUTO A/C COMPONENTS ADDED TO BOTH FORD & CHEVY CHASSIS

KEY PART NUMBER	U/M DESCRIPTION
000G11-09-08B	EA SCREW, 8-18 X 1/2 PPH - ZN
007076-01-700	FT HOSE-FLEXIBLE PVC - 2" ID
007108-01-000	FT HOSE-HEATER, 5 8" ID
007281-01-000	EA HOSE-FLEXIBLE PVC, 2 5" ID X 50"
007281-01-700	FT HOSE-FLEXIBLE PVC, 2.5" ID
024990-01-000	EA OUTLET-DEFROSTER, WITH SWIVEL - 2" - TAN
062401-04-000	EA CLAMP-HOSE, WORMGEAR .69" - 1 25"

KEY PART NUMBER	U/M DESCRIPTION
088227-02-000	EA EVAPORATOR-A/C, ARA 0500213
066227-02-701	EA BRACKET-BOWDEN CABLE MOUNTING, ARA 0409417
088227-02-702	EA DOOR ASM, F.A. RECYCLING - ARA 0321000
088227-02-703	EA SUCTION HOSE #10, ARA 0666712
088227-02-705	EA HOSE LIQUID, ARA 0666713
088227-01-700	EA DOOR ASSEMBLY, ARA 0320516
088227-01-701	EA CRANK MIX, ROUND DOOR - ARA 0318225
088227-01-703	EA EVAPORATOR CORE, ARA 0560571
088227-01-704	EA VALVE EXPANSION BLOCK, ARA 1297022
088227-01-707	EA RESISTOR FUSED A/C, ARA 0885515
088227-01-708	EA MOTOR BLOWER, ARA 1120060
052227-01-700	EA WHEEL REQUIRED BALANCING, ARA 0252084
088227-01-711	EA CRANK MIXING DOOR, ARA 0320480
077052-01-700	EA COIL EVAPORATOR, ARA 0560458
072342-03-700	EA O-RING, #10 - ARA 0059607
072342-03-707	EA O-RING, #8 - ARA 0059605
072341-01-708	EA SERVO-VACUUM CONTROL, ARA 1120040
075789-01-718	EA O-RING-AEROQUIP FITTING, ARA 0543513
066782-02-705	EA PIN, RETAINER, ARA 1701767
072341-01-707	EA THERMOSTAT, ARA 1247312
088227-02-705	EA HOSE LIQUID, ARA 0666713
103930-01-000	EA EVAPORATOR HEATER ASSEMBLY - SCS 050 0011
	FROM: 07-15-91 THRU: 99-99-99
103930-01-700	EA ROD-AIR BLEND DOOR, SCS 073-0017
103930-01-701	EA PANEL-DOOR, FOR AIR BLEND - SCS 071-0123
103930-01-702	EA GASKET-DOOR, FOR AIR BLEND - SCS 045-0080
103930-01-703	EA COIL-HEATER, SCS 042-0010
103930-01-705	EA VALVE EXP. BLOCK
103930-01-706	EA GASKET O-RING, #8 - SCS 045-0011
103930-01-707	EA GASKET O-RING, #10 - SCS 045-0012
103930-01-708	EA BRACKET-VACUUM MOTOR, SCS 070-0113
103930-01-709	EA MOTOR-VACUUM, SCS 030-0002
103930-01-710	EA RESISTOR-FUSED, SCS 035 0006
103930-01-711	EA THERMOSTAT, SCS 033-0003
103930-01-712	EA GASKET O-RING, SCS 045-0010
103930-01-713	EA FITTING-QUICK CONNECT, #4 - SCS 050-003
103930-01-714	EA FITTING-SERVICE VALVE #10 - SCS 050 0031
103930-01-715	EA SWITCH-BINARY, SCS 032-0030
103930-01-716	EA SWITCH-PRESSURE, FAN - SCS 032-0029
103930-01-717	EA WHEEL-CLOCK-WISE, SCS 062-0010
103930-01-718	EA HOSE #6, SCS 051-0036
103930-01-719	EA HOSE #10, SCS 051-0017
103930-01-720	EA MOTOR, SCS 030-0004
091902-03-000	EA CONTROL PLENUM ASM-ARA# 0508350
	FROM: 00-00-00 THRU: 07-14-91
091902-02-700	EA ROD-A/C-HEAT DOOR, ARA 0321485
091902-02-701	EA TRANSITION ASSEM, HI-TEMP, ARA 0766498
091902-02-702	EA BRACKET, PLENUM MOUNT, ARA 0321501
091902-02-703	EA GRILLE, ARA 0483164
103930-02-000	EA CONTROL PLENUM ASSEMBLY, SCS 093-0031
	FROM: 07-15-91 THRU: 99-99-99
103930-02-700	EA PANEL-CONTROL, SCS 032-0018
103930-02-701	EA VALVE-CONTROL HEAD, SCS 034-0015
103930-02-702	EA DECAL-WINNEBAGO "N", SCS 058-0003
103930-02-703	EA HARNESS-WIRE CONTROL, SCS 036-0048
103930-02-704	EA HARNESS-VACUUM CONTROL, SCS 036-0049
103930-02-705	EA CABLE-CONTROL, BOWDEN - SCS 074-0011
103930-02-706	EA CLIP-CABLE, CONTROL - SCS 022-0017
103930-02-707	EA RELAY, SCS 031-0001
103930-02-708	EA MOTOR-VACUUM SERVO, A/C - SCS 030-0002
103930-02-709	EA MOTOR-VACUUM SERVO, DEFROSTER - SCS 030-0020
103930-02-710	EA CANISTER-VACUUM, SCS 054-0002
103930-02-711	EA VALVE-WATER, SCS 034-00114

1991 ICN32RQ INDEX

FLOOR PLAN	F-13 -	F-14
ACCESSORIES	F-15 -	G-02
BATH	G-03 -	G-06
BEDROOM	G-07 -	G-10
CHASSIS	G-11 -	H-04
C C & PAD	H-05 -	H-12
DINETTE	H-13 -	H-14
DRIVERS	H-15 -	H-18
ELECTRICAL	H-19 -	I-02
EXTERIOR BODY	I-03 -	I-10
GALLEY	I-11 -	I-16
HEATING & A/C	I-17 -	I-22
INTERIOR FINISH	I-23 -	J-03
LABEL	J-04 -	J-12
LP		J-13
LOUNGE	J-14 -	J-15
SEALANTS & FASTENERS	J-16 -	J-18
WATER & SEWAGE	J-19 -	J-23
WINDOW, VENT AND		
EXTERIOR DOOR	J-24 -	K-22

HEATING & AIR CONDITIONING GROUP (CONTINUED)

SUBURBAN FURNACE & WALL THERMOSTAT

KEY PART NUMBER	U.M DESCRIPTION
093365-01-000	EA THERMOSTAT-WALL, FURNACE - SUBURBAN 0160002
092300-03-000	EA FURNACE-SUBURBAN, 34,000 BTU - NT-34F
092300-01-705	EA ELECTRODE, SUBURBAN 231095
069634-01-733	EA RELAY, TIME DELAY 20&30 BTU, SUBURBAN 231202
075696-01-700	EA MOTOR ASM-SUBURBAN# 231008
092300-01-720	EA WHEEL-ROOM AIR, SUBURBAN 350110
092300-02-702	EA MICROSWITCH ASM, SUBURBAN 350110
092300-01-726	EA WHEEL-COMB AIR, SUBURBAN 350110
075696-02-728	EA GASKET-CROSSOVER TUBE, SUBURBAN 070385
092300-01-724	EA GASKET-MOTOR MOUNT, SUBURBAN 070384
092300-01-727	EA GASKET-COMBUSTION AIR HOUSING, SUBURBAN 07038F
092300-01-711	EA VENT CAP ASSEMBLY, SUBURBAN X260179
069634-01-729	EA VALVE-GAS, JOHNSON - SUBURBAN 160232
092300-01-701	EA CABINET FRONT, SUBURBAN 101170
092300-01-706	EA SWITCH LIMIT, SUBURBAN 231440
069634-01-720	EA ORIFICE-MAIN BURNER, SUBURBAN# 0160222
092300-01-704	EA GASKET-ELECTRODE, SUBURBAN 070163
069634-01-706	EA MODULE BOARD, SUBURBAN# 231427
092300-01-718	EA ELBOW 90°, SUBURBAN 170374
069634-01-716	EA VALVE-MANUAL SHUTOFF, SUBURBAN 160740
092300-01-717	EA WIRE ASSEMBLY (POWER SUPPLY) - SUBURBAN X131428
092300-01-706	EA DOOR-BURNER ACCESS, SUBURBAN 030523
069634-01-732	EA GASKET-BURNER ACCESS DOOR, SUBURBAN 07032E
075696-02-700	EA DISC-GLASS, SUBURBAN 310026
092300-01-715	EA MANIFOLD ASSEMBLY, SUBURBAN 171034
069634-01-712	EA GASKET-MANIFOLD, SUBURBAN 070408
092300-01-712	EA BURNER ASM, SUBURBAN X010701
092300-01-721	EA BLOWER HOUSING ASSEMBLY, SUBURBAN 390283
075696-02-727	EA BRACKET-MOTOR MOUNT, SUBURBAN# 052138
092300-03-702	EA HOUSING, COMB AIR ASM, NT-34BW - SUBURBAN X390417
092300-01-728	EA HOUSING, COMB AIR (OUTSIDE) - SUBURBAN 390424
092300-02-700	EA COMBUSTION CHAMBER ASM, 30&34 BW - SUBURBAN X021015
069634-01-720	EA ORIFICE-MAIN BURNER, SUBURBAN 160222
092300-03-701	EA MOTOR ASSEMBLY (NT-34BW)
092300-01-700	EA CABINET, SUBURBAN X101176
	HEATING SYSTEM COMPONENTS
007076-01-700	FT HOSE-FLEXIBLE PVC - 2" ID
098342-01-000	EA WYE-CONNECTOR, 2.5" FLEXHOSE
092776-01-000	EA ADAPTER-DUCT, 2"
092321-01-000	FT INSULATION-FIBERGLASS, W. ALUMINUM FOIL
089326-01-000	EA GRILLE-FLOOR, HEATING - 9.3" X 5.4" - BROWN
093614-01-01A	EA GRILLE-RETURN AIR, FURNACE - 15.6" X 7.5" - BROWN
094600-01-02A	EA REGISTER-HEAT, FLOOR-W.O DAMPER-3.6" X 10.5" X 1.4" - BROW
094600-02-02A	EA REGISTER-HEAT, FLOOR - W.DAMPERS - 3.6" X 10.5" X 1.4" BROW
024990-01-000	EA OUTLET-DEFROSTER, WITH SWIVEL - 2" - TAN
024990-03-000	EA OUTLET-LOUVERED, W/SWIVEL - 2" - GRAY
084077-03-000	EA COVER-BLANK, ROOF A/C - IVORY

HEATING & AIR CONDITIONING GROUP (CONTINUED)

ROOF A C-13500 BTU, TWO UNITS - US & CANADIAN L29F

KEY PART NUMBER	U.M DESCRIPTION
093356-01-000	EA CONNECTOR-PLASTIC, 3/8" AVG
074983-01-000	EA LABEL-A/C SELECTOR
093763-01-04A	EA A/C-ROOF, 13500 BTU - OFF WHITE - COLEMAN 6759D707
093763-04-700	EA SHROUD/OFF WHITE CHARCOAL, COLEMAN# 6759-4F01
093306-01-701	EA DECAL PKG LEFT&RIGHT, COLEMAN 6759B3591
093763-01-702	EA OVERLOAD, COLEMAN# 6759-3931
093763-01-712	EA FAN BLADE-CONDENSER, COLEMAN# 6733-3221
075696-01-712	EA MOTOR, COLEMAN# 6707A3119
093763-01-703	EA IMPELLOR-7 DIA X 2 3/8" WIDE - COLEMAN# 6759-3271
091225-01-709	EA START RELAY, COLEMAN# 1497-4131
091225-01-710	EA START CAPACITOR, COLEMAN# 1497-0981
073742-02-704	EA RUN CAPACITOR (COMPRESSOR), COLEMAN 14994051
093763-01-704	EA CAPACITOR-FAN, COLEMAN# 1499-3401
042704-01-703	EA THERMOSTAT IN-64, OUT-58, COLEMAN# 6701-3401
042705-01-712	EA THERMOSTAT IN-89, OUT-58, COLEMAN# 6703-3401
093763-01-706	EA HEAT ELEMENT-COLEMAN# 6798-3321
093763-01-708	EA CONDENSER COIL-COLEMAN# 1452-1251
093763-01-714	EA COMPRESSOR-TECUMSEH, COLEMAN 6746-3590
093763-01-707	EA EVAPORATOR COIL-COLEMAN# 1452-1351
073742-01-701	EA SELECTOR SWITCH (5 TERMINAL), COLEMAN# 6759-3251
073742-01-702	EA DECAL COOL ONLY, COLEMAN# 6759C3431
073742-01-703	EA DECAL HEAT&COOL, COLEMAN# 6759-3401
081605-01-708	EA LIMIT SWITCH (OPEN 160,CLOSE 110), COLEMAN# 6703-3041
091225-01-713	EA KNOB (2 PER PACKAGE), COLEMAN# 6701-3351
075303-01-707	EA FILTER-6" X 14 3/4" X 1/2", 12 PER PKG - COLEMAN 6703A3151
093763-01-710	EA SINGLE PARTS PACKAGE, COLEMAN# 6759-5841
091225-01-717	EA DECAL (THERMOSTAT) COOL ONLY, COLEMAN# 6759A3441
093763-01-705	EA DECAL-HEAT, COOL THERMOSTAT, COLEMAN# 6759A3471
091606-01-712	EA CEILING SHROUD (IVORY), COLEMAN# 6769-5061
093763-01-711	EA GASKET PACKAGE, COLEMAN 67593281

**1991 ITASCA
TABLE OF CONTENTS**

INTRODUCTION	A-01 - A-02
ABBREVIATIONS	A-03
ALPHABETICAL INDEX	A-04 - A-06
ICN32RT	A-07 - F-12
ICN32RQ	F-13 - K-22

1991 ICN32RQ INDEX

FLOOR PLAN	F-13 - F-14
ACCESSORIES	F-15 - G-02
BATH	G-03 - G-06
BEDROOM	G-07 - G-10
CHASSIS	G-11 - H-04
C C & PAD	H-05 - H-12
DINETTE	H-13 - H-14
DRIVERS	H-15 - H-18
ELECTRICAL	H-19 - I-02
EXTERIOR BODY	I-03 - I-10
GALLEY	I-11 - I-16
HEATING & A/C	I-17 - I-22
INTERIOR FINISH	I-23 - J-03
LABEL	J-04 - J-12
LP	J-13
LOUNGE	J-14 - J-15
SEALANTS & FASTENERS	J-16 - J-18
WATER & SEWAGE	J-19 - J-23
WINDOW, VENT AND EXTERIOR DOOR	J-24 - K-22

HEATING & AIR CONDITIONING GROUP (CONTINUED)

ROOF A/C-13500 BTU, US & CANADIAN L29D

KEY PART NUMBER	U/M DESCRIPTION
008356-01-000	EA CONNECTOR-PLASTIC, 3/8" AVG
081606-01-709	EA LIMIT SWITCH (OPEN 100,CLOSE 110), COLEMAN# 6703-0041

ROOF A/C-13500 BTU, EUROPEAN L29D

KEY PART NUMBER	U/M DESCRIPTION
008356-01-000	EA CONNECTOR-PLASTIC, 3/8" AVG
092440-01-000	EA A/C-ROOF, 13500 BTU - 220V - 50HZ - COLEMAN# 67130750 PIECE PARTS N/A WHEN PROCESSED
092441-01-000	EA CEILING ASM-A/C, 220V - 50HZ - COLEMAN# 6712ET16
102289-01-000	EA SPRING-SCREW, ROOF A/C GASKET - COLEMAN 6757-150

HEATING & AIR CONDITIONING GROUP (CONTINUED)

CEILING ASSEMBLY

KEY PART NUMBER	U/M DESCRIPTION
093764-01-000	EA CEILING ASM-A/C COOL ONLY, TSR - COLEMAN 6759D714
073937-03-000	EA SWITCH-ROTARY SELECTOR, 3 DECK - A/C - CA20-USA892
073937-01-700	EA KNOB-ROTARY SWITCH, A/C SELECTOR - 145749
102289-01-000	EA SPRING-SCREW, ROOF A/C GASKET - COLEMAN 6757-150

ROOF A/C-13500 BTU - TWO UNITS - EUROPEAN L29F

KEY PART NUMBER	U/M DESCRIPTION
008356-01-000	EA CONNECTOR-PLASTIC, 3/8" AVG
074983-01-000	EA LABEL-A/C SELECTOR
092440-01-000	EA A/C-ROOF, 13500 BTU - 220V - 50HZ - COLEMAN# 67130750
092441-01-000	EA CEILING ASM-A/C, 220V - 50HZ - COLEMAN# 6712ET16 PIECE PARTS NOT AVAILABLE WHEN PROCESSED
092441-01-000	EA CEILING ASM-A/C, 220V - 50HZ - COLEMAN# 6712ET16 PIECE PARTS NOT AVAILABLE WHEN PROCESSED
073937-03-000	EA SWITCH-ROTARY SELECTOR, 3 DECK - A/C - CA20-USA892
073937-01-700	EA KNOB-ROTARY SWITCH-A/C SEL
008311-01-000	EA CONNECTOR-WIRE NUT, INSULATED - RED
008328-01-000	EA TERMINAL-RING, 12/10 WIRE - #10 STUD FIT
000667-10-12P	EA SCREW, 10-12 X .75 PPH - DARK BROWN
000439-07-000	EA SCREW, 8-32 X 1 1/4 POH - BLACK
000667-10-12B	EA SCREW, 10-12 X 3/4 PPH, ZN
102289-01-000	EA SPRING-SCREW, ROOF A/C GASKET - COLEMAN 6757-150

**1991 ITASCA
TABLE OF CONTENTS**

INTRODUCTION	A-01	A-02
ABBREVIATIONS		A-03
ALPHABETICAL INDEX	A-04	A-06
ICN28RT	A-07	F-12
ICN32RO	F-13	K-22

1991 ICN32RQ INDEX

FLOOR PLAN	F-13	F-14
ACCESSORIES	F-15	G-02
BATH	G-03	G-06
BEDROOM	G-07	G-10
CHASSIS	G-11	H-04
C/C & PAD	H-05	H-12
DINETTE	H-13	H-14
DRIVERS	H-15	H-18
ELECTRICAL	H-19	I-02
EXTERIOR BODY	I-03	I-10
GALLEY	I-11	I-16
HEATING & A/C	I-17	I-22
INTERIOR FINISH	I-23	J-03
LABEL	J-04	J-12
LP		J-13
LOUNGE	J-14	J-15
SEALANTS & FASTENERS	J-16	J-18
WATER & SEWAGE	J-19	J-23
WINDOW, VENT AND EXTERIOR DOOR	J-24	K-22

INTERIOR FINISH GROUP
ASSIST HANDLE & STRIKE COVER

KEY	PART NUMBER	U/M DESCRIPTION
	069178-02-000	EA BRACKET-MOUNTING, ASSIST HANDLE
	053552-02-AAR	EA HANDLE-ASSIST, INTERIOR - ENTRY DOOR - VINYL - OFF WHITE
	046867-01-000	EA GROMMET-BRASS - 7/16" ID X 1" OD
	000C16-07-16R	EA BOLT-CARRIAGE, ASSIST HANDLE - 7/16" - 14 X 1" ZN
	000D20-07-00B	EA NUT-ACORN, ASSIST HANDLE - 7/16" X 14 ZN
	077461-01-000	EA COVER-STRIKE, ENTRY DOOR - 6.5" X 2.56" - PLASTIC - BEIGE FROM: 00-00-00 THRU: 07-09-90
	077461-03-000	EA COVER-STRIKE, ENTRY DOOR - PLASTIC - OFF WHITE FROM: 07-10-90 THRU: 99-99-99

BATH DOOR HARDWARE

KEY	PART NUMBER	U/M DESCRIPTION
	009059-02-000	EA HINGE-2" X 2.7", BRASS
	094485-01-01A	EA KNOB-DOOR, POLISHED BRASS
	009059-01-000	EA HINGE-W IN-BRASS
	061604-01-000	EA SLIDE-BOLT, ANTIQUE BRASS
	092652-01-000	EA GUIDE WHEEL-DOOR, TOP MOUNT
	093212-01-01A	EA BOLT-DOOR, MORTISE
	093832-01-01A	EA KNOB-DOOR, BRIGHT BRASS
	101430-01-01A	EA HINGE-2 IN-BRASS .060 IN
	102920-01-01A	EA HINGE-SPRING LOADED
	093184-01-01A	EA PLATE-STRIKE, DOOR, BATH, TAN
	009021-01-000	EA CATCH-NYLON-GRILL
	009021-02-000	EA STRIKE-SPRING STEEL
	093213-01-000	EA CATCH-ROLLER, NYLON

BATT STRIPS

KEY	PART NUMBER	U/M DESCRIPTION
	086229-01-000	EA RETAINER-BATTEN, CEILING - .75" WIDE - 7.6" EA
	086229-04-000	EA BATTEN-CEILING, 1" WIDE - IVORY - 7.6" EA
	069733-70-000	EA BATT STRIP-WOODGRAIN, 8" EA - REGAL OAK
	085284-03-000	FT BATT STRIP-WOODGRAIN, ADHESIVE BACKED - REGAL OAK
	085284-41-000	FT BATT STRIP-DECORATIVE, W/BLOSSOMS - ADHESIVE BACKED
	088263-55-000	EA BATT STRIP-BATH PANELING, 8" EA
	088263-54-000	EA BATT STRIP-DECORATIVE, MAIN - 8" EA
	085284-42-000	FT BATT STRIP-DECORATIVE, MAIN - ADHESIVE BACK
	069733-78-000	EA BATT STRIP-WOODGRAIN, 8" EA - RAMBLING OAK
	085284-32-000	FT BATT STRIP-WOODGRAIN, ADHESIVE BACK - RAMBLING OAK

DINETTE TABLE HARDWARE

KEY	PART NUMBER	U/M DESCRIPTION
	004354-01-000	EA BUMPER-RUBBER - BROWN
	088410-01-000	EA BRACKET-LIFT, TABLE MOUNTED - BEIGE
	024276-21-000	EA LEG-TABLE, METAL - BEIGE FROM: 00-00-00 THRU: 08-03-90
	024282-01-000	EA BRACE-TABLE LEG, HINGED FROM: 00-00-00 THRU: 08-03-90
	024283-01-000	EA CLIP-LEG, 1" X 1.125" OD - BLACK FROM: 00-00-00 THRU: 08-03-90
	04050-03-000	EA CLAMP-SADDLE, LEG HINGE - TAN FROM: 00-00-00 THRU: 08-03-90
	092708-01-B35	EA LEG-TABLE FROM: 08-04-90 THRU: 99-99-99
	092593-01-04A	EA CATCH-TABLE LEG, BEIGE FROM: 08-04-90 THRU: 99-99-99
	093550-01-000	EA BRACKET-FOLDING LEG FROM: 08-04-90 THRU: 99-99-99
	024275-05-000	EA ROD-TABLE LIFT, 8" X 23.5" - BEIGE
	024281-07-000	EA BRACKET-LIFT ROD, LOWER WALL MOUNTED - 22.12" - BEIGE
	053200-05-000	EA BRACKET-TABLE SUPPORT, UPPER WALL MOUNTED - 23.5" - BEIGE
	064781-06-000	EA HOLDER-CUP, TWO STEP - OFF WHITE

INTERIOR FINISH GROUP (CONTINUED)
CABINET TRIMS, MOLDINGS & CHANNEL

KEY	PART NUMBER	U/M DESCRIPTION
	092707-01-03A	EA MOLDING-WOOD, TABLE LEG - RAMBLING OAK
	100819-01-02A	EA MOLDING-VINYL WRAPPED, L-SHAPED - 1.5" X 1.5" X 7" - OAK FROM: 09-17-90 THRU: 99-99-99
	009767-12-000	FT MOLDING-SIDEWALL TO CEILING-CABINET - WELTING - OFF WHITE
	009812-25-000	EA MOLDING-CORNER, OUTSIDE - .5" - PLASTIC - PECAN
	042357-15-000	EA MOLDING-CORNER, RADIUS - 1.5" X 7" - PLASTIC - WOODGRAIN
	081521-02-007	EA MOUNT-METAL MOLDING, FOR RADIUS CORNER MOLDING - 12.5" EA
	081294-02-000	EA MOLDING-SHELF, NOTCHED WOOD - 8" LONG
	100041-04-000	EA MOLDING-VINYL WRAPPED, .7" X 3.5" X 72" - RAMBLING OAK
	080176-04-000	EA CAP CORNER, RADIUS - TOP - BROWN FROM: 00-00-00 THRU: 00-25-90
	009812-22-000	EA MOLDING-CORNER, OUTSIDE - .5" - PLASTIC - BROWN
	076325-30-000	FT MOLDING-EDGE BAND, 1.5-16" - RANDOM OFF WHITE FROM: 00-00-00 THRU: 05-27-90
	076325-28-000	FT MOLDING-EDGE BAND, 1.5-16" - SOLID OFF WHITE FROM: 05-28-90 THRU: 99-99-99
	022902-11-000	FT MOLDING-REVERSE COVE, T-SHAPED - VINYL - IVORY
	083620-06-000	FT T-MOLDING, END CAP EDGE - 3/4" - BIRCH FROM: 00-00-00 THRU: 01-06-91
	083620-07-000	FT T-MOLDING, END CAP EDGE - 3/4" - OAK FROM: 01-07-91 THRU: 99-99-99
	070504-01-000	FT TRIM-PLASTIC U-CHANNEL 1/16" - LIGHT BROWN
	070504-19-000	FT U-CHANNEL-PLASTIC, .915" WIDE - BROWN - INC OF 8" FROM: 00-00-00 THRU: 11-11-91
	009778-12-000	FT U-CHANNEL, 1" WIDE - PLASTIC - BROWN FROM: 11-12-90 THRU: 99-99-99
	094791-01-B29	EA TRIM-CABINET TO BACKWALL COUNTERTOP - 1.5" X 4.25" - WOOD PASSENGER SIDE
	094791-02-B29	EA TRIM-CABINET TO BACKWALL COUNTERTOP - 1.5" X 4.25" - WOOD DRIVER SIDE
	076699-01-016	EA LUMBER - 7" X 1.4" X 70 8", W/7 DEGREE BEVEL ON 1 FACE

WALL CLOCK

KEY	PART NUMBER	U/M DESCRIPTION
	100793-01-01A	EA CLOCK-WALL, OVAL - 9.5" X 11.1"
	101333-01-000	EA BACKPLATE-CLOCK, IN WALL SHIELD FOR CLOCK

EXTERIOR ACCESSORY PACKAGE OPTION L28E
DRAWER, HOSE & TOOL BOX

KEY	PART NUMBER	U/M DESCRIPTION
	077404-02-000	EA DRAWER-PLASTIC, 20" X 12.7" - BEIGE
	094067-01-01A	EA DIVIDER-DRAWER, PLASTIC - LIGHT OAK
	096765-01-000	EA RAIL-DRAWER
	091270-01-000	EA HOSE-REEL-50 FT
	093300-01-000	EA BOX-TOOL

1991 HAWCO
TABLE OF CONTENTS

INTRODUCTION	A-01 - A-02
ABBREVIATIONS	A-03 - A-04
ALPHABETICAL INDEX	A-04 - A-06
ICN32RQ	A-07 - A-12
ICN32RO	F-13 - A-22

1991 ICN32RQ INDEX

FLOOR PLAN	F-13 - F-14
ACCESSORIES	F-15 - G-02
BATH	G-03 - G-06
BEDROOM	G-07 - G-10
CLASSIS	G-11 - H-04
C C & PAD	H-05 - H-12
DINETTE	H-13 - H-14
DRIVERS	H-15 - H-18
ELECTRICAL	H-19 - I-02
EXTERIOR BODY	I-03 - I-10
GALLEY	I-11 - I-16
HEATING & A/C	I-17 - I-22
INTERIOR FINISH	I-23 - J-03
LABEL	J-04 - J-12
LP	J-13
LOUNGE	J-14 - J-15
SFALANTS & FASTENERS	J-16 - J-18
WATER & SEWAGE	J-19 - J-23
WINDOW, VENT AND EXTERIOR DOOR	J-24 - K-22

INTERIOR FINISH GROUP (CONTINUED)

PLASTIC DRAWER, SLIDES & RAIL

KEY	PART NUMBER	U/M	DESCRIPTION
	037688-01-000	FT	RAIL-V GUIDE, DRAWER FROM: 00-00-00 THRU: 01-06-91
	037688-04-000	EA	BRACKET-RAIL MOUNTING, FRONT FROM: 00-00-00 THRU: 01-06-91
	037688-05-000	EA	BRACKET-RAIL MOUNTING, REAR FROM: 00-00-00 THRU: 01-06-91
	102827-02-000	EA	BRACKET-ROLLER, DRAWER - REAR FROM: 01-07-91 THRU: 99-99-99
	102827-03-000	EA	ROLLER-DRAWER, NYLON - PAIR FROM: 01-07-91 THRU: 99-99-99
	102827-04-000	EA	BRACKET-MOUNTING, DRAWER - REAR FROM: 01-07-91 THRU: 99-99-99
	102827-05-000	EA	TRACK-DRAWER, 22.6" LONG FROM: 01-07-91 THRU: 99-99-99
	084466-02-000	EA	SLIDE-DRAWER, RIGHT
	084466-03-000	EA	SLIDE-DRAWER, LEFT
	084466-04-000	EA	SLIDE-CABINET, RIGHT
	084466-05-000	EA	SLIDE-CABINET, LEFT
	037666-03-000	EA	GLIDE-CENTER, DRAWER

CABINET HARDWARE

KEY	PART NUMBER	U/M	DESCRIPTION
	016604-01-000	EA	BRACE-CABINET, ANGLED METAL - 2.5"
	065740-01-000	EA	BRACE-CABINET CORNER, PLASTIC
	059777-02-000	EA	HINGE-CABINET DOOR, BURNISHED BRASS
	100273-01-000	EA	PULL-CABINET, ANTIQUE BRASS
	023320-01-000	EA	PAD-FELT, 3/8" DIAMETER - BROWN
	093586-03-000	EA	CATCH-SPRING, ROLLER
	093586-04-000	EA	STRIKE-SPRING STEEL
	074493-02-000	EA	SUPPORT-OVERHEAD DOOR, SPRUNG
	092082-02-01A	EA	MOUNT-OVERHEAD CABINET, 6.2" X 68.9" - METAL - BEIGE
	098979-01-000	EA	CLIP-ADJUSTABLE SHELF
	098980-02-000	EA	PILASTER-ADJUSTABLE SHELF, 12" LONG
	063125-03-000	EA	BRACE-COUCH, TAN
	072369-19-000	EA	MESH-EXPANDED, 15.5" X 6.5" - BRONZE
	100707-01-000	EA	SFACER
	100622-01-01A	EA	BRACKET-CABINET, TV - OFF WHITE
	100710-01-01A	EA	LOCK-TWIST TYPE
	100711-01-01A	EA	HINGE-DOOR, GLASS
	101272-01-000	EA	CATCH-GLASS DOOR
	101766-01-000	EA	PIN-SUPPORT, GLASS DOOR
	089076-03-000	EA	H-CHANNEL, BED SUPPORT - 1.96" X 72.7" - BEIGE
	057205-04-000	EA	SUPPORT-BED, 20" - METAL - BEIGE
	091261-01-000	FT	BACKING-NON SKID, 1" WIDE (100' ROLL)
	089025-01-000	EA	SUPPORT-SPRING, TO BED
	089024-01-000	EA	SUPPORT-SPRING, TO FLOOR
	057460-02-000	EA	STUD-BALL, GAS SPRING - 10MM - 5.10" - 18
	057460-03-000	EA	CLIP-SAFETY, WIREFORM TYPE - GAS SPRING
	057460-04-000	EA	SPRING-GAS
	088199-02-Y12	EA	HINGE-BED, TOP LIFT - METAL - BEIGE
	077252-01-000	EA	PIN-HINGE
	057534-01-000	EA	TIEBACK-CURTAIN, 6" - PLASTIC - CLEAR
	M97191-01-000	EA	HANDLE-DOOR, TAMBOUR
	097141-01-000	EA	TRACK-SPIRAL, TAMBOUR DOOR - DRIVER SIDE - 24" LONG N/A - ORDER 097141-02-700 TRACK KIT W/LEFT & RIGHT TRACK PIECES
	097141-02-000	EA	TRACK-SPIRAL, TAMBOUR DOOR - PASSENGER SIDE - 24" LONG N/A - ORDER 097141-02-700 TRACK KIT W/LEFT & RIGHT TRACK PIECES
	084466-06-000	EA	SLIDE-COMplete, 12"

INTERIOR FINISH GROUP (CONTINUED)

MIRRORS

KEY	PART NUMBER	U/M	DESCRIPTION
	P00527-33-829	EA	MIRROR-WOOD FRAMED, W/O HARDWARE - 15.5" X 22.5"
	058331-05-000	EA	MIRROR-SAFETY, 12" X 26"
	058331-18-000	EA	MIRROR-SAFETY GLASS, 11.25" X 22.4"
	009089-01-000	EA	CLIP-MIRROR
	058331-31-000	EA	MIRROR-GLASS, SAFETY - 8.5" X 44.5"
	058331-10-000	EA	MIRROR-GLASS, SAFETY - 14" X 17"

PANELING & PLASTIC LAMINATE

KEY	PART NUMBER	U/M	DESCRIPTION
	093743-01-02A	SF	PLASTIC-ABS, 11.5" WIDE - OFF WHITE FROM: 07-09-90 THRU: 99-99-99
	074498-36-000	SF	LAMINATE-PLASTIC, 5' X 8' - RANDOM OFF WHITE - INCREMENTS OF 30 SF
	074497-17-000	SF	PANELING-WOODGRAIN, 4' X 8' - INCREMENTS OF 32 SF
	088272-75-000	SF	PANELING-DECORATIVE, W BLOSSOMS - 4' X 7' - INC. OF 28 SF
	088272-76-000	SF	PANELING-DECORATIVE, PLAIN - 4' X 7' - INC OF 28 SF
	076773-07-000	SF	PANELING-WOODGRAIN, 2 SIDED - 4' X 8' - INCREMENTS OF 32SF
	000621-01-000	SF	VENEER-FLAT LUANA, 4' X 8' - INCREMENTS OF 32 SF
	057882-04-000	SF	TAMBOUR-DOOR, 4' X 8' SHEET
	089297-01-000	SF	PLYWOOD-LUAN, OVERLAY GRADE - 4' X 8' - INC OF 32 SF
	083618-02-000	SF	PLYWOOD-OAK, FINISHED ON 1 SIDE - 3.16" - 4' X 8' - INC. 28S
	000885-34-000	SF	PARTICLE BOARD-3.8 X 49" X 97", 1 SIDE VINYL WOODGRAIN INCREMENTS OF 33 SF
	000885-46-000	SF	PARTICLE BOARD-3.8 X 48" X 96", 1 SIDE VINYL WOODGRAIN INCREMENTS OF 32 SF
	000885-48-000	SF	PARTICLE BOARD-VINYL COVERED, 2 SIDED - .75" X 5' X 8' WOODGRAIN

TV STAND HARDWARE

KEY	PART NUMBER	U/M	DESCRIPTION
	084356-03-000	EA	INSERT-TV STAND, METAL - TAN OFF WHITE INSERT NO LONGER AVAILABLE
	084412-01-000	EA	SUPPORT-HINGED
	084451-01-000	EA	CATCH-TV SHELF, BRASS
	084625-02-000	EA	HINGE-ALUMINUM, W/HOLES - 17.2" - TAN OFF WHITE HING NO LONGER AVAILABLE
	084413-01-000	EA	HINGE-CONTINUOUS, ALUMINUM - 1" X 72" - W/HOLES

1991 ITASCA

TABLE OF CONTENTS

INTRODUCTION	A-01 -	A-02
ABBREVIATIONS		A-03
ALPHABETICAL INDEX	A-04 -	A-06
ICN28RT	A-07 -	F-12
ICN32RQ	F-13 -	K-22

1991 ICN32RQ INDEX

FLOOR PLAN	F-13 -	F-14
ACCESSORIES	F-15 -	G-02
BATH	G-03 -	G-06
BEDROOM	G-07 -	G-10
CHASSIS	G-11 -	H-04
C C & PAD	H-05 -	H-12
DINETTE	H-13 -	H-14
DRIVERS	H-15 -	H-18
ELECTRICAL	H-19 -	I-02
EXTERIOR BODY	I-03 -	I-10
GALLEY	I-11 -	I-16
HEATING & A/C	I-17 -	I-22
INTERIOR FINISH	I-23 -	J-03
LABEL	J-04 -	J-12
LP		J-13
LOUNGE	J-14 -	J-15
SEALANTS & FASTENERS	J-16 -	J-18
WATER & SEWAGE	J-19 -	J-23
WINDOW, VENT AND EXTERIOR DOOR	J-24 -	K-22

INTERIOR FINISH GROUP (CONTINUED)

FABRIC & TRIMS

KEY PART NUMBER	U/M DESCRIPTION
079680-09-000	YD FABRIC-VINYL, 54" WIDE - OFF WHITE
085351-03-000	YD VINYL-CEILING, DIAMOND DESIGN - 54" WIDE
079660-07-000	YD FABRIC-VINYL, 54" WIDE - BEIGE
052859-01-AA8	FT TRIM-EDGE, VINYL - 1.5" WIDE - BEIGE
FROM: 05-25-90 THRU: 99-99-99	
029012-01-000	BF FOAM-FOLDED, 3/8" THICK - 72" WIDE
096008-31-000	YD FABRIC-UPHOLSTERY, PLAIN - 54" - B30 - SILVER FOX
096008-55-000	YD FABRIC-UPHOLSTERY, PATTERN - 54" - B31 - HEATHER SUEDE
096008-56-000	YD FABRIC-UPHOLSTERY, PATTERN - 54" - B30 - SILVER FOX
096008-57-000	YD FABRIC-UPHOLSTERY, PATTERN - 54" - B29 - RANCH MINK
096008-58-000	YD FABRIC-UPHOLSTERY, DOTTED - 54" - B31 - HEATHER SUEDE
096008-59-000	YD FABRIC-UPHOLSTERY, DOTTED - 54" - B30 - SILVER FOX
096008-60-000	YD FABRIC-UPHOLSTERY, DOTTED - 54" - B29 - RANCH MINK
096008-61-000	YD FABRIC-UPHOLSTERY, PLAIN - 54" - B31 - HEATHER SUEDE
096008-62-000	YD FABRIC-UPHOLSTERY, PLAIN - 54" - B29 - RANCH MINK
072333-76-000	YD FABRIC-CURTAIN, 54" WIDE - B30 B31 - SILVER FOX-HEATHER SUEDE
072333-77-000	YD FABRIC-CURTAIN, 54" WIDE - B29 - RANCH MINK
072333-78-000	YD FABRIC-DRAPEY, DRIFTWOOD
087272-01-000	YD FABRIC-LINING, CURTAIN - 48" WIDE - IVORY
081926-01-000	YD BACKING-QUILTING, MATTRESS COVER - 59" WIDE - WHITE
088273-47-000	YD FABRIC-BEDSPREAD, 54" - B22 - STORMY BLUE
088273-53-000	YD FABRIC-BEDSPREAD, 54" - B29 - RANCH MINK
088273-54-000	YD FABRIC-BEDSPREAD, 54" - B31 - HEATHER SUEDE
088273-55-000	YD FABRIC-BEDSPREAD, 54" - B30 - SILVER FOX
088273-56-000	YD FABRIC-BEDSPREAD/CURTAIN, 54" - B09 - WINTER FOREST
088273-57-000	YD FABRIC-BEDSPREAD/CURTAIN, 54" - B08 - AUTUMN LEAVES
088273-58-000	YD FABRIC-BEDSPREAD/CURTAIN, 54" - B07 - CAMEO BLUE
079349-01-B29	YD WELTING-FABRIC, B29 - RANCH MINK
079349-01-AD2	YD WELTING-FABRIC, B30 - SILVER FOX
079349-01-B31	YD WELTING-FABRIC, B31 - HEATHER SUEDE

VINYL FLOORING OPTION L59Y
REPLACE VINYL FLOORING LOCALLY

FLOOR COVERINGS & TRIMS

KEY PART NUMBER	U/M DESCRIPTION
093486-01-000	SY CARPET-COMPARTMENT, 54" WIDE - DARK GRAY
096060-15-000	SY CARPET-12' ROLL, B29 - RANCH MINK - INCREMENTS OF 4 SY
096060-18-000	SY CARPET-12' ROLL, B30 - SILVER FOX - INCREMENTS OF 4 SY
096060-20-000	SY CARPET-12' ROLL - B31 - HEATHER SUEDE - INCREMENTS OF 4 SY
075233-01-000	SY PAD-CARPET, 3/8" X 6" ROLL
047034-02-000	SF PLASTIC-CARPET, 4" WIDE - CLEAR POLY
100659-01-B25	EA TRIM-FLOOR, 72" X 1" X 1/2" - WOOD
085746-01-000	FT TRIM-J, CARPET - 1.2" X .5" ANGLE - 10' LONG - PVC - BEIGE
076314-02-000	FT TAPE-CARPET SEAM, HEAT BONDED

MISCELLANEOUS INTERIOR PARTS

KEY PART NUMBER	U/M DESCRIPTION
094499-02-000	EA EXTINGUISHER-FIRE, DRY - 1A10BC - CANADIAN
094499-01-000	EA EXTINGUISHER-FIRE, DRY W/MOUNTING BRACKET - 10 BC
094499-01-700	EA BRACKET-MOUNTING, W/PLASTIC STRAP - FIRE EXTINGUISHER
081201-02-000	EA MAT-FLOOR, DRIVER - W/ITASCA LOGO - 14" X 24"
081202-02-000	EA MAT-FLOOR, PASSENGER - W/ITASCA LOGO - 14" X 24"
081075-02-000	EA MAT-FLOOR ENTRANCE, ITASCA
072652-01-000	EA DETECTOR-SMOKE, W/9 VOLT BATTERY
099571-01-01A	EA TRIM-ROOF COVE, INTERIOR - OFF WHITE - 12'
102239-01-01A	EA COVER-SPLICE, COVE TRIM - 1.5" X 3" - PLASTIC - OFF WHITE
077840-01-B27	EA MOLDING-WALL CAP, 1.4" X 8' LONG - L-SHAPED WOOD
100182-10-B07	EA TRIM-CHAIR RAIL, WALL - 2 5" X 8' - WOOD

LABEL & TAG GROUP

CANADIAN EXPORT

KEY PART NUMBER	U/M DESCRIPTION
006040-02-000	EA TAG-GAS REFUEL WARNING, CANADIAN
006019-01-000	EA TAG-RVI APPROVED, PLASTIC
006040-01-000	EA TAG-GAS REFUELING WARNING
006062-01-000	EA TAG-ELECTRIC 110V CONNECTION
091243-01-000	EA LABEL-A/C COVER - CANADIAN EXPORT
091224-02-000	EA LABEL-TRAILER LIGHTING
090342-01-000	EA LABEL-VAPOR RELIEF
087207-02-000	EA LABEL-FUEL CAP REMOVAL
087207-05-000	EA LABEL-FUEL CAP REMOVAL
077510-01-000	EA LABEL-GENERATOR PREP
075221-03-000	EA LABEL-TRAILER HITCH
075220-01-000	EA LABEL-WARNING, EXTERIOR LOAD
062043-01-000	EA LABEL-FUEL UNLEADED
061417-01-000	EA LABEL-FUEL
054531-01-000	EA LABEL-LP GAS ONLY
006188-01-000	EA LABEL-WASTE WATER
006187-01-000	EA LABEL-SEWAGE
093236-05-000	EA LABEL-CIRCUIT BREAKER, MAIN
006195-01-000	EA LABEL-ELECTRICAL TEST
006196-01-000	EA LABEL-GAS TEST
006197-01-000	EA LABEL-WATER TEST
050225-01-000	EA LABEL-WARNING, STOVE VENT - US
056259-01-000	EA LABEL- SAFETY CHECK LIST
061606-01-000	EA LABEL-OVERLAY, VEHICLE CERTIFICATION - ADHESIVE BACK
006199-01-000	EA LABEL-EXIT, "ESCAPE WINDOW"
047731-01-000	EA LABEL-EMERGENCY EXIT

AIR RIDE SUSPENSION OPTION L60B

KEY PART NUMBER	U/M DESCRIPTION
093237-04-000	EA LABEL-CIRCUIT BREAKER, FRONT - AIR BAG COMP

DRIVER POWER SEAT OPTION L63M

KEY PART NUMBER	U/M DESCRIPTION
093237-02-000	EA LABEL-CIRCUIT BREAKER, FRONT - POWER SEAT

**1991 ITASCA
TABLE OF CONTENTS**

INTRODUCTION	A-01 - A-02
ABBREVIATIONS	A-03
ALPHABETICAL INDEX	A-04 - A-06
ICN28RT	A-07 - F-12
ICN32RO	F-13 - K-22

1991 ICN32RQ INDEX

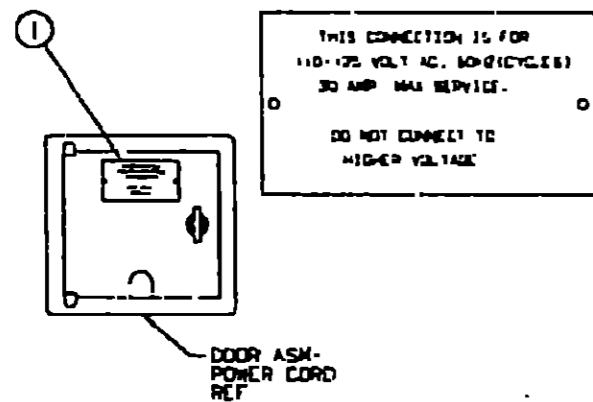
FLOOR PLAN	F 13 - F-14
ACCESSORIES	F-15 - G-02
BATH	G-03 - G-06
BEDROOM	G-07 - G-10
CHASSIS	G-11 - H-04
C C & PAD	H 05 - H-12
DINETTE	H-13 - H-14
DRIVERS	H-15 - H-18
ELECTRICAL	H-19 - I-02
EXTERIOR BODY	I-03 - I-10
GALLEY	I-11 - I-16
HEATING & A/C	I-17 - I-22
INTERIOR FINISH	I-23 - J-03
LABEL	J-04 - J-12
LP	J-13
LOUNGE	J-14 - J-15
SEALANTS & FASTENERS	J-16 - J-18
WATER & SEWAGE	J-19 - J-23
WINDOW, VENT AND	
EXTERIOR DOOR	J-24 - K-22

LABEL & TAG GROUP (CONTINUED)

LABELS & TAGS

KEY PART NUMBER	U/M DESCRIPTION
093236-01-000	EA LABEL-CIRCUIT BREAKER, MAIN
093237-01-000	EA LABEL-CIRCUIT BREAKER, FRONT - BATTERY CONDITION RADIO
093237-03-000	EA LABEL-CIRCUIT BREAKER, FRONT - POWER SEAT (LIFT)
093237-05-000	EA LABEL-CIRCUIT BREAKER, FRONT - REAR PANEL
093237-07-000	EA LABEL-CIRCUIT BREAKER, FRONT - REAR PNL CONV
093237-09-000	EA LABEL-CIRCUIT BREAKER, FRONT - INVERTER
096506-01-000	EA LABEL-"COMPARTMENT NOT SEALED"
050225-01-000	EA LABEL-WARNING, STOVE VENT - US
087236-01-000	EA LABEL-CABLE, INPUT
087236-02-000	EA LABEL-TV, OUTLET
006031-01-000	EA LABEL-POTABLE WATER ONLY
061606-01-000	EA LABEL-OVERLAY, VEHICLE CERTIFICATION - ADHESIVE BACKED
079966-01-000	EA LABEL-WARNING, STOWED, MOTION
088757-01-000	EA LABEL-RETAIL, 8 5/8" X 12 7/8"
090342-01-000	EA LABEL-VAPOR RELIEF
099509-01-000	EA LABEL-AWNING INSTALLATION
061417-01-000	EA LABEL-FUEL, ON FUEL FILL DOOR
073998-01-000	EA LABEL-LPG ODOR WARNING
094675-01-000	EA LABEL-EXTERIOR LIGHT, SERVICE
096506-01-000	EA LABEL-"COMPARTMENT NOT SEALED"
050225-01-000	EA LABEL-WARNING, STOVE VENT - US
006195-01-000	EA LABEL-ELECTRICAL TEST
006196-01-000	EA LABEL-GAS TEST
006197-01-000	EA LABEL-WATER TEST
061606-01-000	EA LABEL-OVERLAY, VEHICLE CERTIFICATION - ADHESIVE BACKED
096506-01-000	EA LABEL-"COMPARTMENT NOT SEALED"
006064-01-000	EA LABEL-SEAT W/O SEATBELT "NOT INTENDED FOR USE WHILE COACH IN MOTION"
006064-01-000	EA LABEL-SEAT W/O SEATBELT
088757-01-000	EA LABEL-RETAIL, 8 5/8" X 12 7/8"
006062-01-000	EA TAG-ELECTRIC, 110V CONNECTION

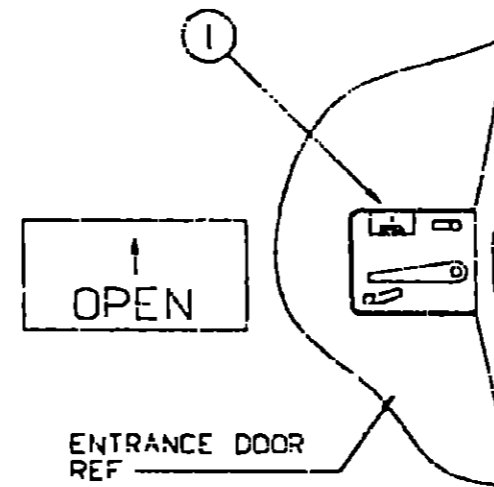
FROM: 00-00-00 THRU: 09-14-90



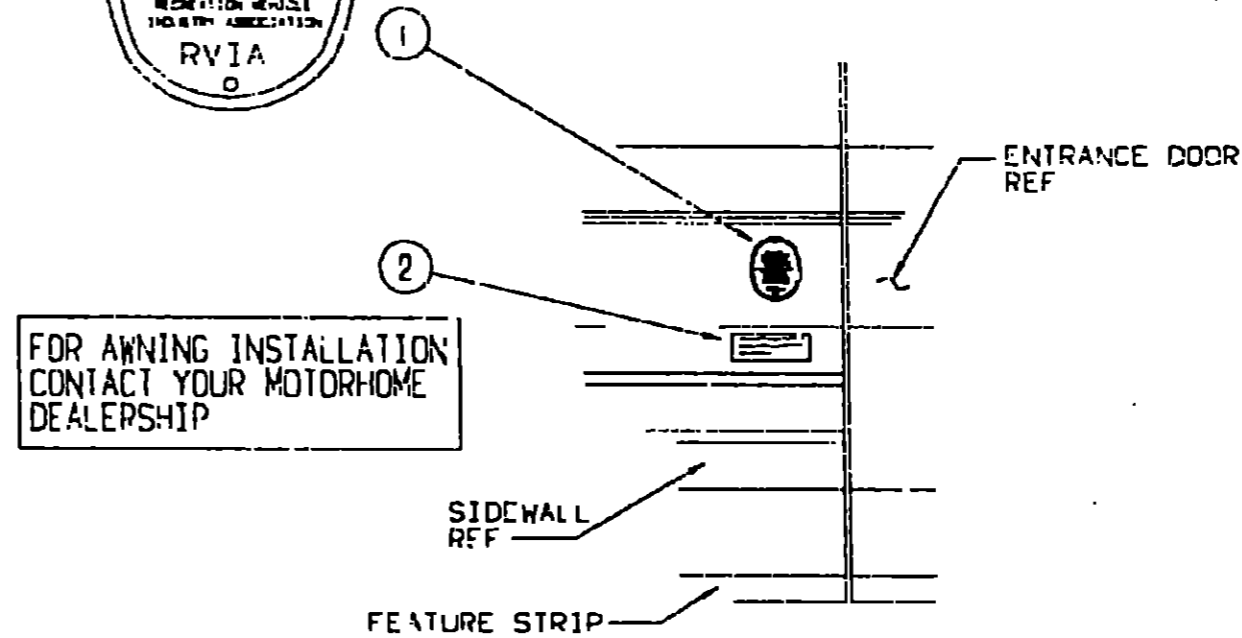
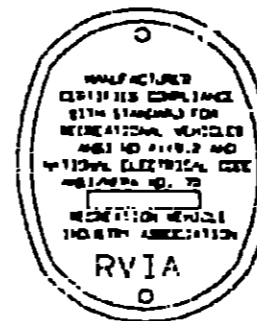
POWER CORD

KEY PART NUMBER	U/M DESCRIPTION
1 006062-01-000	EA TAG-ELECTRIC, 110V CONNECTION

LABEL & TAG GROUP (CONTINUED)



KEY PART NUMBER	U/M DESCRIPTION
1 040944-01-000	EA LABEL-ENTRANCE DOOR, "OPEN"



KEY PART NUMBER	U/M DESCRIPTION
1 006019-01-000	EA TAG-RVI APPROVED, PLASTIC

**1991 ITASCA
TABLE OF CONTENTS**

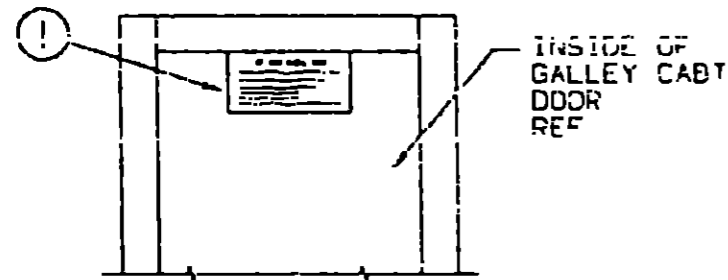
INTRODUCTION	A-01 - A-02
ABBREVIATIONS	A-03 - A-03
ALPHABETICAL INDEX	A-04 - A-06
ICN28RT	A-07 - F-12
ICN32RQ	F-13 - K-22

1991 ICN32RQ INDEX

FLOOR PLAN	F-13 - F-14
ACCESSORIES	F-15 - G-02
BATH	G-03 - G-06
BEDROOM	G-07 - G-10
CHASSIS	G-11 - H-04
C C & PAD	H-05 - H-12
DINETTE	H-13 - H-14
DRIVERS	H-15 - H-18
ELECTRICAL	H-19 - I-02
EXTERIOR BODY	I-03 - I-10
GALLEY	I-11 - I-16
HEATING & A/C	I-17 - I-22
INTERIOR FINISH	I-23 - J-03
LABEL	J-04 - J-12
LP	J-13
LOUNGE	J-14 - J-15
SEALANTS & FASTENERS	J-16 - J-18
WATER & SEWAGE	J-19 - J-23
WINDOW, VENT AND EXTERIOR DOOR	J-24 - K-22

LABEL & TAG GROUP (CONTINUED)

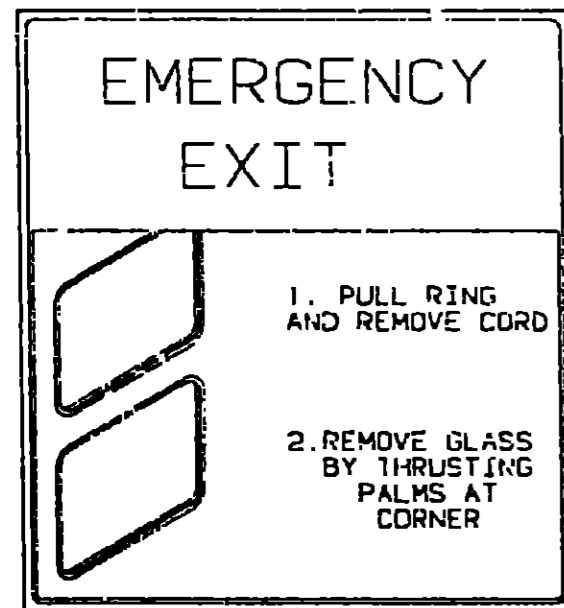
LABELS & TAGS



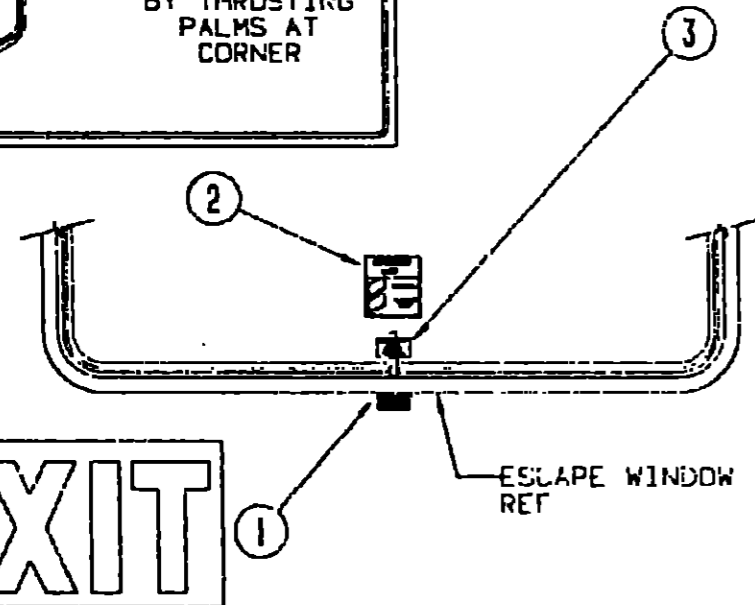
IF YOU SMELL GAS

1. EXTINGUISH ANY OPEN FLAME, PILOT LIGHTS AND ALL SMOKING MATERIALS.
2. SHUT OFF THE GAS SUPPLY AT THE TANK VALVE OR GAS SUPPLY CONNECTION.
3. OPEN DOORS AND OTHER VENTILATING OPENINGS.
4. DO NOT TOUCH ELECTRICAL SWITCHES.
5. LEAVE THE AREA UNTIL ODOR CLEARS.
6. HAVE THE GAS SYSTEM CHECKED AND LEAKAGE SOURCE CORRECTED BEFORE USING AGAIN.

KEY PART NUMBER	U/M DESCRIPTION
1 073998-01-000	EA LABEL-LPG ODOR WARNING



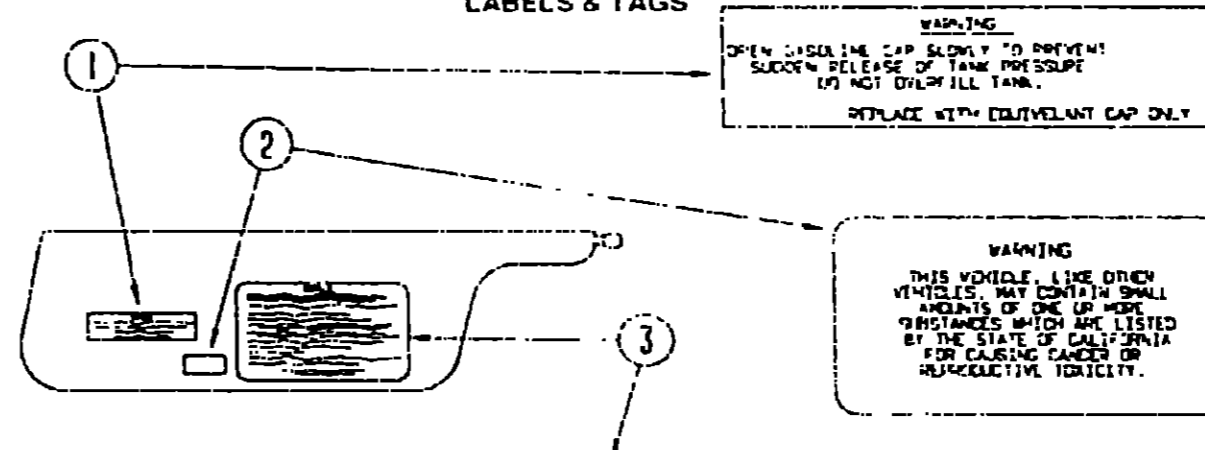
EMERGENCY EXIT
 PULL RING
 REMOVE CORD
 PUSH OUT WINDOW



KEY PART NUMBER	U/M DESCRIPTION
1 039290 01 000	EA LABEL-WARNING-EXIT
2 047731-01-000	EA LABEL-EMERGENCY EXIT - ESCAPE WINDOW
3 006199 01 000	EA LABEL-EXIT-ESCAPE WINDOW

LABEL & TAG GROUP (CONTINUED)

LABELS & TAGS



WARNING
 OPEN GASOLINE CAP SLOWLY TO PREVENT
 SUDDEN RELEASE OF TANK PRESSURE
 DO NOT OPEN ILL TANK.
 REPLACE WITH EQUIVALENT CAP ONLY

WARNING
 THIS VEHICLE, LIKE OTHER
 VEHICLES, MAY CONTAIN SMALL
 AMOUNTS OF ONE OR MORE
 SUBSTANCES WHICH ARE LISTED
 BY THE STATE OF CALIFORNIA
 FOR CAUSING CANCER OR
 REPRODUCTIVE TOXICITY.

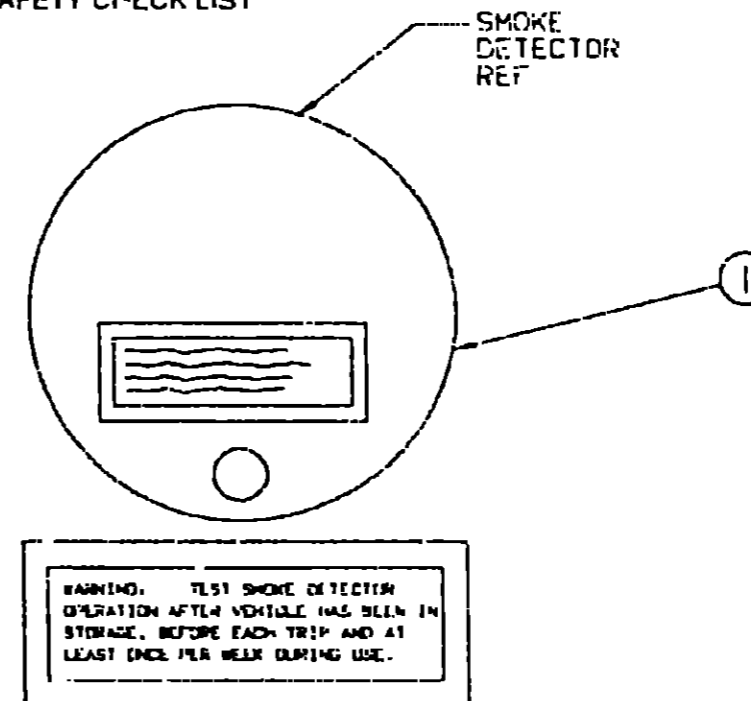
CAUTION

THIS MOTOR HOME HAS BEEN DESIGNED, MANUFACTURED AND TESTED WITH CONSIDERATION FOR THE PROTECTION OF ITS OCCUPANTS. WE RECOMMEND YOU PERFORM THE FOLLOWING INSPECTIONS FOR YOUR SAFETY AND THE SAFETY OF YOUR PASSENGERS BEFORE STARTING YOUR VEHICLE.

1. LP GAS SYSTEM- TURN OFF AT TANK FOR TRAVELING. TEST FOR LEAKS UPON ARRIVAL AT DESTINATION. BEFORE LIGHTING PILOTS.
2. WHEELS- INSPECT FOR DAMAGE AND CHECK LUG NUTS FOR TIGHTNESS.
3. TIRES- INSPECT FOR WEAR AND DAMAGE AND CHECK FOR RECOMMENDED AIR PRESSURE.
4. LIGHTING- TEST FOR PROPER OPERATION OF ALL INTERIOR AND EXTERIOR LIGHTS INCLUDING CASH LIGHTS, HEADLIGHTS, TAIL LIGHTS, BRAKE LIGHTS, CLEARANCE LIGHTS AND TURN SIGNALS.
5. EXITS- INSPECT RELEASE MECHANISM ON EMERGENCY EXIT WINDOW. TEST BOTH LOCKS ON MAIN ENTRANCE DOOR FOR EASY OPERATION AND INSTRUCT PASSENGERS HOW TO USE BOTH MEANS OF EXIT.
6. SEAT BELTS- DIRECT PASSENGERS TO DESIGNATED SEATS AND REQUIRE USE OF SEAT BELTS
7. APPLIANCES- TURN OFF AND LATCH OR LOCK DOORS WHERE PROVIDED
8. LOOSE PARCELS- STORE SECURELY.
9. UTILITY SUPPLY LINES- DISCONNECT ALL ELECTRIC, SEWER AND WATER LINES AND SECURE PROPERLY
10. ENTRANCE DOOR STEP- PLACE IN RETRACTED POSITION FOR TRAVELING.

READ YOUR MOTOR HOME AND CHASSIS OWNER'S MANUAL FOR FURTHER PRECAUTIONS

KEY PART NUMBER	U/M DESCRIPTION
1 097207-05-000	EA LABEL-FUEL CAP REMOVAL
2 099689-01-000	EA LABEL-WARNING, CANCER-TOXICITY
3 056259-01-000	EA LABEL-SAFETY CHECK LIST



WARNING TEST SMOKE DETECTOR OPERATION AFTER VEHICLE HAS BEEN IN STORAGE, BEFORE EACH TRIP AND AT LEAST ONCE PER WEEK DURING USE.

KEY PART NUMBER	U/M DESCRIPTION
1 077956-01-000	EA LABEL-WARNING, SMOKE DETECTOR

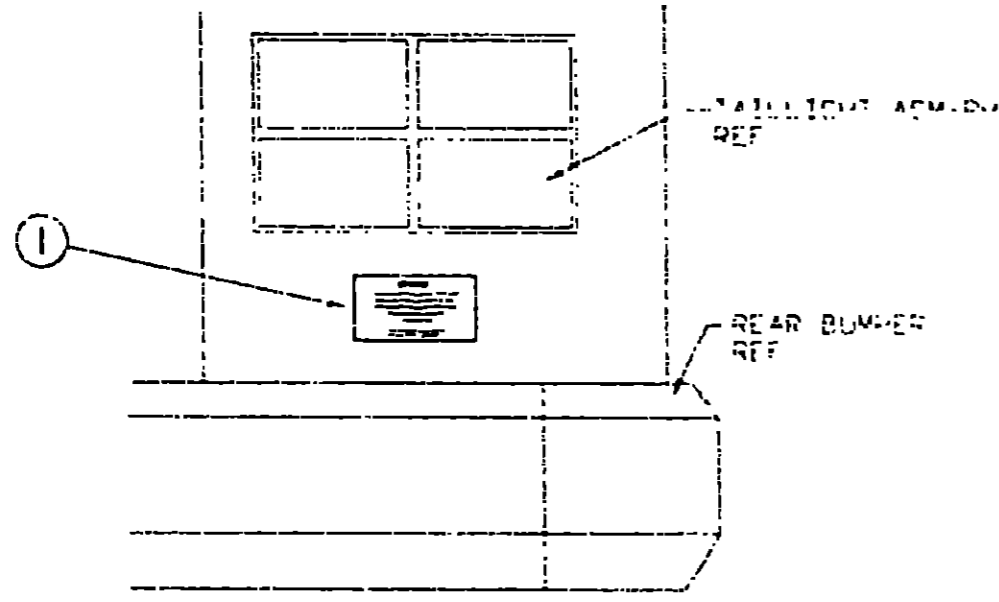
**1991 ITASCA
 TABLE OF CONTENTS**

INTRODUCTION	A-01 -	A-02
ABBREVIATIONS		A-03
ALPHABETICAL INDEX	A-04 -	A-06
ICN2BRT	A-07 -	F-12
ICN32RQ	F-13 -	K-22

1991 ICN32RQ INDEX

FLOOR PLAN	F-13 -	F-14
ACCESSORIES	F-15 -	G-02
BATH	G-03 -	G-06
BEDROOM	G-07 -	G-10
CHASSIS	G-11 -	H-04
C C & PAD	H-05 -	H-12
DINETTE	H-13 -	H-14
DRIVERS	H-15 -	H-18
ELECTRICAL	H-19 -	I-02
EXTERIOR BODY	I-03 -	I-10
GALLEY	I-11 -	I-16
HEATING & A/C	I-17 -	I-22
INTERIOR FINISH	I-23 -	J-03
LABEL	J-04 -	J-12
LP		J-13
LOUNGE	J-14 -	J-15
SEALANTS & FASTENERS	J-16 -	J-18
WATER & SEWAGE	J-19 -	J-23
WINDOW, VENT AND EXTERIOR DOOR	J-24 -	K-22

LABEL & TAG GROUP CONTINUED



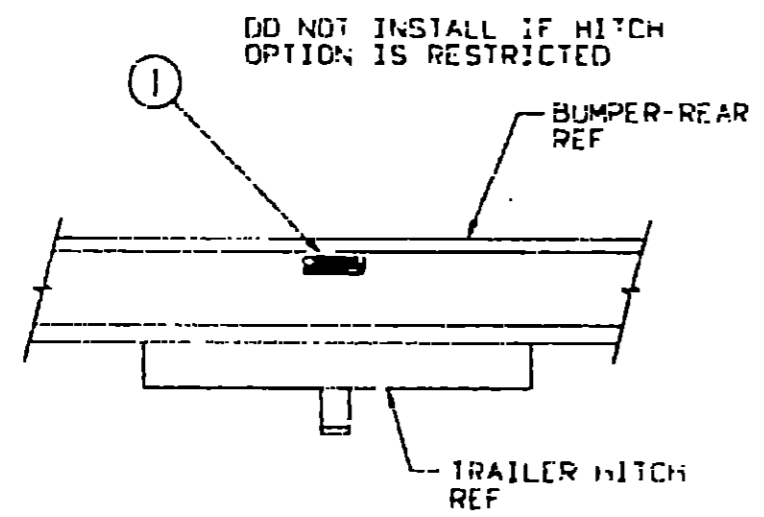
WARNING

DO NOT EXCEED THE VEHICLE WEIGHT RATINGS OR LOADING RECOMMENDATIONS (E.G. GROSS VEHICLE, GROSS AXLE, GROSS COMBINED) OF THE CHASSIS MANUFACTURER OR WINNEBAGO IND.

REFER TO YOUR OWNERS MANUAL, BEFORE LOADING OR TOWING.

KEY PART NUMBER
1 075220-01-000

U M DESCRIPTION
EA LABEL-WARNING, EXTERIOR LOAD



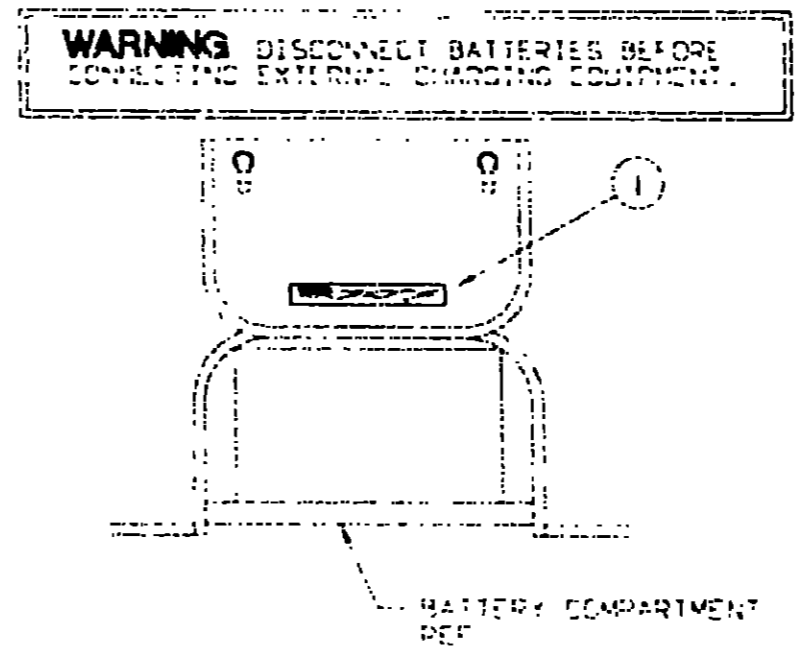
TOWING CAPACITY

TOWED VEHICLE 3500 LB. GROSS MAXIMUM
HITCH BALL 200 LB. MAXIMUM

KEY PART NUMBER
1 075221-03-000

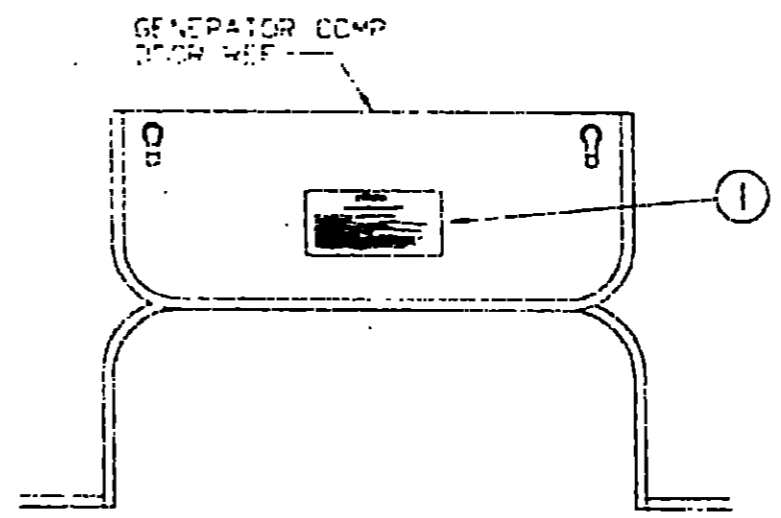
U M DESCRIPTION
EA LABEL-TRAILER HITCH

LABEL & TAG GROUP CONTINUED



KEY PART NUMBER
1 145748 01-000

U M DESCRIPTION
EA LABEL-CAUTION, BATTERY CHARGING



WARNING

WHEN ADDING A GENERATOR SET,

HIGH VOLTAGE-USE EXTREME CAUTION WHEN WORKING ON ELECTRICAL COMPONENTS.
HAVE ALL ELECTRICAL INSTALLATION PERFORMED BY A QUALIFIED LICENSED ELECTRICIAN-FOLLOW ALL STATE AND LOCAL CODES.
ONLY INSTALL GENERATOR SET APPROVED FOR R.V. APPLICATION HAVE INSTALLED BY QUALIFIED TECHNICIAN.
TO AVOID HEAT BUILD-UP AND TO GUARANTEE AN ADEQUATE AIR SUPPLY TO THE GENERATOR COMPARTMENT, FOLLOW INSTALLATION INSTRUCTIONS.
GENERATOR ENGINE EXHAUST GASES ARE TOXIC AND MUST NOT TERMINATE UNDER THE VEHICLE-DISCHARGE EXHAUST AWAY FROM VEHICLE.

KEY PART NUMBER
1 077510 01-000

U M DESCRIPTION
EA LABEL-GENERATOR PREP

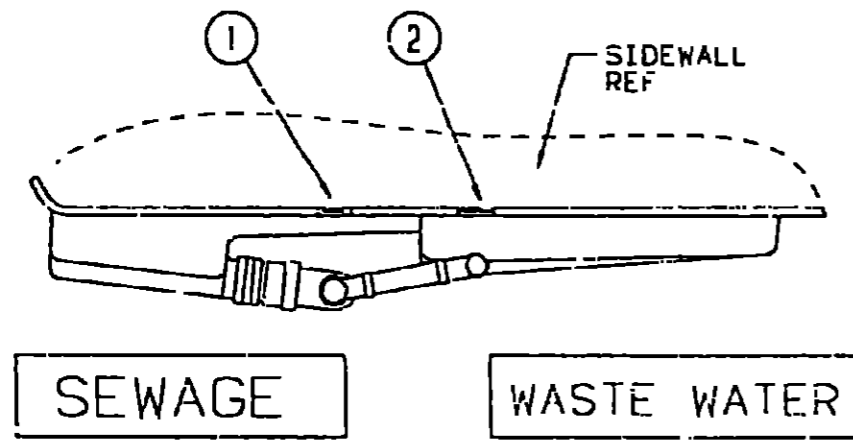
1991 ITASCA
TABLE OF CONTENTS

INTRODUCTION	A-01 - A-02
ABBREVIATIONS	A-03
ALPHABETICAL INDEX	A-04 - A-06
ICN28RT	A-07 - F-12
ICN32RO	F-13 - K-22

1991 ICN32RQ INDEX

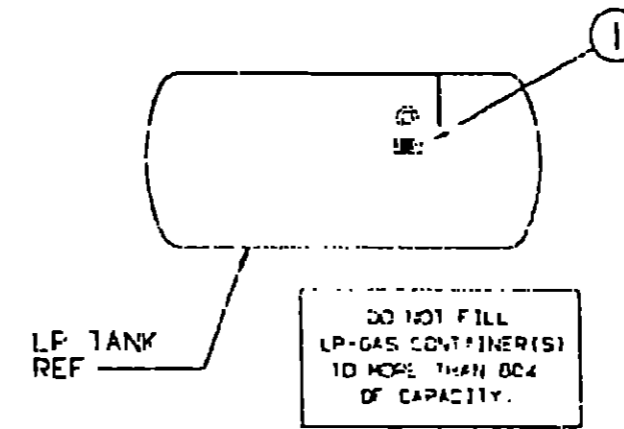
FLOOR PLAN	F-13 - F-14
ACCESSORIES	F-15 - G-02
BATH	G-03 - G-06
BEDROOM	G-07 - G-10
CHASSIS	G-11 - H-04
C C & PAD	H-05 - H-12
DINETTE	H-13 - H-14
DRIVERS	H-15 - H-18
ELECTRICAL	H-19 - I-02
EXTERIOR BODY	I-03 - I-10
GALLEY	I-11 - I-16
HEATING & A/C	I-17 - I-22
INTERIOR FINISH	I-23 - J-03
I APPL	J-04 - J-12
LP	J-13
LOBBY	J-14 - J-15
SEALANTS & FASTENERS	J-16 - J-18
WATER & SEWAGE	J-19 - J-23
WINDOW, VENT AND EXTERIOR DOOR	J-24 - K-22

LABEL & TAG GROUP (CONTINUED)



KEY PART NUMBER	U/M DESCRIPTION
1 006187-01-000	EA LABEL-SEWAGE
2 006188-01-000	EA LABEL-WASTE WATER

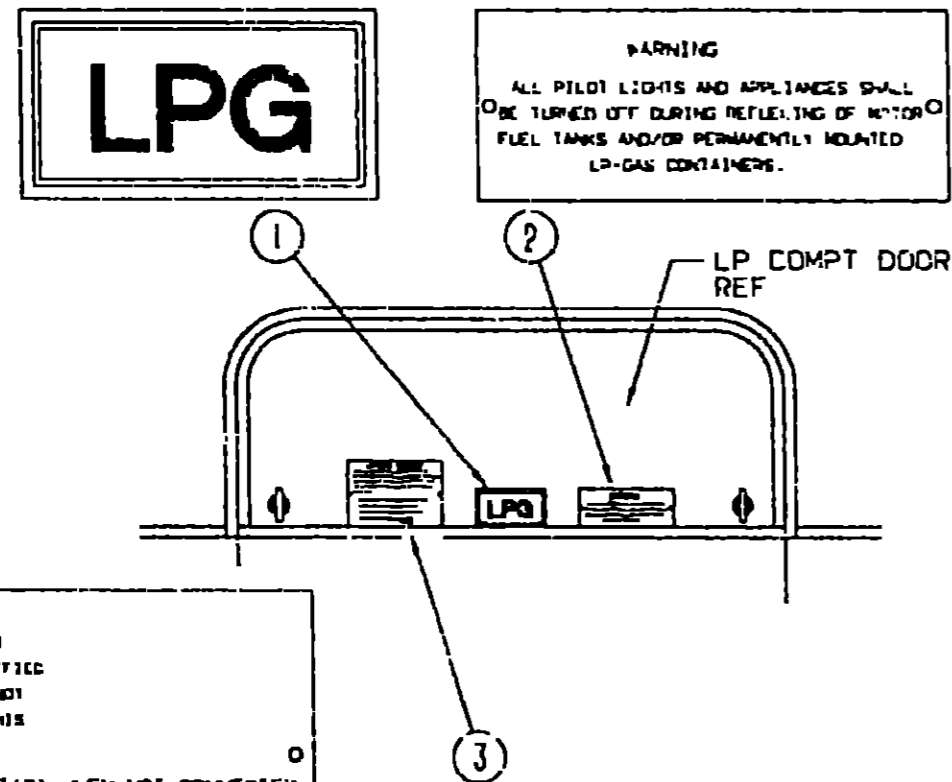
LABEL & TAG GROUP CONTINUED



KEY PART NUMBER	U/M DESCRIPTION
1 079965-01-000	EA LABEL-LPG 80 CAPACITY

**1991 ITASCA
TABLE OF CONTENTS**

INTRODUCTION	A-01 - A-02
ABBREVIATIONS	A-03
ALPHABETICAL INDEX	A-04 - A-05
ICN28RT	A-07 - F-12
ICN32RQ	F-13 - K-22



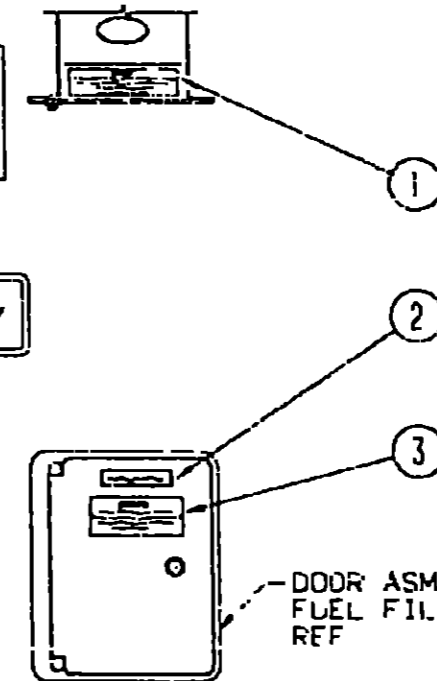
LP-GAS SYSTEM
THIS GAS PIPING SYSTEM IS DESIGNED FOR USE OF LIQUEFIED PETROLEUM GAS ONLY. DO NOT CONNECT NATURAL GAS TO THIS SYSTEM.

SECURELY CAP INLET(S) WHEN NOT CONNECTED FOR USE. AFTER TURNING ON GAS, EXCEPT AFTER NORMAL CONTAINER REPLACEMENT, TEST GAS PIPING AND CONNECTIONS TO APPLIANCE FOR LEAKAGE WITH SOAPY WATER OR BUBBLE SOLUTION. DO NOT USE PRODUCTS THAT CONTAIN AMMONIA OR CHLORINE.
P.N. 54531

WARNING
OPEN GAS/LIQUID CAP SLOWLY TO PREVENT SUDDEN RELEASE OF TANK PRESSURE. DO NOT OVERFILL TANK. REPLACE WITH EQUIVALENT CAP ONLY.

UNLEADED FUEL ONLY

WARNING
ALL PILOT LIGHTS AND APPLIANCES SHALL BE TURNED OFF DURING REFUELING OF MOTOR FUEL TANKS AND/OR PERMANENTLY MOUNTED LP-GAS CONTAINERS.



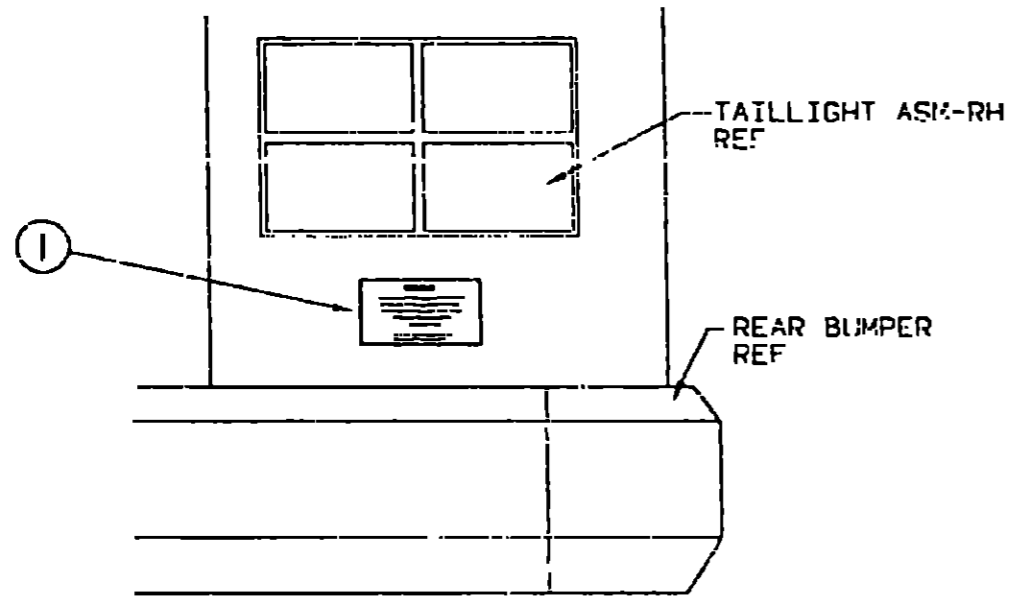
KEY PART NUMBER	U/M DESCRIPTION
1 087207-05-000	EA LABEL-FUEL CAP REMOVAL
2 062043-01-000	EA LABEL-FUEL, UNLEADED
3 006040-01-000	EA TAG-GAS REFUELING WARNING
3 006040-02-000	EA TAG-GAS REFUEL WARNING, CANADIAN

1991 ICN32RQ INDEX

FLOOR PLAN	F-13 - F-14
ACCESSORIES	F-15 - G-02
BATH	G-03 - G-06
BEDROOM	G-07 - G-10
CHASSIS	G-11 - H-04
C C & PAD	H-05 - H-12
DINETTE	H-13 - H-14
DRIVERS	H-15 - H-18
ELECTRICAL	H-19 - I-02
EXTERIOR BODY	I-03 - I-10
GALLEY	I-11 - I-16
HEATING & A/C	I-17 - I-22
INTERIOR FINISH	I-23 - J-03
LABEL	J-04 - J-12
LP	J-13
LOUNGE	J-14 - J-15
SEALANTS & FASTENERS	J-16 - J-18
WATER & SEWAGE	J-19 - J-23
WINDOW, VENT AND EXTERIOR DOOR	J-24 - K-22

KEY PART NUMBER	U/M DESCRIPTION
1 074559-01-000	EA DECAL-LOGO, LPG - RED - (CALIF CODE)
2 006040-01-000	EA TAG-GAS REFUELING WARNING
2 006040-02-000	EA TAG-GAS REFUEL WARNING, CANADIAN
3 054531-01-000	EA LABEL-LP GAS ONLY
3 023763-01-000	EA LABEL-WARNING, LPG - CANADIAN

LABEL & TAG GROUP CONTINUED



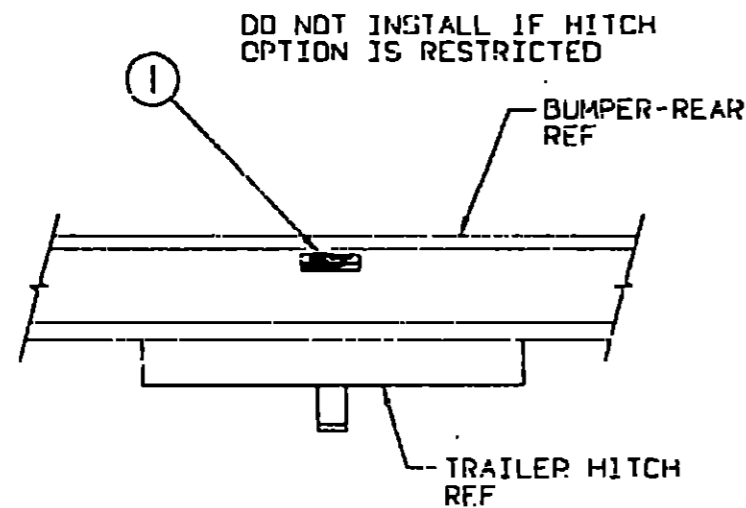
WARNING

DO NOT EXCEED THE VEHICLE WEIGHT RATINGS OR LOADING RECOMMENDATIONS (E.G., GROSS VEHICLE, GROSS AXLE, GROSS COMBINED) OF THE CHASSIS MANUFACTURER OR WINNEBAGO IND.

REFER TO YOUR OWNERS MANUAL, BEFORE LOADING OR TOWING.

KEY PART NUMBER
1 075220-01-000

U/M DESCRIPTION
EA LABEL-WARNING, EXTERIOR LOAD



TOWING CAPACITY

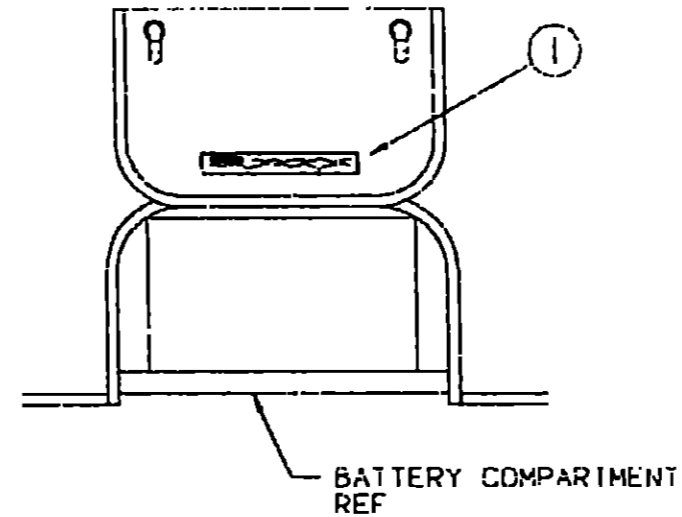
TOWED VEHICLE 3500 LB. GROSS MAXIMUM
HITCH BALL 200 LB. MAXIMUM

KEY PART NUMBER
1 075221-03-000

U/M DESCRIPTION
EA LABEL-TRAILER HITCH

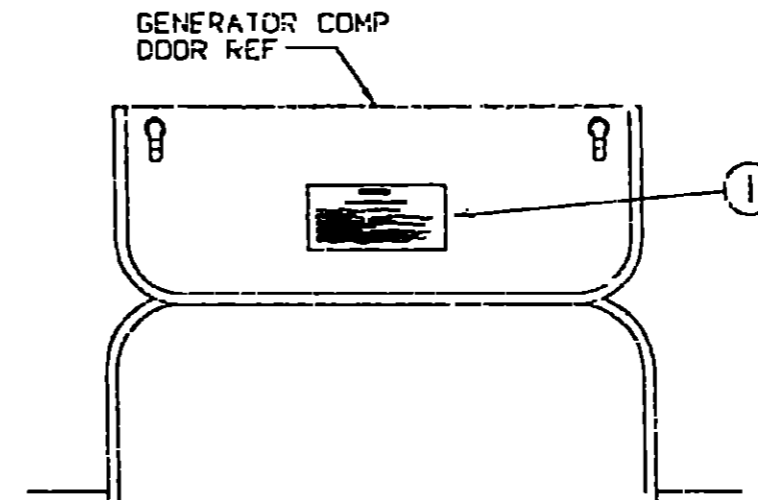
LABEL & TAG GROUP CONTINUED

WARNING DISCONNECT BATTERIES BEFORE CONNECTING EXTERNAL CHARGING EQUIPMENT.



KEY PART NUMBER
1 065748-01-000

U/M DESCRIPTION
EA LABEL-CAUTION, BATTERY CHARGING



WARNING

WHEN ADDING A GENERATOR SET:

HIGH VOLTAGE-USE EXTREME CAUTION WHEN WORKING ON ELECTRICAL COMPONENTS.
HAVE ALL ELECTRICAL INSTALLATION PERFORMED BY A QUALIFIED LICENSED ELECTRICIAN-FOLLOW ALL STATE AND LOCAL CODES.
ONLY INSTALL GENERATOR SET APPROVED FOR R.V. APPLICATION. HAVE IT INSTALLED BY QUALIFIED TECHNICIAN.
TO AVOID HEAT BUILD-UP AND TO GUARANTEE AN ADEQUATE AIR SUPPLY TO THE GENERATOR CARBURETOR, FOLLOW INSTALLATION INSTRUCTIONS.
GENERATOR ENGINE EXHAUST GASES ARE TOXIC AND MUST NOT TERMINATE UNDER THE VEHICLE-DISCHARGE EXHAUST AWAY FROM VEHICLE.

KEY PART NUMBER
1 077510-01-000

U/M DESCRIPTION
EA LABEL-GENERATOR PREP

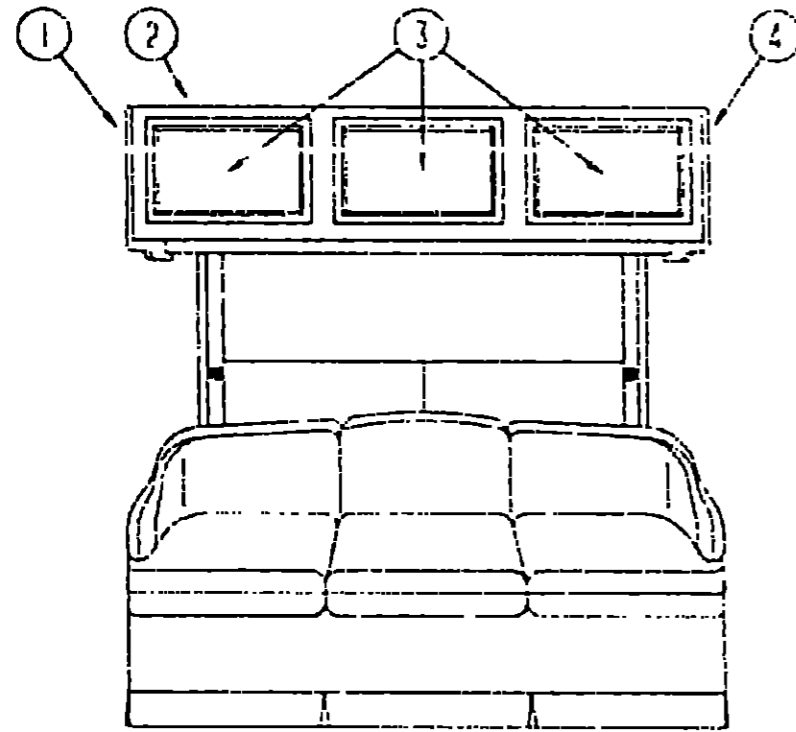
**1991 ITASCA
TABLE OF CONTENTS**

INTRODUCTION	A-01 -	A-02
ABBREVIATIONS		A-03
ALPHABETICAL INDEX	A-04 -	A-06
ICN28RT	A-07 -	F-12
ICN32RQ	F-13 -	K-22

1991 ICN32RQ INDEX

FLOOR PLAN	F-13 -	F-14
ACCESSORIES	F-15 -	G-02
BATH	G-03 -	G-06
BEDROOM	G-07 -	G-10
CHASSIS	G-11 -	H-04
C C & PAD	H-05 -	H-12
DINETTE	H-13 -	H-14
DRIVERS	H-15 -	H-18
ELECTRICAL	H-19 -	I-02
EXTERIOR BODY	I-03 -	I-10
GALLEY	I-11 -	I-16
HEATING & A/C	I-17 -	I-22
INTERIOR FINISH	I-23 -	J-03
LABEL	J-04 -	J-12
LP		J-13
LOUNGE	J-14 -	J-15
SEALANTS & FASTENERS	J-16 -	J-18
WATER & SEWAGE	J-19 -	J-22
WINDOW, VENT AND EXTERIOR DOOR	J-24 -	K-22

LOUNGE GROUP (CONTINUED)



DRIVER SIDE CABINETS

SEAT BELT

KEY PART NUMBER	U/M DESCRIPTION
1 092747-01-B29	EA END CAP-CABINET, OVERHEAD - FRONT
2 M04165-19-B29	EA CABINET-OVERHEAD, COUCH - W/O DOORS OR HARDWARE
3 P00523-01-B29	EA DOOR-CABINET, W/O HARDWARE - 14.4" X 21.9"
4 092747-01-B29	EA END CAP-CABINET, OVERHEAD - FRONT
079386-01-000	EA FRAME-COUCH, CONTINENTAL

KEY PART NUMBER	U/M DESCRIPTION
007021-01-000	EA BELT ASM-SEAT 2IN X 90IN BLK

SEALANTS & FASTENERS GROUP

SEALANTS AND FASTENERS

KEY PART NUMBER	U/M DESCRIPTION
004020-01-000	QT ADHESIVE ABS CEMENT, QUART
081377-01-000	EA ADHESIVE-CYANOACRYLATE, 10 GRAM TUBE
004006-04-700	EA ADHESIVE-PIERCE, 1 GAL - J9270-001
087211-01-000	GL ADHESIVE PROMOTER
074005-02-000	EA ADHESIVE SWIFTS, 1 GAL - W1570
004039-01-000	EA ADHESIVE-WEATHERSTRIP, 5 OZ
053766-02-000	EA BEDDING COMPOUND TUBE, WHITE
108200-01-000	EA BOLT BUMPER ROUND HEAD, 5/16" DIA, NECK, W/ SST CAP, 2 1/2" L X 1 1/4"
102333-01-01A	EA BOLT-CARRIAGE, 7/16" DIA, STAINLESS STEEL CAP BEIGE
061387-06-000	EA BOLT-CARRIAGE, W/ HOLE - 5/16" DIA X 9/16" DIA
000012-08-24B	EA BOLT-HEX, 5/16" X 1 1/2" - ZN 5
000012-05-16B	EA BOLT-HEX, 5/16" X 1 1/2" - ZINC 5
000012-10-24B	EA BOLT-HEX, 5/8" X 1 1/2" - ZN 5
000012-07-20B	EA BOLT-HEX, 7/16" X 1 1/4" - ZN 5
000013-07-46B	EA BOLT-HEX, 7/16" X 3" - ZN 5
000026-04-10B	EA BOLT-HEX, SER FLG, 1/4" DIA X 5/8" ZINC
000026-05-20B	EA BOLT-HEX, SER FLG, 5/16" DIA X 1 1/4" ZINC
000012-05-24B	EA BOLT-HEX, 5/16" X 1 1/2" - ZN 5
010604-01-000	EA BRACE-CABINET, ANGLED METAL - 25"
010495-01-000	EA CLAMP-CABLE, 1/8"
010497-06-000	EA CLAMP-CLOSED, 1 1/2" ID
010497-03-000	EA CLAMP-CLOSED, 1" ID - CUSHIONED
010499-01-010	EA CLAMP-CLOSED, 5/8" ID
010497-01-000	EA CLAMP-CLOSED, 5/8" ID
010497-03-000	EA CLAMP-CLOSED, 1/25"
075148-02-000	EA CLAMP-GROUNDING BRONZE SCREWS
062401-02-030	EA CLAMP-HOSE, WORMGEAR, 1 5/8" - 2 5/8"
062401-10-000	EA CLAMP-HOSE, WORMGEAR, 1 0/16" - 2"
073194-02-000	EA CLAMP-HOSE, WORMGEAR 32-50 MM
062401-07-000	EA CLAMP-HOSE, WORMGEAR 5" - 7"
062401-06-000	EA CLAMP-HOSE, WORMGEAR, 22" - 62"
062401-01-000	EA CLAMP-HOSE, WORMGEAR, 25" - 1"
062401-04-000	EA CLAMP-HOSE, WORMGEAR, 69" - 1 3/4"
062401-03-000	EA CLAMP-HOSE, WORMGEAR, 32" - 1"
093609-01-000	EA CLAMP-WIRE, DUAL - EQUAL 5/8" DIAMETER
094362-02-000	EA CLIP-CHRISTMAS TREE, FLAT HEAD
077953-01-000	EA GROMMET-EDGE LINER, FITS **
023942-01-000	EA GROMMET-RUBBER, 2" OD
071015-21-000	EA GROMMET-50"ID, FITS 1/2" MATERIAL, RUBBER-SPLIT
009056-01-000	EA HINGE-ALUMINUM, NO HOLES - 11.16" X 72" - UNPAINTED
056134-02-000	EA HOLDER-RING, 1 5/8" ID PIPE SIZE - STEEL
092321-01-000	FT INSULATION-FIBERGLASS, W/ ALUMINUM FCII
077955-01-000	EA J CLIP-VINYL COATED, 3/8" USED IN WIRING TO CLEARANCE LIGHTS
072893-01-000	EA NUTSERT-M5 X 0.8
077049-01-000	EA NUT-ACORN, 10-32 ALUMINUM
095094-01-000	EA NUT-ACORN, 1/4" - 20 ALUMINUM
000D14-05-00B	EA NUT-HEX, 5/16" - 18 - ZN 5
000D34-04-00B	EA NUT-HEX, LK, 1/4" - 20 ZN
000D39-04-00B	EA NUT-HEX, SER FLG LK, 1/4" - 20 ZN
000D39-08-00B	EA NUT-HEX, SER FLG LK, 1/2" - 13 ZN
000D39-06-00B	EA NUT-HEX, SER FLG LK, 3/8" - 16 ZN
000D39-05-00B	EA NUT-HEX, SER FLG LK, 5/16" - 18 ZN
000D44-07-00B	EA NUT-HEX, SER FLG LK, 7/16" - 20 ZN
000D24-10-00B	EA NUT-HEX, SF LK, 10-32 ZN
000D34-06-00B	EA NUT-HEX LK-3/8-16 GRADE C ZN
075467-01-000	EA NUT-INVERTED FLARE, 1/4"
088497-02-000	EA NUT-INVERTED FLARE, 1/4"
063253-07-000	EA NUT-J, #8A, 120-130 PHL THK
044364-02-000	EA NUT-SPEED, FLAT - ROUND
040521-06-000	EA NUT-SPEED, U TYPE - NO. 8
040521-04-000	EA NUT-SPEED, U TYPE - NO. 8
040921-05-000	EA NUT-SPEED, U TYPE - NO. 8
044364-01-000	EA NUT-SPEED, FLAT
064081-01-000	EA NUT-WING, 3/8" X 16 THREAD
084884-01-000	EA PLUG-BRASS, 3/8"
0001116-04-06R	CA RIVET-POP AL 1/8" X 313-375
009592-02-000	EA RIVET-T (POP) 1/4" X 093-15C
063729-04-000	EA RIVNUT, 10-32 UNF - 010-080
063729-01-000	EA RIVNUT, 1/4" X 20 UNC - 030-125

**1991 ITASCA
TABLE OF CONTENTS**

INTRODUCTION	A-01 - A-02
ABBREVIATIONS	A-03
ALPHABETICAL INDEX	A-04 - A-06
INSERT	A-07 - F-12
ICN32RQ	F-13 - K-22

1991 ICN32RQ INDEX

FLOOR PLAN	F-13 - F-14
ACCESSORIES	F-15 - G-02
BATH	G-03 - G-06
BEDROOM	G-07 - G-10
CHASSIS	G-11 - H-04
C/O & PAD	H-05 - H-12
DINETTE	H-13 - H-14
DRIVERS	H-15 - H-18
ELECTRICAL	H-19 - I-02
EXTERIOR BODY	I-03 - I-10
GALLEY	I-11 - I-16
HEATING & A/C	I-17 - I-23
INTERIOR FINISH	I-23 - J-03
LABEL	J-04 - J-12
LP	J-13
LOUNGE	J-14 - J-15
SEALANTS & FASTENERS	J-16 - J-18
WATER & SEWAGE	J-19 - J-23
WINDOW, VENT AND EXTERIOR DOOR	J-24 - K-22

SEALANTS & FASTENERS GROUP (CONTINUED)

SEALANTS AND FASTENERS

KEY PART NUMBER	U-M DESCRIPTION
000G67-10-24B	EA SCREW, 10-12 X 1 1/2 PPH - ZN
000G67-10-16P	EA SCREW, 10-12 X 1 PPH - DARK BROWN
000G67-10-16B	EA SCREW, 10-12 X 1 PPH - ZN
000G67-10-09B	EA SCREW, 10-12 X 1 1/2 PPH ZN
000G67-10-08R	EA SCREW, 10-12 X 1 1/2 PPH - BEIGE - TYPE A
000G67-10-12B	EA SCREW, 10-12 X 3/4 - PPH ZN
000G67-10-10B	EA SCREW, 10-12 X 5/8 PPH ZN - TYPE A
000G67-10-10R	EA SCREW, 10-12 X 5/8 PPH - TYPE A - BEIGE
000G67-10-12P	EA SCREW, 10-12 X .75 PPH - DARK BROWN
049465-01-000	EA SCREW, 10-16 W/WASHER PTH - DARK BROWN
049465-04-000	EA SCREW, 10-16 X 1 PTH W/WASHER - BEIGE
000G11-10-16B	EA SCREW, 10-16 X 1 - PPH ZN
000G11-10-12R	EA SCREW, 10-16 X 3/4 PPH - BEIGE
000G11-10-12D	EA SCREW, 10-16 X 3/4 PPH - BLACK
000G68-06-10G	EA SCREW, 6-16 X 5/8 PPH - ANTIQUE BRASS
076790-01-000	EA SCREW, 6-20 X 1 1/4 PPH - BLACK
000G13-06-16P	EA SCREW, 6-20 X 1 PPH - BEIGE
000G13-06-08B	EA SCREW, 6-20 X 1/2 PPH ZN
000G13-06-10G	EA SCREW, 6-20 X 5/8 PPH - ANTIQUE BRASS
000G11-06-10B	EA SCREW, 6-20 X 5/8 PPH ZN
000G11-06-10J	EA SCREW, 6-20 X 5/8 PPH - BRASS
000G11-07-08B	EA SCREW, 7-19 X 1/2 PPH - ZN
000G13-07-12B	EA SCREW, 7-19 X 3/4 PPH ZN
000G13-09-16B	EA SCREW, 8-18 X 1 PPH - ZN
000G11-08-08T	EA SCREW, 8-18 X 1/2 PPH
000G11-08-08B	EA SCREW, 8-18 X 1/2 PPH ZN
000G11-08-12B	EA SCREW, 8-18 X 3/4 PPH ZN
000G11-08-12R	EA SCREW, 8-18 X 3/4 PPH - BEIGE
000G11-08-12D	EA SCREW, 8-18 X 3/4 PPH - BLACK
000G11-08-16R	EA SCREW, 8-18X1.00 PPH - BEIGE
000G67-10-32R	EA SCREW, NO. 10 - 12 X 2 PPH ZN
000G55-08-12W	EA SCREW, SF/DR-8-18X.75 PPH
000G67-10-12R	EA SCREW-10-12X.75 PPH BEIGE
000G67-10-120	EA SCREW-10-12X.75 PPH TAN
049465-03-000	EA SCREW-10-16X1 PPH W/WASHER
000G11-10-12S	EA SCREW-10-16X.75 PPH OFF WHITE
000G54-04-20B	EA SCREW-1/4-20X1 1/4 PTH TYP 23
000G57-05-16J	EA SCREW-5-20X1 PPH BRASS
000G12-06-06T	EA SCREW-6-20 X .50 PPH - BLACK
000G13-06-16J	EA SCREW-6-20X1.00 PPH BRASS
000G11-08-12P	EA SCREW-8-18X.75 DARK BROWN
085318-01-000	EA SCREW-8-08X1.2 CRIMP TITE HD
000G67-08-32B	EA SCREW-8-15X2 PPH ZN
000G12-08-16S	EA SCREW-8-18 X 1" PPH - OFF WHITE
000G11-08-16S	EA SCREW-8-18X1.00 PPH OFF WHITE
009439-07-000	EA SCREW-8-32X1 1/4 PPH, BLACK
087721-01-000	EA SCREW-FLAT HEAD, TAPPING - 1/4 X 1 1/4 LG ZN
086763-01-000	EA SCREW-MACH, 10 - 32 X 1/4 PTH
000G19-10-08B	EA SCREW-MACH, 10-32 X 1/2 PPH ZN
000G19-10-10B	EA SCREW-MACH, 10-32 X 5/8 - PPH - ZINC
000G50-04-12B	EA SCREW-MACH, 1/4-20 X 3/4 PPH ZN
081908-01-000	EA SCREW-MACH 6-32X.62 W.NYLOCK
089371-01-000	EA SCREW-MACH 8-32X3 5/16 ZN
000G19-10-20B	EA SCREW-MACHINE, 10-32 X 1 1/4 PPH ZINK
000G18-06-16B	EA SCREW-MACHINE, 8 X 32 X 1, PPH ZN
075906-01-000	EA SCREW-MACH-10-32X.56PTH(SEMS)
000G53-04-06B	EA SCREW-MACH-1/4-20X3/8 PPH ZN
000G18-08-22B	EA SCREW-MACH-8-32X1 3/8 PPH ZN
000G39-10-20B	EA SCREW-SF/DR, 10-16 X 1 1/4 PPH ZN
000G39-10-12R	EA SCREW-SF/DR, 10-16 X 3/4 PPH - BEIGE
000G39-10-12D	EA SCREW-SF/DR, 10-16 X 3/4 PPH - BLACK
000G39-06-16T	EA SCREW-SF/DR, 6-20 X 1 PPH - BLACK
000G39-06-10T	EA SCREW-SF/DR, 6-20 X 5/8 PPH - BLACK
000G39-08-24B	EA SCREW-SF/DR, 8-18 X 1 1/2 PPH ZN
000G39-08-16E	EA SCREW-SF/DR, 8-18 X 1 PPH CHROME
000G39-08-16B	EA SCREW-SF/DR, 8-18 X 1 PPH ZN
000G39-08-16T	EA SCREW-SF/DR, 8-18 X 1 PPH - BLACK
000G55-08-16C	EA SCREW-SF/DR, 8-18 X 1.00 - BEIGE

SEALANTS & FASTENERS GROUP (CONTINUED)

SEALANTS AND FASTENERS

KEY PART NUMBER	U-M DESCRIPTION
000G39-08-08B	EA SCREW-SF/DR, 8-18 X 1/2 PPH ZN
000G39-08-32B	EA SCREW-SF/DR, 8-18 X 2 PPH - ZINC
000G39-08-12B	EA SCREW-SF/DR, 8-18 X 3/4 PPH ZN
000G39-08-12T	EA SCREW-SF/DR, 8-18 X 3/4 PPH - BLACK
000G39-08-06B	EA SCREW-SF/DR, 8-18 X 3/8 PPH ZN
000G60-10-28T	EA SCREW-SF/DR, 10-16X1.75
000G39-08-16R	EA SCREW-SF/DR 8-18X1.00 PPH BEIGE
000G39-08-08R	EA SCREW-SF/DR-8-18X1 2 PPH
079382-01-000	EA SCREW-SOCKET, 8-18 X 1" - BLACK
069640-02-000	FT SEALER-RIBBON, 1.2" X 1.8" - INCREMENTS OF 30"
069640-09-000	FT SEALER-RIBBON, 1.32" X 2 1/2"
069640-01-000	FT SEALER RIBBON, 1.4" DIAMETER - INCREMENTS OF 20"
069640-03-000	FT SEALER-RIBBON, 3/4" X 1.8" - INCREMENTS OF 60"
069640-06-000	FT SEALER-RIBBON, 5/16" DIAMETER - INCREMENTS OF 25"
091255-03-000	FT SEAL-FOAM, 1/4 X 3/16 ROLL
091255-01-000	FT SEAL-FOAM, 3.2MM X 4.8MM
090340-01-000	FT SEAL-FOAM, CLOSED CELL - 1/4" X 1 2" X 50"
053752-01-000	GL SEAM SEALER 5 GAL ALUMINUM
034552-04-000	EA SILICONE-TUBE, 300 ML - BEIGE
034552-02-000	EA SILICONE-TUBE, 300 ML - CLEAR
008401-01-000	EA STRAP-CONDUIT, 3/4" - 1 HOLE - GALVANIZED STEEL
100028-01-000	FT TAPE-ADHESIVE, .031" X .75" WIDE
004363-01-000	FT TAPE-ADHESIVE FOAM, 1 SIDE - 3/16" X 1/2" - GRAY
093071-01-000	FT TAPE-BONDING, DOUBLE SIDED - 1.64" X 2"
093071-01-000	FT TAPE-BONDING, DOUBLE SIDED - 1.64" X 2"
076322-03-000	FT TAPE-FOAM, DOUBLE COATED - .045" X 5"
088244-01-000	FT TAPE-FOAM, VINYL COATED - 2" WIDE - INCREMENTS OF 108 FT
099200-01-000	EA TAPE-FURNACE, 1 1/2"
057691-01-000	EA TAPE-MASKING, WEATHER RESISTANT
009343-02-000	EA TIE-WIRE, 14"
002343-01-000	EA TIE-WIRE, 6"
077071-01-000	EA WASHER-FENDER, 3/16" ID X 1" OD
000E13-14-00B	EA WASHER-FL, 1.4" WIDE ZN
000E13-11-00B	EA WASHER FL, 3/16" WIDE ZN
000F13-17-00B	EA WASHER FL 3/8 AR ZN

1991 ITASCA
TABLE OF CONTENTS

INTRODUCTION	A-01 -	A-02
ABBREVIATIONS		A-03
ALPHABETICAL INDEX	A-04 -	A-06
ICN26RT	A-07 -	F-12
ICN32RQ	F-13 -	K-22

1991 ICN32RQ INDEX

FLOOR PLAN	F-13 -	F-14
ACCESSORIES	F-15 -	G-02
BATH	G-03 -	G-06
BEDROOM	G-07 -	G-10
CHASSIS	G-11 -	H-04
C C & PAD	H-05 -	H-12
DINETTE	H-13 -	H-14
DRIVERS	H-15 -	H-18
ELECTRICAL	H-19 -	I-02
EXTERIOR BODY	I-03 -	I-10
GALLEY	I-11 -	I-16
HEATING & A C	I-17 -	I-22
INTERIOR FINISH	I-23 -	J-03
LABEL	J-04 -	J-12
LP		J-13
LOUNGE	J-14 -	J-15
SEALANTS & FASTENERS	J-16 -	J-18
WATER & SEWAGE	J-19 -	J-23
WINDOW, VENT AND		
EXTERIOR DOOR	J-24 -	K-22

WATER & SEWAGE GROUP GROUP

WATER CENTER

KEY PART NUMBER	U/M DESCRIPTION
036522-02-000	EA CAP-BRASS, 1/2" FLARE
052959-02-000	EA CONNECTOR, 1/2" F X 1/2" MPT - PLASTIC - GRAY
093193-02-000	EA DRAIN VALVE-IN LINE, HEADER - 1/2" MPT X 1/2" F X 1/2" M
052957-02-000	EA ELBOW-MALE, 1/2" F X 1/2" MPT - PLASTIC - GRAY
065120-01-000	EA ELBOW-SWIVEL, 1/2" FPT X 1/2" FLARE - PLASTIC - GRAY
091246-02-000	EA FAUCET-WATER, EXTERNAL - 90 DEGREE
	FROM: 00-00-00 THRU: 10-01-90
103106-01-000	EA FAUCET-EXTERNAL WATER 90 DEG
	FROM: 10-02-90 THRU: 99-99-99
087659-04-000	EA FILL-WATER, CITY - OFF WHITE
071015-08-000	EA GROMMET-1.75"ID, FITS .05" MATERIAL, RUBBER
052952-01-000	EA NUT-PLASTIC, 1/2" F X 1/2" TUBE - PLASTIC - GRAY
039800-01-000	FT TUBING-POLYBUTYL, 1/2" OD - INCREMENTS OF 20" - BLACK
096941-01-000	EA VACUUM BREAKER-3/4 FPT X 3/4 MPT
046128-01-000	EA VALVE-DRAIN, PLASTIC - 1/2" FPT
052960-01-000	EA VALVE-LINE DRAIN, 1/2" F X 1/2" F PLASTIC-WATER
079317-01-000	EA ADAPTER-SWIVEL 5 TUBE X .5FPT
	FROM: 10-01-90 THRU: 99-99-99

FRESH WATER TANK - 23 GALLON

KEY PART NUMBER	U/M DESCRIPTION
094116-02-000	EA TANK-WATER, W/FITTINGS - 23 GALLON - 18.4" X 33.6" X 10"
094116-01-000	EA TANK-WATER, 23 GAL - W/O FITTINGS - 18.4" X 33.6" X 10"
052957-04-000	EA ELBOW-5/8" F X 3/4" MPT
052957-02-000	EA ELBOW-MALE, 1/2" F X 1/2" MPT - PLASTIC - GRAY
077954-02-000	EA FILTER-WATER TANK, SCREEN IN TANK
042989-06-000	EA FITTING-SPINWELD, PLASTIC - 3/4 FPT
042989-05-000	EA FITTING-WATER TANK, SPINWELD - 1/2" FPT - PLASTIC - WHITE
049032-01-000	EA PATCH-SPINWELD, 3/8" - PLASTIC
039861-01-000	EA SENDING UNIT W/SCREW, WASHER, WELL NUT AND TERMINAL RING

FRESH WATER TANK - 18 GALLON

KEY PART NUMBER	U/M DESCRIPTION
053520-08-000	EA TANK-WATER, W/FITTINGS - 18 GALLON - 17.2" X 27" X 10"
053520-01-000	EA TANK-WATER, 18 GALLON - W/O FITTINGS - 17.2" X 27" X 10"
052957-04-000	EA ELBOW-5/8" F X 3/4" MPT
077954-02-000	EA FILTER-WATER TANK, SCREEN IN TANK
042989-06-000	EA FITTING-SPINWELD, PLASTIC - 3/4 FPT
042989-05-000	EA FITTING-WATER TANK, SPINWELD - 1/2" FPT - PLASTIC - WHITE
049032-01-000	EA PATCH-SPINWELD, 3/8" - PLASTIC
052955-01-000	EA TEE-WATER, 1/2" F X 1/2" F X 1/2" MPT - PLASTIC - GRAY

WATER SYSTEM CANADIAN OPTION L265

KEY PART NUMBER	U/M DESCRIPTION
011048-05-000	EA SHOWER HEAD-W/60" HOSE, W/O VACUUM BREAKER - CANADIAN
098607-02-000	EA PUMP-WATER, 2.8 GPM - W/1/2" MPT FITTINGS - CANADIAN
099607-01-700	EA PUMPHEAD-REPLACEMENT, SHURFLOW# 94-236-08
098607-01-701	EA DRIVE ASM, SHURFLOW# 94-234-03
098607-01-702	EA DIAPHRAGM-KIT, SHURFLOW# 94-233-10
098607-01-703	EA VALVE ASM, SHURFLOW# 94-232-00
098607-01-704	EA HOUSING-UPPER, SHURFLOW# 94-231-01
098607-01-705	EA CHECK VALVE-KIT, SHURFLOW# 94-237-00
098607-01-706	EA SWITCH ASM-COMLETE, SHURFLOW# 94-230-00
098607-01-707	EA MOTOR/BASEPLATE REPLACEMENT, SHURFLOW# 94-234-03

WATER & SEWAGE GROUP (CONTINUED)

WATER PURIFICATION OPTION L29B

KEY PART NUMBER	U/M DESCRIPTION
079317-01-000	EA ADAPTER-SWIVEL, 1/2" TUBE X 1/2" FPT - PLASTIC - GRAY
087200-02-000	EA CARTRIDGE-WATER FILTER, EVERPURE 9601-11
052959-02-000	EA CONNECTOR, 1/2" F X 1/2" MPT - PLASTIC - GRAY
052957-01-000	EA ELBOW-PLASTIC, 1/2" F X 3/8" MPT
065120-01-000	EA ELBOW-SWIVEL, 1/2" FPT X 1/2" FLARE - PLASTIC - GRAY
087200-01-000	EA FILTER-WATER PURIFICATION, EVERPURE QC2-AC
052952-01-000	EA NUT-PLASTIC, 1/2" F X 1/2" TUBE - PLASTIC - GRAY
039800-01-000	FT TUBING-POLYBUTYL, 1/2" OD - INCREMENTS OF 20" - BLACK
091208-01-000	EA WASHER-RUBBER, .06" X .75" X .5"

WATER HEATER BYPASS VALVE OPTION L53J

KEY PART NUMBER	U/M DESCRIPTION
039800-01-000	FT TUBING-POLYBUTYL, 1/2" OD - INCREMENTS OF 20" - BLACK
052952-01-000	EA NUT-PLASTIC, 1/2" F X 1/2" TUBE - PLASTIC - GRAY
052957-02-000	EA ELBOW-MALE, 1/2" F X 1/2" MPT - PLASTIC - GRAY
052958-01-000	EA TEE, 1/2" F X 1/2" F X 1/2" F - PLASTIC - GRAY
099729-01-000	EA BYPASS KIT-WATER HEATER

WATER HEATER W/MOTOR AID & REAR HEATER OPTION L611

KEY PART NUMBER	U/M DESCRIPTION
051393-01-000	EA WATER HEATER-W/MOTOR AID, PILOTLESS IGNITION ATWOOD GH6-4E OR GH6-6E
051393-01-700	EA TANK-INNER, 3E FRONT MOUNT - ATWOOD# 91023
051393-01-701	EA SWITCH PACKAGE-ATWOOD# 91959
051393-01-702	EA SWITCH-ENERGY CUT-OFF, ATWOOD# 91951
051393-01-703	EA THERMOSTAT-REAR MOUNT, ATWOOD# 91952
051393-01-704	EA CIRCUIT BOARD-W.BLACK BOX, ATWOOD# 91420
051393-01-705	EA ORIFICE HOLDER-ATWOOD# 91925
051393-01-716	EA PROBE & SPARK ASM, ATWOOD# 91606
051391-01-708	EA BURNER-MAIN, 3E ONLY - ATWOOD# 92615
051393-01-718	EA VALVE-DUAL SOLENOID, ATWOOD# 91605
051393-01-713	EA BRACKET-CORNER, PACKAGE OF 4 - ATWOOD# 91838
051393-01-714	EA TANK-INNER (GH6-3E), REAR MOUNT - ATWOOD# 91408
051393-01-716	EA SPARK & PROBE ASM, ATWOOD# 91606
051393-01-718	EA VALVE-DUAL SOLENOID, ATWOOD# 91605
051393-01-704	EA CIRCUIT BOARD
051393-01-720	EA KNOB-TEMPERATURE, ATWOOD# 92310
051393-01-721	EA ECO&THERMOSTAT ASM-FRONT MOUNT, 140 DEGREE - ATWOOD# 91447
051393-01-722	EA GAS IGNITION FIELD TESTER-MODEL 05-080224 001
062401-01-000	EA CLAMP-HOSE, WORMGEAR .25" - 1"
079059-01-000	EA HOSE-90 DEGREE, .61"ID X 4" X 36"
083001-01-000	EA HOSE-FORMED
088753-01-000	FT TUBE-ALUMINIZED STEEL, 5/11" - 18 GAUGE
010227-01-000	EA TEE-PLASTIC, BARR 5/8" OR 3/4" HOSE
062401-01-000	EA CLAMP-HOSE, WORMGEAR .25" - 1"
062401-04-000	EA CLAMP-HOSE, WORMGEAR 69" - 1 25"

**1991 ITASCA
TABLE OF CONTENTS**

INTRODUCTION	A-01 -	A-02
ABBREVIATIONS		A-03
ALPHABETICAL INDEX	A-04 -	A-06
ICN28RT	A-07 -	F-12
ICN32RQ	F-13 -	K-22

1991 ICN32RQ INDEX

FLOOR PLAN	F-13 -	F-14
ACCESSORIES	F-15 -	G-02
BATH	G-03 -	G-06
BEDROOM	G-07 -	G-10
CHASSIS	G-11 -	H-04
C C & PAD	H-05 -	H-12
DINETTE	H-13 -	H-14
DRIVERS	H-15 -	H-18
ELECTRICAL	H-19 -	I-02
EXTERIOR BODY	I-03 -	I-10
GALLEY	I-11 -	I-16
HEATING & A/C	I-17 -	I-22
INTERIOR FINISH	I-23 -	J-03
LABEL	J-04 -	J-12
LP		J-13
LOUNGE	J-14 -	J-15
SEALANTS & FASTENERS	J-16 -	J-18
WATER & SEWAGE	J-19 -	J-23
WINDOW, VENT AND		
EXTERIOR DOOR	J-24 -	K-22

WATER & SEWAGE GROUP (CONTINUED)

WATER PUMPS

KEY PART NUMBER	U/M DESCRIPTION
045729-01-000	EA PUMP-WATER, W/ 5MPT FITTINGS - FLOW 2.8 GPM - SHURFLOW PUMP HAS BEEN REPLACED BY 098607-01-000 FROM: 00-00-00 THRU: 00-17-00
045729-01-700	EA MOTOR, SHURFLO 11-021
045729-01-701	EA BASEPLATE-KIT, SHURFLOW# 94-052
045729-01-702	EA DIAPHRAGM-KIT, SHURFLOW# 94-213-00
045729-01-703	EA VALVE ASM-KIT, SHURFLOW# 94-110
045729-01-704	EA UPPER HOUSING-SHURFLOW# 94-025-00
045729-01-705	EA SWITCH CAP KIT W/SWITCH-SHURFLOW# 94-255-01
045729-01-706	EA PUMPHEAD-SHURFLOW# 94-058-11
045729-01-707	EA LOWER-HOUSING, SHURFLO 94-017-01
098607-01-000	EA PUMP-WATER, W/ 5" MPT FITTING - FLOW 2.8 GPM - UL FROM: 09-18-89 THRU: 99-99-99
098607-01-700	EA PUMPHEAD-REPLACEMENT, SHURFLOW# 94-236-08
098607-01-701	EA DRIVE ASM, SHURFLOW# 94-234-03
098607-01-702	EA DIAPHRAGM-KIT, SHURFLOW# 94-233-10
098607-01-703	EA VALVE ASM, SHURFLOW# 94-232-00
098607-01-704	EA HOUSING-UPPER, SHURFLOW# 94-231-01
098607-01-705	EA CHECK VALVE-KIT, SHURFLOW# 94-237-00
098607-01-707	EA MOTOR-BASEPLATE REPLACEMENT, SHURFLOW# 94-234-03

WATER HEATER

KEY PART NUMBER	U/M DESCRIPTION
051391-03-000	EA HEATER-WATER, W/ELECTRIC IGNITION - ATWOOD G6A-3E
051391-01-700	EA HINGE KIT-W/CLIP, ATWOOD # 92568 & 92559
051393-03-700	EA TANK-INNER (G6A-3E), REAR MT - ATWOOD# 91409
051391-01-704	EA VALVE-RELIEF, 1/2" FITTING - ATWOOD# 91604
051391-01-705	EA FASTENER-CAMLOC, ATWOOD# 92609
051391-01-706	EA GRILLE-EXHAUST, ATWOOD# 92787 - 3E ONLY
051391-01-708	EA BURNER-MAIN, 3E ONLY - ATWOOD# 92615
051391-01-710	EA ORIFICE-MAIN BURNER, ATWOOD# 92742
051391-04-701	EA THERMOSTAT 12 VDC-120 PRESET, ATWOOD# 91470 - FRONT MOUNT ONLY
051391-01-715	EA DRAIN PLUG, ATWOOD# 91561
052009-02-000	EA DOOR-WATER HEATER, ATWOOD 5576-27 - BEIGE

WATER SYSTEM COMPONENTS CONTINUED TO FAUCETS

KEY PART NUMBER	U/M DESCRIPTION
079317-01-000	EA ADAPTER-SWIVEL, 1/2" TUBE X 1/2" FPT - PLASTIC - GRAY
062401-03-000	EA CLAMP-HOSE WORMGEAR, .22" - 1"
052959-03-000	EA CONNECTOR, 1/2" F X 3/8" MPT - PLASTIC - GRAY
052959-03-000	EA CONNECTOR, 1/2" F X 3/8" MPT - PLASTIC - GRAY
052960-01-000	EA DRAIN VALVE-IN LINE, HEADER - 1/2" F X 1/2" F - GRAY PLASTIC
052957-02-000	EA ELBOW-MALE, 1/2" F X 1/2" MPT - PLASTIC - GRAY
052957-01-000	EA ELBOW-PLASTIC, 1/2" F X 3/8" MPT
065120-01-000	EA ELBOW-SWIVEL, 1/2" FPT X 1/2" FLARE - PLASTIC - GRAY
057457-01-000	EA ELBOW-UNION, 1/2" X 1/2" FLARE
064952-01-000	EA FAUCET-GALLEY
075240-05-000	EA FAUCET-LAVATORY, BRASS
075241-04-000	EA FAUCET-SHOWER, BRASS
091253-01-000	EA GASKET-FAUCET, LAVATORY
011048-02-000	EA HEAD-SHOWER, W/50" HOSE
052953-01-000	EA NUT-FAUCET, 1/2" TUBE X 1/2" FPT - PLASTIC - GRAY
052952-01-000	EA NUT-PLASTIC, 1/2" F X 1/2" TUBE - PLASTIC - GRAY
052952-02-000	EA NUT-PLASTIC, 5/8" FLARE
052958-01-000	EA TEE, 1/2" F X 1/2" F X 1/2" F - PLASTIC - GRAY
093217-01-000	EA TEE-SWIVEL, 1/2" - PLASTIC
052955-01-000	EA TEE-WATER, 1/2" F X 1/2" F X 1/2" MPT - PLASTIC - GRAY
039800-02-000	FT TUBING-POLYBUTY, 5/8" OD - INCREMENTS OF 20' - BLACK
039800-01-000	FT TUBING-POLYBUTYL, 1/2" OD - INCREMENTS OF 20' - BLACK
091208-01-000	EA WASHER-RUBBER, .06" X .75" X .5"

WATER & SEWAGE GROUP (CONTINUED)

**DRAINAGE SYSTEM
WASTE WATER HOLDING TANK**

KEY PART NUMBER	U/M DESCRIPTION
092771-01-000	EA TANK-HOLDING, W/O GROMMETS - 30 GL - 16.6" X 59.9" X 9.7" FROM: 00-00-00 THRU: 09-30-90
101767-01-000	EA TANK-HOLDING, W/O GROMMETS - 42 GL - 24.6" X 59.9" X 8.6" FROM: 10-01-90 THRU: 99-99-99
061607-01-000	EA GROMMET-HOLDING TANK, 1 1/2" NPS
039861-01-000	EA SENDING UNIT W-SCREW, WASHER, WELL NUT AND TERMINAL RING

SEWAGE HOLDING TANK

KEY PART NUMBER	U/M DESCRIPTION
092272-01-000	EA TANK-HOLDING, W/O GROMMETS - 50 GL - 25.8" X 59.9" X 18.6" FROM: 00-00-00 THRU: 09-30-90
101766-01-000	EA TANK-HOLDING, W/O GROMMETS - 38 GL - 21.6" X 59.9" X 8.7" FROM: 10-01-90 THRU: 99-99-99
061607-01-000	EA GROMMET-HOLDING TANK, 1 1/2" NPS
061607-02-000	EA GROMMET-HOLDING TANK, 3" NPS
039861-01-000	EA SENDING UNIT W-SCREW, WASHER, WELL NUT AND TERMINAL RING

DRAINAGE VALVES & HOSE

KEY PART NUMBER	U/M DESCRIPTION
062422-01-000	EA ADAPTER-OFFSET REDUCER, 3" X 1 1/2" - PLASTIC - BLACK
093592-01-000	EA ADAPTER-PLASTIC, SEWER HOSE - 45 DEGREE
089330-01-000	EA ADAPTER-SEWER HOSE END
062415-01-000	EA CAP-SEWER, 3" DIAMETER
078406-01-000	EA COUPLER-RUBBER, W/CLAMPS - 3" X 3"
062419-02-700	EA HANDLE ONLY - FOR EXTENSION ROD
010201-02-000	EA HOSE-SEWER, 3 ID X 20 FEET
070916-01-701	EA VALVE ONLY, 1 1/2"
070916-01-700	EA VALVE ONLY, 3"
070916-01-000	EA VALVE-DUAL DUMP, W/CAP - 3" X 1 1/2" - PLASTIC - BLACK
083558-01-000	EA VENT-PLUMBING PIPE ROOF, W/COVER - BEIGE

SINK

KEY PART NUMBER	U/M DESCRIPTION
057671-01-000	EA COVER-SCREW, #8 - PLASTIC - OFF WHITE
093526-01-000	EA SINK-DOUBLE, STAINLESS STEEL - 19" X 25"
096927-01-G1A	EA SINK-LAVATORY, RECTANGULAR - PLASTIC - BONE
096927-01-700	EA SINK-STOPPER
092303-01-000	EA STRAINER-SINK
096927-01-701	EA TAILPIECE-SINK

CONTINUOUS WASTE ASSEMBLY - CANADIAN L265

KEY PART NUMBER	U/M DESCRIPTION
010071-01-000	EA TEE-SANITARY, 1 1/2" HUB X HUB X HUB - PLASTIC - BLACK
010121-01-000	EA BUSHING-REDUCER, 1 1/2" SMOOTH 1 1/4" HUB - PLASTIC - BLACK
033302-02-000	EA ADAPTER ASM-STRAINER, 1 1/2" - ABS - CANADIAN
037101-02-000	EA ELBOW-PLASTIC 1.4 BEND VENT 1 1/2" HUB - CANADIAN

**1991 ITASCA
TABLE OF CONTENTS**

INTRODUCTION	A-01
ABBREVIATIONS	
ALPHABETICAL INDEX	A-04
ICN26RT	A-07
ICN32RO	F-13

1991 ICN32RQ INDEX

FLOOR PLAN	F-13	F-14
ACCESSORIES	F-15	G-02
EATH	G-03	G-06
BEDROOM	G-07	G-10
CHASSIS	G-11	H-04
C C & PAD	H-05	H-12
DINETTE	H-13	H-14
DRIVERS	H-15	H-18
ELECTRICAL	H-19	I-02
EXTERIOR BODY	I-03	I-10
GALLEY	I-11	I-16
HEATING & A/C	I-17	I-22
INTERIOR FINISH	I-23	J-03
LABEL	J-04	J-12
LP		J-13
LOUNGE	J-14	I-15
SEALANTS & FASTENERS	J-16	J-18
WATER & SEWAGE	J-19	J-23
WINDOW, VENT AND		
EXTERIOR DOOR	J-24	K-22

WATER & SEWAGE GROUP (CONTINUED)

SHOWER PAN:

KEY PART NUMBER	U/M DESCRIPTION
M02630-10-Y12	EA PAN-SHOWER, W/STRAINER & TAILPIECE
066729-01-000	EA STRAINER-TUB, SHOWER DRAIN
069640-01-000	FT SEALER-RIBBON, 1/4" DIAMETER - INCREMENTS OF 20"
069735-01-000	EA WASHER-STRAINER TO TAILPIECE PLASTIC, 1.5"
011069-04-000	EA TAILPIECE, 1 1/2 X 1 1/4 X 8 - BRASS
066436-01-000	EA NUT-SLIP, TAILPIECE - 1.5"
011091-02-000	EA PIPE-DRAIN, DOUBLE SINK - BAFFLE TEE - 1 1/2" ONE PIPE W/TEE TO DRAIN BOTH SIDES OF SINK
011066-03-000	EA P-TRAP, 1 1/2" TRAP X 1 1/4" SOCKET - PLASTIC
075968-01-000	EA VENT-MECH. TRAP ARM, ANTI-SIPHON - 2" DIA. X 7.3" - PLASTIC
010166-01-000	EA PLUG-THREADED, 1 1/4" DIAMETER - PLASTIC - BLACK
031111-01-000	EA ELBOW-90 DEGREE, 1/4" BEND - 1 1/4" - PLASTIC
010122-01-000	EA BUSHING-REDUCER, 1 1/2"SMOOTH X 1 1/4"THREAD - BLACK PLASTIC
010121-01-000	EA BUSHING-REDUCER, 1 1/2"SMOOTH X 1 1/4"HUB - PLASTIC - BLACK
010115-01-000	EA COUPLING-1 1/2" HUB X HUB, PLASTIC
010079-01-000	EA TEE-SANITARY, 1 1/2"H X 1 1/2"H X 1 1/4"H - PLASTIC - BLACK
010073-01-000	EA WYE-45 DEGREE, 1 1/2" HUB X HUB X HUB - PLASTIC - BLACK
033761-01-000	EA ELBOW-TURN, .25"BEND X 1.5"HUB X 1.5"SPIGOT - BLACK PLASTIC
034250-01-000	EA ELBOW-90 DEGREE, LONG TURN - 1 1/2" HUB X HUB- ABS
010072-01-000	EA TEE-SANITARY, 1 1/2" H X 1 1/4" H X 1 1/2" H - PLASTIC
010071-01-000	EA TEE-SANITARY, 1 1/2" HUB X HUB X HUB - PLASTIC - BLACK
004020-01-000	QT ADHESIVE-ABS CEMENT
010006-01-000	EA ELBOW-45 DEG, 1/8" BEND - 1 1/2" HUB X HUB - BLACK PLASTIC
010008-01-000	EA ELBOW-90 DEG, 1/4" BEND - 1 1/2" HUB X HUB - BLACK PLASTIC
010051-01-000	EA ELBOW-45 DEG BEND, 1 1/2" SPIGOT AND HUB - PLASTIC - BLACK
010061-01-000	EA ELBOW-45 DEGREE, STREET - 1/8" BEND - 3" S X H - PLASTIC

TOILET

KEY PART NUMBER	U/M DESCRIPTION
064076-01-000	EA TOILET-THETFORD, MODEL 50 - 15.6" X 18.9" X 11.1" - IVORY
067487-01-701	EA WATER SAVER PKG., THETFORD 06993
700011-14-003	EA BREAKER VACUUM WHT, THETFORD 6200
067487-01-702	EA CLAMP, THETFORD 03752
063641-01-000	EA FLANGE-CLOSET, 4" X 3"
064076-01-701	EA MECHANISM STARLIGHT IVORY, THETFORD 14622 AFT 3/85
039341-01-700	EA MECH-ASM-SH SL & SH GL & GH, THETFORD 15283
039341-02-705	EA MOUNTING PKG A.M., 08975
039341-02-703	EA PLUG-HOLE IVORY, THETFORD 03955-10
039341-02-704	EA SEAT & CVR SET SL & SH NEWSTYLE, THETFORD 06855

CANADIAN COMPONENTS

KEY PART NUMBER	U/M DESCRIPTION
004020-01-000	QT ADHESIVE-ABS CEMENT
010006-01-000	EA ELBOW-45 DEG, 1/8 BEND - 1 1/2" HUB X HUB - BLACK PLASTIC
010008-01-000	EA ELBOW-90 DEG, 1/4 BEND - 1 1/2" HUB X HUB - BLACK PLASTIC
010051-01-000	EA ELBOW-45 DEG BEND, 1 1/2" SPIGOT AND HUB - PLASTIC - BLACK
010061-01-000	EA ELBOW-45 DEGREE, STREET - 1/8 BEND - 3" S X H - PLASTIC
010071-01-000	EA TEE-SANITARY, 1 1/2" HUB X HUB X HUB - PLASTIC - BLACK
010072-01-000	EA TEE-SANITARY, 1 1/2" H X 1 1/4" H X 1 1/2" H - PLASTIC
010073-01-000	EA WYE-45 DEGREE, 1 1/2" HUB X HUB X HUB - PLASTIC - BLACK
010079-01-000	EA TEE-SANITARY, 1 1/2"H X 1 1/2"H X 1 1/4"H - PLASTIC - BLACK
010115-01-000	EA COUPLING-1 1/2" HUB X HUB, PLASTIC
010121-01-000	EA BUSHING-REDUCER, 1 1/2"SMOOTH X 1 1/4"HUB - PLASTIC - BLACK
010122-01-000	EA BUSHING-REDUCER, 1 1/2"SMOOTH X 1 1/4"THREAD - BLACK PLASTIC
010166-01-000	EA PLUG-THREADED, 1 1/4" DIAMETER - PLASTIC - BLACK
011066-02-000	EA P TRAP-1 1/4" HUB X SLIP JOINT, W/UNION - ABS - CANADIAN
031111-01-000	EA ELBOW-90 DEGREE, 1/4 BEND - 1 1/4" - PLASTIC
010009-01-000	EA ELBOW-90 DEGREE, 1/4 BEND - 1 1/2" - PLASTIC
033761-01-000	EA ELBOW-TURN, 1/4 BEND X 1.5"HUB X 1.5"SPIGOT - BLACK PLASTIC
034250-01-000	EA ELBOW-90 DEGREE, LONG TURN - 1 1/2" HUB X HUB- ABS
053335-01-000	EA P TRAP-1 1/4" HUB X HUB, W/UNION - CANADIAN
062422-01-000	EA ADAPTER-OFFSET REDUCER, 3" X 1 1/2" - PLASTIC - BLACK
070916-01-000	EA VALVE-DUAL DUMP, W/CAP - 3" X 1 1/2" - PLASTIC - BLACK
070916-01-700	EA VALVE ONLY, 3"
070916-01-701	EA VALVE ONLY, 1 1/2"
079968-01-000	EA VENT-MECH. TRAP ARM, ANTI-SIPHON - 2" DIA. X 7.3" - PLASTIC
063641-02-000	EA FLANGE-CLOSET, 4" X 3"

WINDOW, VENT & EXTERIOR DOOR GROUP

VENTILATOR FAN OPTION L41M

KEY PART NUMBER	U/M DESCRIPTION
084079-06-000	EA VENT-EXHAUST, POWERED - OFF WHITE - FANTASTIC VENT
084079-01-700	EA VENT COVER - FANTASTIC 1020-19
084079-01-701	EA SCREEN ASM WHITE - FANTASTIC 1030-80
084079-01-702	EA ARM LIFT ASM
084079-01-703	EA CRANK, EXTERIOR
084079-01-704	EA FAN BLADE
084079-01-705	EA MOTOR
084079-01-706	EA 12 VOLT PLUG
084079-01-707	EA SAFETY SWITCH - FANTASTIC 1120-09
084079-01-708	EA REVERSE SWITCH - FANTASTIC 1130-09
034079-01-709	EA SWITCH ON & OFF (MAIN POWER) - FANTASTIC - 1100 00
084079-01-710	EA THERMOSTAT - FANTASTIC 1140.00
084079-01-711	EA H-MOLDING (MOTOR MOUNT)

ENGINE COMPARTMENT

KEY PART NUMBER	U/M DESCRIPTION
096527-01-000	EA DOOR-CIRCUIT BREAKERS, UNDER HOOD - METAL - BLACK
096527-02-000	EA DOOR-FUSES, UNDER HOOD - METAL - BLACK
098196-01-000	EA LATCH-1/4 TURN, T-BAR
093674-01-000	EA PLATE-CIRCUIT BREAKER, HOUSE

SKYLIGHT

KEY PART NUMBER	U/M DESCRIPTION
077902-01-000	EA COLLAR-SKYLITE
080910-01-000	EA COVER-SKYLITE, OUTER - 15 25" X 22.25" - PLASTIC
081171-01-000	EA TRIM-SKYLITE, OUTER - MILL FINISHED

1931 ITASCA

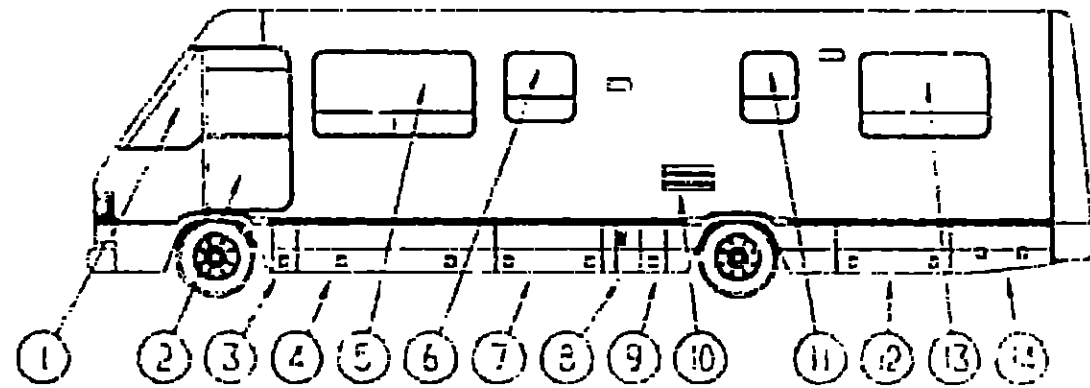
TABLE OF CONTENTS

INTRODUCTION	A-01	A-02
ABBREVIATIONS		A-03
ALPHABETICAL INDEX	A-04	A-05
ICN20RT	A-07	F-12
ICN32RQ	F-13	K-22

1991 ICN32RQ INDEX

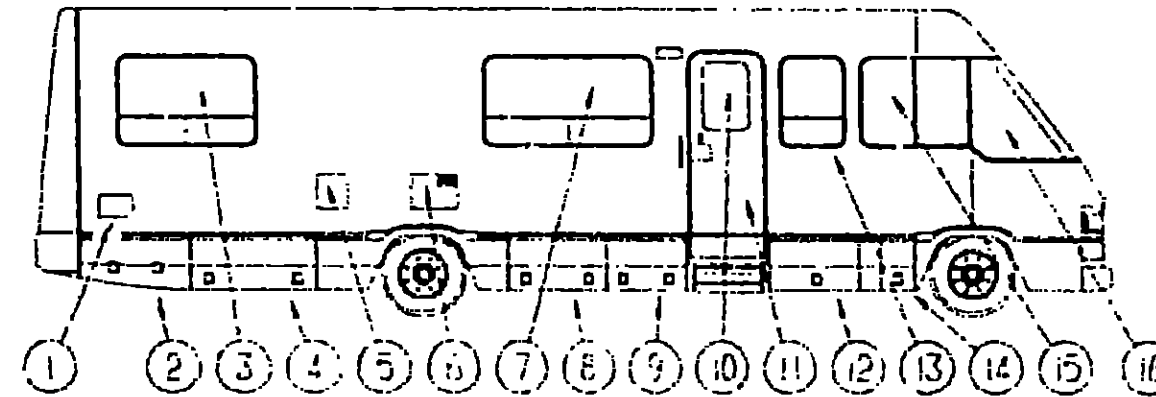
FLOOR PLAN	F-13	F-14
ACCESSORIES	F-15	G-02
BATH	G-03	G-06
BEDROOM	G-07	G-10
CHASSIS	G-11	H-04
C C & I-AD	H-05	H-12
DINETTE	H-13	H-14
DRIVERS	H-15	H-18
ELECTRICAL	H-19	I-02
EXTERIOR BODY	I-03	I-10
GALLEY	I-11	I-16
HEATING & A/C	I-17	I-22
INTERIOR FINISH	I-23	J-03
LABEL	J-04	J-12
LP		J-13
LOUNGE	J-14	J-15
SEALANTS & FASTENERS	J-16	J-18
WATER & SEWAGE	J-19	J-23
WINDOW, VENT AND EXTERIOR DOOR	J-24	K-22

WINDOW, VENT & EXTERIOR DOOR GROUP (CONTINUED)



DRIVER SIDE WINDOWS & DOORS

WINDOW, VENT & EXTERIOR DOOR GROUP (CONTINUED)



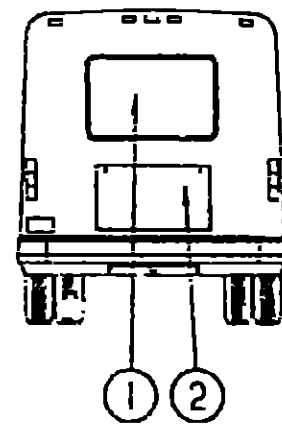
PASSENGER SIDE WINDOWS & DOORS

1991 ITASCA
TABLE OF CONTENTS

INTRODUCTION	A-01 -	A-02
ABBREVIATIONS		A-03
ALPHABETICAL INDEX	A-04 -	A-06
ICMART	A-07 -	F-12
ICN32RO	F-13 -	K-22

KEY PART NUMBER	U/M DESCRIPTION
1 091953-04-000	EA GLASS CORNER VENT, DRIVER
2 M97816-02-AE6	EA DOOR-DRIVER
3 M05032-02-AE6	EA DOOR-BATTERY, W/LATCHES - 19.4" X 9.6"
4 092482-01-Y35	EA DOOR-STORAGE, W/LATCHES - 19.4" X 76.3" - OFF WHITE
5 092234-03-Y12	EA WINDOW-TIPOUT, DOUBLE - W/O INSIDE FRAME - 31.5" X 60.9"
6 092235-09-Y12	EA WINDOW-TIPOUT, W/O INSIDE FRAME - 25.5" X 25.4"
7 092482-04-Y33	EA DOOR-STORAGE, W/LATCHES - 19.4" X 29.5" - OFF WHITE
8 093079-07-AE6	EA DOOR-FURNACE VENT, 19.4" X 15.8" - OFF WHITE
8 093024-04-01A	EA DOOR-VALANCE, OUTER, ITASCA
092357-08-02A	EA HINGE-DOOR, 15.4" - OFF WHITE
9 092482-03-Y33	EA DOOR-STORAGE, BATTERY/WATER CENTER, W/LATCHES - 19.4" X 9.5"
10 084103-03-000	EA DOOR-REFRIGERATOR, VENTED W/O JAMB - OFF WHITE
084104-01-700	EA LOCK-MALE, FASTENER - REFRIGERATOR DOOR
084104-01-701	EA LOCK-FEMALE, FASTENER - REFRIGERATOR DOOR
084104-03-000	EA JAMB-DOOR, VENTED REFRIGERATOR - BEIGE
11 092235-10-Y12	EA WINDOW-TIPOUT, W/O INSIDE FRAME - 15.8" X 25.5"
12 092482-03-AE6	EA DOOR-STORAGE, SEWAGE TANK, W/LATCHES - 19.4" X 43.7" - OFF WHITE
13 092234-01-Y12	EA WINDOW-TIPOUT, DOUBLE - W/O INSIDE FRAME - 31.5" X 60.9"
14 092531-02-Y35	EA DOOR-STORAGE, GENERATOR, W/LATCHES - 40" TAPERED - OFF WHITE

BACKWALL ESCAPE WINDOW AND DOORS



KEY PART NUMBER	U/M DESCRIPTION
1 087965-04-Y12	EA WINDOW-ESCAPE, W/O INSIDE FRAME - 30.2" X 46.8"
2 097195-01-AE6	EA DOOR-STORAGE, TRUNK, OFF WHITE

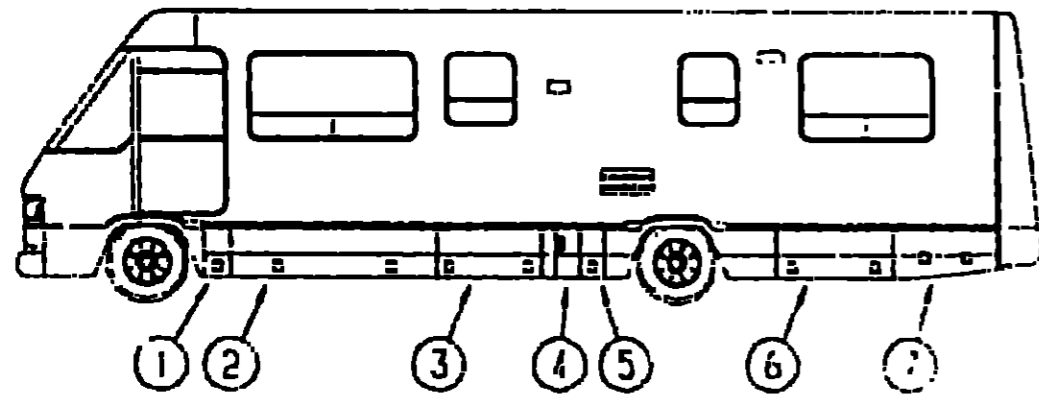
KEY PART NUMBER	U/M DESCRIPTION
1 103173-02-01A	EA DOOR JAMB - EXTERIOR SHOWER - WASHDOWN FROM 03-25-91 THRU 09-09-99
1 103173-01-01A	EA FIT-SHOWER, WASHDOWN FROM 06-03-00 THRU 03-24-01
2 092631-01-Y33	EA DOOR-STORAGE, W/LATCHES - 40" TAPERED - OFF WHITE
3 092234-01-Y12	EA WINDOW-TIPOUT, DOUBLE - W/O INSIDE FRAME - 31.5" X 60.9"
4 092482-02-Y33	EA DOOR-STORAGE SEWAGE TANK, W/LATCHES - 19.4" X 43.7" - OFF WHITE
5 078010-03-000	EA DOOR-FUEL FILL W/JAMB - OFF WHITE
6 052009-01-000	EA DOOR-WATER HEATER, ATWOOD 5576-27 - OFF WHITE
7 092234-03-Y12	EA WINDOW-TIPOUT, DOUBLE - W/O INSIDE FRAME - 31.5" X 60.9"
8 092482-02-Y33	EA DOOR-STORAGE SEWAGE, W/LATCHES - 19.4" X 43.7" - OFF WHITE
9 092482-05-Y35	EA DOOR-LP, W/LATCHES - 19.4" X 29.5" - OFF WHITE
10 079733-04-T03	EA WINDOW-PICTURE, W/O INSIDE FRAME - 17" X 25"
11 M01870-50-B29	EA DOOR-ENTRY, W/JAMB AND SCREEN DOOR
12 M92482-04-Y33	EA DOOR-STORAGE, W/LATCHES - 19.4" X 29.5" - OFF WHITE
13 092235-06-Y12	EA WINDOW-TIPOUT, SINGLE - W/O INSIDE FRAME - 31.6" X 22.5"
14 M05032-01-AE6	EA DOOR-BATTERY, W/LATCHES - PASSENGER SIDE - 19.4" X 9.6"
15 093703-01-Y10	EA WINDOW-SLIDING, W/O INSIDE FRAME
16 091953-03-000	EA GLASS-CORNER VENT, PASSENGER

1991 ICN32RO INDEX

FLOOR PLAN	F-13 -	F-14
ACCESSORIES	F-15 -	G-02
BATH	G-03 -	G-06
BEDROOM	G-07 -	G-10
CHASSIS	G-11 -	H-04
C C & PAD	H-05 -	H-12
DINETTE	H-13 -	H-14
DRIVERS	H-15 -	H-19
ELECTRICAL	H-19 -	I-02
EXTERIOR BODY	I-03 -	I-10
GALLEY	I-11 -	I-16
HEATING & A.C	I-17 -	I-22
INTERIOR FINISH	I-23 -	J-03
LABEL	J-04 -	J-12
LP		J-13
LOUNGE	J-14 -	J-15
SEALANTS & FASTENERS	J-16 -	J-18
WATER & SEWAGE	J-19 -	J-23
WINDOW, VENT AND EXTERIOR DOOR	J-24 -	K-22

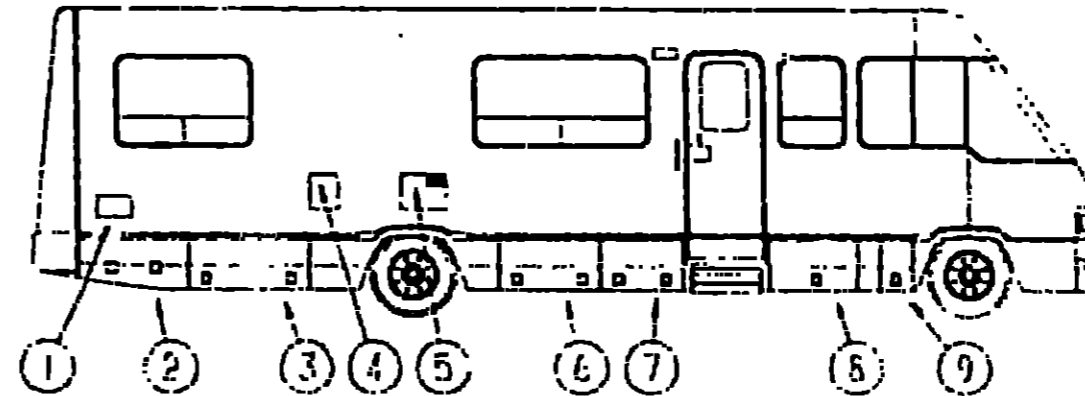
WINDOW, VENT & EXTERIOR DOOR GROUP (CONTINUED)

DRIVERS SIDE



WINDOW, VENT & EXTERIOR DOOR GROUP (CONTINUED)

PASSENGERS SIDE



1991 ITASCA
TABLE OF CONTENTS

INTRODUCTION	A-01 -	A-02
ABBREVIATIONS		A-03
ALPHABETICAL INDEX	A-04 -	A-05
INDEX	A-07 -	F-12
INDEX	F-13	K-22

KEY PART NUMBER	U M DESCRIPTION
1 M05032-02-AE6	EA DOOR-BATTERY, W LATCHES - 19.4" X 9.6"
079366-04-000	EA LOCK-DOOR, KEY TYPE W/O KEYS - 1.9 OFF SET
082684-01-700	EA KEY-COMPARTMENT DOOR LOCK, BH024
009065-01-000	EA HINGE-ALUMINUM, 1 1/2" X 96" - UNPAINTED
2 092482-01-Y35	EA DOOR-STORAGE, W LATCHES - 19.4" X 76.3" - OFF WHITE
085730-11-000	EA LATCH-PADDLE, W KEY LOCK - PLASTIC - OFF WHITE
092357-01-02A	EA HINGE-COMPARTMENT DOOR, 76"
3 092482-04-Y33	EA DOOR-STORAGE, W LATCHES - 19.4" X 29.5" - OFF WHITE
085730-11-000	EA LATCH-PADDLE, W KEY LOCK - PLASTIC - OFF WHITE
082684-01-700	EA KEY-COMPARTMENT DOOR LOCK, BH024
092357-02-02A	EA HINGE-COMPARTMENT DOOR, 43.5"
4 093029-07-AE6	EA DOOR-FURNACE VENT, 19.4" X 15.8" - OFF WHITE
4 093024-04-01A	EA DOOR-VALANCE, OUTER, ITASCA
092357-08-02A	EA HINGE-DOOR, 15.4" - OFF WHITE
092263-01-000	EA PANEL-EXHAUST, FURNACE - 14" X 14.6" - GALVANIZED
5 092482-03-Y33	EA DOOR-STORAGE/BATTERY/WATER CENTER - W LATCHES - 19.4" X 9.6"
085730-11-000	EA LATCH-PADDLE, W KEY LOCK - PLASTIC - OFF WHITE
092684-01-700	EA KEY-COMPARTMENT DOOR LOCK, BH024
092357-02-02A	EA HINGE-COMPARTMENT DOOR, 43.5"
6 092482-03-AE6	EA DOOR-HOLDING TANK, W LATCHES - 19.4" X 43.7" - OFF WHITE
085730-14-000	EA LATCH-PADDLE, W/O KEY LOCK - PLASTIC - OFF WHITE
092357-02-02A	EA HINGE-COMPARTMENT DOOR, 43.5"
7 092631-02-Y35	EA DOOR-STORAGE/GENERATOR - W LATCHES - 40" TAPERED
092611-01-01A	EA POCKET-LATCH, OFF WHITE
085730-14-000	EA LATCH-PADDLE, W/O KEY LOCK - PLASTIC - OFF WHITE
092357-02-02A	EA HINGE-COMPARTMENT DOOR, 43.5"
097193-01-AE6	EA DOOR-STORAGE, TRUNK, OFF WHITE
061420-05-000	EA PLUG-PLASTIC
076767-06-000	EA CABLE- 44" X 25.6"
077408-02-000	EA LOCK-KEY TYPE
093142-01-01A	EA HINGE-DOOR, REAR CAP, OFF WHITE
093030-01-000	EA HINGE-CONTINUOUS, ALUMINUM 2" X 96"
093899-02-000	EA PLATE-STRIKER BOLT
094103-03-000	EA DOOR-REFRIGERATOR VENTED, OFF WHITE
084104-01-700	EA LOCK-MALE, FASTENER - REFRIGERATOR DOOR
084104-01-701	EA LOCK-FEMALE, FASTENER - REFRIGERATOR DOOR
084104-03-000	EA JAMB-DOOR, VENTED REFRIGERATOR - OFF WHITE

KEY PART NUMBER	U M DESCRIPTION
1 103173-02-01A	EA DOOR JAMB - EXTERIOR SHOWER - WASHDOWN FROM 03-25-91 THRU 03-24-91
1 103173-01-01A	EA KIT-SHOWER WASHDOWN FROM 06-05-90 THRU 03-24-91
2 092631-01-Y33	EA DOOR-STORAGE, W LATCHES - 40" TAPERED - OFF WHITE
092357-02-02A	EA HINGE-COMPARTMENT DOOR, 43.5"
092611-01-01A	EA POCKET-LATCH, OFF WHITE
085730-11-000	EA LATCH-PADDLE, W KEY LOCK - PLASTIC - OFF WHITE
092684-01-700	EA KEY-COMPARTMENT DOOR LOCK, BH024
3 092482-02-Y33	EA DOOR-STORAGE SEWAGE TANK - W LATCHES - 19.4" X 43.7"
085730-11-000	EA LATCH-PADDLE, W KEY LOCK - PLASTIC - OFF WHITE
082684-01-700	EA KEY-COMPARTMENT DOOR LOCK, BH024
092357-02-02A	EA HINGE-COMPARTMENT DOOR, 43.5"
4 078910-03-000	EA DOOR FUEL FILL, OFF WHITE
078200-01-000	EA GASKET-DOOR, FUEL FILL - 3.5" OD X 2" ID
091876-01-000	EA RETAINER-DOOR, 1.97" X .79" - METAL
072447-04-000	EA SHROUD-FUEL FILL
083578-01-000	EA BOOT-FUEL FILL
064235-01-000	EA SUPPORT-FLANGE, FUEL FILL BOOT
5 052009-01-000	EA DOOR-WATER HEATER, ATWOOD 5576-27 - OFF WHITE
6 092482-02-Y33	EA DOOR-STORAGE/SEWAGE TANK - W LATCHES - 19.4" X 43.7"
085730-11-000	EA LATCH-PADDLE, W KEY LOCK - PLASTIC - OFF WHITE
082684-01-700	EA KEY-COMPARTMENT DOOR LOCK, BH024
092357-02-02A	EA HINGE-COMPARTMENT DOOR, 43.5"
7 092482-05-Y35	EA DOOR-L/P, W LATCHES - 19.5" X 29.5" - OFF WHITE
085730-14-000	EA LATCH-PADDLE, W/O KEY LOCK - PLASTIC - OFF WHITE
092357-02-02A	EA HINGE-COMPARTMENT DOOR, 43.5"
M01870-50-B07	EA DOOR-ENTRY, W JAMB AND SCREEN DOOR - B07 - CAMEO BLUE
8 M92482-04-Y33	EA DOOR-STORAGE, COMPARTMENT, W/O LATCH - 19.4" X 29.5"
085730-14-000	EA LATCH-PADDLE, W/O KEY LOCK - PLASTIC - OFF WHITE
082684-01-700	EA KEY-COMPARTMENT DOOR LOCK, BH024
092357-02-02A	EA HINGE-COMPARTMENT DOOR, 43.5"
9 M05032-01-AE6	EA DOOR-BATTERY, W LATCHES - PASSENGER SIDE - 19.4" X 9.6"
079366-04-000	EA LOCK-DOOR, KEY TYPE W/O KEYS - 1.9 OFF SET
082684-01-700	EA KEY-COMPARTMENT DOOR LOCK, BH024
076767-02-000	EA CABLE-1/16" X 16.5" - STAINLESS STEEL
009065-01-000	EA HINGE-ALUMINUM, 1 1/2" X 96" - UNPAINTED

1991 ICN32RQ INDEX

FLOOR PLAN	F-13 -	F-14
ACCESSORIES	F-15 -	G-02
BATH	G-03 -	G-06
BEDROOM	G-07 -	G-10
CHASSIS	G-11 -	H-24
C C & PAD	H-05 -	H-12
DINETTE	H-13 -	H-14
DRIVERS	H-15 -	H-18
ELECTRICAL	H-19 -	I-02
EXTERIOR BODY	I-03 -	I-10
GALLEY	I-11 -	I-16
HEATING & A C	I-17 -	I-22
INTERIOR FINISH	I-23 -	J-03
LABEL	J-04 -	J-12
LP		J-13
LOUNGE	J-14 -	J-15
SEALANTS & FASTENERS	J-16 -	J-18
WATER & SEWAGE	J-19 -	J-23
WINDOW, VENT AND EXTERIOR DOOR	J-24 -	K-22

WINDOW, VENT & EXTERIOR DOOR GROUP (CONTINUED)

DRIVER SIDE AND PASS SIDE BEDROOM WINDOWS

KEY PART NUMBER	U M DESCRIPTION
00593-07-01A	EA FRAME-WINDOW, INSIDE - 31.5" X 41.0" - BLACK
100234-01-B07	EA SCREEN ASM-DOUBLE TIPOUT
100234-02-B07	EA SCREEN ASM-DOUBLE TIPOUT
009371-01-000	EA SCREW-MACHINE, 5-32 X 3.5-16" - FOR EXTENDED WINDOW FINISH
	FROM: 03-00-00 THRU: 09-12-99
007052-02-000	EA KNOB-OPERATOR, TIPOUT WINDOW - BEIGE
	FROM: 03-00-00 THRU: 09-12-99
101290-01-01A	EA KNOB-OPERATOR, BRASS
	FROM: 08-13-99 THRU: 99-99-99
101289-01-01A	EA SCREW-MACH, 8-32 X 4 - POH - BRASS
	FROM: 08-13-99 THRU: 99-99-99
002234-01-Y12	EA WINDOW-TIPOUT, DOUBLE - W/O INSIDE FRAME - 31.5" X 41.0"
	STATIONARY GLASS IS N/A DUE TO MANUFACTURING TECHNIQUE
	WINDOW ASSEMBLY
000639-08-121	EA SCREW-SF DR, 8-18 X 3.4 PPH - BLACK
035302-01-000	EA OPERATOR-TORQUE, TIPOUT WINDOW - RIGHT
035302-02-000	EA OPERATOR-TORQUE, TIPOUT WINDOW - LEFT
000586-01-000	EA TAPE-BUTYL, 31" X 31" X 148" LONG
000927-03-000	EA SEAL-WINDOW, RUBBER - ROUND - .80" DIA - BLACK
076322-02-000	FT TAPE-FOAM, DOUBLE COATED - .045" X 1" INC. OF 108 FT
000218-03-000	SF SCREEN-FIBERGLASS, 12" WIDE
000914-01-000	EA KEY-CORNER, TIPOUT WINDOW
001649-01-000	EA RING-SNAP, 7-32 SHAFT DIAMETER
000227-06-000	EA TUBE-TORQUE, FRONT - TIPOUT WINDOW
000918-01-000	EA SPRING-TORQUE TUBE, RIGHT - DOUBLE TIPOUT WINDOW
000918-02-000	EA SPRING-TORQUE TUBE, LEFT - DOUBLE TIPOUT WINDOW
001427-01-000	EA ARM-TORQUE TUBE
000228-06-000	EA TUBE-TORQUE, WINDOW
000918-01-000	EA SPRING-TORQUE TUBE, RIGHT - DOUBLE TIPOUT WINDOW
000918-02-000	EA SPRING-TORQUE TUBE, LEFT - DOUBLE TIPOUT WINDOW
001427-01-000	EA ARM-TORQUE TUBE
000667-01-000	FT SEAL-E SHAPED, SPONGE - TIPOUT WINDOW - 4" X 4" - BLACK
000668-02-000	EA GLASS-TIPOUT, 9.2" X 20.4"
000453-01-000	EA WASHER-.060 X .50 X .135 - PLASTIC
000453-02-000	EA WASHER-.050 X .50 X .250 - PLASTIC
000473-01-000	EA SEAL-RUBBER, TIPOUT WINDOW
0005315-01-000	EA RIVET-SHOULDER, TIPOUT WINDOW
0006762-01-000	EA T NUT 10-32
0006763-01-000	EA SCREW-MACH, 10 - 32 X 1.4 PTH
0007561-01-000	FT SPLINE-GLASS, EXTERIOR - VINYL - BLACK
0009913-01-000	EA HINGE-TIPOUT WINDOW, BLACK
0007570-01-000	EA LINKAGE-TIPOUT WINDOW
000453-01-000	EA WASHER-.060 X .50 X .135 - PLASTIC
000473-01-000	EA SEAL-RUBBER, TIPOUT WINDOW
0005315-01-000	EA RIVET-SHOULDER, TIPOUT WINDOW
100168-01-000	EA CLIP-SPRING, SCREEN
100240-01-000	FT SPLINE-SCREEN, T-SHAPED

WINDOW, VENT & EXTERIOR DOOR GROUP (CONTINUED)

GALLEY WINDOW

KEY PART NUMBER	U M DESCRIPTION
000800-02-01A	EA FRAME-WINDOW, INSIDE - 25.3" X 25.5" - BLACK
100234-01-B07	EA SCREEN ASM-SINGLE TIPOUT
000935-09-Y12	EA WINDOW-TIPOUT W/O INSIDE FRAME - 25.5" X 25.4"
	STATIONARY GLASS IS N/A DUE TO MANUFACTURING TECHNIQUE
000639-08-121	EA SCREW-SF DR, 8-20 X 1 PPH - BLACK
035302-02-000	EA OPERATOR-TORQUE, TIPOUT WINDOW - LEFT
000927-03-000	EA SEAL-WINDOW, RUBBER - ROUND - .80" DIA - BLACK
076322-02-000	FT TAPE-FOAM, DOUBLE COATED - .045" X 1" INC. OF 108 FT
000218-03-000	SF SCREEN-FIBERGLASS, 12" WIDE
000914-01-000	EA KEY-CORNER, TIPOUT WINDOW
001649-01-000	EA RING-SNAP, 7-32 SHAFT DIAMETER
000918-01-000	EA SPRING-TORQUE TUBE, REAR
000918-02-000	EA SPRING-TORQUE TUBE, FRONT
001427-01-000	EA ARM-TORQUE TUBE
000667-01-000	FT SEAL-F SHAPED, SPONGE - TIPOUT WINDOW - 4" X 4" - BLACK
000668-02-000	EA GLASS-TIPOUT, 9.2" X 20.4"
000453-01-000	EA WASHER-.060 X .50 X .135 - PLASTIC
000453-02-000	EA WASHER-.050 X .50 X .250 - PLASTIC
000473-01-000	EA SEAL-RUBBER, TIPOUT WINDOW
0005315-01-000	EA RIVET-SHOULDER, TIPOUT WINDOW
0006762-01-000	EA T NUT 10-32
0006763-01-000	EA SCREW-MACH, 10 - 32 X 1.4 PTH
0007561-01-000	FT SPLINE-GLASS, EXTERIOR - VINYL - BLACK
0009913-01-000	EA HINGE-TIPOUT WINDOW, BLACK
0007570-01-000	EA LINKAGE-TIPOUT WINDOW
000453-01-000	EA WASHER-.060 X .50 X .135 - PLASTIC
000473-01-000	EA SEAL-RUBBER, TIPOUT WINDOW
0005315-01-000	EA RIVET-SHOULDER, TIPOUT WINDOW
100168-01-000	EA CLIP-SPRING, SCREEN
100240-01-000	FT SPLINE-SCREEN, T-SHAPED
007052-02-000	EA KNOB-OPERATOR, TIPOUT WINDOW - BEIGE
	FROM: 03-00-00 THRU: 09-12-99
101290-01-01A	EA KNOB-OPERATOR, BRASS
	FROM: 08-13-99 THRU: 99-99-99
009371-01-000	EA SCREW-MACHINE, 5-32 X 3.5-16" - ZN
	FROM: 03-00-00 THRU: 09-12-99
101289-01-01A	EA SCREW-MACH, 8-32 X 4 - POH - BRASS
	FROM: 08-13-99 THRU: 99-99-99
009439-06-000	EA EXTENSION-CRANK HANDLE, WINDOW/ROOF VENT - 9" - BLACK

1991 ITASCA
TABLE OF CONTENTS

INTRODUCTION	A-01	-	A-02
ABBREVIATIONS			A-03
ALPHABETICAL INDEX	A-04	-	A-06
INSERT	A-07	-	F-12
INDEX	F-13	-	F-15

1991 ICN32RQ INDEX

FLOOR PLAN	F-13	-	F-14
ACCESSORIES	F-15	-	G-02
BATH	G-03	-	G-06
BEDROOM	G-07	-	G-10
CHASSIS	G-11	-	H-04
C C & PAD	H-05	-	H-12
DINETTE	H-13	-	H-14
DRIVERS	H-15	-	H-18
ELECTRICAL	H-19	-	I-02
EXTERIOR BODY	I-03	-	I-10
GALLEY	I-11	-	I-16
HEATING & A/C	I-17	-	I-22
INTERIOR FINISH	I-23	-	J-03
LABEL	J-04	-	J-12
LP			J-13
LOUNGE	J-14	-	J-15
SEALANTS & FASTENERS	J-16	-	J-18
WATER & SEWAGE	J-19	-	J-23
WINDOW, VENT AND EXTERIOR DOOR	J-24	-	K-22

WINDOW, VENT & EXTERIOR DOOR GROUP (CONTINUED)

BATH WINDOW

KEY PART NUMBER	U M DESCRIPTION
090853-15-01A	EA FRAME-WINDOW, INSIDE - 25 5" X 15 9" - BLACK
100235-01-B07	EA SCREEN ASM.-SINGLE TIPOUT
092235-10-Y12	EA WINDOW-TIPOUT, W O INSIDE FRAME - 15 8" X 25 5" STATIONARY GLASS IS N A DUE TO MANUFACTURING TECHNIQUE
000639-06-16T	EA SCREW-SF.DR. 6-20 X 1 PPH - BLACK
035302-02-000	EA OPERATOR-TORQUE, TIPOUT WINDOW - LEFT
068927-03-000	EA SEAL-WINDOW, RUBBER - ROUND - 80" DIA - BLACK
050218-03-000	SF SCREEN-FIBERGLASS, 13" WIDE
080914-01-000	EA KEY-CORNER, TIPOUT WINDOW
081649-01-000	EA RING SNAP, 7.02 SHAFT DIAMETER
080918-01-000	EA SPRING-TORQUE TUBE, REAR
080918-02-000	EA SPRING-TORQUE TUBE, FRONT
081427-01-000	EA ARM-TORQUE TUBE
084067-01-000	FT SEAL-E SHAPED, SPONGE - TIPOUT WINDOW, 4" X 4" - BLACK
084069-14-000	EA GLASS-TIPOUT, 9" X 15"
084453-01-000	EA WASHER-.060 X .50 X .135 - PLASTIC
084453-02-000	EA WASHER-.060 X .50 X .250 - PLASTIC
084473-01-000	EA SEAL-RUBBER, TIPOUT WINDOW
085315-01-000	EA RIVET-SHOULDER, TIPOUT WINDOW
086762-01-000	EA T NUT 10-32
086763-01-000	EA SCREW-MACH, 10 32 X 1.4 PTH
085913-01-000	EA HINGE-TIPOUT WINDOW, BLACK
097578-01-000	EA LINKAGE-TIPOUT WINDOW
084453-01-000	EA WASHER-.060 X .50 X .135 - PLASTIC
084473-01-000	EA SEAL-RUBBER, TIPOUT WINDOW
085315-01-000	EA RIVET-SHOULDER, TIPOUT WINDOW
100168-01-000	EA CLIP-SPRING, SCREEN
100240-01-000	FT SPLINE-SCREEN, T-SHAPED
067052-02-000	EA KNOB-OPERATOR, TIPOUT WINDOW - BEIGE FROM: 00-00-00 THRU 08-12-90
101290-01-01A	EA KNOB-OPERATOR, BRASS FROM: 08-13-90 THRU 99-99-99
068971-01-000	EA SCREW-MACHINE, 8-32 X 3.5 16 - ZN FROM: 00-00-00 THRU 08-12-90
101289-01-01A	EA SCREW-MACHINE, 8-32 X 4 - POH - BRASS FROM: 08-13-90 THRU 99-99-99
090025-01-000	EA EXTENSION-WINDOW CONTROL

WINDOW, VENT & EXTERIOR DOOR GROUP (CONTINUED)

CAB PASSENGERS SIDE WINDOW

KEY PART NUMBER	U M DESCRIPTION
090703-01-Y10	EA WINDOW-SLIDING, W O INSIDE FRAME
090939-06-16T	EA SCREW SF DR. 6-20 X 1 PPH - BLACK
030239-01-000	EA BLOCK WINDOW, 16" X 16" X 1"
090769-07-20A	EA HOLDER SEAL GLASS MOLETT - 1.16" - BLACK
025320-01-000	EA PAD-FELT, 3 8" DIAMETER - BROWN
041028-02-000	FT SEAL-EXTERIOR WINDOW, BLACK
042077-01-000	FT CHANNEL WEATHERSTRIP, GLASS RUN - U SHAPED - 3/16"
047379-01-000	EA LATCH FIT WINDOW W SCREWS - PLASTIC - BLACK
080216-02-000	FT SPLINE GLASS, EXTERIOR - VINYL - 1/2" - BLACK
057054-12-000	EA GLASS STATIONARY, 16" X 16 1/2" X 1/2"
070740-01-000	FT SEAL-FIL. 40' PILE HEIGHT - GRAY
070824-01-000	FT SEAL-WINDOW WEATHER - C FOLD - 5"
081377-01-000	EA ADHESIVE-CYANOACRYLATE 10 GRAM TUBE
081980-11-000	EA GLASS SLIDER, 13" X 39 1/2" X 1/8"
084170-02-000	EA MULLION SLIDER WINDOW - BLACK
092065-01-Y10	EA FRAME WINDOW, INSIDE - BLACK
078304-01-000	EA HOLDER UPPER SCREEN - EXTRUDED PLASTIC - 1/2" - BLACK
078305-01-000	EA HOLDER LOWER SCREEN - EXTRUDED PLASTIC - 1/2" - BLACK
092539-01-Y10	EA FRAME-WINDOW, INSIDE
092074-01-Y10	EA SCREEN ASSEMBLY
092202-02-000	SF SCREENING WINDOW, 20" WIDE, CHARCOAL FROM 00-00-00 THRU 08-12-90
092201-02-000	SF SCREENING-ROOF VENT WINDOW, 16" - BLACK FROM 03-20-90 THRU 99-99-99
092208-02-000	FT SPLINE-VENT WINDOW SCREEN - 128 DIAMETER - BLACK
079657-02-000	FT TAPE PLASTIC FILM, 375 WIDE
079824-01-000	FT SEAL-WINDOW WEATHER - C FOLD - 5"

1991 ITASCA
TABLE OF CONTENTS

INTRODUCTION	A-01	A-02
ABBREVIATIONS		A-02
ALPHABETICAL INDEX	A-04	A-06
INDEX	A-07	F-12
INDEX	F-10	K-22

1991 ICN32RQ INDEX

FLOOR PLAN	F-13	F-14
ACCESSORIES	F-15	G-02
BATH	G-03	G-06
BEDROOM	G-07	G-10
CHASSIS	G-11	H-04
C C & PAD	H-05	H-12
DINETTE	H-13	H-14
DRIVERS	H-15	H-18
ELECTRICAL	H-19	I-02
EXTERIOR BODY	I-03	I-10
GALLEY	I-11	I-16
HEATING & A C	I-17	I-22
INTERIOR FINISH	I-23	J-03
LABEL	J-04	J-12
LP		J-13
LOUNGE	J-14	J-15
SEALANTS & FASTENERS	J-16	J-18
WATER & SEWAGE	J-19	J-23
WINDOW, VENT AND EXTERIOR DOOR	J-24	K-22

WINDOW, VENT & EXTERIOR DOOR GROUP (CONTINUED)

DINETTE WINDOW

KEY PART NUMBER	U M DESCRIPTION
060693-03-01A	EA FRAME-WINDOW, INSIDE - 31 1/2" X 29 1/2" - BLACK
100034-05-007	EA SCREEN ASM DOUBLE TIPOUT
100234-05-007	EA SCREEN ASM DOUBLE TIPOUT
090234-03-Y-12	EA WINDOW-TIPOUT DOUBLE - W/O INSIDE FRAME - 31 1/2" X 29 1/2"
	STATIONARY GLASS IS NOT AVAILABLE - ORDER ENTIRE ASSEMBLY
000039-08-10T	EA SCREW-SF DR, 6-20 X 1 PPH - BLACK
000039-00-12T	EA SCREW-SF DR, 8-18 X 3/4 PPH - BLACK
035302-01-000	EA OPERATOR-TORQUE TIPOUT WINDOW - LEFT
035302-02-000	EA OPERATOR-TORQUE TIPOUT WINDOW - LEFT
038880-01-000	EA TAPE-BUTYL 31" X 31" X 1/8" LONG
058927-03-000	EA SEAL WINDOW RUBBER - ROUND - 3/2" DIA - BLACK
076322-02-000	FT TAPE-FOAM, DOUBLE COATED - 645" X 1/2" THK - OF 109 FT
080218-03-000	SF SCREEN-FIBERGLASS, 12" WIDE
080914-01-000	EA KEY-CORNER, TIPOUT WINDOW
081377-01-700	EA ADHESIVE-CYANACRYLATE 10 GRAM TUBE
081649-01-000	EA RING-SNAP, 7/32 SHFT DIAMETER
083227-05-000	EA TUBE TORQUE WINDOW - REAR
084016-01-000	EA SPRING TORQUE TUBE, REAR
080918-02-000	EA SPRING-TORQUE TUBE, FRONT
091427-01-000	EA ARM-TORQUE TUBE
083228-05-000	EA TUBE TORQUE WINDOW - FRONT
080919-01-000	EA SPRING-TORQUE TUBE, REAR
080918-02-000	EA SPRING-TORQUE TUBE, FRONT
091427-01-000	EA ARM-TORQUE TUBE
084068-22-000	FT SEAL-E SHAPED, SPONGE - TIPOUT WINDOW - 47" X 47" - BLACK
084453-01-000	EA GLASS-TIPOUT, 9 27" X 29 9"
084453-01-000	EA WASHER, 060 X 50 X 135 - PLASTIC
084453-02-000	EA WASHER, 060 X 50 X 250 - PLASTIC
084473-01-000	EA SEAL-RUBBER, TIPOUT WINDOW
085315-01-000	EA RIVET-SHOULDER, TIPOUT WINDOW
086762-01-000	EA T NUT 10-32
086763-01-000	EA SCREW-MACH, 10 - 32 X 1 1/4 PTH
087561-01-000	FT SPLINE-GLASS, EXTERIOR - VINYL - BLACK
089913-01-000	EA HINGE-TIPOUT WINDOW, BLACK
097578-01-000	EA LINKAGE-TIPOUT WINDOW
084453-01-000	EA WASHER, 060 X 50 X 135 - PLASTIC
084473-01-000	EA SEAL-RUBBER, TIPOUT WINDOW
085315-01-000	EA RIVET-SHOULDER, TIPOUT WINDOW
100168-01-000	EA CLIP-SPRING, SCREEN
100240-01-000	FT SPLINE-SCREEN, T-SHAPED
067052-02-000	EA KNOB-OPERATOR, TIPOUT WINDOW - BEIGE
	FROM: 00-00-00 THRU 08-12-90
101290-01-01A	EA KNOB-OPERATOR, BRASS
	FROM: 08-13-90 THRU 99-99-99
089371-01-000	EA SCREW-MACHINE, 6-32 X 3 5/16 - ZN
	FROM: 00-00-00 THRU: 08-12-90
101289-01-01A	EA SCREW-MACH, 6-32 X 4 - POH - BRASS
	FROM: 08-13-90 THRU 99-99-99
090025-01-000	EA EXTENSION-WINDOW CONTROL

WINDOW, VENT & EXTERIOR DOOR GROUP (CONTINUED)

PASSENGER SIDE LOUNGE WINDOW

KEY PART NUMBER	U M DESCRIPTION
080616-01-01A	EA FRAME-WINDOW, INSIDE - 31 1/2" X 29 1/2" - BLACK
080039-05-010	EA SCREEN ASM SINGLE
080039-05-010	EA WINDOW-TIPOUT SINGLE - W/O INSIDE FRAME - 31 1/2" X 29 1/2"
	STATIONARY GLASS IS NOT AVAILABLE - ORDER ENTIRE ASSEMBLY
080039-05-010	EA SCREW-SF DR, 6-20 X 1 PPH - BLACK
080039-05-010	SF SCREEN-FIBERGLASS, 12" WIDE
080039-05-010	FT SPLINE-SCREEN, T-SHAPED
080039-05-010	EA OPERATOR-TORQUE TIPOUT WINDOW - LEFT
080039-05-010	EA SEAL WINDOW RUBBER - ROUND - 3/2" DIA - BLACK
080039-05-010	FT TAPE-FOAM, DOUBLE COATED - 645" X 1/2" THK - OF 109 FT
080039-05-010	EA KEY-CORNER, TIPOUT WINDOW
080039-05-010	EA SLEEVE TORQUE TUBE, TORQUE WINDOW
080039-05-010	EA ADHESIVE-CYANACRYLATE 10 GRAM TUBE
080039-05-010	EA RING-SNAP, 7/32 SHFT DIAMETER
080039-05-010	EA TUBE TORQUE WINDOW
080039-05-010	EA SPRING-TORQUE TUBE, FRONT
080039-05-010	EA SPRING-TORQUE TUBE, FRONT
080039-05-010	EA ARM-TORQUE TUBE
080039-05-010	EA TUBE TORQUE WINDOW - FRONT
080039-05-010	EA SPRING-TORQUE TUBE, REAR
080039-05-010	EA SPRING-TORQUE TUBE, FRONT
080039-05-010	EA ARM-TORQUE TUBE
080039-05-010	FT SEAL-E SHAPED, SPONGE - TIPOUT WINDOW - 47" X 47" - BLACK
080039-05-010	EA GLASS-TIPOUT, 9 27" X 29 9"
080039-05-010	EA WASHER, 060 X 50 X 135 - PLASTIC
080039-05-010	EA WASHER, 060 X 50 X 250 - PLASTIC
080039-05-010	EA SEAL-RUBBER, TIPOUT WINDOW
080039-05-010	EA RIVET-SHOULDER, TIPOUT WINDOW
080039-05-010	EA T NUT 10-32
080039-05-010	EA SCREW-MACH, 10 - 32 X 1 1/4 PTH
080039-05-010	FT SPLINE-GLASS, EXTERIOR - VINYL - BLACK
080039-05-010	EA HINGE-TIPOUT WINDOW, BLACK
080039-05-010	EA LINKAGE-TIPOUT WINDOW
080039-05-010	EA WASHER, 060 X 50 X 135 - PLASTIC
080039-05-010	EA SEAL-RUBBER, TIPOUT WINDOW
080039-05-010	EA RIVET-SHOULDER, TIPOUT WINDOW
080039-05-010	EA CLIP-SPRING, SCREEN
080039-05-010	EA KNOB-OPERATOR, TIPOUT WINDOW - BEIGE
	FROM: 00-00-00 THRU: 08-12-90
101290-01-01A	EA KNOB-OPERATOR, BRASS
	FROM: 08-13-90 THRU: 99-99-99
089371-01-000	EA SCREW-MACHINE, 6-32 X 3 5/16 - ZN
	FROM: 00-00-00 THRU 08-12-90
101289-01-01A	EA SCREW-MACHINE, 6-32 X 4 - POH - BRASS
	FROM: 08-13-90 THRU 99-99-99
090025-01-000	EA EXTENSION CONTROL, WINDOW - 2"

1991 ITASCA
TABLE OF CONTENTS

INTRODUCTION	A-01 - A-02
ABBREVIATIONS	A-03
ALPHABETICAL INDEX	A-04 - A-06
INDEX	A-07 - F-12
INDEX	F-13 - K-22

1991 ICN32RQ INDEX

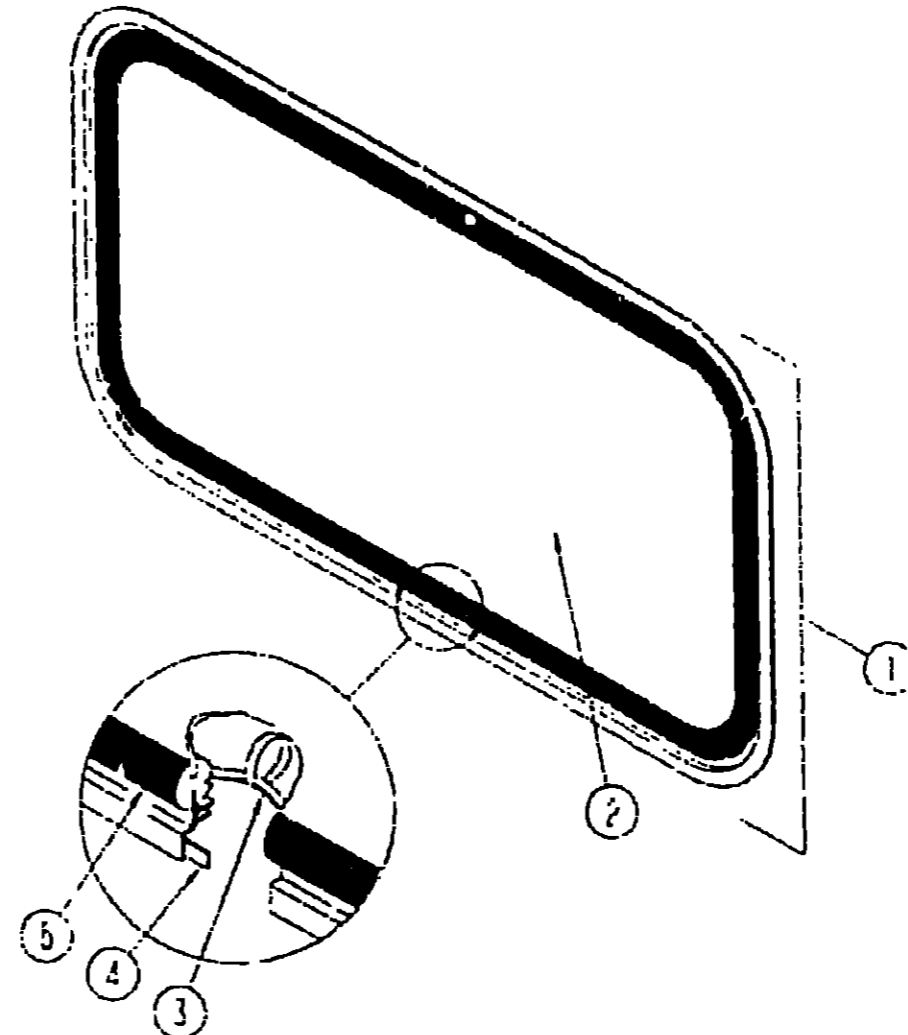
FLOOR PLAN	F-13 - F-14
ACCESSORIES	F-15 - G-02
BATH	G-03 - G-06
BEDROOM	G-07 - G-10
CHASSIS	G-11 - H-04
C C & PAD	H-05 - H-12
DINETTE	H-13 - H-14
DRIVERS	H-15 - H-18
ELECTRICAL	H-19 - I-02
EXTERIOR BODY	I-03 - I-10
GALLEY	I-11 - I-16
HEATING & A/C	I-17 - I-22
INTERIOR FINISH	I-23 - J-03
LABEL	J-04 - J-12
LP	J-13
LOUNGE	J-14 - J-15
SEALANTS & FASTENERS	J-16 - J-18
WATER & SEWAGE	J-19 - J-23
WINDOW, VENT AND EXTERIOR DOOR	J-24 - K-22

WINDOW, VENT & EXTERIOR DOOR GROUP (CONTINUED)

DRIVER SIDE LOUNGE WINDOW

KEY PART NUMBER	U/M DESCRIPTION
090593-09-01A	EA FRAME-WINDOW, INSIDE - 31.4" X 60.9" - BLACK
100734-05-B07	EA SCREEN ASM-DOUBLE TIPOUT
100734-06-B07	EA SCREEN ASM-DOUBLE TIPOUT
092734-03-Y12	EA WINDOW-TIPOUT, DOUBLE - W/O INSIDE FRAME - 31.5" X 60.9"
	STATIONARY GLASS IS N/A DUE TO MANUFACTURING TECHNIQUE
000639-06-16T	EA SCREW-SFDR, 6-20 X 1 PPH - BLACK
000639-00-12T	EA SCREW-SFDR, 6-18 X 3.4 PPH - BLACK
080218-03-000	SF SCREEN-FIBERGLASS, 12" WIDE
100240-01-000	FT SPLINE-SCREEN, T-SHAPED
035302-01-000	EA OPERATOR TORQUE, TIPOUT WINDOW - LEFT
035302-02-000	EA OPERATOR TORQUE, TIPOUT WINDOW - LEFT
038885-01-000	EA TAPE-BUTYL, 31" X 31" X 145" LONG
068827-03-000	EA SEAL-WINDOW, RUBBER - ROUND - 60" DIA. - BLACK
076322-02-000	FT TAPE-FOAM, DOUBLE COATED - 645" X 1" INC. OF 106 FT
050914-01-000	EA KEY-CORNER, TIPOUT WINDOW
051377-01-700	EA ADHESIVE-CYANOACRYLATE, 10 GRAM TUBE
051649-01-000	EA RING-SHAP, 7.32 SHAFT DIAMETER
093227-09-000	EA TUBE-TORQUE, TIPOUT WINDOW - FRONT SIDE
090918-01-000	EA SPRING-TORQUE TUBE, REAR
080318-02-000	EA SPRING-TORQUE TUBE, FRONT
081427-01-000	EA ARM-TORQUE TUBE
093228-03-000	EA TUBE-TORQUE, TIPOUT WINDOW - REAR SIDE
050918-01-000	EA SPRING-TORQUE TUBE, REAR
030918-02-000	EA SPRING-TORQUE TUBE, FRONT
081427-01-000	EA ARM-TORQUE TUBE
084067-01-000	FT SEAL-E SHAPED, SPONGE - TIPOUT WINDOW - 4" X 4" - BLACK
084068-22-000	EA GLASS-TIPOUT, 9.2" X 29.9"
084453-01-000	EA WASHER-.06" X .5" X .135" - PLASTIC
084453-02-000	EA WASHER-.06" X .5" X .25" - PLASTIC
084473-01-000	EA SEAL-RUBBER, TIPOUT WINDOW
085315-01-000	EA RIVET-SHOULDER, TIPOUT WINDOW
086762-01-000	EA T NUT 10-32
086763-01-000	EA SCREW-MACH, 10 - 32 X 1.4 PTH
087561-01-000	FT SPLINE-GLASS, EXTERIOR - VINYL - BLACK
089913-01-000	EA HINGE-TIPOUT WINDOW, BLACK
097578-01-000	EA LINKAGE-TIPOUT WINDOW
084453-01-000	EA WASHER-.060 X .50 X .135 - PLASTIC
084473-01-000	EA SEAL-RUBBER, TIPOUT WINDOW
085315-01-000	EA RIVET-SHOULDER, TIPOUT WINDOW
100168-01-000	EA CLIP-SPRING, SCREEN
067052-02-000	EA KNOB-OPERATOR, TIPOUT WINDOW - BEIGE
	FROM: 00-00-00 THRU: 08-12-90
101259-01-01A	EA KNOB-OPERATOR, BRASS
	FROM: 08-13-90 THRU: 99-99-99
089371-01-000	EA SCREW-MACHINE, 8-32 X 3.5.16" - FOR EXTENDED WINDOW KNOB
	FROM: 00-00-00 THRU: 08-12-90
101259-01-01A	EA SCREW-MACHINE, 8-32 X 4 - PCH - BRASS
	FROM: 05-13-90 THRU: 99-99-99
090025-01-000	EA EXTENSION-CONTROL, WINDOW - 2"

WINDOW, VENT & EXTERIOR DOOR GROUP (CONTINUED)



BACKWALL ESCAPE WINDOW

KEY PART NUMBER	U/M DESCRIPTION
076650-04-000	EA FRAME-WINDOW, INSIDE - BLACK
087985-04-Y12	EA WINDOW-ESCAPE, W/O INSIDE FRAME - 30.2" X 46.8"
002282-01-000	FT WEATHER STRIP-WINDOW, RUBBER - .125" - BLACK
002285-01-000	FT FILLER-WEATHER STRIP, RUBBER - BLACK
069640-07-000	FT SEALER-RIBBON, 2" X 3.32" - INCREMENTS OF 30"
076337-06-000	EA GLASS-ESCAPE, - 44.8" X 28"
006199-01-000	EA LABEL-EXIT, "ESCAPE WINDOW"
047731-01-000	EA LABEL-EMERGENCY EXIT

1991 ITASCA
TABLE OF CONTENTS

INTRODUCTION	A-01 - A-02
ABBREVIATIONS	A-03
ALPHABETICAL INDEX	A-04 - A-05
ICN32RT	A-07 - F-12
ICN32RQ	F-13 - K-22

1991 ICN32RQ INDEX

FLOOR PLAN	F-13 - F-14
ACCESSORIES	F-15 - G-02
BATH	G-03 - G-06
BEDROOM	G-07 - G-10
CHASSIS	G-11 - H-04
C C & PAD	H-05 - H-12
DINETTE	H-13 - H-14
DRIVERS	H-15 - H-18
ELECTRICAL	H-19 - I-02
EXTERIOR BODY	I-03 - I-10
GALLEY	I-11 - I-16
HEATING & A C	I-17 - I-22
INTERIOR FINISH	J-03 - J-03
LABEL	J-04 - J-12
LP	J-13
LOUNGE	J-14 - J-15
SEALANTS & FASTENERS	J-16 - J-19
WATER & SEWAGE	J-19 - J-23
WINDOW, VENT AND EXTERIOR DOOR	J-24 - K-22

WINDOW, VENT & EXTERIOR DOOR GROUP (CONTINUED)

POWERED ROOF VENT

KEY PART NUMBER	U M DESCRIPTION
090393-01-Y12	EA VENT-ROOF, POWERED W O SCREEN
092825-01-000	EA WEATHER STRIP-ROOF VENT, GRAY
008195-01-000	EA SWITCH-ROOF VENT, PUSH BUTTON, 12V
008356-01-000	EA GROMMET-SNAP, 3.8"
009440-01-000	EA GEAR ARM-VENT COVER, LIFT
015911-01-000	EA TRACK-LIFT ARM, SLIDE - ROOF VENT
048648-01-000	EA MOTOR-ROOF VENT, 1.8 SHAFT - 12V
048649-01-000	EA FAN-ROOF VENT, 6 BLADES - 6"
055218-01-000	EA COVER-ROOF VENT
051603-01-000	EA GROMMET-SNAP, 3.16 ID - 3.8 HOLE - PLASTIC - BLACK
052633-01-200	EA HINGE-EXTRUSION, ROOF VENT T
052639-01-001	EA HINGE-VENT COVER, 192"
078785-01-Y12	EA SCREEN-ROOF VENT, POWERED
002291-02-000	SF SCREENING-ROOF VENT WINDOW, 16" - BLACK
002298-02-000	FT SPLINE-VENT WINDOW SCREEN, 128 DIAMETER - BLACK
009439-01-000	EA CRANK HANDLE-ROOF VENT
009439-03-000	EA EXTENSION-CRANK HANDLE, ROOF VENT - 6"
009439-05-000	EA KNOB-CRANK, WINDOW AND ROOF VENT - BLACK
009439-07-000	EA SCREW-8-32X1.14 PH, BLACK

NON POWERED ROOF VENT

KEY PART NUMBER	U M DESCRIPTION
090392-01-Y12	EA VENT-ROOF, NON POWERED
092825-01-000	EA WEATHER STRIP-ROOF VENT, GRAY
009440-01-000	EA GEAR ARM-VENT COVER, LIFT
015911-01-000	EA TRACK-LIFT ARM, SLIDE - ROOF VENT
055218-01-000	EA COVER-ROOF VENT
052639-01-001	EA HINGE-VENT COVER, 192"
009439-01-000	EA CRANK HANDLE-ROOF VENT
009439-03-000	EA EXTENSION-CRANK HANDLE, ROOF VENT - 6"
078786-01-Y12	EA SCREEN-ROOF VENT, NON POWERED
002291-02-000	SF SCREENING-ROOF VENT WINDOW, 16" - BLACK
002298-02-000	FT SPLINE-VENT WINDOW SCREEN, 128 DIAMETER - BLACK

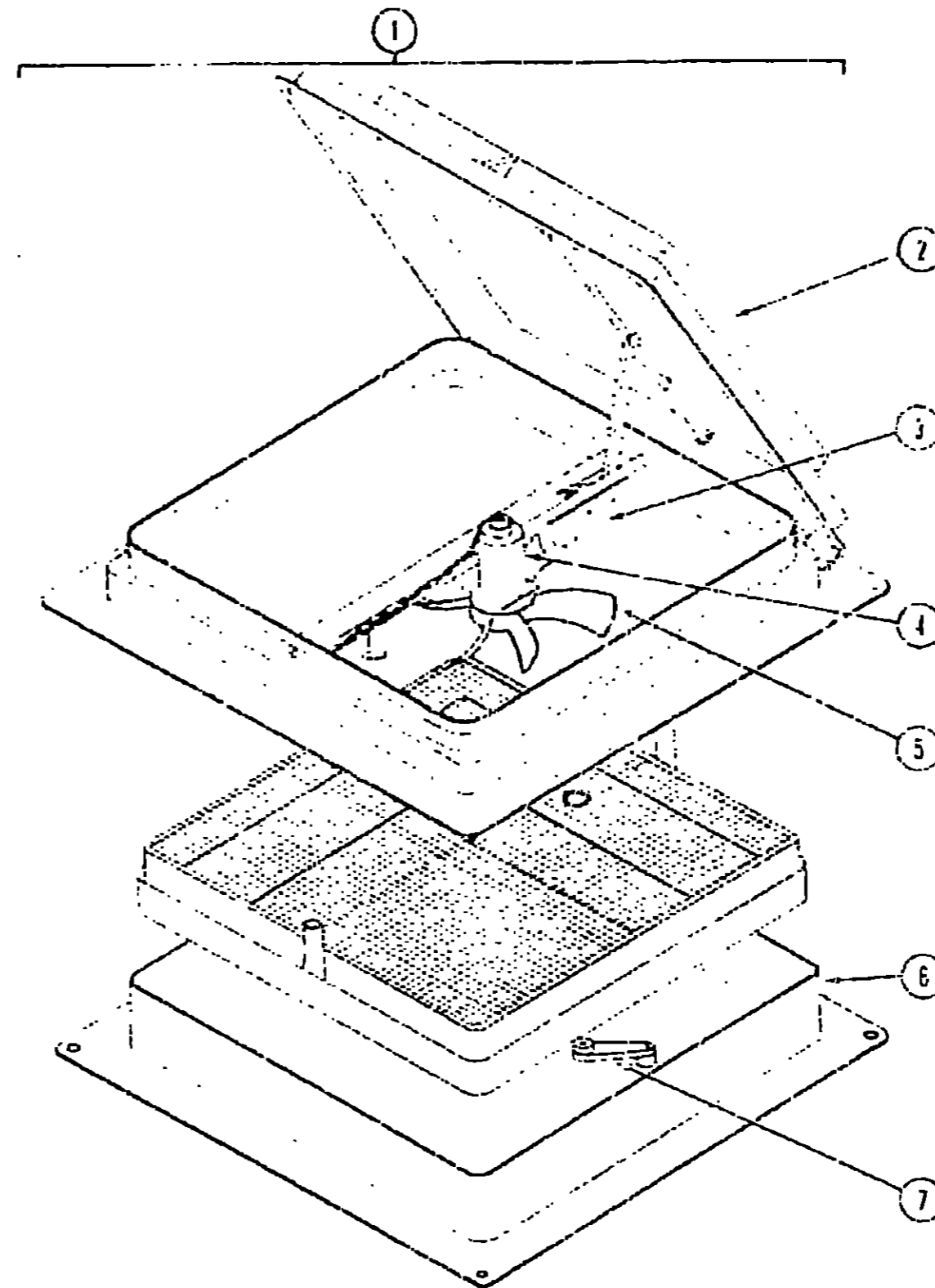
ROOF VENTS

KEY PART NUMBER	U M DESCRIPTION
093558-01-000	EA VENT-PLUMBING PIPE ROOF, W COVER - BEIGE
084073-01-000	EA COVER-ROOF VENT, NORCOLD REFRIGERATOR - BEIGE
084073-04-000	EA BASE-ROOF VENT, NORCOLD REFRIGERATOR - BLACK

SIDEWALL VENT

KEY PART NUMBER	U M DESCRIPTION
002698-02-02A	EA VENT-RANGE HOOD, W DOOR - BEIGE

WINDOW, VENT & EXTERIOR DOOR GROUP (CONTINUED)



CANADIAN EXPORT L265

KEY PART NUMBER	U M DESCRIPTION
1 064469-08-000	EA VENT-ROOF, POWERED - 14" X 14" - 12V - CANADIAN
2 064469-03-702	EA LID-VENT WHITE
3 064469-03-706	EA LIFT MECHANISM
4 048648-01-000	EA MOTOR-ROOF VENT, 1.8 SHAFT - 12V
5 048649-01-000	EA FAN-ROOF VENT, 6 BLADES - 6"
6 064469-03-705	EA GARNISH, VENT 2.5 IN. WIDE
7 009439-01-000	EA CRANK HANDLE-ROOF VENT

1991 ITASCA
TABLE OF CONTENTS

INTRODUCTION	A-01 - A-02
ABBREVIATIONS	A-03
ALPHABETICAL INDEX	A-04 - A-06
ICN32RQ	A-07 - F-12
ICN32RQ	F-13 - K-22

1991 ICN32RQ INDEX

FLOOR PLAN	F-13 - F-14
ACCESSORIES	F-15 - G-02
BATH	G-03 - G-06
BEDROOM	G-07 - G-10
CHASSIS	G-11 - H-04
C C & PAD	H-05 - H-12
DINETTE	H-13 - H-14
DRIVERS	H-15 - H-18
ELECTRICAL	H-19 - I-02
EXTERIOR BODY	I-03 - I-10
GALLEY	I-11 - I-16
HEATING & A C	I-17 - I-22
INT RIOR FINISH	I-23 - J-03
LABEL	J-04 - J-12
LP	J-13
LOUNGE	J-14 - J-15
SEALANTS & FASTENERS	J-16 - J-16
WATER & SEWAGE	J-19 - J-23
WINDOW, VENT AND EXTERIOR DOOR	J-24 - K-22

WINDOW, VENT & EXTERIOR DOOR GROUP(CONTINUED)

ENTRY DOOR

KEY	PART NUMBER	U/M DESCRIPTION
	MJ1870-50-B29	EA DOOR-ENTRY, W/JAMB AND SCREEN DOOR
	000G11-00-12S	EA SCREW, 6-16 X 3/4 PPH - OFF WHITE
	000G30-03-03R	EA SCREW-SF DR-6-16X1/2 PPH
	000G53-04-06B	EA SCREW-MACH-1/4-20X3/8 PPH CN
	000G54-04-20B	EA SCREW-1/4-20X1 1/4 PTH TYP 20
	039016-01-000	EA CATCH-ELBOW, SPRING LOADED - SCREEN DOOR CATCH
	039539-01-000	EA STRIKE-ENTRANCE DOOR LOCK
	039L40-01-000	EA LATCH MECHANISM-HOOK, ENTRY DOOR - INTERIOR
	039715-01-000	EA NUT-SERT, 1/4" DIAMETER - 20 THREADS
	039738-01-000	EA DEADBOLT-ROUND, J-SHAPED - INTERIOR USE ONLY
	101145-01-01A	EA DEADBOLT-ENTRY DOOR, BLACK BLANK KEY# 045020-01-700 FROM: 01-00-00 THRU 09-00-00
	101147-01-000	EA BOLT-SECURITY, 4 1/2" BACKSET FROM: 09-00-00 THRU 09-00-00
	039800-03-000	FT TUBING-POLYBUTYLENE, 3/8" OD
	039979-03-000	EA COVER-INTERIOR LATCH W/TRIP ARM - BLACK FROM: 09-00-00 THRU 09-00-00
	039979-04-000	EA COVER-INTERIOR LATCH W/TRIP ARM - RIGHT - BLACK FROM: 08-00-00 THRU 09-00-00
	039954-01-000	EA CAP-ROUND DEADBOLT, VINYL - 28" ID X 62" LONG - BLACK
	040944-01-000	EA LABEL-ENTRANCE DOOR, "OPEN"
	045017-10-000	EA LATCH-PADDLE, MECHANISM W LOCK CYLINDER & KEY - BLACK REPLACED BY MASTER KEY LATCH# 045017-11-000 FROM: 09-00-00 THRU 09-02-00
	045017-11-000	EA LATCH-ENTRY DOOR, MECHANISM W LOCK & KEY - BLACK MASTER KEY P.N. 045017-11-700 - KEY BLANK P.N. 045017-11-701 FROM: 09-03-00 THRU 09-00-00
	058806-01-000	EA FLUG-TAPERED, FOR DEADBOLT - PLASTIC - 68" DIAMETER - RED FROM: 00-00-00 THRU 09-02-00
	102524-01-000	EA BUMPER-RUBBER, FLAT - BLACK FROM: 09-01-00 THRU 09-00-00
	055025-02-000	EA CLIP-ROLLER LATCH CATCH
	063725-04-000	EA RIV-NUT, 10-32 UNF - .010-.060
	072893-01-000	EA NUTSERT-M5 X 0, 8
	075671-01-000	FT SEAL-SPONGE, LAZY T SHAPE - WEATHERSTRIP ON ENTRY DOOR
	075673-01-000	FT SEAL-PILE, ADHESIVE BACK - GRAY FROM: 09-00-00 THRU 09-05-00
	075935-01-000	EA SCREW-MACH-10-32X 5/8PTHISEMS

ENTRY DOOR SCREEN

KEY	PART NUMBER	U/M DESCRIPTION
	079012-01-U01	EA DOOR-SCREEN
	002293-02-000	SF SCREENING-WINDOW DOOR, 26" - CHARCOAL
	002294-01-000	FT SPLINE-SCREENING, .135" X .135" - BLACK
	002748-01-000	EA CORNER KEY-DOOR
	009018-01-000	EA CATCH-SCREEN DOOR ROLLER
	016454-01-000	EA INSERT-SCREEN DOOR, CENTER - LEATHER GRAIN ALUMINUM - BEIGE
	001014-01-013	EA INSERT-CENTER, .024" X 10.25" X 16.3" - UNPAINTED ALUMINUM
	050712-05-000	EA HANDLE-SCREEN DOOR, UNPAINTED
	078552-03-000	EA KICK PANEL-SCREEN DOOR, LOWER INSERT - UNPAINTED
	001014-01-016	EA ALUMINUM-LEATHER GRAIN, 10.3" X 29.69" - UNFINISHED
	078595-01-000	EA TOP PLATE-SCREEN DOOR, CURVED TOP - 4.7" X 25.35"
	078777-01-000	EA CHANNEL-SLIDE, SCREEN DOOR CENTER SLIDER COVER
	079086-02-000	EA SLIDER-SCREEN DOOR, OFF WHITE
	079057-02-000	EA STRIKE-SLIDER, W/LIP FOR ELBOW CATCH - 1.5" X 8.6" - OFF WHITE

ENTRY DOOR WINDOW

KEY	PART NUMBER	U/M DESCRIPTION
	067609-27-000	EA FRAME-WINDOW, INSIDE PICTURE - BLACK
	079733-04-T03	EA WINDOW-PICTURE, W/O INSIDE FRAME - 17" X 25"
	002131-06-000	EA GLASS-PICTURE WINDOW, .115" X 16.25" X 24"
	057551-01-000	FT SPLINE-GLASS, EXTERIOR - VINYL - BLACK

WINDOW, VENT & EXTERIOR DOOR GROUP(CONTINUED)

ENTRY DOOR CONTINUED

KEY	PART NUMBER	U/M DESCRIPTION
	04049 01 000	EA FRAME BOTTOM ENTRY DOOR OFF WHITE
	04049 01 000	FT SEAL FOAM CURVED (ILL) 1 1/4" X 1 1/2" X 1/8"
	04049 01 000	FT TAPE ADHESIVE 3/4" X 1/2" WIDE
	04049 01 000	EA FRAME ENTRY DOOR W/O BOTTOM OFF WHITE
	04049 01 000	EA JAMB ENTRY DOOR W/BOTTOM ROLLER CATCH STRIKER OFF WHITE
	04049 01 000	EA JAMB BOTTOM ENTRY DOOR, BEIGE
	04049 01 000	EA STRIKER-ROLLER CATCH WELDED TO JAMB & ROLLER AT 1/2"
	04049 01 000	EA JAMB DOOR ENTRANCE UNPAINTED
	04049 01 000	EA HANDLE ENTRY DOOR OFF WHITE
	04049 01 000	EA HANDLE ENTRY DOOR UNPAINTED
	04049 01 000	EA STIFFENER-ENTRY DOOR SUPPORTS LATCH STRIKE AREA OFF WHITE
	04049 01 000	EA STIFFENER ENTRY DOOR SUPPORTS LATCH STRIKE AREA - MEL
	04049 01 000	FT SEAL PILE ADHESIVE BACK SCREEN DOOR GRAY
	04049 01 000	EA CATCH SCREEN DOOR FROM: 09-00-00 THRU 09-00-00
	04049 01 000	EA DEADBOLT ENTRY DOOR BLACK KEY BLANK P.N. 045020-01-700
	04049 01 000	EA BOLT SECURITY 4 1/2" BACKSET
	04049 01 000	FT TRIP-ENTRANCE DOOR 1/2" WIDE OFF WHITE
	04049 01 000	EA CARMISH RADUIS ENTRANCE DOOR OFF WHITE FROM: 09-00-00 THRU 09-00-00
	04049 01 000	EA CAP DRIP ENTRY DOOR ALUMINUM OFF WHITE FROM: 09-00-00 THRU 09-00-00
	04049 01 000	EA SWITCH DOOR JAMB ELECTRIC ENTRY STEP

**1991 ITASCA
TABLE OF CONTENTS**

INDEX-DOOR, W	A 01 -	A 02
ABBREVIATIONS		A 03
ALPHABETICAL INDEX	A 04 -	A 05
ILLUSTR	A 06 -	F 12
UNBUILT	F 13 -	K 02

1991 ICN32RQ INDEX

FLOOR PLAN	F-13 -	F-14
ACCESSORIES	F-15 -	G-02
BATH	G-03 -	G-06
BEDROOM	G-07 -	G-10
CHASSIS	G-11 -	H-04
C O & PAD	H-05 -	H-12
DIETITE	H-13 -	H-14
DRIVERS	H-15 -	H-18
ELECTRICAL	H-19 -	I-02
EXTERIOR BODY	I-03 -	I-10
GALLEY	I-11 -	I-16
HEATING & A/C	I-17 -	I-22
INTERIOR FINISH	I-23 -	J-03
LABEL	J-04 -	J-12
LP		J-13
LOUNGE	J-14 -	J-15
SEALANTS & FASTENERS	J-16 -	J-18
WATER & SEWAGE	J-19 -	J-23
WINDOW, VENT AND EXTERIOR DOOR	J-24 -	K-22

WINDOW, VENT & EXTERIOR DOOR GROUP (CONTINUED)

DRIVERS DOOR & COMPONENTS TIPOUT

KEY PART NUMBER	U M DESCRIPTION
M37816-03-AE6	EA DOOR-DRIVER, POWER - TIPOUT WINDOW
M37745-01-02A	EA PANEL-DOOR, INTERIOR - PLASTIC - GREY
097339-01-02A	EA COVER-MAP POCKET, GREY
095439-03-000	EA KNOB-CRANK, WINDOW AND ROOF VENT - BLACK
095439-04-000	EA EXTENSION-CRANK HANDLE, WINDOW ROOF VENT - 9" - BLACK
095302-01-000	EA OPERATOR-TORQUE, TIPOUT WINDOW
061400-04-000	EA STRAP-ASSIST, 12" - BLACK W WOODGRAIN SCREW COVERS
	FROM 00-00-00 THRU 05-04-91
061400-15-000	EA STRAP-ASSIST, 12" - BLACK
	FROM 05-05-91 THRU 07-00-00
064219-01-000	EA RETAINER-CHECK STRAP, DRIVER DOOR
068927-03-000	EA SEAL-WINDOW, RUBBER - ROUND - 80" DIA - BLACK
068938-03-000	EA BEARING-360D SNAP IN
075671-01-000	FT SEAL-SPONGE, LAZY T SHAPE - 1 3/4" WIDE - BLACK
076322-01-000	FT TAPE-FOAM, DOUBLE COATED ADHESIVE BACKED - 75" WIDE
079370-04-000	FT COVER SCREW WINDOW - VINYL - BLACK
081049-01-000	EA RING-SNAP, 7.32 SHAFT DIAMETER
081909-02-000	EA SHAFT-MOUNTING, KNOB
081955-02-000	EA KNOB-CONTROL, SLIDE BOLT - W LOCK STAMP - 2 1/4" X 5" - PLASTIC - BLACK
081956-02-000	EA BOLT-SLIDE
081910-02-000	EA CHANNEL-WINDOW, TRIFILE - 4" INSTALLED X 10" - BLACK
081911-01-000	FT TAPE-GLASS SETTING, 1.16" X 1.3"
081912-02-000	EA WEATHERSTRIP RIGID, WINDOW - .5" EXPOSED X 26.6"
084067-01-000	FT SEAL-E SHAPED, SPONGE - TIPOUT WINDOW - 4" X 4"
084067-02-000	FT SEAL-E SHAPED, SPONGE - TIPOUT WINDOW - 4" X 4"
084453-01-000	EA WASHER-.06" X 5" X .135" - PLASTIC
084453-02-000	EA WASHER-.06" X 5" X .25" - PLASTIC
084473-01-000	EA SEAL-FLAT, W CENTER HOLE & ADHESIVE SIDE - 5" X 9"
085315-01-000	EA RIVET-SHOULDER, TIPOUT WINDOW
086264-01-000	EA SPRING-COMPRESSION, .44" LONG X .36" OD
089454-02-000	EA CHANNEL-U, TOP GLASS RUN - 6" X 26.6" - ALUMINUM
089513-01-000	EA HINGE-TIPOUT WINDOW, BLACK
090340-01-000	FT SEAL-FOAM, CLOSED CELL - 1.4" X 1.2" X .50"
091255-02-000	FT SEAL-ADHESIVE BACKED FOAM, .15" THICK X 1.5" WIDE
091968-03-000	FT TAPE-ADHESIVE, .04" X 1" WIDE
092446-02-000	EA GLASS-DOOR, ROLL UP - 27.5" X 26.3"
092628-01-01A	EA MULLION-WINDOW, CAB DOOR - 30" LONG - ALUMINUM
092752-01-Y10	EA FRAME-WINDOW, TIPOUT - INNER - 23.6" X 26"
081912-01-000	EA WEATHERSTRIP-RIGID, WINDOW - .5" EXPOSED X 20.6"
092845-01-000	EA WIRE ASSEMBLY-DRIVER DOOR CONTROL PANEL
102235-01-01A	EA LATCH-DRIVER DOOR, OUTSIDE-BLACK-MASTER KEY 045017-11-700
102237-01-01A	EA LATCH-DRIVER DOOR, INSIDE - BLACK
092927-04-000	EA LATCH-DRIVER DOOR, MECHANISM
092927-05-000	EA LATCH-DRIVER DOOR, ROD END - RIGHT
092927-06-000	EA LATCH-DRIVER DOOR, ROD END - LEFT
092928-01-000	EA ROD-LOCK, OUTSIDE - CAB DOOR - 19.5" LONG
092928-03-000	EA ROD-RELEASE, INSIDE - CAB DOOR - 16.3" LONG
092928-04-000	EA ROD-LOCK, INSIDE - CAB DOOR - 15.3" LONG
092928-05-000	EA ROD-RELEASE, OUTSIDE - CAB DOOR - 19.9" LONG
092970-01-000	EA GLASS-TIPOUT, 4.5" X 27.9"
092996-01-000	EA REGULATOR-POWER WINDOW
103392-02-000	EA REGULATOR-POWER WINDOW
	FROM: 03-04-91 THRU: 99-99-99
092996-01-710	EA MOTOR-POWER WINDOW, DRIVER DOOR
092996-01-711	EA TAPE DRIVE, POWER WINDOW MOTOR
093132-01-000	EA SWITCH-POWER WINDOW, 5 TERMINAL W LOCK GRAPHICS & AR
093954-01-Y12	EA SCREEN-SINGLE TIPOUT, 1 RADIUS CORNER - 6" X 29.2"
002291-02-000	SF SCREENING-ROOF VENT/WINDOW, 16" - BLACK
002298-02-000	FT SPLINE-VENT/WINDOW SCREEN, .128 DIAMETER - BLACK
100240-01-000	FT SPLINE-SCREEN, T-SHAPED
096809-01-000	EA BRACKET-DEADBOLT, 2.2" X 2.6" - METAL
097278-01-AE6	EA JAMB-DOOR, CAB - W/O INSERT - ALUMINUM OFF WHITE INSERT 097315-01-02A
097279-01-02A	EA FRAME-CAB DOOR, REAR SIDE - ALUMINUM - OFF WHITE
097280-01-02A	EA FRAME-CAB DOOR, FRONT SIDE - 58.6" - ALUMINUM - OFF
097367-01-000	EA BRACKET-SUPPORT, DOOR LOCK
098030-01-000	EA STRAP-CHECK, DRIVER DOOR - BLACK
098030-02-000	EA STRAP-CHECK, DRIVER DOOR - BLACK
100026-01-000	FT TAPE-ADHESIVE, FOAM - .75" X 216"
097315-01-01A	FT TRIM-INSERT, DRIVER DOOR - .43" WIDE - VINYL - OFF WHIT

WINDOW, VENT & EXTERIOR DOOR GROUP (CONTINUED)

DRIVER DOOR W POWER WINDOW & MIRROR OPTION L20P

KEY PART NUMBER	U M DESCRIPTION
M37816-04-AE6	EA DOOR-DRIVER, POWER - STATIONARY WINDOW
M37745-01-02A	EA PANEL-DOOR, INTERIOR, SLATE GREY
097339-01-02A	EA COVER-MAP POCKET, SLATE GRAY
095439-04-02B	EA NUT-HEX SER. FLG LK 1/4" - 10ZN
095439-11-02B	EA WASHER-FL. 3/16" WIDE ZN
061400-04-000	EA STRAP-ASSIST, 12" - BLACK W WOODGRAIN SCREW COVERS
063729-01-000	EA RIVNUT, 1/4" X 20 UNF - 630 125
064219-01-000	EA RETAINER CHECK STRAP, DRIVER DOOR
068927-03-000	EA SEAL-WINDOW, RUBBER - ROUND - 80" DIA - BLACK
068938-03-000	EA BEARING-360D SNAP IN
075671-01-000	FT SEAL-SPONGE LAZY T SHAPE - WEATHERSTRIP ON ENTRY DOOR
076322-01-000	FT SEAL-ADHESIVE BACKED FOAM, .25" X 1"
077640-01-000	EA SOCKET ASM W R PIGTAIL LEADS
077640-01-000	EA LENS OF OPTES Y LIGHT CLEAR
079370-04-000	FT COVER SCREW WINDOW - VINYL - BLACK
081049-01-000	EA CLIP-WIRE IN/OUT
081240-02-000	EA CLIP-SCREEN PLASTIC - BLACK
081909-02-000	EA SHAFT-MOUNTING, PIN
081955-02-000	EA PIN-SLIDE BOLT - BLACK
081956-02-000	EA BOLT-SLIDE
081910-02-000	EA CHANNEL-WINDOW, SLIDING
081911-01-000	FT TAPE-GLASS SETTING, 1.16" X 1.3"
081912-02-000	EA WEATHERSTRIP-RIGID
084067-01-000	FT SEAL-E SHAPED, SPONGE - TIPOUT WINDOW - 4" X 4" - BLACK
084067-02-000	EA SPRING-COMPRESSION, .44" LONG X .36" OD
084453-01-000	EA SWITCH-HEATER, MIRROR
084453-02-000	EA SWITCH-REMOTE, MIRROR
084454-02-000	EA CHANNEL-GLASS RUN, TOP - BLACK
090340-01-000	FT SEAL-FOAM, CLOSED CELL - 1.4" X 1.2" X .50"
091255-02-000	FT SEAL-ADHESIVE BACKED FOAM, 1.5" X 1.5"
091968-03-000	FT TAPE ADHESIVE, .04" X 1" WIDE
092446-02-000	EA GLASS DOOR, ROLL UP - 27.5" X 26.3"
092752-01-Y10	EA FRAME-WINDOW, TIPOUT - INNER - 23.6" X 26"
081912-01-000	EA WEATHERSTRIP RIGID, BLACK
092845-01-000	EA WIRE ASSEMBLY-DRIVER DOOR CONTROL PANEL
093470-08-000	EA HOUSING-PIN, 4 POSITION
093144-01-000	EA CONDUIT-WIRE, GM# 15592946
092927-01-000	EA LATCH-DRIVER DOOR, OUTER
	FROM: 00-05-00 THRU: 06-24-90
092927-01-700	EA LOCK LEVER (BLK)
092927-01-701	EA LOCK LEVER (CHROME)
092927-01-702	EA CYLINDER W KEYS (1) ONLY
102235-01-01A	EA LATCH-OUTSIDE, DRIVER DOOR - BLACK
	FROM: 06-25-90 THRU: 99-99-99
045017-11-700	EA MASTER KEY
045017-11-701	EA BLANK-KEY
092927-02-000	EA LATCH-DRIVER DOOR, INSIDE
	FROM: 00-00-00 THRU: 06-24-90
102237-01-01A	EA LATCH-INSIDE, DRIVER DOOR - BLACK
	FROM: 06-25-90 THRU: 99-99-99
092927-04-000	EA LATCH-DRIVER DOOR, LATCH
092927-05-000	EA LATCH-DRIVER DOOR, ROD END - RH
092927-06-000	EA LATCH-DRIVER DOOR, ROD END - LH
092928-01-000	EA ROD-LOCK, INSIDE OF DOOR
092928-03-000	EA ROD-RELEASE, INSIDE OF DOOR
092928-04-000	EA ROD-LOCK, INSIDE OF DOOR
092996-01-000	EA REGULATOR-POWER WINDOW
092996-01-710	EA MOTOR, POWER WINDOW D/S
022997-01-000	EA GLASS-STATIONARY, POWER WINDOW - 4.6" X 28"
093132-01-000	EA SWITCH-POWER WINDOW
096809-01-000	EA BRACKET-DEADBOLT
097278-01-AE6	EA JAMB-DRIVER DOOR
097279-01-02A	EA FRAME-DOOR, REAR OUTER - OFF WHITE
097280-01-02A	EA FRAME-DOOR, FRONT OUTER - OFF WHITE
097367-01-000	EA BRACKET-SUPPORT, DOOR LOCK
077517-52-000	EA FIBERGLASS-SHEET, 29.69" X 27.86", OFF WHITE
098030-01-000	EA STRAP-CHECK, DRIVER DOOR - BLACK
098030-02-000	EA STRAP-CHECK, DRIVER DOOR - BLACK
100026-01-000	FT TAPE-ADHESIVE, .031" X .75" WIDE

1991 ITASCA

TABLE OF CONTENTS

INTRODUCTION	A-01 - A-02
ABBREVIATIONS	A-03
ALPHABETICAL INDEX	A-04 - A-06
INDEX	A-07 - F-12
INDEX	F-13 - K-22

1991 ICN32RQ INDEX

FLOOR PLAN	F-13 - F-14
ACCESSORIES	F-15 - G-02
BATH	G-03 - G-06
BEDROOM	G-07 - G-10
CHASSIS	G-11 - H-04
C C & PAD	H-05 - H-12
DINETTE	H-13 - H-14
DRIVERS	H-15 - H-18
ELECTRICAL	H-19 - I-02
EXTERIOR BODY	I-03 - I-10
GALLEY	I-11 - I-16
HEATING & A/C	I-17 - I-22
INTERIOR FINISH	I-23 - J-03
LABEL	J-04 - J-12
LP	J-13
LOUNGE	J-14 - J-15
SEALANTS & FASTENERS	J-16 - J-18
WATER & SEWAGE	J-19 - J-23
WINDOW, VENT AND EXTERIOR DOOR	J-24 - K-22

WINDOW, VENT & EXTERIOR DOOR GROUP (CONTINUED)

WINDOW, VENT & EXTERIOR DOOR GROUP (CONTINUED)

DRIVER DOOR & WINDOW

KEY PART NUMBER	U M DESCRIPTION
M97816-02-AEG	EA DOOR-COMPLTTE STANDARD, MANUAL
M97748-01-02A	EA PANEL-DOOR, INTERIOR, SLATE GREY
097305-01-02A	EA COVER-MAP POCKET, SLATE GRAY
000039-04-00B	EA NUT-HEX, SER FLG LK 1/4 - 20 ZN
064219-01-000	EA RETAINER-CHECK STRAP, DRIVER DOOR
068927-03-000	EA SEAL-WINDOW, RUBBER - ROUND - .60" DIA. - BLACK
068938-03-000	EA BEARING-.38"ID, SNAP IN
075671-01-000	FT SEAL-SPONGE, LAZY T SHAPE WEATHERSTRIP ON ENTRY DOOR
076322-01-000	FT SEAL-ADHESIVE BACKED FOAM, .75" X 1" FROM: 00-00-00 THRU: 02-04-99
079370-04-000	FT COVER-SCREW, WINDOW - VINYL - BLACK
081243-02-000	EA CLIP-SCREEN, PLASTIC - BLACK
081903-02-000	EA SHAFT-MOUNTING, KNOB
081905-02-000	EA KNOB-SLIDE BOLT, BLACK
081906-02-000	EA BOLT-SLIDE
081908-01-000	EA SCREW MACH 6-32 X .62 W NYLOCK
081910-02-000	EA CHANNEL-WINDOW, SLIDING
081911-01-000	FT TAPE-GLASS SETTING, 1.16" X 1.5"
081912-02-000	EA WEATHERSTRIP-RIGID
084067-01-000	FT SEAL-E SHAPED, SPONGE - TIPOUT WINDOW - .4" X .4" - BLACK
086284-01-000	EA SPRING-COMPRESSION, .44" LONG X .36" OD
089454-02-000	EA CHANNEL-GLASS RUN, TOP - BLACK
090340-01-000	FT SEAL-FOAM, CLOSED CELL - 1/4" X 1/2" X 50"
091255-02-000	FT SEAL-ADHESIVE BACKED FOAM, 1.5" X .18"
091908-03-000	FT TAPE-ADHESIVE, .04" X 1" WIDE
092446-02-000	EA GLASS-DOOR, ROLL UP - 27.5" X 26.3"
092752-01-Y10	EA FRAME-WINDOW TIPOUT - INNER - 23.6" X 25"
091912-01-000	EA WEATHERSTRIP-RIGID, BLACK
095473-03-000	EA HOUSING-PIN, 4 POSITION
093144-01-000	EA CONDUIT-WIRE, GM# 15592046
092927-01-000	EA LATCH-DRIVER DOOR, OUTER FROM: 00-00-00 THRU: 06-24-99
102235-01-01A	EA LATCH-OUTSIDE HARDWARE, LH, BLACK FROM: 06-25-99 THRU: 99-99-99
045017-11-700	EA MASTER KEY
045017-11-701	EA BLANK-KEY
092927-01-700	EA LOCK-LEVER, BLACK
092927-01-701	EA LOCK-LEVER, CHROME
092927-01-702	EA CYLINDER-KEY, W KEY
092927-02-000	EA LATCH-DRIVER DOOR, INSIDE FROM: 00-00-00 THRU: 06-24-99
102237-01-01A	EA LATCH-INSIDE HARDWARE, DRIVERS BLACK FROM: 06-25-99 THRU: 99-99-99
092927-04-000	EA LATCH-DRIVER DOOR, LATCH
092927-05-000	EA LATCH-DRIVER DOOR, ROD END - RH
092927-06-000	EA LATCH-DRIVER DOOR, ROD END - LEFT
092928-01-000	EA ROD-LOCK, INSIDE OF DOOR
092928-03-000	EA ROD-RELEASE, INSIDE OF DOOR
092928-04-000	EA ROD-LOCK, INSIDE OF DOOR
092997-01-000	EA GLASS-STATIONARY - 4.6" X 26"
093634-01-000	EA REGULATOR-WINDOW, DRIVER
094575-01-000	EA CRANK-HAND, GLASS LIFT
096809-01-000	EA BRACKET-DEADBOLT
097278-01-AE6	EA JAMB-DRIVER DOOR
097279-01-02A	EA FRAME-DOOR, REAR OUTER - OFF WHITE
097280-01-02A	EA FRAME-DOOR, FRONT OUTER - OFF WHITE
097367-01-000	EA BRACKET-SUPPORT, DOOR LOCK
098030-01-000	EA STRAP-CHECK, DRIVER DOOR - BLACK
098030-02-000	EA STRAP-CHECK, DRIVER DOOR - BLACK
100028-01-000	FT TAPE-ADHESIVE, .031" X .75" WIDE FROM: 02-05-99 THRU: 99-99-99
092927-03-000	EA LATCH-DRIVER DOOR, STRIKE
097875-01-01A	EA THRESHOLD-CAB DOOR, 26.5" - BLACK -
063977-08-000	EA STEP ASM-DRIVER DOOR, BLACK
041250-01-000	EA SWITCH-PUSH BUTTON, DOME LIGHT - CHROME
093146-01-000	EA GROMMET-WIRE, DOOR, GM #15595020

DRIVER DOOR & WINDOW W OVERHEAD BUNK OPTION L53C

KEY PART NUMBER	U M DESCRIPTION
M97816-01-AEG	EA DOOR-DRIVER, W JAMB
M97748-01-02A	EA PANEL-DOOR, INTERIOR - PLASTIC - GREY
000611-07-08B	EA SCREW, 7-16 X 1/2 PPH - ZN
097305-01-02A	EA COVER-MAP POCKET, GREY
000039-04-00B	EA NUT-HEX, SER FLG LK 1/4 - 20 ZN
065502-01-000	EA OPERATOR-TORQUE, TIPOUT WINDOW - FRONT
061400-04-000	EA STRAP-ASSIST, 12" - BLACK W WOODGRAIN SCREW COVERS FROM: 00-00-00 THRU: 05-05-99
061400-15-000	EA STRAP-ASSIST, 12" - BLACK FROM: 05-06-99 THRU: 09-09-99
063729-01-000	EA RIVNUT, 1/4 X 20 UNC - 050-125
064219-01-000	EA RETAINER-CHECK STRAP, DRIVER DOOR
068927-03-000	EA SEAL-WINDOW RUBBER - ROUND - .60" DIA. - BLACK
068938-03-000	EA BEARING-.38"ID, SNAP IN
075671-01-000	FT SEAL-SPONGE, LAZY T SHAPE WEATHERSTRIP ON ENTRY DO
077000-01-000	EA SOCKET ASM W 8" PICTAIL LEADS
077026-01-000	EA LENS-COURTESY LIGHT CLEAR
079370-04-000	FT COVER-SCREW, WINDOW - VINYL - BLACK
080734-02-000	EA CLIP-WIRE, NYLON
081049-01-000	EA RING-SNAP, 7/32 SHAFT DIAMETER
081903-02-000	EA SHAFT-MOUNTING, KNOB
081905-02-000	EA KNOB-CONTROL, SLIDE BOLT W LOCK STAMP - 2 1/4" X 8" - PLASTIC - BLACK
081906-02-000	EA BOLT-SLIDE
081908-01-000	EA SCREW-MACHINE, 6-32 X .62 W NYLOCK
081910-02-000	EA CHANNEL-WINDOW, TRIPLE - .4" INSTALLED X 10" - BLA
081911-01-000	FT TAPE-GLASS SETTING, 1.16" X 1.5"
081912-02-000	EA WEATHERSTRIP-RIGID, WINDOW - 5" EXPOSED X 25.6" - B
082240-03-000	EA CHANNEL-GLASS RUN, BLACK
084067-01-000	FT SEAL-E SHAPED, SPONGE - TIPOUT WINDOW - .4" X .4" - FROM: 00-00-00 THRU: 03-03-91
084067-02-000	FT SEAL-E SHAPED, SPONGE - TIPOUT WINDOW - .4" X .4" - FROM: 03-04-91 THRU: 99-99-99
084453-01-000	EA WASHER-.06" X .5" X .135" - PLASTIC
084453-02-000	EA WASHER-.06" X .5" X .25" - PLASTIC
084473-01-000	EA SEAL-FLAT, W CENTER HOLE & ADHESIVE SIDE - .5" X .9"
085315-01-000	EA RIVET-SHOULDER, TIPOUT WINDOW
086284-01-000	EA SPRING-COMPRESSION, .44" LONG X .36" OD
086762-01-000	EA T NUT 10-32
086763-01-000	EA SCREW-MACH, 10 - 32 X 1/4 PTH
089454-02-000	EA CHANNEL-U, TOP GLASS RUN - .6" X 26.6" - ALUMINUM -
090340-01-000	FT SEAL-FOAM, CLOSED CELL - 1/4" X 1/2" X 50"
091968-03-000	FT TAPE-ADHESIVE, .04" X 1" WIDE
092446-02-000	EA GLASS-DOOR, ROLL UP - 27.5" X 26.3"
092628-01-01A	EA MULLION-WINDOW, CAB DOOR - 30" LONG - ALUMINUM - BLA
102235-01-01A	EA LATCH-DRIVER DOOR, OUTSIDE - BLACK MASTER KEY# 045017-11-700 - BLANK KEY# 045017-11-701
102237-01-01A	EA LATCH-DRIVER DOOR, INSIDE - BLACK
092927-04-000	EA LATCH-DRIVER DOOR, MECHANISM
092927-05-000	EA LATCH-DRIVER DOOR, ROD END - RIGHT
092927-06-000	EA LATCH-DRIVER DOOR, ROD END - LEFT
092928-01-000	EA ROD-LOCK, OUTSIDE - CAB DOOR - 19.5" LONG
092928-03-000	EA ROD-RELEASE, INSIDE - CAB DOOR - 16.3" LONG
092928-04-000	EA ROD-LOCK, INSIDE - CAB DOOR - 15.5" LONG
092928-05-000	EA ROD-RELEASE, OUTSIDE - CAB DOOR - 19.9" LONG
092970-01-000	EA GLASS-TIPOUT, 4.5" X 27.9"
093634-01-000	EA REGULATOR-WINDOW, DRIVER
094575-01-000	EA CRANK-HAND, GLASS LIFT
095954-01-712	EA SCREEN-SINGLE TIPOUT, 1 RADIUS CORNER - 6" X 29.2"
002291-02-000	SF SCREENING-ROOF VENT/WINDOW, 16" - BLACK
080914-01-000	EA KEY-CORNER, TIPOUT WINDOW
100240-01-000	FT SPLINE-SCREEN, T-SHAPED
096809-01-000	EA BRACKET-DEADBOLT, 2.2" X 2.6" - METAL
097278-01-AE6	EA JAMB-DOOR, CAB - W/O INSERT - ALUMINUM - OFF WHITE
097279-01-02A	EA FRAME-CAB DOOR, REAR SIDE - ALUMINUM - OFF WHITE
097280-01-02A	EA FRAME-CAB DOOR, FRONT SIDE - 58.6" - ALUMINUM - OFF
097475-01-000	EA FRAME-DOOR, INSIDE SUPPORT W/STEEL TIE-BAR
077517-52-000	EA SHEET-FIBERGLASS, 29.69" X 27.88", OFF WHITE
098030-01-000	EA STRAP-CHECK, DRIVER DOOR - BLACK
097315-01-01A	FT TRIM-INSERT, DRIVER DOOR - .33" WIDE - VINYL - OFF WHIT

1991 ITASCA

TABLE OF CONTENTS

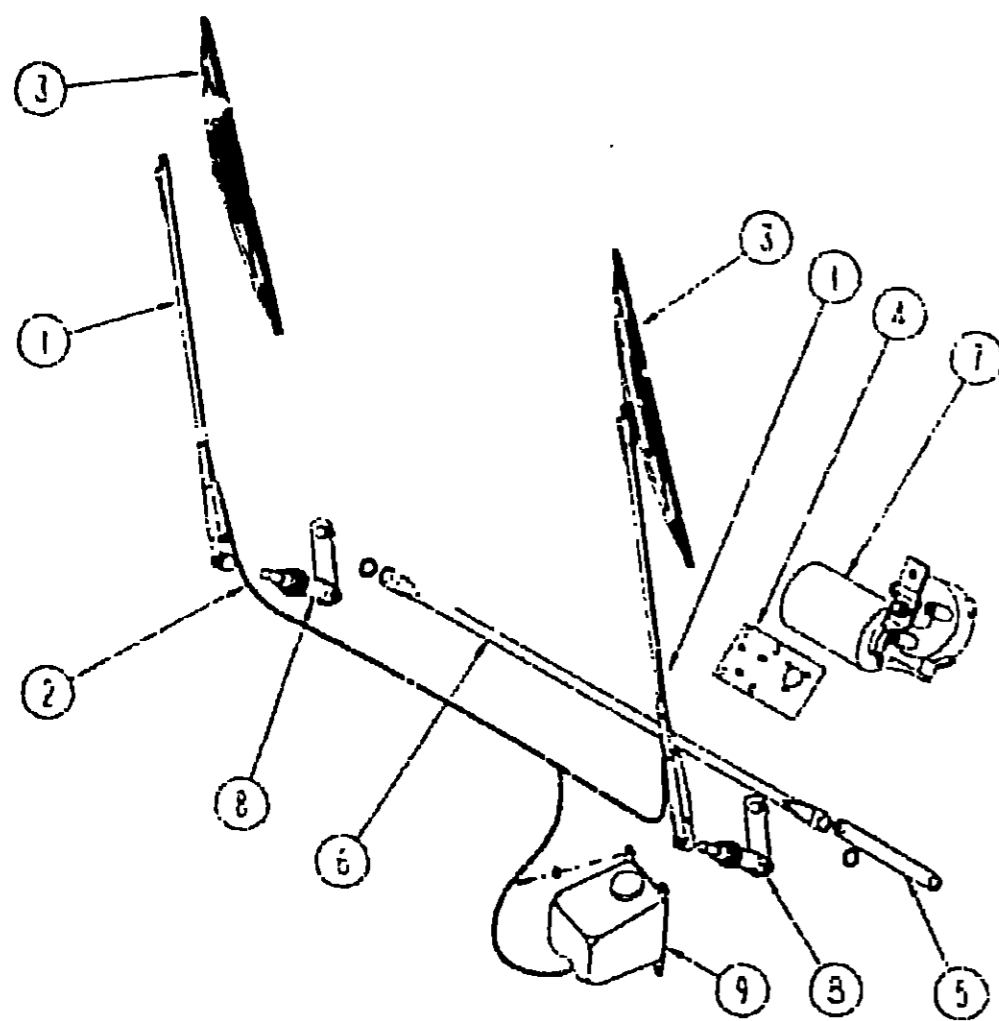
INTRODUCTION	A-01	A-02
ABBREVIATIONS		A-03
ALPHABETICAL INDEX	A-04	A-06
INSERT	F-07	F-12
INDEX	F-13	K-22

1991 ICN32RQ INDEX

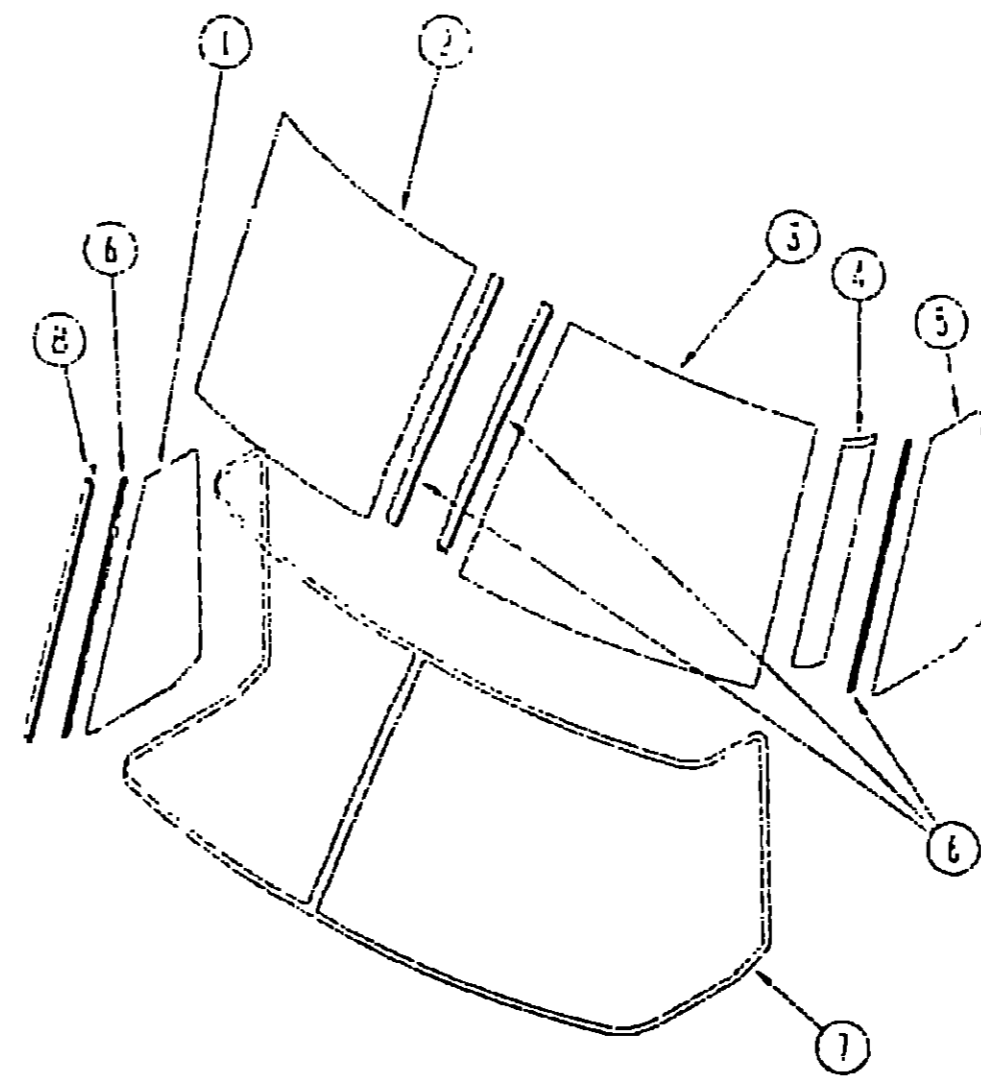
FLOOR PLAN	F-13	F-14
ACCESSORIES	F-15	G-02
BATH	G-03	G-06
BEDROOM	G-07	G-10
CHASSIS	G-11	H-04
C C & PAD	H-05	H-12
DINETTE	H-13	H-14
DRIVERS	H-15	H-18
ELECTRICAL	H-19	I-02
EXTERIOR BODY	I-03	I-10
GALLEY	I-11	I-16
HEATING & A/C	I-17	I-22
INTERIOR FINISH	I-23	J-03
LABEL	J-04	J-12
LP		J-13
LOUNGE	J-14	J-15
SEALANTS & FASTENERS	J-16	J-18
WATER & SEWAGE	J-19	J-23
WINDOW, VENT AND EXTERIOR DOOR	J-24	K-22

WINDOW, VENT & EXTERIOR DOOR GROUP (CONTINUED)

WIPER COMPONENTS



WINDOW, VENT & EXTERIOR DOOR GROUP (CONTINUED)



WINDSHIELDS, TRIMS & MOLDINGS

1991 ITASCA
TABLE OF CONTENTS

INTRODUCTION	A-01 -	A-02
ABBREVIATIONS		A-03
ALPHABETICAL INDEX	A-04 -	A-06
IGNERT	A-07 -	F-13
INDEX	F-13 -	K-22

1991 ICN32RQ INDEX

FLOOR PLAN	F-13 -	F-14
ACCESSORIES	F-15 -	G-02
BATH	G-03 -	G-05
BEDROOM	G-07 -	G-10
CHASSIS	G-11 -	H-04
C C & PAD	H-05 -	H-12
DINETTE	H-13 -	H-14
DRIVERS	H-15 -	H-19
ELECTRICAL	H-19 -	I-02
EXTERIOR BODY	I-03 -	I-10
GALLEY	I-11 -	I-16
HEATING & A/C	I-17 -	I-22
INTERIOR FINISH	I-23 -	J-03
LABEL	J-04 -	J-12
LP		J-13
LOUNGE	J-14 -	J-15
SEALANTS & FASTENERS	J-16 -	J-18
WATER & SEWAGE	J-19 -	J-25
WINDOW, VENT AND EXTERIOR DOOR	J-24 -	K-22

KEY PART NUMBER	U/M DESCRIPTION
1 095953-01-000	EA ARM-WIPER, PANTOGRAPH - 26"
2 045794-01-000	FT HOSE-WASHER, WINDSHIELD - 5.32" ID - BLACK
3 095964-01-000	EA BLADE-WIPER, 24"
4 092334 01 000	EA BRACKET-WIPER,MOTOR
5 067193-02-000	EA LINK-CONNECTING, PASSENGER - 9.2"
6 067192-01-000	EA LINK-DRIVER CONNECTING, W.BLACK BUSHING - 37 85"
7 096381-01-000	EA MOTOR-WIPER, FRONT
7 104346-01-000	EA MOTOR-WIPER
7 104347-02-000	EA ARM-DRIVE,WIPER MOTOR
8 096505-01-000	EA PIVOT SHAFT
096526-01-000	EA SCREW-HEX, 1/4 - 28 UNF
9 056000-02-000	EA WASHER-WINDSHIELD, BOTTLE & PUMP
056000-01-700	FT VACUUM HOSE 7.64 - 5/32
041791-01-000	FT SEAL-VINYL, FLEX U-CHANNEL
061603-01-000	EA GROMMET-SNAP, 3/16 ID - 3/8 HOLE - PLASTIC - BLACK
071015-21-000	EA GROMMET-.50"ID, FITS .19" MATERIAL, RUBBER- SPLIT
077049-01-000	EA NUT-ACORN, 16-32 ALUMINUM
077048-01-000	EA SHAFT-ADAPTER, WINDSHIELD PANTOGRAPH ARM
091206-02-000	EA CONTROL-WIPER
067165-01-000	EA STUD-CRANK,WIPER

KEY PART NUMBER	U/M DESCRIPTION
1 331953-03-000	EA GLASS-CORNER VENT, PASSENGER
2 091215-01-000	EA GLASS-WINDSHIELD, PASSENGER
3 091215-02-000	EA GLASS-WINDSHIELD, DRIVER
4 091901-02-000	EA TRIM-A'PILLAR, DR - BETWEEN WINDSHIELD & VENT GLASS - BLK
5 091953-04-000	EA GLASS-CORNER VENT, DRIVER
6 098788-01-000	EA CHANNEL-RIGID, WINDSHIELD - .38" - PVC
7 091996-01-000	EA MOLDING-REVEAL, WINDSHIELD - SURROUNDS BOTH WINDSHIELDS
8 091901-01-000	EA TRIM-A'PILLAR, PASS - BETWEEN WINDSHIELD & VENT GLASS - BLK
002328-02-000	EA BLOCK-WINDSHIELD, .062" X .5" X .98"
091969-01-000	EA FRAME-WINDSHIELD, LOWER - INNER - PASSENGER
091969-02-000	EA FRAME-WINDSHIELD, LOWER - INNER - DRIVER
040921-04-000	EA NUT-SPEED, U TYPE - NO. 8 - .59" LENGTH X .44" WIDTH
040921-05-000	EA NUT-SPEED, U TYPE - NO. 8 - .67" LENGTH X .44" WIDTH
040921-06-000	EA NUT-SPEED, U TYPE - NO. 8 - .57" LENGTH X .63" WIDTH