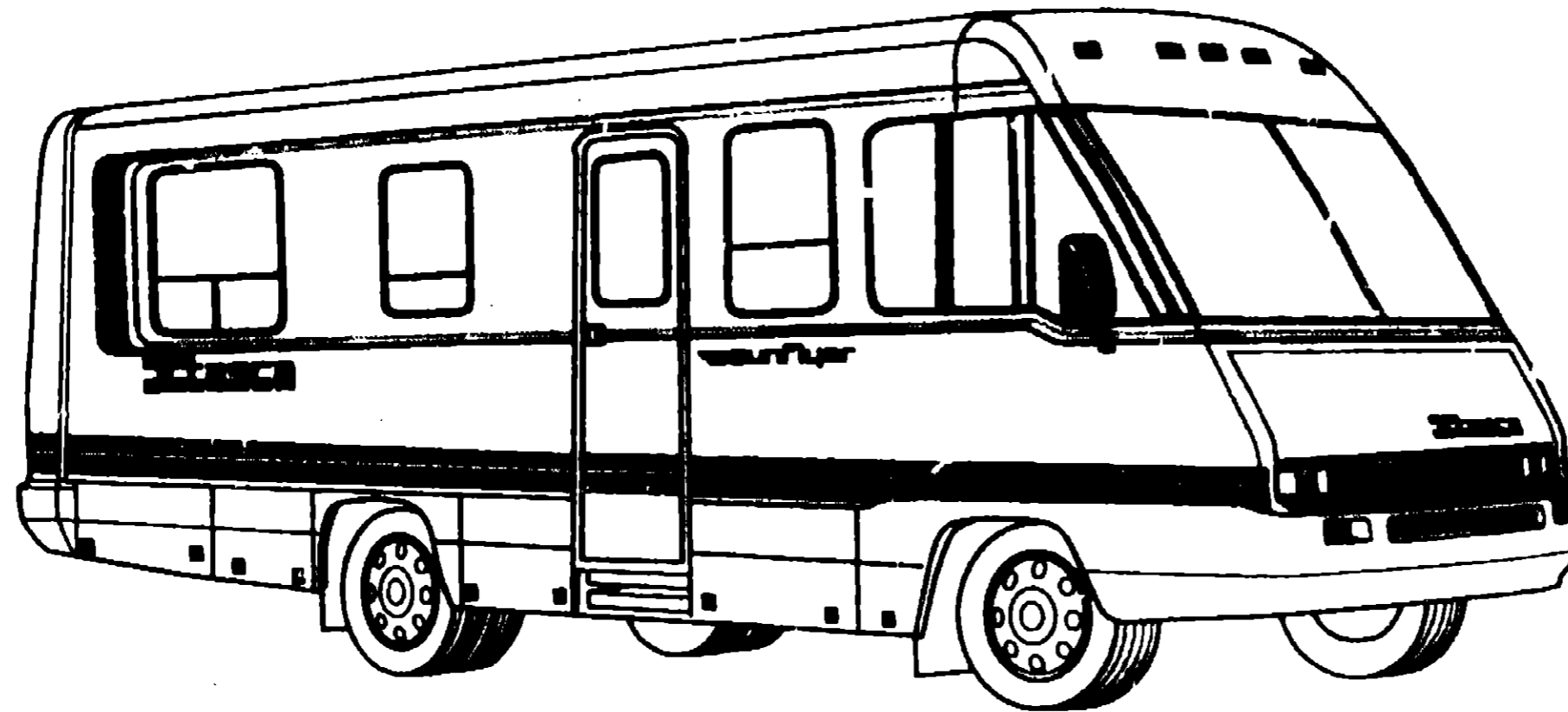
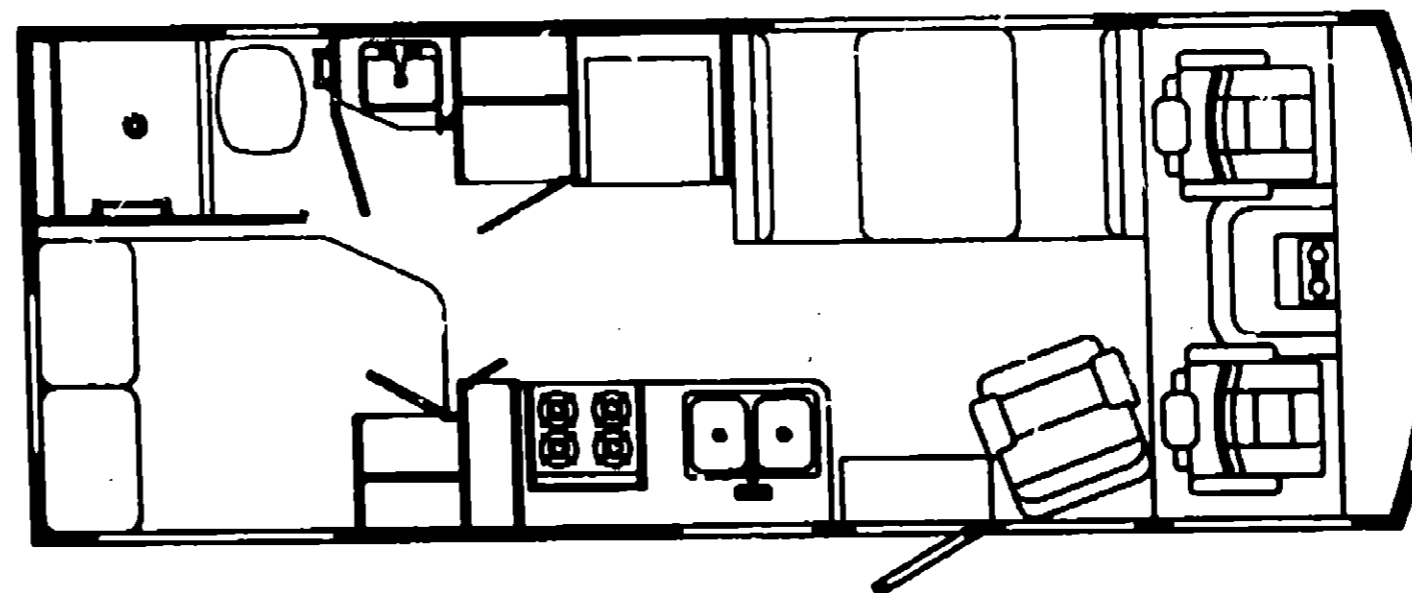


**1991 ITASCA  
TABLE OF CONTENTS**

INTRODUCTION	A-01 -	A-02
ABBREVIATIONS		A-03
ALPHABETICAL INDEX	A-04 -	A-06
ICN25RC	A-07 -	F-02
ICN34RQ	F-03 -	K-08



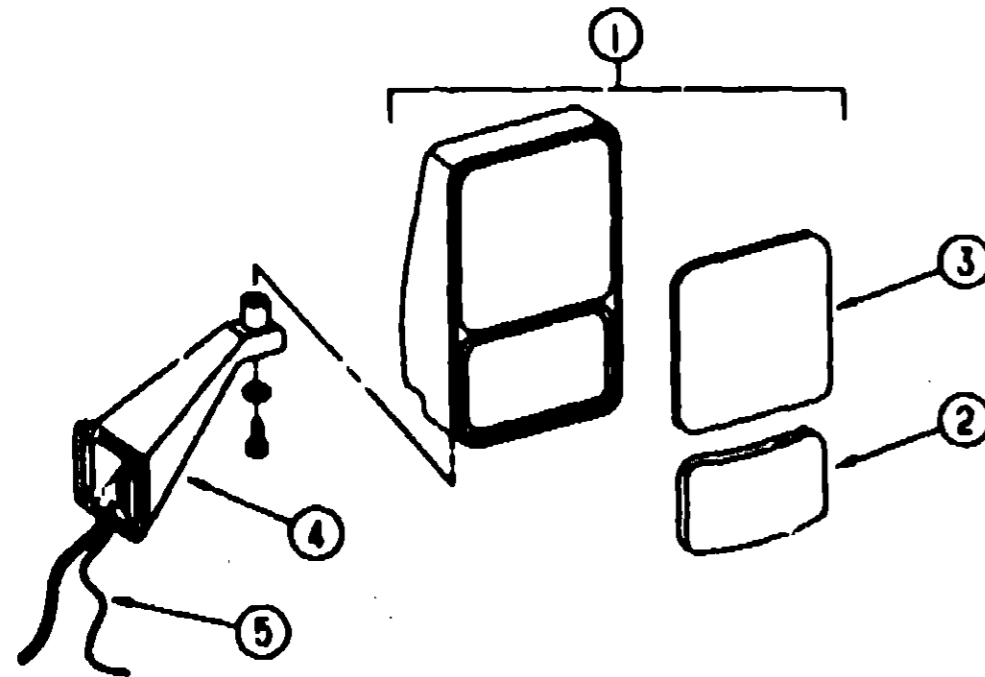
**1991  
ICN25RC**



**1991 ICN25RC INDEX**

FLOOR PLAN	A-07 -	A-08
ACCESSORIES	A-09 -	A-14
BATH:	A-15 -	A-17
BEDROOM		A-18
CHASSIS	A-19 -	B-03
C C & PAD	B-04 -	B-13
DINETTE	B-14 -	B-15
DRIVERS	B-16 -	B-22
ELECTRICAL	B-23 -	C-03
EXTERIOR BODY	C-04 -	C-10
GALLEY	C-11 -	C-18
HEATING & AC	C-19 -	C-24
INTERIOR FINISH	D-01 -	D-04
LABELS	D-05	D-12
LP		D-13
LOUNGE		D-14
SEALANTS & FASTENERS	D-15 -	D-18
WATER & SEWAGE	D-19 -	D-24
WINDOW, VENT AND EXTERIOR DOOR	E-01 -	F-02

## ACCESSORIES GROUP



EXTERIOR MIRRORS

KEY	PART NUMBER	U/M DESCRIPTION
1	086260-01-000	EA MIRROR-W/CONVEX, PASSENGER
2	086260-01-700	EA GLASS-CONVEX-PASSENGER
3	086260-01-701	EA GLASS-FLAT-PASSENGER
1	086260-02-000	EA MIRROR-W/CONVEX, DRIVER
2	086260-02-700	EA GLASS-CONVEX-DRIVER
3	086260-02-701	EA GLASS-FLAT-DRIVER
4	086260-03-000	EA MIRROR MOUNTING ARM - EXTERIOR - DRIVER AND PASSENGER
	086260-03-700	EA BALL-CUP MOUNT (SET/2)
	086260-03-701	EA BRACKET-MOUNTING-BLACK

NOTE: ITEMS INDENTED BELOW ASSEMBLIES ARE SERVICEABLE PARTS FOR THAT ASSEMBLY.

### EXTERIOR MIRRORS WITH HEAT & REMOTE

KEY	PART NUMBER	U/M DESCRIPTION
1	086259-04-000	EA MIRROR-REMOTE HEAT, PRE-WIRED - PASSENGER
2	086259-04-700	EA GLASS-CONVEX-PASSENGER
3	086259-04-701	EA GLASS-FLAT-PASSENGER
1	086259-05-000	EA MIRROR-REMOTE HEAT, PRE-WIRED - DRIVER
2	086259-05-700	EA GLASS-CONVEX-DRIVER
3	086259-05-701	EA GLASS-FLAT-DRIVER
4	086260-03-000	EA MIRROR MOUNTING ARM - EXTERIOR - DRIVER AND PASSENGER
	086260-03-700	EA BALL-CUP MOUNT (SET/2)
	086260-03-701	EA BRACKET-MOUNTING-BLACK
5	086260-01-000	EA WIRE-IP, REMOTE MIRROR
	086248-01-000	EA SWITCH-REMOTE-EXTERIOR MIRROR-SQUARE PUSH
	087685-01-000	EA SWITCH-HEATER-EXTERIOR MIRROR

NOTE: ITEMS INDENTED BELOW ASSEMBLIES ARE SERVICEABLE PARTS FOR THAT ASSEMBLY.

### DELUXE STEERING WHEEL

KEY	PART NUMBER	U/M DESCRIPTION
	080753-08-000	EA HUB-ADAPTER, STEERING WHEEL
	080752-08-000	EA SCREW-CUSTOM STEERING WHEEL
	080752-15-000	EA WHEEL-STEERING W/3 SPOKES & CENTER HORN BUTTON
	080752-17-000	EA WHEEL-STEERING W/3 SPOKES & 2 THUMB HORN BUTTONS

## ACCESSORIES GROUP (CONTINUED)

### STAINLESS STEEL WHEEL LINERS 16" CHEVY

KEY	PART NUMBER	U/M DESCRIPTION
	077030-02-000	EA EXTENSION-VALVE STEM-1.25"
	091209-05-000	EA LINER-WHEEL-SET OF 4 - 16" - STAINLESS STEEL
	091209-05-700	EA SIMULATOR-FRONT WHEEL
	091209-05-701	EA SIMULATOR-REAR WHEEL
	091209-03-702	EA COVER-FRONT AXLE
	091209-03-704	EA SNAP RING
	091209-03-703	EA COVER-REAR AXLE
	066012-03-000	EA EXTENSION-VALVE STEM-DUAL WHEEL

### TV ANTENNA & SYSTEM COMPONENTS

KEY	PART NUMBER	U/M DESCRIPTION
	022755-01-000	EA SHIELD-CONTROL PANEL, 7.75" X 8" - PLASTIC - BLACK
	089728-02-000	EA BUMPER-.88" DIA X .4" - BLACK
	076319-01-000	EA ANTENNA-TV, ROOF MOUNT - 44.5" MAST - RVA W02
	076319-01-700	EA HEAD-ANTENNA, AMPLIFIED - WINEGARD#RVS4 U.V
	076319-01-701	EA GEAR-ELEVATING, PLASTIC - WINEGARD#2200048
	076319-01-702	EA SHAFT ASM-ELEVATING, WINEGARD#RVP-400A
	076319-01-703	EA BEARING-NYLON, .5" OD - WINEGARD#3200858
	076319-01-704	EA BEARING-NYLON, 1.25" OD - WINEGARD#3200857
	076319-01-705	EA GROMMET-NYLON, 7/8" ID - WINEGARD#3200859
	076319-01-708	EA CRANK-ELEVATING, W/SET SCREW - WINEGARD#5755100
	076319-01-707	EA SPRING-HANDLE, WINEGARD#5160800
	076319-01-709	EA PLATE-DIRECTIONAL, FOR HEAD - WINEGARD 3200844
	076319-01-710	EA CRANK-ELEVATING (HALF MOON)
	076319-06-000	EA ADAPTOR-CABLE ROOF PLATE, WINEGARD#RPJ-1
	076319-11-000	EA ADAPTOR-COAX WITH SPLITTER, WINEGARD#MSJ-6
	082134-01-000	EA ADAPTER-TV, CABLE TO CABLE - WINEGARD#F-81M
	088758-01-000	EA SPLITTER-TV, 2 WAY
	076319-03-000	FT CABLE-COAXIAL, 75 OHM
	076319-12-000	EA CONNECTOR-COAXIAL, ONE PIECE
	087236-01-000	EA LABEL-CABLE, INPUT
	087236-02-000	EA LABEL-TV OUTLET
	091909-01-000	EA SHELF-SWIVEL, TV - BEIGE
	093252-01-01A	EA PLATE-WALL, CABLE - BEIGE

NOTE: ITEMS INDENTED BELOW ASSEMBLIES ARE SERVICEABLE PARTS FOR THAT ASSEMBLY.

### AUXILIARY DEFROSTER FANS W/SWITCH

KEY	PART NUMBER	U/M DESCRIPTION
	097372-03-01A	EA SWITCH-ON-OFF-ON
	000G39-08-248	EA SCREW-SF/DR, 8-18 X 1 1/2 PPH ZN
	036420-02-000	EA FAN-DEFROSTER, 2 SPEED - 8" DIAMETER

### SQUEEGEE

KEY	PART NUMBER	U/M DESCRIPTION
	091952-02-000	EA CLIP-GRIPPER, 3/4"
	091955-02-000	EA SQUEEGEE-EXTENDED HANDLE
	091955-02-700	EA HEAD-SQUEEGEE, REPLACEMENT ONLY
	091955-02-701	EA HANDLE-SQUEEGEE
	093627-01-000	EA BRACKET-SQUEEGEE

NOTE: ITEMS INDENTED BELOW ASSEMBLIES ARE SERVICEABLE PARTS FOR THAT ASSEMBLY.

## 1981 ITASCA TABLE OF CONTENTS

INTRODUCTION	A-01	A-02
ABBREVIATIONS		A-03
ALPHABETICAL INDEX	A-04	A-08
ICN25RC	A-07	F-02
ICN34RC	F-03	K-08

## 1991 ICN25RC INDEX

FLOOR PLAN	A-07	A-08
ACCESSORIES	A-09	A-14
BATH	A-15	A-17
BEDROOM		A-18
CHASSIS	A-19	B-03
C C & PAD	B-04	B-13
DINETTE	B-14	B-15
DRIVERS	B-18	B-22
ELECTRICAL	B-23	C-03
EXTERIOR BODY	C-04	C-10
GALLEY	C-11	C-18
HEATING & AC	C-19	C-24
INTERIOR FINISH	D-01	D-04
LABELS	D-05	D-12
LP		D-13
LOUNGE		D-14
SEALANTS & FASTENERS	D-15	D-18
WATER & SEWAGE	D-19	D-24
WINDOW, VENT AND EXTERIOR DOOR	E-01	F-02

**ACCESSORIES GROUP (CONTINUED)**

**GENERATOR-KOHLER, 4.5 KW**

KEY	PART NUMBER	U/M DESCRIPTION
	007125-03-000	EA CLAMP-MUFFLER - 1.5" DIA
	007125-04-000	EA CLAMP-MUFFLER - 1.1" DIA
	097101-01-000	EA PIPE-EXHAUST - GENERATOR - 1.4" DIA X 7.9" X 22" FROM: 00-00-00 THRU: 11-11-90
	093591-02-000	EA PIPE-EXHAUST, GENERATOR - CURVED - 1.5" OD FROM: 11-12-91 THRU: 99-99-99
	093590-02-000	EA MUFFLER-GENERATOR
	093740-01-000	EA GENERATOR-KOHLER, 4500KW - 4.5CKM21
	007125-03-000	EA CLAMP-MUFFLER - 1.5" DIA
	007131-01-000	EA HANGER-TAILPIPE
	024975-01-000	EA SWITCH-GENERATOR, W/O CIRCUIT BOARD

**GENERATOR-ONAN, 4 KW - EXPORT**

KEY	PART NUMBER	U/M DESCRIPTION
	007125-03-000	EA CLAMP-MUFFLER - 1.5" DIA
	007125-04-000	EA CLAMP-MUFFLER, 1.1" DIA
	100974-05-000	EA GENERATOR-4.0 KW EMERALD PLUS, ONAN
	083152-03-000	EA PIPE-EXHAUST, GENERATOR - 1.3" OD X 4.9" TO BEND X 11.8" TO END
	093590-02-000	EA MUFFLER-GENERATOR
	007131-01-000	EA HANGER-TAILPIPE
	024975-01-000	EA SWITCH-GENERATOR, W/O CIRCUIT BOARD

**GENERATOR-ONAN, 4 KW**

KEY	PART NUMBER	U/M DESCRIPTION
	007125-03-000	EA CLAMP-MUFFLER - 1.5" DIA
	007125-04-000	EA CLAMP-MUFFLER, 1.1" DIA
	079654-05-000	EA PIPE-EXHAUST, ANGLED - W/FLANGE - EMERALD - ONAN# 154-2539
	081364-03-000	EA MUFFLER-GENERATOR, ONAN
	083152-09-000	EA PIPE-EXHAUST, GENERATOR - ONAN - 1.3"OD X 7.8" TO BEND X 14.9" TO END
	094059-01-000	EA SPACER-GENERATOR, ONAN
	094857-02-000	EA TRAY-GENERATOR, 22.5" X 30.4" X 8.9"
	094857-01-000	EA TRAY-GENERATOR, 22.5" X 30.4" X 8.9"
	100974-01-000	EA GENERATOR-4.0KW EMERALD PLUS, ONAN BGE-FA/26100G
	007131-01-000	EA HANGER-TAILPIPE
	024975-01-000	EA SWITCH-GENERATOR, W/O CIRCUIT BOARD

**OWNERS MANUAL, SMOKE DETECTOR, FIRE EXTINGUISHER & CLOCK**

KEY	PART NUMBER	U/M DESCRIPTION
	092084-09-000	EA CASSETTE-WINNEBAGO SUNFLYER
	054185-73-000	EA MANUAL-OPERATORS, 1991 SUNFLYER
	082318-01-000	EA BINDER-3 RING, MOTOR HOME MANUAL
	082319-01-000	EA POCKET PAGE-3 RING BINDER, PLASTIC
	082319-02-000	EA POCKET PAGE, PLASTIC
	072862-01-000	EA DETECTOR-SMOKE, W/9 VOLT BATTERY (US)
	072862-02-000	EA DETECTOR-SMOKE, W/9 VOLT BATTERY (CANADIAN)
	094489-01-000	EA EXTINGUISHER-FIRE, DRY W/MOUNTING BRACKET - 10 BC (US)
	094489-02-000	EA EXTINGUISHER-FIRE, DRY W/MOUNTING BRACKET - 10 BC (CSA)
	094489-01-700	EA BRACKET-MOUNTING, W/PLASTIC STRAP - FIRE EXTINGUISHER
	100793-01-01A	EA CLOCK-WALL, OVAL - 9.5" X 11.2"
	101333-01-000	EA BACKPLATE-CLOCK MOUNTING

NOTE: ITEMS INDENTED BELOW ASSEMBLIES ARE SERVICEABLE PARTS FOR THAT ASSEMBLY.

**ACCESSORIES GROUP (CONTINUED)**

**TV & VCR SYSTEM COMPONENTS**

KEY	PART NUMBER	U/M DESCRIPTION
	086757-03-000	EA CONTROL CENTER SWITCH, VCR/TV - MAGNADYNE VCS-8
	096777-03-000	EA PLATE-WALL, CABLE - W/TV ANTENNA SWITCH & BOOSTER - IVOHY
	076319-03-000	FT CABLE-COAXIAL, 75 OHM
	076319-12-000	EA CONNECTOR COAXIAL, ONE PIECE
	076319-04-000	EA CONNECTOR W/FERRULE
	093214-01-02A	EA GRILL-SPEAKER 4" BROWN
	098446-01-000	EA VCR-VHS-CABLE READY - REMOTE - MAGNAVOX VR9815 FROM: 00-00-00 THRU: 09-24-90
**	098446-01-700	EA REMOTE-MAGNAVOX 9815
	098446-02-000	EA VCR-VHS, CABLE READY - REMOTE - MAGNAVOX VR9912 FROM: 09-25-90 THRU: 99-99-99
**	098446-02-700	EA REMOTE-MAGNAVOX 9912
	098447-01-000	EA TV-13" COLOR REMOTE U.S.A. MAGNAVOX HX4029WA FROM: 00-00-00 THRU: 08-23-90
	098447-02-000	EA TV-13" COLOR W/REMOTE - CANADIAN - MAGNAVOX XK4029CH FROM: 00-00-00 THRU: 08-23-91
**	098447-01-700	EA REMOTE-TV, MAGNAVOX HX4029WA & XK4029C
	098447-03-000	EA TV-13" COLOR REMOTE U.S.A. MAGNAVOX RR1337W FROM: 08-24-91 THRU: 99-99-99
	098447-04-000	EA TV-13" COLOR W/REMOTE - CANADIAN - MAGNAVOX RR1330 FROM: 08-24-91 THRU: 99-99-99
**	098447-03-700	EA REMOTE-TV, MAGNAVOX RR1337W & RR1330W
	098819-01-000	EA SPEAKER-2 WATT, 8 OHM - 4"
	099030-01-000	EA WIRE-SPEAKER, TV
	099837-01-000	EA GROMMET
	099717-02-000	EA TIEDOWN, TV - 28.7" LONG
	076319-09-000	EA WALLPLATE-TV RECEPTACLE - BROWN
	099717-02-000	EA TIEDOWN, TV - 22.8" LONG
	100954-01-000	EA SHELF-TV, STEEL
	101150-01-000	EA SUPPORT-TV SHELF, RIGHT SIDE - STEEL
	101150-02-000	EA SUPPORT-TV SHELF, LEFT SIDE - STEEL
	088758-01-000	EA SPLITTER-TV, 2 WAY
*		TV & VCR PURCHASES ARE SUBJECT TO AVAILABILITY
**		CHECK MAKE & MODEL OF TV OR VCR BEFORE ORDERING REMOTES
		NOTE: ITEMS INDENTED BELOW ASSEMBLIES ARE SERVICEABLE PARTS FOR THAT ASSEMBLY.

**HOSE, TOOL BOX & DRAWERS**

KEY	PART NUMBER	U/M DESCRIPTION
	077404-02-000	EA DRAWER-PLASTIC, 20" X 12.7" - BEIGE
	094087-01-01A	EA DIVIDER-DRAWER, PLASTIC - LIGHT OAK
	096785-01-000	EA RAIL-DRAWER
	091270-01-000	EA HOSE-5/8", ON REEL - WATER - NON TOXIC - 50' - TORO
	105264-01-000	EA COUPLER- QUICK HOSE END
	093300-01-000	EA BOX-TOOL, W/TRAY - 18" X 7" X 7.5"

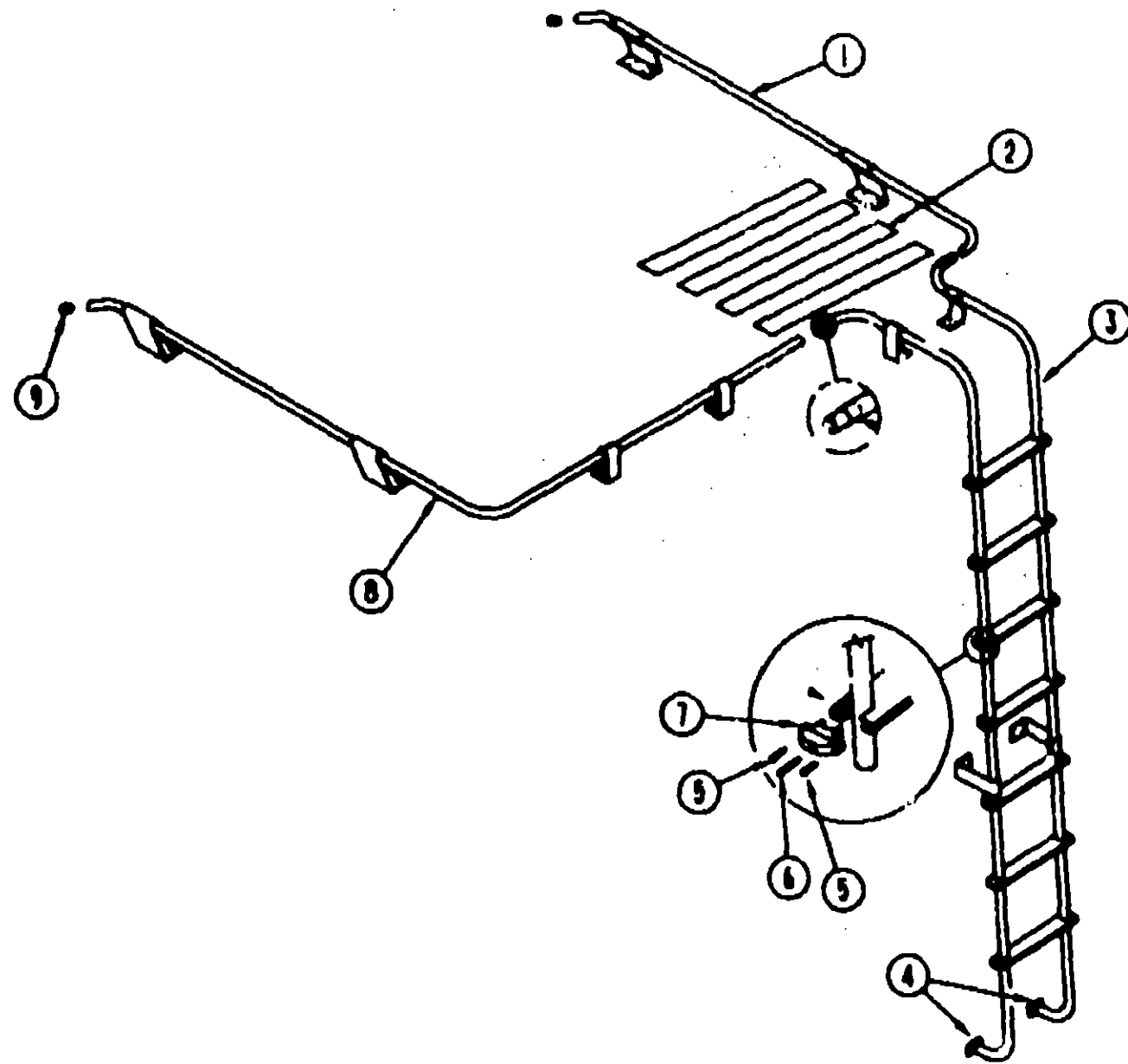
**1991 ITASCA  
TABLE OF CONTENTS**

INTRODUCTION	A-01	A-02
ABBREVIATIONS		A-03
ALPHABETICAL INDEX	A-04	A-06
ICN25RC	A-07	F-02
ICN34RQ	F-03	K-08

**1991 ICN25RC INDEX**

FLOOR PLAN	A-07	A-08
ACCESSORIES	A-09	A-14
BATH	A-15	A-17
BEDROOM		A-18
CHASSIS	A-19	B-03
C C & PAD	B-04	B-13
DINETTE	B-14	B-15
DRIVERS	B-18	B-22
ELECTRICAL	B-23	C-03
EXTERIOR BODY	C-04	C-10
GALLEY	C-11	C-18
HEATING & A/C	C-19	C-24
INTERIOR FINISH	D-01	D-04
LABELS	D-05	D-12
LP		D-13
LOUNGE		D-14
SEALANTS & FASTENERS	D-15	D-18
WATER & SEWAGE	D-19	D-24
WINDOW, VENT AND EXTERIOR DOOR	E-01	F-02

**ACCESSORIES GROUP (CONTINUED)**



**LUGGAGE RACK & LADDER**

KEY	PART NUMBER	U/M DESCRIPTION
1	081028-08-Y12	EA RACK-LUGGAGE, PASSENGER
2	238327-01-000	EA TAPE-ANTI SLIP, 2" X 60"
3	097220-01-AE8	EA LADDER-ONE PIECE
4	067186-01-000	EA MOUNTING BRACKET-LADDER, LOWER
5	000339-08-10T	EA SCREW-SF/DR, 8-20 X 5/8 PPH - BLACK
6	000368-10-38T	EA SCREW-10-12 X 2.25 PPH BLACK
7	076210-02-000	EA END CAP-STEP, BLACK
8	081028-10-Y12	EA RACK-LUGGAGE, DRIVER
9	081114-01-000	EA PLUG-ROUND, RACK & LADDER ENDS - PLASTIC - 1" DIA.

**ACCESSORIES GROUP (CONTINUED)**

**RADIO & SYSTEM COMPONENTS**

KEY	PART NUMBER	U/M DESCRIPTION
	014097-01-000	EA SPEAKER-RADIO W/D GRILLE-5 25" DIA
	074870-01-000	EA COVER-SPEAKER, BACK SHIELD - PLASTIC FROM: 00-00-00 THRU: 09-04-90
	071979-09-007	EA COVER-SPEAKER, BACK SHIELD - PLASTIC FROM: 09-05-90 THRU: 99-99-99
	089340-01-000	EA GRILLE-SPEAKER-6 25" SQUARE FROM: 00-00-00 THRU: 09-09-90
	089340-02-000	EA GRILLE-SPEAKER-6 25" SQUARE FROM: 09-10-90 THRU: 99-99-99
	073741-03-000	EA SPEAKER-RADIO, OVAL - AUDIOVOX 110-2074 - 4" X 6"
	073741-04-000	EA GRILLE-SPEAKER, OVAL - 4" X 6" - BLACK
	097459-01-000	EA RADIO-AM/FM STEREO, CASSETTE - AUDIOVOX IM-DXA
	099998-01-000	EA BRACKET-RADIO, AUDIOVOX
	097821-01-000	EA MOUNTING KIT-RADIO, AUDIOVOX WMK-AB01 - CHEVY
	097822-01-000	EA RADIO OUTPUT ADAPTOR HARNESS - AUDIOVOX 112B-1989
	097480-02-000	EA RADIO-AM/FM STEREO/CASSETTE, ELECTRIC TUNE - SONY XR-4147
	097820-03-000	EA MOUNTING KIT-RADIO, SONY
	097820-04-000	EA BRACKET-RADIO FACE-SONY
	100014-01-000	EA BRACKET-RADIO, SONY

**ELECTRIC ENTRY STEP**

KEY	PART NUMBER	U/M DESCRIPTION
	094707-01-01A	EA STEP-DOUBLE, ENTRANCE - ELECTRIC
	094708-02-708	EA MOTOR REPLACEMENT KIT - KWIKEE 9570
	094707-01-700	EA CONTROL UNIT, KWIKEE 8310
	088748-01-702	EA GEAR-ALL MODELS, KWIKEE 9038
	088748-01-703	EA BRACKET, MOTOR BEARING, KWIKEE 7040
	091201-01-700	EA LINKAGE ASM - KWIKEE 8289
	094707-01-702	EA FRAME-DOUBLE STEP - KWIKEE 8285W
	088748-01-708	EA PIN-HAIR, KWIKEE 9018
	088748-01-70F	EA LIGHT-UNDER STEP, KWIKEE 9004
	088748-01-708	EA SWITCH-KILL, KWIKEE 9018
	094707-01-701	EA SWITCH-DOOR JAMB, PLASTIC - KWIKEE - 9318
	094707-02-706	EA CONTROL UNIT, (ORANGE) - KWIKEE 9513
	088748-01-705	EA LIGHT-UNDER STEP, KWIKEE 900
	088748-01-708	EA SWITCH-KILL, KWIKEE 9018
	094707-01-701	EA SWITCH-DOOR JAMB, PLASTIC - KWIKEE 9318
	094707-01-702	EA FRAME-DOUBLE STEP, KWIKEE 8285W
	094707-01-703	EA GEAR BOX ASM, FOR SINGLE & DOUBLE STEP - KWIKEE 8210
	094707-02-700	EA MOTOR REPLACEMENT KIT - MODELS 32 & 26 - KWIKEE 9520
	094707-02-701	EA LINKAGE ASM - MODEL 32 - KWIKEE 9523
	094707-02-702	EA GEAR KIT - KWIKEE 9525
	094707-02-703	EA PARTS KIT, (BEARINGS & PINS) - KWIKEE 9530
	094707-02-704	EA CONNECTOR KIT-MOTOR, KWIKEE 9537
	100312-01-000	EA SWITCH-DOOR JAMB, ELECTRIC ENTRY STEP
	075723-02-000	EA SPACER-SWITCH, WHOLE - .9" X 2" - METAL - OFF WHITE

THESE PARTS WERE USED FOR COACHES BUILT FROM 03-18-91 ON.  
NOTE: ITEMS INDENTED BELOW ASSEMBLIES ARE SERVICEABLE PARTS FOR THAT ASSEMBLY.

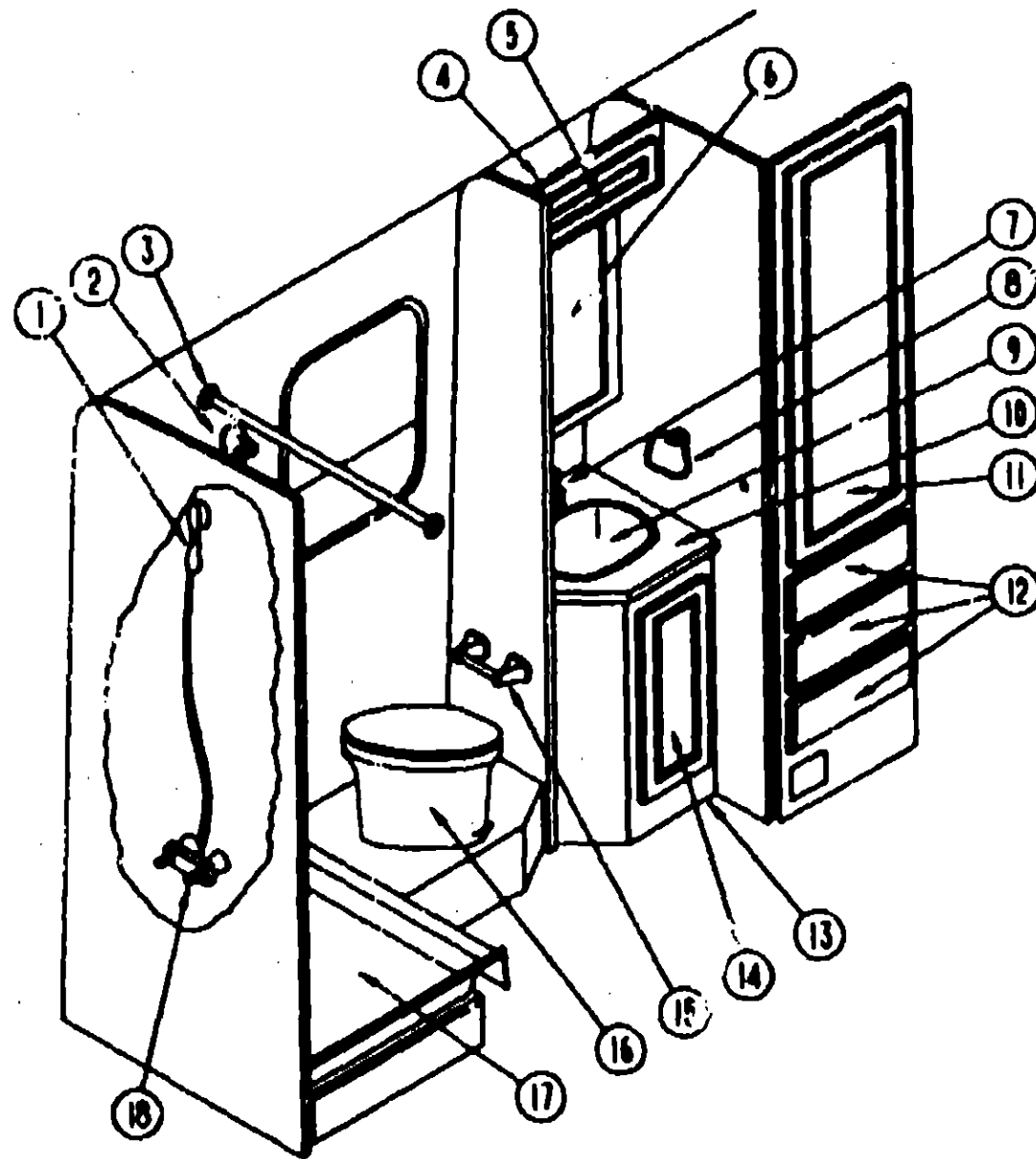
**1991 ITASCA  
TABLE OF CONTENTS**

INTRODUCTION	A-01 - A-02
ABBREVIATIONS	A-03
ALPHABETICAL INDEX	A-04 - A-08
ICN25RC	A-07 - F-02
ICN34RC	F-03 - K-08

**1991 ICN25RC INDEX**

FLOOR PLAN	A-07 - A-08
ACCESSORIES	A-09 - A-14
BATH	A-15 - A-17
BEDROOM	A-18
CHASSIS	A-19 - B-03
C C & PAD	B-04 - B-13
DINETTE	B-14 - B-15
DRIVERS	B-16 - B-22
ELECTRICAL	B-23 - C-03
EXTERIOR BODY	C-04 - C-10
GALLEY	C-11 - C-15
HEATING & A/C	C-16 - C-24
INTERIOR FINISH	D-01 - D-04
LABELS	D-05 - D-12
LP	D-13
LOUNGE	D-14
SEALANTS & FASTENERS	D-15 - D-18
WATER & SEWAGE	D-19 - D-24
WINDOW, VENT AND EXTERIOR DOOR	E-01 - F-02

**BATH GROUP**



**BATHROOM CABINET & COMPONENTS**

KEY	PART NUMBER	U/M DESCRIPTION
1	011048-02-000	EA HEAD-SHOWER, W/60" HOSE (US)
1	011048-05-000	EA HEAD-SHOWER, W/60" HOSE (CANADIAN)
2	075453-02-000	EA BAR-TOWEL 18IN BRASS
3	102075-01-01A	EA ROD-CURTAIN, SHOWER OFF OFF WHITE
	009112-01-000	EA FLANGE-CLOTHES ROD, 1" DIAMETER - PLASTIC - WHITE
4	M04185-23-522	EA CABINET ASM-MEDICINE, UPPER
5	P00523-03-829	EA DOOR ASM. - MEDICINE CABINET UPPER - W/O HARDWARE, 8.4" X 18"
6	P00523-31-832	EA DOOR ASM. - MEDICINE CABINET LOWER - W/O HARDWARE 15.35" X 25.59"
	058331-30-000	EA MIRROR-GLASS, SAFETY 11.8" X 22"
	M92797-01-829	EA CABINET ASM-MEDICINE, LOWER
7	075240-06-000	EA FAUCET-LAVATORY, BRASS (US)
7	075240-08-000	EA FAUCET-LAVATORY, BONE (CANADIAN)
	091253-01-000	EA GASKET-FAUCET, LAVATORY
8	075454-02-000	EA TOWEL RING-BRASS W/MTG. HDY.

**BATH GROUP (CONTINUED)**

**BATHROOM CABINET & COMPONENTS CONT**

KEY	PART NUMBER	U/M DESCRIPTION
9	098927-01-01A	EA SINK-LAVATORY, RECTANGULAR - PLASTIC - BONE
	098927-01-700	EA SINK-STOPPER
	098927-01-701	EA TAILPIECE-SINK
10	098904-11-807	EA COUNTERTOP ASM
11	P00523-29-829	EA DOOR-CABINET, W/O HARDWARE 18.75" X 48"
12	P00522-07-829	EA DRAWER-CABINET, W/O HARDWARE - 15.5" X 20"
		FROM: 00-00-00 THRU: 01-08-91
12	P03397-27-829	EA DRAWER-CABINET, W/O HARDWARE - 15.4" X 19.4"
		FROM: 01-07-91 THRU: 99-99-99
13	M98904-01-829	EA CABINET ASM-LAVATORY
14	P00523-30-829	EA DOOR ASM-RAISED PANEL, W/O HARDWARE-10" X 25.8"
15	075452-02-000	EA HOLDER-TOILET TISSUE BRASS
16	087487-01-000	EA TOILET-IVORY
	083740-01-700	EA LEVER-WATER, TOILET
	083740-01-701	EA LEVER-FLUSH, TOILET
	083740-01-706	EA CLOSET BOLT PKG W/SEAL
	083740-01-710	EA LINK-WATER VALVE, TOILET
	083740-01-711	EA SPRING-LEVER RETURN, TOILET
	083740-01-713	EA SEAL-BALL VALVE TO BOWL
	083740-01-714	EA WATER VALVE REPLACEMENT PKG
	083740-01-718	EA RING & COVER-SEAT, IVORY
	083740-01-717	EA TUBE-FLUSH, TOILET
	024878-01-000	EA FLANGE-CLOSET, TOILET - 4" X 3" - RED (US)
	024878-02-000	EA FLANGE-CLOSET, 4" X 3" - ABS (CANADIAN)
17	M02830-17-807	EA SHOWER PAN ASM.
18	075241-04-000	EA FAUCET-SHOWER, BRASS (US)
18	075241-05-000	EA FAUCET-SHOWER, BONE (CANADIAN)
	011069-03-000	EA TAILPIECE-1 1/2X1 3/4 PLAS
	088435-01-000	EA NUT STRAINER
	088438-01-000	EA NUT-SLIP, 1.5 TAILPIECE
	088440-01-000	EA STRAINER W/RUBBER WASHER
	088729-01-000	EA STRAINER-TUB, SHOWER DRAIN
	057871-01-000	EA COVER-SCREW, #8 - TWO PIECE - PLASTIC - OFF WHITE
	089735-01-000	EA WASHER-TAILPIECE, 1.5 PLASTIC
	081814-02-000	EA DISH-SOAP, BRASS W/PLASTIC COVER

NOTE: ITEMS INDENTED BELOW ASSEMBLIES ARE SERVICEABLE PARTS FOR THAT ASSEMBLY.

**BATH DOOR & MOUNTING COMPONENTS**

KEY	PART NUMBER	U/M DESCRIPTION
	M87868-01-829	EA DOOR-BATH, PRIVACY - W/O LOCKSET
		FROM: 00-00-00 THRU: 08-21-90
	M87868-03-829	EA DOOR-BATH, PRIVACY - W/O LOCKSET
		FROM: 08-22-90 THRU: 99-99-99
	009059-01-000	EA HINGE-DOOR, 2" X 2.7" - BRASS
	094485-01-01A	EA KNOB-DOOR, POLISHED BRASS
	100357-01-000	EA TOWEL ROD-BRASS
	102089-13-829	EA MOUNT-ROD, RIGHT SIDE - 28" LONG - WOOD
	102089-14-829	EA MOUNT-ROD, LEFT SIDE - 28" LONG - WOOD
	074045-01-000	EA OAK PLUG - 1/2" DIA
	081317-12-829	EA JAMB-DOOR, HINGED SIDE - W/O HOLE - 73.3" LONG
	081317-13-829	EA JAMB-DOOR, LATCH SIDE - WHOLE - 73.3" LONG
	081318-02-829	EA JAMB-DOOR, TOP

**1991 ITASCA  
TABLE OF CONTENTS**

INTRODUCTION	A-01	A-02
ABBREVIATIONS		A-03
ALPHABETICAL INDEX	A-04	A-06
ICN25RC	A-07	F-02
ICN34RC	F-03	K-08

**1991 ICN25RC INDEX**

FLOOR PLAN	A-07	A-08
ACCESSORIES	A-09	A-14
BATH	A-15	A-17
BEDROOM		A-18
CHASSIS	A-19	B-03
C C & PAD	B-04	B-13
DINETTE	B-14	B-15
DRIVERS	B-18	B-22
ELECTRICAL	B-23	C-03
EXTERIOR BODY	C-04	C-10
GALLEY	C-11	C-18
HEATING & AC	C-19	C-24
INTERIOR FINISH	D-01	D-04
LABELS	D-05	D-12
LP		D-13
LOUNGE		D-14
SEALANTS & FASTENERS	D-15	D-18
WATER & SEWAGE	D-19	D-24
WINDOW, VENT AND EXTERIOR DOOR	E-01	F-02

## BATH GROUP (CONTINUED)

### WARDROBE & BATH HARDWARE

KEY	PART NUMBER	U/M DESCRIPTION
	041983-03-000	FT CONDUIT-CONVOLUTED SLIT, 1 ID - CLOTHES ROD COVER
	009112-01-000	EA FLANGE, 1" ROD - CLOTHES - PLASTIC - WHITE
	042438-01-000	EA DOWEL-WOOD, CLOTHES ROD - 1" X 4'
	037688-01-000	EA RAIL-V" GUIDE, DRAWER
	037688-03-000	EA GLIDE-CENTER, DRAWER
	037688-04-000	EA BRACKET-RAIL MOUNTING, FRONT
	037688-06-000	EA BRACKET-RAIL MOUNTING, REAR
	102827-02-000	EA BHACKET-ROLLER, REAR - MOUNTS TO DRAWER
	102827-03-000	EA ROLLER-DRAWER, NYLON (PAIR)
	102827-04-000	EA BRACKET-MOUNTING, REAR - MOUNTS TO CABINET
	102827-05-000	EA TRACK-DRAWER, 22.8" LONG
	062777-02-000	EA HINGE-CABINET DOOR, BRASS
	006646-01-000	EA PULL-CABINET DOOR, BRASS
	033588-03-000	EA CATCH-SPRING, ROLLER
	093588-04-000	EA STRIKE-SPRING, STEEL
	THESE PARTS WERE USED FROM 01-07-81 ON.	
	SEE INTERIOR FINISH FOR BREAKDOWN OF THESE ITEMS.	

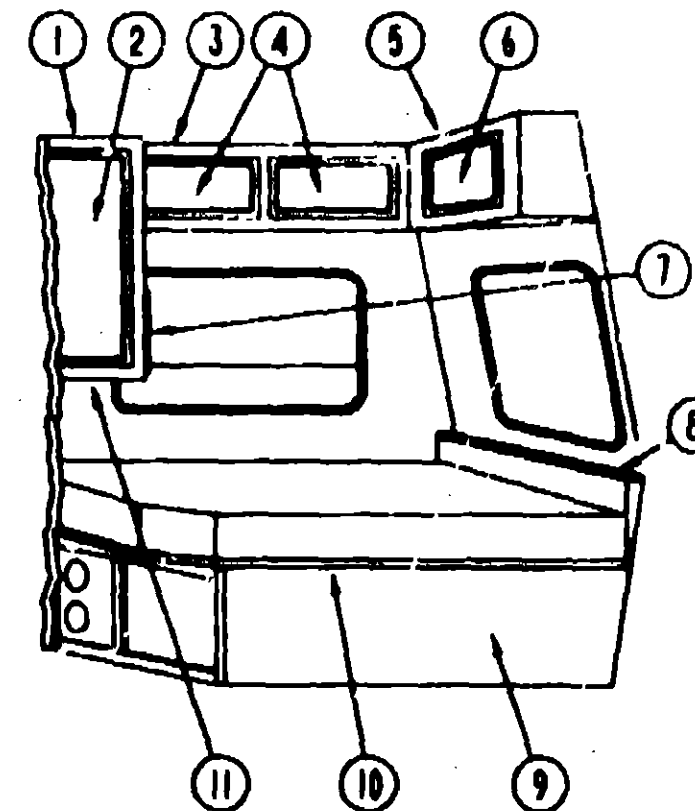
### SHOWER CURTAIN & HARDWARE

KEY	PART NUMBER	U/M DESCRIPTION
	064481-15-000	EA SHOWER CURTAIN, 62" X 36" - ALMOND VINYL
	046867-01-000	EA GROMMET-BRASS, SHOWER CURTAIN
	009138-01-000	EA HANGER RING, PIN TYPE - CHROME
	009138-02-000	EA HANGER RING, PIN TYPE - BRASS
	009112-01-000	EA FLANGE-CURTAIN ROD, 1" DIA
	102075-01-01A	EA ROD-SHOWER CURTAIN, OFF WHITE

### SHOWER STALL & REPAIR PARTS

KEY	PART NUMBER	U/M DESCRIPTION
	075808-01-000	EA PANEL-FAUCET BACK, SHOWER - PLASTIC
	101525-01-01A	EA SHOWER SURROUND - 59.1" X 27" - PLASTIC
	101526-01-C1A	EA SHOWER SUPROUND - 2 SIDED W/ SOAP DISH & TRAY - PLASTIC
	101527-01-01A	EA SHOWER CAP - 30.9" X 26.9"
	101527-02-01A	EA SHOWER CAP - 30.9" X 26.9" WHOLE CUTOUT
	096204-04-01A	EA TRIM-J, 5" EXPOSED - 1" X 19.7" - METAL - OFF WHITE
	096204-02-01A	EA TRIM-J, 5" EXPOSED - 1" X 52.1" - METAL - OFF WHITE
	096204-03-01A	EA TRIM-J, 5" EXPOSED - 1" X 58.9" - METAL - OFF WHITE
	077902-01-000	EA COVER-SKYLIGHT INSIDE - 15.8" X 22.5" - PLASTIC
	080910-01-000	EA COVER-SKYLIGHT, OUTER - 15.25" X 22.25" - PLASTIC
	THESE PARTS WERE USED FROM 11-08-90 ON	

## BEDROOM GROUP



### BEDROOM CABINETS

KEY	PART NUMBER	U/M DESCRIPTION
	M92178-01-B29	EA CABINET ASM-CLOSET, SHIRT
	P00623-27-B29	EA DOOR ASM-W/O HARDWARE, 14.37" X 33.48"
	M04185-11-B29	EA CABINET ASM-OVERHEAD, RIGHT REAR
	P00623-25-B29	EA DOOR ASM-W/O HARDWARE 14.37" X 17.91"
	M03901-06-B29	EA CABINET ASM-REAR OVERHEAD (US)
	M03901-08-B29	EA CABINET ASM-REAR OVERHEAD (CANADIAN)
	P00623-24-B36	EA DOOR ASM-W/O HARDWARE, 14.37" X 33.48"
	093445-11-B13	EA COUNTERTOP-TV STAND, 15" X 15" (OPTION L43N)
	092525-03-B07	EA COUNTERTOP-BACKWALL
	094791-03-Y12	EA TRIM-COUNTERTOP, 5.2" X 1.5" - WOOD
	M06903-01-B29	EA CABINET ASM-DOUBLE BED
	M03688-01-AB8	EA TOP-CABINET-DOUBLE BED
	081280-23-B29	EA END CAP ASM-PADDED

### TV STAND & SWIVEL SHELF

KEY	PART NUMBER	U/M DESCRIPTION
	091904-01-000	EA SHELF-SWIVEL, TV - BEIGE
	093445-11-B13	EA COUNTERTOP-TV STAND, 15" X 15"
	094825-02-000	EA HINGE-PIANO, WHOLES - 17.2" - ALUMINUM - TAN
	058708-02-000	EA RECEPTACLE-DOUBLE ELECTRIC, IVORY
	088777-01-000	EA WALLPLATE-TV CABLE, W/ANTENNA SWITCH - IVORY

### BED HARDWARE

KEY	PART NUMBER	U/M DESCRIPTION
	067205-04-000	EA ANGLE-SUPPORT, BED - 1" X 1.5" X 20" - METAL - BEIGE
	067480-02-000	EA STUD-BALL, GAS SPRING - 10MM - 5/16" - 18
	067480-03-000	EA CLIP-SAFETY, WIREFORM TYPE - GAS SPRING
	067480-04-000	EA SPRING-GAS
	088024-01-000	EA SUPPORT-SPRING, TO FLOOR
	088025-01-000	EA SUPPORT-SPRING, TO BED
	088199-02-Y12	EA HINGE-BED, TOP LIFT - METAL - BEIGE
	077252-01-000	EA PIN-HINGE
	088236-02-000	EA BEARING-SNAP IN, 3/16" ID X 3/8"
	083278-01-000	EA BRACE-PROP ROD, GAS

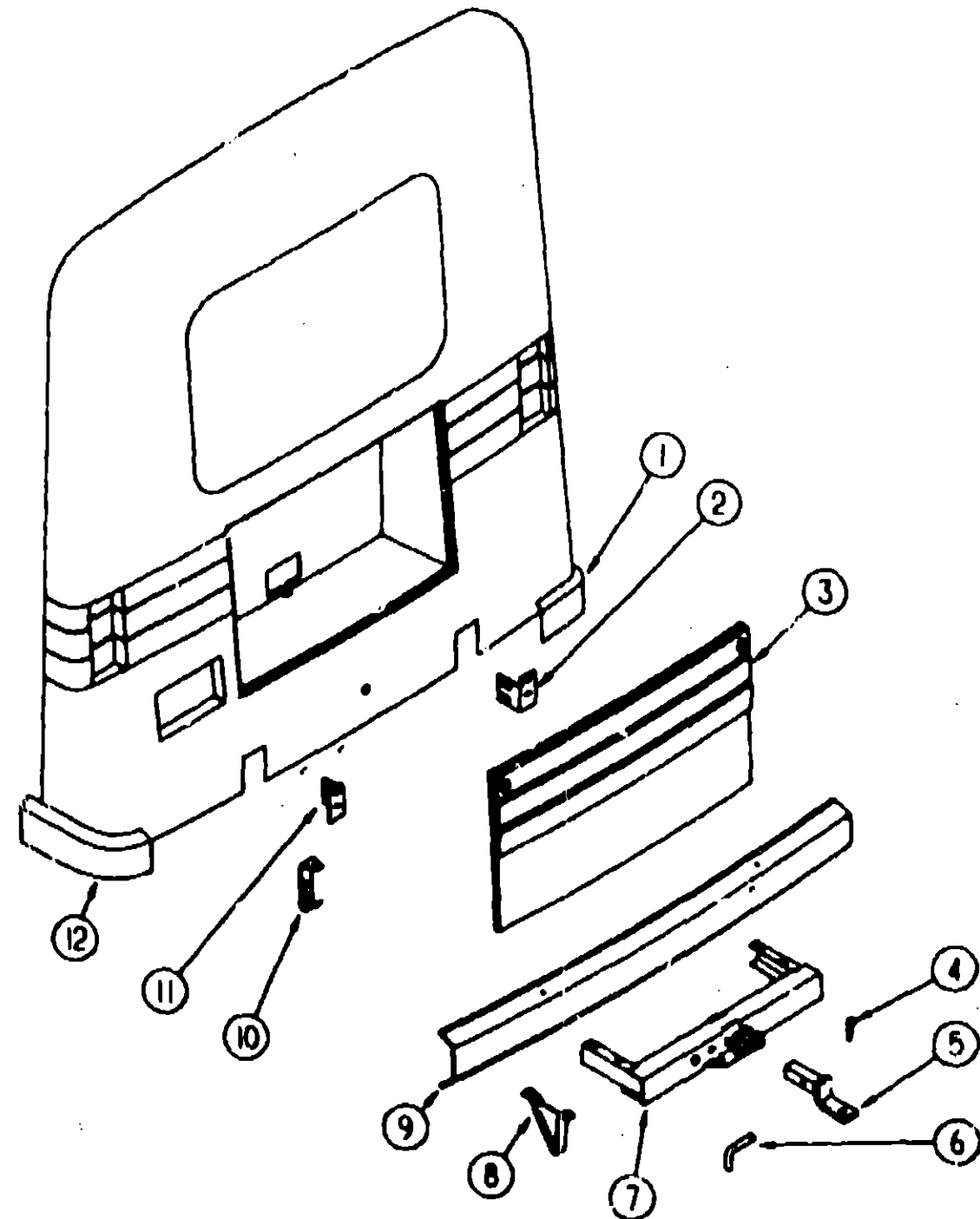
## 1991 ITA9CA TABLE OF CONTENTS

INTRODUCTION	A-01 -	A-02
ABBREVIATIONS		A-03
ALPHABETICAL INDEX	A-04 -	A-08
ICN25RC	A-07 -	F-02
ICN34RC	F-03 -	K-08

## 1991 ICN25RC INDEX

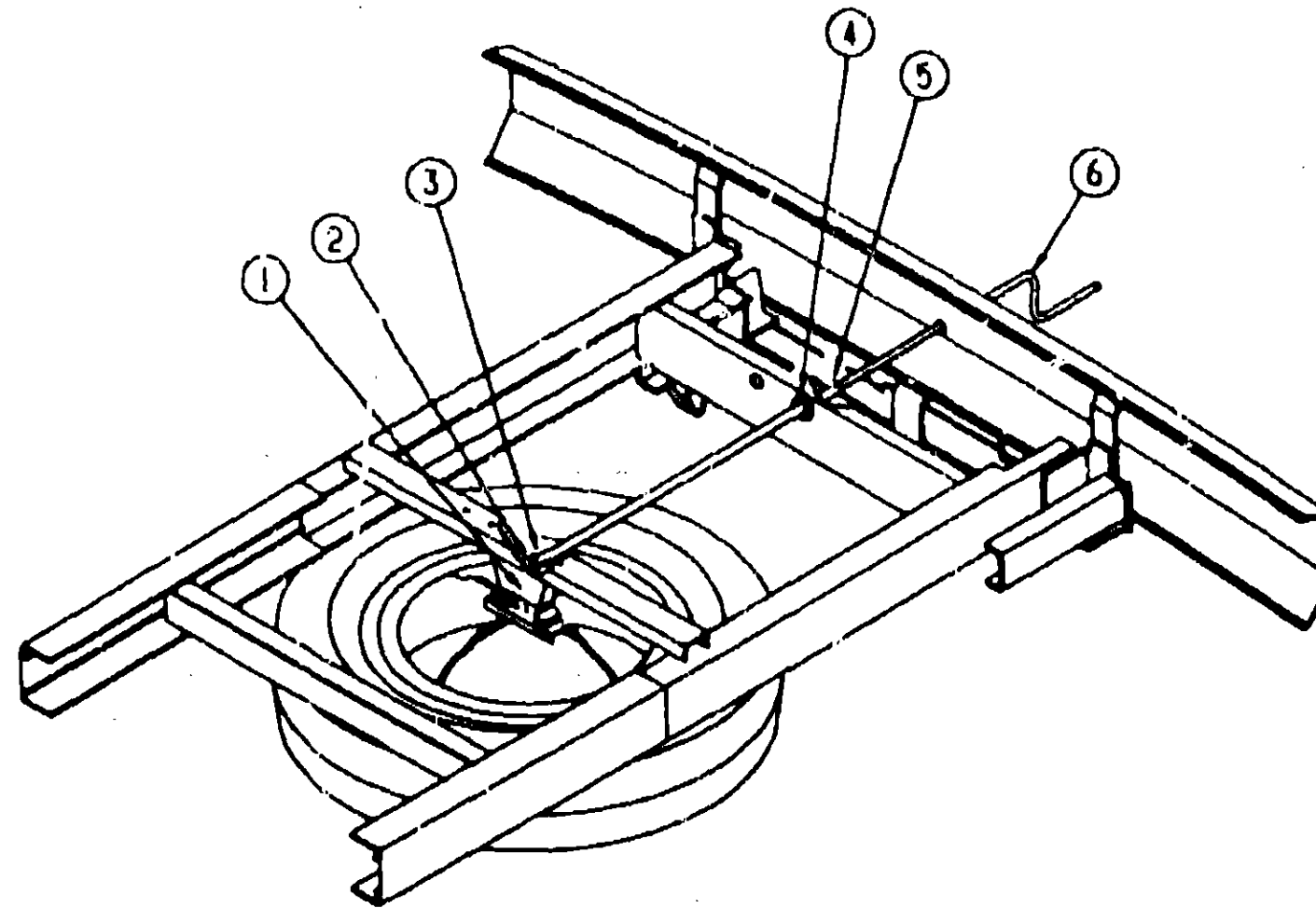
FLOOR PLAN	A-07 -	A-08
ACCESSORIES	A-09 -	A-14
BATH	A-15 -	A-17
BEDROOM		A-18
CHASSIS	A-19 -	B-03
C C & PAD	B-04 -	B-13
DINETTE	B-14 -	B-15
DRIVERS	B-16 -	B-22
ELECTRICAL	B-23 -	C-03
EXTERIOR BODY	C-04 -	C-10
GALLEY	C-11 -	C-18
HEATING & A/C	C-19 -	C-24
INTERIOR FINISH	D-01 -	D-04
LABELS	D-05 -	D-12
LP		D-13
LOUNGE		D-14
SEALANTS & FASTENERS	D-15 -	D-18
WATER & SEWAGE	D-19 -	D-24
WINDOW, VENT AND EXTERIOR DOOR	E-01 -	F-02

**CHASSIS GROUP**



**REAR BUMPER, TRAILER HITCH & COMPARTMENT**

**CHASSIS GROUP (CONTINUED)**



**SPARE TIRE HOIST**

**1991 ITASCA  
TABLE OF CONTENT'S**

INTRODUCTION	A-01	A-02
ABBREVIATIONS		A-01
ALPHABETICAL INDEX	A-04	A-08
ICN25RC	A-07	F-02
ICN34RQ	F-03	K-08

**1991 ICN25RC INDEX**

FLOOR PLAN	A-07	A-08
ACCESSORIES	A-09	A-14
BATH	A-15	A-17
BEDROOM		A-18
CHASSIS	A-19	B-03
C C & PAD	B-04	B-13
DINETTE	B-14	B-15
DRIVERS	B-16	R-22
ELECTRICAL	B-23	C-03
EXTERIOR BODY	C-04	C-10
GALLEY	C-11	C-18
HEATING & A/C	C-19	C-24
INTERIOR FINISH	D-01	D-04
LABELS	D-05	D-12
LP		D-13
LOUNGE		D-14
SEALANTS & FASTENERS	D-15	D-16
WATER & SEWAGE	D-19	D-24
WINDOW, VENT AND EXTERIOR DOOR	E-01	F-02

KEY	PART NUMBER	U/M DESCRIPTION
1	093267-01-000	EA HOIST-SPARE TIRE
2	000F10-04-408	EA PIN-COTTER, 1/8" X 2 1/2"
3	083375-01-000	EA EXTENSION-TIRE HOIST
3	083375-02-000	EA EXTENSION-TIRE HOIST
4	071015-11-000	EA GROMMET-1" ID
5	035776-01-000	EA PIN-FIOLL, .125" dia x .75"
6	083376-01-000	EA HANDLE-CRANK, TIRE HOIST

FROM: 00-00-00 THRU: 07-29-90

FROM: 07-30-90 THRU: 99-99-90

KEY	PART NUMBER	U/M DESCRIPTION
1	092551-01-01A	EA END CAP-REAR BUMPER
2	076558-01-000	EA ANGLE SUPPORT-REAR BUMPER
3	097198-01-AE8	EA DOOR PANEL-REAR
4	034613-01-000	EA PIN-HITCH, 3/16" WIRE
5	077613-01-000	EA DRAWBAR-HITCH, TRILER TOWING
6	034612-01-000	EA PIN-LOCKING, DRAWBAR
7	077617-04-000	EA HITCH W/O DRAWBAR
8	083048-01-000	EA PLATE-SKID, REAR BUMPER
9	077651-08-000	EA BUMPER-REAR, OFF WHITE
9	077651-08-000	EA BUMPER-REAR, UNFINISHED
	102393-01-02A	EA BOLT-BUMPER, OFF WHITE W/STAINLESS STEEL CAP
	006300-01-000	EA BOLT-BUMPER, STAINLESS STEEL
	083276-01-000	EA BRACE-BUMPER LOWER, 2" X 16.3" - BLACK
10	077655-01-000	EA BRACKET-REAR BUMPER
11	076568-02-000	EA SUPPORT-ANGLE, REAR BUMPER
12	082251-02-01A	EA CAP-END, REAR BUMPER
	081107-01-000	EA BRACKET-BUMPER PIN

### CHASSIS GROUP (CONTINUED)

#### MANUAL LEVELING JACKS

KEY	PART NUMBER	U/M DESCRIPTION
	099025-01-000	EA STABILIZER-JACK, PASSENGER
	099025-02-000	EA STABILIZER-JACK, DRIVER
	099641-01-000	EA BRACKET-JACK, REAR - PASSENGER SIDE
	099641-02-000	EA BRACKET-JACK, REAR - DRIVER SIDE
	099642-01-000	EA BRACKET-JACK, W/ANGLE BRACE
	099642-02-000	EA BRACKET-JACK, FRONT

#### SPEED CONTROL FOR GAS ENGINE

KEY	PART NUMBER	U/M DESCRIPTION
	094369-03-000	EA SPEED CONTROL-SMART STICK, EFI - GAS - DANA# 59L-111298 FROM: 00-00-00 THRU: 04-04-91
	094369-01-702	EA REGULATOR ASM-ELECTRONIC, DANA# 57C-08X12-R
	094369-01-708	EA SERVO-DANA# 53D-11118-R
	069829-01-704	EA SIGNAL GENERATOR ASM, DANA# 59L-08X221P
	083212-04-701	EA MAIN WIRING HARNESS, DANA# 59D02570
	094369-01-701	EA SWITCH & LEVER ASM, DANA# 58D-11118-F
	094369-01-704	EA HEADLIGHT DIMMER MODULE ASM-DANA# 63C-00001
	069778-01-710	EA TESTER CRUISE CONT. W/HAFINNESS, DANA# 59L-08X33-B
	069829-01-708	EA SIGNAL GENERATOR ONLY, DANA# 59D-02392-1
	083212-01-705	EA RELEASE VALVE ONLY, DANA# 59C-02297
	079972-01-707	EA EXTENSION HARNESS ASM-SIGNAL GENERATOR, DANA# 59C-2373-1
	094369-01-706	EA VACUUM RESERVOIR-DANA# 59C-02249
	083212-01-704	EA STOP LAMP/CRUISE RELEASE SWITCH, DANA# 59C-02543
	083211-01-703	EA SERVO CABLE ASM ONLY, DANA# 59C-02538
	091900-01-702	EA WIPER CONTROL MODULE-DANA# 69C-00081
	102362-01-000	EA SPEED CONTROL-1991 CHEVY, DANA# 59L-111010B USED ON 1991 CHASSIS WITH IGNITION SWITCH ON STEERING COLUMN, IF SWITCH IS ON DASH USE 094369-03-000 FROM: 04-05-91 THRU: 09-09-99
	102362-01-700	EA CABLE-SERVO, CABLE ONLY - DANA 59C-03001
	102362-01-701	EA REGULATOR-ELECTRONIC, DANA 57C-08X13-R
	102362-01-702	EA MODULE-WIPER CONTROL, DANA 68D-00061
	102362-01-703	EA -PIVOT SW TO WIPER CONTROL, DANA 59C-02973
	102362-01-704	EA HARNESS-MAIN WIRING, DANA 59D-02975
	102362-01-705	EA CLIP-THROTTLE RETAINER, DANA 59A-02821
	102362-01-706	EA STUD-THROTTLE, DANA 59A-02979
	102362-01-707	EA SWITCH & LEVER-CONTROL, DANA 53D-08X63-F
	094369-01-708	EA SERVO-DANA# 53D-11118-R
	094863-01-704	EA HOUSING-4 PIN, SPEED CONTROL - TOYOTA - DANA 59C-022
	094369-01-705	EA VACUUM RESERVOIR-DANA# 59C-02249

NOTE: ITEMS INDENTED BELOW ASSEMBLIES ARE SERVICEABLE PARTS FOR THAT ASSEMBLY.

#### SPEED CONTROL FOR DIESEL ENGINE

KEY	PART NUMBER	U/M DESCRIPTION
	102362-02-000	EA SPEED CONTROL-1991 CHEVY DIESEL, DANA 59L111020P
	102362-01-701	EA REGULATOR-ELECTRONIC, DANA 57C-08X13-R
	102362-01-702	EA MODULE-WIPER CONTROL, DANA 68D-00061
	102362-01-703	EA HARNESS-PIVOT SW TO WIPER CONTROL, DANA 59C-02973
	102362-01-704	EA HARNESS-MAIN WIRING, DANA 59D-02975
	102362-01-707	EA SWITCH & LEVER-CONTROL, DANA 53D-08X63-F
	083212-01-705	EA RELEASE VALVE ONLY, DANA# 59C-02297
	094369-01-701	EA SWITCH & LEVER ASM, DANA# 58D-11118-F
	094369-01-703	EA SERVO-DANA #53D-11118R
	094369-02-700	EA -SERVO, DIESEL - DANA# 59C-2262
	094369-02-702	EA EXTENSION-WIRE HARNESS, DANA# 59C-02279
	094863-01-704	EA HOUSING-4 PIN, SPEED CONTROL -DANA 59C-022

NOTE: ITEMS INDENTED BELOW ASSEMBLIES ARE SERVICEABLE PARTS FOR THAT ASSEMBLY.

### CHASSIS GROUP (CONTINUED)

#### RADIATOR BOTTLE, BAFFLE, A/C SHIELD & COWL PANELS

KEY	PART NUMBER	U/M DESCRIPTION
	029100-01-000	EA CAP-BOTTLE, OVERFLOW - GM 14054390
	098630-01-000	EA BOTTLE-OVERFLOW, RADIATOR - GM 14042454
	078310-01-000	EA BAFFLE-RADIATOR, .12" X 15" X .62" - RUBBER
	079059-02-000	EA HOSE-90 DEGREE, .81" ID X 4" X 8"
	085000-01-000	EA SHIELD-A/C, 0.8" X 3.1" - STEEL
	093009-01-000	EA PANEL-COWL, DRIVER - STEEL
	093137-01-000	EA PANEL-COWL, PASSENGER - STEEL

#### WHEEL COVERS & LINERS

KEY	PART NUMBER	U/M DESCRIPTION
	083181-01-000	EA COVER-WHEEL, 16" - SET OF FOUR
	083181-01-700	EA COVER-WHEEL, 16" - 1 ONLY
	077030-02-000	EA EXTENSION-VALVE STEM-1.25"
	091209-05-000	EA LINER-WHEEL-SET OF 4 - 16" - STAINLESS STEEL
	091209-05-700	EA SIMULATOR-FRONT WHEEL
	091209-05-701	EA SIMULATOR-REAR WHEEL
	091209-03-702	EA COVER-FRONT AXLE
	091209-03-704	EA SNAP RING
	091209-03-703	EA COVER-REAR AXLE
	095012-03-000	EA EXTENSION-VALVE STEM-DUAL WHEEL

NOTE: ITEMS INDENTED BELOW ASSEMBLIES ARE SERVICEABLE PARTS FOR THAT ASSEMBLY.

#### BATTERY TRAYS & COMPONENTS

KEY	PART NUMBER	U/M DESCRIPTION
	090804-03-000	EA TRAY-BATTERY, AUTO - ENGINE COMPARTMENT
	093895-01-000	EA TRAY-BATTERY, W/GUIDE & LATCH STRIKE - HOUSE BATTERY
	077479-01-000	EA BOOT-BATTERY TERM, DBL CABLE
	077479-02-000	EA BOOT-BATTERY TERMINAL, SINGLE CABLE
	051697-01-000	EA BRACKET-BATTERY, TIE DOWN
	051387-06-000	EA BOLT-CARRIAGE, W/O HOLE - 5/16-18 X 2.5 ZN
	086233-01-000	EA STUD-ISOLATED, 3/8" X 7/8" LONG
	074994-01-000	EA GUIDE-TRACK, BATTERY TRAY
	093718-01-000	EA PLATE-STRIKE, BATTERY/STORAGE COMPARTMENT
	015365-01-000	EA PIN-CADIUM PLATED

#### MUDFLAP & LUG WRENCH

KEY	PART NUMBER	U/M DESCRIPTION
	020167-03-000	EA DIRT GUARD-STEEL, FOR MUDFLAP
	017516-01-000	EA FLAP-MUD, BLACK
	080208-01-000	EA LUG WRENCH, 1.06X1.00
	080208-02-000	EA LEVERAGE BAR-LUG WRENCH

### 1991 ITASCA TABLE OF CONTENTS

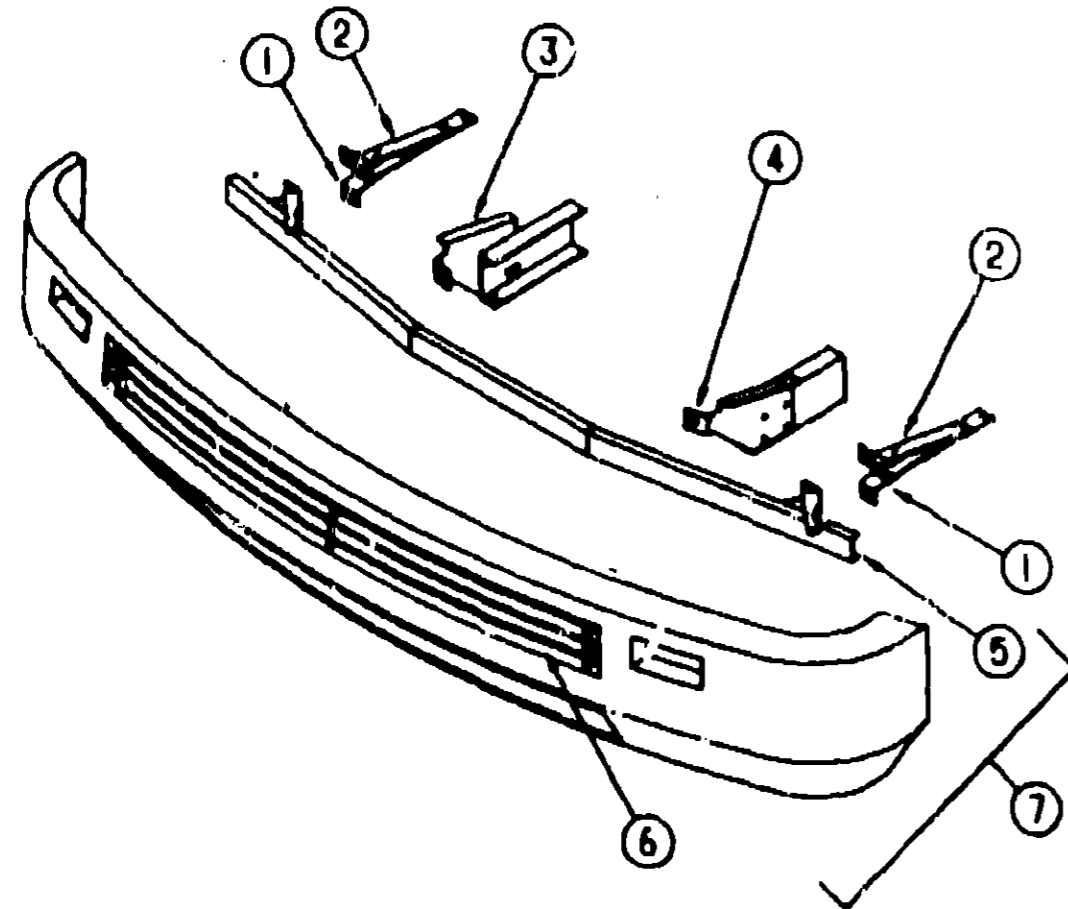
INTRODUCTION	A-01	A-02
ABBREVIATIONS		A-03
ALPHABETICAL INDEX	A-04	A-06
ICN259C	A-07	F-02
ICN3490	F-03	K-08

### 1991 ICN259C INDEX

FLOOR PLAN	A-07	A-08
ACCESSORIES	A-09	A-14
BATH	A-15	A-17
BEDROOM		A-18
CHASSIS	A-19	B-03
C C & PAD	B-04	B-13
DINETTE	B-14	B-15
DRIVERS	B-16	B-22
ELECTRICAL	E-23	C-03
EXTERIOR BODY	C-04	C-10
GALLEY	C-11	C-18
HEATING & A/C	C-19	C-24
INTERIOR FINISH	D-01	D-04
LABELS	D-05	D-12
LP		D-13
LOUNGE		D-14
SEALANTS & FASTENERS	D-15	D-19
WATER & SEWAGE	D-19	D-24
WINDOW, VENT AND EXTERIOR DOOR	E-01	F-02



**CHASSIS GROUP (CONTINUED)**



**FRONT BUMPER & END CAP**

KEY	PART NUMBER	U/M DESCRIPTION
1	093275-01-000	EA BRACE-BUMPER, LOWER - 2" X 18.3" - BLACK
2	093034-01-000	EA BRACE-BUMPER, UPPER - 2" X 18.3" - BLACK
3	093749-01-000	EA SUPPORT-BUMPER, EXTENSION - RIGHT
4	033749-02-000	EA SUPPORT-BUMPER, EXTENSION - LEFT
5	093000-01-000	EA CHANNEL ASM.-STEEL BUMPER
6	093005-01-Y33	EA GRILLE-2 BAR
7	M93846-01-Y35 093385-01-000	EA PANEL-BUMPER, W/GRILLE & LIGHTS EA BRACKET-LICENSE PLATE - FRONT BUMPER

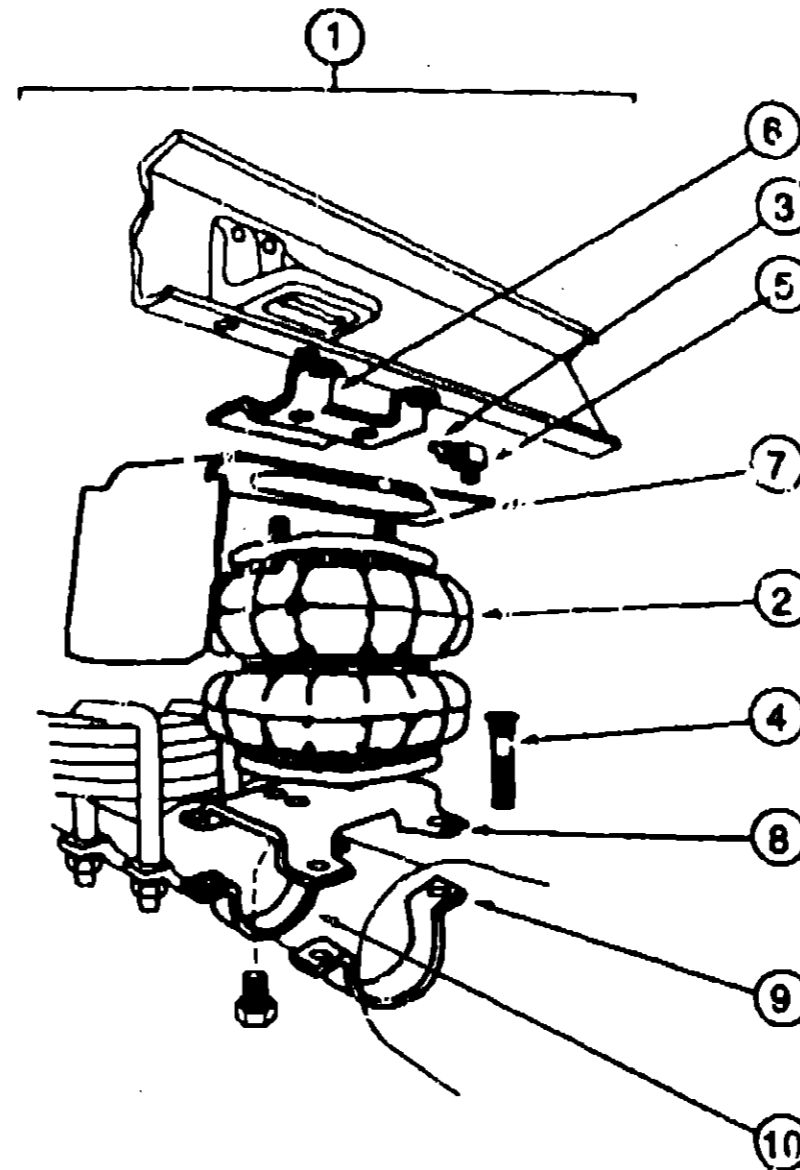
**ENTRY STEP BOX**

KEY	PART NUMBER	U/M DESCRIPTION
	088412-04-000	EA TRIM-STEPBOX, ENTRY DOOR - BEIGE
	092893-02-01A	EA LINER-STEP BOX, ENTRANCE DOOR - 5" - BLACK
	M92055-01-000	EA ACCESS PNL.-STEP BOX W/HINGE
	088254-01-000	EA CATCH-MAGNETIC, 1.8" X 7"
	009663-01-000	EA HINGE-CONTINUOUS, 1 1/2" X 72"
	088846-01-000	EA PULL-CABINET, BRASS - FIBBON

**FRONT STABILIZER SHOCKS**

KEY	PART NUMBER	U/M DESCRIPTION
	079942-01-000	EA SHOCK ABSORBER-STABILIZER, FRONT - 4-WAY
	091250-01-000	EA BUSHING-SWAY BAR, 1.25 CUT

**CHASSIS GROUP (CONTINUED)**



**REAR AXLE AIRSPRINGS**

KEY	PART NUMBER	U/M DESCRIPTION
1	084086-01-000	EA AIRSPRING-BELLOWS, REAR AXLE - FIRESTONE# MHA224
2	084086-01-700	EA AIR BAG-ONLY, FIRESTONE# W21-780-0336
3	084086-01-701	EA TUBING-DOT 1/4" X 18" - FIRESTONE# 21-0938
4	084086-01-702	EA BOLT-RIBBED NECK, 3/8"-24 X 2.5" FIRESTONE# 21-0829
	084086-01-703	EA INFLATING VALVE-DOT 1/4" TUBING, FIRESTONE# 21-0931
5	084086-01-704	EA ELBOW CONNECTOR, FIRESTONE# 21-0935
	084086-01-705	EA TUBING PROTECTORS, FIRESTONE# 21-0999
6	084086-01-706	EA BRACKET-UPPER TO FRAME, FIRESTONE# 21-0150
	084086-01-708	EA AIRLINE SERVICE KIT, FIRESTONE# W21-780-2012
	084086-01-709	EA HEAT SHIELD, FIRESTONE# 21-1004
	084086-01-710	EA BOLT PACKAGE, FIRESTONE 2135823002
7	084086-01-711	EA HEAT SHIELD-224 DOS SYSTEM, FIRESTONE 21-5042
8	084086-01-707	EA BRACKET-LOWER, TOP - PASSENGER SIDE - FIRESTONE# 21-1162
8	084086-01-712	EA BRACKET-LOWER, TOP - DRIVER SIDE - FIRESTONE 21-5037
9	084086-01-713	EA AXLE STRAP BRACKET, AXLE TUBE - 3 USED - FIRESTONE 21-1163
10	084086-01-714	EA AXLE STRAP BRACKET, DIFFERENTIAL - 1 USED - FIRESTONE 21-5038
	084086-03-000	EA BRACKET-AXLE, FIRESTONE #W21-780-2044

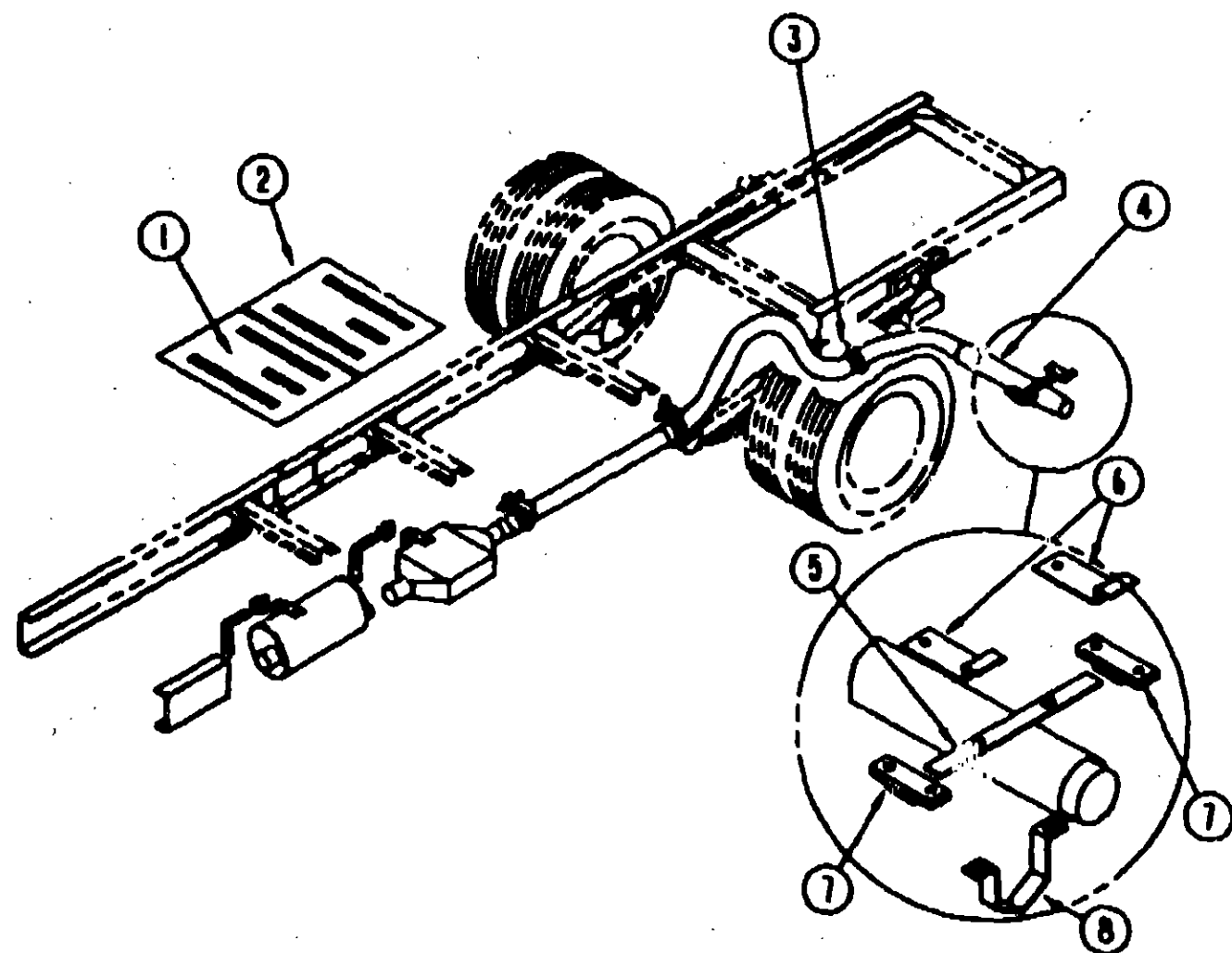
**1991 ITASCA  
TABLE OF CONTENTS**

INTRODUCTION	A-01 -	A-02
ABBREVIATIONS		A-03
ALPHABETICAL INDEX	A-04 -	A-06
ICN25RC	A-07 -	F-02
ICN34RC	F-03 -	K-08

**1991 ICN25RC INDEX**

FLOOR PLAN	A-07 -	A-08
ACCESSORIES	A-09 -	A-14
BATH	A-15 -	A-17
BEDROOM		A-18
CHASSIS	A-19 -	B-03
C C & PAD	B-04 -	B-13
DINETTE	B-14 -	B-15
DRIVERS	B-13 -	B-22
ELECTRICAL	B-23 -	C-03
EXTERIOR BODY	C-04 -	C-10
GALLEY	C-11 -	C-18
HEATING & AC	C-19 -	C-24
INTERIOR FINISH	D-01 -	D-04
LABELS	U-05	D-12
LP		D-13
LOUNGE		D-14
SEALANTS & FASTENERS	D-15 -	D-18
WATER & SEWAGE	D-19 -	D-24
WINDOW, VENT AND EXTERIOR DOOR	E-01 -	F-02

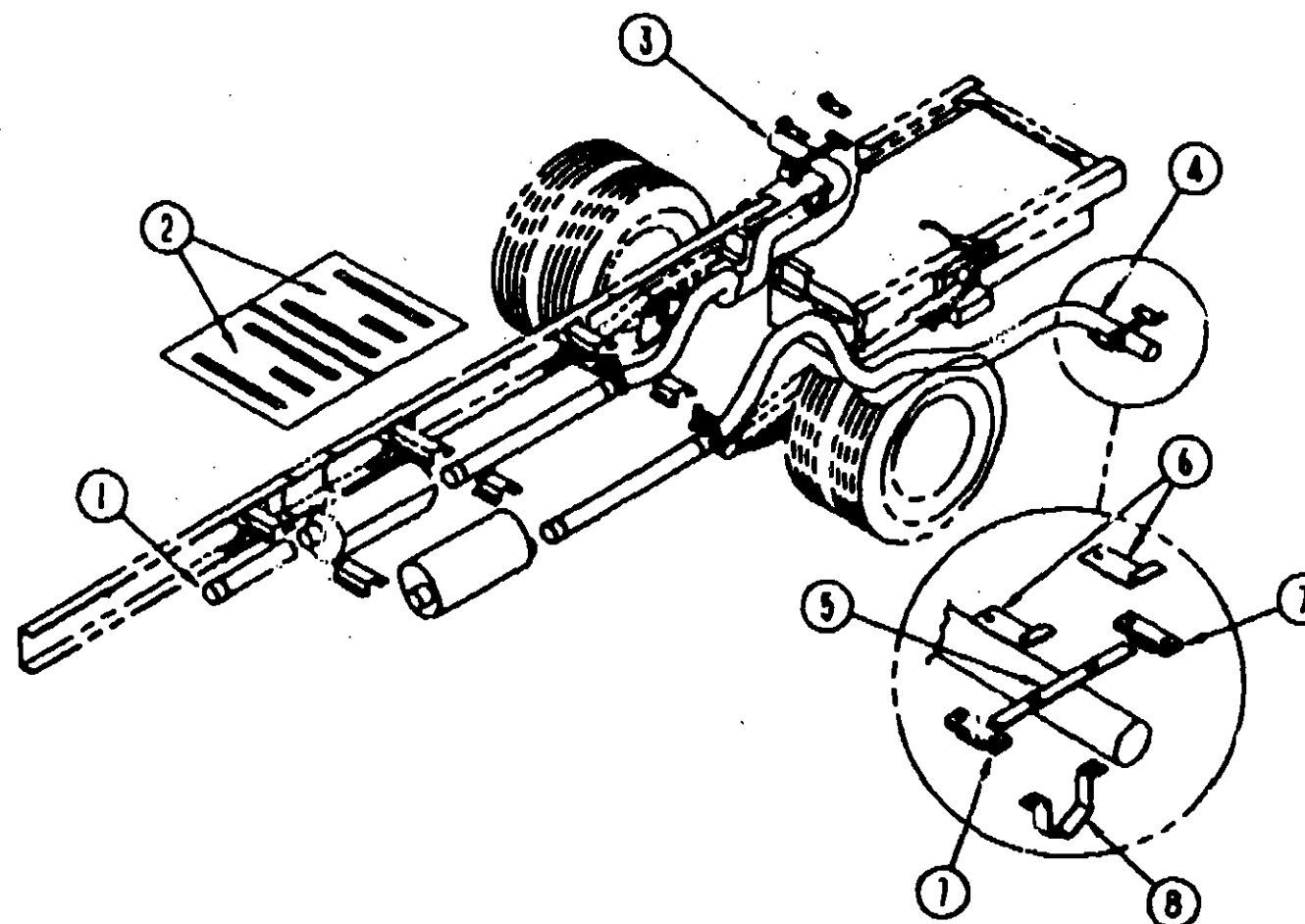
CHASSIS GROUP (CONTINUED)



GAS ENGINE EXHAUST COMPONENTS

KEY	PART NUMBER	U/M DESCRIPTION
1	101544-01-000	EA SHIELD-HEAT, EXHAUST
2	101544-02-000	EA SHIELD-HEAT, EXHAUST
3	064918-01-000	EA CLAMP-EXHAUST, 3: GUILLOTINE STYLE
4	066109-01-000	EA PIPE-EXHAUST
5	066523-04-000	EA BRACKET-EXHAUST, UPPER
6	066222-02-000	EA BRACKET-EXHAUST, UPPER - WBEND & NUTS
7	065180-01-000	EA HANGER
8	066223-02-000	EA BRACKET-EXHAUST, LOWER - STRAIGHT - W/NUTS

CHASSIS GROUP (CONTINUED)



DIESEL ENGINE EXHAUST COMPONENTS

KEY	PART NUMBER	U/M DESCRIPTION
1	091064-02-000	EA PIPE ASM.-EXHAUST
2	101544-01-000	EA SHIELD-HEAT, EXHAUST
3	065180-01-000	EA PIPE ASM.-EXHAUST, PASSENGER SIDE - 28.5" LONG
4	065180-02-000	EA PIPE ASM.-EXHAUST, DRIVER SIDE - 26.5" LONG
5	064918-03-000	EA CLAMP-EXHAUST, 2.5"
6	066523-04-000	EA BRACKET-EXHAUST, UPPER
7	065222-02-000	EA BRACKET-EXHAUST, UPPER - WBEND & NUTS
8	065180-01-000	EA HANGER
8	066223-02-000	EA BRACKET-EXHAUST, LOWER - STRAIGHT - W/NUTS

1991 ITASCA  
TABLE OF CONTENTS

INTRODUCTION	A-01	A-02
ABBREVIATIONS	A-01	A-03
ALPHABETICAL INDEX	A-04	A-06
ICN25RC	A-07	F-02
ICN34RQ	F-03	K-08

1991 ICN25RC INDEX

FLOOR PLAN	A-07	A-08
ACCESSORIES	A-09	A-14
BATH	A-15	A-17
BEDROOM		A-18
CHASSIS	A-19	B-03
C C & PAD	B-04	B-13
DINETTE	B-14	B-15
DRIVERS	B-16	B-22
ELECTRICAL	B-23	C-03
EXTERIOR BODY	C-04	C-10
GALLEY	C-11	C-18
HEATING & A/C	C-19	C-24
INTERIOR FINISH	D-01	D-04
LABELS	D-05	D-12
LP		D-13
LOUNGE		D-14
SEALANTS & FASTENERS	D-15	D-18
WATER & SEWAGE	D-19	D-24
WINDOW, VENT AND EXTERIOR DOOR	E-01	F-02

## CHASSIS GROUP (CONTINUED)

### FUEL SYSTEM COMPONENTS

KEY	PART NUMBER	U/M	DESCRIPTION
	084235-01-000	EA	SUPPORT-FLANGE, FUEL FILL BOOT
	083678-01-000	EA	BOOT-FUEL FILL
	078200-01-000	EA	GASKET-FUEL FILL
	078010-04-000	EA	DOOR ASM-FUEL FILL, BEIGE
	082352-04-000	EA	TANK-FUEL, 80 GAL RHW/RES
	078881-01-000	EA	VALVE ASM-VENT, FUEL TANK
	088480-02-000	EA	STRAP ASM - FUEL TANK
	078508-02-000	EA	BOLT-HEX-1/2-13-4, FULL THD
	000C12-08-32B	EA	BOLT-HEX-1/2-13X2 ZN 5
	000D38-08-00B	EA	NUT-HEX-SER FLG LK 1/2-13 ZN
	088740-02-000	EA	SENDING UNIT/PUMP, FUEL TB1
	088255-01-000	EA	GASKET-SENDING UNIT, GM ADAPT
	088254-01-000	EA	RETAINER-SENDING UNIT, FUEL
	082328-01-000	EA	BRACKET-AUX FUEL VENT
	082833-02-000	EA	TUBE-AUX FUEL VENT
	082888-01-000	EA	TUBE-FUEL SUPPLY, GENERATOR

### EXTERIOR STORAGE COMPARTMENT HARDWARE

KEY	PART NUMBER	U/M	DESCRIPTION
	082844-02-Y12	EA	PROP ROD-COMPARTMENT DOOR, W/SPRING & BRACKET
	082489-01-000	EA	SPRING-#020-050 COMP
	082839-01-000	EA	BRACKET-DOOR PRCP
	083081-01-02A	EA	STRIKER-DOOR, LUGGAGE, BLACK
	084387-02-000	EA	STRIKER-DOOR, GENERATOR
	078368-01-000	FT	SEAL-ACCESS DOOR
	081113-01-000	EA	BUSHING-FLANGE, PLASTIC - WHITE
	088328-01-000	EA	CLIP-SPRING, 3/8"
	008388-01-000	EA	GROMMET-SNAP, 3/8"
	084378-02-000	EA	ROD-PROP, GENERATOR DOOR
	083305-01-01A	FT	TRIM-EDGE, C-TYPE - WIRE CARRIER - .35" X .24" - VINYL
	084008-01-02A	EA	HATCH-COMPARTMENT, SEWER HOSE
	102850-01-000	EA	HATCH-COMPARTMENT, SEWER HOSE
			FROM: 00-00-00 THRU: 10-20-90
	01255-02-000	FT	SEAL-ADHESIVE BACKED FOAM, 1.5" X .18"
	084378-01-000	EA	ROD-PROP, HOLDING TANK DOOR
	087747-01-000	EA	PLUG-CAP, .75" DIAMETER
	081420-05-000	EA	PLUG-PLASTIC, 1.5" DIAMETER

### WHEELWELL, UNION, NUTS, PLUG & BOLTS

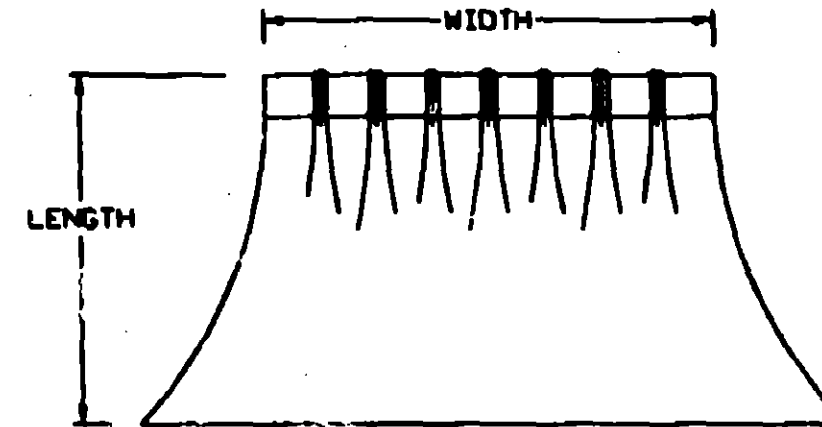
KEY	PART NUMBER	U/M	DESCRIPTION
	068017-01-000	EA	WHEELWELL-PLASTIC
	075488-01-000	EA	UNION-INVERTED FL TUBE, 1/4"
	088487-02-000	EA	NUT-INVERTED FLARE, 1/4"
	084884-01-000	EA	PLUG-BRASS, 3/8"
	000C12-06-18B	EA	BOLT-HEX, 5/16-18 X 1 - ZINC 5
	000D38-06-00B	EA	NUT-HEX, SER FLG LK - 5/16 - 18 ZN
	082401-07-000	EA	CLAMP-HOSE, WORMGEAR 5" - 7"
	088244-01-000	FT	TAPE-FOAM, VINYL COATED - 2" WIDE - INCREMENTS OF 108 FT
	000D38-08-00B	EA	NUT-HEX, SER FLG LK - 5/16 - 18 ZN
	080E13-17-00B	EA	WASHER-FL-3/8 AR ZN
	071015-08-000	EA	GROMMET-1.75" ID, FITS .08" MATERIAL, RUBBER
	000D38-05-00B	EA	NUT-HEX, SER FLG LK - 5/16 - 18 ZN
	000D38-06-00B	EA	NUT-HEX, SER FLG LK - 5/16 - 18 ZN
	000C12-10-24B	EA	BOLT-HEX, 5/8-11 X 1 1/2 ZN - 5

## CURTAIN, CUSHION & PAD GROUP

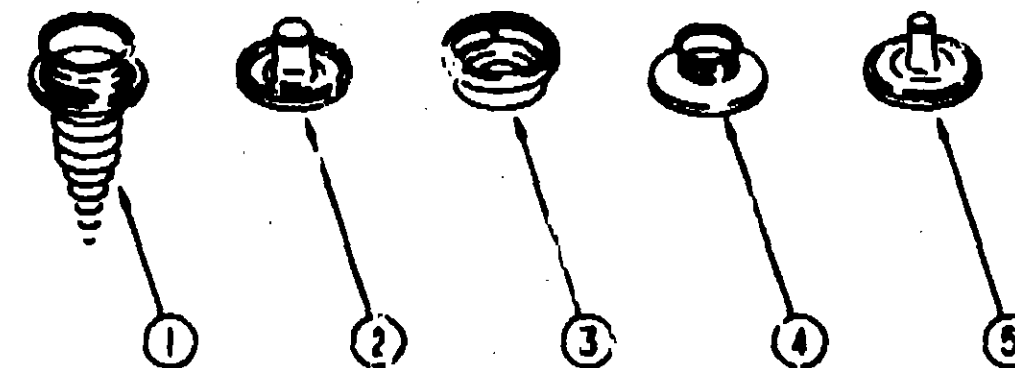
### NOTICE

IN ORDER TO ASSIST OUR PARTS SALES DEPT. IN PROVIDING INTERIOR SOFTWARE ITEMS, PLEASE INCLUDE THE SERIAL NUMBER AND THE COLOR CODE NUMBER FROM THE VEHICLE CERTIFICATION LABEL WHEN ORDERING. THIS LABEL IS LOCATED ON THE LEFT SIDEWALL AT THE END OF THE DASH (A-BODY), OR ON THE DRIVER'S DOOR LATCH PLATE (C-BODY).

AN EXAMPLE OF A COLOR CODE NUMBER IS B07, WHICH DESIGNATES AN OVERALL COLOR SCHEME OF A PARTICULAR UNIT. THE COLOR LISTED AFTER THE ITEM DESCRIPTION ON THE MICROFICHE, INDICATES THE OVERALL UNIT COLOR. ORDER THE ITEM YOU DESIRE ACCORDING TO UNIT COLOR CODE.



NOTE: USE THIS ILLUSTRATION WHEN DETERMINING LENGTH AND WIDTH MEASUREMENTS FOR CURTAINS. YOU WILL NOTE THE WIDTH MEASUREMENT IS TAKEN ON THE TOP OF THE CURTAIN WITH THE CURTAIN FULLY EXTENDED. THE LENGTH MEASUREMENT IS TAKEN FROM TOP TO BOTTOM.



### SNAP FASTENERS

KEY	PART NUMBER	U/M	DESCRIPTION
1	029130-01-000	EA	SCREW-SNAP SOCKET, 8 PH X 5/8"
2	029155-01-000	EA	CAP-SNAP, .158" DIA X .17" BARREL
3	029156-01-000	EA	SOCKET-SNAP FASTENER, NICKEL - 9/16" OD
4	029092-01-000	EA	STUD-NICKEL FINISH, 3/8" OD
5	029093-01-000	EA	EYELET-NICKEL FINISH

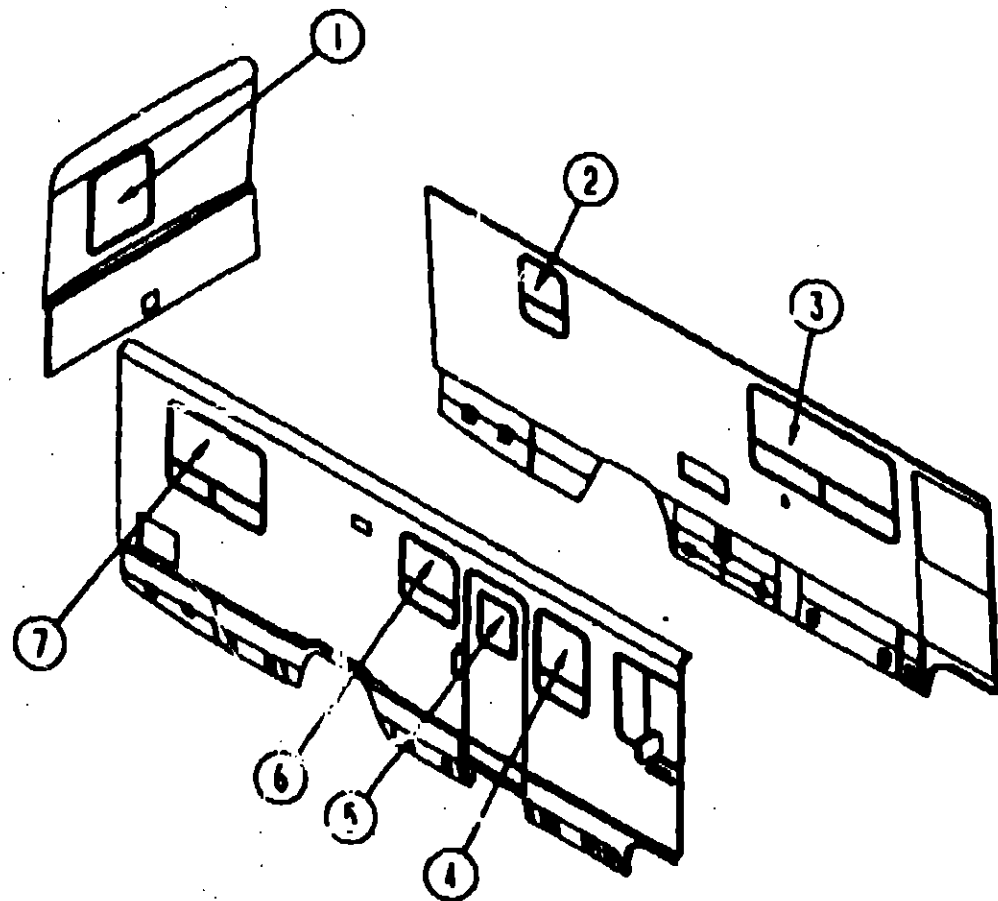
## 1991 ITASCA TABLE OF CONTENTS

INTRODUCTION	A-01	A-02
ABBREVIATIONS		A-03
ALPHABETICAL INDEX	A-04	A-06
ICN25RC	A-07	F-02
ICN54RQ	F-03	K-08

## 1991 ICN25RC INDEX

FLOOR PLAN	A-07	A-08
ACCESSORIES	A-09	A-14
BATH	A-15	A-17
BEDROOM		A-18
CHASSIS	A-19	B-03
C C & PAD	B-04	B-13
DINETTE	B-14	B-15
DRIVERS	B-18	B-22
ELECTRICAL	B-23	C-03
EXTERIOR BODY	C-04	C-10
GALLEY	C-11	C-18
HEATING & A/C	C-19	C-24
INTERIOR FINISH	D-01	D-04
LABELS	D-05	D-12
LP		D-13
LOUNGE		D-14
SEALANTS & FASTENERS	D-15	D-18
WATER & SEWAGE	D-19	D-24
WINDOW, VENT AND EXTERIOR DOOR	E-01	F-02

**CURTAIN, CUSHION & PAD GROUP (CONTINUED)**  
WINDOW TREATMENT



KEY	PART NUMBER	U/M DESCRIPTION
1	100281-18-B29	EA LEG ASM. W/GATHERS - LEFT
1	100281-18-B30	EA LEG ASM. W/GATHERS - LEFT
1	100281-18-B31	EA LEG ASM. W/GATHERS - LEFT
1	100281-17-B29	EA LEG ASM. W/GATHERS - RIGHT
1	100281-17-B30	EA LEG ASM. W/GATHERS - RIGHT
1	100281-17-B31	EA LEG ASM. W/GATHERS - RIGHT
1	066335-15-B29	EA BLIND-PLEATED, 28" X 33" - EZ LIFT (B29, B31)
1	066335-15-B30	EA BLIND-PLEATED, 28" X 33" - EZ LIFT
2	101427-07-B13	EA VALANCE ASM. WINDOW, 20" - WOOD (B29, B30, B31)
2	101079-07-B36	EA LEG ASM. - 27.5" - LEFT (B29)
2	101079-07-B38	EA LEG ASM. - 27.5" - LEFT (B30)
2	101079-07-B37	EA LEG ASM. - 27.5" - LEFT (B31)
2	101079-08-B35	EA LEG ASM. - 27.5" - RIGHT (B29)
2	101079-08-B38	EA LEG ASM. - 27.5" - RIGHT (B30)
2	101079-08-B37	EA LEG ASM. - 27.5" - RIGHT (B31)
2	093475-72-01A	EA BLIND-MINI, 13.5" X 28.5" DROP
		FROM: 00-00-00 THRU: 01-13-91
2	093475-72-02A	EA BLIND-MINI, 13.5" X 28.5" DROP (B29)
		FROM: 01-14-91 THRU: 99-99-99
2	093475-72-03A	EA BLIND-MINI, 13.5" X 28.5" DROP (B30, B31)
		FROM: 01-14-91 THRU: 99-99-99
3	101079-04-B29	EA LEG ASM. - 31.5" - LEFT
3	101079-04-B30	EA LEG ASM. - 31.5" - LEFT
3	101079-04-B31	EA LEG ASM. - 31.5" - LEFT

KEY	PART NUMBER	U/M DESCRIPTION
3	101079-02-B29	EA LEG ASM. - 31.5" - RIGHT
3	101079-02-B30	EA LEG ASM. - 31.5" - RIGHT
3	101079-02-B31	EA LEG ASM. - 31.5" - RIGHT
3	093475-63-01A	EA BLIND-MINI, 57.5" X 31.5" DROP
		FROM: 00-00-00 THRU: 01-13-91
3	093475-63-03A	EA BLIND-MINI, 57.5" X 31.5" DROP (B29)
		FROM: 01-14-91 THRU: 99-99-99
3	093475-63-04A	EA BLIND-MINI, 57.5" X 31.5" DROP (B30, B31)
		FROM: 01-14-91 THRU: 99-99-99
4	101079-05-B32	EA LEG ASM. - 31.5" - LEFT (B29)
4	101079-05-B33	EA LEG ASM. - 31.5" - LEFT (B30)
4	101079-05-B34	EA LEG ASM. - 31.5" - LEFT (B31)
4	101079-02-B29	EA LEG ASM. - 31.5" - RIGHT
4	101079-02-B30	EA LEG ASM. - 31.5" - RIGHT
4	101079-02-B31	EA LEG ASM. - 31.5" - RIGHT
4	093475-22-08A	EA BLIND-MINI, 57.5" X 31.5" DROP (B29)
		FROM: 00-00-00 THRU: 01-13-91
4	093475-22-03A	EA BLIND-MINI, 57.5" X 31.5" DROP (B29)
		FROM: 01-14-91 THRU: 99-99-99
4	093475-22-10A	EA BLIND-MINI, 57.5" X 31.5" DROP (B30, B31)
		FROM: 01-14-91 THRU: 99-99-99
5	084755-57-807	EA SHADE-PULL, 27.25"
6	093475-37-07A	EA BLIND-MINI, 57.5" X 31.5" DROP (B29)
		FROM: 00-00-00 THRU: 01-13-91
6	093475-37-01A	EA BLIND-MINI, 57.5" X 31.5" DROP (B29)
		FROM: 01-14-91 THRU: 99-99-99
6	093475-37-06A	EA BLIND-MINI, 57.5" X 31.5" DROP (B30, B31)
		FROM: 01-14-91 THRU: 99-99-99
7	100281-20-B29	EA LEG ASM. - LEFT
7	100281-20-B30	EA LEG ASM. - LEFT
7	100281-20-B31	EA LEG ASM. - LEFT
7	100281-19-B29	EA LEG ASM. - RIGHT
7	100281-19-B30	EA LEG ASM. - RIGHT
7	100281-19-B31	EA LEG ASM. - RIGHT
7	066335-43-B31	EA BLIND-PLEATED, 28" X 33" - EZ LIFT (B29, B31)
7	073280-23-B14	EA TIEBACK ASM. - 3" X 18" (B29)
	073280-23-B15	EA TIEBACK ASM. - 3" X 18" (B30, B31)
	073280-42-807	EA TIEBACK ASM. - 6" X 18" (B29)
	073280-42-809	EA TIEBACK ASM. - 6" X 18" (B30, B31)
	067534-01-000	EA TIEBACK - CLEAR PLASTIC - 6"
	067534-04-000	EA TIEBACK - CLEAR PLASTIC - 20"

**1991 ITALIA  
TABLE OF CONTENTS**

INTRODUCTION	A-01 -	A-02
ABBREVIATIONS		A-03
ALPHABETICAL INDEX	A-04 -	A-05
ICN2SRC	A-07 -	F-02
ICN34RQ	F-03 -	K-08

**1991 ICN2SRC INDEX**

FLOOR PLAN	A-07 -	A-08
ACCESSORIES	A-09 -	A-14
BATH	A-15 -	A-17
BEDROOM		A-18
CHASSIS	A-19 -	B-03
C C & PAD	B-04 -	B-13
DINETTE	B-14 -	B-16
DRIVERS	B-16 -	B-22
ELECTRICAL	B-23 -	C-03
EXTERIOR BODY	C-04 -	C-10
GALLEY	C-11 -	C-18
HEATING & AC	C-19 -	C-24
INTERIOR FINISH	D-01 -	D-04
LABELS	D-05 -	D-12
LP		D-13
LOUNGE		D-14
SEALANTS & FASTENERS	D-15 -	D-18
WATER & SEWAGE	D-19 -	D-24
WINDOW, VENT AND EXTERIOR DOOR	E-01 -	F-02

**CURTAIN, CUSHION & PAD GROUP (CONTINUED)**

**B29 WINDSHIELD CURTAINS**

KEY	PART NUMBER	U/M DESCRIPTION
	087884-03-807	EA CURTAIN ASM. WHOOK TOP - 34" X 75" (2 USED) FROM: 00-00-00 THRU: 12-16-90
	087884-01-B18	EA CURTAIN ASM. WHOOK TOP - 35" X 75" (2 USED) FROM: 12-17-90 THRU: 99-99-99

**B30 & B31 WINDSHIELD CURTAINS**

KEY	PART NUMBER	U/M DESCRIPTION
	087884-03-809	EA CURTAIN ASM. WHOOK TOP - 34" X 75" (2 USED) FROM: 00-00-00 THRU: 12-16-90
	087884-01-B40	EA CURTAIN ASM. WHOOK TOP - 35" X 75" (2 USED) FROM: 12-17-90 THRU: 99-99-99

**CURTAIN TRACKS AND HARDWARE**

KEY	PART NUMBER	U/M DESCRIPTION
	088878-12-B10	EA VALANCE-WINDOW, 21.9" - WOOD
	087919-04-01A	EA TRACK-CURTAIN, WRAPAROUND - DRIVER - OFF WHITE
	087919-03-01A	EA TRACK-CURTAIN, WRAPAROUND - PASSENGER - OFF WHITE
	087825-01-000	EA HOOK-DRAPERY
	048394-02-000	YD VELCRO TAPE-HOOK, ADHESIVE BACK - .75" WIDE - BEIGE
	028084-05-000	YD TAPE-LOOP, .50 WIDE, BEIGE
	028084-04-000	YD TAPE-LOOP, 1.0 WIDE, BLACK
	028088-03-000	YD TAPE-HOOK, 1.0 WIDE, BLACK
	088278-01-000	EA TAPE-DOUBLE SIDED, 1/2"
	087253-01-000	EA PULL-ROLLER SHADE, PLASTIC - CLEAR
	088843-01-000	EA SPRING-REWIND, ROLLER SHADE
	084434-01-000	EA BRACKET-MOUNTING, ROLLER SHADE - 1 3/8"
	088916-01-000	EA MOUNT-WINDOW LEG, BLACK
	083170-01-000	EA BRACKET-BLIND, REAR
	083170-02-000	EA BRACKET-BLIND, FRONT
	083475-01-700	EA WAND-BLIND, W/METAL CLIP - 0" LONG
	083475-01-701	EA END CAP-BLIND, W/STUD
	088891-02-000	EA BRACKET-BLIND, HOLD-DOWN - W/PIN
	048887-01-000	EA GROMMET-BRASS - 7/16" ID X 1" OD
	087885-01-000	EA MOUNTING BRACKET CLIPS
	087883-02-000	FT CORD-BLIND, PLEATED - GRAY (B29, B31)
	087883-08-000	FT CORD-BLIND, PLEATED - PEWTER (B30)
	102555-01-000	EA CLEAT-CORD, BLIND
	088138-02-000	EA HANGER-RING, PIN TYPE - BRASS
	078843-08-000	EA BLINCE-VALANCE, 1" X 106" X 14" - OFF WHITE
	101031-01-000	YD TAPE-GLIDE, CURTAIN - 4.25" SPACING
	101032-01-000	FT TRACK-CURTAIN, CEILING MOUNT - WHITE

**CURTAIN, CUSHION & PAD GROUP (CONTINUED)**

**PRIVACY CURTAINS**

KEY	PART NUMBER	U/M DESCRIPTION
	101888-01-B13	EA CURTAIN ASM. W/TAPE TOP - 54" X 50" (B29)
	101888-01-B15	EA CURTAIN ASM. W/TAPE TOP - 54" X 50" (B30, B31)

**FABRICS AND TRIMS**

KEY	PART NUMBER	U/M DESCRIPTION
	088008-87-000	YD FABRIC-MAIN UPHOLSTERY, COCOA (B29)
	088008-88-000	YD FABRIC-MAIN UPHOLSTERY, GRAY (B30)
	088008-83-000	YD FABRIC-MAIN UPHOLSTERY, PLUM (B31)
	088008-80-000	YD FABRIC-PATTERNED ACCENT, COCOA (B29)
	088008-89-000	YD FABRIC-PATTERNED ACCENT, GRAY (B30)
	088008-88-000	YD FABRIC-PATTERNED ACCENT, PLUM (B31)
	088008-82-000	YD FABRIC-PLAIN ACCENT, COCOA (B29)
	088008-81-000	YD FABRIC-PLAIN ACCENT, GRAY (B30)
	088008-81-000	YD FABRIC-PLAIN ACCENT, PLUM (B31)
	072333-77-000	YD FABRIC-DRAPERY/CURTAIN - TAUPE
	072333-78-000	YD FABRIC-DRAPERY/CURTAIN - SILVER
	088273-53-000	YD FABRIC-BEDSPREAD/CURTAIN, PATTERNED - 54" (B29)
	088273-55-000	YD FABRIC-BEDSPREAD/CURTAIN, PATTERNED - 54" (B30)
	088273-54-000	YD FABRIC-BEDSPREAD/CURTAIN, PATTERNED - 54" (B31)
	078880-07-000	YD FABRIC-VINYL, EXPANDED - CABINET END CAPS - BEIGE
	029219-01-000	YD FABRIC-VINYL, EXPANDED - ASSIST HANDLE - WHITE
	078880-08-000	YD FABRIC-VINYL, EXPANDED - SUNVISOR - OFF WHITE
	103807-01-01A	YD FABRIC-VINYL, EXPANDED - SUNVISOR - OFF WHITE
	075244-03-000	YD FABRIC-VINYL, SHOWER GUARD - ALMON
	087272-01-000	YD FABRIC-DRAPERY LINING, 48" - IVORY
	078788-02-000	YD FABRIC-VINYL FOAMBACK - INSTRUMENT PANEL - GRA
	088782-01-000	YC VELCRO-.75" HOOK, NON-ADHESIVE - BEIGE
	088782-02-000	YD VELCRO-.75" LOOP, ADHESIVE - BEIGE
	048384-020000	YD TAPE-HOOK, .75 X 50 YDS, BEIGE
	078348-01-B29	FT WELTING-FABRIC, BUCKET SEAT (B29)
	078348-01-ADR	FT WELTING-FABRIC, BUCKET SEAT (B30)
	078348-01-B31	FT WELTING-FABRIC, BUCKET SEAT (B31)
	087253-01-000	EA PULL-SHADE-GRABER, CLEAR PLASTIC

THESE PARTS WERE USED FROM 04-17-91 ON.

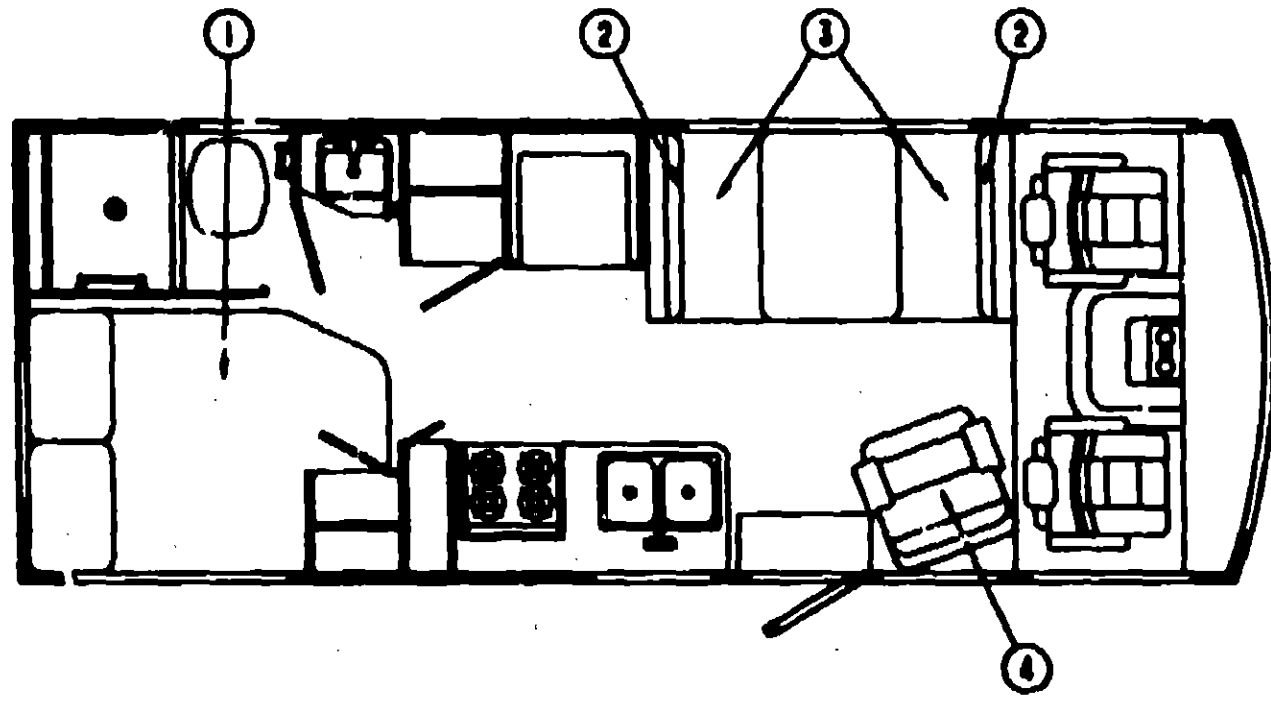
**1991 ITASCA  
TABLE OF CONTENTS**

INTRODUCTION	A-01	A-02
ABBREVIATIONS		A-03
ALPHABETICAL INDEX	A-04	A-08
ICN25RC	A-07	F-02
ICN34RQ	F-03	K-08

**1991 ICN25RC INDEX**

FLOOR PLAN	A-07	A-08
ACCESSORIES	A-09	A-14
BATH	A-15	A-17
BEDROOM		A-18
CHASSIS	A-19	B-09
C C & PAD	B-04	B-13
DINETTE	B-14	B-16
DRIVERS	B-16	B-22
ELECTRICAL	B-23	C-03
EXTERIOR BODY	C-04	C-10
GALLEY	C-11	C-18
HEATING & A/C	C-19	C-24
INTERIOR FINISH	D-01	D-04
LABELS	D-05	D-12
LP		D-13
LOUNGE		D-14
SEALANTS & FASTENERS	D-15	D-18
WATER & SEWAGE	D-19	D-24
WINDOW, VENT AND EXTERIOR DOOR	E-01	F-08

**CURTAIN, CUSHION & PAD GROUP (CONTINUED)**



**MATTRESS, BEDSPREAD & PILLOW SHAMS**

KEY	PART NUMBER	U/M DESCRIPTION
1	088176-06-000	EA MATTRESS-INNERSPRING, 54" X 75"
	085385-08-835	EA BEDSPREAD-DOUBLE, 54" (B29)
	085385-08-836	EA BEDSPREAD-DOUBLE, 54" (B30)
	085385-08-837	EA BEDSPREAD-DOUBLE, 54" (B31)
	085385-14-829	EA BEDSPREAD-DOUBLE, 54"
	085385-14-830	EA BEDSPREAD-DOUBLE, 54"
	085385-14-831	EA BEDSPREAD-DOUBLE, 54"
	102181-01-829	EA PILLOW & SHAM
	102181-01-830	EA PILLOW & SHAM
	102181-01-831	EA PILLOW & SHAM
	102181-05-829	EA PILLOW & SHAM
	102181-05-830	EA PILLOW & SHAM
	102181-05-831	EA PILLOW & SHAM
	081987-07-835	EA SHAM ONLY (B29)
	081987-07-836	EA SHAM ONLY (B30)
	081987-07-837	EA SHAM ONLY (B31)
	104178-02-829	EA SHAM ONLY
	104178-02-830	EA SHAM ONLY
	104178-02-831	EA SHAM ONLY

THESE PARTS ARE USED FROM 02-11-91 TO THE END OF YEAR.

**CURTAIN, CUSHION & PAD GROUP (CONTINUED)**

**DINETTE CUSHIONS**

KEY	PART NUMBER	U/M DESCRIPTION
2	088927-80-829	EA CUSHION BACKREST-14.5 X 38 X 5
2	088927-80-830	EA CUSHION BACKREST-14.5 X 38 X 5
2	088927-80-831	EA CUSHION BACKREST-14.5 X 38 X 5
	M88927-80-829	EA COVER-BACKREST, 14.5" X 38" X 5"
	M88927-80-830	EA COVER-BACKREST, 14.5" X 38" X 5"
	M88927-80-831	EA COVER-BACKREST, 14.5" X 38" X 5"
3	088927-87-829	EA CUSHION -SEAT, 23" X 38" X 5"
3	088927-87-830	EA CUSHION -SEAT, 23" X 38" X 5"
3	088927-87-831	EA CUSHION -SEAT, 23" X 38" X 5"
	M88927-87-829	EA COVER-CUSHION, SEAT - 23" X 38" X 5"
	M88927-87-830	EA COVER-CUSHION, SEAT - 23" X 38" X 5"
	M88927-87-831	EA COVER-CUSHION, SEAT - 23" X 38" X 5"

**ROCKER SWIVEL CHAIR**

KEY	PART NUMBER	U/M DESCRIPTION
4	101178-02-829	EA CHAIR-SWIVEL, W/O SEAT CUSHION OR SKIRT (B29/B22)
4	101178-02-830	EA CHAIR-SWIVEL, W/O SEAT CUSHION OR SKIRT (B30)
4	101178-02-831	EA CHAIR-SWIVEL, W/O SEAT CUSHION OR SKIRT (B31)
4	102754-01-829	EA SEAT-SWIVEL CHAIR (B29)
4	102754-01-830	EA SEAT-SWIVEL CHAIR (B30)
4	102754-01-831	EA SEAT-SWIVEL CHAIR (B31)

FOR ILLUSTRATION OF COMPONENT PARTS SEE FOLLOWING PAGES.

**BUNK CUSHION**

KEY	PART NUMBER	U/M DESCRIPTION
	080145-06-000	EA CUSHION-BUNK
	M80145-06-000	EA COVER, CUSHION - BUNK

**SEATBELT**

KEY	PART NUMBER	U/M DESCRIPTION
	007021-01-000	EA BELT-SEAT, 2" X 80" - BLACK
	057759-01-000	EA WASHER BRACKET-SEAT BELT, 4" DIAMETER
	000039-08-008	EA NUT-HEX, SER FLG LK - 3/8-18 ZN

**CARPETING**

KEY	PART NUMBER	U/M DESCRIPTION	DATE RANGE
	088080-18-000	SY CARPET-SAND, (B29)	FROM: 00-00-00 THRU: 02-10-81
	088080-28-000	SY CARPET-ROSE WOOD, (B29)	FROM: 02-11-81 THRU: 08-08-89
	088080-18-000	SY CARPET-SILVER CLOUD, (B30)	
	088080-20-000	SY CARPET-AUBERGINEL, (B31)	
	083488-01-000	SY CARPET-COMPARTMENT, 54" WIDE - DARK GRAY	
	075213-01-000	SY PAD-CARPET, 3/16" X 6" ROLL	
	078314-02-000	FT TAPE-CARPET SEAM, HEAT BOND - 4" W. E	
	047034-02-000	SF PLASTIC-CARPET, 4" WIDE - CLEAR POLY	
	085748-01-000	FT TRIM-J. CARPET - 1.2" X .8" ANGLE - 10' LONG - PVC - BEIGE	

**1991 NISSA  
TABLE OF CONTENTS**

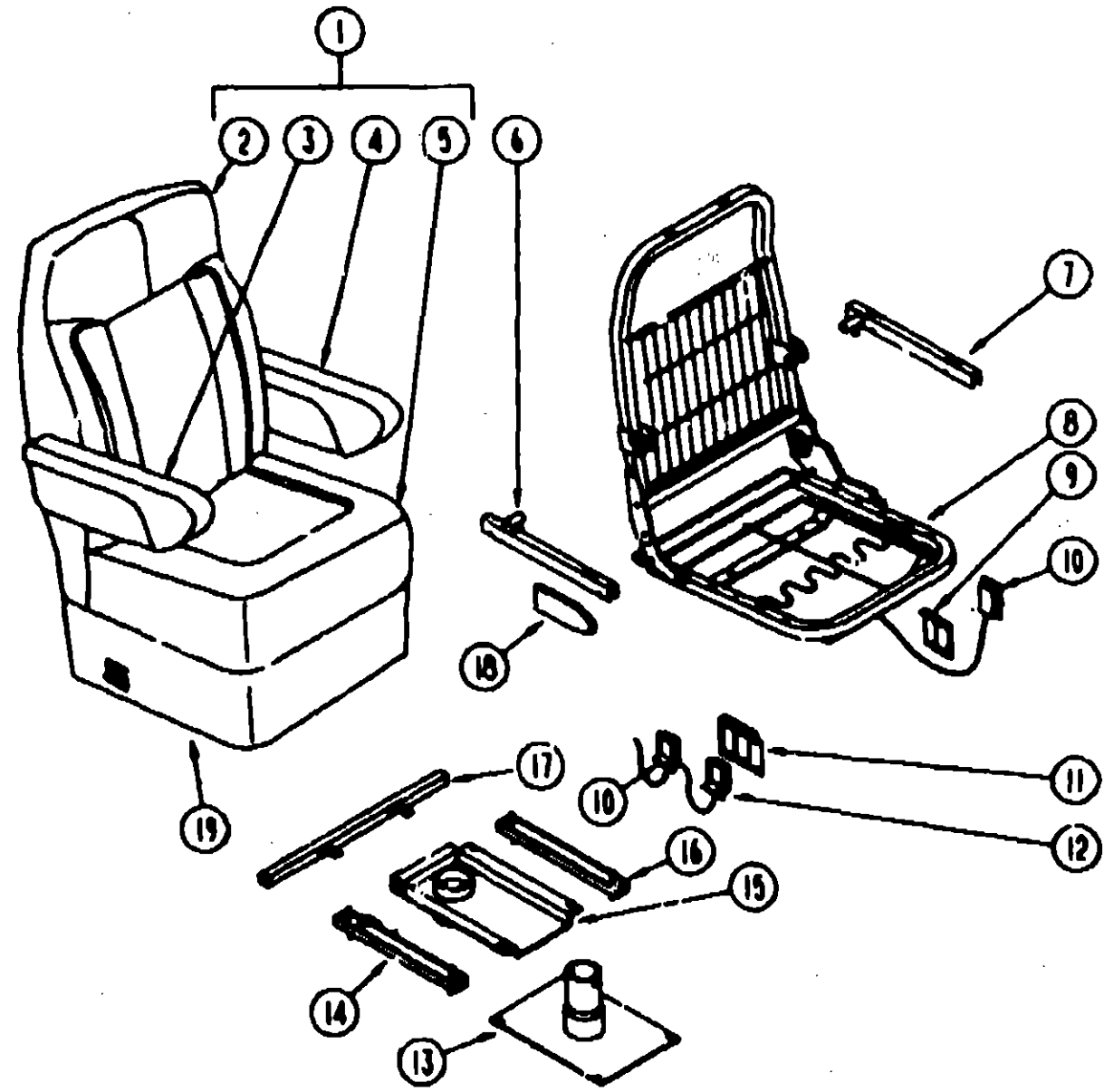
INTRODUCTION	A-01 - A-02
ABBREVIATIONS	A-03
ALPHABETICAL INDEX	A-04 - A-06
ICN25RC	A-07 - F-02
ICN34RC	F-03 - K-08

**1991 ICN25RC INDEX**

FLOOR PLAN	A-07 - A-08
ACCESSORIES	A-09 - A-14
BATH	A-15 - A-17
BEDROOM	A-18
CHASSIS	A-19 - B-03
C C & PAD	B-04 - B-13
DINETTE	B-14 - B-15
DRIVERS	B-16 - B-22
ELECTRICAL	B-23 - C-03
EXTERIOR BODY	C-04 - C-10
GALLEY	C-11 - C-18
HEATING A/C	C-19 - C-24
INTERIOR FINISH	D-01 - D-04
LABELS	D-05 - D-12
LIP	D-13
LOUNGE	D-14
SEALANTS & FASTENERS	D-15 - D-18
WATER & SEWAGE	D-19 - D-24
WINDOW, VENT AND EXTERIOR DOOR	E-01 - F-02

**CURTAIN, CUSHION & PAD GROUP (CONTINUED)**

**DRIVER & PASSENGER BUCKET SEATS**



**1991 ITASCA  
TABLE OF CONTENTS**

INTRODUCTION	A-01 -	A-02
ABBREVIATIONS		A-03
ALPHABETICAL INDEX	A-04 -	A-08
ICN25RC	A-07 -	F-02
ICN34RQ	F-03 -	K-08

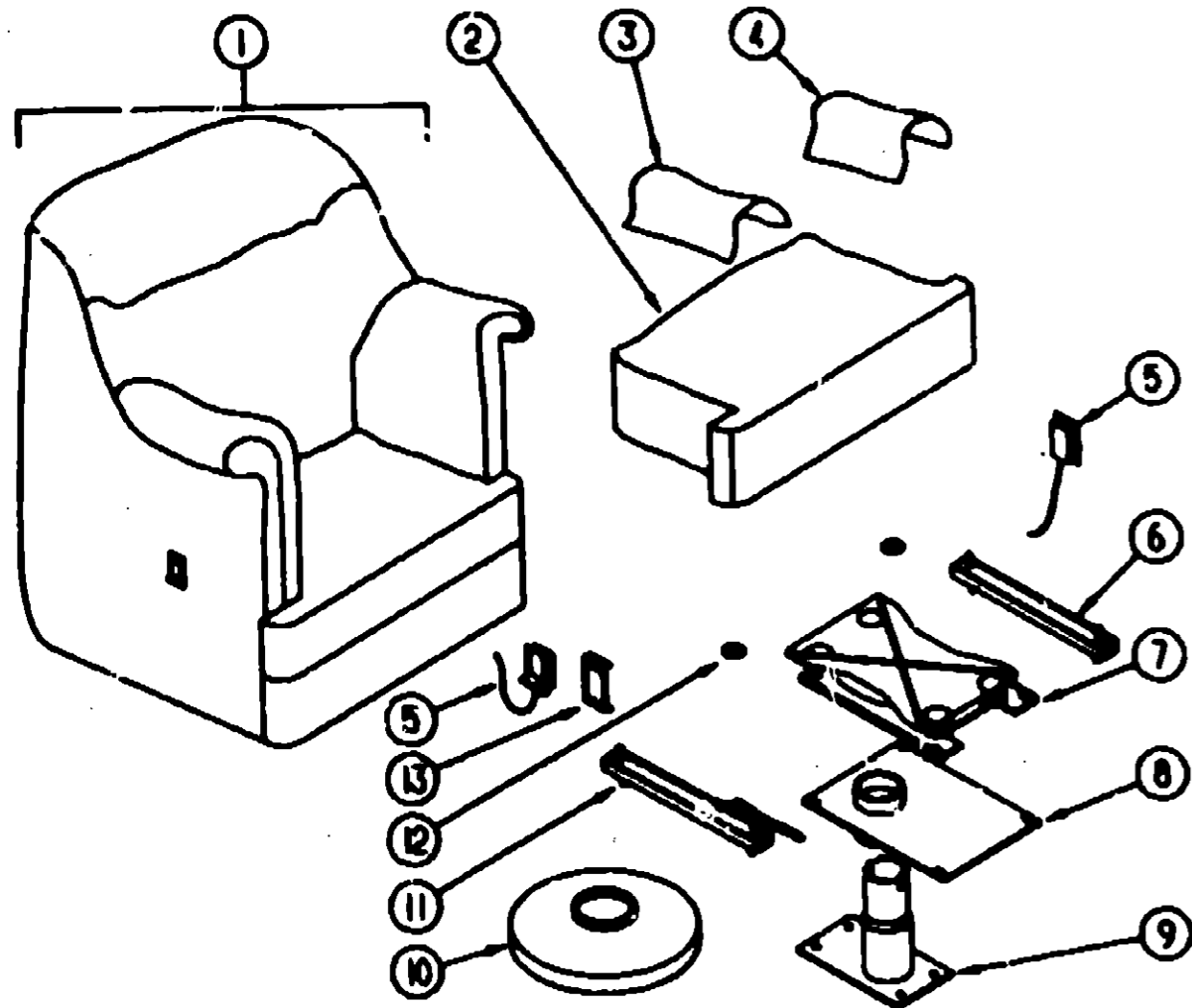
**1991 ICN25RC INDEX**

FLOOR PLAN	A-07 -	A-08
ACCESSORIES	A-09 -	A-14
BATH	A-15 -	A-17
BEDROOM		A-18
CHASSIS	A-19 -	B-08
C C & PAD	B-04 -	B-13
DINETTE	B-14 -	B-18
DRIVERS	B-16 -	B-22
ELECTRICAL	B-23 -	C-03
EXTERIOR BODY	C-04 -	C-10
GALLEY	C-11 -	C-18
HEATING & A/C	C-19 -	C-24
INTERIOR FINISH	D-01 -	D-04
LABELS	D-05 -	D-12
LP		D-13
LOUNGE		D-14
SEALANTS & FASTENERS	D-15 -	D-18
WATER & SEWAGE	D-19 -	D-24
WINDOW, VENT AND EXTERIOR DOOR	E-01 -	F-02

KEY	PART NUMBER	U/M DESCRIPTION	
2	M03445-23-B29	EA COVER-BACK (B29)	
2	M03445-26-B30	EA COVER-BACK (B30)	
2	M03445-28-B31	EA COVER-BACK (B31)	
3	080243-43-B29	EA ARMREST - RIGHT SIDE (B29)	
3	080243-43-B30	EA ARMREST - RIGHT SIDE (B30)	
3	080243-43-B31	EA ARMREST - RIGHT SIDE (B31)	
	M80243-43-B29	EA COVER-ARMREST - RIGHT SIDE (B29)	
	M80243-43-B30	EA COVER-ARMREST - RIGHT SIDE (B30)	
	M80243-43-B31	EA COVER-ARMREST - RIGHT SIDE (B31)	
4	080243-44-B29	EA ARMREST - LEFT SIDE (B29)	
4	080243-44-B30	EA ARMREST - LEFT SIDE (B30)	
4	080243-44-B31	EA ARMREST - LEFT SIDE (B31)	
	M80243-44-B29	EA COVER-ARMREST - LEFT SIDE (B29)	
	M80243-44-B30	EA COVER-ARMREST - LEFT SIDE (B30)	
	M80243-44-B31	EA COVER-ARMREST - LEFT SIDE (B31)	
5	M03445-27-B29	EA COVER-SEAT (B29)	FROM: 00-00-00 THRU: 02-10-91
5	M03445-27-B30	EA COVER-SEAT (B30)	FROM: 00-00-00 THRU: 02-10-91
5	M03445-27-B31	EA COVER-SEAT (B31)	FROM: 00-00-00 THRU: 02-10-91
5	M03445-37-B29	EA COVER-SEAT (B29)	FROM: 02-11-91 THRU: 99-99-99
5	M03445-37-B30	EA COVER-SEAT (B30)	FROM: 02-11-91 THRU: 99-99-99
5	M03445-37-B31	EA COVER-SEAT (B31)	FROM: 02-11-91 THRU: 99-99-99
6	101124-01-000	EA CHANNEL-ARMREST, RIGHT HAND	
7	101124-02-000	EA CHANNEL-ARMREST, LEFT HAND	
	081371-01-000	EA ROD-ARMREST, METAL	
8	M90908-06-000	EA FRAME-SEAT, BACK & SPRING	
	080731-02-000	EA HINGE-SLAVE, RECLINER - LEFT HAND	
	081372-01-000	EA BRACKET-ARMREST, RIGHT HAND	
	081372-02-000	EA BRACKET-ARMREST, LEFT HAND	
	101127-01-000	EA RECLINER-SEATBACK, LEFT HAND REMOTE	
9	087883-03-000	EA BRACKET-CABLE	
10	089378-04-000	EA CABLE-SWIVEL, W/SWITCH - BUCKET SEAT	
11	087883-02-000	EA BRACKET-CABLE	
12	087883-05-000	EA CABLE-RECLINER, W/SWITCH - BUCKET SEAT	
13	089586-08-000	EA BASE-BUCKET SEAT, BOLTS TO FLOOR - VERTICAL P	
14	089248-06-000	EA ADJUSTER-SLIDE, W/LOCK	
	089248-06-700	EA SPRING-ADJUSTER, FOR REMOTE	
	089248-06-701	EA CLIP-CABLE, FOR REMOTE	
15	083481-04-000	EA TOP PLATE-PEDESTAL, BUCKET SEAT - W/O SEATBELT BATT	
16	089248-02-000	EA ADJUSTER-BUCKET SEAT W/O LOCK, FORWARD AND BACK	
17	089585-28-000	EA BATT-SEAT BELT, BUCKET SEATS - 20"	
18	089379-08-000	EA SHIELD-CABLE, REMOTE RECLINER - BUCKET SEAT	
19	071126-24-929	EA SKIRT-BUCKET SEAT (B29)	
19	071126-24-AD2	EA SKIRT-BUCKET SEAT (B30)	
19	071126-24-B31	EA SKIRT-BUCKET SEAT (B31)	

KEY	PART NUMBER	U/M DESCRIPTION	
1	101284-01-B29	EA SEAT-BUCKET, W/O BASE OR SKIRT (B29)	FROM: 00-00-00 THRU: 02-10-91
1	101284-01-B30	EA SEAT-BUCKET, W/O BASE OR SKIRT (B30)	FROM: 00-00-00 THRU: 02-10-91
1	101284-01-B31	EA SEAT-BUCKET, W/O BASE OR SKIRT (B31)	FROM: 00-00-00 THRU: 02-10-91
1	101284-04-B29	EA SEAT-BUCKET, W/O BASE OR SKIRT (B29)	FROM: 02-11-91 THRU: 99-99-99
1	101284-04-B30	EA SEAT-BUCKET, W/O BASE OR SKIRT (B30)	FROM: 02-11-91 THRU: 99-99-99
1	101284-04-B31	EA SEAT-BUCKET, W/O BASE OR SKIRT (B31)	FROM: 02-11-91 THRU: 99-99-99

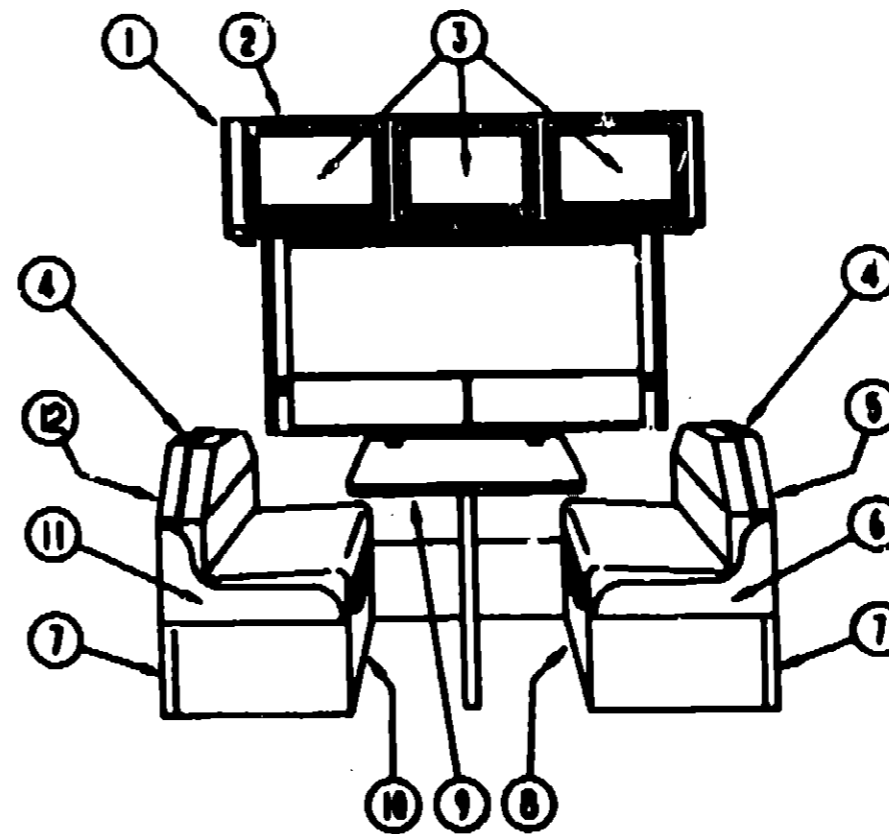
**CURTAIN, CUSHION & PAD GROUP (CONTINUED)**



**ROCKER SWIVEL CHAIR**

KEY	PART NUMBER	U/M DESCRIPTION
1	101178-02-B29	EA CHAIR-SWIVEL, W/O SEAT CUSHION (B29)
1	101178-02-B30	EA CHAIR-SWIVEL, W/O SEAT CUSHION (B30)
1	101178-02-B31	EA CHAIR-SWIVEL, W/O SEAT CUSHION (B31)
	P01178-02-B29	EA COVER-SWIVEL CHAIR (B29)
	P01178-02-B30	EA COVER-SWIVEL CHAIR (B30)
	P01178-02-B31	EA COVER-SWIVEL CHAIR (B31)
2	102784-02-B29	EA SEAT-SWIVEL CHAIR (B29)
2	102784-02-B30	EA SEAT-SWIVEL CHAIR (B30)
2	102784-02-B31	EA SEAT-SWIVEL CHAIR (B31)
	P02784-02-B29	EA COVER-SEAT, SWIVEL CHAIR (B29)
	P02784-02-B30	EA COVER-SEAT, SWIVEL CHAIR (B30)
	P02784-02-B31	EA COVER-SEAT, SWIVEL CHAIR (B31)
3	P01178-25-B29	EA SHIELD-ARMREST, SWIVEL CHAIR - RIGHT SIDE (B29)
3	P01178-25-B30	EA SHIELD-ARMREST, SWIVEL CHAIR - RIGHT SIDE (B30)
3	P01178-25-B31	EA SHIELD-ARMREST, SWIVEL CHAIR - RIGHT SIDE (B31)
4	P01178-26-B29	EA SHIELD-ARMREST, SWIVEL CHAIR - LEFT SIDE (B29)
4	P01178-26-B30	EA SHIELD-ARMREST, SWIVEL CHAIR - LEFT SIDE (B30)
4	P01178-26-B31	EA SHIELD-ARMREST, SWIVEL CHAIR - LEFT SIDE (B31)
5	088489-04-000	EA CABLE-SWIVEL, W/SWITCH - BUCKET SEAT
6	088489-02-000	EA ADJUSTER-SEAT/CHAIR, W/O LOCK - FORWARD & BACK
7	101187-01-000	EA ROCKER BOX-CHAIR, SWIVEL
8	089481-05-000	EA TOP PLATE-PEDESTAL, W/LOCK
8	089481-01-000	EA BASE-PEDESTAL, W/O EXTENSION
10	089482-01-000	EA SHROUD-PEDESTAL, 13" - PLASTIC - BLACK
11	088488-05-000	EA ADJUSTER-SEAT/CHAIR, W/REMOTE - FORWARD & BACK
	088488-05-700	EA SPRING-ADJUSTER, FOR REMOTE
	088488-05-701	EA CLIP-CABLE, FOR REMOTE
12	007221-01-000	EA WASHER-CONED, SEAT ADJUSTER SPACER
13	087883-03-000	EA BRACKET-REMOTE, SIDE MOUNT
	087330-01-070	EA BRACKET-STOP, SLIDING TRACK
	088706-02-000	EA BAR-SEAT BELT, 2.5" X 12.75"

**DINETTE GROUP**



**DINETTE CABINETS, PADS & SEATBELT**

KEY	PART NUMBER	U/M DESCRIPTION
1	082474-01-B29	EA END CAP-FRONT, OVERHEAD CABINET
2	M04186-14-B98	EA CABINET-OVERHEAD, DINETTE - W/O DOORS OR HARDWARE
3	P00823-01-B29	EA DOOR-CABINET, W/O HARDWARE - 14.4" X 21.9"
4	088484-01-B29	EA PAD-BACKREST TOP, DINETTE
4	088484-01-B30	EA PAD-BACKREST TOP, DINETTE
4	088484-01-B31	EA PAD-BACKREST TOP, DINETTE
5	M04089-04-B29	EA CABINET-BACKREST, FRONT - W/O HARDWARE
6	088432-02-B29	EA P/V-SEAT EDGE, DINETTE - FRONT
6	088432-02-B30	EA PAD-SEAT EDGE, DINETTE - FRONT
6	088432-02-B31	EA PAD-SEAT EDGE, DINETTE - FRONT
7	088433-01-B29	EA PAD-SEATBASE EDGE, DINETTE
7	088433-01-B30	EA PAD-SEATBASE EDGE, DINETTE
7	088433-01-B31	EA PAD-SEATBASE EDGE, DINETTE
8	M04070-04-B29	EA CABINET-SEATBASE, FRONT - W/O HARDWARE OR SEAT PADS
9	081285-01-A48	EA SUPPORT-DINETTE TABLE TO BED, 1.5" X 28" - WOOD
9	M02116-08-B03	EA TABLE-DINETTE, W/O HARDWARE
10	M04070-05-B29	EA CABINET-SEATBASE, REAR - W/O HARDWARE OR SEAT PADS
	081285-01-A48	EA SUPPORT-DINETTE TABLE TO BED, 1.5" X 28" - WOOD
11	088432-01-B29	EA PAD-SEAT EDGE, DINETTE - REAR
11	088432-01-B30	EA PAD-SEAT EDGE, DINETTE - REAR
	088432-01-B31	EA PAD-SEAT EDGE, DINETTE - REAR
12	M04089-05-B29	EA CABINET-BACKREST, REAR - W/O HARDWARE
	070578-01-B29	EA BUTTON-SCREWSTUD, #30
	070578-01-AF3	EA BUTTON-SCREWSTUD, #30 (B30)
	070578-01-B31	EA BUTTON-SCREWSTUD, #30
	007021-01-000	EA SEAT BELT, 2" X 90" - BLACK
	057759-01-000	EA WASHER BRACKET - SEAT BELT - 4" DIA
	000E13-20-008	EA WASHER-FL - 7/16 WIDE - ZINC
	000D44-07-008	EA NUT-HEX, SER FLO LK - 7/16 - ZINC

**1991 ITASCA  
TABLE OF CONTENTS**

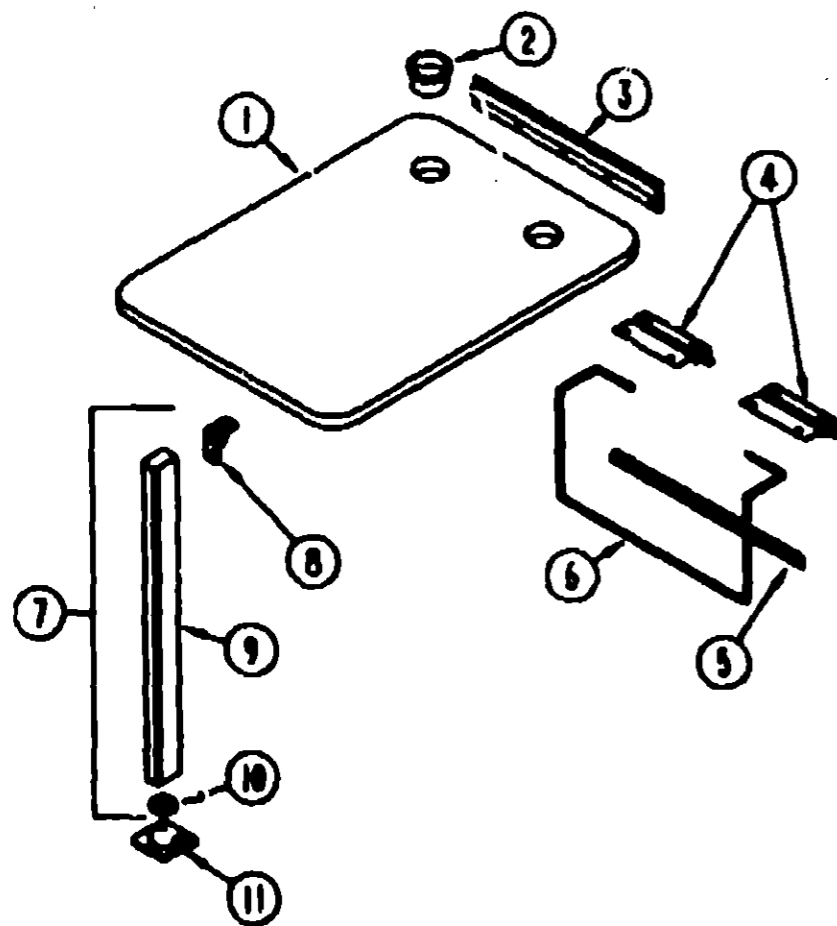
INTRODUCTION	A-01	A-02
ABBREVIATIONS	A-03	A-03
ALPHABETICAL INDEX	A-04	A-08
ICN2SRC	A-07	F-02
ICN34RO	F-03	K-08

**1991 ICN2SRC INDEX**

FLOOR PLAN	A-07	A-08
ACCESSORIES	A-09	A-14
BATH	A-15	A-17
BEDROOM		A-18
CHASSIS	A-19	B-08
C C & PAD	B-04	B-13
DINETTE	B-14	B-16
DRIVERS	B-16	B-22
ELECTRICAL	B-23	C-08
EXTERIOR BODY	C-04	C-10
GALLEY	C-11	C-18
HEATING & A/C	C-19	C-24
INTERIOR FINISH	D-01	D-04
LABELS	D-05	D-12
LP		D-13
LOUNGE		D-14
SEALANTS & FASTENERS	D-16	D-18
WATER & SEWAGE	D-19	D-24
WINDOW, VENT AND EXTERIOR DOOR	E-01	F-02



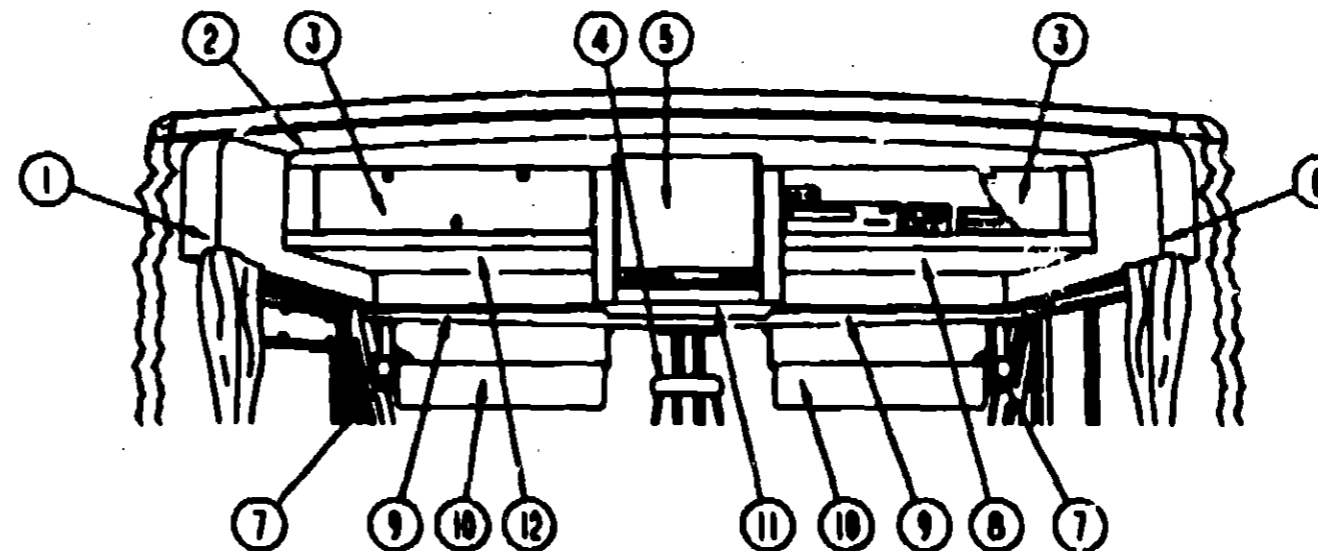
**DINETTE GROUP (CONTINUED)**



**DINETTE TABLE & COMPONENTS**

KEY	PART NUMBER	U/M DESCRIPTION
1	MO2116-08-808	EA TABLE-DINETTE, W/O HARDWARE
2	074364-01-000	EA BUMPER-CABINET DOOR, RUBBER - BROWN
3	064781-08-000	EA HOLDER-CUP, TWO STEP - OFF WHITE
4	063200-06-000	EA SUPPORT-TABLE, 23.5" BEIGE
5	088410-01-000	EA BRACKET-LIFT, TABLE MOUNTED - BEIGE
6	024281-07-000	EA BRACKET-LIFT ROD, LOWER WALL MOUNTED - BEIGE
8	024278-11-000	EA ROD-TABLE LIFT, 6" X 18.5" - BEIGE
7	082707-01-03A	EA MOLDING WOOD, TABLE LEG - 27" - REGAL OAK
10	089650-01-000	EA BRACKET-FOLDING LEG
9	082708-01-R38	EA LEG-TABLE
10	082583-01-04A	EA CATCH-TABLE LEG, BEIGE
11	048483-01-000	EA FLOOR CATCH - TABLE LEG - BEIGE

**DRIVERS COMPARTMENT GROUP**



**UPPER DRIVERS COMPARTMENT**

KEY	PART NUMBER	U/M DESCRIPTION
1	082471-04-01A	EA TRIM-SIDE, UPPER DRIVER - OFF WHITE - 33 1/4"
2	100898-01-829	EA CABINET FACE, FRONT OVERHEAD
3	100708-03-000	EA DOOR-GLASS, W/O HARDWARE
	100710-01-01A	EA LOCK-TWIST TYPE, BRASS
	100711-01-01A	EA HINGE-GLASS DOOR, BRASS
	101272-01-000	EA CATCH-GLASS DOOR, BRASS
4	040714-01-700	EA MIRROR INSIDE REAR VIEW KIT
5	P00623-84-829	EA DOOR-CABINET, CENTER OVERHEAD - W/O HARDWARE
6	082471-03-01A	EA TRIM-SIDE, UPPER PASSENGER - OFF WHITE - 33 1/4"
7	038420-02-000	EA FAN-DEFROSTER, 2 SPEED - 6" DIAMETER
	087372-03-01A	EA SWITCH-ON-OFF-ON
	000G39-08-248	EA SCREW-SF/DR, 8-18 X 1 1/2 PPH ZN
8	P00867-01-807	EA SHELF-CABINET BASE, PASSENGER SIDE
9	083884-01-700	EA HEADLINER-FRONT, PLASTIC - OFF WHITE
10	082288-05-807	EA SUNVISOR-DRIVER OR PASSENGER - OFF WHITE
	000G39-10-120	EA SCREW-SF/DR, 10-18 X 3/4 PPH - BLACK
	102377-01-000	EA BRACKET-VISOR, 1 PIECE
	007211-01-000	EA HINGE-SUNVISOR
	074012-01-000	EA CLIP-SUNVISOR, SQUARE - PINCH ON
	085708-01-000	EA MOUNT-SUNVISOR, CLIP TYPE - BLACK
11	P00868-01-807	EA SHELF-CABINET BASE, CENTER
	100864-01-000	EA SHELF-TV, STEEL
	101150-01-000	EA SUPPORT-SHELF, TV - PASSENGER SIDE - STEEL
	101150-02-000	EA SUPPORT-SHELF, TV - DRIVER SIDE - STEEL
12	P00867-02-807	EA SHELF-CABINET BASE, DRIVER SIDE

**1991 ITASCA  
TABLE OF CONTENTS**

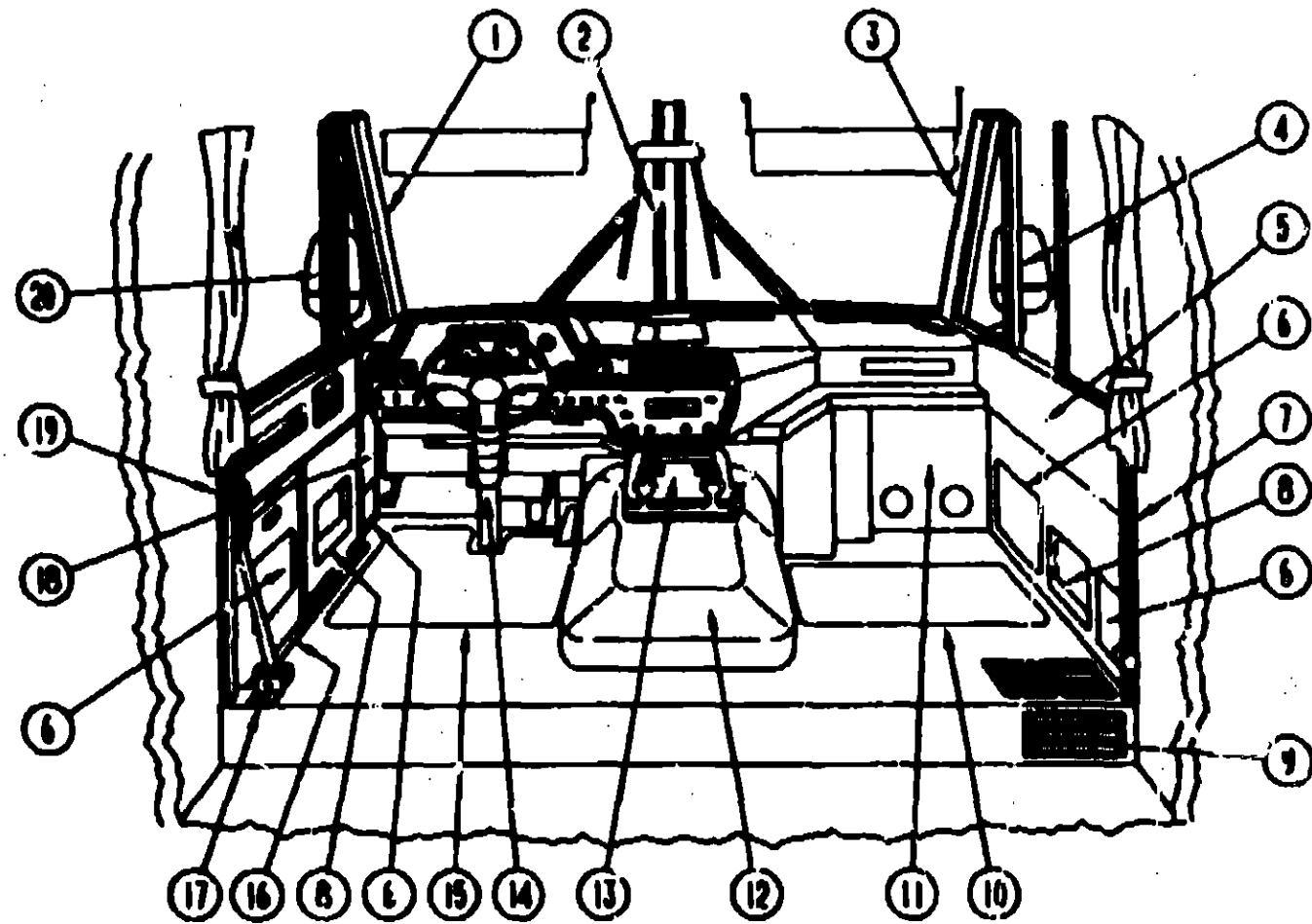
INTRODUCTION	A-01 -	A-02
ABBREVIATIONS		A-03
ALPHABETICAL INDEX	A-04 -	A-06
ICN25RC	A-07 -	F-02
ICN34RQ	F-03 -	K-08

**1991 ICN25RC INDEX**

FLOOR PLAN	A-07 -	A-08
ACCESSORIES	A-09 -	A-14
BATH	A-15 -	A-17
BEDROOM		A-18
CHASSIS	A-19 -	B-03
C C & PAD	B-04 -	B-13
DINETTE	B-14 -	B-16
DRIVERS	B-18 -	B-22
ELECTRICAL	B-23 -	C-03
EXTERIOR BODY	C-04 -	C-10
GALLEY	C-11 -	C-18
HEATING & A/C	C-19 -	C-24
INTERIOR FINISH	D-01 -	D-04
LABELS	D-05 -	D-12
LP		D-13
LOUNGE		D-14
SEALANTS & FASTENERS	D-15 -	D-18
WATER & SEWAGE	D-19 -	D-24
WINDOW, VENT AND EXTERIOR DOOR	E-01 -	F-02

# DRIVERS COMPARTMENT GROUP (CONTINUED)

## LOWER DRIVERS COMPARTMENT



KEY	PART NUMBER	U/M	DESCRIPTION
1	062584-02-02A	EA	COVER-A PILLAR, DRIVER - GRAY
2	077114-08-000	EA	COVER-CENTER PILLAR, WINDSHIELD - GRAY
2	077114-02-000	EA	COVER-CENTER PILLAR, WINDSHIELD - GRAY - UNCUT
3	062584-01-02A	EA	COVER-A PILLAR, PASSENGER - GRAY
4	062585-01-02A	EA	COVER-HINGE PILLAR, PASSENGER - GRAY
5	062582-01-02A	EA	PANEL - PASSENGER SIDE - GRAY
6	063195-01-B29	EA	PAD-DOOR
6	063195-01-B30	EA	PAD-DOOR
6	063195-01-B31	EA	PAD-DOOR
7	067240-01-01A	EA	COVER-B PILLAR, PASS - 56" X 2.1" - PLASTIC - OFF WHITE
8	067308-01-02A	EA	COVER-MAP POCKET
9	063614-01-01A	EA	GRILLE-RETURN AIR, FURNACE - 15.8" X 7.6" - BROWN
9	060328-01-000	EA	GRILLE-FLOOR, HEATING - 9.3" X 5.4" - BROWN
10	061202-02-000	EA	MAT-FLOOR, FRONT - PASSENGER
11	066757-01-B29	EA	COVER-HEATER, W/2 LOUVERED OUTLETS - 10.2" X 17.5"
11	066757-01-B30	EA	COVER-HEATER, W/2 LOUVERED OUTLETS - 10.2" X 17.5"
11	066757-01-B31	EA	COVER-HEATER, W/2 LOUVERED OUTLETS - 10.2" X 17.5"
	024990-03-000	EA	OUTLET DEFROSTER, W/SWIVEL - 2" DIA - TAN
	061739-01-000	EA	PANEL-TOE KICK, PASSENGER SIDE - 26.4" X 24.6" - STEEL
	061739-03-000	EA	PANEL-TOE KICK, PASSENGER SIDE - 26.4" X 24.6" - STEEL
			FROM: 00-00-00 THRU 02-10-91
			FROM: 02-11-91 THRU: 99-99-99
12	067532-01-000	EA	COVER-MOTOR W/O CARPET
	075664-01-000	EA	BRACKET-MOUNTING, MOTOR COVER
	062406-01-000	EA	TRIM-MOTOR COVER, ALUMINUM
	030623-01-000	FT	SEAL-MOTOR COVER, RUBBER BULB TYPE - BLACK
13	066133-01-B29	EA	TRAY-BEVERAGE, WOOD
	066911-01-01A	EA	INSERT-BEVERAGE TRAY
	066279-01-01A	EA	INSERT-BEVERAGE TRAY, 3.4" X 2.6"
	M04032-01-1B1	EA	DOWEL, WOOD STAINED
	077920-02-000	EA	WIRE ASM-BEVERAGE TRAY
14	078245-01-000	EA	BOOT-STEERING COLUMN
			FROM: 00-00-00 THRU 02-10-91
14	103488-01-000	EA	BOOT-STEERING COLUMN - BOTTOM
			FROM: 02-11-91 THRU: 99-99-99
14	103488-03-000	EA	BOOT-STEERING COLUMN - TOP
			FROM: 02-11-91 THRU: 99-99-99
	066770-02-000	EA	SUPPORT-STEERING COLUMN
15	061201-02-000	EA	MAT-FLOOR, FRONT - DRIVER
	061739-02-000	EA	PANEL-TOE KICK, DRIVER SIDE - 26.4" X 24.6" - STEEL
			FROM: 00-00-00 THRU 02-10-91
	061739-04-000	EA	PANEL-TOE KICK, DRIVER SIDE - 26.4" X 24.6" - STEEL
			FROM: 02-11-91 THRU: 99-99-99
16	067875-01-01A	EA	THRESHOLD-CAB DOOR, 26.5" - BLACK
17	061990-02-01A	EA	BRACKET-SEAT BELT, DRIVERS - FLOOR MOUNT
	061990-01-01A	EA	SEAT BELT-SHOULDER HARNESS - DRIVERS/PASSENGERS - BLACK
	061990-01-700	EA	BOLT COVER
18	062583-02-02A	EA	PANEL-KICK, LOWER DRIVER SIDE - GRAY
19	067239-01-01A	EA	COVER-B PILLAR, DR - 56" X 2.2" - PLASTIC - OFF WHITE
20	062585-02-02A	EA	COVER-HINGE PILLAR, DRIVER - GRAY

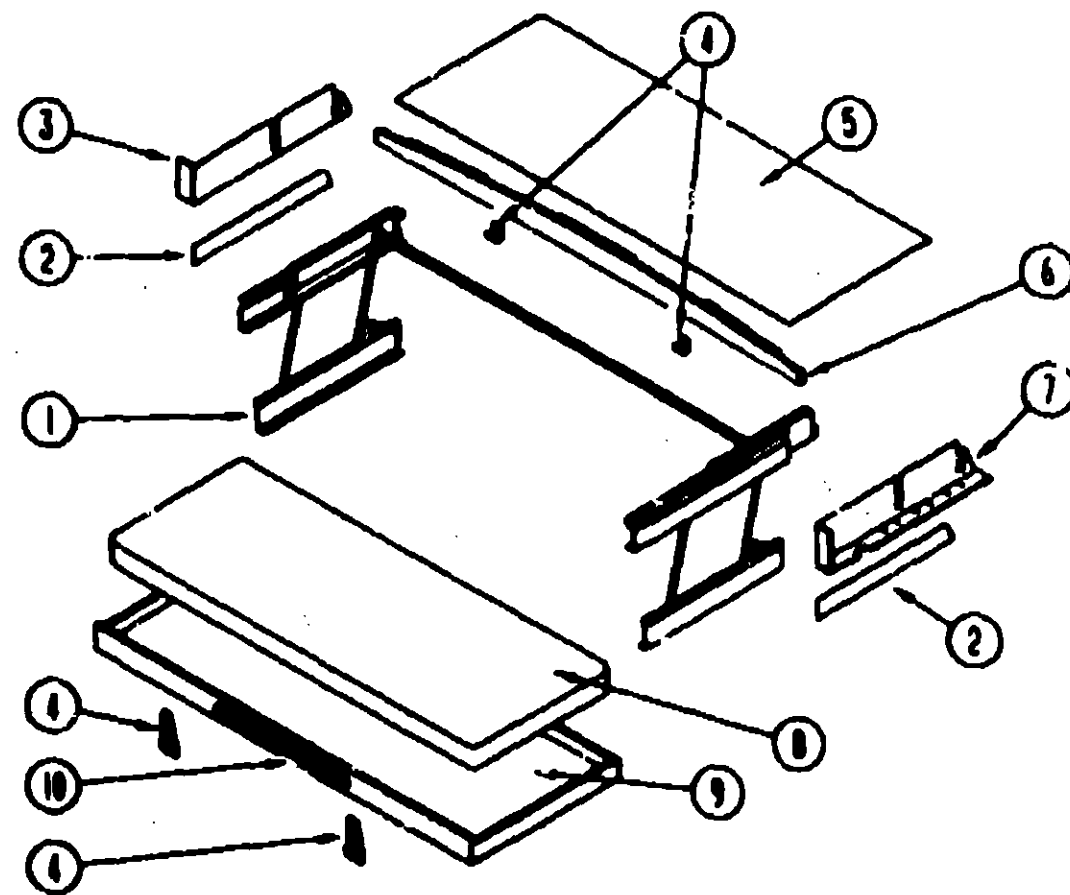
## 1991 ITASCA TABLE OF CONTENTS

INTRODUCTION	A-01	A-02
ABBREVIATIONS		A-03
ALPHABETICAL INDEX	A-04	A-06
ICN25RC	A-07	F-02
ICN34RQ	F-03	K-06

## 1991 ICN25RC INDEX

FLOOR PLAN	A-07	A-08
ACCESSORIES	A-09	A-14
BATH	A-15	A-17
BEDROOM		A-18
CHASSIS	A-19	B-09
C C & PAD	B-14	B-13
DINETTE	B-14	B-16
DRIVERS	B-10	B-22
ELECTRICAL	B-23	C-03
EXTERIOR BODY	C-04	C-10
GALLEY	C-11	C-18
HEATING & AC	C-19	C-24
INTERIOR FINISH	D-01	D-04
LABELS	D-05	D-12
LP		D-13
LOUNGE		D-14
SEALANTS & FASTENERS	D-15	D-18
WATER & SEWAGE	D-19	D-21
WINDOW, VENT AND EXTERIOR DOOR	E-01	F-02

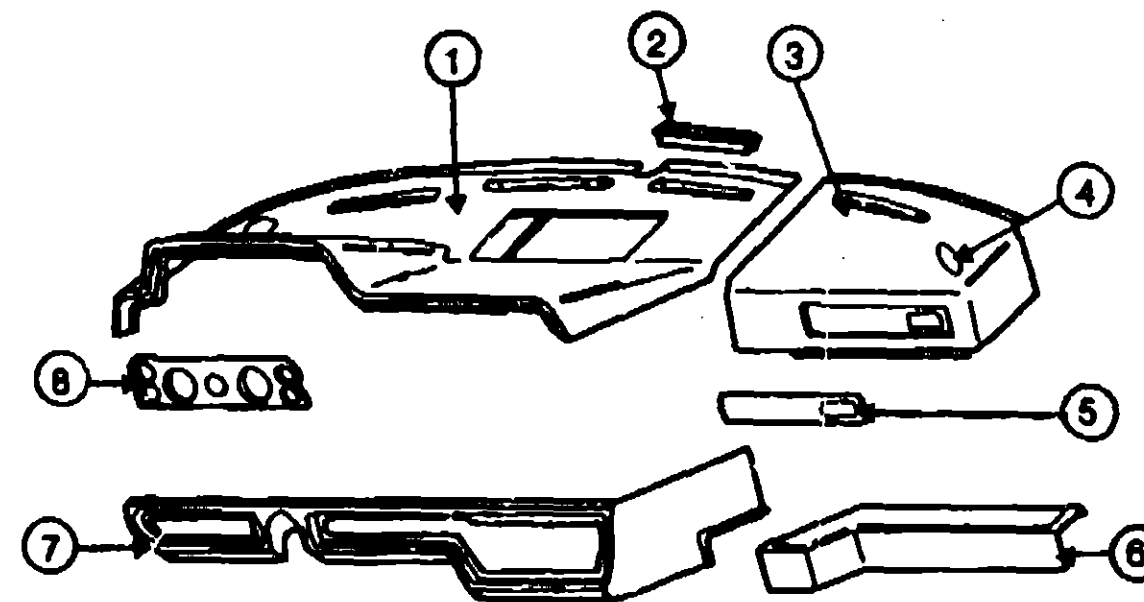
**DRIVERS COMPARTMENT GROUP (CONTINUED)**



**FRONT BUNK-SINGLE**

KEY	PART NUMBER	U/M DESCRIPTION
1	076780-02-000	EA BUNK HARDWARE
	076780-02-700	EA SPRING-GAS-BUNK HARDWARE
2	082472-02-01A	EA TRIM-SIDE, SIDE - LOWER DR & PASS - 15.5' LONG - OFF WHITE
3	082471-02-01A	EA TRIM-SIDE, UPPER DRIVER - OFF WHITE - 33 1/4'
4	042541-04-C00	EA LATCH-BRASS, W/O STRIKE - HASP TYPE - BRASS
4	042541-05-000	EA STRIKE-BRASS
	043485-04-C00	EA SCREW, 10-18 X 1 PTH W/WASHER - BEIGE
	076945-02-000	EA BRACE-ANGLE, 2 HOLES - 1' X 1.5' X 14" - ALUMINUM - BEIGE
5	082282-03-000	YD VINYL-FABRIC, 54" WIDE - CEILING
	082284-01-700	EA HEADLINER-FRONT, PLASTIC - OFF WHITE
	100423-01-01A	EA PLATE-MOUNTING, TRIANGLE SHAPED - PLASTIC
6	M89065-01-Y12	EA BOARD-BUNK, TRIM - CEILING MOUNTED
	U16804-03-000	EA BRACE-UNANGLED, 2.5' - BEIGE
7	082471-01-01A	EA TRIM-SIDE, UPPER PASSENGER - OFF WHITE - 33 1/4'
8	076148-06-000	EA CUSHION-BUNK, OVERHEAD - 30" X 73" X 4"
	M79148-06-000	EA COVER-BUNK CUSHION, OVERHEAD - 30" X 73" X 4"
9	081717-04-Y12	EA BED-BUNK, FRONT
10	084858-01-825	EA HANDLE-BUNK, OAK

**DRIVERS COMPARTMENT GROUP (CONTINUED)**



**DASH & INSTRUMENT PANELS**

KEY	PART NUMBER	U/M DESCRIPTION
1	102122-01-829	EA DASH-INSTRUMENT PANEL, UPPER - LEFT FROM: 00-00-00 THRU: 01-27-91
1	102122-02-829	EA DASH-INSTRUMENT PANEL, UPPER - LEFT FROM: 01-28-91 THRU: 99-99-99
2	091930-02-000	EA DUCT-DEFROSTER, W/O SIDE OUTLET ARA 0571020 FROM: 00-00-00 THRU: 07-22-90
2	091930-03-000	EA DUCT-DEFROSTER, W/O SIDE OUTLET - ARE 0571109 FROM: 07-22-90 THRU: 05-12-91
2	103017-01-000	EA PLENUM-DEFROSTER FROM: 05-13-91 THRU: 99-99-99
2	077075-01-000	EA GASKET-INSTRUMENT PANEL TO DEFROSTER PLENUM, 6" X 11.3"
	077075-02-000	EA GASKET-INSTRUMENT PANEL TO DEFROSTER PLENUM, 6" X 10.2"
3	085252-02-Y33	EA DASH-INSTRUMENT PANEL, UPPER - RIGHT
4	073741-03-000	EA SPEAKER-OVAL, 4" X 6"
4	073741-04-000	EA GRILLE-OVAL SPEAKER, 4" X 6"
5	076797-03-000	EA INSTRUMENT PANEL, RIGHT - MATTE
6	076734-04-000	EA INSTRUMENT PANEL, TRAY - RIGHT
7	101065-01-02A	EA DASH ASM. - INSTRUMENT PANEL, LOWER - LEFT
	076867-01-000	EA BRACKET-V LIPPED, 3.5" X 1" - STEEL - W/O SCREW HOLE
	076867-02-000	EA BRACKET-V LIPPED, 3.4" X 1" - STEEL - W/SCREW HOLE
	076872-01-000	EA BRACKET-V LIPPED, 2.7" X 1" - STEEL - W/O SCREW HOLE
	077001-01-000	EA ANGLE-MOUNTING, ROOF PANEL - V ANGLE - 3" X 2.4" X 1.5"
8	077353-01-000	EA SHROUD-INSTRUMENT CLUSTER, 20" X 5.1" - PLASTIC - BLACK
3	077353-09-000	EA SHROUD-INSTRUMENT CLUSTER, 20" X 5.1" - PLASTIC - BLACK (W/GENERATOR)

**1991 ITASCA  
TABLE OF CONTENTS**

INTRODUCTION	A-01 -	A-02
ABBREVIATIONS		A-03
ALPHABETICAL INDEX	A-04 -	A-05
ICN25RC	A-07 -	F-02
ICN34RQ	F-03 -	K-08

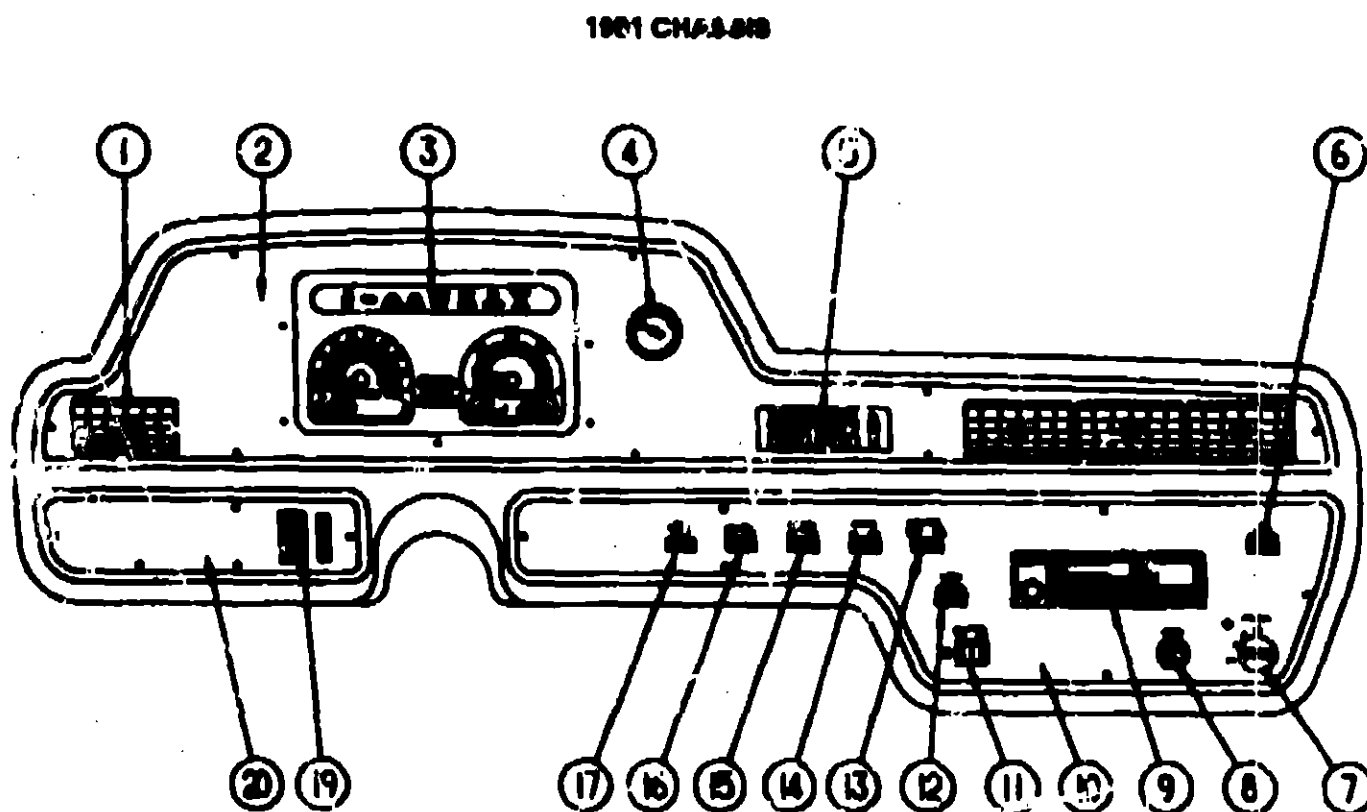
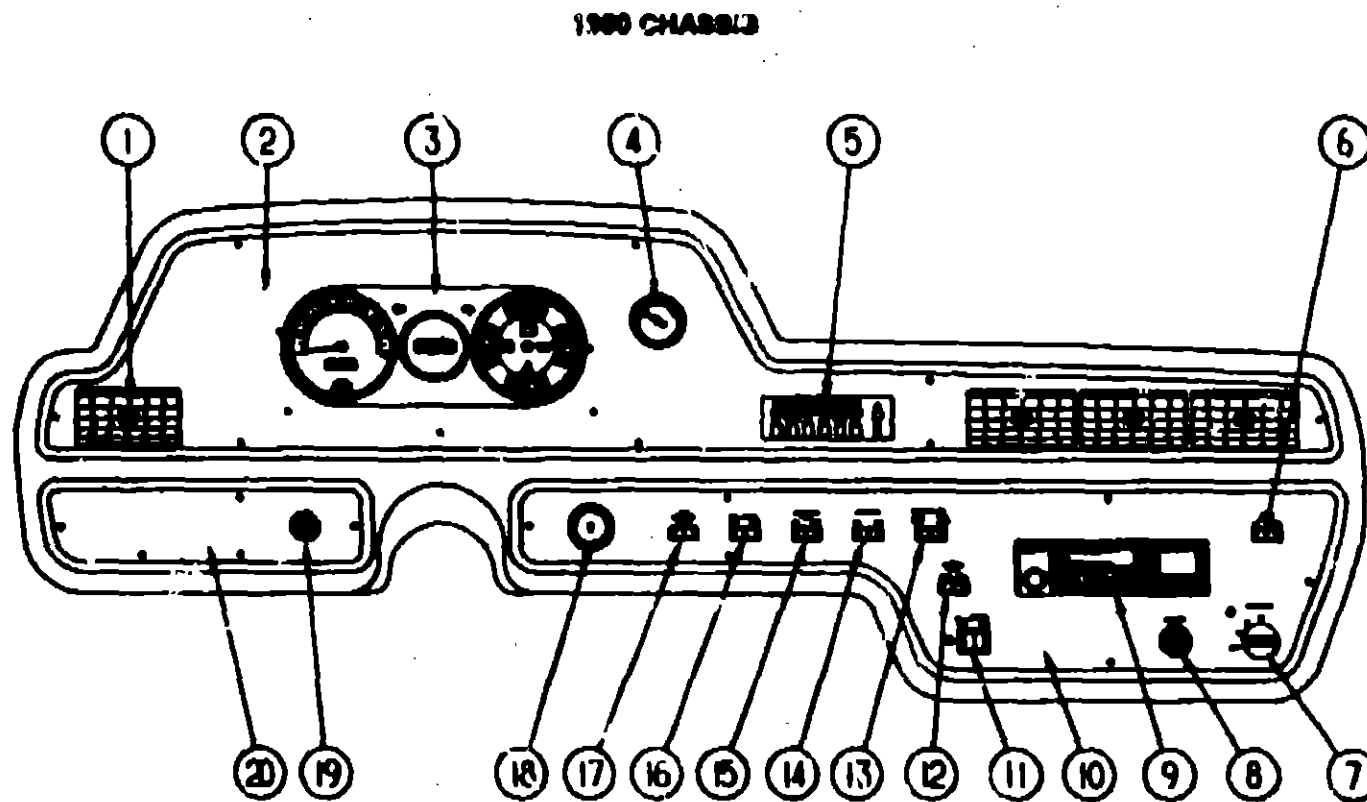
**1991 ICN25RC INDEX**

FLOOR PLAN	A-07 -	A-C8
ACCESSORIES	A-09 -	A-14
BATH	A-15 -	A-17
BEDROOM		A-18
CHASSIS	A-19 -	B-03
C C & PAD	B-04 -	B-13
DINETTE	B-14 -	B-15
DRIVERS	B-16 -	B-22
ELECTRICAL	B-23 -	C-03
EXTERIOR BODY	C-04 -	C-10
GALLEY	C-11 -	C-18
HEATING & AC	C-19 -	C-24
INTERIOR FINISH	D-01 -	D-04
LABELS	D-05 -	D-12
LP		D-13
LOUNGE		D-14
SEALANTS & FASTENERS	D-15 -	D-18
WATER & SEWAGE	D-19 -	D-24
WINDOW, VENT AND EXTERIOR DOOR	E-01 -	F-02

## DRIVERS COMPARTMENT GROUP (CONTINUED)

### DASH SWITCHES, GAUGES & COMPONENTS

### 1991 ITASCA TABLE OF CONTENTS



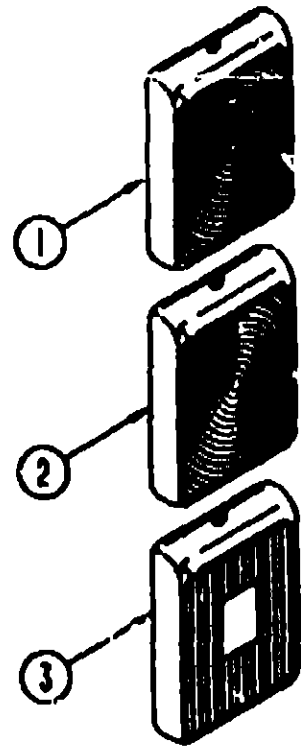
KEY	PART NUMBER	U/M DESCRIPTION
1	078783-02-000	EA LOUVER ASM. - ADJUSTABLE VENT - AIR CONDITIONING
2	100802-01-02A	EA BEZEL ASM. - INSTRUMENT PANEL - UPPER (90 CHASSIS) FROM: 00-00-00 THRU: 02-11-91
2	100802-02-02A	EA BEZEL ASM. - INSTRUMENT PANEL - UPPER (91 CHASSIS) FROM: 02-12-91 THRU: 03-17-91
2	100802-06-01A	EA BEZEL ASM. - INSTRUMENT PANEL - UPPER (91 CHASSIS) FROM: 03-18-91 THRU: 99-99-99
2	100802-08-02A	EA APPLIQUE-BEZEL - INSTRUMENT PANEL - W/BLACK CHIEFTAIN (91 CHASSIS) FROM: 03-18-91 THRU: 99-99-99
3	NOTE	EA INSTRUMENT CLUSTER - GAS (US) IS SUPPLIED BY CHASSIS MANUFACTURER
3	094798-01-000	EA INSTRUMENT CLUSTER - GAS (CANADIAN) (90 CHASSIS) FROM: 00-00-00 THRU: 02-11-91
3	094798-03-000	EA INSTRUMENT CLUSTER - GAS (CANADIAN) (91 CHASSIS) FROM: 02-12-91 THRU: 99-99-99
3	094798-04-000	EA INSTRUMENT CLUSTER - DIESEL
4	024460-04-000	EA VACUUM GAUGE
5	072341-01-710	EA CONTROL HEAD ASM. - W/O DECAL - AIR CONDITIONING
5	072341-01-722	EA DECAL ASM. - CONTROL HEAD
6	097372-01-01A	EA SWITCH-MAP LIGHT
7	090979-01-000	EA PLUG-INSTRUMENT PANEL, 45° DIA
7	087202-02-000	EA SWITCH-REAR AUTO HEATER
7	090977-01-000	EA KNOB-REAR AUTO HEATER SWITCH
8	089294-01-000	EA LIGHTER-CIGARETTE
9	097459-01-000	EA RADIO-AM/FM STEREO, CASSETTE
9	097460-02-000	EA RADIO-AM/FM STEREO, CASSETTE W/ELECTRONIC TUNE
10	101024-01-01A	EA INSTRUMENT PANEL, LOWER - RIGHT (90 CHASSIS) FROM: 00-00-00 THRU: 02-11-91
10	101024-02-01A	EA INSTRUMENT PANEL, LOWER - RIGHT (91 CHASSIS) FROM: 02-12-91 THRU: 99-99-99
11	089272-02-000	EA SWITCH-BATTERY DISCONNECT
11	081087-01-000	EA LIGHT ASM. - INDICATOR, JENSEN
12	097372-03-01A	EA SWITCH-DUAL BATTERY
13	097372-08-01A	EA SWITCH-RADIO POWER
14	097372-08-01A	EA SWITCH-BLANK
15	097372-08-01A	EA SWITCH-BLANK
16	097372-03-01A	EA SWITCH-AUXILIARY FANS
16	097372-08-01A	EA SWITCH-BLANK
17	097372-07-01A	EA SWITCH-COURTESY BLINKERS
18	NOTE	EA SWITCH-IGNITION
19	NOTE	EA SWITCH-HEADLAMP
20	101025-02-01A	EA BEZEL ASM. - INSTRUMENT PANEL, LOWER - LEFT (90 CHASSIS) FROM: 00-00-00 THRU: 02-11-91
20	101025-04-01A	EA BEZEL ASM. - INSTRUMENT PANEL, LOWER - LEFT (91 CHASSIS) FROM: 02-12-91 THRU: 99-99-99
	078788-01-000	EA SOCKET-MINI BAYONNET LAMP
	078788-02-000	EA CYLINDER-CARDHOLDER, LAMP
	078788-03-000	EA LAMP PLATE ASM.
	078788-04-000	EA LAMP PLATE ASM. - TURN SIGNAL
	077031-01-000	EA FILM-BLACK, 1" X 1.75"
	077031-02-000	EA FILM-AMBER, 1" X 1.75"

INTRODUCTION	A-01 - A-02
ABBREVIATIONS	A-03
ALPHABETICAL INDEX	A-04 - A-08
ICN25RC	A-07 - F-02
ICN34RQ	F-03 - K-08

### 1991 ICN25RC INDEX

FLOOR PLAN	A-07 - A-08
ACCESSORIES	A-09 - A-14
BATH	A-15 - A-17
BEDROOM	A-18
CHASSIS	A-19 - B-03
C C & PAD	B-04 - B-13
DINETTE	B-14 - B-16
DRIVERS	B-18 - B-22
ELECTRICAL	B-23 - C-03
EXTERIOR BODY	C-04 - C-10
GALLEY	C-11 - C-18
HEATING & A/C	C-19 - C-24
INTERIOR FINISH	D-01 - D-04
LABELS	D-05 - D-12
LP	D-13
LOUNGE	D-14
SEALANTS & FASTENERS	D-15 - D-18
WATER & SEWAGE	D-19 - D-24
WINDOW, VENT AND EXTERIOR DOOR	E-01 - F-02

**ELECTRICAL GROUP**



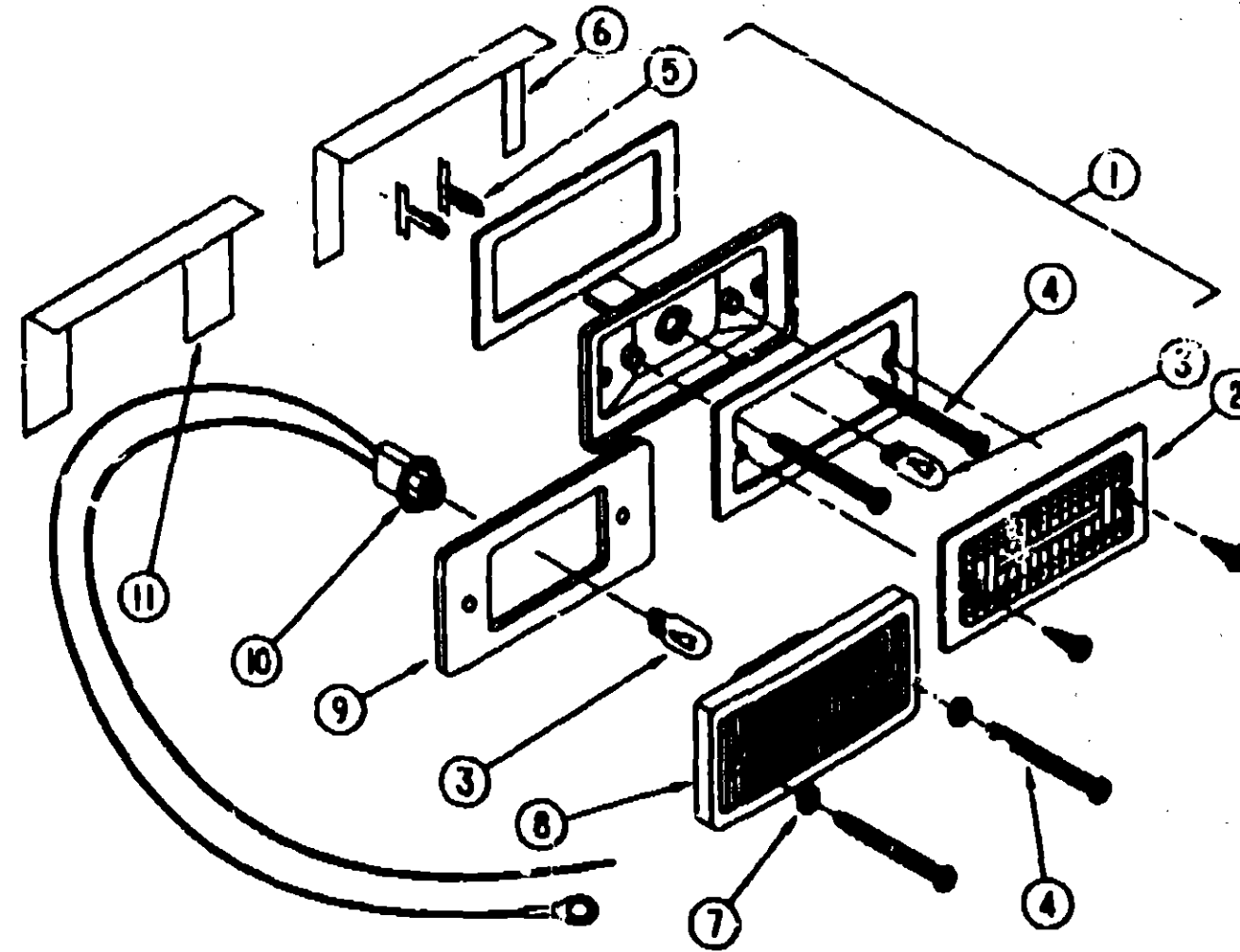
**EXTERIOR LIGHTS**

KEY	PART NUMBER	U/M DESCRIPTION
1	088291-01-000	EA LIGHT-TURN, W/RED LENS - LENS NA SEPERATELY
	037836-01-000	EA BULB-# 1157 - 12 V - 2.1 AMP
2	088292-01-000	EA LIGHT-TURN, W/AMBER LENS - LENS NA SEPERATELY
	037836-01-000	EA BULB-# 1157 - 12 V - 2.1 AMP
3	088290-01-000	EA LIGHT-BACKUP, W/RED & CLEAR LENS - LENS NA SEPERATELY
	037834-01-000	EA BULB-12V, # 1158 2.1 AMP
	087817-01-01A	EA LIGHT-PORCH, OFF WHITE - U.S.
	087817-01-700	EA LENS-LIGHT, PORCH
	008089-02-000	EA LIGHT-PORCH, RECESSED - CANADIAN
	008089-01-700	EA LENS-LIGHT, RECESSED - PORCH
	042406-01-000	EA LENS-CLEARANCE/SIDEMARKER LIGHT, W/REFLEX - RED
	042406-02-000	EA LENS-CLEARANCE/SIDEMARKER LIGHT - RECTANGULAR
	042406-02-001	EA LENS-CLEARANCE/SIDEMARKER LIGHT - FRONT - W/REFLEX - AMBER
	008213-01-000	EA BULB-12 V, NO. 57 - .24 AMP (CLEARANCE LIGHTS)
	081883-01-000	EA GASKET-SIDE MARKER LIGHT
	088382-01-000	EA LIGHT-SIDEMARKER, AMBER LENS & BASE - W/O BULB
	087789-01-000	EA SOCKET-LIGHT, W/8" BROWN/WHITE LEAD
	002103-01-000	EA BULB-DASH/VAIBLE LIGHT, #53 - 12 V - .12 AMP
	007308-01-000	EA LIGHT-LICENSE PLATE, ROUND - 12V
	087201-01-000	EA LIGHT-DUMP VALVE

**HEADLIGHTS AND PARK LIGHTS**

KEY	PART NUMBER	U/M DESCRIPTION
	081839-01-01A	EA BEZEL-HEADLAMP, PASSENGER - BLACK
	081839-02-01A	EA BEZEL-HEADLAMP, DRIVER - BLACK
	048186-01-000	EA HEADLAMP CAPSULE-PASSENGER, HIGH/LOW BEAM - RECTANGULAR
	048186-01-000	EA HEADLAMP CAPSULE-DRIVER, HIGH/LOW BEAM - RECTANGULAR
	048187-01-000	EA HEADLAMP CAPSULE-PASSENGER, HIGH BEAM - RECTANGULAR
	048188-01-000	EA HEADLAMP CAPSULE-DRIVER, HIGH BEAM - RECTANGULAR
	080030-02-000	EA HOUSING-HEADLAMP WIRING, HIGH BEAM
	088749-01-000	EA HOUSING-HEADLAMP WIRING, LOW BEAM
	084801-01-000	EA LAMP-PARK/TURN, GM # 918658 (BULB # MP82057)
	078345-01-000	EA LENS-PARK/TURN, 2.7" X 8" - AMBER
	078345-02-000	EA SOCKET-PARK/TURN LAMP

**ELECTRICAL GROUP (CONTINUED)**



**CLEARANCE LIGHTS**

KEY	PART NUMBER	U/M DESCRIPTION
1	081250-01-000	EA LIGHT-FRONT CLEARANCE, AMBER - LENS AND BASE ONLY
		FROM: 00-00-00 THRU: 09-09-99
1	081250-02-000	EA LIGHT-REAR CLEARANCE, RED - LENS AND BASE ONLY
		FROM: 00-00-00 THRU: 04-07-91
2	081250-01-700	EA LENS ONLY, AMBER
2	081250-02-700	EA LENS ONLY, RED
3	036195-01-000	EA BULB-12V - #194 - 27AMP
4	000339-08-248	EA SCREW, SELF DRIVING
	077856-01-000	EA J CLIP-MNYL COATED, 3/8" USED IN WIRING TO CLEARANCE LIGHTS
5	078378-01-000	EA TERMINAL-WEDGE BASE, 18 AWG NEEDED TO ATTACH SIDEMARKER AND CLEARANCE LIGHTS
6	081437-01-000	EA BRACKET-CLEARANCE LIGHT, L SHAPED METAL
7	002540-01-000	EA SEAL-SCREW, CLEARANCE LIGHT
8	102520-01-000	EA LIGHT-CLEARANCE, W/O SOCKET CONNECTION - AMBER
		FROM: 09-10-90 THRU: 99-99-99
8	102520-02-000	EA LIGHT-CLEARANCE, W/O SOCKET CONNECTION - RED
		FROM: 04-08-91 THRU: 99-99-99
9	102541-01-000	EA GASKET-CLEARANCE LIGHT
10	087789-02-000	EA SOCKET ASM.-CAB MARKER
11	102532-01-000	EA BRACKET-CLEARANCE LIGHT

**INVERTER OPTION**

KEY	PART NUMBER	U/M DESCRIPTION
	088048-01-000	EA INVERTER-100 WATT
	088475-01-000	EA PIN-CONNECTOR
	088476-01-000	EA SOCKET-CONNECTOR

**1991 ITASCA  
TABLE OF CONTENTS**

INTRODUCTION	A-01 -	A-02
ABBREVIATIONS		A-03
ALPHABETICAL INDEX	A-04 -	A-06
ICN25RC	A-07 -	F-02
ICN34RQ	F-03 -	K-08

**1991 ICN25RC INDEX**

FLOOR PLAN	A-07 -	A-08
ACCESSORIES	A-09 -	A-14
BATH	A-15 -	A-17
BEDROOM		A-18
CHASSIS	A-19 -	B-03
C C & PAD	B-04 -	B-13
DINETTE	B-14 -	B-15
DRIVERS	B-16 -	B-22
ELECTRICAL	B-23 -	C-03
EXTERIOR BODY	C-04 -	C-10
GALLEY	C-11 -	C-18
HEATING & A/C	C-10 -	C-24
INTERIOR FINISH	D-01 -	D-04
LABELS	D-05 -	D-12
LP		D-13
LOUNGE		D-14
SEALANTS & FASTENERS	D-15 -	D-16
WATER & SEWAGE	D-17 -	D-23
WINDOW, VENT AND EXTERIOR DECOR	E-01 -	F-02

## ELECTRICAL GROUP (CONTINUED)

### SWITCH, PLATES & RECEPTACLES

KEY	PART NUMBER	U/M DESCRIPTION
	068351-02-01A	EA PLATE-SWITCH, 2 GANG - POLISHED BRASS
	079984-01-000	EA SWITCH-OFF ROCKER, BROWN
	079984-03-000	EA SWITCH-OFF ROCKER, BLACK
	084078-01-000	EA RECEPTACLE-GFI, 15A - 125V - IVORY
	084078-02-000	EA RECEPTACLE-GFI, 15A - 125V - BROWN
	084077-01-000	EA PLATE-COVER, RECEPTACLE - GFI - IVORY
	084077-02-000	EA PLATE-COVER, RECEPTACLE - GFI - BROWN
	102568-01-B32	EA SPACER-RECEPTACLE, BETWEEN SIDE WALL & PLATE - WOOD NOT USED PRIOR TO 08-02-90
	068704-02-000	EA RECEPTACLE-DOUBLE ELECTRIC, IVORY
	068351-03-01A	EA PLATE-SWITCH, 3 GANG - POLISHED BRASS
	068707-01-000	EA RECEPTACLE-ELECTRIC, SINGLE - BROWN
	068708-02-000	EA RECEPTACLE-ELECTRIC, SINGLE - BROWN
	024924-02-000	EA RECEPTACLE-DOUBLE ELECTRIC, IVORY
	094351-01-01A	EA RECEPTACLE-POWER CORD, W/PARTIAL PLATE
	094086-01-01A	EA PLATE-SWITCH, 1 GANG - POLISHED BRASS
	094086-01-01A	EA SWITCH PLATE-SINGLE GANG - BLACK
	095188-01-01A	EA SPACER-SWITCH, DARK BROWN
	075736-03-000	EA COVER-EXTERIOR RECEPTACLE, BEIGE
	098527-01-000	EA DOOR-CIRCUIT BREAKERS
	098196-01-000	EA LATCH-1/4 TURN, T-BAR
	093674-01-000	EA PLATE-CIRCUIT BREAKER, HOUSE
	092549-01-000	EA PLATE-FUSE BOX

### MISCELLANEOUS ELECTRICAL COMPONENTS

KEY	PART NUMBER	U/M DESCRIPTION
	067782-01-000	EA CONVERTER-40 AMP, W/CHARGER - TRIAD TU-743 2
	092615-01-000	EA CONVERTER-40 AMP, W/CHARGER - BW 32400P
	067782-02-000	EA CONVERTER-40AMP, W/CHARGER - TRIAD TU-840-2 (CSA)
	094809-01-000	EA CENTER-LOAD, 240V - 125A - TPL 412CT
	007093-01-000	EA FLASHER-SIGNAL STAT
	024458-04-000	EA GAUGE-VOLTMETER
	068781-01-000	EA DIODE-6.0A/100 VOLT - MOTOROLA, NO MR751
	073328-F2-000	EA CABLE-3 GA, BLACK
	008052-01-000	EA CORD-POWER, 10/3 - 30 AMP - 25' (CANADIAN)
	008054-01-000	EA CORD-POWER, 10/3 - 30 AMP - 25'
	008054-02-000	EA CORD-POWER, 10/3 - 30 AMP - 33'

### CIRCUIT BREAKERS, FUSES & RELAYS

KEY	PART NUMBER	U/M DESCRIPTION
	008211-01-000	EA CIRCUIT BREAKER, 12V, 6 AMP
	083209-01-000	EA CIRCUIT BREAKER-15 AMP, 120V - BW G-15 - CANADIAN
	083209-02-000	EA CIRCUIT BREAKER-15/15AMP, 120V
	083209-03-000	EA CIRCUIT BREAKER-15/20AMP, 120V - BW - 0-15/20
	083209-05-000	EA CIRCUIT BREAKER-20A, 120V - BW J-20
	083209-06-000	EA CIRCUIT BREAKER-30/15 AMP, 120V - BW D-30/15
	083210-02-000	EA CIRCUIT BREAKER-GFI, 15A - 120V - BW U-15
	068779-01-000	EA BREAKER-CIRCUIT, 15 AMP - FASCO 1781
	097811-01-000	EA CIRCUIT BREAKER-6AMP, ATC - BLACK
	093654-01-000	EA CIRCUIT BREAKER-8 AMP, HOUSE CONTROL PANEL
	093654-02-000	EA CIRCUIT BREAKER-15 AMP
	093654-03-000	EA CIRCUIT BREAKER-20 AMP, HOUSE CONTROL PANEL
	093655-01-000	EA CIRCUIT BREAKER-25 AMP
	093655-02-000	EA CIRCUIT BREAKER-30 AMP, HOUSE CONTROL PANEL
	093655-03-000	EA CIRCUIT BREAKER-40 AMP
	097811-01-000	EA CIRCUIT BREAKER-6AMP, ATC - BLACK
	094810-01-000	EA CIRCUIT BREAKER-DOUBLE, 30 AMP
	094811-01-000	EA CIRCUIT BREAKER-DOUBLE, 20 AMP
	062901-02-000	EA FUSE-5 AMP, AUTOMOTIVE
	062901-05-000	EA FUSE-15 AMPS, AUTOMOTIVE
	093912-02-000	EA RELAY-CANISTER, SPDT W/RESIST
	008188-01-000	EA SOLENOID-3 POST, BATTERY CHANGE OVER
	088273-01-000	EA RELAY-BATTERY DISCONNECT

C-01

## ELECTRICAL GROUP (CONTINUED)

### CONNECTORS, HOUSINGS & SOCKETS

KEY	PART NUMBER	U/M DESCRIPTION
	007942-01-000	EA TAB-WIRE, 18 TO 14 AWG
	007949-01-000	EA TAB-HOUSING, 1 POSITION
	091865-01-000	EA TAB-HOUSING, 2 POSITION
	007940-01-000	EA RECEPTACLE-SLIDE, 18 TO 12 AWG
	080015-02-000	EA RECEPTACLE-FLAG, .185 - 18/14 GA - AMP 3
	008328-01-000	EA TERMINAL-RING, 18/14 WIRE - 3/8" STUD
	008328-01-000	EA TERMINAL-RING, 12/10 WIRE - #10 STUD FIT
	008348-01-000	EA TERMINAL-RING, 3/8" STUD - #2 WIRE
	035416-04-000	EA TERMINAL-RING #10 STUD FIT, INSULATED BARREL #18/14
	008331-01-000	EA TERMINAL-RING, TONGUE - #4 WIRE - 3/8" STUD - COPPER
	088273-C1-700	EA TERMINAL WIRE ASM
	062036-02-000	EA TERMINAL-PACK-CON, 18/14 AWG
	047443-01-000	EA TERMINAL-250 RECEPTACLE, FIT, INSULATED - 18/14 AWG
	076378-01-000	EA TERMINAL-WEDGE BASE, 18 AWG
	088473-01-000	EA PIN-HOUSING, 12 POSITION
	088473-02-000	EA PIN-HOUSING, 15 POSITION
	088473-03-000	EA PIN-HOUSING, 9 POSITION
	088473-05-000	EA PIN-HOUSING, 8 POSITION (SINGLE ROW)
	088473-06-000	EA PIN-HOUSING, 6 POSITION (TWO ROWS OF THREE)
	088473-08-000	EA PIN-HOUSING, 4 POSITION
	088473-09-000	EA PIN-HOUSING, 3 POSITION (SINGLE ROW)
	088473-10-000	EA PIN-HOUSING, 2 POSITION
	088475-01-000	EA PIN-CONNECTOR
	088475-02-000	EA PIN-CONNECTOR
	088474-01-000	EA SOCKET-HOUSING, 12 POSITION
	088474-02-000	EA SOCKET-HOUSING, 15 POSITION (3 ROWS OF 5)
	088474-03-000	EA SOCKET-HOUSING, 9 POSITION
	088474-06-000	EA SOCKET-HOUSING, 8 POSITION (2 ROWS OF THREE)
	088474-07-000	EA SOCKET-HOUSING, 5 POSITION
	088474-08-000	EA SOCKET-HOUSING, 4 POSITION (SINGLE ROW)
	088474-09-000	EA SOCKET-HOUSING, 3 POSITION
	088478-01-000	EA SOCKET-CONNECTOR
	088478-02-000	EA SOCKET-CONNECTOR 12-10 GA
	067789-02-000	EA SOCKET-LAMP
	077000-01-000	EA SOCKET ASM-W/8" PIGTAIL LEADS
	066298-01-000	EA WIRE-BATTERY DISCONNECT, RED
	066298-02-000	EA WIRE-BATTERY DISCONNECT, GREEN
	008001-01-000	FT WIRE-10AWG, STRAND - WHITE
	008026-01-000	FT WIRE-12/2, ROMEX - W/GROUND
	092786-01-000	EA BUSS BAR-2.1" LONG
	092786-02-000	EA BUSS BAR-3.3" LONG
	063910-01-000	EA HOUSING-RELAY
	101571-01-000	EA HOUSING-2 POSITION, MALE
	062037-01-000	EA HOUSING-AUTO FUSE, NATURAL
	062037-02-000	EA HOUSING-AUTO FUSE, GREEN
	062037-03-000	EA HOUSING-AUTO FUSE, BLACK
	062037-04-000	EA HOUSING-AUTO FUSE, BLUE
	062037-05-000	EA HOUSING-AUTO FUSE, GRAY
	062037-06-000	EA HOUSING-AUTO FUSE, BROWN
	088474-03-000	EA HOUSING-SOCKET, 9-POSITION
	064399-01-000	EA HOUSING-WIRED, TRAILER TOWING PIN
	097744-02-000	EA HOUSING-TRAILER PIN, 48"
	097746-01-000	EA HOUSING CAP-TRAILER PIN
	074017-02-000	EA HOUSING-5 POSITION, RIGHT ANGLE
	082740-01-000	EA CONNECTOR-PLASTIC BODY, FOR 2 MALE SPADES
	058028-01-000	EA CONNECTOR-ELECTRICAL PIGTAIL, NYLON - CLEAR
	082742-01-000	EA CONNECTOR BODY-3 CNCT FEMALE
	008311-01-000	EA CONNECTOR-WIRE NUT, INSULATED - RED
	008314-01-000	EA CONNECTOR-WIRE NUT, INSULATED - GRAY
	008355-01-000	EA CONNECTOR-CABLE CLAMPING, 3/4"
	008356-01-000	EA CONNECTOR-PLASTIC, 3/8" AVG
	065233-01-000	EA STUD-ISOLATED, 3/8" X 7/8" LONG
	090971-01-000	EA SPLICE-CABLE, 110V
	090971-02-000	EA SPLICE-CABLE, 110V - TAP
	031968-01-000	EA PLUG-CONTACT, BRASS

## 1991 ITASCA TABLE OF CONTENTS

INTRODUCTION	A-01	A-02
ABBREVIATIONS		A-03
ALPHABETICAL INDEX	A-04	A-08
ICN25RC	A-07	F-02
ICN34RC	F-03	K-08

## 1991 ICN25RC INDEX

FLOOR PLAN	A-07	A-08
ACCESSORIES	A-09	A-14
BATH	A-15	A-17
BEDROOM		A-18
CHASSIS	A-19	B-03
C C & PAD	B-04	B-13
DINETTE	B-14	B-15
DRIVERS	C-16	C-22
ELECTRICAL	B-23	C-03
EXTERIOR BODY	C-04	C-10
GALLEY	C-11	C-18
HEATING & A/C	C-19	C-24
INTERIOR FINISH	D-01	D-04
LABELS	D-05	D-12
LP		D-13
LOUNGE		D-14
SEALANTS & FASTENERS	D-15	D-18
WATER & SEWAGE	D-19	D-24
WINDOW, VENT AND EXTERIOR DOOR	E-01	F-02

C-02

## ELECTRICAL GROUP (CONTINUED)

### CONDUIT, BOXES & COVERS

KEY	PART NUMBER	U/M DESCRIPTION
	041963-01-000	FT CONDUIT-CONVOLUTED SLIT, 1/2" ID
	041963-08-000	FT CONDUIT-CONVOLUTED SLIT, 1" ID (CLOTHES ROD COVER)
	041963-05-000	FT CONDUIT-CONVOLUTED SLIT, .82"
	041963-07-000	FT CONDUIT-CONVOLUTED SLIT, .287" ID
	041963-09-000	FT CONDUIT-CONVOLUTED SLIT, .8"
	041963-11-000	FT CONDUIT-CONVOLUTED SLIT, 1.063"
	074890-01-000	EA BOX-EXTENSION, STEEL - OPEN SIDES - 4' X 4' X 1 1/2'
	008288-01-000	EA BOX-ELECTRICAL, STEEL - 1/2" AND 3/4" KNOCKOUTS - 4' X 4'
	008288-02-000	EA BOX-ELECTRICAL - 4' X 4' - 1/2" & 3/4" KNOCKOUTS (CANADIAN)
	083267-01-000	EA BOX-ELECTRICAL - CIRCUIT BREAKER
	091213-01-000	EA BOX-CIRCUIT BREAKER - W/KNOCKOUTS - 5.3" X 11.8" X 2.5"
	008288-01-000	EA BOX-ELECTRIC, PLASTIC - 3" X 3 1/2"
	008288-02-000	EA BOX-ELECTRIC, PLASTIC - 3.94" X 3.13" X 1.81"
	058048-01-000	EA BOX-ELECTRIC SWITCH, 2" X 3" X 2.25"
	019238-01-000	EA COVER-ELECTRICAL BOX, WHOLE - 4' X 4' - GRAY
	071897-01-000	EA COVER-ELECTRIC BOX, 1 LARGE & 2 SMALL HOLES - 4' X 4'
	006194-01-000	EA COVER-ELECTRICAL BOX, STEEL/BLANK - 4' X 4' - GRAY
	006194-01-000	EA COVER-ELECTRICAL BOX, STEEL/BLANK - 4' X 4' - GRAY

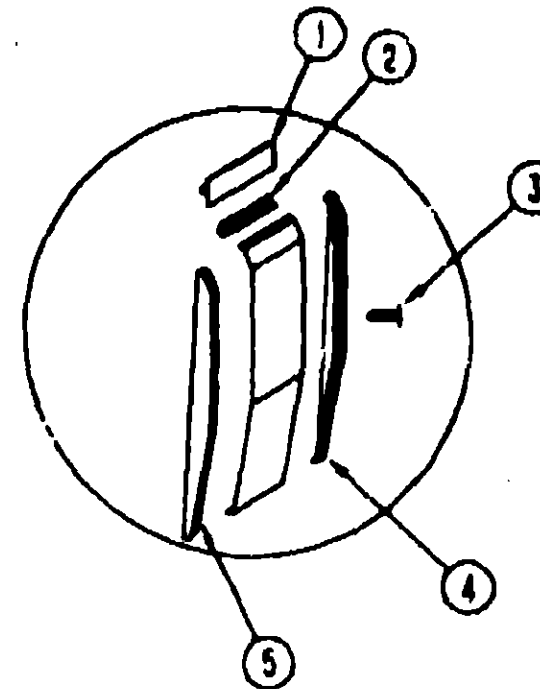
### WIRE ASSEMBLIES

KEY	PART NUMBER	U/M DESCRIPTION
	061354-01-000	EA WIRE ASSEMBLY-BACKWALL, GM FROM: 00-00-00 THRU: 04-07-91
	102181-02-000	EA WIRE ASSEMBLY-BACKWALL, GM FROM: 04-08-91 THRU: 99-99-99
	101819-01-000	EA WIRE ASSEMBLY-COOLING FAN ADAPTER FROM: 00-00-00 THRU: 02-10-91
	103347-01-000	EA WIRE ASSEMBLY-COOLING FAN ADAPTER FROM: 02-11-91 THRU: 99-99-99
	102343-01-000	EA WIRE ASSEMBLY-INSTRUMENT PANEL, CHEVY
	077920-02-000	EA WIRE ASM-BEVERAGE TRAY
	100158-01-000	EA WIRE ASM-DAYTIME RUNNING LIGHTS
	100159-01-000	EA WIRE ASM-DAYTIME RUNNING LIGHTS, W/FUSE
	097744-02-000	EA HOUSING-TRILER PIN, 48"
	097745-01-000	EA HOUSING-RECEPTACLE, TRAILER - 48" WIRE LENGTH
	097746-01-000	EA CAP-HOUSING, TRAILER PIN

### INTERIOR LIGHTS

KEY	PART NUMBER	U/M DESCRIPTION
	068023-02-01A	EA SHROUD-CEILING LIGHT, DOUBLE - IVORY
	091937-04-000	EA LIGHT-FLUORESCENT, 12 V - RECESSED - THIN-LITE
	091937-03-000	EA BULB-LIGHT FLOURESCENT 12V, LENS N/A SEPRATELY
	078424-02-000	EA LIGHT-FLUORESCENT, 12V DC - 13" - ALMOND
	078424-02-701	EA LENS-LIGHT, FLOURESCENT - 18"
	081633-01-000	EA LIGHT-MAKEUP, 4 BULBS - JENSEN 329-24BR FROM: 00-00-00 THRU: 05-06-90
	081633-01-000	EA LIGHT-MAKE-UP, 3 BULB - JENSEN X148-16BR FROM: 05-07-90 THRU: 99-99-99
	081633-01-700	EA BULB-MAKE UP LIGHT, JENSEN
	087894-01-000	EA LIGHT-WARDROBE/CLOSET, W/SWITCH
	087894-01-700	EA BULB
	098024-01-01A	EA LIGHT-DOME, 1 BULB - US - IVORY
	098024-01-700	EA LENS-DOME LIGHT
	008218-01-000	EA BULB-DOME LIGHT, 12V - NUMBER 1141
	081424-01-000	EA LIGHT-AISLE, 12V - RECTANGULAR
	008103-01-000	EA BULB-AISLE LIGHT, NUMBER 53 - 12 V - 12 AM
	086280-01-000	EA LIGHT-SURFACE MOUNT, 12V JENSEN 1238
	086281-01-700	EA BULB-12 VOLT, 8 WATT

## EXTERIOR BODY GROUP



### VALANCE PANELS & COMPONENTS

KEY	PART NUMBER	U/M DESCRIPTION
	1	092301-01-01A FT MOLDING-VALANCE TO SIDEWALL, 1.3" WIDE - PLASTIC - OFF WHITE
	2	009068-01-000 EA HINGE-ALUMINUM, NO HOLES - 1 1/16" X 6" - UNPAINTED
	3	094362-02-000 EA CLIP-CHRISTMAS TREE, FLAT HEAD - 354-220000-00-0078
	4	092890-01-01A EA END CAP-VALANCE, REAR ON DRIVERS, FRONT ON PASSENGERS
	5	092390-02-01A EA END CAP-VALANCE, FRONT ON DRIVERS, REAR ON PASSENGERS
		094355-01-01A EA RETAINER-VALANCE, 75.9" - OFF WHITE

### ASSIST HANDLE

KEY	PART NUMBER	U/M DESCRIPTION
	009126-02-000	EA HANDLE-ASSIST, ENTRY DOOR - BLACK
	063886-12-000	EA HANDLE-ASSIST, DRIVER DOOR - METAL - OFF WHITE

### SKINS AND PANELS AND STYROFOAM

KEY	PART NUMBER	U/M DESCRIPTION
	084882-15-000	EA PANEL-FIBERGLASS TO PARTICLE BOARD, 83.3" X 20.5" - OFF WHITE FROM: 00-00-00 THRU: 05-26-91
	076054-D3-001	EA SHEET-FIBERGLASS, 4' X 8' - OFF WHITE - FILON FROM: 05-27-91 THRU: 99-99-99
	076054-D3-008	EA SHEET-FIBERGLASS, 4' X 24.8" - OFF WHITE - FILON FROM: 05-27-91 THRU: 99-99-99
	076054-D6-001	EA SHEET-FIBERGLASS, 5' X 24' - OFF WHITE - FILON FROM: 05-27-91 THRU: 99-99-99
	077517-52-000	EA SHEET-FIBERGLASS, 29.69" X 27.88" - OFF WHITE
	001018-01-024	EA SHEET-ALUMINUM, 4' X 8' - FLAT - BEIGE
	044487-01-001	EA SHEET-ALUMINUM, .010" X 96" X 360" - MILL FINISH
	093743-01-02A	SF PLASTIC-ABS, 11.5" WIDE - OFF WHITE
	083574-01-000	SF STYROFOAM, DOW TYPE SM - 1.5" X 24" X 85.25" - INC OF 14 SF
	000868-01-000	SF STYROFOAM-.75" X 24" X 96" - INCREMENTS OF 16 SF
	000870-03-000	SF STYROFOAM-1.34" X 48" X 96" - INCREMENTS OF 32 SF
	000870-05-000	SF STYROFOAM-.5" X 24" X 96", INCREMENTS OF 16 SF

## 1991 ITASCA TABLE OF CONTENTS

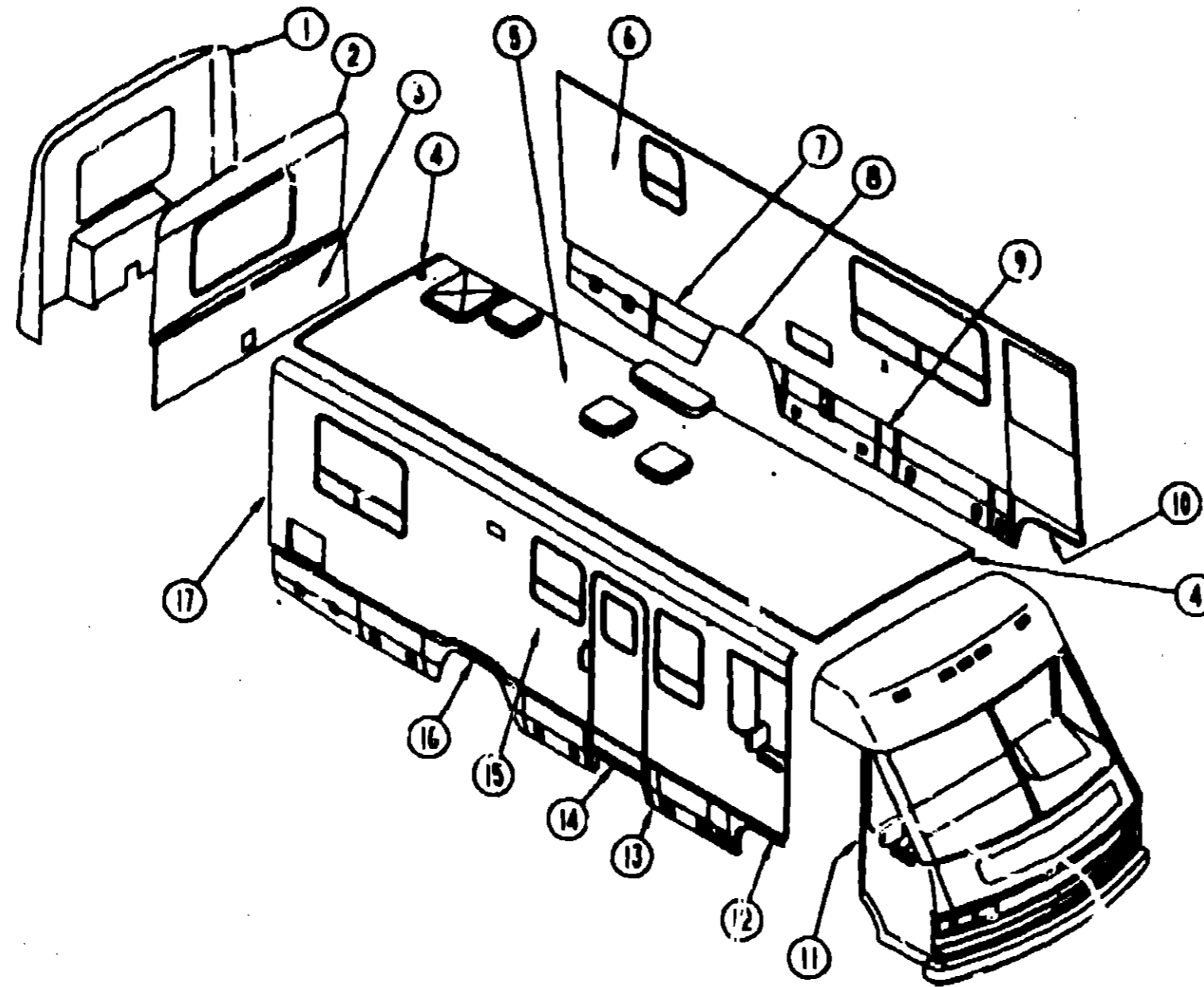
INTRODUCTION	A-01 -	A-08
ABBREVIATIONS		A-09
ALPHABETICAL INDEX	A-04 -	A-08
ICN25RC	A-07 -	F-02
ICN34RC	F-03 -	K-08

## 1991 ICN25RC INDEX

FLOOR PLAN	A-07 -	A-08
ACCESSORIES	A-09 -	A-14
BATH	A-15 -	A-17
BEDROOM		A-18
CHASSIS	A-19 -	B-03
C C & PAD	B-04 -	B-13
DINETTE	B-14 -	B-15
DRIVERS	B-18 -	B-22
ELECTRICAL	B-23 -	C-03
EXTERIOR BODY	C-04 -	C-10
GALLEY	C-11 -	C-18
HEATING & A/C	C-19 -	C-24
INTERIOR FINISH	D-01 -	D-04
LABELS	D-05 -	D-12
LP		D-13
LOUNGE		D-14
SEALANTS & FASTENERS	D-15 -	D-18
WATER & SEWAGE	D-19 -	D-24
WINDOW, VENT AND EXTERIOR DOOR	E-01 -	F-02

## EXTERIOR BODY GROUP (CONTINUED)

### EXTERIOR BODY PANELS AND TRIM



### 1991 IT/SCA TABLE OF CONTENTS

INTRODUCTION	A-01	A-08
ABBREVIATIONS		A-08
ALPHABETICAL INDEX	A-04	A-08
ICN25RC	A-07	F-08
ICN34RQ	F-03	K-08

### 1991 ICN25RC INDEX

FLOOR PLAN	A-07	A-08
ACCESSORIES	A-09	A-14
BATH	A-15	A-17
BEDROOM		A-18
CHASSIS	A-19	B-03
C C & PAD	B-04	B-13
DINETTE	B-14	B-15
DRIVERS	B-16	B-22
ELECTRICAL	B-23	C-03
EXTERIOR BODY	C-04	C-10
GALLEY	C-11	C-18
HEATING & A/C	C-19	C-24
INTERIOR FINISH	D-01	D-04
LABELS	D-05	D-12
LP		D-13
LOUNGE		D-14
SEALANTS & FASTENERS	D-15	D-18
WATER & SEWAGE	D-19	D-24
WINDOW, VENT AND EXTERIOR DOOR	E-01	F-02

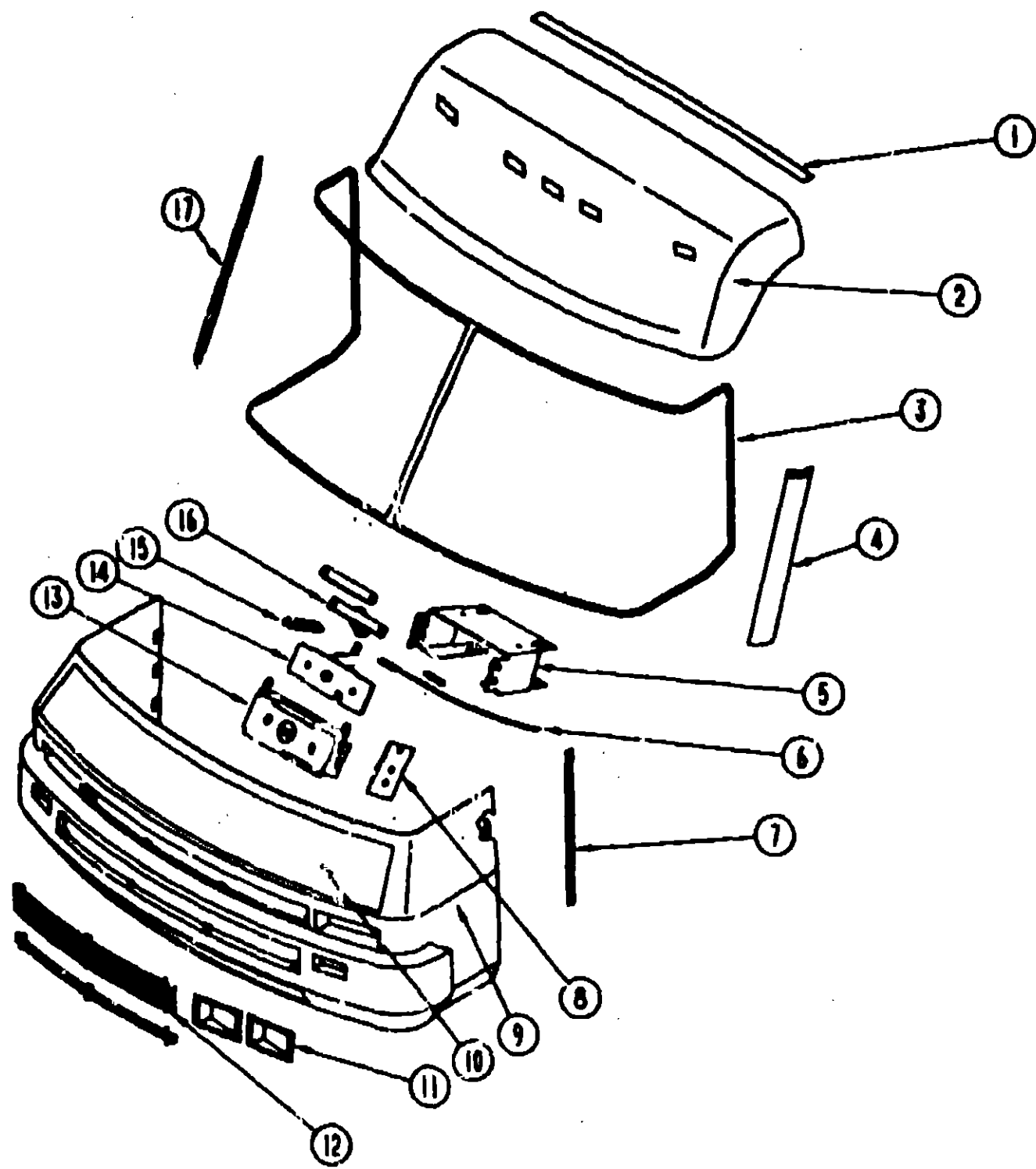
KEY	PART NUMBER	U/M DESCRIPTION
1	097197-01-01A	EA CAP-REAR, FIBERGLASS - W/O LIGHTS & 2 DOORS
2	092527-01-B29	EA BACKWALL ASM-UPPER
3	092528-05-B29	EA BACKWALL ASM-LOWER
4	083805-14-000	EA TRIM-ROOF, 8.4' MILL FINISHED
5	M98908-01-B07	EA ROOF-W/O VENTS OR CUTOUTS - (SPECIAL ORDER ITEM)
6	P01253-01-B29	EA SIDEWALL-DRIVERS, W/O WINDOWS, LIGHTS OR DOORS (SPECIAL ORDER ITEM)
7	093245-02-Y33	EA PANEL-WHEEL LIP, REAR - DRIVER SIDE - BEIGE - 82.4"
8	094345-02-01A	EA TRIM-WHEELWELL, MILL FINISH - 21.3' LONG - ANGLE - ALUMINUM
	M04019-01-000	EA BRIDGE-WHEELWELL, E-COATED
9	093022-01-Y33	EA PANEL-VALANCE, LEFT SIDE - FRONT CENTER - BEIGE

KEY	PART NUMBER	U/M DESCRIPTION
10	099585-02-01A	EA PANEL-WHEEL LIP, PLASTIC - OFF WHITE
11	098204-01-02A	EA TRIM-J, .5" WIDTH EXPOSED - 1" X 29" LONG - ALUMINUM - OFF WHITE
12	099585-01-01A	EA PANEL-WHEEL LIP, PLASTIC - OFF WHITE
13	093022-02-Y33	EA PANEL ASM-VALANCE, OFF WHITE - 4.1' X 19.4"
14	092709-01-01A	EA STEP-VALANCE, OFF WHITE
	044582-02-000	EA CAP-DRIP, JAMB MOUNTED - OFF WHITE
15	PG1254-01-B29	EA SIDEWALL-PASSENGER, W/O WINDOW, LIGHT, OR DOOR (SPECIAL ORDER ITEM)
	095023-01-000	EA SUPPORT-VALANCE, 10.8" X 10.8"
16	093245-01-Y33	EA PANEL-WHEEL LIP, OFF WHITE
17	091985-01-01A	FT INSERT-TRIM, .85" WIDE - VINYL - OFF WHITE
17	092041-01-02A	EA TRIM-REAR CAP TO SIDEWALL, 1.8" X 83" - ALUMINUM - OFF WHITE
	094355-01-01A	EA RETAINER-VALANCE, 75.8" - OFF WHITE
	092301-01-01A	FT MOLDING-VALANCE TO SIDEWALL, 1.3" WIDE - PLASTIC - OFF WHITE



# EXTERIOR BODY GROUP (CONTINUED)

## FRONT END COMPONENTS



KEY	PART NUMBER	QTY	DESCRIPTION
1	083906-14-000	EA	TRIM-ROOF TO FRONT CAP
2	M02058-07-AE8	EA	CAP-ROOF, FRONT - WRIGHTS
3	081888-01-000	EA	MOLDING-REVEAL, WINDSHIELD - SURROUNDS BOTH WINDSHIELDS
4	081901-02-000	EA	TRIM-PILLAR, BETWEEN WINDSHIELD & VENT GLASS - BLACK
5	073342-01-000	EA	BRACKET ASM-STRIKER, HOOD (MOUNTS TO CROSSMEMBER)
6	082893-02-000	EA	CROSSMEMBER-CENTER, U-CHANNEL STEEL - 2" X 48"
8	102087-01-000	EA	CABLE ASM-HOOD RELEASE
	010487-08-000	EA	CLAMP-CLOSED, .125"
7	088204-01-01A	EA	TRIM-BEAM, FRONT END TO SIDEWALLS
8	102516-01-000	EA	BRACKET-HOOD RELEASE CABLE
9	M01115-21-Y33	EA	FRONT END-FIBERGLASS, BEIGE - W/O HOOD CL HINGES
10	M02877-01-Y33	EA	PANEL-HOOD, W/BRACKETS ONLY - BEIGE
	068837-01-000	EA	BRACKET-PROP ROD
	082824-01-000	EA	CLIP-PROP ROD
	094060-01-000	EA	ROD ASM-PROP HOOD
	088927-01-000	EA	GROMMET RUBBER - PROP RED
	078718-02-000	EA	BRACKET ASM-LATCH - INCLUDED WITH HOOD
	083861-01-Y35	EA	HINGE-HOOD, PASSENGER
	083861-02-Y35	EA	HINGE-HOOD, DRIVER
	083227-01-01A	EA	HINGE-HOOD, LOWER SECTION ONLY - PASSENGER
	083227-02-01A	EA	HINGE-HOOD, LOWER SECTION ONLY - DRIVER
	077252-01-000	EA	PIN-HINGE
	068788-01-000	EA	BOLT-HOOD ADJUSTING
	R77007-51-429	EA	BRACKET-HOOD RELEASE
	078772-01-000	EA	CLIP-SPEED, TUBE TYPE
	077049-01-000	EA	NUT-ACORN, 10-32 ALUMINUM
	083295-02-000	EA	BRACKET-LATCH, HOOD
	085235-02-000	EA	BEARING-SNAP IN, 3/16" ID X 3/16"
	085094-01-000	EA	NUT-ACORN, 1/4 - 20 ALUMINUM
11	091839-02-01A	EA	BEZEL-HEADLAMP, DRIVER - BLACK
	091839-01-01A	EA	BEZEL-HEADLAMP, PASSENGER - BLACK
12	083004-01-Y33	EA	GRILLE-5 BAR
	083171-02-000	EA	BRACKET-GRILLE, UPPER - 2" X 1.7"
13	073338-02-000	EA	BRACKET-MOUNTING, LATCH
14	R77007-51-429	EA	LATCH ASM-HOOD RELEASE
15	R77006-39-499	EA	SPRING-CABLE, HOOD LATCH
16	R77007-01-95U	EA	STRIKER-LATCH, HOOD
	075810-01-000	EA	SPRING-STRIKER, LATCH - HOOD
17	081901-01-000	EA	TRIM-PILLAR, BETWEEN WINDSHIELD & VENT GLASS - BLACK
	083284-02-000	EA	BRACE-LATCH, HOOD

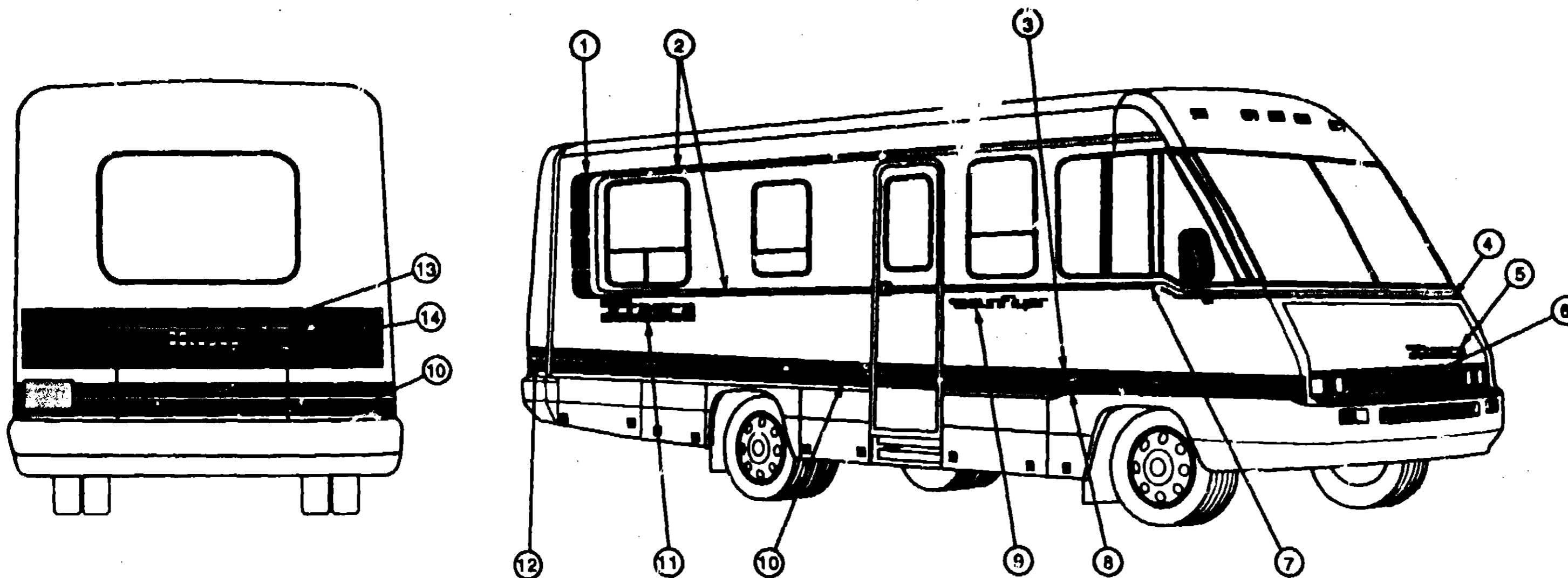
## 1991 ITASCA TABLE OF CONTENTS

INTRODUCTION	A-01 -	A-02
ABBREVIATIONS		A-03
ALPHABETICAL INDEX	A-04 -	A-08
ICN25RC	A-07 -	F-02
ICN249Q	F-08 -	K-08

## 1991 ICN25RC INDEX

FLOOR PLAN	A-07 -	A-08
ACCESSORIES	A-09 -	A-14
BATH	A-15 -	A-17
BEDROOM		A-18
CHASSIS	A-19 -	B-03
C C & PAD	B-04 -	B-13
DINETTE	B-14 -	B-15
DRIVERS	B-16 -	B-22
ELECTRICAL	B-23 -	C-03
EXTERIOR BODY	C-04 -	C-10
EXTERIOR	C-11 -	C-18
HEATING & AC	C-19 -	C-24
INTERIOR FINISH	D-01 -	D-04
LABELS	D-05 -	D-12
LP		D-13
LOUNGE		D-14
SEALANTS & FASTENERS	D-15 -	D-18
WATER & SEWAGE	D-19 -	D-24
WINDOW, VENT AND EXTERIOR DOOR	E-01 -	F-02

**EXTERIOR BODY GROUP (CONTINUED)**  
DECALS & PAINT



**1991 ITASCA  
TABLE OF CONTENTS**

INTRODUCTION	A-01 -	A-02
ABBREVIATIONS		A-03
ALPHABETICAL INDEX	A-04 -	A-06
ICN25RC	A-07 -	F-02
ICN34RC	F-03 -	K-08

**1991 ICN25RC INDEX**

FLOOR PLAN	A-27 -	A-08
ACCESSORIES	A-09 -	A-14
BATH	A-15 -	A-17
BEDROOM		A-18
CHASSIS	A-19 -	B-03
C C & PAD	B-04 -	B-13
DINETTE	B-14 -	B-15
DRIVERS	B-16 -	B-22
ELECTRICAL	B-23 -	C-03
EXTERIOR BODY	C-04 -	C-10
GALLEY	C-11 -	C-18
HEATING & A/C	C-19 -	C-24
INTERIOR FINISH	D-01 -	D-04
LABELS	D-05 -	D-12
LP		D-13
LOUNGE		D-14
SEALANTS & FASTENERS	D-15 -	D-18
WATER & SEWAGE	D-19 -	D-24
WINDOW, VENT AND EXTERIOR DOOR	E-01 -	F-02

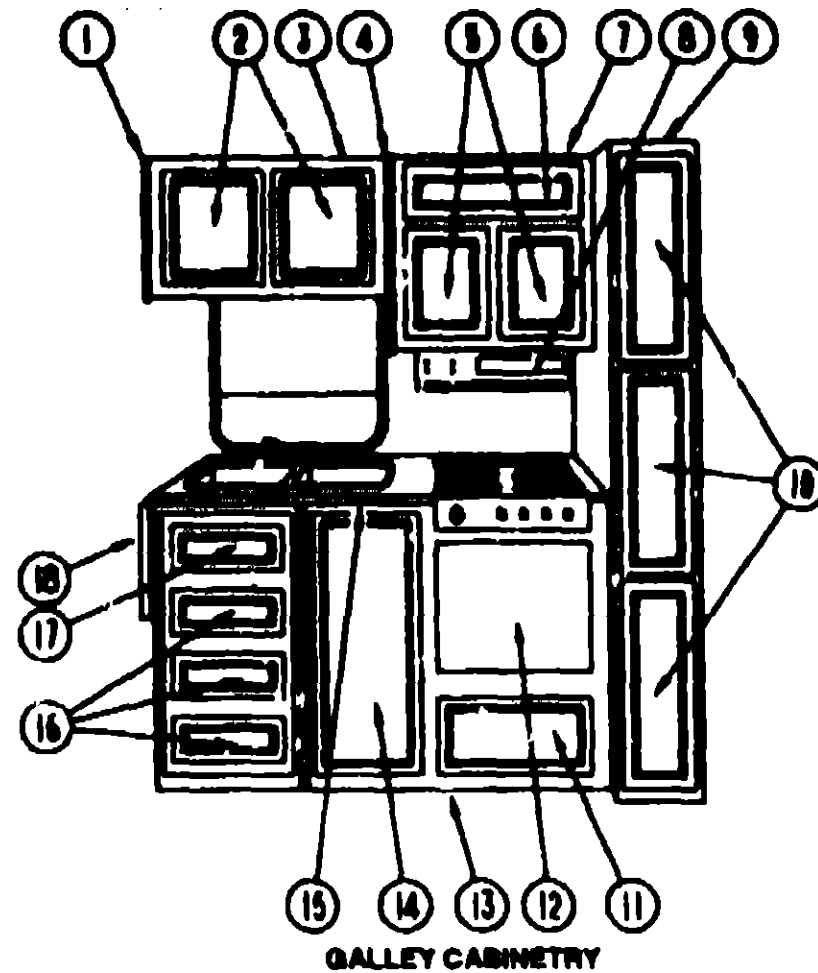
KEY	PART NUMBER	UM DESCRIPTION
1	097911-01-04A	EA DECAL-REAR WINDOW, PASSENGER SIDE - BLUE/VIOLET
	097911-02-04A	EA DECAL-REAR WINDOW, DRIVER SIDE - BLUE/VIOLET
2	093689-02-05A	FT FILM-MULTISTRIPE, 2.24" WIDE - BLUE/VIOLET
3	093689-04-05A	FT FILM-MULTISTRIPE, 5.9" WIDE - BLUE/VIOLET
4	093689-03-05A	FT FILM-MULTISTRIPE, 2.8" WIDE - HOOD - BLUE/VIOLET
5	093789-02-01A	EA DECAL-LOGO, "ITASCA"
6	093789-01-01A	EA DECAL-LOGO, "I" - 3-D
7	093782-01-08A	EA DECAL-FRONT CORNER, PASSENGER - VIOLET/BLUE
	093782-02-08A	EA DECAL-FRONT CORNER, DRIVER - VIOLET/BLUE
8	093787-01-08A	EA DECAL-TRANSITION, PASSENGER - VIOLET/BLUE
	093787-02-08A	EA DECAL-TRANSITION, DRIVER - VIOLET/BLUE
9	093783-01-08A	EA DECAL-LOGO, "SUNFLYER" - PASSENGER - BLACK/BLUE/VIOLET
	093783-02-08A	EA DECAL-LOGO, "SUNFLYER" - DRIVER - BLACK/BLUE/VIOLET

KEY	PART NUMBER	UM DESCRIPTION
10	093689-05-08A	FT FILM-MULTISTRIPE, 7.9" WIDE - VIOLET/BLUE
11	078952-18-000	EA DECAL-LOGO, "ITASCA" - BLUE/BLACK
12	093788-01-08A	EA DECAL-REAR CORNER, PASSENGER - VIOLET/BLUE
	093788-02-08A	EA DECAL-REAR CORNER, DRIVER - VIOLET/BLUE
13	093791-01-01A	EA DECAL-LOGO, RAISED LETTER
14	084075-02-000	EA DECAL-"BY WINNEBAGO INDUSTRY" - SILVER
	041581-03-000	EA PAINT-OFF WHITE, 18 OZ. SPRAY CAN

FOR YOUR CONVENIENCE HERE ARE THE DUPONT COLOR CODES YOU CAN PURCHASE LOCALLY.

BLUE	PS852
VIOLET	PS851
BLACK	PA1988
OFF WHITE	L8723A (ENAMEL) OR L8723L (LACQUER)

**GALLEY GROUP**



**GALLEY CABINETRY**

KEY	PART NUMBER	U/M DESCRIPTION
1	09092-01-B29	EA CAP ASM-END, OVERHEAD
2	P00523-06-B29	EA DOOR-CABINET, W/O HARDWARE - 14.37" X 18.1"
3	09092-01-B29	EA CABINET-OVERHEAD, SINK - W/O DOORS OR HARDWARE
4	092090-04-B29	EA END CAP-CABINET, OVERHEAD - FRONT
5	P00523-02-B29	EA DOOR-CABINET, W/O HARDWARE - 10.8" X 14.4"
	081321-53-003	EA SHELF ASM-CABINET
6	P00523-03-B29	EA DOOR-CABINET, W/O HARDWARE - 8.4" X 18"
7	M04092-19-B29	EA CABINET-OVERHEAD, RANGE- W/O DOORS OR HARDWARE
		FROM: 00-00-00 THRU: 04-21-91
7	M04092-27-B29	EA CABINET-OVERHEAD, RANGE - W/O DOORS OR HARDWARE
		FROM: 04-21-91 THRU: 99-99-99
7	M04092-20-B29	EA CABINET-OVERHEAD, USED W/MICROWAVE - W/O DOORS OR HARDWARE
		FROM: 00-00-00 THRU: 04-21-91
7	M04092-28-B29	EA CABINET-OVERHEAD, USED W/MICROWAVE - W/O DOORS OR HARDWARE
		FROM: 04-22-91 THRU: 99-99-99
8	10252-04-01A	EA HOOD-RANGE, W/MONITOR PANEL - VENTLINE
9	092092-01-B29	EA CABINET ASM-PANTRY
10	P00523-28-B29	EA DOOR-CABINET, W/O HARDWARE 7.08" X 25.20"
	P00523-03-B29	EA DOOR-CABINET, OVER REFRIGERATOR W/O HARDWARE - 6.4" X 18"
11	P00523-1J-B29	EA DOOR-CABINET, W/O HARDWARE - 9.6" X 21.8"
12	M02164-27-B29	EA DRAWER-CABINET, USED W/HOT PLATE
13	M04098-01-B29	EA CABINET-GALLEY, W/O DOORS OR HARDWARE, BLACK OVEN
13	M04098-03-B29	EA CABINET-GALLEY, W/O DOORS OR HARDWARE, USED W/HOT PLATE
14	P00523-28-B29	EA DOOR-CABINET, W/O HARDWARE - 14.37" X 28.77"
15	090909-12-B29	EA COUNTERTOP-GALLEY
16	P00522-01-B29	EA DRAWER-CABINET, W/O HARDWARE - 13" X 15.2"
		FROM: 00-00-00 THRU: 01-06-91
16	P03397-10-B32	EA DRAWER-CABINET, W/O HARDWARE - 12.8" X 13.9"
		FROM: 01-07-91 THRU: 99-99-99
17	P00522-02-B29	EA DRAWER-CABINET, W/O HARDWARE - 13" X 8.7" - TOP DRAWER
		FROM: 00-00-00 THRU: 01-06-91
17	P03397-12-B32	EA DRAWER-CABINET, W/O HARDWARE - 12.8" X 8.7"
		FROM: 01-07-91 THRU: 99-99-99
18	090812-04-B10	EA EXTENSION-COUNTERTOP, GALLEY - W/O HARDWARE

**GALLEY GROUP (CONTINUED)**

**GALLEY HARDWARE & FIXTURES**

KEY	PART NUMBER	U/M DESCRIPTION
	090983-01-B07	EA COVER-SINK
	091183-01-000	EA BOARD-CUTTING, MAPLE - 10.8" X 14.8"
	093686-01-000	EA SINK-DOUBLE, STAINLESS STEEL - 18" X 28"
	084988-01-000	EA FAUCET-GALLEY
	092309-01-000	EA STRAINER-SINK
	091208-01-000	EA WASHER-RUBBER, .08" X .78" X .5"
	091265-02-000	FT SEAL-ADHESIVE BACKED FOAM, 1.2" X .18"
	090980-01-000	EA PLASTER-ADJUSTABLE, SHELF - 18" LONG
	090979-01-000	EA CLIP-ADJUSTABLE SHELF
	090334-01-000	EA WASTEBASKET-8 3/4" X 7" X 10", WHITE - RUBBERMAID
	090906-01-01A	EA RACK-TOWEL, WIRE - ALMOND
	093228-01-B29	EA HOLDER-KNIFE, COUNTERTOP - OAK
	093282-01-000	EA BONNET-KNIFE HOLDER, UNDER COUNTER - METAL
	090335-02-AB8	EA RAIL-GALLEY, .78" X 22.34"
	084480-01-000	EA LEVEL-REFRIGERATOR
	090048-01-000	EA SUPPORT-EXTENSION, GALLEY COUNTERTOP
	090077-01-000	EA HINGE-BRASS, 2" X 1.4" (GALLEY EXTENSION)
	084488-02-000	EA SLIDE-DRAWER, RIGHT SIDE - DRAWER MOUNTED
	084488-03-000	EA SLIDE-DRAWER, LEFT SIDE - DRAWER MOUNTED
	084488-04-000	EA SLIDE-CABINET, RIGHT SIDE - 17.9" EXTENDS TO 31.1"
	084488-05-000	EA SLIDE-CABINET, LEFT SIDE - 17.9" EXTENDS TO 31.1"
	037888-01-000	EA RAIL-V GUIDE, DRAWER
	037888-04-000	EA BRACKET-RAIL MOUNTING, FRONT
	037888-05-000	EA BRACKET-RAIL MOUNTING, REAR
	102827-02-000	EA BRACKET-ROLLER, DRAWER - REAR
	102827-03-000	EA ROLLER-DRAWER, 1 PAIR - NYLON
	102827-04-000	EA BRACKET-MOUNTING, DRAWER - REAR
	102827-05-000	EA TRACK-DRAWER, 22.8" LONG
	091893-03-000	EA BRACKET - TIEDOWN, STOVE - RIGHT HAND
	091890-04-000	EA BRACKET - TIEDOWN, STOVE - LEFT HAND
	090916-01-01A	EA BRACE-MICROWAVE CABINET, REAR
	090916-02-01A	EA BRACE-MICROWAVE CABINET, FRONT

THESE PARTS ARE USED FROM 1-07-91 ON.

**MICROWAVE OVEN**

KEY	PART NUMBER	U/M DESCRIPTION
	091289-05-000	EA OVEN-MICROWAVE, MAGIC CHEF M15E-9PB
	091289-02-700	EA TRIM-TOP VENT, FOR FRAME KIT
	094745-01-01A	EA TRIM-MICROWAVE, LOWER - BLACK
	094774-03-01A	EA TRIM-MICROWAVE, EITHER SIDE - BLACK
	094750-01-000	EA BRACKET-MICROWAVE, 90 DEGREE

**BROWNING MICROWAVE OVEN**

KEY	PART NUMBER	U/M DESCRIPTION
	091289-03-000	EA OVEN-MICROWAVE, W/ BROWNING OVEN - M'CHEF M18-10PB
	091289-03-701	EA PLATE-CERAMIC, 9.5" - ROUND - MAGIC CHEF 246-0005
	091289-03-702	EA CLIP-OVEN SHELF, WHITE - MAGIC CHEF 201-0044
	091289-03-703	EA OVEN SHELF, BLACK - MAGIC CHEF 201-0031
	094745-01-01A	EA TRIM-MICROWAVE, LOWER - BLACK
	094774-03-01A	EA TRIM-MICROWAVE, EITHER SIDE - BLACK
	094750-01-000	EA BRACKET-MICROWAVE, 90 DEGREE

**BIFOLD RANGE COVER**

KEY	PART NUMBER	U/M DESCRIPTION
	095280-03-000	EA COVER-BIFOLD, RANGE - ALMOND - MAGIC CHEF# KL22A-1
		FROM: 00-00-00 THRU: 09-02-99
C-11	102021-02-01A	EA COVER-BIFOLD, RANGE - ALMOND - MAGIC CHEF# KR22A-1
		FROM: 09-03-99 THRU: 99-99-99

**1991 ITASCA  
TABLE OF CONTENTS**

INTRODUCTION	A-01	A-04
ABBREVIATIONS		A-03
ALPHABETICAL INDEX	A-04	A-08
ICN25RC	A-07	F-02
ICN24RC	F-03	K-08

**1991 ICN25RC INDEX**

FLOOR PLAN	A-07	A-08
ACCESSORIES	A-09	A-14
BATH	A-15	A-17
BEDROOM		A-18
CHASSIS	A-19	B-03
C C & PAD	B-04	B-13
DINETTE	B-14	B-15
DRIVERS	B-16	B-22
ELECTRICAL	B-23	C-03
EXTERIOR BODY	C-04	C-10
GALLEY	C-11	C-18
HEATING & A/C	C-19	C-24
INTERIOR FINISH	D-01	D-04
LABELS	D-05	D-12
LP		D-13
LOUNGE		D-14
SEALANTS & FASTENERS	D-15	D-18
WATER & SEWAGE	D-19	D-24
WINDOW, VENT AND EXTERIOR DOOR	E-01	F-02

**GALLEY GROUP (CONTINUED)**

**RANGE TOP**

KEY	PART NUMBER	U/M DESCRIPTION
	081374-01-000	EA RANGE TOP-4 BURNER, WELACK TRIM - ALMOND - MAGIC CHEF BT22RA-4
	081374-02-000	EA RANGE TOP-4 BURNER, WALMOND TRIM - ALMOND - MAGIC CHEF BT22RA-4
	102019-01-703	EA TRIM-CABINET TOP, RIGHT - BLACK - MAGIC CHEF 3808F018-70
	081374-03-701	EA TRIM-CABINET TOP, RIGHT - ALMOND - MAGIC CHEF 3808F15-74
	102019-01-704	EA TRIM-CABINET TOP, LEFT - BLACK - MAGIC CHEF 3808F018-70
	081374-08-700	EA TRIM-CABINET TOP, LEFT - ALMOND - MAGIC CHEF 3808F018-74
	102019-01-705	EA TRIM-CABINET TOP, REAR - BLACK - MAGIC CHEF 3808F008-70
	102019-01-702	EA TRIM-CABINET TOP, REAR - ALMOND - MAGIC CHEF 3308F008-74
	081374-01-704	EA GUARD-FABRIC
	088507-01-701	EA TOP-MAIN, ALMOND - MAGIC CHEF 2001F057-74
	084782-02-714	EA FITTING-PIPE, NIPPLE - 1/8"
	088507-02-701	EA INSERT-BURNER, SLOTTED VENT - MAGIC CHEF 7214P015-80
	048046-01-703	EA VALVE-TOP BURNER, MAGIC CHEF 997-584
	085282-03-708	EA BUMPER-MAIN TOP, PLASTIC PLUG - MAGIC CHEF 744-178
	081374-02-701	EA REGULATOR-PRESSURE, MAGIC CHEF 978-27
	081374-03-704	EA REGULATOR-PRESSURE, MAGIC CHEF 7510P032-80
	102022-01-703	EA REGULATOR-PRESSURE, MAGIC CHEF 7510P031-80
	102019-01-01A	EA RANGE TOP-4 BURNER, ALMOND - MAGIC CHEF BT22RA-4 FROM: 09-03-80 THRU: 99-03-99
	102019-01-700	EA TRIM-RIGHT, ALMOND
	102019-01-701	EA TRIM-LEFT, ALMOND
	102019-01-702	EA TRIM-REAR, ALMOND
	102020-01-709	EA BUMPER-GRATE
	102020-01-711	EA GRATE-TOP
	082889-04-701	EA KNOB, BURNER VALVE
	088507-02-701	EA INSERT-BURNER, SLOTTED VENT - MAGIC CHEF 7214P015-80
	102022-01-702	EA PIPE-MANIFOLD
	102022-01-703	EA REGULATOR-PRESSURE
	102020-01-718	EA TOP-MAIN (BLACK)
	102020-01-721	EA VALVE, SHUT-OFF
	102020-01-722	EA VALVE-TOP BURNER
	102020-01-724	EA BUMPER-MAIN TOP

**RANGE**

KEY	PART NUMBER	U/M DESCRIPTION
	088507-02-000	EA RANGE-4BURNER, W/GLASS DOOR - BLACK - MAGIC CHEF FROM: 00-00-00 THRU: 09-02-80
	055282-03-708	EA BUMPER-MAIN TOP, PLASTIC PLUG - MAGIC CHEF 744-178
	048046-01-742	EA BURNER ASM-OVEN, MAGIC CHEF 5020218
	084782-02-715	EA CLIP-GRATE, MAGIC CHEF 413-00015
	055282-03-702	EA KNOB-THERMOSTAT, MAGIC CHEF 50-20281
	081374-02-701	EA REGULATOR-PRESSURE, MAGIC CHEF 978-27
	055282-03-700	EA THERMOSTAT, MAGIC CHEF 993-478
	048046-01-703	EA VALVE-TOP BURNER, MAGIC CHEF 997-584
	084782-02-705	EA HANDLE-OVEN DOOR, BLACK - MAGIC CHEF 50-25104
	048046-01-728	EA PAN W/O INSERT, MAGIC CHEF 50-22114-2
	088507-02-700	EA FILTER-PILOT, MAGIC CHEF 735-128
	088507-02-703	EA GLASS-OUTER - MAGIC CHEF 50-27098-1
	088507-02-702	EA COLLECTOR-VENT - MAGIC CHEF 50-27039-1
	088507-02-704	EA PANEL-OVEN DOOR-EBONY - MAGIC CHEF 2401F082-70
	088507-01-701	EA INSERT-BURNER (SLOTTED VENT), MAGIC CHEF 7214P015-80
	088507-02-707	EA TOP-MAIN, EBONY - MAGIC CHEF 2001F057-70
	088507-02-706	EA TRIM-LEFT - MAGIC CHEF 3808F018-70
	088507-02-708	EA TRIM-RIGHT - MAGIC CHEF 3808F017-70
	048046-01-741	EA INSERT-BROILER PAN, MAGIC CHEF 5022119-1 OR 2
	084782-02-710	EA BRACKET-FRONT GLASS, MAGIC CHEF 56-R2097
	084782-02-712	EA GRATE-TOP BURNER, SQUARE HOLES - MAGIC CHEF 50-25439
	084782-02-714	EA FITTING-PIPE NIPPLE, 1/8" - MAGIC CHEF 863-1
	088507-01-700	EA PANEL-OVEN DOOR-ALMOND, MAGIC CHEF 2401F075-74
	088507-01-701	EA TOP-MAIN, ALMOND - MAGIC CHEF 2001F057-74
	084782-02-709	EA VALVE-MERCURY CONTROL, MAGIC CHEF 999-628

**GALLEY GROUP (CONTINUED)**

**RANGE (CONTINUED)**

KEY	PART NUMBER	U/M DESCRIPTION
	102020-01-01A	EA RANGE-4 BURNER ALMOND - 22" - MAGIC CHEF BT22RA-4T-480 FROM: 09-03-80 THRU: 03-10-81
	102020-01-707	EA SHELF-OVEN, MAGIC CHEF 7801-P088-80
	102020-01-701	EA HANDLE-DOOR, MAGIC CHEF - 7701P082-80
	102020-01-702	EA PANEL-MANIFOLD, MAGIC CHEF 2818F080-70
	102020-01-703	EA PANEL-DOOR, ALMOND - MAGIC CHEF 2401F075-71
	102020-01-704	EA PANEL-DOOR, BLACK - MAGIC CHEF - 2401F075-70
	102020-01-708	EA TRIM-LEFT, MAGIC CHEF 3808F018-70
	102020-01-708	EA TRIM-RIGHT, MAGIC CHEF 3808F017-70
	102020-01-708	EA BURNER ASSEMBLY-OVEN, MAGIC CHEF 3403W003-46
	102020-01-709	EA BUMPER-GRATE, MAGIC CHEF 8007P018-80
	102020-01-710	EA FILTER-PILOT, MAGIC CHEF 7507P048-80
	102020-01-711	EA GRATE-TOP, MAGIC CHEF 7518P012-80
	102020-01-712	EA KNOB-BURNER VALVE, MAGIC CHEF 7733P044-80
	102020-01-713	EA KNOB-THERMOSTAT, MAGIC CHEF 7731P042-80
	102020-01-714	EA PILOT-OVEN, MAGIC CHEF 988-143
	102020-01-715	EA PIPE-MANIFOLD, MAGIC CHEF 7513P085-80
	102020-01-716	EA REGULATOR-PRESSURE, MAGIC CHEF 7510P033-80
	102020-01-717	EA THERMOSTAT, MAGIC CHEF 7515P024-80
	102020-01-718	EA TOP-MAIN, ALMOND - MAGIC CHEF 2001F085-84
	102020-01-720	EA VALVE-MERCURY CONTROL, MAGIC CHEF 7501P058-80
	102020-01-721	EA VALVE-SHUT OFF, MAGIC CHEF 7508F098-80
	102020-01-722	EA VALVE-TOP BURNER, MAGIC CHEF 7502P085-80
	102020-01-723	EA PILOT-BURNER, MAGIC CHEF 7505P147-80
	102020-01-724	EA BUMPER-MAIN TOP, MAGIC CHEF 8003P008-80
	102020-01-03A	EA RANGE-22" 4 BURNER ALMOND - MAGIC CHEF BT22RA-4TZ FROM: 03-11-81 THRU: 99-09-99
	102020-01-701	EA HANDLE-DOOR, MAGIC CHEF - 7701P082-80
	102020-01-702	EA PANEL-MANIFOLD, MAGIC CHEF 2818F080-70
	102020-01-700	EA SHELF-OVEN, MAGIC CHEF - 7801-P027-80
	102020-3A-700	EA PANEL-DOOR, WINDOW - EBONY - MAGIC CHEF - 2401-F08
	102020-01-705	EA TRIM-LEFT, MAGIC CHEF 3808F013-70
	102020-01-708	EA TRIM-RIGHT, MAGIC CHEF 3808F017-70
	102020-01-708	EA BURNER ASSEMBLY-OVEN, MAGIC CHEF 3403W003-46
	102020-01-709	EA BUMPER-GRATE, MAGIC CHEF 8007P018-80
	102020-01-710	EA FILTER-PILOT, MAGIC CHEF 7507P048-80
	102020-01-711	EA GRATE-TOP, MAGIC CHEF 7518P012-80
	102020-01-712	EA KNOB-BURNER VALVE, MAGIC CHEF 7733P044-80
	102020-01-713	EA KNOB-THERMOSTAT, MAGIC CHEF 7731P042-80
	102020-01-714	EA PILOT-OVEN, MAGIC CHEF 988-143
	102020-01-715	EA PIPE-MANIFOLD, MAGIC CHEF 7513P085-80
	102020-01-716	EA REGULATOR-PRESSURE, MAGIC CHEF 7510P033-80
	102020-01-717	EA THERMOSTAT, MAGIC CHEF 7515P024-80
	102020-01-718	EA TOP-MAIN, ALMOND - MAGIC CHEF 2001F085-84
	102020-01-720	EA VALVE-MERCURY CONTROL, MAGIC CHEF 7501P058-80
	102020-01-721	EA VALVE-SHUT OFF, MAGIC CHEF 7508F098-80
	102020-01-722	EA -TOP BURNER, MAGIC CHEF 7502P085-80
	102020-01-723	EA PILOT-BURNER, MAGIC CHEF 7505P147-80
	102020-01-724	EA BUMPER-MAIN TOP, MAGIC CHEF 8003P008-80
	102020-01-725	EA GLASS-OUTER, MAGIC CHEF 7802P288-80
	102020-01-727	EA TRIM-LEFT, FLAT - MAGIC CHEF 3808W026-7
	102020-01-728	EA TRIM-RIGHT, FLAT - MAGIC CHEF 3808W027-70

**1991 ITASCA  
TABLE OF CONTENTS**

INTRODUCTION	A 01 -	A-02
ABBREVIATIONS		A-03
ALPHABETICAL INDEX	A-04 -	A-08
ICN25RC	A 07 -	F-02
ICN349Q	F-03 -	K-08

**1991 ICN25RC INDEX**

FLOOR PLAN	A-07 -	A-08
ACCESSORIES	A-09 -	A-14
BATH	A-15 -	A-17
BEDROOM		A-18
CHURCH	A-19 -	B-03
C C & PAD	B-04 -	B-13
DINETTE	B-14 -	B-15
DRIVERS	B-16 -	B-22
ELECTRICAL	B-23 -	C-03
EXTERIOR BODY	C-04 -	C-10
GALLEY	C-11 -	C-18
HEATING & AC	C-19 -	C-24
INTERIOR FINISH	D-01 -	D-04
LABELS	D-05 -	D-12
LP		D-13
LOUNGE		D-14
SEALANTS & FASTENERS	D-15 -	D-18
WATER & SEWAGE	D-19 -	D-24
WINDOW, VENT AND EXTERIOR DOOR	E-01 -	F-02

## GALLEY GROUP (CONTINUED)

### 6 CUBIC FOOT REFRIGERATOR

KEY	PART NUMBER	U/M	DESCRIPTION
	094039-04-000	EA	REFRIGERATOR-2-WAY, DOUBLE DOOR - NORCOLD 882 LEFT HAND
	094879-09-700	EA	COOLING UNIT - HORIZONTAL BURNER, NORCOLD# 81887227
	084473-09-719	EA	FLUE-HORIZONTAL BURNER, NORCOLD# 818182
	088248-01-709	EA	HEATER-AC, (HORIZONTAL) - NORCOLD# 818827
	078217-01-7J7	EA	CONTROL MODULE, NORCOLD# 81525022
	094039-04-702	EA	POWER SUPPLY (2 WAY) - NORCOLD 81847422
	094039-04-701	EA	EYEBROW (SHELL) 2 WAY - NORCOLD 81888222
	094039-04-700	EA	P/2 BOARD-2 WAY, NORCOLD# 81847322
	084880-01-718	EA	VALVE-SHUT OFF, MANUAL - NORCOLD# 81807922
	084880-01-713	EA	CONNECTOR-MALE, INLET FITTING - NORCOLD# 815256
	084473-01-702	EA	ORIFICE-NORCOLD 814521
	088248-01-708	EA	BURNER-HORIZONTAL, NORCOLD 818861
	088248-01-709	EA	ELECTRODE-IGNITION, (HORIZONTAL) - NORCOLD# 815732
	088248-01-712	EA	FRAME-DOOR, LOWER - BROWN - NORCOLD 818578
	084880-01-733	EA	DAIRY KEEPER - NORCOLD 818804
	084472-02-718	EA	TRIM-CABINET, TOP - BROWN - NORCOLD# 813814
	084880-01-734	EA	BRACKET-HINGE, TOP RH - BOTTOM LH - BROWN NORCOLD 81
	094039-01-723	EA	HINGE BRKT, TOP RH-BTM LH BLK - NORCOLD 81580838
	048955-01-713	EA	PIN-HINGE, NORCOLD# 811148
	084473-01-711	EA	TRIM-BREAKER, RIGHT HAND - BROWN - NORCOLD 813832-32
	094039-01-707	EA	UPPER DOOR HANDLE ASSY(BRN) - NORCOLD 81850037
	094039-01-708	EA	HANDLE-DOOR, UPPER - BLACK - NORCOLD 81860038
	094039-01-706	EA	UPPER DOOR LINER (WHITE) BRN - NORCOLD 81581837-B
	094039-01-708	EA	UPPER DOOR LINER (WHITE) BLK - NORCOLD 81581838-B
	084472-03-700	EA	PIN-HINGE, BOTTOM - NORCOLD 815507
	084880-01-735	EA	HINGE BRKT, TOP LH-BTM RH BRN - NORCOLD 815809
	094039-01-724	EA	BRACKET-HINGE, TOP LH - BOTTOM RH - BLK - NORCOLD 81
	084880-01-722	EA	CRISPER COVER - NORCOLD 818841
	094039-01-731	EA	CRISPER (GRAY) SILVER TRIM - NORCOLD 81571380
	084472-01-728	EA	FRAME STRIP-CABINET, LEFT - NORCOLD 813820
	094039-01-706	EA	CAB ASM-BROWN, WHITE LINER - WITH FRAME - NORCOLD 81
	094039-01-708	EA	CAB ASM-BLK, WHITE LINER - WITH FRAME - NORCOLD 8188
	084880-01-748	EA	CABLE, NORCOLD 815715
	084880-01-731	EA	HINGE PIN, NORCOLD 815781
	094039-01-725	EA	HINGE PIN (BLACK)(MALE) - NORCOLD 81578130
	094039-01-729	EA	SHAFT-HINGE PIN, CENTER HINGE - BROWN - NORCOLD 8158
	094039-01-730	EA	HINGE PIN SHAFT(BLK) CTR HGE - NORCOLD 81588730
	094039-01-727	EA	BRACKET-HINGE, CENTER HINGE - BROWN - NORCOLD 815885
	094039-01-728	EA	HINGE BRKT(BLK) CTR HINGE - NORCOLD 81588530
	084880-01-749	EA	HINGE BUSHING - NORCOLD 815807
	088248-01-707	EA	ELECTRODE-SENSOR, (HORIZONTAL), NORCOLD# 815733
	088248-01-710	EA	HEATER-DC, (HORIZONTAL) - 3 WAY - NORCOLD# 815623
	094039-01-702	EA	GASKET (GRAY) UPPER - NORCOLD 81587830
	094039-01-700	EA	PC BOARD (3 WAY) ASSY
	094039-01-705	EA	UPPER DOOR LINER (WHITE) BRN - NORCOLD 81581837-B
	094039-01-706	EA	UPPER DOOR LINER (WHITE) BLK - NORCOLD 81581838-B
	094039-01-701	EA	LINER-DOOR, LOWER - BROWN/WHITE - NORCOLD 81581837-B
	094039-01-702	EA	LINER-DOOR, LOWER - BLACK/WHITE - NORCOLD 81581838-B
	094039-01-718	EA	MILK BIN (GRAY)W/SILVER TRIM - NORCOLD 81579480
	084880-01-748	EA	PLUG-INSTALLATION, BROWN - NORCOLD 815797
	094039-01-740	EA	PLUG-INSTALLATION, BLACK - NORCOLD 81579730
	084880-01-747	EA	PLUG-HOLE, NORCOLD 81582022
	094039-01-722	EA	HOLE PLUG (BLK) HINGE HOLES - NORCOLD 81582030
	094039-01-711	EA	JUICE RACK(GRAY)W/SILVER TRM - NORCOLD 81580540
	084472-01-749	EA	PLUG-1/8", NORCOLD# 814453

## GALLEY GROUP (CONTINUED)

### 6 CUBIC FOOT REFRIGERATOR (CONTINUED)

KEY	PART NUMBER	U/M	DESCRIPTION
	084472-02-733	EA	FRAME CAP-LOWER DOOR, TOP - NORCOLD 818580
	088248-01-711	EA	FRONT DOOR, UPPER - BROWN - NORCOLD 818578
	078217-01-724	EA	FLUE BURNER, NORCOLD# 818388
	094039-01-728	EA	SHELF-FREEZER EVAPORATOR, NORCOLD 815238
	084880-03-707	EA	COVER FLAMP OR BULB - NORCOLD 818279
	094039-01-732	EA	WIRE SHELF (MIDDLE) - NORCOLD 81883822
	094039-01-734	EA	WIRE SHELF (TOP) WHISER - NORCOLD 81883722
	094039-01-703	EA	PLATE-HINGE, LH - BROWN - NORCOLD 81831422
	094039-01-704	EA	HINGE PLATE (BLK) L.H. - NORCOLD 81831430
	094039-01-709	EA	PLATE-HINGE, TOP RH - LH BOTTOM - BROWN - NORCOLD 81
	094039-01-710	EA	HINGE PLATE(BLK) RHTOP LHBTM - NORCOLD 81831370
	094039-01-741	EA	TRAY-SHELF, PLASTIC - GRAY - NORCOLD 81801822
	084039-01-703	EA	HANDLE-DOOR, LOWER - BROWN - NORCOLD 81860137
	094039-01-704	EA	HANDLE-DOOR, LOWER - BLACK - NORCOLD 81860138
	084880-01-718	EA	VALVE-GAS, NORCOLD 815818
	084880-03-705	EA	BRACKET F/INT. REFRIG LIGHT - NORCOLD 818297
	084880-03-708	EA	LAMP (BULB) - NORCOLD 818289
	084880-01-738	EA	SWITCH-LIGHT, BLACK - NORCOLD# 818810
	078217-01-738	EA	SWITCH-HUMIDITY, NORCOLD 815259
	084880-01-732	EA	LATCH, NORCOLD 815786
	084880-02-707	EA	LOWER FLANGE 88838883, NORCOLD 818221
	094039-01-732	EA	FRONT COVER(BLK) BTM TRIM - NORCOLD 81822130
	094039-01-712	EA	DOOR BIN(GRAY)SILVER BORDER - NORCOLD 81584020

NOTE: ITEMS INDENTED BELOW ASSEMBLIES ARE SERVICEABLE PARTS FOR THAT ASSEMBLY.

## 1991 ITABCA TABLE OF CONTENTS

INTRODUCTION	A-01 -	A-08
ABBREVIATIONS		A-09
ALPHABETICAL INDEX	A-04 -	A-08
ICN25RC	A-07 -	F-02
ICN349G	F-03 -	K-08

## 1991 ICN25RC INDEX

FLOOR PLAN	A-07 -	A-08
ACCESSORIES	A-09 -	A-14
BATH	A-15 -	A-17
BEDROOM		A-18
CHASSIS	A-19 -	B-03
C C & PAD	E-04 -	B-13
DINETTE	B-14 -	B-15
DRIVERS	B-16 -	B-22
ELECTRICAL	B-23 -	C-03
EXTERIOR BODY	C-04 -	C-10
GALLEY	C-11 -	C-18
HEATING & A/C	C-19 -	C-24
INTERIOR FINISH	D-01 -	D-04
LABELS	D-05 -	D-12
LP		D-13
LOUNGE		D-14
SEALANTS & FASTENERS	D-15 -	D-18
WATER & SEWAGE	D-19 -	D-24
WINDOW, VENT AND		
EXTERIOR DOOR	E-01 -	F-02

## GALLEY GROUP (CONTINUED)

### LARGE 8 CUBIC FOOT REFRIGERATOR

KEY	PART NUMBER	U/M DESCRIPTION
	084038-08-300	EA REFRIGERATOR 2-WAY, LARGE DOUBLE DOOR - NORCOLD 8882
	084880-08-701	EA COOLING UNIT (HORIZ BURNER) - NORCOLD 81887337
	084880-03-700	EA FLUE (HORIZONTAL) BURNER - NORCOLD 818181
	084880-01-735	EA HINGE PIN, TOP LH-BTM RH BRN - NORCOLD 815809
	084880-01-722	EA CRUISE COVER - NORCOLD 815841
	088248-01-708	EA HEATER-AC, (HORIZONTAL) - NORCOLD# 815627
	075217-01-73/	EA CONTROL MODULE, NORCOLD# 81528022
	084038-04-701	EA EYEBROW (SHELL) 2 WAY-NORCOLD 81688822
	084038-04-700	EA PC BOARD (2 WAY) - NORCOLD 81647382
	084038-04-702	EA POWER SUPPLY (2 WAY) - NORCOLD 81647422
	084038-01-731	EA CRISPER (GRAY) SILVER TRIM - NORCOLD 81571380
	084038-01-720	EA CAB ASSEMBLY (BIN FRAME/WHT LINER) - NORCOLD# 818832
	084880-01-718	EA VALVE-SHUT OFF, MANUAL - NORCOLD# 81987822
	084880-01-713	EA CONNECTOR-MALE, INLET FITTING - NORCOLD# 815266
	084473-01-702	EA OFFICE BEG-2, NORCOLD 814821
	088248-01-708	EA BURNER-(HORIZONTAL), NORCOLD# 15881
	088248-01-708	EA ELECTRODE-IGNITION, (HORIZONTAL) - NORCOLD# 815732
	084880-01-733	EA DAIRY KEEPER - NORCOLD 818804
	084880-01-734	EA BRACKET-HINGE, TOP RH - BOTTOM LH - BROWN NORCOLD 81
	084038-01-707	EA UPPER DOOR HANDLE ASSY(BRN) - NORCOLD 81860037
	084038-01-708	EA UPPER DOOR LINER (WHITE) BRN - NORCOLD 81581837-B
	084880-01-731	EA HINGE PIN, NORCOLD 815781
	084880-01-744	EA HINGE PIN SHAFT (CTR HINGE), NORCOLD 815887
	084880-01-728	EA HINGE BRACKET (CTR HINGE), NORCOLD 815885
	084880-01-748	EA HINGE BUSHING - NORCOLD 815807
	084880-01-748	EA CABLE, NORCOLD 815715
	084038-01-702	EA GASKET (GRAY) UPPER - NORCOLD 81587830
	084038-01-713	EA DOOR GASKET(LOWER) GRAY - NORCOLD 81588330
	084038-01-708	EA UPPER DOOR LINER (WHITE) BRN - NORCOLD 81581837-B
	084038-01-714	EA LOWER DOOR LINER (BRN/WHT) - NORCOLD# 81581737-B
	088248-01-707	EA ELECTRODE-SENSOR, (HORIZONTAL), NORCOLD# 815733
	084038-01-718	EA LOWER DOOR HANDLE ASSY (BRN) - NORCOLD# 81848837
	084880-03-705	EA BRACKET FANT. REFRIG LIGHT - NORCOLD 818297
	084880-03-708	EA LAMP (BULB) - NORCOLD 81828C
	084880-01-718	EA VALVE-GAS, NORCOLD 815518
	084880-01-738	EA SWITCH-LIGHT, BLACK - NORCOLD# 815810
	075217-01-738	EA SWITCH-HUMIDITY, NORCOLD 815259
	084880-01-732	EA LATCH, NORCOLD 815785
	084880-02-700	EA LOWER FLANGE 88838883, NORCOLD 818221
	084038-01-712	EA DOOR BIN(GRAY)SILVER BORDER - NORCOLD 81584080
	084038-01-718	EA MILK BIN (GRAY)W/SILVER TRIM - NORCOLD 81579480
	084880-01-748	EA PLUG-INSTALLATION, BROWN - NORCOLD 815797
	084880-01-747	EA PLUG-HOLE, NORCOLD 81582022
	084038-01-711	EA RACK(GRAY)W/SILVER TRIM - NORCOLD 81580540
	084472-01-748	EA PLUG-1/8", NORCOLD# 814463
	075217-01-734	EA FUSE-3 AMP, NORCOLD# 815388
	084038-01-728	EA SHELF-FREEZER EVAPORATOR, NORCOLD 815236
	084880-03-707	EA COVER FLAMP OR BULB - NORCOLD 818279
	084038-01-733	EA WIRE SHELF (MIDDLE) - NORCOLD 81583822
	084038-01-734	EA SHELF (TOP) WRISER - NORCOLD 81583722
	084038-01-703	EA PLATE-HINGE, LH - BROWN - NORCOLD 81831422
	084038-01-708	EA PLATE-HINGE, TOP RH - LH BOTTOM - BROWN - NORCOLD 81
	084038-01-741	EA TRAY-SHELF, PLASTIC - GRAY - NORCOLD 81680822

NOTE: ITEMS INDENTED BELOW ASSEMBLIES ARE SERVICEABLE PARTS FOR THAT ASSEMBLY.

## GALLEY GROUP (CONTINUED)

### U.S. RANGE HOOD

KEY	PART NUMBER	U/M DESCRIPTION
	100258-04-01A	EA HOOD-RANGE, W/MONITOR PANEL - VENTLINE TCS 40038AC (US)
	100258-04-700	EA CIRCUIT BOARD - VENTLINE 5037
	100258-04-701	EA BEZEL-SWITCH LEVER, CABLE TO VENT1 - VENTLINE CC118
	100258-04-702	EA SWITCH-LEVER, WCABLE - VENTLINE CB547-1
	088883-01-701	EA KNOB-LEVER, CABLE - PLASTIC - BLACK - VENTLINE CC225
	082898-01-702	EA RESISTER-WIRE, VENTLINE L7314
	088883-01-708	EA BULB-812, LVS VA415
	082898-01-710	EA SOCKET-LIGHT, LVS CB287-2
	088883-01-708	EA LENS-LAMP, VENTLINE CC179
	100258-04-702	EA SWITCH-LEVER, WCABLE - VENTLINE CB547-1
	088873-01-702	EA BLADE-FAN, LVS VA183-1
	088883-01-707	EA FILTER-GREASE, 8" X 8" - LVS CC24L
	100258-04-700	EA CIRCUIT BOARD, VENTLINE 5037
	075798-01-715	EA SWITCH-S.P. D.T., VENTLINE 110
	100258-08-701	EA SWITCH-FAN 2-SPEED, VENTLINE CC118
	088883-01-703	EA SWITCH-ON/OFF - JENSEN 115
	088883-01-702	EA SWITCH-TWO WAY MOMENTARY, VENTLINE 112
	100258-10-01A	EA METER-HOUR, VENTLINE 180
	075470-01-703	EA SWITCH-ON/MOMENTARY, JENSEN R/P1018
	088873-01-703	EA MOTOR - LVS CA508-1
	082898-02-01A	EA VENT-RANGE HOOD, EXTERIOR

NOTE: ITEMS INDENTED BELOW ASSEMBLIES ARE SERVICEABLE PARTS FOR THAT ASSEMBLY.

### CANADIAN RANGE HOOD

KEY	PART NUMBER	U/M DESCRIPTION
	100258-06-01A	EA HOOD-RANGE, W/MONITOR - PANEL - VENTLINE TCS 40038AC (CANADIAN)
	100258-04-701	EA BEZEL-SWITCH LEVER, CABLE TO VENT - VENTLINE CC118
	082898-01-701	EA KNOB-LEVER, CABLE - PLASTIC - BLACK - VENTLINE CC225
	082898-01-702	EA RESISTER-WIRE, VENTLINE L7314
	082898-01-708	EA BULB-812, VENTLINE VA415
	082898-01-710	EA SOCKET-LIGHT, VENTLINE CB287-2
	082898-01-708	EA LENS-LAMP, VENTLINE CC179
	100258-04-702	EA SWITCH-LEVER, WCABLE - VENTLINE CB547-1
	088873-01-702	EA BLADE-FAN, LVS VA183-1
	088883-01-707	EA FILTER-GREASE, 8" X 8" - LVS CC248
	100258-04-700	EA CIRCUIT BOARD, VENTLINE 5037
	075470-01-702	EA SWITCH-ON/OFF, LVS CB484
	100258-08-701	EA SWITCH-FAN, 2 SPEED - VENTLINE 122
	088883-01-703	EA SWITCH-ON/OFF - JENSEN 115
	088883-01-702	EA SWITCH TWO WAY MOMENTARY, VENTLINE 112
	100258-10-01A	EA METER-HOUR, VENTLINE 150
	088873-01-700	EA MOTOR - LVS CA508-1

NOTE: ITEMS INDENTED BELOW ASSEMBLIES ARE SERVICEABLE PARTS FOR THAT ASSEMBLY.

## 1991 ITASCA TABLE OF CONTENTS

INTRODUCTION	A-01	A-08
ABBREVIATIONS		A-03
ALPHABETICAL INDEX	A-04	A-08
ICN25HC	A-07	F-02
ICN3490	F-03	K-08

## 1991 ICN25HC INDEX

FLOOR PLAN	A-07	A-08
ACCESSORIES	A-08	A-14
BATH	A-15	A-17
BEDROOM		A-18
CHASSIS	A-19	B-03
C C & PAD	B-04	B-13
DINETTE	B-14	B-15
DRIVERS	B-18	B-22
ELECTRICAL	B-23	C-03
EXTERIOR BODY	C-04	C-10
GALLEY	C-11	C-18
HEATING & A/C	C-19	C-24
INTERIOR FINISH	D-01	D-04
LABELS	D-05	D-12
LP		D-13
LOUNGE		D-14
SEALANTS & FASTENERS	D-15	D-18
WATER & SEWAGE	D-19	D-24
WINDOW, VENT AND EXTERIOR DOOR	E-01	F-02

**HEATING & AIR CONDITIONING GROUP**

**HEATING & AIR CONDITIONING GROUP (CONTINUED)**

**ROOF AC**

**AUTO AC SYSTEM COMPONENTS**

**1991 ITASCA  
TABLE OF CONTENTS**

INTRODUCTION	A-01 -	A-02
ABBREVIATIONS		A-03
ALPHABETICAL INDEX	A-04 -	A-05
ICN5SRC	A-07 -	F-02
ICN34RQ	F-03 -	K-08

KEY	PART NUMBER	U/M DESCRIPTION
	088783-01-04A	EA AC-ROOF, 13800BTU, T&R OFF WHITE *5750A728
	088783-04-700	EA SHROUD (IVORY) 5750-4881
	088808-01-701	EA DECAL, PKG. LEFT&RIGHT, COLEMAN# 675533601
	081225-01-708	EA START RELAY, COLEMAN# 1497-4131
	081225-01-710	EA START CAPACITOR, COLEMAN# 1497-0881
	073742-08-704	EA RUN CAPACITOR (COMPRESSOR), COLEMAN# 14994851
	081808-01-708	EA L'MIT SW1 CH (OPEN 110, CLOSE 110), COLEMAN# 6703
	088783-01-712	EA FAN BLADE-CONDENSEH, COLEMAN# 6733-3221
	078303-01-712	EA MOTOR, COLEMAN# 6707A3119
	088783-01-702	EA OVERLOAD, COLEMAN# 6750-3831
	088783-01-703	EA IMPELLOR-7" DIA X 2.8" WIDE, COLEMAN# 6750-3271
	088783-01-704	EA CAPACITOR-FAN, COLEMAN# 1499-3481
	088783-01-707	EA EVAPORATOR COIL-COLEMAN# 1452-1351
	088783-01-708	EA CONDENSER COIL-COLEMAN# 1452-1251
	088783-01-709	EA COMPRESSOR-COLEMAN# 6748A3807
	088783-01-708	EA HEAT ELEMENT, COLEMAN# 6750-3321
	084077-03-000	EA COVER BLANK, ROOF AC - 5.8" X 3.5" - PLASTIC - IVORY

NOTE: ITEMS INDENTED BELOW ASSEMBLIES ARE SERVICEABLE PARTS FOR THAT ASSEMBLY.

**CEILING ASSEMBLY**

**AUTO AC CONTROL & PLENUM**

KEY	PART NUMBER	U/M DESCRIPTION
	088784-01-000	EA CEILING ASM-AC COOL ONLY, T&R - COLEMAN 67590714
	042204-01-708	EA THERMOSTAT IN-84, OUT-68, COLEMAN# 6701-3401
	042206-01-702	EA THERMOSTAT IN-88, OUT-68, COLEMAN# 6703-3401
	073742-01-701	EA SELECTOR SWITCH (5 TERMINAL), COLEMAN# 6759-3251
	073742-01-703	EA DECAL-HEAT&COOL, COLEMAN# 6759-3491
	088783-01-706	EA DECAL-HEAT/COOL THERMOSTAT, COLEMAN# 6799A3471
	081225-01-713	EA KNOB (2 PER PACKAGE), COLEMAN# 6701-3351
	081808-01-712	EA CEILING SHROUD (IVORY), COLEMAN# 6759-5061
	073742-01-702	EA DECAL-COOL ONLY, COLEMAN# 6759C3431
	073742-01-707	EA FILTER-8" X 14 3/4" X 1/2", 12 PER PKG - COLEMAN 670
	063783-01-710	EA SINGLE PARTS PACKAGE, COLEMAN# 6759-5841
	088783-01-711	EA GASKET PACKAGE, COLEMAN 67593281
	081225-01-717	EA DECAL (THERMOSTAT) COOL ONLY, COLEMAN# 6799A3441
	073837-03-000	EA SWITCH-ROTARY SELECTOR, 3 DECK - AC - CA20-USA822
	102289-01-000	EA SPRING-SCREW, ROOF AC GASKET - COLEMAN 6757-150

NOTE: ITEMS INDENTED BELOW ASSEMBLIES ARE SERVICEABLE PARTS FOR THAT ASSEMBLY.

**ROOF AC-13300 BTU - EUROPEAN**

KEY	PART NUMBER	U/M DESCRIPTION
	074983-01-000	EA LABEL-AC SELECTOR
	082440-01-000	EA AC-ROOF, 13500 BTU - 220V - 50HZ - COLEMAN# 6713C751
	082441-01-000	EA CEILING ASM-AC, 220V - 50HZ - COLEMAN# 6712ET18
	102289-01-000	EA SPRING-SCREW, ROOF AC GASKET - COLEMAN 6757-150

KEY	PART NUMBER	U/M DESCRIPTION
	007078-01-700	FT HOSE-FLEXIBLE PVC - 2" ID
	007108-01-000	FT HOSE-HEATER, 80" ID
	007281-01-000	EA HOSE-FLEXIBLE PVC, 2.8" ID X 80'
	007281-01-700	FT HOSE-FLEXIBLE PVC, 2.8" ID
	024880-01-000	EA OUTLET-DEFROSTER, WITH SWIVEL - 2" - TAN
	068402-01-000	EA BRACKET-HEATER TAN
	068402-02-000	EA BRACKET-HEATER WBEND TAN
	068402-03-000	EA BRACKET-HEATER GRAY
	068402-04-000	EA BRACKET-HEATER WBEND GRAY
	081930-02-000	EA DUCT-DEFROSTER, W/O SIDE OUTL ARA 0671020
		FROM: 00-00-00 THRU: 07-22-90
	081930-03-000	EA DUCT-DEFROSTER, W/O SIDE OUTLET - ARE 0671108
		FROM: 07-23-90 THRU: 05-12-91
	103017-01-000	EA PLENUM-DEFROSTER
		FROM: 05-13-91 THRU: 09-09-99
	081902-06-000	EA WIRE-COOLING FAN, ARA 0671123
		THE CONDENSER & COMPRESSOR ARE PROVIDED BY THE CHASSIS MANUFACTURER.
		DIESEL ENGINE CONDENSER & COMPRESSOR ARE LISTED ON FOLLOWING PAGE.

KEY	PART NUMBER	U/M DESCRIPTION
	081902-03-000	EA CONTROL/PLENUM ASM-ARA# 0607.350
		FROM: 00-00-00 THRU: 07-14-91
	081902-02-700	EA ROD-AC-HEAT DOOR, ARA 0321485
	081902-02-701	EA TRANSITION ASM. HI-TEMP, ARA 0788488
	081902-02-702	EA BRACKET, PLENUM MOUNT, ARA 0321501
	081902-02-703	EA GRILLE, ARA 0483184
	081902-01-700	EA DOOR, DEFROST/HEAT, ARA 0320679
	088227-01-711	EA CRANK-DOOR, ARA 0320480
	081902-01-701	EA MOTOR, VACUUM, ARA 1120042
	072341-01-708	EA SERVO-VACUUM CONTROL, ARA 1120040
	072341-01-710	EA CONTROL HEAD ASM W/O DECAL, ARA 0824970
	072341-01-722	EA DECAL-ONLY F/CONTROL HEAD, ARA 1900101
	072341-01-712	EA SWITCH-VACUUM, ARA 1299539
	081902-01-706	EA HARNESS & SOCKET JUMPER, ARA 0884835
	081902-01-708	EA CABLE, BOWDEN, ARA 0483152
	081902-01-707	EA HARNESS, WIRE, ARA 0895623
	081902-01-708	EA HARNESS, VACUUM, ARA 1000556
	077052-01-701	EA RELAY, ARA 1331142
	072341-08-700	EA RESERVOIR-VACUUM, ARA 1701039
	061602-01-709	EA GRILLE RETURN AIR, ARA 1701068
	103950-02-000	EA CONTROL/PLENUM ASSEMBLY, SCS 093-0031
		FROM: 07-15-91 THRU: 09-09-99

	103930-02-700	EA PANEL-CONTROL, SCS 032-0018
	103930-02-701	EA VALVE-CONTROL HEAD, SCS 034-0015
	072341-08-700	EA SWITCH-4 SPEED, FAN - ARA 0883502
	103930-02-702	EA DECAL-WINNEDAGO "N", SCS 058-0008
	103930-02-703	EA HARNESS-WIRE CONTROL, SCS 038-0048
	103930-02-704	EA HARNESS-VACUUM CONTROL, SCS 038-0049
	103930-02-705	EA CABLE-CONTROL, BOWDEN - SCS 074-0011
	103930-02-706	EA CLIP-CABLE, CONTROL - SCS 022-0017
	103930-02-707	EA RELAY, SCS 031-0001
	103930-02-708	EA MOTOR-VACUUM SERVO, AC - SCS 030-0002
	103930-02-709	EA MOTOR-VACUUM SERVO, DEFROSTER - SCS 030-0020
	103930-02-710	EA CANISTER-VACUUM, SCS 054-0002
	103930-02-711	EA VALVE-WATER, AC - SCS 034-00114

NOTE: ITEMS INDENTED BELOW ASSEMBLIES ARE SERVICEABLE PARTS FOR THAT ASSEMBLY.

**1991 ICN25HC INDEX**

FLOOR PLAN	A-07 -	A-07
ACCESSORIES	A-09 -	A-14
BATH	A-15 -	A-17
BEDROOM		A-18
CHASSIS	A-19 -	B-03
C C & PAD	B-04 -	B-13
DINETTE	B-14 -	B-15
DRIVERS	B-16 -	B-22
ELECTRICAL	B-23 -	C-03
EXTERIOR BODY	C-04 -	C-10
GALLEY	C-11 -	C-18
HEATING & A/C	C-19 -	C-24
INTERIOR FINISH	D-01 -	D-04
LABELS	D-05 -	D-12
LP		D-13
LOUNGE		D-14
SEALANTS & FASTENERS	D-15 -	D-18
WATER & SEWAGE	D-19 -	D-24
WINDOW, VENT AND EXTERIOR DOOR	E-01 -	F-02

**HEATING & AIR CONDITIONING GROUP (CONTINUED)**

**AUTO AC EVAPORATOR**

KEY	PART NUMBER	U/M DESCRIPTION
	088227-02-000	EA EVAPORATOR-AC, ARA 062213
		FROM: 00-00-00 THRU: 07-14-81
088227-02-701	EA	BRACKET-BOWDEN CABLE MOUNTING, ARA 0408417
088227-02-702	EA	DOOR ASM., F.A./RECYCLING - ARA 0321330
088227-02-702	EA	SUCTION HOSE #10, ARA 0888712
088227-02-705	EA	HOSE, LIQUID, ARA 0888713
088227-01-700	EA	DOOR ASSEMBLY, ARA 0320518
088227-01-701	EA	CRANK-MIX, ROUND DOOR - ARA 0318225
088227-01-703	EA	EVAPORATOR, CORE, ARA 0680871
088227-01-704	EA	VALVE, EXPANSION BLOCK, ARA 1297022
088227-01-707	EA	RESISTOR, FUSED AC, ARA 0888515
088227-01-708	EA	MOTOR BLOWER, ARA 1120080
088227-01-709	EA	WHEEL REQUIRED BALANCING, ARA 0262084
088227-01-711	EA	CRANK, MIXING DOOR, ARA 0320480
077062-01-700	EA	COIL, EVAPORATOR, ARA 0680458
072342-03-709	EA	O-RING, #10 - ARA 0058807
072342-03-707	EA	O-RING, #8 - ARA 0058805
072341-01-708	EA	SERVO-VACUUM CONTROL, ARA 1120040
075788-01-718	EA	PIN, RETAINER, ARA 1701787
088227-02-705	EA	HOSE, LIQUID, ARA 0888713
103930-01-000	EA	EVAPORATOR/HEATER ASSEMBLY - SCS 060-0041
		FROM: 07-15-81 THRU: 09-09-99
103930-01-700	EA	ROD-AIR BLEND DOOR, SCS 073-0017
103930-01-701	EA	PANEL-DOOR, FOR AIR BLEND - SCS 071-0123
103930-01-702	EA	GASKET-DOOR, FOR AIR BLEND - SCS 045-0080
103930-01-703	EA	COIL-HEATER, SCS 042-0010
103930-01-705	EA	VALVE EXP. BLOCK
103930-01-706	EA	GASKET-O-RING, #8 - SCS 045-0011
103930-01-707	EA	GASKET-O-RING, #10 - SCS 045-0012
103930-01-708	EA	BRACKET-VACUUM MOTOR, SCS 070-0113
103930-01-709	EA	MOTOR-VACUUM, SCS 030-0002
103930-01-710	EA	RESISTOR-FUSED, SCS 035-0008
103930-01-711	EA	THERMOSTAT, SCS 033-0003
103930-01-712	EA	GASKET-O-RING, SCS 045-0010
103930-01-713	EA	FITTING-QUICK CONNECT, #4 - SCS 050-0003
103930-01-714	EA	FITTING-SERVICE VALVE, #10 - SCS 050-0031
103930-01-715	EA	SWITCH-BINARY, SCS 032-0030
103930-01-716	EA	SWITCH-PRESSURE, FAN - SCS 032-0029
103930-01-717	EA	WHEEL-CLOCK-WISE, SCS 062-0010
103930-01-718	EA	HOSE #8, SCS 051-0038
103930-01-719	EA	HOSE #10, SCS 051-0017
103930-01-720	EA	MOTOR, SCS 030-0004

NOTE: ITEMS INDENTED BELOW ASSEMBLIES ARE SERVICEABLE PARTS FOR THAT ASSEMBLY.

**DIESEL EXPORT CONDENSER & COMPRESSOR**

KEY	PART NUMBER	U/M DESCRIPTION
072342-04-000	EA	CONDENSER ASM-WO FANS, ARA 0519377
072342-04-701	EA	COIL-CONDENSER, ARA 0519384
072342-03-701	EA	RECEIVER-DRIER, ARA 1273235
072342-03-707	EA	O-RING, #8 - ARA 0058805
072342-04-700	EA	HOSE-DISCHARGE, ARA 0886308
088816-01-702	EA	O-RING, #8 - ARA 0058808
072341-01-718	EA	VALVE-DISCHARGE, 1/2" O-RING - ARA 0548325
072342-03-709	EA	O-RING, #10 - ARA 0058807
074013-02-716	EA	VALVE-SERVICE, ARA 0058337
072343-08-000	EA	COMP/CLUTCH-REAR DISCHARGE, SANKYO 70 - ARA 0529174
074028-01-000	EA	MOUNT PACKAGE-AC COMPRESSOR, 6.2 DIESEL

NOTE: ITEMS INDENTED BELOW ASSEMBLIES ARE SERVICEABLE PARTS FOR THAT ASSEMBLY.

**HEATING & AIR CONDITIONING GROUP (CONTINUED)**

**HEATING SYSTEM COMPONENTS**

KEY	PART NUMBER	U/M DESCRIPTION
037878-01-000	EA	FITTING-H, 1/2 ID - BRASS
007078-01-700	FT	HOSE-FLEXIBLE PVC - 2" ID
088342-01-000	EA	WYE-CONNECTOR, 2.5" FLEXHOSE
082778-01-000	EA	ADAPTER-DUCT, 2"
082777-01-000	EA	ADAPTER-DUCT, 4"
080328-01-000	EA	GRILLE-FLOOR, HEATING - 9.3" X 5.4" - BROWN
082321-01-000	FT	INSULATION-FIBERGLASS, W/ALUMINUM FOIL
082314-01-01A	EA	GRILLE-RETURN AIR, FURNACE - 15.8" X 7.8" - BROWN
084900-01-02A	EA	REGISTER-HEAT, FLOOR-W/O DAMPER-3.8" X 10.8" X 1.4" - B
084800-02-02A	EA	REGISTER-HEAT, FLOOR - W/DAMPER - 3.8" X 10.8" X 1.4" B
088402-03-000	EA	BRACKET-MOUNTING, ROUND HEAT VENT - METAL - GREY
088402-04-000	EA	BRACKET-MOUNTING, ROUND HEAT VENT - W/BEND - METAL - GRAY
009198-01-000	FT	DUCT-HEAT, FLEXIBLE - 4" ID
009200-01-000	EA	TAPE-FURNACE, 1 1/2"
023148-01-000	EA	CLAMP-SCREW TYPE - 4"
088838-02-000	EA	CONNECTOR-DUCT, 4" ID
007108-02-000	FT	HOSE-HEATER, 3/4" ID
007108-01-000	FT	HOSE-HEATER, 5/8" ID
088042-01-000	FT	TUBING-VINYL, .88" ID
088484-05-000	EA	REGISTER-PLASTIC W/O DAMPER - 4" DIAMETER - GOLDEN
079058-01-000	EA	HOSE-90 DEGREE, 1.17" ID X 4" X 38"
079058-02-000	EA	HOSE-90 DEGREE, 2.1" ID X 4" X 38"
088753-01-000	FT	TUBE-ALUMINIZED STEEL, 5/8" - 18 GAUGE
040731-01-000	EA	NIPPLE-INLET MANIFOLD, GM - 3838094
081873-01-000	EA	BRACKET-MOTOR AID TUBES, 4" X 1.5" - STEEL
080179-01-000	EA	BRACKET-SUPPORT, HEATER HOSE - IN ENGINE COMPARTMENT
083081-01-000	EA	HOSE-FORMED, 90 DEGREE: B
061873-01-000	EA	CLAMP-MOTOR AID

**REAR HEATER**

KEY	PART NUMBER	U/M DESCRIPTION
084405-01-000	EA	HEATER ASM-REAR, DUCTED - W/MOTOR AID - EVANS
084405-01-700	EA	HEATER CORE-EVANS# FT200229
084405-01-701	EA	FAN BLADES-EVANS# HV029931
084405-01-702	EA	MOTOR ASM-12 V, EVANS# 200148
087202-02-000	EA	SWITCH-W/O KNOB, 4 POSITION
080977-01-000	EA	KNOB-SWITCH, ROTARY

NOTE: ITEMS INDENTED BELOW ASSEMBLIES ARE SERVICEABLE PARTS FOR THAT ASSEMBLY.

**1991 ITASCA  
TABLE OF CONTENTS**

INTRODUCTION	A-01	A-02
ABBREVIATIONS		A-03
ALPHABETICAL INDEX	A-04	A-05
ICN25RC	A-07	F-02
ICN34RQ	F-03	K-08

**1991 ICN25RC INDEX**

FLOOR PLAN	A-07	A-08
ACCESSORIES	A-09	A-14
BATH	A-15	A-17
BEDROOM		A-18
CHASSIS	A-19	B-03
C C & PAD	B-04	B-13
DINETTE	B-14	B-15
DRIVERS	B-18	B-22
ELECTRICAL	B-23	C-03
EXTERIOR BODY	C-04	C-10
GALLEY	C-11	C-18
HEATING & AC	C-19	C-24
INTERIOR FINISH	D-01	D-04
LABELS	D-05	D-12
LP		D-13
LOUNGE		D-14
SEALANTS & FASTENERS	D-15	D-18
WATER & SEWAGE	D-19	D-24
WINDOW, VENT AND EXTERIOR DOOR	E-01	F-02



**HEATING & AIR CONDITIONING GROUP (CONTINUED)**

**24,000 BTU SUBURBAN FURNACE**

KEY	PART NUMBER	U/M DESCRIPTION
	082300-03-000	EA FURNACE-SUBURBAN, 24,000 BTU - NT-348 FROM: 00-00-00 THRU: 02-10-91
082300-01-708	EA	ELECTRODE, SUBURBAN 230988
089834-01-733	EA	RELAY, TIME DELAY 20&30 BTU, SUBURBAN 231202
075898-01-700	EA	ASM-SUBURBAN# 231208
082300-01-720	EA	WHEEL-ROOM AIR, SUBURBAN 350113
082300-02-702	EA	MICROSWITCH ASM, SUBURBAN# X230509
082300-01-728	EA	WHEEL-COMB AIR, SUBURBAN 350110
075898-02-728	EA	GASKET-CROSSOVER TUBE, SUBURBAN 070384
082300-01-724	EA	GASKET-MOTOR MOUNT, SUBURBAN 070384
082300-01-727	EA	GASKET-COMBUSTION AIR HOUSING, SUBURBAN 070388
082300-01-711	EA	VENT CAP ASSEMBLY, SUBURBAN X260179
089834-01-729	EA	-GAS, JOHNSON - SUBURBAN 180832
082300-01-701	EA	CABINET FRONT, SUBURBAN 101172
082300-01-708	EA	SWITCH LIMIT, SUBURBAN 231440
089834-01-720	EA	ORIFICE-MAIN BURNER, SUBURBAN# 0180222
082300-01-704	EA	GASKET-ELECTRODE, SUBURBAN 070183
089834-01-708	EA	MODULE BOARD, SUBURBAN# 231427
082300-01-718	EA	ELBOW 90', SUBURBAN 170374
089834-01-718	EA	VALVE-MANUAL SHUTOFF, SUBURBAN 180740
082300-01-717	EA	WIRE ASSEMBLY (POWER SUPPLY) - SUBURBAN X231428
082300-01-708	EA	DOOR-BURNER ACCESS, SUBURBAN 030623
089834-01-732	EA	GASKET-BURNER ACCESS DOOR, SUBURBAN 070398
075898-02-709	EA	DISC-GLASS, SUBURBAN 310026
082300-01-715	EA	MANIFOLD ASSEMBLY, SUBURBAN 171034
089834-01-712	EA	GASKET-MANIFOLD, SUBURBAN 070408
082300-01-712	EA	BURNER ASM, SUBURBAN X010701
082300-01-721	EA	BLOWER HOUSING ASSEMBLY, SUBURBAN 390263
075898-02-727	EA	BRACKET-MOTOR MOUNT, SUBURBAN# 082138
082300-03-702	EA	HOUSING, COMB AIR ASM NT-348W - SUBURBAN X390417
082300-01-728	EA	HOUSING, COMB AIR (OUTSIDE) - SUBURBAN 390424
082300-02-700	EA	COM. CHAMBER ASM, 30&34 BW - SUBURBAN X021015
089834-01-720	EA	ORIFICE-MAIN BURNER, SUBURBAN 180222
082300-03-701	EA	MOTOR ASSEMBLY (NT-348W)
082300-01-700	EA	CABINET, SUBURBAN X101178
082300-06-000	EA	FURNACE-24,000 BTU, - SUBURBAN NT348W FROM: 02-11-91 THRU: 99-99-99
082300-01-708	EA	ELECTRODE, SUBURBAN 230988
089834-01-733	EA	RELAY, TIME DELAY 20&30 BTU, SUBURBAN 231202
075898-01-700	EA	MOTOR ASM-SUBURBAN# 231208
082300-01-720	EA	WHEEL-ROOM AIR, SUBURBAN 350113
082300-02-702	EA	MICROSWITCH ASM, SUBURBAN# X230509
082300-01-728	EA	WHEEL-COMB AIR, SUBURBAN 350110
075898-02-728	EA	GASKET-CROSSOVER TUBE, SUBURBAN 070384
082300-01-724	EA	-MOTOR MOUNT, SUBURBAN 070384
082300-01-727	EA	GASKET-COMBUSTION AIR HOUSING, SUBURBAN 070388
082300-01-711	EA	VENT CAP ASSEMBLY, SUBURBAN X260179
089834-01-729	EA	VALVE-GAS, JOHNSON - SUBURBAN 180832
082300-01-701	EA	CABINET FRONT, SUBURBAN 101172
082300-01-708	EA	SWITCH LIMIT, SUBURBAN 231440
089834-01-720	EA	ORIFICE-MAIN BURNER, SUBURBAN# 0180222
082300-01-704	EA	GASKET-ELECTRODE, SUBURBAN 070183
089834-01-708	EA	BOARD, SUBURBAN# 231427
082300-01-718	EA	ELBOW 90', SUBURBAN 170374
089834-01-718	EA	VALVE-MANUAL SHUTOFF, SUBURBAN 180740
082300-01-717	EA	WIRE ASSEMBLY (POWER SUPPLY) - SUBURBAN X231428
082300-01-708	EA	DOOR-BURNER ACCESS, SUBURBAN 030623
089834-01-732	EA	GASKET-BURNER ACCESS DOOR, SUBURBAN 070398
075898-02-709	EA	DISC-GLASS, SUBURBAN 310026
082300-01-715	EA	MANIFOLD ASSEMBLY, SUBURBAN 171034
089834-01-712	EA	GASKET-MANIFOLD, SUBURBAN 070408

NOTE: ITEMS INDENTED BELOW ASSEMBLIES ARE SERVICEABLE PARTS FOR THAT ASSEMBLY.

**HEATING & AIR CONDITIONING GROUP (CONTINUED)**

**24,000 BTU SUBURBAN FURNACE**

KEY	PART NUMBER	U/M DESCRIPTION
082300-01-000	EA	FURNACE-24,000 BTU, SUBURBAN NT-248
082300-01-708	EA	ELECTRODE, SUBURBAN 230988
089834-01-733	EA	RELAY, TIME DELAY 20&30 BTU, SUBURBAN 231202
089834-01-729	EA	VALVE-GAS, JOHNSON - SUBURBAN 180832
082300-01-723	EA	MOTOR ASSEMBLY (NT-248W), SUBURBAN 231208
082300-01-720	EA	WHEEL-ROOM AIR, SUBURBAN 350113
075898-01-708	EA	MICROSWITCH ASM F/248 ONLY, SUBURBAN 230810
075898-02-728	EA	GASKET-CROSSOVER TUBE, SUBURBAN 070384
082300-01-728	EA	WHEEL-COMB AIR, SUBURBAN 350110
082300-01-724	EA	GASKET-MOTOR MOUNT, SUBURBAN 070384
082300-01-727	EA	GASKET-COMBUSTION AIR HOUSING, SUBURBAN 070388
082300-01-711	EA	VENT CAP ASSEMBLY, SUBURBAN X260179
082300-01-700	EA	CABINET, SUBURBAN X101178
082300-01-701	EA	CABINET FRONT, SUBURBAN 101172
082300-01-708	EA	SWITCH LIMIT, SUBURBAN 231440
089834-01-701	EA	ORIFICE-MAIN BURNER, SUBURBAN 180218
082300-01-704	EA	GASKET-ELECTRODE, SUBURBAN 070183
089834-01-708	EA	MODULE BOARD, SUBURBAN# 231427
082300-01-718	EA	ELBOW 90', SUBURBAN 170374
089834-01-718	EA	VALVE-MANUAL SHUTOFF, SUBURBAN 180740
082300-01-717	EA	WIRE ASSEMBLY (POWER SUPPLY) - SUBURBAN X231428
082300-01-708	EA	DOOR-BURNER ACCESS, SUBURBAN 030623
089834-01-732	EA	GASKET-BURNER ACCESS DOOR, SUBURBAN 070398
075898-02-709	EA	DISC-GLASS, SUBURBAN 310026
082300-01-715	EA	MANIFOLD ASSEMBLY, SUBURBAN 171034
089834-01-712	EA	GASKET-MANIFOLD, SUBURBAN 070408
082300-01-712	EA	BURNER ASM, SUBURBAN X010701
082300-01-721	EA	BLOWER HOUSING ASSEMBLY, SUBURBAN 390263
075898-02-727	EA	BRACKET-MOTOR MOUNT, SUBURBAN# 082138
082300-01-725	EA	HOUSING ASM-COMBUSTION AIR, SUBURBAN# X390418
082300-01-703	EA	CHAMBER ASM-COMBUSTION, SUBURBAN# X021017
082300-01-728	EA	HOUSING, COMB AIR (OUTSIDE) - SUBURBAN 390424

NOTE: ITEMS INDENTED BELOW ASSEMBLIES ARE SERVICEABLE PARTS FOR THAT ASSEMBLY.

**FURNACE VENT, FACE & WALL THERMOSTAT**

KEY	PART NUMBER	U/M DESCRIPTION
082300-06-000	EA	VENT KIT-FURNACE, STRAIGHT - SUBURBAN 520808 FROM: 02-11-91 THRU: 99-99-99
082300-06-000	EA	FACE-FRONT, FURNACE - SUBURBAN 520607 FROM: 02-11-91 THRU: 99-99-99
093385-01-000	EA	THERMOSTAT-WALL, FURNACE - SUBURBAN 0180902

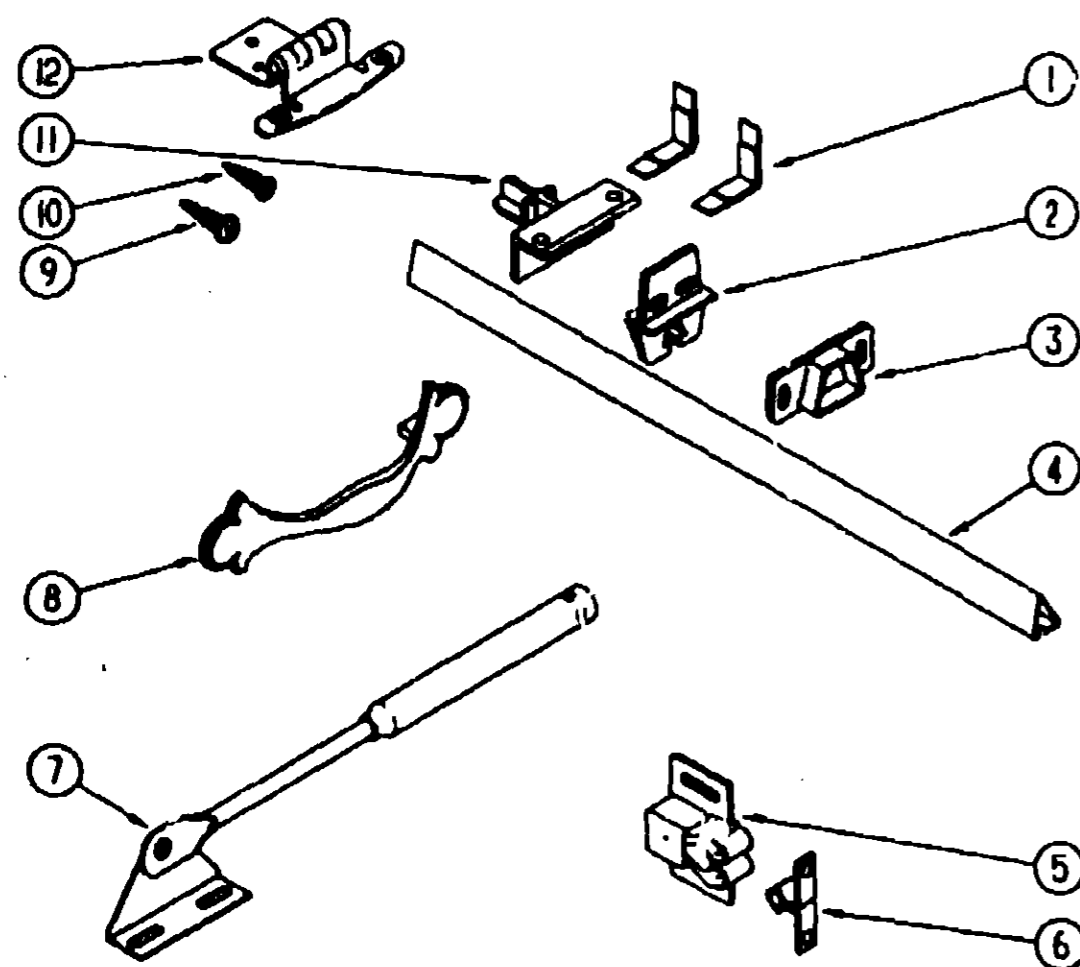
**1991 ITASCA  
TABLE OF CONTENTS**

INTRODUCTION	A-01 - A-02
ABBREVIATIONS	A-03
ALPHABETICAL INDEX	A-04 - A-06
ICN25RC	A-07 - F-02
ICN34RQ	F-03 - K-08

**1991 ICN25RC INDEX**

FLOOR PLAN	A-07 - A-08
ACCESSORIES	A-09 - A-14
BATH	A-15 - A-17
BEDROOM	A-18
CHASSIS	A-19 - B-03
C & P (C)	B-04 - B-13
DINETTE	B-14 - B-15
DRIVERS	B-16 - B-27
ELECTRICAL	B-23 - C-03
EXTERIOR BODY	C-04 - C-10
GALLEY	C-11 - C-18
HEATING & A/C	C-19 - C-24
INTERIOR FINISH	D-01 - D-04
LABELS	D-05 - D-12
LP	D-13
LOUNGE	D-14
SEALANTS & FASTENERS	D-15 - D-18
WATER & SEWAGE	D-19 - D-24
WINDOW, VENT AND EXTERIOR DOOR	E-01 - F-02

**INTERIOR FINISH GROUP**



**CABINET HARDWARE**

KEY	PART NUMBER	U/M DESCRIPTION
1	037688-02-000	EA L-CORNER GUIDE (DRAWERS)
2	037688-03-000	EA GLIDE-CENTER, DRAWER
3	037688-06-000	EA BRACKET-RAIL MOUNTING, REAR
4	037688-01-000	EA RAIL-V GUIDE, DRAWER
•	102827-02-000	EA BRACKET-ROLLER, DRAWER - REAR
•	102827-03-000	EA ROLLER-DRAWER, 1 PAIR - NYLON
•	102827-04-000	EA BRACKET-MOUNTING, DRAWER - REAR
•	102827-05-000	EA TRACK-DRAWER, 22.6" LONG
5	093586-03-000	EA CATCH-SPRING, ROLLER
6	093586-04-000	EA STRIKE-SPRING STEEL
7	074483-02-000	EA SUPPORT-OVERHEAD DOOR, SPRUNG
8	100273-01-000	EA PULL-CABINET, ANTIQUE BRASS
9	000G13-08-10G	EA SCREW-6-20 X 5/8 PFH, ANTIQUE BRASS
10	000G11-08-12B	EA SCREW-8 - 18 X 3/4 PPH - ZINC
11	037688-04-000	EA BRACKET-RAIL MOUNTING, FRONT
12	066777-02-000	EA HINGE-CABINET DOOR, BURNISHED BRASS

THESE PARTS WERE USED FROM 01-07-81 ON.

**INTERIOR FINISH GROUP (CONTINUED)**

**CABINET HARDWARE**

KEY	PART NUMBER	U/M DESCRIPTION
	098979-01-000	EA CLIP-ADJUSTABLE SHELF
	098980-02-000	EA PILASTER-ADJUSTABLE SHELF, 12" LONG
	084486-02-000	EA SLIDE-DRAWER, RIGHT SIDE - DRAWER MOUNTED
	084486-03-000	EA SLIDE-DRAWER, LEFT SIDE - DRAWER MOUNTED
	084486-04-000	EA SLIDE-CABINET, RIGHT SIDE - 17.8" EXTENDS TO 31.1"
	084486-05-000	EA SLIDE-CABINET, LEFT SIDE - 17.8" EXTENDS TO 31.1"
	023320-01-000	EA PAD-FELT, 3/8" DIAMETER - BROWN
	018804-01-000	EA BRACE-CABINET, ANGLED METAL - 2.5"
	018804-03-000	EA BRACE-CABINET ANGLE, 2.5" - BEIGE
	042356-01-000	EA PLUG-WOOD, 1/2" DIAMETER - MAHOGANY
	086740-01-000	EA BRACE-CABINET CORNER, PLASTIC
	083125-03-000	EA BRACE-ANGLE, COUCH/DINETTE - 2.5" - METAL - TAN
	081295-01-AA8	EA SUPPORT-BASE, DINETTE - 1.5" X 28" - WOOD
	085774-01-000	FT FASTENER-DUAL HOOK, 1" WIDE - ADHESIVE BACK - BLACK
	085774-02-000	FT FASTENER-DUAL LOOP, 1" WIDE - ADHESIVE BACK - BLACK
	091261-01-000	FT BACKING-NON SKID, 1' WIDE (100' ROLL)
	009049-01-000	EA SUPPORT-EXTENSION, GALLEY COUNTERTOP
	009059-01-000	EA HINGE-BRASS, 2" X 1.4" (GALLEY EXTENSION)
	041923-03-000	FT CONDUIT-CONFOLUTED SLIT, 1 ID - CLOTHES ROD COVER
	009112-01-000	EA FLANGE, 1" ROD - CLOTHES - PLASTIC - WHITE
	042438-01-000	EA DOWEL-WOOD, CLOTHES ROD - 1" X 4"

**ASSIST HANDLE**

KEY	PART NUMBER	U/M DESCRIPTION
	080178-02-000	EA BRACKET-MOUNTING, ASSIST HANDLE
	000C16-07-168	EA BOLT-CARRIAGE, ASSIST HANDLE - 7/16" - 14 X 1" ZN
	000D20-07-008	EA NUT-ACORN, ASSIST HANDLE - 7/16" X 14 ZN
	023552-02-AA8	EA HANDLE-ASSIST, INTERIOR - ENTRY DOOR - VINYL
	046867-01-000	EA GROMMET-BRASS, 7/16" ID X 10 D

**FLOOR MATS**

KEY	PART NUMBER	U/M DESCRIPTION
	081075-02-000	EA MAT-FLOOR, ENTRANCE - 'ITASCA'
	081271-02-000	EA MAT-FLOOR, FRONT DRIVER SIDE - 'ITASCA'
	081202-02-000	EA MAT-FLOOR, FRONT PASSENGER SIDE - 'ITASCA'

**1991 ITASCA  
TABLE OF CONTENTS**

INTRODUCTION	A-01	A-02
ABBREVIATIONS		A-03
ALPHABETICAL INDEX	A-04	A-06
ICN25FC	A-07	F-02
ICN34RC	F-03	K-08

**1991 ICN25RC INDEX**

FLOOR PLAN	A-07	A-08
ACCESSORIES	A-09	A-14
BATH	A-15	A-17
BEDROOM		A-18
CHASSIS	A-19	B-03
C C & PAD	B-04	B-13
DINETTE	B-14	B-15
DRIVERS	B-16	B-22
ELECTRICAL	B-23	C-03
EXTERIOR BODY	C-04	C-10
GALLEY	C-11	C-18
HEATING & AC	C-19	C-24
INTERIOR FINISH	D-01	D-04
LABELS	D-05	D-12
LP		D-13
LOUNGE		D-14
SEALANTS & FASTENERS	D-15	D-18
WATER & SEWAGE	D-19	D-24
WINDOW, VENT AND EXTERIOR DOOR	E-01	F-02

**INTERIOR FINISH GROUP (CONTINUED)**

**CABINET & WALL MOLDINGS & TRIMS**

KEY	PART NUMBER	U/M DESCRIPTION
	068740-01-000	EA BRACE-CORNER, CABINET - PLASTIC
	068671-01-01A	EA TRIM-ROOF COVE, INTERIOR - OFF WHITE - 12"
	102239-01-01A	EA COVER-SPLICE, COVE TRIM - 1.5" X 3" - PLASTIC - OFF WHITE
	038787-12-000	FT MOLDING-SIDEWALL TO CEILING/CABINET - WELTING - OFF WHITE
	077840-14-W24	EA MOLDING-CAP, WALL - WOOD - WLIP - 1.4" X 80"
	063620-06-000	FT MOLDING-T, END CAP EDGE - WEDGE LIPS - .75" - REBER BIRCH
	063620-07-000	FT MOLDING-T, END CAP EDGE - WEDGE LIPS - .75" - THOR PECAN
	061521-02-007	EA MOUNT-METAL MOLDING FOR RADIUS CORNER MOLDING, 12.5"
	070604-01-000	FT U-CHANNEL-PLASTIC, 1/16" - LIGHT BROWN
	070604-19-000	FT U-CHANNEL-PLASTIC, .815" - BROWN
	062859-01-AA8	FT TRIM-EDGE, VINYL FABRIC - BEIGE
	042356-01-000	EA PLUG-WOOD, 3/8" - MAHAGANY
	078886-01-018	EA LUMBER-.7" X 1.4" X 70.8", W7 DEGREE BEVEL ON 1 FACE
	080176-04-000	EA CAP-CORNER, RADIUS - TOP - BROWN
	100618-01-01A	EA RETAINER-HEADLINER, OFF WHITE
	042357-15-000	EA MOLDING-CORNER, RADIUS - 1.5" X 7" - PLASTIC - WOODGRAIN
	022992-11-000	FT MOLDING-REVERSE COVE, CHAMPAGNE WHITE
	061294-02-000	EA MOLDING-SHELF, KNOTCHED WOOD - 8"
	008778-12-000	EA U-CHANNEL, 1" WIDE - PLASTIC - WOODGRAIN
	062330-03-000	EA LUMBER-VINYL WRAPPED, 2" X 98" - WOODGRAIN
	008812-22-000	EA MOLDING-PLASTIC, CORNER OS - 5" - BROWN
	076326-28-000	FT MOLDING-EDGE BAND, 1 5/16" WIDE - WOODGRAIN
	100041-02-000	EA MOLDING-VINYL WRAPPED, .7" X 2.6" X 84" - RAMBLING OAK
	100041-04-000	EA MOLDING-VINYL WRAPPED, .7" X 3.5" X 72" - RAMBLING OAK

**BATT STRIPS**

KEY	PART NUMBER	U/M DESCRIPTION
	068733-70-000	EA BATT-STRIP, WOODGRAIN - REGAL OAK - 8"
	066264-03-000	FT BATT-STRIP, WOODGRAIN - ADHESIVE TAPE - REGAL OAK
	066264-03-700	FT BATT-STRIP, WOODGRAIN - ADHESIVE BACKED 3" WIDE - REGAL OAK
	066263-55-000	EA BATT-STRIP, MAIN WALL - KEW GARDEN - 8"
	066264-41-000	FT BATT-STRIP, MAIN WALL - KEW GARDEN - ADHESIVE BACKED
	066263-54-000	EA BATT-STRIP, BATH - SUMMER RAIN - 8"
	066264-42-000	FT BATT-STRIP, BATH - SUMMER RAIN - ADHESIVE BACKED
	066263-60-000	EA BATT-STRIP, SHOWER - TAVERTINE WHITE - 8"
	066263-78-000	EA BATT-STRIP, SHOWER - TAVERTINE ANTIQUE WHITE - 8"
	066229-04-000	EA BATT-STRIP, CEILING
	066229-01-000	EA RETAINER-BATTEN, CEILING - .73" WIDE - 7.6" EA
	079853-08-000	EA BATT-STRIP, KERFED-RAMBLING OAK

THESE PARTS WERE USED FROM 03-18-82 ON.

**PANELING AND LAMINATES**

KEY	PART NUMBER	U/M DESCRIPTION
	074487-17-U20	SF PANELING-RAMBLING OAK, 48" X 64" (CABINETS & WALLS)
	068272-78-000	SF PANELING-DECORATIVE, KEW GARDEN - 48" X 94" (MAIN WALL)
	068272-75-000	SF PANELING-DECORATIVE, SILVER - 48" X 84" (BATH)
	068272-72-000	SF PANELING-SHOWER, TAVERTINE WHITE - 48" X 84"
	076773-07-000	SF PANELING-WOODGRAIN, 2 SIDED - 4' X 8' - INCREMENTS OF 32SF
	063618-08-000	SF PLYWOOD-OAK, 1 SIDE FINISHED - 2 1/8" X 48" X 96"
	074488-36-000	SF LAMINATE-PLASTIC, ROSE - 80" X 98" (COUNTERTOP)
	076325-28-000	FT MOLDING-EDGE BAND, THERMOWEB
	063743-01-02A	SF PLASTIC-ABS, 11.5" WIDE - OFF WHITE
	000886-48-000	SF PARTICLE BOARD-VINYL COVERED-3/8" ONE-SIDED/RAMBLING OAK
	000681-48-000	SF PARTICLE BOARD-3/4" X 80" X 96" - 2 SIDED VINYL WOODGRAIN
	068297-01-000	SF PLYWOOD-LUAN, OVERLAY GRADE - 4' X 8' - INC OF 32 SF

**INTERIOR FINISH GROUP (CONTINUED)**

**FABRICS AND TRIMS**

KEY	PART NUMBER	U/M DESCRIPTION
	068008-57-000	Y/D FABRIC-MAIN UPHOLSTERY, COCCA (B29)
	068008-58-000	Y/D FABRIC-MAIN UPHOLSTERY, GRAY (B30)
	068008-55-000	Y/D FABRIC-MAIN UPHOLSTERY, PLUM(B31)
	068008-60-000	Y/D FABRIC-PATTERNED ACCENT, COCCA (B29)
	068008-59-000	Y/D FABRIC-PATTERNED ACCENT, GRAY (B30)
	068008-58-000	Y/D FABRIC-PATTERNED ACCENT, PLUM (B31)
	068008-62-000	Y/D FABRIC-PLAIN ACCENT, COCCA (B29)
	068008-31-000	Y/D FABRIC-PLAIN ACCENT, GRAY (B30)
	068008-31-000	Y/D FABRIC-PLAIN ACCENT, PLUM (B31)
	072333-77-000	Y/D FABRIC-DRAPERY/CURTAIN - TAUPE
	072333-78-000	Y/D FABRIC-DRAPERY/CURTAIN - SILVER
	068273-53-000	Y/D FABRIC-BEDSPREAD/CURTAIN, PATTERNED - 54" (B29)
	068273-55-000	Y/D FABRIC-BEDSPREAD/CURTAIN, PATTERNED - 54" (B30)
	068273-54-000	Y/D FABRIC-BEDSPREAD/CURTAIN, PATTERNED - 54" (B31)
	079880-07-000	Y/D FABRIC-VINYL, EXPANDED - CABINET END CAPS - BEIGE
	029219-01-000	Y/D FABRIC-VINYL, EXPANDED - ASSIST HANDLE - WHITE
	079880-09-000	Y/D FABRIC-VINYL, EXPANDED - SUNVISOR - OFF WHITE
	103907-01-01A	Y/D FABRIC-VINYL, EXPANDED - SUNVISOR - OFF WHITE
	075244-03-000	Y/D FABRIC-VINYL, SHOWER GUARD - ALMOND
	067272-01-000	Y/D FABRIC-DRAPERY LINING, 48" - IVORY
	076796-02-000	Y/D FABRIC-VINYL FOAMBACK - INSTRUMENT PANEL - GRAY
	068792-01-000	Y/D VELCRO-.75" HOOK, NON-ADHESIVE - BEIGE
	068792-02-000	Y/D VELCRO-.75" LOOP, ADHESIVE - BEIGE
	048394-02-000	Y/D TAPE-HOOK, 75 X 50 YDS, BEIGE
	079349-01-B29	FT WELTING-FABRIC, BUCKET SEAT (B29)
	079349-01-AD2	FT WELTING-FABRIC, BUCKET SEAT (B30)
	079349-01-B31	FT WELTING-FABRIC, BUCKET SEAT (B31)
	067253-01-000	EA PULL-SHADE-GRABER, CLEAR PLASTIC

THESE PARTS WERE USED FROM 04-17-81 ON.

**FLOOR COVERINGS**

KEY	PART NUMBER	U/M DESCRIPTION
	068080-15-000	SY CARPET-SAND, (B29)
	068080-26-000	SY CARPET-POSE WOOD, (B29)
	068080-18-000	SY CARPET-SILVER CLOUD, (B30)
	068080-20-000	SY CARPET-AUBERGINEL, (B31)
	063488-01-000	SY CARPET-COMPARTMENT, 54" WIDE - DARK GRAY
	075233-01-000	SY PAD-CARPET, 3/8" X 6" ROLL
	076314-02-000	FT TAPE-CARPET SEAM, HEAT BOND - 4" WIDE
	047034-02-000	SF PLASTIC-CARPET, 4" WIDE - CLEAR POLY
	065748-01-000	FT TRIM-J, CARPET - 1.2" X .5" ANGLE - 10' LONG - PVC - BEIGE

FROM: 01-00-00 THRU: 02-10-81  
FROM: 02-11-81 THRU: 06-09-89

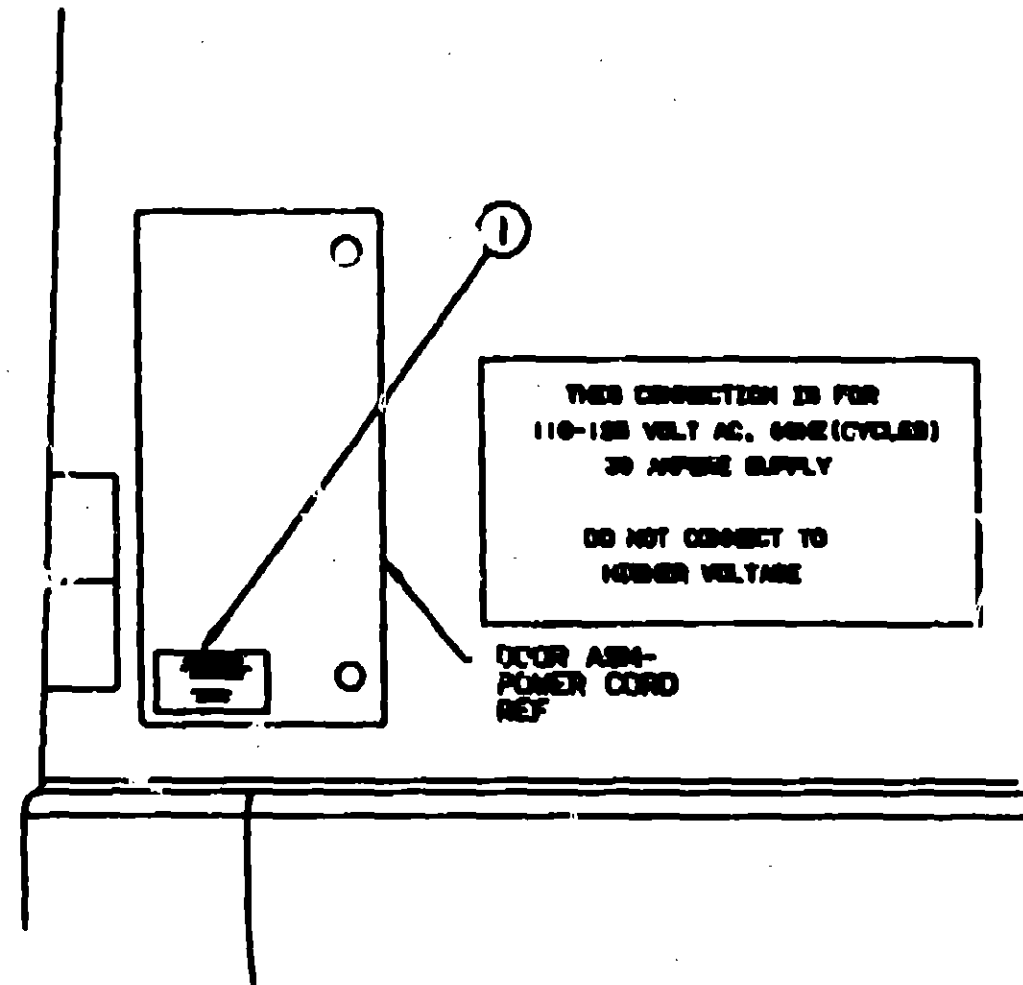
**1991 ITASCA  
TABLE OF CONTENTS**

INTRODUCTION	A-01	A-02
ABBREVIATIONS		A-03
ALPHABETICAL INDEX	A-04	A-08
ICN25RC	A-07	F-02
ICN34RC	F-03	K-08

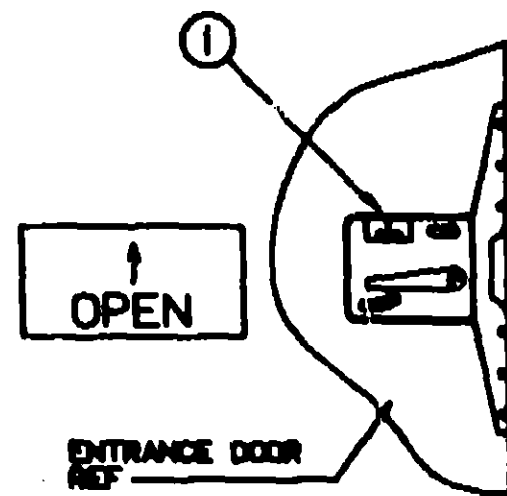
**1991 ICN25RC INDEX**

FLOOR PLAN	A-07	A-09
ACCESSORIES	A-09	A-14
BATH	A-15	A-17
BEDROOM		A-18
CHASSIS	A-19	B-03
C C & PAD	B-04	B-13
DINETTE	B-14	B-15
DRIVERS	B-16	B-29
ELECTRICAL	B-23	C-03
EXTERIOR BODY	C-04	C-10
GALLEY	C-11	C-18
HEATING & AC	C-19	C-24
INTERIOR FINISH	D-01	D-04
LABELS	D-06	D-12
LP		D-13
LOUNGE		D-14
SEALANTS & FASTENERS	D-15	D-18
WATER & SEWAGE	D-19	D-24
WINDOW, VENT AND EXTERIOR DOOR	E-01	F-02

**LABELS GROUP**

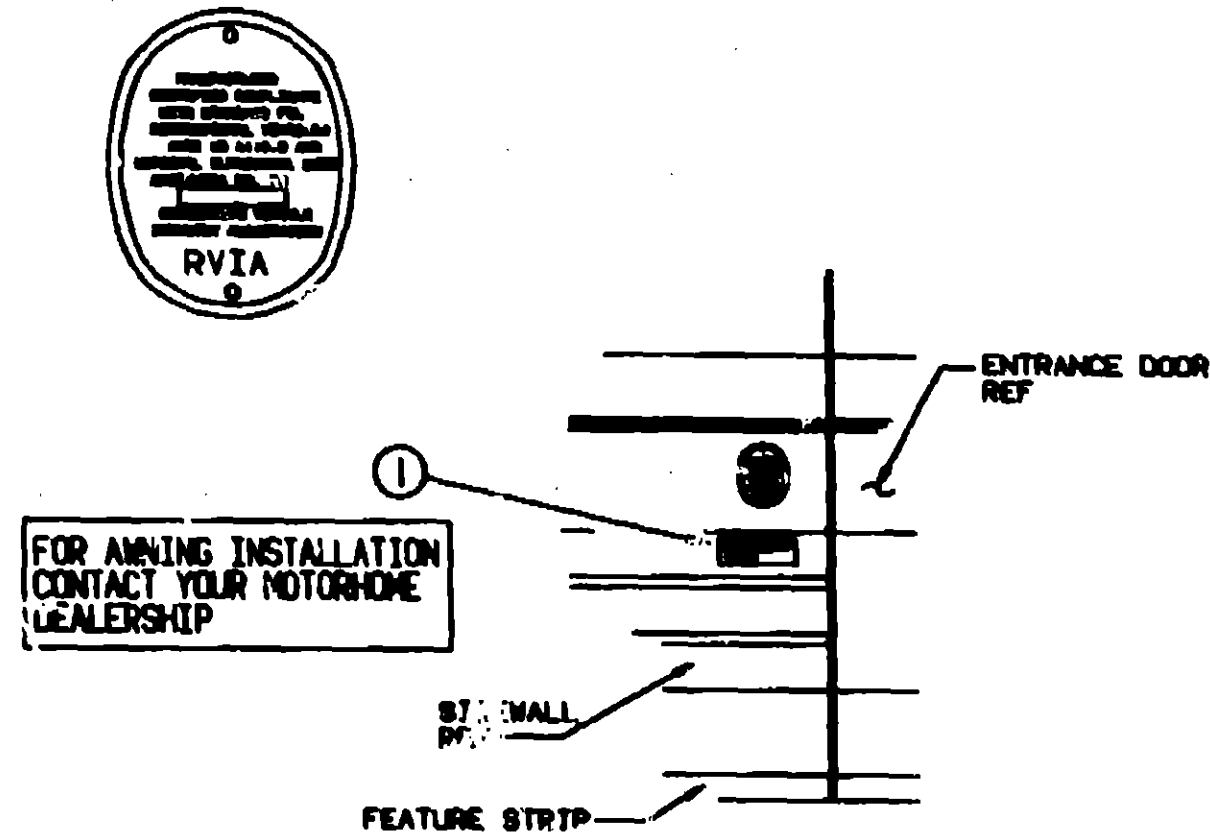


KEY	PART NUMBER	U/M DESCRIPTION
1	008082-01-000	EA TAG-ELECTRIC, 110V CONNECTION



KEY	PART NUMBER	U/M DESCRIPTION
1	040844-01-000	EA LABEL-ENTRANCE DOOR, 'OPEN'

**LABELS GROUP (CONTINUED)**



KEY	PART NUMBER	U/M DESCRIPTION
1	008509-01-000	EA LABEL-AWNING INSTALLATION

**MISCELLANEOUS LABELS**

KEY	PART NUMBER	U/M DESCRIPTION
	091243-01-000	EA LABEL-AC COVER (CANADIAN)
	093238-03-000	EA LABEL-CIRCUIT BREAKER, MAIN
	093237-03-000	EA LABEL-CIRCUIT BREAKER, FRONT - POWER SEAT (LEFT)
	093238-04-000	EA LABEL-CIRCUIT BREAKER
	098508-01-000	EA LABEL-'COMPARTMENT NOT SEALED'
	098383-01-000	EA LABEL-'DIESEL FUEL'
	087238-01-000	EA LABEL-CABLE, INPUT
	087238-02-000	EA LABEL-TV, OUTLET
	009031-01-000	EA LABEL-POTABLE WATER ONLY
	081808-01-000	EA LABEL-OVERLAY, VEHICLE CERTIFICATION - ADHESIVE BACKED
	079988-01-000	EA LABEL-WARNING, STOWED, MOTION
	090342-01-000	EA LABEL-VAPOR RELIEF
	008084-01-000	EA LABEL-SEAT W/O SEATBELT NOT INTENDED FOR USE WHILE COACH IN MOTION'
	094878-01-000	EA LABEL-EXTERIOR LIGHT, SERVICE

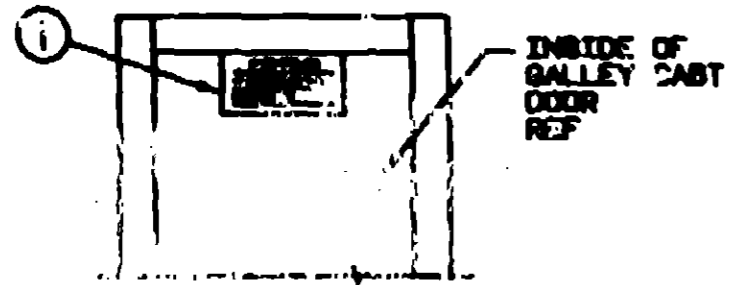
**1991 ITASCA  
TABLE OF CONTENTS**

INTRODUCTION	A-01 -	A-02
ABBREVIATIONS		A-03
ALPHABETICAL INDEX	A-04 -	A-08
ICN25RC	A-07 -	F-02
ICN34RQ	F-03 -	K-08

**1991 ICN25RC INDEX**

FLOOR PLAN	A-07 -	A-08
ACCESSORIES	A-09 -	A-14
BATH	A-15 -	A-17
BEDROOM		A-18
CHASSIS	A-19 -	B-03
C C & PAD	B-04 -	B-13
DINETTE	B-14 -	B-15
DRIVERS	B-16 -	B-22
ELECTRICAL	B-23 -	C-03
EXTERIOR BODY	C-04 -	C-10
GALLEY	C-11 -	C-18
HEATING & AC	C-19 -	C-24
INTERIOR FINISH	D-01 -	D-04
LABELS	D-05 -	D-12
LP		D-13
LOUNGE		D-14
SEALANTS & FASTENERS	D-15 -	D-18
WATER & SEWAGE	D-19 -	D-24
WINDOW, VENT AND EXTERIOR DOOR	E-01 -	F-02

**LABELS GROUP (CONTINUED)**

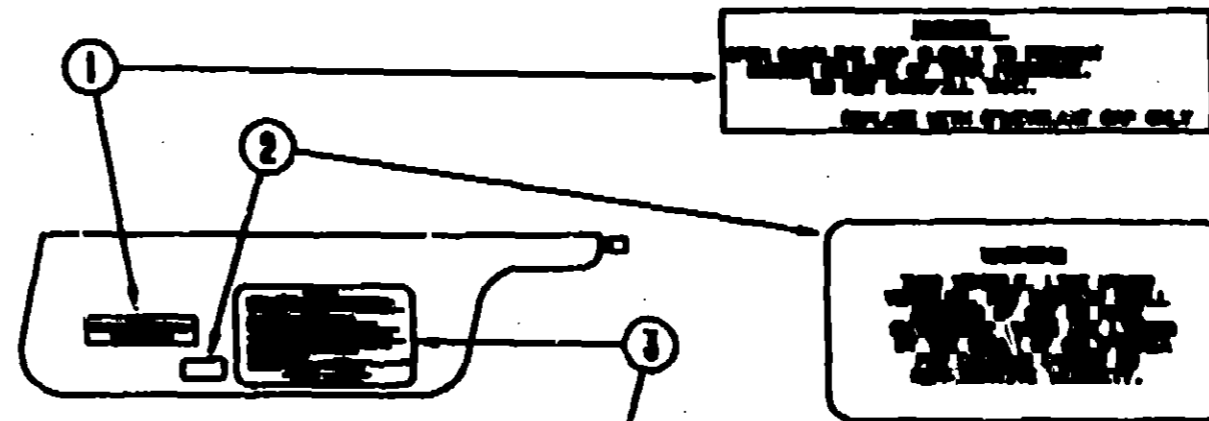


**IF YOU SMELL GAS**

1. IMMEDIATELY STOP OPEN FLAME, FLUOR LIGHTS AND ALL OTHER OPEN FLAMES.
2. STOP THE GAS SUPPLY AT THE TIME YOU CALL OR GO TO THE CONTROL.
3. ONLY GO OUT AND OPEN VENTILATION OPENINGS.
4. DO NOT TOUCH ELECTRICAL SWITCHES.
5. LEAVE THE AREA UNTIL YOU ARE CALLED.
6. IF YOU ARE CALLED TO RETURN AND LEAVE, MAKE SURE YOU ARE CALLED TO RETURN.

KEY	PART NUMBER	U/M DESCRIPTION
1	073908-01-000	EA LABEL-LPG ODOR WARNING

**LABELS GROUP (CONTINUED)**



**CAUTION**

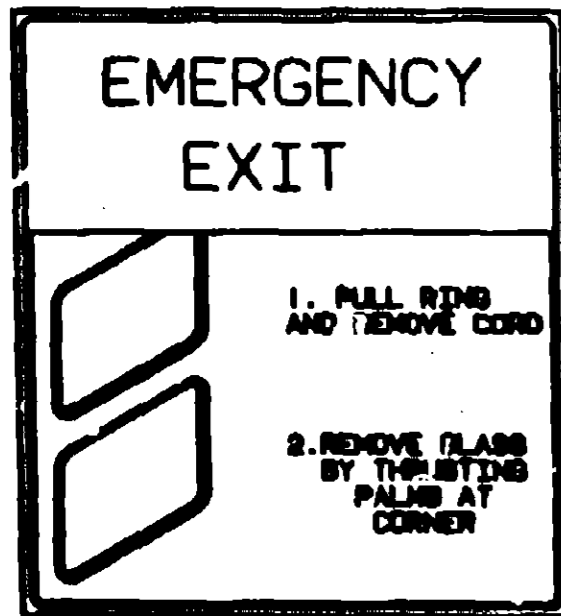
THIS GROUP HERE HAS BEEN REVISIONED, REDESIGNED AND STATED WITH CARE FOR THE PROTECTION OF IT'S OPERATOR. BE SURE YOU FOLLOW THE FOLLOWING INSTRUCTIONS FOR YOUR SAFETY AND THE SAFETY OF THE PASSENGERS BEFORE STARTING THE ENGINE.

1. LP GAS SYSTEM- TURN OFF AT TIME FOR TRAVELING. TEST FOR LEAKS AFTER ARRIVAL AT DESTINATION. BEFORE LEAVING PLANE.
2. WHEELS- INSPECT FOR DAMAGE AND CHECK AIR PRESSURE BEFORE TRAVELING.
3. TIRES- INSPECT FOR WEAR AND DAMAGE AND CHECK FOR UNBALANCED AND PRESSURE.
4. LIGHTS- TEST FOR PROPER OPERATION OF ALL STOPPED AND CHECK LIGHTS INCLUDING MAIN LIGHTS, POSITIONING, TAIL LIGHTS, BRAKE LIGHTS, GLASSING LIGHTS AND TURN SIGNALS.
5. BELTS- INSPECT BELT WEAR ON ENGINE AND CHECK BELT TENSION. TEST BELT LEAKS ON MAIN ENGINE AND CHECK FOR BELT OF OPERATION AND BELT TENSIONING AND TO USE BELT TENSIONING OF BELT.
6. BATT. CHRG- CHECK PROPERNESS TO MAINTAIN CHRG AND CORRECT USE OF BATT. CHRG.
7. ATLAS- TEST OFF AND LATCH ON LAST USED WHEN FINISHED.
8. LOOSE PANELS- CHECK TIGHTLY.
9. UTILITY SUPPLY LINES- CHECK ALL ELECTRICAL, WATER AND OTHER LINES AND CORRECT ANY DEFECTS.
10. BATTERY CHRG- PLACE IN RETURNED POSITION FOR TRAVELING.

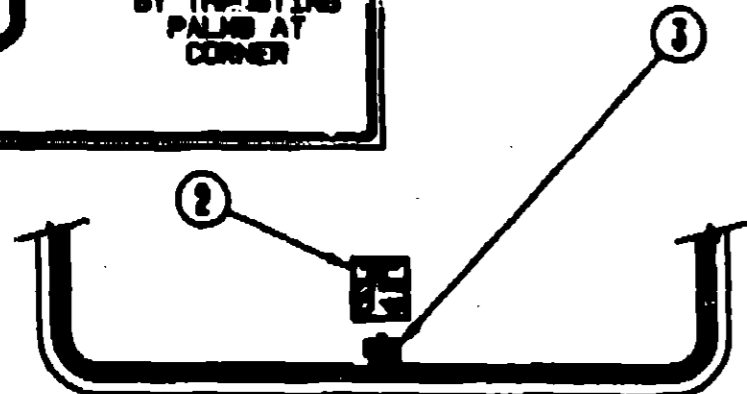
READ YOUR OWNERS MANUAL AND OTHER OWNERS MANUAL FOR FURTHER INSTRUCTIONS

**1991 ITASCA  
TABLE OF CONTENTS**

INTRODUCTION	A-01 -	A-02
ABBREVIATIONS		A-03
ALPHABETICAL INDEX	A-04 -	A-08
ICN25RC	A-07 -	F-02
ICN34RQ	F-03 -	K-08



**EMERGENCY EXIT**  
PULL RING  
REMOVE CORD  
PUSH OUT WINDOW

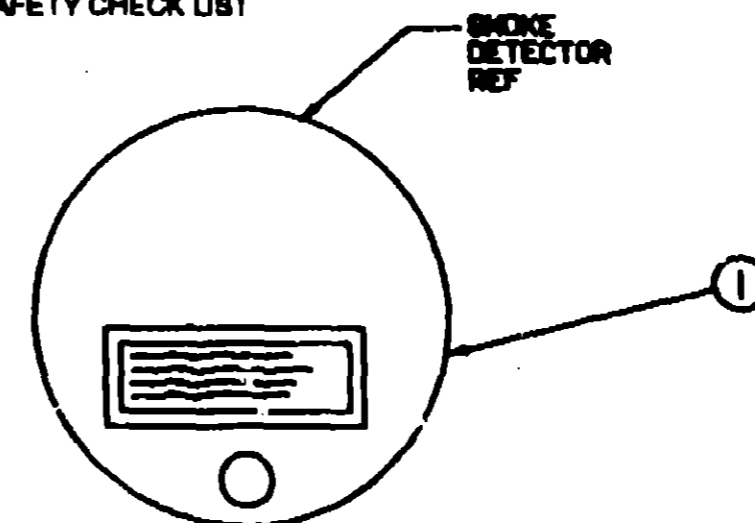


**EXIT**

ESCAPE WINDOW REF

KEY	PART NUMBER	U/M DESCRIPTION
1	088280-01-000	EA LABEL-WARNING-EXIT
2	047791-01-000	EA LABEL-EMERGENCY EXIT - ESCAPE WINDOW
3	008180-01-000	EA LABEL-EXIT-ESCAPE WINDOW

KEY	PART NUMBER	U/M DESCRIPTION
1	067207-05-000	EA LABEL-FUEL CAP REMOVAL
2	090680-01-000	EA LABEL-WARNING, CANCER/TOXICITY
3	068258-01-000	EA LABEL-RAFSY CHECK LIST



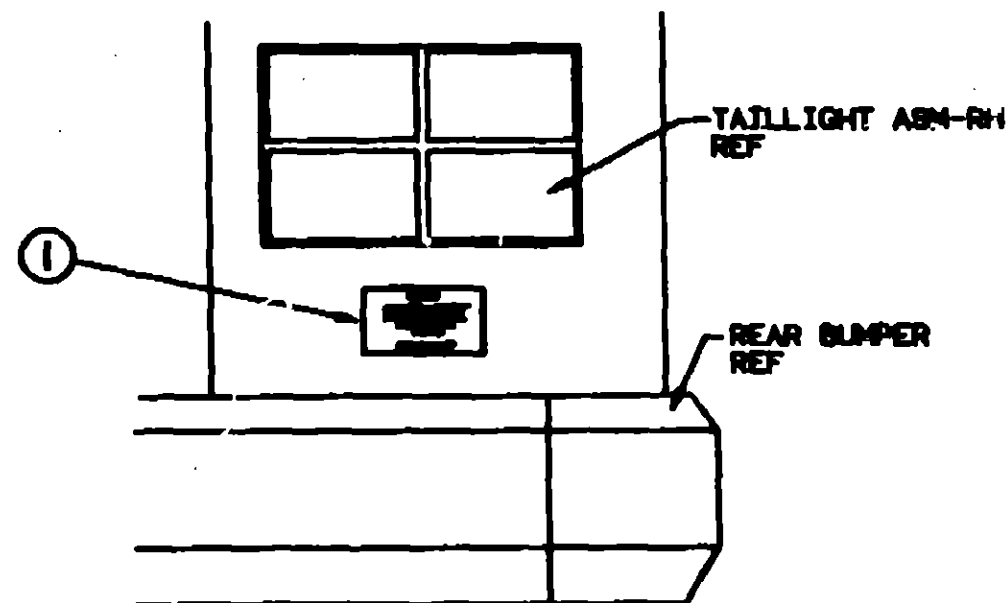
**WARNING** - THIS GROUP CONTAINS INFORMATION AFTER VEHICLE HAS BEEN IN OPERATION. BEFORE THIS TEST AND AT LEAST OFF FOR THE ENGINE OFF.

KEY	PART NUMBER	U/M DESCRIPTION
1	077958-01-000	EA LABEL-WARNING, SMOKE DETECTOR

**1991 ICN25RC INDEX**

FLOOR PLAN	A-07 -	A-08
ACCESSORIES	A-09 -	A-14
BATH	A-15 -	A-17
BEDROOM		A-18
CHASSIS	A-19 -	B-03
C C & PAD	B-04 -	B-13
DINETTE	B-14 -	B-15
DRIVERS	B-16 -	B-22
ELECTRICAL	B-23 -	C-03
EXTERIOR BODY	C-04 -	C-10
GALLEY	C-11 -	C-18
HEATING & AC	C-18 -	C-24
INTERIOR FINISH	D-01 -	D-04
LABELS	D-05 -	D-12
LP		D-13
LOUNGE		D-14
SEALANTS & FASTENERS	D-15 -	D-18
WATER & SEWAGE	D-19 -	D-24
WINDOW, VENT AND EXTERIOR DOOR	E-01 -	F-02

**LABELS GROUP (CONTINUED)**

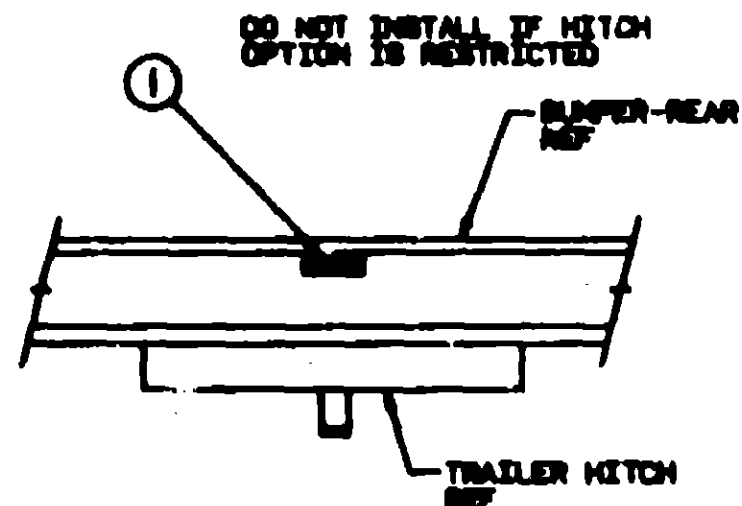


**WARNING**

DO NOT EXCEED THE VEHICLE WEIGHT RATINGS  
OR LOADING RECOMMENDATIONS (E.G., GROSS  
VEHICLE, GROSS AXLE, GROSS COMBINED) OF  
THE CHASSIS MANUFACTURER OR  
WINNEBAGO INC.

REFER TO YOUR OWNERS MANUAL,  
BEFORE LOADING OR TOWING.

KEY PART NUMBER 1 078220-01-000 U/M DESCRIPTION EA LABEL-WARNING, EXTERIOR LOAD



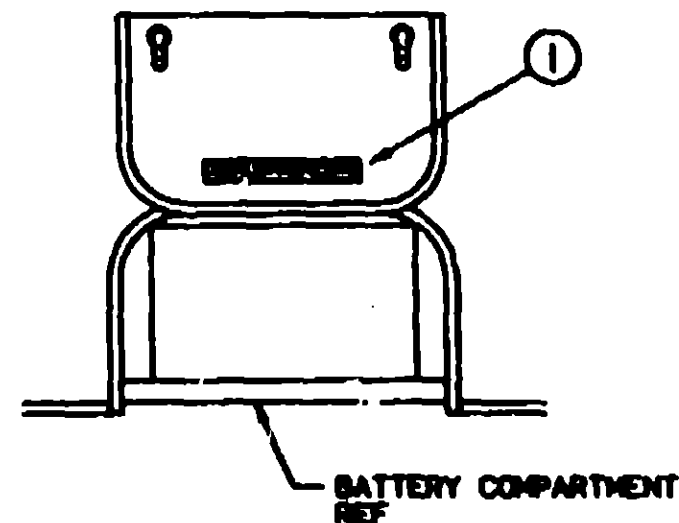
**TOWING CAPACITY**

THIS VEHICLE 2000 LB. GROSS WEIGHT  
NEVER EXCEED 10% LB. WEIGHT

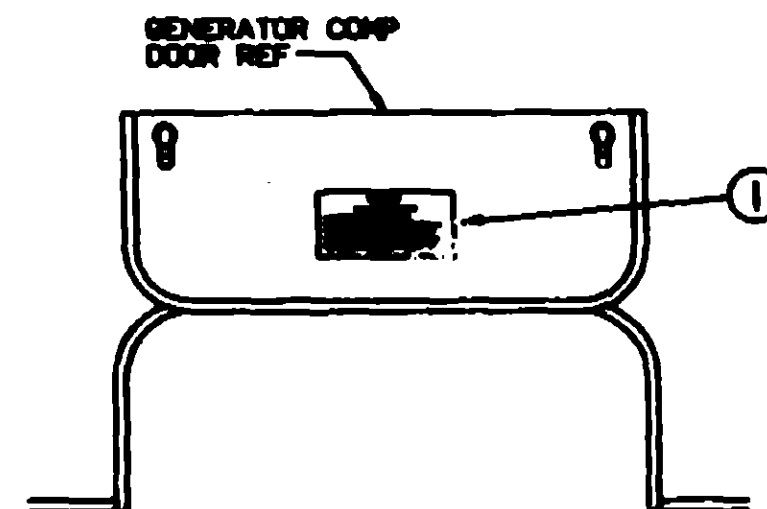
KEY PART NUMBER 1 078221-08-000 U/M DESCRIPTION EA LABEL-TRAILER HITCH

**LABELS GROUP (CONTINUED)**

**WARNING** DISCONNECT BATTERIES BEFORE  
CONNECTING EXTERNAL CHARGING EQUIPMENT.



KEY PART NUMBER 1 085746-01-000 U/M DESCRIPTION EA LABEL-CAUTION, BATTERY CHARGING



**WARNING**

WHEN ADDING A GENERATOR KIT:

NEVER RELEASE THE GENERATOR FASTENERS WHEN WORKING ON  
ELECTRICAL SYSTEMS.  
NEVER USE ELECTRICAL INSTALLATION PERFORMED BY A NON-PROFESSOR LICENSED  
ELECTRICIAN OR A LICENSED ELECTRICIAN.  
ONLY QUALIFIED PERSONNEL SHOULD BE ALLOWED TO SERVICE THE GENERATOR. MAKE  
SURE THE GENERATOR IS PROPERLY GROUNDING AND TO GENERATOR AS DIRECTED IN THE  
INSTALLATION MANUAL. ALWAYS DISCONNECT BATTERIES.  
GENERATOR CABLES SHOULD BE AWAY FROM THE BODY AND MUST NOT TOUCH THE  
BODY OR GENERATOR CABLES MUST BE AWAY FROM THE BODY.

KEY PART NUMBER 1 077510-01-000 U/M DESCRIPTION EA LABEL-GENERATOR PREP

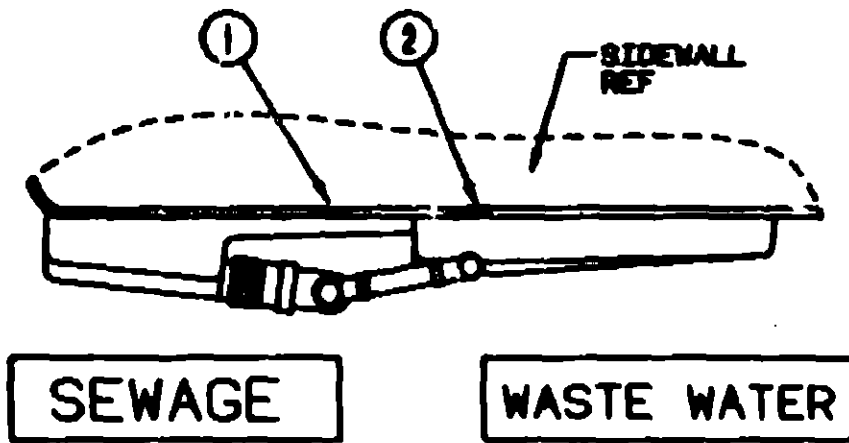
**1991 ITASCA  
TABLE OF CONTENTS**

INTRODUCTION	A-01 -	A-02
ABBREVIATIONS		A-03
ALPHABETICAL INDEX	A-04 -	A-06
ICN25RC	A-07 -	F-02
ICN34RQ	F-03 -	K-08

**1991 ICN25RC INDEX**

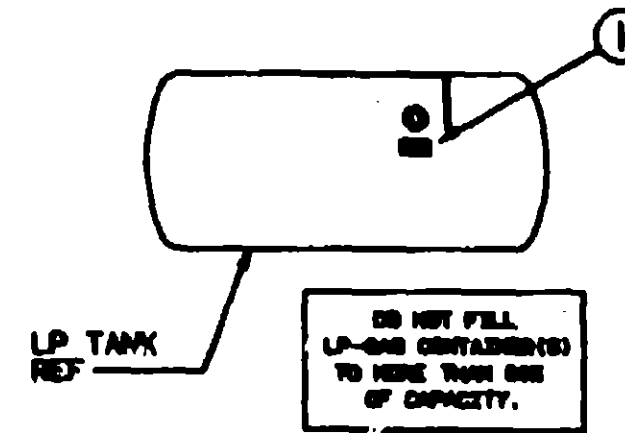
FLOOR PLAN	A-07 -	A-08
ACCESSORIES	A-09 -	A-14
BATH	A-15 -	A-17
BEDROOM		A-18
CHASSIS	A-19 -	B-03
C C & PAD	B-04 -	B-13
DINETTE	B-14 -	B-15
DRIVERS	B-16 -	B-22
ELECTRICAL	B-23 -	C-03
EXTERIOR BODY	C-04 -	C-10
GALLEY	C-11 -	C-18
HEATING & A/C	C-19 -	C-24
INTERIOR FINISH	D-01 -	D-04
LABELS	D-05	D-12
LP		D-13
LOUNGE		D-14
SEALANTS & FASTENERS	D-15 -	D-18
WATER & SEWAGE	D-19 -	D-24
WINDOW, VENT AND EXTERIOR DOOR	F-01 -	F-02

**LABELS GROUP (CONTINUED)**



KEY	PART NUMBER	U/M DESCRIPTION
1	008187-01-000	EA LABEL-SEWAGE
2	008188-01-000	EA LABEL-WASTE WATER

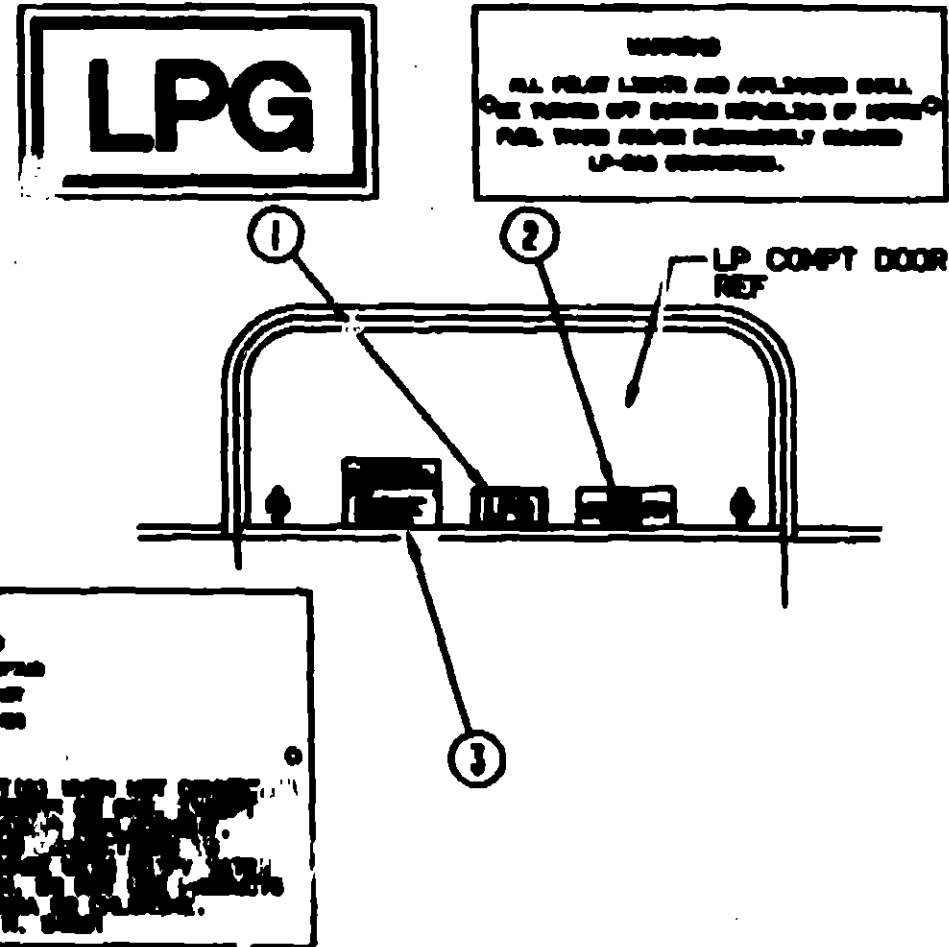
**LABELS GROUP (CONTINUED)**



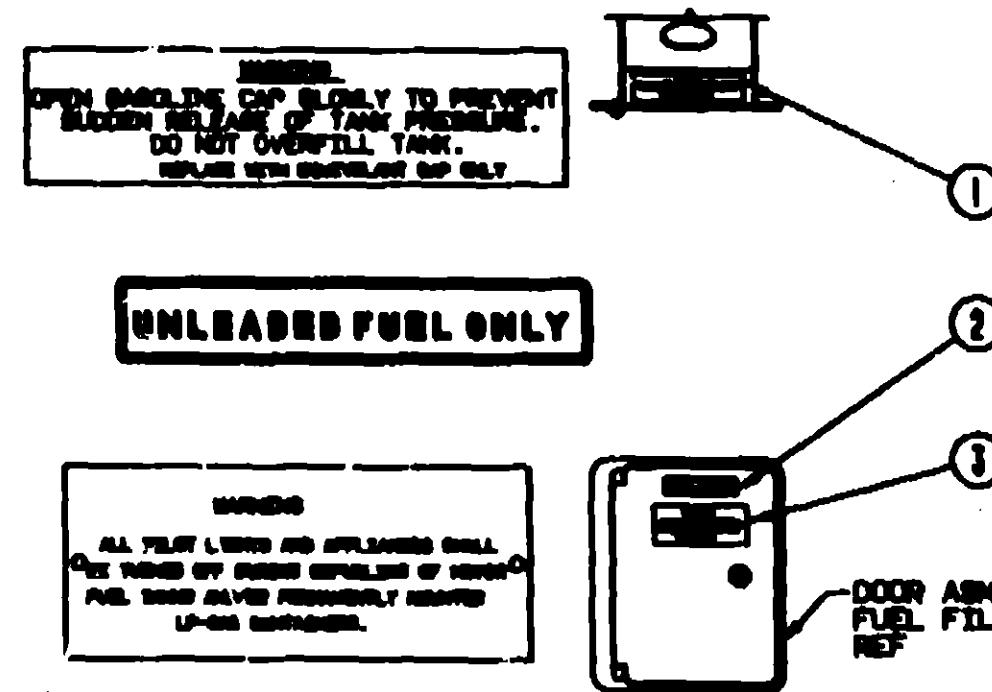
KEY	PART NUMBER	U/M DESCRIPTION
1	079965-01-000	EA LABEL-LPG 80% CAPACITY

**1991 ITASCA  
TABLE OF CONTENTS**

INTRODUCTION	A-01 - A-02
ABBREVIATIONS	A-03
ALPHABETICAL INDEX	A-04 - A-06
ICN28RC	A-07 - F-02
ICN34RC	F-03 - K-08



KEY	PART NUMBER	U/M DESCRIPTION
1	074689-01-000	EA DECAL-LOGO, LPG - RED - (CALIF CODE)
2	008040-01-000	EA TAG-GAS REFUELING WARNING
2	008040-02-000	EA TAG-GAS REFUEL WARNING, CANADIAN
3	034831-01-000	EA LABEL-LP GAS ONLY
3	023788-01-000	EA LABEL-WARNING, LPG - CANADIAN

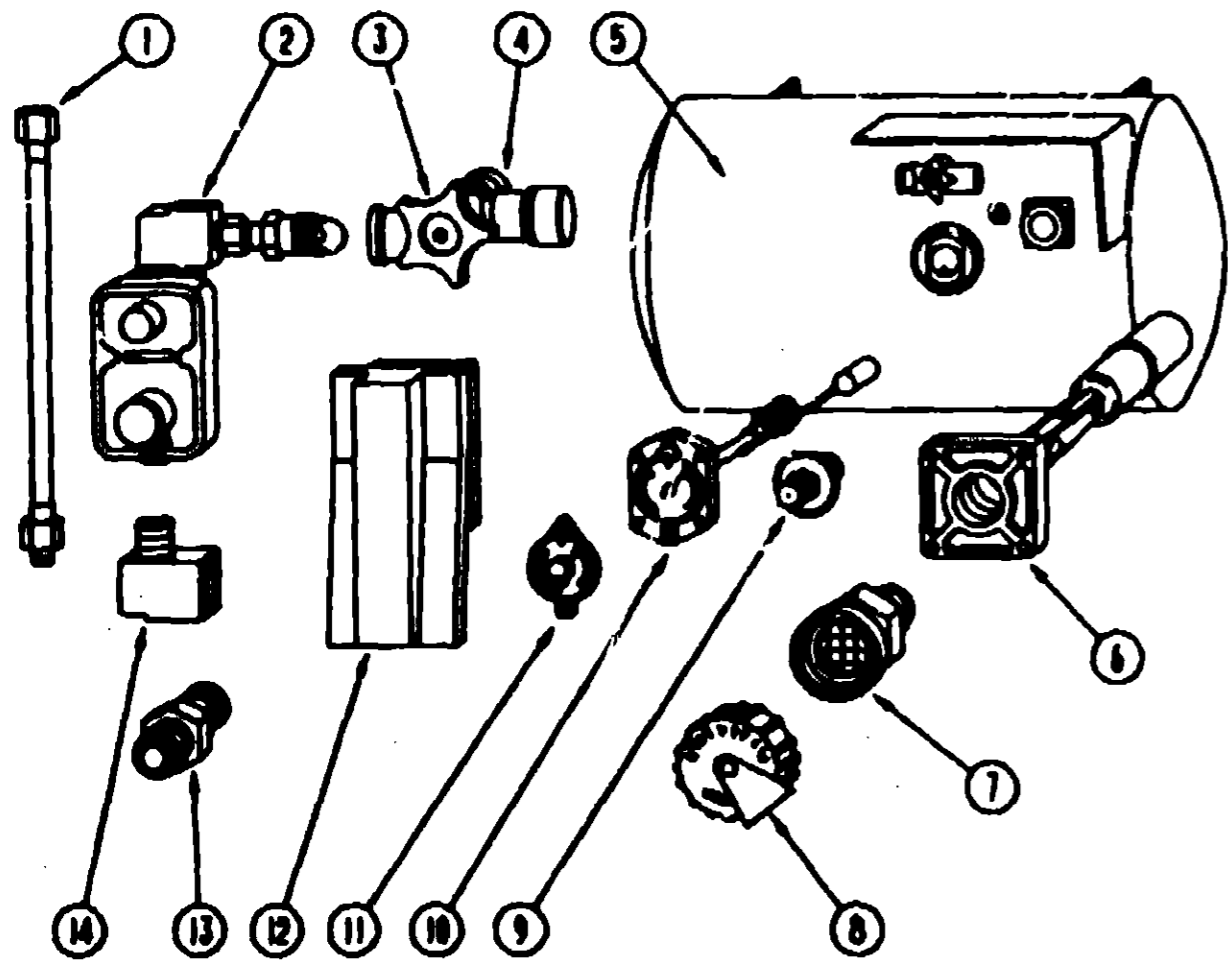


KEY	PART NUMBER	U/M DESCRIPTION
1	087207-05-000	EA LABEL-FUEL CAP REMOVAL
2	082043-01-000	EA LABEL-FUEL, UNLEADED
3	008040-01-000	EA TAG-GAS REFUELING WARNING
3	008040-02-000	EA TAG-GAS REFUEL WARNING, CANADIAN

**1991 ICN28RC INDEX**

FLOOR PLAN	A-07 - A-08
ACCESSORIES	A-09 - A-14
BATH	A-16 - A-17
BEDROOM	A-18
CHASSIS	A-19 - B-03
C C & PAD	B-04 - B-13
DINETTE	B-14 - B-15
DRIVERS	B-18 - B-22
ELECTRICAL	B-23 - C-03
EXTERIOR BODY	C-04 - C-10
GALLEY	C-11 - C-18
HEATING & A/C	C-19 - C-24
INTERIOR FINISH	D-01 - D-04
LABELS	D-05 - D-12
LP	D-13
LOUNGE	D-14
SEALANTS & FASTENERS	D-15 - D-18
WATER & SEWAGE	D-19 - D-24
WINDOW, VENT AND EXTERIOR DOOR	E-01 - F-08

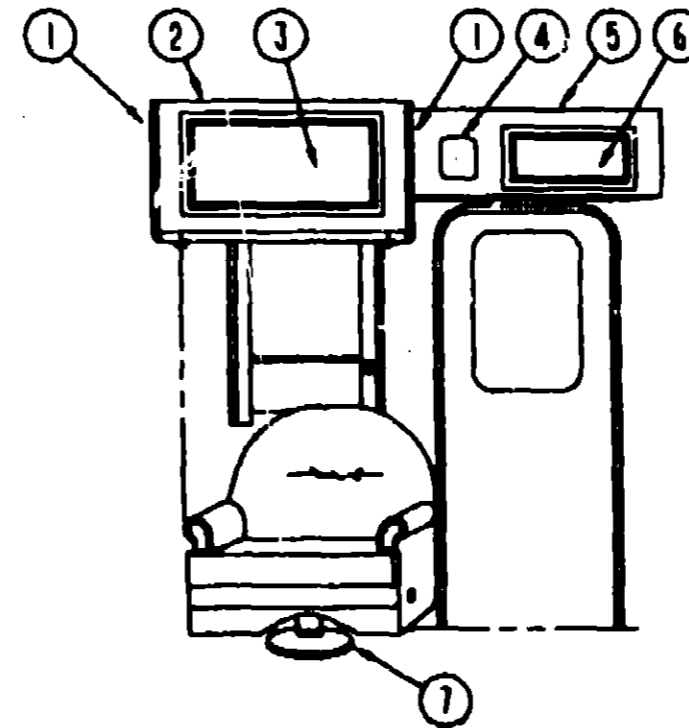
**LP GROUP**



**LP TANK & COMPONENTS**

KEY	PART NUMBER	U/M DESCRIPTION
1	046703-01-000	EA HOSE-LP, 3/8" ID X 24" US - 3/8 MPT X 1/2 F SWIVEL
1	046708-02-000	EA HOSE-LP, 3/8" ID X 24" - 3/8 MPT X 1/2 F SWIVEL - CANADA
2	078301-01-000	EA REGULATOR-LPG, TWO STAGE
3	040421-01-708	EA HANDWHEEL VAPOR RELIEF VALVE, BRUNNER G-1016-A
4	040421-01-709	EA VALVE-SERVICE WHANDWHEEL W/VAPOR RELIEF (REG09109CO) BRUNNER G-1016
5	081870-01-000	EA TANK-LP, 80 LBS - 20" X 24"
6	040421-01-711	EA VALVE-80% W/FLOAT, PLATE, BOLTS & GASKET - BRUNNER
7	040421-01-701	EA VALVE-SHORT LP FILLER W/YELLOW CAP - BRUNNER 78478
8	040421-01-702	EA CAP-LP FILLER VALVE, PLASTIC - YELLOW - BRUNNER G-1014-A
9	040421-01-700	EA GAUGE-LIQUID LEVEL, 20% LP - BRUNNER G-1013
10	040421-01-707	EA GAUGE-FLOAT W/VISIBLE DIAL - BRUNNER MA-9 6244-4
11	040440-01-000	EA TRANSMITTER-DIAL, 90 OHM
12	081838-01-000	EA COVER-COMPARTMENT - LP REGULATOR - BLACK
13	016229-01-000	EA ADAPTER-BRASS-1/2" F X 1/2" VPT
14	088318-02-000	EA ELBOW-90 DEGREE, 3/8" MPT TO 3/8" FPT
	010377-02-000	EA NUT-BRASS, 3/8 FEMALE - FORGED
	010380-02-000	EA NUT-BRASS, 1/2" FEMALE - FORGED
	078148-02-000	EA CLAMP-GROUNDING, BRONZE SCREWS
	088741-01-000	EA G/GUGE-DIAPHRAGM PRESSURE - MARSHALLTOWN MFG
	088748-01-000	EA TEE, 3/8" X 3/8" X 28FPT - BRASS
	008048-01-000	FT TUBING-1" NYL, .85" ID
	010823-01-000	EA ADAPTER-BRASS-3/8" F X 1/2" MPT
	088380-01-000	EA COUPLER-1/2 TO 3/8 BLK PIPE
	084884-01-000	EA PLUG-BRASS, 3/8
	083511-01-000	EA VAPOR KIT-LP, GENERATOR

**LOUNGE GROUP**



**OVERHEAD CABINET & COMPONENTS**

KEY	PART NUMBER	U/M DESCRIPTION
1	082747-01-829	EA END CAP-CABINET, OVERHEAD - FRONT
2	M04185-10-829	EA CABINET-OVERHEAD, SWIVEL CHAIR - W/O DOORS OR HARDWARE
3	P00523-01-829	EA DOOR-CABINET, W/O HARDWARE - 14.37" X 21.85"
4	074879-01-000	EA SHIELD-SPEAKER BACK, MOLDED PLASTIC - BEIGE
4	094097-01-000	EA SPEAKER-RADIO, W/O GRILLE - 4" DIAMETER
4	089340-01-000	EA GRILLE-SPEAKER, RADIO - 6.5" SQUARE
		FROM: 00-00-00 THRU: 09-09-90
4	089340-02-000	EA GRILLE-SPEAKER, RADIO - 6.5" SQUARE
		FROM: 09-10-90 THRU: 99-99-90
5	M04185-05-829	EA CABINET-OVERHEAD, ENTRY DOOR - W/O DOORS OR HARDWARE
6	P00523-08-829	EA DOOR-CABINET, W/O HARDWARE - 8.3" X 19.5"
7	083462-01-000	EA SHROUD-PEDESTAL, 13" - PLASTIC - BLACK
	083481-01-000	EA BASE-PEDESTAL, SWIVEL CHAIR - 8" EXTENSION

**SEAT BELT**

KEY	PART NUMBER	U/M DESCRIPTION
	007021-01-000	EA BELT-SEAT, 2" X 90" - BLACK
	057759-01-000	EA WASHER-BRACKET, SEATBELT - 4" DIAMETER

**1991 ITASCA  
TABLE OF CONTENTS**

INTRODUCTION	A-01 -	A-02
ABBREVIATIONS		A-03
ALPHABETICAL INDEX	A-04 -	A-08
ICN25RC	A-07 -	F-02
ICN34RQ	F-03 -	K-06

**1991 ICN25RC INDEX**

FLOOR PLAN	A-07 -	A-08
ACCESSORIES	A-09 -	A-14
BATH	A-15 -	A-17
BEDROOM		A-18
CHASSIS	A-19 -	B-03
C C & PAD	B-04 -	B-13
DINETTE	B-14 -	B-15
DRIVERS	B-16 -	B-22
ELECTRICAL	B-23 -	C-03
EXTERIOR BODY	C-04 -	C-10
GALLEY	C-11 -	C-18
HEATING & A/C	C-19 -	C-24
INTERIOR FINISH	D-01 -	D-04
LABELS	D-05 -	D-12
LP		D-13
LOUNGE		D-14
SEALANTS & FASTENERS	D-15 -	D-18
WATER & SEWAGE	D-19 -	D-24
WINDOW, VENT AND		
EXTERIOR DOOR	E-01 -	F-02



**SEALANTS & FASTENERS GROUP**

**ADHESIVE AND BOLTS**

KEY	PART NUMBER	U/M DESCRIPTION
	004020-01-000	QT ADHESIVE-ASS CEMENT, QUART
	081377-01-700	EA ADHESIVE-CYANOACRYLATE, 10 GRAM TUBE
	004008-04-700	EA ADHESIVE-PIERCE, 1 GAL - J8270-X-1
	087211-01-000	GL ADHESIVE-PROMOTER
	004006-02-000	EA ADHESIVE-SWIFTS, 1 GAL - W1333
	089039-01-000	EA ADHESIVE-WEATHERSTRIP, 8 OZ
	053786-02-000	EA BEDDING COMPOUND-TUBE, WHITE
	102771-01-02A	EA BOLT-CARRIAGE, 7/16 - 14 - STAINLESS STEEL CAP- BEIGE
	081377-08-000	EA BOLT-CARRIAGE, TWO HOLE - 5/16-18 X 9.5 ZN
	000C12-08-248	EA BOLT-HEX, 1/2-13 X 1 1/2 - ZN 5
	000C12-08-188	EA BOLT-HEX, 5/16-18 X 1 - ZINC 5
	000C12-10-248	EA BOLT-HEX, 5/8-11 X 1 1/2 ZN - 5
	000C12-07-208	EA BOLT-HEX, 7/16 - 14 X 1 1/4" - ZN5
	000C13-07-188	EA BOLT-HEX, 7/16 - 20 X 3 - ZN 5
	000C13-04-108	EA BOLT-HEX, SER FLG - 1/4-20 X 5/8 - ZINC
	000C28-06-208	EA BOLT-HEX, SER FLG 5/16-18 X 1 1/4" - ZINC
	000C12-06-248	EA BOLT-HEX-5/16-18X1 1/2 ZN 5
	000C12-04-12A	EA BOLT-HEX, 1/4 - 20 X 3/4 - PLAIN 5
	000C12-08-12A	EA BOLT-HEX, 5/16 - 18 X 3/4 - ZINC

**CLAMPS, GROMMETS AND HOLDERS**

KEY	PART NUMBER	U/M DESCRIPTION
	010485-01-00U	EA CLAMP-CABLE, 9/16"
	010487-08-700	EA CLAMP-CLOSED, 1 1/16" ID
	010487-03-000	EA CLAMP-CLOSED, 1" ID - CUSHIONED
	010489-01-000	EA CLAMP-CLOSED, 3/8" ID
	010487-01-000	EA CLAMP-CLOSED, 5/8" ID
	010487-08-000	EA CLAMP-CLOSED, .125"
	078148-08-000	EA CLAMP-GROUNDING, BRONZE SCREWS
	007181-01-000	EA CLAMP-HOSE, SPRING TYPE - 1/2"
	082401-06-000	EA CLAMP-HOSE, WORMGEAR -
	082401-08-000	EA CLAMP-HOSE, WORMGEAR - 4.08" - 50MM
	082401-08-000	EA CLAMP-HOSE, WORMGEAR, 1.58" - 2.5"
	082401-10-000	EA CLAMP-HOSE, WORMGEAR 1.08" - 2"
	082401-11-000	EA CLAMP-HOSE, WORMGEAR - 3.88" - 4.5
	073184-02-000	EA CLAMP-HOSE, WORMGEAR 32-60 MM
	082401-07-000	EA CLAMP-HOSE, WORMGEAR 5" - 7"
	082401-08-000	EA CLAMP-HOSE, WORMGEAR .22" - .82"
	082401-01-000	EA CLAMP-HOSE, WORMGEAR .25" - 1"
	082401-04-000	EA CLAMP-HOSE, WORMGEAR .89" - 1.25"
	082401-0C-000	EA CLAMP-HOSE WORMGEAR, .22" - 1"
	083809-01-000	EA CLAMP-WIRE, DUAL - EQUAL 5/8" DIAMETER
	083810-01-000	EA CLAMP-WIRE, DUAL UNEQUAL DIA. - .75" & 1.25"
	077863-01-000	EA GROMMET-EDGE LINER, FITS 1"
	023842-01-000	EA GROMMET-RUBBER, 2" OD
	071015-13-000	EA GROMMET-RUBBER, .82" ID - FITS .08"
	071015-21-000	EA GROMMET-.80" ID, FITS .19" MATERIAL, RUBBER- SPLIT
	088134-02-000	EA HOLDER-RING, 1.5" ID PIPE SIZE - STEEL
	082321-01-000	FT INSULATION- FIBERGLASS, W/ALUMINUM FOIL
	077885-01-000	EA J CLIP-VINYL COATED, 3/8" USED IN WIRING TO CLEARANCE LIGHTS
	101447-01-000	EA CLIP-U TYPE, TINNED MAN 9 (SHOWER SURROUND)

**SEALANTS & FASTENERS GROUP (CONTINUED)**

**NUTS & RIVETS**

KEY	PART NUMBER	U/M DESCRIPTION
	072893-01-000	EA NUTSERT-M5 X 0.8
	077048-01-000	EA NUT-ACORN, 10-32 - ALUMINUM
	086094-01-000	EA NUT-ACORN, 1/4 - 20 - ALUMINUM
	000D14-06-008	EA NUT-HEX, 5/16-18 - ZN - 5
	000D34-04-008	EA NUT-HEX, LK 1/4 - 20 - ZN
	000D39-04-008	EA NUT-HEX, SER FLG LK 1/4 - 20 - ZN
	000D39-08-008	EA NUT-HEX, SER FLG LK - 1/2-13 - ZN
	000D39-06-008	EA NUT-HEX, SER FLG LK - 3/8-18 - ZN
	000D39-05-008	EA NUT-HEX, SER FLG LK - 5/16 - 18 - ZN
	000D44-07-008	EA NUT-HEX, SER FLG LK - 7/16-20 - ZN
	000D24-10-008	EA NUT-HEX, SF/LK - 10-32 - ZN
	083263-07-000	EA NUT-J, #8A - 120 - .130 PNL THK
	044384-02-000	EA NUT-SPEED, FLAT - ROUND
	040821-08-000	EA NUT-SPEED, U TYPE - NO. 8
	040821-04-000	EA NUT-SPEED, U TYPE - NO. 8
	040821-05-000	EA NUT-SPEED, U TYPE - NO. 8
	084081-01-000	EA NUT-WING, 3/8" X 18 THREAD
	084884-01-000	EA PLUG-BRASS, 3/8"
	000H18-04-08R	EA RIVET-POP, AL 1/8 X .313-.375
	000I14-08-14R	EA RIVET-MANDREL BLIND - 3/16"
	089592-02-000	EA RIVET-T (POP) 1/4X.083-.158
	083729-04-000	EA RIVNUT, 10-32 UNF - .010-.080
	083729-01-000	EA RIVNUT, 1/4 X 20 UNC - .030-.125

**SEALERS, TAPES AND TIES**

KEY	PART NUMBER	U/M DESCRIPTION
	088840-02-000	FT SEALER-RIBBON, 1/2" X 1/8" - INCREMENTS OF 30'
	088840-08-000	FT SEALER-RIBBON, 1/32" X 2 1/2"
	088840-01-000	FT SEALER-RIBBON, 1/4" DIAMETER - INCREMENTS OF 20'
	088840-03-000	FT SEALER-RIBBON, 3/4" X 1/8" - INCREMENTS OF 60'
	088840-08-000	FT SEALER-RIBBON, 5/16" DIAMETER - INCREMENTS OF 25'
	091255-01-000	FT SEAL-FOAM, 3.2MM X 4.8MM
	080340-01-000	FT SEAL-FOAM, CLOSED CELL - 1/4" X 1/2" X 50'
	034562-04-000	EA SILICONE-TUBE, 300 ML - BEIGE
	034562-02-000	EA SILICONE-TUBE, 100 ML - CLEAR
	034562-08-000	EA SILICONE-TUBE 300ML, OFF WHITE
	008401-01-000	EA STRAP-CONDUIT, 3/4" - 1 HOLE - GALVANIZED STEEL
	088840-07-000	EA SEALER-RIBBON, 2" X 3/32" - INCREMENTS OF 30' OR 45'
	100028-01-000	FT TAPE-ADHESIVE, .031" X .75" WIDE
	004383-01-000	FT TAPE-ADHESIVE FOAM, 1 SIDE - 3/16" X 1/2" - GRAY
	083071-01-000	FT TAPE-BONDING, DOUBLE SIDED - 1/84" X 2"
	072322-02-000	EA TAPE-FOAM, DOUBLE COATED - .045" X 1"
	078322-03-000	FT TAPE-FOAM, DOUBLE COATED - .045" X .5"
	088244-01-000	FT TAPE-FOAM, VINYL COATED - 2" WIDE - INCREMENTS OF 108 FT
	008200-01-000	EA TAPE-FURNACE, 1 1/2"
	008343-02-000	EA TIE-WIRE, 14"
	008343-01-000	EA TIE-WIRE, 6"
	102362-01-000	EA SEALER-PUMPABLE, BLACK

**WASHERS**

KEY	PART NUMBER	U/M DESCRIPTION
	000E17-14-008	EA WASHER-FL, 1/4" WIDE - ZN
	000E13-11-008	EA WASHER-FL, 3/16" WIDE - ZN
	000E13-17-008	EA WASHER-FL-3/8" AR - ZN
	000E11-07-008	EA WASHER-LK - 7/16" WIDE - ZN
	007E13-20-008	EA WASHER-FL - W/16" WIDE ZN
	007E13-21-008	EA WASHER-FL - 1/2" NAR - AN
	077071-01-000	EA WASHER-FENDER, 3/16" ID X 1" OD

**1991 ITASCA  
TABLE OF CONTENTS**

INTRODUCTION	A-01	A-02
ABBREVIATIONS		A-03
ALPHABETICAL INDEX	A-04	A-08
ICN2SRC	A-07	F-02
ICN3ARC	F-03	K-08

**1991 ICN2SRC INDEX**

FLOOR PLAN	A-07	A-08
ACCESSORIES	A-08	A-14
BATH	A-16	A-17
BEDROOM		A-18
CHASSIS	A-18	B-03
C C & PAD	B-04	B-13
DINETTE	B-14	B-16
DRIVERS	B-18	B-22
ELECTRICAL	B-23	C-03
EXTERIOR BODY	C-04	C-10
GALLEY	C-11	C-18
HEATING & AC	C-18	C-24
INTERIOR FINISH	D-01	D-07
LABELS	D-06	D-12
LP		D-13
LOUNGE		D-14
SEALANTS & FASTENERS	D-15	D-18
WATER & SEWAGE	D-18	D-24
WINDOW, VENT AND EXTERIOR DOOR	E-01	F-02

**SEALANTS & FASTENERS GROUP (CONTINUED)**

**SCREWS**

KEY	PART NUMBER	U/M DESCRIPTION
	000G67-10-24B	EA SCREW, 10-12 X 1 1/2 PPH - ZN
	000G67-10-10D	EA SCREW, 10-12 X 5/8" PPH - BLACK
	000G67-10-08B	EA SCREW, 10-12 X 1/2 PPH - ZN
	000G67-10-08F	EA SCREW, 10-12 X 1/2 PPH - TYPE A - BEIGE
	000G67-10-12B	EA SCREW, 10-12 X 3/4 - PPH - ZN
	000G67-10-10B	EA SCREW, 10-12 X 5/8 PPH - TYPE A - ZN
	000G67-10-10R	EA SCREW, 10-12 X 5/8 PPH - TYPE A - BEIGE
	000G67-10-12P	EA SCREW, 10-12 X .75 PPH - DARK BROWN
	048485-04-000	EA SCREW, 10-16 X 1 PTH WWASHER - BEIGE
	000G11-10-08B	EA SCREW, 10-16 X 1/2" - PPH - ZN
	000G11-10-08D	EA SCREW, 10-16 X 5/8" PPH - BEIGE
	000G11-10-24P	EA SCREW-10 - 16 - 1 1/2 PPH - DARK BROWN
	000G11-10-12D	EA SCREW, 10-16 X 3/4 PPH - BLACK
	000G88-08-10G	EA SCREW, 8-16 X 5/8 POH - ANTIQUE BRASS
	076790-01-000	EA SCREW, 8-20 X 1 1/4 PPH - BLACK
	000G13-08-18R	EA SCREW, 8-20 X 1 PPH - BEIGE
	000G13-08-08B	EA SCREW, 8-20 X 1/2 PPH - ZN
	000G13-08-08G	EA SCREW-8 - 20 X .50 PPH ANTIQUE BRASS
	000G13-08-10G	EA SCREW, 8-20 X 5/8 PPH - ANTIQUE BRASS
	000G11-08-10B	EA SCREW, 8-20 X 5/8 PPH - ZN
	000G11-08-10J	EA SCREW, 8-20 X 5/8 PPH - BRASS
	000G11-07-08R	EA SCREW, 7-19 X 1/2 PPH - ZN
	000G13-07-12B	EA SCREW, 7-19 X 3/4 PPH - ZN
	000G13-08-16B	EA SCREW, 8-18 X 1 PPH - ZN
	000G11-08-08T	EA SCREW, 8-18 X 1/2 PPH - BLACK
	000G11-08-08B	EA SCREW, 8-18 X 1/2 PPH - ZN
	000G11-08-12E	EA SCREW-8-18X.75 PPH CHROME
	000G11-08-12B	EA SCREW, 8-18 X 3/4 PPH ZN
	000G11-08-12B	EA SCREW, 8-18 X 3/4 PPH - OFF WHITE
	000G11-08-12D	EA SCREW, 8-18 X 3/4 PPH - BLACK
	000G11-08-12T	EA SCREW, 8-18 X 3/4 PPH - BLACK
	000G67-10-32B	EA SCREW, NO. 10 - 12 X 2 PPH ZN
	000G65-08-12W	EA SCREW, SF/DR-8-18X.75 PPH - BEIGE
	000G67-10-12P	EA SCREW-10-12X.75 PPH - BEIGE
	000G67-10-12D	EA SCREW-10-12X.75 PPH - TAN
	048485-03-000	EA SCREW-10-16X1 POH WWASHER - OFF WHITE
	000G11-10-12B	EA SCREW-10-16X.75 PPH - OFF WHITE
	000G64-04-20B	EA SCREW-14-20X1 1/4 PTH TYP 23
	000G67-05-16J	EA SCREW-8-20X1 PPH - BRASS
	000G12-08-08T	EA SCREW-8-20 X .50 POH - BLACK
	086318-01-000	EA SCREW-8-08X1/2, CRIMP TITE HD
	000G67-08-32B	EA SCREW-8-15X2 PPH - ZN
	000G11-08-16B	EA SCREW-8-18X1.00 PPH - OFF WHITE
	000439-07-000	EA SCREW-8-32X1 1/4 POH - BLACK
	087721-01-000	EA SCREW-FLAT HEAD, TAPPING - 1/4 X 1 1/4 LG - ZN
	086763-01-000	EA SCREW-MACH, 10 - 32 X 1/4 PTH
	000G19-10-08B	EA SCREW-MACH, 10-32 X 1/2 PPH - ZN
	000G32-10-08B	EA SCREW-10 - 32 X 3/8" - PPH - ZN
	000G19-10-12B	EA SCREW-10-32 - TPI X .75 - ZN
	000G67-10-12E	EA SCREW-10 - 32 X .75" - CHROMED HEAD
	000G80-04-12B	EA SCREW-MACH, 1/4-20 X 3/4 PPH - ZN
	081808-01-000	EA SCREW-MACH 8-32X.62 WNYLOCK
	088971-01-000	EA SCREW-MACH 8-32X3 5/16 - ZN
	078908-01-000	EA SCREW-MACH-10-32X.68PTH(SEMS)
	000G83-04-08B	EA SCREW-MACH-1/4-20X3/8 PPH ZN
	000G18-08-22B	EA SCREW-MACH-8-32X1 3/8 PPH ZN
	000G39-10-20B	EA SCREW-SF/DR, 10-16 X 1 1/4 PPH - ZN
	000G39-10-12R	EA SCREW-SF/DR, 10-16 X 3/4 PPH - BEIGE
	000G39-10-12D	EA SCREW-SF/DR, 10-16 X 3/4 PPH - BLACK
	000G39-10-32B	EA SCREW-SF/DR, 10 - 16 X 2.00 PPH - ZINC

**SEALANTS & FASTENERS GROUP (CONTINUED)**

**SCREWS (CONTINUED)**

KEY	PART NUMBER	U/M DESCRIPTION
	000G39-08-16B	EA SCREW-SF/DR, 8-18 X 1 PPH ZN
	000G39-08-18T	EA SCREW-SF/DR, 8-20 X 1 PPH - BLACK
	000G39-08-10T	EA SCREW-SF/DR, 8-20 X 5/8 PPH - BLACK
	000G39-08-24B	EA SCREW-SF/DR, 8-18 X 1 1/2 PPH ZN
	000G39-08-10E	EA SCREW-SF/DR, 8-18 X 1 PPH CHROME
	000G39-08-18T	EA SCREW-SF/DR, 8-18 X 1 PPH - BLACK
	000G39-08-16B	EA SCREW, 8 - 18 X 1.00" PPH - OFF WHITE
	000G65-08-162	EA SCREW-SF/DR, 8-18 X 1.00 - BEIGE
	000G39-08-08B	EA SCREW-SF/DR, 8-18 X 1/2 PPH ZN
	000G39-08-32B	EA SCREW-SF/DR, 8-18 X 2 PPH - ZINC
	000G39-08-12B	EA SCREW-SF/DR, 8-18 X 3/4 PPH ZN
	000G39-08-12T	EA SCREW-SF/DR, 8-18 X 3/4 PPH - BLACK
	000G39-08-08B	EA SCREW-SF/DR, 8-18 X 3/8 PPH ZN
	000G80-10-28T	EA SCREW-SF/DR, 10-16X1.75
	000G39-08-08R	EA SCREW-SF/DR-8-18X1/2 PPH
	079382-01-000	EA SCREW-SOCKET, 8-18 X 1" - BLACK
	079383-03-000	EA SCREW-SF/DR, 8-20 X 1 PL WASHER - BEIGE
	000G39-08-08E	EA SCREW-SF/DR, 8-18 X 1/2 PPH - CHROME
	000G65-08-12M	EA SCREW-SF/DR-8-18X.75 PPH

**1991 ITASCA  
TABLE OF CONTENTS**

INTRODUCTION	A-01 -	A-02
ABBREVIATIONS		A-03
ALPHABETICAL INDEX	A-04 -	A-06
ICN25RC	A-07 -	F-02
ICN34RC	F-03 -	K-08

**1991 ICN25RC INDEX**

FLOOR PLAN	A-07 -	A-08
ACCESSORIES	A-09 -	A-14
BATH	A-15 -	A-17
BEDROOM		A-18
CHASSIS	A-19 -	B-03
C C & PAD	B-04 -	B-13
DINETTE	B-14 -	B-15
DRIVERS	B-18 -	B-22
ELECTRICAL	B-23 -	C-03
EXTERIOR BODY	C-04 -	C-10
GALLEY	C-11 -	C-18
HEATING & A/C	C-19 -	C-24
INTERIOR FINISH	D-01 -	D-04
LABELS	D-05 -	D-12
LP		D-13
LOUNGE		D-14
SEALANTS & FASTENERS	D-15 -	D-18
WATER & SEWAGE	D-19 -	D-24
WINDOW, VENT AND EXTERIOR DOOR	E-01 -	F-02

**WATER & SEWAGE GROUP**

**WATER SYSTEM**

KEY	PART NUMBER	U/M DESCRIPTION
	030522-02-000	EA CAP-BRASS, 1/2" FLARE
	080103-02-000	EA DRAIN VALVE-IN LINE, HEADER - 1/2" MPT X 1/2" F X 1/2" M
	087889-04-000	EA FILL-WATER, CITY - OFF WHITE
	088941-01-000	EA VACUUM BREAKER-3/4 FPT X 3/4 MPT
	089183-02-000	EA HEADER-1/2MPTX1/2FX1/2FX1/2M
	092968-02-000	EA TEE-PLAS, 5/8FX1/2MPT 7X5.8F
	092969-03-000	EA CONNECTOR-PLAS, 1/2F X 3/8MPT WATER
	092980-03-000	EA VALVE-LINE DRAIN, 5/8FX5.8F - PLASTIC - WATER
	092980-01-000	EA VALVE-LINE DRAIN, 1/2FX1/2F - PLASTIC - WATER
	092981-01-000	EA HEADER-1/2FX1/2FX1/2FX1/2F - PLASTIC - WATER
	092991-02-000	EA HEADER-1/2MPT X 1/2F X 1/2F
	070924-01-000	EA ELBOW-PLAS, SWVL, 1/2MPT, 1/2FPT SHURFLO 008-035
	045729-01-701	EA BASEPLATE-KIT, SHURFLOW® 94-052
	088907-01-705	EA CHECK VALVE-KIT, SHURFLOW® 94-237-00
	079391-01-000	FT TUBING-SMOOTH FLEXIBLE, 1 1/4" ID
	087890-04-000	EA FILL-WATER, CITY - OFF WHITE
	038800-01-000	FT TUBING-POLYBUTYL, 1/2" OD - INCREMENTS OF 20" - BLACK
	039900-02-000	FT TUBING-POLYBUTYL, 5/8" OD - INCREMENTS OF 20" - BLACK
	062982-01-000	EA NUT-PLASTIC, 1/2" F X 1/2" TUBE - PLASTIC - GRAY
	062982-02-000	EA NUT-PLASTIC, 5/8" FLARE
	062984-01-000	EA ADAPTER-NOSE CONE, 3/8" OR 1/2" TUBING - PLASTIC - GRAY
	062987-02-000	EA ELBOW-MALE, 1/2" F X 1/2" MPT - PLASTIC - GRAY
	062988-01-000	EA TEE, 1/2" F X 1/2" F X 1/2" F - PLASTIC - GRAY
	062990-01-000	EA DRAIN VALVE-IN LINE, HEADER - 1/2" F X 1/2" F - GRAY PLASTIC
	067457-02-000	EA ELBOW-UNION, 5/8" X 5/8" FLARE
	085120-01-000	EA ELBOW-SWVEL, 1/2" FPT X 1/2" FLARE - PLASTIC - GRAY
	079317-01-000	EA ADAPTER-SWIVEL, 1/2" TUBE X 1/2" FPT - PLASTIC - GRAY
	062989-02-000	EA CONNECTOR - PLASTIC 1/2" F X 1/2" MPT
	066293-01-000	EA TEE-5/8F X 1/2FX5.8F
	082144-02-000	EA CAP-PIPE, 1/2 FPT BRASS HEX
	088417-01-000	EA CONNECTOR-PLAS, 5/8F X 1/2MPT
	062985-01-000	EA TEE-PLAS, 1/2FX1/2FX1/2MPT
	074412-02-000	EA TUBING-VINYL, 3/8 I.D.
	081203-01-000	EA WASHER-RUBBER, .08X.75X.50
	092969-03-000	EA CONNECTOR-PLAS, 1/2F X 3/8MPT WATER
	062983-01-000	EA NUT-FAUCET, 1/2 TUBE X 1/2FPT PLASTIC-WATER
	082401-03-000	EA CLAMP-HOSE, WORMGEAR, .22-1 ID
	091248-02-000	EA FAUCET-WATER, EXTERNAL - 90 DEGREE
		FROM: 00-00-00 THRU: 09-30-90
	103108-01-000	EA FAUCET-WATER, EXTERNAL - 90 DEGREE
		FROM: 10-01-90 THRU: 99-99-99

**WATER & SEWAGE GROUP (CONTINUED)**

**FRESH WATER TANK - 23 GALLON**

KEY	PART NUMBER	U/M DESCRIPTION
	094116-03-000	EA TANK-WATER, WFITTINGS - 23 GALLON - 18.4" X 33.6" X 10"
	094116-01-000	EA TANK-WATER, 23 GAL - W/O FITTINGS - 18.4" X 33.6" X 10"
	077954-02-000	EA FILTER-WATER TANK, SCREEN IN TANK
	012989-02-000	EA FITTING-WATER TANK, SPINWELD - 1/2" NPT - PLASTIC - WHITE
	042989-08-000	EA FITTING-SPINWELD, PLASTIC - 3/4 FPT
	042989-05-000	EA FITTING-WATER TANK, SPINWELD - 1/2" FPT - PLASTIC - WHITE
	049032-01-000	EA PATCH-SPINWELD, 3/8" - PLASTIC
	034861-01-000	EA SENDING UNIT W/SCREW, WASHER, WELL NUT AND TERMINAL RING

**FRESH WATER TANK - 18 GALLON**

KEY	PART NUMBER	U/M DESCRIPTION
	053520-09-000	EA TANK-WATER, WFITTINGS - 18 GALLON - 17.2" X 27" X 10" FROM: 00-00-00 THRU: 03-31-91
	053520-13-000	EA TANK-WATER, WFITTINGS - 18 GALLON - 17.2" X 27" X 10" FROM: 04-01-91 THRU: 99-99-99
	053520-01-000	EA TANK-WATER, 18 GALLON - W/O FITTINGS - 17.2" X 27" X 10"
	062957-04-000	EA ELBOW-5/8" F X 3/4" MPT
	077954-02-000	EA FILTER-WATER TANK, SCREEN IN TANK
	042989-08-000	EA FITTING-SPINWELD, PLASTIC - 3/4 FPT
	042989-05-000	EA FITTING-WATER TANK, SPINWELD - 1/2" FPT - PLASTIC - WHITE
	049032-01-000	EA PATCH-SPINWELD, 3/8" - PLASTIC
	062955-01-000	EA TEE-WATER, 1/2" F X 1/2" F X 1/2" MPT - PLASTIC - GRAY

**1991 ITASCA  
TABLE OF CONTENTS**

INTRODUCTION	A-01	A-02
ABBREVIATIONS		A-03
ALPHABETICAL INDEX	A-04	A-06
ICN25RC	A-07	F-02
ICN34RQ	F-03	K-08

**1991 ICN25RC INDEX**

FLOOR PLAN	A-07	A-08
ACCESSORIES	A-09	A-14
BATH	A-15	A-17
BEDROOM		A-18
CHASSIS	A-19	B-03
C C & PAD	B-04	B-13
DINETTE	B-14	B-16
DRIVERS	B-18	B-22
ELECTRICAL	B-23	C-03
EXTERIOR BODY	C-04	C-10
GALLEY	C-11	C-18
HEATING & A/C	C-19	C-24
INTERIOR FINISH	D-01	D-04
LABELS	D-05	D-12
LP		D-13
LOUNGE		D-14
SEALANTS & FASTENERS	D-15	D-18
WATER & SEWAGE	D-19	D-24
WINDOW, VENT AND EXTERIOR DOOR	E-01	F-02

**WATER & SEWAGE GROUP (CONTINUED)**

**WATER HEATER & WATER HEATER DOOR**

KEY	PART NUMBER	U/M DESCRIPTION
	051391-03-000	EA HEATER-WATER, WELECTRIC IGNITION - ATWOOD G8A-3E
	051391-01-700	EA HINGE KIT-W/CLIP, ATWOOD # 92588 & 92589
	051393-03-700	EA TANK-INNER (G8A-3E), REAR MT - ATWOOD# 91409
	051391-01-704	EA VALVE-RELIEF, 1/2" FITTING - ATWOOD# 91804
	051391-01-705	EA FASTENER-CAMLOC, ATWOOD# 92609
	051391-01-708	EA GRILLE-EXHAUST, 3E ONLY - ATWOOD #92787
	051391-01-708	EA BURNER-MAIN, 3E ONLY - ATWOOD# 92815
	051391-01-710	EA ORIFICE-MAIN BURNER, ATWOOD# 92742
	051391-04-701	EA THERMOSTAT 12 VDC-120 PRESET, FRONT MOUNT ONLY - ATWOOD# 91470
	051391-01-715	EA PLUG, ATWOOD# 91581
	051391-04-708	EA TANK-INNER, FRONT MOUNT - G8A-4E & 8E
	051391-04-700	EA TANK-INNER (G8A-3E), FRT MT - ATWOOD# 91802
	051393-01-704	EA BOARD-W/BLACK BOX, ATWOOD# 91420
	051393-01-702	EA SWITCH-ENERGY CUT-OFF, ATWOOD# 91851
	051393-01-701	EA PACKAGE-ATWOOD# 91859
	051393-01-703	EA THERMOSTAT-REAR MOUNT, ATWOOD# 91852
	051393-01-721	EA ECO&THERMOSTAT ASM-FRONT MOUNT, 140 DEGREE - ATWOOD# 91447
	051393-01-718	EA & PROBE ASM, ATWOOD# 91808
	051393-01-718	EA VALVE-DUAL SOLENOID, ATWOOD# 91805
	051393-01-705	EA ORIFICE HOLDER-ATWOOD# 91825
	052009-01-000	EA DOOR-WATER HEATER, ATWOOD 5578-27 - OFF WHITE

NOTE: ITEMS INDENTED BELOW ASSEMBLIES ARE SERVICEABLE PARTS FOR THAT ASSEMBLY.

**WATER HEATER W/MOTOR AID & REAR HEATER**

KEY	PART NUMBER	U/M DESCRIPTION
	051393-01-000	EA WATER HEATER-W/MOTOR AID, PILOTLESS IGNITION ATWOOD G8B-4E OR G8B-8E
	051393-01-701	EA SWITCH PACKAGE-ATWOOD# 91859
	051393-01-702	EA SWITCH-ENERGY CUT-OFF, ATWOOD# 91851
	051393-01-703	EA THERMOSTAT-REAR MOUNT, ATWOOD# 91852
	051393-01-704	EA CIRCUIT BOARD-W/BLACK BOX, ATWOOD# 91420
	051393-01-705	EA ORIFICE HOLDER-ATWOOD# 91825
	051393-01-718	EA PROBE & SPARK ASM, ATWOOD# 91808
	051391-01-708	EA -MAIN, 3E ONLY - ATWOOD# 92815
	051393-01-718	EA VALVE-DUAL SOLENOID, ATWOOD# 91805
	051393-01-714	EA TANK-INNER (G8B-3E), REAR MOUNT - ATWOOD# 91408
	051393-01-718	EA VALVE-DUAL SOLENOID, ATWOOD# 91805
	051393-01-721	EA ECO&THERMOSTAT ASM-FRONT MOUNT, 140 DEGREE - ATWOOD# 91447
	082401-01-000	EA CLAMP-HOSE, WORMGEAR .25" - 1"
	078059-01-000	EA HOSE-90 DEGREE, 3/4" ID X 4" X 38"
	078059-02-000	EA HOSE-90 DEG 3/4" X 4.00" X 38.00
	007108-01-000	EA HOSE-HEATER 5/8 HI-TEMP
	083081-01-000	EA HOSE-FORMED
	088753-01-000	FT TUBE-ALUMINIZED STEEL, 5/8" - 18 GAUGE
	010827-01-000	EA TEE-PLASTIC, BARB 5/8" OR 3/4" HOSE
	082401-01-000	EA CLAMP-HOSE, WORMGEAR .25" - 1"
	082401-04-000	EA CLAMP-HOSE, WORMGEAR .88" - 1.25"
	051391-01-704	EA RELIEF VALVE 1/2" FITTING
	051391-01-705	EA FASTENER-CAMLOCK
	051391-01-708	EA GRILLE-EXHAUST
	051391-01-710	EA ORIFICE-MAIN BURNER
	051391-01-714	EA ELBOW-FITTING, 45 DEGREE - 3/8" F X 3/8" MPT
	051391-01-715	EA DRAIN PLUG
	051391-04-701	EA THERMOSTAT 12VDC-120 PRESET 91470 ATWOOD#
	051391-04-704	EA TANK-INNER (FRT-MT), G8B-4E & 8E 91842 ATWOOD#
	051391-04-705	EA TANK-INNER, FRONT MOUNT - G8B-3E
	051391-04-707	EA KIT-GRILLE, FLUE, & GASKET 90880
	051391-01-700	EA PIN & CLIP-HINGE

NOTE: ITEMS INDENTED BELOW ASSEMBLIES ARE SERVICEABLE PARTS FOR THAT ASSEMBLY.

**WATER & SEWAGE GROUP (CONTINUED)**

**WATER PUMPS**

KEY	PART NUMBER	U/M DESCRIPTION
	098607-02-000	EA PUMP-WATER, 2.8 GPM - W/1/2" MPT FITTINGS - CANADIAN
	098607-01-700	EA PUMPHEAD-REPLACEMENT, SHURFLOW# 94-238-08
	098607-01-701	EA DRIVE ASM, SHURFLOW# 94-234-03
	098607-01-702	EA DIAPHRAGM-KIT, SHURFLOW# 94-233-10
	098607-01-703	EA VALVE ASM, SHURFLOW# 94-232-00
	098607-01-704	EA HOUSING-UPPER, SHURFLOW# 94-231-01
	098607-01-705	EA CHECK VALVE-KIT, SHURFLOW# 94-237-01
	098607-01-707	EA MOTOR/BASEPLATE REPLACEMENT, SHURFLOW# 94-234-03
	098607-01-708	EA UPPER HOUSING/SWITCH KIT - SHURFLOW #94-230-00

NOTE: ITEMS INDENTED BELOW ASSEMBLIES ARE SERVICEABLE PARTS FOR THAT ASSEMBLY.

**EXTERIOR SHOWER COMPONENTS**

KEY	PART NUMBER	U/M DESCRIPTION
	079384-08-000	EA SWITCH-MOMENTARY, OFF/MOM/ON
	098351-01-01A	EA PLATE-SWITCH, 1 GANG - POLISHED BRASS
	048128-01-000	EA VALVE-DRAIN, PLASTIC - 1/2" FPT
	052957-02-000	EA ELBOW-MALE, 1/2" F X 1/2" MPT - PLASTIC - GRAY
	103173-01-01A	EA KIT-SHOWER, EXTERIOR - OFF WHITE WITH EXTERIOR DOOR, FAUCET, HEAD & HOSE FROM: 02-04-01 THRU: 03-24-01
	103173-02-01A	EA KIT-SHOWER, EXTERIOR - OFF WHITE WITH EXTERIOR DOOR, FAUCET, HEAD & HOSE FROM: 03-25-01 THRU: 09-09-99
	091248-02-000	EA FAUCET

**WATER HEATER BYPASS VALVE**

KEY	PART NUMBER	U/M DESCRIPTION
	101814-01-000	EA COUPLING-FEMALE, 1/2" Z 1/2" FPT
	039800-01-000	FT TUBING-POLYBUTYL, 1/2" OD - INCREMENTS OF 20' - BLACK
	052959-02-000	EA CONNECTOR, 1/2" F X 1/2" MPT - PLASTIC - GRAY
	052952-01-000	EA NUT-PLASTIC, 1/2" F X 1/2" TUBE - PLASTIC - GRAY
	052957-02-000	EA ELBOW-MALE, 1/2" F X 1/2" MPT - PLASTIC - GRAY
	052958-01-000	EA TEE, 1/2" F X 1/2" F X 1/2" F - PLASTIC - GRAY
	069729-01-000	EA BYPASS KIT-WATER HEATER

**1991 ITASC  
TABLE OF CONTENTS**

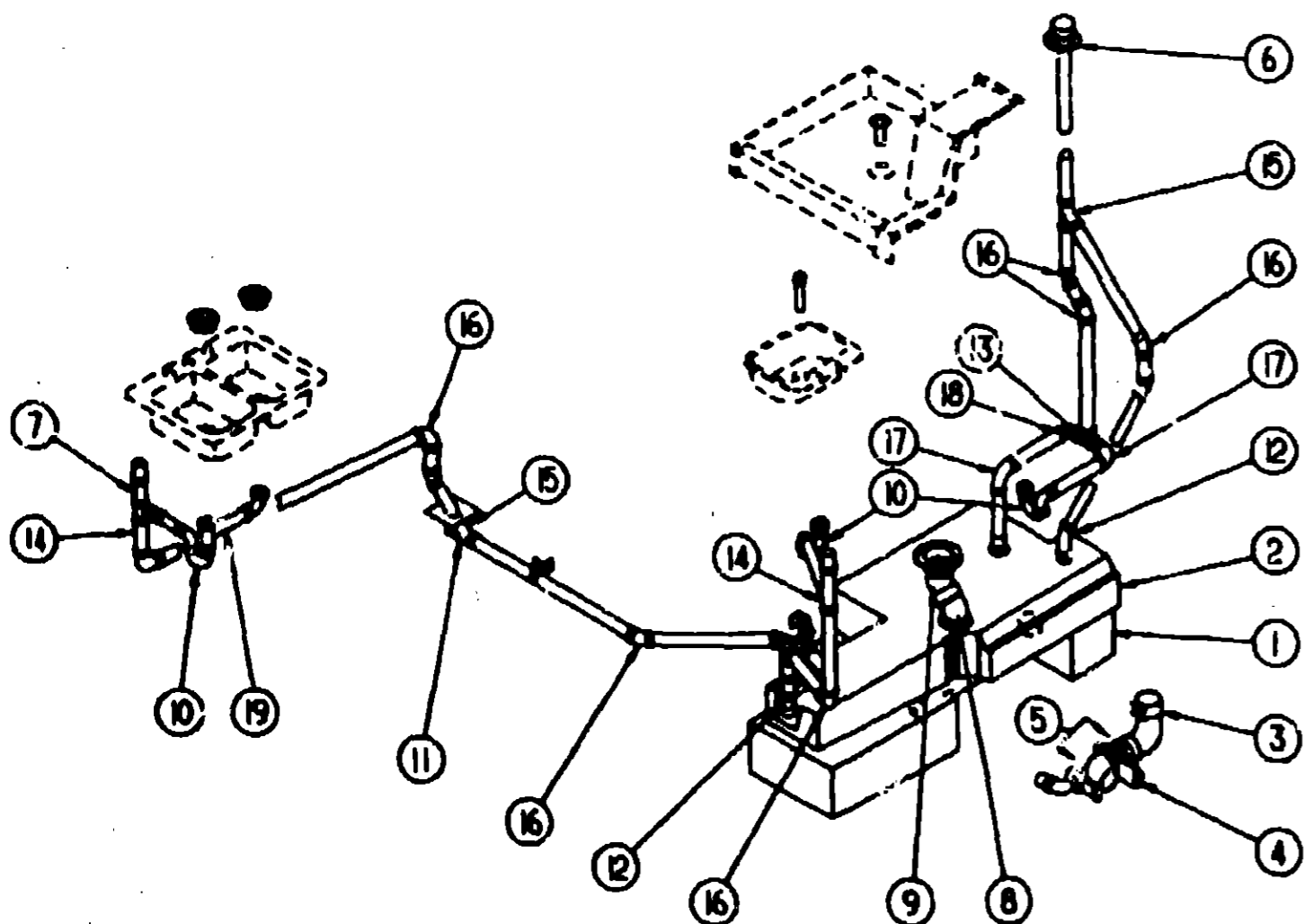
INTRODUCTION	A-01	A-02
ABBREVIATIONS		A-03
ALPHABETICAL INDEX	A-04	A-06
ICN25RC	A-07	F-02
ICN34RC	F-03	K-08

**1991 ICN25RC INDEX**

FLOOR PLAN	A-07	A-06
ACCESSORIES	A-09	A-14
BATH	A-15	A-17
BEDROOM		A-10
CHASSIS	A-19	B-03
C C & PAD	B-04	B-13
DINETTE	B-14	B-15
DRIVERS	B-18	B-22
ELECTRICAL	B-23	C-03
EXTERIOR BODY	C-04	C-10
GALLEY	C-11	C-18
HEATING & A/C	C-19	C-24
INTERIOR FINISH	D-01	D-04
LABELS	D-05	D-12
LP		D-13
LOUNGE		D-14
SEALANTS & FASTENERS	D-15	D-18
WATER & SEWAGE	D-19	D-24
WINDOW, VENT AND EXTERIOR DOOR	E-01	F-02

## WATER & SEWAGE GROUP (CONTINUED)

### DRAINAGE SYSTEM COMPONENTS



KEY	PART NUMBER	U/M DESCRIPTION
	062422-01-000	EA ADAPTER-OFFSET REDUCER, 3" X 1 1/2" - PLASTIC - BLACK
	063592-01-000	EA ADAPTER-PLASTIC, SEWER HOSE - 45 DEGREE
	089330-01-000	EA ADAPTER-SEWER HOSE END
	062415-01-000	EA CAP-SEWER, 3" DIAMETER
3	078408-01-000	EA COUPLER-RUBBER, W/CLAMPS - 3" X 3"
4	032419-02-700	EA HANDLE ONLY - FOR EXTENSION ROD
	010201-02-000	EA HOSE-SEWER, 3 ID X 20 FEET
5	070918-01-000	EA VALVE-DUAL DUMP, W/CAP - 3" X 1 1/2" - PLASTIC - BLACK
	070918-01-701	EA VALVE ONLY, 1 1/2"
	070918-01-702	EA VALVE ONLY, 3"
6	083558-03-000	EA VENT-PLUMBING PIPE ROOF, W/COVER - OFF WHITE
7	079988-01-000	EA VENT-MECHANICAL TRAP ARM
	103354-01-000	EA CONNECTOR-HOSE, SEWER
8	010081-01-000	EA ELBOW-STREET, PLASTIC - 45 DEGREE - 1/8 BEND - 3" S X H - PLASTIC
9	010024-01-000	EA ELBOW-PLASTIC, 1/8 BEND - 3" X 45H X H
10	011088-03-000	EA P-TRAP, 1 1/2" TRAP X 1 1/4" SOCKET - PLASTIC
10	C11068-02-000	EA P-TRAP, 1 1/4" HUB X SLIP JOINT - W/UNION (CANADIAN)
10	011071-01-000	EA P-TRAP, 1 1/2" - PLASTIC
	053335-01-000	EA P-TRAP, 1 1/4" X HUB X HUB - W/UNION (CANADIAN)
	010188-01-000	EA PLUG-THREADED, 1 1/4" DIAMETER - PLASTIC - BLACK
11	010122-01-000	EA BUSHING-REDUCER, 1 1/2" SMOOTH X 1 1/4" THREAD - BLACK PLASTIC
	010121-01-000	EA BUSHING-REDUCER, 1 1/2" SMOOTH X 1 1/4" HUB - PLASTIC - BLACK
12	010115-01-000	EA COUPLING-1 1/2" HUB X HUB, PLASTIC
13	010071-01-000	EA TEE-SANITARY, 1 1/2" HUB X HUB X HUB - PLASTIC - BLACK
14	010079-01-000	EA TEE-SANITARY, 1 1/2" H X 1 1/2" H X 1 1/4" H - PLASTIC - BLACK
15	010073-01-000	EA WYE-45 DEGREE, 1 1/2" HUB X HUB X HUB - PLASTIC - BLACK
	039731-01-000	EA ELBOW-TURN, 1/4 BEND X 1.5" HUB X 1.5" SPIGOT - BLACK PLASTIC
	044927-01-000	EA ADAPTER-HOSE TO PIPE, 1 1/4" MPT X 1 1/4" RFB - BLACK PLASTIC
18	010008-01-000	EA ELBOW-45 DEG, 1/8 BEND - 1 1/2" HUB X HUB - BLACK PLASTIC
17	010008-01-000	EA ELBOW-90 DEG, 1/4 BEND - 1 1/2" HUB X HUB - BLACK PLASTIC
18	010009-01-000	EA ELBOW-90 DEGREE, 1/4 BEND - 1 1/2" - PLASTIC
19	011091-02-000	EA PIPE-DRAIN, W/SEAL - DOUBLE SINK - EXTENDS 9" TO 18" (US)
19	011091-03-000	EA PIPE-DRAIN, W/SEAL - DOUBLE SINK - EXTENDS 9" TO 18" (CANADIAN)

NOTE: ITEMS INDENTED BELOW ASSEMBLIES ARE SERVICEABLE PARTS FOR THAT ASSEMBLY.

#### WASTE WATER HOLDING TANK

KEY	PART NUMBER	U/M DESCRIPTION
1	082271-01-000	EA TANK-HOLDING, W/O GROMMETS - 30 GL - 18.6" X 59.9" X 9.7" FROM: 00-00-00 THRU: 02-17-91
1	101787-01-000	EA TANK-HOLDING, W/O GROMMETS - 37 GL - 24.6" X 59.9" X 8.8" FROM: 02-18-91 THRU: 99-99-99
	081607-01-000	EA GROMMET-HOLDING TANK, 1 1/2" NPS
	039881-01-000	EA BENDING UNIT W/SCREW, WASHER, WELL NUT AND TERMINAL RING

#### SEWAGE HOLDING TANK

KEY	PART NUMBER	U/M DESCRIPTION
2	082272-01-000	EA TANK-HOLDING, W/O GROMMETS - 50 GL - 25.8" X 59.9" X 18.6" FROM: 00-00-00 THRU: 02-17-91
2	101788-01-000	EA TANK-HOLDING, W/O GROMMETS - 30 GL - 21.6" X 59.9" X 8.7" FROM: 02-18-91 THRU: 99-99-99
	081607-01-000	EA GROMMET-HOLDING TANK, 1 1/2" NPS
	081607-02-000	EA GROMMET-HOLDING TANK, 3" NPS
	039881-01-000	EA BENDING UNIT W/SCREW, WASHER, WELL NUT AND TERMINAL RING

### 1991 ITASCA TABLE OF CONTENTS

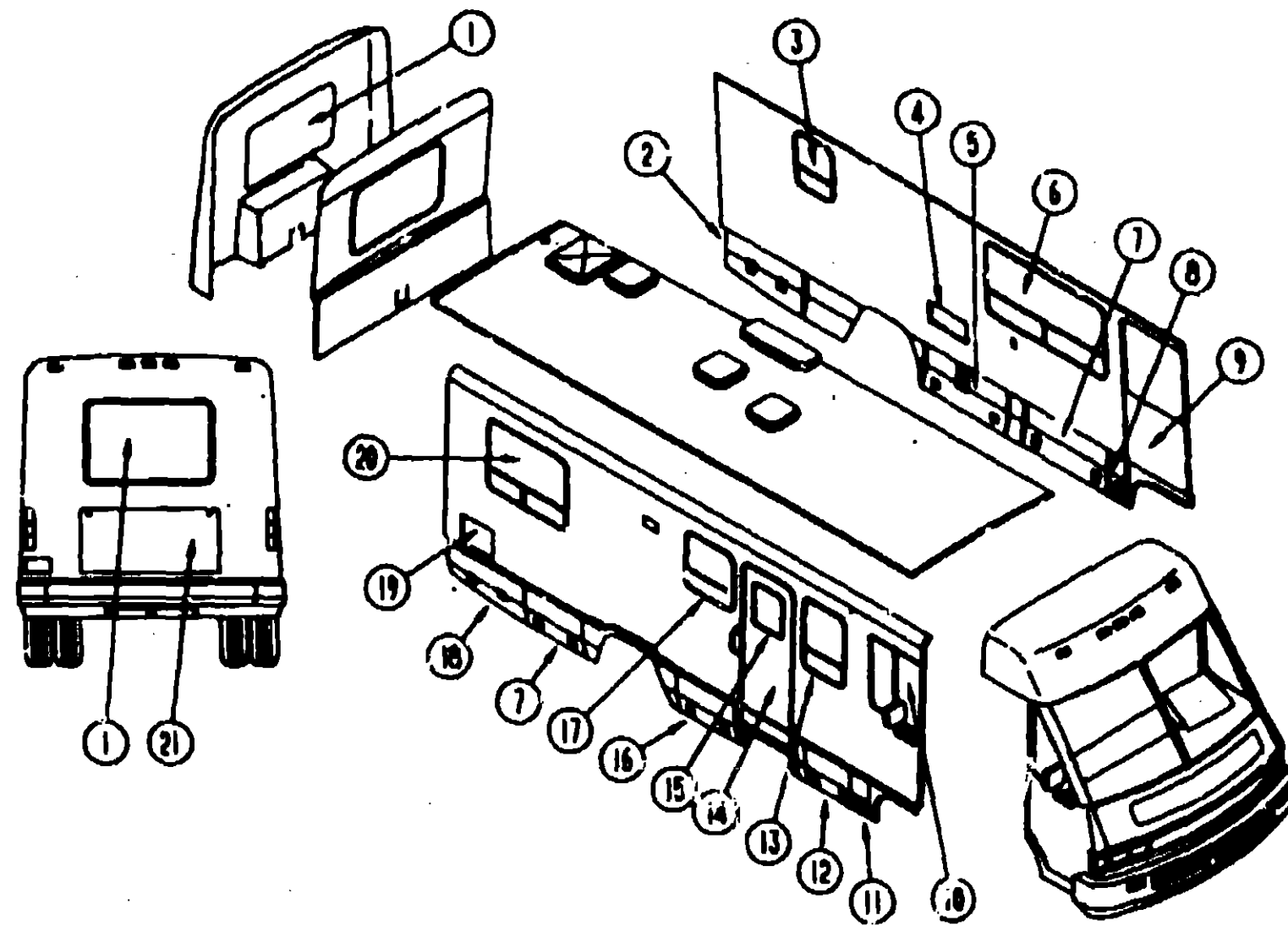
INTRODUCTION	A-01	A-02
ABBREVIATIONS		A-03
ALPHABETICAL INDEX	A-04	A-06
ICN25RC	A-07	F-02
ICN34RQ	F-03	K-08

### 1991 ICN25RC INDEX

FLOOR PLAN	A-07	A-08
ACCESSORIES	A-10	A-14
BATH	A-15	A-17
BEDROOM		A-18
CHASSIS	A-19	B-03
C C & PAD	B-04	B-13
DINETTE	B-14	B-16
DRIVERS	B-18	B-22
ELECTRICAL	B-23	C-03
EXTERIOR BODY	C-04	C-10
GALLEY	C-11	C-18
HEATING & A/C	C-19	C-24
INTERIOR FINISH	D-01	D-04
LABELS	D-05	D-12
LP		D-13
LOUNGE		D-14
SEALANTS & FASTENERS	D-15	D-18
WATER & SEWAGE	D-19	D-24
WINDOW, VENT AND EXTERIOR DOOR	E-01	F-02

# WINDOW, VENT & EXTERIOR DOOR GROUP

## WINDOWS & DOORS



## 1991 ITARCA TABLE OF CONTENTS

INTRODUCTION	A-01 -	A-02
ABBREVIATIONS		A-03
ALPHABETICAL INDEX	A-04 -	A-08
ICN28RC	A-07 -	F-02
ICN34RQ	F-03 -	K-08

## 1991 ICN28RC INDEX

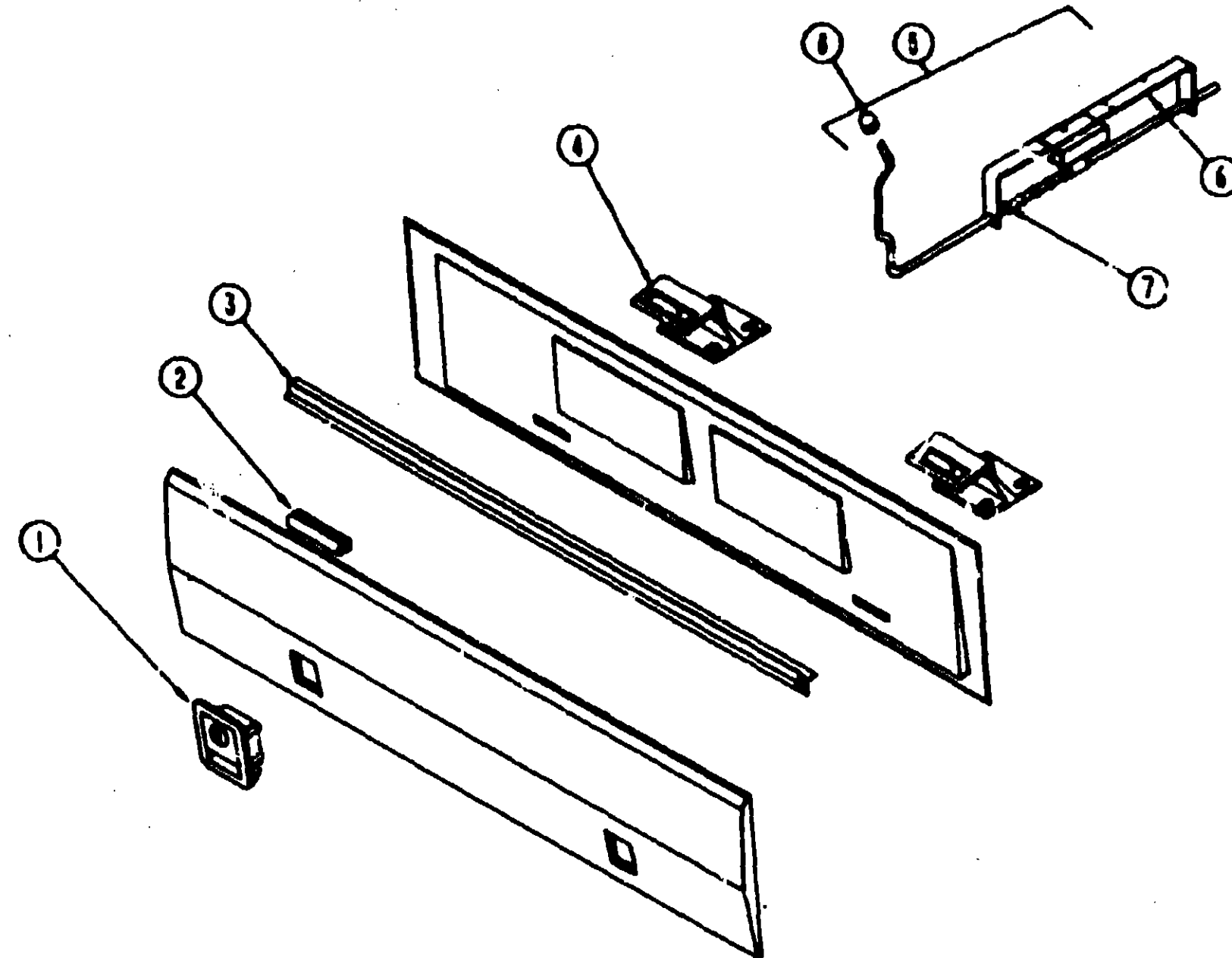
FLOOR PLAN	A-07 -	A-08
ACCESSORIES	A-09 -	A-14
BATH	A-15 -	A-17
BEDROOM		A-19
CHAIR/ST	A-19 -	B-03
C C & PAD	B-04 -	B-13
DINETTE	B-14 -	B-15
DRIVERS	B-16 -	B-22
ELECTRICAL	B-23 -	C-03
EXTERIOR BODY	C-04 -	C-10
GALLEY	C-11 -	C-18
HEATING & A/C	C-19 -	C-24
INTERIOR FINISH	D-01 -	D-04
LABELS	D-05 -	C-12
LP		D-13
LOUNGE		D-14
SEALANTS & FASTENERS	D-15 -	D-18
WATER & SEWAGE	D-19 -	D-24
WINDOW, VENT AND EXTERIOR DOOR	E-01 -	F-02

KEY	PART NUMBER	U/M DESCRIPTION
1	067885-05-Y10	EA WINDOW-ESCAPE, W/O INSIDE FRAME
2	062831-03-Y37	EA DOOR-COMPARTMENT, STORAGE - W/LATCHES
	088008-01-02A	EA DOOR-SEWER HOSE, INSIDE COMPARTMENT - PLASTIC
		FROM: 00-00-00 THRU: 02-17-91
	102690-01-000	EA DOOR-SEWER HOSE, INSIDE COMPARTMENT - STEEL
		FROM: 02-18-91 THRU: 99-99-99
	074470-01-000	EA PULL-HINGE RELEASE PIN - RIGHT
		FROM: 02-18-91 THRU: 99-99-99
	074470-02-000	EA PULL-HINGE RELEASE PIN - LEFT
		FROM: 02-18-91 THRU: 99-99-99
3	082235-10-Y12	EA WINDOW ASM-SINGLE TIPOUT - W/O INSIDE FRAME
4	084103-03-000	EA DOOR-REFRIGERATOR, VENTED W/O JAMB - OFF WHITE
	084104-01-700	EA LOCK-MALE, FASTENER - REFRIGERATOR DOOR
	084104-01-701	EA LOCK-FEMALE, FASTENER - REFRIGERATOR DOOR
	084104-03-000	EA JAMB-DOOR, VENTED REFRIGERATOR - OFF WHITE
5	083759-01-Y33	EA DOOR-COMPARTMENT, FURNACE VENT
	083754-01-01A	EA SHROUD-FURNACE, 8.1" X 9.4" - PLASTIC - OFF WHITE
	083758-01-02A	EA SHROUD-DOOR, FURNACE - WHOLE - 8.8" X 5.8" - FIBERGLASS
6	082234-03-Y12	EA WINDOW-TIPOUT, DOUBLE - W/O INSIDE FRAME - 31.5" X 60.8"
7	082482-04-Y33	EA DOOR-STORAGE, W/LATCHES - 19.4" X 78.3" - OFF WHITE
8	M05032-02-AE8	EA DOOR-COMPARTMENT, W/LATCH - 19.4" X 9.6" - OFF WHITE

KEY	PART NUMBER	U/M DESCRIPTION
9	M97816-01-AE6	EA DOOR-DRIVER, W/TIPOUT - NON POWERED - USE WITH OVHD BUNK ONLY
9	M97816-02-AE8	EA DOOR-DRIVER, W/O TIPOUT - NON POWERED
9	M97816-03-AE8	EA DOOR-DRIVER, W/TIPOUT - POWERED - USE WITH OVHD BUNK ONLY
9	M97816-04-AE6	EA DOOR-DRIVER, W/O TIPOUT - POWERED
	083877-08-000	EA STEP ASM-DRIVER DOOR, BLACK
10	083703-01-Y10	EA WINDOW-SLIDING, W/O INSIDE FRAME
11	M05032-01-AE8	EA DOOR-STORAGE/BATTERY, W/LATCHES - 19.4" X 9.5"
12	082482-07-Y33	EA DOOR-LP, W/LATCHES - OFF WHITE
13	082235-08-Y12	EA WINDOW-TIPOUT, SINGLE - W/O INSIDE FRAME - 31.6" X 22.8"
14	M01870-50-B29	EA DOOR-ENTRY, W/JAMB AND SCREEN DOOR
	075871-04-000	FT SEAL-DOOR, LAZY T SHAPED - ADHESIVE BACK - RUBBER/L
15	079733-04-T03	EA WINDOW-PICTURE, W/O INSIDE FRAME - 17" X 25"
16	082482-03-Y33	EA DOOR-STORAGE/SEWAGE, W/LATCHES - OFF WHITE
17	082235-09-Y12	EA WINDOW-TIPOUT, SINGLE - W/O INSIDE FRAME
18	082631-05-Y35	EA DOOR-STORAGE/GENERATOR, W/LATCHES - TAPERED - OFF WHITE
19	052009-01-000	EA DOOR-WATER HEATER, ATWOOD 5578-27 - OFF WHITE
20	082234-01-Y12	EA WINDOW-TIPOUT, DOUBLE - W/O INSIDE FRAME - 31.5" X 60.8"
21	087198-01-AE8	EA DOOR-STORAGE, W/LOCKS - 28.8" X 41.3" - OFF WHITE
	078010-03-000	EA DOOR-FUEL FILL W/JAMB - OFF WHITE

## WINDOW, VENT & EXTERIOR DOOR GROUP (CONTINUED)

### COMPARTMENT DOOR HARDWARE & SEALS



KEY	PART NUMBER	U/M DESCRIPTION
1	086730-11-000	EA LATCH-PADDLE, W/KEY LOCK - PLASTIC
	079388-04-000	EA LOCK-DOOR, KEY TYPE, TWO KEYS - 1.9 OFF SET
	082884-01-700	EA KEY-COMPARTMENT DOOR LOCK, BH024
1	086730-14-000	EA LATCH-PADDLE, W/O KEY LOCK - PLASTIC - OFF WHITE
	077408-02-000	EA LOCK-KEY TYPE (GENERATOR/SPARE TIRE)
	079827-03-000	EA LOCK-TWIST TYPE (SEWER HOSE)
2	079388-01-000	FT SEAL TUB, W/WIRED U CHANNEL - .37" X .57" CHANNEL - BLKS
3	002357-01-01A	EA HINGE-COMPARTMENT DOOR, 78"
	034007-40-000	EA HINGE-PIANO, 1.5" X 90" - ALUMINUM - OFF WHITE
	082357-02-02A	EA HINGE-DOOR, COMPARTMENT - 43" - OFF WHITE
	008085-01-000	EA HINGE-COMPARTMENT DOOR, 1.5" WIDE X 6" - UNPAINTED
4	083087-01-02A	EA STRIKER-DOOR, LUGGAGE, BLACK
	084387-02-000	EA STRIKER-DOOR, GENERATOR
	003718-01-000	EA PLATE-STRIKE, COMPARTMENT - 3.4" X 2.5" FLAT - STEEL - BLK
5	082844-02-Y12	EA PROP ROD-COMPARTMENT DOOR, W/SPRING & BRACKET
6	082838-01-000	EA BRACKET-DOOR PROP
7	082488-01-000	EA SPRING-#020-060 COMP
8	038884-01-000	EA CAF-ROUND, VINYL - .28" ID X .92" LONG - BLACK
	084378-02-000	EA ROD-PROP (GENERATOR/LP)
	084378-01-000	EA ROD-PROP (HOLDING TANK)
	080340-01-000	FT SEAL-FOAM, CLOSED CELL - 1/4" X 1/2" X 50'
	100128-01-000	FT SEAL-PILE, ADHESIVE BACK - GRAY
	081113-01-000	EA BUSHING-FLANGE, PLASTIC - WHITE
	083305-01-01A	FT TRIM-EDGE, C-TYPE - WIRE CARRIER - .35" X .24" - VINYL
	078787-08-000	EA CABLE-SUPPORT, 25.6" - STAINLESS STEEL

ENGINE COMPARTMENT DOOR PANELS		
KEY	PART NUMBER	U/M DESCRIPTION
	083574-01-000	EA PLATE-CIRCUIT BREAKER, HOUSE
	082522-01-000	EA DOOR-ELECTRICAL BOX, UNDER HOOD - METAL - BLACK
	088756-02-000	EA LATCH-1/4 TURN, ROTARY, PLAS FROM: 00-00-00 THRU: 09-18-85
	086190-01-000	EA LATCH-1/4 TURN, T/BAR FROM: 00-00-00 THRU: 09-18-79
	088527-01-000	EA DOOR-CIRCUIT BREAKERS, UNDER HOOD - METAL - BLACK FROM: 09-18-89 THRU: 09-07-99
	088527-02-000	EA DOOR-FUSES, UNDER HOOD - METAL - BLACK FROM: 03-18-89 THRU: 09-09-99

## 1991 ITASCA TABLE OF CONTENTS

INTRODUCTION	A-01 -	A-02
ABBREVIATIONS		A-03
ALPHABETICAL INDEX	A-04 -	A-08
ICN28PC	A-07 -	F-02
ICN34RQ	F-03 -	K-08

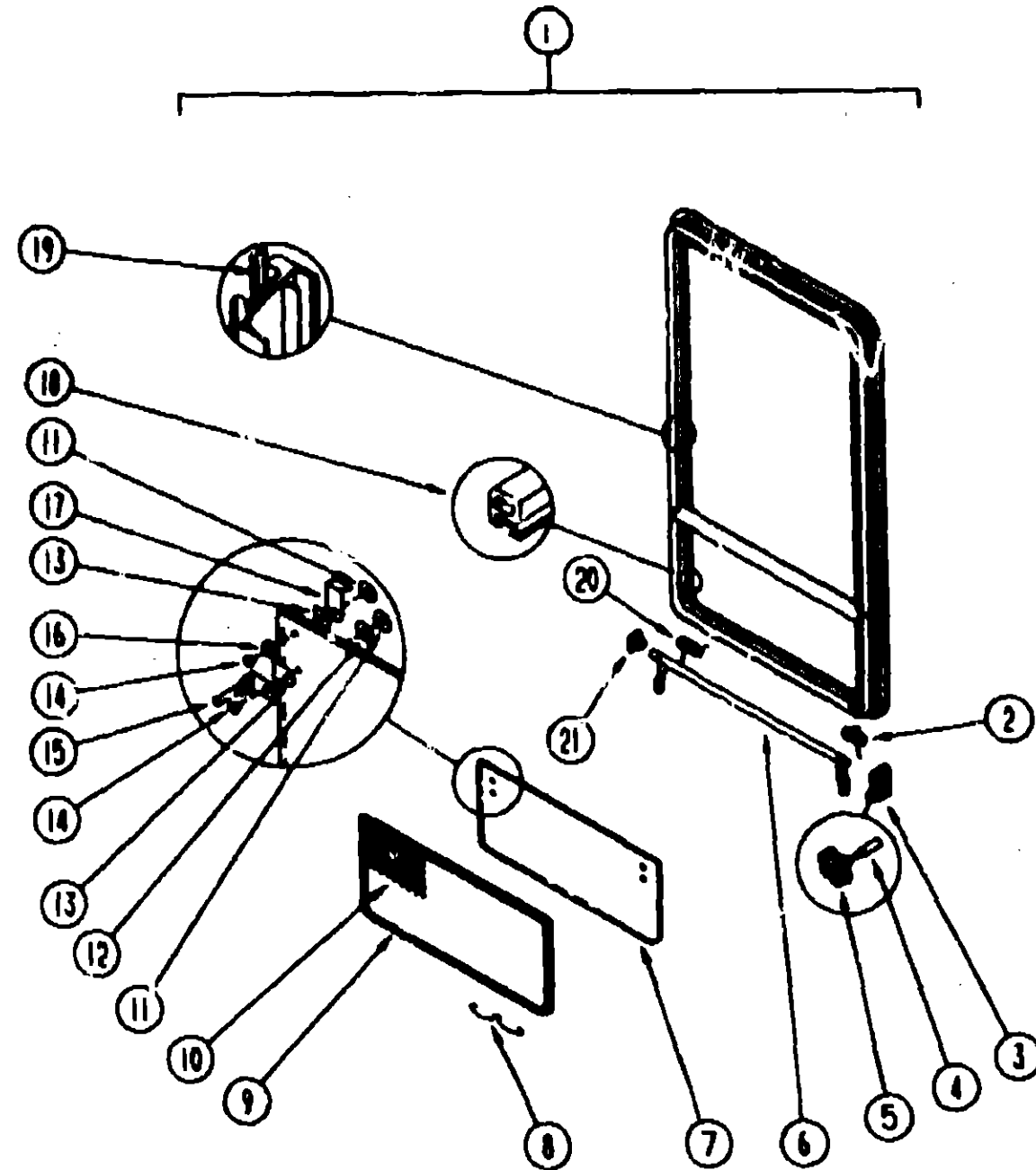
## 1991 ICN28PC INDEX

FLOOR PLAN	A-07 -	A-08
ACCESSORIES	A-09 -	A-14
BATH	A-15 -	A-17
BEDROOM		A-18
CHASSIS	A-19 -	B-03
C C & PAD	B-04 -	B-13
DINETTE	B-14 -	B-15
DRIVERS	B-16 -	B-22
ELECTRICAL	B-23 -	C-03
EXTERIOR BODY	C-04 -	C-10
GALLEY	C-11 -	C-18
HEATING & AC	C-19 -	C-24
INTERIOR FINISH	D-01 -	D-04
LABELS	D-05 -	D-12
LP		D-13
LOUNGE		D-14
SEALANTS & FASTENERS	D-15 -	D-18
WATER & SEWAGE	D-19 -	D-24
WINDOW, VENT AND EXTERIOR DOOR	E-01 -	F-02

WINDOW, VENT & EXTERIOR DOOR GROUP (CONTINUED)

GALLEY WINDOW

KEY	PART NUMBER	U/M DESCRIPTION
	090893-02-01A	EA FRAME-WINDOW, INSIDE - 25.3" X 25.5" - BLACK
1	092235-09-Y12	EA WINDOW-TIPOUT, W/O INSIDE FRAME - 25.5" X 26.4"
	000039-08-18T	EA SCREW-SF/DR, 8-30 X 1 PPH - BLACK
2	080918-01-000	EA SPRING-TORQUE TUBE, RIGHT
3	035302-02-000	EA OPERATOR-TORQUE, TIPOUT WINDOW - LEFT
4	009438-08-000	EA EXTENSION-CRANK HANDLE, WINDOW/ROOF VENT - 9" - BLACK
5	009439-05-000	EA KNOB-OPERATOR, TIPOUT WINDOW - BLACK
	009439-07-000	EA SCREW, 8-32 X 1 1/4 POH - BLACK
6	083180-10-000	EA TUBE ASM. - TORQUE, WINDOW
7	084088-15-000	EA GLASS-TIPOUT, 9.2" X 24.5"
8	100188-01-000	EA CLIP-SPRING, SCREEN
9	100236-02-107	EA SCREEN-SINGLE TIPOUT WINDOW
10	080218-03-000	SF SCREEN-FIBERGLASS, 12" WIDE
	100240-01-000	FT SPLINE-SCREEN, T-SHAPED
11	085782-01-000	EA T NUT 10-32
12	088927-03-000	EA SEAL-WINDOW, RUBBER - ROUND - .80" DIA. - BLACK
13	084473-01-030	EA SEAL-RUBBER, TIPOUT WINDOW
14	085783-01-000	EA SCREW-MACH, 10 - 32 X 1/4 PTH
15	087578-01-000	EA LINKAGE-TIPOUT WINDOW
	081848-01-000	EA RING - SNAP, 7/32 SHAFT DIA.
	084463-01-000	EA WASHER-.080 X .50 X .135 - PLASTIC
	085315-01-000	EA RIVET-SHOULDER, TIPOUT WINDOW
16	084463-02-000	EA WASHER-.080 X .50 X .250 - PLASTIC
17	088913-01-000	EA HINGE-TIPOUT WINDOW, BLACK
18	084087-02-000	FT SEAL-E SHAPED, SPONGE - TIPOUT WINDOW - .4" X .4" - BLACK
19	088840-11-000	EA SEALER-TAPE, 3/16"X3/8" BLACK
20	080918-02-000	EA SPRING-TORQUE TUBE, LEFT
21	081354-01-000	EA SLEEVE-TORQUE TUBE, TIPOUT WINDOW - 1.3" X 1.2" X .7"



BATH WINDOW

KEY	PART NUMBER	U/M DESCRIPTION
	090893-15-01A	EA FRAME-WINDOW, INSIDE - 25.5" X 15.9" - BLACK
1	092235-10-Y12	EA WINDOW-TIPOUT, W/O INSIDE FRAME - 15.8" X 25.5"
	000039-08-18T	EA SCREW-SF/DR, 8-30 X 1 PPH - BLACK
2	080918-01-000	EA SPRING-TORQUE TUBE, RIGHT
3	035302-02-000	EA OPERATOR-TORQUE, TIPOUT WINDOW - LEFT
4	080025-01-000	EA EXTENSION-WINDOW CONTROL
5	101289-01-01A	EA KNOB-OPERATOR, TIPOUT WINDOW - BRASS
	101289-01-01A	EA SCREW-MACHINE, 8-32 X 4 - POH - BRASS - FOR EXTENDED KNOB
6	083180-09-000	EA TUBE ASM. - TORQUE, WINDOW
7	084088-14-000	EA GLASS-TIPOUT, 9" X 15"
8	100188-01-000	EA CLIP-SPRING, SCREEN
9	100236-02-807	EA SCREEN-SINGLE TIPOUT WINDOW
10	080218-03-000	SF SCREEN-FIBERGLASS, 12" WIDE
	100240-01-000	FT SPLINE-SCREEN, T-SHAPED
11	085782-01-000	EA T NUT 10-32
12	088927-03-000	EA SEAL-WINDOW, RUBBER - ROUND - .80" DIA. - BLACK
13	084473-01-000	EA SEAL-RUBBER, TIPOUT WINDOW
14	085783-01-000	EA SCREW-MACH, 10 - 32 X 1/4 PTH
15	087578-01-000	EA LINKAGE-TIPOUT WINDOW
	081848-01-000	EA RING - SNAP, 7/32 SHAFT DIA.
	084463-01-000	EA WASHER-.080 X .50 X .135 - PLASTIC
	085315-01-000	EA RIVET-SHOULDER, TIPOUT WINDOW
16	084463-02-070	EA WASHER-.080 X .50 X .250 - PLASTIC
17	088913-01-000	EA HINGE-TIPOUT WINDOW, BLACK
18	084087-01-000	FT SEAL-E SHAPED, SPONGE - TIPOUT WINDOW - .4" X .4" - BLACK
19	088840-11-000	EA SEALER-TAPE, 3/16"X3/8" BLACK
20	080918-02-000	EA SPRING-TORQUE TUBE, LEFT
21	081354-01-000	EA SLEEVE-TORQUE TUBE, TIPOUT WINDOW - 1.3" X 1.2" X .7"

1991 ITASCA  
TABLE OF CONTENTS

INTRODUCTION	A-01 -	A-02
ABBREVIATIONS		A-03
ALPHABETICAL INDEX	A-04 -	A-05
ICN25RC	A-07 -	F-02
ICN349Q	F-03 -	K-08

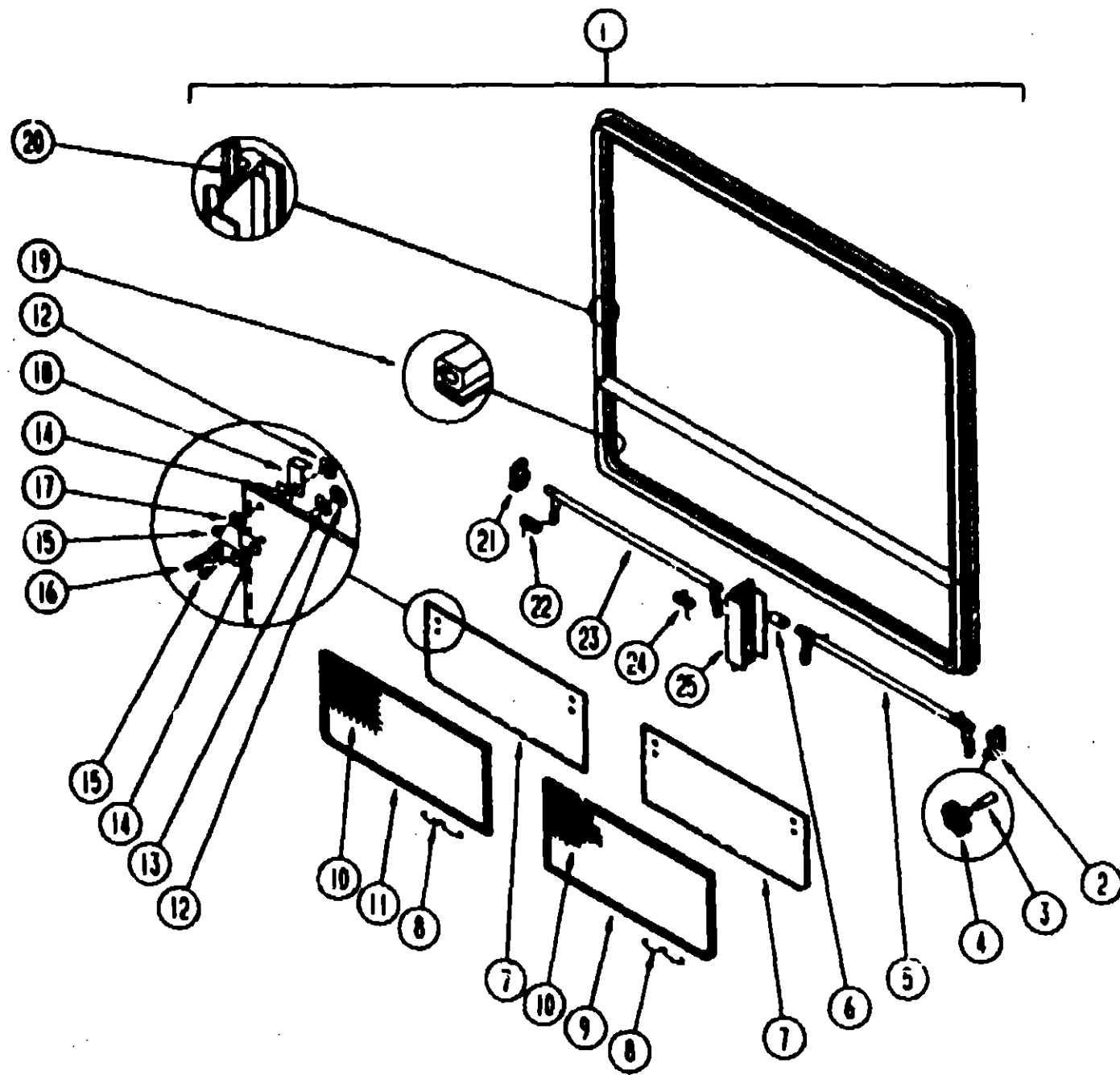
1991 ICN25RC INDEX

FLOOR PLAN	A-07 -	A-08
ACCESSORIES	A-09 -	A-14
BATH	A-15 -	A-17
BEDROOM		A-18
CHASSIS	A-19 -	B-03
C C & PAD	B-04 -	B-13
DINETTE	B-14 -	B-15
DRIVERS	B-18 -	B-22
ELECTRICAL	B-23 -	C-03
EXTERIOR BODY	C-04 -	C-10
GALLEY	C-11 -	C-18
HEATING & AC	C-19 -	C-24
INTERIOR FINISH	D-01 -	D-04
LABELS	D-05 -	D-12
LP		D-13
LOUNGE		D-14
SEALANTS & FASTENERS	D-15 -	D-18
WATER & SEWAGE	D-19 -	D-24
WINDOW, VENT AND EXTERIOR DOOR	E-01 -	F-02



WINDOW, VENT & EXTERIOR DOOR GROUP (CONTINUED)

PASSENGER SIDE BEDROOM WINDOW



KEY	PART NUMBER	U/M	DESCRIPTION
1	000803-07-01A	EA	FRAME-WINDOW, INSIDE - 31.4" X 80.9" - BLACK
	082234-01-Y12	EA	WINDOW-TIPOUT, DOUBLE - W/O INSIDE FRAME - 31.5" X 80.9" STATIONARY GLASS IS NOT AVAILABLE - ORDER ENTIRE ASSEMBLY
2	000330-08-18T	EA	SCREW-SF/CR, 8-20 X 1 PPH - BLACK
3	086302-08-000	EA	OPERATOR-TORQUE, TIPOUT WINDOW - LEFT
4	080025-01-000	EA	EXTENSION-WINDOW CONTROL
5	101280-01-01A	EA	KNOB-OPERATOR, TIPOUT WINDOW - BRASS
6	083227-08-000	EA	TUBE-TORQUE, WINDOW - RIGHT
7	088818-81-001	EA	TUBE-EXTRUDED, .0210 X .035" OD X 1.2" LONG - ALUMINUM
8	084068-20-000	EA	GLASS-TIPOUT, 9.2" X 20.4"
9	100188-01-000	EA	C/SP-SRING, SCREEN
10	100234-02-B07	EA	SCREEN-DOUBLE TIPOUT WINDOW, FRONT DR SIDE/REAR PASS SIDE
	080218-03-000	SF	SCREEN-FIBERGLASS, 12" WIDE
	100240-01-000	FT	SPLINE-SCREEN, T-SHAPED
	081377-01-700	EA	ADHESIVE-CYANOACRYLATE, 10 GRAM TUBE
11	100234-01-B07	EA	SCREEN-DOUBLE TIPOUT WINDOW, REAR DR SIDE/FRONT PASS SIDE
12	086782-01-000	EA	T NUT 10-32
13	088027-03-000	EA	SEAL-WINDOW, RUBBER - ROUND - .80" DIA. - BLACK
14	084473-01-000	EA	SEAL-RUBBER, TIPOUT WINDOW
15	086783-01-000	EA	SCREW-MACH, 10 - 32 X 1/4 PTH
16	097578-01-000	EA	LINKAGE-TIPOUT WINDOW
	084453-01-000	EA	WASHER-.080 X .50 X .135 - PLASTIC
	086315-01-000	EA	RIVET-SHOULDER, TIPOUT WINDOW
	081849-01-000	EA	RING-SNAP, 7/32 SHAFT DIAMETER
	101280-01-01A	EA	SCREW-MACHINE, 8-32 X 4 - POH - BRASS - FOR EXTENDED KNOB
17	08-1453-02-000	EA	WASHER-.080 X .50 X .135 - PLASTIC
18	088913-01-000	EA	HINGE-TIPOUT WINDOW, BLACK
19	084067-02-000	FT	SEAL-E SHAPED, SPONGE - TIPOUT WINDOW - .4" X .4" - BLACK
20	088840-11-000	EA	SEALER-TAPE, 3/16" X 3/8" BLACK
21	036372-01-000	EA	OPERATOR-TORQUE, TIPOUT WINDOW - RIGHT
	038888-01-000	EA	TAPE-BUTYL, .31" X .31" X 148" LONG
22	080918-02-000	EA	SPRING-TORQUE TUBE, LEFT
23	083228-08-000	EA	TUBE-TORQUE, WINDOW - REAR
24	080918-01-000	EA	SPRING-TORQUE TUBE, RIGHT
25	088803-01-01A	EA	MULLION-VERTICAL, 9.5" LONG - ALUMINUM - BLACK

1991 ITASCA  
TABLE OF CONTENTS

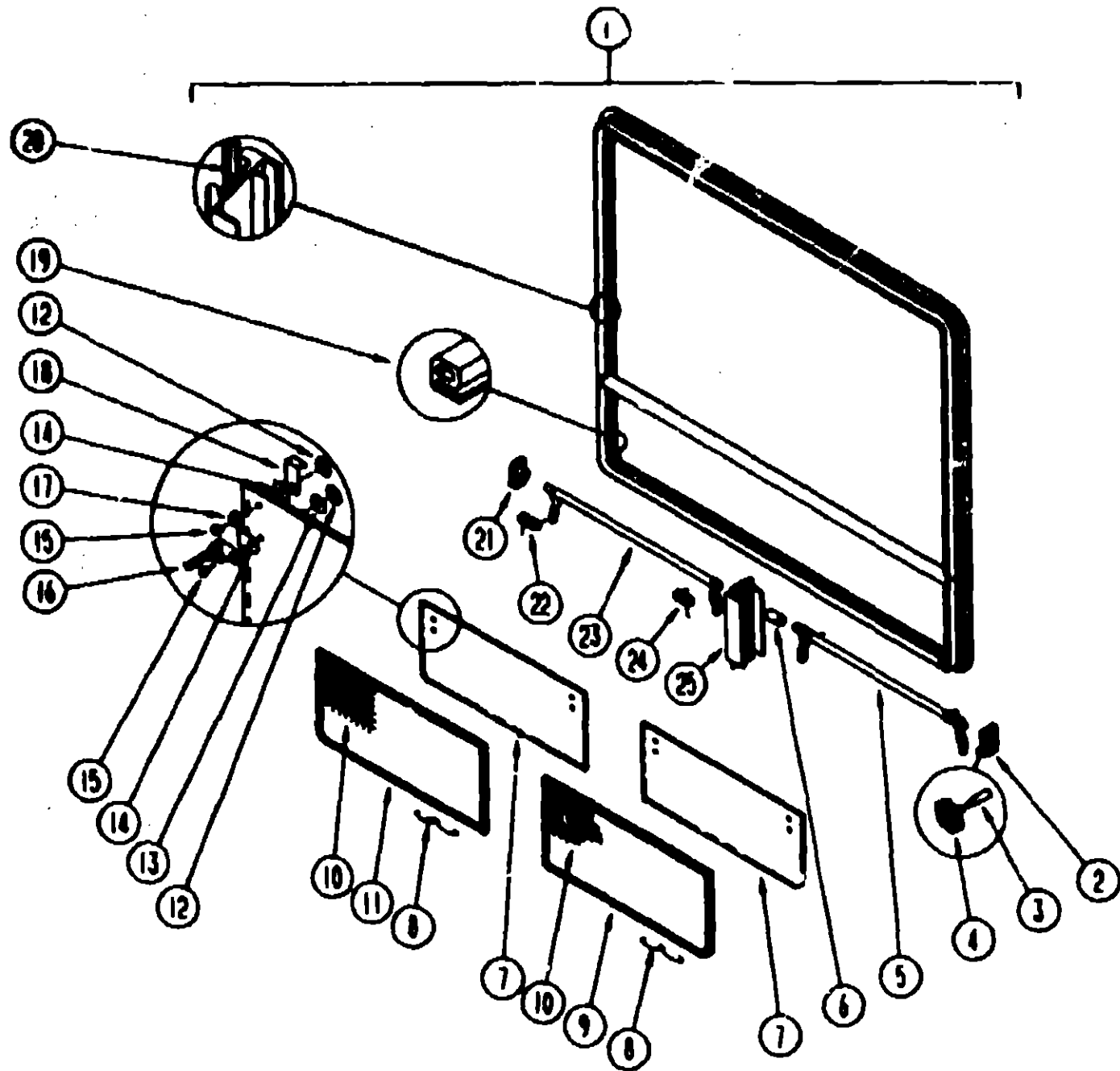
INTRODUCTION	A-01 -	A-02
ABBREVIATIONS		A-03
ALPHABETICAL INDEX	A-04 -	A-08
ICN25RC	A-07 -	F-02
ICN3490	F-03 -	K-08

1991 ICN25RC INDEX

FLOOR PLAN	A-07 -	A-08
ACCESSORIES	A-09 -	A-14
BATH	A-15 -	A-17
BEDROOM		A-18
CHASSIS	A-19 -	B-03
C C & PAD	B-04 -	B-13
DINETTE	B-14 -	B-16
DRIVERS	B-18 -	B-22
ELECTRICAL	B-23 -	C-03
EXTERIOR BODY	C-04 -	C-10
GALLEY	C-11 -	C-18
HEATING & AC	C-19 -	C-24
INTERIOR FINISH	D-01 -	D-04
LABELS	D-05 -	D-12
P		D-13
L. JUNGLE		D-14
SEALANTS & FASTENERS	D-15 -	D-18
WATER & SEWAGE	D-19 -	D-24
WINDOW, VENT AND EXTERIOR DOOR	E-01 -	F-02

# WINDOW, VENT & EXTERIOR DOOR GROUP (CONTINUED)

## DINETTE WINDOW



KEY	PART NUMBER	U/M DESCRIPTION
1	080893-08-01A	EA FRAME-WINDOW, INSIDE - 31.4" X 80.8" - BLACK
	082234-08-Y12	EA WINDOW-TIPOUT, DOUBLE - W/O INSIDE FRAME - 31.5" X 80.8"
		STATIONARY GLASS IS NOT AVAILABLE - ORDER ENTIRE ASSEMBLY
2	000239-08-18T	EA SCREW-BF/DR, 6-30 X 1 PPH - BLACK
3	08302-08-000	EA OPERATOR-TORQUE, TIPOUT WINDOW - LEFT
4	080025-01-U00	EA EXTENSION-WINDOW CONTROL
5	101280-01-01A	EA KNOB-OPERATOR, TIPOUT WINDOW - BRASS
6	083227-08-000	EA TUBE-TORQUE, WINDOW - RIGHT
7	088818-51-001	EA TUBE-EXTRUDED, .0870 X .036" OD X 1.2" LONG - ALUMINUM
8	084088-22-000	EA GLASS-TIPOUT, 9.2" X 29.2"
9	100188-01-000	EA CLIP-SPRING, SCREEN
10	100234-08-BJ7	EA SCREEN-DOUBLE TIPOUT WINDOW, FRONT OR SIDE/REAR PASS SIDE
	080218-08-000	BF SCREEN-FIBER/GLASS, 12" WIDE
	100240-01-000	FT SPLINE-SCREEN, T-SHAPED
	081377-01-700	EA ADHESIVE-CYANOACRYLATE, 10 GRAM TUBE
11	100234-01-B07	EA SCREEN-DOUBLE TIPOUT WINDOW, REAR OR SIDE/FRONT PASS SIDE
12	086782-01-000	EA T NUT 10-32
13	088827-08-000	EA SEAL-WINDOW, RUBBER - ROUND - .81" DIA. - BLACK
14	084473-01-000	EA SEAL-RUBBER, TIPOUT WINDOW
15	086783-01-000	EA SCREW-MACH, 10 - 32 X 1/4 PTH
16	087578-01-000	EA LINKAGE-TIPOUT WINDOW
	084453-01-000	EA WASHER-.080 X .80 X .135 - PLASTIC
	086315-01-000	EA RIVET-SHOULDER, TIPOUT WINDOW
	081648-01-000	EA RING-SNAP, 7/32 SHAFT DIAMETER
	101280-01-01A	EA SCREW-MACHINE, 8-32 X 4 - PPH - BRASS - FOR EXTENDED KNOB
17	084453-02-000	EA WASHER-.080 X .80 X .135 - PLASTIC
18	088813-01-000	EA HINGE-TIPOUT WINDOW, BLACK
19	084067-02-000	FT SEAL-E SHAPED, (SPONGE - TIPOUT WINDOW - .4" X .4" - BLACK
20	088840-11-000	EA SEALER-TAPE, 3/16" X 3/8" BLACK
21	035302-01-000	EA OPERATOR-TORQUE, TIPOUT WINDOW - RIGHT
	039974-01-000	EA TAPE-BUTYL, .31" X .31" X 148" LONG
22	080818-02-000	EA SPRING-TORQUE TUBE, LEFT
23	083228-08-000	EA TUBE-TORQUE, WINDOW - LEFT
24	080818-01-000	EA SPRING-TORQUE TUBE, RIGHT
25	088803-01-01A	EA MULLION-VERTICAL, 9.5" LONG - ALUMINUM - BLACK

## 1991 ITASCA TABLE OF CONTENTS

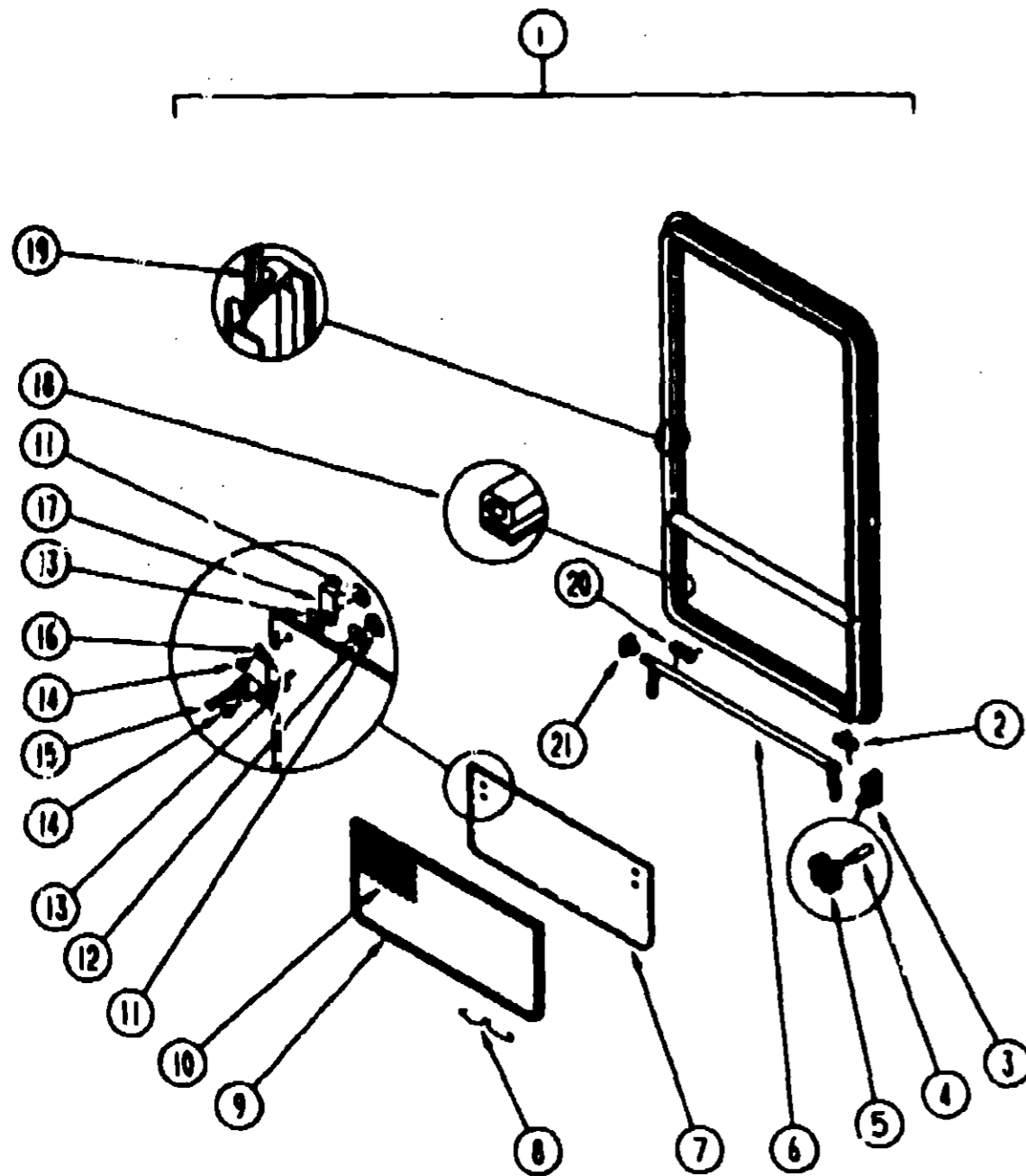
INTRODUCTION	A-01	A-02
ABBREVIATIONS		A-03
ALPHABETICAL INDEX	A-04	A-05
ICN25RC	A-07	F-01
ICN34RQ	F-03	K-08

## 1991 ICN25RC INDEX

FLOOR PLAN	A-07	A-08
ACCESSORIES	A-09	A-14
BATH	A-15	A-17
BEDROOM		A-18
CHASSIS	A-19	B-03
C C & PAD	B-04	B-13
DINETTE	B-14	B-15
DRIVERS	B-16	B-22
ELECTRICAL	B-23	C-03
EXTERIOR BODY	C-04	C-10
GALLEY	C-11	C-18
HEATING & AC	C-19	C-24
INTERIOR FINISH	D-01	D-04
LABELS	D-05	D-12
LP		D-13
LOUNGE		D-14
SEALANTS & FASTENERS	D-15	D-18
WATER & SEWAGE	D-19	D-24
WINDOW, VENT AND EXTERIOR DOOR	E-01	F-02

# WINDOW, VENT & EXTERIOR DOOR GROUP (CONTINUED)

## PASSENGER SIDE LOUNGE WINDOW



KEY	PART NUMBER	U&M DESCRIPTION
	080223-08-01A	EA FRAME-WINDOW, INSIDE - 31.6" X 22.6" - BLACK
1	082236-08-Y12	EA WINDOW-TIPOUT, SINGLE - W/O INSIDE FRAME - 31.6" X 22.6"
	000039-08-18T	EA SCREW-SF/DR, 6-80 X 1 PPH - BLACK
2	080918-01-000	EA SPRING-TORQUE TUBE, RIGHT
3	036302-02-000	EA OPERATOR-TORQUE, TIPOUT WINDOW - LEF :
4	080026-01-000	EA EXTENSION-WINDOW CONTROL
5	10128U-01-01A	EA KNOB-OPERATOR, TIPOUT WINDOW - BRASS
	101286-01-01A	EA SCREW-MACHINE, U-32 X 4 - PPH - BRASS - FOR EXTENDED KNOB
6	083180-14-000	EA TUBE ASM. - TORQUE, WINDOW
7	084088-18-000	EA GLASS-TIPOUT, - 6" X 22"
8	100188-01-000	EA CLIP-SPRING, SCREEN
9	100236-02-807	EA SCREEN-SINGLE TIPOUT WINDOW
10	080218-03-000	SF SCREEN-FIBERGLASS, 12" WIDE
	100240-01-000	FT SPLINE-SCREEN, T-SHAPED
11	085782-01-000	EA T NUT 10-32
12	088927-03-000	EA SEAL-WINDOW, RUBBER - ROUND - .80" DIA. - BLACK
13	084473-01-000	EA SEAL-RUBBER, TIPOUT WINDOW
14	085783-01-000	EA SCREW-MACH, 10 - 32 X 1/4 PTH
15	087578-01-000	EA LINKAGE-TIPOUT WINDOW
	081848-01-000	EA RING - SNAP, 7/32 SHAFT DIA.
	084463-01-000	EA WASHER-.080 X .60 X .136 - PLASTIC
	085315-01-000	EA RIVET-SHOULDER, TIPOUT WINDOW
16	084463-02-000	EA WASHER-.080 X .60 X .250 - PLASTIC
17	088913-01-000	EA HINGE-TIPOUT WINDOW, BLACK
18	084087-02-000	FT SEAL-E SHAPED, SPONGE - TIPOUT WINDOW - .4" X .4" - BLACK
19	088840-11-000	EA SEALER-TAPE, 3/16" X 3/8" BLACK
20	080918-02-000	EA SPRING-TORQUE TUBE, LEFT
21	081354-01-000	EA SLEEVE-TORQUE TUBE, TIPOUT WINDOW - 1.3" X 1.2" X .7"

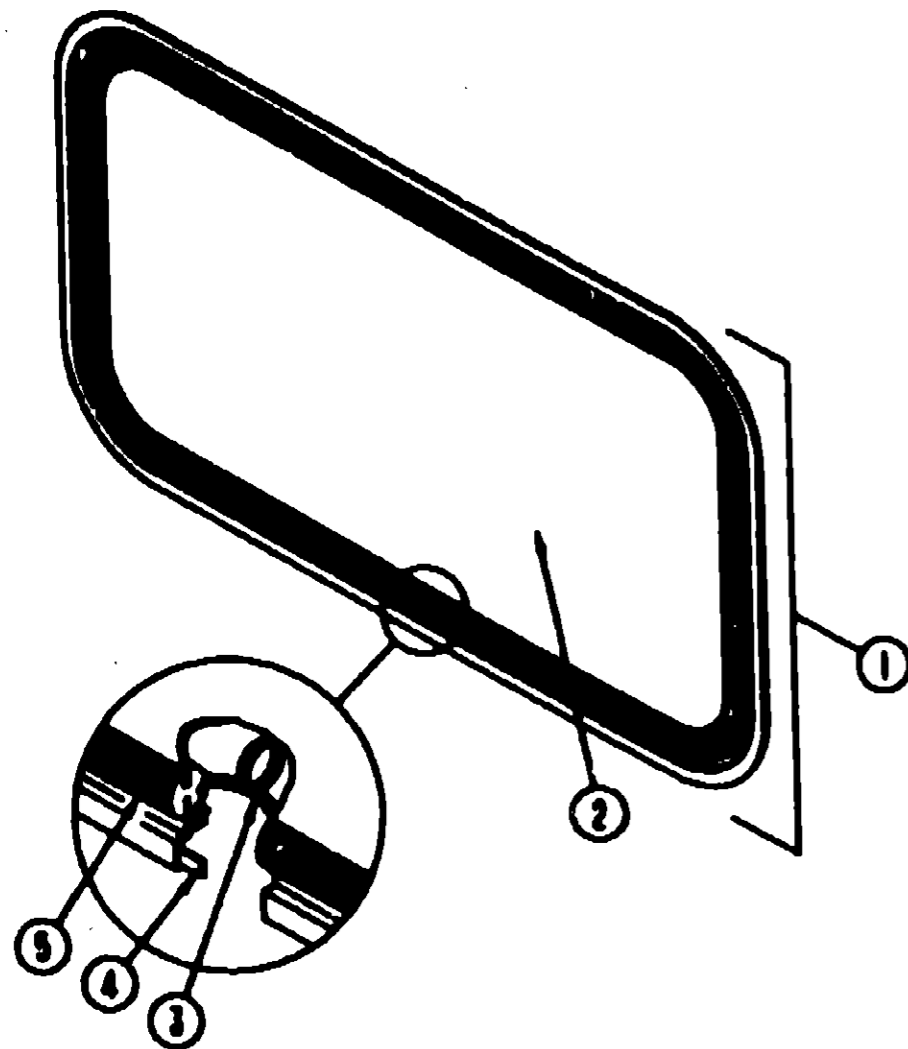
## 1991 ITABCA TABLE OF CONTENTS

INTRODUCTION	A-01 -	A-02
ABBREVIATIONS		A-03
ALPHABETICAL INDEX	A-04 -	A-08
ICN25RC	A-07 -	F-02
ICN249Q	F-03 -	K-08

## 1991 ICN25RC INDEX

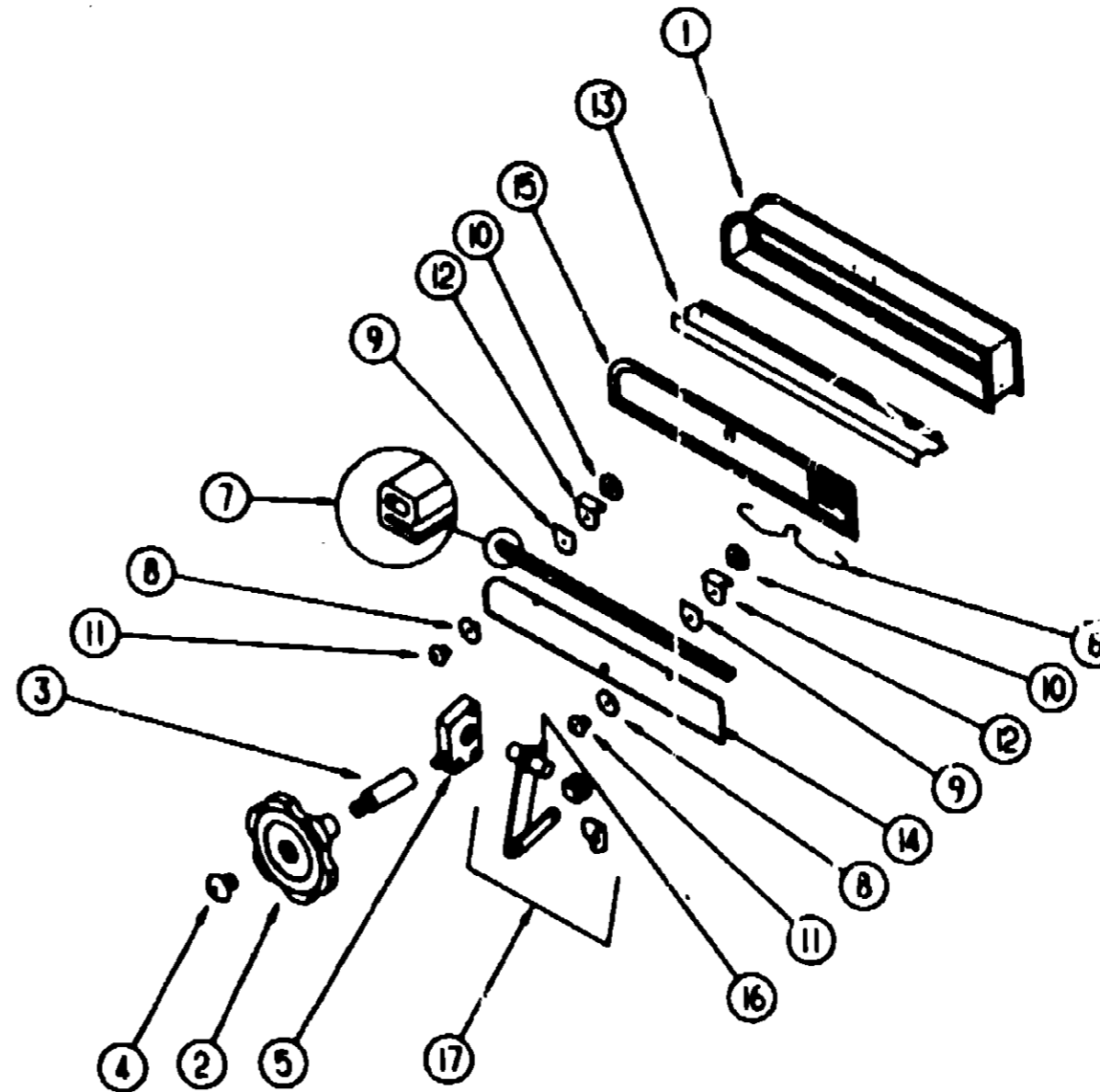
FLOOR PLAN	A-07 -	A-08
ACCESSORIES	A-09 -	A-14
BATH	A-15 -	A-17
BEDROOM		A-18
CHASSIS	A-19 -	B-03
C C & PAD	B-04 -	B-13
JINETTE	B-14 -	B-15
DRIVERS	B-16 -	B-22
ELECTRICAL	B-23 -	C-03
EXTERIOR BODY	C-04 -	C-10
GALLEY	C-11 -	C-18
HEATING & AC	C-19 -	C-24
INTERIOR FINISH	D-01 -	D-04
LABELS	D-05 -	D-12
LP		D-13
LOUNGE		D-14
SEALANTS & FASTENERS	D-15 -	D-18
WATER & SEWAGE	D-19 -	D-24
WINDOW, VENT AND EXTERIOR DOOR	E-01 -	F-02

WINDOW, VENT & EXTERIOR DOOR GROUP (CONTINUED)



BACKWALL ESCAPE WINDOW

WINDOW, VENT & EXTERIOR DOOR GROUP (CONTINUED)



DRIVER DOOR UPPER TIP OUT WINDOW

1991 ITASCA  
TABLE OF CONTENTS

INTRODUCTION	A-01	A-02
ABBREVIATIONS		A-03
ALPHABETICAL INDEX	A-04	A-05
ICN25RC	A-07	F-02
ICN34RC	F-06	K-08

1991 ICN25RC INDEX

FLOOR PLAN	A-07	A-08
ACCESSORIES	A-09	A-14
BATH	A-15	A-17
BEDROOM		A-18
CHASSIS	A-19	B-03
C/C & PAD	B-04	B-13
DINETTE	B-14	B-16
DRIVERS	B-18	B-22
ELECTRICAL	B-23	C-03
EXTERIOR BODY	C-04	C-10
GALLERY	C-11	C-16
HEATING & A/C	C-19	C-24
INTERIOR FINISH	D-0	D-24
LABELS	D-0	D-2
LP		D-3
LOUNGE		D-14
SEALANTS & FASTENERS	D-15	D-18
WATER & SEWAGE	D-19	D-24
WINDOW, VENT AND EXTERIOR DOOR	E-01	F-02

KEY	PART NUMBER	U/M DESCRIPTION
1	087885-04-Y12	EA WINDOW-ESCAPE, W/O INSIDE FRAME - 30.2" X 48.6"
	078580-04-000	EA FRAME-WINDOW, INSIDE - BLACK
2	078337-08-000	EA GLASS-ESCAPE, - 44.8" X 28"
3	002286-01-000	FT FILLER-WEATHER STRIP, RUBBER - BLACK
4	068840-07-000	FT SEALER-RIBBON, 2" X 3/32" - INCREMENTS OF 30"
5	002282-01-000	FT WEATHER STRIP-WINDOW, RUBBER - .125" - BLACK
	008189-01-000	EA LABEL-EXIT, "ESCAPE WINDOW"
	047731-01-000	EA LABEL-EMERGENCY EXIT

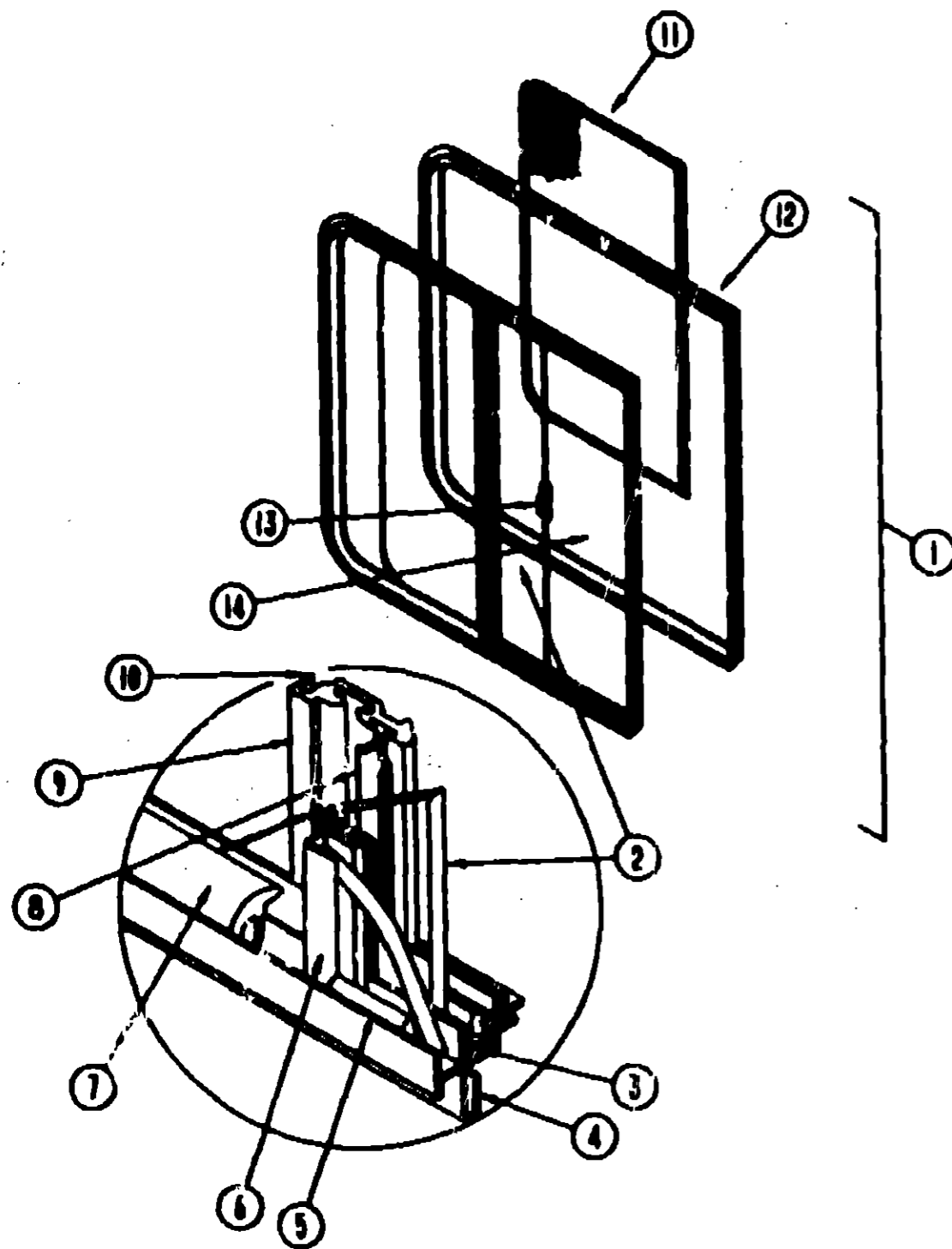
DRIVER DOOR UPPER STATIONARY WINDOW

KEY	PART NUMBER	U/M DESCRIPTION
	083012-01-Y12	EA WINDOW ASM-UPPER STATIONARY - 4.6" X 28" GLASS
	082897-01-000	EA GLASS-STATIONARY, POWER WINDOW - 4.6" X 28"
	082822-01-01A	EA MULLION-WINDOW, DOOR - BLACK
	078870-04-000	FT COVER-SCREW, WINDOW - VINYL - BLACK
	081810-02-000	EA CHANNEL-WINDOW
	084087-01-000	FT SEAL-E SHAPED, SPONGE - TIPOUT WINDOW - 4" X 4" - FROM: 00-00-00 THRU: 03-03-91
	084087-02-000	FT SEAL-E SHAPED, SPONGE - TIPOUT WINDOW - 42" X 38"-BLACK FROM: 03-04-91 THRU: 99-99-99
	088827-03-000	EA SEAL-WINDOW, RUBBER - ROUND - .80" DIA - BLACK
	084463-02-000	EA WASHER-.06" X .5" X .25" - PLASTIC
	084473-01-000	EA SEAL-FLAT, W/CENTER HOLE & ADHESIVE SIDE - .8" X .9" - BLK
	088782-01-000	EA T NUT 10-32
	088838-03-000	EA BEARING-.38" ID, SNAP IN

KEY	PART NUMBER	U/M DESCRIPTION
1	082874-01-Y12	EA WINDOW ASM-UPPER TIPOUT - 4.5" X 27.9" GLASS - OVHD BUNK ONLY
2	009439-05-000	EA KNOB-CRANK, TIPOUT WINDOW - METAL - BLACK
3	009439-08-000	EA EXTENSION-CRANK KNOB, .9" - METAL - BLACK
4	009439-07-000	EA SCREW-8 32 X 1 1/4 PPH - BLACK
5	036302-01-000	EA OPERATOR-TORQUE, TIPOUT WINDOW
6	081243-02-000	EA CLIP-SCREEN, PLASTIC - BLACK
	081849-01-000	EA RING-SNAP, 7/32 SHAFT DIAMETER
7	084087-01-000	FT SEAL-E SHAPED, SPONGE - TIPOUT WINDOW - 42" X 44" - BLACK FROM: 00-00-00 THRU: 03-03-91
7	084087-02-000	FT SEAL-E SHAPED, SPONGE - TIPOUT WINDOW - 42" X 38"-BLACK FROM: 03-04-91 THRU: 99-99-99
	084463-01-000	EA WASHER-.06" X .5" X .135" - PLASTIC
8	084463-02-000	EA WASHER-.06" X .5" X .25" - PLASTIC
9	084473-01-000	EA SEAL-FLAT, W/CENTER HOLE & ADHESIVE SIDE - .8" X .9" - BLK
	085315-01-000	EA RIVET-SHOULDER, TIPOUT WINDOW
10	088782-01-000	EA T NUT 10-32
11	088783-01-00	EA SCREW-WASH, 10 - 32 X 1/4 PTH
12	088913-01-000	EA HINGE-TIPOUT WINDOW, BLACK
13	082828-01-01A	EA MULLION-WINDOW, DOOR - BLACK
14	082870-01-000	EA GLASS-TIPOUT, 4.5" X 27.9"
15	088854-01-Y12	EA SCREEN-SINGLE TIPOUT, 1 RADIUS CORNER - 6" X 28.2"
	002291-02-000	FT SCREENING-ROOF VENT/WINDOW, 16" - BLACK
	100240-01-000	FT SPLINE-SCREEN, T-SHAPED
16	088294-01-000	EA TUBE ASM-TORQUE
17	087578-02-000	EA LINKAGE ASM-TIPOUT

## WINDOW, VENT & EXTERIOR DOOR GROUP (CONTINUED)

### PASSENGER CAB SLIDING WINDOW



KEY	PART NUMBER	UOM	DESCRIPTION
1	093709-01-Y10	EA	WINDOW ASM-SINGLE SLIDER - W/O INSIDE FT/ME
2	081980-11-000	EA	GLASS-SLIDER 3 2X772.9X427.8
3	042077-01-000	FT	CHANNEL-W/O-GLASS RUN 3/16
4	089840-11-000	FT	SEALER-TAPE, 3/16"X3/8" BLACK
5	060218-02-000	FT	SPLINE-VINYL GLASS .19 BLK
	080778-01-000	EA	SCREW-1/4-14X3/8 HWH BLK
6	002389-03-308	EA	EXTR-PDR BLK, GLS HLDG, 2E. 67
	023320-01-000	EA	PAD-FELT-3/8 DIA
7	041828-02-000	FT	SEAL-W/O-CHANNEL USE 3/16 GL
8	073740-01-000	FT	SEAL-FIN, 400 FILE HEIGHT
	078824-01-000	FT	SEAL-WEATHER, C-FOLD, 800
9	0P4170-09-000	EA	MULLION-SLIDER, WINDOW B/ACK
10	093785-01-Y10	EA	FRAME ASM-W/O, INSIDE, SC, F, EN
	000039-06-16T	EA	SCREW-SF/D 9-6 20X1.00 PPH
	002328-01-000	EA	BLOCK-WINDOW-1/8X3/16X1
11	092884-01-Y10	EA	SCREEN ASSEMBLY
	002291-02-000	FT	SCREENING-ROOF VENT/WINDOW, 16" - BLACK
	002298-02-000	FT	SPLINE-VENT/WINDOW SCREEN, 1/2" DIAMETER - BLACK
	078084-01-000	EA	HOLDER-UPPER SCREEN, EXTRUDED PLASTIC - 9.5" - BLACK
	078385-01-000	EA	HOLDER-LOWER SCREEN, EXTRUDED PLASTIC - 9.5" - BLACK
12	082538-01-Y10	EA	FRAME-WINDOW, INSIDE
13	047389-01-700	EA	LATCH KIT-WINDOW, PLASTIC
14	057688-12-000	EA	GLASS-15X30.23X15.70

### SKYLIGHT

KEY	PART NUMBER	UOM	DESCRIPTION
	077802-01-000	EA	COLLAR-SKYLITE
	080910-01-000	EA	COVER-SK/LITE, OUTER - 15.25"X 22.25" - PLASTIC
	081171-01-000	EA	TRIM-SKYLITE, OUTER - MILL FINISHED

## 1991 ITASCA TABLE OF CONTENTS

INTRODUCTION	A-01 -	A-08
ABBREVIATIONS		A-09
ALPHABETICAL INDEX	A-04 -	A-06
ICN25RC	A-07 -	F-02
ICN34RO	F-03 -	K-08

## 1991 ICN25RC INDEX

FLOOR PLAN	A-07 -	A-08
ACCESSORIES	A-09 -	A-14
BATH	A-15 -	A-17
BEDROOM		A-18
CHASSIS	A-13 -	B-03
C C & PAD	B-04 -	B-13
DINETTE	B-14 -	B-15
DRIVERS	B-16 -	B-22
ELECTRICAL	B-23 -	C-03
EXTERIOR BODY	C-04 -	C-10
GALLEY	C-11 -	C-18
HEATING & AC	C-19 -	C-24
INTERIOR FINISH	D-01 -	D-04
LABELS	D-05 -	D-12
LP		D-13
LOUNGE		D-14
SEALANTS & FASTENERS	D-15 -	D-18
WATER & SEWAGE	D-19 -	D-24
WINDOW, VENT AND EXTERIOR DOOR	E-01 -	F-02

**WINDOW, VENT & EXTERIOR DOOR GROUP (CONTINUED)**

**POWERED ROOF VENT**

KEY	PART NUMBER	U/M DESCRIPTION
	000889-01-Y12	EA VENT-ROOF, POWERED W/O SCREEN
	008825-01-000	EA WEATHER STRIP-ROOF VENT, GRAY
	009186-01-000	EA SWITCH-ROOF VENT, PUSH BUTTON, 12V
	049388-01-000	EA GROMMET-SNAP, 3/8"
	008440-01-000	EA GEAR/ARM-VENT COVER, LIFT
	018811-01-000	EA TRACK-LIFT ARM, SLIDE - ROOF VENT
	048848-01-000	EA MOTOR-ROOF VENT, 1/8 SHAFT - 12V
	048848-01-000	EA FAN-ROOF VENT, 8 BLADES - 6"
	068218-01-000	EA COVER-ROOF VENT
	081803-01-000	EA GROMMET-SNAP, 3/16 ID - 3/8 HOLE - PLASTIC - BLACK
	068838-01-200	EA HINGE-EXTRUSION, ROOF VENT 7"
	068838-01-001	EA HINGE-VENT COVER, 182"
	078786-01-Y12	EA SCREEN-ROOF VENT, POWERED
	002291-02-000	SF SCREENING-ROOF VENT/WINDOW, 18" - BLACK
	002298-02-000	FT SPLINE-VENT/WINDOW SCREEN, .128 DIAMETER - BLACK
	008438-01-000	EA CRANK HANDLE-ROOF VENT
	008438-03-000	EA EXTENSION-CRANK HANDLE, ROOF VENT - 8"
	008438-04-000	EA SCREW-8-32X1 1/4 POH, BLACK

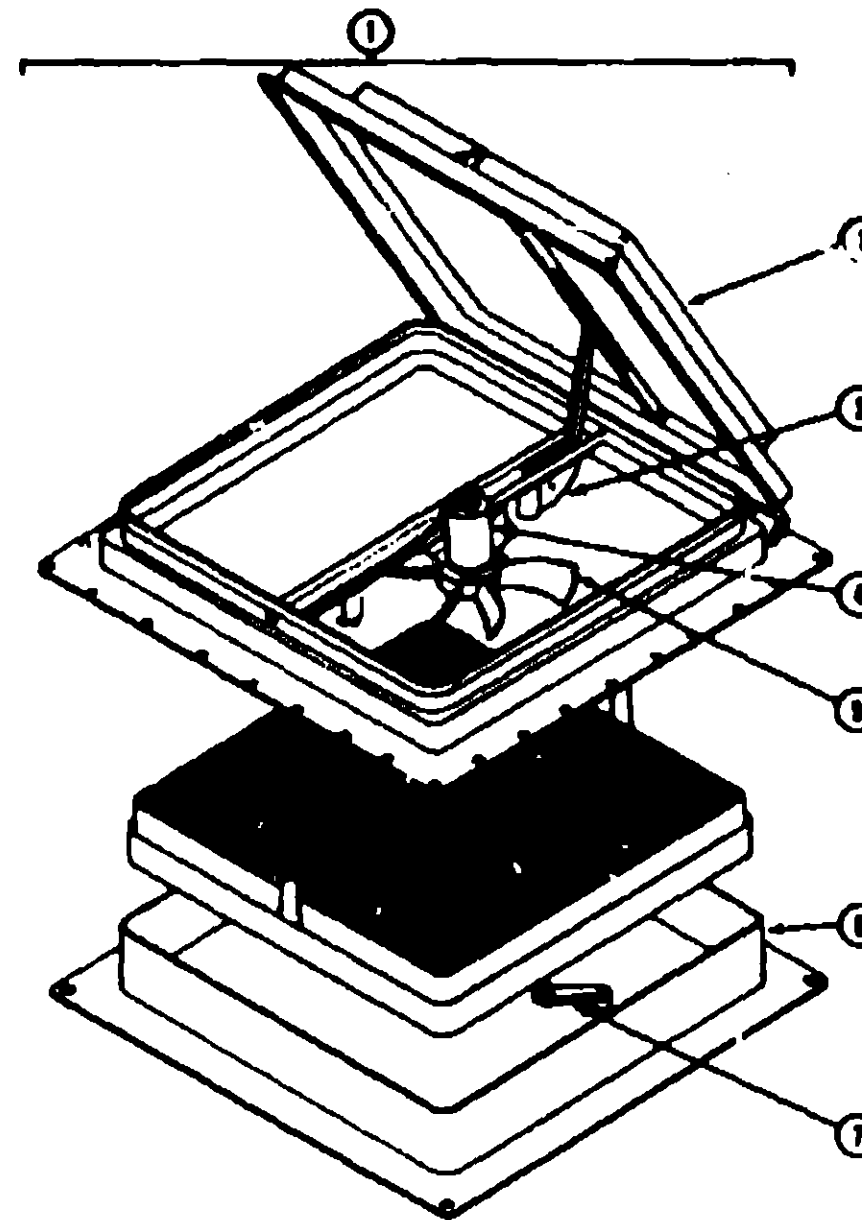
**NON POWERED ROOF VENT**

KEY	PART NUMBER	U/M DESCRIPTION
	000882-01-Y12	EA VENT-ROOF, NON POWERED W/O SCREEN
	008825-01-000	EA WEATHER STRIP-ROOF VENT, GRAY
	008440-01-000	EA GEAR/ARM-VENT COVER, LIFT
	018811-01-000	EA TRACK-LIFT ARM, SLIDE - ROOF VENT
	068218-01-000	EA COVER-ROOF VENT
	068838-01-001	EA HINGE-VENT COVER, 182"
	008438-01-000	EA CRANK HANDLE-ROOF VENT
	008438-03-000	EA EXTENSION-CRANK HANDLE, ROOF VENT - 8"
	078786-01-Y12	EA SCREEN-ROOF VENT, NON POWERED
	002291-02-000	SF SCREENING-ROOF VENT/WINDOW, 18" - BLACK
	002298-02-000	FT SPLINE-VENT/WINDOW SCREEN, .128 DIAMETER - BLACK
	008438-04-000	EA SCREW-8-32X1 1/4 POH, BLACK

**VENTILATOR FAN OPTION L41M**

KEY	PART NUMBER	U/M DESCRIPTION
	084078-08-000	EA VENT-EXHAUST, POWERED - OFF WHITE - FANTASTIC VENT
	084078-01-700	EA VENT COVER - FANTASTIC 1020-18
	084078-01-701	EA SCREEN ASM WHITE - FANTASTIC 1030-80
	008440-01-000	EA ARM LIFT ASM
	084078-01-703	EA CRANK EXTERIOR
	084078-01-704	EA FAN BLADE
	084078-01-705	EA MOTOR
	084078-01-706	EA 12 VOLT PLUG
	084078-01-707	EA SAFETY SWITCH - FANTASTIC 1120-00
	084078-01-708	EA REVERSE SWITCH - FANTASTIC 1130-00
	084078-01-709	EA SWITCH ON & OFF (MAIN POWER) - FANTASTIC - 1100.00
	084078-01-710	EA THERMOSTAT - FANTASTIC 1140.00
	084078-01-711	EA H-MOLDING (MOTOR MOUNT)

**WINDOW, VENT & EXTERIOR DOOR GROUP (CONTINUED)**



**CANADIAN EXPORT**

KEY	PART NUMBER	U/M DESCRIPTION
	1	084408-08-000 EA VENT-ROOF, POWERED - 14" X 14" - 12V - CANADIAN
	2	084489-03-702 EA LID-VENT WHITE
	3	084489-03-708 EA LIFT MECHANISM
	4	048848-01-000 EA MOTOR-ROOF VENT, 1/8 SHAFT - 12V
	5	048848-01-000 EA FAN-ROOF VENT, 8 BLADES - 6"
	6	084489-03-705 EA GARNISH, VENT 2.5 IN. WIDE
	7	008438-01-000 EA CRANK HANDLE-ROOF VENT

**ROOF & SIDEWALL VENTS**

KEY	PART NUMBER	U/M DESCRIPTION
	083558-03-000	EA VENT-PLUMBING PIPE ROOF, W/COVER - OFF WHITE
	084073-03-000	EA COVER-ROOF VENT, NORCOLD REFRIGERATOR - OFF WHITE
	084073-04-000	EA BASE-ROOF VENT, NORCOLD REFRIGERATOR - BLACK
	002898-02-01A	EA VENT-RANGE HOOD, W/DOOR - OFF WHITE

**1991 ITASCA  
TABLE OF CONTENTS**

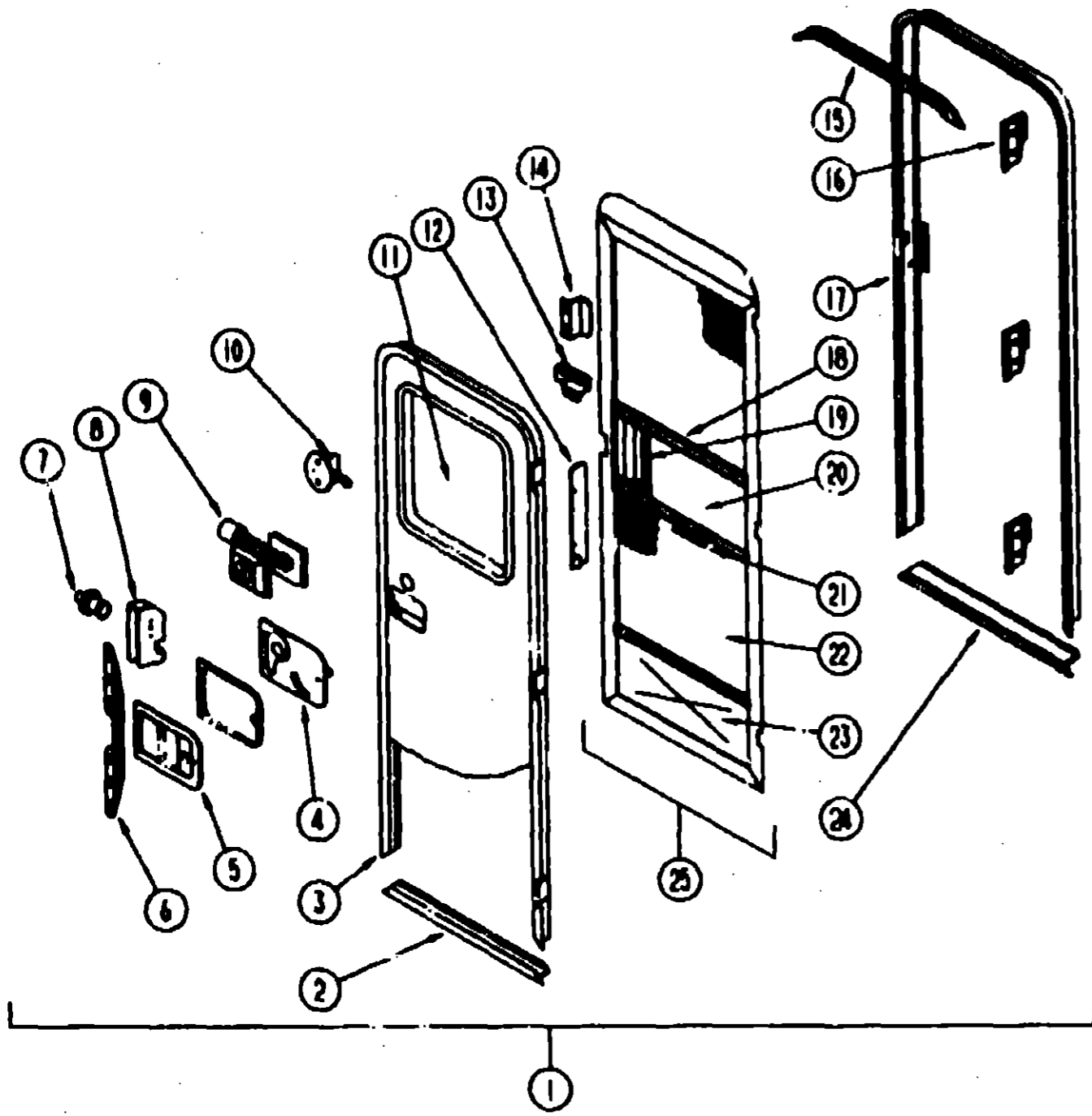
INTRODUCTION	A-01	A-02
ABBREVIATIONS		A-03
ALPHABETICAL INDEX	A-04	A-08
ICN25RC	A-07	F-02
ICN34RO	F-03	K-08

**1991 ICN25RC INDEX**

FLOOR PLAN	A-07	A-08
ACCESSORIES	A-09	A-14
BATH	A-15	A-17
BEDROOM		A-18
CHASSIS	A-19	B-03
C C & PAD	B-04	B-13
DINETTE	B-14	B-15
DRIVERS	B-18	B-22
ELECTRICAL	B-23	C-03
EXTERIOR BODY	C-04	C-10
GALLEY	C-11	C-18
HEATING & A/C	C-19	C-24
INTERIOR FINISH	D-01	D-04
LABELS	D-05	D-12
LP		D-13
LOUNGE		D-14
SEALANTS & FASTENERS	D-15	D-18
WATER & SEWAGE	D-19	D-24
WINDOW, VENT AND EXTERIOR DOOR	E-01	F-02

WINDOW, VENT & EXTERIOR DOOR GROUP (CONTINUED)

ENTRANCE DOOR



KEY	PART NUMBER	U/M DESCRIPTION
1	MD1870-50-829	EA DOOR-ENTRY, W/JAMB AND SCREEN DOOR
	041546-03-000	EA BRACKET-DOOR ANGLE, 5" X 1.8" - OFF WHITE - METAL
	089998-01-02A	EA GARNISH-RADIUS, ENTRY DOOR - 1.3" WIDE CHANNEL - OFF WHITE
		FROM: 00-00-00 THRU: 09-23-90
	089998-02-02A	EA GARNISH-RADIUS, ENTRY DOOR - 1.3" WIDE CHANNEL - OFF WHITE
		FROM: 09-24-90 THRU: 99-99-99
	083573-01-01A	EA TRIM-ENTRANCE DOOR, 1.3" WIDE - OFF WHITE
	002743-01-000	EA CORNER KEY-DOOR
2	089748-01-000	EA FRAME-BOTTOM ENTRY DOOR, OFF WHITE
3	085278-01-01A	EA FRAME-ENTRY DOOR, W/O BOTTOM - OFF WHITE
4	089979-03-000	EA COVER-INTERIOR LATCH, W/TRIP ARM - BLACK
		FROM: 00-00-00 THRU: 08-07-90
4	030878-04-000	EA COVER-INTERIOR LATCH, W/TRIP ARM - RIGHT - BLACK
		FROM: 02-08-90 THRU: 99-99-99

KEY	PART NUMBER	U/M DESCRIPTION
5	048017-11-03D	EA LATCH-PADDLE, MECHANISM W/LOCK CYLINDER & KEY - BLACK
	048017-11-700	EA MASTER KEY, F SERIES
	048017-11-701	EA KEY BLANK, F1 SERIES
6	088173-01-04A	EA STIFFENER-ENTRY DOOR, SUPPORTS LATCH/STRIKE AREA - ALL
7	039639-01-000	EA STRIKE-ENTRANCE DOOR LOCK
	077481-03-000	EA COVER-STRIKE, ENTRY DOOR - 8.5" X 2.88" - PLASTIC - OFF WHITE
8	039540-01-000	EA LATCH MECHANISM-HOOK, ENTRY DOOR - INTERIOR
	039540-01-701	EA KEY-MASTER-ATWOOD-DOOR-LOCK
	039715-01-000	EA NUT-BERT, 1/4" DIAMETER - 20 THREADS
	038884-01-000	EA CAP-ROUND DEADBOLT, VINYL - .88" ID X .62" LONG - BLACK
	040844-01-000	EA LABEL-ENTRANCE DOOR, "OPEN"
	089908-01-000	EA PLUG-TAPERED, FOR DEADBOLT - PLASTIC - .88" DIAMETER - RED
	039738-01-000	EA DEADBOLT-ROUND, J-SHAPED - INTERIOR USE ONLY
9	101145-01-01A	EA DEADBOLT-ENTRY DOOR, BLACK
	101145-01-700	EA KEY ONLY-BLANK
	081087-01-000	EA SEAL-LOCK, FLAT W/BLIT
	101147-01-000	EA BOLT-SECURITY, 4.12" BACKSET
	039800-02-000	FT TUBING-POLYBUTYLENE, 3/8" OD
	081814-01-000	EA BUMPER-RUBBER, ROUND - BLACK
10	100412-01-000	EA CATCH-SCREEN DOOR
11	078733-04-T09	EA WINDOW-PICTURE, W/O INSIDE FRAME - 17" X 28"
	087309-27-000	EA FRAME-WINDOW, INSIDE PICTURE - BLACK
	002181-08-000	EA GLASS-PICTURE WINDOW, .115" X 18.25" X 3/4"
	087581-01-000	FT SPLINE-GLASS, EXTERIOR - VINYL - BLACK
12	078087-02-000	EA STRIKE-SLIDER, W/ZIP FOR ELBOW CATCH - 1.5" X 8.8" OFF WHITE
13	008018-01-000	EA CATCH-SCREEN DOOR ROLLER
	008018-01-000	EA CATCH-ELBOW, SPRING LOADED - SCREEN DOOR CATCH
	068025-02-000	EA CLIP-ROLLER LATCH CATCH
	063729-04-000	EA RIVNUT, 10-32 UNF - .010-.080
	072893-01-000	EA NUTBERT-M6 X 0, 8
	078871-01-000	FT SEAL-SPONGE, LAZY T SHAPE - WEATHERSTRIP ON ENTRY DOOR
	078873-01-000	FT SEAL-PILE, ADHESIVE BACK - GRAY
	078908-01-000	EA SCREW-MACH-10-32X.88PTH(BEM8)
14	080712-03-000	EA HANDLE-SCREEN DOOR, UNPAINTED
15	044582-02-000	EA CAP-DRIP, ENTRY DOOR, ALUM. NUM, OFF WHITE
16	087724-01-04A	EA HINGE-ENTRY DOOR, UNPAINTED
	078725-01-000	EA COVER-ACCESS, HINGE, DR LT OAK
	085277-02-01A	EA JAMB-ENTRY DOOR, W/BOTTOM & ROLLER CATCH STRIKER - OFF WHITE
17	085278-01-01A	EA JAMB-DOOR, ENTRANCE - UNPAINTED (COMES W/085277-02-02A)
	078207-01-000	EA STRIKER-ROLLER CATCH, WELDED TO DOOR JAMB - 4" X 1.15"
18	078777-01-000	EA CHANNEL-SLIDE, SCREEN DOOR CENTER SLIDER COVER
19	078088-01-000	EA SLIDER-SCREEN DOOR, OFF WHITE
	078595-01-000	EA TOP PLATE-SCREEN DOOR, CURVED TOP - 4.7" X 25.36"
20	018454-01-000	EA INSERT-SCREEN DOOR, CENTER - LEATHER GRAIN ALUMINUM - BEIG
21	002294-01-000	FT SPLINE-SCREENING, .135" X .138" - BLACK
22	002253-02-000	BF SCREENING-WINDOWDOOR, 28" - CHARCOAL
23	078552-03-000	EA KICK PANEL-SCREEN DOOR, LOWER INSERT - UNPAINTED
24	051748-01-000	EA JAMB BOTTOM-ENTRY DOOR, OFF WHITE (COMES W/085277-02-02A)
25	078012-01-T03	EA DOOR-SCREEN
	100128-01-000	FT SEAL-SCREEN DOOR
	085774-01-000	FT FASTENER - DUEL LOCK, 1" WIDE
	085774-02-000	FT FASTENER - DUEL LOCK, 1" WIDE
	080340-01-000	FT SEAL-FOAM, CLOSED CELL - 1/4" X 1/2" X 80'
	073080-03-000	FT SEAL-DOOR, HOLLOW W/2 STRAIGHT SIDES & 1 CURVED - .5" WIDE
	081888-03-000	FT TAPE-ADHESIVE, .04" X 1" WIDE
	081888-01-000	FT TAPE-ADHESIVE, .04" X 5" WIDE - UNROYAL M8247
	083146-01-000	EA SLEEVE-WIRE, 10" LONG - PLASTIC - BLACK - GM #15580724
	083146-01-000	EA GROMMET-WIRE, 1.7" X 3.1" - OVAL SHAPED - PLASTIC - BLK
	100312-01-000	EA SWITCH-DOOR JAMB, ELECTRIC ENTRY STE?

1991 ITASCA  
TABLE OF CONTENTS

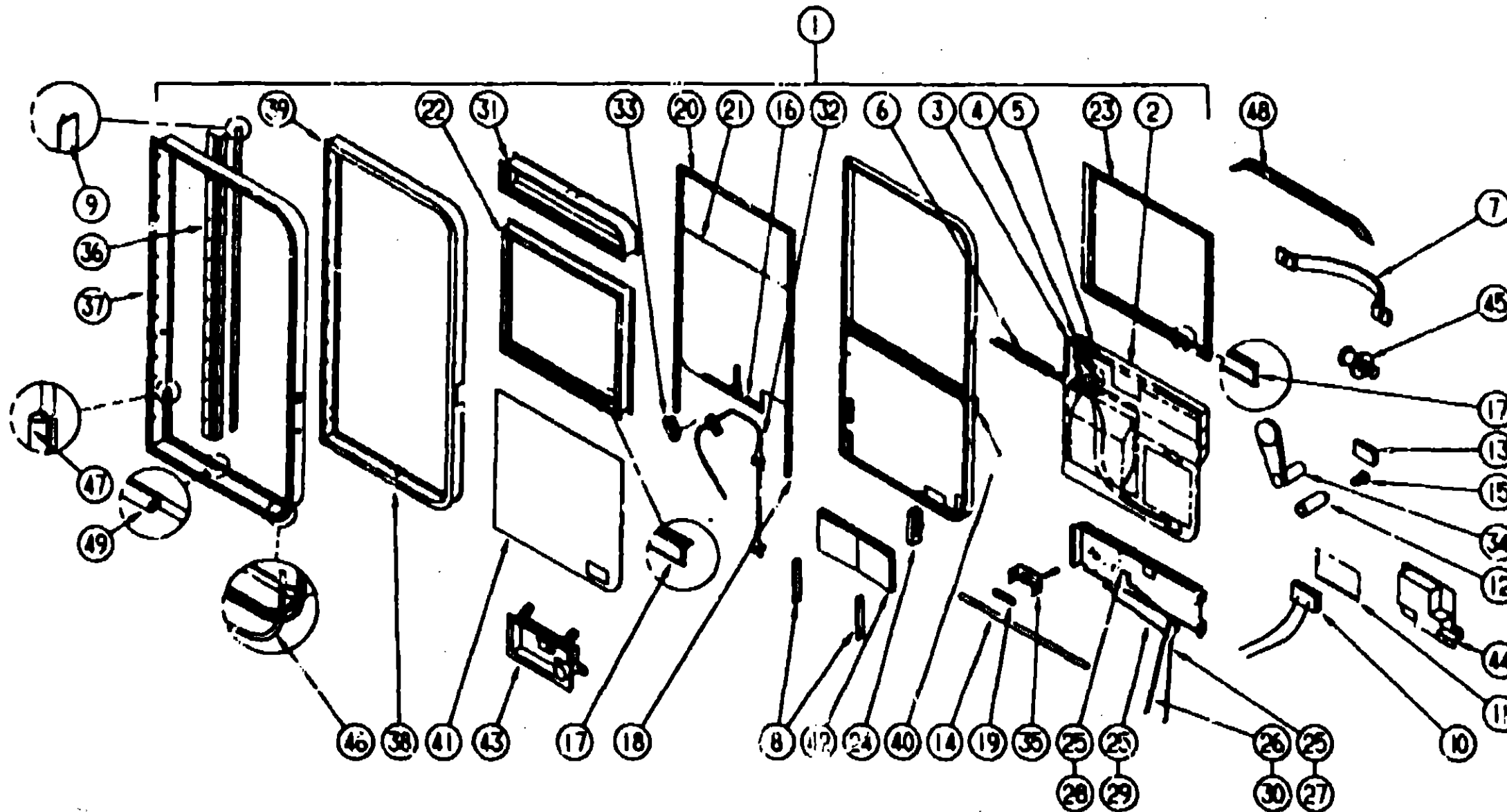
INTRODUCTION	A-01	A-02
ABBREVIATIONS		A-03
ALPHABETICAL INDEX	A-04	A-05
ICN25RC	A-07	F-02
ICN34RC	F-03	K-08

1991 ICN25RC INDEX

FLOOR PLAN	A-07	A-08
ACCESSORIES	A-09	A-14
BATH	A-15	A-17
BEDROOM		A-18
CHAIR	A-19	B-03
C & F AD	B-04	B-13
DINETTE	B-14	B-15
DRIVERS	B-16	B-22
ELECTRICAL	B-23	C-03
EXTERIOR BODY	C-04	C-10
GALLEY	C-11	C-18
HEATING & AC	C-19	C-24
INTERIOR FINISH	D-01	D-04
LABELS	D-05	D-12
LP		D-13
LOUNGE		D-14
SEALANTS & FASTENERS	D-15	D-18
WATER & SEWAGE	D-19	D-24
WINDOW, VENT AND EXTERIOR DOOR	E-01	F-02

# WINDOW, VENT & EXTERIOR DOOR GROUP (CONTINUED)

## DRIVER DOOR & COMPONENTS



### 1991 ITASCA TABLE OF CONTENTS

INTRODUCTION	A-01	A-02
ABBREVIATIONS		A-03
ALPHABETICAL INDEX	A-04	A-03
ICN25RC	A-07	F-02
ICN347Q	F-03	K-08

### 1991 ICN25RC INDEX

FLOOR PLAN	A-07	A-08
ACCESSORIES	A-08	A-14
BATH	A-15	A-17
BEDROOM		A-18
CHASSIS	A-19	B-03
C C & PAD	B-04	B-13
DINETTE	B-14	B-17
DRIVERS	B-16	B-22
ELECTRICAL	B-23	C-03
EXTERIOR BODY	C-04	C-10
GALLEY	C-11	C-18
HEATING & A/C	C-19	C-24
INTERIOR FINISH	D-01	D-04
LABELS	D-05	D-12
LP		D-13
LOUNGE		D-14
SEALANTS & FASTENERS	D-15	D-18
WATER & SEWAGE	D-19	D-24
WINDOW, VENT AND EXTERIOR DOOR	E-01	F-02

KEY	PART NUMBER	U/M	DESCRIPTION
1	M87816-01-AE8	EA	DOOR-DRIVER, W/TIPOUT - NON POWERED - USE WITH OVHD BUNK ONLY
1	M87816-02-AE8	EA	DOOR-DRIVER, W/O TIPOUT - NON POWERED
1	M87816-03-AE8	EA	DOOR-DRIVER, W/TIPOUT - POWERED - USE WITH OVHD BUNK ONLY
1	M87816-04-AE8	EA	DOOR-DRIVER, W/O TIPOUT - POWERED
2	M87748-01-02A	EA	PANEL-DOOR, INTERIOR - PLASTIC - GRAY
	087308-01-02A	EA	COVER-MAP POCKET, GRAY
3	087688-01-010	EA	SWITCH-HEATER, EXTERIOR MIRROR
4	088248-01-00L	EA	SWITCH-REMOTE, EXT. MIRROR - SQUARE PUSH - VELVAC 7471260
5	083132-01-000	EA	SWITCH-ROCKER, 5 TERMINAL W/ARROW GRAPHICS - TORFIX 1737
	082846-01-000	EA	W/TIE ASSEMBLY-DRIVER DOOR CONTROL PANEL
6	083144-01-000	EA	CONDUIT-WIRE, GMR 15682048
7	081400-04-000	EA	STRAP-ASSIST, 12" - BLACK W/WOODGRAIN SCREW COVERS
	083723-01-000	EA	RYMNUT, 1/4 X 20 UNC - 030-125
8	084218-01-000	EA	RETAINER-CHECK STRAP, DRIVER DOOR
9	078871-01-000	FT	SEAL-SPONGE, LAZY T SHAPE - WEATHERSTRIP - ENTRY DOOR
10	077000-01-000	EA	SOCKET ASM-W/8" FIBER LEADS
11	077088-C1-000	EA	LENS-COURTESY LIGHT, CLEAR
	080734-02-000	EA	CLIP-WIRE, NYLON
12	081808-02-000	EA	SHAFT-MOUNTING, KNUB
13	081808-02-000	EA	KNOB-SLIDE BOLT, BLACK
14	081808-02-000	EA	BOLT-SUDE
15	081708-01-000	EA	SCREW-MACHINE, 6-32 X .62 W/NYLOCK
16	081811-01-000	FT	TAPE-GLASS SETTING, 1/16" X 1.5"
17	081812-02-000	EA	WEATHERSTRIP-RIGID
18	082240-03-000	EA	CHANNEL-GLASS RUN, BLACK
19	082284-01-000	EA	SPRING-COMPRESSION, .44" LONG X .38" OD

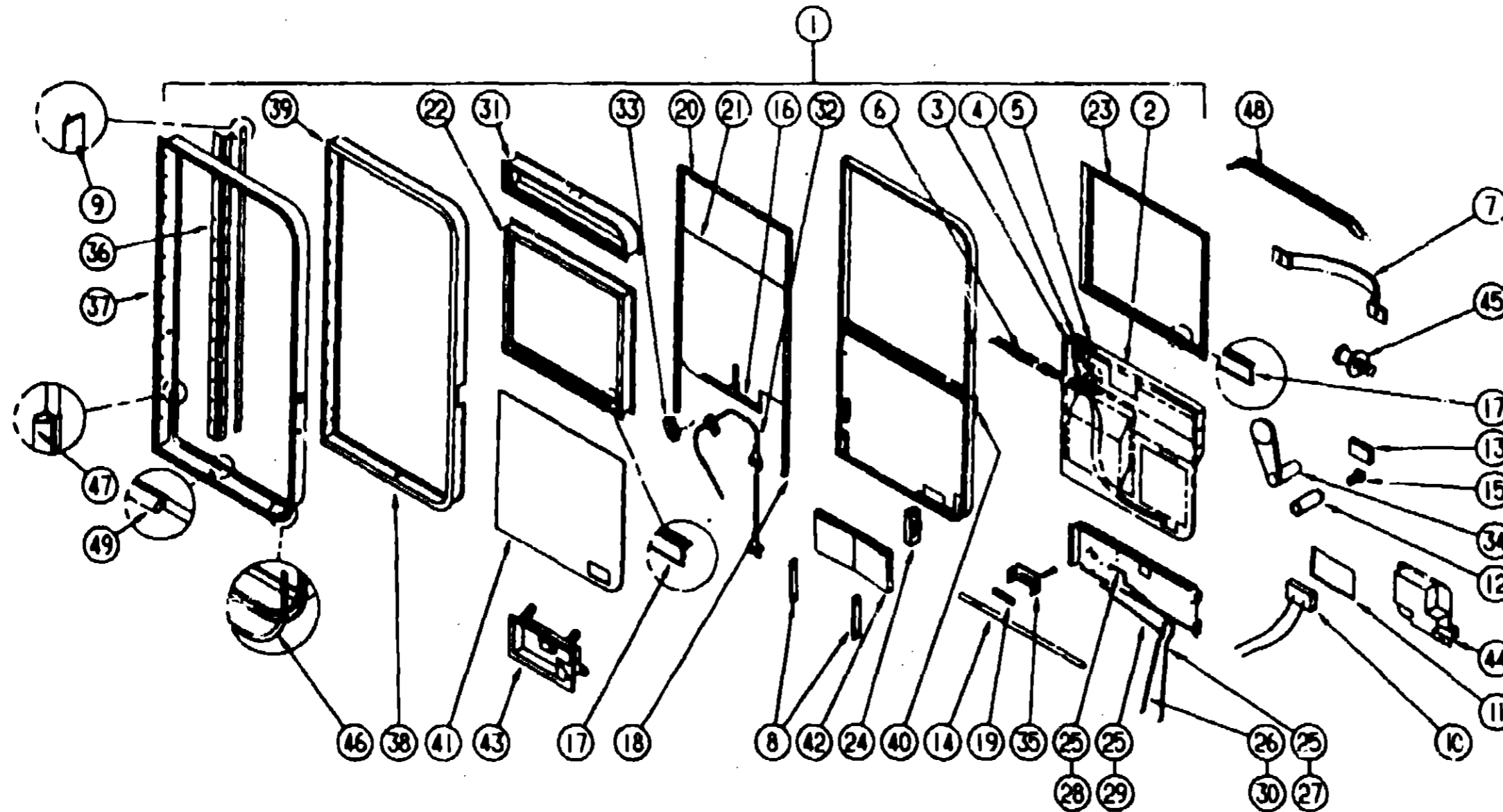
KEY	PART NUMBER	U/M	DESCRIPTION
20	088454-02-000	EA	CHANNEL-GLASS RUN, TOP - BLACK
	090340-01-000	FT	SEAL-FOAM, CLOSED CELL - 1/4" X 1/2" X 50'
21	082448-02-000	EA	GLASS-DOOR, ROLL UP - 27.5" X 28.3"
22	082752-01-Y10	EA	FRAME-WINDOW, INNER - 23.6" X 28"
23	082753-01-Y10	EA	FR/ME-WINDOW, OUTER
24	082927-04-000	EA	LATCH-DRIVER DOOR, MECHANISM
25	082927-05-000	EA	CLIP-ROD END - RIGHT
26	082927-08-000	EA	CLIP-ROD END - LEFT
27	082928-01-000	EA	ROD-LOCK, OUTSIDE
28	082928-03-000	EA	ROD-RELEASE, INSIDE
29	082928-04-000	EA	ROD-LOCK, INSIDE
30	082928-05-000	EA	ROD-RELEASE, OUTSIDE - 19.9" LONG
31	083043-01-Y12	EA	WINDOW ASM.-UPPER STATIONARY - 4.6" X 28" GLASS
31	082974-01-Y12	EA	WINDOW ASM.-UPPER TIPOUT - 4.5" X 27.9" GLASS - OVHD BUNK ONLY
* WINDOW COMPONENT PARTS ARE ILLUSTRATED ON A PREVIOUS PAGE.			
32	083634-01-000	EA	REGULATOR-WINDOW, DRIVER - NON POWERED
32	082998-01-000	EA	REGULATOR-POWER WINDOW
32	103392-02-000	EA	REGULATOR-POWER WINDOW
FROM: 00-00-00 THRU: 03-03-91			
FROM: 03-04-91 THRU 89-99-99			
33	082998-01-710	EA	MOTOR-POWER WINDOW, DRIVER DOOR
34	084675-01-000	EA	CRANK-HAND, GLASS LIFT
35	083808-01-000	EA	BRACKET-DEADBOLT
36	087207-01-03A	EA	HINGE-CONTINUOUS, OFF WHITE
37	087278-01-AE8	EA	JAMB-DOOR

CONTINUED ON FOLLOWING PAGE.



# WINDOW, VENT & EXTERIOR DOOR GROUP ( CONTINUED)

## DRIVERS DOOR & COMPONENTS (CONTINUED)



### 1991 ITASCA TABLE OF CONTENTS

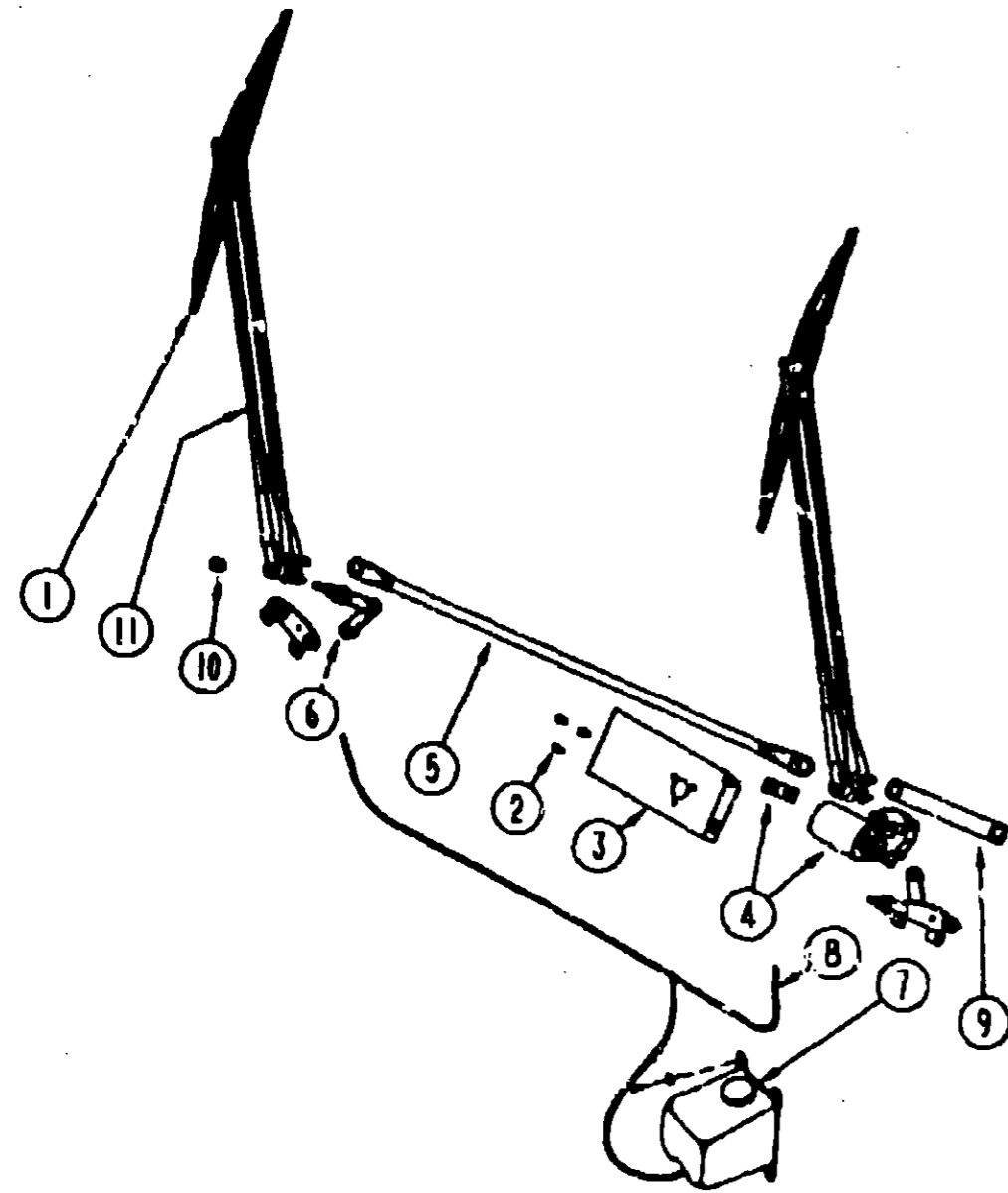
INTRODUCTION	A-01 -	A-02
ABBREVIATIONS		A-03
ALPHABETICAL INDEX	A-04 -	A-06
ICN25RC	A-07 -	F-02
ICN349Q	F-03 -	K-08

### 1991 ICN25RC INDEX

FLOOR PLAN	A-07 -	A-08
ACCESSORIES	A-09 -	A-14
BATH	A-15 -	A-17
BEDROOM		A-18
CHASSIS	A-19 -	B-33
C C & PAD	B-04 -	B-13
DINETTE	B-14 -	B-15
DRIVERS	B-16 -	B-22
ELECTRICAL	B-23 -	C-03
EXTERIOR BODY	C-04 -	C-10
GALLEY	C-11 -	C-18
HEATING & A/C	C-19 -	C-24
INTERIOR FINISH	D-01 -	D-04
LABELS	D-05 -	D-12
LP		D-13
LOUNGE		D-14
SEALANTS & FASTENERS	D-15 -	D-18
WATER & SEWAGE	D-19 -	D-24
WINDOW, VENT AND EXTERIOR DOOR	E-01 -	F-02

KEY	PART NUMBER	UOM	DESCRIPTION
38	087278-01-02A	EA	FRAME-DOOR, REAR OUTER - OFF WHITE
39	087280-01-02A	EA	FRAME-DOOR, FRONT OUTER - OFF WHITE
	066278-01-001	FT	TUBING-STEEL, .75" X 1.5" X 208"
40	087387-01-000	EA	BRACKET-SUPPORT, DOOR LOCK
41	077517-52-000	EA	FLUORGLASS-SHEET, 29.7" X 27.6" - OFF WHITE - FLAT
42	088030-01-000	EA	STRAP-CHECK, DRIVER DOOR - BLACK
43	102235-01-01A	EA	LATCH-OUTSIDE, DRIVER DOOR - BLACK
44	102237-01-01A	EA	LATCH-INSIDE, DRIVER DOOR - BLACK
46	082927-03-000	EA	STRIKER-ROUND, JAMB MOUNTED - TRIM/MAST 10335-18
	083889-01-000	EA	PLATE-STRIKER BOLT
48	087315-01-01A	FT	TRIM-INSERT, DRIVER DOOR - .43" WIDE - VINYL - OFF WHITE
47	081632-01-000	FT	SEAL-BULB, W/WIRE CARRIER - DOOR - .8" WIDE - RUBBER
48	084184-05-000	EA	CAP-DRIP, DRIVER DOOR - OFF WHITE
49	084075-07-000	FT	SEAL-BULB, W/WRED U CHANNEL - .3" X .5" CHANNEL - BLACK
	103413-01-01A	EA	GARNISH-DRIVERS DOOR, OFF WHITE
	091255-02-000	FT	SEAL-ADHESIVE DACKED FOAM, .18" THICK X 1.5" WIDE
	100028-01-000	FT	TAPE-ADHESIVE, .031" X .75" WIDE
	091988-03-000	FT	TAPE-ADHESIVE, .04" X 1" WIDE
	082893-02-01A	EA	LINER-STEP BOX, ENTRANCE DOOR - 5" - BLACK

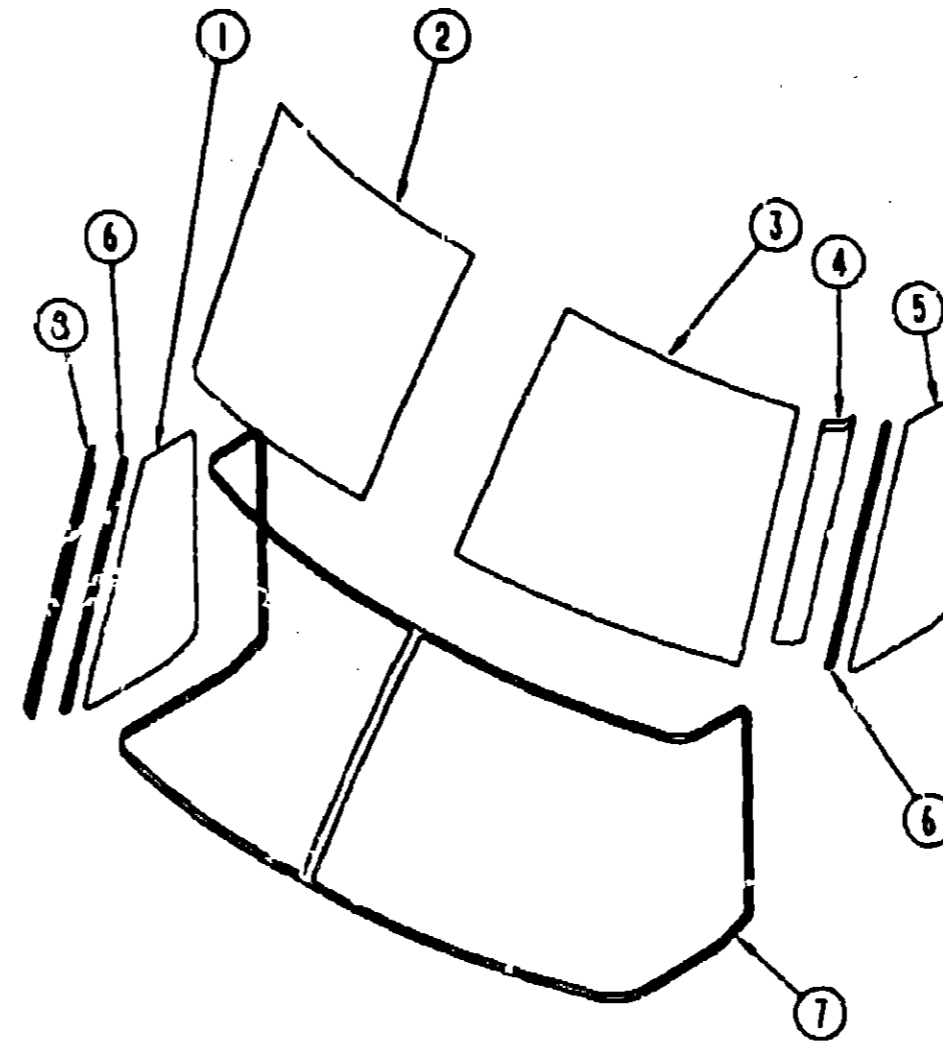
WINDOW, VENT & EXTERIOR DOOR GROUP ( CONTINUED)



WIPER COMPONENTS

KEY	PART NUMBER	U/M DESCRIPTION
1	095364-01-000 095984-01-700	EA GLADE ASM.-WIPER, 24" EA BLADE-REFILL, WIPER - PAIR - 24"
2	096526-01-000	EA SCREW-HEX, 1/4 - 28 UNF
3	092334-01-000	EA BRACKET-WIPER, MOTOR
4	114355-02-000 087188-01-000	EA MOTOR ASM., W/DRIVE ARM EA STUD-CRANK, WIPER
5	067192-01-000	EA LINK-CONNECTING, W/BLACK BUSHING - 37.85"
6	098505-01-000	EA PIVOT SHAFT
7	058000-02-000 058000-01-700	EA WASHER-WINDSHIELD, BOTTLE & PUMP FT VACUUM HOSE 7/64 - 5/32
8	045794-01-000	FT HOSE-WASHER, WINDSHIELD - 5/32" ID - BLACK
9	067183-02-000	EA LINK-CONNECTING, W/BLACK BUSHING - 9.2"
10	077049-01-000	EA NUT-ACORN, 10-32 ALUMINUM
11	095963-01-000 096931-01-700 096931-01-701 096931-01-702 096931-01-703 096931-01-704 096931-01-705 096931-01-706 077048-01-000	EA ARM-WIPER, PANTOGRAPH - 28" EA HOSE F/WIPER BLADES EA NOZZLE HOWRE, KIT EA NUT EA SHORT SCREW EA LONG SCREW EA PLASTIC CAP EA SPRAY NOZZLE EA SHAFT-ADAPTER, WINDSHIELD PANTOGRAPH ARM

WINDOW, VENT & EXTERIOR DOOR GROUP ( CONTINUED)



WINDSHIELDS, TRIMS & MOLDINGS

KEY	PART NUMBER	U/M DESCRIPTION
1	091953-03-000	EA GLASS-CORNER VENT, PASSENGER
2	091215-01-000	EA GLASS-WINDSHIELD, PASSENGER
3	091215-02-000	EA GLASS-WINDSHIELD, DRIVER
4	091901-02-000	EA TRIM-A/PILLAR, DR - BETWEEN WINDSHIELD & VENT GLASS - BLK
5	091953-04-000	EA GLASS-CORNER VENT, DRIVER
6	098788-01-000	EA CHANNEL-RIGID, WINDSHIELD - .38" - PVC
7	091986-01-000	EA MOLDING-REVEAL, WINDSHIELD - SURROUNDS BOTH WINDSHIELDS
8	091901-01-000 002328-02-000 091902-01-000 091969-02-000	EA TRIM-A/PILLAR, PASS - BETWEEN WINDSHIELD & VENT GLASS - BLK EA BLOCK-WINDSHIELD, .062" X .5" X .98" EA FRAME-WINDSHIELD, LOWER - INNER - PASSENGER EA FRAME-WINDSHIELD, LOWER - INNER - DRIVER
	040921-04-000	EA NUT-SPEED, U TYPE - NO. 8 - .59" LENGTH X .44" WIDTH
	040921-05-000	EA NUT-SPEED, U TYPE - NO. 8 - .57" LENGTH X .44" WIDTH
	040921-06-000	EA NUT-SPEED, U TYPE - NO. 8 - .57" LENGTH X .63" WIDTH

1991 ITASCA  
TABLE OF CONTENTS

INTRODUCTION	A-01 - A-02
ABBREVIATIONS	A-03
ALPHABETICAL INDEX	A-04 - A-06
ICN25RC	A-07 - F-02
ICN34RC	F-03 - K-08

1991 ICN25RC INDEX

FLOOR PLAN	A-07 - A-08
ACCESSORIES	A-09 - A-14
BATH	A-15 - A-17
BEDROOM	A-18
CHASSIS	A-19 - 9-03
C C & PAD	B-04 - B-13
DINETTE	B-14 - B-15
DRIVERS	B-16 - B-22
ELECTRICAL	B-23 - C-03
EXTERIOR BODY	C-04 - C-10
GALLEY	C-11 - C-18
HEATING & A/C	C-19 - C-24
INTERIOR FINISH	D-01 - D-04
LABELS	D-05 - D-12
LP	D-13
LOUNGE	D-14
SEALANTS & FASTENERS	D-15 - D-18
WATER & SEWAGE	D-19 - D-24
WINDOW, VENT AND EXTERIOR DOOR	E-01 - F-02