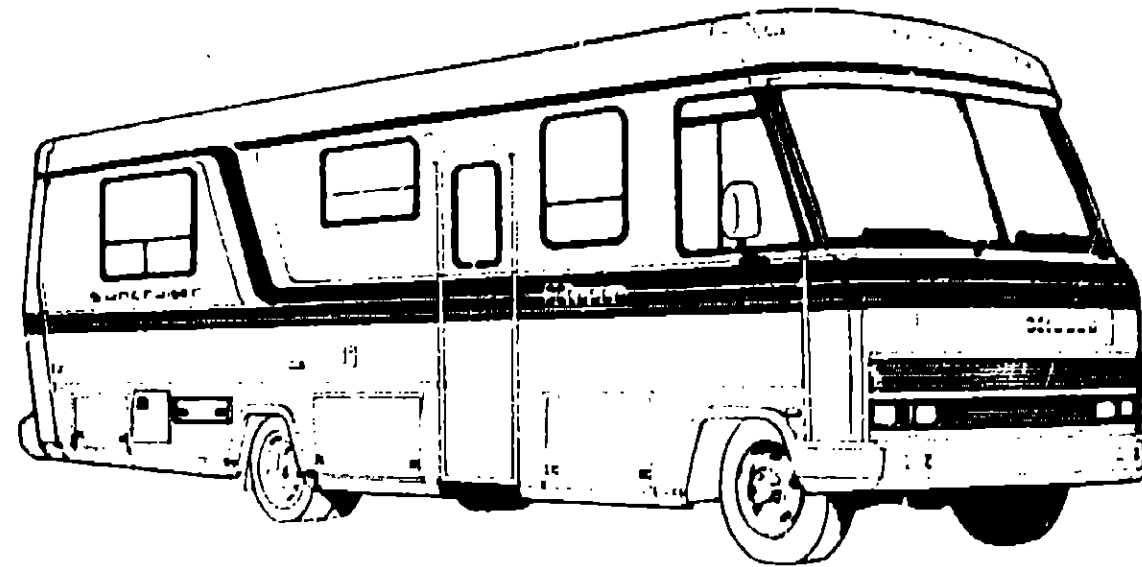
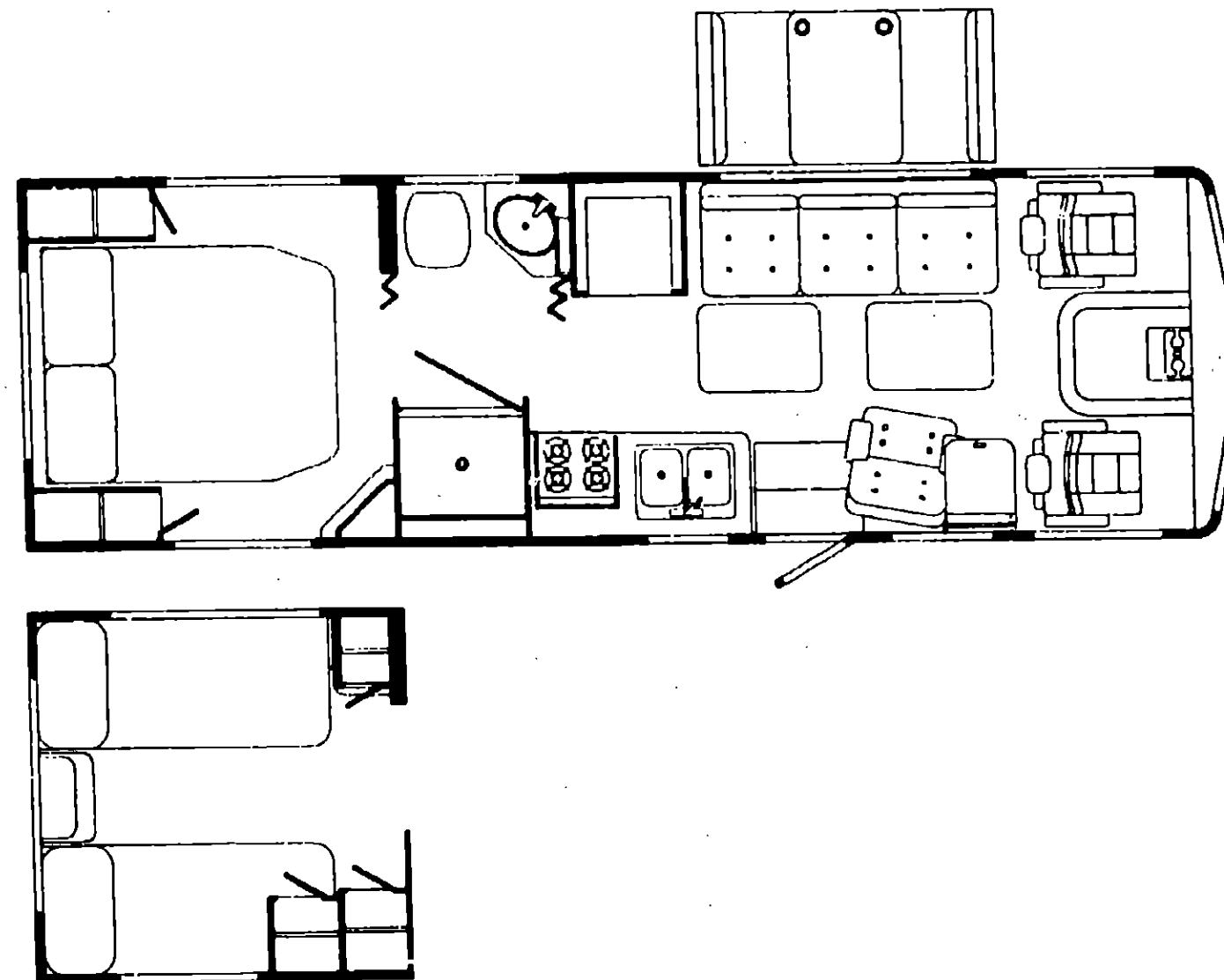


**1991 I7ASCA  
TABLE OF CONTENTS**

INTRODUCTION	A-01 - A-02
ABBREVIATIONS	A-03
ALPHABETICAL/GROUP REFERENCE	A-04 - A-06
ICM28RQ	A-07 - E-15
IKM40DA	E-17 - I-18



**1991  
ICM28RQ**



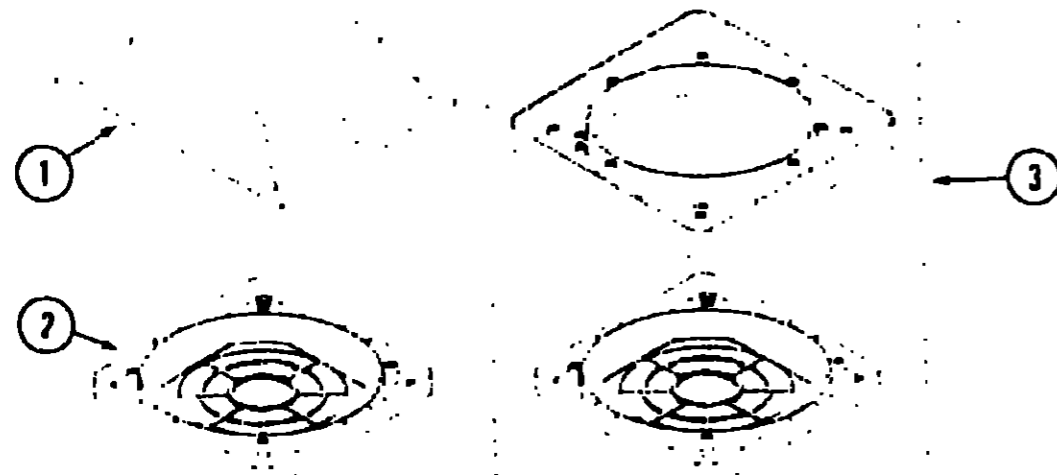
**1991 ICM28RQ INDEX.**

Floor Plan	A-07 - A-08
Accessories Group	A-09 - A-11
Bath Group	A-12 - A-13
Bedroom Group	A-14 - A-18
Chassis Group	A-19 - B-06
Curtain, Cushion & Pad Group	B-07 - B-17
Dinette Group	B-18 - B-20
Driver's Compartment Group	B-21 - B-04
Electrical Group	C-05 - C-08
Exterior Body Group	C-09 - C-16
Galley Group	C-17 - C-21
Heating & Air Conditioning Group	C-22 - C-23
Interior Finish Group	C-24 - D-01
Labels Group	D-02 - D-10
LP Group	D-11
Lounge Group	D-12 - D-14
Sealants & Fasteners Group	D-15 - D-16
Water & Sewage Group	D-17 - D-19
Window, Vent & Exterior Door Group	D-20 - E-15

## ACCESSORIES GROUP

### POWER SPOTLIGHT

Key	Part Number	U/M	Description
	051057-02-000	EA	Searchlight - Power Driven - w/o Switch
	051057-04-000	EA	Switch Asm - Searchlight
	051057-04-700	EA	Mounting Plate
	051057-04-701	EA	Switch - Non-Rocker
	051057-04-702	EA	Switch - Rocker - Power SPDT
	051057-04-703	EA	Lens - I/LED light - w/Clip
	051057-01-704	EA	Micro Switch
	051057-01-705	EA	Bulb - Searchlight
	051057-01-706	EA	Base - Motor & Gear Asm.
	008326-01-000	EA	Terminal - Ring - 16/14 - 3/8 Stud
	035416-04-000	EA	Terminal - Ring - #10 Stud Fit
	044466-03-000	EA	Circuit Breaker - w/Mounting Bracket
	093654-02-000	EA	Circuit Breaker - 15 Amp.
	077368-03-000	EA	Instrument Panel Cover - Lower Left



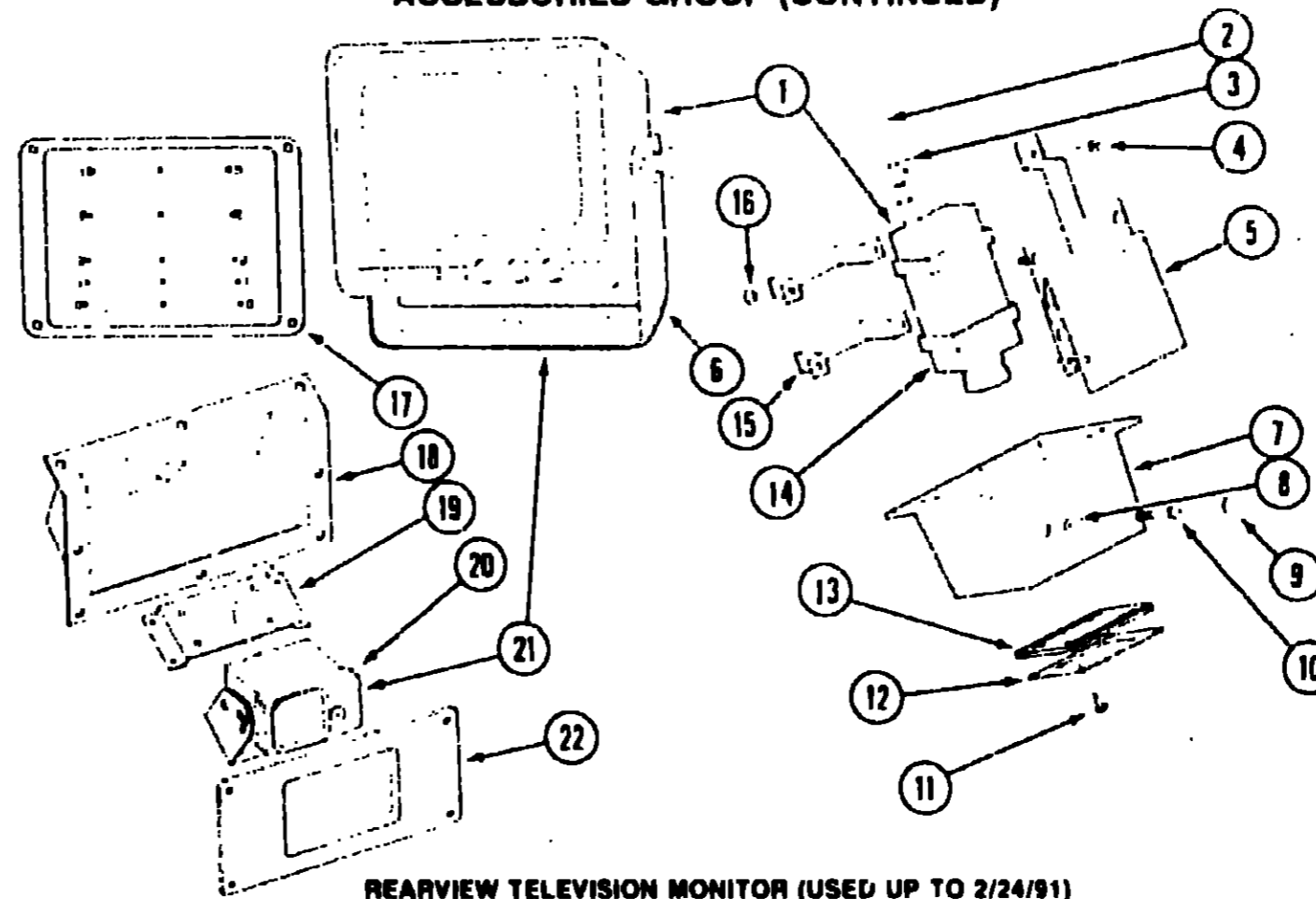
### FRONT RADIO

Key	Part Number	U/M	Description
	097459-01-000	EA	Radio - AM/FM - Cassette - Digital Clock - Seek/Scan - Audiovox 1M-DXA
	097460-02-000	EA	Radio - AM/FM - Cassette - Digital Clock - Seek - Sony XR-4147
	097621-01-000	EA	Mounting Kit - Audiovox Radio
	097622-01-000	EA	Radio Output Adaptor Harness - Audiovox Radio
	097620-03-000	EA	Mounting Kit - Sony Radio
	097620-04-000	EA	Mounting Bracket - Sony Radio
	031105-02-000	EA	Antenna - Side Mount - 12" w/Ground
	031105-01-700	EA	Upper Antenna Holder
	073741-03-000	EA	Speaker - Dash - 4" x 6" Oval - Audiovox 110-2074
	073741-04-000	EA	Speaker Grille - Dash - 4" x 6" Oval - Audiovox 136-1157
	094097-01-000	EA	Speaker - Cabinetry - 5.25" Dia. - w/o Grille - Audiovox 110C3030
1	074979-01-000	EA	Speaker Cover - Light Oak
2	089340-01-000	EA	Speaker Grille - 6.5" Square
3	089340-02-000	EA	Speaker Grille & Adapter - 6.5" Square

### MISCELLANEOUS ACCESSORIES

Key	Part Number	U/M	Description
	054185-74-000	EA	Operator's Manual
	092318-01-000	EA	3 Ring Binder - Motor Home Manual
	092319-01-000	EA	Pocket Page - 3 Ring Binder
	090084-08-000	EA	Cassette - Suncruiser
	099048-01-000	EA	Inverter - 100 Watt
	094499-01-000	EA	Fire Extinguisher - 1A10BC (USA)
	094499-02-000	EA	Fire Extinguisher - 1A10BC (CSA)
	094499-01-700	EA	Holder - Fire Extinguisher
	072852-01-000	EA	Smoke Detector - w/9 Volt Battery (USA)
	072852-02-000	EA	Smoke Detector - w/9 Volt Battery (CSA)

## ACCESSORIES GROUP (CONTINUED)



### REARVIEW TELEVISION MONITOR (USED UP TO 2/24/91)

Key	Part Number	U/M	Description
1		EA	Television System (Monitor & Camera w/Housing)
2	093041-01-000	EA	Cable - Monitor/Camera
3	031170-01-000	EA	Clamp - Cable - 3/16" Dia.
4	000G32-10-06B	EA	Screw - #10 - 32 x 3/8"
5	099325-01-000	EA	Bracket Asm. - Camera Adjust
6		EA	Monitor - 6" - w/Bracket & Wire Harness
7	099323-01-01A	EA	Shroud - TV - Beige
8	099303-02-01A	EA	Caplug - RHW - Metal Washer
9	099303-01-01A	EA	Caplug - RII - Black
10	000G72-10-24B	EA	Screw - #10 - 32 x 1.50" - Slotted Hex
11	000G11-08-08T	EA	Screw - #8 - 18 x 1/2" (4 Used)
12	100319-01-000	EA	Retainer - Lens - Camera
13	099288-01-000	EA	Lens - Rear - Monitor Shroud
14		EA	Camera & Housing
15	094001-01-000	EA	Clamp - Camera (2 Used)
16	000D24-10-00B	EA	Nut - Hex (4 Used)
	099305-01-000	EA	Spring - Compression
	088756-01-000	EA	Grommet - Web - 1 1/8" ID
	093040-03-000	EA	Wire Asm. - Monitor - Lower
	062037-01-000	EA	Housing - Auto Fuse - Natura'

These parts are to be repaired by vendor (Sony).

### REARVIEW TV MONITOR (USED AFTER 2/24/91)

Key	Part Number	U/M	Description
2	093041-01-000	EA	Cable - Monitor/Camera
6	093040-04-701	EA	Monitor - 6" - w/Bracket & Wire Harness
17	093040-04-703	EA	Monitor Lens (Sony)
18	102115-01-01A	EA	Inner Shroud
19	104311-01-000	EA	Rear Bracket
20	093040-04-700	EA	Camera & Mounting Bracket
21	093040-04-000	EA	Television System - Rearview (Monitor & Camera)
A-9	22	EA	Exterior Shroud
	093040-04-702	EA	Sun Hood (Monitor)

## 1991 ITASCA TABLE OF CONTENTS

INTRODUCTION	A-01 - A-02
ABBREVIATIONS	A-03
ALPHABETICAL/GROUP REFERENCE	A-04 - A-06
ICM28RQ	A-07 - E-15
IKM40DA	E-17 - I-18

## 1991 ICM28RQ INDEX

Floor Plan	A-07 - A-08
Accessories Group	A-09 - A-11
Bath Group	A-12 - A-13
Bedroom Group	A-14 - A-18
Chassis Group	A-19 - B-06
Curtain, Cushion & Pad Group	B-07 - B-17
Dinette Group	B-18 - B-20
Driver's Compartment Group	B-21 - B-04
Electrical Group	C-05 - C-08
Exterior Body Group	C-09 - C-16
Galley Group	C-17 - C-21
Heating & Air Conditioning Group	C-22 - C-23
Interior Finish Group	C-24 - D-01
Labels Group	D-02 - D-10
LP Group	D-11
Lounge Group	D-12 - D-14
Sealants & Fasteners Group	D-15 - D-16
Water & Sewage Group	D-17 - D-19
Window, Vent & Exterior Door Group	D-20 - E-15

## ACCESSORIES GROUP (CONTINUED)

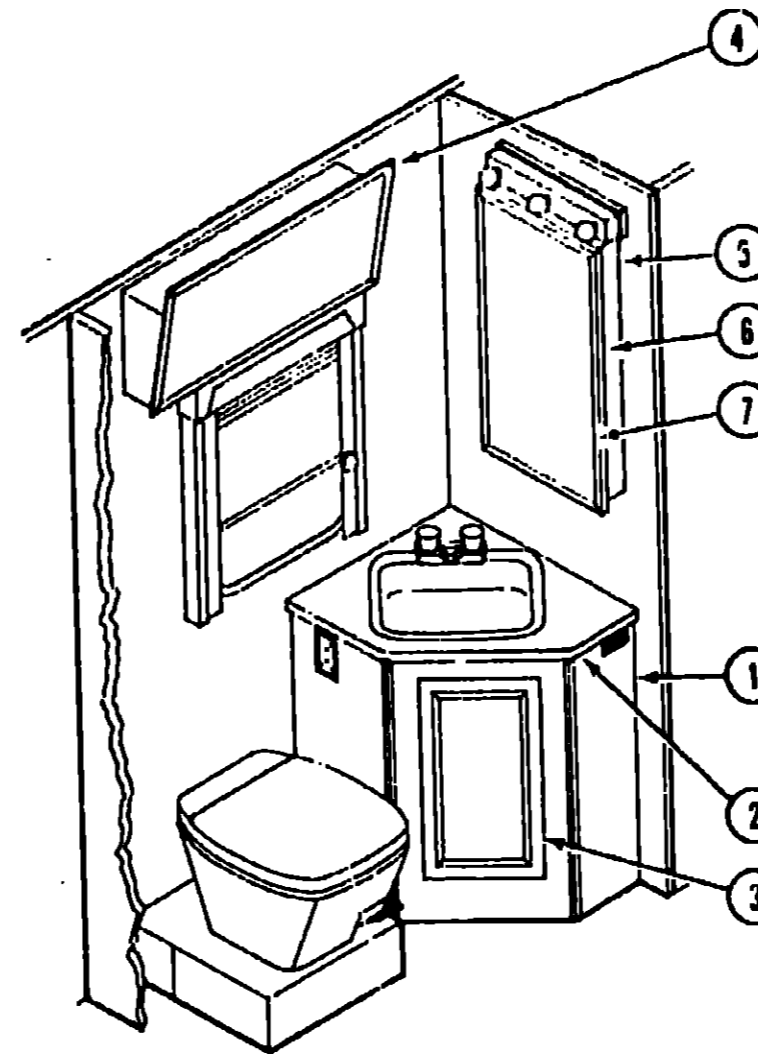
### VACUUM CLEANER & RELATED COMPONENTS

Key	Part Number	U/M	Description
	092304-01-000	EA	Vacuum Cleaner - Built-In
	092304-01-700	EA	Bags - Replacement (Pkg. of 5)
	092304-02-000	EA	Vacuum Cleaning Tool Set
	092304-02-700	EA	Hand Power Brush
	092304-02-701	EA	Dusting Tool
	092304-02-702	EA	Rug Tool
	092304-02-703	EA	Crevice Tool
	092304-02-704	EA	Motor/Relay
	092304-03-000	EA	Vacuum Cleaner Door Asm.
	092304-02-705	EA	Vacuum Hose - 20'
	010194-01-000	FT	Pipe - Black Plastic
	039681-01-000	EA	Coupling - Plastic - 1 1/4"
	010001-01-000	EA	Elbow - Plastic
	049910-01-000	EA	Tee - Plastic - 1 1/4" - H x H x H

### FRONT TV SYSTEM

Key	Part Number	U/M	Description
	098447-01-000	EA	Color TV - 13" - w/Remote - Magnavox RX40231VA (US)
	098447-02-000	EA	Color TV - 13" - w/Remote - Magnavox XK4025CH (CSA)
	098447-01-700	EA	TV Remote (For Magnavox RX4029WA, XK4029CH)
	098447-03-000	EA	Color TV - 13" - w/Remote - Magnavox RR1337W (US)
	098447-04-000	EA	Color TV - 13" - w/Remote - Magnavox RR1330W (CSA)
	098447-03-700	EA	TV Remote (For Magnavox RR1337W, RR1330W)
	098446-01-000	EA	VCR - VHS - Cable Ready - w/Remote - Magnavox VR9815AT
	098446-02-000	EA	VCR - VHS - Cable Ready - w/Remote - Magnavox VR9912
	098446-03-000	EA	VCR - VHS - Cable Ready - w/Remote - Magnavox VR9010
	098446-01-700	EA	VCR Remote (For Magnavox VR9815AT)
	098446-02-700	EA	VCR Remote (For Magnavox VR9912)
	098446-03-700	EA	VCR Remote (For Magnavox VR9010)
	086757-02-000	EA	Control Center (Xantech 10102u)
	086757-03-000	EA	Control Center (Magnadyne VCS6)
	086756-01-000	EA	Splitter - 2 Way
	099717-01-000	EA	Tiedown - TV
	099717-02-000	EA	Tiedown - TV
	098819-01-000	EA	Remote Speaker - 4" - 2 Watt - 8 Ohm
	093214-01-02A	EA	Grille - Speaker - 4" - Brown
	099030-01-000	EA	Wire Asm. - Speaker
	076319-01-000	EA	TV Antenna - 44" Mast
	076319-01-700	EA	RVSA-UV Sensor Antenna
	076319-01-701	EA	Elevating Gear
	076319-01-702	EA	Shaft Elevating Asm.
	076319-01-703	EA	Nylon Bearing - 5" OD
	076319-01-704	EA	Nylon Bearing - .125" OD
	076319-01-705	EA	Nylon Bearing - .718" ID
	076319-01-706	EA	Elevating Crank w/Set Screw
	076319-01-707	EA	Handle Spring
	076319-01-708	EA	Crank Decal
	076319-03-000	FT	Coaxial Cable - 75 Ohm
	076319-04-000	EA	Connector & Ferrule
	076319-06-000	EA	Adaptor - Cable Roof Plate
	076319-08-000	EA	Wallplate - Receptacle - Ivory
	076319-11-000	EA	Adaptor - Coax w/Splitter
	076319-12-000	EA	Connector - Coaxial
	059708-02-000	EA	Duplex - Receptacle - Ivory
	066777-03-000	EA	Wall Plate - Antenna/Power - Ivory
	066777-01-000	EA	Wall Plate - Antenna/Cable - Ivory
	070963-01-000	EA	Outside Receptacle - Cable TV
	090964-01-000	EA	Cover - Outside Receptacle
	087236-01-000	EA	Label - Cable Input
	087236-02-000	EA	Label - Cable Output
	088473-10-000	EA	Pin Housing
	088475-01-000	EA	Connector Pin
	088474-10-000	EA	Socket Housing
	088476-01-000	EA	Connector Socket
	099837-01-000	EA	Grommet

## BATH GROUP



### LAVATORY CABINET

Key	Part Number	U/M	Description
1	M97267-01-B32	EA	Cabinet Asm. - w/o Countertop, Doors or Hardware
2	097267-11-B10	EA	Countertop Asm. - Lavatory - No Cutouts
	076325-28-000	FT	Molding - Edge Band
3	098685-03-B32	EA	Door Asm. - Lavatory Cabinet - w/o Hardware
4	099683-01-01A	EA	Cabinet Asm. - Medicine - Almond - w/Door
5	M05019-08-B32	EA	Cabinet Asm. - Bath Wall - Medicine - w/o Door or Hardware
6	P00523-63-B32	EA	Door Asm. - Medicine Cabinet - w/o Hardware
7	058331-05-000	EA	Mirror - Medicine Cabinet - 19" x 26"
	009059-01-000	EA	Hinge - Brass
	009767-12-000	EA	Wetling - Antique White

### SHOWER CABINET

Key	Part Number	U/M	Description
	089318-02-000	EA	Jamb - Shower Door Gold
	089318-01-000	EA	Shower Door - Gold - w/Pivot Jamb
	089318-01-700	EA	Strap for Shower Door
	089318-01-701	EA	Vinyl Sweep
	089318-01-702	EA	Bushing w/Arm
	078323-06-B25	EA	Cap Molding - Wall
	101805-01-01A	EA	Shower Surround - Off White
	101807-01-01A	EA	Shower Cap - Off White
	057671-01-000	EA	Screw Cover

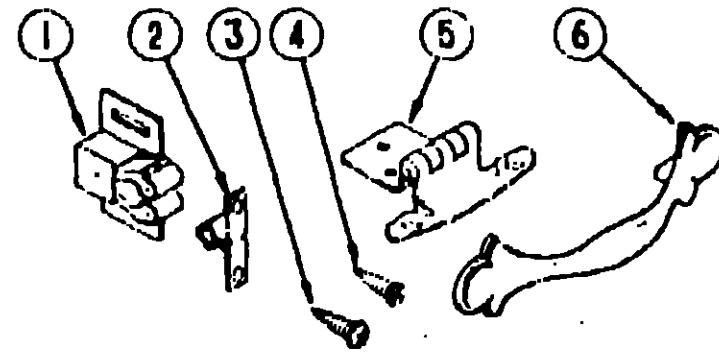
## 1991 ITASCA TABLE OF CONTENTS

INTRODUCTION	A-01 - A-02
ABBREVIATIONS	A-03
ALPHABETICAL/GROUP REFERENCE	A-04 - A-06
ICM28RQ	A-07 - E-15
IKM40DA	E-17 - I-18

## 1991 ICM28RQ INDEX

Floor Plan	A-07 - A-08
Accessories Group	A-09 - A-11
Bath Group	A-12 - A-13
Bedroom Group	A-14 - A-18
Chassis Group	A-19 - B-06
Curtain, Cushion & Pad Group	B-07 - B-17
Dinette Group	B-18 - B-20
Driver's Compartment Group	B-21 - B-04
Electrical Group	C-05 - C-08
Exterior Body Group	C-09 - C-16
Galley Group	C-17 - C-21
Heating & Air Conditioning Group	C-22 - C-23
Interior Finish Group	C-24 - D-01
Labels Group	D-02 - D-10
Light Group	D-11
Lounge Group	D-12 - D-14
Sealants & Fasteners Group	D-15 - D-16
Water & Sewage Group	D-17 - D-19
Window, Vent & Exterior Door Group	D-20 - E-15

**BATH GROUP (CONTINUED)**



**CABINET HARDWARE (DOORS & CABINETS)**

Key	Part Number	U/M	Description
1	093586-03-000	EA	Roller Catch (Doors)
2	093586-04-000	EA	Steel Strike (Doors)
3	000G68-06-10G	EA	Screw - #6 - 18 x .625" POH - Antique Brass - Hinge to Door
4	000G13-06-10G	EA	Screw - #6 - 20 x .625" PFH - Antique Brass - Hinge to Cabinet
5	059777-02-000	EA	Hinge - Burnished Brass (Doors)
6	100273-01-000	EA	Pull Handle
	042357-15-002	EA	Corner Molding - Radius - Plastic
	016604-03-000	EA	Angle Support Bracket - 2.5"



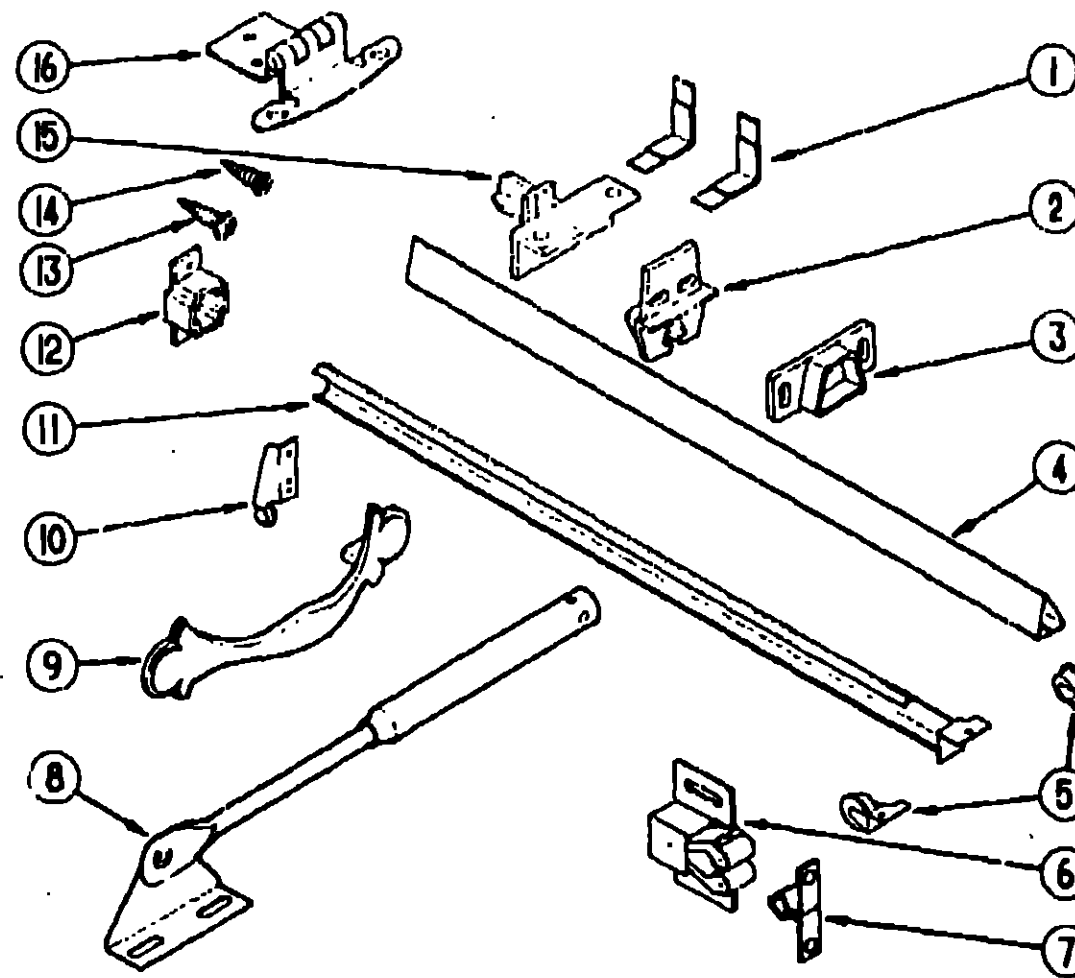
**BATH HARDWARE**

Key	Part Number	U/M	Description
	075240-05-000	EA	Lavatory Faucet - Brass (USA)
	075240-08-000	EA	Lavatory Faucet - Bone (CSA)
	105218-01-01A	EA	Spacer - Lavatory Faucet
	091253-01-000	EA	Gasket - Lavatory Faucet
	096927-01-01A	EA	Sink
	011069-03-000	EA	Tailpiece - Plastic - USA
	011069-02-000	EA	Tailpiece - Brass - CSA
	075241-04-000	EA	Faucet - Shower - Brass (USA)
	075241-05-000	EA	Faucet - Shower - Bone (CSA)
	011048-02-000	EA	Shower Head - w/60" Hose (USA)
	011048-05-000	EA	Shower Head - w/60" Hose (CSA)
	075606-01-000	EA	Faucet Panel - Shower
B	M02429-02-000	EA	Shower Pan Asm. - w/Strainer
A	M02429-07-000	EA	Shower Pan Asm. - w/Strainer
	066436-01-000	EA	Slipnut - Tailpiece
	066440-01-000	EA	Strainer - w/Rubber Washer
	066436-01-000	EA	Nut - Strainer - Plastic
	075452-02-000	F	Tissue Holder - Brass
	075454-02-000	EA	Towel Ring - Brass (USA)
	009112-01-000	EA	Flange - 1" Close Rod (USA)
	075680-01-000	EA	Clothes Rod - Adjustable - 27" to 36"
	081614-02-000	EA	Soap Dish - Brass w/Plastic Cover
**	067497-01-000	EA	Toilet - Aqua Magic IV (Low)

**MISCELLANEOUS**

Key	Part Number	U/M	Description
	080224-43-000	EA	Track - Folding Door - Rear - 32"
	080224-30-000	EA	Folding Door - Rear - 36" x 75" - Regal Oak
	080224-44-000	EA	Track - Folding Door - Front - S Curve
	080224-29-000	EA	Folding Door - Front - 36" x 75" - Regal Oak
	080224-01-700	EA	Latch & Catch Asm. - Folding Door
	057534-01-000	EA	Tieback - Folding Door - Clear Plastic - 6"

**BEDROOM GROUP**



**CABINET HARDWARE (DOORS, DRAWERS & CABINETS)**

Key	Part Number	U/M	Description
1	037688-02-000	EA	L-Corner Glide (Drawers)
2	037688-03-000	EA	Center Glide (Drawers)
3	037688-05-000	EA	Rail Mounting Bracket - Rear (Drawers)
4	037688-01-000	EA	V-Rail (Drawers)
5	102837-03-000	EA	Nylon Rollers (Set of 2) (Drawers)
6	093586-03-000	EA	Roller Catch
7	093586-04-000	EA	Steel Strike
8	074493-02-000	EA	Door Support
9	100273-01-000	EA	Pull Handle
10	102827-02-000	EA	Rear Roller Bracket (Drawers)
11	102827-05-000	EA	Track (Drawers)
12	102827-04-000	EA	Rear Mounting Bracket (Drawers)
13	000G68-06-10G	EA	Screw - #6 - 18 x .625" POH - Antique Brass - Hinge to Door
14	000G13-06-10G	EA	Screw - #6 - 20 x .625" PFH - Antique Brass - Hinge to Cabinet
15	037688-04-000	EA	Rail Mounting Bracket - Front (Drawers)
16	059777-01-000	EA	Hinge - Burnished Brass
	084466-02-000	EA	Slide Asm. - Right (Drawers)
	084466-03-000	EA	Slide Asm. - Left (Drawers)
	084466-04-000	EA	Slide Asm. - Right (Cabinet)
	084466-05-000	EA	Slide Asm. - Left (Cabinet)
	081521-02-007	EA	Corner Molding - Aluminum (Plastic Trim Holder)
	083620-01-000	FT	T-Molding - 3/4" w/Edge Lips (Cabinets)
	016604-03-000	EA	Angle Support Bracket - 2.5"

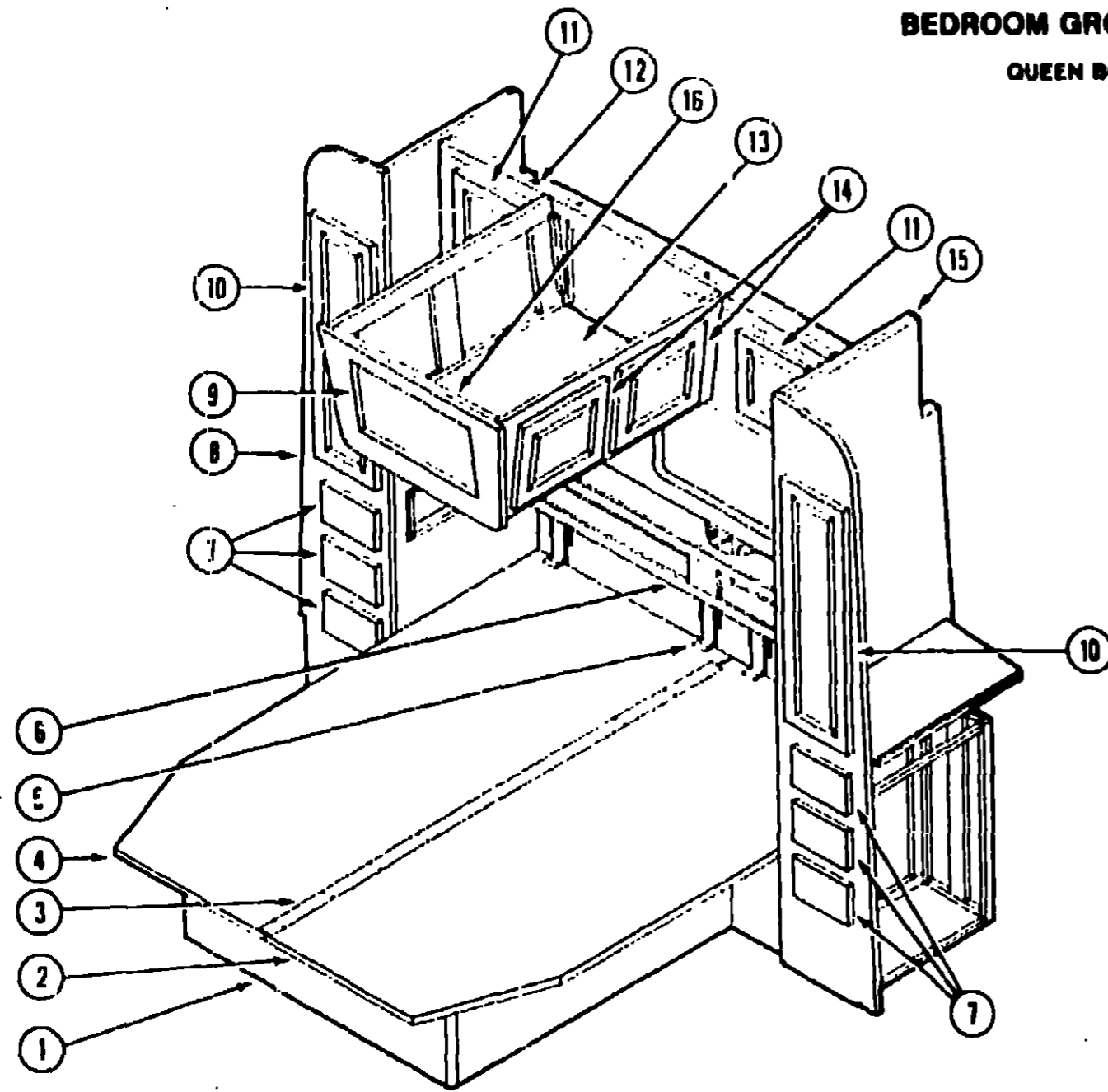
**1991 ITASCA  
TABLE OF CONTENTS**

INTRODUCTION	A-01 - A-02
ABBREVIATIONS	A-03
ALPHABETICAL/GROUP REFERENCE	A-04 - A-06
ICM28RQ	A-07 - E-15
IKM40DA	E-17 - I-18

**1991 ICM28RQ INDEX**

Floor Plan	A-07 - A-08
Accessories Group	A-09 - A-11
Bath Group	A-12 - A-13
Bedroom Group	A-14 - A-18
Chassis Group	A-19 - B-06
Curtain, Cushion & Pad Group	B-07 - B-17
Dinette Group	B-18 - B-20
Driver's Compartment Group	B-21 - B-04
Electrical Group	C-05 - C-08
Exterior Body Group	C-09 - C-16
Galley Group	C-17 - C-21
Heating & Air Conditioning Group	C-22 - C-23
Interior Finish Group	C-24 - D-01
Labels Group	D-02 - D-10
LP Group	D-11
Lounge Group	D-12 - D-14
Sealants & Fasteners Group	D-15 - D-16
Water & Sewage Group	D-17 - D-19
Window, Vent & Exterior Door Group	D-20 - E-15

**BEDROOM GROUP (CONTINUED)**  
**QUEEN BED CABINETS**



Key	Part Number	U/M	Description
1	M97265-01-B32	EA	Cabinet Asm. - Queen Bed
2	M04035-02-B32	EA	Cabinet Asm. - Bed Top
3	089076-03-000	EA	Support Channel (L)
4	M04035-01-B32	EA	Cabinet Asm. - Bed Top
5	088199-01-X11	EA	Hinge
6	089577-01-B32	EA	Headboard Asm. - Queen Bed
7	P03397-14-B32	EA	Drawer Asm. - Wardrobe - w/Glides
8	097415-01-B32	EA	Cabinet Asm. - Wardrobe - Passenger Side - w/o Door or Drawers
9	058331-18-000	EA	Mirror - Safety Glass
10	P00523-42-B32	EA	Door Asm. - Wardrobe - w/o Hardware
11	P00523-07-B2S	EA	Door Asm. - Rear Overhead - w/o Hardware
12	M05019-10-B32	EA	Cabinet Asm. - Rear Overhead - w/o Doors
13	M05019-30-B32	EA	Cabinet Asm. - Center Overhead - w/o Doors
14	P00523-48-B32	EA	Door Asm. - Center Overhead - w/o Hardware
15	098204-01-B32	EA	Cabinet Asm. - Wardrobe - Driver Side - w/o Door or Drawers
16	089599-01-B29	EA	End Cap Asm. - Center Overhead

A-15

Key	Part Number	U/M	Description
17	089167-01-B32	EA	Cabinet Asm. - Lower Vanity - w/o Doors
18	P00523-19-B29	EA	Door Asm. - Lower Vanity - w/o Hardware
19	089167-11-B10	EA	Countertop Asm. - Lower Vanity
20	090588-01-B10	EA	Mirror Asm. - Vanity - w/Glass
	058331-26-000	EA	Mirror - Safety Glass
21	P00523-67-B32	EA	Door Asm. - Upper Vanity - w/o Hardware
22	M05019-24-B32	EA	Cabinet Asm. - Upper Vanity - w/o Door
	084357-02-B25	EA	TV Stand - Complete
	023320-01-000	EA	Felt Pad - 3/8" Dia.
	058331-14-000	EA	Mirror - TV Stand - Safety Glass - 14" x 17"
	084356-04-000	EA	Insert - TV Stand - Tan
	084412-01-000	EA	Support - TV Stand - Hinged
	084451-01-000	EA	Catch - TV Stand - Brass
	084413-01-000	EA	Hinge - TV Stand - Aluminum w/Holes - Tan
	081521-02-007	EA	Molding - 64 Hole Space
	042357-15-000	EA	Corner Molding - Radius - Plastic - Country Forest
	080176-04-000	EA	Corner Cap - Radius - Country Forest (Overhead Cabinet)
	083620-07-000	FT	T-Molding - 3/4" w/Edge Lips (Overhead Cabinets)
	009767-12-000	FT	Wetling - Antique White
	009767-10-000	FT	Wetling - Mahogany
	076325-28-000	FT	Molding - Edge Band (Lower Vanity)
	079653-09-000	EA	Molding - Batt Strip - Kerfed (Vanities)
	057480-04-000	EA	Gas Spring Rod
	057480-02-000	EA	Gas Spring - Ball Stud
	052460-03-000	EA	Gas Spring - Safety Clip
	089024-01-000	EA	Support - Gas Spring - Floor
	089025-01-000	EA	Support - Gas Spring - Bed

**1991 ITASCA**  
**TABLE OF CONTENTS**

INTRODUCTION	A-01 - A-02
ABBREVIATIONS	A-03
ALPHABETICAL/GROUP REFERENCE	A-04 - A-06
ICM28110	A-07 - E-15
IKM40DA	E-17 - I-18

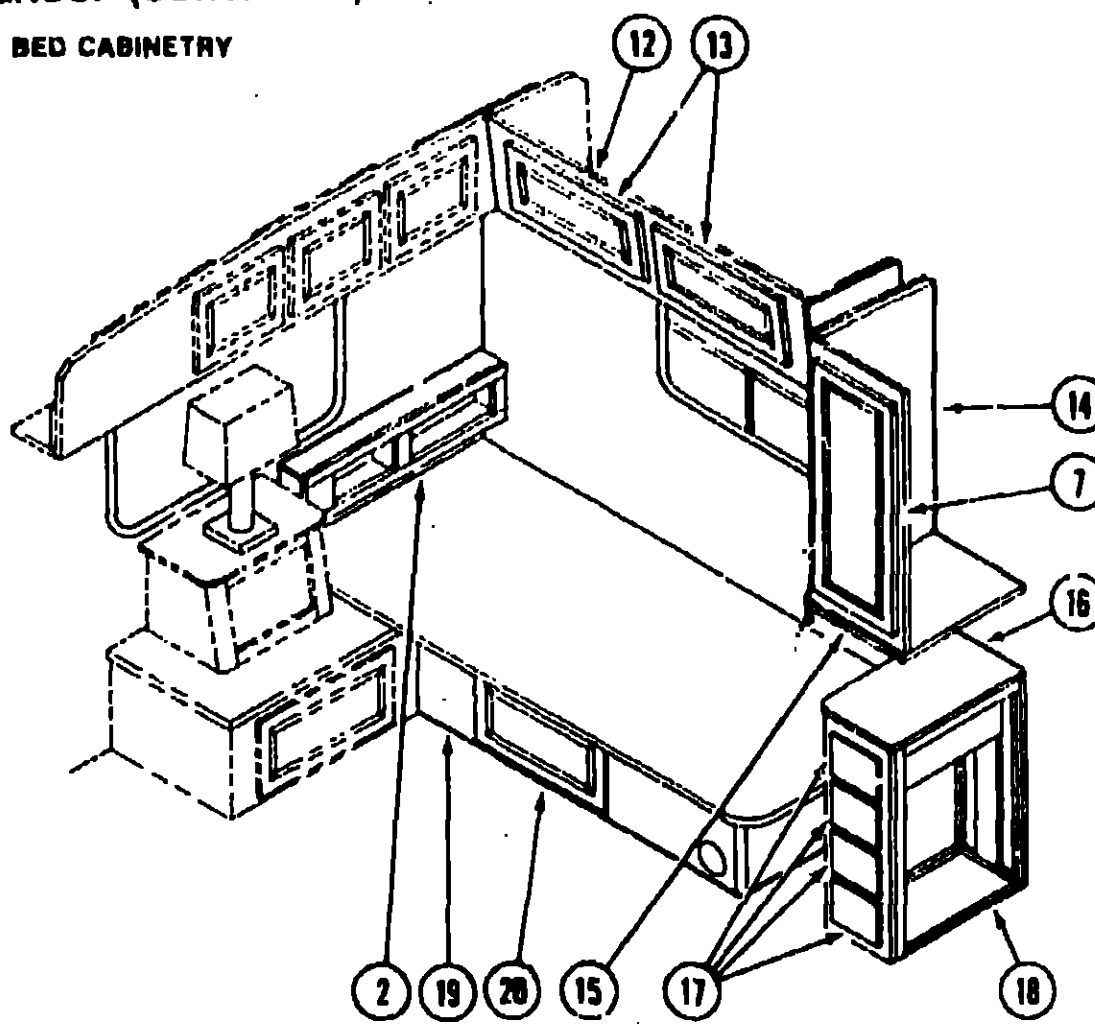
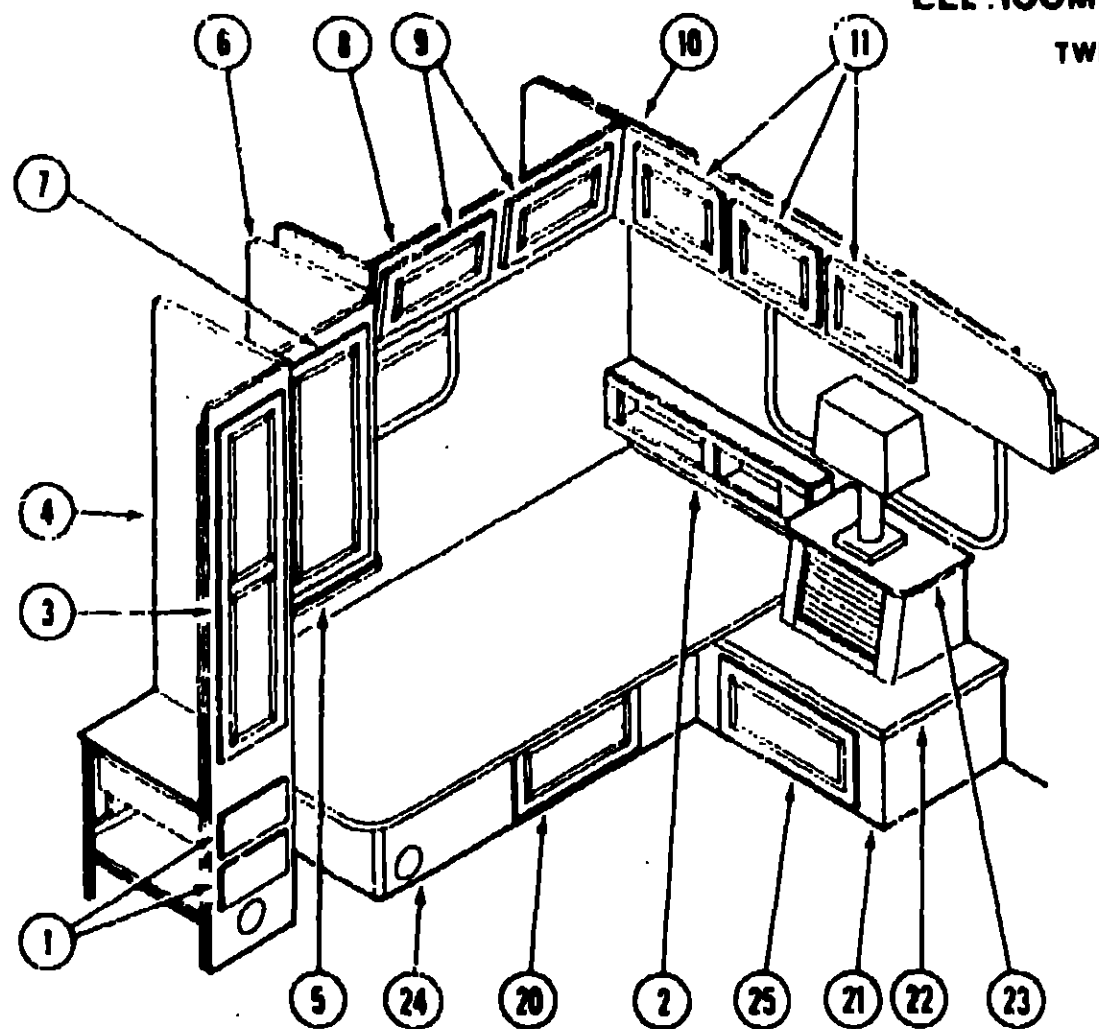
**1991 ICM28RQ INDEX**

Floor Plan	A-07 - A-08
Accessories Group	A-09 - A-11
Bath Group	A-12 - A-13
Bedroom Group	A-14 - A-18
Chassis Group	A-19 - B-06
Curtain, Cushion & Pad Group	B-07 - B-17
Dinette Group	B-18 - B-20
Driver's Compartment Group	B-21 - B-04
Electrical Group	C-05 - C-08
Exterior Body Group	C-09 - C-16
Galley Group	C-17 - C-21
Heating & Air Conditioning Group	C-22 - C-23
Interior Finish Group	C-24 - D-01
Labels Group	D-02 - D-10
LP Group	D-11
Lounge Group	D-12 - D-14
Sealants & Fasteners Group	D-15 - D-16
Water & Sewage Group	D-17 - D-19
Window, Vent & Exterior Door Group	D-20 - E-15

A-16

BEDROOM GROUP (CONTINUED)

TWIN BED CABINERY



Key	Part Number	U/M	Description
1	P03397-14-B32	EA	Drawer Asm. - Wardrobe - w/o Hardware
2	090583-01-B32	EA	Headboard Asm. - Twin Bed
3	P00523-42-B32	EA	Door Asm. - Wardrobe - w/o Hardware
4	M90620-01-B32	EA	Cabinet Asm. - Wardrobe - w/o Door or Drawers
5	081280-13-B32	EA	End Cap Asm. - Shirt Closet - Passenger Side
6	M89593-01-B32	EA	Cabinet Asm. - Shirt Closet - Passenger Side - w/o Door
7	P00523-24-B35	EA	Door Asm. - Shirt Closet - w/o Hardware
8	M05019-36-B32	EA	Cabinet Asm. - Passenger Side Overhead - w/o Doors
9	P00523-48-B32	EA	Door Asm. - Passenger Side Overhead - w/o Hardware
	081325-04-B32	EA	End Cap Asm. - Passenger Side Overhead
10	M05019-65-B32	EA	Cabinet Asm. - Rear Overhead - w/o Doors
11	P00523-48-B32	EA	Door Asm. - Rear Overhead - w/o Hardware
12	M05019-20-B32	EA	Cabinet Asm. - Driver Side Overhead - w/o Doors
13	P00523-11-B29	EA	Door Asm. - Driver Side Overhead - w/o Hardware
	081325-04-B32	EA	End Cap Asm. - Driver Side Overhead
14	M89594-01-B32	EA	Cabinet Asm. - Shirt Closet - Driver Side - w/o Door
15	081280-16-B32	EA	End Cap Asm. - Shirt Closet - Driver Side
16	089534-11-B10	EA	Countertop Asm. - Nightstand - Driver Side
17	P03397-16-B32	EA	Drawer Asm. - Nightstand - Driver Side
18	089534-01-B32	EA	Cabinet Asm. - Nightstand - Driver Side - w/o Drawers or Countertop
19	M97790-01-B32	EA	Cabinet Asm. - Twin Bed - Driver Side - w/o Door
20	P00523-47-B35	EA	Door Asm. - Twin Beds & Center Nightstand - w/o Hardware
21	097270-01-B32	EA	Cabinet Asm. - Nightstand - Center
22	097270-11-B10	EA	Countertop Asm. - Center Nightstand - Lower
23	097270-12-B10	EA	Countertop Asm. - Center Nightstand - Upper
24	M97791-01-B32	EA	Cabinet Asm. - Twin Bed - Passenger Side - w/o Doors
25	M82184-36-B32	EA	Drawer Asm.
	097270-14-B32	EA	Tambour Door
	097141-02-700	EA	Track - Tambour Door - RH and LH
	M97191-01-000	EA	Handle - Tambour Door

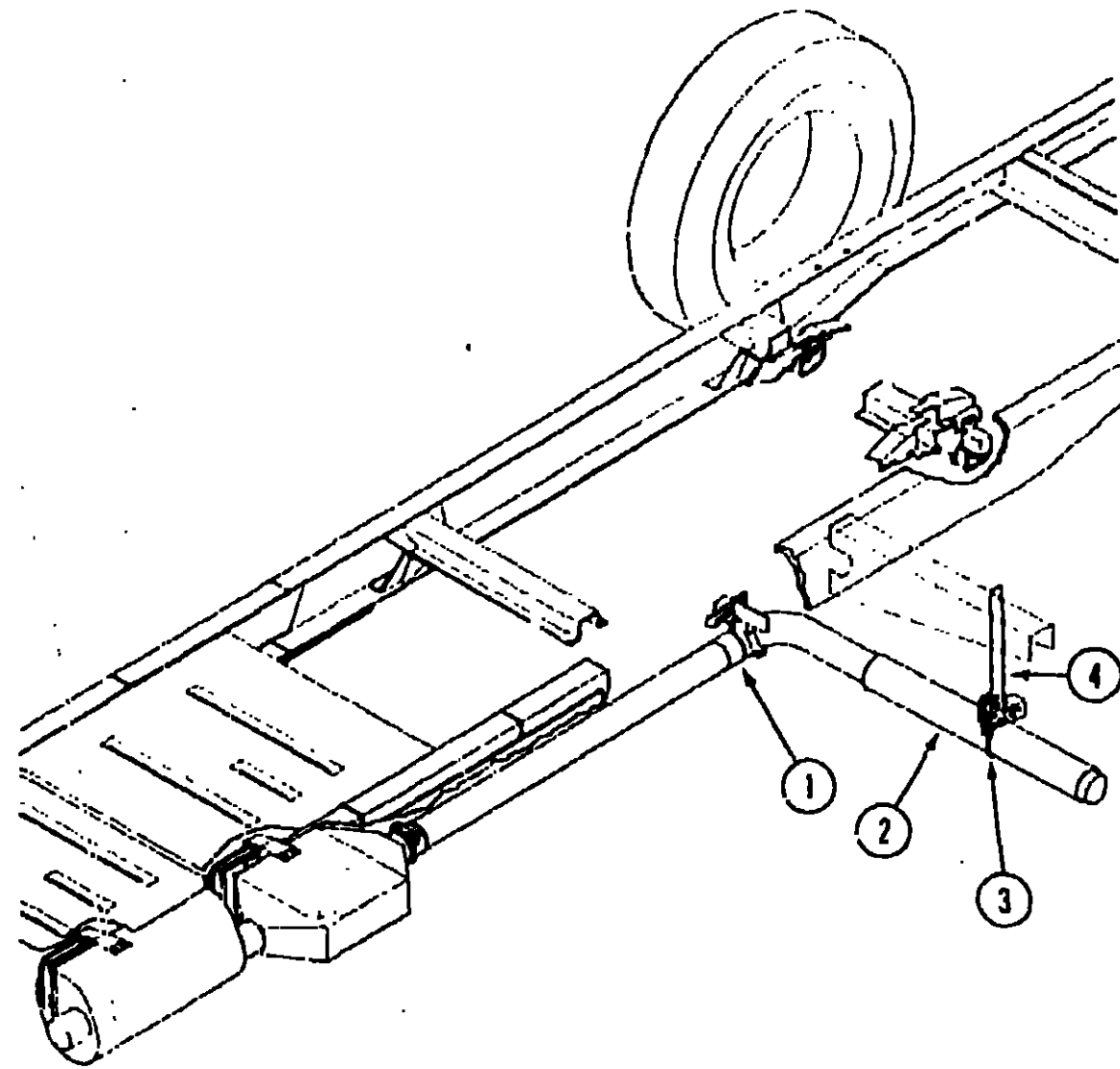
1991 ITASCA  
TABLE OF CONTENTS

INTRODUCTION	A-01 - A-02
ABBREVIATIONS	A-03
ALPHABETICAL/GROUP REFERENCE	A-04 - A-06
ICM28RQ	A-07 - E-15
IKM40DA	E-17 - I-18

1991 ICM28RQ INDEX

Floor Plan	A-07 - A-08
Accessories Group	A-09 - A-11
Bath Group	A-12 - A-13
Bedroom Group	A-14 - A-18
Chassis Group	A-19 - B-06
Curtain, Cushion & Pad Group	B-07 - B-17
Dinette Group	B-18 - B-20
Driver's Compartment Group	B-21 - B-04
Electrical Group	C-05 - C-08
Exterior Body Group	C-09 - C-16
Galley Group	C-17 - C-21
Heating & Air Conditioning Group	C-22 - C-23
Interior Finish Group	C-24 - D-01
Labels Group	D-02 - D-10
LP Group	D-11
Lounge Group	D-12 - D-14
Sealants & Fasteners Group	D-15 - D-16
Water & Sewage Group	D-17 - D-19
Window, Vent & Exterior Door Group	D-20 - E-15

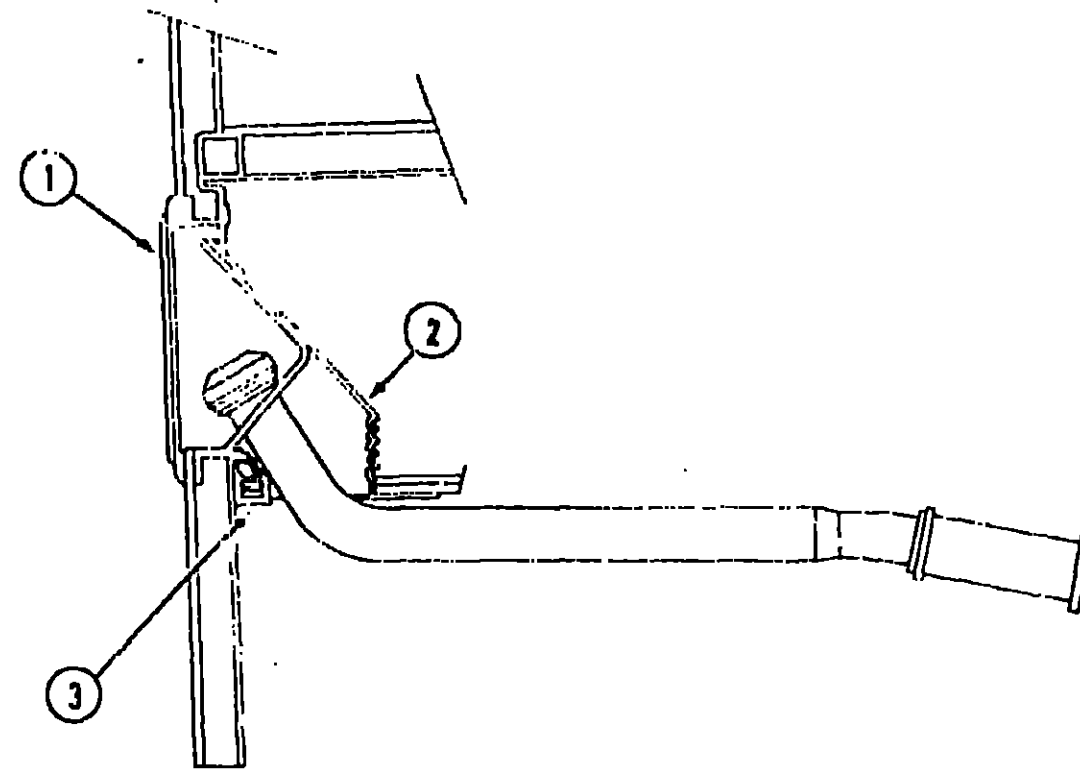
**CHASSIS GROUP**



**EXHAUST SYSTEM**

Key	Part Number	U/M	Description
1	094918-01-000	EA	Exhaust Clamp - 3"
2	098599-01-000	EA	Exhaust Pipe
3	094918-02-000	EA	Exhaust Clamp - 3.5"
	096054-02-000	EA	Support
4	098833-01-000	EA	Hanger Bracket - Exhaust

**CHASSIS GROUP (CONTINUED)**



**FUEL SYSTEM COMPONENTS**

Key	Part Number	U/M	Description
1	078010-05-000	EA	Door Asm. - Fuel Fill - Gray
2	083578-01-000	EA	Boot - Fuel Fill
3	084235-01-000	EA	Support Flange - Fuel Fill Boot

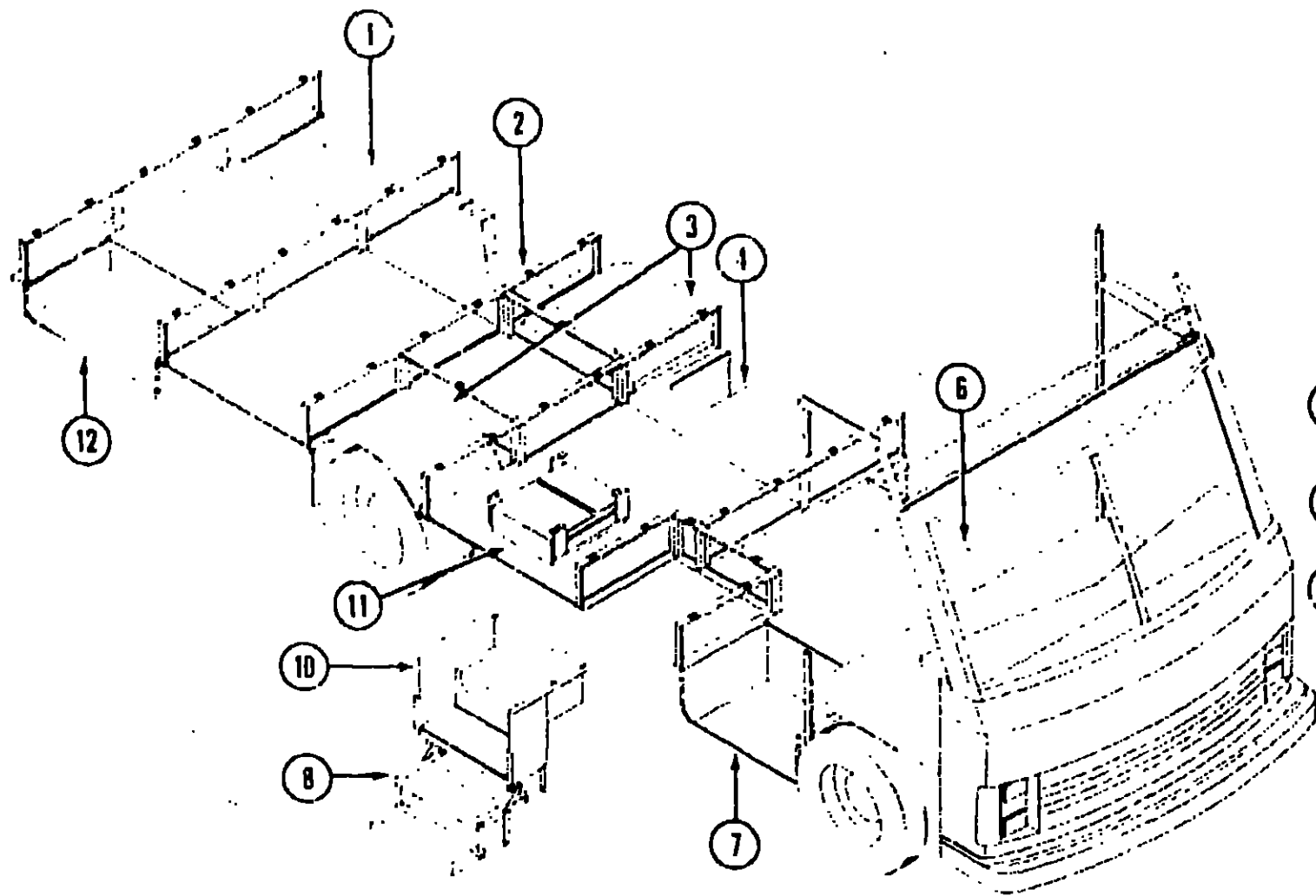
**1991 ITASCA  
TABLE OF CONTENTS**

INTRODUCTION	A-01 - A-02
ABBREVIATIONS	A-03
ALPHABETICAL/GROUP REFERENCE	A-04 - A-06
ICM28RQ	A-07 - E-15
IKM40DA	E-17 - I-18

**1991 ICM28RQ INDEX**

Floor Plan	A-07 - A-08
Accessories Group	A-09 - A-11
Bath Group	A-12 - A-13
Bedroom Group	A-14 - A-18
Chassis Group	A-19 - B-06
Curtain, Cushion & Pad Group	B-07 - B-17
Dinette Group	B-18 - B-20
Driver's Compartment Group	B-21 - B-04
Electrical Group	C-05 - C-08
Exterior Body Group	C-09 - C-16
Galley Group	C-17 - C-21
Heating & Air Conditioning Group	C-22 - C-23
Interior Finish Group	C-24 - D-01
Labels Group	D-02 - D-10
LP Group	D-11
Lounge Group	D-12 - D-14
Sealants & Fasteners Group	D-15 - D-16
Water & Sewage Group	D-17 - D-19
Window, Vent & Exterior Door Group	D-20 - E-15

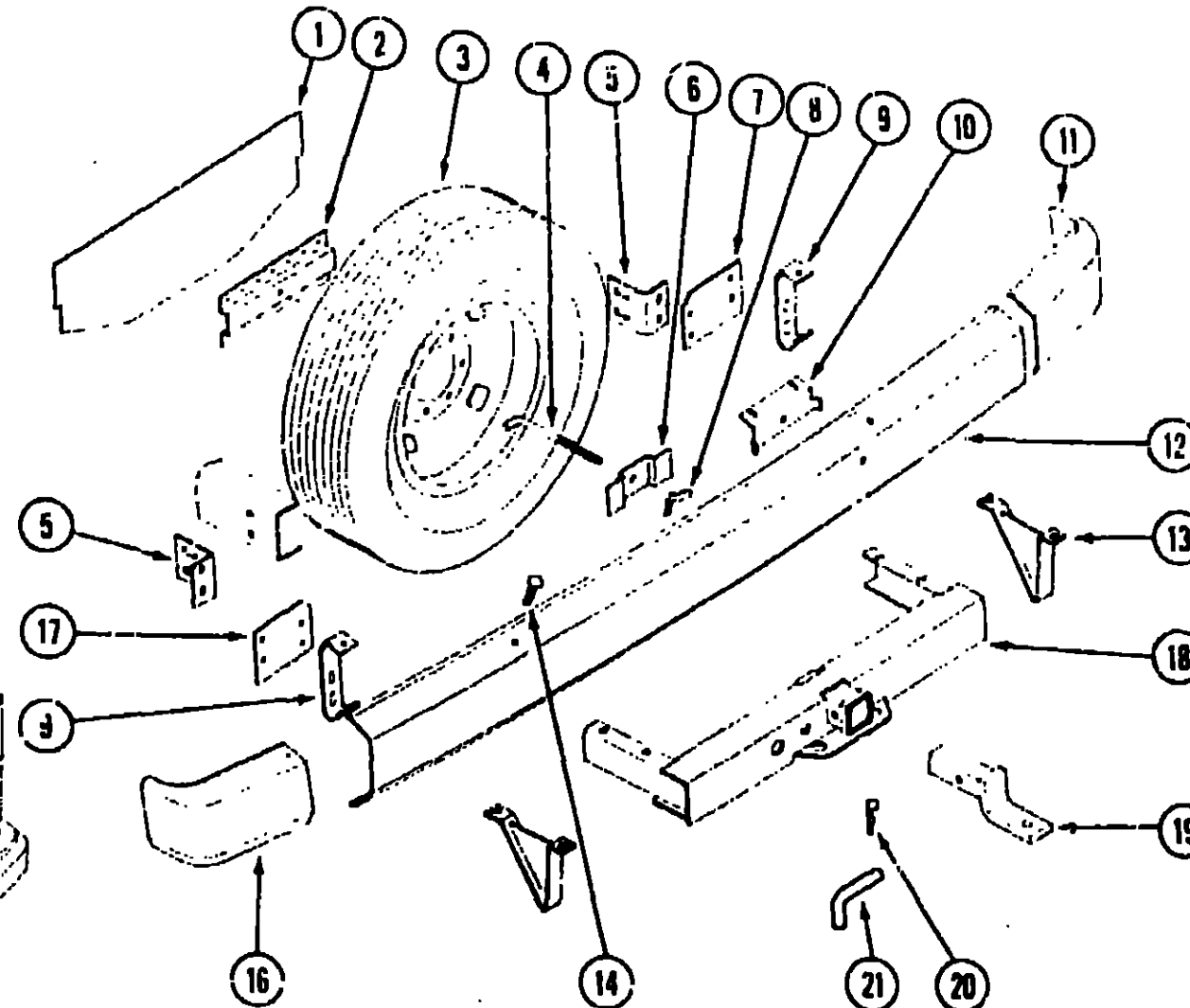
**CHASSIS GROUP (CONTINUED)**



**STORAGE COMPARTMENTS & WHEELWELLS**

Key	Part Number	U/M	Description
1	088015-04-000	EA	Compartment Asm.
2	089099-03-000	EA	Compartment Asm. - Sewer Hose
3	087883-01-000	EA	Wheelwell - Plastic
	017516-01-000	EA	Mud Flap - Black
4	088580-01-000	EA	Power Cord Box
6	081252-22-000	EA	Compartment Asm.
7	081252-21-000	EA	Compartment Asm.
8	094707-01-01A	EA	Step Asm. - Electric - Double
10	089103-01-000	EA	Support Asm. - Entrance Step
11	M92486-01-000	EA	Compartment - Drawer
	092914-01-000	EA	Drawer Glide
	093065-02-000	EA	Drawer Hinge
	074762-01-000	EA	Drawer Pull
	042442-01-000	EA	Twist Lock Asm.
	009063-01-000	EA	Hinge
12	088015-03-000	EA	Compartment Asm.
	079368-01-000	FT	Bulb Seal
	061420-01-000	EA	Plug - Plastic - 1.75" Dia.
	098024-01-01A	EA	Light - Dome - Ivory - Single (USA)
	098024-02-01A	EA	Light - Dome - Ivory - Single (CSA)
	098024-01-700	EA	Lens - Dome Light
	008218-01-030	EA	Bulb - 12 Volt - #1141 - Dome Light

**CHASSIS GROUP (CONTINUED)**



**SPARE TIRE, HITCH & REAR BUMPER**

Key	Part Number	U/M	Description
1	077395-01-000	EA	Shield - Sight - Spare Tire
2	077403-01-000	EA	Support - Rod - Spare Tire
3	007324-04-000	EA	Tire - 8R19.5LRD - Michelin
	051377-01-000	EA	Valve Stem Asm.
4	077411-01-000	EA	Rod - Retaining - Spare Tire
5	078668-01-000	EA	Support Angle - Bumper - Rear
6	077399-01-000	EA	Retainer - Spare Tire
7	078760-02-000	EA	Plate Asm. - Bumper - Mounting - Passenger Side
8	064081-01-000	EA	Wing Nut
	077400-01-000	EA	Support - Spare Tire
	077759-01-000	EA	Spacer - Support - Spare Tire
9	078670-02-000	EA	Bracket Asm. - Bumper - Rear
10	081107-01-000	EA	Bracket - Bumper Pin
11	078578-07-000	EA	Cap - Bumper End - Gray - Passenger Side
12	078584-01-000	EA	Bumper - Rear - Mill Finish
12	078584-08-000	EA	Bumper - Rear - Chrome
13	083376-01-000	EA	Skid Plate Asm.
14	005200-01-000	EA	Bolt - Carriage - 7/16" x 14" x 1.25 w/Stainless Steel Cap
16	078578-08-000	EA	Cap - Bumper End - Gray - Driver
17	078760-03-000	EA	Plate Asm. - Bumper - Mounting - Driver Side

**TOWBAR**

Key	Part Number	U/M	Description
18	077617-01-000	EA	Hitch Asm. - w/o Drawer
19	077613-01-000	EA	Drawbar Asm. Only
20	034513-01-000	EA	Hitch Pin - 3/16" x 1/2"
A-21	034512-01-000	EA	Locking Pin - Drawbar
	097745-02-000	EA	Receptacle Housing - Trailer - 48" Wire Length

**1991 ITASCA  
TABLE OF CONTENTS**

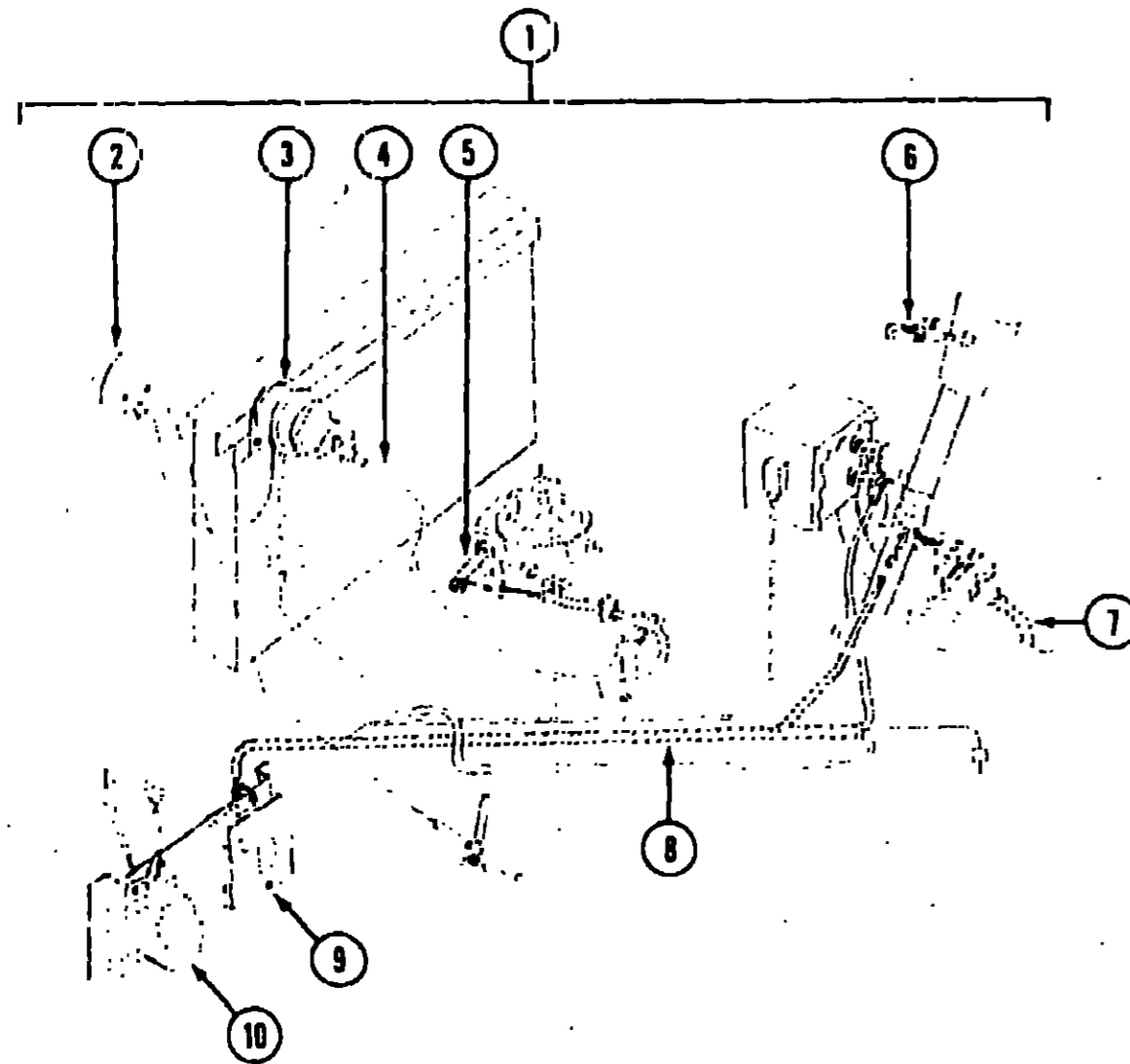
INTRODUCTION	A-01 - A-02
ABBREVIATIONS	A-03
ALPHABETICAL/GROUP REFERENCE	A-04 - A-06
ICM28RQ	A-07 - E-15
IKM40DA	E-17 - I-18

**1991 ICM28RQ INDEX**

Floor Plan	A-07 - A-08
Accessories Group	A-09 - A-11
Bath Group	A-12 - A-13
Bedroom Group	A-14 - A-18
Chassis Group	A-19 - B-06
Curtain, Cushion & Pad Group	B-07 - B-17
Dinette Group	B-18 - B-20
Driver's Compartment Group	B-21 - B-04
Electrical Group	C-05 - C-08
Exterior Body Group	C-09 - C-16
Galley Group	C-17 - C-21
Heating & Air Conditioning Group	C-22 - C-23
Interior Finish Group	C-24 - D-01
Labels Group	D-02 - D-10
LP Group	D-11
Lounge Group	D-12 - D-14
Sealants & Fasteners Group	D-15 - D-16
Water & Sewage Group	D-17 - D-19
Window, Vent & Exterior Door Group	D-20 - E-15



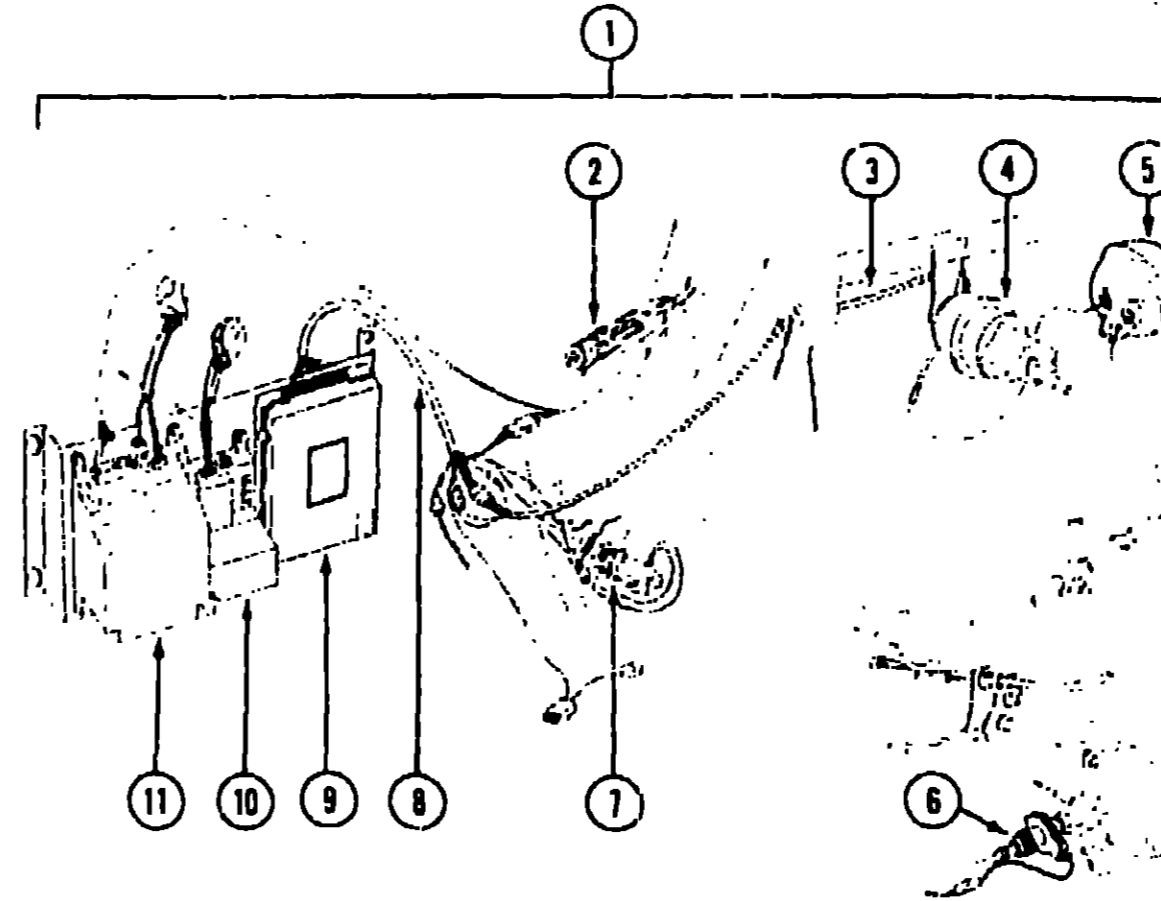
CHASSIS GROUP (CONTINUED)



CRUISE CONTROL (1991 CHEVROLET CHASSIS)

Key	Part Number	U/M	Description
1	102362-01-000	EA	Speed Control - 1991 Chevrolet TRI
2	094369-01-705	EA	Vacuum Reservoir
3	094369-01-706	EA	Servo Only - Replacement
4	102362-01-700	EA	Cable Only - Replacement
5	102362-01-706	EA	Throttle Stud
6	102362-01-707	EA	Control Switch & Lever Asm.
7	102362-01-703	EA	Harness Asm. - Pivot SW to WPR
8	102362-01-704	EA	Harness Asm. - Main Wiring
9	102362-01-701	EA	Regulator Asm. - Electronic
10	102362-01-702	EA	Wiper Control Module
	102362-01-705	EA	Throttle Retaining Clip
	094863-01-704	EA	Housing - 4 Pin
	059778-01-710	EA	Tester - Cruise Control w/Harness

CHASSIS GROUP (CONTINUED)



CRUISE CONTROL (1990 CHEVROLET CHASSIS)

Key	Part Number	U/M	Description
1	094369-03-000	EA	Speed Control - 5 Stick II TBI
2	094369-01-701	EA	Switch & Lever Asm.
3	094369-01-700	EA	Servo & Cable Asm.
4	094369-01-706	EA	Servo Only
5	094369-01-705	EA	Vacuum Reservoir
6	069629-01-701	EA	Signal Generator Asm.
7	083212-01-704	EA	Signal Generator Only
8	083212-04-701	EA	Stop Lamp/Cruise Release Switch
9	094369-01-702	EA	Main Wiring Harness
10	094369-01-704	EA	Regulator Asm. - Electronic
11	091900-01-7112	EA	Headlight Dimmer Module Asm.
	102362-01-7112	EA	Wiper Control Module
	102362-01-7115	EA	Throttle Retainer Clip
	059778-01-710	EA	Tester - Cruise Control w/Harness

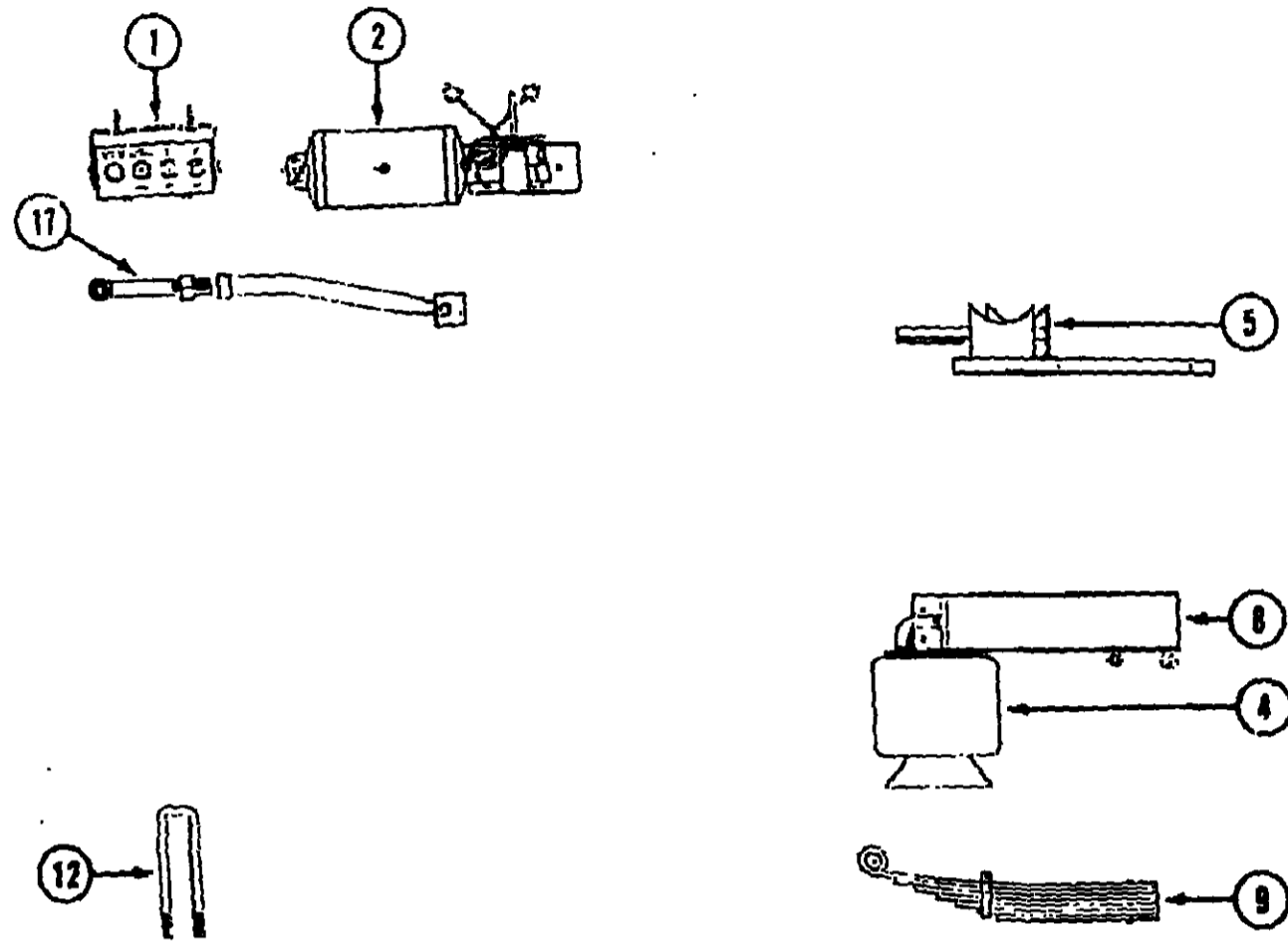
1991 ITASCA  
TABLE OF CONTENTS

INTRODUCTION	A-01 - A-02
ABBREVIATIONS	A-03
ALPHABETICAL/GROUP REFERENCE	A-04 - A-06
ICM28RQ	A-07 - E-15
IKM40DA	E-17 - I-18

1991 ICM28RQ INDEX

Floor Plan	A-07 - A-08
Accessories Group	A-09 - A-11
Bath Group	A-12 - A-13
Bedroom Group	A-14 - A-18
Chassis Group	A-19 - D-06
Curtain, Cushion & Pad Group	B-07 - B-17
Dinette Group	B-18 - B-20
Driver's Compartment Group	B-21 - B-04
Electrical Group	C-05 - C-08
Exterior Body Group	C-09 - C-16
Galley Group	C-17 - C-21
Heating & Air Conditioning Group	C-22 - C-23
Interior Finish Group	C-24 - D-01
Labels Group	D-02 - D-10
LP Group	D-11
Lounge Group	D-12 - D-14
Sealants & Fasteners Group	D-15 - D-16
Water & Sewage Group	D-17 - D-19
Window, Vent & Exterior Door Group	D-20 - E-15

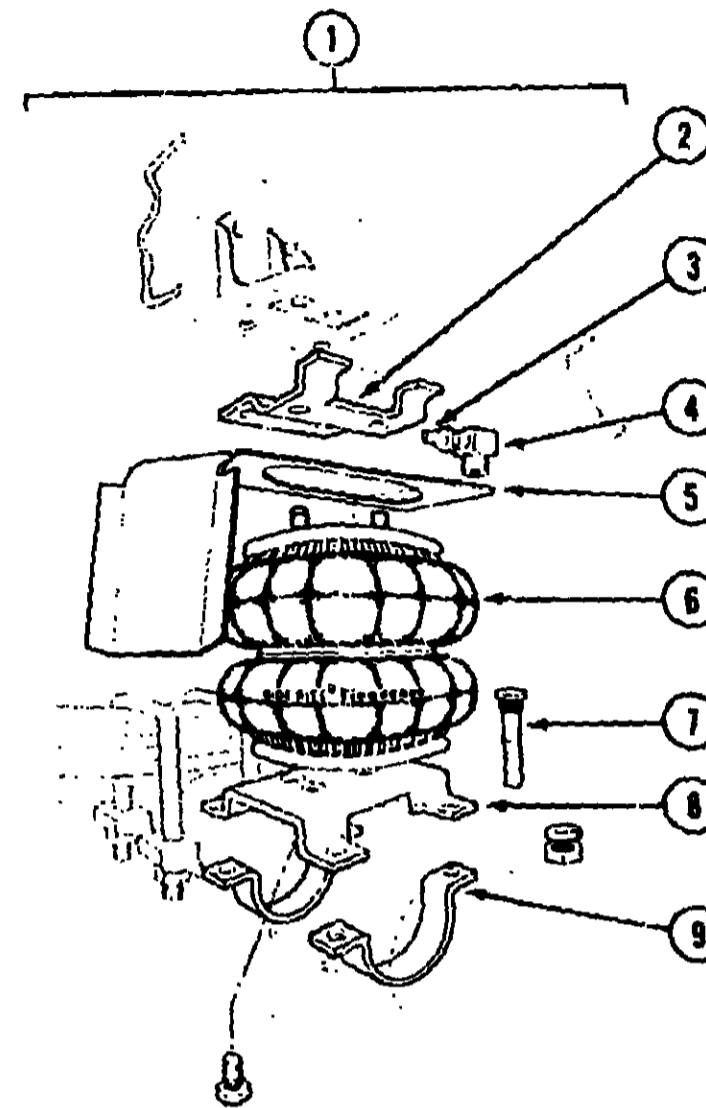
**CHASSIS GROUP (CONTINUED)**



**JET AIR RIDE W/PARK & LEVEL**

Key	Part Number	U/M	Description
1	090436-32-000	EA	Control - Park/Level w/Wiring
	090436-15-700	EA	Toggle Switch - Up/Down
	090436-15-701	EA	Toggle Switch - Lighted - Manual/Auto
2	090436-15-702	EA	Indicator Light
	090436-35-000	EA	Compressor Asm. w/Tank & Wiring
4	090436-15-704	EA	Air Spring - Air Bag Only (Set/2)
5	090436-10-000	EA	Lower Spring/Axle Mount - Driver Side
	090436-11-000	EA	Lower Spring/Axle Mount - Passenger Side
8	090436-36-000	EA	Mount - Airspring Asm. - Upper - Driver Side
	090436-37-000	EA	Mount - Airspring Asm. - Upper - Passenger Side
9	090436-03-000	EA	Spring - Leaf - Semi - 14,500 GVWR Chassis
12	090436-12-000	EA	U-Bolt - Forward - Straight 7/8"
	090436-13-000	EA	U-Bolt - Rearward - Bent 7/8"
17	090436-14-000	EA	Bar - Track w/Pivot Bolts & Brackets
	091250-01-000	EA	Bushing - Front Swaybar - Inboard - 1.25" Cut
	091250-02-000	EA	Bushing - Front Swaybar - Outboard - 1.25" Uncut
	091250-03-000	EA	Bushing - Rear Swaybar - 1.75" Cut

**CHASSIS GROUP (CONTINUED)**



**REAR AIRBAGS & FRONT STABILIZER SHOCKS**

Key	Part Number	U/M	Description
1	084086-01-000	EA	Airspring - Bellows - Rear Axle - Complete System
2	084086-01-706	EA	Upper Bracket
3	084086-01-701	EA	Flexible Tubing - 1/4" x 18"
4	084086-01-704	EA	Elbow Connector
5	084086-01-709	EA	Heat Shield
6	084086-01-700	EA	Bellow Only (Airbag)
7	084086-01-702	EA	Ribbed Neck Bolt - 3/8" - 24 x 2 1/2"
8	084086-01-707	EA	Lower Bracket
9	084086-01-713	EA	Axle Strap Bracket
	084086-01-703	EA	Air Valve
	084086-01-705	EA	Tubing Protectors
	084086-01-708	EA	Airtite Repair Kit
	084086-01-710	EA	Bolt Kit
	041953-07-000	FT	Conduit - Convolute, Silt - .250 ID
	079942-01-000	EA	Shock Absorber - Stabilizer Fl

**1991 ITASCA  
TABLE OF CONTENTS**

INTRODUCTION	A-01 - A-02
ABBREVIATIONS	A-03
ALPHABETICAL/GROUP REFERENCE	A-04 - A-06
ICM28RQ	A-07 - E-15
IKM40DA	E-17 - I-18

**1991 ICM28RQ INDEX**

Floor Plan	A-07 - A-08
Accessories Group	A-09 - A-11
Bath Group	A-12 - A-13
Bedroom Group	A-14 - A-18
Chassis Group	A-19 - B-06
Curtain, Cushion & Pad Group	B-07 - B-17
Dinette Group	B-18 - B-20
Driver's Compartment Group	B-21 - B-04
Electrical Group	C-05 - C-08
Exterior Body Group	C-09 - C-16
Galley Group	C-17 - C-21
Heating & Air Conditioning Group	C-22 - C-23
Interior Finish Group	C-24 - D-01
Labels Group	D-02 - D-10
LP Group	D-11
Lounge Group	D-12 - D-14
Sealants & Fasteners Group	D-15 - D-16
Water & Sewage Group	D-17 - D-19
Window, Vent & Exterior Door Group	D-20 - E-15

**CHASSIS GROUP (CONTINUED)**

**4.0KW ONAN GENERATOR & COMPONENTS**

Key	Part Number	U/M	Description
	100974-G1-000	EA	Generator - 4.0KW - Emerald Plus - Onan BGE-FA/261
	094657-02-000	EA	Tray Asm. - Generator
	007067-01-000	EA	Insulation - Fiberglass
	094657-01-000	EA	Spacer
	023942-01-000	EA	Grommet - Rubber - 2" OD
	083151-01-000	EA	Muffler
	007125-03-000	EA	Clamp Asm. - Muffler - 1 1/2"
	083152-08-000	EA	Exhaust Pipe - Generator - 10.8" - 4.0 KW Generator
	008054-01-000	EA	Power Cord - 10/3 - 30 Amp. - 25' (USA)
	008052-01-000	EA	Power Cord - 10/3 - 30 Amp. - 25' (CSA)
	008289-01-000	EA	Box - Electrical - 4" x 4" (USA)
	008289-02-000	EA	Box - Electrical - 4" x 4" (CSA)
	008294-01-000	EA	Cover Plate - 4" x 4" (USA)
	008294-02-000	EA	Cover Plate - 4" x 4" (CSA)
	024924-02-000	EA	Receptacle - Power Cord
	069238-01-000	EA	Cover Plate - Receptacle Box - Power Cord - 4" x 4"
	041953-01-000	FT	Conduit - Convolute - Slit - .5" ID
	008355-01-000	EA	Connector - 3/4" - Cable Clamping
	008356-01-000	EA	Connector - Plastic - 3/8" Avg. Wire
	010495-01-000	EA	Clamp - Cable - 9/16"
	010497-01-000	EA	Clamp - Closed - 5/16" ID
	008026-01-000	FT	Wire - 12/2 Romex w/Ground
	008311-01-000	EA	Connector - Wire Nut - Red
	008312-01-000	EA	Connector - Wire Nut - Blue
	008314-01-000	EA	Connector - Wire Nut - Gray
	008320-01-000	EA	Terminal Ring - 12/10 Wire
	008328-01-000	EA	Terminal Ring - 2 - 3/8" - Stud
	024976-01-000	EA	Generator Switch - w/o Circuit Board
	098351-04-01A	EA	Plate - Switch - Generator - Rear Bedroom
	062401-03-000	EA	Clamp - Hose - Wormgear - .22" to .62" ID
	062401-06-000	EA	Clamp - Hose - Wormgear - .22" to 1" ID

**5.0KW ONAN GENERATOR & COMPONENTS (EXPORT)**

Key	Part Number	U/M	Description
	100975-04-000	EA	Generator - 5.0KW - Emerald Plus - Onan NHE-FN/292
	007067-01-000	SF	Insulation - Fiberglass
	023942-01-000	EA	Grommet - Rubber - 2" OD
	093590-04-000	EA	Muffler
	007125-03-000	EA	Clamp Asm. - Muffler
	092508-01-000	EA	Exhaust Pipe - Generator
	083152-08-000	EA	Exhaust Pipe - Generator - 10.8"
	008054-01-000	EA	Power Cord - 10/3 - 30 Amp. - 25'
	008289-01-000	EA	Box - Electrical - 4" x 4"
	008294-01-000	EA	Cover Plate - 4" x 4"
	024924-02-000	EA	Receptacle - Power Cord
	069238-01-000	EA	Cover Plate - Receptacle Box - Power Cord - 4" x 4"
	041953-01-000	FT	Conduit - Convolute - Slit - .5" ID
	008355-01-000	EA	Connector - 3/4" - Cable Clamping
	008356-01-000	EA	Connector - Plastic - 3/8"
	010495-01-000	EA	Clamp - Cable - 9/16"
	008026-01-000	FT	Wire - 12/2 Romex w/Ground
	008311-01-000	EA	Connector - Wire Nut - Red
	008312-01-000	EA	Connector - Wire Nut - Blue
	008314-01-000	EA	Connector - Wire Nut - Gray
	008328-01-000	EA	Terminal Ring - 12/10 Wire
	092615-01-000	EA	Converter - 40 Amp. w/Charger
	024976-01-000	EA	Generator Switch - w/o Circuit Board
	098351-04-01A	EA	Plate - Switch - Generator - Rear Bedroom
	062401-03-000	EA	Clamp - Hose - Wormgear - .22" to .62" ID
	062401-06-000	EA	Clamp - Hose - Wormgear - .22" to 1" ID
	088238-01-000	EA	Cover - A/C Dual Switch

**CHASSIS GROUP (CONTINUED)**

**4.5KW KOHLER GENERATOR & COMPONENTS**

Key	Part Number	U/M	Description
	093740-01-000	EA	Generator - 4.5 KW - Kohler 4.5 CKM21-RV
	007067-01-000	SF	Insulation - Fiberglass
	023942-01-000	EA	Grommet - Rubber - 2" OD
	093590-01-000	EA	Muffler - 4.5 KW Generator
	007125-03-000	EA	Clamp Asm. - Muffler - 1.50" Dia.
	093591-01-000	EA	Exhaust Pipe - 4.5 KW Generator
	008054-01-000	EA	Power Cord - 10/3 - 30 Amp. - 25' (USA)
	008052-01-000	EA	Power Cord - 10/3 - 30 Amp. - 25' (CSA)
	008289-01-000	EA	Box - Electrical - 4" x 4" (USA)
	008289-02-000	EA	Box - Electrical - 4" x 4" (CSA)
	008294-01-000	EA	Cover Plate - 4" x 4" (USA)
	008294-02-000	EA	Cover Plate - 4" x 4" (CSA)
	024924-02-000	EA	Receptacle - Power Cord
	069238-01-000	EA	Cover Plate - Receptacle Box - Power Cord - 4" x 4"
	041953-01-000	FT	Conduit - Convolute - Slit - .5" ID
	008355-01-000	EA	Connector - 3/4" - Cable Clamping
	008356-01-000	EA	Connector - Plastic - 3/8" Avg. Wire
	010495-01-000	EA	Clamp - Cable - 9/16"
	010497-01-000	EA	Clamp - Closed - 5/16" ID
	008026-01-000	FT	Wire - 12/2 Romex w/Ground
	008311-01-000	EA	Connector - Wire Nut - Red
	008312-01-000	EA	Connector - Wire Nut - Blue
	008314-01-000	EA	Connector - Wire Nut - Gray
	008328-01-000	EA	Terminal Ring - 12/10 Wire
	024976-01-000	EA	Generator Switch - w/o Circuit Board
	098351-04-01A	EA	Plate - Switch - Generator - Rear Bedroom
	062401-03-000	EA	Clamp - Hose - Wormgear - .22" to .62" ID
	062401-06-000	EA	Clamp - Hose - Wormgear - .22" to 1" ID
	008348-01-000	EA	Terminal Ring - 2 - 3/8" Stud

**3.5KW ONAN GENERATOR & COMPONENTS (EXPORT)**

Key	Part Number	U/M	Description
	100974-05-000	EA	Generator - 4.0KW - Emerald Plus - Onan BGE FN/292
	007067-01-000	SF	Insulation - Fiberglass
	023942-01-000	EA	Grommet - Rubber - 2" OD
	093590-01-000	EA	Muffler
	007125-03-000	EA	Clamp Asm. - Muffler
	093591-01-000	EA	Exhaust Pipe - Generator
	008054-01-000	EA	Power Cord - 10/3 - 30 Amp. - 25'
	008289-01-000	EA	Box Electrical - 4" x 4"
	008294-01-000	EA	Cover Plate - 4" x 4"
	024924-02-000	EA	Receptacle - Power Cord
	069238-01-000	EA	Cover Plate - Receptacle Box - Power Cord - 4" x 4"
	041953-01-000	FT	Conduit - Convolute - Slit - .5" ID
	008355-01-000	EA	Connector - 3/4" - Cable Clamping
	008356-01-000	EA	Connector - Plastic - 3/8"
	010495-01-000	EA	Clamp - Cable - 9/16"
	010497-01-000	EA	Clamp - Closed - 5/16" ID
	008026-01-000	FT	Wire - 12/2 Romex w/Ground
	008311-01-000	EA	Connector - Wire Nut - Red
	008312-01-000	EA	Connector - Wire Nut - Blue
	008314-01-000	EA	Connector - Wire Nut - Gray
	008328-01-000	EA	Terminal Ring - 12/10 Wire
	092615-01-000	EA	Converter - 40 Amp. - w/Charger
	024976-01-000	EA	Generator Switch - w/o Circuit Board
	098351-04-01A	EA	Plate - Switch - Generator - Rear Bedroom
	062401-03-000	EA	Clamp - Hose - Wormgear - .22" to .62" ID
	062401-06-000	EA	Clamp - Hose - Wormgear - .22" to 1" ID
	008348-01-000	EA	Terminal Ring - 2 - 3/8" Stud

**1991 ITASCA  
TABLE OF CONTENTS**

INTRODUCTION	A-01 - A-02
ABBREVIATIONS	A-03
ALPHABETICAL/GROUP REFERENCE	A-04 - A-06
ICM28RQ	A-07 - E-15
IKM40DA	E-17 - I-18

**1991 ICM28RQ INDEX**

Floor Plan	A-07 - A-08
Accessories Group	A-09 - A-11
Bath Group	A-12 - A-13
Bedroom Group	A-14 - A-18
Chassis Group	A-19 - B-08
Curtain, Cushion & Pad Group	B-07 - B-17
Dinette Group	B-18 - B-20
Driver's Compartment Group	B-21 - B-04
Electrical Group	C-05 - C-08
Exterior Body Group	C-09 - C-16
Galley Group	C-17 - C-21
Heating & Air Conditioning Group	C-22 - C-23
Interior Finish Group	C-24 - D-01
Labels Group	D-02 - D-10
LP Group	D-11
Lounge Group	D-12 - D-14
Sealants & Fasteners Group	D-15 - D-16
Water & Sewage Group	D-17 - D-19
Window, Vent & Exterior Door Group	D-20 - E-15

## CHASSIS GROUP (CONTINUED)

### ELECTRIC ENTRANCE STEP (Used until 3/15/91)

Key	Part Number	U/M	Description
	094707-01-01A	EA	Double Step Asm. - Electric
	094707-01-700	EA	Control Unit
	094707-01-701	EA	Electric Step Switch - Door Jamb
	094707-01-702	EA	Frame - Double Step
	091201-01-700	EA	Linkage Asm.
	088746-01-701	EA	Motor Asm.
	088746-01-702	EA	Gear
	088746-01-703	EA	Motor Bearing Bracket
	088746-01-705	EA	Step Light
	088746-01-706	EA	Kill Switch

### ELECTRIC ENTRANCE STEP (Used after 3/15/91)

Key	Part Number	U/M	Description
	094707-01-01A	EA	Double Step Asm. - Electric
	094707-01-702	EA	Double Step Frame
	094707-01-703	EA	Gear Box Assembly
	094707-02-700	EA	Motor Replacement Kit
	094707-02-701	EA	Linkage Asm.
	094707-02-702	EA	Gear Kit
	094707-02-703	EA	Parts Kit (Plins & Bearings)
	094707-02-704	EA	Motor Connector Kit
	094707-02-705	EA	Control Unit (Orange)
	088746-01-705	EA	Step Light
	088746-01-706	EA	Kill Switch
	100312-01-000	EA	Door Jamb Switch
	075723-02-000	EA	Door Jamb Switch - Spacer w/Hole

### BATTERY HARDWARE INSTALLATION

Key	Part Number	U/M	Description
	088751-01-000	FT	Cable - Battery - 1/0 AWG Stranded
	008348-01-000	EA	Terminal - Ring - 2 - 3/8" Stud
	090604-03-000	EA	Tray Asm. - Battery
	089074-01-000	EA	Tray - Battery (House Batteries)
	065450-01-000	EA	Tiedown - Battery
	065450-05-000	EA	Tiedown - Battery (House Batteries)
	051387-06-000	EA	Bolt - Carriage - 5/16 - 1B x 9.5 (House & Chassis Batteries)
	040921-03-000	EA	Nut - Speed - U-Type No. 10 (Chassis Battery)
	044364-02-000	EA	Nut - Speed - Flat - Round (House Batteries)
	077479-01-000	EA	Boot - Battery Terminal - Double Cable
	077479-02-000	EA	Boot - Battery Terminal - Single Cable

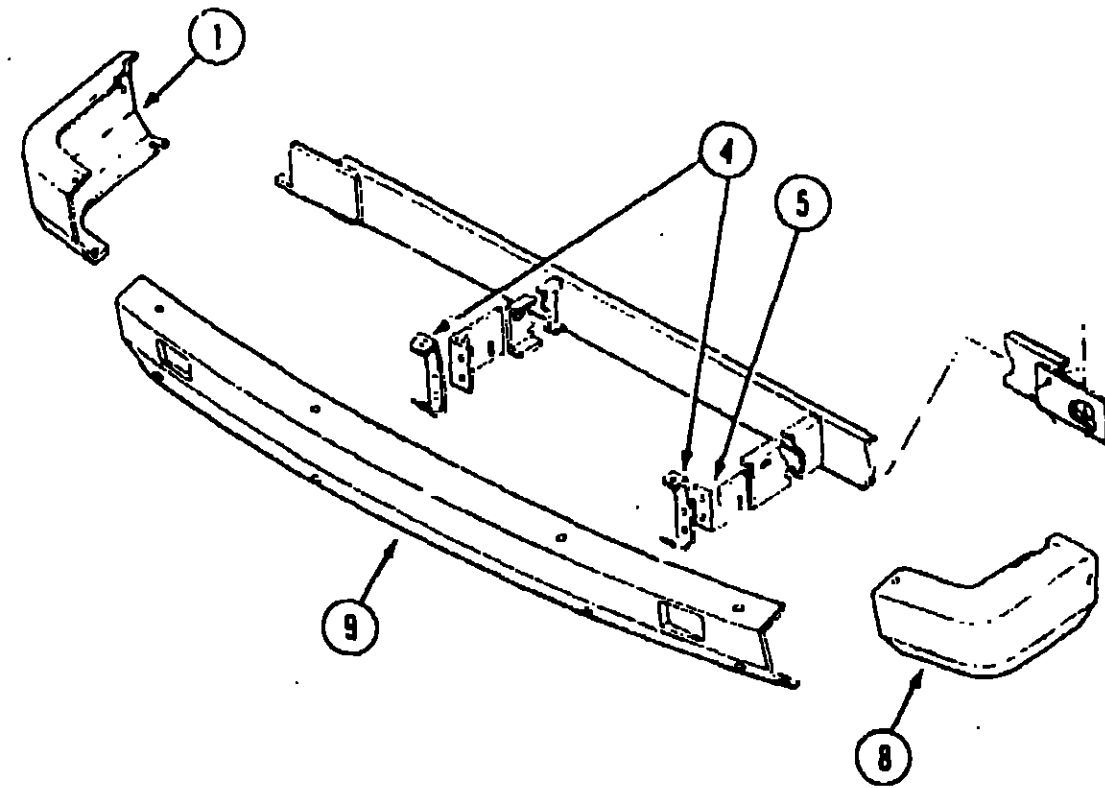
### STABILIZING JACKS - MANUAL

Key	Part Number	U/M	Description
	099025-01-000	EA	Stabilizer Jack - RT
	099025-02-000	EA	Stabilizer Jack - LT
	099641-01-000	EA	Bracket Asm. - Jack - RT Rear
	099641-02-000	EA	Bracket Asm. - Jack - LT Rear
	099642-01-000	EA	Bracket Asm. - Jack - RT Front
	099642-02-000	EA	Bracket Asm. - Jack - LT Front

### MISCELLANEOUS

Key	Part Number	U/M	Description
	072359-01-000	EA	Bottle - Coolant Expansior
	071856-01-000	EA	Radiator Cover - Rear
	063977-08-000	EA	Step Asm. - Driver Door
	080208-07-000	EA	Bar - Lug Wrench
	080208-01-000	EA	Lug Wrench
	017516-01-000	EA	Mud Flap - Black
	091955-02-000	EA	Squeegee - Telescoping Handle
	091952-02-000	EA	Clip - 3/4" - Squeegee Retainer
	093527-01-000	EA	Bracket - Squeegee Clip

## CHASSIS GROUP (CONTINUED)



### FRONT BUMPER

Key	Part Number	U/M	Description
1	078577-09-000	EA	Bumper End Cap - Passenger Side
4	077852-01-000	EA	Bracket to Bumper - Front
5	096339-01-000	EA	Bracket to Frame - Front Bumper
8	078577-10-000	EA	Bumper End Cap - Driver Side
9	077850-09-000	EA	Bumper - Front - Chrome
9	077850-04-000	EA	Bumper - Front - Plain
	005200-01-000	EA	Carriage Bolt - 7/16" - 14 x 1 1/4" SST Head

### WHEEL COVER & MOUNTING HARDWARE

Key	Part Number	U/M	Description
	083181-03-700	EA	Wheel Cover - 19.5" (1)
	083181-12-000	EA	Retainer Kit - 19.5" Wheel Cover (Set/4)
	083181-12-700	EA	Retainer Kit - 19.5" Wheel Cover - Front (1)
	083181-12-701	EA	Retainer Kit - 19.5" Wheel Cover - Rear (1)
	083181-04-702	EA	Nut Cover - 19.5" Wheel
	083181-04-703	EA	Center Cap - Chrome

### CHROME WHEEL LINERS

Key	Part Number	U/M	Description
	091209-01-000	EA	Wheel Liner - Chrome - 19.5" (Set/4)
	091209-01-700	EA	Wheel Liner - Chrome - 19.5" - Front
	091209-01-701	EA	Wheel Liner - Chrome - 19.5" - Rear
	091209-01-702	EA	Axle Cover - 10 Lug - 19.5" - Front
	091209-01-703	EA	Axle Cover - 10 Lug - 19.5" - Rear
	091209-10-704	EA	Cover - Lug Nut
	077030-02-000	EA	Valve Stem Extension - 1.25"
	095012-03-000	EA	Valve Stem Extension - Dual Wheel

## 1991 ITASCA TABLE OF CONTENTS

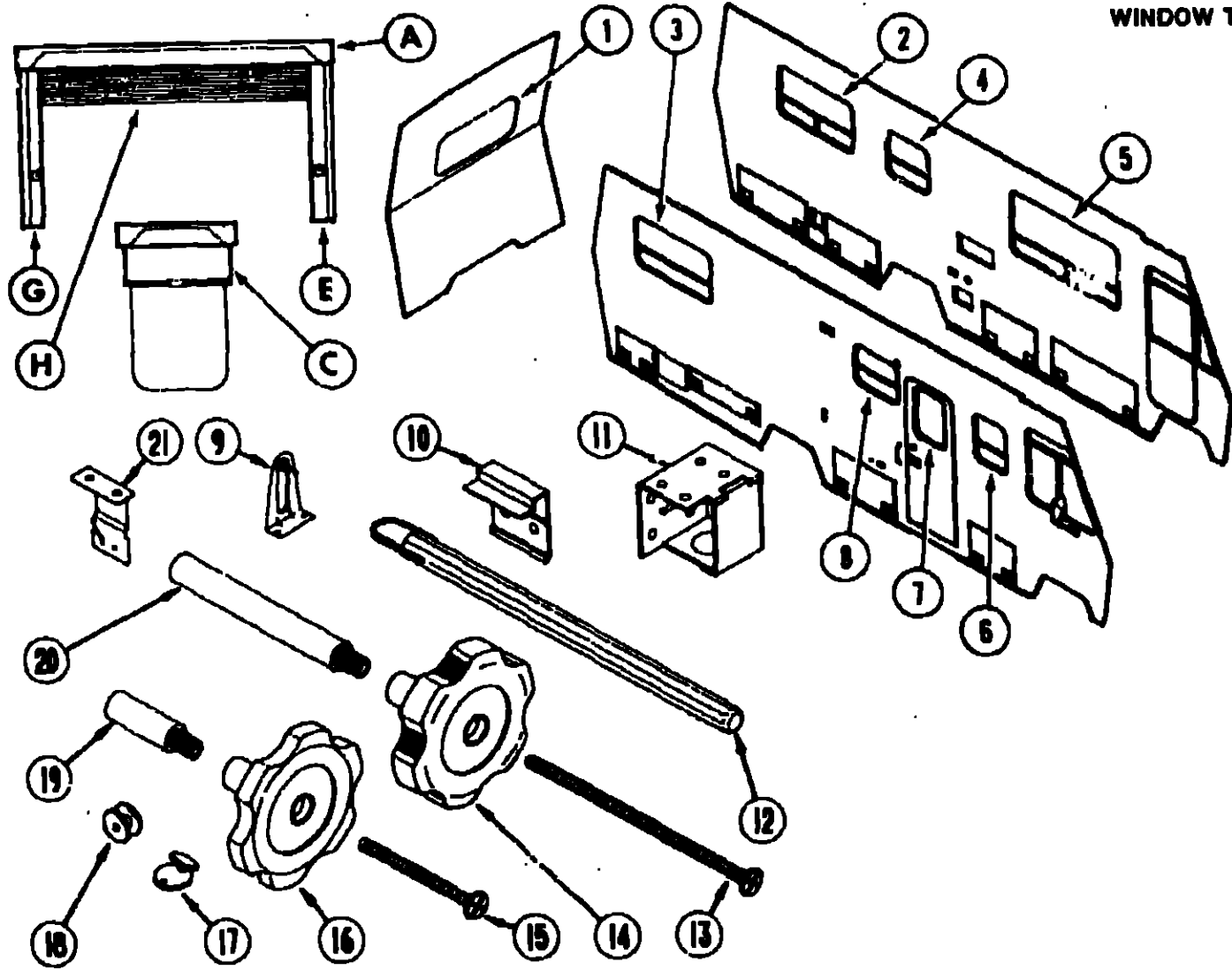
INTRODUCTION	A-01 - A-02
ABBREVIATIONS	A-03
ALPHABETICAL/GROUP REFERENCE	A-04 - A-06
ICM28RQ	A-07 - E-15
IKM40DA	E-17 - I-18

## 1991 ICM28RQ INDEX

Floor Plan	A-09 - A-08
Accessories Group	A-09 - A-11
Bath Group	A-12 - A-13
Bedroom Group	A-14 - A-18
Chassis Group	A-19 - B-06
Curtain, Cushion & Pad Group	B-07 - B-17
Dinette Group	B-18 - B-20
Driver's Compartment Group	B-21 - B-04
Electrical Group	C-05 - C-08
Exterior Body Group	C-09 - C-16
Galley Group	C-17 - C-21
Heating & Air Conditioning Group	C-22 - C-23
Interior Finish Group	C-24 - C-01
Labels Group	D-02 - D-10
LP Group	D-11
Lounge Group	D-12 - D-14
Sealants & Fasteners Group	D-15 - D-16
Water & Sewage Group	D-17 - D-19
Window, Vent & Exterior Door Group	D-20 - E-15

# CURTAIN, CUSHION & PAD GROUP

## WINDOW TREATMENT



Key	Part Number	U/M	Description
1A	101613-06-B32	EA	Valance - w/Fabric Trim - 51"
1A	101613-06-B33	EA	Valance - w/Fabric Trim - 51"
1A	101613-06-B34	EA	Valance - w/Fabric Trim - 51"
1E	100281-13-B35	EA	Leg - Right - w/Fabric Trim (B32)
1E	100281-13-B36	EA	Leg - Right - w/Fabric Trim (B33)
1E	100281-13-B37	EA	Leg - Right - w/Fabric Trim (B34)
1G	100281-14-B35	EA	Leg - Left - w/Fabric Trim (B32)
1G	100281-14-B36	EA	Leg - Left - w/Fabric Trim (B33)
1G	100281-14-B37	EA	Leg - Left - w/Fabric Trim (B34)
1H	096335-16-B32	EA	Blind - Pleated - 47" x 28.5" Drop (B34)
1H	096335-16-B33	EA	Blind - Pleated - 47" x 28.5" Drop
2A	101613-01-B32	EA	Valance - w/Fabric Trim - 44.5"
2A	101613-01-B33	EA	Valance - w/Fabric Trim - 44.5"
2A	101613-01-B34	EA	Valance - w/Fabric Trim - 44.5"
2E	100281-19-B29	EA	Leg - Right - w/Fabric Trim (B32)
2E	100281-19-B30	EA	Leg - Right - w/Fabric Trim (B33)
2E	100281-19-B31	EA	Leg - Right - w/Fabric Trim (B34)
2G	100281-20-B29	EA	Leg - Left - w/Fabric Trim (B32)
2G	100281-20-B30	EA	Leg - Left - w/Fabric Trim (B33)
2G	100281-20-B31	EA	Leg - Left - w/Fabric Trim (B34)
2H	096335-44-B32	EA	Blind - Pleated - 39.5" x 33" Drop (B34)
2H	096335-44-B33	EA	Blind - Pleated - 39.5" x 33" Drop
3A	101613-09-B32	EA	Valance - w/Fabric Trim - 32.5"
3A	101613-09-B33	EA	Valance - w/Fabric Trim - 32.5"
3A	101613-09-B34	EA	Valance - w/Fabric Trim - 32.5"
3E	100281-19-B29	EA	Leg - Right - w/Fabric Trim (B32)
3E	100281-19-B30	EA	Leg - Right - w/Fabric Trim (B33)
3E	100281-19-B31	EA	Leg - Right - w/Fabric Trim (B34)

Key	Part Number
3G	100281-18-B29
3G	100281-18-B30
3G	100281-18-B31
3H	096335-48-B32
3H	096335-48-B33
4A	101427-07-B13
4E	101079-06-B35
4E	101079-06-B36
4E	101079-06-B37
4G	101079-07-B35
4G	101079-07-B36
4G	101079-07-B37
4H	093475-72-02A
4H	093475-72-03A
5A	101427-01-B32
5E	101079-02-B29
5E	101079-02-B30
5E	101079-02-B31
5G	101079-04-B29
5G	101079-04-B30
5G	101079-04-B31
5H	093475-11-08A
5H	093475-11-10A
6A	101427-12-B32
6E	101079-02-B29
6E	101079-02-B30
6E	101079-02-B31
6G	101079-05-B32
6G	101079-05-B33
6G	101079-05-B34
6H	093475-70-02A
6H	093475-70-03A
7C	084755-57-B07
7	048394-02-000
7	088792-02-000
7	087253-01-000
8H	093475-73-02A
8H	093475-73-03A
	096008-62-000
	096008-31-000
	096008-61-000
	088273-53-000
	088273-55-000
	088273-54-000
9	035591-02-000
10	097565-01-000
11	083170-01-000
	083170-02-000
12	093475-01-700
13	089371-01-000
13	101289-01-01A
14	067052-02-000
14	101290-01-01A
15	009439-07-000
16	009439-05-000
17	102555-01-000
18	097542-01-000
19	009439-06-000
20	090025-01-000
21	084434-01-000
	093475-01-701
	089522-02-000
	089916-01-000

U/M	Description
EA	Leg - Left - w/Fabric Trim (B32)
EA	Leg - Left - w/Fabric Trim (B33)
EA	Leg - Left - w/Fabric Trim (B34)
EA	Blind - Pleated - 28.5" x 34" Drop (B34)
EA	Blind - Pleated - 28.5" x 34" Drop
EA	Valance - Wood - 20" (B32, B33, B34)
EA	Leg - Right - w/Wood Trim - 27.5" (B32)
EA	Leg - Right - w/Wood Trim - 27.5" (B33)
EA	Leg - Right - w/Wood Trim - 27.5" (B34)
EA	Leg - Left - w/Wood Trim - 27.5" (B32)
EA	Leg - Left - w/Wood Trim - 27.5" (B33)
EA	Leg - Left - w/Wood Trim - 27.5" (B34)
EA	Blind - Mini - 13.5" x 28.5" Drop (B32)
EA	Blind - Mini - 13.5" x 28.5" Drop (B33, B34)
EA	Valance - Wood - 65.5" (B33, B34)
EA	Leg - Right - w/Wood Trim (B32)
EA	Leg - Right - w/Wood Trim (B33)
EA	Leg - Right - w/Wood Trim (B34)
EA	Leg - Left - w/Wood Trim (B32)
EA	Leg - Left - w/Wood Trim (B33)
EA	Leg - Left - w/Wood Trim (B34)
EA	Blind - Mini - 57.5" x 33" Drop (B32)
EA	Blind - Mini - 57.5" x 33" Drop (B33, B34)
EA	Valance - Wood - 58.5" (B33, B34)
EA	Leg - Right - w/Wood Trim (B32)
EA	Leg - Right - w/Wood Trim (B33)
EA	Leg - Right - w/Wood Trim (B34)
EA	Leg - Left - w/Wood Trim
EA	Leg - Left - w/Wood Trim
EA	Leg - Left - w/Wood Trim
EA	Blind - Mini - 21" x 34.5" Drop (B32)
EA	Blind - Mini - 21" x 34.5" Drop (B33, B34)
EA	Shade Asm. - 27.25"
YD	Velcro - Hook Tape
YD	Velcro - Loop Tape
EA	Shade Pull - Clear Plastic
EA	Blind - Mini - 28" x 24" Drop (B32)
EA	Blind - Mini - 28" x 24" Drop (B33, B34)
YD	Valance & Leg Fabric (B32) (Windows 4,5,6)
YD	Valance & Leg Fabric (B33) (Windows 4,5,6)
YD	Valance & Leg Fabric (B34) (Windows 4,5,6)
YD	Valance & Leg Fabric (B32) (Windows 1,2,3)
YD	Valance & Leg Fabric (B33) (Windows 1,2,3)
YD	Valance & Leg Fabric (B34) (Windows 1,2,3)
EA	Hold Down Bracket - Blind
EA	Blind Mounting Bracket - Right or Left Side (Bedroom)
EA	Blind Mounting Bracket - Right Side (Shown) Clear Plastic
EA	Blind Mounting Bracket - Left Side - Clear Plastic
EA	Wand w/Metal Clip - 8"
EA	Screw - Window Knob (Zinc)
EA	Screw - Window Knob (Brass)
EA	Window Knob (Beige)
EA	Window Knob (Brass)
EA	Screw - Window Knob (Black)
EA	Window Knob - Black
EA	Cord Cleat - Blind
EA	Hold Down Adjuster - Blind
EA	Extension - Window Knob (Black)
EA	Extension - Window Knob (Black)
EA	Roller Shade Bracket
EA	End Cap - w/Inverted Stud
EA	Trim - Leg to Window Mount
EA	Trim - Window to Leg Mount

## 1991 ITASCA TABLE OF CONTENTS

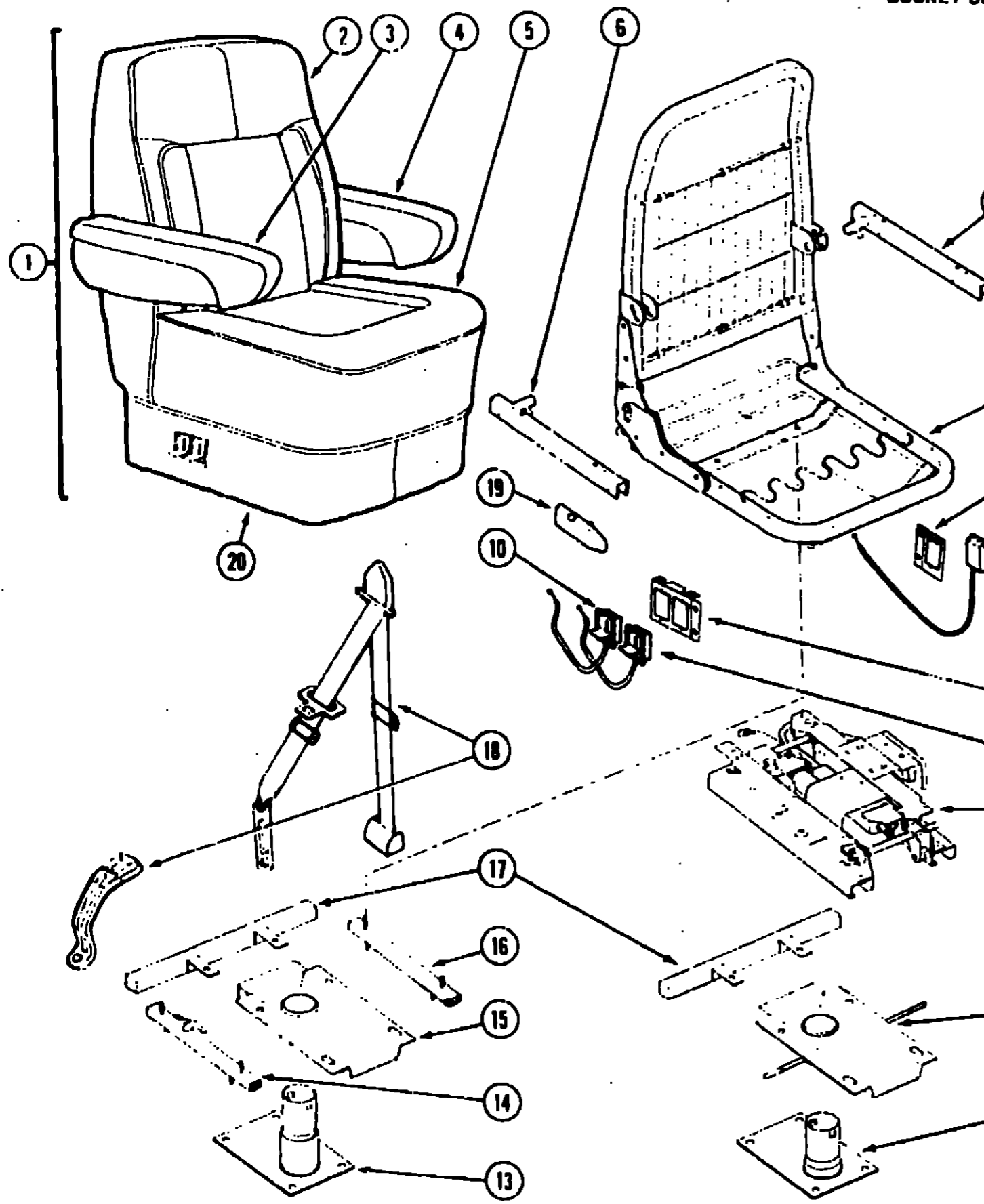
INTRODUCTION	A-01 - A-02
ABBREVIATIONS	A-03
ALPHABETICAL/GROUP REFERENCE	A-04 - A-06
ICM28RO	A-07 - E-15
IKM40DA	E-17 - I-18

## 1991 ICM28RQ INDEX

Floor Plan	A-09 - A-08
Accessories Group	A-09 - A-11
Bath Group	A-12 - A-13
Bedroom Group	A-14 - A-18
Chassis Group	A-19 - B-06
Curtain, Cushion & Pad Group	B-07 - B-17
Dinette Group	B-18 - B-20
Driver's Compartment Group	B-21 - B-04
Electrical Group	C-05 - C-08
Exterior Body Group	C-09 - C-16
Galley Group	C-17 - C-21
Heating & Air Conditioning Group	C-22 - C-23
Interior Finish Group	C-24 - D-01
Labels Group	D-02 - D-10
LP Group	D-11
Lounge Group	D-12 - D-14
Sealants & Fasteners Group	D-15 - D-16
Water & Sewage Group	D-17 - D-19
Window, Vent & Exterior Door Group	D-20 - E-15

# CURTAIN, CUSHION & PAD GROUP (CONTINUED)

## BUCKET SEAT ASM.



Key	Part Number	U/M	Description
1	101294-05-B29	EA	Seat Asm. - w/Arm & Headrest - w/o Skirt (Driver or Passenger) (B32)
1	101294-05-B30	EA	Seat Asm. - w/Arm & Headrest - w/o Skirt (Driver or Passenger) (B33)
1	101294-05-B31	EA	Seat Asm. - w/Arm & Headrest - w/o Skirt (Driver or Passenger) (B34)
2	M03445-26-B29	EA	Cover Asm. - Seat Back (B32)
2	M03445-26-B30	EA	Cover Asm. - Seat Back (B33)
2	M03445-26-B31	EA	Cover Asm. - Seat Back (B34)
3	080243-43-B29	EA	Armrest Asm. - Right Hand (B32)
3	080243-43-B30	EA	Armrest Asm. - Right Hand (B33)
3	080243-43-B31	EA	Armrest Asm. - Right Hand (B34)
3	M80243-43-B35	EA	Armrest Cover - Right Hand (B32)
3	M80243-43-B36	EA	Armrest Cover - Right Hand (B33)
3	M80243-43-B37	EA	Armrest Cover - Right Hand (B34)
4	080243-44-B29	EA	Armrest Asm. - Left Hand (B32)
4	080243-44-B30	EA	Armrest Asm. - Left Hand (B33)
4	080243-44-B31	EA	Armrest Asm. - Left Hand (B34)
4	M80243-44-B35	EA	Armrest - Cover - Left Hand (B32)
4	M80243-44-B36	EA	Armrest - Cover - Left Hand (B33)
4	M80243-44-B37	EA	Armrest - Cover - Left Hand (B34)
5	M03445-37-B29	EA	Cover Asm. - Seat Bottom (B32)
5	M03445-37-B30	EA	Cover Asm. - Seat Bottom (B33)
5	M03445-37-B31	EA	Cover Asm. - Seat Bottom (B34)
6	101124-01-000	EA	Armrest Frame Asm. - Right Hand
7	101124-02-000	EA	Armrest Frame Asm. - Left Hand
8	M80908-04-000	EA	Seat Frame Asm.
9	097683-03-000	EA	Cable Bracket
10	089368-04-000	EA	Remote Control Cable
11	097683-02-000	EA	Cable Bracket
12	089368-05-000	EA	Remote Control Cable
13	089585-08-000	EA	Seat Base
14	069248-05-000	EA	Seat Slide w/Lock
	089248-05-700	EA	Spring - Remote Adjustor
	069248-05-701	EA	Clip - Cable Asm.
15	093481-04-000	EA	Top Plate
16	069248-02-000	EA	Seat Slide w/o Lock
17	089585-29-000	EA	Seat Belt Bar
18	091990-01-01A	EA	Seat Belt
19	089369-08-000	EA	Cable Shield - Plastic
20	071126-24-B29	EA	Skirt Asm. (B32)
20	071126-24-AD2	EA	Skirt Asm. (B33)
20	071126-24-B31	EA	Skirt Asm. (B34)
	096008-62-000	YD	Bucket Seat Fabric - Accent (B32)
	096008-31-000	YD	Bucket Seat Fabric - Accent (B33)
	096008-61-000	YD	Bucket Seat Fabric - Accent (B34)
	096008-60-000	YD	Bucket Seat Fabric - Pattern Accent (B32)
	096008-59-000	YD	Bucket Seat Fabric - Pattern Accent (B33)
	096008-58-000	YD	Bucket Seat Fabric - Pattern Accent (B34)

### POWER SEAT OPTION

Key	Part Number	U/M	Description
17	069585-29-000	EA	Seat Belt Bar
20	071126-26-B29	EA	Skirt Asm. - Power Seat (B32)
20	071126-26-AF3	EA	Skirt Asm. - Power Seat (B33)
20	071126-26-B31	EA	Skirt Asm. - Power Seat (B34)
21	081373-01-000	EA	Power Control - 6 Way
22	069585-39-000	EA	Top Plate (6 Way Power Seat)
23	069585-37-000	EA	Seat Base (6 Way Power Seat)
	081591-04-000	EA	Wire Asm. (6 Way Power Seat)

## 1991 ITASCA TABLE OF CONTENTS

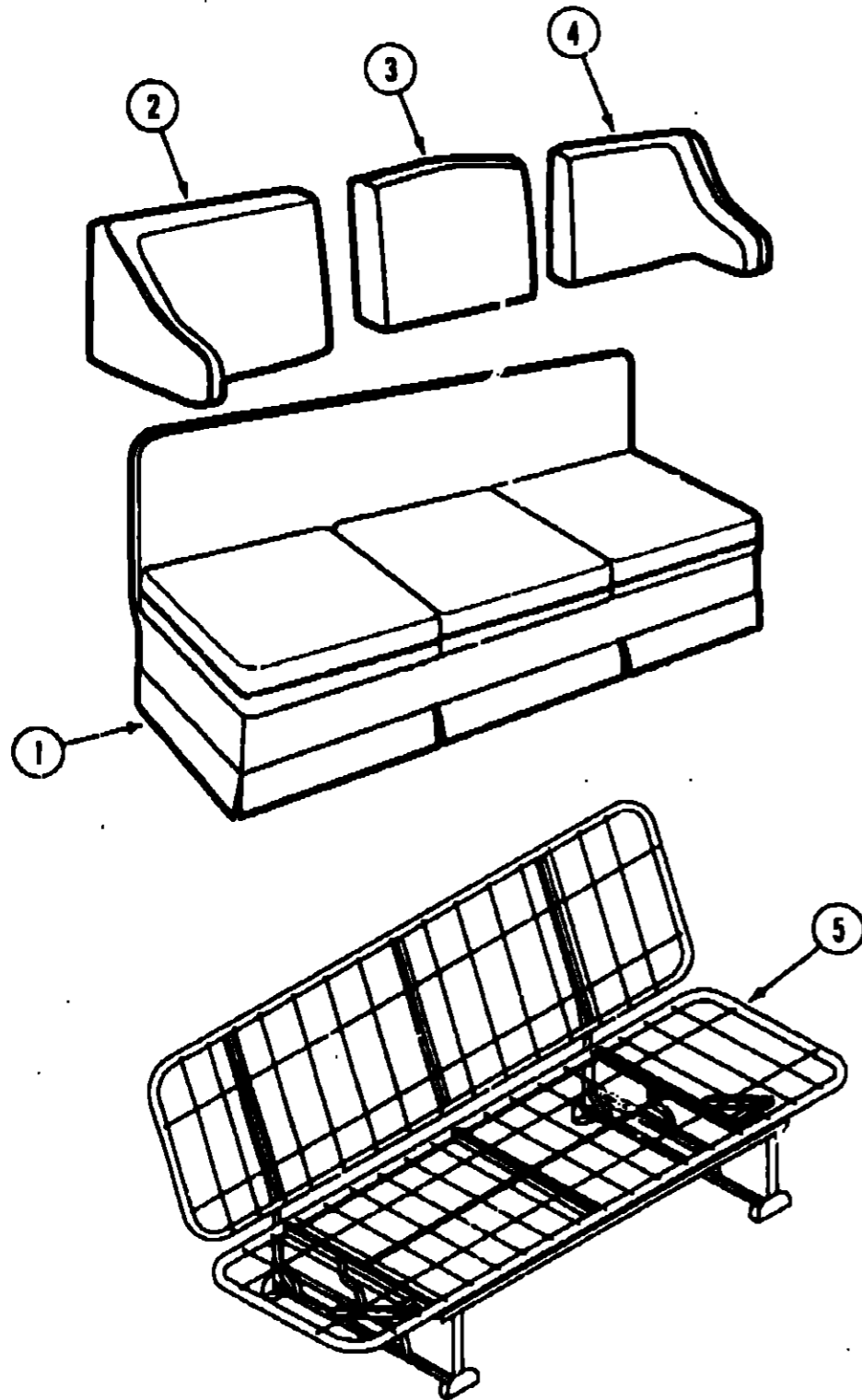
INTRODUCTION	A-01 - A-02
ABBREVIATIONS	A-03
ALPHABETICAL/GROUP REFERENCE	A-04 - A-06
ICM28RQ	A-07 - E-15
IKM40DA	E-17 - I-18

### 1991 ICM28RQ INDEX

Floor Plan	A-09 - A-08
Accessories Group	A-09 - A-11
Bath Group	A-12 - A-13
Bedroom Group	A-14 - A-18
Chassis Group	A-19 - B-06
Curtain, Cushion & Pad Group	B-07 - B-17
Dinette Group	B-18 - B-20
Driver's Compartment Group	B-21 - B-04
Electrical Group	C-05 - C-08
Exterior Body Group	C-09 - C-18
Galley Group	C-17 - C-21
Heating & Air Conditioning Group	C-22 - C-23
Interior Finish Group	C-24 - D-01
Labels Group	D-02 - D-10
LP Group	D-11
Lounge Group	D-12 - D-14
Sealants & Fasteners Group	D-15 - D-18
Water & Sewage Group	D-17 - D-19
Window, Vent & Exterior Door Group	D-20 - E-15

**CURTAIN, CUSHION & PAD GROUP (CONTINUED)**

**SOFA BED**



Key	Part Number	U/M	Description
1	089007-05-B29	EA	Bed - Sofa Seat - w/Skirt (B32)
1	089007-05-B30	EA	Bed - Sofa Seat - w/Skirt (B33)
1	089007-05-B31	EA	Bed - Sofa Seat - w/Skirt (B34)
1	M89007-05-B29	EA	Cover - Sofa Seat - w/Skirt (B32)
1	M89007-05-B30	EA	Cover - Sofa Seat - w/Skirt (B33)
1	M89007-05-B31	EA	Cover - Sofa Seat - w/Skirt (B34)
2	101175-04-B29	EA	Cushion Asm. - Back Pillow w/Armrest (B32)
2	101175-04-B30	EA	Cushion Asm. - Back Pillow w/Armrest (B33)
2	101175-04-B31	EA	Cushion Asm. - Back Pillow w/Armrest (B34)
2	P01175-04-B29	EA	Cover Asm. - Pillow w/Armrest (B32)
2	P01175-04-B30	EA	Cover Asm. - Pillow w/Armrest (B33)
2	P01175-04-B31	EA	Cover Asm. - Pillow w/Armrest (B34)
3	101175-06-B29	EA	Cushion Asm. - Pillow (B32)
3	101175-06-B30	EA	Cushion Asm. - Pillow (B33)
3	101175-06-B31	EA	Cushion Asm. - Pillow (B34)
3	P01175-06-B29	EA	Cover Asm. - Pillow (B32)
3	P01175-06-B30	EA	Cover Asm. - Pillow (B33)
3	P01175-06-B31	EA	Cover Asm. - Pillow (B34)
4	101175-05-B29	EA	Cushion Asm. - Back Pillow w/Armrest (B32)
4	101175-05-B30	EA	Cushion Asm. - Back Pillow w/Armrest (B33)
4	101175-05-B31	EA	Cushion Asm. - Back Pillow w/Armrest (B34)
4	P01175-05-B29	EA	Cover Asm. - Pillow w/Armrest (B32)
4	P01175-05-B30	EA	Cover Asm. - Pillow w/Armrest (B33)
4	P01175-05-B31	EA	Cover Asm. - Pillow w/Armrest (B34)
5	079386-01-000	EA	Frame Asm. - Bed
	079386-02-000	EA	Mounting Hardware - Pullout Bed - Kit
	095567-01-000	EA	Tack Strip - 1/2" x 625' Roll
	007021-01-000	EA	Seat Belt Asm.
	096008-57-000	YD	Sofa Fabric (B32)
	096008-56-000	YD	Sofa Fabric (B33)
	096008-55-000	YD	Sofa Fabric (B34)
	102872-01-000	EA	Strike (CSA)
	102874-01-000	EA	Catch Asm. (CSA)

**1991 ITASCA  
TABLE OF CONTENTS**

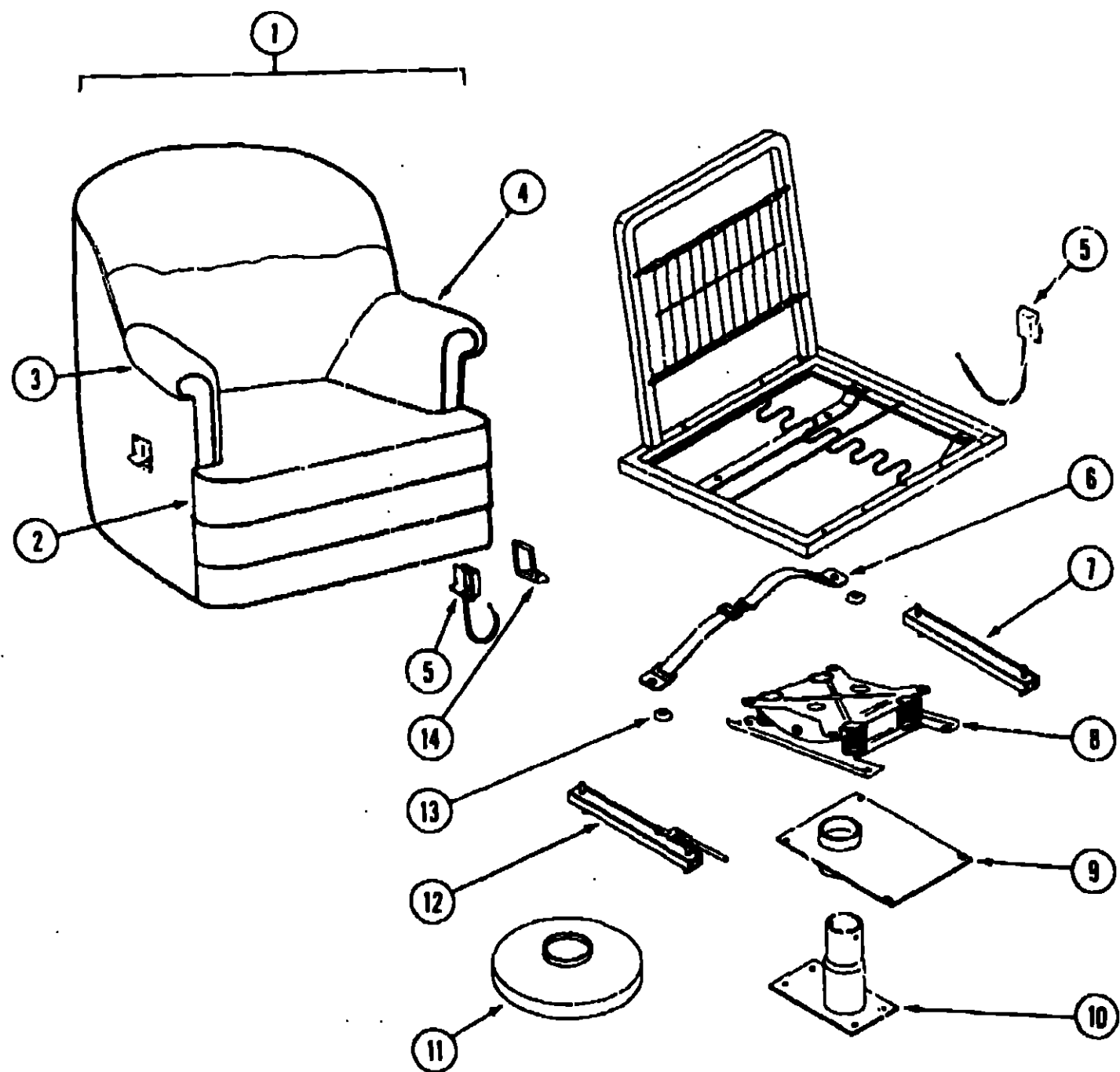
INTRODUCTION	A-01 - A-02
ABBREVIATIONS	A-03
ALPHABETICAL/GROUP REFERENCE	A-04 - A-06
ICM28RQ	A-07 - E-15
IKM40DA	E-17 - I-18

**1991 ICM28RQ INDEX**

Floor Plan	A-09 - A-08
Accessories Group	A-09 - A-11
Bath Group	A-12 - A-13
Bedroom Group	A-14 - A-18
Chassis Group	A-19 - B-08
Curtain, Cushion & Pad Group	B-07 - B-17
Dinette Group	B-18 - B-20
Driver's Compartment Group	B-21 - B-04
Electrical Group	C-05 - C-08
Exterior Body Group	C-09 - C-16
Galley Group	C-17 - C-21
Heating & Air Conditioning Group	C-22 - C-23
Interior Finish Group	C-24 - D-01
Labels Group	D-02 - D-10
LP Group	D-11
Lounge Group	D-12 - D-14
Sealants & Fasteners Group	D-15 - D-16
Water & Sewage Group	D-17 - D-19
Window, Vent & Exterior Door Group	D-20 - E-15

**CURTAIN, CUSHION & PAD GROUP (CONTINUED)**

**SWIVEL CHAIR**



Key	Part Number	U/M	Description
1	101178-02-B29	EA	Chair Asm. (B32)
1	101178-02-B30	EA	Chair Asm. (B33)
1	101178-02-B31	EA	Chair Asm. (B34)
1	P01178-02-B29	EA	Cover Asm. (B32)
1	P01178-02-B30	EA	Cover Asm. (B33)
1	P01178-02-B31	EA	Cover Asm. (B34)
2	102754-02-B29	EA	Seat Cushion Asm. (B32)
2	102754-02-B30	EA	Seat Cushion Asm. (B33)
2	102754-02-B31	EA	Seat Cushion Asm. (B34)
2	P02754-02-B29	EA	Cushion Cover (B32)
2	P02754-02-B30	EA	Cushion Cover (B33)
2	P02754-02-B31	EA	Cushion Cover (B34)
3	P01178-25-B29	EA	Armrest Cover - Right (B32)
3	P01178-25-B30	EA	Armrest Cover - Right (B33)
3	P01178-25-B31	EA	Armrest Cover - Right (B34)
4	P01178-26-B29	EA	Armrest Cover - Left (B32)
4	P01178-26-B30	EA	Armrest Cover - Left (B33)
4	P01178-26-B31	EA	Armrest Cover - Left (B34)
5	089368-04-000	EA	Cable - Remote Slide or Swivel
6	007021-01-000	EA	Seat Belt Asm.
7	069246-02-000	EA	Seat Slide Asm. - w/o Lock
	069246-05-700	EA	Spring - Remote Adjuster
	069246-05-701	EA	Clip - Cable Asm.
8	101187-01-000	EA	Rocker Asm.
9	093481-05-000	EA	Seat Top Plate
10	093481-01-000	EA	Seat Base
11	093482-01-000	EA	Seat Base Co.
12	069246-05-000	EA	Seat Slide Asm. - w/Lock
13	007221-01-000	EA	Washer - Coned
14	097683-03-000	EA	Cable Bracket
	087330-01-000	EA	Stop Bracket - Slide Track
	086008-62-000	YD	Chair Fabric (B32)
	096008-31-000	YD	Chair Fabric (B33)
	096008-61-000	YD	Chair Fabric (B34)

**1991 ITASCA  
TABLE OF CONTENTS**

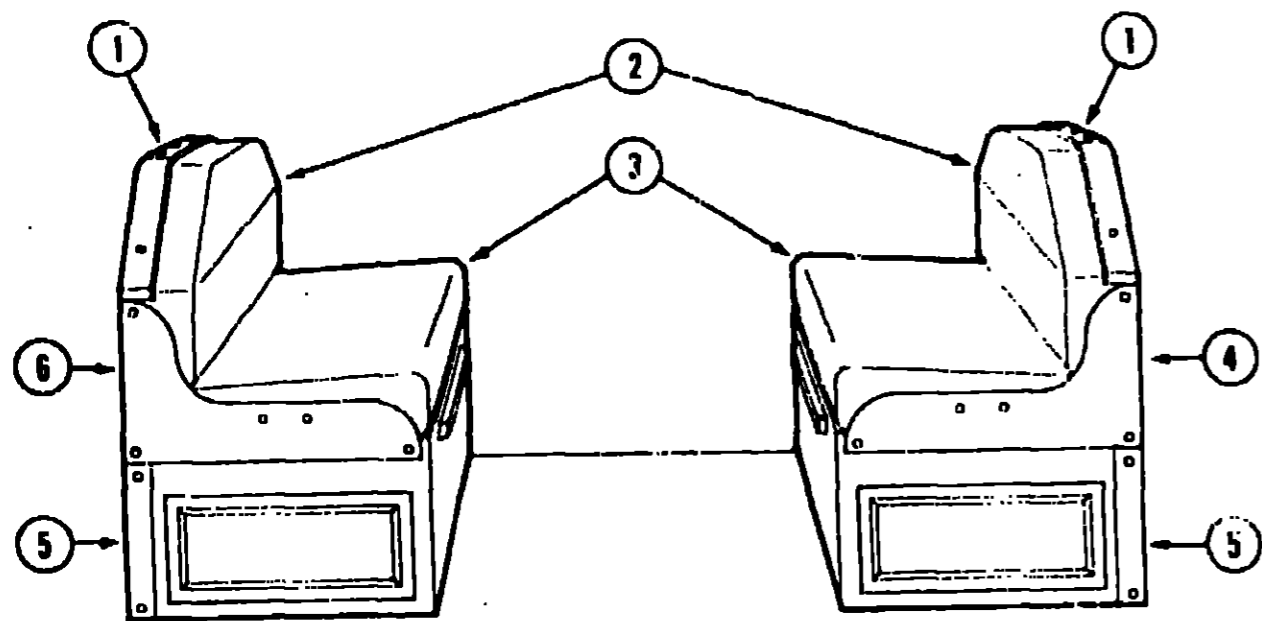
INTRODUCTION	A-01 - A-02
ABBREVIATIONS	A-03
ALPHABETICAL/GROUP REFERENCE	A-04 - A-06
ICM28RQ	A-07 - E-15
IKM40DA	E-17 - I-18

**1991 ICM28RQ INDEX**

Floor Plan	A-09 - A-08
Accessories Group	A-09 - A-11
Bath Group	A-12 - A-13
Bedroom Group	A-14 - A-18
Chassis Group	A-19 - B-06
Curtain, Cushion & Pad Group	B-07 - B-17
Dinette Group	B-18 - B-20
Driver's Compartment Group	B-21 - B-34
Electrical Group	C-05 - C-08
Exterior Body Group	C-09 - C-16
Galley Group	C-17 - C-21
Heating & Air Conditioning Group	C-22 - C-23
Interior Finish Group	C-24 - D-01
Labels Group	D-02 - D-10
LP Group	D-11
Lounge Group	D-12 - D-14
Sealants & Fasteners Group	D-15 - D-16
Water & Sewage Group	D-17 - D-19
Window, Vent & Exterior Door Group	D-20 - E-15



**CURTAIN, CUSHION & PAD GROUP (CONTINUED)**



**DINETTE**

Key	Part Number	U/M	Description
1	098454-01-B29	EA	Pad Asm. - Dinette (B32)
1	098454-01-B30	EA	Pad Asm. - Dinette (B33)
1	098454-01-B31	EA	Pad Asm. - Dinette (B34)
2	088927-80-B29	EA	Cushion Asm. - Dinette - Seat Back (B32)
2	088927-80-B30	EA	Cushion Asm. - Dinette - Seat Back (B33)
2	088927-80-B31	EA	Cushion Asm. - Dinette - Seat Back (B34)
2	M88927-80-B29	EA	Cover Asm. - Dinette Cushion - Seat Back (B32)
2	M88927-80-B30	EA	Cover Asm. - Dinette Cushion - Seat Back (B33)
2	M88927-80-B31	EA	Cover Asm. - Dinette Cushion - Seat Back (B34)
3	088927-87-B29	EA	Cushion Asm. - Dinette - Seat (B32)
3	088927-87-B30	EA	Cushion Asm. - Dinette - Seat (B33)
3	088927-87-B31	EA	Cushion Asm. - Dinette - Seat (B34)
3	M88927-87-B29	EA	Cover Asm. - Dinette Cushion - Seat (B32)
3	M88927-87-B30	EA	Cover Asm. - Dinette Cushion - Seat (B33)
3	M88927-87-B31	EA	Cover Asm. - Dinette Cushion - Seat (B34)
4	098432-02-B29	EA	Arm Pad - Right Side (B32)
4	098432-02-B30	EA	Arm Pad - Right Side (B33)
4	098432-02-B31	EA	Arm Pad - Right Side (B34)
5	098433-01-B29	EA	Pad Asm. - Dinette (B32)
5	098433-01-B30	EA	Pad Asm. - Dinette (B33)
5	098433-01-B31	EA	Pad Asm. - Dinette (B34)
6	098432-01-B29	EA	Arm Pad - Left Side (B32)
6	098432-01-B30	EA	Arm Pad - Left Side (B33)
6	098432-01-B31	EA	Arm Pad - Left Side (B34)
	070578-01-B29	EA	Button - Screw Stud - #30 (B32)
	070578-01-AF3	EA	Button - Screw Stud - #30 (B33)
	070578-01-B31	EA	Button - Screw Stud - #30 (B34)
	096008-57-000	YD	Dinette Main Fabric (B32)
	096008-56-000	YD	Dinette Main Fabric (B33)
	096008-55-000	YD	Dinette Main Fabric (B34)
	096008-62-000	YD	Dinette Fabric - Plain Accent (B32)
	096008-31-000	YD	Dinette Fabric - Plain Accent (B33)
	096008-61-000	YD	Dinette Fabric - Plain Accent (B34)
	078155-01-000	EA	Strap Asm. - Cushion

**CURTAIN, CUSHION & PAD GROUP (CONTINUED)**

**FRONT CURTAINS & ACCESSORIES**

Key	Part Number	U/M	Description
	073260-42-B07	EA	Tieback - 6" x 15" - Left or Right Side (B32)
	073260-42-B09	EA	Tieback - 6" x 18" - Left or Right Side (B33, B34)
	097994-06-B10	EA	Curtain - Front Wraparound - Driver Side - 37" x 40" (B32)
	097994-06-B40	EA	Curtain - Front Wraparound - Driver Side - 37" x 40" (B33, B34)
	094856-07-01A	EA	Front Wraparound Track - Driver Side (Gray)
	094856-07-02A	EA	Front Wraparound Track - Driver Side (Off White)
	101589-01-B03	EA	Front Wraparound Track - Passenger Side (Gray)
	101589-01-B04	EA	Front Wraparound Track - Passenger Side (Off White)
	009701-01-000	EA	Roller Carrier - Wraparound Curtain
	009702-01-000	EA	End Stop - Roller Carrier
	097625-01-000	EA	Drapery Hook
	097994-07-B10	EA	Curtain - Front Wraparound - Passenger Side - 35" x 125" (B32)
	097994-07-B40	EA	Curtain - Front Wraparound - Passenger Side - 35" x 125" (B33, B34)
	088792-01-000	EA	Velcro - 5/8" Hook - Non-Adhesive
	088792-02-000	EA	Velcro - 3/4" Loop - Adhesive
	072333-77-000	YD	Curtain Fabric (B32)
	072333-76-000	YD	Curtain Fabric (B33, B34)



**MISCELLANEOUS**

Key	Part Number	U/M	Description
1	029130-01-000	EA	Socket - Snap Fastener - 7 x 5/8"
2	029155-01-000	EA	Cap - Snap
3	029156-01-000	EA	Socket - Snap Fastener
4	029092-01-000	EA	Stud - Nickel Finish
5	029093-01-000	EA	Eyelet - Nickel Finish
	070578-02-B29	EA	Button Screw - Vinyl Covered
	071632-01-000	EA	Hamper Bag - w/Elastic - 49"
	075943-01-000	EA	Valance Brace - Beige
	053552-02-AA8	EA	Assist Strap - Interior
	078245-01-000	EA	Boot - Steering Column
	029094-04-000	YD	Velcro Tape - Loop - 1" - Black
	029096-03-000	YD	Velcro Tape - Hook - 1" - Black

**FRONT BUNK CUSHION**

Key	Part Number	U/M	Description
	079145-06-000	EA	Cushion Asm. - Front Bunk - 30" x 78"
	M79145-06-000	EA	Cover Asm. - Front Bunk
	079970-01-000	YD	Mattress Tape - 5/8"

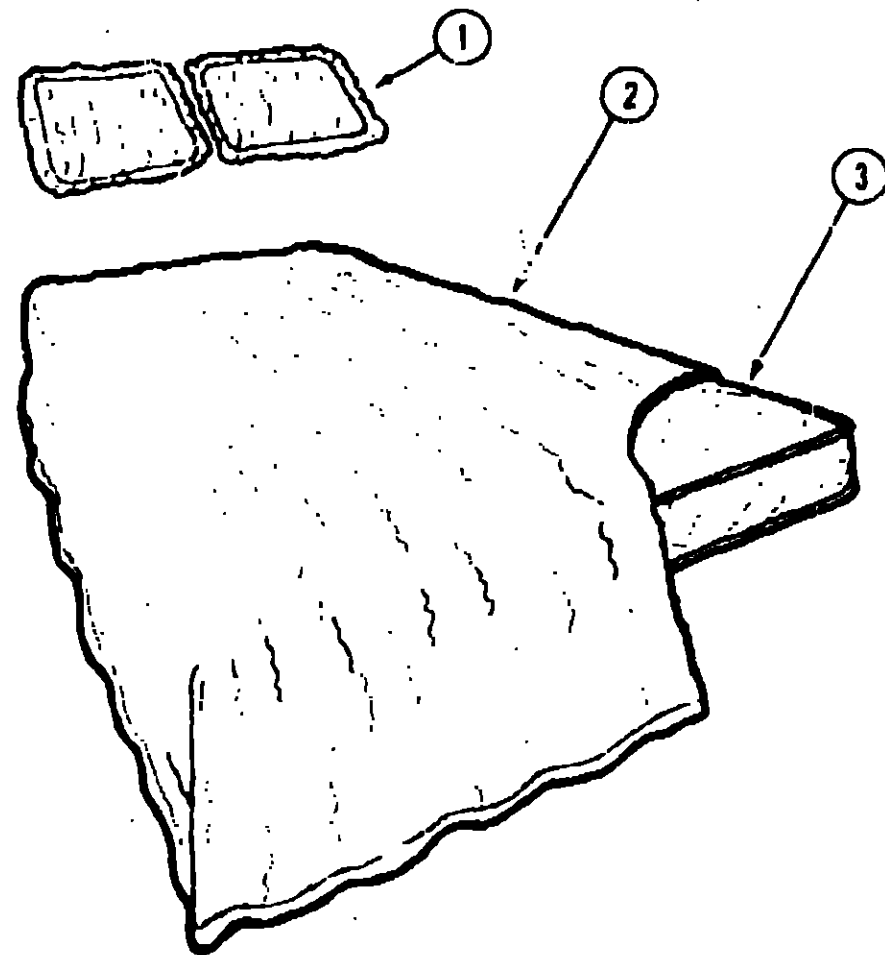
**1991 ITASCA  
TABLE OF CONTENTS**

INTRODUCTION	A-01 - A-02
ABBREVIATIONS	A-03
ALPHABETICAL/GROUP REFERENCE	A-04 - A-06
ICM28RQ	A-07 - E-15
IKM40DA	E-17 - I-18

**1991 ICM28RQ INDEX**

Floor Plan	A-09 - A-08
Accessories Group	A-09 - A-11
Bath Group	A-12 - A-13
Bedroom Group	A-14 - A-18
Chairs Group	A-19 - B-08
Curtain, Cushion & Pad Group	B-07 - B-17
Dinette Group	B-18 - B-20
Driver's Compartment Group	B-21 - B-24
Electrical Group	C-05 - C-08
Exterior Body Group	C-09 - C-16
Galley Group	C-17 - C-21
Heating & Air Conditioning Group	C-22 - C-23
Interior Finish Group	C-24 - D-01
Labels Group	D-02 - D-10
LP Group	D-11
Lounge Group	D-12 - D-14
Sealants & Fasteners Group	D-15 - D-18
Water & Sewage Group	D-17 - D-19
Window, Vent & Exterior Door Group	D-20 - E-15

**CURTAIN, CUSHION & PAD GROUP (CONTINUED)**



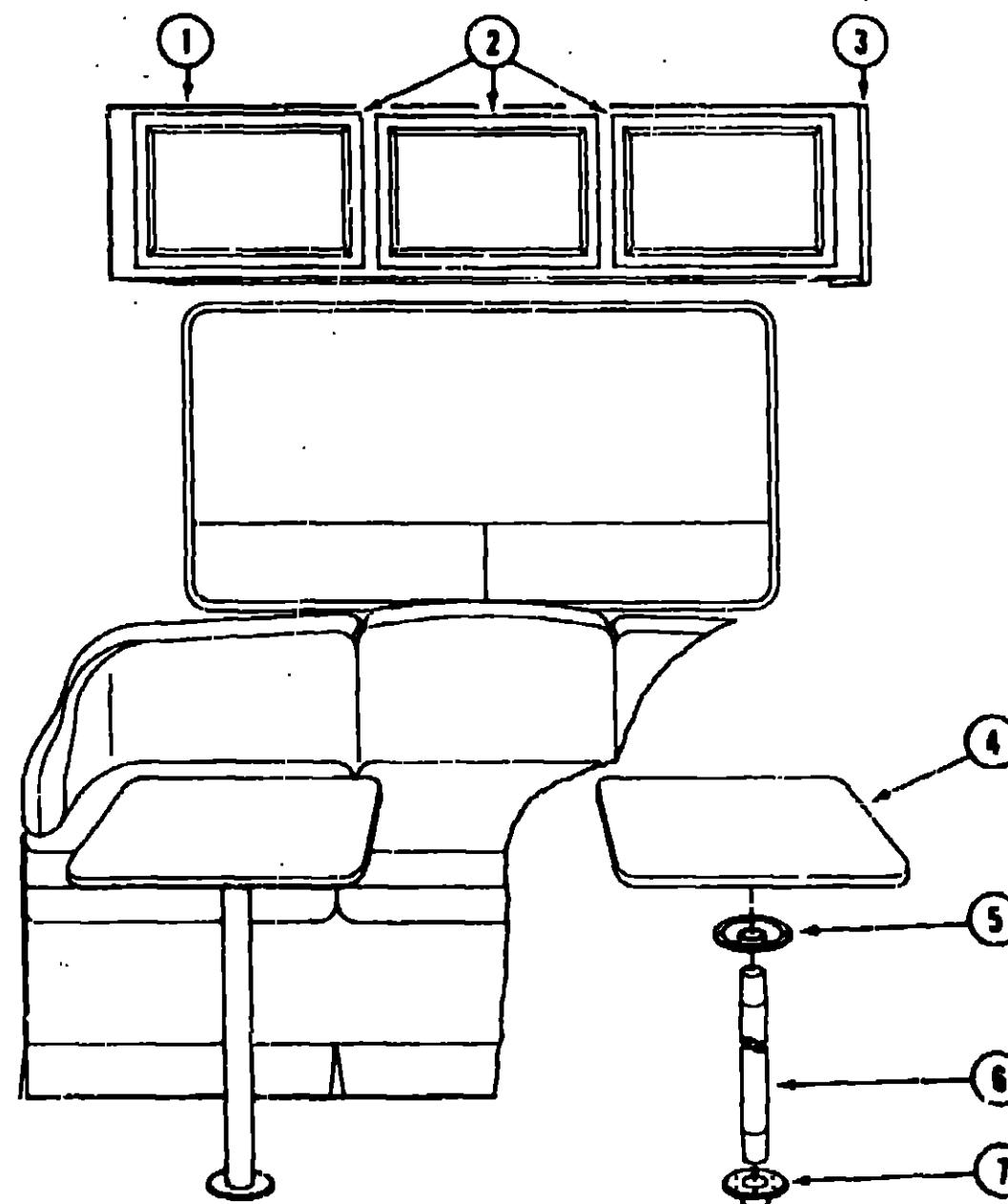
**QUEEN BED**

Key	Part Number	U/M	Description
1	102161-01-B29	EA	Pillow Sham - w/Ruffle - Open Back (B32)
1	102161-01-B30	EA	Pillow Sham - w/Ruffle - Open Back (B33)
1	102161-01-B31	EA	Pillow Sham - w/Ruffle - Open Back (B34)
1	081997-07-B35	EA	Cover - Pillow Sham (B32)
1	081997-07-B36	EA	Cover - Pillow Sham (B33)
1	081977-07-B37	EA	Cover - Pillow Sham (B34)
2	085365-09-B32	EA	Bedsread Asm. - Fitted
2	085365-09-B33	EA	Bedsread Asm. - Fitted
2	085365-09-B34	EA	Bedsread Asm. - Fitted
3	098176-07-000	EA	Mattress - Innerspring - 59" x 74" x 7.75"
	088273-53-000	YD	Bedsread Fabric (B32)
	088273-55-000	YD	Bedsread Fabric (B33)
	088273-54-000	YD	Bedsread Fabric (B34)

**TWIN BED**

Key	Part Number	U/M	Description
1	102161-01-B29	EA	Pillow Sham - w/Ruffle - Open Back (B32)
1	102161-01-B30	EA	Pillow Sham - w/Ruffle - Open Back (B33)
1	102161-01-B31	EA	Pillow Sham - w/Ruffle - Open Back (B34)
2	085365-07-B29	EA	Bedsread Asm. - Fitted - 33" x 75" (B32)
2	085365-07-B30	EA	Bedsread Asm. - Fitted - 33" x 75" (B33)
2	085365-07-B31	EA	Bedsread Asm. - Fitted - 33" x 75" (B34)
3	098176-01-000	EA	Mattress - Innerspring - 32" x 75" x 7.75"

**DINETTE GROUP**



**SOFA DINETTE & OVERHEAD CABINERY**

Key	Part Number	U/M	Description
1	M05019-20-B32	EA	Cabinet Asm. - Dinette Overhead - w/o Doors
2	P00523-11-B29	EA	Door Asm. - Dinette Overhead - w/o Hardware
3	081325-03-B32	EA	End Cap Asm. (Overhead)
4	081298-01-B05	EA	Table Asm.
5	009040-03-000	EA	Raised Table Base
6	009040-06-000	EA	Pedestal Leg
7	041194-01-000	EA	Base - Table Leg
	062046-01-000	EA	Clip - Pedestal Leg
	076840-01-000	EA	Hold Down Cord - 24"
	077968-01-000	EA	Retainer - Hold Down Cord

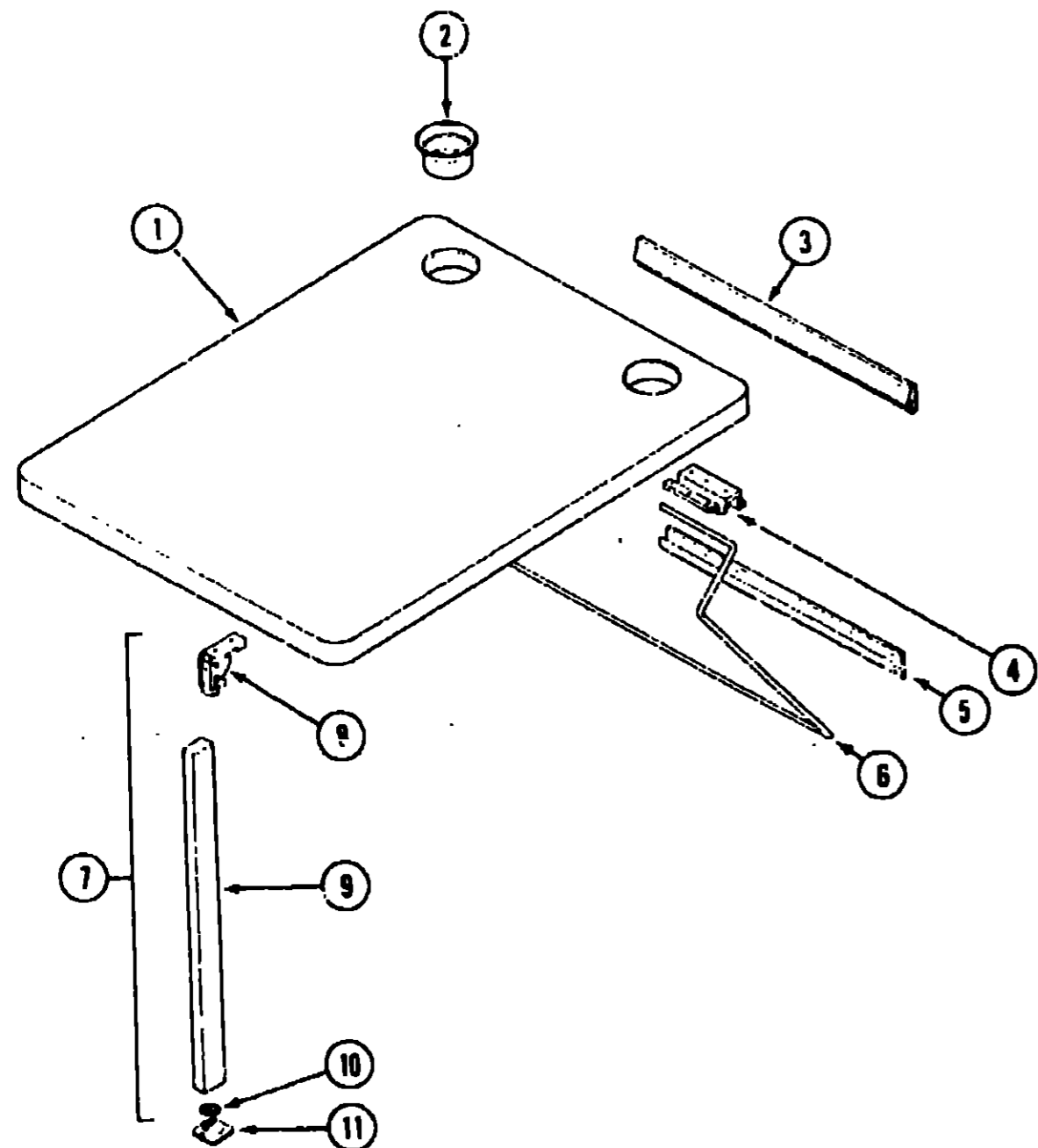
**1991 ITASCA  
TABLE OF CONTENTS**

INTRODUCTION	A-01 - A-02
ABBREVIATIONS	A-03
ALPHABETICAL/GROUP REFERENCE	A-04 - A-06
ICM28RQ	A-07 - E-15
IKM40DA	E-17 - I-18

**1991 ICM28RQ INDEX**

Floor Plan	A-09 - A-08
Accessories Group	A-09 - A-11
Bath Group	A-12 - A-13
Bedroom Group	A-14 - A-18
Chassis Group	A-19 - B-06
Curtain, Cushion & Pad Group	B-07 - B-17
Dinette Group	B-18 - B-20
Driver's Compartment Group	B-21 - B-04
Electrical Group	C-05 - C-08
Exterior Body Group	C-09 - C-16
Galley Group	C-17 - C-21
Heating & Air Conditioning Group	C-22 - C-23
Interior Finish Group	C-24 - D-01
Labels Group	D-02 - D-10
LP Group	D-11
Lounge Group	D-12 - D-14
Sealants & Fasteners Group	D-15 - D-16
Water & Sewage Group	D-17 - D-19
Window, Vent & Exterior Door Group	D-20 - E-15

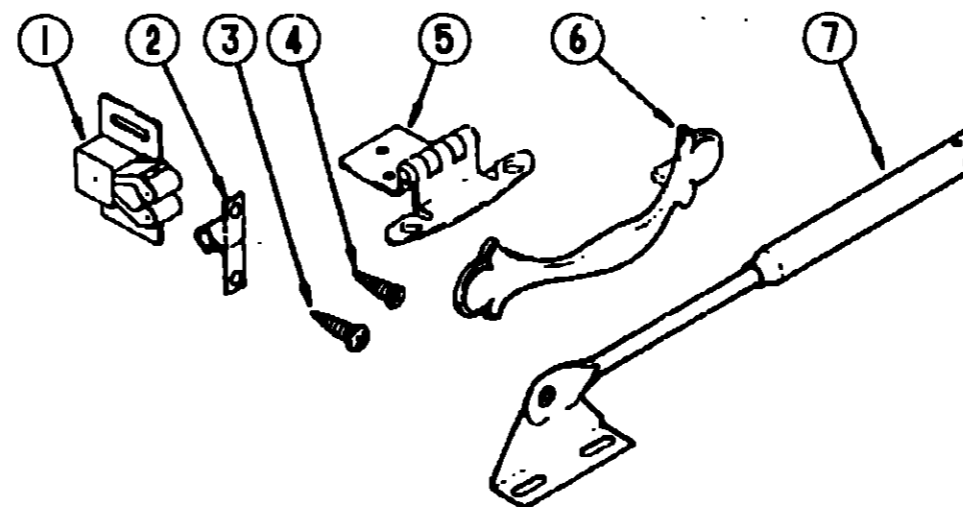
**DINETTE GROUP (CONTINUED)**



**DINETTE TABLE**

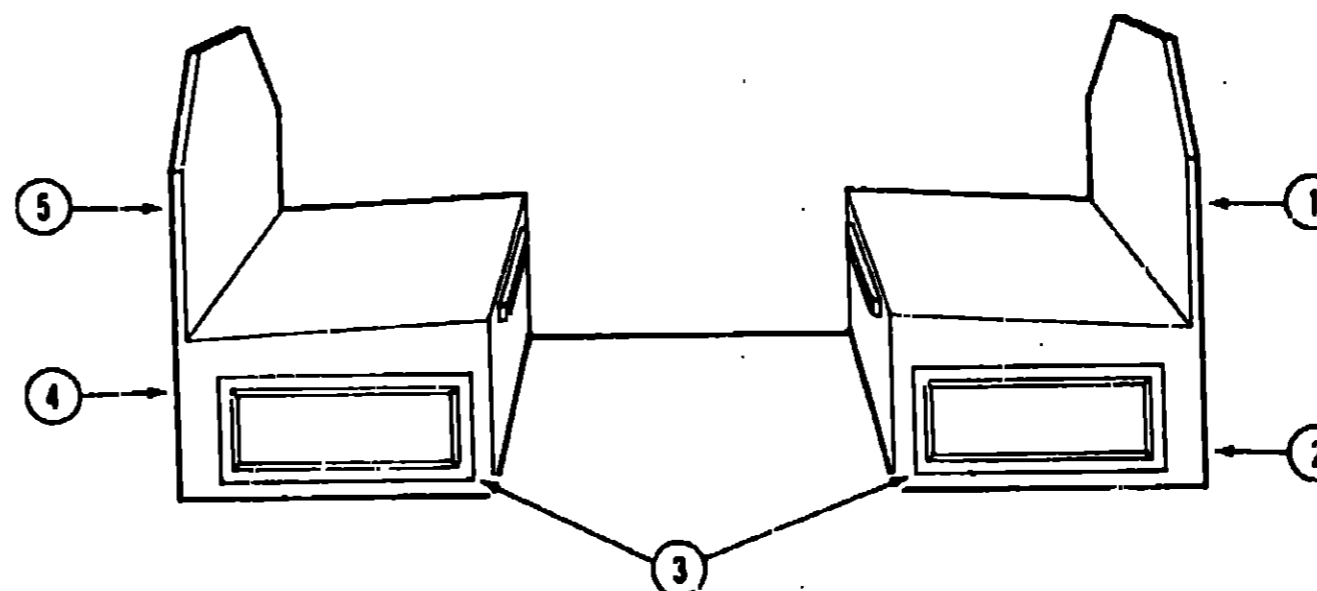
Key	Part Number	U/M	Description
1	M02115-09-B03	EA	Table Top - Dinette - w/o Edge Band
	004354-01-000	EA	Bumper - 1/8" x 1/2" - Brown
	076325-28-000	EA	Molding - Edge Band
2	064781-05-000	EA	Cup Holder - Beige
3	053200-05-000	EA	Bracket - Upper Wall Mount - 23.5" - Beige
4	068410-01-000	EA	Bracket - Table Mount - 23" - Beige
5	024281-07-000	EA	Bracket - Lower Wall Mount - 22.12" - Beige
6	024275-05-000	EA	Rod - Table Lift - 8" x 23.5" - Beige
7	092708-01-Y15	EA	Leg Asm. - Table
8	093550-01-000	EA	Bracket - Table Leg - Folding
9	092707-01-01A	EA	Table Leg - Regal Oak
10	092593-01-04A	EA	Catch - Table Leg - Tan
11	049493-08-000	EA	Floor Catch - Table Leg - Tan
	000G11-10-12R	EA	Screw - 10 - 16 x 3/4" PPH - Beige

**DINETTE GROUP (CONTINUED)**



**CABINET HARDWARE (DOORS & CABINETS)**

Key	Part Number	U/M	Description
1	093586-03-000	EA	Roller Catch (Doors)
2	093586-04-000	EA	Steel Strike (Doors)
3	000G68-06-10G	EA	Screw - #8 - 18 x .625" POH - Antique Brass - Hinge to Door
4	000G13-06-10G	EA	Screw - #6 - 20 x .625" PFH - Antique Brass - Hinge to Cabinet
5	059777-02-000	EA	Hinge - Burnished Brass
6	100273-01-000	EA	Pull Handle
7	074493-02-000	EA	Door Support



**DINETTE CABINERY**

Key	Part Number	U/M	Description
1	M04074-01-B32	EA	Cabinet Asm. - Seat Back - Right - w/o Pad
2	M04065-01-B32	EA	Cabinet Asm. - Seat Back - Right - w/o Door
3	P00523-10-B22	EA	Door Asm. - Dinette Seat - w/o Hardware
4	M04065-01-B32	EA	Cabinet Asm. - Seat Base - Left - w/o Door
5	M04064-01-B32	EA	Cabinet Asm. - Seat Back - Left - w/o Pad

**1991 ITASCA  
TABLE OF CONTENTS**

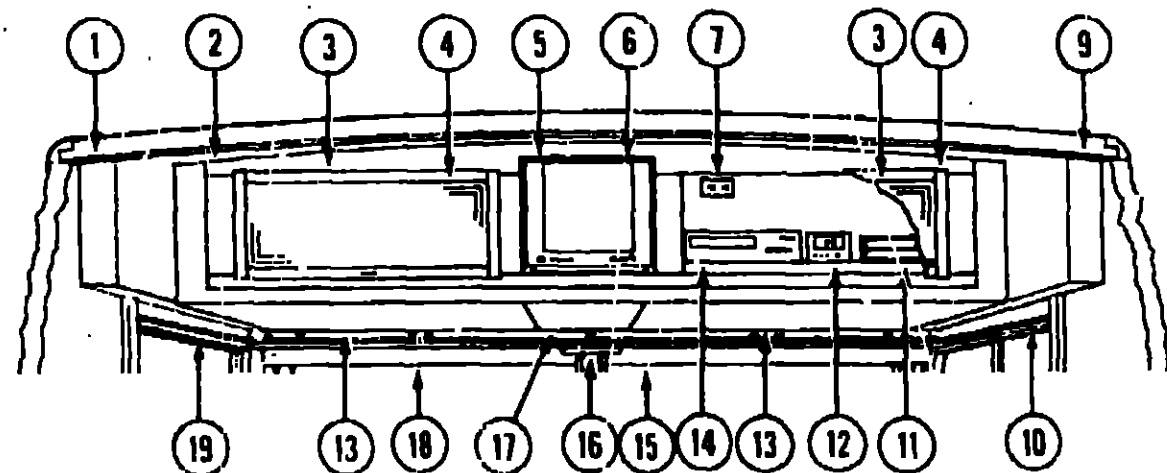
INTRODUCTION	A-01 - A-02
ABBREVIATIONS	A-03
ALPHABETICAL/GROUP REFERENCE	A-04 - A-06
ICM28RC	A-07 - E-15
IKM40DA	E-17 - I-18

**1991 ICM28RQ INDEX**

Floor Plan	A-09 - A-08
Accessories Group	A-09 - A-11
Bath Group	A-12 - A-13
Bedroom Group	A-14 - A-18
Chassis Group	A-19 - B-06
Curtain, Cushion & Pad Group	B-07 - B-17
Dinette Group	B-18 - B-20
Driver's Compartment Group	B-21 - B-04
Electrical Group	C-05 - C-08
Exterior Body Group	C-09 - C-16
Galley Group	C-17 - C-21
Heating & Air Conditioning Group	C-22 - C-23
Interior Finish Group	C-24 - D-01
Labels Group	D-02 - D-10
LP Group	D-11
Lounge Group	D-12 - D-14
Sealants & Fasteners Group	D-15 - D-18
Water & Sewage Group	D-17 - D-19
Window, Vent & Exterior Door Group	D-20 - E-15

## DRIVER'S COMPARTMENT GROUP

### UPPER DRIVER'S COMPARTMENT COMPONENTS



Key	Part Number	U/M	Description
1	101286-02-B32	EA	Pad Asm. - End Cap - Driver - Gray - w/o Bunk
1	101286-02-B11	EA	Pad Asm. - End Cap - Driver - Off White - w/o Bunk
2	101277-01-B32	EA	Cabinet Asm. - Front Overhead - Face Only
3	P00523-86-B32	EA	Door Asm. - Front Overhead - Driver & Passenger - w/o Hardware
	000G13-06-10G	EA	Screw - #6 - 20 x .625" PFH - Antique Brass
	059777-02-000	EA	Hinge - Burnished Brass
	100273-01-000	EA	Door Pull - Brass
	074493-02-00G	EA	Support - Door
	083204-03-000	EA	Mirror Retaining Clip
4	101346-01-000	EA	Door Insert - Glass
5	P00523-84-B29	EA	Door Asm. - Front Overhead - Center - w/o Hardware
	000G13-06-10G	EA	Screw - #6 - 20 x .625 PFH - Antique Brass
	059777-02-000	EA	Hinge - Burnished Brass
	100273-01-000	EA	Door Pull - Brass
	074493-02-000	EA	Support - Door
6	098447-01-000	EA	Color TV - 13" - w/Remote - Magnavox RX4029WA (US)
6	098447-02-000	EA	Color TV - 13" - w/Remote - Magnavox XK4029CH (CSA)
6	098447-01-700	EA	TV Remote (For Magnavox RX4029WA, XK4029CH)
6	098447-03-000	EA	Color TV - 13" - w/Remote - Magnavox RR1337W (US)
6	098447-04-000	EA	Color TV - 13" - w/Remote - Magnavox RR1330W (CSA)
6	098447-03-700	EA	TV Remote (For Magnavox RR1337W, RR1330W)
	101278-01-000	EA	Shell Asm. - TV
	099717-01-000	EA	Tiedown Asm. - TV (Rear)
	099717-02-000	EA	Tiedown Asm. - TV (Front)
	085774-01-000	EA	Velcro - 1" Wide - Loop
	085774-02-000	EA	Velcro - 1" Wide - Hook
7	058708-02-000	EA	Duplex Receptacle
	075319-08-000	EA	Wallplate - Duplex Receptacle - Ivory
9	101286-01-B10	EA	Pad Asm. - End Cap - Passenger - Gray - w/o Bunk
9	101286-01-B11	EA	Pad Asm. - End Cap - Passenger - Off White - w/o Bunk
10	101589-01-B03	EA	Track - Wraparound Curtain - Passenger - Gray
10	101589-01-B04	EA	Track - Wraparound Curtain - Passenger - Off White
11	086757-02-000	EA	Control Center - Switch - Magnadyne YCS-F
12	099048-01-000	EA	Inverter - 100 Watt
13	P01282-01-B10	EA	Shell - Cabinet Base - Passenger or Driver - Gray
13	P01282-01-B11	EA	Shell - Cabinet Base - Passenger or Driver - Off White
14	098446-01-000	EA	VCR - VHS - Cable Ready - w/Remote - Magnavox VR9615AT
14	098446-02-000	EA	VCR - VHS - Cable Ready - w/Remote - Magnavox VR9912
14	098446-03-000	EA	VCR - VHS - Cable Ready - w/Remote - Magnavox VR9010
	098446-01-700	EA	VCR Remote (For Magnavox VR9615AT)
	098446-02-700	EA	VCR Remote (For Magnavox VR9912)
	098446-03-700	EA	VCR Remote (For Magnavox VR9010)
	100676-01-000	EA	VCR Stand
15	078579-03-000	EA	Windshield Trim - Upper Passenger - Inner - Gray
15	078579-05-000	EA	Windshield Trim - Upper Passenger - Inner - Tan
16	086280-01-000	EA	Surface Mount Light - 12 Volt
	086280-01-700	EA	Bulb - 12 Volt - 6 Watt
17	P01903-01-B10	EA	Shell - Cabinet Base - Center - Gray
17	P01903-01-B11	EA	Shell - Cabinet Base - Center - Off White
18	078579-04-000	EA	Windshield Trim - Upper Driver - Inner - Gray
18	078579-06-01A	EA	Windshield Trim - Upper Driver - Inner - Tan
19	094856-07-01A	EA	Track - Wraparound Curtain - Driver - Gray
19	094856-07-02A	EA	Track - Wraparound Curtain - Driver - Off White
	078811-05-B03	EA	Pad Asm. - Trim - Header - Lower - Gray
	078811-05-B11	EA	Pad Asm. - Trim - Header - Lower - Tan

## 1991 ITASCA TABLE OF CONTENTS

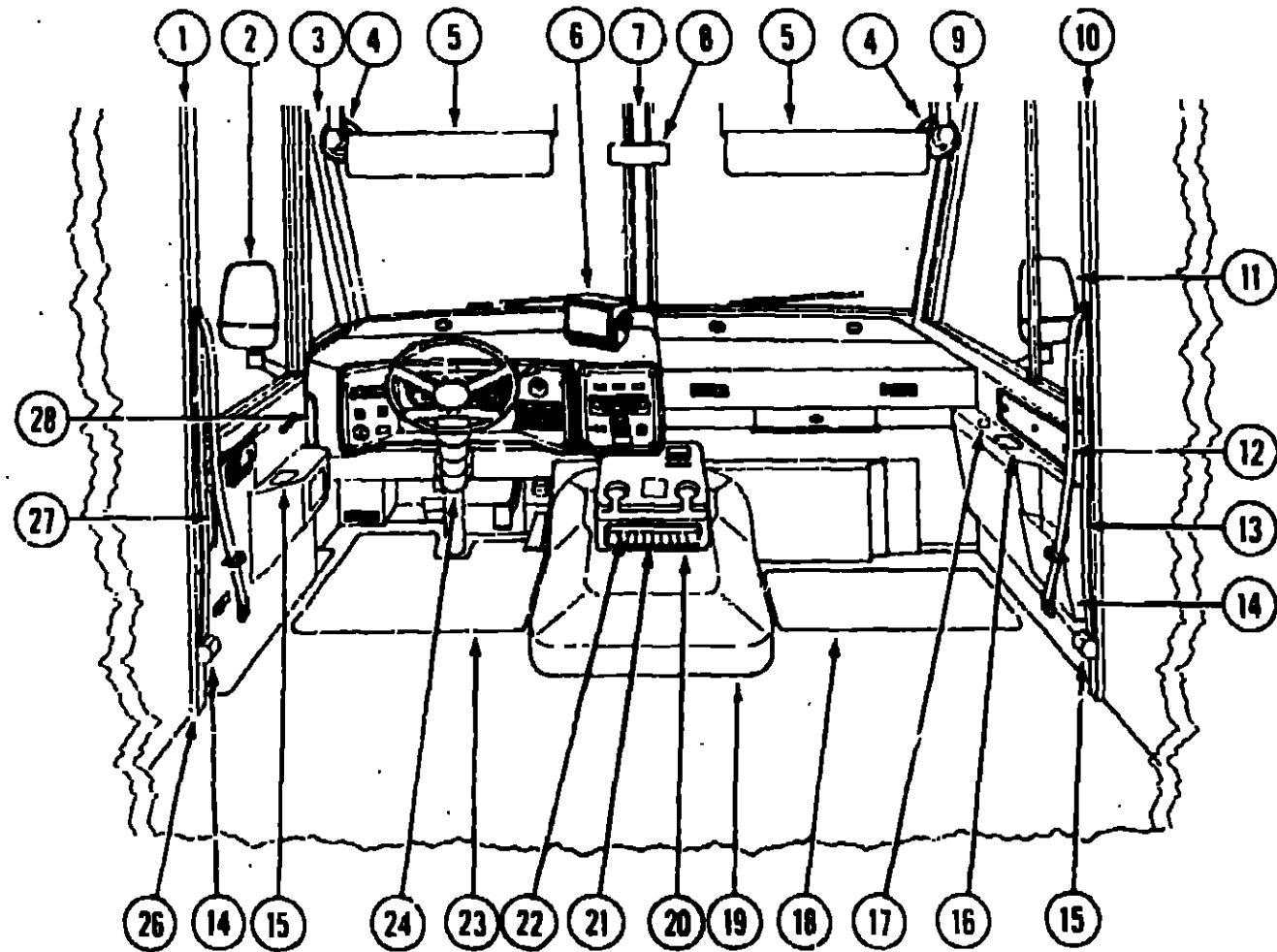
INTRODUCTION	A-01 - A-02
ABBREVIATIONS	A-03
ALPHABETICAL/GROUP REFERENCE	A-04 - A-06
ICM28RQ	A-07 - E-15
IKM40DA	E-17 - I-18

## 1991 ICM28RQ INDEX

Floor Plan	A-09 - A-08
Accessories Group	A-09 - A-11
Bath Group	A-12 - A-13
Bedroom Group	A-14 - A-18
Chassis Group	A-19 - B-06
Curtain, Cushion & Pad Group	B-07 - B-17
Dinette Group	B-18 - B-20
Driver's Compartment Group	B-21 - B-04
Electrical Group	C-05 - C-08
Exterior Body Group	C-09 - C-16
Galley Group	C-17 - C-21
Heating & Air Conditioning Group	C-22 - C-23
Interior Finish Group	C-24 - D-01
Labels Group	D-02 - D-10
LP Group	D-11
Lounge Group	D-12 - D-14
Sealants & Fasteners Group	D-15 - D-16
Water & Sewage Group	D-17 - D-19
Window, Vent & Exterior Door Group	D-20 - E-15

## DRIVER'S COMPARTMENT GROUP (CONTINUED)

### LOWER DRIVER'S COMPARTMENT COMPONENTS



Key	Part Number	U/M	Description
1	024700-37-000	EA	Roll Bar Cover - Driver - Upper - Gray
1	024700-40-000	EA	Roll Bar Cover - Driver Upper - Off White
2	086280-02-000	EA	Mirror Asm. - w/Convex - Driver
2	086280-05-000	EA	Mirror Asm. - w/Convex - Electrically Controlled & Heated - Driver
3	079206-08-000	EA	Windshield Trim - Driver - Inner - Gray
3	079206-10-000	EA	Windshield Trim - Driver - Inner - Black
4	036420-02-000	EA	Defroster Fan - 3" Dia. - 2 Speed (Option 36N)
5	082286-05-Y35	EA	Sunvisor Asm. - Gray
5	082286-05-B07	EA	Sunvisor Asm. - Off White
	007211-01-000	EA	Hinge - Sunvisor
	074012-01-000	EA	Clip - Sunvisor - Square Pinch On
	102377-01-000	EA	Bracket
6	093040-01-701	EA	Monitor - w/Bracket - Rear Viewing System
7	079765-03-000	EA	Windshield Trim - Center - Inner - Gray
7	079765-05-000	EA	Windshield Trim - Center - Inner - Tan
11	040714-01-000	EA	Mirror - Inside Rear View
9	079206-07-000	EA	Windshield Trim - Passenger - Inner - Gray
9	079206-09-000	EA	Windshield Trim - Passenger - Inner - Black
10	024700-35-000	EA	Roll Bar Cover - Passenger - Gray
10	024700-39-000	EA	Roll Bar Cover - Passenger - Off White
11	086280-01-000	EA	Mirror Asm. - w/Convex - Passenger
11	086280-04-000	EA	Mirror Asm. - w/Convex - Electrically Controlled & Heated - Passenger
12	059414-07-000	EA	Pad Asm. - Passenger Sidewall - 3 Button - Gray
12	059414-08-000	EA	Pad Asm. - Passenger Sidewall - 3 Button - Tan
13	072811-03-000	EA	Side Panel - Passenger Sidewall - Plastic - Gray
13	072811-04-000	EA	Side Panel - Passenger Sidewall - Plastic - Tan
14	059467-04-B25	EA	Pad Asm. - Map Pocket - Gray
14	059467-04-B10	EA	Pad Asm. - Map Pocket - Tan
15	091990-C1-01A	EA	Seat Belt - 3 Point - Black
16	046886-03-000	EA	Ash Tray - Chrome
17	064781-01-000	EA	Cup Holder - Chrome - Plastic
18	081202-02-000	EA	Floor Mat - Passenger - Winnebago
19	097552-01-060	EA	Motor Cover - w/o Carpet
	075564-01-000	EA	Mounting Bracket - Motor Cover
20	097161-01-B32	EA	Beverage Tray - Oak
	098279-01-01A	EA	Insert - Beverage Tray
	098281-01-01A	EA	Insert - Beverage Tray
21	086411-02-000	EA	Cassette Holder - Housing - Plastic - Gray
21	086411-03-000	EA	Cassette Holder - Housing - Plastic - Tan
22	086412-02-000	EA	Cassette Holder - Insert - Plastic - Gray
22	086412-03-000	EA	Cassette Holder - Insert - Plastic - Tan
23	081201-02-000	EA	Floor Mat - Driver - Winnebago
24	040594-01-000	EA	Boot - Steering Column - 1990 Chassis
24	073245-01-000	EA	Boot - Steering Column - 1991 Chassis
26	024700-33-000	EA	Roll Bar Cover - Driver - Lower - Gray
26	024700-38-000	EA	Roll Bar Cover - Driver - Lower - Off White
27	063886-07-000	EA	Assist Handle - Driver Door - Rear - Gray
27	063886-22-000	EA	Assist Handle - Driver Door - Rear - Off White
28	063886-09-000	EA	Assist Handle - Driver Door - Front - Gray
28	063886-23-000	EA	Assist Handle - Driver Door - Front - Off White

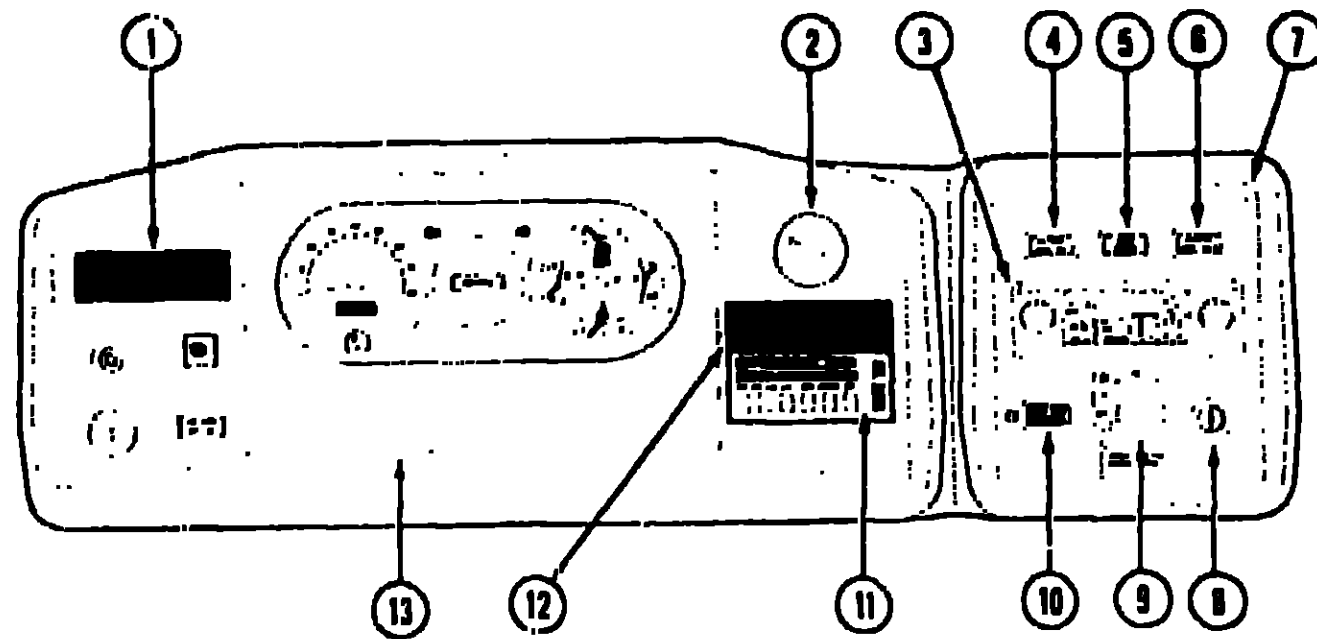
## 1991 ITASCA TABLE OF CONTENTS

INTRODUCTION	A-01 - A-02
ABBREVIATIONS	A-03
ALPHABETICAL/GROUP REFERENCE	A-04 - A-06
ICM28RQ	A-07 - E-15
IKM40DA	E-17 - I-18

## 1991 ICM28RQ INDEX

Floor Plan	A-09 - A-08
Accessories Group	A-09 - A-11
Bath Group	A-12 - A-13
Bedroom Group	A-14 - A-16
Chassis Group	A-19 - B-06
Curtain, Cushion & Pad Group	B-07 - B-17
Dinette Group	B-18 - B-20
Driver's Compartment Group	B-21 - B-04
Electrical Group	C-05 - C-06
Exterior Body Group	C-09 - C-16
Galley Group	C-17 - C-21
Heating & Air Conditioning Group	C-22 - C-23
Interior Finish Group	C-24 - D-01
Labels Group	D-02 - D-10
LP Group	D-11
Lounge Group	D-12 - D-14
Sealants & Fasteners Group	D-15 - D-16
Water & Sewage Group	D-17 - D-19
Window, Vent & Exterior Door Group	D-20 - E-15

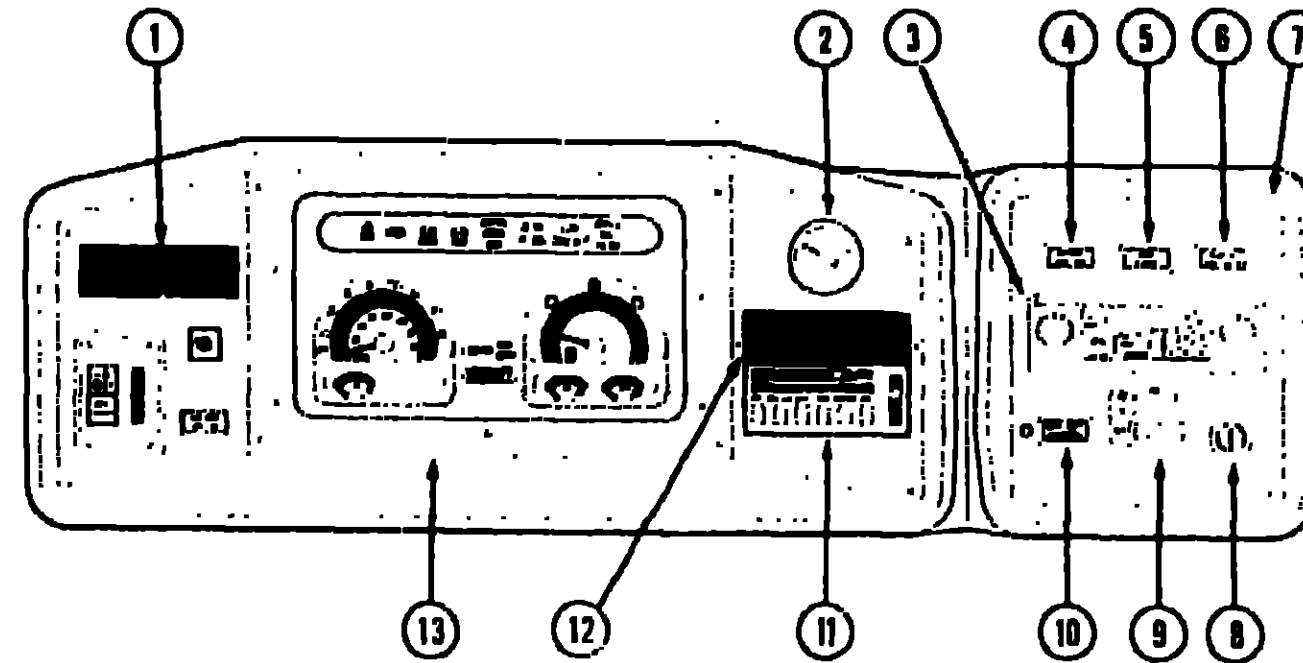
**DRIVER'S COMPARTMENT GROUP (CONTINUED)**



**INSTRUMENT CLUSTER (CHEVROLET 1990 CHASSIS)**

Key	Part Number	U/M	Description
1	039044-01-000	EA	Louver Asm. - Air Conditioner - Adjustable Vent
2	024460-04-000	EA	Vacuum/Fuel Economy Gauge
3	097459-01-000	EA	Radio - AM/FM - Cassette - Digital Clock - Seek/Scan - Audiotape IM-DXA
3	097460-02-000	EA	Radio - AM/FM - Cassette - Digital Clock - Seek - Sony XR-4147
4	024461-01-000	EA	Battery Mode Switch
5	089306-01-000	EA	Switch - Auxiliary Defroster Fans
6	093381-01-000	EA	Radio - Battery Selection Switch
7	100389-01-01A	EA	Bezel - Entertainment Center
8	089294-01-000	EA	Cigarette Lighter
9	087202-02-000	EA	Rear Auto Heater Switch - w/o Knob
9	090977-01-000	EA	Knob - Rear Auto Heater Switch - Rotary
9	084410-02-000	EA	Decal - Rear Auto Heater Switch
10	065963-04-000	EA	Auxiliary Battery Disconnect Switch
11	094831-01-732	EA	Heater/Air Conditioner Controls
12	094831-01-741	EA	Louver Asm./Control Panel Trim
13	100390-04-01A	EA	Bezel - Instrument Panel
13	094976-01-000	EA	Instrument Cluster (CSA)
13	081087-01-000	EA	Instrument Panel Light

**DRIVER'S COMPARTMENT GROUP (CONTINUED)**



**INSTRUMENT CLUSTER (CHEVROLET 1991 CHASSIS)**

Key	Part Number	U/M	Description
1	039044-01-000	EA	Louver Asm. - Air Conditioner - Adjustable Vent
2	024460-04-000	EA	Vacuum/Fuel Economy Gauge
3	097459-01-000	EA	Radio - AM/FM - Cassette - Digital Clock - Seek/Scan - Audiotape IM-DXA
3	097460-02-000	EA	Radio - AM/FM - Cassette - Digital Clock - Seek - Sony XR-300
4	024461-01-000	EA	Battery Mode Switch
5	089306-01-000	EA	Switch - Auxiliary Defroster Fans
6	093381-01-000	EA	Radio - Battery Selection Switch
7	100389-02-01A	EA	Bezel - Entertainment Center
8	089294-01-000	EA	Cigarette Lighter
9	087202-02-000	EA	Rear Auto Heater Switch - w/o Knob
9	090977-01-000	EA	Knob - Rear Auto Heater Switch - Rotary
9	084410-02-000	EA	Decal - Rear Auto Heater Switch
10	065963-04-000	EA	Auxiliary Battery Disconnect Switch
11	094831-01-732	EA	Heater/Air Conditioner Controls
12	094831-01-741	EA	Louver Asm./Control Panel Trim
13	100390-04-01A	EA	Bezel - Instrument Panel
13	094796-03-000	EA	Instrument Cluster (CSA)
13	081087-01-000	EA	Instrument Panel Light

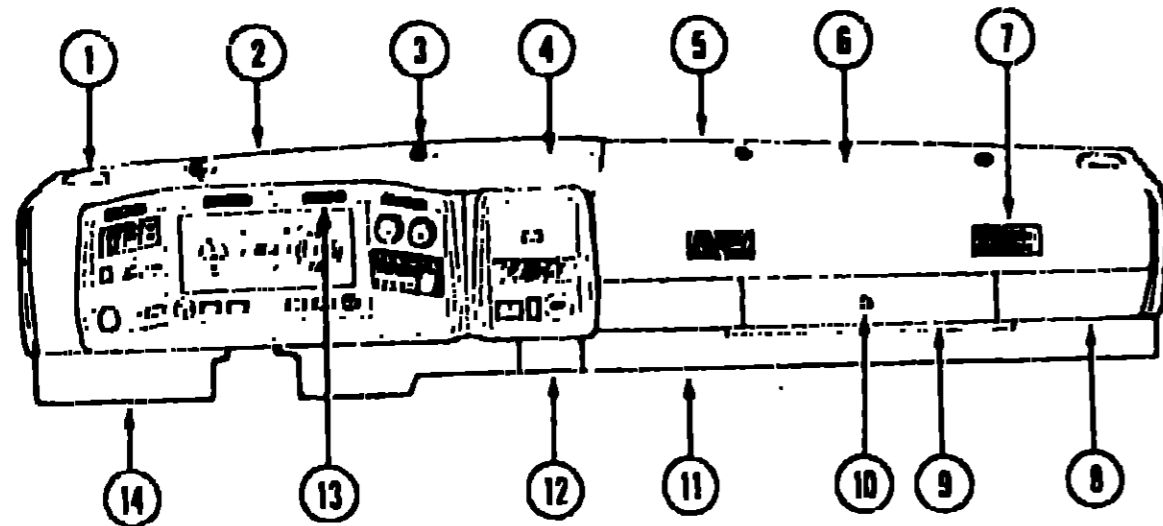
**1991 ITASCA  
TABLE OF CONTENTS**

INTRODUCTION	A-01 - A-02
ABBREVIATIONS	A-02
ALPHABETICAL/GROUP REFERENCE	A-04 - A-06
ICM28RQ	A-07 - E-15
IKM40DA	E-17 - I-18

**1991 ICM28RQ INDEX**

Floor Plan	A-07 - A-08
Accessories Group	A-09 - A-11
Bath Group	A-12 - A-13
Bedroom Group	A-14 - A-18
Chassis Group	A-19 - B-06
Curtain, Cushion & Pad Group	B-07 - B-17
Dinette Group	B-18 - B-20
Driver's Compartment Group	B-21 - B-04
Electrical Group	C-05 - C-08
Exterior Body Group	C-09 - C-16
Galley Group	C-17 - C-21
Heating & Air Conditioning Group	C-22 - C-23
Interior Finish Group	C-24 - D-01
Labels Group	D-02 - D-10
LP Group	D-11
Lounge Group	D-12 - D-14
Sealants & Fasteners Group	D-15 - D-16
Water & Sewage Group	D-17 - D-19
Window, Vent & Exterior Door Group	D-20 - E-15

### DRIVER'S COMPARTMENT GROUP (CONTINUED)



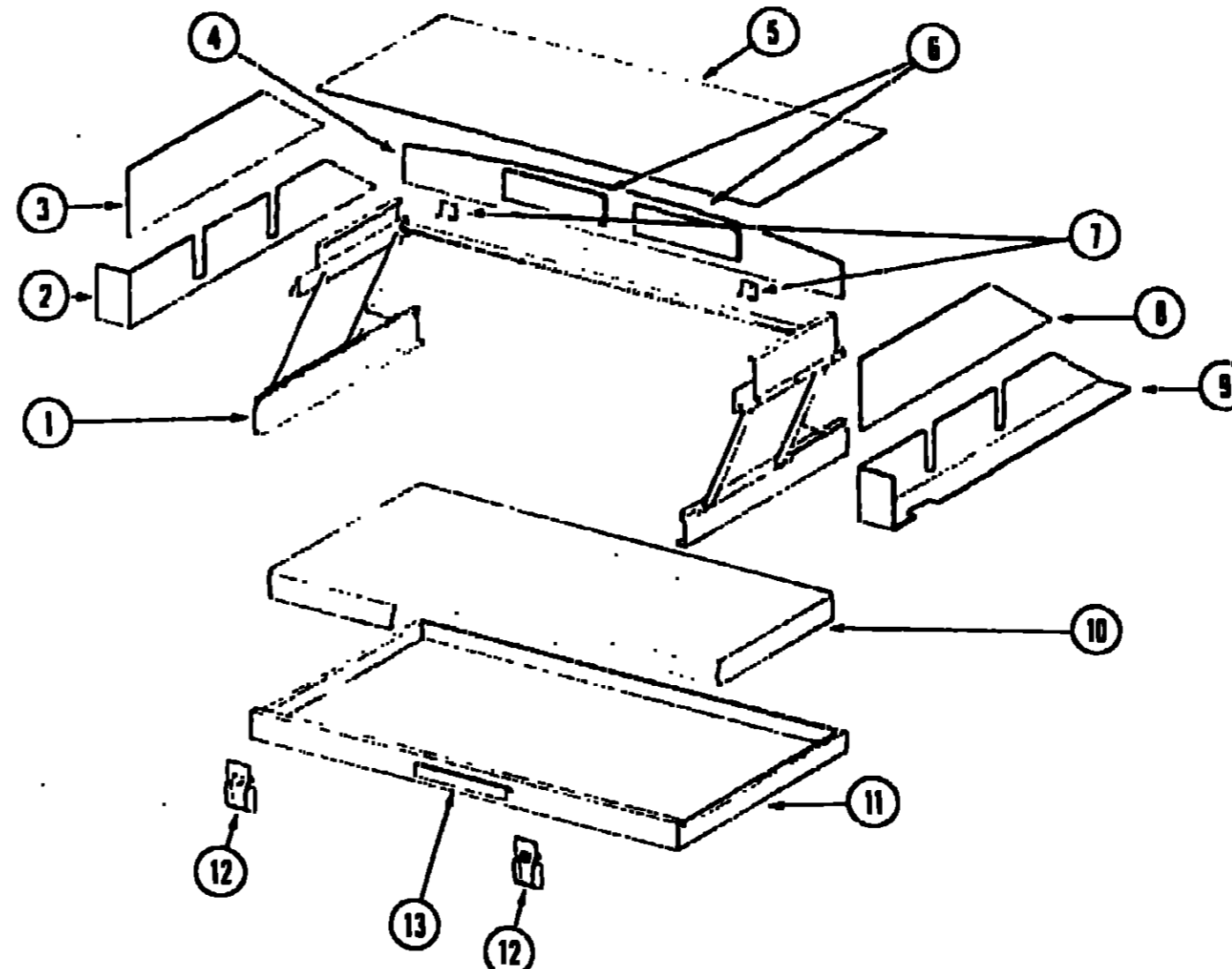
#### DASH PANEL COMPONENTS

Key	Part Number	U/M	Description
1	072741-04-000	EA	Speaker Grille - 4" x 6" Oval - Audiovox 138-1157
2	078582-04-000	EA	Pad Asm. - Dash - Front Driver - Gray - w/o Defroster Vent
2	078582-00-000	EA	Pad Asm. - Dash - Front Driver - Tan - w/o Defroster Vent
3	024990-03-000	EA	Defroster Outlet - w/Swivel - 2" Gray
3	024990-04-000	EA	Defroster Outlet - w/Swivel - 2" Tan
4	078088-04-000	EA	Pad Asm. - Dash - Instrument Panel - Driver - Gray
4	078088-05-000	EA	Pad Asm. - Dash - Instrument Panel - Driver - Tan
5	078581-04-000	EA	Pad Asm. - Dash - Front Passenger - Gray - w/o Defroster Vent
5	078581-06-000	EA	Pad Asm. - Dash - Front Passenger - Tan - w/o Defroster Vent
6	079089-02-000	EA	Pad Asm. - Dash - Instrument Panel - Passenger - Gray
6	079089-03-000	EA	Pad Asm. - Dash - Instrument Panel - Passenger - Tan
7	039044-01-000	EA	Louver Asm. - Air Conditioner - Adjustable Vent
8	023834-01-000	EA	Knee Kick
9	022219-01-000	EA	Glove Compartment Door
10	009118-01-000	EA	Twist Lock - Glove Compartment
	023892-01-000	EA	Glove Compartment Box - Black Fiberboard
	024598-01-000	EA	Glove Compartment Hinge
11	077367-01-000	EA	Instrument Panel Cover - Lower Right - Black
12	077369-01-000	EA	Access Panel - Lower Instrument Panel - Black
13	081424-01-000	EA	Light - 12 Volt - Rectangular
14	077358-01-000	EA	Instrument Panel Cover - Lower Left - Black

#### DELUXE STEERING WHEEL

Key	Part Number	U/M	Description
	080752-15-000	EA	Steering Wheel - 4 Spoke (1990 Chassis)
	080752-17-000	EA	Steering Wheel w/2 Horn Buttons (1991 Chassis)
	080752-06-000	EA	Adapter Hub
	080752-08-000	EA	Screw - Steering Wheel

### DRIVER'S COMPARTMENT GROUP (CONTINUED)



#### FRONT PULLDOWN BUNK

Key	Part Number	U/M	Description
1	078760-02-000	EA	Hardware Asm. - Overhead Bunk
2	101499-04-B25	EA	Pad Asm. - Lower End Cap - Driver - Gray
2	101499-04-B11	EA	Pad Asm. - Lower End Cap - Driver - Off White
3	101497-06-B10	EA	Pad Asm. - Upper End Cap - Driver - Gray
3	101497-06-B11	EA	Pad Asm. - Upper End Cap - Driver - Off White
4	M04162-20-B32	EA	Cabinet Asm. - Front Face - Overhead w/o Doors
5	101502-01-B32	EA	Cabinet Asm. - Lower Base - Overhead
6	P00523-09-B32	EA	Door Asm. - w/o Hardware
	000G13-06-10G	EA	Screw - #6 - 20 x .625" PFH - Antique Brass
	059777-02-000	EA	Hinge - Antique Brass
	100273-01-000	EA	Door Pull - Brass
	000G68-06-10G	EA	Screw - #8 - 18 x .625" POH - Antique Brass
	074493-02-000	EA	Support - Door
7	042541-05-000	EA	Strike - Brass
	000G11-06-10J	EA	Screw - #6 - 20 x .625" MPPH - Brass
8	101497-05-B10	EA	Pad Asm. - Upper End Cap - Passenger - Gray
8	101497-05-B11	EA	Pad Asm. - Upper End Cap - Passenger - Off White
9	101499-03-B25	EA	Pad Asm. - Lower End Cap - Passenger - Gray
9	101499-03-B11	EA	Pad Asm. - Lower End Cap - Passenger - Off White
10	079145-06-000	EA	Cushion Asm.
	M79145-06-000	EA	Cover Asm. - 30" x 78"
	079970-01-000	YD	Mattress Tape - 5/8"
11	081717-03-B10	EA	Bed Asm.
12	042541-04-000	EA	Latch Asm. - w/o Strike - Brass
	000G11-06-10J	EA	Screw - #6 - 20 x .625" PPH - Brass
13	094658-01-B25	EA	Handle - Oak
	009757-12-000	EA	Weltung - Antique White
	089351-03-000	EA	Vinyl - Headliner
	029130-01-000	EA	Socket - Snap Fastener

### 1991 ITASCA TABLE OF CONTENTS

INTRODUCTION	A-01 - A-02
ABBREVIATIONS	A-03
ALPHABETICAL/GROUP REFERENCE	A-04 - A-06
ICM28RQ	A-07 - E-15
IKM40DA	E-17 - I-18

### 1991 ICM28RQ INDEX

Floor Plan	A-07 - A-08
Accessories Group	A-09 - A-11
Bath Group	A-12 - A-13
Bedroom Group	A-14 - A-18
Chassis Group	A-19 - B-06
Curtain, Cushion & Pad Group	B-07 - B-17
Dinette Group	B-18 - B-20
Driver's Compartment Group	B-21 - B-04
Electrical Group	C-05 - C-08
Exterior Body Group	C-09 - C-16
Galley Group	C-17 - C-21
Heating & Air Conditioning Group	C-22 - C-23
Interior Finish Group	C-24 - D-01
Labels Group	D-02 - D-10
LP Group	D-11
Lounge Group	D-12 - D-14
Sealants & Fasteners Group	D-15 - D-16
Water & Sewage Group	D-17 - D-19
Window, Vent & Exterior Door Group	D-20 - E-15

**ELECTRICAL GROUP  
BULBS**

Key	Part Number	U/M	Description
	008218-01-000	EA	Bulb - #1141 - Dome Light
	057478-01-000	EA	Bulb - #1078 - Wall Lamps
	091937-03-000	EA	Bulb - Fluorescent Light - Recessed
	078424-02-700	EA	Bulb - Fluorescent Light - Galley
	081633-01-700	EA	Bulb - Makeup Light
	086280-01-700	EA	Bulb - Surface Mount Light (Cab)
	088737-01-710	EA	Bulb - Microwave Oven
	092696-01-709	EA	Bulb - Range Hood
	084880-01-708	EA	Bulb - Refrigerator
	037935-01-000	EA	Bulb - #1157 - Tail Lamp Asm.
	038196-01-000	EA	Bulb - #1184 - Clearance & License Plate Lights
	008215-01-000	EA	Bulb - #1003 - Porch Light
	051057-01-705	EA	Bulb - Spotlight (Option 63E)
	008213-01-000	EA	Bulb - #57 - Marker Lights
	087894-01-700	EA	Bulb - Wardrobe Light

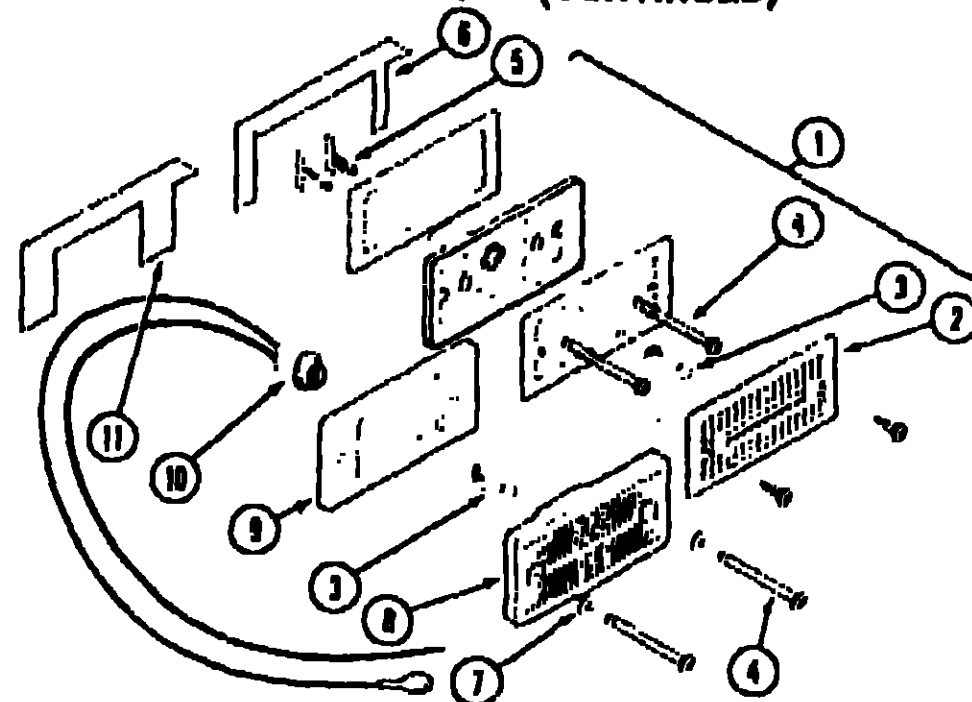
**INTERIOR LIGHTS & BULBS**

Key	Part Number	U/M	Description
	098024-01-01A	EA	Light - Dome - Ivory - Single (USA)
	098024-02-01A	EA	Light - Dome - Ivory - Single (CSA)
	098024-03-01A	EA	Light - Dome - Ivory - Double (USA)
	098024-04-01A	EA	Light - Dome - Ivory - Double (CSA)
	098024-01-700	EA	Lens - Dome Light
	008218-01-000	EA	Bulb - 12 Volt - #1141 (Used For All Above)
	065202-14-000	EA	Wall Lamp - Brass/Acrylic (USA)
	065202-15-000	EA	Wall Lamp - Brass/Acrylic (USA)
	065201-09-000	EA	Lamp Shade - Wall Lamp
	057479-01-000	EA	Bulb - 12 Volt - #1078 - Wall Lamps
	082686-01-000	EA	Table Lamp - Brass/Wood (USA)
	082686-05-000	EA	Table Lamp - Brass/Cremwood (CSA)
	082686-07-000	EA	Shade - Table Lamp
	091537-04-000	EA	Flourescent Light - 12 Volt - Recessed (Ceiling)
	091937-05-700	EA	Bulb - Recessed - Fluorescent Light
	078424-02-000	EA	Flourescent Light - 18" - Almond (Galloy)
	078424-02-701	EA	Lens - Fluorescent Light - 18" - Almond
	078424-02-700	EA	Bulb - Fluorescent Light - 18" - Almond
	082169-01-000	EA	Makeup Light - 3 Bulb
	081633-01-700	EA	Bulb - Makeup Light
	087694-01-000	EA	Wardrobe Light - w/Switch
	087694-01-700	EA	Bulb - Wardrobe Light
	086280-01-000	EA	Surface Mount Light - 12 Volt - Jensen 1236 (Cab)
	086280-01-700	EA	Bulb - Surface Mount Light
	061424-01-000	EA	Rectangular Light - Aisle & Instrument Panel
	092696-01-705	EA	Bulb - Range Hood
	084880-01-	EA	Bulb - Refrigerator
	088737-01-710	EA	Bulb - Microwave Oven
	007309-01-000	EA	Step Well Light

**FUSES & CIRCUIT BREAKERS**

Key	Part Number	U/M	Description
	008235-01-000	EA	Fuse - 15 Amp. (CSA)
	062901-02-000	EA	Fuse - Automotive - 5 Amp.
	062901-05-000	EA	Fuse - Automotive - 15 Amp.
	062901-07-000	EA	Fuse - Automotive - 25 Amp.
	083209-01-000	EA	Circuit Breaker - 15 Amp. - 120 Volt
	083209-02-000	EA	Circuit Breaker - 15/15 Amp. - 120 Volt (CSA)
	083209-03-000	EA	Circuit Breaker - 15/20 Amp. - 120 Volt (CSA)
	083209-04-000	EA	Circuit Breaker - 30 Amp - 120 Volt
	083209-06-000	EA	Circuit Breaker - 30/15 Amp. - 120 Volt
	083209-07-000	EA	Circuit Breaker - 20/20 Amp. - 120 Volt
	093654-01-000	EA	Circuit Breaker - 6 Amp. - 12 Volt
	093654-02-000	EA	Circuit Breaker - 15 Amp. - 12 Volt
	093655-01-000	EA	Circuit Breaker - 25 Amp. - 12 Volt
	093655-02-000	EA	Circuit Breaker - 30 Amp. - 12 Volt
	093655-03-000	EA	Circuit Breaker - 40 Amp. - 12 Volt
	097611-01-000	EA	Circuit Breaker - 7.5 Amp. - 12 Volt
	092786-01-000	EA	Buss Bar - 2 Circuit
	092786-02-000	EA	Buss Bar - 3 Circuit

**ELECTRICAL GROUP (CONTINUED)**



**EXTERIOR LIGHTS & BULBS**

Key	Part Number	U/M	Description
1	081250-01-000	EA	Clearance Light Asm. - Amber
1	081250-02-000	EA	Clearance Light Asm. - Red
2	081250-01-700	EA	Lens - Clearance Light - Amber
2	081250-02-700	EA	Lens - Clearance Light - Red
3	038196-01-000	EA	Bulb
4	000G39-08-24B	EA	Screw
5	079378-01-000	EA	Terminal
6	081437-01-000	EA	Bracket
7	102540-01-000	EA	Screw Seal
8	102520-02-000	EA	Light Asm. (Red)
8	102520-01-000	EA	Light Asm. (Amber)
9	102541-01-000	EA	Gasket
10	067789-02-000	EA	Socket
11	102582-01-000	EA	Bracket
	075459-04-000	EA	Lamp Asm. - Tail/Brake - Red
	075459-05-000	EA	Lamp Asm. - Turn - Amber
	075459-06-000	EA	Lamp Asm. - Backup/Reflector - Clear/Red
	037935-01-000	EA	Bulb - 12 Volt - #1157 - Used For Tail Lamp Asm.
	076795-01-000	EA	Light Asm. - License Plate
	038196-01-000	EA	Bulb - 12 Volt - #184 - Used For Clearance & License Plate
	042405-03-000	EA	Base - Side Marker Light - w/Bulb (8GE 1985)
	042405-02-000	EA	Lens - Side Marker Light - Amber
	042405-01-000	EA	Lens - Side Marker Light - Red
	097917-01-03A	EA	Porch Light - Recessed - Gray
	097917-01-700	EA	Lens - Porch Light - Recessed
	008215-01-000	EA	Bulb - 12 Volt - #1003 - Porch Light
	051057-02-000	EA	Spotlight - Power Driven
	051057-01-705	EA	Bulb - Spotlight
	084901-01-000	EA	Lamp Asm. - Park/Turn
	079764-05-000	EA	Mount - Park/Turn Light - Black - Right
	079764-06-000	EA	Mount - Park/Turn Light - Black - Left
	049185-01-000	EA	Headlight Capsule Asm. - Driver - High/Low Beam
	049186-01-000	EA	Headlight Capsule Asm. - Passenger - High/Low Beam
	049187-01-000	EA	Headlight Capsule Asm. - Driver - High Beam
	049188-01-000	EA	Headlight Capsule Asm. - Passenger - High Beam
	049359-01-000	EA	Spring - Headlight Retainer
	073308-01-000	EA	Adjusting Screw - Headlight
	074048-01-000	EA	Brass Insert - Headlight
	062207-01-000	EA	Headlight Guard
	090202-01-000	EA	Headlight Bezel - Passenger - Black
	090202-02-000	EA	Headlight Bezel - Driver - Black
	088747-02-000	EA	Lamp Asm. - Fog - Clear Lens
	098024-01-01A	EA	Light - Dome - Ivory - Storage Compartment (USA)
	098024-02-01A	EA	Light - Dome - Ivory - Storage Compartment (CSA)

**1991 ITASCA  
TABLE OF CONTENTS**

INTRODUCTION	A-01 - A-02
ABBREVIATIONS	A-03
ALPHABETICAL/GROUP REFERENCE	A-04 - A-08
ICM28RQ	A-07 - E-15
IKM40DA	E-17 - I-18

**1991 ICM28RQ INDEX**

Floor Plan	A-07 - A-08
Accessories Group	A-09 - A-11
Bath Group	A-12 - A-13
Bedroom Group	A-14 - A-18
Chassis Group	A-19 - B-06
Curtain, Cushion & Pad Group	B-07 - B-17
Dinette Group	B-18 - B-20
Driver's Compartment Group	B-21 - B-04
Electrical Group	C-05 - C-08
Exterior Body Group	C-09 - C-16
Galley Group	C-17 - C-21
Heating & Air Conditioning Group	C-22 - C-23
Interior Finish Group	C-24 - D-01
Labels Group	D-02 - D-10
LP Group	D-11
Lounge Group	D-12 - D-14
Sealants & Fasteners Group	D-15 - D-16
Water & Sewage Group	D-17 - D-19
Window, Vent & Exterior Door Group	D-20 - E-15



## ELECTRICAL GROUP (CONTINUED)

### ELECTRICAL COMPONENTS

Key	Part Number	U/M	Description
	008288-02-000	EA	Box - Electrical - 3.94" x 3.13" x 1.81" - Plastic (USA)
	091910-01-000	FA	Box - Electrical - 3.75" x 3.5" x 1.75" - Plastic (CSA)
	008289-01-000	EA	Box - Electrical - 4" x 4" - 1/2 x 3/4 - Steel (USA)
	008289-02-000	EA	Box - Electrical - 4" x 4" - 1/2 x 3/4 - Steel (CSA)
	058049-01-000	EA	Box - Electrical - 2" x 3" x 2.25" - Steel
	088751-01-000	FT	Cable - Battery - 1/0 AWG Stranded
	010485-01-000	EA	Clamp - Cable - 9/16"
	010487-01-000	EA	Clamp - Closed - 5/8" ID
	010489-01-000	EA	Clamp - Closed - 3/8" ID
	041953-01-000	FT	Conduit - Convolute Silt - .50" ID
	041953-02-000	FT	Conduit - Convolute Silt - .625" ID
	041953-03-000	FT	Conduit - Convolute Silt - 1" ID
	041953-04-000	FT	Conduit - Convolute Solid - .825" ID
	041953-05-000	FT	Conduit - Convolute Silt - .375" ID
	041953-07-000	FT	Conduit - Convolute Silt - .250" ID
	041953-09-000	FT	Conduit - Convolute Silt - .50" ID
	041953-10-000	FT	Conduit - Convolute Silt - .75" ID
	041953-11-000	FT	Conduit - Convolute Silt - 1.063" ID
	008353-01-000	EA	Connector - 3/8" - Cable Clamping
	008355-01-000	EA	Connector - 3/4" - Cable Clamping
	008358-01-000	EA	Connector - 3/8" - Plastic
	008311-01-000	EA	Connector - Wire Nut - Red
	008312-01-000	EA	Connector - Wire Nut - Blue
	008313-01-000	EA	Connector - Wire Nut - Yellow
	008314-01-000	EA	Connector - Wire Nut - Gray
	058028-01-000	EA	Connector - Clear Nylon P gtail
	088475-01-000	EA	Connector - Pin
	082740-01-000	EA	Connector Body - 2 Contact Female
	008052-01-000	EA	Cord - Power - 10/3 - 30 Amp. - 25' (CSA)
	008054-01-000	EA	Cord - Power - 10/3 - 30 Amp. - 25' (USA)
	008294-01-000	EA	Cover - Electrical Box - Flint Blank - 4" x 4" - Steel (USA)
	008294-02-000	EA	Cover - Electrical Box - Flint Blank - 4" x 4" - Steel (CSA)
	069238-01-000	EA	Cover - Electrical Box - 4" x 4"
	076319-09-000	EA	Cover - Receptacle - Brown
	084077-02-000	EA	Cover - Receptacle - Brown - GFI
	091927-01-000	EA	Cover - Receptacle - Double - Ivory
	084077-03-000	EA	Cover - Blank A/C - Ivory
	090984-01-000	EA	Cover - Exterior Receptacle
	092633-02-02A	EA	Cover - A/C - Plate - Off White - w/o A/C (USA)
	092633-01-02A	EA	Cover - A/C - Plate - Off White - w/o A/C (CSA)
	074897-01-000	EA	Cover - Electrical Box - A/C Dual Switch
	058781-01-000	EA	Diode - 6.0 Amp. - 100 Volt
	078490-01-000	EA	Extension - Electrical Box - Steel - 1 1/2"
	097734-01-02A	EA	Extension - Duplex Receptacle - Brown
	100341-01-000	CA	Holder - Fuse - In Line
	064399-01-000	EA	Housing Asm. - Trailer Pin
	097745-02-000	EA	Housing Asm. - Trailer Receptacle - 48"
	062037-01-000	EA	Housing - Automotive Fuse - Natural
	062037-02-000	EA	Housing - Automotive Fuse - Green
	062037-03-000	EA	Housing - Automotive Fuse - Black
	062037-05-000	EA	Housing - Automotive Fuse - Gray
	062037-06-000	EA	Housing - Automotive Fuse - Brown
	088074-01-000	EA	Housing - Socket - 1 Position
	088474-02-000	EA	Housing - Socket - 15 Position
	088474-03-000	EA	Housing - Socket - 9 Position
	088474-08-000	EA	Housing - Socket - 6 Position
	088474-08-000	EA	Housing - Socket - 4 Position
	088474-09-000	EA	Housing - Socket - 3 Position
	088474-10-000	EA	Housing - Socket - 2 Position

## ELECTRICAL GROUP (CONTINUED)

### ELECTRICAL COMPONENTS (CONTINUED)

Key	Part Number	U/M	Description
	088473-01-000	EA	Housing - Pin - 1 Post Pin
	088473-02-000	EA	Housing - Pin - 15 Position
	088473-03-000	EA	Housing - Pin - 8 Position
	088473-08-000	EA	Housing - Pin - 6 Position
	088473-08-000	EA	Housing - Pin - 4 Position
	088473-09-000	EA	Housing - Pin - 3 Position
	088473-10-000	EA	Housing - Pin - 2 Position
	083910-01-000	EA	Housing - Relay - 3 Position
	101671-01-000	EA	Housing - Male - 2 Position
	098351-01-01A	EA	Plate - Switch - 1 Gang
	098351-02-01A	EA	Plate - Switch - 2 Gang
	098351-03-01A	EA	Plate - Switch - 3 Gang
	098351-04-01A	EA	Plate - Switch - Generator (Bedroom)
	024924-02-000	EA	Receptacle - Power Cord
	058707-01-000	EA	Receptacle - Single - Brown - T & B
	058708-01-000	EA	Receptacle - Duplex - Brown - T & B
	058708-02-000	EA	Receptacle - Duplex - Ivory - T & B
	084076-01-000	EA	Receptacle - Duplex - Ivory - GFI
	090961-01-000	EA	Receptacle - Duplex - Exterior
	007940-01-000	EA	Receptacle - Slide - 16/12 AWG
	080015-02-000	EA	Receptacle - Flag - .185 - 16/14 Gauge
	088273-01-000	EA	Relay - Battery Disconnect
	083912-02-000	EA	Relay - Canister - SPDT w/Resistor
	077000-01-000	EA	Socket Asm. - w/8" Pigtail Leads
	088476-01-000	EA	Socket - Connector
	088476-02-000	EA	Socket - Connector - 12/10 Gauge
	090971-01-000	EA	Splice - Cable - 110 Volt
	024978-01-000	EA	Switch - Generator (Bedroom)
	041250-01-000	EA	Switch - Push Button (Driver Door Jamb)
	079363-01-000	EA	Switch - Single - w/Switch Plate
	079363-01-700	EA	Switch Only
	079384-01-000	EA	Switch - On/Off Rocker - Brown
	079364-02-000	EA	Switch - Lock/Lock Rocker - Brown
	079364-03-000	EA	Switch - Lock/Lock Rocker
	100312-01-000	EA	Switch - Electric Step (Entrance Door Jamb)
	007942-01-000	EA	Tab - 18/14 AWG Wire
	007943-01-000	EA	Tab - 14/10 AWG Wire
	007949-01-000	EA	Tab - HSG - 1 Position
	008326-01-000	EA	Terminal - Ring - 16/14 - 3/8" Stud
	008328-01-000	EA	Terminal - Ring - 12/10 Wire
	008329-01-000	EA	Terminal - Ring - 8 - 5/16" Stud
	008331-01-000	EA	Terminal - Ring - 4 - 3/8" Stud
	008332-01-000	EA	Terminal - Ring - 6 - 1/4" - Stud
	008348-01-000	EA	Terminal - Ring - 2 - 3/8" Stud
	035416-04-000	EA	Terminal - Ring - #10 Stud Fit
	047443-01-000	EA	Terminal - .250 Receptacle 16-14
	047443-02-000	EA	Terminal - .250 Receptacle 12-10
	047443-03-000	EA	Terminal - .187 Receptacle 16-14
	062036-01-000	EA	Terminal - Pack - 12/10 AWG
	062036-02-000	EA	Terminal - Pack - 16/14 AWG
	008028-01-000	EA	Wire w/Ground - Romex - 12/2
	008027-01-000	EA	Wire w/Ground - Romex - 14/2
	008343-01-000	EA	Wire Tie - 6"

### MISCELLANEOUS ELECTRICAL COMPONENTS

Key	Part Number	U/M	Description
	008188-01-000	EA	Solenoid - Dual Battery - Relay
	093208-02-000	EA	Control Center - 45 Amp. - BW6345A (USA)
	067762-02-000	EA	Control Center - 40 Amp - Triad TU - 840-2 (CSA)
	092615-01-000	EA	Control Center 40 Amp - BW 3200 P (USA)
	036420-02-000	EA	Fan - 6" Defroster - 2 Speed
	089294-01-000	EA	Lighter Asm. - Cigarette
	072852-01-000	EA	Smoke Detector (USA)
	072852-02-000	EA	Smoke Detector (CSA)

## 1991 ITASCA TABLE OF CONTENTS

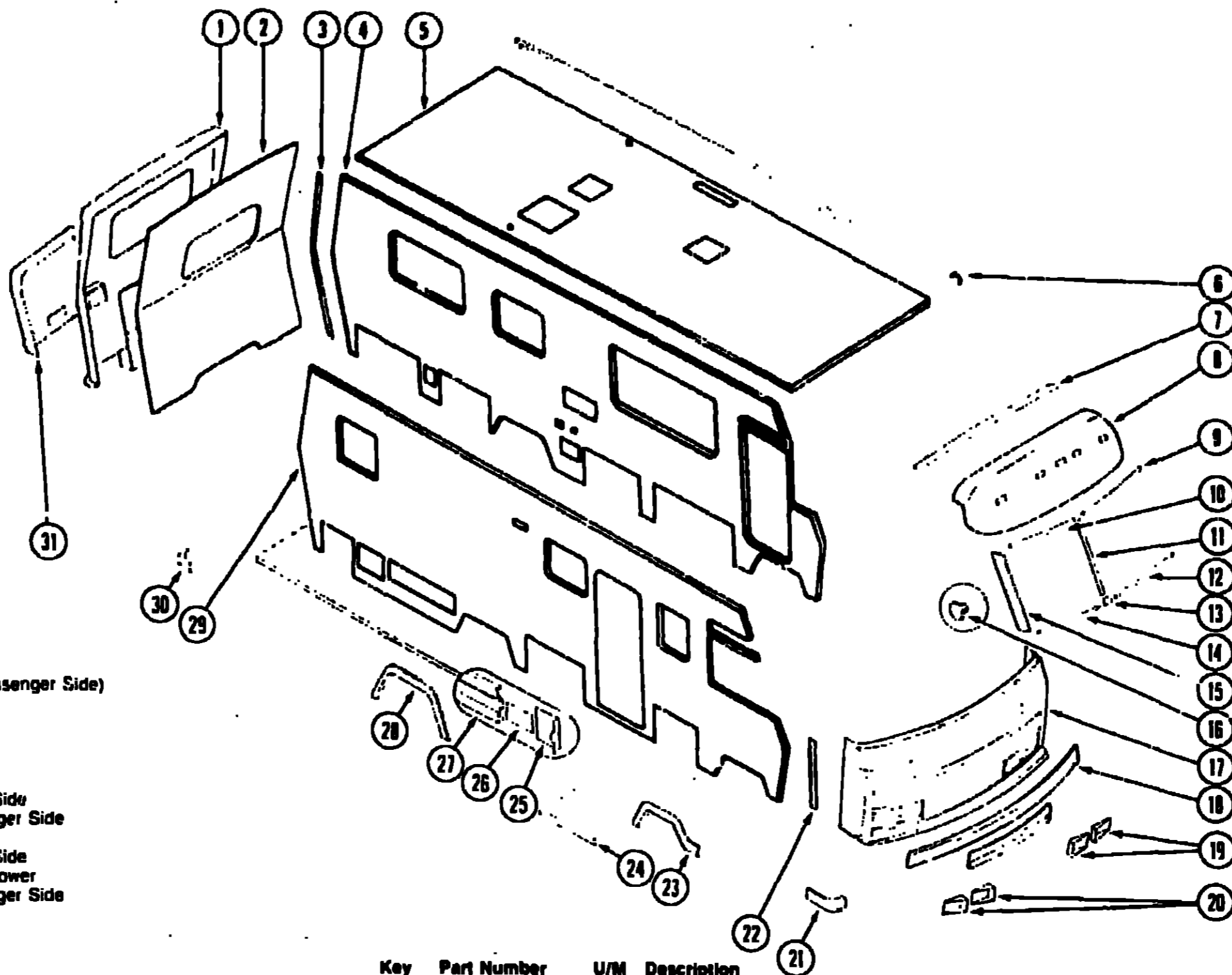
INTRODUCTION	A-01 - A-02
ABBREVIATIONS	A-03
ALPHABETICAL/GROUP REFERENCE	A-04 - A-06
ICM28RQ	A-07 - E-15
IKM40DA	E-17 - I-18

## 1991 ICM28RQ INDEX

Floor Plan	A-07 - A-08
Accessories Group	A-09 - A-11
Bath Group	A-12 - A-13
Bedroom Group	A-14 - A-18
Chassis Group	A-19 - B-06
Curtain, Cushion & Pad Group	B-07 - B-17
Dinette Group	B-18 - B-20
Driver's Compartment Group	B-21 - B-04
Electrical Group	C-05 - C-08
Exterior Body Group	C-09 - C-16
Galley Group	C-17 - C-21
Heating & Air Conditioning Group	C-22 - C-23
Interior Finish Group	C-24 - D-01
Labels Group	D-02 - D-10
LP Group	D-11
Lounge Group	D-12 - D-11
Sealants & Fasteners Group	D-15 - D-16
Water & Sewage Group	D-17 - D-19
Window, Vent & Exterior Door Group	D-20 - E-15

# EXTERIOR BODY GROUP

## EXTERIOR BODY PANELS & TRIM



Key	Part Number	U/M	Description
1	088402-03-000	EA	Rear Cap Panel - Primed
2	100856-01-B32	EA	Rear Backwall Asm.
3	073502-25-000	EA	Trim Rear Backwall (Driver or Passenger Side)
4	P00865-01-B32	EA	Sidewall Asm. - Driver Side
5	P00910-01-110	EA	Roof Asm.
6	078600-12-000	E/	Roof Cover - 166.3"
7	078580-01-000	EA	Roof Trim - Front Cap
8	089923-03-000	EA	Roof Cap - Primed
9	077944-02-000	EA	Reveal Molding - Upper - Driver Side
10	077944-01-000	EA	Reveal Molding - Upper - Passenger Side
11	076676-05-000	EA	Reveal Molding - Center
12	077945-02-000	EA	Reveal Molding - Lower - Driver Side
13	077952-02-000	EA	Reveal Molding Cap - Upper or Lower
14	077945-01-000	EA	Reveal Molding - Lower - Passenger Side
15	079225-03-000	EA	Trim Post - Passenger Side
	079225-04-000	EA	Trim Post - Driver Side
16	034141-02-000	EA	Nylon Hole Plug - 3/8"
17	M01115-27-Y70	EA	Front End Asm. - w/Hood Panel
18	090411-01-X70	EA	Grille Asm. - Upper
	090412-01-X70	EA	Grille Asm. - Lower
	088252-02-000	FT	Chrome Trim - 1" Plastic
	088252-03-000	FT	Chrome Trim - 2" Plastic
19	090202-02-000	EA	Headlight Bezel - Driver Side
20	090202-01-000	EA	Headlight Bezel - Passenger Side
21	078577-09-000	EA	Bumper End Cap - Passenger Side
	078577-10-000	EA	Bumper End Cap - Driver Side
22	089922-02-000	EA	Trim - Front End Asm. - Driver or Passenger Side
23	078556-13-000	EA	Trim - Front Wheelwell - Passenger Side
	078556-14-000	EA	Trim - Front Wheelwell - Driver Side
	089909-01-000	EA	Trim - Front Wheelwell - U Channel - Driver or Passenger Side
24	091161-55-003	EA	Rocker Panel

Key	Part Number	U/M	Description
25	009731-01-000	EA	End Cap Feature Strip
26	001030-11-100	EA	Insert Feature Strip - 17"
27	059576-11-000	EA	Feature Strip
28	075070-02-000	EA	Trim - Rear Wheelwell - Passenger
	075070-04-000	EA	Trim - Rear Wheelwell - Driver
	089749-01-000	EA	Trim - Rear Wheelwell - U Channel - Driver or Passenger Side
29	P00865-01-B32	EA	Sidewall Asm. - Passenger
30	078578-07-000	EA	Bumper End Cap - Passenger
	078578-08-000	EA	Bumper End Cap - Driver
31	088425-01-X70	EA	Tire Cover Asm.
	058027-01-000	FT	Tire Cover Seal
	076767-02-000	EA	Cable Asm. - Retaining - Tire Cover
	077408-01-000	EA	Lock - Tire Cover
	077941-01-000	EA	Seal - Lock - Tire Cover

# 1991 ITASCA TABLE OF CONTENTS

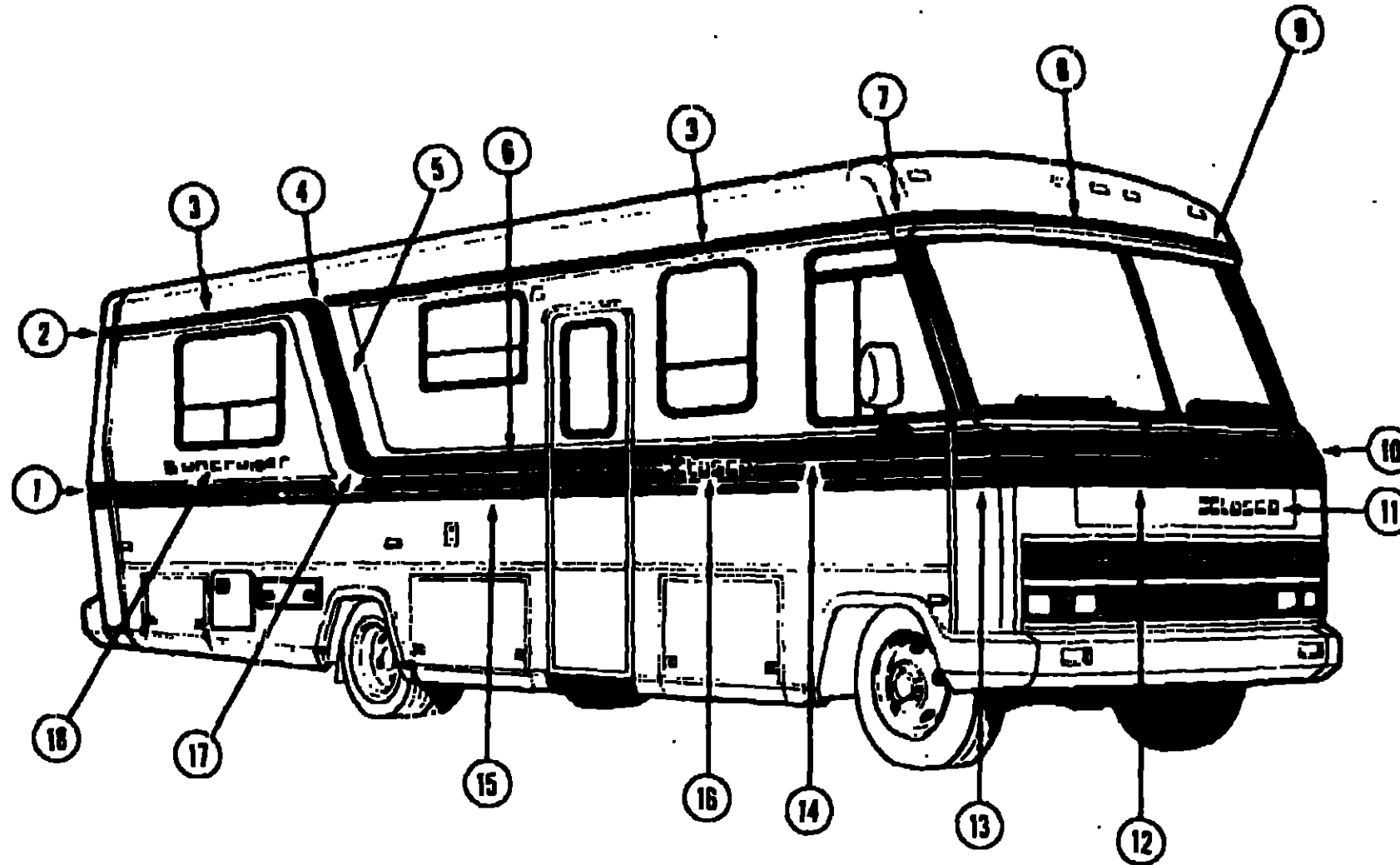
INTRODUCTION	A-01 - A-02
ABBREVIATIONS	A-03
ALPHABETICAL/GROUP REFERENCE	A-04 - A-08
ICM28RQ	A-07 - E-15
IKM400A	E-17 - I-18

## 1991 ICM28RQ INDEX

Floor Plan	A-07 - A-08
Accessories Group	A-09 - A-11
Bath Group	A-12 - A-13
Bedroom Group	A-14 - A-18
Chassis Group	A-19 - B-05
Curtain, Cushion & Pad Group	B-07 - B-17
Dinette Group	B-18 - B-20
Driver's Compartment Group	B-21 - B-04
Electrical Group	C-05 - C-08
Exterior Body Group	C-09 - C-16
Galley Group	C-17 - C-21
Heating & Air Conditioning Group	C-22 - C-23
Interior Finish Group	C-24 - D-01
Labels Group	D-02 - D-10
LP Group	D-11
Lounge Group	D-12 - D-14
Sealants & Fasteners Group	D-15 - D-16
Water & Sewage Group	D-17 - D-19
Window, Vent & Exterior Door Group	D-20 - E-15

**EXTERIOR BODY GROUP (CONTINUED)**

**DECALS, FILM STRIPE & PAINT**



Key	Part Number	U/M	Description
1	100306-01-01A	EA	Decal - Rear Lower Corner - Passenger
1	100306-02-01A	EA	Decal - Rear Lower Corner - Driver
2	100306-01-01A	EA	Decal - Rear Upper Corner - Passenger
2	100306-02-01A	EA	Decal - Rear Upper Corner - Driver
3	093681-11-02A	FT	Film Stripe - Burgundy
4	100310-01-01A	EA	Decal - Upper Radius - Passenger
4	100310-02-01A	EA	Decal - Upper Radius - Driver
5	098381-21-01A	FT	Film Stripe - Burgundy
6		GL	Paint - Gray (DuPont H9283U) (Non Serviceable)
7	100307-01-01A	EA	Decal - Front Upper Corner - Passenger
8	093681-19-01A	FT	Film Stripe - Burgundy
9	100307-02-01A	EA	Decal - Front Upper Corner - Driver
10	100305-02-01A	EA	Decal - Front Lower Corner - Driver
11	078191-04-000	EA	Decal Logo - "Itasca" - Front and Rear
12	100311-01-01A	EA	Decal - Hood
13	100305-01-01A	EA	Decal - Front Lower Corner - Passenger
14	093681-20-01A	FT	Film Stripe - Burgundy
15	093680-26-01A	FT	Film Stripe - Burgundy
16	078852-19-000	EA	Decal Logo - "Itasca" - Passenger and Driver
17	100309-01-01A	EA	Decal - Lower Radius - Passenger
17	100309-02-01A	EA	Decal - Lower Radius - Driver
18	100301-01-01A	EA	Decal Logo - "Suncruiser" - Passenger
18	100301-02-01A	EA	Decal Logo - "Suncruiser" - Driver

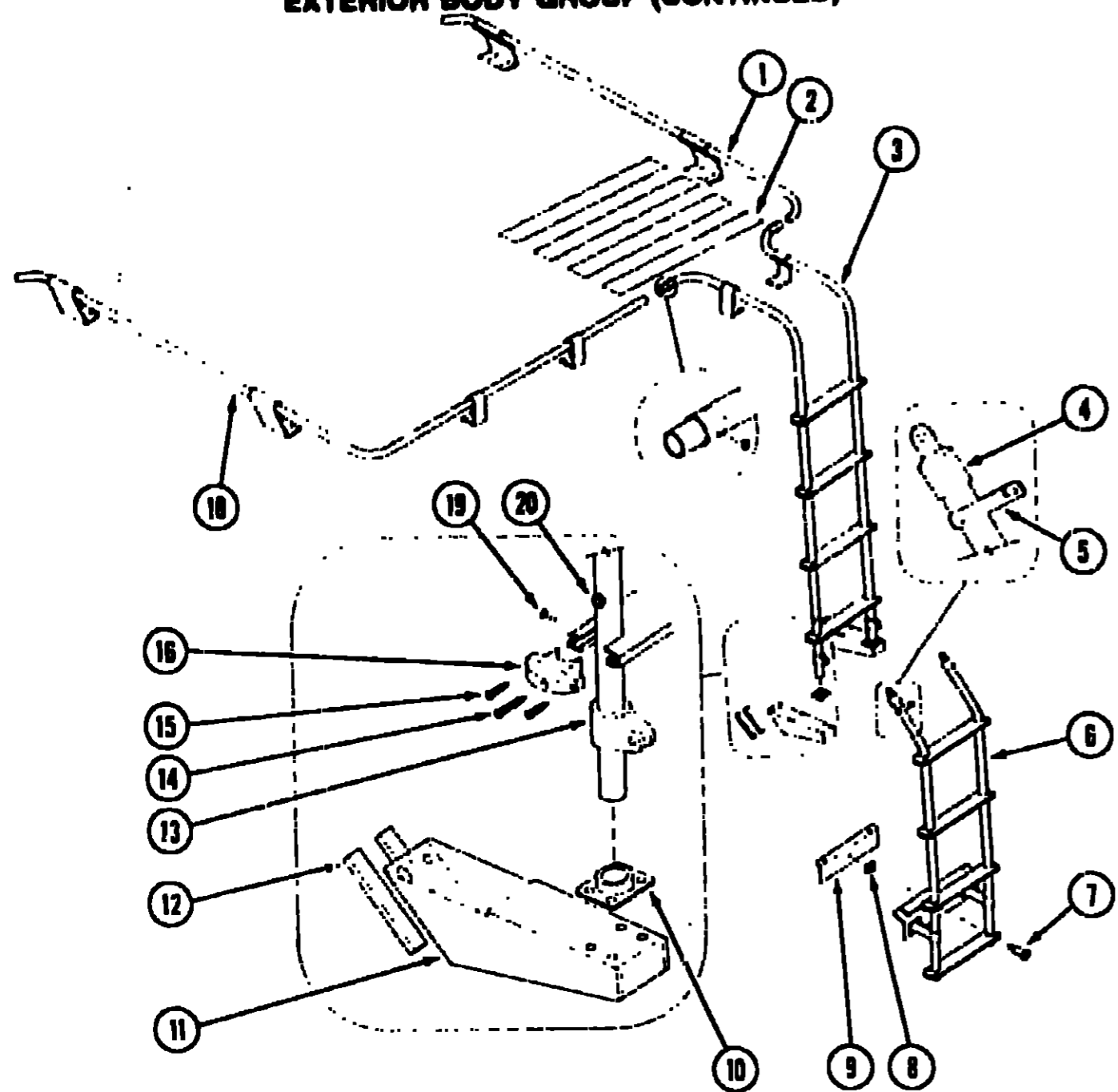
**1991 ITASCA  
TABLE OF CONTENTS**

INTRODUCTION	A-01 - A-02
ABBREVIATIONS	A-03
ALPHABETICAL/GROUP REFERENCE	A-04 - A-06
ICM28RQ	A-07 - E-18
IKM40DA	E-17 - I-18

**1991 ICM28RQ INDEX**

Floor Plan	A-07 - A-08
Accessories Group	A-09 - A-11
Bath Group	A-12 - A-13
Bedroom Group	A-14 - A-18
Chassis Group	A-19 - B-06
Curtain, Cushion & Pad Group	B-07 - B-17
Dinette Group	B-18 - B-20
Driver's Compartment Group	B-21 - B-04
Electrical Group	C-05 - C-08
Exterior Body Group	C-09 - C-16
Galley Group	C-17 - C-21
Heating & Air Conditioning Group	C-22 - C-23
Interior Finish Group	C-24 - D-01
Labels Group	D-02 - D-10
LP Group	D-11
Lounge Group	D-12 - D-14
Sealants & Fasteners Group	D-15 - D-18
Water & Sewage Group	D-17 - D-19
Window, Vent & Exterior Door Group	D-20 - E-15

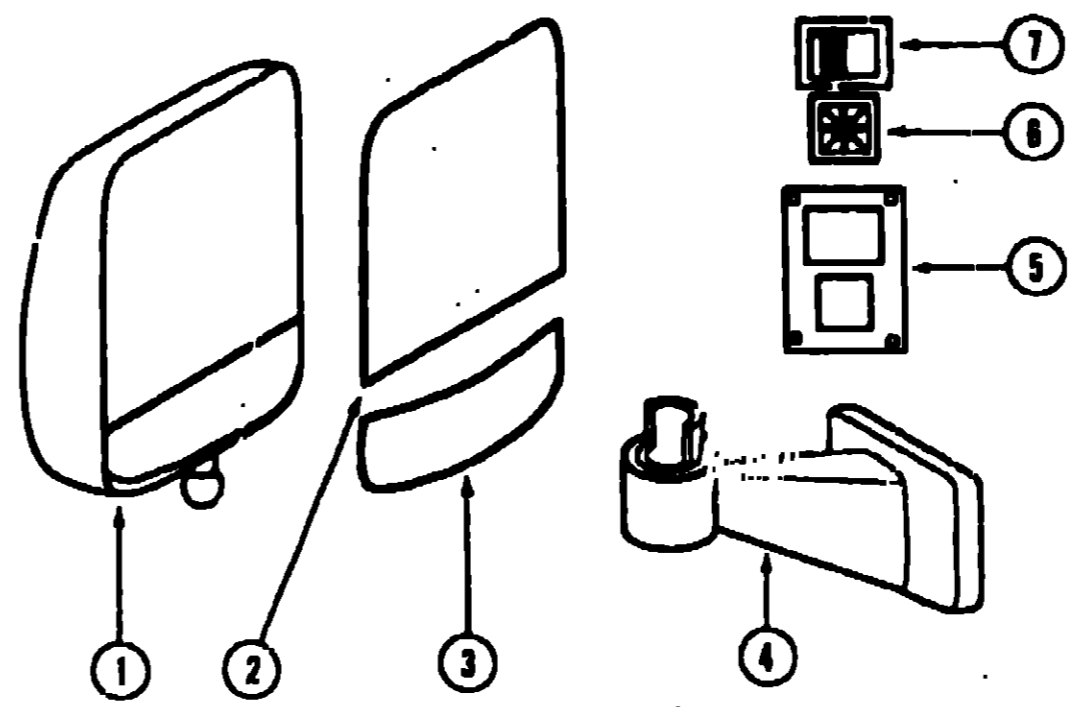
**EXTERIOR BODY GROUP (CONTINUED)**



**RACK & LADDER COMPONENTS**

Key	Part Number	U/M	Description
1	081026-01-T03	EA	Rack Asm. - Passenger Side
2	038327-01-000	EA	Tape - Anti-Slip - 2" x 60'
3	080999-02-T03	EA	Ladder Asm. - Upper
4	081115-01-000	EA	Top Cap - 1"
5	080873-01-000	EA	Latch - Lower Ladder
6	080997-04-X14	EA	Ladder Asm. - Lower
7	081056-01-000	EA	Pin - Quick Release
8	081055-01-000	EA	Springgrip - Internal Tooth Washer
9	081107-01-000	EA	Bracket - Bumper Pin
10	067165-01-000	EA	Mounting Bracket
11	080868-01-000	EA	Footing Bracket
12	081827-02-000	EA	Sponge Seal - 3/16" x 2" x 3.25"
13	081118-01-000	EA	Slide Bracket
14	000G68-10-36U	EA	Screw
15	000G39-06-10U	EA	Screw
16	076980-02-000	EA	Step Cap - Black
18	081026-02-T03	EA	Rack Asm. - Driver Side
19	000G39-08-16U	EA	Screw
20	081113-01-000	EA	Bushing - Plastic Flange - White
	081114-01-000	EA	Cap Insert - Round - 1" Dia.

**EXTERIOR BODY GROUP (CONTINUED)**



**MIRRORS - NON-POWERED**

Key	Part Number	U/M	Description
1	086260-01-000	EA	Mirror Asm. - Passenger Side (Includes Glass)
1	086260-02-000	EA	Mirror Asm. - Driver Side (Includes Glass)
2	086260-01-701	EA	Flat Glass - Passenger Side
2	086260-02-701	EA	Flat Glass - Driver Side
3	086260-01-700	EA	Convex Glass - Passenger Side
3	086260-02-700	EA	Convex Glass - Driver Side
4	086260-03-000	EA	Arm Asm. - Passenger & Driver Side

**POWER MIRRORS - ELECTRICALLY HEATED & CONTROLLED**

Key	Part Number	U/M	Description
1	086259-04-00	EA	Mirror Asm. - Passenger Side w/Remote & Heater (Includes Glass)
1	086259-05-000	EA	Mirror Asm. - Driver Side w/Remote & Heater (Includes Glass)
2	086259-04-701	EA	Flat Glass - Passenger Side - Heated
2	086259-05-701	EA	Flat Glass - Driver Side - Heated
3	086259-04-700	EA	Convex Glass - Passenger Side - Heated
3	086259-05-700	EA	Convex Glass - Driver Side - Heated
4	086260-03-000	EA	Arm Asm. - Passenger & Driver Side
5	099982-01-01A	EA	Switch Plate - Black
6	088248-01-000	EA	Switch Asm. - Mirror - Remote
7	057695-01-000	EA	Switch - Mirror Heater
	099836-01-000	EA	Wire Asm. - Mirror - Cab - 1990 Chevrolet Chassis
	099836-03-000	EA	Wire Asm. - Mirror - Cab - 1991 Chevrolet Chassis
	099837-01-000	EA	Wire Asm. - Mirror - Door
	063912-02-000	EA	Relay - Cannister - SPDT - w/Resist

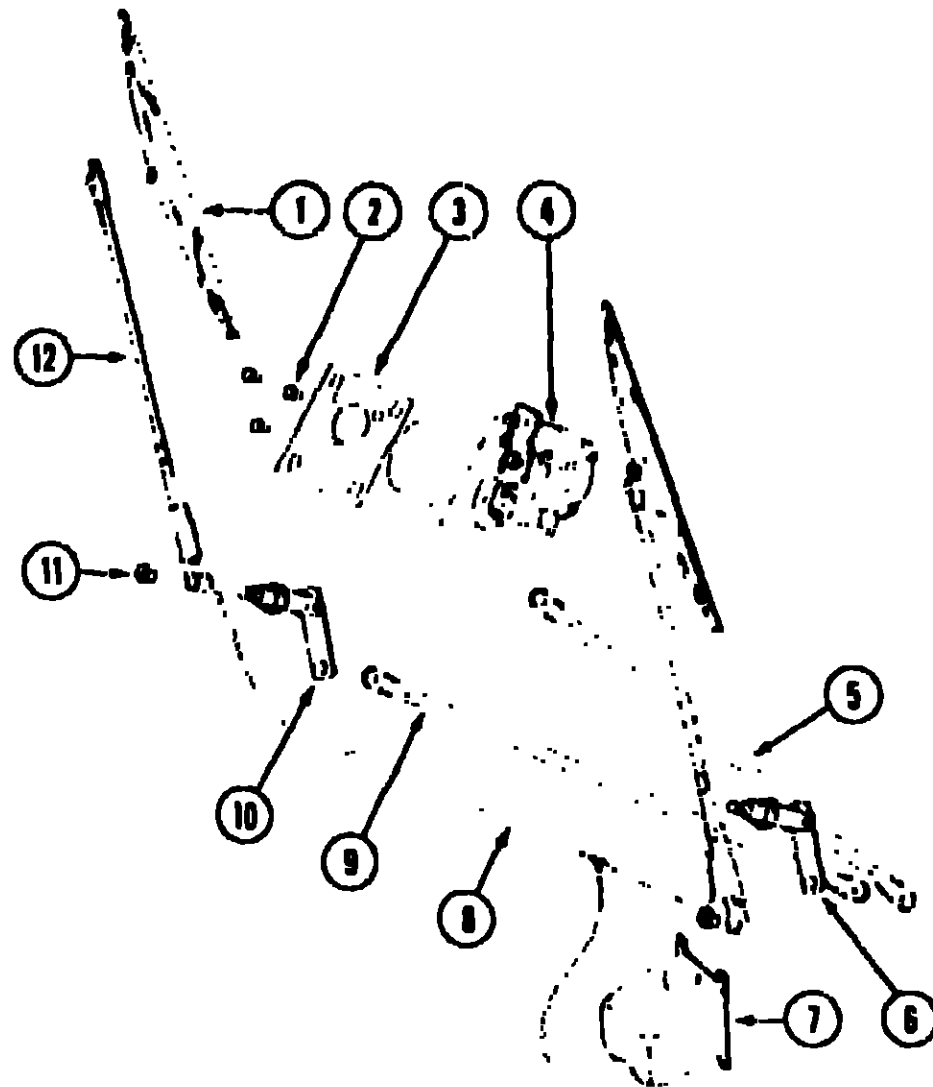
**1991 ITASCA  
TABLE OF CONTENTS**

INTRODUCTION	A-01 - A-02
ABBREVIATIONS	A-03
ALPHABETICAL/GROUP REFERENCE	A-04 - A-08
ICM28RQ	A-07 - E-15
IKM40DA	E-17 - I-18

**1991 ICM28RQ INDEX**

Floor Plan	A-07 - A-08
Accessories Group	A-09 - A-11
Bath Group	A-12 - A-13
Bedroom Group	A-14 - A-18
Chassis Group	A-19 - B-06
Curtain, Cushion & Pad Group	B-07 - B-17
Dinette Group	B-18 - B-20
Driver's Compartment Group	B-21 - B-04
Electrical Group	C-05 - C-08
Exterior Body Group	C-09 - C-16
Galley Group	C-17 - C-21
Heating & Air Conditioning Group	C-22 - C-23
Interior Finish Group	C-24 - D-01
Labels Group	D-02 - D-10
LP Group	D-11
Lounge Group	D-12 - D14
Sealants & Fasteners Group	D-15 - D-16
Water & Sewage Group	D-17 - D-19
Window, Vent & Exterior Door Group	D-20 - E-15

**EXTERIOR BODY GROUP (CONTINUED)**



**WINDSHIELD WIPER & DRIVE ASSEMBLY**

Key	Part Number	U/M	Description
1	095964-01-000	EA	Blade - Wiper - 24"
2	000C26-04-10B	EA	Hex Bolt - Serrated Flange - 1/4" - 20 x 5/8" Zinc
3	063971-01-000	EA	Support Bracket - Motor Asm.
4	096380-01-000	EA	Motor Asm.
5	067192-01-000	EA	Connecting Link Asm.
6	096504-01-000	EA	Pivot Shaft Asm.
7	056000-02-000	EA	Washer Asm. - w/o Nozzles
8	096931-01-700	FT	Hose - Washer
9	067192-02-000	EA	Connecting Link Asm.
10	096505-02-000	EA	Pivot Shaft Asm.
11	077049-01-000	EA	Acorn Nut
12	096931-01-000	EA	Wiper Arm - 20"
	096931-01-701	EA	Nozzle Hardware Kit - Washer
	091900-01-702	EA	Wiper Control Module

**EXTERIOR BODY GROUP (CONTINUED)**

**SHEET FIBERGLASS PANEL, ALUMINUM & STYROFOAM**

Key	Part Number	U/M	Description
	000868-01-000	SF	Styrofoam - .75" x 24" x 96"
	000870-03-000	SF	Styrofoam - 1.34" x 48" x 96"
	000870-05-000	SF	Styrofoam - .50" x 24" x 96"
	083574-01-000	SF	Styrofoam - 1.50" x 24" x 85.25"
	081395-22-000	EA	Panel - Fiberglass - Mende Board - Gray - 78 7/8" x 32 25/32"
	081395-24-000	EA	Panel - Fiberglass - Mende Board - Gray - 23 62" x 120"
	081395-08-000	EA	Panel - Fiberglass - Mende Board - Gray - 48" x 96"
	044487-01-001	EA	Aluminum - Mill Finish - Roof - 96" x 360"

**MISCELLANEOUS EXTERNALLY MOUNTED PARTS**

Key	Part Number	U/M	Description
	009126-02-000	EA	Assist Handle - Black
	087659-03-000	EA	Fill - City Water - Gray - Brass Fittings
	086260-01-000	EA	Mirror Asm. - Rear View - Exterior - w/Convex - Passenger
	086260-02-000	EA	Mirror Asm. - Rear View - Exterior - w/Convex - Driver
	086260-03-000	EA	Accessory Kit - Rear View Mirror - Exterior
	090961-01-000	EA	Receptacle - Outside - Electric - Gray
	083815-03-000	EA	Door Stop - Plastic - Gray

**FRONT HOOD PANEL & HARDWARE**

Key	Part Number	U/M	Description
	089768-01-X70	EA	Panel Asm. - Hood
	073336-01-000	EA	Bracket - Striker Latch
	073611-01-000	EA	Striker Pin Asm.
	073610-01-000	EA	Spring - Striker Pin
	R77006-C8-172	EA	Shim Plate
	R77006-68-721	EA	Hood Release Cable
	R77006-19-765	EA	Hood Release Sleeve
	R77006-38-499	EA	Spring
	072917-03-0x0	EA	Prop Rod
	089926-01-000	EA	Hood Arm - Right
	089926-02-000	EA	Hood Arm - Left
	074178-01-000	EA	Bracket - Hood Release Cable - 1990 Chevrolet Chassis
	103125-01-000	EA	Bracket - Hood Release Cable - 1991 Chevrolet Chassis

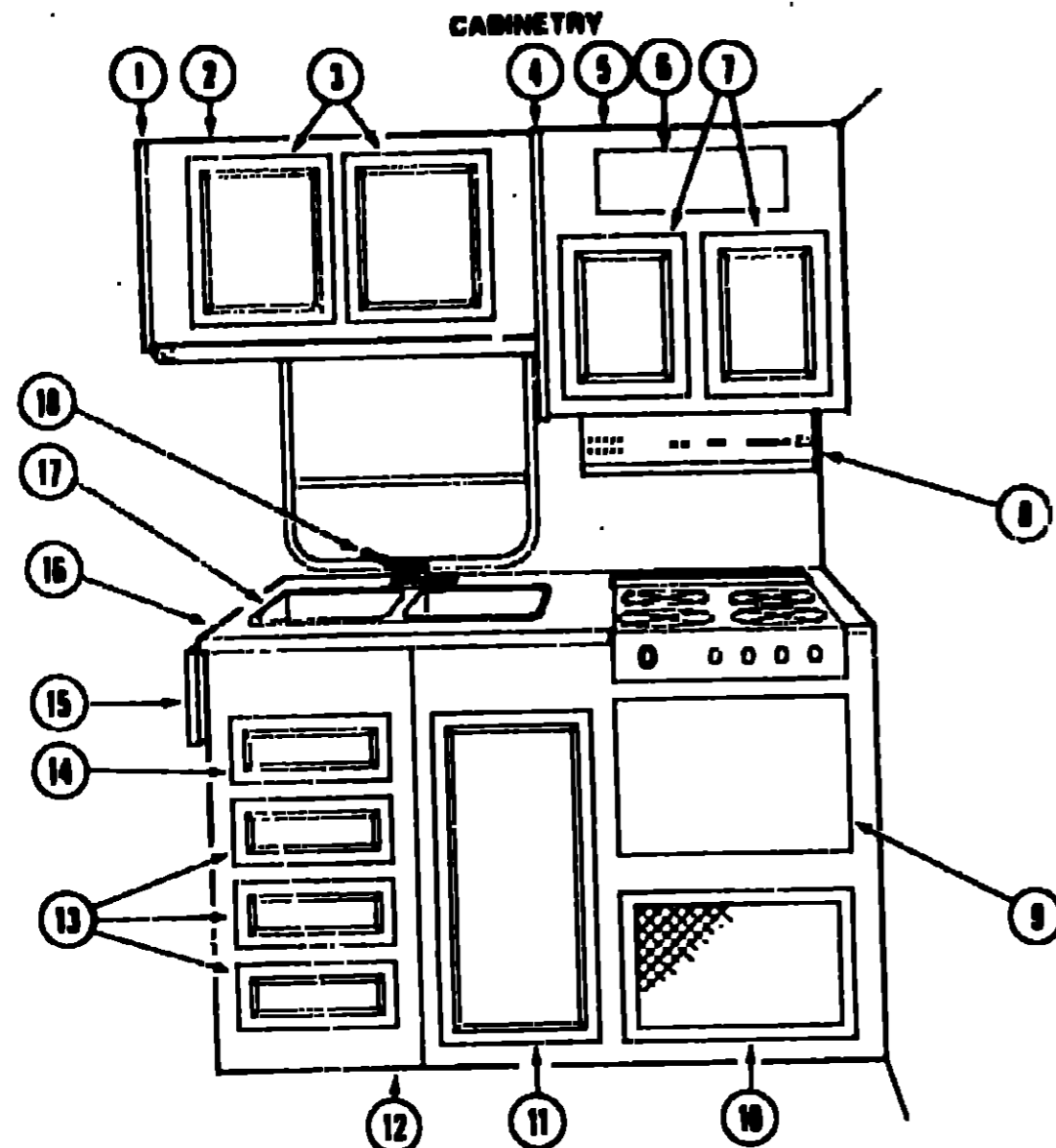
**1991 ITASCA  
TABLE OF CONTENTS**

INTRODUCTION	A-01 - A-02
ABBREVIATIONS	A-03
ALPHABETICAL/GROUP REFERENCE	A-04 - A-08
ICM28RQ	A-07 - E-15
IKM40DA	E-17 - I-18

**1991 ICM28RQ INDEX**

Floor Plan	A-07 - A-08
Accessories Group	A-09 - A-11
Bath Group	A-12 - A-13
Bedroom Group	A-14 - A-18
Chassis Group	A-19 - B-06
Curtain, Cushion & Pad Group	B-07 - B-17
Dinette Group	B-18 - B-20
Driver's Compartment Group	B-21 - B-04
Electrical Group	C-05 - C-08
Exterior Body Group	C-09 - C-16
Galley Group	C-17 - C-21
Heating & Air Conditioning Group	C-22 - C-23
Interior Finish Group	C-24 - D-01
Labels Group	D-02 - D-10
LP Group	D-11
Lounge Group	D-12 - D-14
Sealants & Fasteners Group	D-15 - D-16
Water & Sewage Group	D-17 - D-19
Window, Vent & Exterior Door Group	D-20 - E-15

## GALLEY GROUP



Key	Part Number	U/M	Description
1	099077-02-B32	EA	End Cap Asm. - Galley Overhead Cabinet
2	M05019-37-B32	EA	Cabinet Asm. - Galley Overhead - w/o Doors
3	P00523-05-B29	EA	Door Asm. - Galley Overhead Cabinet - w/o Hardware
4	081320-14-B25	EA	End Cap Asm. - Microwave Cabinet
5	I104092-21-B32	EA	Cabinet Asm. - w/o Microwave - w/o Doors
5	M04092-22-B32	EA	Cabinet Asm. - Microwave - w/o Doors
6	P00523-03-B29	EA	Door Asm. - w/o Hardware
7	P00523-02-B29	EA	Door Asm. - w/o Hardware
	098916-01-01A	EA	Cabinet Brace - Microwave Cabinet - Right
	098916-02-01A	EA	Cabinet Brace - Microwave Cabinet - Left
8	100258-04-01A	EA	Range Hood - w/Monitor Panel (USA)
8	100258-05-01A	EA	Range Hood - w/Monitor Panel (CSA)
9	M82184-32-B35	EA	Drawer Asm. - w/o Hardware
10	P00523-A1-B32	EA	Door Asm. - Furnace
	072369-44-000	EA	Mesh Insert - Furnace Door
11	P00523-12-B29	EA	Door Asm. - w/o Hardware
12	M05050-01-B32	EA	Cabinet Asm. - Galley - Oven - w/o Doors or Drawers
12	M05050-02-B32	EA	Cabinet Asm. - Galley - Range Top - w/o Doors or Drawers
13	P00522-01-B29	EA	Drawer Asm. - w/o Hardware (Thru 12/90)
13	P03397-10-B32	EA	Drawer Asm. - w/o hardware (From 1/91)
14	P00522-02-B29	EA	Drawer Asm. - w/o Hardware (Thru 12/90)
14	P03397-12-B32	EA	Drawer Asm. - w/o Hardware (From 1/91)
15	080812-04-B10	EA	Drop Leaf Table
16	101592-11-B10	EA	Countertop Asm.
17	093526-01-000	EA	Sink - Double Bowl - Stainless Steel - 25" x 19"
18	064952-01-000	EA	Galley Faucet - Single Control

## GALLEY GROUP (CONTINUED)

### APPLIANCES

Key	Part Number	U/M	Description
	102022-01-01A	EA	Range w/Large Oven - 4 Burner - Magic Chef BT16RA-4-4 - Black Trim
	102022-01-02A	EA	Range w/Large Oven - 4 Burner - Magic Chef BT16RA-4Z - Almond Trim
	102020-01-700	EA	Oven Shelf
	102020-01-701	EA	Door Handle
	102020-01-702	EA	Manifold Panel
	055282-04-700	EA	Door Panel - Almond
	102022-01-703	EA	Door Panel - Black
	102020-01-705	EA	Left Trim
	102020-01-706	EA	Right Trim
	102020-01-708	EA	Burner Assembly - Oven
	102020-01-709	EA	Grate Bumper
	102020-01-711	EA	Top Grate
	102020-01-712	EA	Knob - Burner Valve
	102020-01-713	EA	Knob - Thermostat
	102020-01-714	EA	Oven Pilot
	102022-01-702	EA	Manifold Pipe
	102022-01-703	EA	Pressure Regulator
	102020-01-717	EA	Thermostat
	102020-01-718	EA	Main Top - Almond
	102020-01-720	EA	Mercury Control Valve
	102020-01-721	EA	Shutoff Valve
	102020-01-722	EA	Top Burner Valve
	102020-01-723	EA	Burner Pilot
	102020-01-724	EA	Main Top Burner
	102021-02-01A	EA	Cover - 1-Fold - Almond
	055516-01-000	EA	Tiedown Bracket - Range w/Large Oven - Left
	055516-02-000	EA	Tiedown Bracket - Range w/Large Oven - Right
	102019-01-01A	EA	Range Top - 4 Burner - Almond w/Almond Trim
	055282-03-707	EA	Right Trim
	055282-03-705	EA	Left Trim
	102022-01-707	EA	Left Trim - Flat
	102022-01-706	EA	Right Trim - Flat
	102019-01-702	EA	Rear Trim
	102021-02-01A	EA	Cover - Bi-Fold - Almond
	081587-05-000	EA	Tiedown Bracket - Range Top - Left
	081587-06-000	EA	Tiedown Bracket - Range Top - Right
	091269-03-000	EA	Microwave/Browning Oven - Magic Chef M16-10PB
	091269-03-701	EA	Ceramic Plate - 9 1/2" Round
	091269-03-702	EA	Oven Shelf Clip - White
	091269-03-703	EA	Oven Shelf Clip - Black
	091269-03-704	EA	Window
	091269-05-000	EA	Microwave Oven - Magic Chef M15E-9PB
	094745-01-01A	EA	Trim - Bottom
	094774-03-01A	EA	Trim - Right or Left Side
	094750-01-000	EA	Tiedown Bracket
	055282-04-000	EA	Range - 4 Burner, w/Oven - Magic Chef BT16NA - Almond
	55282-03-708	EA	Bumper - Main Top, Plastic Plug
	049045-01-742	EA	Burner Asm. - Oven
	064782-02-715	EA	Clip - Grate
	049045-01-739	EA	Fitting - Half Union
	055282-03-702	EA	Knob - Thermostat
	049045-01-742	EA	Burner Asm. - Oven
	081374-02-701	EA	Regulator - Pressure
	055282-03-700	EA	Thermostat
	049015-01-703	EA	Valve - Top Burner
	0647112-02-705	EA	Handle - Oven Door, Black
	049045-01-782	EA	Broiler Pan w/o Insert
	098507-02-700	EA	Filter - Pilot
	098507-02-701	EA	Insert - Burner (Slotted Vent)
	064782-02-701	EA	Shield - Detector Flue, Black
	102020-01-705	EA	Trim (Left)
	049045-01-741	EA	Insert - Broiler Pan
	064782-02-701	EA	Bracket - Front Glass
	064782-02-712	EA	Grate - Top Burner, Square Holes
	064782-02-714	EA	Fitting - Pipe Nipple, 1/8"
	098507-01-701	EA	Top - Main, Almond

## 1991 ITASCA TABLE OF CONTENTS

INTRODUCTION	A-01 - A-02
ABBREVIATIONS	A-03
ALPHABETICAL/GROUP REFERENCE	A-04 - A-06
ICM28RQ	A-07 - E-15
IKM40DA	E-17 - I-18

## 1991 ICM28RQ INDEX

Floor Plan	A-07 - A-08
Accessories Group	A-09 - A-11
Bath Group	A-12 - A-13
Bedroom Group	A-14 - A-18
Chassis Group	A-19 - B-06
Curtain, Cushion & Pad Group	B-07 - B-17
Dinette Group	B-18 - B-20
Driver's Compartment Group	B-21 - B-04
Electrical Group	C-05 - C-08
Exterior Body Group	C-09 - C-16
Galley Group	C-17 - C-21
Heating & Air Conditioning Group	C-22 - C-23
Interior Finish Group	C-24 - D-01
Labels Group	D-02 - D-10
LP Group	D-11
Lounge Group	D-12 - D-14
Sealants & Fasteners Group	D-15 - D-16
Water & Sewage Group	D-17 - D-19
Window, Vent & Exterior Door Group	D-20 - E-15

**GALLEY GROUP (CONTINUED)**

**APPLIANCES (CONTINUED)**

Key	Part Number	U/M	Description
	064782-02-708	EA	Valve - Mercury Control
	055282-04-700	EA	Panel - Over Door, Almond
	098507-02-707	EA	Top - Main, Ebony
	081374-03-000	EA	Range - 4 Burner, w/o Oven - Almond - Magic Chef BT85NA - 4
	064782-02-715	EA	Clip - Grate
	081374-03-704	EA	Regulator - Pressure
	049045-01-703	EA	Valve - Top Burner
	064782-02-714	EA	Fitting - Pipe Nipple, 1/8"
	098507-01-701	EA	Top - Main, Almond
	081374-03-700	EA	Trim - Cab, Rear - Almond (Left) Drivers Side Rear - Passenger Side Front
	081374-03-701	EA	Trim - Cab, Front - Almond
	064782-02-712	EA	Grate - Top Burner, Square Holes
	081374-03-703	EA	Trim - Cab, Top - Rear
	081374-03-705	EA	Trim - Back, Almond
	102019-01-01A	EA	Range Top - 4 Burner, Almond - Magic Chef BT85RA-4
	102020-01-709	EA	Bumper - Grate
	102020-01-711	EA	Grate Top
	052583-04-701	EA	Knob - Top Burner
	102020-01-718	EA	Top - Main, Almond
	102019-01-700	EA	Trim - Right, Almond
	102019-01-701	EA	Trim - Left, Almond
	102019-01-702	EA	Trim - Rear, Almond
	102019-01-724	EA	Bumper - Main Top
	102022-01-702	EA	Pipe - Manifold
	102022-01-703	EA	Regulator - Pressure
	102020-01-721	EA	Valve - Shut Off
	102020-01-722	EA	Valve - Top Burner
	100258-04-01A	EA	Hood - Range, w/Monitor Panel
	100258-04-700	EA	Circuit Board
	100258-04-701	EA	Bezel - Switch Lever, Cable To Vent
	100258-04-702	EA	Switch - Lever, w/Cable
	092696-01-701	EA	Knob - Lever, Cable - Plastic - Black
	092696-01-702	EA	Resistor - Wire
	092696-01-709	EA	Bulb - 912
	092696-01-710	EA	Socket - Light
	096983-01-708	EA	Lens - Lamp
	100258-04-702	EA	Switch - Lever w/Cable
	090973-01-702	EA	Blade - Fan
	096983-01-707	EA	Filter - Grease, 8" x 8"
	100258-04-700	EA	Circuit Board
	076799-01-715	EA	Switch - S.P. D.T.
	100258-08-701	EA	Switch - Fan 2-Speed
	096983-01-703	EA	Switch - On/On
	096983-01-702	EA	Switch - Two Way Momentary
	100258-10-01A	EA	Meter - Hour
	075470-01-703	EA	Switch - On/Momentary
	090973-01-700	EA	Motor
	100258-05-01A	EA	Hood - Range, w/Monitor Panel
	100258-04-701	EA	Bezel - Switch Lever, Cable To Vent
	092696-01-701	EA	Knob - Lever, Cable - Plastic - Black
	092696-01-702	EA	Resistor Wire
	092696-01-709	EA	Bulb - 912
	092696-01-710	EA	Socket - Light
	096983-01-708	EA	Lens - Lamp
	100258-04-702	EA	Switch Lever, w/Cable
	090973-01-702	EA	Blade - Fan
	096983-01-702	EA	Filter - Grease, 8" x 8"
	100258-04-700	EA	Circuit Board
	075470-01-702	EA	Switch - On/Off
	100258-08-701	EA	Switch - Fan, 2 Speed
	096983-01-703	EA	Switch - On/On
	096983-01-702	EA	Switch - Two Way Momentary
	100258-10-01A	EA	Meter - Hour
	090973-01-700	EA	Motor

**GALLEY GROUP (CONTINUED)**

**APPLIANCES (CONTINUED)**

Key	Part Number	U/M	Description
	094039-05-000	EA	Refrigerator - 2 Way - w/Large Double Door
	094039-04-700	EA	PC Board
	094039-04-701	EA	Eyebrow Shell
	094039-04-702	EA	Power Supply
	094039-01-702	EA	Upper Gasket - Gray
	094039-01-703	EA	Hinge Plate - Left Hand - Brown
	094039-01-705	EA	Upper Door Liner - White/Brown
	094039-01-707	EA	Upper Door Handle Asm. - Brown
	094039-01-711	EA	Juice Rack - Gray w/Silver Trim
	094039-01-712	EA	Bin Door - Gray w/Silver Trim
	094039-01-713	EA	Lower Door Gasket - Gray
	094039-01-714	EA	Lower Door Liner - White/Brown
	094039-01-716	EA	Lower Door Handle Asm. - Brown
	094039-01-718	EA	Milk Bin - Gray w/Silver Trim
	084880-01-733	EA	Dairy Keeper - Gray w/Silver Trim
	094039-01-720	EA	Cabinet Asm. - Brown Frame/White Liner
	094039-01-728	EA	Evaporator Shell
	084880-01-728	EA	Hinge Bracket - Center Hinge - Brown
	084880-01-744	EA	Hinge Pin Shaft - Center Hinge - Brown
	084880-01-735	EA	Hinge Bracket - Left Hand (Top) - Right Hand (Bottom)
	084880-01-734	EA	Hinge Bracket - Right Hand (Top) - Left Hand (Bottom)
	084880-01-731	EA	Hinge Pin
	084880-01-749	EA	Hinge Bushing
	094039-01-731	EA	Crisper - Gray w/Silver Trim
	084880-01-722	EA	Crisper Cover
	094039-01-733	EA	Wire Shelf - Middle
	094039-01-734	EA	Wire Shelf - Top - w/Riser
	094039-01-735	EA	Inside Drip Tray - White
	094039-01-738	EA	Manual Shut-Off
	094039-01-739	EA	Cutoff Shelf
	094039-01-741	EA	Shelf Tray - Gray Plastic
	084880-03-705	EA	Bracket - //Refrigerator Light
	084880-03-706	EA	Light Bulb - Refrigerator
	084880-01-736	EA	Light Switch
	084880-03-707	EA	Cover - Bulb
	084880-01-706	EA	Burner - Horizontal
	084880-03-701	EA	Cooling Unit - Horizontal Burner
	084880-03-700	EA	Flue - Horizontal Burner
	088248-01-709	EA	Heater AC - Horizontal Burner
	088248-01-708	EA	Ignition Electrode - Horizontal Burner
	084473-01-702	EA	Orifice
	084880-01-715	EA	Manual Shut-Off Valve
	075217-01-737	EA	Control Module
	054450-01-000	EA	Level - Refrigerator
	089C03-02-000	EA	Baffle - Refrigerator - Back
	089983-03-000	EA	Baffle - Refrigerator - Back
	065225-01-000	EA	Tiedown Plate - Refrigerator
	067544-01-000	EA	Bracket Asm. - Tiedown - Refrigerator - Right
	067544-02-000	EA	Bracket Asm. - Tiedown - Refrigerator - Left
	039800-01-000	FT	Tubing - Polybutyl - 1/2" OD
	052954-01-000	EA	Nose Cone Adapter - 3/8" or 1/2"
	077054-01-000	EA	Valve - Plastic - 1/2" M x 1/2" M x 1/4" Comp
	091208-01-000	EA	Pipe Cap - 1/2" FPT - Brass Hex

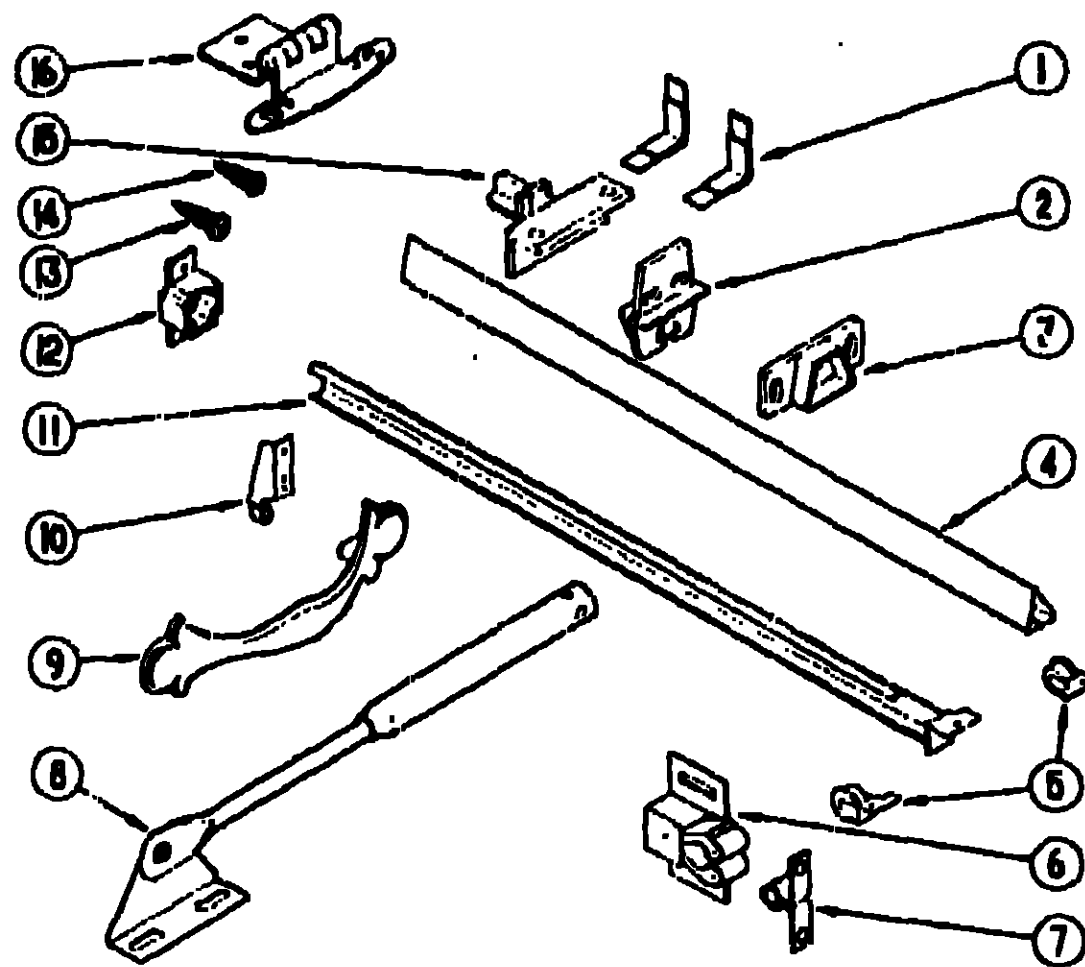
**1991 ITASCA  
TABLE OF CONTENTS**

INTRODUCTION	A-01 - A-02
ABBREVIATIONS	A-03
ALPHABETICAL/GROUP REFERENCE	A-04 - A-06
ICM28RQ	A-07 - E-15
IKM40DA	E-17 - I-18

**1991 ICM28RQ INDEX**

Floor Plan	A-07 - A-08
Accessories Group	A-09 - A-11
Bath Group	A-12 - A-13
Bedroom Group	A-14 - A-18
Chassis Group	A-19 - B-06
Curtain, Cushion & Pad Group	B-07 - B-17
Dinette Group	B-18 - J-20
Driver's Compartment Group	B-21 - B-01
Electrical Group	C-05 - C-06
Exterior Body Group	C-09 - C-16
Galley Group	C-17 - C-21
Heating & Air Conditioning Group	C-22 - C-23
Interior Finish Group	C-24 - D-01
Labels Group	D-02 - D-10
LP Group	D-11
Lounge Group	D-12 - D-14
Sealants & Fasteners Group	D-15 - D-16
Water & Sewage Group	D-17 - D-19
Window, Vent & Exterior Door Group	D-20 - E-15

### GALLEY GROUP (CONTINUED)



CABINET HARDWARE (DOORS, DRAWERS & CABINETS)

Key	Part Number	U/M	Description
1	037688-02-000	EA	L-Corner Glide (Drawers)
2	037688-03-000	EA	Center Glide (Drawers)
3	037688-05-000	EA	Rail Mounting Bracket - Rear (Drawers)
4	037688-01-000	FT	V-Rail (Drawers)
5	102837-02-000	EA	Nylon Rollers (Set of 2) (Drawers)
6	093586-03-000	EA	Roller Catch
7	093586-04-000	EA	Steel Strike
8	074493-02-000	EA	Door Support
9	100273-01-000	EA	Pull Handle
10	102827-02-000	EA	Rear Roller Bracket (Drawers)
11	102827-05-000	EA	Track (Drawers)
12	102827-04-000	EA	Rear Mounting Bracket (Drawers)
13	000G68-06-10G	EA	Screw - #6 - 18 x .625" POH - Antique Brass - Hinge to Door
14	000G13-06-10G	EA	Screw - #6 - 20 x .625" PFH - Antique Brass - Hinge to Cabinet
15	037688-04-000	EA	Rail Mounting Bracket - Front (Drawers)
16	059777-02-000	EA	Hinge - Burnished Brass
	084466-02-000	EA	Slide Asm. - Right (Drawers)
	084466-03-000	EA	Slide Asm. - Left (Drawers)
	084466-04-000	EA	Slide Asm. - Right (Cabinet)
	084466-05-000	EA	Slide Asm. - Left (Cabinet)
	092303-01-000	EA	Sink Strainer
	093653-01-B07	EA	Sink Cover
	093153-01-000	EA	Cutting Board - Maple
	101333-01-000	EA	Mounting Plate - Wall Clock
	100793-01-01A	EA	Wall Clock - Oval
	058334-01-000	EA	Wastebasket - White
	093605-01-01A	EA	Towel Rack - Wire - Almond
	072852-01-000	EA	Smoke Detector
	100081-01-01A	EA	Silverware Tray - Almond
	009049-01-000	EA	Support - Drop Leaf Table
	009059-01-000	EA	Hinge - Drop Leaf Table

C-21

### HEATING & AIR CONDITIONING GROUP

#### AUTOMOTIVE HEATER/AIR CONDITIONER

Key	Part Number	U/M	Description
	094831-01-000	EA	Heater/Evaporator Asm. Complete
	094831-01-700	EA	Fresh Air Door
	094831-01-701	EA	Fresh Air Door Rod
	094831-01-702	EA	Plastic Drain Pan
	094831-01-703	EA	Blower Motor
	094831-01-704	EA	Blower Wheel
	094831-01-705	EA	2" OD Vacuum Motor
	094831-01-706	EA	4-Speed Resistor
	094831-01-707	EA	Unit Wiring Harness
	094831-01-708	EA	Unit Vacuum Harness
	094831-01-709	E/	3/16" Rod Clamps
	094831-01-710	EA	3/16" Rod Retainer Ring
	094831-01-711	EA	#10 - 32 Keys Nut
	094831-01-712	EA	#10 - 32 Timmerman's "J" Nut
	094831-01-713	EA	Evaporator Coil
	094831-01-714	EA	Expansion Valve
	094831-01-715	EA	Thermostat
	094831-01-716	EA	Trinary Switch
	094831-01-717	EA	#6 Hose Asm.
	094831-01-718	EA	#10 Hose Asm.
	094831-01-719	EA	#4 - Self Sealing Coupler w/O Ring
	094831-01-720	EA	#10 Service Valve
	094831-01-721	EA	#10 O Ring
	094831-01-722	EA	#8 O Ring
	094831-01-723	EA	#6 O Ring
	094831-01-724	EA	#4 O Ring
	094831-01-725	EA	Blend Air Door
	094831-01-726	EA	Blend Air Door Rod
	094831-01-727	EA	Heat Coil
	094831-01-728	EA	Damper Door
	094831-01-729	EA	Damper Door Rod
	094831-01-730	EA	Vacuum Motor
	094831-01-731	EA	2" Hose Adapters
	094831-01-732	EA	Control Housing
	094831-01-733	EA	Control Wiring Harness
	094831-01-734	EA	Light Wiring Harness
	094831-01-735	EA	Control Vacuum Harness
	094831-01-736	EA	Vacuum Switch
	094831-01-737	EA	Blend Air Cable - 72"
	094831-01-738	EA	Cable Clip
	094831-01-739	EA	Unit Cable Clip
	094831-01-740	EA	Aux Relay
	094831-01-741	EA	Louver Asm./Control Panel Trim
	094831-01-742	EA	Condenser Wiring Harness
	094831-01-743	EA	Vacuum Canister
	094831-01-744	EA	Water Valve
	094831-01-745	EA	Kazoo Drain Tube
	094831-01-746	EA	Blend Cable Clamp
	094831-05-000	EA	Owner's Manual - Heater/Air Conditioner
	094831-06-000	EA	Service Manual - Heater/Air Conditioner
	094831-04-000	EA	Wiring Asm. - Cooling Fans (1990 Chevrolet)
	094831-07-000	EA	Wiring Asm. - Cooling Fan Adapter (1991 Chevrolet)
	101849-01-000	EA	Wiring Asm. - Cooling Fan Adapter (1990 Chevrolet)
	072343-06-000	EA	Compressor w/Clutch
	096815-01-700	EA	Condenser Coil
	096815-01-701	EA	#8 Hose Asm.
	096815-01-702	EA	O Ring
	096815-01-703	EA	#8 Hose
	072342-03-701	EA	Receiver Dryer
	007108-01-000	EA	Hose - Heater - 5/8" ID
	007281-01-000	EA	Hose - Flexible - 2 1/2" ID
	009200-01-000	EA	Furnace Tape - 1 1/2"
	024990-03-000	EA	Defroster Outlet - w/Swivel - 2" Gray
	024990-04-000	EA	Defroster Outlet - w/Swivel - 2" Tan
	039044-01-000	EA	Louver Asm. - Air Conditioner - Adjustable Vent

### 1991 ITASCA TABLE OF CONTENTS

INTRODUCTION	A-01 - A-02
ABBREVIATIONS	A-03
ALPHABETICAL/GROUP REFERENCE	A-04 - A-06
ICM28RQ	A-07 - E-15
IKM40DA	E-17 - I-18

### 1991 ICM28RQ INDEX

Floor Plan	A-09 - A-08
Accessories Group	A-09 - A-11
Bath Group	A-12 - A-13
Bedroom Group	A-14 - A-18
Chassis Group	A-19 - B-06
Curtain, Cushion & Pad Group	B-07 - B-17
Dinette Group	B-18 - B-20
Driver's Compartment Group	B-21 - B-04
Electrical Group	C-05 - C-08
Exterior Body Group	C-09 - C-16
Galley Group	C-17 - C-21
Heating & Air Conditioning Group	C-22 - C-23
Interior Finish Group	C-24 - D-01
Labels Group	D-02 - D-10
LP Group	D-11
Lounge Group	D-12 - D-14
Sealants & Fasteners Group	D-15 - D-16
Water & Sewage Group	D-17 - D-19
Window, Vent & Exterior Door Group	D-20 - E-15

C-22



## HEATING & AIR CONDITIONING GROUP (CONTINUED)

### FURNACE

Key	Part Number	U/M	Description
**	075695-01-000	EA	Furnace - 24,000 BTU - Suburban - w/Direct Ignition
	075696-02-000	EA	Furnace - 34,000 BTU - Suburban
	094600-01-02A	EA	Register Grill - Brown
	054464-04-000	EA	Register - Sand - 4" - w/Damper
	054464-05-000	EA	Register - Sand - 4" - w/o Damper
	093385-01-000	EA	Thermostat

\*\* The illustrated parts breakdown for this item is provided on the Common Items Fiche.

### ROOF AIR CONDITIONING

Key	Part Number	U/M	Description
	093763-01-02A	EA	Air Conditioner - Roof Mount - Beige TST
	093763-01-702	EA	Overload
	093763-01-703	EA	Impeller - 7" Dia. x 2.8" Wide
	093763-01-704	EA	Fan Capacitor
	093763-01-708	EA	Heat Element
	093763-01-708	EA	Condenser Coil
	093763-01-709	EA	Compressor
	093763-01-710	EA	Single Parts Package
	093763-01-711	EA	Gasket Package
	091225-01-709	EA	Start Relay
	091225-01-710	EA	Start Capacitor
	073742-02-704	EA	Run Capacitor (Compressor)
	081606-01-708	EA	Limit Switch
	093763-01-712	EA	Fan Blade (Condenser)
	093763-01-707	EA	Evaporator Coil
	073742-01-701	EA	Selector Switch
	091225-01-713	EA	Knob (2)
	076303-01-707	EA	Filter - 6" x 14 3/4" x 1/2" (12)
	U. 6303-01-712	EA	Motor
	073742-01-701	EA	Decal "Heat & Cool"
	073742-01-702	EA	Decal "Cool Only"
	093763-02-700	EA	Shroud - Beige/Charcoal
	093764-01-000	EA	Ceiling Asm.
	092440-01-000	EA	Air Conditioner - Roof Mount - Export 220V 50HZ
	092441-01-000	EA	Ceiling Asm.
	008288-02-000	EA	Plastic Connector - 3/8"
	090971-01-000	EA	Cable Splice
	102289-01-000	EA	Spring

### AUXILIARY REAR HEATER W/MOTOR AID

Key	Part Number	U/M	Description
	084405-01-000	EA	Heater Asm. - Rear - Ducted
	084405-01-700	EA	Heater Core
	084405-01-701	EA	Fan
	084405-01-702	EA	Motor - 12 Volt Asm.
	069636-02-000	EA	Connector - 4" Duct
	009198-01-000	FT	Duct - Flexible - 4" ID x 25'
	023146-01-000	EA	Clamp - Screw Type - 4"
	056464-04-000	EA	Register - 4" Dia. - Plastic - w/Damper
	088753-01-000	FT	Tube - Aluminized Steel - 5/8" - 18 Ga.
	008042-01-000	FT	Vinyl Tubing - .65
	062401-04-000	EA	Clamp - Hose - Wormgear - 89 - 1.25
	008380-01-000	EA	Bushing - Rubber - 5/8" x 1 1/2"
	007108-01-000	FT	Hose - Heater - 5/8" - Hi-Temp
	010227-01-000	EA	Tee - Plastic - Barb - 5/8" or 3/4" Hose
	081673-01-000	EA	Clamp - Motor Aid
	087202-02-000	EA	Switch - w/o Knob - 4 Position
	090977-01-000	EA	Knob - Switch - Rotary
	084410-02-000	EA	Decal - Rear Auto Heater
	010329-01-000	EA	Brass Adapter - 1/2" F x 1/2" MPT
	052957-02-000	EA	Plastic Elbow - 1/2" F x 1/2" MPT
	009200-01-000	EA	Furnace Tape - 1 1/2"

## INTERIOR FINISH GROUP

### MOLDINGS & TRIMS

Key	Part Number	U/M	Description
	089733-78-000	EA	Batt Strip - Rambling Oak
	079853-09-000	EA	Batt Strip - Rambling Oak - Karled
	085284-32-000	FT	Batt Strip - Rambling Oak - Tape Adhesive
	088283-54-000	EA	Batt Strip - Mist (Main Wall/Galley/Bedroom)
	079853-15-000	EA	Batt Strip - Mist - Karled (Wet Bath)
	085284-42-000	FT	Batt Strip - Mist - Tape Adhesive (Main Wall/Galley/Bedroom)
	088283-55-000	EA	Batt Strip - Blossom (Dry Bath)
	085284-41-000	FT	Batt Strip - Blossom - Tape Adhesive (Dry Bath)
	088283-50-000	EA	Batt Strip - White (Wet Bath)
	088229-04-000	EA	Batt Strip - Ivory (Ceiling)
	009767-10-000	FT	Welling - Mahogany
	009767-12-000	FT	Welling - Antique White
	022992-11-000	FT	Reverse Cove Molding - Ivory
	088820-08-000	FT	T-Molding - Pecan
	009809-21-000	EA	F-Molding - 1" - Country Forest
	009812-22-000	EA	F-Molding - 1/2" - Country Forest
	009812-24-000	EA	F-Molding - 1/2" - Ivory
	085746-01-000	FT	J-Molding - Beige
	042357-15-000	EA	Corner Molding - Radius - Pecan
	081521-02-007	EA	Corner Molding - Aluminum (Plastic Trim Holder)
	016804-01-000	EA	Angle Bracket - 2.5"
	070504-01-000	FT	U-Channel - .85" - Light Brown
	009778-12-000	FT	U-Channel - 1" - Country Forest
	070504-20-000	FT	U-Channel - .815" - Pecan
	070504-18-000	FT	U-Channel - .65" - Ivory
	009778-11-000	FT	U-Channel - 1" - Ivory
	024700-36-000	EA	Roll Bar Cover - Gray (110")
	024700-17-000	EA	Roll Bar Cover - Off White (110")
	100182-10-B29	EA	Trim - Chair Rail
	052859-01-AA8	EA	Trim - Accent - Queen Bed

### PANELING, COUNTERTOP & VINYL HEADLINER

Key	Part Number	U/M	Description
	088272-76-000	SF	Paneling - Mist - 48" x 84" (Main Wall)
	074497-17-000	SF	Paneling - Rambling Oak - 48" x 96" (Wall & Cabinet)
	008272-75-000	SF	Paneling - Blossom - 48" x 84" (Dry Bath)
	088272-72-000	SF	Paneling - Travertine White - 48" x 84" (Wet Bath)
	000885-46-000	SF	Particle Board - 3/8" - One Sided - Rambling Oak - 49" x 97"
	000885-47-000	SF	Particle Board - 3/4" - One Sided - Rambling Oak - 49" x 97"
	000885-48-000	SF	Particle Board - 3/4" Two Sided - Rambling Oak - 49" x 97"
	074498-36-000	SF	Laminate - Plastic - Caldera Rose
	074498-34-000	SF	Laminate - Plastic - Rambling Oak
	076325-28-000	FT	Edgeband - Beige
	076325-25-000	FT	Edgeband - Rambling Oak
	089351-03-000	YD	Vinyl Headliner

## 1991 ITASCA TABLE OF CONTENTS

INTRODUCTION	A-01 - A-02
ABBREVIATIONS	A-03
ALPHABETICAL/GROUP REFERENCE	A-04 - A-06
ICM28RQ	A-07 - E-16
IKM40DA	E-17 - I-18

## 1991 ICM28RQ INDEX

Floor Plan	A-09 - A-08
Accessories Group	A-09 - A-11
Bath Group	A-12 - A-13
Bedroom Group	A-14 - A-18
Chassis Group	A-19 - B-06
Curtain, Cushion & Pad Group	B-07 - B-17
Dinette Group	B-18 - B-20
Driver's Compartment Group	B-21 - B-04
Electrical Group	C-05 - C-08
Exterior Body Group	C-09 - C-18
Galley Group	C-17 - C-21
Heating & Air Conditioning Group	C-22 - C-23
Interior Finish Group	C-24 - D-01
Labels Group	D-02 - D-10
LP Group	D-11
Lounge Group	D-12 - D-14
Sealants & Fasteners Group	D-15 - D-16
Water & Sewage Group	D-17 - D-19
Window, Vent & Exterior Door Group	D-20 - E-15

**INTERIOR FINISH GROUP (CONTINUED)**

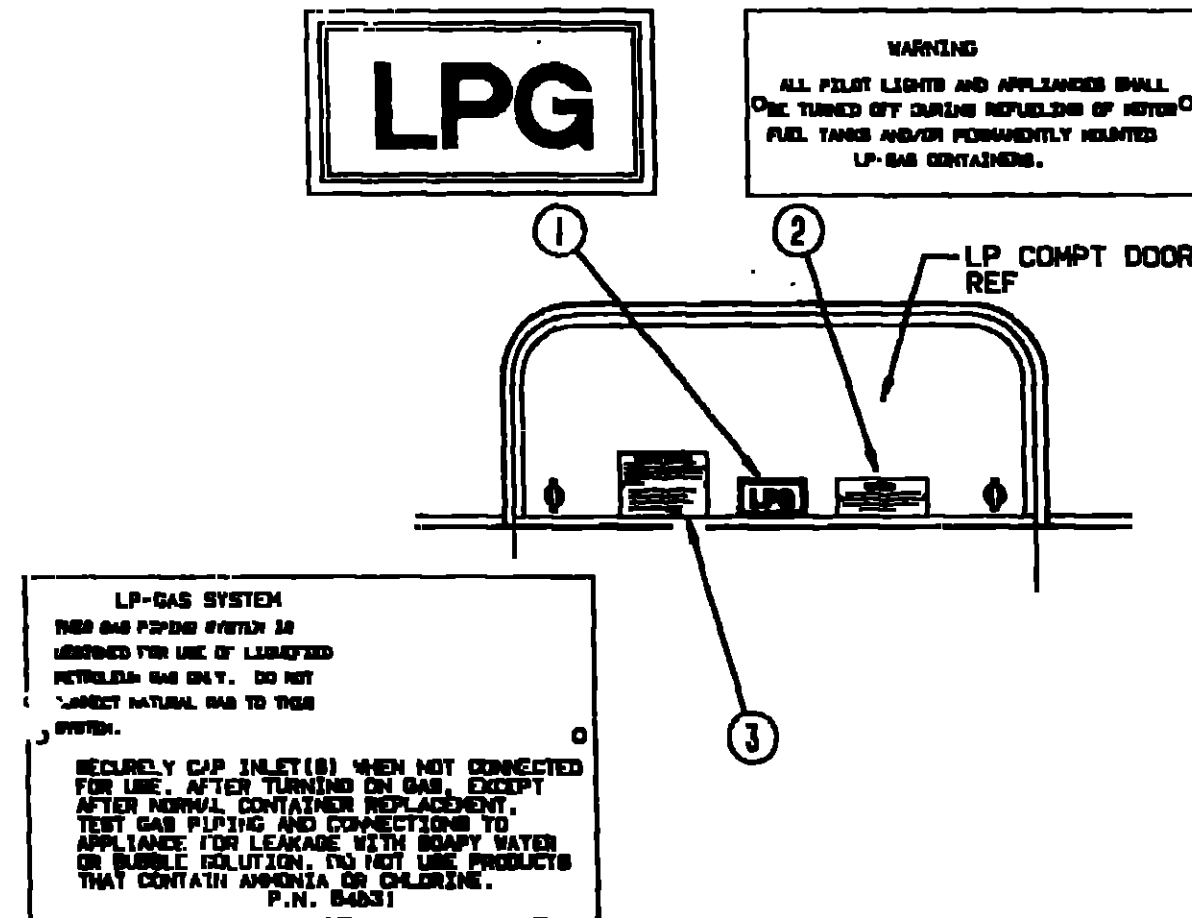
**FABRIC & FLOOR COVERING**

Key	Part Number	U/M	Description
	096008-57-000	YD	Fabric - Upholstery - Main - Cocoa (B32)
	096008-56-000	YD	Fabric - Upholstery - Main - Gray (B33)
	096008-55-000	YD	Fabric - Upholstery - Main - Plum (B34)
	096008-60-000	YD	Fabric - Upholstery - Patterned Accent - Cocoa (B32)
	096008-59-000	YD	Fabric - Upholstery - Patterned Accent - Gray (B33)
	096008-58-000	YD	Fabric - Upholstery - Patterned Accent - Plum (B34)
	096008-62-000	YD	Fabric - Upholstery - Plain Accent - Cocoa (B32)
	096008-31-000	YD	Fabric - Upholstery - Plain Accent - Gray (B33)
	096008-61-000	YD	Fabric - Upholstery - Plain Accent - Plum (B34)
	072333-77-000	YD	Fabric - Wraparound Curtain - Taupe (B32)
	072333-76-000	YD	Fabric - Wraparound Curtain - Silver (B33, B34)
	088273-53-000	YD	Fabric - Bedspread - Sunset (B32)
	088273-55-000	YD	Fabric - Bedspread - Opal (B33)
	088273-54-000	YD	Fabric - Bedspread - Cameo (B34)
	096080-15-000	SY	Carpet - Dark Sand (B32)
	096040-18-000	SY	Carpet - Silver Cloud (B33)
	096040-20-000	SY	Carpet - Aubergine (B34)
	033486-01-000	SY	Carpet - Outside Storage Compartments - Charcoal
	075233-03-000	SY	Pad - Carpet - 3/8"
	077484-01-000	YD	Vinyl - Gray
	079680-07-000	YD	Vinyl - Off White
	079680-01-000	YD	Vinyl - Buckskin
	089351-03-000	YD	Vinyl - Headliner - Acoustical

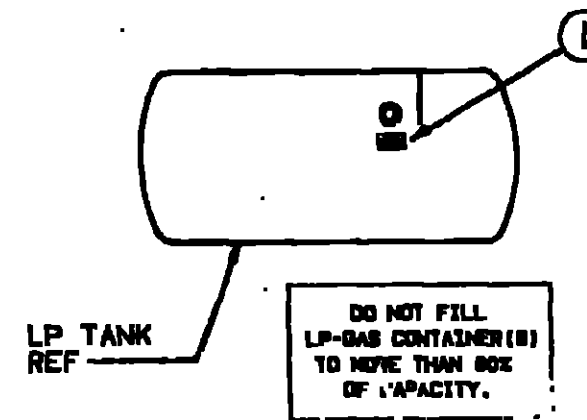
**MISCELLANEOUS**

Key	Part Number	U/M	Description
	053552-02-AA8	EA	Assist Handle - Interior - Entrance Door
	101333-01-000	EA	Mounting Plate - Clock
	100793-01-01A	EA	Clock
	094499-01-000	EA	Fire Extinguisher - IA10BC (USA)
	094499-02-000	EA	Fire Extinguisher - IA10BC (CSA)
	094499-01-700	EA	Holder - Fire Extinguisher
	081075-02-000	EA	Floor Mat - Entrance Door
	081201-02-000	EA	Floor Mat - Front - Drivers Side
	081202-02-000	EA	Floor Mat - Front - Passenger Side
	072852-01-000	EA	Smoke Detector - w/9 Volt Battery (USA)
	072852-02-000	EA	Smoke Detector - w/9 Volt Battery
	110081-01-01A	EA	Silverware Tray - Almond

**LABELS GROUP**



Key	Part Number	U/M	Description
1	074559-01-000	EA	Label - "LPG" (California Code)
2	006040-01-000	EA	Tag - Gas Refueling Warning (USA)
2	006040-02-000	EA	Tag - Gas Refueling Warning (CSA)
3	054531-01-000	EA	Label - LP Gas Only (USA)
3	023769-01-000	EA	Label - LP Gas Only (CSA)



Key	Part Number	U/M	Description
1	079965-01-000	EA	Label - LPG - 80% Capacity

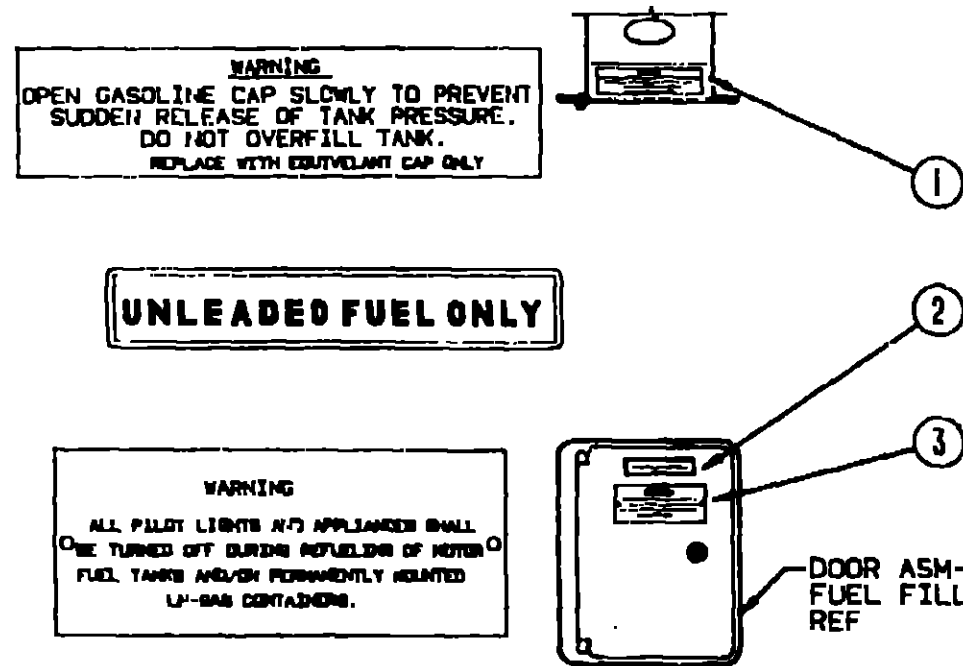
**1991 ITASCA TABLE OF CONTENTS**

INTRODUCTION	A-01 - A-02
ABBREVIATIONS	A-03
ALPHABETICAL/GROUP REFERENCE	A-04 - A-06
ICM28RQ	A-07 - E-15
IKM40DA	E-17 - I-18

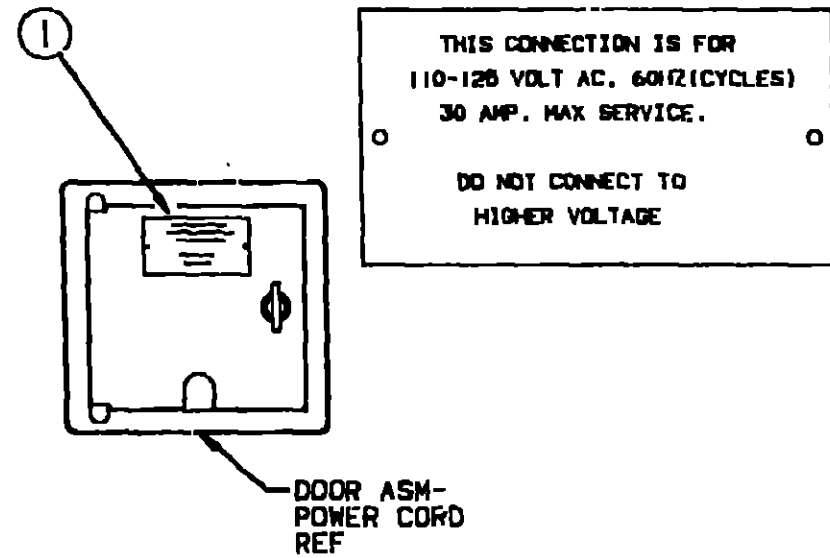
**1991 ICM28RQ INDEX**

Floor Plan	A-09 - A-08
Accessories Group	A-09 - A-11
Bath Group	A-12 - A-13
Bedroom Group	A-14 - A-18
Chassis Group	A-19 - B-06
Curtain, Cushion & Pad Group	B-07 - B-17
Dinette Group	B-18 - B-20
Driver's Compartment Group	B-21 - B-04
Electrical Group	C-05 - C-08
Exterior Body Group	C-09 - C-16
Galley Group	C-17 - C-21
Heating & Air Conditioning Group	C-22 - C-23
Interior Finish Group	C-24 - D-01
Labels Group	D-02 - D-10
LP Group	D-11
Lounge Group	D-12 - D-14
Sealants & Fasteners Group	D-15 - D-16
Water & Sewage Group	D-17 - D-19
Window, Vant & Exterior Door Group	D-20 - E-15

**LABELS GROUP (CONTINUED)**

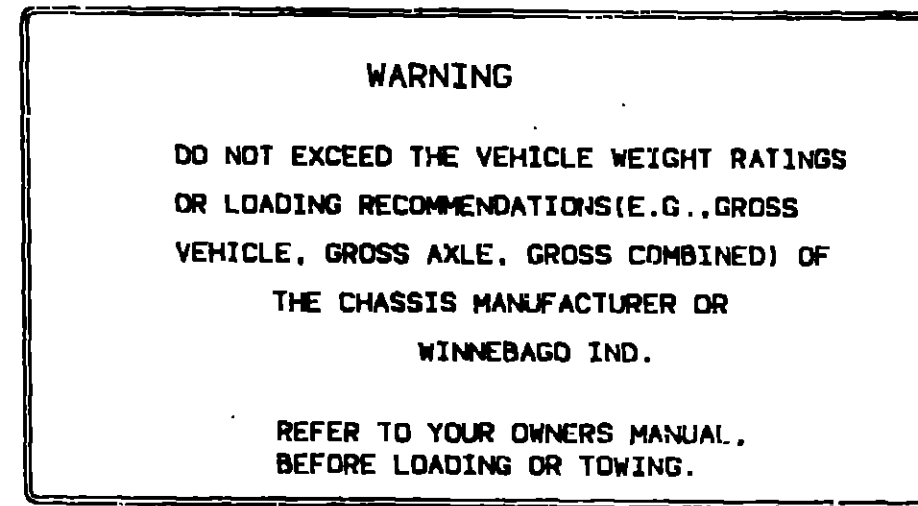
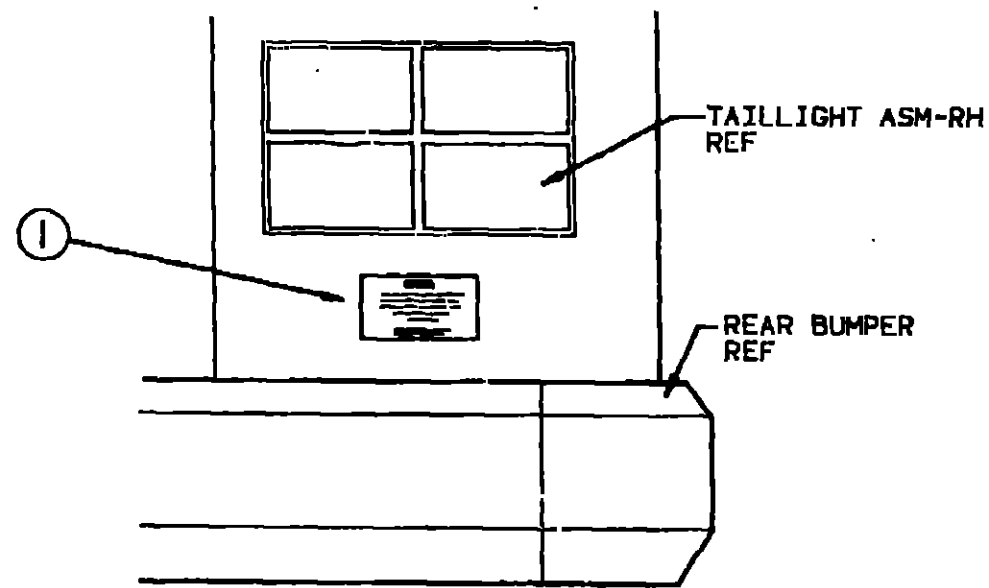


Key	Part Number	U/M	Description
1	087207-05-000	EA	Label - Fuel Cap Removal (GM-15611763)
2	062043-01-000	EA	Label - Unleaded Fuel
3	006040-01-000	EA	Tag - Gas Refueling Warning (USA)
3	006040-02-000	EA	Tag - Gas Refueling Warning (CSA)

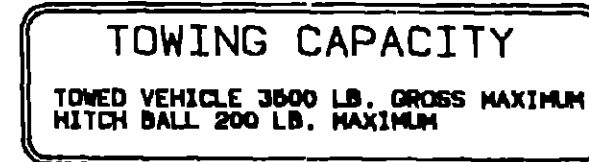
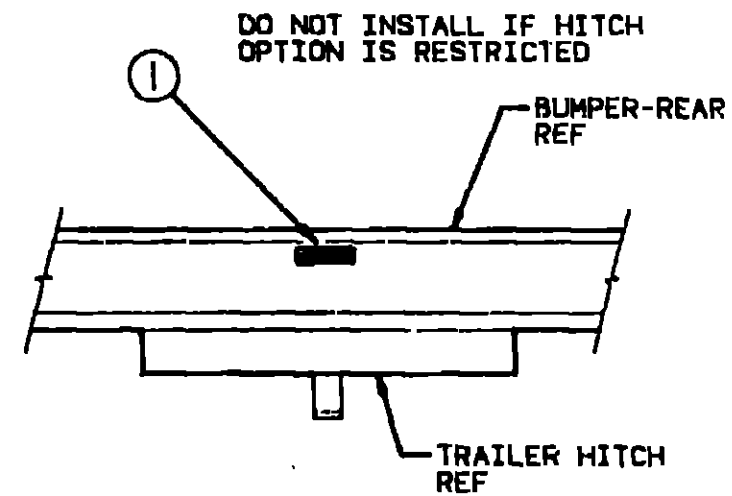


Key	Part Number	U/M	Description
1	006062-01-000	EA	Tag - Electrical - 110 Volt Connection

**LABELS GROUP (CONTINUED)**



Key	Part Number	U/M	Description
1	075220-01-000	EA	Label - Exterior Load Warning



D-3	Key	Part Number	U/M	Description
	1	075221-03-000	EA	Label - Towing Capacity

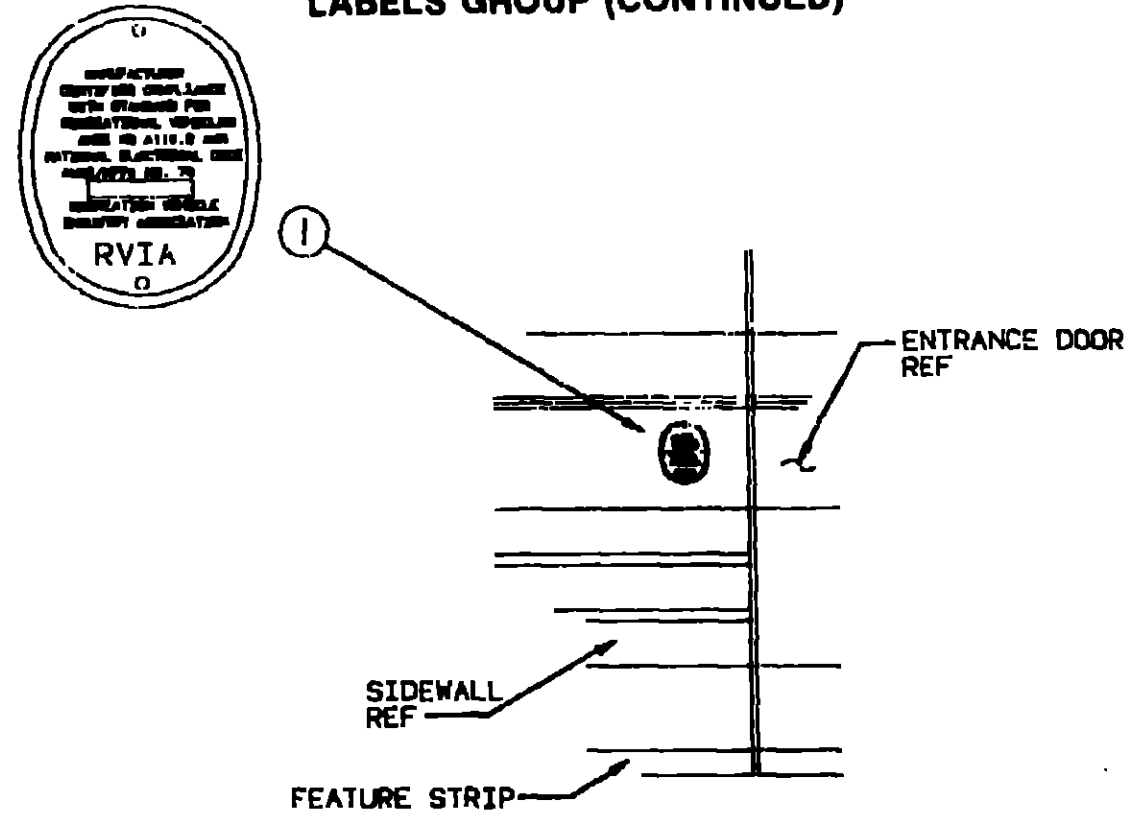
**1991 ITASCA  
TABLE OF CONTENTS**

INTRODUCTION	A-01 - A-02
ABBREVIATIONS	A-03
ALPHABETICAL/GROUP REFERENCE	A-04 - A-06
ICM28RQ	A-07 - E-15
IKM40DA	E-17 - I-18

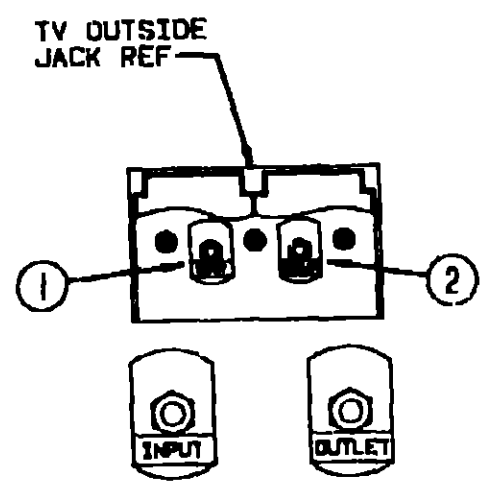
**1991 ICM28RQ INDEX**

Floor Plan	A-09 - A-08
Accessories Group	A-09 - A-11
Bath Group	A-12 - A-13
Bedroom Group	A-14 - A-18
Chassis Group	A-19 - B-06
Curtain, Cushion & Pad Group	B-07 - B-17
Dinette Group	B-18 - B-20
Driver's Compartment Group	B-21 - B-04
Electrical Group	C-05 - C-08
Exterior Body Group	C-09 - C-16
Galley Group	C-17 - C-21
Heating & Air Conditioning Group	C-22 - C-23
Interior Finish Group	C-24 - D-01
Labels Group	D-02 - D-10
LP Group	D-11
Lounge Group	D-12 - D-14
Sealants & Fasteners Group	D-15 - D-16
Water & Sewage Group	D-17 - D-19
Window, Vent & Exterior Door Group	D-20 - E-15

**LABELS GROUP (CONTINUED)**

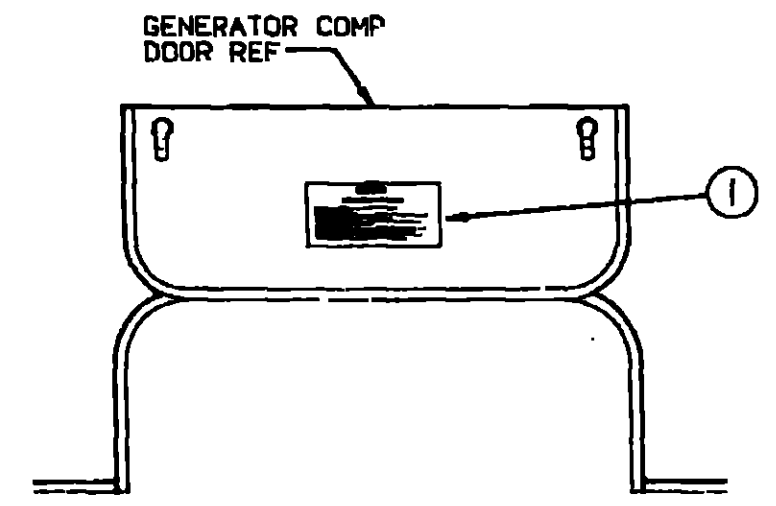


Key	Part Number	U/M	Description
1	006019-01-000	EA	Tag - RVIA Approved - Plastic



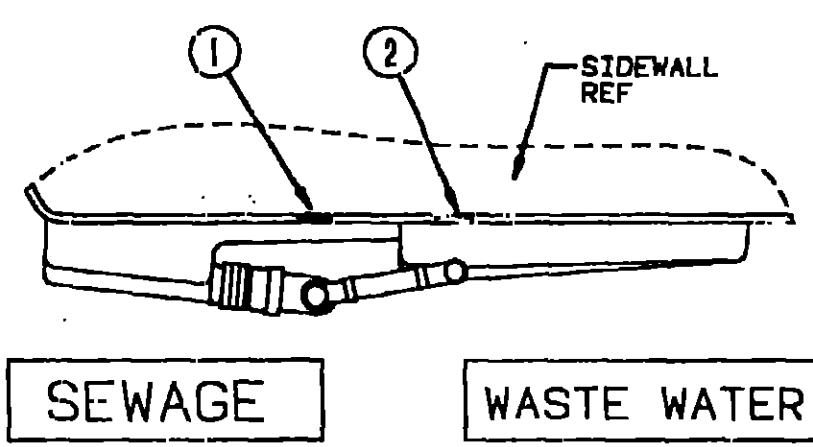
Key	Part Number	U/M	Description
1	067236-01-000	EA	Label - Cable Input
2	067236-02-000	EA	Label - TV Outlet

**LABELS GROUP (CONTINUED)**



**WARNING**  
**WHEN ADDING A GENERATOR SET:**  
 HIGH VOLTAGE-USE EXTREME CAUTION WHEN WORKING ON ELECTRICAL COMPONENTS. HAVE ALL ELECTRICAL INSTALLATION PERFORMED BY A QUALIFIED LICENSED ELECTRICIAN-FOLLOW ALL STATE AND LOCAL CODES. ONLY INSTALL GENERATOR SET APPROVED FOR R.V. APPLICATION. HAVE INSTALLED BY QUALIFIED TECHNICIAN. TO AVOID HEAT BUILD-UP AND TO GUARANTEE AN ADEQUATE AIR SUPPLY TO THE GENERATOR COMPARTMENT, FOLLOW INSTALLATION INSTRUCTIONS. GENERATOR EXHAUST GASES ARE TOXIC AND MUST NOT TONGUE UNDER THE VEHICLE-DESIGNWARE EXHAUST AWAY FROM VEHICLE.

Key	Part Number	U/M	Description
1	077510-01-000	EA	Label - Generator Prep



Key	Part Number	U/M	Description
1	006187-01-000	EA	Label - Sewage
2	006188-01-000	EA	Label - Waste Water

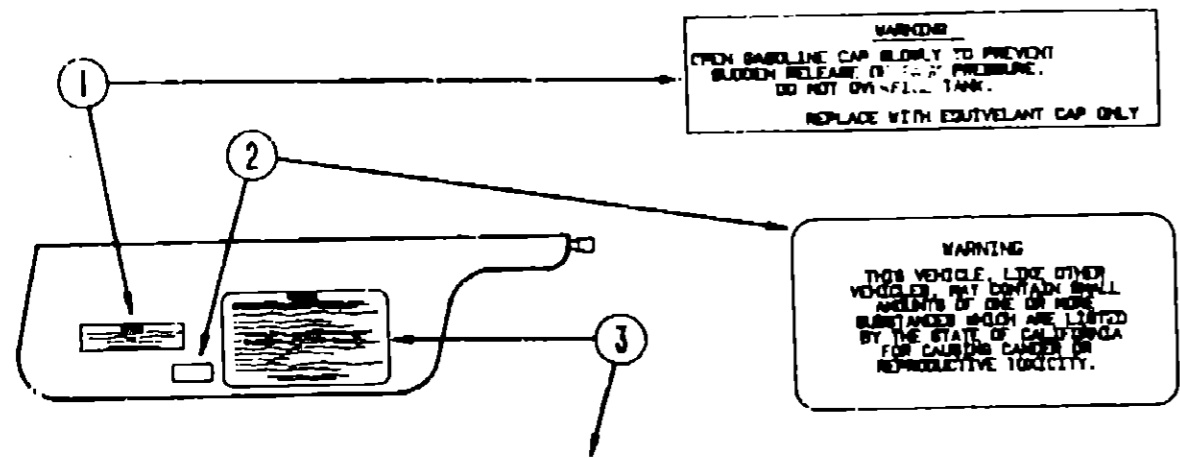
**1991 ITASCA TABLE OF CONTENTS**

INTRODUCTION	A-01 - A-02
ABBREVIATIONS	A-03
ALPHABETICAL/GROUP REFERENCE	A-04 - A-06
ICM28RQ	A-07 - E-15
IKM-40DA	E-17 - I-18

**1991 ICM28RQ INDEX**

Floor Plan	A-09 - A-08
Accessories Group	A-09 - A-11
Bath Group	A-12 - A-13
Bedroom Group	A-14 - A-18
Chassis Group	A-19 - B-06
Curtain, Cushion & Pad Group	B-07 - B-17
Dinette Group	B-18 - B-20
Driver's Compartment Group	B-21 - B-04
Electrical Group	C-05 - C-08
Exterior Body Group	C-09 - C-16
Galley Group	C-17 - C-21
Heating & Air Conditioning Group	C-22 - C-23
Interior Finish Group	C-24 - D-01
Labels Group	D-02 - D-10
LP Group	D-11
Lounge Group	D-12 - D-14
Sealants & Fasteners Group	D-15 - D-16
Water & Sewage Group	D-17 - D-19
Window, Vent & Exterior Door Group	D-20 - E-15

**LABELS GROUP (CONTINUED)**



**WARNING**  
 OPEN GASOLINE CAP SLOWLY TO PREVENT  
 SUDDEN RELEASE OF AIR PRESSURE.  
 DO NOT OPEN FUEL TANK.  
 REPLACE WITH EQUIVALENT CAP ONLY

**WARNING**  
 THIS VEHICLE, LIKE OTHER  
 VEHICLES, MAY CONTAIN SMALL  
 AMOUNTS OF ONE OR MORE  
 SUBSTANCES WHICH ARE LISTED  
 BY THE STATE OF CALIFORNIA  
 AS CAUSING CANCER OR  
 REPRODUCTIVE TOXICITY.

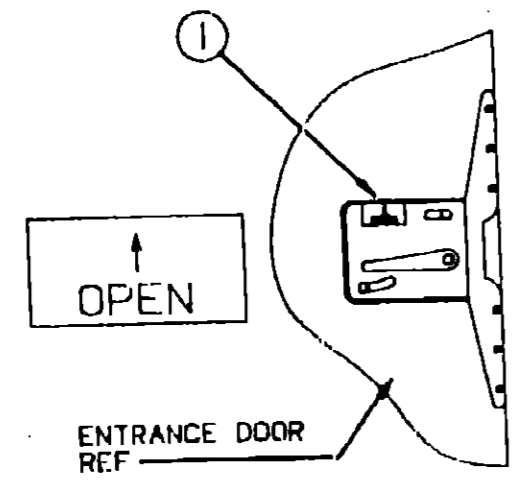
**CAUTION**

THIS MOTOR HOME HAS BEEN DESIGNED, MANUFACTURED AND TESTED WITH CONCERN FOR THE PROTECTION OF IT'S OCCUPANTS. WE RECOMMEND YOU PERFORM THE FOLLOWING INSPECTIONS FOR YOUR SAFETY AND THE SAFETY OF YOUR PASSENGERS BEFORE STARTING YOUR VEHICLE.

1. LP GAS SYSTEM- TURN OFF AT TANK FOR TRAVELING. TEST FOR LEAKS U.C. ARRIVAL AT DESTINATION. BEFORE LIGHTING PILOTS.
2. WHEELS- INSPECT FOR DAMAGE AND CHECK LUB RITS FOR TIGHTNESS.
3. TIRES- INSPECT FOR WEAR AND DAMAGE AND CHECK FOR RECOMMENDED AIR PRESSURE.
4. LIGHTS- TEST FOR PROPER OPERATION OF ALL INTERIOR AND EXTERIOR LIGHTS INCLUDING DASH LIGHTS, HEADLIGHTS, TAIL LIGHTS, BRAKE LIGHTS, CLEARANCE LIGHTS AND TURN SIGNALS.
5. EXITS- INSPECT RELEASE MECHANISM ON EMERGENCY EXIT WINDOW. TEST BOTH LOCKS ON MAIN ENTRANCE DOOR FOR EASE OF OPERATION AND INSTRUCT PASSENGERS HOW TO USE BOTH MEANS OF EXIT.
6. SEAT BELTS- DIRECT PASSENGERS TO DESIGNATED SEATS AND INSTRUCT USE OF SEAT BELTS.
7. APPLIANCES- TURN OFF AND LATCH OR LOCK DOORS WHERE PROVIDED.
8. LOOSE PARCELS- STORE SECURELY.
9. UTILITY SUPPLY LINES- DISCONNECT ALL ELECTRIC, SEWER AND WATER LINES AND SECURE PROPERLY.
10. ENTRANCE DOOR STEP- PLACE IN RETRACTED POSITION FOR TRAVELING.

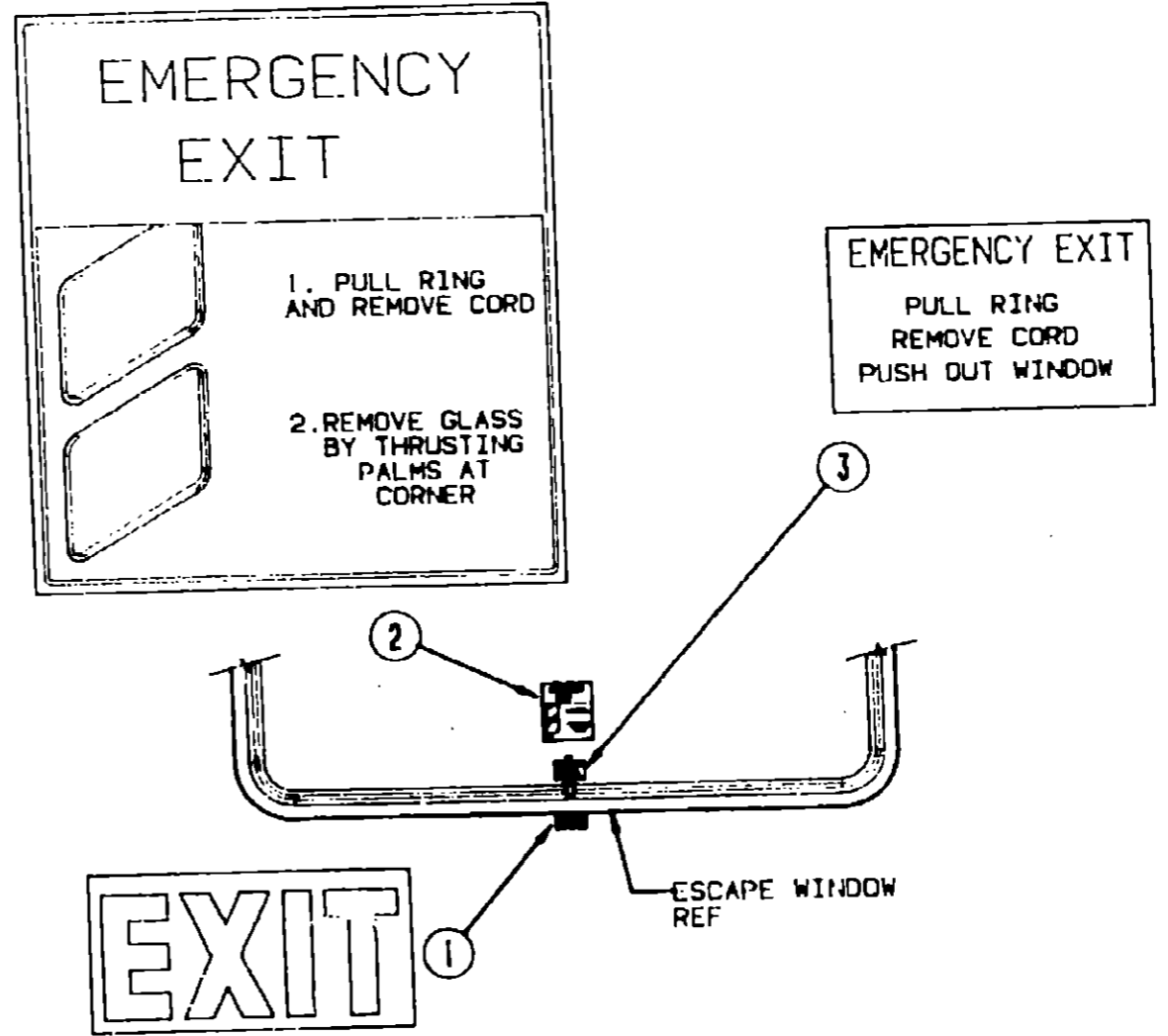
READ YOUR MOTOR HOME AND CHASSIS OWNER'S MANUAL FOR FURTHER PRECAUTIONS

Key	Part Number	U/M	Description
1	087207-05-000	EA	Label - Fuel Cap Removal
2	099689-01-000	EA	Label - Warning - Cancer/Toxicity (California Code)
3	056259-01-000	EA	Label - Safety Check List



Key	Part Number	U/M	Description
1	040944-01-000	EA	Label - Open

**LABELS GROUP (CONTINUED)**



**EMERGENCY EXIT**

1. PULL RING AND REMOVE CORD
2. REMOVE GLASS BY THRUSTING PALMS AT CORNER

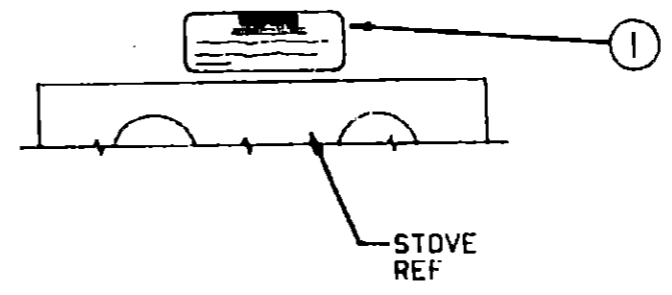
**EMERGENCY EXIT**  
 PULL RING  
 REMOVE CORD  
 PUSH OUT WINDOW

Key	Part Number	U/M	Description
1	039290-01-000	EA	Label - Warning - Exit
2	047731-01-000	EA	Label - Emergency Exit
3	006199-01-000	EA	Label - Exit - Escape Window

**WARNING**  
 IT IS NOT SAFE TO USE COOKING APPLIANCES FOR COMFORT HEATING

COOKING APPLIANCES NEED FRESH AIR FOR SAFE OPERATION BEFORE OPERATION.

1. OPEN OVERHEAD VENT OR TURN ON EXHAUST FAN AND;
2. OPEN WINDOW.



Key	Part Number	U/M	Description
1	050225-01-000	EA	Label - Warning - Stove Vent (USA)
1	050222-01-000	EA	Label - Warning - Stove Vent (CSA)

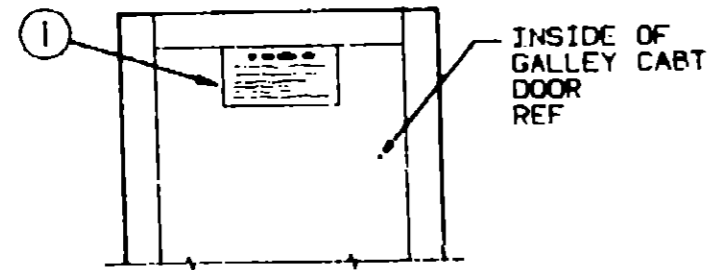
**1991 ITASCA TABLE OF CONTENTS**

INTRODUCTION	A-01 - A-02
ABBREVIATIONS	A-03
ALPHABETICAL/GROUP REFERENCE	A-04 - A-06
ICM28RQ	A-07 - E-15
IKM40DA	E-17 - I-18

**1991 ICM28RQ INDEX**

Floor Plan	A-09 - A-08
Accessories Group	A-09 - A-11
Bath Group	A-12 - A-13
Bedroom Group	A-14 - A-18
Chassis Group	A-19 - B-06
Curtain, Cushion & Pad Group	B-07 - B-17
Dinette Group	B-18 - B-20
Driver's Compartment Group	B-21 - B-04
Electrical Group	C-05 - C-08
Exterior Body Group	C-09 - C-16
Galley Group	C-17 - C-21
Heating & Air Conditioning Group	C-22 - C-23
Interior Finish Group	C-24 - D-01
Labels Group	D-02 - D-10
LP Group	D-11
Lounges Group	D-12 - D-14
Sealants & Fasteners Group	D-15 - D-16
Water & Sewage Group	D-17 - D-19
Window, Vent & Exterior Door Group	D-20 - E-15

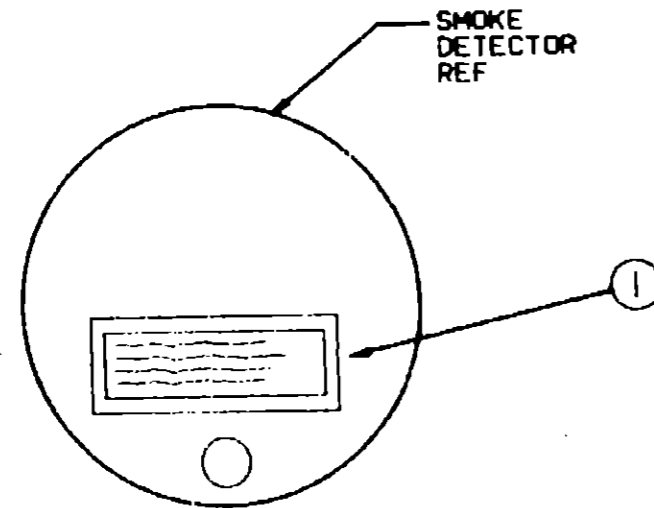
**LABELS GROUP (CONTINUED)**



**IF YOU SMELL GAS**

1. EXTINGUISH ANY OPEN FLAME, PILOT LIGHTS AND ALL BURNING MATERIALS.
2. SHUT OFF THE GAS SUPPLY AT THE TANK VALVE OR GAS SUPPLY CONNECTION.
3. OPEN DOORS AND OTHER VENTILATING OPENINGS.
4. DO NOT TOUCH ELECTRICAL SWITCHES.
5. LEAVE THE AREA UNTIL ODOR CLEAR.
6. HAVE THE GAS SYSTEM CHECKED AND LEAKAGE SOURCE CORRECTED BEFORE USING AGAIN.

Key	Part Number	U/M	Description
1	073998-01-00	EA	Label - LP Gas Odor Warning

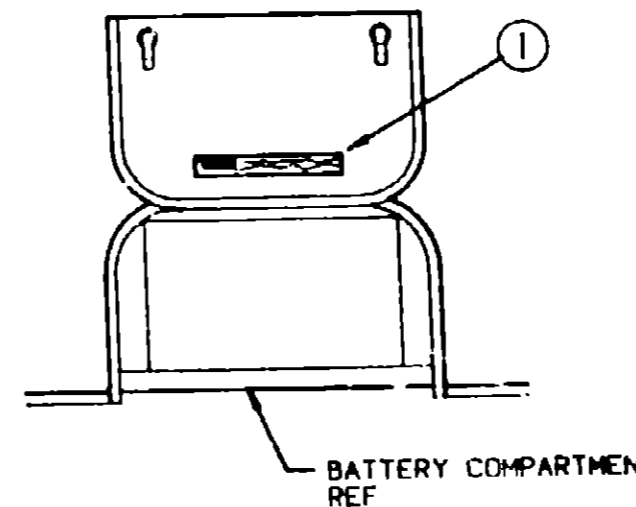


**WARNING: TEST SMOKE DETECTOR OPERATION AFTER VEHICLE HAS BEEN IN STORAGE, BEFORE EACH TRIP AND AT LEAST ONCE PER WEEK DURING USE.**

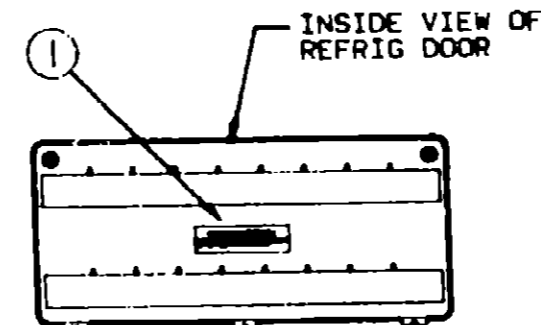
Key	Part Number	U/M	Description
1	077956-01-000	EA	Label - Warning - Smoke Detector

**LABELS GROUP (CONTINUED)**

**WARNING DISCONNECT BATTERIES BEFORE CONNECTING EXTERNAL CHARGING EQUIPMENT.**



Key	Part Number	U/M	Description
1	065748-01-000	EA	Label - Caution - Battery Charging



**COMBUSTION AIR KIT NO 84270  
NORCOLD EG MODELS  
THIS VENTILATION KIT MUST BE INSTALLED  
AND USED WITHOUT MODIFICATION.**

Key	Part Number	U/M	Description
1	070905-02-000	EA	Label - Refrigerator Combustion Air

Key	Part Number	U/M	Description
	006064-01-000	EA	Label - Seat w/o Seat Belt (USA)
	006064-02-000	EA	Label - Seat w/o Seat Belt (CSA)
	035709-01-000	EA	Label - Warning - No Storage
	074983-01-000	EA	Label - Air Conditioner Selector Switch
	091224-02-000	EA	Label - Trailer Lighting
	091243-01-000	EA	Label - Air Conditioner Cover
	099509-01-000	EA	Label - Awning Installation

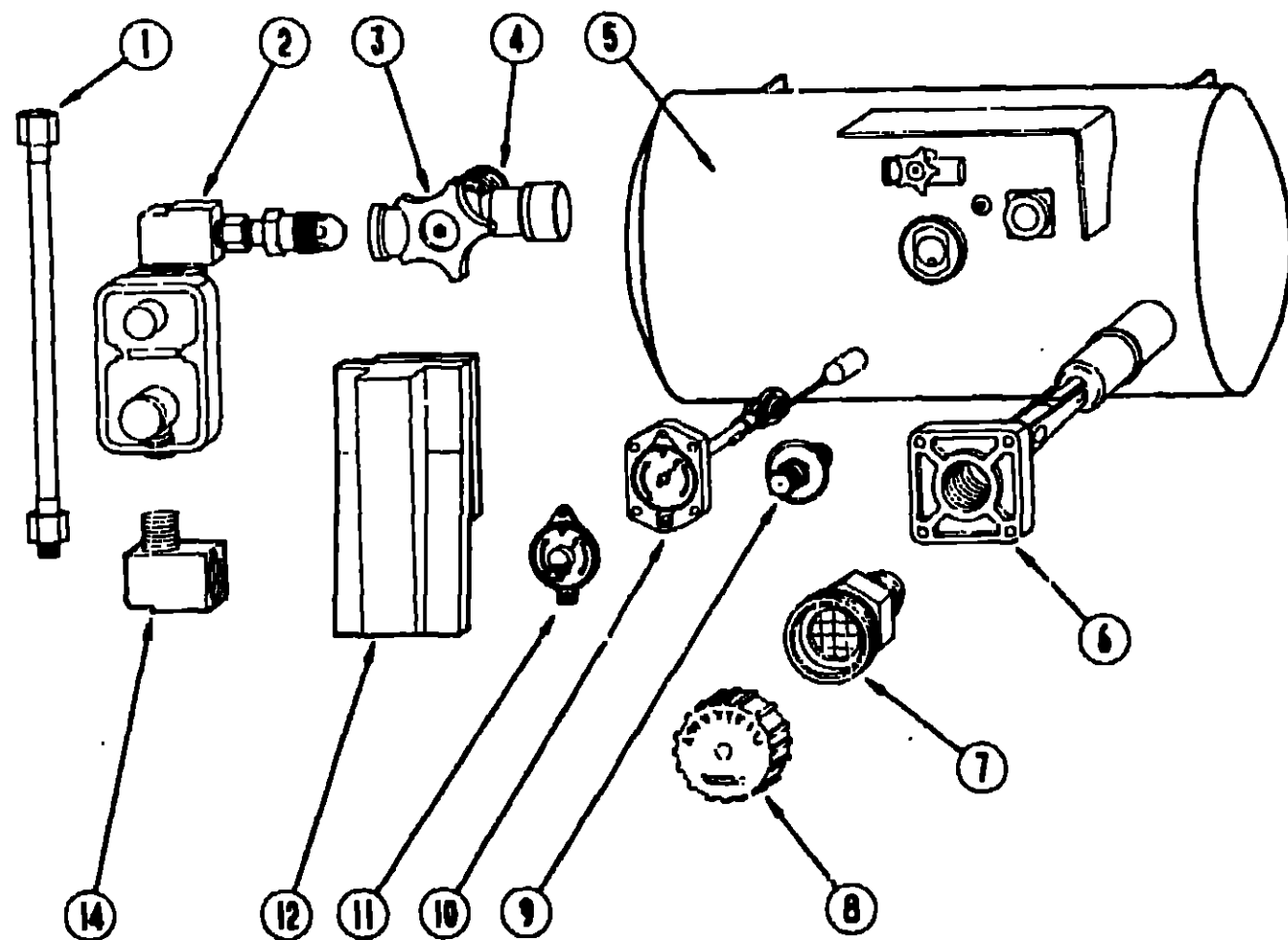
**1991 ITASCA  
TABLE OF CONTENTS**

INTRODUCTION	A-01 - A-02
ABBREVIATIONS	A-03
ALPHABETICAL/GROUP REFERENCE	A-04 - A-06
ICM28RQ	A-07 - E-15
IKM40DA	E-17 - I-18

**1991 ICM28RQ INDEX**

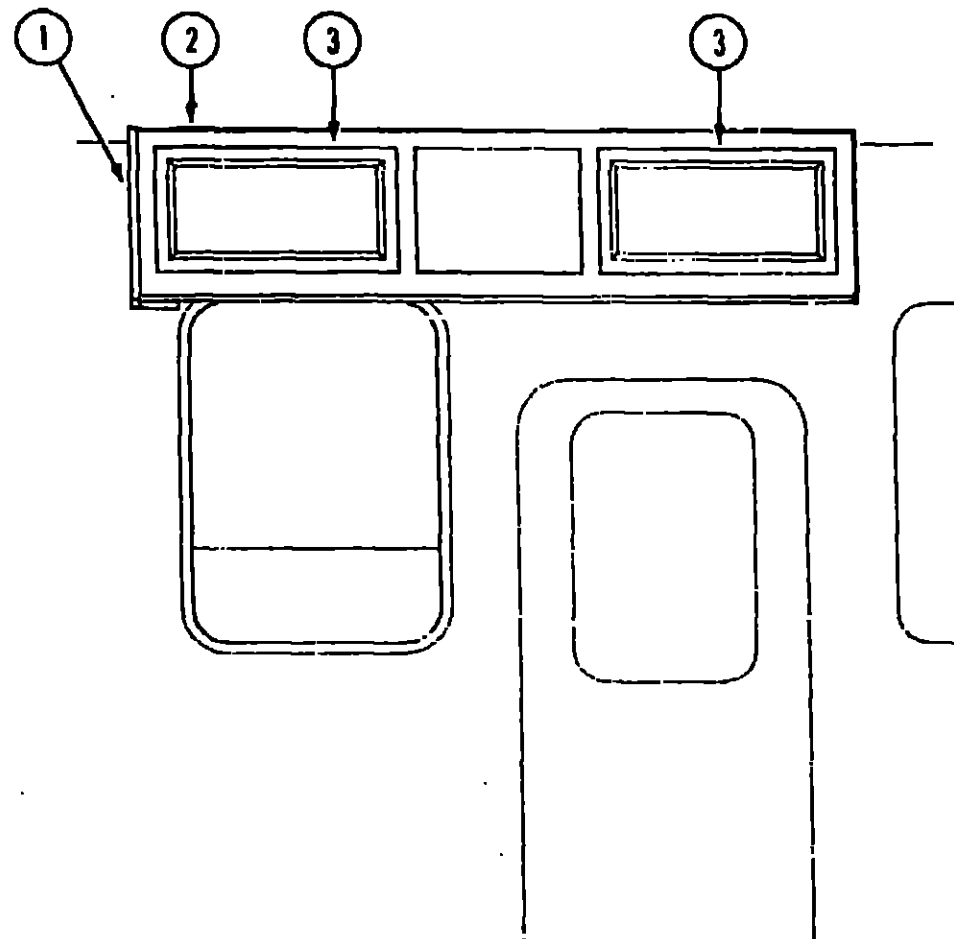
Floor Plan	A-09 - A-08
Accessories Group	A-09 - A-11
Bath Group	A-12 - A-13
Bedroom Group	A-14 - A-18
Chassis Group	A-19 - B-06
Curtain, Cushion & Pad Group	B-07 - B-17
Dinette Group	B-18 - B-20
Driver's Compartment Group	B-21 - B-04
Electrical Group	C-05 - C-08
Exterior Body Group	C-09 - C-16
Galley Group	C-17 - C-21
Heating & Air Conditioning Group	C-22 - C-23
Interior Finish Group	C-24 - D-01
Labels Group	D-02 - D-10
LP Group	D-11
Lounge Group	D-12 - D-14
Sealants & Fasteners Group	D-15 - D-16
Water & Sewage Group	D-17 - D-19
Window, Vent & Exterior Door Group	D-20 - E-15

**LP GROUP**



Key	Part Number	U/M	Description
1	045703-01-000	EA	Hose Asm. - LP - 3/8" ID x 24" (USA)
1	045703-02-000	EA	Hose Asm. - LP - 3/8" ID x 24" (CSA)
2	076301-01-000	EA	Regulator - Two Stage
3	040421-01-708	EA	Handwheel - Service Valve
4	040421-01-703	EA	Service Valve - Vapor Relief
5	088253-01-000	EA	L.P Tank - 80 Pound - 16" Dia. x 30"
6	040421-01-711	EA	Inner Tank Valve - 80% Fill
7	040421-01-701	EA	Fill Valve
8	040421-01-702	EA	Fill Valve Cap
9	040421-01-700	EA	Liquid Level Gauge
10	040421-01-707	EA	Floal Gauge
11	040440-02-000	EA	Dial - Visible Face - Floal Gauge (w/Electric Transmitter)
12	081938-01-000	EA	Cover - LP Regulator
14	065318-02-000	EA	Elbow - Brass - 90° - 3/8" MPT x 3/8" FPT
	065741-01-000	EA	Gauge - Diaphragm Pressure - Test Leak (Manometer)
	093380-01-000	EA	Coupler - Black Steel - 1/2" ID to 3/8" ID
	010377-02-000	EA	Nut - Brass - 3/8" F
	010380-02-000	EA	Nut - Brass - 1/2" F
	008042-01-000	FT	Vinyl Tubing - .65" ID
	016188-03-000	EA	Grommet - 3/8" - 2.5" Long
	016188-04-000	EA	Grommet - 1/2" - 2.5" Long
	016188-05-000	EA	Grommet - 3/8" - 1.25" Long

**LOUNGE GROUP**



**OVERHEAD CABINETRY - PASSENGER SIDE LOUNGE**

Key	Part Number	U/M	Description
1	097048-05-B32	EA	End Cap Asm. - Overhead Cabinet
2	M05019-34-B32	EA	Cabinet Asm. - Overhead - w/o Doors
3	P00523-08-B29	EA	Door Asm. - Overhead Cabinet - w/o Hardware
	048394-02-000	YD	Velcro Tape - Loop
	048395-02-000	YD	Velcro Tape - Hook

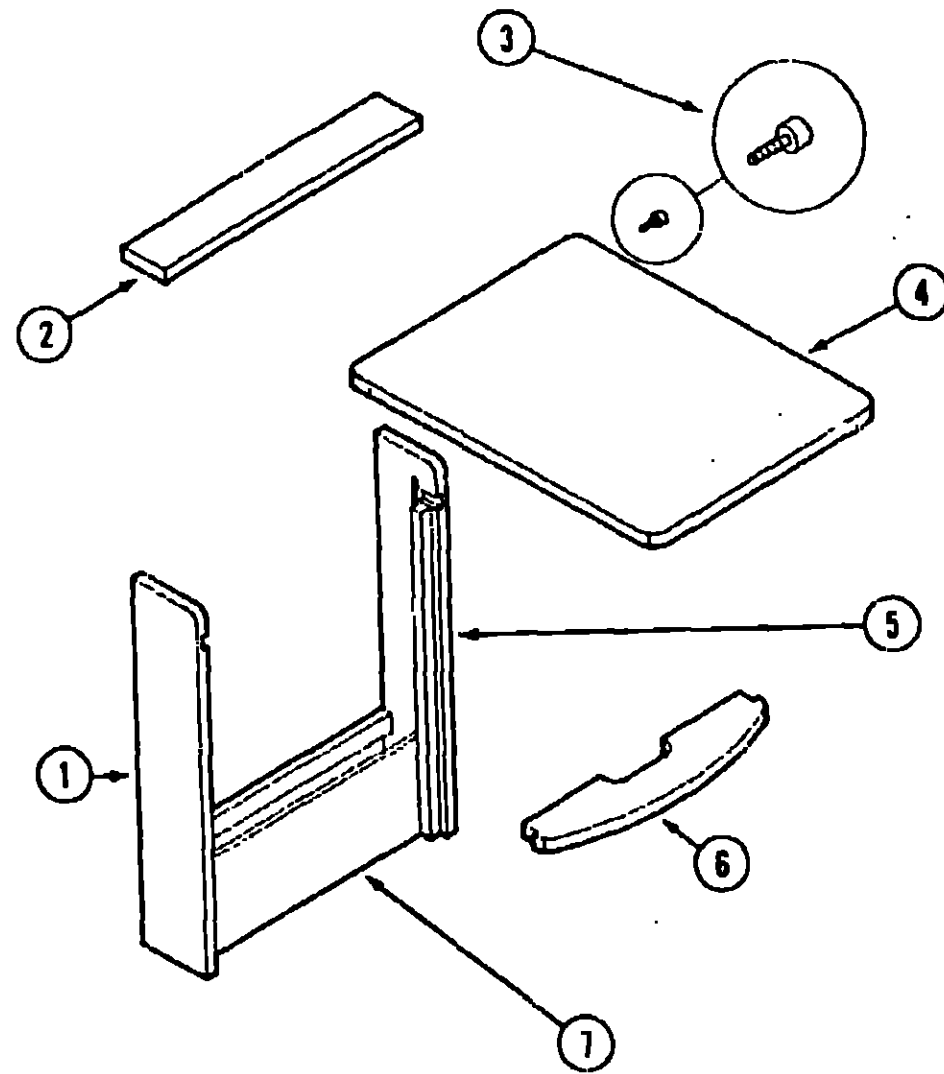
**1991 ITASCA  
TABLE OF CONTENTS**

INTRODUCTION	A-01 - A-02
ABBREVIATIONS	A-03
ALPHABETICAL/GROUP REFERENCE	A-04 - A-06
ICM28RQ	A-07 - E-15
IKM40DA	E-17 - I-18

**1991 ICM28RQ INDEX**

Floor Plan	A-09 - A-08
Accessories Group	A-09 - A-11
Bath Group	A-12 - A-13
Bedroom Group	A-14 - A-18
Chassis Group	A-19 - B-06
Curtain, Cushion & Pad Group	B-07 - B-17
Dinette Group	B-18 - B-20
Driver's Compartment Group	B-21 - B-04
Electrical Group	C-05 - C-08
Exterior Body Group	C-09 - C-16
Galley Group	C-17 - C-21
Heating & Air Conditioning Group	C-22 - C-23
Interior Finish Group	C-24 - D-01
Labels Group	D-02 - D-10
LP Group	D-11
Lounge Group	D-12 - D-14
Sealants & Fasteners Group	D-15 - D-16
Water & Sewage Group	D-17 - D-19
Window, Vent & Exterior Door Group	D-20 - E-15

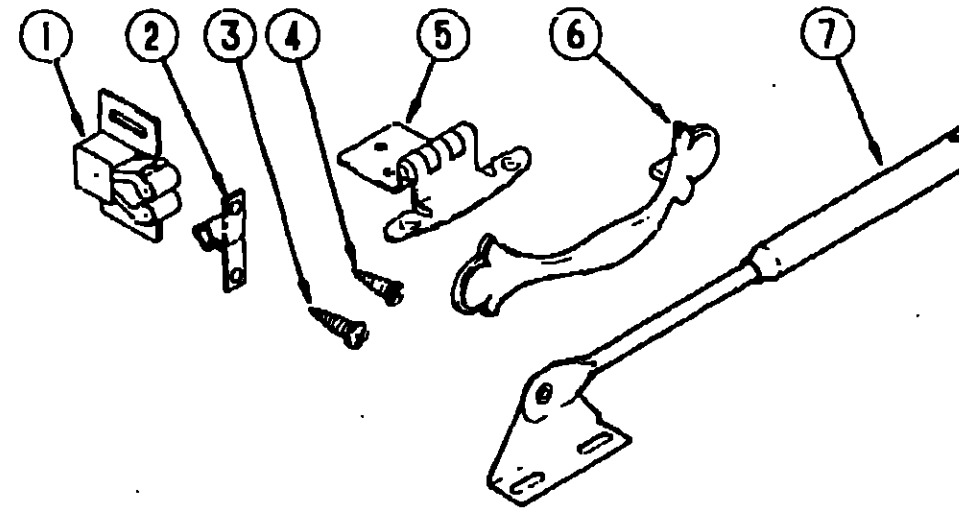
**LOUNGE GROUP (CONTINUED)**



**PULLOUT TABLE**

Key	Part Number	U/M	Description
1	M96873-01-B32	EA	Pullout Table Asm. - w/o Table Or Magazine Rack
1	096873-14-B32	EA	Table Cabinet End - Left
2	096873-15-B29	EA	Table Cabinet Top
3	079921-01-000	EA	Nylon Roller w/Shaft
4	096873-11-B27	EA	Pullout Table
	080736-01-000	EA	Table Pull
5	096873-13-B32	EA	Table Cabinet End - Right
6	096873-12-B29	EA	Shelf
7	096873-16-B29	EA	Table Cabinet Front - Bottom
	009018-01-000	EA	Catch Asm. - Single Roller
	076325-25-000	FT	Edge Band Molding - Flaming Oak
	097208-02-B27	EA	Magazine Rack

**LOUNGE GROUP (CONTINUED)**



**CABINET HARDWARE (DOORS & CABINETS)**

Key	Part Number	U/M	Description
1	093586-03-000	EA	Roller Catch (Doors)
2	093586-04-000	EA	Steel Strike (Doors)
3	000G68-06-10G	EA	Screw - #6 - 18 x .625" PFH - Antique Brass - Hinge to Door
4	000G13-06-10G	EA	Screw - #6 - 20 x .625" PFH - Antique Brass - Hinge to Cabinet
5	059777-02-000	EA	Hinge - Burnished Brass
6	100273-01-000	EA	Pull Handle
7	074493-02-000	EA	Door Support

**1991 ITASCA  
TABLE OF CONTENTS**

INTRODUCTION	A-01 - A-02
ABBREVIATIONS	A-03
ALPHABETICAL/GROUP REFERENCE	A-04 - A-06
ICM28RQ	A-07 - E-15
IKM4GDA	E-17 - I-18

**1991 ICM28RQ INDEX**

Floor Plan	A-09 - A-08
Accessories Group	A-09 - A-11
Bath Group	A-12 - A-13
Bedroom Group	A-14 - A-18
Chassis Group	A-19 - B-06
Curtain, Cushion & Pad Group	B-07 - B-17
Dinette Group	B-18 - B-20
Driver's Compartment Group	B-21 - B-04
Electrical Group	C-05 - C-08
Exterior Body Group	C-09 - C-16
Galley Group	C-17 - C-21
Heating & Air Conditioning Group	C-22 - C-23
Interior Finish Group	C-24 - D-01
Labels Group	D-02 - D-10
LP Group	D-11
Lounge Group	D-12 - D-14
Sealants & Fasteners Group	D-15 - D-16
Water & Sewage Group	D-17 - D-19
Window, Vent & Exterior Door Group	D-20 - E-15



**SEALANTS & FASTENERS**

**SCREWS & FASTENERS**

Key	Part Number	U/M	Description
	000C13-07-48B	EA	Bolt - Hex - 7/16 - 20 x 3 - Zn 5
	000C26-05-20B	EA	Bolt - Hex - Ser Fig 5/16 - 18 x 1 1/4" - Zinc
	000D24-10-00B	EA	Nut - Hex - Locking - 10-32 - Zn
	000D39-05-00B	EA	Nut - Hex - Ser Fig Lk - 5/16 - 18 - Zn
	000D39-06-00B	EA	Nut - Hex - Ser Fig Lk - 3/8 - 16 - Zn
	000D39-08-00B	EA	Nut - Hex - Ser Fig Lk - 1/2 - 13 - Zn
	000D44-07-00B	EA	Nut - Hex - Ser Fig Lk - 7/16 - 20 - Zn
	000E13-11-00B	EA	Washer - Flat - 3/16" Wide - Zn
	000G11-06-10J	EA	Screw - 6 - 20 x 5/8 PPH - Brass
	000G11-07-08B	EA	Screw - 7 - 19 x 1/2 PPH - Zn
	000G11-08-06B	EA	Screw - 8 - 18 x 3/8 PPH - Zn
	000G11-08-12B	EA	Screw - 8 - 18 x 3/4 PPH - Zn
	000G11-08-12D	EA	Screw - 8 - 18 x 3/4 PPH - Black
	000G11-08-12P	EA	Screw - 8 - 18 x .75 - Dark Brown
	000G11-08-12R	EA	Screw - 8 - 18 x .75 PPH - Beige
	000G11-08-12S	EA	Screw - 8 - 18 x .75 PPH - Off White
	000G11-08-16S	EA	Screw - 8 - 18 x 1.00 PPH - Off White
	000G11-10-12D	EA	Screw - 10 - 16 x 3/4 PPH - Black
	000G11-10-24P	EA	Screw - 10 - 16 x 1 1/2 PPH - Dark Brown
	000G12-08-12S	EA	Screw - 8 - 18 x .75 POH - Off White
	000G12-08-16S	EA	Screw - 8 - 18 x 1" POH - Off White
	000G13-06-08B	EA	Screw - 6 - 20 x 1/2 PFH - Zn
	000G13-06-10G	EA	Screw - 6 - 20 x 5/8 PFH - Antique Brass
	000G13-07-12B	EA	Screw - 7 - 19 x 3/4 PFH - Zn
	000G13-08-16B	EA	Screw - 8 - 18 x 1 PFH - Zn
	000G18-08-12B	EA	Screw - Machine - 8 - 32 x 3/4" PPH - Zn
	000G18-08-16B	EA	Screw - Machine - 8 - 32 x 1 PPH - Zn
	000G18-08-22B	EA	Screw - Machine - 8 - 32 x 1 3/8 PPH - Zn
	000G39-08-08B	EA	Screw - SF/DR 8 - 18 x 1/2 PPH - Zn
	000G39-08-08R	EA	Screw - SF/DR 8 - 18 x 1/2 PPH - Beige
	000G39-08-12B	EA	Screw - SF/DR 8 - 18 x 3/4 PPH - Zn
	000G39-08-12R	EA	Screw - SF/DR 8 - 18 x 3/4 PPH - Beige
	000G39-08-16S	EA	Screw - SF/DR 8 - 18 x 1.00 PPH - Off White
	000G39-08-24B	EA	Screw - SF/DR 8 - 18 x 1 1/2 PPH - Zn
	000G39-08-24S	EA	Screw - SF/DR 8 - 18 x 1.50 PPH - Off White
	000G39-10-10S	EA	Screw - SF/DR 10 - 16 x .62" PPH - Off White
	000G39-10-12D	EA	Screw - SF/DR 10 - 16 x 3/4 PPH - Black
	000G39-10-20B	EA	Screw - SF/DR 10 - 16 x 1 1/4 PPH - Zn
	000G42-04-16B	EA	Screw - SF/DR 1/4 - 14 x 1 HWH - Zn
	000G53-04-06B	EA	Screw - Machine - 1/4 - 20 x 3/8 PPH - Zn
	000G54-04-20B	EA	Screw - 1/4 - 20 x 1 1/4 PTH Typ 23 - Zn
	000G67-10-08B	EA	Screw - 10 - 12 x 1/2 PPH - Zn
	000G67-10-08R	EA	Screw - 10 - 12 x 1/2 PPH - Beige - Type A
	000G67-10-10B	EA	Screw - 10 - 12 x 5/8 PPH - Zn - Type A
	000G67-10-10R	EA	Screw - 10 - 12 x 5/8 PPH - Beige - Type A
	000G67-10-12B	EA	Screw - 10 - 12 x 3/4 PPH - Zn
	000G67-10-12P	EA	Screw - 10 - 12 x .75 PPH - Dark Brown
	000G67-10-12D	EA	Screw - 10 - 12 x .75 PPH - Tan
	000G67-10-24B	EA	Screw - 10 - 12 x 1 1/2 PPH - Zn
	000G67-10-32B	EA	Screw - 10 - 12 x 2 PPH - Zn
	000G68-06-10G	EA	Screw - 6 - 18 x 5/8 POH - Antique Brass
	000H16-04-06R	EA	Rivet - Pop - AL 1/8 x .313 - .375
	005081-01-000	EA	Nut - Speed - C Type - No. 8 Screw
	062401-02-000	EA	Clamp - Hose - Wormgear - 1.56" - 2.5"
	062401-08-000	EA	Clamp - Hose - Wormgear - .22" x .62"
	007161-01-000	EA	Clamp - Hose - Spring Type - 1/2"
	008343-01-000	EA	Tie - Wire - 6"
	008386-01-000	EA	Grommet - Snap - 3/8
	008401-01-000	EA	Strap - Conduit - 3/4" - 1 Hole - Galvanized Steel

**SEALANTS & FASTENERS GROUP (CONTINUED)**

**SCREWS & FASTENERS (CONTINUED)**

Key	Part Number	U/M	Description
	010495-01-000	EA	Clamp - Cable - 9/16"
	010497-01-000	EA	Clamp - Closed - 5/8" ID
	010497-03-000	EA	Clamp - Closed - 1 ID - Cushioned
	010499-01-000	EA	Clamp - Closed - 3/8" ID
	016604-01-000	EA	Brace - Cabinet - Angled Metal - 2.5"
	083609-01-000	EA	Clamp - Wire Dual - Equal 5/8" Dia.
	084884-01-000	EA	Plug - Brass - 3/8"
	087721-01-000	EA	Screw - Flat Head - Tapping - 1/4 x 1 1/4 LG - Zn
	089371-01-000	EA	Screw - Machine - 8 - 32 x 3 5/16 - Zn
	075148-02-000	EA	Clamp - Grounding - Bronze Screws
	075908-01-000	EA	Screw - Machine - 10 - 32 x .56 PTH - Zn
	049465-04-000	EA	Screw - 10 - 16 x 1 PTH w/Washer - Beige
	076790-01-000	EA	Screw - 6 - 20 x 1 1/4 PPH - Black
	063729-04-000	EA	Rivnut - 10 - 32 UNF - .010 - .080

**SEALANTS & ADHESIVES**

Key	Part Number	U/M	Description
	004020-01-000	QT	Adhesive - ABS Cement (Plastic Fittings)
	004005-02-000	GL	Adhesive - Swifts - Glue (Sidewalls)
	053766-07-000	EA	Bedding Compound - Tube - Beige (Exterior)
	053776-06-000	EA	Bedding Compound - Tube - Clear (Window)
	053766-08-000	EA	Bedding Compound - Tube - Gray (Exterior)
	102352-01-000	EA	Bedding Compound - Tube - Black (Luggage Compartment)
	053766-02-000	EA	Bedding Compound - Tube - Off White (Exterior)
	002328-02-000	EA	Block - Rubber Spacer (Windshield)
	077967-01-000	EA	Sealant - Acrylic Latex - Tube - Off White (Interior Sealant)
	034552-04-000	EA	Sealant - Silicone - Beige
	034552-02-000	EA	Sealant - Silicone - Clear
	034552-07-000	EA	Sealant - Silicone - Dark Gray
	034552-06-000	EA	Sealant - Silicone - Off White
	035518-01-000	EA	Sealant Silicone - Black
	069640-01-000	FT	Sealer Ribbon - .25" Bead x 20'
	069640-02-000	FT	Sealer Ribbon - .5" x .125" x 30'
	069640-03-000	FT	Sealer Ribbon - .75" x .125" x 30'
	069640-09-000	FT	Sealer Ribbon - 1/32" x 2.5" x 30'
	069640-06-000	FT	Sealer Ribbon - 5/16" Bead x 15'
	069640-07-000	FT	Sealer Ribbon - 2" x 3/32" x 30'
	069640-10-000	FT	Sealer Ribbon - 1/32" x 1.5" x 100'
	002707-02-000	FT	Sealer Tape - 5/16" x 1/2"
	102353-01-700	EA	Seam Sealer - Tube - Gray (Roof Seams)
	094401-01-000	EA	Seam Sealer - Tube - Clear (Cap to Sidewall)
	102353-01-700	EA	Seam Sealer - Tube - Aluminum (Roof)
	063642-01-000	FT	Tape - Adhesive - .10mm x 1.5" Wide
	038886-01-000	EA	Tape - Butyl - .31" x .31" x 148" (Windshield)
	076322-01-000	FT	Tape - Foam - Double Coated - .025 x .75 x 72' (Fiberglass Sidewall Seams)
	076322-02-000	FT	Tape - Foam - Double Coated - .045 x 1" (Fiberglass Sidewall Seams)
	100028-01-000	FT	Tape - Foam - Double Coated - .031 x .75 x 72' (Non-Structural Fastening)
	009200-01-000	EA	Tape - Furnace - 1.5"
	002825-01-000	EA	Weather Stripping (Roof Vent)
	081377-01-700	EA	Adhesive - Cyanoacrylate - 10GM

**1991 ITASCA  
TABLE OF CONTENTS**

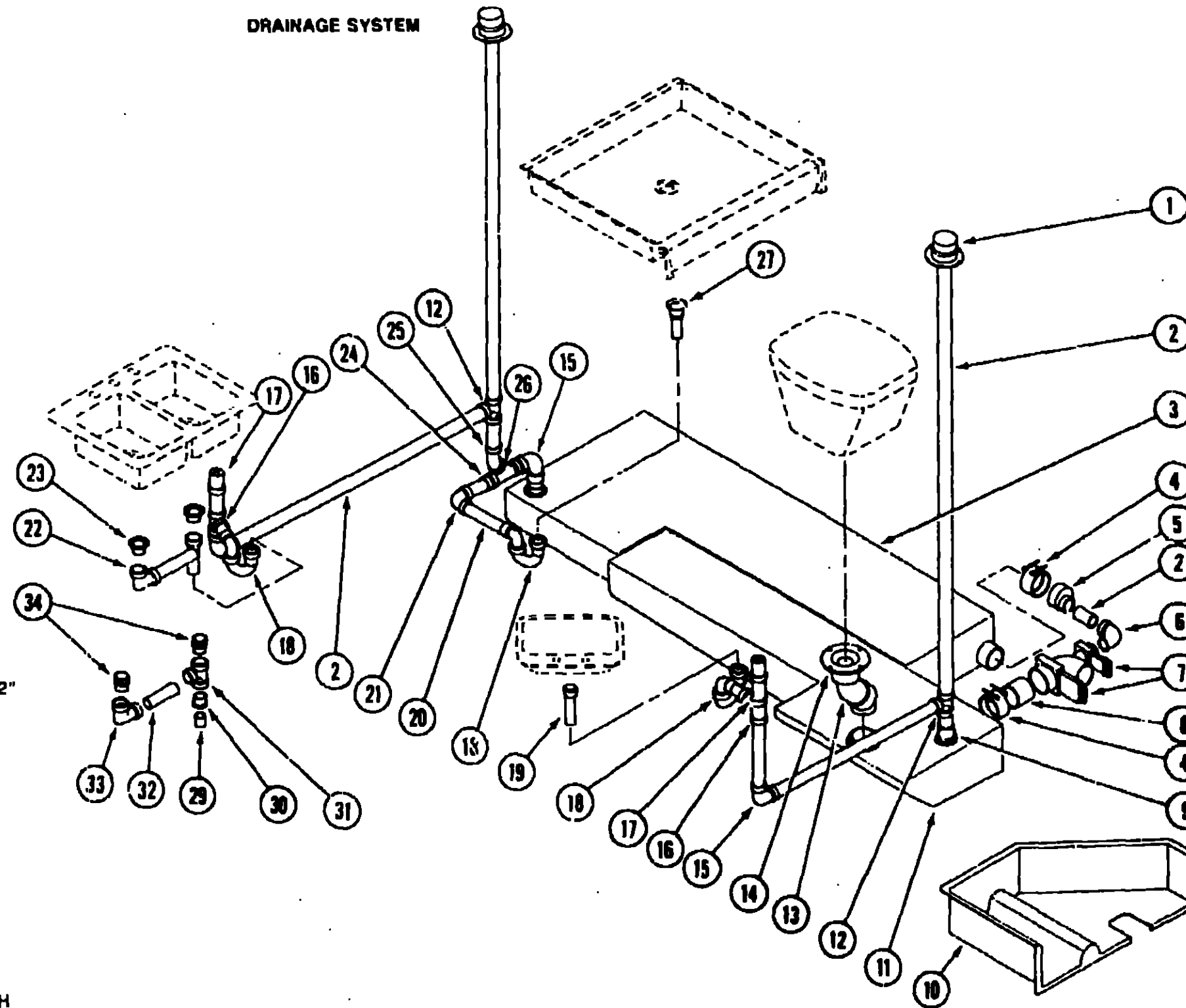
INTRODUCTION	A-01 - A-02
ABBREVIATIONS	A-03
ALPHABETICAL/GROUP REFERENCE	A-04 - A-06
ICM28RQ	A-07 - E-15
IKM40DA	E-17 - I-18

**1991 ICM28RQ INDEX**

Flour Plan	A-09 - A-06
Accessories Group	A-09 - A-11
Bath Group	A-12 - A-13
Bedroom Group	A-14 - A-18
Chassis Group	A-19 - B-06
Curtain, Cushion & Pad Group	B-07 - B-17
Dinette Group	B-18 - B-20
Driver's Compartment Group	B-21 - B-04
Electrical Group	C-05 - C-08
Exterior Body Group	C-09 - C-16
Galley Group	C-17 - C-21
Heating & Air Conditioning Group	C-22 - C-23
Interior Finish Group	C-24 - D-01
Labels Group	D-02 - D-10
LP Group	D-11
Lounge Group	D-12 - D-14
Sealants & Fasteners Group	D-15 - D-18
Water & Sewage Group	D-17 - D-19
Window, Vent & Exterior Door Group	D-20 - E-15

# WATER & SEWAGE GROUP

## DRAINAGE SYSTEM



### CONTINUOUS WASTE (CANADA)

Key	Part Number	U/M	Description
1	083558-02-000	EA	Vent Cap
2		FT	Plastic Pipe - 1 1/2" (US)
2		FT	Plastic Pipe - 1 1/2" (CSA)
3	089067-01-000	EA	Holding Tank - 38 Gallon
4	078406-01-000	EA	Coupling - 3" Rubber
5	062422-01-000	EA	Reducer Adapter - Offset - 3" x 1 1/2"
6	033761-01-000	EA	Street Elbow - 1 1/2" H x 90°
7	070916-01-000	EA	Dual Valve Asm. - 3" x 1 1/2"
7	070916-01-700	EA	Valve - 3"
7	070916-01-701	EA	Valve - 1/2"
8		FT	Plastic Pipe - 3" (US)
8		FT	Plastic Pipe - 3" (CSA)
9	010115-01-000	EA	Pipe Coupling - 1 1/2" H x 1 1/2" H
10	089099-03-000	EA	Sewage Compartment
11	089066-01-000	EA	Holding Tank - 28 Gallon
12	010071-01-000	EA	Tee - 1 1/2" H x 1 1/2" H x 1 1/2" H
13	010061-01-000	EA	Elbow - Street - 45° - 3"
14	061607-02-000	EA	Pipe Grommet - 3"
14	63641-01-000	EA	Closet Flange (US)
14	024676-02-000	EA	Closet Flange (CSA)
15	010008-01-000	EA	Elbow - 1 1/2" H x 1 1/2" H x 90°
16	010079-01-000	EA	Tee - 1 1/2" H x 1 1/2" H x 1 1/4" H
17	079968-01-000	EA	Vent Asm.
18	011066-03-000	EA	P-Trap (US)
18	011066-02-000	EA	P-Trap (CSA)
19	096927-01-701	EA	Plastic Tailpiece
20		FT	Plastic Pipe - 1 1/4" (US)
20		FT	Plastic Pipe - 1 1/4" (CSA)
21	031111-01-000	EA	Elbow - 1 1/4" H x 1 1/4" H x 90°
22	011091-02-000	EA	Continuous Waste Asm. (US)
23	092303-01-000	EA	Sink Strainers
24	010121-01-000	EA	Bushing Adapter - 1 1/2" x 1 1/4" H
25	010051-01-000	EA	Elbow - 45° Street - 1 1/2" H
26	010073-01-000	EA	Wye - 1 1/2" H x 1 1/2" H x 1 1/2" H
27	011069-03-000	EA	Plastic Tailpiece (US)
27	011069-02-000	EA	Brass Tailpiece (CSA)

Key	Part Number	U/M	Description
29		FT	Plastic Pipe - 1 1/4"
30	010121-01-000	EA	Bushing Adapter - 1 1/2" x 1 1/4" H
31	010071-01-000	EA	Tee - 1 1/2" H x 1 1/2" H x 1 1/2" H
32		FT	Plastic Pipe - 1 1/2"
33	037101-02-000	EA	Elbow - 1 1/2" H x 1 1/2" H x 90°
34	033302-02-000	EA	Adapter

## 1991 ITASCA TABLE OF CONTENTS

INTRODUCTION	A-01 - A-02
ABBREVIATIONS	A-03
ALPHABETICAL/GROUP REFERENCE	A-04 - A-06
ICM28RQ	A-07 - E-15
IKM40DA	E-17 - I-18

## 1991 ICM28RQ INDEX

Floor Plan	A-09 - A-08
Accessories Group	A-10 - A-11
Bath Group	A-12 - A-13
Bedroom Group	A-14 - A-18
Chassis Group	A-19 - B-06
Curtain, Cushion & Pad Group	B-07 - B-17
Dinette Group	B-18 - B-20
Driver's Compartment Group	B-21 - B-04
Electrical Group	C-05 - C-08
Exterior Body Group	C-09 - C-16
Galley Group	C-17 - C-21
Heating & Air Conditioning Group	C-22 - C-23
Interior Finish Group	C-24 - D-01
Labels Group	D-02 - D-10
LP Group	D-11
Lounge Group	D-12 - D-14
Sealants & Fasteners Group	D-15 - D-16
Water & Sewage Group	D-17 - D-19
Window, Vent & Exterior Door Group	D-20 - E-15

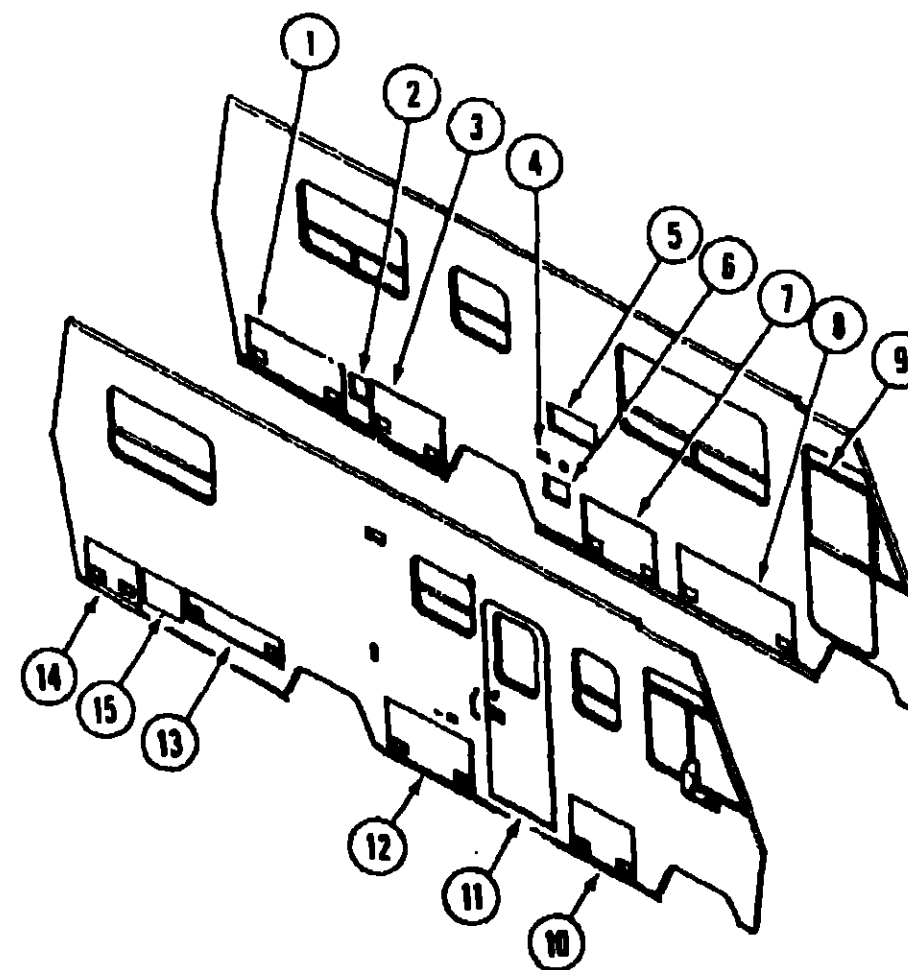
**WATER & SEWAGE GROUP (CONTINUED)**

**WATER LINES & HARDWARE**

Key	Part Number	U/M	Description
	064952-01-000	EA	Galley Faucet - Single Control
	075240-05-000	EA	Lavatory Faucet - Brass - USA
	075240-06-000	EA	Lavatory Faucet - Bone - CSA
	075241-04-000	EA	Faucet - Shower - Brass - USA
	075241-05-000	EA	Faucet - Shower - Bone - CSA
	011048-02-000	EA	Shower Head - w/60" Hose - USA
	011048-05-000	EA	Shower Head - w/60" Hose - CSA
**	051391-03-000	EA	Water Heater - w/Electronic Ignition
**	051393-01-000	EA	Water Heater - w/Direct Ignition - Motor Aid
	098607-01-000	EA	Water Pump - 2.8 GPM Flow - w/1/2" MPT Fitting - USA
	098607-02-000	EA	Water Pump - 2.8 GPM Flow - w/1/2" MPT Fitting - CSA
	098607-01-7u7	EA	Motor & Base Plate
	098607-01-701	EA	Drive Asm.
	098607-01-702	EA	Diaphragm
	098607-01-703	EA	Valve Asm.
	098607-01-704	EA	Upper Housing
	098607-01-705	EA	Check Valve Kit
	098607-01-706	EA	Switch Asm. - Complete
	098607-01-700	EA	Pumphead
	089198-02-000	EA	Water Tank - 44 Gallon w/Fittings
	089198-01-000	EA	Water Tank - 44 Gallon w/o Fittings
	077954-02-000	EA	Water Filter/Screen - In Tank
	087200-01-000	EA	Filter - Water Purification
	087200-02-000	EA	Cartridge - Filter - Water Purification
	081240-02-000	EA	Water Fill - Lockable - Gray
	079381-01-000	EA	Flexible Tubing - Smooth - 1.25" ID
	062401-02-000	EA	Hose Clamp - Wormgear - 1.56" to 2.5" ID
	087659-03-000	EA	Water Fill - City - Gray
	103106-01-000	EA	Faucet - External Water
	092605-01-000	EA	Bracket - External Water Faucet
	052960-01-000	EA	Valve - Line Drain - 1/2" F x 1/2" F - 2.75"
	052960-02-000	EA	Valve - Line Drain - 1/2" F x 1/2" F - 16"
	052954-01-000	EA	Adapter - Nose Cone - 3/8" or 1/2"
	079317-01-000	EA	Adapter - Swivel - 1/2" Tube x 1/2" FPT
	036522-02-000	EA	Cap - Brass - 1/2" Flare
	052959-03-000	EA	Connector - Plastic - 1/2" F x 3/8" MPT
	052957-01-000	EA	Elbow - Plastic - 1/2" F x 3/8" MPT
	035539-01-000	EA	Elbow - Plastic - 3/8" MPT x 3/8" BARB
	052957-02-000	EA	Elbow - Plastic - 1/2" F x 1/2" MPT
	065120-01-000	EA	Elbow - Plastic - Swivel - 1/2" ID
	010219-01-000	EA	Elbow - Plastic - 1 1/4" MPT x 1 1/4" BARB
	052952-01-000	EA	Nut - Plastic - 1/2" F
	052953-01-000	EA	Nut - Faucet - 1/2" Tube x 1/2" FPT
	042989-02-000	EA	Spinweld Fitting - Plastic - 1/2" NPT
	042989-03-000	EA	Spinweld Fitting - Plastic - 1 1/4" NPT
	042989-04-000	EA	Spinweld Fitting - Plastic - 3/8" FPT
	042999-05-000	EA	Spinweld Fitting - Plastic - 1/2" FPT
	052955-01-000	EA	Tee - Plastic - 1/2" F x 1/2" F x 1/2" MPT
	052958-01-000	EA	Tee - Plastic - 1/2" F x 1/2" F x 1/2" F
	052956-01-000	EA	Tee - Plastic - 1/2" F x 1/2" MPT x 1/2" F
	074483-01-000	EA	Tee - 4 Way - 1/2" Flare
	039800-01-000	FT	Tubing - Polybutyl - 1/2" OD x 20'
	039800-02-000	FT	Tubing - Polybutyl - 5/8" OD x 20'
	074462-02-000	FT	Tubing - Vinyl - 3/8" ID
	091208-01-000	EA	Washer - Rubber - .06" x .75" x .50"
	099729-01-000	EA	Bypass Kit - Water Heater
	103173-01-01A	EA	Exterior Shower Kit - Larger (Thru 3-24-91)
	103173-02-01A	EA	Exterior Shower Kit - Smaller (From 3-25-91)
	103173-03-700	EA	Compartment Exterior Shower
	103173-03-701	EA	Door - Exterior Shower
	103173-03-702	EA	Hinge Pin - Exterior Shower
	103173-03-703	EA	Hinge Pin Spring - Exterior Shower
	103173-03-704	EA	Lock Asm. w/Key & Clip
	103173-03-705	EA	Decal
	103173-03-706	EA	Shower Head w/Hose & Bracket
	103173-03-707	EA	Chrome Faucet w/Adapter

\*\* The illustrated parts breakdown for this item is provided on the Common Items Fiche.

**WINDOW, VENT & EXTERIOR DOOR GROUP**



**EXTERIOR DOORS**

Key	Part Number	U/M	Description
1	087472-15-X70	EA	Door Asm. - Luggage
2	078010-05-000	EA	Door Asm. - Fuel Fill
	042441-01-000	EA	Key Lock Asm. (w/o Keys)
	082684-01-700	EA	Key
3	087472-06-X70	EA	Door Asm. - Sewer
4	081240-02-000	EA	Door Asm. - Water Fill
	042441-01-000	EA	Key Lock Asm. (w/o Keys)
	082684-01-700	EA	Key
5	084103-02-000	EA	Door - Vent - Refrigerator
5	084104-02-000	EA	Jamb - Vent - Refrigerator
	084104-01-700	EA	Lock Fastener - Male
	084104-01-701	EA	Lock Fastener - Female
6	088794-03-000	EA	Door Asm. - Power Cord (w/Hatch)
7	097448-11-Y70	EA	Door Asm. - Generator
8	087448-04-X70	EA	Door Asm. - Luggage
9	M89487-04-B32	EA	Door Asm. - Driver (w/Gray Inside Panel) (B33, B34)
9	M89487-04-B33	EA	Door Asm. - Driver (w/Tan Inside Panel) (B32)
10	087448-01-WB4	EA	Door Asm. - Luggage
11	MD1870-53-B32	EA	Door Asm. - Entrance
12	087495-01-WB4	EA	Door Asm. - LP
13	087449-02-X70	EA	Door Asm. - Luggage
14	087472-21-AE1	EA	Door Asm. - Luggage
15	052009-03-000	EA	Door Asm. - Water Heater

**1991 ITASCA  
TABLE OF CONTENTS**

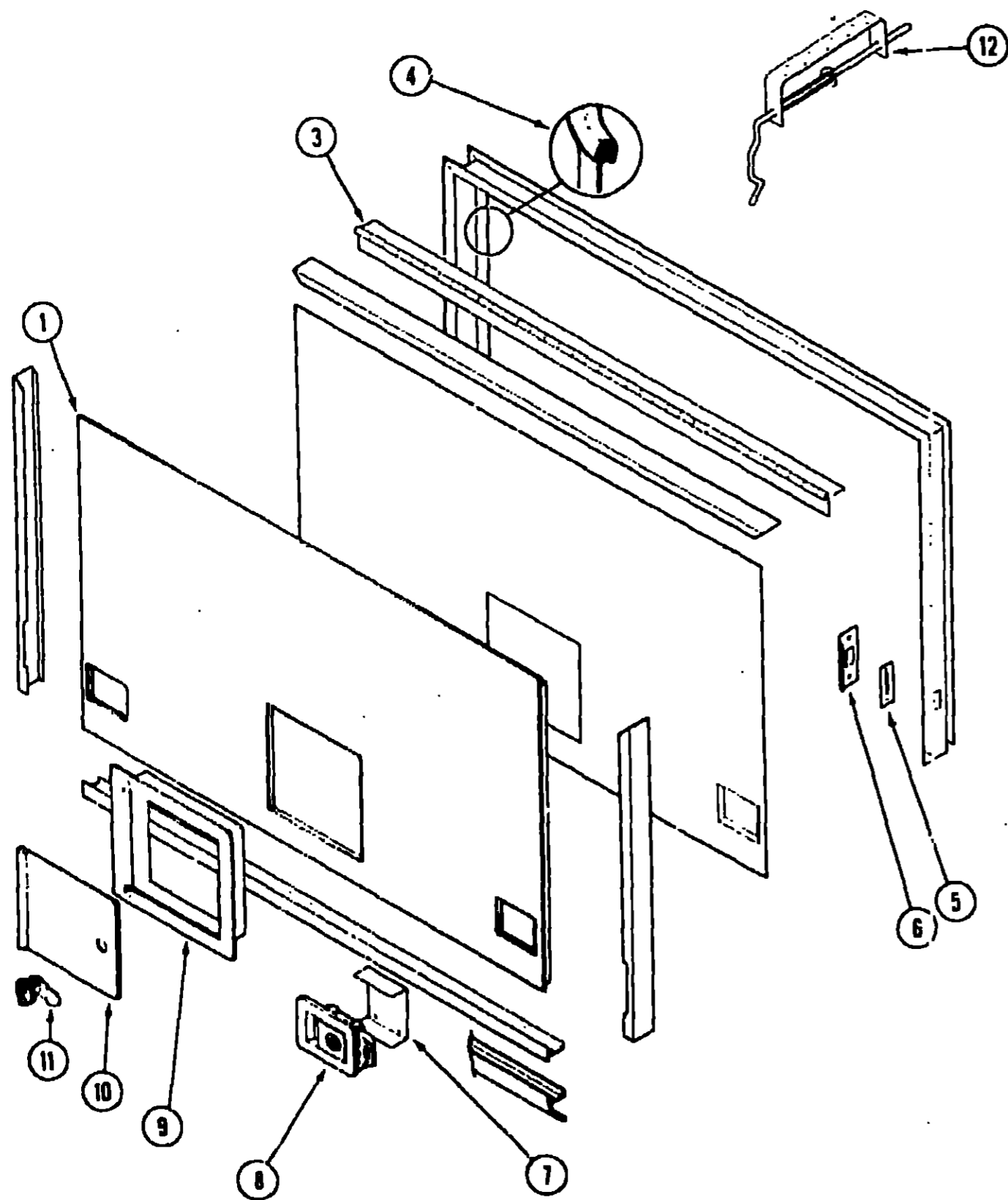
INTRODUCTION	A-01 - A-02
ABBREVIATIONS	A-03
ALPHABETICAL/GROUP REFERENCE	A-04 - A-06
ICM28RQ	A-07 - E-15
IKM40DA	E-17 - I-18

**1991 ICM28RQ INDEX**

Floor Plan	A-07 - A-08
Accessories Group	A-09 - A-11
Bath Group	A-12 - A-13
Bedroom Group	A-14 - A-18
Chassis Group	A-19 - B-06
Curtain, Cushion & Pad Group	B-07 - B-17
Dinette Group	B-18 - B-20
Driver's Compartment Group	B-21 - B-04
Electrical Group	C-05 - C-08
Exterior Body Group	C-09 - C-16
Galley Group	C-17 - C-21
Heating & Air Conditioning Group	C-22 - C-23
Interior Finish Group	C-24 - D-01
Labels Group	D-02 - D-10
LP Group	D-11
Lounge Group	D-12 - D-14
Sealants & Fasteners Group	D-15 - D-18
Water & Sewage Group	D-17 - D-19
Window, Vent & Exterior Door Group	D-20 - E-15

## WINDOW, VENT & EXTERIOR DOOR GROUP (CONTINUED)

### LUGGAGE & GENERATOR DOORS



Key	Part Number	U/M	Description
1	M03044-02-Y70	EA	Insert Asm. - Compartment Doors - 4' x 8' - Gray - Fiberglass/Styrofoam
3	081801-03-000	EA	Hinge - 2" x 96" - Gray
4	064075-01-000	EA	Bulb Seal
5	081067-02-000	EA	Seal
6	086809-02-000	EA	Strike
7	086810-02-000	EA	Bracket
8	000G11-08-12T	EA	Screw - #8 - 18 x 3/4 PPH - Black
8	085730-02-000	EA	Paddle Latch Asm. - w/Lock
8	085730-05-000	EA	Paddle Latch Asm. - w/o Lock
9	052424-03-000	EA	Door Jamb
10	052423-03-000	EA	Door
11	042442-01-000	EA	Twist Lock Asm.
12	092644-02-Y12	EA	Prop Rod Asm.
	072917-01-000	EA	Prop Rod Asm. - Generator Door
	039984-01-000	EA	Prop Rod End Cap (Black)
	092469-01-000	EA	Prop Rod Spring
	092639-01-000	EA	Prop Rod Bracket
	062628-01-000	EA	Clip - Prop Rod - Generator Door
	008386-01-000	EA	Snap Grommet - 3/8" - Generator Door
	083615-03-000	EA	Door Stop - Gray
	102768-01-000	EA	Door Stop - Chrome

## 1991 ITASCA TABLE OF CONTENTS

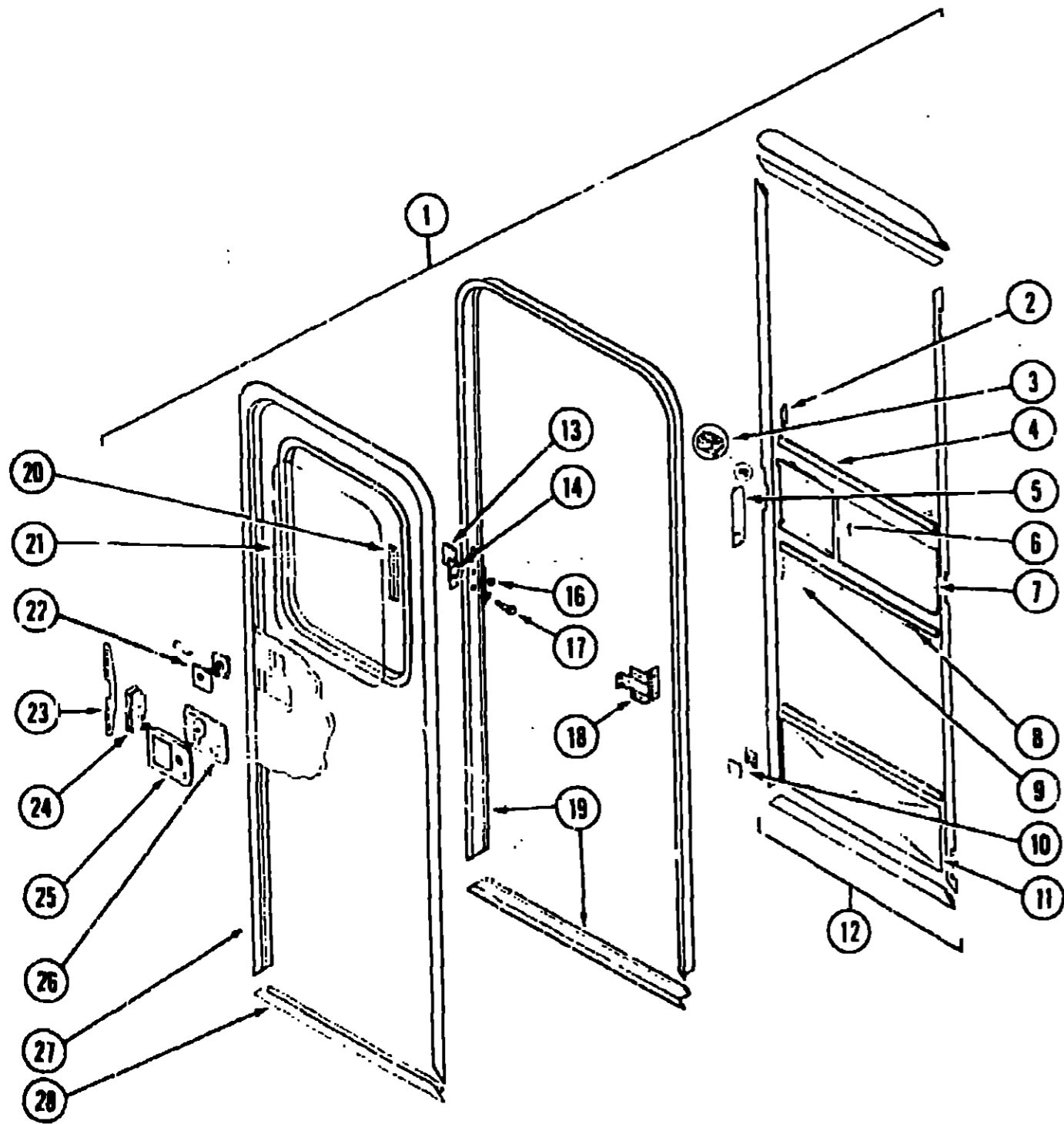
INTRODUCTION	A-01 - A-02
ABBREVIATIONS	A-03
ALPHABETICAL/GROUP REFERENCE	A-04 - A-06
ICM28RQ	A-07 - E-15
IKM40DA	E-17 - I-18

## 1991 ICM28RQ INDEX

Floor Plan	A-07 - A-08
Accessories Group	A-09 - A-11
Bath Group	A-12 - A-13
Bedroom Group	A-14 - A-18
Chassis Group	A-19 - B-06
Curtain, Cushion & Pad Group	B-07 - B-17
Dinette Group	B-18 - B-20
Driver's Compartment Group	B-21 - B-04
Electrical Group	C-05 - C-08
Exterior Body Group	C-09 - C-16
Galley Group	C-17 - C-21
Heating & Air Conditioning Group	C-22 - C-23
Interior Finish Group	C-24 - D-01
Labels Group	D-02 - D-10
LP Group	D-11
Lounge Group	D-12 - D-14
Sealants & Fasteners Group	D-15 - D-16
Water & Sewage Group	D-17 - D-19
Window, Vent & Exterior Door Group	D-20 - E-15

# WINDOW, VENT & EXTERIOR DOOR GROUP (CONTINUED)

## ENTRANCE DOOR



Key	Part Number	U/M	Description
1	M01870-53-B32	EA	Door Asm. w/Screen Door
	075639-14-000	EA	Door Garnish - Off White
2	050712-05-000	EA	Door Handle - Screen Door
3	009018-01-000	EA	Roller Catch
4	078592-01-000	EA	Screen Door Mullion - Upper & Lower Slider
	078777-01-000	EA	Slider Channel (Mullion Insert)
5	079087-02-000	EA	Screen Door Slider Strike
6	079086-02-000	EA	Screen Door Slider
7	016454-01-000	EA	Screen Door Insert
8	002234-01-000	FT	Spline - Black
9	002293-02-000	SF	Window Screen - 26" Charcoal
10	085774-01-000	FT	Dual Lock Fastener - 1" Wide - Black
10	085774-02-000	FT	Dual Lock Fastener - 1" Wide - Black
11	078552-03-000	EA	Screen Door Insert - Lower
12	079012-05-B10	EA	Screen Door Asm.
13	077461-03-000	EA	Strike Cover
14	041546-03-000	EA	Angle Bracket
16	058806-01-000	EA	Plug - Tapered Plastic
17	039539-01-000	EA	Strike
18	097724-01-03A	EA	Hinge
19	095277-04-03A	EA	Door Jamb
	044582-06-000	EA	Drip Cap - Gray
20	087561-01-000	FT	Window Seal
21	002181-06-000	EA	Glass
	079733-04-T03	EA	Window Asm. w/o Inside Frame
	067609-27-000	EA	Inside Frame - Window Asm.
22	101145-01-01A	EA	Deadbolt Asm. - Square - Black
	095229-01-7L0	EA	Key Blank - Dead Bolt
	101147-01-000	EA	Bolt - Security
23	098173-01-02A	EA	Stiffener
	102524-01-000	EA	Bumper - Flat - Black Rubber
24	039540-01-000	EA	Latch Asm. - Hook
25	045017-11-000	EA	Latch Asm. - Plate - Black
	045017-11-701	EA	Key Blank - Door Latch Plate
26	039979-04-000	EA	Cover Asm. - Latch Plate - Black
27	095276-03-03A	EA	Door Frame - Gray
28	089748-03-000	EA	Door Frame - Bottom - Gray
	039984-01-000	EA	Cap - Black Vinyl - Lock Grip
	075673-01-000	FT	Seal - Pile - Adhesive Back
	075671-01-000	FT	Seal - Sponge - Lazy T Shape
	081914-01-000	EA	Bumper - Round - Black Rubber
	100128-02-000	FT	Seal - Screen Door
	090340-01-000	EA	Seal - Foam
	100412-01-000	EA	Catch - Screen Door

## 1991 ITASCA TABLE OF CONTENTS

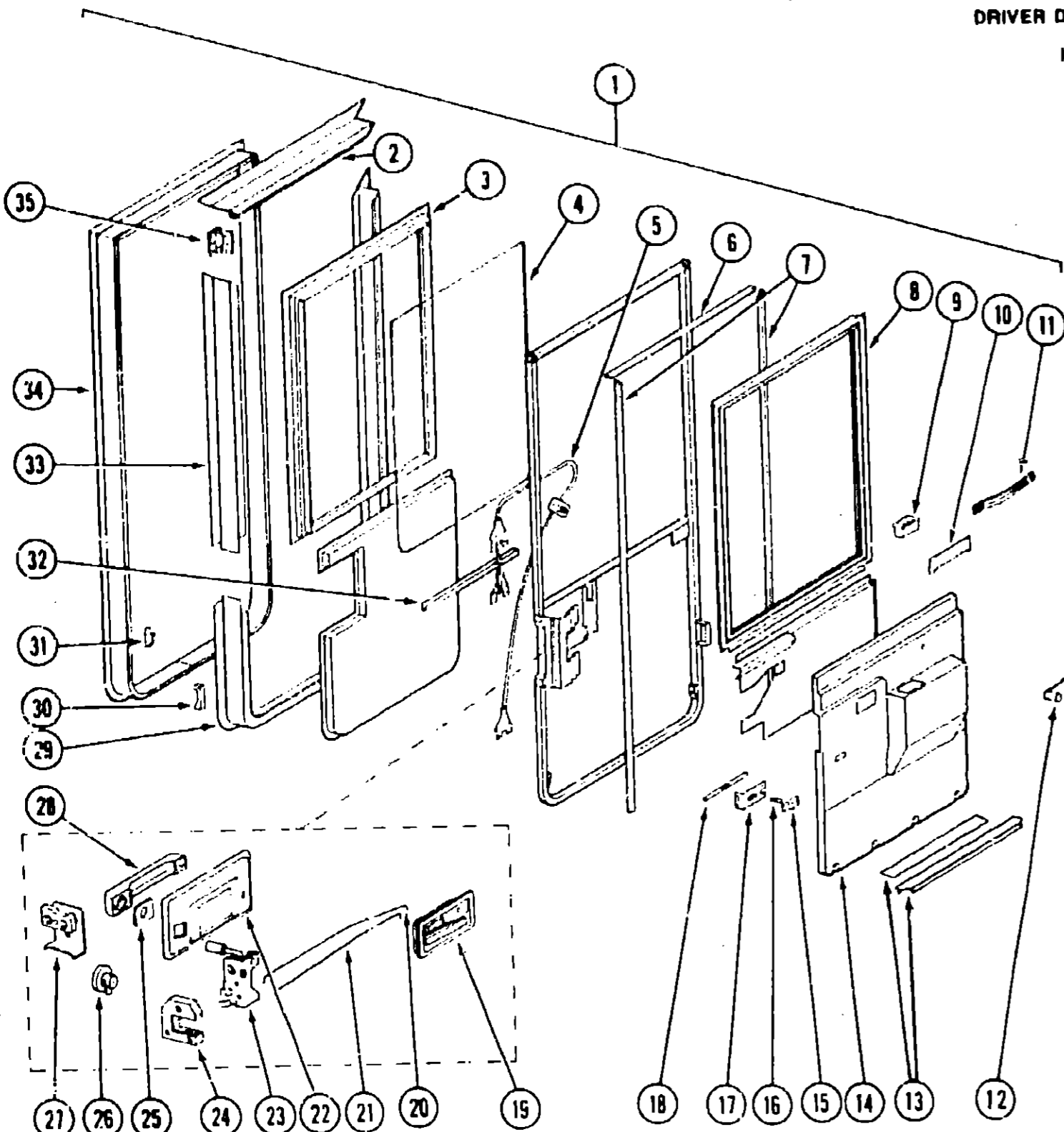
INTRODUCTION	A-01 - A-02
ABBREVIATIONS	A-03
ALPHABETICAL/GROUP REFERENCE	A-04 - A-06
ICM28RQ	A-07 - E-15
IKM40DA	E-17 - I-18

## 1991 ICM28RQ INDEX

Floor Plan	A-07 - A-08
Accessories Group	A-09 - A-11
Bath Group	A-12 - A-13
Bedroom Group	A-14 - A-18
Chassis Group	A-19 - B-06
Curtain, Cushion & Pad Group	B-07 - B-07
Dinette Group	B-18 - B-20
Driver's Compartment Group	B-21 - B-04
Electrical Group	C-05 - C-08
Exterior Body Group	C-09 - C-16
Galley Group	C-17 - C-21
Heating & Air Conditioning Group	C-22 - C-23
Interior Finish Group	C-24 - D-01
Labels Group	D-02 - D-10
LP Group	D-11
Lounge Group	D-12 - D-14
Sealants & Fasteners Group	D-15 - D-16
Water & Sewage Group	D-17 - D-19
Window, Vent & Exterior Door Group	D-20 - E-15

# WINDOW, VENT & EXTERIOR DOOR GROUP (CONTINUED)

## DRIVER DOOR



Key	Part Number	U/M	Description
1	M89487-04-B33	EA	Door Asm. - Complete (w/ian Door Panel)
1	M83487-04-B32	EA	Door Asm. - Complete (w/Gray Door Panel)
2	089458-02-000	EA	Door Frame - Upper
3	089459-01-000	EA	Window Frame - Outer
4	081488-02-000	EA	Glass
	081911-01-000	EA	Glass Setting Tape
5	081907-02-000	EA	Regulator Asm.
6	089454-01-000	EA	Glass Run Channel - Aluminum - Black
7	082240-02-000	EA	Glass Run Channel - Aluminum - Black
	081910-02-000	EA	Glass Run Channel - Seal - 10'
8	089461-02-000	EA	Window Frame - Inner
	079370-04-000	FT	Vinyl Screw Cover - Black
9	046886-03-000	EA	Ashtray
10	098030-01-000	EA	Check Strap
	064219-01-000	EA	Retainer - Check Strap
11	061400-16-000	EA	Assist Strap
12	094575-01-000	EA	Window Crank
13	099840-01-01A	EA	Door Threshold (Inner) (not included in Door Asm.)
13	099841-01-01A	EA	Door Threshold (Outer) (not included in Door Asm.)
14	082471-08-000	EA	Trim Panel - Tan
14	082471-05-000	EA	Trim Panel - Gray
15	081905-02-000	EA	Control Knob - Slide Bolt
16	081903-01-000	EA	Knob Shaft
17	081487-01-000	EA	Slide Bolt Housing
18	061906-01-000	EA	Slide Bolt
19	R77006-50-326	EA	Interior Door Handle
20	076542-04-000	EA	Control Rod - Latch
21	073110-03-000	EA	Control Link Rod - Lock
22	082107-03-000	EA	Door Handle Escutcheon
23	073303-03-000	EA	Latch Asm.
24	R77007-56-702	EA	Lock Asm.
25	R77007-05-374	EA	Seal
26	083223-01-000	EA	Key Lock Asm.
27	R77013-48-165	EA	Door Lock Catch
28	R77040-01-538	EA	Door Handle
29	085007-10-000	EA	Door Frame - Lower
30	084465-01-000	EA	Door Stop Block - Jamb
31	084465-02-000	EA	Door Stop Block - Door
32	082472-01-000	EA	Glass Retainer Channel
33	089455-04-000	EA	Door Frame - Upper Rear
34	M03170-08-000	EA	Door Jamb Asm. (not included in Door Asm.)
	063731-01-000	EA	Hinge Cap
	063731-01-000	EA	Hinge Pin
	086235-03-000	EA	Hinge Bearing
35	063993-03-000	EA	Hinge
	088270-01-000	EA	Jamb Bulb Seal

## 1991 ITASCA TABLE OF CONTENTS

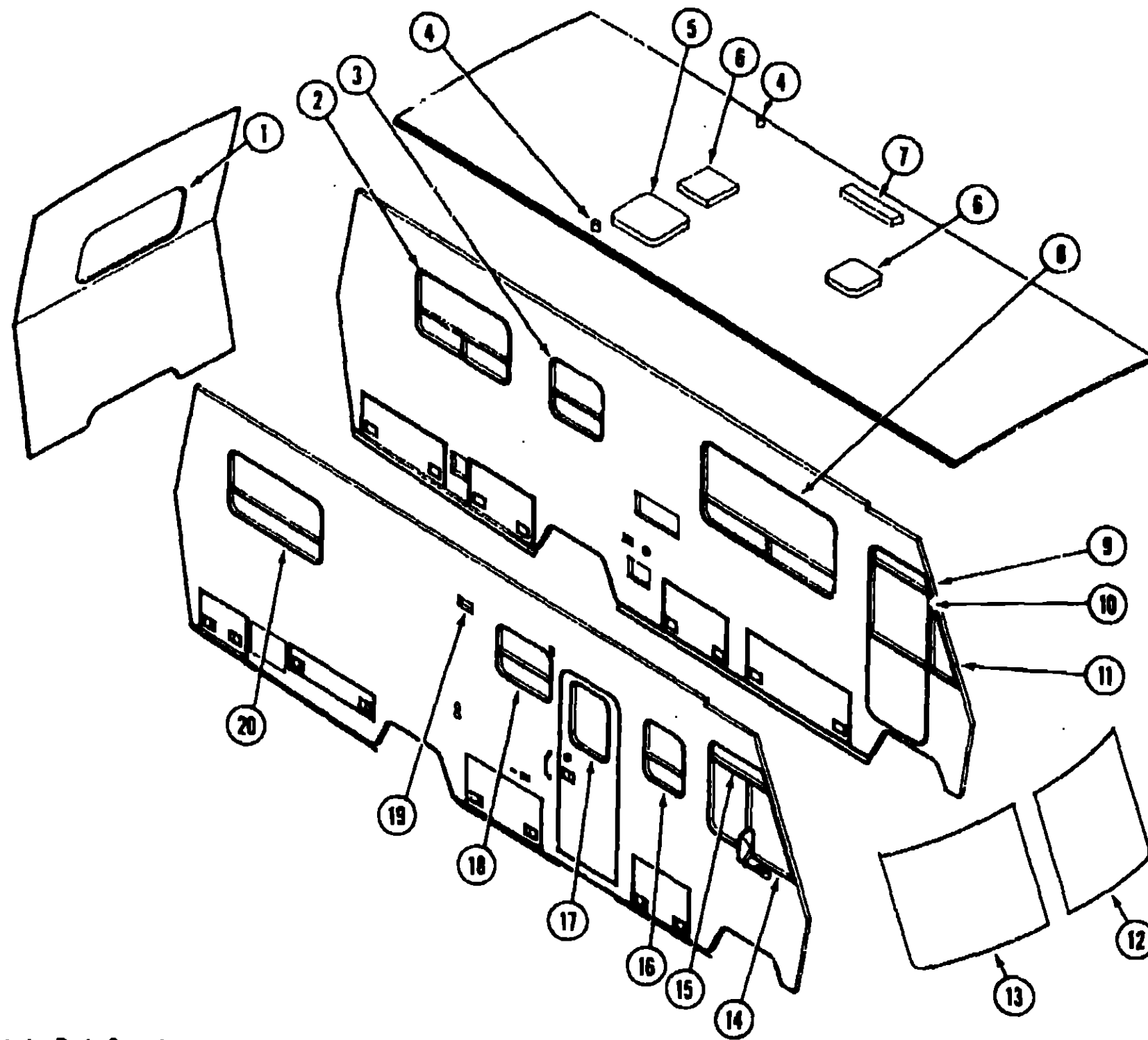
INTRODUCTION	A-01 - A-02
ABBREVIATIONS	A-03
ALPHABETICAL/GROUP REFERENCE	A-04 - A-06
ICM28RQ	A-07 - E-15
IKM40DA	E-17 - I-18

## 1991 ICM28RQ INDEX

Floor Plan	A-07 - A-08
Accessories Group	A-09 - A-11
Bath Group	A-12 - A-13
Bedroom Group	A-14 - A-18
Chassis Group	A-19 - B-06
Curtain, Cushion & Pad Group	B-07 - B-17
Dinette Group	B-18 - B-20
Driver's Compartment Group	B-21 - B-04
Electrical Group	C-05 - C-08
Exterior Body Group	C-09 - C-16
Galley Group	C-17 - C-21
Heating & Air Conditioning Group	C-22 - C-23
Interior Finish Group	C-24 - D-01
Labels Group	D-02 - D-10
LP Group	D-11
Lounge Group	D-12 - D-14
Sealants & Fasteners Group	D-15 - D-16
Water & Sewage Group	D-17 - D-19
Window, Vent & Exterior Door Group	D-20 - E-15

**WINDOW, VENT & EXTERIOR DOOR GROUP (CONTINUED)**

**WINDOWS & VENTS**



Key	Part Number	U/M	Description
1	078528-03-Y12	EA	Window Asm. - Escape (w/o inside frame)
1	074816-06-000	EA	Inside Frame
2	092234-01-Y12	EA	Window asm. - Double Tipout (w/o inside frame)
2	090893-07-01A	EA	Inside Frame
3	092235-10-Y12	EA	Window Asm. - Single Tipout (w/o inside frame)
3	090893-15-01A	EA	Inside Frame
4	083558-02-000	EA	Roof Vent Pipe Cap
5	080507-01-000	EA	Skylight Panel - Outer
5	080508-01-000	EA	Skylight Panel - Inner
6	090392-01-Y12	EA	Roof Vent - Non-Powered
6	090393-01-Y12	EA	Roof Vent - Powered (Bath) (US)
6	084469-08-000	EA	Roof Vent - Powered (Bath) (CSA)
6	090392-01-Y12	EA	Roof Vent - Non-Powered
6	084079-06-000	EA	Roof Vent - Powered
7	084073-02-000	EA	Roof Vent Cap - Refrigerator
7	084073-04-000	EA	Roof Vent Base - Refrigerator
8	092234-03-Y12	EA	Window Asm. - Double Tipout (w/o inside frame)
8	090893-09-01A	EA	Inside Frame
9	089619-02-X14	EA	Window Asm. - Vista (w/o inside frame)
9	089727-06-000	EA	Inside Frame
10	081488-02-000	EA	Door Glass Only - Rollup
11	099933-01-Y12	EA	Window Asm. - Slant (w/o inside frame)
11	099932-01-01A	EA	Inside Frame
12	088793-04-000	EA	Windshield Glass - Driver (Molding Trim - See Exterior Body Group)
13	088793-03-000	EA	Windshield Glass - Passenger (Molding Trim - See Exterior Body Group)
14	089607-01-X14	EA	Window Asm. - Slant Slider (w/o inside frame)
14	089603-01-AB1	EA	inside Frame w/Slider Screen
15	089619-01-X14	EA	Window Asm. - Vista (w/o inside frame)
15	089727-05-000	EA	Inside Frame
16	092235-06-Y12	EA	Window Asm. - Single Tipout (w/o inside frame)
16	090983-06-01A	EA	Inside Frame
17	079733-04-T03	EA	Window Asm. - Entrance Door (w/o inside frame)
17	067609-27-000	EA	Inside Frame
18	092235-09-Y12	EA	Window Asm. - Single Tipout (w/o inside frame)
18	090893-02-01A	EA	Inside Frame
19	092698-02-03A	EA	Vent w/Door - Range Hood
20	092235-05-Y12	EA	Window Asm. - Single Tipout w/o Inside Frame
20	090893-05-01A	EA	Inside Frame

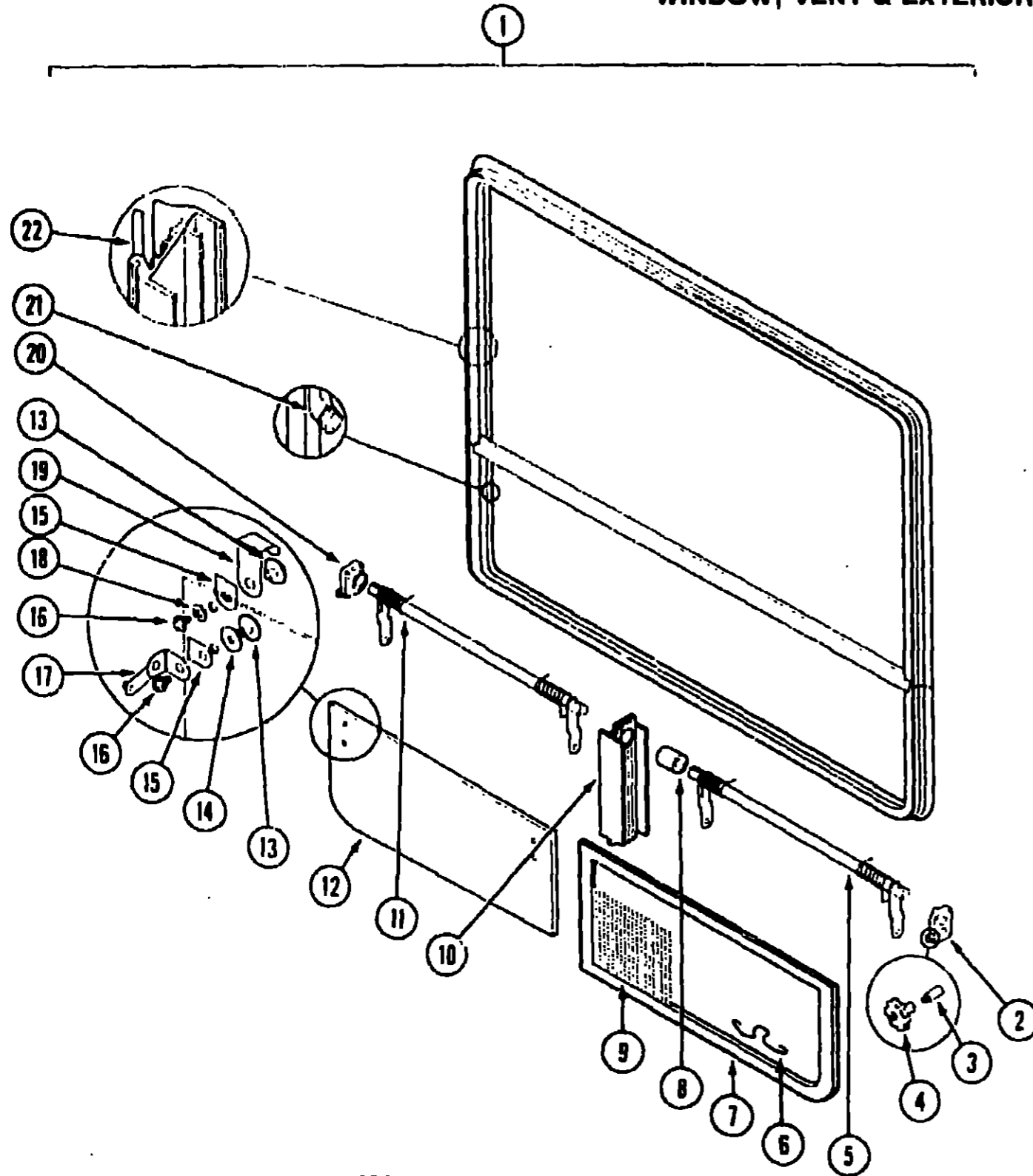
**1991 ITASCA  
TABLE OF CONTENTS**

INTRODUCTION	A-01 - A-02
ABBREVIATIONS	A-03
ALPHABETICAL/GROUP REFERENCE	A-04 - A-06
ICM28RQ	A-07 - E-15
IKM40DA	E-17 - I-18

**1991 ICM28RQ INDEX**

Floor Plan	A-07 - A-08
Accessories Group	A-09 - A-11
Bath Group	A-12 - A-13
Bedroom Group	A-14 - A-18
Chassis Group	A-19 - B-06
Curtain, Cushion & Pad Group	B-07 - B-17
Dinette Group	B-18 - B-20
Driver's Compartment Group	B-21 - B-04
Electrical Group	C-05 - C-08
Exterior Body Group	C-09 - C-16
Galley Group	C-17 - C-21
Heating & Air Conditioning Group	C-22 - C-23
Interior Finish Group	C-24 - D-01
Labels Group	D-02 - D-10
LP Group	D-11
Lounge Group	D-12 - D-14
Sealants & Fasteners Group	D-15 - D-16
Water & Sewage Group	D-17 - D-19
Window, Vent & Exterior Door Group	D-20 - E-15

**WINDOW, VENT & EXTERIOR DOOR GROUP (CONTINUED)**



**BEDROOM DOUBLE TIPOUT WINDOW**

Key	Part Number	U/M	Description
1	092234-01-Y12	EA	Window Asm. - Double Tipout
	G90893-07-01A	EA	Inside Frame (not included w/Window Assembly)
2	035302-02-000	EA	Operator Drive - Right Side
3	090025-01-000	EA	Extension - Window Knob (not included w/Window Assembly)
4	067052-02-000	EA	Window Knob - Beige (not included w/Window Assembly)
	089371-01-000	EA	Screw - Window Knob (not included w/Window Assembly)
4	101290-01-01A	EA	Window Knob - Brass (not included w/Window Assembly)
	101289-01-01A	EA	Screw - Window Knob - Brass (not included w/Window Assembly)

**BEDROOM DOUBLE TIPOUT WINDOW (CONTINUED)**

Key	Part Number	U/M	Description
5	083227-06-000	EA	Torque Tube Asm.
6	100168-01-000	EA	Screen Clip
7	100234-02-B07	EA	Screen Asm. - Right Side (Illustrated)
	100234-01-B07	EA	Screen Asm. - Left Side (Not Illustrated)
8	088816-51-001	EA	Torque Tube Sleeve
9	080218-03-000	SF	Window Screen - 12"
	100240-01-000	FT	Window Screen Spline
10	088803-01-01A	EA	Mullion - Black
11	083228-06-000	EA	Torque Tube Asm.
12	084068-20-000	EA	Glass - 2.9 mm x 234.7 mm x 517 mm
13	086762-01-000	EA	Window T-Nut
14	088927-03-000	EA	Seal - Rubber
15	084473-01-000	EA	Seal - Rubber
16	086763-01-000	EA	Screw - #10 - 32 x 1/4" PTH
17	097578-01-000	EA	Connecting Rod Asm.
	084453-01-000	EA	Plastic Washer - .06 x .50 x .135
	085315-01-000	EA	Shoulder Rivet
	081649-01-000	EA	Snap Ring Clip
18	084453-02-000	EA	Plastic Washer - .06 x .50 x .25
19	089913-01-000	EA	Hinge
20	035302-01-000	EA	Operator Drive - Left Side
21	084067-02-000	FT	Seal - Sponge Rubber
22	069840-06-000	FT	Ribbon Seal (not included w/Window Assembly)

**DINETTE DOUBLE TIPOUT WINDOW**

Key	Part Number	U/M	Description
1	092234-03-Y12	EA	Window Asm. - Double Tipout
	090893-09-01A	EA	Inside Frame (not included w/Window Assembly)
2	035302-02-000	EA	Operator Drive - Right Side
3	090025-01-000	EA	Extension - Window Knob (not included w/Window Assembly)
4	067052-02-000	EA	Window Knob - Beige (not included w/Window Assembly)
	089371-01-000	EA	Screw - Window Knob (not included w/Window Assembly)
4	101290-01-01A	EA	Window Knob - Brass (not included w/Window Assembly)
	101289-01-01A	EA	Screw - Window Knob - Brass (not included w/Window Assembly)
5	083227-08-000	EA	Torque Tube Asm.
6	100168-01-000	EA	Screen Clip
7	100234-06-B07	EA	Screen Asm. - Right Side (Illustrated)
	100234-05-B07	EA	Screen Asm. - Left Side (Not Illustrated)
8	088816-51-001	EA	Torque Tube Sleeve
9	080218-03-000	SF	Window Screen - 12"
	100240-01-000	FT	Window Screen Spline
10	088803-01-01A	EA	Mullion - Black
11	083228-06-000	EA	Torque Tube Asm.
12	084068-22-000	EA	Glass - 2.9 mm x 234.7 mm x 758.5 mm
13	086762-01-000	EA	Window T-Nut
14	088927-03-000	EA	Seal - Rubber
15	084473-01-000	EA	Seal - Rubber
16	086763-01-000	EA	Screw - #10 - 32 x 1/4" PTH
17	097578-01-000	EA	Connecting Rod Asm.
	084453-01-000	EA	Plastic Washer - .06 x .50 x .135
	085315-01-000	EA	Shoulder Rivet
	081649-01-000	EA	Snap Ring Clip
18	084453-02-000	EA	Plastic Washer - .06 x .50 x .25
19	089913-01-000	EA	Hinge
20	035302-01-000	EA	Operator Drive - Left Side
21	084067-02-000	FT	Seal - Sponge Rubber
22	069840-06-000	FT	Ribbon Seal (not included w/Window Assembly)

**1991 ITASCA  
TABLE OF CONTENTS**

INTRODUCTION	A-01 - A-02
ABBREVIATIONS	A-03
ALPHABETICAL/GROUP REFERENCE	A-04 - A-06
ICM28RO	A-07 - E-15
IKM40DA	E-17 - I-18

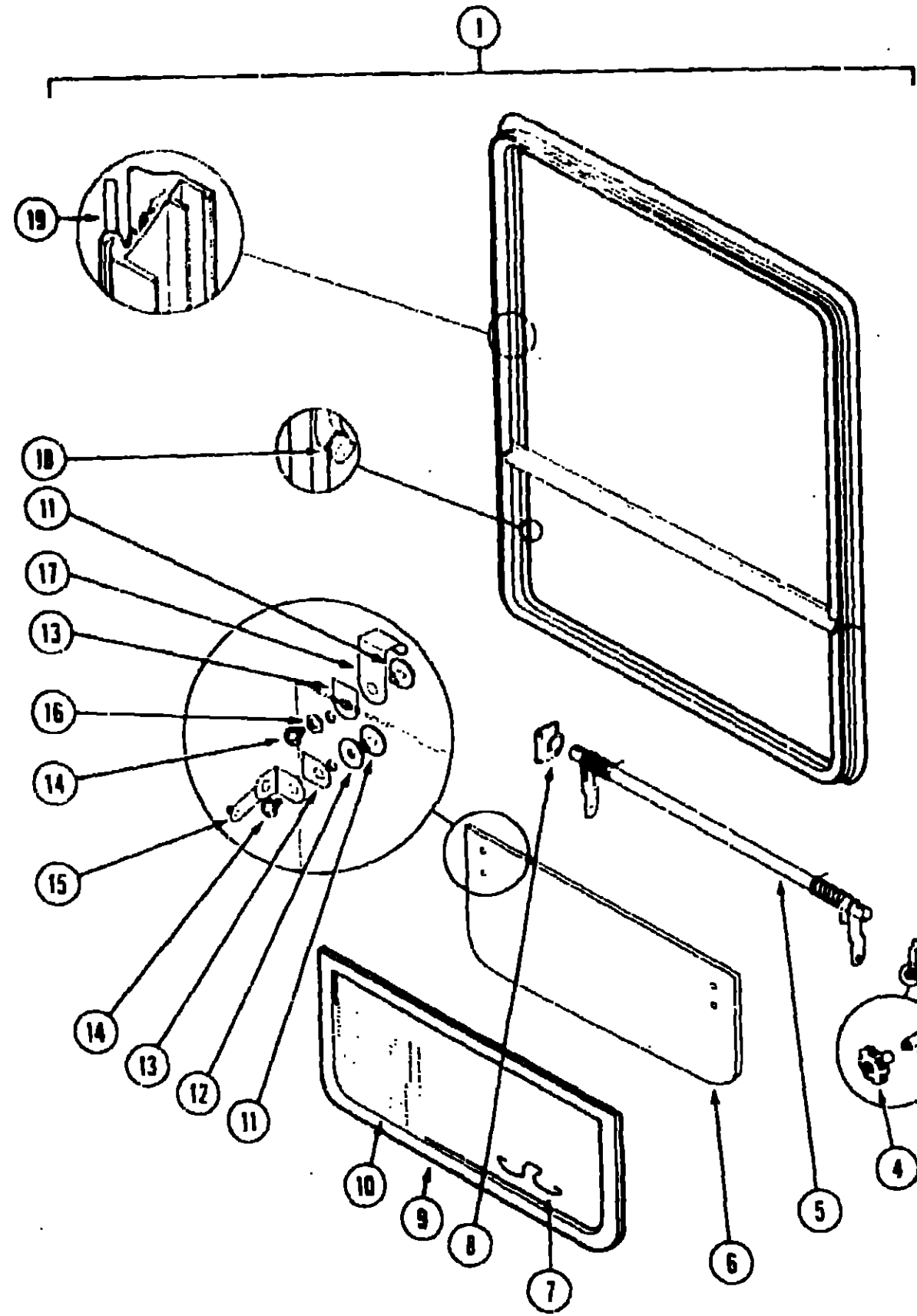
**1991 ICM28RQ INDEX**

Floor Plan	A-07 - A-08
Accessories Group	A-09 - A-11
Bath Group	A-12 - A-13
Bedroom Group	A-14 - A-18
Chassis Group	A-19 - B-06
Curtain, Cushion & Pad Group	B-07 - B-17
Dinette Group	B-18 - B-20
Driver's Compartment Group	B-21 - B-04
Electrical Group	C-05 - C-08
Exterior Body Group	C-09 - C-16
Galley Group	C-17 - C-21
Heating & Air Conditioning Group	C-22 - C-23
Interior Finish Group	C-24 - D-01
Labels Group	D-02 - D-10
LP Group	D-11
Lounge Group	D-12 - D-14
Sealants & Fasteners Group	D-15 - D-16
Water & Sewage Group	D-17 - D-19
Window, Vent & Exterior Door Group	D-20 - E-15



WINDOW, VENT & EXTERIOR DOOR GROUP (CONTINUED)

LOUNGE SINGLE TIPOUT WINDOW



Key	Part Number	U/M	Description
1	092235-06-Y12	EA	Window Asm. - Single Tipout
	090893-06-01A	EA	Inside Frame (not included w/Window Assembly)
2	035302-02-000	EA	Operator Drive
3	090025-01-000	CA	Extension - Window Knob (not included w/Window Assembly)
4	067052-02-000	EA	Window Knob - Beige (not included w/Window Assembly)
	089371-01-000	EA	Screw - Window Knob (not included w/Window Assembly)
4	101290-01-01A	EA	Window Knob - Brass (not included w/Window Assembly)
	101289-01-01A	EA	Screw - Window Knob - Brass (not included w/Window Assembly)
5	083150-14-000	EA	Torque Tube Asm.
6	084068-19-000	EA	Glass - 1/8" x 9 1/4" x 22"
7	100168-01-000	EA	Screen Clip
8	081354-01-000	EA	Torque Tube Sleeve
9	100235-06-B07	EA	Screen Asm.
10	080218-03-000	SF	Window Screen - 12"
	100240-01-000	FT	Window Screen Spline
11	086762-01-000	EA	Window T-Nut
12	068927-03-000	EA	Seal - Rubber
13	084473-01-000	EA	Seal - Rubber
14	086763-01-000	EA	Screw - #10 - 32 x 1/4" PTH
15	097578-01-000	EA	Connecting Rod Asm.
	084453-01-000	EA	Plastic Washer - .06 x .50 x .135
	085315-01-000	EA	Shoulder Rivet
	081649-01-000	EA	Snap Ring Clip
16	084453-02-000	EA	Plastic Washer - .06 x .50 x .25
17	089913-01-000	EA	Hinge
18	084067-02-000	FT	Seal - Sponge Rubber
19	069640-06-000	FT	Ribbon Sealer (not included w/Window Assembly)

GALLEY SINGLE TIPOUT WINDOW

Key	Part Number	U/M	Description
1	092235-09-Y12	EA	Window Asm. - Single Tipout
	090893-02-01A	EA	Inside Frame (not included w/Window Assembly)
2	035302-02-000	EA	Operator Drive
3	009439-06-000	EA	Extension - Window Knob (not included w/Window Assembly)
4	009439-05-000	EA	Window Knob - Black (not included w/Window Assembly)
	009439-07-000	EA	Screw - Window Knob (not included w/Window Assembly)
5	083150-10-000	EA	Torque Tube Asm.
6	084068-15-000	EA	Glass - 1/8" x 9 1/4" x 24 1/2"
7	100168-01-000	EA	Screen Clip
8	081354-01-000	EA	Torque Tube Sleeve
9	100235-02-B07	EA	Screen Asm.
10	080218-03-000	SF	Window Screen - 12"
	100240-01-000	FT	Window Screen Spline
11	086762-01-000	EA	Window T-Nut
12	068927-03-000	EA	Seal - Rubber
13	084473-01-000	EA	Seal - Rubber
14	086763-01-000	EA	Screw - #10 - 32 x 1/4" PTH
15	097578-01-000	EA	Connecting Rod Asm.
	084453-01-000	EA	Plastic Washer - .06 x .50 x .135
	085315-01-000	EA	Shoulder Rivet
	081649-01-000	EA	Snap Ring Clip
16	084453-02-000	EA	Plastic Washer - .06 x .50 x .25
17	089913-01-000	EA	Hinge
18	084067-02-000	FT	Seal - Sponge Rubber
19	069640-06-000	FT	Ribbon Sealer (not included w/Window Assembly)

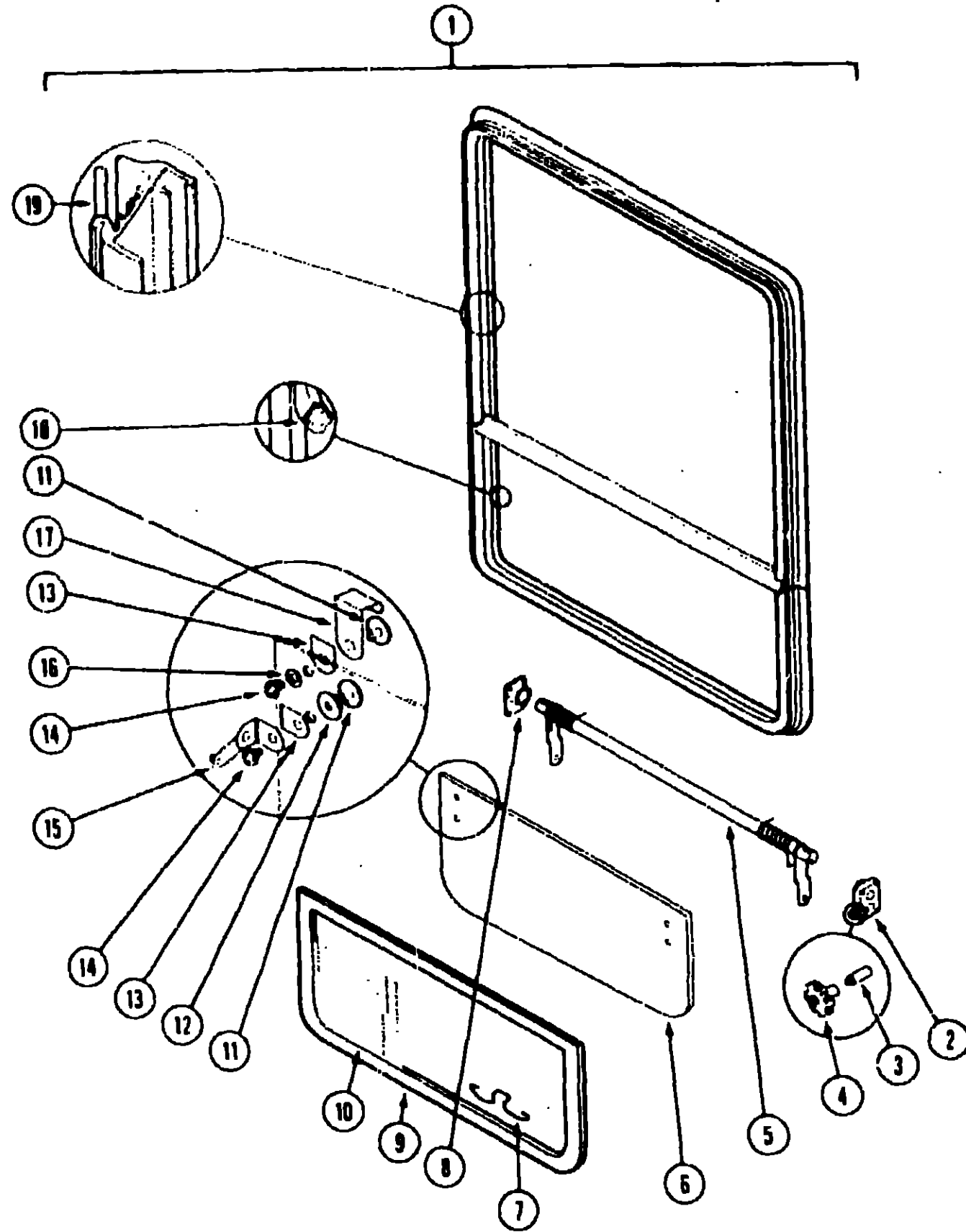
1991 ITASCA  
TABLE OF CONTENTS

INTRODUCTION	A-01 - A-02
ABBREVIATIONS	A-03
ALPHABETICAL/GROUP REFERENCE	A-04 - A-06
ICM28RQ	A-07 - E-15
IKM40DA	E-17 - I-18

1991 ICM28RQ INDEX

Floor Plan	A-07 - A-08
Accessories Group	A-09 - A-11
Bath Group	A-12 - A-13
Bedroom Group	A-14 - A-18
Chassis Group	A-19 - B-06
Curtain, Cushion & Pad Group	B-07 - B-17
Dinette Group	B-18 - B-20
Driver's Compartment Group	B-21 - B-04
Electrical Group	C-05 - C-08
Exterior Body Group	C-09 - C-16
Galley Group	C-17 - C-21
Heating & Air Conditioning Group	C-22 - C-23
Interior Finish Group	C-24 - D-01
Labels Group	D-02 - D-10
LP Group	D-11
Lounge Group	D-12 - D-14
Sealants & Fasteners Group	D-15 - D-16
Water & Sewage Group	D-17 - D-19
Window, Vent & Exterior Door Group	D-20 - E-15

WINDOW, VENT & EXTERIOR DOOR GROUP. (CONTINUED)



BATH SINGLE TIPOUT WINDOW

Key	Part Number	U/M	Description
1	092235-10-Y12	EA	Window Asm. - Single Tipout
	090893-15-01A	EA	Inside Frame (not included w/Window Assembly)
2	035302-02-000	EA	Operator Drive
3	090025-01-000	EA	Extension - Window Knob (not included w/Window Assembly)
4	067052-02-000	EA	Window Knob - Beige (not included w/Window Assembly)
	089371-01-000	EA	Screw - Window Knob (not included w/Window Assembly)
4	101290-01-01A	EA	Window Knob - Brass (not included w/Window Assembly)
	101289-01-01A	EA	Screw - Window Knob - Brass (not included w/Window Assembly)
5	083150-09-000	EA	Torque Tube Asm.
6	084068-14-000	EA	Glass - 1/8" x 9 1/4" x 15"
7	100168-01-000	EA	Screen Clip
8	081354-01-000	EA	Torque Tube Sleeve
9	100235-01-B07	EA	Screen Asm.
10	080218-03-000	SF	Window Screen - 12"
	100240-01-000	FT	Window Screen Spline
11	086762-01-000	EA	Window T-Nut
12	068927-03-000	EA	Seal - Rubber
13	084473-01-000	EA	Seal - Rubber
14	086763-01-000	EA	Screw - #10 - 32 x 1/4" PTH
15	097578-01-000	EA	Connecting Rod Asm.
	084453-01-000	EA	Plastic Washer - .06 x .50 x .135
	085315-01-000	EA	Shoulder Rivet
	081649-01-000	EA	Snap Ring Clip
16	084453-02-000	EA	Plastic Washer - .06 x .50 x .25
17	089913-01-000	EA	Hinge
18	084067-02-000	FT	Seal - Sponge Rubber
19	069640-06-000	FT	Ribbon Sealer (not included w/Window Assembly)

BEDROOM SINGLE TIPOUT WINDOW

Key	Part Number	U/M	Description
1	092235-05-Y12	EA	Window Asm. - Single Tipout
	090893-05-01A	EA	Inside Frame (not included w/Window Assembly)
2	035302-02-000	EA	Operator Drive
3	090025-01-000	EA	Extension - Window Knob (not included w/Window Assembly)
4	067052-02-000	EA	Window Knob - Beige (not included w/Window Assembly)
	089371-01-000	EA	Screw - Window Knob (not included w/Window Assembly)
4	101290-01-01A	EA	Window Knob - Brass (not included w/Window Assembly)
	101289-01-01A	EA	Screw - Window Knob - Brass (not included w/Window Assembly)
5	083150-13-000	EA	Torque Tube Asm.
6	084069-18-000	EA	Glass - 2.9 mm x 234.7 mm x 724.5 mm
7	100168-01-000	EA	Screen Clip
8	081354-01-000	EA	Torque Tube Sleeve
9	100235-05-B07	EA	Screen Asm.
10	080218-03-000	SF	Window Screen - 12"
	100240-01-000	FT	Window Screen Spline
11	086762-01-000	EA	Window T-Nut
12	068927-03-000	EA	Seal - Rubber
13	084473-01-000	EA	Seal - Rubber
14	086763-01-000	EA	Screw - #10 - 32 x 1/4" PTH
15	097578-01-000	EA	Connecting Rod Asm.
	084453-01-000	EA	Plastic Washer - .06 x .50 x .135
	085315-01-000	EA	Shoulder Rivet
	081649-01-000	EA	Snap Ring Clip
16	084453-02-000	EA	Plastic Washer - .06 x .50 x .25
17	089913-01-000	EA	Hinge
18	084067-02-000	FT	Seal - Sponge Rubber
19	069640-06-000	FT	Ribbon Sealer (not included w/Window Assembly)

1991 ITASCA  
TABLE OF CONTENTS

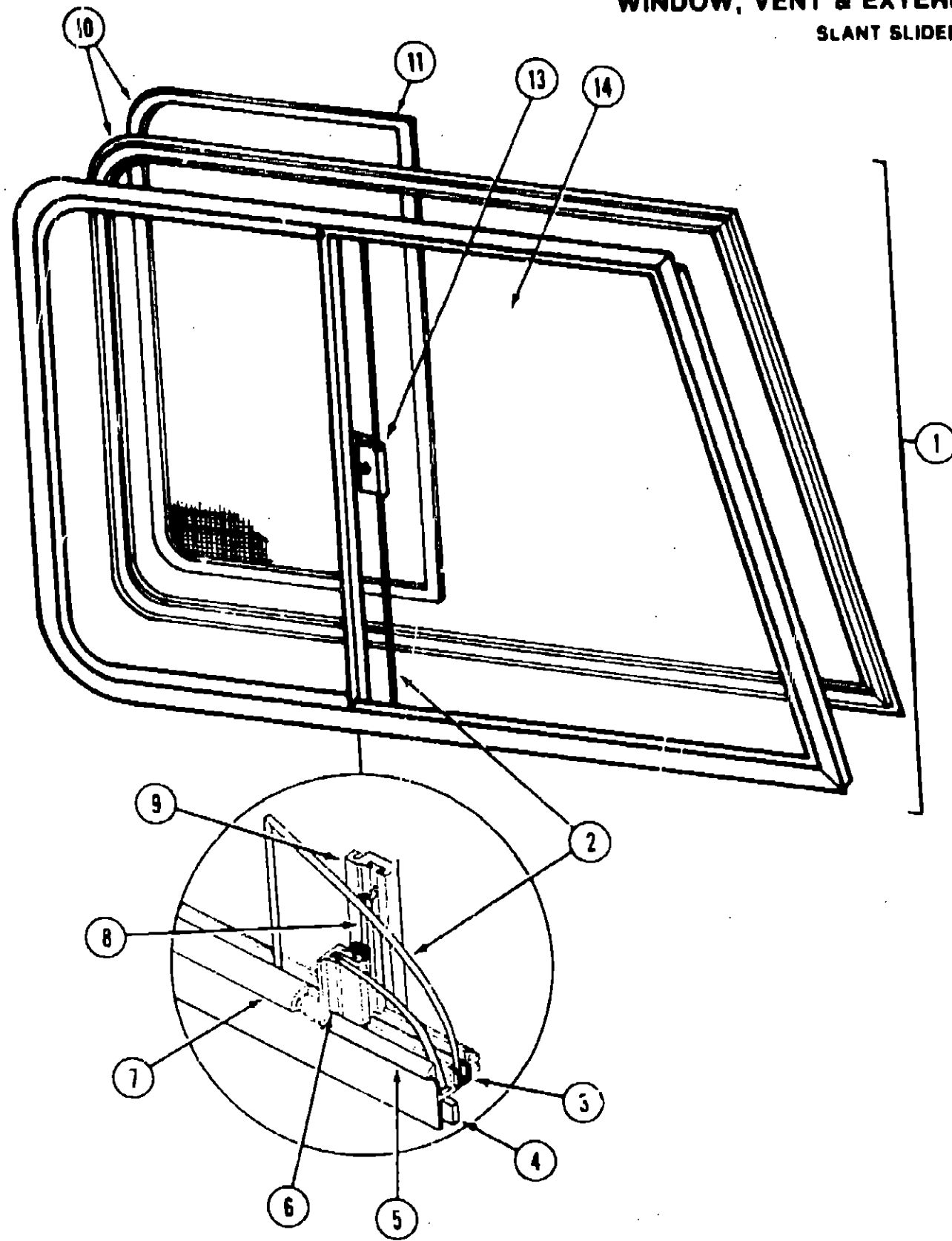
INTRODUCTION	A-01 - A-02
ABBREVIATIONS	A-03
ALPHABETICAL/GROUP REFERENCE	A-04 - A-06
ICM28RQ	A-07 - E-15
ITM40DA	E-17 - I-18

1991 ICM28RQ INDEX

Floor Plan	A-09 - A-08
Accessories Group	A-09 - A-11
Bath Group	A-12 - A-13
Bedroom Group	A-14 - A-18
Chassis Group	A-19 - B-06
Curtain, Cushion & Pad Group	B-07 - B-17
Dinette Group	B-18 - B-20
Driver's Compartment Group	B-21 - B-04
Electrical Group	C-05 - C-08
Exterior Body Group	C-09 - C-16
Galley Group	C-17 - C-21
Heating & Air Conditioning Group	C-22 - C-23
Interior Finish Group	C-24 - D-01
Labels Group	D-02 - D-10
LP Group	D-11
Lounge Group	D-12 - D-14
Sealants & Fasteners Group	D-15 - D-16
Water & Sewage Group	D-17 - D-19
Window, Vent & Exterior Door Group	D-20 - E-15

## WINDOW, VENT & EXTERIOR DOOR GROUP (CONTINUED)

### SLANT SLIDER WINDOW - PASSENGER



Key	Part Number	U/M	Description
1	089607-01-X14	EA	Window Asm. - Front Slant (w/o inside frame or screen)
2	069298-01-000	EA	Glass - Slider
3	042077-01-000	FT	Channel - Weatherstrip - Glass Run - 1/8" Glass
4	069640-06-000	FT	Seal (not included in Window Asm.)
5	050216-02-000	FT	Spline - Glass Seal - Black
6	002389-03-203	EA	Seal Holder - w/Fin Seal
7	041928-02-000	FT	Glass Seal - Black Vinyl
8	073740-01-000	FT	Fin Seal - .46" Pile Height
9	084170-07-000	EA	Inside Mullion - Slider Window - Black - w/Fin Seal
10	089603-01-AB1	EA	Inside Frame Asm. - w/Slider Screen
11	089602-01-X14	EA	Slider Screen Asm.
	016310-03-000	EA	Slider - Screen Handle
	002291-02-000	SF	Screen - 16" Charcoal
	002298-02-000	FT	Spline - Charcoal
	078364-01-000	EA	Slider Screen Track - Top
	078365-01-000	EA	Slider Screen Track - Bottom
13	047369-01-700	EA	Latch Kit - Plastic w/Fastener
14	057656-11-000	EA	Glass - Stationary
	002328-01-000	EA	Window Block - 1/8" x 3/16" x 1"
	023330-01-000	EA	Felt Pad - 3/8" Dia.
	079824-01-000	FT	Seal - C-Fold - .50"

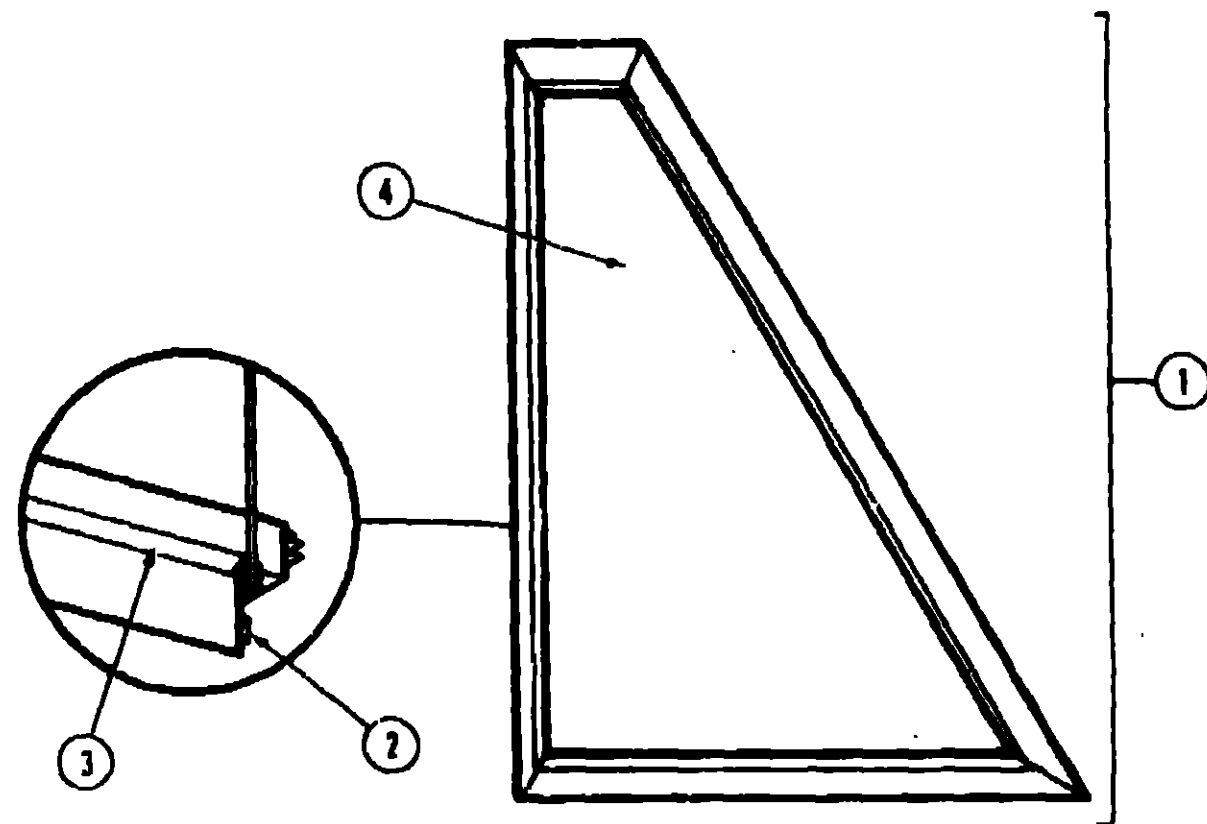
## 1991 ITASCA TABLE OF CONTENTS

INTRODUCTION	A-01 - A-02
ABBREVIATIONS	A-03
ALPHABETICAL/GROUP REFERENCE	A-04 - A-06
ICM28RG	A-07 - E-15
IKM40DA	E-17 - I-18

## 1991 ICM28RQ INDEX

Floor Plan	A-09 - A-08
Accessories Group	A-09 - A-11
Bath Group	A-12 - A-13
Bedroom Group	A-14 - A-18
Chassis Group	A-19 - B-06
Curtain, Cushion & Pad Group	B-07 - B-17
Dinette Group	B-18 - B-20
Driver's Compartment Group	B-21 - B-04
Electrical Group	C-05 - C-08
Exterior Body Group	C-09 - C-16
Galley Group	C-17 - C-21
Heating & Air Conditioning Group	C-22 - C-23
Interior Finish Group	C-24 - D-01
Labels Group	D-02 - D-10
LP Group	D-11
Lounge Group	D-12 - D-14
Sealants & Fasteners Group	D-15 - D-16
Water & Sewage Group	D-17 - D-19
Window, Vent & Exterior Door Group	D-20 - E-15

**WINDOW, VENT & EXTERIOR DOOR GROUP (CONTINUED)**



**SLANT WINDOW - DRIVER**

Key	Part Number	U/M	Description
1	099933-01-Y12	EA	Window Asm. - Slant (w/o inside frame)
	099932-01-01A	EA	Inside Frame - Black (not included in assembly)
2	069640-06-000	FT	Ribbon Seal - 5/16" Bead (not included in assembly)
3	050216-02-000	FT	Spline - Glass - .19" - Black
4	057656-13-000	EA	Glass - Slant - .19" x 29.11" x 13.98"
	002328-01-000	EA	Window Block - 1/8" x 3/16" x 1"

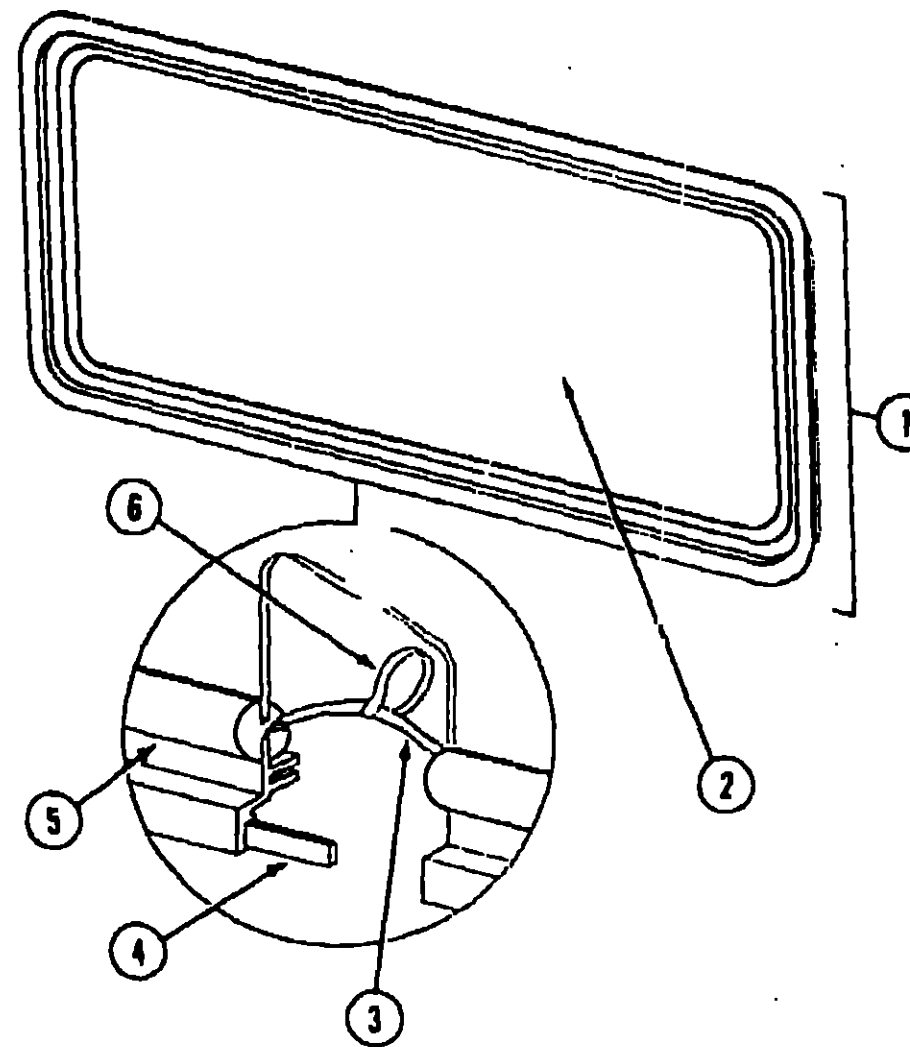
**VISTA WINDOW - DRIVER**

Key	Part Number	U/M	Description
	089619-02-X14	EA	Window Asm. - Vista (w/o inside frame)
	089727-06-000	EA	Inside Frame - Black (not included in assembly)
	089301-01-000	EA	Glass - Vista Window - Driver Side
	050216-02-000	FT	Spline - Glass - .19" - Black
	002328-01-000	EA	Window Block - 1/8" x 3/16" x 1"
	069640-06-000	FT	Ribbon Seal - 5/16" Bead (not included in assembly)

**VISTA WINDOW - PASSENGER**

Key	Part Number	U/M	Description
	089619-01-X14	EA	Window Asm. - Vista (w/o inside frame)
	089727-05-000	EA	Inside Frame - Black (not included in assembly)
	089301-01-000	EA	Glass - Vista Window - Passenger Side
	050216-02-000	FT	Spline - Glass - .19" - Black
	002328-01-000	EA	Window Block - 1/8" x 3/16" x 1"
	069640-06-000	FT	Ribbon Seal - 5/16" Bead (not included in assembly)

**WINDOW, VENT & EXTERIOR DOOR GROUP (CONTINUED)**



**ESCAPE WINDOW**

Key	Part Number	U/M	Description
1	078528-03-Y12	EA	Window Asm. - Escape - Black (w/o inside frame)
	074816-06-000	EA	Inside Frame - Escape Window - Black (not included in assembly)
2	076337-08-000	EA	Glass
3	002285-01-000	FT	Filler - Weatherstrip - Black
4	069640-06-000	FT	Sealer Ribbon - 5/16" Bead (not included in assembly)
5	002282-06-000	FT	Weatherstrip - .125" Black
	006199-01-000	EA	Label - Exit - Escape Window
6	077066-01-702	EA	Pull Tape - Escape Window

**1991 ITASCA  
TABLE OF CONTENTS**

INTRODUCTION	A-01 - A-02
ABBREVIATIONS	A-03
ALPHABETICAL/GROUP REFERENCE	A-04 - A-06
ICM28RQ	A-07 - E-15
IKM40DA	E-17 - I-18

**1991 ICM28RQ INDEX**

Floor Plan	A-09 - A-08
Accessories Group	A-09 - A-11
Bath Group	A-12 - A-13
Bedroom Group	A-14 - A-18
Chassis Group	A-19 - B-06
Curtain, Cushion & Pad Group	B-07 - B-17
Dinette Group	B-18 - B-20
Driver's Compartment Group	B-21 - B-04
Electrical Group	C-05 - C-08
Exterior Body Group	C-09 - C-16
Galley Group	C-17 - C-21
Heating & Air Conditioning Group	C-22 - C-23
Interior Finish Group	C-24 - D-01
Labels Group	D-02 - D-10
LP Group	D-11
Lounge Group	D-12 - D-14
Sealants & Fasteners Group	D-15 - D-16
Water & Sewage Group	D-17 - D-19
Window, Vent & Exterior Door Group	D-20 - E-15

## WINDOW, VENT & EXTERIOR DOOR GROUP (CONTINUED)

### NON-POWERED ROOF VENT

Key	Part Number	U/M	Description
	090392-01-Y12	EA	Roof Vent Asm. - Non-Powered - w/o Screen
	051384-01-000	EA	Cover - Roof Vent
	052639-01-001	EA	Hinge
	009449-01-000	EA	Lift Mechanism
	009439-01-000	EA	Crank
	009439-02-000	EA	Knob
	009439-03-000	EA	Extension
	009439-04-000	EA	Screw - 8 - 32 x 1 1/4" POM
	002825-01-000	EA	Weatherstrip
	078786-01-Y12	EA	Screen Asm.
	002291-02-000	SF	Screen - 16" - Charcoal
	002298-02-000	FT	Spline

### POWERED ROOF VENT (OPTION 41M)

Key	Part Number	U/M	Description
	084079-06-000	EA	Powered Roof Vent
	084079-01-700	EA	Cover - Roof Vent
	084079-01-701	EA	Screen Asm.
	084079-01-702	EA	Arm Lift Asm.
	084079-01-703	EA	Crank Knob
	084079-01-704	EA	Fan
	084079-01-705	EA	Motor
	084079-01-706	EA	12 Volt Wire Plug
	084079-01-707	EA	Safety Switch
	084079-01-708	EA	Reverse Switch
	084079-01-709	EA	3 Speed Switch
	084079-01-710	EA	Wall Thermostat
	084079-01-711	EA	H-Molding (Motor Mount)

### POWERED ROOF VENT (BATH) (USA)

Key	Part Number	U/M	Description
	090393-01-Y12	EA	Powered Roof Vent
	051384-01-000	EA	Cover - Roof Vent
	052639-01-001	EA	Hinge
	002825-01-000	EA	Weatherstrip
	048648-01-000	EA	Motor Asm. - 12 Volt
	048649-01-000	EA	6" Plastic Fan - 6 Bladed
	008195-01-000	EA	Push Button Switch
	009449-01-000	EA	Lift Mechanism
	009439-01-000	EA	Crank
	009439-02-000	EA	Knob
	009439-03-000	EA	Extension
	009439-04-000	EA	Screw - 8 - 32 x 1 1/4" POM
	078785-01-Y12	EA	Screen Asm.
	002291-02-000	SF	Window Screen - 16" Charcoal
	002298-02-000	FT	Spline

### POWERED ROOF VENT (BATH) (CSA)

Key	Part Number	U/M	Description
**	064469-08-000	EA	Powered Roof Vent
**	The illustrated parts breakdown for this item is provided on the Common Items Fiche.		

## 1991 ITASCA TABLE OF CONTENTS

INTRODUCTION	A-01 - A-02
ABBREVIATIONS	A-03
ALPHABETICAL/GROUP REFERENCE	A-04 - A-06
ICM28RQ	A-07 - E-15
IKM40DA	E-17 - I-18

## 1991 ICM28RQ INDEX

Floor Plan	A-09 - A-08
Accessories Group	A-09 - A-11
Bath Group	A-12 - A-13
Bedroom Group	A-14 - A-18
Chassis Group	A-19 - B-06
Curtain, Cushion & Pad Group	B-07 - B-17
Dinette Group	B-18 - B-20
Driver's Compartment Group	B-21 - B-04
Electrical Group	C-05 - C-08
Exterior Body Group	C-09 - C-16
Galley Group	C-17 - C-21
Heating & Air Conditioning Group	C-22 - C-23
Interior Finish Group	C-24 - D-01
Labels Group	D-02 - D-10
LP Group	D-11
Lounge Group	D-12 - D-14
Sealants & Fasteners Group	D-15 - D-16
Water & Sewage Group	D-17 - D-19
Window, Vent & Exterior Door Group	D-20 - E-15