

1991 ICF30EU

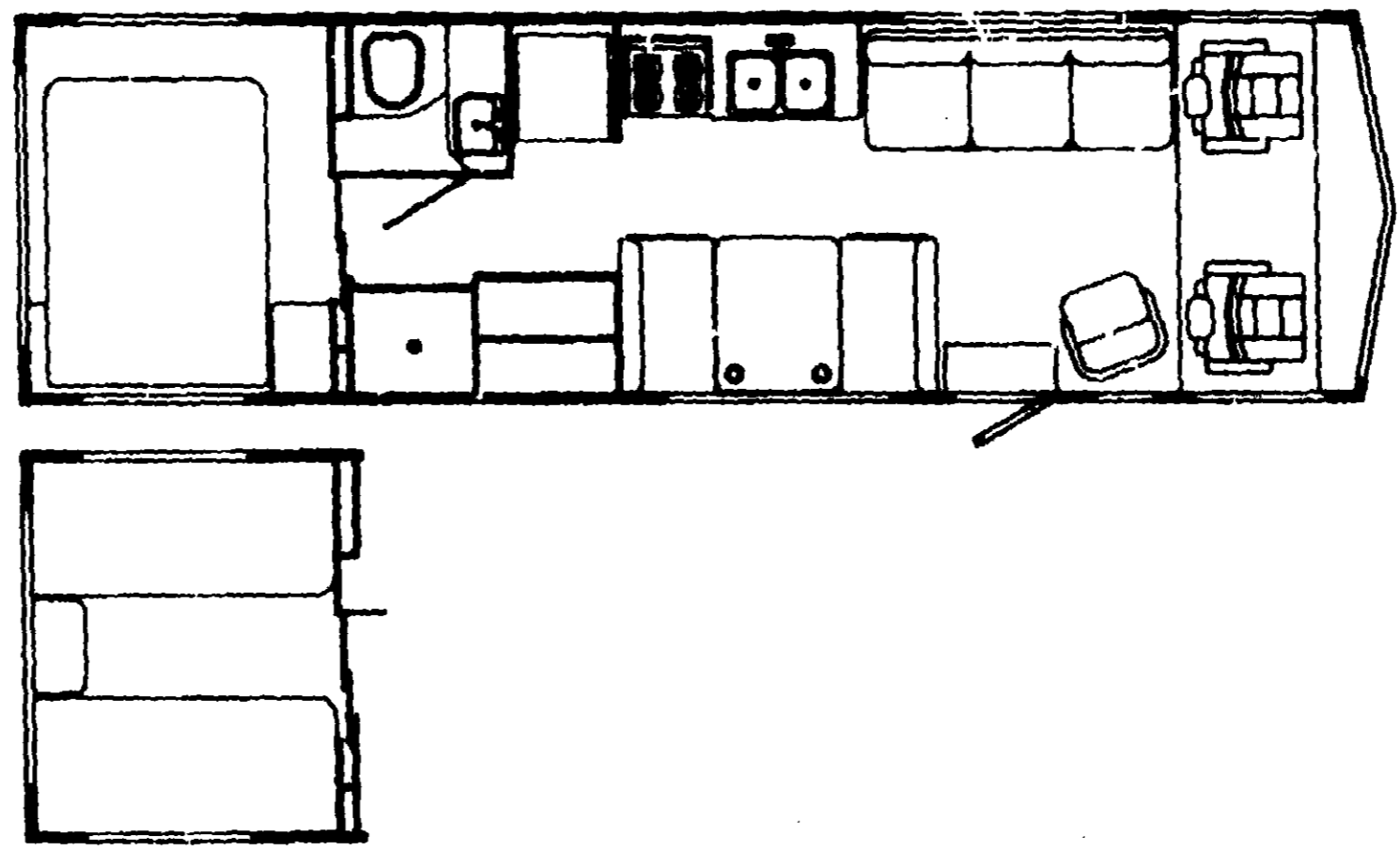
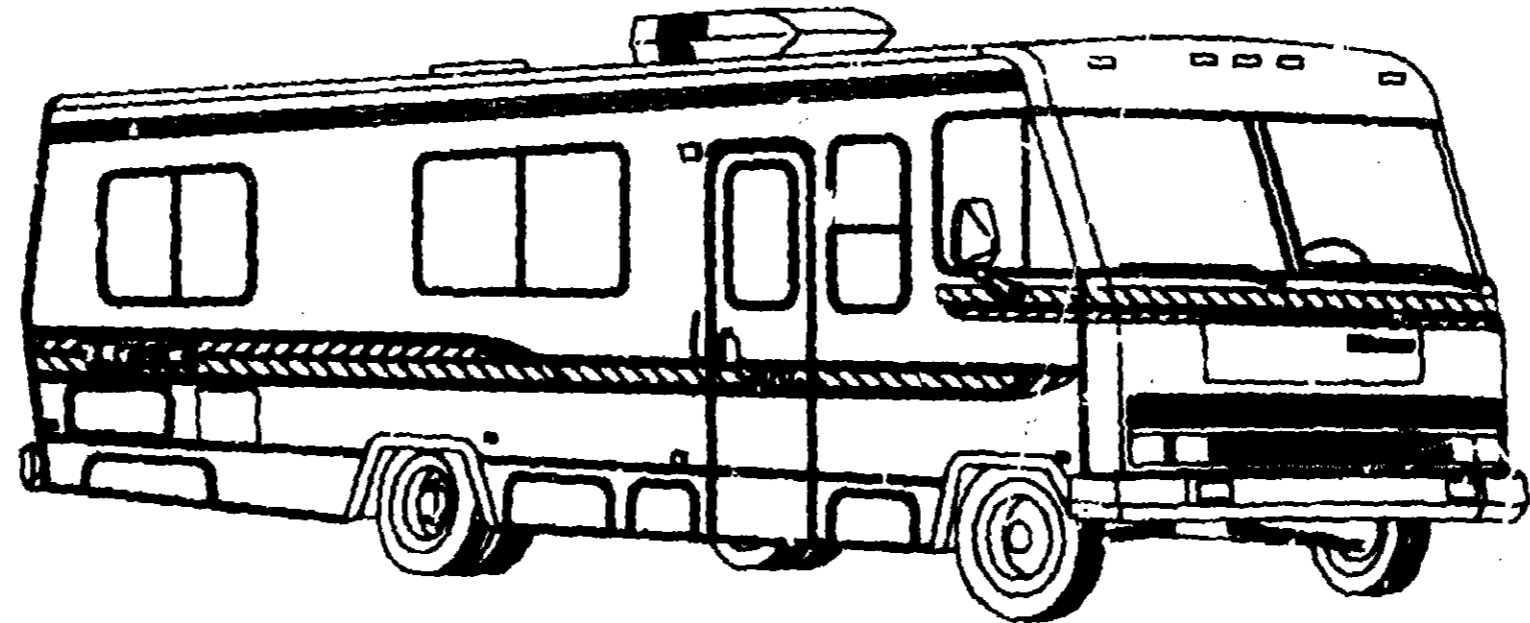


TABLE OF CONTENTS

| | |
|--------------------|-------------|
| INTRODUCTION | A-01 |
| ABBREVIATIONS | A-01 |
| ALPHABETICAL INDEX | A-02 - A-04 |
| ICF23EC | A-05 - D-17 |
| ICF30EU | D-18 - H-22 |

1991 ICF30EU INDEX

| | |
|--------------------------------|-------------|
| FLOOR PLAN | D-18 - D-20 |
| ACCESSORIES | D-21 - D-24 |
| BATH | E-01 - E-04 |
| BEDROOM | E-05 - E-08 |
| CHASSIS | E-09 - E-14 |
| C C & P | E-15 - E-24 |
| DINETTE | F-01 - F-02 |
| DRIVERS | F-03 - F-12 |
| ELECTRICAL | F-13 - F-16 |
| EXTERIOR BODY | F-17 - F-22 |
| GALLEY | F-23 - G-04 |
| HEATING & AC | G-05 - G-10 |
| INTERIOR FINISH | G-11 - G-15 |
| LABEL | G-16 |
| LP | G-17 |
| LOUNGE | G-18 - G-20 |
| SEALANTS & FASTENERS | G-21 - G-22 |
| WATER & SEWAGE | G-23 - H-02 |
| WINDOW, VENT AND EXTERIOR DOOR | H-03 - H-22 |

ACCESSORIES GROUP

COVER-WHEEL

| KEY PART NUMBER | U/M DESCRIPTION |
|-----------------|-------------------------------|
| 083181-03-000 | EA WHEEL COVER-4/SET 19.5 IN |
| 083181-03-700 | EA COVER-WHEEL, 19.5 - 1 ONLY |

FORD CHASSIS OPTION - US L16D

| KEY PART NUMBER | U/M DESCRIPTION |
|-----------------|--|
| 088532-01-000 | EA COVER-WHEEL, FORD - SET OF 4 - 16" |
| 088532-01-700 | EA COVER-LUG NUT, FORD - CHROME |
| 088532-01-701 | EA COVER-WHEEL, FORD - 1 EACH ONLY - 16" |

SPARE TIRE-W/CARRIER & COVER

| KEY PART NUMBER | U/M DESCRIPTION |
|-----------------|---|
| 088555-01-825 | EA COVER-TIRE, UNIVERSAL - VINYL - OFF WHITE |
| 080378-02-000 | EA BRACKET-TIRE CARRIER |
| | FROM: 00-00-00 THRU: 06-30-90 |
| 080378-04-000 | EA BRACKET-TIRE CARRIER |
| | FROM 07-01-90 THRU: 99-99-99 |
| 051577-01-000 | EA STEM-VALVE |
| 083428-02-000 | EA TIRE-MICHELIN, LT235 / 85R16 LARGE |
| 088553-01-000 | EA WHEEL-STEEL, 16"X 8K - ESTZ - 1015 - A - ACCURIDE 28375-12 |

FRONT AIRSHOCKS & REAR AIR BAGS (OPT 64C)

| KEY PART NUMBER | U/M DESCRIPTION |
|-----------------|--|
| 078842-01-000 | EA SHOCK ABSORBER-STABILIZER, FRONT - 4-WAY SC3001 |
| 084088-01-000 | EA AIRSPRING-BELLYBAG, REAR AXLE - FIRESTONE# MHA224 |
| 084088-01-700 | EA AIR BAG-ONLY, FIRESTONE# W21-780-0336 |
| 084088-01-701 | EA TUBING-DOT 1/4" X 1/8" - FIRESTONE# 21-0938 |
| 084088-01-702 | EA BOLT-RIBBED NECK, 3/8"-24 X 2.5" FIRESTONE# 21-0828 |
| 084088-01-703 | EA INFLATING VALVE-DOT 1/4" TUBING, FIRESTONE# 21-0931 |
| 084088-01-704 | EA ELBOW CONNECTOR, FIRESTONE# 21-0935 |
| 084088-01-705 | EA TUBING PROTECTORS, FIRESTONE# 21-0889 |
| 084088-01-706 | EA BRACKET-UPPER TO FRAME, FIRESTONE# 21-0150 |
| 084088-01-707 | EA BRACKET-LOWER, TOP - FIRESTONE# 21-1142 |
| 084088-01-708 | EA AIRLINE SERVICE KIT, FIRESTONE# W21-780 2012 |
| 084088-01-709 | EA HEAT SHIELD, FIRESTONE# 21-1004 |
| 084088-01-710 | EA BOLT PACKAGE, FIRESTONE 2138823002 |
| 084088-01-711 | EA HEAT SHIELD-234 DOB SYSTEM, FIRESTONE 21-5042 |
| 084088-01-712 | EA BRACKET-LOWER DRIVERS 224DOB, FIRESTONE 21-5037 |
| 084088-01-713 | EA AXLE STRAP BRACKET, FIRESTONE 21-1163 |
| 084088-01-714 | EA AXLE STRAP BRACKET, FIRESTONE 21-5038 |

ANTENNAS

| KEY PART NUMBER | U/M DESCRIPTION |
|-----------------|--|
| 000011-08-128 | EA SCREW, 8-18 X 3/4 PPH ZN |
| 088728-02-000 | EA BUMPER-.88"DIA X .40", BLACK |
| 078319-01-000 | EA ANTENNA-TV, ROOF MOUNT - 44.5" MAST - RVA W02 |
| 078319-01-700 | EA HEAD-ANTENNA, AMPLIFIED - WINEGARD# RV5A UV |
| 078319-01-701 | EA GEAR-ELEVATING, PLASTIC - WINEGARD# 2200048 |
| 078319-01-702 | EA SHAFT ASM-ELEVATING, WINEGARD# RVP-400A |
| 078319-01-703 | EA BEARING-NYLON, 5"OD - WINEGARD# 3200886 |
| 078319-01-704 | EA BEARING-NYLON, 1.25"OD - WINEGARD# 3200867 |
| 078319-01-705 | EA GROMMET-NYLON, 7/8"ID - WINEGARD# 3200868 |
| 078319-01-706 | EA CRANK-ELEVATING, WRET SCREW - WINEGARD# 5756100 |
| 078319-01-707 | EA SPRING-HANDLE, WINEGARD# 5180800 |
| 078319-01-708 | EA DECAL-CRANK, WINEGARD# 8413002 |
| 078319-08-000 | EA ADAPTER-CABLE ROOF PLATE, WINEGARD RPJ-1 |
| 078319-06-000 | EA WALLPLATE-TV RECEPTACLE - BROWN |
| 078319-08-000 | EA WALLPLATE-TV RECEPTACLE, IVORY |
| 078319-11-000 | EA ADAPTER-COAX WITH SPLITTER WINEGARD MSJ-8 |
| 088258-01-02A | EA PLATE-WALL,CABLE |
| 080714-08-000 | EA CLIP-WIRE, NYLON |
| 091108-02-000 | EA ANTENNA-RADIO, SIDE MOUNTED - 12" GROUND |
| 091883-01-000 | EA GASKET-SIDE MARKER LIGHT |

ACCESSORIES GROUP (CONTINUED)

EXTERIOR REAR VIEW MIRROR

| KEY PART NUMBER | U/M DESCRIPTION |
|-----------------|---|
| 049347-01-000 | EA MIRROR HEAD-EXTERIOR, 10 1/2" X 7 1/2" - STAINLESS STEEL |
| 008043-01-000 | EA MIRROR-EXTERIOR CONVEX, ADHESIVE BACKED |
| 049348-03-000 | EA ARM-EXTERIOR MIRROR, LOW MOUNT - BLACK |
| 049944-04-000 | EA BRACKET-EXTERIOR MIRROR, ARM TO SIDEWALL - BLACK |
| 039337-01-000 | EA BRACKET-EXTERIOR MIRROR, ARM TO SIDEWALL - UNPAINTED |

RACK AND LADDERS (OPTION L502)

| KEY PART NUMBER | U/M DESCRIPTION |
|-----------------|--|
| 038327-01-000 | EA TAPE-ANTI SLIP, 12" X 60" |
| 081016-02-T03 | EA LADDER-LUGGAGE RACK, HINGED |
| 030030-08-10T | EA SCREW-SF/DR, 8-20 X 5/8 PPH - BLACK |
| 000088-10-38T | EA SCREW-10-12 X 2.25 PPH BLACK |
| 067125-01-000 | EA STANDOFF-LADDER, BRIGHT DIPPED - LOWER |
| 087185-01-000 | EA MOUNTING BRACKET-LADDER, LOWER |
| 078880-02-000 | EA END CAP-STEP, BLACK |
| 080886-01-000 | EA STANDOFF-RACK AND LADDER, BRIGHT DIPPED |
| | FROM: 00-00-00 THRU: 03-04-90 |
| 091086-02-000 | EA STANDOFF-RACK & LADDER, BRIGHT DIPPED |
| | FROM: 03-05-90 THRU: 99-99-99 |
| 081028-01-T03 | EA RACK ASM-PASSENGER SIDE, INCLUDES 2 ANGLED STANDOFFS |
| 081028-02-T03 | EA RACK ASM-DRIVER SIDE, INCLUDES 2 ANGLED AND 2 STRAIGH STANDOFFS |
| 081114-01-000 | EA PLUG-ROUND, RACK & LADDER ENDS - PLASTIC - 1" DIA. |
| 091086-02-000 | EA STANDOFF-RACK & LADDER, BRIGHT DIPPED |

TV & TV CABINET OPTION

| KEY PART NUMBER | U/M DESCRIPTION |
|-----------------|--|
| 088447-01-000 | EA TV-13", COLOR W/REMOTE - U.S - MAGNAVOX RX4028WA |
| 088447-01-700 | EA REMOTE-TV, MAGNAVOX 0822338 |
| 088717-01-000 | EA TIEDOWN-TV |
| 088717-02-000 | EA TIEDOWN, TV |
| 088818-01-000 | EA SPEAKER-2 WATT, 8 OHM - 4" |
| 083214-01-02A | EA GRILL-SPEAKER, 4" BROWN |
| 088030-01-000 | EA WIRE-SPEAKER, TV |
| 088637-01-000 | EA GROMMET |
| 088788-01-000 | EA SPLITTER-TV, 2 WAY |
| 088777-01-000 | EA PLATE-WALL, ANTENNA |
| 078319-08-000 | EA WALLPLATE-TV RECEPTACLE, IVORY |
| 078319-03-000 | FT CABLE-COAXIAL, 75 OHM |
| 078319-04-000 | EA CONNECTOR WFER: 1/4" |
| 078319-12-000 | EA CONNECTOR-COAXIAL, ONE PIECE |
| 078319-08-000 | FT CABLE-COAXIAL, 75 OHM |
| 100288-01-000 | EA SHELF-TV, STEEL |
| 101180-01-000 | EA SUPPORT-SHELF, TV |
| 101180-02-000 | EA SUPPORT-SHELF, TV |
| 088447-02-000 | EA TV-13", COLOR W/REMOTE - CANADIAN - MAGNAVOX RX4028CH |
| 088787-01-000 | EA CONTROL CENTER-SWITCH, VCR/TV - CHANNEL MASTER |
| | FROM: 00-00-00 THRU: 06-03-90 |
| 088787-02-000 | EA CONTROL CENTER-SWITCH, VCR/TV - XANTECH |
| | FROM: 08-04-90 THRU: 99-99-99 |
| 088448-02-000 | EA VCR-VHS, CABLE READY - REMOTE - MAGNAVOX VR8812 |
| 088448-02-700 | EA REMOTE, F/MODEL 88912 |
| 088777-03-000 | EA PLATE-WALL, ANTENNA/POWER, IVORY |
| 088818-01-000 | EA SPEAKER-2 WATT, 8 OHM - 4" |
| 088030-01-000 | EA WIRE-SPEAKER, TV |

TABLE OF CONTENTS

| | |
|--------------------|-------------|
| INTRODUCTION | A-01 |
| ABBREVIATIONS | A-01 |
| ALPHABETICAL INDEX | A-02 - A-24 |
| ICF23EC | A-05 - D-17 |
| ICF30EU | D-19 - H-22 |

1991 ICF30EU INDEX

| | |
|----------------------|-------------|
| FLOOR PLAN | D-19 - D-20 |
| ACCESSORIES | D-21 - D-24 |
| BATH | E-01 - E-04 |
| BEDROOM | E-05 - E-08 |
| CHASSIS | E-09 - E-14 |
| C C & PAD | F-15 - E-24 |
| DINETTE | F-01 - F-02 |
| DRIVERS | F-03 - F-12 |
| ELECTRICAL | F-13 - F-16 |
| EXTERIOR BODY | F-17 - F-22 |
| GALLEY | F-23 - G-04 |
| HEATING & A/C | G-05 - G-10 |
| INTERIOR FINISH | G-11 - G-15 |
| LABEL | G-16 |
| LP | G-17 |
| LOUNGE | G-18 - G-20 |
| SEALANTS & FASTENERS | G-21 - G-24 |
| WATER & SEW/AGE | G-25 - H-02 |
| WINDOW, VENT AND | |
| EXTERIOR DOOR | H-03 - H-22 |

ACCESSORIES GROUP (CONTINUED)

3,500 WATT KOHLER GENERATOR - EXPORT (OPTION L383)

| KEY PART NUMBER | U/M DESCRIPTION |
|-----------------|--|
| 007125-03-000 | EA CLAMP-MUFFLER, 1.5" DIA |
| 007125-04-000 | EA CLAMP-MUFFLER, 1.1" DIA |
| 008289-01-000 | EA BOX-ELECTRIC, STEEL - 1/2" AND 3/4" KNOCKOUTS - 4" X 4" |
| 008294-01-000 | EA COVER-ELECTRICAL BOX, STEEL/BLANK - 4" X 4" - GRAY |
| 008360-02-000 | EA MUFFLER-GENERATOR |
| | FROM: 00-00-00 THRU: 08-25-90 |
| 081364-01-000 | EA MUFFLER-GENERATOR |
| | FROM: 08-26-90 THRU: 09-09-99 |
| 100974-05-000 | EA GENERATOR-4.0 KW EMERALD PLUS, CANAN BEIGE-FN |
| 008054-01-000 | EA CORD-POWER, 10/3 WIRE - 30 AMP - 25' |
| 008289-01-000 | EA BOX-ELECTRIC, STEEL - 1/2" AND 3/4" KNOCKOUTS - 4" X 4" |
| 008328-01-000 | EA TERMINAL-RING, 12/10 WIRE - #10 STUD FIT |
| 008365-01-000 | EA CONNECTOR-CABLE CLAMPING, 3/4" |
| 008366-01-000 | EA CONNECTOR-PLASTIC, 3/8" AVG |
| 041953-01-000 | FT CONDUIT-CONVOLUTED BLIT, 5"ID |
| 008238-01-000 | EA COVER-ELECTRICAL BOX, WHOLE - 4" X 4" - GRAY USED WITH 30 OR 50 AMP RECEPTACLE |
| 073897-03-000 | EA SWITCH-ROTARY SELECTOR, 3 DECK - A/C - CA20-USA892 |
| 074890-01-000 | EA BOX-EXTENSION, STEEL - OPEN SIDES - 4" X 4" X 1 1/2" |
| 074897-01-000 | EA COVER-ELECTRIC BOX, 1 LARGE & 2 SMALL HOLES - 4" X 4" |
| 088815-01-000 | EA CONVERTER-40 AMP, W/CHARGER - B-W 32400P |
| 008028-01-000 | FT WIRE-12/2, ROMEX - W/GROUND |
| 008311-01-000 | EA CONNECTOR-WIRE NUT, INSULATED - RED |
| 008312-01-000 | EA CONNECTOR-WIRE NUT, INSULATED - BLUE |
| 041953-01-000 | FT CONDUIT-CONVOLUTED BLIT, .5"ID |
| 007053-01-000 | FT HOSE-GAS 1/4"ID X 1/2"OD |

4,000 WATT ONAN GENERATOR - US (OPTION L38E)

| KEY PART NUMBER | U/M DESCRIPTION |
|-----------------|--|
| 008289-01-000 | EA BOX-ELECTRIC, STEEL - 1/2" AND 3/4" KNOCKOUTS - 4" X 4" |
| 023042-01-000 | EA GROMMET-RUBBER, 2" OD |
| 078045-01-000 | EA STRAP-SUPPORT, GENERATOR - 4 HOLE |
| 078854-05-000 | EA PIPE-EXHAUST, ANGLED W/FLANGE - EMERALD - ONAN# 154 |
| 079864-01-700 | EA HINGE KIT-ONAN, EMERALD |
| 100974-02-000 | EA GENERATOR-4,000 WATT, EMERALD - ONAN |
| | FROM: 00-00-00 THRU: 04-29-90 |
| 100974-02-000 | EA GENERATOR-4,000 WATT EMERALD PLUS, ONAN BEIGE-FA |
| | FROM: 04-30-90 THRU: 99-99-99 |
| 083151-01-000 | EA MUFFLER-GENERATOR, ONAN - 1.6" OD |
| | FROM: 00-00-00 THRU: 08-25-90 |
| 081364-01-000 | EA MUFFLER-GENERATOR |
| | FROM: 08-26-90 THRU: 99-99-99 |
| 083152-01-000 | EA PIPE-EXHAUST, GENERATOR - ONAN - 1 3/4"OD X 33.3" X 27" |
| | FROM: 00-00-00 THRU: 02-24-90 |
| 083152-12-000 | EA PIPE-EXHAUST, GENERATOR |
| | FROM: 02-25-90 THRU: 08-25-90 |
| 084365-01-000 | EA STRAP-SUPPORT, GENERATOR - 2 HOLE |
| 008054-01-000 | EA CORD-POWER, 10/3 WIRE - 30 AMP - 25' |
| 024924-02-000 | EA RECEPTACLE-POWER CORD, W/PARTIAL PLATE |
| 041953-01-000 | FT CONDUIT-CONVOLUTED BLIT, .5"ID |
| 089238-01-000 | EA COVER-ELECTRICAL BOX, WHOLE - 4" X 4" - GRAY USED WITH 30 OR 50 AMP RECEPTACLE |
| 007087-01-000 | 3F INSULATION-FIBERGLASS, 1" THICK X 4" - INCREMENTS OF |
| 007125-04-000 | EA CLAMP-MUFFLER, 1.1" DIA |
| 007131-01-000 | EA HANGER-TAILPIPE |
| | FROM: 00-00-00 THRU: 08-25-90 |
| 008294-01-000 | EA COVER-ELECTRICAL BOX, STEEL/BLANK - 4" X 4" - GRAY |
| 008312-01-000 | EA CONNECTOR-WIRE NUT, INSULATED - BLUE |
| 008314-01-000 | EA CONNECTOR-WIRE NUT, INSULATED - GRAY |
| 008328-01-000 | EA TERMINAL-RING, 12/10 WIRE - #10 STUD FIT |
| 008366-01-000 | EA CONNECTOR-1/2" X 90 DEGREE, FLEX CONDUIT - UL AND CSA |

ACCESSORIES GROUP (CONTINUED)

**4,000 WATT ONAN GENERATOR - CANADIAN (OPTION 38E)
SAME AS US OPTION EXCEPT FOR FOLLOWING ITEMS**

| KEY PART NUMBER | U/M DESCRIPTION |
|-----------------|--|
| 008289-02-000 | EA BOX-ELECTRICAL, 4" X 4" - 1/2" & 3/4" KNOCKOUTS - CANAD |
| 008052-01-000 | EA CORD-POWER, 10/3 - 30 AMP - 25' - CANADIAN |
| 008294-02-000 | EA COVER-ELECTRICAL BOX, BLANK STEEL - 4" X 4" - CANADIA |
| 100258-10-01A | EA METER-HOUR, VENTLINE 150 |

**5,500 WATT ONAN GENERATOR - (OPTION L38G)
SAME AS OPTION L38E EXCEPT FOR FOLLOWING ITEMS**

| KEY PART NUMBER | U/M DESCRIPTION |
|-----------------|---|
| 081634-04-000 | EA GENERATOR-6.5 KW, EMERALD - NHE-IR 26101D |
| | FROM: 00-00-00 THRU: 05-13-90 |
| 100975-02-000 | EA GENERATOR-6.5 KW EMERALD - ONAN NHE-FA/26101G |
| | FROM: 05-14-90 THRU: 99-99-99 |
| 000337-08-08B | EA SCREW-SF/DR, 8-18 X 1/2 PPH 7N |
| 007083-01-000 | FT HOSE-GAS 1/4"ID X 1/2"OD |
| 008037-01-000 | FT CABLE-BATTERY, 1AWG - STRANDED - BLACK |
| 008343-01-000 | EA TIE-WIRE: 6" |
| 008348-01-000 | EA TERMINAL-RING, 3/8" STUD - #2 WIRE CONNECTS CABLE TO DISCONNECT RELAY AND BATTERY |
| 010496-01-000 | EA CLAMP-CABLE, 9/16" |
| 010497-01-000 | EA CLAMP-CLOSED, 5/8"ID |
| 082401-03-000 | EA CLAMP-HOSE, WORMGEAR - .22" - 1" |
| 082401-08-000 | EA CLAMP-HOSE, WORMGEAR 22"-.62" |
| 071015-07-000 | EA GROMMET-1.00"ID, FITS .06" MATERIAL, RUBBER |
| 071015-08-000 | EA GROMMET-1.75"ID, FITS .06" MATERIAL, RUBBER |
| 071015-13-000 | EA GROMMET-5/8"ID, FITS .09" MATERIAL, RUBBER |

MISCELLANEOUS

| KEY PART NUMBER | U/M DESCRIPTION |
|-----------------|--|
| 054185-71-000 | EA MANUAL-OPERATORS, 1991 A-BODY (TASCA SPIRIT) |
| 092318-01-000 | EA BINDER-3 RING, MOTOR HOME MANUAL |
| 092319-01-000 | EA POCKET PAGE-3 RING BINDER, PLASTIC |
| 098084-11-000 | EA CASSETTE-TASCA SPIRIT |
| 094499-01-000 | EA EXTINGUISHER-FIRE, DRY W/MOUNTING BRACKET - 10 BC |
| 094499-02-000 | EA EXTINGUISHER-FIRE, DRY - 1A10BC (CANADIAN EXPORT OPTION L285) |
| 094499-01-700 | EA BRACKET-MOUNTING, W/PLASTIC STRAP - FIRE EXTINGUISHER |
| 072852-01-000 | EA DETECTOR-SMOKE, W/9 VOLT BATTERY |

RADIOS AND RELATED ITEMS

| KEY PART NUMBER | U/M DESCRIPTION |
|-----------------|--|
| 084097-01-000 | EA SPEAKER-RADIO, W/O GRILLE - 5.25" DIA - AUDIOVOX 110C3030 |
| 073741-03-000 | EA SPEAKER-RADIO, OVAL - AUDIOVOX 110-2074 - 4" X 6" |
| 073741-04-000 | EA GRILLE-SPEAKER, OVAL - 5" X 6" - BLACK |
| 087708-01-000 | EA MOUNTING KIT-RADIO, AUDIOVOX |
| 000982-01-000 | EA RADIO-AM/FM CASSETTE, ELECTRIC TUNE - AUDIOVOX HCC-1030 |
| 083381-01-000 | EA SWITCH-RADIO, MAIN TO AUXILIARY |
| 031108-02-000 | EA ANTENNA-RADIO, SIDE MOUNTED - 12" GROUND |
| 087822-01-000 | EA HARNESS-ADAPTER, RADIO OUTPUT - AUDIOVOX 1128-1969 |

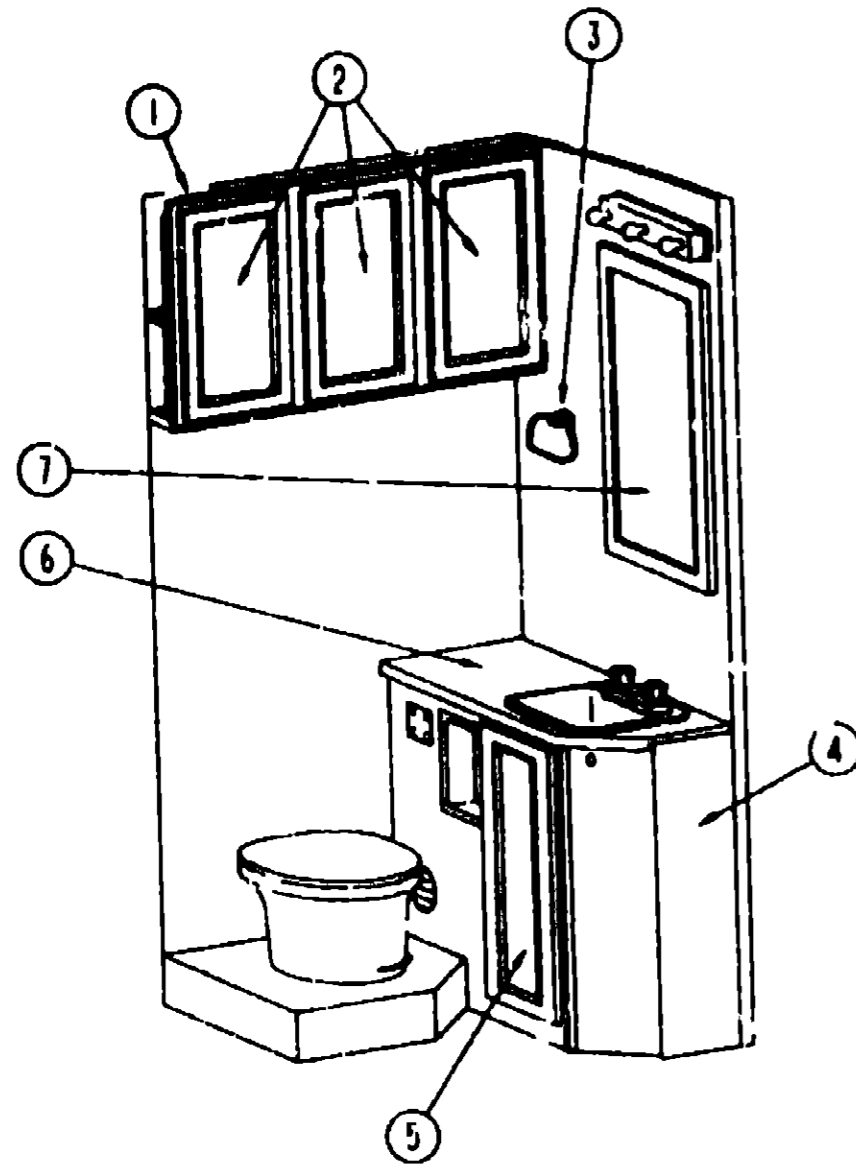
TABLE OF CONTENTS

| | |
|--------------------|-------------|
| INTRODUCTION | A-01 |
| ABBREVIATIONS | A-01 |
| ALPHABETICAL INDEX | A-02 - A-04 |
| ICF23EC | A-05 - D-17 |
| ICF30EU | D-19 - H-22 |

1991 ICF30EU INDEX

| | |
|--------------------------------|-------------|
| FLOOR PLAN | D-19 - D-20 |
| ACCESSORIES | D-21 - D-24 |
| BATH | E-01 - E-04 |
| BEDROOM | E-05 - E-08 |
| CHASSIS | E-09 - E-14 |
| C C & PAD | E-15 - E-24 |
| DINETTE | F-01 - F-02 |
| DIVERS | F-03 - F-12 |
| ELECTRICAL | F-13 - F-18 |
| EXTERIOR BODY | F-17 - F-22 |
| GALLEY | F-23 - G-04 |
| HEATING & A/C | G-05 - G-10 |
| INTERIOR FINISH | G-11 - G-18 |
| LABEL | G-18 |
| LP | G-17 |
| LOUNGE | G-18 - G-20 |
| SEALANTS & FASTENERS | G-21 - G-22 |
| WATER & SEWAGE | G-23 - H-02 |
| WINDOW, VENT AND EXTERIOR DOOR | H-03 - H-22 |

BATH GROUP



BATH CABINETRY

BATH GROUP (CONTINUED)

WARDROBE CABINET

KEY PART NUMBER

- P00099-02-B25
- 009112-01-000
- 041953-03-000
- 042438-01-000
- 052789-01-000

U/M DESCRIPTION

- EA DOOR-WARDROBE, W/MIRROR - 18.7" X 65.4" - W/O HARDWARE - 2 USED
- EA FLANGE-1" ROD, CLOTHES - PLASTIC - OFF WHITE
- FT CONDUIT-CONVOLUTED SLIT, 1" ID (CLOTHES ROD COVER)
- EA DOWEL-WOOD, CLOTHES ROD - 1" DIAMETER X 4'
- FT CORD STRAPPING-1/4" WIDE

SHOWER DOOR

KEY PART NUMBER

- 089318-01-000
- 089318-01-700
- 089318-01-701
- 089318-01-702

U/M DESCRIPTION

- EA DOOR-SHOWER, HINGED, PLASTIC W/GOLD FRAME - 29.8"
- EA STRAP F/SHOWER DOOR
- FT VINYL SWEEP
- EA BUSHING W/ARM

TABLE OF CONTENTS

| | |
|--------------------|-------------|
| INTRODUCTION | A-01 |
| ABBREVIATIONS | A-01 |
| ALPHABETICAL INDEX | A-02 - A-04 |
| ICF23EC | A-05 - D-17 |
| ICF30EU | D-19 - H-22 |

100% ICF30EU INDEX

| | |
|--------------------------------|-------------|
| FLOOR PLAN | D-19 - D-20 |
| ACCESSORIES | D-21 - D-24 |
| BATH | E-01 - E-04 |
| BEDROOM | E-05 - E-08 |
| CHASSIS | E-09 - E-14 |
| C C P PAD | E-15 - E-24 |
| DRY SITE | F-01 - F-02 |
| DRIVERS | F-03 - F-12 |
| ELECTRICAL | F-13 - F-16 |
| EXTERIOR BODY | F-17 - F-22 |
| GALLEY | F-23 - G-04 |
| HEATING & AC | G-05 - G-10 |
| INTERIOR FINISH | G-11 - G-15 |
| LABEL | G-16 |
| LP | G-17 |
| LOUNGE | G-18 - G-20 |
| SEALANTS & FASTENERS | G-21 - G-22 |
| WATER & SEWAGE | G-23 - H-02 |
| WINDOW, VENT AND EXTERIOR DOOR | H-03 - H-22 |

KEY PART NUMBER

- 1 100012-01-B25
- 2 P00099-19-B25
- 2 P00099-01-B25
- 3 075454-02-000
- 081814-02-000
- 4 P00013-01-B25
- 5 P00099-09-B25
- 6 100013-11-B03
- 7 093448-03-Y15
- 075240-08-000
- 081253-01-000
- 098927-01-01A
- 098927-01-700
- 098927-01-701
- 074045-07-000
- 075452-02-003

U/M DESCRIPTION

- EA CABINET-MEDICINE, W/O DOORS OR HARDWARE
- EA DOOR-CABINET, W/O HARDWARE - 11.2" X 19.6"
FROM: 00-00-00 THRU: 05-19-90
- EA DOOR-CABINET, W/O HARDWARE - 11.2" X 19.7"
FROM: 05-20-90 THRU: 99-99-99
- EA RING-TOWEL, W/MOUNTING HARDWARE - BRASS
- EA DISH-SOAP, W/PLASTIC COVER - BRASS
- EA CABINET-LAVATORY, W/O DOOR OR HARDWARE
- EA DOOR-CABINET, LAVATORY - 10.8" X 23.8" - W/O HARDWARE
- EA COUNTERTOP-LAVATORY
- EA WALL MIRROR - W/FRAME 25.7" X 31.6"
- EA FAUCET LAVATORY, BONE
- EA GASKET-FAUCET, LAVATORY
- EA SINK-LAVATORY, RECTANGULAR - PLASTIC - BONE
- EA SINK-STOPPER
- EA TAILPIECE-SINK
- EA PLUG-WOOD, 1/2"
- EA HOLDER-TOILET TISSUE, BRASS

BATH GROUP (CONTINUED)

SLIDING BATH PRIVACY DOORS

| KEY PART NUMBER | U/M | DESCRIPTION |
|-----------------|-----|---|
| 100838-01-B25 | EA | HEADER-SLIDING DOOR, PANELLED FROM: 00-00-00 THRU: 04-25-90 |
| 100258-01-000 | EA | TRACK-SLIDING DOOR, DOUBLE - 42" FROM: 00-00-00 THRU: 04-25-90 |
| 084888-C2-01A | EA | TRACK-FOLDING DOOR/CURTAIN, 27 5" - OFF WHITE FROM: 04-25-90 THRU: 99-99-99 |
| 100408-01-B25 | EA | DOOR-SLIDING, BATH W/PULL CUTOUT - W/O HARDWARE FROM: 00-00-00 THRU: 04-25-90 |
| 100439-01-01A | EA | PLATE-SLIDING DOOR, METAL - BEIGE |
| 089410-01-01A | EA | PULL-FINGER, OVAL - BRASS |
| 100287-01-000 | EA | HANGER-SLIDING DOOR, 1/16" OFFSET |
| 100408-02-B25 | EA | DOOR-SLIDING, BATH - W/O PULL CUTOUT & HARDWARE FROM: 00-00-00 THRU: 04-25-90 |
| 100280-02-000 | EA | HANGER-SLIDING DOOR, 3/8" OFFSET |
| 100436-01-01A | EA | GUIDE-DOOR, MOUNTED TO DOOR - METAL - BEIGE |
| 084487-01-000 | EA | GUIDE-POCKET DOOR, WALL MOUNT |
| 100346-01-000 | EA | BUMPER-DOOR, SLIDING - 1.1" X 1.6" X .8" FROM: 00-00-00 THRU: 04-25-90 |
| 042488-06-000 | EA | DOOR-FOLDING, PRIVACY - 75" X 27.5" - OAK WOOD FROM: 04-25-90 THRU: 99-99-99 |
| 057534-04-000 | EA | TIEBACK-FOLDING DOOR, 20" - CLEAR PLASTIC |

SHOWER

| KEY PART NUMBER | U/M | DESCRIPTION |
|-----------------|-----|--|
| M02429-05-000 | EA | SHOWER PAN |
| 088438-01-000 | EA | NUT-SLIP, TAILPIECE - 1.5" |
| 088440-01-000 | EA | STRAINER W/RUBBER WASHER |
| 068729-01-010 | EA | STRAINER-TUB/SHOWER DRAIN |
| 088840-08-000 | FT | SEALER-RIBBON, 5/16" DIAMETER - INCREMENTS OF 2" |
| 011089-02-000 | EA | TAILPIECE-TUB/SHOWER, 1 1/2" X 1 1/4" X 4" - BRASS |
| 089735-01-000 | EA | WASHER-STRAINER TO TAILPIECE PLASTIC, 1.5" |
| 057871-01-000 | EA | COVER-SCREW, #8 - PLASTIC - OFF WHITE |

SHOWER FIXTURES

| KEY PART NUMBER | U/M | DESCRIPTION |
|-----------------|-----|-------------------------------------|
| 075241-05-000 | EA | FAUCET-SHOWER, BONE |
| 075808-01-000 | EA | PANEL-FAUCET BACK, SHOWER - PLASTIC |
| 081814-02-000 | EA | DISH-SOAP, W/PLASTIC COVER - BRASS |
| 011048-02-000 | EA | HEAD-SHOWER, W/80" HOSE |

SHOWER CURTAIN & TRACK

| KEY PART NUMBER | U/M | DESCRIPTION |
|-----------------|-----|---|
| 082484-02-01A | EA | TRACK-SHOWER, CURVED - OFF WHITE FROM: 00-00-00 THRU: 07-14-90 |
| 084481-13-000 | EA | CURTAIN-GROMMET TOP, SHOWER - 82" X 70" - VINYL FROM: 00-00-00 THRU: 07-14-90 |

BATH GROUP (CONTINUED)

SHOWER DOOR

| KEY PART NUMBER | U/M | DESCRIPTION |
|-----------------|-----|---|
| 088318-01-000 | EA | DOOR-SHOWER, HINGED, PLASTIC W/GOLD FRAME - 79.5" |
| 088318-01-700 | EA | STRAP F/SHOWER DOOR |
| 088318-01-701 | FT | VINYL SWEEP |
| 029318-01-702 | EA | BUSHING W/ARM |

TOILET

| KEY PART NUMBER | U/M | DESCRIPTION |
|-----------------|-----|---|
| 024878-01-000 | EA | FLANGE-CLOSET, TOILET - 4" X 3" - RED |
| 087487-01-000 | EA | TOILET-LOW, AQUA MAGIC IV - THETFORD 150110 |
| 083740-01-716 | EA | SEAT & COVER, THETFORD 15017 |
| 083740-01-708 | EA | BOLT PACKAGE-CLOSET, THETFORD 12524 |
| 083740-01-700 | EA | LEVER-WATER, THETFORD 12514 |
| 083740-01-701 | EA | LEVER-FLUSH, THETFORD 12515 |
| 083740-01-707 | EA | SEAL-CLOSET FLANGE THETFORD 02125 |
| 083740-01-710 | EA | LINK, THETFORD 12513 |
| 083740-01-711 | EA | SPRING-RETURN LEVER, THETFORD 12523 |
| 083740-01-713 | EA | SEAL-BALL VALVE TO BOWL, THETFORD 12502 |
| 083740-01-714 | EA | VALVE ASM-WATER, THETFORD 12492 |
| 083740-01-717 | EA | FLUSH TUBE |
| 087457-01-700 | EA | C L F.L. SEAL & BOLT PKG23/4 |
| 087487-01-701 | EA | WATER SAVER PACKAGE THETFORD 08893 |
| 087487-01-702 | EA | CLAMP-THETFORD 03752 |

CANADIAN EXPORT OPTION

| KEY PART NUMBER | U/M | DESCRIPTION |
|-----------------|-----|---|
| 011048-05-000 | EA | SHOWER HEAD-W/80" HOSE, W/O VACUUM BREAKER - CANADIAN |
| 024878-02-000 | EA | FLANGE-CLOSET, 4" X 3" - ABS - CANADIAN |

PRIVACY DOOR BETWEEN HALL & BATH

| KEY PART NUMBER | U/M | DESCRIPTION |
|-----------------|-----|--|
| 100494-01-B25 | EA | DOOR-LATH, W/O HARDWARE - 75.2" X 24.8" |
| 053331-01-000 | EA | HINGE-OVERLAY, CABINET DOOR - BURNISHED BRASS |
| 058335-02-000 | EA | LATCH-SHOWER BATH DOOR, W/O LOCK - BROWN |
| 100357-01-000 | EA | ROD-TOWEL, BRASS W/ENDS BENT FOR BACK OF BATH DOOR |
| 100434-01-01A | EA | PIN-CATCH, HINGED DOOR - OFF WHITE |
| 100320-01-01A | EA | CATCH-DOOR, RING CLIPPING - PLASTIC - WHITE |

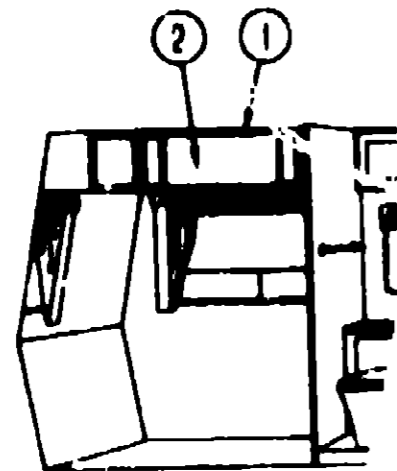
TABLE OF CONTENTS

| | |
|--------------------|-------------|
| INTRODUCTION | A-01 |
| ABBREVIATIONS | A-01 |
| ALPHABETICAL INDEX | A-02 - A-04 |
| ICF23EC | A-05 - D-17 |
| ICF30EU | D-18 - H-22 |

1991 ICF30EU INDEX

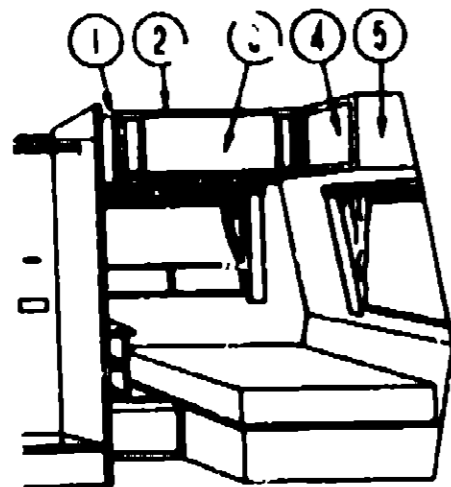
| | |
|--------------------------------|-------------|
| FLOOR PLAN | D-19 - D-20 |
| ACCESSORIES | D-21 - D-24 |
| BATH | E-01 - E-04 |
| BEDROOM | E-05 - E-08 |
| CHASSIS | E-09 - E-14 |
| C C & PAD | E-15 - E-24 |
| DINETTE | F-01 - F-02 |
| DRIVERS | F-03 - F-12 |
| ELECTRICAL | F-13 - F-16 |
| EXTERIOR BODY | F-17 - F-22 |
| GALLEY | F-23 - G-04 |
| HEATING & AC | G-05 - G-10 |
| INTERIOR FINISH | G-11 - G-15 |
| LABEL | G-16 |
| LP | G-17 |
| LOUNGE | G-18 - G-20 |
| SEALANTS & FASTENERS | G-21 - G-22 |
| WATER & SEWAGE | G-23 - H-02 |
| WINDOW, VENT AND EXTERIOR DOOR | H-03 - H-22 |

BEDROOM GROUP



DRIVER SIDE OVERHEAD CABINET & COMPONENTS

| KEY PART NUMBER | U/M | DESCRIPTION |
|------------------|-----|---|
| 1 P00508-01-B25 | EA | CABINET-OVERHEAD, DRIVER SIDE - W/O DOORS OR HARDWARE |
| 081320-19-B25 | EA | CAP-END, OVERHEAD - FRONT |
| | | FROM: 00-00-00 THRU: 07-14-90 |
| 081320-21-B25 | EA | CAP END, OVERHEAD - FRONT |
| | | FROM: 07-15-90 THRU: 99-99-99 |
| 2 P00069-28-B253 | EA | DOOR-CABINET, OVERHEAD DINETTE/BEDROOM/COUCH - 12' X W/O HARDWARE |



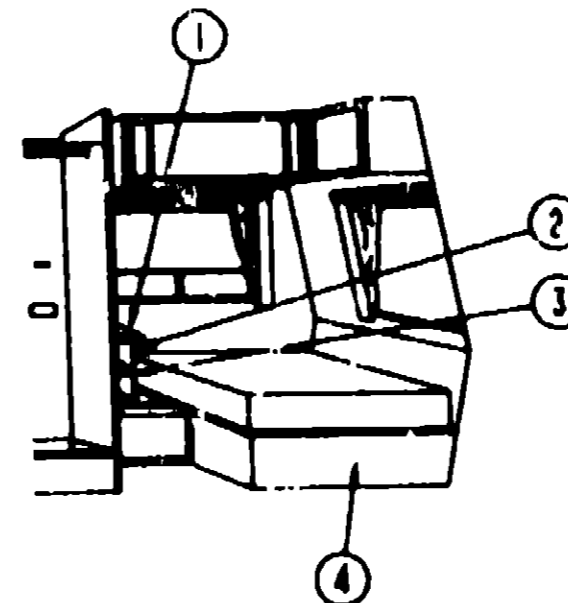
PASSENGER SIDE OVERHEAD CABINET & COMPONENTS

| KEY PART NUMBER | U/M | DESCRIPTION |
|-----------------|-----|---|
| 1 094590-01-B25 | EA | CAP-END, CABINET - FRONT |
| | | FROM: 00-00-00 THRU: 07-14-90 |
| 1 094700-02-B25 | EA | CAP-END, CABINET - FRONT |
| | | FROM: 07-15-90 THRU: 99-99-99 |
| 2 P00409-01-B25 | EA | CABINET-OVERHEAD, PASSENGER SIDE - W/O DOORS OR HARDW |
| 3 P00099-28-B25 | EA | DOOR-CABINET, OVERHEAD DINETTE/BEDROOM/COUCH - 12' X W/O HARDWARE |

BACKWALL OVERHEAD CABINETRY

| KEY PART NUMBER | U/M | DESCRIPTION |
|-----------------|-----|---|
| 4 P00099-90-B25 | EA | DOOR-CABINET, OVERHEAD BACKWALL 10.8' X 28' - W/O HAR |
| 5 P02208-01-F25 | EA | CABINET-OVERHEAD, BACKWALL - W/DECORATIVE RAIL |

BEDROOM GROUP (CONTINUED)



PASSENGER SIDE NIGHT STAND CABINET

| KEY PART NUMBER | U/M | DESCRIPTION |
|-----------------|-----|--|
| 1 089997-11-B03 | EA | COUNTERTOP-NIGHTSTAND, DOUBLE BED |
| 2 089997-01-B25 | EA | CABINET-NIGHTSTAND, DOUBLE BED W/O DOOR DRAWER OR HARDWARE |
| 3 P00099-80-B25 | EA | DOOR-CABINET, NIGHTSTAND - 12' X 18.7' - W/O HARDWARE |
| 081508-12-B25 | EA | DRAWER-CABINET, NIGHTSTAND - 5' X 11.1' X 18.4" DEEP W/O HARDWARE - DOUBLE BED |
| | | FROM: 00-00-00 THRU: 01-08-91 |
| 081509-04-B25 | EA | FACE-DRAWER, NIGHTSTAND - W/O HARDWARE |
| 102820-02-B25 | EA | DRAWER-CABINET, NIGHTSTAND - 4' X 11.1' X 14.3" W/O HARDWARE - DOUBLE BED |
| | | FROM: 01-07-91 THRU: 99-99-99 |

DOUBLE BED CABINET

| KEY PART NUMBER | U/M | DESCRIPTION |
|-----------------|-----|--|
| 4 P00005-01-B25 | EA | CABINET-DOUBLE BED, W/O DOOR OR HARDWARE |

TV STAND

| KEY PART NUMBER | U/M | DESCRIPTION |
|-----------------|-----|--|
| 094357-02-B25 | EA | TV STAND ASSEMBLY |
| 094412-01-000 | EA | SUPPORT-HINGED |
| 023320-01-000 | EA | PAD-FELT, 3/8" DIAMETER - BROWN |
| 094451-01-000 | EA | CATCH-TV SHELF, BRASS |
| 084413-01-000 | EA | HINGE-CONTINUOUS, ALUMINUM - 1" X 72" - WHOLES |

BEDROOM PRIVACY DOOR

FROM: 00-00-00 THRU: 04-25-90

| KEY PART NUMBER | U/M | DESCRIPTION |
|-----------------|-----|---|
| 100838-01-B25 | EA | HEADER-SLIDING DOOR, PANELED |
| 100256-01-000 | EA | TRACK-SLIDING DOOR, DOUBLE - 42" |
| 100408-01-B25 | EA | DOOR-SLIDING, W/PULL SLOT |
| 100408-02-B25 | EA | DOOR-SLIDING, W/O PULL SLOT |
| 100346-01-000 | EA | BUMPER-DOOR, SLIDING - 1.1" X 1.6" X 8" |
| 098410-01-01A | EA | PULL-FINGER, OVAL - BRASS |
| 100280-01-000 | EA | HANGER-SLIDING DOOR, 1/16" OFFSET |
| 102433-01-01A | EA | PLATE-SLIDING DOOR, METAL - BEIGE |
| 100280-02-000 | EA | HANGER-SLIDING DOOR, 3/8" OFFSET |
| 100435-01-01A | EA | GUIDE-DOOR, MOUNTED TO DOOR - METAL - BEIGE |

BEDROOM PRIVACY DOOR

FROM: 04-26-90 THRU: 99-99-99

| KEY PART NUMBER | U/M | DESCRIPTION |
|-----------------|-----|--|
| 094856-02-01A | EA | TRACK-FOLDING DOOR/CURTAIN, 27.5" - OFF WHITE |
| 009700-04-002 | EA | ROD-EXTRUDED, 195.5" - OFF WHITE |
| 042489-08-000 | EA | DOOR-FOLDING, PRIVACY - 75" X 27.5" - OAK WOOD |

TABLE OF CONTENTS

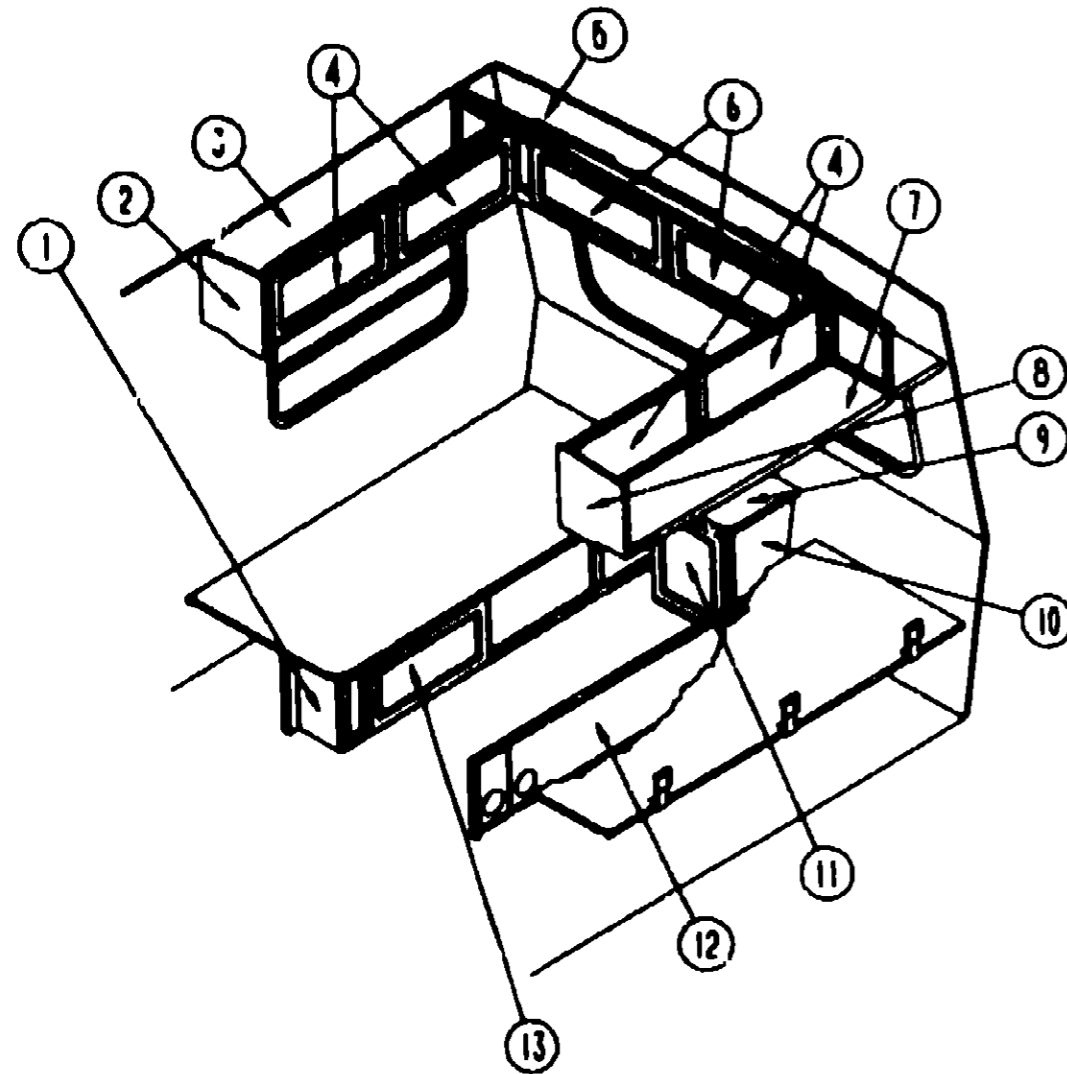
| | |
|--------------------|-------------|
| INTRODUCTION | A-01 |
| ABBREVIATIONS | A-01 |
| ALPHABETICAL INDEX | A-02 - A-04 |
| ICF230EC | A-06 - D-17 |
| ICF30EU | D-19 - H-22 |

1991 ICF30EU INDEX

| | |
|--------------------------------|-------------|
| FLOOR PLAN | D-19 - D-20 |
| ACCESSORIES | D-21 - D-24 |
| BATH | E-01 - E-04 |
| BEDROOM | E-05 - E-08 |
| CHASSIS | E-09 - E-14 |
| C C & PAD | E-15 - E-24 |
| DINETTE | F-01 - F-02 |
| DRIVERS | F-03 - F-12 |
| ELECTRICAL | F-13 - F-16 |
| EXTERIOR BODY | F-17 - F-22 |
| GALLEY | F-23 - G-04 |
| HEATING & A/C | G-05 - G-10 |
| INTERIOR FINISH | G-11 - G-15 |
| LABEL | G-16 |
| LP | G-17 |
| LOUNGE | G-18 - G-20 |
| SEALANTS & FASTENERS | G-21 - G-22 |
| WATER & SEWAGE | G-23 - H-02 |
| WINDOW, VENT AND EXTERIOR DOOR | H-03 - H-22 |

BEDROOM GROUP (CONTINUED)

TWIN BEDS OPTION - US



KEY PART NUMBER

- 1 P00004-01-B25
- 2 084560-02-B25
- 3 P01242-01-B25
- 4 P00099-26-B25
- 5 M03972-14-B25
- 6 P00099-90-B25
- 7 P01242-02-B25
- 8 084560-01-B25
- 9 084008-11-B03
- 10 089896-01-B25
- 11 P00099-15-B25
- 081508-13-B25
- 081508-05-B44
- 102820-03-B25
- 12 M99995-01-B25
- 13 P00099-28-B27

U/M

DESCRIPTION

- EA CABINET-TWIN BED, PASSENGER - W/O DOOR OR HARDWARE
- EA CAP-END, CABINET - FRONT - PASSENGER SIDE
- EA CABINET-OVERHEAD, PASSENGER SIDE - W/O DOORS OR HARDWARE
- EA DOOR-CABINET, SIDE OVERHEADS - 12" X W/O HARDWARE
- EA CABINET-OVERHEAD, BACKWALL - W/O DOORS OR HARDWARE
- EA DOOR-CABINET, BACKWALL OVERHEAD 10.6" X 28" - W/O HARDWARE
- EA CABINET-OVERHEAD, DRIVER SIDE - W/O DOORS OR HARDWARE
- EA CAP-END, CABINET - FRONT - DRIVER SIDE
- EA COUNTERTOP-NIGHTSTAND, TWIN BED OPTION
- EA CABINET-NIGHTSTAND, TWIN BED - W/O DOOR DRAWER OR HAR
- EA DOOR-CABINET, NIGHTSTAND - 14.4" X 17.9" - W/O HARDWA
- EA DRAWER-CABINET, NIGHTSTAND - 5" X 13 1" X 10 7" DEEP - W/O HARDWARE
- EA FACE-DRAWER, NIGHTSTAND - W/O HARDWARE
- EA DRAWER-CABINET, NIGHTSTAND - 4" X 13" X 8.4"
- EA CABINET-TWIN BED, DRIVER - W/O DOOR OR HARDWARE
- EA DOOR-CABINET, PASSENGER TWIN BED - 12" X 26" - W/O HARDWARE

FROM: 00-00-00 THRU. 01-06-91

TABLE OF CONTENTS

| | |
|--------------------|-------------|
| INTRODUCTION | A-01 |
| ABBREVIATIONS | A-01 |
| ALPHABETICAL INDEX | A-02 - A-04 |
| ICF23EC | A-05 - D-17 |
| ICF30EU | D-19 - H-22 |

1991 ICF20F INDEX

| | |
|----------------------|-------------|
| FLOOR PLAN | D-19 - D-20 |
| ACCESSORIES | D-21 - D-24 |
| BATH | E-01 - E-04 |
| BEDROOM | E-05 - E-08 |
| CHASSIS | E-09 - E-14 |
| C & P/D | E-15 - E-24 |
| DINETTE | F-01 - F-02 |
| DRIVERS | F-03 - F-12 |
| ELECTRICAL | F-13 - F-18 |
| EXTERIOR BODY | F-17 - F-22 |
| GALLEY | F-23 - G-04 |
| HEATING & A/C | G-05 - G-10 |
| INTERIOR FINISH | G-11 - G-15 |
| LABEL | G-16 |
| LP | G-17 |
| LOUNGE | G-18 - G-20 |
| SEALANTS & FASTENERS | G-21 - G-22 |
| WATER & SEWAGE | G-23 - H-02 |
| WINDO/A, VENT ANL | |
| EXTE' IOR DOOR | H-03 - H-22 |

CHASSIS GROUP

3,800 WATT KOHLER GENERATOR OPTION - EXPORT OPTION

| KEY PART NUMBER | U/M | DESCRIPTION |
|-----------------|-----|--|
| 007125-03-000 | EA | CLAMP-MUFFLER, 1.5" DIA |
| 007125-04-000 | EA | CLAMP-MUFFLER, 1.1" DIA |
| 008288-01-000 | EA | BOX-ELECTRIC, STEEL - 1/2" AND 3/4" KNOCKOUTS - 4" X |
| 008294-01-000 | EA | COVER-ELECTRICAL BOX, STEEL/BLANK - 4" X 4" - GRAY |
| 008360-02-000 | EA | MUFFLER-GENERATOR |
| | | FROM: 00-00-00 THRU: 08-25-90 |
| 081364-01-000 | EA | MUFFLER GENERATOR |
| | | FROM: 08-26-90 THRU: 99-99-99 |
| 100874-05-000 | EA | GENERATOR-4.0 KW EMERALD PLUS, ONAN BEIGE-FN |
| 008054-01-000 | EA | CORD-POWER, 10/3 WIRE - 30 AMP - 25' |
| 008288-01-000 | EA | BOX-ELECTRIC, STEEL - 1/2" AND 3/4" KNOCKOUTS - 4" X |
| 008328-01-000 | EA | TERMINAL-RING, 12/10 WIRE - #10 STUD FIT |
| 008355-01-000 | EA | CONNECTOR-CABLE CLAMPING, 3/4" |
| 008356-01-000 | EA | CONNECTOR-PLASTIC, 3/8" AVG |
| 041953-01-000 | FT | CONDUIT-CONVOLUTED SLIT, .5" ID |
| 008238-01-000 | EA | COVER-ELECTRICAL BOX, W/HOLE - 4" X 4" - GRAY USED WITH 30 OR 50 AMP RECEPTACLE |
| 073897-03-000 | EA | SWITCH-ROTARY SELECTOR, 3 DECK - A/C - CA20-USA892 |
| 074880-01-000 | EA | BOX-EXTENSION, STEEL - OPEN SIDES - 4" X 4" X 1 1/2" |
| 074897-01-000 | EA | COVER-ELECTRIC BOX, 1 LARGE & 2 SMALL HOLES - 4" X 4" |
| 082815-01-000 | EA | CONVERTER-40 AMP, W/CHARGER - B-W 32400P |
| 008028-01-000 | FT | WIRE-12/2, ROMEX - W/GROUND |
| 008311-01-000 | EA | CONNECTOR-WIRE NUT, INSULATED - RED |
| 008312-01-000 | EA | CONNECTOR-WIRE NUT, INSULATED - BLUE |
| 041953-01-000 | FT | CONDUIT-CONVOLUTED SLIT, .5" ID |
| 100258-03-01A | EA | HOOD RANGE, W/O MONITOR PANEL, VENTLINE - U.S. FOR PIECE PARTS SEE GALLEY GROUP |
| 007083-01-000 | FT | HOSE-GAS 1/4" ID X 1/2" OD |

4,000 WATT ONAN GENERATOR OPTION - US L39E

| KEY PART NUMBER | U/M | DESCRIPTION |
|-----------------|-----|---|
| 008288-01-000 | EA | BOX ELECTRIC, STEEL - 1/2" AND 3/4" KNOCKOUTS - 4" X |
| 023842-01-000 | EA | GROMMET-RUBBER, 2" OD |
| 078045-01-000 | EA | STRAP-SUPPORT, GENERATOR - 4 HOLE |
| 078854-05-000 | EA | PIPE-EXHAUST, ANGLED - W/FLANGE - EMERALD - ONAN# 154 |
| 078854-01-700 | EA | HINSE KIT-ONAN, EMERALD |
| 100874-02-000 | EA | GENERATOR-4,000 WATT, EMERALD - ONAN |
| | | FROM: 00-00-00 THRU 04-29-90 |
| 100874-02-000 | EA | GENERATOR-4,000 WATT EMERALD PLUS, ONAN BEIGE-FA |
| | | FROM: 04-30-90 THRU: 99-99-99 |
| 083151-01-000 | EA | MUFFLER-GENERATOR, ONAN - 1.6" OD |
| | | FROM: 00-00-00 THRU: 08-25-90 |
| 081364-01-000 | EA | MUFFLER-GENERATOR |
| | | FROM: 08-26-90 THRU: 99-99-99 |
| 083152-01-000 | EA | PIPE-EXHAUST, GENERATOR - ONAN - 1.3" OD X 33 3/4" X 27" |
| | | FROM: 00-00-00 THRU 02-24-90 |
| 083152-12-000 | EA | PIPE-EXHAUST, GENERATOR |
| | | FROM: 02-25-90 THRU: 08-25-90 |
| 084365-01-000 | EA | STRAP-SUPPORT, GENERATOR - 2 HOLE |
| 008054-01-000 | EA | CORD-POWER, 10/3 WIRE - 30 AMP - 25' |
| 024824-02-000 | EA | RECEPTACLE-POWER CORD, W/ARTIAL PLATE |
| 041953-01-000 | FT | CONDUIT-CONVOLUTED SLIT, .5" ID |
| 008238-01-000 | EA | COVER-ELECTRICAL BOX, WHOLE - 4" X 4" - GRAY USED WITH 30 OR 50 AMP RECEPTACLE |
| 007087-01-000 | SF | INSULATION-FIBERGLASS, 1" THICK X 4' - INCREMENTS OF |
| 007125-04-000 | EA | CLAMP-MUFFLER, 1 1/2" DIA |
| 007131-01-000 | EA | HANGER-TAILPIPE |
| | | FROM: 00-00-00 THRU: 08-25-90 |
| 008294-01-000 | EA | COVER-ELECTRICAL BOX, STEEL/BLANK - 4" X 4" - GRAY |
| 008312-01-000 | EA | CONNECTOR-WIRE NUT, INSULATED - BLUE |
| 008314-01-000 | EA | CONNECTOR-WIRE NUT, INSULATED - GRAY |
| 043328-01-000 | EA | TERMINAL-RING, 12/10 WIRE - #10 STUD FIT |
| 008328-01-000 | EA | CONNECTOR-1/2" X 90 DEGREE, REX CONDUIT - UL AND CSA |
| 100258-03-01A | EA | HOOD-RANGE, W/O MONITOR PANEL, VENTLINE - U.S. |

CHASSIS GROUP (CONTINUED)

**4,000 WATT ONAN GENERATOR OPTION - CANADIAN L39E
SAME AS US OPTION EXCEPT FOR FOLLOWING ITEMS**

| KEY PART NUMBER | U/M | DESCRIPTION |
|-----------------|-----|---|
| 008288-02-000 | EA | BOX-ELECTRICAL, 4" X 4" - 1/2" & 3/4" KNOCKOUTS - CANAD |
| 008052-01-000 | EA | CORD-POWER, 10/3 - 30 AMP - 25' - CANADIAN |
| 008294-02-000 | EA | COVER-ELECTRICAL BOX, BLANK STEEL - 4" X 4" - CANADIA |
| 100258-10-01A | EA | METER-HOUR, VENTLINE 160 |

**6,800 WATT ONAN GENERATOR OPTION - US & CANADIAN L39G
SAME AS OPTION L39E EXCEPT FOR FOLLOWING ITEMS**

| KEY PART NUMBER | U/M | DESCRIPTION |
|-----------------|-----|--|
| 081834-04-000 | EA | GENERATOR-6.5 KW, EMERALD - NHE-FA 261010 |
| | | FROM: 00-00-00 THRU: 06-13-90 |
| 100875-02-000 | EA | GENERATOR-6.5 KW EMERALD - ONAN NHE-FA 261010 |
| | | FROM: 06-14-90 THRU: 99-99-99 |
| 000338-08-088 | EA | SCREW-SF/DR, 8-18 X 1/2 PPH ZN |
| 007083-01-000 | FT | HOSE-GAS 1/4" ID X 1/2" OD |
| 008037-01-000 | FT | CABLE-BATTERY, 1AWG - STRANDED - BLACK |
| 008343-01-000 | EA | TIE-WIRE, 6" |
| 008348-01-000 | EA | TERMINAL-RING, 3/8" STUD - #2 WIRE CONNECTS CABLE TO DISCONNECT RELAY AND BATTERY |
| 010485-01-000 | EA | CLAMP-CABLE, 8/16" |
| 010487-01-000 | EA | CLAMP-CLOSED, 5/8" ID |
| 082401-03-000 | EA | CLAMP-HOSE, WORMGEAR - 22" - 1" |
| 082401-08-000 | EA | CLAMP-HOSE, WORMGEAR - 22" - .82" |
| 071015-07-000 | EA | GROMMET-1.00" ID, FITS .06" MATERIAL, RUBBER |
| 071015-08-000 | EA | GROMMET-1.75" ID, FITS .06" MATERIAL, RUBBER |
| 071015-13-000 | EA | GROMMET-5/8" ID, FITS .10" MATERIAL RUBBER |

1991 CHEVY CHASSIS OPTION L02P

| KEY PART NUMBER | U/M | DESCRIPTION |
|-----------------|-----|---|
| 102382-01-000 | EA | SPEED CONTROL-1991 CHEVY, DANA 59L-111010B |
| 094389-01-708 | EA | SERVO-DANA# 53D-11116-R |
| 102382-01-700 | EA | CABLE ONLY-REPLACEMENT |
| 102382-01-707 | EA | CONTROL SWITCH & LEVER ASM |
| 102382-01-701 | EA | REGULATOR ASM-ELECTRONIC |
| 102382-01-702 | EA | WIPER CONTROL MODULE |
| 094389-01-705 | EA | VACUUM RESERVOIR-DANA# 56C-02249 |
| 102382-01-704 | EA | HARNES ASM-MAIN WIRING |
| 102382-01-703 | EA | HARNES ASM-PIVOT SW. TO WIPER |
| 094883-01-704 | EA | HOUSING-4 PIN, SPEED CONTROL - TOYOTA - DANA 59C-0229 |
| 102382-01-705 | EA | THROTTLE RETAINER CLIP |
| 102382-01-708 | EA | THROTTLE STUD |

**FORD CHASSIS OPTION - US L18D
RADIATOR COVER & OVERFLOW BOTTLE**

| KEY PART NUMBER | U/M | DESCRIPTION |
|-----------------|-----|---|
| 080722-01-000 | EA | COVER-RADIATOR, BACK - 38.75" X 13.4" - STEEL - BLACK |
| 072359-01-000 | EA | BOTTLE-COOLANT EXPANSION - CHECK GM 708701 |
| | | FROM: 00-00-00 THRU 08-12-90 |
| 088100-01-000 | EA | CAP-BOTTLE, OVERFLOW - GM 14054390 |
| | | FROM: 00-00-00 THRU: 08-12-90 |
| 088307-02-000 | EA | RESERVOIR-RADIATOR OVERFLOW |
| 078310-01-000 | EA | BAFFLE-RADIATOR, .12" X 15" X .62" - RUBBER |

HOODBOARDS & COVER

| KEY PART NUMBER | U/M | DESCRIPTION |
|-----------------|-----|------------------------------------|
| 078484-01-000 | EA | HOODBOARD-UPPER, DRIVER - STEEL |
| 078485-01-000 | EA | HOODBOARD-UPPER, PASSENGER - STEEL |
| 088182-01-000 | EA | COVER-ACCESS, HOOD BOARD |
| 070579-08-000 | EA | PLATE ASM-ANCHOR W/NUT |

FUEL SYSTEM COMPONENTS

| KEY PART NUMBER | U/M | DESCRIPTION |
|-----------------|-----|---|
| 007083-01-000 | FT | HOSE-GAS 1/4" ID X 1/2" OD |
| 082401-03-000 | EA | CLAMP-HOSE, WORMGEAR - 22" - 1" |
| 007111-02-000 | EA | HOSE-FUEL FILL 2.00 ID |
| 088732-03-000 | FT | HOSE-FUEL FILL .75" ID |
| 100158-01-000 | EA | HOSE-FUEL FILL, 8.3" LONG W/2" ID |
| 085806-01-000 | EA | NECK-FUEL FILL, W/CHECK VALVE - L-SHAPED - 19.2" LONG |
| 080081-01-000 | EA | STRAP MOUNTING FUEL LINE - 2" X 32" |

TABLE OF CONTENTS

| | |
|--------------------|-------------|
| INTRODUCTION | A-01 |
| ABBREVIATIONS | A-01 |
| ALPHABETICAL INDEX | A-02 - A-04 |
| ICF23EC | A-05 - C-17 |
| ICF30EU | C 18 - H-22 |

1991 ICF30EU INDEX

| | |
|----------------------|-------------|
| FLOOR PLAN | D-19 - D-20 |
| ACCESSORIES | D-21 - D-24 |
| BATH | E-01 - E-04 |
| BEDROOM | E-05 - E-08 |
| CHASSIS | E-09 - E-14 |
| C C & PAD | E-15 - E-24 |
| DINETTE | F-01 - F-02 |
| DRIVERS | F-03 - F-12 |
| ELECTRICAL | F-13 - F-16 |
| EXTERIOR BODY | F-17 - F-22 |
| GALLEY | F-23 - G-04 |
| HEATING & A/C | G-05 - G-10 |
| INTERIOR FINISH | G-11 - G-15 |
| LABEL | G-16 |
| LP | G-17 |
| LOUNGE | G-18 - G-20 |
| SEALANTS & FASTENERS | G-21 - G-22 |
| WATER & SEWAGE | G-23 - H-02 |
| WINDOW, VENT AND | |
| EXTERIOR DOOR | H-03 - H-22 |

CHASSIS GROUP (CONTINUED)

PARK BRAKE CABLE & TAIL PIPE HANGERS

| KEY PART NUMBER | U/M | DESCRIPTION |
|-----------------|-----|--|
| 086361-01-000 | EA | CABLE-BRAKE, PARK - FORD CHASSIS |
| 086601-01-000 | EA | BRACKET-BRAKE, L-ANGLE W/GUSSET - STEEL - FORD |
| 007191-01-000 | EA | HANGER-TAILPIPE |

BATTERY TRAY & COMPONENT

| KEY PART NUMBER | U/M | DESCRIPTION |
|-----------------|-----|---|
| 086761-02-000 | EA | TRAY-BATTERY, W/TWO HEX NUTS FROM: 05-21-90 THRU: 99-99-99 |
| 051387-08-000 | EA | BOLT-CARRIAGE, W/O HOLE - 5/16-18 X 9.5 ZN |
| 086460-08-000 | EA | TIEDOWN-BATTERY |
| 086460-01-000 | EA | TIEDOWN-BATTERY |
| 087475-02-000 | EA | BRACKET-TIE DOWN, BATTERY - 13.5" X 1 3/4" FROM: 00-00-00 THRU: 05-28-90 |
| 086761-01-000 | FT | CABLE-BATTERY, 1/0 AWG, STRANDED, RED FROM: 05-27-90 THRU 99-99-99 |

MISCELLANEOUS CHASSIS COMPONENTS-FORD

| KEY PART NUMBER | U/M | DESCRIPTION |
|-----------------|-----|---|
| 051916-01-000 | EA | U BOLT-REAR SPRING - CHECK GM 471665 FROM: 00-00-00 THRU: 08-12-90 |
| 085000-01-000 | EA | SHIELD-A/C, 8.8" X 9.1" - STEEL FROM: 00-00-00 THRU 08-12 |
| 086753-01-000 | FT | TUBE-ALUMINIZED STEEL, 5/8" - 18 GAUGE |
| 084284-01-000 | EA | PLIK-BRASS, 3/8" |
| 086753-01-000 | FT | TUBE-ALUMINIZED STEEL, 5/8" - 18 GAUGE |
| 000C12-05-168 | EA | BOLT-HEX, 5/16-18 X 1 - ZINC 5 |

FRONT STABILIZER SHOCKS & REAR AIR BAGS -CHEVY OPTION L84C

| KEY PART NUMBER | U/M | DESCRIPTION |
|-----------------|-----|---|
| 078942-01-000 | EA | SHOCK ABSORBER-STABILIZER, FRONT - 4-WAY SC3001 |
| 084088-01-000 | EA | AIRSPRING-BELLOWS, REAR AXLE - FIRESTONE# MHA224 |
| 084088-01-700 | EA | AIR BAG-ONLY, FIRESTONE# W21-760-0335 |
| 084088-01-701 | EA | TUBING-DOT 1/4" X 1/8" - FIRESTONE# 21-0838 |
| 084088-01-702 | EA | BOLT-RIBBED NECK, 3/8"-24 X 2.5" FIRESTONE# 21-0829 |
| 084088-01-703 | EA | INFLATING VALVE-DOT 1/4" TUBING, FIRESTONE# 21-0831 |
| 084088-01-704 | EA | ELBOW CONNECTOR, FIRESTONE# 21-0936 |
| 084088-01-705 | EA | TUBING PROTECTORS, FIRESTONE# 21-0889 |
| 084088-01-706 | EA | BRACKET-UPPER TO FRAME, FIRESTONE# 21-0150 |
| 084088-01-707 | EA | BRACKET-LOWER, TOP - FIRESTONE# 21-1162 |
| 084088-01-708 | EA | AIRLINE SERVICE KIT, FIRESTONE# W21-760-2012 |
| 084088-01-709 | EA | HEAT SHIELD, FIRESTONE# 21-1004 |
| 084088-01-710 | EA | BOLT PACKAGE, FIRESTONE 2135823002 |
| 084088-01-711 | EA | HEAT SHIELD-224 DOS SYSTEM, FIRESTONE 21-5042 |
| 084088-01-712 | EA | BRACKET-LOWER DRIVERS 224DOS, FIRESTONE 21-5037 |
| 084088-01-713 | EA | AXLE STRAP BRACKET, FIRESTONE 21-1163 |
| 084088-01-714 | EA | AXLE STRAP BRACKET, FIRESTONE 21-5038 |

TRAILER HITCH OPTION L729

| KEY PART NUMBER | U/M | DESCRIPTION |
|-----------------|-----|---|
| 091224-02-000 | EA | LABEL-TRAILER LIGHTING |
| 000C12-05-248 | EA | BOLT-HEX, 1/2-13 X 1 1/2 - ZN 5 |
| 084512-01-000 | EA | PIN-LOCKING, DRAWBAR |
| 034513-01-000 | EA | PIN-HITCH, 3/16" WIRE |
| 077813-01-000 | EA | DRAWBAR ONLY |
| 077817-01-000 | EA | HITCH ASSEMBLY, W/O DRAWBAR |
| 084388-01-000 | EA | HOUSING-TRAILER, RECEPTACLE |
| 097744-02-000 | EA | HOUSING-TRAILER PIN, 48" |
| 097746-01-000 | EA | HOUSING CAP-TRAILER PIN |
| 097745-02-000 | EA | HOUSING-RECEPTACLE, TRAILER - 48" WIRE LENGTH |

CHASSIS GROUP (CONTINUED)

DRIVERS DOOR OPTION W/ROLL UP WINDOW - CHEVY L83U

| KEY PART NUMBER | U/M | DESCRIPTION |
|-----------------|-----|--|
| 082242-08-000 | EA | LINER-STEP BOX, DRIVER DOOR - BLACK FROM: 00-00-00 THRU: 08-27-90 |
| 082242-08-000 | EA | LINER-STEP BOX, DRIVER DOOR - BLACK FROM: 08-28-90 THRU: 99-99-99 |
| 089840-01-01A | EA | THRESHOLD-DRIVER DOOR, REAR - BLACK |
| 089841-01-01A | EA | THRESHOLD-DRIVER DOOR, FRONT - BLACK |
| 083877-08-000 | EA | STEP ASM-DRIVER DOOR, BLACK |

CANADIAN EXPORT OPTION

| KEY PART NUMBER | U/M | DESCRIPTION |
|-----------------|-----|--|
| 100138-01-000 | EA | MODULE-DAYTIME RUNNING LIGHT |
| 100158-01-000 | EA | WIRE ASM-DAYTIME RUNNING LIGHTS |
| 100159-01-000 | EA | WIRE ASM-DAYTIME RUNNING LIGHTS W/FUSE |

SPEED CONTROL

| KEY PART NUMBER | U/M | DESCRIPTION |
|-----------------|-----|--|
| 084388-33-000 | EA | SPEED CONTROL-SMART STICK, EFI - GAS - DANA# 58L-1112 FROM: 00-00-00 THRU: 02-28-91 |
| 083211-01-703 | EA | SERVO CABLE ASM ONLY, DANA# 59C-02538 |
| 083212-04-701 | EA | MAIN WIRING HARNESS, DANA# 68D-02570 |
| 083212-01-704 | EA | STOP LAMP/CRUISE RELEASE SWITCH, DANA# 59C-02543 |
| 089429-01-704 | EA | SIGNAL GENERATOR ASM, DANA# 58L-J8X221P |
| 089820-01-708 | EA | GENERATOR (ONLY), DANA# 58D-02382-1 |
| 084388-01-701 | EA | SWITCH & LEVER ASM, DANA# 58D-11118-F |
| 084388-01-702 | EA | REGULATOR ASM-ELECTRONIC, DANA# 57C-00A12-R |
| 091900-01-702 | EA | WIPER CONTROL MODULE, DANA# 88C-00081 |
| 084388-01-704 | EA | HEADLIGHT DIMMER MODULE ASM-DANA# 63C-00001 |
| 084388-01-706 | EA | VACUUM RESERVOIR-DANA# 59C-02249 |
| 084388-01-708 | EA | SERVO-DANA# 53D-11118-R |
| 102382-01-000 | EA | SPEED CONTROL-1991 CHEVY, DANA 58L-111010B FROM: 03-01-91 THRU: 99-99-99 |

| | | |
|---------------|----|---|
| 084388-01-708 | EA | SERVO-DANA# 53D-11118-R |
| 102382-01-700 | EA | CABLE ONLY-REPLACEMENT |
| 102382-01-707 | EA | CONTROL SWITCH & LEVER ASM |
| 102382-01-701 | EA | REGULATOR ASM-ELECTRONIC |
| 102382-01-702 | EA | WIPER CONTROL MODULE |
| 084388-01-706 | EA | VACUUM RESERVOIR-DANA# 59C-02249 |
| 102382-01-704 | EA | HARNESS ASM-MAIN WIRING |
| 102382-01-703 | EA | HARNESS ASM-PIVOT SW. TO WIPER |
| 084863-01-704 | EA | HOUSING-4 PIN, SPEED CONTROL - TOYOTA DANA 59C-0229 |
| 102382-01-706 | EA | THROTTLE RETAINER CLIP |
| 102382-01-708 | EA | THROTTLE STUD |

TIRE, RIM, & COMPONENTS

| KEY PART NUMBER | U/M | DESCRIPTION |
|-----------------|-----|--|
| 086853-01-000 | EA | WHEEL-STEEL, 16"X 8K - ESTZ - 1015 - A - ACCURIDE 28375-12 |
| 007324-04-000 | EA | TIRE-8R19.5 LRD, MICHELIN XZA |
| 051377-01-000 | EA | STEM-VALVE |

TABLE OF CONTENTS

| | |
|--------------------|-------------|
| INTRODUCTION | A-01 |
| ABBREVIATIONS | A-01 |
| ALPHABETICAL INDEX | A-02 - A-04 |
| ICF23EC | A-05 - D-17 |
| ICF30EU | D-18 - H-22 |

1991 ICF30EU INDEX

| | |
|--------------------------------|-------------|
| FLOOR PLAN | D-19 - D-20 |
| ACCESSORIES | D-21 - D-24 |
| BATH | E-01 - E-04 |
| BEDROOM | E-05 - E-08 |
| CHASSIS | E-09 - E-14 |
| C C & PAD | E-15 - E-24 |
| DRIVERS | F-01 - F-02 |
| DRIVETTES | F-03 - F-12 |
| ELECTRICAL | F-13 - F-16 |
| EXTERIOR BODY | F-17 - F-22 |
| GALLEY | F-23 - G-04 |
| HEATING & A/C | G-05 - G-10 |
| INTERIOR FINISH | G-11 - G-18 |
| LABEL | G-18 |
| LP | G-17 |
| LOUNGE | G-18 - G-20 |
| SEALANTS & FASTENERS | G-21 - G-22 |
| WATER & SEWAGE | G-23 - H-02 |
| WINDOW, VENT AND EXTERIOR DOOR | H-03 - H-22 |

CHASSIS GROUP (CONTINUED)

FUEL SYSTEM COMPONENTS

| KEY PART NUMBER | U/M DESCRIPTION |
|-----------------|-------------------------------|
| 063303-04-000 | EA SHROUD-FUEL FILL, LOWER |
| 007083-01-000 | FT HOSE-GAS 1/4" ID X 1/2" OD |
| 080081-01-000 | EA STRAP-MOUNTING, FUEL LINE |

DIRT GUARD, LUG WRENCH & BAR

| KEY PART NUMBER | U/M DESCRIPTION |
|-----------------|----------------------------------|
| 080187-03-000 | EA DIRT GUARD-STEEL, FOR MUDFLAP |
| 080208-01-000 | EA LUG WRENCH, 1.06X1.00 |
| 080208-02-000 | EA LEVERAGE BAR-LUG WRENCH |

EXHAUST SYSTEM COMPONENTS

| KEY PART NUMBER | U/M DESCRIPTION |
|-----------------|---|
| 080054-02-000 | EA SUPPORT-EXHAUST PIPE |
| 080908-02-000 | EA PIPE-EXHAUST, SINGLE |
| 080833-01-000 | EA BRACKET-EXHAUST, HANGER |
| 084918-01-000 | EA CLAMP-EXHAUST, 3" - GUILLOTINE STYLE |

HEAT SHIELDS

| KEY PART NUMBER | U/M DESCRIPTION |
|-----------------|-------------------------------------|
| 036709-01-000 | EA SHIELD-HEAT, CONVERTOR |
| 080010-02-000 | EA SHIELD-HEAT, MUFFLER, 23.06" |
| 080259-01-000 | EA PANEL-HEAT SHIELD, 9.45" X 20.4" |
| 070579-08-000 | EA PLATE ASM-ANCHOR W/NUT |

BATTERY CABLES & ASSORTED FASTENERS

| KEY PART NUMBER | U/M DESCRIPTION |
|-----------------|--|
| 080037-01-000 | FT CABLE-BATTERY, 1AWG STRANDED, BLACK |
| 080751-01-000 | FT CABLE-BATTERY, 1/0 AWG, STRANDED, RED |
| 041853-01-000 | FT CONDUIT-CONVOLUTED SLIT, .625" ID |
| 041853-03-000 | FT CONDUIT-CONVOLUTED SLIT, 1" ID (CLOTHES ROD COVER) |
| 041853-05-000 | FT CONDUIT-CONVOLUTED SOLID, .62" ID |
| 041853-06-000 | FT CONDUIT-CONVOLUTED, SLIT .375" ID |
| 041853-07-000 | FT CONDUIT-CONVOLUTED, SLIT .25" ID |
| 041853-08-000 | FT CONDUIT-CONVOLUTED, SLIT 1.50" ID |
| 041853-09-000 | FT CONDUIT-CONVOLUTED, SLIT .50" ID |
| 041853-10-000 | FT CONDUIT-CONVOLUTED, SLIT .75" ID |
| 041853-11-000 | FT CONDUIT-CONVOLUTED, SLIT 1.05" ID |
| 023942-01-000 | EA GROMMET-RUBBER 2" OD |
| 080401-01-000 | EA STRAP-CONDUIT-3/4" HOLE, GALVANIZED STEEL |
| 082401-02-000 | EA CLAMP-HOSE, WORMGEAR, 1.56" - 2.5" |
| 082401-03-000 | EA CLAMP-HOSE WORMGEAR, 22" - 1" ID |
| 082401-04-000 | EA CLAMP-WORMGEAR HOSE, .89" - 1.25" |
| 082401-05-000 | EA CLAMP-WORMGEAR HOSE, 2" - 3" ID |
| 082401-06-000 | EA CLAMP-HOSE, WORMGEAR .22" - .62" ID |
| 082401-08-000 | EA CLAMP-HOSE, WORMGEAR - 2.8" - 3.75" ID |
| 080747-01-000 | EA PLUG-CAP, .75" DIAMETER |
| 082786-01-000 | EA BUSS BAR, STEEL |
| 081914-01-000 | EA BUMPER-RUBBER, ROUND -.43" DIAMETER - BLACK |
| 071015-04-000 | EA GROMMET-.19" ID, FITS .03" MATERIAL, RUBBER |
| 071015-07-000 | EA GROMMET-1.00" ID, FITS .05" MATERIAL, RUBBER |
| 071015-11-000 | EA GROMMET-1.00" ID, FITS .12" MATERIAL, RUBBER |
| 071015-28-000 | EA GROMMET-1.5" ID, FITS .05" MATERIAL, RUBBER |
| 084884-01-000 | EA PLUG-BRASS, 3/8" |
| 041791-01-000 | FT SEAL-VINYL, FLEX U-CHANNEL |
| 072388-02-000 | EA TRIM-VINYL, EDGE BLACK |
| 080244-01-000 | FT TAPE-FOAM, VINYL COATED - 2" WIDE - INCREMENTS OF 108 |

CHASSIS GROUP (CONTINUED)

TIRE COVER & CARRIER

| KEY PART NUMBER | U/M DESCRIPTION | FROM: | THRU: |
|-----------------|---------------------------------------|----------|----------|
| 090865-01-825 | EA COVER-TIRE, VINYL | | |
| 070380-13-000 | YD FABRIC-VINYL, 84" WIDE - PARCHMENT | | |
| 080378-02-000 | EA BRACKET-TIRE CARRIER | 00-00-00 | 08-31-90 |
| 080378-04-000 | EA BRACKET-TIRE CARRIER | 07-01-90 | 99-91-99 |

FRONT BUMPER & COMPONENTS

| KEY PART NUMBER | U/M DESCRIPTION |
|-----------------|--|
| 005200-01-000 | EA BOLT-BUMPER, ROUND HEAD-SQUARE NECK- W/ST CAP - 7/16-14 X 1 1/4 |
| 077850-04-000 | EA BUMPER-FRONT, UNPAINTED |
| 077852-01-000 | EA BRACKET-BUMPER, FRONT - 2 PER COACH - BENT 2" X 8" |
| 080338-01-000 | EA SUPPORT-BUMPER, 2 PER COACH |

REAR BUMPER & COMPONENTS

| KEY PART NUMBER | U/M DESCRIPTION | FROM: | THRU: |
|-----------------|--|----------|----------|
| 100575-01-03A | EA BUMPER-REAR, PASSENGER - GRAY | 00-00-00 | 07-14-90 |
| 100575-01-01A | EA BUMPER-REAR, PASSENGER SIDE - MILL FINISH | | |
| 100575-02-03A | EA BUMPER-REAR, DRIVER - GRAY | 00-00-00 | 07-14-90 |
| 100575-02-01A | EA BUMPER-REAR, DRIVER SIDE - MILL FINISH | | |
| 078584-01-000 | EA BUMPER-REAR, UNPAINTED | 07-15-90 | 99-99-99 |
| 005200-01-000 | EA BOLT-BUMPER, ROUND HEAD-SQUARE NECK- W/ST CAP | | |
| 078078-01-000 | EA SUPPORT ANGLE, BUMPER REAR | | |
| 078070-02-000 | EA BRACKET-BUMPER, REAR | | |
| 079129-02-000 | EA BRACKET ASM-BUMPER, REAR | 00-00-00 | 08-30-90 |
| 078878-02-000 | EA PLATE-MOUNTING, BUMPER - REAR - 45" X 5" - W/WELD NUT | 07-01-90 | 99-99-99 |
| 080378-01-000 | EA SKID PLATE ASM | | |

WHEELWELL AND COMPARTMENTS

| KEY PART NUMBER | U/M DESCRIPTION | FROM: | THRU: |
|-----------------|--|----------|----------|
| 055374-01-000 | EA WHEELWELL-PLASTIC | | |
| 100339-01-000 | EA COMPARTMENT-STORAGE, LOWER - 70.8" WIDE - GALVANIZED | | |
| 056748-01-000 | EA PLUG-CAP, 1.5" DIAMETER - BLACK | | |
| 078137-04-000 | EA TRAY-COMPARTMENT, GENERATOR - 29.1" WIDE X 22.4" DEEP | | |
| 080580-01-000 | EA BOX-POWER CORD | | |
| 080587-01-000 | EA COMPARTMENT-SEWER HOSE, 6" X 6.6" X 17.8" - PLASTIC | | |
| 081348-04-000 | EA COMPARTMENT ASM-STORAGE, 29.7" X 28.9" | | |
| 080581-11-000 | EA COMPARTMENT-STORAGE, 23.8" WIDE - GALVANIZED STEEL | | |
| 080804-03-000 | EA TRAY-BATTERY, W/TWO HEX NUTS | 00-00-00 | 05-20-90 |
| 080751-02-000 | EA TRAY-BATTERY, W/TWO HEX NUTS | 05-21-90 | 99-99-99 |
| 007475-02-000 | EA BRACKET-TIE DOWN, BATTERY - 13.5" X 1.3" | | |

STEP & COMPONENTS

| KEY PART NUMBER | U/M DESCRIPTION | FROM: | THRU: |
|-----------------|---|----------|----------|
| 077848-01-000 | EA STEP-PULLOUT, W/BRACKETS - BLACK | 05-27-90 | 99-99-99 |
| 077848-04-000 | EA STEP-PULLOUT, W/BRACKETS - BLACK | 00-00-00 | 11-11-90 |
| 078241-02-000 | EA SUPPLEMENTARY-PULLOUT STEP | 11-12-90 | 99-99-99 |
| 080085-08-000 | EA LINER-DOOR, ACCESS GRAY | | |
| 080580-01-000 | EA BOX-POWER CORD | | |
| 100339-01-000 | EA COMPARTMENT-STORAGE, LOWER - 70.8" WIDE - GALVANIZED | | |

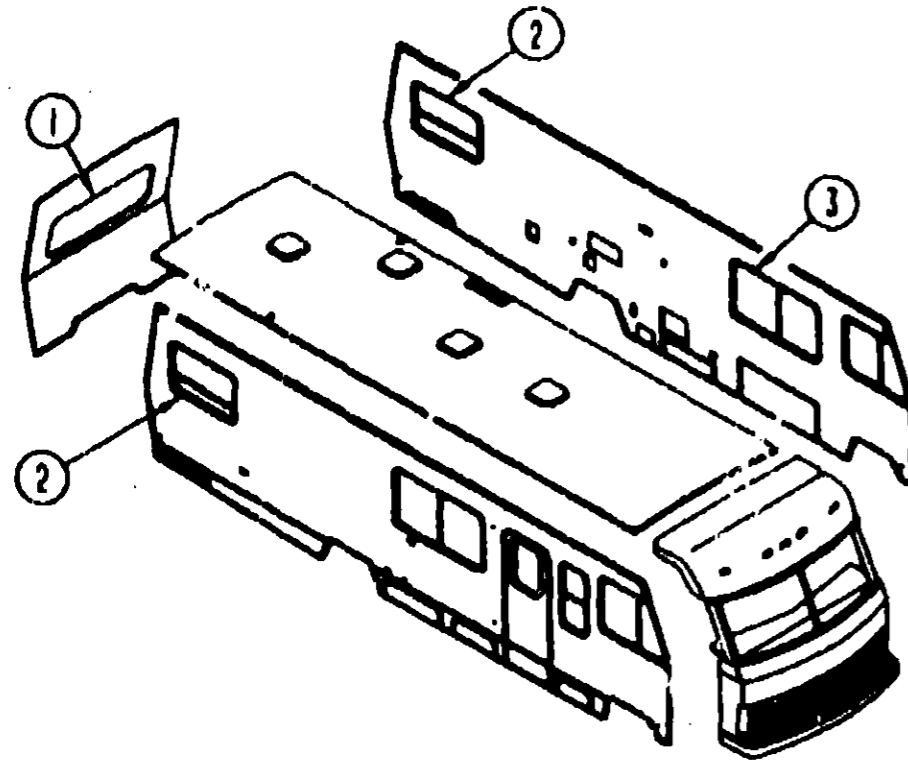
TABLE OF CONTENTS

| INTRODUCTION | A-01 |
|--------------------|-------------|
| ABBREVIATIONS | A-01 |
| ALPHABETICAL INDEX | A-02 - A-04 |
| ICF23EC | A-05 - D-17 |
| ICF30EU | D-19 - H-22 |

1991 ICF30EU INDEX

| | |
|--------------------------------|-------------|
| FLOOR PLAN | D-19 - D-20 |
| ACCESSORIES | D-21 - D-24 |
| BATH | E-01 - E-04 |
| BEDROOM | E-05 - E-08 |
| CHASSIS | E-09 - E-14 |
| C & PAD | E-15 - E-24 |
| DRINETTE | F-01 - F-02 |
| DRIVERS | F-03 - F-12 |
| ELECTRICAL | F-13 - F-16 |
| EXTERIOR BODY | F-17 - F-20 |
| GALLEY | F-23 - G-04 |
| HEATING & AC | G-05 - G-10 |
| INTERIOR FINISH | G-11 - G-15 |
| LABEL | G-16 |
| LP | G-17 |
| LOUNGE | G-18 - G-20 |
| SEALANTS & FASTENERS | G-21 - G-22 |
| WATER & SEWAGE | G-23 - H-02 |
| WINDOW, VENT AND EXTERIOR DOOR | H-03 - H-22 |

CURTAIN, CUSHION & PAD GROUP



WINDOW TREATMENT

| KEY PART NUMBER | U/M | DESCRIPTION |
|-----------------|-----|---|
| 1 100344-15-B25 | EA | VALANCE-WINDOW, W/WOOD TRIM - 52" - B25 - DUSTY BLUE FROM: 00-00-00 THRU: 09-03-90 |
| 1 100344-15-B26 | EA | VALANCE-WINDOW, W/WOOD TRIM - 52" - B25 - TRUFFLE BROWN FROM: 00-00-00 THRU: 09-03-90 |
| 1 102514-08-B27 | EA | VALANCE-WINDOW, W/PLEATED INSERT - 52" - B25 - DUSTY BLUE FROM: 09-04-90 THRU: 99-99-99 |
| 1 102514-08-B28 | EA | VALANCE-WINDOW, W/PLEATED INSERT - 52" - B26 - TRUFFLE BROWN FROM: 09-04-90 THRU: 99-99-99 |
| 1 100281-07-B25 | EA | LEG-WINDOW, DRIVER - 27" TALL - B25 - DUSTY BLUE FROM: 00-00-00 THRU: 09-03-90 |
| 1 100281-07-B26 | EA | LEG-WINDOW, DRIVER - 27" TALL - B26 - TRUFFLE BROWN FROM: 00-00-00 THRU: 09-03-90 |
| 1 100281-08-B25 | EA | LEG-WINDOW, PASS. - 27" TALL - B25 - DUSTY BLUE FROM: 00-00-00 THRU: 09-03-90 |
| 1 100281-08-B26 | EA | LEG-WINDOW, PASS. - 27" TALL - B26 - TRUFFLE BROWN FROM: 00-00-00 THRU: 09-03-90 |
| 1 100281-29-B27 | EA | LEG-WINDOW, DRIVER - 27" TALL - B25 - DUSTY BLUE FROM: 09-04-90 THRU: 99-99-99 |
| 1 100281-29-B28 | EA | LEG-WINDOW, DRIVER - 27" TALL - B26 - TRUFFLE BROWN FROM: 09-04-90 THRU: 99-99-99 |
| 1 100281-30-B27 | EA | LEG-WINDOW, PASS - 27" TALL - B25 - DUSTY BLUE FROM: 00-00-00 THRU: 05-20-90 |
| 1 100281-30-B28 | EA | LEG-WINDOW, PASS - 27" TALL - B26 - TRUFFLE BROWN FROM: 05-21-90 THRU: 99-99-99 |
| 1 083475-55-01A | EA | BLIND-MINI, 48" X 28" DROP - BEIGE |
| 1 083475-68-01A | EA | BLIND-MINI, 48" X 27" DROP - BEIGE |

CURTAIN, CUSHION & PAD GROUP (CONTINUED)

WINDOW TREATMENT CONT

| KEY PART NUMBER | U/M | DESCRIPTION |
|-----------------|-----|--|
| 2 100344-07-B25 | EA | VALANCE-WINDOW, 45" - B25 - DUSTY BLUE FROM: 00-00-00 THRU: 09-03-90 |
| 2 100344-07-B26 | EA | VALANCE-WINDOW, 45" - B26 - TRUFFLE BROWN FROM: 00-00-00 THRU: 09-03-90 |
| 2 102514-07-B27 | EA | VALANCE-WINDOW, W/PLEATED INSERT - 45" - B25 - DUSTY BLUE FROM: 09-04-90 THRU: 99-99-99 |
| 2 102514-07-B28 | EA | VALANCE-WINDOW, W/PLEATED INSERT - 45" - B26 - TRUFFLE BROWN FROM: 09-04-90 THRU: 99-99-99 |
| 2 100281-08-B25 | EA | LEG-WINDOW, W/HOLE - 27" TALL - B25 - DUSTY BLUE FRONT IF ON DRIVER SIDE / REAR IF ON PASS SIDE FROM: 00-00-00 THRU: 09-03-90 |
| 2 100281-08-B26 | EA | LEG-WINDOW, W/HOLE - 27" TALL - B26 - TRUFFLE BROWN FRONT IF ON DRIVER SIDE / REAR IF ON PASS SIDE FROM: 00-00-00 THRU: 09-03-90 |
| 2 100281-08-B25 | EA | LEG-WINDOW, W/O HOLE - 27" TALL - B25 - DUSTY BLUE REAR IF ON DRIVER SIDE / FRONT IF ON PASS SIDE FROM: 00-00-00 THRU: 09-03-90 |
| 2 100281-08-B26 | EA | LEG-WINDOW, W/O HOLE - 27" TALL - B26 - TRUFFLE BROWN REAR IF ON DRIVER SIDE / FRONT IF ON PASS SIDE FROM: 00-00-00 THRU: 09-03-90 |
| 2 089522-03-000 | EA | PANEL-LEG, WINDOW - 2.5" FACE |
| 2 100281-30-B27 | EA | LEG-WINDOW, W/O HOLE - 27" TALL - B25 - DUSTY BLUE REAR IF ON DRIVER SIDE / FRONT IF ON PASS SIDE FROM: 09-04-90 THRU: 99-99-99 |
| 2 100281-30-B28 | EA | LEG-WINDOW, W/O HOLE - 27" TALL - B26 - TRUFFLE BROWN REAR IF ON DRIVER SIDE / FRONT IF ON PASS SIDE FROM: 09-04-90 THRU: 99-99-99 |
| 2 100281-31-B27 | EA | LEG-WINDOW, WHOLE - 27" TALL - B25 - DUSTY BLUE REAR IF ON PASS SIDE / FRONT IF ON DRIVER SIDE FROM: 09-04-90 THRU: 99-99-99 |
| 2 100281-31-B28 | EA | LEG-WINDOW, WHOLE - 27" TALL - B26 - TRUFFLE BROWN REAR IF ON PASS SIDE / FRONT IF ON DRIVER SIDE FROM: 09-04-90 THRU: 99-99-99 |
| 2 083475-45-01A | EA | BLIND-MINI, 39.5" X 27" DROP - BEIGE |
| 3 100344-06-B27 | EA | VALANCE-WINDOW, 62" - B25 - DUSTY BLUE |
| 3 100344-06-B28 | EA | VALANCE-WINDOW, 62" - B26 - TRUFFLE BROWN |
| 3 100281-03-B25 | EA | LEG-WINDOW, FRONT - B25 - DUSTY BLUE |
| 3 100281-03-B26 | EA | LEG-WINDOW, FRONT - B26 - TRUFFLE BROWN |
| 3 100281-04-B25 | EA | LEG-WINDOW, REAR - B25 - DUSTY BLUE |
| 3 083475-49-01A | EA | BLIND-MINI, 58" WIDE X 32" DROP - BEIGE |

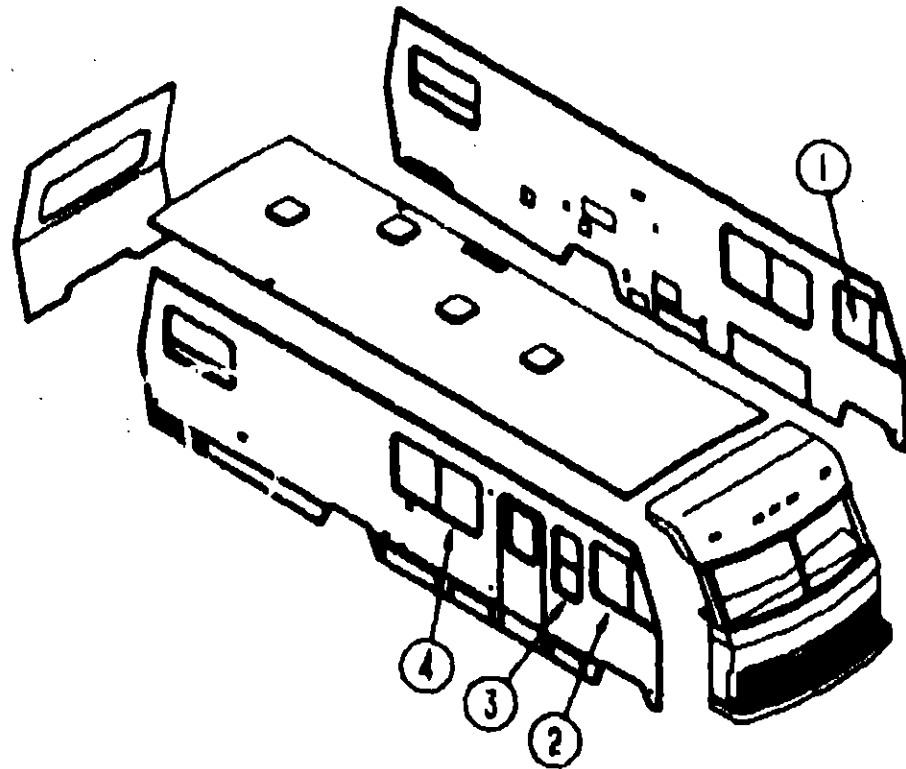
TABLE OF CONTENTS

| | |
|--------------------|-------------|
| INTRODUCTION | A-01 |
| ABBREVIATIONS | A-01 |
| ALPHABETICAL INDEX | A-02 - A-04 |
| ICF23EC | A-05 - D-17 |
| ICF30EU | D-19 - H-22 |

1991 ICF30EU INDEX

| | |
|--------------------------------|-------------|
| FLOOR PLAN | D-19 - D-20 |
| ACCESSORIES | D-21 - D-24 |
| BATH | E-01 - E-04 |
| BEDROOM | E-05 - E-08 |
| CHASSIS | E-09 - E-14 |
| C C & PAD | E-15 - E-24 |
| DINETTE | F-01 - F-02 |
| DRIVERS | F-03 - F-12 |
| ELECTRICAL | F-13 - F-16 |
| EXTERIOR BODY | F-17 - F-22 |
| GALLEY | F-23 - G-04 |
| HEATING & AC | G-05 - G-10 |
| INTERIOR FINISH | G-11 - G-15 |
| LABEL | G-16 |
| LP | G-17 |
| LOUNGE | G-18 - G-20 |
| SEALANTS & FASTENERS | G-21 - G-22 |
| WATER & SEWAGE | G-23 - H-02 |
| WINDOW, VENT AND EXTERIOR DOOR | H-03 - H-22 |

CURTAIN, CUSHION & PAD GROUP (CONTINUED)



WINDOW TREATMENT CONT

| KEY PART NUMBER | U/M DESCRIPTION |
|-----------------|---|
| 1 077591-08-B03 | EA CURTAIN-VELCRO TOP, DRIVER SIDE - 32.5" X 86" - BEIGE FROM: 00-00-00 THRU: 04-29-90 |
| 1 097994-04-B05 | EA CURTAIN-HOOK TOP, DRIVER PRIVACY - 32.5" X 40" - BEIGE THIS CURTAIN IS USED BY B26 COLOR CODED COACHES FOR THE REST OF THIS MODEL YEAR FROM: 04-30-90 THRU: 10-04-90 |
| 1 097994-04-B27 | EA CURTAIN-HOOK TOP, DRIVER SIDE - 32.5" X 40" - B25 - DUSTY BLUE COLOR CODED COACHES ONLY FROM: 10-05-90 THRU: 99-99-99 |
| 2 077591-07-B03 | EA CURTAIN-VELCRO TOP, PASSENGER SIDE - 32.5" X 86" - BEIGE FROM: 00-00-00 THRU: 04-29-90 |
| 2 097994-05-B05 | EA CURTAIN-HOOK TOP, PASS/PRIVACY - 30.5" X 125" - BEIGE THIS CURTAIN IS USED BY B26 COLOR CODED COACHES FOR THE REST OF THIS MODEL YEAR FROM: 04-30-90 THRU: 10-04-90 |
| 2 097994-05-B27 | EA CURTAIN-HOOK TOP, PASS SIDE - 30.5" X 125" - B25 - DUSTY BLUE COLOR CODED COACHES ONLY FROM: 10-05-90 THRU: 99-99-99 |
| 073280-23-B05 | EA TIEBACK-CURTAIN, 3" X 18" - BEIGE THIS TIEBACK WAS USED BY B26 COLOR CODED COACHES FOR THE REST OF THIS MODEL YEAR FROM: 00-00-00 THRU: 10-04-90 |
| 073280-23-B07 | EA TIEBACK-CURTAIN, 3" X 18" - B25 - DUSTY BLUE COLOR CODED COACHES ONLY FROM: 10-05-90 THRU: 99-99-99 |
| 073280-42-B05 | EA TIEBACK-CURTAIN, 6" X 18" - BEIGE THIS TIEBACK WAS USED BY B26 COLOR CODED COACHES FOR THE REST OF THIS MODEL YEAR FROM: 04-30-90 THRU: 10-04-90 |
| 073280-42-B10 | EA TIEBACK-CURTAIN, 6" X 18" - B25 - DUSTY BLUE COLOR CODED COACHES ONLY FROM: 10-05-90 THRU: 99-99-99 |
| 3 100344-17-B25 | EA VALANCE-WINDOW, 18" - B25 - DUSTY BLUE |
| 3 100344-17-B26 | EA VALANCE-WINDOW, 18" - B26 - TRUFFLE BROWN |
| 3 083475-82-01A | EA BLIND-MINI, 17" X 37.5" DROP - BEIGE FROM: 00-00-00 THRU: 05-20-90 |
| 3 083475-85-01A | EA BLIND-MINI, 17" X 38" DROP - BEIGE FROM: 05-21-90 THRU: 99-99-99 |

CURTAIN, CUSHION & PAD GROUP (CONTINUED)

WINDOW TREATMENT CONT

| KEY PART NUMBER | U/M DESCRIPTION |
|-----------------|--|
| 4 100344-08-B27 | EA VALANCE-WINDOW, 82" WIDE - B25 - DUSTY BLUE FROM: 00-00-00 THRU: 11-04-90 |
| 4 100344-08-B26 | EA VALANCE-WINDOW, 82" - B26 - TRUFFLE BROWN FROM: 00-00-00 THRU: 11-04-90 |
| 4 100344-03-B27 | EA VALANCE-WINDOW, 58.5" WIDE - B25 - DUSTY BLUE FROM: 11-05-90 THRU: 99-99-99 |
| 4 100344-03-B26 | EA VALANCE-WINDOW, 58.5" WIDE - B26 - TRUFFLE BROWN FROM: 11-05-90 THRU: 99-99-99 |
| 4 100281-03-B25 | EA LEG-WINDOW, REAR - B25 - DUSTY BLUE |
| 4 100281-03-B26 | EA LEG-WINDOW, REAR - B26 - TRUFFLE BROWN |
| 4 100281-04-B25 | EA LEG-WINDOW, FRONT - B25 - DUSTY BLUE |
| 4 100281-04-B26 | EA LEG-WINDOW, FRONT - B26 - TRUFFLE BROWN |
| 4 083475-49-01A | EA BLIND-MINI, 58" WIDE X 32" DROP - BEIGE FROM: 00-00-00 THRU: 11-04-90 |
| 4 083475-44-01A | EA BLIND-MINI, 54.5" X 32" DROP - BEIGE FROM: 11-05-90 THRU: 99-99-99 |

SHOWER CURTAIN

| KEY PART NUMBER | U/M DESCRIPTION |
|-----------------|---|
| 084481-13-000 | EA CURTAIN-GROMMET TOP, SHOWER - 82" X 70" - VINYL FROM: 00-00-00 THRU: 07-14-90 |

TABLE OF CONTENTS

| | |
|--------------------|-------------|
| INTRODUCTION | A-01 |
| ABBREVIATIONS | A-01 |
| ALPHABETICAL INDEX | A-02 - A-04 |
| ICF23EC | A-05 - D-17 |
| ICF30EU | D-18 - H-22 |

1991 ICF30EU INDEX

| | |
|--------------------------------|-------------|
| FLOOR PLAN | D-19 - D-20 |
| ACCESSORIES | D-21 - D-24 |
| BATH | E-01 - E-04 |
| BEDROOM | E-05 - E-08 |
| CHASSIS | E-09 - E-14 |
| C/C & PAD | E-15 - E-24 |
| DINETTE | F-01 - F-02 |
| DRIVERS | F-03 - F-12 |
| ELECTRICAL | F-13 - F-16 |
| EXTERIOR BODY | F-17 - F-22 |
| GALLEY | F-23 - G-04 |
| HEATING & AC | G-05 - G-10 |
| INTERIOR FINISH | G-11 - G-15 |
| LABEL | G-16 |
| LP | G-17 |
| LOUNGE | G-18 - G-20 |
| SEALANTS & FASTENERS | G-21 - G-22 |
| WATER & SEWERAGE | G-23 - H-02 |
| WINDOW, VENT AND EXTERIOR DOOR | H-03 - H-22 |

CURTAIN, CUSHION & PAD GROUP (CONTINUED)

SWIVEL CHAIR

FROM: 00-00-00 THRU: 08-10-90

| KEY PART NUMBER | U/M | DESCRIPTION |
|-------------------------------|-----|---|
| 088429-01-B25 | EA | CHAIR-SWIVEL, W/O BASE, PIPE OR PLATE - B25 - DUSTY BLUE |
| 088429-02-B25 | EA | CHAIR-SWIVEL, W/O BASE, PIPE OR PLATE - B26 - TRUFFLE BROWN |
| 088429-03-B25 | EA | COVER-SWIVEL CHAIR, B25 - DUSTY BLUE |
| 088429-03-B28 | EA | COVER-SWIVEL CHAIR, B26 - TRUFFLE BROWN |
| 088202-01-B25 | EA | SKIRT-SWIVEL CHAIR, B25 - DUSTY BLUE |
| 088202-01-B28 | EA | SKIRT-SWIVEL CHAIR, B26 - TRUFFLE BROWN |
| FROM: 01-02-90 THRU: 99-99-99 | | |
| 007221-01-000 | EA | SPACER-SEAT, ADJUSTER FOR USED ON SWIVEL CHAIR |
| 088245-01-000 | EA | BASE-SWIVEL CHAIR W/LEGS |
| 088245-03-000 | EA | PLATE-TOP, SWIVEL W/O TILT - W/LOCK |
| 088245-05-000 | EA | EXTENSION-BASE TO TOP PLATE, 7" LONG |

SWIVEL CHAIR

FROM: 08-11-90 THRU: 99-99-99

| KEY PART NUMBER | U/M | DESCRIPTION |
|-------------------------------|-----|---|
| 088429-05-B25 | EA | CHAIR-SWIVEL, W/O BASE, PIPE OR PLATE - B25 - DUSTY BLUE |
| 088429-05-B28 | EA | CHAIR-SWIVEL, W/O BASE, PIPE OR PLATE - B26 - TRUFFLE BROWN |
| 088429-05-B25 | EA | COVER-SWIVEL CHAIR, B25 - DUSTY BLUE |
| 088429-05-B28 | EA | COVER-SWIVEL CHAIR, B26 - TRUFFLE BROWN |
| 088202-01-B25 | EA | SKIRT-SWIVEL CHAIR, B25 - DUSTY BLUE |
| 088202-01-B28 | EA | SKIRT-SWIVEL CHAIR, B26 - TRUFFLE BROWN |
| FROM: 01-02-90 THRU: 99-99-99 | | |
| 088246-07-000 | EA | EXTENSION-BASE TO TOP PLATE, 6" LONG |
| 088246-08-000 | EA | ADJUSTER-SWIVEL CHAIR, MANUAL - FORWARD & BACK |
| 088246-07-000 | EA | ADJUSTER-SWIVEL CHAIR, W/LOCKING ARM - FORWARD & BACK |

DINETTE BACKREST CUSHIONS

| KEY PART NUMBER | U/M | DESCRIPTION |
|-----------------|-----|--|
| 088927-79-B27 | EA | CUSHION-BACKREST, 14.5" X 36" X 5" - B25 - DUSTY BLUE |
| 088927-79-B28 | EA | CUSHION-BACKREST, 14.5" X 36" X 5" - B26 - TRUFFLE BROWN |
| M88927-79-B27 | EA | COVER-CUSHION, 14.5" X 36" X 5" - B25 - DUSTY BLUE |
| M88927-79-B28 | EA | COVER-CUSHION, 14.5" X 36" X 5" - B26 - TRUFFLE BROWN |

DINETTE SEAT CUSHIONS

| KEY PART NUMBER | U/M | DESCRIPTION |
|-----------------|-----|--|
| 088927-87-B27 | EA | CUSHION-SEAT, 23" X 36" X 5" - B25 - DUSTY BLUE |
| 088927-87-B28 | EA | CUSHION-SEAT, 23" X 36" X 5" - B26 - TRUFFLE BROWN |
| M88927-87-B27 | EA | COVER-SEAT CUSHION, 23" X 36" X 5" - B25 - DUSTY BLUE |
| M88927-87-B28 | EA | COVER-SEAT CUSHION, 23" X 36" X 5" - B26 - TRUFFLE BROWN |

CURTAIN, CUSHION & PAD GROUP (CONTINUED)

FRONT OVERHEAD BUNK CUSHION

| KEY PART NUMBER | U/M | DESCRIPTION |
|-----------------|-----|---|
| 078145-04-000 | EA | CUSHION-BUNK, OVERHEAD - 4" X 34" X 76" - AAB / AAB |
| M78145-04-000 | EA | COVER-BUNK CUSHION, OVERHEAD - 4" X 34" X 76" - AAB & AAB |

COUCH CUSHIONS & HARDWARE

| KEY PART NUMBER | U/M | DESCRIPTION |
|-------------------------------|-----|--|
| 100032-08-B27 | EA | SEAT-COUCH, B25 - DUSTY BLUE |
| 100032-08-B28 | EA | SEAT-COUCH, B26 - TRUFFLE BROWN |
| P00032-08-B27 | EA | COVER-SEAT, COUCH - B25 - DUSTY BLUE |
| P00032-08-B28 | EA | COVER-SEAT, COUCH - B26 - TRUFFLE BROWN |
| 100032-07-B27 | EA | BACK-COUCH, B25 - DUSTY BLUE |
| 100032-07-B28 | EA | BACK-COUCH, B26 - TRUFFLE BROWN |
| P00032-07-B27 | EA | COVER-BACK, COUCH - B25 - DUSTY BLUE |
| P00032-07-B28 | EA | COVER-BACK, COUCH - B26 - TRUFFLE BROWN |
| 101236-01-B27 | EA | ARM-COUCH, FRONT - B25 - DUSTY BLUE |
| FROM: 00-00-00 THRU: 08-03-90 | | |
| P01236-01-B27 | EA | COVER-ARM, COUCH FRONT - B25 - DUSTY BLUE |
| FROM: 00-00-00 THRU: 08-03-90 | | |
| 101236-01-B28 | EA | ARM-COUCH, FRONT - B26 - TRUFFLE BROWN |
| FROM: 00-00-00 THRU: 08-03-90 | | |
| P01236-01-B28 | EA | COVER-ARM, COUCH FRONT - B26 - TRUFFLE BROWN |
| FROM: 00-00-00 THRU: 08-03-90 | | |
| 101236-03-B27 | EA | ARM-COUCH, FRONT - B25 - DUSTY BLUE |
| FROM: 08-04-90 THRU: 99-99-99 | | |
| P01236-03-B27 | EA | COVER-ARM, COUCH FRONT - B25 - DUSTY BLUE |
| FROM: 08-04-90 THRU: 99-99-99 | | |
| 101236-03-B28 | EA | ARM-COUCH, FRONT - B26 - TRUFFLE BROWN |
| FROM: 08-04-90 THRU: 99-99-99 | | |
| P01236-03-B28 | EA | COVER-ARM, COUCH FRONT - B26 - TRUFFLE BROWN |
| FROM: 08-04-90 THRU: 99-99-99 | | |
| 101085-07-000 | EA | FRAME-ARM BRACKET, FRONT |
| 101568-03-000 | EA | BRACKET-ARM, COUCH - W/WELDESTUD - FRONT |
| 101568-01-000 | EA | BRACKET-ARM, COUCH - FRONT |
| 101236-02-B27 | EA | ARM-COUCH, REAR - B25 - DUSTY BLUE |
| FROM: 00-00-00 THRU: 08-03-90 | | |
| 101236-02-B28 | EA | ARM-COUCH, REAR - B26 - TRUFFLE BROWN |
| FROM: 00-00-00 THRU: 08-03-90 | | |
| P01236-02-B28 | EA | COVER-ARM, COUCH REAR - B26 - TRUFFLE BROWN |
| FROM: 00-00-00 THRU: 08-03-90 | | |
| 101236-04-B27 | EA | ARM-COUCH, REAR - B25 - DUSTY BLUE |
| FROM: 08-04-90 THRU: 99-99-99 | | |
| P01236-04-B27 | EA | COVER-ARM, COUCH REAR - B25 - DUSTY BLUE |
| FROM: 08-04-90 THRU: 99-99-99 | | |
| 101236-04-B28 | EA | ARM-COUCH, REAR - B26 - TRUFFLE BROWN |
| FROM: 08-04-90 THRU: 99-99-99 | | |
| P01236-04-B28 | EA | COVER-ARM, COUCH REAR - B26 - TRUFFLE BROWN |
| FROM: 08-04-90 THRU: 99-99-99 | | |
| 101085-08-000 | EA | FRAME-ARM BRACKET, REAR |
| 101568-04-000 | EA | BRACKET-ARM, COUCH - W/WELDESTUD - REAR |
| 101568-02-000 | EA | BRACKET-ARM, COUCH - REAR |
| 101085-04-000 | EA | FRAME-SEAT, 74.75" |
| 101085-05-000 | EA | FRAME-BACK, 74.75" |
| 058271-02-000 | EA | BELT-SEAT, 2" X 72" - BLACK |
| 101085-01-000 | EA | FRAME-BASE, 74.75" |

TABLE OF CONTENTS

| | |
|--------------------|-------------|
| INTRODUCTION | A-01 |
| ABBREVIATIONS | A-01 |
| ALPHABETICAL INDEX | A-02 - A-04 |
| ICF23EC | A-05 - D-17 |
| ICF30EU | D-19 - H-22 |

1991 ICF23BU INDEX

| | |
|--------------------------------|-------------|
| FLOOR PLAN | D-19 - D-20 |
| ACCESSORIES | D-21 - D-24 |
| BATH | E-01 - E-04 |
| BEDROOM | E-05 - E-08 |
| CHASSIS | E-09 - E-14 |
| C C & PAD | E-15 - E-24 |
| DINETTE | F-01 - F-02 |
| DRIVERS | F-03 - F-12 |
| ELECTRICAL | F-13 - F-16 |
| EXTERIOR BODY | F-17 - F-22 |
| GALLEY | F-23 - G-04 |
| HEATING & AC | G-05 - G-10 |
| INTERIOR FINISH | G-11 - G-16 |
| LABEL | G-16 |
| LP | G-17 |
| LOUNGE | G-18 - G-20 |
| SEALANTS & FASTENERS | G-21 - G-22 |
| WATER & SEWAGE | G-23 - H-02 |
| WINDOW, VENT AND EXTERIOR DOOR | H-03 - H-22 |

CURTAIN, CUSHION & PAD GROUP (CONTINUED)

BUCKET SEATS
FROM: 00-00-00 THRU: 07-00-00

| KEY PART NUMBER | U/M | DESCRIPTION |
|-----------------|-----|---|
| 083480-10-825 | EA | SEAT-BUCKET, W/O PEDESTAL & BASE - B25 - DUSTY BLUE |
| 083480-10-826 | EA | SEAT-BUCKET, W/O BASE ON PEDESTAL - B26 - TRUFFLE BROWN |
| M03445-22-825 | EA | COVER-BACK, BUCKET SEAT - B25 - DUSTY BLUE |
| M03445-22-826 | EA | COVER-BACK, BUCKET SEAT - B26 - TRUFFLE BROWN |
| M03445-23-825 | EA | COVER-SEAT, BUCKET SEAT - B25 - DUSTY BLUE |
| M03445-23-826 | EA | COVER-SEAT, BUCKET SEAT - B26 - TRUFFLE BROWN |
| M80808-01-000 | EA | FRAME-SEAT, BACK & SPRING |
| 080730-02-000 | EA | RECLINER-SEAT BACK, LEFT HAND |
| 080731-02-000 | EA | HINGE-SLAVE, RECLINER, LEFT HAND |
| 081382-01-000 | EA | BRACKET-ARMREST, RIGHT HAND |
| 081382-02-000 | EA | BRACKET-ARMREST, LEFT HAND |
| 080243-41-825 | EA | ARMREST-BUCKET SEAT, RIGHT SIDE - B25 - DUSTY BLUE |
| 080243-41-826 | EA | ARMREST-BUCKET SEAT, RIGHT HAND - B26 - TRUFFLE BROWN |
| M80243-41-825 | EA | COVER-ARMREST, RIGHT SIDE - B25 - DUSTY BLUE |
| M80243-41-826 | EA | COVER-ARMREST, RIGHT SIDE - B26 - TRUFFLE BROWN |
| 081381-01-000 | EA | ROD-ARMREST, METAL |
| 080243-42-825 | EA | ARMREST-BUCKET SEAT, LEFT SIDE - B25 - DUSTY BLUE |
| 080243-42-826 | EA | ARMREST-BUCKET SEAT, LEFT HAND - B26 - TRUFFLE BROWN |
| M80243-42-825 | EA | COVER-ARMREST, LEFT SIDE - B25 - DUSTY BLUE |
| M80243-42-826 | EA | COVER-ARMREST, LEFT SIDE - B26 - TRUFFLE BROWN |
| 080730-03-700 | EA | HANDLE KIT-RECLINER |
| 080730-04-000 | EA | SCREW-RECLINER, HANDLE |
| 080730-05-000 | EA | SHIELD-RECLINER |
| 080388-05-000 | EA | FRAME-CABLE, REMOTE RECLINE |
| 083481-04-000 | EA | TOP PLATE-PEDESTAL, BUCKET SEAT - W/O SEATBELT BAR |
| 080246-05-700 | EA | SPRING-ADJUSTER, FOR REMOTE |
| 080246-05-701 | EA | CLIP-CABLE, FOR REMOTE |
| 080243-05-700 | EA | SPRING F/SLIDE ADJUSTER |
| 080585-29-000 | EA | BAR-SEAT BELT, BUCKET SEATS - 20" |
| 080585-08-000 | EA | BASE-BUCKET SEAT, BOLTS TO FLOOR - VERTICAL 6" |
| 080388-04-700 | EA | FRAME-CABLE, REMOTE SWIVEL |
| 080246-01-000 | EA | ADJUSTER-BUCKET SEAT W/ LOCK, FORWARD AND BACK |
| 080246-02-000 | EA | ADJUSTER-SEAT/CHAIR, W/O LOCK - FORWARD & BACK |

| KEY PART NUMBER | U/M | DESCRIPTION |
|-----------------|-----|---|
| 083480-19-825 | EA | SEAT-BUCKET, W/O PEDESTAL & BASE - B25 - DUSTY BLUE |
| 083480-19-826 | EA | SEAT-BUCKET, W/O PEDESTAL OR BASE - B26 - TRUFFLE BROWN |
| M7445-22-827 | EA | COVER-BACK, BUCKET SEAT - B25 - DUSTY BLUE |
| M03445-22-828 | EA | COVER-BACK, BUCKET SEAT - B26 - TRUFFLE BROWN |
| M03445-23-827 | EA | COVER-SEAT, BUCKET SEAT - B25 - DUSTY BLUE |
| M03445-23-828 | EA | COVER-SEAT, BUCKET CHAIR - B26 - TRUFFLE BROWN |
| M80808-04-000 | EA | FRAME-SEAT, BACK & SPRING |
| 080731-02-000 | EA | HINGE-SLAVE, RECLINER, LEFT HAND |
| 081382-01-000 | EA | BRACKET-ARMREST, RIGHT HAND |
| 081382-02-000 | EA | BRACKET-ARMREST, LEFT HAND |
| 101123-01-000 | EA | RECLINER-SEAT BACK, LEFT HAND REMOTE |
| 080243-41-827 | EA | ARMREST-BUCKET SEAT, RIGHT HAND - B25 - DUSTY BLUE |
| 080243-41-828 | EA | ARMREST-BUCKET SEAT, RIGHT HAND - B26 - TRUFFLE BROWN |
| M80243-41-827 | EA | COVER-ARMREST, RIGHT HAND - B25 - DUSTY BLUE |
| M80243-41-828 | EA | COVER-ARMREST, RIGHT HAND - B26 - TRUFFLE BROWN |
| 080243-42-827 | EA | ARMREST-BUCKET SEAT, LEFT HAND - B25 - DUSTY BLUE |
| 080243-42-828 | EA | ARMREST-BUCKET SEAT, LEFT HAND - B26 - TRUFFLE BROWN |
| M80243-42-827 | EA | COVER-ARMREST, LEFT HAND - B25 - DUSTY BLUE |
| M80243-42-828 | EA | COVER-ARMREST, LEFT HAND - B26 - TRUFFLE BROWN |
| 080388-04-000 | EA | FRAME-CABLE, REMOTE SWIVEL |
| 080388-05-000 | EA | FRAME-CABLE, REMOTE RECLINE |
| 083481-04-000 | EA | TOP PLATE-PEDESTAL, BUCKET SEAT - W/O SEATBELT BAR |
| 080246-05-700 | EA | SPRING-ADJUSTER, FOR REMOTE |
| 080246-05-701 | EA | CLIP-CABLE, FOR REMOTE |
| 080246-05-000 | EA | ADJUSTER-SEAT/CHAIR, W/REMOTE |
| 080246-02-000 | EA | ADJUSTER-SEAT/CHAIR, W/O LOCK - FORWARD & BACK |
| 080246-05-700 | EA | SPRING F/SLIDE ADJUSTER |
| 080585-29-000 | EA | BAR-SEAT BELT, BUCKET SEATS - 20" |
| 080585-08-000 | EA | BASE-BUCKET SEAT, BOLTS TO FLOOR - VERTICAL 6" |

| KEY PART NUMBER | U/M | DESCRIPTION |
|-----------------|-----|--|
| 071126-24-AD2 | EA | SKIRT-BUCKET SEAT, B25 - DUSTY BLUE |
| 071126-24-B26 | EA | SKIRT-BUCKET SEAT, B26 - TRUFFLE BROWN |

CURTAIN, CUSHION & PAD GROUP (CONTINUED)

BUCKET SEATS
FROM: 07-00-00 THRU: 99-99-99

| KEY PART NUMBER | U/M | DESCRIPTION |
|-----------------|-----|---|
| 083480-19-825 | EA | SEAT-BUCKET, W/O PEDESTAL & BASE - B25 - DUSTY BLUE |
| 083480-19-826 | EA | SEAT-BUCKET, W/O PEDESTAL OR BASE - B26 - TRUFFLE BROWN |
| M7445-22-827 | EA | COVER-BACK, BUCKET SEAT - B25 - DUSTY BLUE |
| M03445-22-828 | EA | COVER-BACK, BUCKET SEAT - B26 - TRUFFLE BROWN |
| M03445-23-827 | EA | COVER-SEAT, BUCKET SEAT - B25 - DUSTY BLUE |
| M03445-23-828 | EA | COVER-SEAT, BUCKET CHAIR - B26 - TRUFFLE BROWN |
| M80808-04-000 | EA | FRAME-SEAT, BACK & SPRING |
| 080731-02-000 | EA | HINGE-SLAVE, RECLINER, LEFT HAND |
| 081382-01-000 | EA | BRACKET-ARMREST, RIGHT HAND |
| 081382-02-000 | EA | BRACKET-ARMREST, LEFT HAND |
| 101123-01-000 | EA | RECLINER-SEAT BACK, LEFT HAND REMOTE |
| 080243-41-827 | EA | ARMREST-BUCKET SEAT, RIGHT HAND - B25 - DUSTY BLUE |
| 080243-41-828 | EA | ARMREST-BUCKET SEAT, RIGHT HAND - B26 - TRUFFLE BROWN |
| M80243-41-827 | EA | COVER-ARMREST, RIGHT HAND - B25 - DUSTY BLUE |
| M80243-41-828 | EA | COVER-ARMREST, RIGHT HAND - B26 - TRUFFLE BROWN |
| 080243-42-827 | EA | ARMREST-BUCKET SEAT, LEFT HAND - B25 - DUSTY BLUE |
| 080243-42-828 | EA | ARMREST-BUCKET SEAT, LEFT HAND - B26 - TRUFFLE BROWN |
| M80243-42-827 | EA | COVER-ARMREST, LEFT HAND - B25 - DUSTY BLUE |
| M80243-42-828 | EA | COVER-ARMREST, LEFT HAND - B26 - TRUFFLE BROWN |
| 080388-04-000 | EA | FRAME-CABLE, REMOTE SWIVEL |
| 080388-05-000 | EA | FRAME-CABLE, REMOTE RECLINE |
| 083481-04-000 | EA | TOP PLATE-PEDESTAL, BUCKET SEAT - W/O SEATBELT BAR |
| 080246-05-700 | EA | SPRING-ADJUSTER, FOR REMOTE |
| 080246-05-701 | EA | CLIP-CABLE, FOR REMOTE |
| 080246-05-000 | EA | ADJUSTER-SEAT/CHAIR, W/REMOTE |
| 080246-02-000 | EA | ADJUSTER-SEAT/CHAIR, W/O LOCK - FORWARD & BACK |
| 080246-05-700 | EA | SPRING F/SLIDE ADJUSTER |
| 080585-29-000 | EA | BAR-SEAT BELT, BUCKET SEATS - 20" |
| 080585-08-000 | EA | BASE-BUCKET SEAT, BOLTS TO FLOOR - VERTICAL 6" |

SKIRT

| KEY PART NUMBER | U/M | DESCRIPTION |
|-----------------|-----|--|
| 071126-24-AD2 | EA | SKIRT-BUCKET SEAT, B25 - DUSTY BLUE |
| 071126-24-B26 | EA | SKIRT-BUCKET SEAT, B26 - TRUFFLE BROWN |

TABLE OF CONTENTS

| | |
|--------------------|-------------|
| INTRODUCTION | A-01 |
| ABBREVIATIONS | A-01 |
| ALPHABETICAL INDEX | A-02 - A-04 |
| ICF23EC | A-05 - D-17 |
| ICF30EU | D-18 - H-22 |

1991 ICF30EU INDEX

| | |
|--------------------------------|-------------|
| FLOOR PLAN | D-19 - D-20 |
| ACCESSORIES | D-21 - D-24 |
| BATH | E-01 - E-04 |
| BEDROOM | E-05 - E-08 |
| CHASSIS | E-09 - E-14 |
| C C & PAD | E-15 - E-24 |
| DINETTE | F-01 - F-02 |
| DRIVERS | F-03 - F-12 |
| ELECTRICAL | F-13 - F-18 |
| EXTERIOR BODY | F-17 - F-22 |
| GALLEY | F-23 - G-04 |
| HEATING & AC | G-05 - G-10 |
| INTERIOR FINISH | G-11 - G-15 |
| LABEL | G-16 |
| LP | G-17 |
| LOUNGE | G-18 - G-20 |
| SEALANTS & FASTENERS | G-21 - G-22 |
| WATER & SEWAGE | G-23 - H-02 |
| WINDOW, VENT AND EXTERIOR DOOR | H-03 - H-22 |

CURTAIN, CUSHION & PAD GROUP (CONTINUED)

FABRIC & CARPET

| KEY PART NUMBER | U/M | DESCRIPTION |
|-----------------|-----|--|
| 079980-09-000 | YD | FABRIC-VINYL, 54" WIDE - OFF WHITE |
| 079980-12-000 | YD | VINYL-EXPANDED, 54" WIDE - OFF WHITE |
| 079244-03-000 | YD | VINYL-SHOWER CURTAIN, 72" WIDE - BEIGE |
| | | FROM: 00-00-00 THRU: 05-31-90 |
| 075244-03-000 | YD | VINYL SHOWER CURTAIN, 72" WIDE - ALMOND |
| | | FROM: 08-01-90 THRU: 99-99-99 |
| 088008-31-000 | YD | FABRIC-UPHOLSTERY, PLAIN - 54" - B25 - DUSTY BLUE |
| 088008-42-000 | YD | FABRIC-UPHOLSTERY, PATTERN - 54" - B26 - TRUFFLE BROWN |
| 088008-44-000 | YD | FABRIC-UPHOLSTERY, PATTERN - 54" - B25 - DUSTY BLUE |
| 088008-46-000 | YD | FABRIC-UPHOLSTERY, PATTERN - 54" - B26 - TRUFFLE BROWN |
| 088008-28-000 | YD | FABRIC-UPHOLSTERY, PLAIN - 54" - B25 - DUSTY BLUE |
| | | FROM: 10-22-90 THRU: 99-99-99 |
| 088008-45-000 | YD | FABRIC-UPHOLSTERY, PLAIN - 54" - B26 - TRUFFLE BROWN |
| 087272-01-000 | YD | FABRIC-LINING, CURTAIN - 48" WIDE - IVORY |
| 088273-51-000 | YD | FABRIC-CURTAIN, PATTERNED - 54" - B25 - DUSTY BLUE |
| 088273-57-000 | YD | FABRIC-CURTAIN, PLAIN - 54" - B25 - DUSTY BLUE |
| 088273-50-000 | YD | FABRIC-CURTAIN, PATTERNED - 54" - B26 - TRUFFLE BROWN |
| 088273-65-000 | YD | FABRIC-CURTAIN, PLAIN - 54" - B26 - TRUFFLE BROWN |
| 072333-75-000 | YD | FABRIC-CURTAIN - 54" WIDE - BEIGE |
| 072333-79-000 | YD | FABRIC-CURTAIN, 54" WIDE - B25 - DUSTY BLUE COLOR CODED COACHES ONLY |
| 081928-01-000 | YD | BACKING-QUILTING, MATTRESS COVER - 59" WIDE - WHITE |
| 088273-51-000 | YD | FABRIC-CURTAIN/BEDSPREAD, PATTERNED-54"-B25-DUSTY BLUE |
| 088273-50-000 | YD | FABRIC-CURTAIN, PATTERNED - 54" - B26 - TRUFFLE BROWN |
| 072333-67-000 | YD | FABRIC-SPEAKER COVER |
| 079349-01-AD2 | YD | WELTING-FABRIC, B25 - DUSTY BLUE |
| 079349-01-B26 | YD | WELTING-FABRIC, B26 - TRUFFLE BROWN |
| 029012-01-000 | BF | FOAM-ROLLED, 3/8" THICK - 72" WIDE |

CURTAIN HARDWARE & TRACK

| KEY PART NUMBER | U/M | DESCRIPTION |
|-----------------|-----|--|
| 009701-01-000 | EA | CARRIER-SHOWER CURTAIN |
| 009702-01-000 | EA | END STOP-CURTAIN CARRIER, SHOWER |
| 048887-01-000 | EA | GROMMET-BRASS - 7/16" ID X 1" OD |
| 082484-02-01A | EA | TRACK-SHOWER, CURVED - OFF WHITE |
| 078155-01-000 | EA | STRAP-BACK CUSHION, SNAP |
| 029155-01-000 | EA | CAP-SNAP, NICKEL |
| 029158-01-000 | EA | SOCKET-SNAP FASTENER, NICKEL |
| 085591-02-000 | EA | BRACKET-BLIND, HOLD-DOWN - W/PIN |
| 083170-01-000 | EA | BRACKET-BLIND - REAR IF ON PASS SIDE / FRONT IF ON DRIVER SIDE |
| 083170-02-000 | EA | BRACKET-BLIND - FRONT IF ON PASS SIDE / REAR IF ON DRIVER SIDE |
| 089916-01-000 | EA | MOUNT-WINDOW LEG, BLACK |
| 079222-02-000 | EA | PANEL-PLASTIC LEG, 31.5" - BLACK |
| 089522-04-000 | EA | PANEL-LEG, WINDOW - 2.5" FACE |
| 089522-03-000 | EA | PANEL-LEG, WINDOW - 2.5" FACE |
| 083475-01-700 | EA | WAND-BLIND, W/METAL CLIP - 5" LONG |
| 083475-01-701 | EA | END CAP-BLIND, W/STUD |
| 102555-01-000 | EA | CLEAT-CORD, BLIND - OFF WHITE |
| 048394-02-000 | YD | VELCRO TAPE-HOOK, ADHESIVE BACK - .75" WIDE - BEIGE |
| 088792-01-000 | YD | VELCRO TAPE-HOOK, NON-ADHESIVE BACK - .75" WIDE - BEIGE |
| 088792-02-000 | YD | VELCRO TAPE-LOOP, ADHESIVE BACKED - .75" WIDE - BEIGE |
| 029084-04-000 | YD | VELCRO TAPE-HOOK, 1" WIDE - BLACK |
| 029084-03-000 | YD | VELCRO TAPE-HOOK, 1" WIDE - BLACK |
| 088792-03-000 | YD | VELCRO-LOOP, 3/4" |
| 087825-01-000 | EA | HOOK-DRAPEY |
| 085774-01-000 | FT | FASTENER-DUAL HOOK, 1" WIDE - ADHESIVE BACK - BLACK |
| 085774-02-000 | FT | FASTENER-DUAL LOOP, 1" WIDE - ADHESIVE BACK - BLACK |
| 069797-02-000 | EA | SHELL-BUTTON, PLASTIC - # 30 |
| 089734-01-000 | EA | BACK-BUTTON, DURASNAP - # 30 |

CURTAIN, CUSHION & PAD GROUP (CONTINUED)

BUTTONS

| KEY PART NUMBER | U/M | DESCRIPTION |
|-----------------|-----|--|
| 070578-01-B27 | EA | BUTTON-SNAP TOP, #30 - B25 - DUSTY BLUE |
| | | FROM: 10-15-90 THRU: 99-99-99 |
| 070578-01-B26 | EA | BUTTON-SNAP TOP, #30 - B26 - TRUFFLE BROWN |
| | | FROM: 10-15-90 THRU: 99-99-99 |
| 070578-02-U18 | EA | BUTTON-SCREW STUD, #30 - VINYL - CMOKE |
| | | FROM: 00-00-00 THRU: 01-08-91 |
| 070578-02-B10 | EA | BUTTON-SCREW STUD, #30 - VINYL - OFF WHITE |
| | | FROM: 01-07-91 THRU: 99-99-99 |
| 089734-01-000 | EA | BACK-BUTTON, DURASNAP - # 30 |

TWIN BEDS OPTION - US LA92

| KEY PART NUMBER | U/M | DESCRIPTION |
|-----------------|-----|---|
| 085365-07-B27 | EA | BEDSPREAD-TWIN, W/ROUNDED CORNER - 33" - B25 - DUSTY BLUE |
| 085365-07-B28 | EA | BEDSPREAD-TWIN, W/ROUNDED CORNER, 33" - B26 - TRUFFLE BROWN |
| 101123-02-000 | EA | MATTRESS-TWIN, 32" X 74" |
| P01123-02-000 | EA | COVER-MATTRESS, 32" X 74" |

DOUBLE BEDSPREAD & MATTRESS

| KEY PART NUMBER | U/M | DESCRIPTION |
|-----------------|-----|--|
| 101123-01-000 | EA | MATTRESS-DOUBLE, 53" X 74" - TICKING COVERED |
| 081997-08-B27 | EA | SHAM-PILLOW, QUILTED - B25 - DUSTY BLUE |
| | | FROM: 00-00-00 THRU: 05-08-90 |
| 081997-08-B28 | EA | SHAM-PILLOW, QUILTED - B26 - TRUFFLE BROWN |
| | | FROM: 00-00-00 THRU: 05-08-90 |
| 081997-07-B27 | EA | SHAM-PILLOW, NON-QUILTED - B25 - DUSTY BLUE |
| | | FROM: 05-07-90 THRU: 06-17-90 |
| 081997-07-B28 | EA | SHAM-PILLOW, NON-QUILTED - B26 - TRUFFLE BROWN |
| | | FROM: 05-07-90 THRU: 06-17-90 |
| 102181-01-B27 | EA | SHAM-W/PILLOW INSERT, NON-QUILTED - B25 - DUSTY BLUE |
| | | FROM: 06-18-90 THRU: 99-99-99 |
| 102181-01-B28 | EA | SHAM-W/PILLOW INSERT, NON-QUILTED - B26 - TRUFFLE BROWN |
| | | FROM: 06-18-90 THRU: 99-99-99 |
| 081997-07-B27 | EA | SHAM-PILLOW, NON-QUILTED - B25 - DUSTY BLUE |
| 081997-07-B28 | EA | SHAM-PILLOW, NON-QUILTED - B26 - TRUFFLE BROWN |
| 085365-08-B27 | EA | BEDSPREAD-DOUBLE, W/ROUNDED CORNER - B25 - DUSTY BLUE |
| 085365-08-B28 | EA | BEDSPREAD-DOUBLE, W/ROUNDED CORNER - B26 - TRUFFLE BROWN |

DRIVER SIDE LOUNGE COUCH CABINET & COMPONENTS

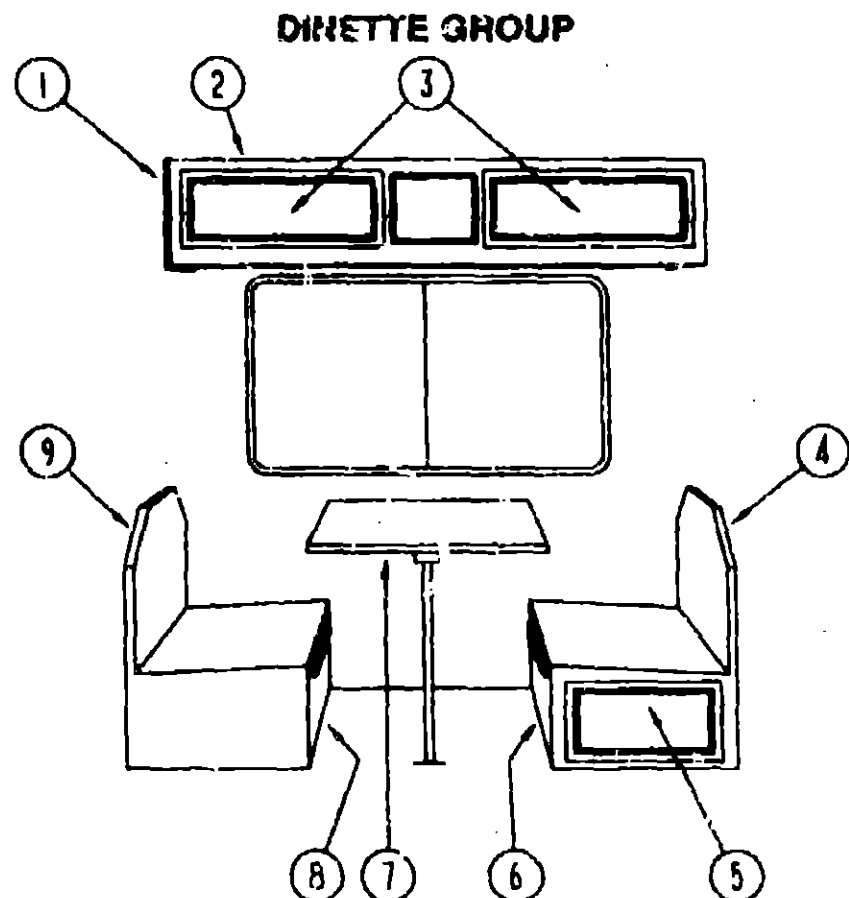
| KEY PART NUMBER | U/M | DESCRIPTION |
|-----------------|-----|---|
| M04187-01-B25 | EA | CABINET-COUCH, FRONT END - FABRIC COVERED - B25-DUSTY BLUE |
| M04187-01-B26 | EA | CABINET-COUCH, FRONT END - FABRIC COVERED - B26-TRUFFLE BROWN |
| M04187-02-B25 | EA | CABINET-COUCH, REAR END - FABRIC COVERED - B25-DUSTY BLUE |
| M04187-02-B26 | EA | CABINET-COUCH, REAR END - FABRIC COVERED - B26-TRUFFLE BROWN |
| M04187-03-B25 | EA | CABINET-COUCH, FACE - FABRIC COVERED - B25 - DUSTY BLUE |
| M04187-03-B26 | EA | CABINET-COUCH, FACE - FABRIC COVERED - B26 - TRUFFLE BROWN |
| 016804-03-000 | EA | BRACE-CABINET ANGLE, 2.5" - BEIGE |

TABLE OF CONTENTS

| | |
|--------------------|-------------|
| INTRODUCTION | A-01 |
| ABBREVIATIONS | A-01 |
| ALPHABETICAL INDEX | A-02 - A-04 |
| ICF23EC | A-05 - D-17 |
| ICF30EU | D-18 - H-22 |

1991 ICF30EU INDEX

| | |
|--------------------------------|-------------|
| FLOOR PLAN | D-18 - D-20 |
| ACCESSORIES | D-21 - D-24 |
| BATH | E-01 - E-04 |
| BEDROOM | E-05 - E-08 |
| CHASSIS | E-09 - E-14 |
| C C & PAD | E-15 - E-24 |
| DINETTE | F-01 - F-02 |
| DRIVERS | F-03 - F-12 |
| ELECTRICAL | F-13 - F-18 |
| EXTERIOR BODY | F-17 - F-22 |
| GALLEY | F-23 - G-04 |
| HEATING & AC | G-05 - G-10 |
| INTERIOR FINISH | G-11 - G-15 |
| LABEL | G-16 |
| LP | G-17 |
| LOUNGE | G-18 - G-20 |
| SEALANTS & FASTENERS | G-21 - G-22 |
| WATER & SEWAGE | G-23 - H-02 |
| WINDOW, VENT AND EXTERIOR DOOR | H-03 - H-22 |



OVERHEAD CABINET W/LIGHT, SPEAKER & RECEPTACLE

| KEY PART NUMBER | U/M | DESCRIPTION |
|-----------------|-----|--|
| 1 | EA | 094590-01-B25 CAP-END, CABINET - FRONT |
| 2 | EA | PC0410-02-B25 CABINET-OVERHEAD, DINETTE - W/O DOORS OR HARDWARE |
| 3 | EA | PC0099-26-B25 DOOR-CABINET, OVERHEAD - W/O HARDWARE - 12" X 26" |
| 4 | EA | M04174-C1-B25 CABINET-BACKREST, REAR - W/O HARDWARE |
| 5 | EA | PC0049-12-B27 DOOR-CABINET, DINETTE ENDS - W/O HARDWARE - 10" X 19" |
| 6 | EA | M04175-01-B25 CABINET-SEATBASE, REAR - W/O HARDWARE |
| 7 | EA | M02115-09-B25 TABLE-DINETTE, W/O EDGE BAND OR HARDWARE |
| 8 | EA | M03078-04-B25 CABINET-SEATBASE, FRONT - W/O DOOR OR HARDWARE |
| 9 | EA | M03079-04-B25 CABINET-BACKREST, FRONT - W/O HARDWARE |
| | EA | F00099-01-B44 DOOR-CABINET, DINETTE FRONT - 10" X 25.2" - W/O HARDWARE |

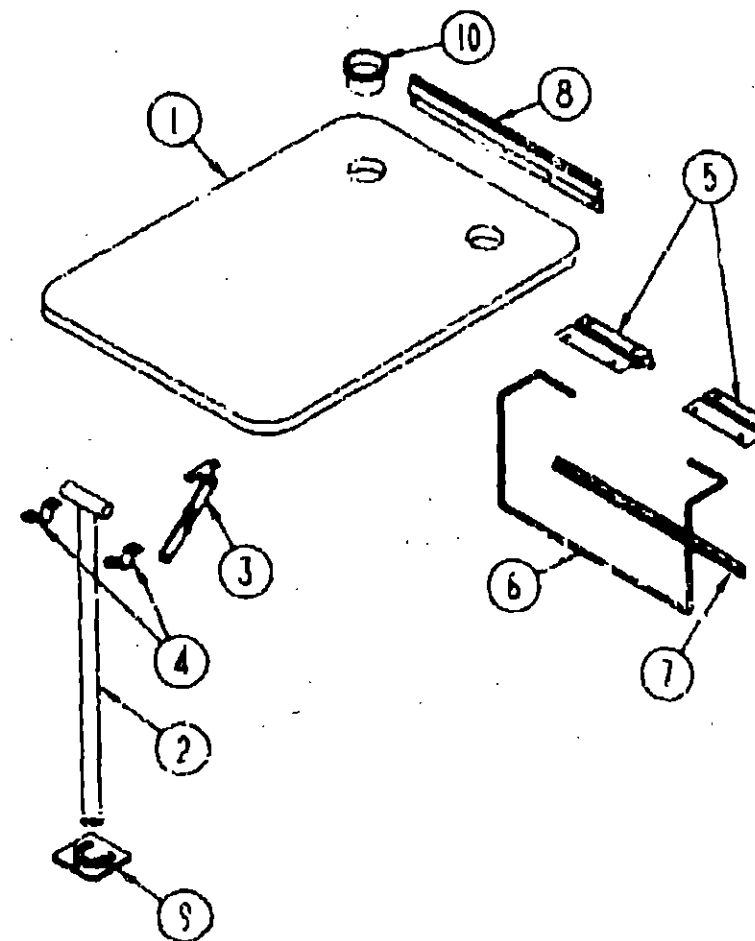
DINETTE BACKREST PADS

| KEY PART NUMBER | U/M | DESCRIPTION |
|-----------------|-----|--|
| 081519-10-B25 | EA | PAD-BACKREST, REAR - B25 - DUSTY BLUE FROM: 00-00-00 THRU: 10-21-90 |
| 081519-10-B26 | EA | PAD-BACKREST, REAR - B26 - TRUFFLE BROWN FROM: 00-00-00 THRU: 10-21-90 |
| 081519-11-B25 | EA | PAD-BACKREST, FRONT - B25 - DUSTY BLUE FROM: 00-00-00 THRU: 10-21-90 |
| 081519-11-B26 | EA | PAD-BACKREST, FRONT - B26 - TRUFFLE BROWN FROM: 00-00-00 THRU: 10-21-90 |
| 081519-16-B27 | EA | PAD-BACKREST, REAR - B25 - DUSTY BLUE FROM: 10-22-90 THRU: 99-99-99 |
| 081519-16-B28 | EA | PAD-BACKREST, REAR - B26 - TRUFFLE BROWN FROM: 10-22-90 THRU: 99-99-99 |
| 081519-17-B27 | EA | PAD-BACKREST, FRONT - B25 - DUSTY BLUE FROM: 10-22-90 THRU: 99-99-99 |
| 081519-17-B28 | EA | PAD-BACKREST, FRONT - B26 - TRUFFLE BROWN FROM: 10-22-90 THRU: 99-99-99 |

SEATBELTS

| KEY PART NUMBER | U/M | DESCRIPTION |
|-----------------|-----|---------------------------------------|
| 057759-01-000 | EA | WASHER BRACKET-SEAT BELT, 4" DIAMETER |
| 060039-06-008 | EA | NUT-HEX, SER FLG LK - 3/8-16 ZN |
| 000044-07-008 | EA | NUT-HEX, SER FLG LK - 7/16-20 ZN |
| 007021-01-000 | EA | BELT-SEAT, 2" X 90" - BLACK |
| 066271-02-000 | EA | BELT-SEAT, 2" X 72" - BLACK |

DINETTE GROUP (CONTINUED)



DINETTE TABLE & COMPONENTS

| KEY PART NUMBER | U/M | DESCRIPTION |
|-----------------|-----|---|
| 1 | EA | M02115-09-B03 TABLE-DINETTE, W/O EDGE BAND OR HARDWARE |
| | EA | 070325-24-000 MOLDING-EDGE BAND, 1 5/16" WIDE - WOODGRAIN |
| | EA | 000067-10-120 SCREW-10-12X.75 PPH TAN |
| | EA | 001354-01-000 BUMPER-CABINET DOOR, RUBBER - BROWN |
| 2 | EA | 024278-21-000 LEG-TABLE, METAL - BEIGE |
| 3 | EA | 024282-01-000 BRACE-TABLE LEG, HINGED |
| | EA | 024283-01-000 CLIP-LEG, 1" X 1.125" OD - BLACK |
| 4 | EA | 064050-03-000 CLAMP-SADDLE, LEG HINGE - TAN |
| 5 | EA | 038410-01-000 BRACKET-LIFT, TABLE MOUNTED - BEIGE |
| 6 | EA | 024275-05-000 ROD-TABLE LIFT, 8" X 23.5" - BEIGE |
| 7 | EA | 024281-07-000 BRACKET-LIFT ROD, LOWER WALL MOUNTED - 22.12" - BEIGE |
| 8 | EA | 053200-05-000 BRACKET-TABLE SUPPORT, UPPER WALL MOUNTED - 23.5" - BEIGE |
| 9 | EA | 049453-10-000 CATCH-TABLE LEG, FLOOR MOUNTED - BEIGE |
| 10 | EA | 064781-06-000 HOLDER-CUP, TWO STEP - OFF WHITE |

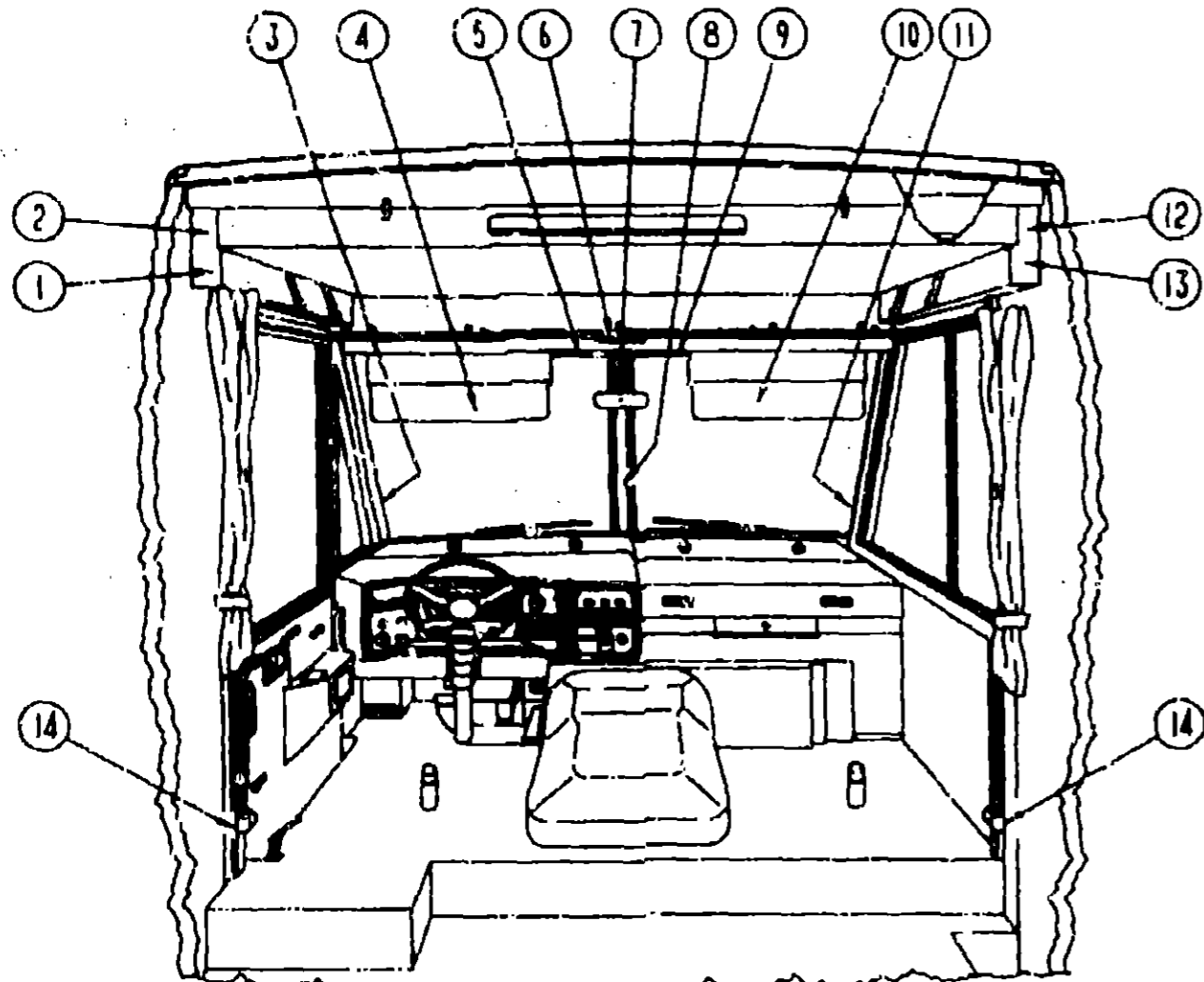
TABLE OF CONTENTS

| | |
|--------------------|-------------|
| INTRODUCTION | A-01 |
| ABBREVIATIONS | A-01 |
| ALPHABETICAL INDEX | A-02 - A-04 |
| ICF23EC | A-05 - D-17 |
| ICF30EU | D-19 - H-22 |

1991 ICF30EU INDEX

| | |
|--------------------------------|-------------|
| FLOOR PLAN | D-19 - D-20 |
| ACCESSORIES | D-21 - D-24 |
| BATH | E-01 - E-04 |
| BEDROOM | E-05 - E-08 |
| CHASSIS | E-09 - E-14 |
| C & PAD | E-15 - E-24 |
| DINETTE | F-01 - F-02 |
| DRIVERS | F-03 - F-12 |
| ELECTRICAL | F-13 - F-16 |
| EXTERIOR BODY | F-17 - F-22 |
| GALLEY | F-23 - G-04 |
| HEATING & A/C | G-05 - G-10 |
| INTERIOR FINISH | G-11 - G-15 |
| LABEL | G-16 |
| LP | G-17 |
| LOUNGE | G-18 - G-20 |
| SEALANTS & FASTENERS | G-21 - G-22 |
| WATER & SEWAGE | G-23 - H-02 |
| WINDOW, VENT AND EXTERIOR DOOR | H-03 - H-22 |

DRIVERS COMPARTMENT GROUP



UPPER TRIM COMPONENTS W/SUNVISOR

| KEY PART NUMBER | U/M DESCRIPTION |
|------------------|--|
| 1 101499-02-B03 | EA BOTTOM-SIDEWALL TRIM, DRIVER - 37.2" X 3" - VINYL WRAPPED FROM: 00-00-00 THRU: 01-06-91 |
| 1 101497-02-B04 | EA BOTTOM-SIDEWALL TRIM, DRIVER - 37.2" X 3" - VINYL WRAPPED FROM: 01-07-91 THRU: 99-99-99 |
| 2 101497-02-B03 | EA TRIM-SIDEWALL, UPPER DRIVER - 37.5" X 9.3" - VINYL WRAPPED FROM: 00-00-00 THRU: 01-06-91 |
| 2 101497-02-B04 | EA TRIM-SIDEWALL, UPPER DRIVER - 37.5" X 9.3" - VINYL WRAPPED FROM: 01-07-91 THRU: 99-99-99 |
| 3 079206-10-000 | EA TRIM POST-WINDSHIELD, DRIVER CORNER - METAL - GRAY FROM: 00-00-00 THRU: 01-06-91 |
| 3 079206-12-000 | EA TRIM POST-WINDSHIELD, DRIVER CORNER - METAL - BLACK FROM: 01-07-91 THRU: 99-99-99 |
| 4 082286-01-U16 | EA SUNVISOR-DRIVER/PASSENGER - GRAY FROM: 00-00-00 THRU: 01-07-91 |
| 4 082286-01-B03 | EA SUNVISOR-DRIVER/PASSENGER, OFF WHITE FROM: 01-08-91 THRU: 99-99-99 |
| 5 078579-04-000 | EA TRIM-WINDSHIELD, UPPER DRIVER SIDE - PLASTIC - GRAY FROM: 00-00-00 THRU: 01-06-91 |
| 5 078579-06-000 | EA TRIM-WINDSHIELD, UPPER DRIVER SIDE - PLASTIC - BEIGE FROM: 01-07-91 THRU: 99-99-99 |
| 6 086280-01-000 | EA LIGHT-SURFACE MOUNT, 12V - JENSEN 1236 |
| 6 089280-01-700 | EA BULB-SURFACE MOUNT LIGHT, 12V - 6W |
| 7 043714-01-700 | EA MIRROR-REAR VIEW W/ARM MOUNT & SET SCREW - GM # 911722 |
| 8 081105-01-AAB | EA TRIM-HEADER, ROUTED/SHAPED WOOD - 1.7" X 83.75" |
| 8 079765-04-000 | EA TRIM-CENTER WINDSHIELD, PLASTIC - GRAY FROM: 00-00-00 THRU: 01-06-91 |
| 8 079765-07-000 | EA TRIM-CENTER WINDSHIELD, PLASTIC - BEIGE FROM: 01-07-91 THRU: 99-99-99 |
| 9 078579-03-000 | EA TRIM-WINDSHIELD, UPPER PASSENGER SIDE - PLASTIC - GRAY FROM: 00-00-00 THRU: 01-06-91 |
| 9 078579-05-000 | EA TRIM-WINDSHIELD, UPPER PASSENGER SIDE - PLASTIC - BEIGE FROM: 01-07-91 THRU: 99-99-99 |
| 10 082286-01-U16 | EA SUNVISOR-DRIVER/PASSENGER - GRAY FROM: 00-00-00 THRU: 01-07-91 |

DRIVERS COMPARTMENT GROUP CONTINUED

UPPER TRIM COMPONENTS (CONT)

| KEY PART NUMBER | U/M DESCRIPTION |
|------------------|--|
| 10 082286-01-B03 | EA SUNVISOR-DRIVER/PASSENGER, OFF WHITE FROM: 01-08-91 THRU: 99-99-99 |
| 007211-01-000 | EA HINGE-SUNVISOR |
| 074012-01-000 | EA CLIP-SUNVISOR, SQUARE - PINCH ON |
| 085700-01-000 | EA MOUNT-SUNVISOR, CLIP TYPE - BLACK |
| 102377-01-000 | EA BRACKET-SUNVISOR, 1 PIECE - STEEL |
| 11 079206-05-000 | EA TRIM POST-WINDSHIELD, PASSENGER CORNER - METAL - GRAY FROM: 00-00-00 THRU: 01-06-91 |
| 11 079206-11-000 | EA TRIM POST-WINDSHIELD, PASSENGER CORNER - METAL - BLACK FROM: 01-07-91 THRU: 99-99-99 |
| 12 101497-01-B03 | EA TRIM-SIDEWALL, UPPER PASS - 37.5" X 9.3" - VINYL WRAPPED FROM: 00-00-00 THRU: 01-06-91 |
| 12 101497-01-B04 | EA TRIM-SIDEWALL, UPPER PASS - 37.5" X 9.3" - VINYL WRAPPED FROM: 01-07-91 THRU: 99-99-99 |
| 13 101499-01-B03 | EA BOTTOM-SIDEWALL TRIM, PASS - 37.2" X 3" - VINYL WRAPPED FROM: 00-00-00 THRU: 01-06-91 |
| 13 101499-01-B04 | EA BOTTOM-SIDEWALL TRIM, PASS - 37.2" X 3" - VINYL WRAPPED FROM: 01-07-91 THRU: 99-99-99 |
| 14 091990-01-01A | EA SEAT BELT-SHOULDER HARNESS - DRIVERS/PASSENGERS - BLACK |
| 046886-03-000 | EA ASHTRAY-CHROME, W/COVER |
| 100624-01-B03 | EA PANEL-HEADLINER, 90.2" X 13" END - VINYL - GRAY FROM: 00-00-00 THRU: 01-06-91 |
| 100624-01-B04 | EA PANEL-HEADLINER, 90.2" X 13" END - VINYL - OFF WHITE FROM: 01-07-91 THRU: 99-99-99 |
| 078811-05-B03 | EA BOTTOM-HEADLINER, W/SPEAKER CUTOUTS - VINYL - GRAY FROM: 00-00-00 THRU: 01-06-91 |
| 078811-05-311 | EA BOTTOM-HEADLINER, W/SPEAKER CUTOUTS - VINYL - OFF WHITE FROM: 01-07-91 THRU: 99-99-99 |

WINDSHIELD & CAB WINDOW CURTAIN TRACKS

| KEY PART NUMBER | U/M DESCRIPTION |
|-----------------|--|
| 101589-01-B03 | EA TRACK-CURTAIN, HOOK - 89" FRONT SECTION CURVED 34" AL PASS SIDE - GRAY FROM: 04-28-90 THRU: 12-02-90 |
| 101589-01-B04 | EA TRACK-CURTAIN, HOOK - 89" FRONT SECTION CURVED 34" AL PASS SIDE - OFF WHITE FROM: 12-03-90 THRU: 99-99-99 |
| 094856-06-01A | EA TRACK-DOOR/CURTAIN, 37.6" - GRAY FROM: 04-28-90 THRU: 12-02-90 |
| 094856-06-02A | EA TRACK-DOOR/CURTAIN, 37.6" - OFF WHITE FROM: 12-03-90 THRU: 99-99-99 |

ROLL BAR COVERS

| KEY PART NUMBER | U/M DESCRIPTION |
|-----------------|--|
| 024700-32-000 | EA COVER-ROLL BAR, U-CHANNEL - 57.25" - PLASTIC - GRAY FROM: 00-00-00 THRU: 01-06-91 |
| 024700-41-000 | EA COVER-ROLL BAR, U-CHANNEL - 57.25" - PLASTIC - OFF WHITE FROM: 01-07-91 THRU: 99-99-99 |

ROLL BAR COVERS USED W/DRIVER'S DOOR

| KEY PART NUMBER | U/M DESCRIPTION |
|-----------------|--|
| 024700-33-000 | EA COVER-ROLL BAR, U-CHANNEL - 15.25" - PLASTIC - GRAY FROM: 00-00-00 THRU: 01-06-91 |
| 024700-38-000 | EA COVER-ROLL BAR, U-CHANNEL - 15.25" - PLASTIC - OFF WHITE FROM: 01-07-91 THRU: 99-99-99 |
| 024700-34-000 | EA COVER-ROLL BAR, U-CHANNEL - 33.9" - PLASTIC - GRAY FROM: 00-00-00 THRU: 01-06-91 |

TABLE OF CONTENTS

| | |
|--------------------|-------------|
| INTRODUCTION | A-01 |
| ABBREVIATIONS | A-01 |
| ALPHABETICAL INDEX | A-02 - A-04 |
| ICF23EC | A-05 - D-17 |
| ICF30EU | D-19 - H-22 |

1991 ICF30EU INDEX

| | |
|--------------------------------|-------------|
| FLOOR PLAN | D-19 - D-20 |
| ACCESSORIES | D-21 - D-24 |
| BATH | E-01 - E-04 |
| BEDROOM | E-05 - E-08 |
| CHASSIS | E-09 - E-14 |
| C C & PAD | E-15 - E-24 |
| DINETTE | F-01 - F-02 |
| DRIVERS | F-03 - F-12 |
| ELECTRICAL | F-13 - F-16 |
| EXTERIOR BODY | F-17 - F-22 |
| GALLEY | F-23 - G-04 |
| HEATING & AC | G-05 - G-10 |
| INTERIOR FINISH | G-11 - G-15 |
| LABEL | G-16 |
| LP | G-17 |
| LOUNGE | G-18 - G-20 |
| SEALANTS & FASTENERS | G-21 - G-22 |
| WATER & SEWAGE | G-23 - H-02 |
| WINDOW, VENT AND EXTERIOR DOOR | H-03 - H-22 |

DRIVERS COMPARTMENT GROUP (CONTINUED)

1991 FORD & 1991 DIESEL

| KEY PART NUMBER | U/M DESCRIPTION |
|-----------------|--|
| 100390-04-01A | EA BEZEL-INSTRUMENT PANEL, BLACK MATTE |

1991 CHEVY

| KEY PART NUMBER | U/M DESCRIPTION |
|-----------------|--|
| 102344-01-000 | EA WIRE ASM.-INSTRUMENT PANEL, MAIN - 1991 CHEVY CHASSIS |
| 007840-01-000 | EA RECEPTACLE-SLIDE, 16 TO 12 AWG |

MOTOR COVER

| KEY PART NUMBER | U/M DESCRIPTION |
|-----------------|--|
| 075564-01-000 | EA BRACKET-MOUNTING, MOTOR COVER |
| 007552-01-000 | EA COVER-MOTOR W/O CARPET |
| 002754-01-001 | EA ANGLE-EXTRUDED, .75" X .75" X 18" - MILL ALUMINUM |
| 036323-01-000 | FT SEAL-MOTOR COVER, RUBBER BULB TYPE - BLACK |
| 080644-01-000 | EA TRIM-MOTOR COVER, METAL - SCREWS TO FLOOR |
| 002754-01-001 | EA ANGLE-EXTRUDED, .75" X .75" X 18" - MILL ALUMINUM |

DIESEL ENGINE (OPTION L33N)

| KEY PART NUMBER | U/M DESCRIPTION |
|-----------------|---|
| 072877-01-000 | EA INSULATION-SOUND BARRIER |
| 072878-01-000 | EA INSULATION-SOUND BARRIER PAD, 29.25" X 40.19" |
| M01113-51-903 | EA DASH ASSEMBLY W/RADIO - DIESEL, 91 CHEVY - 90 CHASSIS FROM: 00-00-00 THRU: 09-16-90 |
| M78068-03-000 | EA SUPPORT-DASH, 90.8" - METAL - BLACK |
| 038846-02-000 | EA RETAINER-DASH, 3" X 1.5" |
| 078007-01-000 | EA SUPPORT-RADIO |
| 009118-01-000 | EA LOCK-TWIST W/NUT, GLOVE COMPARTMENT |
| 022219-01-000 | EA DOOR-GLOVE COMPARTMENT, BLACK |
| 023834-01-000 | EA PANEL-KNEE KICK, 3.25" X 45.38" - BLACK |
| 023892-01-000 | EA BOX-GLOVE COMPARTMENT, FIBERBOARD - BLACK |
| 024598-01-000 | EA HINGE-PIANO, GLOVE COMPARTMENT - 1 1/16" X 19" |
| 038846-01-000 | EA RETAINER-DASH, 1" X 1/2" |
| 038846-02-000 | EA RETAINER-DASH, 3" X 1.5" |
| 039044-01-000 | EA LOUVER-ADJUSTABLE A/C, 2.5" X 5.75" |
| 079088-04-000 | EA TOP-PADDED DASH, DRIVERS SIDE - VINYL COVERED - GRAY FROM: 00-00-00 THRU: 10-29-90 |
| 079088-04-000 | EA TOP-PADDED DASH, DRIVERS SIDE - VINYL COVERED - GRAY FROM: 10-30-90 THRU: 99-99-99 |
| 079089-02-000 | EA TOP-PADDED DASH, PASSENGER SIDE - VINYL COVERED - GRAY |
| 089294-01-000 | EA LIGHTER ASM-CIGARETTE |
| 090982-01-000 | EA RADIO-AM/FM CASSETTE, ELECTRIC TUNE - AUDIOVOX HCC-10 |
| 093381-01-000 | EA SWITCH-RADIO, MAIN TO AUXILIARY |
| 100399-03-01A | EA BEZEL-ENTERTAINMENT CENTER, BLACK MATTE |
| 100390-01-01A | EA BEZEL-INSTRUMENT PANEL, BLACK MATTE |
| M01113-57-B03 | EA DASH-COMPLETE, W/RADIO FROM: 09-17-90 THRU: 99-99-99 |

| | |
|---------------|--|
| M78068-03-000 | EA SUPPORT-DASH, 90.8" - METAL - BLACK |
| 038846-02-000 | EA RETAINER-DASH, 3" X 1.5" |
| 000G11-08-12D | EA SCREW, 8-18 X 3/4 PPH - BLACK |
| 000G39-08-16T | EA SCREW-SF/DR, 8-18 X 1 PPH - BLACK |
| 005081-01-000 | EA NUT-SPEED, C TYPE - NO 8 SCREW |
| 007083-01-000 | EA FLASHER-SIGNAL STAT |
| 008343-01-000 | EA TIE-WIRE, 6" |
| 009118-01-000 | EA LOCK-TWIST W/NUT, GLOVE COMPARTMENT |
| 022219-01-000 | EA DOOR-GLOVE COMPARTMENT, BLACK |
| 023834-01-000 | EA PANEL-KNEE KICK, 3.25" X 45.38" - BLACK |
| 023892-01-000 | EA BOX-GLOVE COMPARTMENT, FIBERBOARD - BLACK |
| 024598-01-000 | EA HINGE-PIANO, GLOVE COMPARTMENT - 1 1/16" X 19" |
| 009066-01-000 | EA HINGE-ALUMINUM, NO HOLES - 1 1/16" X 6" - UNPAINTED |
| 031048-04-000 | EA PLATE-SWITCH COVER, BLACK |
| 031048-05-000 | EA PLATE-GAUGE COVER, BLACK |
| 038846-01-000 | EA RETAINER-DASH, 1" X 1/2" |
| 038846-02-000 | EA RETAINER-DASH, 3" X 1.5" |
| 039044-01-000 | EA LOUVER-ADJUSTABLE A/C, 2.5" X 5.75" |
| 061424-01-000 | EA LIGHT-AISLE, 12V - RECTANGULAR |
| 082401-05-000 | EA CLAMP-HOSE, WORMGEAR - 2" X 3" |
| 062901-05-000 | EA FUSE-15 AMPS, AUTOMOTIVE |
| 079088-05-000 | EA TOP-PADDED DASH, DRIVERS SIDE - VINYL COVERED - BEIGE |

DRIVERS COMPARTMENT GROUP (CONTINUED)

DIESEL ENGINE (OPTION L33N) CONT

| KEY PART NUMBER | U/M DESCRIPTION |
|-----------------|--|
| 079089-03-000 | EA TOP-PADDED DASH, PASSENGER SIDE - VINYL COVERED - BEIGE |
| 087706-01-000 | EA MOUNTING KIT-RADIO, AUDIOVOX |
| 089294-01-000 | EA LIGHTER ASM-CIGARETTE |
| 090982-01-000 | EA RADIO-AM/FM CASSETTE, ELECTRIC TUNE - AUDIOVOX HCC-10 |
| 093381-01-000 | EA SWITCH-RADIO, MAIN TO AUXILIARY |
| 100399-04-01A | EA BEZEL-ENTERTAINMENT CENTER, BLACK MATTE |

DIESEL EXPORT (OPTION L08M)

| KEY PART NUMBER | U/M DESCRIPTION |
|-----------------|---|
| 072878-01-000 | EA INSULATION-SOUND BARRIER PAD, 29.25" X 40.19" |
| M01113-51-E03 | EA DASH ASSEMBLY W/RADIO - DIESEL, 91 CHEVY - 90 CHASSIS FROM: 00-00-00 THRU: 09-16-90 |
| M01113-57-B03 | EA DASH-COMPLETE, W/RADIO |
| M78068-03-000 | EA SUPPORT-DASH, 90.8" - METAL - BLACK FROM: 09-17-90 THRU: 99-99-99 |
| 038846-02-000 | EA RETAINER-DASH, 3" X 1.5" |
| 076007-01-000 | EA SUPPORT-RADIO |
| 009118-01-000 | EA LOCK-TWIST W/NUT, GLOVE COMPARTMENT |
| 022219-01-000 | EA DOOR-GLOVE COMPARTMENT, BLACK |
| 023834-01-000 | EA PANEL-KNEE KICK, 3.25" X 45.38" - BLACK |
| 023892-01-000 | EA BOX-GLOVE COMPARTMENT, FIBERBOARD - BLACK |
| 024598-01-000 | EA HINGE-PIANO, GLOVE COMPARTMENT - 1 1/16" X 19" |
| 038846-01-000 | EA RETAINER-DASH, 1" X 1/2" |
| 038846-02-000 | EA RETAINER-DASH, 3" X 1.5" |
| 039044-01-000 | EA LOUVER-ADJUSTABLE A/C, 2.5" X 5.75" |
| 079088-04-000 | EA TOP-PADDED DASH, DRIVERS SIDE - VINYL COVERED - GRAY FROM: 00-00-00 THRU: 09-16-90 |

| | |
|---------------|---|
| 079088-05-000 | EA TOP-PADDED DASH, DRIVERS SIDE - VINYL COVERED - BEIGE FROM: 09-17-90 THRU: 99-99-99 |
| 079089-02-000 | EA TOP-PADDED DASH, PASSENGER SIDE - VINYL COVERED - GRAY FROM: 00-00-00 THRU: 09-16-90 |
| 079089-03-000 | EA TOP-PADDED DASH, PASSENGER SIDE - VINYL COVERED - BEIGE FROM: 09-17-90 THRU: 99-99-99 |
| 100389-03-01A | EA BEZEL-ENTERTAINMENT CENTER, BLACK MATTE FROM: 00-00-00 THRU: 09-16-90 |
| 100389-04-01A | EA BEZEL-ENTERTAINMENT CENTER, BLACK MATTE FROM: 09-17-90 THRU: 99-99-99 |
| 100390-01-01A | EA BEZEL-INSTRUMENT PANEL, BLACK MATTE FROM: 00-00-00 THRU: 09-16-90 |
| 100390-04-01A | EA BEZEL-INSTRUMENT PANEL, BLACK MATTE FROM: 09-17-90 THRU: 99-99-99 |

110 V INVERTOR OPTION L40F

| KEY PART NUMBER | U/M DESCRIPTION |
|-----------------|---|
| 100624-04-B03 | EA PANEL-VINYL COVERED, 90.2" - W/ 4 CUTOUTS - GRAY FROM: 00-00-00 THRU: 01-06-91 |
| 100624-04-B04 | EA PANEL-VINYL COVERED, 90.2" - W/ 4 CUTOUTS - OFF WHITE FROM: 01-07-91 THRU: 99-99-99 |

110 V INVERTOR OPTION L40F

| KEY PART NUMBER | U/M DESCRIPTION |
|-----------------|---|
| 100624-05-B03 | EA PANEL-VINYL COVERED, 90.2" - W/ 3 CUTOUTS - GRAY FROM: 00-00-00 THRU: 01-06-91 |
| 100624-05-B04 | EA PANEL-VINYL COVERED, 90.2" - W/ 3 CUTOUTS - OFF WHITE FROM: 01-07-91 THRU: 99-99-99 |

TABLE OF CONTENTS

| | |
|--------------------|-------------|
| INTRODUCTION | A-01 |
| ABBREVIATIONS | A-01 |
| ALPHABETICAL INDEX | A-02 - A-04 |
| ICF23EC | A-05 - D-17 |
| ICF30EU | D-19 - H-22 |

1991 ICF30EU INDEX

| | |
|--------------------------------|-------------|
| FLOOR PLAN | D-19 - D-20 |
| ACCESSORIES | D-21 - D-24 |
| BATH | E-01 - E-04 |
| BEDROOM | E-05 - E-08 |
| CHASSIS | E-09 - E-14 |
| C C & PAD | E-15 - E-24 |
| DINETTE | F-01 - F-02 |
| DRIVERS | F-03 - F-12 |
| ELECTRICAL | F-13 - F-16 |
| EXTERIOR BODY | F-17 - F-22 |
| GALLEY | F-23 - G-04 |
| HEATING & A/C | G-05 - G-10 |
| INTERIOR FINISH | G-11 - G-15 |
| LABEL | G-16 |
| LIF | G-17 |
| LOUNGE | G-18 - G-20 |
| SEALANTS & FASTENERS | G-21 - G-22 |
| WATER & SEWAGE | G-23 - H-02 |
| WINDOW, VENT AND EXTERIOR DOOR | H-03 - H-22 |

DRIVERS COMPARTMENT GROUP (CONTINUED)

CANADIAN EXPORT (OPT 285)

| KEY PART NUMBER | U/M DESCRIPTION |
|-----------------|---|
| 094796-01-000 | EA CLUSTER-INSTRUMENT PANEL, KILOMETERS - GAS - GM# 2508 FROM: 00-00-00 THRU: 02-28-91 |
| 094796-03-000 | EA CLUSTER-INSTRUMENT PANEL, KILOMETERS - GAS - GM# 1613 FROM: 03-01-91 THRU: 99-99-99 |
| 100138-01-000 | EA MODULE-DAYTIME RUNNING LIGHT |
| 100158-01-000 | EA WIRE ASM-DAYTIME RUNNING LIGHTS |
| 100159-01-000 | EA WIRE ASM-DAYTIME RUNNING LIGHTS, W/FUSE FROM: 00-00-00 THRU: 02-28-91 |

JAPAN EXPORT (OPT 045)

| KEY PART NUMBER | U/M DESCRIPTION |
|-----------------|--|
| 094796-01-000 | EA CLUSTER-INSTRUMENT PANEL, KILOMETERS - GAS - GM# 2508 |

HOOD RELEASE & STEERING COLUMN COVERS

| KEY PART NUMBER | U/M DESCRIPTION |
|-----------------|--|
| 077407-01-000 | EA BRACKET-HOOD RELEASE CABLE |
| 074178-01-000 | EA BRACKET-CABLE, HOOD RELEASE - BLACK FROM: 00-00-00 THRU: 02-28-91 |
| 040594-01-000 | EA COVER-STEERING COLUMN, PLASTIC - BLACK FROM: 00-00-00 THRU: 02-28-91 |
| 078245-01-000 | EA BOOT-STEERING COLUMN, VINYL - BLACK FROM: 00-00-00 THRU: 02-28-91 |

HOLL BAR COVER WHERE SEAT BELTS MOUNT PASSENGER SIDE

| KEY PART NUMBER | U/M DESCRIPTION |
|-----------------|--|
| 024700-32-000 | EA COVER-ROLL BAR, U-CHANNEL - 57.25" - PLASTIC - GRAY FROM: 00-00-00 THRU: 01-06-91 |
| 024700-41-000 | EA COVER-ROLL BAR, U-CHANNEL - 57.25" - PLASTIC - OFF WHITE FROM: 01-07-91 THRU: 99-99-99 |

SEATBELT

| KEY PART NUMBER | U/M DESCRIPTION |
|-----------------|--|
| 091980-01-01A | EA SEAT BELT-SHOULDER HARNESS - DRIVERS/PASSENGERS - BLACK |
| 091980-01-700 | EA COVER-BOLT, SEATBELT - BLACK |
| 091980-02-01A | EA BRACKET-DRIVERS SEAT BELT, FLOOR MOUNT |

HEADLINER, TV - VCR - CONTROL CENTER (OPTION L43 X) U.S. & CANADIAN

| KEY PART NUMBER | U/M DESCRIPTION |
|-----------------|---|
| 100624-03-B03 | EA PANEL-HEADLINER, 90.2" X 13" END - VINYL - GRAY - WITH THREE CUTOUTS FROM: 00-00-00 THRU: 01-06-91 |
| 100624-03-B04 | EA PANEL-HEADLINER, 90.2" X 13" END - VINYL - OFF WHITE - WITH THREE CUTOUTS FROM: 01-07-91 THRU: 99-99-99 |

HEADLINER, TV (OPTION L43U)

| KEY PART NUMBER | U/M DESCRIPTION |
|-----------------|---|
| 100624-02-B03 | EA PANEL-HEADLINER, 90.2" X 13" END - VINYL - GRAY - WITH TWO CUT OUTS FROM: 00-00-00 THRU: 01-06-91 |
| 100624-02-B04 | EA PANEL-HEADLINER, 90.2" X 13" END - VINYL - GRAY - WITH TWO CUT OUTS FROM: 01-07-91 THRU: 99-99-99 |

METRIC INSTRUMENT PANEL CLUSTER (OPTION L27D) CHEVY

| KEY PART NUMBER | U/M DESCRIPTION |
|-----------------|---|
| 094796-01-000 | EA CLUSTER-INSTRUMENT PANEL, KILOMETERS - GAS - GM# 2508 FROM: 00-00-00 THRU: 11-01-90 |
| 094796-03-000 | EA CLUSTER-INSTRUMENT PANEL, KILOMETERS - GAS - GM# 1613 FROM: 11-02-90 THRU: 99-99-99 |
| 100138-01-000 | EA MODULE-DAYTIME RUNNING LIGHT |
| 100158-01-000 | EA WIRE ASM-DAYTIME RUNNING LIGHTS |
| 100159-01-000 | EA WIRE ASM-DAYTIME RUNNING LIGHTS, W/FUSE FROM: 00-00-00 THRU: 02-28-91 |

METRIC INSTRUMENT PANEL CLUSTER (OPTION L27D) CHEVY

| KEY PART NUMBER | U/M DESCRIPTION |
|-----------------|---|
| 094796-04-000 | EA CLUSTER-INSTRUMENT PANEL, KILOMETERS - DIESEL - GM#18 FROM: 09-17-90 THRU: 09-99-99 |
| 100138-01-000 | EA MODULE-DAYTIME RUNNING LIGHT |
| 100158-01-000 | EA WIRE ASM-DAYTIME RUNNING LIGHTS |
| 100159-01-000 | EA WIRE ASM-DAYTIME RUNNING LIGHTS, W/FUSE FROM: 00-00-00 THRU: 02-28-91 |

DRIVERS COMPARTMENT GROUP (CONTINUED)

TV & TV CABINET (OPTION L43U)

| KEY PART NUMBER | U/M DESCRIPTION |
|-----------------|--|
| 070578-02-U19 | EA BUTTON-SCREW STUD, #30 - VINYL - SMOKE FROM: 00-00-00 THRU: 01-06-91 |
| 070578-02-B10 | EA BUTTON-SCREW STUD, #30 - VINYL - OFF WHITE FROM: 01-07-91 THRU: 99-99-99 |
| 085774-01-000 | FT FASTENER-DUAL HOOK, 1" WIDE - ADHESIVE BACK - BLACK |
| 085774-02-000 | FT FASTENER-DUAL LOOP, 1" WIDE - ADHESIVE BACK - BLACK |
| 100629-01-903 | EA FACE-CABINET, OVERHEAD - TV |
| 100622-01-01A | EA BRACKET-CABINET, TV - OFF WHITE |
| 100707-01-000 | EA SPACER-DOOR, GLASS |
| 100708-01-000 | EA DOOR-CABINET, TV - 5.8" X 29.4" - W/O HARDWARE - GLASS |
| 100710-01-01A | EA LOCK-GLASS DOOR, TWIST TYPE - BRASS |
| 100711-01-01A | EA HINGE-DOOR, GLASS |
| 101272-01-000 | EA CATCH-DOOR, GLASS |
| 101766-01-000 | EA PIN-SUPPORT, GLASS DOOR |
| 099717-02-000 | EA TIEDOWN, TV |
| 098819-01-000 | EA SPEAKER-2 WATT, 8 OHM - 4" |
| 093214-01-02A | EA GRILL-SPEAKER, 4" BROWN |
| 039030-01-000 | EA WIRE-SPEAKER, TV |
| 093637-01-000 | EA GROMMET |
| 088788-01-000 | EA SPLITTER-TV, 2 WAY |
| 100628-01-000 | EA SHELF-TV, STEEL |
| 101150-01-000 | EA SUPPORT-SHELF, TV |
| 101150-02-000 | EA SUPPORT-SHELF, TV |

1991 CHASSIS EXCHANGE (OPTION L31Y) FEDERAL - 12,300

| KEY PART NUMBER | U/M DESCRIPTION |
|-----------------|---|
| M01113-56-B03 | EA DASH-COMPLETE, W/RADIO - CHEVY |
| M78068-03-000 | EA SUPPORT-DASH, 90.8" - METAL - BLACK |
| 038846-02-000 | EA RETAINER-DASH, 3" X 1.5" |
| 076007-01-000 | EA SUPPORT-RADIO |
| 009118-01-000 | EA LOCK-TWIST W/NUT, GLOVE COMPARTMENT |
| 022219-01-000 | EA DOOR-GLOVE COMPARTMENT, BLACK |
| 023834-01-000 | EA PANEL-KNEE KICK, 3.25" X 45.38" - BLACK |
| 023892-01-000 | EA BOX-GLOVE COMPARTMENT, FIBERFOARD - BLACK |
| 024461-01-000 | EA SWITCH-BATT, BATT/DUAL/MOM |
| 024598-01-000 | EA HINGE-PIANO, GLOVE COMPARTMENT - 1 1/16" X 19" |
| 038846-01-000 | EA RETAINER-DASH, 1" X 1/2" |
| 038846-02-000 | EA RETAINER-DASH, 3" X 1.5" |
| 039044-01-000 | EA LOUVER-ADJUSTABLE A/C, 2.5" X 5.75" |
| 079088-04-000 | EA TOP-PADDED DASH, DRIVERS SIDE - VINYL COVERED - GRAY FROM: 00-00-00 THRU: 10-29-90 |
| 079088-04-000 | EA TOP-PADDED DASH, DRIVERS SIDE - VINYL COVERED - GRAY FROM: 10-30-90 THRU: 12-18-90 |
| 079088-05-000 | EA TOP-PADDED DASH, DRIVERS SIDE - VINYL COVERED - BEIGE FROM: 12-19-90 THRU: 99-99-99 |
| 079089-02-000 | EA TOP-PADDED DASH, PASSENGER SIDE - VINYL COVERED - GRAY FROM: 00-00-00 THRU: 12-18-90 |
| 079089-03-000 | EA TOP-PADDED DASH, PASSENGER SIDE - VINYL COVERED - BEIGE FROM: 12-19-90 THRU: 99-99-99 |
| 087706-01-000 | EA MOUNTING KIT-RADIO, AUDIOVOX |
| 089294-01-000 | EA LIGHTER ASM-CIGARETTE |
| 090992-01-000 | EA RADIO-AM/FM CASSETTE, ELECTRIC TUNE - AUDIOVOX HCC-10 |
| 093381-01-000 | EA SWITCH-RADIO, MAIN TO AUXILIARY |
| 100389-04-01A | EA BEZEL-ENTERTAINMENT CENTER, BLACK MATTE |
| 100390-04-01A | EA BEZEL-INSTRUMENT PANEL, BLACK MATTE |

SIDE OVERHEAD TRIM PANELS

| KEY PART NUMBER | U/M DESCRIPTION |
|-----------------|--|
| 101497-04-B03 | EA TRIM-SIDEWALL, UPPER DRIVER - 37.5" X 9.3" - VINYL WRAPPED FROM: 00-00-00 THRU: 01-06-91 |
| 101497-04-B04 | EA TRIM-SIDEWALL, UPPER DRIVER - 37.5" X 9.3" - VINYL WRAPPED FROM: 01-07-91 THRU: 99-99-99 |
| 101499-04-B25 | EA BOTTOM-SIDEWALL TRIM, DRIVER - 34.6" X 3" - VINYL WRAPPED FROM: 00-00-00 THRU: 01-06-91 |
| 101499-04-B11 | EA BOTTOM-SIDEWALL TRIM, DRIVER - 34.6" X 3" - VINYL WRAPPED FROM: 01-07-91 THRU: 99-99-99 |

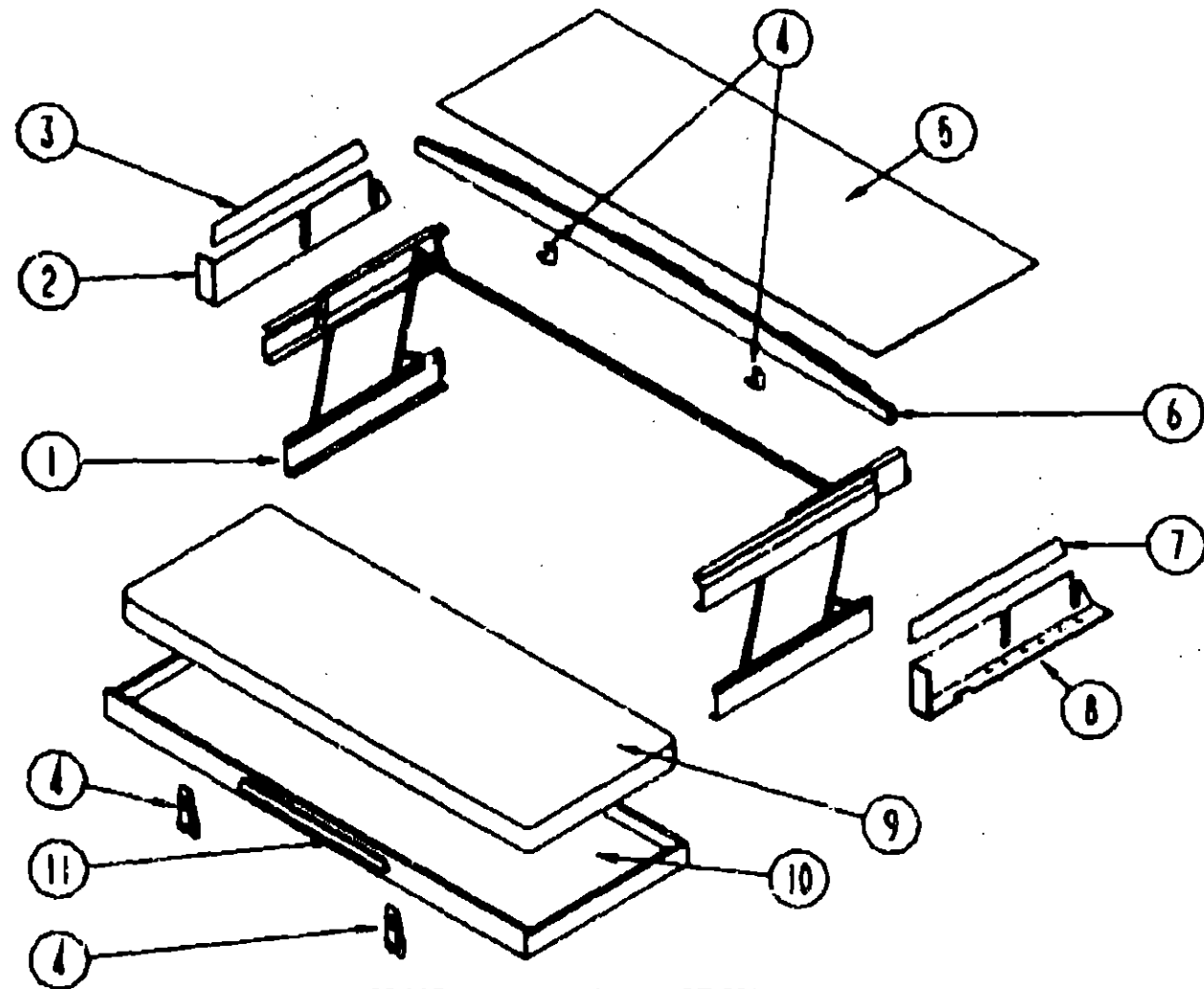
TABLE OF CONTENTS

| | |
|--------------------|-------------|
| INTRODUCTION | A-01 |
| ABBREVIATIONS | A-01 |
| ALPHABETICAL INDEX | A-02 - A-04 |
| ICF23EC | A-05 - D-17 |
| ICF30EU | D-19 - H-22 |

1991 ICF30EU INDEX

| | |
|--------------------------------|-------------|
| FLOOR PLAN | D-19 - D-20 |
| ACCESSORIES | D-21 - D-24 |
| BATH | E-01 - E-04 |
| BEDROOM | E-05 - E-08 |
| CHASSIS | E-09 - E-14 |
| C C & PAD | E-15 - E-24 |
| DNETTE | F-01 - F-02 |
| DRIVERS | F-03 - F-12 |
| ELECTRICAL | F-13 - F-16 |
| EXTERIOR BODY | F-17 - F-22 |
| GALLEY | F-23 - G-04 |
| HEATING & A/C | G-05 - G-10 |
| INTERIOR FINISH | G-11 - G-15 |
| LABEL | G-16 |
| LP | G-17 |
| LOUNGE | G-18 - G-20 |
| SEALANTS & FASTENERS | G-21 - G-22 |
| WATER & SEWAGE | G-22 - H-02 |
| WINDOW, VENT AND EXTERIOR DOOR | H-03 - H-22 |

DRIVERS COMPARTMENT GROUP (CONTINUED)



FRONT BUNK-SINGLE (OPT 523)

| KEY PART NUMBER | U/M | DESCRIPTION |
|------------------|-----|---|
| 1 076780-03-000 | EA | SUPPORT HARDWARE ASM-BUNK |
| 2 101499-02-B03 | EA | TRIM-SIDEWALL, UPPER DRIVER - 37.5" X 9.3" - VINYL WRAPPED FROM: 00-00-00 THRU: 01-06-91 |
| 2 101499-02-B04 | EA | TRIM-SIDEWALL, UPPER DRIVER - 37.5" X 9.3" - VINYL WRAPPED FROM: 01-07-91 THRU: 99-99-99 |
| 3 101497-02-P03 | EA | TRIM-SIDEWALL, UPPER DRIVER - 37.5" X 9.3" - VINYL WRAPPED FROM: 00-00-00 THRU: 01-06-91 |
| 3 101497-02-B04 | EA | TRIM-SIDEWALL, UPPER DRIVER - 37.5" X 9.3" - VINYL WRAPPED FROM: 01-07-91 THRU: 99-99-99 |
| 4 042541-04-700 | EA | LATCH ASM-W/STRIKE, (2 SETS) - BRASS |
| 042541-06-000 | EA | STRIKE-BRASS |
| 049485-04-000 | EA | SCREW, 10-18 X 1 PTH W/WASHER - BEIGE |
| 075943-02-000 | EA | BRACE-ANGLE, W/HOLES - 1" X 1.5" X 14" - ALUMINUM - BEIGE |
| 5 074497-14-000 | SF | PANELING-CEILING, 4' X 8' - INCREMENTS OF 32 SF |
| 6 M81715-01-B03 | EA | BOARD-TRIM, BUNK - VINYL COVERED - CEILING MOUNTED FROM: 00-00-00 THRU: 01-06-91 |
| 6 M81715-01-Y70 | EA | BOARD-TRIM, BUNK - VINYL COVERED - CEILING MOUNTED FROM: 01-07-91 THRU: 99-99-99 |
| 7 016604-05-000 | EA | BRACE-L/ANGLED, 2.5" - OFF WHITE |
| 7 101497-01-B03 | EA | TRIM-SIDEWALL, UPPER PASS - 37.5" X 9.3" - VINYL WRAPPED FROM: 00-00-00 THRU: 01-06-91 |
| 7 101497-01-B04 | EA | TRIM-SIDEWALL, UPPER PASS - 37.5" X 9.3" - VINYL WRAPPED FROM: 01-07-91 THRU: 99-99-99 |
| 8 101499-01-P03 | EA | BOTTOM-SIDEWALL TRIM, PASS - 37.2" X 3" - VINYL WRAPPED FROM: 00-00-00 THRU: 01-06-91 |
| 8 101499-01-B04 | EA | BOTTOM-SIDEWALL TRIM, PASS - 37.2" X 3" - VINYL WRAPPED FROM: 01-07-91 THRU: 99-99-99 |
| 9 075145-04-000 | EA | CUSHION-BUNK, OVERHEAD - 4" X 34" X 78" - B03/B04 |
| M79145-04-000 | EA | COVER-BUNK CUSHION, OVERHEAD - 4" X 34" X 78" - AA8 & AA9 |
| 10 M81717-01-B03 | EA | BED ASM-BUNK, FRONT - PADDED - W/O HARDWARE FROM: 00-00-00 THRU: 01-06-91 |
| 10 M81717-01-B25 | EA | BED ASM-BUNK, FRONT - PADDED - W/O HARDWARE FROM: 01-07-91 THRU: 99-99-99 |
| 11 094858-01-Y25 | EA | HANDLE-BUNK, OAK |

DRIVERS COMPARTMENT GROUP (CONTINUED)

DASH & COMPONENTS

| KEY PART NUMBER | U/M | DESCRIPTION |
|-----------------|-----|--|
| M01113-49-B25 | EA | DASH ASSEMBLY W/RADIO-91 CHEVY, 90 CHASSIS FROM: 00-00-00 THRU: 02-28-91 |
| M01113-55-B25 | EA | DASH-COMPLETE, W/RADIO - 1991 CHEVY CHASSIS FROM: 03-01-91 THRU: 99-99-99 |
| 079038-04-000 | EA | TOP-PADDED DASH, DRIVERS SIDE - VINYL COVERED - GRAY |
| 079089-02-000 | EA | TOP-PADDED DASH, PASSENGER SIDE - VINYL COVERED - GRAY |
| M78068-03-000 | EA | SUPPORT-DASH, 90.3" - METAL - BLACK FROM: 12-19-90 THRU: 99-99-99 |
| 038846-02-000 | EA | RETAINER-DASH, 3" X 1.5" |
| 078007-01-000 | EA | SUPPORT-RADIO |
| 009118-01-000 | EA | LOCK-TWIST W/NUT, GLOVE COMPARTMENT |
| 022219-01-000 | EA | DOOR-GLOVE COMPARTMENT, BLACK |
| 023834-01-000 | EA | PANEL-KNEE KICK, 3.25" X 45.38" - BLACK |
| 023892-01-000 | EA | BOX-GLOVE COMPARTMENT, FIBERBOARD - BLACK |
| 024461-01-000 | EA | SWITCH-BATT, BATT/DUAL/MOM |
| 024598-01-000 | EA | HINGE-PIANO, GLOVE COMPARTMENT - 1 1/16" X 19" |
| 038846-01-000 | EA | RETAINER-DASH, 1" X 1/2" |
| 038846-02-000 | EA | RETAINER-DASH, 3" X 1.5" |
| 039044-01-000 | EA | LOUVER-ADJUSTABLE AC, 2.5" X 5.75" |
| 037706-01-000 | EA | MOUNTING KIT-RADIO, AUDIOVOX |
| 089294-01-000 | EA | LIGHTER ASM-CIGARETTE |
| 090982-01-000 | EA | RADIO-AM/FM CASSETTE, ELECTRIC TUNE - AUDIOVOX HCC-10 |
| 093381-01-000 | EA | SWITCH-RADIO, MAIN TO AUXILIARY |
| 100389-03-01A | EA | BEZEL-ENTERTAINMENT CENTER, BLACK MATTE FROM: 00-00-00 THRU: 02-28-91 |
| 100389-04-01A | EA | BEZEL-ENTERTAINMENT CENTER, BLACK MATTE FROM: 03-01-91 THRU: 99-99-99 |
| 100390-01-01A | EA | BEZEL-INSTRUMENT PANEL, BLACK MATTE FROM: 00-00-00 THRU: 02-28-91 |
| 100390-04-01A | EA | BEZEL-INSTRUMENT PANEL, BLACK MATTE FROM: 03-01-91 THRU: 99-99-99 |
| 090979-01-000 | EA | PLUG-INSTRUMENT PANEL, .45" |
| 007940-01-000 | EA | RECEPTACLE-SLIDE, 16 TO 12 AWG |
| 041953-01-000 | FT | CONDUIT-CONVOLUTE SLIT, .5"ID |
| 041953-01-000 | FT | CONDUIT-CONVOLUTE SLIT, .625"ID |
| 041953-03-000 | FT | CONDUIT-CONVOLUTE SLIT, 1" ID (CLOTHES ROD COVER) |
| 047443-01-000 | EA | TERMINAL-.250 RECEPT, INSULATED - 16/14 AWG |
| 047443-02-000 | EA | TERMINAL-.250 RECEPT, INSULATED - 12/10 AWG |
| 077000-01-000 | EA | SOCKET ASM-W/8" PIGTAIL LEADS |
| 088473-08-000 | EA | PIN-HOUSING, 8 POSITION (TWO ROWS OF THREE) |
| 088474-01-000 | EA | HOUSING-SOCKET |
| 088474-10-000 | EA | HOUSING-SOCKET, 2 POSITION |
| 088475-01-000 | EA | PIN-CONNECTOR, 14 TO 20 AWG |
| 088476-01-000 | EA | SOCKET-CONNECTOR |
| 007940-01-000 | EA | RECEPTACLE-SLIDE, 16 TO 12 AWG |
| 041953-01-000 | FT | CONDUIT-CONVOLUTE SLIT, .5"ID |
| 041953-01-000 | FT | CONDUIT-CONVOLUTE SLIT, .625"ID |
| 041953-03-000 | FT | CONDUIT-CONVOLUTE SLIT, 1" ID (CLOTHES ROD COVER) |
| 047443-01-000 | EA | TERMINAL-.250 RECEPT, INSULATED - 16/14 AWG |
| 047443-02-000 | EA | TERMINAL-.250 RECEPT, INSULATED - 12/10 AWG |
| 098641-01-000 | EA | LABEL-FUEL, UNLEADED - DASH FROM: 00-00-00 THRU: 04-30-90 |
| 088252-02-000 | FT | TRIM-CHROME, 1" WIDE WITH PRESSURE SENSITIVE BACKING |
| 077000-01-000 | EA | SOCKET ASM-W/8" PIGTAIL LEADS |
| 088474-01-000 | EA | HOUSING-SOCKET |
| 088474-09-000 | EA | HOUSING-SOCKET, 3 POSITION |
| 088474-10-000 | EA | HOUSING-SOCKET, 2 POSITION |
| 088475-01-000 | EA | PIN-CONNECTOR, 14 TO 20 AWG |
| 088476-01-000 | EA | SOCKET-CONNECTOR |

TABLE OF CONTENTS

| | |
|--------------------|-------------|
| INTRODUCTION | A-01 |
| ABBREVIATIONS | A-01 |
| ALPHABETICAL INDEX | A-02 - A-04 |
| ICF23EC | A-05 - D-17 |
| ICF30EU | D-19 - H-22 |

1991 ICF30EU INDEX

| | |
|--------------------------------|-------------|
| FLOOR PLAN | D-11 - D-20 |
| ACCESSORIES | D-21 - D-24 |
| BATH | E-01 - E-04 |
| BEDROOM | E-05 - E-08 |
| CHASSIS | E-09 - E-14 |
| C & C & PAD | E-15 - E-24 |
| DNETTE | F-01 - F-02 |
| DRIVERS | F-03 - F-12 |
| ELECTRICAL | F-13 - F-16 |
| EXTERIOR BODY | F-17 - F-22 |
| GALLEY | F-23 - G-04 |
| HEATING & A/C | G-05 - G-10 |
| INTERIOR FINISH | G-11 - G-15 |
| LABEL | G-16 |
| LP | G-17 |
| LOUNGE | G-18 - G-20 |
| SEALANTS & FASTENERS | G-21 - G-22 |
| WATER & SEWAGE | G-23 - H-02 |
| WINDOW, VENT AND EXTERIOR DOOR | H-03 - H-22 |

DRIVERS COMPARTMENT GROUP (CONTINUED)

FORWARD DASH PLASTIC PANELS

| KEY PART NUMBER | U/M DESCRIPTION |
|-----------------|---|
| 078581-03-000 | EA PANEL-DASH, FRONT - PASS - W/DEFROSTER OPENING - GRAY FROM: 00-00-00 THRU: 04-14-90 |
| 078581-04-000 | EA PANEL-DASH, PASSENGER FRONT - PLASTIC - GRAY FROM: 04-15-90 THRU: 99-99-99 |
| 078581-03-000 | EA PANEL-DASH, FRONT - PASS - W/DEFROSTER OPENING - GRAY |
| 078582-03-000 | EA PANEL-DASH, FRONT - DRIVER - W/DEFROSTER OPENING - GRAY FROM: 00-00-00 THRU: 04-14-90 |
| 078582-04-000 | EA PANEL-DASH, DRIVER SIDE FRONT - PLASTIC - GRAY FROM: 04-15-90 THRU: 99-99-99 |
| 078582-03-000 | EA PANEL-DASH, FRONT - DRIVER - W/DEFROSTER OPENING - GRAY |

STEERING COLUMN COVER & BOOT

| KEY PART NUMBER | U/M DESCRIPTION |
|-----------------|--|
| 040594-01-000 | EA COVER-STEERING COLUMN, PLASTIC - BLACK FROM: 00-00-00 THRU: 02-28-91 |
| 078245-01-000 | EA BOOT-STEERING COLUMN, VINYL - BLACK FROM: 00-00-00 THRU: 02-28-91 |

LOWER BLACK DASH PANELS

| KEY PART NUMBER | U/M DESCRIPTION |
|-----------------|--|
| 077367-01-000 | EA PANEL-LOWER PASS. SIDE, 68.5" - BLACK |
| 077368-01-000 | EA PANEL-LOWER DRIVER SIDE - 5.66" X 15.70" - BLACK FROM: 00-00-00 THRU: 02-28-91 |
| 077369-01-000 | EA PANEL-ELECTRIC ACCESS - LOWER CENTER - 4" X 6.8" - BLACK FROM: 00-00-00 THRU: 12-05-90 |
| 077539-01-000 | EA BRACKET-MOUNTING, DASH PANEL - L/SHPED - 2.5" X 1" X 1.5" |

HOOD RELEASE CABLE, BRACKET & HEATER OUTLET

| KEY PART NUMBER | U/M DESCRIPTION |
|-----------------|---|
| 074178-01-000 | EA BRACKET-CABLE, HOOD RELEASE - BLACK FROM: 00-00-00 THRU: 02-28-91 |
| 056402-05-000 | EA BRACKET-HEATER, W/BEND - BLACK FROM: 01-07-91 THRU: 99-99-99 |
| 024990-03-000 | EA OUTLET-Louvered, W/SWIVEL - 2" - GRAY |

PASSENGER SIDE CAB TRIMS

| KEY PART NUMBER | U/M DESCRIPTION |
|-----------------|--|
| 024700-32-000 | EA COVER-ROLL BAR, U-CHANNEL - 57.25" - PLASTIC - GRAY FROM: 00-00-00 THRU: 01-06-91 |
| 024700-41-000 | EA COVER-ROLL BAR, U-CHANNEL - 57.25" - PLASTIC - OFF WHITE FROM: 01-07-91 THRU: 99-99-99 |

DRIVER ASSIST HANDLES

| KEY PART NUMBER | U/M DESCRIPTION |
|-----------------|--|
| 063886-07-000 | EA HANDLE-ASSIST, DRIVER DOOR - FRONT - GRAY FROM: 00-00-00 THRU: 01-06-91 |
| 063886-09-000 | EA HANDLE-ASSIST, DRIVER DOOR - REAR - GRAY FROM: 00-00-00 THRU: 01-06-91 |
| 063886-22-000 | EA HANDLE-ASSIST, DRIVER DOOR - FRONT - OFF WHITE FROM: 01-07-91 THRU: 99-99-99 |
| 063886-23-000 | EA HANDLE-ASSIST, DRIVER DOOR - REAR - OFF WHITE FROM: 01-07-91 THRU: 99-99-99 |

DRIVERS COMPARTMENT GROUP (CONTINUED)

1991 CHASSIS EXCHANGE (OPTION L51Y) FEDERAL - 12,300

| KEY PART NUMBER | U/M DESCRIPTION |
|-----------------|---|
| M01113-56-B03 | EA DASH-COMPLETE, W/RADIO - CHEVY |
| M78068-03-000 | EA SUPPORT-DASH, 90.8" - METAL - BLACK |
| 038846-02-000 | EA RETAINER-DASH, 3" X 1.5" |
| 076007-01-000 | EA SUPPORT-RADIO |
| 009118-01-000 | EA LOCK-TWIST W/NUT, GLOVE COMPARTMENT |
| 022219-01-000 | EA DOOR-GLOVE COMPARTMENT, BLACK |
| 023834-01-000 | EA PANEL-KNEE KICK, 3.25" X 45.38" - BLACK |
| 023892-01-000 | EA BOX-GLOVE COMPARTMENT, FIBERBOARD - BLACK |
| 024461-01-000 | EA SWITCH-BATT, BATT/DUAL/MOM |
| 024598-01-000 | EA HINGE-PIANO, GLOVE COMPARTMENT - 1 1/16" X 19" |
| 038846-01-000 | EA RETAINER-DASH, 1" X 1/2" |
| 038846-02-000 | EA RETAINER-DASH, 3" X 1.5" |
| 039044-01-000 | EA LOUVER-ADJUSTABLE A/C, 2.5" X 5.75" |
| 079088-04-000 | EA TOP-PADDED DASH, DRIVERS SIDE - VINYL COVERED - GRAY FROM: 00-00-00 THRU: 10-29-90 |
| 073086-03-000 | EA TOP-PADDED DASH, DRIVERS SIDE - VINYL COVERED - GRAY FROM: 10-30-90 THRU: 12-18-90 |
| 079089-02-000 | EA TOP-PADDED DASH, DRIVERS SIDE - VINYL COVERED - BEIGE FROM: 12-19-90 THRU: 99-99-99 |
| 079089-03-000 | EA TOP-PADDED DASH, PASSENGER SIDE - VINYL COVERED - GRAY FROM: 00-00-00 THRU: 12-18-90 |
| 087706-01-000 | EA TOP-PADDED DASH, PASSENGER SIDE - VINYL COVERED - BEIGE FROM: 12-19-90 THRU: 99-99-99 |
| 089294-01-000 | EA MOUNTING KIT-RADIO, AUDIOVOX |
| 090982-01-000 | EA LIGHTER ASM-CIGARETTE |
| 093381-01-000 | EA RADIO-AM/FM CASSETTE, ELECTRIC TUNE - AUDIOVOX HCC-10 |
| 100389-04-01A | EA SWITCH-RADIO, MAIN TO AUXILIARY |
| 100390-04-01A | EA BEZEL-ENTERTAINMENT CENTER, BLACK MATTE |
| | EA BEZEL-INSTRUMENT PANEL, BLACK MATTE |

TABLE OF CONTENTS

| | |
|--------------------|-------------|
| INTRODUCTION | A-01 |
| ABBREVIATIONS | A-01 |
| ALPHABETICAL INDEX | A-02 - A-04 |
| ICF23EC | A-05 - D-17 |
| ICF30EU | D-19 - H-22 |

1991 ICF30EU INDEX

| | |
|--------------------------------|-------------|
| FLOOR PLAN | D-19 - D-20 |
| ACCESSORIES | D-21 - D-24 |
| BATH | E-01 - E-04 |
| BEDROOM | E-05 - E-08 |
| CHASSIS | E-09 - E-14 |
| C C & PAD | E-15 - E-24 |
| DINETTE | F-01 - F-02 |
| DRIVERS | F-03 - F-12 |
| ELECTRICAL | F-13 - F-16 |
| EXTERIOR BODY | F-17 - F-22 |
| GALLEY | F-23 - G-04 |
| HEATING & A/C | G-05 - G-10 |
| INTERIOR FINISH | G-11 - G-15 |
| LABEL | G-16 |
| LP | G-17 |
| LOUNGE | G-18 - G-20 |
| SEALANTS & FASTENERS | G-21 - G-22 |
| WATER & SEWAGE | G-23 - H-02 |
| WINDOW, VENT AND EXTERIOR DOOR | H-03 - H-22 |

ELECTRICAL GROUP

ELECTRICAL COMPONENTS

| KEY PART NUMBER | U/M | DESCRIPTION |
|-----------------|-----|---|
| 007093-01-000 | EA | FLASHER-SIGNAL STAT |
| 007042-01-000 | EA | TAB-WIRE, 18 TO 14 AWG |
| 007049-01-000 | EA | TAB-HOUSING, 1 POSITION |
| 008028-01-000 | FT | WIRE-12/2, ROMEX - W/GROUND |
| 008037-01-000 | FT | CABLE-BATTERY, 1AWG - STRANDED - BLACK |
| 008037-02-000 | FT | CABLE-BATTERY, 1AWG - STRANDED - RED |
| 008052-01-000 | EA | CORD-POWER, 10/3 - 30 AMP - 25' - CANADIAN |
| 008054-01-000 | EA | CORD-POWER, 10/3 WIRE - 30 AMP - 25' |
| 008188-01-000 | EA | SOLENOID-3 POST, BATTERY CHANGE OVER |
| 008235-01-000 | EA | FUSE-12V-15AMP |
| 008288-01-000 | EA | BOX-PLASTIC ELECTRIC, 3" X 3 1/2" |
| 008288-02-000 | EA | BOX-ELECTRIC, PLASTIC - 3.94" X 3.13" X 1.81" |
| 008289-01-000 | EA | BOX-ELECTRIC, STEEL - 1/2" AND 3/4" KNOCKOUTS - 4" X |
| 008289-02-000 | EA | BOX-ELECTRICAL, 4" X 4" - 1/2" & 3/4" KNOCKOUTS - CANAD |
| 008294-01-000 | EA | COVER-ELECTRICAL BOX, STEEL/BLANK - 4" X 4" - GRAY |
| 008311-01-000 | EA | CONNECTOR-WIRE NUT, INSULATED - RED |
| 008312-01-000 | EA | CONNECTOR-WIRE NUT, INSULATED - BLUE |
| 008314-01-000 | EA | CONNECTOR-WIRE NUT, INSULATED - GRAY |
| 008328-01-000 | EA | TERMINAL-RING, 16/14 WIRE - 3/32" STUD |
| 008328-01-000 | EA | TERMINAL-RING, 12/10 WIRE - #10 STUD FIT |
| 008331-01-000 | EA | TERMINAL-RING, TONGUE - #4 WIRE - 3/8" STUD - COPPER |
| 008343-01-000 | EA | TIE-WIRE, 6" |
| 008348-01-000 | EA | TERMINAL-RING, 3/8" STUD - #2 WIRE |
| 008353-01-000 | EA | CONNECTOR-CABLE CLAMPING, 3/8" |
| 008355-01-000 | EA | CONNECTOR-CABLE CLAMPING, 3/4" |
| 008358-01-000 | EA | CONNECTOR-PLASTIC, 3/8" AVG |
| 008398-01-000 | EA | CONNECTOR-1/2" X 90 DEGREE, FLEX CONDUIT - UL AND CSA |
| 024461-01-000 | EA | SWITCH-BATT, BATT/DUAL/MOM |
| 024924-02-000 | EA | RECEPTACLE-POWER CORD, W/PARTIAL PLATE |
| 035418-04-000 | EA | TERMINAL-RING #10 STUD FIT, INSULATED BARREL #16/14 |
| 036188-01-000 | EA | BULB-12V - #1/4" - 27AMP |
| 041250-01-000 | EA | SWITCH-PUSH BUTTON, DOME LIGHT - CHROME |
| 041480-01-000 | EA | CONNECTOR-STRAIGHT, 1/2" FLEX CONDUIT |
| 041953-01-000 | FT | CONDUIT-CONVOLUTED SLIT, .5" ID |
| 041953-01-000 | FT | CONDUIT-CONVOLUTED SLIT, .625" ID |
| 041953-03-000 | FT | CONDUIT-CONVOLUTED SLIT, 1" ID (CLOTHES ROD COVER) |
| 041953-05-000 | FT | CONDUIT-CONVOLUTED SOLID, .62" ID |
| 041953-06-000 | FT | CONDUIT-CONVOLUTED, SLIT, .375" ID |
| 041953-07-000 | FT | CONDUIT-CONVOLUTED, SLIT, .25" ID |
| 041953-08-000 | FT | CONDUIT-CONVOLUTED, SLIT, 1.50" ID |
| 041953-09-000 | FT | CONDUIT-CONVOLUTED, SLIT, .50" ID |
| 041953-11-000 | FT | CONDUIT-CONVOLUTED, SLIT - 1.06" ID |
| 047338-03-000 | EA | ISOLATOR-DUAL BATTERY, 70 AMP |
| 047443-01-000 | EA | TERMINAL-.250 RECEPTACLE, FIT, INSULATED - 16/14 AWG |
| 047443-02-000 | EA | TERMINAL-.250 RECEPTACLE FIT, INSULATED - 12/10 AWG |
| 058028-01-000 | EA | CONNECTOR-ELECTRICAL PIGTAIL, NYLON - CLEAR |
| 058049-01-000 | EA | BOX-ELECTRIC SWITCH, 2" X 3" X 2.25" |
| 058707-01-000 | EA | RECEPTACLE-ELECTRIC, SINGLE - BROWN |
| 058708-02-000 | EA | RECEPTACLE-DOUBLE ELECTRIC, IVORY |
| 058781-01-000 | EA | DIODE-6.0A/100 VOLT - MOTOROLA NO MR751 |
| 062036-02-000 | EA | TERMINAL-PACK-CON, 16/14 AWG |
| 062037-01-000 | EA | HOUSING-AUTO FUSE, NATURAL |
| 062037-02-000 | EA | HOUSING-AUTO FUSE, GREEN |
| 062037-03-000 | EA | HOUSING-AUTO FUSE, BLACK |
| 062037-05-000 | EA | HOUSING-AUTO FUSE, GRAY |
| 062037-06-000 | EA | HOUSING-AUTO FUSE, BROWN |
| 062901-05-000 | EA | FUSE-15 AMPS, AUTOMOTIVE |
| 063910-01-000 | EA | HOUSING-RELAY |
| 064398-01-000 | EA | HOUSING-TRAILER, RECEPTACLE |
| 065450-01-000 | EA | TIEDOWN-BATTERY |
| 065450-08-000 | EA | TIEDOWN-BATTERY |
| 067789-02-000 | EA | SOCKET-LAMP |
| 069238-01-000 | EA | COVER-ELECTRICAL BOX, W/HOLE - 4" X 4" - GRAY |
| 077000-01-000 | EA | SOCKET ASM-W/8" PIGTAIL LEADS |
| 077479-02-000 | EA | BOOT-BATTERY TERMINAL, SINGLE CABLE |
| 077965-01-000 | EA | J CLIP-VINYL COATED, 3/8" |
| 079378-01-000 | EA | TERMINAL-WEDGE BASE, 18 AWG |
| 080015-02-000 | EA | RECEPTACLE-FLAG, .185 - 16/14 GA - AMP 3 |
| 080734-02-000 | EA | CLIP-WIRE, NYLON |

ELECTRICAL GROUP (CONTINUED)

ELECTRICAL COMPONENTS CONT.

| KEY PART NUMBER | U/M | DESCRIPTION |
|-----------------|-----|--|
| 081059-02-000 | EA | WIRE ASM-9 PIN, RADIO - AUDIOVOX 112B-1761 |
| 082740-01-000 | EA | CONNECTOR-PLASTIC BODY, FOR 2 MALE SPADES |
| 082742-01-000 | EA | CONNECTOR BODY-3 CNCT FEMALE |
| 083208-01-000 | EA | CONVERTER-POWER, 32A - 120V/12V - BW 6332 |
| 083209-01-000 | EA | CIRCUIT BREAKER-15 AMP, 120V - BW G-15 |
| 083209-03-000 | EA | CIRCUIT BREAKER-15/20 AMP, 120V - BW - 0-15/20 |
| 083209-04-000 | EA | CIRCUIT BREAKER-30A, 120V - BW L-30 |
| 083209-05-000 | EA | CIRCUIT BREAKER-20A, 120V - BW J-20 |
| 083209-06-000 | EA | CIRCUIT BREAKER-30/15 AMP, 120V - BW D-30/15 |
| 083210-02-000 | EA | CIRCUIT BREAKER-GFI, 15A - 120V - BW U-15 |
| 084078-01-000 | EA | RECEPTACLE-GFI, 15A - 125V - IVORY |
| 088473-01-000 | EA | PIN-HOUSING, 4 ROWS OF 3 |
| 088473-02-000 | EA | HOUSING-PIN, 15 POSITION |
| 088473-05-000 | EA | PIN-HOUSING, 6 POSITION (SINGLE ROW) |
| 088473-06-000 | EA | PIN-HOUSING, 6 POSITION (TWO ROWS OF THREE) |
| 088473-08-000 | EA | HOUSING-PIN, 4 POSITION |
| 088473-09-000 | EA | PIN-HOUSING, 3 POSITION (SINGLE ROW) |
| 088473-10-000 | EA | PIN-HOUSING, 2 POSITION |
| 088474-01-000 | EA | HOUSING-SOCKET |
| 088474-02-000 | EA | HOUSING-SOCKET, 15 POSITION (3 ROWS OF 5) |
| 088474-06-000 | EA | SOCKET-HOUSING, 6 POSITION (2 ROWS OF THREE) |
| 088474-08-000 | EA | SOCKET-HOUSING, 4 POSITION (SINGLE ROW) |
| 088474-09-000 | EA | HOUSING-SOCKET, 3 POSITION |
| 088474-10-000 | EA | HOUSING-SOCKET, 2 POSITION |
| 088475-01-000 | EA | PIN-CONNECTOR, 14 TO 20 AWG |
| 088475-02-000 | EA | PIN-CONNECTOR, 10 TO 12 AWG |
| 088476-01-000 | EA | SOCKET-CONNECTOR |
| 088476-02-000 | EA | SOCKET-CONNECTOR 12-10 GA |
| 090971-01-000 | EA | SPLICE-CABLE, 110V |
| 090971-02-000 | EA | SPLICE-CABLE, 110V - TAP |
| 091910-01-000 | EA | BOX-ELECTRIC, 3.75" X 3.5" X 1.75" - PLASTIC |
| 091927-01-000 | EA | COVER-RECEPTACLE, DOUBLE - IVORY |
| 092615-01-000 | EA | CONVERTER-40 AMP, W/CHARGER - B-W 32400P |
| 092786-01-000 | EA | BUSS BAR-2.1" LONG |
| 092786-02-000 | EA | BUSS BAR-3.3" LONG |
| 093651-01-000 | EA | CIRCUIT BREAKER-6 AMP, HOUSE CONTROL PANEL |
| 093654-03-000 | EA | CIRCUIT BREAKER-20 AMP, HOUSE CONTROL PANEL |
| 093655-02-000 | EA | CIRCUIT BREAKER-30 AMP, HOUSE CONTROL PANEL |
| 093655-03-000 | EA | CIRCUIT BREAKER-40 AMP |
| 094809-01-000 | EA | LOAD CENTER-240 VOLT, 125 AMP |
| 094810-01-000 | EA | BREAKER-CIRCUIT, DOUBLE 30 AMP - GE THQL2130 |
| 094811-01-000 | EA | BREAKER-CIRCUIT, DOUBLE 20 AMP - GE THCL2120 |
| 097611-01-000 | EA | CIRCUIT BREAKER-6AMP, ATC - BLACK |
| 097618-01-000 | EA | WIRE ASM-MONITOR PANEL, W/4 WIRES & BLACK RESISTOR - |
| 097734-01-01A | EA | EXTENSION-RECEPTACLE, IVORY |
| 097744-02-000 | EA | HOUSING-TRAILER PIN, 48" |
| 097745-02-000 | EA | HOUSING-RECEPTACLE, TRAILER - 48" WIRE LENGTH |
| 097746-01-000 | EA | HOUSING CAP-TRAILER PIN |
| 099048-01-000 | EA | INVENTOR-100 WATT |
| 099633-01-000 | EA | PLATE-CIRCUIT BREAKER |
| 100341-01-000 | EA | FUSE HOLDER-IN LINE TYPE |
| 101571-01-000 | EA | HOUSING-2 POSITION, MALE |

TABLE OF CONTENTS

| | |
|--------------------|-------------|
| INTRODUCTION | A-01 |
| ABBREVIATIONS | A-01 |
| ALPHABETICAL INDEX | A-02 - A-04 |
| ICF23EC | A-05 - D-17 |
| ICF30EU | D-19 - H-22 |

1991 ICF30EU INDEX

| | |
|----------------------|-------------|
| FLOOR PLAN | D-19 - D-20 |
| ACCESSORIES | D-21 - D-24 |
| BATH | E-01 - E-04 |
| BEDROOM | E-05 - E-08 |
| CHASSIS | E-09 - E-14 |
| C C & PAD | E-15 - E-24 |
| DINETTE | F-01 - F-02 |
| DRIVERS | F-03 - F-12 |
| ELECTRICAL | F-13 - F-16 |
| EXTERIOR BODY | F-17 - F-22 |
| GALLEY | F-23 - G-04 |
| HEATING & A/C | G-05 - G-10 |
| INTERIOR FINISH | G-11 - G-15 |
| LABEL | G-16 |
| LP | G-17 |
| LOUNGE | G-18 - G-20 |
| SEALANTS & FASTENERS | G-21 - G-22 |
| WATER & SEWAGE | G-23 - H-02 |
| WINDOW, VENT AND | |
| EXTERIOR DOOR | H-03 - H-22 |

ELECTRICAL GROUP (CONTINUED)

INTERIOR LIGHTS

| KEY PART NUMBER | U/M | DESCRIPTION |
|-----------------|-----|--|
| 062189-01-000 | EA | LIGHT-MAKE-UP, 3 BULB - JENSEN X148-168F |
| 068024-03-01A | EA | LIGHT-DOME, 2 BULB - IVORY |
| 097917-01-03A | EA | LIGHT-PORCH, GRAY |
| 068024-01-01A | EA | LIGHT-DOME, 1 BULB - US - IVORY |
| 061424-01-000 | EA | LIGHT-AISLE, 12V - RECTANGULAR |
| 068280-01-000 | EA | LIGHT-SURFACE MOUNT, 12V - JENSEN 1236 |
| 098024-01-700 | EA | LENS-DOME LIGHT |
| 097917-01-700 | EA | LENS-PORCH LIGHT |
| 068218-01-000 | EA | BULB-DOME LIGHT, 12V - NUMBER 1141 |
| 081833-01-700 | EA | BULB-MAKE UP LIGHT, JENSEN |
| 068280-01-700 | EA | BULB-12 VOLT, 8 WATT |
| 067479-01-000 | EA | BULB-12V, NUMBER 1078 - WALL LAMP |
| 008103-01-000 | EA | BULB-AISLE LIGHT, NUMBER 53 - 12 V - .12 AMP |
| 065202-15-000 | EA | LAMP-WALL, W/O SHADE - BRASS |
| 065202-14-000 | EA | LAMP-WALL, W/O SHADE - BRASS |
| 065201-08-000 | EA | SHADE-LAMP, W/GOLD TRIM - PARCHMENT |
| 065202-14-700 | EA | BRASS FINIAL(NEW STYLE) |

EXPORT OPT-ELECTRICAL CONVERSION

| KEY PART NUMBER | U/M | DESCRIPTION |
|-----------------|-----|---|
| 008054-01-000 | EA | CORD-POWER, 10/3 WIRE - 30 AMP - 25' |
| 008289-01-000 | EA | BOX-ELECTRIC, STEEL - 1/2" AND 3/4" KNOCKOUTS - 4 X 4 |
| 008328-01-000 | EA | TERMINAL-RING, 12/10 WIRE - #10 STUD FIT |
| 008355-01-000 | EA | CONNECTOR-CABLE CLAMPING, 3/4" |
| 008356-01-000 | EA | CONNECTOR-PLASTIC, 3/8" AVG |
| 051912-01-000 | EA | TRANSFORMER-DRY CONTROL |
| 094809-01-000 | EA | LOAD CENTER-240 VOLT, 125 AMP |
| 094810-01-000 | EA | CIRCUIT BREAKER-DOUBLE 30 AMP, GE THQL2130 |
| 094811-01-000 | EA | CIRCUIT BREAKER-DOUBLE 20 AMP, GE THQL2120 |

CONTROL CENTER

| KEY PART NUMBER | U/M | DESCRIPTION |
|-----------------|-----|---|
| 000G39-08-08B | EA | SCREW-SF/DR, 8-18 X 1/2 FPH ZN |
| 008026-01-000 | FT | WIRE-12/2, ROMEX - W/GROUND |
| 008234-01-000 | EA | FUSE-12V, 10 AMP |
| 008289-01-000 | EA | BOX-ELECTRIC, STL - 1/2" AND 3/4" KNOCKOUTS - 4" X 4" |
| 008294-01-000 | EA | COVER-ELECTRICAL BOX, STEEL/BLANK - 4" X 4" - GRAY |
| 008311-01-000 | EA | CONNECTOR-WIRE NUT, INSULATED - RED |
| 008331-01-000 | EA | TERMINAL-RING, TONGUE - #4 WIRE - 3/8" STUD - COPPER USED AT CONTROL CENTER |
| 008353-01-000 | EA | CONNECTOR-CABLE CLAMPING, 3/8" |
| 008355-01-000 | EA | CONNECTOR-CABLE CLAMPING, 3/4" |
| 008356-01-000 | EA | CONNECTOR-PLASTIC, 3/8" AVG |
| 063208-02-000 | EA | CONTROL CENTER-45AMP, 120V/12V |
| 010499-01-000 | EA | CLAMP-CLOSED, 3/8" ID |
| 041953-03-000 | FT | CONDUIT-CO/VOLUTED SLIT, 1" ID (CLOTHES ROD COVER) |
| 063209-02-000 | EA | CIRCUIT BREAKER-15/15AMP, 120V |
| 063209-03-000 | EA | CIRCUIT BREAKER-15/20AMP, 120V - BW |
| 063209-04-000 | EA | CIRCUIT BREAKER-30A, 120V - BW L-30 |
| 063209-05-000 | EA | CIRCUIT BREAKER-20A, 120V - BW J-20 |

ELECTRICAL GROUP (CONTINUED)

EXTERIOR LIGHTS

| KEY PART NUMBER | U/M | DESCRIPTION |
|-----------------|-----|---|
| 049185-01-000 | EA | HEADLAMP CAPSULE-DRIVER, HIGH/LOW BEAM - RECTANGULAR |
| 049186-01-000 | EA | HEADLAMP CAPSULE-PASSENGER, HIGH/LOW BEAM - RECTANGULAR |
| 049187-01-000 | EA | HEADLAMP CAPSULE-DRIVER, HIGH BEAM - RECTANGULAR |
| 049188-01-000 | EA | HEADLAMP CAPSULE-PASSENGER, HIGH BEAM - RECTANGULAR |
| 049359-01-000 | EA | SPRING-HEADLAMP RETAINER, GM # 496096 |
| 073308-01-000 | EA | SCREW-ADJUSTING, HEADLAMP |
| 098674-01-000 | EA | NUT-HEADLAMP, BLACK |
| 098675-01-000 | EA | KNOB-HEADLAMP, W/SHAFT |
| 050030-02-000 | EA | HOUSING-HEADLAMP WIRING, HIGH BEAM |
| 063749-01-000 | EA | HOUSING-HEADLAMP WIRING, LOW BEAM |
| 062207-01-000 | EA | GUARD-HEADLAMP, CUT 12.5" X 12.5" 18 GA STEEL |
| 064901-01-000 | EA | LAMP-PARK/TURN, GM # 918558 (BULB # MP62057) |
| 061250-01-000 | EA | LIGHT-FRONT CLEARANCE, AMBER - LENS AND BASE ONLY |
| | | FROM: 00-00-00 THRU: 09-09-90 |
| 061250-01-700 | EA | LENS-CLEARANCE LIGHT, AMBER |
| 061437-01-000 | EA | BRACKET-CLEARANCE LIGHT, L SHAPED METAL |
| | | FROM: 00-00-00 THRU: 09-09-90 |
| 102520-01-000 | EA | LIGHT-CLEARANCE, AMBER |
| | | FROM: 09-10-90 THRU: 99-99-99 |
| 102582-01-000 | EA | BRACKET-LIGHT, CLEARANCE |
| | | FROM: 09-10-90 THRU: 99-99-99 |
| 063642-01-000 | FT | TAPE-ADHESIVE, 10MM X 1.5" WIDE |
| 036198-01-000 | EA | BULB-CLEARANCE LIGHT, 12V - #194 - .27AMP |
| 077955-01-000 | EA | J CLIP-VINYL COATED, 3/8" |
| 079378-01-000 | EA | TERMINAL-WEDGE BASE, 18 AWG |
| 042405-03-000 | EA | BASE-SIDE MARKER, RECTANGULAR |
| 042405-02-000 | EA | LENS-FRONT SIDE MARKER LIGHT, W/REFLEX - AMBER |
| 036198-01-000 | EA | BULB-SIDE MARKER, 12V - #194 - .27AMP |
| 007309-01-000 | EA | LIGHT-STEP WELL, ROUND - 12V |
| 042405-01-000 | EA | LENS-REAR SIDE MARKER/CLEARANCE LIGHT, W/REFLEX - RED |
| 042405-03-000 | EA | BASE-SIDE MARKER, RECTANGULAR |
| 036198-01-000 | EA | BULB-SIDE MARKER, 12V - #194 - .27AMP |
| 061983-01-000 | EA | GASKET-SIDE MARKER LIGHT |
| 058032-02-000 | EA | TAIL LAMP-2 BULB, BLACK |
| 037935-01-000 | EA | BULB-TAIL LAMP, NUMBER 1157 - 12 V - 2.1 AMP |
| 058032-02-700 | EA | LENS-TAIL LAMP, W/BACK UP - RED |
| 058032-02-701 | EA | LENS-TAIL LAMP, W/O BACK UP - RED |
| 007309-01-000 | EA | LIGHT-STEP WELL, ROUND - 12V |

SWITCHES & GFI RECEPTACLE

| KEY PART NUMBER | U/M | DESCRIPTION |
|-----------------|-----|---|
| 079384-01-000 | EA | SWITCH-ON/OFF ROCKER, BROWN |
| 075723-01-000 | EA | BLOCK-SWITCH, SPACER W/O HOLE |
| 079364-01-000 | EA | SWITCH-ON/OFF ROCKER, BROWN |
| 095188-01-01A | EA | SPACER-SWITCH, 2.3" X 4.1" - DARK BROWN |
| 098351-01-01A | EA | PLATE-SWITCH, 1 GANG - POLISHED BRASS |
| 098351-01-01A | EA | PLATE-SWITCH, 1 GANG - POLISHED BRASS |
| 098351-02-01A | EA | PLATE-SWITCH, 2 GANG - POLISHED BRASS |
| 084076-02-000 | EA | RECEPTACLE-GFI, 15A - 125V - BROWN |
| 058708-01-000 | EA | RECEPTACLE-DOUBLE ELECTRIC, BROWN |
| 058708-02-000 | EA | RECEPTACLE-DOUBLE ELECTRIC, IVORY |
| 064077-02-000 | EA | PLATE-COVER, RECEPTACLE - GFI - BROWN |
| 102568-01-B32 | EA | SPACER-RECEPTACLE, BETWEEN SIDE WALL & PLATE - WOOD |
| | | FROM: 08-02-90 THRU: 99-99-99 |

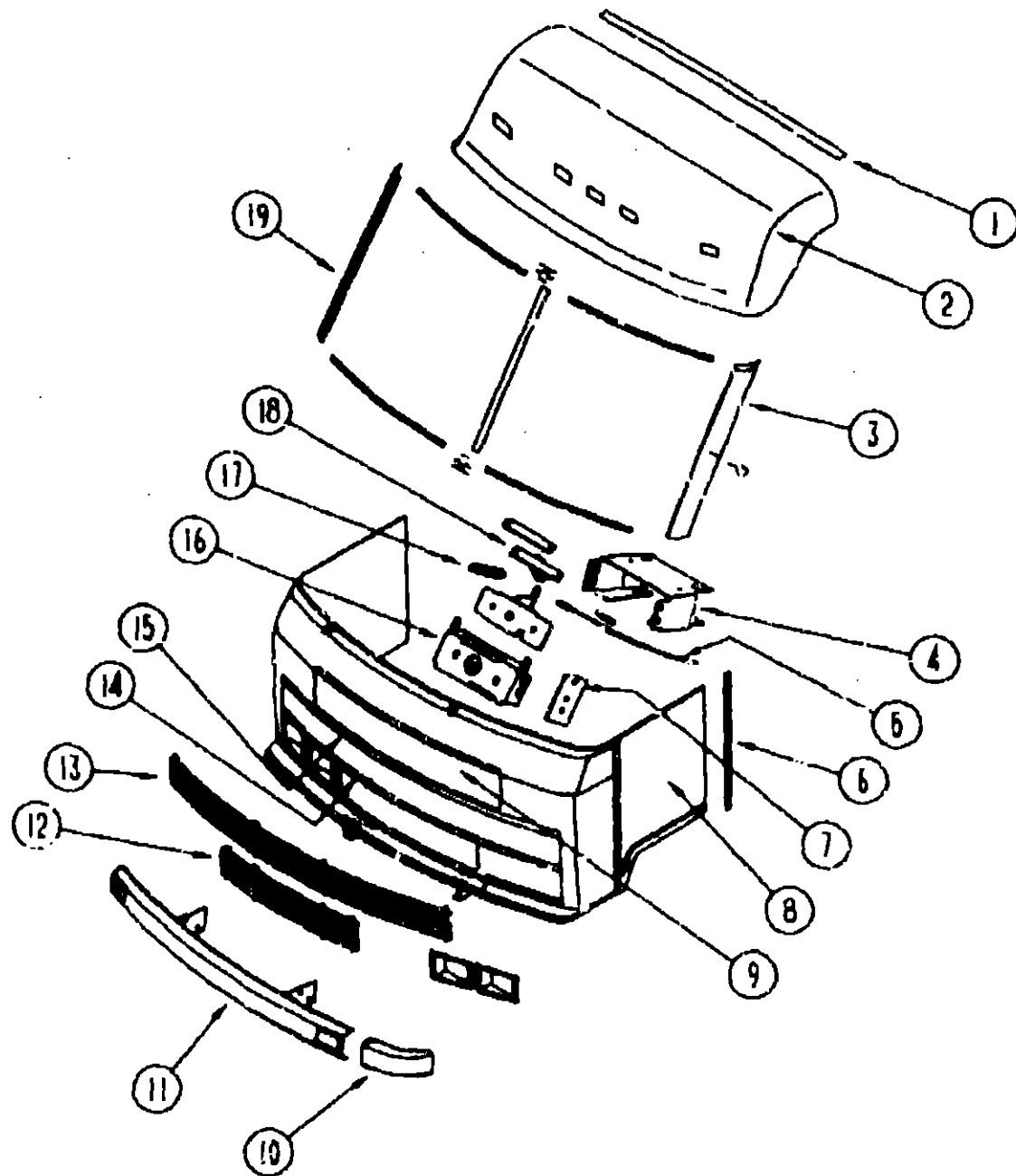
TABLE OF CONTENTS

| | |
|--------------------|-------------|
| INTRODUCTION | A-01 |
| ABBREVIATIONS | A-01 |
| ALPHABETICAL INDEX | A-02 - A-04 |
| ICF23EC | A-05 - D-17 |
| ICF30EU | D-19 - H-22 |

1991 ICF30EU INDEX

| | |
|--------------------------------|-------------|
| FLOOR PLAN | D-19 - D-20 |
| ACCESSORIES | D-21 - D-24 |
| BATH | E-01 - E-04 |
| BEDROOM | E-05 - E-08 |
| CHASSIS | E-09 - E-14 |
| C C & PAD | E-15 - E-24 |
| DINETTE | F-01 - F-02 |
| DRIVEHS | F-03 - F-12 |
| ELECTRICAL | F-13 - F-18 |
| EXTERIOR BODY | F-17 - F-22 |
| GALLEY | F-23 - G-04 |
| HEATING & AC | G-05 - G-10 |
| INTERIOR FINISH | G-11 - G-15 |
| LABEL | G-16 |
| LP | G-17 |
| LOUNGE | G-18 - G-20 |
| SEALANTS & FASTENERS | G-21 - G-22 |
| WATER & SEWAGE | G-23 - H-02 |
| WINDOW, VENT AND EXTERIOR DOOR | H-03 - H-22 |

EXTERIOR BODY GROUP



| KEY PART NUMBER | U/M | DESCRIPTION |
|----------------------------------|-----|--|
| 1 078580-01-000 | EA | TRIM-ROOF TO FRONT CAP |
| 2 M01899-02-B25 M02001-01-000 | EA | CAP ASSEMBLY-FRONT - GRAY |
| 055278-01-001 | FT | TUBING-STEEL, .75" X 1.5" X 288" |
| 077922-01-000 | EA | HEADER-WINDSHIELD |
| M02001-02-000 | EA | HEADER-WINDSHIELD, METAL - BLACK |
| 077922-01-001 | EA | HEADER-WINDSHIELD |
| 077922-02-000 | EA | HEADER-WINDSHIELD |
| 055278-01-001 | FT | TUBING-STEEL, .75" X 1.5" X 288" |
| 2 078572-03-000 | EA | ROOF CAP-FRONT, PRIMED |
| 3 079225-02-000 | EA | TRIM POST-WINDSHIELD, DRIVERS - METAL - BLACK |
| 4 073342-01-000 | EA | BRACKET ASM-STRIKER, HOOD (MOUNTS TO CROSS-MEMBER) |
| 5 R77006-68-721 | EA | CABLE ASM-HOOD RELEASE |
| 5 R77006-19-765 | EA | SHEATH-CABLE END, HOOD |
| 6 089922-02-000 | EA | TRIM-SEAM, FRONT END TO SIDEWALLS |
| 7 090084-01-000 | EA | BRACE-LATCH, HOOD |
| 8 M01115-27-Y70 | EA | FRONT END-FIBERGLASS, GRAY- W/O LIGHTS, GRILLE, OR DECALS |
| 9 089768-01-X70 | EA | HOOD ASM-GRAY, WITHOUT DECALS |
| 058786-02-000 | EA | BOLT-BUMPER, HOOD ADJUSTING, .31" X 18 X 1.25" |
| 073338-01-000 | EA | STRIKER-LATCH (MOUNTS TO #073342-01-000) |
| 076716-02-000 | EA | BRACKET ASM- LATCH - INCLUDED WITH HOOD |
| 078767-02-000 | EA | PLATE ASM-MOUNTING, HINGES - INCLUDED WITH HOOD |
| 089926-01-000 | EA | ARM ASM-HINGE, HOOD - RIGHT |
| 089926-02-000 | EA | ARM ASM-HINGE, HOOD - LEFT |
| 090197-01-000 | EA | BRACKET-HINGE ARM, HOOD - RIGHT |
| 090197-02-000 | EA | BRACKET-HINGE ARM, HOOD - LEFT |
| 10 078577-10-000 | EA | END CAP-BUMPER, FRONT DRIVERS SIDE - GRAY |
| 078577-09-000 | EA | END CAP-BUMPER, PASSENGERS FRONT SIDE - GRAY |
| 11 077850-04-000 | EA | BUMPER-FRONT, UNPAINTED |
| 077852-01-000 | EA | BRACKET-BUMPER, FRONT, 2 PER COACH |
| 096339-01-000 | EA | SUPPORT-BUMPER, 2 PER COACH |
| 005200-01-000 | EA | BOLT-BUMPER, ROUND HEAD-SQUARE NECK- W/SST CAP 7/16-14 X 1 1/4 |
| 12 090412-01-X70 | EA | GRILLE ASM- LOWER - 5 BAR |
| 13 090411-01-X70 | EA | GRILLE ASM- UPPER - 5 BAR |
| 090119-01-000 | EA | BRACKET-GRILL |
| 14 088252-03-000 | FT | TRIM-CHROME, 2" WIDE WITH PRESSURE SENSITIVE BACKING |
| 15 088252-02-000 | FT | TRIM-CHROME, 1" WIDE WITH PRESSURE SENSITIVE BACKING |
| 16 R77007-51-429 | EA | LATCH ASM- HOOD RELEASE |
| 17 R77006-38-499 | EA | SPRING-CABLE, HOOD LATCH |
| 18 R77007-01-950 | EA | STRIKER-LATCH, HOOD |
| 073810-01-000 | EA | SPRING-STRIKER, LATCH - HOOD |
| 19 079225-01-000 | EA | TRIM POST-WINDSHIELD, PASSENGER - METAL - BLACK |
| 061603-01-000 | EA | GROMMET-SNAP, 3/16 ID - 3/8 HOLE - PLASTIC - BLACK |
| 076322-04-000 | FT | TAPE-FOAM, DOUBLE COATED - .045" X .75" |
| 058833-01-000 | EA | BRACKET-PROP ROD |
| 082628-01-000 | EA | CLIP-PROP ROD |
| 072917-03-000 | EA | ROD-PROP, HOOD |
| 065747-01-000 | SF | INSULATION-MICROFOAM, 5" |
| 074048-01-000 | EA | INSERT-KNURLED, BRASS - #8-32 FOR HEADLIGHT SCREWS |
| 077049-01-000 | EA | NUT-ACORN, 10-32 ALUMINUM |

EXTERIOR BODY GROUP (CONTINUED)

FRONT END COMPONENTS & BUMPER

| U/M | DESCRIPTION | DATE RANGE |
|-----|--|-------------------------------|
| EA | HEADER-WINDSHIELD | FROM: 00-00-00 THRU: 04-08-90 |
| EA | HEADER-WINDSHIELD, METAL - BLACK | FROM: 04-09-90 THRU: 99-99-99 |
| EA | HEADER-WINDSHIELD | FROM: 00-00-00 THRU: 05-13-90 |
| EA | HEADER-WINDSHIELD | FROM: 05-14-90 THRU: 99-99-99 |
| EA | ROOF CAP-FRONT, PRIMED | |
| EA | TRIM POST-WINDSHIELD, DRIVERS - METAL - BLACK | |
| EA | BRACKET ASM-STRIKER, HOOD (MOUNTS TO CROSS-MEMBER) | |
| EA | CABLE ASM-HOOD RELEASE | |
| EA | SHEATH-CABLE END, HOOD | |
| EA | TRIM-SEAM, FRONT END TO SIDEWALLS | |
| EA | BRACE-LATCH, HOOD | |
| EA | FRONT END-FIBERGLASS, GRAY- W/O LIGHTS, GRILLE, OR DECALS | |
| EA | HOOD ASM-GRAY, WITHOUT DECALS | |
| EA | BOLT-BUMPER, HOOD ADJUSTING, .31" X 18 X 1.25" | |
| EA | STRIKER-LATCH (MOUNTS TO #073342-01-000) | |
| EA | BRACKET ASM- LATCH - INCLUDED WITH HOOD | |
| EA | PLATE ASM-MOUNTING, HINGES - INCLUDED WITH HOOD | |
| EA | ARM ASM-HINGE, HOOD - RIGHT | |
| EA | ARM ASM-HINGE, HOOD - LEFT | |
| EA | BRACKET-HINGE ARM, HOOD - RIGHT | |
| EA | BRACKET-HINGE ARM, HOOD - LEFT | |
| EA | END CAP-BUMPER, FRONT DRIVERS SIDE - GRAY | |
| EA | END CAP-BUMPER, PASSENGERS FRONT SIDE - GRAY | |
| EA | BUMPER-FRONT, UNPAINTED | |
| EA | BRACKET-BUMPER, FRONT, 2 PER COACH | |
| EA | SUPPORT-BUMPER, 2 PER COACH | |
| EA | BOLT-BUMPER, ROUND HEAD-SQUARE NECK- W/SST CAP 7/16-14 X 1 1/4 | |
| EA | GRILLE ASM- LOWER - 5 BAR | |
| EA | GRILLE ASM- UPPER - 5 BAR | |
| EA | BRACKET-GRILL | |
| FT | TRIM-CHROME, 2" WIDE WITH PRESSURE SENSITIVE BACKING | |
| FT | TRIM-CHROME, 1" WIDE WITH PRESSURE SENSITIVE BACKING | |
| EA | LATCH ASM- HOOD RELEASE | |
| EA | SPRING-CABLE, HOOD LATCH | |
| EA | STRIKER-LATCH, HOOD | |
| EA | SPRING-STRIKER, LATCH - HOOD | |
| EA | TRIM POST-WINDSHIELD, PASSENGER - METAL - BLACK | |
| EA | GROMMET-SNAP, 3/16 ID - 3/8 HOLE - PLASTIC - BLACK | |
| FT | TAPE-FOAM, DOUBLE COATED - .045" X .75" | |
| EA | BRACKET-PROP ROD | |
| EA | CLIP-PROP ROD | |
| EA | ROD-PROP, HOOD | |
| SF | INSULATION-MICROFOAM, 5" | |
| EA | INSERT-KNURLED, BRASS - #8-32 FOR HEADLIGHT SCREWS | |
| EA | NUT-ACORN, 10-32 ALUMINUM | |

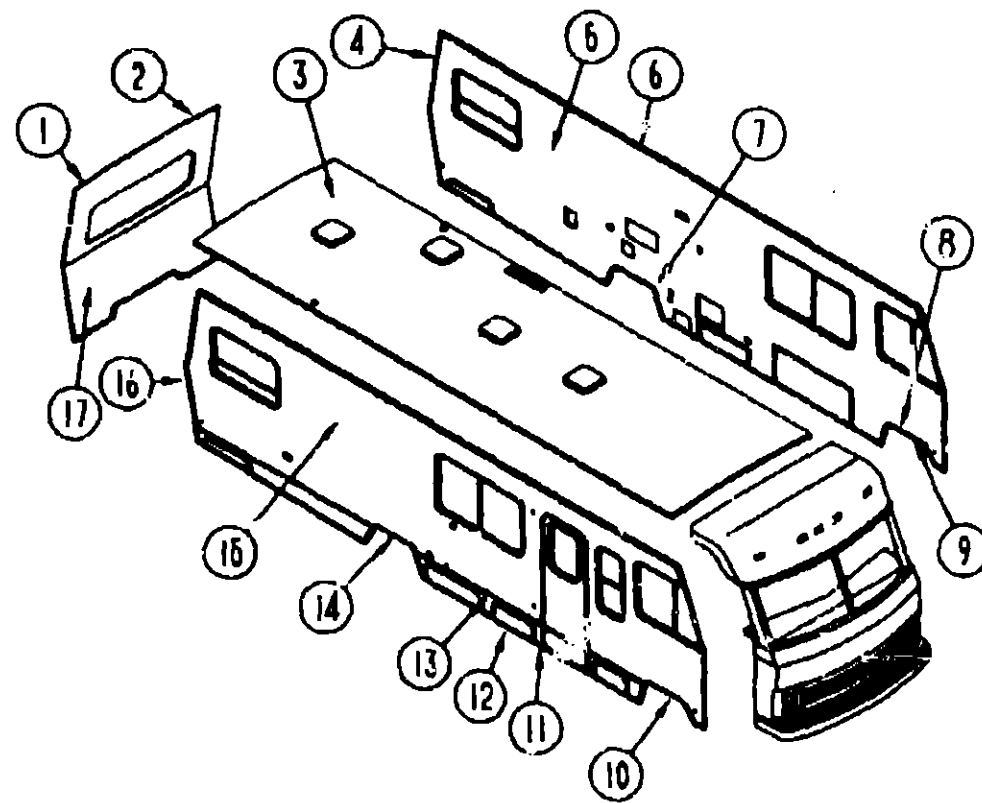
TABLE OF CONTENTS

| | |
|--------------------|-------------|
| INTRODUCTION | A-01 |
| ABBREVIATIONS | A-01 |
| ALPHABETICAL INDEX | A-02 - A-04 |
| ICF23EC | A-05 - D-17 |
| ICF30EU | D-19 - H-22 |

1991 ICF30EU INDEX

| | |
|--------------------------------|-------------|
| FLOOR PLAN | D-19 - D-20 |
| ACCESSORIES | D-21 - D-24 |
| BATH | E-01 - E-04 |
| BEDROOM | E-05 - E-08 |
| CHASSIS | E-09 - E-14 |
| C C & PAD | E-15 - E-24 |
| DINETTE | F-01 - F-02 |
| DRIVERS | F-03 - F-12 |
| ELECTRICAL | F-13 - F-16 |
| EXTERIOR BODY | F-17 - F-22 |
| GALLEY | F-23 - G-04 |
| HEATING & A/C | G-05 - G-10 |
| INTERIOR FINISH | G-11 - G-15 |
| LABEL | G-16 |
| LP | G-17 |
| LOUNGE | G-18 - G-20 |
| SEALANTS & FASTENERS | G-21 - G-22 |
| WATER & SEWAGE | G-23 - H-02 |
| WINDOW, VENT AND EXTERIOR DOOR | H-03 - H-22 |

EXTERIOR BODY GROUP (CONTINUED)



EXTERIOR BODY PANELS AND TRIM

| KEY PART NUMBER | U/M DESCRIPTION |
|------------------|---|
| 1 086906-05-000 | EA TRIM-BACKWALL TO ROOF, PASSENGER SIDE REAR - GRAY |
| 2 086906-08-000 | EA TRIM-BACKWALL TO ROOF, DRIVERS SIDE REAR - GRAY |
| 3 100316-01-B03 | EA ROOF-W/O VENTS (SPECIAL ORDER ITEM) |
| 3 100316-02-B03 | EA ROOF-W/O VENTS (SPECIAL ORDER ITEM) |
| 064675-58-010 | EA ANGLE-STEEL, ROOF JOINT - 89" - BEIGE |
| 090203-04-000 | EA TRIM-CORNER, DRIVERS SIDEWALL TO BACKWALL - GRAY |
| 050406-08-000 | EA TRIM-BACKWALL, LOWER, ALUMINUM, BEIGE, 2 PER BACKWALL |
| 5 P00328-01-B25 | EA SIDEWALL-DRIVER, W/O DOORS, DECALS, OR WINDOWS (SPECIAL ORDER ITEM) |
| 055278-01-001 | FT TUBING-STEEL, .75" X 1.5" X 288" |
| 058267-01-000 | FT CHANNEL-SIDEWALL STIFFENER, W/HOLES - 2" X 20" |
| 6 078967-08-000 | EA ANGLE-JOINT, ROOF - 156.5" |
| 7 075070-04-000 | EA TRIM-WHEELWELL, DRIVER REAR - PLASTIC - GRAY |
| 089749-01-000 | EA TRIM-REAR WHEELWELL, ALUMINUM, DRIVERS OR PASSENGER |
| 055080-01-000 | EA WHEELWELL-PLASTIC, REAR - BLACK - LEFT OR RIGHT |
| 8 078558-14-000 | EA TRIM-WHEELWELL, DRIVER FRONT - PLASTIC - GRAY |
| 9 089909-01-000 | EA TRIM-FRONT WHEELWELL - DRIVER & PASSENGER - METAL |
| 10 078556-13-000 | EA TRIM-WHEELWELL, PASSENGER FRONT - PLASTIC - GRAY |
| 11 079407-05-002 | EA ROCKER PANEL 192", ALUMINUM, GRAY, WITHOUT DOOR PIN HOLES |
| 002726-01-001 | EA GARNISH-U-CHANNEL, 1.38" X 19" - SERRATED - MILL ALUMINUM |
| 12 086526-55-002 | EA ROCKER PANEL, 192", ALUMINUM, GRAY, WITH DOOR PIN HOLES |
| 13 059576-11-000 | EA EXTRUSION-FEATURE STRIP, 182" - GRAY |
| 009731-01-000 | EA CAP-END, FEATURE STRIP |
| 14 075070-02-000 | EA TRIM-WHEELWELL, PASSENGER REAR - PLASTIC - GRAY |
| 089749-01-000 | EA TRIM-REAR WHEELWELL, ALUMINUM, DRIVERS OR PASSENGER |
| 055080-01-000 | EA WHEELWELL-PLASTIC, REAR - BLACK - LEFT OR RIGHT |
| 15 P00329-01-B25 | EA SIDEWALL-PASSENGER, W/O DOORS, DECALS, OR WINDOWS (SPECIAL ORDER ITEM) |
| 078376-01-000 | FT MOLDING-T-SHAPED COVE, CEILING TO WALL - OFF WHITE |
| 058267-01-000 | FT CHANNEL-FORMED, 2" X .88" X 14GA - 20" W/HOLES |
| 16 000203-02-000 | EA TRIM-CORNER, PASSENGER SIDEWALL TO BACKWALL - GRAY |
| 17 P00317-01-B25 | EA BACKWALL-W/O WINDOW OR DECALS (SPECIAL ORDER ITEM) |
| 066767-01-000 | EA SPACER-DOOR, LOWER |

EXTERIOR BODY GROUP (CONTINUED)

REAR BUMPER & END CAPS

| KEY PART NUMBER | U/M DESCRIPTION |
|-----------------|---|
| 100250-01-02A | EA CAP-END, BUMPER - REAR PASSENGER - GRAY USED WITH TWO PART BUMPER |
| 100250-02-02A | EA CAP-END, BUMPER - REAR DRIVER - GRAY USED WITH TWO PART BUMPER |
| 080815-01-W30 | EA CAP-END, BUMPER - REAR PASSENGER - W/GUSSET - GRAY |
| 080815-02-W30 | EA CAP-END, BUMPER - REAR DRIVER - W/GUSSET - GRAY |
| 100575-01-03A | EA BUMPER-REAR, RIGHT - GRAY |
| 100575-02-03A | EA BUMPER-REAR, LEFT - GRAY |
| 078584-10-000 | EA BUMPER - REAR - GRAY |

ASSIST HANDLE

| KEY PART NUMBER | U/M DESCRIPTION |
|-----------------|--|
| 009126-01-000 | EA HANDLE-ASSIST, ENTRY DOOR - CHROME |
| 009126-02-000 | EA HANDLE-ASSIST, ENTRY DOOR - BLACK |
| 081914-01-000 | EA BUMPER-RUBBER, ROUND -.43" DIAMETER - BLACK |
| 077953-01-000 | EA GROMMET-EDGE LINER, FITS 1" |

MISCELLANEOUS EXTERNALLY MOUNTED PARTS

| KEY PART NUMBER | U/M DESCRIPTION |
|-----------------|--|
| 084616-03-000 | EA SHROUD-EXTERIOR VENT, RANGE HOOD - GRAY |
| 087859-03-000 | EA FILL-CITY WATER, ROUND - GRAY |
| 075736-01-000 | EA COVER-EXTERIOR RECEPTACLE, GRAY |

FIBERGLASS, ALUMINUM AND PANEL

| KEY PART NUMBER | U/M DESCRIPTION |
|-----------------|---|
| 091395-08-000 | EA PANEL-FIBERGLASS & PARTICLE BOARD, 4' X 8' - GRAY |
| 000868-01-000 | SF STYROFOAM-.75" X 24" X 96" - INCREMENTS OF 16 SF |
| 000670-03-000 | SF STYROFOAM-1.34" X 48" X 96" - INCREMENTS OF 32 SF |
| 063574-01-000 | SF STYROFOAM, DOW TYNE SM - 1.5" X 24" X 85.25" - INC OF |
| 089297-01-000 | SF PLYWOOD-LUAN, OVERLAY GRADE - 4' X 8' - INC OF 32 SF |
| 042487-01-001 | EA ALUMINUM SHEET - .010" X 96" X 360" - MILL FINISH |
| 001054-01-011 | EA ALUMINUM-SHEET, 4' X 96" - FLAT - OFF WHITE |
| 078054-D1-001 | EA FIBERGLASS-SHEET, 36" X 252" - FLAT - GRAY |
| 076054-D7-001 | EA FIBERGLASS-SHEET, 60" X 308" - FLAT - GRAY |
| 077517-23-000 | EA FIBERGLASS-SHEET, FLAT - 48" X 96" - GRAY |
| 077517-24-000 | EA FIBERGLASS-SHEET, FLAT - 48" X 96" - OFF WHITE |
| 076054-D4-001 | EA FIBERGLASS-SHEET, FLAT - 48" X 96" - GRAY |
| 086229-01-000 | EA RETAINER-3/4" |
| 086772-51-001 | EA PIN-STAINLESS STEEL .25" DIAMETER X4.17" |
| 076322-02-000 | FT TAPE-FOAM, DOUBLE COATED - .045" X 1" - INC. OF 108 FT |
| 076322-03-000 | FT TAPE-FOAM, DOUBLE COATED - .045" X .5" |
| 001030-11-100 | EA AL-.019X00.78X204.00 GRAY |
| 001018-01-024 | EA SKIN-ALUMINUM, .024" X 48" X 96" - FLAT - BEIGE |

EXTERIOR MIRRORS

| KEY PART NUMBER | U/M DESCRIPTION |
|-----------------|--|
| 049347-01-000 | EA MIRROR HEAD-EXTERIOR, 10 1/2" X 7 1/2" - STAINLESS ST |
| 006043-01-000 | EA MIRROR-EXTERIOR CONVEX, ADHESIVE BACKED |
| 049348-03-000 | EA ARM-EXTERIOR MIRROR, LOW MOUNT - BLACK |
| 049944-04-000 | EA BRACKET-EXTERIOR MIRROR, ARM TO SIDEWALL - BLACK |
| 039337-01-000 | EA BRACKET-EXTERIOR MIRROR, ARM TO SIDEWALL - UNPAINTED |

SPARE TIRE COVER

| KEY PART NUMBER | U/M DESCRIPTION |
|-----------------|----------------------------------|
| 098855-01-B25 | EA COVER-TIRE, VINYL - OFF WHITE |

TABLE OF CONTENTS

| | |
|--------------------|-------------|
| INTRODUCTION | A-01 |
| ABBREVIATIONS | A-01 |
| ALPHABETICAL INDEX | A-02 - A-04 |
| ICF23EC | A-05 - D-17 |
| ICF30EU | D-19 - H-22 |

1991 ICF30EU INDEX

| | |
|--------------------------------|-------------|
| FLOOR PLAN | D-19 - D-20 |
| ACCESSORIES | D-21 - D-24 |
| BATH | E-01 - E-04 |
| BEDROOM | E-05 - E-08 |
| CHASSIS | E-09 - E-14 |
| C C & PAD | E-15 - E-24 |
| DINETTE | F-01 - F-02 |
| DRIVERS | F-03 - F-12 |
| ELECTRICAL | F-13 - F-16 |
| EXTERIOR BODY | F-17 - F-22 |
| GALLEY | F-23 - G-04 |
| HEATING & A/C | G-05 - G-10 |
| INTERIOR FINISH | G-11 - G-15 |
| LABEL | G-16 |
| LP | G-17 |
| LOUNGE | G-18 - G-20 |
| SEALANTS & FASTENERS | G-21 - G-22 |
| WATER & SEWAGE | G-23 - H-02 |
| WINDOW, VENT AND EXTERIOR DOOR | H-03 - H-22 |

EXTERIOR BODY GROUP (CONTINUED)

DECALS

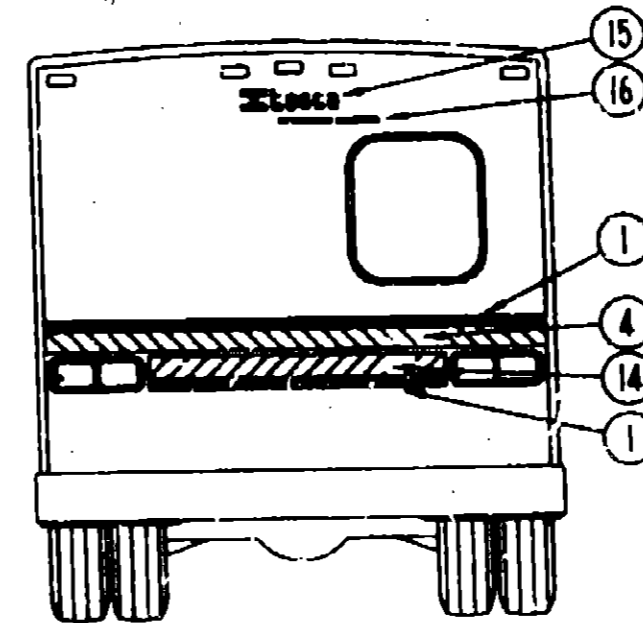
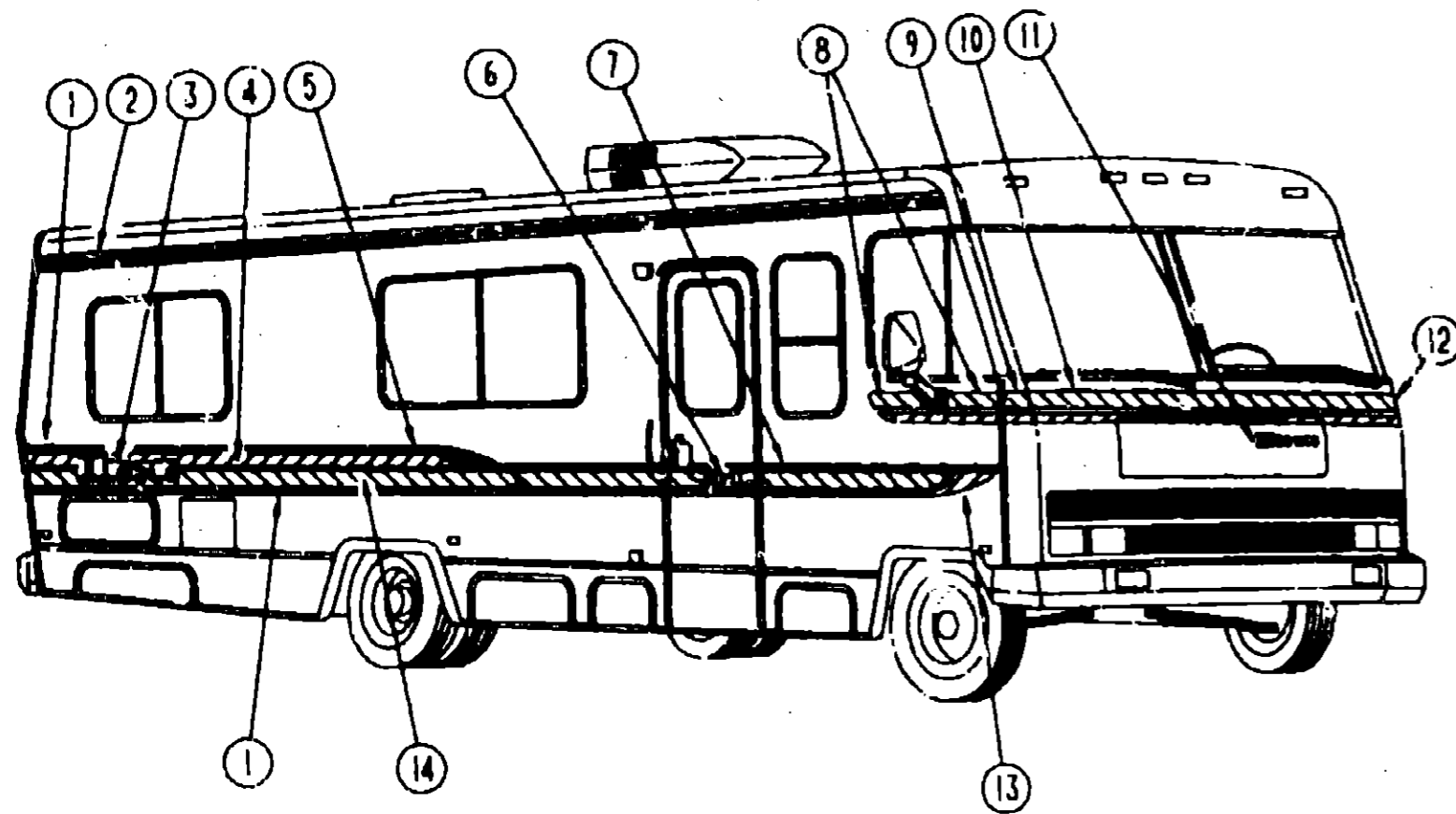


TABLE OF CONTENTS

| | |
|--------------------|-------------|
| INTRODUCTION | A-01 |
| ABBREVIATIONS | A-01 |
| ALPHABETICAL INDEX | A-02 - A-04 |
| ICF23EC | A-05 - D-17 |
| ICF30EU | D-19 - H-22 |

1981 ICF30EU INDEX

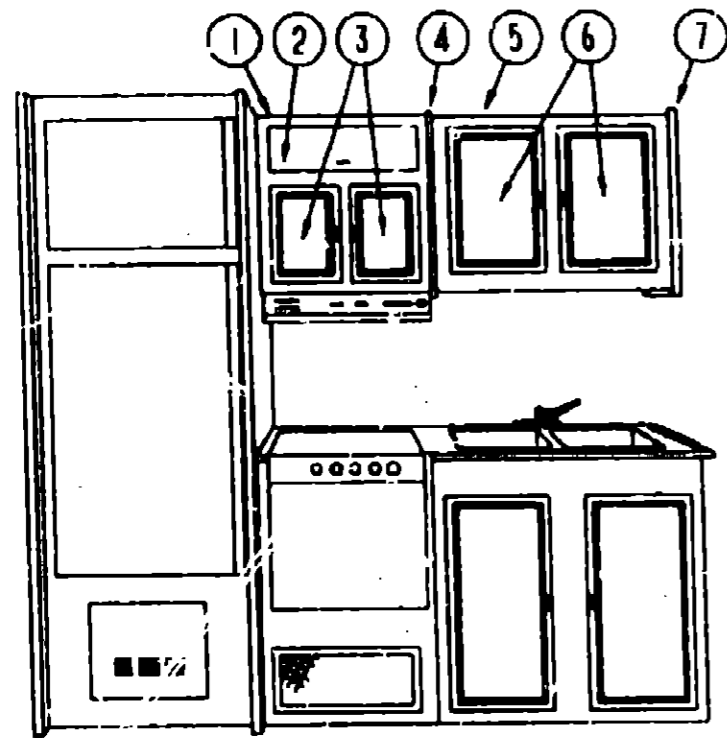
| | |
|--------------------------------|-------------|
| FLOOR PLAN | D-19 - D-20 |
| ACCESSORIES | D-21 - D-24 |
| BATH | E-01 - E-04 |
| BEDROOM | E-05 - E-08 |
| CHASSIS | E-09 - E-14 |
| C C & PAD | E-15 - E-24 |
| DINETTE | F-01 - F-02 |
| DRIVERS | F-03 - F-12 |
| ELECTRICAL | F-13 - F-16 |
| EXTERIOR BODY | F-17 - F-22 |
| GALLEY | F-23 - G-04 |
| HEATING & A/C | G-05 - G-10 |
| INTERIOR FINISH | G-11 - G-15 |
| LABEL | C-16 |
| LP | G-17 |
| LOUNGE | G-18 - G-20 |
| SEALANTS & FASTENERS | G-21 - G-22 |
| WATER & SEWAGE | G-23 - H-02 |
| WINDOW, VENT AND EXTERIOR DOOR | H-03 - H-22 |

KEY PART NUMBER

U/M DESCRIPTION

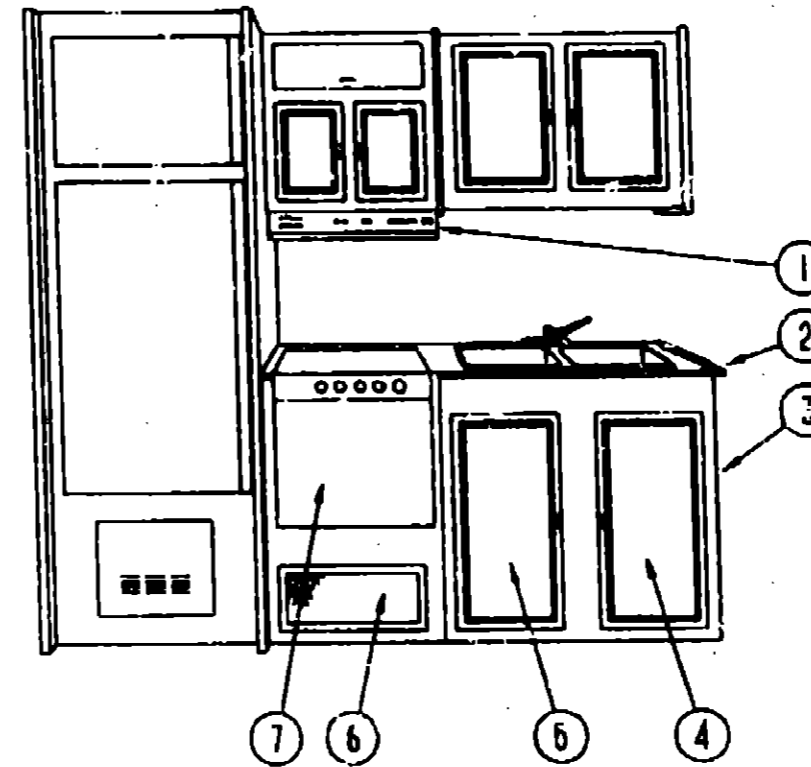
| | | |
|----|---------------|--|
| 1 | 093681-18-01A | FT STRIPE-1 LINE, 1.25" WIDE - DARK BLUE - DARK BLUE-DUPONT# K9456 |
| 2 | 093680-23-01A | FT MULTISTRIPE-2 LINES, 3" WIDE - DARK BLUE & LIGHT BLUE - DARK BLUE-DUPONT# K9456, LIGHT BLUE-DUPONT# K9457 |
| 3 | 078852-16-000 | EA DECAL-LOGO, "ITASCA" - 6.5" HIGH - DARK BLUE & LIGHT |
| 4 | 093681-18-01A | FT STRIPE-1 LINE, 5" WIDE - DARK BLUE - DARK BLUE-DUPONT# K9456 |
| 5 | 100039-01-01A | EA DECAL-SWEEP, DRIVER SIDE FRONT/PASSENGER SIDE REAR - DARK BLUE-DUPONT# K9456 |
| 6 | 093685-01-03A | EA DECAL-LOGO, "SPIRIT" - DARK BLUE & LIGHT GRAY |
| 7 | 093681-03-03A | FT STRIPE-1 LINE, 1.5" WIDE - LIGHT BLUE - LIGHT BLUE-DUPONT# K9457 |
| 8 | 093681-17-01A | FT STRIPE-1 LINE, 3.75" WIDE - LIGHT BLUE - DUPONT # K9456 |
| 9 | 100038-01-01A | EA DECAL-CORNER, FRONT PASSENGER SIDE - LIGHT BLUE/DARK |
| 10 | 100037-01-01A | EA DECAL-HOOD, LIGHT BLUE & DARK BLUE - DARK BLUE DUPONT #K9456; LIGHT BLUE DUPONT #K9457 |
| 11 | 087257-02-000 | EA DECAL-LOGO, "ITASCA" - HOOD PANEL - DARK BLUE |
| 12 | 100038-02-01A | EA DECAL-CORNER, FRONT DRIVER SIDE - LIGHT BLUE/DARK BLU |
| 13 | 100039-02-01A | EA DECAL-SWEEP, PASSENGER SIDE FRONT/DRIVER SIDE REAR - DARK BLUE-DUPONT# K9456 |
| 14 | 093681-16-02A | FT STRIPE-1 LINE, 5" WIDE - LIGHT BLUE - LIGHT BLUE-DUPONT# K9457 |
| 15 | 078191-03-000 | EA DECAL-LOGO, "ITASCA" - BACKWALL - DARK BLUE - DARK BLUE-DUPONT# K9456 |
| 16 | 084075-01-000 | EA DECAL-"BY WINNEBAGO IND.", BLACK |
| | NOTE | GRAY BODY PAINT - DUPONT # L8730A OR L8730L |

GALLEY GROUP



GALLEY CABINETS & COMPONENTS CONT.

GALLEY GROUP (CONTINUED)



GALLEY CABINETS & COMPONENTS CONT.

TABLE OF CONTENTS

| | |
|--------------------|-------------|
| INTRODUCTION | A-01 |
| ABBREVIATIONS | A-01 |
| ALPHABETICAL INDEX | A-02 - A-04 |
| ICF23EC | A-05 - D-17 |
| ICF30EU | D-19 - H-22 |

1991 ICF30EU INDEX

| | |
|--------------------------------|-------------|
| FLOOR PLAN | D-19 - D-20 |
| ACCESSORIES | D-21 - D-24 |
| BATH | E-01 - E-04 |
| BEDROOM | E-05 - E-08 |
| CHASSIS | E-09 - E-14 |
| C & P AD | E-15 - E-24 |
| DINETTE | F-01 - F-02 |
| DRIVERS | F-03 - F-12 |
| ELECTRICAL | F-13 - F-16 |
| EXTERIOR BODY | F-17 - F-22 |
| GALLEY | F-23 - G-04 |
| HEATING & AC | G-05 - G-10 |
| INTERIOR FINISH | G-11 - G-15 |
| LABEL | G-16 |
| LP | G-17 |
| LOUNGE | G-18 - G-20 |
| SEALANTS & FASTENERS | G-21 - G-22 |
| WATER & SEWAGE | G-23 - H-02 |
| WINDOW, VENT AND EXTERIOR DOOR | H-03 - H-22 |

KEY PART NUMBER

U/M DESCRIPTION

| | | |
|---|---------------|---|
| 1 | M99835-02-B25 | EA CABINET-OVERHEAD, RANGE - W/O DOORS OR HARDWARE |
| 2 | P00099-08-B25 | EA DOOR-CABINET, TOP OVERHEAD RANGE - 7" X 21.8" - W/O HARDWARE |
| 3 | P00099-24-B25 | EA DOOR-CABINET, OVERHEAD RANGE - 14.4" X 10.8" - W/O HARDWARE |
| 4 | 081320-16-B25 | EA CAP-END, OVERHEAD - FRONT |
| 5 | M99836-03-B25 | EA CABINET-OVERHEAD, SINK - W/O DOORS OR HARDWARE |
| 6 | P00099-81-B27 | EA DOOR-CABINET, OVERHEAD SINK - W/O HARDWARE - 14" X 22" |
| 7 | 081320-14-B25 | EA CAP-END, CABINET - FRONT |

KEY PART NUMBER

U/M DESCRIPTION

| | | |
|---|---------------|--|
| 1 | 100258-01-01A | EA HOOD-RANGE W/O MONITOR PANEL - ALMOND - VENTLINE - US |
| | 084878-09-000 | EA VENT-RANGE HOOD, SHORT - LVS |
| | 084216-03-000 | EA SHROUD-EXTERIOR VENT, RANGE HOOD - GRAY |
| | 050225-01-000 | EA LABEL-WARNING, STOVE VENT - US |
| 2 | 100011-13-B03 | EA COUNTERTOP-GALLEY |
| 3 | P00011-01-B25 | EA CABINET-GALLEY, W/O DOORS OR HARDWARE |
| | 098335-02-B03 | EA RAIL-GALLEY, .75" X 1.5" X 22.3" |
| 4 | P00099-13-B25 | EA DOOR-CABINET, 26.8" X 14.4" - W/O HARDWARE - FOREMOST DOOR UNDER SINK |
| 5 | P00099-14-B27 | EA DOOR-CABINET, 26.7" X 14.4" - W/O HARDWARE - REAR DOOR UNDER SINK |
| 6 | P00099-74-B27 | EA DOOR-FURNACE, W/MESH INSERT - 11" X 21.8" - W/O HARDWARE |
| 7 | 055282-04-000 | EA RANGE-4 BURNER, W/OVEN - MAGIC CHEF BT16NA - ALMOND |
| | 055516-03-000 | EA BRACKET-REAR TIEDOWN, RANGE W/OVEN |
| | 011053-04-000 | EA FAUCET-GALLEY, SWING SPOUT 8" |
| | 091253-01-000 | EA GASKET-FAUCET, LAVATORY |
| | 099854-01-000 | EA SINK-GALLEY, DOUBLE W/MOUNTING HARDWARE - STAINLESS STEEL |
| | 102551-01-000 | EA SINK-STAINLESS STEEL, DOUBLE - 17" X 25" - US |
| | 056437-01-000 | EA STRAINER-SINK, GALLEY W/BASKET |
| | 066437-01-700 | EA BASKET-STRAINER, GALLEY SINK |
| | 081530-01-B05 | EA COVER-SINK |

GALLEY GROUP (CONTINUED)

RANGE

| KEY PART NUMBER | U/M | DESCRIPTION |
|-----------------|-----|--|
| 055516-03-000 | EA | BRACKET-REAR TIEDOWN, RANGE W/OVEN |
| 055282-04-000 | EA | RANGE-4 BURNER, W/OVEN - MAGIC CHEF BT16NA - ALMOND FROM: 00-00-00 THRU: 09-02-90 |
| 065282-03-708 | EA | BUMPER-MAIN TOP, PLASTIC PLUG - MAGIC CHEF 744-176 |
| 049045-01-742 | EA | BURNER ASM-OVEN, MAGIC CHEF 50-20216 |
| 064782-02-715 | EA | CLIP-GRATE, MAGIC CHEF 413-00015 |
| 049045-01-739 | EA | FITTING-HALF UNION, MAGIC CHEF 896-31 |
| 065282-03-702 | EA | KNOB-THERMOSTAT, MAGIC CHEF 50-20281 |
| 081374-02-701 | EA | REGULATOR-PRESSURE, MAGIC CHEF 978-27 |
| 065282-03-700 | EA | THERMOSTAT, MAGIC CHEF 993-476 |
| 049045-01-703 | EA | VALVE-TOP BURNER, MAGIC CHEF 997-684 |
| 064782-02-705 | EA | HANDLE-OVEN DOOR, BLACK - MAGIC CHEF 50-25104 |
| 049045-01-728 | EA | BROILER PAN W/O INSERT, MAGIC CHEF 50-22114-2 |
| 088507-02-700 | EA | FILTER PILOT, MAGIC CHEF 735-126 |
| 088507-02-701 | EA | INSERT-BURNER (SLOTTED VENT), MAGIC CHEF 7214P015-60 |
| 064782-02-701 | EA | SHIELD-DEFLECTOR FLUE, BLACK - MAGIC CHEF 50-25039-1 |
| 049045-01-741 | EA | INSERT-BROILER PAN, MAGIC CHEF 50-22119-1 OR 2 |
| 064782-02-710 | EA | BRACKET-FRONT GLASS, MAGIC CHEF 56-62097 |
| 064782-02-712 | EA | GRATE-TOP BURNER, SQUARE HOLES - MAGIC CHEF 50-25499 |
| 064782-02-714 | EA | FITTING-PIPE NIPPLE, 1/8" - MAGIC CHEF 863-1 |
| 088507-01-701 | EA | TOP-MAIN, ALMOND - MAGIC CHEF 2001F057-70 |
| 064782-02-708 | EA | VALVE-MERCURY CONTROL, MAGIC CHEF 978-27 |
| 065282-04-700 | EA | PANEL-OVEN DOOR, ALMOND - MAGIC CHEF 50-26577-2A |
| 088507-02-707 | EA | TOP-MAIN, EBONY - MAGIC CHEF 2001F057-70 |
| 102022-01-01A | EA | RANGE-16", 4 BURNER - MAGIC CHEF BT16RA-4-49 FROM: 09-03-90 THRU: 99-99-99 |
| 102020-01-701 | EA | HANDLE, DOOR |
| 102020-01-702 | EA | PANEL, MANIFOLD |
| 102022-01-700 | EA | PANEL, DOOR (BLACK) SPEC 49 |
| 102020-01-700 | EA | SHELF-OVEN |
| 102020-01-705 | EA | TRIM (LEFT) |
| 102022-01-701 | EA | TRIM (LEFT) |
| 102020-01-708 | EA | BURNER ASSEMBLY (OVEN) |
| 102020-01-709 | EA | BUMPER, GRATE |
| 102020-01-711 | EA | TOP |
| 102020-01-712 | EA | KNOB, BURNER VALVE |
| 102020-01-713 | EA | KNOB, THERMOSTAT |
| 102020-01-714 | EA | PILOT, OVEN |
| 102022-01-702 | EA | PIPE, MANIFOLD |
| 102022-01-703 | EA | REGULATOR, PRESSURE |
| 102020-01-717 | EA | THERMOSTAT |
| 102020-01-719 | EA | TOP, MAIN (BLACK) |
| 102020-01-720 | EA | VALVE, MERCURY CONTROL |
| 102020-01-721 | EA | VALVE, SHUT-OFF |
| 102020-01-722 | EA | VALVE, TOP BURNER |
| 102020-01-723 | EA | PILOT, BURNER |
| 102020-01-724 | EA | BUMPER, MAIN TOP |

GALLEY GROUP (CONTINUED)

GALLEY HARDWARE & APPLIANCES

| KEY PART NUMBER | U/M | DESCRIPTION |
|-----------------|-----|--|
| 011053-04-000 | EA | FAUCET-GALLEY, US/CSA - SWING SPOUT 8" |
| 068815-01-000 | FA | SINK-GALLEY, DOUBLE W/MOUNTING HARDWARE - STAINLESS STEEL FROM: 00-00-00 THRU: 12-31-89 |
| 088654-01-000 | EA | SINK-GALLEY, DOUBLE W/MOUNTING HARDWARE - STAINLESS STEEL |
| 266437-01-000 | EA | STRAINER-SINK, GALLEY W/BASKET FROM: 01-01-90 THRU: 99-99-99 |
| 066437-01-700 | EA | BASKET-STRAINER, GALLEY SINK |
| 081530-01-AA8 | EA | COVER-SINK, AA8 - BLUE |
| 081530-01-AA9 | EA | COVER-SINK, AA9 - MAUVE |
| 088980-01-000 | EA | PLASTER-ADJUSTABLE SHELF |
| 077308-02-000 | EA | SLIDE-DRAWER, PLASTIC - 20.75" |
| 077404-02-000 | EA | DRAWER-PLASTIC, 20" X 12.7" - BEIGE |
| 094067-01-01A | EA | DIVIDER-DRAWER, PLASTIC - LIGHT OAK |
| 094499-01-000 | EA | EXTINGUISHER-FIRE, DRY W/MOUNTING BRACKET - 10 BC |
| 094499-01-700 | EA | BRACKET-MOUNTING, W/PLASTIC STRAP - FIRE EXTINGUISHER 12 KEY |

REFRIGERATOR & COMPONENTS

| KEY PART NUMBER | U/M | DESCRIPTION |
|-----------------|-----|--|
| 090329-01-000 | FT | SEAL-REFRIGERATOR CABINET |
| 065225-01-000 | EA | PLATE-TIEDOWN, REFRIGERATOR |
| 067544-01-000 | EA | BRACKET-REAR TIEDOWN, REFRIGERATOR |
| 067544-02-000 | EA | BRACKET-FRONT TIEDOWN, REFRIGERATOR |
| 054450-01-000 | EA | LEVEL-REFRIGERATOR |
| 084073-01-000 | EA | COVER-ROOF VENT, NORCOLD REFRIGERATOR - BEIGE |
| 084073-04-000 | EA | BASE-ROOF VENT, NORCOLD REFRIGERATOR - BLACK |
| 088248-03-000 | EA | REFRIGERATOR-2/WAY, SINGLE DOOR - NORCOLD 87EG2 |
| 064879-03-700 | EA | COOLING UNIT - HORIZONTAL BURNER, NORCOLD# 61687237 |
| 064473-03-719 | EA | FLUE-HORIZONTAL BURNER, NORCOLD# 616162 |
| 088248-01-709 | EA | HEATER-AC, (HORIZONTAL) - NORCOLD# 615627 |
| 075217-01-737 | EA | CONTROL MODULE, NORCOLD# 61525022 |
| 088248-01-701 | EA | INSERT-CONTROL PANEL, (3-WAY) - NORCOLD# 618039 |
| 084800-01-715 | EA | VALVE-SHUT OFF, MANUAL - NORCOLD# 61897822 |
| 084880-01-713 | EA | CONNECTOR-MALE, INLET FITTING - NORCOLD# 615256 |
| 084880-01-705 | EA | ORIFICE - NORCOLD# 614522 |
| 088248-01-706 | EA | BURNER-(HORIZONTAL), NORCOLD# 15881 |
| 088248-01-708 | EA | ELECTRODE-IGNITION, (HORIZONTAL) - NORCOLD# 615732 |
| 088248-01-712 | EA | FRAME-DOOR, LOWER - BROWN - NORCOLD 615576 |
| 075217-01-700 | EA | TRIM-SHELF, UPPER DOOR - INSIDE - NORCOLD 615223 |
| 064472-01-744 | EA | DAIRY KEEPER - NORCOLD 614720 |
| 064472-02-718 | EA | TRIM-CABINET, TOP - BROWN - NORCOLD# 613614 |
| 064472-01-727 | EA | HINGE-UPPER RIGHT, NORCOLD 613528 |
| 048955-01-713 | EA | PIN-HINGE, NORCOLD# 611146 |
| 088248-01-715 | EA | TRAY-DRIP, ALMOND - NORCOLD# 61542522 |
| 064472-03-700 | EA | PIN-HINGE, BOTTOM - NORCOLD# 615507 |
| 064472-01-728 | EA | HINGE-LOWER RIGHT, NORCOLD 613529 |
| 064472-01-731 | EA | COVER-CRISPER, NORCOLD 613376 |
| 075217-01-713 | EA | DRAWER-CRISPER, NORCOLD 615180 |
| 064472-01-726 | EA | FRAME STRIP-CABINET, LEFT - NORCOLD 613820 |
| 088248-01-714 | EA | CABINET ASM-FOAMED, (ALMOND) - NORCOLD# 616008 |
| 064472-01-727 | EA | HINGE-UPPER RIGHT, NORCOLD 613528 |
| 064472-01-728 | EA | HINGE-LOWER RIGHT, NORCOLD 613529 |
| 088248-02-700 | EA | P/C BOARD-2/WAY, NORCOLD 616027 |
| 088248-02-701 | EA | INSERT-CONTROL PANEL, LOWER - 2/WAY - NORCOLD 616033 |

TABLE OF CONTENTS

| | |
|--------------------|-------------|
| INTRODUCTION | A-01 |
| ABBREVIATIONS | A-01 |
| ALPHABETICAL INDEX | A-02 - A-04 |
| ICF23EC | A-05 - D-17 |
| ICF30EU | D-19 - H-22 |

1991 ICF30EU INDEX

| | |
|--------------------------------|-------------|
| FLOOR PLAN | D-19 - D-20 |
| ACCESSORIES | D-21 - D-24 |
| BATH | E-01 - E-04 |
| BEDROOM | E-05 - E-08 |
| CHASSIS | E-09 - E-14 |
| C C & PAD | E-15 - E-24 |
| DINETTE | F-01 - F-02 |
| DRIVERS | F-03 - F-12 |
| ELECTRICAL | F-13 - F-16 |
| EXTERIOR BODY | F-17 - F-22 |
| GALLEY | F-23 - G-04 |
| HEATING & AC | G-05 - G-10 |
| INTERIOR FINISH | G-11 - G-15 |
| LABEL | G-16 |
| LP | G-17 |
| LOUNGE | G-18 - G-20 |
| SEALANTS & FASTENERS | G-21 - G-22 |
| WATER & SEWAGE | G-23 - H-02 |
| WINDOW, VENT AND EXTERIOR DOOR | H-03 - H-22 |

GALLEY GROUP (CONTINUED)

GENERATOR OPTIONS LINE

| KEY PART NUMBER | U/M | DESCRIPTION |
|-----------------|-----|--|
| 100250-03-01A | EA | HOOD-RANGE, W/O MONITOR PANEL, VENTLINE - U.S. |
| 090973-01-700 | EA | MOTOR - LVS CA508-1 |
| 090973-01-702 | EA | BLADE-FAN, LVS VA183-1 |
| 090998-01-709 | EA | BULB-912, VENTLINE VA415 |
| 090983-01-708 | EA | LENS-LAMP, VENTLINE CC179 |
| 090983-01-707 | EA | FILTER-GREASE, 8" X 8" - LVS CC246 |
| 092696-01-710 | EA | SOCKET-LIGHT, VENTLINE CB267-2 |
| 090983-01-702 | EA | SWITCH-TWO WAY MOMENTARY, VENTLINE 112 |
| 090983-01-700 | EA | SWITCH-ON/OFF, VENTLINE 108 |
| 100258-10-01A | EA | METER-HOUR, VENTLINE 150 |

RANGE HOOD

| KEY PART NUMBER | U/M | DESCRIPTION |
|-----------------|-----|---|
| 097618-01-000 | EA | WIRE ASM-MONITOR PANEL, W/4 WIRES & BLACK RESISTOR. |
| 084816-03-000 | EA | SHROUD-EXTERIOR VENT, RANGE HOOD - GRAY |
| 084878-09-000 | EA | VENT-RANGE HOOD, SHORT - LVS |
| 050225-01-000 | EA | LABEL-WARNING, STOVE VENT - US |
| 100258-01-01A | EA | HOOD-RANGE, W/O MONITOR PANEL - VENTLINE - US |
| 090983-01-702 | EA | SWITCH-TWO WAY MOMENTARY, VENTLINE 112 |
| 090983-01-700 | EA | SWITCH-ON/OFF, VENTLINE 108 |
| 092696-01-709 | EA | BULB-912, VENTLINE VA415 |
| 092696-01-710 | EA | SOCKET-LIGHT, VENTLINE CB267-2 |
| 090983-01-708 | EA | LENS-LAMP, VENTLINE CC179 |
| 090973-01-700 | EA | MOTOR - LVS CA508-1 |
| 090973-01-702 | EA | BLADE-FAN, LVS VA183-1 |
| 090983-01-707 | EA | FILTER-GREASE, 8" X 8" - LVS CC246 |
| 092696-01-707 | EA | VENT GASKET |

GALLEY GROUP (CONTINUED)

MONITOR PANEL & RECEPTACLE

| KEY PART NUMBER | U/M | DESCRIPTION |
|-----------------|-----|----------------------------------|
| 100120-01-01A | EA | PANEL-MONITOR, ALMOND - VENTLINE |
| 097617-01-702 | EA | SWITCH-1/WAY, ALMOND - LVS 107 |
| 090983-01-703 | EA | SWITCH-ON/OFF - JENSEN 115 |
| 100126-01-700 | EA | CIRCUIT BOARD - 5078-06 |

MICROWAVE OVEN-US (OPT 133)

| KEY PART NUMBER | U/M | DESCRIPTION |
|-----------------|-----|--|
| 091269-04-000 | EA | OVEN-MICROWAVE, MAGIC CHEF - MODEL M15-B |
| 094745-01-01A | EA | TRIM-MICROWAVE, LOWER - BLACK |
| 094774-01-01A | EA | TRIM-MICROWAVE, EITHER SIDE - BLACK |
| | | FROM: 00-00-00 THRU: 05-27-90 |
| 094774-03-01A | EA | TRIM-MICROWAVE, EITHER SIDE - BLACK |
| | | FROM: 05-28-90 THRU: 99-99-99 |
| 094750-01-000 | EA | BRACKET-MICROWAVE, 90 DEGREE |

CANADIAN EXPORT (OPT 285)

| KEY PART NUMBER | U/M | DESCRIPTION |
|-----------------|-----|---|
| 100258-02-01A | EA | HOOD-RANGE, W/O MONITOR PANEL - VENTLINE - CANADIAN |
| 090973-01-700 | EA | MOTOR - LVS CA508-1 |
| 090973-01-702 | EA | BLADE-FAN, LVS VA183-1 |
| 092696-01-709 | EA | BULB-912, VENTLINE VA415 |
| 090983-01-708 | EA | LENS-LAMP, VENTLINE CC179 |
| 092696-01-710 | EA | SOCKET-LIGHT, VENTLINE CB267-2 |
| 090983-01-707 | EA | FILTER-GREASE, 8" X 8" - LVS CC246 |
| 090983-01-702 | EA | SWITCH-TWO WAY MOMENTARY, VENTLINE 112 |
| 090983-01-700 | EA | SWITCH-ON/OFF, VENTLINE 108 |

TABLE OF CONTENTS

| | |
|--------------------|-------------|
| INTRODUCTION | A-01 |
| ABBREVIATIONS | A-01 |
| ALPHABETICAL INDEX | A-02 - A-04 |
| ICF23EC | A-05 - D-17 |
| ICF30EU | D-19 - H-22 |

1981 ICF30EU INDEX

| | |
|--------------------------------|-------------|
| FLOOR PLAN | D-19 - D-20 |
| ACCESSORIES | D-21 - D-24 |
| BATH | E-01 - E-04 |
| BEDROOM | E-05 - E-08 |
| CHASSIS | E-09 - E-14 |
| C C & PAD | E-15 - E-24 |
| DINETTE | F-01 - F-02 |
| DRIVERS | F-03 - F-12 |
| ELECTRICAL | F-13 - F-16 |
| EXTERIOR BODY | F-17 - F-22 |
| GALLEY | F-23 - G-04 |
| HEATING & A/C | G-05 - G-10 |
| INTERIOR FINISH | G-11 - G-15 |
| LABEL | G-16 |
| LP | G-17 |
| LOUNGE | G-18 - G-20 |
| SEALANTS & FASTENERS | G-21 - G-22 |
| WATER & SEWAGE | G-23 - H-02 |
| WINDOW, VENT AND EXTERIOR DOOR | H-03 - H-22 |

HEATING & AIR CONDITIONING GROUP

FORD CHASSIS OPTION L16D- US

HEATING & AIR CONDITIONING GROUP (CONTINUED)

MOTIVAIR/SCS AUTOMOTIVE A/C & HEATER

TABLE OF CONTENTS

| | |
|--------------------|-------------|
| INTRODUCTION | A-01 |
| ABBREVIATIONS | A-01 |
| ALPHABETICAL INDEX | A-02 - A-04 |
| INDEX | A-05 - D-17 |
| INDEX | D-19 - H-22 |

1991 F30EU INDEX

| | |
|--------------------------------|-------------|
| FLOOR PLAN | D-19 - D-20 |
| ACCESSORIES | D-21 - D-24 |
| BATH | E-01 - E-04 |
| BEDROOM | E-05 - E-08 |
| CHASSIS | E-09 - E-14 |
| C C & PAD | E-15 - E-24 |
| DINETTE | F-01 - F-02 |
| DRIVERS | F-03 - F-12 |
| ELECTRICAL | F-13 - F-18 |
| EXTERIOR BODY | F-17 - F-22 |
| GALLEY | F-23 - G-04 |
| HEATING & A/C | G-05 - G-10 |
| INTERIOR FINISH | G-11 - G-15 |
| LABEL | G-16 |
| LP | G-17 |
| LOUNGE | G-18 - G-20 |
| SEALANTS & FASTENERS | G-21 - G-22 |
| WATER & SEWAGE | G-23 - H-02 |
| WINDOW, VENT AND EXTERIOR DOOR | H-03 - H-22 |

| KEY PART NUMBER | U/M DESCRIPTION |
|-----------------|--|
| 096815-01-000 | EA CONDENSER ASM-A/C, FORD - ARA# 0519539 |
| 096815-01-700 | EA COIL, CONDENSER, ARA 0519545 |
| 072342-03-701 | EA RECEIVER-DRYER, ARA 1273235 |
| 072342-03-707 | EA O-RING, #6 - ARA 0059605 |
| 075789-01-718 | EA O-RING-AEROQUIP FITTING, ARA 0543513 |
| 074013-02-716 | EA VALVE-SERVICE, ARA 0058337 |
| 096815-01-701 | EA HOSE ASM #8, ARA 0987061 |
| 096815-01-702 | EA O-RING, #8 - ARA 0059606 |
| 072342-03-709 | EA O-RING, #10 - ARA 0059607 |
| 072341-01-716 | EA VALVE-DISCHARGE, 1/2" O-RING - ARA 0548325 |
| 072343-08-000 | EA COMPRESSOR/CLUTCH-460 EFI, TOP DISCHARGE - ARA# 05290 |

AUTOMOTIVE A/C COMPONENTS

| KEY PART NUMBER | U/M DESCRIPTION |
|-----------------|--|
| 096814-01-000 | EA MOUNT & DRIVE PACKAGE-A/C COMPRESSOR, 460 EFI FROM: 00-00-00 THRU: 07-17-90 |
| 096814-02-000 | EA MOUNT & DRIVE PACKAGE, A/C COMPRESSOR - 460 EFI FROM: 07-18-90 THRU: 99-99-99 |
| 083610-01-000 | EA CLAMP-WIRE, DUAL - UNEQUAL DIAMETERS - .75" & 1.25" |
| 088753-01-000 | FT TUBE-ALUMINIZED STEEL, 5/8" - 18 GAUGE |
| 091930-02-000 | EA DUCT-DEFROSTER, W/O SIDE OUTLET - ARA# 0571020 |
| 082401-01-000 | EA CLAMP-HOSE, WORM GEAR .25" - 1" |
| 039044-01-000 | EA LOUVER-ADJUSTABLE A/C, 2.5" X 5.75" |
| 024990-01-000 | EA OUTLET-LOUVERED, W/SWIVEL - 2" - GRAY FROM: 00-00-00 THRU: 12-18-90 |
| 024990-04-000 | EA OUTLET-LOUVERED/DEFROSTER, W/SWIVEL - 2" - BEIGE FROM: 12-19-90 THRU: 99-99-99 |
| 082401-05-000 | EA CLAMP-HOSE, WORMGEAR - 2" X 3" |
| 094831-05-000 | EA MANUAL-OWNERS, HEATER-A/C - SCS 057-0044 |
| 041953-01-000 | FT CONDUIT-CONVOLUTED SLIT, .5" ID |

| KEY PART NUMBER | U/M DESCRIPTION |
|-----------------|---|
| 094831-01-000 | EA HEATER/EVAPORATOR-COMPLETE, MOTIVAIR ZGH81131 OR SCS MOTIVAIR OR SCS EMBLEM IS DISPLAYED BELOW DASH ON PASSENGER SIDE |
| 094831-01-700 | EA DOOR-FRESH AIR, MOTIVAIR/SCS AGG15037 |
| 094831-01-701 | EA ROD-FRESH AIR DOOR, MOTIVAIR/SCS ZGG15042 |
| 094831-01-702 | EA PAN-DRAIN, PLASTIC - MOTIVAIR/SCS ZGG15043 |
| 094831-01-703 | EA MOTOR-BLOWER, MOTIVAIR/SCS ZGG14884 |
| 094831-01-704 | EA WHEEL-BLOWER, MOTIVAIR/SCS ZGG14839 |
| 094831-01-705 | EA MOTOR-VACUUM, 2" OD - MOTIVAIR/SCS ZGG15256 |
| 094831-01-706 | EA RESISTOR-4 SPEED, MOTIVAIR/SCS ZGG15058 |
| 094831-01-707 | EA WIRING HARNESS-UNIT, MOTIVAIR/SCS ZGG15050 |
| 094831-01-708 | EA VACUUM HARNESS-UNIT, MOTIVAIR/SCS ZGG15328 |
| 094831-01-709 | EA CLAMPS-ROD, 3/16" - MOTIVAIR/SCS ZGG14431 |
| 094831-01-710 | EA RINGS-RETAINER, 3/16" ROD - MOTIVAIR/SCS ZGG12809 |
| 094831-01-711 | EA NUT-#10-32 KEPS, MOTIVAIR/SCS ZGG12946 |
| 094831-01-712 | EA NUT-#10-24 TIMMERMAN 'J', MOTIVAIR/SCS ZGG14670 |
| 094831-01-713 | EA EVAPORATOR COIL, MOTIVAIR/SCS ZGG15046 |
| 094831-01-714 | EA VALVE-EXPANSION, MOTIVAIR/SCS ZGG11845 |
| 094831-01-715 | EA THERMOSTAT, MOTIVAIR/SCS ZGG15047 |
| 094831-01-716 | EA SWITCH-TRINARY, MOTIVAIR/SCS ZGG14512 |
| 094831-01-717 | EA HOSE-#6, MOTIVAIR/SCS ZGG15048 |
| 094831-01-718 | EA HOSE-#10, MOTIVAIR/SCS ZGG15049 |
| 094831-01-719 | EA COUP-#4 SELF SEAL W/O RING, MOTIVAIR/SCS ZGG14429 |
| 094831-01-720 | EA VALVE-#10 SERVICE, MOTIVAIR/SCS ZGG11109 |
| 094831-01-721 | EA O-RING-#10, MOTIVAIR/SCS ZGG14550 |
| 094831-01-722 | EA O-RING-#8, MOTIVAIR/SCS ZGG14559 |
| 094831-01-723 | EA O-RING-#6, MOTIVAIR/SCS ZGG11558 |
| 094831-01-724 | EA O-RING-#4, MOTIVAIR/SCS ZGG14581 |
| 094831-01-725 | EA DOOR-AIR BLEND, MOTIVAIR/SCS ZGG15311 |
| 094831-01-726 | EA ROD-AIR BLEND DOOR, MOTIVAIR/SCS ZGG15312 |
| 094831-01-727 | EA COIL-HEAT, MOTIVAIR/SCS ZGG15078 |
| 094831-01-728 | EA DOOR-DAMPER, MOTIVAIR/SCS ZGG15324 |
| 094831-01-729 | EA ROD-DAMPER DOOR, MOTIVAIR/SCS ZGG15066 |
| 094831-01-730 | EA MOTOR-VACUUM, MOTIVAIR/SCS ZGG14918 |
| 094831-01-731 | EA ADAPTERS-2" HOSE, MOTIVAIR/SCS ZGG14075 |
| 094831-01-732 | EA HOUSING-CONTROL, MOTIVAIR/SCS ZGG14223 |
| 094831-01-733 | EA WIRING HARNESS-CONTROL, MOTIVAIR/SCS ZGG15073 |
| 094831-01-734 | EA WIRING HARNESS-LIGHT, MOTIVAIR/SCS ZGG15074 |
| 094831-01-735 | EA VACUUM HARNESS-CONTROL, MOTIVAIR/SCS ZGG15076 |
| 094831-01-736 | EA SWITCH-VACUUM, MOTIVAIR/SCS ZGG15282 |
| 094831-01-737 | EA CABLE-AIR BLEND - 82" - MOTIVAIR/SCS ZGG15331 |
| 094831-01-738 | EA CLIP-CABLE, MOTIVAIR/SCS ZGG12797 |
| 094831-01-739 | EA CLIP-UNIT CABLE, MOTIVAIR/SCS ZGG15330 |
| 094831-01-740 | EA RELAY-AUTO, MOTIVAIR/SCS ZGG14275 |
| 094831-01-741 | EA TRIM-DASH LOUVER/CONTROL PANEL, MOTIVAIR/SCS ZGG15481 |
| 094831-01-742 | EA WIRING HARNESS-CONDENSER, MOTIVAIR/SCS ZGG15075 |
| 094831-01-743 | EA CANISTER-VACUUM, MOTIVAIR/SCS ZGG14190 |
| 094831-01-744 | EA VALVE-WATER, MOTIVAIR/SCS ZGG15245 |
| 094831-01-745 | EA TUBE-DRAIN, KAZOO - MOTIVAIR/SCS ZGG15051 |
| 094831-01-746 | EA CLAMP-BLEND CABLE, MOTIVAIR/SCS 77000-00 |
| 094831-07-000 | EA WIRE ASSEMBLY, COOLING FAN ADAPTER - SCS 036-0053 |
| 094831-08-000 | EA WIRE ASSEMBLY-AC COMPRESSOR ADAPTER - SCS 036-0054 |

HEATING & AIR CONDITIONING GROUP (CONTINUED)

FURNACE 30,000 BTU (SF-30)

HEATING & AIR CONDITIONING GROUP (CONTINUED)

REAR AUXILIARY HEATER & WATER HEATER W/MOTOR AID

TABLE OF CONTENTS

| | |
|--------------------|-------------|
| INTRODUCTION | A-01 |
| ABBREVIATIONS | A-01 |
| ALPHABETICAL INDEX | A-02 - A-04 |
| ICF23EC | A-05 - D-17 |
| ICF30EU | D-19 - H-22 |

1991 ICF30EU INDEX

| | |
|----------------------|-------------|
| FLOOR PLAN | D-19 - D-20 |
| ACCESSORIES | D-21 - D-24 |
| BATH | E-01 - E-04 |
| BEDROOM | E-05 - E-08 |
| CHASSIS | E-09 - E-14 |
| C C & PAD | E-15 - E-24 |
| DNETTE | F-01 - F-02 |
| DRIVERS | F-03 - F-12 |
| ELECTRICAL | F-13 - F-16 |
| EXTERIOR BODY | F-17 - F-22 |
| GALLEY | F-23 - G-04 |
| HEATING & A/C | G-05 - G-10 |
| INTERIOR FINISH | G-11 - G-15 |
| LABEL | G-16 |
| LP | G-17 |
| LOUNGE | G-18 - G-20 |
| SEALANTS & FASTENERS | G-21 - G-22 |
| WATER & SEWAGE | G-23 - H-02 |
| WINDOW, VENT AND | |
| EXTERIOR DOOR | H-03 - H-22 |

KEY PART NUMBER

| KEY PART NUMBER | U/M | DESCRIPTION |
|-----------------|-----|--|
| 093365-01-000 | EA | THERMOSTAT-WALL, FURNACE - SUBURBAN 0160912 OR 0160900 |
| 090668-02-000 | EA | FURNACE-30000 BTU, SUBURBAN SF-30 |
| 090668-02-700 | EA | BURNER ASM COMPLETE (SF-30/SFJ5), SUBURBAN 010745 |
| 090668-01-702 | EA | ELECTRODE, SUBURBAN 231740 |
| 090634-01-733 | EA | RELAY, TIME DELAY 20&30 BTU, SUBURBAN 231202 |
| 090668-01-709 | EA | MOTOR ASM., F/SF-25, SF-30 |
| 090668-01-711 | EA | WHEEL, ROOM AIR - SUBURBAN 350123 |
| 062300-02-702 | EA | MICROSWITCH ASM, SUBURBAN# X230509 |
| 090668-01-706 | EA | WHEEL-COMBUSTION AIR, SUBURBAN 350122 |
| 090668-01-707 | EA | VENT CAP & EXHAUST TUBE ASM, SUBURBAN 260193 |
| 090668-01-704 | EA | VALVE, SUBURBAN 180038 |
| 090668-01-701 | EA | CABINET ASM, SUBURBAN 101299 |
| 090668-01-700 | EA | CABINET FRONT, SUBURBAN 101242 |
| 090668-01-705 | EA | SWITCH-LIMIT, SUBURBAN 231830 |
| 092300-02-701 | EA | ORIFICE, MAIN BURNER - SUBURBAN 180214 |
| 092300-01-704 | EA | GASKET-ELECTRODE, SUBURBAN 070163 |
| 090668-01-712 | EA | BOARD-MODULE, SUBURBAN 231741 |
| 075896-02-709 | EA | DISC-GLASS, SUBURBAN 310026 |
| 090668-01-710 | EA | BLOWER ASM (ROOM AIR), SUBURBAN 390440 |
| 090668-01-708 | EA | BLOWER ASM (COMBUSTION AIR), SUBURBAN 390441 |
| 075898-02-703 | EA | COLLAR-DUCT, SUBURBAN #050715 |
| 056464-05-000 | EA | REGISTER-PLASTIC W/O DAMPER - 4" DIAMETER - GOLDEN |
| 009198-01-000 | FT | DUCT-HEAT, FLEXIBLE - 4" ID |
| 009200-01-000 | EA | TAPE-FURNACE, 1 1/2" |
| 023146-01-000 | EA | CLAMP-SCREW TYPE - 4" |
| 069636-02-000 | EA | CONNECTOR-DUCT, 4" ID |
| 061948-01-000 | EA | BRACKET-W/HE COVER, 90 DEGREE ANGLED METAL |
| 007108-02-000 | FT | HOSE-HEATER, 3/4" ID |
| 062401-03-000 | EA | CLAMP-HOSE WORMGEAR, .22" - 1" ID |
| 007676-01-000 | EA | FITTING-H, 1/2 ID - BRASS |
| 062401-04-000 | EA | CLAMP-WORMGEAR HOSE, .69" - 1.25" |
| 079059-02-000 | EA | HOSE- 90 DEGREE - .61 X 4.00 X 6.00 |
| 062401-05-000 | EA | CLAMP-WORMGEAR HOSE, 2" - 3" ID |
| 007076-01-700 | FT | HOSE-FLEXIBLE PVC - 2" ID |
| 007108-01-000 | FT | HOSE-HEATER, 5/8" ID |
| 007281-01-000 | EA | HOSE-FLEXIBLE, 2 1/2 ID |
| 007281-01-700 | FT | HOSE-FLEXIBLE PUG 2 1/2" ID |

KEY PART NUMBER

| |
|---------------|
| 009198-01-000 |
| 009200-01-000 |
| 023146-01-000 |
| 069636-02-000 |
| 009776-10-000 |
| 009809-22-000 |
| 000667-10-12B |
| 007108-01-000 |
| 008401-01-000 |
| 089297-01-000 |
| 052369-01-000 |
| 056464-02-000 |
| 056464-05-000 |
| 062401-04-000 |
| 083081-01-000 |
| 084405-01-000 |
| 084405-01-700 |
| 084405-01-701 |
| 084405-01-702 |
| 000039-04-00B |
| 000E13-11-00B |
| 007108-01-000 |
| 007108-02-000 |
| 084410-02-000 |
| 087202-02-000 |
| 090977-01-000 |
| 008042-01-000 |
| 010227-01-000 |
| 061673-01-000 |
| 062401-10-000 |
| 071015-13-000 |
| 073194-02-000 |
| 076322-02-000 |
| 084410-02-000 |
| 087202-02-000 |
| 088753-01-000 |
| 090977-01-000 |
| 000E13-14-00B |

U/M DESCRIPTION

| | |
|----|--|
| FT | DUCT-HEAT, FLEXIBLE - 4" ID |
| EA | TAPE-FURNACE, 1 1/2" |
| EA | CLAMP-SCREW TYPE - 4" |
| EA | CONNECTOR-DUCT, 4" ID |
| FT | U-CHANNEL, 1" - PLASTIC - BIRCH |
| EA | MOLDING-PLASTIC CORNER, OUTSIDE - 1" - BIRCH |
| EA | SCREW, 10-12 X 3/4 - PPH ZN |
| FT | HOSE-HEATER, 5/8" ID |
| EA | STRAP-CONDUIT, 3/4" - 1 HOLE - GALVANIZED STEEL |
| SF | PLYWOOD-LUAN, OVERLAY GRADE-.10" X 4' X 8'-INC. OF 32 SF |
| FT | CORD STRAPPING-1/4" WIDE |
| EA | REGISTER-PLASTIC W/O DAMPER - 4" DIAMETER - BROWN |
| EA | REGISTER-PLASTIC W/O DAMPER - 4" DIAMETER - GOLDEN |
| EA | CLAMP-HOSE, WORMGEAR .89" - 1.25" |
| EA | HOSE-FORMED |
| EA | HEATER ASM-REAR, DUCTED - W/MOTOR AID - EVANS |
| EA | HEATER CORE-EVANS# FT200229 |
| EA | FAN BLADES-EVANS# HV029931 |
| EA | MOTOR ASM-12 V, EVANS# 200146 |
| EA | NUT-HEX, SER FLG LK 1/4 - 20 ZN |
| EA | WASHER-FL, 3/16" WIDE ZN |
| FT | HOSE-HEATER, 3/8" ID |
| FT | HOSE-HEATER, 3/4" ID |
| EA | DECAL-REAR AUTO HEATER |
| EA | SWITCH-4 POSITION, W/O KNOB |
| EA | KNOB-SWITCH, ROTARY |
| FT | TUBING-VINYL, .65" ID |
| EA | TEE-PLASTIC, BARB 5/8" OR 3/4" HOSE |
| EA | BRACKET-MOTOR AID TUBES, 4" X 1.5" - STEEL |
| EA | CLAMP-HOSE, WORMGEAR 1.06" - 2" |
| EA | GROMMET-5/8" ID, FITS .08" MATERIAL, RUBBER |
| EA | CLAMP-HOSE, WORMGEAR 32-50 MM |
| FT | TAPE-FOAM, DOUBLE COATED - .045" X 1" - INC. OF 108 FT |
| EA | DECAL-REAR AUTO HEATER |
| EA | SWITCH-W/O KNOB, 4 POSITION |
| FT | TUBE-ALUMINIZED STEEL, 5/8" - 18 GAUGE |
| EA | KNOB-SWITCH, ROTARY |
| EA | WASHER-FL, 1/4" WIDE ZN |

HEATING & AIR CONDITIONING GROUP (CONTINUED)

AIR CONDITIONER-ROOF, 13500 BTU - U.S. OPTION L29D

| KEY PART NUMBER | U/M | DESCRIPTION |
|-----------------|-----|---|
| 008356-01-000 | EA | CONNECTOR-PLASTIC, 3/8" AVG |
| 102289-01-000 | EA | SPRING-SCREW, ROOF A/C GASKET - COLEMAN 8757-150 |
| 088238-01-000 | EA | COVER-SWITCH, A/C SELECTOR - FRONT TO REAR A/C |
| 073937-03-000 | EA | SWITCH-ROTARY SELECTOR, 3 DECK - A/C - CA20-USA892 |
| 074897-01-000 | EA | COVER-ELECTRIC BOX, 1 LARGE & 2 SMALL HOLES - 4" X 4" |
| 074993-01-000 | EA | LABEL-A/C SELECTOR |

ROOF A/C U.S. OPTION L29D

| KEY PART NUMBER | U/M | DESCRIPTION |
|-----------------|-----|---|
| 093763-01-02A | EA | A/C-ROOF, 13500 BTU - TSR - GRAY - COLEMAN 8759D708 |
| 093763-02-700 | EA | SHROUD (GRAY/CHARCOAL), COLEMAN# 6759-4581 |
| 093308-01-701 | EA | DECAL PKG. LEFT & RIGHT, COLEMAN 679883591 |
| 091225-01-709 | EA | START RELAY, COLEMAN# 1497-4131 |
| 091225-01-710 | EA | START CAPACITOR, COLEMAN# 1497-0881 |
| 073742-02-704 | EA | RUN CAPACITOR (COMPRESSOR), COLEMAN 14994661 |
| 081806-01-708 | EA | LIMIT SWITCH (OPEN 180,CLOSE 110), COLEMAN# 6703-3041 |
| 093763-01-712 | EA | FAN BLADE-CONDENSER, COLEMAN# 6733-3221 |
| 076303-01-712 | EA | MOTOR, COLEMAN# 6707A3119 |
| 093763-01-702 | EA | OVERLOAD, COLEMAN# 6759-3931 |
| 093763-01-703 | EA | IMPELLOR-7" DIA X 2.8" WIDE, COLEMAN# 6759-3271 |
| 093763-01-704 | EA | CAPACITOR-FAN, COLEMAN# 1499-3461 |
| 093763-01-706 | EA | HEAT ELEMENT-COLEMAN# 6798-3321 |
| 093763-01-707 | EA | EVAPORATOR COIL-COLEMAN# 1452-1351 |
| 093763-01-708 | EA | CONDENSER COIL-COLEMAN# 1452-1251 |
| 093763-01-709 | EA | COMPRESSOR-COLEMAN# 6749A3609 |

CEILING ASSEMBLY U.S. OPTION L29D

| KEY PART NUMBER | U/M | DESCRIPTION |
|-----------------|-----|---|
| 093764-01-000 | EA | CEILING ASM-A/C COOL ONLY, TSR - COLEMAN 6759D714 |
| 042204-01-709 | EA | THERMOSTAT IN-64,OUT-58, COLEMAN# 6701-3401 |
| 042205-01-702 | EA | THERMOSTAT IN-89,OUT-58, COLEMAN# 6703-3401 |
| 073742-01-701 | EA | SELECTOR SWITCH (5 TERMINAL), COLEMAN# 6759-3251 |
| 073742-01-703 | EA | DECAL HEAT & COOL, COLEMAN# 6759-3491 |
| 091225-01-713 | EA | KNOB (2 PER PACKAGE), COLEMAN# 6701-3351 |
| 091225-01-717 | EA | DECAL (THERMOSTAT) COOL ONLY, COLEMAN# 6799A3441 |
| 073742-01-702 | EA | DECAL COOL ONLY, COLEMAN# 6759C3431 |
| 076303-01-707 | EA | FILTER-8" X 14 3/4" X 1/2", 12 PER PKG - COLEMAN 6703 |
| 093763-01-705 | EA | DECAL-HEAT/COOL THERMOSTAT, COLEMAN# 6799A3471 |
| 093763-01-709 | EA | COMPRESSOR-COLEMAN# 6749A3609 |
| 093763-01-710 | EA | SINGLE PARTS PACKAGE, COLEMAN# 6759-5841 |
| 093763-01-711 | EA | GASKET PACKAGE, COLEMAN 67593281 |
| 081806-01-712 | EA | CEILING SHROUD (IVORY), COLEMAN# 6769-5061 |

HEATING & AIR CONDITIONING GROUP (CONTINUED)

AIR CONDITIONER-ROOF, 13500 BTU - CANADIAN OPTION L29D

| KEY PART NUMBER | U/M | DESCRIPTION |
|-----------------|-----|---|
| 088238-01-000 | EA | COVER-SWITCH, A/C SELECTOR - FRONT TO REAR A/C |
| 073937-03-000 | EA | SWITCH-ROTARY SELECTOR, 3 DECK - A/C - CA20-USA892 |
| 074897-01-000 | EA | COVER-ELECTRIC BOX, 1 LARGE & 2 SMALL HOLES - 4" X 4" |
| 074993-01-000 | EA | LABEL-A/C SELECTOR |
| 102289-01-000 | EA | SPRING-SCREW, ROOF A/C GASKET - COLEMAN 8757-150 |

ROOF A/C CANADIAN OPTION L29D

| KEY PART NUMBER | U/M | DESCRIPTION |
|-----------------|-----|---|
| 093763-01-02A | EA | A/C-ROOF, 13500 BTU - TSR - GRAY - COLEMAN 8759D708 |
| 093763-02-700 | EA | SHROUD (GRAY/CHARCOAL), COLEMAN# 6759-4581 |
| 093308-01-701 | EA | DECAL PKG. LEFT & RIGHT, COLEMAN 679883591 |
| 091225-01-709 | EA | START RELAY, COLEMAN# 1497-4131 |
| 091225-01-710 | EA | START CAPACITOR, COLEMAN# 1497-0881 |
| 073742-02-704 | EA | RUN CAPACITOR (COMPRESSOR), COLEMAN 14994661 |
| 081806-01-708 | EA | LIMIT SWITCH (OPEN 180,CLOSE 110), COLEMAN# 6703-3041 |
| 093763-01-712 | EA | FAN BLADE-CONDENSER, COLEMAN# 6733-3221 |
| 076303-01-712 | EA | MOTOR, COLEMAN# 6707A3119 |
| 093763-01-702 | EA | OVERLOAD, COLEMAN# 6759-3931 |
| 093763-01-703 | EA | IMPELLOR-7" DIA X 2.8" WIDE, COLEMAN# 6759-3271 |
| 093763-01-704 | EA | CAPACITOR-FAN, COLEMAN# 1499-3461 |

CEILING ASSEMBLY CANADIAN OPTION L29D

| KEY PART NUMBER | U/M | DESCRIPTION |
|-----------------|-----|---|
| 093764-01-000 | EA | CEILING ASM-A/C COOL ONLY, TSR - COLEMAN# 6759D714 |
| 042204-01-709 | EA | THERMOSTAT IN-64,OUT-58, COLEMAN# 6701-3401 |
| 042205-01-702 | EA | THERMOSTAT IN-89,OUT-58, COLEMAN# 6703-3401 |
| 073742-01-701 | EA | SELECTOR SWITCH (5 TERMINAL), COLEMAN# 6759-3251 |
| 073742-01-703 | EA | DECAL HEAT & COOL, COLEMAN# 6759-3491 |
| 091225-01-713 | EA | KNOB (2 PER PACKAGE), COLEMAN# 6701-3351 |
| 081806-01-712 | EA | CEILING SHROUD (IVORY), COLEMAN# 6769-5061 |
| 073742-01-702 | EA | DECAL COOL ONLY, COLEMAN# 6759C3431 |
| 076303-01-707 | EA | FILTER-8" X 14 3/4" X 1/2", 12 PER PKG - COLEMAN 6703 |
| 091225-01-717 | EA | DECAL (THERMOSTAT) COOL ONLY, COLEMAN# 6799A3441 |
| 093763-01-705 | EA | DECAL-HEAT/COOL THERMOSTAT, COLEMAN# 6799A3471 |
| 093763-01-707 | EA | EVAPORATOR COIL-COLEMAN# 1452-1351 |
| 093763-01-708 | EA | CONDENSER COIL-COLEMAN# 1452-1251 |
| 093763-01-709 | EA | COMPRESSOR-COLEMAN# 6749A3609 |
| 093763-01-710 | EA | SINGLE PARTS PACKAGE, COLEMAN# 6759-5841 |
| 093763-01-711 | EA | GASKET PACKAGE, COLEMAN 67593281 |

TABLE OF CONTENTS

| | |
|--------------------|-------------|
| INTRODUCTION | A-01 |
| ABBREVIATIONS | A-01 |
| ALPHABETICAL INDEX | A-02 - A-04 |
| ICF23EC | A-05 - D-17 |
| ICF30EU | D-19 - H-22 |

1991 ICF30EU INDEX

| | |
|--------------------------------|-------------|
| FLOOR PLAN | D-19 - D-20 |
| ACCESSORIES | D-21 - D-24 |
| BATH | E-01 - F-04 |
| BEDROOM | E-05 - E-08 |
| CHASSIS | E-09 - E-14 |
| C/C & PAD | E-15 - E-24 |
| DINETTE | F-01 - F-02 |
| DRIVERS | F-03 - F-12 |
| ELECTRICAL | F-13 - F-16 |
| EXTERIOR BODY | F-17 - F-22 |
| GALLEY | F-23 - G-04 |
| HEATING & A/C | G-05 - G-10 |
| INTERIOR FINISH | G-11 - G-15 |
| LABEL | G-16 |
| LP | G-17 |
| LOUNGE | G-18 - G-20 |
| SEALANTS & FASTENERS | G-21 - G-22 |
| WATER & SEWAGE | G-23 - H-02 |
| WINDOW, VENT AND EXTERIOR DOOR | H-03 - H-22 |

INTERIOR FINISH GROUP

ASSIST HANDLE & HINGE AND STRIKE COVERS

| KEY PART NUMBER | U/M | DESCRIPTION |
|-----------------|-----|--|
| 077461-03-000 | EA | COVER-STRIKE, ENTRY DOOR - 0.5" X 2.5" - PLASTIC - OFF WHITE |
| 078725-01-000 | EA | COVER-HINGE, ENTRY DOOR - 6" X 3.2" - PLASTIC - BEIGE |
| 053552-02-AA8 | EA | HANDLE-ASSIST, INTERIOR - ENTRY DOOR - VINYL - OFF WHITE |
| 069179-02-000 | EA | BRACKET-MOUNTING, ASSIST HANDLE |
| 000C18-07-168 | EA | BOLT-CARRIAGE, ASSIST HANDLE - 7/16" - 14 X 1" ZN |
| 000D20-07-008 | EA | NUT-ACORN, ASSIST HANDLE - 7/16" X 14 ZN |

WALL CLOCK

| KEY PART NUMBER | U/M | DESCRIPTION |
|-----------------|-----|------------------------------------|
| 100603-01-01A | EA | CLOCK WALL, ROUND BEZEL - LVS 2060 |

BATH DOOR LATCH & HARDWARE

| KEY PART NUMBER | U/M | DESCRIPTION |
|-----------------|-----|---|
| 023320-01-000 | EA | PAD-FELT, 3/8" DIAMETER - BROWN |
| 042359-01-000 | EA | PLUG-BUTTON, MAHOGANY - 3/8" DIAMETER - WOOD FROM: 00-00-00 THRU: 05-22-90 |
| 074045-01-000 | EA | PLUG-OAK, 1/2" DIAMETER FROM: 05-23-90 THRU: 99-99-99 |
| 07131-01-000 | EA | HINGE-OVERLAY, CABINET DOOR - BURNISHED BRASS |
| 066335-02-000 | EA | LATCH-SHOWER/BATH DOOR, W/O LOCK - BROWN |
| 100357-01-000 | EA | ROD-TOWEL, BRASS W/ENDS BENT FOR BACK OF BATH DOOR |
| 100434-01-01A | EA | PIN-CATCH, HINGED DOOR - OFF WHITE |
| 100320-01-01A | EA | CATCH-DOOR, RING CLIPPING - PLASTIC - WHITE |
| 099410-01-01A | EA | PULL-FINGER, OVAL - BRASS |
| 100280-01-00C | EA | HANGER-SLIDING DOOR, 1/16" OFFSET |
| 100433-01-01A | EA | PLATE-SLIDING DOOR, METAL - BEIGE |

BATT STRIPS

| KEY PART NUMBER | U/M | DESCRIPTION |
|-----------------|-----|--|
| 068263-51-000 | EA | BATT STRIP-CEILING, 8' EA - OFF WHITE FROM: 00-00-00 THRU: 07-14-90 |
| 066229-01-000 | EA | RETAINER-BATTEN, CEILING - .75" WIDE - 7.6' EA FROM: 07-15-90 THRU: 99-99-99 |
| 066229-04-000 | EA | BATTEN-CEILING, 1" WIDE - IVORY - 7.5' EA FROM: 07-15-90 THRU: 99-99-99 |
| 065284-36-000 | FT | BATT STRIP-DECORATIVE, W/BLOSSOMS - ADHESIVE BACK FROM: 00-00-00 THRU: 07-15-90 |
| 065284-47-000 | FT | BATT STRIP-DECORATIVE, PATTERNED - MAIN FROM: 07-16-90 THRU: 99-99-99 |
| 065284-32-000 | FT | BATT STRIP-WOODGRAIN, ADHESIVE BACK - RAMBLING OAK |
| 068263-47-000 | EA | BATT STRIP-DECORATIVE W/BLOSSOMS, 8' EA FROM: 00-00-00 THRU: 07-15-90 |
| 068263-60-000 | EA | BATT STRIP-DECORATIVE, PATTERNED - MAIN - 8' EA FROM: 07-16-90 THRU: 99-99-99 |
| 079653-09-000 | EA | BATT STRIP-KERFED, WOODGRAIN |
| 065284-35-000 | FT | BATT STRIP-DECORATIVE PLAIN, ADHESIVE BACK |
| 069733-78-000 | EA | BATT-STRIP, WOODGRAIN - 8' EA - RAMBLING OAK |

INTERIOR FINISH GROUP (CONTINUED)

CABINET TRIMS/MOLDINGS & CHANNEL

| KEY PART NUMBER | U/M | DESCRIPTION |
|-----------------|-----|--|
| 100040-01-000 | EA | LUMBER-VINYL WRAPPED, 1.5" X 8" - RAMBLING OAK |
| 100040-03-000 | EA | LUMBER-VINYL WRAPPED, .71" X 2" X 8" RAMBLING OAK |
| 022992-08-000 | FT | MOLDING-REVERSE COVE, T-SHAPED - VINYL - OFF WHITE |
| 100041-01-000 | EA | MOLDING-VINYL WRAPPED, 1.57" X 84.02" - RAMBLING OAK |
| 083620-08-000 | FT | T-MOLDING, END CAP EDGE, 3/4" - WESTERN OAK FROM: 01-07-91 THRU: 99-99-99 |
| 009812-22-000 | EA | MOLDING-CORNER, OUTSIDE - .5" X 7" - PLASTIC - BROWN |
| 083020-06-000 | FT | T-MOLDING, END CAP EDGE - 3/4" - BIRCH FROM: 00-00-00 THRU: 01-08-91 |
| 100041-02-000 | EA | MOLDING-VINYL WRAPPED, .7" X 2.5" X 7" - RAMBLING OAK |
| 081294-02-000 | EA | MOLDING-SHELF, NOTCHED WOOD - 3" LONG |
| 052859-05-B05 | FT | TRIM-STITCHED VINYL, OFF WHITE |
| 052859-01-AA8 | FT | TRIM-EDGE, VINYL - BEIGE |
| 070504-19-000 | FT | U CHANNEL-EXTRUSION, .315" - BROWN |
| 009778-07-000 | FT | U-CHANNEL, 1" - PLASTIC - LIGHT OAK FROM: 00-00-00 THRU: 05-06-90 |
| 009778-13-000 | FT | U-CHANNEL, 1" - PLASTIC - PECAN FROM: 05-07-90 THRU: 99-99-99 |
| 076699-11-002 | EA | LUMBER-3/4" X 1.4" X 90.8", W/10 DEGREE BEVEL |
| 075249-01-000 | EA | RAILING-OAK, 72" EA - UNFINISHED |

DINETTE TABLE HARDWARE

| KEY PART NUMBER | U/M | DESCRIPTION |
|-----------------|-----|---|
| 004301-01-000 | EA | BUMPER-CABINET DOOR, RUBBER - BROWN |
| 024276-21-000 | EA | LEG-TABLE, METAL - BEIGE |
| 024202-01-000 | EA | BRACE-TABLE LEG, HINGED |
| 024263-01-000 | EA | CLIP-LEG, 1" X 1.125" OD - BLACK |
| 064050-03-000 | EA | CLAMP-SADDLE, LEG HINGE - TAN |
| 068410-01-000 | EA | BRACKET-LIFT, TABLE MOUNTED - BEIGE |
| 024275-05-000 | EA | ROD-TABLE LIFT, 8" X 23.5" - BEIGE |
| 053200-05-000 | EA | BRACKET-TABLE SUPPORT, UPPER WALL MOUNTED - 23.5" - BEIGE |
| 024281-07-000 | EA | BRACKET-LIFT ROD, LOWER WALL MOUNTED - 22.12" - BEIGE |
| 064781-06-000 | EA | HOLDER-CUP, TWO STEP - OFF WHITE |

PLASTIC DRAWER, SLIDES & RAIL

| KEY PART NUMBER | U/M | DESCRIPTION |
|-----------------|-----|---|
| 077409-02-000 | EA | SLIDE-DRAWER, MOUNTED TO CABINET - PLASTIC - 20.75" |
| 077409-02-000 | EA | SLIDE-DRAWER, MOUNTED TO CABINET - PLASTIC - 20.75" |
| 077404-02-000 | EA | DRAWER-PLASTIC, 20" X 12.7" - BEIGE |
| 094067-01-01A | EA | DIVIDER-DRAWER, PLASTIC - LIGHT OAK |
| 037688-01-000 | FT | RAIL-V GUIDE, DRAWER - 10' EA FROM: 00-00-00 THRU: 01-06-91 |
| 037688-04-000 | EA | BRACKET-RAIL MOUNTING, FRONT FROM: 00-00-00 THRU: 01-06-91 |
| 037688-05-000 | EA | BRACKET-RAIL MOUNTING, REAR FROM: 00-00-00 THRU: 01-06-91 |
| 102827-03-000 | EA | ROLLERS-DRAWER, NYLON - PAIR FROM: 01-07-91 THRU: 99-99-99 |
| 102827-04-000 | EA | BRACKET-DRAWER, REAR FROM: 01-07-91 THRU: 99-99-99 |
| 102827-05-000 | EA | TRACK-DRAWER, 22.6" FROM: 01-07-91 THRU: 99-99-99 |
| 102827-02-000 | EA | BRACKET-ROLLER, REAR - CABINET DRAWERS FROM: 01-07-91 THRU: 99-99-99 |

TABLE OF CONTENTS

| | |
|--------------------|-------------|
| INTRODUCTION | A-01 |
| ABBREVIATIONS | A-01 |
| ALPHABETICAL INDEX | A-02 - A-04 |
| ICF20EC | A-05 - D-17 |
| ICF30EU | D-19 - H-22 |

1991 ICF30EU INDEX

| | |
|----------------------|-------------|
| FLOOR PLAN | D-19 - D-20 |
| ACCESSORIES | D-21 - D-24 |
| BATH | E-01 - E-04 |
| BEDROOM | E-05 - E-08 |
| CHASSIS | E-09 - E-14 |
| C C & PAD | E-15 - E-24 |
| DINETTE | F-01 - F-02 |
| DRIVERS | F-03 - F-12 |
| ELECTRICAL | F-13 - F-16 |
| EXTERIOR BODY | F-17 - F-22 |
| GALLEY | F-23 - G-04 |
| HEATING & AC | G-05 - G-10 |
| INTERIOR FINISH | G-11 - G-15 |
| LABEL | G-16 |
| LP | G-17 |
| LOUNGE | G-18 - G-20 |
| SEALANTS & FASTENERS | G-21 - G-22 |
| WATER & SEWAGE | G-23 - H-02 |
| WINDOW, VENT AND | |
| EXTERIOR DOOR | H-03 - H-22 |

INTERIOR FINISH GROUP (CONTINUED)

FABRICS & FLOOR COVERINGS

| KEY PART NUMBER | U/M | DESCRIPTION |
|-----------------|-----|--|
| 075680-09-000 | YD | FABRIC-VINYL, 54" WIDE - OFF WHITE |
| 079880-12-000 | YD | VINYL-EXPANDED, 54" WIDE - OFF WHITE |
| 075244-02-000 | YD | VINYL-SHOWER CURTAIN, 72" WIDE - BEIGE FROM: 00-00-00 THRU: 05-31-90 |
| 075244-03-000 | YD | VINYL-SHOWER CURTAIN, 72" WIDE - ALMOND FROM: 06-01-90 THRU: 99-99-99 |
| 096008-31-000 | YD | FABRIC-UPHOLSTERY, PLAIN - 54" - B25 - DUSTY BLUE |
| 096008-42-000 | YD | FABRIC-UPHOLSTERY, PATTERN - 54" - B26 - TRUFFLE BROWN |
| 096008-44-000 | YD | FABRIC-UPHOLSTERY, PATTERN - 54" - B25 - DUSTY BLUE |
| 096008-46-000 | YD | FABRIC-UPHOLSTERY, PATTERN - 54" - B28 - TRUFFLE BROWN |
| 096008-28-000 | YD | FABRIC-UPHOLSTERY, PLAIN - 54" - B25 - DUSTY BLUE FROM: 10-22-90 THRU: 99-99-99 |
| 096008-45-000 | YD | FABRIC-UPHOLSTERY, PLAIN - 54" - B28 - TRUFFLE BROWN |
| 087272-01-000 | YD | FABRIC-LINING, CURTAIN - 48" WIDE - IVORY |
| 088273-51-000 | YD | FABRIC-CURTAIN, PATTERNED - 54" - B25 - DUSTY BLUE |
| 088273-67-000 | YD | FABRIC-CURTAIN, PLAIN - 54" - B25 - DUSTY BLUE |
| 088273-50-000 | YD | FABRIC-CURTAIN, PATTERNED - 54" - B26 - TRUFFLE BROWN |
| 088273-85-000 | YD | FABRIC-CURTAIN, PLAIN - 54" - B26 - TRUFFLE BROWN |
| 072333-75-000 | YD | FABRIC-CURTAIN - 54" WIDE - BEIGE |
| 072333-79-000 | YD | FABRIC-CURTAIN, 54" WIDE - B25 - DUSTY BLUE COLOR CODED COACHES ONLY |
| 081926-01-000 | YD | BACKING-QUILTING, MATTRESS COVER - 59" WIDE - WHITE |
| 088273-51-000 | YD | FABRIC-CURTAIN/BEDSPREAD, PATTERNED-54"-B25-DUSTY BLUE |
| 088273-50-000 | YD | FABRIC-CURTAIN, PATTERNED - 54" - B26 - TRUFFLE BROWN |
| 072333-87-000 | YD | FABRIC-SPEAKER COVER |
| 079349-01-AD2 | YD | WELTING-FABRIC, B25 - DUSTY BLUE |
| 079349-01-B26 | YD | WELTING-FABRIC, B26 - TRUFFLE BROWN |
| 029012-01-000 | BF | FOAM-ROLLED, 3/8" THICK - 72" WIDE |
| 047034-02-000 | SF | PLASTIC-CARPET, 4" WIDE - CLEAR POLY |
| 096080-14-000 | SY | CARPET-12' ROLL - B25 - DUSTY BLUE - INCREMENTS OF 4 SY |
| 096080-15-000 | SY | CARPET-12' ROLL - B26 - TRUFFLE BROWN - INCREMENTS OF 4 SY |
| 093873-01-02A | EA | TRIM-J, CARPET - 1.1" X 1.26" ANGLE - 12' LONG - VINYL - T |
| 085746-04-000 | FT | TRIM-J, CARPET - OFF WHITE |
| 100659-01-303 | EA | TRIM-FLOOR, 72" X 1" X 1/2" - WOOD |
| 076314-02-000 | FT | TAPE-CARPET SEAM, HEAT-BOND |
| 075233-01-000 | SY | PAD-CARPET, 3/8" X 6" ROLL REPLACE VINYL FLOORING LOCALLY |

MIRRORS & PICTURES

| KEY PART NUMBER | U/M | DESCRIPTION |
|-----------------|-----|------------------------------------|
| 058331-14-000 | EA | MIRROR-GLASS, SAFETY - 14" X 12.7" |
| 058331-37-000 | EA | MIRROR-GLASS, SAFETY - 7.7" X 16" |
| 083204-02-000 | EA | BUTTON-MIRROR RETAINING |
| 093446-03-B25 | EA | MIRROR-WOOD FRAMED, 25.7" X 31.6" |
| M03450-03-000 | EA | TRIM-WOOD, MIRROR - OAK |
| 058331-08-000 | EA | MIRROR-GLASS, SAFETY - 24" X 30" |
| 083204-02-000 | EA | BUTTON-MIRROR RETAINING |

TV STAND/GALLEY EXT. HARDWARE

| KEY PART NUMBER | U/M | DESCRIPTION |
|-----------------|-----|---|
| 023320-01-000 | EA | PAD-FELT, 3/8" DIAMETER - BROWN |
| 084356-04-000 | EA | INSERT-TV STAND, BEIGE |
| 084412-01-000 | EA | SUPPORT-HINGED |
| 084451-01-000 | EA | CATCH-TV SHELF, BRASS |
| 084413-01-000 | EA | HINGE-CONTINUOUS, ALUMINUM - 1" X 72" - HOLES |

INTERIOR FINISH GROUP (CONTINUED)

CABINET HARDWARE

| KEY PART NUMBER | U/M | DESCRIPTION |
|-----------------|-----|---|
| 074493-02-000 | EA | SUPPORT-OVERHEAD DOOR, SPRUNG |
| 023320-01-000 | EA | PAD-FELT, 3/8" DIAMETER - BROWN |
| 042356-01-000 | EA | PLUG-BUTTON, MAHOGANY - 3/8" DIAMETER - WOOD FROM: 00-00-00 THRU: 05-22-90 |
| 074045-01-000 | EA | PLUG-OAK, 1/2" DIAMETER FROM: 05-23-90 THRU: 99-99-99 |
| 093586-03-000 | EA | CATCH-SPRING, ROLLER |
| 093586-04-000 | EA | STRIKE-SPRING STEEL |
| 00GG13-06-10G | EA | SCREW-6-20 X 5/8 PFH, ANTIQUE BRASS |
| 059777-02-000 | EA | HINGE-CABINET DOOR, BURNISHED BRASS |
| 016604-03-000 | EA | BRACE-CABINET ANGLE, 2.5" - BEIGE |
| 016604-01-000 | EA | BRACE-CABINET, ANGLED METAL - 2.5" |
| 100030-01-000 | EA | PULL-CABINET |
| 004354-01-000 | EA | BUMPER-CABINET DOOR, RUBBER - BROWN |
| 090980-01-000 | EA | PLASTER-ADJUSTABLE SHELF |
| 009112-01-000 | EA | FLANGE-1" ROD, CLOTHES - PLASTIC - OFF WHITE |
| 041953-03-000 | FT | CONDUIT-CONVOLUTED SLIT, 1" ID (CLOTHES ROD COVER) |
| 042438-01-000 | EA | DOWEL-WOOD, CLOTHES ROD - 1" DIAMETER X 4' |
| 052369-01-000 | FT | CORD STRAPPING-1/4" WIDE |
| 100164-01-000 | EA | INSERT-GLASS, CABINET DOOR - BLACK |
| 091261-01-000 | FT | BACKING-NON SKID, 1" WIDE (100' ROLL) |
| 022755-01-000 | EA | SHIELD-COVER, 7.75" X 9" - PLASTIC - BLACK |
| 057205-03-000 | EA | ANGLE-SUPPORT, 1" X 1.5" X 74" - ALUMINUM - OFF WHITE |
| 057534-06-000 | EA | TIEBACK-VINYL, 6" - BEIGE |
| 088199-02-Y12 | EA | HINGE-BED, TOP LIFT - METAL - BEIGE |
| 077252-01-000 | EA | PIN-HINGE |
| 057460-04-000 | EA | SPRING-GAS |
| 057460-02-000 | EA | STUD-PALL, GAS SPRING - 10MM - 5/16" - 18 |
| 057460-03-000 | EA | CLIP-SAFETY, WIREFORM TYPE - GAS SPRING |
| 089024-01-000 | EA | SUPPORT-SPRING, TO FLOOR |
| 089025-01-000 | EA | SUPPORT-SPRING, TO BED |
| 093276-01-000 | EA | BRACE-GAS PROP ROD |
| 072369-48-000 | EA | MESH-EXPANDED, AL DURATON BRZ |

WALL END CAPS & U-CHANNELS

| KEY PART NUMBER | U/M | DESCRIPTION |
|-----------------|-----|---|
| 078376-01-000 | FT | MOLDING-T-SHAPED COVE, CEILING TO WALL - OFF WHITE |
| 009778-07-000 | FT | U-CHANNEL, 1" - PLASTIC - LIGHT OAK |
| 009778-12-000 | FT | U-CHANNEL, PLASTIC - 1" WIDE - BROWN |
| 009767-12-000 | FT | MOLDING-SIDEWALL TO CEILING/CABINET - WELTING - OFF WHITE |
| 009809-24-000 | EA | MOLDING-PLASTIC CORNER, OUTSIDE - 1" - PECAN |
| 042356-01-000 | EA | PLUG-BUTTON, MAHOGANY - 3/8" DIAMETER - WOOD |
| 100182-10-B07 | EA | TRIM-CHAIR RAIL, WALL - 2.5" X 8" - WOOD |

TABLE OF CONTENTS

| | |
|--------------------|-------------|
| INTRODUCTION | A-01 |
| ABBREVIATIONS | A-01 |
| ALPHABETICAL INDEX | A-02 - A-04 |
| K-F23EC | A-05 - D-17 |
| ICF30EU | D-19 - H-22 |

1991 ICF30EU INDEX

| | |
|----------------------|-------------|
| FLOOR PLAN | D-19 - D-20 |
| ACCESSORIES | D-21 - D-24 |
| BATH | E-01 - E-04 |
| BEDROOM | E-05 - E-08 |
| CHASSIS | E-09 - E-14 |
| C/C & PAD | E-15 - E-24 |
| DINETTE | F-01 - F-02 |
| DRIVERS | F-03 - F-12 |
| ELECTRICAL | F-13 - F-16 |
| EXTERIOR BODY | F-17 - F-22 |
| GALLEY | F-23 - G-04 |
| HEATING & AC | G-05 - G-10 |
| INTERIOR FINISH | G-11 - G-15 |
| LABEL | G-16 |
| LP | G-17 |
| LOUNGE | G-18 - G-20 |
| SEALANTS & FASTENERS | G-21 - G-22 |
| WATER & SEWAGE | G-23 - H-02 |
| WINDOW, VENT AND | |
| EXTERIOR DOOR | H-03 - H-22 |

INTERIOR FINISH GROUP (CONTINUED)

PANELING & PLASTIC LAMINATE:

LABEL & TAG GROUP

LABELS & TAGS

TABLE OF CONTENTS

| | |
|--------------------|-------------|
| INTRODUCTION | A-01 |
| ABBREVIATIONS | A-01 |
| ALPHABETICAL INDEX | A-02 - A-04 |
| KCF23EC | A-05 - D-17 |
| KCF30EU | D-10 - H-22 |

| KEY PART NUMBER | U/M | DESCRIPTION |
|-----------------|-----|--|
| 068272-72-000 | SF | PANELING-SHOWER, 4' X 7' - OFF WHITE - INC OF 28 SF |
| 068272-70-000 | SF | PANELING-DECORATIVE PLAIN, 4' X 7' - INCREMENTS OF 28 SF |
| 074497-18-000 | SF | PANELING-CEILING, 4' X 8' - INCREMENTS OF 32 SF FROM: 00-00-00 THRU: 07-14-90 |
| 069351-03-000 | SY | VINYL-CEILING, 54" WIDE FROM: 07-16-90 THRU: 99-99-99 |
| 074497-17-000 | SF | PANELING-WOODGRAIN, 4' X 8' - INCREMENTS OF 32 SF |
| 068272-89-000 | SF | PANELING-DECORATIVE, W/LOSSOM - 4' X 7' - INC OF 28 SF FROM: 00-00-00 THRU: 07-15-90 |
| 068272-81-000 | SF | PANELING-DECORATIVE, PLAIN - MAIN - 4' X 7' - INC. OF 28 SF FROM: 07-16-90 THRU: 99-99-99 |
| 074498-38-000 | SF | LAMINATE-PLASTIC, 5' X 5' - RANDOM OFF WHITE - INCREMENTS OF 40 SF |
| 076325-28-000 | FT | MOLDING-EDGE BAND, 1 5/16" - SOLID OFF WHITE FROM: 00-00-00 THRU: 05-20-90 |
| 076325-30-000 | FT | MOLDING-EDGE BAND, 1 5/16" - RANDOM OFF WHITE FROM: 05-21-90 THRU: 05-27-90 |
| 076325-20-000 | FT | MOLDING-EDGE BAND, 1 5/16" - SOLID OFF WHITE FROM: 05-28-90 THRU: 99-99-99 |
| 022992-08-000 | FT | MOLDING-REVERSE COVE, T-SHAPED - VINYL - OFF WHITE |
| 063618-02-000 | SF | PLYWOOD-OAK, 1 SIDE FINISHED - 3/16" X 4' X 8' - INCREMENTS OF 32 SF |
| 069297-01-000 | SF | PLYWOOD-LUAN, OVERLAY GRADE - 4' X 8' - INC OF 32 SF FROM: 00-00-00 THRU: 01-06-91 |
| 000885-46-000 | SF | PARTICLE BOARD- 3/8" X 48" X 96" - 1 SIDE VINYL WOODGRAIN INCREMENTS OF 32 SF - CABINET SHELF |
| 000885-36-000 | SF | PARTICLE BOARD-2 SIDES VINYL COVERED - 3/4" X 5' X 8' WOODGRAIN - INCREMENTS OF 40SF |
| 000885-48-000 | SF | PARTICLE BOARD- 3/4" X 60" X 96" - 2 SIDES VINYL WOODGRAIN INCREMENTS OF 40 SF |
| 000668-01-000 | SF | STYROFOAM-.75" X 24" X 96" - INCREMENTS OF 16 SF |

| KEY PART NUMBER | U/M | DESCRIPTION |
|-----------------|-----|--------------------------------------|
| 090342-01-000 | EA | LABEL-VAPOR RELIEF |
| 087207-05-000 | EA | LABEL-FUEL CAP REMOVAL |
| 077510-01-000 | EA | LABEL-GENERATOR PREP |
| 076221-03-000 | EA | LABEL-TRAILER HITCH |
| 075220-01-000 | EA | LABEL-WARNING, EXTERIOR LOAD |
| 062043-01-000 | EA | LABEL-FUEL, UNLEADED |
| 061417-01-000 | EA | LABEL-FUEL |
| 054531-01-000 | EA | LABEL-LP GAS ONLY |
| 006188-01-000 | EA | LABEL-WASTE WATER |
| 006187-01-000 | EA | LABEL-SEWAGE |
| 047731-01-000 | EA | LABEL-EMERGENCY EXIT - ESCAPE WINDOW |
| 006019-01-000 | EA | TAG-RVI APPROVED, PLASTIC |
| 006040-01-000 | EA | TAG-GAS REFUELING WARNING |
| 066062-01-000 | EA | TAG-ELECTRIC, 110V CONNECTION |

CALIFORNIA CHASSIS (OPT 3TP)

| KEY PART NUMBER | U/M | DESCRIPTION |
|-----------------|-----|--|
| 062043-01-000 | EA | LABEL-FUEL, UNLEADED FROM: 09-11-89 THRU: 01-14-90 |
| 074559-01-000 | EA | DECAL-LOGO, LPG - RED - (CALIF CODE) |
| 091243-01-000 | EA | LABEL-A/C COVER, CEILING |
| 093236-05-000 | EA | LABEL-CIRCUIT BREAKER, MAIN |
| 006195-01-000 | EA | LABEL-ELECTRICAL TEST |
| 006196-01-000 | EA | LABEL-GAS TEST |
| 006197-01-000 | EA | LABEL-WATER TEST |
| 050225-01-000 | EA | LABEL-WARNING, STOVE VENT - US |
| 061606-01-000 | EA | LABEL-OVERLAY, VEHICLE CERTIFICATION - ADHESIVE BACKED |
| 056259-01-000 | EA | LABEL-SAFETY CHECK LIST SUNVISOR |
| 098641-01-000 | EA | LABEL-FUEL, UNLEADED - DASH |

CANADIAN EXPORT

| KEY PART NUMBER | U/M | DESCRIPTION |
|-----------------|-----|-----------------------------------|
| 006040-02-000 | EA | TAG-GAS REFUEL WARNING, CANADIAN |
| 006019-01-000 | EA | TAG-RVI APPROVED, PLASTIC |
| 006040-01-000 | EA | TAG-GAS REFUELING WARNING |
| 006062-01-000 | EA | TAG-ELECTRIC, 110V CONNECTION |
| 091243-01-000 | EA | LABEL-A/C COVER - CANADIAN EXPORT |

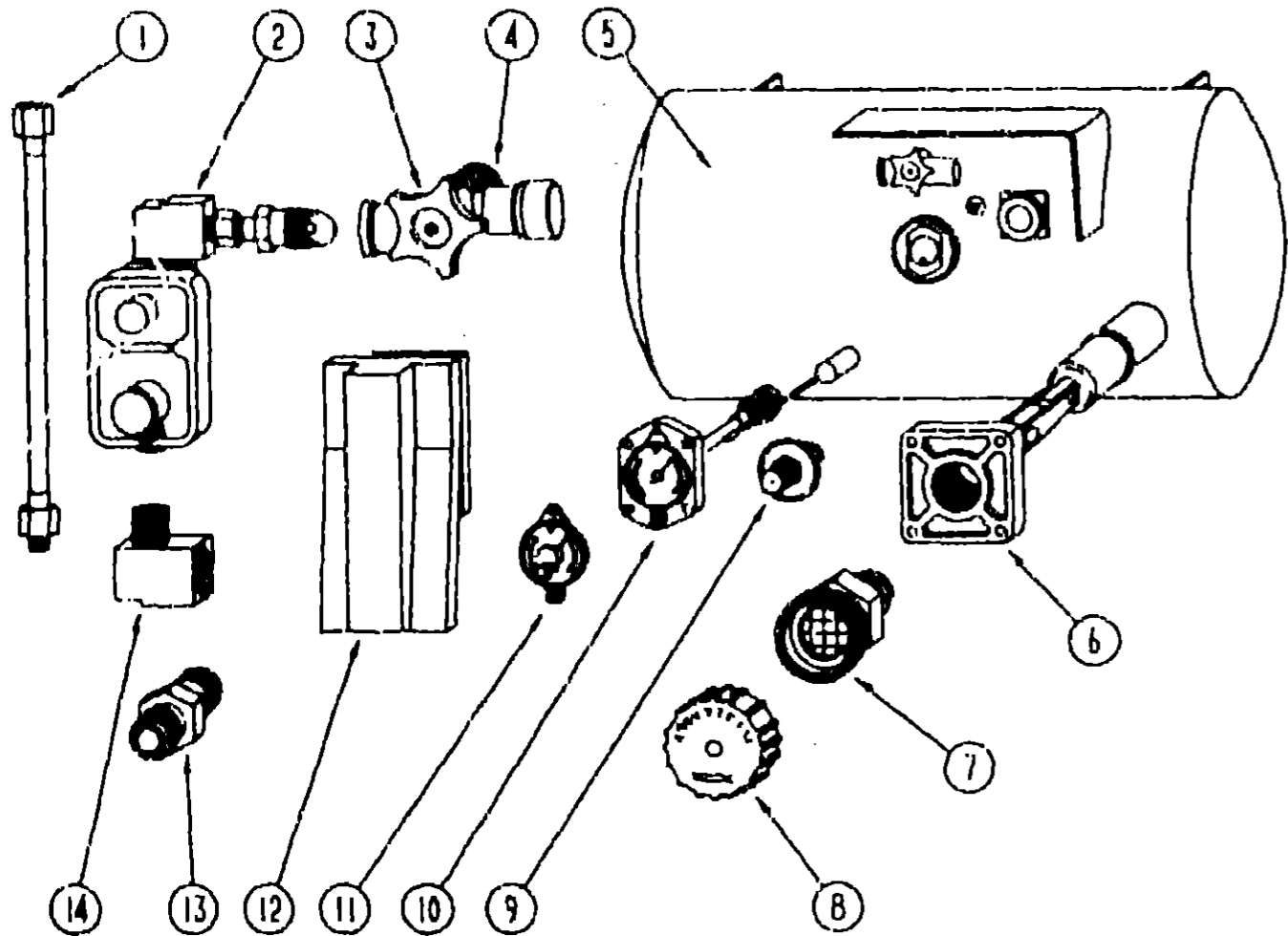
DIESEL ENGINE OPTION

| KEY PART NUMBER | U/M | DESCRIPTION |
|-----------------|-----|--|
| 068383-01-000 | EA | LABEL-DIESEL FUEL |
| 072863-01-000 | EA | NAMEPLATE-"DIESEL 6.2L" |
| 091224-02-000 | EA | LABEL-TRAILER LIGHTING |
| 090342-01-000 | EA | LABEL-VAPOR RELIEF |
| 087207-02-000 | EA | LABEL-FUEL CAP REMOVAL |
| 087207-05-000 | EA | LABEL-FUEL CAP REMOVAL |
| 077510-01-000 | EA | LABEL-GENERATOR PREP |
| 075221-03-000 | EA | LABEL-TRAILER HITCH |
| 075220-01-000 | EA | LABEL-WARNING, EXTERIOR LOAD |
| 062043-01-000 | EA | LABEL-FUEL, UNLEADED |
| 061417-01-000 | EA | LABEL-FUEL |
| 054531-01-000 | EA | LABEL-LP GAS ONLY |
| 006188-01-000 | EA | LABEL-WASTE WATER |
| 006187-01-000 | EA | LABEL-SEWAGE |
| 093236-05-000 | EA | LABEL-CIRCUIT BREAKER, MAIN |
| 006195-01-000 | EA | LABEL-ELECTRICAL TEST |
| 006196-01-000 | EA | LABEL-GAS TEST |
| 006197-01-000 | EA | LABEL-WATER TEST |
| 050225-01-000 | EA | LABEL-WARNING, STOVE VENT - US |
| 056259-01-000 | EA | LABEL-SAFETY CHECK LIST |
| 061606-01-000 | EA | LABEL-OVERLAY, VEHICLE CERTIFICATION - ADHESIVE BACKED |
| 006199-01-000 | EA | LABEL-EXIT, "ESCAPE WINDOW" |
| 047731-01-000 | EA | LABEL-EMERGENCY EXIT |

1991 KCF30EU INDEX

| | |
|----------------------|-------------|
| FLOOR PLAN | D-19 - D-20 |
| ACCESSORIES | D-21 - D-24 |
| BATH | E-01 - E-04 |
| BEDROOM | E-05 - E-08 |
| CHASSIS | E-09 - E-14 |
| C C & PAD | E-15 - E-24 |
| DINETTE | F-01 - F-02 |
| DRIVERS | F-03 - F-12 |
| ELECTRICAL | F-13 - F-16 |
| EXTERIOR BODY | F-17 - F-22 |
| GALLEY | F-23 - G-04 |
| HEATING & A/C | G-05 - G-10 |
| INTERIOR FINISH | G-11 - G-15 |
| LABEL | G-16 |
| LP | G-17 |
| LOUNGE | G-18 - G-20 |
| SEALANTS & FASTENERS | G-21 - G-22 |
| WATER & SEWAGE | G-23 - H-02 |
| WINDOW, VENT AND | |
| EXTERIOR DOOR | H-03 - H-22 |

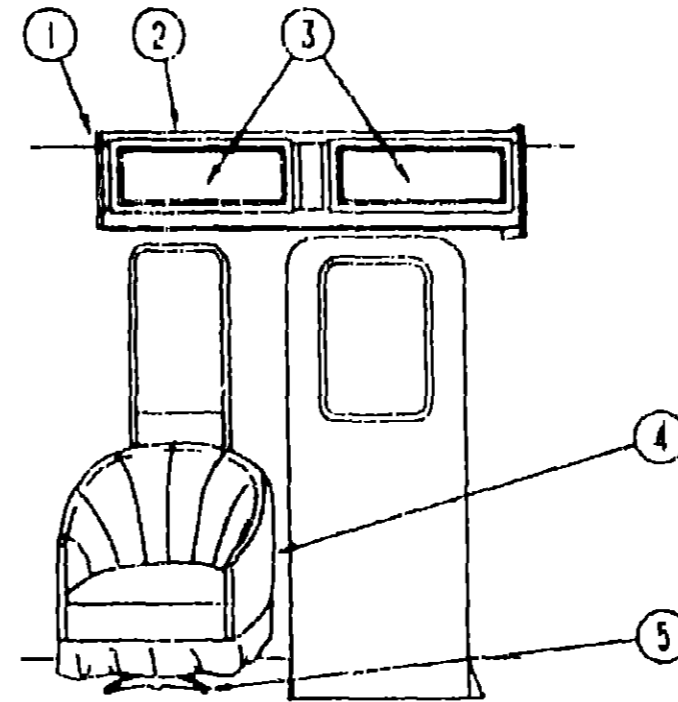
LP GROUP



LP TANK & COMPONENTS

| KEY PART NUMBER | U/M | DESCRIPTION |
|-----------------|-----|--|
| 1 | EA | HOSE-LP, 3/8" ID X 24" US - 3/8 MPT X 1/2 F SWIVEL |
| 1 | EA | HOSE-LP, 3/8" ID X 24" - 3/8" MPT X 1/2" F SWIVEL - CANADA |
| 2 | EA | REGULATOR-LPG, TWO STAGE |
| 3 | EA | HANDWHEEL-VAPOR RELIEF VALVE, BRUNNER G-1015-A |
| 4 | EA | VALVE-SERVICE W/HANDWHEEL W/VAPOR RELIEF (REGO9106CO) BRUNNER G-1015 |
| 5 | EA | TANK-LP, 60 LB BRUNNER - 14" X 30" |
| 6 | EA | VALVE-80% W/FLOAT, PLATE, BOLTS & GASKET - BRUNNER |
| 7 | EA | VALVE-SHORT LP FILLER W/YELLOW CAP - BRUNNER 75478 |
| 8 | EA | CAP-LP FILLER VALVE, PLASTIC - YELLOW - BRUNNER G-1014-A |
| 9 | EA | GAUGE-LIQUID LEVEL, 20% LP - BRUNNER G-1013 |
| 10 | EA | GAUGE-FLOAT W/VISIBLE DIAL - BRUNNER MA-9 6244-4 |
| 11 | EA | TRANSMITTER-DIAL, 90 OHM |
| 12 | EA | COVER-COMPARTMENT - LP REGULATOR - BLACK |
| 13 | EA | ADAPTER-BRASS-1/2" F X 1/2" MPT |
| 14 | EA | ELBOW-90 DEGREE, 3/8" MPT TO 3/8" FPT |
| 010285-01-000 | EA | CROSS, 3/8" F X 3/8" F X 3/8" F X 1/2" FPT - BRASS |
| 010377-01-000 | EA | NUT - 3/8" F - BRASS |
| 018188-03-000 | EA | GROMMET-GAS LINE, FLOOR - 3/8" HOLE X 2 1/8" DIAMETER RUBBER |
| 081642-01-000 | EA | TEE, 1/2" MPT X 1/2" FL X 3/8" FL - BRASS |
| 010497-05-000 | EA | CLAMP-CLOSED, .50" ID |
| 075148-02-000 | EA | CLAMP-GROUNDING, BRONZE SCREWS |
| 008380-01-000 | EA | GROMMET-RUBBER, 5/8" HOLE X 1 1/2" DIAMETER - BLACK |
| 010326-01-000 | EA | ADAPTER-FLARE, W/CONE GASKET 3/8" FEMALE FL X 1/2" MALE F |
| 065741-01-000 | EA | GAUGE-DIAPHRAGM PRESSURE - MARSHALLTOWN MFG |
| 065742-01-000 | EA | TEE, .308" X .308" X .25" FPT - BRASS |
| 071391-02-000 | EA | NIPPLE-HEX, .25" PIPE |
| 008042-01-000 | FT | TUBING-VINYL, .65" ID |

LOUNGE GROUP



OVERHEAD CABINET & COMPONENTS

| KEY PART NUMBER | U/M | DESCRIPTION |
|-----------------|-----|---|
| 1 | EA | CAP-END, OVERHEAD - FRONT |
| 2 | EA | CABINET-OVERHEAD, CHAIR/ENTRY DOOR - W/O DOOR OR HARD |
| 3 | EA | DOOR-OVERHEAD, SWIVEL CHAIR - 10" X 25.2" - W/O HARDW |
| 4 | EA | CHAIR-SWIVEL, W/O BASE, PIPE OR PLATE - B25 - DUSTY BLUE FROM: 00-00-00 THRU: 06-10-90 |
| 4 | EA | CHAIR-SWIVEL, W/O BASE, PIPE OR PLATE - B26 - TRUFFLE BROW FROM: 00-00-00 THRU: 06-10-90 |
| 4 | EA | CHAIR-SWIVEL, W/O BASE, PIPE OR PLATE - B25 - DUSTY BLUE FROM: 06-11-90 THRU: 99-99-99 |
| 4 | EA | CHAIR-SWIVEL, W/O BASE, PIPE OR PLATE - B26 - TRUFFLE BROW FROM: 06-11-90 THRU: 99-99-99 |
| 5 | EA | BASE-SWIVEL CHAIR W/LEGS |
| 007221-01-000 | EA | SPACER-SEAT, ADJUSTER - 4 USED ON SWIVEL CHAIR |
| 088245-03-000 | EA | PLATE-TOP, SWIVEL W/O TILT - W/LOCK |
| 088245-06-000 | EA | EXTENSION-BASE TO TOP PLATE, 7" LONG FROM: 00-00-00 THRU: 06-10-90 |
| 088245-07-000 | EA | EXTENSION-BASE TO TOP PLATE, 6" LONG FROM: 06-11-90 THRU: 99-99-99 |
| 069216-06-000 | EA | ADJUSTER-SWIVEL CHAIR, MANUAL - FORWARD & BACK FROM: 06-11-90 THRU: 99-99-99 |
| 069216-07-000 | EA | ADJUSTER-SWIVEL CHAIR, W/LOCKING ARM - FORWARD & BACK FROM: 06-11-90 THRU: 99-99-99 |

SEAT BELT

| KEY PART NUMBER | U/M | DESCRIPTION |
|-----------------|-----|------------------------------|
| 007021-01-000 | EA | BELT-SEAT, 2" X 90" - BLACK |
| 069705-02-000 | EA | BAR-SEAT BELT, 2.5" X 12.75" |

TABLE OF CONTENTS

| | |
|--------------------|-------------|
| INTRODUCTION | A-01 |
| ABBREVIATIONS | A-01 |
| ALPHABETICAL INDEX | A-02 - A-04 |
| KCF20EC | A-05 - D-17 |
| KCF30EU | D-19 - H-22 |

1991 KCF30EU INDEX

| | |
|--------------------------------|-------------|
| FLOOR PLAN | D-19 - D-20 |
| ACCESSORIES | D-21 - D-24 |
| BATH | E-01 - E-04 |
| BEDROOM | E-05 - E-08 |
| CHASSIS | I-09 - E-14 |
| C C & FAD | E-15 - E-24 |
| DINETTE | F-01 - F-02 |
| DRIVERS | F-03 - F-12 |
| ELECTRICAL | F-13 - F-18 |
| EXTERIOR BODY | F-17 - F-22 |
| GALLEY | F-23 - G-04 |
| HEATING & A/C | G-05 - G-10 |
| INTERIOR FINISH | G-11 - G-15 |
| LABEL | G-15 |
| LP | G-17 |
| LOUNGE | G-18 - G-20 |
| SEALANTS & FASTENERS | G-21 - G-22 |
| WATER & SEWAGE | G-23 - H-02 |
| WINDOW, VENT AND EXTERIOR DOOR | H-03 - H-22 |

LOUNGE GROUP (CONTINUED)

DRIVER SIDE CABINETS

| KEY PART NUMBER | U/M DESCRIPTION |
|-----------------|--|
| P00410-01-B25 | EA CABINET-OVERHEAD, COUCH - W/O DOORS OR HARDWARE |
| 084590-01-B25 | EA CAP-END, CABINET - FRONT |
| P00099-26-B25 | EA DOOR-CABINET, OVERHEAD DINETTE/BEDROOM/COUCH - 12" X W/O HARDWARE |
| 101568-03-000 | EA BRACKET-ARM, COUCH - FRONT |
| 101568-01-000 | EA BRACKET-ARM, COUCH - FRONT |
| 101085-08-000 | EA FRAME-ARM BRACKET, REAR |
| 101568-04-000 | EA BRACKET-ARM, COUCH - REAR |
| 101568-02-000 | EA BRACKET-ARM, COUCH - REAR |
| 101085-04-000 | EA FRAME-SEAT, 74.75" |
| 082525-01-000 | EA BRACE-COUCH, FLOOR MOUNT - 4 REQUIRED |
| 083125-05-000 | EA BRACE-ANGLE, COUCH - 2.5" - BEIGE - 4 REQUIRED |
| 101085-06-000 | EA FRAME-BASE, 74.75" |
| 081922-01-000 | EA FRAME-COUCH, W/MECHANISM - FRONT END FROM: 00-00-00 THRU: 04-01-90 |
| 081922-02-000 | EA FRAME-COUCH, W/MECHANISM - REAR END FROM: 00-00-00 THRU: 04-01-90 |
| 081922-03-000 | EA BAR-SPACER, PRESTO BED - 2 REQUIRED FROM: 00-00-00 THRU: 04-01-90 |
| 081922-04-000 | EA HARDWARE KIT-COUCH, 2 REQUIRED FROM: 00-00-00 THRU: 04-01-90 |

LOUNGE GROUP (CONTINUED)

DRIVER SIDE LOUNGE COUCH CABINET & COMPONENTS

| KEY PART NUMBER | U/M DESCRIPTION |
|-----------------|---|
| M04187-01-B25 | EA CABINET-COUCH, FRONT END - FABRIC COVERED - B25-DUSTY BLUE |
| M04187-01-B26 | EA CABINET-COUCH, FRONT END - FABRIC COVERED - B26-TRUFFLE BR |
| M04187-02-B25 | EA CABINET-COUCH, REAR END - FABRIC COVERED - B25-DUSTY BLUE |
| M04187-02-B26 | EA CABINET-COUCH, REAR END - FABRIC COVERED - B26-TRUFFLE BRO |
| M04187-03-B25 | EA CABINET-COUCH, FACE - FABRIC COVERED - B25 - DUSTY BLUE |
| M04187-03-B26 | EA CABINET-COUCH, FACE - FABRIC COVERED - B26 - TRUFFLE BROWN |
| 010604-03-000 | EA BRACE-CABINET ANGLE, 2.5" - BEIGE |

SEAT BELT

| KEY PART NUMBER | U/M DESCRIPTION |
|-----------------|--------------------------------|
| 056271-02-000 | EA BELT-SEAT, 2" X 72" - BLACK |

TABLE OF CONTENTS

| | |
|--------------------|-------------|
| INTRODUCTION | A-01 |
| ABBREVIATIONS | A-01 |
| ALPHABETICAL INDEX | A-02 - A-04 |
| ICF23EC | A-05 - D-17 |
| ICF30EU | D-19 - H-22 |

1991 ICF30EU INDEX

| | |
|--------------------------------|-------------|
| FLOOR PLAN | D-19 - D-20 |
| ACCESSORIES | D-21 - D-24 |
| BATH | E-01 - E-04 |
| BEDROOM | E-05 - E-08 |
| CHASSIS | E-09 - E-14 |
| C C & PAD | E-15 - E-24 |
| DINETTE | F-01 - F-02 |
| DRIVERS | F-03 - F-12 |
| ELECTRICAL | F-13 - F-16 |
| EXTERIOR BODY | F-17 - F-22 |
| GALLEY | F-23 - G-04 |
| HEATING & A/C | G-05 - G-10 |
| INTERIOR FINISH | G-11 - G-15 |
| LABEL | G-16 |
| LP | G-17 |
| LOUNGE | G-18 - G-20 |
| SEALANTS & FASTENERS | G-21 - G-22 |
| WATER & SEWAGE | G-23 - H-02 |
| WINDOW, VENT AND EXTERIOR DOOR | H-03 - H-22 |

SEALANTS & FASTENERS GROUP

SEALANTS AND FASTENERS

| KEY PART NUMBER | U/M | DESCRIPTION |
|-----------------|-----|---|
| 000014-05-008 | EA | NUT-HEX, 5/16-18 - ZN 5 |
| 058134-02-000 | EA | HOLDER-RING, 1.5" ID PIPE SIZE - STEEL |
| 010497-05-000 | EA | CLAMP-CLOSED, 1/2" ID |
| 075148-02-000 | EA | CLAMP-GROUNDING, BRONZE SCREWS |
| 010495-01-000 | EA | CLAMP-CABLE, 9/16" |
| 062401-02-000 | EA | CLAMP-HOSE, WORMGEAR, 1.58" - 2.5" |
| 062401-03-000 | EA | CLAMP-HOSE WORMGEAR, .22" - 1" |
| 062401-04-000 | EA | CLAMP-HOSE, WORMGEAR, .89" - 1.25" |
| 062401-05-000 | EA | CLAMP-HOSE, WORMGEAR 2" - 3" |
| 062401-06-000 | EA | CLAMP-HOSE, WORMGEAR .22" - .62" |
| 062401-07-000 | EA | CLAMP-HOSE, WORMGEAR 5" - 7" |
| 062401-08-000 | EA | CLAMP-HOSE, WORMGEAR 4.08" - 5.0" |
| 062401-09-000 | EA | CLAMP-HOSE, WORMGEAR 2.8" - 3.75" |
| 062401-10-000 | EA | CLAMP-HOSE, WORMGEAR 1.08" - 2" |
| 006401-01-000 | EA | STRAP-CONDUIT-3/4", 1 HOLE, GALVANIZED STEEL |
| 010497-01-000 | EA | CLAMP-CLOSED, 5/8" ID |
| 010497-03-000 | EA | CLAMP-CLOSED, 1 ID, CUSHIONED |
| 010499-01-000 | EA | CLAMP-CLOSED, 3/8" ID |
| 044364-02-000 | EA | NUT-SPEED, FLAT - ROUND |
| 000039-04-008 | EA | NUT-HEX, SER FLG LK 1/4 - 20 ZN |
| 077071-01-000 | EA | WASHER-FENDER, 3/16" ID X 1" OD |
| 000039-08-008 | EA | NUT-HEX, SER FLG LK - 1/2-13 ZN |
| 044364-02-000 | EA | NUT-SPEED, FLAT - ROUND |
| 000039-08-008 | EA | NUT-HEX, SER FLG LK - 1/2-13 ZN |
| 051387-08-000 | EA | BOLT-CARRIAGE, W/O HOLE - 5/16-18 X 9.5 ZN |
| 000024-10-008 | EA | NUT-HEX, SFLK - 10-32 ZN |
| 000015-08-008 | EA | NUT-HEX, 3/8-24 - ZN - 5 |
| 016604-01-000 | EA | BRACE-CABINET, ANGLIED METAL - 2.5" |
| 000012-08-248 | EA | BOLT-HEX, 1/2"-13 X 1 1/2" - ZN 5 |
| 000012-05-168 | EA | BOLT-HEX, 5/16-18 X 1 - ZINC 5 |
| 000018-06-488 | EA | BOLT-ELEV, 3/8-16 X 3 ZN - GDE 5 |
| 000013-07-488 | EA | BOLT-HEX, 7/16 - 20 X 3 - ZN 5 |
| 000039-06-008 | EA | NUT-HEX, SER FLG LK - 3/8-16 ZN |
| 000044-07-008 | EA | NUT-HEX, SER FLG LK - 7/16-20 ZN |
| 072893-01-000 | EA | NUTSERT-M5X0.8 |
| 077955-01-000 | EA | J CLIP-VINYL COATED, 3/8" USED IN WIRING TO CLEARANCE LIGHTS |
| 000013-14-008 | EA | WASHER-FL, 1/4" WIDE ZN |
| 000013-11-008 | EA | WASHER-FL, 3/16" WIDE ZN |
| 053766-02-000 | EA | BEDDING COMPOUND-TUBE, WHITE |
| 078322-03-000 | FT | TAPE-FOAM, DOUBLE COATED - .045" X .5" |
| 078322-04-000 | FT | TAPE-FOAM, DOUBLE COATED - .045" X .75" |
| 053766-07-000 | EA | BEDDING COMPOUND TUBE, BEIGE |
| 000H16-04-06R | EA | RIVET-POP, AL 1/8 X .313-.375 |
| 004020-01-000 | OT | ADHESIVE-ABS CEMENT |
| 039516-01-000 | EA | SILICONE-300 ML TUBE, BLACK |
| 069640-06-000 | FT | SEALER-RIBBON, 5/16" DIAMETER - INCREMENTS OF 25' |
| 005081-01-000 | EA | NUT-SPEED, C TYPE - NO 8 SCREW |
| 034552-04-000 | EA | SILICONE-TUBE, 300 ML - BEIGE |
| 069640-02-000 | FT | SEALER-RIBBON, 1/2" X 1/8" - INCREMENTS OF 30' |
| 069640-05-000 | FT | SEALER-RIBBON, 2 1/2" X 3/32" - INCREMENTS OF 30' |
| 009200-01-000 | EA | TAPE-FURNACE, 1 1/2" |
| 069640-09-000 | FT | SEALER-RIBBON, 1/32" X 2 1/2" |
| 091255-03-000 | FT | SEAL-FOAM, 1/4 X 3/16 ROLL |
| 004363-01-000 | FT | TAPE-ADHESIVE FOAM, 1 SIDE - 3/16" X 1/2" - GRAY |
| 034552-02-000 | EA | SILICONE-TUBE, 300 ML - CLEAR |
| 077967-01-000 | EA | SEALANT-ACRYLIC TUBE - WHITE |
| 069640-03-000 | FT | SEALER-RIBBON, 3/4" X 1/8" - INCREMENTS OF 60' |
| 069640-07-000 | FT | SEALER-RIBBON, 2" X 3/32" - INCREMENTS OF 30' |
| 008343-01-000 | EA | TIE-WIRE, 6" |
| 091255-03-000 | FT | SEAL-FOAM, 1/4 X 3/16 ROLL |
| 000012-10-248 | EA | BOLT-HEX, 5/8-11 X 1 1/2 ZN - 5 |

SEALANTS & FASTENERS GROUP (CONTINUED)

SEALANTS AND FASTENERS

| KEY PART NUMBER | U/M | DESCRIPTION |
|-----------------|-----|--|
| 049465-01-000 | EA | SCREW, 10-16 WWASHER PTH - DARK BROWN |
| 000G39-06-16T | EA | SCREW-SF/DR, 6-20 X 1 PPH - BLACK |
| 087721-01-000 | EA | SCREW-FLAT HEAD, TAPPING - 1/4" X 1 1/4 LG ZN |
| 000G11-08-12B | EA | SCREW, 8-18 X 3/4 PPH ZN |
| 000G39-08-24B | EA | SCREW-SF/DR, 5-18 X 1 1/2 PPH ZN |
| 000G67-10-120 | EA | SCREW-10-12X.75 PPH TAN |
| 000G67-10-24B | EA | SCREW, 10-12 X 1 1/2 PPH - ZN |
| 000G39-08-12T | EA | SCREW-SF/DR, 8-18 X 3/4 PPH - BLACK |
| 000G67-10-10R | EA | SCREW, 10-12 X 5/8 PPH - TYPE A - BEIGE |
| 069640-02-000 | FT | SEALER-RIBBON, 1/2" X 1/8" - INCREMENTS OF 30' |
| 000G39-10-12D | EA | SCREW-SF/DR, 10-16 X 3/4 PPH - BLACK |
| 000G50-04-12B | EA | SCREW-MACH, 1/4-20 X 3/4 PPH ZN |
| 000G11-08-00B | EA | SCREW, 8-18 X 1/2 PPH ZN |
| 000G19-10-12B | EA | SCREW-MACH, 10-32 TPI X .75 |
| 000G39-08-32B | EA | SCREW-SF/DR, 8-18 X 2 PPH - ZINC |
| 000G27-10-16D | EA | SCREW-MACH, 10-32 X 1 POH - BLACK |
| 000G39-08-08X | EA | SCREW-SF/DR, 8-18 X 1/2 PPH - GRAY |
| 000G11-08-12D | EA | SCREW, 8-18 X 3/4 PPH - BLACK |
| 000G35-08-16D | EA | SCREW, 8-32 X 1 POH - TYPE 23 - BLACK |
| 000G67-10-12P | EA | SCREW, 10-12 X .75 PPH - DARK BROWN |
| 075908-01-000 | EA | SCREW-MACH-10-32X.56PTH(SEMS) |
| 000G39-08-16B | EA | SCREW-SF/DR, 8-18 X 1 PPH ZN |
| 000G12-08-20R | EA | SCREW, 8-18 X 1 3/4 POH - BEIGE |
| 000G11-08-12R | EA | SCREW, 8-18 X 3/4 PPH - BEIGE |
| 000G11-08-12T | EA | SCREW, 8-18 X 3/4 PPH - BLACK |
| 000G39-08-10T | EA | SCREW-SF/DR, 6-20 X 5/8 PPH - BLACK |
| 000G11-08-12R | EA | SCREW, 8-18 X 3/4 PPH - BEIGE |
| 000G11-10-16B | EA | SCREW, 10-16 X 1 - PPH ZN |
| 000G12-08-28R | EA | SCREW, 8-18 X 1 3/4 POH - BEIGE |
| 000G13-08-08B | EA | SCREW, 6-20 X 1/2 PPH ZN |
| 000G39-10-10R | EA | SCREW-SF/DR, 10-18 X 5/8 PPH - BEIGE |
| 000G11-10-12X | EA | SCREW-10-16X.75 PPH GRAY |
| 000G39-10-12R | EA | SCREW-SF/DR, 10-16 X 3/4 PPH - BEIGE |
| 000G67-10-08B | EA | SCREW, 10-12 X 1/2 PPH ZN |
| 000G67-10-12E | EA | SCREW, 10-12 X 3/4 PPH CHROME |
| 000G67-10-16B | EA | SCREW, 10-12 X 1 PPH - ZN |
| 000G67-10-16P | EA | SCREW, 10-12 X 1 PPH - DARK BROWN |
| 000G13-08-10G | EA | SCREW, 6-20 X 5/8 PPH - ANTIQUE BRASS |
| 000G11-08-08T | EA | SCREW, 8-18 X 1/2 PPH |
| 000G13-07-12B | EA | SCREW, 7-19 X 3/4 PPH ZN |
| 000G39-08-16E | EA | SCREW-SF/DR, 8-18 X 1 PPH CHROME |
| 000G39-08-16T | EA | SCREW-SF/DR, 8-18 X 1 PPH - BLACK |
| 000G50-04-12B | EA | SCREW-MACH, 1/4-20 X 3/4 PPH ZN |
| 000G68-06-10G | EA | SCREW, 8-18 X 5/8 POH - ANTIQUE BRASS |
| 000G11-08-10J | EA | SCREW, 6-20 X 5/8 PPH - BRASS |
| 000G39-08-08B | EA | SCREW-SF/DR, 8-18 X 1/2 PPH ZN |
| 000G39-08-08R | EA | SCREW-SF/DR, 8-18X1/2 PPH |
| 000G39-08-12B | EA | SCREW-SF/DR, 8-18 X 3/4 PPH ZN |
| 000G39-10-12D | EA | SCREW-SF/DR, 10-18 X 3/4 PPH - BLACK |
| 000G39-10-12R | EA | SCREW-SF/DR, 10-18 X 3/4 PPH - BEIGE |
| 000G67-10-08R | EA | SCREW, 10-12 X 1/2 PPH - BEIGE - TYPE A |
| 000G67-10-10R | EA | SCREW, 10-12 X 5/8 PPH - TYPE A - BEIGE |
| 000G67-10-10B | EA | SCREW, 10-12 X 5/8 PPH ZN - TYPE A |
| 000G67-10-20D | EA | SCREW, 10-12 X 1 1/4 PPH - BLACK |
| 000G67-10-12B | EA | SCREW, 10-12 X 3/4 - PPH ZN |
| 048485-04-000 | EA | SCREW, 10-16 X 1 PTH WWASHER - BEIGE |
| 000G67-10-16B | EA | SCREW, 10-12 X 1 PPH - ZN |
| 000G11-08-12B | EA | SCREW, 8-18 X 3/4 PPH ZN |

TABLE OF CONTENTS

| | |
|--------------------|-------------|
| INTRODUCTION | A-01 |
| ABBREVIATIONS | A-01 |
| ALPHABETICAL INDEX | A-02 - A-04 |
| KCF23EC | A-06 - D-17 |
| KCF30EU | D-18 - H-22 |

1991 KCF30EU INDEX

| | |
|--------------------------------|-------------|
| FLOOR PLAN | D-19 - D-20 |
| ACCESSORIES | D-21 - D-24 |
| BATH | E-01 - E-04 |
| BEDROOM | E-05 - E-08 |
| CHASSIS | E-09 - E-14 |
| C C & PAD | E-15 - E-24 |
| DINETTE | F-01 - F-02 |
| DRIVERS | F-03 - F-12 |
| ELECTRICAL | F-13 - F-16 |
| EXTERIOR BODY | F-17 - F-22 |
| GALLEY | F-23 - G-04 |
| HEATING & A/C | G-05 - G-10 |
| INTERIOR FINISH | G-11 - G-15 |
| LABEL | G-16 |
| LP | G-17 |
| LOUNGE | G-18 - G-20 |
| SEALANTS & FASTENERS | G-21 - G-22 |
| WATER & SEWAGE | G-23 - H-02 |
| WINDOW, VENT AND EXTERIOR DOOR | H-03 - H-22 |

WATER & SEWAGE GROUP GROUP

WATER HEATER

| KEY PART NUMBER | U/M DESCRIPTION |
|-----------------|--|
| 051391-03-000 | EA HEATER-WATER, W/ELECTRIC IGNITION - ATWOOD G6A-3E |
| 051391-01-700 | EA HINGE KIT-W/CLIP, ATWOOD # 92568 & 92559 |
| 051393-03-700 | EA TANK-INNER (G6A-3E), REAR MT - ATWOOD# 91409 |
| 051391-01-704 | EA VALVE-RELIEF, 1/2" FITTING - ATWOOD# 91604 |
| 051391-01-705 | EA FASTENER-CAMLOC, ATWOOD# 92609 |
| 051391-01-706 | EA GRILLE-EXHAUST, 3E ONLY - ATWOOD #92787 |
| 051391-01-708 | EA BURNER-MAIN, 3E ONLY - ATWOOD# 92615 |
| 051391-01-710 | EA ORIFICE-MAIN BURNER, ATWOOD# 92742 |
| 051391-04-701 | EA THERMOSTAT 12 VDC-120 PRESET, FRONT MOUNT ONLY |
| 051391-01-715 | EA DRAIN PLUG, ATWOOD# 91581 |
| 051391-04-700 | EA TANK-INNER (G6A-3E), FRONT MT - ATWOOD# 91608 |
| 051393-01-704 | EA CIRCUIT BOARD-W/BLACK BOX, ATWOOD# 91420 |
| 051393-01-702 | EA SWITCH-ENERGY CUT-OFF, ATWOOD# 91951 |
| 051393-01-701 | EA SWITCH PACKAGE-ATWOOD# 91959 |
| 051393-01-703 | EA THERMOSTAT-REAR MOUNT, ATWOOD# 91952 |
| 051393-01-721 | EA ECO & THERMOSTAT ASM-FRONT MOUNT, 140 DEGREE |
| 051393-01-716 | EA SPARK & PROBE ASM, ATWOOD# 91606 |
| 051393-01-718 | EA VALVE-DUAL SOLENOID, ATWOOD# 91605 |
| 051393-01-705 | EA ORIFICE HOLDER-ATWOOD# 91925 |
| 097967-01-000 | EA SWITCH-WATER HEATER, ATWOOD 91959 |
| 052009-03-000 | EA DOOR-WATER HEATER, ATWOOD 5576-27 - GRAY |

WATER HEATER BYPASS VALVE OPTION L53J

| KEY PART NUMBER | U/M DESCRIPTION |
|-----------------|---|
| 030800-01-000 | FT TUBING-POLYBUTYL, 1/2" OD - INCREMENTS OF 20' - BLACK |
| 052952-01-000 | EA NUT-PLASTIC, 1/2" F X 1/2" TUBE - PLASTIC - GRAY |
| 052956-01-000 | EA TEE-1/2" F X 1/2" MPT X 1/2" F - PLASTIC |
| 052957-02-000 | EA ELBOW-MALE, 1/2" F X 1/2" MPT - PLASTIC - GRAY |
| 099729-01-000 | EA BYPASS KIT-WATER HEATER |
| 052955-01-000 | EA TEE-WATER, 1/2" F X 1/2" F X 1/2" MPT - PLASTIC - GRAY |

REAR HEATER & WATER HEATER W/MOTOR AID - DOUBLE BED L51I

| KEY PART NUMBER | U/M DESCRIPTION |
|-----------------|---|
| 051393-01-700 | EA WATER HEATER-W/MOTOR AID, PILOTLESS IGNITION ATWOOD G6B-4E OR G6B-6E |
| 051393-01-701 | EA SWITCH PACKAGE-ATWOOD# 91959 |
| 051393-01-702 | EA SWITCH-ENERGY CUT-OFF, ATWOOD# 91951 |
| 051393-01-704 | EA CIRCUIT BOARD-W/BLACK BOX, ATWOOD# 91420 |
| 051393-01-705 | EA ORIFICE HOLDER-ATWOOD# 91925 |
| 051393-01-716 | EA PROBE & SPARK ASM, ATWOOD# 91606 |
| 051393-01-718 | EA VALVE-DUAL SOLENOID, ATWOOD# 91605 |
| 051393-01-714 | EA TANK-INNER (G6B-3E), REAR MOUNT - ATWOOD# 91408 |
| 051393-01-716 | EA SPARK & PROBE ASM, ATWOOD# 91606 |
| 051393-01-721 | EA ECO & THERMOSTAT ASM-FRONT MOUNT, 140 DEGREE - ATWOOD |
| 051391-01-700 | EA HINGE KIT-W/CLIP, ATWOOD # 92568 & 92559 |
| 051391-01-704 | EA VALVE-RELIEF, 1/2" FITTING - ATWOOD# 91604 |
| 051391-01-705 | EA FASTENER-CAMLOC, ATWOOD# 92609 |
| 051391-04-703 | EA BURNER-MAIN, ATWOOD# 91638 - 4E AND 6E |
| 051391-01-710 | EA ORIFICE-MAIN BURNER, ATWOOD# 92742 |
| 051391-04-701 | EA THERMOSTAT 12 VDC-120 PRESET, ATWOOD# 91470 - FRONT MOUNT ONLY |
| 051391-01-715 | EA DRAIN PLUG, ATWOOD# 91581 |
| 051391-04-704 | EA TANK-INNER (FRONT-MT), G6B-4E&6E - ATWOOD# 91642 |
| 051391-04-707 | EA KIT-GRILLE, FLUE, & GASKET - ATWOOD# 90960 |
| 062401-04-000 | EA CLAMP-HOSE, WORMGEAR .69" - 1.25" |
| 007108-01-000 | FT HOSE-HEATER, 5/8" ID |
| 079059-01-000 | EA HOSE-90 DEGREE, 3/8" ID X 4" X 3/8" |
| 010227-01-000 | EA TEE-PLASTIC, BARB, 5/8" OR 3/4" HOSE |
| 008042-01-000 | FT TUBING-VINYL, .65" ID |
| 081673-01-000 | EA BRACKET-MOTOR AID TUBES, 4" X 1.5" - STEEL |
| 071015-13-000 | EA GROMMET-5/8" ID, FITS .09" MATERIAL, RUBBER |
| 082401-04-000 | EA CLAMP-HOSE, WORMGEAR .69" - 1.25" |
| 088753-01-000 | FT TUBE-ALUMINIZED STEEL, 5/8" - 18 GAUGE |

WATER & SEWAGE GROUP (CONTINUED)

FRESH WATER TANK

| KEY PART NUMBER | U/M DESCRIPTION |
|-----------------|--|
| 029861-01-000 | EA SENDING UNIT W/SCREW, WASHER, WELL NUT AND TERMINAL R |
| 007161-01-000 | EA CLAMP-HOSE, SPRING TYPE - 1/2" |
| 010219-01-000 | EA ELBOW-PLASTIC-1 1/4 MPT X 1 1/4 BARB |
| 010224-01-000 | EA ADAPTER-HOSE TO PIPE, 3/8" MPT X 3/8" BARB - PLASTIC |
| 052957-02-000 | EA ELBOW-MALE, 1/2" F X 1/2" MPT - PLASTIC - GRAY |
| 062401-01-000 | EA CLAMP-HOSE, WORMGEAR .25" - 1" |
| 074462-02-000 | FT TUBING-VINYL, 3/8" ID - CLEAR |
| 077954-02-000 | EA FILTER-WATER TANK, SCREEN IN TANK |
| 079381-01-000 | FT TUBING-SMOOTH FLEXIBLE, 1 1/4" ID |
| 096449-01-000 | EA WIRE ASSEMBLY-TANK, WATER |
| 035416-04-000 | EA TERMINAL-RING #10 STUD FIT, INSULATED BARREL #16/14 |
| 097618-01-000 | EA WIRE ASM-MONITOR PANEL, W/4 WIRES & BLACK RESISTOR - |
| 077589-03-000 | EA TANK-WATER, 49 GALLON - 51.5" X 18.5" X 13.5" |
| 042988-03-000 | EA FITTING-WATER TANK, SPINWELD - 1 1/4" NPT - PLASTIC - |
| 042989-04-000 | EA FITTING-WATER TANK, SPINWELD - 3/8" FPT - PLASTIC - W |
| 042989-05-000 | EA FITTING-WATER TANK, SPINWELD - 1/2" FPT - PLASTIC - W |
| 049032-01-000 | EA PATCH-SPINWELD, 3/8" - PLASTIC |

WATER SYSTEM

| KEY PART NUMBER | U/M DESCRIPTION |
|-----------------|--|
| 075241-05-000 | EA FAUCET-SHOWER, BONE |
| 011048-02-000 | EA HEAD-SHOWER, W/60" HOSE |
| 011053-04-000 | EA FAUCET-GALLEY, SWING SPOUT 8" |
| 091253-01-000 | EA GASKET-FAUCET, LAVATORY |
| 075240-08-000 | EA FAUCET-LAVATORY, BONE |
| 091253-01-000 | EA GASKET-FAUCET, LAVATORY |
| 036522-02-000 | EA CAP-BRASS, 1/2" FLARE |
| 039800-01-000 | FT TUBING-POLYBUTYL, 1/2" OD - INCREMENTS OF 20' - BLACK |
| 039800-02-000 | FT TUBING-POLYBUTYL, 5/8" OD - INCREMENTS OF 20' - BLACK |
| 052952-01-000 | EA NUT-PLASTIC, 1/2" F X 1/2" TUBE - PLASTIC - GRAY |
| 052953-01-000 | EA NUT-FAUCET, 1/2" TUBE X 1/2" FPT - PLASTIC - GRAY |
| 052954-01-000 | EA ADAPTER-NOSE CONE, 3/8" OR 1/2" TUBING - PLASTIC - GR |
| 010251-01-000 | EA ELBOW-BRASS, 90 DEGREE - 3/8" F X 3/8" MPT |
| 091208-01-000 | EA WASHER-RUBBER, .06" X .75" X .3" |
| 052958-01-000 | EA TEE 1/2" F X 1/2" F X 1/2" F - PLASTIC - GRAY |
| 052960-01-000 | EA DRAIN VALVE-IN LINE, HEADER - 1/2" F X 1/2" F - GRAY |
| 052960-03-000 | EA DRAIN VALVE-IN LINE, HEADER - 5/8" F X 5/8" F - PLASTIC |
| 055290-01-000 | EA ELBOW-5/8" F X 1/2" MPT |
| 057457-02-000 | EA ELBOW-UNION, 5/8" X 5/8" FL - WATER |
| 057973-01-000 | EA TEE-PLASTIC, 1/2" F X 1/2" F X 5/8" F - WATER |
| 065120-01-000 | EA ELBOW-SWIVEL, 1/2" FPT X 1/2" FLARE - PLASTIC - GRAY |
| 079317-01-000 | EA ADAPTER-SWIVEL, 1/2" TUBE X 1/2" FPT - PLASTIC - GRAY |
| 081240-02-000 | EA DOOR-WATER FILL, LOCKABLE W/FILL - GRAY |
| 087659-03-000 | EA FILL-CITY WATER, ROUND - GRAY |

WATER PUMPS

| KEY PART NUMBER | U/M DESCRIPTION |
|-----------------|--|
| 098607-01-000 | EA PUMP-WATER, W/5" MPT FITTING - FLOW 2.8 GPM - UL |
| 098607-01-700 | EA PUMPHEAD-REPLACEMENT, SHURFLOW# 94-236-08 |
| 098607-01-701 | EA DRIVE ASM, SHURFLOW# 94-234-03 |
| 098607-01-702 | EA DIAPHRAGM-KIT, SHURFLOW# 94-233-10 |
| 098607-01-703 | EA VALVE ASM, SHURFLOW# 94-232-00 |
| 098607-01-704 | EA HOUSING-UPPER, SHURFLOW# 94-231-01 |
| 098607-01-705 | EA CHECK VALVE-KIT, SHURFLOW# 94-237-00 |
| 098607-01-706 | EA SWITCH ASM-COMPLETE, SHURFLOW# 94-230-00 |
| 098607-01-707 | EA MOTOR/BASE PLATE REPLACEMENT, SHURFLOW# 94-234-03 |

TABLE OF CONTENTS

| | |
|--------------------|-------------|
| INTRODUCTION | A-01 |
| ABBREVIATIONS | A-01 |
| ALPHABETICAL INDEX | A-02 - A-04 |
| ICF23EC | A-05 - D-17 |
| ICF30EU | D-19 - H-22 |

1991 ICF30EU INDEX

| | |
|--------------------------------|-------------|
| FLOOR PLAN | D-19 - D-20 |
| ACCESSORIES | D-21 - D-24 |
| BATH | E-01 - E-04 |
| BEDROOM | E-05 - E-08 |
| CHASSIS | E-09 - E-14 |
| C C & PAD | E-15 - E-24 |
| DINETTE | F-01 - F-02 |
| DRIVERS | F-03 - F-12 |
| ELECTRICAL | F-13 - F-16 |
| EXTERIOR BODY | F-17 - F-22 |
| GALLEY | F-23 - G-04 |
| HEATING & A/C | G-05 - G-10 |
| INTERIOR FINISH | G-11 - G-15 |
| LABEL | G-16 |
| LP | G-17 |
| LOUNGE | G-18 - G-20 |
| SEALANTS & FASTENERS | G-21 - G-22 |
| WATER & SEWAGE | G-23 - H-02 |
| WINDOW, VENT AND EXTERIOR DOOR | H-03 - H-22 |

WATER & SEWAGE GROUP (CONTINUED)

WASTE WATER HOLDING TANK & COMPONENTS - FOR SHOWER

| KEY PART NUMBER | U/M DESCRIPTION |
|-----------------|--|
| 039881-01-000 | EA SENDING UNIT W/SCREW, WASHER, WELL NUT AND TERMINAL R |
| 081807-01-000 | EA GROMMET-HOLDING TANK, 1 1/2" NPS |
| 078574-01-000 | EA TANK-HOLDING, 25 GALLON - 37.2" X 20" X 12.6" |
| 035418-04-000 | EA TERMINAL-RING #10 STUD FIT, INSULATED BARREL #16/14 |
| 097818-01-000 | EA WIRE ASM-MONITOR PANEL, W/4 WIRES & BLACK RESISTOR |

WASTE WATER HOLDING TANK & COMPONENTS - FOR SINKS

| KEY PART NUMBER | U/M DESCRIPTION |
|-----------------|--|
| 039881-01-000 | EA SENDING UNIT W/SCREW, WASHER, WELL NUT AND TERMINAL R |
| 081807-01-000 | EA GROMMET-HOLDING TANK, 1 1/2" NPS |
| 081185-01-000 | EA TANK-HOLDING, 20 GALLON - 59.25" X 11.4" X 13.8" |
| 035418-04-000 | EA TERMINAL-RING #10 STUD FIT, INSULATED BARREL #16/14 |
| 097818-01-000 | EA WIRE ASM-MONITOR PANEL, W/4 WIRES & BLACK RESISTOR |

SEWAGE HOLDING TANK & COMPONENTS

| KEY PART NUMBER | U/M DESCRIPTION |
|-----------------|--|
| 039881-01-000 | EA SENDING UNIT W/SCREW, WASHER, WELL NUT AND TERMINAL R |
| 081807-01-000 | EA GROMMET-HOLDING TANK, 1 1/2" NPS |
| 081807-02-000 | EA GROMMET-HOLDING TANK, 3" NPS |
| 068025-01-000 | FT WIRE-BONDED 18-6 O.W.Y.B.L.G |
| 081149-01-000 | EA TANK-HOLDING, 20 GALLON - 59.25" X 13.4" X 15.5" |
| 035418-04-000 | EA TERMINAL-RING #10 STUD FIT, INSULATED BARREL #16/14 |
| 097818-01-000 | EA WIRE ASM-MONITOR PANEL, W/4 WIRES & BLACK RESISTOR |

SHOWER PAN

| KEY PART NUMBER | U/M DESCRIPTION |
|-----------------|--|
| M02429-05-000 | EA SHOWER PAN |
| 086438-01-000 | EA NUT-SLIP, TAILPIECE - 1.5" |
| 086440-01-000 | EA STRAINER W/RUBBER WASHER |
| 086729-01-000 | EA STRAINER-TUB/SHOWER DRAIN |
| 086840-08-000 | FT SEALER-RIBBON, 5/16" DIAMETER - INCREMENTS OF 25' |
| 057871-01-000 | EA COVER-SCREW, #8 - PLASTIC - OFF WHITE |

TOILET & COMPONENTS

| KEY PART NUMBER | U/M DESCRIPTION |
|-----------------|--|
| 024678-01-000 | EA FLANGE-CLOSET, TOILET - 4" X 3" - RED |
| 087487-01-000 | EA TOILET-LOW, AQUA MAGIC IV - THETFORD 150110 |
| 087487-01-700 | EA C.I.F.L. SEAL & BOLT PACKAGE - AQUA MAGIC 08975 |
| 083740-01-710 | EA LINK, THETFORD 12513 |
| 083740-01-711 | EA SPRING-RETURN LEVER, THETFORD 12523 |
| 083740-01-705 | EA SEAT-IVORY, W/O COVER - THETFORD 12447 |
| 083740-01-700 | EA LEVER-WATER, THETFORD 12514 |
| 083740-01-713 | EA SEAL-BALL VALVE TO BOWL, THETFORD 12502 |
| 083740-01-714 | EA VALVE ASM-WATER, THETFORD 12492 |
| 083740-01-707 | EA SEAL-CLOSET FLANGE, THETFORD 02125 |
| 083740-01-708 | EA BOLT PACKAGE-CLOSET, THETFORD 12524 |
| 087437-01-701 | EA WATER SAVER PACKAGE-THETFORD 08903 |
| 087487-01-702 | EA CLAMP-THETFORD 03752 |

DRAINAGE VALVES & HOSE

| KEY PART NUMBER | U/M DESCRIPTION |
|-----------------|--|
| 082415-01-000 | EA CAP-SEWER, 3" DIAMETER |
| 082415-01-700 | EA STRING, SEWER CAP |
| 082421-01-000 | EA VALVE-1 1/2", W/HANDLE- ABS -BLACK |
| 082898-01-000 | EA VALVE-WASTE DRAINAGE - 3" |
| 082422-01-000 | EA ADAPTER-OFFSET REDUCER, 3" X 1 1/2" - PLASTIC - BLACK |
| 088770-01-000 | EA STANDOFF-THREADED, 3/8" X 1 1/4" |
| 088771-01-000 | EA ROD-THREADED, .25" DIAMETER X 7.25" LONG |
| 010201-01-000 | EA HOSE-SEWER, 3" ID X 8' |
| 082418-01-000 | EA ADAPTER-SEWER HOSE TO 3" PIPE |
| 078408-01-000 | EA COUPLER-RUBBER, W/CLAMPS - 3" X 3" |

WATER & SEWAGE GROUP (CONTINUED)

DRAINAGE SYSTEM

| KEY PART NUMBER | U/M DESCRIPTION |
|-----------------|---|
| 004020-01-000 | QT ADHESIVE-ABS CEMENT, QUART |
| 058134-02-000 | EA HOLDER-RING, 1.8" DIAMETER - METAL |
| 071015-08-000 | EA GROMMET-1.75" ID, FITS 1/8" MATERIAL, RUBBER |
| 010008-01-000 | EA ELBOW-45 DEG, 1/4" BEND - 1 1/2" HUB X HUB - BLACK PLA |
| 010008-01-000 | EA ELBOW-90 DEG, 1/4" BEND - 1 1/2" HUB X HUB - BLACK PLA |
| 010071-01-000 | EA TEE-SANITARY, 1 1/2" HUB X HUB X HUB - PLASTIC - BLAC |
| 010073-01-000 | EA WYE-45 DEGREE, 1 1/2" HUB X HUB X HUB - PLASTIC - BLA |
| 010079-01-000 | EA TEE-SANITARY, 1 1/2" H X 1 1/2" H X 1 1/4" H - PLASTIC - |
| 010115-01-000 | EA COUPLING-1 1/2" HUB X HUB, PLASTIC |
| 011068-03-000 | EA P-TRAP, 1 1/2" TRAP X 1 1/4" SOCKET - PLASTIC |
| 033781-01-000 | EA ELBOW-TURN, 1/4 BEND X 1.5"HUB X 1.5"SPIGOT - BLACK P |
| 083558-01-000 | EA VENT-PLUMBING PIPE ROOF, W/COVER - BEIGE |
| 079968-01-000 | EA VENT-MECH. TRAP ARM, ANTI-SIPHON - 2" DIA. X 7.3" - P |
| 089840-01-000 | FT SEALER-RIBBON, 1/4" DIAMETER - INCREMENTS OF 20' |
| 011089-02-000 | EA TAILPIECE-TUB/SHOWER, 1 1/2" X 1 1/4" X 4" - BRASS |
| 011091-02-000 | EA PIPE-DRAIN, DOUBLE SINK - BAFFLE TEE - 1 1/2" ONE PIPE W/TEE TO DRAIN BOTH SIDES OF SINK |
| 089735-01-000 | EA WASHER-STRAINER TO TAILPIECE PLASTIC, 1.5" |
| 086437-01-000 | EA STRAINER-SINK, GALLEY W/BASKET |
| 086437-01-700 | EA BASKET-STRAINER, GALLEY SINK |
| 088854-01-000 | EA SINK-GALLEY, DOUBLE W/MOUNTING HARDWARE - STAINLESS S |
| 102551-01-000 | EA SINK-STAINLESS STEEL, DOUBLE - 17" X 25" - US |
| 088927-01-01A | EA SINK-LAVATORY, RECTANGULAR - PLASTIC - BONE |
| 088927-01-700 | EA SINK-STOPPER |
| 088927-01-701 | EA TAILPIECE-SINK |

WATER PUMP - CANADIAN

| KEY PART NUMBER | U/M DESCRIPTION |
|-----------------|---|
| 088007-02-000 | EA PUMP-WATER, 2.8 GPM - W/1/2" MPT FITTINGS - CANADIAN |
| 088007-01-700 | EA PUMPHEAD-REPLACEMENT, SHURFLOW# 94-238-08 |
| 088007-01-701 | EA DRIVE ASM, SHURFLOW# 94-234-03 |
| 088007-01-702 | EA DIAPHRAGM-KIT, SHURFLOW# 94-233-10 |
| 088007-01-703 | EA VALVE ASM, SHURFLOW# 94-232-03 |
| 088007-01-704 | EA HOUSING-UPPER, SHURFLOW# 94-231-01 |
| 088007-01-705 | EA CHECK VALVE-KIT, SHURFLOW# 94-237-03 |
| 088007-01-706 | EA SWITCH ASM-COMplete, SHURFLOW# 94-230-00 |
| 088007-01-707 | EA MOTORBASE PLATE REPLACEMENT, SHURFLOW# 94-234-03 |

DRAINAGE SYSTEM - CANADIAN

| KEY PART NUMBER | U/M DESCRIPTION |
|-----------------|---|
| 004020-01-000 | QT ADHESIVE-ABS CEMENT, QUART |
| 010008-01-000 | EA ELBOW-45 DEG, 1/8 BEND - 1 1/2" HUB X HUB - BLACK PLA |
| 010008-01-000 | EA ELBOW-90 DEG, 1/4 BEND - 1 1/2" HUB X HUB - BLACK PLA |
| 010071-01-000 | EA TEE-SANITARY, 1 1/2" HUB X HUB X HUB - PLASTIC - BLAC |
| 010073-01-000 | EA WYE-45 DEGREE, 1 1/2" HUB X HUB X HUB - PLASTIC - BLA |
| 010079-01-000 | EA TEE-SANITARY, 1 1/2" H X 1 1/2" H X 1 1/4" H - PLASTIC - |
| 010115-01-000 | EA COUPLING-1 1/2" HUB X HUB, PLASTIC |
| 011089-02-000 | EA P TRAP-1 1/4" HUB X SLIP JOINT, W/UNION - ABS - CANAD |
| 033781-01-000 | EA ELBOW-TURN, 1/4 BEND X 1.5"HUB X 1.5"SPIGOT - BLACK P |
| 053335-01-000 | EA P TRAP-1 1/4" HUB X HUB, W/UNION - CANADIAN |
| 082415-01-000 | EA CAP-SEWER, 3" DIAMETER |
| 082415-01-700 | EA STRING, SEWER CAP |
| 082421-01-000 | EA VALVE-1 1/2", W/HANDLE- ABS -BLACK |
| 082422-01-000 | EA ADAPTER-OFFSET REDUCER, 3" X 1 1/2" - PLASTIC - BLACK |
| 079968-01-000 | EA VENT-MECH. TRAP ARM, ANTI-SIPHON - 2" DIA. X 7.3" - P |
| 082898-01-000 | EA VALVE-WASTE, DRAINAGE - 3" |
| 088854-01-000 | EA SINK-GALLEY, DOUBLE W/MOUNTING HARDWARE - STAINLESS S |
| 024678-02-000 | EA FLANGE-CLOSET, 4" X 3" - ABS - CANADIAN |

WATER SYSTEM - CANADIAN

| KEY PART NUMBER | U/M DESCRIPTION |
|-----------------|--|
| 011048-05-000 | EA SHOWER HEAD-W/80" HOSE, W/O VACUUM BREAKER - CANADIAN |

CONTINUOUS WASTE ASSEMBLY - CANADIAN

| KEY PART NUMBER | U/M DESCRIPTION |
|-----------------|--|
| 010071-01-000 | EA TEE-SANITARY, 1 1/2" HUB X HUB X HUB - PLASTIC - BLAC |
| 010121-01-000 | EA BUSHING-REDUCER, 1 1/2"SMOOTH 1 1/4"HUB - PLASTIC - B |
| 033302-02-000 | EA ADAPTER ASM-STRAINER, 1 1/2" - ABS - CANADIAN |
| 037101-02-000 | EA ELBOW-PLASTIC, 1/4 BEND VENT 1 1/2"HUB - CANADIAN |

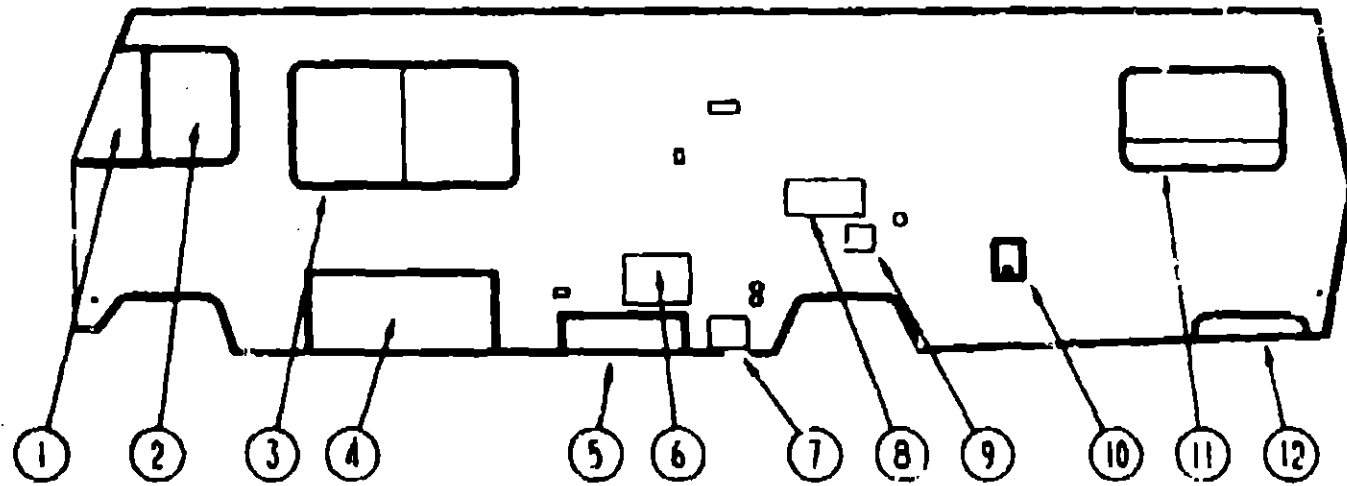
TABLE OF CONTENTS

| | |
|--------------------|-------------|
| INTRODUCTION | A-01 |
| ABBREVIATIONS | A-01 |
| ALPHABETICAL INDEX | A-02 - A-04 |
| ICF23EC | A-05 - D-17 |
| ICF30EU | D-19 - H-22 |

1991 ICF30EU INDEX

| | |
|--------------------------------|-------------|
| FLOOR PLAN | D-19 - D-20 |
| ACCESSORIES | D-21 - D-24 |
| BATH | E-01 - E-04 |
| BEDROOM | E-05 - E-08 |
| CHASSIS | E-09 - E-14 |
| C C & PAD | E-15 - E-24 |
| DINETTE | F-01 - F-02 |
| DRIVERS | F-03 - F-12 |
| ELECTRICAL | F-13 - F-16 |
| EXTERIOR BODY | F-17 - F-22 |
| GALLEY | F-23 - G-04 |
| HEATING & A/C | G-05 - G-10 |
| INTERIOR FINISH | G-11 - G-15 |
| LABEL | G-16 |
| I.P | G-17 |
| LOUNGE | G-18 - G-20 |
| SEALANTS & FASTENERS | G-21 - G-22 |
| WATER & SEWAGE | G-23 - H-02 |
| WINDOW, VENT AND EXTERIOR DOOR | H-03 - H-22 |

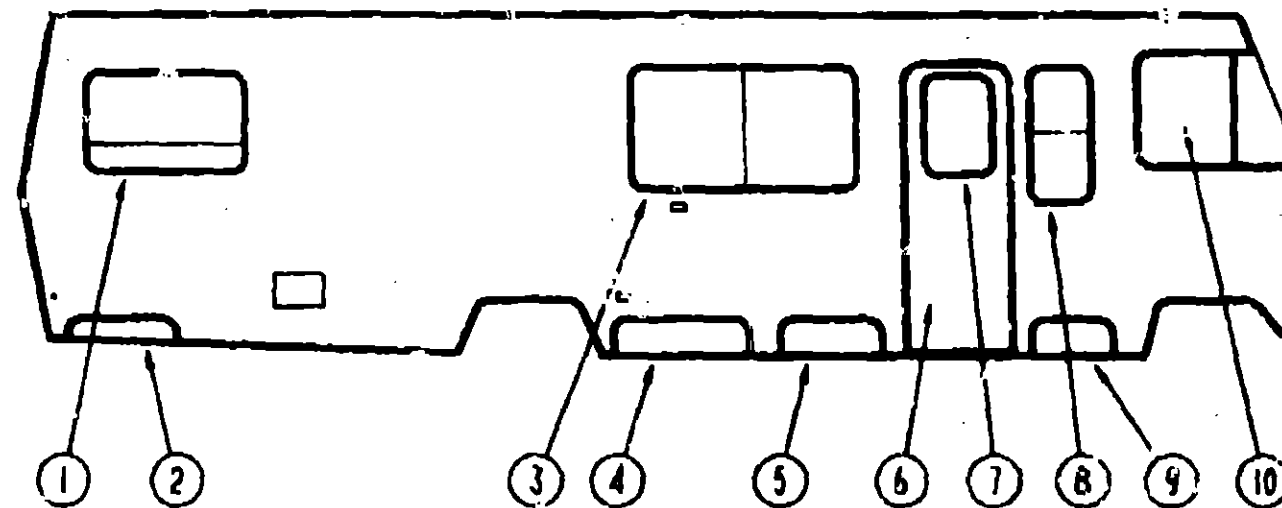
WINDOW, VENT & EXTERIOR DOOR GROUP



DRIVER SIDE WINDOWS & DOORS:

| KEY PART NUMBER | U/M | DESCRIPTION |
|------------------|-----|---|
| M82202-04-B25 | EA | DOOR-DRIVER, ROLL UP WINDOW |
| | | FROM: 00-00-00 THRU: 01-06-91 |
| M82202-04-B26 | EA | DOOR-DRIVER, ROLL UP WINDOW |
| | | FROM: 01-07-91 THRU: 99-99-99 |
| 1 089932-02-01A | EA | FRAME-INTERIOR, FRONT SLANTED WINDOW - DRIVER - BLACK |
| 1 089933-01-Y12 | EA | WINDOW ASM-SLANTED, FRONT - DRIVER |
| 1 057866-13-000 | EA | GLASS-WINDOW, 13.6" X 28.11" |
| 1 080218-02-000 | FT | SPLINE-GLASS, EXTERIOR - VINYL - .19" - BLACK |
| 2 082057-02-U74 | EA | WINDOW-DRIVER, SLANT SLIDER W/O INSIDE FRAME |
| 3 088647-02-700 | EA | WINDOW-SLIDING, SINGLE - 30.5" X 57.5" - EXCEL H112-G |
| 4 087448-15-U25 | EA | DOOR-STORAGE, 40.2" X 21.4" - W/KEY LOCKS - GRAY |
| 5 088563-02-Y33 | EA | DOOR-GENERATOR, 30.2" WIDE X 9.3" TALL |
| 6 082009-03-000 | EA | DOOR-WATER HEATER, ATWOOD 5576-27 - GRAY |
| 7 088784-03-000 | EA | DOOR-POWER CORD, W/HATCH - GRAY |
| | EA | BOX-POWER CORD, PLASTIC |
| 8 084104-02-000 | EA | JAMB-DOOR, VENTED REFRIGERATOR - GRAY |
| 8 084103-02-010 | EA | DOOR-REFRIGERATOR, VENTED W/O JAMB - GRAY |
| | EA | LOCK-MALE, FASTENER - REFRIGERATOR DOOR |
| | EA | LOCK-FEMALE, FASTENER - REFRIGERATOR DOOR |
| | EA | DOOR-WATER FILL, LOCKABLE W/FILL - GRAY |
| 9 052423-03-000 | EA | DOOR-SEWER HOSE, 8.6" X 6.2" - PLASTIC - GRAY |
| 9 052424-03-000 | EA | JAMB-DOOR, SEWER HOSE - PLASTIC - GRAY |
| 10 078010-05-000 | EA | DOOR-FUEL FILL W/JAMB - GRAY |
| | EA | GASKET-DOOR, FUEL FILL - 3.5"OD X 2"ID |
| | EA | BOOT-FUEL FILL |
| 11 092235-07-Y12 | EA | WINDOW-TIPOUT, W/O INSIDE FRAME - 24.3" X 40.3" |
| 12 086562-10-Y33 | EA | DOOR-LOWER, STORAGE 29.7" WIDE X 9" HIGH BACK COMPARTMENT |

WINDOW, VENT & EXTERIOR DOOR GROUP (CONTINUED)



PASSENGER SIDE WINDOWS & DOORS

| KEY PART NUMBER | U/M | DESCRIPTION |
|------------------|-----|---|
| 1 092235-07-Y12 | EA | WINDOW-TIPOUT, W/O INSIDE FRAME - 24.3" X 40.3" |
| 2 086562-09-B25 | EA | DOOR-STORAGE, 26.8" WIDE - TAPERED - W/KEY LOCK - GRAY |
| 3 088647-01-705 | EA | WINDOW-SLIDING, SINGLE - 30.5" X 57.5" - EXCEL H112-G |
| | | FROM: 00-00-00 THRU: 11-04-90 |
| 3 088647-03-708 | EA | WINDOW ASM-WO INSIDE TRIM, PASS. SIDE |
| | | FROM: 11-05-90 THRU: 99-99-99 |
| 4 088531-04-Y33 | EA | DOOR-STORAGE, 33.75" WIDE X 9" TALL |
| 5 088517-05-Y33 | EA | DOOR-COMPARTMENT, LP - W/LATCH - 9" X 24.45" - GRAY |
| 6 M01870-49-B25 | EA | DOOR-ENTRY, W/SCEEN DOOR & JAMB - W/O DECALS |
| 7 079733-07-AA8 | EA | WINDOW ASM - ENTRANCE DOOR - FROSTED GLASS - 17" X 25" |
| 8 088844-02-705 | EA | WINDOW W/O INSIDE FRAME, 34.25" X 15" - EXCEL H079-G2 |
| 9 088517-06-B25 | EA | DOOR-STORAGE, 19.2" X 11.6" - W/KEY LOCKS - GRAY |
| 10 082057-01-U04 | EA | WINDOW ASM - PASSENGERS SLANT SLIDER - W/O INSIDE FRAME |

BACKWALL ESCAPE WINDOW

| KEY PART NUMBER | U/M | DESCRIPTION |
|-----------------|-----|--|
| 078628-01-T03 | EA | WINDOW-ESCAPE, W/O INSIDE FRAME - 22.4" X 47.75" |

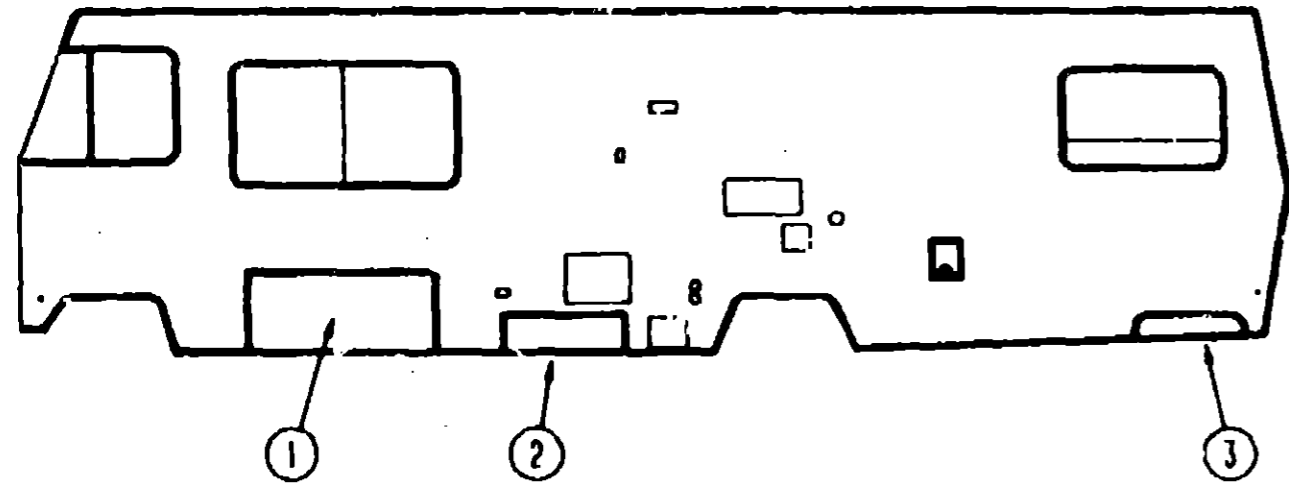
TABLE OF CONTENTS

| | |
|--------------------|-------------|
| INTRODUCTION | A-01 |
| ABBREVIATIONS | A-01 |
| ALPHABETICAL INDEX | A-02 - A-04 |
| ICF23EC | A-05 - D-17 |
| ICF30EU | D-19 - H-22 |

1991 ICF30EU INDEX

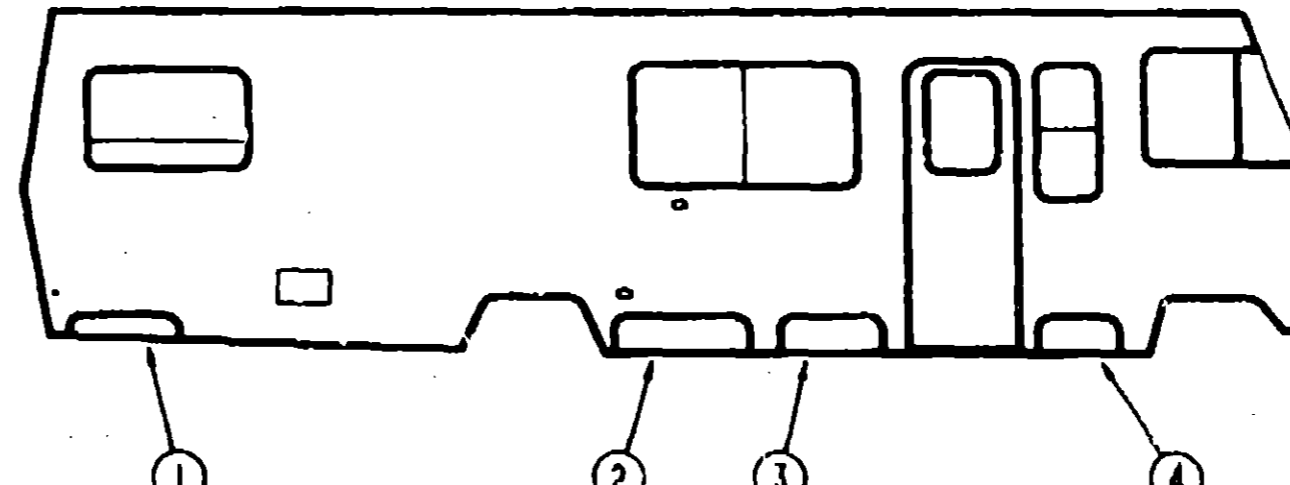
| | |
|--------------------------------|-------------|
| FLOOR PLAN | D-19 - D-20 |
| ACCESSORIES | D-21 - D-24 |
| BATH | E-01 - E-04 |
| BEDROOM | E-05 - E-08 |
| CHASSIS | E-09 - E-14 |
| C/C & PAD | E-15 - E-24 |
| DINETTE | F-01 - F-02 |
| DRIVERS | F-03 - F-12 |
| ELECTRICAL | F-13 - F-18 |
| EXTERIOR BODY | F-17 - F-22 |
| GALLEY | F-23 - G-04 |
| HEATING & A/C | G-05 - G-10 |
| INTERIOR FINISH | G-11 - G-15 |
| LABEL | G-16 |
| LP | G-17 |
| LOUNGE | G-18 - G-20 |
| SEALANTS & FASTENERS | G-21 - G-22 |
| WATER & SEWAGE | G-23 - H-02 |
| WINDOW, VENT AND EXTERIOR DOOR | H-03 - H-22 |

WINDOW, VENT & EXTERIOR DOOR GROUP (CONTINUED)



DRIVERS SIDE

WINDOW, VENT & EXTERIOR DOOR GROUP (CONTINUED)



PASSENGERS SIDE

TABLE OF CONTENTS

| | |
|--------------------|-------------|
| INTRODUCTION | A-01 |
| ABBREVIATIONS | A-01 |
| ALPHABETICAL INDEX | A-02 - A-04 |
| ICF23EC | A-05 - D 17 |
| ICF30EU | D-19 - H-22 |

1991 ICF30EU INDEX

| | |
|--------------------------------|-------------|
| FLOOR PLAN | D-19 - D-20 |
| ACCESSORIES | D-21 - D-24 |
| BATH | E-01 - E-04 |
| BE'DROOM | E-05 - E-08 |
| CHASSIS | E-09 - E-14 |
| C C & PAD | E-15 - E-24 |
| DINETTE | F-01 - F-02 |
| DRIVERS | F-03 - F-12 |
| ELECTRICAL | F-13 - F-16 |
| EXTERIOR BODY | F-17 - F-22 |
| GALLEY | F-23 - G-04 |
| HEATING & A/C | G-05 - G-10 |
| INTERIOR FINISH | G-11 - G-15 |
| LABEL | G-16 |
| LP | G-17 |
| LOUNGE | G-18 - G-20 |
| SEALANTS & FASTENERS | G-21 - G-22 |
| WATER & SEWAGE | G-23 - H-02 |
| WINDOW, VENT AND EXTERIOR DOOR | H-03 - H-22 |

| KEY PART NUMBER | U/M | DESCRIPTION |
|-----------------|-----|---|
| 1 087448-15-B25 | EA | DOOR-STORAGE, 49.2" X 21.4" - W/KEY LOCKS - GRAY |
| 002748-01-000 | EA | CORNER KEY-DOOR |
| 081087-02-000 | EA | SEAL-LOCK, FLAT W/SLIT - BLACK |
| 081801-03-000 | EA | HINGE-DOOR, PIANO - 2" X 98" - GRAY |
| 085730-02-000 | EA | PADDLE LATCH-EXTERIOR DOOR, W/KEY LOCK - PLASTIC - GRAY |
| 082884-01-700 | EA | KEY - PADDLE LATCH-EXTERIOR DOOR |
| 08851-55-004 | EA | TRIM-LOWER DOOR, ROCKER PANEL - 16" - GRAY |
| 088809-02-000 | EA | STRIKER-PADDLE LATCH, COMPARTMENT DOOR - GRAY |
| 088810-02-000 | EA | BRACKET-LOCK, 1.1" X 3.19" X 2.72" - PRIMED |
| 088885-07-000 | EA | LINER-DOOR, ACCESS GRAY |
| 2 088553-02-Y33 | EA | DOOR-GENERAL, 30.2" WIDE X 9.3" TALL |
| 078787-05-000 | EA | CABLE-STORAGE DOOR SUPPORT, 1/16" X 15.5" - STAINLESS |
| 3 088552-10-Y33 | EA | DOOR-LOWER, STORAGE 29.7" WIDE X 9" TALL |
| 084075-07-000 | FT | SEAL-BULB, DOOR JAMB - BLACK |
| 079388-03-000 | EA | LOCK-DOOR, KEY TYPE - W/O KEYS - 2.10 OFF SET |
| 082884-01-700 | EA | KEY - DOOR-LOWER, STORAGE |
| 081801-03-000 | EA | HINGE-DOOR, PIANO - 2" X 98" - GRAY |
| 084491-51-002 | EA | PANEL-ROCKER, EXTRUDED - COMPARTMENT DOORS - 16" |

| KEY PART NUMBER | U/M | DESCRIPTION |
|-----------------|-----|---|
| 1 088552-09-B25 | EA | DOOR-STORAGE, 28.8" WIDE - TAPERED - W/KEY LOCK - GRAY |
| 002748-01-000 | EA | CORNER KEY-DOOR |
| 084075-07-000 | FT | SEAL-BULB, DOOR JAMB - BLACK |
| 079388-03-000 | EA | LOCK-DOOR, KEY TYPE - W/O KEYS - 2.10 OFF SET |
| 082884-01-700 | EA | KEY - DOOR-STORAGE |
| 081801-03-000 | EA | HINGE-DOOR, PIANO - 2" X 98" - GRAY |
| 084491-51-002 | EA | PANEL-ROCKER, EXTRUDED - COMPARTMENT DOORS - 16" |
| 2 088531-04-Y33 | EA | DOOR-STORAGE, 33.75" WIDE X 9" TALL |
| 002748-01-000 | EA | CORNER KEY-DOOR |
| 078787-05-000 | EA | CABLE-STORAGE DOOR SUPPORT, 1/16" X 15.5" - STAINLESS |
| 085730-02-000 | EA | PADDLE LATCH-EXTERIOR DOOR, W/KEY LOCK - PLASTIC - GRAY |
| 082884-01-700 | EA | KEY - DOOR-STORAGE |
| 081087-02-000 | EA | SEAL-LOCK, FLAT W/SLIT - BLACK |
| 08851-55-004 | EA | TRIM-LOWER DOOR, ROCKER PANEL - 16" - GRAY |
| 088809-02-000 | EA | STRIKER-PADDLE LATCH, COMPARTMENT DOOR - GRAY |
| 088810-02-000 | EA | BRACKET-LOCK, 1.1" X 3.19" X 2.72" - PRIMED |
| 088787-01-000 | EA | SPACER-DOOR, LOWER |
| 088772-51-001 | EA | PIN-STAINLESS STEEL .25" DIAMETER X 4.17" |
| 3 088517-05-Y33 | EA | DOOR-COMPARTMENT, LP - W/LATCH - 8" X 24.45" - GRAY |
| 002748-01-000 | EA | CORNER KEY-DOOR |
| 081087-02-000 | EA | SEAL-LOCK, FLAT W/SLIT - BLACK |
| 085730-05-000 | EA | PADDLE LATCH-EXTERIOR DOOR, W/O KEY LOCK - PLASTIC - GRAY |
| 08851-55-004 | EA | TRIM-LOWER DOOR, ROCKER PANEL - 16" - GRAY |
| 088787-01-000 | EA | SPACER-DOOR, LOWER |
| 088772-51-001 | EA | PIN-STAINLESS STEEL .25" DIAMETER X 4.17" |
| 4 088517-08-B25 | EA | DOOR-STORAGE, 19.2" X 11.9" - W/KEY LOCKS - GRAY |
| 002748-01-000 | EA | CORNER KEY-DOOR |
| 085730-02-000 | EA | PADDLE LATCH-EXTERIOR DOOR, W/KEY LOCK - PLASTIC - GRAY |
| 082884-01-700 | EA | KEY - DOOR-STORAGE |
| 08851-55-004 | EA | TRIM-LOWER DOOR, ROCKER PANEL - 16" - GRAY |
| 088809-02-000 | EA | STRIKER-PADDLE LATCH, COMPARTMENT DOOR - GRAY |
| 088810-02-000 | EA | BRACKET-LOCK, 1.1" X 3.19" X 2.72" - PRIMED |
| 088772-51-001 | EA | PIN-STAINLESS STEEL .25" DIAMETER X 4.17" |
| 088787-01-000 | EA | SPACER-DOOR, LOWER |

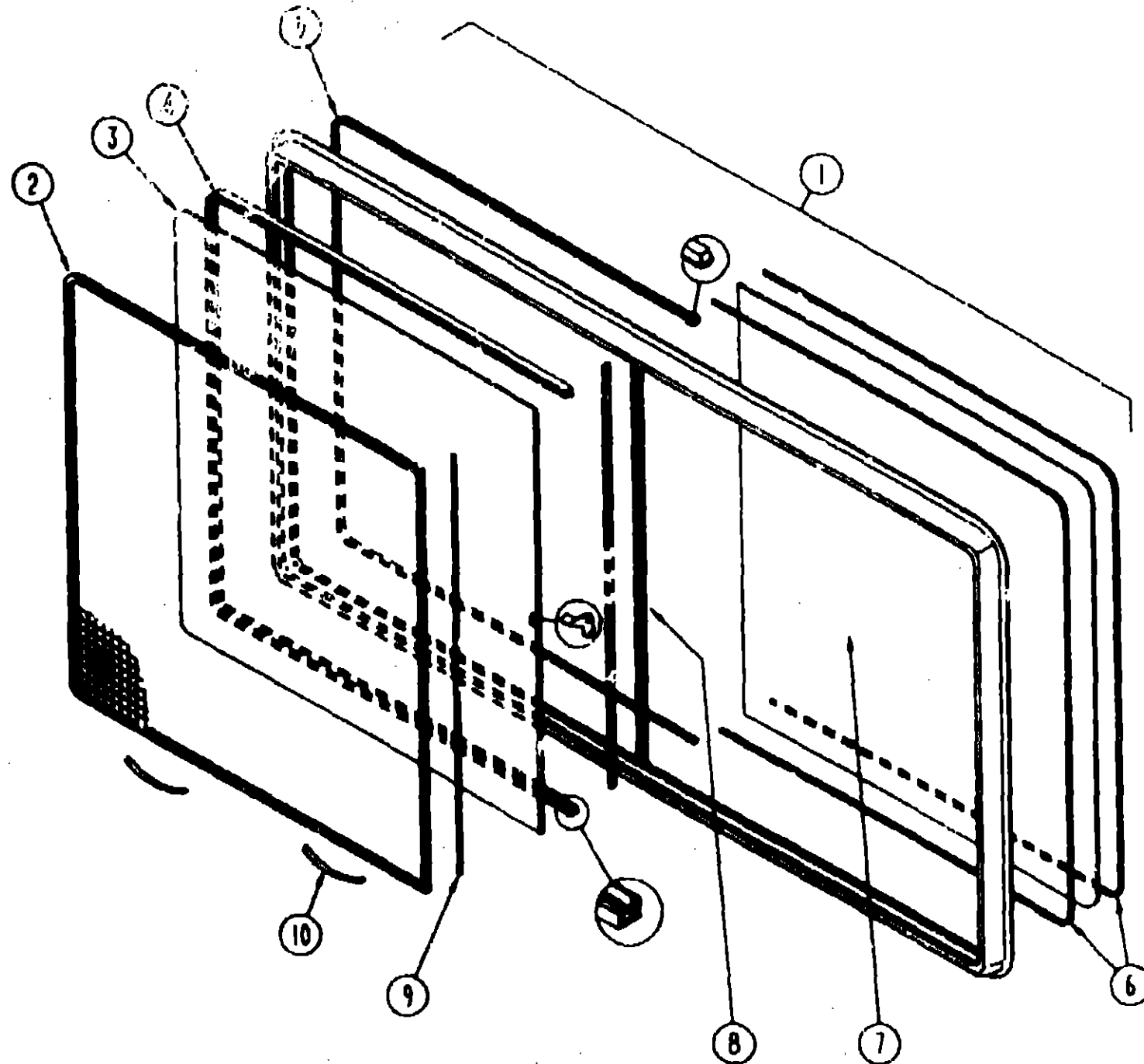
BATTERY DOOR COMPONENTS

| KEY PART NUMBER | U/M | DESCRIPTION |
|-----------------|-----|---|
| M03112-03-000 | EA | FRAME AND JAMB ASM-BATTERY DOOR |
| 002754-01-001 | EA | ANGLE-EXTRUDED, .75" X .75" X 18" - MILL ALUMINUM |
| 009083-01-000 | EA | HINGE-CONTINUOUS, 1 1/2" X 72" |
| 042541-02-000 | EA | LATCH-BATTERY DOOR, W/O STRIKE - CHROME |

WINDOW, VENT & EXTERIOR DOOR GROUP (CONTINUED)

WINDOW, VENT & EXTERIOR DOOR GROUP (CONTINUED)

PASSENGERS LOUNGE WINDOW



DRIVERS LOUNGE WINDOW
SLIDING WINDOW (EXCEL)

| KEY PART NUMBER | U/M | DESCRIPTION |
|-----------------|-----|---|
| 1 | EA | WINDOW W/O INSIDE FRAME, 34.25" X 15" - EXCEL H079-G2 |
| 098644-02-704 | EA | FRAME-INSIDE, EXCEL B961-67 |
| 098644-01-701 | EA | SPLICE PLATE-WINDOW, EXCEL M801-23 |
| 098644-01-702 | EA | SCREW-SPLICE, #8-32 X 1/4 PAN HEAD - EXCEL 270-010872 |
| 098644-01-703 | EA | SCREW-LOCKING RAIL, #6 X 1.5 PRO HEAD RECESS BLACK - EXCEL 272-010808 |
| 098644-02-700 | EA | GLASS-STATIONARY, 16.15" X 13.77" - EXCEL 108-011864 |
| 098644-01-705 | FT | GLAZING STRIP, EXCEL M926-12 |
| 098644-01-706 | FT | WEATHERSTRIP, EXCEL 171-010968 |
| 098644-01-707 | EA | RAIL-LOCKING W/WEATHERSTRIP, EXCEL B370-17 |
| 098644-01-708 | FT | CHANNEL-PIERCED RUN, EXCEL 122-016543 |
| 098644-01-700 | EA | LATCH-REPAIR KIT, EXCEL B801-CK |
| 098644-02-701 | EA | SASH W/LATCH & SLIDING GLASS, EXCEL B961-G9 |
| 098644-01-711 | FT | WEATHERSTRIP-SCREEN, BLACK - EXCEL 171-010965 |
| 098644-02-703 | EA | SCREEN W/WEATHERSTRIP & FRAME SPRING (CLIP), EXCEL 41 |
| 098644-01-713 | EA | SPRING-SCREEN FRAME (CLIP), PLASTIC - BLACK - EXCEL 226-0169C6 |
| 098644-01-716 | FT | PLUG-FILLER, EXCEL 132-014470 |

TABLE OF CONTENTS

| | |
|--------------------|-------------|
| INTRODUCTION | A-01 |
| ABBREVIATIONS | A-01 |
| ALPHABETICAL INDEX | A-02 - A-04 |
| ICF23EC | A-05 - D-17 |
| ICF30EU | D-19 - H-22 |

1991 ICF30EU INDEX

| | |
|--------------------------------|-------------|
| FLOOR PLAN | D-19 - D-20 |
| ACCESSORIES | D-21 - D-24 |
| BATH | E-01 - E-04 |
| BEDROOM | E-05 - E-08 |
| CHASSIS | E-09 - E-14 |
| C C & PAD | E-15 - E-24 |
| DINETTE | F-01 - F-02 |
| DRIVERS | F-03 - F-12 |
| ELECTRICAL | F-13 - F-16 |
| EXTERIOR BODY | F-17 - F-22 |
| GALLEY | F-23 - G-04 |
| HEATING & AC | G-05 - G-10 |
| INTERIOR FINISH | G-11 - G-15 |
| LABEL | G-16 |
| LP | G-17 |
| LOUNGE | G-18 - G-20 |
| SEALANTS & FASTENERS | G-21 - G-22 |
| WATER & SEWAGE | G-23 - H-02 |
| WINDOW, VENT AND EXTERIOR DOOR | H-03 - H-22 |

| KEY PART NUMBER | U/M | DESCRIPTION |
|-----------------|-----|--|
| 1 | EA | WINDOW-SLIDING, W/O INSIDE FRAME - 30.5" X 57.5", EXCEL H112-G2L |
| 098647-01-704 | EA | FRAME-INSIDE, EXCEL H112-67 |
| 098647-01-708 | EA | SCREEN ASM. W/SPRINGS & SEAL |
| 098647-01-702 | EA | SASH ASM. W/LOCK & SLIDING GLASS, EXCEL H112-G9 |
| 098644-01-700 | EA | LATCH REPAIR KIT, EXCEL B801-CK |
| 098644-01-708 | FT | CHANNEL-PIERCED RUN, EXCEL 122-016543 |
| 098644-01-708 | FT | WEATHERSTRIP, EXCEL 171-010968 |
| 098644-01-705 | FT | GLAZING STRIP, EXCEL M926-12 |
| 098647-01-700 | EA | GLASS-STATIONARY, 29.27" X 27.72" - EXCEL 108-015831 |
| 098647-01-701 | EA | LOCKING RAIL W/WEATHERSTRIP, EXCEL B372-17 |
| 098644-01-711 | FT | WEATHERSTRIP-SCREEN, BLACK - EXCEL 171-010965 |
| 098644-01-713 | EA | SPRING-SCREEN FRAME (CLIP), PLASTIC - BLACK, EXCEL 226-016966 |
| 098644-01-701 | EA | SPLICE PLATE-WINDOW, EXCEL M801-23 |
| 098644-01-702 | EA | SCREW-SPLICE, #8-32 X 1/4 PAN HEAD - EXCEL 270-010872 |
| 098647-01-703 | EA | SPACER-TRACK, EXCEL M402-31 |
| 098644-01-716 | FT | PLUG-FILLER, EXCEL 132-014470 |
| 002293-02-000 | BF | SCREENING-WINDOW/DOOR, 26" - CHARCOAL |
| 098644-01-703 | EA | SCREW-LOCKING RAIL, #6 X 1.5 PRO HEAD RECESS BLACK, EXCEL 272-010808 |

WINDOW, VENT & EXTERIOR DOOR GROUP (CONTINUED)

SINGLE SLIDING WINDOW (EXCEL)

| KEY PART NUMBER | U/M | DESCRIPTION |
|-----------------|-----|---|
| 088844-02-705 | EA | WINDOW W/O INSIDE FRAME, 34.25" X 15" - EXCEL H079-G2 |
| 088844-02-704 | EA | FRAME-INSIDE, EXCEL 0981-67 |
| 088844-02-703 | EA | SCREEN W/WEATHERSTRIP & FRAME SPRING (CLIP), EXCEL 41 |
| 088844-02-701 | EA | SASH W/LATCH & SLIDING GLASS, EXCEL B961-G9 |
| 088844-01-700 | EA | LATCH REPAIR KIT, EXCEL 9801-CK |
| 088844-01-708 | FT | CHANNEL-PIERCED RUN, EXCEL 122-016543 |
| 088844-01-706 | FT | WEATHERSTRIP, EXCEL 171-010588 |
| 088844-01-705 | FT | GLAZING STRIP, EXCEL M926-12 |
| 088844-02-700 | EA | GLASS-STATIONARY, 18.15" X 13.77" - EXCEL 106-011864 |
| 088844-01-707 | EA | RAIL-LOCKING W/WEATHERSTRIP, EXCEL B370-17 |
| 088844-01-711 | FT | WEATHERSTRIP-SCREEN, BLACK - EXCEL 171-010985 |
| 088844-01-713 | EA | SPRING-SCREEN FRAME (CLIP), PLASTIC - BLACK, EXCEL 228-018986 |
| 088844-01-701 | EA | SPLICE PLATE-WINDOW, EXCEL M801-23 |
| 088844-01-702 | EA | SCREW-SPLICE, #8-32 X 1/4 PAN HEAD, EXCEL 270-010872 |
| 088844-01-703 | EA | SCREW-LOCKING RAIL, #8 X 1.5 PRO HEAD RECES BLACK, EXCEL 272-010808 |
| 088844-01-710 | FT | TRACK-SCREEN SPACER, 12" LENGTH - EXCEL M401-31 |
| 088844-01-718 | FT | PLUG-FILLER, EXCEL 132-014470 |

WINDOW, VENT & EXTERIOR DOOR GROUP (CONTINUED)

ENTRY DOOR WINDOW

| KEY PART NUMBER | U/M | DESCRIPTION |
|-----------------|-----|--|
| 067608-27-000 | EA | FRAME-WINDOW, INSIDE PICTURE - BLACK |
| 079733-07-AA8 | EA | WINDOW-ENTRY DOOR, 17" X 25" - FROSTED GLASS |
| 002181-07-000 | EA | GLASS-WINDOW, .182" X 18.25" X 24" - FROSTED |
| 050218-02-000 | FT | SPLINE-GLASS, EXTERIOR - VINYL - .19" BLACK |
| | | FROM: 00-00-00 THRU: 01-07-90 |
| 087561-01-000 | FT | SEAL-GLASS, EXTERIOR - VINYL - BLACK |

DRIVER & PASSENGER SIDE CAB WINDOW

| KEY PART NUMBER | U/M | DESCRIPTION |
|-----------------|-----|--|
| 082057-02-U04 | EA | WINDOW-DRIVER, SLANT SLIDER W/O INSIDE FRAME |
| 082066-02-AB1 | EA | FRAME-INSIDE WINDOW W/SCREEN, DRIVER |
| 082467-04-000 | EA | FRAME-INSIDE WINDOW W/O SCREEN, DRIVER - BLACK |
| 082057-01-U04 | EA | WINDOW-PASSENGER, SLANTED SLIDER W/O INSIDE FRAME |
| 082066-01-AB1 | EA | FRAME-INSIDE WINDOW W/SCREEN, PASSENGER |
| 082467-03-000 | EA | FRAME-INSIDE WINDOW W/O SCREEN, PASSENGER - BLACK |
| 078364-01-000 | EA | HOLDER-UPPER SCREEN, EXTRUDED PLASTIC - 9.5" - BLACK |
| 078365-01-000 | EA | HOLDER-LOWER SCREEN, EXTRUDED PLASTIC - 9.5" - BLACK |
| 079574-02-T03 | EA | SCREEN-WINDOW, DRIVER SLANTED SLIDER |
| 079574-01-T03 | EA | SCREEN-WINDOW, PASSENGER SLANTED SLIDER |
| 002291-02-000 | SF | SCREENING-ROOF VENT/WINDOW, 16" - BLACK |
| 002298-02-000 | FT | SPLINE-VENT/WINDOW SCREEN, .128 DIAMETER - BLACK |
| 079887-02-000 | FT | TAPE-PLASTIC FILM, .375 WIDE |
| 079824-01-000 | FT | SEAL-WINDOW, WEATHER - C/FOLD - .5" |
| 000039-03-18T | EA | SCREW-SF/DR, #20 X 1 PPH - BLACK |
| 002328-01-000 | EA | BLOCK-WINDOW, 1/8" X 3/16" X 1" |
| 002389-03-203 | EA | HOLDER-GLASS, EXTERIOR VERTICAL - 27.125" |
| 041828-02-000 | FT | SEAL-EXTERIOR WINDOW, BLACK |
| 042077-01-000 | FT | CHANNEL-WEATHERSTRIP, GLASS RUN - U-SHAPED - 3/16" |
| 017383-01-700 | EA | LATCH KIT-WINDOW, W/SCREWS - PLASTIC - BLACK |
| 000216-02-000 | FT | SPLINE-GLASS, EXTERIOR - VINYL - .19" - BLACK |
| 057856-03-000 | EA | GLASS-WINDOW, STATIONARY - .19" X 28.11 X 27" |
| 073740-01-000 | FT | SEAL-FIN, .48" PILE HEIGHT - GRAY |
| 081377-01-700 | EA | ADHESIVE-CYANOACRYLATE, 10 GRAM TUBE |
| 081980-08-000 | EA | GLASS-WINDOW, SLIDER - .19" X 28.11" X 14.88" |
| 082488-02-000 | EA | FRAME-WINDOW, DRIVER SLANTED SLIDER - BLACK |
| 082488-01-000 | EA | FRAME-WINDOW, PASSENGER SLANTED SLIDER - BLACK |
| 084170-07-000 | EA | MULLION-WINDOW, INTERIOR VERTICAL - 27.46" - BLACK |

TABLE OF CONTENTS

| | |
|--------------------|-------------|
| INTRODUCTION | A-01 |
| ABBREVIATIONS | A-01 |
| ALPHABETICAL INDEX | A-02 - A-04 |
| ICF23EC | A-05 - D-17 |
| ICF30EU | D-19 - H-22 |

1991 ICF30EU INDEX

| | |
|--------------------------------|-------------|
| FLOOR PLAN | D-19 - D-20 |
| ACCESSORIES | D-21 - D-24 |
| BATH | E-01 - E-04 |
| BEDROOM | E-05 - E-08 |
| CHASSIS | E-09 - E-14 |
| C C & PAD | E-15 - E-24 |
| DINETTE | F-01 - F-02 |
| DRIVERS | F-03 - F-12 |
| ELECTRICAL | F-13 - F-16 |
| EXTERIOR BODY | F-17 - F-22 |
| GALLEY | F-23 - G-04 |
| HEATING & AC | G-05 - G-10 |
| INTERIOR FINISH | G-11 - G-15 |
| LABEL | G-16 |
| LP | G-17 |
| LOUNGE | G-18 - G-20 |
| SEALANTS & FASTENERS | G-21 - G-22 |
| WATER & SEWAGE | G-23 - H-02 |
| WINDOW, VENT AND EXTERIOR DOOR | H-03 - H-22 |

WINDOW, VENT & EXTERIOR DOOR GROUP (CONTINUED)

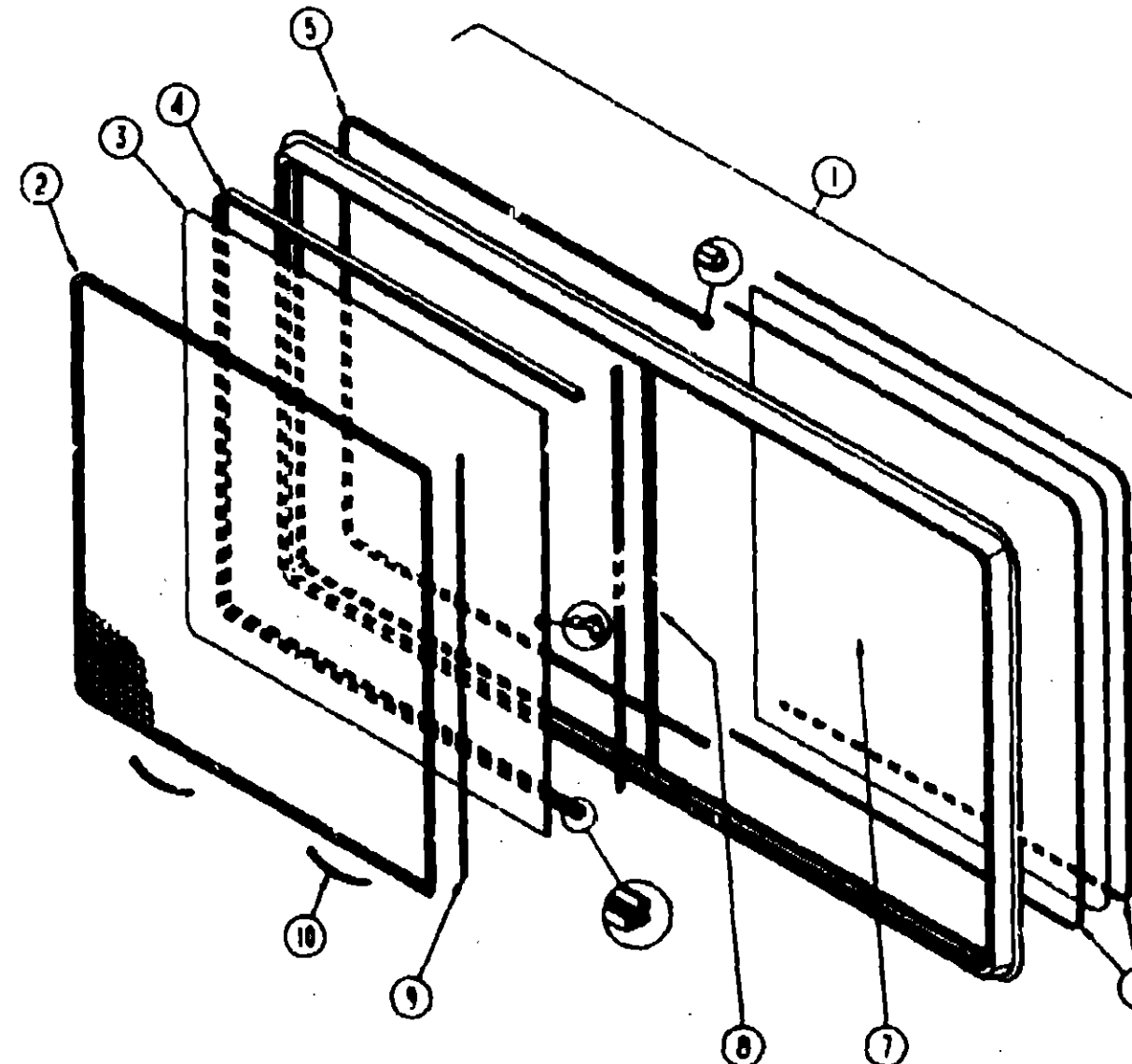
DINETTE WINDOW
FROM: 00-00-00 THRU: 11-04-90

| KEY PART NUMBER | U/M | DESCRIPTION |
|-----------------|-----|--|
| 000047-01-704 | EA | FRAME-WINDOW, INSIDE - EXCEL H112-67 FROM: 00-00-00 THRU: 11-04-90 |
| 000047-01-705 | EA | WINDOW-SLIDING, SINGLE - 30.5" X 57.5" - EXCEL H112-G FROM: 00-00-00 THRU: 11-04-90 |
| 000044-01-702 | EA | SCREW-SPLICE, #8-32 X 1/4 PAN HEAD - EXCEL 270-010672 |
| 000044-01-703 | EA | SCREW-LOCKING RAIL, #8 X 1.5 PRO HEAD RECESS BLACK - EXCEL 272-010608 |
| 000047-01-700 | EA | GLASS-STATIONARY, 29.27" X 27.72" - EXCEL 108-015631 |
| 000044-01-706 | FT | WEATHERSTRIP, EXCEL 171-010668 |
| 000047-01-701 | EA | LOCKING RAIL W/WEATHERSTRIP, EXCEL B372-17 |
| 000044-01-708 | EA | CHANNEL-PIERCED RUN, EXCEL 122-016543 |
| 000044-01-700 | EA | LATCH-REPAIR KIT, EXCEL B801-CK |
| 000047-01-702 | EA | GLASS-SLIDING, W/SASH & LATCH - EXCEL H112-G9 |
| 000047-01-703 | EA | SPACER-TRACK, EXCEL M402-31 |
| 000044-01-711 | FT | WEATHERSTRIP-SCREEN, BLACK - EXCEL 171-010665 |
| 000047-01-706 | EA | SPRING-SCREEN ASSEMBLY, EXCEL 410-018472 |
| 000044-01-713 | EA | SPRING-SCREEN FRAME (CLIP), PLASTIC - BLACK - EXCEL 226-016986 |
| 000044-01-716 | FT | PLUG-FILLER, EXCEL 132-014470 |

DINETTE WINDOW
FROM: 11-05-90 THRU: 99-99-99

| KEY PART NUMBER | U/M | DESCRIPTION |
|-----------------|-----|---|
| 000047-03-705 | EA | FRAME-INSIDE WINDOW, BLACK - EXCEL# B067-87 |
| 000047-03-706 | EA | WINDOW ASM-WO INSIDE TRIM, PASS. SIDE |
| 000044-01-701 | EA | SPLICE PLATE-WINDOW, EXCEL M801-23 |
| 000044-01-702 | EA | SCREW-SPLICE, #8-32 X 1/4 PAN HEAD - EXCEL 270-010672 |
| 000044-01-703 | EA | SCREW-LOCKING RAIL, #8 X 1.5 PRO HEAD RECESS BLACK - EXCEL 272-010608 |
| 000047-03-700 | EA | GLASS-STATIONARY, 28.03" X 28.5" |
| 000044-01-705 | FT | GLAZING STRIP, EXCEL M926-12 |
| 000044-01-706 | FT | WEATHERSTRIP, EXCEL 171-010668 |
| 000047-03-701 | EA | LOCKING RAIL W/WEATHERSTRIP |
| 000044-01-708 | FT | CHANNEL-PIERCED RUN, EXCEL 122-016543 |
| 000044-01-700 | EA | LATCH REPAIR KIT, EXCEL B801-CK |
| 000047-03-702 | EA | SASH ASM. W/LOCK & GLASS |
| 000047-03-703 | EA | SPACER TRACK |
| 000044-01-711 | FT | WEATHERSTRIP-SCREEN, BLACK - EXCEL 171-010665 |
| 000047-03-704 | EA | SCREEN ASM. W/SPRING & WTHST |
| 000044-01-713 | EA | SPRING-SCREEN FRAME (CLIP), PLASTIC - BLACK - EXCEL 226-016986 |
| 000044-01-716 | FT | PLUG-FILLER, EXCEL 132-014470 |

WINDOW, VENT & EXTERIOR DOOR GROUP (CONTINUED)



DINETTE SLIDER WINDOW (EXCEL)
FROM: 11-05-90 THRU: 99-99-99

| KEY PART NUMBER | U/M | DESCRIPTION |
|------------------|-----|--|
| 1 000047-03-706 | EA | WINDOW ASM-WO INSIDE TRIM, PASS. SIDE |
| 000047-03-705 | EA | FRAME-INSIDE WINDOW, BLACK - EXCEL# B067-87 |
| 2 000047-03-704 | EA | SCREEN ASM. W/SPRING & WTHST |
| 3 000047-03-702 | EA | SASH ASM. - W/LOCK & GLASS |
| 000044-01-700 | EA | LATCH REPAIR KIT, EXCEL B801-CK |
| 4 000044-01-708 | FT | CHANNEL-PIERCED RUN, EXCEL 122-016543 |
| 5 000044-01-706 | FT | WEATHERSTRIP, EXCEL 171-010668 |
| 6 000044-01-705 | FT | GLAZING STRIP, EXCEL M926-12 |
| 7 000047-03-700 | EA | GLASS-STATIONARY 28.03" X 28.77" |
| 8 000047-03-701 | EA | LOCKING RAIL W/WEATHERSTRIP |
| 9 000044-01-711 | FT | WEATHERSTRIP-SCREEN, BLACK - EXCEL 171-010665 |
| 10 000044-01-713 | EA | SPRING-SCREEN FRAME (CLIP), PLASTIC - BLACK - EXCEL 226-016986 |
| 000044-01-716 | FT | PLUG-FILLER, EXCEL 132-014470 |
| 000044-01-702 | EA | SCREW-SPLICE, #8-32 X 1/4 PAN HEAD - EXCEL 270-010672 |
| 000044-01-703 | EA | SCREW-LOCKING RAIL, #8 X 1.5 PRO HEAD RECESS BLACK, EXCEL 272-010608 |
| 000044-01-701 | EA | SPLICE PLATE-WINDOW, EXCEL M801-23 |
| 000047-03-703 | EA | SPACER TRACK |

TABLE OF CONTENTS

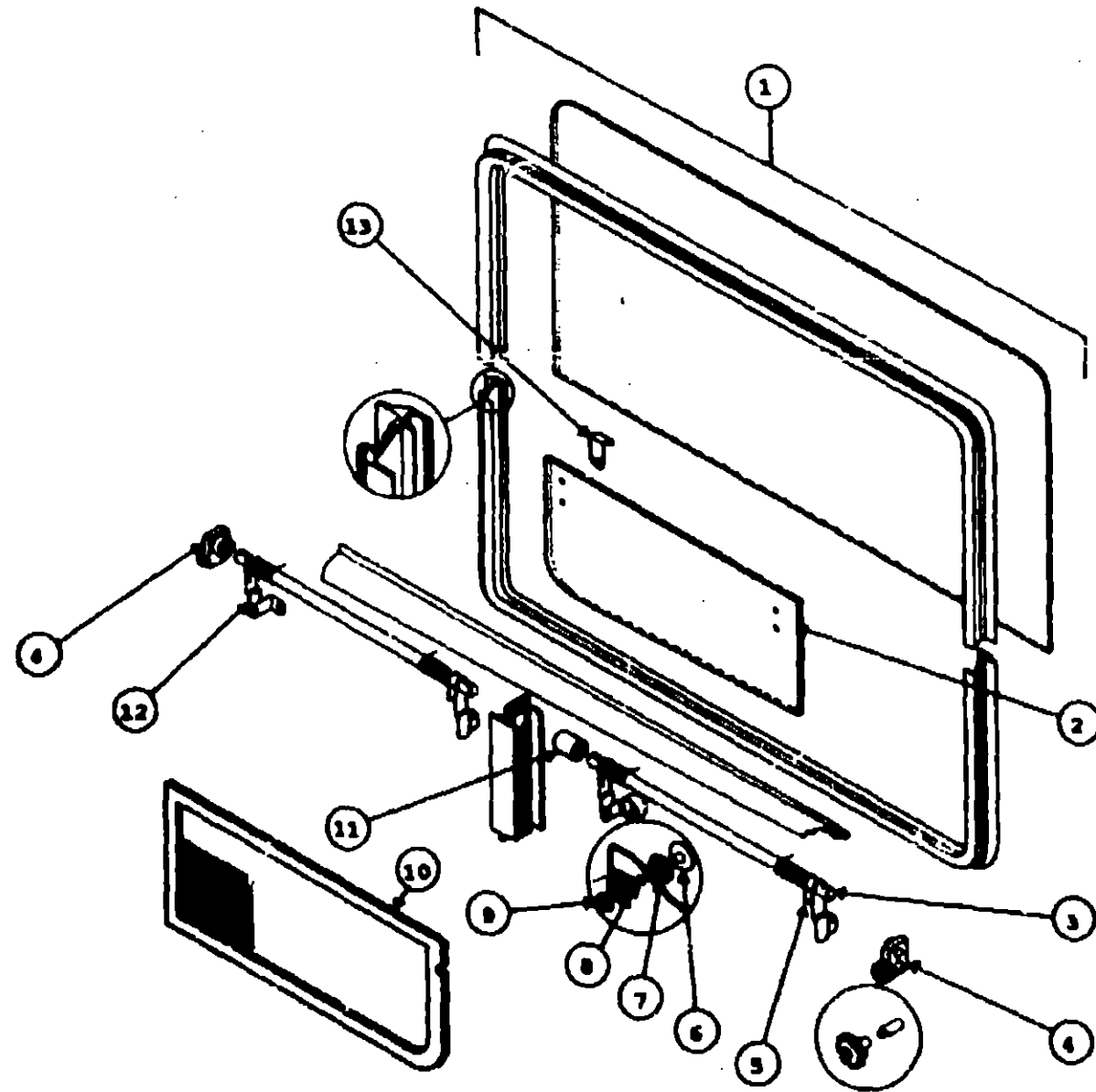
| | |
|--------------------|-------------|
| INTRODUCTION | A-01 |
| ABBREVIATIONS | A-01 |
| ALPHABETICAL INDEX | A-02 - A-04 |
| ICF23EC | A-05 - D-17 |
| ICF30EU | D-19 - H-22 |

1991 ICF30EU INDEX

| | |
|--------------------------------|-------------|
| FLOOR PLAN | D-19 - D-20 |
| ACCESSORIES | D-21 - D-24 |
| BATH | E-01 - E-04 |
| BEDROOM | E-05 - E-08 |
| CHASSIS | E-09 - E-14 |
| C C & PAD | E-15 - E-24 |
| DINETTE | F-01 - F-02 |
| DRIVERS | F-03 - F-12 |
| ELECTRICAL | F-13 - F-16 |
| EXTERIOR BODY | F-17 - F-22 |
| GALLEY | F-23 - G-04 |
| HEATING & A/C | G-05 - G-10 |
| INTERIOR FINISH | G-11 - G-15 |
| LABEL | G-16 |
| LP | G-17 |
| LOUNGE | G-18 - G-20 |
| SEALANTS & FASTENERS | G-21 - G-22 |
| WATER & SEWAGE | G-23 - H-02 |
| WINDOW, VENT AND EXTERIOR DOOR | H-03 - H-22 |

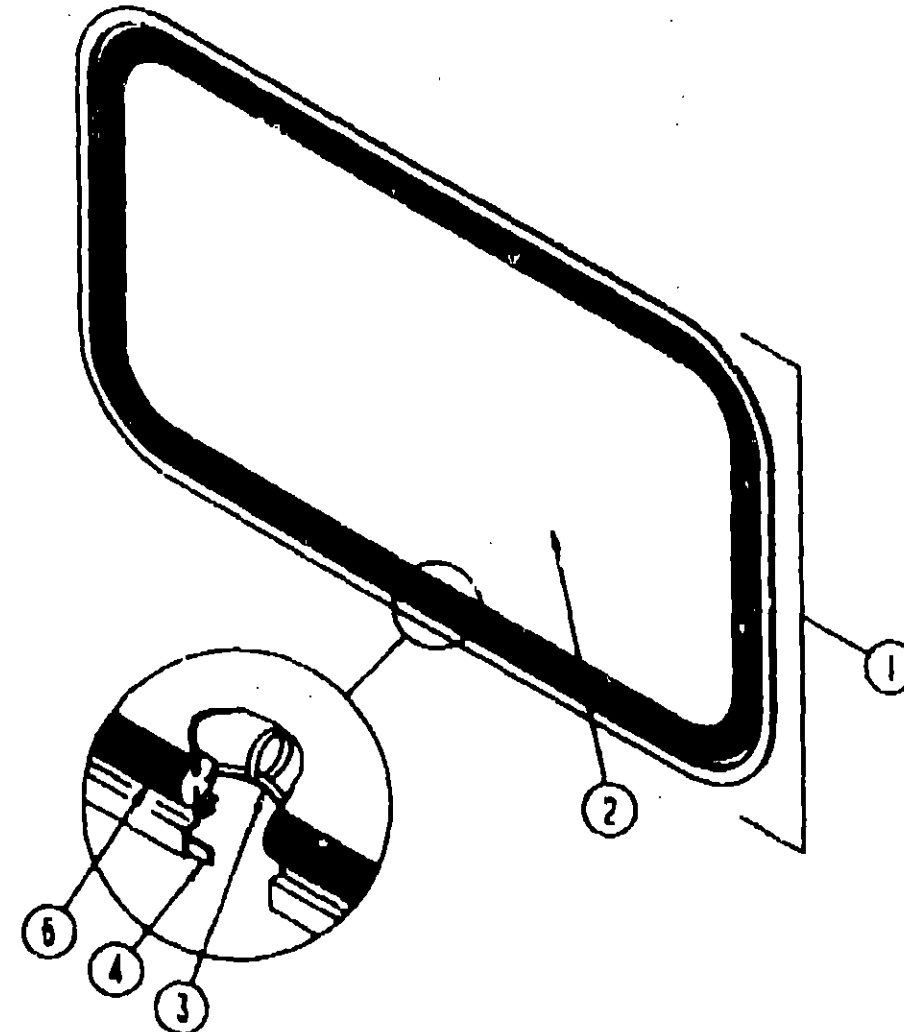
WINDOW, VENT & EXTERIOR DOOR GROUP (CONTINUED)

WINDOW, VENT & EXTERIOR DOOR GROUP (CONTINUED)



TIPOUT WINDOW

| KEY PART NUMBER | U/M | DESCRIPTION |
|-----------------|-----|--|
| 1 | EA | WINDOW-TIPOUT, W/O INSIDE FRAME - 24.3" X 40.3" |
| 082235-07-Y12 | EA | FRAME-WINDOW, RETAINING INSIDE - BLACK |
| 080893-11-01A | | GLASS IS NOT AVAILABLE SEPARATELY - MUST ORDER ENTIRE ASSEMBLY |
| 000G39-08-18T | EA | SCREW-SF/DR, 6-20 X 1 PPH - BLACK |
| 2 | EA | GLASS-TIPOUT WINDOW, 8.2" X 40.1" |
| 084088-17-000 | EA | TORQUE TUBE-TIPOUT WINDOW |
| 3 | EA | OPERATOR-TORQUE, TIPOUT WINDOW |
| 4 | EA | SPRING-TORQUE TUBE, LEFT - DOUBLE TIPOUT WINDOW |
| 5 | EA | SPRING-TORQUE TUBE, RIGHT - DOUBLE TIPOUT WINDOW |
| 6 | EA | T NUT 10-32 |
| 7 | EA | SEAL-RUBBER, TIPOUT WINDOW |
| 8 | EA | RIVET-SHOULDER, TIPOUT WINDOW |
| 9 | EA | WASHER-PLASTIC, 080X.50X.135 |
| 10 | EA | SEAL-E, TIPOUT WINDOW - SPONGE RUBBER |
| 11 | EA | SCREW-MACH, 10-32 X 1/4 PTH |
| 12 | EA | FRAME-SCREEN, TIPOUT WINDOW, - BLACK |
| 13 | SF | SCREEN-FIBERGLASS, 12" WIDE - BLACK |
| 080830-52-003 | FT | SPLINE-SCREEN, T-SHAPED |
| 080218-03-000 | EA | KEY-CORNER, TIPOUT WINDOW |
| 100240-01-000 | EA | SEAL-WINDOW, RUBBER |
| 080914-01-000 | EA | SLEEVE-TORQUE TUBE, TIPOUT WINDOW |
| 080927-03-000 | EA | RING-SNAP, 7/32 SHAFT DIAMETER |
| 081354-01-000 | EA | LINKAGE-TIPOUT WINDOW |
| 081848-01-000 | FT | SEAL-WINDOW, EXTERIOR - VINYL - BLACK |
| 087578-01-000 | EA | HINGE-TIPOUT WINDOW, BLACK |
| 087581-01-000 | EA | KNOB-OPERATOR, TIPOUT WINDOW - BEIGE |
| 089913-01-000 | EA | EXTENSION-CONTROL, WINDOW - 2" |
| 087052-02-000 | EA | SCREW-MACHINE, 8-32 X 3 5/16" - FOR EXTENDED WINDOW K |
| 080025-01-000 | | |
| 089371-01-000 | | |



BACKWALL ESCAPE WINDOW

| KEY PART NUMBER | U/M | DESCRIPTION |
|-----------------|-----|---|
| 1 | EA | WINDOW-ESCAPE, BACKWALL - 23" X 88" |
| 078638-01-T03 | EA | FRAME-INSIDE |
| 042027-05-000 | | FROM: 00-00-00 THRU: 10-01-89 |
| 042027-12-000 | EA | FRAME-INSIDE |
| | | FROM: 10-02-89 THRU: 99-99-9 |
| 2 | EA | GLASS-18.8" X 84.8" |
| 3 | FT | FILLER-WEATHER STRIP, RUBBER - BLACK |
| 4 | FT | SPLINE-VENT/WINDOW SCREEN, .125 DIAMETER - BLACK |
| 5 | EA | SEALER RIBBON - 5/16" HEAD - NOT INCLUDED IN ASSEMBLY |
| 089840-08-000 | FT | WEATHER STRIP-WINDOW, RUBBER - .125" - BLACK |
| 002282-01-000 | EA | LABEL-EXIT, "ESCAPE WINDOW" |
| 008199-01-000 | EA | LABEL-EMERGENCY EXIT |
| 047731-01-000 | | |

TABLE OF CONTENTS

| | |
|--------------------|-------------|
| INTRODUCTION | A-01 |
| ABBREVIATIONS | A-01 |
| ALPHABETICAL INDEX | A-02 - A-04 |
| ICF23EC | A-05 - D-17 |
| ICF30EU | D-19 - H-22 |

1981 ICF30EU INDEX

| | |
|--------------------------------|-------------|
| FLOOR PLAN | D-19 - D-20 |
| ACCESSORIES | D-21 - D-24 |
| BATH | E-01 - E-04 |
| BEDROOM | E-05 - E-08 |
| CHASSIS | E-09 - E-14 |
| C C & PAD | E-15 - F-24 |
| DINETTE | F-01 - F-02 |
| DRIVERS | F-03 - F-12 |
| ELECTRICAL | F-13 - F-16 |
| EXTERIOR BODY | F-17 - F-22 |
| GALLEY | F-23 - G-04 |
| HEATING & AC | G-05 - G-10 |
| INTERIOR FINISH | G-11 - G-15 |
| LABEL | G-16 |
| LP | G-17 |
| LOUNGE | G-18 - G-21 |
| SEALANTS & FASTENERS | G-21 - G-22 |
| WATER & SEWAGE | G-23 - H-02 |
| WINDOW, VENT AND EXTERIOR DOOR | H-03 - H-22 |

WINDOW, VENT & EXTERIOR DOOR GROUP (CONTINUED)

PASSENGER SLIDING WINDOW

| KEY PART NUMBER | U/M | DESCRIPTION |
|-----------------|-----|--|
| 082057-02-U04 | EA | WINDOW-DRIVERS, SLANTED SLIDER W/O INSIDE FRAME |
| 082058-02-AB1 | EA | FRAME-WINDOW, INSIDE DRIVERS W/SCREEN - BEIGE |
| 082057-01-U04 | EA | WINDOW-PASSENGER, SLANTED SLIDER W/O INSIDE FRAME |
| 082056-01-AB1 | EA | FRAME-WINDOW, INSIDE PASSENGER W/SCREEN - BLACK |
| 000G3P-06-16T | EA | SCREW-SF/DR, 6-20 X 1. PPH - BLACK |
| 002328-01-000 | EA | BLOCK-WINDOW, 1/8" X 3/16" X 1" |
| 002388-03-203 | EA | HOLDER-GLASS, EXTERIOR VERTICAL - 27.125" |
| C50218-02-000 | FT | SPLINE-EXTERIOR GLASS, VINYL - .19" - BLACK |
| 057858-03-000 | EA | GLASS-WINDOW, STATIONARY - .19" X 28.11" X 27" |
| 073740-01-000 | FT | SEAL-FIN, .48" PILE HEIGHT - GRAY |
| 081980-08-000 | EA | GLASS-WINDOW, SLIDER - .19" X 28.11" X 14.88" |
| 082468-01-000 | EA | FRAME-WINDOW, PASSENGER SLANTED SLIDER - BLACK |
| 084170-07-000 | EA | MULLION-WINDOW, INTERIOR VERTICAL - 27.46" - BLACK |
| 078364-01-000 | EA | HOLDER-UPPER SCREEN, EXTRUDED PLASTIC - 9.5" - BLACK |
| 078365-01-000 | EA | HOLDER-LOWER SCREEN, EXTRUDED PLASTIC - 9.5" - BLACK |
| 078574-01-T03 | EA | SCREIN-WINDOW, PASSENGER SLANTED SLIDER |
| 078827-02-000 | FT | TAPE-PLASTIC FILM, .375 WIDE |
| 078824-01-000 | FT | SEAL-WINDOW, WEATHER - C/FOLD - .5" |

POWERED ROOF VENT

| KEY PART NUMBER | U/M | DESCRIPTION |
|-----------------|-----|--|
| 000383-01-Y12 | EA | VENT-ROOF, POWERED W/O SCREEN |
| 002825-01-000 | EA | WEATHER STRIP-ROOF VENT, GRAY |
| 008195-01-000 | EA | SWITCH-ROOF VENT, PUSH BUTTON, 12V |
| 008440-01-000 | EA | GEAR/ARM-VENT COVER, LIFT |
| 055218-01-000 | EA | COVER-VENT, ROOF |
| 015811-01-000 | EA | TRACK-LIFT ARM, SLIDE - ROOF VENT |
| 048848-01-000 | EA | MOTOR-ROOF VENT, 1/8 SHAFT - 12V |
| 048849-01-000 | EA | FAN-ROOF VENT, 6 BLADES - 6" |
| 052838-01-001 | EA | HINGE-VENT COVER, 192" |
| 081803-01-000 | EA | GROMMET-SNAP, 3/16 ID - 3/8 HOLE - PLASTIC - BLACK |
| 008438-01-000 | EA | CRANK HANDLE-ROOF VENT |
| 008439-03-000 | EA | EXTENSION-CRANK HANDLE, ROOF VENT - .9" |
| 078788-01-Y12 | EA | SCREEN-ROOF VENT, POWERED |
| 002291-02-000 | SF | SCREENING-ROOF VENT/WINDOW, 16" - BLACK |
| 002298-02-000 | FT | SPLINE-VENT/WINDOW SCREEN, .128 DIAMETER - BLACK |

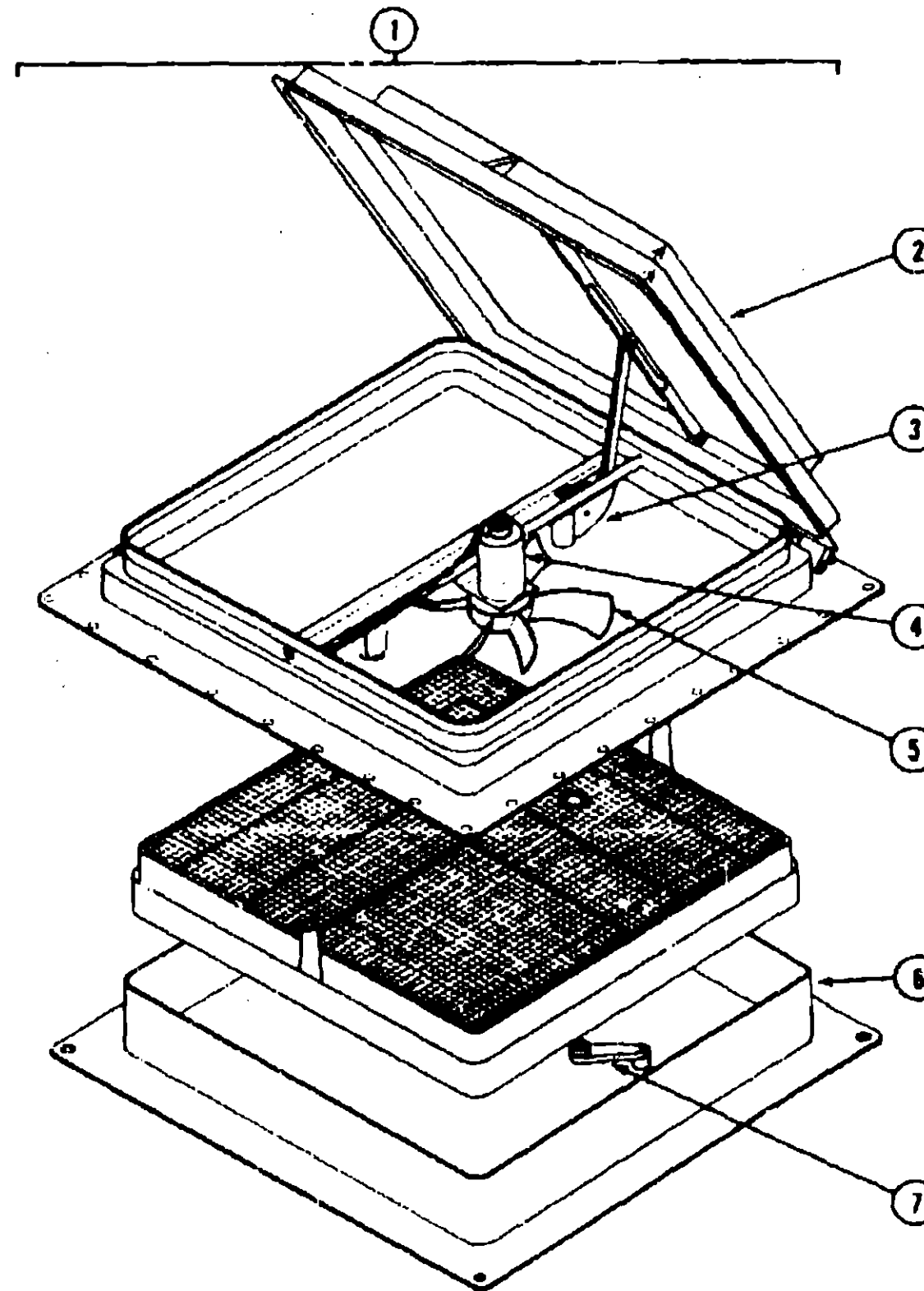
NON POWERED ROOF VENT

| KEY PART NUMBER | U/M | DESCRIPTION |
|-----------------|-----|--|
| 080382-01-Y12 | EA | VENT-ROOF, NON POWERED |
| 002825-01-000 | EA | WEATHER STRIP-ROOF VENT, GRAY |
| 008440-01-000 | EA | GEAR/ARM-VENT COVER, LIFT |
| 015811-01-000 | EA | TRACK-LIFT ARM, SLIDE - ROOF VENT |
| 055218-01-000 | EA | COVER-ROOF VENT |
| 052838-01-001 | EA | HINGE-VENT COVER, 192" |
| 008438-01-000 | EA | CRANK HANDLE-ROOF VENT |
| 008439-03-000 | EA | EXTENSION-CRANK HANDLE, ROOF VENT - .9" |
| 078788-01-Y12 | EA | SCREEN-ROOF VENT, NON POWERED |
| 002291-02-000 | SF | SCREENING-ROOF VENT/WINDOW, 16" - BLACK |
| 002298-02-000 | FT | SPLINE-VENT/WINDOW SCREEN, .128 DIAMETER - BLACK |

ROOF VENTS

| KEY PART NUMBER | U/M | DESCRIPTION |
|-----------------|-----|--|
| 083558-01-000 | EA | VENT-PLUMBING PIPE ROOF, W/COVER - BEIGE |
| 084073-02-000 | EA | COVER-ROOF VENT, NORCOLD REFRIGERATOR - GRAY |
| 084073-04-000 | EA | BASE-ROOF VENT, NORCOLD REFRIGERATOR - BLACK |

WINDOW, VENT & EXTERIOR DOOR GROUP (CONTINUED)



CANADIAN EXPORT

| KEY PART NUMBER | U/M | DESCRIPTION |
|-----------------|-----|---|
| 1 084489-08-000 | EA | VENT-ROOF, POWERED - 14" X 14" - 12V - CANADIAN |
| 2 084489-03-702 | EA | LID-VENT WHITE |
| 3 084489-03-708 | EA | LIFT MECHANISM |
| 4 048848-01-000 | EA | MOTOR-ROOF VENT, 1/8 SHAFT - 12V |
| 5 048849-01-000 | EA | FAN-ROOF VENT, 6 BLADES - 6" |
| 6 084489-03-705 | EA | GARNISH, VENT 2.5 IN. WIDE |
| 7 008439-01-000 | EA | CRANK HANDLE-ROOF VENT |

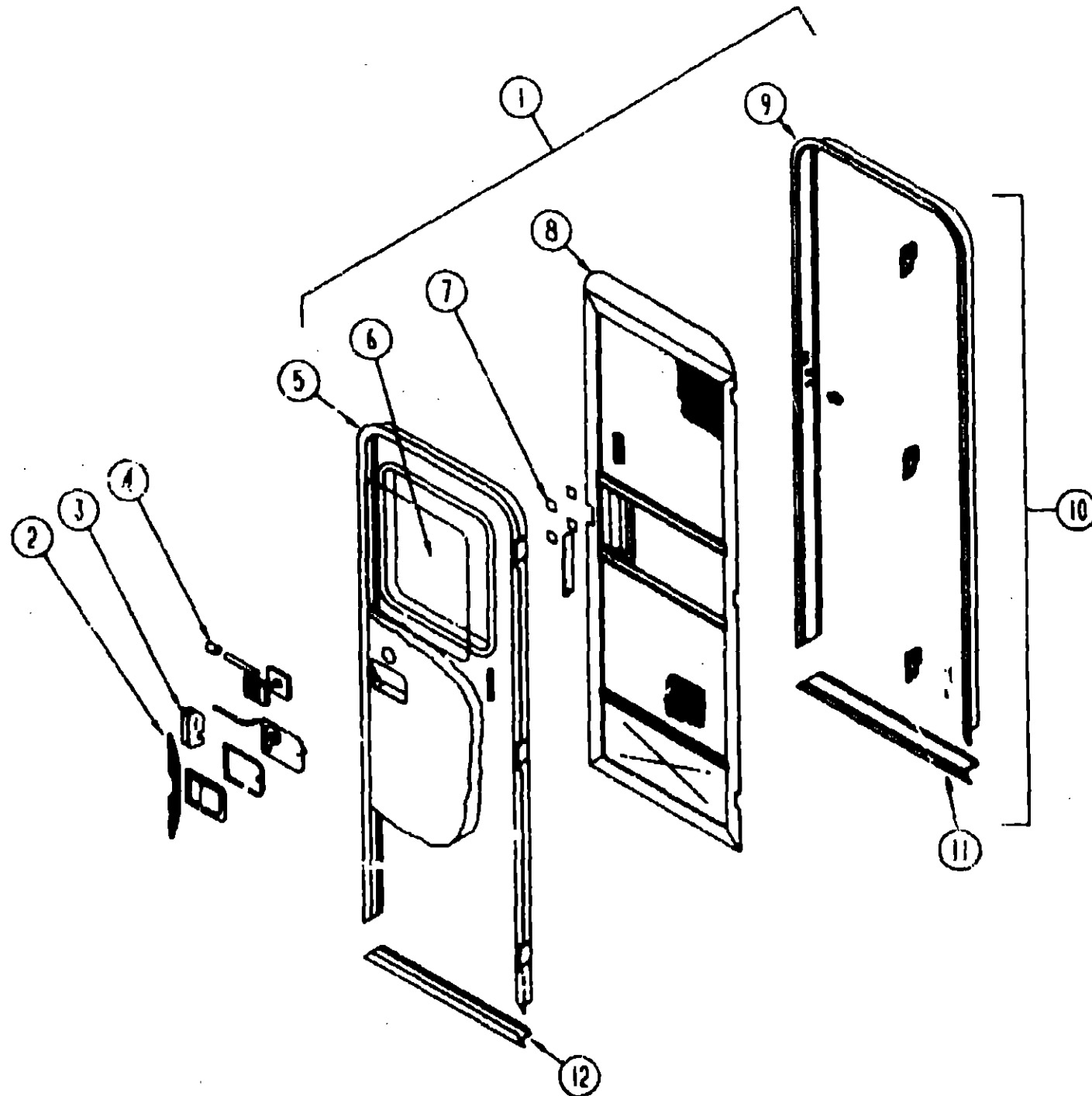
TABLE OF CONTENTS

| | |
|--------------------|-------------|
| INTRODUCTION | A-01 |
| ABBREVIATIONS | A-01 |
| ALPHABETICAL INDEX | A-02 - A-04 |
| ICF23EC | A-05 - D-17 |
| ICF30EU | D-19 - H-22 |

1991 ICF30EU INDEX

| | |
|--------------------------------|-------------|
| FLOOR PLAN | D-19 - D-20 |
| ACCESSORIES | D-21 - D-24 |
| BATH | E-01 - E-04 |
| BEDROOM | E-05 - E-08 |
| CHASSIS | E-09 - E-14 |
| C C & PAD | E-15 - E-24 |
| DINETTE | F-01 - F-02 |
| DRIVERS | F-03 - F-12 |
| ELECTRICAL | F-13 - F-18 |
| EXTERIOR BODY | F-17 - F-22 |
| GALLEY | F-23 - G-04 |
| HEATING & AC | G-05 - G-10 |
| INTERIOR FINISH | G-11 - G-15 |
| LABEL | G-16 |
| LP | G-17 |
| LOUNGE | G-18 - G-20 |
| SEALANTS & FASTENERS | G-21 - G-22 |
| WATER & SEWAGE | G-23 - H-02 |
| WINDOW, VENT AND EXTERIOR DOOR | H-03 - H-22 |

WINDOW, VENT & EXTERIOR DOOR GROUP (CONTINUED)



ENTRANCE DOOR

| KEY PART NUMBER | U/M | DESCRIPTION |
|-----------------|---------------|---|
| 1 | M01870-49-B25 | EA DOOR-ENTRY, W/SCREEN DOOR & JAMB - W/O DECALS |
| 2 | 098173-01-02A | EA STIFFENER-ENTRY DOOR, SUPPORTS LATCH/STRIKE AREA - GRAY |
| 2 | 098173-01-03A | EA STIFFENER-ENTRY DOOR, SUPPORTS LATCH/STRIKE AREA - OFF WHITE |
| | 088272-70-000 | SF PANELING-DECORATIVE, 4' X 7' - INC. OF 28 SF |
| 3 | 045017-11-000 | EA LATCH-PADDLE, MECHANISM W/LOCK CYLINDER & KEY - BLACK |
| | 045017-08-700 | EA LOCK CYLINDER & KEY - SET OF THREE |
| | 045017-01-701 | EA KEY BLANK - ONE ONLY |
| | 058748-01-000 | EA PLUG-CAP, 1" DIAMETER |
| | 058025-02-000 | EA CLIP-ROLLER LATCH CATCH |
| | 058808-01-000 | EA PLUG-TAPERED, FOR DEADBOLT - PLASTIC - .86" DIAMETER - RED |
| | 083729-04-000 | EA H/WNUT - 10-32UNF .010-.080 |
| | 072893-01-000 | EA NUTSERT-M5 X 0.8 |
| | 009018-01-000 | EA CATCH-ELBOW, SPRING LOADED - SCREEN DOOR CATCH |
| | 100412-01-000 | EA CATCH SCREEN DOOR |
| | | FROM: 00-00-00 THRU: 10-18-90 |
| 4 | 039984-01-000 | EA CAP-ROUND DEADBOLT, VINYL - .26" ID X .62" LONG - BLACK |
| | 040944-01-000 | EA LABEL-ENTRANCE DOOR, OPEN |

WINDOW, VENT & EXTERIOR DOOR GROUP (CONTINUED)

ENTRANCE DOOR CONTINUED

| KEY PART NUMBER | U/M | DESCRIPTION |
|-----------------|---------------|--|
| | | 075671-01-000 FT SEAL-SPONGE, LAZY T SHAPE - WEATHERSTRIP ON ENTRY DOOR |
| | | 075673-01-000 FT SEAL-PILE, ADHESIVE BACK |
| 5 | 095276-01-03A | EA FRAME-ENTRY DOOR, W/O BOTTOM - GRAY |
| 6 | 079733-07-AA8 | EA WINDOW-ENTRY DOOR, 17" X 25" - FROSTED GLASS |
| | | 002181-07-000 EA GLASS-WINDOW, .182" X 16.25" X 24" - FROSTED |
| | | 050216-02-000 FT SEAL-WINDOW, EXTERIOR - VINYL - BLACK |
| | | FROM: 03-00-00 THRU: 01-07-90 |
| | | 087561-01-000 FT SEAL-WINDOW, EXTERIOR - VINYL - BLACK |
| | | FROM: 01-08-90 THRU: 00-00-00 |
| | | 067609-27-000 EA FRAME-INSIDE PICTURE WINDOW - BLACK |
| 7 | 085774-01-000 | FT FASTENER-DUAL HOOK, 1" WIDE - ADHESIVE BACK - BLACK |
| 7 | 085774-02-000 | FT FASTENER-DUAL LOOP, 1" WIDE - ADHESIVE BACK - BLACK |
| | | 039540-01-000 EA LATCH MECHANISM-ENTRY DOOR, INTERIOR |
| | | 039539-01-000 EA STRIKE-ENTRANCE DOOR LOCK |
| | | 039715-01-000 EA NUT-SERT, 1/4" DIAMETER - 20 THREADS |
| | | 039738-01-000 EA DEADBOLT-ROUND, J-SHAPED - INTERIOR USE ONLY |
| | | 039800-03-000 FT TUBING-POLYBUTYLENE, 3/8" OD |
| | | 039979-03-000 EA COVER-INTERIOR LATCH, W/TRIP ARM - BLACK |
| | | FROM: 00-00-00 THRU: 08-07-90 |
| | | 039979-04-000 EA COVER-INTERIOR LATCH, W/TRIP ARM - BLACK |
| | | FROM: 08-08-90 THRU: 99-99-99 |
| 8 | 079012-01-U01 | EA DOOR-SCREEN |
| | | 002293-02-000 SF SCREENING- 26" - CHARCOAL |
| | | 002294-01-000 FT SPLINE-SCREENING, .135" X .135" - BLACK |
| | | 002748-01-000 EA CORNER KEY-DOOR |
| | | 009018-01-000 EA CATCH-SCREEN DOOR ROLLER |
| | | 016454-01-000 EA INSERT-SCREEN DOOR, CENTER - LEATHER GRAIN ALUMINUM - BEIGE |
| | | 001014-01-013 EA INSERT-CENTER, .024" X 10.25" X 16.31" - UNPAINTED ALUMINUM |
| | | 050712-04-000 EA HANDLE-SCREEN DOOR, ALUMINUM - OFF WHITE |
| | | FROM: 09-18-90 THRU: 99-99-99 |
| | | 050712-05-000 EA HANDLE-SCREEN DOOR, UNPAINTED |
| | | FROM: 00-00-00 THRU: 09-17-90 |
| | | 078552-03-000 EA KICK PANEL-SCREEN DOOR, LOWER INSERT - UNPAINTED |
| | | 078595-01-000 EA TOP PLATE-SCREEN DOOR, CURVED TOP - 4.7" X 25.35" |
| | | 078777-01-000 EA CHANNEL-SLIDE, SCREEN DOOR CENTER SLIDER COVER |
| | | 079088-02-000 EA COVER-SLIDER, SCREEN DOOR |
| | | 079087-02-000 EA STRIKE-SLIDER COVER, W/LIP FOR ELBOW CATCH - 8.6" X 1.45" |
| | | 075839-01-000 EA GARNISH-RADIUS, ENTRY DOOR |
| | | 044582-06-000 EA CAP-DRIP-ENTRY DOOR, ALUMINUM, GRAY |
| | | 097724-01-03A EA HINGE-ENTRY DOOR, GRAY |
| | | 097724-01-04A EA HINGE-ENTRY DOOR, UNPAINTED |
| | | 081087-01-000 EA SEAL-LOCK, FLAT W/SLIT - ONE SIDE ADHESIVE - BLACK |
| 9 | 095278-01-01A | EA JAMB-ENTRY DOOR, W/O BOTTOM - UNPAINTED |
| 10 | 095277-02-03A | EA JAMB-ENTRY DOOR, W/BOTTOM & ROLLER CATCH STRIKER - GRAY |
| 11 | 051048-01-000 | EA JAMB BOTTOM-ENTRY DOOR, BEIGE |
| 12 | 089748-03-000 | EA FRAME-BOTTOM ENTRY DOOR, GRAY |
| | | 000340-01-000 FT SEAL-FOAM, CLOSED CELL - 1/4" X 1/2" X 50' |
| | | 091988-03-000 FT TAPE-ADHESIVE, .04" X 1" WIDE |
| | | 079207-01-000 EA STRIKER-ROLLER CATCH, WELDED TO DOOR JAMB - 4" X 1.15" |
| | | 100128-01-000 FT SEAL-PILE, ADHESIVE BACK - GRAY |
| | | FROM: 02-05-90 THRU: 05-24-90 |
| | | 100128-02-000 FT SEAL-PILE, ADHESIVE BACK - SCREEN DOOR - GRAY |
| | | FROM: 08-08-90 THRU: 99-99-99 |

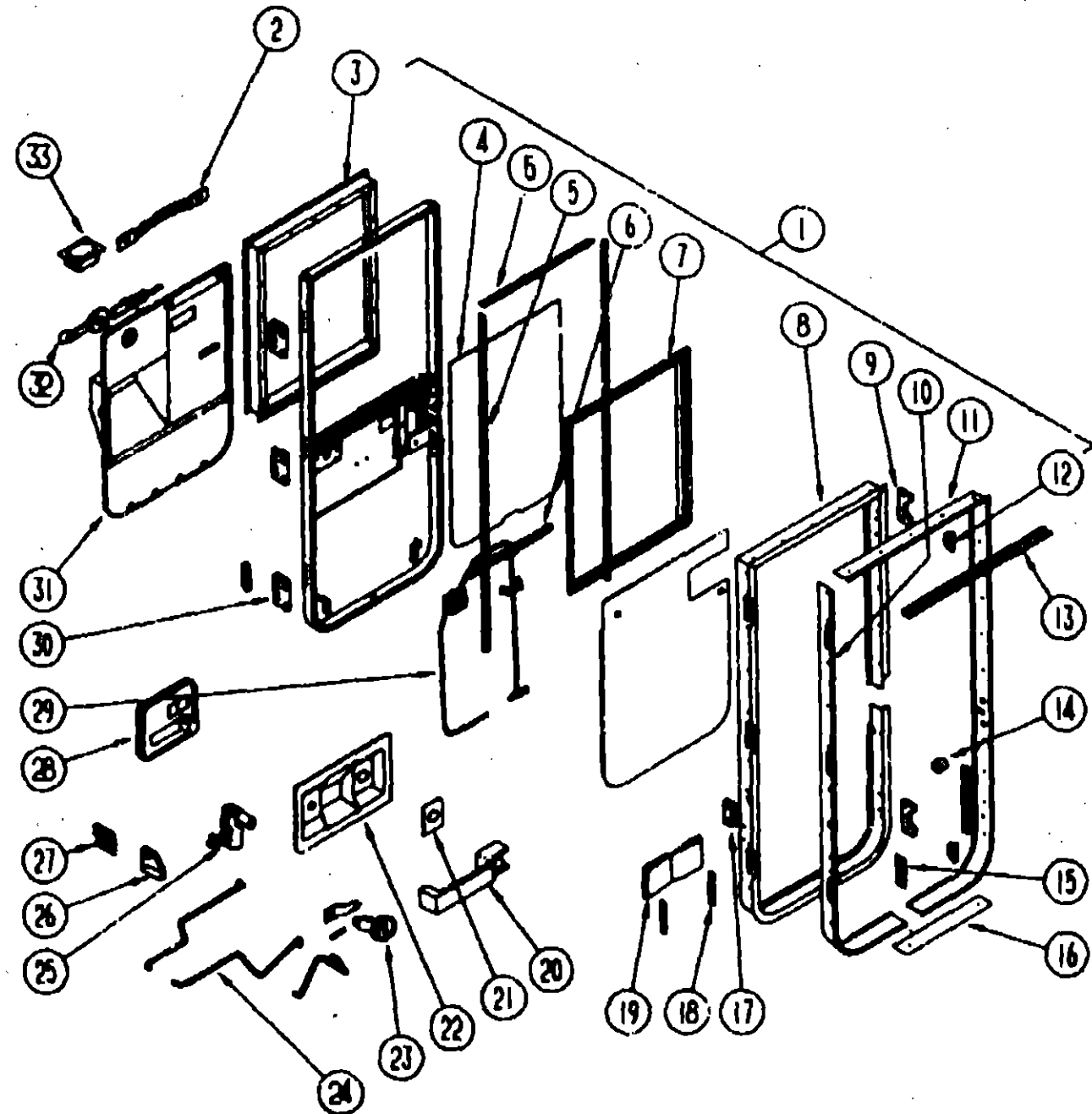
TABLE OF CONTENTS

| | |
|--------------------|-------------|
| INTRODUCTION | A-01 |
| ABBREVIATIONS | A-01 |
| ALPHABETICAL INDEX | A-02 - A-04 |
| ICF23EC | A-05 - D-17 |
| ICF30EU | D-19 - H-22 |

1991 ICF30EU INDEX

| | |
|--------------------------------|-------------|
| FLOOR PLAN | D-19 - D-20 |
| ACCESSORIES | D-21 - D-24 |
| BATH | E-01 - E-04 |
| BEDROOM | E-05 - E-08 |
| CHASSIS | E-09 - E-14 |
| C C & PAD | E-15 - E-24 |
| DINETTE | F-01 - F-02 |
| DRIVERS | F-03 - F-12 |
| ELECTRICAL | F-13 - F-16 |
| EXTERIOR BODY | F-17 - F-22 |
| GALLEY | F-23 - G-04 |
| HEATING & A/C | G-05 - G-10 |
| INTERIOR FINISH | G-11 - G-15 |
| LABEL | G-16 |
| LP | G-17 |
| LOUNGE | G-18 - G-20 |
| SEALANTS & FASTENERS | G-21 - G-22 |
| WATER & SEWAGE | G-23 - H-02 |
| WINDOW, VENT AND EXTERIOR DOOR | H-03 - H-22 |

WINDOW, VENT & EXTERIOR DOOR GROUP (CONTINUED)



WINDOW, VENT & EXTERIOR DOOR GROUP (CONTINUED)

| KEY PART NUMBER | U/M | DESCRIPTION |
|-------------------------------|-----|---|
| 11 | EA | 082243-04-000 FRAME-DRIVER DOOR, REAR & UPPER EDGE - ALUMINUM - GRAY |
| 12 | EA | 084465-01-000 BLOCK - ALIGNMENT - DOOR MOUNTED - BLACK PLASTIC |
| 13 | EA | 064184-01-000 CAP-DRIP, DRIVER DOOR |
| | FT | 088270-01-000 SEAL-BULB, EPDM RUBBER |
| | FT | 099952-01-000 CORE-SEAL, BULB SUPPORT - 11 MM DIA |
| | FT | 083551-01-000 SEAL-LAZY T & D SHAPE, SPONGE RUBBER - BLACK - JAMB MOUNTED |
| 14 | EA | 058806-03-000 PLUG-TAPERED, PLASTIC - RED |
| FROM: 10-02-89 THRU: 99-99-99 | | |
| 15 | EA | 041250-01-000 SWITCH-PUSH BUTTON, DOME LIGHT - CHROME |
| | EA | 063729-01-000 RIVNUT, 1/4 X 20 UNC - .030-.125 |
| | EA | 063729-04-000 RIVNUT, 1/4 X 20 UNF .010 - .080 |
| 16 | EA | 099840-01-01A THRESHOLD-DRIVER DOOR, REAR - BLACK |
| 18 | EA | 099841-01-01A THRESHOLD-DRIVER DOOR, FRONT - BLACK |
| 17 | EA | 075722-01-000 BLOCK-SWITCH SPACER |
| FROM: 00-00-00 THRU: 08-22-89 | | |
| | EA | 084465-01-000 BLOCK-ALIGNMENT, DOOR MOUNTED- PLASTIC - BLACK |
| 18 | EA | 064219-01-000 RETAINER-CHECK STRAP, DRIVER DOOR |
| 19 | EA | 098030-01-000 CHECK STRAP-DRIVER DOOR, BLACK |
| 20 | EA | R77040-01-538 HANDLE - EXTERIOR DRIVERS DOOR |
| 21 | EA | R77007-05-374 GASKET SEAL - DRIVERS DOOR HANDLE |
| 22 | EA | 082107-02-000 INSET - DRIVERS DOOR HANDLE - EXTERIOR - BEIGE |
| 23 | EA | 083223-01-000 LOCK ASM-KEY TYPE, W/2 KEYS |
| | EA | 083223-01-700 KEY-SLANK |
| | EA | 083911-01-000 CAM-LOCK, DRIVER DOOR |
| 24 | EA | 073110-03-000 ROD-LOCK CONTROL, DRIVERS DOOR |
| | EA | 078542-04-000 ROD-LATCH CONTROL, DRIVERS DOOR |
| | EA | 081903-01-000 SHAFT-MOUNTING, KNOB(CONNECTS KNOB TO SLIDE BOLT) |
| 25 | EA | 073303-03-000 LATCH ASM-INNER, DRIVER DOOR - MODIFIED |
| 26 | EA | 082238-03-000 COVER-STRIKE, DRIVER DOOR - GRAY |
| FROM: 00-00-00 THRU: 01-08-91 | | |
| 26 | EA | 082238-04-000 COVER-STRIKE, DRIVER DOOR - OFF WHITE |
| FROM: 01-07-91 THRU: 99-99-99 | | |
| | EA | 079561-01-000 SHIM-STRIKE, DRIVER DOOR - 18 GAUGE |
| FROM: 00-00-00 THRU: 08-02-90 | | |
| | EA | 079561-02-000 SHIM-STRIKE, DRIVER DOOR - 22 GAUGE |
| FROM: 00-00-00 THRU: 08-02-90 | | |
| 27 | EA | R77013-48-165 STRIKER - DRIVER'S DOOR |
| | FT | 078322-02-000 TAPE-FOAM, DOUBLE COATED - .045" X 1" - INC. OF 108 FT |
| | EA | 081485-01-000 SUPPORT ASM-STRIKE, DRIVER DOOR |
| | EA | 073118-01-000 RETAINER-ATTACHMENT PLATE - PART OF 081405-01-010 |
| | EA | 073119-01-000 ATTACHMENT PLATE-STRIKER - PART OF 081485-01-000 |
| | EA | 081903-01-000 SHAFT-MOUNTING, KNOB(CONNECTS KNOB TO SLIDE BOLT) |
| 28 | EA | 081905-02-000 KNOB-SLIDE BOLT, BLACK |
| | EA | 081907-01-000 SLIDE BOLT-DRIVER DOOR |
| | EA | R77008-50-328 HANDLE-DOOR, INTERIOR, LT |
| 29 | EA | 081907-02-000 REGULATOR ASM-DRIVER DOOR WINDOW |
| | EA | 081908-01-000 SCREW-MACH 8-32X.62 W/WYLOCK |
| 30 | EA | 083893-03-000 HINGE ASM-DRIVER DOOR, GRAY - 3 PER DOOR |
| | EA | 083731-01-000 CAP-PUSH ON, ZINC - STYLE PW |
| 31 | EA | 082471-05-000 PANEL-INSIDE, DRIVER DOOR - 31.7" X 24.2" - PLASTIC |
| 32 | EA | 084575-01-000 CRANK - HAND - GLASS LIFT |
| 32 | EA | 084575-01-000 WINDOW CRANK, GLASS LIFT |
| 33 | EA | 048886-03-000 ASHTRAY-CHROME, W/COVER |
| | EA | 081487-01-000 HOUSING-SLIDE BOLT, STEEL |
| | EA | 049465-04-000 SCREW, 10-18 X 1 PTH W/WASHER - BEIGE |
| | EA | 038888-01-000 TAPE-BUTYL, .31" X .31" X 148" LONG |
| | EA | 082242-02-000 LINER-STEP BOX, DRIVER DOOR - ABS - BEIGE |
| | EA | 084347-01-000 SHIM-HINGE, DRIVER DOOR |
| | EA | 079561-01-000 SHIM-STRIKE, DRIVER DOOR - 18 GAUGE |
| | EA | 079561-02-000 SHIM-STRIKE, DRIVER DOOR - 22 GAUGE |
| | EA | 088930-02-000 BEARING-.38"ID, SNAP IN |
| | EA | 063977-08-000 STEP ASM-DRIVER DOOR, BLACK |
| | EA | 044380-01-001 EXTRUSION-DRIP RAIL 192.00 IN |
| | EA | 088938-03-000 BEARING-.38"ID, SNAP IN |
| | EA | R77008-84-355 LINK-CONTROL |
| | EA | R77030-58-048 WASHER |
| | FT | 079370-04-000 COVER-SCREW, WINDOW - VINYL - BLACK |
| | FT | 091968-03-000 TAPE-ADHESIVE, .04" X 1" WIDE |

TABLE OF CONTENTS

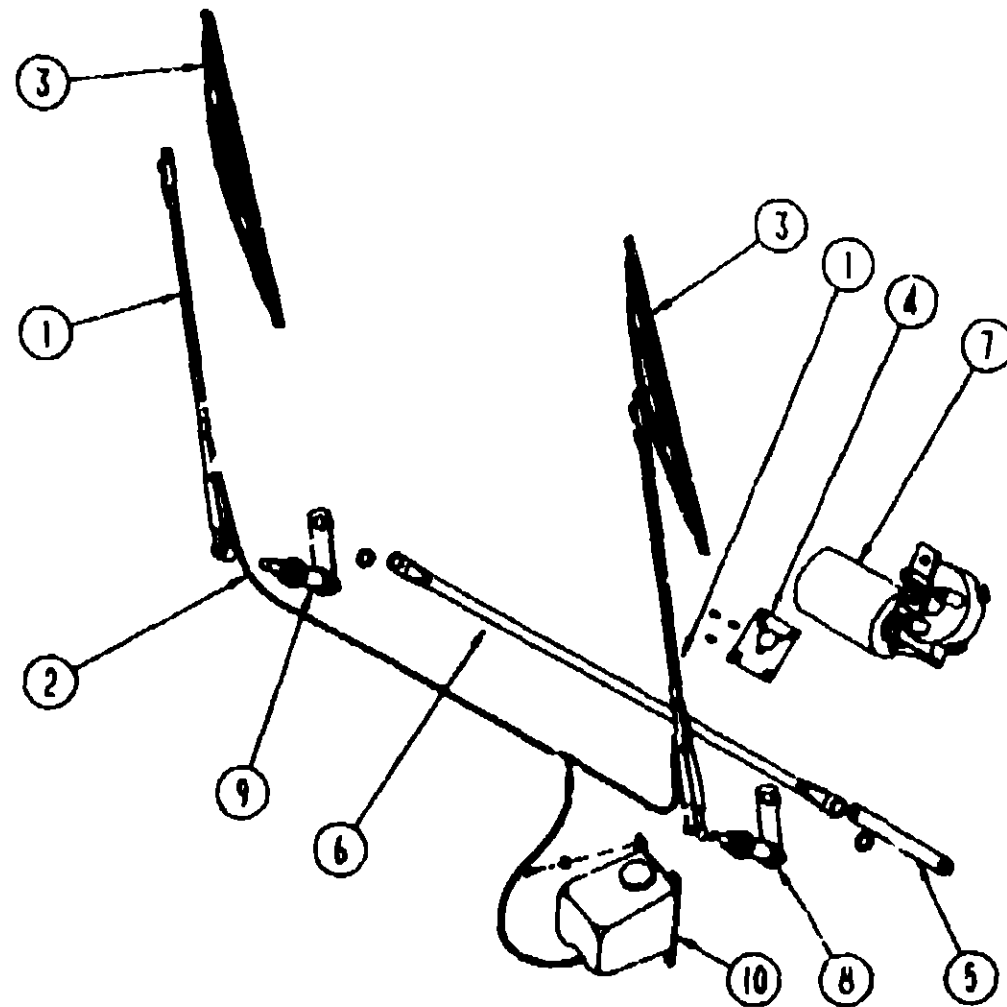
| | |
|--------------------|-------------|
| INTRODUCTION | A-01 |
| ABBREVIATIONS | A-01 |
| ALPHABETICAL INDEX | A-02 - A-04 |
| ICF23EC | A-05 - D-17 |
| ICF30EU | D-18 - H-22 |

1991 ICF30EU INDEX

| | |
|--------------------------------|-------------|
| FLOOR PLAN | D-19 - D-20 |
| ACCESSORIES | D-21 - D-24 |
| BATH | E-01 - E-04 |
| BEDROOM | F-05 - E-08 |
| CHASSIS | E-09 - E-14 |
| C C & PAD | E-15 - E-24 |
| DINETTE | F-01 - F-02 |
| DRIVERS | F-03 - F-12 |
| ELECTRICAL | F-13 - F-18 |
| EXTERIOR BODY | F-17 - F-22 |
| GALLEY | F-23 - G-04 |
| HEATING & AC | G-05 - G-10 |
| INTERIOR FINISH | G-11 - G-15 |
| LABEL | G-16 |
| LP | G-17 |
| LOUNGE | G-18 - G-20 |
| REALANTS & FASTENERS | G-21 - G-22 |
| WATER & SEWAGE | G-23 - H-02 |
| WINDOW, VENT AND EXTERIOR DOOR | H-03 - H-22 |

| KEY PART NUMBER | U/M | DESCRIPTION |
|-----------------|-----|---|
| 1 | EA | M82202-04-B2S DOOR ASM-DRIVER, CRANK UP WINDOW - W/O JAMB FROM: 00-00-00 THRU: 01-08-90 |
| 1 | EA | M82202-04-B2R DOOR ASM-DRIVER, CRANK UP WINDOW - W/O JAMB FROM: 01-07-90 THRU: 99-99-99 |
| 2 | EA | 081400-04-000 STRAP-ASSIST, 12" - BLACK W/WOODGRAIN SCREW COVERS FROM: 00-00-00 THRU: 04-07-91 |
| 2 | EA | 081400-15-000 STRAP-ASSIST, 12" - BLACK FROM: 04-08-91 THRU: 99-99-99 |
| | EA | 063729-01-000 RIVNUT, 1/4 X 20 UNC - .030-.125 |
| 3 | EA | 082234-03-000 FRAME ASM-WINDOW, INNER - BLACK |
| | EA | 088284-01-000 SPRING-COMPRESSION, .44" LONG X .38" OD |
| 4 | EA | 081488-01-000 GLASS-CRANK UP, DRIVER DOOR |
| | EA | 081500-02-000 SUPPORT TUBE-DRIVER DOOR FRAME, STEEL |
| 5 | EA | 081910-01-000 CHANNEL-DRIVER DOOR WINDOW, W/POLYPROPYLENE PILE |
| | EA | 081912-01-000 WEATHERSTRIP-RIGID, BLACK |
| 6 | EA | 082472-01-000 U CHANNEL-GLASS RETAINER, 2 HOLE - 16" LONG - MILL |
| 7 | EA | 082233-02-000 FRAME ASM - WINDOW - OUTER - BLACK |
| 8 | EA | 081881-04-000 JAMB - DRIVER'S DOOR - STEEL |
| 9 | EA | M02684-12-000 JAMB ASM-DRIVER DOOR, GRAY - W/SEAL |
| 9 | EA | 084485-01-000 BLOCK - DOOR STOP - JAMB |
| 10 | EA | 085007-04-000 FRAME - DRIVERS DOOR - FRONT & LOWER - GRAY |

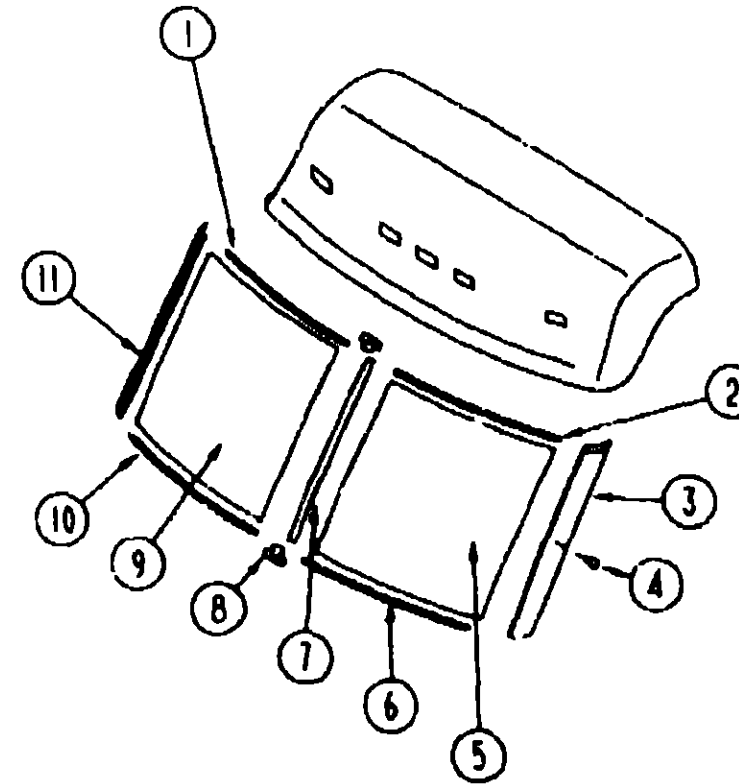
WINDOW, VENT & EXTERIOR DOOR GROUP (CONTINUED)



WIPER COMPONENTS

| KEY PART NUMBER | U/M | DESCRIPTION |
|------------------|-----|---|
| 1 067853-01-000 | EA | ARM-WIPER, 18" |
| 1 068931-01-000 | EA | ARM-WIPER, 20" |
| 2 068931-01-700 | FT | HOSE - WIPEH TO BLADES |
| 3 049484-03-000 | EA | BLADE-WIPER, WINDSHIELD - 20" |
| 049484-03-700 | EA | REFILL-BLADE,WINDSHIELD WIPER - 20" |
| 3 063884-01-000 | CA | BLADE-WIPER, 24" |
| 4 063871-01-000 | EA | SUPPORT-WIPER MOTOR |
| 5 067192-01-000 | EA | LINK-DRIVER CONNECTING, W/BLACK BUSHING - 37 85" |
| 6 067192-02-000 | EA | LINK-PASSENGER CONNECTING, W/BLACK BUSHING - 43 57" |
| 7 066380-01-000 | EA | MOTOR-WIPER |
| 8 066604-01-000 | EA | PIVOT SHAFT-DRIVER |
| 9 066505-02-000 | EA | PIVOT SHAFT-PASSENGER |
| 066526-01-000 | EA | SCREW-HEX, 1/4 - 28 UNF |
| 10 066000-02-000 | EA | WASHER-WINDSHIELD, BOTTLE & PUMP |
| 066000-01-700 | FT | VACUUM HOSE 7/84 - 5/32 |
| 041791-01-000 | FT | SEAL-VINYL, FLEX U-CHANNEL |

WINDOW, VENT & EXTERIOR DOOR GROUP (CONTINUED)



WINDSHIELDS, TRIMS & MOLDINGS

| KEY PART NUMBER | U/M | DESCRIPTION |
|------------------|-----|---|
| 1 077844-01-000 | EA | REVEAL MOLDING-UPPER WINDSHIELD, PASSENGER |
| 2 077844-02-000 | EA | REVEAL MOLDING-UPPER WINDSHIELD, DRIVER |
| 3 078225-02-000 | EA | TRIM POST-WINDSHIELD, DRIVERS - METAL - BLACK |
| 4 034141-02-000 | EA | PLUG-HOLE, 3/8" - NYLON - BLACK |
| 5 077875-02-000 | EA | GLASS-DRIVER WINDSHIELD |
| 6 077945-02-000 | EA | REVEAL MOLDING-LOWER WINDSHIELD, DRIVER |
| 7 078876-02-000 | EA | REVEAL MOLDING-WINDSHIELD CENTER - 29.25" |
| 8 077852-02-000 | EA | CAP-REVEAL MOLDING, CENTER TOP AND BOTTOM WINDSHIELD |
| 9 077875-01-000 | EA | GLASS-PASSENGER WINDSHIELD |
| 10 077945-01-000 | EA | REVEAL MOLDING-LOWER WINDSHIELD, PASSENGER |
| 11 078225-01-000 | EA | TRIM POST-WINDSHIELD, PASSENGER - METAL - BLACK |
| 056291-01-000 | FT | EDGE MOLDINGS-WINDSHIELD TO TRIM POST - VINYL - BLACK |
| 002128-02-000 | EA | BLOCK-WINDSHIELD, 082" X .5" X .98" |

TABLE OF CONTENTS

| | |
|--------------------|-------------|
| INTRODUCTION | A-01 |
| ABBREVIATIONS | A-01 |
| ALPHABETICAL INDEX | A-02 - A-04 |
| ICF23EC | A-05 - D-17 |
| ICF30EU | D-19 - H-22 |

1981 ICF30EU INDEX

| | |
|--------------------------------|-------------|
| FLOOR PLAN | D-19 - D-20 |
| ACCESSORIES | D-21 - D-24 |
| BATH | E-01 - E-04 |
| BEDROOM | E-05 - E-08 |
| CHASSIS | E-09 - E-14 |
| C C & PAD | E-15 - E-24 |
| DINETTE | F-01 - F-02 |
| DRIVERS | F-03 - F-12 |
| ELECTRICAL | F-13 - F-16 |
| EXTERIOR BODY | F-17 - F-22 |
| GALLEY | F-23 - G-04 |
| HEATING & A/C | G-05 - G-10 |
| INTERIOR FINISH | G-11 - G-15 |
| LABEL | G-16 |
| LP | G-17 |
| LOUNGE | G-18 - G-20 |
| SEALANTS & FASTENERS | G-21 - G-22 |
| WATER & SEWAGE | G-23 - H-02 |
| WINDOW, VENT AND EXTERIOR DOOR | H-03 - H-22 |