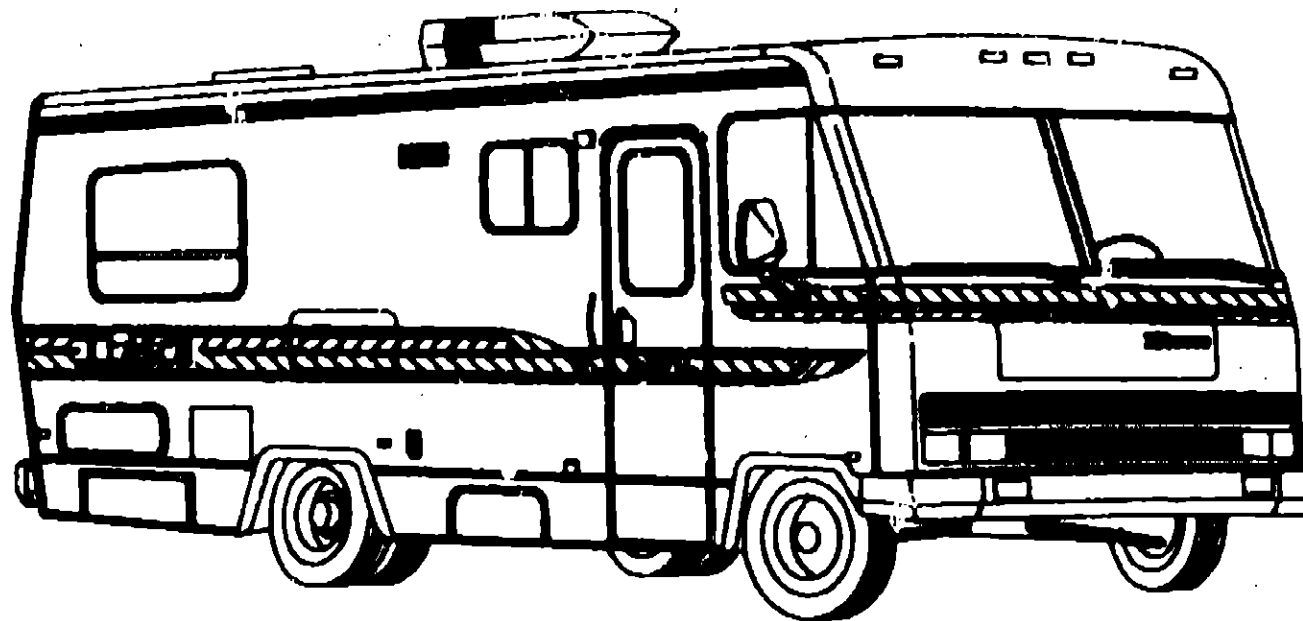
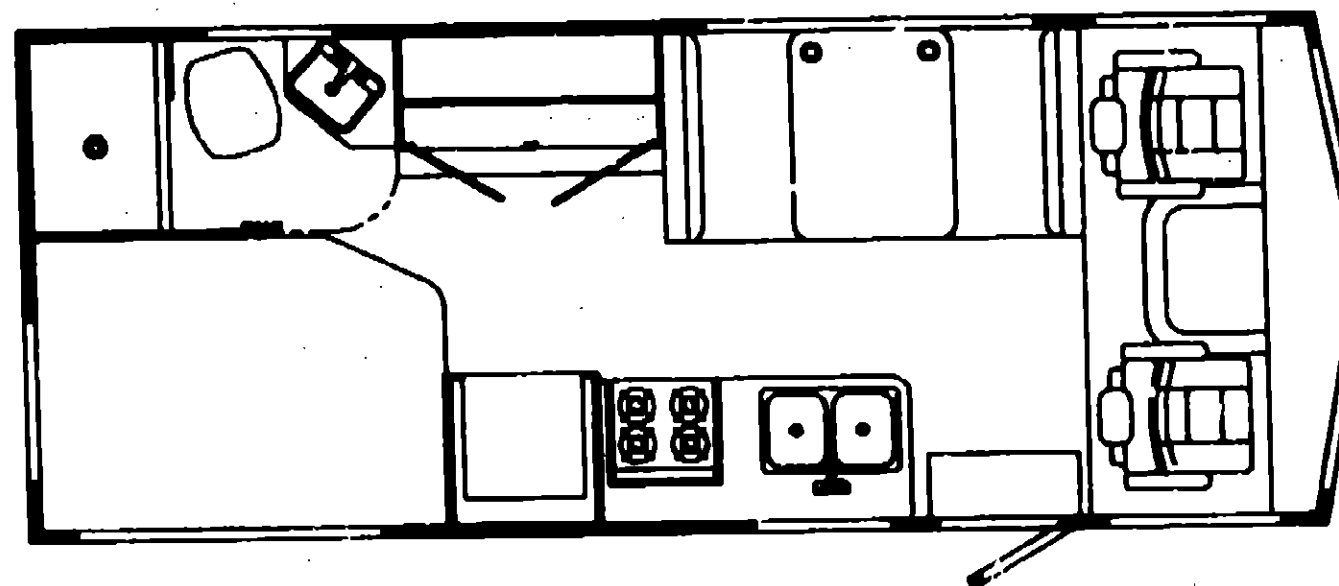


# 1991 ICF23EC



## TABLE OF CONTENTS

|                    |             |
|--------------------|-------------|
| INTRODUCTION       | A-01        |
| ABBREVIATIONS      | A-01        |
| ALPHABETICAL INDEX | A-02 - A-04 |
| ICF23EC            | A-05 - D-17 |
| ICF30EU            | D-19 - H-2  |



## 1991 ICF23EC INDEX

|                                |             |
|--------------------------------|-------------|
| FLOOR PLAN                     | A-05 - A-08 |
| ACCESSORIES                    | A-07 - A-10 |
| BATH                           | A-11 - A-13 |
| BEDROOM                        | A-14        |
| CHASSIS                        | A-15 - A-18 |
| C C & PAD                      | A-19 - B-02 |
| DINETTE                        | B-03 - B-04 |
| DRIVERS                        | B-05 - B-14 |
| ELECTRICAL                     | B-15 - B-18 |
| EXTERIOR BODY                  | B-19 - B-24 |
| GALLEY                         | C-01 - C-06 |
| HEATING & AC                   | C-07 - C-12 |
| INTERIOR FINISH                | C-13 - C-16 |
| LABEL                          | C-17        |
| LP                             | C-18        |
| SEALANTS & FASTENERS           | C-19 - C-20 |
| WATER & SEWAGE                 | C-21 - D-01 |
| WINDOW, VENT AND EXTERIOR DOOR | D-02 - D-17 |

**ACCESSORIES GROUP**  
COVER-WHEEL, 16" - OPTION (OPT 194)

KEY PART NUMBER U/M DESCRIPTION  
003181-01-700 EA COVER-WHEEL, 16" - 1 ONLY

**SPARE TIRE-W/CARRIER & COVER**

KEY PART NUMBER U/M DESCRIPTION  
088855-01-825 EA COVER - TIRE, VINYL - ALABASTER  
080378-04-000 EA BRACKET-SPARE TIRE CARRIER  
080368-04-000 EA WHEEL-STEEL, 16" X 6"K - 8 HOLE - OFF WHITE  
000C12-08-248 EA BOLT-HEX, 1/2"-13 X 1 1/2" - IN 5  
077411-01-000 EA ROD-RETAINING, SPARE TIRE  
033425-06-000 EA TIRE-LT215/85R16 LRE - MICHELIN  
080273-02-000 EA TIRE-7.50R16.0 LRD,XCA,T8  
051377-01-000 EA STEM-VALVE

**FRONT AIRSHOCKS & REAR AIR BAGS**

KEY PART NUMBER U/M DESCRIPTION  
078942-01-000 EA SHOCK ABSORBER-STABILIZER, FRONT - 4-WAY  
084086-01-000 EA AIRSPRING-BELLOWS, REAR AXLE - FIRESTONE# MHA224  
084086-01-700 EA AIRSPRING-BELLOWS, REAR AXLE - FIRESTONE# MHA224  
084086-01-701 EA TUBING-DOT 1/4 X 18" - FIRESTONE# 21-0938  
074086-01-702 EA BOLT-RIBBED NECK, 3/8" - 24 X 2.5 FIRESTONE# 21-0829  
084086-01-703 EA INFLATING VALVE-DOT 1/4 TUBING, FIRESTONE# 21-0931  
084086-01-704 EA E/BOW CONNECTOR, FIRESTONE# 21-0936  
084086-01-706 EA TUBING PROTECTORS, FIRESTONE# 21-0899  
084086-01-708 EA BRACKET-UPPER TO FRAME, FIRESTONE# 21-0150  
084086-01-707 EA BRACKET-LOWER, TOP - FIRESTONE# 21-1162  
084086-01-708 EA AIRLINE SERVICE KIT, FIRESTONE# N21-760-2012  
084086-01-709 EA HEAT SHIELD, FIRESTONE# 21-1004  
084086-03-000 EA BRACKET-AXLE, P30 CHASSIS - FIRESTONE# W21-760-2044

**OPERATORS MANUAL**

KEY PART NUMBER U/M DESCRIPTION  
054185-71-000 EA MANUAL-OPERATORS, 1991 A-BODY SPIRIT  
092319-01-000 EA BINDER-3 RING, MOTOR HOME MANUAL  
092319-01-000 EA POCKET PAGE-3 RING BINDER, PLASTIC  
080084-11-000 EA CASSETTE-ITASC A SPIRIT

**TV, VCR, CONTROL CENTER (OPTION L43X) U.S. & CANADIAN**

KEY PART NUMBER U/M DESCRIPTION  
048757-01-000 EA CONTROL CENTER-SWITCH, VCR/TV - CHANNEL MASTER  
FROM: 00-00-00 THRU: 08-03-90  
088757-02-000 EA CONTROL CENTER-SWITCH, VCR/TV - XANTECH  
FROM: 08-04-90 THRU: 99-99-99  
088448-01-700 EA REMOTE F/MODEL#9915  
088448-02-000 EA VCR-VHS, CABLE READY - REMOTE - MAGNAVOX VR9912  
088448-02-700 EA REMOTE F/MODEL#9912  
088777-03-000 EA PLATE-WALL, ANTENNA/POWER, IVORY

**ACCESSORIES GROUP (CONTINUED)**  
EXTERIOR REAR VIEW MIRROR

KEY PART NUMBER U/M DESCRIPTION  
049347-01-000 EA MIRROR HEAD-EXTERIOR, 10 1/2" X 7 1/2" - STAINLESS STEEL  
008043-01-000 EA MIRROR-EXTERIOR CONVEX, ADHESIVE BACKED  
040348-03-000 EA ARM-EXTERIOR MIRROR, LOW MOUNT - BLACK  
049844-04-000 EA BRACKET-EXTERIOR MIRROR, ARM TO SIDEWALL - BLACK  
039337-01-000 EA BRACKET-EXTERIOR MIRROR, ARM TO SIDEWALL - UNPAINTED

**LUGGAGE RACK & LADDER (OPT 507)**

KEY PART NUMBER U/M DESCRIPTION  
U38327-01-000 EA TAPE-ANTI SLIP, 2" X 60"  
081016-02-703 EA LADDER-LUGGAGE RACK, HINGED  
000G39-08-10T EA SCREW-SF/DR, 8-20 X 5/8 PPH - BLACK  
000G88-10-36T EA SCREW-10-12 X 2.25 PPH BLACK  
087125-01-000 EA STANDOFF-LADDER, BRIGHT DIPPED - LOWER  
087165-01-000 EA MOUNTING BRACKET-LADDER, LOWER  
078980-02-000 EA END CAP-STEP, BLACK  
080866-01-000 EA STANDOFF-RACK AND LADDER, BRIGHT DIPPED  
FROM: 00-00-00 THRU: 03-04-90  
091085-02-000 EA STANDOFF-RACK & LADDER, BRIGHT DIPPED  
FROM: 03-05-90 THRU: 99-99-99  
061026-01-T03 EA RACK ASM-PASSENGER SIDE, INCLUDES 2 ANGLED STANDOFFS  
081114-01-000 EA PLUG-ROUND, RACK & LADDER ENDS - PLASTIC - 1" DIA.  
081028-14-803 EA RACK-LUGGAGE, DRIVER SIDE  
081114-01-000 EA PLUG-ROUND, RACK & LADDER ENDS - PLASTIC - 1" DIA.  
001085-02-000 EA STANDOFF-RACK & LADDER, BRIGHT DIPPED

**TV ANTENNA W/TV STAND (OPTION L42P) CABLE READY**

KEY PART NUMBER U/M DESCRIPTION  
000G11-08-12B EA SCREW, 8-18 X 3/4 PPH ZN  
089726-02-000 EA BUMPER-3/4 DIA X 40", BLACK  
078319-01-000 EA ANTENNA-TV, ROOF MOUNT - 44.5" MAST - RVA W02  
078319-01-700 EA HEAD-ANTENNA, AMPLIFIED - WINEGARD# RV8A UV  
078319-01-701 EA GEAR-ELEVATING, PLASTIC - WINEGARD# 2200046  
078319-01-702 EA SHAFT ASM-ELEVATING, WINEGARD# RVP-400A  
078319-01-703 EA BEARING-NYLON, 5"OD - WINEGARD# 3200856  
078319-01-704 EA BEARING-NYLON, 1.25"OD - WINEGARD# 3200857  
078319-01-705 EA GROMMET-NYLON, 7/8"ID - WINEGARD# 3200858  
078319-01-708 EA CRANK-ELEVATING, W/SET SCREW - WINEGARD# 5755100  
078319-01-707 EA SPRING-HANDLE, WINEGARD# 5180800  
078319-01-708 EA DECAL-CRANK, WINEGARD# 5413002  
078319-08-000 EA ADAPTER-CABLE ROOF PLATE, WINEGARD RPJ-1  
078319-09-000 EA WALL PLATE-TV RECEPTACLE - BROWN  
078319-11-000 EA ADAPTER-COAX WITH SPLITTER WINEGARD MSJ-8  
080734-02-000 EA CLIP-WIRE, NYLON  
084357-02-825 EA TV STAND ASSEMBLY  
023320-01-000 EA PAD-FELT, 3/8" DIAMETER - BROWN  
058331-14-000 EA MIRROR-GLASS, SAFETY - 14" X 12.7"  
084366-04-000 EA INSERT-TV STAND, BEIGE  
084412-01-000 EA SUPPORT-HINGED

**TABLE OF CONTENTS**

INTRODUCTION A-01  
ABBREVIATIONS A-01  
ALPHABETICAL INDEX A-02 - A-04  
ICF23EC A-06 - D-17  
ICF30EJ D-19 - H-22

**1991 ICF23EC INDEX**

FLOOR PLAN A-05 - A-08  
ACCESSORIES A-07 - A-10  
BATH A-11 - A-13  
BEDROOM A-14  
CHASSIS A-15 - A-18  
C/C & PAD A-19 - B-02  
DINETTE B-03 - B-04  
DRIVERS B-05 - B-14  
ELECTRICAL B-15 - B-18  
EXTERIOR BODY B-19 - B-24  
GALLEY C-01 - C-08  
HEATING & AC C-07 - C-12  
INTERIOR FINISH C-13 - C-16  
LABEL C-17  
LP C-18  
SEALANTS & FASTENERS C-19 - C-20  
WATER & SEWAGE C-21 - D-01  
WINDOW, VENT AND EXTERIOR DOOR D-02 - D-17

**ACCESSORIES GROUP (CONTINUED)**

4,000 WATT ONAN GENERATOR (OPTION L30E) US

| KEY PART NUMBER | U/M | DESCRIPTION   |
|-----------------|-----|---|
| 000764-01-000   | EA  | COR. POWER, 10/3 WIRE - 30 AMP - 25'  |
| 008269-01-000   | EA  | BOX-ELECTRIC, STEEL - 1/2" AND 3/4" KNOCKOUTS - 4" X 4"                             |
| 008326-01-000   | EA  | TERMINAL-RING, 12/10 WIRE - #10 STUD FIT  |
| 008355-01-000   | EA  | CONNECTOR-CABLE CLAMPING, 3/4"  |
| 008356-01-000   | EA  | CONNECTOR-PLASTIC, 3/8" AVG   |
| 024924-02-000   | EA  | RECEPTACLE-POWER CORD, W/PARTIAL PLATE  |
| 041953-01-000   | FT  | CONDUIT-CONVOLUTED SLIT, 5"ID   |
| 089238-01-000   | EA  | COVER-ELECTRICAL BOX, WHOLE - 4" X 4" - GRAY  |
| 000C28-04-108   | EA  | BOLT-HEX, SER FLG - 1/4-20 X 5/8 ZINC   |
| 000D39-05-008   | EA  | NUT-HEX, SER FLG LK - 5/16 - 18 ZN  |
| 007087-01-000   | SF  | INSULATION-FIBERGLASS, 1" THICK X 4'  |
| 007125-01-000   | EA  | CLAMP-ASM-MUFFLER 1.62" DIAMETER  |
| 008289-01-000   | EA  | BOX-ELECTRIC, STEEL - 1/2" AND 3/4" KNOCKOUTS - 4" X 4"                             |
| 023842-01-000   | EA  | GROMMET-RUBBER, 2" OD   |
| 078045-01-000   | EA  | STRAP-SUPPORT, GENERATOR - 4 HOLE   |
| 079854-05-000   | EA  | PIPE-EXHAUST, ANGLED - W/FLANGE - EMERALD - ONAN# 154                               |
| 081384-01-000   | EA  | MUFFLER-GENERATOR   |
|                 |     | FROM: 00-00-00 THRU: 08-19-90   |
| 081384-02-000   | EA  | MUFFLER-GENERATOR   |
|                 |     | FROM: 08-20-90 THRU: 12-11-90   |
| 081384-03-000   | EA  | MUFFLER-GENERATOR, ONAN   |
|                 |     | FROM: 12-12-90 THRU: 99-99-99   |
| 084385-01-000   | EA  | STRAP-SUPPORT, GENERATOR - 2 HOLE   |
| 093591-02-000   | EA  | PIPE-EXHAUST, GENERATOR - 1.5" OD   |
|                 |     | FROM: 08-20-90 THRU: 12-11-90   |
| 083152-07-000   | EA  | PIPE-EXHAUST, GENERATOR   |
|                 |     | FROM: 12-12-90 THRU: 99-99-99   |
| 100974-03-000   | EA  | GENERATOR-EMERALD, 4.0 KW - ONAN BGE-FA/26101G                                      |
| 000D14-05-008   | EA  | NUT-HEX, 5/16-18 - ZN 5   |
| 008294-01-000   | EA  | COVER-ELECTRICAL BOX, STEEL/BLANK - 4" X 4" - GRAY                                  |
| 008311-01-000   | EA  | CONNECTOR-WIRE NUT, INSULATED - RED   |
| 008312-01-000   | EA  | CONNECTOR-WIRE NUT, INSULATED - BLUE  |
| 007083-01-000   | FT  | HOSE-GAS 1 1/4"ID X 1/2"OD  |
| 100258-03-01A   | EA  | HOOD-RANGE, W/O MONITOR PANEL, VENTLINE - U.S.<br>FOR PIECE PARTS SEE GALLEY GRC/JP |

4,000 WATT ONAN GENERATOR (OPTION L30E) CANADIAN  
SAME AS US OPTION EXCEPT FOR FOLLOWING PARTS

| KEY PART NUMBER | U/M | DESCRIPTION  |
|-----------------|-----|--|
| 008052-01-000   | EA  | COR-Power, 10/3 - 30 AMP - 25' - CANADIAN                  |
| 008289-02-000   | EA  | BOX-ELECTRICAL, 4" X 4" - 1/2" & 3/4" KNOCKOUTS - CANADIAN |
| 008353-01-000   | EA  | CONNECTOR-CABLE CLAMPING, 3/8"                             |
| 008289-02-000   | EA  | BOX-ELECTRICAL, 4" X 4" - 1/2" & 3/4" KNOCKOUTS - CANADIAN |
| 008308-01-000   | EA  | CONNECTOR-1/2" X 90 DEGREE, FLEX CONDUIT - UL AND CSA      |
| 081384-03-000   | EA  | MUFFLER-GENERATOR, ONAN                                    |
| 100974-02-000   | EA  | GENERATOR-4,000 WATT EMERALD PLUS, ONAN BGE-FA             |
| 007083-01-000   | FT  | HOSE-GAS 1 1/4"ID X 1/2"OD                                 |
| 100258-10-01A   | EA  | METER-HOUR, VENTLINE 150                                   |

TV (OPTION L43U) CANADIAN

| KEY PART NUMBER | U/M | DESCRIPTION   |
|-----------------|-----|---|
| 088447-02-000   | EA  | TV-15", COLOR W/REMOTE - CANADIAN - MAGNAVOX XK4029CH |

RADIOS & RELATED ITEMS

| KEY PART NUMBER | U/M | DESCRIPTION   |
|-----------------|-----|---|
| 073741-04-000   | EA  | GRILLE-SPEAKER, OVAL - 4" X 6" - BLACK                    |
| 088340-01-000   | EA  | GRILLE-SPEAKER, 6.5" SQUARE                               |
|                 |     | FROM: 00-00-00 THRU: 11-04-90                             |
| 088340-02-000   | EA  | GRILLE-SPEAKER, 6.5" SQUARE                               |
|                 |     | FROM: 11-05-90 THRU: 99-99-99                             |
| 084087-01-000   | EA  | SPEAKER-RADIO, W/O GRILLE - 5.25" DIA - AUDIOVOX 110C3030 |
| 087708-01-000   | EA  | COUNTING KIT-RADIO, AUDIOVOX                              |
| 080882-01-000   | EA  | RADIO-AM/FM CASSETTE, ELECTRIC TUNE - AUDIOVOX HCC-1035   |
| 083381-01-000   | EA  | SWITCH-RADIO, MAIN TO AUXILIARY                           |

**ACCESSORIES GROUP (CONTINUED)**

GENERATOR-3.9 KW, EXPORT - KOHLER (OPT 383)

| KEY PART NUMBER | U/M | DESCRIPTION  |
|-----------------|-----|--|
| 007125-03-000   | EA  | CLAMP-MUFFLER - 1.5" DIA   |
| 07125-04-000    | EA  | CLAMP-MUFFLER, 1.1" DIA  |
| 008289-01-000   | EA  | BOX-ELECTRIC, STEEL - 1/2" AND 3/4" KNOCKOUTS - 4" X 4"                            |
| 008294-01-000   | EA  | COVER-ELECTRICAL BOX, STEEL/BLANK - 4" X 4" - GRAY                                 |
| 093590-02-000   | EA  | MUFFLER-GENERATOR  |
|                 |     | FROM: 00-00-00 THRU: 08-25-90  |
| 081384-01-000   | EA  | MUFFLER-GENERATOR  |
|                 |     | FROM: 08-26-90 THRU: 99-99-99  |
| 100974-05-000   | EA  | GENERATOR-4.0 KW EMERALD PLUS, ONAN BGE-FN   |
| 008054-01-000   | EA  | COR-Power, 10/3 WIRE - 30 AMP - 25'  |
| 008289-01-000   | EA  | BOX-ELECTRIC, STEEL - 1/2" AND 3/4" KNOCKOUTS - 4" X 4"                            |
| 008326-01-000   | EA  | TERMINAL-RING, 12/10 WIRE - #10 STUD FIT   |
| 008355-01-000   | EA  | CONNECTOR-CABLE CLAMPING, 3/4"   |
| 008356-01-000   | EA  | CONNECTOR-PLASTIC, 3/8" AVG  |
| 041953-01-000   | FT  | CONDUIT-CONVOLUTED SLIT, 5"ID  |
| 089238-01-000   | EA  | COVER-ELECTRICAL BOX, WHOLE - 4" X 4" - GRAY                                       |
| 082815-01-000   | EA  | CONVERTER-40 AMP, W/CHARGER - B-W 32400P   |
| 000D14-05-008   | EA  | NUT-HEX, 5/16-18 - ZN 5  |
| 000D39-05-008   | EA  | NUT-HEX, SER FLG LK - 5/16 - 18 ZN   |
| 000G39-08-088   | EA  | SCREW-SF/DR, 8-18 X 1/2 PPH ZN   |
| 008028-01-000   | FT  | WIRE-12/2, ROMEX - W/GROUND  |
| 008294-01-000   | EA  | COVER-ELECTRICAL BOX, STEEL/BLANK - 4" X 4" - GRAY                                 |
| 008311-01-000   | EA  | CONNECTOR-WIRE NUT, INSULATED - RED  |
| 008312-01-000   | EA  | CONNECTOR-WIRE NUT, INSULATED - BLUE   |
| 008356-01-000   | EA  | CONNECTOR-PLASTIC, 3/8" AVG  |
| 007083-01-000   | FT  | HOSE-GAS 1 1/4"ID X 1/2"OD   |
| 008401-01-000   | EA  | STRAP-CONDUIT, 3/4" - 1 HOLE - GALVANIZED STEEL                                    |
| 024978-01-000   | EA  | SWITCH-GENERATOR, W/O CIRCUIT BOARD  |
| 100258-03-01A   | EA  | HOOD-RANGE, W/O MONITOR PANEL, VENTLINE - U.S.<br>FOR PIECE PARTS SEE GALLEY GROUP |

TV & TV CABINET (OPTION L43U)

| KEY PART NUMBER | U/M | DESCRIPTION  |
|-----------------|-----|--|
| 058778-02-000   | EA  | RECEPTACLE-DOUBLE ELECTRIC, IVORY                      |
| 070572-02-U19   | EA  | BUTTON-SCREW STUD, #30 - VINYL - SMOKE                 |
|                 |     | FROM: 00-00-00 THRU: 01-08-91                          |
| 070578-02-B10   | EA  | BUTTON-SCREW STUD, #30 - VINYL - OFF WHITE             |
|                 |     | FROM: 01-07-91 THRU: 99-99-99                          |
| 085774-01-000   | FT  | FASTENER-DUAL HOOK, 1" WIDE - ADHESIVE BACK - BLACK    |
| 085774-02-000   | FT  | FASTENER-DUAL LOOP, 1" WIDE - ADHESIVE BACK - BLACK    |
| 100829-01-B25   | EA  | FACE-CABINET, OVERHEAD - TV                            |
| 100822-01-01A   | EA  | BRACKET-CABINET, TV - OFF WHITE                        |
| 100707-01-000   | EA  | SPACER-DOOR, GLASS                                     |
| 100708-01-000   | EA  | DOOR-CABINET, TV - 5.6" X 29.4" - W/O HARDWARE - GLASS |
| 100710-01-01A   | EA  | LOCK-GLASS DOOR, TWIST TYPE - BRASS                    |
| 100711-01-01A   | EA  | HINGE-DOOR, GLASS                                      |
| 101272-01-000   | EA  | CATCH-DOOR, GLASS                                      |
| 101788-01-000   | EA  | PIN-SUPPORT, GLASS DOOR                                |
| 088447-01-000   | EA  | TV-15", COLOR W/REMOTE - U.S. - MAGNAVOX RX4026WA      |
| 088447-01-700   | EA  | REMOTE-TV, MAGNAVOX 0827338                            |
| 089717-01-000   | EA  | TIEDOWN-TV   |
|                 |     | FROM: 00-00-00 THRU: 06-28-90                          |
| 089717-02-000   | EA  | TIEDOWN, TV  |
| 088819-01-000   | EA  | SPEAKER-2 WATT, 8 OHM - 4"                             |
| 083214-01-02A   | EA  | GRILL-SPEAKER, 4" BROWN                                |
| 088030-01-000   | EA  | WIRE-SPEAKER, TV                                       |
| 088637-01-000   | EA  | GROMMET  |
| 088759-01-000   | EA  | SPLITTER-TV, 2 WAY                                     |
| 088777-01-000   | EA  | PLATE-WALL, ANTENNA                                    |
| 076319-09-000   | FT  | CABLE-COAXIAL, 75 OHM                                  |
| 076319-04-000   | EA  | CONNECTOR W/FERRULE                                    |
| 076319-12-000   | EA  | CONNECTOR-COAXIAL, ONE PIECE                           |
| 100829-01-000   | EA  | SHELF-TV, STEEL  |
| 101150-01-000   | EA  | SUPPORT-SHELF, TV                                      |
| 101150-02-000   | EA  | SUPPORT-SHELF, TV                                      |

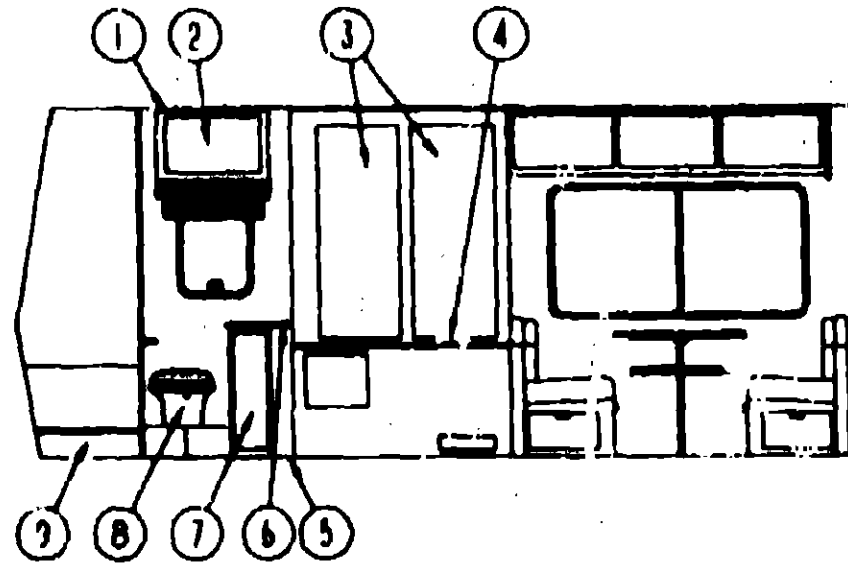
**TABLE OF CONTENTS**

|                    |             |
|--------------------|-------------|
| INTRODUCTION       | A-01        |
| ABBREVIATIONS      | A-01        |
| ALPHABETICAL INDEX | A-02 - A-04 |
| ICF23EC            | A-05 - D-17 |
| ICF30EU            | D-19 - H-22 |

**1991 ICF23EC INDEX**

|                      |             |
|----------------------|-------------|
| FLOOR PLAN           | A-05 - A-08 |
| ACCESSORIES          | A-07 - A-10 |
| BATH                 | A-11 - A-13 |
| BEDROOM              | A-14        |
| CHASSIS              | A-15 - A-18 |
| C C & PAD            | A-19 - B-02 |
| DRINETTE             | B-03 - B-04 |
| DRIVERS              | B-05 - B-14 |
| ELECTRICAL           | B-15 - B-18 |
| EXTERIOR BODY        | B-19 - B-24 |
| GALLEY               | C-01 - C-08 |
| HEATING & AC         | C-07 - C-12 |
| INTERIOR FINISH      | C-13 - C-18 |
| LABEL                | C-17        |
| LP                   | C-18        |
| SEALANTS & FASTENERS | C-19 - C-20 |
| WATER & SEWAGE       | C-21 - D-01 |
| WINDOW, VENT AND     |             |
| EXTERIOR DOOR        | D-02 - D-17 |

## BATH GROUP



### BATH CABINETS

| KEY PART NUMBER                  | U/M | DESCRIPTION   |
|----------------------------------|-----|---|
| 1 M03972-13-825                  | EA  | CABINET-MEDICINE, W/O DOOR OR HARDWARE              |
| 2 P00089-31-827<br>058331-05-000 | EA  | DOOR-MEDICINE, W/O HARDWARE - W/MIRROR - 15" X 25"  |
| 3 P00089-05-825                  | EA  | MIRROR-MEDICINE CABINET SAFETY, 12" X 25"           |
| 4 089402-14-803                  | EA  | DOOR-CABINET, WARDROBE - W/O HARDWARE - 20"6" X 16" |
| 5 M88407-01-825                  | EA  | COUNTERTOP-WARDROBE/PANTRY CABINET                  |
| 6 089407-13-803                  | EA  | CABINET-LAVATORY, W/O DOORS OR HARDWARE - B03/B04   |
| 7 P00089-01-844                  | EA  | COUNTERTOP-LAVATORY, B03/B04 BROWN MINK/PINE MIST   |
| 8 087487-01-000                  | EA  | DOOR-LAVATORY CABINET, W/O HARDWARE - 25.2" X 10"   |
| 9 M02429-04-000<br>089405-01-825 | EA  | TOILET-LOW, AQUA MAGIC IV - THETFORD 150110         |
|                                  | EA  | PAN-SHOWER, W/STRAINER                              |
|                                  | EA  | CABINET-PIPE COVER, 79.7" B03/B04                   |

### SHOWER FIXTURES

| KEY PART NUMBER | U/M | DESCRIPTION                         |
|-----------------|-----|-------------------------------------|
| 075241-05-000   | EA  | FAUCET-SHOWER, BONE                 |
| 075808-01-000   | EA  | PANEL-FAUCET BACK, SHOWER - PLASTIC |
| 081814-02-000   | EA  | DISH-SOAP, W/PLASTIC COVER - BRASS  |
| 011048-02-000   | EA  | HEAD-SHOWER, W/8" HOSE              |

FROM: 08-24-03 THRU: 08-09-08

### SHOWER PAN

| KEY PART NUMBER | U/M | DESCRIPTION  |
|-----------------|-----|--|
| M02429-04-000   | EA  | PAN-SHOWER, W/STRAINER                             |
| 088438-01-000   | EA  | NUT-SLIP, TAILPIECE - 1"5"                         |
| 089440-01-000   | EA  | STRAINER W/RUBBER WASHER                           |
| 088840-06-000   | FT  | SEALER-RIBBON, 5/16" DIAMETER - INCREMENTS OF 25"  |
| 011089-02-000   | EA  | TAILPIECE-TUB/SHOWER, 1 1/2" X 1 1/4" X 4" - BRASS |
| 088438-01-000   | EA  | NUT-SLIP, TAILPIECE - 1"5"                         |
| 089738-01-000   | EA  | WASHER-STRAINER TO TAILPIECE PLASTIC, 1"5"         |
| 057871-01-000   | EA  | COVER-SCREW, 88 - PLASTIC - OFF WHITE              |

### CANADIAN EXPORT (OPTION L386)

| KEY PART NUMBER | U/M | DESCRIPTION  |
|-----------------|-----|--|
| 011048-05-000   | EA  | SHOWER HEAD-W/8" HOSE, W/O VACUUM BREAKER - CANADIAN |
| 011089-02-000   | EA  | TAILPIECE-TUB/SHOWER, 1 1/2" X 1 1/4" X 4" - BRASS   |
| 024878-02-000   | EA  | FLANGE-CLOSET, 4" X 3" - ABS - CANADIAN              |

## BATH GROUP (CONTINUED)

### BATH HARDWARE

| KEY PART NUMBER | U/M | DESCRIPTION                                 |
|-----------------|-----|---|
| 075240-06-000   | EA  | FAUCET LAVATORY, BONE                       |
| 081253-01-000   | EA  | GASKET-FAUCET, LAVATORY                     |
| 091255-02-000   | FT  | SEAL-ADHESIVE BACKED FOAM, 1/5" X 4.8MM     |
| 088927-01-01A   | EA  | SINK-LAVATORY, RECTANGULAR - PLASTIC - BONE |
| 088927-01-700   | EA  | SINK STOPPER                                |
| 088927-01-701   | EA  | TAILPIECE-SINK                              |
| 075454-02-000   | EA  | RING-TOWEL, W/MOUNTING HARDWARE - BRASS     |
| 075452-02-000   | EA  | HOLDER-TOILET TISSUE, BRASS                 |

### SHOWER CURTAIN

| KEY PART NUMBER | U/M | DESCRIPTION   |
|-----------------|-----|---|
| 009700-04-000   | EA  | TRACK-METAL CURTAIN, WHOLE - 195.5" - OFF WHITE             |
| 009107-01-000   | EA  | GUIDE-CURTAIN NYLON SNAP                                    |
| 084856-03-01A   | EA  | TRACK-SHOWER CURTAIN, 29" - WHITE                           |
| 036701-01-000   | EA  | CARRIER-SHOWER CURTAIN                                      |
| 009702-01-000   | EA  | END STOP-CURTAIN CARRIER, SHOWER                            |
| 084481-08-000   | EA  | CURTAIN-SHOWER, VINYL SNAP TOP - 70" X 32"                  |
| 084481-09-000   | EA  | CURTAIN-GROMMET TOP, SHOWER - 71" X 34" - VINYL - OFF WHITE |
| 009138-01-000   | EA  | HANGER PIN - CURTAIN  |

### FOLDING DOOR & TIEBACK

| KEY PART NUMBER | U/M | DESCRIPTION                                |
|-----------------|-----|--|
| 088924-02-000   | EA  | TRACK-FOLDING DOOR, CURVED - 41.5" - BEIGE |
| 042488-01-700   | EA  | ROLLER & CLAMP - FOLDING DOOR              |
| 042488-08-000   | EA  | DOOR-FOLDING, WOVEN OAK - 75" X 50"        |
| 042428-04-700   | EA  | LEAD EDGE & CATCH ASM.                     |
| 057534-04-000   | EA  | TIEBACK-FOLDING DOOR, 20" - CLEAR PLASTIC  |

### WARDROBE COMPONENTS

| KEY PART NUMBER | U/M | DESCRIPTION  |
|-----------------|-----|--|
| 023320-01-000   | EA  | PAD-FELT, 3/8" DIAMETER - BROWN                    |
| 009112-01-000   | EA  | FLANGE-1" ROD, CLOTHES - PLASTIC - OFF WHITE       |
| 041983-03-000   | FT  | CONDUIT-CONVOLUTED SLIT, 1" ID (CLOTHES ROD COVER) |
| 042438-01-000   | EA  | DOWEL-WOOD, CLOTHES ROD - 1" DIAMETER X 4'         |
| 052389-01-000   | FT  | CORRO STRAPPING-1/4" WIDE                          |

### TABLE OF CONTENTS

|                    |             |
|--------------------|-------------|
| INTRODUCTION       | A-01        |
| ABBREVIATIONS      | A-01        |
| ALPHABETICAL INDEX | A-02 - A-04 |
| ICF23EC            | A-05 - D-17 |
| ICF30EU            | D-18 - H-22 |

### 1991 ICF23EC INDEX

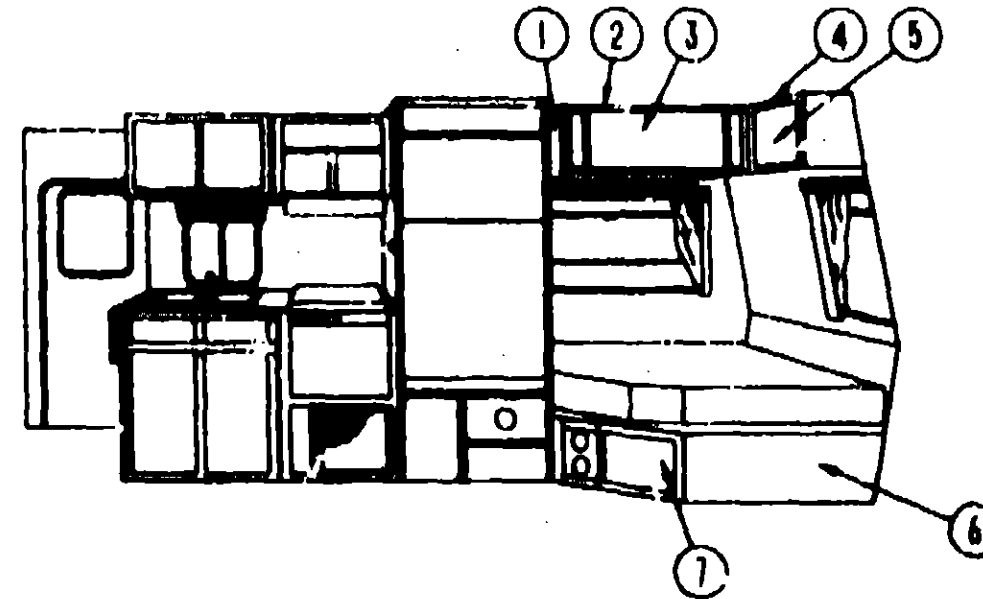
|                                |             |
|--------------------------------|-------------|
| FLOOR PLAN                     | A-05 - A-06 |
| ACCESSORIES                    | A-07 - A-10 |
| BATH                           | A-11 - A-13 |
| BEDROOM                        | A-14        |
| CHAIR                          | A-15 - A-18 |
| C C & PAD                      | A-19 - B-02 |
| DINETTE                        | B-03 - B-04 |
| DRIVERS                        | B-05 - B-14 |
| ELECTRICAL                     | B-15 - B-18 |
| EXTERIOR BODY                  | B-19 - B-24 |
| GALLEY                         | C-01 - C-08 |
| HEATING & AC                   | C-07 - C-12 |
| INTERIOR FINISH                | C-13 - C-18 |
| LABEL                          | C-17        |
| LP                             | C-18        |
| SEALANTS & FASTENERS           | C-19 - C-20 |
| WATER & SEWAGE                 | C-21 - D-01 |
| WINDOW, VENT AND EXTERIOR DOOR | D-02 - D-17 |

**BATH GROUP (CONTINUED)**

**TOILET**

| KEY PART NUMBER | U/M | DESCRIPTION                                 |
|-----------------|-----|---|
| 084678-01-060   | EA  | FLANGE-CLOSET, TOILET - 4" X 3" - RED       |
| 087487-01-000   | EA  | TOILET-LOW, AQUA MAGIC IV - THETFORD 150110 |
| 087487-01-700   | EA  | SEAL AND BOLT PKG"                          |
| 087487-01-701   | EA  | WATER SAVER PKG" - HAND SPRAYER             |
| 087487-01-702   | EA  | CLAMP                                       |
| 088341-02-704   | EA  | SEAT & COVER SET                            |
| 083740-01-708   | EA  | BOLT PACKAGE-CLOSET, THETFORD 12524         |
| 083740-01-700   | EA  | LEVER-WATER, THETFORD 12514                 |
| 083740-01-701   | EA  | LEVER-FLUSH, THETFORD 12515                 |
| 083740-01-707   | EA  | SEAL-CLOSET FLANGE, THETFORD 02125          |
| 083740-01-710   | EA  | LINK, THETFORD 12513                        |
| 083740-01-711   | EA  | SPRING-RETURN LEVER, THETFORD 12523         |
| 083740-01-713   | EA  | SEAL-BALL VALVE TO BOWL, THETFORD 12502     |
| 083740-01-714   | EA  | VALVE ASM-WATER, THETFORD 12492             |
| 083740-01-717   | EA  | FLUSH TUBE                                  |

**BEDROOM GROUP**



**TABLE OF CONTENTS**

|                    |             |
|--------------------|-------------|
| INTRODUCTION       | A-01        |
| ABBREVIATIONS      | A-01        |
| ALPHABETICAL INDEX | A-02 - A-04 |
| ICF23EC            | A-05 - D-17 |
| ICF30EU            | D-19 - H-22 |

**PASSENGER SIDE OVERHEAD CABINET & COMPONENTS**

| KEY PART NUMBER | U/M | DESCRIPTION  |
|-----------------|-----|--|
| 1 084680-02-B25 | EA  | END CAP-OVERHEAD CABINET, FRONT PASSENGER SIDE           |
| 2 M84602-02-B25 | EA  | CABINET-OVERHEAD, PASSENGER SIDE - W/O DOORS OR HARDWARE |
| 3 P00089-27-B27 | EA  | DOOR-OVERHEAD CABINET, W/O HARDWARE - 12" X 22"          |
| 4 M03872-12-B25 | EA  | CABINET-OVERHEAD BACKWALL, W/O DOORS                     |
| 5 P00089-28-B25 | EA  | DOOR-OVERHEAD CABINET, W/O HARDWARE - 12" X 26"          |
| 6 M89408-01-B25 | EA  | CABINET-DOUBLE BED, W/O DOORS OR HARDWARE                |
| 7 P00089-83-B25 | EA  | DOOR-CABINET, W/O HARDWARE - 12" X 18"                   |
| 084357-02-B25   | EA  | TV STAND ASM.  |
| M04117-02-B25   | EA  | DOUBLE BED TOP   |

**1981 ICF23EC INDEX**

|                                |             |
|--------------------------------|-------------|
| FLOOR PLAN                     | A-05 - A-08 |
| ACCESSORIES                    | A-07 - A-10 |
| BATH                           | A-11 - A-13 |
| BEDROOM                        | A-14        |
| CHASSIS                        | A-15 - A-18 |
| C C & PAD                      | A-19 - B-02 |
| DINETTE                        | B-03 - B-04 |
| DRIVERS                        | B-05 - B-14 |
| ELECTRICAL                     | B-15 - B-18 |
| EXTERIOR BODY                  | B-19 - B-24 |
| GALLEY                         | C-01 - C-06 |
| HEATING & AC                   | C-07 - C-12 |
| INTERIOR FINISH                | C-13 - C-16 |
| LABEL                          | C-17        |
| LP                             | C-18        |
| SEALANTS & FASTENERS           | C-19 - C-20 |
| WATER & SEWAGE                 | C-21 - D-01 |
| WINDOW, VENT AND EXTERIOR DOOR | D-02 - D-17 |

**CHASSIS GROUP**

**SPEED CONTROL**  
FROM: 00-01-01 THRU: P2-00-00

| KEY PART NUMBER | U/M | DESCRIPTION   |
|-----------------|-----|---|
| 102382-01-000   | EA  | SPEED CONTROL-1991 CHEVY, DANA 59L-111010B            |
| 084389-01-704   | EA  | SERVO-DANA# 53D-11118-R                               |
| 102382-01-700   | EA  | CABLE ONLY-REPLACEMENT                                |
| 102382-01-707   | EA  | CONTROL SWITCH & LEVER ASM                            |
| 102382-01-701   | EA  | REGULATOR ASM-ELECTRONIC                              |
| 102382-01-702   | EA  | WIPER CONTROL MODULE                                  |
| 084389-01-705   | EA  | VACUUM RESERVOIR-DANA# 59C-02249                      |
| 102382-01-704   | EA  | HARNESS ASM-MAIN WIRING                               |
| 102382-01-703   | EA  | HARNESS ASM-PIVOT SW TO WIPER                         |
| 084883-01-704   | EA  | HOUSING-4 PIN, SPEED CONTROL - TOYOTA - DANA 59C-0229 |
| 102382-01-705   | EA  | THROTTLE RETAINER CLIP                                |
| 102382-01-708   | EA  | THROTTLE STUD   |

**SPEED CONTROL**  
FROM: 00-00-00 THRU: 02-28-01

| KEY PART NUMBER | U/M | DESCRIPTION   |
|-----------------|-----|---|
| 084389-03-000   | EA  | SPEED CONTROL-SMART STICK, EFI - GAS - DANA# 59L-11120B |
| 083211-01-703   | EA  | SERVO CABLE ASM ONLY, DANA# 59C-02538                   |
| 083212-04-701   | EA  | MAIN WIRING HARNESS, DANA# 59D-02570                    |
| 083212-01-704   | EA  | STOP LAMP/CRUISE RELEASE SWITCH, DANA# 59C-02543        |
| 089829-01-704   | EA  | SIGNAL GENERATOR ASM, DANA# 59L-08X221P                 |
| 089829-01-708   | EA  | GENERATOR (ONLY), DANA# 59D-02392-1                     |
| 084389-01-701   | EA  | SWITCH & LEVER ASM, DANA# 59D-11118-F                   |
| 084389-01-702   | EA  | REGULATOR ASM-ELECTRONIC, DANA# 57C-08X12-R             |
| 081900-01-702   | EA  | WIPER CONTROL MODULE, DANA# 89C-00081                   |
| 084389-01-704   | EA  | HEADLIGHT DIMMER MODULE ASM-DANA# 63C-00001             |
| 084389-01-705   | EA  | VACUUM RESERVOIR-DANA# 59C-02249                        |
| 084389-01-708   | EA  | SERVO-DANA# 53D-11118-R                                 |

**SPEED CONTROL FOR DIESEL EXPORT**

| KEY PART NUMBER | U/M | DESCRIPTION   |
|-----------------|-----|---|
| 084389-02-000   | EA  | SPEED CONTROL-SMART STICK, DIESEL - DANA# 59L-11168B<br>FROM: 00-00-00 THRU: 09-18-80 |
| 083211-01-703   | EA  | SERVO CABLE ASM ONLY, DANA# 59C-02538   |
| 083212-04-701   | EA  | MAIN WIRING HARNESS, DANA# 59D-02570  |
| 083212-01-704   | EA  | STOP LAMP/CRUISE RELEASE SWITCH, DANA# 59C-02543                                      |
| 089829-01-704   | EA  | SIGNAL GENERATOR ASM, DANA# 59L-08X221P   |
| 089829-01-708   | EA  | SIGNAL GENERATOR ONLY, DANA# 59D-02392-1  |
| 084389-01-701   | EA  | SWITCH & LEVER ASM, DANA# 59D-11118-F   |
| 084389-01-702   | EA  | REGULATOR ASM-ELECTRONIC, DANA# 57C-08X12-R   |
| 081900-01-702   | EA  | WIPER CONTROL MODULE-DANA# 89C-00081  |
| 084389-01-704   | EA  | HEADLIGHT DIMMER MODULE ASM-DANA# 63C-00001   |
| 084389-01-708   | EA  | SERVO-DANA# 53D-11118-R   |
| 102382-02-000   | EA  | SPEED CONTROL-1991 CHEVY DIESEL, DANA 59L111020P<br>FROM: 08-18-80 THRU: 99-99-99     |
| 084389-01-708   | EA  | SERVO-DANA# 53D-11118-R   |
| 084389-02-700   | EA  | CABLE-SERVO, DIESEL - DANA# 59C-7282  |
| 084389-01-701   | EA  | SWITCH & LEVER ASM, DANA# 59D-11118-F   |
| 084389-02-702   | EA  | EXTENSION-WIRE HARNESS, DANA# 59C-02279   |
| 102382-01-701   | EA  | REGULATOR-ELECTRONIC, DANA 57C-08X13-R  |
| 102382-01-702   | EA  | MODULE-WIPER CONTROL, DANA 89D-00081  |
| 102382-01-707   | EA  | SWITCH & LEVER-CONTROL, DANA 53D-08X83-F  |
| 102382-01-703   | EA  | HARNESS-PIVOT SW TO WIPER CONTROL, DANA 59C-02973                                     |
| 102382-01-704   | EA  | HARNESS-MAIN WIRING, DANA 59D-02975   |

**CHASSIS GROUP (CONTINUED)**

**MISCELLANEOUS CHASSIS COMPONENTS**

| KEY PART NUMBER | U/M | DESCRIPTION  |
|-----------------|-----|--|
| 078310-01-000   | EA  | BAFFLE-RADIATOR, .12" X 15" X .62" - RUBBER                |
| 072389-01-000   | EA  | BOTTLE-COOLANT EXPANSION                                   |
| 088833-01-000   | EA  | BRACKET-EXHAUST,HANDER                                     |
| 092786-01-000   | EA  | BUSS BAR, STEEL  |
| 081914-01-000   | EA  | BUMPER-RUBBER, ROUND -.43" DIAMETER - BLACK                |
| 008037-01-000   | FT  | CABLE-BATTERY, 1AWG STRANDED, BLACK                        |
| 088751-01-000   | FT  | CABLE-BATTERY, 1/0 AWG, STRANDED, RED                      |
| 089100-01-000   | EA  | CAP-BOTTLE, OVERFLOW                                       |
| 007125-08-000   | EA  | CLAMP-ASM-MUFFLER 2.25" DIAMETER                           |
| 007125-07-000   | EA  | CLAMP-ASM-MUFFLER 2.50" DIAMETER                           |
| 094918-01-000   | EA  | CLAMP-EXHAUST, 3" - GUILLOTINE STYLE                       |
| 082401-02-000   | EA  | CLAMP-HOSE, WORMGEAR, 1.58" - 2.5"                         |
| 082401-03-000   | EA  | CLAMP-HOSE WORMGEAR, .22" - 1" ID                          |
| 082401-08-000   | EA  | CLAMP-HOSE, WORMGEAR, .22-.62ID                            |
| 082401-09-000   | EA  | CLAMP-HOSE, WORMGEAR - 2.8 - 3.75                          |
| 082401-04-000   | EA  | CLAMP-WORMGEAR HOSE, .89" - 1.25"                          |
| 082401-05-000   | EA  | CLAMP-WORMGEAR HOSE, 2" - 3" ID                            |
| 041953-01-000   | FT  | CONDUIT-CONVOLUTED SLIT, .825" ID                          |
| 041953-03-000   | FT  | CONDUIT-CONVOLUTE SLIT, 1" ID (CLOTHES ROD COVER)          |
| 041953-05-000   | FT  | CONDUIT-CONVOLUTE SOLID, .62" ID                           |
| 041953-08-000   | FT  | CONDUIT-CONVOLUTE, SLIT, .375" ID                          |
| 041953-07-000   | FT  | CONDUIT-CONVOLUTE, SLIT, .25" ID                           |
| 041953-09-000   | FT  | CONDUIT-CONVOLUTE, SLIT, 1.50" ID                          |
| 041953-06-000   | FT  | CONDUIT-CONVOLUTE, SLIT, .50" ID                           |
| 041953-10-000   | FT  | CONDUIT-CONVOLUTE, SLIT, .75" ID                           |
| 041953-11-000   | FT  | CONDUIT-CONVOLUTE, SLIT, 1.08" ID                          |
| 088182-01-000   | EA  | COVER-ACCESS, HOOD BOARD                                   |
| 021187-03-000   | EA  | DIRT GUARD-STEEL, FOR MUDFLAP                              |
| 082733-01-000   | EA  | DUCT-INTAKE, AIR CLEANER                                   |
| 081918-01-000   | EA  | EXTENSION-EXHAUST, 2.25" OD X 9.44" - STAINLESS STEEL      |
| 023942-01-000   | EA  | GROMMET-RUBBER 2" OD                                       |
| 071015-04-000   | EA  | GROMMET-.19" ID, FITS .03" MATERIAL, RUBBER                |
| 071015-07-000   | EA  | GROMMET-1.00" ID, FITS .06" MATERIAL, RUBBER               |
| 071015-11-000   | EA  | GROMMET-1.00" ID, FITS .12 MATERIAL, RUBBER                |
| 071015-28-000   | EA  | GROMMET-1.5 ID, FITS .08 NATAL                             |
| 078484-01-000   | EA  | HOODBOARD-UPPER, DRIVER - STEEL                            |
| 078485-01-000   | EA  | HOODBOARD-UPPER, PASSENGER - STEEL                         |
| 007083-01-000   | FT  | HOSE-GAS 1/4" ID X 1/2" OD                                 |
| 080209-02-000   | EA  | LEVERAGE BAR-LUG WRENCH                                    |
| 080209-01-000   | EA  | LUG WRENCH, 1.08X1.00                                      |
| 040731-01-000   | EA  | NIPPLE-INLET MANIFOLD, GM-3838004                          |
| 040731-02-000   | EA  | NIPPLE-INLET MANIFOLD - 5/8" X 1/2"                        |
| 089259-01-000   | EA  | PANEL-HEAT SHIELD, 9.45" X 20.4"                           |
| 088808-02-000   | EA  | PIPE-EXHAUST, SINGLE                                       |
| 070579-08-000   | EA  | PLATE ASM-ANCHOR W/NUIT                                    |
| 084884-01-000   | EA  | PLUG-BRASS, 3/8"   |
| 068747-01-000   | EA  | PLUG-CAP, .75" DIAMETER                                    |
| 041791-01-000   | FT  | SEAL-VINYL, FLEX U-CHANNEL                                 |
| 053322-08-000   | EA  | SHIELD-HEAT, EXHAUST, 72"                                  |
| 088008-01-000   | EA  | SHIELD-HEAT, CONVERTER                                     |
| 089010-02-000   | EA  | SHIELD-HEAT, MUFFLER, 23.05"                               |
| 083303-04-000   | EA  | SHROUD-FUEL FILL, LOWER                                    |
| 008401-01-000   | EA  | STRAP-CONDUIT-3/4", 1 HOLE, GALVANIZED STEEL               |
| 080081-01-000   | EA  | STRAP-MOUNTING, FUEL LINE                                  |
| 088054-02-000   | EA  | SUPPORT-EXHAUST PIPE                                       |
| 072388-02-000   | EA  | TRIM-VINYL, EDGE BLACK                                     |
| 088244-01-000   | FT  | TAPE-FOAM, VINYL COATED - 2" WIDE - INCREMENTS OF 108 FT   |
| 040546-03-000   | EA  | TIRE-7.50" X 16", 8 PLY - POLYESTER - GOODRICH - TUBE TYPE |
| 089769-04-000   | EA  | WHEEL-STEEL, 16" X 6" - 8 HOLE - OFF WHITE                 |
| 077953-01-000   | EA  | GROMMET - EDGE LINER, FITS 1"                              |

**TABLE OF CONTENTS**

|                    |             |
|--------------------|-------------|
| INTRODUCTION       | A-01        |
| ABBREVIATIONS      | A-01        |
| ALPHABETICAL INDEX | A-02 - A-04 |
| ICF23EC            | A-05 - D-17 |
| ICF30EU            | D-19 - H-22 |

**1991 ICF23EC INDEX**

|                                |             |
|--------------------------------|-------------|
| FLOOR PLAN                     | A-05 - A-06 |
| ACCESSORIES                    | A-07 - A-10 |
| BATH                           | A-11 - A-13 |
| BEDROOM                        | A-14        |
| CHASSIS                        | A-15 - A-18 |
| C C & PAD                      | A-19 - B-02 |
| DINETTE                        | B-03 - B-04 |
| DRIVERS                        | B-05 - B-14 |
| ELECTRICAL                     | B-15 - B-18 |
| EXTERIOR BODY                  | B-19 - B-24 |
| GALLEY                         | C-01 - C-08 |
| HEATING & A/C                  | C-07 - C-12 |
| INTERIOR FINISH                | C-13 - C-16 |
| LABEL                          | C-17        |
| LP                             | C-18        |
| SEALANTS & FASTENERS           | C-19 - C-20 |
| WATER & SEWAGE                 | C-21 - D-01 |
| WINDOW, VENT AND EXTERIOR DOOR | D-02 - D-17 |

**CHASSIS GROUP (CONTINUED)**

**MISCELLANEOUS CHASSIS COMPONENTS (CONT)**

| KEY PART NUMBER | U/M | DESCRIPTION  |
|-----------------|-----|--|
| 040731-01-000   | EA  | NIPPLE-INLET MANIFOLD, GM-3838094<br>FROM: 00-00-00 THRU: 12-04-89   |
| 040731-02-000   | EA  | NIPPLE-INLET MANIFOLD - 5/8" X 1/2"<br>FROM: 12-05-89 THRU: 00-00-00 |
| 094918-01-000   | EA  | CLAMP-EXHAUST, 3" - GUILLOTINE STYLE                                 |
| 099064-02-000   | EA  | SUPPORT-EXHAUST PIPE   |
| 099008-02-000   | EA  | PIPE-EXHAUST, SINGLE   |
| 007125-07-000   | EA  | CLAMP-ASM-MUFFLER 2.50" DIAMETER                                     |
| 063322-08-000   | EA  | SHIELD-HEAT, EXHAUST, 72"  |
| 081918-01-000   | EA  | EXTENSION-EXHAUST, 2.25" OD X 9.44" - STAINLESS STEEL                |
| 082733-01-000   | EA  | DUCT-INTAKE, AIR CLEANER   |
| 088713-01-000   | FT  | TUBE-ALUMINIZED STEEL, 5/8" - 18 GAUGE                               |
| 066080-01-000   | EA  | WHEELWELL-PLASTIC, REAR - BLACK - LEFT OR RIGHT                      |
| 078480-01-000   | EA  | TRAY-BATTERY, STEP WELL  |
| 085087-01-000   | EA  | COMPARTMENT-SEWER HOSE, 6" X 6.6" X 17.8" - PLASTIC                  |
| 080189-01-000   | EA  | COMPARTMENT-STORAGE, 55.27" WIDE X 21.85" DEEP                       |
| 081252-04-000   | EA  | COMPARTMENT-STORAGE, 31.18" WIDE X 25.39" DEEP                       |
| 083977-08-000   | EA  | STEP ASM-DRIVER DOOR, BLACK  |
| 082242-05-000   | EA  | LINER-STEP BOX, DRIVER DOOR - BLACK                                  |
| 099840-01-01A   | EA  | THRESHOLD-DRIVER DOOR, REAR - BLACK                                  |
| 099841-01-01A   | EA  | THRESHOLD-DRIVER DOOR, FRONT - BLACK                                 |

**CANADIAN EXPORT**

| KEY PART NUMBER | U/M | DESCRIPTION                             |
|-----------------|-----|---|
| 100138-01-000   | EA  | MODULE-DAYTIME RUNNING LIGHT            |
| 100158-01-000   | EA  | WIRE ASM-DAYTIME RUNNING LIGHTS         |
| 100159-01-000   | EA  | WIRE ASM-DAYTIME RUNNING LIGHTS, W:FUSE |

**FRONT AIRSHOCKS & REAR AIR BAGS**

| KEY PART NUMBER | U/M | DESCRIPTION   |
|-----------------|-----|---|
| 079942-01-000   | EA  | SHOCK ABSORBER-STABILIZER, FRONT - 4-WAY            |
| 084080-01-000   | EA  | AIRSPRING-BELLOWS, REAR AXLE - FIRESTONE# MHA224    |
| 084086-01-700   | EA  | AIRSPRING-BELLOWS, REAR AXLE - FIRESTONE# MHA224    |
| 084088-01-701   | EA  | TUBING-DOT 1/4 X 18" - FIRESTONE# 21-0938           |
| 084088-01-702   | EA  | BOLT-RIBBED NECK, 3/8 - 24 X 2.5 FIRESTONE# 21-0820 |
| 084088-01-703   | EA  | INFLATING VALVE-DOT 1/4 TUBING, FIRESTONE# 21-0931  |
| 084088-01-704   | EA  | ELBOW CONNECTOR, FIRESTONE# 21-0935                 |
| 084088-01-705   | EA  | TUBING PROTECTORS, FIRESTONE# 21-0990               |
| 084088-01-706   | EA  | BRACKET-UPPER TO FRAME, FIRESTONE# 21-0150          |
| 084088-01-707   | EA  | BRACKET-LOWER, TOP - FIRESTONE# 21-1162             |
| 084088-01-708   | EA  | AIRLINE SERVICE KIT, FIRESTONE# W21-780-2012        |
| 084088-01-709   | EA  | HEAT SHIELD, FIRESTONE# 21-1004                     |
| 084088-03-000   | EA  | BRACKET-AXLE, P30 CHASSIS - FIRESTONE# W21-780-2044 |

**REAR BUMPER & COMPONENTS**

| KEY PART NUMBER | U/M | DESCRIPTION   |
|-----------------|-----|---|
| 100575-01-03A   | EA  | BUMPER-REAR, PASSENGER - GRAY<br>FROM: 00-00-00 THRU: 07-14-90  |
| 100575-01-01A   | EA  | BUMPER-REAR, PASSENGER SIDE - MILL FINISH   |
| 100575-02-03A   | EA  | BUMPER-REAR, DRIVER - GRAY<br>FROM: 00-00-00 THRU: 07-14-90   |
| 100575-02-01A   | EA  | BUMPER-REAR, DRIVER SIDE - MILL FINISH  |
| 078584-01-000   | EA  | BUMPER-REAR, UNPAINTED<br>FROM: 07-15-90 THRU: 99-99-99   |
| 005200-01-000   | EA  | BOLT-BUMPER, ROUND HEAD-SQUARE NECK - W/ST CAP  |
| 078688-01-000   | EA  | SUPPORT ANGLE, BUMPER REAR  |
| 078670-02-000   | EA  | BRACKET-BUMPER, REAR  |
| 079129-02-000   | EA  | BRACKET ASM-BUMPER, REAR  |
| 078673-02-000   | EA  | PLATE-MOUNTING, BUMPER - REAR - 48" X 5" - W/WELD NUT<br>FROM: 00-00-00 THRU: 08-30-90<br>FROM: 07-01-90 THRU: 99-99-99 |
| 083378-01-000   | EA  | SKID PLATE ASM  |
| 041332-03-000   | EA  | COVER-BUMPER W/O REFLECTOR, 4" SQUARE X 92" LONG - AL   |
| 041332-02-000   | EA  | REFLECTOR-BUMPER COVER, SELF ADHESIVE - 6 1/2" X 3/4"   |

**CHASSIS GROUP (CONTINUED)**

**CHASSIS OPTION-CALIFORNIA**

| KEY PART NUMBER | U/M | DESCRIPTION  |
|-----------------|-----|--|
| 007125-08-000   | EA  | CLAMP-ASM-MUFFLER 2.25" DIAMETER                                     |
| 007125-07-000   | EA  | CLAMP-ASM-MUFFLER 2.50" DIAMETER                                     |
| 094918-01-000   | EA  | CLAMP-EXHAUST, 3" - GUILLOTINE STYLE                                 |
| 082733-01-000   | EA  | DUCT-INTAKE, AIR CLEANER   |
| 081918-01-000   | EA  | EXTENSION-EXHAUST, 2.25" OD X 9.44" - STAINLESS STEEL                |
| 040731-02-000   | EA  | NIPPLE-INLET MANIFOLD - 5/8" X 1/2"<br>FROM: 00-00-00 THRU: 12-04-89 |
| 099259-01-000   | EA  | PANEL-HEAT SHIELD, 9.45" X 20.4"                                     |
| 099008-02-000   | EA  | PIPE-EXHAUST, SINGLE   |
| 099009-01-000   | EA  | SHIELD-HEAT, CONVERTER   |
| 083322-08-000   | EA  | SHIELD-HEAT, EXHAUST, 72"  |
| 099010-01-000   | EA  | SHIELD-HEAT, MUFFLER, 29.70"<br>FROM: 00-00-00 THRU: 10-11-89        |
| 099010-02-000   | EA  | SHIELD-HEAT, MUFFLER, 23.06"<br>FROM: 10-12-89 THRU: 99-99-99        |
| 099054-02-000   | EA  | SUPPORT-EXHAUST PIPE   |
| 088753-01-000   | FT  | TUBE-ALUMINIZED STEEL, 5/8" - 18 GAUGE                               |

**RADIAL TIRE EXCHANGE, 16"**

| KEY PART NUMBER | U/M | DESCRIPTION   |
|-----------------|-----|---|
| 083425-07-000   | EA  | TIRE-7.50R16.0 LRD, MICHELIN XPS RIB                        |
| 083425-08-000   | EA  | TIRE-LT215/85R16 LRE - MICHELIN XPS RIB                     |
| 061377-03-000   | EA  | STEM-VALVE  |
| 089358-04-000   | EA  | WHEEL-STEEL, 16" X 6"K - 8 HOLE - OFF WHITE                 |
| 080378-01-000   | EA  | BRACKET-SPARE TIRE CARRIER<br>FROM: 07-01-90 THRU: 99-99-99 |

**SPARE TIRE-W/CARRIER & COVER**

| KEY PART NUMBER | U/M | DESCRIPTION  |
|-----------------|-----|--|
| 099855-01-825   | EA  | COVER - TIRE, VINYL  |
| 083425-07-000   | EA  | TIRE-7.50R16.0 LRD, MICHELIN XPS RIB                                     |
| 089358-04-000   | EA  | WHEEL-STEEL, 16" X 6"K - 8 HOLE - OFF WHITE                              |
| 000C12-08-240   | EA  | BOLT-HEX, 1/2-13 X 1 1/2 - ZN 5  |
| 077411-01-000   | EA  | ROD-RETAINING, SPARE TIRE  |
| 083425-08-000   | EA  | TIRE-LT215/85R16 LRE - MICHELIN XPS RIB<br>FROM: 00-00-00 THRU: 02-28-91 |
| 080378-04-000   | EA  | BRACKET-SPARE TIRE CARRIER   |

**TRAILER HITCH**

| KEY PART NUMBER | U/M | DESCRIPTION                                   |
|-----------------|-----|---|
| 091224-02-000   | EA  | LABEL-TRAILER LIGHTING                        |
| 000C12-08-248   | EA  | BOLT-HEX, 1/2-13 X 1 1/2 - ZN 5               |
| 034512-01-000   | EA  | PIN-LOCKING, DRAWBAR                          |
| 034513-01-000   | EA  | PIN-HITCH, 3/16" WIRE                         |
| 077813-01-000   | EA  | DRAWBAR ONLY                                  |
| 077817-01-000   | EA  | HITCH ASSEMBLY, W/O DRAWBAR                   |
| 084388-01-000   | EA  | HOUSING-TRAILER, RECEPTACLE                   |
| 097744-02-000   | EA  | HOUSING-TRAILER PIN, 48"                      |
| 097746-01-000   | EA  | HOUSING CAP-TRAILER PIN                       |
| 097745-02-000   | EA  | HOUSING-RECEPTACLE, TRAILER - 48" WIRE LENGTH |

**FRONT BUMPER & COMPONENTS**

| KEY PART NUMBER | U/M | DESCRIPTION  |
|-----------------|-----|--|
| 005200-01-000   | EA  | BOLT-BUMPER, ROUND HEAD-SQUARE NECK - W/ST CAP     |
| 077860-04-000   | EA  | BUMPER-FRONT, UNPAINTED                            |
| 077862-01-000   | EA  | BRACKET-BUMPER, FRONT - 2 PER COACH - BENT 2" X 8" |
| 086319-01-000   | EA  | SUPPORT-BUMPER, 2 PER COACH                        |

**ENTRY DOOR STEP & COMPONENTS**

| KEY PART NUMBER | U/M | DESCRIPTION   |
|-----------------|-----|---|
| 078241-02-000   | EA  | SUPPORT-PULLOUT STEP  |
| 077848-01-000   | EA  | STEP-PULLOUT, W/BRACKETS - BLACK<br>FROM: 00-00-00 THRU: 11-11-90 |
| 077848-04-000   | EA  | STEP ASM-PULLOUT<br>FROM: 11-12-90 THRU: 99-99-99                 |

**TABLE OF CONTENTS**

|                    |             |
|--------------------|-------------|
| INTRODUCTION       | A-01        |
| ABBREVIATIONS      | A-01        |
| ALPHABETICAL INDEX | A-02 - A-04 |
| ICF23EC            | A-05 - D-17 |
| ICF30EU            | D-18 - H-22 |

**1991 ICF23EC INDEX**

|                                |             |
|--------------------------------|-------------|
| FLOOR PLAN                     | A-05 - A-06 |
| ACCESSORIES                    | A-07 - A-10 |
| BATH                           | A-11 - A-13 |
| BEDROOM                        | A-14        |
| CHASSIS                        | A-15 - A-18 |
| C C & PAD                      | A-19 - B-02 |
| DRIVETTE                       | B-03 - B-04 |
| DRIVERS                        | B-05 - B-14 |
| ELECTRICAL                     | B-15 - C-18 |
| EXTERIOR BODY                  | B-19 - B-24 |
| GALLEY                         | C-01 - C-08 |
| HEATING & A/C                  | C-07 - C-12 |
| INTERIOR FINISH                | C-13 - C-16 |
| LABEL                          | C-17        |
| LP                             | C-18        |
| SEALANTS & FASTENERS           | C-19 - C-20 |
| WATER & SEWAGE                 | C-21 - D-01 |
| WINDOW, VENT AND EXTERIOR DOOR | D-02 - D-17 |



**CURTAIN, CUSHION & PAD GROUP**

**NETTIE BACKREST PADS**

| KEY PART NUMBER | U/M | DESCRIPTION  |
|-----------------|-----|--|
| 061519-10-B25   | EA  | PAD-BACKREST, FRONT - B25 - DUSTY BLUE<br>FROM: 00-00-00 THRU: 10-21-90    |
| 061519-16-B27   | EA  | PAD-BACKREST, FRONT - B25 - DUSTY BLUE<br>FROM: 10-22-90 THRU: 99-99-99    |
| 061519-10-B26   | EA  | PAD-BACKREST, FRONT - B26 - TRUFFLE BROWN<br>FROM: 00-00-00 THRU: 10-21-90 |
| 061519-16-B28   | EA  | PAD-BACKREST, FRONT - B26 - TRUFFLE BROWN<br>FROM: 10-22-90 THRU: 99-99-99 |
| 061519-11-B25   | EA  | PAD-BACKREST, REAR - B25 - DUSTY BLUE<br>FROM: 00-00-00 THRU: 10-21-90     |
| 061519-17-B27   | EA  | PAD-BACKREST, REAR - B25 - DUSTY BLUE<br>FROM: 10-22-90 THRU: 99-99-99     |
| 061319-11-B26   | EA  | PAD-BACKREST, REAR - B26 - TRUFFLE BROWN<br>FROM: 00-00-00 THRU: 10-21-90  |
| 061519-17-B28   | EA  | PAD-BACKREST, REAR - B26 - TRUFFLE BROWN<br>FROM: 10-22-90 THRU: 99-99-99  |

**SHOWER CURTAIN**

**CURTAIN HARDWARE & TRACKS**

| KEY PART NUMBER | U/M | DESCRIPTION   |
|-----------------|-----|---|
| 064481-06-000   | EA  | CURTAIN-SHOWER, 70" X 32" - VINYL   |
| 029156-01-000   | EA  | CAP-SNAP, NICKEL  |
| 029130-03-000   | EA  | SOCKET-SNAP FASTENER, 1"  |
| 029156-01-000   | EA  | SOCKET-SNAP FASTENER, NICKEL  |
| 064256-07-01A   | EA  | TRACK-DOOR/CURTAIN, 28.6" - OFF WHITE   |
| 064856-06-01A   | EA  | TRACK-DOOR CURTAIN, 37.6" - GRAY<br>FROM: 04-28-90 THRU: 12-02-90                         |
| 064856-06-02A   | EA  | TRACK-DOOR/CURTAIN, 37.6" - OFF WHITE<br>FROM: 12-03-90 THRU: 99-99-99                    |
| 101589-01-B03   | EA  | TRACK-CURTAIN, FRONT (89.1") TO PASS SIDE (89.1") - GRAY<br>FROM: 04-28-90 THRU: 12-02-90 |
| 101589-01-B04   | EA  | TRACK-CURTAIN, FRONT (89.1") TO PASS SIDE (34.2")<br>FROM: 12-03-90 THRU: 99-99-99        |
| 078551-03-000   | EA  | TRACK-METAL PLIENCY CURTAIN, 42" - BEIGE<br>FROM: 00-00-00 THRU: 05-13-90                 |
| 101032-01-000   | FT  | TRACK-CURTAIN, CEILING MOUNT - WHITE<br>FROM: 05-14-90 THRU: 99-99-99                     |
| 101033-02-000   | EA  | END CAP-TRACK, CLEAR<br>FROM: 05-14-90 THRU: 99-99-99                                     |
| 101031-01-000   | YD  | TAPE-GLIDE, CURTAIN - 4.25" SPACING   |
| 009700-04-002   | EA  | ROD-EXTRUDED, 195.5" - OFF WHITE  |
| 009701-01-000   | EA  | CARRIER-SHOWER CURTAIN  |
| 009138-01-000   | EA  | HANGER-PIN, CURTAIN   |
| 046887-01-000   | EA  | GROMMET-BRASS - 7/16" ID X 1" OD  |
| 046887-01-000   | EA  | GROMMET-BRASS - 7/16" ID X 1" OD  |
| 083170-01-000   | EA  | BRACKET-BLIND, FRONT  |
| 083170-02-000   | EA  | BRACKET-BLIND, REAR   |
| 085681-02-000   | EA  | BRACKET-BLIND, HOLD-DOWN - W/PIN  |
| 083475-01-700   | EA  | WAND-BLIND, W/METAL CLIP - 6" LONG  |
| 083475-01-701   | EA  | END CAP-BLIND, W/STUD   |
| 102866-01-000   | EA  | CLEAT-CORD, BLIND - OFF WHITE   |
| 086522-04-000   | EA  | PANEL-LEG, WINDOW - 2.5" FACE   |
| 089722-03-000   | EA  | PANEL-LEG, WINDOW - 2.5" FACE   |
| 089916-01-030   | EA  | MOUNT-WINDOW LEG, BLACK   |
| 082868-06-806   | FT  | TRIM-STITCHED VINYL, OFF WHITE  |
| 079970-01-000   | YD  | TAPE-MATRESS, BUNK CUSHION - 5/8"   |
| 088792-01-000   | YD  | VELCRO TAPE-HOOK, NON-ADHESIVE BACK - .75" WIDE - BEIGE                                   |
| 088732-02-000   | YD  | VELCRO TAPE-LOOP, ADHESIVE BACKED - .75" WIDE - BEIGE                                     |
| 029084-04-000   | YD  | VELCRO TAPE-LOOP, 1" WIDE - BLACK   |
| 029089-09-000   | YD  | VELCRO TAPE-HOOK, 1" WIDE - BLACK   |
| 067826-01-000   | EA  | HOOK-DRAPERY  |
| 009107-01-000   | EA  | QUICK-CURTAIN NYLON SNAP  |
| 067834-04-000   | EA  | TIEBACK-FOLDING DOOR, 20" - CLEAR PLASTIC   |
| 078156-01-000   | EA  | STRAP-BACK CUSHION, SNAP  |

**CURTAIN, CUSHION & PAD GROUP (CONTINUED)**

**FABRICS**

| KEY PART NUMBER | U/M | DESCRIPTION  |
|-----------------|-----|--|
| 077484-01-000   | YD  | FABRIC-VINYL, 54" WIDE - GRAY  |
| 079680-09-000   | YD  | FABRIC-VINYL, 54" WIDE - OFF WHITE                                       |
| 079680-12-000   | YD  | VINYL-EXPANDED, 54" WIDE - OFF WHITE                                     |
| 075244-02-000   | YD  | VINYL-SHOWER CURTAIN, 72" WIDE - BEIGE<br>FROM: 00-00-00 THRU: 06-31-90  |
| 075244-03-070   | YD  | VINYL-SHOWER CURTAIN, 72" WIDE - ALMOND<br>FROM: 06-01-90 THRU: 99-99-99 |
| 084481-08-000   | EA  | CURTAIN-SHOWER, 70" X 32" - VINYL  |
| 088008-31-000   | YD  | FABRIC-UPHOLSTERY, PLAIN - 54" - B25 - DUSTY BLUE                        |
| 088008-42-000   | YD  | FABRIC-UPHOLSTERY, PATTERN - 54" - B26 - TRUFFLE BROWN                   |
| 088008-44-000   | YD  | FABRIC-UPHOLSTERY, PATTERN - 54" - B25 - DUSTY BLUE                      |
| 088008-45-000   | YD  | FABRIC-UPHOLSTERY, PLAIN - 54" - B26 - TRUFFLE BROWN                     |
| 088008-28-000   | YD  | FABRIC-UPHOLSTERY, PLAIN - 54" - B25 - DUSTY BLUE                        |
| 088008-48-000   | YD  | FABRIC-UPHOLSTERY, PATTERN - 54" - B26 - TRUFFLE BROWN                   |
| 087272-01-000   | YD  | FABRIC-LINING, CURTAIN - 48" WIDE - IVORY                                |
| 072333-75-000   | YD  | FABRIC-CURTAIN - 54" WIDE - BEIGE  |
| 088273-87-000   | YD  | FABRIC-CURTAIN, PLAIN - 54" - B25 - DUSTY BLUE                           |
| 072333-79-000   | YD  | FABRIC-CURTAIN, 54" WIDE - B25 - DUSTY BLUE                              |
| 079349-01-AD2   | YD  | WELTING-FABRIC, B25 - DUSTY BLUE   |
| 079349-01-B26   | YD  | WELTING-FABRIC, B26 - TRUFFLE BROWN                                      |
| 029012-01-000   | BF  | FOAM-ROLLED, 3/8" THICK - 72" WIDE                                       |
| 081928-01-000   | YD  | PACKING-CULITING, MATTRESS COVER - 59" WIDE - WHITE                      |

**BUTTONS**

| KEY PART NUMBER | U/M | DESCRIPTION   |
|-----------------|-----|---|
| 070678-01-B27   | EA  | BUTTON-SNAP TOP, #30 - B25 - DUSTY BLUE<br>FROM: 10-15-90 THRU: 99-99-99    |
| 070678-01-B28   | EA  | BUTTON-SNAP TOP, #30 - B26 - TRUFFLE BROWN<br>FROM: 10-15-90 THRU: 99-99-99 |
| 059797-02-000   | EA  | SHELL-BUTTON, PLASTIC - # 30  |
| 089734-01-000   | EA  | BACK-BUTTON, DURASNAP - # 30  |
| 070678-02-U19   | EA  | BUTTON-SCREW STUD, #30 - VINYL - SMOKE<br>FROM: 00-00-00 THRU: 01-08-91     |
| 085774-01-000   | FT  | FASTENER-DUAL HOOK, 1" WIDE - ADHESIVE BACK - BLACK                         |
| 025774-02-000   | FT  | FASTENER-DUAL LOOP, 1" WIDE - ADHESIVE BACK - BLACK                         |

**TABLE OF CONTENTS**

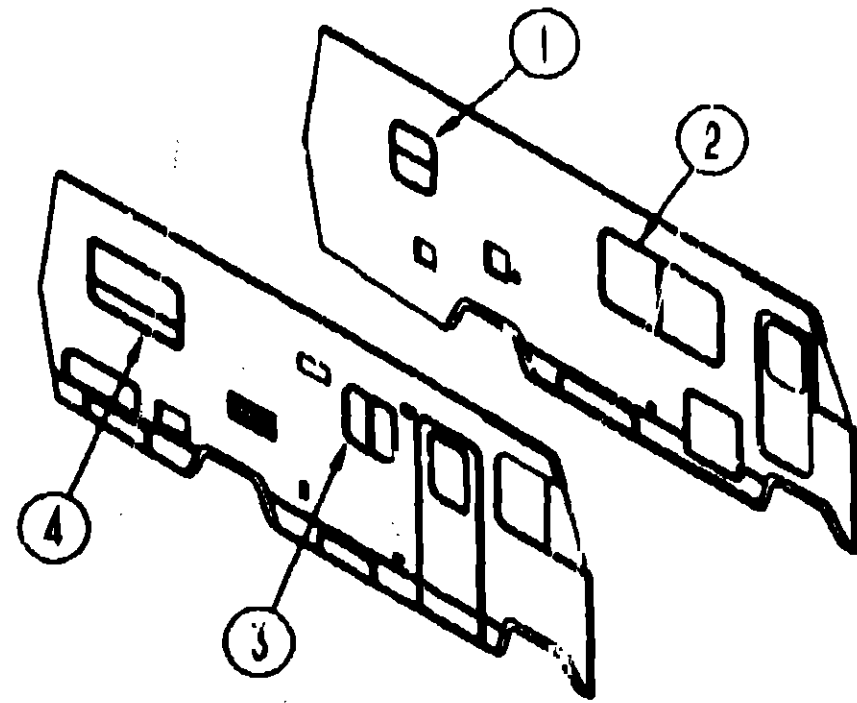
|                    |             |
|--------------------|-------------|
| INTRODUCTION       | A-01        |
| ABBREVIATIONS      | A-01        |
| ALPHABETICAL INDEX | A-02 - A-04 |
| ICF23EC            | A-05 - D-17 |
| ICF30EU            | D-19 - H-22 |

**1991 ICF23EC INDEX**

|                                |             |
|--------------------------------|-------------|
| FLOOR PLAN                     | A-05 - A-08 |
| ACCESSORIES                    | A-07 - A-10 |
| BATH                           | A-11 - A-13 |
| BEDROOM                        | A-14        |
| CHASSIS                        | A-15 - A-18 |
| C & PAD                        | A-19 - B-02 |
| NETTIE                         | B-03 - B-04 |
| DRIVERS                        | B-05 - B-14 |
| ELECTRICAL                     | B-15 - B-18 |
| EXTERIOR BODY                  | B-19 - B-24 |
| GALLEY                         | C-01 - C-08 |
| HEATING & A/C                  | C-07 - C-12 |
| INTERIOR FINISH                | C-13 - C-18 |
| LABEL                          | C-17        |
| LP                             | C-18        |
| SEALANTS & FASTENERS           | C-19 - C-20 |
| WATER & SEWAGE                 | C-21 - D-01 |
| WINDOW, VENT AND EXTERIOR DOOR | D-02 - D-17 |



**CURTAIN, CUSHION & PAD GROUP (CONTINUED)**



**BATH WINDOW TREATMENT**

| KEY PART NUMBER | U/M | DESCRIPTION                                      |
|-----------------|-----|--|
| 1 100344-06-B25 | EA  | VALANCE-WINDOW, BATH - 20" - B25 - DUSTY BLUE    |
| 1 100344-06-B26 | EA  | VALANCE-WINDOW, BATH - 20" - B26 - TRUFFLE BROWN |
| 1 093475-46-01A | EA  | BLIND-MINI, 17.5" X 23.5" DROP - BEIGE           |

**DINETTE WINDOW TREATMENT**

| KEY PART NUMBER | U/M | DESCRIPTION                               |
|-----------------|-----|---|
| 2 100344-09-B25 | EA  | VALANCE-WINDOW, 62" - B25 - DUSTY BLUE    |
| 2 100344-09-B26 | EA  | VALANCE-WINDOW, 62" - B26 - TRUFFLE BROWN |
| 2 100281-03-B25 | EA  | LEG-WINDOW, FRONT - B25 - DUSTY BLUE      |
| 2 100281-03-B26 | EA  | LEG-WINDOW, FRONT - B26 - TRUFFLE BROWN   |
| 2 100281-04-B25 | EA  | LEG-WINDOW, REAR - B25 - DUSTY BLUE       |
| 2 100281-04-B26 | EA  | LEG-WINDOW, REAR - B26 - TRUFFLE BROWN    |
| 2 093475-46-01A | EA  | BLIND-MINI, 56" WIDE X 32" DROP - BEIGE   |

**CURTAIN, CUSHION & PAD GROUP (CONTINUED)**

**GALLEY WINDOW TREATMENT**

| KEY PART NUMBER | U/M | DESCRIPTION  |
|-----------------|-----|--|
| 3 100344-10-B25 | EA  | VALANCE-WINDOW, GALLEY - 26" - B25 - DUSTY BLUE    |
| 3 100344-10-B26 | EA  | VALANCE-WINDOW, GALLEY - 26" - B26 - TRUFFLE BROWN |
| 3 093475-61-01A | EA  | BLIND-MINI, 26" WIDE X 17" DROP - BEIGE            |

**REAR PASSENGER SIDE WINDOW TREATMENT**

| KEY PART NUMBER | U/M | DESCRIPTION   |
|-----------------|-----|---|
| 4 100344-07-B25 | EA  | VALANCE-WINDOW, 45" WIDE - W/WOOD TRIM - B25 - DUSTY BLUE<br>FROM: 00-00-00 THRU: 09-03-90  |
| 4 101753-07-B26 | EA  | VALANCE-WINDOW, 45" WIDE - W/WOOD TRIM - B26 - TRUFFLE BR<br>FROM: 00-00-00 THRU: 09-03-90  |
| 4 102514-07-B27 | EA  | VALANCE-WINDOW, W/GATHERED INSERT - 45" - B25 - DUSTY BLUE<br>FROM: 09-04-90 THRU: 99-99-99 |
| 4 102514-07-B28 | EA  | VALANCE-WINDOW, W/GATHERED INSERT - 45" - B26 - TRUFFLE BR<br>FROM: 09-04-90 THRU: 99-99-99 |
| 4 100281-06-B25 | EA  | LEG-WINDOW, REAR - W/HOLE - B25 - DUSTY BLUE<br>FROM: 00-00-00 THRU: 09-03-90               |
| 4 100281-06-B26 | EA  | LEG-WINDOW, REAR - W/HOLE - B26 - TRUFFLE BROWN<br>FROM: 00-00-00 THRU: 09-03-90            |
| 4 100281-06-B25 | EA  | LEG-WINDOW, FRONT - W/O HOLE - B25 - DUSTY BLUE<br>FROM: 00-00-00 THRU: 09-03-90            |
| 4 100281-06-B29 | EA  | LEG-WINDOW, FRONT - W/O HOLE - B26 - TRUFFLE BROWN<br>FROM: 00-00-00 THRU: 09-03-90         |
| 4 100281-30-B27 | EA  | LEG-WINDOW, FRONT - 27" - W/O HOLE - B25 - DUSTY BLUE<br>FROM: 09-04-90 THRU: 99-99-99      |
| 4 100281-30-B28 | EA  | LEG-WINDOW, FRONT - 27" - W/O HOLE - B26 - TRUFFLE BROWN<br>FROM: 09-04-90 THRU: 99-99-99   |
| 4 100281-31-B27 | EA  | LEG-WINDOW, REAR - 27" - W/HOLE - B25 - DUSTY BLUE<br>FROM: 09-04-90 THRU: 99-99-99         |
| 4 100281-31-B28 | EA  | LEG-WINDOW, REAR - 27" - W/HOLE - B26 - TRUFFLE BROWN<br>FROM: 09-04-90 THRU: 99-99-99      |
| 4 093475-45-01A | EA  | BLIND-MINI, 39.5" X 27" DROP - BEIGE  |

**BACKWALL BEDROOM WINDOW TREATMENT**

| KEY PART NUMBER | U/M | DESCRIPTION  |
|-----------------|-----|--|
| 100344-11-B25   | EA  | VALANCE-WINDOW, W/WOOD TRIM - 31.7" - B25 - DUSTY BLUE<br>FROM: 00-00-00 THRU: 09-03-90    |
| 100344-11-B26   | EA  | VALANCE-WINDOW, W/WOOD TRIM - 31.7" - B26 - TRUFFLE BROWN<br>FROM: 00-00-00 THRU: 09-03-90 |
| 102514-08-B27   | EA  | VALANCE-WINDOW, 31.7" - B25 - DUSTY BLUE<br>FROM: 09-04-90 THRU: 99-99-99                  |
| 102514-08-B28   | EA  | VALANCE-WINDOW, 31.7" - B26 - TRUFFLE BROWN<br>FROM: 09-04-90 THRU: 99-99-99               |
| 100281-07-B25   | EA  | LEG-WINDOW, DRIVER - 27" - W/O HOLE - B25 - DUSTY BLUE<br>FROM: 00-00-00 THRU: 09-03-90    |
| 100281-07-B26   | EA  | LEG-WINDOW, DRIVER - 27" - W/O HOLE - B26 - TRUFFLE BROWN<br>FROM: 00-00-00 THRU: 09-03-90 |
| 100281-08-B25   | EA  | LEG-WINDOW, PASS. - 27" - W/O HOLE - B25 - DUSTY BLUE<br>FROM: 00-00-00 THRU: 09-03-90     |
| 100281-08-B26   | EA  | LEG-WINDOW, PASS. - 27" - W/O HOLE - B26 - TRUFFLE BROWN<br>FROM: 00-00-00 THRU: 09-03-90  |
| 100281-29-B27   | EA  | LEG-WINDOW, DRIVER - 27" - W/O HOLE - B25 - DUSTY BLUE<br>FROM: 09-04-90 THRU: 99-99-99    |
| 100281-29-B28   | EA  | LEG-WINDOW, DRIVER - 27" - W/O HOLE - B26 - TRUFFLE BROWN<br>FROM: 09-04-90 THRU: 99-99-99 |
| 100281-30-B27   | EA  | LEG-WINDOW, PASS. - 27" - W/O HOLE - B25 - DUSTY BLUE<br>FROM: 09-04-90 THRU: 99-99-99     |
| 100281-30-B28   | EA  | LEG-WINDOW, PASS. - 27" - W/O HOLE - B26 - TRUFFLE BROWN<br>FROM: 09-04-90 THRU: 99-99-99  |
| 093475-51-01A   | EA  | BLIND-MINI, 26" WIDE X 26" DROP - BEIGE  |

**TABLE OF CONTENTS**

|                    |             |
|--------------------|-------------|
| INTRODUCTION       | A-01        |
| ABBREVIATIONS      | A-01        |
| ALPHABETICAL INDEX | A-01 - A-04 |
| ICF23EC            | A-01 - D-17 |
| ICF30EU            | D-11 - H-22 |

**1991 ICF23EC INDEX**

|                                |             |
|--------------------------------|-------------|
| FLOOR PLAN                     | A-05 - A-06 |
| ACCESSORIES                    | A-07 - A-10 |
| BATH                           | A-11 - A-13 |
| BEDROOM                        | A-14        |
| CHASSIS                        | A-15 - A-18 |
| C C & PAD                      | A-19 - B-02 |
| DINETTE                        | B-03 - B-04 |
| DRIVERS                        | B-05 - B-14 |
| ELECTRICAL                     | B-15 - B-18 |
| EXTERIOR BODY                  | B-19 - B-24 |
| GALLEY                         | C-01 - C-06 |
| HEATING & A/C                  | C-07 - C-12 |
| INTERIOR FINISH                | C-13 - C-16 |
| LABEL                          | C-17        |
| LP                             | C-18        |
| SEALANTS & FASTENERS           | C-19 - C-20 |
| WATER & SEWAGE                 | C-21 - D-01 |
| WINDOW, VENT AND EXTERIOR DOOR | D-02 - D-17 |

**CURTAIN, CUSHION & PAD GROUP (CONTINUED)**

**WINDSHIELD PRIVACY CURTAIN B25**

| KEY PART NUMBER | U/M | DESCRIPTION   |
|-----------------|-----|---|
| 077291-04-B03   | EA  | CURTAIN-VELCRO TOP, DRIVER SIDE - 32.5" X 86" - BEIGE<br>FROM: 00-00-00 THRU: 04-29-90    |
| 097994-04-B05   | EA  | CURTAIN-HOOK TOP, DRIVER PRIVACY - 32.5" X 40" - BEIGE<br>FROM: 04-30-90 THRU: 10-04-90   |
| 097994-04-B27   | EA  | CURTAIN-HOOK TOP, DRIVER SIDE - 32.5" X 40" - DUSTY<br>FROM: 10-05-90 THRU: 99-99-99      |
| 077591-07-B03   | EA  | CURTAIN-VELCRO TOP, PASSENGER SIDE - 32.5" X 86" - BEIGE<br>FROM: 00-00-00 THRU: 04-29-90 |
| 097994-05-B05   | EA  | CURTAIN-HOOK TOP, PASS/PRIVACY - 30.5" X 125" - BEIGE<br>FROM: 04-30-90 THRU: 10-04-90    |
| 097994-05-B27   | EA  | CURTAIN-HOOK TOP, PASS SIDE - 30.5" X 125" - DUSTY<br>FROM: 10-05-00 THRU: 99-99-99       |
| 073280-42-B05   | EA  | TIEBACK-CURTAIN, 6" X 18" - BEIGE   |
| 073280-42-B10   | EA  | TIEBACK-CURTAIN, 6" X 18" - DUSTY BLUE  |

**WINDSHIELD PRIVACY CURTAIN B26**

| KEY PART NUMBER | U/M | DESCRIPTION   |
|-----------------|-----|---|
| 077591-08-B03   | EA  | CURTAIN-VELCRO TOP, DRIVER SIDE - 32.5" X 86" - BEIGE<br>FROM: 00-00-00 THRU: 04-29-90    |
| 097994-04-B05   | EA  | CURTAIN-HOOK TOP, DRIVER PRIVACY - 32.5" X 40" - BEIGE<br>FROM: 04-30-90 THRU: 99-99-99   |
| 077591-07-B03   | EA  | CURTAIN-VELCRO TOP, PASSENGER SIDE - 32.5" X 86" - BEIGE<br>FROM: 00-00-00 THRU: 04-29-90 |
| 097994-05-B05   | EA  | CURTAIN-HOOK TOP, PASS/PRIVACY - 30.5" X 125" - BEIGE<br>FROM: 04-30-90 THRU: 99-99-99    |
| 073280-42-B05   | EA  | TIEBACK-CURTAIN, 6" X 18" - BEIGE   |

**ABLE DIVIDER CURTAIN & COMPONENTS B25**

| KEY PART NUMBER | U/M | DESCRIPTION   |
|-----------------|-----|---|
| 073304-23-B05   | EA  | CURTAIN-SNAP TOP, ROOM DIVIDER - 54" X 40" - BEIGE<br>FROM: 00-00-00 THRU: 05-13-90 |
| 101688-02-B03   | EA  | CURTAIN-TAPE TOP, PRIVACY - 54" X 45" - BEIGE<br>FROM 05-14-90 THRU 10-04-90        |
| 101688-02-B27   | EA  | CURTAIN-TAPE TOP, PRIVACY - 54" X 45" - GRAY<br>FROM 10-05-90 THRU: 99-99-99        |
| 073280-23-B05   | EA  | TIEBACK-CURTAIN, 3" X 18" - BEIGE<br>FROM 00-00-00 THRU 10-04-90                    |
| 073280-23-B07   | EA  | TIEBACK-CURTAIN, 3" X 18" - GRAY<br>FROM 10-05-90 THRU: 99-99-99                    |

**ABLE DIVIDER CURTAIN & COMPONENTS B26**

| KEY PART NUMBER | U/M | DESCRIPTION   |
|-----------------|-----|---|
| 073304-23-B05   | EA  | CURTAIN-SNAP TOP, ROOM DIVIDER - 54" X 40" - BEIGE<br>FROM: 00-00-00 THRU: 05-13-90 |
| 101688-02-B03   | EA  | CURTAIN-TAPE TOP, PRIVACY - 54" X 45" - BEIGE<br>FROM 05-14-90 THRU: 99-99-99       |
| 073280-23-B05   | EA  | TIEBACK-CURTAIN, 3" X 18" - BEIGE   |

**CURTAIN, CUSHION & PAD GROUP (CONTINUED)**

**DINETTE CUSHION**

| KEY PART NUMBER | U/M | DESCRIPTION   |
|-----------------|-----|---|
| 088927-83-B27   | EA  | CUSHION-SEAT, 22" X 36" X 5" - B25 - DUSTY BLUE<br>FROM: 00-00-00 THRU: 08-29-90    |
| 088927-83-B28   | EA  | CUSHION-SEAT, 22" X 36" X 5" - B26 - TRUFFLE BROWN<br>FROM: 00-00-00 THRU: 08-29-90 |
| M88927-83-B27   | EA  | COVER-CUSHION, 5" X 22" X 36" - B25 - DUSTY BLUE                                    |
| M88927-83-B28   | EA  | COVER-CUSHION, 5" X 22" X 36" - B26 - TRUFFLE BROWN                                 |
| 088927-87-B27   | EA  | CUSHION-SEAT, 23" X 36" X 5" - B25 - DUSTY BLUE<br>FROM: 08-27-90 THRU: 99-99-99    |
| 088927-87-B28   | EA  | CUSHION-SEAT, 23" X 36" X 5" - B26 - TRUFFLE BROWN<br>FROM: 08-27-90 THRU: 99-99-99 |
| M88927-87-B27   | EA  | COVER-CUSHION, 23" X 36" X 5" - B25 - DUSTY BLUE                                    |
| M88927-87-B28   | EA  | COVER-CUSHION, 23" X 36" X 5" - B26 - TRUFFLE BROWN                                 |

**DOUBLE BEDSPREAD, SHAMS & MATTRESS**

| KEY PART NUMBER | U/M | DESCRIPTION  |
|-----------------|-----|--|
| 101123-03-000   | EA  | MATTRESS-DOUBLE, W/CUT CORNER - 53" X 74"  |
| P01123-03-000   | EA  | COVER-MATTRESS, 53" X 74"  |
| 081997-06-B27   | EA  | SHAM-PILLOW, QUILTED - B25 - DUSTY BLUE<br>FROM: 00-00-00 THRU: 05-08-90                 |
| 081997-07-B27   | EA  | SHAM-PILLOW, NON-QUILTED - B25 - DUSTY BLUE<br>FROM: 06-07-90 THRU: 08-17-90             |
| 081997-06-B28   | EA  | SHAM-PILLOW, QUILTED - B26 - TRUFFLE BROWN<br>FROM: 00-00-00 THRU: 05-08-90              |
| 081997-07-B28   | EA  | SHAM-PILLOW, NON-QUILTED - B26 - TRUFFLE BROWN<br>FROM: 06-07-90 THRU: 08-17-90          |
| 102161-01-B27   | EA  | SHAM-W/PILLOW INSERT, NON-QUILTED - B25 - DUSTY BLUE<br>FROM: 08-18-90 THRU: 99-99-99    |
| 102161-01-B28   | EA  | SHAM-W/PILLOW INSERT, NON-QUILTED - B26 - TRUFFLE BROWN<br>FROM: 08-18-90 THRU: 99-99-99 |
| 081997-07-B27   | EA  | SHAM-PILLOW, NON-QUILTED - B25 - DUSTY BLUE  |
| 081997-07-B28   | EA  | SHAM-PILLOW, NON-QUILTED - B26 - TRUFFLE BROWN   |
| 085385-08-B27   | EA  | BEDSPREAD-DOUBLE, W/ROUNDED CORNER - B25 - DUSTY BLUE                                    |
| 085385-08-B28   | EA  | BEDSPREAD-DOUBLE, W/ROUNDED CORNER - B26 - TRUFFLE BROWN                                 |

**JAPAN EXPORT (OPTION L045)**

| KEY PART NUMBER | U/M | DESCRIPTION                                       |
|-----------------|-----|---|
| 085288-01-AD2   | EA  | HEADREST-BUCKET SEAT, B25 - DUSTY BLUE            |
| 085288-01-B26   | EA  | HEADREST-BUCKET SEAT, B26 - TRUFFLE BROWN         |
| M85288-01-AD2   | EA  | COVER-HEADREST, BUCKET SEAT - B25 - DUSTY BLUE    |
| M85288-01-B26   | EA  | COVER-HEADREST, BUCKET SEAT - B26 - TRUFFLE BROWN |
| 081172-01-000   | EA  | TRIM-HEADREST, PLASTIC - BLACK                    |
| 081313-01-000   | EA  | GROMMET-HEADREST                                  |

**TABLE OF CONTENTS**

|                    |             |
|--------------------|-------------|
| INTRODUCTION       | A-01        |
| ABBREVIATIONS      | A-01        |
| ALPHABETICAL INDEX | A-02 - A-04 |
| ICF23EC            | A-05 - D-17 |
| ICF30EU            | D-19 - H-22 |

**1991 ICF23EC INDEX**

|                                |             |
|--------------------------------|-------------|
| FLOOR PLAN                     | A-05 - A-06 |
| ACCESSORIES                    | A-07 - A-10 |
| BATH                           | A-11 - A-13 |
| BEDROOM                        | A-14        |
| CHASSIS                        | A-15 - A-18 |
| C C & PAD                      | A-19 - B-02 |
| DINETTE                        | B-03 - B-04 |
| DRIVERS                        | B-05 - B-14 |
| ELECTRICAL                     | B-15 - B-18 |
| EXTERIOR BODY                  | B-19 - B-24 |
| GALLEY                         | C-01 - C-06 |
| HEATING & AC                   | C-07 - C-12 |
| INTERIOR FINISH                | C-13 - C-16 |
| LABEL                          | C-17        |
| LP                             | C-18        |
| SEALANTS & FASTENERS           | C-19 - C-20 |
| WATER & SEWAGE                 | C-21 - D-01 |
| WINDOW, VENT AND EXTERIOR DOOR | D-02 - D-17 |

**CURTAIN, CUSHION & PAD GROUP (CONTINUED)**

BUCKET SEATS & HARDWARE  
FROM: 00-00-00 THRU: 07-08-00

| KEY PART NUMBER | U/M | DESCRIPTION   |
|-----------------|-----|---|
| 083450-10-B25   | EA  | SEAT-BUCKET, W/O PEDESTAL & BASE - B25 - DUSTY BLUE     |
| 083450-10-B28   | EA  | SEAT-BUCKET, W/O BASE OR PEDESTAL - B28 - TRUFFLE BROWN |
| M03445-22-B25   | EA  | COVER-BACK, BUCKET SEAT - B25 - DUSTY BLUE              |
| M03445-22-B28   | EA  | COVER-BACK, BUCKET SEAT - B28 - TRUFFLE BROWN           |
| M03445-23-B25   | EA  | COVER-SEAT, BUCKET SEAT - B25 - DUSTY BLUE              |
| M03445-23-B28   | EA  | COVER-SEAT, BUCKET SEAT - B28 - TRUFFLE BROWN           |
| M80808-01-000   | EA  | FRAME-SEAT, BACK & SPRING                               |
| 080730-02-000   | EA  | RECLINER-SEAT BACK, LEFT                                |
| 080731-02-000   | EA  | HINGE-SLAVE, RECLINER, LEFT HAND                        |
| 081382-01-000   | EA  | BRACKET-ARMREST, RIGHT HAND                             |
| 081382-02-000   | EA  | BRACKET-ARMREST, LEFT HAND                              |
| 080243-41-B25   | EA  | ARMREST-BUCKET SEAT, RIGHT SIDE - B25 - DUSTY BLUE      |
| 080243-41-B28   | EA  | ARMREST-BUCKET SEAT, RIGHT HAND - B28 - TRUFFLE BROWN   |
| M0243-41-B25    | EA  | COVER-ARMREST, RIGHT SIDE - B25 - DUSTY BLUE            |
| M0243-41-B28    | EA  | COVER-ARMREST, RIGHT SIDE - B28 - TRUFFLE BROWN         |
| 081381-01-000   | EA  | ROD-ARMREST, METAL                                      |
| 080243-42-B25   | EA  | ARMREST-BUCKET SEAT, LEFT SIDE - B25 - DUSTY BLUE       |
| 080243-42-B28   | EA  | ARMREST-BUCKET SEAT, LEFT HAND - B28 - TRUFFLE BROWN    |
| M0243-42-B25    | EA  | COVER-ARMREST, LEFT SIDE - B25 - DUSTY BLUE             |
| M0243-42-B28    | EA  | COVER-ARMREST, LEFT SIDE - B28 - TRUFFLE BROWN          |
| 081381-01-000   | EA  | ROD-ARMREST, METAL                                      |
| 080730-03-700   | EA  | HANDLEKIT-RECLINER                                      |
| 080730-04-000   | EA  | SCREW-RECLINER, HANDLE                                  |
| 080730-05-000   | EA  | SHIELD-RECLINER   |
| 088388-04-000   | EA  | FRAME-CABLE, REMOTE SWIVEL                              |
| 088246-01-000   | EA  | ADJUSTER-BUCKET SEAT W/LOCK, FORWARD AND BACK           |
| 088246-02-000   | EA  | ADJUSTER-SEAT/CHAIR, W/O LOCK - FORWARD & BACK          |
| 088246-05-700   | EA  | SPRING SLIDE ADJUSTER                                   |
| 088585-20-000   | EA  | BAR-SEAT BELT, BUCKET SEATS - 20"                       |
| 088585-08-000   | EA  | BASE-BUCKET SEAT, BOLTS TO FLOOR - VERTICAL P           |

**KEY PART NUMBER**

|               |
|---------------|
| 083450-10-B25 |
| 083450-10-B28 |
| M03445-22-B27 |
| M03445-22-B28 |
| M03445-23-B27 |
| M03445-23-B28 |
| M80808-04-000 |
| 080731-02-000 |
| 081382-01-000 |
| 081382-02-000 |
| 101125-01-000 |
| 080243-41-B27 |
| 080243-41-B28 |
| M80243-41-B27 |
| M80243-41-B28 |
| 080243-42-B27 |
| 080243-42-B28 |
| M80243-42-B27 |
| M80243-42-B28 |
| 081381-01-000 |
| 088388-04-000 |
| 088246-05-000 |
| 088481-04-000 |
| 088246-05-700 |
| 088246-05-701 |
| 088246-02-000 |
| 088246-05-700 |
| 088585-20-000 |
| 088585-08-000 |

**KEY PART NUMBER**

|               |
|---------------|
| 071128-24-AD2 |
| 071128-24-028 |

**CURTAIN, CUSHION & PAD GROUP (CONTINUED)**

BUCKET SEATS & HARDWARE  
FROM: 07-09-00 THRU: 09-00-00

| KEY PART NUMBER | U/M | DESCRIPTION   |
|-----------------|-----|---|
| 083450-10-B25   | EA  | SEAT-BUCKET, W/O PEDESTAL & BASE - B25 - DUSTY BLUE     |
| 083450-10-B28   | EA  | SEAT-BUCKET, W/O PEDESTAL OR BASE - B28 - TRUFFLE BROWN |
| M03445-22-B27   | EA  | COVER-BACK, BUCKET SEAT - B25 - DUSTY BLUE              |
| M03445-22-B28   | EA  | COVER-BACK, BUCKET SEAT - B28 - TRUFFLE BROWN           |
| M03445-23-B27   | EA  | COVER-SEAT, BUCKET SEAT - B25 - DUSTY BLUE              |
| M03445-23-B28   | EA  | COVER-SEAT, BUCKET SEAT - B28 - TRUFFLE BROWN           |
| M80808-04-000   | EA  | FRAME-SEAT, BACK & SPRING                               |
| 080731-02-000   | EA  | HINGE-SLAVE, RECLINER, LEFT HAND                        |
| 081382-01-000   | EA  | BRACKET-ARMREST, RIGHT HAND                             |
| 081382-02-000   | EA  | BRACKET-ARMREST, LEFT HAND                              |
| 101125-01-000   | EA  | RECLINER-SEAT BACK, LEFT HAND REMOTE                    |
| 080243-41-B27   | EA  | ARMREST-BUCKET SEAT, RIGHT HAND - B25 - DUSTY BLUE      |
| 080243-41-B28   | EA  | ARMREST-BUCKET SEAT, RIGHT HAND - B28 - TRUFFLE BROWN   |
| M80243-41-B27   | EA  | COVER-ARMREST, RIGHT HAND - B25 - DUSTY BLUE            |
| M80243-41-B28   | EA  | COVER-ARMREST, RIGHT HAND - B28 - TRUFFLE BROWN         |
| 080243-42-B27   | EA  | ARMREST-BUCKET SEAT, LEFT HAND - B25 - DUSTY BLUE       |
| 080243-42-B28   | EA  | ARMREST-BUCKET SEAT, LEFT HAND - B28 - TRUFFLE BROWN    |
| M80243-42-B27   | EA  | COVER-ARMREST, LEFT HAND - B25 - DUSTY BLUE             |
| M80243-42-B28   | EA  | COVER-ARMREST, LEFT HAND - B28 - TRUFFLE BROWN          |
| 081381-01-000   | EA  | ROD-ARMREST, METAL                                      |
| 088388-04-000   | EA  | FRAME-CABLE, REMOTE SWIVEL                              |
| 088246-05-000   | EA  | ADJUSTER-BUCKET SEAT W/LOCK, FORWARD AND BACK           |
| 088481-04-000   | EA  | ADJUSTER-SEAT/CHAIR, W/O LOCK - FORWARD & BACK          |
| 088246-05-700   | EA  | SPRING ADJUSTER, FOR REMOTE                             |
| 088246-05-701   | EA  | CLIP-CABLE, FOR REMOTE                                  |
| 088246-02-000   | EA  | ADJUSTER-SEAT/CHAIR, W/O LOCK - FORWARD & BACK          |
| 088246-05-700   | EA  | SPRING SLIDE ADJUSTER                                   |
| 088585-20-000   | EA  | BAR-SEAT BELT, BUCKET SEATS - 20"                       |
| 088585-08-000   | EA  | BASE-BUCKET SEAT, BOLTS TO FLOOR - VERTICAL P           |

**BUCKET SEAT SKIRT**

| KEY PART NUMBER | U/M | DESCRIPTION                            |
|-----------------|-----|--|
| 071128-24-AD2   | EA  | SKIRT-BUCKET SEAT, B25 - DUSTY BLUE    |
| 071128-24-028   | EA  | SKIRT-BUCKET SEAT, B28 - TRUFFLE BROWN |

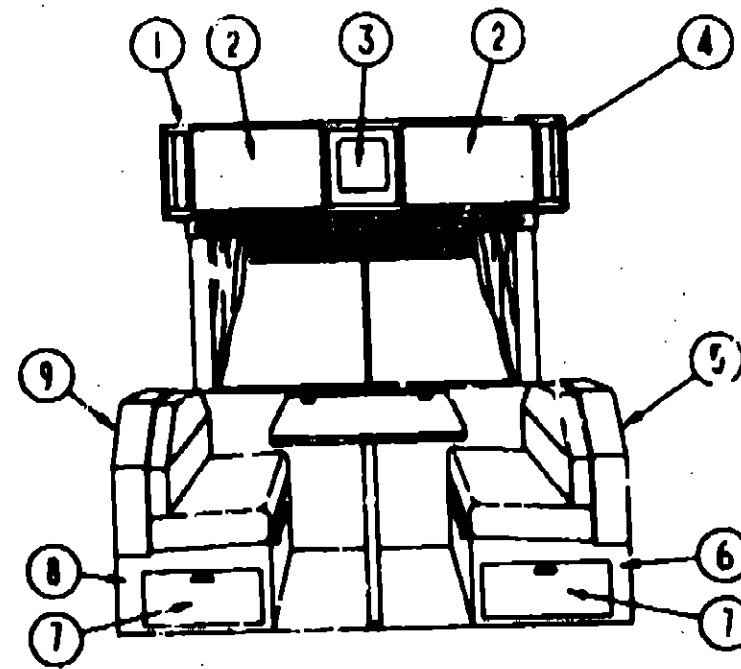
**TABLE OF CONTENTS**

|                    |             |
|--------------------|-------------|
| INTRODUCTION       | A-01        |
| ABBREVIATIONS      | A-01        |
| ALPHABETICAL INDEX | A-02 - A-04 |
| ICF23EC            | A-05 - D-17 |
| ICF30EU            | D-19 - H-22 |

**1991 ICF23EC INDEX**

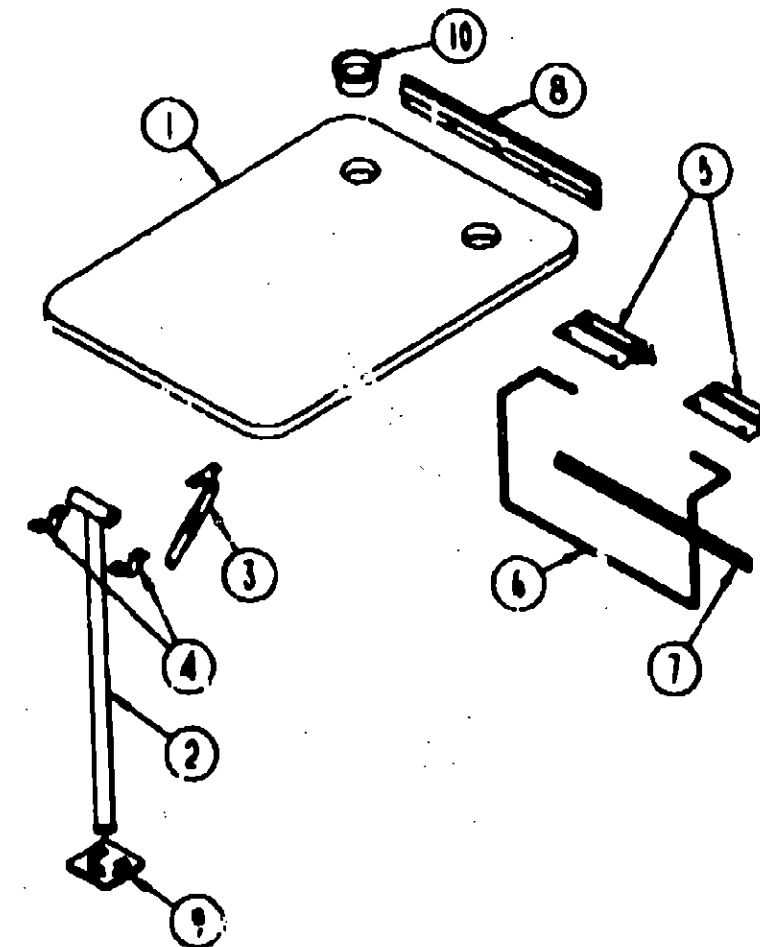
|                                |             |
|--------------------------------|-------------|
| FLOOR PLAN                     | A-05 - A-08 |
| ACCESSORIES                    | A-07 - A-10 |
| BATH                           | A-11 - A-13 |
| BEDROOM                        | A-14        |
| CHASSIS                        | A-15 - A-18 |
| CC & PAD                       | A-17 - B-02 |
| DNETTE                         | B-03 - B-04 |
| DRIVERS                        | B-05 - B-14 |
| ELECTRICAL                     | B-15 - B-18 |
| EXTERIOR BODY                  | B-19 - B-24 |
| GALLEY                         | C-01 - C-08 |
| HEATING & AC                   | C-07 - C-12 |
| INTERIOR FINISH                | C-13 - C-16 |
| LABEL                          | C-17        |
| LP                             | C-18        |
| SEALANTS & FASTENERS           | C-19 - C-20 |
| WATER & SEWAGE                 | C-21 - D-01 |
| WINDOW, VENT AND EXTERIOR DOOR | D-02 - D-17 |

## DINETTE GROUP



OVERHEAD CABINET & COMPONENTS

## DINETTE GROUP (CONTINUED)



DINETTE TABLE & COMPONENTS

### TABLE OF CONTENTS

|                    |             |
|--------------------|-------------|
| INTRODUCTION       | A-01        |
| ABBREVIATIONS      | A-01        |
| ALPHABETICAL INDEX | A-02 - A-04 |
| ICF23EC            | A-05 - D-17 |
| ICF30EU            | D-19 - H-22 |

### 1991 ICF23EC INDEX

|                                |             |
|--------------------------------|-------------|
| FLOOR PLAN                     | A-05 - A-06 |
| ACCESSORIES                    | A-07 - A-10 |
| BATH                           | A-11 - A-13 |
| BEDROOM                        | A-14        |
| CHASSIS                        | A-15 - A-16 |
| C C & PAD                      | A-19 - B-02 |
| DINETTE                        | B-03 - B-04 |
| DRIVERS                        | B-05 - B-14 |
| ELECTRICAL                     | B-15 - B-16 |
| EXTERIOR BODY                  | B-19 - B-24 |
| GALLEY                         | C-01 - C-06 |
| HEATING & A/C                  | C-07 - C-12 |
| INTERIOR FINISH                | C-13 - C-16 |
| LABEL                          | C-17        |
| LP                             | C-18        |
| CEALANTS & FASTENERS           | C-19 - C-20 |
| WATER & SEWAGE                 | C-21 - D-01 |
| WINDOW, VENT AND EXTERIOR DOOR | D-02 - D-17 |

### KEY PART NUMBER

1 M03072-11-B25  
2 P00099-28-R25  
3 023040-01-000  
4 084097-01-000  
5 084590-01-B25  
6 M09079-01-B25  
7 M03078-01-B2L  
8 P00099-24-B25  
9 M03074-02-B25

### U/M DESCRIPTION

EA CABINET-OVERHEAD, DINETTE - W/O DOORS OR HARDWARE  
EP DOOR-CABINET, OVERHEAD - W/O HARDWARE - 12" X 25"  
EA GRILLE-SPEAKER, 8.5" SQUARE (ON OVERHEAD CABINET)  
EA SPEAKER-RADIO, W/O GRILLE - AUDIOVOX 110C3030 8.25" DIAMETER  
EA END CAP-CABINET, OVERHEAD  
EA CABINET-BACKREST FRONT - W/O HARDWARE  
EA CABINET-BEATBASE FRONT - W/O DOOR OR HARDWARE  
EA DOOR-CABINET, SEATBASE - W/O HARDWARE - 10" X 19"  
EA CABINET-BEATBASE REAR - W/O DOOR OR HARDWARE  
EA CABINET-BACKREST REAR - W/O HARDWARE

### SEATBELTS

### KEY PART NUMBER

067759-01-000  
000039-08-008  
010044-07-008  
010021-01-000  
065271-02-010

### U/M DESCRIPTION

EA WASHER BRACKET-BEAT BELT, 4" DIAMETER  
EA NUT-HEX, 8/16 FLG LK - 3/8-16 ZN  
EA NUT-HEX, 8/16 FLG LK - 7/16-20 ZN  
EA BELT-BEAT, 2" X 90" - BLACK  
EA BELT-BEAT, 2" X 72" - BLACK

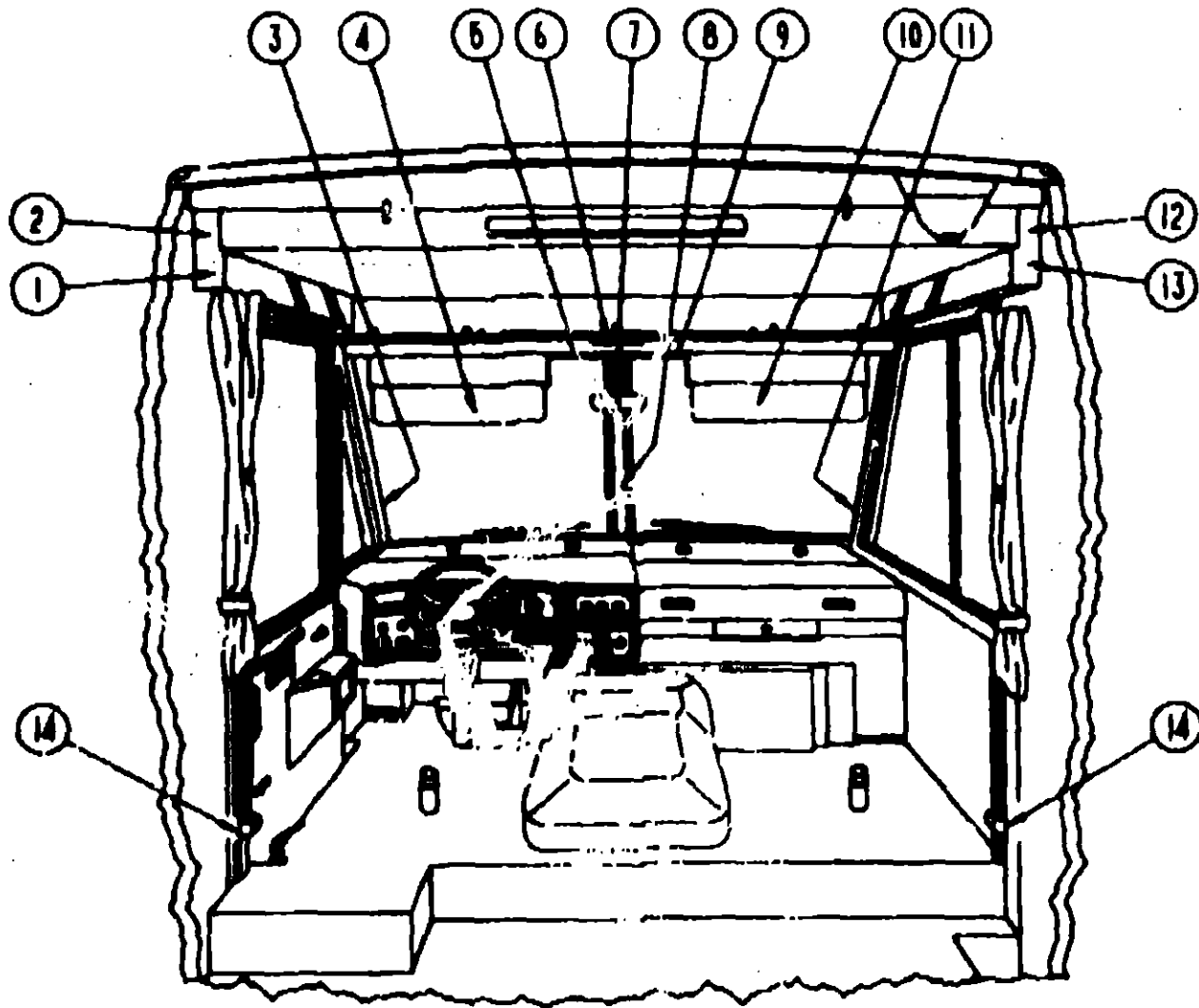
### KEY PART NUMBER

1 M02115-09-B03  
000067-10-120  
004354-01-000  
2 024278-21-000  
3 024282-01-700  
4 024283-01-000  
5 084050-03-000  
6 088410-01-000  
7 024275-05-000  
8 024261-07-000  
9 063200-06-000  
048483-11-700  
10 084781-08-000  
088297-01-000  
074498-38-000  
078325-30-000  
  
078325-28-000  
  
004354-01-000

### U/M DESCRIPTION

EA TABLE DINETTE, W/O EDGE BAND OR HARDWARE  
EA SCREW-10-12X.75 PPH TAN  
EA BUMPER-CABINET DOOR, RUBBER - BROWN  
EA LEG-TABLE, BEIGE  
EA BRACE-TABLE LEG, HINGED  
EA CLIP-LEG, 1" X 1.125" OD - BLACK  
EA CLAMP-BAND, LEG HINGE - TAN  
EA BRACKET-LIFT, TABLE MOUNTED - BEIGE  
EA ROD-TABLE LIFT, 8" X 23.5" - BEIGE  
EA BRACKET-LIFT ROD, LOWER WALL MOUNTED - 22.12" - BEIGE  
EA BRACKET-TABLE SUPPORT, UPPER WALL MOUNTED - 23.5" - BEIGE  
EA CATCH-TABLE LEG, FLOOR MOUNTED - BEIGE  
EA HOLDER-CUP, TWO STEP - OFF WHITE  
BF PLYWOOD-LUAN, OVERLAY GRADE - 4' X 8' - INC OF 32 BF  
BF LAMINATE-PLASTIC, 5' X 11' - INCREMENTS OF 40 BF  
FT MOLDING-EDGE BAND, 1 5/16"  
  
FROM: 00-00-00 THRU: 06-97-99  
FT MOLDING-EDGE BAND, 1 5/16"  
FROM: 06-20-00 THRU: 99-99-99  
EA BUMPER-CABINET DOOR, RUBBER - BROWN

**DRIVERS COMPARTMENT GROUP**



**UPPER TRIM COMPONENTS W/SUNK**

| KEY PART NUMBER  | UM DESCRIPTION   |
|------------------|--|
| 1 101498-02-803  | EA BOTTOM-SIDEWALL TRIM, DRIVER - 37.2" X 3" - VINYL WRAPPED<br>FROM: 00-00-00 THRU: 01-08-91  |
| 1 101498-02-804  | EA BOTTOM-SIDEWALL TRIM, DRIVER - 37.2" X 3" - VINYL WRAPPED<br>FROM: 01-07-91 THRU: 99-99-99  |
| 2 101497-02-803  | EA TRIM-SIDEWALL, UPPER DRIVER - 37.5" X 9.3" - VINYL WRAPPED<br>FROM: 00-00-00 THRU: 01-08-91 |
| 2 101497-02-804  | EA TRIM-SIDEWALL, UPPER DRIVER - 37.5" X 9.3" - VINYL WRAPPED<br>FROM: 01-07-91 THRU: 99-99-99 |
| 3 078208-08-000  | EA TRIM POST-WINDSHIELD, DRIVER CORNER - METAL - GRAY<br>FROM: 00-00-00 THRU: 01-08-91         |
| 3 078208-12-000  | EA TRIM POST-WINDSHIELD, DRIVER CORNER - METAL - BLACK<br>FROM: 01-07-91 THRU: 99-99-99        |
| 4 082288-01-U18  | EA SUNVISOR-DRIVER/PASSENGER - GRAY<br>FROM: 00-00-00 THRU: 01-07-91                           |
| 4 082288-01-803  | EA SUNVISOR-DRIVER/PASSENGER, OFF WHITE<br>FROM: 01-08-91 THRU: 99-99-99                       |
| 5 078578-04-000  | EA TRIM-WINDSHIELD, UPPER DRIVER SIDE - PLASTIC - GRAY<br>FROM: 00-00-00 THRU: 01-08-91        |
| 5 078578-08-000  | EA TRIM-WINDSHIELD, UPPER DRIVER SIDE - PLASTIC - BEIGE<br>FROM: 01-07-91 THRU: 99-99-99       |
| 6 088280-01-000  | EA LIGHT-SURFACE MOUNT, 12V - JENSEN 1236  |
| 6 088280-01-700  | EA BULB-SURFACE MOUNT LIGHT, 12V - 6W  |
| 7 040714-01-700  | EA MIRROR-REAR VIEW W/ARM MOUNT & SET SCREW - GM # 911722                                      |
| 8 081106-01-AA8  | EA TRIM-HEADER, ROUTED, SHAPED WC OD - 1.7" X 83.75"   |
| 8 078785-04-000  | EA TRIM-CENTER WINDSHIELD, PLASTIC - GRAY<br>FROM: 00-00-00 THRU: 31-08-91                     |
| 8 078785-08-000  | EA TRIM-CENTER WINDSHIELD, PLASTIC - BEIGE<br>FROM: 01-07-91 THRU: 99-99-99                    |
| 9 078578-03-000  | EA TRIM-WINDSHIELD, UPPER PASSENGER SIDE - PLASTIC - GRAY<br>FROM: 00-00-00 THRU: 01-08-91     |
| 9 078578-06-000  | EA TRIM-WINDSHIELD, UPPER PASSENGER SIDE - PLASTIC - BEIGE<br>FROM: 01-07-91 THRU: 99-99-99    |
| 10 082288-01-U18 | EA SUNVISOR-DRIVER/PASSENGER - GRAY<br>FROM: 00-00-00 THRU: 01-07-91                           |

**DRIVERS COMPARTMENT GROUP CONTINUED**

**UPPER TRIM COMPONENTS (CONT)**

| KEY PART NUMBER  | UM DESCRIPTION   |
|------------------|--|
| 10 082288-01-803 | EA SUNVISOR-DRIVER/PASSENGER, OFF WHITE<br>FROM: 01-08-91 THRU: 99-99-9910                   |
| 007211-01-000    | EA HINGE-SUNVISOR  |
| 074012-01-000    | EA CLIP-SUNVISOR, SQUARE - PINCH ON  |
| 098708-01-000    | EA MOUNT-SUNVISOR, CLIP TYPE - BLACK   |
| 102377-01-000    | EA BRACKET-SUNVISOR, 1 PIECE - STEEL<br>FROM: 00-24-90 THRU: 99-99-99                        |
| 11 078208-06-000 | EA TRIM POST-WINDSHIELD, PASSENGER CORNER - METAL - GRAY<br>FROM: 00-00-00 THRU: 01-08-91    |
| 11 078208-11-000 | EA TRIM POST WINDSHIELD, PASSENGER CORNER - METAL - BLACK<br>FROM: 01-07-91 THRU: 99-99-99   |
| 12 101497-01-803 | EA TRIM-SIDEWALL, UPPER PASS - 37.5" X 9.3" - VINYL WRAPPED<br>FROM: 00-00-00 THRU: 01-08-91 |
| 12 101497-01-804 | EA TRIM-SIDEWALL, UPPER PASS - 37.5" X 9.3" - VINYL WRAPPED<br>FROM: 01-07-91 THRU: 99-99-99 |
| 13 101498-01-803 | EA BOTTOM-SIDEWALL TRIM, PASS - 37.2" X 3" - VINYL WRAPPED<br>FROM: 00-00-00 THRU: 01-08-91  |
| 13 101498-01-804 | EA BOTTOM-SIDEWALL TRIM, PASS - 37.2" X 3" - VINYL WRAPPED<br>FROM: 01-07-91 THRU: 99-99-99  |
| 14 091890-01-01A | EA SEAT BELT-SHOULDER HARNESS - DRIVER/PASSENGERS - BLACK                                    |
| 048888-03-000    | EA ASHTRAY-CHROME, W/COVER   |
| 100824-01-803    | EA PANEL-HEADLINER, 80.2" X 13" END - VINYL - GRAY<br>FROM: 00-00-00 THRU: 01-08-91          |
| 100824-01-804    | EA PANEL-HEADLINER, 80.2" X 13" END - VINYL - OFF WHITE<br>FROM: 01-07-91 THRU: 99-99-99     |
| 078811-06-803    | EA BOTTOM-HEADLINER, W/SPEAKER CUTOUTS - VINYL - GRAY<br>FROM: 00-00-00 THRU: 01-08-91       |
| 078811-06-811    | EA BOTTOM-HEADLINER, W/SPEAKER CUTOUTS - VINYL - OFF WHITE<br>FROM: 01-07-91 THRU: 99-99-99  |

**WINDSHIELD & CAB WINDOW CURTAIN TRACKS**

| KEY PART NUMBER | UM DESCRIPTION  |
|-----------------|---|
| 101588-01-803   | EA TRACK-CURTAIN, HOOK - 88" FRONT SECTION CURVED 34° AL<br>PASS SIDE - GRAY<br>FROM: 04-28-90 THRU: 12-02-90 |
| 101588-01-804   | EA TRACK-CURTAIN, HOOK - 88" FRONT SECTION CURVED 34° AL<br>PASS SIDE - OFF WHITE                             |
| 094888-08-01A   | EA TRACK-DOOR/CURTAIN, 37.6" - GRAY<br>FROM: 12-03-90 THRU: 99-99-99  |
| 084888-08-02A   | EA TRACK-DOOR/CURTAIN, 37.6" - OFF WHITE<br>FROM: 04-28-90 THRU: 12-02-90<br>FROM: 12-03-90 THRU: 99-99-99    |

**ROLL BAR COVERS**

| KEY PART NUMBER | UM DESCRIPTION   |
|-----------------|--|
| 024700-32-000   | EA COVER-ROLL BAR, U-CHANNEL - 57.25" - PLASTIC - GRAY<br>FROM: 00-00-00 THRU: 01-08-91      |
| 024700-41-000   | EA COVER-ROLL BAR, U-CHANNEL - 57.25" - PLASTIC - OFF WHITE<br>FROM: 01-07-91 THRU: 99-99-99 |

**ROLL BAR COVERS USED W/DRIVERS DOOR**

| KEY PART NUMBER | UM DESCRIPTION  |
|-----------------|---|
| 024700-33-000   | EA COVER-ROLL BAR, U CHANNEL - 15.25" - PLASTIC - GRAY<br>FROM: 00-00-00 THRU: 01-08-91 |
| 024700-38-000   | EA COVER-ROLL BAR, 15.25" - PLASTIC - OFF WHITE<br>FROM: 01-07-91 THRU: 99-99-99        |
| 024700-34-000   | EA COVER-ROLL BAR, U CHANNEL - 33.9" - PLASTIC - GRAY<br>FROM: 00-00-00 THRU: 01-08-91  |

**TABLE OF CONTENTS**

|                    |             |
|--------------------|-------------|
| INTRODUCTION       | A-01        |
| ABBREVIATIONS      | A-01        |
| ALPHABETICAL INDEX | A-02 - A-04 |
| ICF20EC            | A-06 - D-17 |
| ICF30EU            | D-18 - H-22 |

**1991 ICF20EC INDEX**

|                                |             |
|--------------------------------|-------------|
| FLOOR PLAN                     | A-05 - A-08 |
| ACCESSORIES                    | A-07 - A-10 |
| BATH                           | A-11 - A-13 |
| BEDROOM                        | A-14        |
| CHASSIS                        | A-15 - A-18 |
| C C & PA                       | A-19 - B-02 |
| DNETTE                         | B-03 - B-04 |
| DRIVER                         | B-05 - B-14 |
| ELECTRICAL                     | B-15 - B-18 |
| EXTERIOR BODY                  | B-19 - B-24 |
| GALLEY                         | C-01 - C-08 |
| HEATING & AC                   | C-07 - C-12 |
| INTERIOR FINISH                | C-13 - C-18 |
| LABEL                          | C-17        |
| LP                             | C-18        |
| SEALANTS & FASTENERS           | C-19 - C-20 |
| WATER & SEWAGE                 | C-21 - D-01 |
| WINDOW, VENT AND EXTERIOR DOOR | D-02 - D-17 |

**DRIVERS COMPARTMENT GROUP (CONTINUED)**

1991 FORD & 1991 DIESEL

KEY PART NUMBER U/M DESCRIPTION  
100390-04-01A EA BEZEL-INSTRUMENT PANEL, BLACK MATTE

1991 CHEVY

KEY PART NUMBER U/M DESCRIPTION  
102344-01-000 EA WIRE ASM-INSTRUMENT PANEL, MAIN - 1991 CHEVY CHASSIS  
007940-01-000 EA RECEPTACLE SLIDE, 18 TO 12 AWG

MOTOR COVER

KEY PART NUMBER U/M DESCRIPTION  
078884-01-000 EA BRACKET-MOUNTING, MOTOR COVER  
078883-01-000 EA COVER-MOTOR W/O CARPET  
002784-01-001 EA ANGLE-EXTRUDED, .75" X .75" X 18" - MILL ALUMINUM  
088833-01-000 FT SEAL-MOTOR COVER, RUBBER BULB TYPE - BLACK  
080844-01-000 EA TRIM-MOTOR COVER, METAL - SCREWS TO FLOOR  
002754-01-001 EA ANGLE-EXTRUDED, .75" X .75" X 18" - MILL ALUMINUM

DIESEL ENGINE (OPTION L330)

KEY PART NUMBER U/M DESCRIPTION  
072877-01-000 EA INSULATION-SOUND BARRIER  
072878-01-000 EA INSULATION-SOUND BARRIER PAD, 29.25" X 40.18"  
M01113-81-803 EA DASH ASSEMBLY W/RADIO - DIESEL, 91 CHEVY - 90 CHASSIS  
FROM: 00-00-00 THRU: 09-16-90  
M78088-03-000 EA SUPPORT-DASH, 90.8" - METAL - BLACK  
038848-02-000 EA RETAINER-DASH, 3" X 1.5"  
078007-01-000 EA SUPPORT-RADIO  
009118-01-000 EA LOCK-TWIST W/NUT, GLOVE COMPARTMENT  
022219-01-000 EA DOOR-GLOVE COMPARTMENT, BLACK  
023834-01-000 EA PANEL-KNEE KICK, 3.25" X 45.38" - BLACK  
023892-01-000 EA BOX-GLOVE COMPARTMENT, FIBERBOARD - BLACK  
024588-01-000 EA HINGE-PIANO, GLOVE COMPARTMENT - 1 1/16" X 18"  
038848-01-000 EA RETAINER-DASH, 1" X 1/2"  
038848-02-000 EA RETAINER-DASH, 3" X 1.5"  
038044-01-000 EA LOUVER-ADJUSTABLE A/C, 2.5" X 5.75"  
078088-04-000 EA TOP-PADDED DASH, DRIVERS SIDE - VINYL COVERED - GRAY  
FROM: 00-00-00 THRU: 10-29-90  
078088-04-000 EA TOP-PADDED DASH, DRIVERS SIDE - VINYL COVERED - GRAY  
FROM: 10-30-90 THRU: 99-99-99  
078088-02-000 EA TOP-PADDED DASH, PASSENGER SIDE - VINYL COVERED - GRAY  
088294-01-000 EA LIGHTER ASM-CIGARETTE  
080882-01-000 EA RADIO-AM/FM CASSETTE, ELECTRIC TUNE - AUDIOVOX HCC-10  
083381-01-000 EA SWITCH-RADIO, MAIN TO AUXILIARY  
100390-03-01A EA BEZEL-ENTERTAINMENT CENTER, BLACK MATTE  
100390-04-01A EA BEZEL-INSTRUMENT PANEL, BLACK MATTE  
M01113-87-803 EA DASH-COMPLETE, W/RADIO  
FROM: 09-17-90 THRU: 99-99-99

M78088-03-000 EA SUPPORT-DASH, 90.8" - METAL - BLACK  
038848-02-000 EA RETAINER-DASH, 3" X 1.5"  
000311-09-12D EA SCREW, 8-18 X 3/4 PPH - BLACK  
000339-08-18T EA SCREW-SF/DR, 8-18 X 1 PPH - BLACK  
005081-01-000 EA NUT-SPEED, C TYPE - NO 8 SCREW  
007083-01-000 EA FLASHER-SIGNAL STAT  
008343-01-000 EA TIE-WIRE, 6"  
009118-01-000 EA LOCK-TWIST W/NUT, GLOVE COMPARTMENT  
022219-01-000 EA DOOR-GLOVE COMPARTMENT, BLACK  
023834-01-000 EA PANEL-KNEE KICK, 3.25" X 45.38" - BLACK  
023892-01-000 EA BOX-GLOVE COMPARTMENT, FIBERBOARD - BLACK  
024588-01-000 EA HINGE-PIANO, GLOVE COMPARTMENT - 1 1/16" X 18"  
038048-01-000 EA HINGE-ALUMINUM, NO HOLES - 1 1/16" X 6" - UNPAINTED  
031048-04-000 EA PLATE-SWITCH COVER, BLACK  
031048-05-000 EA PLATE-GAUGE COVER, BLACK  
038848-01-000 EA RETAINER-DASH, 1" X 1/2"  
038848-02-000 EA RETAINER-DASH, 3" X 1.5"  
038044-01-000 EA LOUVER-ADJUSTABLE A/C, 2.5" X 5.75"  
081424-01-000 EA LIGHT-AISLE, 12V - RECTANGULAR  
082401-05-000 EA CLAMP-HOSE, WORMGEAR - 2" X 3"  
082901-05-000 EA FUSE-15 AMPS, AUTOMOTIVE  
078088-04-000 EA TOP-PADDED DASH, DRIVERS SIDE - VINYL COVERED - BEIGE

**DRIVERS COMPARTMENT GROUP (CONTINUED)**

DIESEL ENGINE (OPTION L330) CONT

KEY PART NUMBER U/M DESCRIPTION  
078088-03-000 EA TOP-PADDED DASH, PASSENGER SIDE - VINYL COVERED - BEIGE  
087708-01-000 EA MOUNTING KIT-RADIO, AUDIOVOX  
088294-01-000 EA LIGHTER ASM-CIGARETTE  
080882-01-000 EA RADIO-AM/FM CASSETTE, ELECTRIC TUNE - AUDIOVOX HCC-10  
083381-01-000 EA SWITCH-RADIO, MAIN TO AUXILIARY  
100390-04-01A EA BEZEL-ENTERTAINMENT CENTER, BLACK MATTE

DIESEL EXPORT (OPTION L888)

KEY PART NUMBER U/M DESCRIPTION  
072878-01-000 EA INSULATION-SOUND BARRIER PAD, 29.25" X 40.18"  
M01113-81-803 EA DASH ASSEMBLY W/RADIO - DIESEL, 91 CHEVY - 90 CHASSIS  
FROM: 00-00-00 THRU: 09-16-90  
M01113-37-803 EA DASH-COMPLETE, W/RADIO  
FROM: 09-17-90 THRU: 99-99-99  
M78088-03-000 EA SUPPORT-DASH, 90.8" - METAL - BLACK  
FROM: 01-07-91 THRU: 99-99-99  
038848-02-000 EA RETAINER-DASH, 3" X 1.5"  
078007-01-000 EA SUPPORT-RADIO  
009118-01-000 EA LOCK-TWIST W/NUT, GLOVE COMPARTMENT  
022219-01-000 EA DOOR-GLOVE COMPARTMENT, BLACK  
023834-01-000 EA PANEL-KNEE KICK, 3.25" X 45.38" - BLACK  
023892-01-000 EA BOX-GLOVE COMPARTMENT, FIBERBOARD - BLACK  
024588-01-000 EA HINGE-PIANO, GLOVE COMPARTMENT - 1 1/16" X 18"  
038848-01-000 EA RETAINER-DASH, 1" X 1/2"  
038848-02-000 EA RETAINER-DASH, 3" X 1.5"  
038044-01-000 EA LOUVER-ADJUSTABLE A/C, 2.5" X 5.75"  
078088-04-070 EA TOP-PADDED DASH, DRIVERS SIDE - VINYL COVERED - GRAY  
FROM: 00-00-00 THRU: 09-16-90  
078088-05-000 EA TOP-PADDED DASH, DRIVERS SIDE - VINYL COVERED - BEIGE  
FROM: 09-17-90 THRU: 99-99-99  
078088-02-000 EA TOP-PADDED DASH, PASSENGER SIDE - VINYL COVERED - GRAY  
FROM: 00-00-00 THRU: 09-16-90  
078088-03-000 EA TOP-PADDED DASH, PASSENGER SIDE - VINYL COVERED - BEIGE  
FROM: 09-17-90 THRU: 99-99-99  
100390-03-01A EA BEZEL-ENTERTAINMENT CENTER, BLACK MATTE  
FROM: 00-00-00 THRU: 09-16-90  
100390-04-01A EA BEZEL-ENTERTAINMENT CENTER, BLACK MATTE  
FROM: 09-17-90 THRU: 99-99-99  
100390-01-01A EA BEZEL-INSTRUMENT PANEL, BLACK MATTE  
FROM: 00-00-00 THRU: 09-16-90  
100390-04-01A EA BEZEL-INSTRUMENT PANEL, BLACK MATTE  
FROM: 09-17-90 THRU: 99-99-99

110 V INVERTOR OPTION L40F

KEY PART NUMBER U/M DESCRIPTION  
100824-04-B03 EA PANEL-VINYL COVERED, 90.2" - W/4 CUTOUTS - GRAY  
FROM: 00-00-00 THRU: 01-08-91  
100824-04-B04 EA PANEL-VINYL COVERED, 90.2" - W/4 CUTOUTS - OFF WHITE  
FROM: 01-07-91 THRU: 99-99-99

110 V INVERTOR OPTION L40F

KEY PART NUMBER U/M DESCRIPTION  
100824-05-B03 EA PANEL-VINYL COVERED, 90.2" - W/3 CUTOUTS - GRAY  
FROM: 00-00-00 THRU: 01-08-91  
100824-05-B04 EA PANEL-VINYL COVERED, 90.2" - W/3 CUTOUTS - OFF WHITE  
FROM: 01-07-91 THRU: 99-99-99

**TABLE OF CONTENTS**

|                    |             |
|--------------------|-------------|
| INTRODUCTION       | A-01        |
| ABBREVIATIONS      | A-01        |
| ALPHABETICAL INDEX | A-02 - A-04 |
| ICF23EC            | A-05 - D-17 |
| ICF3DEU            | D-19 - H-22 |

**1991 ICF23EC INDEX**

|                                |             |
|--------------------------------|-------------|
| FLOOR PLAN                     | A-03 - A-06 |
| ACCESSORIES                    | A-07 - A-10 |
| BATH                           | A-11 - A-13 |
| BEDROOM                        | A-14        |
| CHASSIS                        | A-15 - A-18 |
| C C & PAD                      | A-19 - B-02 |
| DRINETTE                       | B-03 - B-04 |
| DRIVERS                        | B-05 - B-14 |
| ELECTRICAL                     | B-15 - B-18 |
| EXTERIOR BODY                  | B-19 - B-24 |
| GALLEY                         | C-01 - C-08 |
| HEATING & A/C                  | C-07 - C-12 |
| INTERIOR FINISH                | C-13 - C-18 |
| LABEL                          | C-19        |
| LP                             | C-16        |
| SEALANTS & FASTENERS           | C-19 - C-20 |
| WATER & SEWAGE                 | C-21 - D-01 |
| WINDOW, VENT AND EXTERIOR DOOR | D-02 - D-17 |



**DRIVERS COMPARTMENT GROUP (CONTINUED)**

**CANADIAN EXPORT (OPT 288)**

| KEY PART NUMBER | U/M DESCRIPTION   |
|-----------------|---|
| 084768-01-000   | EA CLUSTER-INSTRUMENT PANEL, KILOMETERS - GAS - GM# 2508<br>FROM: 00-00-00 THRU: 02-28-91 |
| 084768-03-000   | EA CLUSTER-INSTRUMENT PANEL, KILOMETERS - GAS - GM# 1813<br>FROM: 03-01-91 THRU: 99-99-99 |
| 100138-01-000   | EA MODULE-DAYTIME RUNNING LIGHT   |
| 100158-01-000   | EA WIRE ASM-DAYTIME RUNNING LIGHTS  |
| 100159-01-000   | EA WIRE ASM-DAYTIME RUNNING LIGHTS, W/FUSE<br>FROM: 00-00-00 THRU: 02-28-91               |

**JAPAN EXPORT (OPT 848)**

| KEY PART NUMBER | U/M DESCRIPTION  |
|-----------------|--|
| 084768-01-000   | EA CLUSTER-INSTRUMENT PANEL, KILOMETERS - GAS - GM# 2508 |

**HOOD RELEASE & STEERING COLUMN COVERS**

| KEY PART NUMBER | U/M DESCRIPTION  |
|-----------------|--|
| 077407-01-000   | EA BRACKET-HOOD RELEASE CABLE  |
| 074178-01-000   | EA BRACKET-HOOD RELEASE - BLACK<br>FROM: 00-00-00 THRU: 02-28-91           |
| 040984-01-000   | EA COVER-STEERING COLUMN, PLASTIC - BLACK<br>FROM: 00-00-00 THRU: 02-28-91 |
| 078348-01-000   | EA BOOT-STEERING COLUMN, VINYL - BLACK<br>FROM: 00-00-00 THRU: 02-28-91    |

**ROLL BAR COVER WHERE SEAT BELTS MOUNT PASSENGER SIDE**

| KEY PART NUMBER | U/M DESCRIPTION  |
|-----------------|--|
| 084700-32-000   | EA COVER-ROLL BAR, U-CHANNEL - 57.25" - PLASTIC - GRAY<br>FROM: 00-00-00 THRU: 01-08-91      |
| 084700-41-000   | EA COVER-ROLL BAR, U-CHANNEL - 57.25" - PLASTIC - OFF WHITE<br>FROM: 01-07-91 THRU: 99-99-99 |

**SEATBELT**

| KEY PART NUMBER | U/M DESCRIPTION   |
|-----------------|---|
| 081880-01-01A   | EA SEAT BELT-SHOULDER HARNESS - DRIVER/PASSENGERS - BLACK |
| 081880-01-700   | EA COVER-BOLT, SEATBELT - BLACK                           |
| 081880-02-01A   | EA BRACKET-DRIVERS SEAT BELT, FLOOR MOUNT                 |

**HEADLINER, TV - VCR - CONTROL CENTER (OPTION L43 X) U.S. & CANADIAN**

| KEY PART NUMBER | U/M DESCRIPTION   |
|-----------------|---|
| 100624-03-803   | EA PANEL-HEADLINER, 80.2" X 13" END - VINYL - GRAY - WITH THREE CUTOUTS<br>FROM: 00-00-00 THRU: 01-08-91      |
| 100624-03-804   | EA PANEL-HEADLINER, 80.2" X 13" END - VINYL - OFF WHITE - WITH THREE CUTOUTS<br>FROM: 01-07-91 THRU: 99-99-99 |

**HEADLINER, TV (OPTION L43U)**

| KEY PART NUMBER | U/M DESCRIPTION   |
|-----------------|---|
| 100624-02-803   | EA PANEL-HEADLINER, 80.2" X 13" END - VINYL - GRAY - WITH TWO CUT OUTS<br>FROM: 00-00-00 THRU: 01-08-91 |
| 100624-02-804   | EA PANEL-HEADLINER, 80.2" X 13" END - VINYL - GRAY - WITH TWO CUT OUTS<br>FROM: 01-07-91 THRU: 99-99-99 |

**METRIC INSTRUMENT PANEL CLUSTER (OPTION L27D) CHEVY**

| KEY PART NUMBER | U/M DESCRIPTION   |
|-----------------|---|
| 084768-01-000   | EA CLUSTER-INSTRUMENT PANEL, KILOMETERS - GAS - GM# 2508<br>FROM: 00-00-00 THRU: 11-01-90 |
| 084768-03-000   | EA CLUSTER-INSTRUMENT PANEL, KILOMETERS - GAS - GM# 1813<br>FROM: 11-02-90 THRU: 99-99-99 |
| 100138-01-000   | EA MODULE-DAYTIME RUNNING LIGHT   |
| 100158-01-000   | EA WIRE ASM-DAYTIME RUNNING LIGHTS  |
| 100159-01-000   | EA WIRE ASM-DAYTIME RUNNING LIGHTS, W/FUSE<br>FROM: 00-00-00 THRU: 02-28-91               |

**METRIC INSTRUMENT PANEL CLUSTER (OPTION L27D) CHEVY**

| KEY PART NUMBER | U/M DESCRIPTION   |
|-----------------|---|
| 084768-04-000   | EA CLUSTER-INSTRUMENT PANEL, KILOMETERS - DIESEL - GM#18<br>FROM: 08-17-90 THRU: 99-99-99 |
| 100138-01-000   | EA MODULE-DAYTIME RUNNING LIGHT   |
| 100158-01-000   | EA WIRE ASM-DAYTIME RUNNING LIGHTS  |
| 100159-01-000   | EA WIRE ASM-DAYTIME RUNNING LIGHTS, W/FUSE<br>FROM: 00-00-00 THRU: 02-28-91               |

**DRIVERS COMPARTMENT GROUP (CONTINUED)**

**TV & TV CABINET (OPTION L43U)**

| KEY PART NUMBER | U/M DESCRIPTION  |
|-----------------|--|
| 070578-02-U19   | EA BUTTON-SCREW STUD, #30 - VINYL - SMOKE<br>FROM: 00-00-00 THRU: 01-08-91     |
| 070578-02-B10   | EA BUTTON-SCREW STUD, #30 - VINYL - OFF WHITE<br>FROM: 01-07-91 THRU: 99-99-99 |
| 085774-01-000   | FT FASTENER-DIAL HOOK, 1" WIDE - ADHESIVE BACK - BLACK                         |
| 085774-02-000   | FT FASTENER-DUAL LOOP, 1" WIDE - ADHESIVE BACK - BLACK                         |
| 100829-01-803   | EA FACE-CABINET, OVERHEAD - TV   |
| 100822-01-01A   | EA BRACKET-CABINET, TV - OFF WHITE   |
| 100707-01-000   | EA SPACER-DOOR, GLASS  |
| 100708-01-000   | EA DOOR-CABINET, TV - 5.6" X 29.4" - W/O HARDWARE - GLASS                      |
| 100710-01-01A   | EA LOCK-GLASS DOOR, TWIST TYPE - BRASS   |
| 100711-01-01A   | EA HINGE-DOOR, GLASS   |
| 101272-01-000   | EA CATCH-DOOR, GLASS   |
| 101788-01-000   | EA PIN-SUPPORT, GLASS DOOR   |
| 085717-02-000   | EA TIEDOWN, TV   |
| 088819-01-000   | EA SPEAKER-2 WATT, 8 OHM - 4"  |
| 083214-01-02A   | EA GRILL-SPEAKER, 4" BROWN   |
| 088030-01-000   | EA WIRE-SPEAKER, T'  |
| 088637-01-000   | EA GROMMET   |
| 088788-01-000   | EA SPLITTER-TV, 2 WAY  |
| 100828-01-000   | EA SHELF-TV, STEEL   |
| 101180-01-000   | EA SUPPORT-SHELF, TV   |
| 101180-02-000   | EA SUPPORT-SHELF, TV   |

**1991 CHASSIS EXCHANGE (OPTION L81Y) FEDERAL - 12,300**

| KEY PART NUMBER | U/M DESCRIPTION   |
|-----------------|---|
| M01113-84-003   | EA DASH-COMPLETE, W/RADIO - CHEVY   |
| M78088-03-000   | EA SUPPORT-DASH, 80.8" - METAL - BLACK  |
| 038848-02-010   | EA RETAINER-DASH, 3" X 1.5"   |
| 078007-01-000   | EA SUPPORT-RADIO  |
| 008118-01-000   | EA LOCK-TWIST WHUT, GLOVE COMPARTMENT   |
| 022218-01-000   | EA DOOR-GLOVE COMPARTMENT, BLACK  |
| 023834-01-000   | EA PANEL-KNEE KICK, 3.25" X 48.38" - BLACK  |
| 023892-01-000   | EA BOX-GLOVE COMPARTMENT, FIBERBOARD - BLACK  |
| 024481-01-000   | EA SWITCH-BATT, BATT/DUAL/MOM   |
| 024588-01-000   | EA HINGE-PIANO, GLOVE COMPARTMENT - 1 1/16" X 19"   |
| 038848-01-000   | EA RETAINER-DASH, 1" X 1/2"   |
| 038848-02-000   | EA RETAINER-DASH, 3" X 1.5"   |
| 038044-01-000   | EA LOUVER-ADJUSTABLE AC, 2.5" X 5.75"   |
| 078088-04-000   | EA TOP-PADDED DASH, DRIVERS SIDE - VINYL COVERED - GRAY<br>FROM: 00-00-00 THRU: 10-29-90    |
| 078088-04-000   | EA TOP-PADDED DASH, DRIVERS SIDE - VINYL COVERED - GRAY<br>FROM: 10-30-90 THRU: 12-18-90    |
| 078088-05-000   | EA TOP-PADDED DASH, DRIVERS SIDE - VINYL COVERED - BEIGE<br>FROM: 12-19-90 THRU: 99-99-99   |
| 078088-02-000   | EA TOP-PADDED DASH, PASSENGER SIDE - VINYL COVERED - GRAY<br>FROM: 00-00-00 THRU: 12-18-90  |
| 078088-03-000   | EA TOP-PADDED DASH, PASSENGER SIDE - VINYL COVERED - BEIGE<br>FROM: 12-19-90 THRU: 99-99-99 |
| 087708-01-000   | EA MOUNTING KIT-RADIO, AUDIOVOX   |
| 088294-01-000   | EA LIGHTER ASM-CIGARETTE  |
| 080882-01-000   | EA RADIO-AM/FM CASSETTE, ELECTRIC TUNE - AUDIOVOX HCC-10                                    |
| 083391-01-000   | EA SWITCH-RADIO, MAIN TO AUXILIARY  |
| 100388-04-01A   | EA BEZEL-ENTERTAINMENT CENTER, BLACK MATTE  |
| 100388-04-01A   | EA BEZEL-INSTRUMENT PANEL, BLACK MATTE  |

**SIDE OVERHEAD TRIM PANELS**

| KEY PART NUMBER | U/M DESCRIPTION  |
|-----------------|--|
| 101487-04-B03   | EA TRIM-SIDEWALL, UPPER DRIVER - 37.5" X 9.3" - VINYL WRAPPED<br>FROM: 00-00-00 THRU: 01-08-91 |
| 101487-04-B04   | EA TRIM-SIDEWALL, UPPER DRIVER - 37.5" X 9.3" - VINYL WRAPPED<br>FROM: 01-07-91 THRU: 99-99-99 |
| 101488-04-B25   | EA BOTTOM-SIDEWALL TRIM, DRIVER - 34.8" X 3" - VINYL WRAPPED<br>FROM: 00-00-00 THRU: 01-08-91  |
| 101489-04-B11   | EA BOTTOM-SIDEWALL TRIM, DRIVER - 34.8" X 3" - VINYL WRAPPED<br>FROM: 01-07-91 THRU: 99-99-99  |

**TABLE OF CONTENTS**

|                    |             |
|--------------------|-------------|
| INTRODUCTION       | A-01        |
| ABBREVIATIONS      | A-01        |
| ALPHABETICAL INDEX | A-02 - A-04 |
| ICF23EC            | A-05 - D-17 |
| ICF30EU            | D-19 - H-22 |

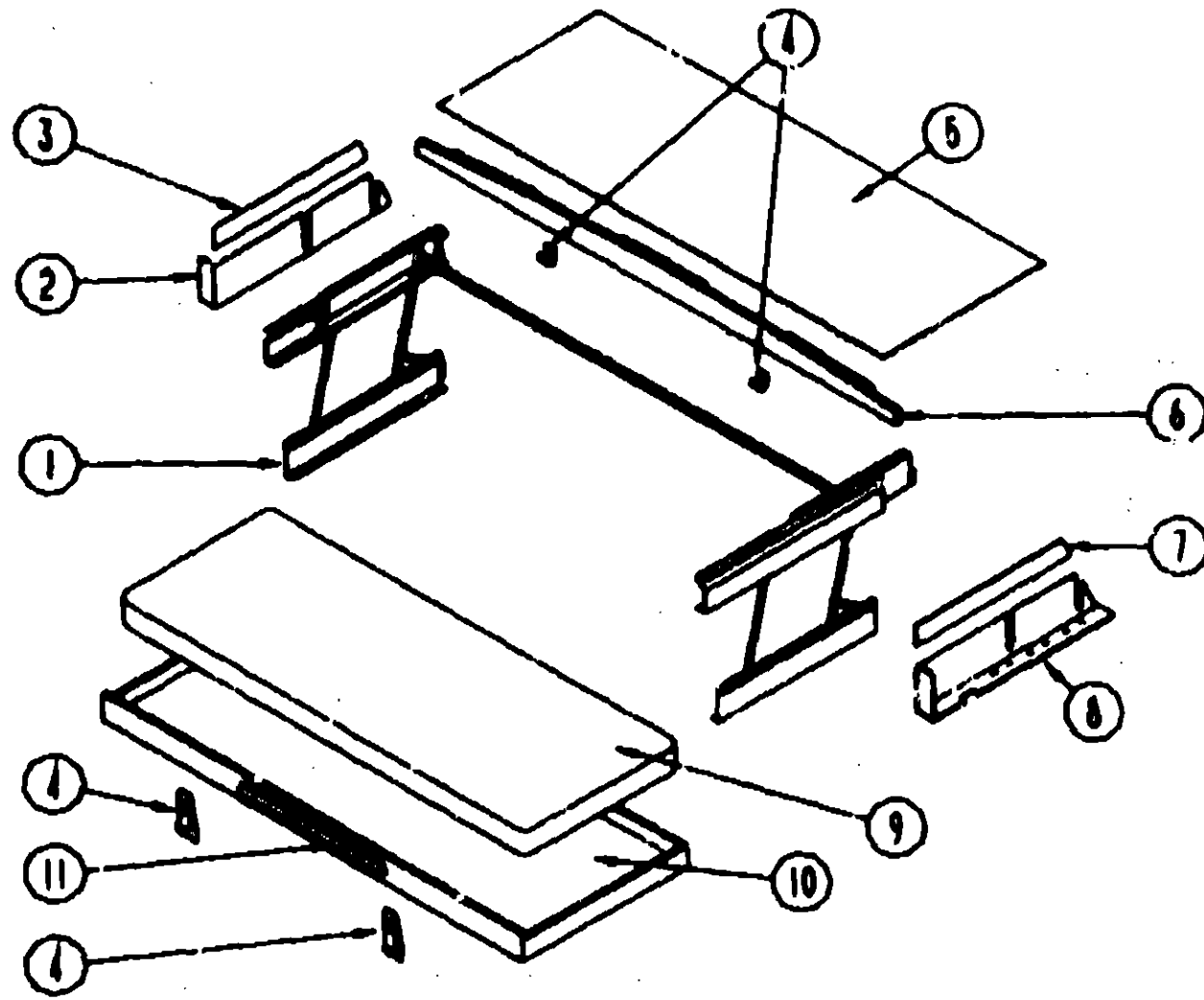
**1991 ICF23EC INDEX**

|                                |             |
|--------------------------------|-------------|
| FLOOR PLAN                     | A-05 - A-08 |
| ACCESSORIES                    | A-07 - A-10 |
| BATH                           | A-11 - A-13 |
| BEDROOM                        | A-14        |
| CHASSIS                        | A-15 - A-18 |
| C C & PAD                      | A-19 - B-02 |
| DNETTE                         | B-03 - B-04 |
| DRIVERS                        | B-05 - B-14 |
| ELECTRICAL                     | B-15 - B-18 |
| EXTERIOR BODY                  | B-19 - B-24 |
| GALLERY                        | C-01 - C-08 |
| HEATING & AC                   | C-07 - C-12 |
| INTERIOR FINISH                | C-13 - C-18 |
| LABEL                          | C-17        |
| LP                             | C-19        |
| SEALANTS & FASTENERS           | C-19 - C-20 |
| WATER & SEWAGE                 | C-21 - D-01 |
| WINDOW, VENT AND EXTERIOR DOOR | D-02 - D-17 |



**DRIVERS COMPARTMENT GROUP (CONTINUED)**

**DRIVERS COMPARTMENT GROUP (CONTINUED)**



**FRONT BUNK-SINGLE (OPT B23)**

| KEY PART NUMBER  | U/M DESCRIPTION  |
|------------------|--|
| 1 07878-03-000   | EA SUPPORT HARDWARE ASM-BUNK   |
| 2 101489-02-B03  | EA TRIM-SIDEWALL, UPPER DRIVER - 37.5" X 9.3" - VINYL WRAPPED<br>FROM: 00-00-00 THRU: 01-08-91 |
| 2 101489-02-B04  | EA TRIM-SIDEWALL, UPPER DRIVER - 37.5" X 9.3" - VINYL WRAPPED<br>FROM: 01-07-91 THRU: 99-99-99 |
| 3 101497-02-B03  | EA TRIM-SIDEWALL, UPPER DRIVER - 37.5" X 9.3" - VINYL WRAPPED<br>FROM: 00-00-00 THRU: 01-08-91 |
| 3 101497-02-B04  | EA TRIM-SIDEWALL, UPPER DRIVER - 37.5" X 9.3" - VINYL WRAPPED<br>FROM: 01-07-91 THRU: 99-99-99 |
| 4 042541-04-700  | EA LATCH ASM-W/STRIKE, (2 APTS) - BRASS  |
| 042541-06-000    | EA STRIKE-BRASS  |
| 048435-04-000    | EA SCREW, 10-18 X 1 PTH WWASHER - BEIGE  |
| 078943-02-000    | EA BRACE-ANGLE, WHOLES - 1" X 1.5" X 14" - ALUMINUM - BEIGE                                    |
| 5 074487-14-000  | SF PANELING-CEILING, 4' X 8' - INCREMENTS OF 32 SF   |
| 6 M81715-01-B03  | EA BOARD-TRIM, BUNK - VINYL COVERED - CEILING MOUNTED<br>FROM: 00-00-00 THRU: 01-08-91         |
| 6 M81715-01-Y70  | EA BOARD-TRIM, BUNK - VINYL COVERED - CEILING MOUNTED<br>FROM: 01-07-91 THRU: 99-99-99         |
| 018804-06-000    | EA BRACE-L/ANGLED, 2.5" - OFF WHITE  |
| 7 101497-01-B03  | EA TRIM-SIDEWALL, UPPER PASS - 37.5" X 9.3" - VINYL WRAPPED<br>FROM: 00-00-00 THRU: 01-08-91   |
| 7 101497-01-B04  | EA TRIM-SIDEWALL, UPPER PASS - 37.5" X 9.3" - VINYL WRAPPED<br>FROM: 01-07-91 THRU: 99-99-99   |
| 8 101489-01-B03  | EA BOTTOM-SIDEWALL TRIM, PASS - 37.2" X 3" - VINYL WRAPPED<br>FROM: 00-00-00 THRU: 01-08-91    |
| 8 101489-01-B04  | EA BOTTOM-SIDEWALL TRIM, PASS - 37.2" X 3" - VINYL WRAPPED<br>FROM: 01-07-91 THRU: 99-99-99    |
| 9 078145-04-000  | EA CUSHION-BUNK, OVERHEAD - 4" X 34" X 78" - B03/B04   |
| M78145-04-000    | EA COVER-BUNK CUSHION, OVERHEAD - 4" X 34" X 78" - AAS & AAV                                   |
| 10 081717-01-B03 | EA BED ASM-BUNK, FRONT - PADDED - W/O HARDWARE<br>FROM: 00-00-00 THRU: 01-08-91                |
| 10 081717-01-B25 | EA BED ASM-BUNK, FRONT - PADDED - W/O HARDWARE<br>FROM: 01-07-91 THRU: 99-99-99                |
| 11 084858-01-Y25 | EA HANDLE-BUNK, OAK  |

| KEY PART NUMBER | U/M DESCRIPTION   |
|-----------------|---|
| M01113-49-B25   | EA DASH ASSEMBLY W/RADIO-91 CHEVY, 90 CHASSIS<br>FROM: 00-00-00 THRU: 02-28-91  |
| M01113-55-B25   | EA DASH-COMPLETE, W/RADIO - 1991 CHEVY CHASSIS<br>FROM: 03-01-91 THRU: 99-99-99 |
| 078089-04-000   | EA TOP-PADDED DASH, DRIVERS SIDE - VINYL COVERED - GRAY                         |
| 078089-02-000   | EA TOP-PADDED DASH, PASSENGER SIDE - VINYL COVERED - GRAY                       |
| M78089-03-300   | EA SUPPORT-DASH, 90.5" - METAL - BLACK<br>FROM: 12-18-90 THRU: 99-99-99         |
| 038948-02-000   | EA RETAINER-DASH, 3" X 1.5"   |
| 078007-01-000   | EA SUPPORT-RADIO  |
| 009118-01-000   | EA LOCK-TWIST W/NUIT, GLOVE COMPARTMENT   |
| 022219-01-000   | EA DOOR-GLOVE COMPARTMENT, BLACK  |
| 023634-01-000   | EA PANEL-KNOB KICK, 3.25" X 48.25" - BLACK                                      |
| 023882-01-000   | EA BOX-GLOVE COMPARTMENT, FIBERBOARD - BLACK                                    |
| 084481-01-000   | EA SWITCH-BATT, BATT/DUAL/IGN   |
| 024888-01-000   | EA HINGE-P/ANO, GLOVE COMPARTMENT - 1 1/16" X 19"                               |
| 088948-01-000   | EA RETAINER-DASH, 1" X 1/2"   |
| 038948-02-000   | EA RETAINER-DASH, 3" X 1.5"   |
| 088044-01-000   | EA LOUVER-ADJUSTABLE AC, 2.5" X 4.75"   |
| 087708-01-000   | EA MOUNTING KIT-RADIO, AUDIOVOX   |
| 088294-01-000   | EA LIGHTER ASM-CIGARETTE  |
| 080882-01-000   | EA RADIO AM/FM CASSETTE, ELECTRIC TUNE - AUDIOVOX HCC-10                        |
| 083381-01-000   | EA SWITCH-RADIO, MAIN TO AUXILIARY  |
| 100388-03-01A   | EA BEZEL-ENTERTAINMENT CENTER, BLACK MATTE<br>FROM: 00-00-00 THRU: 02-28-91     |
| 100388-04-71A   | EA BEZEL-ENTERTAINMENT CENTER, BLACK MATTE<br>FROM: 03-01-91 THRU: 99-99-99     |
| 100388-01-01A   | EA BEZEL-INSTRUMENT PANEL, BLACK MATTE<br>FROM: 00-00-00 THRU: 02-28-91         |
| 100388-04-01A   | EA BEZEL-INSTRUMENT PANEL, BLACK MATTE<br>FROM: 03-01-91 THRU: 99-99-99         |
| 080879-01-000   | EA PLUG-INSTRUMENT PANEL, .45"  |
| 0107840-01-000  | EA RECEPTACLE SLIDE, 18 TO 12 AWG   |
| 041883-01-000   | FT CONDUIT-CONVOLUTE SLIT, 5/16"  |
| 041883-01-000   | FT CONDUIT-CONVOLUTE SLIT, 5/16"  |
| 041263-09-000   | FT CONDUIT-CONVOLUTE SLIT, 1" ID (CLOTHES ROD COVER)                            |
| 047443-01-000   | EA TERMINAL - 250 RECEPT, INSULATED - 18/14 AWG                                 |
| 047443-04-000   | EA TERMINAL - 250 RECEPT, INSULATED - 12/10 AWG                                 |
| 077000-01-000   | EA SOCKET ASM-W/PIG TAIL LEADS  |
| 088473-08-000   | EA HOUSING-SOCKET, 6 POSITION (TWO ROWS OF THREE)                               |
| 088474-01-000   | EA HOUSING-SOCKET   |
| 088474-10-000   | EA HOUSING-SOCKET, 2 POSITION   |
| 088475-01-000   | EA PIN-CONNECTOR, 14 TO 20 AWG  |
| 088476-01-000   | EA SOCKET-CONNECTOR   |
| 007840-01-000   | EA RECEPTACLE-SLIDE, 18 TO 12 AWG   |
| 041883-01-000   | FT CONDUIT-CONVOLUTE SLIT, 5/16"  |
| 041883-01-000   | FT CONDUIT-CONVOLUTE SLIT, 5/16"  |
| 041883-09-000   | FT CONDUIT-CONVOLUTE SLIT, 1" ID (CLOTHES ROD COVER)                            |
| 047443-01-000   | EA TERMINAL - 250 RECEPT, INSULATED - 18/14 AWG                                 |
| 047443-02-000   | EA TERMINAL - 250 RECEPT, INSULATED - 12/10 AWG                                 |
| 078841-01-000   | EA LABEL-FUEL, UNLEADED - DASH<br>FROM: 00-00-00 THRU: 04-30-90                 |
| 088252-02-000   | FT TRIM-CHROME, 1" WIDE WITH PRESSURE SENSITIVE BACKING                         |
| 077000-01-000   | EA SOCKET ARM-W/PIG TAIL LEADS  |
| 088474-01-000   | EA HOUSING-SOCKET   |
| 038474-08-000   | EA HOUSING-SOCKET, 3 POSITION   |
| 088474-10-000   | EA HOUSING-SOCKET, 2 POSITION   |
| 088475-01-000   | EA PIN-CONNECTOR, 14 TO 20 AWG  |
| 088476-01-000   | EA SOCKET-CONNECTOR   |

**TABLE OF CONTENTS**

|                    |             |
|--------------------|-------------|
| INTRODUCTION       | A-01        |
| ABBREVIATIONS      | A-01        |
| ALPHABETICAL INDEX | A-02 - A-04 |
| ICF23EC            | A-05 - D-17 |
| ICF30EU            | D-19 - H-22 |

**1991 ICF23EC INDEX**

|                                |             |
|--------------------------------|-------------|
| FLOOR PLAN                     | A-05 - A-08 |
| ACCESSORIES                    | A-07 - A-10 |
| BATH                           | A-11 - A-13 |
| BEDROOM                        | A-14        |
| CHASSIS                        | A-15 - A-18 |
| C C & PAD                      | A-19 - B-02 |
| CRUISE                         | B-03 - B-04 |
| DRIVERS                        | B-05 - B-14 |
| ELECTRICAL                     | B-15 - B-18 |
| EXTERIOR BODY                  | B-19 - B-24 |
| GALLEY                         | C-01 - C-08 |
| HEATING & AC                   | C-07 - C-12 |
| INTERIOR FINISH                | C-13 - C-18 |
| LABEL                          | C-17        |
| LP                             | C-18        |
| SEALANTS & FASTENERS           | C-19 - C-20 |
| WATER & SEWAGE                 | C-21 - D-01 |
| WINDOW, VENT AND EXTERIOR DOOR | D-02 - D-17 |

**DRIVERS COMPARTMENT GROUP (CONTINUED)**

**FORWARD DASH PLASTIC PANELS**

| KEY PART NUMBER | U/M DESCRIPTION   |
|-----------------|---|
| 076681-03-000   | EA PANEL-DASH, FRONT - PASS - W/DEFROSTER OPENING - GRAY<br>FROM: 00-00-00 THRU: 04-14-90   |
| 076681-04-000   | EA PANEL-DASH, PASSENGER FRONT - PLASTIC - GRAY<br>FROM: 04-15-90 THRU: 09-09-99            |
| 076681-03-000   | EA PANEL-DASH, FRONT - PASS - W/DEFROSTER OPENING - GRAY                                    |
| 076682-03-000   | EA PANEL-DASH, FRONT - DRIVER - W/DEFROSTER OPENING - GRAY<br>FROM: 00-00-00 THRU: 04-14-90 |
| 076682-04-000   | EA PANEL-DASH, DRIVER SIDE FRONT - PLASTIC - GRAY<br>FROM: 04-15-90 THRU: 09-09-99          |
| 076682-03-000   | EA PANEL-DASH, FRONT - DRIVER - W/DEFROSTER OPENING - GRAY                                  |

**STEERING COLUMN COVER & BOOT**

| KEY PART NUMBER | U/M DESCRIPTION  |
|-----------------|--|
| 040684-01-000   | EA COVER-STEERING COLUMN, PLASTIC - BLACK<br>FROM: 00-00-00 THRU: 02-28-91 |
| 076245-01-000   | EA BOOT-STEERING COLUMN, VINYL - BLACK<br>FROM: 00-00-00 THRU: 02-28-91    |

**LOWER BLACK DASH PANELS**

| KEY PART NUMBER | U/M DESCRIPTION  |
|-----------------|--|
| 077387-01-000   | EA PANEL-LOWER PASS. SIDE, 60.5" - BLACK   |
| 077388-01-000   | EA PANEL-LOWER DRIVER SIDE - 5.86" X 15.70" - BLACK<br>FROM: 00-00-00 THRU: 02-28-91         |
| 077389-01-000   | EA PANEL-ELECTRIC ACCESS - LOWER CENTER - 4" X 6.6" - BLACK<br>FROM: 00-00-00 THRU: 12-05-90 |
| 077390-01-000   | EA BRACKET-MOUNTING, DASH PANEL - L-SHAPED - 2.5" X 1" X 1.5"                                |

**HOOD RELEASE CABLE, BRACKET & HEATER OUTLET**

| KEY PART NUMBER | U/M DESCRIPTION   |
|-----------------|---|
| 074178-01-000   | EA BRACKET-CABLE, HOOD RELEASE - BLACK<br>FROM: 00-00-00 THRU: 01-06-91 |
| 058402-08-000   | EA BRACKET-HEATER, WBEND - BLACK<br>FROM: 01-07-91 THRU: 09-09-99       |
| 024880-03-000   | EA OUTLET-LOUVERED, W/SWIVEL - 2" - GRAY                                |

**PASSENGER SIDE CAB TRIMS**

| KEY PART NUMBER | U/M DESCRIPTION  |
|-----------------|--|
| 024700-32-000   | EA COVER-ROLL BAR, U-CHANNEL - 57.25" - PLASTIC - GRAY<br>FROM: 00-00-00 THRU: 01-06-91      |
| 024700-41-000   | EA COVER-ROLL BAR, U-CHANNEL - 57.25" - PLASTIC - OFF WHITE<br>FROM: 01-07-91 THRU: 09-09-99 |

**DRIVER ASSIST HANDLE**

| KEY PART NUMBER | U/M DESCRIPTION  |
|-----------------|--|
| 083886-07-000   | EA HANDLE-ASSIST, DRIVER DOOR - FRONT - GRAY<br>FROM: 00-00-00 THRU: 01-06-91      |
| 083886-08-000   | EA HANDLE-ASSIST, DRIVER DOOR - REAR - GRAY<br>FROM: 00-00-00 THRU: 01-06-91       |
| 083886-22-000   | EA HANDLE-ASSIST, DRIVER DOOR - FRONT - OFF WHITE<br>FROM: 01-07-91 THRU: 09-09-99 |
| 043886-23-000   | EA HANDLE-ASSIST, DRIVER DOOR - REAR - OFF WHITE<br>FROM: 01-07-91 THRU: 09-09-99  |

**DRIVERS COMPARTMENT GROUP (CONTINUED)**

**1991 CHASSIS EXCHANGE (OPTION LB1Y) FEDERAL - 12,300**

| KEY PART NUMBER | U/M DESCRIPTION   |
|-----------------|---|
| M01113-56-803   | EA DASH-COMPLETE, W/RADIO - CHEVY   |
| M78088-03-000   | EA SUPPORT-DASH, 60.5" - METAL - BLACK  |
| 038846-02-000   | EA RETAINER-DASH, 3" X 1.5"   |
| 078007-01-000   | EA SUPPORT-RADIO  |
| 038118-01-000   | EA LOCK-TWIST W/NUT, GLOVE COMPARTMENT  |
| 022218-01-000   | EA DOOR-GLOVE COMPARTMENT, BLACK  |
| 023834-01-000   | EA PANEL-KNEE KICK, 3.25" X 46.38" - BLACK  |
| 023882-01-000   | EA BOX-GLOVE COMPARTMENT, FIBERBOARD - BLACK  |
| 034481-01-000   | EA SWITCH-BATT, BATT/DIAL/MOM   |
| 024598-01-000   | EA HINGE-PIANO, GLOVE COMPARTMENT - 1 1/16" X 18"   |
| 038846-01-000   | EA RETAINER-DASH, 1" X 1/2"   |
| 038846-02-000   | EA RETAINER-DASH, 3" X 1.5"   |
| 038044-01-000   | EA LOUVER-ADJUSTABLE AC, 2.5" X 5.75"   |
| 078089-04-000   | EA TOP-PADDED DASH, DRIVERS SIDE - VINYL COVERED - GRAY<br>FROM: 00-00-00 THRU: 10-29-90    |
| 078089-04-000   | EA TOP-PADDED DASH, DRIVERS SIDE - VINYL COVERED - GRAY<br>FROM: 10-30-90 THRU: 12-18-90    |
| 079088-06-000   | EA TOP-PADDED DASH, DRIVERS SIDE - VINYL COVERED - BEIGE<br>FROM: 12-19-90 THRU: 09-09-99   |
| 079088-02-000   | EA TOP-PADDED DASH, PASSENGER SIDE - VINYL COVERED - GRAY<br>FROM: 00-00-00 THRU: 12-18-90  |
| 079088-03-000   | EA TOP-PADDED DASH, PASSENGER SIDE - VINYL COVERED - BEIGE<br>FROM: 12-19-90 THRU: 09-09-99 |
| 087708-01-000   | EA MOUNTING KIT-RADIO, AUDIOVOX   |
| 088294-01-000   | EA LIGHTER ASM-CIGARETTE  |
| 030682-01-000   | EA RADIO-AM/FM CASSETTE, ELECTRIC TUNE - AUDIOVOX HCC-10                                    |
| 063381-01-000   | EA SWITCH-RADIO, MAIN TO AUXILIARY  |
| 107379-04-01A   | EA BEZEL-ENTERTAINMENT CENTER, BLACK MATTE  |
| 100880-04-01A   | EA BEZEL-INSTRUMENT PANEL, BLACK MATTE  |

**TABLE OF CONTENTS**

|                    |             |
|--------------------|-------------|
| INTRODUCTION       | A-01        |
| ABBREVIATIONS      | A-01        |
| ALPHABETICAL INDEX | A-02 - A-04 |
| ICF23EC            | A-05 - D-17 |
| ICF30EU            | D-19 - H-22 |

**1991 ICF23EC INDEX**

|                                |             |
|--------------------------------|-------------|
| FLOOR PLAN                     | A-06 - A-08 |
| ACCESSORIES                    | A-07 - A-10 |
| BATH                           | A-11 - A-13 |
| BEDROOM                        | A-14        |
| CHASSIS                        | A-15 - A-18 |
| C C & PAD                      | A-19 - B-02 |
| DINETTE                        | B-03 - B-04 |
| DRIVERS                        | B-05 - B-14 |
| ELECTRICAL                     | B-15 - B-18 |
| EXTERIOR BODY                  | B-19 - B-24 |
| GALLEY                         | C-01 - C-08 |
| HEATING & AC                   | C-07 - C-12 |
| INTERIOR FINISH                | C-13 - C-16 |
| LABEL                          | C-17        |
| LP                             | C-18        |
| SEALANTS & FASTENERS           | C-19 - C-20 |
| WATER & SEWAGE                 | C-21 - D-01 |
| WINDOW, VENT AND EXTERIOR DOOR | D-02 - D-17 |

**ELECTRICAL GROUP**  
**ELECTRIC CONTROL CENTER**

| KEY PART NUMBER | U/M | DESCRIPTION  |
|-----------------|-----|--|
| 008331-01-000   | EA  | TERMINAL-RING, TONGUE - #4 WIRE - 3/8" STUD - COPPER |
| 008332-01-000   | EA  | CONNECTOR-PLASTIC, 3/8" AVG                          |
| 041863-01-000   | FT  | CONDUIT-CONVULATED SLIT, 1/2" ID                     |
| 083208-01-000   | EA  | CONVERTER-POWER, 32A - 120V/12V - BW 6332            |
| 083209-01-000   | EA  | CIRCUIT BREAKER-15 AMP, 120V - BW G-15               |
| 083209-03-000   | EA  | CIRCUIT BREAKER-15/20AMP, 120V - BW D-15/20          |
| 083209-04-000   | EA  | CIRCUIT BREAKER-30A, 120V - BW L-30                  |
| 083209-05-000   | EA  | CIRCUIT BREAKER-20A, 120V - BW J-20                  |
| 083209-06-000   | EA  | CIRCUIT BREAKER-30/15 AMP, 120V - BW D-30/15         |
| 083210-02-000   | EA  | CIRCUIT BREAKER-GFI, 15A - 120V - BW U-15            |
| 083418-04-000   | EA  | TERMINAL-RING #10 STUD FIT, INSULATED BARREL #18/14  |
| 071278-01-700   | EA  | DOOR-ELECTRICAL CONTROL CENTER W/CATCH               |
| 071278-01-703   | EA  | CATCH-ELECTRICAL CENTER DOOR                         |

**ELECTRICAL COMPONENTS**

| KEY PART NUMBER | U/M | DESCRIPTION  |
|-----------------|-----|--|
| 007093-01-000   | EA  | FLASHER-SIGNAL STAT  |
| 077479-02-000   | EA  | BOOT-BATTERY TERMINAL, SINGLE CABLE                        |
| 091910-01-000   | EA  | BOX-ELECTRIC, 3.75" X 3.5" X 1.75" - PLASTIC               |
| 008288-02-000   | EA  | BOX-ELECTRIC, PLASTIC - 3.84" X 3.13" X 1.81"              |
| 008289-01-000   | EA  | BOX-ELECTRIC, STEEL - 1/2" AND 3/4" KNOCKOUTS - 4" X 4"    |
| 030048-01-000   | EA  | BOX-ELECTRIC SWITCH, 2" X 3" X 2.25"                       |
| 008888-02-000   | EA  | BOX-ELECTRICAL, 4" X 4" - 1/2" & 3/4" KNOCKOUTS - CANADIAN |
| 008288-01-000   | EA  | BOX-PLASTIC ELECTRIC, 3" X 3 1/2"                          |
| 084811-01-000   | EA  | BREAKER-CIRCUIT, DOUBLE 20 AMP - GE THOL:2120              |
| 084810-01-000   | EA  | BREAKER-CIRCUIT, DOUBLE 30 AMP - GE THOL:1330              |
| 086188-01-000   | EA  | BULB-12V - #134 - .27AMP                                   |
| 082784-01-000   | EA  | BUSS BAR-2.1" LONG   |
| 082784-01-000   | EA  | BUSS BAR-3.3" LONG   |
| 008037-01-000   | EA  | CABLE-BATTERY, 1AWG - 3-STRANDED - BLACK                   |
| 008037-02-000   | EA  | CABLE-BATTERY, 1AWG - STRANDED - RED                       |
| 083209-01-000   | EA  | CIRCUIT BREAKER-15 AMP, 120V - BW G-15                     |
| 083209-03-000   | EA  | CIRCUIT BREAKER-15/20AMP, 120V - BW D-15/20                |
| 083209-04-000   | EA  | CIRCUIT BREAKER-20 AMP, HOUSE CONTROL PANEL                |
| 083209-05-000   | EA  | CIRCUIT BREAKER-30A, 120V - BW J-20                        |
| 083209-06-000   | EA  | CIRCUIT BREAKER-30 AMP, HOUSE CONTROL PANEL                |
| 083209-04-000   | EA  | CIRCUIT BREAKER-30A, 120V - BW L-30                        |
| 083209-06-000   | EA  | CIRCUIT BREAKER-30/15 AMP, 120V - BW D-30/15               |
| 083209-03-000   | EA  | CIRCUIT BREAKER-40 AMP                                     |
| 083209-01-000   | EA  | CIRCUIT BREAKER-6 AMP, HOUSE CONTROL PANEL                 |
| 087811-01-000   | EA  | CIRCUIT BREAKER-6 AMP, ATC - BLACK                         |
| 083210-02-000   | EA  | CIRCUIT BREAKER-GFI, 15A - 120V - BW U-15                  |
| 080734-02-000   | EA  | CLIP-WIRE, NYLON   |
| 041863-11-000   | FT  | CONDUIT-CONVULATED, SLIT-1.06" ID                          |
| 041863-03-000   | FT  | CONDUIT-CONVULATED SLIT, 1" ID (CLOTHES ROD COVER)         |
| 041863-01-000   | FT  | CONDUIT-CONVULATED SLIT, .8" ID                            |
| 041863-05-000   | FT  | CONDUIT-CONVULATED SLIT, 1.50" ID                          |
| 041863-07-000   | FT  | CONDUIT-CONVULATED SLIT, .28" ID                           |
| 041863-08-000   | FT  | CONDUIT-CONVULATED SLIT, .375" ID                          |
| 041863-09-000   | FT  | CONDUIT-CONVULATED SLIT, .50" ID                           |
| 041863-01-000   | FT  | CONDUIT-CONVULATED SLIT, .28" ID                           |
| 041863-05-700   | FT  | CONDUIT-CONVULATED SLIT, .82" ID                           |
| 082748-01-000   | EA  | CONNECTOR BODY-3 CNOT FEMALE                               |
| 008388-01-000   | EA  | CONNECTOR-1/2" X 90 DEGREE, FLEX CONDUIT - UL AND CSA      |
| 008388-01-000   | EA  | CONNECTOR-DOUBLE CLAMPING, 3/4"                            |
| 008389-01-000   | EA  | CONNECTOR-DOUBLE CLAMPING, 3/8"                            |
| 088028-01-000   | EA  | CONNECTOR-ELECTRICAL PIGTAIL, NYLON - CLEAR                |
| 008388-01-000   | EA  | CONNECTOR-PLASTIC, 3/8" AVG                                |
| 082740-01-000   | EA  | CONNECTOR-PLASTIC BODY, FOR 2 MALE SPADES                  |
| 041480-01-000   | EA  | CONNECTOR-STRAIGHT, 1/2" FLEX CONDUIT                      |
| 008312-01-000   | EA  | CONNECTOR-WIRE NUT, INSULATED - BLUE                       |
| 008314-01-000   | EA  | CONNECTOR-WIRE NUT, INSULATED - GRAY                       |
| 008311-01-000   | EA  | CONNECTOR-WIRE NUT, INSULATED - RED                        |
| 008315-01-000   | EA  | CONVERTER-40 AMP, W/CHARGER - B-W 324001                   |
| 083209-01-000   | EA  | CONVERTER-POWER, 32A - 120V/12V - BW 6332                  |
| 008084-01-000   | EA  | CORD-POWER, 10/3 WIRE - 30 AMP - 25'                       |
| 008082-01-000   | EA  | CORD-POWER, 10/3 - 30 AMP - 25' - CANADIAN                 |
| 082894-01-000   | EA  | COVER-ELECTRICAL BOX, STEEL/BLANK - 4" X 4" - GRAY         |

**ELECTRICAL GROUP**

**ELECTRICAL COMPONENTS CONT**

| KEY PART NUMBER | U/M | DESCRIPTION  |
|-----------------|-----|--|
| 089238-01-000   | EA  | COVER-ELECTRICAL BOX, W/HOLE - 4" X 4" - GRAY            |
| 091827-01-000   | EA  | COVER-RECEPTACLE, DOUBLE - IVORY                         |
| 058781-01-000   | EA  | DIODE-6.0A/100 VOLT - MOTOROLA, NO MR751                 |
| 097734-01-01A   | EA  | EXTENSION-RECEPTACLE, IVORY                              |
| 007093-01-000   | EA  | FLASHER-SIGNAL STAT                                      |
| 100341-01-000   | EA  | FUSE HOLDER-IN LINE TYPE                                 |
| 008235-01-000   | EA  | FUSE-12V-15AMP   |
| 082901-05-000   | EA  | FUSE-15 AMPS, AUTOMOTIVE                                 |
| 097748-01-000   | EA  | HOUSING CAP-TRAILER PIN                                  |
| 101571-01-000   | EA  | HOUSING-2 POSITION, MALE                                 |
| 082037-03-000   | EA  | HOUSING-AUTO FUSE, BLACK                                 |
| 082037-08-000   | EA  | HOUSING-AUTO FUSE, BROWN                                 |
| 082037-05-000   | EA  | HOUSING-AUTO FUSE, GRAY                                  |
| 082037-02-000   | EA  | HOUSING-AUTO FUSE, GREEN                                 |
| 082037-01-000   | EA  | HOUSING-AUTO FUSE, NATURAL                               |
| 08C473-02-000   | EA  | HOUSING-PIN, 15 POSITION                                 |
| 088473-08-000   | EA  | HOUSING-PIN, 4 POSITION                                  |
| 097745-02-000   | EA  | HOUSING-RECEPTACLE, TRAILER - 48" WIRE LENGTH            |
| 083910-01-000   | EA  | HOUSING-RELAY  |
| 088474-01-000   | EA  | HOUSING-SOCKET   |
| 088474-02-000   | EA  | HOUSING-SOCKET, 15 POSITION (3 ROWS OF 5)                |
| 088474-10-000   | EA  | HOUSING-SOCKET, 2 POSITION                               |
| 088474-09-000   | EA  | HOUSING-SOCKET, 3 POSITION                               |
| 084388-01-000   | EA  | HOUSING-TRAILER, RECEPTACLE                              |
| 097744-02-000   | EA  | HOUSING-TRAILER PIN, 48"                                 |
| 089048-01-000   | EA  | INVENTOR-100 WATT  |
| 047338-03-000   | EA  | ISOLATOR-DUAL BATTERY, 70 AMP                            |
| 077863-01-000   | EA  | J CLIP-VINYL COATED, 3/8"                                |
| 034808-01-000   | EA  | LOAD CENTER-140 VOLT, 125 AMP                            |
| 088475-02-000   | EA  | PIN-CONNECTOR, 10 TO 12 AWG                              |
| 088475-01-000   | EA  | PIN-CONNECTOR, 14 TO 20 AWG                              |
| 088473-10-000   | EA  | PIN-HOUSING, 2 POSITION                                  |
| 088473-09-000   | EA  | PIN-HOUSING, 3 POSITION (SINGLE ROW)                     |
| 088473-01-000   | EA  | PIN-HOUSING, 4 ROWS OF 3                                 |
| 088473-05-000   | EA  | PIN-HOUSING, 6 POSITION (SINGLE ROW)                     |
| 088473-08-000   | EA  | PIN-HOUSING, 8 POSITION (TWO ROWS OF THREE)              |
| 088933-01-000   | EA  | PLATE-CIRCUIT BREAKER                                    |
| 058708-02-000   | EA  | RECEPTACLE-DOUBLE ELECTRIC, IVORY                        |
| 088707-01-000   | EA  | RECEPTACLE-ELECTRIC, SINGLE - BROWN                      |
| 080018-02-000   | EA  | RECEPTACLE-FLAG, .185 - 18/14 GA - AMP 3                 |
| 084078-01-000   | EA  | RECEPTACLE-GFI, 15A - 125V - IVORY                       |
| 084894-02-000   | EA  | RECEPTACLE-POWER CORD, W/PARTIAL PLATE                   |
| 077000-01-000   | EA  | SOCKET ASM-W/8 PIGTAIL LEADS                             |
| 088476-01-000   | EA  | SOCKET-CONNECTOR   |
| 088476-02-000   | EA  | SOCKET-CONNECTOR 12-10 GA                                |
| 088474-08-000   | EA  | SOCKET-HOUSING, 4 POSITION (SINGLE ROW)                  |
| 088474-10-000   | EA  | SOCKET-HOUSING, 6 POSITION (2 ROWS OF THREE)             |
| 087789-02-000   | EA  | SOCKET-LAMP  |
| 008189-01-000   | EA  | SOLENOID-3 POST, BATTERY CHANGE OVER                     |
| 080971-01-000   | EA  | SPLICE-C/ BLE, 110V                                      |
| 080971-02-000   | EA  | SPLICE-CABLE, 110V - TAP                                 |
| 024481-01-000   | EA  | SWITCH-BATT, BATT/DUAL/MOM                               |
| 041280-01-000   | EA  | SWITCH-PUSH BUTTON, DOME LIGHT - CHROME                  |
| 007849-01-000   | EA  | TAB-HOUSING, 1 POSITION                                  |
| 007842-01-000   | EA  | TAB-WIRE, 18 TO 14 AWG                                   |
| 082038-02-000   | EA  | TERMINAL-PACK-CON, 18/14 AWG                             |
| 008328-01-000   | EA  | TERMINAL-RING, 12/10 WIRE - #10 STUD FIT                 |
| 008328-01-000   | EA  | TERMINAL-RING, 18/14 WIRE - 3/8" STUD                    |
| 008348-01-000   | EA  | TERMINAL-RING, 3/8" STUD - #2 WIRE                       |
| 008331-01-000   | EA  | TERMINAL-RING, TONGUE - #4 WIRE - 3/8" STUD - COPPER     |
| 036418-04-000   | EA  | TERMINAL-RING #10 STUD FIT, INSULATED BARREL #18/14      |
| 079378-01-000   | EA  | TERMINAL, WEDGE BASE, 18 AWG                             |
| 047443-02-000   | EA  | TERMINAL-.250 RECEPTACLE FIT, INSULATED - 12/10 AWG      |
| 047443-01-000   | EA  | TERMINAL-.250 RECEPTACLE, FIT, INSULATED - 18/14 AWG     |
| 085450-08-000   | EA  | TIEDOWN-BATTERY  |
| 05450-01-000    | EA  | TIEDOWN-BATTERY  |
| 08343-01-000    | EA  | TIE-WIRE, 8"   |
| 081068-02-000   | EA  | WIRE ASM-8-PIN, RADIO - AUDIO/VOX 1128-1781              |
| 097818-01-000   | EA  | WIRE ASM-MONITOR PANEL, W/4 WIRES & BLACK RESISTOR - 1VS |

**TABLE OF CONTENTS**

|                    |             |
|--------------------|-------------|
| INTRODUCTION       | A-01        |
| ABBREVIATIONS      | A-01        |
| ALPHABETICAL INDEX | A-02 - A-04 |
| ICF23EC            | A-05 - D-17 |
| ICF30EU            | D-19 - H-22 |

**1991 12/23/91 INDEX**

|                                |             |
|--------------------------------|-------------|
| FLUOR RELAY                    | A-05 - A-08 |
| ACCESSORIES                    | A-07 - A-10 |
| BATH                           | A-11 - A-13 |
| BEDROOM                        | A-14        |
| CHAIRSEAT                      | A-15 - A-18 |
| C C & PAD                      | A-19 - B-02 |
| DWETTE                         | B-03 - B-04 |
| DRIVERS                        | B-05 - B-14 |
| ELECTRICAL                     | B-15 - B-18 |
| EXTERIOR BODY                  | B-19 - B-24 |
| GALLEY                         | C-01 - C-08 |
| HEATING & A/C                  | C-07 - C-12 |
| INTERIOR FINISH                | C-13 - C-16 |
| LABEL                          | C-17        |
| LP                             | C-18        |
| SEALANTS & FASTENERS           | C-19 - C-20 |
| WATER & SEWAGE                 | C-21 - D-01 |
| WINDOW, VENT AND EXTERIOR DOOR | D-02 - D-17 |

**ELECTRICAL GROUP (CONTINUED)**

**INTERIOR LIGHTS**

| KEY PART NUMBER | U/M | DESCRIPTION                            |
|-----------------|-----|--|
| 099024-01-01A   | EA  | LIGHT-DOME, 1 BULB - US - IVORY        |
| 099024-03-01A   | EA  | LIGHT-DOME, 2 BULB - IVORY             |
| 099024-01-700   | EA  | LENS-DOME LIGHT                        |
| 099218-01-000   | EA  | BULB-DOME LIGHT, 12V - NUMBER 1141     |
| 099280-01-000   | EA  | LIGHT-SURFACE MOUNT, 12V - JENSEN 1238 |
| 099280-01-700   | EA  | BULB-12 VOLT, 8 WATT                   |

**EXTERIOR LIGHTS**

| KEY PART NUMBER | U/M | DESCRIPTION  |
|-----------------|-----|--|
| 097917-01-03A   | EA  | LIGHT-PORCH, GRAY  |
| 097917-01-700   | EA  | LENS-PORCH LIGHT   |
| 042405-01-000   | EA  | LENS-REAR SIDE MARKER/CLEARANCE LIGHT, W/REFLEX - RED042405-03 |
| 091993-01-000   | EA  | GASKET-SIDE MARKER LIGHT                                       |
| 007308-01-000   | EA  | LIGHT-STEP WELL, ROUND - 12V                                   |
| 058032-02-000   | EA  | TAIL LAMP-2 BULB, BLACK  |
| 037936-01-000   | EA  | BULB-TAIL LAMP, NUMBER 1157 - 12V - 2.1 AMP                    |
| 068032-02-700   | EA  | LENS-TAIL LAMP, W/BACK UP - RED                                |
| 068032-02-701   | EA  | LENS-TAIL LAMP, W/O BACK UP - RED                              |
| 007308-01-000   | EA  | LIGHT-STEP WELL, ROUND - 12V                                   |
| 049186-01-000   | EA  | HEADLAMP CAPSULE-DRIVER, HIGH/LOW BEAM - RECTANGULAR           |
| 049186-01-000   | EA  | HEADLAMP CAPSULE-PASSENGER, HIGH/LOW BEAM - RECTANGULAR        |
| 049187-01-000   | EA  | HEADLAMP CAPSULE-DRIVER, HIGH BEAM - RECTANGULAR               |
| 049188-01-000   | EA  | HEADLAMP CAPSULE-PASSENGER, HIGH BEAM - RECTANGULAR            |
| 049339-01-000   | EA  | SPRING-HEADLAMP RETAINER, GM # 499098                          |
| 073308-01-000   | EA  | SCREW-ADJUSTING, HEADLAMP                                      |
| 099874-01-000   | EA  | NUT-HEADLAMP, BLACK  |
| 099875-01-000   | EA  | KNOB-HEADLAMP, W/SHAFT   |
| 050030-02-000   | EA  | HOUSING-HEADLAMP WIRING, HIGH BEAM                             |
| 063749-01-000   | EA  | HOUSING-HEADLAMP WIRING, LOW BEAM                              |
| 084901-01-000   | EA  | LAMP-PARK/TURN, GM # 918558 (BULB # MP82057)                   |
| 081250-01-000   | EA  | LIGHT-FRONT CLEARANCE, AMBER - LENS AND BASE ONLY              |

081250-01-700 EA LENS-CLEARANCE LIGHT, AMBER FROM: 00-00-00 THRU: 09-09-90

081437-01-000 EA BRACKET-CLEARANCE LIGHT, L SHAPED METAL FROM: 00-00-00 THRU: 09-09-90

102580-01-000 EA LIGHT-CLEARANCE, AMBER FROM: 09-10-90 THRU: 09-09-99

102582-01-000 EA BRACKET-LIGHT, CLEARANCE FROM: 09-10-90 THRU: 09-09-99

099842-01-000 FT TAPE-ADHESIVE, 10MM X 1.8" WIDE

098186-01-000 EA BULB-CLEARANCE LIGHT, 12V - #194 - .27AMP

077856-01-000 EA J CLIP-NYL COATED, 3/8"

079378-01-000 EA TERMINAL-WEDGE BASE, 18 AWG

042405-03-000 EA BASE-SIDE MARKER, RECTANGULAR

042405-02-000 EA LENS-FRONT SIDE MARKER LIGHT, W/REFLEX - AMBER

038198-01-000 EA BULB-SIDE MARKER, 12V - #194 - .27AMP

091993-01-000 EA GASKET-SIDE MARKER LIGHT

099218-01-000 EA LIGHTER ASM-CIGARETTE

**EXPORT ELECTRICAL CONVERSION OPTION L049**

| KEY PART NUMBER | U/M | DESCRIPTION   |
|-----------------|-----|---|
| 018084-01-000   | EA  | CORD-POWER, 10/3 WIRE - 30 AMP - 25'                    |
| 038289-01-000   | EA  | BOX-ELECTRIC, STEEL - 1/2" AND 3/4" KNOCKOUTS - 4" X 4" |
| 008328-01-000   | EA  | TERMINAL-RING, 12/10 WIRE - #10 STUD FIT                |
| 008355-01-000   | EA  | CONNECTOR-CABLE CLAMPING, 3/4"                          |
| 008355-01-000   | EA  | CONNECTOR-PLASTIC, 3/8" AVG                             |
| 094409-01-000   | EA  | LOAD CENTER-240 VOLT, 125 AMP                           |
| 094910-01-000   | EA  | BREAKER-CIRCUIT, DOUBLE 30 AMP - GE THOL2130            |
| 094911-01-000   | EA  | BREAKER-CIRCUIT, DOUBLE 20 AMP - GE THOL2120            |

110 V INVERTER OPTION L49F

KEY PART NUMBER U/M DESCRIPTION  
26P048-01-000 EA INVERTER-100 WATT

DIESEL EXPORT OPTION L08M

| KEY PART NUMBER | U/M | DESCRIPTION                   |
|-----------------|-----|-------------------------------|
| 092901-05-000   | EA  | FUSE-15 AMPS, AUTOMOTIVE      |
| 047338-03-000   | EA  | ISOLATOR-DUAL BATTERY, 70 AMP |

FROM: 00-00-00 THRU: 03-29-90

B-17

**ELECTRICAL GROUP (CONTINUED)**

**CANADIAN EXPORT OPTION L286**

| KEY PART NUMBER | U/M | DESCRIPTION  |
|-----------------|-----|--|
| 008051-01-000   | EA  | CORD-POWER, 10/3 - 30 AMP - 25' - CANADIAN                 |
| 008289-02-000   | EA  | BOX-ELECTRICAL, 4" X 4" - 1/2" & 3/4" KNOCKOUTS - CANADIAN |
| 008328-01-000   | EA  | TERMINAL-RING, 12/10 WIRE - #10 STUD FIT                   |
| 008355-01-000   | EA  | CONNECTOR-CABLE CLAMPING, 3/4"                             |
| 008298-02-000   | EA  | BOX-ELECTRIC, PLASTIC - 3.94" X 3.13" X 1.81"              |
| 008355-01-000   | EA  | CONNECTOR-PLASTIC, 3/8" AVG                                |
| 067712-02-000   | EA  | CONVERTER-40AMP, W/CHARGER - TRIAD TU-840-2                |
| 084078-01-000   | EA  | RECEPTACLE-GFI, 15A - 125V - IVORY                         |
| 091910-01-000   | EA  | BOX-ELECTRIC, 3.78" X 3.5" X 1.78" - PLASTIC               |
| 091927-01-000   | EA  | COVER-RECEPTACLE, DOUBLE - IVORY                           |
| 097734-01-01A   | EA  | EXTENSION-RECEPTACLE, IVORY                                |

**CONTROL CENTER & COMPONENTS - CANADIAN**

| KEY PART NUMBER | U/M | DESCRIPTION  |
|-----------------|-----|--|
| 008131-01-000   | EA  | TERMINAL-RING, TONGUE - #4 WIRE - 3/8" STUD - COPPER |
| 008353-01-000   | EA  | CONNECTOR-CABLE CLAMPING, 3/4"                       |
| 008355-01-000   | EA  | CONNECTOR-CABLE CLAMPING, 3/4"                       |
| 041953-01-000   | FT  | CONDUIT-CONVOLUTED PLT, 5" ID                        |
| 083203-01-000   | EA  | CONVERTER-POWER, 32A - 120V/12V - BW 6332            |
| 083209-01-000   | EA  | CIRCUIT BREAKER-15 AMP, 120V - BW G-15               |
| 083209-03-000   | EA  | CIRCUIT BREAKER-15/20AMP, 120V - BW G-15/20          |
| 083209-08-000   | EA  | CIRCUIT BREAKER-30/15 AMP, 120V - BW D-30/15         |

DIESEL ENGINE OPTION L32M

| KEY PART NUMBER | U/M | DESCRIPTION                   |
|-----------------|-----|-------------------------------|
| 092901-05-000   | EA  | FUSE-15 AMPS, AUTOMOTIVE      |
| 047338-03-000   | EA  | ISOLATOR-DUAL BATTERY, 70 AMP |

FROM: 00-00-00 THRU: 03-29-90

**DIESEL ENGINE EXPORT OPTION L32M**

| KEY PART NUMBER | U/M | DESCRIPTION                   |
|-----------------|-----|-------------------------------|
| 092901-05-000   | EA  | FUSE-15 AMPS, AUTOMOTIVE      |
| 047338-03-000   | EA  | ISOLATOR-DUAL BATTERY, 70 AMP |

NOT REQUIRED AFTER 03-29-90

FROM: 00-00-00 THRU: 03-29-90

**REAR AUXILIARY HEATER & WATER HEATER W/ISO FOR A/C OPTION L011**

| KEY PART NUMBER | U/M | DESCRIPTION                 |
|-----------------|-----|-----------------------------|
| 087202-02-000   | EA  | SWITCH-4 POSITION, W/O KNOB |
| 090877-01-000   | EA  | KNOB-SWITCH, ROTARY         |

**EXTERIOR SIDEWALL LIGHTS**

| KEY PART NUMBER | U/M | DESCRIPTION   |
|-----------------|-----|---|
| 042405-03-000   | EA  | BASE-SIDE MARKER, RECTANGULAR                         |
| 042405-02-000   | EA  | LENS-FRONT SIDE MARKER LIGHT, W/REFLEX - AMBER        |
| 038198-01-000   | EA  | BULB-SIDE MARKER, 12V - #194 - .27AMP                 |
| 091993-01-000   | EA  | GASKET-SIDE MARKER LIGHT                              |
| 007308-01-000   | EA  | LIGHT-STEP WELL, ROUND - 12V                          |
| 042405-01-000   | EA  | LENS-REAR SIDE MARKER/CLEARANCE LIGHT, W/REFLEX - RED |
| 042405-03-000   | EA  | BASE-SIDE MARKER, RECTANGULAR                         |
| 038198-01-000   | EA  | BULB-SIDE MARKER, 12V - #194 - .27AMP                 |
| 091993-01-000   | EA  | GASKET-SIDE MARKER LIGHT                              |

**RECEPTACLES**

| KEY PART NUMBER | U/M | DESCRIPTION                           |
|-----------------|-----|---------------------------------------|
| 084078-02-000   | EA  | RECEPTACLE-GFI, 15A - 125V - BROWN    |
| 058707-01-000   | EA  | RECEPTACLE-ELECTRIC, SINGLE - BROWN   |
| 068708-02-000   | EA  | RECEPTACLE-DOUBLE ELECTRIC, IVORY     |
| 084077-02-000   | EA  | PLATE-COVER, RECEPTACLE - GFI - BROWN |
| 078773-01-000   | EA  | BLOCK-SWITCH, SPACER W/O HOLE         |
| 068708-01-000   | EA  | RECEPTACLE-ELECTRIC, DOUBLE - BROWN   |

**SWITCHES**

| KEY PART NUMBER | U/M | DESCRIPTION                           |
|-----------------|-----|---------------------------------------|
| 079384-01-000   | EA  | SWITCH-ON/OFF ROCKER, BROWN           |
| 099761-02-01A   | EA  | PLATE-SWITCH, 2 GANG - POLISHED BRASS |
| 097387-01-000   | EA  | SWITCH-WATER HEATER, ATWOOD 91989     |
| 096151-01-01A   | EA  | PLATE-SWITCH, 1 GANG - POLISHED BRASS |

**TABLE OF CONTENTS**

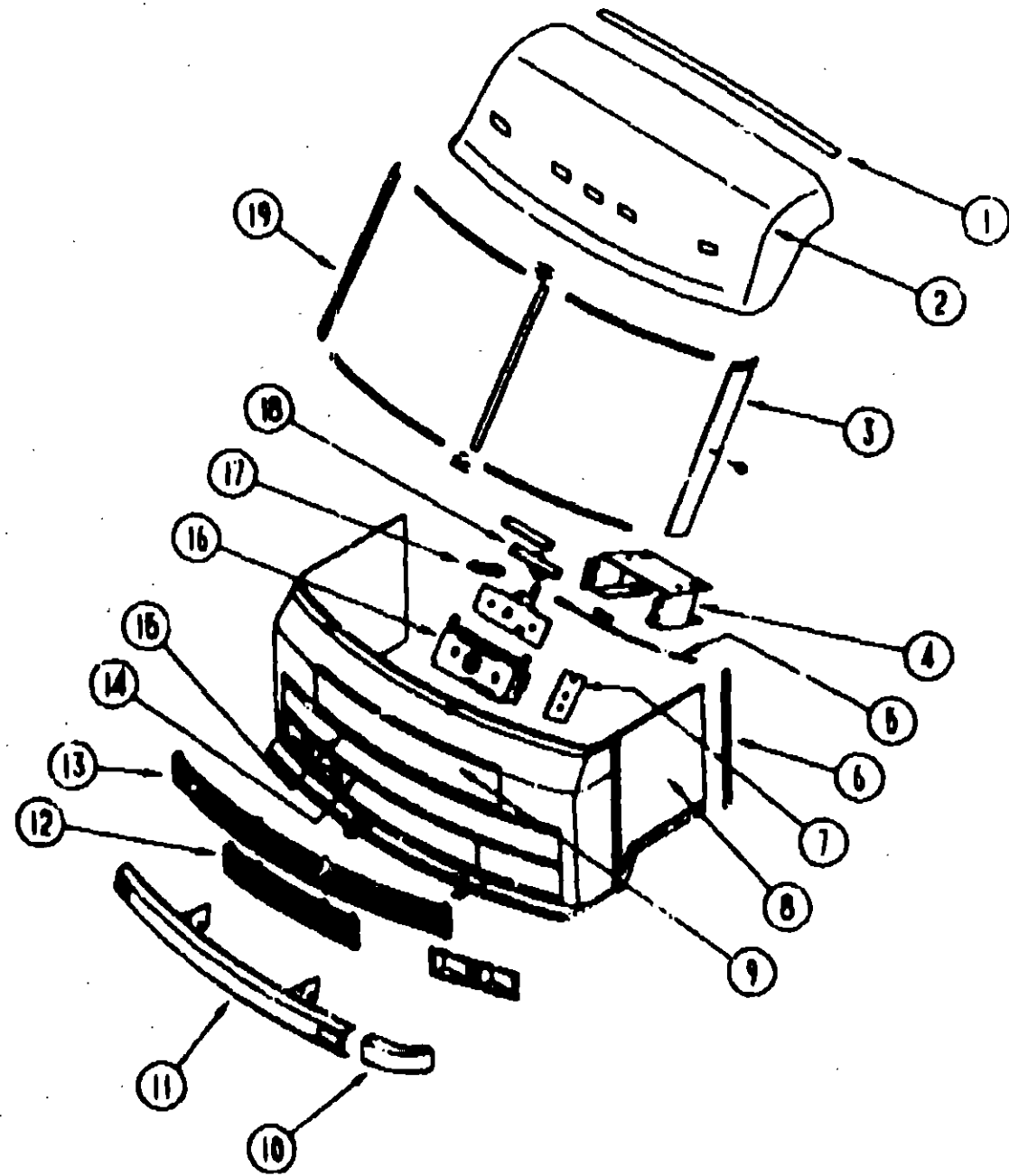
|                    |             |
|--------------------|-------------|
| INTRODUCTION       | A-01        |
| ABBREVIATIONS      | A-01        |
| ALPHABETICAL INDEX | A-02 - A-04 |
| ICF23EC            | A-05 - D-17 |
| ICF30EU            | D-19 - H-22 |

**1991 ICF23EC INDEX**

|                                |             |
|--------------------------------|-------------|
| FLOOR PLAN                     | A-15 - A-28 |
| ACCESSORIES                    | A-07 - A-10 |
| BATH                           | A-11 - A-13 |
| BEDROOM                        | A-14        |
| CHASSIS                        | A-15 - A-18 |
| C C & PAD                      | A-19 - B-02 |
| DINETTE                        | B-03 - B-04 |
| DRIVERS                        | B-05 - D-14 |
| ELECTRICAL                     | B-15 - B-18 |
| EXTERIOR BODY                  | B-19 - B-24 |
| GALLEY                         | C-01 - C-08 |
| HEATING & A/C                  | C-07 - C-12 |
| INTERIOR FINISH                | C-13 - C-18 |
| LABEL                          | C-17        |
| LP                             | C-18        |
| SEALANTS & FASTENERS           | C-19 - C-20 |
| WATER & SEWAGE                 | C-21 - C-21 |
| WINDOW, VENT AND EXTERIOR DOOR | D-02 - D-17 |

B-18

## EXTERIOR BODY GROUP



### KEY PART NUMBER

|    |               |
|----|---------------|
| 1  | 079580-01-000 |
| 2  | M01898-02-825 |
|    | M02001-01-000 |
|    | 065278-01-001 |
|    | 077922-01-000 |
|    | M02001-02-000 |
|    | 077922-01-000 |
|    | 077922-02-000 |
|    | 065278-01-001 |
| 2  | 078872-03-000 |
| 3  | 079225-02-000 |
| 4  | 073342-01-000 |
| 5  | R77008-88-721 |
| 6  | R77008-19-765 |
| 6  | 069822-02-000 |
| 7  | 060084-01-000 |
| 8  | M01118-27-Y70 |
| 9  | 068788-01-X70 |
|    | 068788-02-000 |
|    | 073338-01-000 |
|    | 078713-02-000 |
|    | 078787-02-000 |
|    | 069828-01-000 |
|    | 069828-02-000 |
|    | 060187-01-000 |
|    | 060187-02-000 |
| 10 | 078677-10-000 |
|    | 078677-09-000 |
| 11 | 077860-04-000 |
|    | 077862-01-000 |
|    | 068339-01-000 |
|    | 006300-01-000 |
| 12 | 060412-01-X70 |
| 13 | 060411-01-X70 |
|    | 060119-01-000 |
| 14 | 068252-08-000 |
| 15 | 068252-02-000 |
| 16 | R77007-81-489 |
| 17 | R77008-38-489 |
| 18 | R77007-01-880 |
|    | J73810-01-000 |
| 19 | 079225-01-000 |
|    | 061803-01-000 |
|    | 078322-04-000 |
|    | 068833-01-000 |
|    | 068828-01-000 |
|    | 072917-03-000 |
|    | 066747-01-000 |
|    | 074048-01-000 |
|    | 077040-01-000 |

## EXTERIOR BODY GROUP (CONTINUED)

### FRONT END COMPONENTS & BUMPER

### U/M DESCRIPTION

|    |   |                               |
|----|---|-------------------------------|
| EA | TRIM-ROOF TO FRONT CAP  |                               |
| EA | CAP ASSEMBLY-FRONT - GRAY                                       |                               |
| EA | HEADER-WINDSHIELD ASM BLACK                                     | FROM: 00-00-00 THRU: 04-08-90 |
| FT | TUBING-STEEL, .75" X 1.5" X 200"                                |                               |
| EA | HEADER-WINDSHIELD   | FROM: 04-09-90 THRU: 99-99-99 |
| EA | HEADER-WINDSHIELD, METAL - BLACK                                | FROM: 00-00-00 THRU: 05-13-90 |
| EA | HEADER-WINDSHIELD   | FROM: 05-14-90 THRU: 99-99-99 |
| EA | HEADER-WINDSHIELD   |                               |
| EA | HEADER-WINDSHIELD   |                               |
| FT | TUBING-STEEL, .75" X 1.5" X 200"                                |                               |
| EA | ROOF CAP-FRONT, PRIMED  |                               |
| EA | TRIM POST-WINDSHIELD, DRIVERS - METAL - BLACK                   |                               |
| EA | BRACKET ASM-STRIKER, HOOD (MOUNTS TO CROSSMEMBER)               |                               |
| EA | CABLE ASM-HOOD RELEASE  |                               |
| EA | SHEATH-CABLE END, HOOD  |                               |
| EA | TRIM-SEAM, FRONT END TO SIDEWALLS                               |                               |
| EA | BRACE-LATCH, HOOD   |                               |
| EA | FRONT END-FIBERGLASS, GRAY - W/O LIGHTS, GRILLE, OR DECALS      |                               |
| EA | HOOD ASM-GRAY, WITHOUT DECALS                                   |                               |
| EA | BOLT-BUMPER, HOOD ADJUSTING, .91"Ø X 1.25"                      |                               |
| EA | STRIKER-LATCH (MOUNTS TO #073342-01-000)                        |                               |
| EA | BRACKET ASM-LATCH - INCLUDED WITH HOOD                          |                               |
| EA | PLATE ASM-MOUNTING, HINGES - INCLUDED WITH HOOD                 |                               |
| EA | ARM ASM-HINGE, HOOD - RIGHT                                     |                               |
| EA | ARM ASM-HINGE, HOOD - LEFT                                      |                               |
| EA | BRACKET-HINGE ARM, HOOD - RIGHT                                 |                               |
| EA | BRACKET-HINGE ARM, HOOD - LEFT                                  |                               |
| EA | END CAP-BUMPER, FRONT DRIVERS SIDE - GRAY                       |                               |
| EA | END CAP-BUMPER, PASSENGERS FRONT SIDE - GRAY                    |                               |
| EA | BUMPER-FRONT, UNPAINTED   |                               |
| EA | BRACKET-BUMPER, FRONT, 2 PER COACH                              |                               |
| EA | SUPPORT-BUMPER, 2 PER COACH                                     |                               |
| EA | BOLT-BUMPER, ROUND HEAD-SQUARE NECK - W/ST CAP 7/16-14 X 1 1/4" |                               |
| EA | GRILLE ASM-LOWER - 5 BAR  |                               |
| EA | GRILLE ASM-UPPER - 5 BAR  |                               |
| EA | BRACKET-GRILLE  |                               |
| FT | TRIM-CHROME, 2" WIDE WITH PRESSURE SENSITIVE BACKING            |                               |
| FT | TRIM-CHROME, 1" WIDE WITH PRESSURE SENSITIVE BACKING            |                               |
| EA | LATCH ASM-HOOD RELEASE  |                               |
| EA | SPRING-CABLE, HOOD LATCH  |                               |
| EA | STRIKER-LATCH, HOOD   |                               |
| EA | SPRING-STRIKER, LATCH - HOOD                                    |                               |
| EA | TRIM POST-WINDSHIELD, PASSENGER - METAL - BLACK                 |                               |
| EA | GROMMET-SNAP, 3/16 ID - 3/8 HOLE - PLASTIC - BLACK              |                               |
| FT | TAPE-FOAM, DOUBLE COATED - .048" X .75"                         |                               |
| EA | BRACKET-PROP ROD  |                               |
| EA | CLIP-PROP ROD   |                               |
| EA | ROD-PROP, HOOD  |                               |
| SF | INSULATION-MICROFOAM, .5"                                       |                               |
| EA | INSERT-KNURLED, BRASS - #8-32 FOR HEADLIGHT SCREWS              |                               |
| EA | NUT-ACORN, 10-32 ALUMINUM                                       |                               |

### TABLE OF CONTENTS

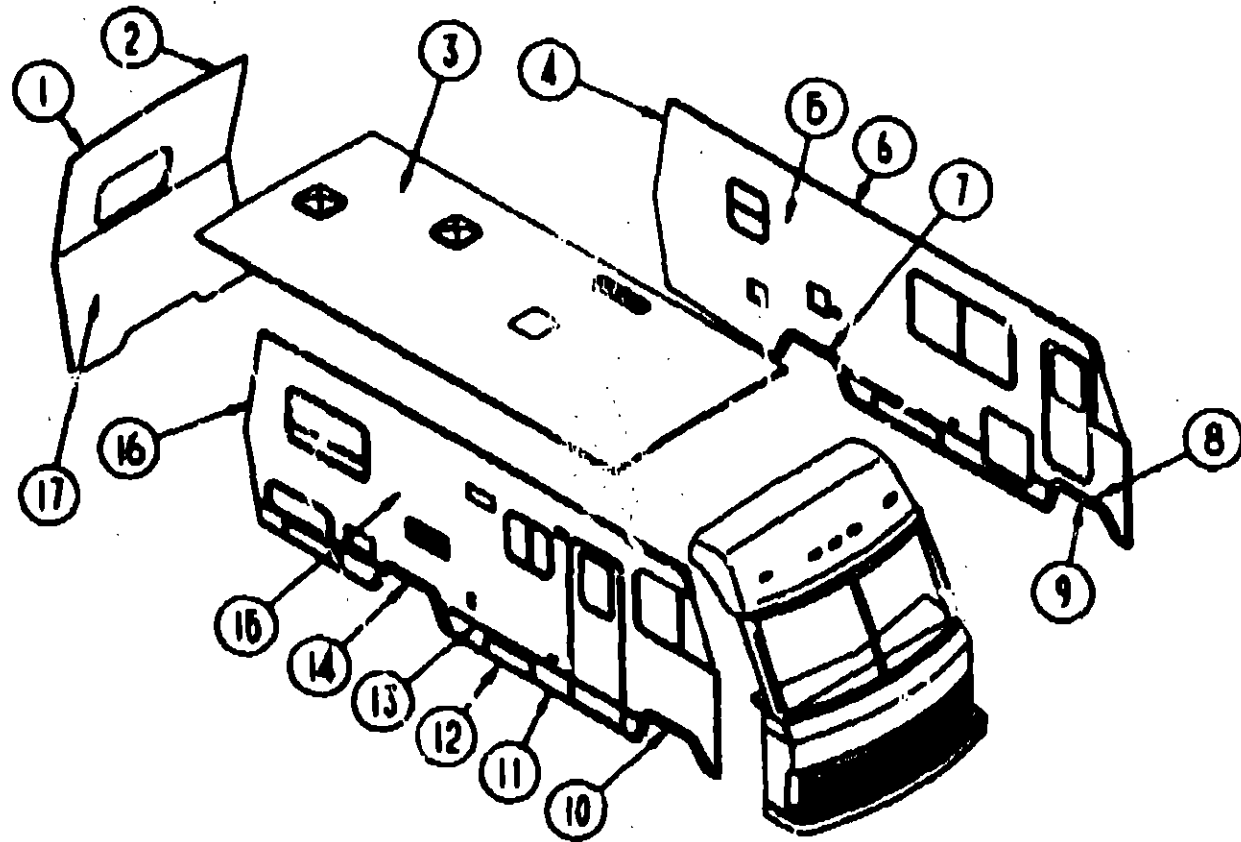
|                    |             |
|--------------------|-------------|
| INTRODUCTION       | A-01        |
| ABBREVIATIONS      | A-01        |
| ALPHABETICAL INDEX | A-02 - A-04 |
| ICF23EC            | A-05 - D-17 |
| ICF30EU            | D-18 - H-22 |

### 1991 ICF23EC INDEX

|                                |             |
|--------------------------------|-------------|
| FLOOR PLAN                     | A-05 - A-06 |
| ACCESSORIES                    | A-07 - A-10 |
| BATH                           | A-11 - A-13 |
| BEDROOM                        | A-14        |
| CHASSIS                        | A-15 - A-18 |
| C C & PAD                      | A-19 - B-02 |
| DRINETTE                       | J-03 - B-04 |
| DRIVERS                        | B-05 - B-14 |
| ELECTRICAL                     | B-15 - B-18 |
| EXTERIOR BODY                  | B-19 - B-24 |
| GALLEY                         | C-01 - C-06 |
| HEATING & A/C                  | C-07 - C-12 |
| INTERIOR FINISH                | C-13 - C-16 |
| LABEL                          | C-17        |
| LP                             | C-18        |
| SEALANTS & FASTENERS           | C-19 - C-20 |
| WATER & SEWAGE                 | C-21 - D-01 |
| WINDOW, VENT AND EXTERIOR DOOR | D-02 - D-17 |



**EXTERIOR BODY GROUP (CONTINUED)**



**EXTERIOR BODY PANELS AND TRIM**

| KEY PART NUMBER  | U/M DESCRIPTION   |
|------------------|---|
| 1 088006-06-000  | EA TRIM-BACKWALL TO ROOF, PASSENGER SIDE REAR - GRAY                      |
| 2 088009-08-000  | EA TRIM-SIDEWALL TO ROOF, DRIVERS SIDE REAR - GRAY                        |
| 3 100455-01-803  | EA ROOF-W/O VENTS (SPECIAL ORDER ITEM)                                    |
|                  | FROM: 00-00-00 THRU: 07-14-90   |
| 3 100455-02-803  | EA ROOF-W/O VENTS (SPECIAL ORDER ITEM)                                    |
|                  | FROM: 07-15-90 THRU: 99-99-99   |
| 4 084875-06-010  | EA ANGLE-STEEL, ROOF JOINT - 89" - BEIGE                                  |
| 4 080203-04-000  | EA TRIM-CORNER, DRIVERS SIDEWALL TO BACKWALL - GRAY                       |
| 080408-06-000    | EA TRIM-BACKWALL, LOWER ALUMINUM, BEIGE, 2 PER BACKWALL                   |
| 5 P00253-01-B25  | EA SIDEWALL-DRIVER, W/O DOORS, DECALS, OR WINDOWS (SPECIAL ORDER ITEM)    |
| 085278-01-001    | FT TUBING-STEEL, .75" X 1.5" X 20"  |
| 085287-01-000    | FT CHANNEL-SIDEWALL STIFFENER, WHOLES - 2" X 20"                          |
| 6 078867-08-000  | EA ANGLE-JOINT, ROOF - 156.5"   |
| 7 078070-04-000  | EA TRIM-WHEELWELL, DRIVER REAR - PLASTIC - GRAY                           |
| 089749-01-000    | EA TRIM-REAR WHEELWELL, ALUMINUM, DRIVERS OR PASSENGER                    |
| 088080-01-000    | EA WHEELWELL-PLASTIC, REAR - BLACK - LEFT OR RIGHT                        |
| 8 078558-14-000  | EA TRIM-WHEELWELL, DRIVER FRONT - PLASTIC - GRAY                          |
| 9 088908-01-000  | EA TRIM-FRONT WHEELWELL - DRIVER & PASSENGER - METAL                      |
| 10 078558-13-000 | EA TRIM-WHEELWELL, PASSENGER FRONT - PLASTIC - GRAY                       |
| 11 078407-06-002 | EA ROCKER PANEL 192" ALUMINUM, GRAY, WITHOUT DOOR PIN HOLES               |
| 002728-01-001    | EA GARNISH-U-CHANNEL, 1.38" X 1.9" - SERRATED - MILL ALUMINUM             |
| 12 088528-05-002 | EA ROCKER PANEL, 192" ALUMINUM, GRAY, WITH DOOR PIN HOLES                 |
| 13 088578-11-000 | EA EXTRUSION-FEATURE 8 (RIP, 182" - GRAY                                  |
| 008731-01-000    | EA CAP-END, FEATURE STRIP   |
| 14 078070-02-000 | EA TRIM-WHEELWELL, PASSENGER REAR - PLASTIC - GRAY                        |
| 089749-01-000    | EA TRIM-REAR WHEELWELL, ALUMINUM, DRIVERS OR PASSENGER                    |
| 088080-01-000    | EA WHEELWELL-PLASTIC, REAR - BLACK - LEFT OR RIGHT                        |
| 15 P00454-01-B25 | EA SIDEWALL-PASSENGER, W/O DOORS, DECALS, OR WINDOWS (SPECIAL ORDER ITEM) |
| 078378-01-000    | FT MOLDING-Y-SHAPED COVE, CEILING TO WALL - OFF WHITE                     |
| 085287-01-000    | FT CHANNEL-FORMED, 2" X .88" X 14GA - 20" WHOLES                          |
| 16 080203-02-000 | EA TRIM CORNER, PASSENGER SIDEWALL TO BACKWALL - GRAY                     |
| 17 P00254-01-B25 | EA BACKWALL-W/O WINDOW OR DECALS (SPECIAL ORDER ITEM)                     |
| 088787-01-000    | EA SPACER-DOOR, LOWER   |

**EXTERIOR BODY GROUP (CONTINUED)**

**REAR BUMPER & END CAPS**

| KEY PART NUMBER | U/M DESCRIPTION   |
|-----------------|---|
| 100250-01-02A   | EA CAP-END, BUMPER - REAR PASSENGER - GRAY<br>USED WITH TWO PART BUMPER |
|                 | FROM: 00-00-00 THRU: 06-17-90   |
| 100250-02-02A   | EA CAP-END, BUMPER - REAR DRIVER - GRAY<br>USED WITH TWO PART BUMPER    |
|                 | FROM: 00-00-00 THRU: 06-17-90   |
| 080815-01-W30   | EA CAP-END, BUMPER - REAR PASSENGER - W/GUSSET - GRAY                   |
|                 | FROM: 06-18-90 THRU: 99-99-99   |
| 080815-02-W30   | EA CAP-END, BUMPER - REAR DRIVER - W/GUSSET - GRAY                      |
|                 | FROM: 06-18-90 THRU: 99-99-99   |
| 100575-01-03A   | EA BUMPER-REAR, RIGHT - GRAY  |
|                 | FROM: 00-00-00 THRU: 07-14-90   |
| 100575-02-03A   | EA BUMPER-REAR, LEFT - GRAY   |
|                 | FROM: 00-00-00 THRU: 07-14-90   |
| 078584-10-000   | EA BUMPER - REAR - GRAY   |
|                 | FROM: 07-15-90 THRU: 99-99-99   |

**ASSIST HANDLE**

| KEY PART NUMBER | U/M DESCRIPTION                                 |
|-----------------|---|
| 00P128-01-000   | EA HANDLE-ASSIST, ENTRY DOOR - CHROME           |
|                 | FROM: 07-00-00 THRU: 09-03-99                   |
| U09128-02-000   | EA HANDLE-ASSIST, ENTRY DOOR - BLACK            |
|                 | FROM: 09-04-99 THRU: 99-99-99                   |
| 081914-01-000   | EA BUMPER-RUBBER, ROUND - .43" DIAMETER - BLACK |
| 077853-01-000   | EA GROMMET-EDGE LINER, FITS 1"                  |

**MISCELLANEOUS EXTERNALLY MOUNTED PARTS**

| KEY PART NUMBER | U/M DESCRIPTION                            |
|-----------------|--|
| 084618-03-000   | EA SHROUD-EXTERIOR VENT, RANGE HOOD - GRAY |
| 087658-03-000   | EA FILL-CITY WATER, ROUND - GRAY           |
| 078738-01-000   | EA COVER-EXTERIOR RECEPTACLE, GRAY         |

**FIBERGLASS, ALUMINUM AND PANEL**

| KEY PART NUMBER | U/M DESCRIPTION  |
|-----------------|--|
| 081385-08-000   | EA PANEL-FIBERGLASS & PARTICLE BOARD, 4' X 8' - GRAY           |
| 000888-01-000   | SF STYROFOAM-.75" X 24" X 96" - INCREMENTS OF 16 SF            |
| 000970-03-000   | SF STYROFOAM-1.34" X 48" X 96" - INCREMENTS OF 32 SF           |
| 083574-01-000   | SF STYROFOAM, DOW TYPE 8M - 1.5" X 24" X 96.25" - INC OF 32 SF |
| 088287-01-000   | SF PLYWOOD-LUAN, OVERLAY GRADE - 4' X 8' - INC OF 32 SF        |
| 044487-01-001   | EA ALUMINUM SHEET - .018" X 96" X 300" - MILL FINISH           |
| 001054-01-011   | EA ALUMINUM-SHEET, 48" X 96" - FLAT - OFF WHITE                |
| 078074-01-001   | EA FIBERGLASS-SHEET, 36" X 252" - FLAT - GRAY                  |
| 078084-07-001   | EA FIBERGLASS-SHEET, 60" X 308" - FLAT - GRAY                  |
| 077517-23-000   | EA FIBERGLASS-SHEET, FLAT - 48" X 96" - GRAY                   |
| 077517-24-000   | EA FIBERGLASS-SHEET, FLAT - 48" X 96" - OFF WHITE              |
|                 | FROM: 00-00-00 THRU: 09-16-90                                  |
| 078084-D4-001   | EA FIBERGLASS-SHEET, FLAT - 48" X 96" - GRAY                   |
|                 | FROM: 09-17-90 THRU: 99-99-99                                  |
| 088229-01-000   | EA RETAINER-34"  |
| 088772-51-001   | EA PIN-STAINLESS STEEL .25" DIAMETER X 4.17"                   |
| 078322-02-000   | FT TAPE-FOAM, DOUBLE COATED - .045" X 1" - INC. OF 108 FT      |
| 078322-03-000   | FT TAPE-FOAM, DOUBLE COATED - .045" X .5"                      |
| 001030-11-100   | EA AL-.019X00.78X200.00 GRAY                                   |
| 001018-01-024   | EA SKIN-ALUMINUM, .024" X 48" X 96" - FLAT - BEIGE             |

**EXTERIOR MIRRORS**

| KEY PART NUMBER | U/M DESCRIPTION  |
|-----------------|--|
| 048347-01-000   | EA MIRROR HEAD-EXTERIOR, 10 1/2" X 7 1/2" - STAINLESS ST |
| 008043-01-000   | EA MIRROR-EXTERIOR CONVEX, ADHESIVE BACKED               |
| 048348-03-000   | EA ARM-EXTERIOR MIRROR, LOW MOUNT - BLACK                |
| 048944-04-000   | EA BRACKET-EXTERIOR MIRROR, ARM TO SIDEWALL - BLACK      |
| 039337-01-000   | EA BRACKET-EXTERIOR MIRROR, ARM TO SIDEWALL - UNPAINTED  |

**SPARE TIRE COVER**

| KEY PART NUMBER | U/M DESCRIPTION                  |
|-----------------|----------------------------------|
| 098855-01-B25   | EA COVER-TIRE, VINYL - OFF WHITE |

**TABLE OF CONTENTS**

|                    |             |
|--------------------|-------------|
| INTRODUCTION       | A-01        |
| ABBREVIATIONS      | A-01        |
| ALPHABETICAL INDEX | A-02 - A-04 |
| ICF23EC            | A-05 - D-17 |
| ICF30EU            | D-19 - F-22 |

**1991 ICF23EC INDEX**

|                                |             |
|--------------------------------|-------------|
| FLOOR PLAN                     | A-05 - A-06 |
| ACCESSORIES                    | A-07 - A-10 |
| BATH                           | A-11 - A-13 |
| BEDROOM                        | A-14        |
| CHASSIS                        | A-15 - A-16 |
| C C & PAD                      | A-19 - B-02 |
| DINETTE                        | B-03 - B-04 |
| DRIVERS                        | B-05 - B-14 |
| ELECTRICAL                     | B-15 - B-18 |
| EXTERIOR BODY                  | B-19 - B-24 |
| GALLEY                         | C-01 - C-08 |
| HEATING & A/C                  | C-07 - C-12 |
| INTERIOR FINISH                | C-13 - C-18 |
| LABEL                          | C-17        |
| LP                             | C-18        |
| SEALANTS & FASTENERS           | C-19 - C-20 |
| WATER & SEWAGE                 | C-21 - D-01 |
| WINDOW, VENT AND EXTERIOR DOOR | D-02 - D-17 |

EXTERIOR BODY GROUP ( CONTINUED )

DECAL

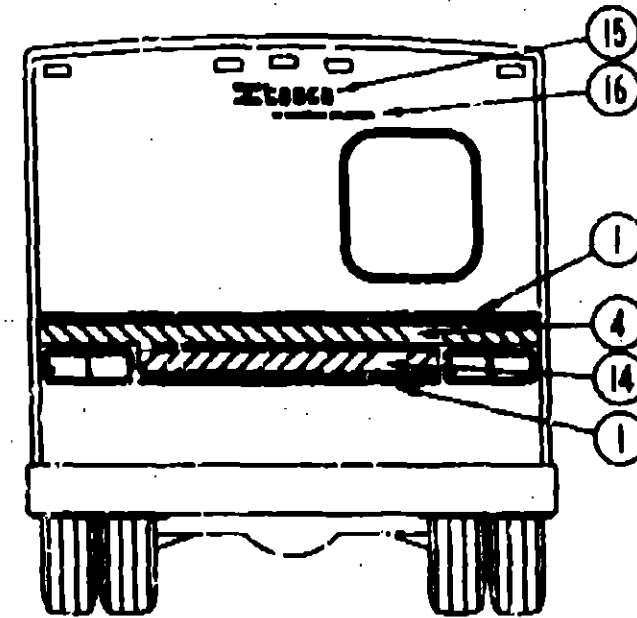
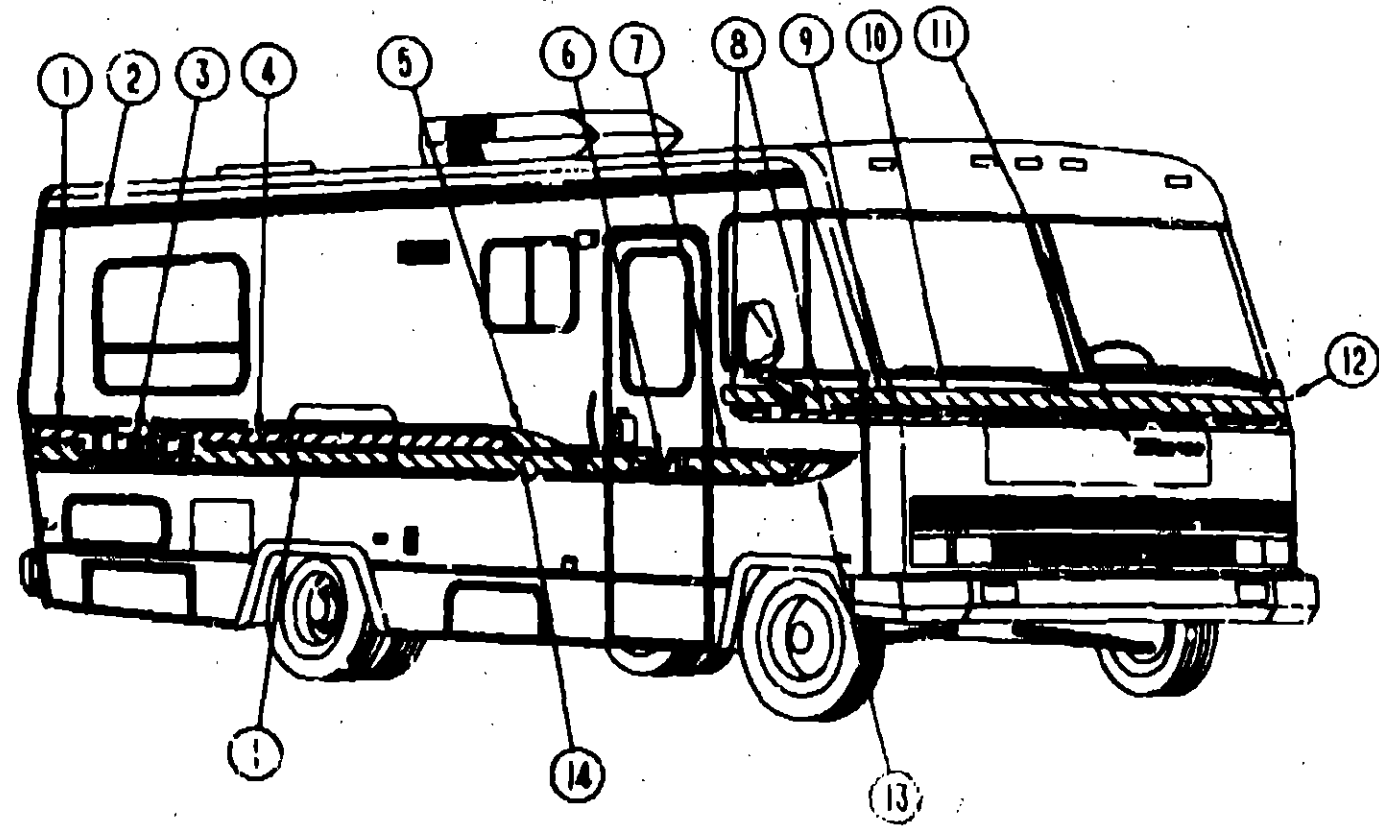


TABLE OF CONTENTS

|                    |             |
|--------------------|-------------|
| INTRODUCTION       | A-01        |
| ABBREVIATIONS      | A-01        |
| ALPHABETICAL INDEX | A-02 - A-04 |
| ICF23EC            | A-05 - D-17 |
| ICF30EU            | D-19 - H-22 |

KEY PART NUMBER

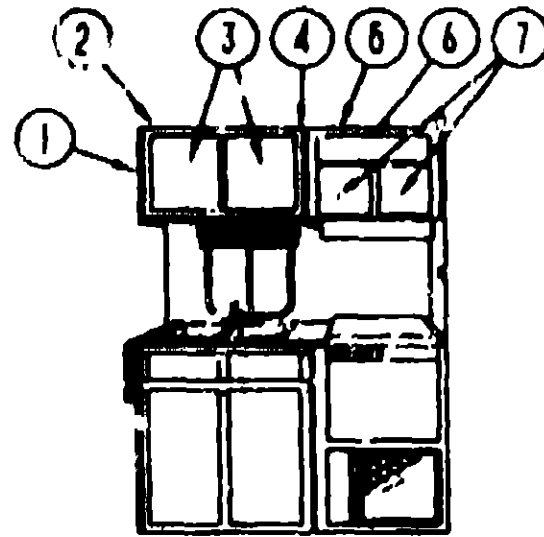
|    |               |    |   |
|----|---------------|----|---|
| 1  | 093981-18-01A | FT | STRIPE-1 LINE, 1.25" WIDE - DARK BLUE - DARK BLUE-DUPONT# K9456   |
| 2  | 093980-23-01A | FT | MULTISTRIPE-2 LINES, 3" WIDE - DARK BLUE & LIGHT BLUE - DARK BLUE-DUPONT# K9456, LIGHT BLUE-DUPONT# K9457 |
| 3  | 078952-18-000 | EA | DECAL-LOGO, "ITASCA" - 8.5" HIGH - DARK BLUE & LIGHT  |
| 4  | 093981-18-01A | FT | STRIPE-1 LINE, 2" WIDE - DARK BLUE - DARK BLUE-DUPONT# K9456  |
| 5  | 100039-01-01A | EA | DECAL SWEEP, DRIVER SIDE FRONT/PASSENGER SIDE REAR - DARK BLUE-DUPONT# K9456                              |
| 6  | 093986-01-03A | EA | DECAL-LOGO, "SPIRIT" - DARK BLUE & LIGHT GRAY   |
| 7  | 093981-03-03A | FT | STRIPE-1 LINE, 1.5" WIDE - LIGHT BLUE - LIGHT BLUE-DUPONT# K9457  |
| 8  | 093981-17-01A | FT | STRIPE-1 LINE, 3.75" WIDE - LIGHT BLUE - DUPONT # K9456   |
| 9  | 100039-01-01A | EA | DECAL-CORNER, FRONT PASSENGER SIDE - LIGHT BLUE/DARK  |
| 10 | 100037-01-01A | EA | DECAL-HOOD, LIGHT BLUE & DARK BLUE - DARK BLUE DUPONT #K9456; LIGHT BLUE DUPONT #K9457                    |
| 11 | 087257-02-000 | EA | DECAL-LOGO, "ITASCA" - HOOD PANEL - DARK BLUE   |
| 12 | 100039-02-01A | EA | DECAL-CORNER, FRONT DRIVER SIDE - LIGHT BLUE/DARK BLUE  |
| 13 | 100039-02-01A | EA | DECAL-SWEEP, PASSENGER SIDE FRONT/DRIVER SIDE REAR - DARK BLUE-DUPONT# K9456                              |
| 14 | 093981-18-02A | FT | STRIPE-1 LINE, 5" WIDE - LIGHT BLUE - LIGHT BLUE-DUPONT# K9457  |
| 16 | 078191-03-000 | EA | DECAL-LOGO, "ITASCA" - BACKWALL - DARK BLUE - DARK BLUE-DUPONT# K9456                                     |
|    | 094075-01-000 | EA | DECAL-"B" (WINNEBAGO INC.), BLACK   |
|    | NOTE          |    | GRAY BODY PAINT - DUPONT # L8730A OR L8730L   |

1991 ICF23EC INDEX

|                                |             |
|--------------------------------|-------------|
| EXTERIOR PLAN                  | A-02 - A-03 |
| ACCESSORIES                    | A-04 - A-10 |
| BATH                           | A-11 - A-13 |
| BEDROOM                        | A-14        |
| CHASSIS                        | A-15 - A-18 |
| C/C & PAD                      | A-19 - B-02 |
| DINETTE                        | B-03 - B-04 |
| DRIVERS                        | B-05 - B-14 |
| ELECTRICAL                     | B-15 - B-16 |
| EXTERIOR BODY                  | B-19 - B-24 |
| GALLEY                         | C-01 - C-08 |
| HEATING & A/C                  | C-07 - C-12 |
| INTERIOR FINISH                | C-13 - C-16 |
| LABEL                          | C-17        |
| LP                             | C-18        |
| SEALANTS & FASTENERS           | C-19 - C-20 |
| WATER & SEWAGE                 | C-21 - D-01 |
| WINDOW, VENT AND EXTERIOR DOOR | D-02 - D-17 |



**GALLEY GROUP**



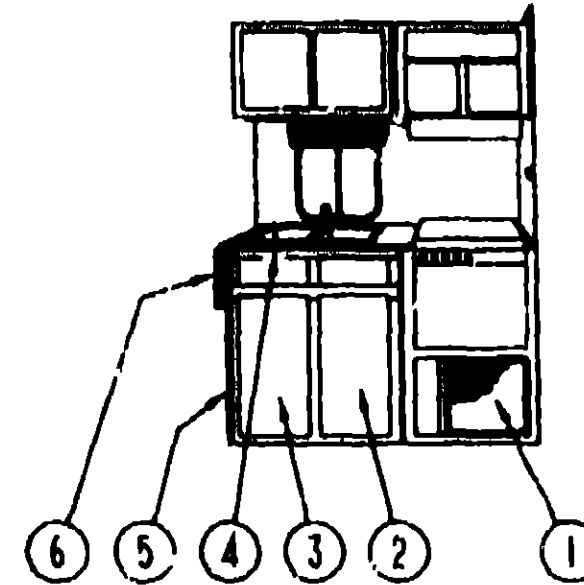
**OVERHEAD CABINETS & COMPONENTS**

| KEY PART NUMBER | U/M | DESCRIPTION  |
|-----------------|-----|--|
| 1               | EA  | 081320-20-B25 CAP-END, CABINET - FRONT                           |
| 2               | EA  | M99636-01-B25 CABINET-OVERHEAD, SINK - W/O DOORS OR HARDWARE     |
| 3               | EA  | P00099-81-B27 DOOR-CABINET, OVHD SINK - W/O HARDWARE - 14" X 22" |
| 4               | EA  | 081320-14-B25 CAP-END, CABINET - FRONT                           |
| 5               | EA  | M03772-08-B25 CABINET-OVERHEAD, RANGE - W/O DOORS OR HARDWARE    |
| 6               | EA  | P00099-23-B25 DOOR-CABINET, W/O HARDWARE - 7" X 21.8"            |
| 7               | EA  | P00099-24-B25 DOOR-CABINET, W/O HARDWARE - 14.4" X 10.8"         |

**CANADIAN EXPORT OPTION L265**

| KEY PART NUMBER | U/M | DESCRIPTION   |
|-----------------|-----|---|
| 100258-02-01A   | EA  | HOOD-RANGE, W/O MONITOR PANEL - VENTLINE - CANADIAN |
| 080873-01-700   | EA  | MOTOR - LVS CA508-1                                 |
| 080873-01-702   | EA  | BLADE-FAN, LVS VA183-1                              |
| 082886-01-709   | E/U | BULB-912, VENTLINE VA415                            |
| 088883-01-706   | EA  | LENS-LAMP, VENTLINE CC179                           |
| 082886-01-710   | EA  | SOCKET-LIGHT, VENTLINE CB267-2                      |
| 088883-01-707   | EA  | FILTER-GREASE, 8" X 8" - LVS CC246                  |
| 088883-01-702   | EA  | SWITCH-TWO WAY MOMENTARY, VENTLINE 112              |
| 088883-01-700   | EA  | SWITCH-ON/OFF, VENTLINE 100                         |

**GALLEY GROUP (CONTINUED)**



**GALLEY CABINET**

| KEY PART NUMBER | U/M | DESCRIPTION   |
|-----------------|-----|---|
| 1               | EA  | P00099-72-B27 DOOR-CABINET, UNDER RANGE - W/O HARDWARE - 17.9" X 14"  |
| 2               | EA  | P00099-14-B27 DOOR-CABINET, W/O HARDWARE - 28.7" X 14.4" - UNDER SINK |
| 3               | EA  | P00099-13-B25 DOOR-CABINET, W/O HARDWARE - 28.7" X 14.4" - UNDER SINK |
| 4               | EA  | 089643-11-B03 COUNTERTOP-GALLEY                                       |
| 5               | EA  | M03987-03-B25 CABINET-GALLEY, W/O DOORS OR HARDWARE                   |
| 6               | EA  | 080812-02-B25 EXTENSION-COUNTERTOP, GALLEY CABINET                    |
|                 | EA  | 009049-01-000 SUPPORT-EXTENSION, GALLEY COUNTERTOP                    |
|                 | EA  | 011053-04-000 FAUCET-GALLEY, SWING SPOUT 8"                           |
|                 | EA  | 061253-01-000 GASKET-FAUCET, LAVATORY                                 |
|                 | EA  | 099651-01-000 SINK-GALLEY, DOUBLE W/MOUNTING HARDWARE - STAINLESS S   |
|                 |     | FROM: 00-00-00 THRU 12-11-90  |
| 102551-01-000   | EA  | SINK-STAINLESS STEEL, DOUBLE - 17" X 25" - US                         |
|                 |     | FROM: 12-12-90 THRU 99-99-99  |
| 086437-01-000   | EA  | STRAINER-SINK, GALLEY W/GASKET  |
| 086437-01-700   | EA  | BASKET-STRAINER, GALLEY SINK  |
| 081530-01-B05   | EA  | COVER-SINK  |

**TABLE OF CONTENTS**

|                    |             |
|--------------------|-------------|
| INTRODUCTION       | A-01        |
| ABBREVIATIONS      | A-01        |
| ALPHABETICAL INDEX | A-02 - A-04 |
| ICF23EC            | A-06 - D-17 |
| ICF30EU            | U-19 - H-22 |

**1991 ICF23EC INDEX**

|                                |             |
|--------------------------------|-------------|
| FLOOR PLAN                     | A-05 - A-08 |
| ACCESSORIES                    | A-07 - A-10 |
| BATH                           | A-11 - A-13 |
| BEDROOM                        | A-14        |
| CHASSIS                        | A-15 - A-18 |
| CC & PAD                       | A-19 - B-02 |
| DINETTE                        | B-03 - B-04 |
| DRIVERS                        | B-05 - B-14 |
| ELECTRICAL                     | B-15 - B-18 |
| EXTERIOR BODY                  | B-19 - B-24 |
| GALLEY                         | C-01 - C-06 |
| HEATING & AC                   | C-07 - C-12 |
| INTERIOR FINISH                | C-13 - C-16 |
| LABEL                          | C-17        |
| LP                             | C-18        |
| SEALANTS & FASTENERS           | C-19 - C-20 |
| WATER & SEWAGE                 | C-21 - D-01 |
| WINDOW, VENT AND EXTERIOR DOOR | D-02 - D-17 |

**GALLEY GROUP (CONTINUED)**

**REFRIGERATOR**

| KEY PART NUMBER | U/M | DESCRIPTION   |
|-----------------|-----|---|
| 088248-01-000   | EA  | REFRIGERATOR-2-WAY, NORCOLD #78-EG2                 |
| 084878-01-700   | EA  | COOLING UNIT - HORIZONTAL BURNER, NORCOLD# 81887237 |
| 084473-01-718   | EA  | FLUE-HORIZONTAL BURNER, NORCOLD# 818182             |
| 088248-01-708   | EA  | HEATER-AC, (HORIZONTAL) - NORCOLD# 815827           |
| 078217-01-737   | EA  | CONTROL MODULE, NORCOLD# 81525022                   |
| 088248-01-701   | EA  | INSERT-CONTROL PANEL, (3-WAY) - NORCOLD# 818039     |
| 084880-01-715   | EA  | VALVE-SHUT-OFF, MANUAL - NORCOLD# 81867922          |
| 084880-01-713   | EA  | CONNECTOR-MALE, INLET FITTING - NORCOLD# 815258     |
| 084880-01-705   | EA  | ORIFICE - NORCOLD# 814522                           |
| 088248-01-708   | EA  | BURNER-(HORIZONTAL), NORCOLD# 15881                 |
| 088248-01-708   | EA  | ELECTRODE-IGNITION, (HORIZONTAL) - NORCOLD# 815732  |
| 088248-01-712   | EA  | FRAME-DOOR, LOWER - BROWN - NORCOLD 815578          |
| 078217-01-700   | EA  | TRIM-SHELF, UPPER DOOR - INSIDE - NORCOLD 815223    |
| 084472-01-744   | EA  | DUNNY KEEPER - NORCOLD 814720                       |
| 084472-02-716   | EA  | ELECTRODE-IGNITION, (HORIZONTAL) - NORCOLD# 815732  |
| 084472-01-727   | EA  | HINGE-UPPER RIGHT, NORCOLD 813528                   |
| 088888-01-713   | EA  | PIN-HINGE, NORCOLD# 811148                          |
| 088248-01-715   | EA  | TRAY-DRIP, ALMOND - NORCOLD# 81542522               |
| 084472-03-700   | EA  | PIN-HINGE, BOTTOM - NORCOLD 815507                  |
| 084472-01-731   | EA  | COVER-CRISPER, NORCOLD 813378                       |
| 078217-01-713   | EA  | DRAWER-CRISPER, NORCOLD 815180                      |
| 084472-01-728   | EA  | FRAME STRIP-CABINET, LEFT - NORCOLD 813820          |
| 088248-01-714   | EA  | CABINET ASM-FOAMED, (ALMOND) - NORCOLD# 818008      |
| 084472-01-727   | EA  | HINGE-UPPER RIGHT, NORCOLD 813528                   |
| 084472-01-728   | EA  | HINGE-LOWER RIGHT, NORCOLD 813529                   |
| 088248-02-700   | EA  | P/C BOARD-2WAY, NORCOLD 818027                      |
| 088248-02-701   | EA  | INSERT-CONTROL PANEL, LOWER - 2WAY - NORCOLD 818038 |
| 054450-01-000   | EA  | LEVEL-REFRIGERATOR                                  |
| 090329-01-000   | FT  | SEAL-REFRIGERATOR CABINET                           |
| 085225-01-000   | EA  | PLATE-TIEDOWN, REFRIGERATOR                         |
| 087544-01-000   | EA  | BRACKET-REAR TIEDOWN, REFRIGERATOR                  |
| 087544-02-000   | EA  | BRACKET-FRONT TIEDOWN, REFRIGERATOR                 |
| 084073-02-000   | EA  | VENT REFRIGERATOR - ROOF COVER, NORCOLD - GRAY      |
| 084073-04-000   | EA  | BASE-ROOF VENT, NORCOLD REFRIGERATOR - BLACK        |
| 084073-04-000   | EA  | BASE-ROOF VENT, NORCOLD REFRIGERATOR - BLACK        |
| 091289-04-000   | EA  | OVEN-MICROWAVE, MAGIC CHEF - MODEL M15-B            |
| 094745-01-01A   | EA  | TRIM-MICROWAVE, LOWER - BLACK                       |
| 094774-01-01A   | EA  | TRIM-MICROWAVE, EITHER SIDE - BLACK                 |
| 094750-01-000   | EA  | BRACKET-MICROWAVE, 90 DEGREE                        |
| 090329-01-000   | FT  | SEAL-REFRIGERATOR CABINET                           |

**RANGE HOOD FOR GENERATOR OPTION L30E**

| KEY PART NUMBER | U/M | DESCRIPTION                                    |
|-----------------|-----|--|
| 100258-03-01A   | EA  | HOOD-RANGE, W/O MONITOR PANEL, VENTLINE - U.S. |
| 090873-01-700   | EA  | MOTOR - LVS CASCO-1                            |
| 090873-01-702   | EA  | BLADE-FAN, LVS VA183-1                         |
| 092998-01-709   | EA  | BULB-912, VENTLINE VA415                       |
| 090883-01-708   | EA  | LENS-LAMP, VENTLINE CC179                      |
| 090883-01-707   | EA  | FILTER-GREASE, 8" X 5" - LVS CC248             |
| 082086-01-710   | EA  | SOCKET-LIGHT, VENTLINE CB287-2                 |
| 090883-01-702   | EA  | SWITCH-TWO WAY MOMENTARY, VENTLINE 112         |
| 090883-01-700   | EA  | SWITCH-ON/OFF, VENTLINE 108                    |
| 100258-18-01A   | EA  | METER-HOUR, VENTLINE 150                       |

**GALLEY GROUP (CONTINUED)**

**4 BURNER RANGE**

| KEY PART NUMBER | U/M | DESCRIPTION  |
|-----------------|-----|--|
| 055518-01-000   | EA  | BRACKET-FRONT TIEDOWN, RANGE W/OVEN  |
| 055518-02-000   | EA  | BRACKET-REAR TIEDOWN, RANGE W/OVEN   |
| 055282-04-000   | EA  | RANGE-4 BURNER, W/OVEN - MAGIC CHEF BT18NA - ALMOND<br>FROM: 00-00-00 THRU: 09-02-90 |
| 055282-03-708   | EA  | BUMPER-MAIN TOP, PLASTIC PLUG - MAGIC CHEF 744-178                                   |
| 049045-01-742   | EA  | BURNER ASM-OVEN, MAGIC CHEF 50-20218   |
| 084782-02-715   | EA  | CLIP-GRATE, MAGIC CHEF 413-00018   |
| 049045-01-739   | EA  | FITTING-HALF UNION, MAGIC CHEF 898-31  |
| 055282-03-702   | EA  | KNOB-THERMOSTAT, MAGIC CHEF 50-20281   |
| 049045-01-742   | EA  | BURNER ASM-OVEN, MAGIC CHEF 50-20218   |
| 031374-02-701   | EA  | REGULATOR-PRESSURE, MAGIC CHEF 978-27  |
| 055282-03-700   | EA  | THERMOSTAT, MAGIC CHEF 983-476   |
| 049045-01-703   | EA  | VALVE-TOP BURNER, MAGIC CHEF 997-584   |
| 084782-02-705   | EA  | HANDLE-OVEN DOOR, BLACK - MAGIC CHEF 50-25104  |
| 049045-01-728   | EA  | PROILER PAN W/O INSERT, MAGIC CHEF 50-22114-2  |
| 098507-02-700   | EA  | FILTER-PILOT, MAGIC CHEF 735-126   |
| 098507-02-701   | EA  | INSERT-BURNER (SLOTTED VENT), MAGIC CHEF 7214P015-00                                 |
| 084782-02-701   | EA  | SHIELD-DEFLECTOR FLUE, BLACK - MAGIC CHEF 50-25039-1                                 |
| 102020-01-705   | EA  | TRIM(LEFT)   |
| 049045-01-741   | EA  | INSERT-BROILER PAN, MAGIC CHEF 5022119-1 OR 2  |
| 084782-02-710   | EA  | BRACKET-FRONT GLASS, MAGIC CHEF 56-82097   |
| 084782-02-712   | EA  | GRATE-TOP BURNER, SQUARE HOLES - MAGIC CHEF 50-25439                                 |
| 084782-02-714   | EA  | FITTING-PIPE NIPPLE, 1/8" - MAGIC CHEF 883-1   |
| 098507-01-701   | EA  | TOP-MAIN, ALMOND - MAGIC CHEF 2001F057-74  |
| 078217-01-745   | EA  | TRIM-UPPER DOOR, FOAMED - NORCOLD 814905   |
| 084782-02-708   | EA  | VALVE-MERCURY CONTROL, MAGIC CHEF 999-828  |
| 055282-04-700   | EA  | PANEL-OVEN DOOR, ALMOND - MAGIC CHEF 50-28577-2A                                     |
| 098507-02-707   | EA  | TOP-MAIN, EBONY - MAGIC CHEF 2001F057-70   |
| 102022-01-01A   | EA  | RANGE-16", 4 BURNER - MAGIC CHEF BT18RA-4-49<br>FROM: 09-03-90 THRU: 99-99-99        |
| 102020-01-701   | EA  | HANDLE, DOOR   |
| 102020-01-702   | EA  | PANEL, MAIN TOP  |
| 102022-01-700   | EA  | PANEL, DOOR (BLACK) SPEC 49  |
| 102020-01-700   | EA  | SHELF-OVEN   |
| 102022-01-701   | EA  | TRIM(LEFT)   |
| 102020-01-708   | EA  | BURNER ASSEMBLY (OVEN)   |
| 102020-01-709   | EA  | BUMPER, GRATE  |
| 102020-01-711   | EA  | GRATE, TOP   |
| 102020-01-712   | EA  | KNOB, BURNER VALVE   |
| 102020-01-713   | EA  | KNOB, THERMOSTAT   |
| 102020-01-714   | EA  | PILOT, OVEN  |
| 102022-01-702   | EA  | PIPE, MANIFOLD   |
| 102022-01-703   | EA  | REGULATOR, PRESSURE  |
| 102020-01-717   | EA  | THERMOSTAT   |
| 102020-01-719   | EA  | TOP, MAIN (BLACK)  |
| 102020-01-720   | EA  | VALVE, MERCURY CONTROL   |
| 102020-01-721   | EA  | VALVE, SHUT-OFF  |
| 102020-01-722   | EA  | VALVE, TOP BURNER  |
| 102020-01-723   | EA  | PILOT, BURNER  |
| 102020-01-724   | EA  | BUMPER, MAIN TOP   |

**TABLE OF CONTENTS**

|                    |             |
|--------------------|-------------|
| INTRODUCTION       | A-01        |
| ABBREVIATIONS      | A-01        |
| ALPHABETICAL INDEX | A-02 - A-04 |
| ICF23EC            | A-00 - D-17 |
| ICF30EU            | D-19 - H-22 |

**1991 ICF23EC INDEX**

|                                |             |
|--------------------------------|-------------|
| FLOOR PLAN                     | A-05 - A-08 |
| ACCESSORIES                    | A-07 - A-10 |
| BATH                           | A-11 - A-13 |
| BEDROOM                        | A-14        |
| CHASSIS                        | A-15 - A-18 |
| C/C & PAD                      | A-19 - B-02 |
| DMETTE                         | B-03 - B-04 |
| DRIVERS                        | B-05 - B-14 |
| ELECTRIC/L                     | B-15 - B-18 |
| EXTERIOR BODY                  | B-19 - B-24 |
| GALLEY                         | C-01 - C-03 |
| HEATING & AC                   | C-07 - C-12 |
| INTERIOR FINISH                | C-13 - C-16 |
| LABEL                          | C-17        |
| LP                             | C-18        |
| SEALANTS & FASTENERS           | C-19 - C-20 |
| WATER & SEWAGE                 | C-21 - D-01 |
| WINDOW, VENT AND EXTERIOR DOOR | D-02 - D-17 |

**GALLEY GROUP (CONTINUED)**

**MICROWAVE OVEN**

| KEY PART NUMBER | U/M DESCRIPTION                             |
|-----------------|---|
| 000339-06-088   | EA SCREW-SF/DR, 6-18X3/8 PPH ZN             |
| 000339-10-13D   | EA SCREW-SF/DR, 10-18 X 3/4 PPH - BLACK     |
| 000360-10-28T   | EA SCREW-SF/DR, 10-18X1.75                  |
| 091289-04-000   | EA OVEN-MICROWAVE, MAGIC CHEF - MODEL M15-B |
| 094748-01-01A   | EA TRIM-MICROWAVE, LOWER - BLACK            |
| 094774-01-01A   | EA TRIM-MICROWAVE, EITHER SIDE - BLACK      |
| 094750-01-000   | EA BRACKET-MICROWAVE, 90 DEGREE             |

**FIRE EXTINGUISHER**

| KEY PART NUMBER | U/M DESCRIPTION  |
|-----------------|--|
| 094499-01-000   | EA EXTINGUISHER-FIRE, DRY W/MOUNTING BRACKET - 10 LB     |
| 094499-01-700   | EA BRACKET-MOUNTING, W/PLASTIC STRAP - FIRE EXTINGUISHER |

**RANGE HOOD**

| KEY PART NUMBER | U/M DESCRIPTION   |
|-----------------|---|
| 097819-01-000   | EA WIRE ASM-MONITOR PANEL, W/4 WIRES & BLACK RESISTOR - |
| 094978-09-000   | EA VENT-RANGE HOOD, SHORT - LVS                         |
| 094916-02-000   | EA SHROUD-EXTERIOR VENT, RANGE HOOD - BEIGE             |
| 100258-01-01A   | EA HOOD-RANGE, W/O MONITOR PANEL - VENTLINE - US        |
| 099983-01-700   | EA SWITCH-ON/OFF, VENTLINE 108                          |
| 092996-01-709   | EA BULB-912, VENTLINE VA415                             |
| 092998-01-710   | EA SOCKET-LIGHT, VENTLINE CB287-2                       |
| 099983-01-708   | EA LENS-LAMP, VENTLINE CC179                            |
| 090973-01-700   | EA MOTOR - LVS CA508-1                                  |
| 090973-01-702   | EA BLADE-FAN, LVS VA183-1                               |
| 099983-01-707   | EA FILTER-GREASE, 8" X 8" - LVS CC246                   |

**MONITOR PANEL**

| KEY PART NUMBER | U/M DESCRIPTION                     |
|-----------------|-------------------------------------|
| 097817-01-01A   | EA PANEL-MONITOR, ALMOND - LVS 1756 |
| 097817-01-700   | EA PLATE-COVER, LVS 1770-01         |
| 097817-01-701   | EA SWITCH-ON/OFF, ALMOND - LVS 106  |
| 097817-01-702   | EA SWITCH-1/WAY, ALMOND - LVS 107   |
| 097817-01-703   | EA CIRCUIT BOARD - LVS 5076-01      |

**GALLEY GROUP (CONTINUED)**

**JAPAN EXPORT (OPT 048)**

| KEY PART NUMBER | U/M DESCRIPTION  |
|-----------------|--|
| 098248-01-000   | EA REFRIGERATOR-6.9 CU. FT., NORCOLD MODEL 878EG3        |
| 098248-01-700   | EA BOARD-PRINTED CIRCUIT, (3-WAY) - NORCOLD# 818028      |
| 098248-01-701   | EA INSERT-CONTROL PANEL, (3-WAY) - NORCOLD# 818039       |
| 098248-01-704   | EA LATCH ASM-TRAVEL, NORCOLD 815883                      |
| 098248-01-705   | EA TRIM-UPPER DOOR, DECORATIVE - NORCOLD 815884          |
| 098248-01-706   | EA BURNER (HORIZONTAL), NORCOLD# 15881                   |
| 098248-01-707   | EA ELECTRODE-SENSOR, (HORIZONTAL), NORCOLD# 815733       |
| 098248-01-708   | EA ELECTRODE-IGNITION, (HORIZONTAL) - NORCOLD# 815732    |
| 098248-01-709   | EA HEATER-AC, (HORIZONTAL) - NORCOLD# 815827             |
| 098248-01-710   | EA HEATER-DC, (HORIZONTAL) - 3 WAY - NORCOLD# 815828     |
| 098248-01-711   | EA FRAME-DOOR, UPPER - BROWN - NORCOLD 815875            |
| 098248-01-712   | EA FRAME-DOOR, LOWER - BROWN - NORCOLD 813578            |
| 098248-01-715   | EA TRAY DRIP, ALMOND - NORCOLD# 81542522                 |
| 094980-01-719   | EA ELBOW-BRASS, NORCOLD 815833                           |
| 094472-02-725   | EA BLOCK-TERMINAL, NORCOLD 814973                        |
| 075217-01-737   | EA CONTROL MODULE, NORCOLD# 81528022                     |
| 094980-01-715   | EA VALVE-SHUT OFF, MANUAL - NORCOLD# 81607922            |
| 094980-01-713   | EA CONNECTOR-MALE, INLET FITTING - NORCOLD# 815256       |
| 094980-01-718   | EA VALVE-GAS, NORCOLD 815918                             |
| 094472-01-749   | EA PLUG-1/8", NORCOLD# 814453                            |
| 094980-01-705   | EA ORIFICE - NORCOLD# 814522                             |
| 075217-01-734   | EA FUSE-3 AMP, NORCOLD# C15388                           |
| 075217-01-704   | EA GASSET-LOWER DOOR, NORCOLD# 815320                    |
| 075217-01-747   | EA LINER-LOWER DOOR, FOAMED - NORCOLD 814908             |
| 094472-02-733   | EA FRAME CAP-LOWER DOOR, TOP - NORCOLD 815580            |
| 075217-01-700   | EA TRIM-SHELF, UPPER DOOR - INSIDE - NORCOLD 815223      |
| 094472-01-747   | EA RAIL-INSIDE TRIM, LOWER DOOR - NORCOLD 813132         |
| 094472-01-744   | EA D/WAY KEEPER - NORCOLD 814720                         |
| 075217-01-701   | EA TRIM-UPPER DOOR, FOAMED - NORCOLD 814905              |
| 094472-02-728   | EA DECAL-NORCOLD, NORCOLD# 815220                        |
| 094472-01-727   | EA TRIM-CABINET, TOP - BROWN - NORCOLD# 813614           |
| 094980-01-713   | EA HINGE-UPPER RIGHT, NORCOLD 813528                     |
| 094980-01-713   | EA PIN-HINGE, NORCOLD# 811148                            |
| 075217-01-716   | EA DIVIDER-CABINET FRONT, TOP TO BOTTOM - NORCOLD 814492 |
| 094980-01-738   | EA SWITCH-LIGHT, BLACK - NORCOLD# 815810                 |
| 075217-01-738   | EA SWITCH-HUMIDITY, NORCOLD 815259                       |
| 094980-01-709   | EA SOCKET-LAMP, NORCOLD# 815231                          |
| 094980-01-708   | EA BULB-LIGHT, DC - NORCOLD# 814802                      |
| 094472-01-731   | EA COVER-CRISPER, NORCOLD 813378                         |
| 075217-01-713   | EA DRAWER-CRISPER, NORCOLD 815180                        |
| 094472-01-728   | EA HINGE-LOWER RIGHT, NORCOLD 813529                     |
| 094472-03-700   | EA PIN-HINGE, BOTTOM - NORCOLD 815507                    |
| 094472-01-726   | EA FRAME STRIP-CABINET, LEFT - NORCOLD 813820            |
| 034141-02-000   | EA PLUG-HOLE, 3/8" - NYLON - BLACK                       |
| 094979-03-700   | EA COOLING UNIT - HORIZONTAL BURNER, NORCOLD# 81687237   |
| 094473-03-719   | EA FLUE-HORIZONTAL BURNER, NORCOLD# 818182               |
| 098248-01-714   | EA CABINET ASM-FOAMED, (ALMOND) - NORCOLD# 816008        |

**TABLE OF CONTENTS**

|                    |             |
|--------------------|-------------|
| INTRODUCTION       | A-01        |
| ABBREVIATIONS      | A-01        |
| ALPHABETICAL INDEX | A-02 - A-04 |
| ICF23EC            | A-05 - D-17 |
| ICF30EU            | D-19 - H-22 |

**1961 ICF23EC INDEX**

|                                |             |
|--------------------------------|-------------|
| FLOOR PLAN                     | A-06 - A-08 |
| ACCESSORIES                    | A-07 - A-10 |
| BATH                           | A-11 - A-13 |
| BEDROOM                        | A-14        |
| CHASSIS                        | A-15 - A-18 |
| C C & PAD                      | A-19 - B-02 |
| DINETTE                        | B-03 - B-04 |
| DRIVERS                        | B-06 - B-14 |
| ELECTRICAL                     | B-15 - B-18 |
| EXTERIOR BODY                  | B-19 - B-24 |
| GALLEY                         | C-01 - C-08 |
| HEATING & AC                   | C-07 - C-12 |
| INTERIOR FINISH                | C-13 - C-16 |
| LABEL                          | C-17        |
| LP                             | C-18        |
| SEALANTS & FASTENERS           | C-19 - C-20 |
| WATER & SEWAGE                 | C-21 - D-01 |
| WINDOW, VENT AND EXTERIOR DOOR | D-02 - D-17 |

## HEATING & AIR CONDITIONING GROUP

AIR CONDITIONER-ROOF, 12500 BTU - US

## HEATING & AIR CONDITIONING GROUP (CONTINUED)

ROOF AC

### TABLE OF CONTENTS

|                    |             |
|--------------------|-------------|
| INTRODUCTION       | A-01        |
| ABBREVIATIONS      | A-01        |
| ALPHABETICAL INDEX | A-02 - A-04 |
| ICF23EC            | A-05 - D-17 |
| ICF30EU            | D-18 - I-22 |

### 1991 ICF23EC INDEX

|                                 |             |
|---------------------------------|-------------|
| FLOOR PLAN                      | A-05 - A-06 |
| ACCESSORIES                     | A-07 - A-10 |
| BATH                            | A-11 - A-13 |
| BEDROOM                         | A-14        |
| CHASSIS                         | A-15 - A-18 |
| C C & PAD                       | A-19 - B-02 |
| DINETTE                         | B-03 - B-04 |
| DRIVERS                         | B-05 - B-14 |
| ELECTRICAL                      | B-15 - B-18 |
| EXTERIOR BODY                   | B-19 - B-24 |
| GALLEY                          | C-01 - C-06 |
| HEATING & AC                    | C-07 - C-12 |
| INTERIOR FINISH                 | C-13 - C-16 |
| LABEL                           | C-17        |
| LP                              | C-18        |
| SEALANTS & FASTENERS            | C-19 - C-20 |
| WATER & SEWAGE                  | C-21 - D-01 |
| WINDOW, VENT, AND EXTERIOR DOOR | D-02 - D-17 |

| KEY PART NUMBER | U/M | DESCRIPTION  |
|-----------------|-----|--|
| 008366-01-000   | EA  | CONNECTOR-PLASTIC, 3/8" AVG  |
| 102289-01-000   | EA  | SPRING-SCREW, ROOF AC GASKET - COLEMAN 6757-150<br>FROM: 07-30-90 THRU: 99-99-99 |
| ROOF AC         |     |  |

| KEY PART NUMBER | U/M | DESCRIPTION  |
|-----------------|-----|--|
| 093783-01-02A   | EA  | A/C-ROOF, 13500 BTU - T8R - GRAY - COLEMAN# 6750D702       |
| 093783-02-700   | EA  | SHROUD(GRAY/CHARCOAL), COLEMAN# 6750-4321                  |
| 093308-01-701   | EA  | DECAL PKG. LEFT & RIGHT, COLEMAN 6798B3591                 |
| 091225-01-709   | EA  | START RELAY, COLEMAN# 1497-4131                            |
| 091225-01-710   | EA  | START CAPACITOR, COLEMAN# 1497-0881                        |
| 073742-02-704   | EA  | RUN CAPACITOR (COMPRESSOR), COLEMAN 14994861               |
| 081808-01-708   | EA  | LIMIT SWITCH (OPEN 100,CLOSE 110), COLEMAN# 6703-3041      |
| 093783-01-712   | EA  | FAN BLADE-CONDENSER, COLEMAN# 6733-3221                    |
| 078303-01-712   | EA  | MOTOR, COLEMAN# 6707A3119                                  |
| 093783-01-702   | EA  | OVERLOAD, COLEMAN# 6750-3931                               |
| 093783-01-703   | EA  | IMPELLOR-7" DIA X 2.8" WIDE, COLEMAN# 6750-3271            |
| 093783-01-704   | EA  | CAPACITOR-FAN, COLEMAN# 1499-3481                          |
| 093783-01-708   | EA  | HEAT ELEMENT-COLEMAN# 6798-3321                            |
| 093783-01-707   | EA  | EVAPORATOR COIL-COLEMAN# 1452-1351                         |
| 093783-01-708   | EA  | CONDENSER COIL-COLEMAN# 1452-1251                          |
| 093783-01-709   | EA  | COMPRESSOR-COLEMAN# 6749A3800                              |
| 093783-01-000   | EA  | CEILING ASM-A/C COOL ONLY, T8R - COLEMAN 6750D714          |
| 042204-01-709   | EA  | THERMOSTAT IN-64,OUT-58, COLEMAN# 6701-3401                |
| 042205-01-702   | EA  | THERMOSTAT IN-80,OUT-58, COLEMAN# 6703-3401                |
| 073742-01-701   | EA  | SELECTOR SWITCH (5 TERMINAL), COLEMAN# 6750-3251           |
| 073742-01-703   | EA  | DECAL HEAT & COOL, COLEMAN# 6750-3491                      |
| 091225-01-713   | EA  | KNOB (2 PER PACKAGE), COLEMAN# 6701-3351                   |
| 091225-01-717   | EA  | DECAL (THERMOSTAT) COOL ONLY, COLEMAN# 6799A3441           |
| 073742-01-702   | EA  | DECAL COOL ONLY, COLEMAN# 6750C3431                        |
| 078303-01-707   | EA  | FILTER-6" X 14 3/4" X 1/2", 12 PER PKG - COLEMAN 6703A3151 |
| 093783-01-705   | EA  | DECAL-HEAT/COOL THERMOSTAT, COLEMAN# 6799A3471             |
| 073783-01-710   | EA  | SINGLE PARTS PACKAGE, COLEMAN# 6750-5841                   |
| 093783-01-711   | EA  | GASKET PACKAGE COLEMAN 67503281                            |
| 081808-01-712   | EA  | CEILING SHROUD (IVORY), COLEMAN# 6789-5061                 |

AIR CONDITIONER-ROOF, 13500 BTU - CANADIAN

| KEY PART NUMBER | U/M | DESCRIPTION  |
|-----------------|-----|--|
| 102289-01-000   | EA  | SPRING-SCREW, ROOF AC GASKET - COLEMAN 6757-150<br>FROM: 07-30-90 THRU: 99-99-99 |

AC ROOF 13500 BTU-EUROPEAN

| KEY PART NUMBER | U/M | DESCRIPTION   |
|-----------------|-----|---|
| 008366-01-000   | EA  | CONNECTOR-PLASTIC, 3/8" AVG                           |
| 092440-01-000   | EA  | A/C-ROOF, 13500 BTU - 220V - 50HZ - COLEMAN# 6713C750 |
| 092441-01-000   | EA  | CEILING ASM-A/C, 220V - 50HZ - COLEMAN# 6712ET16      |

| KEY PART NUMBER | U/M | DESCRIPTION  |
|-----------------|-----|--|
| 093783-01-03A   | EA  | A/C-ROOF, 13500 BTU - T8R - BEIGE - COLEMAN 6750D708 OR 67 |
| 093783-02-700   | EA  | SHROUD(BEIGE/CHARCOAL), COLEMAN# 6750-4581                 |
| 093308-01-701   | EA  | DECAL PKG. LEFT & RIGHT, COLEMAN 6798B3591                 |
| 091225-01-709   | EA  | START RELAY, COLEMAN# 1497-4131                            |
| 091225-01-710   | EA  | START CAPACITOR, COLEMAN# 1497-0881                        |
| 073742-02-704   | EA  | RUN CAPACITOR (COMPRESSOR), COLEMAN 14994861               |
| 081808-01-708   | EA  | LIMIT SWITCH (OPEN 100,CLOSE 110), COLEMAN# 6703-3041      |
| 093783-01-712   | EA  | FAN BLADE-CONDENSER, COLEMAN# 6733-3221                    |
| 078303-01-712   | EA  | MOTOR, COLEMAN# 6707A3119                                  |
| 093783-01-702   | EA  | OVERLOAD, COLEMAN# 6750-3931                               |
| 093783-01-703   | EA  | IMPELLOR-7" DIA X 2.8" WIDE, COLEMAN# 6750-3271            |
| 093783-01-704   | EA  | CAPACITOR-FAN, COLEMAN# 1499-3481                          |
| 093783-01-000   | EA  | CEILING ASM-A/C COOL ONLY, T8R - COLEMAN 6750D714          |
| 042204-01-709   | EA  | THERMOSTAT IN-64,OUT-58, COLEMAN# 6701-3401                |
| 042205-01-702   | EA  | THERMOSTAT IN-80,OUT-58, COLEMAN# 6703-3401                |
| 073742-01-701   | EA  | SELECTOR SWITCH (5 TERMINAL), COLEMAN# 6750-3251           |
| 073742-01-703   | EA  | DECAL HEAT & COOL, COLEMAN# 6750-3491                      |
| 091225-01-713   | EA  | KNOB (2 PER PACKAGE), COLEMAN# 6701-3351                   |
| 081808-01-712   | EA  | CEILING SHROUD (IVORY), COLEMAN# 6789-5061                 |
| 073742-01-702   | EA  | DECAL COOL ONLY, COLEMAN# 6750C3431                        |
| 078303-01-707   | EA  | FILTER-6" X 14 3/4" X 1/2", 12 PER PKG - COLEMAN 6703A3151 |
| 091225-01-717   | EA  | DECAL (THERMOSTAT) COOL ONLY, COLEMAN# 6799A3441           |
| 093783-01-705   | EA  | DECAL-HEAT/COOL THERMOSTAT, COLEMAN# 6799A3471             |
| 093783-01-707   | EA  | EVAPORATOR COIL-COLEMAN# 1452-1351                         |
| 093783-01-708   | EA  | CONDENSER COIL-COLEMAN# 1452-1251                          |
| 093783-01-709   | EA  | COMPRESSOR-COLEMAN# 6749A3800                              |
| 093783-01-710   | EA  | SINGLE PARTS PACKAGE, COLEMAN# 6750-5841                   |
| 093783-01-711   | EA  | GASKET PACKAGE, COLEMAN 67503281                           |

**HEATING & AIR CONDITIONING GROUP (CONTINUED)**

FURNACE-34,000 BTU

| KEY PART NUMBER | U/M | DESCRIPTION   |
|-----------------|-----|---|
| 009198-01-000   | FT  | DUCT-HEAT, FLEXIBLE - 4" ID                             |
| 009044-01-000   | EA  | CONNECTOR-DUCT, 4" ID                                   |
| 083366-01-000   | EA  | THERMOSTAT-WALL, FURNACE - SUBURBAN 0180902             |
| 075098-02-000   | EA  | FURNACE-34000 BTU, SUBURBAN - W/O THERMOSTAT - NT-348P  |
| 075098-01-711   | EA  | CABINET ASM, SUBURBAN X100962                           |
| 075098-01-703   | EA  | U CLIP-TINNERMAN, SUBURBAN 121378                       |
| 075098-01-710   | EA  | FRONT-CABINET, SUBURBAN 100908                          |
| 075098-02-703   | EA  | COLLAR-DUCT, SUBURBAN #060715                           |
| 094334-01-000   | EA  | PLUG-ELECTRICAL, 3 POSITION - FURNACE - SUBURBAN 520322 |
| 092300-01-706   | EA  | ELECTRODE, SUBURBAN 230866                              |
| 072300-01-708   | EA  | DOOR-BURNER ACCESS, SUBURBAN 030523                     |
| 092300-01-704   | EA  | GASKET-ELECTRODE, SUBURBAN 070163                       |
| 089834-01-732   | EA  | GASKET-BURNER ACCESS DOOR, SUBURBAN 070398              |
| 089833-01-700   | EA  | SWITCH-LIMIT, SUBURBAN# 230498                          |
| 006834-01-708   | EA  | MODULE BOARD, SUBURBAN# 231427                          |
| 089834-01-733   | EA  | RELAY, TIME DELAY 20&30 BTU, SUBURBAN 231202            |
| 075098-02-714   | EA  | VENT CAP & EXHAUST TUBE ASM. - SUBURBAN 260184          |
| 092300-01-712   | EA  | BURNER ASM, SUBURBAN X010701                            |
| 089834-01-720   | EA  | ORIFICE-MAIN BURNFR, SUBURBAN# 0180222                  |
| 099834-01-712   | EA  | GASKET-MANIFOLD, SUBURBAN 070408                        |
| 075098-01-704   | EA  | MANIFOLD ASM - SUBURBAN X170757                         |
| 089834-01-729   | EA  | VALVE-GAS, JOHNSON - SUBURBAN 160832                    |
| 075098-01-703   | EA  | PIPE-G/S INLET, SUBURBAN 170858                         |
| 075098-02-721   | EA  | GASKET-GAS INLET PIPE, SUBURBAN# 070432                 |
| 089834-01-709   | EA  | ELBOW-90 DEGREE BLACK IRON, SUBURBAN 170082             |
| 089834-01-718   | EA  | VALVE-MANUAL SHUTOFF, SUBURBAN 160740                   |
| 092300-01-720   | EA  | WHEEL-ROOM AIR, SUBURBAN 350113                         |
| 092300-01-721   | EA  | BLOWER HOUSING ASSEMBLY, SUBURBAN 360283                |
| 092300-02-702   | EA  | MICROSWITCH ASM, SUBURBAN# X230509                      |
| 075098-02-727   | EA  | BRACKET-MOTOR MOUNT, SUBURBAN# 082138                   |
| 075098-02-728   | EA  | GASKET-CROSSOVER TUBE, SUBURBAN 070385                  |
| 075098-01-729   | EA  | CROSSOVER TUBE, SUBURBAN X050751                        |
| 075098-01-700   | EA  | MOTOR ASM-SUBURBAN# 231208                              |
| 092300-01-724   | EA  | GASKET-MOTOR MOUNT, SUBURBAN 070384                     |
| 075098-02-732   | EA  | HOUSING ASM-COMBUSTION AIR, SUBURBAN# X380410           |
| 092300-01-728   | EA  | WHEEL-COMB AIR  |
| 092300-01-727   | EA  | GASKET-COMBUSTION AIR HOUSING, SUBURBAN 070386          |
| 092300-01-728   | EA  | HOUSING-COMBUSTION AIR, OUTSIDE - SUBURBAN 390240       |

**DIESEL EXPORT OPTION**

| KEY PART NUMBER | U/M | DESCRIPTION  |
|-----------------|-----|--|
| 072878-01-000   | EA  | INSULATION-SOUND BARRIER PAD, 29.25" X 40.19"      |
| 039044-01-000   | EA  | LOUVER-ADJUSTABLE A/C, 2.5" X 5.75"                |
| 082401-05-000   | EA  | CLAMP-HOSE, WORMGEAR - 2" X 3"                     |
| 007108-02-000   | FT  | HOSE-HEATER, 3/4" ID                               |
| 082401-08-000   | EA  | CLAMP-HOSE, WORMGEAR 4.06" - 5.0"                  |
| 072342-04-000   | EA  | CONDENSER ASM-W/O FANS, ARA 0519377                |
| 072342-04-701   | EA  | COIL-CONDENSER, ARA 0519384                        |
| 072342-03-701   | EA  | RECEIVER-DRYER, ARA 1273236                        |
| 074013-02-718   | EA  | VALVE-SERVICE, ARA 0068337                         |
| 075789-01-718   | EA  | O'RING-AEROQUIP FITTING, ARA 0543513               |
| 072342-03-707   | EA  | O'RING, #8 - ARA 0058805                           |
| 072342-04-700   | EA  | HOSE-DISCHARGE, ARA 0898306                        |
| 098815-01-702   | EA  | O'RING, #8 - ARA 0058808                           |
| 072341-01-718   | EA  | VALVE-DISCHARGE, 1/2" O'RING - ARA 0548325         |
| 072342-03-709   | EA  | O'RING, #10 - ARA 0058807                          |
| 072343-08-000   | EA  | COMP/CLUTCH-RR DIS, SANKYO 70, ARA 0529174         |
| 074026-01-000   | EA  | MOUNT PACKAGE - A/C COMPRESSOR, 6.2DIESEL          |
| 094831-07-000   | EA  | WIRE ASSEMBLY, COOLING FAN ADAPTER - SCS 036-0053  |
| 094831-08-000   | EA  | WIRE ASSEMBLY-AC COMPRESSOR ADAPTER - SCS 036-0054 |

FROM: 00-00-00 THRU: 02-28-91  
FROM: 00-00-00 THRU: 02-28-91

**HEATING & AIR CONDITIONING GROUP (CONTINUED)**

DIESEL ENGINE OPTION - U.S. & EXPORT

| KEY PART NUMBER | U/M | DESCRIPTION                                   |
|-----------------|-----|---|
| 072878-01-000   | EA  | INSULATION-SOUND BARRIER PAD, 29.25" X 40.19" |
| 039044-01-000   | EA  | LOUVER-ADJUSTABLE A/C, 2.5" X 5.75"           |
| 082401-05-000   | EA  | CLAMP-HOSE, WORMGEAR - 2" X 3"                |
| 041953-01-000   | FT  | CONDUIT-CONVOLUTED SLIT, .5" ID               |
| 007108-02-000   | FT  | HOSE-HEATER, 3/4" ID                          |
| 082401-08-000   | EA  | CLAMP-HOSE, WORMGEAR 4.06" - 5.0"             |
| 072342-04-000   | EA  | CONDENSER ASM-W/O FANS, ARA 0519377           |
| 072342-04-701   | EA  | COIL-CONDENSER, ARA 0519384                   |
| 072342-03-701   | EA  | RECEIVER-DRYER, ARA 1273236                   |
| 072342-03-711   | EA  | FITTING-AEROQUIP W/CHECK VALVE, ARA 0068337   |
| 072342-03-708   | EA  | O'RING, ARA 0543513                           |
| 075789-01-718   | EA  | O'RING-AEROQUIP FITTING, ARA 0543513          |
| 072342-03-707   | EA  | O'RING, #8 - ARA 0058805                      |
| 072342-04-700   | EA  | HOSE-DISCHARGE, ARA 0898306                   |
| 098815-01-702   | EA  | O'RING, #8 - ARA 0058808                      |
| 072341-01-718   | EA  | VALVE-DISCHARGE, 1/2" O'RING - ARA 0548325    |
| 072342-03-709   | EA  | O'RING, #10 - ARA 0058807                     |
| 072343-08-000   | EA  | COMP/CLUTCH-RR DIS, SANKYO 70, ARA 0529174    |
| 074026-01-000   | EA  | MOUNT PACKAGE - A/C COMPRESSOR, 6.2DIESEL     |

**1991 CHEVY CHASSIS OPTION**

| KEY PART NUMBER | U/M | DESCRIPTION  |
|-----------------|-----|--|
| 039044-01-000   | EA  | LOUVER-ADJUSTABLE A/C, 2.5" X 5.75"                |
| 082401-05-000   | EA  | CLAMP-HOSE, WORMGEAR - 2" X 3"                     |
| 041953-01-000   | FT  | CONDUIT-CONVOLUTED SLIT, .5" ID                    |
| 094831-07-000   | EA  | WIRE ASSEMBLY, COOLING FAN ADAPTER - SCS 036-0053  |
| 094831-08-000   | EA  | WIRE ASSEMBLY-AC COMPRESSOR ADAPTER - SCS 036-0054 |

**1991 CHASSIS EXCHANGE OPTION - FEDERAL & CALIFORNIA**

| KEY PART NUMBER | U/M | DESCRIPTION  |
|-----------------|-----|--|
| 039044-01-000   | EA  | LOUVER-ADJUSTABLE A/C, 2.5" X 5.75"                |
| 082401-05-000   | EA  | CLAMP-HOSE, WORMGEAR - 2" X 3"                     |
| 041953-01-000   | FT  | CONDUIT-CONVOLUTED SLIT, .5" ID                    |
| 088473-08-000   | EA  | PIN-HOUSING, 6 POSITION (TWO ROWS OF THREE)        |
| 094831-04-000   | EA  | WIRE ASSEMBLY, COOLING FAN - SCS 093-0029          |
| 094831-07-000   | EA  | WIRE ASSEMBLY, COOLING FAN ADAPTER - SCS 036-0053  |
| 094831-08-000   | EA  | WIRE ASSEMBLY-AC COMPRESSOR ADAPTER - SCS 036-0054 |

**REAR HEATER & WATER HEATER W/MOTOR AID**

| KEY PART NUMBER | U/M | DESCRIPTION  |
|-----------------|-----|--|
| 009198-01-000   | FT  | DUCT-HEAT, FLEXIBLE - 4" ID                        |
| 009200-01-000   | EA  | TAPE-FURNACE, 1 1/2"                               |
| 023148-01-000   | EA  | CLAMP-SCREW TYPE - 4"                              |
| 069638-02-000   | EA  | CONNECTOR-DUCT, 4" ID                              |
| 007108-01-000   | FT  | HOSE-HEATER, 5/8" ID                               |
| 058464-05-000   | EA  | REGISTER-PLASTIC W/O DAMPER - 4" DIAMETER - GOLDEN |
| 084405-01-000   | EA  | HEATER ASM-REAR, DUCTED - W/MOTOR AID - EVANS      |
| 084405-01-700   | EA  | HEATER CORE-EVANS# FT200229                        |
| 084405-01-701   | EA  | FAN BLADES-EVANS# HV029931                         |
| 084405-01-702   | EA  | MOTOR ASM-12 V, EVANS# 200146                      |
| 007108-02-000   | FT  | HOSE-HEATER, 3/4" ID                               |
| 004410-02-000   | EA  | DECAL-REAR AUTO HEATER                             |
| 087202-02-000   | EA  | SWITCH-4 POSITION, W/O KNOB                        |
| 030977-01-000   | EA  | KNOB-SWITCH, ROTARY                                |

**TABLE OF CONTENTS**

|                    |             |
|--------------------|-------------|
| INTRODUCTION       | A-01        |
| ABBREVIATIONS      | A-01        |
| ALPHABETICAL INDEX | A-02 - A-04 |
| ICF23EC            | A-05 - D-17 |
| ICF30EU            | D-19 - H-22 |

**1991 ICF23EC INDEX**

|                                |             |
|--------------------------------|-------------|
| FLOOR PLAN                     | A-05 - A-08 |
| ACCESSORIES                    | A-07 - A-10 |
| BATH                           | A-11 - A-13 |
| BEDROOM                        | A-14        |
| CHASSIS                        | A-15 - A-18 |
| C C & PAD                      | A-19 - B-02 |
| DINETTE                        | B-03 - B-04 |
| DRIVERS                        | B-05 - B-14 |
| ELECTRICAL                     | B-15 - B-18 |
| EXTERIOR BODY                  | B-19 - B-24 |
| GALLEY                         | C-01 - C-06 |
| HEATING & A/C                  | C-07 - C-12 |
| INTERIOR FINISH                | C-13 - C-16 |
| LABEL                          | C-17        |
| LP                             | C-18        |
| SEALANTS & FASTENERS           | C-19 - C-20 |
| WATER & SEWAGE                 | C-21 - D-01 |
| WINDOW, VENT AND EXTERIOR DOOR | D-02 - D-17 |

**HEATING & AIR CONDITIONING GROUP (CONTINUED)**

**STANDARD COMPONENTS**

**MOTIVAIR/SCS AUTOMOTIVE A/C & HEATER**

| KEY PART NUMBER | U/M | DESCRIPTION   |
|-----------------|-----|---|
| 094831-01-000   | EA  | HEATER/EVAPORATOR-COMLETE, MOTIVAIR ZGH61131 OR 9C3 MOTIVAIR OR SCS EMBLEM IS DISPLAYED BELOW DASH ON |
| 094831-01-700   | EA  | DOOR-FRESH AIR, MOTIVAIR/SCS AGG15037   |
| 094831-01-701   | EA  | ROD-FRESH AIR DOOR, MOTIVAIR/SCS ZGG15042   |
| 094831-01-702   | EA  | PAN-DRAIN, PLASTIC - MOTIVAIR/SCS ZGG15043  |
| 094831-01-703   | EA  | MOTOR-BLOWER, MOTIVAIR/SCS ZGG14684   |
| 094831-01-704   | EA  | WHEEL-BLOWER, MOTIVAIR/SCS ZGG14639   |
| 094831-01-705   | EA  | MOTOR-VACUUM, 2" OD - MOTIVAIR/SCS ZGG15258   |
| 094831-01-706   | EA  | RESISTOR-4 SPEED, MOTIVAIR/SCS ZGG15058   |
| 094831-01-707   | EA  | WIRING HARNESS-UNIT, MOTIVAIR/SCS ZGG15050  |
| 094831-01-708   | EA  | VACUUM HARNESS-UNIT, MOTIVAIR/SCS ZGG15328  |
| 094831-01-709   | EA  | CLAMPS-ROD, 3/16" - MOTIVAIR/SCS ZGG14431   |
| 094831-01-710   | EA  | RINGS RETAINER, 3/16" ROD - MOTIVAIR/SCS ZGG12809   |
| 094831-01-711   | EA  | NUT-#10-32 KEPS, MOTIVAIR/SCS ZGG12948  |
| 094831-01-712   | EA  | NUT-#10-24 TIMMERMAN 'J', MOTIVAIR/SCS ZGG14870   |
| 094831-01-713   | EA  | EVAPORATOR COIL, MOTIVAIR/SCS ZGG15048  |
| 094831-01-714   | EA  | VALVE-EXPANSION, MOTIVAIR/SCS ZGG11845  |
| 094831-01-715   | EA  | THERMOSTAT, MOTIVAIR/SCS ZGG15047   |
| 094831-01-716   | EA  | SWITCH-TRINARY, MOTIVAIR/SCS ZGG14512   |
| 094831-01-717   | EA  | HOSE-#8, MOTIVAIR/SCS ZGG15048  |
| 094831-01-718   | EA  | HOSE-#10, MOTIVAIR/SCS ZGG15049   |
| 094831-01-719   | EA  | COUP-#4 SELF SEAL W/O RING, MOTIVAIR/SCS ZGG14428   |
| 094831-01-720   | EA  | VALVE-#10 SERVICE, MOTIVAIR/SCS ZGG11189  |
| 094831-01-721   | EA  | O-RING-#10, MOTIVAIR/SCS ZGG14580   |
| 094831-01-722   | EA  | O-RING-#8, MOTIVAIR/SCS ZGG14559  |
| 094831-01-723   | EA  | O-RING-#3, MOTIVAIR/SCS ZGG14558  |
| 094831-01-724   | EA  | O-RING-#4, MOTIVAIR/SCS ZGG14581  |
| 094831-01-725   | EA  | DOOR-AIR BLEND, MOTIVAIR/SCS ZGG15311   |
| 094831-01-726   | EA  | ROD-AIR BLEND DOOR, MOTIVAIR/SCS ZGG15312   |
| 094831-01-727   | EA  | COIL-HEAT, MOTIVAIR/SCS ZGG15078  |
| 094831-01-728   | EA  | DOOR-DAMPER, MOTIVAIR/SCS ZGG15324  |
| 094831-01-729   | EA  | ROD-DAMPER DOOR, MOTIVAIR/SCS ZGG15086  |
| 094831-01-730   | EA  | MOTOR-VACUUM, MOTIVAIR/SCS ZGG14916   |
| 094831-01-731   | EA  | ADAPTERS-2" HOSE, MOTIVAIR/SCS ZGG14075   |
| 094831-01-732   | EA  | HOUSING-CONTROL, MOTIVAIR/SCS ZGG14223  |
| 094831-01-733   | EA  | WIRING HARNESS-CONTROL, MOTIVAIR/SCS ZGG15073   |
| 094831-01-734   | EA  | WIRING HARNESS-LIGHT, MOTIVAIR/SCS ZGG15074   |
| 094831-01-735   | EA  | VACUUM HARNESS-CONTROL, MOTIVAIR/SCS ZGG15078   |
| 094831-01-736   | EA  | SWITCH-VACUUM, MOTIVAIR/SCS ZGG15282  |
| 094831-01-737   | EA  | CABLE-AIR BLEND - 3/2" - MOTIVAIR/SCS ZGG15331  |
| 094831-01-738   | EA  | CLIP-CABLE, MOTIVAIR/SCS ZGG12797   |
| 094831-01-739   | EA  | CLIP-UNIT CABLE, MOTIVAIR/SCS ZGG15330  |
| 094831-01-740   | EA  | RELAY-AUTO, MOTIVAIR/SCS ZGG14275   |
| 094831-01-741   | EA  | TRIM-DASH LOUVER/CONTROL PANEL, MOTIVAIR/SCS ZGG15481   |
| 094831-01-742   | EA  | WIRING HARNESS-CONDENSER, MOTIVAIR/SCS ZGG15075   |
| 094831-01-743   | EA  | CANISTER-VACUUM, MOTIVAIR/SCS ZGG14180  |
| 094831-01-744   | EA  | VALVE-WATER, MOTIVAIR/SCS ZGG15245  |
| 094831-01-745   | EA  | TUBE-DRAIN, KAZOO - MOTIVAIR/SCS ZGG15051   |
| 094831-01-746   | EA  | CLAMP-BLEND CABLE, MOTIVAIR/SCS 77000-00  |

**AUTOMOTIVE A/C COMPONENTS**

| KEY PART NUMBER | U/M | DESCRIPTION                              |
|-----------------|-----|--|
| 066402-05-000   | EA  | BRACKET-HEATER, W/BEND - BLACK           |
| 039044-01-000   | EA  | LOUVER-ADJUSTABLE A/C, 2.5" X 5.75"      |
| 024990-03-000   | EA  | OUTLET-LOUVERED, W/SWIVEL - 2" - GRAY    |
| 094831-05-000   | EA  | MANUAL-OWNERS, HEATER-A/C - SCS 057-0044 |

**HEATING & AIR CONDITIONING GROUP (CONTINUED)**

**SUBURBAN FURNACE**

| KEY PART NUMBER | U/M | DESCRIPTION  |
|-----------------|-----|--|
| 075895-01-000   | EA  | FURNACE-DIRECT IGNITION 24000 BTU, NT-248 & 248P   |
| 075895-01-703   | EA  | PIPE-GAS INLET, SUBURBAN 170758                    |
| 075895-01-704   | EA  | MANIFOLD ASM - SUBURBAN X170757                    |
| 075895-01-708   | EA  | MICROSWITCH ASM, SUBURBAN X230610                  |
| 075895-01-710   | EA  | CABINET FRONT, SUBURBAN 100808                     |
| 075895-01-711   | EA  | CABINET ASM, SUBURBAN X100002                      |
| 075895-01-712   | EA  | TUBE FOR VENT CAP ASM, 2 7/8" - SUBURBAN 280093    |
| 092300-01-723   | EA  | MOTOR, SUBURBAN 231208                             |
| 093385-01-000   | EA  | THERMOSTAT-FURNACE, SUBURBAN# 190902               |
| 075895-02-714   | EA  | VENT CAP & EXHAUST TUBE ASSM - SUBURBAN 280184     |
| 092300-01-712   | EA  | BURNER ASSEMBLY, SUBURBAN X010701                  |
| 092300-01-720   | EA  | WHEEL-ROOM AIR, SUBURBAN 360113                    |
| 075895-01-703   | EA  | U CLIP-TINNERMAN, SUBURBAN# 121278                 |
| 075895-02-703   | EA  | COLLAR-DUCT, SUBURBAN 050715                       |
| 075895-02-705   | EA  | HARNESS-POWER SUPPLY, SUBURBAN 520322              |
| 092300-01-708   | EA  | DOOR-BURNER ACCESS, SUBURBAN# 030523               |
| 092300-01-704   | EA  | GASKET-ELECTRODE, SUBURBAN 070163                  |
| 075895-02-709   | EA  | DISC-GLASS, SUBURBAN 310028                        |
| 088834-01-732   | EA  | GASKET-BURNER ACCESS DOOR, SUBURBAN 070388         |
| 088833-01-708   | EA  | SCREW-VENT CAP, SUBURBAN 121249                    |
| 088834-01-708   | EA  | MODULE BOARD, SUBURBAN 230587                      |
| 088834-01-707   | EA  | SWITCH-FAN, SUBURBAN 230575                        |
| 088834-01-733   | EA  | RELAY-TIME DELAY, SUBURBAN 231202                  |
| 088834-01-709   | EA  | ELBOW-90 DEGREE BLACK IRON, SUBURBAN 170082        |
| 088834-01-729   | EA  | VALVE-GAS, JOHNSON - SUBURBAN 160832               |
| 088834-01-712   | EA  | GASKET-MANIFOLD, SUBURBAN# 070408                  |
| 068833-01-701   | EA  | ORFICE-MAIN BURNER, SUBURBAN 180215                |
| 092300-01-724   | EA  | GASKET-MOTOR MOUNT, SUBURBAN 070384                |
| 092300-01-727   | EA  | GASKET-COMBUSTION AIR HOUSING, SUBURBAN 070386     |
| 075895-02-735   | EA  | HOUSING-COMBUSTION AIR, OUTSIDE - SUBURBAN 380240  |
| 088834-01-716   | EA  | VALVE-MANUAL SHUTOFF, SUBURBAN 180740              |
| 072300-01-705   | EA  | ELECTRODE, SUBURBAN 230858                         |
| 075895-02-722   | EA  | GASKET-CROSSOVER TUBE, SUBURBAN 070385             |
| 075895-02-729   | EA  | CROSSOVER TUBE, SUBURBAN X050751                   |
| 075895-01-708   | EA  | HOUSING-COMBUSTION AIR ASM, SUBURBAN X380179       |
| 074486-01-717   | EA  | THERMOSTAT F/248&308&348                           |
| 066484-05-000   | EA  | REGISTER-PLASTIC W/O DAMPER - 4" DIAMETER - GOLDEN |
| 009198-01-000   | FT  | DUCT-HEAT, FLEXIBLE - 4" ID                        |
| 009207-01-000   | EA  | TAPE-FURNACE, 1 1/2"                               |
| 023146-01-000   | EA  | CLAMP-SCREW TYPE - 4"                              |
| 069516-02-000   | EA  | CONNECTOR-DUCT, 4" ID                              |
| 011914-01-000   | EA  | BRACKET-WIRE COVER, 90 DEGREE ANGLED METAL         |
| 009109-02-000   | FT  | HOSE-HEATER, 3/4" ID                               |
| 082401-03-000   | EA  | CLAMP-HOSE WORMGEAR, .22" - 1" ID                  |
| 087676-01-000   | EA  | FITTING-H, 1/2 ID - BRASS                          |
| 082401-04-000   | EA  | CLAMP-WORMGEAR HOSE, .89" - 1.25"                  |
| 079050-02-000   | EA  | HOSE-90 DEGREE - .61 X 4.00 X 6.00                 |
| 082401-03-000   | EA  | CLAMP-WORMGEAR HOSE, 2" - 3" ID                    |
| 007078-01-700   | FT  | HOSE-FLEXIBLE PVC - 2" ID                          |
| 007108-01-000   | FT  | HOSE-HEATER, 5/8" ID                               |
| 007281-01-000   | EA  | HOSE-FLEXIBLE, 2 1/2 ID                            |
| 007281-01-700   | FT  | HOSE-FLEXIBLE PUG 2 1/2" ID                        |

**TABLE OF CONTENTS**

|                    |             |
|--------------------|-------------|
| INTRODUCTION       | A-01        |
| ABBREVIATIONS      | A-01        |
| ALPHABETICAL INDEX | A-02 - A-04 |
| ICF23EC            | A-05 - D-17 |
| ICF30EU            | D-19 - H-22 |

**1991 ICF23EC INDEX**

|                                |             |
|--------------------------------|-------------|
| FLOOR PLAN                     | A-05 - A-06 |
| ACCESSORIES                    | A-07 - A-10 |
| BATH                           | A-11 - A-13 |
| BEDROOM                        | A-14        |
| CHASSIS                        | A-15 - A-18 |
| C C & PAD                      | A-19 - B-02 |
| DINETTE                        | B-03 - B-04 |
| DRIVERS                        | B-05 - B-14 |
| ELECTRICAL                     | B-15 - B-18 |
| EXTERIOR BODY                  | B-19 - B-24 |
| GALLEY                         | C-01 - C-08 |
| HEATING & A/C                  | C-07 - C-12 |
| INTERIOR FINISH                | C-13 - C-18 |
| LABEL                          | C-17        |
| LP                             | C-18        |
| SEALANTS & FASTENERS           | C-19 - C-20 |
| WATER & SEWAGE                 | C-21 - D-01 |
| WINDOW, VENT AND EXTERIOR DOOR | D-02 - D-17 |



**INTERIOR FINISH GROUP**

**ASSIST HANDLE**

| KEY PART NUMBER | U/M | DESCRIPTION  |
|-----------------|-----|--|
| 088178-02-000   | EA  | BRACKET-MOUNTING, ASSIST HANDLE                              |
| 000C18-07-100   | EA  | BOLT-CARRIAGE, ASSIST HANDLE - 7/16" - 14 X 1" ZN            |
| 000D20-07-000   | EA  | NUT-ACORN, ASSIST HANDLE - 7/16" X 14 ZN                     |
| 083852-02-AA8   | EA  | HANDLE-ASSIST, INTERIOR - ENTRY DOOR - VINYL - OFF WHITE     |
| 083888-07-000   | EA  | HANDLE-ASSIST, DRIVER DOOR - FRONT - GRAY                    |
|                 |     | FROM: 00-00-00 THRU: 01-06-91                                |
| 083888-09-000   | EA  | HANDLE-ASSIST, DRIVER DOOR - REAR - GRAY                     |
|                 |     | FROM: 07-00-00 THRU: 01-08-91                                |
| 083888-22-000   | EA  | HANDLE-ASSIST, DRIVER DOOR - FRONT - OFF WHITE               |
|                 |     | FROM: 01-07-91 THRU: 99-99-99                                |
| 083888-23-000   | EA  | HANDLE-ASSIST, DRIVER DOOR - REAR - OFF WHITE                |
|                 |     | FROM: 01-07-91 THRU: 99-99-99                                |
| 077481-03-000   | EA  | COVER-STRIKE, ENTRY DOOR - 6.5" X 2.5" - PLASTIC - OFF WHITE |

**WALL CLOCK**

| KEY PART NUMBER | U/M | DESCRIPTION                        |
|-----------------|-----|------------------------------------|
| 100803-01-01A   | EA  | CLOCK WALL, ROUND BEZEL - LVS 2000 |

**PANELING, BATTS & PARTICLE BOARD**

| KEY PART NUMBER | U/M | DESCRIPTION  |
|-----------------|-----|--|
| 088272-72-000   | SF  | PANELING-SHOWER, 4' X 7' - OFF WHITE - INC OF 28 SF  |
| 074497-17-000   | SF  | PANELING-WOODGRAIN, 4' X 8' - INCREMENTS OF 32 SF  |
| 088272-89-000   | SF  | PANELING-DECORATIVE, W/BLOSSOM - 4' X 7' - INC OF 28 SF  |
|                 |     | FROM: 00-00-00 THRU: 07-15-90  |
| 088272-81-000   | SF  | PANELING-DECORATIVE, W/BLOSSOMS - 4' X 7' - INC. OF 28 S   |
|                 |     | FROM: 07-18-90 THRU: 99-99-99  |
| 089272-70-000   | SF  | PANELING-DECORATIVE PLAIN, 4' X 7' - INCREMENTS OF 28 SF   |
| 000885-48-000   | SF  | PARTICLE BOARD - 3/4 X 80" X 96" - 2 SIDES VINYL WOODGRAIN                                       |
| 000885-48-000   | SF  | PARTICLE BOARD - 3/8" X 48" X 96" - 1 SIDE VINYL WOODGRAIN / INCREMENTS OF 32 SF - CABINET SHELF |
| 081294-02-000   | EA  | MOLDING-SHELF, NOTCHED WOOD - 8" LONG  |
| 074498-24-000   | SF  | LAMINATE-PLASTIC, 5' X 8' - INCREMENTS OF 40 SF  |
| 078325-28-000   | FT  | MOLDING-EDGE BAND, 1 5/16" - SOLID OFF WHITE   |
|                 |     | FROM: 00-00-00 THRU: 05-20-90  |
| 078325-30-000   | FT  | MOLDING-EDGE BAND, 1 5/16"   |
|                 |     | FROM: 05-21-90 THRU: 05-27-90  |
| 078325-28-000   | FT  | MOLDING-EDGE BAND, 1 5/16"   |
|                 |     | FROM: 05-28-90 THRU: 99-99-99  |
| 083818-02-000   | SF  | PLYWOOD-OAK, 1 SIDE FINISHED - 3/16" X 4' X 8'   |
| 089297-01-000   | SF  | PLYWOOD-LUAN, OVERLAY GRADE - 4' X 8' - INC OF 32 SF   |
| 000888-01-000   | SF  | STYROFOAM - .75" X 24" X 96" - INCREMENTS OF 18 SF   |
| 088283-51-000   | EA  | BATT STRIP-CEILING, 8' EA - OFF WHITE  |
|                 |     | FROM: 00-00-00 THRU: 07-14-90  |
| 088229-01-000   | EA  | RETAINER-BATTEN, CEILING - .75" WIDE - 7.6' EA   |
|                 |     | FROM: 07-15-90 THRU: 99-99-99  |
| 086229-04-000   | EA  | BATTEN-CEILING, 1" WIDE - IVORY - 7.6' EA  |
|                 |     | FROM: 07-15-90 THRU: 99-99-99  |
| 085284-38-000   | FT  | BATT STRIP-DECORATIVE, W/BLOSSOMS - ADHESIVE BACK  |
|                 |     | FROM: 00-00-00 THRU: 07-15-90  |
| 085284-47-000   | FT  | BATT STRIP-DECORATIVE, W/BLOSSOMS - ADHESIVE BACK  |
|                 |     | FROM: 07-16-90 THRU: 99-99-99  |
| 085284-38-000   | FT  | BATT STRIP-SHOWER, ADHESIVE BACK - OFF WHITE   |
| 089733-78-000   | EA  | BATT-STRIP, WOODGRAIN - 8' EA - RAMBLING OAK   |
| 079853-13-000   | EA  | BATT STRIP-KERFED, WHITE   |
| 085284-32-000   | FT  | BATT STRIP-WOODGRAIN, ADHESIVE BACK - RAMBLING OAK   |
| 088263-47-000   | EA  | BATT STRIP-DECORATIVE W/BLOSSOMS, 8' EA  |
|                 |     | FROM: 00-00-00 THRU: 07-15-90  |
| 088263-80-000   | EA  | BATT STRIP-DECORATIVE, W/BLOSSOMS - 8' EA  |
|                 |     | FROM: 07-16-90 THRU: 99-99-99  |
| 088263-50-000   | EA  | BATT STRIP-SHOWER, 8' EACH - OFF WHITE   |
| 085284-35-000   | FT  | BATT STRIP-DECORATIVE PLAIN, ADHESIVE BACK   |
| 088263-48-000   | EA  | BATT STRIP-DECORATIVE PLAIN, 8' EA   |
| 084975-58-010   | EA  | ANGLE-STEEL, ROOF JOINT - 89" - BEIGE  |

**INTERIOR FINISH GROUP (CONTINUED)**

**CABINET TRIM & MOLDING**

| KEY PART NUMBER | U/M | DESCRIPTION  |
|-----------------|-----|--|
| 100040-01-000   | EA  | LUMBER-VINYL WRAPPED, 1.5" X 8" - RAMBLING OAK       |
| 100040-03-000   | EA  | LUMBER-VINYL WRAPPED, 7/1" X 2" X 8" - RAMBLING OAK  |
| 100041-02-000   | EA  | MOLDING-VINYL WRAPPED, 2.58" X 84.02" - RAMBLING OAK |
| 022992-11-000   | FT  | MOLDING-REVERSE COVE, T-SHAPED - VINYL - IVORY       |
| 100041-01-000   | EA  | MOLDING-VINYL WRAPPED, 1.57" X 84.02" - RAMBLING OAK |
| 083820-08-000   | FT  | T-MOLDING, END CAP EDGE - 3/4" - BIRCH               |
|                 |     | FROM: 00-00-00 THRU: 01-08-91                        |
| 083820-08-000   | FT  | T-MOLDING, 3/4 WEDGE LIPS                            |
|                 |     | FROM: 01-07-91 THRU: 99-99-99                        |
| 009812-17-000   | EA  | MOLDING-CORNER, OUTSIDE - .5" - PLASTIC - LIGHT OAK  |
| 009812-22-000   | EA  | MOLDING-CORNER, OUTSIDE - .5" X 7" - PLASTIC - BROWN |
| 081294-02-000   | EA  | MOLDING-SHELF, NOTCHED WOOD - 8" LONG                |
| 070604-19-000   | FT  | U-CHANNEL-EXTRUSION, .815" - BROWN                   |
| 070604-08-000   | FT  | U-CHANNEL, .815" - 8' EA - PLASTIC - LIGHT BROWN     |
| 009778-12-000   | FT  | U-CHANNEL, PLASTIC - 1" WIDE - BROWN                 |
| 100622-01-01A   | EA  | BRACKET-CABINET, TV - OFF WHITE                      |

**DINETTE TABLE HARDWARE**

| KEY PART NUMBER | U/M | DESCRIPTION   |
|-----------------|-----|---|
| 004354-01-000   | EA  | BUMPER-CABINET DOOR, RUBBER - BROWN                       |
| 024278-21-000   | EA  | LEG-TABLE, METAL - BEIGE                                  |
| 024282-01-000   | EA  | BRACE-TABLE LEG, HINGED                                   |
| 024283-01-000   | EA  | CLIP-LEG, 1" X 1.125" OD - BLACK                          |
| 084050-03-000   | EA  | CLAMP-SADDLE, LEG HINGE - TAN                             |
| 088410-01-000   | EA  | BRACKET-LIFT, TABLE MOUNTED - BEIGE                       |
| 049493-11-700   | EA  | CATCH-TABLE LEG, FLOOR MOUNTED - BEIGE                    |
| 024275-06-000   | EA  | ROD-TABLE LIFT, 8" X 23.5" - BEIGE                        |
| 053200-06-000   | EA  | BRACKET-TABLE SUPPORT, UPPER WALL MOUNTED - 23.5" - BEIGE |
| 024281-07-000   | EA  | BRACKET-LIFT ROD, LOWER WALL MOUNTED - 22.12" - BEIGE     |
| 064781-06-000   | EA  | HOLDER-CUP, TWO STEP - OFF WHITE                          |
| 083125-03-000   | EA  | BRACE-COUCH, TAN  |

**CABINET HARDWARE**

| KEY PART NUMBER | U/M | DESCRIPTION  |
|-----------------|-----|--|
| 069777-02-000   | EA  | HINGE-CABINET DOOR, BURNISHED BRASS                |
| 100030-01-000   | EA  | PULL-CABINET                                       |
| 004354-01-000   | EA  | BUMPER-CABINET DOOR, RUBBER - BROWN                |
| 085740-01-000   | EA  | BRACE-CABINET CORNER, PLASTIC                      |
| 018804-05-000   | EA  | BRACE-L/ANGLED, 2.5" - OFF WHITE                   |
| 042541-04-700   | EA  | LATCH-W/STRIKE, BRASS                              |
| 042541-04-700   | EA  | LATCH-CAM, W/STRIKE - (2 SETS) - BRASS             |
| 042541-06-000   | EA  | STRIKE-BRASS                                       |
| 074493-02-000   | EA  | SUPPORT-OVERHEAD DOOR, SPRUNG                      |
| 018804-03-000   | EA  | BRACE-CABINET ANGLE, 2.5" - BEIGE                  |
| 009112-01-000   | EA  | FLANGE-1" ROD, CLOTHES - PLASTIC - OFF WHITE       |
| 041953-03-000   | FT  | CONDUIT-CONVOLUTED SLIT, 1" ID (CLOTHES ROD COVER) |
| 042438-01-000   | EA  | DOWEL-WOOD, CLOTHES ROD - 1" DIAMETER X 4'         |
| 052399-01-000   | FT  | CORD STRAPPING-1/4" WIDE                           |
| 028980-01-000   | EA  | PILASTER-ADJUSTABLE SHELF                          |
| 088078-03-000   | EA  | H-CHANNEL, BED SUPPORT - 1.36" X 72.7" - BEIGE     |
| 091281-01-000   | FT  | BACKING-NON SKID, 1" WIDE (100' ROLL)              |
| 023320-01-000   | EA  | PAD-FELT, 3/8" DIAMETER - BROWN                    |
| 093586-03-000   | EA  | CATCH-SPRING, ROLLER                               |
| 093586-04-000   | EA  | STRIKE-SPRING STEEL                                |

**PLASTIC DRAWER & SLIDES**

| KEY PART NUMBER | U/M | DESCRIPTION   |
|-----------------|-----|---|
| 077404-02-000   | EA  | DRAWER-PLASTIC, 20" X 12.7" - BEIGE                 |
| 094067-01-01A   | EA  | DIVIDER-DRAWER, PLASTIC - LIGHT OAK                 |
| 077439-02-000   | EA  | SLIDE-DRAWER, MOUNTED TO CABINET - PLASTIC - 20.75" |

**TABLE OF CONTENTS**

|                    |             |
|--------------------|-------------|
| INTRODUCTION       | A-01        |
| ABBREVIATIONS      | A-01        |
| ALPHABETICAL INDEX | A-02 - A-04 |
| ICF23EC            | A-05 - D-17 |
| ICF30EU            | D-18 - I-22 |

**1991 ICF23EC INDEX**

|                              |             |
|------------------------------|-------------|
| FLOOR PLAN                   | A-05 - A-08 |
| ACCESSORIES                  | A-07 - A-10 |
| BATH                         | A-11 - A-13 |
| BEDROOM                      | A-14        |
| CHASSIS                      | A-15 - A-18 |
| C C & PAD                    | A-19 - B-02 |
| DINETTE                      | B-03 - B-04 |
| DRIVERS                      | B-05 - B-14 |
| ELECTRICAL                   | B-15 - B-18 |
| EXTERIOR BODY                | B-19 - B-24 |
| GALLEY                       | C-01 - C-06 |
| HEATING & AC                 | C-07 - C-12 |
| INTERIOR FINISH              | C-13 - C-18 |
| LABEL                        | C-17        |
| LP                           | C-18        |
| SEALANTS & FASTENERS         | C-19 - C-20 |
| WATER & SEWAGE               | C-21 - D-01 |
| WINDOW, VENT & EXTERIOR DOOR | D-02 - D-17 |



**INTERIOR FINISH GROUP (CONTINUED)**

**FABRIC AND TRIM**

| KEY PART NUMBER | U/M DESCRIPTION   |
|-----------------|---|
| 077484-01-000   | YD FABRIC-VINYL, 54" WIDE - GRAY                          |
| 077484-02-000   | YD FABRIC-VINYL, 54" WIDE - OFF WHITE                     |
| 075244-01-000   | YD VINYL-EXPANDED, 54" WIDE - OFF WHITE                   |
| 075244-02-000   | YD VINYL-FLOWER CURTAIN, 72" WIDE - BEIGE                 |
|                 | FROM: 00-00-00 THRU: 06-31-90                             |
| 075244-03-000   | YD VINYL-FLOWER CURTAIN, 72" WIDE - ALMOND                |
|                 | FROM: 06-01-90 THRU: 90-99-99                             |
| 098008-31-000   | YD FABRIC-UPHOLSTERY, PLAIN - 54" - B25 - DUSTY BLUE      |
| 098008-42-000   | YD FABRIC-UPHOLSTERY, PATTERN - 54" - B26 - TRUFFLE BROWN |
| 098008-44-000   | YD FABRIC-UPHOLSTERY, PATTERN - 54" - B25 - DUSTY BLUE    |
| 098008-45-000   | YD FABRIC-UPHOLSTERY, PLAIN - 54" - B26 - TRUFFLE BROWN   |
| 098008-28-000   | YD FABRIC-UPHOLSTERY, PLAIN - 54" - B25 - DUSTY BLUE      |
| 098008-48-000   | YD FABRIC-UPHOLSTERY, PATTERN - 54" - B26 - TRUFFLE BROWN |
| 087272-01-000   | YD FABRIC-LINING, CURTAIN - 48" WIDE - IVORY              |
| 072333-75-000   | YD FABRIC-CURTAIN - 54" WIDE - BEIGE                      |
| 088273-67-000   | YD FABRIC-CURTAIN, PLAIN - 54" - B25 - DUSTY BLUE         |
| 072333-79-000   | YD FABRIC-CURTAIN, 1" WIDE - B25 - DUSTY BLUE             |
| 029012-01-000   | BF FOAM-ROLLED, 3/8" THICK - 72" WIDE                     |
| 081926-01-000   | YD BACKING-QUILTING, MATTRESS COVER - 59" WIDE - WHITE    |

**FLOOR COVERING & COMPONENTS**

| KEY PART NUMBER | U/M DESCRIPTION   |
|-----------------|---|
| 093673-01-02A   | EA TRIM-J, CARPET - 1.1" X 1.28" ANGLE - 12' LONG - VINYL - T |
| 085748-04-000   | FT TRIM-J, CARPET - 1.2" X .5" ANGLE - 10' LONG - OFF WHITE   |
| 047034-02-000   | SF PLASTIC-CARPET, 4" WIDE - CLEAR POLY                       |
| 098080-14-000   | SY CARPET-12' ROLL - B25 - DUSTY BLUE - INCREMENTS OF 4 SY    |
| 098080-15-000   | SY CARPET-12' ROLL - B26 - TRUFFLE BROWN - INCREMENTS OF 4 SY |
| 075233-01-000   | SY PAD-CARPET, 3/8" X 6' ROLL                                 |
| 078314-02-000   | FT TAPE-CARPET SEAM, HEAT-BOND                                |
|                 | NOTE<br>REPLACE VINYL FLOORING LOCALLY                        |

**INTERIOR FINISH GROUP (CONTINUED)**

**MIRRORS**

| KEY PART NUMBER | U/M DESCRIPTION                         |
|-----------------|---|
| 058331-36-000   | EA MIRROR-GLASS, SAFETY - 29.4" X 11.4" |
| 058331-14-000   | EA MIRROR-GLASS, SAFETY - 14" X 12.7"   |
| 058331-22-000   | EA MIRROR-GLASS, SAFETY - 17" X 44.5"   |

**PANTRY AND GALLEY EXT. HARDWARE**

| KEY PART NUMBER | U/M DESCRIPTION                                    |
|-----------------|--|
| 085740-01-000   | EA BRACE-CABINET CORNER, PLASTIC                   |
| 018804-03-000   | EA BRACE-CABINET ANGLE, 2.5" - BEIGE               |
| 081295-01-U01   | EA SUPPORT-BASE, DINETTE - 1.5" X 28" - WOOD       |
| 083125-03-000   | EA BRACE-COUCH, T/N                                |
|                 | FROM: 11-05-90 THRU: 99-99-99                      |
| 023327-01-000   | EA PAD-FELT, 3/8" DIAMETER - BF WVN                |
| 084356-04-000   | EA INSERT-TV STAND, BEIGE                          |
| 084412-01-000   | EA SUPPORT-HINGED                                  |
| 084451-01-000   | EA CATCH-TV SHELF, BRASS                           |
| 084413-01-000   | EA HINGE-CONTINUOUS, ALUMINUM - 1" X 72" - W/HOLES |
| 009049-01-000   | EA SUPPORT-EXTENSION, GALLEY COUNTERTOP            |
| 009059-01-000   | EA HINGE-2" X 1.4", BRASS                          |

**WALL CAPS AND U-CHANNEL**

| KEY PART NUMBER | U/M DESCRIPTION   |
|-----------------|---|
| 009778-11-000   | FT U-CHANNEL, PLASTIC - 1" - MODERN IVORY                     |
| 009787-12-000   | FT MOLDING-SIDEWALL TO CEILING/CABINET - VIELTING - OFF WHITE |
| 009812-22-000   | EA MOLDING-CORNER, OUTSIDE - .5" X 7" - PLASTIC - BROWN       |
| 078376-01-000   | FT MOLDING-T-SHAPED COVE, CEILING TO WALL - OFF WHITE         |
| 070504-19-000   | FT U CHANNEL-EXTRUSION, .815" - BROWN                         |
| 009778-12-000   | FT U-CHANNEL, PLASTIC - 1" WIDE - BROWN                       |

**TV STAND/GALLEY EXTENSION HARDWARE**

| KEY PART NUMBER | U/M DESCRIPTION                                    |
|-----------------|--|
| 009049-01-000   | EA SUPPORT-EXTENSION, GALLEY COUNTERTOP            |
| 009059-01-000   | EA HINGE-2" X 1.4", BRASS                          |
| 084356-04-000   | EA INSERT-TV STAND, BEIGE                          |
| 084412-01-000   | EA SUPPORT-HINGED                                  |
| 084451-01-000   | EA CATCH-TV SHELF, BRASS                           |
| 084413-01-000   | EA HINGE-CONTINUOUS, ALUMINUM - 1" X 72" - W/HOLES |

**TABLE OF CONTENTS**

|                    |             |
|--------------------|-------------|
| INTRODUCTION       | A-01        |
| ABBREVIATIONS      | A-01        |
| ALPHABETICAL INDEX | A-02 - A-04 |
| ICF23EC            | A-05 - C-17 |
| ICF30EU            | D-19 - H-22 |

**1991 ICF23EC INDEX**

|                      |             |
|----------------------|-------------|
| FLOOR PLAN           | A-05 - A-06 |
| ACCESSORIES          | A-07 - A-10 |
| BATH                 | A-11 - A-13 |
| BEDROOM              | A-14        |
| CHASSIS              | A-15 - A-18 |
| C C & PAD            | A-19 - B-02 |
| DINETTE              | B-03 - B-04 |
| DRIVERS              | B-05 - B-14 |
| ELECTRICAL           | B-15 - B-18 |
| EXTERIOR BODY        | B-19 - B-24 |
| GALLEY               | C-01 - C-06 |
| HEATING & A/C        | C-07 - C-12 |
| INTERIOR FINISH      | C-13 - C-16 |
| LABEL                | C-17        |
| LP                   | C-18        |
| SEALANTS & FASTENERS | C-19 - C-20 |
| WATER & SEWAGE       | C-21 - D-01 |
| WINDOW, VENT AND     |             |
| EXTERIOR DOOR        | D-02 - D-17 |

### LABEL & TAG GROUP

| KEY PART NUMBER | U/M | DESCRIPTION                          |
|-----------------|-----|--------------------------------------|
| 060842-01-000   | EA  | LABEL-VAPOR RELIEF                   |
| 067207-06-000   | EA  | LABEL-FUEL CAP REMOVAL               |
| 077510-01-000   | EA  | LABEL-GENERATOR PREP                 |
| 075221-03-000   | EA  | LABEL-TRAILER HITCH                  |
| 075220-01-000   | EA  | LABEL-WARNING, EXTERIOR LOAD         |
| 062043-01-000   | EA  | LABEL-FUEL, UNLEADED                 |
| 061417-01-000   | EA  | LABEL-FUEL                           |
| 064531-01-000   | EA  | LABEL-LP GAS ONLY                    |
| 006186-01-000   | EA  | LABEL-WASTE WATER                    |
| 006187-01-000   | EA  | LABEL-SEWAGE                         |
| 047731-01-000   | EA  | LABEL-EMERGENCY EXIT - ESCAPE WINDOW |
| 006019-01-000   | EA  | TAG-RVI APPROVED, PLASTIC            |
| 006040-01-000   | EA  | TAG-GAS REFUELING WARNING            |
| 006062-01-000   | EA  | TAG-ELECTRIC, 110V CONNECTION        |

### CANADIAN EXPORT (OPT 285)

| KEY PART NUMBER | U/M | DESCRIPTION                      |
|-----------------|-----|----------------------------------|
| 006040-02-000   | EA  | TAG-GAS REFUEL WARNING, CANADIAN |
| 091243-01-000   | EA  | LABEL-A/C COVER                  |

### CALIFORNIA CHASSIS (OPT 377)

| KEY PART NUMBER | U/M | DESCRIPTION  |
|-----------------|-----|--|
| 062043-01-000   | EA  | LABEL-FUEL, UNLEADED                                   |
| 074559-01-000   | EA  | DECAL-LOGO, LPG - RED - (CALIF CODE)                   |
| 091243-01-000   | EA  | LABEL-A/C COVER, CEILING                               |
| 093236-06-000   | EA  | LABEL-CIRCUIT BREAKER, MAIN                            |
| 006195-01-000   | EA  | LABEL-ELECTRICAL TEST                                  |
| 006196-01-000   | EA  | LABEL-GAS TEST   |
| 006197-01-000   | EA  | LABEL-WATER TEST                                       |
| 060225-01-000   | EA  | LABEL-WARNING, STOVE VENT - US                         |
| 061606-01-000   | EA  | LABEL-OVERLAY, VEHICLE CERTIFICATION - ADHESIVE BACKED |
| 066259-01-000   | EA  | LABEL-SAFETY CHECK LIST SUNVISOR                       |
| 096641-01-000   | EA  | LABEL-FUEL, UNLEADED - DASH                            |

FROM: 09-11-89 THRU: 01-14-90

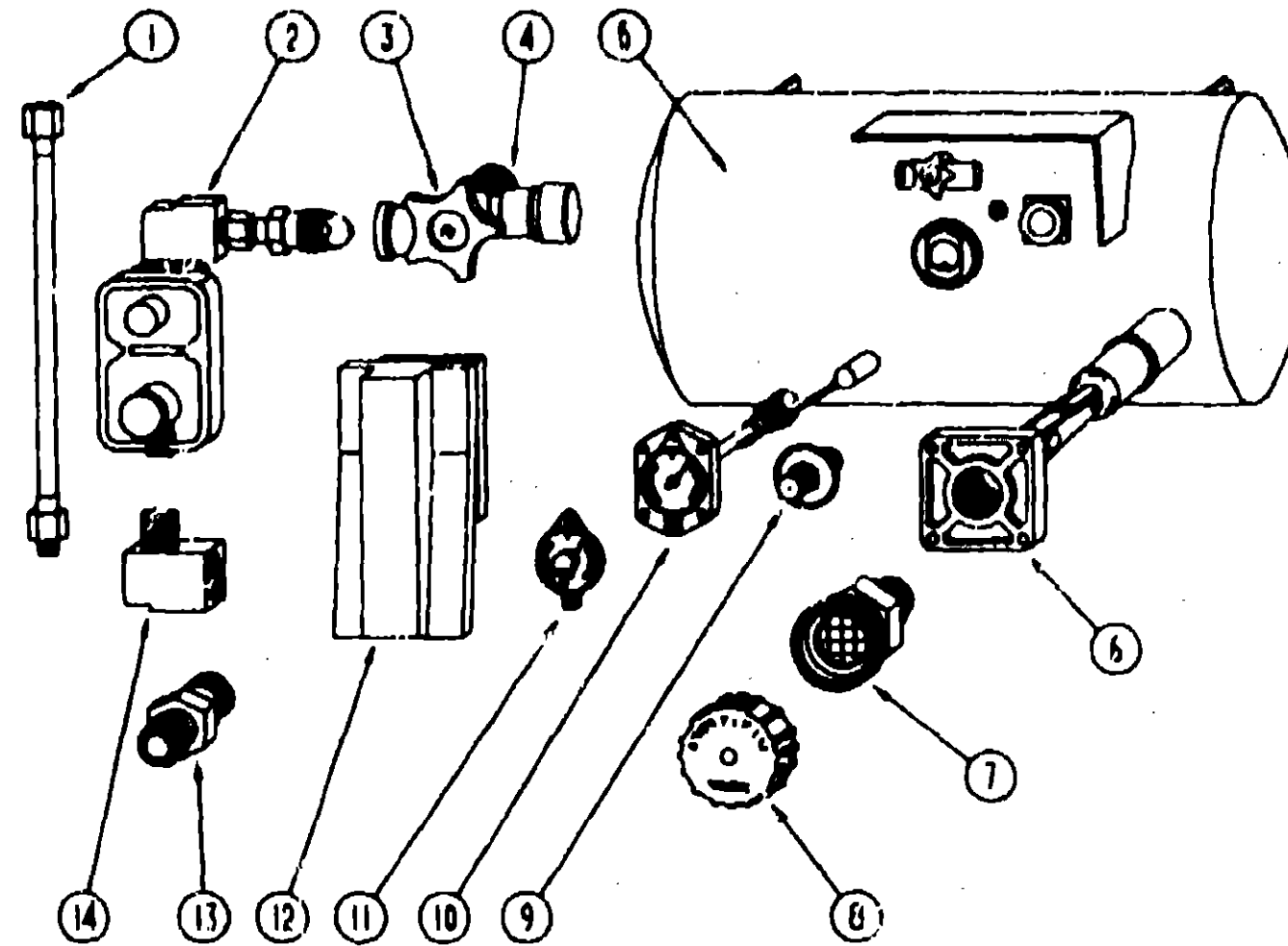
### CANADIAN EXPORT

| KEY PART NUMBER | U/M | DESCRIPTION                       |
|-----------------|-----|-----------------------------------|
| 006040-02-000   | EA  | TAG-GAS REFUEL WARNING, CANADIAN  |
| 006019-01-000   | EA  | TAG-RVI APPROVED, PLASTIC         |
| 006040-01-000   | EA  | TAG-GAS REFUELING WARNING         |
| 006062-01-000   | EA  | TAG-ELECTRIC 110V CONNECTION      |
| 001243-01-000   | EA  | LABEL-A/C COVER - CANADIAN EXPORT |

### DIESEL ENGINE OPTION

| KEY PART NUMBER | U/M | DESCRIPTION  |
|-----------------|-----|--|
| 066363-01-000   | EA  | LABEL-DIESEL FUEL                                      |
| 072663-01-000   | EA  | NAMEPLATE-DIESEL 6.2L                                  |
| 061224-02-000   | EA  | LABEL-TRAILER LIGHTING                                 |
| 060342-01-000   | EA  | LABEL-VAPOR RELIEF                                     |
| 067207-02-000   | EA  | LABEL-FUEL CAP REMOVAL                                 |
| 067207-06-000   | EA  | LABEL-FUEL CAP REMOVAL                                 |
| 077510-01-000   | EA  | LABEL-GENERATOR PREP                                   |
| 075221-03-000   | EA  | LABEL-TRAILER HITCH                                    |
| 075220-01-000   | EA  | LABEL-WARNING, EXTERIOR LOAD                           |
| 062043-01-000   | EA  | LABEL-FUEL, UNLEADED                                   |
| 061417-01-000   | EA  | LABEL-FUEL   |
| 064531-01-000   | EA  | LABEL-LP GAS ONLY                                      |
| 006186-01-000   | EA  | LABEL-WASTE WATER                                      |
| 006187-01-000   | EA  | LABEL-SEWAGE   |
| 093236-06-000   | EA  | LABEL-CIRCUIT BREAKER, MAIN                            |
| 006195-01-000   | EA  | LABEL-ELECTRICAL TEST                                  |
| 006196-01-000   | EA  | LABEL-GAS TEST   |
| 006197-01-000   | EA  | LABEL-WATER TEST                                       |
| 060225-01-000   | EA  | LABEL-WARNING, STOVE VENT - US                         |
| 066259-01-000   | EA  | LABEL-SAFETY CHECK LIST                                |
| 061606-01-000   | EA  | LABEL-OVERLAY, VEHICLE CERTIFICATION - ADHESIVE BACKED |
| 006188-01-000   | EA  | LABEL-EXIT, "ESCAPE WINDOW"                            |
| 047731-01-000   | EA  | LABEL-EMERGENCY EXIT                                   |

### LP GROUP



LP TANK & COMPONENTS

| KEY PART NUMBER  | U/M | DESCRIPTION  |
|------------------|-----|--|
| 1 045703-01-000  | EA  | HOSE-LP, 3/8" ID X 24" US - 3/8 MPT X 1/2 F SWIVEL                   |
| 2 045703-02-000  | EA  | HOSE-LP, 3/8" ID X 24" - 3/8 MPT X 1/2" F SWIVEL - CANADA            |
| 3 078301-01-000  | EA  | REGULATOR-LPG, TWO STAGE   |
| 4 040421-01-708  | EA  | HANDWHEEL-VAPOR RELIEF VALVE, BRUNNER G-1015-A                       |
| 5 040421-01-703  | EA  | VALVE-SERVICE W/HANDWHEEL W/VAPOR RELIEF (REGO9106CO) BRUNNER G-1015 |
| 6 097821-01-000  | EA  | TANK-LP, 60 LB BRUNNER - 14" X 30"                                   |
| 7 040421-01-711  | EA  | VALVE-60% W/FLOAT, PLATE, BOLTS & GASKET - BRUNNER                   |
| 8 040421-01-701  | EA  | VALVE-SHORT LP FILLER W/ YELLOW CAP - BRUNNER 75478                  |
| 9 040421-01-702  | EA  | CAP-LP FILLER VALVE, PLASTIC - YELLOW - BRUNNER G-1014-A             |
| 10 040421-01-700 | EA  | GAUGE-LIQUID LEVEL, 20% LP - BRUNNER G-1013                          |
| 11 040421-01-707 | EA  | GAUGE-FLOAT W/VISIBLE DIA. - BRUNNER MA-9 6244-4                     |
| 12 040440-01-000 | EA  | TRANSMITTER-DIAL, 90 OHM   |
| 13 061636-01-000 | EA  | COVER-COMPARTMENT - LP REGULATOR - BLACK                             |
| 14 010329-01-000 | EA  | ADAPTER-BRASS-1/2" F X 1/2" MPT                                      |
| 065316-02-000    | EA  | ELBOW-90 DEGREE, 3/8" MPT TO 3/8" FPT                                |
| 010285-01-000    | EA  | CROSS, 3/8" F X 3/8" F X 3/8" F X 1/2" FPT - BRASS                   |
| 010377-01-000    | EA  | NUT- 3/8" F - BRASS  |
| 016186-03-000    | EA  | GROMMET-GAS LINE, FLOOR - 3/8" HOLE X 2 1/8" DIAMETER RUBBER         |
| 061642-01-000    | EA  | TEE, 1/2" MPT X 1/2" FL X 3/8" FL - BRASS                            |
| 010497-05-000    | EA  | CLAMP-CLOSED, .50" ID  |
| 075148-02-000    | EA  | CLAMP-GROUNDING, BRONZE SCREWS                                       |
| 006360-01-000    | EA  | GROMMET-RUBBER, 5/8" HOLE X 1 1/2" DIAMETER - BLACK                  |
| 010326-01-000    | EA  | ADAPTER-FLARE, W/CONE GASKET 3/8" FEMALE FL X 1/2" MALE F            |
| 065741-01-000    | EA  | GAUGE-DIAPHRAGM PRESSURE - MARSHALLTOWN MFG                          |
| 065742-01-000    | EA  | TEE, .38" F X .38" F X .25" FPT - BRASS                              |
| 071391-02-000    | EA  | NIPPLE-HEX, .25" PIPE  |
| 006042-01-000    | FT  | TUBING-VINYL, .65" ID  |

### TABLE OF CONTENTS

|                    |             |
|--------------------|-------------|
| INTRODUCTION       | A-01        |
| ABBREVIATIONS      | A-01        |
| ALPHABETICAL INDEX | A-02 - A-04 |
| ICF23EC            | A-05 - D-17 |
| ICF30EU            | D-18 - H-22 |

### 1991 ICF23EC INDEX

|                                |             |
|--------------------------------|-------------|
| FLOOR PLAN                     | A-05 - A-06 |
| ACCESSORIES                    | A-07 - A-10 |
| BATH                           | A-11 - A-13 |
| BEDROOM                        | A-14        |
| CHASSIS                        | A-15 - A-18 |
| C C & PAD                      | A-19 - B-02 |
| DINETTE                        | B-03 - B-04 |
| DRIVERS                        | B-05 - B-14 |
| ELECTRICAL                     | B-15 - B-18 |
| EXTERIOR BODY                  | B-19 - B-24 |
| GALLEY                         | C-01 - C-06 |
| HEATING & A/C                  | C-07 - C-12 |
| INTERIOR FINISH                | C-13 - C-16 |
| LABEL                          | C-17        |
| I/P                            | C-18        |
| SEALANTS & FASTENERS           | C-19 - C-20 |
| WATER & SEWAGE                 | C-21 - D-01 |
| WINDOW, VENT AND EXTERIOR DOOR | D-02 - D-17 |

**SEALANTS & FASTENERS GROUP**

**SEALANTS AND FASTENERS**

| KEY PART NUMBER | UOM | DESCRIPTION  |
|-----------------|-----|--|
| 059704-02-000   | EA  | BEDDING COMPOUND-TUBE, WHITE                       |
| 059704-08-000   | EA  | BEDDING COMPOUND-TUBE, CLEAR                       |
| 008201-01-000   | EA  | BOLT-BUMPER, ROUND HEAD-SQUARE NECK-W/ST CAP       |
| 051207-08-000   | EA  | BOLT-CARRIAGE, W/O HOLE - 5/16-18 X 9.5 ZN         |
| 000C12-06-10B   | EA  | BOLT-HEX, 5/16-18 X 1 - ZINC 5                     |
| 000C12-06-24B   | EA  | BOLT-HEX, 5/16-18X1 1/2 ZN 5                       |
| 000C12-07-20B   | EA  | BOLT-HEX, 7/16 - 14 X 1 1/4 - ZN5                  |
| 000C12-08-24B   | EA  | BOLT-HEX, 1/2-13 X 1 1/2 - ZN 5                    |
| 000C12-10-24B   | EA  | BOLT-HEX, 5/8-11 X 1 1/2 ZN - 5                    |
| 000C12-07-40B   | EA  | BOLT-HEX, 7/16 - 20 X 3 - ZN 5                     |
| 000C18-06-40B   | EA  | BOLT-HEX, 3/8-18 X 3 ZN - GDE 5                    |
| 000C28-04-10B   | EA  | BOLT-HEX, SER FLG - 1/4-20 X 5/8 ZINC              |
| 000D14-05-00B   | EA  | NUT-HEX, 5/16-18 - ZN 5                            |
| 000D15-06-00B   | EA  | NUT-HEX, 3/8-24 - ZN - 5                           |
| 000D24-10-00B   | EA  | NUT-HEX, SF, LK - 10-32 ZN                         |
| 000D34-04-00B   | EA  | NUT-HEX, LK 1/4 - 20 ZN                            |
| 000D38-04-00B   | EA  | NUT-HEX, SER FLG LK, 1/4 - 20 ZN                   |
| 000D40-05-00B   | EA  | NUT-HEX, SER FLG LK - 5/16 - 18 ZN                 |
| 000D39-06-00B   | EA  | NUT-HEX, SER FLG LK - 3/8-18 ZN                    |
| 000D30-08-00B   | EA  | NUT-HEX, SER FLG LK - 1/2-13 ZN                    |
| 000D44-07-00B   | EA  | NUT-HEX, SER FLG LK - 7/16-20 ZN                   |
| 000G11-08-10B   | EA  | SCREW, 6-20 X 5/8 PPH ZN                           |
| 000G11-08-10J   | EA  | SCREW, 6-20 X 5/8 PPH - BRASS                      |
| 000G11-07-08B   | EA  | SCREW, 7-19 X 1/2 PPH - ZN                         |
| 000G11-08-08B   | EA  | SCREW, 8-18 X 1/2 PPH - ZN                         |
| 000G11-08-08T   | EA  | SCREW, 8-18 X 1/2 PPH                              |
| 000G11-08-12B   | EA  | SCREW, 8-18 X 3/4 PPH ZN                           |
| 000G11-08-12D   | EA  | SCREW, 8-18 X 3/4 PPH - BLACK                      |
| 000G11-08-12R   | EA  | SCREW, 8-18 X 3/4 PPH - BEIGE                      |
| 000G11-08-12T   | EA  | SCREW, 8-18 X 3/4 PPH - BLACK                      |
| 000G11-08-12X   | EA  | SCREW, 8-18 X 3/4 PPH - GRAY                       |
| 000G11-10-12D   | EA  | SCREW, 10-18 X 3/4 PPH - BLACK                     |
| 000G11-10-12R   | EA  | SCREW, 10-18 X 3/4 PPH - BEIGE                     |
| 000G11-10-24P   | EA  | SCREW, 10-18 X 1 1/2 PPH - DARK BROWN              |
| 000G12-08-12X   | EA  | SCREW, 8-18 X 3/4 PPH - GRAY                       |
| 000G12-08-16S   | EA  | SCREW, 8-18 X 1.00 PPH - OFF WHITE                 |
| 000G12-08-20R   | EA  | SCREW, 8-18 X 1 3/4 PPH - BEIGE                    |
| 000G13-06-08B   | EA  | SCREW, 6-20 X 1/2 PPH ZN                           |
| 000G13-06-10G   | EA  | SCREW, 6-20 X 5/8 PPH, ANTIQUE BRASS               |
| 000G13-06-16R   | EA  | SCREW, 6-20 X 1 PPH - BEIGE                        |
| 000G13-07-12B   | EA  | SCREW, 7-19 X 3/4 PPH ZN                           |
| 000G13-08-16B   | EA  | SCREW, 8-18 X 1 PPH - ZN                           |
| 000G18-08-16D   | EA  | SCREW-MACHINE, 8 X 32 X 1, PPH ZN                  |
| 000G18-10-12B   | EA  | SCREW-MACH-10-24X3/4 PPH ZN                        |
| 000G19-10-08B   | EA  | SCREW-MACHINE, 10-32 X 1/2 PPH ZN                  |
| 000G19-10-12B   | EA  | SCREW-MACH, 10-32 TPI X .75                        |
| 000G27-10-16D   | EA  | SCREW-MACH, 10-32 X 1 PPH - BLACK                  |
| 000G30-08-10T   | EA  | SCREW-SF/DR, 6-20 X 5/8 PPH - BLACK                |
| 000G30-08-16T   | EA  | SCREW-SF/DR, 6-20 X 1 PPH - BLACK                  |
| 000G30-08-08B   | EA  | SCREW-SF/DR, 8-18 X 3/8 PPH ZN                     |
| 000G30-08-08B   | EA  | SCREW-SF/DR, 8-18 X 1/2 PPH ZN                     |
| 000G30-08-08R   | EA  | SCREW-SF/DR, 8-18 X 1/2 PPH - BEIGE                |
| 000G30-08-08X   | EA  | SCREW-SF/DR, 8-18 X 1/2 PPH - GRAY                 |
| 000G30-08-12B   | EA  | SCREW-SF/DR, 8-18 X 3/4 PPH ZN                     |
| 000G30-08-12R   | EA  | SCREW-SF/DR, 8-18 X 3/4 PPH - BEIGE                |
| 000G30-08-12T   | EA  | SCREW-SF/DR, 8-18 X 3/4 PPH - BLACK                |
| 000G30-08-16B   | EA  | SCREW-SF/DR, 8-18 X 1 PPH ZN                       |
| 000G30-08-16R   | EA  | SCREW-SF/DR, 8-18 X 1 PPH CHROME                   |
| 000G30-08-16T   | EA  | SCREW-SF/DR, 8-18X1.00 PPH BEIGE                   |
| 000G30-08-24R   | EA  | SCREW-SF/DR, 8-18 X 1 PPH - BLACK                  |
| 000G30-08-24R   | EA  | SCREW-SF/DR, 8-18 X 1 1/2 PPH ZN                   |
| 000G30-08-24R   | EA  | SCREW-SF/DR, 8-18 X 1 1/2 PPH - BEIGE              |
| 000G30-08-32B   | EA  | SCREW-SF/DR, 8-18 X 2 PPH - ZINC                   |
| 000G30-10-12C   | EA  | SCREW-SF/DR, 10-18 X 3/4 PPH - BLACK               |
| 000G30-10-12R   | EA  | SCREW-SF/DR, 10-18 X 3/4 PPH - BEIGE               |
| 000G30-10-20B   | EA  | SCREW-SF/DR, 10-18 X 1 1/4 PPH ZN                  |
| 000G50-04-12B   | EA  | SCREW-MACH, 1/4-20 X 3/4 PPH ZN                    |
| 000G53-04-08B   | EA  | SCREW-MACHINE, 1/4-20 X 3/8 PPH ZN - UNDERCUT HEAD |
| 000G54-04-20B   | EA  | SCREW, 1/4-20 X 1 1/4 PTH - TYPE 23 - ZINC PLATED  |

**SEALANTS & FASTENERS GROUP (CONTINUED)**

**SEALANTS AND FASTENERS**

| KEY PART NUMBER | UOM | DESCRIPTION   |
|-----------------|-----|---|
| 000G67-10-08R   | EA  | SCREW, 10-12 X 1/2 PPH - BEIGE - TYPE A               |
| 000G67-10-10B   | EA  | SCREW, 10-12 X 5/8 PPH ZN - TYPE A                    |
| 000G67-10-10R   | EA  | SCREW, 10-12 X 5/8 PPH - TYPE A - BEIGE               |
| 000G67-10-12R   | EA  | SCREW, 10-12 X 3/4 PPH, ZN                            |
| 000G67-10-12P   | EA  | SCREW, 10-12 X .75 PPH - DARK BROWN                   |
| 000G67-10-12R   | EA  | SCREW, 10-12 X .75 PPH - BEIGE                        |
| 000G67-10-120   | EA  | SCREW, 10-12 X .75 PPH TAN                            |
| 000G67-10-18P   | EA  | SCREW, 10-12 X 1 PPH - DARK BROWN                     |
| 000G67-10-20D   | EA  | SCREW, 10-12 X 1 1/4 PPH - BLACK                      |
| 000G67-10-24B   | EA  | SCREW, 10-12 X 1 1/2 PPH - ZN                         |
| 000G68-08-10G   | EA  | SCREW-4-18 X 5/8 PPH, ANTIQUE BRASS                   |
| 049485-01-000   | EA  | SCREW, 10-18 W/WASHER PTH - DARK BROWN                |
| 049485-03-000   | EA  | SCREW, 10-18 X 1 PPH W/WASHER - OFF WHITE             |
| 049485-04-000   | EA  | SCREW, 10-18 X 1 PTH W/WASHER - BEIGE                 |
| 049485-05-000   | EA  | SCREW-10-18X1 PTH W/WASHER                            |
| 081808-01-000   | EA  | SCREW-MACHINE, 8-32 X .82 W/WYLOCK                    |
| 088783-01-000   | EA  | SCREW-MACH, 10 - 32 X 1/4 PTH                         |
| 087721-01-000   | EA  | SCREW-FLAT HEAD, TAPPING - 1/4" X 1 1/4" LG ZN        |
| 089371-01-000   | EA  | SCREW-MACHINE, 8-32 X 3 5/16" - FOR EXTENDED WINDOW K |
| 075008-01-000   | EA  | SCREW-MACHINE, 10-32 X .58 PTH - ZINC EXTERNAL TOOTH  |
| 078790-01-000   | EA  | SCREW, 6-20 X 1 1/4 PPH - BLACK                       |
| 004005-02-000   | EA  | ADHESIVE-SWIFTS, 1 GAL. - W1333                       |
| 081377-01-700   | EA  | ADHESIVE-CYANOACRYLATE, 10 GRAM TUBE                  |
| 005081-01-000   | EA  | NUT-SPEED, C TYPE - NO 8 SCREW                        |
| 044384-02-000   | EA  | NUT-SPEED, FLAT - ROUND                               |
| 077049-01-000   | EA  | NUT-ACORN, 10-32 ALUMINUM                             |
| 072893-01-000   | EA  | NUTBERT-M5 X 0, 8                                     |
| 074383-01-000   | FT  | TAPE-ADHESIVE FOAM, 1 SIDE - 3/16" X 1.2" X 50' - GRA |
| 008200-01-000   | EA  | TAPE-FLUORINACE, 1 1/2"                               |
| 088244-01-000   | FT  | TAPE-FOAM, VINYL COATED - 2" WIDE - INCREMENTS OF 108 |
| 077422-03-000   | FT  | TAPE-FOAM, DOUBLE COATED ADHESIVE BACKED - .5" X 108" |
| 073422-04-000   | FT  | TAPE-FOAM, DOUBLE COATED - .045" X .75"               |
| 018343-01-000   | EA  | TIE-WIRE, 6"  |
| 027042-01-000   | EA  | GROMMET-RUBBER, 2" OD                                 |
| 071263-01-000   | EA  | GROMMET-EDGE LINER, FITS 1"                           |
| 083729-01-000   | EA  | RIVNUT, 1/4 X 20 UNC - .030-.125                      |
| 083729-04-000   | EA  | RIVNUT, 10-32 UNF - .010-.080                         |
| 000H16-04-08R   | EA  | RIVET-POP, AL 1/8 X .313-.375                         |
| 089840-02-000   | FT  | SEALER-RIBBON, 1/2" X 1/8" - INCREMENTS OF 37 OR 60'  |
| 089840-03-000   | FT  | SEALER-RIBBON, 3/4" X 1/8" - INCREMENTS OF 60'        |
| 089840-08-000   | FT  | SEALER-RIBBON, 5/16" DIAMETER - INCREMENTS OF 25'     |
| 089840-09-000   | FT  | SEALER-RIBBON, 1/32" X 2 1/2" - INCREMENTS OF 60'     |
| 090340-01-000   | FT  | SEAL-FOAM, CLOSED CELL - 1/4" X 1/2" X 50'            |
| 091255-03-000   | FT  | SEAL-FOAM, 1/4 X 3/16 ROLL                            |
| 034552-02-000   | EA  | SILICONE-TUBE, 300 ML - CLEAR                         |
| 034552-04-000   | EA  | SILICONE-TUBE, 300 ML - BEIGE                         |
| 034552-07-000   | EA  | SILICONE-300 ML TUBE, DARK GRAY                       |
| 039518-01-000   | EA  | SILICONE-300 ML TUBE, BLACK                           |
| 008401-01-000   | EA  | STRAP-CONDUIT, 3/4" - 1 HOLE - GALVANIZED STEEL       |
| 010495-01-000   | EA  | CLAMP-CABLE, 9/16"                                    |
| 010497-01-000   | EA  | CLAMP-CLOSED, 5/8" ID                                 |
| 010497-05-000   | EA  | CLAMP-CLOSED, 1/2" ID                                 |
| 010497-08-000   | EA  | CLAMP-CLOSED, 11/16" ID                               |
| 010499-01-000   | EA  | CLAMP-CLOSED, 3/8" ID                                 |
| 062401-01-000   | EA  | CLAMP-HOSE, WORMGEAR .25" - 1"                        |
| 062401-02-000   | EA  | CLAMP-HOSE, WORMGEAR, 1.58" - 2.5"                    |
| 062401-03-000   | EA  | CLAMP-HOSE, WORMGEAR - .22" - 1"                      |
| 062401-04-000   | EA  | CLAMP-HOSE, WORMGEAR .89" - 1.25"                     |
| 062401-05-000   | EA  | CLAMP-HOSE, WORMGEAR - 2" X 3"                        |
| 062401-06-000   | EA  | CLAMP-HOSE, WORMGEAR .22" - .62"                      |
| 062401-08-000   | EA  | CLAMP-HOSE, WORMGEAR 4.08" - 5.0"                     |
| 062401-09-000   | EA  | CLAMP-HOSE, WORMGEAR 2.8" - 3.75"                     |
| 062401-10-000   | EA  | CLAMP-HOSE, WORMGEAR 1.08" - 2"                       |
| 007125-08-000   | EA  | CLAMP-MUFFLER, 2.25" DIAMETER                         |
| 007161-01-000   | EA  | CLAMP-HOSE, SPRING TYPE - 1/2"                        |
| 073194-02-000   | EA  | CLAMP-HOSE, WORMGEAR 1.28" - 1.97"                    |
| 075148-02-000   | EA  | CLAMP-GROUNDING, BRONZE SCREWS                        |
| 083809-01-000   | EA  | CLAMP-WIRE, DUAL EQUAL - 5 1/8" DIAMETER              |
| 077955-01-000   | EA  | J CLIP-VINYL COATED, 3/8"                             |

**TABLE OF CONTENTS**

|                    |             |
|--------------------|-------------|
| INTRODUCTION       | A-01        |
| ABBREVIATIONS      | A-01        |
| ALPHABETICAL INDEX | A-02 - A-04 |
| ICF23EC            | A-06 - D-17 |
| ICF30EU            | D-19 - H-22 |

**1991 ICF23EC INDEX**

|                                |             |
|--------------------------------|-------------|
| FLOOR PLAN                     | A-05 - A-08 |
| ACCESSORIES                    | A-07 - A-10 |
| BATH                           | A-11 - A-13 |
| BEDROOM                        | A-14        |
| CHASSIS                        | A-15 - A-18 |
| C C & PAD                      | A-19 - B-02 |
| DINETTE                        | B-03 - B-04 |
| DRIVERS                        | B-05 - B-14 |
| ELECTRICAL                     | B-15 - B-18 |
| EXTERIOR BODY                  | B-19 - B-24 |
| GALLEY                         | C-01 - C-06 |
| HEATING & AC                   | C-07 - C-12 |
| INTERIOR FINISH                | C-13 - C-16 |
| LABEL                          | C-17        |
| LP                             | C-18        |
| SEALANTS & FASTENERS           | C-19 - C-20 |
| WATER & SEWAGE                 | C-21 - D-01 |
| WINDOW, VENT AND EXTERIOR DOOR | D-02 - D-17 |

**WATER & SEWAGE GROUP**

**SHOWER PAN, FAUCETS, SINKS, & SHOWER HEAD**

| KEY PART NUMBER | U/M | DESCRIPTION  |
|-----------------|-----|--|
| M02429-04-000   | EA  | PAN-SHOWER, W/STRAINER   |
| 086436-01-000   | EA  | NUT-SLIP, TAILPIECE - 1.5"   |
| U86440-01-000   | EA  | STRAINER W/RUBBER WASHER   |
| 086640-04-000   | FT  | SEALER-RIBBON, 5/16" DIAMETER - INCREMENTS OF 20'  |
| 087871-01-000   | EA  | COVER-SCREW, #8 - PLASTIC - OFF WHITE  |
| 011083-04-000   | EA  | FAUCET-GALLEY, UB/CBA - SWING SPOUT 8"   |
| 089815-01-000   | EA  | SINK-GALLEY, DOUBLE W/MOUNTING HARDWARE - STAINLESS STEEL<br>FROM: 00-00-00 THRU: 01-01-90 |
| 086654-01-000   | EA  | SINK-GALLEY, DOUBLE W/MOUNTING HARDWARE - STAINLESS STEEL<br>FROM: 01-01-90 THRU: 00-00-00 |
| 086437-01-000   | EA  | STRAINER-SINK, GALLEY W/BASKET   |
| 086437-01-700   | EA  | BASKET-STRAINER, GALLEY SINK   |
| 075240-08-000   | FA  | FAUCET-LAVATORY, BONE  |
| 091253-01-000   | EA  | GASKET-FAUCET-LAVATORY   |
| 089927-01-01A   | EA  | SINK-LAVATORY, RECTANGULAR - PLASTIC - BONE  |
| 089927-01-700   | EA  | SINK STOPPER   |
| 089927-01-701   | EA  | TAILPIECE-SINK   |
| 075241-05-000   | EA  | FAUCET-SHOWER, BONE  |
| 011048-02-000   | EA  | HEAD-SHOWER, W/60 HOSE   |

**TOILET**

| KEY PART NUMBER | U/M | DESCRIPTION                                     |
|-----------------|-----|---|
| 087487-01-000   | EA  | TOILET-LOW, AQUA MAGIC IV - THETFORD 150110     |
| 087487-01-700   | EA  | C.L.F.L. SEAL & BOLT PACKAGE - AQUA MAGIC 08975 |
| 083743-01-710   | EA  | LINK, THETFORD 12513                            |
| 083740-01-711   | EA  | SPRING-RETURN LEVER, THETFORD 12523             |
| 083740-01-705   | EA  | SEAT-IVORY, W/O COVER - THETFORD 12447          |
| 083740-01-700   | EA  | LEVER-WATER, THETFORD 12514                     |
| 083740-01-713   | EA  | SEAL-BALL VALVE TO BOWL, THETFORD 12502         |
| 083740-01-714   | EA  | VALVE ASM-WATER, THETFORD 12492                 |
| 083740-01-707   | EA  | SEAL-CLOSET FLANGE, THETFORD 02125              |
| 083740-01-708   | EA  | BOLT PACKAGE-CLOSET, THETFORD 12524             |
| 087487-01-701   | EA  | WATER SAVER PACKAGE-THETFORD 08993              |
| 087487-01-702   | FA  | CLAMP-THETFORD 03752                            |
| 024676-01-000   | EA  | FLANGE-CLOSET, TOILET - 4" X 3" - RED           |

**DRAINAGE VALVES & HOSE**

| KEY PART NUMBER | U/M | DESCRIPTION  |
|-----------------|-----|--|
| 070916-01-000   | EA  | VALVE-DUAL DUMP, W/CAP - 3" X 1 1/2" - PLASTIC - BLACK |
| 070916-01-700   | EA  | VALVE ONLY, 3"   |
| 070916-01-701   | FA  | VALVE ONLY, 1 1/2"                                     |
| 082415-01-000   | EA  | CAP-SEWER, 3" DIAMETER                                 |
| 082415-01-700   | EA  | STRING, SEWER CAP                                      |
| 010201-01-000   | EA  | HOSE-SEWER, 3" ID X 8'                                 |
| 083658-01-000   | EA  | VENT-PLUMBING PIPE ROOF, W/COVER - BEIGE               |
| 082416-01-000   | EA  | ADAPTER-SEWER HOSE TO 3" PIPE                          |

**WATER PUMPS**

| KEY PART NUMBER | U/M | DESCRIPTION                                      |
|-----------------|-----|--|
| 086607-01-000   | EA  | PUMP-WATER, W/5" MPT FITTING - FLOW 2.8 GPM - UL |
| 086607-01-700   | EA  | PUMPHEAD-REPLACEMENT, SHURFLOW# 94-236-08        |
| 086607-01-701   | EA  | DRIVE ASM, SHURFLOW# 94-234-03                   |
| 086607-01-702   | EA  | DIAPHRAGM-KIT, SHURFLOW# 94-233-10               |
| 086607-01-703   | EA  | VALVE ASM, SHURFLOW# 94-232-00                   |
| 086607-01-704   | EA  | HOUSING-UPPER, SHURFLOW# 94-231-01               |
| 086607-01-705   | EA  | CHECK VALVE-KIT, SHURFLOW# 94-237-00             |
| 086607-01-706   | EA  | SWITCH ASM-COMplete, SHURFLOW# 94-230-01         |
| 086607-01-707   | EA  | MOTOR/BASEPLATE REPLACEMENT, SHURFLOW# 94-234-03 |

**WATER & SEWAGE GROUP (CONTINUED)**

**WATER HEATER**

| KEY PART NUMBER | U/M | DESCRIPTION                                       |
|-----------------|-----|---|
| 051391-03-000   | EA  | HEATER-WATER, W/ELECTRIC IGNITION - ATWOOD 08A-3E |
| 051391-01-700   | EA  | HINGE KIT-W/CLIP, ATWOOD # 92588 & 92559          |
| 051393-03-700   | EA  | TANK-INNER (08A-3E), REAR MT - ATWOOD# 91409      |
| 051391-01-704   | EA  | VALVE-RELIEF, 1/2" FITTING - ATWOOD# 91604        |
| 051391-01-707   | EA  | FASTENER-CAM.LOC, ATWOOD# 92809                   |
| 051391-01-708   | EA  | GRILLE-EXHAUST, 3E ONLY - ATWOOD #92787           |
| 051391-01-708   | EA  | BURNER-MAIN, 3E ONLY - ATWOOD# 92815              |
| 051391-01-710   | EA  | ORIFICE-MAIN BURNER, ATWOOD# 92742                |
| 051391-04-701   | EA  | THERMOSTAT 12 VDC-120 PRESET, FRONT MOUNT ONLY    |
| 051391-01-715   | EA  | DRAIN PLUG, ATWOOD# 91561                         |
| 051391-04-700   | EA  | TANK-INNER (08A-3E), FRT.MT - ATWOOD# 91808       |
| 051393-01-704   | EA  | CIRCUIT BOARD-W/BLACK BOX, ATWOOD# 91420          |
| 051393-01-702   | EA  | SWITCH-ENERGY CUT-OFF, ATWOOD# 91951              |
| 051393-01-701   | EA  | SWITCH PACKAGE-ATWOOD# 91959                      |
| 051393-01-703   | EA  | THERMOSTAT-REAR MOUNT, ATWOOD# 91952              |
| 051393-01-721   | EA  | ECO & THERMOSTAT ASM-FRONT MOUNT, 140 DEGREE      |
| 051393-01-718   | EA  | SPARK & PROBE ASM, ATWOOD# 91608                  |
| 051393-01-718   | EA  | VALVE-DUAL SOLENOID, ATWOOD# 91805                |
| 051393-01-705   | EA  | ORIFICE HOLDER-ATWOOD# 91925                      |
| 052009-02-000   | EA  | DOOR-WATER HEATER, ATWOOD 0578-27 - BEIGE         |
| 097967-01-000   | EA  | SWITCH-WATER HEATER, ATWOOD 91959                 |

**WATER HEATER BYPASS (OPTION 13J)**

| KEY PART NUMBER | U/M | DESCRIPTION   |
|-----------------|-----|---|
| 039900-01-000   | FT  | TUBING-POLYBUTYL, 1/2" OD - INCREMENTS OF 20' - BLACK |
| 052952-01-000   | EA  | NUT-PLASTIC, 1/2" F X 1/2" TUBE - PLASTIC - GRAY      |
| 052956-01-000   | EA  | TEE-1/2" F X 1/2" MPT X 1/2" F - PLASTIC              |
| 052957-02-000   | EA  | ELBOW-MALE, 1/2" F X 1/2" MPT - PLASTIC - GRAY        |
| 019729-01-000   | EA  | BYPASS KIT-WATER HEATER                               |

**FRESH WATER TANK**

| KEY PART NUMBER | U/M | DESCRIPTION  |
|-----------------|-----|--|
| 039961-01-000   | EA  | SENDING UNIT W/SCREW, WASHER, WELL NUT AND TERMINAL R      |
| 007161-01-000   | EA  | CLAMP-HOSE, SPRING TYPE - 1/2"                             |
| 010224-01-000   | EA  | ADAPTER-HOSE TO PIPE, 3/8" MPT X 3/8" BARB - PLASTIC       |
| 044927-01-000   | EA  | ADAPTER-HOSE TO PIPE, 1 1/4" MPT X 1 1/4" BARB-BLACK PL    |
| 052957-02-000   | EA  | ELBOW-MALE, 1/2" F X 1/2" MPT - PLASTIC - GRAY             |
| 082401-01-000   | EA  | CLAMP-HOSE, WORMGEAR .25" - 1"                             |
| 072444-02-000   | EA  | TANK-WATER, W/SPINWELD FITTINGS - 47 GALLON                |
| 042989-02-000   | EA  | FITTING-SPINWELD-PLASTIC 1/2"NPT                           |
| 042989-03-000   | EA  | FITTING-WATER TANK, SPINWELD - 1 1/4" NPT - PLASTIC -      |
| 042989-04-000   | EA  | FITTING-WATER TANK, SPINWELD - 3/8" FPT - PLASTIC - W      |
| 042989-05-000   | EA  | FITTING-WATER TANK, SPINWELD - 1/2" FPT - PLASTIC - W      |
| 049032-01-000   | EA  | PATCH-SPINWELD, 3/8" - PLASTIC                             |
| 072444-01-000   | EA  | TANK-WATER, W/O FITTINGS - 47 GALLON - 22" X 23.5" X 29.5" |
| 074482-02-000   | FT  | TUBING-VINYL, 3/8" ID - CLEAR                              |
| 077954-02-000   | EA  | FILTER-WATER TANK, SCREEN IN TANK                          |
| 079381-01-000   | FT  | TUBING-SMOOTH FLEXIBLE, 1 1/4" ID                          |
| 096449-01-000   | EA  | WIRE ASSEMBLY-TANK, WATER                                  |
| 035416-04-000   | EA  | TERMINAL-RING #10 STUD FIT, INSULATED BARREL #18/14        |
| 097618-01-000   | EA  | WIRE ASM-MONITOR PANEL, W/4 WIRES & BLACK RESISTOR -       |

**TABLE OF CONTENTS**

|                    |             |
|--------------------|-------------|
| INTRODUCTION       | A-01        |
| ABBREVIATIONS      | A-01        |
| ALPHABETICAL INDEX | A-02 - A-04 |
| ICF23EC            | A-05 - D-17 |
| ICF30EU            | D-19 - H-22 |

**1991 ICF23EC INDEX**

|                      |             |
|----------------------|-------------|
| FLOOR PLAN           | A-05 - A-06 |
| ACCESSORIES          | A-07 - A-10 |
| BATH                 | A-11 - A-13 |
| BEDROOM              | A-14        |
| CHASSIS              | A-15 - A-18 |
| C C & PAD            | A-19 - B-02 |
| DINETTE              | B-03 - B-04 |
| DRIVERS              | B-05 - B-14 |
| ELECTRICAL           | B-15 - B-18 |
| EXTERIOR BODY        | B-19 - B-24 |
| GALLEY               | C-01 - C-06 |
| HEATING & A/C        | C-07 - C-12 |
| INTERIOR FINISH      | C-13 - C-16 |
| LABEL                | C-17        |
| LP                   | C-18        |
| SEALANTS & FASTENERS | C-19 - C-20 |
| WATER & SEWAGE       | C-21 - D-01 |
| WINDOW, VENT AND     |             |
| EXTERIOR DOOR        | D-02 - D-17 |

**WATER & SEWAGE GROUP (CONTINUED)**

**WATER SYSTEM**

| KEY PART NUMBER | U/M | DESCRIPTION  |
|-----------------|-----|--|
| 087869-03-000   | EA  | FILL CITY WATER, ROUND - GRAY                            |
| 081240-08-000   | EA  | DOOR-WATER FILL, LOCKABLE W/FILL - GRAY                  |
| 065134-02-000   | EA  | HOLDER-RING, 1.8" DIAMETER - METAL                       |
| 075241-05-000   | EA  | FAUCET-SHOWER, BONE                                      |
| 011048-07-000   | EA  | HEAD-SHOWER, W/80" HOSE                                  |
| 011053-04-000   | EA  | FAUCET-GALLEY, SWING SPOUT 8"                            |
| 075240-08-000   | EA  | FAUCET-LAVATORY, BONE                                    |
| 081253-01-000   | EA  | GASKET-FAUCET, LAVATORY                                  |
| 039806-01-000   | FT  | TUBING-POLYBUTYL, 1/2" OD - INCREMENTS OF 20' - BLACK    |
| 062952-01-000   | EA  | NUT-PLASTIC, 1/2" F X 1/2" TUBE - PLASTIC - GRAY         |
| 032953-01-000   | EA  | NUT-FAUCET, 1/2" TUBE X 1/2" FPT - PLASTIC - GRAY        |
|                 |     | FROM: 00-00-00 THRU: 11-05-90                            |
| 062954-01-000   | EA  | ADAPTER-NOSE CONE, 3/8" OR 1/2" TUBING - PLASTIC - GRAY  |
|                 |     | FROM: 00-00-00 THRU: 11-05-90                            |
| 062956-01-000   | EA  | TEE-WATER, 1/2" F X 1/2" F X 1/2" MPT - PLASTIC - GRAY   |
| 062958-01-000   | EA  | TEE, 1/2" F X 1/2" F X 1/2" F - PLASTIC - GRAY           |
| 062959-02-000   | EA  | CONNECTOR, 1/2" F X 1/2" MPT - PLASTIC - GRAY            |
| 062960-03-000   | EA  | CONNECTOR, 1/2" F X 3/8" MPT - PLASTIC - GRAY            |
| 062960-01-000   | EA  | DRAIN VALVE-IN LINE, HEADER - 1/2" F X 1/2" F - GRAY     |
| 062961-01-000   | EA  | DRAIN VALVE-IN LINE, HEADER - 1/2" F X 1/2" F X 1/2" F X |
| 065120-01-000   | EA  | ELBOW-SWIVEL, 1/2" FPT X 1/2" FLARE - PLASTIC - GRAY     |
| 070924-01-000   | EA  | ELBOW-SWIVEL, 1/2" MPT X 1/2" FPT - PLASTIC - GRAY       |
| 074483-01-000   | EA  | TEE-4 WAY, 1/2" FLARE - PLASTIC - GRAY                   |
| 079317-01-000   | EA  | ADAPTER-SWIVEL, 1/2" TUBE X 1/2" FPT - PLASTIC - GRAY    |

**SEWAGE HOLDING TANK**

| KEY PART NUMBER | U/M | DESCRIPTION  |
|-----------------|-----|--|
| 000E14-10-008   | EA  | WASHER-LK - NO 10 EXT TOOTH - ZN                         |
| 039861-01-000   | EA  | SENDING UNIT W/SCREW, WASHER, WELL NUT AND TERMINAL RING |
| 061807-01-000   | EA  | GROMMET-HOLDING TANK, 1 1/2" NPS                         |
| 061807-02-000   | EA  | GROMMET-HOLDING TANK, 3" NPS                             |
| 072388-01-000   | EA  | TANK-HOLDING, W/O GROMMETS OR PROBES - 32 GALLON         |
| 035416-04-000   | EA  | TERMINAL-RING #10 STUD FIT, INSULATED BARREL #18/14      |

**WASTE WATER HOLDING TANK**

| KEY PART NUMBER | U/M | DESCRIPTION  |
|-----------------|-----|--|
| 039861-01-000   | EA  | SENDING UNIT W/SCREW, WASHER, WELL NUT AND TERMINAL RING |
| 061707-01-000   | EA  | GROMMET-HOLDING TANK, 1 1/2" NPS                         |
| 064592-01-000   | EA  | TANK-HOLDING, W/O GROMMETS & PROBES - 25 GALLON          |
| 035416-04-000   | EA  | TERMINAL-RING #10 STUD FIT, INSULATED BARREL #18/14      |
| 097618-01-000   | EA  | WIRE ASM-MONITOR PANEL, W/4 WIRES & BLACK RESISTOR       |

**WATER & SEWAGE GROUP (CONTINUED)**

**REAR AUXILIARY HEATER & WATER HEATER W/MOTOR AID (OPT #11)**

| KEY PART NUMBER | U/M | DESCRIPTION  |
|-----------------|-----|--|
| 051393-01-000   | EA  | WATER HEATER-W/MOTOR AID, PILOTLESS IGNITION                   |
|                 |     | ATWOOD QH6-4E OR QH6-8E  |
| 051393-01-701   | EA  | SWITCH PACKAGE-ATWOOD# 91959                                   |
| 051393-01-702   | EA  | SWITCH-FINE, IQY CUT-OFF, ATWOOD# 91951                        |
| 051393-01-704   | EA  | CIRCUIT BOARD-W/BLACK BOX, ATWOOD# 91420                       |
| 051393-01-705   | EA  | ORIFICE HOLDER-ATWOOD# 91925                                   |
| 051393-01-718   | EA  | PROBE & SPARK ASM, ATWOOD# 91809                               |
| 051393-01-718   | EA  | VALVE-DUAL SOLENOID, ATWOOD# 91808                             |
| 051393-01-714   | EA  | TANK-INNER (QH6-3E), REAR MOUNT - ATWOOD# 91408                |
| 051393-01-718   | EA  | SPARK & PROBE ASM, ATWOOD# 91808                               |
| 051393-01-721   | EA  | TCO & THERMOSTAT ASM-FRONT MOUNT, 140 DEGREE - ATWOOD          |
| 051391-01-700   | EA  | HINGE KIT-W/CLIP, ATWOOD # 92568 & 92569                       |
| 051391-01-704   | EA  | VALVE-RELIEF, 1/2" FITTING - ATWOOD# 91904                     |
| 051391-01-705   | EA  | FASTENER-CAMLOC ATWOOD# 92809                                  |
| 051391-04-703   | EA  | BURNER-MAIN, ATWOOD# 91638 - 4E AND 8E                         |
| 051391-01-710   | EA  | ORIFICE-MAIN BURNER, ATWOOD# 92742                             |
| 051391-04-701   | EA  | THERMOSTAT 12 VDC-120 PRESET, ATWOOD# 91470 - FRONT MOUNT ONLY |
| 051391-01-715   | EA  | DRAIN PLUG, ATWOOD# 91581                                      |
| 051391-04-704   | EA  | TANK-INNER (FRT-MT), QH6-4E&8E - ATWOOD# 91642                 |
| 051391-04-707   | EA  | KIT-GRILLE, FLUE, & GASKET - ATWOOD# 90960                     |
| 062401-04-000   | EA  | CLAMP-HOSE, WORMGEAR .69" - 1.25"                              |
| 007108-01-000   | FT  | HOSE-HEATER, 5/8" ID   |
| 079059-01-000   | EA  | HOSE-90 DEGREE, 5/8" ID X 4" X 36"                             |
| 083081-01-000   | EA  | HOSE-FORMED, 90 DEGREE(S) - 5/8" ID                            |
| 088753-01-000   | FT  | TUBE-ALUMINIZED STEEL, 5 5/8" - 18 GAUGE                       |

**DRAINAGE SYSTEM**

| KEY PART NUMBER | U/M | DESCRIPTION  |
|-----------------|-----|--|
| 010000-01-000   | EA  | ELBOW-45 DEG, 1/8 BEND - 1 1/4" HUB X HUB - BLACK PLASTIC      |
| 010005-01-000   | EA  | ELBOW-22 1/2 DEGREE, 1/16 BEND - 1 1/2" HUB X HUB              |
| 010006-01-000   | EA  | ELBOW-45 DEG, 1/8 BEND - 1 1/2" HUB X HUB - BLACK PLASTIC      |
| 010008-01-000   | EA  | ELBOW-90 DEG, 1/4 BEND - 1 1/2" HUB X HUB - BLACK PLASTIC      |
| 010061-01-000   | EA  | ELBOW-45 DEG BEND, 1 1/2" SPIGOT AND HUB - PLASTIC - BLACK     |
| 010071-01-000   | EA  | TEE-SANITARY, 1 1/2" HUB X HUB X HUB - PLASTIC - BLACK         |
| 010073-01-000   | EA  | WYE-45 DEGREE, 1 1/2" HUB X HUB X HUB - PLASTIC - BLACK        |
| 010079-01-000   | EA  | TEE-SANITARY, 1 1/2" H X 1 1/2" H X 1 1/4" H - PLASTIC - BLACK |
| 010121-01-000   | EA  | BUSHING-REDUCER, 1 1/2" SMOOTH 1 1/4" HUB - PLASTIC - B        |
| 010122-01-000   | EA  | BUSHING-REDUCER, 1 1/2" SMOOTH X 1 1/4" THREAD - BLACK         |
| 010166-01-000   | EA  | PLUG-THREADED, 1 1/4" DIAMETER - PLASTIC - BLACK               |
| 011066-03-000   | EA  | P-TRAP, 1 1/2" TRAP X 1 1/4" SOCKET - PLASTIC                  |
| 033761-01-000   | EA  | ELBOW-TURN, 1/4 BEND X 1.5" HUB X 1.5" SPIGOT - BLACK PASTIC   |
| 062422-01-000   | EA  | ADAPTER-OFFSET REDUCER, 3" X 1 1/2" - PLASTIC - BLACK          |
| 079968-01-000   | EA  | VENT-MECH. TRAP ARM, ANTI-SIPHON - 2" DIA. X 7.3" - PASTIC     |
| 096927-01-01A   | EA  | SINK-LAVATORY, RECTANGULAR - PLASTIC - BONE                    |
| 066437-01-000   | EA  | STRAINER-SINK, GALLEY W/BASKET                                 |
| 066437-01-700   | EA  | BASKET-STRAINER, GALLEY SINK                                   |
| 098654-01-000   | EA  | SINK-GALLEY, DOUBLE W/MOUNTING HARDWARE - STAINLESS STEEL      |
|                 |     | FROM: 00-00-00 THRU: 12-11-90                                  |
| 096927-01-700   | EA  | SINK-STOPPER   |
| 096927-01-701   | EA  | TAILPIECE-SINK   |
| 102551-01-000   | EA  | SINK-STAINLESS STEEL, DOUBLE - 17" X 25" - US                  |
|                 |     | FROM: 12-12-90 THRU: 99-99-99                                  |
| 011069-02-000   | EA  | TAILPIECE-TUB/SHOWER, 1 1/2" X 1 1/4" X 4" - BRASS             |
| 011091-02-000   | EA  | PIPE-DRAIN, DOUBLE SINK - BAFFLE TEE - 1 1/2"                  |
| 066436-01-000   | EA  | NUT-SLIP, TAILPIECE - 1.5"                                     |
| 067797-01-000   | FT  | SPACER-STRAP, W/FOAM ADHESIVE - .31" X 1.5" - NEOPREN          |
| 069640-06-000   | FT  | SEALER-RIBBON, 5/16" DIAMETER - INCREMENTS OF 25'              |
| 069735-01-000   | EA  | WASHER-STRAINER TO TAILPIECE PLASTIC, 1.5"                     |
| 078406-01-000   | EA  | COUPLER-RUBBER, W/CLAMPS - 3" X 3"                             |
| 091208-01-000   | EA  | WASHER-RUBBER, .06" X .75" X .5"                               |

**TABLE OF CONTENTS**

|                    |             |
|--------------------|-------------|
| INTRODUCTION       | A-C1        |
| ABBREVIATIONS      | A-01        |
| ALPHABETICAL INDEX | A-02 - A-04 |
| ICF23EC            | A-05 - D-17 |
| ICF30EU            | D-19 - H-22 |

**1991 ICF23EC INDEX**

|                                |             |
|--------------------------------|-------------|
| FLOOR PLAN                     | A-05 - A-06 |
| ACCESSORIES                    | A-07 - A-10 |
| BATH                           | A-11 - A-13 |
| BEDROOM                        | A-14        |
| CHASSIS                        | A-15 - A-18 |
| CO & PAD                       | A-19 - 2-02 |
| DINETTE                        | B-03 - B-04 |
| DRIVERS                        | B-05 - B-14 |
| ELECTRICAL                     | B-15 - B-18 |
| EXTERIOR BODY                  | B-19 - B-24 |
| GALLEY                         | C-01 - C-06 |
| HEATING & V/C                  | C-07 - C-12 |
| INTERIOR FINISH                | C-13 - C-16 |
| LABEL                          | C-17        |
| LP                             | C-18        |
| SEALANTS & FASTENERS           | C-19 - C-20 |
| WATER & SEWAGE                 | C-21 - D-01 |
| WINDOW, VENT AND EXTERIOR DOOR | D-02 - D-17 |



**WATER & SEWAGE GROUP (CONTINUED)**

CANADIAN EXPORT (OPT 265)

| KEY PART NUMBER | U/M | DESCRIPTION  |
|-----------------|-----|--|
| 062422-01-000   | EA  | ADAPTER-OFFSET REDUCER, 3" X 1 1/2" - PLASTIC - BLACK          |
| 010123-01-000   | EA  | BUSHING-2" X 1 1/2" HUB, PLASTIC                               |
| 010121-01-000   | EA  | BUSHING-REDUCER, 1 1/2" SMOOTH 1 1/4" HUB - PLASTIC - BLACK    |
| 082414-01-000   | EA  | C/P-SEWER, 3" DIAMETER   |
| 010116-01-000   | EA  | COUPLING-1 1/2" HUB X HUB, PLASTIC                             |
| 010108-01-000   | EA  | ELBOW-45 DEG, 1/8 BEND - 1 1/2" HUB X HUB - BLACK PLASTIC      |
| 010000-01-000   | EA  | ELBOW-45 DEG, 1/8 BEND - 1 1/4" HUB X HUB - BLACK PLASTIC      |
| 010051-01-000   | EA  | ELBOW-45 DEG BEND, 1 1/2" SPIGOT AND HUB - PLASTIC - BLACK     |
| 010008-01-000   | EA  | ELBOW-90 DEG, 1/4 BEND - 1 1/2" HUB X HUB - BLACK PLASTIC      |
| 034280-01-000   | EA  | ELBOW-90 DEGREE, LONG TURN - 1 1/2" HUB X HUB - ABS            |
| 033781-01-000   | EA  | ELBOW-TURN, 1/4 BEND X 1.5" HUB X 1.5" SPIGOT - BLACK PLASTIC  |
| 094678-02-000   | EA  | FLANGE-CLOSET, 4" X 3" - ABS - CANADIAN                        |
| 053335-01-000   | EA  | P TRAP-1 1/4" HUB X HUB, W/UNION - CANADIAN                    |
| 053335-01-000   | EA  | P TRAP-1 1/4" HUB X HUB, W/UNION - CANADIAN                    |
| 011088-02-000   | EA  | P TRAP-1 1/4" HUB X SLIP JOINT, W/UNION - ABS - CANADIAN       |
| 011088-02-000   | EA  | P TRAP-1 1/4" HUB X SLIP JOINT, W/UNION - ABS - CANADIAN       |
| 088654-01-000   | EA  | SINK-GALLEY, DOUBLE W/MOUNTING HARDWARE - STAINLESS STEEL      |
| 082415-01-700   | EA  | STRING, SEWER, CAP   |
| 011089-02-000   | EA  | TAILPIECE-TUB/SHOWER, 1 1/2" X 1 1/4" X 4" - BRASS             |
| 010071-01-000   | EA  | TEE-SANITARY, 1 1/2" HUB X HUB X HUB - PLASTIC - BLACK         |
| 010078-01-000   | EA  | TEE-SANITARY, 1 1/2" H X 1 1/2" H X 1 1/4" H - PLASTIC - BLACK |
| 082421-01-000   | EA  | VALVE-1 1/2", W/HANDLE - ABS - BLACK                           |
| 078888-01-000   | EA  | VENT-MECH. TRAP ARM, ANTI-SIPHON - 2" DIA. X 7.3" - PLASTIC    |
| 010073-01-000   | EA  | WYE-45 DEGREE, 1 1/2" HUB X HUB X HUB - PLASTIC - BLACK        |

**CONTINUOUS WASTE ASSEMBLY - CANADIAN**

| KEY PART NUMBER | U/M | DESCRIPTION   |
|-----------------|-----|---|
| 010071-01-000   | EA  | TEE-SANITARY, 1 1/2" HUB X HUB X HUB - PLASTIC - BLACK  |
| 010121-01-000   | EA  | BUSHING-REDUCER, 1 1/2" SMOOTH 1 1/4" HUB - PLASTIC - B |
| 033302-02-000   | EA  | ADAPTER ASM-STRAINER, 1 1/2" - ABS - CANADIAN           |
| 037101-02-000   | EA  | ELBOW-PLASTIC, 1/4 BEND VENT 1 1/2" HUB - CANADIAN      |

**WATER PUMP - CANADIAN**

| KEY PART NUMBER | U/M | DESCRIPTION  |
|-----------------|-----|--|
| 088807-02-000   | EA  | PUMP-WATER, 2.8 GPM - W/1/2" MPT FITTINGS - CANADIAN |
| 088807-01-700   | EA  | PUMPHEAD-REPLACEMENT, SHURFLOW# 94-238-08            |
| 088807-01-701   | EA  | DRIVE ASM, SHURFLOW# 94-234-03                       |
| 088807-01-702   | EA  | DIAPHRAGM-KIT, SHURFLOW# 94-233-10                   |
| 088807-01-703   | EA  | VALVE ASM, SHURFLOW# 94-232-00                       |
| 088807-01-704   | EA  | HOUSING-UPPER, SHURFLOW# 94-231-01                   |
| 088807-01-705   | EA  | CHECK VALVE-KIT, SHURFLOW# 94-237-00                 |
| 088807-01-706   | EA  | SWITCH ASM-COMplete, SHURFLOW# 94-230-00             |
| 088807-01-707   | EA  | MOTOR/BASEPLATE REPLACEMENT, SHURFLOW# 94-234-03     |

**WINDOW, VENT & EXTERIOR DOOR GROUP**

WINDSHIELDS & MOLDING

| KEY PART NUMBER | U/M | DESCRIPTION   |
|-----------------|-----|---|
| 077875-01-000   | EA  | GLASS-PASSENGER WINDSHIELD                            |
| 077878-02-000   | EA  | GLASS-DRIVER WINDSHIELD                               |
| 077878-02-000   | EA  | REVEAL MOLDING-WINDSHIELD CENTER - 29.25"             |
| 077844-01-000   | EA  | REVEAL MOLDING-UPPER WINDSHIELD, PASSENGER            |
| 077844-01-000   | EA  | REVEAL MOLDING-UPPER WINDSHIELD, DRIVER               |
| 077945-01-000   | EA  | REVEAL MOLDING-LOWER WINDSHIELD, PASSENGER            |
| 077945-02-000   | EA  | REVEAL MOLDING-LOWER WINDSHIELD, DRIVER               |
| 077952-02-000   | EA  | CAP-REVEAL MOLDING, CENTER TOP AND BOTTOM WINDSHIELD  |
| 058291-01-000   | FT  | EDGE MOLDINGS-WINDSHIELD TO TRIM POST - VINYL - BLACK |
| 079225-01-000   | EA  | TRIM POST-WINDSHIELD, PASSENGER - METAL - BLACK       |
| 079225-02-000   | EA  | TRIM POST-WINDSHIELD, DRIVER - METAL - BLACK          |
| 034141-02-000   | EA  | PLUG-HOLE, 3/8" - NYLON - BLACK                       |
| 002328-02-000   | EA  | BLOCK-WINDSHIELD, .082" X .6" X .96"                  |

**BATH POWERED ROOF VENT**

| KEY PART NUMBER | U/M | DESCRIPTION  |
|-----------------|-----|--|
| 090393-01-Y12   | EA  | VENT-ROOF, POWERED W/O SCREEN, HANDLE OR EXTENSION |
| 078785-01-Y12   | EA  | SCREEN-ROOF VENT, POWERED                          |
| 002291-02-000   | SF  | SCREENING-ROOF VENT/WINDOW, 18" - BLACK            |
| 052298-02-000   | FT  | SPLINE-VENT/WINDOW SCREEN, .128 DIAMETER - BLACK   |
| 002823-01-000   | EA  | WEATHER STRIP-ROOF VENT, GRAY                      |
| 008185-01-X00   | EA  | SWITCH-ROOF VENT, PUSH BUTTON, 12V                 |
| 009440-01-000   | EA  | GEAR/ARM-VENT COVER, LIFT                          |
| 015911-01-000   | EA  | TRACK-LIFT ARM, SLIDE - ROOF VENT                  |
| 048848-01-000   | EA  | MOTOR, 12V   |
| 048849-01-000   | EA  | FAN, PLASTIC - 6" 6 BLADE                          |
| 055210-01-000   | EA  | COVER ASM, ROOF VENT                               |
| 062639-01-200   | EA  | HINGE, ROOF VENT COVER                             |
| 052639-01-001   | EA  | HINGE-VENT COVER, 18"                              |
| 061803-01-000   | EA  | GROMMET, 3/16 ID 3/8 HOLE                          |
| 009388-01-000   | EA  | GROMMET-SNAP, 3/8"                                 |
| 009139-01-000   | EA  | CRANK HANDLE-ROOF VENT                             |
| 009439-03-000   | EA  | EXTENSION-CRANK HANDLE, ROOF VENT - .5"            |

**BATH NON-POWERED ROOF VENT**

| KEY PART NUMBER | U/M | DESCRIPTION                       |
|-----------------|-----|-----------------------------------|
| 090392-01-Y12   | EA  | VENT-ROOF, NON POWERED            |
| 078786-01-Y12   | EA  | SCREEN-ROOF VENT, NON POWERED     |
| 002625-01-000   | EA  | WEATHER STRIP-ROOF VENT, GRAY     |
| 009440-01-000   | EA  | GEAR/ARM-VENT COVER, LIFT         |
| 015911-01-000   | EA  | TRACK-LIFT ARM, SLIDE - ROOF VENT |
| 055218-01-000   | EA  | COVER-ROOF VENT                   |
| 052639-01-200   | EA  | HINGE-EXTRUSION, ROOF VENT T      |

**CANADIAN EXPORT (OPT 288)**

| KEY PART NUMBER | U/M | DESCRIPTION                                     |
|-----------------|-----|---|
| 064489-01-000   | EA  | VENT-ROOF, POWERED - 14" X 14" - 12V - CANADIAN |
| 064489-03-702   | EA  | LID-VENT WHITE                                  |
| 064489-03-708   | EA  | LIFT MECHANISM                                  |
| 048848-01-000   | EA  | MOTOR-ROOF VENT, 1/8 SHAFT - 12V                |
| 064489-03-706   | EA  | FAN-ROOF VENT, 6 BLADES - 6"                    |
| 064489-03-705   | EA  | GARNISH, VENT 1 1/2" IN. WIDE                   |
| 009439-01-000   | EA  | CRANK HANDLE-ROOF VENT                          |

**ROOF VENTS**

| KEY PART NUMBER | U/M | DESCRIPTION                                   |
|-----------------|-----|---|
| 083558-01-000   | EA  | VENT-PLUMBING PIPE ROOF, W/COVER - BEIGE      |
| 084073-01-000   | EA  | COVER-ROOF VENT, NORCOLD REFRIGERATOR - BEIGE |
| 084073-04-000   | EA  | BASE-ROOF VENT, NORCOLD REFRIGERATOR - BLACK  |

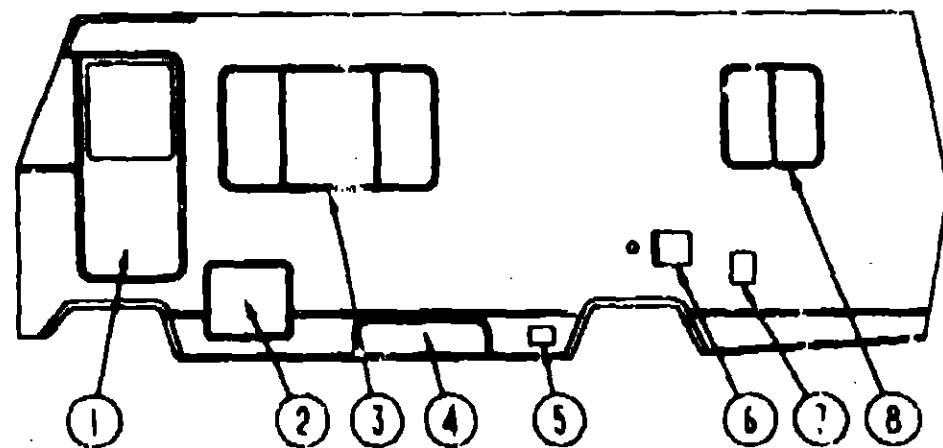
**TABLE OF CONTENTS**

|                    |             |
|--------------------|-------------|
| INTRODUCTION       | A-01        |
| ABBREVIATIONS      | A-01        |
| ALPHABETICAL INDEX | A-02 - A-04 |
| ICF23EC            | A-05 - D-17 |
| ICF30EU            | D-19 - H-22 |

**1991 ICF23EC INDEX**

|                                |             |
|--------------------------------|-------------|
| FLOOR PLAN                     | A-06 - A-08 |
| ACCESSORIES                    | A-07 - A-10 |
| BATH                           | A-11 - A-13 |
| BEDROOM                        | A-14        |
| CHASSIS                        | A-15 - A-18 |
| C/C & PAD                      | A-19 - B-02 |
| DINETTE                        | B-03 - B-04 |
| DRIVERS                        | B-05 - B-14 |
| ELECTRICAL                     | B-15 - B-18 |
| EXTERIOR BODY                  | B-19 - B-24 |
| GALLEY                         | C-01 - C-08 |
| HEATING & A/C                  | C-07 - C-12 |
| INTERIOR FINISH                | C-13 - C-16 |
| LABEL                          | C-17        |
| LP                             | C-18        |
| SEALANTS & FASTENERS           | C-19 - C-20 |
| WATER & SEWAGE                 | C-21 - D-01 |
| WINDOW, VENT AND EXTERIOR DOOR | D-02 - D-17 |

WINDOW, VENT & EXTERIOR DOOR GROUP ( CONTINUED )

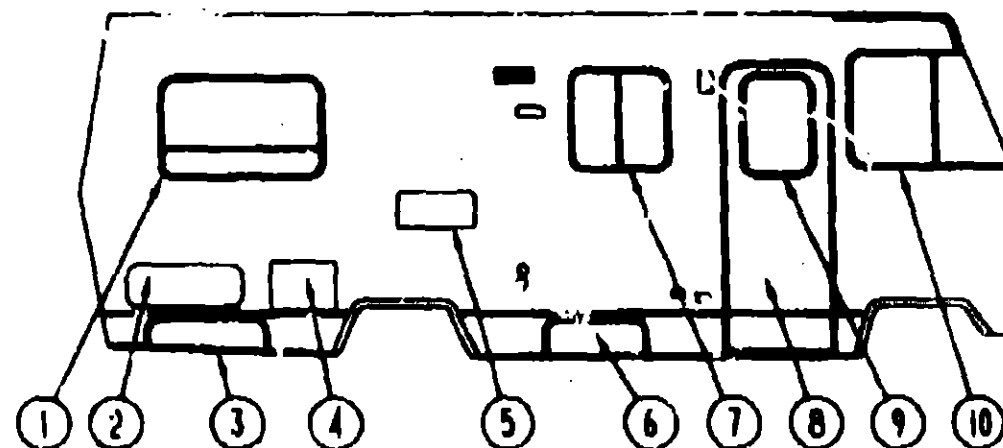


DRIVER SIDE COMPARTMENTS, WINDOWS & DOORS-FRONT TO REAR

| KEY PART NUMBER | U/M | DESCRIPTION  |
|-----------------|-----|--|
| 1 M82207-04-B25 | EA  | DOOR-DRIVER, ROLL UP WINDOW FROM: 00-00-00 THRU: 01-08-91    |
| 1 M82202-04-B28 | EA  | DOOR-DRIVER, ROLL UP WINDOW FROM: 01-07-91 THRU: 99-99-99    |
| 082057-02-U04   | EA  | WINDOW ASM. - DRIVERS SIDE - SLANT SLIDER W/O INSIDE FRAME   |
| 082060-02-AB1   | EA  | INSIDE FRAME - SLANT SLIDER - DRIVERS - W/SCREEN             |
| 2 081252-04-000 | EA  | COMPARTMENT-STORAGE, 31.18" WIDE X 25.38" DEEP               |
| 038840-03-000   | FI  | SEALER-RIBBON, 3/4" X 1/8" - INCREMENTS OF 60"               |
| 028748-01-000   | EA  | PLUG-CAP, 1.5" DIAMETER - BLACK                              |
| 2 075578-05-W89 | EA  | DOOR-STORAGE, DRIVERS SIDE W/JAMB & LOCKS - 22.5" X 19.88"   |
| 3 088847-02-700 | EA  | WINDOW ASM. - SINGLE SLIDER 30.5" X 57.5" (EXCEL)            |
| 4 080188-01-000 | EA  | COMPARTMENT-STORAGE, 55.27" WIDE X 21.86" DEEP               |
| 4 088831-08-Y33 | EA  | DOOR-STORAGE W/JAMB & LATCHES, DRIVER SIDE - 6" X 47.12"     |
| 5 088794-03-000 | EA  | DOOR-POWER CORD, W/HATCH - GRAY                              |
| 088794-12-000   | EA  | HATCH-POWER CORD DOOR - GRAY                                 |
| 081878-01-000   | EA  | RETAINER-DOOR, 1.97" X .70" - METAL                          |
| 088880-04-000   | EA  | BOX-POWER CORD, PLASTIC                                      |
| 6 081240-02-000 | EA  | DOOR-WATER FILL, LOCKABLE W/FILL - GRAY                      |
| 7 070010-03-000 | EA  | DOOR-FUEL FILL W/JAMB - GRAY                                 |
| 077059-01-000   | FA  | GASKET-FUEL FILL DOOR  |
| 077447-01-000   | EA  | SHROUD-FUEL FILL, NECK SURROUND - PLASTIC                    |
| 081801-03-000   | EA  | HINGE-DOOR, PIANO - 2" X 98" - GRAY                          |
| 8 068844-01-718 | EA  | WINDOW ASM. - SINGLE SLIDER - (EXCEL)                        |
| 075415-01-T09   | EA  | WINDOW ASM. - BACKWALL ESCAPE - 28" X 23" - W/O INSIDE FRAME |

PARTS USED ON BACKWALL NOT SHOWN

WINDOW, VENT & EXTERIOR DOOR GROUP ( CONTINUED )



PASSENGER SIDE COMPARTMENTS, WINDOWS & DOORS-REAR TO FRONT

| KEY PART NUMBER  | U/M | DESCRIPTION  |
|------------------|-----|--|
| 1 082235-07-Y12  | EA  | WINDOW ASM. - TIPOUT - 24.3" X 40.3" - W/O INSIDE RETAINER           |
| 2 078578-01-T08  | EA  | DOOR-STORAGE, W/JAMB & LOCKS - 10.75" X 30.30" - GRAY                |
| 000770-05-000    | SF  | STYROFOAM-DOOR, .5" X 24" X 98"                                      |
| 077517-22-000    | EA  | SKIN-DOOR, FLAT FIBERGLASS - 48" X 98" - 7EIGE                       |
| 084075-04-000    | FT  | SEAL-DOOR JAMB, BULB - BLACK   |
| 081801-03-000    | EA  | HINGE-DOOR, PIANO - 2" X 98" - GRAY                                  |
| 000338-08-125    | EA  | SCREW-SF/DR, 8-18 X 3/4 PPH ZN                                       |
| 078888-04-000    | EA  | LOCK-DOOR, KEY TYPE W/O KEYS - 1.9 OFF SET - GRAY                    |
| 082884-01-700    | EA  | KEY-COMPARTMENT DOOR LOCK, B7024                                     |
| 3 080188-01-Y33  | EA  | DOOR-GENERATOR, W/JAMB & LOCKS - TAPERED - 27.5" WIDE                |
| 002748-01-000    | EA  | CORNER KEY-DOOR  |
| 078827-03-000    | EA  | LOCK-TWIST TYPE, DOUBLE CAM - 2.10 OFF SET                           |
| 081871-03-000    | EA  | HINGE-DOOR, PIANO - 2" X 98" - GRAY                                  |
| 084481-85-000    | EA  | TRIM-DOOR, LOWER - RICKER PANEL - 16" - GRAY                         |
| 000311-06-125    | FA  | SCREW, 8-18 X 3/4 PPH ZN   |
| 3 078137-02-000  | EA  | TRAY-STORAGE COMPARTMENT, 27.18" WIDE X 21" DEEP                     |
| 088748-01-000    | EA  | PLUG-CAP, 1.5" DIAMETER - BLACK                                      |
| 4 082009-03-000  | FA  | DOOR-WATER HEATER, ATWOOD 8878-27 - GRAY                             |
| 5 084103-02-000  | EA  | DOOR-REFRIGERATOR, VENTED W/O JAMB - GRAY                            |
| 084104-01-700    | EA  | LOCK-MALE DYRUS FASTENER   |
| 084104-01-701    | EA  | LOCK-FEMALE DYRUS FASTENER   |
| 5 084104-X-100   | EA  | JAMB-DOOR, VENTED REFRIGERATOR - GRAY                                |
| 6 088817-05-Y33  | EA  | DOOR-LP W/JAMB & LATCH, 9" X 24.45" - GRAY                           |
| 078787-05-000    | EA  | CABLE-STORAGE DOOR SUPPORT, 1/16" X 15.5" STAINLESS STEEL            |
| 081087-02-000    | EA  | SEAL-LOCK, FLAT W/BLT - BLACK  |
| 077849-01-000    | EA  | STEP-PUULLOUT, W/BRAKETS - BLACK                                     |
| 078241-02-000    | EA  | SUPPORT-PUULLOUT STEP  |
| M03112-03-000    | EA  | DOOR ASM. & JAMB - BATTERY W/O CARPET OR VINYL                       |
| 008083-01-000    | EA  | HINGE-BATTERY DOOR   |
| 042541-01-000    | EA  | LATCH-BATTERY DOOR, W/O STRIKE - CHROME                              |
| 084078-05-000    | FT  | SEAL-BATTERY DOOR  |
| 078480-01-000    | EA  | TRAY-BATTERY, BTE: WELL  |
| 7 088847-04-705  | EA  | WINDOW ASM-HORIZONTAL SLIDER- W/O INSIDE TRIM (EXEL)                 |
| 8 M01870-49-B25  | EA  | ENTRANCE DOOR - W/SCREW DOOR & JAMB - W/O DECALS                     |
| 9 078733-07-AA8  | EA  | WINDOW ASM ENTRANCE DOOR - 17" X 25" FROSTED GLASS - W/O INSIDE TRIM |
| 10 082057-01-U04 | FA  | WINDOW ASM. - PASSENGER SLANT SLIDER - W/O INSIDE FRAME              |

TABLE OF CONTENTS

|                    |             |
|--------------------|-------------|
| INTRODUCTION       | A-01        |
| ABBREVIATIONS      | A-01        |
| ALPHABETICAL INDEX | A-02 - A-04 |
| ICF23EC            | A-05 - D-17 |
| ICF30EU            | D-19 - H-22 |

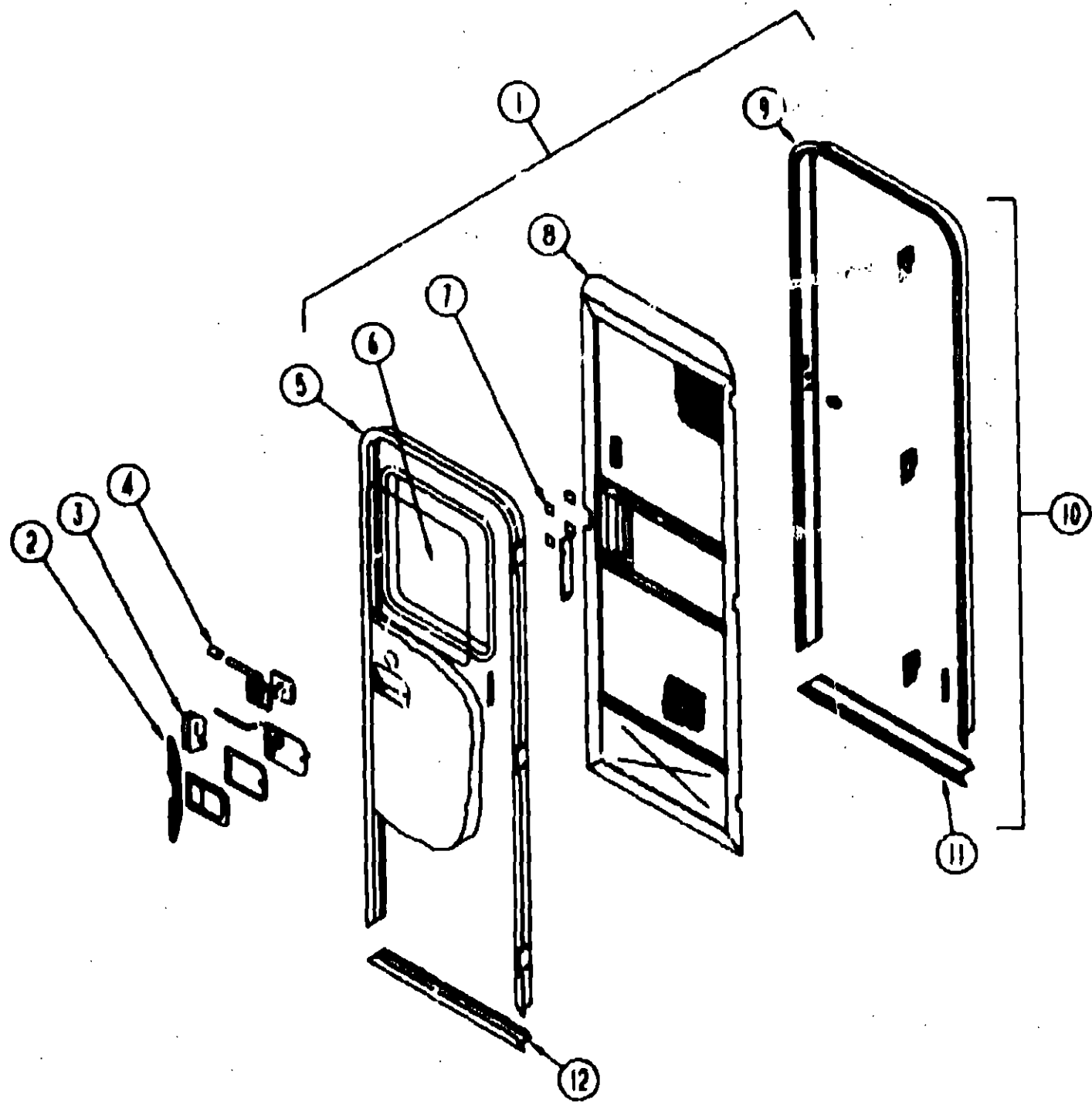
1991 ICF23EC INDEX

|                                |             |
|--------------------------------|-------------|
| FLOOR PLAN                     | A-05 - A-08 |
| ACCESSORIES                    | A-07 - A-10 |
| BATH                           | A-11 - A-13 |
| BEDROOM                        | A-14        |
| CHASSIS                        | A-15 - A-18 |
| C & PAD                        | A-19 - B-02 |
| DINETTE                        | B-03 - B-04 |
| DRIVERS                        | B-05 - B-14 |
| ELECTRICAL                     | B-15 - B-18 |
| EXTENSION BODY                 | B-19 - B-24 |
| GALLEY                         | C-01 - C-08 |
| HEATING & AC                   | C-07 - C-11 |
| INTERIOR FINISH                | C-13 - C-16 |
| LABEL                          | C-17        |
| LP                             | C-18        |
| SEALANTS & FASTENERS           | C-19 - C-20 |
| WATER & SEWAGE                 | C-21 - D-01 |
| WINDOW, VENT AND EXTERIOR DOOR | D-02 - D-17 |



WINDOW, VENT & EXTERIOR DOOR GROUP ( CONTINUED)

WINDOW, VENT & EXTERIOR DOOR GROUP ( CONTINUED)



ENTRANCE DOOR

| KEY PART NUMBER | U/M | DESCRIPTION  |
|-----------------|-----|--|
| 1               | EA  | DOOR-ENTRY, W/SCREEN DOOR & JAMB - W/O DECALS                |
| 2               | EA  | STIFFENER-ENTRY DOOR, SUPPORTS LATCH/STRIKE AREA - GRAY      |
| 2               | EA  | STIFFENER-ENTRY DOOR, SUPPORTS LATCH/STRIKE AREA - OFF WHITE |
|                 | SF  | PANELING-DECORATIVE, 4' X 7' - INC. OF 28 SF                 |
| 3               | EA  | LATCH-P/DOLE, MECHANISM W/LOCK CYLINDER & KEY - BLACK        |
|                 | EA  | LOCK CYLINDER & KEY - SET OF THREE                           |
|                 | EA  | KEY BLANK - ONE ONLY   |
|                 | EA  | PLUG-CAP, 1" DIAMETER  |
|                 | EA  | CLIP-ROLLER LATCH CATCH                                      |
|                 | EA  | PLUG-TAPERED, FOR DEADBOLT - PLASTIC - .86" DIAMETER - RED   |
|                 | EA  | RIVNUIT- 10-32UNF .010-.080                                  |
|                 | EA  | NUTSERT-M5 X 0.8   |
|                 | EA  | CATCH-ELBOW, SPRING LOADED - SCREEN DOOR CATCH               |
|                 | EA  | CATCH SCREEN DOOR  |
|                 |     | FROM: 00-00-00 THRU: 10-16-90                                |
| 4               | EA  | CAP-HOUNG DEADBOLT, VINYL - .28" ID X .82" LONG - BLACK      |
|                 | EA  | LABEL-ENTRANCE DOOR, OPE:1                                   |

ENTRANCE DOOR CONTINUED

| KEY PART NUMBER | U/M | DESCRIPTION  |
|-----------------|-----|--|
| 075671-01-000   | FT  | SEAL-SPONGE, LAZY T SHAPE - WEATHERSTRIP ON ENTRY DOOR       |
| 075673-01-000   | FT  | SEAL-PILE, ADHESIVE BACK                                     |
| 6               | EA  | FRAME-ENTRY DOOR, W/O BOTTOM - GRAY                          |
| 6               | EA  | WINDOW ENTRY DOOR, 17" X 25" - FROSTED GLASS                 |
|                 | EA  | GLASS-WINDOW, .182" X 18.25" X 24" - FROSTED                 |
|                 | FT  | SEAL-WINDOW, EXTERIOR - VINYL - BLACK                        |
|                 |     | FROM: 00-00-00 THRU: 01-07-90                                |
| 087561-01-000   | FT  | SEAL-WINDOW, EXTERIOR - VINYL - BLACK                        |
|                 |     | FROM: 01-08-90 THRU: 00-00-00                                |
| 7               | EA  | FRAME-INSIDE PICTURE WINDOW - BLACK                          |
| 7               | FT  | FASTENER-DUAL HOOK, 1" WIDE - ADHESIVE BACK - BLACK          |
| 7               | FT  | FASTENER-DUAL LOOP, 1" WIDE - ADHESIVE BACK - BLACK          |
|                 | EA  | LATCH MECHANISM-ENTRY DOOR, INTERIOR                         |
|                 | EA  | STRIKE-ENTRANCE DOOR LOCK                                    |
|                 | EA  | NUT-SERT, 1/4" DIAMETER - 20 THREADS                         |
|                 | EA  | DEADBOLT-ROUND, J-SHAPED - INTERIOR USE ONLY                 |
|                 | FT  | TUBING-POLYBUTYLENE, 3/8" OD                                 |
|                 | EA  | COVER-INTERIOR LATCH, W/TRIP ARM - BLACK                     |
|                 |     | FROM: 00-00-00 THRU: 08-07-90                                |
| 036679-04-000   | EA  | COVER-INTERIOR LATCH, W/TRIP ARM - BLACK                     |
|                 |     | FROM: 08-08-90 THRU: 99-99-99                                |
| 8               | EA  | DOOR-SCREEN  |
|                 | SF  | SCREENING- 28" - CHARCOAL                                    |
|                 | FT  | SPLINE-SCREENING, .138" X .138" - BLACK                      |
|                 | EA  | CORNER KEY-DOOR  |
|                 | EA  | CATCH-SCREEN DOOR ROLLER                                     |
|                 | EA  | INSERT-SCREEN DOOR, CENTER - LEATHER GRAIN /ALUMINUM - BEIGE |
|                 | EA  | INSERT-CENTER, .024" X 10.25" X 15.31" - UNPAINTED ALUMINUM  |
|                 | EA  | HANDLE-SCREEN DOOR, ALUMINUM - OFF WHITE                     |
|                 |     | FROM: 09-18-90 THRU: 99-99-99                                |
| 050712-05-000   | EA  | HANDLE-SCREEN DOOR, UNPAINTED                                |
|                 |     | FROM: 00-00-00 THRU: 09-17-90                                |
| 078552-03-000   | EA  | KICK PANEL-SCREEN DOOR, LOWER INSERT - UNPAINTED             |
| 078565-01-000   | EA  | TOP PLATE-SCREEN DOOR, CURVED TOP - 4.7" X 26.36"            |
| 078777-01-000   | EA  | CHANNEL-SLIDE, SCREEN DOOR CENTER SLIDER COVER               |
| 079088-02-000   | EA  | COVER-SLIDER, SCREEN DOOR                                    |
| 079087-02-000   | EA  | STRIKE-SLIDER COVER, W/LIP FOR ELBOW CATCH - 8.6" X 1.45"    |
| 078638-01-000   | EA  | GARNISH-RADIUS, ENTRY DOOR                                   |
| 044562-08-000   | EA  | CAP-DRIP, ENTRY DOOR ALUMINUM, GRAY                          |
| 087724-01-03A   | EA  | HINGE-ENTRY DOOR, GRAY                                       |
| 087724-01-04A   | EA  | HINGE-ENTRY DOOR, UNPAINTED                                  |
| 081087-01-000   | EA  | SEAL-LOCK, PLAT W/BLIT - ONE SIDE ADHESIVE - BLACK           |
| 9               | EA  | JAMB-ENTRY DOOR, W/O BOTTOM - UNPAINTED                      |
| 10              | EA  | JAMB-ENTRY DOOR, W/BOTTOM & ROLLER CATCH STRIKER - GRAY      |
| 11              | EA  | JAMB BOTTOM-ENTRY DOOR, BEIGE                                |
| 12              | EA  | FRAME-BOTTOM ENTRY DOOR, GRAY                                |
|                 | FT  | SEAL-FOAM, CLOSED CELL - 1/4" X 1/2" X 80'                   |
|                 | FT  | TAPE-ADHESIVE, .04" X 1" WIDE                                |
|                 | EA  | STRIKER-ROLLER CATCH, WELDED TO DOOR JAMB - 4" X 1.15"       |
|                 | FT  | SEAL-PILE, ADHESIVE BACK - GRAY                              |
|                 |     | FROM: 02-05-90 THRU: 05-24-90                                |
| 100128-02-000   | FT  | SEAL-PILE, ADHESIVE BACK - SCREEN DOOR - GRAY                |
|                 |     | FROM: 05-08-90 THRU: 99-99-99                                |

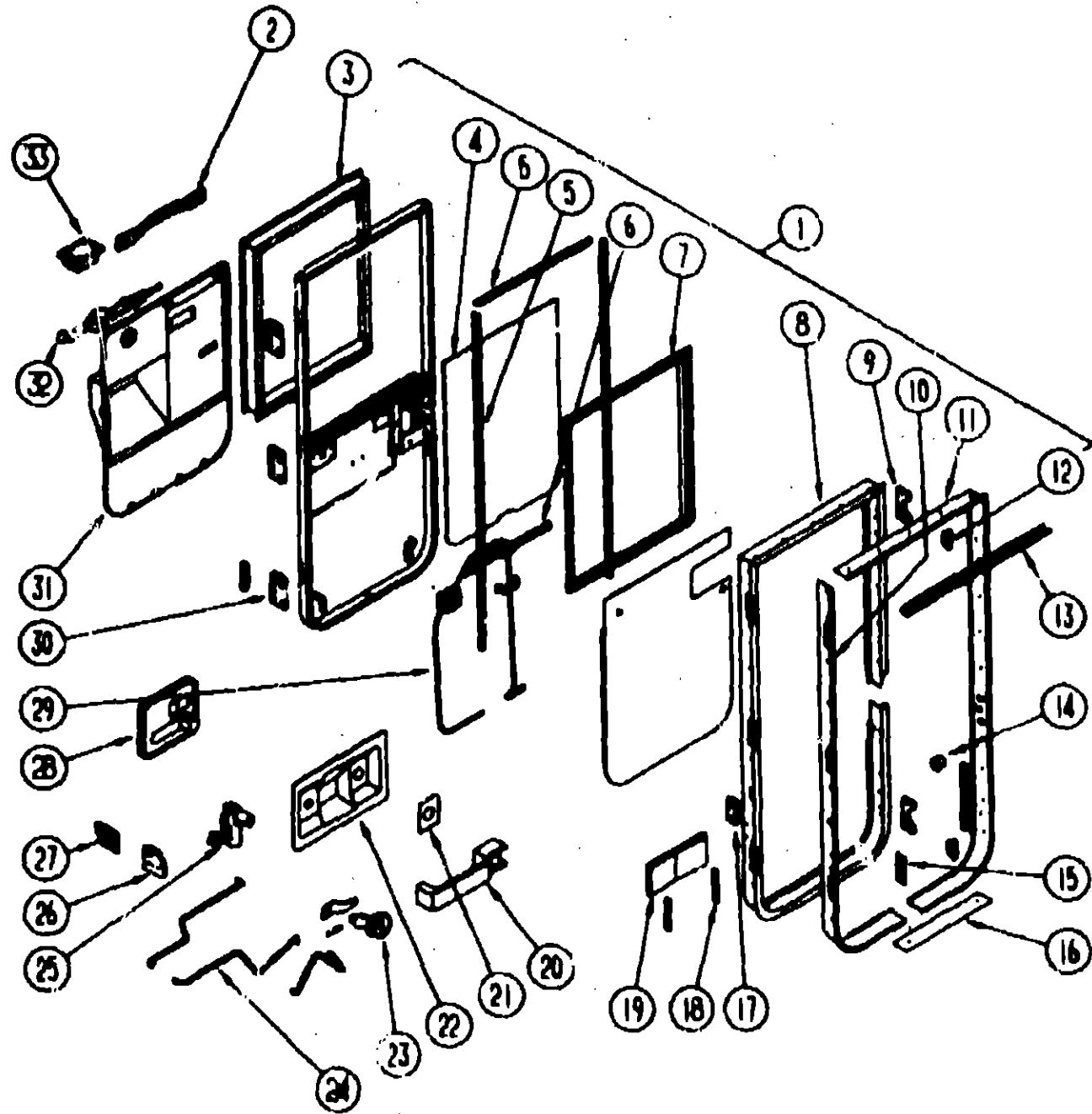
TABLE OF CONTENTS

|                    |             |
|--------------------|-------------|
| INTRODUCTION       | A-01        |
| ABBREVIATIONS      | A-01        |
| ALPHABETICAL INDEX | A-02 - A-04 |
| ICF23EC            | A-05 - D-17 |
| ICF30EU            | D-19 - H-22 |

1991 ICF23EC INDEX

|                                |             |
|--------------------------------|-------------|
| FLOOR PLAN                     | A-05 - A-08 |
| ACCESSORIES                    | A-07 - A-10 |
| BATH                           | A-11 - A-13 |
| BEDROOM                        | A-14        |
| CHASSIS                        | A-15 - A-18 |
| C & PAD                        | A-19 - B-02 |
| DINETTE                        | B-03 - B-04 |
| DRIVERS                        | B-05 - B-14 |
| ELECTRICAL                     | B-15 - B-18 |
| EXTERIOR BODY                  | B-19 - B-24 |
| GALLEY                         | C-01 - C-08 |
| HEATING & AC                   | C-07 - C-12 |
| INTERIOR FINISH                | C-13 - C-16 |
| LABEL                          | C-17        |
| LP                             | C-18        |
| SEALANTS & FASTENERS           | C-19 - C-20 |
| WATER & SEWAGE                 | C-21 - D-01 |
| WINDOW, VENT AND EXTERIOR DOOR | D-02 - D-17 |

WINDOW, VENT & EXTERIOR DOOR GROUP (CONTINUED)



DOOR-DRIVER, W/ROLL UP WINDOW (OPT 63U)

| KEY PART NUMBER | U/M | DESCRIPTION   |
|-----------------|-----|---|
| 1               | EA  | DOOR ASM-DRIVER, CRANK UP WINDOW - W/O JAMB<br>FROM: 00-00-00 THRU: 01-08-90        |
| 1               | EA  | DOOR ASM-DRIVER, CRANK UP WINDOW - W/O JAMB<br>FROM: 01-07-90 THRU: 99-99-99        |
| 2               | EA  | STRAP-ASSIST, 12" - BLACK W/WOODGRAIN SCREW COVERS<br>FROM: 00-00-00 THRU: 04-07-91 |
| 2               | EA  | STRAP-ASSIST, 12" - BLACK<br>FROM: 04-08-91 THRU: 99-99-99                          |
| 3               | EA  | RIVNUT, 1/4 X 20 UNC - .030-.125  |
| 3               | EA  | FRAME ASM-WINDOW, INNER - BLACK   |
| 4               | EA  | SPRING-COMPRESSION, .44" LONG X .75" OD   |
| 4               | EA  | GLASS-CRANK UP, DRIVER DOOR   |
| 5               | EA  | SUPPORT TUBE-DRIVER DOOR FRAME, STEEL   |
| 6               | EA  | CHANNEL-DRIVER DOOR WINDOW, W/POLYPROPYLENE PILE                                    |
| 6               | EA  | WEATHERSTRIP-RIGID, BLACK   |
| 7               | EA  | U CHANNEL-GLASS RETAINER, 2 HOLE - 18" LONG - MILL                                  |
| 8               | EA  | FRAME ASM - WINDOW - OUTER - BLACK  |
| 8               | EA  | JAMB - DRIVER'S DOOR - STEEL  |
| 8               | EA  | JAMB ASM-DRIVER DOOR, GRAY - W/SEAL   |
| 9               | EA  | BLOCK - DOOR STOP - JAMB  |
| 10              | EA  | FRAME - DRIVERS DOOR - FRONT & LOWER - GRAY   |

WINDOW, VENT & EXTERIOR DOOR GROUP (CONTINUED)

DOOR-DRIVER, W/ROLL UP WINDOW (OPT 63U) (CONTINUED)

| KEY PART NUMBER | U/M | DESCRIPTION   |
|-----------------|-----|---|
| 11              | EA  | FRAME-DRIVER DOOR, REAR & UPPER EDGE - ALUMINUM - GRAY      |
| 12              | EA  | BLOCK - ALIGNMENT - DOOR MOUNTED - BLACK PLASTIC            |
| 13              | EA  | CAP-DRIP, DRIVER DOOR                                       |
| 14              | EA  | SEAL-BULB, EPDM RUBBER                                      |
| 14              | EA  | CORE-SEAL, BULB SUPPORT - 11 MM DIA                         |
| 14              | EA  | SEAL-LAZY T & D SHAPE, SPONGE RUBBER - BLACK - JAMB MOUNTED |
| 14              | EA  | PLUG-TAPERED, PLASTIC - RED                                 |
| 15              | EA  | SWITCH-PUSH BUTTON, DOME LIGHT - CHROME                     |
| 16              | EA  | RIVNUT, 1/4 X 20 UNC - .030-.125                            |
| 16              | EA  | RIVNUT, 1/4 X 20 UNF .010 - .060                            |
| 16              | EA  | THRESHOLD-DRIVER DOOR, REAR - BLACK                         |
| 16              | EA  | THRESHOLD-DRIVER DOOR, FRONT - BLACK                        |
| 17              | EA  | BLOCK-SWITCH SPACER   |
| 18              | EA  | BLOCK-ALIGNMENT, DOOR MOUNTED- PLASTIC - BLACK              |
| 19              | EA  | RETAINER-CHECK STRAP, DRIVER DOOR                           |
| 20              | EA  | CHECK STRAP-DRIVER DOOR, BLACK                              |
| 21              | EA  | HANDLE - EXTERIOR DRIVERS DOOR                              |
| 22              | EA  | GASKET SEAL - DRIVERS DOOR HANDLE                           |
| 23              | EA  | INSET - DRIVERS DOOR HANDLE - EXTERIOR - BEIGE              |
| 24              | EA  | LOCK ASM-KEY TYPE, W/2 KEYS                                 |
| 24              | EA  | KEY-BLANK   |
| 24              | EA  | CAM-LOCK, DRIVER DOOR                                       |
| 24              | EA  | ROD-LOCK CONTROL, DRIVERS DOOR                              |
| 24              | EA  | ROD-LATCH CONTROL, DRIVERS DOOR                             |
| 25              | EA  | SHAFT-MOUNTING, KNOB(CONNECTS KNOB TO SLIDE BOLT)           |
| 26              | EA  | LATCH ASM-INNER, DRIVER DOOR - MODIFIED                     |
| 26              | EA  | COVER-STRIKE, DRIVER DOOR - GRAY                            |
| 27              | EA  | COVER-STRIKE, DRIVER DOOR - OFF WHITE                       |
| 28              | EA  | SHIM-STRIKE, DRIVER DOOR - 18 GAUGE                         |
| 28              | EA  | SHIM-STRIKE, DRIVER DOOR - 22 GAUGE                         |
| 29              | EA  | STRIKER - DRIVERS DOOR                                      |
| 30              | EA  | TAPE-FOAM, DOUBLE COATED - .045" X 1" - INC. OF 108 FT      |
| 31              | EA  | SUPPORT ASM-STRIKE, DRIVER DOOR                             |
| 31              | EA  | RETAINER-ATTACHMENT PLATE - PART OF 081485-01-000           |
| 31              | EA  | ATTACHMENT PLATE-STRIKE - PART OF 081485-01-000             |
| 31              | EA  | SHAFT-MOUNTING, KNOB(CONNECTS KNOB TO SLIDE BOLT)           |
| 31              | EA  | KNOB-BLUE BOLT, BLACK                                       |
| 31              | EA  | SLIDE BOLT-DRIVER DOOR                                      |
| 31              | EA  | HANDLE-DOOR, INTERIOR LT                                    |
| 31              | EA  | REGULATOR ASM-DRIVER DOOR WINDOW                            |
| 31              | EA  | SCREW-MACH 6-32X.62 W/WYLKOCK                               |
| 31              | EA  | HINGE ASM-DRIVER DOOR, GRAY - 3 PER DOOR                    |
| 31              | EA  | CAP-PUSH ON, ZINC - STYLE PW                                |
| 31              | EA  | PANEL-INSIDE, DRIVER DOOR - 31.7" X 24.2" - PLASTIC         |
| 32              | EA  | CRANK - HAND - GLASS LIFT                                   |
| 32              | EA  | WINDOW CRANK, GLASS LIFT                                    |
| 33              | EA  | ASHTRAY-CHROME, W/COVER                                     |
| 33              | EA  | HOUSING-SLIDE BOLT, STEEL                                   |
| 33              | EA  | SCREW, 10-18 X 1 PTH W/WASHER - BEIGE                       |
| 33              | EA  | TAPE-BUTYL, .31" X .31" X 148" LONG                         |
| 33              | EA  | LINER-STEP BOX, DRIVER DOOR - ABS - BEIGE                   |
| 33              | EA  | SHIM-HINGE, DRIVER DOOR                                     |
| 33              | EA  | SHIM-STRIKE, DRIVER DOOR - 18 GAUGE                         |
| 33              | EA  | SHIM-STRIKE, DRIVER DOOR - 22 GAUGE                         |
| 33              | EA  | BEARING-.30" ID, SNAP IN                                    |
| 33              | EA  | STEP ASM-DRIVER DOOR, BLACK                                 |
| 33              | EA  | EXTRUSION-DRIP RAIL 192.00 IN                               |
| 33              | EA  | BEARING-.30" ID, SNAP IN                                    |
| 33              | EA  | LINK-CONTROL  |
| 33              | EA  | WASHER  |
| 33              | EA  | COVER-SCREW, WINDOW - VINYL - BLACK                         |
| 33              | EA  | TAPE-ADHESIVE, .04" X 1" WIDE                               |

TABLE OF CONTENTS

|                    |             |
|--------------------|-------------|
| INTRODUCTION       | A-01        |
| ABBREVIATIONS      | A-01        |
| ALPHABETICAL INDEX | A-02 - A-04 |
| ICF23EC            | A-05 - D-17 |
| ICF30EU            | D-18 - H-22 |

1991 ICF23EC INDEX

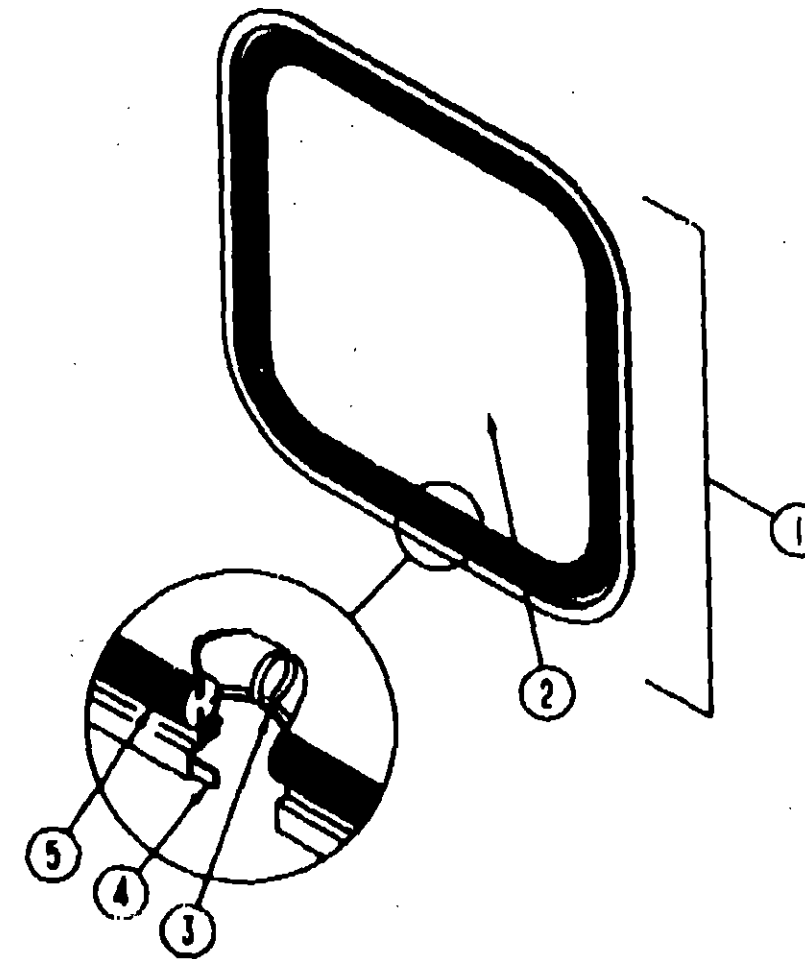
|                                |             |
|--------------------------------|-------------|
| FLOOR PLAN                     | A-05 - A-08 |
| ACCESSORIES                    | A-07 - A-10 |
| BATH                           | A-11 - A-13 |
| BEDROOM                        | A-14        |
| CHASSIS                        | A-15 - A-18 |
| C C & PAD                      | A-19 - B-02 |
| DRNETT                         | B-03 - B-04 |
| DRIVERS                        | B-05 - B-14 |
| ELECTRICAL                     | B-15 - B-18 |
| EXTERIOR BODY                  | B-19 - B-24 |
| GALLEY                         | C-01 - C-08 |
| HEATING & A/C                  | C-07 - C-12 |
| INTERIOR FINISH                | C-13 - C-16 |
| LABEL                          | C-17        |
| LP                             | C-18        |
| SEALANTS & FASTENERS           | C-19 - C-20 |
| WATER & SEWAGE                 | C-21 - D-01 |
| WINDOW, VENT AND EXTERIOR DOOR | D-02 - D-17 |

**WINDOW, VENT & EXTERIOR DOOR GROUP ( CONTINUED)**

**BATH SLIDING WINDOW**

| KEY PART NUMBER | U/M | DESCRIPTION   |
|-----------------|-----|---|
| 000044-01-715   | EA  | WINDOW W/O INSIDE FRAME, 22" X 15" - EXCEL B155-G2                    |
| 000044-01-714   | EA  | FRAME-INSIDE, EXCEL B063-67   |
| 000044-01-700   | EA  | LATCH REPAIR KIT, EXCEL B001-CK                                       |
| 000044-01-701   | EA  | SPICE PLATE-WINDOW, EXCEL M001-23                                     |
| 000044-01-702   | EA  | SCREW-SPICE, #6-32 X 1/4 PAN HEAD - EXCEL 270-010072                  |
| 000044-01-703   | EA  | SCREW-LOCKING RAIL, #6 X 1.5 PRO HEAD RECESS BLACK - EXCEL 272-010008 |
| 000044-01-704   | EA  | GLASS-STATIONARY, 10.03" X 13.77" - EXCEL 106-011008                  |
| 000044-01-705   | FT  | GLAZING STRIP, EXCEL M026-12  |
| 000044-01-706   | FT  | WEATHERSTRIP, EXCEL 171-010008  |
| 000044-01-707   | EA  | RAIL-LOCKING W/WEATHERSTRIP, EXCEL B370-17                            |
| 000044-01-708   | FT  | CHANNEL-PIERCED RUN, EXCEL 122-010043                                 |
| 000044-01-709   | EA  | BASH WLATCH & SLIDING GLASS, EXCEL B063-00                            |
| 000044-01-710   | FT  | TRACK-SCREEN SPACE, 12 LENGTH - EXCEL M401-31                         |
| 000044-01-711   | FT  | WEATHERSTRIP-SCREEN, BLACK - EXCEL 171-010065                         |
| 000044-01-712   | EA  | SCREEN W/WEATHERSTRIP & FRAME SPRING(CLIP) - EXCEL 410-010078         |
| 000044-01-713   | EA  | SPRING-SCREEN FRAME (CLIP), PLASTIC - BLACK - EXCEL 226-010006        |
| 000044-01-716   | FT  | PLUG-FILLER, EXCEL 132-014470   |

**WINDOW, VENT & EXTERIOR DOOR GROUP ( CONTINUED)**



**BACKWALL ESCAPE WINDOW**

| KEY PART NUMBER | U/M | DESCRIPTION                                   |
|-----------------|-----|---|
| 1 070415-01-703 | EA  | WINDOW-ESCAPE, 20" X 23"                      |
| 020749-03-000   | EA  | FRAME-INSIDE WINDOW, 23" X 23" - BLACK        |
| 2 002174-01-000 | EA  | GLASS-WINDOW, 25.80" X 19.81"                 |
| 3 002205-01-000 | FT  | FILLER-WEATHER STRIP, RUBBER - BLACK          |
| 4 002240-08-000 | FT  | RIBBON SEALER, 5/16" BEAD X 1/8"              |
| 5 002282-01-000 | FT  | WEATHER STRIP-WINDOW, RUBBER - .125" - BLACK  |
|                 |     | FROM: 00-00-00 THRU: 08-19-90                 |
| 6 002282-03-000 | EA  | WEATHER STRIP-WINDOW, RUBBER - .125" - BLACK  |
|                 |     | FROM: 08-20-90 THRU: 99-99-99                 |
| 000040-07-000   | FT  | SEALER-RIBBON, 2" X 3/32" - INCREMENTS OF 30' |
| 07/000-01-702   | EA  | TAPE ASM-ESCAPE WINDOW                        |
| 008199-01-000   | EA  | LABEL-EXIT, ESCAPE WINDOW                     |

**TABLE OF CONTENTS**

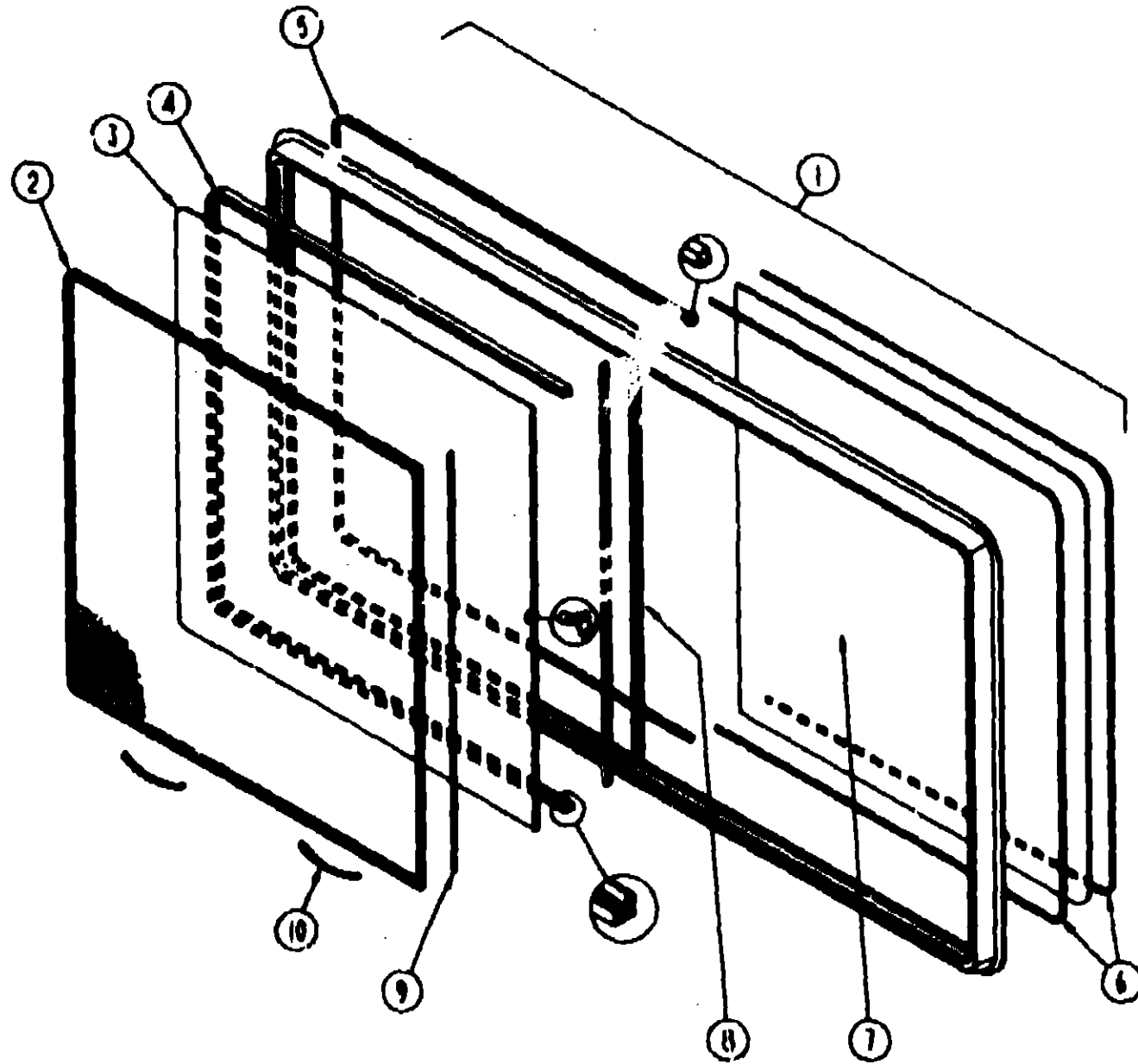
|                    |             |
|--------------------|-------------|
| INTRODUCTION       | A-01        |
| ABBREVIATIONS      | A-01        |
| ALPHABETICAL INDEX | A-02 - A-04 |
| ICF23EC            | A-05 - D-17 |
| ICF30EU            | D-19 - H-22 |

**1991 ICF23EC INDEX**

|                                |             |
|--------------------------------|-------------|
| FLOOR PLAN                     | A-05 - A-08 |
| ACCESSORIES                    | A-07 - A-10 |
| BATH                           | A-11 - A-13 |
| BEDROOM                        | A-14        |
| CHASSIS                        | A-15 - A-18 |
| C/O & PAD                      | A-19 - B-02 |
| DNETTE                         | B-03 - B-04 |
| DRIVERS                        | B-05 - B-14 |
| ELECTRICAL                     | B-15 - B-18 |
| EXTERIOR BODY                  | B-19 - B-24 |
| GALLEY                         | C-01 - C-05 |
| HEATING & A/C                  | C-07 - C-12 |
| INTERIOR FINISH                | C-13 - C-16 |
| LA DEL                         | C-17        |
| LP                             | C-18        |
| SEALANTS & FASTENERS           | C-19 - C-20 |
| WATER & SEWAGE                 | C-21 - D-01 |
| WINDOW, VENT AND EXTERIOR DOOR | D-02 - D-17 |

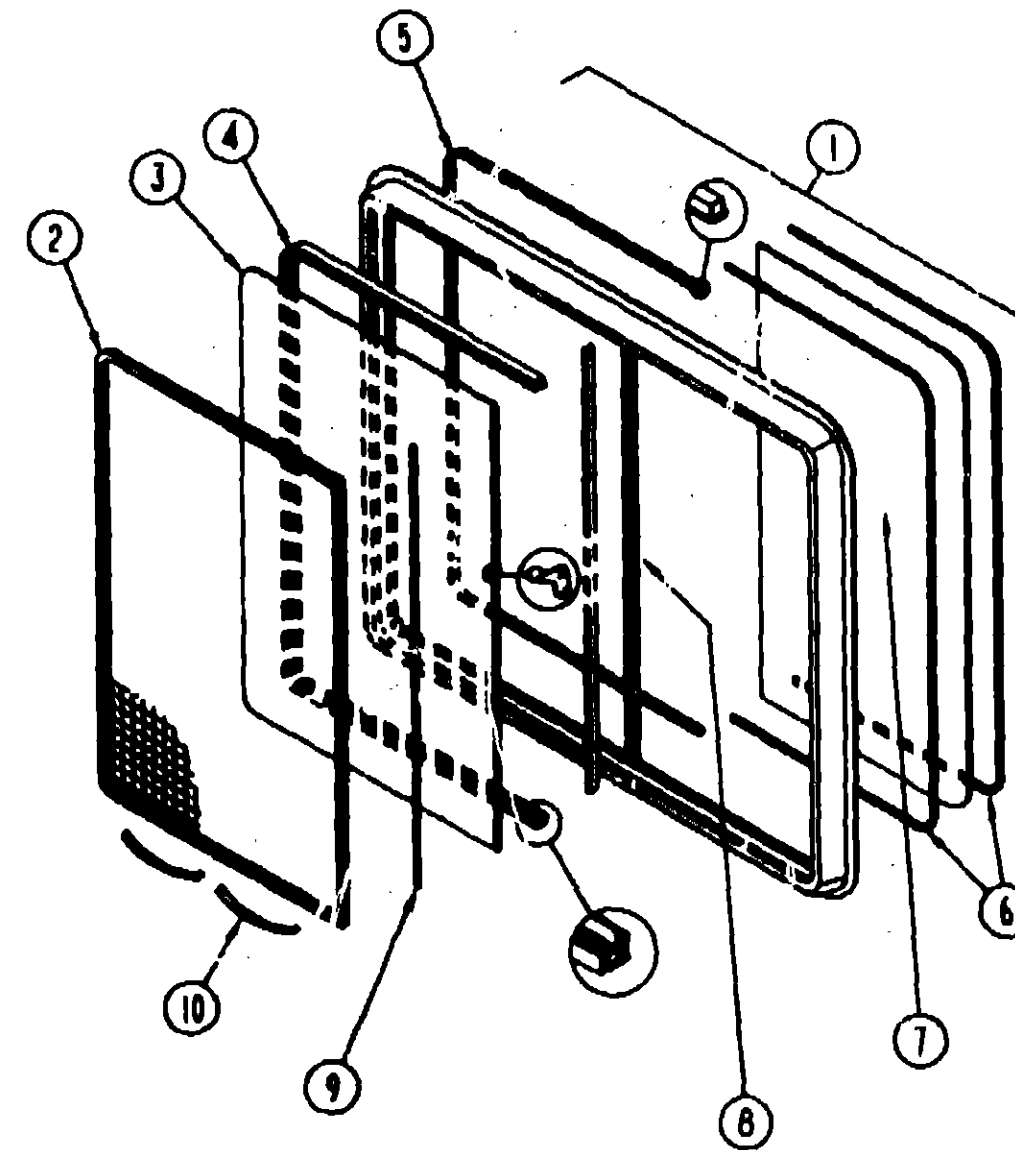
WINDOW, VENT & EXTERIOR DOOR GROUP ( CONTINUED)

WINDOW, VENT & EXTERIOR DOOR GROUP ( CONTINUED)



DINETTE SLIDING WINDOW ( EXCEL )

| KEY PART NUMBER | UM | DESCRIPTION   |
|-----------------|----|---|
| 1 00047-02-700  | EA | WINDOW-SLIDING, SINGLE - 30.5" X 67.5" - EXCEL H112-Q2L       |
| 00047-01-704    | EA | FRAME-WINDOW, INSIDE - EXCEL H112-67                          |
| 00047-01-708    | EA | SCREEN ASM-W/SPRING W/WEATHERSTRIP & FRAME - EXCEL 410-018472 |
| 00047-01-702    | EA | SASH ASM. W/LOCK & SLIDING GLASS, EXCEL H112-G9               |
| 00044-01-700    | EA | LATCH REPAIR KIT, EXCEL B801-CK                               |
| 00044-01-708    | FT | CHANNEL PIERCED RUN, EXCEL 122-018543                         |
| 00044-01-708    | FT | WEATHERSTRIP, EXCEL 171-010888                                |
| 00044-01-705    | FT | GLAZING STRIP, EXCEL M928-12                                  |
| 00047-01-710    | EA | GLASS-STATIONARY, 29.27" X 27.72" - EXCEL 106-015631          |
| 00047-01-701    | EA | LOCKING RAIL W/WEATHERSTRIP, EXCEL B372-17                    |
| 00044-01-711    | FT | WEATHERSTRIP-BLACK F/SCREEN, EXCEL 171-010885                 |
| 00044-01-713    | EA | BLACK SCREEN CLIPS (PLASTIC), EXCEL 226-C18998                |
| 00047-01-709    | EA | SPACER-TRACK, EXCEL M402-31                                   |
| 00044-01-701    | EA | WINDOW SPLICE PLATE, EXCEL M801-23                            |
| 00044-01-702    | EA | SCREW #8-32X1/4 PAN HEAD, EXCEL 270-010872                    |
| 00044-01-703    | EA | #8X1.50 PRO HEAD RECESS BLK, EXCEL 272-010808                 |
| 00044-01-710    | FT | SCREEN TRACK (12FT LENGTH), EXCEL M401-31                     |
| 000757-01-000   | EA | LABEL-RETAIL, 8 3/8" X 12 7/8"                                |



GALLEY SLIDING WINDOW ( EXCEL )

| KEY PART NUMBER | UM | DESCRIPTION   |
|-----------------|----|---|
| 1 00047-08-705  | EA | WINDOW ASM-SLIDER,HORIZONTAL - W/O INSIDE TRIM EXEL |
| 00047-08-704    | EA | TRIM-INSIDE FRAME EXEL                              |
| 00047-08-703    | EA | SCREEN ASM, W/SPRING & WEATHERSTRIPPING             |
| 00047-03-702    | EA | SASH ASM, W/LATCH & GLASS                           |
| 00044-01-700    | EA | LATCH REPAIR KIT, EXCEL B801-CK                     |
| 00044-01-708    | FT | PIERCED RUN CHANNEL, EXCEL 122-018543               |
| 00044-01-708    | FT | WEATHERSTRIP, EXCEL 171-010888                      |
| 00044-01-705    | FT | GLAZING STRIP, EXCEL M928-12                        |
| 00047-08-700    | EA | GLASS-STATIONARY 10.81X13.77                        |
| 00047-08-701    | EA | LOCKING RAIL W/WEATHERSTRIP                         |
| 00044-01-711    | FT | WEATHERSTRIP-BLACK F/SCREEN, EXCEL 171-010885       |
| 00044-01-713    | EA | BLACK SCREEN CLIPS (PLASTIC), EXCEL 226-018998      |
| 00044-01-701    | EA | WINDOW SPLICE PLATE, EXCEL M801-23                  |
| 00044-01-702    | EA | SCREW #8-32X1/4 PAN HEAD, EXCEL 270-010872          |
| 00044-01-703    | EA | #8X1.50 PRO HEAD RECESS BLK, EXCEL 272-010808       |
| 00044-01-710    | FT | SCREEN TRACK (12FT LENGTH), EXCEL M401-31           |

TABLE OF CONTENTS

|                    |             |
|--------------------|-------------|
| INTRODUCTION       | A-01        |
| ABBREVIATIONS      | A-01        |
| ALPHABETICAL INDEX | A-02 - A-04 |
| ICF23EC            | A-05 - D-17 |
| ICF30EU            | D-19 - H-22 |

1991 ICF23EC INDEX

|                                |             |
|--------------------------------|-------------|
| FLOOR PLAN                     | A-05 - A-08 |
| ACCESSORIES                    | A-07 - A-10 |
| BATH                           | A-11 - A-13 |
| BEDROOM                        | A-14        |
| CHASSIS                        | A-15 - A-18 |
| C & P AD                       | A-19 - B-02 |
| DINETTE                        | B-03 - B-04 |
| DRIVERS                        | B-05 - B-14 |
| ELECTRICAL                     | B-15 - B-18 |
| EXTERIOR BODY                  | B-19 - B-24 |
| GALLEY                         | C-01 - C-06 |
| HEATING & AC                   | C-07 - C-12 |
| INTERIOR FINISH                | C-13 - C-16 |
| LABEL                          | C-17        |
| LP                             | C-18        |
| SEALANTS & FASTENERS           | C-19 - C-20 |
| WATER & SEWAGE                 | C-21 - D-01 |
| WINDOW, VENT AND EXTERIOR DOOR | D-02 - D-17 |

WINDOW, VENT & EXTERIOR DOOR GROUP ( CONTINUED)

WINDOW, VENT & EXTERIOR DOOR GROUP ( CONTINUED)

DRIVER SLIDING WINDOW

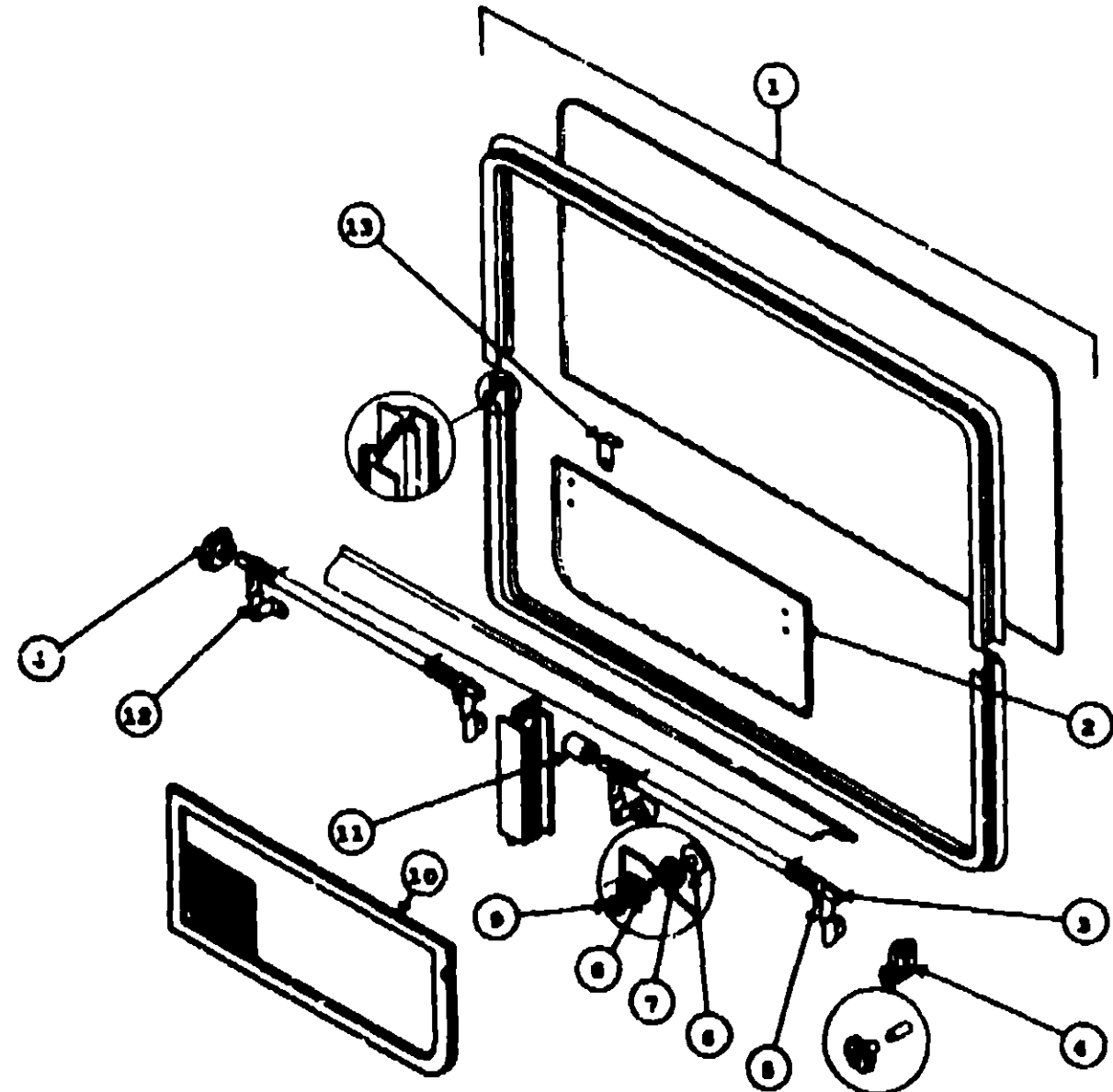
| KEY PART NUMBER | UM DESCRIPTION   |
|-----------------|--|
| 082057-02-U04   | EA WINDOW-DRIVER, SLIDER W/O INSIDE FRAME  |
| 082056-02-U04   | EA FRAME-INSIDE WINDOW, DRIVER W/SCREEN - BEIGE<br>FROM: 00-00-00 THRU: 10-01-89   |
| 082056-02-AB1   | EA FRAME-INSIDE WINDOW, DRIVER W/SCREEN - BLACK<br>FROM: 10-02-89 THRU: 99-99-99   |
| 082467-04-000   | EA FRAME-WINDOW, INSIDE DRIVER W/O SCREEN - BLACK<br>FROM: 10-02-89 THRU: 99-99-99 |
| 000339-08-16T   | EA SCREW-SF/DR, 8-20 X 1. PPH - BLACK  |
| 002328-01-000   | EA BLOCK-WINDOW, 1/8" X 3/16" X 1"   |
| 002388-03-203   | EA HOLDER-GLASS, EXTERIOR VERTICAL - 27.125"                                       |
| 041828-02-000   | FT SEAL-EXTERIOR WINDOW, BLACK   |
| 042077-01-000   | FT CHANNEL-WEATHERSTRIP, GLASS RUN - U-SHAPED - 3/16"                              |
| 047388-01-700   | EA LATCH KIT-WINDOW, W/SCREWS - PLASTIC - BLACK                                    |
| 050218-02-000   | FT SPLINE-EXTERIOR GLASS, VINYL - .18" - BLACK                                     |
| 057856-03-000   | EA GLASS-WINDOW, STATIONARY - .18" X 28.11" X 27"                                  |
| 073740-01-000   | FT SEAL-FIN, 48" PILE HEIGHT - GRAY  |
| 081980-08-000   | EA GLASS-WINDOW, SLIDER - .18" X 28.11" X 14.88"                                   |
| 082466-02-000   | EA FRAME-WINDOW, DRIVER SLANTED SLIDER - BLACK                                     |
| 084170-07-000   | EA MULLION-WINDOW, INTERIOR VERTICAL - 27.46" - BLACK                              |
| 078384-01-000   | EA HOLDER-UPPER SCREEN, EXTRUDED PLASTIC - 9.5" - BLACK                            |
| 078385-01-000   | EA HOLDER-LOWER SCREEN, EXTRUDED PLASTIC - 9.5" - BLACK                            |
| 078574-02-T03   | EA SCREEN-WINDOW, DRIVER SLANTED SLIDER  |
| 078887-02-000   | FT TAPE-PLASTIC FILM, .375 WIDE  |
| 078824-01-000   | FT SEAL-WINDOW, WEATHER - C/FOLD - .5"   |

DRIVER'S FRONT SLANT

| KEY PART NUMBER | UM DESCRIPTION  |
|-----------------|---|
| 088833-01-01A   | EA WINDOW ASM-FRONT SLANT, DRIVER   |
| 088832-02-01A   | EA FRAME ASM. - INTERIOR FRONT SLANTED WINDOW - DRIVER - BLACK<br>FROM: 03-28-90 THRU: 99-99-99 |
| 002328-01-000   | EA BLOCK-WINDOW, 1/8" X 3/16" X 1"  |
| 050218-02-000   | FT SPLINE-GLASS, EXTERIOR - VINYL - .18" - BLACK  |
| 057856-13-000   | EA GLASS-WINDOW, 13 6" X 28.11"   |
| 078298-01-000   | FT FOAM-OPEN CELL, .20" X .35" - BLACK<br>FROM: 00-00-00 THRU: 07-25-89                         |

TABLE OF CONTENTS

|                    |             |
|--------------------|-------------|
| INTRODUCTION       | A-01        |
| ABBREVIATIONS      | A-01        |
| ALPHABETICAL INDEX | A-02 - A-04 |
| ICF/SEC            | A-05 - D-17 |
| ICF/DEU            | D-19 - H-22 |



PASSENGER SIDE TIPOUT WINDOW

1991 ICF/SEC INDEX

|                                |             |
|--------------------------------|-------------|
| FLOOR PLAN                     | A-05 - A-08 |
| ACCESSORIES                    | A-07 - A-10 |
| BATH                           | A-11 - A-13 |
| BEDROOM                        | A-14        |
| CHASSIS                        | A-15 - A-18 |
| C C & PAD                      | A-19 - B-02 |
| DRIVETTE                       | B-03 - B-04 |
| DRIVERS                        | B-05 - B-14 |
| ELECTRICAL                     | B-15 - B-18 |
| EXTERIOR BODY                  | B-19 - B-24 |
| GALLEY                         | C-01 - C-08 |
| HEATING & AC                   | C-07 - C-12 |
| INTERIOR FINISH                | C-13 - C-16 |
| LABEL                          | C-17        |
| LP                             | C-18        |
| SEALANTS & FASTENERS           | C-19 - C-20 |
| WATER & SEWAGE                 | C-21 - U-01 |
| WINDOW, VENT AND EXTERIOR DOOR | D-02 - D-17 |

| KEY PART NUMBER  | UM DESCRIPTION   |
|------------------|--|
| 1 082236-07-Y12  | EA WINDOW-TIPOUT, W/O INSIDE FRAME - 24.3" X 40.3"<br>STATIONARY GLASS IS NOT AVAILABLE SEPARATELY - MUST ORDER ASM. |
| 080883-11-U1A    | EA FRAME-INSIDE WINDOW, RETAINING - BLACK  |
| 2 084088-17-000  | EA GLASS-TIPOUT WINDOW, 8.2" X 40.1"   |
| 3 088180-12-000  | EA TUBE-TORQUE, TIPOUT WINDOW  |
| 4 088302-02-000  | EA OPERATOR-TORQUE, TIPOUT WINDOW  |
| 5 080918-01-000  | EA SPRING-TORQUE TUBE, REAR  |
| 080918-02-000    | EA SPRING-TORQUE TUBE, FRONT   |
| 6 084087-01-000  | FT SEAL-E, TIPOUT WINDOW - SPONGE RUBBER   |
| 7 088782-01-000  | EA T NUT 10-32   |
| 088827-03-000    | EA SEAL-WINDOW, RUBBER   |
| 8 084453-01-000  | EA WASHER-PLASTIC, .080X.80X.135   |
| 084473-01-000    | EA SEAL-RUBBER, TIPOUT WINDOW  |
| 9 088763-01-000  | EA JCREW-MACH, 10 - 32 X 1/4 PTH   |
| 087881-01-000    | FT SEAL-WINDOW, EXTERIOR - VINYL - BLACK   |
| 10 080830-82-009 | EA FRAME-TIPOUT WINDOW, SCREEN - BLACK   |
| 002291-02-000    | BF SCREENING-ROOF VENT/WINDOW, 16" - BLACK   |
| 000339-08-16T    | EA SCREW-SF/DR, 8-20 X 1. PPH - BLACK  |
| 002298-02-000    | FT SPLINE-VENT/WINDOW SCREEN, .128 DIAMETER - BLACK  |
| 080914-01-000    | EA KEY-CORNER, TIPOUT WINDOW   |
| 11 081384-01-000 | EA SLEEVE-TORQUE TUBE, TIPOUT WINDOW   |
| 081848-01-000    | EA RING-SNAP, 7/32 SHAFT DIAMETER  |
| 085315-01-000    | EA RIVET-SHOULDER, TIPOUT WINDOW   |
| 12 087878-01-000 | EA LINKAGE-TIPOUT WINDOW   |
| 13 088813-01-000 | EA HINGE-TIPOUT WINDOW-BLACK   |

**WINDOW, VENT & EXTERIOR DOOR GROUP ( CONTINUED)**

**POWER CORD DOOR**

| KEY PART NUMBER | U/M DESCRIPTION                    |
|-----------------|------------------------------------|
| 086580-04-000   | EA BOX-POWER CORD, PLASTIC         |
| 086794-03-000   | FA DOOR-POWER CORD, W/HATCH - GRAY |

**STORAGE DOOR & HARDWARE**

| KEY PART NUMBER | U/M DESCRIPTION   |
|-----------------|---|
| 090189-01-000   | EA COMPARTMENT-STORAGE, 55.27" WIDE X 11.85" DEEP           |
| 086531-06-Y33   | EA DOOR-STORAGE W/JAMB & LATCHES, 8" X 17.12" - GRAY        |
| 000G11-08-12T   | EA SCREW, 8-18 X 3/4 FPH - BLACK                            |
| 002748-01-000   | EA CORNER KEY-DIGOR   |
| 063788-08-000   | EA BEDDING COMPOUND-TUBE, CLEAR                             |
| 078322-03-000   | FT TAPE-FOAM, DOUBLE COATED ADHESIVE BACKED - .5" X 108"    |
| 078787-06-000   | EA CABLE-STORAGE DOOR SUPPORT, 1/16" X 15.1" - STAINLESS    |
| 091087-02-000   | EA SEAL-LOCK, FLAT W/BLIT - BLACK                           |
| 081377-01-700   | EA ADHESIVE-CYANOACRYLATE, 10 GRAM TUBE                     |
| 086730-02-000   | EA PADDLE LATCH-COMPARTMENT DOOR, W/KEY LOCK - GRAY PLASTIC |
| 004006-02-000   | EA ADHESIVE-SWIFTS, 1 GAL - W1333                           |
| 081396-07-000   | EA PANEL-FRP, P/BBOARD/FGLASS                               |
| 086551-55-004   | EA TRIM-LOWER DOOR, ROCKER PANEL - 18" - GRAY               |
| 088808-02-000   | EA STRIKER-PADDLE LATCH, COMPARTMENT DOOR - GRAY            |
| 088810-02-000   | EA BRACKET-LOCK, 1.1" X 3.19" X 2.72" - PRIMED              |
| 082784-01-700   | EA KEY-COMPARTMENT DOOR LOCK, BHO24                         |
| 086772-51-001   | EA PIN-STAINLESS STEEL .25" DIAMETER X 4.17"                |
| 086787-01-000   | EA SPACER-DOOR, LOWER                                       |
| 081252-04-000   | EA COMPARTMENT-STORAGE, 31.18" WIDE X 25.30" DEEP           |
| 078678-06-X11   | EA DOOR-STORAGE, DRIVERS SIDE W/JAMB & LOCKS - 22.6" X 1    |
| 000870-06-000   | BT STYROFOAM-.5" X 24" X 98", INCREMENTS OF 16 SF           |
| 004006-02-000   | EA ADHESIVE-SWIFTS, 1 GAL - W1333                           |
| 077817-22-000   | EA SKIN-DOOR, FLAT FIBERGLASS - 48" X 96" - BEIGE           |
| 084076-07-000   | FT SEAL-BULB, DOOR JAMB - BLACK                             |
| 078388-04-000   | EA LOCK-DOOR, KEY TYPE W/O KEYS - 1.9 OFF SET               |
| 081377-01-700   | EA ADHESIVE-CYANOACRYLATE, 10 GRAM TUBE                     |
| 081801-03-000   | EA HINGE-DOOR, PIANO - 2" X 98" - GRAY                      |
| 082884-01-700   | EA KEY-COMPARTMENT DOOR LOCK, RINGLE                        |

**WATER FILL**

| KEY PART NUMBER | U/M DESCRIPTION                            |
|-----------------|--|
| 081240-02-000   | EA DOOR-WATER FILL, LOCKABLE W/FILL - GRAY |

**SEWER HOSE DOOR**

| KEY PART NUMBER | U/M DESCRIPTION  |
|-----------------|--|
| 085987-01-000   | EA COMPARTMENT-SEWER HOSE, 6" X 6.6" X 17.6" - PLASTIC |
| 089423-03-000   | EA DOOR-SEWER HOSE, PLASTIC - GRAY                     |
| 062424-03-000   | EA JAMB-DOOR, SEWER HOSE - PLASTIC - GRAY              |
| 042442-01-000   | EA LOCK-TWIST TYPE                                     |

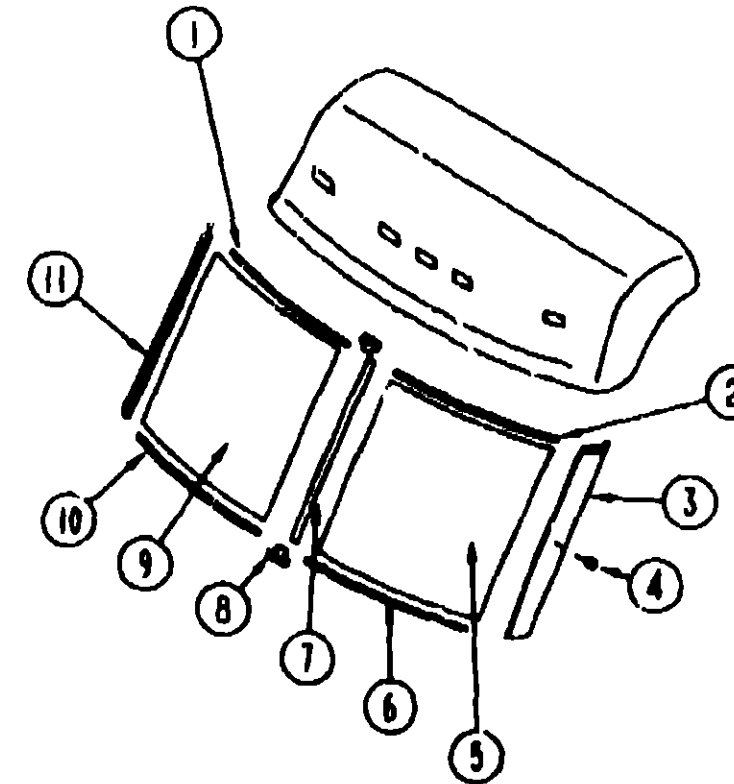
**FUEL FILL DOOR**

| KEY PART NUMBER | U/M DESCRIPTION                              |
|-----------------|--|
| 072447-01-000   | EA SHROUD-FUEL FILL, NECK SURROUND - PLASTIC |
| 083678-01-000   | EA BOOT-FUEL FILL                            |
| 084235-01-000   | EA SUPPORT-FLANGE, FUEL FILL BOOT            |
| 078010-06-000   | EA DOOR-FUEL FILL W/JAMB - GRAY              |

**BATTERY DOOR & COMPARTMENT**

| KEY PART NUMBER | U/M DESCRIPTION                                      |
|-----------------|--|
| 078460-01-000   | EA TRAY-BATTERY, STEP WELL                           |
| M03112-03-000   | EA FRAME AND JAMB ASM-BATTERY DOOR                   |
| 002784-01-001   | EA ANGLE-EXTRUDED, .75" X .75" X 18" - MILL ALUMINUM |
| 008083-01-000   | EA HINGE-CONTINUOUS, 1 1/2" X 72"                    |
| 042841-04-700   | EA LATCH-CAM, W/BTHIKE - (2 SETS) - BRASS            |

**WINDOW, VENT & EXTERIOR DOOR GROUP ( CONTINUED)**



**WINDSHIELDS, TRIMS & MOLDINGS**

| KEY PART NUMBER  | U/M DESCRIPTION  |
|------------------|--|
| 1 077844-01-000  | EA REVEAL MOLDING-UPPER WINDSHIELD, PASSENGER            |
| 2 077844-02-000  | EA REVEAL MOLDING-UPPER WINDSHIELD, DRIVER               |
| 3 078225-02-000  | EA TRIM POST-WINDSHIELD, DRIVERS - METAL - BLACK         |
| 4 034141-02-000  | FA PLUG-HOLE, 3/8" - NYLON - BLACK                       |
| 5 077875-02-000  | EA GLASS-DRIVER WINDSHIELD                               |
| 6 077845-02-000  | EA REVEAL MOLDING-LOWER WINDSHIELD, DRIVER               |
| 7 078878-02-000  | EA REVEAL MOLDING-WINDSHIELD CENTER - 29.25"             |
| 8 077862-02-000  | EA CAP-REVEAL MOLDING, CENTER TOP AND BOTTOM WINDSHIELD  |
| 9 077875-01-000  | EA GLASS-PASSENGER WINDSHIELD                            |
| 10 077845-01-000 | EA REVEAL MOLDING-LOWER WINDSHIELD, PASSENGER            |
| 11 078225-01-000 | EA TRIM POST-WINDSHIELD, PASSENGER - METAL - BLACK       |
| 068281-01-000    | FT EDGE MOLDINGS-WINDSHIELD TO TRIM POST - VINYL - BLACK |
| 002328-02-000    | EA BLOCK-WINDSHIELD, .082" X .5" X .98"                  |

**REFRIGERATOR DOOR**

| KEY PART NUMBER | U/M DESCRIPTION                              |
|-----------------|--|
| 084104-02-000   | EA JAMB-DOOR, VENTED REFRIGERATOR - GRAY     |
| 084103-02-000   | EA DOOR-REFRIGERATOR, VENTED W/O JAMB - GRAY |
| 084104-01-700   | EA LOCK-MALE, FASTENER - REFRIGERATOR DOOR   |
| 084104-01-701   | EA LOCK-FEMALE, FASTENER - REFRIGERATOR DOOR |

**TABLE OF CONTENTS**

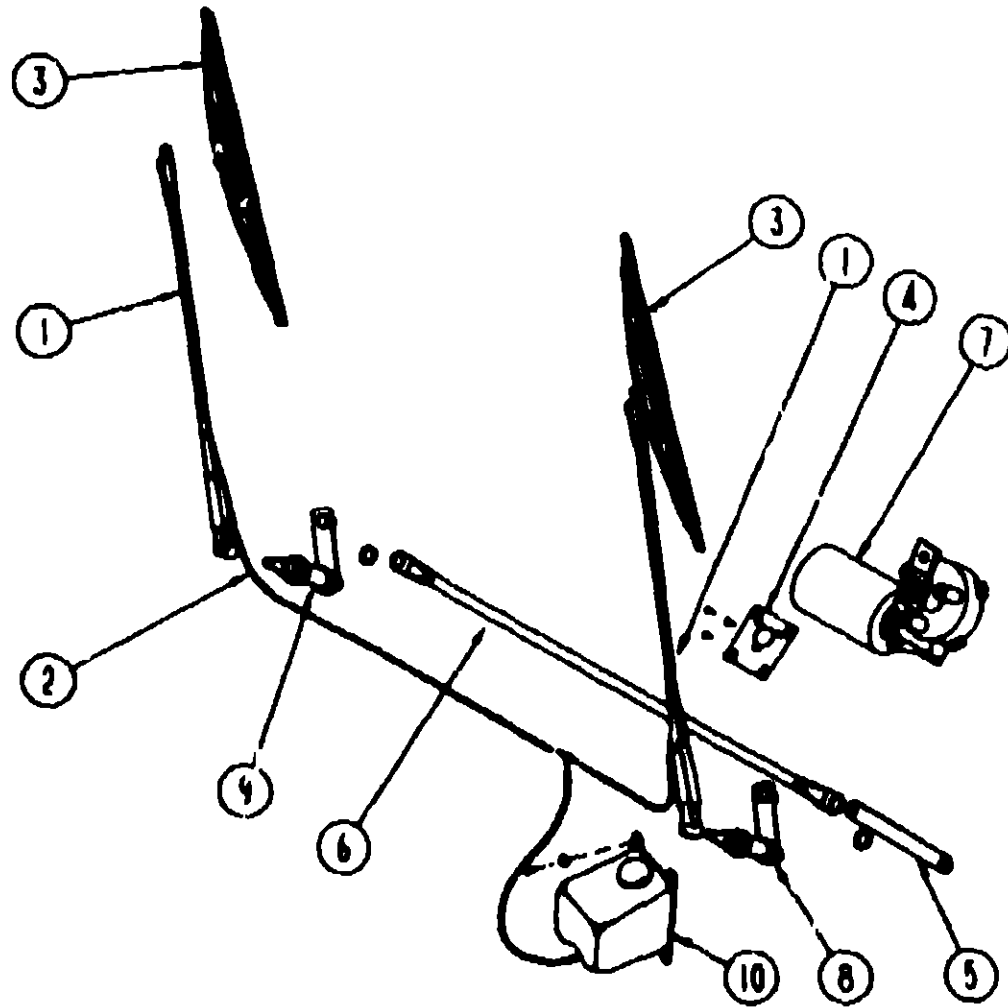
|                    |             |
|--------------------|-------------|
| INTRODUCTION       | A-01        |
| ABBREVIATIONS      | A-01        |
| ALPHABETICAL INDEX | A-02 - A-04 |
| ICF23EC            | A-05 - D-17 |
| ICF30EU            | D-18 - H-22 |

**1981 ICF23EC INDEX**

|                                |             |
|--------------------------------|-------------|
| FLOOR PLAN                     | A-05 - A-08 |
| ACCESSORIES                    | A-07 - A-10 |
| BATH                           | A-11 - A-13 |
| BEDROOM                        | A-14        |
| CHASSIS                        | A-15 - A-18 |
| C C & PAD                      | A-19 - B-02 |
| DINETTE                        | B-03 - B-04 |
| DRIVERS                        | B-05 - B-14 |
| ELECTRICAL                     | B-15 - B-18 |
| EXTERIOR BODY                  | B-19 - B-24 |
| GALLEY                         | C-01 - C-08 |
| HEATING & AC                   | C-07 - C-12 |
| INTERIOR FINISH                | C-13 - C-18 |
| LABEL                          | C-17        |
| LP                             | C-18        |
| SEALANTS & FASTENERS           | C-19 - C-20 |
| WATER & SEWAGE                 | C-21 - D-01 |
| WINDOW, VENT AND EXTERIOR DOOR | D-02 - D-17 |



WINDOW, VENT & EXTERIOR DOOR GROUP ( CONTINUED)



WIPER COMPONENTS

| KEY PART NUMBER | U/M | DESCRIPTION   |
|-----------------|-----|---|
| 1               | EA  | AWM-WIPER, 20"                                      |
| 2               | FT  | HOSE - WIPER TO BLADES                              |
| 3               | EA  | BLADE-WIPER, WINDSHIELD - 20"                       |
|                 |     | FROM: 00-00-00 THRU: 11-02-89                       |
| 049464-03-700   | EA  | REFILL-BLADE, WINDSHIELD WIPER - 20"                |
| 3               | EA  | BLADE-WIPER, 24"                                    |
|                 |     | FROM: 11-03-89 THRU: 99-99-99                       |
| 4               | EA  | SUPPORT-WIPER MOTOR                                 |
| 8               | EA  | LINK-DRIVER CONNECTING, W/BLACK BUSHING - 37.85"    |
| 4               | EA  | LINK-PASSENGER CONNECTING, W/BLACK BUSHING - 43.57" |
| 7               | EA  | MOTOR-WIPER   |
| 8               | EA  | PIVOT SHAFT-DRIVER                                  |
| 9               | EA  | PIVOT SHAFT-PASSENGER                               |
|                 | EA  | SCREW-HEX, 1/4 - 28 UNF                             |
| 10              | EA  | WASHER-WINDSHIELD, BOTTLE & PUMP                    |
|                 | FT  | VACUUM HOSE 7/84 - 5/32                             |
|                 | FT  | SEAL-VINYL, FLEX U-CHANNEL                          |
|                 | EA  | NUT-ACORN, 10-32 ALUMINUM                           |
|                 | EA  | NOZZLE HOSE, KIT                                    |
|                 | EA  | GROMMET-SNAP, 3/16"ID - 3/8" HOLE - PLASTIC - BLACK |

TABLE OF CONTENTS

|                    |             |
|--------------------|-------------|
| INTRODUCTION       | A-01        |
| ABBREVIATIONS      | A-01        |
| ALPHABETICAL INDEX | A-02 - A-04 |
| ICF23EC            | A-05 - D-17 |
| ICF30EU            | D-18 - D-22 |

1991 ICF23EC INDEX

|                                |             |
|--------------------------------|-------------|
| FLOOR PLAN                     | A-05 - A-08 |
| ACCESSORIES                    | A-07 - A-10 |
| BATH                           | A-11 - A-13 |
| BEDROOM                        | A-14        |
| CHASSIS                        | A-15 - A-18 |
| C C & PAD                      | A-19 - B-02 |
| MINETTE                        | B-03 - B-04 |
| DRIVERS                        | B-05 - B-14 |
| ELECTRICAL                     | B-15 - D-18 |
| EXTERIOR BODY                  | B-19 - B-24 |
| GALLEY                         | C-01 - C-06 |
| HEATING & A/C                  | C-07 - C-12 |
| INTERIOR FINISH                | C-13 - C-16 |
| LABEL                          | C-17        |
| LP                             | C-18        |
| SEALANTS & FASTENERS           | C-19 - C-20 |
| WATER & SEWAGE                 | C-21 - D-01 |
| WINDOW, VENT AND EXTERIOR DOOR | D-02 - D-17 |