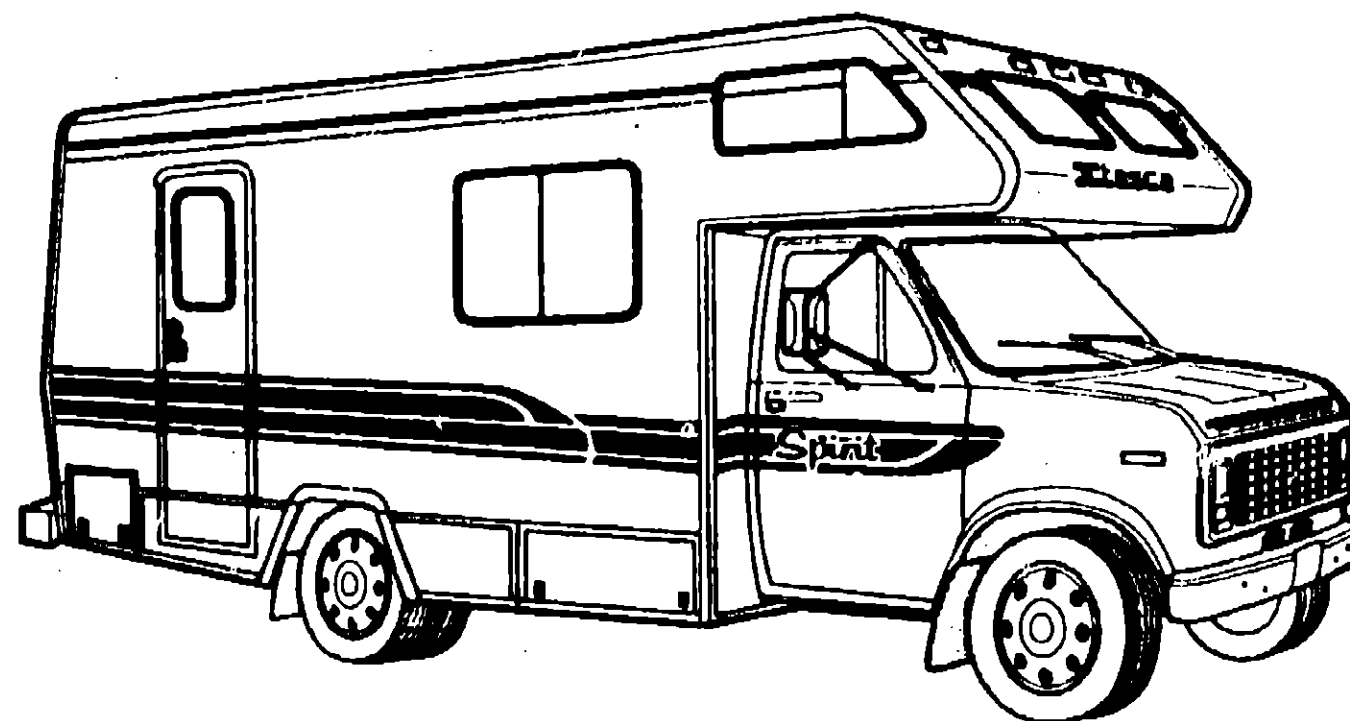


**1991 1/2 ITASCA
TABLE OF CONTENTS**

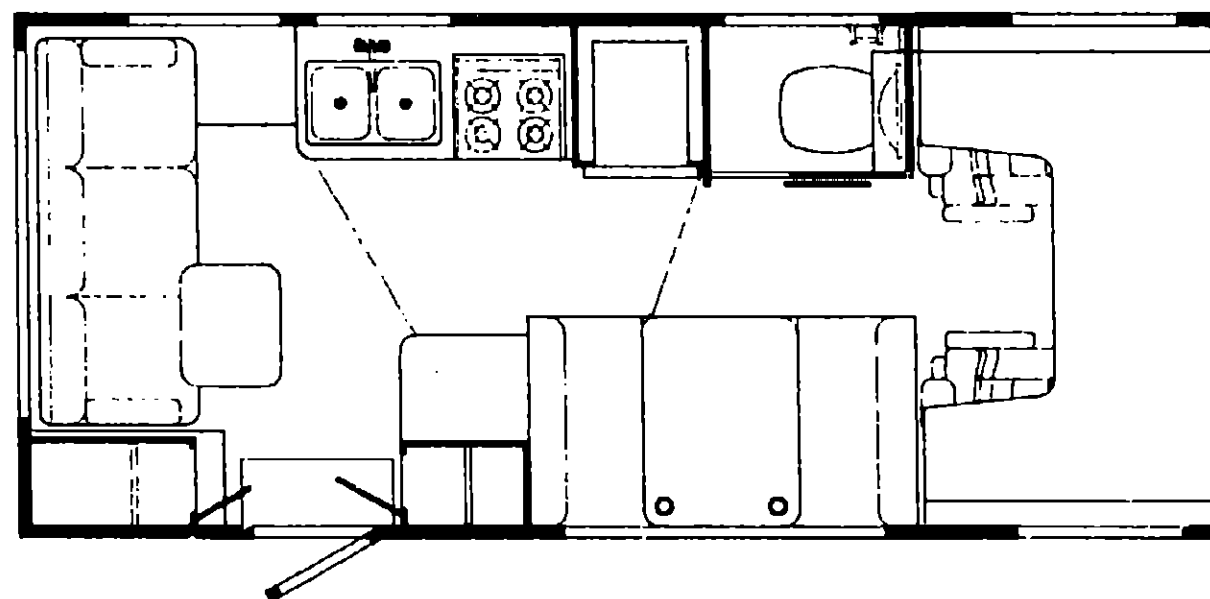
INTRODUCTION	A-01 - A-02
ABBREVIATIONS	A-03
ALPHABETICAL/GROUP REFERENCE	A-04 - A-06
IC321RG	A-07 - D-04
IC324RC	D-05 - G-06



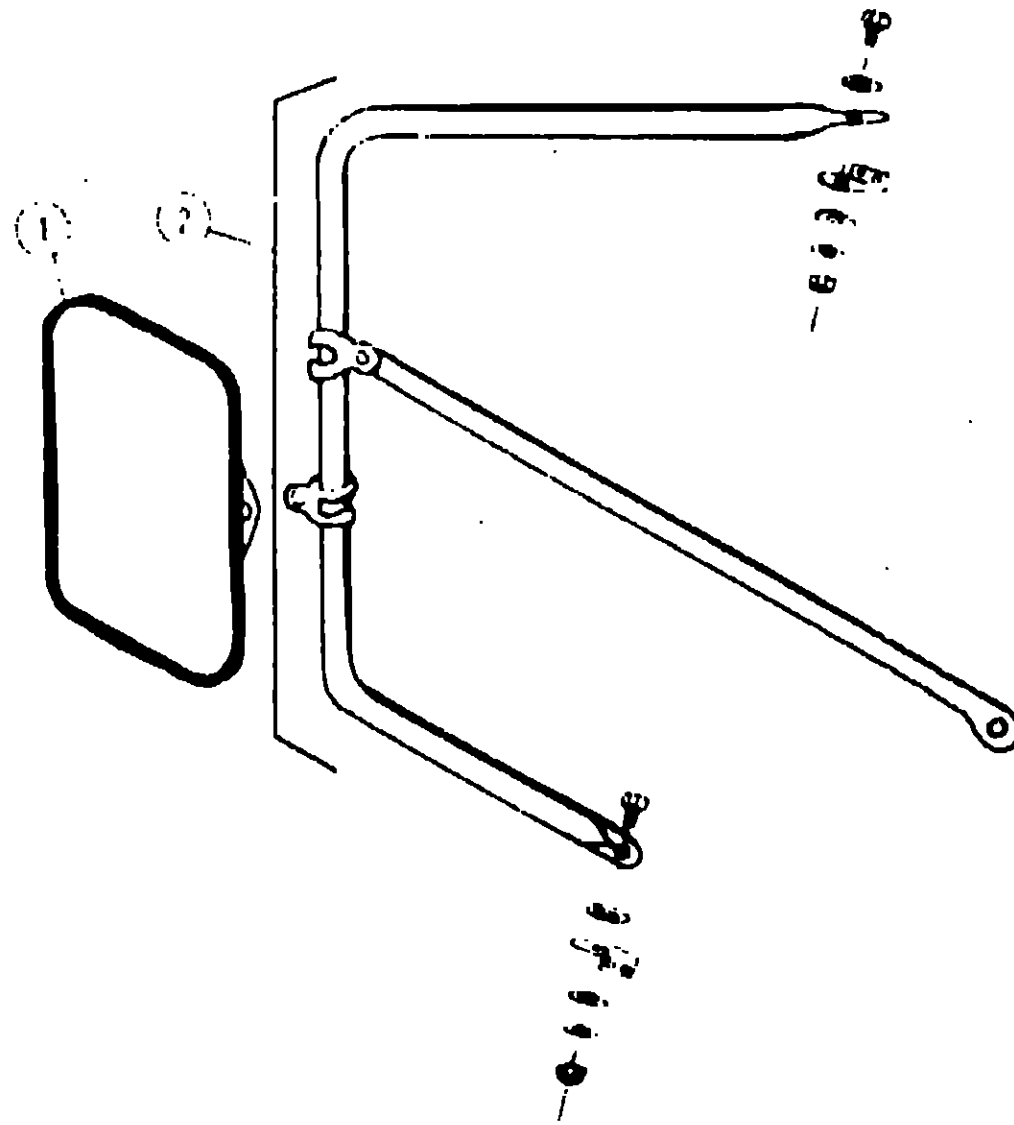
**1991 1/2
IC321RG**

1991 1/2 IC321RG INDEX

Floor Plan	A-07 - A-08
Accessories Group	A-09 - A-12
Bath Group	A-13 - A-14
Chassis Group	A-15 - A-17
Curtain, Cushion & Pad Group	A-18 - A-24
Dinette Group	B-01 - B-02
Driver's Compartment Group	B-03 - B-06
Electrical Group	B-07 - B-09
Exterior Body Group	B-10 - B-14
Galley Group	B-15 - B-18
Heating & Air Conditioning Group	B-19 - B-20
Interior Finish Group	B-21 - B-23
Labels Group	B-24 - C-07
LP Group	C-08
Lounge	C-09
Sealants & Fasteners Group	C-10 - C-11
Water & Sewage Group	C-12 - C-14
Window, Vent & Exterior Door Group	C-15 - D-04



ACCESSORIES GROUP



EXTERIOR MIRRORS

Key	Part Number	U/M	Description
1	049347-01-000	EA	Mirror Head - 7 1/2" x 10 1/2" - Stainless Steel
	049347-01-700	EA	Glass - Mirror - 7 5" x 10 5"
2	067047-01-000	EA	Arm - West Coast Mirror - Stainless Steel
	006047-01-000	EA	Mirror - Convex - Adhesive Back

WHEEL COVER, LINERS & MOUNTING HARDWARE

Key	Part Number	U/M	Description
	083181-01-000	EA	Wheel Cover - 16" (Set/4)
	083181-01-700	EA	Wheel Cover - 16" (1)
	083181-04-702	EA	Nut - Wheel Cover
	091209-05-000	EA	Wheel Liner - 16" (Set/4) - Chevy - Stainless Steel
	095012-03-000	EA	Extension - Valve Stem - Dual Wheel
	091209-05-000	EA	Wheel Liner - 16" (Set/4) Ford - Stainless Steel
	091209-10-000	EA	Wheel Liner - 16" (Set/4) - Ford - Stainless Steel
	077030-02-000	EA	Extension - Valve Stem - 1.25"

• These parts are used from 5/16/91 on.

ACCESSORIES GROUP (CONTINUED)

MISCELLANEOUS ACCESSORIES

Key	Part Number	U/M	Description
	054185-70-000	EA	Owner's Manual - 1991 - Spud
	092318-01-000	EA	Binder - 3 Ring - Vendor Manual
	092319-01-000	EA	Page - Plastic Packet
	098084-11-000	EA	Cassette - Itasca Spud
	094499-01-000	EA	Fire Extinguisher - 1A 10BC (US)
	094499-02-000	EA	Fire Extinguisher - 1A 10BC (CSA)
	094499-01-700	EA	Bracket - Mounting w/Plastic Strap - Fire Extinguisher
	072852-01-000	EA	Smoke Detector w/9 Volt Battery (US)
	072852-02-000	EA	Smoke Detector w/9 Volt Battery (CSA)
	100603-01-01A	EA	Wall Clock - Round - Hazel
	101333-01-000	EA	Backplate - Clock Mounting - Black Plastic
	104764-01-000	EA	Wall Clock - Spartus

• These parts are used from 5/6/91 on.

TV ANTENNA (OPTION 193)

Key	Part Number	U/M	Description
	076319-13-000	EA	Antenna - TV Roof Mount - 44 5"
	076319-13-700	EA	Head - Antenna - Non-Amplified
	076319-01-701	EA	Gear - Elevating - Plastic
	076319-01-702	EA	Shaft Asm. - Elevating
	076319-01-703	EA	Bearing - Nylon - 5" OD
	076319-01-704	EA	Bearing - Nylon - 1.25" OD
	076319-01-705	EA	Grommet - Nylon - 7/8" ID
	076319-01-706	EA	Crank - Elevating w/Set Screw
	076319-01-707	EA	Spring - Handle
	076319-06-000	EA	Adaptor - Cable Roof Plate
	093252-01-01A	EA	Wallplate/Cable - Beige
	076319-11-000	EA	Adapter - Coax w/Splitter
	076319-03-000	FT	Cable - Coaxial - 1000 Roll
	076319-12-000	EA	Connector - Coaxial
	076319-04-000	EA	Connector w/Ferrule
	080734-02-000	EA	Clip - Wire Nylon

TV/VCR & RELATED COMPONENTS (OPTION L43V & L49F)

Key	Part Number	U/M	Description
	098447-01-000	EA	TV - 13" Color w/Remote - Magnavox (US) RX4029WA
	098447-02-000	EA	TV - 13" Color w/Remote - Magnavox (CSA) XK4029CH
	098447-01-700	EA	Remote Control - TV
	098447-03-000	EA	TV - 13" Color w/Remote - Magnavox (US) RR1337W
	098447-04-000	EA	TV - 13" Color w/Remote - Magnavox (CSA) RR1330W
	098447-03-700	EA	Remote Control - TV
	098446-02-000	EA	VCR - VHS - Cable Ready w/Remote - Magnavox VR9912
	098446-02-700	EA	Remote Control - VCR
	098446-03-000	EA	VCR - VHS - Cable Ready w/Remote - Magnavox VR9010
	098446-03-700	EA	Remote Control - VCR
	099856-01-000	EA	TV Treaddown - 53.1" x 1" - Black
	098819-01-000	EA	Speaker - 2 Watt - 8 OHM - 4"
	074979-11-000	EA	Cover - Speaker - Off White - Plastic
	085774-01-000	FT	Fastener - Dual Hook - 1" Wide - Adhesive Back - Black
	085774-02-000	FT	Fastener - Dual Loop - 1" Wide - Adhesive Back - Black

• These parts are used from 6/24/91 on.

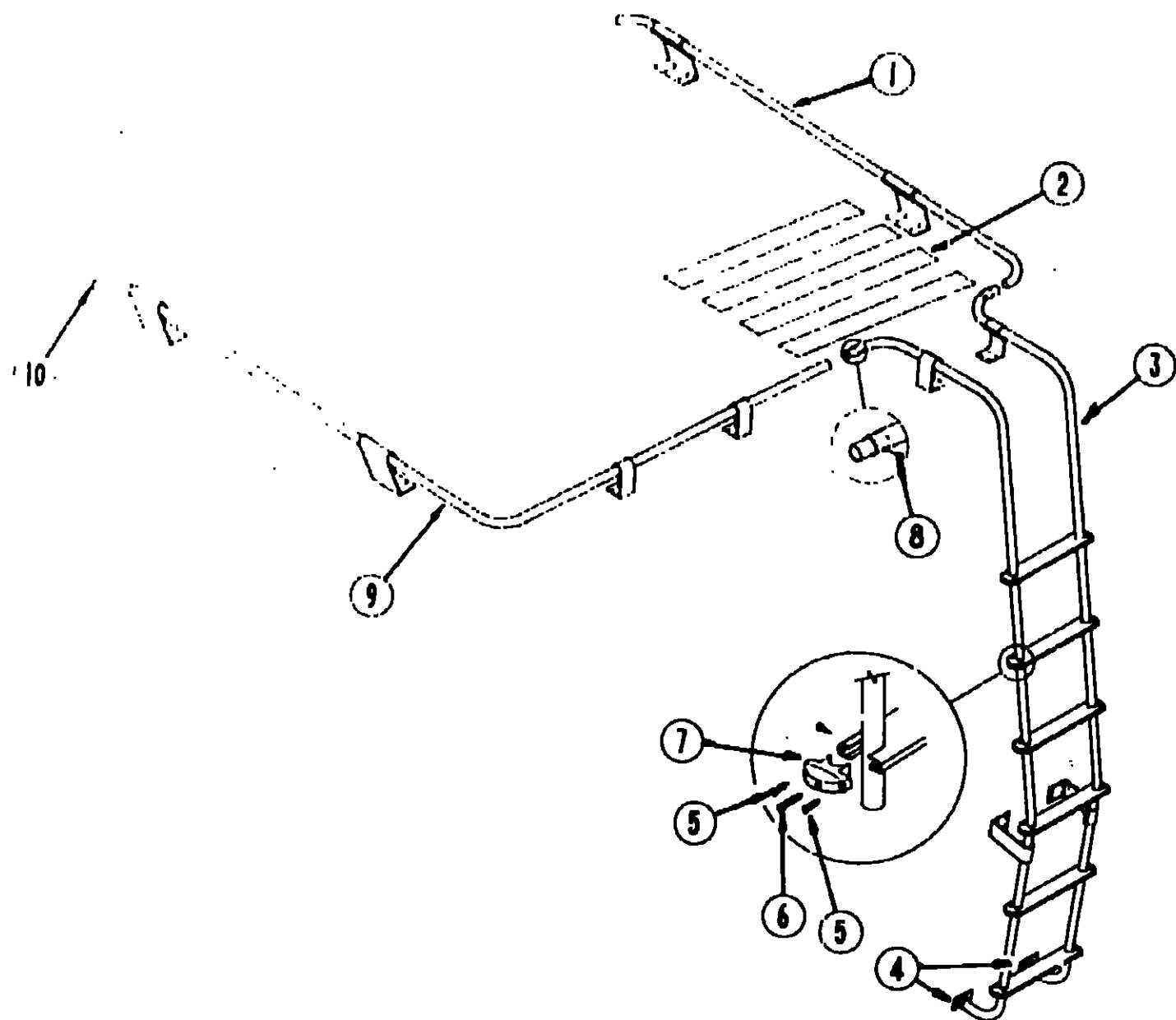
**1991 1/2 ITASCA
TABLE OF CONTENTS**

INTRODUCTION	A-01	A-02
ABBREVIATIONS		A-03
ALPHABETICAL/GROUP REFERENCE	A-04	A-06
IC321RG	A-07	D-01
IC321RC	D-05	G-08

1991 1/2 IC321RG INDEX

Floor Plan	A-07 - A-08
Accessories Group	A-09 - A-12
Bath Group	A-13 - A-14
Chassis Group	A-15 - A-17
Curtain, Cushion & Pad Group	A-18 - A-24
Dinette Group	B-01 - B-02
Driver's Compartment Group	B-03 - B-06
Electrical Group	B-07 - B-09
Exterior Body Group	B-10 - B-14
Galley Group	B-15 - B-18
Heating & Air Conditioning Group	B-19 - B-20
Interior Finish Group	B-21 - B-23
Labels Group	B-24 - C-07
LP Group	C-08
Lounge	C-09
Sealants & Fasteners Group	C-10 - C-11
Water & Sewage Group	C-12 - C-14
Window, Vent & Exterior Door Group	C-15 - D-04

ACCESSORIES GROUP (CONTINUED)



RACK & LADDER COMPONENTS (OPTION L502)

Key	Part Number	U/M	Description
1	081026-01-T03	EA	Rack Asm. - Passenger Side w/2 Angled Standoff
2	038327-01-000	EA	Tape - Anti-Slip - 2" x 60'
3	081016-04-AA3	EA	Ladder
4	067165-01-000	EA	Mounting Bracket - Ladder - Lower
5	000G39-06-10T	EA	Screw - SF/DR - 6 - 20 x 5/8" PPH - Black
6	000G68-10-36T	EA	Screw - 10 - 12 x 2.25" POH - Black
7	076980-02-000	EA	End Cap - Step - Black
8	000G39-08-08E	EA	Screw - SF/DR - 8 - 18 x 50 PPH
9	081026-02-T03	EA	Rack Asm. - Driver Side w/2 Angled & 2 Straight Standoff
10	081114-01-000	EA	Cap - Insert - Round - 1" Dia.

ACCESSORIES GROUP (CONTINUED)

RADIO & RELATED COMPONENTS

Key	Part Number	U/M	Description
	090982-01-000	EA	Radio - AM/FM Stereo - w/Cassette
	007004-01-000	EA	Antenna - Radio - Cab Mount
	074979-01-000	EA	Speaker Cover Protector - Plastic - Beige
	089340-02-000	EA	Speaker - Grill - 6.5" - Square
	081082-01-000	EA	Plaque - Mounting Switch
	079385-02-000	EA	Radio Mounting Kit (Ford)
	091211-01-000	EA	Radio Mounting Kit (Chevrolet)
	094097-01-000	EA	Speaker - 5.25" - w/o Grille
	081059-02-000	EA	Wt. Asm. - 9 Pin - Audiovox Radio

GENERATORS & COMPONENTS (OPTION L39E)

Key	Part Number	U/M	Description
	100974-03-000	EA	Generator - Emerald - 4.0 kw
	086494-01-000	EA	Bracket - Exhaust
	081364-04-000	EA	Muller - Generator - Emerald
	007067-01-000	SF	Insulation - Fiberglass - 1"
	007131-01-000	EA	Hanger - Exhaust - 6 Slots
	104115-01-000	EA	Hanger - Exhaust - 5 Slots
	078045-01-000	EA	Strap - Support - Generator - 4 Hole
	084365-01-000	EA	Strap - Support - Generator - 2 Hole
	079654-01-700	EA	Hinge Kit - Emerald Generator
	007063-01-000	EA	Hose - Gas - 1/4" ID x 1/2" OD
	007125-03-000	EA	Clamp - Muffler - 1.1" Dia.
	007125-04-000	EA	Clamp - Muffler - 1.5" Dia.
	007161-01-000	EA	Clamp - Hose - Spring Type - 1/2"
	023942-01-000	EA	Grommet - Rubber - 2" OD
	102554-01-000	EA	Pipe - Exhaust - Generator - Curved - w/2 Bolt Hole Flange

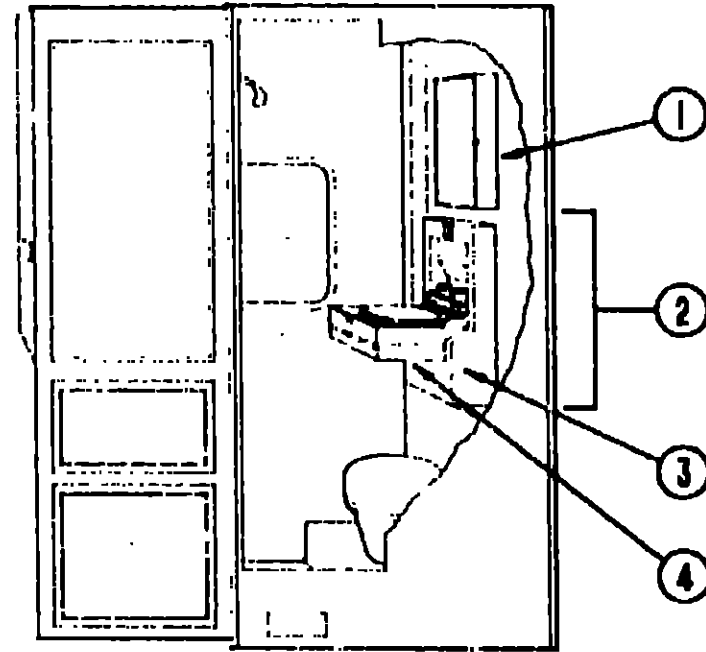
**1991 1/2 ITASCA
TABLE OF CONTENTS**

INTRODUCTION	A-01 - A-02
ABBREVIATIONS	A-03
ALPHABETICAL/GROUP REFERENCE	A-04 - A-06
IC321RG	A-07 - D-04
IC324RC	D-05 - G-08

1991 1/2 IC321RG INDEX

Floor Plan	A-07 - A-08
Accessories Group	A-09 - A-12
Bath Group	A-13 - A-14
Chassis Group	A-15 - A-17
Curtain, Cushion & Pad Group	A-18 - A-24
Dinette Group	B-01 - B-02
Driver's Compartment Group	B-03 - B-06
Electrical Group	B-07 - B-09
Exterior Body Group	B-10 - B-14
Galley Group	B-15 - B-18
Heating & Air Conditioning Group	B-19 - B-20
Interior Finish Group	B-21 - B-23
Labels Group	B-24 - C-07
LP Group	C-08
Lounge	C-09
Sealants & Fasteners Group	C-10 - C-11
Water & Sewage Group	C-12 - C-14
Window, Vent & Exterior Door Group	C-15 - D-04

BATH GROUP



BATH CABINETRY

Key	Part Number	U/M	Description
1	099006-01-01A	EA	Medicine Cabinet - Metal
2	P01605-01-000	EA	Cabinet Asm. - Fold-Up Sink - Complete
3	101418-01-01A	EA	Panel Asm. - Backsplash - Lavatory - Off White
4	101413-01-B05	EA	Sink Asm. - Fold-Up
	101414-01-01A	EA	Sink - Fold-Up Top - Plastic - Off White
	101415-01-01A	EA	Sink - Fold-Up Bottom - Plastic - Off White
	101419-01-01A	EA	Catch Basin - Fold-Up Sink
	083669-01-B27	EA	Sliding Door - Bath

BATH GROUP (CONTINUED)

BATH HARDWARE

Key	Part Number	U/M	Description
	075240-06-000	EA	Faucet - Lavatory - Bronze
	091253-01-000	EA	Gasket - Lavatory Faucet
	075241-05-000	EA	Faucet - Shower - Bronze
	075452-02-000	EA	Holder - Toilet Tissue - Brass
	066435-01-000	EA	Nut - Strainer - Plastic
	057671-01-000	EA	Screw Cover (No. B)
	011048-02-000	EA	Shower Head w/60" Hose (US)
	011048-05-000	EA	Shower Head w/60" Hose (CSA)
	M02606-01-000	EA	Shower Pan
	084481-03-B85	EA	Curtain Asm. - Shower - 74" x 80" (IB7)
	084481-03-B88	EA	Curtain Asm. - Shower - 74" x 80"
	061604-01-000	EA	Slide Bolt - Antique Brass
	101330-01-000	EA	Paddle Latch
	066436-01-000	EA	Slip Nut - 1.5" Tailpiece - Bathtub
	088440-01-000	EA	Strainer - Shower Pan - w/Rubber Washer
	067487-01-000	EA	Toilet - Thelford - Aqua Magic - Ivory
	067487-01-700	EA	C.L.F.L. Seal & Bolt Package
	067487-01-701	EA	Water Saver Package
	067487-01-702	EA	Clamp
	063740-01-710	EA	Link
	063740-01-711	EA	Spring - Return Lever
	063740-01-716	EA	Seal Cover
	063740-01-700	EA	Lever - Water
	063740-01-701	EA	Lever - Flush
	063740-01-713	EA	Seal - Ball Valve to Bowl
	063740-01-714	EA	Valve Asm. - Water
	063740-01-707	EA	Seal - Closet - Flange
	063740-01-706	EA	Boil Package - Closet
	024676-01-000	EA	Flange - Closet - Toilet - 3" x 4" (US)
	024676-02-000	EA	Flange - Closet - Toilet - 3" x 4" (CSA)
	083801-01-000	EA	Track Asm. - Shower Curtain
	075454-02-000	EA	Towel Ring - w/Mounting Hardware - Brass
	069735-01-000	EA	Washer - Tailpiece - 1.5" Plastic
	009156-01-000	EA	Hanger - Sliding Door
	074470-03-000	EA	Pull - Release Pin Hinge - Right
	074470-04-000	EA	Pull - Release Pin Hinge - Left
	071817-08-000	EA	Track - Sliding Door - 51.2"
	058034-01-000	EA	Latch - Sliding Door
	009156-01-000	EA	Hanger - Sliding Door
	064467-01-000	EA	Guide - Pocket Door - Wall Mount - Sliding Door

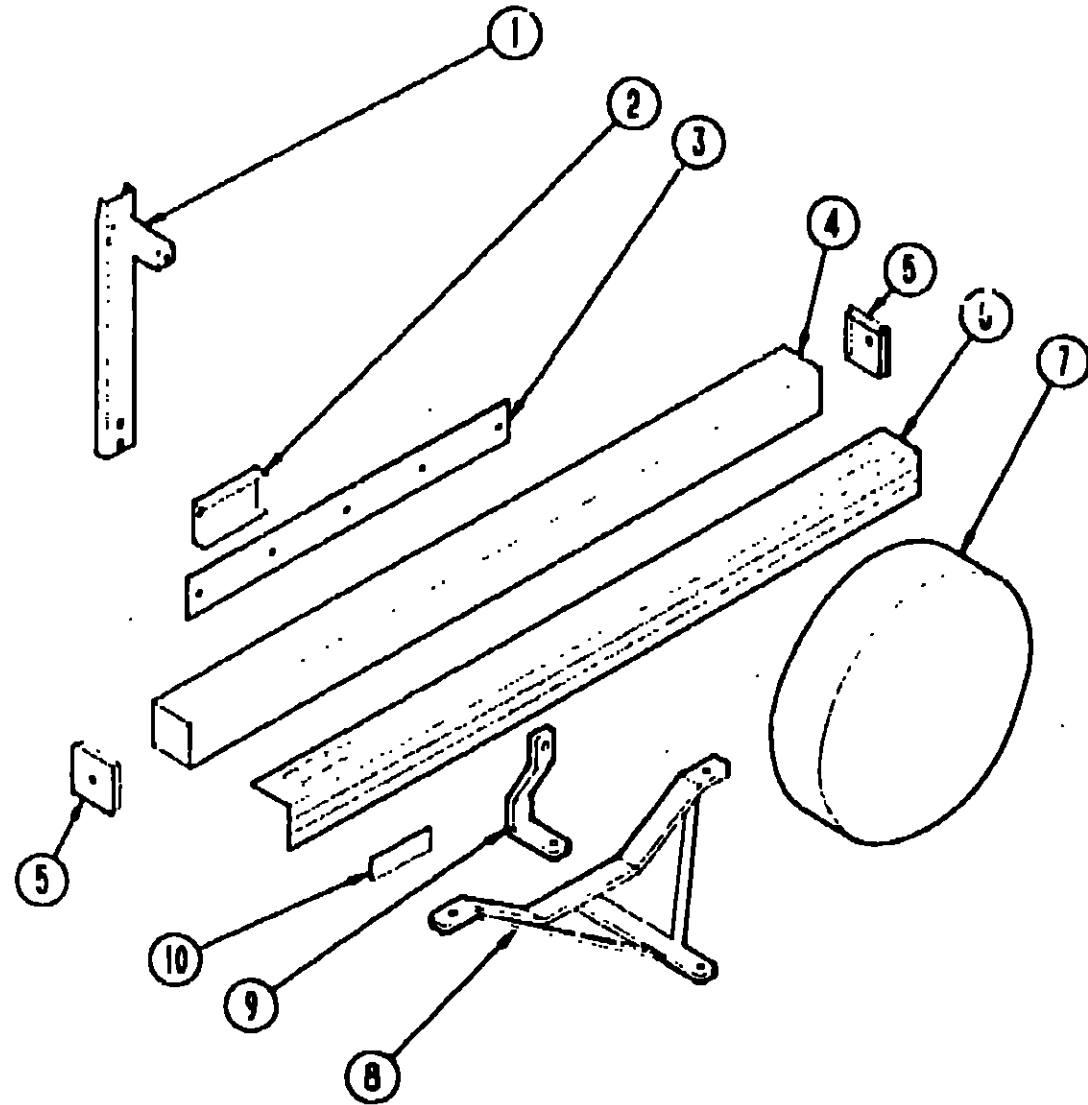
**1991 1/2 ITASCA
TABLE OF CONTENTS**

INTRODUCTION	A-01 - A-02
ABBREVIATIONS	A-03
ALPHABETICAL/GROUP REFERENCE	A-04 - A-06
IC321RG	A-07 - D-04
IC324RC	D-05 - G-08

1991 1/2 IC321RG INDEX

Floor Plan	A-07 - A-08
Accessories Group	A-09 - A-12
Bath Group	A-13 - A-14
Chassis Group	A-15 - A-17
Curtain, Cushion & Pad Group	A-18 - A-24
Dinette Group	B-01 - B-02
Driver's Compartment Group	B-03 - B-06
Electrical Group	B-07 - B-09
Exterior Body Group	B-10 - B-14
Galley Group	B-15 - B-18
Heating & Air Conditioning Group	B-19 - B-20
Interior Finish Group	B-21 - B-23
Labels Group	B-24 - C-07
LP Group	C-08
Lounge	C-09
Sealants & Fasteners Group	C-10 - C-11
Water & Sewage Group	C-12 - C-14
Window, Vent & Exterior Door Group	C-15 - D-04

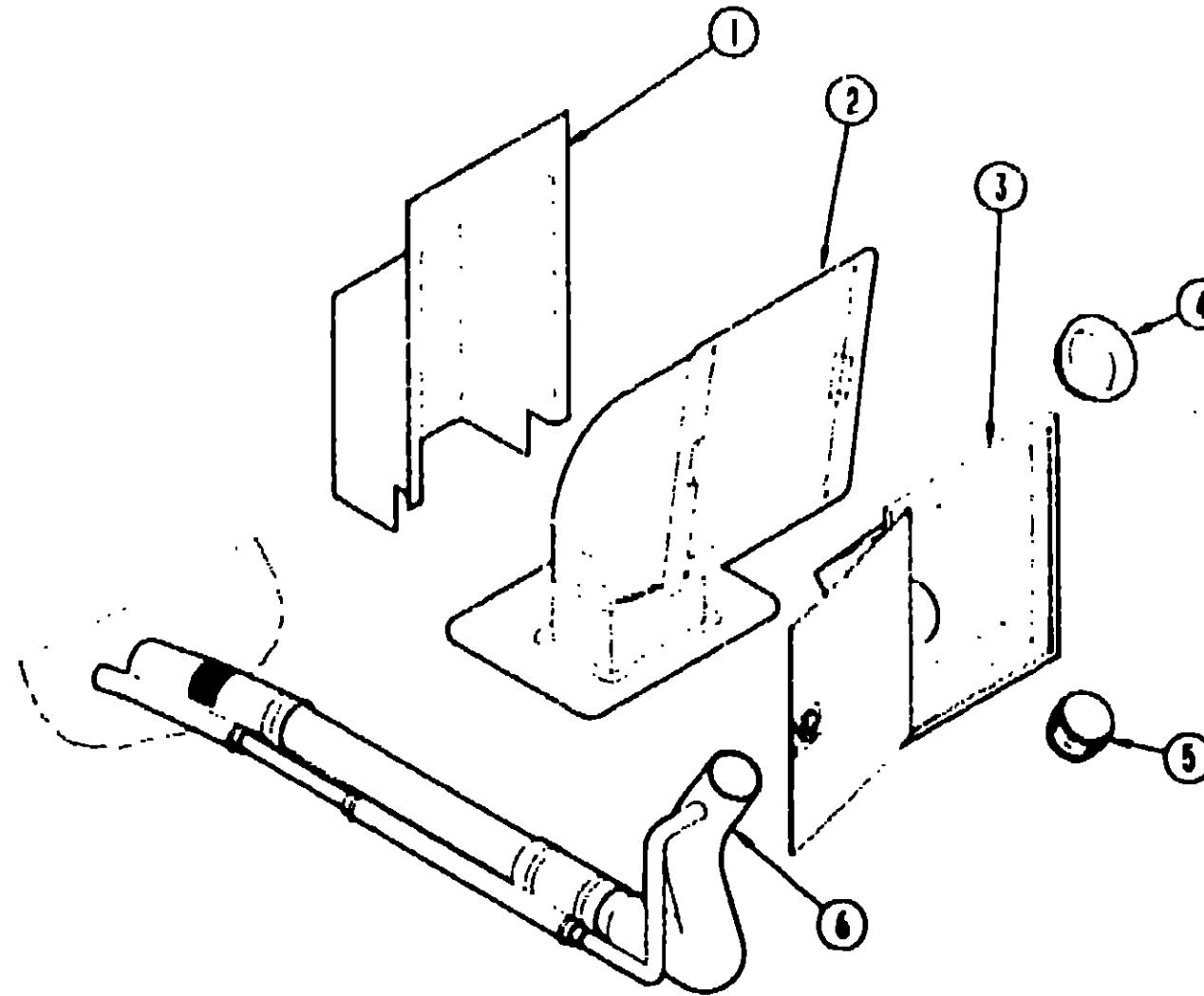
CHASSIS GROUP



SPARE TIRE, HITCH & REAR BUMPER

Key	Part Number	U/M	Description
1	079027-01-000	EA	Bracket Asm. - Tire Carrier
2	M64600-02-000	EA	Mount Support - Tire Carrier
3	M22150-01-000	EA	Bracket - Rear Bumper
4	064602-01-000	EA	Bumper Asm. - Square - Off White
5	039779-01-000	EA	Bumper Cap - Black Rubber - 4" x 4"
6	041332-03-000	EA	Cover - Bumper - w/o Reflector - 4" Square x 92"
7	098855-01-AA3	EA	Cover - Spare Tire - Vinyl - Off White
8	064833-02-000	EA	Trailer Hitch Asm. (Chevrolet)
8	064833-03-000	EA	Trailer Hitch Asm. (Ford)
9	064824-02-000	EA	Support - Trailer Hitch
10	041332-02-000	EA	Reflector - Bumper Cover - Self-Adhesive - 6 1/2" x 3/4"
	070917-02-000	EA	Tire - Michelin - Radial (Ford)
	070917-04-000	EA	Tire - Firestone - Radial (Ford)
	099657-01-000	EA	Tire - Firestone - Radial (Chevrolet)
	089359-04-000	EA	Wheel - Steel - 6" x 16" (Chevrolet)
	083617-01-000	EA	Wheel - Steel - 6" x 16" - 8 Hole (Ford)
	051377-01-000	EA	Valve Stem TR500
	051377-03-000	EA	Valve Stem TRO600 HP

CHASSIS GROUP (CONTINUED)



FUEL FILL COMPONENTS

Key	Part Number	U/M	Description
1	078040-02-000	EA	Shroud - Fuel Fill - Upper
2	083578-01-000	EA	Boot - Fuel Fill
	084235-01-000	EA	Support Flange - Fuel Fill Boot
3	078010-03-000	EA	Door Asm. - Fuel Fill - Off White
	077963-01-000	EA	Gasket - Fuel Fill Door
4	078200-01-000	EA	Gasket - Fuel Fill
5	NOTE	EA	Fuel Cap
6	NOTE	EA	Filler Neck - Fuel Fill
	066732-01-000	EA	Hose - Fuel Fill - .62 ID

NOTE: These items are chassis supplied

**1991 1/2 ITASCA
TABLE OF CONTENTS**

INTRODUCTION	A-01	A-02
ABBREVIATIONS		A-03
ALPHABETICAL/GROUP REFERENCE	A-04	A-06
IC321RG	A-07	D-03
IC321TC	D-04	G-08

1991 1/2 IC321RG INDEX

Floor Plan	A-07 - A-08
Accessories Group	A-09 - A-12
Bath Group	A-13 - A-14
Chassis Group	A-15 - A-17
Curtain, Cushion & Pad Group	A-18 - A-24
Dinette Group	B-01 - B-02
Driver's Compartment Group	B-03 - B-06
Electrical Group	B-07 - B-09
Exterior Body Group	B-10 - B-14
Galley Group	B-15 - B-18
Heating & Air Conditioning Group	B-19 - B-20
Interior Finish Group	D-21 - D-23
Labels Group	B-24 - C-07
LP Group	C-08
Lounge	C-09
Sealants & Fasteners Group	C-10 - C-11
Water & Sewage Group	C-12 - C-14
Window, Vent & Exterior Door Group	C-15 - D-04

CHASSIS GROUP (CONTINUED)

MISCELLANEOUS CHASSIS PARTS

Key	Part Number	U/M	Description
	052550-02-000	EA	Tie-down - Battery
	050497-01-000	EA	Clamp - Closed - 5/8 ID
	052161-01-000	EA	Clamp - Hose - Spring Type 112
	052501-01-000	EA	Clamp - Hose - Wormgear - 1 1/2" ID - 1" ID
	052401-02-000	EA	Clamp - Hose - Wormgear - 1 1/2" ID - 2 5/8" ID
	052501-03-000	EA	Clamp - Hose - Wormgear - 2 5/8" ID - 1" ID
	052501-04-000	EA	Clamp - Hose - Wormgear - 5/8" ID - 1 25/32" ID
	052101-06-000	EA	Clamp - Hose - Wormgear - 22" ID - 62" ID
	052146-01-000	EA	Clamp - Screw Type - 4"
	050510-09-000	EA	Compartment Asm - Storage
	050522-01-000	EA	Compartment - Battery
	052994-01-000	EA	Guide - Track - Battery Tray
	052063-01-000	FT	Hose - Gas - 1/4 ID x 1/2 OD
	052106-01-000	FT	Hose - Heater - 5/8 ID
	050201-02-000	EA	Leverage Bar - Lug Wrench (Chevrolet)
	050208-01-000	EA	Lug Wrench (Chevrolet)
	052516-01-000	EA	Mud Flap w/holes - 14" x 18" - Black
	054089-01-000	EA	Splash Guard - Black Rubber
	052104-19-000	EA	Running Boards - Aluminum - Chevrolet - 27" (Option 66R)
	052104-20-000	EA	Running Boards - Aluminum - Ford - 40" (Option 66R)
	052846-01-000	EA	Step Asm - Pullout
	050241-01-000	EA	Support Asm - Step
	050321-01-000	EA	Wheelwell - Plastic
	050343-01-000	EA	Wire Tie - 6"

Excludes remainder of exhaust components available from Chassis Service Center

GENERATORS & COMPONENTS (OPTION L39E)

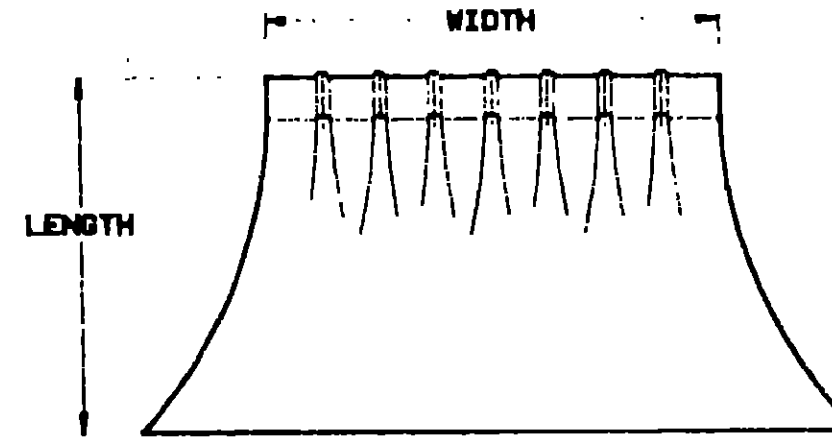
Key	Part Number	U/M	Description
	050974-03-000	EA	Generator - Emerald - 4.0 kw
	050494-01-000	EA	Bracket - Exhaust
	051364-04-000	EA	Muffler - Generator - Emerald
	0507067-01-000	SF	Insulation - Fiberglass - 1"
	0508045-01-000	EA	Strap - Support - Generator - 4 Hole
	0504365-01-000	EA	Strap - Support - Generator - 2 Hole
	0504654-01-700	EA	Hinge Kit - Emerald Generator
	0507063-01-000	EA	Hose - Gas - 1/4" ID x 1/2" OD
	0507125-03-000	EA	Clamp - Muffler - 1 1/2" Dia
	0507125-04-000	EA	Clamp - Muffler - 1 5/8" Dia
	0507161-01-000	EA	Clamp - Hose - Spring Type - 1/2"
	0507131-01-000	EA	Hanger - Exhaust - 6 Slots
	0504115-01-000	EA	Hanger - Exhaust - 5 Slots
	0503942-01-000	EA	Grommet - Rubber - 2" OD
	0503554-01-000	EA	Pipe - Exhaust - Generator - Curved - w/2 Bolt Hole Flange

CURTAIN, CUSHION & PAD GROUP

NOTICE

In order to assist our Part Sales Dept. in providing interior software forms, please include the serial number and the color code number from the vehicle certification label when ordering. This label is located on the left sidewall at the end of the dash (A-Body), or on the driver's door latch plate (C-Body).

An example of a color code number is P31, which designates an overall color scheme of a particular unit. The color listed after the item description on the microfiche indicates the overall unit color. Order the item you desire according to unit color code.



NOTE: Use this illustration when determining length and width measurements for curtains. You will note the width measurement is taken on the top of the curtain with the curtain fully extended. The length measurement is taken from top to bottom.

1991 1/2 ITASCA TABLE OF CONTENTS

INTRODUCTION	A-01	A-02
ABBREVIATIONS		A-03
ALPHABETICAL/GROUP REFERENCE	A-04	A-06
IC321RG	A-07	D-04
IC321RC	D-05	G-08

TRIMS & PADS

Key	Part Number	U/M	Description
	070578-06-B05	EA	Button Asm. - Snap Top - #30 - Vinyl
	070578-10-B87	EA	Button Asm. - Snap Top - #30 - Accent - Plain
	070578-10-B88	EA	Button Asm. - Snap Top - #30 - Accent - Plain
	059797-02-000	EA	Shell - Upholstery Button - #30
	069734-01-000	EA	Back - Upholstery Button - #30
	078155-01-000	EA	Strap Asm. - Cushion (Dinette Cushion)
	081519-16-B87	EA	Pad Asm. - Dinette - Front
	081519-16-B88	EA	Pad Asm. - Dinette - Front
	081519-17-B87	EA	Pad Asm. - Dinette - Rear
	081519-17-B88	EA	Pad Asm. - Dinette - Rear
	059491-01-B87	EA	Pad Asm. - Door - Passenger - Upper (Chevrolet)
	059491-01-B88	EA	Pad Asm. - Door - Passenger - Upper (Chevrolet)
	059492-01-B87	EA	Pad Asm. - Door - Driver - Upper (Chevrolet)
	059492-01-B88	EA	Pad Asm. - Door - Driver - Upper (Chevrolet)
	069885-16-B87	EA	Motor Cover w/Map Pocket (Ford)
	069885-16-B88	EA	Motor Cover w/Map Pocket (Ford)
	074891-07-B87	EA	Motor Cover w/Map Pocket (Chevrolet)
	074891-07-B88	EA	Motor Cover w/Map Pocket (Chevrolet)
	079349-01-B87	YD	Welting - Skirt
	079349-01-B88	YD	Welting - Skirt
	084415-31-000	FT	Trim - Braid - Curtain - Plum (B87)
	084415-30-000	FT	Trim - Braid - Curtain - Blue (B88)

1991 1/2 IC321RG INDEX

Floor Plan	A-07	A-08
Accessories Group	A-09	A-12
Bath Group	A-13	A-14
Chassis Group	A-15	A-17
Curtain, Cushion & Pad Group	A-18	A-24
Dinette Group	B-01	B-02
Driver's Compartment Group	B-03	B-06
Electrical Group	B-07	B-09
Exterior Body Group	B-10	B-14
Galley Group	B-15	B-18
Heating & Air Conditioning Group	B-19	B-20
Interior Finish Group	B-21	B-23
Labels Group	B-24	C-07
LP Group		C-08
Lounge		C-09
Sealants & Fasteners Group	C-10	C-11
Water & Sewage Group	C-12	C-14
Window, Vent & Exterior Door Group	C-15	D-04

CURTAIN, CUSHION & PAD GROUP (CONTINUED)

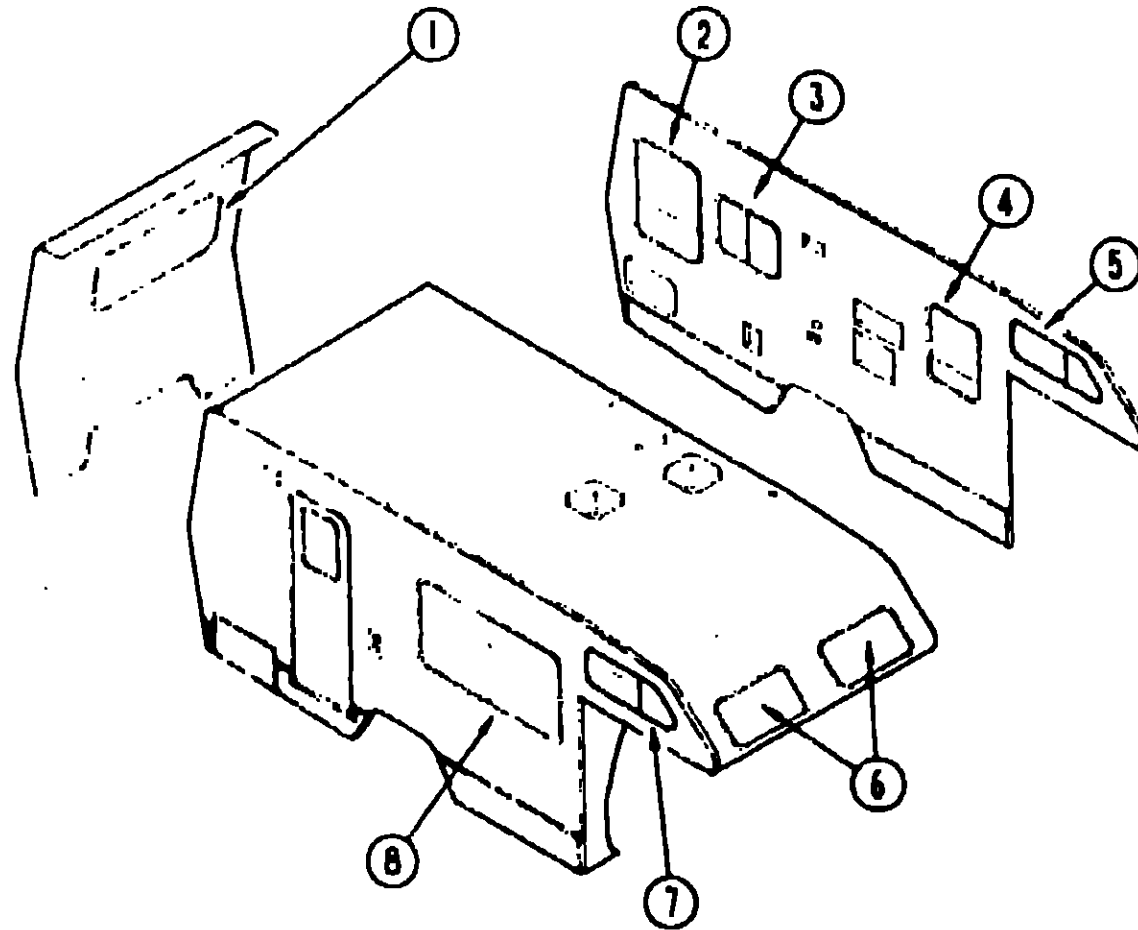
CURTAIN, CUSHION & PAD GROUP (CONTINUED)

CURTAINS, BLINDS, VALANCES & TIEBACKS (CONTINUED)

Key	Part Number	U/M	Description
B	104021-01-B87	EA	Valance Asm. w/Brass Trim - 58.5"
B	104021-01-B88	EA	Valance Asm. w/Brass Trim - 58.5"
B	100281-C2-B87	EA	Leg Asm. - Window - Front
B	100281-02-B88	EA	Leg Asm. - Window - Front
B	100281-01-B87	EA	Leg Asm. - Window - Rear
B	100281-01-B88	EA	Leg Asm. - Window - Rear
B	093475-44-02A	EA	Mini Blind - 54.5" x 32"
	076892-06-B85	EA	Curtain Asm. - Cab Privacy - 40" x 72" - Beige
	101668-14-B87	EA	Curtain Asm. - Front Wraparound w/Tape Top - 30" x 50" - Passenger
	101688-14-B88	EA	Curtain Asm. - Front Wraparound w/Tape Top - 30" x 50" - Passenger
	101668-15-B87	EA	Curtain Asm. - Front Wraparound w/Tape Top - 30" x 50" - Driver
	101668-15-B88	EA	Curtain Asm. - Front Wraparound w/Tape Top - 30" x 50" - Driver
	073260-49-B87	EA	Tieback Asm. - 3" x 18" - Beige

**1991 1/2 ITASCA
TABLE OF CONTENTS**

INTRODUCTION	A-01 - A-02
ABBREVIATIONS	A-03
ALPHABETICAL/GROUP REFERENCE	A-04 - A-06
IC321RG	A-07 - D-01
IC324RC	D-05 - G-08



CURTAINS, BLINDS, VALANCES & TIEBACKS

Key	Part Number	U/M	Description
1	104021-05-B87	EA	Valance Asm. w/Brass Trim - 72.5"
1	104021-05-B88	EA	Valance Asm. w/Brass Trim - 72.5"
1	100281-10-B87	EA	Leg Asm. - Window - 27" - Passenger
1	100281-10-B88	EA	Leg Asm. - Window - 27" - Passenger
1	100281-09-BE7	EA	Leg Asm. - Window - 27" - Driver
1	100281-09-B88	EA	Leg Asm. - Window - 27" - Driver
1	093475-48-02A	EA	Mini Blind - 68.5" x 28" Drop
2	104021-07-B87	EA	Valance Asm. w/Brass Trim - 31.7"
2	104021-07-B88	EA	Valance Asm. w/Brass Trim - 31.7"
2	093475-54-02A	EA	Mini Blind - 29" x 38" Drop
3	104021-06-B87	EA	Valance Asm. w/Brass Trim - 28.5"
3	104021-06-B88	EA	Valance Asm. w/Brass Trim - 28.5"
3	093475-61-04A	EA	Mini Blind - 26" x 17" Drop - B87
3	093475-61-06A	EA	Mini Blind - 26" x 17" D. - B88
4	069777-02-000	EA	Valance - Bath
4	064755-73-B05	EA	Shade Asm. - 18.25"
5	097878-27-B87	EA	Valance Asm. w/Brass Trim - 5.5" x 43"
5	097878-27-B88	EA	Valance Asm. w/Brass Trim - 5.5" x 43"
5	101034-01-B85	EA	Curtain Asm. w/Tape Top - 16" x 25"
6	097878-25-B87	EA	Valance Asm. w/Brass Trim - 7" x 85.5"
6	097878-25-B88	EA	Valance Asm. w/Brass Trim - 7" x 85.5"
6	101034-02-B85	EA	Curtain Asm. w/Tape Top - 22" x 45"
7	097878-26-B87	EA	Valance Asm. w/Brass Trim - 5.5" x 43"
7	097878-26-B88	EA	Valance Asm. w/Brass Trim - 5.5" x 43"
7	101034-01-B85	EA	Curtain Asm. w/Tape Top - 16" x 25"

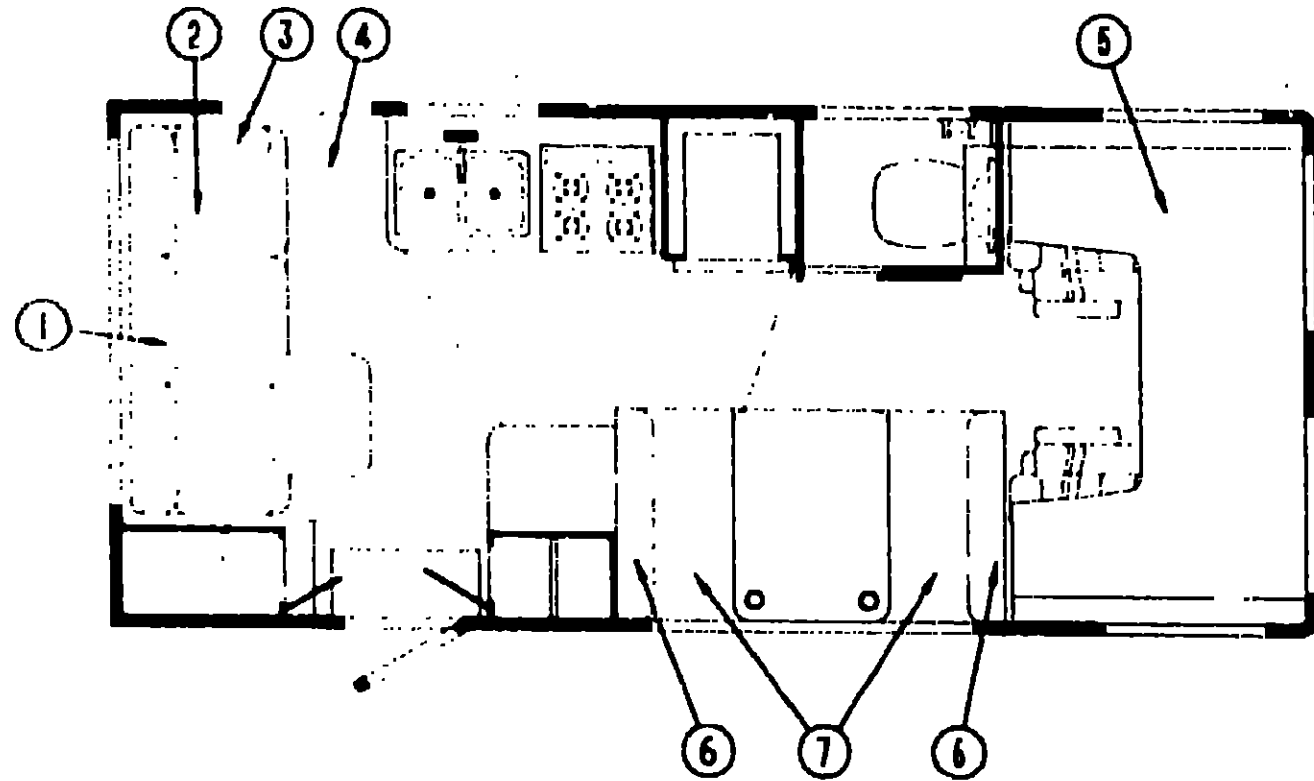
CURTAIN & CUSHION HARDWARE

Key	Part Number	U/M	Description
	083801-01-000	EA	Track - Shower Curtain - Off White
	009701-01-000	EA	Carrier - Shower Curtain
	009702-01-000	EA	End - Stop - Curtain Carrier - Shower
	046867-01-000	EA	Grommet - Brass - 7/16" ID x 1" OD (Shower Curtain)
	009136-01-000	EA	Pin - Shower Curtain
	029092-01-000	EA	Stud - Nickel Finish
	029093-01-000	EA	Eyelot - Nickel Finish
	029155-01-000	EA	Cap - Snap
	029156-01-000	EA	Socket - Snap Fastener
	029130-01-000	EA	Screw - Snap Socket - 8 PH x 5/8"
	088792-02-000	YD	Velcro Tape - Adhesive Backed - Loop - 3/4" - Beige
	048394-02-000	YD	Velcro Tape - Adhesive Backed - Hook - 3/4" - Beige
	089916-01-000	EA	Mount - Window Leg - Black
	101032-01-000	FT	Track - Curtain - Ceiling Mount - White (Valance)
	101033-01-000	FT	Track - Curtain - Low Profile - White
	101033-02-000	EA	End Cap - Track - Clear
	101031-01-000	EA	Tape - Glide - 4.25" Spacing
	095591-02-000	EA	Bracket - Blind - Hold Down w/Pin
	082239-02-000	EA	Brace - Window Valance - Beige - 18.7"
	075943-01-000	EA	Brace - Window Valance - Beige - 20"
	083170-01-000	EA	Bracket - Blind - Right
	083170-02-000	EA	Bracket - Blind - Left
	093475-01-700	EA	Wand - Blind w/Metal Clip - 8" Long
	093475-01-701	EA	End Cap - Blind w/Stud
	084434-01-000	EA	Mounting Bracket - Roller Shade - 1 3/8"
	087253-01-000	EA	Pull - Roller Shade - Clear Plastic
	084433-01-700	EA	Spring - Rewind - Roller Shade
	084432-06-000	EA	Slat - Roller Shade - Plastic
	089522-03-000	EA	Panel - Window Leg - 31.5" Long
	089522-04-000	EA	Panel - Leg - Window - 2.5" Face
	079970-01-000	YD	Tape Mattress - Bunk Cushion - 5/8"
	057534-01-000	EA	Tieback - Door - 6" - Clear Plastic
	078155-01-000	EA	Strip - Dinette Cushion
	102555-01-000	EA	Cleat - Blind Cord - Off White
	103986-01-000	FT	Trim - Valance - U-Channel - .75" Wide - Brass
	105450-02-01A	EA	Track - Curtain - 48" - Aluminum - Off White
	105450-05-01A	EA	Track - Curtain - 79" - Aluminum - Off White
	105450-06-01A	EA	Track - Curtain - 88" - Aluminum - Off White
	085774-01-000	FT	Fastener - Dual Hook - 1" Wide - Adhesive Back - Black
	085774-02-000	FT	Fastener - Dual Loop - 1" Wide - Adhesive Back - Black

1991 1/2 IC321RG INDEX

Floor Plan	A-07 - A-08
Accessories Group	A-09 - A-12
Bath Group	A-13 - A-14
Chassis Group	A-15 - A-17
Curtain, Cushion & Pad Group	A-18 - A-24
Dinette Group	B-01 - B-02
Driver's Compartment Group	B-03 - B-06
Electrical Group	B-07 - B-09
Exterior Body Group	B-10 - B-14
Galley Group	B-15 - B-18
Heating & Air Conditioning Group	B-19 - B-20
Interior Finish Group	B-21 - B-23
Labels Group	B-24 - C-07
LP Group	C-08
Lounge	C-09
Sealants & Fasteners Group	C-10 - C-11
Water & Sewage Group	C-12 - C-14
Window, Vent & Exterior Door Group	C-15 - D-04

CURTAIN, CUSHION & PAD GROUP (CONTINUED)



PRESTO BED COUCH

Key	Part Number	U/M	Description
1	100032-07-B87	EA	Presto Bed - Couch Back
1	100032-07-B88	EA	Presto Bed - Couch Back
1	P00032-07-B07	EA	Cover Asm. - Presto Bed Back
1	P00032-07-B80	EA	Cover Asm. - Presto Bed Back
2	100032-06-B87	EA	Presto Bed - Couch Seat
2	100032-08-B88	EA	Presto Bed - Couch Seat
2	P00032-08-B87	EA	Cover Asm. - Presto Bed Seat
2	P00032-08-B88	EA	Cover Asm. - Presto Bed Seat
3	101236-03-B87	EA	Armrest - Presto Bed - Passenger
3	101236-03-B88	EA	Armrest - Presto Bed - Passenger
3	P01236-03-B87	EA	Cover - Armrest - Presto Bed - Passenger
3	P01236-03-B88	EA	Cover - Armrest - Presto Bed - Passenger
3	101236-04-B87	EA	Armrest - Presto Bed - Driver
3	101236-04-B88	EA	Armrest - Presto Bed - Driver
3	P01236-04-B87	EA	Cover - Armrest - Presto Bed - Driver
3	P01236-04-B88	EA	Cover - Armrest - Presto Bed - Driver
4	081998-99-B87	EA	Cushion Asm. - 22.5" x 14" x 6.5"
4	081998-99-B88	EA	Cushion Asm. - 22.5" x 14" x 6.5"
4	M81998-99-B87	EA	Cover - Cushion Asm.
4	M81998-99-B88	EA	Cover - Cushion Asm.
5	096008-91-000	YD	Fabric - Presto Bed Couch (B87)
5	096008-83-000	YD	Fabric - Presto Bed Couch (B88)
6	101085-06-000	EA	Frame - Base - 74.75"
6	101085-04-000	EA	Frame - Seat - 74.75"
6	101085-05-000	EA	Frame - Back - 74.25"
6	101085-07-000	EA	Frame - Armrest - Passenger
6	101085-08-000	EA	Frame - Armrest - Driver
7	101568-03-000	EA	Bracket Asm. - Armrest - Passenger
7	101568-04-000	EA	Bracket Asm. - Armrest - Driver

CURTAIN, CUSHION & PAD GROUP (CONTINUED)

FRONT BUNK

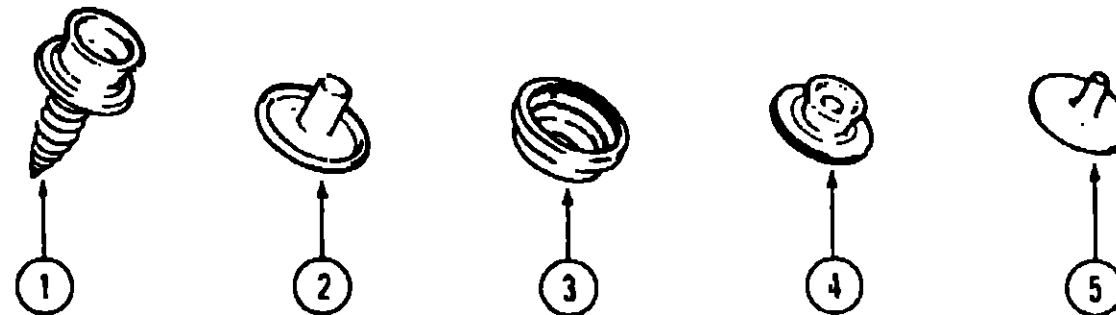
Key	Part Number	U/M	Description
5	084753-22-B87	EA	Cushion - "U" Shaped - 57" x 90" x 5"
5	084753-22-B88	EA	Cushion - "U" Shaped - 57" x 90" x 5"
5	084753-31-B87	EA	Cushion - "U" Shaped - 58" x 92" x 5"
5	084753-31-B88	EA	Cushion - "U" Shaped - 58" x 92" x 5"
	M84753-16-B87	EA	Cover - "U" Shaped Cushion
	M84753-16-B88	EA	Cover - "U" Shaped Cushion
	M84753-31-B87	EA	Cover - "U" Shaped Cushion
	M84753-31-B88	EA	Cover - "U" Shaped Cushion
	084753-19-B87	EA	Cushion - Filler - 54" x 25" x 5"
	084753-19-B88	EA	Cushion - Filler - 54" x 25" x 5"
	084753-32-B87	EA	Cushion - Filler - 59.5" x 26.5"
	084753-32-B88	EA	Cushion - Filler - 59.5" x 26.5"
	M84753-19-B87	EA	Cover - Filler Cushion
	M84753-19-B88	EA	Cover - Filler Cushion
	M84753-32-B87	EA	Cover - Filler Cushion
	M84753-32-B88	EA	Cover - Filler Cushion
	096008-91-000	YD	Fabric - Front Bunk Cushion (B87)
	096008-84-000	YD	Fabric - Front Bunk Cushion (B88)
	079145-08-000	EA	Cushion Asm. - Front Bunk - 27.5" x 74" x 3.5" (L43V & L49F)
	M79145-08-000	EA	Cover - Front Bunk Cushion (L43V & L49F)

* These parts are used from 4/24/91 on.

DINETTE CUSHION

Key	Part Number	U/M	Description
6	088927-79-B87	EA	Cushion Asm. - 14.5" x 38" x 5" - Back
6	088927-79-B88	EA	Cushion Asm. - 14.5" x 38" x 5" - Back
	M88927-79-B87	EA	Cover Asm. - Back - Dinette Cushion
	M88927-79-B88	EA	Cover Asm. - Back - Dinette Cushion
7	088927-87-B87	EA	Cushion Asm. - 23" x 38" x 5" - Seat
7	088927-87-B88	EA	Cushion Asm. - 23" x 38" x 5" - Seat
	M88927-87-B87	EA	Cover Asm. - Seat - Dinette Cushion
	M88927-87-B88	EA	Cover Asm. - Seat - Dinette Cushion
	078155-01-000	EA	Strap Asm. - Cushion Snap
	096008-90-000	YD	Fabric - Dinette Cushion (B87)
	096008-83-000	YD	Fabric - Dinette Cushion (B88)

* These parts were used from 6/27/90 on.



Key	Part Number	U/M	Description
1	C29130-01-000	EA	Screw - Snap Socket - 8 PH x 5/8"
2	029155-01-000	EA	Cap - Snap - .156" Dia. x 17" Barrel
3	029156-01-000	EA	Socket - Snap Fastener
4	029092-01-000	EA	Stud - Nickel Finish
5	029093-01-000	EA	Eyelet - Nickel Finish

**1991 1/2 ITASCA
TABLE OF CONTENTS**

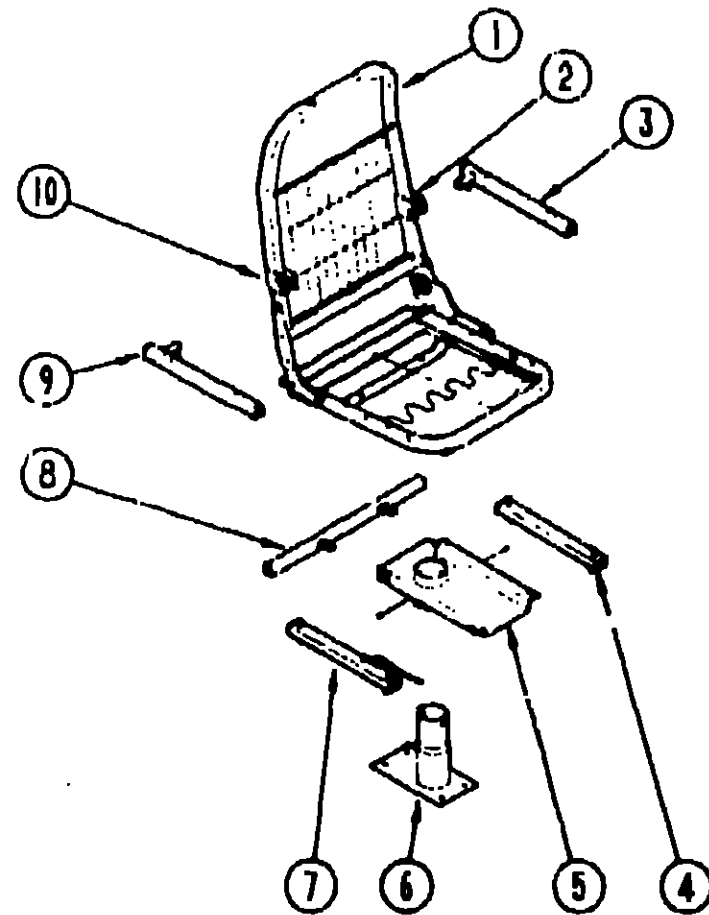
INTRODUCTION	A-01 - A-02
ABBREVIATIONS	A-03
ALPHABETICAL GROUP REFERENCE	A-04 - A-06
IC321RG	A-07 - D-01
IC324RC	D-05 - G-08

1991 1/2 IC321RG INDEX

Floor Plan	A-07 - A-08
Accessories Group	A-09 - A-12
Bath Group	A-13 - A-14
Chassis Group	A-15 - A-17
Curtain, Cushion & Pad Group	A-18 - A-24
Dinette Group	B-01 - B-02
Driver's Compartment Group	B-03 - B-06
Electrical Group	B-07 - B-09
Exterior Body Group	B-10 - B-14
Galley Group	B-15 - B-18
Heating & Air Conditioning Group	B-19 - B-20
Interior Finish Group	B-21 - B-23
Labels Group	B-24 - C-07
LP Group	C-08
Lounge	C-09
Sealants & Fasteners Group	C-10 - C-11
Water & Sewage Group	C-12 - C-14
Window, Vent & Exterior Door Group	C-15 - D-04

CURTAIN, CUSHION & PAD GROUP (CONTINUED)

CURTAIN, CUSHION & PAD GROUP (CONTINUED)



BUCKET SEAT HARDWARE

Key	Part Number	U/M	Description
1	1480906-04-000	EA	Frame Asm. - Seat, Back & Spring
2	1480906-05-000	EA	Frame Asm. - Seat, Back & Spring
3	081362-02-000	EA	Bracket - Armrest - Left Hand
4	101124-02-000	EA	Rod & Channel - Armrest - Left - Metal
5	069246-02-000	EA	Adjuster - Bucket Seat w/o Lock - Forward & Back
6	033481-04-000	EA	Top Plate - Pedestal - Bucket Seats
7	069585-03-000	EA	Base - Bucket Seats - Bolts to Floor - Vertical - 8"
8	069246-05-000	EA	Adjuster - Bucket Seat w/Remote
9	069295-28-000	EA	Bar - Seat Belt - Bucket Seats - 18"
10	101124-01-000	EA	Rod & Channel - Armrest - Right - Metal
	081362-01-000	EA	Bracket - Armrest - Right Hand
	069246-05-700	EA	Spring for Slide Adjuster
	069246-05-701	EA	Clip Only For Cable Asm.
	101125-01-000	EA	Recliner - Seat Back - Left Hand
	089368-04-000	EA	Frame - Cable - Remote Swivel
	089368-05-000	EA	Frame - Cable - Remote Recliner
	081361-01-000	EA	Rod - Armrest - Metal

These parts are used from 6/3/91 on

FABRICS & CARPET

Key	Part Number	U/M	Description
	072333-82-000	YD	Fabric - Drapery - Mushroom (Privacy)
	096008-90-000	YD	Fabric - Upholstery - Main - Patterned (B87)
	096008-83-000	YD	Fabric - Upholstery - Main - Patterned (B88)
	096008-92-000	YD	Fabric - Upholstery - Accent - Plain (B87)
	096008-85-000	YD	Fabric - Upholstery - Accent - Plain (B88)
	096008-91-000	YD	Fabric - Upholstery - Accent - Patterned (B87)
	096008-84-000	YD	Fabric - Upholstery - Accent - Patterned (B88)
	072333-67-000	YD	Fabric - Speaker Cover
	075244-04-000	YD	Vinyl - Shower Curtain - Salmon (B07)
	075244-05-000	YD	Vinyl - Shower Curtain - Blue (B88)
	079680-09-000	YD	Vinyl - Off White (Headliner)
	103907-01-01A	YD	Vinyl - Off White (Headliner)
	096060-21-000	YD	Carpet - Palm Orchid (B87)
	096060-23-000	YD	Carpet - Sand (B88)
	076314-02-000	FT	Tape - Heat Bonded - Carpet Seam
	047034-02-000	SF	Plastic Runner - Carpet - 4' Wide - Clear
	085746-01-000	FT	Trim - "J" - Carpet - PVC - Beige
	084415-31-000	FT	Trim - Braid - Curtain - Plum (B87)
	084415-30-000	FT	Trim - Braid - Curtain - Blue (B88)

These parts were used from 4/17/91 on.
NOTE: Replace vinyl flooring locally.

BUCKET SEAT CUSHIONS

Key	Part Number	U/M	Description
	093450-17-B87	EA	Seat Asm. - Bucket - Driver
	093450-17-B88	EA	Seat Asm. - Bucket - Driver
	093450-18-B87	EA	Seat Asm. - Bucket - Passenger
	093450-18-B88	EA	Seat Asm. - Bucket - Passenger
	M03445-23-B87	EA	Cover - Seat - Bucket Seat
	M03445-23-B88	EA	Cover - Seat - Bucket Seat
	M03445-22-B87	EA	Cover - Back - Bucket Seat
	M03445-22-B88	EA	Cover - Back - Bucket Seat
	080243-41-B87	EA	Armrest - Bucket Seat - Right Hand
	080243-41-B88	EA	Armrest - Bucket Seat - Right Hand
	M80243-41-B87	EA	Cover - Right Armrest - Bucket Seat
	M80243-41-B88	EA	Cover - Right Armrest - Bucket Seat
	090243-42-B87	EA	Armrest - Bucket Seat - Left Hand
	090243-42-B88	EA	Armrest - Bucket Seat - Left Hand
	M80243-42-B87	EA	Cover - Left Armrest - Bucket Seat
	M80243-42-B88	EA	Cover - Left Armrest - Bucket Seat
	071126-24-B87	EA	Skin Asm. - Single Bucket
	071126-24-B88	EA	Skirt Asm. - Single Bucket

**1991 1/2 ITASCA
TABLE OF CONTENTS**

INTRODUCTION	A-01 - A-02
ABBREVIATIONS	A-03
ALPHABETICAL/GROUP REFERENCE	A-04 - A-06
IC321RG	A-07 - D-04
IC321RC	D-05 - G-08

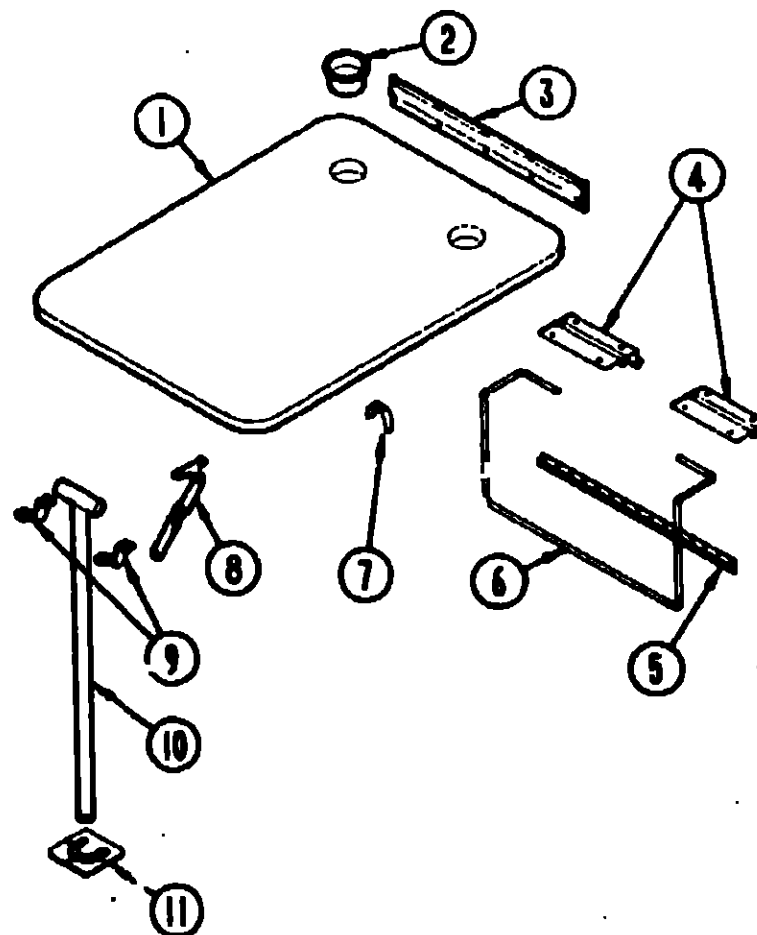
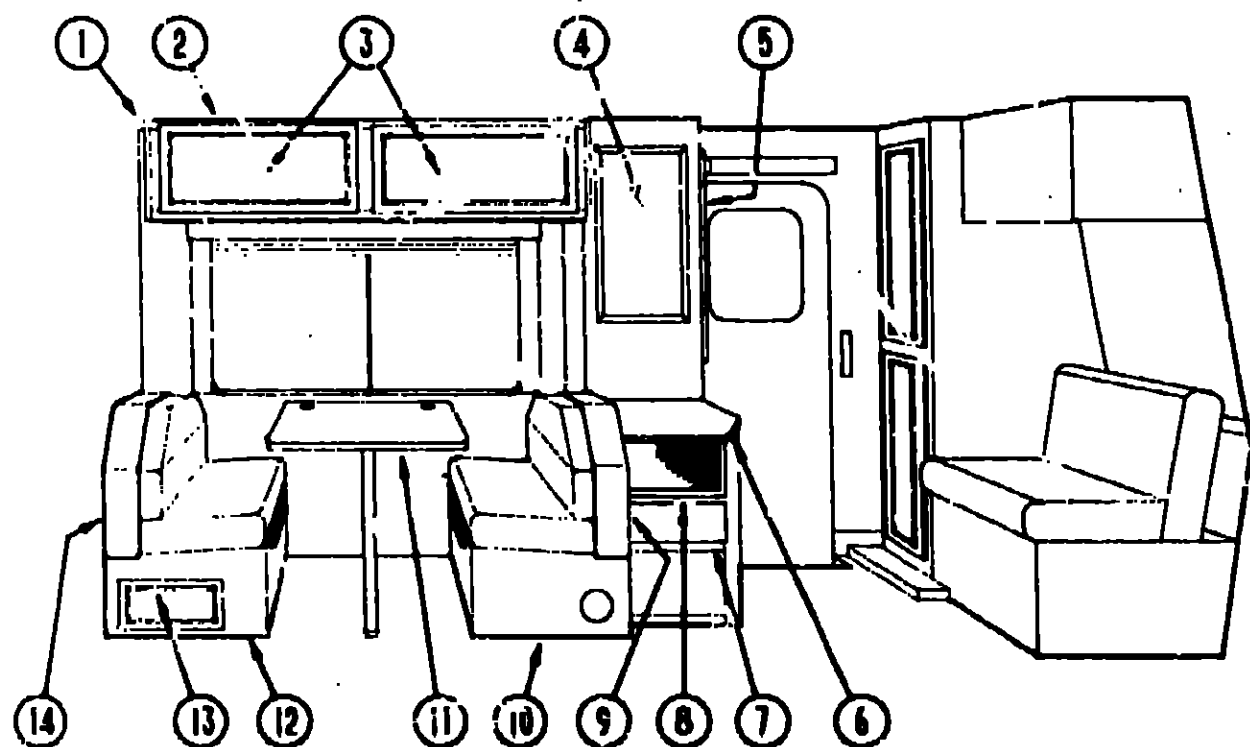
1991 1/2 IC321RG INDEX

Floor Plan	A-07 - A-08
Accessories Group	A-09 - A-12
Bath Group	A-13 - A-14
Chassis Group	A-15 - A-17
Curtain, Cushion, & Pad Group	A-18 - A-24
Dinette Group	B-01 - B-02
Driver's Compartment Group	B-03 - B-06
Electrical Group	B-07 - B-09
Exterior Body Group	B-10 - B-14
Galley Group	B-15 - B-18
Heating & Air Conditioning Group	B-19 - B-20
Interior Finish Group	B-21 - B-23
Labels Group	B-24 - C-07
LP Group	C-08
Lounge	C-09
Sealants & Fasteners Group	C-10 - C-11
Water & Sewage Group	C-12 - C-14
Window, Vent & Exterior Door Group	C-15 - D-04

DINETTE GROUP

DINETTE GROUP (CONTINUED)

1991 1/2 ITASCA TABLE OF CONTENTS



INTRODUCTION	A-01 - A-02
ABBREVIATIONS	A-03
ALPHABETICAL/GROUP REFERENCE	A-04 - A-06
IC321RG	A-07 - D-04
IC324RC	D-05 - G-08

DINETTE CABINETRY

Key	Part Number	U/M	Description
1	081280-18-B27	EA	End Cap - Front Overhead
2	M05150-11-B87	EA	Cabinet - Dinette Overhead - w/o Door or Hardware
3	P03702-26-B87	EA	Door Asm. - Dinette Overhead Cabinet - 14.4" x 33.5" - w/o Hardware
4	093446-05-B27	EA	Mirror Asm. - w/Oak Frame - 15.2" x 29.3"
	058331-32-000	EA	Glass - Mirror - 13.6" x 27.8"
5	P03702-53-B87	EA	Door Asm. - Wardrobe Cabinet - 15.5" x 45.5" - w/o Hardware
6	096955-11-B87	EA	Countertop Asm. - Furnace Cabinet - w/o Hardware
7	P03702-D1-B87	EA	Drawer Face - Furnace Cabinet - 6.3" x 16.06" - w/o Hardware
	077251-01-000	EA	Drawer - Tiltout - Plastic
8	P03702-50-B87	EA	Door Asm. - Furnace Cabinet - 17.9" x 14.4" - w/o Hardware
	072369-47-000	EA	Mesh - Expanded Aluminum - Bronze - 25.4" x 11.6"
9	M03997-02-B27	EA	Cabinet Asm. - Dinette Back - Rear - w/o Hardware
9	081519-16-B87	EA	Pad Asm. - Dinette - Rear
9	081519-16-B88	EA	Pad Asm. - Dinette - Rear
10	M03997-02-B27	EA	Cabinet Asm. - Dinette Seat - Rear - w/o Hardware
11	M02115-09-B87	EA	Table Asm. - Dinette - w/o Hardware or Edge Band
	076325-28-000	FT	Molding - Edge Band - 1 5/16" - Rose
	076325-34-000	FT	Molding - Edge Band - 1 5/16" - Lavender
12	M03997-03-B87	EA	Cabinet Asm. - Dinette Seat - Front - w/o Door or Hardware
13	P03702-13-B87	EA	Door Asm. - Dinette Seat - 10" x 19" - w/o Hardware
14	M03997-01-B27	EA	Cabinet Asm. - Dinette Back - Front - w/o Hardware
	102799-01-000	EA	Coffeemaker - Almond (Option L26U)
	104610-01-000	EA	Strap Asm. - Coffeemaker (Option L26U)
14	081519-17-B87	EA	Pad Asm. - Dinette - Front
14	081519-17-B88	EA	Pad Asm. - Dinette - Front
	007021-01-000	EA	Seat Belt - 2" x 90" - Black
	057759-01-000	EA	Washer Bracket - Seat Belt
	000039-06-00B	EA	Hex Nut - Ser. Fig. LK - 3/8 - 16 ZN

See the next page for the breakdown of this item.

NOTE: See Curtain, Cushion & Pad Group for all fabric related items.

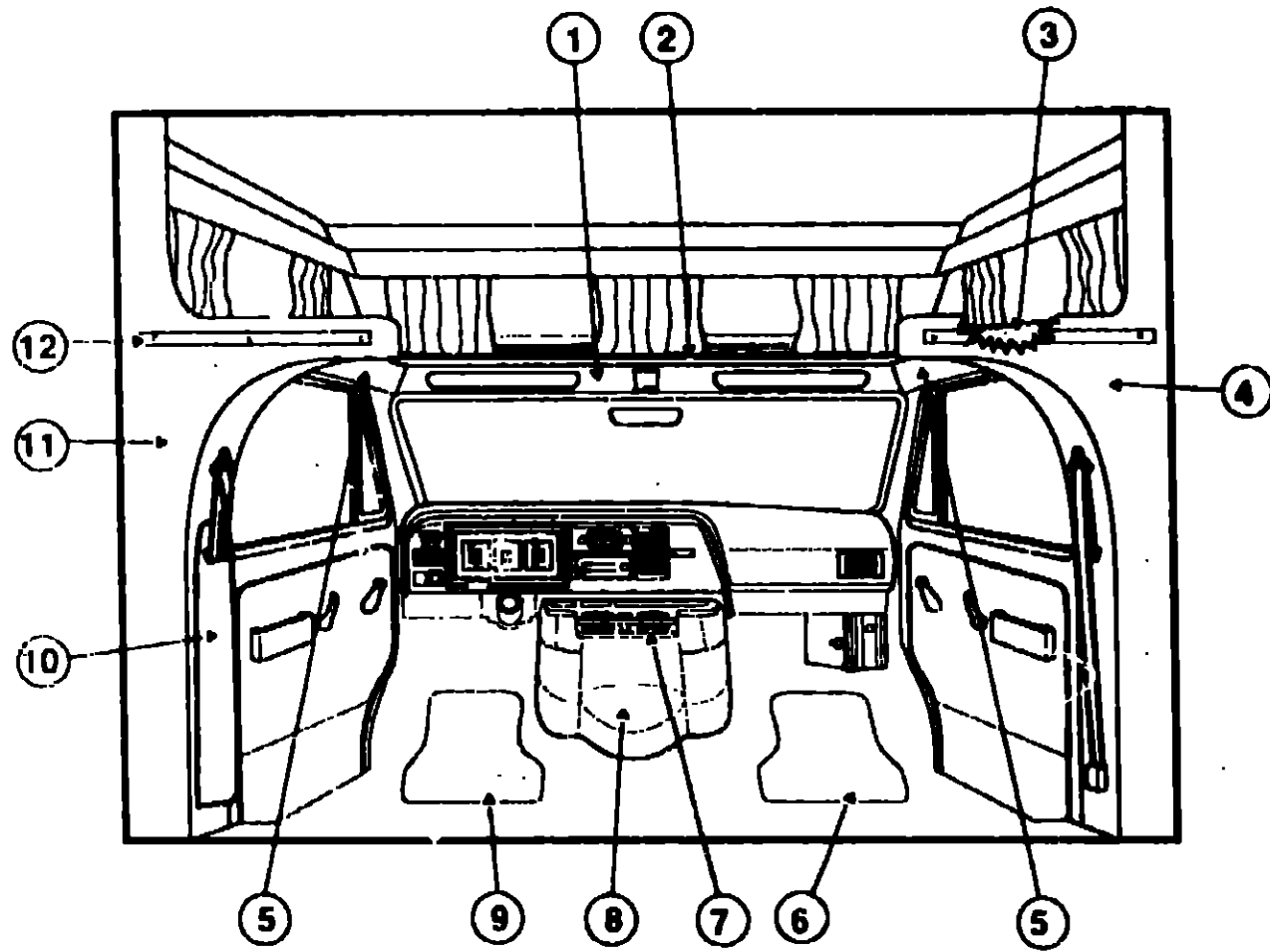
DINETTE TABLE & HARDWARE

Key	Part Number	U/M	Description
1	M02115-09-B87	EA	Table - Dinette - w/o Hardware or Edge Band
	076325-28-000	FT	Molding - Edge Band - 1 5/16" - Rose
	076325-34-000	FT	Molding - Edge Band - 1 5/16" - Lavender
2	0C4781-08-000	EA	Cup Holder - Two Step - Beige
3	053200-05-000	EA	Support - Table - 23.5" - Beige
4	088410-01-000	EA	Hanger - Table - Beige
5	024281-07-000	EA	Bracket - Table Lift
6	024275-05-000	EA	Rod - Table Lift - Beige
7	024283-01-000	EA	Clip - 1" - 1.25" - OD Tube - Black
8	024282-01-000	EA	Brace Table Leg
9	064050-03-000	EA	Clamp - Saddle - Leg Hinge - Beige
10	024276-21-000	EA	Leg Asm. - Table - Beige
11	049493-01-000	EA	Catch - Table Leg
	081295-01-AA8	EA	Support - Base - Dinette

1991 1/2 IC321RG INDEX

Floor Plan	A-07 - A-08
Accessories Group	A-09 - A-12
Bath Group	A-13 - A-14
Chassis Group	A-15 - A-17
Curtain, Cushion & Pad Group	A-18 - A-24
Dinette Group	B-01 - B-02
Driver's Compartment Group	B-03 - B-06
Electrical Group	B-07 - B-09
Exterior Body Group	B-10 - B-14
Galley Group	B-15 - B-18
Heating & Air Conditioning Group	B-19 - B-20
Interior Finish Group	B-21 - B-23
Labels Group	B-24 - C-07
LP Group	C-08
Lounge	C-09
Sealants & Fasteners Group	C-10 - C-11
Water & Sewage Group	C-12 - C-14
Window, Vent & Exterior Door Group	C-15 - D-04

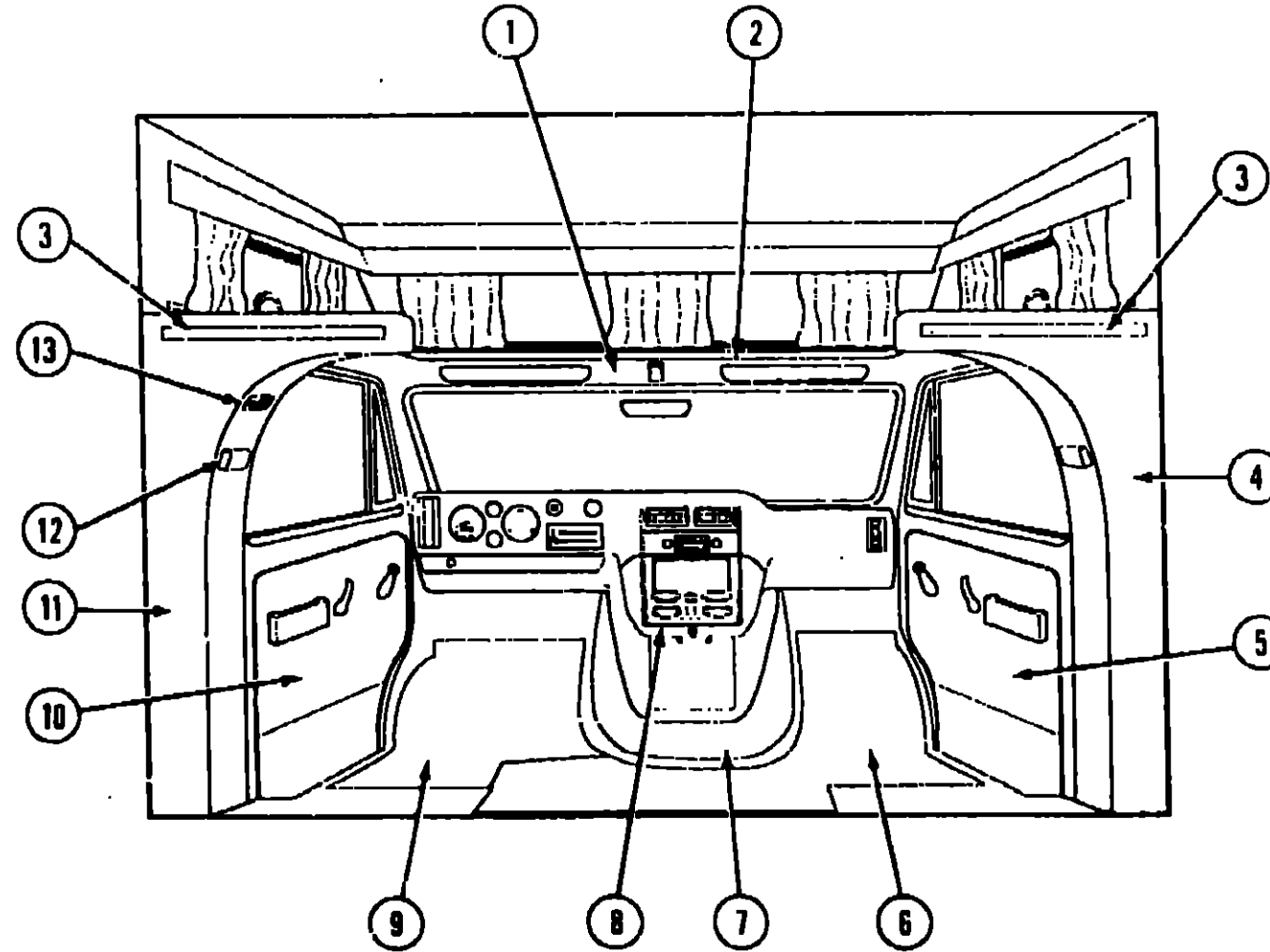
DRIVER'S COMPARTMENT GROUP



MISCELLANEOUS DRIVER'S COMPARTMENT COMPONENTS (FORD)

Key	Part Number	U/M	Description
1	091831-01-B05	EA	Headliner - Front - Off White Vinyl
	098703-01-B05	EA	Sleeper Board Asm.
2	079800-04-000	EA	Trim - Front Sleeper Board - Metal - Off White
2	080742-03-000	FT	Accent Trim - Off White Vinyl
3	096208-01-B27	FA	Cabinet Asm. - Headboard
4	096244-01-B27	EA	Wingwall Asm. - Inner - Passenger - Off White
5	091825-02-AA5	EA	Headliner - Sides - Off White Vinyl
6	083219-03-000	EA	Floor Mat - Passenger
7	099857-01-B27	EA	Beverage Tray
8	069885-16-B87	EA	Motor Cover w/Pocket
8	069885-16-B88	EA	Motor Cover w/Pocket
9	083219-04-000	EA	Floor Mat - Driver
10	091871-05-000	EA	Seat Belt Cover - Off White
11	096244-02-B27	EA	Wingwall Asm. - Inner - Driver - Off White
12	082069-03-B27	EA	Wood Trim - Wingwall - 15.8"
	074045-07-000	EA	Oak Plug - 1/2"
	094795-02-000	EA	Instrument Cluster - Kilometer - Gas
	094797-04-000	EA	Instrument Cluster - Kilometer - Diesel
	082071-10-B05	EA	Pad - Vinyl Covered - 6.6" x 28" - Off White
	082081-27-B05	EA	Pad - Vinyl Covered - 1.5" x 52" - Off White
	024461-01-000	EA	Switch - Battery

DRIVER'S COMPARTMENT GROUP (CONTINUED)



MISCELLANEOUS DRIVER'S COMPARTMENT COMPONENTS (CHEVROLET)

Key	Part Number	U/M	Description
1	091877-01-B05	EA	Headliner - Front - Off White Vinyl
	091825-02-AA5	EA	Headliner - Sides - Off White Vinyl
	096208-01-B27	EA	Cabinet Asm. - Headboard
	098703-01-B05	EA	Sleeper Board Asm.
2	079800-04-000	EA	Trim - Front Sleeper Board - Metal - Off White
2	080742-03-000	FT	Accent Trim - Off White Vinyl
3	082069-03-B27	EA	Wood Trim - Wingwall - 15.8"
	074045-07-000	EA	Oak Plug - 1/2"
4	097176-01-B27	EA	Wingwall Asm. - Inner - Passenger - Off White
5	059491-01-B87	EA	Side Panel - Cab Door - Passenger
5	059491-01-B88	EA	Side Panel - Cab Door - Passenger
6	083218-03-000	EA	Floor Mat - Front Passenger
7	074891-07-B87	EA	Motor Cover w/Pocket
7	074891-07-B88	EA	Motor Cover w/Pocket
8	100516-01-B27	EA	Beverage Tray
9	083218-04-000	EA	Floor Mat - Front Driver
10	059492-01-B87	EA	Side Panel - Cab Door - Driver
10	059492-01-B88	EA	Side Panel - Cab Door - Driver
11	097176-02-B27	EA	Wingwall Asm. - Inner - Driver - Off White
12	076302-03-000	EA	Seat Belt - Driver or Passenger
13	046885-01-000	EA	Plaque - Switch
13	024461-01-000	EA	Switch - Battery
13	008277-01-000	EA	Fuse Holder
	094797-04-000	EA	Cluster - Instrument - Kilometer - Diesel
	094797-03-000	EA	Cluster - Instrument - Kilometer - Gas
	082081-C6-B85	EA	Pad - Vinyl Covered - 1.5" x 29" - Off White

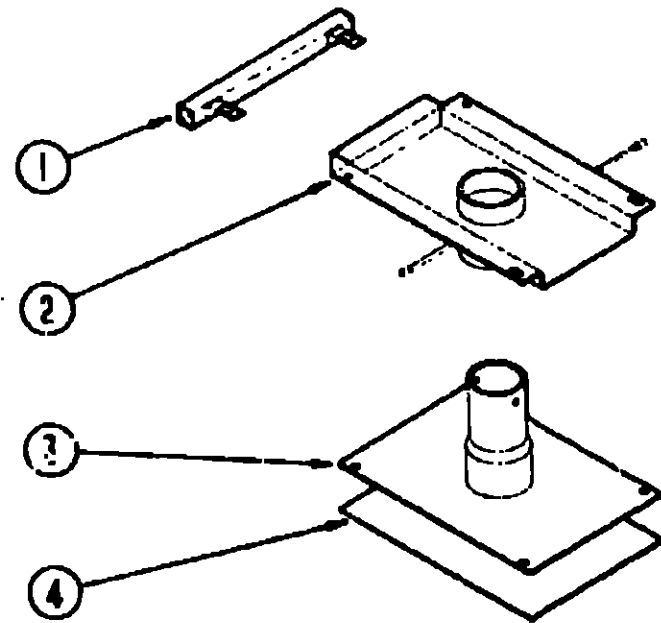
**1991 1/2 ITASCA
TABLE OF CONTENTS**

INTRODUCTION	A-01 - A-02
ABBREVIATIONS	A-03
ALPHABETICAL/GROUP REFERENCE	A-04 - A-06
IC321RG	A-07 - D-01
IC324RC	D-05 - G-08

1991 1/2 IC321RG INDEX

Floor Plan	A-07 - A-08
Accessories Group	A-09 - A-12
Bath Group	A-13 - A-14
Chassis Group	A-15 - A-17
Curtain, Cushion & Pad Group	A-18 - A-24
Dinette Group	B-01 - B-02
Driver's Compartment Group	B-03 - B-06
Electrical Group	B-07 - B-09
Exterior Body Group	B-10 - B-14
Galley Group	B-15 - B-18
Heating & Air Conditioning Group	B-19 - B-20
Interior Finish Group	B-21 - B-23
Labels Group	B-24 - C-07
LP Group	C-08
Lounge	C-09
Sealants & Fasteners Group	C-10 - C-11
Water & Sewage Group	C-12 - C-14
Window, Vent & Exterior Door Group	C-15 - D-04

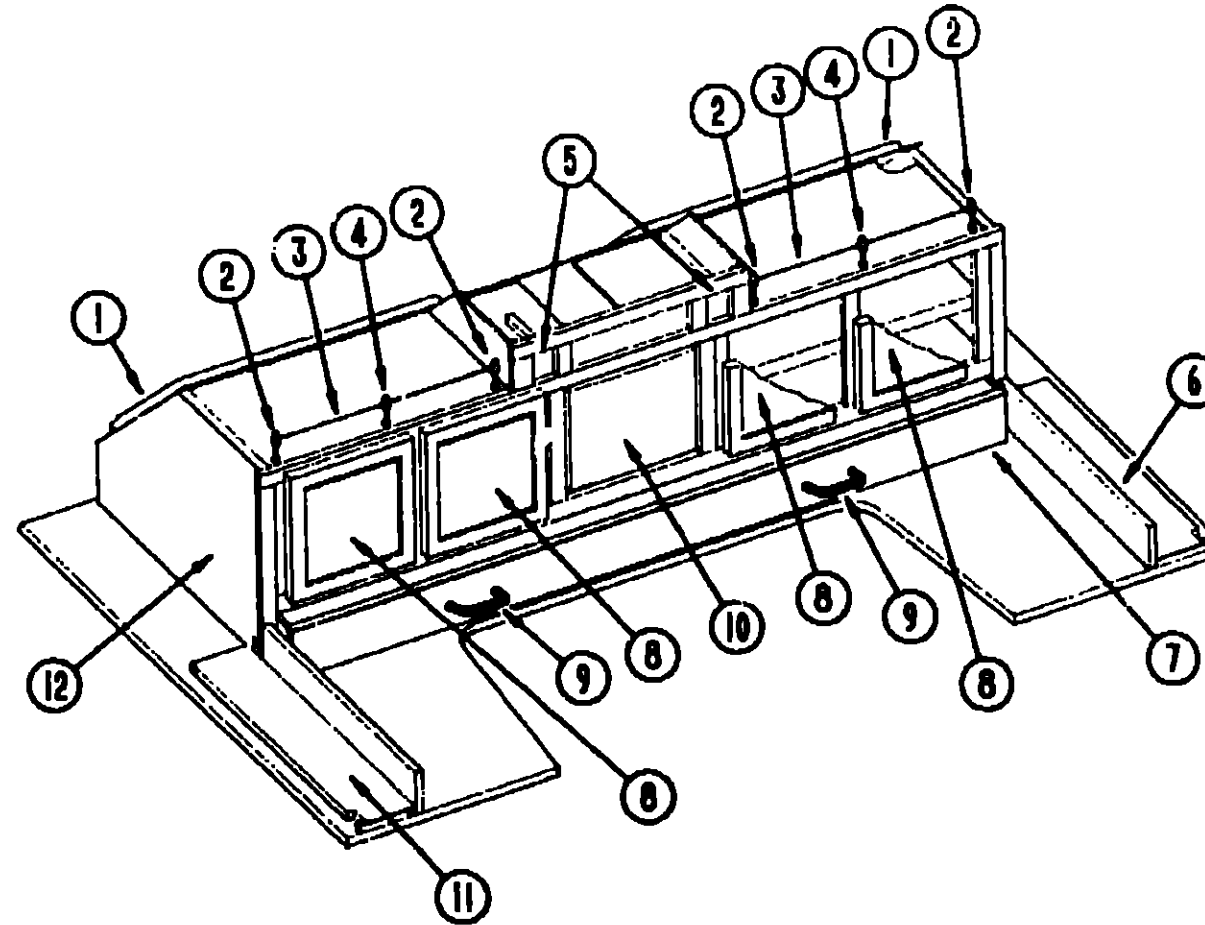
DRIVER'S COMPARTMENT GROUP (CONTINUED)



BUCKET SEAT PEDESTAL & SEAT BELTS

Key	Part Number	U/M	Description
1	069585-28-000	EA	Bar - Seat Belt - 18"
2	093481-04-000	EA	Plate - Top - Pedestal Asm.
3	069585-03-000	EA	Plate - Sub - Pedestal Asm.
4	069585-02-000	EA	Plate - Base - Pedestal Asm. - Bucket Seal
	063246-02-000	EA	Adjuster Asm. - Seat - w/o Lock
	069246-05-000	EA	Adjuster Asm. w/Remote
	069246-05-700	EA	Spring For Slide Adjuster
	069246-05-701	EA	Clip - For Cable Asm. Only

DRIVER'S COMPARTMENT GROUP (CONTINUED)



TV & ENTERTAINMENT CABINETRY (OPTIONS L43V & L49F)

Key	Part Number	U/M	Description
1	099879-01-01A	EA	Panel - Window - Black Plastic
2	084070-02-000	EA	Post - End - Brass
3	084071-06-000	EA	Rod - Brass - 25"
4	084070-01-000	EA	Post - Center - Brass
5	072333-67-000	YD	Fabric - Speaker Cover
	098819-01-000	EA	Speaker - 2 Watt - 8 OHM - 4"
	074979-11-000	EA	Cover - Speaker - Plastic - Off White
6	099687-01-B27	EA	Cabinet - Headboard - Passenger
7	099639-01-B87	EA	Drawer - Entertainment - Front
	079145-08-000	EA	Cushion - Front Bunk - 25" x 17" x 3.5"
8	P03702-70-B87	EA	Door - Cabinet - 13.9" x 13.9" - w/o Hardware
9	103857-01-000	EA	Pull - Drawer - 3" - Brass
10	098447-01-000	EA	TV - 13" Color w/Remote (US) RX4029WA
10	098447-02-000	EA	TV - 13" Color w/Remote (CSA) XK4029CH
	098447-01-700	EA	Remote Control - TV
#10	098447-03-000	EA	TV - 13" Color w/Remote - Magnavox (US) RR1337W
#10	098447-04-000	EA	TV - 13" Color w/Remote - Magnavox (CSA) RR1330W
	098447-03-700	EA	Remote Control - TV
	098446-02-000	EA	VCR - VHS - Cable Ready w/Remote - Magnavox VR9912
	098446-02-700	EA	Remote Control - VCR
	098446-03-000	EA	VCR - VHS - Cable Ready w/Remote - Magnavox VR9010
	098446-03-700	EA	Remote Control - VCR
	019856-01-000	EA	Tiedown - TV - 53.1" x 1" - Black
11	099687-02-B27	EA	Cabinet - Headboard - Driver
12	099445-01-B27	EA	Cabinet - Entertainment - Front

* See Curtain, Cushion & Pad Group for further breakdown of this item.
 # These parts were used from 6/24/91 on.
 † These parts were used from 7/22/91 on.

**1991 1/2 ITASCA
TABLE OF CONTENTS**

INTRODUCTION	A-01 - A-02
ABBREVIATIONS	A-03
ALPHABETICAL/GROUP REFERENCE	A-04 - A-06
IC321RG	A-07 - D-04
IC324RC	D-05 - G-08

1991 1/2 IC321RG INDEX

Floor Plan	A-07 - A-08
Accessories Group	A-09 - A-12
Bath Group	A-13 - A-14
Chassis Group	A-15 - A-17
Curtain, Cushion & Pad Group	A-18 - A-24
Dinette Group	B-01 - B-02
Driver's Compartment Group	B-03 - B-06
Electrical Group	B-07 - B-09
Exterior Body Group	B-10 - B-14
Galley Group	B-15 - B-18
Heating & Air Conditioning Group	B-19 - B-20
Interior Finish Group	B-21 - B-23
Labels Group	B-24 - C-07
LP Group	C-08
Lounge	C-09
Sealants & Fasteners Group	C-10 - C-11
Water & Sewage Group	C-12 - C-14
Window, Vent & Exterior Door Group	C-15 - D-04

ELECTRICAL GROUP

WIRES, SWITCHES, & RECEPTACLES

Key	Part Number	U/M	Description
	008288-01-000	EA	Box - Electrical - 3" x 3 5" - Plastic
	093603-01-000	EA	Box - Electrical - 4" x 2 1/8" x 2 1/8"
	008289-01-000	EA	Box - Electrical - 4" x 4" - 1/2 & 3/4 Steel (US)
	008289-02-000	EA	Box - Electrical - 4" x 4" (CSA)
	058049-01-000	EA	Box - Electrical - 2" x 3" x 2.25" - Steel
	008037-01-000	EA	Cable - Battery - 1 AWG - Stranded - Black
	041953-01-000	FT	Conduit - Convolute Slit - 5" ID
	041953-03-000	FT	Conduit - Convolute Slit - 1" ID
	041953-05-000	FT	Conduit - Convolute Slit - .62" ID
	041953-07-000	FT	Conduit - Convolute Slit - .25" ID
	041953-09-000	FT	Conduit - Convolute Slit - .50" ID
	041953-10-000	FT	Conduit - Convolute Slit - .75" ID
	041953-11-000	FT	Conduit - Convolute Slit - 1.06" ID
	008355-01-000	EA	Connector - Cable Clamping - 3/4"
	008356-01-000	EA	Connector - Plastic - 3/8" Avg.
	058028-01-000	EA	Connector - Pigtail - Clear Nylon
	008311-01-000	EA	Connector - Wire Nut - Red
	008314-01-000	EA	Connector - Wire Nut - Gray
	031967-01-000	EA	Contact - Receptacle
	008054-01-000	EA	Cord - Power - 10-3 30 Amp. - 25' (US)
	008052-01-000	EA	Cord - Power - 10-3 30 Amp. - 25' (CSA)
	008294-01-000	EA	Cover Plate - Electrical Box - Blank Steel - 4" x 4" (US)
	008294-02-000	EA	Cover Plate - Electrical Box - Blank Steel - 4" x 4" (CSA)
	053337-01-000	EA	Cover Plate - Blank - Ivory
	008384-01-000	EA	Grommet - Snap - 3" Dia.
	023942-01-000	EA	Grommet - Rubber - 2" OD
	062037-01-000	EA	Housing - Auto Fuse - Natural
	063910-01-000	EA	Housing - Relay
	088474-09-000	EA	Housing - Socket
	097744-01-000	EA	Housing - Trailer Pin - 12"
	097744-02-000	EA	Housing - Trailer Pin - 48"
	097746-01-000	EA	Housing Asm. - Trailer Cap
	097745-01-000	EA	Housing Asm. - Trailer Receptacle - 12"
	088473-05-000	EA	Housing Pin - 6 Position In Line
	088473-08-000	EA	Housing Pin - 4 Position
	088473-10-000	EA	Housing Pin - 2 Position
	088474-08-000	EA	Housing Socket - 4 Position
	088474-09-000	EA	Housing Socket - 6 Position
	088475-01-000	EA	Pin - Connector
	046885-01-000	EA	Plaque - Mounting Switch
	075736-02-000	EA	Receptacle/Cover Asm. - Off White (Exterior)
	084077-01-000	EA	Receptacle Cover - Ivory (Ground Fault Interrupter)
	084077-02-000	EA	Receptacle Cover - Brown (Ground Fault Interrupter)
	084076-02-000	EA	Receptacle - 15 Amp. - 125 Volt - Brown (Ground Fault Interrupter)
	084076-01-000	EA	Receptacle - 15 Amp. - 125 Volt - Ivory (Ground Fault Interrupter)
	024924-02-000	EA	Receptacle - Power Cord
	058707-01-000	EA	Receptacle - Single - Brown
	007940-01-000	EA	Receptacle - Single - 16 to 12 Awg.
	058708-02-000	EA	Receptacle - Double Electrical - Ivory
	058708-01-000	EA	Receptacle - Double Electrical - Brown
	097734-01-01A	EA	Extension - Receptacle - Ivory (CSA)
	097734-01-02A	EA	Extension - Receptacle - Brown (CSA)

ELECTRICAL GROUP (CONTINUED)

WIRES, SWITCHES & RECEPTACLES (CONTINUED)

Key	Part Number	U/M	Description
	088476-01-000	EA	Socket - Connector
	008188-01-000	EA	Solenoid - 3 Post - Battery Change Over
	024461-01-000	EA	Switch - Battery
	008195-01-000	EA	Switch - Push Button - 12 Volt
	098351-02-01A	EA	Switch Plate - 2 Gang - Polished Brass
	079364-01-000	EA	Switch - On/Off Rocker - Brown
	047443-01-000	EA	Terminal - .250 Receptacle Fit - Insulated - 16/14 AWG
	008326-01-000	EA	Terminal Ring - 16/14 Wire - 3/8" Stud
	035416-04-000	EA	Terminal Ring - #10 Stud Fit
	008328-01-000	EA	Terminal Ring - 12/10 Wire
	008348-01-000	EA	Terminal Ring - 2 - 3/8 Stud
	008331-01-000	EA	Terminal Ring - 4 - 3/8 Stud
	062036-02-000	EA	Terminal - Pack - Con - 16/14 AWG
	008026-01-000	FT	Wire - 12/2 Romex w/Ground
	008343-01-000	EA	Wire Tie - 6"

EXTERIOR LIGHTS

Key	Part Number	U/M	Description
	042405-01-000	EA	Lens - Side Marker/Clearance Light - w/Reflex - Red
	042405-02-000	EA	Lens - Side Marker Light - w/Reflex - Amber
	042405-03-000	EA	Base - Clearance Light - Rectangular
	091983-01-000	EA	Gasket - Light - Side Marker
	008213-01-000	EA	Bulb - 12 Volt - #57
	062740-04-000	EA	Wedge - Tail Light - Plastic - Passenger Side - Off White
	062742-04-000	EA	Wedge - Tail Light - Plastic - Driver Side - Off White
	007309-01-000	EA	Light - License Plate
	059540-01-000	EA	Bracket - License Plate
	058032-02-000	EA	Tail Lamp - 2 Bulb - Black Bezel
	058032-02-700	EA	Lens - Tail Lamp - w/Backup - Red
	058032-02-701	EA	Lens - Tail Lamp - w/o Backup - Red
	037935-01-000	EA	Bulb - Tail Lamp - #1157 - 12 Volt
	097917-01-01A	EA	Light - Porch/Entry Door - Off White (US)
	097917-01-700	EA	Lens - Porch Light
	008215-01-000	EA	Bulb - Porch Light
	008089-02-000	EA	Porch Light - Recessed (CSA)
	008089-01-700	EA	Lens - Porch Light
	008215-01-000	EA	Bulb - Porch Light
	100138-01-000	EA	Module - Daytime Running Lights
	100159-02-000	EA	Wire Asm. - Daytime Running Lights (Ford)
	100159-03-000	EA	Wire Asm. - Daytime Running Lights (Chevrolet)

INTERIOR LIGHTS

Key	Part Number	U/M	Description
	098024-01-01A	EA	Dome Light - 1 Bulb - Ivory
	098024-03-01A	EA	Dome Light - 2 Bulb - Ivory
	098024-01-700	EA	Lens - Dome Light
	008218-01-000	EA	Bulb - Dome Light - 12 Volt - #1141
	086280-01-000	EA	Light - Surface Mount - 12 Volt
	086280-01-700	EA	Bulb - 12 Volt - 6 Watt

1991 1/2 ITASCA TABLE OF CONTENTS

INTRODUCTION	A-01 - A-02
ABBREVIATIONS	A-03
ALPHABETICAL/GROUP REFERENCE	A-04 - A-06
IC321RG	A-07 - D-04
IC324RC	D-05 - G-08

1991 1/2 IC321RG INDEX

Floor Plan	A-07 - A-08
Accessories Group	A-09 - A-12
Bath Group	A-13 - A-14
Chassis Group	A-15 - A-17
Curtain, Cushion & Pad Group	A-18 - A-24
Dinette Group	B-01 - B-02
Driver's Compartment Group	B-03 - B-06
Electrical Group	B-07 - B-09
Exterior Body Group	B-10 - B-14
Galley Group	B-15 - B-18
Heating & Air Conditioning Group	B-19 - B-20
Interior Finish Group	B-21 - B-23
Labels Group	B-24 - C-07
LP Group	C-08
Lounge	C-09
Sealants & Fasteners Group	C-10 - C-11
Water & Sewage Group	C-12 - C-14
Window, Vent & Exterior Door Group	C-15 - D-04

ELECTRICAL GROUP (CONTINUED)

BULBS

Key	Part Number	U/M	Description
	092696-01-709	EA	Bulb - 912 (Stove Hood)
	008215-01-000	EA	Bulb - 1003 (Porch Light)
	008218-01-000	EA	Bulb - 1141 (Dome Light)
	037934-01-000	EA	Bulb - 1156 (Back-Up Light)
	037935-01-000	EA	Bulb - 1157 (Tail Lamp)
	084880-01-706	EA	Bulb - DC Light (Refrigerator) (Export)
	088737-01-710	EA	Bulb - 30W (Microwave Oven)
	086280-01-700	EA	Bulb - 12 Volt - 6 Watt (Surface Light)
	008213-01-000	EA	Bulb - 57 (Clearance Light)

FUSES & CIRCUIT BREAKERS

Key	Part Number	U/M	Description
	008235-01-000	EA	Fuse - 12 Volt - 15 Amp.
	062901-05-000	EA	Fuse - 15 Amp. - Automotive
	008211-01-000	EA	Circuit Breaker - 6 Amp. - 12 Volt
	083209-01-000	EA	Circuit Breaker - 15 Amp. 120 Volt
	083210-02-000	EA	Circuit Breaker - 15 Amp. - 120 Volt (Ground Fault Interrupter)
	083209-02-000	EA	Circuit Breaker - 15/15 Amp. - 120 Volt
	083209-03-000	EA	Circuit Breaker - 15/20 mp. - 120 Volt
	033573-01-000	EA	Circuit Breaker - 20 Amp. - 12 Volt
	094811-01-000	EA	Circuit Breaker - 20/20 Amp. - 120 Volt
	008268-01-000	EA	Circuit Breaker - 30 Amp. - 12 Volt
	083209-04-000	EA	Circuit Breaker - 20 Amp. - 120 Volt
	083209-06-000	EA	Circuit Breaker - 30/15 Amp. - 120 Volt
	094810-01-000	EA	Circuit Breaker - 30/30 Amp. - 120 Volt (Export)
	083209-08-000	EA	Circuit Breaker Blank
	050283-02-000	EA	Circuit Breaker - Buss Bar
	100341-01-000	EA	Fuse Holder - In Line Type
	008277-01-000	EA	Fuse Holder - Black - Panel Mount

MISCELLANEOUS ELECTRICAL COMPONENTS

Key	Part Number	U/M	Description
	072852-01-000	EA	Smoke Detector w/9 Volt Battery (US)
	072852-02-000	EA	Smoke Detector w/9 Volt Battery (CSA)
	083208-01-000	EA	Converter - 32 Amp. w/Charger
	094809-01-000	EA	Load Center - 240 Volt - 125 Amp. (Export)

EXTERIOR BODY GROUP

SHEET FIBERGLASS, ALUMINUM & STYROFOAM

Key	Part Number	U/M	Description
	044487-01-001	EA	Aluminum - Mill Finish - No Design - 96" x 360" (Roof)
	001054-01-011	EA	Aluminum Sheet - 48" x 96" - Flat - Off White
	000868-01-000	SF	Styrofoam - 3/4" x 24" x 96"
	000870-03-000	SF	Styrofoam - 1.34" x 48" x 96"
	076054-C9-001	EA	Fiberglass Sheet - 36" x 240" - Off White
	076054-D3-001	EA	Fiberglass Sheet - 48" x 96" - Off White
	076054-D3-006	EA	Fiberglass Sheet - 48" x 298" - Off White
	076054-D6-001	EA	Fiberglass Sheet - 60" x 24" - Off White
	093743-01-02A	SF	Plastic - ABS - 11.5" Wide Roll - Off White
	093743-02-01A	SF	Plastic - ABS - 20" Wide Roll - Off White

MISCELLANEOUS EXTERNALLY MOUNTED PARTS

Key	Part Number	U/M	Description
	083558-03-000	EA	Plumbing Seal - Roof Vent - Off White
	009126-02-000	EA	Assist Handle - Black
	087659-04-000	EA	Fill - City Water - Off White
	069362-06-000	EA	Tube - Support - Floor to Valance - 17"
	075736-02-000	EA	Cover - Exterior Receptacle - Off White
	093815-08-000	EA	Holder - Compartment Door - Plastic - Off White
	049347-01-000	EA	Head - Mirror - 7.5" x 10.5" - Stainless Steel
	049347-01-700	EA	Glass - Mirror - 7.5" x 10.5"
	062047-01-000	EA	Arm - West Coast Mirror
	006043-01-000	EA	Mirror - Exterior - Convex - Adhesive Backed

EXTERIOR SHOWER (OPTION L60R)

Key	Part Number	U/M	Description
	103173-01-01A	EA	Shower Kit - Exterior - Off White (Piece Parts are N/A)
	103173-02-01A	EA	Shower Kit - Exterior - Off White
	103173-03-700	EA	Compartment Only
	103173-03-701	EA	Door Only
	103173-03-702	EA	Hinge Pin
	103173-03-703	EA	Hinge Pin Spring
	103173-03-704	EA	Lock Asm. w/Key & Clip
	103173-03-705	EA	Decal - "Auxiliary Shower"
	103173-03-706	EA	Showers Head w/Hose & Bracket
	103173-03-707	EA	Faucet w/Adapter - Chrome
	046128-01-000	EA	Valve - Drain - Plastic - 1/2" FPT
	052952-01-000	EA	Nut - Plastic - 1/2" F x 1/2" Tube - Gray
	002726-01-000	EA	Garnish - U-Channel - 1.38" x 19' - Serrated - Mill Aluminum
	052957-02-000	EA	Elbow - Male - 1/2" F x 1/2" MPT - Plastic - Gray

* These parts were used from 3/25/91 on.

**1991 1/2 ITASCA
TABLE OF CONTENTS**

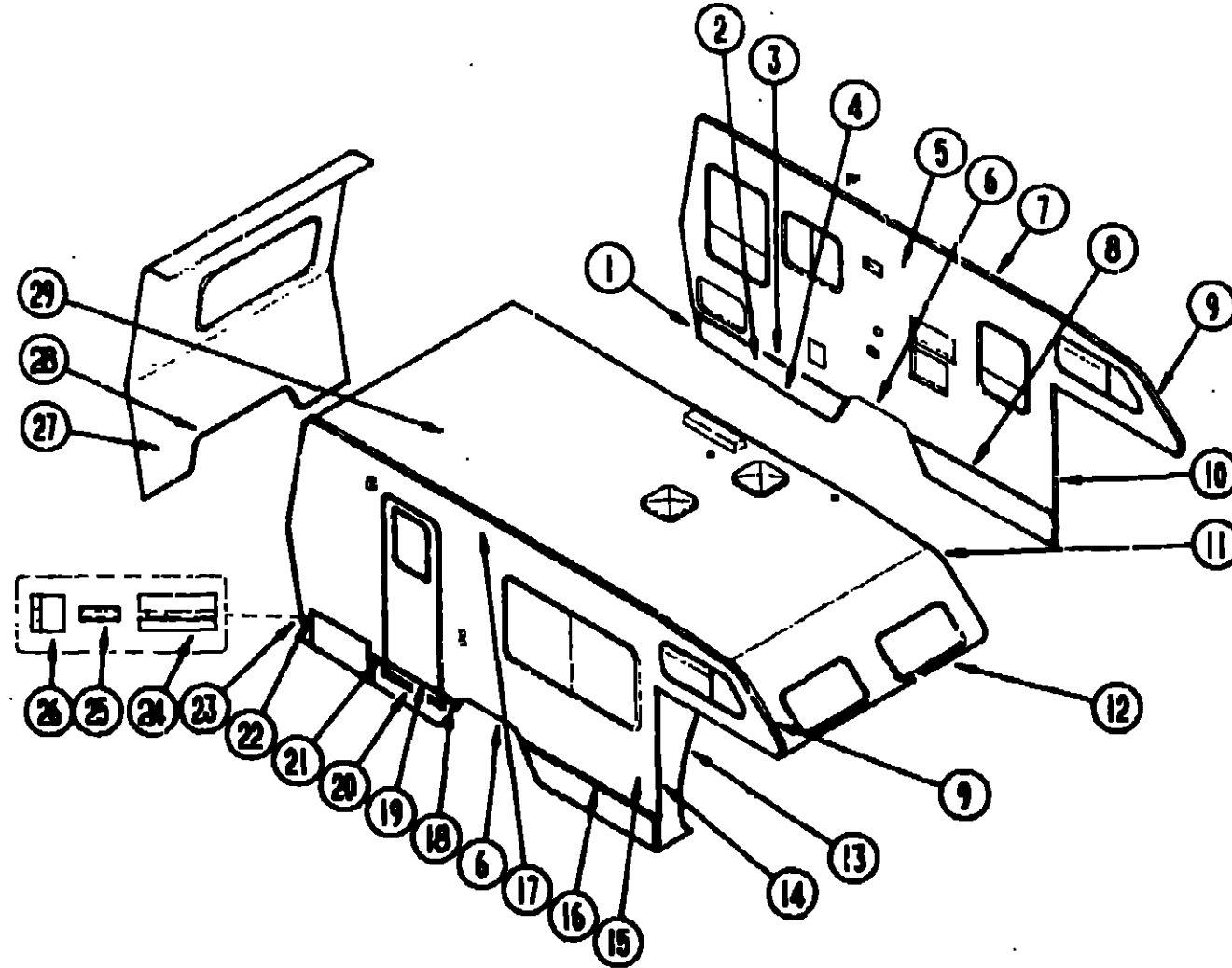
INTRODUCTION	A-01 - A-02
ABBREVIATIONS	A-03
ALPHABETICAL/GROUP REFERENCE	A-04 - A-06
IC321RG	A-07 - D-04
IC321HC	D-05 - G-08

1991 1/2 IC321RG INDEX

Floor Plan	A-07 - A-08
Accessories Group	A-09 - A-12
Bath Group	A-13 - A-14
Chassis Group	A-15 - A-17
Curtain, Cushion & Pad Group	A-18 - A-24
Dinette Group	B-01 - B-02
Driver's Compartment Group	B-03 - B-06
Electrical Group	B-07 - B-09
Exterior Body Group	B-10 - B-14
Galley Group	B-15 - B-18
Heating & Air Conditioning Group	B-19 - B-20
Interior Finish Group	B-21 - B-23
Labels Group	B-24 - C-07
LP Group	C-08
Lounge	C-09
Sealants & Fasteners Group	C-10 - C-11
Water & Sewage Group	C-12 - C-14
Window, Vent & Exterior Door Group	C-15 - D-04

EXTERIOR BODY GROUP (CONTINUED)

EXTERIOR BODY PANELS



Key	Part Number	U/M	Description
1	097907-05-02A	EA	Filler - Valance Panel - Rear - Off White
2	096393-14-B05	EA	Valance Asm. - Rear
3	096816-03-01A	EA	Trim - Sidewall - Lower - 72.4" - Off White
4	096217-55-001	EA	U-Channel - 17.5' - Off White
5	P00496-01-B87	EA	Sidewall Asm. - Driver (Special Order Item)
6	096215-01-01A	EA	Trim - Wheelwell - Rear - Metal - Off White - Either Side
7	096864-01-01A	EA	Trim - Contour - Roof - Off White
8	096817-02-01A	EA	Trim - Sidewall - Lower - 64.37" - Off White
9	096854-01-01A	EA	Trim - Contour - Off White
	379280-01-01A	FT	Vinyl Insert - Contour Trim - 72" - Off White
10	096970-02-01A	EA	Trim - Wingwall - Off White
	M96772-02-B05	EA	Wingwall - Driver's Side w/Gusset (Chevrolet)
	M96154-02-B05	EA	Wingwall - Driver's Side w/Gusset (Ford)
	096945-02-01A	EA	Trim - "L" Angled - Driver's Wingwall - Off White
11	078580-01-000	EA	Trim - Roof to Front Cab
12	039644-09-000	EA	Trim - Sleeper Board - Off White
13	M96772-01-B05	EA	Wingwall - Passenger's Side w/Gusset (Chevrolet)
13	M96154-01-B05	EA	Wingwall - Passenger's Side w/Gusset (Ford)
	G96945-01-01A	EA	Trim - "L" Angled - Passenger's Wingwall - Off White
	089334-01-000	FT	Vinyl - Exterior Trim - Between Wingwall & Cab Seal - White
14	096970-01-01A	EA	Trim - Wingwall - Off White
15	M98676-01-D87	EA	Sidewall Asm. - Passenger (Special Order Item)
16	096818-03-01A	EA	Trim - Sidewall - Lower - 64.45" - Off White

Key	Part Number	U/M	Description
17	099582-55-001	EA	Awning Rail - 10' - Off White
18	096817-04-01A	EA	Trim - Sidewall - Lower - 6.65" - Off White
19	002444-04-002	EA	Feature Strip w/o Insert - 15' Long - Off White
	001030-02-003	EA	Insert - Feature Strip - Stucco - 17' Long - Off White
	009731-01-000	EA	End Cap - Feature Strip
20	096865-03-B05	EA	Valance - Entry Door
	044582-02-000	EA	Drip Cap - Jamb Mounted - Off White
21	097190-01-01A	EA	Trim - Sidewall - Lower - 4.3" - Off White
22	097907-06-02A	EA	Filler - Valance Panel - Rear - Off White
23	096817-04-01A	EA	Trim - Sidewall - Lower - 6.65" - Off White
24	NOTE	EA	Trim - Sidewall - Lower - Off White
25	001030-02-003	EA	Insert - Lower Sidewall Trim
26	098424-02-01A	EA	End Cap - Sidewall Trim - Rear (Passenger's Side) & Front (Driver's Side)
26	098424-01-01A	EA	End Cap - Sidewall Trim - Rear (Driver's Side) & Front (Passenger's Side)
27	P00364-01-B87	EA	Backwall Asm. (Special Order Item)
28	096197-02-01A	EA	Trim - Backwall - Lower - U-Channel - 1" Wide - Off White - Either Side
29	M96631-02-B87	EA	Roof Asm. (Special Order Item)

See the inset illustration for additional numbers.

1991 1/2 ITASCA TABLE OF CONTENTS

INTRODUCTION	A-01 - A-02
ABBREVIATIONS	A-03
ALPHABETICAL/GROUP REFERENCE	A-04 - A-06
IC321RG	A-07 - D-04
IC324RC	D-05 - G-08

1991 1/2 IC321RG INDEX

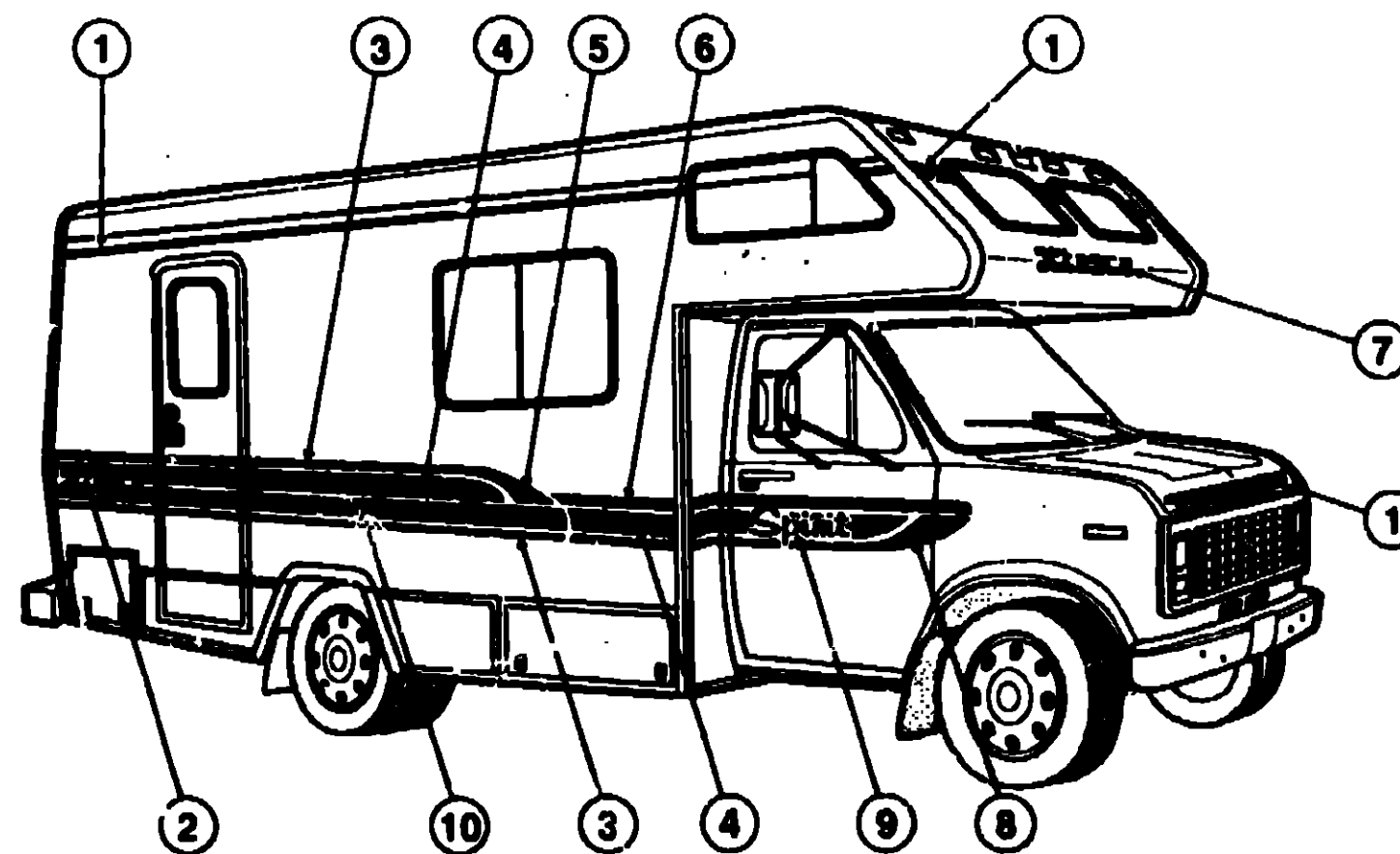
Floor Plan	A-07 - A-08
Accessories Group	A-09 - A-12
Bath Group	A-13 - A-14
Chassis Group	A-15 - A-17
Curtain, Cushion & Pad Group	A-18 - A-24
Dinette Group	B-01 - B-02
Driver's Compartment Group	B-03 - B-06
Electrical Group	B-07 - B-09
Exterior Body Group	B-10 - B-14
Galley Group	B-15 - B-18
Heating & Air Conditioning Group	B-19 - B-20
Interior Finish Group	B-21 - B-23
Labels Group	B-24 - C-07
LP Group	C-08
Lounge	C-09
Sealants & Fasteners Group	C-10 - C-11
Water & Sewage Group	C-12 - C-14
Window, Vent & Exterior Door Group	C-15 - D-04

EXTERIOR BODY GROUP (CONTINUED)

FILM & MULTISTRIPE

**1991 1/2 ITASCA
TABLE OF CONTENTS**

INTRODUCTION	A-01 - A-02
ABBREVIATIONS	A-03
ALPHABETICAL/GROUP REFERENCE	A-04 - A-06
IC321RG	A-07 - D-04
IC324RC	D-05 - G-08



Key	Part Number	U/M	Description
1	094423-01-01A	FT	Film - Multistripe - 2.9" x 150' - Dark Blue/Light Blue/Magenta
2	078852-17-000	EA	Decal - Logo - "Itasca" - 6.50 - Dark Blue/Off White
3	093681-18-01A	FT	Film - 1.26" x 150' - Dark Blue
4	094433-01-01A	FT	Film - 5" x 150' - Dark Blue/Magenta
5	100039-03-01A	EA	Decal - Sweep - Dark Blue/Light Blue/Magenta (Passenger)
5	100039-04-01A	EA	Decal - Sweep - Dark Blue/Light Blue/Magenta (Driver)
6	093681-03-03A	FT	Film - 1.5" x 150' - Light Blue
7	078191-03-000	EA	Decal - Logo - "Itasca" - Dark Blue Metallic
8	100039-04-01A	EA	Decal - Sweep - Dark Blue/Light Blue/Magenta (Passenger)
8	100039-03-01A	EA	Decal - Sweep - Dark Blue/Light Blue/Magenta (Driver)
9	093565-01-04A	EA	Decal - Logo - "Spirit" - Dark Blue/Off White
10	094433-01-02A	FT	Film - 5" x 150' - Light Blue/Magenta
	084075-01-000	EA	Decal - "by Winnebago Ind." - Black (Backwall)

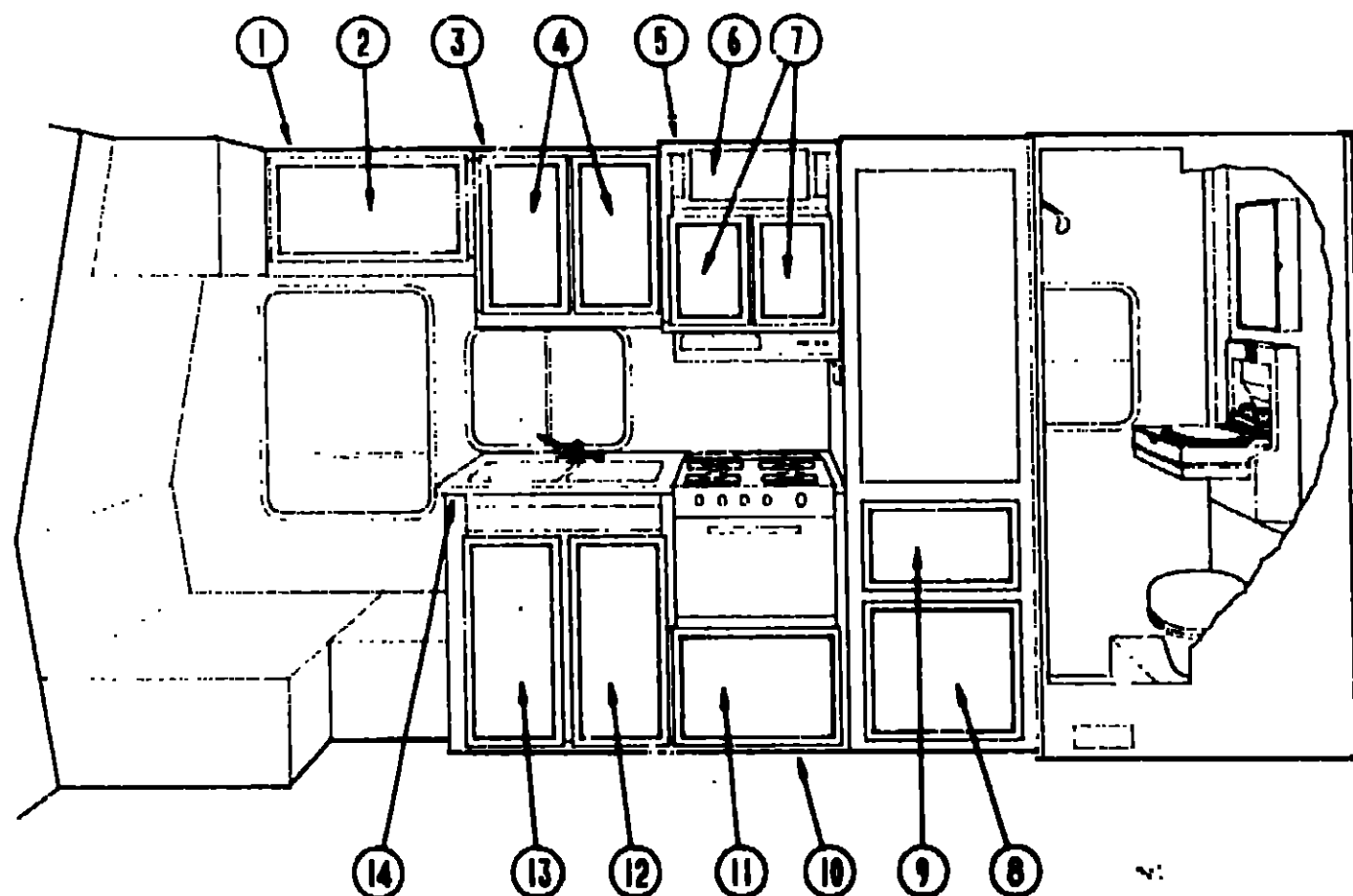
For your convenience here are the Dupont color codes that you can purchase locally:

Dark Blue Metallic K9456
 Light Blue Metallic K9457
 Magenta C9842
 Off White Enamel L8723A
 Off White Lacquer L8723L
 Black Enamel 99A
 Black Imron 99U
 Black Lacquer 99S

1991 1/2 IC321RG INDEX

Floor Plan	A-07 - A-08
Accessories Group	A-09 - A-12
Bath Group	A-13 - A-14
Chassis Group	A-15 - A-17
Curtain, Cushion & Pad Group	A-18 - A-24
Dinette Group	B-01 - B-02
Driver's Compartment Group	B-03 - B-06
Electrical Group	B-07 - B-09
Exterior Body Group	B-10 - B-14
Galley Group	B-15 - B-18
Heating & Air Conditioning Group	B-19 - B-20
Interior Finish Group	B-21 - B-23
Labels Group	B-24 - C-07
LP Group	C-08
Lounge	C-09
Sealants & Fasteners Group	C-10 - C-11
Water & Sewage Group	C-12 - C-14
Window, Vent & Exterior Door Group	C-15 - D-04

GALLEY GROUP



Key

Part Number
094745-01-01A
094774-03-01A
094750-01-000
098116-03-01A
098919-04-01A
084073-03-000
084073-04-000
054450-01-000
084878-09-000
084616-01-000
066437-01-000
066437-01-700
011053-04-000
011053-01-700
091253-01-000
100995-01-000
059777-02-000
103856-01-000
093586-03-000
093586-04-000
090329-01-000
102551-01-000
081530-01-B87
098979-01-000
098180-01-000
077409-02-000
077404-02-000
094067-01-01A

U/M	Description
EA	Trim - Microwave Lower
EA	Trim - Microwave - Either Side - 1.5"
EA	Bracket - Microwave - 90°
EA	Brace - Microwave Cabinet - Left - 9.4" x 7.5" - Steel
EA	Brace - Microwave Cabinet - Right - 9.4" x 7.5" - Steel
EA	Vent - Refrigerator - Roof - Off White
EA	Base - Roof Vent - Norcold Refrigerator - 1/2"
EA	Level - Refrigerator
EA	Vent - Range Hood - Short
EA	Shroud - Range Hood Vent - Off White
EA	Strainer - w/Basket - Sink
EA	Basket - Strainer
EA	Faucet - w/Swing Spout - 8"
EA	Aerator - Swing Spout Faucet
EA	Gasket - Faucet
EA	Backplate - Pull - 5.7" - Brass
EA	Hinge - Burnished Brass
EA	Pull - Cabinet - Brass
EA	Catch - Spring Roller
EA	Strike - Spring Steel
FT	Seal - Refrigerator Cabinet
EA	Sink - Galley - Double w/Mounting Hardware - Stainless Steel
EA	Sink Cover
EA	Clip - Adjustable Shell
EA	Plaster - Adjustable Shell - 18" Long
EA	Slide - Drawer - Plastic - 20.75"
EA	Drawer - Plastic - 20" x 12.7" - Beige
EA	Divider - Drawer - Plastic

GALLEY CABINETRY

Key	Part Number	U/M	Description
1	M05150-10-B87	EA	Cabinet - Couch Overhead - w/o Door or Hardware
	082825-04-B27	EA	End Cap - Couch Overhead
2	P03702-22-B87	EA	Door Asm. - Couch Cabinet - 14.4" x 26.7" - w/o Hardware
3	P00211-01-B27	EA	Cabinet - Sink Overhead - w/o Doors or Hardware
	081280-36-B27	EA	End Cap - Sink Overhead Cabinet
4	P03702-19-B87	EA	Door Asm. - Sink Overhead - 12" x 21.85" - w/o Hardware
5	M05150-07-B87	EA	Cabinet - Range Overhead - w/o Doors or Hardware
5	M05150-08-B87	EA	Cabinet - Microwave Overhead - w/o Doors or Hardware
	081280-34-B27	EA	End Cap - Overhead Cabinet
6	P00523-B2-B87	EA	Door Asm. - Overhead Cabinet - 7" x 21.8" - w/o Hardware
7	P03702-G3-B87	EA	Door Asm. - Range Overhead Cabinet - 14.4" x 10.8" - w/o Hardware
8	P03702-35-B87	EA	Door Asm. - Refrigerator Cabinet - 21.85" x 19.88" - w/o Hardware
9	P03702-20-B87	EA	Door Asm. - Refrigerator Cabinet - 21.85" x 14.4" - w/o Hardware
10	M99236-01-B87	EA	Cabinet Asm. - Galley - w/o Doors or Hardware (US)
10	M04024-02-B87	EA	Cabinet Asm. - Galley - w/o Doors or Hardware (CSA)
11	P03702-40-B87	EA	Door Asm. - Galley - Cabinet - 15.9" x 21.9" - w/o Hardware
12	P03702-54-B87	EA	Door Asm. - Galley Cabinet - 10" x 25.2" - w/o Hardware
13	P03702-17-B67	EA	Door Asm. - Galley Cabinet - 14.37" x 26.77" - w/o Hardware
14	099236-11-B87	EA	Countertop Asm. - Galley Cabinet

GALLEY GROUP (CONTINUED)

GALLEY HARDWARE

1991 1/2 ITASCA TABLE OF CONTENTS

INTRODUCTION	A-01 - A-02
ABBREVIATIONS	A-03
ALPHABETICAL/GROUP REFERENCE	A-04 - A-06
IC321RG	A-07 - D-04
IC324RC	D-05 - G-08

1991 1/2 IC321RG INDEX

Floor Plan	A-07 - A-08
Accessories Group	A-09 - A-12
Bath Group	A-13 - A-14
Chassis Group	A-15 - A-17
Curtain, Cushion & Pad Group	A-18 - A-24
Dinette Group	B-01 - B-02
Driver's Compartment Group	B-03 - B-06
Electrical Group	B-07 - B-09
Exterior Body Group	B-10 - B-14
Galley Group	B-15 - B-18
Heating & Air Conditioning Group	B-19 - B-20
Interior Finish Group	B-21 - B-23
Labels Group	B-24 - C-07
LP Group	C-08
Lounge	C-09
Sealants & Fasteners Group	C-10 - C-11
Water & Sewage Group	C-12 - C-14
Window, Vent & Exterior Door Group	C-15 - D-04

GALLEY GROUP (CONTINUED)

GALLEY APPLIANCES

Key	Part Number	U/M	Description
	064473-03-000	EA	Refrigerator - 2 Way - 4.9 Cu Ft
	064473-03-700	EA	Electrode Asm
	064473-03-701	EA	Heater AC - Horizontal Burner
	064473-03-703	EA	Burner Tube
	064473-03-704	EA	Door Gasket - Almond
	064473-03-705	EA	Door Liner - Foamed - Almond
	064473-03-706	EA	Door Frame - Plastic - 3 Sides
	064473-03-707	EA	Trim - Door Shell - Brown Insert
	054473-03-708	EA	Connector Rod - For Dairy Door
	064473-03-709	EA	Pin & Chain Travel Lock
	064473-03-710	EA	Breaker Strip - Right Hand - Brown
	064473-03-711	EA	Handle - Freezer Door - Brown
	064473-03-712	EA	Door Asm - Freezer - Brown
	064473-03-713	EA	Drip Tray
	064473-03-714	EA	Mode Selector Knob
	064473-03-715	EA	Thermostat Knob
	064473-03-716	EA	Switch - 3 Way
	064473-03-718	EA	Cooling Unit - Horizontal Burner
	064473-03-719	EA	Flue - Horizontal Burner
	064473-03-720	EA	Relighter
	064473-03-721	EA	Combination Control
	064473-03-722	EA	Control Panel Insert - 2 Way
	064473-03-723	EA	Door Frame Cap - Plastic - Brown
	064473-03-724	EA	Door Asm - Freezer - Black
	064473-03-725	EA	Trim - Door Shell - Black Insert
	064473-03-726	EA	Dairy Keeper - Black
	064473-03-727	EA	Latch - Travel - Middle - Black
	064473-03-728	EA	Trim - Decorative - Pin & Chain
	064473-03-729	EA	Cover For Burner Box
	064472-01-700	EA	Thermocouple
	084880-01-715	EA	Valve - Shut Off - Manual
	084880-01-713	EA	Connector - Male - Inlet Fitting
	064473-01-702	EA	Orifice
	088248-01-706	EA	Burner - Horizontal
	064473-01-708	EA	Trim - Breaker - Top - Brown
	046955-01-713	EA	Pin - Hinge
	064472-03-700	EA	Pin - Hinge - Bottom
	064472-01-728	EA	Hinge - Lower Right
	064473-01-716	EA	Crisper - Brown
	100258-01-01A	EA	Hood Range w/o Monitor Panel
	100258-03-01A	EA	Hood Range - w/o Monitor Panel - Almond (US) (Option L39E)
	100258-02-01A	EA	Hood Range - w/o Monitor Panel - Almond (CSA) (Option L20E)
	096983-01-702	EA	Switch - Two Way - Momentary - Generator (If used)
	096983-01-700	EA	Switch - ON/OFF - Fan/Lamp
	092696-01-709	EA	Bulb - #912
	092696-01-710	EA	Socket - Light
	096983-01-708	EA	Lens - Lamp
	090973-01-700	EA	Motor
	090973-01-702	EA	Blade - Fan
	096983-01-707	EA	Filter - Grease
	092696-01-707	EA	Vent - Gasket
	100258-10-01A	EA	Hourmeter - Ventline (Option 39E)

GALLEY GROUP (CONTINUED)

GALLEY APPLIANCES (CONTINUED)

Key	Part Number	U/M	Description
	091269-04-000	EA	Oven - Microwave - Magic Chef
	102022-01-01A	EA	Range - 16" - 4 Burner - Almond
	102022-01-02A	EA	Range - 16" - 4 Burner - Almond
	102022-01-700	EA	Door Panel - Black (for 102022-01-01A only)
	102022-01-704	EA	Glass - Outer (for 102022-01-02A only)
	102022-01-702	EA	Manifold Pipe
	102022-01-703	EA	Pressure Regulator
	102022-01-705	EA	Shield - Deflector Flue
	102022-01-706	EA	Trim - Left - Flat
	055282-03-705	EA	Trim - Left
	102022-01-707	EA	Trim - Right - Flat
	102020-01-701	EA	Handle - Door
	102020-01-702	EA	Panel - Manifold
	102020-01-700	EA	Shell - Oven
	102020-01-708	EA	Burner - Oven
	102020-01-709	EA	Bumper - Grate
	102020-01-711	EA	Grate - Top
	102020-01-712	EA	Knob - Burner Valve
	102020-01-713	EA	Knob - Thermostat
	102020-01-714	EA	Pilot - Oven
	102020-01-717	EA	Thermostat
	102020-01-720	EA	Valve - Mercury Control
	102020-01-721	EA	Valve - Shut Off
	102020-01-722	EA	Valve - Top Burner
	102020-01-723	EA	Pilot - Burner
	102020-01-724	EA	Bumper - Main Top
	097617-01-01A	EA	Panel - Monitor - Almond
	097617-01-700	EA	Plate - Cover
	097617-01-701	EA	Switch - On/Off - Almond
	097617-01-702	EA	Switch - 1 Way - Almond
	097617-01-703	EA	Circuit Board
	097618-01-000	EA	Wire Asm. - Monitor Panel

These parts were used from 3/11/91 on.

**1991 1/2 ITASCA
TABLE OF CONTENTS**

INTRODUCTION	A-01 - A-02
ABBREVIATIONS	A-03
ALPHABETICAL/GROUP REFERENCE	A-04 - A-06
IC321RG	A-07 - D-04
IC324RC	D-05 - G-08

1991 1/2 IC321RG INDEX

Floor Plan	A-07 - A-08
Accessories Group	A-09 - A-12
Bath Group	A-13 - A-14
Chassis Group	A-15 - A-17
Curtain, Cushion & Pad Group	A-18 - A-24
Dinette Group	B-01 - B-02
Driver's Compartment Group	B-03 - B-06
Electrical Group	B-07 - B-09
Exterior Body Group	B-10 - B-14
Galley Group	B-15 - B-18
Heating & Air Conditioning Group	B-19 - B-20
Interior Finish Group	B-21 - B-23
Labels Group	B-24 - C-07
LP Group	C-08
Lounge	C-09
Sealants & Fasteners Group	C-10 - C-11
Water & Sewage Group	C-12 - C-14
Window, Vent & Exterior Door Group	C-15 - D-04

HEATING & AIR CONDITIONING GROUP

FURNACES & REPAIR PARTS

Key	Part Number	U/M	Description
	075695-01-000	EA	Furnace - Direct Ignition - 24,000 BTU - Suburban
	092300-01-705	EA	Electrode
	069634-01-733	FA	Relay - Timer - Delay
	092300-01-723	EA	Motor Asm.
	075695-01-706	EA	Wheel - Room Air
	075695-01-708	EA	Microswitch Asm.
	074466-01-706	EA	Wheel - Combustion
	075690-02-728	EA	Gasket - Crossover Tube
	092300-01-724	EA	Gasket - Motor Mount
	092300-01-727	EA	Gasket - Combustion Air Housing
	075696-02-714	EA	Vent Cap & Exhaust Tube Asm.
	069634-01-729	EA	Gas Valve
	075695-01-711	EA	Cabinet Asm.
	075695-01-703	EA	Gas Pipe Inlet
	075695-01-710	EA	Front - Cabinet
	069633-01-700	EA	Switch - Limit
	069633-01-701	EA	Orifice - Main Burner
	092300-01-704	EA	Electrode Gasket
	069634-01-706	EA	Module Board
	069634-01-709	EA	Elbow - 90° - Black Iron
	069634-01-716	EA	Manual Shutoff Valve
	075696-01-703	EA	U-Clip - Tinnerman
	094334-01-000	EA	Electrical Plug - 3 Position
	074035-01-715	EA	Electrode Wire
	092300-01-706	EA	Burner Access Door
	069634-01-732	EA	Gasket - Burner Access Door
	075695-01-704	EA	Manifold Asm.
	069634-01-712	EA	Gasket - Manifold
	075695-01-705	EA	Burner Asm.
	092300-01-721	EA	Blower Housing Asm.
	075696-02-727	EA	Motor Mount Bracket
	075696-01-706	EA	Housing - Combustion Air Asm.
	075696-02-735	EA	Housing - Combustion Air - Outside
	093365-01-000	EA	Thermostat - Suburban Furnace
	009198-01-000	FT	Duct - Flexible - 4" ID x 25'
	056461-05-000	EA	Register - 4" Dia. - Plastic - w/o Damper - Golden
	009200-01-000	EA	Tape - Furnace - 1 1/2"
	010326-01-000	EA	Adapter - Flare - w/Cone Gasket
	023146-01-000	EA	Clamp - Screw Type - 4"
	094334-01-000	EA	Plug - Electrical - 3 Position
	069636-02-000	EA	Connector Duct - 4" ID

HEATING & AIR CONDITIONING GROUP (CONTINUED)

ROOF AIR CONDITIONER & PARTS

Key	Part Number	U/M	Description
	093764-01-090	EA	Ceiling Asm. - Air Conditioner - Cool Only (Option 29)
	042204-01-709	EA	Thermostat In - 64, Out - 58
	042205-01-702	EA	Thermostat In - 89, Out - 59
	073742-01-701	EA	Selector Switch (5 - Terminal)
	073742-01-702	EA	Decal - Cool Only
	073742-01-703	EA	Decal - Heat & Cool
	081606-01-706	EA	Limit Switch (Open 160, Close 110)
	091225-01-713	EA	Knob (2 Per Package)
	076303-01-707	EA	Filter - 6" x 14 3/4" x 1/2" (12 Per Package)
	091225-01-717	EA	Decal (Thermostat) Cool Only
	081606-01-712	EA	Ceiling Shroud (Ivory)
	093763-01-705	EA	Decal - Heat/Cool - Thermostat
	093763-01-706	EA	Heat Element
	093763-01-710	EA	Single Parts Package
	092441-01-000	EA	Ceiling Asm. - Air Conditioner - 220 Volt (European) (Option 29)
	093763-01-04A	EA	Air Conditioner - 110 Volt - Roof Mount - 13,500 BTU - Off White (Option 29)
	093763-04-700	EA	Shroud - Roof A/C - w/o Logos
	093763-01-711	EA	Gasket - Package
	093763-01-712	EA	Fan Blade - Condenser
	093306-01-701	EA	Decal Package - Left & Right
	073742-02-704	EA	Run Capacitor (Compressor)
	091225-01-710	EA	Start Capacitor
	091225-01-709	EA	Start Relay
	076303-01-712	EA	Motor
	093763-01-702	EA	Overload
	093763-01-703	EA	Impellor - 7" Dia. x 2.8" Wide
	093763-01-704	EA	Capacitor - Fan
	093763-01-705	EA	Evaporator Coil
	093763-01-708	EA	Condenser Coil
	093763-01-713	EA	Compressor - E Series
	092440-01-000	EA	Air Conditioner - 220 Volt - Roof Mount - 13,500 BTU (European) (Option 29)
	084077-03-000	EA	Cover - Blank - Roof Air Conditioner - Ivory
	022756-01-000	EA	Cover - A/C - Black Plastic

1991 1/2 ITASCA TABLE OF CONTENTS

INTRODUCTION	A-01 - A-02
ABBREVIATIONS	A-03
ALPHABETICAL/GROUP REFERENCE	A-04 - A-06
IC321RG	A-07 - D-04
IC324RC	D-05 - G-08

1991 1/2 IC321RG INDEX

Floor Plan	A-07 - A-08
Accessories Group	A-09 - A-12
Bath Group	A-13 - A-14
Chassis Group	A-15 - A-17
Curtain, Cushion & Pad Group	A-18 - A-24
Dinette Group	B-01 - B-02
Driver's Compartment Group	B-03 - B-06
Electrical Group	B-07 - B-09
Exterior Body Group	B-10 - B-14
Galley Group	B-15 - B-18
Heating & Air Conditioning Group	B-19 - B-20
Interior Finish Group	B-21 - B-23
Labels Group	B-24 - C-07
LP Group	C-08
Lounge	C-09
Sealants & Fasteners Group	C-10 - C-11
Water & Sewage Group	C-12 - C-14
Window, Vent & Exterior Door Group	C-15 - D-04

INTERIOR FINISH GROUP

INTERIOR MOLDINGS & TRIMS

Key	Part Number	U/M	Description
	081294-02-000	EA	Molding - Shelf - Knotted Wood - 8' Long
	083620-06-000	FT	T-Molding - End Cap - Edge - 3/4" - Reber Birch
	083620-08-000	FT	T-Molding - End Cap - Edge - 3/4" - Western Oak
	009815-09-000	FT	T-Molding - 75" - Ivory
	088252-02-000	FT	Trim - Chrome - 1" Wide with Pressure Sensitive Backing
	009812-22-000	EA	Molding - Plastic Corner - Outside - 1/2" - Brown
	022992-11-000	FT	Molding - Reverse Cove - T-Shaped - Vinyl - Ivory
	070504-19-000	FT	U-Channel - .815" - Oak
	009778-12-000	FT	U-Channel - 1" - Country Forest
	009767-12-000	FT	Welling - Antique White (Ceiling to Wall)
	100040-03-000	EA	Lumber - Vinyl Wrapped - 2" x 8' - Rambling Oak
	100040-01-000	EA	Lumber - Vinyl Wrapped - 1.5" x 8' - Rambling Oak
	100041-01-000	EA	Molding - Vinyl Wrapped - 1.5" x 84" - Rambling Oak
	100041-02-000	EA	Molding - Vinyl Wrapped - 2.5" x 84" - Rambling Oak
	074045-07-000	EA	Plug - Wood - 1/2"
	078539-01-000	EA	Trim - Carpet - Cab - Passenger - 29" Long - Ford
	078539-02-000	EA	Trim - Carpet - Cab - Driver - 29" Long - Ford
	077309-02-000	EA	Trim - Stepwell - Entry Door
	093743-02-01A	SF	Plastic - ABS - 20" Wide Roll - Off White
	093743-01-02A	SF	Plastic - ABS - 11.5" Wide Roll - Off White

These parts were used from 1/7/91 on.

BATT STRIPS

Key	Part Number	U/M	Description
	069733-78-000	EA	Batt Strip - Rambling Oak - 8'
	085284-32-000	FT	Batt Strip - Rambling Oak - Tape Adhesive
	088263-65-000	EA	Batt Strip - Decorative - Plain - 8' (Wall)
	085284-53-000	FT	Batt Strip - Decorative - Plain - Tape Adhesive (Wall)
	088263-66-000	EA	Batt Strip - Decorative w/Blossoms - 8'
	085284-54-000	FT	Batt Strip - Decorative w/Blossoms - Tape Adhesive
	079653-09-000	EA	Batt Strip - Kerfed - Woodgrain
	088263-51-000	EA	Batt Strip - Crossilk Spatter - Beige (Ceiling) - 8'
	088263-71-000	EA	Batt Strip - Trowel Work - Fawn (Ceiling) - 8'
	088263-50-000	EA	Batt Strip - Shower - 8'
	085284-38-000	FT	Batt Strip - Off White - Shower - Tape Adhesive

These parts were used from 5/29/91 on.

PANELING & COUNTERTOP MATERIAL

Key	Part Number	U/M	Description
	074497-17-000	SF	Paneling - Oak - 48" x 84" (28 SF) (Cabinets)
	074497-18-000	SF	Paneling - Crossilk - 48" x 96" (32 SF) (Ceiling)
	074497-19-000	SF	Paneling - Trowel Work - 48" x 96" (32 SF) (Ceiling)
	074497-14-700	EA	Sealer - Stain - Ceiling
	089351-03-000	YD	Vinyl - Ceiling Diamond Design - 54" Wide
	088272-86-000	SF	Paneling - Decorative - Plain - 48" x 84" (28 SF) (Wall)
	088272-72-000	SF	Paneling - Travertine White - 48" x 84" (28 SF) (Shower)
	074498-40-000	SF	Plastic Laminate - Off White - 5' x 8' (40 SF)
	074498-41-000	SF	Plastic Laminate - Lavender - 5' x 8' (40 SF)
	076325-34-000	FT	Molding - Edge Band - Lavender - 1 5/16" Wide
	076325-28-000	FT	Molding - Edge Band - Rose - 1 5/16" Wide
	088272-87-000	SF	Paneling - Decorative - w/Blossoms - 48" x 34" (28 SF)

These parts were used from 5/29/91 on.

INTERIOR FINISH GROUP (CONTINUED)

CURTAIN & CUSHION HARDWARE

Key	Part Number	U/M	Description
	083801-01-000	EA	Track - Shower Curtain - Off White
	009701-01-000	EA	Carrier - Shower Curtain
	009702-01-000	EA	End - Stop - Curtain Carrier - Shower
	009136-01-000	EA	Pin - Shower Curtain
	046867-01-000	EA	Grommet - Brass - 7/16" ID x 1" OD (Shower Curtain)
	029092-01-000	EA	Stud - Nickel Finish
	029093-01-000	EA	Eyelet - Nickel Finish
	029155-01-000	EA	Cap - Snap
	029156-01-000	EA	Socket - Snap Fastener
	029130-01-000	EA	Screw - Snap Socket - 8 PH x 5/8"
	089916-01-000	EA	Mount - Window Leg - Black
	089522-04-000	EA	Panel - Window Leg - 27" Long
	089522-03-000	EA	Panel - Window Leg - 31.5" Long
	103986-01-000	FT	Trim - Valance - U-Channel - .75" Wide - Brass
	105450-02-01A	EA	Track - Curtain - 48" - Aluminum - Off White
	105450-05-01A	EA	Track - Curtain - 79" - Aluminum - Off White
	105450-06-01A	EA	Track - Curtain - 88" - Aluminum - Off White
	101032-01-000	EA	Track - Curtain - Ceiling Mount - White (Valance)
	101033-01-000	FT	Track - Curtain - Low Profile - White
	101033-02-000	EA	End Cap - Track - Clear
	101031-01-000	EA	Tape - Glide - 4.25" Spacing
	095591-02-000	EA	Bracket - Blind - Hold Down w/Pin
	075943-01-000	EA	Brace - Window Valance - Beige - 20"
	082239-02-000	EA	Brace - Window Valance - Beige - 18.7"
	083170-01-000	EA	Bracket - Blind - Right
	083170-02-000	EA	Bracket - Blind - Left
	093475-01-700	EA	Wand - Blind w/Metal Clip - 8" Long
	093475-01-701	EA	End Cap - Blind w/Stud
	057534-01-000	EA	Tieback - 6" - Clear Plastic
	085774-01-000	FT	Fastener - Dual Hook - 1" Wide - Adhesive Back - Black
	085774-02-000	FT	Fastener - Dual Loop - 1" Wide - Adhesive Back - Black
	088792-02-000	YD	Velcro Tape - Adhesive Back - Loop - 3/4" Wide
	048334-02-000	YD	Velcro Tape - Adhesive Back - Hook - 3/4" Wide
	084434-01-000	EA	Bracket - Mounting - Roller Shade - 1 3/8"
	087253-01-000	EA	Pull - Roller Shade - Clear Plastic
	096843-01-000	EA	Spring - Rewind - Roller Shade
	084432-06-000	FT	Slat - Roller Shade - Plastic
	102555-01-000	EA	Cleat - Blind Cord - Off White
	078155-01-000	EA	Strap - Dinette Cushion

FABRICS & CARPETS

Key	Part Number	U/M	Description
	072333-82-000	YD	Fabric - Drapery - Mushroom (Privacy)
	096008-90-000	YD	Fabric - Upholstery - Main - Patterned (B87)
	096008-83-000	YD	Fabric - Upholstery - Main - Patterned (B88)
	096008-92-000	YD	Fabric - Upholstery - Accent - Plain (B87)
	096008-85-000	YD	Fabric - Upholstery - Accent - Plain (B88)
	096008-91-000	YD	Fabric - Upholstery - Accent - Patterned (B87)
	096008-84-000	YD	Fabric - Upholstery - Accent - Patterned (B88)
	072333-87-000	YD	Fabric - Speaker Cover
	075244-04-000	YD	Vinyl - Shower Curtain - Salmon (B87)
	075244-05-000	YD	Vinyl - Shower Curtain - Blue (B88)
	079680-09-000	YD	Vinyl - Off White (Headliner)
	103907-01-01A	YD	Vinyl - Off White (Headliner)
	096060-21-000	YD	Carpet - Pale Orchid (B87)
	096060-23-000	YD	Carpet - Blue Mist (B88)
	076314-02-000	FT	Tape - Heat Bonded - Carpet Seam
	047034-02-000	SF	Plastic Runner - Carpet - 4' Wide - Clear
	085748-01-000	FT	Trim - "J" - Carpet - PVC - Beige - 10' Long
	084415-31-000	FT	Trim - Braid - Curtain - Plum (B87)
	084415-30-000	FT	Trim - Braid - Curtain - Blue (B88)

These parts were used from 4/17/91 on.

NOTE: Replace vinyl flooring locally.

1991 1/2 ITASCA TABLE OF CONTENTS

INTRODUCTION	A-01 - A-02
ABBREVIATIONS	A-03
ALPHABETICAL/GROUP REFERENCE	A-04 - A-06
IC321RG	A-07 - D-04
IC324RC	D-05 - G-08

1991 1/2 IC321RG INDEX

Floor Plan	A-07 - A-08
Accessories Group	A-09 - A-12
Bath Group	A-13 - A-14
Chassis Group	A-15 - A-17
Curtain, Cushion & Pad Group	A-18 - A-24
Dinette Group	B-01 - B-02
Driver's Compartment Group	B-03 - B-06
Electrical Group	B-07 - B-09
Exterior Body Group	B-10 - B-14
Galley Group	B-15 - B-18
Heating & Air Conditioning Group	B-19 - B-20
Interior Finish Group	B-21 - B-23
Labels Group	B-24 - C-07
LP Group	C-08
Lounge	C-09
Sealants & Fasteners Group	C-10 - C-11
Water & Sewage Group	C-12 - C-14
Window, Vent & Exterior Door Group	C-15 - D-04

INTERIOR FINISH GROUP (CONTINUED)

CABINETS & TABLE HARDWARE

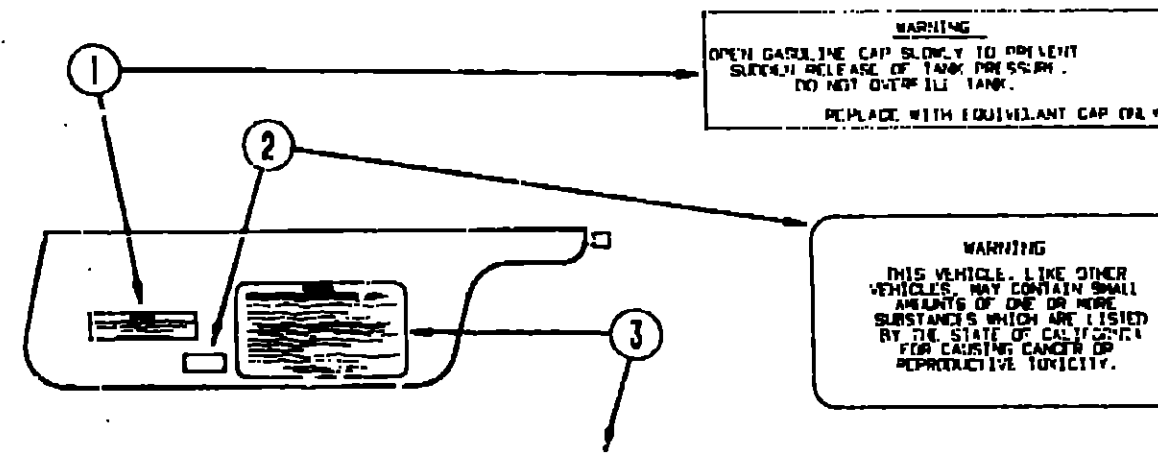
Key	Part Number	U/M	Description
	053200-05-000	EA	Bracket - Table Support - Upper Wall Mount - 23.5" - Beige
	024275-05-000	EA	Rod - Table Lift - 8" x 23.5" - Beige
	064731-06-000	EA	Cup Holder - Two Stage - Off White
	088410-01-000	EA	Bracket - Lift - Table Mounted - Beige
	024276-01-000	EA	Leg Asm. - Table - Beige
	064050-03-000	EA	Clamp - Saddle - Leg Hinge - Beige
	024282-01-000	EA	Brace - Table Leg - Hinged
	024283-01-000	EA	Clip - Leg - 1" x 1.12" OD - Black
	059777-02-000	EA	Hinge - Antique Light Brass
	103857-01-000	EA	Pull - Cabinet Door - 3" Brass
	081375-01-000	EA	Backplate - Brass - 4.25" x 9"
	098979-01-000	EA	Clip - Adjustable Shell
	098980-01-000	EA	Pilaster - Adjustable Shell
	074493-02-000	EA	Support - Sprung - Door
	004354-01-000	EA	Bumper - Cabinet Door - Rubber - Brown
	023320-01-000	EA	Pad - Felt - 3/8" Dia. - Brown
	04235E-01-000	EA	Plug - Wood - 3/8" Dia. - Mahogany
	083204-03-000	EA	Button - Retaining - Mirror - 5/16" Tip - Brown
	093586-03-000	EA	Catch - Spring - Roller
	093586-04-000	EA	Strike - Spring Steel
	072369-47-000	EA	Mesh - Expanded Aluminum - 25.4" x 11.6" - Bronze
	084070-01-000	EA	Center Post - Brass
	084070-02-000	EA	End Post - Brass
	084071-06-000	EA	Rod - Brass - 2.5"
	009112-01-000	EA	Flange - 1" - Clothes Rod - Plastic - Off White
	042438-01-000	EA	Wood Dowel - Clothes Rod - 1" Dia. x 4'
	041953-03-000	FT	Conduit - Convolute Slit - 1" ID (Clothes Rod Cover)
	077968-01-000	EA	Retainer - Bungie Cord - nylon - .5" x 1.6"
	076840-01-000	EA	Hold Down Cord - Bungie - 24"
	062046-01-000	EA	Clip - Pedestal Leg - 1.7" x 2.2" - Dia. from 2" to 2.5"
	077409-02-000	EA	Slide - Drawer - Plastic - 20.75"
	077404-02-000	EA	Plastic Drawer - 20" x 12.7" - Beige
	094067-01-01A	EA	Divider - Plastic Drawer
	065740-01-000	EA	Brace - Cabinet Corner - Plastic
	088252-02-000	F	Trim - Chrome - 1" Wide w/Pressure Sensitive Backing
	057671-01-000	EA	Cover - Screw - #8 - Plastic - Off White

MISCELLANEOUS PARTS

Key	Part Number	U/M	Description
	053552-02-A48	EA	Handle Asm. - Interior Assist
	000D20-07-00B	EA	Nut - Accrn - Assist Handle - 7/16" x 14 ZN
	000C16-07-16B	EA	Bolt - Carriage - Assist Handle - 7/16" - 14 x 1" ZN
	069178-02-000	EA	Bracket - Mounting - Assist Handle
	094499-02-000	EA	Fire Extinguisher w/Mounting Bracket - Dry IA 10BC (CSA)
	094499-01-000	EA	Fire Extinguisher w/Mounting Bracket - Dry IA 10BC (US)
	094499-01-700	EA	Bracket - Mounting - w/Plastic Strap
	094651-01-01A	EA	Recessed Holder - Fire Extinguisher - Light Oak
	072852-01-000	EA	Smoke Detector w/9 Volt Battery (US)
	072852-02-000	EA	Smoke Detector w/9 Volt Battery (CSA)
	054185-70-000	EA	Owner's Manual - 1991 "Spirit"
	092318-01-000	EA	Binder - 3-Ring - Motor Home Manual
	092319-01-000	EA	Pocket Page - 3-Ring Binder - Plastic
	098084-11-000	EA	Cassette - Winnebago "Spirit"
	100603-01-01A	EA	Wall Clock - Round Bezel
	101333-01-000	EA	Backplate - Clock - Plastic - Black
	104764-01-01A	EA	Wall Clock - Spartus
	083219-03-000	EA	Floor Mat - w/"Itasca" Logo - Passenger (Ford)
	083219-04-000	EA	Floor Mat - w/"Itasca" Logo - Driver (Ford)
	083218-03-000	EA	Floor Mat - w/"Itasca" Logo - Passenger (Chevrolet)
	083218-04-000	EA	Floor Mat - w/"Itasca" Logo - Driver (Chevrolet)
	040069-01-000	EA	Floor Mat - w/"Itasca" Logo - 10.5" x 26" - Black Rubber

These parts were used from 5/6/91 on.

LABELS GROUP



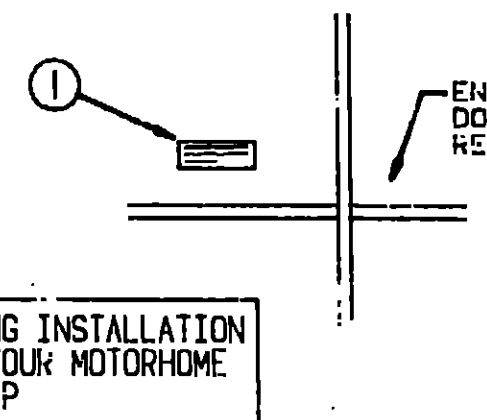
CAUTION

THIS MOTOR HOME HAS BEEN TESTED, MANUFACTURED AND TESTED WITH CONCERN FOR THE PROTECTION OF ITS OCCUPANTS. WE RECOMMEND YOU PERFORM THE FOLLOWING INSPECTIONS FOR YOUR SAFETY AND THE SAFETY OF YOUR PASSENGERS BEFORE STARTING YOUR VEHICLE.

1. LP GAS SYSTEM- TURN OFF AT TANK FOR TRAVELING. TEST FOR LEAKS UPON ARRIVAL AT DESTINATION BEFORE LIGHTING PILOTS.
2. WHEELS- INSPECT FOR DAMAGE AND CHECK LUG NUTS FOR TIGHTNESS.
3. TIRES- INSPECT FOR WEAR AND DAMAGE AND CHECK FOR RECOMMENDED AIR PRESSURE.
4. LIGHTING- TEST FOR PROPER OPERATION OF ALL INTERIOR AND EXTERIOR LIGHTS INCLUDING DASH LIGHTS, HEADLIGHTS, TAIL LIGHTS, BRAKE LIGHTS, CLEARANCE LIGHTS AND TURN SIGNALS.
5. EXITS- INSPECT RELEASE MECHANISM ON EMERGENCY EXIT WINDOW. TEST BOTH LOCKS ON MAIN ENTRANCE DOOR FOR EASE OF OPERATION AND INSTRUCT PASSENGERS HOW TO USE BOTH MEANS OF EXIT.
6. SEAT BELTS- DIRECT PASSENGERS TO DESIGNATED SEATS AND REQUIRE USE OF SEAT BELTS.
7. APPLIANCES- TURN OFF AND LATCH OR LOCK DOORS WHERE PROVIDED.
8. LOOSE PARCELS- STORE SECURELY.
9. UTILITY SUPPLY LINES- DISCONNECT ALL ELECTRIC, SEWER AND WATER LINES AND SECURE PROPERLY.
10. ENTRANCE DOOR STEP- PLACE IN RETRACTED POSITION FOR TRAVELING.

READ YOUR MOTOR HOME AND CHASSIS OWNER'S MANUAL FOR FURTHER PRECAUTIONS

Key	Part Number	U/M	Description
1	087207-05-000	EA	Label - Fuel Cap Removal
2	099689-01-000	EA	Label - Warning - Cancer/Toxicity
3	056259-01-000	EA	Label - Safety Check List



Key	Part Number	U/M	Description
B-23	1	099509-01-000	EA Label - Awning Installation

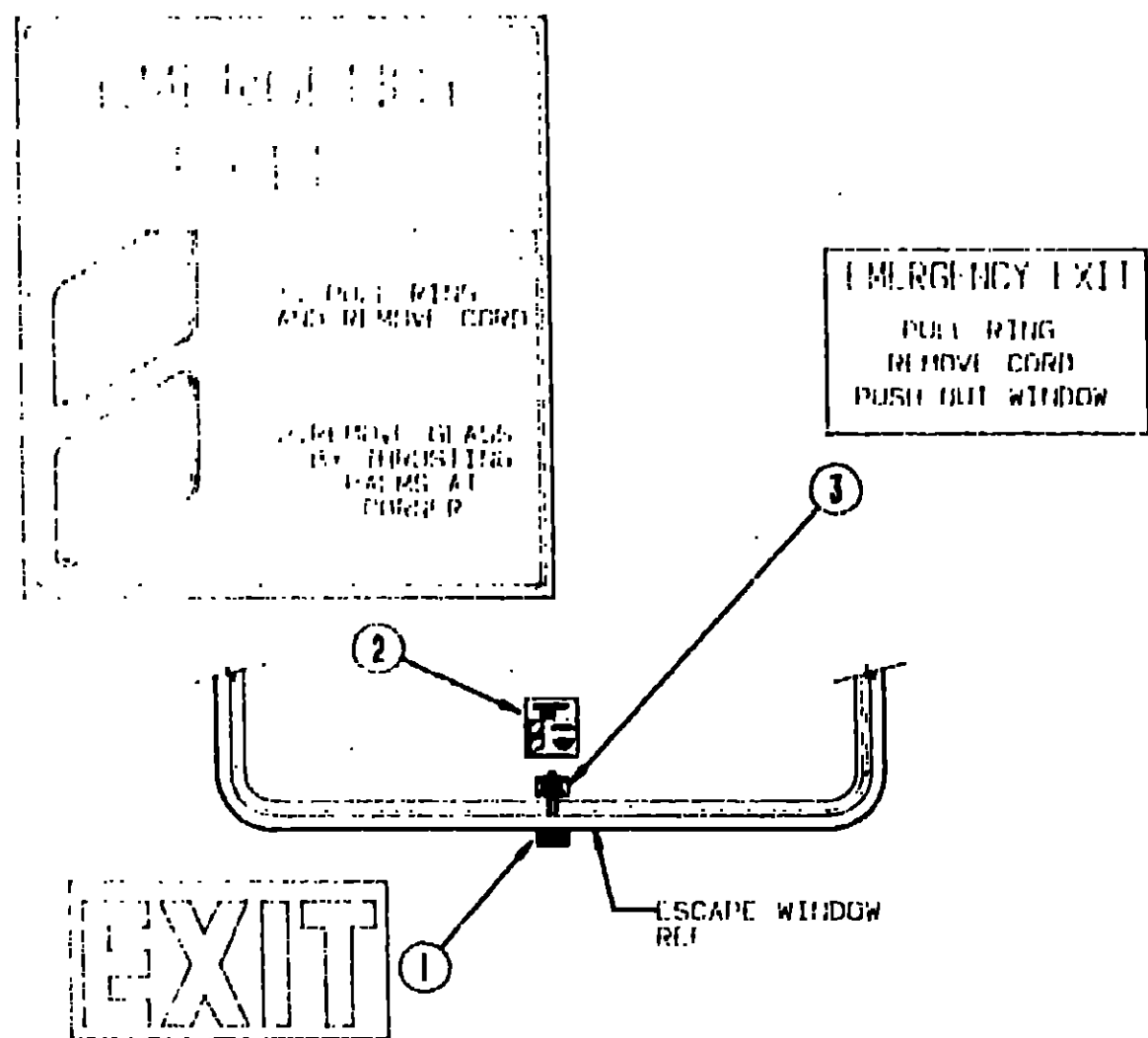
1991 1/2 ITASCA TABLE OF CONTENTS

INTRODUCTION	A-01 - A-02
ABBREVIATIONS	A-03
ALPHABETICAL/GROUP REFERENCE	A-04 - A-26
IC321RG	A-07 - D-04
IC324RC	D-05 - G-08

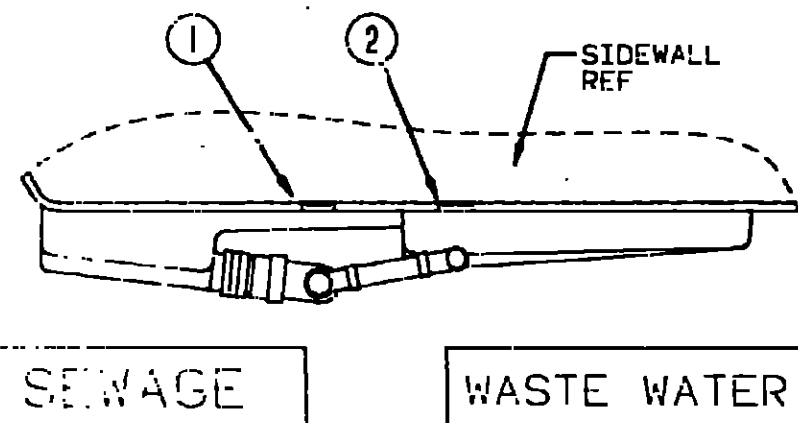
1991 1/2 IC321RG INDEX

Floor Plan	A-07 - A-08
Accessories Group	A-09 - A-12
Bath Group	A-13 - A-14
Chassis Group	A-15 - A-17
Curtain, Cushion & Pad Group	A-18 - A-24
Dinette Group	B-01 - B-02
Driver's Compartment Group	B-03 - B-06
Electrical Group	B-07 - B-09
Exterior Body Group	B-10 - B-14
Galley Group	B-15 - B-18
Heating & Air Conditioning Group	B-13 - B-20
Interior Finish Group	B-21 - B-23
Labels Group	B-24 - C-07
LP Group	C-08
Lounge	C-09
Sealants & Fasteners Group	C-10 - C-11
Water & Sewage Group	C-12 - C-14
Window, Vent & Exterior Door Group	C-15 - D-01

LABELS GROUP (CONTINUED)

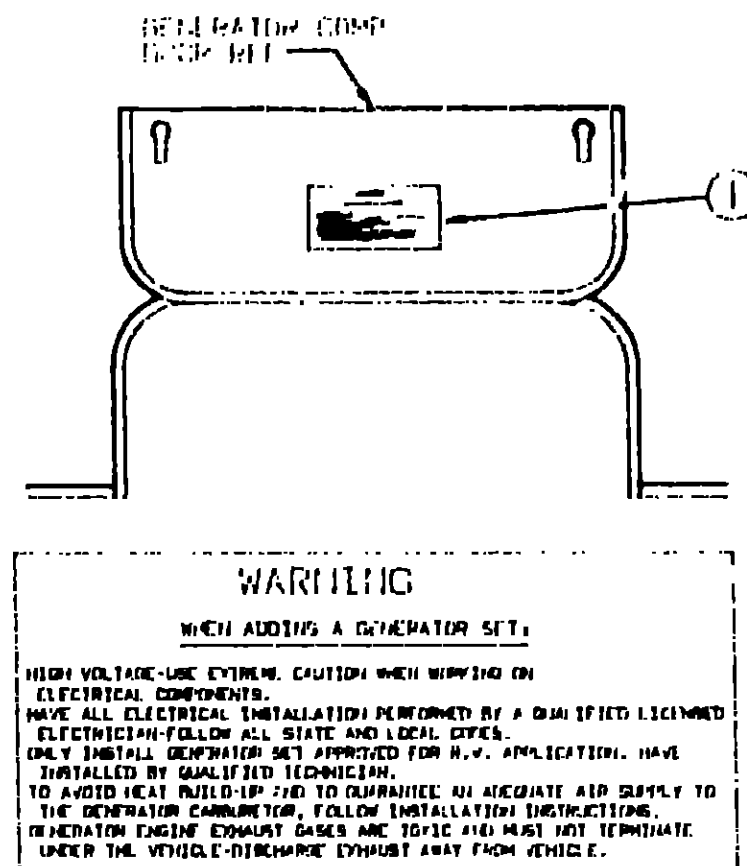


Key	Part Number	U/M	Description
1	039290-01-000	EA	Label - Warning - Exit
2	047731-01-000	EA	Label - Emergency Exit
3	006199-01-000	EA	Label - Exit - Escape Window

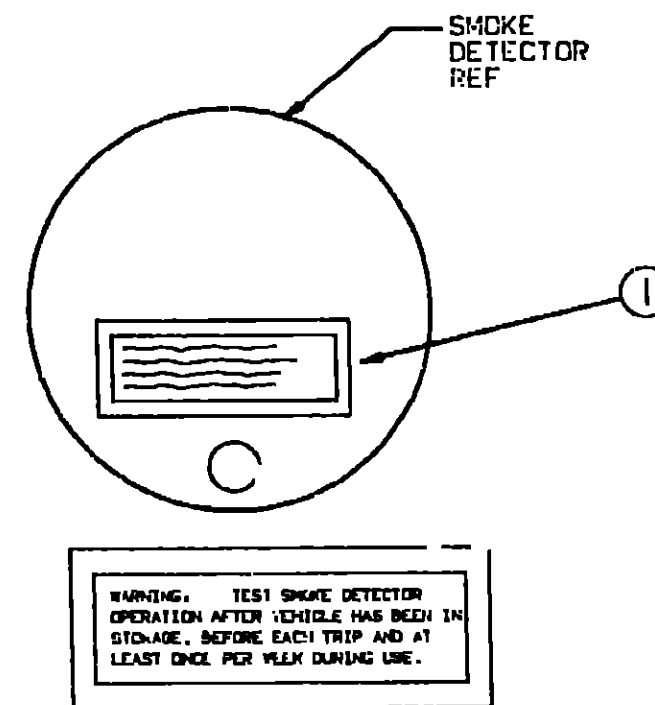


Key	Part Number	U/M	Description
1	006187-01-000	EA	Label - Sewage
2	006188-01-000	EA	Label - Waste Water

LABELS GROUP (CONTINUED)



Key	Part Number	U/M	Description
1	077510-01-000	EA	Label - Generator Prop



Key	Part Number	U/M	Description
1	077956-01-000	EA	Label - Warning - Smoke Detector

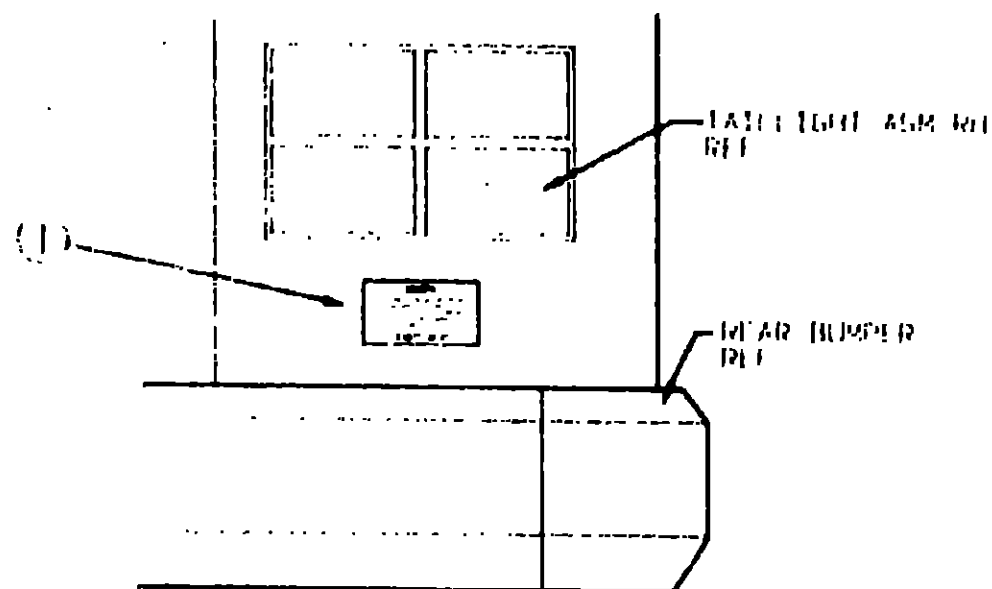
**1991 1/2 ITASCA
TABLE OF CONTENTS**

INTRODUCTION	A-01 - A-02
ABBREVIATIONS	A-03
ALPHABETICAL/GROUP REFERENCE	A-04 - A-06
IC321RG	A-07 - D-04
IC324RC	D-05 - G-08

1991 1/2 IC321RG INDEX

Floor Plan	A-07 - A-08
Accessories Group	A-09 - A-12
Bath Group	A-13 - A-14
Chassis Group	A-15 - A-17
Curtain, Cushion & Pad Group	A-18 - A-24
Dinette Group	B-01 - B-02
Driver's Compartment Group	B-03 - B-06
Electrical Group	B-07 - B-09
Exterior Body Group	B-10 - B-14
Galley Group	B-15 - B-18
Heating & Air Conditioning Group	B-19 - B-20
Interior Finish Group	B-21 - B-23
Labels Group	B-24 - C-07
LP Group	C-08
Lounge	C-09
Sealants & Fasteners Group	C-10 - C-11
Water & Sewage Group	C-12 - C-14
Window, Vent & Exterior Door Group	C-15 - D-04

LABELS GROUP (CONTINUED)

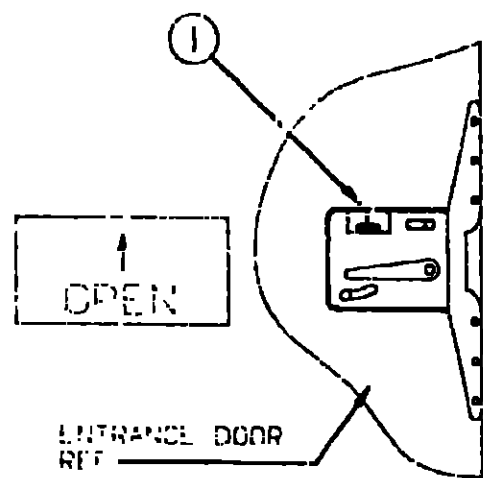


WARNING

DO NOT EXCEED THE VEHICLE WEIGHT RATINGS OR LOADINGS RECOMMENDATIONS (E.G., GROSS WEIGHT, GROSS AXLE, GROSS COMBINED) OF THE CHASSIS MANUFACTURER OR WINNEBAGO INC.

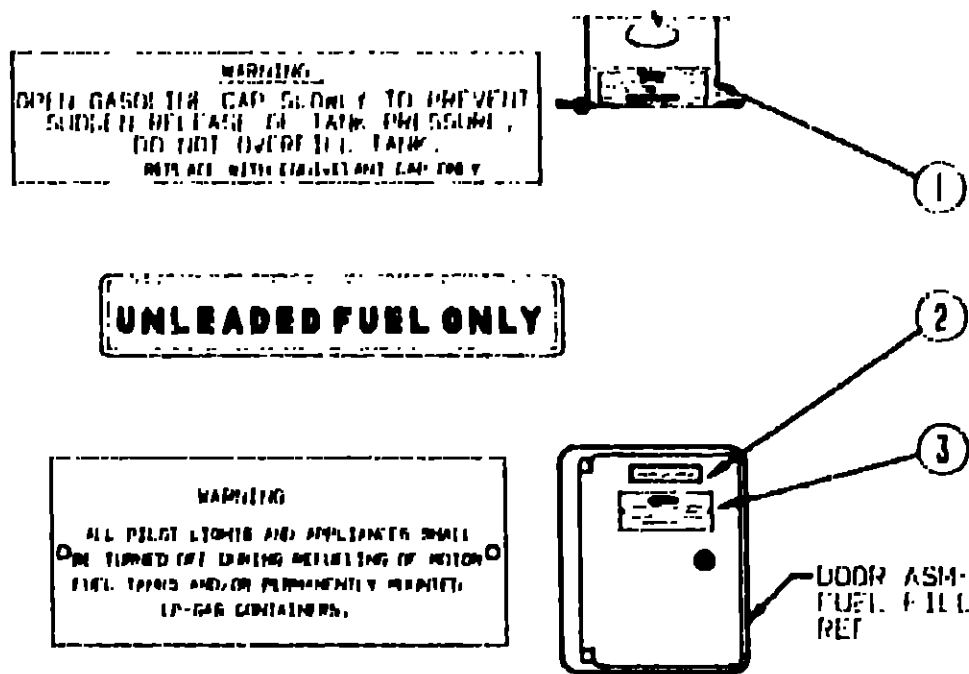
REFER TO YOUR OWNERS MANUAL BEFORE LOADING OR TOWING.

Key	Part Number	U/M	Description
1	075720-01-000	EA	Label - Warning - Exterior Load



Key	Part Number	U/M	Description
1	040944-01-000	EA	Label - Open - Entrance Door

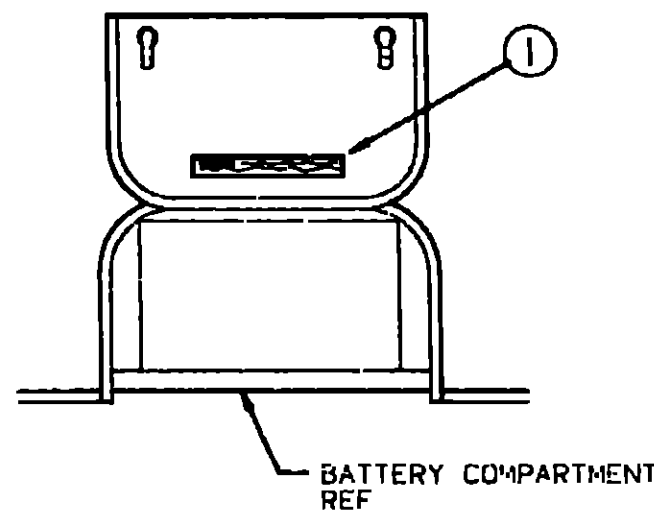
LABELS GROUP (CONTINUED)



LABELS & TAGS

Key	Part Number	U/M	Description
1	087207-05-000	EA	Label - Fuel Cap Removal
2	062043-01-000	EA	Label - Unleaded Fuel Only
	061417-01-000	EA	Label - Fuel
3	006040-01-000	EA	Tag - Gas Refueling Warning (US)
3	006040-02-000	EA	Tag - Gas Refueling Warning (CSA)

WARNING DISCONNECT BATTERIES BEFORE CONNECTING EXTERNAL CHARGING EQUIPMENT.



Key	Part Number	U/M	Description
1	065748-01-000	EA	Label - Caution - Battery Charging

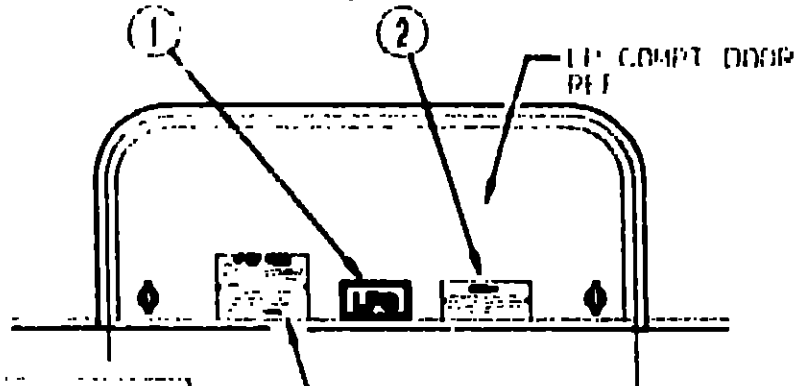
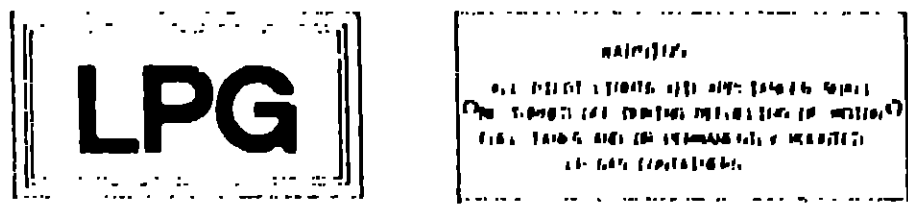
**1991 1/2 ITASCA
TABLE OF CONTENTS**

INTRODUCTION	A-01 - A-02
ABBREVIATIONS	A-03
ALPHABETICAL/GROUP REFERENCE	A-04 - A-06
IC321RG	A-07 - D-01
IC324RC	D-04 - G-08

1991 1/2 IC321RG INDEX

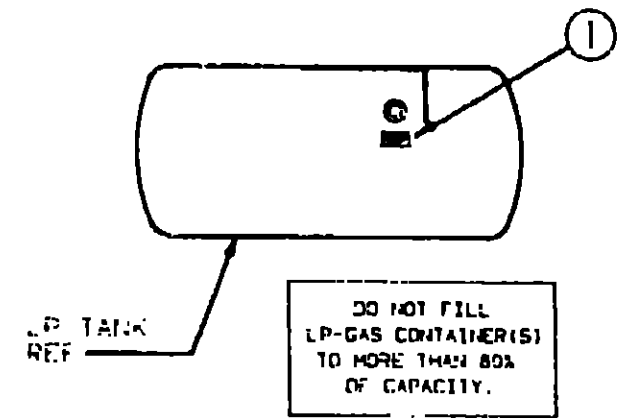
Floor Plan	A-07 - A-08
Accessories Group	A-09 - A-12
Bath Group	A-13 - A-14
Chassis Group	A-15 - A-17
Curtain, Cushion & Pad Group	A-18 - A-24
Dinette Group	B-01 - B-02
Driver's Compartment Group	B-03 - B-06
Electrical Group	B-07 - B-09
Exterior Body Group	B-10 - B-14
Galley Group	B-15 - B-18
Heating & Air Conditioning Group	B-19 - B-20
Interior Finish Group	B-21 - B-23
Labels Group	B-24 - C-07
LP Group	C-08
Lounge	C-09
Sealants & Fasteners Group	C-10 - C-11
Water & Sewage Group	C-12 - C-14
Window, Vent & Exterior Door Group	C-15 - D-04

LABELS GROUP (CONTINUED)



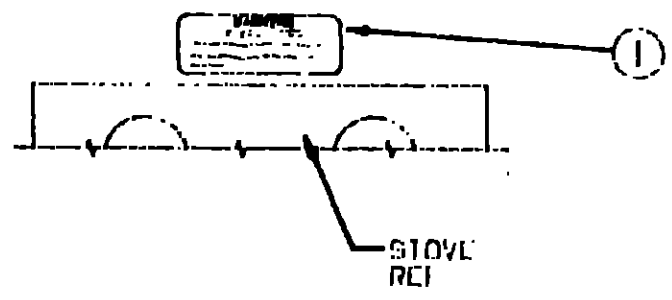
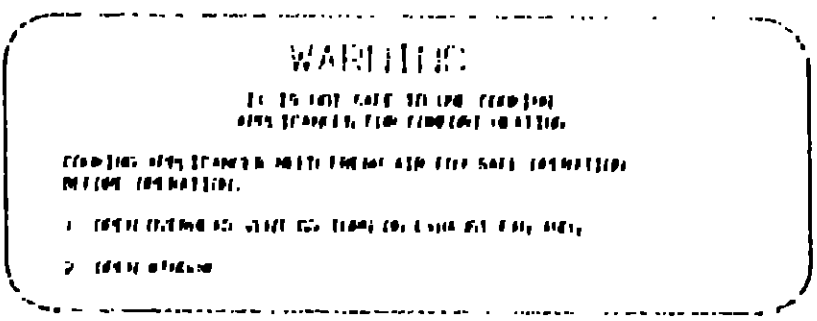
LP TANK SYSTEM
 THE LP TANK SYSTEM IS
 INSTALLED IN THE FRONT
 OF THE VEHICLE. IT IS
 A PRESSURIZED SYSTEM.
 IT IS NOT TO BE
 REPAIRED OR
 MODIFIED.
 IF YOU HAVE ANY
 QUESTIONS OR
 PROBLEMS, CONTACT
 THE MANUFACTURER.
 DO NOT FILL
 LP-GAS CONTAINER(S)
 TO MORE THAN 80%
 OF CAPACITY.

Key	Part Number	U/M	Description
1	079965-01-000	EA	Label - "LPG" - 3.5" x 1.75" (California Code)
2	006040-01-000	EA	Tag - Gas Refueling - Warning (US)
3	006040-02-000	EA	Tag - Gas Refueling - Warning (CSA)
3	054531-01-000	EA	Label - LP Gas Only
3	023769-01-000	EA	Label - Warning - LPG (CSA)

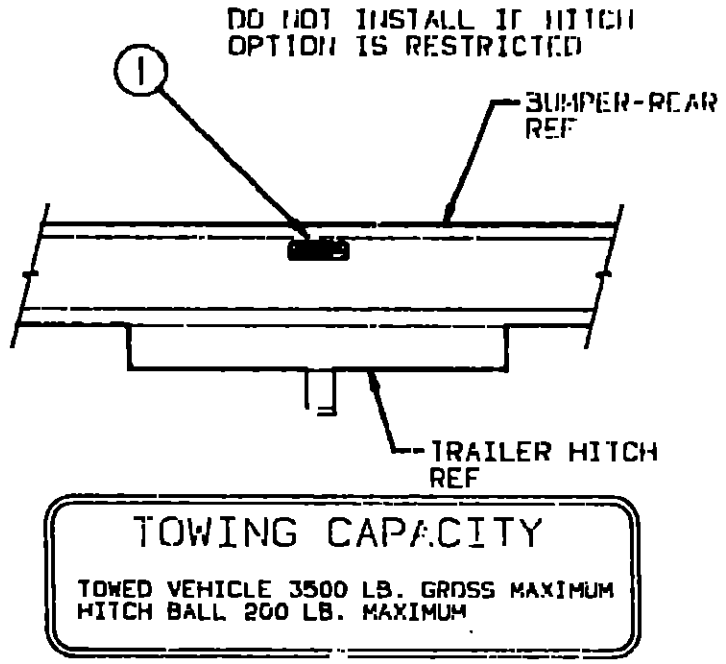


Key	Part Number	U/M	Description
1	079965-01-000	EA	Label - LPG - 80% Capacity

LABELS GROUP (CONTINUED)



Key	Part Number	U/M	Description
1	050225-01-000	EA	Label - Warning - Stove Vent



Key	Part Number	U/M	Description
1	075221-01-000	EA	Label - Warning - Towing Capacity

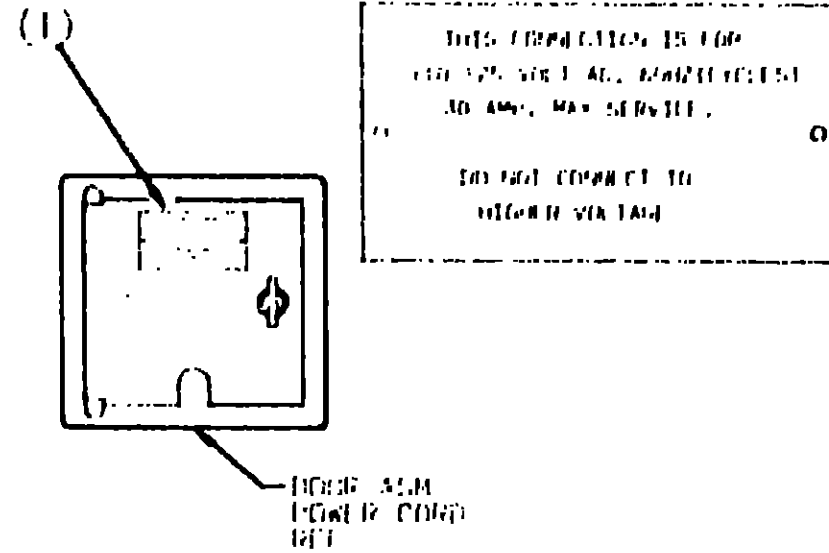
**1991 1/2 ITASCA
 TABLE OF CONTENTS**

INTRODUCTION	A-01 - A-02
ABBREVIATIONS	A-03
ALPHABETICAL/GROUP REFERENCE	A-04 - A-06
IC321RG	A-07 - C-04
IC324HC	D-05 - C-08

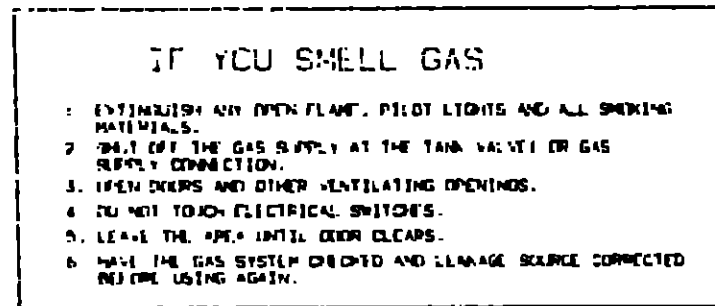
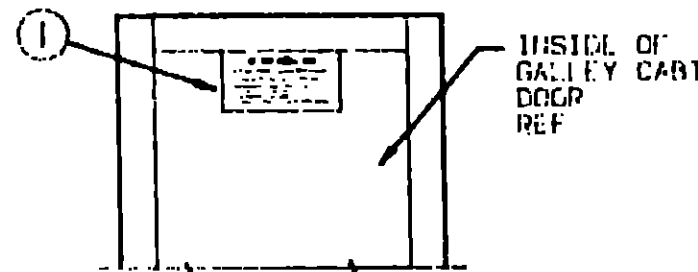
1991 1/2 IC321RG INDEX

Floor Plan	A-07 - A-08
Accessories Group	A-09 - A-12
Bath Group	A-13 - A-14
Chassis Group	A-15 - A-17
Curtain, Cushion & Pad Group	A-18 - A-23
Dinette Group	B-01 - B-02
Driver's Compartment Group	B-03 - B-06
Electrical Group	B-07 - B-09
Exterior Body Group	B-10 - B-14
Galley Group	B-15 - B-18
Heating & Air Conditioning Group	B-19 - B-20
Interior Finish Group	B-21 - B-23
Labels Group	B-24 - C-07
LP Group	C-08
Lounge	C-09
Sealants & Fasteners Group	C-10 - C-11
Water & Sewage Group	C-12 - C-14
Window, Vent & Exterior Door Group	C-15 - D-04

LABELS GROUP (CONTINUED)



Key	Part Number	U/M	Description
1	006062-01-000	EA	Tag - Electrical - 110 Volt Connection

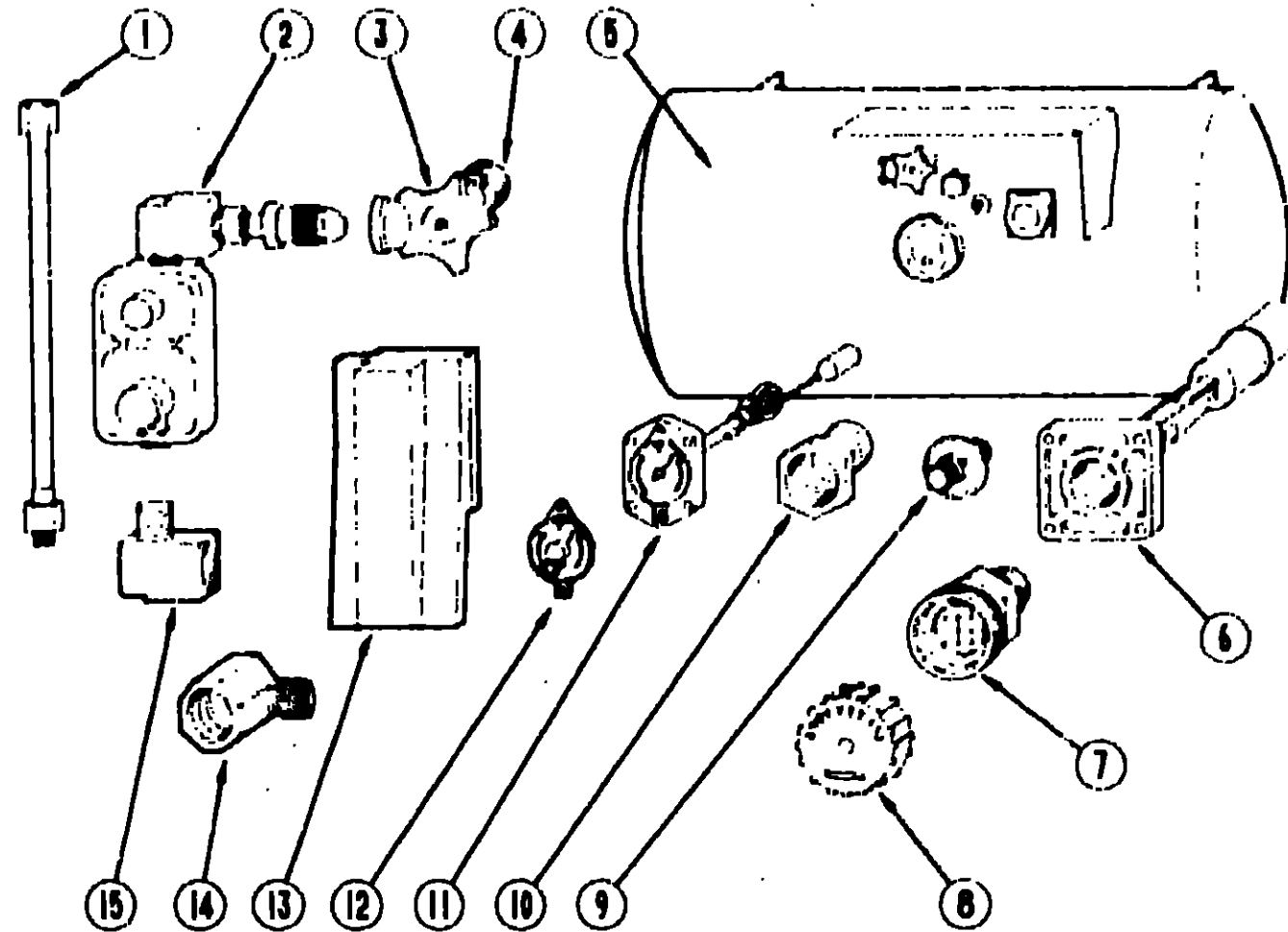


Key	Part Number	U/M	Description
1	073998-01-000	EA	Label - LPG - Odor Warning

MISCELLANEOUS LABELS

Key	Part Number	U/M	Description
	006064-01-000	EA	Label - Seat - w/o Seal Bell
	091243-01-000	EA	Label - A/C Cover
	006019-01-000	EA	Tag - RVI Approved - Plastic
	091224-02-000	EA	Label - Trailer Lighting

LP GROUP



LP TANK & COMPONENTS

Key	Part Number	U/M	Description
1	045703-01-000	EA	Hose Asm. - LP - 3/8" ID x 24" (US)
1	045703-02-000	EA	Hose Asm. - LP - 3/8" ID x 24" (CSA)
2	076301-01-000	EA	Regulator - Two Stage
3	040421-01-708	EA	Handwheel - Service Valve
4	040421-01-712	EA	Service Valve w/Handwheel
5	097821-01-000	EA	Tank Asm. - LP - 60 Pound - 14" Diameter x 30" Long
6	040421-01-711	EA	Valve - 80% w/Float Plate, Bolts & Gauges
7	040421-01-701	EA	Valve - Filler - LP w/Cap
8	040421-01-702	EA	Cap - Plastic - Fill Valve
9	040421-01-700	EA	Valve - Liquid Level - 20% LP
10	040421-01-713	EA	Pressure Relief Valve
11	040421-01-707	EA	Gauge - Float - 60 Pound Tank
12	040440-01-000	EA	Dial - Visible Face - Float Gauge
13	081938-01-000	EA	Cover - LP Regulator
14	065318-02-000	EA	Elbow - 90° - 3/8" MPT x 3/8" FPT
15	065742-01-000	EA	Tee - .38 F x .37 F x .25 FPT
	065741-01-000	EA	Gauge - Diaphragm Pressure - Test Leak
	008042-01-000	FT	Tubing - Vinyl - .65" ID
	010377-01-000	EA	Nut - 3/8" F - Brass
	010360-02-000	EA	Nut - 1/2" F - Brass - Forged
	010377-02-000	EA	Nut - 3/8" F - Brass - Forged
	J10323-01-000	EA	Adapter - Brass - 3/8" F x 1/2" MPT (Ford)
	016188-03-000	EA	Grommet - LP Line - 3/8" Hole x 2 1/2" Dia. - Rubber
	084884-01-000	EA	Brass - Plug - 3/8"

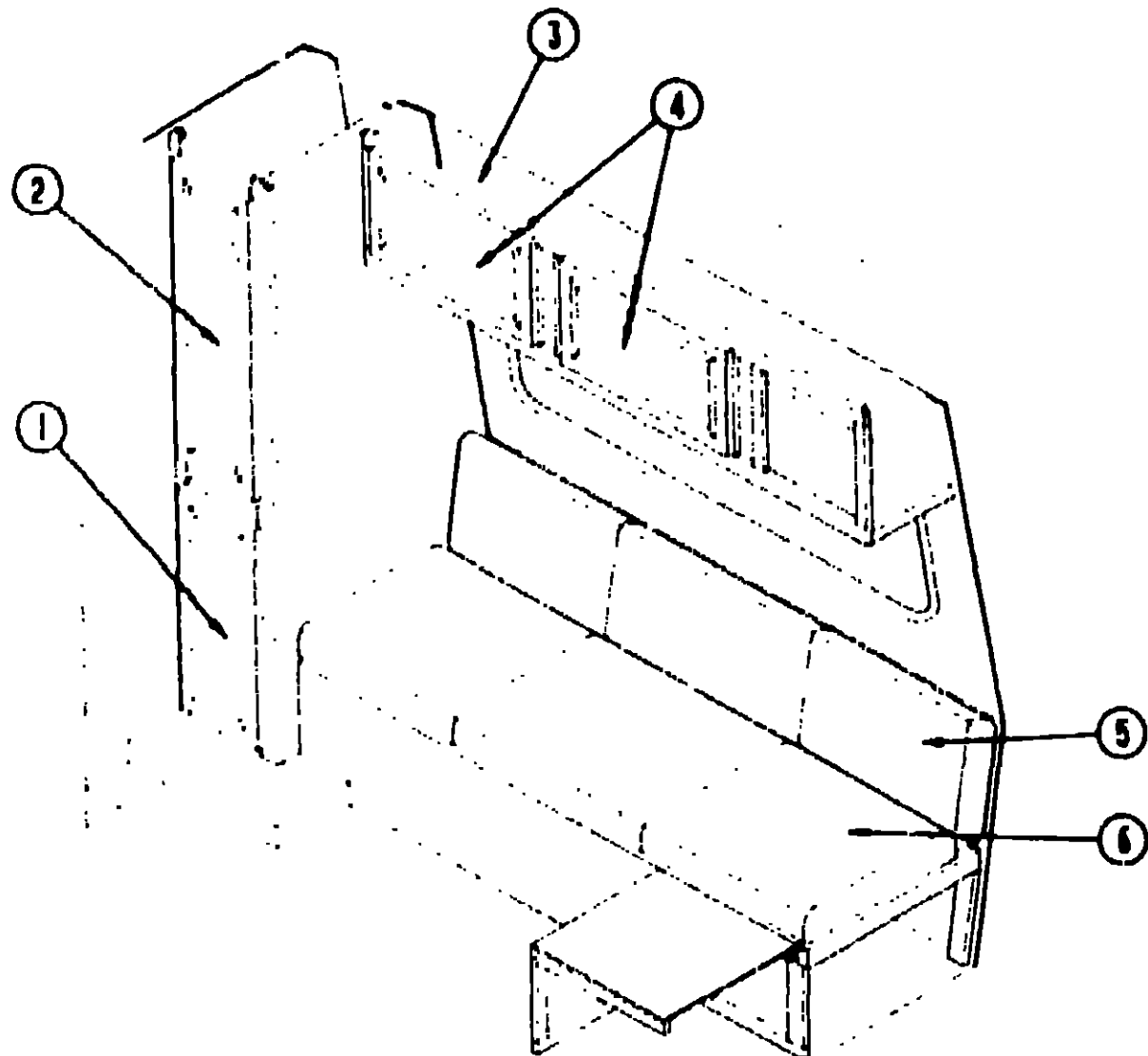
**1991 1/2 ITASCA
TABLE OF CONTENTS**

INTRODUCTION	A-01 - A-02
ABBREVIATIONS	A-03
ALPHABETICAL GROUP REFERENCE	A-04 - A-06
IC321RG	A-07 - D-05
IC321RC	D-06 - G-08

1991 1/2 IC321RG INDEX

Floor Plan	A-07 - A-08
Accessories Group	A-09 - A-12
Bath Group	A-13 - A-14
Chassis Group	A-15 - A-17
Curtain, Cushion & Pad Group	A-18 - A-24
Dinette Group	B-01 - B-02
Driver's Compartment Group	B-03 - B-06
Electrical Group	B-07 - B-09
Exterior Body Group	B-10 - B-14
Galley Group	B-15 - B-18
Heating & Air Conditioning Group	B-19 - B-20
Interior Finish Group	B-21 - B-23
Labels Group	B-24 - C-07
LP Group	C-08
Lounge	C-09
Sealants & Fasteners Group	C-10 - C-11
Water & Sewage Group	C-12 - C-14
Window, Vent & Exterior Door Group	C-15 - D-04

LOUNGE GROUP



LOUNGE CABINETRY & HARDWARE

Key	Part Number	U/M	Description
1	P03702-34-B87	EA	Door - Cabinet - 12" x 39.96" - w/o Hardware
2	P03702-38-B87	EA	Door - Cabinet - 12" x 29.13" - w/o Hardware
3	M05150-09-B87	EA	Cabinet - Lounge Overhead - w/o Doors or Hardware
4	P03702-23-B87	EA	Door - Cabinet - 14.4" x 26.8" - w/o Hardware
	103647-02-000	EA	Mirror - Decorative - 11.6" x 24"
	M05150-10-B87	EA	Cabinet - Sidewall Overhead - w/o Door or Hardware
	P03702-22-B87	EA	Door - Cabinet - 14.4" x 26.8" - Side Overhead - w/o Hardware
	002825-04-B27	EA	End Cap - Side Overhead
	081298-01-B05	EA	Pedestal Table - w/o Leg or Base
	009040-03-000	EA	Table Base - Raised Table Mount
	009010-06-000	EA	Leg - Pedestal Table - 27.5" - Tan
	009040-07-000	EA	Leg - Pedestal Table - 27.5" - Chrome
	041194-01-000	EA	Table Base - Flush Floor Mount
	076640-01-000	EA	Hold Down - Bungee Cord - 24"
	077968-01-000	EA	Retainer - Nylon - 1/2" x 1.6"
	062046-01-000	EA	Clip - Pedestal Table Leg - 1.7" x 2.2" - Dia. From 2" to 2.5"
5	100032-07-B87	EA	Back - Couch/Presto Bed
5	100032-07-B88	EA	Back - Couch/Presto Bed
6	100032-08-B67	EA	Seat - Couch/Presto Bed
6	100032-08-B88	EA	Seat - Couch/Presto Bed
	061998-99-B87	EA	Cushion - 22.5" x 14" x 6.5"
	061998-99-B88	EA	Cushion - 22.5" x 14" x 6.5"

* See Curtain, Cushion & Pad Group for further breakdown of these items
 * These parts were used from 5/20/91 on.

SEALANTS & FASTENERS GROUP

SCREWS & FASTENERS

Key	Part Number	U/M	Description
	000G13-07-4R11	EA	Bolt - Hex - 7/16" - 20 x 3 - Zn
	000C26-05-20B	EA	Bolt - Hex - Ser Fig 5/16 - 18 x 1 1/4" - Zinc
	000D24-10-00B	EA	Nut - Hex - Locking - 10-32 - Zn
	000D39-05-00H	EA	Nut - Hex - Ser Fig 1k - 5/16 - 18 - Zn
	000D39-06-00B	EA	Nut - Hex - Ser Fig 1k - 3/8 - 16 - Zn
	000D39-08-00B	EA	Nut - Hex - Ser Fig 1k - 1/2 - 13 - Zn
	000D44-07-00H	EA	Nut - Hex - Ser Fig 1k - 7/16 - 20 - Zn
	000E13-11-00B	EA	Washer - Flat - 3/16" Wide - Zn
	000G11-08-10J	EA	Screw - 6 - 20 x 5/8 PPH - Brass
	000G11-07-08D	EA	Screw - 7 - 19 x 1/2 PPH - Zn
	000G11-08-06B	EA	Screw - 8 - 18 x 3/8 PPH - Zn
	000G11-08-12B	EA	Screw - 8 - 18 x 3/4 PPH - Zn
	000G11-08-12D	EA	Screw - 8 - 18 x 3/4 PPH - Black
	000G11-08-12P	EA	Screw - 8 - 18 x .75 - Dark Brown
	000G11-08-12R	EA	Screw - 8 - 18 x .75 PPH - Beige
	000G11-08-12S	EA	Screw - 8 - 18 x .75 PPH - Off White
	000G11-08-16S	EA	Screw - 9 - 18 x 1.00 PPH - Off White
	000G11-10-12D	EA	Screw - 10 - 16 x 3/4 PPH - Black
	000G11-10-24P	EA	Screw - 10 - 16 x 1 1/2 PPH - Dark Brown
	000G12-08-12S	EA	Screw - 8 - 18 x .75 PPH - Off White
	000G12-08-16S	EA	Screw - 8 - 16 x 1" PPH - Off White
	000G13-06-08B	EA	Screw - 6 - 20 x 1/2 PPH - Zn
	000G13-06-08G	EA	Screw - 6 - 20 x 1/2" PPH - Antique Brass
	000G13-06-10G	EA	Screw - 6 - 20 x 5/8 PPH - Antique Brass
	000G13-07-12B	EA	Screw - 7 - 19 x 3/4 PPH - Zn
	000G13-08-16B	EA	Screw - 8 - 18 x 1 PPH - Zn
	000G18-08-12B	EA	Screw - Machine - 8 - 32 x 3/4" PPH - Zn
	000G18-08-16B	EA	Screw - Machine - 8 - 32 x 1 PPH - Zn
	000G18-08-22B	EA	Screw - Machine - 8 - 32 x 1 3/8 PPH - Zn
	000G39-08-08B	EA	Screw - SF/DR 8 - 18 x 1/2 PPH - Zn
	000G39-08-08R	EA	Screw - SF/DR 8 - 18 x 1/2 PPH - Beige
	000G39-08-12B	EA	Screw - SF/DR 8 - 18 x 3/4 PPH - Zn
	000G39-08-12R	EA	Screw - SF/DR 8 - 18 x 3/4 PPH - Beige
	000G39-08-16S	EA	Screw - SF/DR 8 - 18 x 1.00 PPH - Off White
	000G39-08-24B	EA	Screw - SF/DR 8 - 18 x 1 1/2 PPH - Zn
	000G39-08-24S	EA	Screw - SF/DR 8 - 18 x 1.50 PPH - Off White
	000G39-10-10S	EA	Screw - SF/DR 10 - 16 x .62" PPH - Off White
	000G39-10-12D	EA	Screw - SF/DR 10 - 16 x 3/4 PPH - Black
	000G39-10-20B	EA	Screw - SF/DR 10 - 16 x 1 1/4 PPH - Zn
	000G39-12-12E	EA	Screw - SF/DR 12 - 14 x 3/4" PPH - Chrome
	000G42-04-16R	EA	Screw - SF/DR 1/4 - 14 x 1 HW11 - Zn
	000G53-04-06B	EA	Screw - Machine - 1/4 - 20 x 3/8 PPH - Zn
	000G54-04-20B	EA	Screw - 1/4 - 20 x 1 1/4 PPH Typ 23 - Zn
	000G67-10-08B	EA	Screw - 10 - 12 x 1/2 PPH - Zn
	000G67-10-08R	EA	Screw - 10 - 12 x 1/2 PPH - Beige - Type A
	000G67-10-10B	EA	Screw - 10 - 12 x 5/8 PPH - Zn - Type A
	000G67-10-10R	EA	Screw - 10 - 12 x 5/8 PPH - Beige - Type A
	000G67-10-12B	EA	Screw - 10 - 12 x 3/4 PPH - Zn
	000G67-10-12P	EA	Screw - 10 - 12 x .75 PPH - Dark Brown
	000G67-10-120	EA	Screw - 10 - 12 x .75 PPH - Tan
	000G67-10-24B	EA	Screw - 10 - 12 x 1 1/2 PPH - Zn
	000G67-10-32B	EA	Screw - 10 - 12 x 2 PPH - Zn
	000G68-06-10G	EA	Screw - 6 - 18 x 5/8 PPH - Antique Brass
	000H16-04-06R	EA	Rivet - Pop - AL 1/8 x .313 - .375
	005081-01-000	EA	Nut - Speed - C Type - No. 8 Screw
	062401-02-000	EA	Clamp - Hose - Wormgear - 1.56" - 2.5"
	062401-06-000	EA	Clamp - Hose - Wormgear - .22" x .62"
	007151-01-000	EA	Clamp - Hose - Spring Type - 1/2"
	008343-01-000	EA	Tie - Wire - 6"
	008380-01-000	EA	Grommet - Rubber - 5/8" Hole - Black
	008386-01-000	EA	Grommet - Snap - 3/8"

**1991 1/2 ITASCA
TABLE OF CONTENTS**

INTRODUCTION	A-01 - A-02
ABBREVIATIONS	A-03
ALPHABETICAL/GROUP REFERENCE	A-04 - A-06
IC321RG	A-07 - D-04
IC324RG	E-05 - G-08

1991 1/2 IC321RG INDEX

Floor Plan	A-07 - A-08
Accessories Group	A-09 - A-12
Bath Group	A-13 - A-14
Chassis Group	A-15 - A-17
Curtain Cushion & Pad Group	A-18 - A-24
Dinette Group	B-01 - B-02
Driver's Compartment Group	B-03 - B-06
Electrical Group	B-07 - B-09
Exterior Body Group	B-10 - B-14
Galley Group	B-15 - B-18
Heating & Air Conditioning Group	B-19 - B-20
Interior Finish Group	B-21 - B-23
Labels Group	B-24 - C-07
LP Group	C-08
Lounge	C-09
Sealants & Fasteners Group	C-10 - C-11
Water & Sewage Group	C-12 - C-14
Window, Vent & Exterior Door Group	C-15 - D-04

SEALANTS & FASTENERS GROUP (CONTINUED)

SCREWS & FASTENERS (CONTINUED)

Key	Part Number	U/M	Description
	008401-01-000	EA	Strap - Conduit - 3/4" - 1 Hole - Galvanized Steel
	010495-01-000	EA	Clamp - Cable - 9/16"
	010497-01-000	EA	Clamp - Closed - 5/8" ID
	010497-03-000	EA	Clamp - Closed - 1" ID - Cushioned
	010499-01-000	EA	Clamp - Closed - 3/8" ID
	016664-01-000	EA	Brace - Cabinet - Angled Metal - 2.5"
	003609-01-000	EA	Clamp - Wire Dual - Equal 5/8" Dia
	004884-01-000	EA	Plug - Brass - 3/8"
	007721-01-000	EA	Screw - Flat Head - Tapping - 1/4 x 1 1/4 LG - Zn
	005371-01-000	EA	Screw - Machine - 8 - 32 x 3 5/16 - Zn
	075348-02-000	EA	Clamp - Grounding - Bronze Screws
	075408-01-000	EA	Screw - Machine - 10 - 32 x .56 PTH - Zn
	039165-04-000	EA	Screw - 10 - 16 x 1 PTH w/Washer - Belgm
	076790-01-000	EA	Screw - 6 - 20 x 1 1/4 PPH - Black
	063729-04-000	EA	Rivet - 10 - 32 UNF - .010 - .083

SEALANTS & ADHESIVES

Key	Part Number	U/M	Description
	004020-01-000	QT	Adhesive - ADS Cement (Plastic Fillings)
	004005-02-000	GI	Adhesive - Swifts - Glue (Sidewalls)
	053766-07-000	EA	Bedding Compound - Tube - Beige (Exterior)
	053766-06-000	EA	Bedding Compound - Tube - Clear (Window)
	053766-08-000	EA	Bedding Compound - Tube - Gray (Exterior)
	102352-01-000	EA	Bedding Compound - Tube - Black (Luggage Compartment)
	053766-02-000	EA	Bedding Compound - Tube - Off White (Exterior)
	077967-01-000	EA	Sealant - Acrylic Latex - Tube - Off White (Interior Sealant)
	034552-04-000	EA	Sealant - Silicone - Beige
	034552-02-000	EA	Sealant - Silicone - Clear
	034552-07-000	EA	Sealant - Silicone - Dark Gray
	034552-06-000	EA	Sealant - Silicone - Off White
	039518-01-000	EA	Sealant - Silicone - Black
	069640-01-000	FT	Sealer Ribbon - .25" Bead x 20'
	069640-02-000	FT	Sealer Ribbon - .5" x .125" x 30'
	069640-03-000	FT	Sealer Ribbon - .75" x .125" x 30'
	069640-09-000	FT	Sealer Ribbon - 1/32" x 2.5" x 30'
	069640-06-000	FT	Sealer Ribbon - 5/16" Bead x 15'
	069640-07-000	FT	Sealer Ribbon - 2" x 3/32" x 30'
	069640-10-000	FT	Sealer Ribbon - 1/32" x 1.5" x 100'
	002707-02-000	FT	Sealer Tape - 5/16" x 1/2"
	074497-14-700	EA	Sealer - Stain (Ceiling)
	102353-01-700	EA	Seam Sealer - Tube - Gray (Roof Seams)
	094401-01-000	EA	Seam Sealer - Tube - Clear (Cap to Sidewall)
	063642-01-000	FT	Tape - Adhesive - .10mm x 1.5" Wide
	038886-01-000	EA	Tape - Butyl - .31" x .31" x 148" (Windshield)
	076322-01-000	FT	Tape - Foam - Double Coated - .025 x .75 x 72' (Fiberglass Sidewall Seams)
	076322-02-000	FT	Tape - Foam - Double Coated - .045 x 1" (Fiberglass Sidewall Seams)
	100028-01-000	FT	Tape - Foam - Double Coated - .031 x .75 x 72' (Non-Structural Fastening)
	104579-01-000	FT	Seal - Foam - Closed Cell - .08" x .43"
	009200-01-000	EA	Tape - Furnace - 1.5"
	002825-01-000	FT	Weather Stripping (Roof Vent)
	001377-01-700	EA	Adhesive - Cyanoacrylate - 10GM

WATER & SEWAGE GROUP

DRAINAGE SYSTEM

Key	Part Number	U/M	Description
	062422-01-000	EA	Adapter - Offset Reducer - 3" x 1 1/2"
	062416-01-000	EA	Adapter - Sewer Hose to 3" Pipe
	033302-02-000	EA	Adapter Asm. - Strainer - 1 1/2" (CSA)
	010121-01-000	EA	Bushing - Plastic - Red - 1 1/2 S x 1 1/4 H
	011091-02-000	EA	Continuous Waste - Double Sink - 11 7/8"
	078406-01-000	EA	Coupler - Rubber - 3" x 3"
	010051-01-000	EA	Elbow - Plastic - 1/8 BD x 1 1/2 x 45°
	010006-01-000	EA	Elbow - Plastic - 1/8 BD x 1 1/2 x 45° H x H
	010008-01-000	EA	Elbow - Plastic - 1/4 BD x 1 1/2 x 90° - Left
	031111-01-000	EA	Elbow - Plastic - 1/4 BD x 1 1/4 x 90 XLT
	037101-02-000	EA	Elbow - Plastic - 1/4 Bend Vent - 1 1/2" Hub (CSA)
	075240-08-000	EA	Faucet - Lavatory - Bone
	075241-05-000	EA	Faucet - Shower - Bone
	011053-04-000	EA	Faucet - Swing Spout - 8" - Galley
	091253-01-000	EA	Gasket - Faucet
	024676-01-000	EA	Flange - Closet - 4" x 3" (US)
	024676-02-000	EA	Flange - Closet - 4" x 3" (CSA)
	061807-01-000	EA	Grommet - Holding Tank Coupler - 1 1/2"
	061807-02-000	EA	Grommet - Holding Tank Coupler - 3"
	011068-03-000	EA	P-Trap - 1 1/4" - Plastic (US)
	011068-02-000	EA	P-Trap - 1 1/4" - Plastic (CSA) (Lavatory/Showur)
	053335-01-000	EA	P-Trap - 1 1/4" - Plastic w/Union (CSA) (Galley)
	083558-03-000	EA	Roof Vent - Covered - Vent Pipe - Off White
	062415-01-000	EA	Sewer Cap - 3"
	062415-01-700	EA	String - Sewer Cap
	010201-01-000	EA	Sewer Hose - 3" ID x 20'
	M02606-01-000	EA	Shower Pan Asm.
	102551-01-000	EA	Sink - Double w/Mounting Hardware - Stainless Steel
	066436-01-000	EA	Slip Nut - 1.5 - Tailpiece
	066440-01-000	EA	Strainer - Shower Drain
	066437-01-000	EA	Strainer - Sink - Galley
	066437-01-700	EA	Basket - Strainer - Galley Sink
	011069-02-000	EA	Tailpiece - 1 1/2 x 1 1/4 x 4" - Brass
	083268-01-000	EA	Tank - Holding - 25 Gal. 18.1" x 16.8" x 19.5"
	083269-01-000	EA	Tank - Holding - 25 Gal. 19.4" x 35.4" x 12.1"
	010079-01-000	EA	Tee - Plastic - 1 1/2" H x 1 1/2" H x 1 1/4" H
	010071-01-000	EA	Tee - Plastic - 1 1/2" H x H x H
	007487-01-000	EA	Toilet - Ivory - Aqua Magic
	067487-01-700	EA	C.L.F.L. Seal & Bolt Package
	063740-01-710	EA	Link
	063740-01-711	EA	Spring - Return Lever
	063740-01-705	EA	Seat - Ivory - w/o Cover
	063740-01-700	EA	Lever - Water
	063740-01-701	EA	Lever - Flush
	063740-01-713	EA	Seal - Ball - Valve to Bowl
	063740-01-714	EA	Valve Asm. - Water
	063740-01-707	EA	Seal - Closet Flange
	063740-01-706	EA	Bolt Package - Closet
	070916-01-000	EA	Valve - Dual - 3" x 1.5"
	070916-01-700	EA	Valve - Only - 3"
	070916-01-701	EA	Valve - Only - 1 1/2"
	062421-01-000	EA	Valve - 1 1/2" w/Handle
	062419-02-700	EA	Handle Only - For Extension Rod
	079968-01-000	EA	Vent - Mechanical Trap Arm
	069735-01-000	EA	Washer - Tailpiece - 1.5 - Plastic

**1991 1/2 ITASCA
TABLE OF CONTENTS**

INTRODUCTION	A-01 - A-02
ABBREVIATIONS	A-03
ALPHABETICAL/GROUP REFERENCE	A-04 - A-06
IC321RG	A-07 - D-04
IC324RC	D-05 - G-08

1991 1/2 IC321RG INDEX

Floor Plan	A-07 - A-08
Accessories Group	A-09 - A-12
Bath Group	A-13 - A-14
Chassis Group	A-15 - A-17
Curtain, Cushion & Pad Group	A-18 - A-24
Dimette Group	B-01 - B-02
Driver's Compartment Group	B-03 - B-06
Electrical Group	B-07 - B-09
Exterior Body Group	B-10 - B-14
Galley Group	B-15 - B-16
Heating & Air Conditioning Group	B-19 - B-20
Interior Finish Group	B-21 - B-23
Labels Group	B-24 - C-07
LP Group	C-08
Lounge	C-09
Sealants & Fasteners Group	C-10 - C-11
Water & Sewage Group	C-12 - C-14
Window, Vent & Exterior Door Group	C-15 - D-04

WATER & SEWAGE GROUP (CONTINUED)

WATER LINES & HARDWARE

Key	Part Number	U/M	Description
	010224-01-000	EA	Adapter - Hose to Pipe - 3/8" Barb - Black Plastic
	044927-01-000	EA	Adapter - Plastic - 1 1/4" MPT x 1 1/2" Bar (Water Tank)
	079317-01-000	EA	Adapter - Swivel - 5 Tube x 5 FPT
	052954-01-000	EA	Adapter - Nose Conn - 3/8" or 1/2" - Plastic
	036422-02-000	EA	Cap - Brass - 1/2" Flare
	065120-01-000	EA	Elbow - Plastic - Swivel - 1/2" FPT x 1/2" Flare - Gray
	052957-02-000	EA	Elbow - Male - 1/2" F x 1/2" MPT - Gray - Plastic
	076924-01-000	EA	Elbow - Swivel - 1/2" MPT x 1/2" FPT - Gray
	011053-04-000	EA	Faucet - Swing Spout - Galley - 8"
	041253-01-000	EA	Gasket - Faucet
	075241-05-000	EA	Faucet - Shower - Bone
	077954-02-000	EA	Filter/Screen (In Water Tank)
	052952-01-000	EA	Nut - Plastic - 1/2" F
	052953-01-000	EA	Nut - Faucet - 1/2" Tube x 1/2" FPT
	049032-01-000	EA	Patch - Spinweld - Plastic - 3/8"
	038607-01-000	EA	Pump - Water - 2.8 GPM - Direct Flow (US)
	048607-02-000	EA	Pump - Water - 2.8 GPM - Direct Flow (CSA)
	048607-01-707	EA	Motor/Backplate - Replacement
	048607-01-701	EA	Drive Asm.
	048607-01-702	EA	Diaphragm Kit
	048607-01-703	EA	Valve Asm
	048607-01-704	EA	Upper Housing
	048607-01-706	EA	Switch Asm. - Complete
	048607-01-700	EA	Pumphood - Replacement
	048607-01-705	EA	Check - Valve Kit
	091208-01-000	EA	Rubber Washer - .06 x .75 x .50
	011048-02-000	EA	Shower Head - w/60" Hose (US)
	011048-05-000	EA	Shower Head - w/60" Hose (CSA)
	042989-03-000	EA	Spinweld Fitting - Plastic - 1/4" NPT
	042989-05-000	EA	Spinweld Fitting - Plastic - 1/2" FPT
	042989-04-000	EA	Spinweld Fitting - Plastic - 3/8" FPT
	052955-01-000	EA	Tee - Plastic - 1/2" F x 1/2" F x 1/2" MPT
	052956-01-000	EA	Tee - Plastic - 1/2" F x 1/2" MPT x 1/2" F
	052958-01-000	EA	Tee - Plastic - 1/2" F x 1/2" F x 1/2" F
	039800-01-000	FT	Tubing - Polybutyl - 1/2" OD x 20' (Water Line)
	079381-01-000	FT	Tubing - Flex/Smooth - 1.25 ID (Water Tank)
	074162-02-000	FT	Tubing - Vinyl - 3/8" ID
	046128-01-000	EA	Valve - Drain - Plastic - 1/2" FPT
	052960-01-000	EA	Valve - Line Drain - 1/2" F x 1/2" F
	052960-01-700	EA	Connector - Union - 1/2" F x 1/2" F
	057063-03-000	EA	Water Tank - 28 Gal. w/Fittings - 19" x 25" x 17.5"

EXTERIOR SHOWER (OPTION L64R)

Key	Part Number	U/M	Description
	103173-01-01A	EA	Shower Kit - Exterior - Off White (Piece Parts are N/A)
	103173-02-01A	EA	Shower Kit - Exterior - Off White
	103173-03-700	EA	Compartment Only
	103173-03-701	EA	Door Only
	103173-03-702	EA	Hinge Pin
	103173-03-703	EA	Hinge Pin Spring
	103173-03-704	EA	Lock Asm. w/Key & Clip
	103173-03-705	EA	Decal - "Auxiliary Shower"
	103173-03-706	EA	Shower Head w/Hose & Bracket
	103173-03-707	EA	Faucet w/Adapter - Chrome
	046128-01-000	EA	Valve - Drain - Plastic - 1/2" FPT
	052952-01-000	EA	Nut - Plastic - 1/2" F x 1/2" Tube - Gray
	002795-01-000	EA	Garnish - U-Channel - 1.38" x 19' - Serrated - Mill Aluminum
	052957-02-000	EA	Elbow - Male - 1/2" F x 1/2" MPT - Plastic - Gray

These parts were used from 3/25/91 on

WATER & SEWAGE GROUP (CONTINUED)

WATER HEATER & REPAIR PARTS

Key	Part Number	U/M	Description
	051391-01-000	EA	Heater - Water - Atwood G6A-3
	051391-01-700	EA	Hinge Kit - w/Clip - Atwood #92568 & 92559
	051391-01-715	EA	Drain Plug - Atwood #91561
	051391-01-702	EA	Tank - Inner - G6A-2, 3, 6 - Water Heater - Atwood #1412
	051391-01-704	EA	Valve - Relief - 1/2" Fitting - Atwood #1604
	051391-01-705	EA	Fastener - Camloc - Atwood #92609
	051391-01-706	EA	Grille - Exhaust - Atwood #92787
	051391-01-712	EA	Thermostat - 3/8" NPT Inlet
	051391-01-708	EA	Burner - Main - Atwood #92615
	051391-01-709	EA	Pilot Asm. - w/Thermocouple & Tube
	051391-01-710	EA	Orifice - Main Burner - Atwood #92742
	051391-01-711	EA	Elbow - Orifice - Main Burner
	051391-01-714	EA	Elbow - 45 Degree - 3/8" F x 3/8" MPT - Atwood #91044
	051391-03-000	EA	Heater - Water - w/Electric Ignition - Atwood # G6A-3E, 4E & 6E
	051393-03-700	EA	Tank - Inner (G6A-3E) Rear Mount - Atwood #91409
	051391-04-700	EA	Tank - Inner (G6A-3E) Front Mount - Atwood #91608
	051391-04-706	EA	Tank - Inner - G6A-4E & 6E - Front Mount - Atwood #9164
	051391-01-704	EA	Valve - Relief - 1/2" Fitting - Atwood #91604
	051391-01-705	EA	Fastener - Camloc - Atwood #92609
	051393-01-701	EA	Switch Package - Atwood #91959
	051393-01-702	EA	Switch - Energy Cut-Off - Atwood #91951
	051391-04-701	EA	Thermostat 12 VDC - 120 Preset - Atwood #91470 - Front Mount Only
	051393-01-703	EA	Thermostat - Rear Mount - Atwood #91952
	051393-01-721	EA	ECO & Thermostat Asm. - Front Mount - 140 Degree - Atwood #
	051393-01-704	EA	Circuit Board - w/Black Box - Atwood #91420
	051391-01-708	EA	Grille - Exhaust - Atwood #92787
	051393-01-705	EA	Orifice Holder - Atwood #91925
	051391-01-710	EA	Orifice - Main Burner - Atwood #92742
	051393-01-716	EA	Spark & Probe Asm. - Atwood #91606
	051391-01-708	EA	Burner - Main - Atwood #92615
	051393-01-718	EA	Valve - Dual Solenoid - Atwood #91605
	051391-01-715	EA	Drain Plug - Atwood #91561
	051391-01-700	EA	Hinge Kit - w/Clip - Atwood #92568 & 92559

WATER HEATER BYPASS (OPTION L53J)

Key	Part Number	U/M	Description
	039800-01-000	FT	Tubing - Polybutyl - 1/2 OD x 20'
	052956-01-000	EA	Tee - Plastic - 1/2 F x 1/2 MPT x 1/2 F
	052957-02-000	EA	Elbow - Plastic - 1/2 F x 1/2 MPT
	099729-01-000	EA	Bypass Kit - Water Heater

**1991 1/2 ITASCA
TABLE OF CONTENTS**

INTRODUCTION	A-01 - A-02
ABBREVIATIONS	A-03
ALPHABETICAL/GROUP REFERENCE	A-04 - A-06
IC321RG	A-07 - D-04
IC324RC	D-05 - G-08

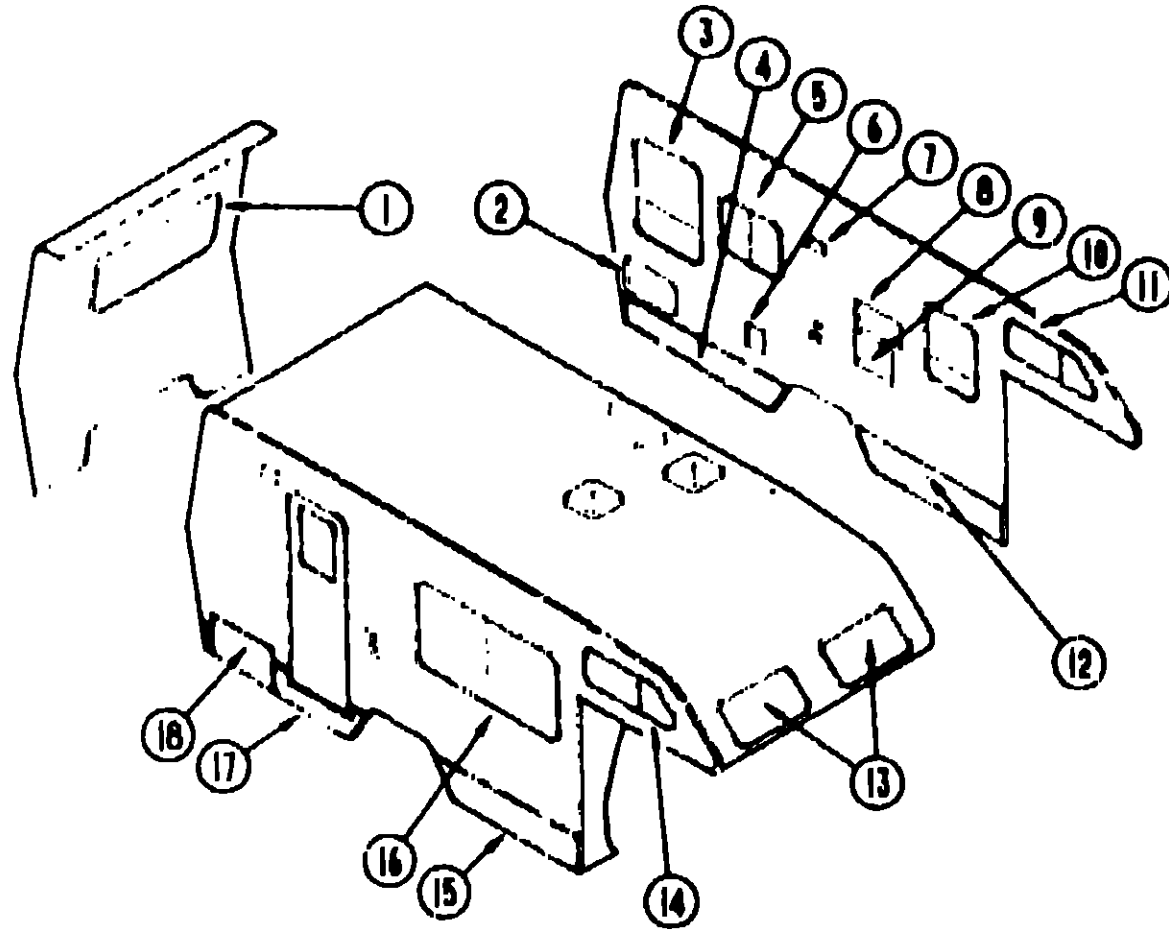
1991 1/2 IC321RG INDEX

Floor Plan	A-07 - A-08
Accessories Group	A-09 - A-12
Bath Group	A-13 - A-14
Chassis Group	A-15 - A-17
Cushion, Cushion & Pad Group	A-18 - A-24
Linette Group	B-01 - B-02
Driver's Compartment Group	B-03 - B-06
Electrical Group	B-07 - B-09
Exterior Body Group	B-10 - B-14
Galley Group	B-15 - B-18
Heating & Air Conditioning Group	B-19 - B-20
Interior Finish Group	B-21 - B-23
Labels Group	B-24 - C-07
LP Group	C-08
Lounge	C-09
Sealants & Fasteners Group	C-10 - C-11
Water & Sewage Group	C-12 - C-14
Window, Vent & Exterior Door Group	C-15 - D-04

WINDOWS, VENTS & EXTERIOR DOORS

WINDOW, VENT & EXTERIOR DOOR GROUP (CONTINUED)

**1991 1/2 ITASCA
TABLE OF CONTENTS**



WINDOWS & ACCESS DOORS

Key	Part Number	U/M	Description
1	078536-01-T03	EA	Window Asm. - Rear Escape
2	079578-08-AA3	EA	Door Asm. - Storage
3	092235-03-Y12	EA	Window Asm. - Single Tipout
4	096393-14-B05	EA	Door Asm. - Storage Compartment
5	098647-07-700	EA	Window Asm. - Single Slider (Excel)
6	078010-03-000	EA	Do. Asm. - Fuel Fill - Off White
7	084878-09-000	EA	Vent - Range Hood - Short
8	084103-03-000	EA	Door Asm. - Refrigerator - Vented
9	052009-01-000	EA	Door Asm. - Water Heater
10	098644-01-715	EA	Window Asm. - Single Slider (Excel)
11	100322-02-700	EA	Window Asm. - Bunk Slider (Excel)
12	096395-05-AA3	EA	Door Asm. - Holding Tank & Dump Valve
13	078533-08-B13	EA	Window Asm. - Front Picture
14	100322-01-720	EA	Window Asm. - Bunk Slider (Excel)
15	096395-07-AA3	EA	Door Asm. - Battery
16	098647-03-705	EA	Window Asm. - Single Slider
17	096865-03-805	EA	Valance Asm. - Entrance Door
18	098252-03-B05	EA	Valance Asm. - Rear - Generator

POWERED ROOF VENT

Key	Part Number	U/M	Description
	090394-01-Y12	EA	Vent Asm. - Roof - Powered - w/o Screen (US)
	009440-01-000	EA	Lift Mechanism
	009439-03-000	EA	Extension
	009439-04-000	EA	Screw
	009439-01-000	EA	Crank - Roof Vent - Mill
	048649-01-000	EA	Fan - Plastic - 6"
	008195-01-000	EA	Switch - Push Button - 12 Volt
	015911-01-000	EA	Track - Slide - Roof Vent
	002825-01-000	EA	Weatherstrip Seal
	048648-01-000	EA	Motor - 12 Volt
	008186-01-000	EA	Drummet - Snap - 3/8"
	051384-01-000	EA	Cover Asm. - Roof Vent
	052639-01-200	EA	Hinge - 7" - Roof Vent
	070785-01-Y12	EA	Screen Asm. - Roof Vent - Powered
	002291-02-000	SF	Screen - Window - 16" - Charcoal
	002298-02-000	FT	Spline - Charcoal
**	064489-08-000	EA	Vent Asm. - Roof Powered - w/o Screen (CSA)
**	The illustrated parts breakdown of this item is provided on the Common Items Fiche.		

NON-POWERED VENT

Key	Part Number	U/M	Description
	090395-01-Y12	EA	Vent Asm. - Roof - Non-Powered - w/o Screen
	009440-01-000	EA	Lift Mechanism Asm
	009439-03-000	EA	Extension
	009439-04-000	EA	Screw
	009439-01-000	EA	Crank - Roof Vent - Mill
	015911-01-000	EA	Track - Slide - Roof Vent
	002825-01-000	EA	Weatherstrip Seal
	055218-01-000	EA	Cover Asm. - Roof Vent
	052639-01-200	EA	Hinge - 7" - Roof Vent
	078786-01-Y12	EA	Screen Asm. - Charcoal
	002291-02-000	SF	Screen - Window - 16" - Charcoal
	002298-02-000	FT	Spline - Charcoal

VENTS & SHROUDS

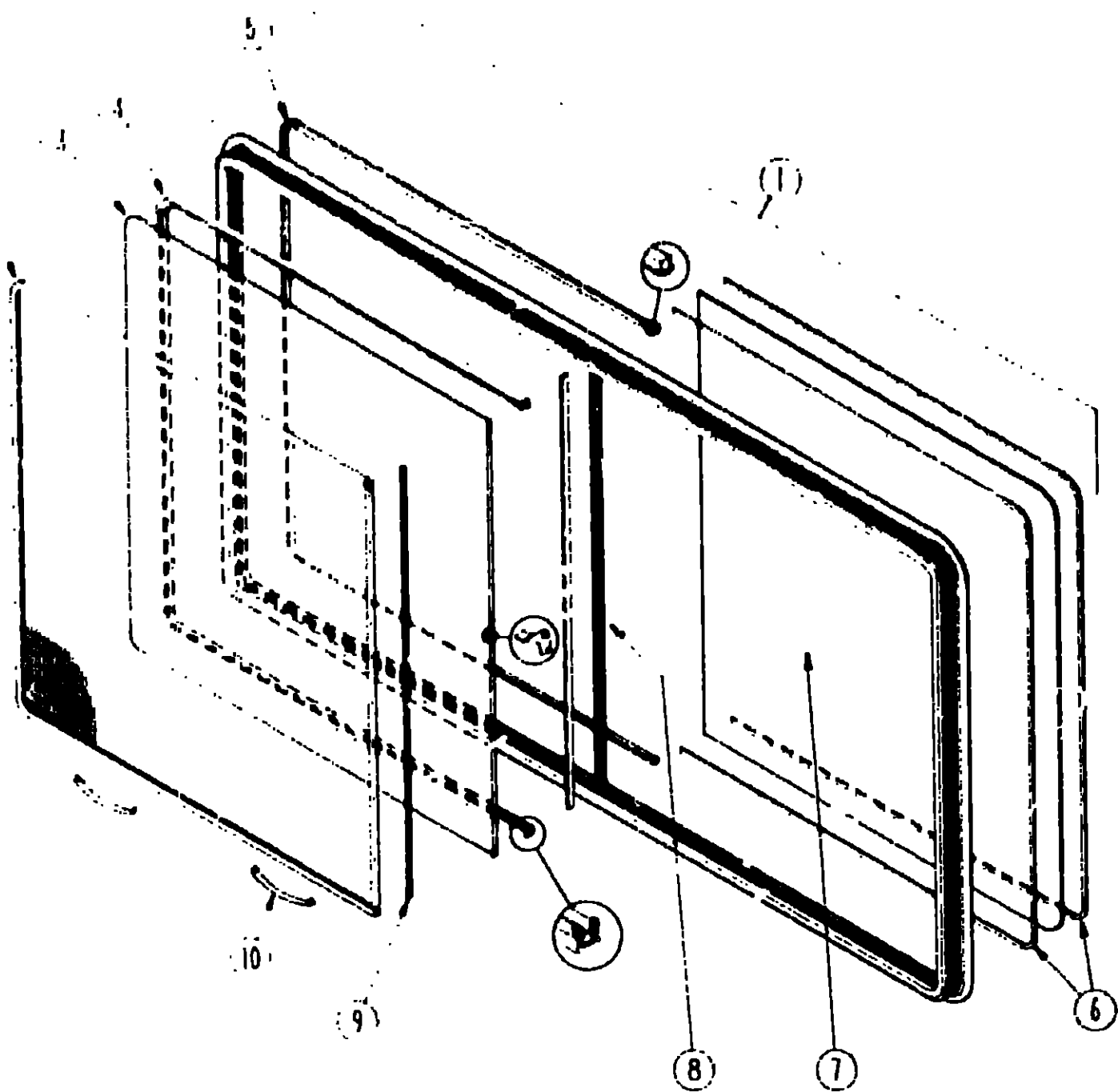
Key	Part Number	U/M	Description
	083558-03-000	EA	Vent - Plumbing Pipe - Roof w/Cover - Off White
	084073-03-000	EA	Vent - Refrigerator Roof - Off White
	084073-04-000	EA	Base - Roof Vent - Norcold Refrigerator - Black
	084878-09-000	EA	Vent - Range Hood - Short - LVS
	063752-01-000	EA	Shroud Asm. - Range

INTRODUCTION	A-01 - A-02
ABBREVIATIONS	A-03
ALPHABETICAL GROUP REFERENCE	A-04 - A-06
IC321RG	A-07 - D-04
IC324RC	D-05 - G-08

1991 1/2 IC321RG INDEX

Floor Plan	A-07 - A-08
Accessories Group	A-09 - A-12
Bath Group	A-13 - A-14
Chassis Group	A-15 - A-17
Curtain, Cushion & Pad Group	A-18 - A-24
Dinette Group	B-01 - B-02
Driver's Compartment Group	B-03 - B-06
Electrical Group	B-07 - B-09
Exterior Body Group	B-10 - B-14
Galley Group	B-15 - B-19
Heating & Air Conditioning Group	B-19 - B-20
Interior Finish Group	B-21 - B-23
Labels Group	B-24 - C-07
LP Group	C-08
Lounge	C-09
Sealants & Fasteners Group	C-10 - C-11
Water & Sewage Group	C-12 - C-14
Window, Vent & Exterior Door Group	C-15 - D-04

WINDOW, VENT & EXTERIOR DOOR GROUP (CONTINUED)



Key	Part Number
1	098647-03-706 098647-03-705 098647-03-707
2	098647-03-704
3	098647-03-702 098647-03-703
4	098644-01-708 098644-01-700
5	098644-01-706
6	098644-01-705
7	098647-03-700
8	098647-03-701
9	098644-01-711
10	098644-01-713 098644-01-701 098644-01-702 098644-01-703 098644-01-716

U/M	Description
EA	Window Arm - Single Slider - 30" x 54" (w/o inside frame)
EA	Inside Frame - Black (not included in assembly)
EA	Inside Frame - Off White (not included in assembly)
EA	Screen Asm. - w/Spring & Weatherstrip
EA	Sash Asm. - w/Lock & Glass
EA	Spacer Track
FT	Channel - Pierced Run
EA	Latch - Repair Kit
FT	Weatherstrip
FT	Glazing Strip
EA	Stationary Glass - 26" x 28 7"
EA	Locking Rail w/Weatherstrip
FT	Weatherstrip - Screen - Black
EA	Spring - Screen Frame (Clip) - Black Plastic
EA	Splice Plate - Window
EA	Screw - Splice - #6 - 32 x 1/4" Pan Head
EA	Screw - Locking Rail - #6 x 15 Pro Head Recess - Black
EA	Filler Plug

GALLEY SINGLE SLIDER WINDOW (EXCEL)

Key	Part Number
1	098647-07-700 098647-06-704 098647-06-706
2	098647-06-703
3	098647-06-702 098644-01-700
4	098644-01-708
5	098644-01-706
6	098644-01-705
7	098647-06-700
8	098647-06-701
9	098644-01-711
10	098644-01-713 098644-01-701 098644-01-702 098644-01-703 098644-01-710 098644-01-716

U/M	Description
EA	Window - Single Slider (w/o inside frame)
EA	Inside Frame - Black (not included in assembly)
EA	Inside Frame - Off White (not included in assembly)
EA	Screen w/Weatherstrip & Frame Spring (Clip)
EA	Glass - Sliding w/Sash & Latch
EA	Latch - Repair Kit
FT	Channel - Pierced Run
FT	Weatherstrip
FT	Glazing Strip
EA	Glass - Stationary - 10 9 1" x 13 7 7"
EA	Rail - Locking w/Weatherstrip
FT	Weatherstrip - Screen - Black
EA	Spring - Screen Frame (Clip) - Plastic - Black
EA	Splice Plate - Window
EA	Screw - Splice
EA	Screw - Locking Rail
FT	Track - Screen Spacer (12" Length)
FT	Filler Plug

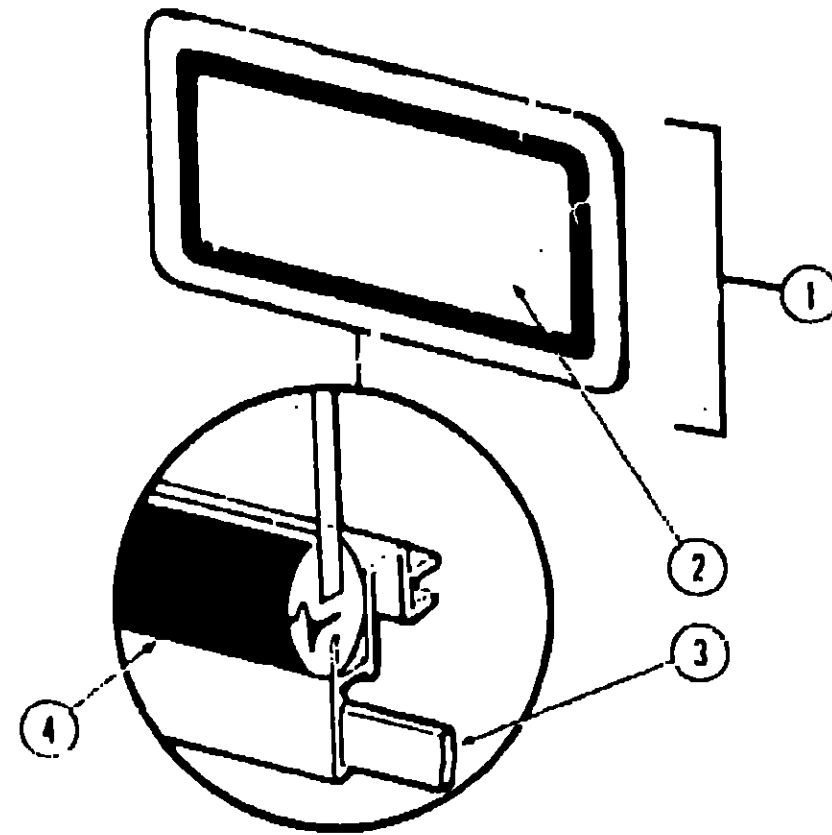
WINDOW, VENT & EXTERIOR DOOR GROUP (CONTINUED)

**1991 1/2 ITASCA
TABLE OF CONTENTS**

INTRODUCTION	A-01 - A-02
ABBREVIATIONS	A-03
ALPHABETICAL/GROUP REFERENCE	A-04 - A-06
IC321RG	A-07 - D-04
IC324RC	D-05 - G-08

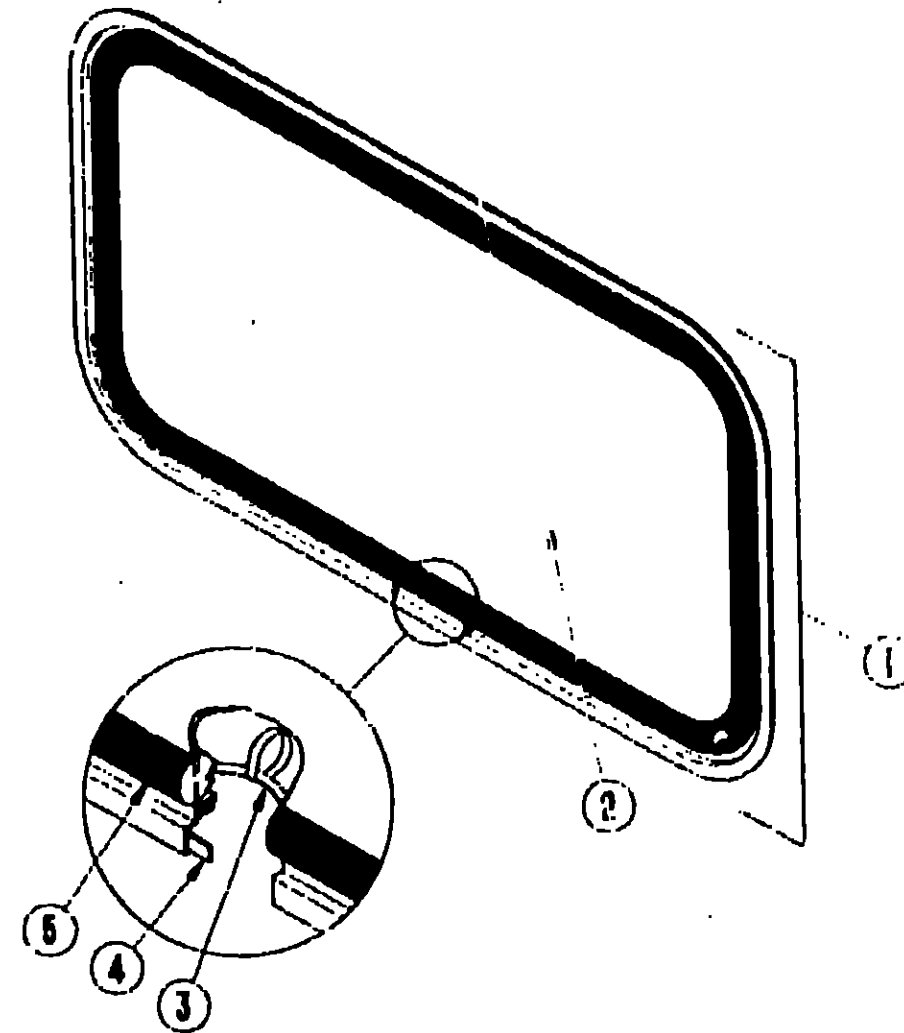
1991 1/2 IC321RG INDEX

Floor Plan	A-07 - A-08
Accessories Group	A-09 - A-12
Bath Group	A-13 - A-14
Chassis Group	A-15 - A-17
Curtain, Cushion & Pad Group	A-18 - A-24
Dinette Group	B-01 - B-02
Driver's Compartment Group	B-03 - B-06
Electrical Group	B-07 - B-09
Exterior Body Group	B-10 - B-14
Galley Group	B-15 - B-18
Heating & Air Conditioning Group	B-19 - B-20
Interior Finish Group	B-21 - B-23
Labels Group	B-24 - C-07
LP Group	C-08
Lounge	C-09
Sealants & Fasteners Group	C-10 - C-11
Water & Sewage Group	C-12 - C-14
Window, Vent & Exterior Door Group	C-15 - D-04



FRONT PICTURE WINDOW

Key	Part Number	U/M	Description
1	078533-08-B13	EA	Window Asm. - Front Picture - 14" x 24" - Black (w/o inside frame)
	041938-12-000	EA	Inside Frame - Black (not included in assembly)
	041938-15-000	EA	Inside Frame - Off White (not included in assembly)
2	002181-13-000	EA	Glass - Tempered - Picture Window
3	069640-06-000	FT	Ribbon Sealer - 5/16" Bead x 15'
4	002181-02-000	EA	Weatherstrip - Self Seal - .06" Panel x .125" - Black



ESCAPE WINDOW

Key	Part Number	U/M	Description
1	078538-01-T03	EA	Window Asm. - Rear Escape - 23" x 68" (w/o inside frame)
	042027-12-000	EA	Inside Frame - Black (not included in assembly)
	042027-13-000	EA	Inside Frame - Off White (not included in assembly)
2	002178-01-000	EA	Glass - 1/8" x 19.6" x 64.8"
3	002235-01-000	FT	Filler - Weatherstrip - Black
4	069640-05-000	FT	Ribbon Sealer - 5/16" Bead x 15'
5	002282-01-000	FT	Weatherstrip - 1.25" Window
	077066-01-702	EA	Tape Asm. - Escape Window - Red
	006199-01-000	EA	Label - Exit - Escape Window
	047731-01-000	EA	Label - Emergency Exit

1991 1/2 ITASCA
TABLE OF CONTENTS

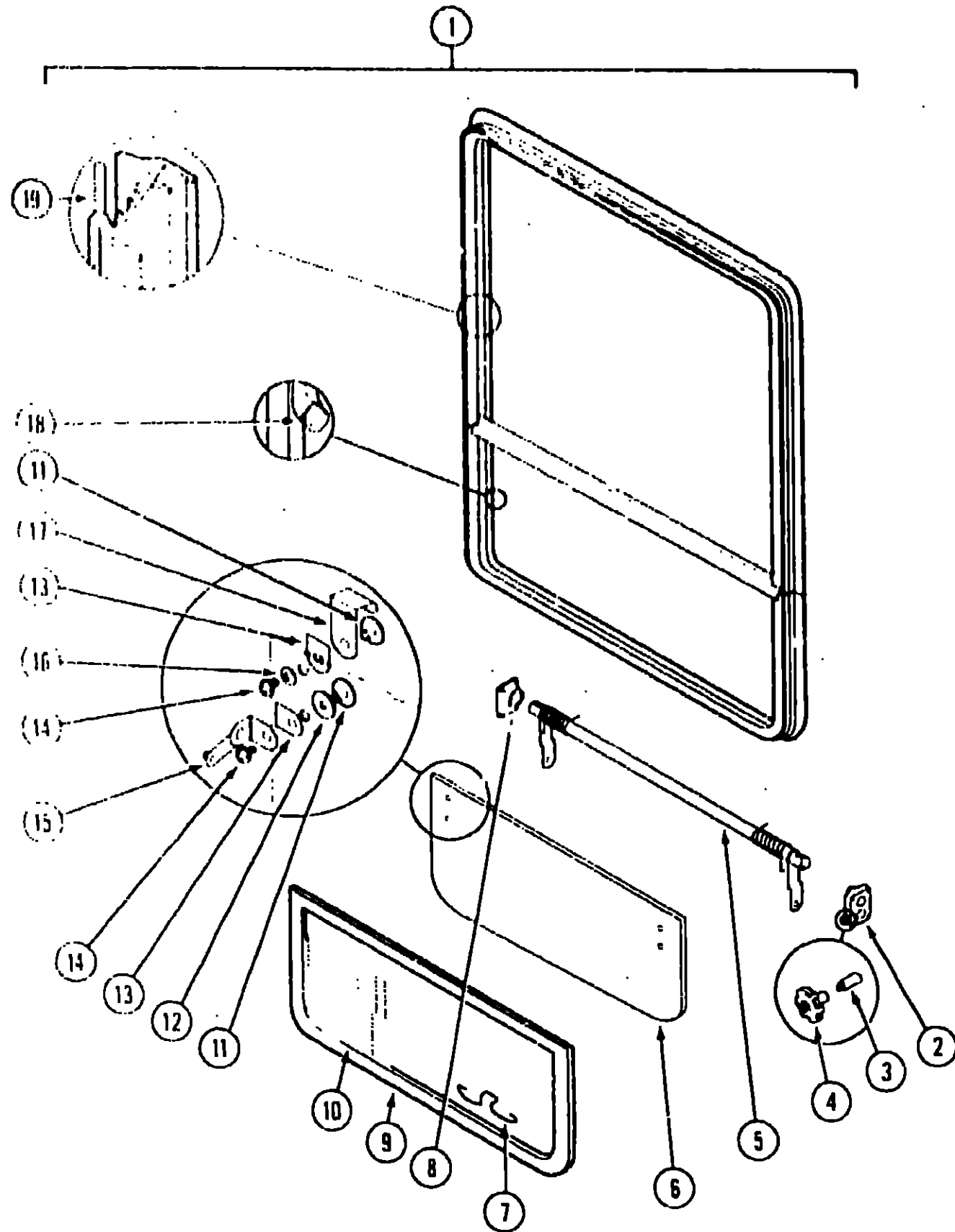
INTRODUCTION	A-01 - A-02
ABBREVIATIONS	A-03
ALPHABETICAL/GROUP REFERENCE	A-04 - A-06
IC321RG	A-07 - D-04
IC324RC	D-05 - G-08

1991 1/2 IC321RG INDEX

Floor Plan	A-07 - A-08
Accessories Group	A-09 - A-12
Bath Group	A-13 - A-14
Chassis Group	A-15 - A-17
Curtain, Cushion & Pad Group	A-18 - A-24
Dinette Group	B-01 - B-02
Driver's Compartment Group	B-03 - B-06
Electrical Group	B-07 - B-09
Exterior Body Group	B-10 - B-14
Galley Group	B-15 - B-18
Heating & Air Conditioning Group	B-19 - B-20
Interior Finish Group	B-21 - B-23
Labels Group	B-24 - C-07
LP Group	C-08
Lounge	C-09
Sealants & Fasteners Group	C-10 - C-11
Water & Sewage Group	C-12 - C-14
Window, Vent & Exterior Door Group	C-15 - D-04

WINDOW, VENT & EXTERIOR DOOR GROUP (CONTINUED)

WINDOW, VENT & EXTERIOR DOOR GROUP (CONTINUED)



LOUNGE SINGLE TIPOUT WINDOW

Key	Part Number	U/M	Description
1	092235-03-Y12	EA	Window Asm - Single Tipout (w/inside frame)
	090093-03-01A	EA	Inside Frame - Black (not included w/Window Assembly)
	090893-03-02A	EA	Inside Frame - Off White (not included w/Window Assembly)
2	035302-02-000	EA	Operator Drive
3	009439-08-000	EA	Extension - Window Knob (not included w/Window Assembly)
4	009439-05-000	EA	Window Knob - Black (not included w/Window Assembly)
	009439-07-000	EA	Screw - Window Knob (not included w/Window Assembly)
5	080918-01-000	EA	Spring - Torque Tube - Rear
6	080918-02-000	EA	Spring - Torque Tube - Front
8	083150-11-000	EA	Torque Tube Asm. w/Springs
6	084088-18-000	EA	Glass - 1/8" x 9.2" x 26"
7	100168-01-000	EA	Screen Clip
8	081354-01-000	EA	Torque Tube Sleeve
9	100235-03-B07	EA	Screen Asm.
10	080218-03-000	SF	Window Screen - 12"
	100240-01-000	FT	Window Screen Spline
11	088762-01-000	EA	Window T.N.I.
12	068927-03-000	EA	Seal - Rubber
13	084473-01-000	EA	Seal - Rubber
14	086763-01-000	EA	Screw - #10 - 32 x 1/4" PTH
15	097578-01-000	EA	Connecting Rod Asm
	081849-01-000	EA	Snap Ring Clip
16	081453-02-000	EA	Plastic Washer - .06" x .50" x .25"
	084453-01-000	EA	Plastic Washer - .06" x .50" x .135"
17	089913-01-000	EA	Hinge
18	084087-02-000	FT	Seal - Sponge Rubber
19	069640-06-000	FT	Ribbon Sealer (not included w/Window Assembly)
	080914-01-000	EA	Corner Key
	085315-01-000	EA	Rivet - Shoulder - Tipout Window
	099154-01-000	FT	Glazing Channel

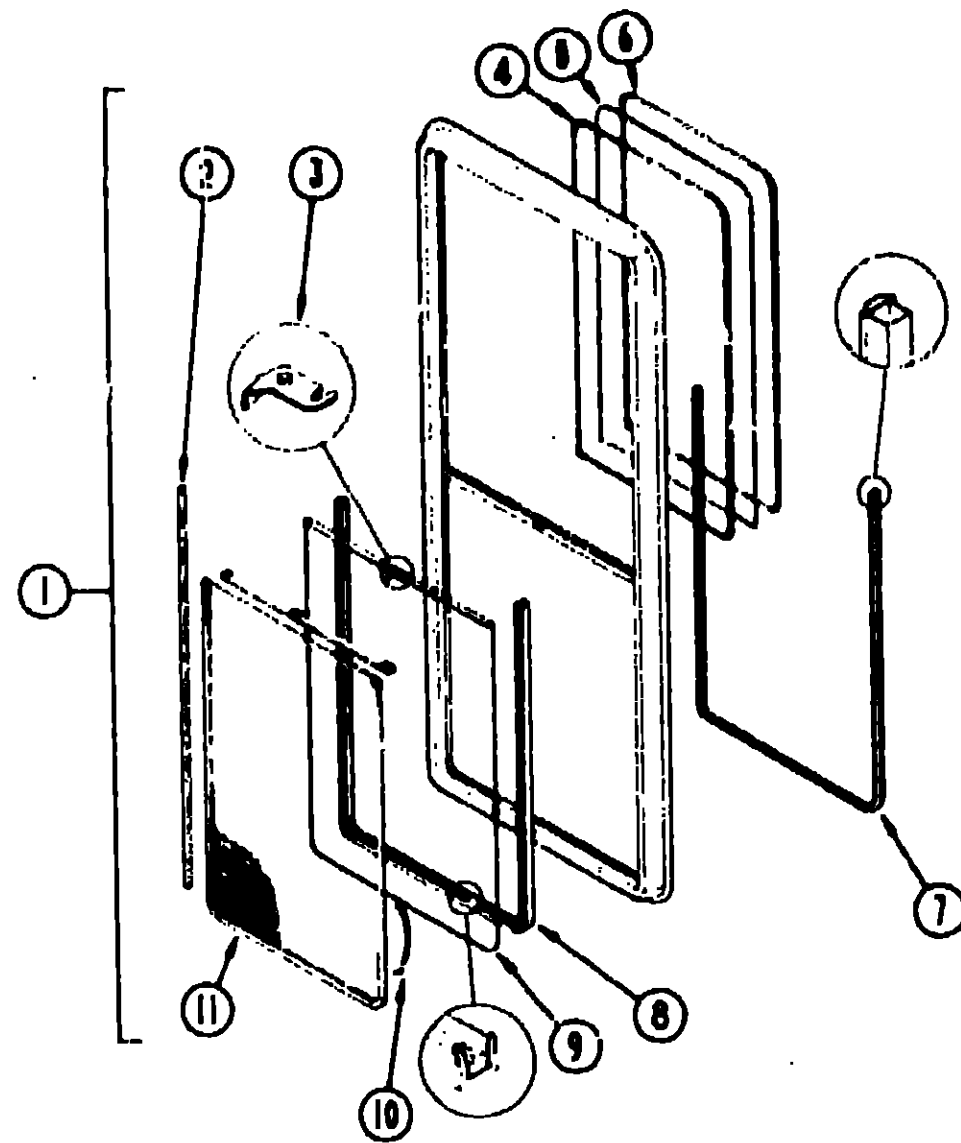
**1991 1/2 ITASCA
TABLE OF CONTENTS**

INTRODUCTION	A-01 - A-02
ABBREVIATIONS	A-03
ALPHABETICAL/GROUP REFERENCE	A-04 - A-06
IC321RG	A-07 - D-04
IC324RC	D-05 - G-08

1991 1/2 IC321RG INDEX

Floor Plan	A-07 - A-08
Accessories Group	A-09 - A-12
Bath Group	A-13 - A-14
Chassis Group	A-15 - A-17
Curtain, Cushion & Pad Group	A-18 - A-24
Dinette Group	B-01 - B-02
Driver's Compartment Group	B-03 - B-06
Electrical Group	B-07 - B-09
Exterior Body Group	B-10 - B-14
Galley Group	B-15 - B-18
Heating & Air Conditioning Group	B-19 - B-20
Interior Finish Group	B-21 - B-23
Labels Group	B-24 - C-07
Lit. Group	C-03
Lounge	C-04
Seals & Fasteners Group	C-10 - C-11
Water & Sewage Group	C-12 - C-14
Window, Vent & Exterior Door Group	C-15 - D-04

WINDOW, VENT & EXTERIOR DOOR GROUP (CONTINUED)



BATH VERTICAL SLIDER (EXCEL)

Key	Part Number	U/M	Description
1	098644-01-713	EA	Window Asm. - 22" x 15" (w/o inside frame)
	098644-01-714	EA	Inside Frame - Black (not included in assembly)
	098644-01-716	EA	Inside Frame - Off White (not included in assembly)
2	098644-01-711	EA	Weatherstrip - Screen - Black
	098644-01-701	EA	Splice Plate - Window
	098644-01-702	EA	Screw - Splice - #6 - 3/2 x 1/4" Pan Head
	098644-01-703	EA	Screw - Locking Rail - #6 x 15 Pro Head Recess - Black
3	098644-01-700	EA	Latch Repair Kit
4	098644-01-707	EA	Rail - Locking w/Weatherstrip
5	098644-01-704	EA	Glass - Stationary - 10.03" x 13.77"
6	098644-01-705	FT	Glazing Strip
7	098644-01-706	FT	Weatherstrip
8	098644-01-708	FT	Channel - Pierced Run
9	098644-01-709	FT	Glass Sliding - w/Gash & Latch
	098644-01-710	FT	Track - Screen Spacer - 12' Length
10	098644-01-713	EA	Spring - Screen Frame (Clip) - Plastic - Black
11	098644-01-712	EA	Screen w/Weatherstrip & Frame Spring (Clip)
	098644-01-716	EA	Plug - Filler

WINDOW, VENT & EXTERIOR DOOR GROUP (CONTINUED)

PASSENGER & DRIVERS SIDE BUNK WINDOW (EXCEL)

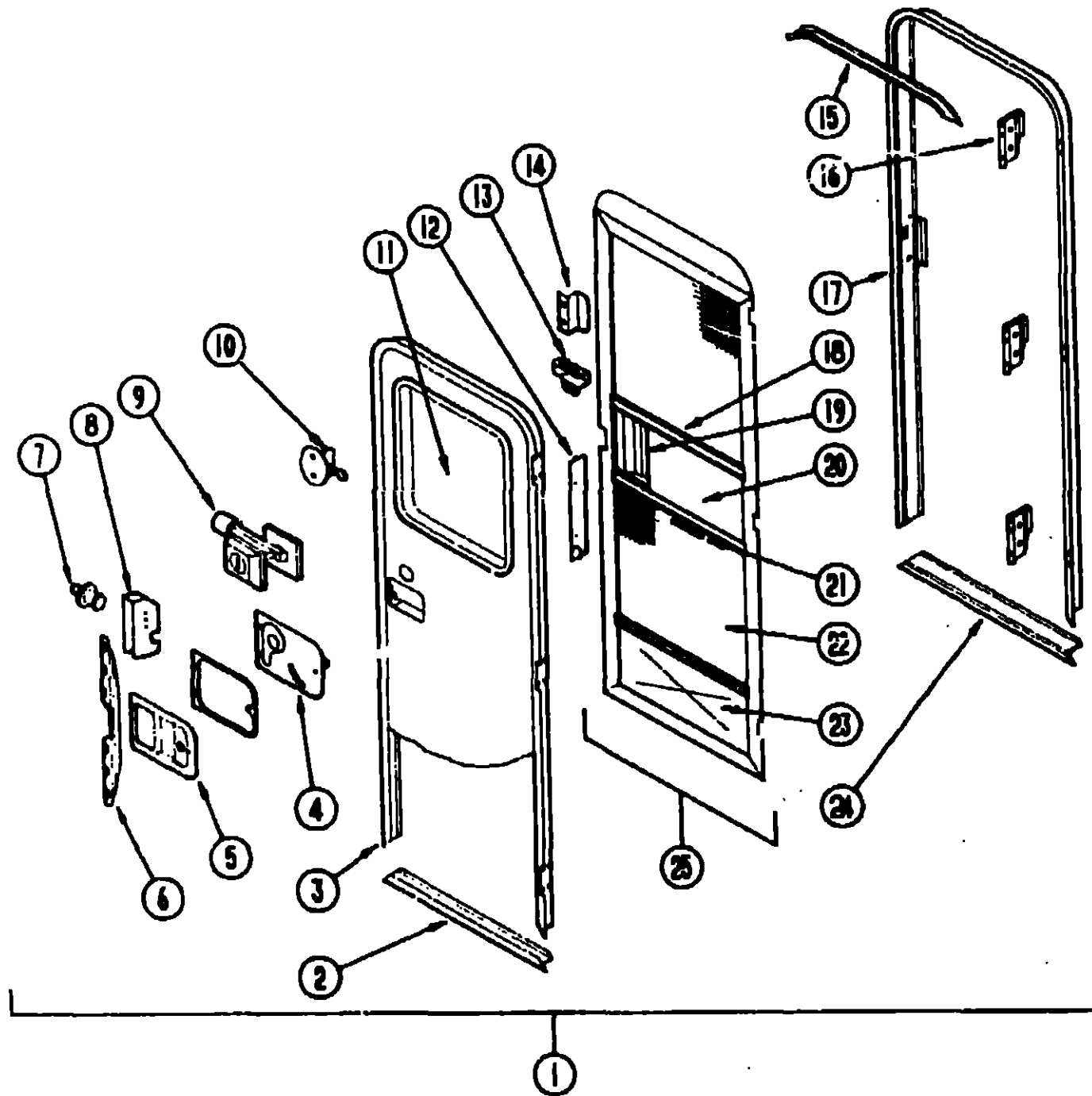
Key	Part Number	U/M	Description
	100322-01-720	EA	Window - Vented - 12" x 38.5" (Passenger) (w/o inside frame)
	100322-02-700	EA	Window - Vented - 12" x 38.5" (Driver) (w/o inside frame)
	100322-01-719	EA	Inside Frame - Black - Passenger
	100322-01-724	EA	Inside Frame - Off White - Passenger
	100322-01-721	EA	Inside Frame - Black - Driver
	100322-02-701	EA	Inside Frame - Off White - Driver
	098644-01-718	EA	Filler Plug
	100322-01-701	EA	Vent Seal
	100322-01-702	EA	Weatherstrip - Horizontal Rail
	100322-01-703	EA	Glazing - Butyl Strip
	100322-01-704	EA	Butyl Tape
	100322-01-705	EA	Glass - Stationary - Small Top
	100322-01-708	EA	Glass - Stationary - Large Front
	100322-01-707	EA	Glass - Tipout - Sub Asm. - Passenger Side
	100322-01-710	EA	Splice Plate
	100322-01-708	EA	Screen - Driver Side
	100322-01-709	EA	Screen - Passenger Side
	100322-01-711	EA	Vent Operator - Sub Asm. - Passenger Side
	100322-01-712	EA	Rail - Horizontal
	100322-01-713	EA	Bar - Division - Vertical
	100322-01-714	EA	Support - Torque Bar (Driver)
	100322-01-715	EA	Support - Torque Bar (Passenger)
	100322-01-716	EA	Support - Torque Bar - Center Rail
	100322-01-717	EA	E Ring
	100322-01-718	EA	Handle - Dial
	100322-01-722	EA	Glass - Tipout - Sub Asm. - Driver Side
	100322-01-723	EA	Vent Operator - Sub Asm. - Driver Side

**1991 1/2 ITASCA
TABLE OF CONTENTS**

INTRODUCTION	A-01 - A-02
ABBREVIATIONS	A-03
ALPHABETICAL/GROUP REFERENCE	A-04 - A-06
321RG	A-07 - D-04
IC324RC	C-05 - C-08

1991 1/2 IC321RG INDEX

Floor Plan	A-07 - A-08
Accessories Group	A-09 - A-12
Bath Group	A-13 - A-14
Chassis Group	A-15 - A-17
Curtain, Cushion & Pad Group	A-18 - A-24
Linette Group	B-01 - B-02
Driver's Compartment Group	B-03 - B-06
Electrical Group	B-07 - B-09
Exterior Body Group	B-10 - B-14
Galley Group	B-15 - B-18
Heating & Air Conditioning Group	B-19 - B-20
Interior Finish Group	B-21 - B-23
Labels Group	B-24 - C-07
LP Group	C-08
Lounge	C-09
Sealants & Fasteners Group	C-10 - C-11
Water & Sewage Group	C-12 - C-14
Window, Vent & Exterior Door Group	C-15 - D-04



ENTRANCE DOOR

Key	Part Number	U/M	Description
1	M01870-32-887	EA	Door Asm. - Entrance w/Screen
	075639-11-000	EA	Garnish - Radius - Entrance Door
2	089748-01-000	EA	Frame - Entrance Door - Bottom Portion - Off White
3	095276-01-01A	EA	Frame Asm. - Entrance Door - Off White
4	039979-04-000	EA	Cover Asm. - Latch Plate - Black
	039984-01-000	EA	Cap - Black Vinyl - Lock Grip
5	045017-11-000	EA	Latch Asm. - Plate - Black
6	098173-01-04A	EA	Stiffener - Entrance Door
7	039539-01-000	EA	Strike
8	039540-01-000	EA	Latch Asm. - Entrance Door
9	101145-01-01A	EA	Deadbolt Asm. - Black/Black
	101147-01-000	EA	Bolt - Security - 4.12" Backset
10	100412-01-000	EA	Catch - Screen Door
11	079733-07-AA8	EA	Window Asm. - Picture - 17" x 25" - Frosted Glass (w/o inside frame)
	067809-27-000	EA	Inside Frame - Black (not included in assembly)
	067809-32-000	EA	Inside Frame - Off White (not included in assembly)
	002181-07-000	EA	Glass - Picture - Frosted
	087561-01-000	FT	Spline - Glass - Exterior Vinyl - Black
12	079087-02-000	EA	Strike - Slider - Screen Door
13	009018-01-000	EA	Roller Catch - Screen Door
14	050712-04-000	EA	Door Handle - Screen Door
15	044582-02-000	EA	Drip Cap - Top Entrance
16	097724-01-02A	EA	Hinge - Entrance Door - Off White
17	095277-02-01A	EA	Door Jamb - Entrance Door w/Bottom Jamb
	079207-01-000	EA	Striker - Roller Catch - Welded to Door Jamb
18	078777-01-000	EA	Channel Slide - Screen Door Center Slider Cover
19	079086-02-000	EA	Slider - Screen Door
20	016454-01-000	EA	Insert - Screen Door - Center - Leather Grain Aluminum
21	002294-01-000	FT	Spline - Black
22	002293-02-000	SF	Screen - Window - 26" - Channel
23	078552-03-000	EA	Insert - Screen Door - Lower - Kick Panel
24	051049-01-000	EA	Jamb - Bottom - Entry Door
25	079012-01-U01	EA	Screen Door Asm.
	078595-01-000	EA	Plate - Screen Door
	100123-02-000	FT	Seal - Screen Door
	075671-01-000	FT	Seal - Sponge - Lazy T-Shaped
	002748-01-000	EA	Key - Corner
	063729-04-000	EA	Rivnut - 10 - 32 UNF - .010 - .080
	072893-01-000	EA	Nutsert - M5 x 0.8
	102524-01-000	EA	Bumper - Rubber - Flat - Black
	081914-01-000	EA	Bumper - Rubber - Round - Black

• These parts are used from 6/3/91 on.

1991 1/2 ITASCA
TABLE OF CONTENTS

INTRODUCTION	A-01 - A-02
ABBREVIATIONS	A-03
ALPHABETICAL/GROUP REFERENCE	A-04 - A-06
IC321RG	A-07 - D-04
IC324RC	D-05 - G-08

1991 1/2 IC321RG INDEX

Floor Plan	A-07 - A-08
Accessories Group	A-09 - A-12
Bath Group	A-13 - A-14
Chassis Group	A-15 - A-17
Curtain, Cushion & Pad Group	A-18 - A-24
Dinette Group	B-01 - B-02
Driver's Compartment Group	B-03 - B-06
Electrical Group	B-07 - B-09
Exterior Body Group	B-10 - B-14
Galley Group	B-15 - B-18
Heating & Air Conditioning Group	B-19 - B-20
Interior Finish Group	B-21 - B-23
Labels Group	B-24 - C-07
LP Group	C-08
Lounge	C-09
Sealants & Fasteners Group	C-10 - C-11
Water & Sewage Group	C-12 - C-14
Window, Vent & Exterior Door Group	C-15 - D-04

WINDOW, VENT & EXTERIOR DOOR GROUP (CONTINUED)

ACCESS DOORS

Key	Part Number	I/M	Description
	096395-05-AA3	EA	Door Asm. - Holding Tank & Dump Valve - 63.5"
	079927-03-000	EA	Lock - Twist Type - Double Cam
	078010-03-000	EA	Door Asm. - Fuel Fill - Off White
	078200-01-000	EA	Gasket - Fuel Fill Door
	078040-02-000	EA	Shroud - Fuel Fill - Upper
	083578-01-000	EA	Boot - Fuel Fill
	084235-01-000	EA	Support - Flange
	084103-03-000	EA	Door Asm. - Refrigerator - Vented - Off White
	084104-01-700	EA	Lock - Male - Dyrus Fasteners
	084104-01-701	EA	Lock - Female - Dyrus Fasteners
	084104-03-000	EA	Jamb - Door - Vented - Refrigerator - Off White
	081240-03-000	EA	Door Asm. - Water Fill - Lockable - 4" x 4 5/8" - Off White
	098252-03-B05	EA	Door Asm. - Storage/Generator - 27"
	079927-03-000	EA	Lock - Twist Type - Double Cam - 2.10 Off Set
	081801-02-000	EA	Hinge - 2" x 96" - Off White
	079578-08-AA3	EA	Door Asm. - Storage - 10.7" x 22.5"
	064075-07-000	EA	Seal - Bulb - Door Jamb - Black
	079366-04-000	EA	Door Lock - Key Type w/o Keys
	082684-01-700	EA	Key - Storage Door
	096393-14-B05	EA	Door Asm. - Compartment w/Locks
	079366-04-000	EA	Door Lock - Key Type w/o Keys
	082684-01-700	EA	Key - Door Lock
	096395-07-AA3	EA	Door Asm. - Battery Compartment - 63.5"
	079927-03-000	EA	Lock - Twist Type - Double Cam
	052009-01-000	EA	Door Asm. - Water Heater - Off White
	096209-55-001	EA	U-Channel - Hinged - 16' - Off White
	097111-01-01A	EA	Pocket - Lock Valance - Off White
	098338-01-000	EA	Gasket - Lock Pocket
	096217-55-001	EA	U-Channel - 17.5' - Off White
	079368-01-000	FT	Seal - Access Door
	058027-01-000	FT	Seal - "D" Shaped - Hollow - Sponge Rubber - Black
	091876-01-000	EA	Retainer - Door - 1.97" x .79" - Metal

**1991 1/2 ITASCA
TABLE OF CONTENTS**

INTRODUCTION	A-01 - A-02
ABBREVIATIONS	A-03
ALPHABETICAL/GROUP REFERENCE	A-04 - A-06
IC321RG	A-07 - D-04
IC324RC	D-05 - G-08

1991 1/2 IC321RG INDEX

Floor Plan	A-07 - A-08
Accessories Group	A-09 - A-12
Bath Group	A-13 - A-14
Chassis Group	A-15 - A-17
Curtain, Cushion & Pad Group	A-18 - A-24
Dinette Group	B-01 - B-02
Driver's Compartment Group	B-03 - B-06
Electrical Group	B-07 - B-09
Exterior Body Group	B-10 - B-14
Galley Group	B-15 - B-18
Heating & Air Conditioning Group	B-19 - B-20
Interior Finish Group	B-21 - B-23
Labels Group	B-24 - C-07
LP Group	C-08
Lounge	C-09
Sealants & Fasteners Group	C-10 - C-11
Water & Sewage Group	C-12 - C-14
Window, Vent & Exterior Door Group	C-15 - D-04