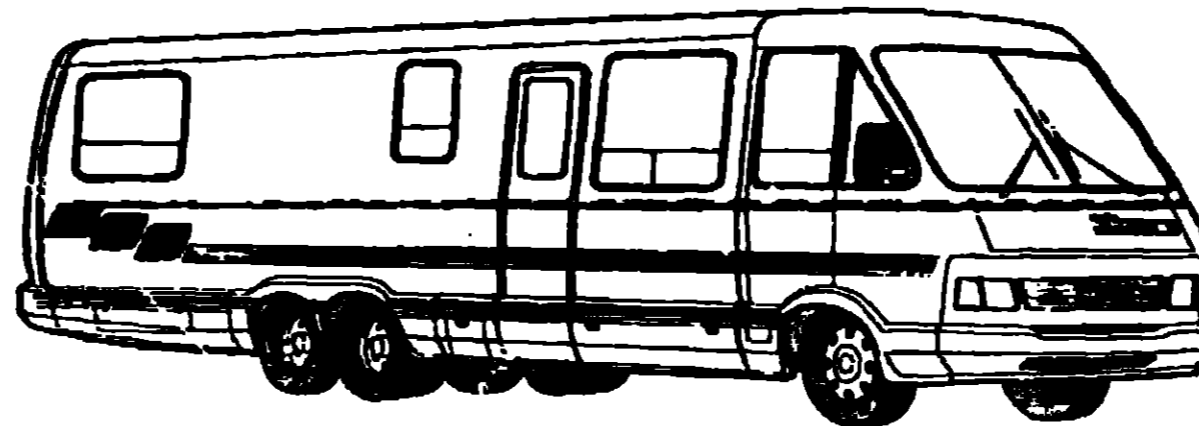
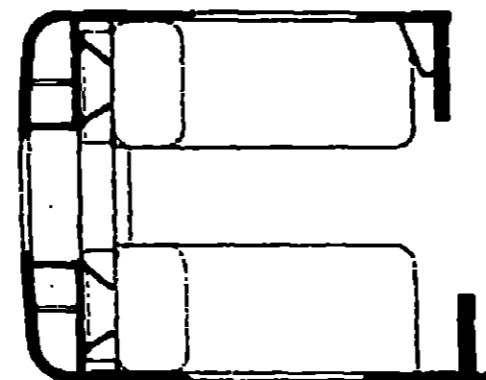
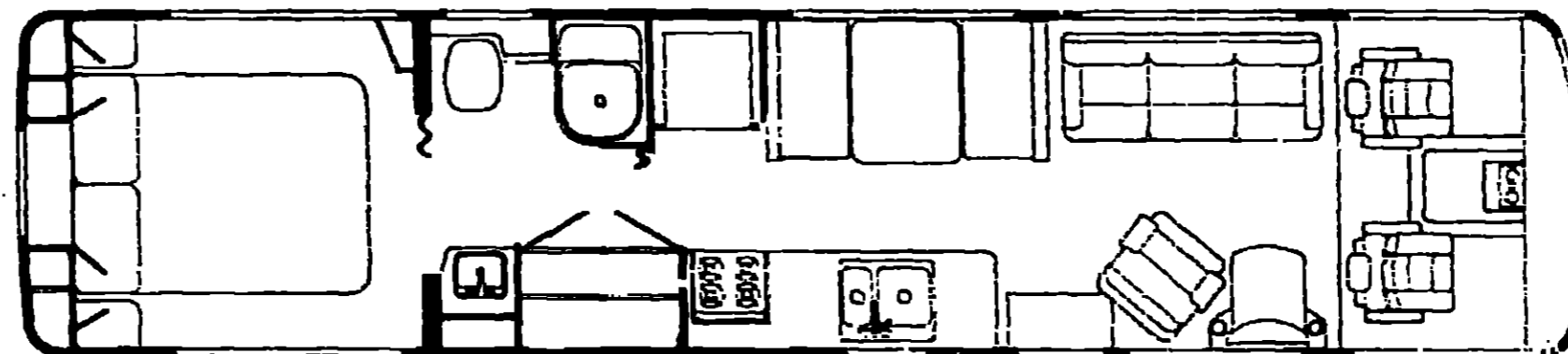


**1991 ITASCA
TABLE OF CONTENTS**

INTRODUCTION	A-01 - A-02
ABBREVIATIONS	A-02
ALPHABETICAL/GROUP REFERENCE	A-04 - A-06
IC/FP33RQ	A-07 - J-24
IC/FP37RQ	E-01 - H-20



**1991
IC/FP37RQ**



E-1

1991 IC/FP37RQ INDEX

Floor Plan	E-01 - E-02
Accessories Group	E-03 - E-05
Bath Group	E-06 - E-08
Bedroom Group	E-09 - E-13
Chassis Group	F-14 - F-04
Curtain, Cushion & Pad Group	F-05 - F-13
Dinette Group	F-14 - F-16
Driver's Compartment Group	F-17 - F-21
Electrical Group	F-22 - G-01
Exterior Body Group	G-02 - G-09
Galley Group	G-10 - G-14
Heating & Air Conditioning Group	G-15 - G-17
Interior Finish Group	G-18 - G-19
Labels Group	G-20
LP Group	G-21
Lounge Group	G-22 - H-01
Sealants & Fasteners Group	H-02 - H-03
Water & Sewage Group	H-04 - H-06
Window, Vent & Exterior Door Group	H-07 - H-19

E-2

ACCESSORIES GROUP

POWER SEARCHLIGHT

Key	Part Number	U/M	Description
	051057-02-000	EA	Searchlight - Power Driven - w/o Switch
	051057-04-000	EA	Switch Asm. - Searchlight
	051057-04-700	EA	Mounting Plate
	051057-04-701	EA	Switch - Non Rocker
	051057-04-702	EA	Switch - Rocker SPTD
	051057-04-703	EA	Lenses for LED Light w/Clip
	051057-01-704	EA	Micro Switch
	051057-01-705	EA	Bulb - Searchlight
	051057-01-706	EA	Base - Motor & Gear Asm.
	008326-01-000	EA	Terminal Ring - 16/14 - 3/8 Stud
	035416-04-000	EA	Terminal - Ring - #10 Stud Fit
	044486-03-000	EA	Circuit Breaker - w/Mounting Bracket
	093654-02-000	EA	Circuit Breaker - 15 Amp.

AIR HORNS

Key	Part Number	U/M	Description
	077497-02-000	EA	Hose Kit - Aux. Air
	077497-03-000	EA	Parts Kit - Hose - Aux. Air
	077497-05-000	EA	Compressor/Tank/Solenoid Kit
	077497-06-000	EA	Air Horn Kit - Twin - Chromed
	077497-01-700	EA	Solenoid - Air Tank
	077497-01-701	EA	Compressor Switch
	077497-01-702	EA	Toggle Switch w/Wire
	077497-01-703	EA	Air Tank
	077497-01-704	EA	Compressor w/Switch
	077497-01-706	EA	Valve & Head Repair I/Compressor
	077497-01-707	EA	Belt & Screw Cover I/Compressor
	077497-01-700	EA	Filter & Mounting Hardware I/Compressor
	077497-01-709	EA	Plunger & Spring I/Solenoid
	081407-01-000	EA	Mounting Plate - Air Horns
	081404-01-000	EA	Mounting Bracket - Compressor
	078239-01-000	EA	Label Plate - Air Horns
	031048-04-000	EA	Cover Plate - Switch
	007940-01-000	EA	Slide Receptacle - 16 to 12 AWG
	041853-07-000	FT	Conduit - Silt Convolute - .25"
	047443-11-000	EA	Terminal - .25" Receptacle
	063610-01-000	EA	Relay Housing
	063012-02-000	EA	Canister Relay - SPDT - w/Resistor
	071380-04-000	EA	Air Tubing - 1/4" OD - Black
	088473-08-000	EA	Pin Housing
	088475-01-000	EA	Connector Pin
	093654-02-000	EA	Circuit Breaker - 15 Amp.

Parts used to make up complete air horn kit.

FRONT RADIO

Key	Part Number	U/M	Description
	097460-02-000	EA	Radio - AM/FM - Cassette - Digital Clock - Seek - Sony XR-4147
	097620-03-000	EA	Mounting Kit - Sony Radio
	100014-01-700	EA	Mounting Bracket - Sony Radio
	077089-01-000	EA	Antenna - Side Mount
	031105-01-700	EA	Upper Antenna Holder
	073741-03-000	EA	Speaker - Dash - 4" x 6" Oval - Audiovox 110-2074
	073741-04-000	EA	Speaker Grille - Dash - 4" x 6" Oval - Audiovox 136-1157
	094097-01-000	EA	Speaker - Cabinetry - 5.25" Dia. - w/o Grille - Audiovox 110C3030
	074979-01-000	EA	Speaker Cover - Light Oak

ACCESSORIES GROUP (CONTINUED)

REAR STEREO SYSTEM & RELATED COMPONENTS (US ONLY)

Key	Part Number	U/M	Description
	097153-01-000	EA	Radio - AM/FM Stereo Cassette - Advantz AE9000MD
	103698-01-000	EA	Radio - AM/FM Stereo Cassette - Advantz AE8000AR
	073741-03-000	EA	Speaker - 4" x 6" Oval
	090944-01-000	EA	Antenna - Radio - 16" Rubber
	090862-01-000	EA	Bracket - Antenna
	077089-02-000	EA	Cable - Antenna - Extension - 96"
	058029-01-000	EA	Connector - Pigtail
	010485-01-000	EA	Cable Clamp - 9/16"
	074979-01-000	EA	Speaker Cover - Light Oak

VACUUM CLEANER & RELATED COMPONENTS

Key	Part Number	U/M	Description
	092304-01-000	EA	Vacuum Cleaner - Built-in
	092304-01-700	EA	Bags - Replacement (Pkg. of 5)
	092304-02-000	EA	Vacuum Cleaner Tool Set
	092304-02-700	EA	Hand Power Brush
	092304-02-701	EA	Dusting Tool
	092304-02-702	EA	Rug Tool
	092304-02-703	EA	Crevice Tool
	092304-02-704	EA	Motor/Relay
	096241-03-000	EA	Switch - Blank
	092304-03-000	EA	Door Asm. - Vacuum Cleaner
	096244-01-01A	EA	Vacuum Cover Plate - Beige

REAR COLOR TV

Key	Part Number	U/M	Description
	092310-01-000	EA	Color TV - 9" - AC/DC - w/Remote - Magnavox CH3940
	092310-03-000	EA	Color TV - 9" - AC/DC - w/Remote - Magnavox RD0945
	092310-01-700	EA	Remote (For Magnavox CH3940)
	092310-02-700	EA	Remote (For Magnavox RD0945)
	076319-09-000	EA	Wallplate - Receptacle - Brown

REARVIEW TELEVISION MONITOR

Key	Part Number	U/M	Description
	093041-01-000	EA	Cable - Monitor/Camera
	093040-04-701	EA	Monitor - 6" - w/Bracket & Wire Harness
	102813-01-01A	EA	Inner Shroud
	104311-01-000	EA	Rear Bracket
	093040-04-700	EA	Camera & Mounting Bracket
	093040-04-000	EA	Television System - Rearview (Monitor & Camera)
	102814-01-02A	EA	Exterior Shroud
	093040-04-702	EA	Sun Hood (Monitor)

MISCELLANEOUS ACCESSORIES

Key	Part Number	U/M	Description
	054185-75-000	EA	Operator's Manual
	092318-01-000	EA	3 Ring Binder - Motor Home Manual
	092319-01-000	EA	Pocket Page - 3 Ring Binder
	098084-07-000	EA	Cassette - Winn. Elandin
	039048-01-000	EA	Inverter - 100 Watt
	094499-01-000	EA	Fire Extinguisher - 1A10BC (USA)
	094499-02-000	EA	Fire Extinguisher - 1A10BD (CSA)
	094499-01-700	EA	Holder - Fire Extinguisher
	072852-01-000	EA	Smoke Detector - w/9 Volt Battery (USA)
	072852-02-000	EA	Smoke Detector - w/9 Volt Battery (CSA)

1991 ITASCA TABLE OF CONTENTS

INTRODUCTION	A-01 - A-02
ABBREVIATIONS	A-03
ALPHABETICAL/GROUP REFERENCE	A-04 - A-06
IC/FP33RQ	A-07 - D-24
IC/FP37RQ	E-01 - H-20

1991 IC/FP37RQ INDEX

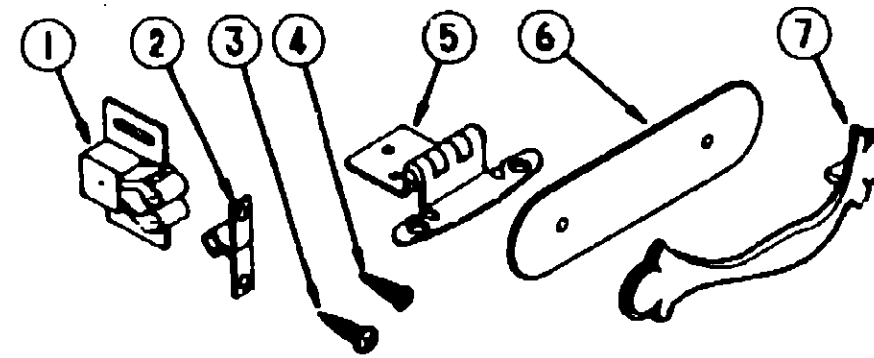
Floor Plan	E-01 - E-02
Accessories Group	E-03 - E-05
Bath Group	E-06 - E-08
Bedroom Group	E-09 - E-13
Chassis Group	F-14 - F-04
Curtain, Cushion & Pad Group	F-05 - F-13
Dinette Group	F-14 - F-16
Driver's Compartment Group	F-17 - F-21
Electrical Group	F-22 - G-01
Exterior Body Group	G-02 - G-09
Galley Group	G-10 - G-14
Heating & Air Conditioning Group	G-15 - G-17
Interior Finish Group	G-18 - G-19
Labels Group	G-20
LP Group	G-21
Lounge Group	G-22 - H-01
Sealants & Fasteners Group	H-02 - H-03
Water & Sewage Group	H-04 - H-06
Window, Vent & Exterior Door Group	H-07 - H-19

ACCESSORIES GROUP (CONTINUED)

FRONT TV SYSTEM

Key	Part Number	U/M	Description
	098447-01-000	EA	Color TV - 13" - w/Remote - Magnavox RX4029WA (US)
	098447-02-000	EA	Color TV - 13" - w/Remote - Magnavox XK4029CH (CSA)
	098447-01-700	EA	TV Remote (For Magnavox RX4029WA, XK4029CH)
	098447-03-000	EA	Color TV - 13" - w/Remote - Magnavox RR1337W (US)
	098447-04-000	EA	Color TV - 13" - w/Remote - Magnavox RR1330W (CSA)
	098447-03-700	EA	TV Remote (For Magnavox RR1337W, RR1330W)
	098446-01-000	EA	VCR - VHS - Cable Ready - w/Remote - Magnavox VR9815AT
	098446-02-000	EA	VCR - VHS - Cable Ready - w/Remote - Magnavox VR9912
	098446-03-000	EA	VCR - VHS - Cable Ready - w/Remote - Magnavox VR9010
	098446-01-700	EA	VCR Remote (For Magnavox VR9815AT)
	098446-02-700	EA	VCR Remote (For Magnavox VR9912)
	098446-03-700	EA	VCR Remote (For Magnavox VR9010)
	086757-02-000	EA	Control Center (Xantech 101020)
	086757-03-000	EA	Control Center (Magnadyne VCS6)
	086756-01-000	EA	Splitter - 2 Way
	099717-01-000	EA	Tiedown - TV - 22.8"
	099717-02-000	EA	Tiedown - TV - 29.7"
	085774-01-000	FT	Velcro Tape - Hook - 1"
	085774-02-000	FT	Velcro Tape - Loop - 1"
	098819-01-000	EA	Remote Speaker - 4" - 2 Watt - 8 Ohm
	093214-01-02A	EA	Grille - Speaker - 4" - Brown
	090030-01-000	EA	Wire Asm. - Speaker
	076319-01-000	EA	TV Antenna - 44" Mast
	076319-01-700	EA	RVSA-U/V Sensor Antenna
	076319-01-701	EA	Elevating Gear
	076319-01-702	EA	Shaft Elevating Asm.
	076319-01-703	EA	Nylon Bearing - 5" OD
	076319-01-704	EA	Nylon Bearing - 1.25" OD
	076319-01-705	EA	Nylon Bearing - .718" ID
	076319-01-706	EA	Elevating Crank w/Set Screw
	076319-01-707	EA	Handle Spring
	076319-01-708	EA	Crank Decal
	076319-03-000	FT	Coaxial Cable - 75 Ohm
	076319-04-000	EA	Connector & Ferrule
	076319-06-000	EA	Adaptor - Cable Roof Plate
	076319-08-000	EA	Wallplate - Receptacle - Ivory
	076319-09-000	EA	Wallplate - Receptacle - Brown
	076319-11-000	EA	Adaptor - Coax w/Splitter
	076319-12-000	EA	Connector - Coaxial
	058708-02-000	EA	Duplex - Receptacle - Ivory
	086777-03-000	EA	Wallplate - Antenna/Power - Ivory
	086777-01-000	EA	Wallplate - Antenna/Cable - Ivory
	086778-02-000	EA	Outside Receptacle - Cable TV
	086778-04-000	EA	Gasket - Outside Receptacle - Cable TV
	087236-01-000	EA	Label - Cable Input
	087236-02-000	EA	Label - Cable Output
	088473-01-000	EA	Pin Housing
	088475-01-000	EA	Connector Pin
	088474-10-000	EA	Socket Housing
	088476-01-000	EA	Connector Socket
	099637-01-000	EA	Grommet

BATH GROUP



CABINET HARDWARE (DOORS & CABINETS)

Key	Part Number	U/M	Description
1	093586-03-000	EA	Roller Catch
2	093586-04-000	EA	Steel Strike
3	000G68-06-10G	EA	Screw - #6 - 18 x .625" POH - Antique Brass - Hinge to Cabinet
4	000G13-06-10G	EA	Screw - #6 - 20 x .625 PFH - Antique Brass - Hinge to Door
5	059777-02-000	EA	Hinge - Burnished Brass (Doors)
6	100995-01-000	EA	Brass Backplate
7	100273-01-000	EA	Pull Handle
	102920-01-01A	EA	Hinge - Spring Loaded (Bath Door)
	101430-01-01A	EA	Hinge - 2" - Brass

1991 ITASCA TABLE OF CONTENTS

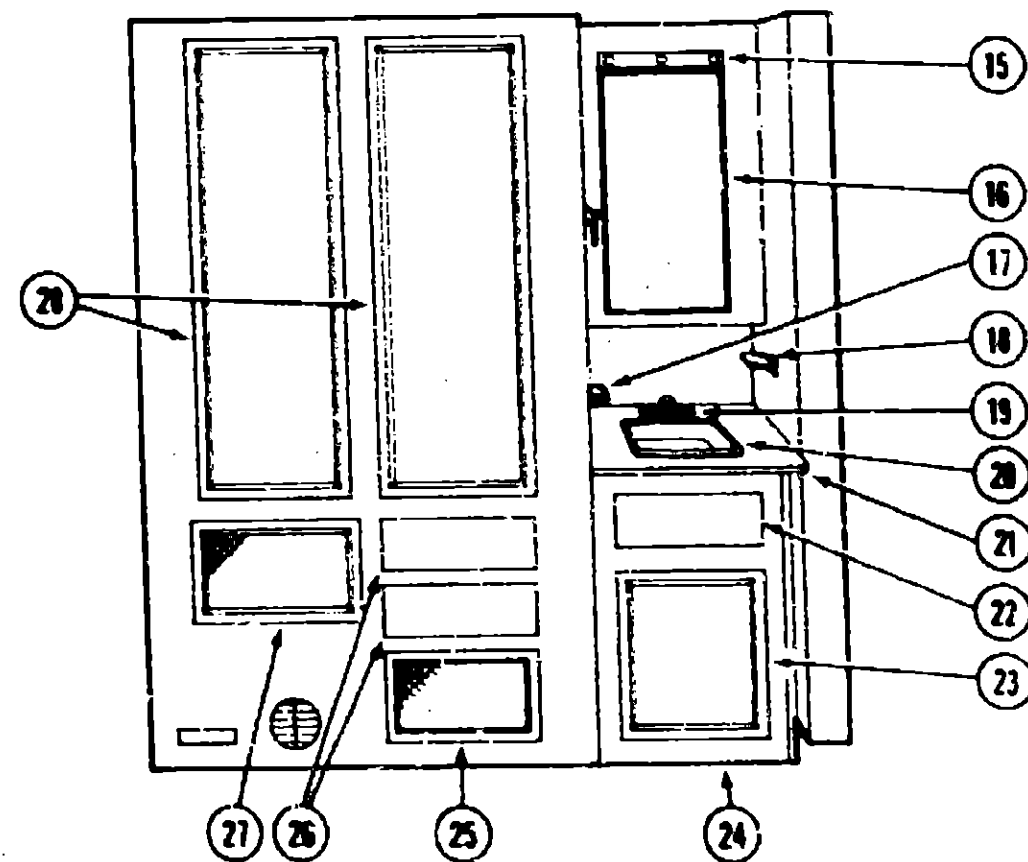
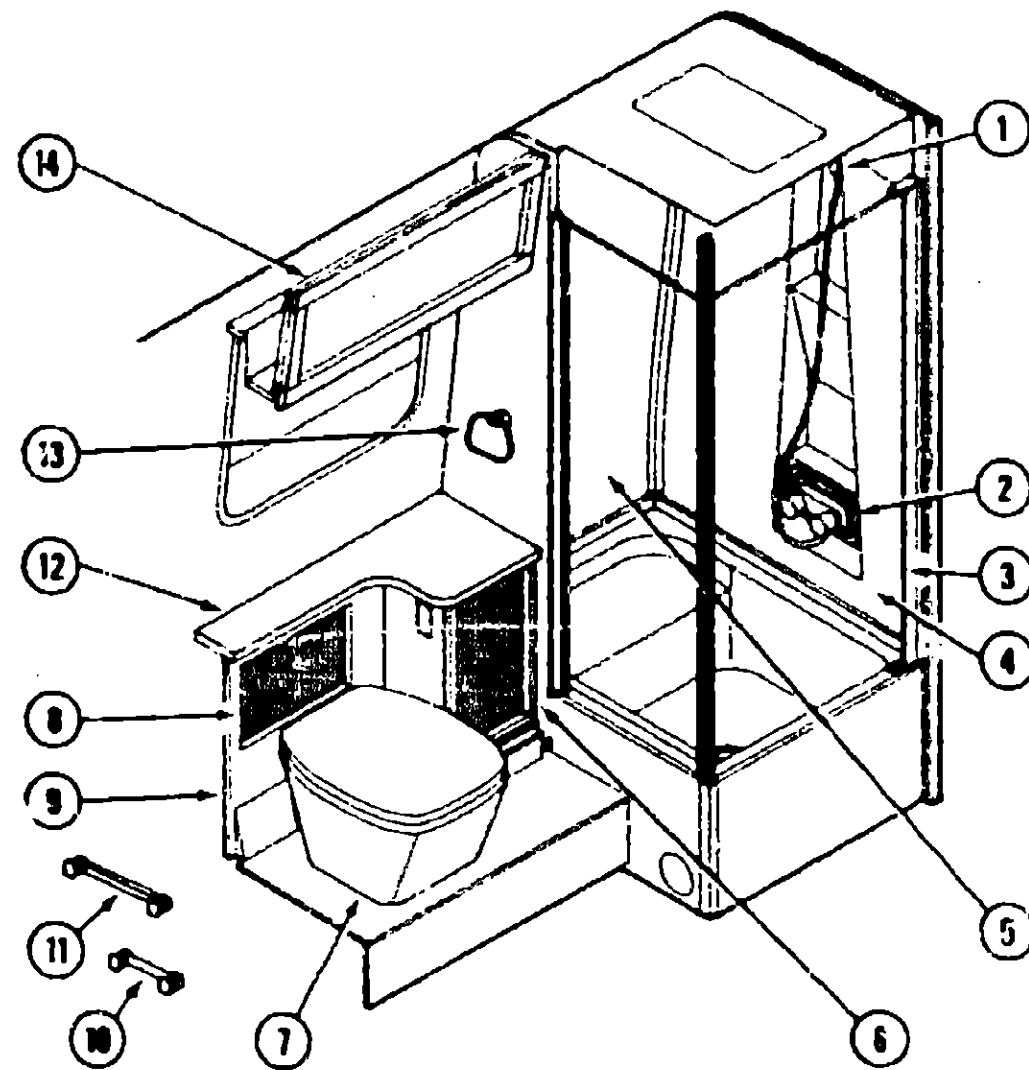
INTRODUCTION	A-01 - A-02
ABBREVIATIONS	A-03
ALPHABETICAL/GROUP REFERENCE	A-04 - A-06
IC/FP33RQ	A-07 - D-24
IC/FP37RQ	E-01 - H-20

1991 IC/FP37RQ INDEX

Floor Plan	E-01 - E-02
Accessories Group	E-03 - E-05
Bath Group	E-06 - E-08
Bedroom Group	E-09 - E-13
Chassis Group	F-14 - F-04
Curtain, Cushion & Pad Group	F-05 - F-13
Dinette Group	F-14 - F-16
Driver's Compartment Group	F-17 - F-21
Electrical Group	F-22 - G-01
Exterior Body Group	G-02 - G-09
Galley Group	G-10 - G-14
Heating & Air Conditioning Group	G-15 - G-17
Interior Finish Group	G-18 - G-19
Labels Group	G-20
LP Group	G-21
Lounge Group	G-22 - H-01
Sealants & Fasteners Group	H-02 - H-03
Water & Sewage Group	H-04 - H-06
Window, Vent & Exterior Door Group	H-07 - H-19

BATH GROUP (CONTINUED)

CABINETS



Key	Part Number	U/M	Description
1	103092-01-000	EA	Shower Head - w/60" Hose (USA)
1	011048-05-000	EA	Shower Head - w/60" Hose (CSA)
2	075242-03-000	EA	Faucet - Tub/Shower - Brass (USA)
2	075242-04-000	EA	Faucet - Tub/Shower - Bone (CSA)
3	100897-01-01A	EA	Shower Door - 2 Sided
4	101987-01-01A	EA	Shower Surround - Shower & Head Cut Out - 53.9" - Off White
5	101988-01-01A	EA	Shower Surround - Two Sided - 53.9" - Off White
6	101654-15-B38	EA	Tambour Door - w/o Hardware - 10.2" x 15.4"
	M97191-01-000	EA	Handle - Tambour Door
7	085330-04-000	EA	Toilet - China - Shorty w/Spray
	085330-04-700	EA	Vacuum Breaker for Hand Spray
	085330-04-701	EA	Hand Spray - w/hose
	085330-04-702	EA	Flush Lever
	085330-04-703	EA	Pedestal Cover Kit
	085330-04-704	EA	Base Asm. - Bone
	085330-04-705	EA	Pedestal Cover Kit
	085330-04-706	EA	Vacuum Breaker w/Hand Spray
	085330-04-707	EA	Seat Asm. - Bone
8	101654-16-B38	EA	Tambour Door - w/o Hardware - 10.6" x 15.7"
	M97191-01-000	EA	Handle - Tambour Door
9	101654-01-B38	EA	Storage Cabinet
10	085278-01-000	EA	Toilet Paper Holder - Recessed - Brass (USA)
10	085278-02-000	EA	Toilet Paper Holder - Recessed (CSA)
11	098643-01-000	EA	Towel Bar - 18" - w/Mount - Brass/Chrome
12	101654-13-B16	EA	Countertop Asm. - Storage Cabinet
13	098644-01-000	EA	Towel Ring - Brass/Chrome
14	P01658-01-B38	EA	Cabinet Asm. - Overhead Medicine
15	082168-01-000	EA	Make-Up Light - 3 Bulb
	081633-01-700	EA	Bulb - Make-Up - Light
16	101915-01-B38	EA	Medicine Cabinet - w/o Door or Hardware
	102326-01-000	EA	Door - Medicine Cabinet - Mirrored - w/o Hardware
	102327-01-01A	EA	Door Pull - Square
	088254-01-000	EA	Magnetic Door Catch
17	098642-01-000	EA	Toothbrush Holder - Brass/Chrome
18	098640-01-000	EA	Soap Dish - Brass/Chrome (USA)
18	090027-01-000	EA	Soap Dish - Chrome (CSA)
19	103548-01-01A	EA	Lavatory Faucet - Brass
	091253-01-000	EA	Gasket - Lavatory Faucet
20	088827-01-01A	EA	Lavatory Sink - Bone
21	101642-12-B16	EA	Countertop Asm. - Lavatory Cabinet
22	P00523-A0-B38	EA	Drawer Face - w/o Hardware
	077251-01-000	EA	Tiltout Drawer - Plastic
23	P00523-82-B40	EA	Door Asm. - w/o Hardware
24	P01642-01-B38	EA	Lavatory Cabinet - w/o Door or Drawer
25	P00523-97-B38	EA	Door Asm. - Water Heater
	072389-43-000	EA	Bronze Mesh Insert
26	P02002-05-B16	EA	Drawer Asm. - w/o Hardware
	101910-03-000	EA	Slide Asm. - Cabinet - 12" (Set of 2)
	101910-04-000	EA	Slide Asm. - Drawer - 12" (Set of 2)
27	P00520-A9-B16	EA	Door Asm. - w/o Hardware - w/o Auxiliary Furnace
27	P00520-96-B16	EA	Door Asm. - w/o Hardware - w/Auxiliary Furnace
	072389-28-000	EA	Bronze Mesh Insert
28	P00520-91-B16	EA	Door Asm. - w/o Hardware

1991 ITASCA TABLE OF CONTENTS

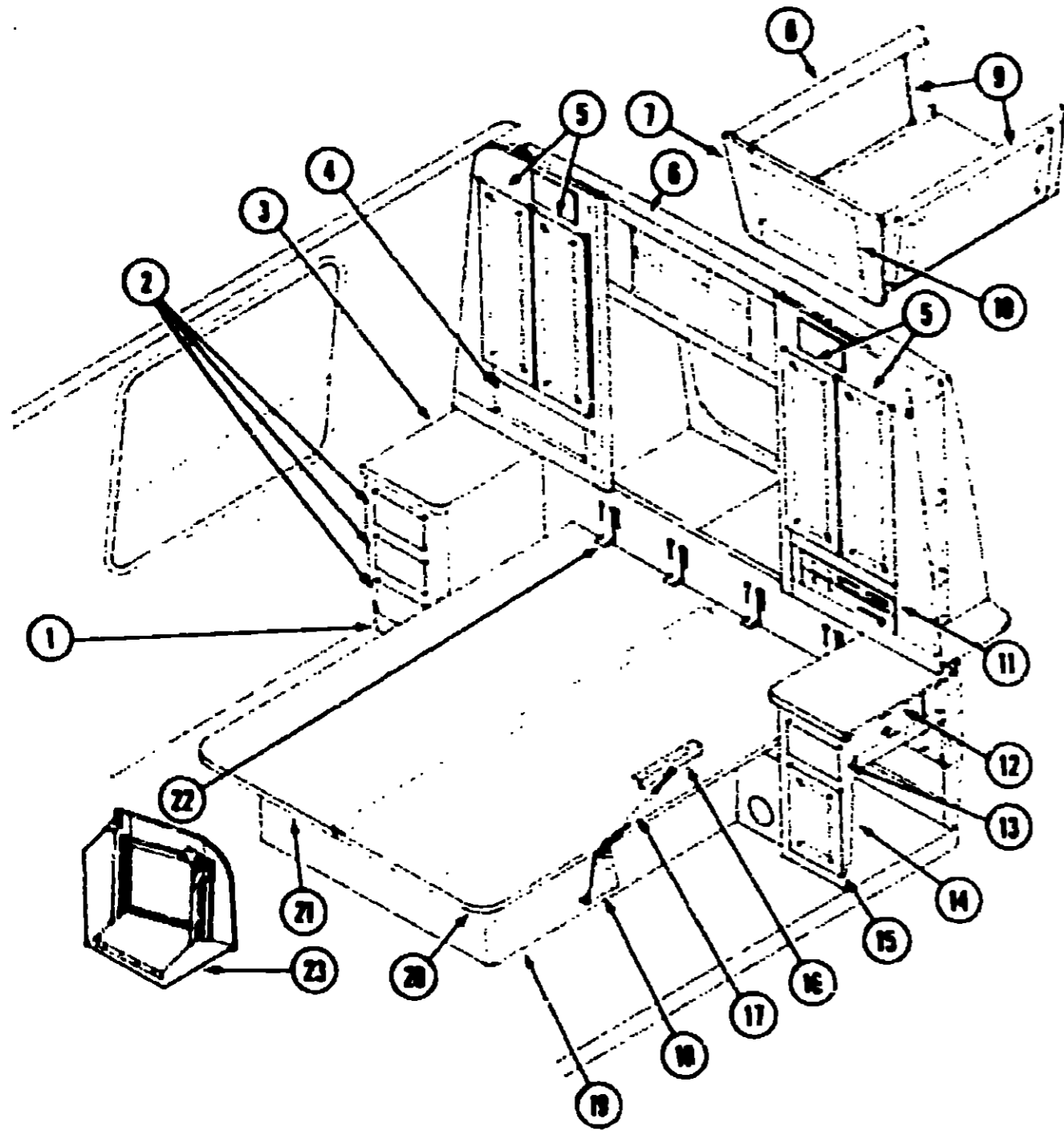
INTRODUCTION	A-01 - A-02
ABBREVIATIONS	A-03
ALPHABETICAL/GROUP REFERENCE	A-04 - A-06
IC/FP33RQ	A-07 - D-24
IC/FP37RQ	E-01 - H-20

1991 IC/FP37RQ INDEX

Floor Plan	E-01 - E-02
Accessories Group	E-03 - E-05
Bath Group	E-06 - E-08
Bedroom Group	E-09 - E-13
Chassis Group	F-14 - F-04
Curtain, Cushion & Pad Group	F-05 - F-13
Dinette Group	F-14 - F-16
Driver's Compartment Group	F-17 - F-21
Electrical Group	F-22 - G-01
Exterior Body Group	G-02 - G-09
Galley Group	G-10 - G-14
Heating & Air Conditioning Group	G-15 - G-17
Interior Finish Group	G-18 - G-19
Labels Group	G-20
LP Group	G-21
Lounge Group	G-22 - H-01
Sealants & Fasteners Group	H-02 - H-03
Water & Sewage Group	H-04 - H-06
Window, Vent & Exterior Door Group	H-07 - H-19

BEDROOM GROUP

QUEEN BED CABINETS



Key	Part Number	U/M	Description
1	P01965-01-B38	EA	Cabinet Asm. - Nightstand - w/o Drawers
2	P02003-07-B38	EA	Drawer Asm. - w/o Hardware
	101910-03-000	EA	Slide Asm. - Cabinet Set - 12" (Set of 2)
	101910-04-000	EA	Slide Asm. - Drawer Set - 12" (Set of 2)
3	101965-12-B38	EA	Countertop Asm.
4	083806-04-000	EA	Mirror - Beveled
5	P00523-82-B38	EA	Door Asm. - w/o Hardware
	088742-03-000	EA	Mirror - Beveled
6	101963-01-B38	EA	Cabinet Asm. - Shirt Closet - w/o Doors
7	091738-02-B38	EA	End Cap Asm. - Island Cabinet
8	M05067-06-B38	EA	Cabinet Asm. - Island Cabinet
9	P00970-05-B40	EA	Door Asm. - w/o Hardware
10	083806-06-000	EA	Mirror - Beveled
11	103888-01-000	EA	Radio - AM/FM Stereo Cassette - Adventz AE8000 AR
12	101916-12-B38	EA	Countertop Asm.
13	P02003-06-B38	EA	Drawer Asm. - w/o Hardware
	101910-01-000	EA	Slide Asm. - Cabinet Set - 18" (Set of 2)
	101910-02-000	EA	Slide Asm. - Drawer Set - 18" (Set of 2)
14	P01916-01-B38	EA	Cabinet Asm. - Nightstand - w/o Door or Drawer
15	P00523-85-B38	EA	Door Asm. - w/o Hardware
16	089025-01-000	EA	Gas Spring Support - Bed
17	057480-04-000	EA	Gas Spring
	057480-03-000	EA	Safety Clip - Gas Spring
	057480-02-000	EA	10MM Ball Stud - Gas Spring
18	089024-01-000	EA	Gas Spring Support - Floor
19	M97752-01-B38	EA	Cabinet Asm. - Queen Bed
20	M04012-02-B38	EA	Cabinet Arms - Queen Bed - Top - Driver Side
21	M04012-01-B38	EA	Cabinet Asm. - Queen Bed - Top - w/H Channel - Passenger Side
	052859-01-AAE	FT	Accent Trim
22	088199-02-Y12	EA	Hinge Asm.
23	101917-01-B38	EA	Cabinet Asm. - TV

1991 ITASCA TABLE OF CONTENTS

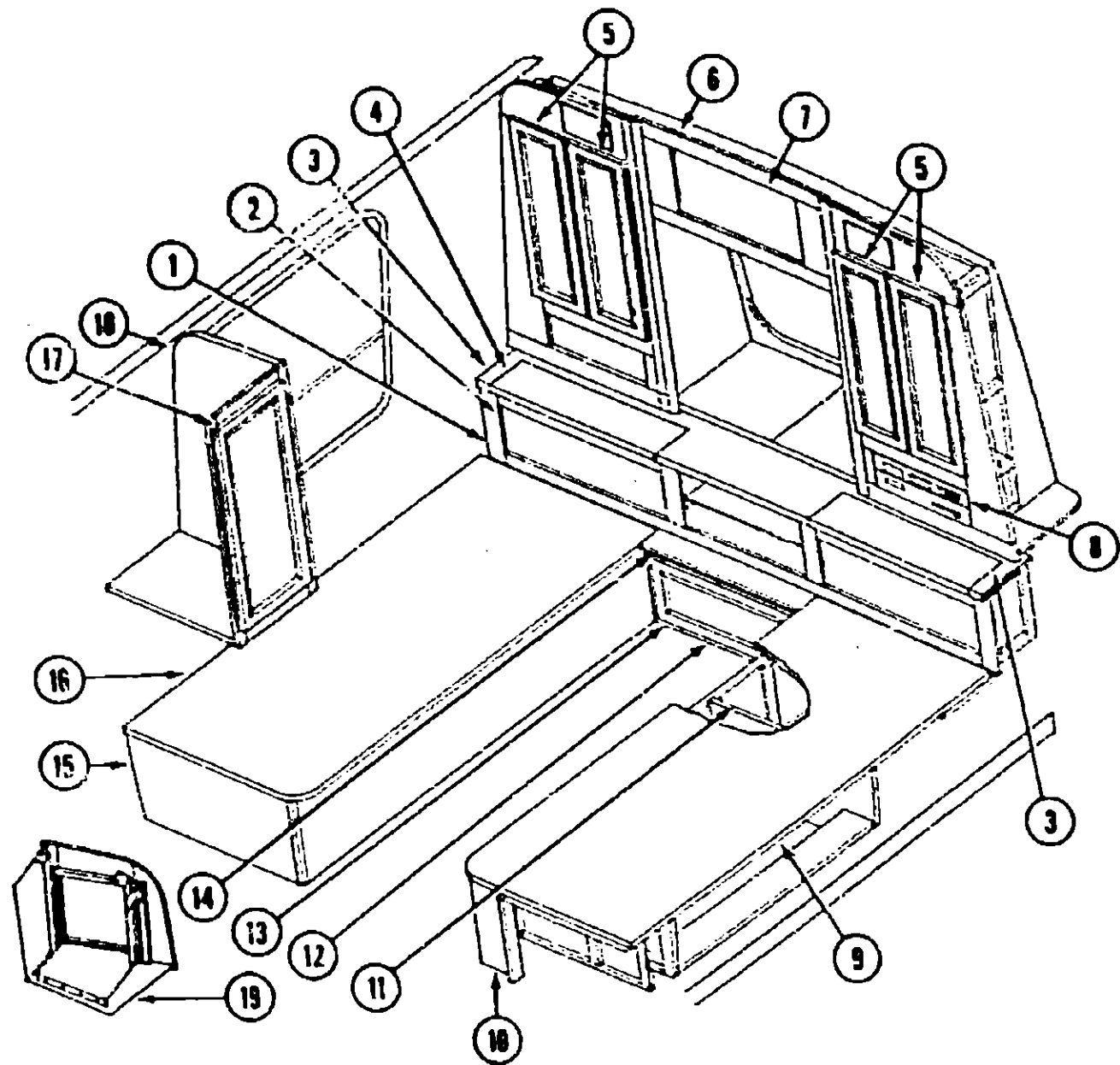
INTRODUCTION	A-01 - A-02
ABBREVIATIONS	A-03
ALPHABETICAL/GROUP REFERENCE	A-04 - A-06
IC/FP33RQ	A-07 - D-24
IC/FP37RQ	E-01 - H-20

1991 IC/FP37RQ INDEX

Floor Plan	E-01 - E-02
Accessories Group	E-03 - E-05
Bath Group	E-06 - E-08
Bedroom Group	E-09 - E-13
Chassis Group	F-14 - F-04
Curtain, Cushion & Pad Group	F-05 - F-13
Dinette Group	F-14 - F-16
Driver's Compartment Group	F-17 - F-21
Electrical Group	F-22 - G-01
Exterior Body Group	G-02 - G-09
Galley Group	G-10 - G-14
Heating & Air Conditioning Group	G-15 - G-17
Interior Finish Group	G-18 - G-19
Label Group	G-20
LP Group	G-21
Lounge Group	G-22 - H-01
Sealants & Fasteners Group	H-02 - H-03
Water & Sewage Group	H-04 - H-06
Window, Vent & Exterior Door Group	H-07 - H-19

BEDROOM GROUP (CONTINUED)

TWIN BED CABINERY



Key	Part Number	U/M	Description
1	M97867-01-B38	EA	Cabinet Asm. - Upper Nightstand
2	093606-04-000	EA	Mirror - Beveled
3	097867-12-B38	EA	Countertop Asm. - Upper Nightstand
4	C97867-13-B38	EA	Door Asm. - Upper Nightstand
5	P00523-92-B38	EA	Door Asm. - w/o Hardware
	088742-03-000	EA	Mirror - Beveled
6	1G1653-01-B38	EA	Cabinet Asm. - Shirt Closet - w/o Doors
7	093606-05-000	EA	Mirror - Beveled
8	103698-01-000	EA	Radio - AM/FM Stereo Cassette - Advantz AE8000 AR
9	M05071-01-B38	EA	Cabinet Asm. - Twin Bed Top - Driver Side
10	P01973-01-B38	EA	Cabinet Asm. - Twin Bed - Driver Side
11	P00523-18-B29	EA	Door Asm. - w/o Hardware
	093276-01-000	EA	Brace - Gas Spring
	057460-04-000	EA	Gas Spring
	088199-02-Y12	EA	Hinge Asm.
12	M97866-01-B38	EA	Cabinet Asm. - Lower Nightstand
13	P02003-13-B38	EA	Drawer Asm. - w/o Hardware
	101910-03-000	EA	Slide Asn. - Cabinet Set - 12"
	101910-04-000	EA	Slide Asm. - Drawer Set - 12"
14	097866-11-B38	EA	Countertop Asm. - Lower Nightstand
15	M97860-01-B38	EA	Cabinet Asm. - Twin Bed - Passenger Side
16	M04020-01-B38	EA	Cabinet Asm. - Twin Bed - Top - Passenger Side
19	101917-01-B38	EA	Cabinet Asm. - TV

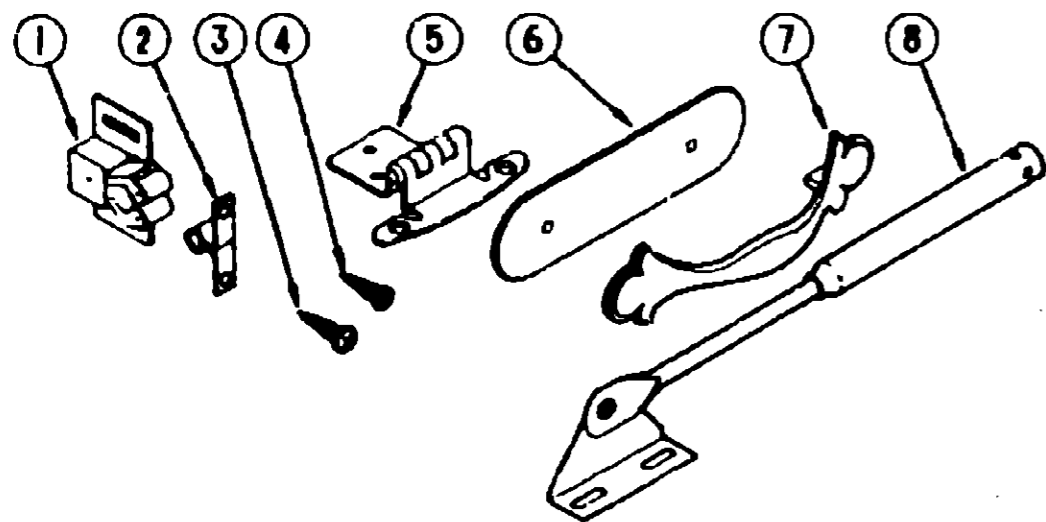
1991 ITASCA TABLE OF CONTENTS

INTRODUCTION	A-01 - A-02
ABBREVIATIONS	A-03
ALPHABETICAL GROUP REFERENCE	A-04 - A-06
IC/FP33RQ	A-07 - D-24
IC/FP37RQ	E-01 - H-20

1991 IC/FP37RQ INDEX

Floor Plan	E-01 - E-02
Accessories Group	E-03 - E-05
Bath Group	E-06 - E-08
Bedroom Group	E-09 - E-13
Chassis Group	F-14 - F-04
Curtain, Cushion & Pad Group	F-05 - F-13
Dinette Group	F-14 - F-16
Driver's Compartment Group	F-17 - F-21
Electrical Group	F-22 - G-01
Exterior Body Group	G-02 - G-09
Galley Group	G-10 - G-14
Heating & Air Conditioning Group	G-15 - G-17
Interior Finish Group	G-18 - G-19
Labels Group	G-20
LP Group	G-21
Lounge Group	G-22 - H-01
Sealants & Fasteners Group	H-02 - H-03
Water & Sewage Group	H-04 - H-06
Window, Vent & Exterior Door Group	H-07 - H-19

BEDROOM GROUP (CONTINUED)



CABINET HARDWARE (DOORS & CABINETS)

Key	Part Number	U/M	Description
1	093586-03-000	EA	Roller Catch
2	093586-04-000	EA	Steel Strike
3	000G68-06-10G	EA	Screw - #6 - 18 x .625" FOH - Antique Brass - Hinge to Cabinet
4	000G13-06-10G	EA	Screw - #6 - 20 x .625" PFH - Antique Brass - Hinge to Door
5	059777-02-000	EA	Hinge - Burnished Brass (Doors)
6	100995-01-000	EA	Brass Backplate
7	100273-01-000	EA	Pull Handle
8	074493-02-000	EA	Door Support

CHASSIS GROUP

LEVELING JACKS - HYDRAULIC

Key	Part Number	U/M	Description
	100532-01-000	EA	Leveling System - Hydraulic
	100533-02-000	EA	Brackets - Front Jacks
	100534-06-000	EA	Brackets - Rear Jacks
	100535-01-000	EA	Bracket - Pump
	100536-01-000	EA	Hose Kit
	041953-09-000	FT	Conduit - Convolute Slit - .50" ID
	008348-01-000	EA	Terminal - Ring - 2 3/8" Stud
	100532-01-700	EA	Manual Level Valve
	089339-01-700	EA	Leveling Jack

FOG LAMP & COMPONENTS

Key	Part Number	U/M	Description
	088747-03-000	EA	Lamp Asm. - Fog - Clear Lens
	088747-03-700	EA	Cover - Fog Lamp
	088737-03-701	EA	Bezel - Fog Light
	097372-01-01A	EA	Switch - Fog Lamp
	007940-01-000	EA	Receptacle - Slide - 16 to 12 AWG Wire
	007942-01-000	EA	Tab - 18 to 14 AWG Wire
	010499-01-000	EA	Clamp - Closed - 3/8" I.D.
	063910-01-000	EA	Housing - Relay
	063912-02-000	EA	Relay - Canister - SPDT - w/Resistor
	093654-02-000	EA	Circuit Breaker - 15 Amp.

FUEL SYSTEMS COMPONENTS

Key	Part Number	U/M	Description
	078010-02-000	EA	Door Asm. - Fuel Fill - Gray
	078200-01-000	EA	Gasket - Fuel Fill
	083578-01-000	EA	Boot - Fuel Fill
	095605-01-000	EA	Neck Asm. - Upper Fuel Fill
	102292-01-000	EA	Shroud - Fuel Fill - Inside
	081245-01-000	EA	Hose - Fuel Fill - Formed
	062401-05-000	EA	Clamp - Hose - Wormgear - 2" - 3" (Fuel Hose)
	098805-01-000	EA	Neck - Fuel Fill - Lower
	066732-01-000	FT	Hose - Fuel - .62 I.D. (Vent Hose)
	062401-10-000	EA	Clamp - Hose - Wormgear - 1" - 2" (Vent Hose)

1991 ITASCA TABLE OF CONTENTS

INTRODUCTION	A-01 - A-02
ABBREVIATIONS	A-03
ALPHABETICAL/GROUP REFERENCE	A-04 - A-06
IC/FP33RQ	A-07 - D-24
IC/FP37RQ	E-01 - H-20

1991 IC/FP37RQ INDEX

Floor Plan	E-01 - E-02
Accessories Group	E-03 - E-05
Bath Group	E-06 - E-08
Bedroom Group	E-09 - E-13
Chassis Group	F-14 - F-04
Curtain, Cushion & Pad Group	F-05 - F-13
Dinette Group	F-14 - F-16
Driver's Compartment Group	F-17 - F-21
Electrical Group	F-22 - G-01
Exterior Body Group	G-02 - G-09
Galley Group	G-10 - G-14
Heating & Air Conditioning Group	G-15 - G-17
Interior Finish Group	G-18 - G-19
Labels Group	G-20
LP Group	G-21
Lounge Group	G-22 - H-01
Sealants & Fasteners Group	H-02 - H-03
Water & Sewage Group	H-04 - H-06
Window, Vent & Exterior Door Group	H-07 - H-19

CHASSIS GROUP (CONTINUED)

4.0KW & 6.5KW GENERATORS & COMPONENTS

Key	Part Number	U/M	Description
	100974-02-000	EA	Generator - 4.0KW - Emerald Plus - Onan BGE-FA/26109G
	100975-02-000	EA	Generator - 6.5KW - Emerald Plus - Onan NHE-FA/26101G
	007067-01-000	EA	Insulation - Fiberglass
	023942-01-000	EA	Grommet - Rubber - 2" OD
	081364-02-000	EA	Muffler
	007125-01-000	EA	Clamp Asm. - Muffler - 1.62"
	007125-04-000	EA	Clamp Asm. - Muffler - 1.12"
	079854-05-000	EA	Exhaust Pipe - Elbow
	083591-02-000	EA	Exhaust Pipe - Generator
	008054-01-000	EA	Power Cord - 10/3 - 30 Amp. - 25' (USA)
	008052-01-000	EA	Power Cord - 10/3 - 30 Amp. - 25' (CSA)
	008289-01-000	EA	Box - Electrical - 4" x 4" (USA)
	008289-02-000	EA	Box - Electrical - 4" x 4" (CSA)
	008294-01-000	EA	Cover Plate - 4" x 4" (USA)
	008294-02-000	EA	Cover Plate - 4" x 4" (CSA)
	024924-02-000	EA	Receptacle - Power Cord
	069238-01-000	EA	Cover Plate - Receptacle Box - Power Cord - 4" x 4"
	008394-01-000	FT	Conduit - Flexible - 1/2"
	008355-01-000	EA	Connector - 3/4" - Cable Clamping
	008356-01-000	EA	Connector - Plastic - 3/8" Avg. Wire
	010497-01-000	EA	Clamp - Cable - 1.5"
	008026-01-000	FT	Wire - 12/2 Romex w/Ground
	008311-01-000	EA	Connector - Wire Nut - Red
	008312-01-000	EA	Connector - Wire Nut - Blue
	008314-01-000	EA	Connector - Wire Nut - Gray
	008328-01-000	EA	Terminal Ring - 12/10 Wire
	024976-01-000	EA	Generator Switch - w/o Circuit Board
	098351-04-01A	EA	Plate - Switch - Generator - Rear Bedroom
	031035-01-000	EA	Hourmeter
	008348-01-000	EA	Terminal Ring - 2, 3/8" Stud
	007063-01-000	FT	Hose - Gasoline - 1/4" ID x 1/2" OD
	062401-06-000	EA	Clamp - Hose - Wormgear - .22" to .62" ID

CHASSIS GROUP (CONTINUED)

3.5KW ONAN GENERATOR & COMPONENTS (EXPORT)

Key	Part Number	U/M	Description
	100974-05-000	EA	Generator - 4.0KW - Emerald Plus - Onan BGE-FN/29237G
	007067-01-000	SF	Insulation - Fiberglass
	023942-01-000	EA	Grommet - Rubber - 2" OD
	081364-02-000	EA	Muffler
	007125-01-000	EA	Clamp Asm. - Muffler - 1.62"
	007125-04-000	EA	Clamp Asm. - Muffler - 1.12"
	093591-02-000	EA	Exhaust Pipe - Generator
	008054-01-000	EA	Power Cord - 10/3 - 30 Amp. 25'
	008289-01-000	EA	Box - Electrical - 4" x 4"
	008294-01-000	EA	Cover Plate - 4" x 4"
	024924-02-000	EA	Receptacle - Power Cord
	069238-01-000	EA	Cover Plate - Receptacle Box - Power Cord - 4" x 4"
	041953-01-000	FT	Conduit - Convolute - Slt - .5" ID
	008355-01-000	EA	Connector - 3/4" - Cable Clamping
	008356-01-000	EA	Connector - Plastic - 3/8"
	010495-01-000	EA	Clamp - Cable - 9/16"
	010497-01-000	EA	Clamp - Closed - 5/8" ID
	008026-01-000	FT	Wire - 12/2 Romex w/Ground
	008311-01-000	EA	Connector - Wire Nut - Red
	008312-01-000	EA	Connector - Wire Nut - Blue
	008314-01-000	EA	Connector - Wire Nut - Gray
	008328-01-000	EA	Terminal - Ring - 12/10 Wire
	092615-01-000	EA	Converter - 40 Amp. - w/Charger
	024976-01-000	EA	Generator Switch - w/o Circuit Board
	098351-04-01A	EA	Plate - Switch - Generator - Rear Bedroom
	062401-03-000	EA	Clamp - Hose - Wormgear - .22" to .62" ID
	062401-06-000	EA	Clamp - Hose - Wormgear - .22" to 1" ID
	008348-01-000	EA	Terminal - Ring - 2 - 3/8" Stud

5.0KW ONAN GENERATOR & COMPONENTS (EXPORT)

Key	Part Number	U/M	Description
	100975-04-000	EA	Generator - 5.0KW - Emerald Plus - Onan NHE-FN/29237G
	007067-01-000	SF	Insulation - Fiberglass
	023942-01-000	EA	Grommet - Rubber - 2" OD
	083151-01-000	EA	Muffler
	007125-03-000	EA	Clamp Asm. - Muffler - 1.5"
	007125-04-000	EA	Clamp Asm. - Muffler - 1.12"
	083152-01-000	EA	Exhaust Pipe - Generator - 90°
	007131-01-000	EA	Tailpipe Hanger
	008054-01-000	EA	Power Cord - 10/3 - 30 Amp. - 25'
	008289-01-000	EA	Box - Electrical - 4" x 4"
	008294-01-000	EA	Cover Plate - 4" x 4"
	024924-02-000	EA	Receptacle - Power Cord
	069238-01-000	EA	Cover Plate - Receptacle Box - Power Cord - 4" x 4"
	041953-01-000	FT	Conduit - Convolute - Slt - .5" ID
	008355-01-000	EA	Connector - 3/4" - Cable Clamping
	008356-01-000	EA	Connector - Plastic - 3/8"
	010495-01-000	EA	Clamp - Cable - 9/16"
	008026-01-000	FT	Wire - 12/2 Romex w/Ground
	008311-01-000	EA	Connector - Wire Nut - Red
	008312-01-000	EA	Connector - Wire Nut - Blue
	008314-01-000	EA	Connector - Wire Nut - Gray
	008328-01-000	EA	Terminal - Ring - 12/10 Wire
	092615-01-000	EA	Converter - 40 Amp. w/Charger
	024976-01-000	EA	Generator Switch - w/o Circuit Board
	098351-04-01A	EA	Plate - Switch - Generator - Rear Bedroom
	088238-01-000	EA	Cover - A/C Dual Switch

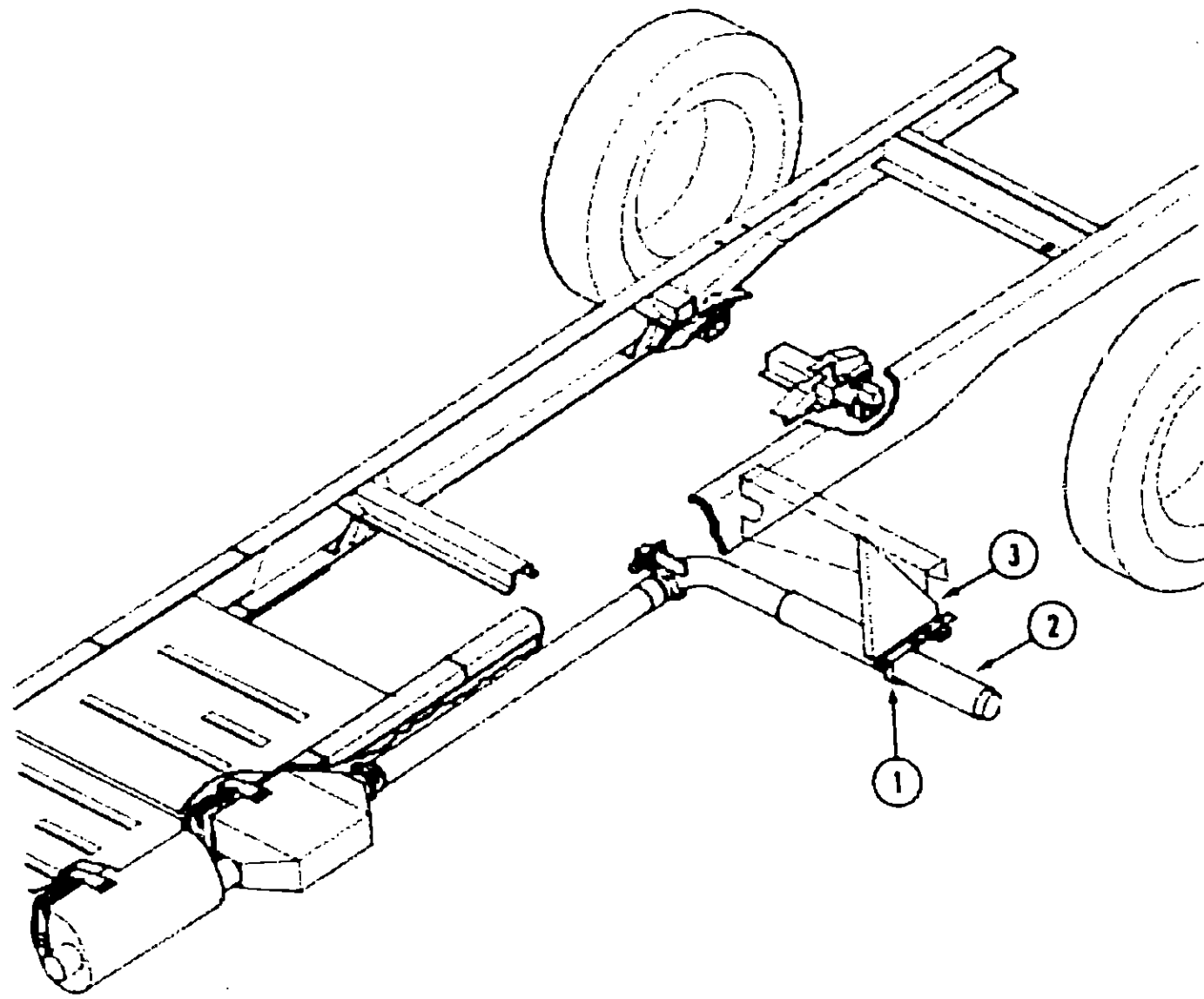
1991 ITASCA TABLE OF CONTENTS

INTRODUCTION	A-01 - A-02
ABBREVIATIONS	A-03
ALPHABETICAL/GROUP REFERENCE	A-04 - A-06
IC/FP33RO	A-07 - D-74
IC/FP37RO	E-01 - H-20

1991 IC/FP37RO INDEX

Floor Plan	E-01 - E-02
Accessories Group	E-03 - E-05
Bath Group	E-06 - E-08
Bedroom Group	E-09 - E-13
Chassis Group	F-14 - F-04
Curtain, Cushion & Pad Group	F-05 - F-13
Dinette Group	F-14 - F-16
Driver's Compartment Group	F-17 - F-21
Electrical Group	F-22 - G-01
Exterior Body Group	G-02 - G-09
Galley Group	G-10 - G-14
Heating & Air Conditioning Group	G-15 - G-17
Interior Finish Group	G-18 - G-19
Labels Group	G-20
LP Group	G-21
Lounge Group	G-22 - H-01
Sealants & Fasteners Group	H-02 - H-03
Water & Sewage Group	H-04 - H-06
Window, Vent & Exterior Door Group	H-07 - H-19

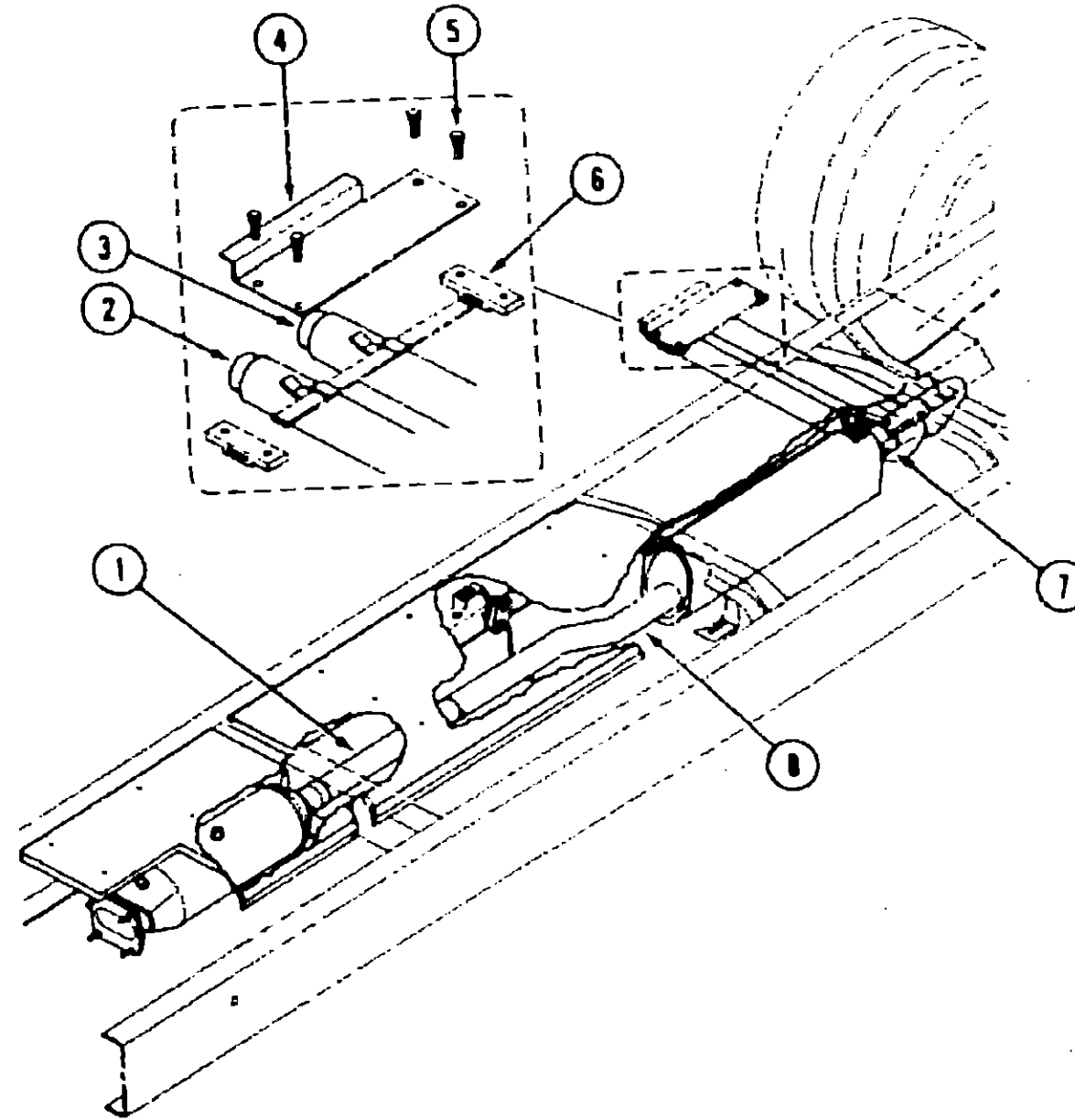
CHASSIS GROUP (CONTINUED)



EXHAUST SYSTEM (CHEVROLET CHASSIS)

Key	Part Number	U/M	Description
1	095190-01-000	EA	Exhaust Hanger
	007125-08-000	EA	Exhaust Clamp - 3"
2	098599-01-000	EA	Exhaust Pipe
3	102117-01-000	EA	Hanger Bracket - Exhaust

CHASSIS GROUP (CONTINUED)



EXHAUST SYSTEM (FORD CHASSIS)

Key	Part Number	U/M	Description
1	100593-02-000	EA	Exhaust Pipe
2	099344-02-000	EA	Exhaust Pipe - Tail - Front
3	099345-02-000	EA	Exhaust Pipe - Tail - Rear
4	096087-03-000	EA	Support Asm. - Exhaust
5	000C26-05-208	EA	Bolt - Hex - 5/16" - #18 - 1 1/4"
6	095190-01-000	EA	Hanger - Exhaust
	096055-02-000	EA	Support Asm. - Exhaust Pipe
	094918-03-000	EA	Clamp Asm. - Muffler - 2.5" Dia.
7	007125-05-000	EA	Clamp Asm. - Muffler - 2.0" Dia.
8	100572-01-000	EA	Exhaust Pipe - Extension

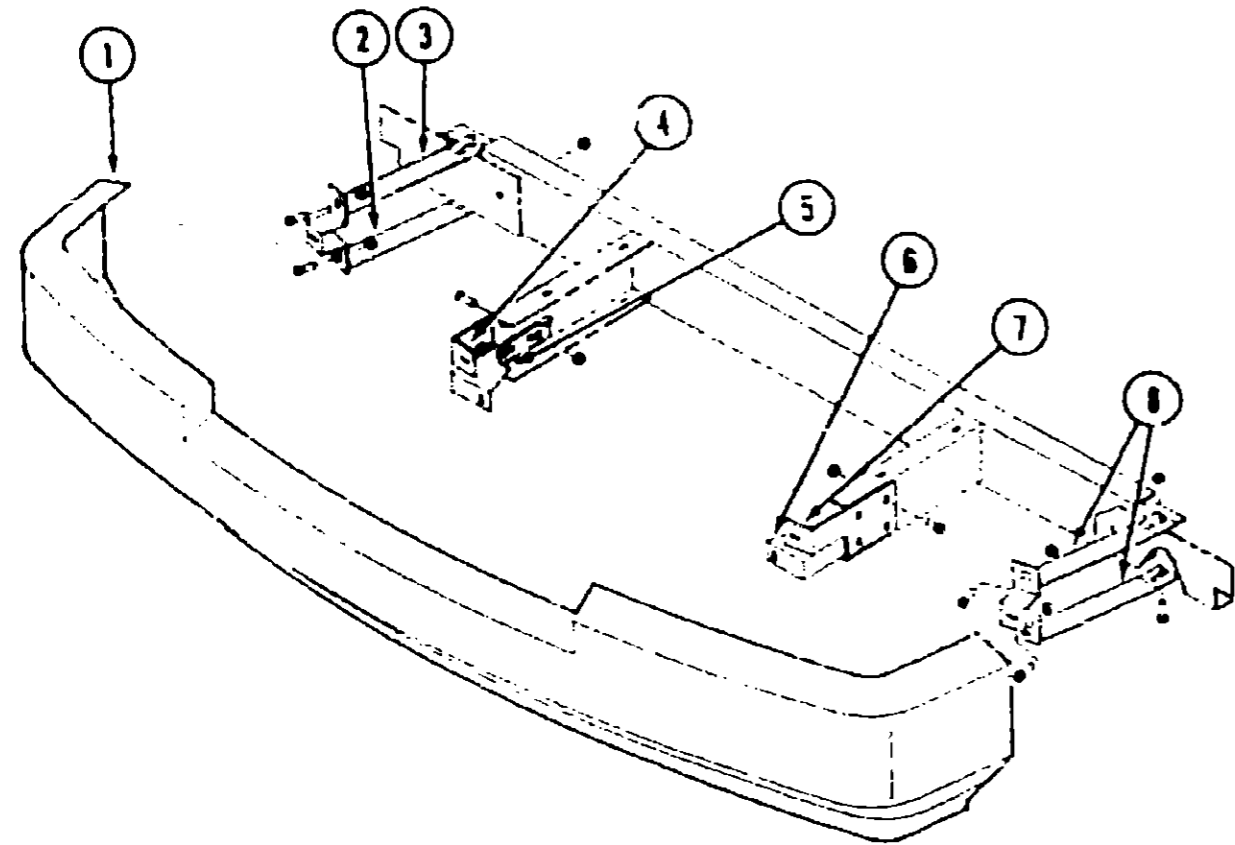
**1991 ITASCA
TABLE OF CONTENTS**

INTRODUCTION	A-01 - A-02
ABBREVIATIONS	A-03
ALPHABETICAL/GROUP REFERENCE	A-04 - A-06
IC/FP33RQ	A-07 - D-24
IC/FP37RQ	E-01 - H-20

1991 IC/FP37RQ INDEX

Floor Plan	E-01 - E-02
Accessories Group	E-03 - E-05
Bath Group	E-06 - E-08
Bedroom Group	E-09 - E-13
Chassis Group	F-14 - F-04
Curtain, Cushion & Pad Group	F-05 - F-13
Dinette Group	F-14 - F-16
Driver's Compartment Group	F-17 - F-21
Electrical Group	F-22 - G-01
Exterior Body Group	G-02 - G-09
Galley Group	G-10 - G-14
Heating & Air Conditioning Group	G-15 - G-17
Interior Finish Group	G-18 - G-19
Labels Group	G-20
LP Group	G-21
Lounge Group	G-22 - H-01
Sealants & Fasteners Group	H-02 - H-03
Water & Sewage Group	H-04 - H-06
Window, Vent & Exterior Door Group	H-07 - H-19

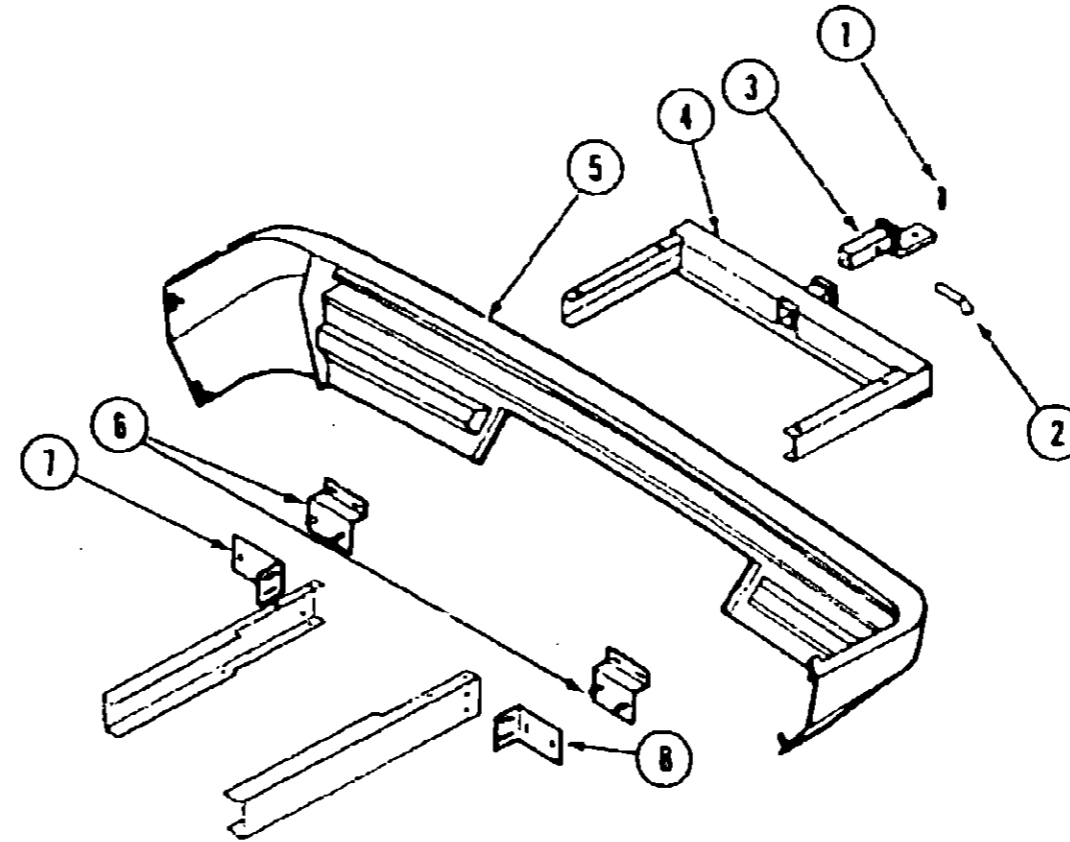
CHASSIS GROUP (CONTINUED)



FRONT BUMPER

Key	Part Number	U/M	Description
1	M95613-01-AF1	EA	Front Bumper Asm.
	096582-01-01A	EA	End Cap - Front Bumper - Passenger Side
	096582-02-01A	EA	End Cap - Front Bumper - Driver Side
2	077854-01-000	EA	Bumper Brace - Lower - Passenger Side
3	077854-02-000	EA	Bumper Brace - Upper - Passenger Side
4	086140-03-000	EA	Bumper Support Bracket - Passenger Side
5	095802-01-000	EA	Fog Lamp Bracket - Passenger Side
6	095802-02-000	EA	Fog Lamp Bracket - Driver Side
7	086140-04-000	EA	Bumper Support Bracket - Driver Side
8	077854-02-000	EA	Bumper Brace - Upper & Lower - Driver Side

CHASSIS GROUP (CONTINUED)



REAR BUMPER & HITCH

Key	Part Number	U/M	Description
1	034513-01-000	EA	Spring Pin - Hitch - 3/16" Wire
2	034512-01-000	EA	Locking Pin - Drawbar
3	077613-01-000	EA	Drawbar Asm.
4	077617-01-000	EA	Hitch Asm. - w/o Drawbar
5	M94719-01-AF1	EA	Rear Bumper Asm. - Gray
6	086727-02-000	EA	Support Angle (To Bumper)
7	096731-01-000	EA	Support Angle (To Frame) Passenger Side
8	096731-02-000	EA	Support Angle (To Frame) Driver Side
	M94719-01-AF1	EA	End-Cap - Rear Bumper - 1 Set Passenger & Driver Side

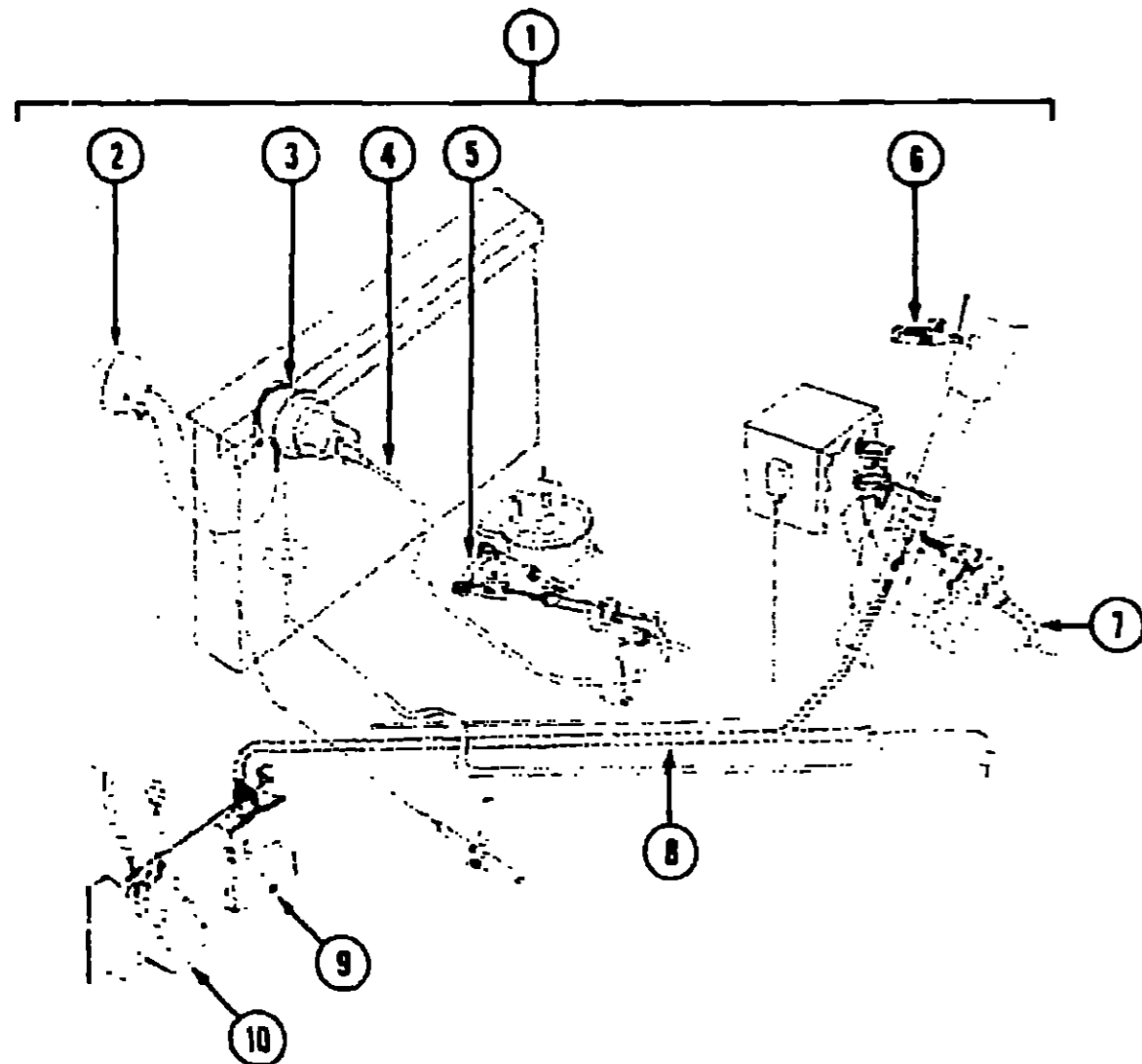
**1991 ITASCA
TABLE OF CONTENTS**

INTRODUCTION	A-01 - A-02
ABBREVIATIONS	A-03
ALPHABETICAL/GROUP REFERENCE	A-04 - A-06
IC/FP33RQ	A-07 - D-24
IC/FP37RQ	E-01 - H-20

1991 IC/FP37RQ INDEX

Floor Plan	E-01 - E-02
Accessories Group	E-03 - E-05
Bath Group	E-06 - E-08
Bedroom Group	E-09 - E-13
Chassis Group	F-14 - F-04
Curtain, Cushion & Pad Group	F-05 - F-13
Dinette Group	F-14 - F-16
Driver's Compartment Group	F-17 - F-21
Electrical Group	F-22 - G-01
Exterior Body Group	G-02 - G-09
Galley Group	G-10 - G-14
Heating & Air Conditioning Group	G-15 - G-17
Interior Finish Group	G-18 - G-19
Labels Group	G-20
LP Group	G-21
Lounge Group	G-22 - H-01
Sealants & Fasteners Group	H-02 - H-03
Water & Sewage Group	H-04 - H-06
Window, Vent & Exterior Door Group	H-07 - H-19

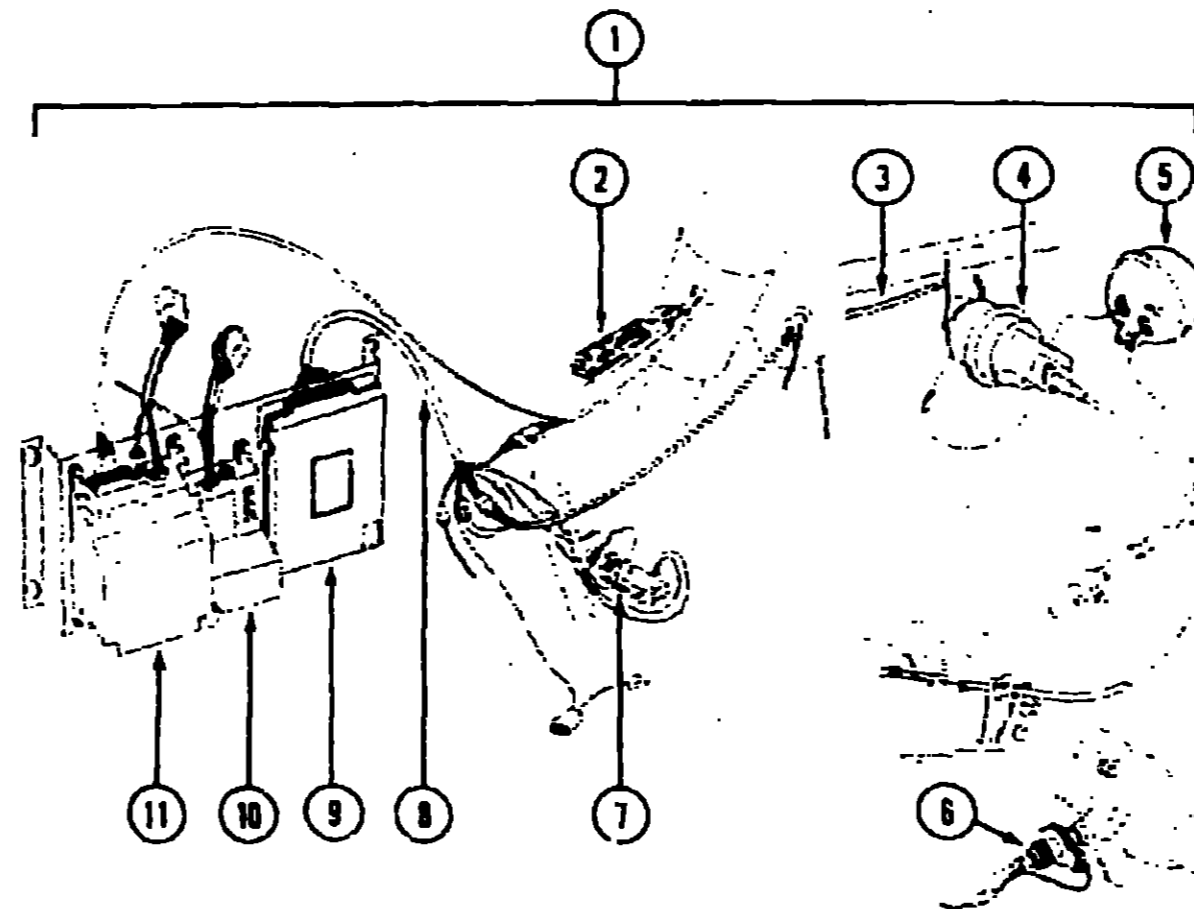
CHASSIS GROUP (CONTINUED)



CRUISE CONTROL (IGNITION ON COLUMN)

Key	Part Number	U/M	Description
1	102362-01-000	EA	Speed Control Asm.
2	094369-01-705	EA	Vacuum Reservoir
3	094369-01-706	EA	Servo Only - Replacement
4	102362-01-700	EA	Cable Only - Replacement
5	102362-01-706	EA	Throttle Stud
6	102362-01-707	EA	Control Switch & Lever Asm.
7	102362-01-703	EA	Harness Asm. - Pivot SW to WPR
8	102362-01-704	EA	Harness Asm. - Main Wiring
9	102362-01-701	EA	Regulator Asm. - Electronic
10	102362-01-702	EA	Wiper Control Module
	102362-01-705	EA	Throttle Retaining Clip
	094863-01-704	EA	Housing - 4 Pin
	059778-01-710	EA	Housing - 4 Pin
	059778-01-710	EA	Tester - Cruise Control w/Harness

CHASSIS GROUP (CONTINUED)



CRUISE CONTROL (IGNITION ON DASH)

Key	Part Number	U/M	Description
1	094369-03-000	EA	Speed Control - Smart Stick II TBI
2	094369-01-701	EA	Switch & Lever Asm.
3	094369-01-700	EA	Servo & Cable Asm.
4	094369-01-706	EA	Servo Only
5	094369-01-705	EA	Vacuum Reservoir
6	069629-01-704	EA	Signal Generator Asm.
	069629-01-705	EA	Signal Generator Only
7	083212-01-704	EA	Stop Lamp/Cruise Release Switch
8	083212-04-701	EA	Main Wiring Harness
9	094369-01-702	EA	Regulator Asm. - Electronic
10	094369-01-704	EA	Headlight Dimmer Module Asm.
11	091900-01-702	EA	Wiper Control Module
	102362-01-705	EA	Throttle Retainer Clip
	059778-01-710	EA	Tester - Cruise Control w/Harness

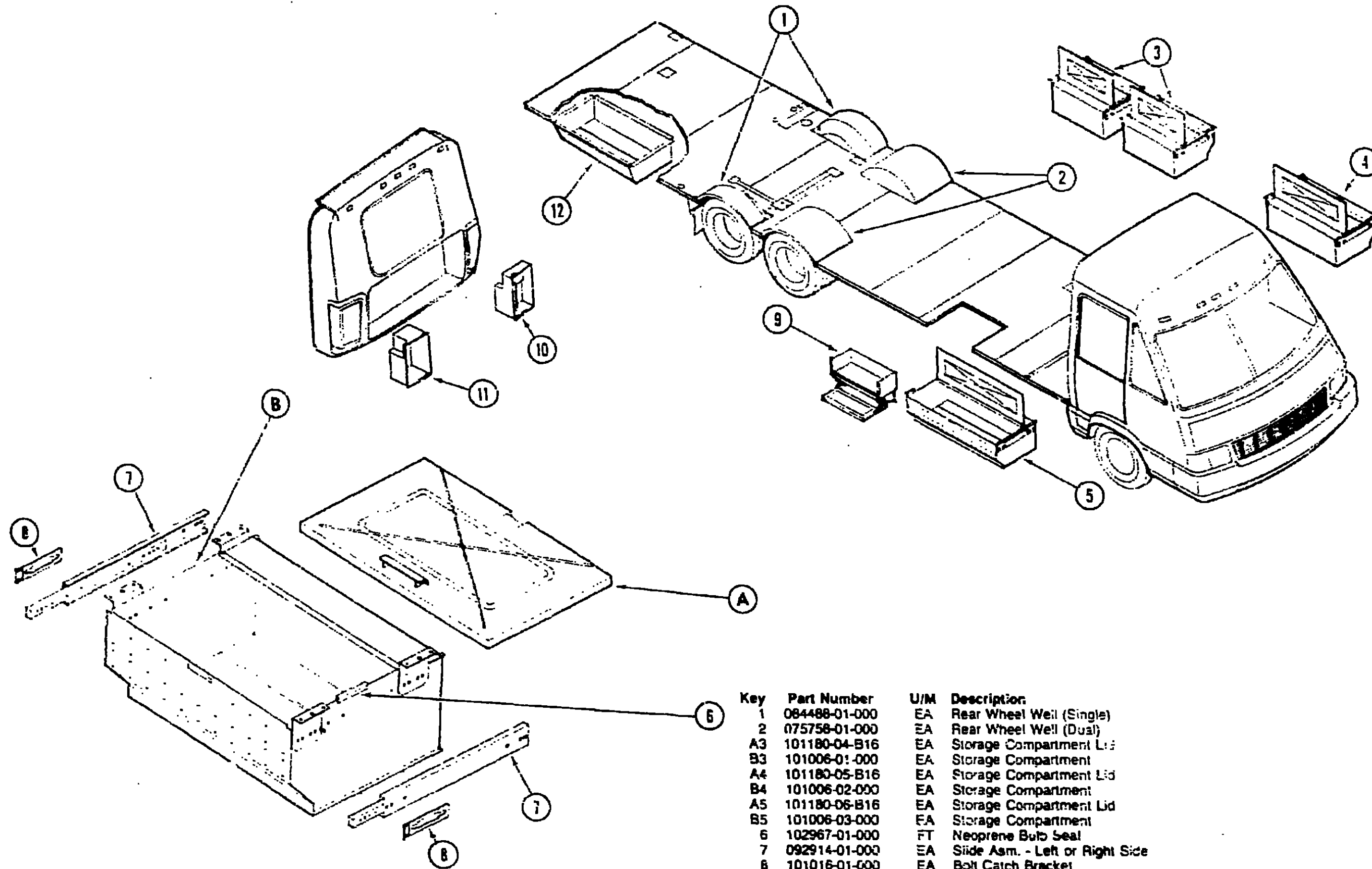
**1991 ITASCA
TABLE OF CONTENTS**

INTRODUCTION	A-01 - A-02
ABBREVIATIONS	A-03
ALPHABETICAL/GROUP REFERENCE	A-04 - A-06
IC/FP33RQ	A-07 - D-24
IC/FP37RQ	E-01 - H-20

1991 IC/FP37RQ INDEX

Floor Plan	E-01 - E-02
Accessories Group	E-03 - E-05
Bath Group	E-06 - E-08
Bedroom Group	E-09 - E-13
Chassis Group	F-14 - F-04
Curtain, Cushion & Pac Group	F-05 - F-13
Dinette Group	F-14 - F-16
Driver's Compartment Group	F-17 - F-21
Electrical Group	F-22 - G-01
Exterior Body Group	G-02 - G-09
Galley Group	G-10 - G-14
Heating & Air Conditioning Group	G-15 - G-17
Interior Finish Group	G-18 - G-19
Labels Group	G-20
LP Group	G-21
Lounge Group	G-22 - H-01
Sealants & Fasteners Group	H-02 - H-03
Water & Sewage Group	H-04 - H-06
Window, Vent & Exterior Door Group	H-07 - H-19

CHASSIS GROUP (CONTINUED)
STORAGE COMPARTMENTS & WHEELWELLS



Key	Part Number	U/M	Description
1	084488-01-000	EA	Rear Wheel Well (Single)
2	075758-01-000	EA	Rear Wheel Well (Dual)
A3	101180-04-B16	EA	Storage Compartment Lid
B3	101006-01-000	EA	Storage Compartment
A4	101180-05-B16	EA	Storage Compartment Lid
B4	101006-02-000	EA	Storage Compartment
A5	101180-06-B16	EA	Storage Compartment Lid
B5	101006-03-000	EA	Storage Compartment
6	102967-01-000	FT	Neoprene Bulb Seal
7	092914-01-000	EA	Slide Asm. - Left or Right Side
8	101016-01-000	EA	Bolt Catch Bracket
9	094708-01-01A	EA	Electric Step Asm.
10	102312-01-02A	EA	Compartment Liner - Passenger Side
11	102313-01-02A	EA	Compartment Liner - Driver Side
12	085068-01-000	EA	Storage Compartment Asm.
	P01974-01-000	EA	Sewer Compartment Asm.
	102596-01-000	EA	Mud Flap - Front Wheel
	017516-01-000	EA	Mud Flap - Rear Wheel

1991 ITASCA
TABLE OF CONTENTS

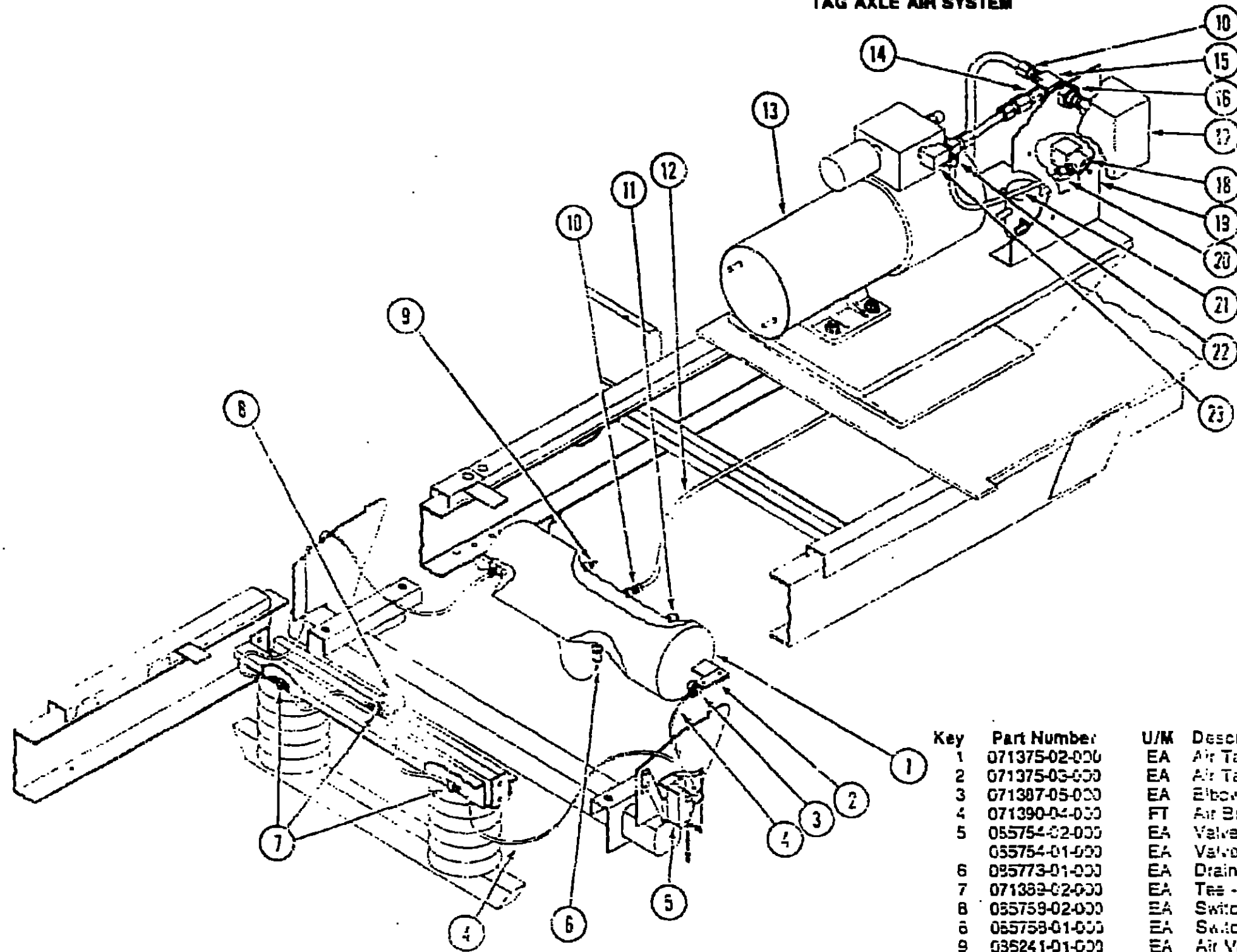
INTRODUCTION	A-01 - A-02
ABBREVIATIONS	A-03
ALPHABETICAL/GROUP REFERENCE	A-04 - A-06
IC/FP37RQ	A-07 - D-24
IC/FP37RQ	E-01 - H-20

1991 IC/FP37RQ INDEX

Floor Plan	E-01 - E-02
Accessories Group	E-03 - E-05
Bath Group	E-06 - E-08
Bedroom Group	E-09 - E-13
Chassis Group	F-14 - F-04
Curtain, Cushion & Pad Group	F-05 - F-13
Dinette Group	F-14 - F-16
Driver's Compartment Group	F-17 - F-21
Electrical Group	F-22 - G-01
Exterior Body Group	G-02 - G-09
Galley Group	G-10 - G-14
Heating & Air Conditioning Group	G-15 - G-17
Interior Finish Group	G-18 - G-19
Labels Group	G-20
LP Group	G-21
Lounge Group	G-22 - H-01
Sealants & Fasteners Group	H-02 - H-03
Water & Sewage Group	H-04 - H-06
Window, Vent & Exterior Door Group	H-07 - H-19

CHASSIS GROUP (CONTINUED)

TAG AXLE AIR SYSTEM



Key	Part Number	U/M	Description
1	071375-02-000	EA	Air Tank
2	071375-03-000	EA	Air Tank Mount Isolator Pad
3	071387-05-000	EA	Elbow - Male
4	071390-04-000	FT	Air Brake Tubing - 1/4" OD - Black
5	055754-02-000	EA	Valve Asm. - Height Control (Driver Side)
	055754-01-000	EA	Valve Asm. - Height Control (Passenger Side)
6	095773-01-000	EA	Drain Valve - Air Tank
7	071389-02-000	EA	Tee - Male
8	055759-02-000	EA	Switch Asm. (Low Air) (Ford)
8	055759-01-000	EA	Switch Asm. (Low Air) (Chery)
9	035241-01-000	EA	Air Valve
10	071385-04-000	EA	Connector - Male
11	071392-03-000	EA	Hex Head Plug
12	071390-03-000	FT	Air Brake Tubing - 3/8" OD - Red
13	055761-02-000	EA	Air Compressor - 12V
14	055765-01-000	EA	Check Valve
15	055765-01-000	EA	Tee - Street
16	071374-03-000	EA	Bulkhead Fitting
17	035767-01-000	EA	Pressure Control Switch
18	055765-01-000	EA	Air Solenoid Valve
19	035375-01-000	EA	Mounting Bracket
20	071358-03-000	EA	Connector - Male
21	071390-03-000	FT	Air Brake Tubing - 3/8"
22	055763-01-000	EA	Tee - Male
23	095924-01-000	EA	Elbow - 90°

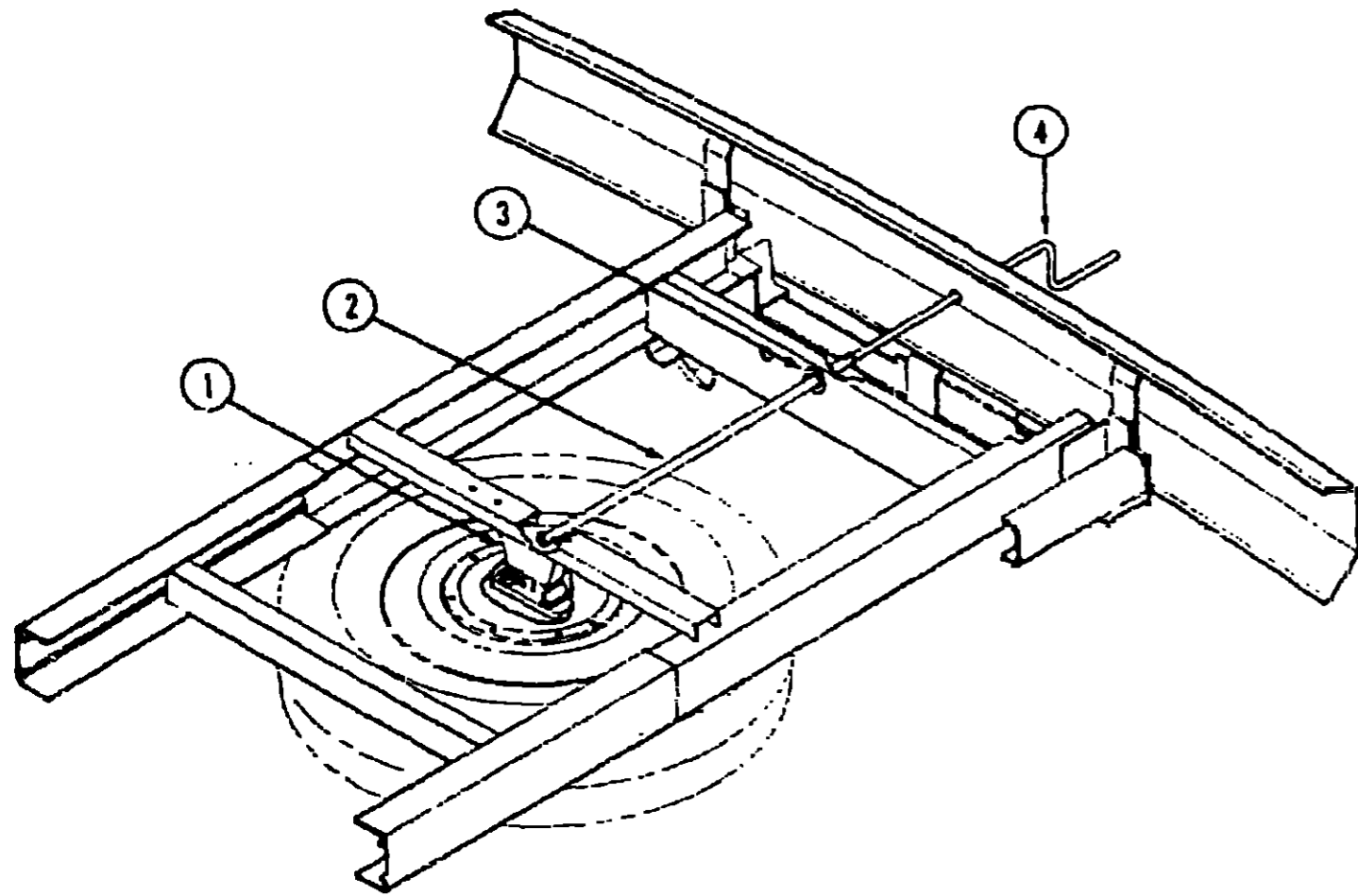
1991 ITASCA TABLE OF CONTENTS

INTRODUCTION	A-01 - A-02
ABBREVIATIONS	A-03
ALPHABETICAL/GROUP REFERENCE	A-04 - A-06
IC/FP33RQ	A-07 - D-24
IC/FP37RQ	E-01 - H-20

1991 IC/FP37RQ INDEX

Floor Plan	E-01 - E-02
Accessories Group	E-03 - E-05
Bath Group	E-06 - E-08
Bedroom Group	E-09 - E-13
Chassis Group	F-14 - F-04
Curtain, Cushion & Pad Group	F-05 - F-13
Dinette Group	F-14 - F-16
Driver's Compartment Group	F-17 - F-21
Electrical Group	F-22 - G-01
Exterior Body Group	G-02 - G-09
Galley Group	G-10 - G-14
Heating & Air Conditioning Group	G-15 - G-17
Interior Finish Group	G-18 - G-19
LaLe's Group	G-20
LP Group	G-21
Lounge Group	G-22 - H-01
Sealants & Fasteners Group	H-02 - H-03
Water & Sewage Group	H-04 - H-05
Window, Vent & Exterior Door Group	H-07 - H-19

CHASSIS GROUP (CONTINUED)



SPARE TIRE COMPONENTS

Key	Part Number	U/M	Description
1	093257-01-000	EA	Spare Tire Hoist
2	093375-01-000	EA	Extension
3	071015-11-000	EA	Grommet - 1"
4	093376-01-000	EA	Crank Handle
	080208-01-000	EA	Lug Wrench - Wheel
	080208-02-000	EA	Leverage Bar - Lug Wrench

CHASSIS GROUP (CONTINUED)

TAG AXLE ASSEMBLY (FORD)

Key	Part Number	U/M	Description
	098439-01-000	EA	Tag Axle - Ford, Complete
	098439-02-000	EA	Axle Mounting Kit - Ford Tag
	098439-02-700	EA	Hub & Drum w/Cups L.& R. Ford
	098439-03-000	EA	Outrigger Mounting Kit - Ford Tag
	098439-04-000	EA	Tag Axle - Ford Suspension - Air
	098439-04-700	EA	Air Spring Bellows

TAG AXLE ASSEMBLY (CHEVROLET)

Key	Part Number	U/M	Description
	085750-02-000	EA	Axle - Tag, TOR/RUB w/Surelube
	085750-02-700	EA	Hub & Drum w/Cups
	085750-02-701	EA	Outer Bearing Cone
	085750-02-702	EA	Dust Cover w/Zerk
	085750-01-700	EA	Magnet Kit (Oval)
	085750-01-701	EA	Shoe & Linings (F/I Brake)
	085750-01-703	EA	Inner Bearing Cone
	085750-01-705	EA	Grease Seal
	085750-01-707	EA	Bearing Grease
	085750-01-708	EA	Brake R.H. 12 x 2
	085750-01-709	EA	Brake L.H. 12 x 2
	085750-01-710	EA	Wheel Nut
	085750-01-711	EA	Air Spring
	085750-01-712	EA	Spring Bushing
	085750-01-713	EA	Crossmember
	085750-01-714	EA	Transverse Rod
	085750-01-715	EA	Transverse Rod Bushing
	085750-01-716	EA	Straddle Pin
	085750-01-717	EA	Air Spring Beam
	085750-01-718	EA	Spring Stirrup Bolt
	085750-01-719	EA	Spring Stirrup Nut
	085750-01-720	EA	Spring Stirrup
	085750-01-721	EA	Frame Mounting Bracket (RH)
	085750-01-722	EA	Frame Mounting Bracket (LH)
	085750-01-723	EA	Magnet Kit (Round)
	085750-01-724	EA	Lever - Brake Act. RH (Round)
	085750-01-725	EA	Lever - Brake Act. LH (Round)

CHROME WHEEL LINERS (CHEVROLET)

Key	Part Number	U/M	Description
	091209-01-000	EA	Wheel Liner - Chrome - 19.5" (Set/4)
	091209-02-000	EA	Wheel Liner - Chrome - 19.5" (Set/2) (Tag Axle)
	091209-01-700	EA	Wheel Liner - Chrome - 19.5" - Front
	091209-01-701	EA	Wheel Liner - Chrome - 19.5" - Rear
	091209-01-702	EA	Axle Cover - 10 Lug - Front
	091209-01-703	EA	Cover - Lug Nut
	077030-02-000	EA	Valve Stem Extension - 1.25"
	095012-03-000	EA	Valve Stem Extension - Dual Wheel

CHROME WHEEL LINERS (FORD)

Key	Part Number	U/M	Description
	091209-03-000	EA	Wheel Liner - Chrome - 16" (Set/4)
	091209-03-000	EA	Wheel Liner - Chrome - 16" (Set/2) (Tag Axle)
	091209-03-700	EA	Wheel Liner - Chrome - 16" - Front
	091209-03-701	EA	Wheel Liner - Chrome - 16" - Rear
	091209-03-702	EA	Axle Cover - 10 Lug - 16" - Rear
	091209-03-704	EA	Cover - Lug Nut
	077030-02-000	EA	Valve Stem Extension - 1.25"
	095012-03-000	EA	Valve Stem Extension - Dual Wheel

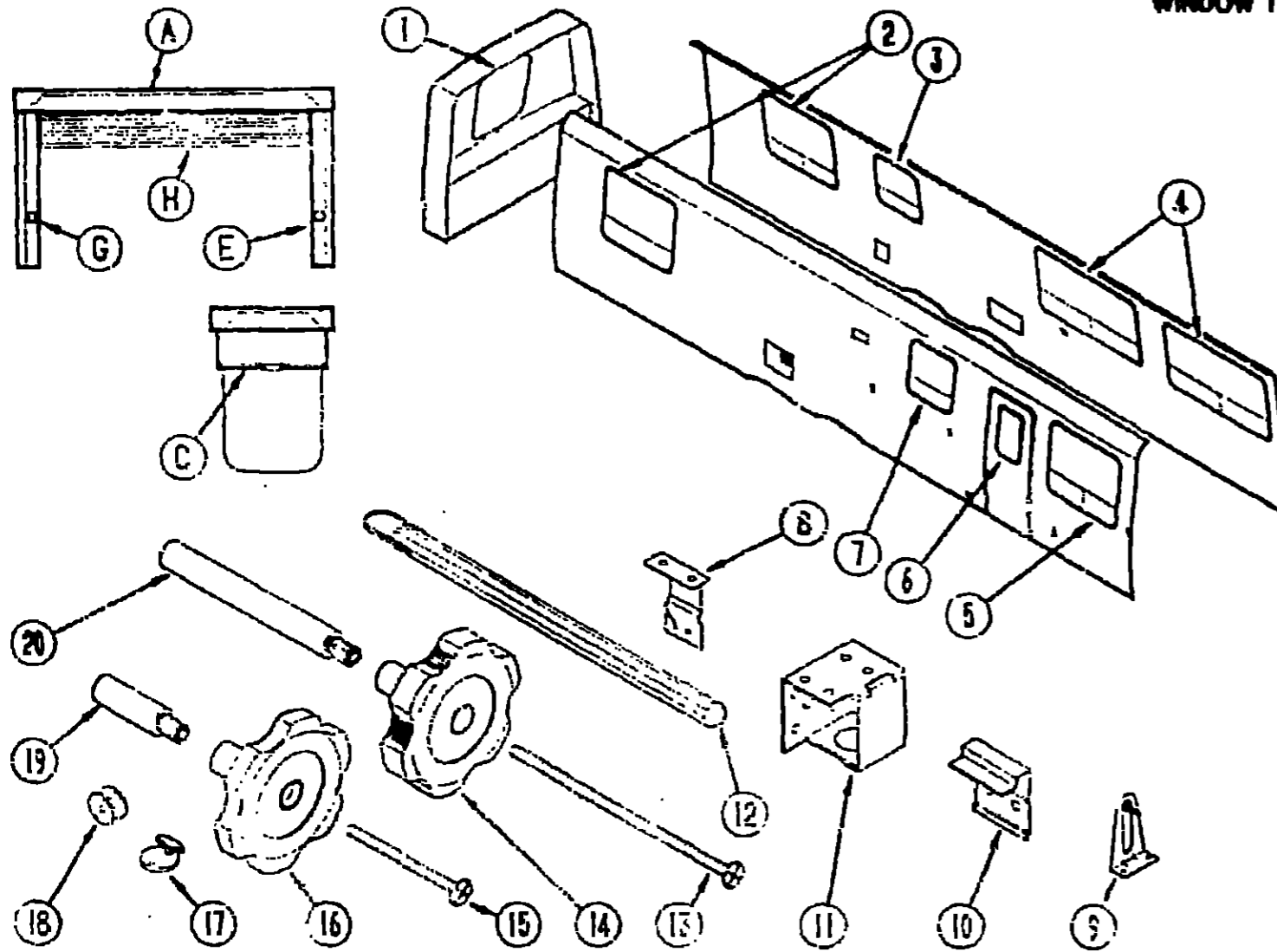
**1991 ITASCA
TABLE OF CONTENTS**

INTRODUCTION	A-01 - A-02
ABBREVIATIONS	A-03
ALPHABETICAL/GROUP REFERENCE	A-04 - A-05
IC/FP33RQ	A-07 - D-24
IC/FP37RQ	E-01 - H-20

1991 IC/FP37RQ INDEX

Floor Pan	E-01 - E-02
Accessories Group	E-03 - E-05
Bath Group	E-06 - E-08
Bedroom Group	E-09 - E-13
Chassis Group	F-14 - F-04
Curtain, Cushion & Pad Group	F-05 - F-13
Dinette Group	F-14 - F-16
Driver's Compartment Group	F-17 - F-21
Electrical Group	F-22 - G-01
Exterior Body Group	G-02 - G-09
Galley Group	G-10 - G-14
Heating & Air Conditioning Group	G-15 - G-17
Interior Finish Group	G-18 - G-19
Labels Group	G-20
LP Group	G-21
Lounge Group	G-22 - H-01
Sealants & Fasteners Group	H-02 - H-05
Water & Sewage Group	H-06 - H-08
Window, Vent & Exterior Door Group	H-07 - H-15

**CURTAIN, CUSHION & PAD GROUP
WINDOW TREATMENT**



Key	Part Number	U/M	Description
1E	100281-33-B38	EA	Window Leg - Fabric - Right Side (B46)
1E	100281-33-B39	EA	Window Leg - Fabric - Right Side
1G	100281-34-B38	EA	Window Leg - Fabric - Left Side (B46)
1G	100281-34-B39	EA	Window Leg - Fabric - Left Side
1H	096803-01-B38	EA	Blind - Day/Nighter - 32.5" x 36" Drop (B46)
1H	096803-01-B39	EA	Blind - Day/Nighter - 32.5" x 36" Drop
2A	101906-02-B38	EA	Valance - Fabric - 51" (B46)
2A	101906-02-B39	EA	Valance - Fabric - 51"
2E	100281-23-B40	EA	Window Leg - Fabric - Right Side (B38,B46)
2E	100281-23-B41	EA	Window Leg - Fabric - Right Side (B39)
2G	100281-34-B38	EA	Window Leg - Fabric - Left Side (B46)
2G	100281-34-B39	EA	Window Leg - Fabric - Left Side
2H	096803-02-B38	EA	Blind - Day/Nighter - 39" x 35" Drop (B46)
2H	096803-02-B39	EA	Blind - Day/Nighter - 39" x 35" Drop
3E	101079-06-B38	EA	Window Leg - w/Wood Trim - Right Side (B46)
3E	101079-06-B39	EA	Window Leg - w/Wood Trim - Right Side
3G	101079-07-B38	EA	Window Leg - w/Wood Trim - Left Side (B46)
3G	101079-07-B39	EA	Window Leg - w/Wood Trim - Left Side
3H	101778-05-01A	EA	Mini Blind - Wooden - 22" x 27.5" Drop
4E	101079-08-B38	EA	Window Leg - w/Wood Trim - Right Side (B46)
4E	101079-08-B39	EA	Window Leg - w/Wood Trim - Right Side (Used until 12-09-90)
4E	101079-11-B39	EA	Window Leg - w/Wood Trim - Right Side (used from 12-10-90)
4G	101079-09-B38	EA	Window Leg - w/Wood Trim - Left Side (B46)
4G	101079-09-B39	EA	Window Leg - w/Wood Trim - Left Side (used until 12-09-90)
4G	101079-12-B39	EA	Window Leg - w/Wood Trim - Left Side (used from 12-10-90)
4H	101778-05-01A	EA	Mini Blind - Wooden - 57.5" x 35" Drop
4H	096803-11-B38	EA	Blind - Day/Nighter - 57.5" x 35" Drop (B46)
4H	096803-11-B39	EA	Blind - Day/Nighter - 57.5" x 35" Drop
5E	101079-08-B38	EA	Window Leg - w/Wood Trim - Right Side (B46)
5E	101079-08-B39	EA	Window Leg - w/Wood Trim - Right Side (Used until 12-09-90)
5E	101079-11-B39	EA	Window Leg - w/Wood Trim - Right Side (Used from 12-10-90)
5G	101079-09-B38	EA	Window Leg - w/Wood Trim - Left Side (B46)
5G	101079-09-B39	EA	Window Leg - w/Wood Trim - Left Side (Used until 12-09-90)
5G	101079-12-B39	EA	Window Leg - w/Wood Trim - Left Side (Used from 12-10-90)
5H	101778-06-01A	EA	Mini Blind - Wooden 39" x 35" Drop
5H	096803-02-B38	EA	Blind - Day/Nighter - 39" x 35" Drop (B46)
5H	096803-02-B39	EA	Blind - Day/Nighter - 39" x 35" Drop
6C	084755-57-B07	EA	Shade Asm. - 27.25"
6	048394-02-000	YD	Velcro - Hook Tape
6	058792-02-000	YD	Velcro - Loop Tape
7	101778-07-01A	EA	Mini Blind - Wooden - 28" x 28" Drop
	096008-28-000	YD	Leg Fabric (B38,B46) (Windows 3,4,5)
	096008-75-000	YD	Leg Fabric (B39) (Windows 3,4,5)
	098273-63-000	YD	Valance & Leg Fabric (B38,B46) (Windows 1,2)
	083273-64-000	YD	Valance & Leg Fabric (B39) (Windows 1,2)
8	084434-01-000	EA	Roller Shade Bracket
9	095591-01-000	EA	Hold Down Bracket - Blind
10	097565-01-000	EA	Blind Mounting Bracket - Right or Left Side (Bedroom)
11	083170-01-000	EA	Blind Mounting Bracket - Right Side (Shown) Clear Plastic
	083170-02-000	EA	Blind Mounting Bracket - Left Side - Clear Plastic
12	093475-01-700	EA	Wand w/Metal Clip - B"
13	089371-01-000	EA	Screw - Window Knob (Zinc)
13	101239-01-01A	EA	Screw - Window Knob (Brass)
14	057052-02-000	EA	Window Knob (Beige)
14	101290-01-01A	EA	Window Knob (Brass)
15	009439-07-000	EA	Screw - Window Knob (Black)
16	009439-05-000	EA	Window Knob - Black
17	102555-01-000	EA	Cord Cleat - Blind
18	097592-01-000	EA	Hold Down Adjuster - Blind
19	003439-05-000	EA	Extension - Window Knob (Black)
20	090025-01-000	EA	Extension - Window Knob

**1991 ITASCA
TABLE OF CONTENTS**

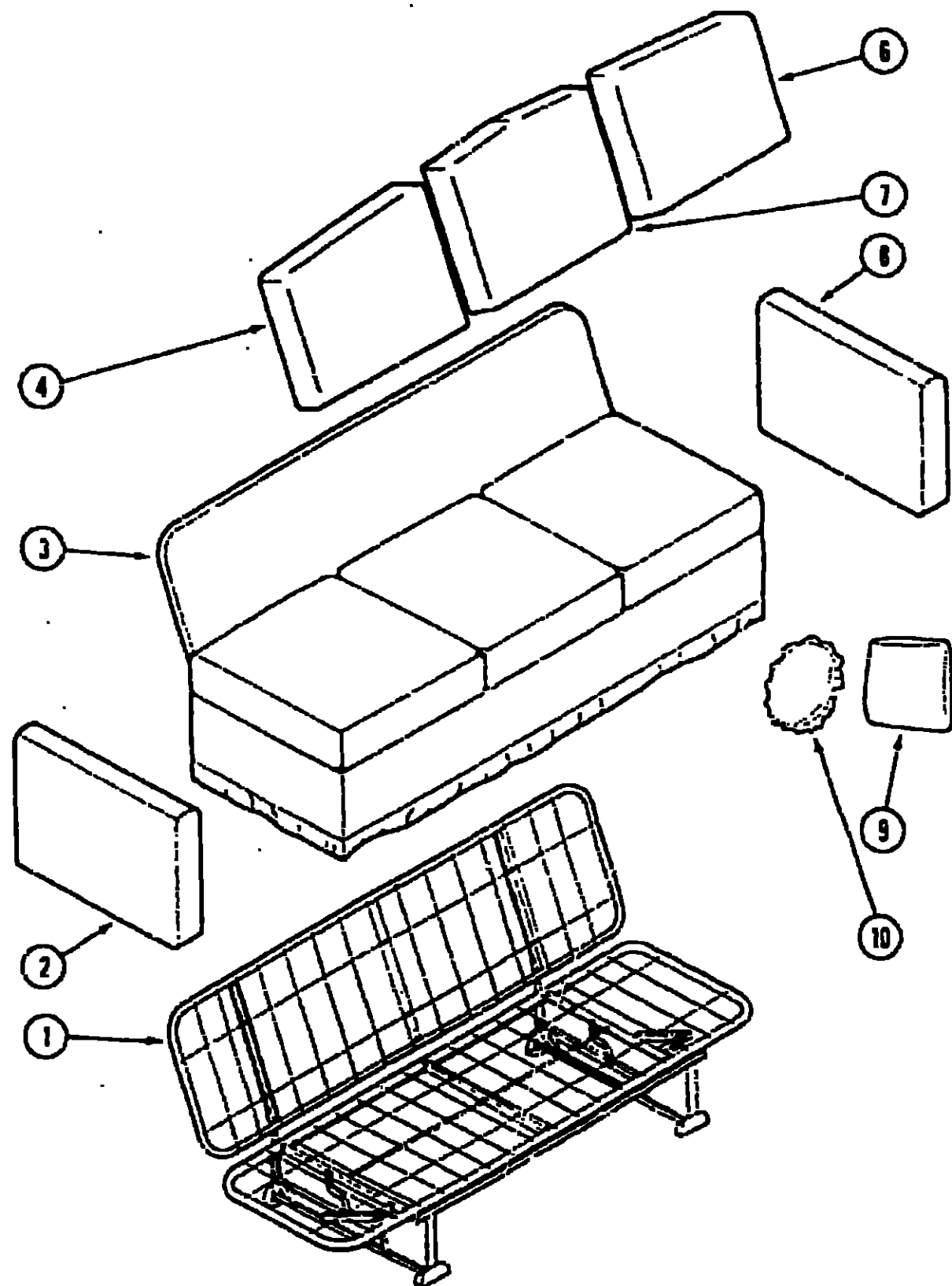
INTRODUCTION	A-01 - A-02
ABBREVIATIONS	A-03
ALPHABETICAL/GROUP REFERENCE	A-04 - A-06
IC/FP33RQ	A-07 - D-24
IC/FP37RQ	E-01 - H-20

1991 IC/FP37RQ INDEX

Floor Plan	E-01 - E-02
Accessories Group	E-03 - E-05
Bath Group	E-06 - E-08
Bedroom Group	E-09 - E-13
Chassis Group	F-14 - F-04
Curtain, Cushion & Pad Group	F-05 - F-13
Dinette Group	F-14 - F-16
Driver's Compartment Group	F-17 - F-21
Electrical Group	F-22 - G-01
Exterior Body Group	G-02 - G-09
Galley Group	G-10 - G-14
Heating & Air Conditioning Group	G-15 - G-17
Interior Finish Group	G-18 - G-19
Labels Group	G-20
LP Group	G-21
Lounge Group	G-22 - H-01
Sealants & Fasteners Group	H-02 - H-03
Water & Sewage Group	H-04 - H-06
Window, Vent & Exterior Door Group	H-07 - H-19

CURTAIN, CUSHION & PAD GROUP (CONTINUED)

SOFA BED LOUNGER



Key	Part Number	U/M	Description
1	079386-04-000	EA	Frame Asm. - Sofa Bed
2	097993-03-B40	EA	Arm Asm. (B38)
2	097993-03-B41	EA	Arm Asm. (B39)
2	097993-03-B46	EA	Arm Asm.
2	M97993-03-B40	EA	Arm Cover (B36)
2	M97993-03-B41	EA	Arm Cover (B39)
2	M97993-03-B46	EA	Arm Cover
3	097986-01-B40	EA	Sofa Bed Asm. (B38)
3	097986-01-B41	EA	Sofa Bed Asm. (B39)
3	097986-01-B46	EA	Sofa Bed Asm.
3	M97986-01-B40	EA	Sofa Bed Cover (B38)
3	M97986-01-B41	EA	Sofa Bed Cover (B39)
3	M97986-01-B46	EA	Sofa Bed Cover
4	097992-01-B40	EA	Cushion Asm. (B38)
4	097992-01-B41	EA	Cushion Asm. (B39)
4	097992-01-B46	EA	Cushion Asm.
4	M97992-01-B40	EA	Cushion Cover (B38)
4	M97992-01-B41	EA	Cushion Cover (B39)
4	M97992-01-B46	EA	Cushion Cover
6	097992-02-B40	EA	Cushion Asm. (B36)
6	097992-02-B41	EA	Cushion Asm. (B39)
6	097992-02-B46	EA	Cushion Cover
6	M97992-02-B40	EA	Cushion Cover (B38)
6	M97992-02-B41	EA	Cushion Cover (B39)
6	M97992-02-B46	EA	Cushion Cover
7	097992-03-B40	EA	Cushion Asm. (B38)
7	097992-03-B41	EA	Cushion Asm. (B39)
7	097992-03-B46	EA	Cushion Asm.
7	M97992-03-B40	EA	Cushion Cover (B38)
7	M97992-03-B41	EA	Cushion Cover (B39)
7	M97992-03-B46	EA	Cushion Cover
8	097993-04-B40	EA	Arm Asm. (B38)
8	097993-04-B41	EA	Arm Asm. (B39)
8	097993-04-B46	EA	Arm Asm.
8	M97993-04-B40	EA	Arm Cover (B38)
8	M97993-04-B41	EA	Arm Cover (B39)
8	M97993-04-B46	EA	Arm Cover
9	103669-01-B38	EA	Throw Pillow (B46)
9	103659-01-B39	EA	Throw Pillow
10	104504-02-B38	EA	Throw Pillow (B46)
10	104504-02-B39	EA	Throw Pillow
	096008-73-000	YD	Sofa Fabric (B38)
	096008-74-000	YD	Sofa Fabric (B39)
	096008-68-000	YD	Sofa Fabric (B46)
	096008-28-000	YD	Fabric - Square Pillow (B38,B46) (Until 09-03-91)
	096008-75-000	YD	Fabric - Square Pillow (B39)
	104233-31-000	YD	Fabric - Square Pillow (B36,B46) (used from 09-03-91)
	088273-63-000	YD	Fabric - Round Pillow (B38,B46)
	088273-64-000	YD	Fabric - Round Pillow (B39)

1991 ITASCA TABLE OF CONTENTS

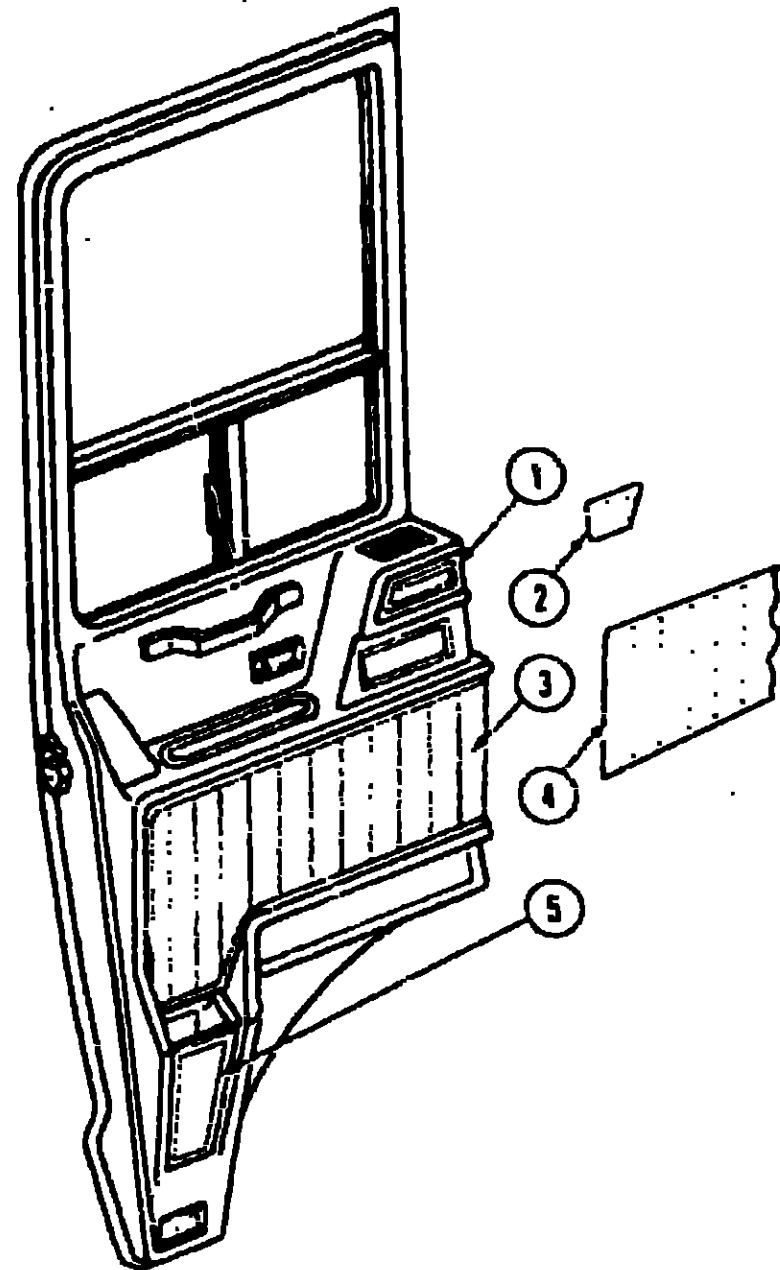
INTRODUCTION	A-01 - A-02
ABBREVIATIONS	A-03
ALPHABETICAL/GROUP REFERENCE	A-04 - A-06
IC/FP33RQ	A-07 - D-24
IC/FP37RQ	E-01 - H-20

1991 IC/FP37RQ INDEX

Floor Plan	E-01 - E-02
Accessories Group	E-03 - E-05
Bath Group	E-06 - E-08
Bedroom Group	E-09 - E-13
Chassis Group	F-14 - F-04
Curtain, Cushion & Pad Group	F-05 - F-13
Dinette Group	F-14 - F-16
Driver's Compartment Group	F-17 - F-21
Electrical Group	F-22 - G-01
Exterior Body Group	G-02 - G-09
Galley Group	G-10 - G-14
Heating & Air Conditioning Group	G-15 - G-17
Interior Finish Group	G-18 - G-19
Labels Group	G-20
LP Group	G-21
Lounge Group	G-22 - H-01
Sealants & Fasteners Group	H-02 - H-03
Water & Sewage Group	H-04 - H-06
Window, Vent & Exterior Door Group	H-07 - H-19

CURTAIN, CUSHION & PAD GROUP (CONTINUED)

PADDED INSERTS



Key	Part Number	U/M	Description
1	089104-05-B38	EA	Insert - Upper Door Pad - Driver (B46)
1	089104-05-B39	EA	Insert - Upper Door Pad - Driver
	089104-06-B38	EA	Insert - Upper Door Pad - Passenger (B46)
	089104-06-B39	EA	Insert - Upper Door Pad - Passenger
2	089107-02-AC2	EA	Insert - Upper Side Pad - Driver (B38,B46)
2	089107-02-B39	EA	Insert - Upper Side Pad - Driver
	089109-02-AC2	EA	Insert - Upper Side Pad - Passenger (B38,B46)
	089109-02-B39	EA	Insert - Upper Side Pad - Passenger
3	089105-04-AC2	EA	Insert - Lower Door Pad - Driver (B38,B46)
3	089105-04-B39	EA	Insert - Lower Door Pad - Driver
	089105-03-AC2	EA	Insert - Lower Door Pad - Passenger (B38,B46)
	089105-03-B39	EA	Insert - Lower Door Pad - Passenger
4	089108-02-AC2	EA	Insert - Lower Side Pad - Driver (B38,B46)
4	089108-02-B39	EA	Insert - Lower Side Pad - Driver
	089110-02-AC2	EA	Insert - Lower Side Pad - Passenger (B38,B46)
	089110-02-B39	EA	Insert - Lower Side Pad - Passenger
5	089106-04-AC2	EA	Insert - Map Pocket - Driver (B38,B46)
5	089106-04-B39	EA	Insert - Map Pocket - Driver
	089106-03-AC2	EA	Insert - Map Pocket - Passenger (B38,B46)
	089106-03-B39	EA	Insert - Map Pocket - Passenger
	089112-04-AC2	EA	Insert - Front Overhead (Sunvisor) - Driver (B38,B46)
	089112-04-B39	EA	Insert - Front Overhead (Sunvisor) - Driver
	089112-03-AC2	EA	Insert - Front Overhead (Sunvisor) - Passenger (B38,B46)
	089112-03-B39	EA	Insert - Front Overhead (Sunvisor) - Passenger
	089111-02-AC2	EA	Insert - Interior Cap - Center (B38,B46)
	089111-02-B39	EA	Insert - Interior Cap - Center

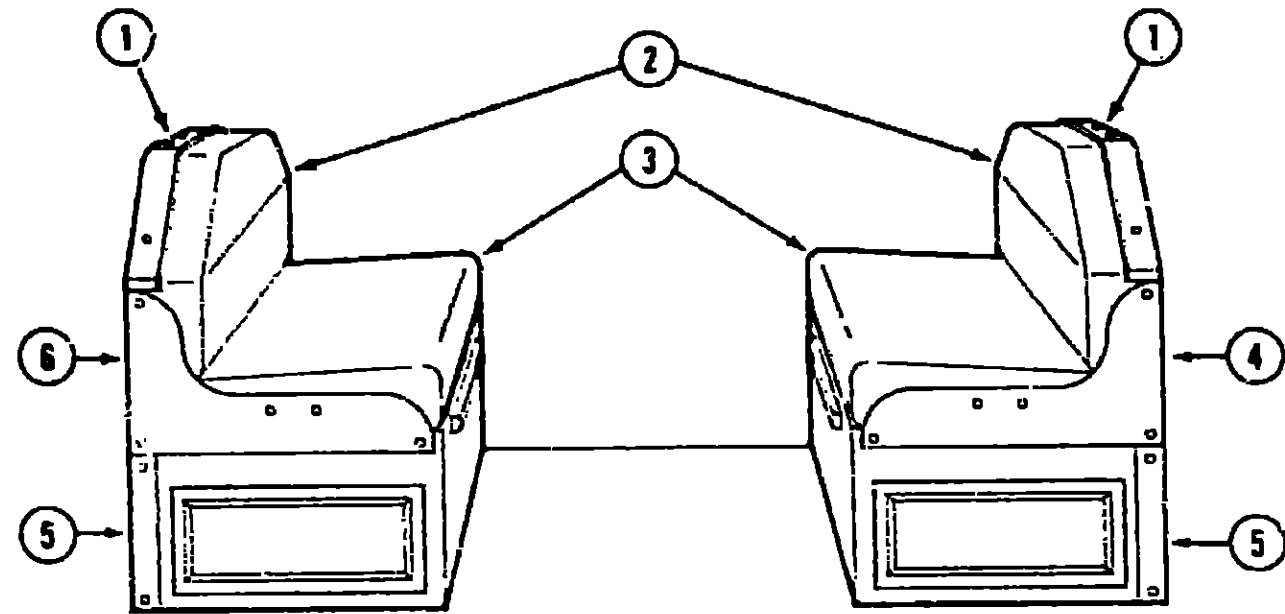
1991 ITASCA TABLE OF CONTENTS

INTRODUCTION	A-01 - A-02
ABBREVIATIONS	A-03
ALPHABETICAL/GROUP REFERENCE	A-04 - A-06
IC/FP37RO	A-07 - D-24
IC/FP37RO	E-01 - H-20

1991 IC/FP37RO INDEX

Floor Plan	E-01 - E-02
Accessories Group	E-03 - E-05
Bath Group	E-06 - E-08
Bedroom Group	E-09 - E-13
Chassis Group	F-14 - F-04
Curtain, Cushion & Pad Group	F-05 - F-13
Drainage Group	F-14 - F-16
Driver's Compartment Group	F-17 - F-21
Electrical Group	F-22 - G-01
Exterior Body Group	G-02 - G-09
Galley Group	G-10 - G-14
Heating & Air Conditioning Group	G-15 - G-17
Interior Finish Group	G-18 - G-19
Labels Group	G-20
LP Group	G-21
Lounge Group	G-22 - H-01
Sealants & Fasteners Group	H-02 - H-03
Water & Sewage Group	H-04 - H-06
Window, Vent & Exterior Door Group	H-07 - H-19

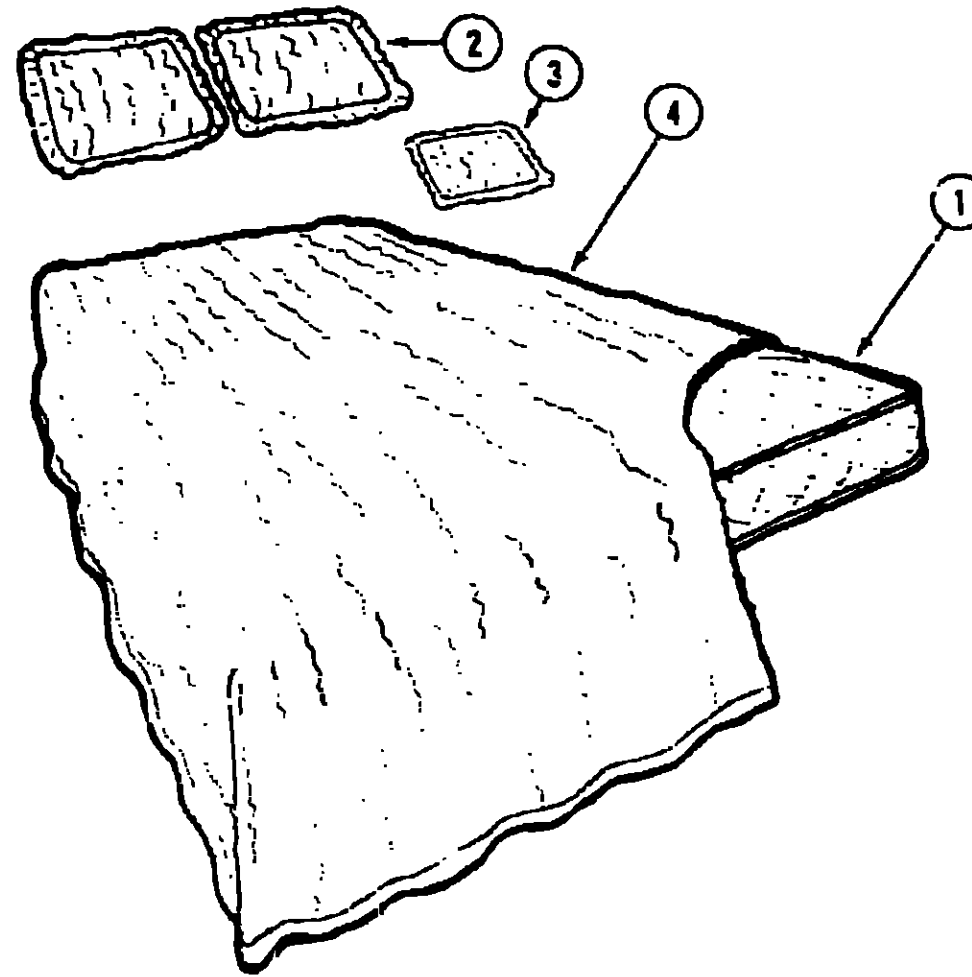
CURTAIN, CUSHION & PAD GROUP (CONTINUED)



DINETTE

Key	Part Number	U/M	Description
1	098454-01-AE8	EA	Pad Asm. - Dinette (B38,B46)
1	098454-01-B39	EA	Pad Asm. - Dinette
2	088927-79-B40	EA	Cushion Asm. - Dinette - Seat Back (B38)
2	088927-79-B41	EA	Cushion Asm. - Dinette - Seat Back (B39)
2	088927-79-B07	EA	Cushion Asm. - Dinette - Seat Back (B46)
2	M88927-79-B40	EA	Cover Asm. - Dinette Cushion - Seat Back (B38)
2	M88927-79-B41	EA	Cover Asm. - Dinette Cushion - Seat Back (B39)
2	M88927-79-B07	EA	Cover Asm. - Dinette Cushion - Seat Back (B46)
3	088927-87-B40	EA	Cushion Asm. - Dinette - Seat (B38)
3	088927-87-B41	EA	Cushion Asm. - Dinette - Seat (B45)
3	088927-87-B40	EA	Cushion Asm. - Dinette - Seat (B38)
3	M88927-87-B41	EA	Cover Asm. - Dinette Cushion - Seat (B39)
3	M88927-87-B07	EA	Cover Asm. - Dinette Cushion - Seat (B46)
4	098432-02-AE8	EA	Arm Pad - Right Side (B38,B46)
4	098432-02-B39	EA	Arm Pad - Right Side
5	098433-01-AE8	EA	Pad Asm. - Dinette (B38,B46)
5	098433-01-B39	EA	Pad Asm. - Dinette
6	098432-01-AE8	EA	Arm Pad - Left Side (B38,B46)
6	098432-01-B39	EA	Arm Pad - Left Side
	070578-01-B27	EA	Button - Screw Stud - #30 (B38,B46)
	070578-01-B41	EA	Button - Screw Stud - #30 (B39)
	095008-73-000	YD	Dinette Main Fabric (B38)
	095008-74-000	YD	Dinette Main Fabric (B39)
	095008-68-000	YD	Dinette Main Fabric (B46)
	095008-28-000	YD	Dinette Fabric - Plain Accent (B38,B46) (used until 09-03-91)
	104233-31-000	YD	Dinette Fabric - Plain Accent (B38, B46) (used from 09-03-91)
	095008-75-000	YD	Dinette Fabric - Plain Accent (B39)

CURTAIN, CUSHION & PAD GROUP (CONTINUED)



QUEEN BED

Key	Part Number	U/M	Description
1	098176-05-000	EA	Innerspring Mattress
2	102161-06-B38	EA	Pillow Sham (B46)
2	102161-06-B39	EA	Pillow Sham
2	081997-05-B38	EA	Pillow Sham Cover (B46)
2	081997-05-B39	EA	Pillow Sham Cover
3	102374-01-B38	EA	Bedspread Throw Pillow (B46)
3	102374-01-B39	EA	Bedspread Throw Pillow
4	102410-02-B40	EA	Fitted Bedspread - w/Ruffle (B38,B46)
4	102410-02-B41	EA	Fitted Bedspread - w/Ruffles (B39)
	088273-61-000	YD	Fabric (B38,B46)
	088273-62-000	YD	Fabric (B39)

TWIN BED

Key	Part Number	U/M	Description
1	098176-01-000	EA	Mattress - Innerspring - 32" x 74" x 7.75"
2	102161-05-B38	EA	Pillow Sham - w/Ruffle - Open Back (B46)
2	102161-05-B39	EA	Pillow Sham - w/Ruffle - Open Back
4	102410-03-B38	EA	Bedspread Asm. - Fitted - 33" x 75" - Passenger Side (B46)
4	102410-03-B39	EA	Bedspread Asm. - Fitted - 33" x 75" - Passenger Side
4	102410-04-B38	EA	Bedspread Asm. - Fitted - 33" x 75" - Driver Side (B46)
4	102410-04-B39	EA	Bedspread Asm. - Fitted - 33" x 75" - Driver Side
	088273-61-000	YD	Fabric (B38,B46)
	088273-62-000	YD	Fabric (B39)

**1991 ITASCA
TABLE OF CONTENTS**

INTRODUCTION	A-01 - A-02
ABBREVIATIONS	A-03
ALPHABETICAL/GROUP REFERENCE	A-04 - A-06
IC/FP33RQ	A-07 - D-24
IC/FP37RQ	E-01 - H-20

1991 IC/FP37RQ INDEX

Floor Plan	E-01 - E-02
Accessories Group	E-03 - E-05
Bath Group	E-06 - E-08
Bedroom Group	E-09 - E-13
Chassis Group	F-14 - F-04
Curtain, Cushion & Pad Group	F-05 - F-13
Dinette Group	F-14 - F-16
Driver's Compartment Group	F-17 - F-21
Electrical Group	F-22 - G-01
Exterior Body Group	G-02 - G-09
Galley Group	G-10 - G-14
Heating & Air Conditioning Group	G-15 - G-17
Interior Finish Group	G-18 - G-19
Labels Group	G-20
LP Group	G-21
Lounge Group	G-22 - H-01
Sealants & Fasteners Group	H-02 - H-03
Water & Sewage Group	H-04 - H-06
Window, Vent & Exterior Door Group	H-07 - H-19

CURTAIN, CUSHION & PAD GROUP (CONTINUED)

FRONT CURTAINS & ACCESSORIES

Key	Part Number	U/M	Description
	073260-42-809	EA	Tieback - 6" x 18" - Left or Right Side
	097994-01-B40	EA	Curtain Front Wraparound - Driver or Passenger Side - 36" x 78"
	097625-01-000	EA	Drapery Hook
	094083-02-01A	EA	Front Wraparound Track - Driver Side (Off White)
	094083-01-01A	EA	Front Wraparound Track - Passenger Side (Off White)
	009701-01-000	EA	Roller Carrier - Wraparound Curtain
	009702-01-000	EA	End Stop - Roller Carrier
	088792-01-000	EA	Velcro - 5/8" Hook - Non-Adhesive
	088792-02-000	EA	Velcro - 3/4" Loop - Adhesive
	072333-76-000	YD	Curtain Fabric
	087272-01-000	YD	Drapery Lining

SWIVEL CHAIR

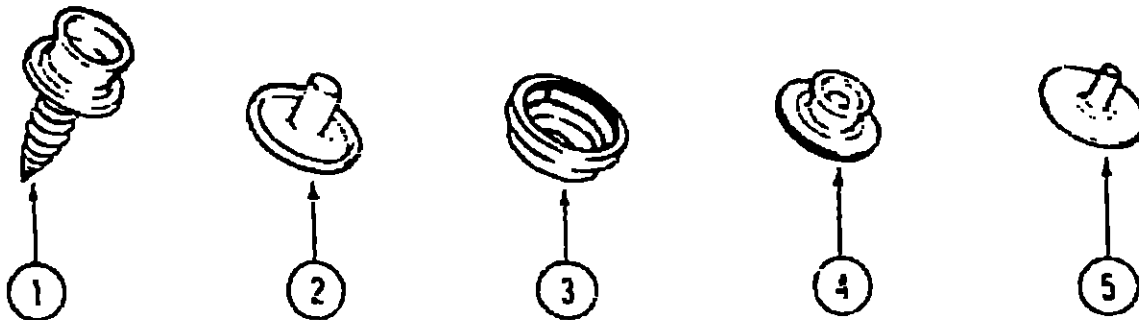
Key	Part Number	U/M	Description
	101866-06-000	EA	Swivel Chair (Flexsteel) (B38,B46)
	101866-05-000	EA	Swivel Chair (Flexsteel) (B39)
	007221-01-000	EA	Seal Spacers (Coned)
	093481-05-000	EA	Pedestal Top Plate
	093481-01-000	EA	Pedestal Sub Plate

BUCKET SEAT ASM.

Key	Part Number	U/M	Description
	101866-10-000	EA	Seat Asm. - w/Armrest, Headrest & Skirt (Driver or Passenger Side)
	069585-08-000	EA	Sub Plate - Pedestal (Drivers Side)
	093481-04-000	EA	Top Plate - Pedestal (Drivers Side)
	092759-02-000	EA	Telescoping Pedestal (Passenger Side)
	092760-01-000	EA	Top Plate - Telescoping Pedestal (Passenger Side)
	093321-01-000	EA	Mounting Plate - Telescoping Pedestal (Passenger Side)
	093132-01-000	EA	Switch - Telescoping Pedestal (Passenger Side)
	094086-01-000	EA	Switch Plate - Telescoping Pedestal (Passenger Side)
	091990-01-000	EA	Seat Belt

POWER SEAT (DRIVER SIDE)

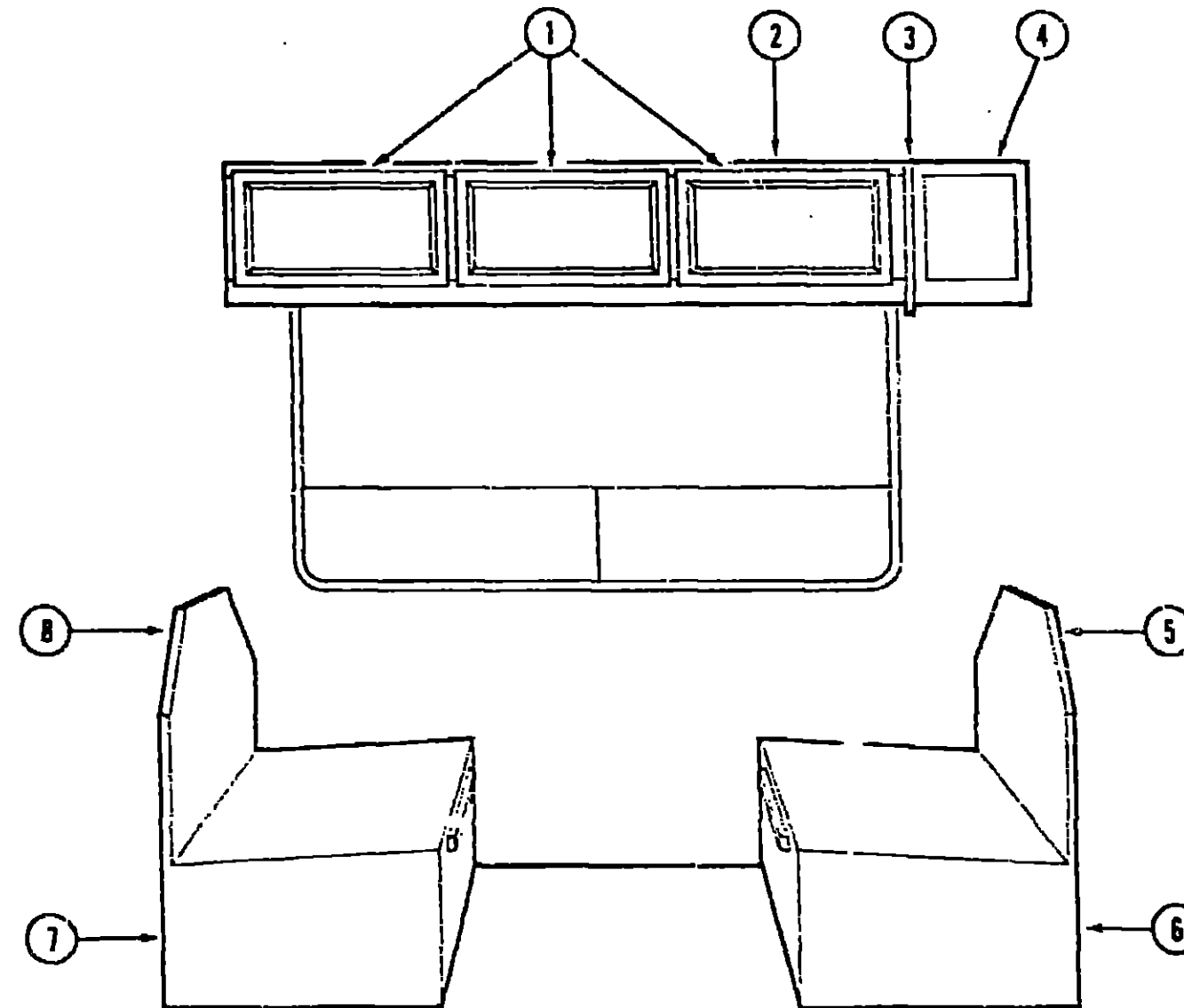
Key	Part Number	U/M	Description
	081373-01-000	EA	Power Control - 6 Way
	069585-39-000	EA	Top Plate (6-Way Power Seat)
	069585-37-000	EA	Seat Base (6-Way Power Seat)
	081591-03-000	EA	Wire Asm. (6-Way Power Seat)



MISCELLANEOUS

Key	Part Number	U/M	Description
1	029130-01-000	EA	Socket - Snap Fastener - 7 x 5/8"
2	029155-01-000	EA	Cap - Snap
3	029156-01-000	EA	Socket - Snap Fastener
4	029032-01-000	EA	Stud - Nickel Finish
5	029033-01-000	EA	Eyelet - Nickel Finish
	079545-01-000	EA	Boot - Steering Column
	029034-03-000	YD	Velcro Tape - Hook - 1" - Black
	029036-03-000	YD	Velcro Tape - Hook - 1" - Black

DINETTE GROUP



DINETTE & OVERHEAD CABINETRY

Key	Part Number	U/M	Description
1	P00970-03-B40	EA	Door Asm. - Dinette Overhead - w/o Hardware
2	M05057-07-B38	EA	Cabinet Asm. - Dinette Overhead - w/o Doors
3	101656-01-B38	EA	End Cap Asm. (Overhead)
4	P01913-01-B38	EA	Cabinet Asm. - Speaker Cover
5	M05094-02-B38	EA	Cabinet Asm. - Seat Back - Right - w/o Pad
6	M05093-02-B38	EA	Cabinet Asm. - Seat Base - Right
7	M05093-01-B38	EA	Cabinet Asm. - Seat Base - Left
8	M05094-01-B23	EA	Cabinet Asm. - Seat Back - Left - w/o Pad
	081521-02-007	EA	Corner Molding - Aluminum (Plastic Trim Holder)
	042357-17-002	EA	Corner Molding - Radius Plastic
	009767-12-000	EA	Wetting - Antique White
	070504-19-000	FT	Extrusion - U-Channel - Brown
	080176-03-000	EA	Corner Cap - Thor Pecan (Seat Base)

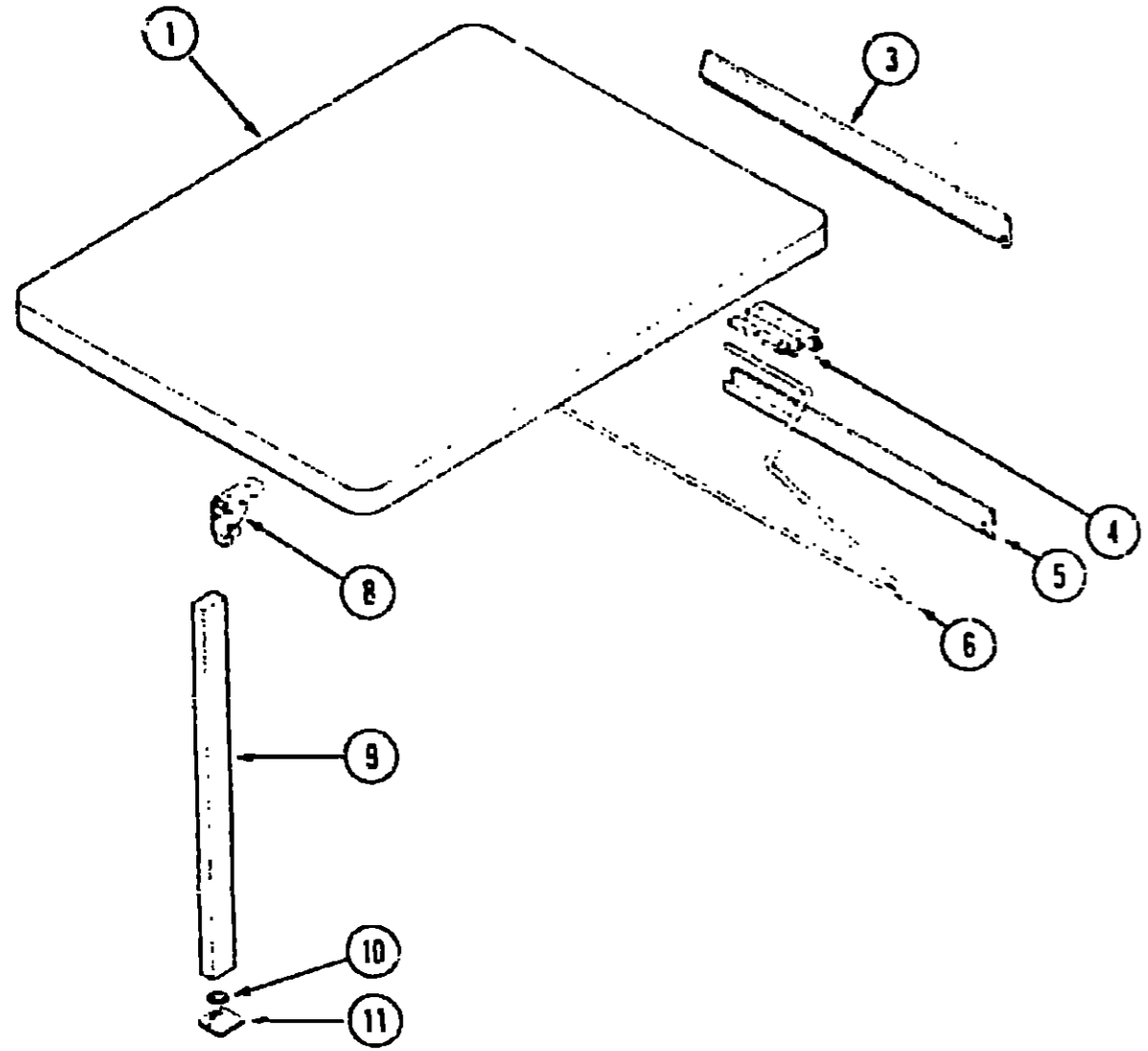
**1991 ITASCA
TABLE OF CONTENTS**

INTRODUCTION	A-01 - A-02
ABBREVIATIONS	A-03
ALPHABETICAL/GROUP REFERENCE	A-04 - A-06
IC/FP33RQ	A-07 - D-24
IC/FP37RQ	E-01 - H-20

1991 IC/FP37RQ INDEX

Floor Plan	E-01 - E-02
Accessories Group	E-03 - E-05
Bath Group	E-06 - E-08
Bedroom Group	E-09 - E-13
Chassis Group	E-14 - F-04
Curtain, Cushion & Pad Group	F-05 - F-13
Dinette Group	F-14 - F-16
Driver's Compartment Group	F-17 - F-21
Electrical Group	F-22 - G-01
Exterior Body Group	G-02 - G-09
Galley Group	G-10 - G-14
Heating & Air Conditioning Group	G-15 - G-17
Interior Finish Group	G-18 - G-19
Labels Group	G-20
LP Group	G-21
Lounge Group	G-22 - H-01
Sealants & Fasteners Group	H-02 - H-03
Water & Sewage Group	H-04 - H-06
Window, Vent & Exterior Door Group	H-07 - H-19

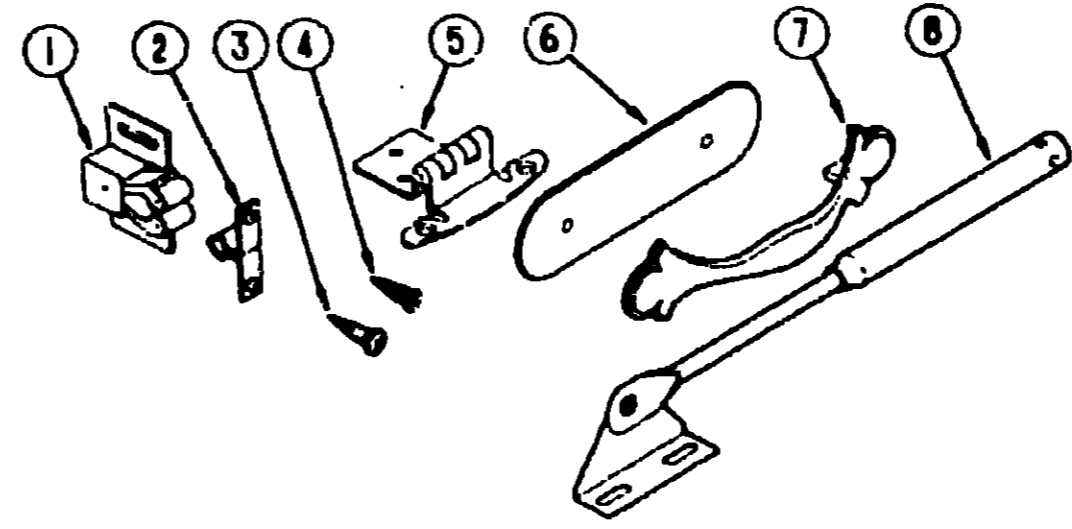
DINETTE GROUP (CONTINUED)



DINETTE TABLE

Key	Part Number	U/M	Description
1	M03475-01-B38	EA	Table Top - Dinette - w/o Edge Band
	004354-01-000	EA	Bumper - 1/8" x 1/2" - Brown
2	064781-05-000	EA	Cup Holder - Off White
3	053200-05-000	EA	Bracket - Upper Wall Mount - 23.5" - Beige
4	088410-01-000	EA	Bracket - Table Mount - 23" - Beige
5	024281-07-000	EA	Bracket - Lower Wall Mount - 22.12" - Beige
6	024275-05-000	EA	Rod - Table Lift - 8" x 23.5" - Beige
8	093550-01-000	EA	Bracket - Table Leg - Folding
9	092707-01-02A	EA	Table Leg - Driftwood
10	092593-01-04A	EA	Catch - Table Leg - Tan
11	049493-10-000	EA	Floor Catch - Table Leg - Beige
	000G11-10-12R	EA	Screw - 10 - 16 x 3/4" PPH - Beige

DINETTE GROUP (CONTINUED)



CABINET HARDWARE (DOORS & CABINETS)

Key	Part Number	U/M	Description
1	093586-03-000	EA	Roller Catch
2	093586-04-000	EA	Steel Strike
3	000G66-05-10G	EA	Screw - #6 - 17 x 625" POH - Antique Brass - Hinge to Cabinet
4	000G13-06-10G	EA	Screw - #6 - 20 x 625" PFH - Antique Brass - Hinge to Door
5	059777-02-000	EA	Hinge - Burnished Brass (Doors)
6	100925-01-000	EA	Brass Back plate
7	103273-01-000	EA	Pull Handle
8	074493-02-000	EA	Door Support

**1991 ITASCA
TABLE OF CONTENTS**

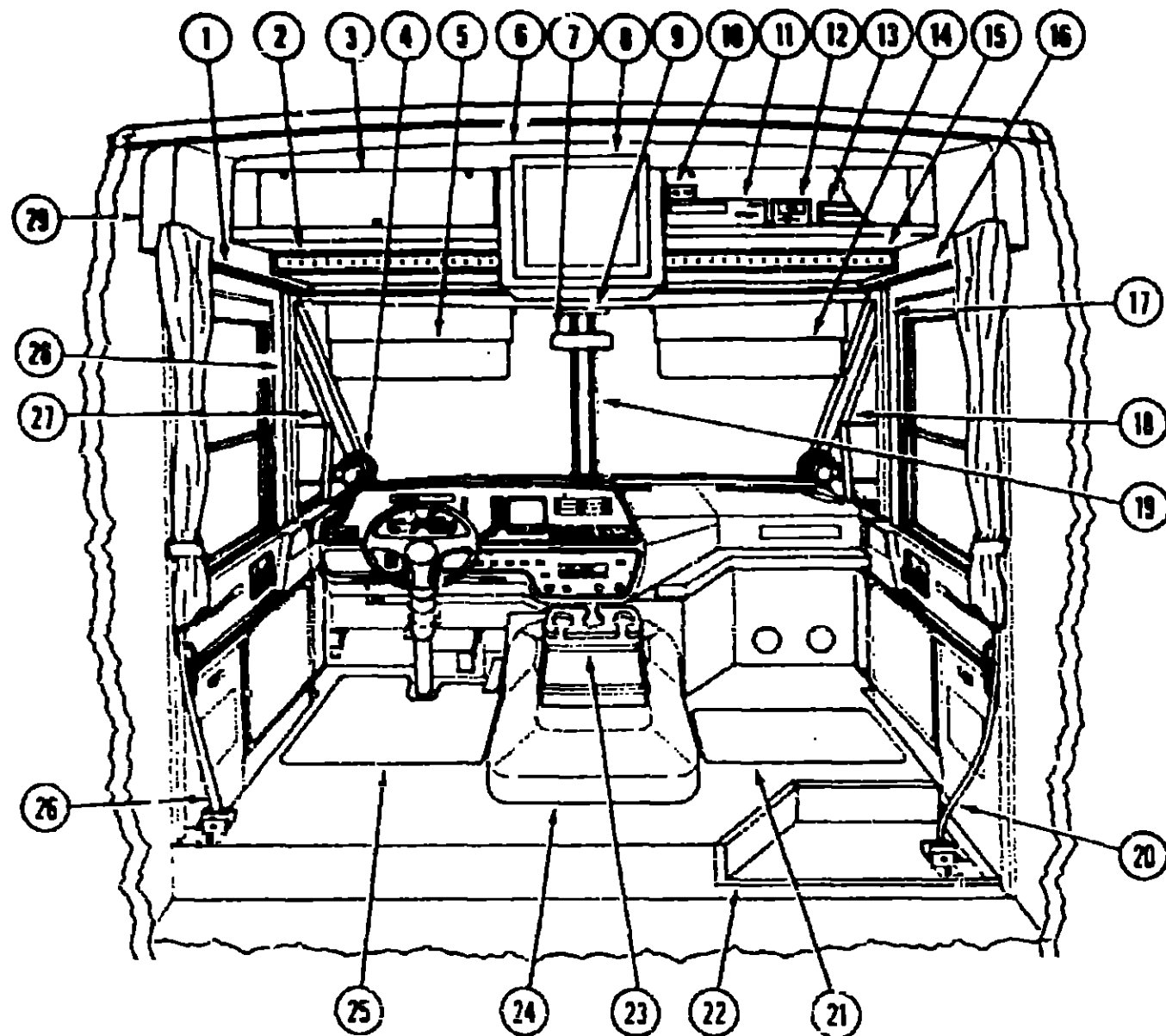
INTRODUCTION	A-01 - A-02
ABBREVIATIONS	A-03
ALPHABETICAL/GROUP REFERENCE	A-04 - A-06
IC/FP33RQ	A-07 - D-24
IC/FP37RQ	E-01 - H-20

1991 IC/FP37RQ INDEX

Floor Plan	E-01 - E-02
Accessories Group	E-03 - E-05
Bath Group	E-06 - E-08
Bedroom Group	E-09 - E-13
Chassis Group	E-14 - F-04
Curtain, Cushion & Pad Group	F-05 - F-13
Dinette Group	F-14 - F-15
Driver's Compartment Group	F-17 - F-21
Electrical Group	F-22 - G-01
Exterior Body Group	G-02 - G-09
Galley Group	G-10 - G-14
Heating & Air Conditioning Group	G-15 - G-17
Interior Finish Group	G-18 - G-19
Labels Group	G-20
LP Group	G-21
Lounge Group	G-22 - H-01
Sealants & Fasteners Group	H-02 - H-03
Water & Sewage Group	H-04 - H-06
Window, Vent & Exterior Door Group	H-07 - H-19

DRIVER'S COMPARTMENT GROUP

DRIVER'S COMPARTMENT COMPONENTS



Key	Part Number	U/M	Description
1	098043-02-01A	EA	Front Wraparound Track - Driver Side
2	089112-04-AC2	EA	Pad Insert - Driver Side (B38, B46)
2	099112-04-B39	EA	Pad Insert - Driver Side
3	100708-02-000	EA	Glass Door - TV Cabinet - Driver or Passenger Side
	100710-01-01A	EA	Lock Asm. - Glass Door
	100711-01-01A	EA	Hinge - Glass Door
	101272-01-000	EA	Catch - Glass Door
4	036420-02-000	EA	Defroster Fan - 6" Dia. - 2 Speed - Driver or Passenger Side
5	082286-04-YB1	EA	Sunvisor Asm. - Driver Side
6	101404-01-B3R	EA	Cabinet Asm. - Front Overhead (Face Only)
7	040714-01-000	EA	Rear View Mirror
8	098447-03-000	EA	Color TV - 13" - w/Remote - Magnavox RR1337W (US)
8	098447-04-000	EA	Color TV - 13" - w/Remote - Magnavox RR1330W (CSA)
	098447-03-700	EA	TV Remote (For Magnavox RR1337W, RR1330W)
	101407-01-000	EA	Shell Asm. - TV
	099717-02-000	EA	Tiedown Asm. - TV
	085774-01-000	EA	Velcro - 1" Wide - Loop
	085774-02-000	EA	Velcro - 1" Wide - Hook
9	090353-03-000	EA	Reading Light
10	058708-02-000	EA	Duplex Receptacle
11	098446-03-700	EA	VCR - VHS - Cable Ready - w/Remote
12	099048-01-000	EA	Inverter - 100 Watt
13	096757-02-000	EA	Control Center - Switch - Xantech
14	062286-07-AF1	EA	Sunvisor Asm. - Passenger Side
15	089112-03-AC2	EA	Pad Insert - Passenger Side (B38, B46)
15	089112-03-B39	EA	Pad Insert - Passenger Side
16	098043-02-01A	EA	Front Wraparound Track - Passenger Side
17	077113-03-000	EA	Trim Panel - Passenger Side
18	077112-03-000	EA	Trim Panel - Passenger Side
19	077114-02-000	EA	Trim Panel - Center
20	091990-01-01A	EA	Seat Belt Asm.
21	081072-02-000	EA	Floor Mat - "Itasca"
22	103218-01-B16	EA	Stepwell Asm.
23	035824-01-B3B	EA	Beverage Tray
24	097552-01-000	EA	Motor Cover
25	081074-02-000	EA	Floor Mat - "Itasca"
25	081074-06-000	EA	Floor Mat - Chevy
25	081074-05-000	EA	Floor Mat - Ford
26	091990-01-01A	EA	Seat Belt Asm.
27	077112-04-000	EA	Trim Panel - Driver Side
28	077113-04-000	EA	Trim Panel - Driver Side
29	101443-01-02A	EA	Roof Panel

Key	Part Number	U/M	Description
	020752-15-000	EA	Steering Wheel - Custom
	030752-06-000	EA	Adapter Hub
	080752-07-000	EA	Horn Button - w/Wire
	030752-05-000	EA	Screw - Custom Steering Wheel
	080752-17-000	EA	Steering Wheel - Custom - w/2 Horn Buttons

1991 ITASCA TABLE OF CONTENTS

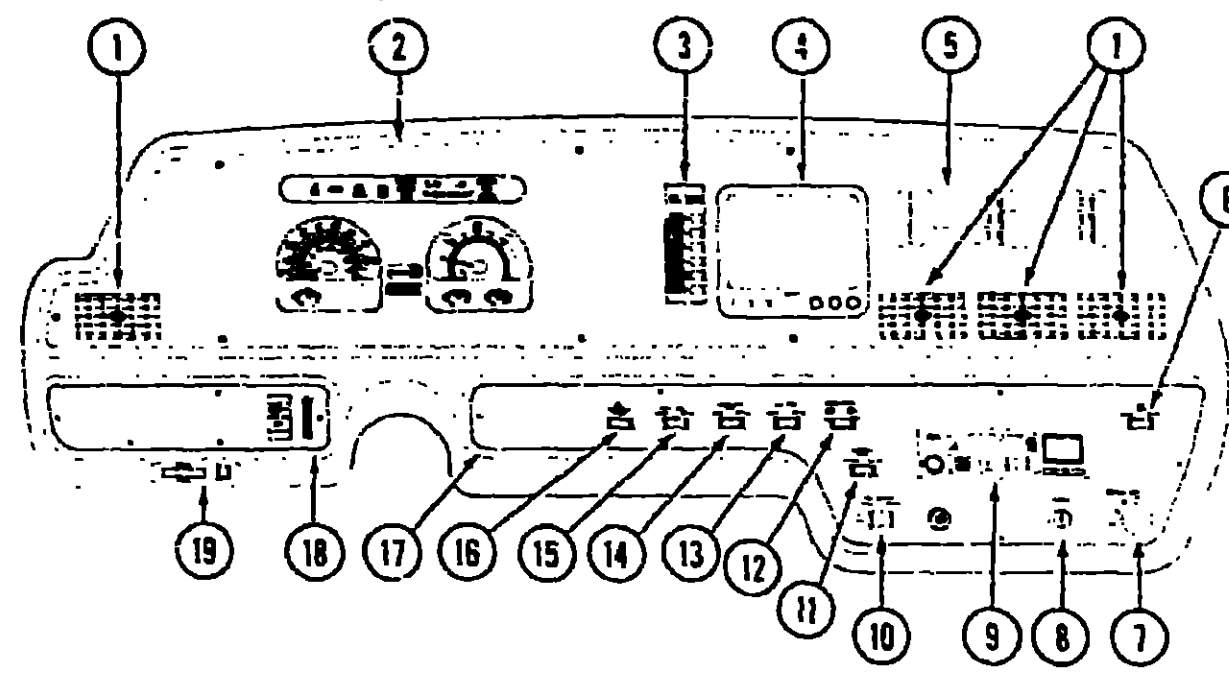
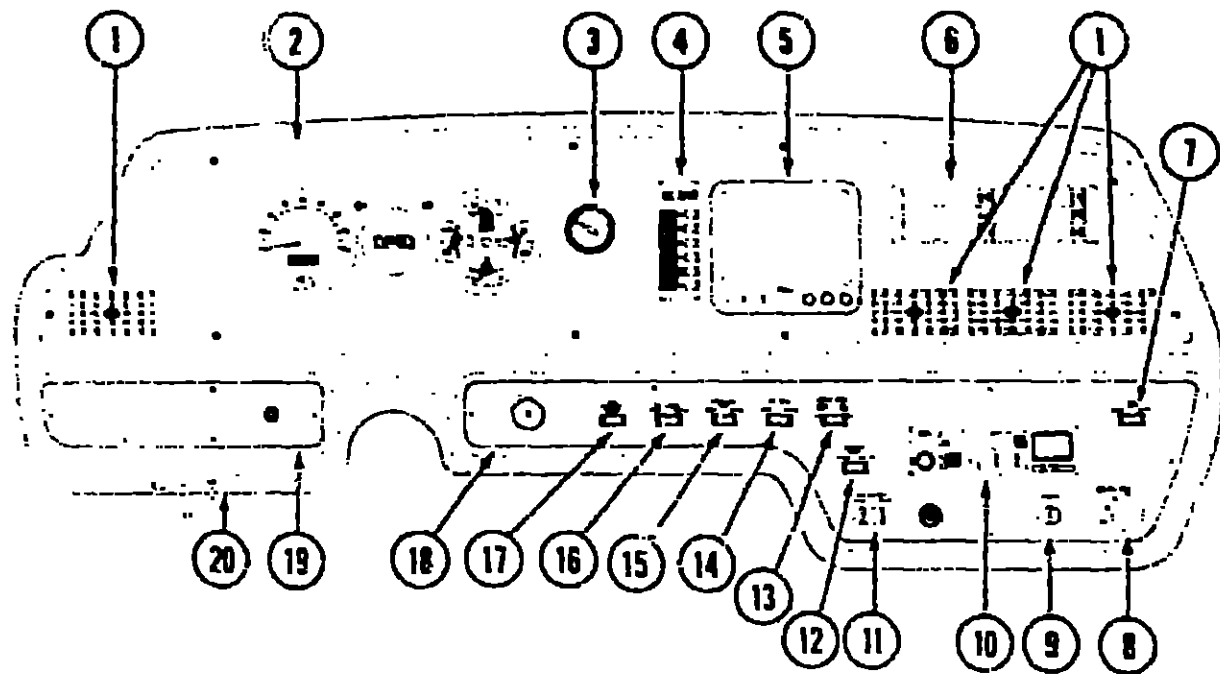
INTRODUCTION	A-01 - A-02
ABBREVIATIONS	A-03
ALPHABETICAL/GROUP REFERENCE	A-04 - A-06
IC/FP33RQ	A-07 - D-24
IC/FP37RQ	E-01 - H-20

1991 IC/FP37RQ INDEX

Floor Plan	E-01 - E-02
Accessories Group	E-03 - E-05
Bath Group	E-06 - E-08
Bedroom Group	E-09 - E-13
Chassis Group	E-14 - F-04
Curtain, Cushion & Pad Group	F-05 - F-13
Dinette Group	F-14 - F-15
Driver's Compartment Group	F-17 - F-21
Electrical Group	F-22 - G-01
Exterior Body Group	G-02 - G-09
Galley Group	G-10 - G-14
Heating & Air Conditioning Group	G-15 - G-17
Interior Finish Group	G-18 - G-19
Labels Group	G-20
LP Group	G-21
Lounge Group	G-22 - H-01
Sealants & Fasteners Group	H-02 - H-03
Water & Sewage Group	H-04 - H-06
Window, Vent & Exterior Door Group	H-07 - H-19

DRIVER'S COMPARTMENT GROUP (CONTINUED)

DRIVER'S COMPARTMENT GROUP (CONTINUED)



INSTRUMENT CLUSTER (1990 CHEVROLET CHASSIS)

Key	Part Number	U/M	Description
1	076783-02-000	EA	Louver Asm. - Air Conditioner - Adjustable Vent
2	101046-04-01A 101046-07-02A	EA	Bezel - Instrument Panel - w/o Applique Applique - Instrument Panel Bezel
3	024460-02-000	EA	Vacuum/Fuel Economy Gauge
4	103930-02-700	EA	Heater/Air Conditioner Controls
5	093040-04-000	EA	Rear View Monitor
6	096776-01-000	EA	Audio Cassette Storage
7	097372-01-01A	EA	Map Light Switch
8	097202-02-000	EA	Rear Auto Heater Switch - w/o Knob
	090977-01-000	EA	Knob - Rear Auto Heater Switch
	084410-02-000	EA	Decal - Rear Auto Heater Switch
9	089294-01-000	EA	Cigarette Lighter
10	097460-02-000	EA	Radio - AM/FM Cassette - Digital Clock - Seek - Sony XR4147
11	086272-02-000	EA	Auxiliary Battery Disconnect Switch
	091087-01-000	EA	Indicator Light Asm
12	097372-05-01A	EA	Battery Mode Switch
13	097372-08-01A	EA	Radio - Battery Selection Switch
14	097372-01-01A	EA	Air Horn Switch
15	097372-03-01A	EA	Auxiliary Defroster Fan Switch
16	097372-01-01A	EA	Fog Lamp Switch
17	097372-07-01A	EA	ICC Courtesy Blink Switch
18	101024-01-01A 101024-05-01A	EA	Bezel - Instrument Panel - w/o Applique Applique - Instrument Panel Bezel
19	101025-01-01A 101025-03-01A 101025-04-01A 101025-02-01A 101025-10-01A	EA	Bezel - Instrument Panel - w/o Applique (w/Air Ride) Applique - Instrument Panel - Bezel (w/Air Ride) Bezel - Instrument Panel - w/o Applique (w/o Air Ride) Applique - Instrument Panel - Bezel (w/o Air Ride)
20	051057-04-000	EA	Spotlight Switch

INSTRUMENT CLUSTER (1991 CHEVROLET CHASSIS)

Key	Part Number	U/M	Description
1	076783-02-000	EA	Louver Asm. - Air Conditioner - Adjustable Vent
2	101046-05-01A 101046-08-02A	EA	Bezel - Instrument Panel - w/o Applique Applique - Instrument Panel - Bezel
3	103930-02-700	EA	Heater/Air Conditioner Controls
4	093040-04-000	EA	Rear View Monitor
5	096776-01-000	EA	Audio Cassette Storage
6	097372-01-01A	EA	Map Light Switch
7	097202-02-000	EA	Rear Auto Heater Switch - w/o Knob
	090977-01-000	EA	Knob - Rear Auto Heater Switch
	084410-02-000	EA	Decal - Rear Auto Heater Switch
8	089294-01-000	EA	Cigarette Lighter
9	097460-02-000	EA	Radio - AM/FM Cassette - Digital Clock - Seek - Sony XR4147
10	086272-02-000	EA	Auxiliary Battery Disconnect Switch
	081087-01-000	EA	Indicator Light Asm
11	097372-05-01A	EA	Battery Mode Switch
12	097372-08-01A	EA	Radio - Battery Selection Switch
13	097372-01-01A	EA	Air Horn Switch
14	097372-03-01A	EA	Auxiliary Defroster Fan Switch
15	097372-01-01A	EA	Fog Lamp Switch
16	097372-07-01A	EA	ICC Courtesy Blink Switch
17	101024-02-01A 101024-05-01A	EA	Bezel - Instrument Panel - w/o Applique Applique - Instrument Panel - Bezel
18	101025-03-01A 101025-09-01A 101025-04-01A 101025-10-01A	EA	Bezel - Instrument Panel - w/o Applique (w/Air Ride) Applique - Instrument Panel - Bezel (w/Air Ride) Bezel - Instrument Panel - w/o Applique (w/o Air Ride) Applique - Instrument Panel - Bezel (w/o Air Ride)
19	051057-04-000	EA	Spotlight Switch

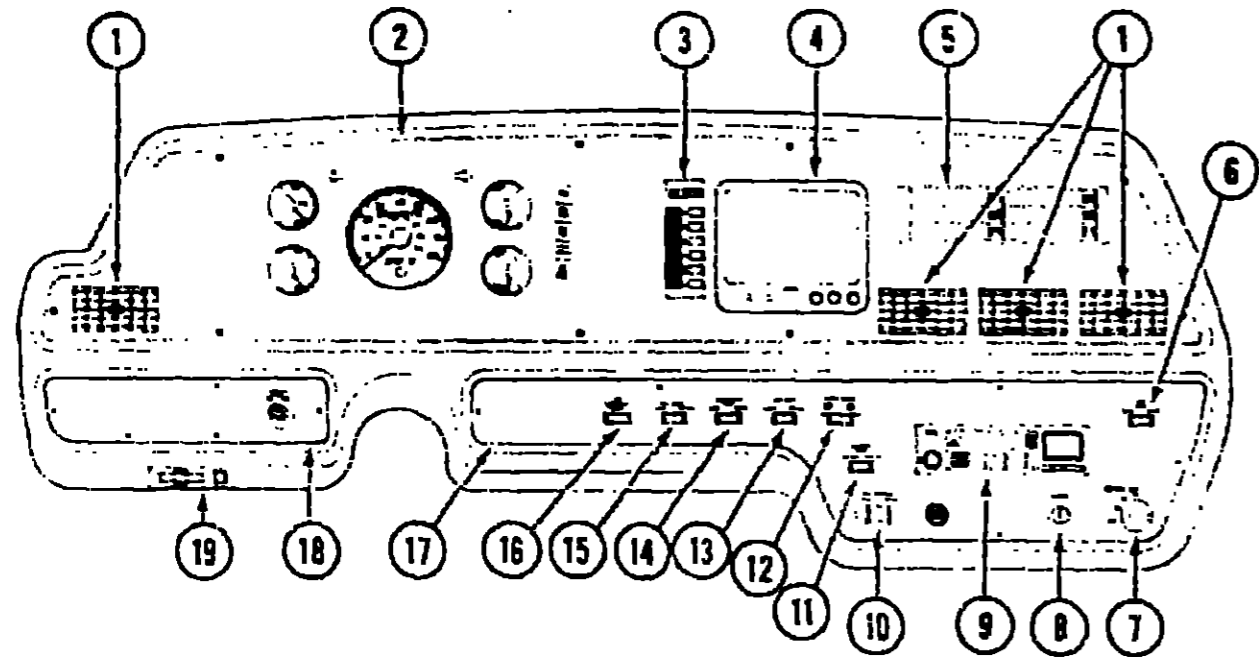
**1991 ITASCA
TABLE OF CONTENTS**

INTRODUCTION	A-01 - A-02
ABBREVIATIONS	A-03
ALPHABETICAL/GROUP REFERENCE	A-04 - A-06
IC/FP33RQ	A-07 - D-24
IC/FP37RQ	E-01 - H-20

1991 IC/FP37RQ INDEX

Floor Plan	E-01 - E-02
Accessories Group	E-03 - E-05
Bath Group	E-06 - E-08
Bedroom Group	E-09 - E-13
Chassis Group	E-14 - F-04
Curtain, Cushion & Pad Group	F-05 - F-13
Dinette Group	F-14 - F-16
Driver's Compartment Group	F-17 - F-21
Electrical Group	F-22 - G-01
Exterior Body Group	G-02 - G-09
Galley Group	G-10 - G-14
Heating & Air Conditioning Group	G-15 - G-17
Interior Finish Group	G-18 - G-19
Labels Group	G-20
LP Group	G-21
Lounge Group	G-22 - H-01
Sealants & Fasteners Group	H-02 - H-03
Water & Sewage Group	H-04 - H-06
Window, Vent & Exterior Door Group	H-07 - H-19

DRIVER'S COMPARTMENT GROUP (CONTINUED)



INSTRUMENT CLUSTER (FORD CHASSIS)

Key	Part Number	U/M	Description
1	076783-02-000	EA	Louver Asm. - Air Conditioner - Adjustable Vent
2	101046-06-01A	EA	Bezel - Instrument Panel - w/o Applique
	101046-09-02A	EA	Applique - Instrument Panel - Bezel
3	103930-02-700	EA	Heater/Air Conditioner Control
4	093040-04-000	EA	Rear View Monitor
5	096776-01-000	EA	Audio Cassette Storage
6	097372-01-01A	EA	Map Light Switch
7	087202-02-000	EA	Rear Auto Heater Switch - w/o Knob
	090977-01-000	EA	Knob - Rear Auto Heater Switch
	084410-02-000	EA	Decal - Rear Auto Heater Switch
8	089294-01-000	EA	Cigarette Lighter
9	097460-02-000	EA	Radio - AM/FM Cassette - Digital Clock - Seek - Sony XR4147
10	086272-02-000	EA	Auxiliary Battery Disconnect Switch
	081087-01-000	EA	Indicator Light Asm.
11	097372-05-01A	EA	Battery Mode Switch
12	097372-08-01A	EA	Radio - Battery Selection Switch
13	097372-01-01A	EA	Air Horn Switch
14	097372-03-01A	EA	Auxiliary Defroster Fan Switch
15	097372-01-01A	EA	Fog Lamp Switch
16	097372-07-01A	EA	ICC Courtesy Blink Switch
17	101024-03-01A	EA	Bezel - Instrument Panel - w/o Applique
	101024-06-01A	EA	Applique - Instrument Panel - Bezel
18	101025-01-01A	EA	Bezel - Instrument Panel - w/o Applique (w/Air Ride)
	101025-07-01A	EA	Applique - Instrument Panel - Bezel (w/Air Ride)
	101025-02-01A	EA	Bezel - Instrument Panel - w/o Applique (w/o Air Ride)
	101025-03-01A	EA	Applique - Instrument Panel - Bezel (w/o Air Ride)
19	051057-04-000	EA	Spotlight Switch

ELECTRICAL GROUP

BULBS

Key	Part Number	U/M	Description
	008218-01-000	EA	Bulb - #1141 - Dome Light
	067479-01-000	EA	Bulb - #1076 - Wall Lamps
	091937-03-000	EA	Bulb - Fluorescent Light - Recessed - 18"
	091937-05-700	EA	Bulb - Fluorescent Light - Recessed - 12"
	081633-01-700	EA	Bulb - Makeup Light
	088737-01-710	EA	Bulb - Microwave Oven
	092696-01-709	EA	Bulb - Range Hood
	084880-01-706	EA	Bulb - Refrigerator
	037936-01-000	EA	Bulb - #1157A - Tail Lamp Asm.
	036196-01-000	EA	Bulb - #1194 - Clearance & License Plate Lights
	008215-01-000	EA	Bulb - #1003 - Porch Light
	051057-01-705	EA	Bulb - Spotlight
	066280-01-700	EA	Bulb - Surface Mount Light

INTERIOR LIGHTS & BULBS

Key	Part Number	U/M	Description
	098024-01-01A	EA	Light - Dome - Ivory - Single
	098023-01-01A	EA	Shroud - Dome Light - Single - Ivory
	098024-01-700	EA	Lens - Dome Light
	008218-01-000	EA	Bulb - 12 Volt - #1141 (Used For All Above)
	065202-14-000	EA	Wall Lamp - Brass (US)
	065202-15-000	EA	Wall Lamp - Brass (CSA)
	065201-09-000	EA	Lamp Shade - Wall Lamp - Parchment
	067479-01-000	EA	Bulb - 12 Volt - #1076 - Wall Lamps
	091937-04-000	EA	Fluorescent Light - 12 Volt - 18"
	091937-02-000	EA	Lens - Recessed - Fluorescent Light - 18"
	091937-03-000	EA	Bulb - Recessed - Fluorescent Light - 18"
	078424-02-000	EA	Fluorescent Light - 18" - Almond (Dinette) (CSA)
	078424-02-701	EA	Lens - Fluorescent Light - 18" - Almond (CSA)
	078424-02-700	EA	Bulb - Fluorescent Light - 18" - Almond (CSA)
	092163-01-000	EA	Makeup Light - 3 Bulb
	081633-01-700	EA	Bulb - Makeup Light
	051424-01-000	EA	Rectangular Light - Aisle & Instrument Panel
	092696-01-709	EA	Bulb - Range Hood
	084880-01-706	EA	Bulb - Refrigerator
	088737-01-710	EA	Bulb - Microwave Oven
	093575-01-01A	EA	Light Asm. - Ceiling (Dinette)
	077026-01-000	EA	Lens - Step Light (Driver Door)
	072353-08-000	EA	Reading Light - Brass - Swivel
	090353-05-000	EA	Reading Light - Double
	097694-01-000	EA	Wardrobe Light - w/Switch
	091937-05-000	EA	Fluorescent Light - 12" (Galley, Bedroom)
	091937-05-700	EA	Bulb - Fluorescent Light - 12"
	091937-05-701	EA	Lens - Fluorescent Light - 12"
	085280-01-000	EA	Light - Surface Mount
	066280-01-700	EA	Bulb - Surface Mount Light
	094489-04-000	EA	Flex Lights - 18" - Clear

MISCELLANEOUS ELECTRICAL COMPONENTS

Key	Part Number	U/M	Description
	094809-01-000	EA	Load Center - 240V - 125 Amp. (Export)
	009189-01-000	EA	Solenoid - Dual Battery - Relay
	086757-03-000	EA	Control Center - Magnadyne VCS5
	035420-02-000	EA	Fan - 6" Defroster - 2 Speed
	059294-01-000	EA	Lighter Asm. - Cigarette
	072852-01-000	EA	Smoke Detector (USA)
	072852-02-000	EA	Smoke Detector (CSA)
	102956-01-000	EA	Door Latching Relay - 15 Amp.
	057762-01-000	EA	Converter - 40 Amp. w/Charger

**1991 ITASCA
TABLE OF CONTENTS**

INTRODUCTION	A-01 - A-02
ABBREVIATIONS	A-03
ALPHABETICAL/GROUP REFERENCE	A-04 - A-06
IC/FP33RQ	A-07 - D-24
IC/FP37RQ	E-01 - H-20

1991 IC/FP37RQ INDEX

Floor Plan	E-01 - E-02
Accessories Group	E-03 - E-05
Bath Group	E-06 - E-08
Bedroom Group	E-09 - E-13
Chassis Group	F-14 - F-04
Curtain, Cushion & Pad Group	F-05 - F-13
Dinette Group	F-14 - F-16
Driver's Compartment Group	F-17 - F-21
Electrical Group	F-22 - G-01
Exterior Body Group	G-02 - G-09
Galley Group	G-10 - G-14
Heating & Air Conditioning Group	G-15 - G-17
Interior Finish Group	G-18 - G-19
Labels Group	G-20
LP Group	G-21
Lounge Group	G-22 - H-01
Sealants & Fasteners Group	H-02 - H-03
Water & Sewage Group	H-04 - H-06
Window, Vent & Exterior Door Group	H-07 - H-19

ELECTRICAL GROUP (CONTINUED)

EXTERIOR LIGHTS & BULBS

Key	Part Number	U/M	Description
	036196-01-000	EA	Bulb
	094785-01-000	EA	Screw
	079378-01-000	EA	Terminal
	102540-01-000	EA	Screw Seal
	102520-02-000	EA	Light Asm. (Red)
	102520-01-000	EA	Light Asm. (Amber)
	102541-01-000	EA	Gasket
	067789-02-000	EA	Socket
	102582-01-000	EA	Bracket
	062648-02-000	EA	Light - Clearance - Amber (CSA) (Side of Cab)
	095212-01-000	EA	Tail Light - Passenger Side
	095212-02-000	EA	Tail Light - Drivers Side
	037936-01-000	EA	Bulb - 12 Volt - #1157A - Used For Tail Lamp Asm.
	089283-01-700	EA	Lens - Side Marker Light - Red
	097917-01-05A	EA	Porch Light - Recessed - Gray
	097917-01-700	EA	Lens - Porch Light - Recessed
	008215-01-000	EA	Bulb - 12 Volt - #1003 - Porch Light
	051057-02-000	EA	Spotlight - Power Driven
	051057-01-705	EA	Bulb - Spotlight
	095213-01-000	EA	Headlamp Asm./Turn Signal - Passenger Side
	095213-02-000	EA	Headlamp Asm./Turn Signal - Driver Side
	095213-01-700	EA	Lens - Turn Signal - Driver Side
	095213-01-701	EA	Lens - Turn Signal - Passenger Side
	075660-01-000	EA	Side Marker Lamp - Amber
	075660-02-000	EA	Side Marker Lamp - Red
	088747-03-000	EA	Fog Lamp Asm. - Clear Lens
	098024-01-01A	EA	Dome Light - Ivory (CSA)
	008218-01-000	EA	Bulb - 12 Volt - Dome Light
	058330-02-000	EA	Socket Asm. - Lamp - w/Wire (Ford)
	057201-01-000	EA	Light - Half Round (At Dump Valve)

FUSES & CIRCUIT BREAKERS

Key	Part Number	U/M	Description
	008235-01-000	EA	Fuse - 15 Amp. (CSA)
	062901-02-000	EA	Fuse - Automotive - 5 Amp.
	062901-05-000	EA	Fuse - Automotive - 15 Amp.
	062901-07-000	EA	Fuse - Automotive - 25 Amp.
	044466-03-000	EA	Circuit Breaker - 25 Amp. - 12 Volt - w/Mount Bracket
	083209-01-000	EA	Circuit Breaker - 15 Amp. - 120 Volt
	083209-02-000	EA	Circuit Breaker - 15/15 Amp. - 120 Volt (CSA)
	083209-03-000	EA	Circuit Breaker - 15/20 Amp. - 120 Volt
	083209-04-000	EA	Circuit Breaker - 30 Amp. - 120 Volt
	083209-05-000	EA	Circuit Breaker - 30/15 Amp. - 120 Volt (CSA)
	094810-01-000	EA	Circuit Breaker - 30/30 Amp.
	094811-01-000	EA	Circuit Breaker - 20/20 Amp.
	083209-08-000	EA	Circuit Breaker - Blank
	093654-01-000	EA	Circuit Breaker - 5 Amp. - 12 Volt
	093654-02-000	EA	Circuit Breaker - 15 Amp. - 12 Volt
	093654-03-000	EA	Circuit Breaker - 20 Amp. - 12 Volt
	093655-01-000	EA	Circuit Breaker - 25 Amp. - 12 Volt
	093655-02-000	EA	Circuit Breaker - 30 Amp. - 12 Volt
	093655-03-000	EA	Circuit Breaker - 40 Amp. - 12 Volt
	097611-01-000	EA	Circuit Breaker - 10 Amp. - 12 Volt
	092765-01-000	EA	Buss Bar - 2 Circuit
	092765-03-000	EA	Buss Bar - 5 Circuit
	092765-02-000	EA	Buss Bar - 3 Circuit
	093674-01-000	EA	Plate - Circuit Breaker
	100341-01-000	EA	Fuse Holder - In Line Type

ELECTRICAL GROUP (CONTINUED)

ELECTRICAL COMPONENTS

Key	Part Number	U/M	Description
	008288-01-000	EA	Box - Electrical - 3" x 3 1/2" - Plastic
	008288-02-000	EA	Box - Electrical - 3.34" x 3.13" x 1.81" - Plastic (USA)
	091910-01-000	EA	Box - Electrical - 3.75" x 3.5" x 1.75" - Plastic (CSA)
	008299-01-000	EA	Box - Electrical - 4" x 4" - 1/2 x 3/4 - Steel (USA)
	008289-02-000	EA	Box - Electrical - 4" x 4" - 1/2 x 3/4 - Steel (CSA)
	058049-01-000	EA	Box - Electrical - 2" x 3" x 2.25" - Steel
	093257-01-000	EA	Box - Electrical - Circuit Breaker
	088751-01-000	FT	Cable - Battery - 1/0 AWG Stranded
	010495-01-000	EA	Clamp - Cable - 9/16"
	010497-01-000	EA	Clamp - Closed - 5/8" ID
	010499-01-000	EA	Clamp - Closed - 3/8" ID
	041953-01-000	FT	Conduit - Convolute Slit - .50" ID
	041953-02-000	FT	Conduit - Convolute Slit - .625" ID
	041953-03-000	FT	Conduit - Convolute Slit - 1" ID
	041953-05-000	FT	Conduit - Convolute Solid - .625" ID
	041953-06-000	FT	Conduit - Convolute Slit - .375" ID
	041953-07-000	FT	Conduit - Convolute Slit - .250" ID
	041953-09-000	FT	Conduit - Convolute Slit - .50" ID
	041953-10-000	FT	Conduit - Convolute Slit - .75" ID
	041953-11-000	FT	Conduit - Convolute Slit - 1.063" ID
	008353-01-000	EA	Connector - 3/8" - Cable Clamping
	008355-01-000	EA	Connector - 3/4" - Cable Clamping
	008356-01-000	EA	Connector - 3/8" - Plastic
	008311-01-000	EA	Connector - Wire Nut - Red
	008312-01-000	EA	Connector - Wire Nut - Blue
	008313-01-000	EA	Connector - Wire Nut - Yellow
	008314-01-000	EA	Connector - Wire Nut - Gray
	058028-01-000	EA	Connector - Clear Nylon Pigtail
	088475-01-000	EA	Connector - Pin
	082740-01-000	EA	Connector Body - 2 Contact Female
	008052-01-000	EA	Power Cord - 10/3 - 30 Amp. 25' (CSA)
	008054-01-000	EA	Power Cord - 10/3 - 30 Amp. - 25' (US)
	008054-02-000	EA	Power Cord - 10/3 - 30 Amp. - 33' (US)
	008294-01-000	EA	Cover - Electrical Box - Flat Blank - 4" x 4" - Steel (US)
	008294-02-000	EA	Cover - Electrical Box - Flat Blank - 4" x 4" - Steel (CSA)
	069238-01-000	EA	Cover - Electrical Box - 4" x 4"
	076319-09-000	EA	Cover - Receptacle - Brown
	084077-02-000	EA	Cover - Receptacle - Brown - GFI
	091927-01-000	EA	Cover - Receptacle - Double - Ivory
	084077-03-000	EA	Cover - Blank A/C - Ivory
	075036-03-000	EA	Cover - Exterior Receptacle
	092633-02-02A	EA	Cover - A/C - Plate - Off White - w/o A/C
	092633-01-02A	EA	Cover - A/C - Plate - Off White - w/A/C
	074897-01-000	EA	Cover - Electrical Box - A/C Dual Switch
	100341-01-000	EA	Holder - Fuse - In Line
	097744-02-000	EA	Housing Asm. - Trailer Pin
	097745-02-000	EA	Housing Asm. - Trailer Receptacle - 45"
	062037-01-000	EA	Housing - Automotive Fuse - Natural
	062037-02-000	EA	Housing - Automotive Fuse - Green
	062037-03-000	EA	Housing - Automotive Fuse - Black
	062037-05-000	EA	Housing - Automotive Fuse - Gray
	062037-06-000	EA	Housing - Automotive Fuse - Brown
	088474-01-000	EA	Housing - Socket - 12 Position
	088474-02-000	EA	Housing - Socket - 15 Position
	088474-03-000	EA	Housing - Socket - 9 Position
	088474-05-000	EA	Housing - Socket - 6 Position
	088474-07-000	EA	Housing - Socket - 5 Position
	088474-08-000	EA	Housing - Socket - 4 Position
	088474-09-000	EA	Housing - Socket - 3 Position
	088474-10-000	EA	Housing - Socket - 2 Position
	088474-11-000	EA	Housing - Socket - 1 Position

**1991 ITASCA
TABLE OF CONTENTS**

INTRODUCTION	A-01 - A-02
ABBREVIATIONS	A-03
ALPHABETICAL/GROUP REFERENCE	A-04 - A-06
IC/FP33RQ	A-07 - D-24
IC/FP37RQ	E-01 - H-20

1991 IC/FP37RQ INDEX

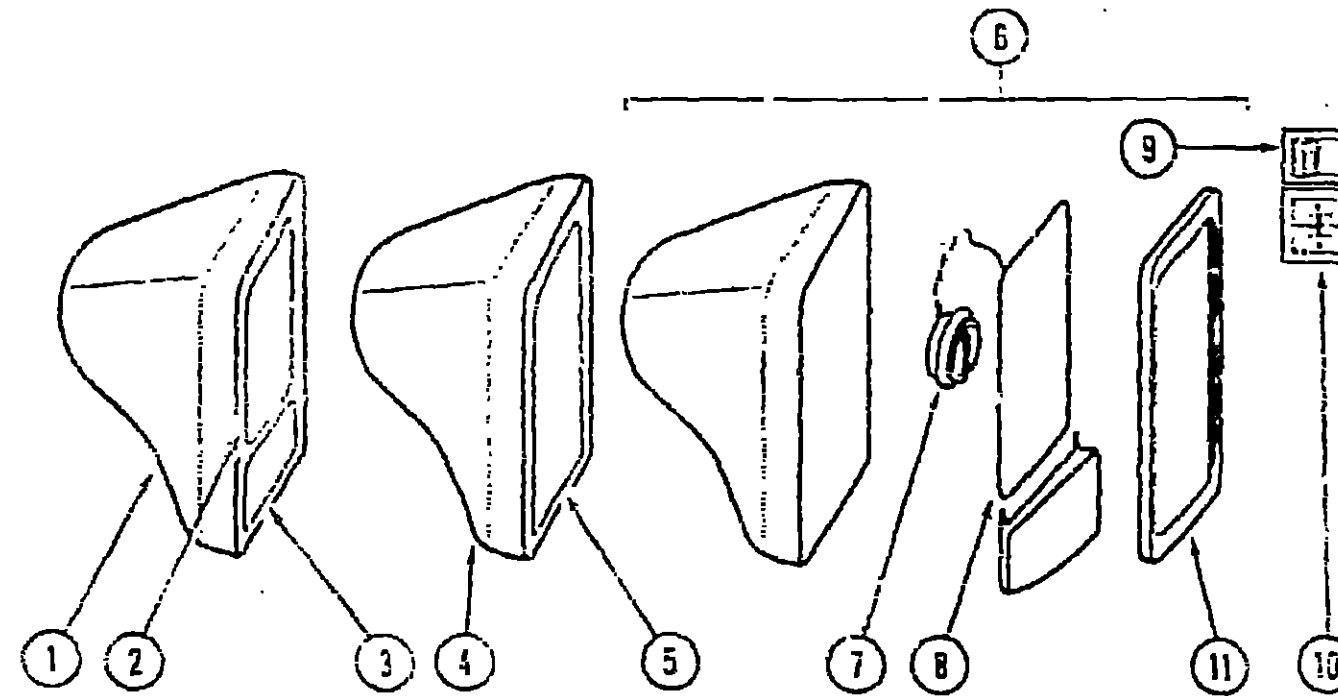
Floor Plan	E-01 - E-02
Accessories Group	E-03 - E-05
Bath Group	E-06 - E-08
Bedroom Group	E-09 - E-13
Chassis Group	F-14 - F-04
Curtain, Cushion & Pad Group	F-05 - F-13
Dinette Group	F-14 - F-16
Driver's Compartment Group	F-17 - F-21
Electrical Group	F-22 - G-01
Exterior Body Group	G-02 - G-09
Galley Group	G-10 - G-14
Heating & Air Conditioning Group	G-15 - G-17
Interior Finish Group	G-18 - G-19
Labels Group	G-20
LP Group	G-21
Lounge Group	G-22 - H-01
Sealants & Fasteners Group	H-02 - H-03
Water & Sewage Group	H-04 - H-06
Window, Vent & Exterior Door Group	H-07 - H-19

ELECTRICAL GROUP (CONTINUED)

ELECTRICAL COMPONENTS (CONTINUED)

Key	Part Number	U/M	Description
	088473-01-000	EA	Housing - Pin - 12 Position
	088473-02-000	EA	Housing - Pin - 15 Position
	088473-03-000	EA	Housing - Pin - 9 Position
	088473-05-000	EA	Housing - Pin - 6 Position
	088473-06-000	EA	Housing - Pin - 6 Position
	088473-07-000	EA	Housing - Pin - 5 Position
	088473-08-000	EA	Housing - Pin - 4 Position
	088473-09-000	EA	Housing - Pin - 3 Position
	088473-10-000	EA	Housing - Pin - 2 Position
	088473-11-000	EA	Housing - Pin - 1 Position
	063910-01-000	EA	Housing - Relay - 3 Position
	101571-01-000	EA	Housing - Male - 2 Position
	094066-01-01A	EA	Plate - Switch - 1 Gang (Lock) Black
	098351-01-01A	EA	Plate - Switch - 1 Gang
	098351-01-02A	EA	Plate - Switch - 2 Gang
	098351-03-01A	EA	Plate - Switch - 3 Gang
	098351-04-01A	EA	Plate - Switch - Generator (Bedroom)
	024924-02-000	EA	Receptacle - Power Cord
	058707-01-000	EA	Receptacle - Single - Brown - T & B
	058709-01-000	EA	Receptacle - Duplex - Brown - T & B
	058703-02-000	EA	Receptacle - Duplex - Ivory - T & B
	034076-02-000	EA	Receptacle - Duplex - Brown - GF
	007940-01-000	EA	Receptacle - Slide - 16/12 AWG
	030013-02-000	EA	Receptacle - Flag - .185 - 16/14 Gauge
	035273-01-000	EA	Relay - Battery Disconnect
	063912-02-000	EA	Relay - Canister - SPDT w/Resistor
	077000-01-000	EA	Socket Asm. - w/3" Figtail Leads
	088476-01-000	EA	Socket - Connector
	088476-02-000	EA	Socket - Connector - 12/10 Gauge
	090971-01-000	EA	Splice - Cable - 110 Volt
	024976-01-000	EA	Switch - Generator (Bedroom)
	055464-01-000	EA	Switch - Leaf Actuator
	093132-01-000	EA	Switch - Power Windows (Driver Door)
	095241-07-000	EA	Switch - DPDT - On/On
	037695-01-000	EA	Switch - Mirror Heater
	068246-01-000	EA	Switch Asm. - Remote Mirror
	079364-04-000	EA	Switch - On/Off Rocker
	079364-02-000	EA	Switch - Lock/Lock Rocker - Brown
	007942-01-000	EA	Tab - 16/14 AWG Wire
	007943-01-000	EA	Tab - 14/10 AWG Wire
	007949-01-000	EA	Tab - HSG - 1 Position
	002316-01-010	EA	Terminal - Ring - 16/14 - 3/8" Stud
	008323-01-010	EA	Terminal - Ring - 12/10 Wire
	006319-01-010	EA	Terminal - Ring - 8 - 5/16" Stud
	006331-01-010	EA	Terminal - Ring - 4 - 3/8" Stud
	006332-01-000	EA	Terminal - Ring - 6 - 1/4" Stud
	006348-01-000	EA	Terminal - Ring - 2 - 3/8" Stud
	035416-04-000	EA	Terminal - Ring - #10 Stud Fit
	047443-01-000	EA	Terminal - .250 Receptacle 16-14
	047443-02-000	EA	Terminal - .250 Receptacle 12-10
	047443-03-000	EA	Terminal - .187 Receptacle - 16-14
	052036-01-000	EA	Terminal - Pack - 12/10 AWG
	052036-02-000	EA	Terminal - Pack - 16/14 AWG
	008026-01-000	EA	Wire w/Ground - Romex - 12/2
	008027-01-000	EA	Wire w/Ground - Romex - 14/2
	008343-01-000	EA	Wire Tie - 6"
	066272-02-000	EA	Switch - DPDT - 3 Position
	030351-01-000	EA	Switch - Door Lock
	097372-01-01A	EA	Switch - SPST - On/Off
	097372-03-01A	EA	Switch - SPDT - On/Off/Mom
	097372-04-01A	EA	Switch - SPDT - Mom/Off/Mom
	097372-05-01A	EA	Switch - SPDT - On/Off/Mom
	097372-06-01A	EA	Switch - SPDT - Blank
	097372-07-01A	EA	Switch - SPST - On/On
	097372-08-01A	EA	Switch - SPDT - On/On

EXTERIOR BODY GROUP



EXTERIOR MIRRORS

Key	Part Number	U/M	Description
1	077051-03-000	EA	Mirror Asm. - w/Convex - Passenger Side
1	077051-04-000	EA	Mirror Asm. - w/Convex - Drivers Side
2	077051-03-700	EA	Mirror - 7.8" x 7.12"
3	077051-03-701	EA	Mirror - Convex w/Bezel - Passenger Side
3	077051-04-701	EA	Mirror - Convex w/Bezel - Drivers Side
4	077051-01-000	EA	Mirror Asm. - Passenger Side
4	077051-02-000	EA	Mirror Asm. - Driver Side
5	077051-04-700	EA	Mirror Asm. - 7.6" x 12.12"
5	055261-01-000	EA	Mirror Asm. - w/Remote Control & Defrost - Passenger Side
6	055261-02-000	EA	Mirror Asm. - w/Remote Control & Defrost - Driver Side
7	055261-01-701	EA	Common Gear Motor Asm.
8	055261-01-700	EA	Common Flat Glass w/Heat Element
9	037695-01-000	EA	Mirror Heater Switch
10	068246-01-000	EA	Mirror Remote Control Asm.
11	077051-03-702	EA	Common Snap Bezel

SHEET FIBERGLASS, ALUMINUM & STYROFOAM

Key	Part Number	U/M	Description
	044497-01-001	EA	Aluminum - Mill Finish - No Design (Roof) - 35" x 350"
	000668-01-000	SF	Styrofoam - 3/4" x 24" x 95"
	000670-02-000	SF	Styrofoam - 1 1/2" x 48" x 95"
	000870-03-000	SF	Styrofoam - 1.32" x 48" x 95"
	000870-05-000	SF	Styrofoam - .5" x 24" x 95"
	063574-02-000	SF	Styrofoam - 1.5" x 24" x 90.5"
	034522-02-000	EA	Fiberglass/Mineral Board Sheet - Gray

**1991 ITASCA
TABLE OF CONTENTS**

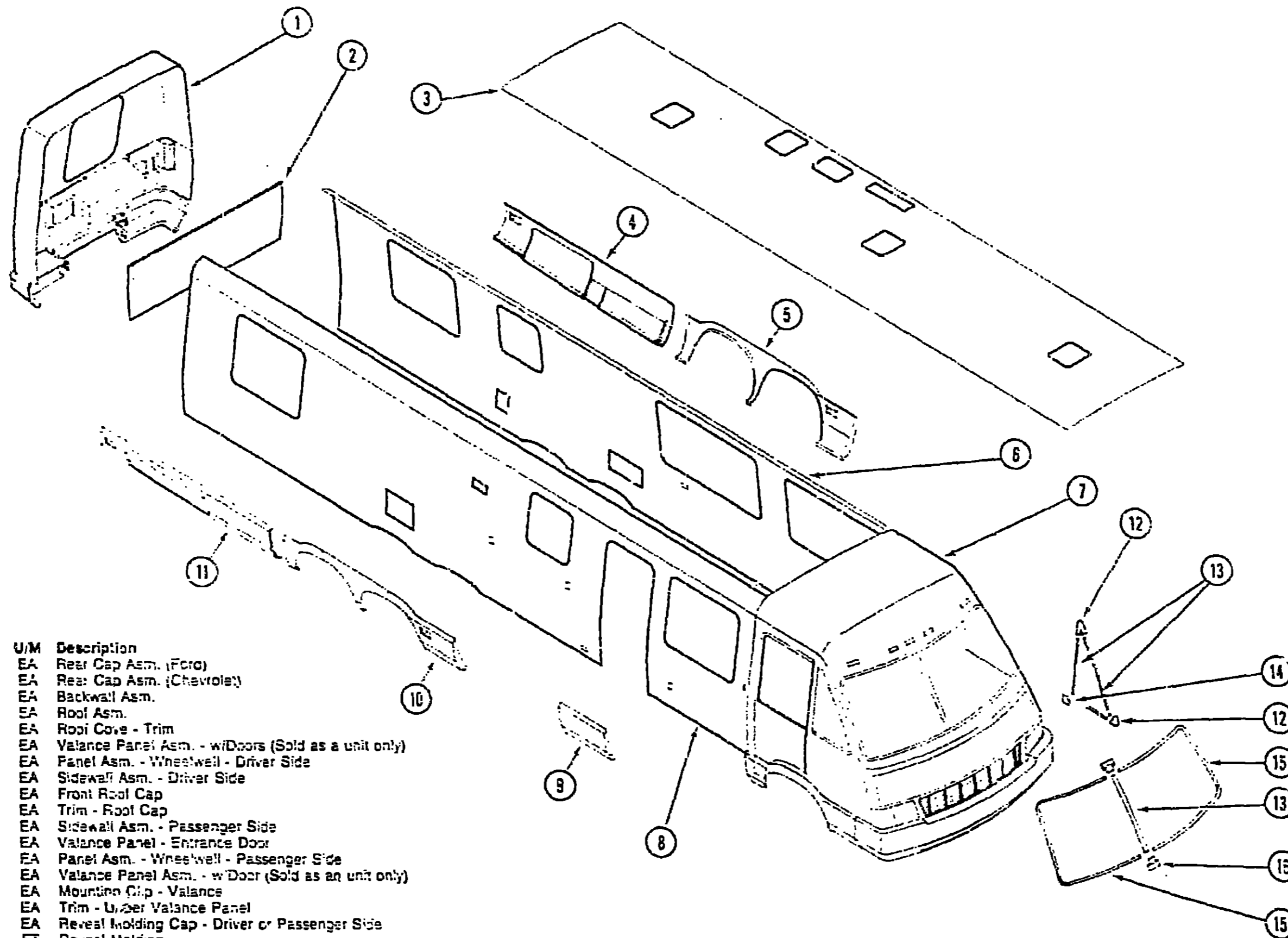
INTRODUCTION	A-01 - A-02
ABBREVIATIONS	A-03
ALPHABETICAL/GROUP REFERENCE	A-04 - A-06
IC/FP33RQ	A-07 - D-24
IC/FP37RQ	E-01 - H-20

1991 IC/FP37RQ INDEX

Floor Plan	E-01 - E-02
Accessories Group	E-03 - E-05
Bath Group	E-06 - E-08
Bedroom Group	E-09 - E-13
Chassis Group	E-14 - F-04
Curtain, Cushion & Pad Group	F-05 - F-13
Dinette Group	F-14 - F-16
Driver's Compartment Group	F-17 - F-21
Electrical Group	F-22 - G-01
Exterior Body Group	G-02 - G-03
Galley Group	G-10 - G-14
Heating & Air Conditioning Group	G-15 - G-17
Interior Finish Group	G-18 - G-19
Labels Group	G-20
LP Group	G-21
Lounge Group	G-22 - H-01
Sealants & Fasteners Group	H-02 - H-03
Water & Sewage Group	H-04 - H-06
Window, Vent & Exterior Door Group	H-07 - H-19

EXTERIOR BODY GROUP (CONTINUED)

EXTERIOR BODY PANELS



Key	Part Number	U/M	Description
1	M01616-41-B33	EA	Rear Cap Asm. (Ford)
1	M01616-39-B33	EA	Rear Cap Asm. (Chevrolet)
2	097657-02-B16	EA	Backwall Asm.
3	P01640-01-B16	EA	Roof Asm.
	099571-01-01A	EA	Roof Cove - Trim
4	M02588-50-B38	EA	Valance Panel Asm. - w/Doors (Sold as a unit only)
5	085653-04-B38	EA	Panel Asm. - Wheelwell - Driver Side
6	P01122-01-B58	EA	Sidewall Asm. - Driver Side
7	M01615-11-B30	EA	Front Roof Cap
	093805-02-000	EA	Trim - Roof Cap
8	P01121-01-B38	EA	Sidewall Asm. - Passenger Side
9	066684-02-B38	EA	Valance Panel - Entrance Door
10	086653-03-B38	EA	Panel Asm. - Wheelwell - Passenger Side
11	M02588-47-AF1	EA	Valance Panel Asm. - w/Door (Sold as an unit only)
	073050-02-000	EA	Mounting Clip - Valance
	101022-04-02A	EA	Trim - Under Valance Panel
12	067841-02-000	EA	Reveal Molding Cap - Driver or Passenger Side
13	083178-01-000	FT	Reveal Molding
14	076842-02-000	EA	Reveal Molding Cap - Driver or Passenger Side
15	083179-01-000	FT	Reveal Molding
16	076844-02-000	EA	Reveal Molding Cap
	059362-04-000	EA	Valance Support Strap - 13.2"
	059362-05-000	EA	Valance Support Strap - 17"

1991 ITASCA
TABLE OF CONTENTS

INTRODUCTION	A-01 - A-02
ABBREVIATIONS	A-03
ALPHABETICAL GROUP REFERENCE	A-04 - A-05
IC/FF37RQ	A-07 - D-24
IC/FF37RQ	E-01 - H-20

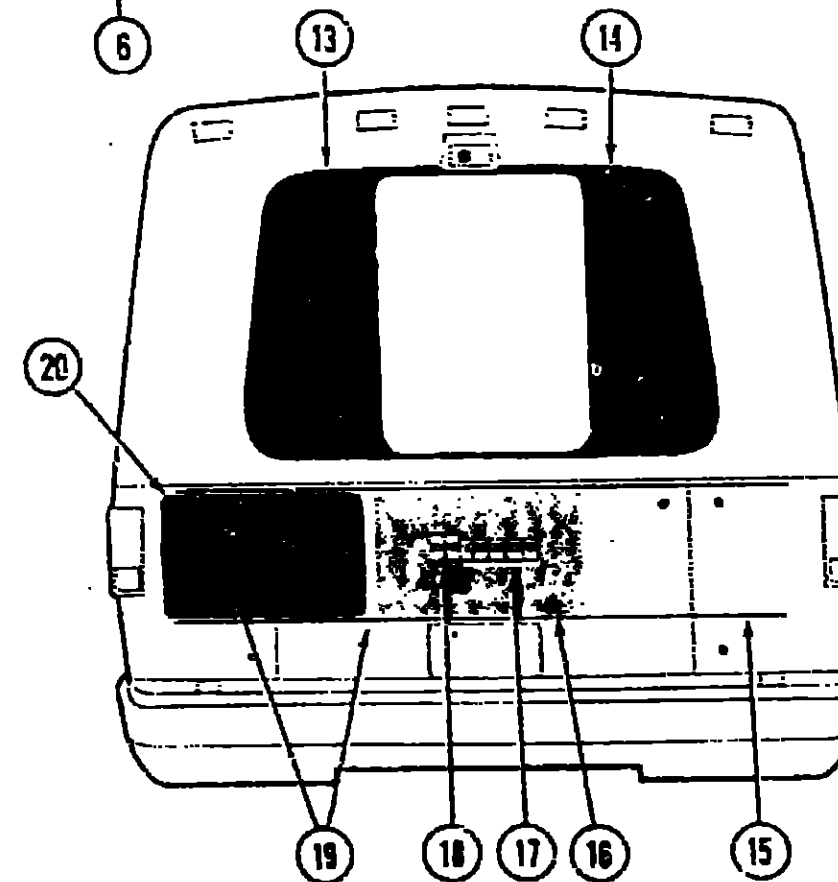
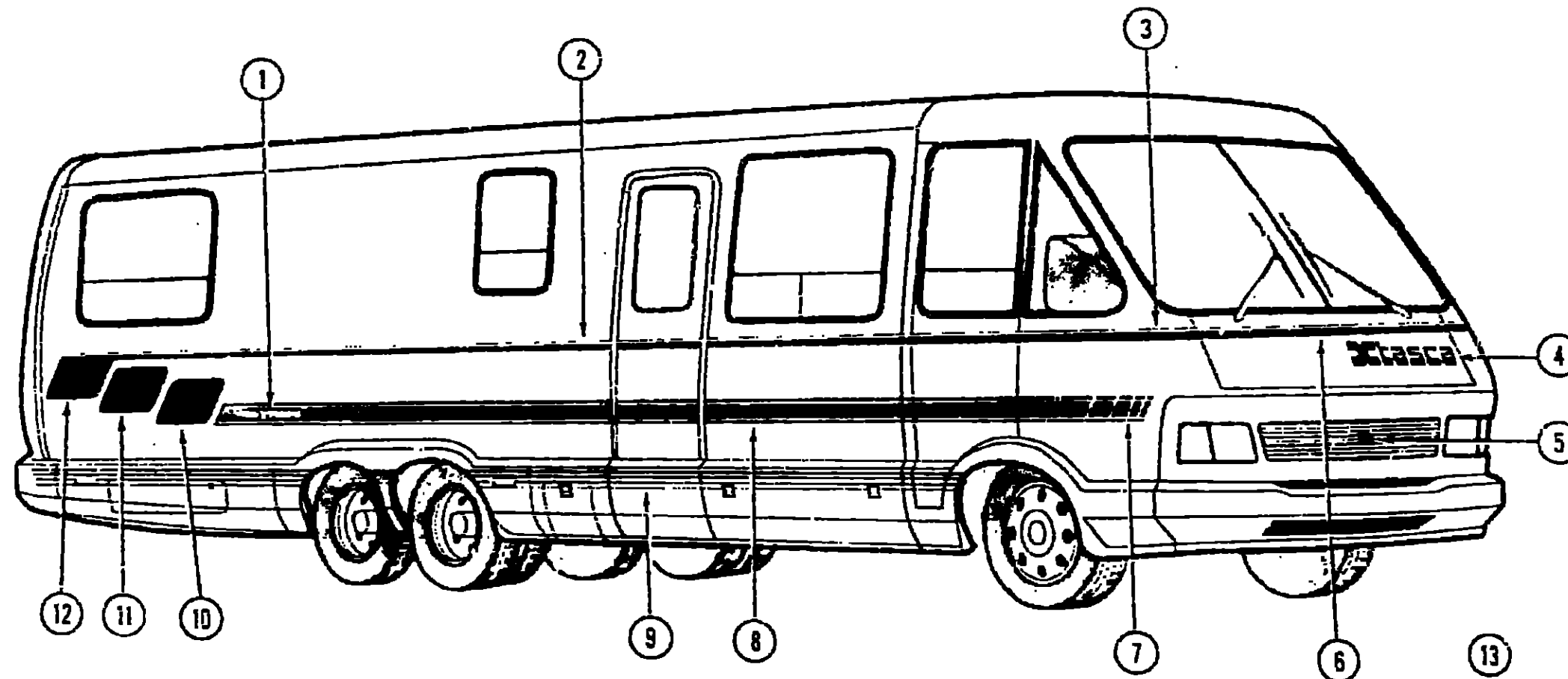
1991 IC/FF37RQ INDEX

Floor Plan	E-01 - E-02
Accessories Group	E-03 - E-05
Bath Group	E-06 - E-08
Bedroom Group	E-09 - E-13
Chassis Group	E-14 - F-04
Curtain, Cushion & Pad Group	F-05 - F-13
Dinette Group	F-14 - F-16
Driver's Compartment Group	F-17 - F-21
Electrical Group	F-22 - G-01
Exterior Body Group	G-02 - G-09
Galley Group	G-10 - G-14
Heating & Air Conditioning Group	G-15 - G-17
Interior Finish Group	G-18 - G-19
Labels Group	G-20
LP Group	G-21
Lounge Group	G-22 - H-01
Sealants & Fasteners Group	H-02 - H-03
Water & Sewage Group	H-04 - H-05
Window, Vent & Exterior Door Group	H-07 - H-19

EXTERIOR BODY GROUP (CONTINUED)
DECALS & FILM STRIPES

1991 ITASCA
TABLE OF CONTENTS

INTRODUCTION	A-01 - A-02
ABBREVIATIONS	A-03
ALPHABETICAL/GROUP REFERENCE	A-04 - A-06
IC/FP33RD	A-07 - D-24
IC/FP37RD	E-01 - H-20

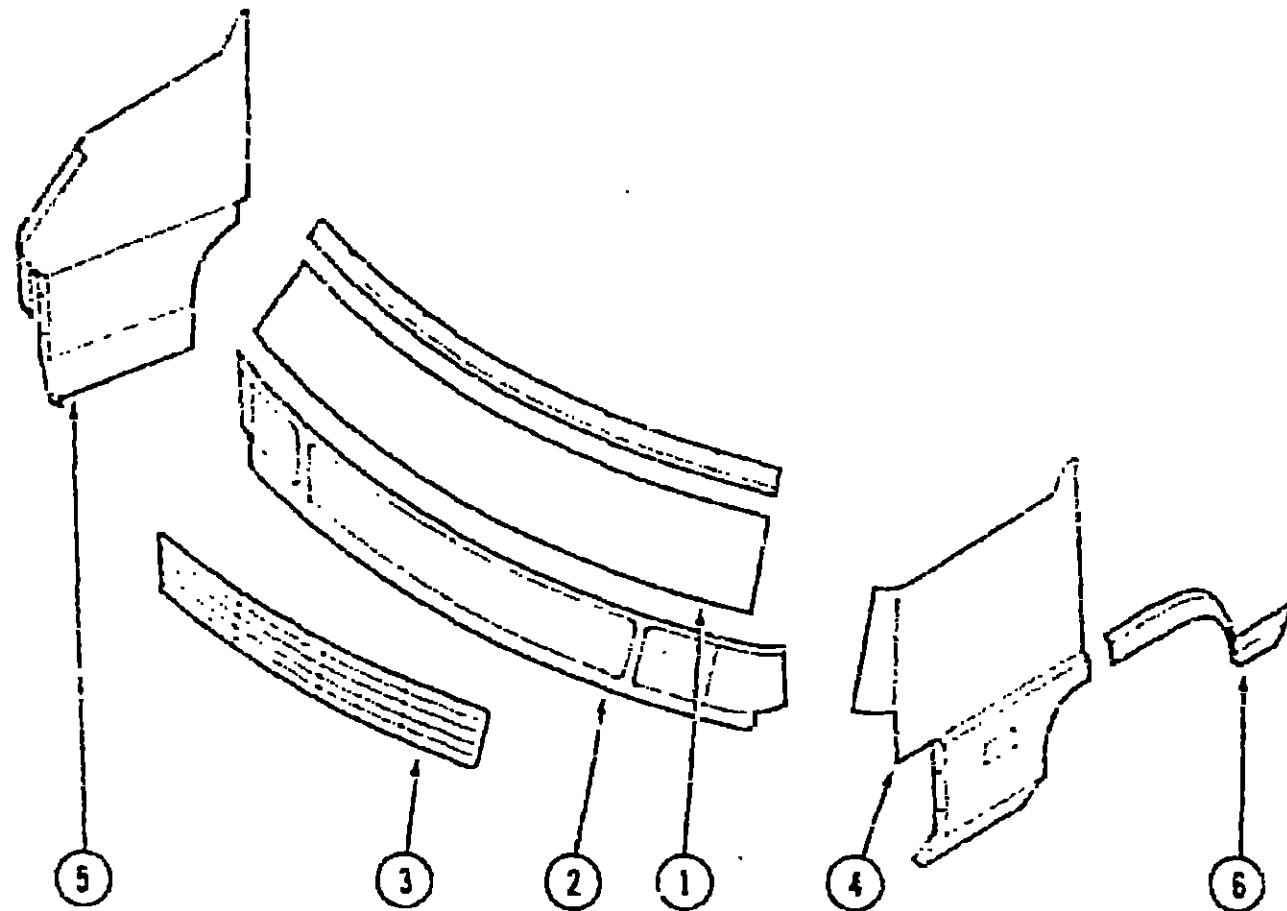


Key	Part Number	U/M	Description
1	076335-03-003	EA	Decal Logo - "Windcruiser"
2	092322-05-02A	FT	Film - Multi-stripe
3	096145-01-02A	EA	Decal - Front Corner - Passenger Side
	096145-02-02A	EA	Decal - Front Corner - Driver Side
4	096155-01-01A	EA	Decal Logo - "Itasca" - Hood
5	093790-01-01A	EA	Decal Logo - "I" - Front Grille
5	093680-15-02A	FT	Film - Multi-Stripe
7	096146-01-02A	EA	Decal - Front - Passenger Side
	096146-02-02A	EA	Decal - Front - Driver Side
8	093689-06-02A	FT	Film - Multi-Stripe
9	093650-14-02A	FT	Film - Multi-Stripe
10	096148-01-03A	EA	Decal - Rear - Passenger Side
	096148-02-03A	EA	Decal - Rear - Driver Side
11	096148-01-04A	EA	Decal - Rear - Passenger Side
	096148-02-04A	EA	Decal - Rear - Driver Side
12	096147-01-02A	EA	Decal - Rear - Passenger Side
	096147-02-02A	EA	Decal - Rear - Driver Side
13	100553-02-01A	EA	Decal - Window - Backwall - Driver Side
14	100558-01-01A	EA	Decal - Window - Backwall - Passenger Side
15	096144-01-03A	EA	Decal - Rear - Backwall - Passenger Side
15	096144-02-02A	EA	Decal - Rear - Backwall - Center
17	084075-02-000	EA	Decal - Logo - "By Winnebago Industry"
16	093791-01-01A	EA	Decal - Logo - "Itasca" - Rear Cap
19	093681-10-02A	FT	Film - Stripe
20	096144-01-04A	EA	Decal - Rear - Backwall - Driver Side

1991 IC/FP37RD INDEX

Floor Plan	E-01 - E-02
Accessories Group	E-03 - E-05
Bath Group	E-06 - E-08
Bedroom Group	E-09 - E-13
Chassis Group	E-14 - F-04
Curtain, Cushion & Pad Group	F-05 - F-13
Dinette Group	F-14 - F-16
Driver's Compartment Group	F-17 - F-21
Electrical Group	F-22 - G-01
Exterior Body Group	G-02 - G-09
Galley Group	G-10 - G-14
Heating & Air Conditioning Group	G-15 - G-17
Interior Finish Group	G-18 - G-19
Latr's Group	G-20
LP Group	G-21
Lounge Group	G-22 - H-01
Sealants & Fasteners Group	H-02 - H-03
Water & Sewage Group	H-04 - H-06
Window, Vent & Exterior Door Group	H-07 - H-19

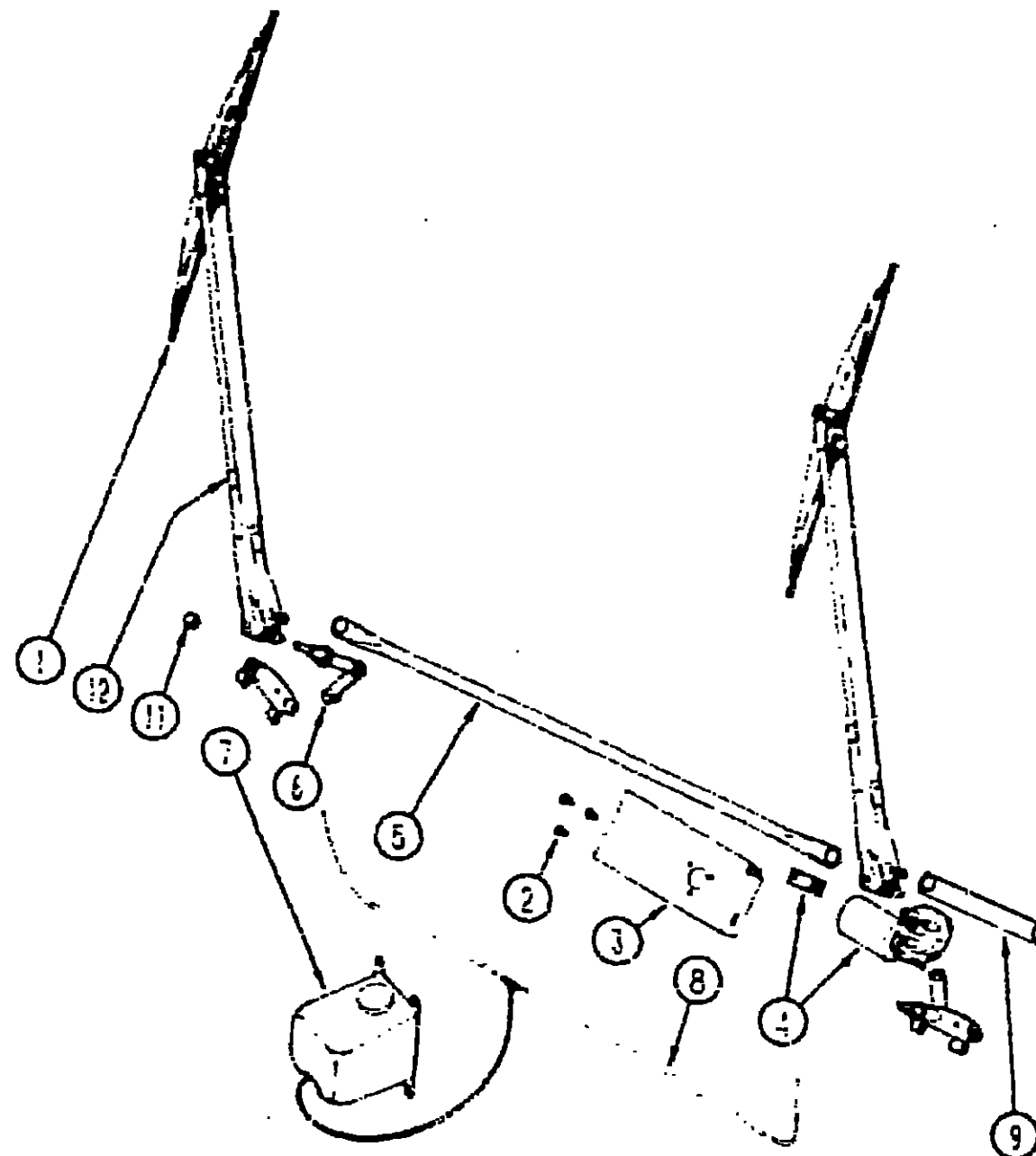
EXTERIOR BODY GROUP (CONTINUED)



EXTERIOR BODY PANELS HARDWARE (CAB)

Key	Part Number	U/M	Description
1	095441-01-AF1	EA	Hood Panel
	058766-02-000	EA	Hood Bolt - Adjusting
	M02680-01-U16	EA	Hinge Asm. - Hood - Passenger Side
	M02680-02-U16	EA	Hinge Asm. - Hood - Driver Side
	076772-01-000	EA	Clip - Prop Rod
	102087-01-000	EA	Cable Asm. - Hood Release
	073336-02-000	EA	Bracket - Mounting Latch
	R77007-01-950	EA	Hood Latch Striker
	073342-01-000	EA	Bracket Asm. - Hood Latch
	076837-01-000	EA	Prop Rod
	R77007-51-429	EA	Latch Asm. - Hood
	073610-01-000	EA	Spring - Hood Latch Sink
	102087-01-000	EA	Cable Asm. - Hood Release
	077407-01-000	EA	Bracket - Hood Release Cable (Mounted under the hood)
	102515-01-000	EA	Bracket - Hood Release Cable (Mounted under the dash)
	091955-02-000	EA	Squeegee - Extended Handle
	091952-02-000	EA	Clip - Gripper - Squeegee
	093527-01-000	EA	Bracket - Squeegee
2	095435-01-AF1	EA	Grille - Panel Asm.
3	095435-02-B38	EA	Grille Asm.
4	101271-04-AF1	EA	Fender Panel - Front Left
5	101271-03-AF1	EA	Fender Panel - Front Right
6	084714-08-000	EA	Fender Panel - Rear Left
	084714-07-000	EA	Fender Panel - Rear Right
	M01615-11-B38	EA	Roof Cap - Front Cab

EXTERIOR BODY GROUP (CONTINUED)



WINDSHIELD WIPER & DRIVE ASSEMBLY

Key	Part Number	U/M	Description
1	095964-01-000	EA	Blade - Wiper - 24"
2	096526-01-000	EA	Hex Bolt - Serrated Flange - 1/4" - 8 UNF
3	094834-01-000	EA	Support Bracket - Motor Asm.
4	104355-02-000	EA	Motor Asm. w/Drive Arm
	067186-01-000	EA	Stud - Arm Drive
5	067192-01-000	EA	Connecting Link Asm.
6	096505-01-000	EA	Pivot Shaft Asm.
7	056000-02-000	EA	Washer Asm. - w/o Nozzles
8	096931-01-700	FT	Hose - Washer
9	067193-03-000	EA	Connecting Link Asm.
11	077049-01-000	EA	Acorn Nut - Control Arm
12	095963-01-000	EA	Wiper Arm - 28"
	096931-01-701	EA	Nozzle Hardware Kit - Washer
	091900-01-702	EA	Wiper Control Module

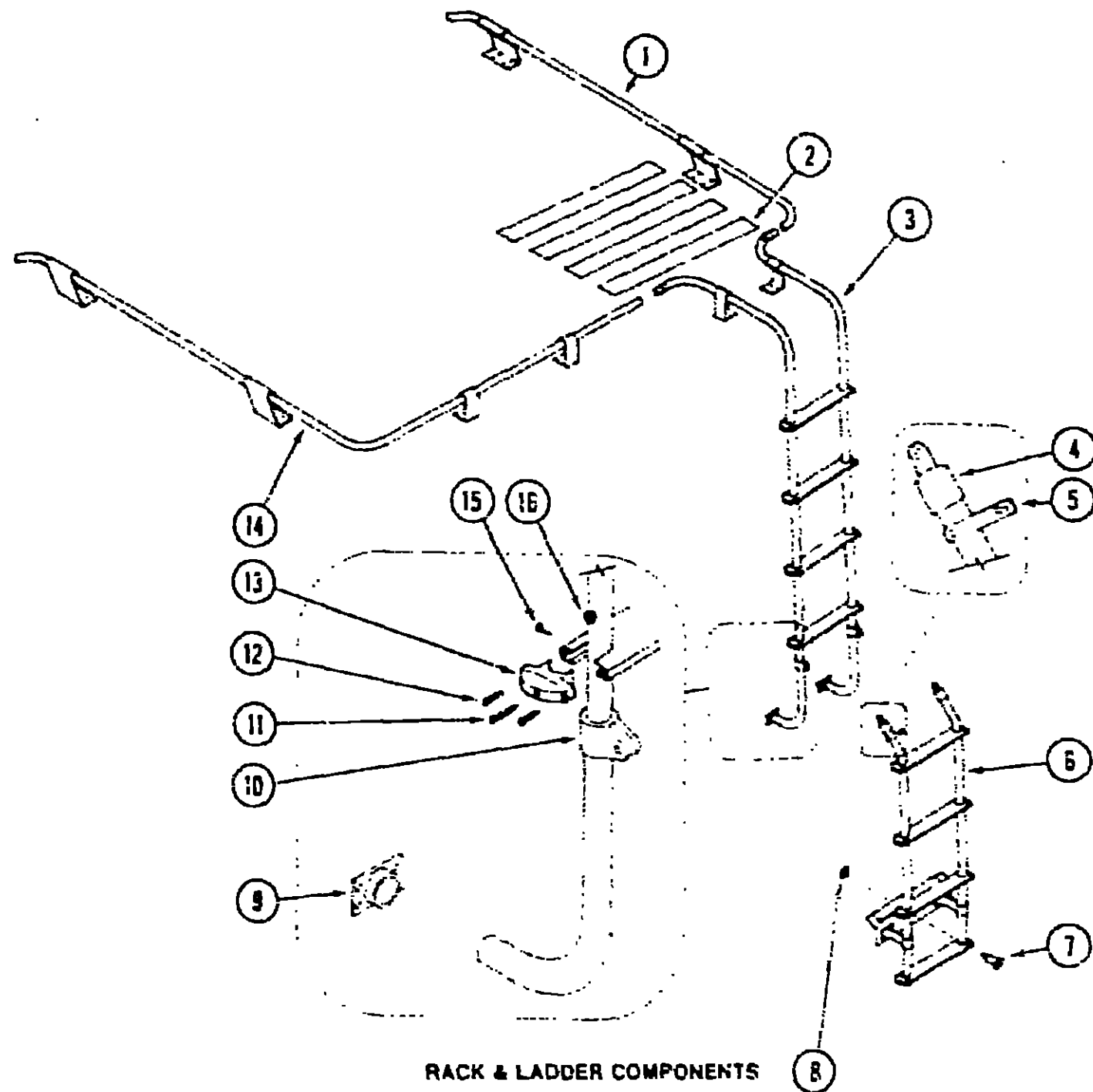
**1991 ITASCA
TABLE OF CONTENTS**

INTRODUCTION	A-01 - A-02
ABBREVIATIONS	A-03
ALPHABETICAL GROUP REFERENCE	A-04 - A-06
IC/FP33RQ	A-07 - D-24
IC/FP37RQ	E-01 - H-20

1991 IC/FP37RQ INDEX

Floor Plan	E-01 - E-02
Accessories Group	E-03 - E-05
Bath Group	E-06 - E-08
Bedroom Group	E-09 - E-13
Chassis Group	E-14 - F-04
Curain, Cushion & Pad Group	F-05 - F-13
Dinette Group	F-14 - F-16
Driver's Compartment Group	F-17 - F-21
Electrical Group	F-22 - G-01
Exterior Body Group	G-02 - G-09
Galley Group	G-10 - G-14
Heating & Air Conditioning Group	G-15 - G-17
Interior Finish Group	G-18 - G-19
Labels Group	G-20
LP Group	G-21
Lounge Group	G-22 - H-01
Sealants & Fasteners Group	H-02 - H-03
Water & Sewage Group	H-04 - H-06
Window, Vent & Exterior Door Group	H-07 - H-19

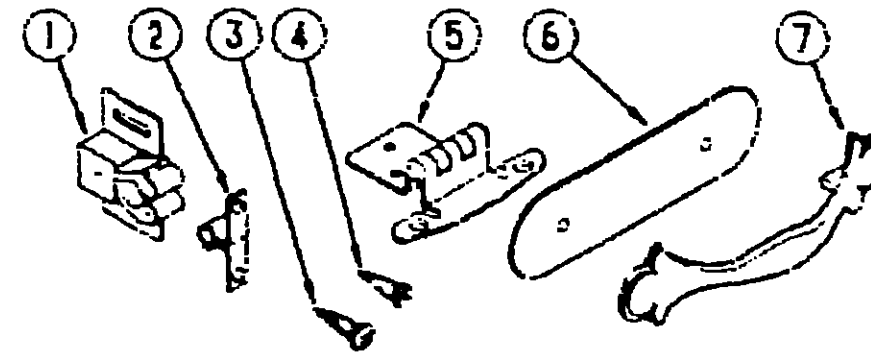
EXTERIOR BODY GROUP (CONTINUED)



RACK & LADDER COMPONENTS

Key	Part Number	U/M	Description
1	081026-17-B16	EA	Rack Asm. - Passenger Side
2	038327-01-000	EA	Tape - Anti-Slip - 2' x 60'
3	094823-01-AC1	EA	Ladder Asm. - Upper
4	081115-01-000	EA	Top Cap - 1"
5	080873-01-000	EA	Latch - Lower Ladder
6	094824-01-AC1	EA	Ladder Asm. - Lower
7	081055-01-000	EA	Pin - Quick Release
8	081055-01-000	EA	Springgrip - Internal Tooth Washer
9	067165-01-000	EA	Mounting Bracket
10	081116-01-000	EA	Side Bracket
11	000G56-10-36U	EA	Screw
12	000G33-06-10U	EA	Screw
13	076960-02-000	EA	Step Cap - Black
14	081026-18-B16	EA	Rack Asm. - Driver Side
15	000G33-08-15U	EA	Screw
16	081113-01-000	EA	Bushing - Plastic Flange - White
	081114-01-000	EA	Cap Insert - Round - 1" Dia

GALLEY GROUP



CABINET HARDWARE (DOORS & CABINETS)

Key	Part Number	U/M	Description
1	093556-03-000	EA	Roller Catch
2	093556-04-000	EA	Steel Strike
3	000G68-06-10G	EA	Screw #5 - 18 x 625" POH - Antique Brass - Hinge to Cabinet
4	000G13-06-10G	EA	Screw #6 - 20 x 625" PFH - Antique Brass - Hinge to Door
5	059777-02-000	EA	Hinge - Burnished Brass (Doors)
6	100995-01-000	EA	Brass Backplate
7	100273-01-000	EA	Pull Handle

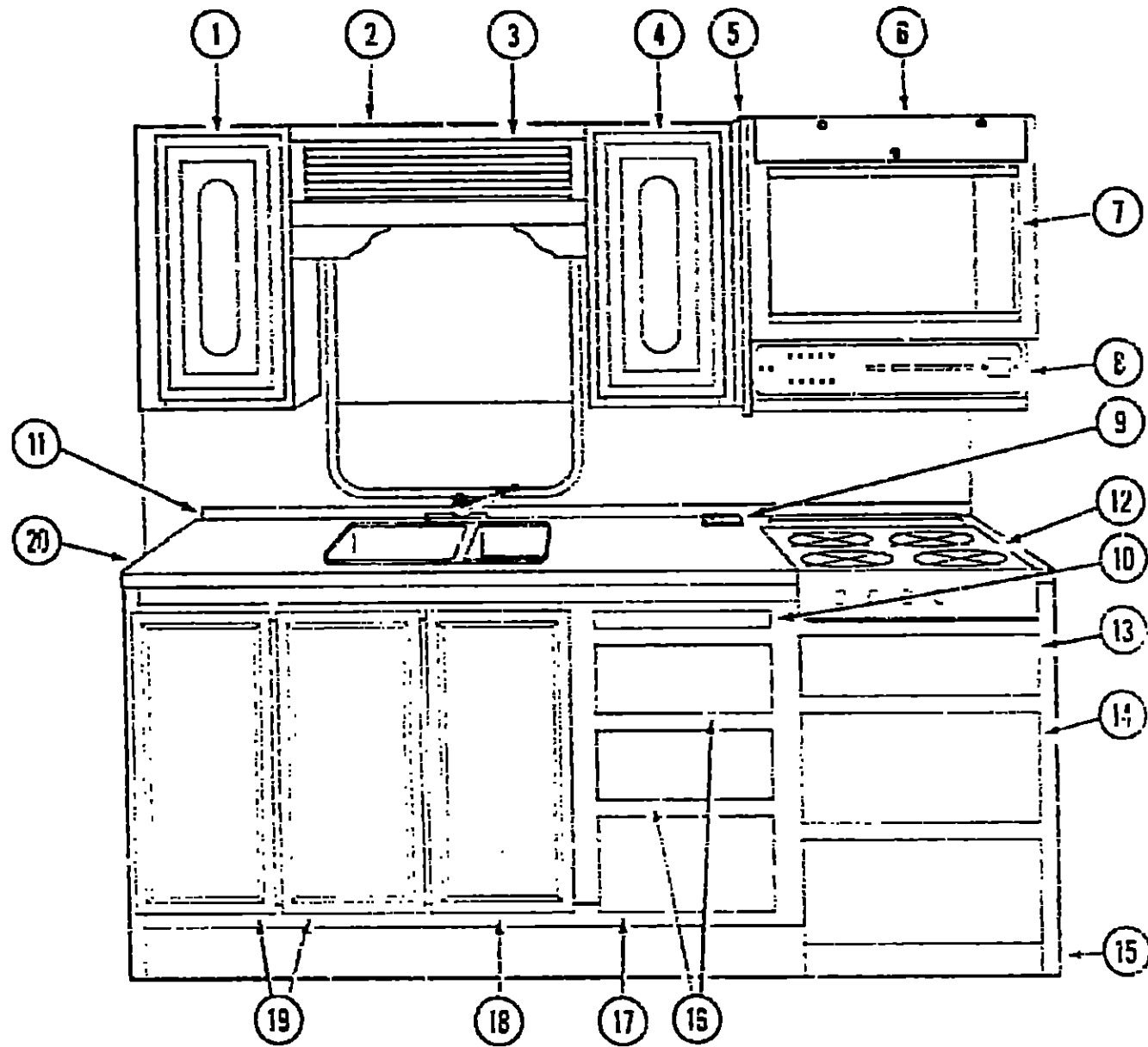
**1991 ITASCA
TABLE OF CONTENTS**

INTRODUCTION	A-01 - A-02
ABBREVIATIONS	A-03
ALPHABETICAL/GROUP REFERENCE	A-04 - A-06
IC/FP33RQ	A-07 - D-24
IC/FP37RQ	E-01 - H-20

1991 IC/FP37RQ INDEX

Floor Plan	E-01 - E-02
Accessories Group	E-03 - E-05
Bath Group	E-06 - E-08
Bedroom Group	E-09 - E-13
Chassis Group	E-14 - F-04
Curtain, Cushion & Pad Group	F-05 - F-13
Dinette Group	F-14 - F-16
Driver's Compartment Group	F-17 - F-21
Electrical Group	F-22 - G-01
Exterior Body Group	G-02 - G-09
Galley Group	G-10 - G-14
Heating & Air Conditioning Group	G-15 - G-17
Interior Finish Group	G-18 - G-19
Labels Group	G-20
LP Group	G-21
Lounge Group	G-22 - H-01
Sealants & Fasteners Group	H-02 - H-03
Water & Sewage Group	H-04 - H-06
Window, Vent & Exterior Door Group	H-07 - H-19

GALLEY GROUP (CONTINUED)



CABINETRY

Key	Part Number	UM	Description
1	P00533-94-B39 092428-05-000	EA	Door Asm. - Overhead Cabinet - w/o Hardware
2	M05057-03-B35	EA	Glass - Door Asm. - Overhead Cabinet
3	101647-15-B38 057882-04-000 097191-01-B35	EA	Cabinet Asm. - Overhead - w/o Doors
4	P00523-90-B38 092428-05-000	EA	Door Asm. - Overhead Cabinet - Tambour - w/o Hardware
5	101646-01-B38	EA	Tambour Door
6	100708-04-000 100711-01-01A 100710-01-01A	EA	Handle - Tambour Door
7	112479-01-010	EA	Door Asm. - Overhead Cabinet - w/o Hardware
8	100258-08-01A	EA	Glass - Door Asm. - Overhead Cabinet
9	09258-09-01A	EA	End Cap Asm. - Microwave
10	100258-19-01A	EA	Glass Door - Tinted - w/o Hardware
11	100258-20-01A	EA	Hinge - Glass Door
12	092238-01-B28	EA	Twist Lock - Glass Door - Brass
13	092282-01-000	EA	Microwave/Convection Oven - Panasonic - IN-N6500
14	101646-16-B38	EA	Range Hood w/Monitor Panel (USA) (Used thru 9-1-91)
15	09258-09-01A	EA	Range Hood w/Monitor Panel (USA) (Used thru 9-1-91)
16	100258-19-01A	EA	Range Hood w/Monitor Panel (USA) (Used from 9-2-91)
17	100258-20-01A	EA	Range Hood w/Monitor Panel (USA) (Used from 9-2-91)
18	092238-01-B28	EA	Knife Holder - Oak
19	092282-01-000	EA	Spoon - Knife Holder - Metal
20	101646-16-B38	EA	Cutting Board Asm. - Maple
	092090-20-B16	EA	Backsplash - 83" (Side Wall)
	092090-13-B16	EA	Backsplash - 26 3/4" (Refrigerator Cabinet)
	102019-01-B3A	EA	Range Top - 4 Burner - Black - Magic Chef BT25RKA
	102020-01-B2A	EA	Range w/Oven - 4 Burner - Black - Magic Chef BT25TKA
	P00003-02-B35	EA	Drawer Asm. - Galley Cabinet - w/o Hardware (Used w/Range Top)
	P00003-12-B35	EA	Drawer Asm. - Galley Cabinet - w/o Hardware (Used w/Range Top)
	M00058-01-B35	EA	Cabinet Asm. - Galley w/Range Top - w/o Doors or Drawers
	M00058-02-B35	EA	Cabinet Asm. - Galley w/Oven - w/o Doors or Drawers
	P00003-03-B35	EA	Drawer Asm. - Galley Cabinet - w/o Hardware
	P00003-04-B35	EA	Drawer Asm. - Galley Cabinet - w/o Hardware
	P00523-93-B35	EA	Door Asm. - Galley Cabinet - w/o Hardware
	P00523-99-B00	EA	Door Asm. - Galley Cabinet - w/o Hardware
	101646-11-B35	EA	Countertop Asm.
	101910-01-001	EA	Slide Asm. - Cabinet - Set of 2)
	101910-02-000	EA	Slide Asm. - Drawer - Set of 2)
	M09092-01-B28	EA	Mounting Asm. - w/o Brackets
	102769-01-01A	EA	Mounting Bracket - Mandrel - Brass

1991 ITASCA TABLE OF CONTENTS

INTRODUCTION	A-01 - A-02
ABBREVIATIONS	A-03
ALPHABETICAL GROUP REFERENCE	A-04 - A-05
IC/FP37RQ	A-07 - D-24
IC/FP37RQ	E-01 - H-20

1991 IC/FP37RQ INDEX

Floor Plan	E-01 - E-02
Accessories Group	E-03 - E-05
Bath Group	E-06 - E-08
Bedroom Group	E-09 - E-13
Chassis Group	E-14 - F-04
Curtain, Cushion & Pad Group	F-05 - F-13
Dinette Group	F-14 - F-18
Driver's Compartment Group	F-17 - F-21
Electrical Group	F-22 - G-01
Exterior Body Group	G-02 - G-09
Galley Group	G-10 - G-14
Heating & Air Conditioning Group	G-15 - G-17
Interior Finish Group	G-18 - G-19
Labels Group	G-20
LP Group	G-21
Lounge Group	G-22 - H-01
Sealants & Fasteners Group	H-02 - H-03
Water & Sewage Group	H-04 - H-05
Window, Vent & Exterior Door Group	H-07 - H-19

GALLEY GROUP (CONTINUED)

APPLIANCES

Key	Part Number	U/M	Description
	094039-01-690	EA	Refrigerator - w/Large Double Door
	094039-01-690	EA	Refrigerator - w/Large Double Door - w/Ice Maker
	094039-01-700	EA	PC Board Asm. - 2-Way
	094039-01-701	EA	Electron Shell - 2-Way
	094039-01-702	EA	Power Supply - 2-Way
	094039-01-703	EA	Basket - Upper - Gray
	094039-01-704	EA	Hinge Plate - Left Hand
	094039-01-705	EA	Upper Door Liner - White
	094039-01-706	EA	Upper Door Handle Asm.
	094039-01-707	EA	Hinge Plate - Right Hand (Top) - Left Hand (Bottom)
	094039-01-708	EA	Door Bin - Gray w/Silver Trim
	094039-01-709	EA	Door Basket - Lower - Gray
	094039-01-710	EA	Lower Door Liner - Black/White
	094039-01-711	EA	Lower Door Handle Asm.
	094039-01-712	EA	Door Bin - Gray w/Silver Trim
	094039-01-713	EA	Door Basket - Lower - Gray
	094039-01-714	EA	Lower Door Liner - Black/White
	094039-01-715	EA	Lower Door Handle Asm.
	094039-01-716	EA	Door Bin - Gray w/Silver Trim
	094039-01-717	EA	Door Basket - Lower - Gray
	094039-01-718	EA	Lower Door Liner - Black/White
	094039-01-719	EA	Lower Door Handle Asm.
	094039-01-720	EA	Door Bin - Gray w/Silver Trim
	094039-01-721	EA	Cabinet - Black - Frame/White Liner
	094039-01-722	EA	Hole Plate - Hinge Holes
	094039-01-723	EA	Hinge Bracket - Right Hand (Top) - Left Hand (Bottom)
	094039-01-724	EA	Hinge Bracket - Left Hand (Top) - Right Hand (Bottom)
	094039-01-725	EA	Hinge Pin - Male
	094039-01-726	EA	Evaporator Shell
	094039-01-727	EA	Hinge Bracket - Center Hinge
	094039-01-728	EA	Hinge Pin Shell - Center Hinge
	094039-01-729	EA	Crisper - Gray w/Silver Trim
	094039-01-730	EA	Front Cover - Black Bottom Trim
	094039-01-731	EA	Wire Shell - Middle
	094039-01-732	EA	Wire Shell - Top w/Fuser
	094039-01-733	EA	Ice Cube Bin
	094039-01-734	EA	Light Switch - Black
	094039-01-735	EA	Manual Shut-Off - Harder Wymar
	094039-01-736	EA	Shut-Off - Output
	094039-01-737	EA	Ice Maker Asm.
	094039-01-738	EA	Ice Cube Bin
	094039-01-739	EA	Tall Wire Shelf - Freezer
	094039-01-740	EA	Short Wire Shelf - Freezer
	094039-01-741	EA	Water Fill Valve
	094039-01-742	EA	Ball - Refrigerator - Back
	094039-01-743	EA	Ball - Refrigerator - Lower
	094039-01-744	EA	Tiedown Plate - Refrigerator
	094039-01-745	EA	Level - Refrigerator
	094039-01-746	EA	Range Top - 4 Burner - Black
	094039-01-747	EA	Bumper - Main Top - Magic Chef 5003P038-60
	094039-01-748	EA	Strainer Smt.
	094039-01-749	EA	Cartridge - Water Filter
	094039-01-750	EA	Cutting Board - Maple
	094039-01-751	EA	Wire Towel Rack - Almond
	094039-01-752	EA	Silverware Tray - Almond
	094039-01-753	EA	Wall Clock - Oval
	094039-01-754	EA	Mounting Plate - Wall Clock
	094039-01-755	EA	Trash Container

GALLEY GROUP (CONTINUED)

APPLIANCES (CONTINUED)

Key	Part Number	U/M	Description
	102020-01-709	EA	Bumper - Grate - Magic Chef 5007P018-60
	102020-01-703	EA	Regulator - Pressure - Magic Chef 7516P031-60
	102020-01-722	EA	Valve - Top Burner - Magic Chef 7502P095-60
	102020-01-719	EA	Top - Main - Black - Magic Chef 2001F055-60
	102019-01-704	EA	Trim - Left (Black)
	102019-01-703	EA	Trim - Right (Black)
	102020-01-711	EA	Grate - Top - Magic Chef 7516P012-60
	102019-01-705	EA	Trim - Rear (Black)
	102019-01-705	EA	Panel Manifold
	102019-01-707	EA	Trim - Left - Flat
	102019-01-708	EA	Trim - Right - Flat
	102021-02-02A	EA	Cover - Range - Bi-Fold - Black
	102020-01-72A	EA	Range w/Large Oven - 4 Burner - Black
	102020-01-700	EA	Range - Oven Shell
	102020-01-701	EA	Range - Oven Door Handle
	102020-01-702	EA	Range - Manifold Panel
	102020-01-715	EA	Range - Manifold Pipe
	102020-01-704	EA	Range - Door Panel - Black
	102020-01-705	EA	Range - Cabinet Trim - Left - Black
	102020-01-706	EA	Range - Cabinet Trim - Right - Black
	102020-01-709	EA	Range - Burner Asm. - Oven
	102020-01-709	EA	Range - Grate Bumper
	102020-01-710	EA	Range - Pilot Filter
	102020-01-711	EA	Range - Top Grate
	102020-01-712	EA	Range - Knob - Burner Valve
	102020-01-713	EA	Range - Thermostat Knob
	102020-01-717	EA	Range - Thermostat
	102020-01-714	EA	Range - Pilot - Oven
	102020-01-715	EA	Range - Pressure Regulator
	102020-01-719	EA	Range - Main Top - 4 Burner - Black
	102020-01-720	EA	Range - Mercury Valve
	102020-01-721	EA	Range - Shut-Off Valve
	102020-01-722	EA	Range - Top Burner Valve
	102020-01-723	EA	Range - Pilot - Burner
	102020-01-724	EA	Range - Bumper - Main Top
	102020-01-725	EA	Range - Oven Door Glass
	102020-01-726	EA	Range - Vent Deflector
	102020-01-727	EA	Range - Trim - Flat - Left
	102020-01-728	EA	Range - Trim - Flat - Right
	102021-02-02A	EA	Cover - Range - Bi-Fold - Black
	032482-02-000	EA	Tiedown Bracket - Range w/Large Oven - Left
	052482-01-000	EA	Tiedown Bracket - Range w/Large Oven - Right
	102479-01-000	EA	Microwave/Convection Oven - Panasonic MN8500
	102482-01-B16	EA	Frame Asm. - Microwave/Convection Oven
	031821-02-000	EA	Trim - Microwave/Convection Oven - Top - Black
	102455-01-01A	EA	Trim - Microwave/Convection Oven - Right - Black
	102455-02-01A	EA	Trim - Microwave/Convection Oven - Left - Black
	102455-01-000	EA	Support Asm. - Bottom - Microwave/Convection Oven
	102455-01-000	EA	Baffle Asm. - Microwave/Convection Oven
	102452-01-000	EA	Strap - Microwave/Convection Oven
	100258-08-01A	EA	Range Hood - w/Monitor Panel (USA) (Used thru 9-1-91)
	100258-08-700	EA	Circuit Board
	100258-03-701	EA	Fan Switch - 2 Speed
	100258-09-01A	EA	Range Hood - w/Monitor Panel (CSA) (Used thru 9-1-91)
	100258-09-700	EA	Control Panel Asm.
	100258-09-701	EA	Face Plate - Screened
	100258-19-01A	EA	Range Hood - w/Monitor Panel (USA) (Used from 9-2-91)
	100258-20-01A	EA	Range Hood - w/Monitor Panel (CSA) (Used from 9-2-91)
	097618-01-000	EA	Wire Asm. - Monitor Panel
	091244-02-000	EA	Sink - Double Bowl - Stainless - 25" x 22"
	091267-01-000	EA	Galley Faucet - Single Control - w/Spray

**1991 ITASCA
TABLE OF CONTENTS**

INTRODUCTION	A-01 - A-02
ABBREVIATIONS	A-03
ALPHABETICAL/GROUP REFERENCE	A-04 - A-06
IC/FP33RQ	A-07 - D-24
IC/FP37RQ	E-01 - H-20

1991 IC/FP37RQ INDEX

Floor Plan	E-01 - E-02
Accessories Group	E-03 - E-05
Bath Group	E-06 - E-08
Bedroom Group	E-09 - E-13
Chassis Group	E-14 - F-04
Curtain, Cushion & Pad Group	F-05 - F-13
Dinette Group	F-14 - F-16
Driver's Compartment Group	F-17 - F-21
Electrical Group	F-22 - G-01
Exterior Body Group	G-02 - G-09
Galley Group	G-10 - G-14
Heating & Air Conditioning Group	G-15 - G-17
Interior Finish Group	G-18 - G-19
Labels Group	G-20
LP Group	G-21
Lounge Group	G-22 - H-01
Sealants & Fasteners Group	H-02 - H-03
Water & Sewage Group	H-04 - H-05
Window, Vent & Exterior Door Group	H-07 - H-19

HEATING & AIR CONDITIONING GROUP

AUTOMOTIVE HEATER/AIR CONDITIONER

Key	Part Number	U/M	Description
	103930-01-000	EA	Heater/Evaporator Asm. - Complete - SCS 090-0041
	103930-01-700	EA	Rod I/Bend Air Door - SCS 073-0017
	103930-01-701	EA	Door Panel I/Bend Air Door - SCS 071-0123
	103930-01-702	EA	Door Gasket I/Bend Air Door - SCS 045-0069
	103930-01-703	EA	Coil Heater - SCS 042-0010
	103930-01-705	EA	Valve - Exp. Block - SCS 034-0019
	103930-01-706	EA	O Ring Gasket - #5 - SCS 045-0010
	103930-01-707	EA	O Ring Gasket - #10 - SCS 045-0012
	103930-01-708	EA	Bracket - Vacuum Motor - SCS 072-0113
	103930-01-709	EA	Vacuum Motor - SCS 030-0002
	103930-01-710	EA	Fused Resistor I/Air Conditioner - SCS 035-0008
	103930-01-711	EA	Thermostat - SCS 033-0003
	103930-01-712	EA	O Ring Gasket - SCS 045-0011
	103930-01-713	EA	Quick Connect Fitting - #4 - SCS 050-0030
	103930-01-714	EA	Quick Connect Fitting - #10 - SCS 050-0031
	103930-01-715	EA	Binary Switch - SCS 032-0033
	103930-01-716	EA	Fan Pressure Switch - SCS 032-0035
	103930-01-717	EA	Blower Wheel - SCS 042-0010
	103930-01-718	EA	Hose Asm. - #6 - SCS 051-0035
	103930-01-719	EA	Hose Asm. - #10 - SCS 051-0017
	103930-01-720	EA	Blower Motor - SCS 030-0002
	103930-03-000	EA	Control Plenum Set - SCS 093-0035
	103930-03-700	EA	Decal - SCS 058-0017
	103930-02-700	EA	Control Panel - Air Conditioner - SCS 032-0018
	103930-03-701	EA	Valve - SCS 034-0015
	103930-03-703	EA	Wire Control Harness - SCS 035-0062
	103930-03-704	EA	Vacuum Control Harness - SCS 035-0049
	103930-03-705	EA	Control Cable - 72" - SCS 074-0011
	103930-03-706	EA	Cable Control Clip - SCS 022-0017
	103930-03-707	EA	Relay - SCS 031-0001
	103930-03-708	EA	Vacuum Servo Motor - Air Conditioner - SCS 030-0002
	103930-03-709	EA	Vacuum Servo Motor - Defroster - SCS 030-0020
	103930-03-710	EA	Vacuum Canister - SCS 054-0012
	103930-03-711	EA	Water Valve - SCS 034-0014
	103930-05-000	EA	Owners Manual - Heater/Air Conditioner - SCS 057-0049
	007108-01-000	FT	Hose - Heater - 5/8" ID
	007076-01-000	FT	Hose - Flexible - 2" ID
	007281-01-000	FT	Hose - Flexible - 2 1/2" ID
	024990-01-000	EA	Defroster Outlet w/Serve - 2" Tan
	056402-02-000	EA	Heater Bracket w/Bend - Tan
	076783-02-000	EA	Louver Asm. - Air Conditioner - Adjustable Vent
	077075-01-000	EA	Gasket - Instrument Panel to Defroster Plenum - 280MM ID
	077075-02-000	EA	Gasket - Instrument Panel to Defroster Plenum - 260MM ID
	094831-03-000	EA	Wire Asm. - A/C Compressor - SCS 035-0054
	095342-01-000	EA	Connector Wye 1/2.5" ID Flexible Hose
	103017-01-000	EA	Defroster Plenum
	103347-01-000	EA	Wire Asm. - Cooling Fan Adapter (1991 Chevrolet)
	065000-01-000	EA	Air Conditioner Shield
	072343-05-000	EA	Compressor w/Clutch (Chevrolet)
	072343-06-000	EA	Compressor w/Clutch (Ford)

HEATING & AIR CONDITIONING GROUP (CONTINUED)

FURNACE

Key	Part Number	U/M	Description
	092300-05-000	EA	Furnace - 34,000 BTU - Suburban NT348W
	092300-03-700	EA	Orifice - Main Burner
	092300-03-701	EA	Motor Asm
	092300-03-702	EA	Housing - Combination Air Asm.
	092300-11-000	EA	Vent Kit
	092300-05-000	EA	Gasket - Fiberglass
	092300-10-000	EA	Front Face - Top Discharge
	090039-05-000	EA	Furnace - 30,000 BTU - Suburban NT30
	090039-05-701	EA	Combustion Chamber Assembly
	090039-05-702	EA	Manifold Gasket
	090039-05-703	EA	Manifold Pipe Assembly
	090039-05-705	EA	Combustion Air Wheel
	090039-05-706	EA	Combustion Housing Asm
	090039-05-707	EA	Motor Gasket
	090039-05-708	EA	Crossover Tube Gasket (Housing)
	090039-05-709	EA	Crossover Tube Gasket
	090039-05-710	EA	Crossover Tube Gasket (Chamber)
	090039-05-711	EA	Blower Housing Asm.
	091889-01-000	FT	Flexible Duct - 4" Diameter
	091889-01-000	EA	Tee - 4" Diameter - w/Galvanized Damper
	058464-05-000	EA	Tee - 4" Diameter
	058464-04-000	EA	Register - 4" Diameter Plastic - w/Damper
	093365-01-000	EA	Register - 4" Diameter Plastic - w/Damper
	093200-01-000	EA	Thermostat
	023145-01-000	EA	Furnace Tape - 1 1/2"
		EA	Screw Clamp - 4"

ROOF AIR CONDITIONING

Key	Part Number	U/M	Description
	093765-01-02A	EA	Air Conditioner - Roof Mount - Gray
	093765-01-700	EA	Decal Package
	093765-01-701	EA	Overload
	093765-01-702	EA	Evaporator
	093765-01-703	EA	Selector Switch
	093765-01-704	EA	Decal - "Cool"
	093765-01-705	EA	Decal - "Heat & Cool"
	093765-01-706	EA	Motor
	093765-01-707	EA	Spring
	093765-01-708	EA	Paintout
	093765-01-709	EA	Shroud - Off White
	093765-02-000	EA	Ceiling Asm.
	073937-03-000	EA	Selector Switch - Rotary (w/2 Air Conditioner)
	058238-01-000	EA	Cover - A/C Selector Switch (Used with 6.5 kw Generator)
	058238-02-000	EA	Cover - A/C Selector Switch (Used with 4 kw Generator)
	092440-01-000	EA	Air Conditioner - Roof Mount - Export 220V 50 HZ
	092441-01-000	EA	Ceiling Asm.
	093765-03-000	EA	Thermostat

1991 ITASCA TABLE OF CONTENTS

INTRODUCTION	A-01 - A-02
ABBREVIATIONS	A-03
ALPHABETICAL/GROUP REFERENCE	A-04 - A-05
IC/FP37RQ	A-07 - D-24
OFFPRINTS	E-01 - H-20

1991 IC/FP37RQ INDEX

Floor Plan	E-01 - E-02
Accessories Group	E-03 - E-05
Bath Group	E-06 - E-08
Bedroom Group	E-09 - E-13
Chassis Group	E-14 - E-24
Curtain, Cushion & Pad Group	F-05 - F-13
Dinette Group	F-14 - F-16
Driver's Compartment Group	F-17 - F-21
Electrical Group	F-22 - G-01
Exterior Body Group	G-02 - G-09
Galley Group	G-10 - G-14
Heating & Air Conditioning Group	G-15 - G-17
Interior Finish Group	G-18 - G-19
Labels Group	G-20
LP Group	G-21
Lounge Group	G-22 - H-01
Sealants & Fasteners Group	H-02 - H-03
Water & Sewage Group	H-04 - H-06
Window, Vent & Exterior Door Group	H-07 - H-19

HEATING & AIR CONDITIONING GROUP (CONTINUED)

AUXILIARY REAR HEATER W/MOTOR AID

Key	Part Number	U/M	Description
	084405-01-000	EA	Heater Asm. - Rear - Ducted
	084405-01-700	EA	Heater Core
	084405-01-701	EA	Fan
	064405-01-702	EA	Motor - 12 Volt Asm.
	069535-02-000	EA	Connector - 4" Duct
	009198-01-000	FT	Duct - Flexible - 4" ID x 25'
	023146-01-000	EA	Clamp - Screw Type - 4"
	056464-04-000	EA	Register - 4" Dia. - Plastic - w/Damper
	068753-01-000	FT	Tube - Aluminized Steel - 5/8" - 18 Ga.
	008042-01-000	FT	Vinyl Tubing - .65
	062401-04-000	EA	Clamp - Hose - Wormgear - 69 - 1.25
	006383-01-000	EA	Bushing - Rubber - 5/8" x 1 1/2"
	007108-01-000	FT	Hose - Heater - 5/8" - Hi-Temp
	010227-01-000	EA	Tee - Plastic - Barb - 5/8" or 3/4" Hose
	051673-01-000	EA	Clamp - Motor Aid
	067202-02-000	EA	Switch - w/o Knob - 4 Position
	092977-01-000	EA	Knob - Switch - Rotary
	084410-02-000	EA	Decal - Rear Auto Heater
	010329-01-000	EA	Brass Adapter - 1/2" F x 1/2" MPT
	052957-02-000	EA	Plastic Elbow - 1/2" F x 1/2" MPT
	009200-01-000	EA	Furnace Tape - 1 1/2"

Key	Part Number	U/M	Description
	085284-32-000	FT	Batt Strip - Rambling Oak - Tape Adhesive
	085284-45-000	FT	Batt Strip - Glacier - Tape Adhesive Main Wall & Bedroom
	085284-45-000	FT	Batt Strip - Glacier - Tape Adhesive Galley & Dry Bath
	085283-59-000	EA	Batt Strip - Chameleon - Galley & Dry Bath
	085283-35-000	EA	Batt Strip - Travertine - Wet Bath
	058253-58-000	EA	Batt Strip - Glacier - Main Wall & Bedroom
	085229-04-000	EA	Batt Strip - Ivory - Ceiling
	009757-12-000	FT	Weking - Antique White
	009767-10-000	FT	Weking - Mahogany
	009778-12-000	FT	U-Channel - Country Forest 1"
	009778-11-000	FT	U-Channel - Ivory - 1"
	070504-01-000	FT	U-Channel - Light Brown - .65"
	070504-18-000	FT	U-Channel - Ivory - .65"
	070504-18-000	FT	U-Channel - Country Forest - .615"
	009509-21-000	EA	F Molding - Plastic Corner - Outside - 1" - Country Forest
	009512-22-000	EA	F Molding - Plastic Corner - Outside - 5" - Country Forest
	022992-11-000	FT	Molding - Reverse Cove - Ivory
	042357-15-000	FT	Corner Molding - Radius Plastic - Country Forest
	100182-10-B29	FT	Cap Molding - Wall
	100182-01-A51	FT	Molding - Chair Rail
	080176-04-000	FT	Corner Cap - Radius Plastic - Country Forest
	081521-02-007	FT	Corner Molding - Aluminum (Plastic Trim Holder)
	092707-01-02A	EA	Molding - Dark Wood - Table Leg
	052559-01-A45	FT	Trim - Accent - Bed

PANELING & COUNTERTOP

Key	Part Number	U/M	Description
	074497-17-000	SF	Paneling - Rambling Oak - Wall & Cabinets - 48" x 96"
	069351-03-000	SF	Paneling - Ceiling Headliner - Vinyl
	079666-01-000	SF	Paneling - Cedar - Closet
	069272-73-000	SF	Paneling - Glacier - Main Wall & Bedroom - 48" x 84"
	069272-53-000	SF	Paneling - Chameleon - Galley & Dry Bath - 48" x 84"
	069272-72-000	SF	Paneling - Travertine - Wet Bath - 48" x 84"
	074499-36-000	SF	Laminate - Plastic - Dinette - 5' x 84"
	085217-05-000	EA	Countertop - Galley - Avonite - Almond
	000621-01-000	SF	Veneer - Flat Luana - 45" x 95"
	069297-01-000	SF	Plywood - Luana - Overlay Grade - 48" x 95"
	000955-46-000	SF	Particle Board - 3/8" One Sided - Rambling Oak - 49" x 97"
	000955-47-000	SF	Particle Board - 3/4" One Sided - Rambling Oak - 49" x 97"
	000955-45-000	SF	Particle Board - 3/4" Two Sided - Rambling Oak - 49" x 97"
	076325-28-000	FT	Edgeband - Beige
	076325-25-000	FT	Edgeband - Rambling Oak

INTERIOR FINISH GROUP

MOLDINGS & TRIM

1991 ITASCA TABLE OF CONTENTS

INTRODUCTION	A-01 - A-02
ABBREVIATIONS	A-03
ALPHABETICAL/GROUP REFERENCE	A-04 - A-06
IC/FP37RQ	A-07 - D-24
IC/FP37RQ	E-01 - H-20

1991 IC/FP37RQ INDEX

Floor Plan	E-01 - E-02
Accessories Group	E-03 - E-05
Bath Group	E-06 - E-08
Bedroom Group	E-09 - E-13
Chester Group	F-14 - F-04
Curtain, Cushion & Pad Group	F-05 - F-13
Dinette Group	F-14 - F-16
Driver's Compartment Group	F-17 - F-21
Electrical Group	F-22 - G-01
Exterior Body Group	G-02 - G-09
Galley Group	G-10 - G-14
Heating & Air Conditioning Group	G-15 - G-17
Interior Finish Group	G-18 - G-19
Labels Group	G-20
LP Group	G-21
Lounge Group	G-22 - H-01
Sealants & Fasteners Group	H-02 - H-03
Water & Sewage Group	H-04 - H-06
Window, Vent & Exterior Door Group	H-07 - H-19

INTERIOR FINISH GROUP (CONTINUED)

FABRIC & CARPET

Key	Part Number	U/M	Description
	096068-73-000	YD	Fabric - Upholstery - Main (B38)
	096068-74-000	YD	Fabric - Upholstery - Main (B39)
	096068-89-000	YD	Fabric - Upholstery - Main (B46)
	096068-28-000	YD	Fabric - Upholstery - Accent (B38, B46)
	096068-75-000	YD	Fabric - Upholstery - Accent (B39)
	072303-76-000	YD	Fabric - Drapery - Taupe
	082273-63-000	YD	Fabric - Bedspread - Shrimp (B38, B46)
	066273-64-000	YD	Fabric - Bedspread - Azure (B39)
	096060-14-000	SY	Carpet - Deth Blue (B38, B46)
	096060-20-000	SY	Carpet - Aubergine (B39)
	092358-03-01A	SF	Flooring - Wood Parquet
	093485-01-000	SY	Carpet - Charcoal - Outside Storage Compartments
	075233-01-000	SY	Pad - Carpet - 3/8"
	079583-07-000	YD	Vinyl - 26 oz. - Bristle
	089351-01-000	YD	Vinyl - Headliner

MISCELLANEOUS

Key	Part Number	U/M	Description
	064499-01-000	EA	Fire Extinguisher - 1A10 B.C. (USA)
	094499-02-000	EA	Fire Extinguisher - 1A10 B.C. (CSA)
	101333-01-000	EA	Mounting Plate - Clock
	100793-01-01A	EA	Clock
	091075-02-000	EA	Floor Mat - Entrance
	031074-05-000	EA	Floor Mat - Driver (Chevrolet)
	091074-05-000	EA	Floor Mat - Driver (Ford)
	091072-02-000	EA	Floor Mat - Passenger
	054165-75-000	EA	Owners Manual - 1991
	072552-01-000	EA	Smoke Detector - w/9 Volt Battery (USA)
	072582-02-000	EA	Smoke Detector - w/9 Volt Battery (CSA)

LABELS GROUP

Key	Part Number	U/M	Description
	037207-05-000	EA	Label - Fuel Cap Removal (GM-15511753)
	052043-01-000	EA	Label - Unleaded Fuel
	075220-01-000	EA	Label - Exterior Load Warning
	079955-01-000	EA	Label - LPG - 80% Capacity
	074559-01-000	EA	Label - "LPG" (California Code)
	054531-01-000	EA	Label - LP Gas Only (USA)
	023769-01-000	EA	Label - LP Gas Only (CSA)
	039290-01-000	EA	Label - Warning - Exit
	047731-01-000	EA	Label - Emergency Exit
	006193-01-000	EA	Label - Exit - Escape Window
	097207-05-000	EA	Label - Fuel Cap Removal
	099589-01-000	EA	Label - Warning - Cancer/Toxicity (California Code)
	055259-01-000	EA	Label - Safety Check List
	055748-01-000	EA	Label - Caution - Battery Charging
	077955-01-000	EA	Label - Warning - Smoke Detector
	073993-01-000	EA	Label - LP Gas Odor Warning
	077510-01-000	EA	Label - Generator Prep
	050225-01-000	EA	Label - Warning - Stove Vent (USA)
	050222-01-000	EA	Label - Warning - Stove Vent (CSA)
	006167-01-000	EA	Label - Sewage
	006163-01-000	EA	Label - Waste Water
	073221-03-000	EA	Label - Towing Capacity
	097235-01-000	EA	Label - Cable Input
	097235-02-000	EA	Label - TV Outlet
	006064-01-000	EA	Label - Seat w/o Seat Belt (USA)
	006064-02-000	EA	Label - Seat w/o Seat Belt (CSA)
	035709-01-000	EA	Label - Warning - No Storage
	074953-01-000	EA	Label - Air Conditioner Selector Switch
	091224-02-000	EA	Label - Trailer Lighting
	091243-01-000	EA	Label - Air Conditioner Cover
	099509-01-000	EA	Label - Awning Installation
	039290-01-000	EA	Label - Warning - Exit
	006031-01-000	EA	Label - Potable Water Only
	054531-01-000	EA	Label - LP Gas Only
	055259-01-000	EA	Label - Safety Checklist
	090342-01-000	EA	Label - Vapor Relief
	092547-03-000	EA	Label - Circuit Breaker
	095505-01-000	EA	Label - Compartment - Not Sealed
	103272-01-000	EA	Label - Travel Latch
	006040-01-000	EA	Tag - Gas Refueling Warning (USA)
	006040-02-000	EA	Tag - Gas Refueling Warning (CSA)
	006062-01-000	EA	Tag - Electrical - 110 Volt Connection
	006019-01-000	EA	Tag - RVIA Approved - Plastic

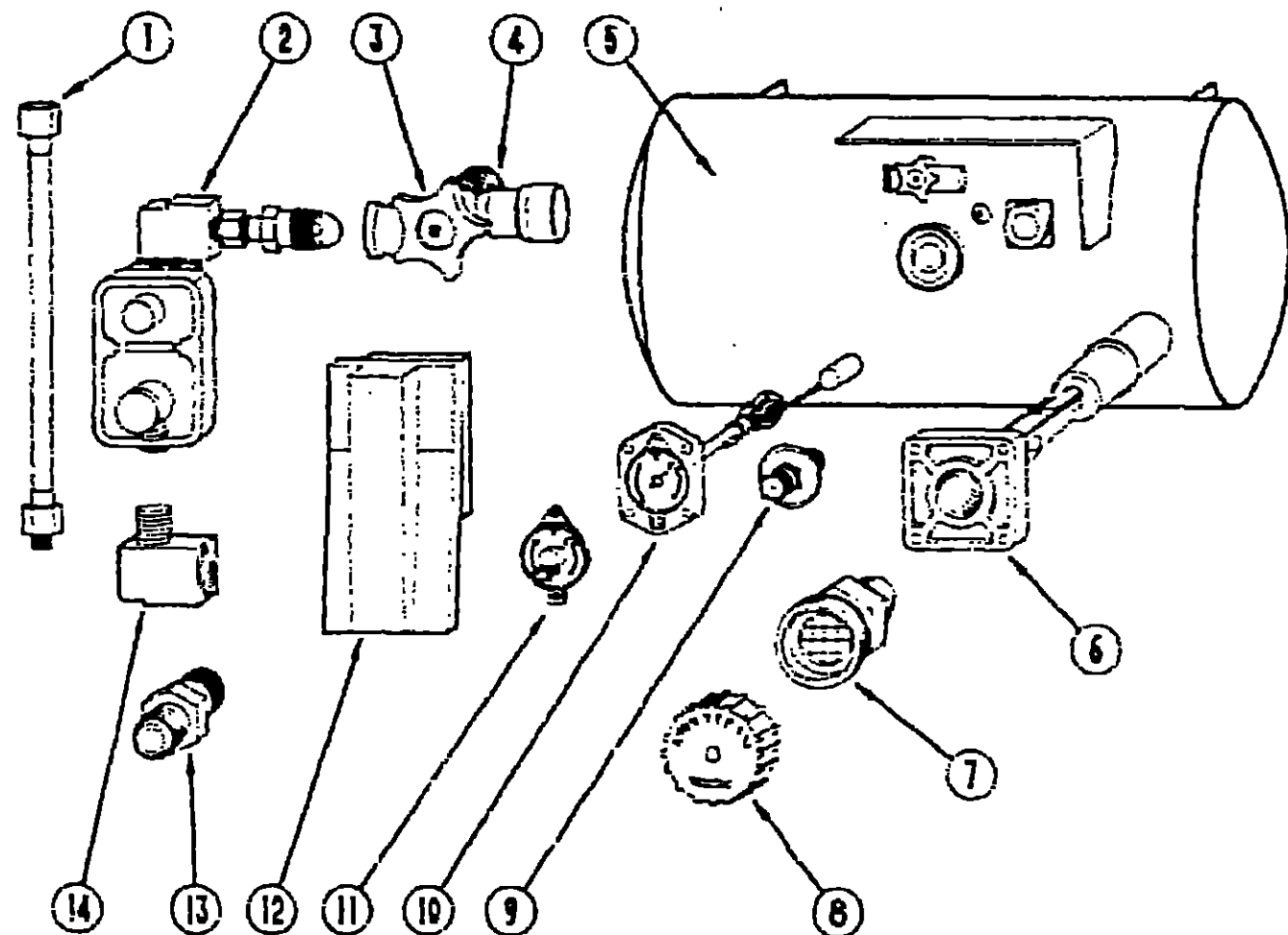
**1991 ITASCA
TABLE OF CONTENTS**

INTRODUCTION	A-01 - A-02
ABBREVIATIONS	A-03
ALPHABETICAL GROUP REFERENCE	A-04 - A-05
IC/FP37RQ	A-07 - D-24
IC/FP37RQ	E-01 - H-21

1991 IC/FP37RQ INDEX

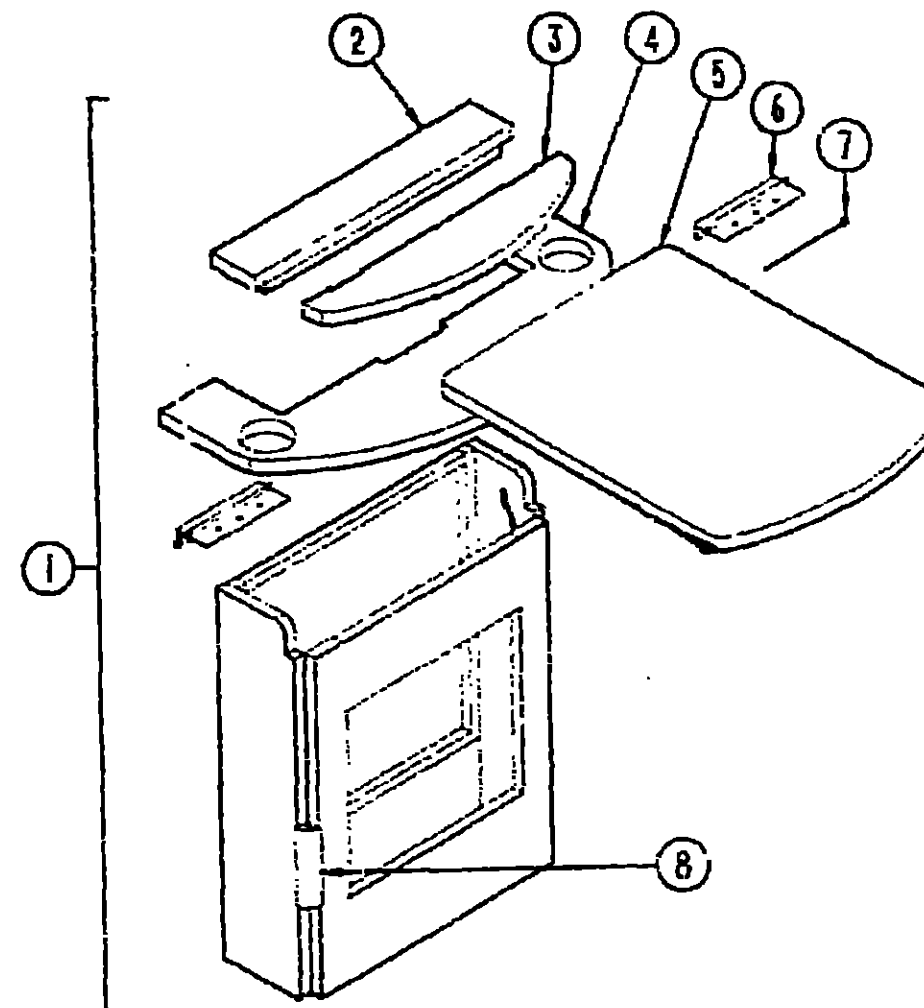
Floor Plan	E-01 - E-02
Accessories Group	E-03 - E-05
Bath Group	E-06 - E-08
Bedroom Group	E-09 - E-13
Chassis Group	F-14 - F-04
Curain, Cushion & Pad Group	F-05 - F-13
Dinette Group	F-14 - F-16
Driver's Compartment Group	F-17 - F-21
Electrical Group	F-22 - G-01
Exterior Body Group	G-02 - G-09
Galley Group	G-10 - G-14
Heating & Air Conditioning Group	G-15 - G-17
Interior Finish Group	G-18 - G-19
Labels Group	G-20
LP Group	G-21
Lounge Group	G-22 - H-01
Sealants & Fasteners Group	H-02 - H-03
Water & Sewage Group	H-04 - H-05
Window, Vent & Exterior Door Group	H-07 - H-19

LP GROUP



Key	Part Number	U/M	Description
1	045703-05-000	EA	Hose Asm. - LP - 3/8" ID x 25' (USA)
1	045703-05-000	EA	Hose Asm. - LP - 3/8" ID x 23' (CSA)
2	076501-01-000	EA	Regulator - Two Stage
3	040421-01-708	EA	Handwheel - Service Valve
4	040421-01-703	EA	Service Valve - Vapor Relief
5	063253-04-000	EA	LP Tank - 100 Pound - 16" Dia. x 36"
6	040421-01-711	EA	Inner Tank Valve - 60% Fill
7	040421-01-701	EA	Fill Valve
8	040421-01-702	EA	Fill Valve Cap
9	040421-01-700	EA	Liquid Level Gauge
10	040421-01-707	EA	Float Gauge
11	040440-02-000	EA	Dial - Visible Face - Float Gauge (w/Electric Transmitter)
12	031938-01-000	EA	Cover - LP Regulator
13	010323-01-000	EA	Adapter - Brass - 3/8" F x 1/2" MPT
14	065318-02-000	EA	Elbow - Brass - 90° - 3/8" MPT x 3/8" FPT
	065741-01-000	EA	Gauge - Diaphragm Pressure - Test Leak (Manometer)
	093380-01-000	EA	Coupler - Black Steel - 1/2" ID to 3/8" ID
	005042-01-000	FT	Vinyl Tubing - .65" ID
	016182-03-000	EA	Grommet - 3/8" - 2.5" Long

LOUNGE GROUP



Key	Part Number	U/M	Description
1	095928-03-B33	EA	Table Asm. - Pullout - w/o Magazine Rack
2	095928-14-B29	EA	Top Rear Shelf - Pullout Table
3	095928-13-B27	EA	Flip Up Cover - Pullout Table - w/o Hardware
4	095928-12-B23	EA	Bottom Support - Pullout Table - w/o Cup Holders
5	095928-11-B58	EA	Pullout Tabletop
6	079789-01-000	EA	Pullout Table Support - Beige
7	079921-01-000	EA	Nylon Roller w/Shaft
8	042357-15-000	EA	Corner Molding - Plastic - Country Forest
	081521-02-007	EA	Corner Molding - Aluminum (Plastic Corner Molding Holder)
	065740-01-000	EA	Corner Brace - Plastic
	009767-12-000	FT	Walling - Off White
	009059-01-000	EA	Hinge - 2" - Brass
	076325-25-000	FT	Edgeband - Rambling Oak
	074499-34-000	SF	Plastic Laminate - Rambling Oak
	060728-01-000	EA	Pull Handle - Pullout Tabletop
	004354-01-000	EA	Rubber Bumper - Brown
	054751-06-000	EA	Cup Holder - Two Step - Off White
	097203-01-B35	EA	Magazine Rack - Oak - w/15" Brass Rods
	094071-05-000	EA	Brass Rod - 15"

PULLOUT TABLE

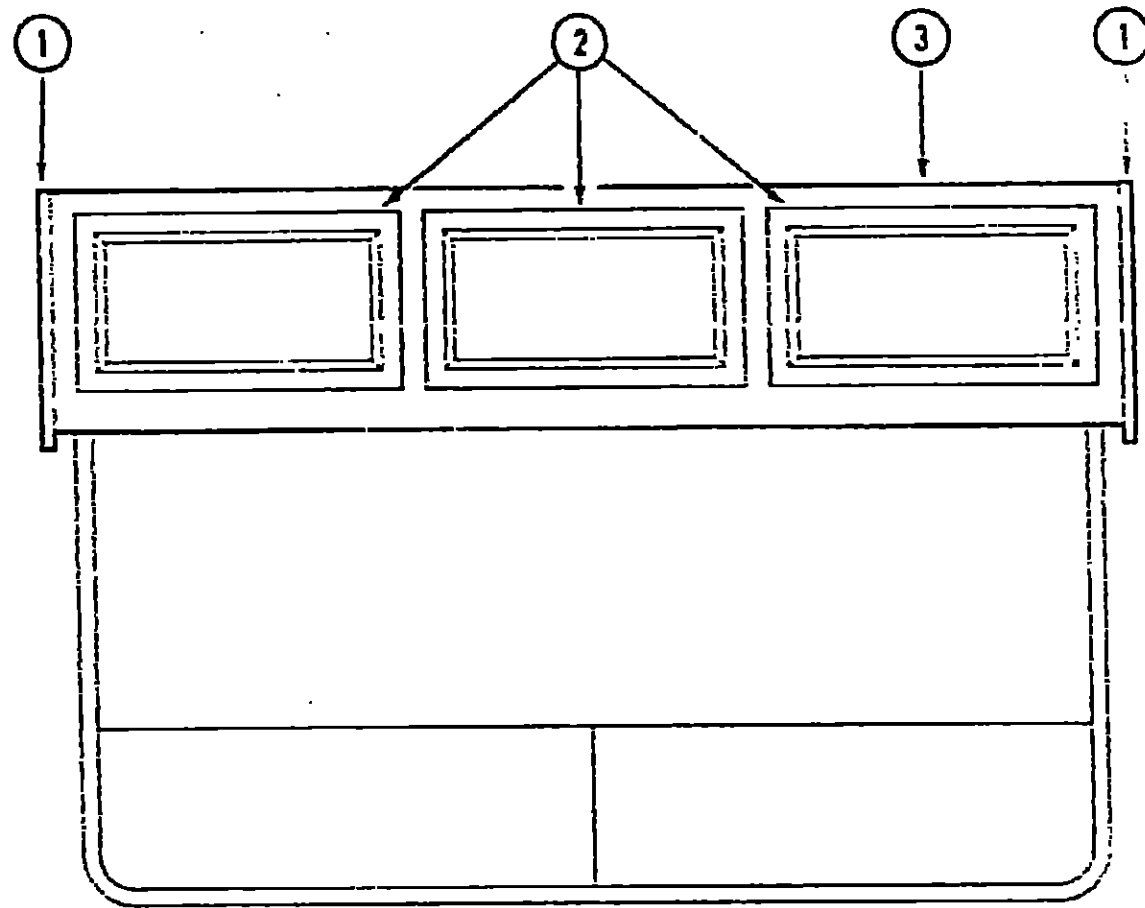
**1991 ITASCA
TABLE OF CONTENTS**

INTRODUCTION	A-01 - A-02
ABBREVIATIONS	A-03
ALPHABETICAL GROUP REFERENCE	A-04 - A-06
IC/FP37RQ	A-07 - D-24
IC/FP37RQ	E-01 - H-20

1991 IC/FP37RQ INDEX

Floor Plan	E-01 - E-02
Accessories Group	E-03 - E-05
Bath Group	E-06 - E-08
Bedroom Group	E-09 - E-13
Chassis Group	F-14 - F-04
Curtain, Cushion & Pad Group	F-05 - F-13
Dinette Group	F-14 - F-16
Driver's Compartment Group	F-17 - F-21
Electrical Group	F-22 - G-01
Exterior Body Group	G-02 - G-09
Galley Group	G-10 - G-14
Heating & Air Conditioning Group	G-15 - G-17
Interior Finish Group	G-16 - G-19
Labels Group	G-20
LP Group	G-21
Lounge Group	G-22 - H-01
Sealants & Fasteners Group	H-02 - H-03
Water & Sewage Group	H-04 - H-05
Window, Vent & Exterior Door Group	H-07 - H-19

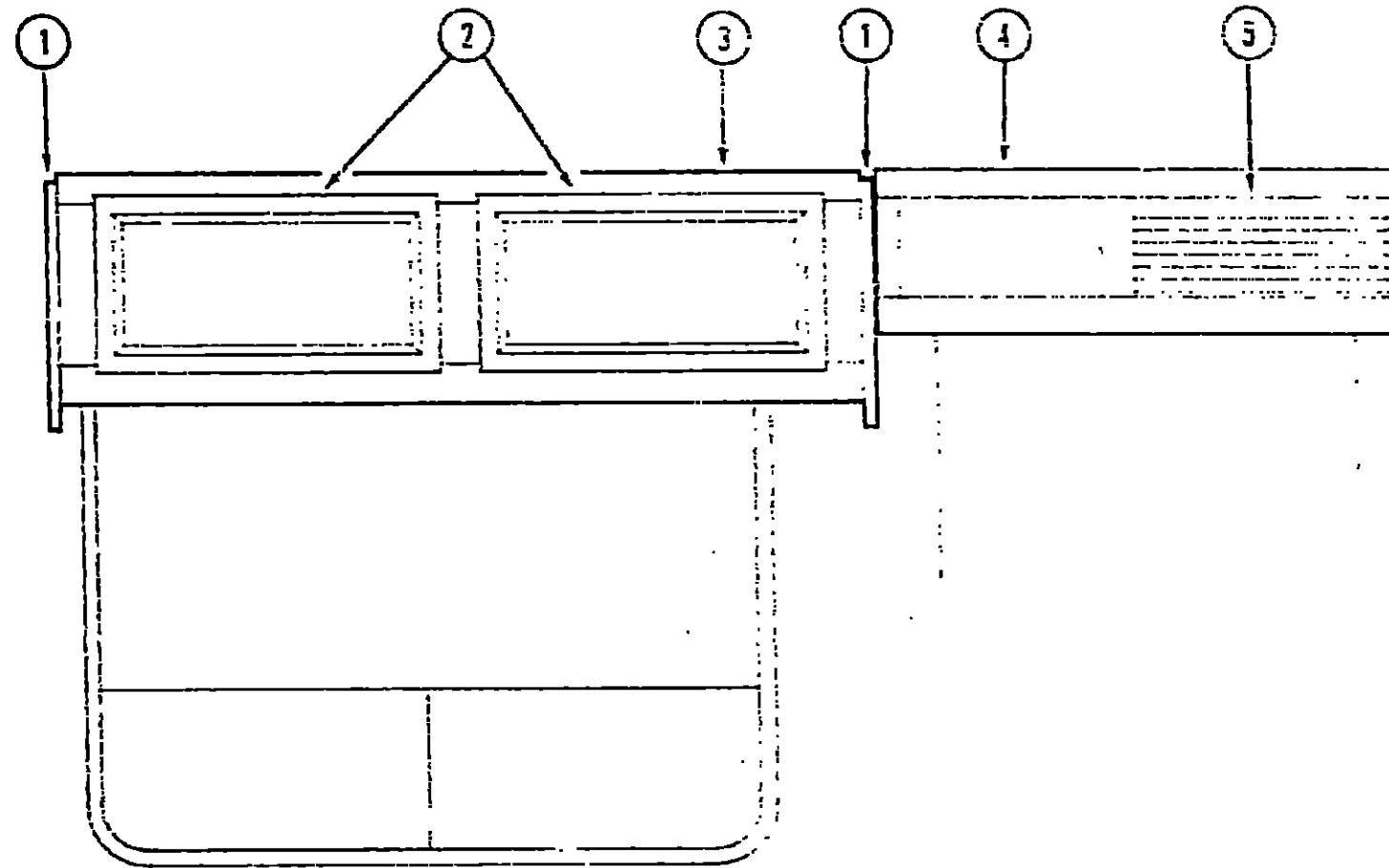
LOUNGE GROUP (CONTINUED)



OVERHEAD CABINERY - DRIVER SIDE LOUNGE

Key	Part Number	U/M	Description
1	101655-01-B33	EA	End Cap Asm. - Overhead Cabinet
2	P03970-02-B33	EA	Door Asm. - Overhead Cabinet - w/o Hardware
3	M03067-05-B33	EA	Cabinet Asm. - Overhead - w/o Doors
	074045-04-000	EA	Oak Plug - 1/2" Diameter
	053792-01-000	YD	Velcro Tape - Hook
	053792-02-000	YD	Velcro Tape - Loop

LOUNGE GROUP (CONTINUED)



OVERHEAD CABINERY - PASSENGER SIDE LOUNGE

Key	Part Number	U/M	Description
1	101655-01-B33	EA	End Cap Asm. - Overhead Cabinet
2	P03970-03-B40	EA	Door Asm. - Overhead Cabinet - w/o Hardware
3	M05067-01-B33	EA	Cabinet Asm. - Overhead - w/o Door
4	P01652-01-B33	EA	Cabinet Asm. - Overhead - w/o Door
5	101652-15-B33	EA	Door Asm. - Overhead Cabinet - Tambour
	057832-04-000	SF	Tambour Door
	M97191-01-000	EA	Handle - Tambour Door
	053792-01-000	YD	Velcro Tape - Hook
	053792-02-000	YD	Velcro Tape - Loop
	M99992-01-B29	EA	Hand Rail - Entrance Door - w/o Brackets
	102763-01-01A	EA	Bracket - Hand Rail - Entrance Door
	074045-04-000	EA	Oak Plug - 1/2" Diameter

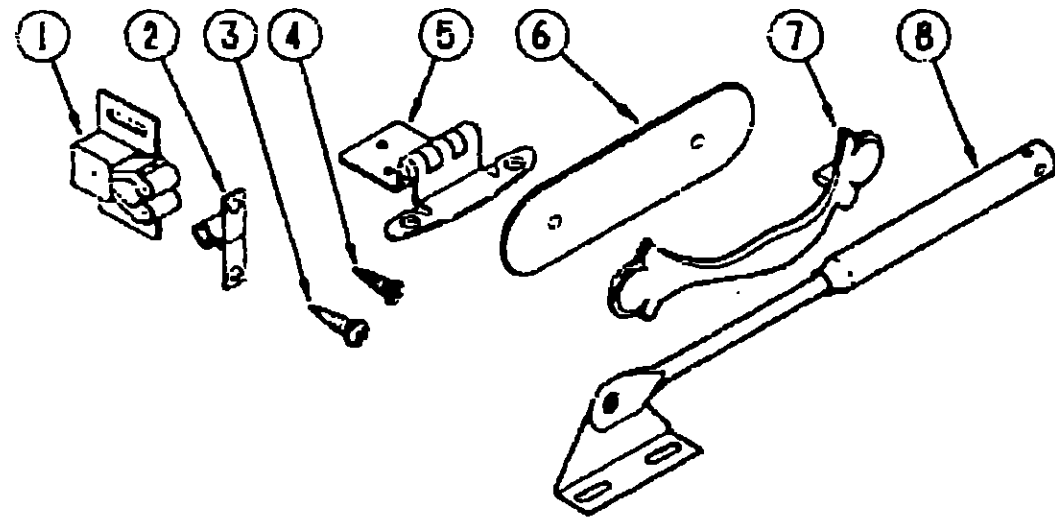
**1991 ITASCA
TABLE OF CONTENTS**

INTRODUCTION	A-01 - A-02
ABBREVIATIONS	A-03
ALPHABETICAL/GROUP REFERENCE	A-04 - A-06
IC/FP33RQ	A-07 - D-24
IC/FP37RQ	E-01 - H-20

1991 IC/FP37RQ INDEX

Floor Plan	E-01 - E-02
Accessories Group	E-03 - E-05
Bath Group	E-05 - E-05
Bedroom Group	E-09 - E-13
Chassis Group	F-14 - F-04
Curtain, Cushion & Pad Group	F-05 - F-13
Dinette Group	F-14 - F-16
Driver's Compartment Group	F-17 - F-21
Electrical Group	F-22 - G-01
Exterior Body Group	G-02 - G-09
Galley Group	G-10 - G-14
Heating & Air Conditioning Group	G-15 - G-17
Interior Finish Group	G-18 - G-19
Labels Group	G-20
LP Group	G-21
Lounge Group	G-22 - H-01
Sealants & Fasteners Group	H-02 - H-03
Water & Sewage Group	H-04 - H-06
Window, Vent & Exterior Door Group	H-07 - H-19

LOUNGE GROUP (CONTINUED)



CABINET HARDWARE (DOORS & CABINETS)

Key	Part Number	U/M	Description
1	093596-03-000	EA	Roller Catch
2	093586-04-000	EA	Steel Strike
3	000G68-06-10G	EA	Screw - #6 - 18 x .625" POH - Antique Brass - Hinge to Cabinet
4	000G13-06-10G	EA	Screw - #6 - 20 x .625" PFH - Antique Brass - Hinge to Door
5	059777-02-000	EA	Hinge - Burnished Brass (Doors)
6	100995-01-000	EA	Brass Backplate
7	100273-01-000	EA	Pull Handle
8	032493-02-000	EA	Door Support

SEALANTS & FASTENERS

SCREWS & FASTENERS

Key	Part Number	U/M	Description
	000C13-07-486	EA	Bolt - Hex - 7/16 - 20 x 3 - Zn 5
	000C26-05-20B	EA	Bolt - Hex - Ser Fig 5/16 - 18 x 1 1/4" - Zinc
	000D24-10-00B	EA	Nut - Hex - Locking - 10-32 - Zn
	000D39-05-00B	EA	Nut - Hex - Ser Fig Lk - 5/16 - 18 - Zn
	000D39-06-00B	EA	Nut - Hex - Ser Fig Lk - 3/8 - 16 - Zn
	000D39-08-00B	EA	Nut - Hex - Ser Fig Lk - 1/2 - 13 - Zn
	000D44-07-00B	EA	Nut - Hex - Ser Fig Lk - 7/16 - 20 - Zn
	000E13-11-00B	EA	Washer - Flat - 3/16" Wide - Zn
	000G11-05-10J	EA	Screw - 6 - 20 x 5/8 PPH - Brass
	000G11-07-08B	EA	Screw - 7 - 19 x 1/2 PPH - Zn
	000G11-08-06B	EA	Screw - 8 - 18 x 3/8 PPH - Zn
	000G11-08-12B	EA	Screw - 8 - 18 x 3/4 PPH - Zn
	000G11-08-12D	EA	Screw - 8 - 18 x 3/4 PPH - Black
	000G11-08-12P	EA	Screw - 8 - 18 x .75 - Dark Brown
	000G11-08-12R	EA	Screw - 8 - 18 x .75 PPH - Beige
	000G11-08-12S	EA	Screw - 8 - 18 x .75 PPH - Off White
	000G11-08-12X	EA	Screw - 8 - 18 x 3/4 PPH Gray
	000G11-08-16S	EA	Screw - 8 - 18 x 1.00 PPH - Off White
	000G11-10-10X	EA	Screw - 10 - 16 x 5/8 PPH - Gray
	000G11-10-12D	EA	Screw - 10 - 16 x 3/4 PPH - Black
	000G11-10-24P	EA	Screw - 10 - 16 x 1 1/2 PPH - Dark Brown
	000G12-08-12S	EA	Screw - 8 - 18 x .75 POH - Off White
	000G12-08-12X	EA	Screw - SF/DR - 8 - 18 x 3/4 POH - Gray
	000G12-08-16S	EA	Screw - 8 - 18 x 1" POH - Off White
	000G13-06-08B	EA	Screw - 6 - 20 x 1/2 PFH - Zn
	000G13-06-10G	EA	Screw - 6 - 20 x 5/8 PFH - Antique Brass
	000G13-07-12B	EA	Screw - 7 - 19 x 3/4 PFH - Zn
	000G13-08-16B	EA	Screw - 8 - 18 x 1 PFH - Zn
	000G18-08-12B	EA	Screw - Machine - 8 - 32 x 3/4" PPH - Zn
	000G18-08-16B	EA	Screw - Machine - 8 - 32 x 1 PPH - Zn
	000G18-08-22B	EA	Screw - Machine - 8 - 32 x 1 3/8 PPH - Zn
	000G39-08-08B	EA	Screw - SF/DR 8 - 18 x 1/2 PPH - Zn
	000G39-08-08R	EA	Screw - SF/DR 8 - 18 x 1/2 PPH - Beige
	000G39-08-08X	EA	Screw - SF/DR 8 - 18 x 1/2 PPH - Gray
	000G39-08-12B	EA	Screw - SF/DR 8 - 18 x 3/4 PPH - Zn
	000G39-08-12R	EA	Screw - SF/DR 8 - 18 x 3/4 PPH - Beige
	000G39-08-16S	EA	Screw - SF/DR 8 - 18 x 1.00 PPH - Off White
	000G39-08-24B	EA	Screw - SF/DR 8 - 18 x 1 1/2 PPH - Zn
	000G39-08-24S	EA	Screw - SF/DR 8 - 18 x 1.50 PPH - Off White
	000G39-10-10S	EA	Screw - SF/DR 10 - 16 x .62" PPH - Off White
	000G39-10-12D	EA	Screw - SF/DR 10 - 16 x 3/4 PPH - Black
	000G39-10-20B	EA	Screw - SF/DR 10 - 16 x 1 1/4 PPH - Zn
	000G39-12-12E	EA	Screw - SF/DR - 12 - 14 x 3/4 PPH - Chrome
	000G42-04-16B	EA	Screw - SF/DR 1/4 - 14 x 1 HWK - Zn
	000G53-04-06B	EA	Screw - Machine - 7/4 - 20 x 3/8 PPH - Zn
	000G54-04-20B	EA	Screw - 1/4 - 20 x 1 1/4 PTH Typ 23 - Zn
	000G67-10-08B	EA	Screw - 10 - 12 x 1/2 PPH - Zn
	000G67-10-08R	EA	Screw - 10 - 12 x 1/2 PPH - Beige - Type A
	000G67-10-10B	EA	Screw - 10 - 12 x 5/8 PPH - Zn - Type A
	000G67-10-10R	EA	Screw - 10 - 12 x 5/8 PPH - Beige - Type A
	000G67-10-12B	EA	Screw - 10 - 12 x 3/4 PPH - Zn
	000G67-10-12P	EA	Screw - 10 - 12 x .75 PPH - Dark Brown
	000G67-10-12D	EA	Screw - 10 - 12 x .75 PPH - Tan
	000G67-10-21B	EA	Screw - 10 - 12 x 1 1/2 PPH - Zn
	000G67-10-32B	EA	Screw - 10 - 12 x 2 PPH - Zn
	000G68-06-10G	EA	Screw - 6 - 13 x 5/8 POH - Antique Brass
	000H16-04-06P	EA	Rivet - Pop - AL 1/8 x .313 - .375
	005031-01-000	EA	Nut - Speed - C Type - No. 8 Screw
	062401-02-000	EA	Clamp - Hose - Wormgear - 1.56" - 2.5"
	062401-06-000	EA	Clamp - Hose - Wormgear - 22" x .52"
	007161-01-000	EA	Clamp - Hose - Spring Type - 1/2"
	008343-01-000	EA	Te - Wire - 6"
	008386-01-000	EA	Grommet - Snap - 3/5
	008401-01-000	EA	Strap - Conduit - 3/4" - 1 Hole - Galvanized Steel

H-1

**1991 ITASCA
TABLE OF CONTENTS**

INTRODUCTION	A-01 - A-02
ABBREVIATIONS	A-03
ALPHABETICAL/GROUP REFERENCE	A-04 - A-05
IC/FP33RQ	A-07 - D-24
IC/FP37RQ	E-01 - H-20

1991 IC/FP37RQ INDEX

Floor Plan	E-01 - E-02
Accessories Group	E-03 - E-05
Bath Group	E-06 - E-08
Bedroom Group	E-09 - E-13
Chassis Group	E-14 - F-04
Curtain, Cushion & Pad Group	F-05 - F-13
Dinette Group	F-14 - F-16
Driver's Compartment Group	F-17 - F-21
Electrical Group	F-22 - G-01
Exterior Body Group	G-02 - G-09
Galley Group	G-10 - G-14
Heating & Air Conditioning Group	G-15 - G-17
Interior Finish Group	G-18 - G-19
Labels Group	G-20
LP Group	G-21
Lounge Group	G-22 - H-01
Sealants & Fasteners Group	H-02 - H-03
Water & Sewage Group	H-04 - H-06
Window, Vent & Exterior Door Group	H-07 - H-19

H-2

SEALANTS & FASTENERS GROUP (CONTINUED)

SCREWS & FASTENERS (CONTINUED)

Key	Part Number	U/M	Description
	010495-01-000	EA	Clamp - Cable - 9/16"
	010497-01-000	EA	Clamp - Closed - 5/8" ID
	010497-03-000	EA	Clamp - Closed - 1 ID - Cushioned
	010499-01-000	EA	Clamp - Closed - 3/8" ID
	016604-01-000	EA	Brace - Cabinet - Angled Metal - 2.5"
	083609-01-000	EA	Clamp - Wire Dual - Equal 5/8" Dia.
	084884-01-000	EA	Plug - Brass - 3/8"
	087721-01-000	EA	Screw - Flat Head - Tapping - 1/4 x 1 1/4 LG - Zn
	089371-01-000	EA	Screw - Machine - 8 - 32 x 3 5/16 - Zn
	075148-02-000	EA	Clamp - Grounding - Bronze Screws
	075906-01-000	EA	Screw - Machine - 10 - 32 x .56 PTH - Zn
	048465-04-000	EA	Screw - 10 - 16 x 1 PTH w/Washer - Beige
	076790-01-000	EA	Screw - 6 - 20 x 1 1/4 PPH - Black
	063729-04-000	EA	Rivnut - 10 - 32 UNF - .010 - .080

SEALANTS & ADHESIVES

Key	Part Number	U/M	Description
	004020-01-000	QT	Adhesive - ABS Cement (Plastic Fittings)
	004005-02-000	GL	Adhesive - Swirls - Glue (Sidewalls)
	053766-07-000	EA	Bedding Compound - Tube - Beige (Exterior)
	053776-06-000	EA	Bedding Compound - Tube - Clear (Window)
	053766-08-000	EA	Bedding Compound - Tube - Gray (Exterior)
	102352-01-000	EA	Bedding Compound - Tube - Black (Luggage Compartment)
	053766-02-000	EA	Bedding Compound - Tube - Off White (Exterior)
	002328-02-000	EA	Block - Rubber Spacer (Windshield)
	077967-01-000	EA	Sealant - Acrylic Latex - Tube - Off White (Interior Sealant)
	034552-04-000	EA	Sealant - Silicone - Beige
	034552-02-000	EA	Sealant - Silicone - Clear
	034552-07-000	EA	Sealant - Silicone - Dark Gray
	034552-06-000	EA	Sealant - Silicone - Off White
	039518-01-000	EA	Sealant Silicone - Black
	069640-01-000	FT	Sealer Ribbon - .25" Bead x 20'
	069640-02-000	FT	Sealer Ribbon - .5" x .125" x 30'
	069640-03-000	FT	Sealer Ribbon - .75" x .125" x 30'
	069640-09-000	FT	Sealer Ribbon - 1/32" x 2.5" x 30'
	069640-06-000	FT	Sealer Ribbon - 5/16" Bead x 15'
	069640-07-000	FT	Sealer Ribbon - 2" x 3/32" x 30'
	069640-10-000	FT	Sealer Ribbon - 1/32" x 1.5" x 100'
	002707-02-000	FT	Sealer Tape - 5/16" x 1/2"
	102353-01-700	EA	Seam Sealer - Tube - Gray (Roof Seams)
	094401-01-000	EA	Seam Sealer - Tube - Clear (Cap to Sidewall)
	102353-01-700	EA	Seam Sealer - Tube - Aluminum (Roof)
	063642-01-000	FT	Tape - Adhesive - .10mm x 1.5" Wide
	038886-01-000	EA	Tape - Butyl - .31" x .31" x 148" (Windshield)
	076322-01-000	FT	Tape - Foam - Double Coated - .025 x .75 x 72' (Fiberglass Sidewall Seams)
	076322-02-000	FT	Tape - Foam - Double Coated - .045 x 1" (Fiberglass Sidewall Seams)
	100028-01-000	FT	Tape - Foam - Double Coated - .031 x .75 x 72' (Non-Structural Fastening)
	009200-01-000	EA	Tape - Furnace - 1.5"
	002825-01-000	FT	Weather Stripping (Roof Vent)
	091377-01-700	EA	Adhesive - Cyanoacrylate - 10GM

H-3

WATER & SEWAGE GROUP

WATER LINES & HARDWARE

Key	Part Number	U/M	Description
	031267-01-000	EA	Galley Faucet - Single Control w/Spray
	102478-01-000	EA	Quick Fill - Valve Asm. - City
	081240-01-000	EA	Water Fill - Lockable
	075242-04-000	EA	Shower Faucet (CSA)
	075242-03-000	EA	Shower Faucet (US)
	011048-05-000	EA	Shower Head - w/50" Hose (CSA)
	011048-02-000	EA	Shower Head - w/50" Hose (USA)
	103548-01-01A	EA	Lavatory Faucet
	039800-01-000	FT	Water Line - Plastic - 1/2" OD x 20'
	079381-01-000	EA	Tubing - Flexible - Smooth - 1.25" ID
	074462-02-000	EA	Tubing Vinyl - 3/8" ID
	036522-01-000	EA	Cap - Brass - 3/8" Flare
	082144-02-000	EA	Cap - Brass - Hex - 1/2" FPT
	101814-01-000	EA	Coupling - Female - 1/2" x 1/2" FPT
	098420-01-000	EA	Connector - Swivel - Plastic - 1/2" FPT x 5/8" Tube
	051393-01-000	EA	Water Heater - Motor Aid - Atwood
	079317-01-000	EA	Adapter - Swivel - 1/2" Tube x 1/2" FPT
	018224-01-000	EA	Plastic Adapter - 3/8" MPT x 3/8" BARB
	046128-01-000	EA	Plastic Valve Drain - 1/2" FPT
	052952-01-000	EA	Plastic Nut - 1/2" F
	052952-02-000	EA	Plastic Nut - 5/8" Flare
	052957-02-000	EA	Plastic Elbow - 1/2" F x 1/2" MPT
	065120-01-000	EA	Plastic Elbow - Swivel - 1/2"
	035539-01-000	EA	Plastic Elbow - 3/8" MPT x 3/8" BARB
	055290-01-000	EA	Plastic Elbow - 5/8" F x 1/2" MPT
	057457-01-000	EA	Elbow - Union - 1/2" Flare x 1/2" Flare
	052959-01-000	EA	Plastic Connector - 1/2" F x 1/4" MPT
	052953-01-000	EA	Plastic Nut - Faucet - 1/2" Tube x 1/2" FPT
	052954-01-000	EA	Plastic Nose Cone Adapter - 3/8" or 1/2"
	052956-01-000	EA	Plastic Tee - 1/2" F x 1/2" MPT x 1/2" F
	052958-01-000	EA	Plastic Tee - 1/2" F x 1/2" F x 1/2" F
	093217-01-000	EA	Plastic Tee - Swivel - 1/2"
	052955-01-000	EA	Plastic Tee - 1/2" F x 1/2" F x 1/2" MPT
	055293-01-000	EA	Plastic Tee - 5/8" F x 1/2" F x 5/8" F
	052960-01-000	EA	Plastic Valve - Line Drain
	052961-02-000	EA	Plastic Header - 1/2" MPT x 1/2" F x 1/2" F x 1/2" F
	007161-01-000	EA	Hose Clamp - Spring Type - 1/2"
	062401-01-000	EA	Hose Clamp - Wormgear - .81" To 1.75"
	098607-01-000	EA	Water Pump (US)
	098607-01-700	EA	Replacement Pump Head
	098607-01-701	EA	Drive Asm.
	098607-01-702	EA	Diaphragm Kit
	098607-01-703	EA	Valve Asm.
	098607-01-704	EA	Upper Housing
	098607-01-705	EA	Check Valve Kit
	098607-01-706	EA	Switch Kit - Upper Housing
	098607-01-707	EA	Motor/Blasplate Replacement
	098607-02-000	EA	Water Pump (CSA)
	065163-01-000	EA	Water Tank 70 Gal.
	096449-01-000	EA	Wire Asm. - Water Tank
	077954-02-000	EA	Filter & Screen (Water Tank)
	042989-03-000	EA	Spinweld Fitting - 1 1/4" NPT
	042989-04-000	EA	Spinweld Fitting - 3/8" FPT
	042989-05-000	EA	Spinweld Fitting - 1/2" FPT
	044927-01-000	EA	Adapter - Plastic - 1 1/4" MPT x 1 1/4" BARB
	049032-01-000	EA	Spinweld Patch - 3/8"
	099729-01-000	EA	Water Heater Bypass Kit

H-4

1991 ITASCA TABLE OF CONTENTS

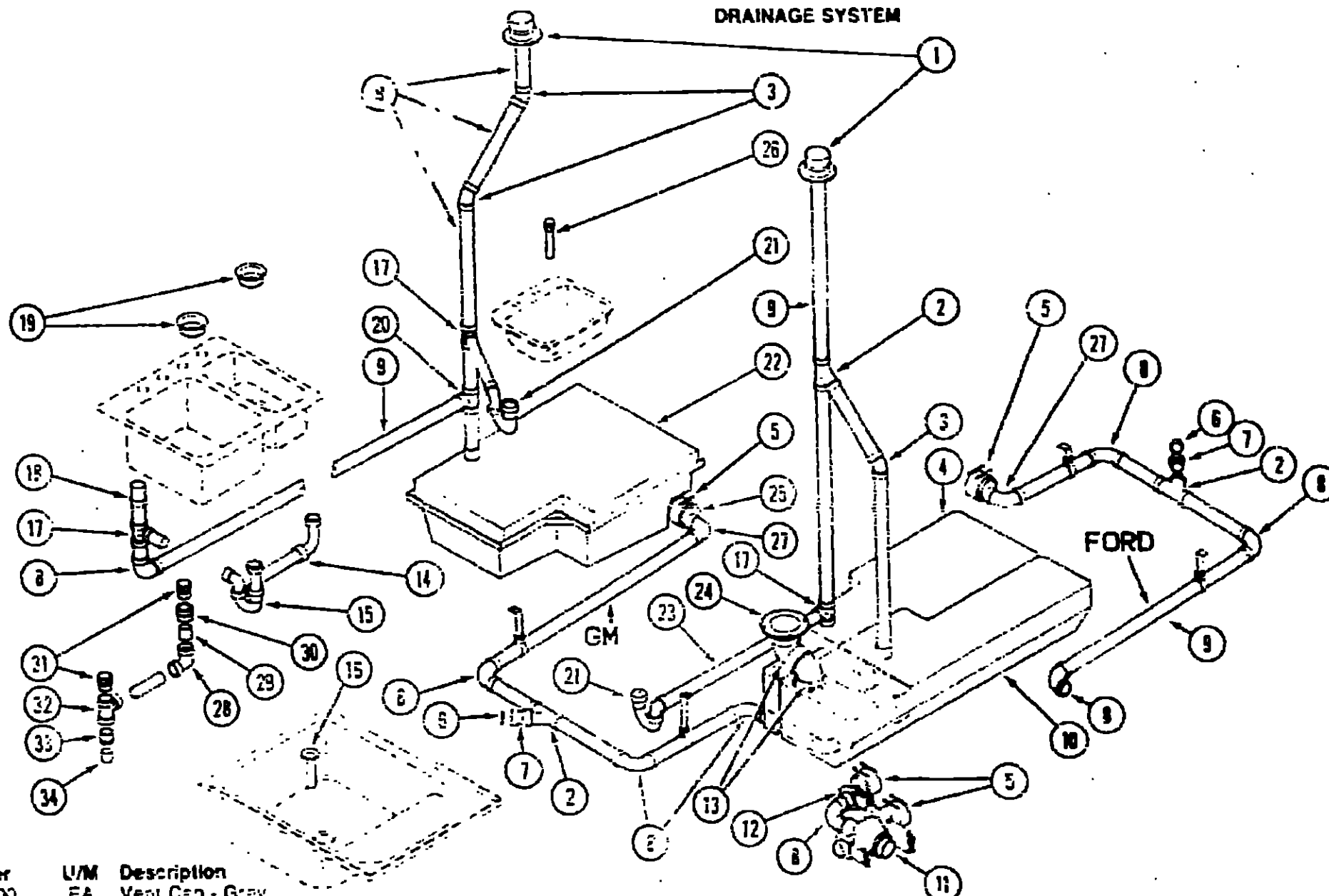
INTRODUCTION	A-01 - A-02
ABBREVIATIONS	A-03
ALPHABETICAL/GROUP REFERENCE	A-04 - A-06
IC/FP33RQ	A-07 - D-24
IC/FP37RQ	E-01 - H-20

1991 IC/FP37RQ INDEX

Floor Plan	E-01 - E-02
Accessories Group	E-03 - E-05
Bath Group	E-06 - E-08
Bedroom Group	E-09 - E-13
Chassis Group	E-14 - F-04
Curtain, Cushion & Pad Group	F-05 - F-13
Dinette Group	F-14 - F-16
Driver's Compartment Group	F-17 - F-21
Electrical Group	F-22 - G-01
Exterior Body Group	G-02 - G-09
Galley Group	G-10 - G-14
Heating & Air Conditioning Group	G-15 - G-17
Interior Finish Group	G-18 - G-19
Labels Group	G-20
LP Group	G-21
Lounge Group	G-22 - H-01
Sealants & Fasteners Group	H-02 - H-03
Water & Sewage Group	H-04 - H-06
Window, Vent & Exterior Door Group	H-07 - H-19

WATER & SEWAGE GROUP (CONTINUED)

DRAINAGE SYSTEM



Key	Part Number	U/M	Description
1	063558-02-000	EA	Vent Cap - Gray
2	010073-01-000	EA	Wye - 1 1/2" H x 1 1/2" H x 1 1/2" H x 45°
3	010006-01-000	EA	Elbow - 1 1/2" H x 1 1/2" H x 45°
4	101231-01-000	EA	Holding Tank
5	078406-01-000	EA	Coupling - 3" Rubber
6	010166-02-000	EA	Plug 1 1/4" MPT
7	010122-01-000	EA	Bushing Adapter - 1 1/2" x 1 1/4" T
8	010008-01-000	EA	Elbow - 1 1/2" H x 1 1/2" H x 90°
9		FT	Plastic Pipe - 1 1/2" (US)
10		FT	Plastic Pipe - 1 1/2" (CSA)
11	101232-02-000	FT	Holding Tank
	082695-01-000	EA	Triple Valve - (Includes 3" and 1 1/2" Valve)
	062417-01-000	EA	Adapter - Triple Valve Termination
	062415-01-000	EA	Sewer Cap - 3"
	052416-01-000	EA	Sewer Hose Adapter - 3" - w/Twist Lock
	010201-01-000	EA	Sewer Hose - 3"
	089330-01-000	EA	Sewer Hose Adapter - Sewer Hose End
12	062421-01-000	EA	Valve - 1 1/2"
13	010061-01-000	EA	Street Elbow - 3" x 45°
14	091993-01-000	EA	Continuous Waste Asm. (US)
15	011066-03-000	EA	P-Trap (US)
15	053335-01-000	EA	P-Trap (CSA)
15	011069-02-000	EA	Tail Piece - Brass
17	010079-01-000	EA	Tee - 1 1/2" H x 1 1/2" H x 1 1/4" H
18	079968-01-000	EA	Vent
19	092303-01-000	EA	Sink Strainer
20	010071-01-000	EA	Tee - 1 1/2" H x 1 1/2" H x 1 1/2" H

Key	Part Number	U/M	Description
21	011066-03-000	EA	P-Trap (US)
21	011056-02-000	EA	P-Trap (CSA)
22	101230-02-000	EA	Holding Tank
23		FT	Plastic Pipe - 1 1/4" (US)
23		FT	Plastic Pipe - 1 1/4" (CSA)
24	024576-01-000	EA	Closet Flange (US)
24	024576-02-000	EA	Closet Flange (CSA)
	061507-01-000	EA	Grommet - Holding Tank - 1 1/2" NPS
	061607-02-000	EA	Grommet - Holding Tank - 3" NPS
25	062422-01-000	EA	Reducer Adapter - 3" x 1 1/2" NPS
25	096927-01-701	EA	Tail Piece - Plastic
27	033751-01-000	EA	Street Elbow - 1 1/2" x 90°

CONTINUOUS WASTE (CANADA)

Key	Part Number	U/M	Description
25	010009-01-000	EA	Elbow - 1 1/2" H x 1 1/2" H x 90°
29		FT	Plastic Pipe - 1 1/2"
30	010115-01-000	EA	Coupling - 1 1/2" H x 1 1/2" H
31	033302-02-000	EA	Adapter
32	010071-01-000	EA	Tee - 1 1/2" H x 1 1/2" H x 1 1/2" H
33	010121-01-000	EA	Bushing Adapter - 1 1/2" x 1 1/4" H
34		FT	Plastic Pipe - 1 1/4"

**1991 ITASCA
TABLE OF CONTENTS**

INTRODUCTION	A-01 - A-02
ABBREVIATIONS	A-03
ALPHABETICAL/GROUP REFERENCE	A-04 - A-06
IC/FP37RQ	A-07 - D-24
IC/FP37RQ	E-01 - H-20

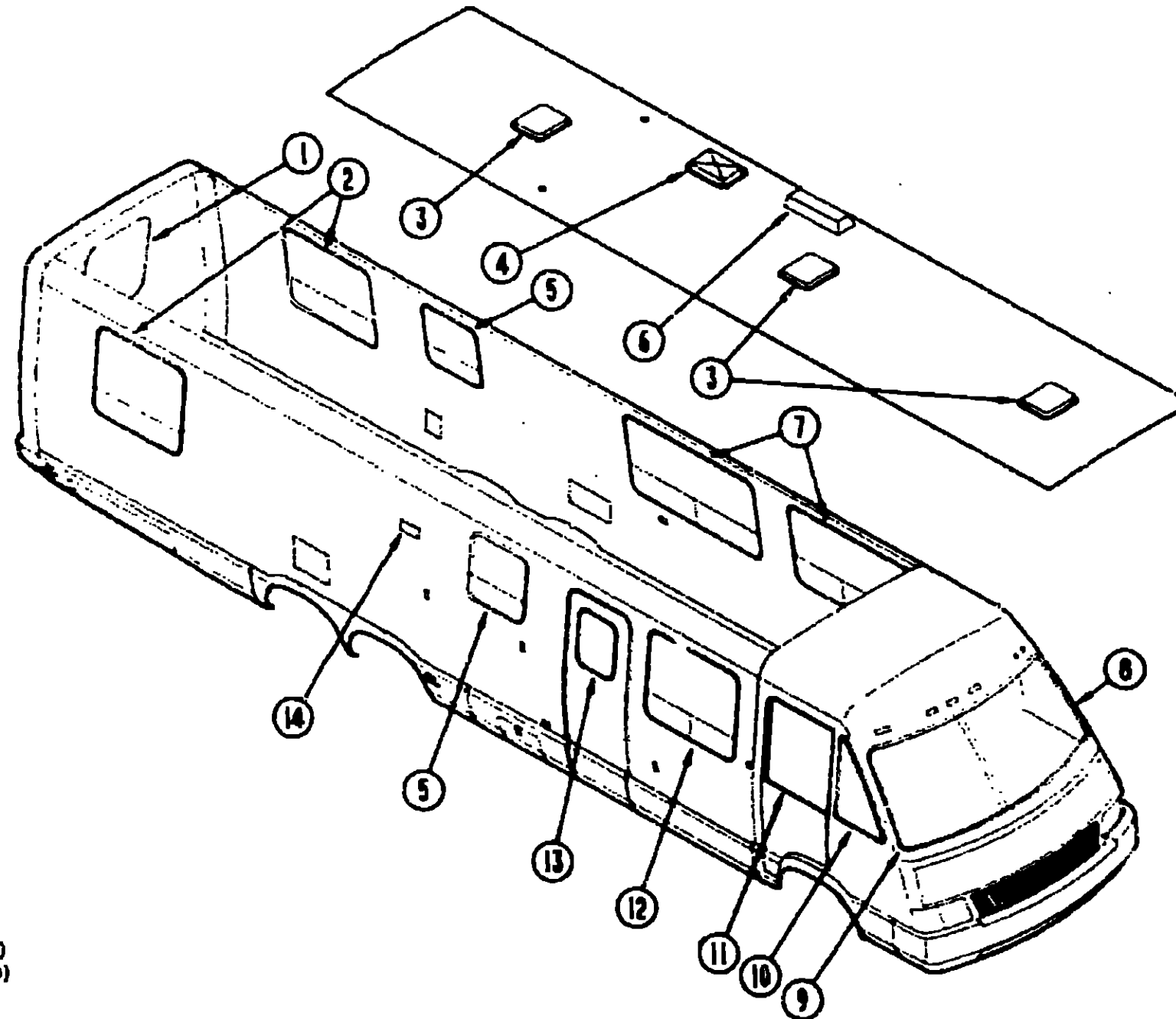
1991 IC/FP37RQ INDEX

Floor Plan	E-01 - E-02
Accessories Group	E-03 - E-05
Bath Group	E-06 - E-08
Bedroom Group	E-09 - E-13
Chassis Group	E-14 - F-04
Curtain, Cushion & Pad Group	F-05 - F-13
Dinette Group	F-14 - F-16
Driver's Compartment Group	F-17 - F-21
Electrical Group	F-22 - G-01
Exterior Body Group	G-02 - G-09
Galley Group	G-10 - G-14
Heating & Air Conditioning Group	G-15 - G-17
Interior Finish Group	G-18 - G-19
Labels Group	G-20
LP Group	G-21
Lounge Group	G-22 - H-01
Sealants & Fasteners Group	H-02 - H-03
Water & Sewage Group	H-04 - H-06
Window, Vent & Exterior Door Group	H-07 - H-19

WINDOW, VENT & EXTERIOR DOOR GROUP
WINDOWS & VENTS

1991 ITASCA
TABLE OF CONTENTS

INTRODUCTION	A-01 - A-02
ABBREVIATIONS	A-03
ALPHABETICAL/GROUP REFERENCE	A-04 - A-06
IC/FP33RQ	A-07 - D-24
IC/FP37RQ	E-01 - H-20



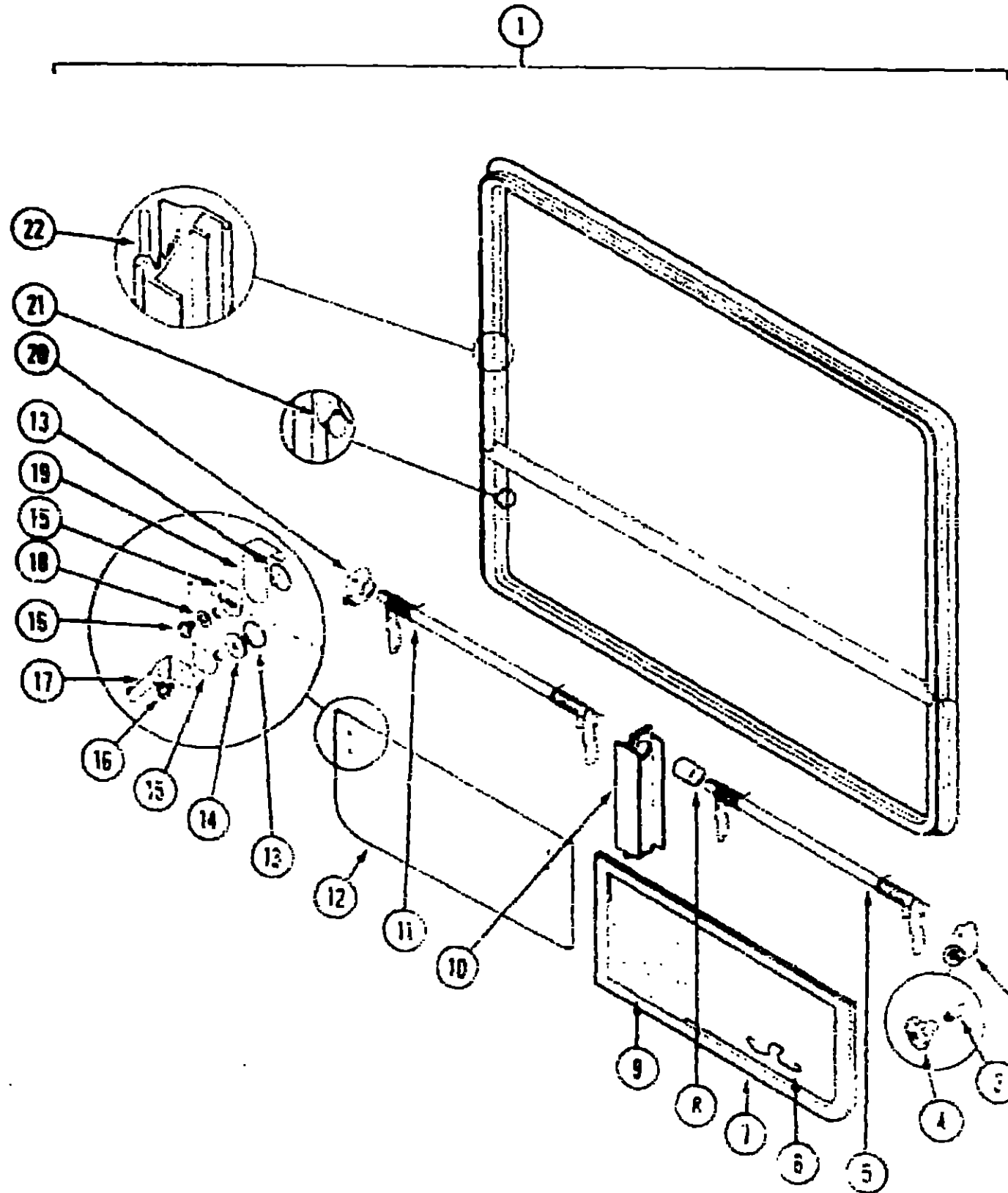
Key	Part Number	U/M	Description
1	096992-01-000	EA	Rear Window Glass (escape)
	084422-05-000	EA	Rubber Weather Strip (escape)
	002285-01-000	FT	Rubber Filler (for weather strip)
2	092235-04-Y12	EA	Window Asm. - Single Tipout
3	090392-01-Y12	EA	Vent Asm. - Non Powered
	078785-01-Y12	EA	Screen Asm. - Non Powered Vent
4	064469-09-000	EA	Vent Asm. - Powered
5	092235-02-Y12	EA	Window Asm. - Single Tipout
6	084073-01-000	EA	Roof Vent Cover - Refrigerator
6	084073-04-000	EA	Roof Vent Base
7	092234-01-Y12	EA	Window Asm. - Double Tipout
8	074887-02-000	EA	Windshield Glass - Driver Side
9	074887-01-000	EA	Windshield Glass - Passenger Side
10	076671-02-000	EA	Window Glass - Corner Vent - Passenger Side
	076671-01-000	EA	Window Glass - Corner Vent - Driver Side
11	102184-02-B16	EA	Window Asm. - Passenger Door (stationary)
	102184-01-B16	EA	Window Asm. - Driver Door (stationary)
	101625-02-000	EA	Window Glass - Rollup (driver or passenger side)
12	092234-07-Y12	EA	Window Asm. - Double Tipout
13	079733-04-T03	EA	Window Asm. - Picture
14	092698-03-03A	EA	Vent - w/Door & Solenoid

1991 IC/FP37RQ INDEX

Floor Plan	E-01 - E-02
Accessories Group	E-03 - E-05
Bath Group	E-06 - E-08
Bedroom Group	E-09 - E-13
Chassis Group	F-14 - F-04
Curtain, Cushion & Pad Group	F-05 - F-13
Dinette Group	F-14 - F-16
Driver's Compartment Group	F-17 - F-21
Electrical Group	F-22 - G-01
Exterior Body Group	G-02 - G-09
Galley Group	G-10 - G-14
Heating & Air Conditioning Group	G-15 - G-17
Interior Finish Group	G-18 - G-19
Labels Group	G-20
LP Group	G-21
Lounge Group	G-22 - H-01
Sealants & Fasteners Group	H-02 - H-03
Water & Sewage Group	H-04 - H-06
Window, Vent & Exterior Door Group	H-07 - H-19

WINDOW, VENT & EXTERIOR DOOR GROUP (CONTINUED)

DINETTE & LOUNGE DOUBLE TIPOUT WINDOW (DRIVER SIDE)



Key	Part Number	U/M	Description
1	092234-04-Y12	EA	Window Asm. - Double Tipout
	090693-10-01A	EA	Inside Frame (not included w/Window Assembly)
2	035302-02-000	EA	Operator Drive
3	090025-01-000	EA	Extension - Window Knob (not included w/Window Assembly)
4	067052-02-000	EA	Window Knob - Beige (not included w/Window Assembly)
	069371-01-000	EA	Screw - Window Knob - Zinc (not included w/Window Assembly)
4	101290-01-01A	EA	Window Knob - Brass (not included w/Window Assembly)
	101289-01-01A	EA	Screw - Window Knob - Brass (not included w/Window Assembly)
5	083227-08-000	EA	Torque Tube Asm.
6	100168-01-000	EA	Screen Clip
7	100234-05-B07	EA	Screen Asm. - Right Side (illustrated)
	100234-05-B07	EA	Screen Asm. - Left Side (not illustrated)
8	066816-51-001	EA	Torque Tube Sleeve
9	080218-03-000	SF	Window Screen - 12"
	100240-01-000	FT	Window Screen Spine
10	088903-01-01A	EA	Mulion - Black
11	083228-08-000	EA	Torque Tube Asm.
12	064066-22-000	EA	Glass - 2.9 mm x 234.7 mm x 756.5 mm
13	066762-01-000	EA	Window T-Nut
14	068927-03-000	EA	Seal - Rubber
15	064473-01-000	EA	Seal - Rubber
16	066763-01-000	EA	Screw - #10 - 32 x 1/4" PTH
17	097578-01-000	EA	Connecting Rod Asm
	081649-01-000	EA	Snap Ring Clip
18	084453-02-000	EA	Plastic Washer - 06 x 50 x .25
19	089913-01-000	EA	Hinge
20	035302-01-000	EA	Operator Drive
21	064067-02-000	FT	Seal - Sponge Rubber
22	069640-06-000	FT	Ribbon Seal (not included w/Window Assembly)

LOUNGE DOUBLE TIPOUT WINDOW (PASSENGER SIDE)

Key	Part Number	U/M	Description
1	092234-07-Y12	EA	Window Asm. - Double Tipout
	090893-16-01A	EA	Inside Frame (not included w/Window Assembly)
2	035302-02-000	EA	Operator Drive
3	090025-01-000	EA	Extension - Window Knob (not included w/Window Assembly)
4	067052-02-000	EA	Window Knob - Beige (not included w/Window Assembly)
	069371-01-000	EA	Screw - Window Knob - Zinc (not included w/Window Assembly)
4	101290-01-01A	EA	Window Knob - Brass (not included w/Window Assembly)
	101289-01-01A	EA	Screw - Window Knob - Brass (not included w/Window Assembly)
5	083227-08-000	EA	Torque Tube Asm.
6	100168-01-000	EA	Screen Clip
7	100234-06-B07	EA	Screen Asm. - Right Side (illustrated)
	100234-07-B07	EA	Screen Asm. - Left Side (not illustrated)
8	066816-51-001	EA	Torque Tube Sleeve
9	080218-03-000	SF	Window Screen - 12"
	100240-01-000	FT	Window Screen Spine
10	088903-01-01A	EA	Mulion - Black
11	083228-08-000	EA	Torque Tube Asm.
12	064066-22-000	EA	Glass - 2.9 mm x 234.7 mm x 717 mm - Left or Right Side
13	066762-01-000	EA	Window T-Nut
14	068927-03-000	EA	Seal - Rubber
15	064473-01-000	EA	Seal - Rubber
16	066763-01-000	EA	Screw - #10 - 32 x 1/4" PTH
17	097578-01-000	EA	Connecting Rod Asm
	081649-01-000	EA	Snap Ring Clip
18	084453-02-000	EA	Plastic Washer - 06 x 50 x .25
19	089913-01-000	EA	Hinge
20	035302-01-000	EA	Operator Drive
21	064067-02-000	FT	Seal - Sponge Rubber
22	069640-06-000	FT	Ribbon Seal (not included w/Window Assembly)

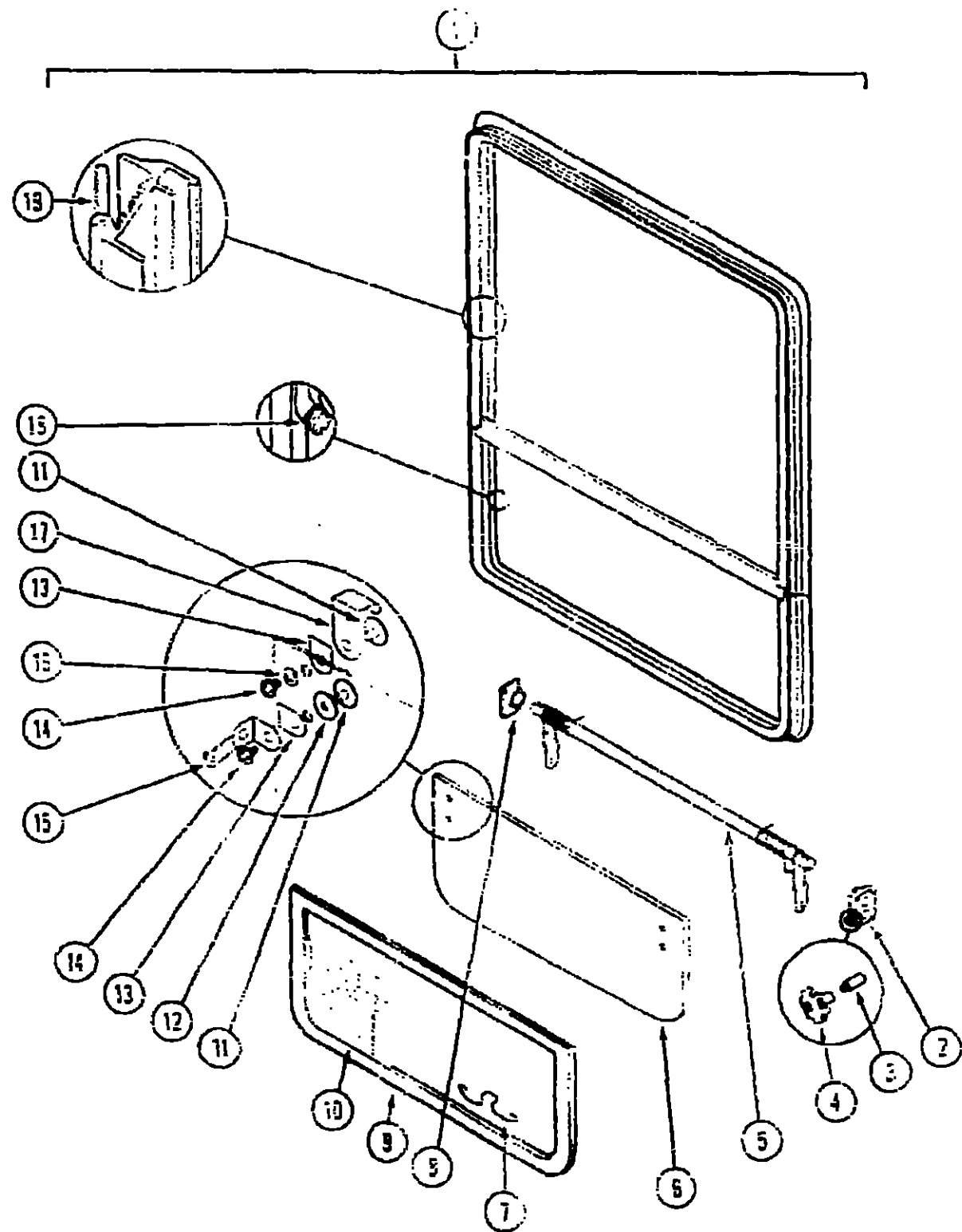
1991 ITASCA
TABLE OF CONTENTS

INTRODUCTION	A-01 - A-02
ABBREVIATIONS	A-03
ALPHABETICAL/GROUP REFERENCE	A-04 - A-05
IC/FP33RQ	A-07 - D-24
IC/FP37RQ	E-01 - H-20

1991 IC/FP37RQ INDEX

Floor Plan	E-01 - E-02
Accessories Group	E-03 - E-05
Bath Group	E-06 - E-08
Bedroom Group	E-09 - E-13
Chassis Group	F-14 - F-04
Curtain, Cushion & Pad Group	F-05 - F-13
Dinette Group	F-14 - F-16
Driver's Compartment Group	F-17 - F-21
Electrical Group	F-22 - G-01
Exterior Body Group	G-02 - G-09
Galley Group	G-10 - G-14
Heating & Air Conditioning Group	G-15 - G-17
Interior Finish Group	G-18 - G-19
Labels Group	G-20
LP Group	G-21
Lounge Group	G-22 - H-01
Sealants & Fasteners Group	H-02 - H-03
Water & Sewage Group	H-04 - H-06
Window, Vent & Exterior Door Group	H-07 - H-19

WINDOW, VENT & EXTERIOR DOOR GROUP (CONTINUED)



GALLEY BATH SINGLE TIPOUT WINDOW

Key	Part Number	U/M	Description
1	092235-02-Y12	EA	Window Asm. - Single Tipout
	090893-02-01A	EA	Inside Frame (not included w/Window Assembly)
2	035302-02-000	EA	Operator Drive
3	090325-01-000	EA	Extension - Window Knob (not included w/Window Assembly)
4	067052-02-000	EA	Window Knob - Beige (not included w/Window Assembly)
	083371-01-000	EA	Screw - Window Knob - Zinc (not included w/Window Assembly)
4	101290-01-01A	EA	Window Knob - Brass (not included w/Window Assembly)
	101289-01-01A	EA	Screw - Window Knob - Brass (not included w/Window Assembly)
5	083150-10-000	EA	Torque Tube Asm.
6	084068-15-000	EA	Glass - 1/8" x 9 1/4" x 24.5"
7	100168-01-000	EA	Screen Clip
8	081354-01-000	EA	Torque Tube Sleeve
9	100235-02-B07	EA	Screen Asm.
10	080218-03-000	SF	Window Screen - 12"
	100240-01-000	FT	Window Screen Spline
11	086762-01-000	EA	Window T-Nut
12	068927-03-000	EA	Seal - Rubber
13	084473-01-000	EA	Seal - Rubber
14	086736-01-000	EA	Screw - #10 - 32 x 1/4" PTH
15	097578-01-000	EA	Connecting Rod Asm.
	081649-01-000	EA	Snap Ring Clip
16	084453-02-000	EA	Plastic Washer - .06 x .50 x .25
17	089913-01-000	EA	Hinge
18	084067-01-000	FT	Seal - Sponge Rubber
19	069640-06-000	FT	Ribbon Sealer (not included w/Window Assembly)

BEDROOM SINGLE TIPOUT WINDOW

Key	Part Number	U/M	Description
1	092235-04-Y12	EA	Window Asm. - Single Tipout
	090893-04-01A	EA	Inside Frame (not included w/Window Assembly)
2	035302-02-000	EA	Operator Drive
3	090025-01-000	EA	Extension - Window Knob (not included w/Window Assembly)
4	067052-02-000	EA	Window Knob - Beige (not included w/Window Assembly)
	089371-01-000	EA	Screw - Window Knob - Zinc (not included w/Window Assembly)
4	101290-01-01A	EA	Window Knob - Brass (not included w/Window Assembly)
	101289-01-01A	EA	Screw - Window Knob - Brass (not included in w/Window Assembly)
5	083150-12-000	EA	Torque Tube Asm.
6	084068-17-000	EA	Glass - 2.9 mm x 234.7 mm x 1019 mm
7	100168-01-000	EA	Screen Clip
8	081354-01-000	EA	Torque Tube Sleeve
9	100235-04-B07	EA	Screen Asm.
10	080218-03-000	SF	Window Screen - 12"
	100240-01-000	FT	Window Screen Spline
11	086762-01-000	EA	Window T-Nut
12	068927-03-000	EA	Seal - Rubber
13	084473-01-000	EA	Seal - Rubber
14	086736-01-000	EA	Screw - #10 - 32 x 1/4" PTH
15	097578-01-000	EA	Connecting Rod Asm.
	081649-01-000	EA	Snap Ring Clip
16	084453-02-000	EA	Plastic Washer - .06 x .50 x .25
17	089913-01-000	EA	Hinge
18	084067-02-000	FT	Seal - Sponge Rubber
19	069640-06-000	FT	Ribbon Sealer (not included w/Window Assembly)

1991 ITASCA
TABLE OF CONTENTS

INTRODUCTION	A-01 - A-02
ABBREVIATIONS	A-03
ALPHABETICAL/GROUP REFERENCE	A-04 - A-05
IC/FP33RQ	A-07 - D-24
IC/FP37RQ	E-01 - H-20

1991 IC/FP37RQ INDEX

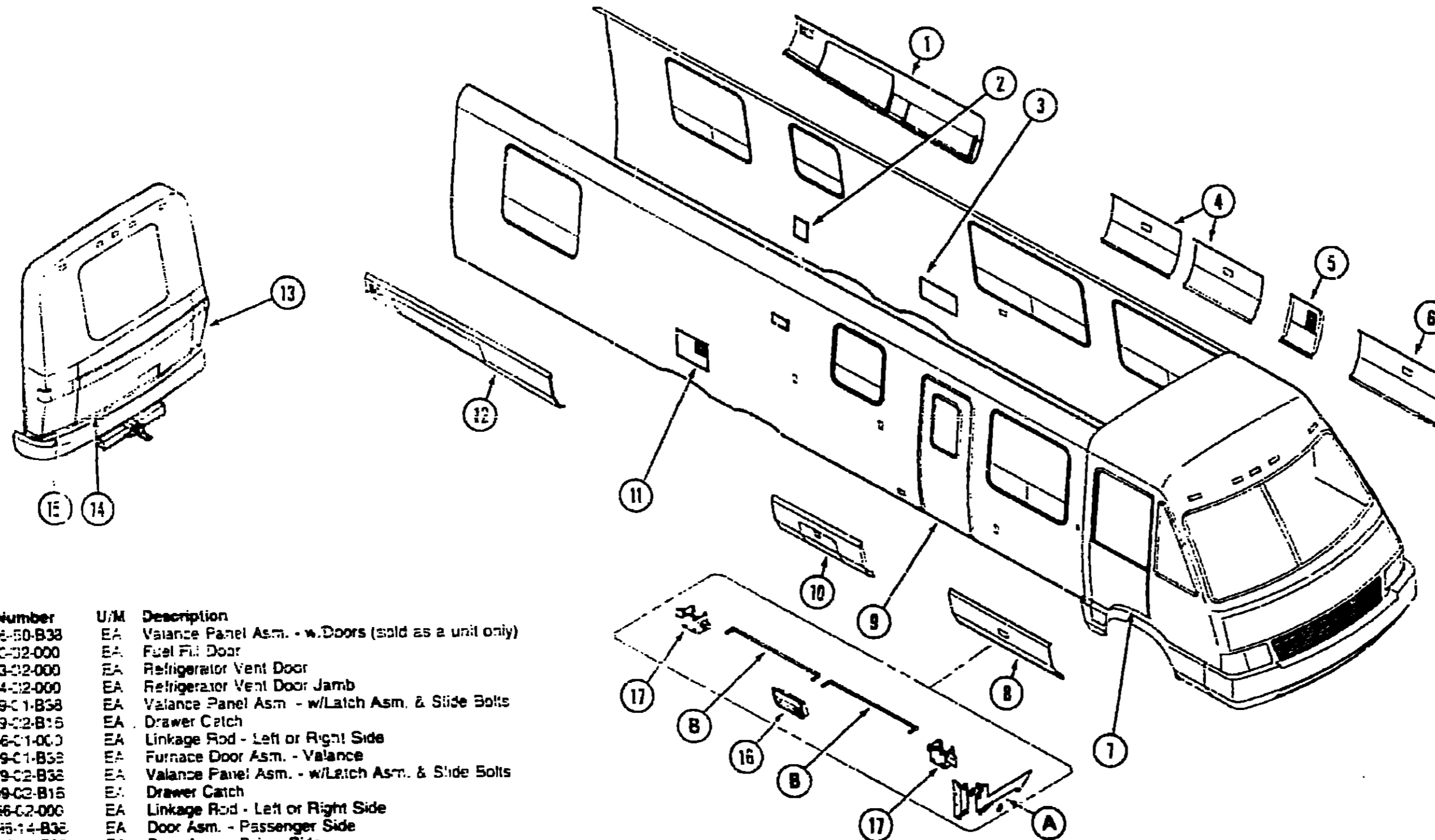
Floor Plan	E-01 - E-02
Accessories Group	E-03 - E-05
Bath Group	E-06 - E-08
Bedroom Group	E-09 - E-13
Chassis Group	F-14 - F-04
Curtain, Cushion & Pad Group	F-05 - F-13
Dinette Group	F-14 - F-16
Driver's Compartment Group	F-17 - F-21
Electrical Group	F-22 - G-01
Exterior Body Group	G-02 - G-03
Galley Group	G-10 - G-11
Heating & Air Conditioning Group	G-15 - G-17
Interior Finish Group	G-18 - G-19
Labels Group	G-20
LP Group	G-21
Lounge Group	G-22 - F-01
Seams & Fasteners Group	H-02 - H-03
Water & Sewage Group	H-04 - H-06
Window, Vent & Exterior Door Group	H-07 - H-19

WINDOW, VENT & EXTERIOR DOOR GROUP (CONTINUED)

EXTERIOR DOORS & DRAWER COMPARTMENTS

1991 ITASCA TABLE OF CONTENTS

INTRODUCTION	A-01 - A-02
ABBREVIATIONS	A-03
ALPHABETICAL/GROUP REFERENCE	A-04 - A-06
IC/FP33RQ	A-07 - D-24
IC/FP37RQ	E-01 - H-20



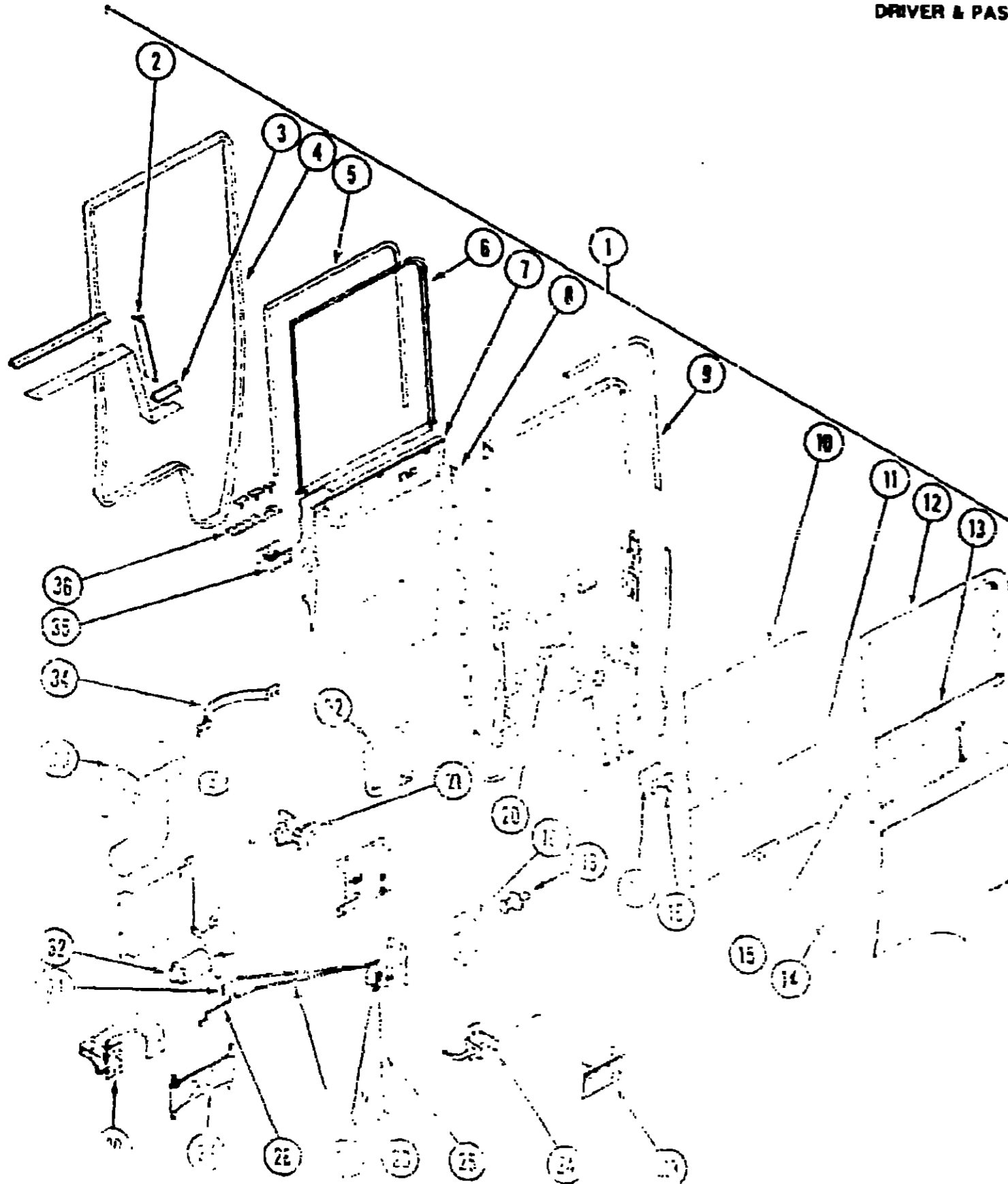
Key	Part Number	U/M	Description
1	M02566-50-B38	EA	Valance Panel Asm. - w.Doors (sold as a unit only)
2	075010-02-000	EA	Fuel Fill Door
3	054103-02-000	EA	Refrigerator Vent Door
	054104-02-000	EA	Refrigerator Vent Door Jamb
4	101179-C1-B38	EA	Valance Panel Asm. - w/Latch Asm. & Slide Bolts
A 4	103109-C2-B16	EA	Drawer Catch
B 4	101356-C1-000	EA	Linkage Rod - Left or Right Side
5	101209-C1-B38	EA	Furnace Door Asm. - Valance
6	101179-C2-B38	EA	Valance Panel Asm. - w/Latch Asm. & Slide Bolts
A 6	103109-C2-B16	EA	Drawer Catch
B 6	101356-C2-000	EA	Linkage Rod - Left or Right Side
7	M01556-14-B38	EA	Door Asm. - Passenger Side
	M01556-14-B38	EA	Door Asm. - Driver Side
8	101179-C0-B38	EA	Valance Panel Asm. - w/Latch Asm. & Slide Bolts
A 8	103109-C1-B16	EA	Drawer Catch
B 8	101356-03-000	EA	Linkage Rod - Left or Right Side
9	M05646-01-B38	EA	Entrance Door Asm. - w/Power Lock
10	M02566-51-B38	EA	Valance Panel Asm. - w/Door (sold as a unit only)
11	052005-03-000	EA	Water Heater Door
12	M02566-47-AF1	EA	Valance Panel Asm. - w/Door (sold as a unit only)
13	102314-01-C 1A	EA	Door Asm. - Passenger Side
14	P02337-02-E38	EA	Door Asm. - Center (Trunk)
15	102314-02-C 1A	EA	Door Asm. - Drivers Side
	102330-01-000	EA	Latch - Single Hole - Vise Action
16	101355-01-02A	EA	Paddle Latch Asm.
17	101348-01-000	EA	Latch Side Bolt Left or Right Side
	102265-01-000	EA	Clip - Rod End - 5/32"

1991 IC/FP37RQ INDEX

Floor Plan	E-01 - E-02
Accessories Group	E-03 - E-05
Bath Group	E-06 - E-08
Bedroom Group	E-09 - E-13
Chassis Group	F-14 - F-04
Curtain, Cushion & Pad Group	F-05 - F-13
Dinette Group	F-14 - F-16
Driver's Compartment Group	F-17 - F-21
Electrical Group	F-22 - G-01
Exterior Body Group	G-02 - G-09
Galley Group	G-10 - G-14
Heating & Air Conditioning Group	G-15 - G-17
Interior Finish Group	G-18 - G-19
Labels Group	G-20
LP Group	G-21
Lounge Group	G-22 - H-01
Sealants & Fasteners Group	H-02 - H-03
Water & Sewage Group	H-04 - H-05
Window, Vent & Exterior Door Group	H-07 - H-15

WINDOW, VENT & EXTERIOR DOOR GROUP (CONTINUED)

DRIVER & PASSENGER DOOR



Key	Part Number	U/M	Description
4	081632-02-000	FT	Door Seal - (Outer)
5	079370-04-000	EA	Vinyl Screw Cover - Black
	093148-01-000	EA	Wind Boot Seal
	102113-01-000	EA	Wire Loom Asm. - Driver Door
	102122-01-000	EA	Wire Loom Asm. - Passenger Door
	081912-01-000	EA	Weatherstrip - Rigid
	093132-01-000	EA	Window Switch - Driver or Passenger
	090351-01-000	EA	Lock Switch
6	102121-02-01A	EA	Inside Frame Asm. - Window - Passenger
6	102121-01-01A	EA	Inside Frame Asm. - Window - Driver
7	102110-01-02A	EA	Door Panel - Inner - Driver Side - Gray
7	102110-02-02A	EA	Door Panel - Inner - Passenger Side - Gray
8	075245-02-000	EA	Hinge Continuous - Gray
9	076813-01-000	FT	Door Seal (18" Required)
10	077036-05-000	EA	Glass - Stationary - .19" x 28.9" x 19" - Passenger Side
10	077036-04-000	EA	Glass - Stationary - .19" x 28.9" x 19" - Driver Side
11	101625-02-000	EA	Glass - Rollup - Driver or Passenger Side
12	102164-02-B15	EA	Window Asm. - Passenger Door - w/Support
12	102164-01-B16	EA	Window Asm. - Driver Door - w/Support
13	101852-01-01A	EA	Window Mullion - Horizontal
	050216-02-000	EA	Spline - Vinyl Glass - .19 Black
14	082240-04-000	EA	Channel Run (Sides)
15	089454-03-000	EA	Channel Run (Top)
	081910-02-000	FT	Channel - Weatherstrip - Glass
16	077000-01-000	EA	Socket Asm. - Step Light
17	077026-01-000	EA	Lens - Step Light
18	092927-03-000	EA	Striker Bolt
19	102315-01-000	EA	Door Latch w/Striker (Driver Door)
19	102915-02-000	EA	Door Latch w/Striker (Passenger Door)
20	081915-01-000	EA	Motor - Electric Door Lock
21	102237-02-01A	EA	Inside Latch Plate Hardware (Passenger Door)
21	102237-01-01A	EA	Inside Latch Plate Hardware (Driver Door)
22	053886-04-000	EA	Assist Handle - Gray Steel Tube
	077179-01-000	EA	Hose Adapter - 2" - Snap In
	007076-01-000	EA	Hose - 2"
23	102236-02-01A	EA	Outside Door Latch
24	063676-03-000	EA	Rod - Side Bolt
	068936-03-000	EA	Side Bolt Bearing - Plastic
	081905-01-000	EA	Knob - Control - Side Bolt - Passenger
	081905-02-000	EA	Knob - Control - Side Bolt - Driver
25	101902-01-000	EA	Lock Rod - Exterior Driver or Passenger Side
25	101902-02-000	EA	Release Rod - Interior - Driver or Passenger Side
27	101902-04-000	EA	Lock Rod - Interior - Driver Side
27	101902-05-000	EA	Lock Rod - Interior - Passenger Side
28	102114-01-000	EA	Lock Rod - Electric
	102265-01-000	EA	Rod Cap - 5/32"
	102265-02-000	EA	Rod Cap - 3/16" - Right Hand
	102265-03-000	EA	Rod Cap - 3/16" - Left Hand
29	101919-02-000	EA	Check Strap - 7"
29	101919-01-000	EA	Retainer Ring (Check Strap)
30	101917-01-000	EA	Door Prop. - Passenger Side
30	077000-02-000	EA	Door Prop. - Driver Side
31	101902-03-000	EA	Release Rod - Interior - Driver Side
31	101902-06-000	EA	Release Rod - Interior - Passenger Side
32	103392-01-000	EA	Power Window Regulator
33	076783-01-000	EA	Defroster Cover/Bezel
	046520-01-000	EA	Switch Asm. - Door Jamb
34	061400-01-000	EA	Assist Strap - 10" - Black
35	081940-01-000	EA	Switch Asm. - Photo Mirror
35	081940-02-000	EA	Switch Asm. - Mirror Position
36	093132-01-000	EA	Switch Plate - Passenger Side
	102117-01-000	EA	Switch Plate - Driver Side (Driver Door)
	102117-02-000	EA	Switch Plate - Driver Side (Passenger Door)

Key	Part Number	U/M	Description
1	M01556-14-B01	EA	Door Asm. - Driver - Gray - w/door Panel
1	M01556-14-B02	EA	Door Asm. - Passenger - Gray - w/door Panel
2	077080-02-000	EA	Door Seal - Driver Side
3	077080-01-000	EA	Door Seal - Passenger Side
4	077080-03-000	EA	Door Seal - Driver Side
5	077080-04-000	EA	Door Seal - Passenger Side

1991 ITASCA TABLE OF CONTENTS

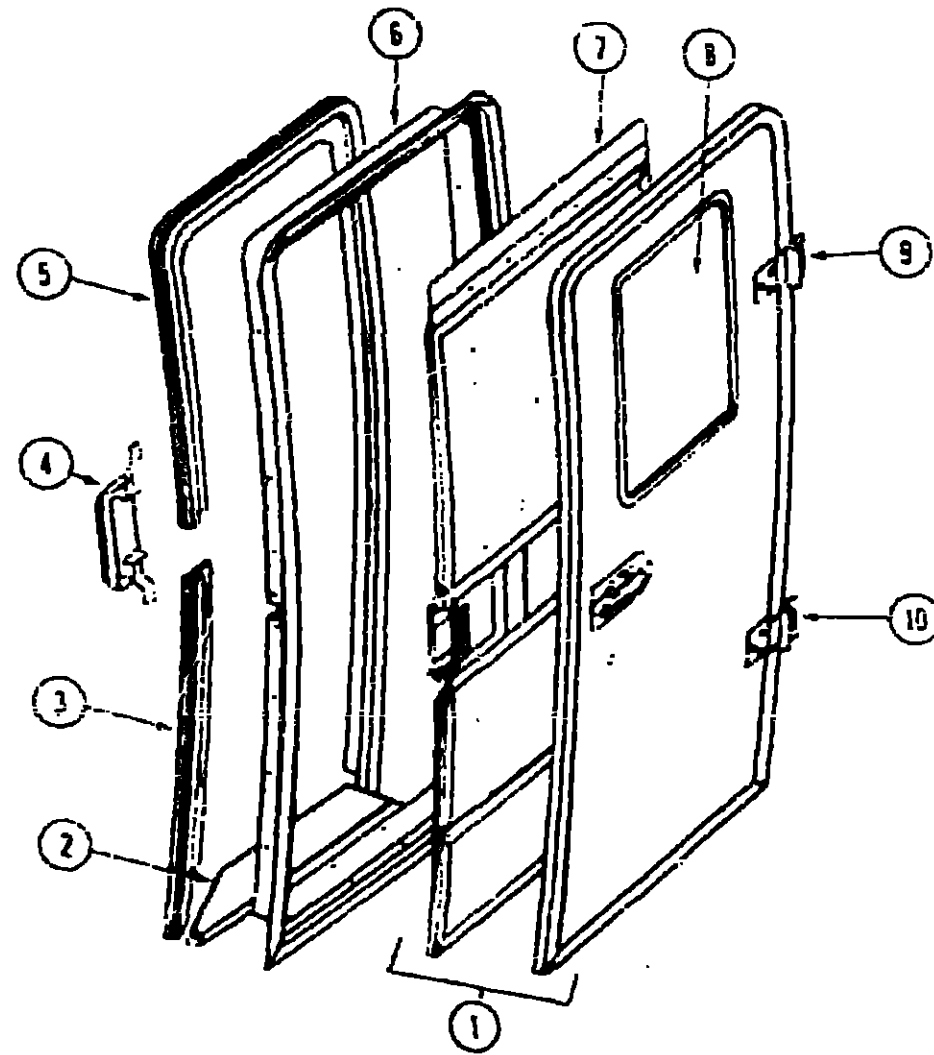
INTRODUCTION	A-01 - A-02
ABBREVIATIONS	A-03
ALPHABETICAL/GROUP REFERENCE	A-04 - A-06
IC/FP33RD	A-07 - D-24
IC/FP37RD	E-01 - H-20

1991 IC/FP37RD INDEX

Floor Plan	E-01 - E-02
Accessories Group	E-03 - E-05
Bath Group	E-06 - E-08
Bedroom Group	E-09 - E-13
Chassis Group	E-14 - F-04
Curtain, Cushion & Pad Group	F-05 - F-13
Dinette Group	F-14 - F-16
Driver's Compartment Group	F-17 - F-21
Electrical Group	F-22 - G-01
Exterior Body Group	G-02 - G-09
Galley Group	G-10 - G-14
Heating & Air Conditioning Group	G-15 - G-17
Interior Finish Group	G-18 - G-19
Labels Group	G-20
LP Group	G-21
Lounge Group	G-22 - H-01
Sealants & Fasteners Group	H-02 - H-03
Water & Sewage Group	H-04 - H-06
Window, Vent & Exterior Door Group	H-07 - H-19

WINDOW, VENT & EXTERIOR DOOR GROUP (CONTINUED)

ENTRANCE DOOR W/POWER LOCK



Key	Part Number	U/M	Description
1	M05648-01-B38	EA	Door Asm. - Entrance - w/Power Lock
	091876-01-000	EA	Retainer Door
2	086905-03-000	EA	Trim - Entrance Door - Lower
3	M01670-03-B16	EA	Trim - Entrance Door
4	085739-02-000	EA	Cover - Strike Off White
5	M01671-03-B16	EA	Trim - Entrance Door - Upper
6	076947-07-000	EA	Jamb Asm. - Entrance Door
7	084389-01-AF1	EA	Screen Door - Complete
	085276-02-000	EA	Slider Door - Screen Door - Off White
	002293-02-000	SF	Screen - 26" Charcoal
	002294-01-000	FT	Spline - Screen Door - Black
	084096-01-000	EA	Transition Frame - Screen Door
	009018-01-000	EA	Catch - Single Roller
	076912-03-000	EA	Lower Screen Door Insert
	076914-06-000	EA	Center Screen Door Insert
	078777-01-000	EA	Slider Channel
8	079733-04-T03	EA	Window Asm. - Picture (w/o inside frame)
	067609-27-000	EA	Inside Frame - Black (not included in assembly)
	002181-06-000	EA	Glass - .115" x 16.25" x 24"
	087561-01-000	FT	Spline - Glass - 1/8 Material - Black
9	084097-02-000	EA	Hinge Asm. - Upper
10	084096-02-000	EA	Hinge Asm. - Lower
	076810-01-000	EA	Gasket - Door Hinge
	102237-02-01A	EA	Latch Asm. - Inner - Black
	092927-07-000	EA	Latch Asm.
	102236-02-01A	EA	Outside Latch Hardware Set
	102265-01-000	EA	Rod Clip - 5/32
	102370-01-000	EA	Rod - Outside Lock
	102370-02-000	EA	Rod - Outside Release
	102370-03-000	EA	Rod - Inside Release
	102409-01-000	EA	Rod - Asm. - Electric Lock
	102451-01-000	EA	Latch Cross Brace Asm.
	102710-01-01A	EA	Assist Handle - Black
	076908-02-000	EA	Door Trim - Bottom
	102539-01-02A	EA	Door Trim - Upper
	101145-01-02A	EA	Dead Bolt Asm.
	101147-02-000	EA	Security Bolt - 3.5 Backset
	081915-01-000	EA	Motor - Electric - Door Lock
	081915-02-000	EA	Bracket Mounting - Door Lock Motor
	081993-02-000	EA	Control Rod - Lock Motor
	089450-03-000	EA	Hinge Cover - Off White

1991 ITASCA TABLE OF CONTENTS

INTRODUCTION	A-01 - A-02
ABBREVIATIONS	A-03
ALPHABETICAL GROUP REFERENCE	A-04 - A-06
IC:FP33RD	A-07 - D-24
IC:FP37RQ	E-01 - H-20

1991 IC/FP37RQ INDEX

Floor Plan	E-01 - E-02
Accessories Group	E-03 - E-05
Bath Group	E-06 - E-08
Bedroom Group	E-09 - E-13
Chassis Group	E-14 - F-04
Curtain, Cushion & Pad Group	F-05 - F-13
Dinette Group	F-14 - F-16
Driver's Compartment Group	F-17 - F-21
Electrical Group	F-22 - G-01
Exterior Body Group	G-02 - G-09
Galley Group	G-10 - G-14
Heating & Air Conditioning Group	G-15 - G-17
Interior Finish Group	G-18 - G-19
Labels Group	G-20
LP Group	G-21
Lounge Group	G-22 - H-01
Sealants & Fasteners Group	H-02 - H-03
Water & Sewage Group	H-04 - H-06
Window, Vent & Exterior Door Group	H-07 - H-19

WINDOW, VENT & EXTERIOR DOOR GROUP (CONTINUED)

POWER ROOF VENT (BATH)

Key	Part Number	U/M	Description
	064469-05-000	EA	Power Roof Vent w/Power Lift
	064469-10-000	EA	Screen Asm. w/Plastic Garnish
	064469-03-702	EA	Vent Lid - White
	064469-03-706	EA	Lift Mechanism
	064469-03-707	EA	Lift Mechanism Motor
	064469-03-708	EA	Drive Gear
	064469-03-709	EA	Motor Pinion Gear

NON-POWERED ROOF VENT

Key	Part Number	U/M	Description
	090392-01-Y12	EA	Roof Vent Asm. - Non-Powered - w/o Screen
	051364-01-000	EA	Cover - Roof Vent
	052639-01-001	EA	Hinge
	009440-01-000	EA	Lift Mechanism
	009439-01-000	EA	Crank
	009439-02-000	EA	Knob
	009439-03-000	EA	Extension
	009439-04-000	EA	Screw - 6 - 32 x 1 1/4" POH
	002825-01-000	EA	Weatherstrip
	078796-01-Y12	EA	Screen Asm.
	002291-02-000	SF	Screen - 16" - Charcoal
	002298-02-000	FT	Spline

POWERED ROOF VENT (BATH) (CSA)

Key	Part Number	U/M	Description
**	064469-08-000	EA	Powered Roof Vent
**	The illustrated parts breakdown for this item is provided on the Common Items Fiche.		

1991 ITASCA TABLE OF CONTENTS

INTRODUCTION	A-01 - A-02
ABBREVIATIONS	A-03
ALPHABETICAL/GROUP REFERENCE	A-04 - A-06
IC/FP33RQ	A-07 - D-24
IC/FP37RQ	E-01 - H-20

1991 IC/FP37RQ INDEX

Floor Plan	E-01 - E-02
Accessories Group	E-03 - E-05
Bath Group	E-06 - E-08
Bedroom Group	E-09 - E-13
Chassis Group	E-14 - F-04
Curtain, Cushion & Pad Group	F-05 - F-13
Dinette Group	F-14 - F-16
Driver's Compartment Group	F-17 - F-21
Electrical Group	F-22 - G-01
Exterior Body Group	G-02 - G-09
Galley Group	G-10 - G-14
Heating & Air Conditioning Group	G-15 - G-17
Interior Finish Group	G-18 - G-19
Labels Group	G-20
LP Group	G-21
Lounge Group	G-22 - H-01
Sealants & Fasteners Group	H-02 - H-03
Water & Sewage Group	H-04 - H-05
Window, Vent & Exterior Door Group	H-07 - H-19