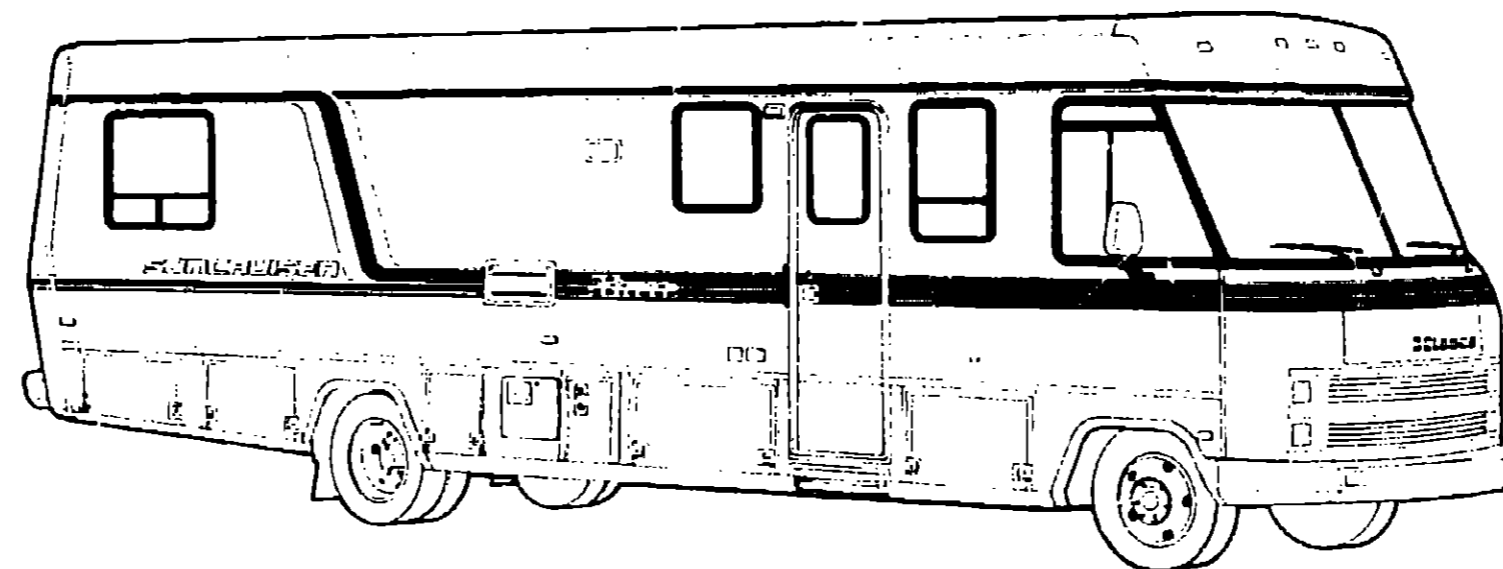


**1991 ITASCA  
TABLE OF CONTENTS**

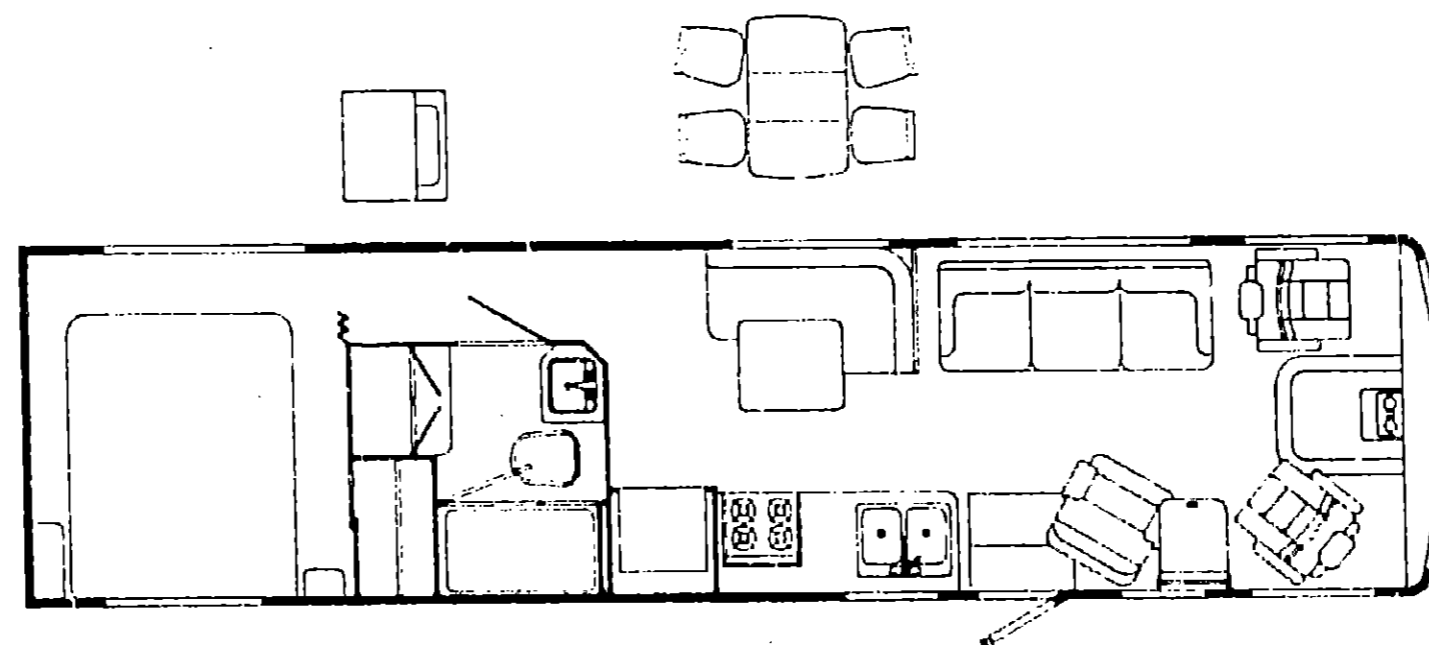
INTRODUCTION	A-01 - A-02
ABBREVIATIONS	A-03
ALPHABETICAL/GROUP REFERENCE	A-04 - A-06
IC/FM32RQ	A-07 - F-10
IC/FM34RA	F-11 - K-12



**1991  
IC/FM34RA**

**1991 IC/FM34RA INDEX**

Floor Plan	F-11 - F-12
Accessories Group	F-13 - F-16
Bath Group	F-17 - F-20
Bedroom Group	F-21 - G-02
Chassis Group	G-03 - G-21
Curtain, Cushion & Pad Group	G-22 - H-08
Dinette Group	H-09 - H-12
Driver's Compartment Group	H-13 - H-20
Electrical Group	H-21 - H-24
Exterior Body Group	I-01 - I-10
Galley Group	I-11 - I-16
Heating & Air Conditioning Group	I-17 - I-18
Interior Finish Group	I-19 - I-20
Labels Group	I-21 - J-05
LP Group	J-06
Lounge Group	J-07 - J-10
Sealants & Fasteners Group	J-11 - J-12
Water & Sewage Group	J-13 - J-15
Window, Vent & Exterior Door Group	J-16 - K-12



## ACCESSORIES GROUP

### POWER SEARCHLIGHT (OPTION C3E)

Key	Part Number	U/M	Description
	051057-02-000	EA	Searchlight - Power Driven - w/o Switch
	051057-04-000	EA	Switch Asm. - Searchlight
	051057-01-700	EA	Switch - Panel Asm. - Aux.
	051057-01-701	EA	Switch - Panel Asm. - Main
	051057-01-702	EA	Joy Switch & Housing
	051057-01-703	EA	Toggle Switch - On/Off
	051057-01-704	EA	Micro Switch
	051057-01-705	EA	Bulb - Searchlight
	008326-01-000	EA	Terminal - Ring - 16/14 - 3/8 Stud
	035416-04-000	EA	Terminal - Ring - #10 Stud Fit
	044466-03-000	EA	Circuit Breaker - w/Mounting Bracket
	093654-02-000	EA	Circuit Breaker - 15 Amp.
	077368-03-000	EA	Instrument Panel Cover - Lower Left (Chevrolet)
	077368-06-000	EA	Instrument Panel Cover - Lower Left (Ford)

### AIR HORNS (OPTION 36R)

Key	Part Number	U/M	Description
	077497-06-000	EA	Air Horn Kit - Twin - Chromed
	077497-01-700	EA	Solenoid - Air Tank
	077497-01-701	EA	Compressor Switch
	077497-01-702	EA	Toggle Switch w/Wire
	077497-01-703	EA	Air Tank
	077497-01-704	EA	Compressor w/Switch
	077497-01-705	EA	Repair Kit f/Hadley 120 Compressor
	077497-01-706	EA	Valve & Head Repair f/Compressor
	077497-01-707	EA	Belt & Screw Cover f/Compressor
	077497-01-708	EA	Filter & Mounting Hardware f/Compressor
	077497-01-709	EA	Plunger & Spring f/Solenoid
	077497-02-000	EA	Hose Kit - Aux. Air
	077497-03-000	EA	Parts Kit - Aux. Air Hose
	077497-05-000	EA	Compressor/Tank/Solenoid Kit
	081407-01-000	EA	Mounting Plate - Air Horns
	081404-01-000	EA	Mounting Bracket - Compressor
	078239-01-000	EA	Label Plate - Air Horns
	007940-01-000	EA	Slide Receptacle - 16 to 12 AWG
	041953-07-000	FT	Conduit - Slit Convoluted - .25"
	047443-01-000	EA	Terminal - .25" Receptacle
	063910-01-000	EA	Relay Housing
	063912-02-000	EA	Canister Relay - SPDT - w/Resistor
	071390-04-000	EA	Air Tubing - 1/4" OD - Black
	088473-09-000	EA	Pin Housing
	088475-01-000	EA	Connector Pin
	093654-02-000	EA	Circuit Breaker - 15 Amp.

## ACCESSORIES GROUP (CONTINUED)

### FRONT TV SYSTEM (OPTIONS 42C & 42Y)

Key	Part Number	U/M	Description
	098447-01-000	EA	Color TV - 13" - w/Remote - Magnavox RX4029WA (USA)
	098447-02-000	EA	Color TV - 13" - w/Remote - Magnavox XK4029CH (CSA)
	098447-01-700	EA	Remote - Magnavox 0822338
	098446-02-000	EA	VCR - VHS - Cable Ready - w/Remote - Magnavox VR9912
	098446-02-700	EA	Remote
	096757-02-000	EA	Control Center - Xantech 101020
	086756-01-000	EA	Splitter - 2 Way
	099717-01-000	EA	Tiedown - TV
	099717-02-000	EA	Tiedown - TV
	098819-01-000	EA	Remote Speaker - 4" - 2 Watt - 8 Ohm
	093214-01-02A	EA	Grille - Speaker - 4" - Brown
	090030-01-000	EA	Wire Asm. - Speaker
	076319-01-000	EA	TV Antenna - 44" Mast
	076319-01-700	EA	RVSA-UV Sensor Antenna
	076319-01-701	EA	Elevating Gear
	076319-01-702	EA	Shaft Elevating Asm.
	076319-01-703	EA	Nylon Bearing - 5" OD
	076319-01-704	EA	Nylon Bearing - .125" OD
	076319-01-705	EA	Nylon Bearing - .718" ID
	076319-01-706	EA	Elevating Crank w/Set Screw
	076319-01-707	EA	Handle Spring
	076319-03-000	FT	Coaxial Cable - 75 Ohm
	076319-04-000	EA	Connector & Ferrule
	076319-06-000	EA	Adaptor - Cable Roof Plate
	076319-08-000	EA	Wallplate - Receptacle - Ivory
	076319-11-000	EA	Adaptor - Coax w/Splitter
	076319-12-000	EA	Connector - Coaxial
	058708-02-000	EA	Duplex - Receptacle - Ivory
	086777-03-000	EA	Wall Plate - Antenna/Power - Ivory
	086777-01-000	EA	Wall Plate - Antenna/Cable - Ivory
	090963-01-000	EA	Outside Receptacle - Cable TV
	090964-01-000	EA	Cover - Outside Receptacle
	087236-01-000	EA	Label - Cable Input
	087236-02-000	EA	Label - Cable Output
	088473-01-000	EA	Pin Housing
	088475-01-000	EA	Connector Pin
	088474-10-000	EA	Socket Housing
	088476-01-000	EA	Connector Socket
	099637-01-000	EA	Grommet
	099048-01-000	EA	Inverter - 100 Watt

### REAR COLOR TV (OPTION 43Y)

Key	Part Number	U/M	Description
	092310-01-000	EA	Color TV - 9" - AC/DC - w/Remote - Magnavox CH3940
	092310-01-700	EA	Remote - Magnavox 0822338
	097057-01-AE1	EA	Padded Shelf Asm.
	058708-02-000	EA	Duplex Receptacle - Ivory
	076319-08-000	EA	Wallplate - Receptacle - Ivory
	P00064-01-B32	EA	Cabinet Asm. - Overhead TV
	M04162-11-B32	EA	Cabinet Asm. - Overhead Rear LH
	P00523-61-B32	EA	Door Asm. - w/o Hardware
	059777-02-000	EA	Hinge - Burnished Brass
	000G13-06-10G	EA	Screw - #6 - 20 x .625" PFI - Antique Brass
	000G68-06-10G	EA	Screw - #6 - 20 x .625" POH - Antique Brass
	100273-01-000	EA	Door Pull
	074493-02-000	EA	Door Support

## 1991 ITASCA TABLE OF CONTENTS

INTRODUCTION	A-01 - A-02
ABBREVIATIONS	A-03
ALPHABETICAL/GROUP REFERENCE	A-04 - A-06
IC/FM32RQ	A-07 - F-10
IC/FM34RA	F-11 - K-12

## 1991 IC/FM34RA INDEX

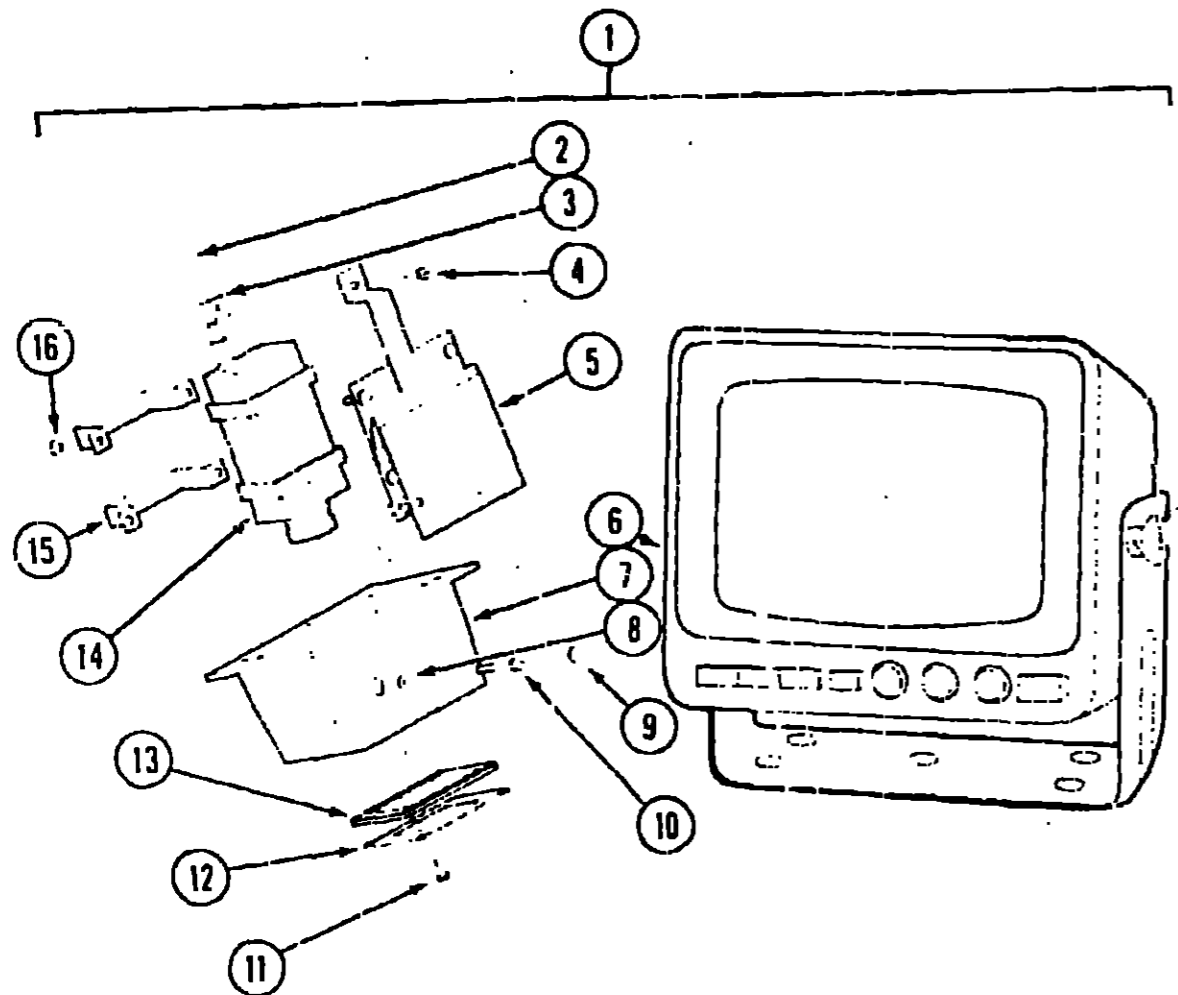
Floor Plan	F-11 - F-12
Accessories Group	F-13 - F-16
Bath Group	F-17 - F-20
Bedroom Group	F-21 - G-02
Chassis Group	G-03 - G-21
Curtain, Cushion & Pad Group	G-22 - H-08
Dinette Group	H-09 - H-12
Driver's Compartment Group	H-13 - H-20
Electrical Group	H-21 - H-24
Exterior Body Group	I-01 - I-10
Galley Group	I-11 - I-16
Heating & Air Conditioning Group	I-17 - I-18
Interior Finish Group	I-19 - I-20
Labels Group	I-21 - J-05
LP Group	J-06
Lounge Group	J-07 - J-10
Sealants & Fasteners Group	J-11 - J-12
Water & Sewage Group	J-13 - J-15
Window, Vent & Exterior Door Group	J-16 - K-12

**ACCESSORIES GROUP (CONTINUED)**

**ACCESSORIES GROUP (CONTINUED)**

**FRONT RADIO**

**1991 ITASCA  
TABLE OF CONTENTS**



**REARVIEW TELEVISION MONITOR (OPTION 67Z)**

Key	Part Number	U/M	Description
1	093040-02-000	EA	Television System - Rearview
2	093041-01-000	EA	Cable - Monitor/Camera
3	031170-01-000	EA	Clamp - Cable - 3/16" Dia.
4	000G32-10-06B	EA	Screw - #10 - 32 x 3/8"
5	099325-01-000	EA	Bracket Asm - Camera Adjust
6	093040-01-701	EA	Monitor - 6" - w/Bracket & Wire Harness
7	099323-01-02A	EA	Shroud - TV - Gray
8	099303-02-01A	EA	Caplug - RHW - Metal Washer
9	099303-01-01A	EA	Caplug - RH - Black
10	000G72-10-24B	EA	Screw - #10 - 32 x 1.50" - Slotted Hex
11	000G11-08-08T	EA	Screw - #8 - 18 x 1/2" (4 Used)
12	100319-01-000	EA	Retainer - Lens - Camera
13	099288-01-000	EA	Lens - Rear - Monitor Shroud
14	093040-01-702	CA	Camera & Housing
	093040-01-700	EA	Camera Only
15	094001-01-000	EA	Clamp - Camera (2 Used)
16	000D24-10-009	EA	Nut - Hex (4 Used)
	099305-01-000	EA	Spring - Compression
	088756-01-000	EA	Grommet - Web - 1 1/8" ID
	093040-03-000	EA	Wire Asm. - Monitor - Lower (Chevrolet Chassis)
	092881-01-000	EA	Wire Asm. - Rear Monitor - Power (Chevrolet Chassis)
	096717-02-000	EA	Wire Asm. - Monitor - Lower (Ford Chassis)
	096865-01-000	EA	Wire Asm. - Monitor - Power (Ford Chassis)
	062037-01-000	EA	Housing - Auto Fuse - Natural

Key	Part Number	U/M	Description
	097459-01-000	EA	Radio - AM/FM - Cassette - Digital Clock - Seek/Scan - Audiovox 1M-DXA
	097460-02-000	EA	Radio - AM/FM - Cassette - Digital Clock - Seek - Sony XR-300 (Option 57E)
	097621-01-000	EA	Mounting Kit - Audiovox Radio
	097622-01-000	EA	Radio Output Adaptor Harness - Audiovox Radio
	097620-03-000	EA	Mounting Kit - Sony Radio (Option 57E)
	097620-04-000	EA	Mounting Bracket - Sony Radio (Option 57E)
	031105-02-000	EA	Antenna - Side Mount - 12" w/Ground
	031105-01-700	EA	Upper Antenna Holder
	073741-03-000	EA	Speaker - Dash - 4" x 6" Oval - Audiovox 110-2074
	073741-04-000	EA	Speaker Grille - Dash - 4" x 6" Oval - Audiovox 136-1157
	094097-01-000	EA	Speaker - Cabinetry - 5.25" Dia. - w/o Grille - Audiovox 110C2020
	074979-01-000	EA	Speaker Cover - Light Oak
	089340-01-000	EA	Speaker Grille - 6 5" Square - Magnadyne C541WI

**REAR STEREO SYSTEM & RELATED COMPONENTS (OPTION 26L)**

Key	Part Number	U/M	Description
	103598-01-000	EA	Radio - AM/FM Stereo Cassette - Advantz AE8000AR
	094097-01-000	EA	Speaker - 5.25" Dia. - w/o Grille
	089340-02-000	EA	Grille - Speaker
	074979-01-000	EA	Cover - Speaker - Light Oak
	090944-01-000	EA	Antenna - Radio - 16" Rubber
	090862-01-000	EA	Bracket - Antenna
	077069-02-000	EA	Cable - Antenna - Extension - 96"
	05802E-01-000	EA	Connector - Pigtail
	010495-01-000	EA	Cable Clamp - 9/16"

**VACUUM CLEANER & RELATED COMPONENTS (OPTION 22T)**

Key	Part Number	U/M	Description
	092304-01-000	EA	Vacuum Cleaner - Built-In
	092304-01-700	EA	Bags - Replacement (Pkg. of 5)
	092304-02-000	EA	Vacuum Cleaning Tool Set
	092304-02-700	EA	Hand Power Brush
	092304-02-701	EA	Dusting Tool
	092304-02-702	EA	Rug Tool
	092304-02-703	EA	Crevice Tool
	092304-02-704	EA	Motor/Relay
	096241-03-000	EA	Switch - Blank
	092304-03-000	EA	Vacuum Cleaner Door Asm
	010191-01-000	FT	Pipe - Black Plastic
	039681-01-000	EA	Coupling - Plastic - 1 1/4"
	010001-01-000	EA	Elbow - Plastic - 1 1/4" x 90° H x H
	019910-01-000	EA	Tee - Plastic - 1 1/4" - H x H x H

**MISCELLANEOUS ACCESSORIES**

Key	Part Number	U/M	Description
	051185-74-000	EA	Operator's Manual
	092318-01-000	EA	3 Ring Binder - Motor Home Manual
	092319-01-000	EA	Pocket Page - 3 Ring Binder
	098084-08-000	EA	Cassette - Suncruiser
	094499-01-000	EA	Fire Extinguisher - 1A10BC (USA)
	094499-02-000	EA	Fire Extinguisher - 1A10BC (CSA)
	094499-01-700	EA	Holder - Fire Extinguisher
	072052-01-000	EA	Smoke Detector - w/9 Volt Battery

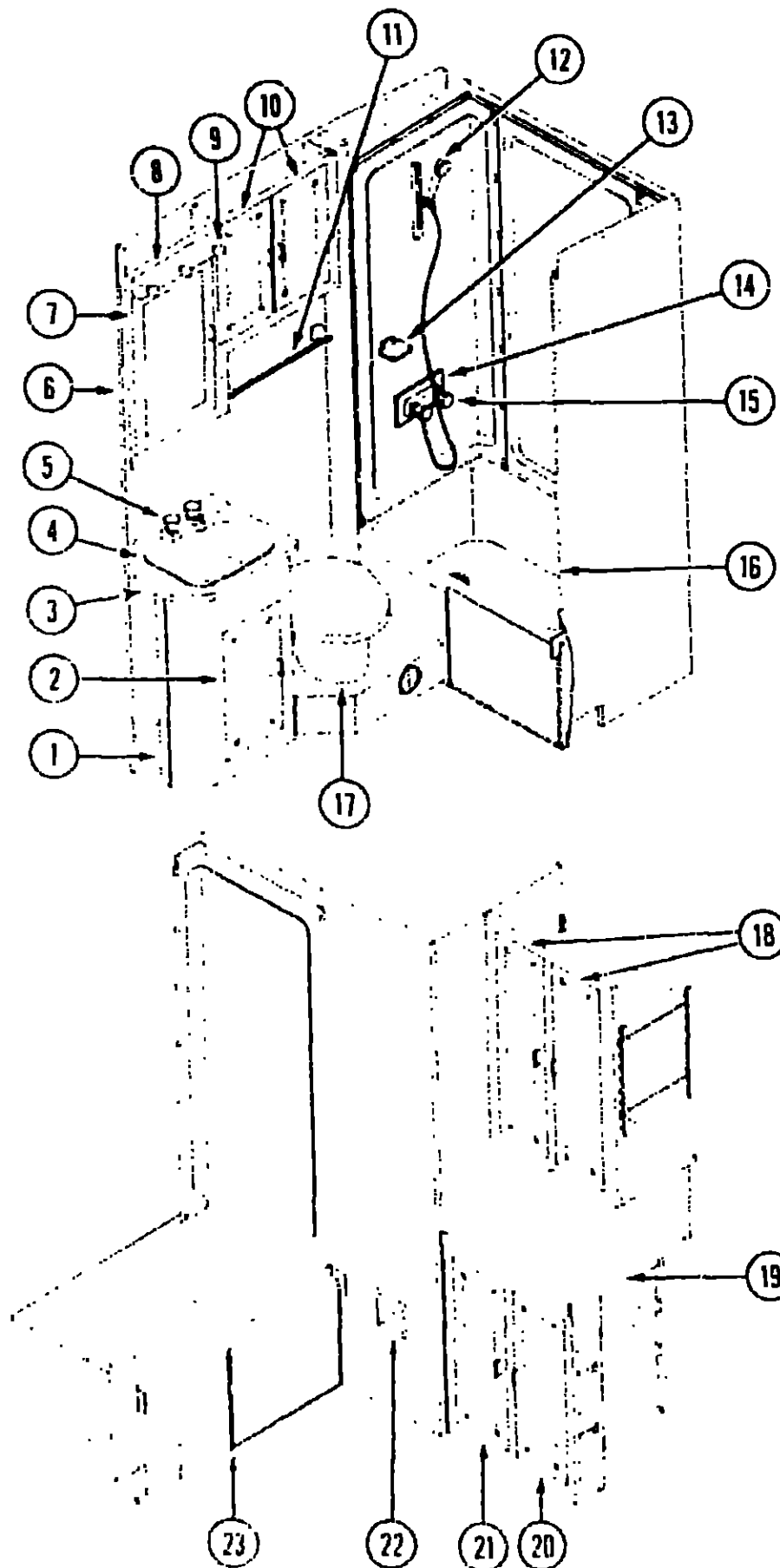
INTRODUCTION	A-01 - A-02
ABBREVIATIONS	A-03
ALPHABETICAL/GROUP REFERENCE	A-04 - A-06
IC/FM32RQ	A-07 - F-10
IC/FM34RA	F-11 - K-12

**1991 IC/FM34RA INDEX**

Floor Plan	F-11 - F-12
Accessories Group	F-13 - F-16
Bath Group	F-17 - F-20
Bedroom Group	F-21 - G-02
Chassis Group	G-03 - G-21
Curtain, Cushion & Pad Group	G-22 - H-08
Dinette Group	H-09 - H-12
Driver's Compartment Group	H-13 - H-20
Electrical Group	H-21 - H-24
Exterior Body Group	I-01 - I-10
Galley Group	I-11 - I-16
Heating & Air Conditioning Group	I-17 - I-19
Interior Finish Group	I-19 - I-20
Labels Group	I-21 - J-05
LP Group	J-06
Lounge Group	J-07 - J-10
Sealants & Fasteners Group	J-11 - J-12
Water & Sewage Group	J-13 - J-15
Window, Vent & Exterior Door Group	J-16 - K-12

# BATH GROUP

## CABINETRY



Key	Part Number	U/M	Description
1	P00760-01-B32	EA	Cabinet Asm. - Lavatory
2	P00523-17-B29	EA	Door Asm. - w/o Hardware
3	100760-13-B10	EA	Countertop Asm.
4	096927-01-01A	EA	Sink - Rectangular
	096927-01-700	EA	Stopper - Sink
	096927-01-701	EA	Tailpiece - Sink
5	075240-05-000	EA	Lavatory Faucet - Brass (USA)
5	075240-03-000	EA	Lavatory Faucet - Bone (CSA)
	091253-01-000	EA	Gasket - Lavatory Faucet
6	097059-01-B32	EA	Cabinet Asm. - Medicine
7	P00523-31-B32	EA	Door Asm. - w/o Hardware
8	082169-01-000	EA	Make-up Light
9	081663-01-700	EA	Bulb - Make-up Light
10	P00523-19-B29	EA	Door Asm. - w/o Hardware
11	075453-02-000	EA	Towel Bar - 18" - Brass
12	011048-02-000	EA	Shower Head - w/60" Hose (USA)
12	011048-05-000	EA	Shower Head - w/60" Hose (CSA)
13	081614-02-000	EA	Soap Dish - Brass w/Plastic Cover
14	075606-01-000	EA	Faucet Panel - Tub/Shower
15	075242-03-000	EA	Faucet - Tub/Shower - Brass (USA)
15	075242-04-000	EA	Faucet - Tub/Shower - Bone (CSA)
16	M02630-12-AB1	EA	Tub/Shower - w/Strainer
17	067487-01-000	EA	Toilet - Aqua Magic IV
18	P00523-14-B29	EA	Door Asm. - w/o Hardware
19	100761-18-B32	EA	Countertop Asm.
20	P00523-44-B32	EA	Door Asm. - w/o Hardware
21	P00523-45-B29	EA	Door Asm. - w/o Hardware
22	085278-01-000	EA	Tissue Holder - Recessed - Brass
23	085746-01-000	EA	Carpet Trim
	093446-09-B10	EA	Mirror Asm. - Hallway
	058331-38-000	EA	Mirror - Hallway
	081521-02-007	EA	Corner Molding - Aluminum (Plastic Trim Holder)
	042357-15-000	EA	Corner Molding - Radius - Plastic
	083620-06-000	FT	T-Molding - 3/4" w/Edge Lips
	009767-10-000	FT	Welting - Mahogany
	009767-12-000	FT	Welting - Antique White
	009812-22-000	EA	Corner Molding - Plastic - .5" - Country Forest

## BATH ENTRANCE DOOR

Key	Part Number	U/M	Description
	P00762-01-B32	EA	Door Asm. - Bathroom Entrance
	101430-01-01A	EA	Hinge - 2" - Brass
	100923-01-01A	EA	Hinge - Spring Loaded
	000G57-05-16J	EA	Screw - #5 - 20 x 1" PFH - Brass
	094485-01-01A	EA	Door Knob - Polished Brass
	081310-03-B10	EA	Door Jamb - Top
	081317-09-AB1	EA	Door Jamb - Side w/Hole
	081317-10-AB1	EA	Door Jamb - Side w/o Hole
	076767-02-000	EA	Cable Asm. - Door Restraining
	093446-07-B32	EA	Mirror Asm.
	058331-27-000	EA	Mirror

## 1991 ITASCA TABLE OF CONTENTS

INTRODUCTION:	A-01 - A-02
ABBREVIATIONS	A-03
ALPHABETICAL/GROUP REFERENCE	A-04 - A-06
IC/FM32RQ	A-07 - F-10
IC/FM34RA	F-11 - K-12

## 1991 IC/FM34RA INDEX

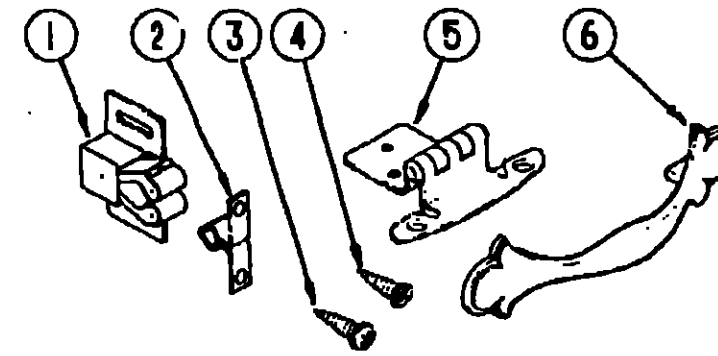
Floor Plan	F-11 - F-12
Accessories Group	F-13 - F-16
Bath Group	F-17 - F-20
Bedroom Group	F-21 - G-02
Chassis Group	G-03 - G-21
Curtain, Cushion & Pad Group	G-22 - H-08
Dinette Group	H-09 - H-12
Driver's Compartment Group	H-13 - H-20
Electrical Group	H-21 - H-24
Exterior Body Group	I-01 - I-10
Galley Group	I-11 - I-16
Heating & Air Conditioning Group	I-17 - I-18
Interior Finish Group	I-19 - I-20
Labels Group	I-21 - J-05
LP Group	J-06
Lounge Group	J-07 - J-10
Sealants & Fasteners Group	J-11 - J-12
Water & Sewage Group	J-13 - J-15
Window, Vent & Exterior Door Group	J-16 - K-12

## BATH GROUP (CONTINUED)

### BATH HARDWARE

Key	Part Number	U/M	Description
	011048-02-000	EA	Shower Head - w/60" Hose (USA)
	011048-05-000	EA	Shower Head - w/60" Hose (CSA)
	075240-05-000	EA	Lavatory Faucet - Brass (USA)
	075240-06-000	EA	Lavatory - Faucet - Bone (CSA)
	091253-01-000	EA	Gasket - Lavatory Faucet
	075242-03-000	EA	Faucet - Tub/Shower - Brass (USA)
	075242-04-000	EA	Faucet - Tub/Shower - Bone (CSA)
	096927-01-01A	EA	Sink - Rectangular
	096927-01-700	EA	Stopper - Sink
	096927-01-701	EA	Tailpiece - Sink
	M02630-12-AB1	EA	Tub/Shower (w/Strainer)
	011069-03-000	EA	Tailpiece - Tub/Shower - Plastic (USA)
	011069-02-000	EA	Tailpiece - Tub/Shower - Brass (CSA)
	066729-01-000	EA	Strainer - Tub/Shower Drain
	069735-01-000	EA	Washer - Plastic - Tailpiece
	075606-01-000	EA	Faucet Panel - Tub/Shower
	085278-01-000	EA	Tissue Holder - Recessed - Brass
	075453-02-000	EA	Towel Bar - 18" - Antique Brass
	081614-02-000	EA	Soap Dish - Brass w/Plastic Cover
	075454-02-000	EA	Towel Ring - Brass w/Mounting Hardware
	075680-02-000	EA	Adjustable Clothes Rod - 27" to 36"
	009112-01-000	EA	Flange - 1" - Clothes Rod
	067487-01-000	EA	Toilet - Aqua Magic IV
	097873-01-000	EA	Clothes Washer - Almond
	097873-02-000	EA	Clothes Dryer - Almond
	097873-03-000	EA	Frame Kit - Washer/Dryer
	092574-02-01A	EA	Shower Door - Solid - w/Panel
	092574-01-700	EA	Knob - Safety Latch
	092574-01-701	EA	Bracket - w/Stud - Towel Bar - Gold
	092574-01-702	EA	Towel Bar - 30" - Gold
	092574-01-703	EA	Door Pull - Gold
	092574-01-704	EA	Screw - Gold - #6 - 3/8"
	092574-01-705	EA	Magnetic Stripe - 56 7/8"
	092574-01-706	EA	Strike Jamb - 56 7/8"

## BATH GROUP (CONTINUED)



### CABINET HARDWARE (DOORS & CABINETS)

Key	Part Number	U/M	Description
1	093586-03-000	EA	Roller Catch
2	093586-04-000	EA	Steel Strike
3	000G68-06-10G	EA	Screw - #6 - 18 x .625" PFH - Antique Brass - Hinge to Cabinet
4	000G13-06-10G	EA	Screw - #6 - 20 x .625" PFH - Antique Brass - Hinge to Door
5	059777-02-000	EA	Hinge - Burnished Brass
6	100273-01-000	EA	Pull Handle

## 1991 ITASCA TABLE OF CONTENTS

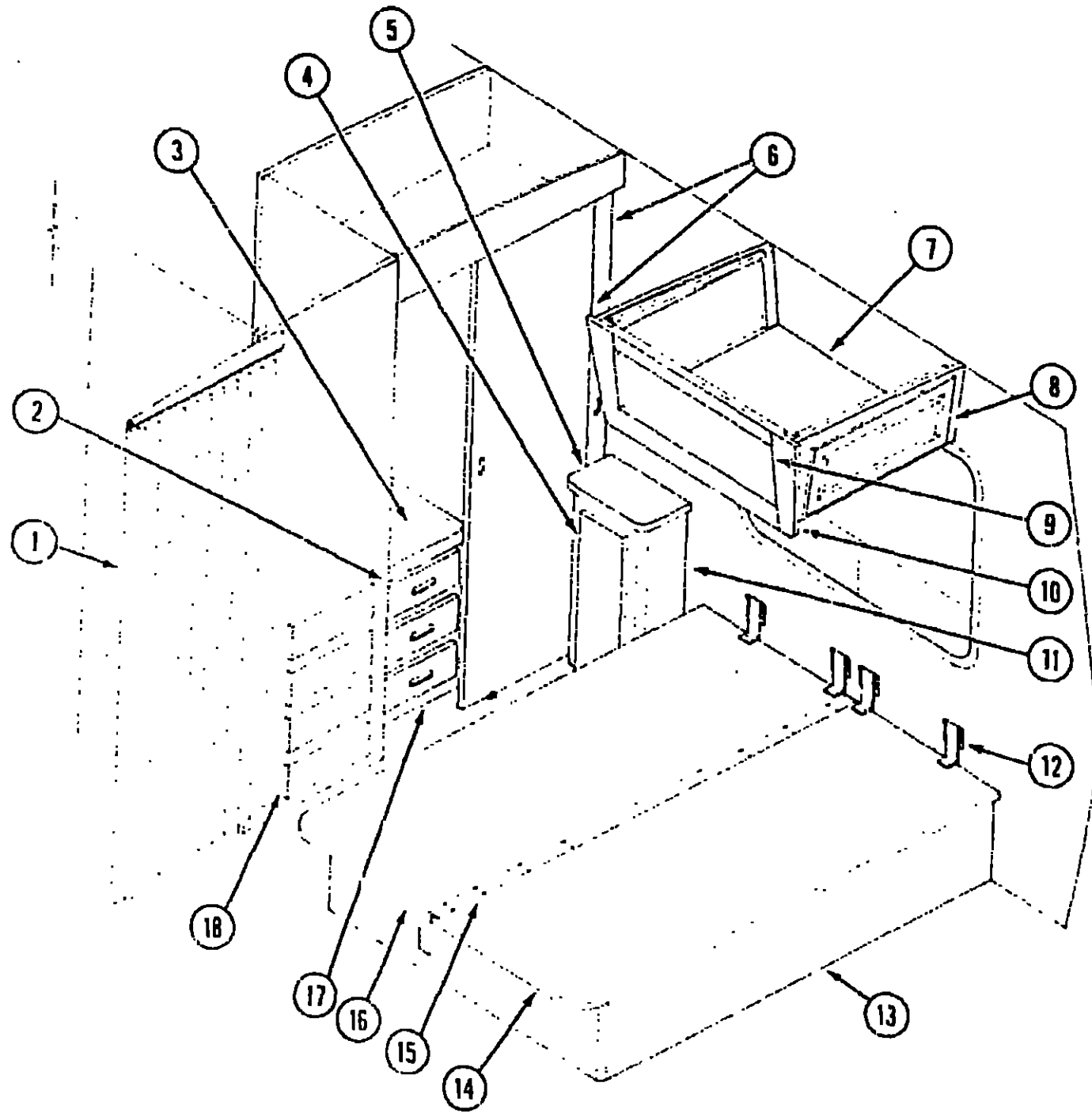
INTRODUCTION	A-01 - A-02
ABBREVIATIONS	A-03
ALPHABETICAL/GROUP REFERENCE	A-04 - A-06
IC/FM32RQ	A-07 - F-10
IC/FM34RA	F-11 - K-12

## 1991 IC/FM34RA INDEX

Floor Plan	F-11 - F-12
Accessories Group	F-13 - F-16
Bath Group	F-17 - F-20
Bedroom Group	F-21 - G-02
Chassis Group	G-03 - G-21
Curtain, Cushion & Pad Group	G-22 - H-08
Dinette Group	H-09 - H-12
Driver's Compartment Group	H-13 - H-20
Electrical Group	H-21 - H-24
Exterior Body Group	I-01 - I-10
Galley Group	I-11 - I-16
Heating & Air Conditioning Group	I-17 - I-18
Interior Finish Group	I-19 - I-20
Labels Group	I-21 - J-05
LP Group	J-06
Lounge Group	J-07 - J-10
Sealants & Fasteners Group	J-11 - J-12
Water & Sewage Group	J-13 - J-15
Window, Vent & Exterior Door Group	J-16 - K-12

## BEDROOM GROUP

### BEDROOM CABINETS



Key	Part Number	U/M	Description
1	042488-06-000	EA	Folding Door
	094856-02-01A	EA	Folding Door Track
	057534-01-000	EA	Tieback - Folding Door
2	P00522-12-B32	EA	Drawer Asm. - Cabinet
3	097060-11-B32	EA	Countertop Asm.
4	P00523-60-B32	EA	Door Asm. - w/o Hardware
5	097052-11-B10	EA	Countertop Asm.
6	097996-01-B32	EA	Door Asm. - Sliding - Left or Right Side
7	M04162-08-B32	EA	Cabinet Asm. - Overhead - w/o Doors
8	P00523-61-B32	EA	Door Asm. - w/o Hardware
9	058331-29-000	EA	Mirror
	009089-01-000	EA	Mirror Clip
10	099953-01-B32	EA	End Cap - Overhead Cabinet
11	097052-01-B32	EA	Cabinet Asm. - w/o Door
11	M05142-01-B32	EA	Cabinet Asm. - w/o Door - w/o Exterior Shower (Option 64R)
12	088199-02-Y12	EA	Hinge Asm.
13	M96943-01-B32	EA	Cabinet Asm. - Queen Bed
14	M04045-02-B32	EA	Cabinet Asm. - Bed Top
15	089076-03-000	EA	Support Channel (H)
16	M04046-01-B32	EA	Cabinet Asm. - Bed Top
	057460-04-000	EA	Gas Spring Rods
	057460-02-000	EA	Gas Spring Ball Stud
	057460-03-000	EA	Gas Spring Safety Clip
	089024-01-000	EA	Gas Spring Support - Floor
	089025-01-000	EA	Gas Spring Support - Bed
17	097060-01-B32	EA	Cabinet Asm. - (4) Drawer - w/o Drawers
17	097060-02-B32	EA	Cabinet Asm. - (3) Drawer - w/o Drawers (Option 21T)
18	P00522-13-B32	EA	Drawer Asm. - Wall

## 1991 ITASCA TABLE OF CONTENTS

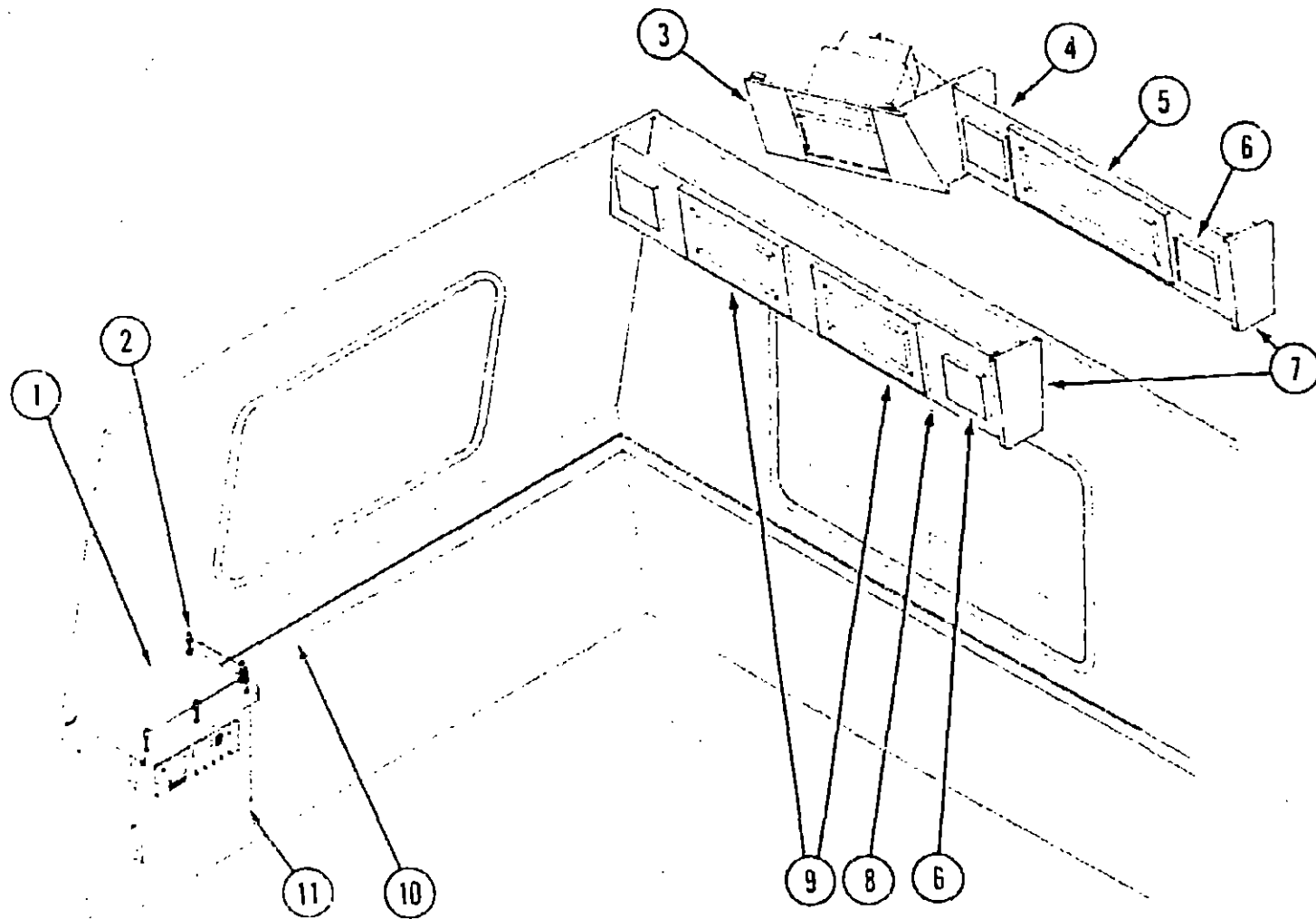
INTRODUCTION	A-01 - A-02
ABBREVIATIONS	A-03
ALPHABETICAL/GROUP REFERENCE	A-04 - A-06
IC/FM32RQ	A-07 - F-10
IC/FM34RA	F-11 - K-12

## 1991 IC/FM34RA INDEX

Floor Plan	F-11 - F-12
Accessories Group	F-13 - F-16
Bath Group	F-17 - F-20
Bedroom Group	F-21 - G-02
Chassis Group	G-03 - G-21
Curtain, Cushion & Pad Group	G-22 - H-08
Dinette Group	H-09 - H-12
Driver's Compartment Group	H-13 - H-20
Electrical Group	H-21 - H-24
Exterior Body Group	I-01 - I-10
Galley Group	I-11 - I-16
Heating & Air Conditioning Group	I-17 - I-18
Interior Finish Group	I-19 - I-20
Labels Group	I-21 - J-05
LP Group	J-06
Lounge Group	J-07 - J-10
Sealants & Fasteners Group	J-11 - J-12
Water & Sewage Group	J-13 - J-15
Window, Vent & Exterior Door Group	J-16 - K-12

## BEDROOM GROUP (CONTINUED)

### BEDROOM CABINETRY (CONTINUED)



Key	Part Number	U/M	Description
1	097053-11-B10	EA	Countertop Asm.
2	084070-01-000	EA	Brass Post - Center
2	084070-02-000	EA	Brass Post - End
2	084071-07-000	EA	Brass Rod - 18.1"
2	084071-08-000	EA	Brass Rod - 9.3"
3	P00064-01-B32	EA	Cabinet Asm. - Overhead TV (Option 43Y)
4	M04162-11-B32	EA	Overhead Cabinet - w/o Door (Option 43Y)
5	P00523-61-B32	EA	Door Asm. - w/o Hardware
6	089340-02-000	EA	Speaker Cover
7	0S7048-02-B32	EA	End Cap - Overhead Cabinet
8	M04162-12-B32	EA	Overhead Cabinet - w/o Doors
9	P00523-48-B32	EA	Door Asm. - w/o Hardware
10	100182-10-B29	EA	Wall Molding
11	097053-01-B32	EA	Cabinet Asm. - Nightstand - Rear (w/o Stereo)
11	M04089-01-B32	EA	Cabinet Asm. - Nightstand - Rear (w/Stereo)
	042357-15-002	EA	Corner Molding - Radius - Plastic (Cabinets)
	083620-06-000	FT	T-Molding - 3/4" - w/Edge Lips (Cabinets)
	009767-10-000	FT	Welling - Mahogany (Cabinets)
	009767-12-000	FT	Welling - Antique White (Cabinets)
	009812-22-000	EA	Corner Molding - Plastic - .5" - Country Forest

## 1991 ITASCA TABLE OF CONTENTS

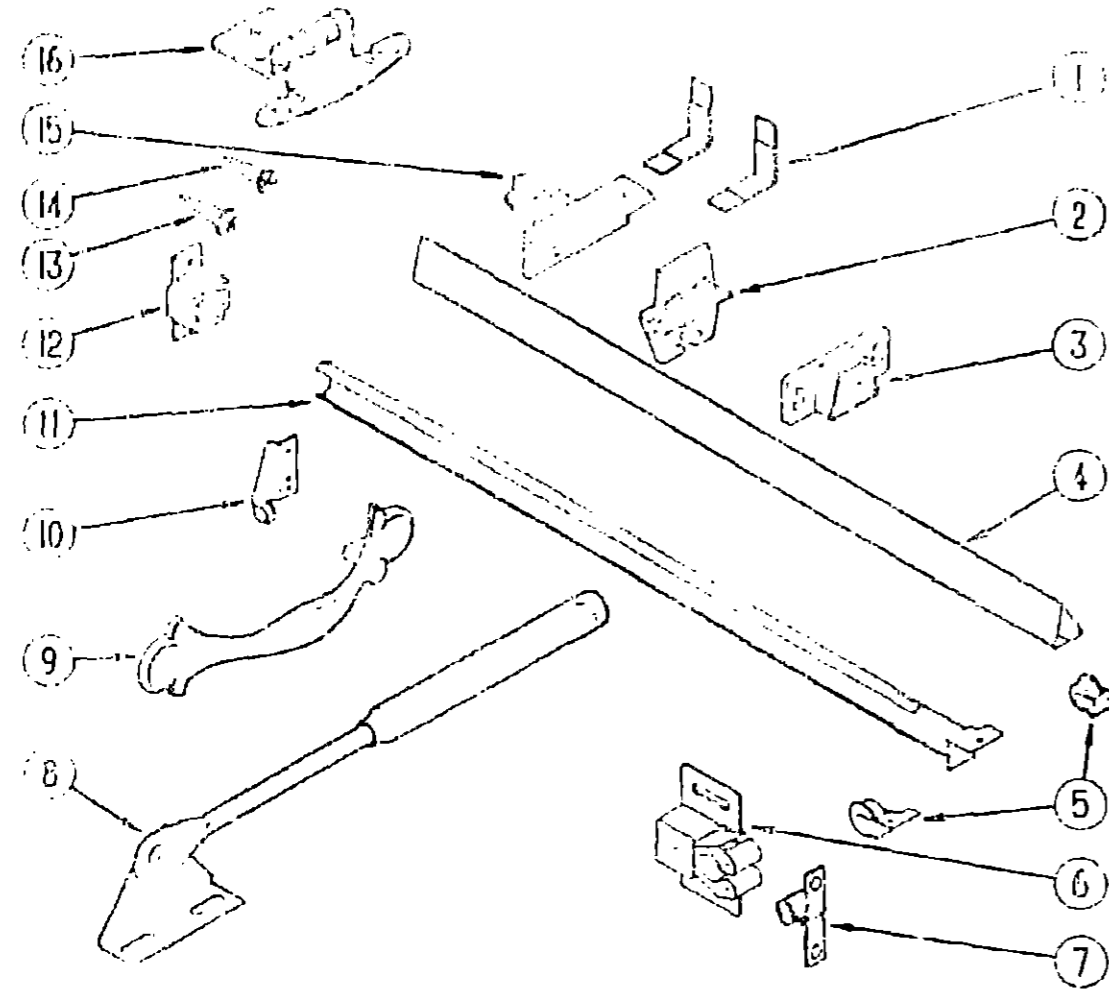
INTRODUCTION	A-01 - A-02
ABBREVIATIONS	A-03
ALPHABETICAL/GROUP REFERENCE	A-04 - A-06
IC/FM32RQ	A-07 - F-10
IC/FM34RA	F-11 - K-12

## 1991 IC/FM34RA INDEX

Floor Plan	F-11 - F-12
Accessories Group	F-13 - F-16
Bath Group	F-17 - F-20
Bedroom Group	F-21 - G-02
Chassis Group	G-03 - G-21
Curtain, Cushion & Pad Group	G-22 - H-08
Dinette Group	H-09 - H-12
Driver's Compartment Group	H-13 - H-20
Electrical Group	H-21 - H-24
Exterior Body Group	I-01 - I-10
Galley Group	I-11 - I-16
Heating & Air Conditioning Group	I-17 - I-18
Interior Finish Group	I-19 - I-20
Labels Group	I-21 - J-05
LP Group	J-06
Lounge Group	J-07 - J-10
Sealants & Fasteners Group	J-11 - J-12
Water & Sewage Group	J-13 - J-15
Window, Vent & Exterior Door Group	J-16 - K-12

## BEDROOM GROUP (CONTINUED)

### CABINET HARDWARE (DOORS, DRAWERS & CABINETS)



Key	Part Number	U/M	Description
	037500-02-000	EA	L-Corner Guide (Drawers)
2	037500-03-000	EA	Center Guide (Drawers)
3	037688-05-000	EA	Rail Mounting Bracket - Rear (Drawers)
4	037688-01-000	FT	V-Rail (Drawers)
5	102837-03-000	EA	Nylon Rollers (Set of 2) (Drawers)
6	093586-03-000	EA	Roller Catch
7	093586-04-000	EA	Steel Strike
8	074493-02-000	EA	Door Support
9	100273-01-000	EA	Pull Handle
10	102827-02-000	EA	Rear Roller Bracket (Drawers)
11	102827-05-000	EA	Track (Drawers)
12	102827-04-000	EA	Rear Mounting Bracket (Drawers)
13	000G05-06-10G	EA	Screw - #6 - 18 x .625" POH - Antique Brass - Hinge to Cabinet
14	000G13-06-10G	EA	Screw - #6 - 20 x .625" PFH - Antique Brass - Hinge to Door
15	037688-04-000	EA	Rail Mounting Bracket - Front (Drawers)
16	059777-02-000	EA	Hinge - Burnished Brass
	081521-02-007	EA	Corner Molding - Aluminum (Plastic Trim Holder)
	016604-03-000	EA	Anq. Support Bracket - 2.5"
	084466-02-000	EA	Slide Asm. - Right (Drawers)
	084466-03-000	EA	Slide Asm. - Left (Drawers)
	084466-04-000	EA	Slide Asm. - Right (Cabinet)
	084466-05-000	EA	Slide Asm. - Left (Cabinet)

## 1991 ITASCA TABLE OF CONTENTS

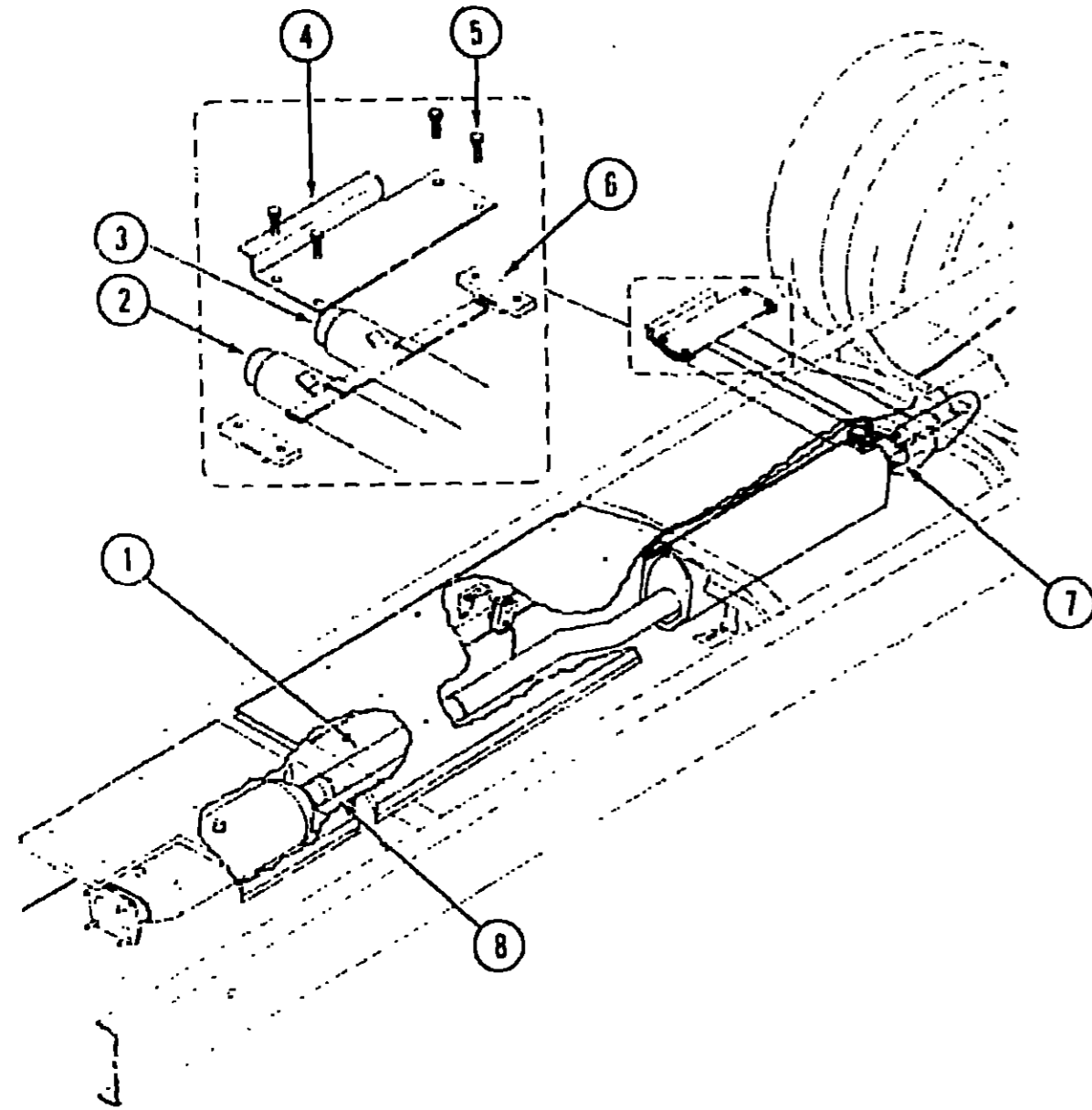
INTRODUCTION	A-01 - A-02
ABBREVIATIONS	A-03
ALPHABETICAL/GROUP REFERENCE	A-04 - A-06
IC/FM32RQ	A-07 - F-10
IC/FM34RA	F-11 - K-12

## 1991 IC/FM34RA INDEX

Floor Plan	F-11 - F-12
Accessories Group	F-13 - F-16
Bath Group	F-17 - F-20
Bedroom Group	F-21 - G-02
Chassis Group	G-03 - G-21
Curtain, Cushion & Pad Group	G-22 - H-08
Dinette Group	H-09 - H-12
Driver's Compartment Group	H-13 - H-20
Electrical Group	H-21 - H-24
Exterior Body Group	I-01 - I-10
Galley Group	I-11 - I-16
Heating & Air Conditioning Group	I-17 - I-18
Interior Finish Group	I-19 - I-20
Labels Group	I-21 - J-05
LP Group	J-06
Lounge Group	J-07 - J-10
Sealants & Fasteners Group	J-11 - J-12
Water & Sewage Group	J-13 - J-15
Window, Vent & Exterior Door Group	J-16 - K-12



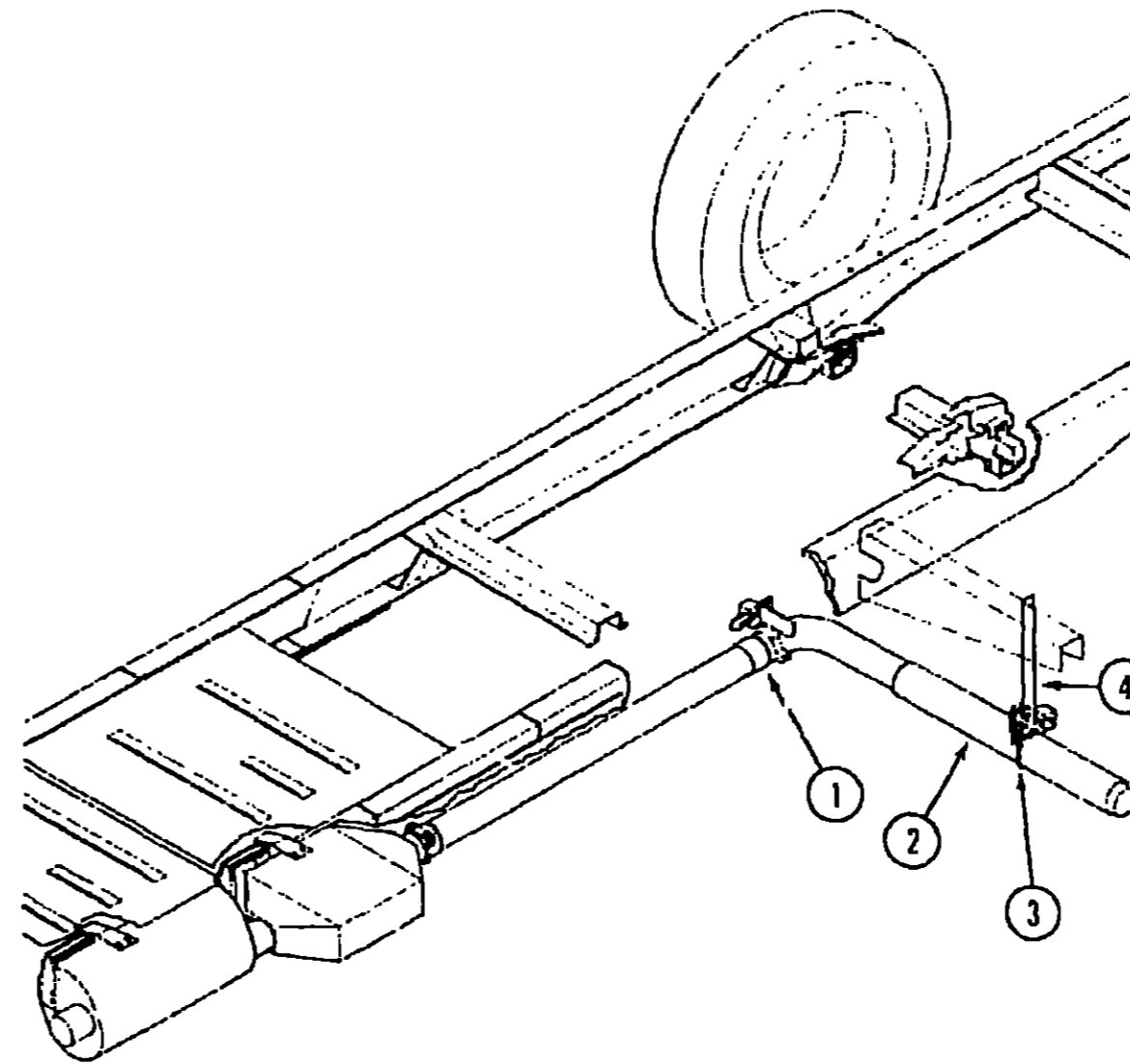
**CHASSIS GROUP**



**EXHAUST SYSTEM (FORD CHASSIS)**

Key	Part Number	U/M	Description
1	096753-02-000	EA	Exhaust Pipe - 15.30" (1991 Chassis)
1	096753-03-000	EA	Exhaust Pipe - 52.75" (1990 Chassis)
2	100691-01-000	EA	Exhaust Pipe - Tail - Front (1991 Chassis)
2	099344-01-000	EA	Exhaust Pipe - Tail - Front (1990 Chassis)
3	100600-01-000	EA	Exhaust Pipe - Tail - Rear (1991 Chassis)
3	099345-01-000	EA	Exhaust Pipe - Tail - Rear (1990 Chassis)
4	096207-03-000	EA	Support Asm. - Exhaust
5	000C26-05-20B	EA	Bolt - Hex - 5/16 - #18 - 1 1/4"
6	095190-01-000	EA	Hanger - Exhaust
	096055-02-000	EA	Support Asm. - Exhaust Pipe
	007125-07-000	EA	Clamp Asm. - Muffler - 2.5" Dia.
7	007125-05-000	EA	Clamp Asm. - Muffler - 2.0" Dia.
8	094916-03-000	EA	Clamp - Exhaust - 2.5" Dia.

**CHASSIS GROUP (CONTINUED)**



**EXHAUST SYSTEM (CHEVROLET CHASSIS)**

Key	Part Number	U/M	Description
1	094918-01-000	EA	Exhaust Clamp - 3"
2	098599-01-000	EA	Exhaust Pipe
3	094918-02-000	EA	Exhaust Clamp - 3.5"
	096054-02-000	EA	Support
4	098833-01-000	EA	Hanger Bracket - Exhaust

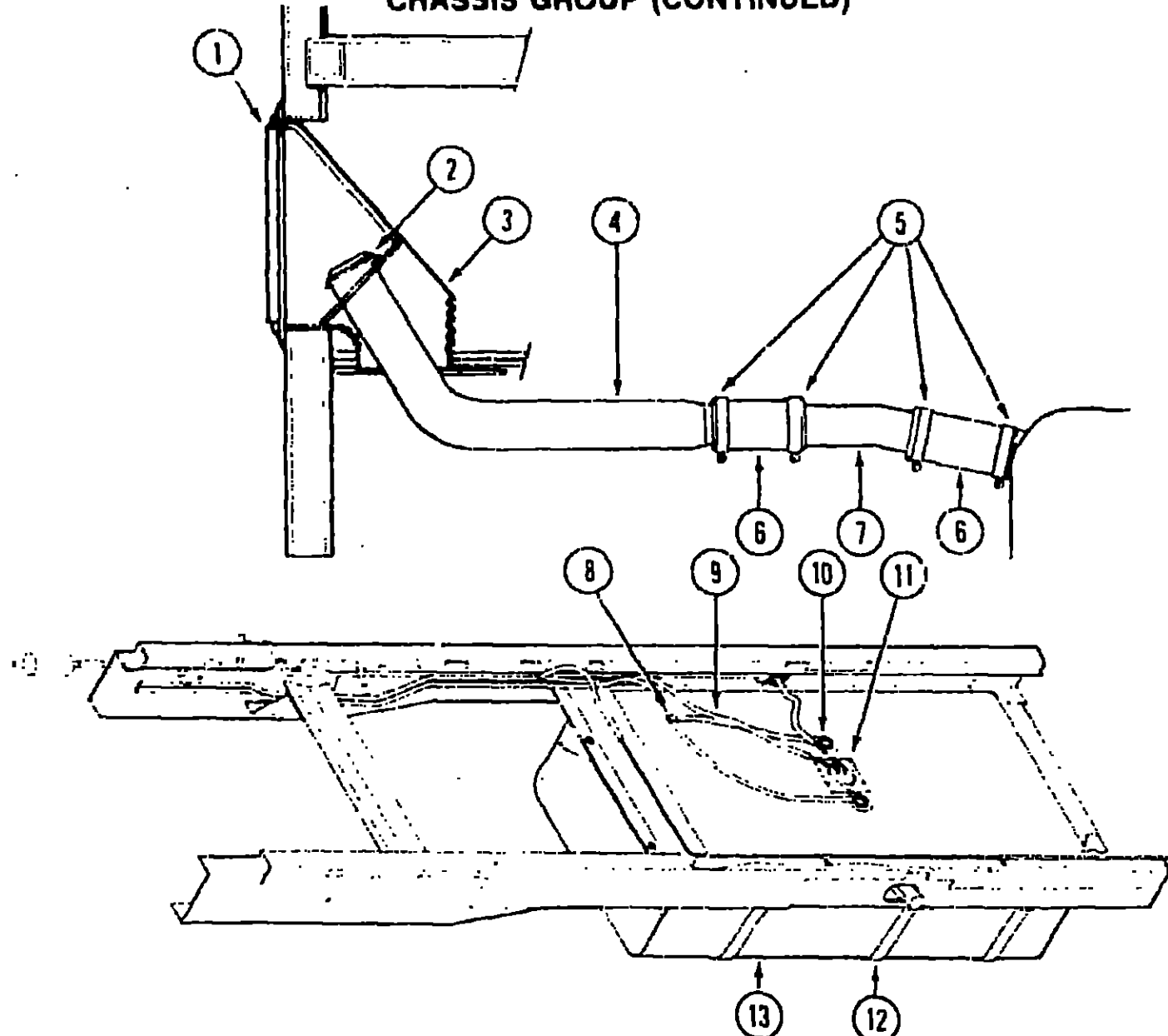
**1991 ITASCA  
TABLE OF CONTENTS**

INTRODUCTION	A-01 - A-02
ABBREVIATIONS	A-03
ALPHABETICAL/GROUP REFERENCE	A-04 - A-06
IC/FM32RO	A-07 - F-10
IC/FM34RA	F-11 - K-12

**1991 IC/FM34RA INDEX**

Floor Plan	F-11 - F-12
Accessories Group	F-13 - F-16
Bath Group	F-17 - F-20
Bedroom Group	F-21 - G-02
Chassis Group	G-03 - G-21
Curtain, Cushion & Pad Group	G-22 - H-08
Dinette Group	H-09 - H-12
Driver's Compartment Group	H-13 - H-20
Electrical Group	H-21 - H-24
Exterior Body Group	I-01 - I-10
Galley Group	I-11 - I-16
Heating & Air Conditioning Group	I-17 - I-18
Interior Finish Group	I-19 - I-20
Labels Group	I-21 - J-05
LP Group	J-06
Lounge Group	J-07 - J-10
Sealants & Fasteners Group	J-11 - J-12
Water & Sewage Group	J-13 - J-15
Window, Vent & Exterior Door Group	J-16 - K-12

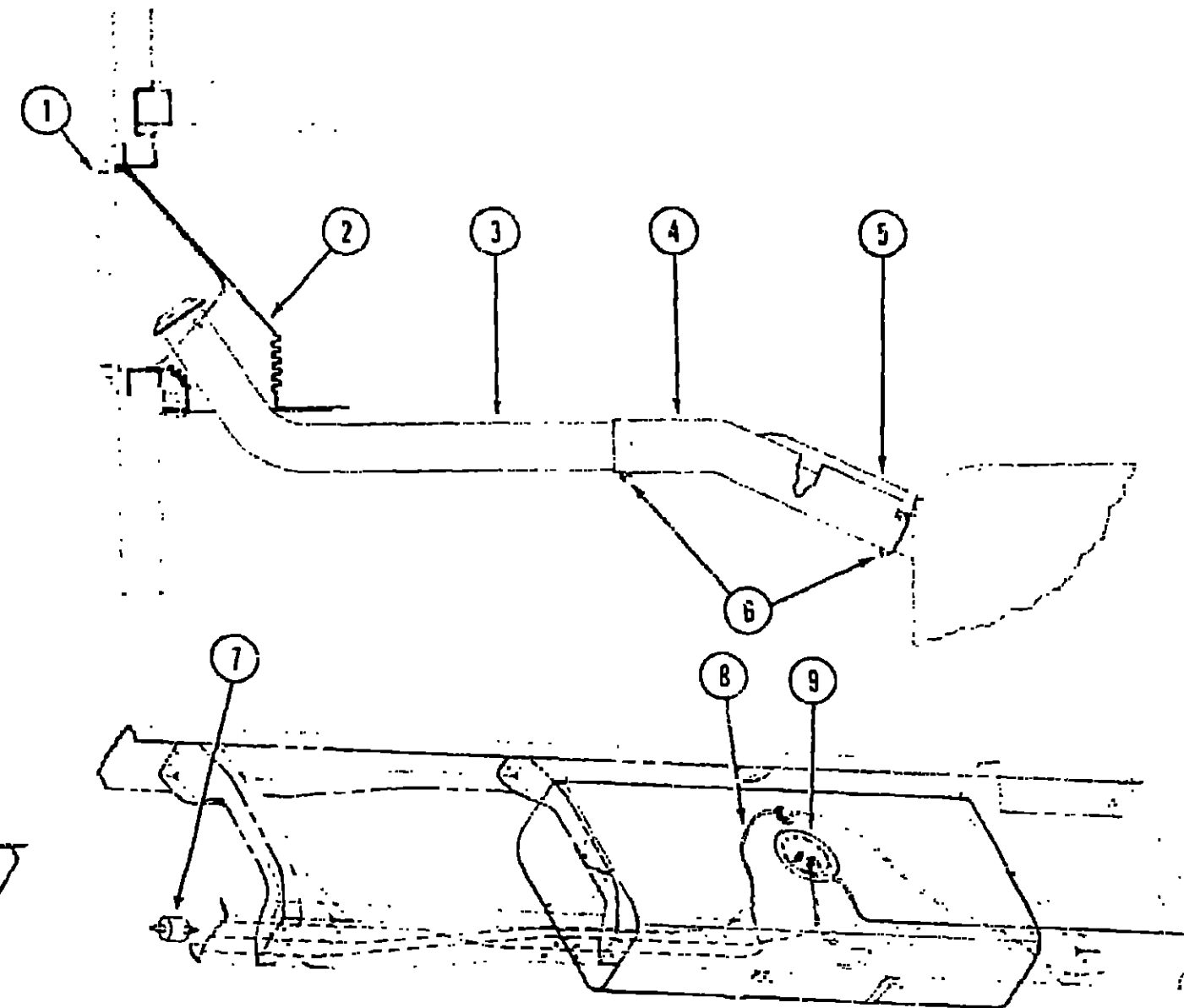
**CHASSIS GROUP (CONTINUED)**



**FUEL SYSTEM COMPONENTS (CHEVROLET CHASSIS)**

Key	Part Number	U/M	Description
1	078010-05-000	EA	Door Asm. - Fuel Fill - Gray
	077963-01-000	EA	Gasket - Door - Gas Fill
2	073220-02-000	EA	Cap Asm. - Fuel Fill - Non-Locking (GM22525302)
3	083578-01-000	EA	Boot - Fuel Fill
4	0A7256-02-000	EA	Neck Asm. - Fuel Fill (Chevrolet Chassis)
	066732-01-000	FT	Hose - Vent
	062401-03-000	EA	Hose Clamp - Wormgear - .22" to 1" ID
5	062401-02-000	EA	Hose Clamp - Wormgear - 1.56" to 2.5" ID
6	007111-01-000	EA	Hose - 2 1/4" x 3" (GM Part #14042360)
7	075228-01-000	EA	Neck Asm. - Lower Fuel Fill
8	089357-01-000	EA	Tee - Brass
9	007063-01-000	FT	Hose - Gas - 1/4" ID x 1/2" OD
10	079661-01-000	EA	Valve Asm. - Vent - Fuel Tank
	079660-01-000	EA	Grommet - Seal - Valve Asm. - Fuel
11	088740-02-000	EA	Sending Unit/Pump Fuel
	086255-01-000	EA	Gasket - Sender
	086254-01-000	EA	Retainer - Sender
12	090082-02-000	EA	Strap - Fuel Tank
13	090082-03-000	EA	Tank - Fuel - 80 Gallon
	062043-01-000	EA	Label - Fuel - Unleaded (California)
	078200-01-000	EA	Gasket - Fuel Fill
	090342-01-000	EA	Label - Vapor Relief
	061417-01-000	EA	Label - Fuel

**CHASSIS GROUP (CONTINUED)**



**FUEL SYSTEM COMPONENTS (FORD CHASSIS)**

Key	Part Number	U/M	Description
1	079010-04-000	EA	Door Asm. - Fuel Fill - Beige
	077963-01-000	EA	Gasket - Door - Gas Fill
2	083578-01-000	EA	Boot - Fuel Fill
3	095607-01-000	EA	Neck Asm. - Fuel Fill
4	095602-01-000	EA	Hose - Fuel Fill - Formed - 2" ID
5	066732-00-001	FT	Hose - Fuel Fill - 62 ID
	062401-03-000	EA	Hose Clamp - Wormgear - .22" to 1" ID
6	062401-02-000	EA	Hose Clamp - Wormgear - 1.56" to 2.5" ID
	089310-01-000	EA	Cap - Fuel Fill - Turn to Vent
7	034930-01-000	EA	Fuel Filter
8	007063-01-000	FT	Hose - Gas - 1/4" ID x 1/2" OD
9	098452-01-000	EA	Sender & Pump Asm. - Fuel Tank
	062043-01-000	EA	Label - Fuel - Unleaded (California)
	078200-01-000	EA	Gasket - Fuel Fill
	061417-01-000	EA	Label - Fuel

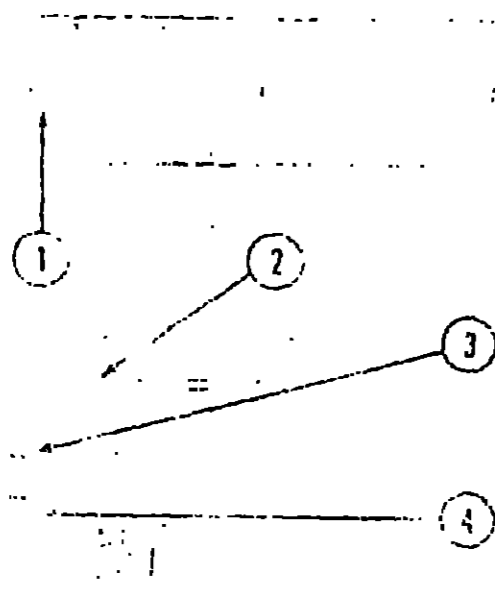
**1991 ITASCA  
TABLE OF CONTENTS**

INTRODUCTION	A-01 - A-02
ABBREVIATIONS	A-03
ALPHABETICAL/GROUP REFERENCE	A-04 - A-06
IC/FM32RO	A-07 - F-10
IC/FM34RA	F-11 - K-12

**1991 IC/FM34RA INDEX**

Floor Plan	F-11 - F-12
Accessories Group	F-13 - F-16
Bath Group	F-17 - F-20
Bedroom Group	F-21 - G-02
Chassis Group	G-03 - G-21
Curtain, Cushion & Pad Group	G-22 - H-08
Dinette Group	H-09 - H-12
Driver's Compartment Group	H-13 - H-20
Electrical Group	H-21 - H-24
Exterior Body Group	I-01 - I-10
Galley Group	I-11 - I-16
Heating & Air Conditioning Group	I-17 - I-18
Interior Finish Group	I-19 - I-20
Labels Group	I-21 - J-05
LP Group	J-06
Lounge Group	J-07 - J-10
Sealants & Fasteners Group	J-11 - J-12
Water & Sewage Group	J-13 - J-15
Window, Vent & Exterior Door Group	J-16 - K-12

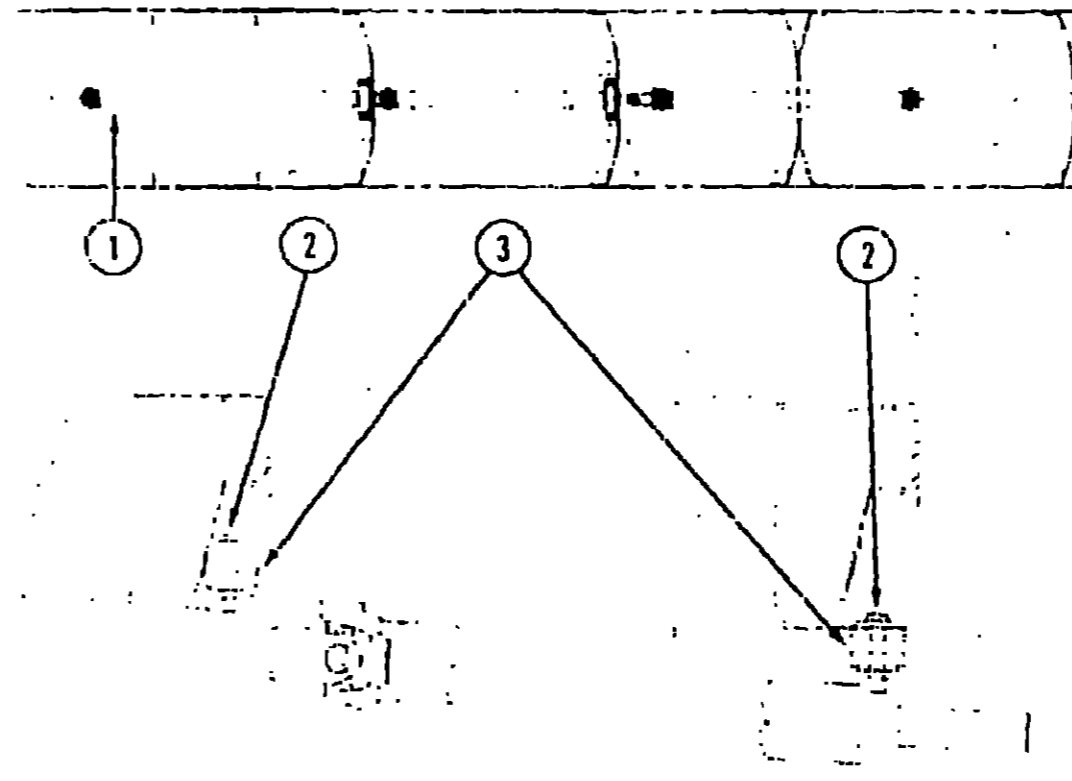
**CHASSIS GROUP (CONTINUED)**



**DRIVELINE (CHEVROLET CHASSIS)**

Qty	Part Number	U/M	Description
1	075342-13-010	EA	Drive Shaft Asm. - Yoke/Yoke
1	075343-01-000	EA	Support Asm. - Bearing
3	075344-07-200	EA	Bolt - Hex - 7/16" - 20 x 1 1/4
1	075345-03-000	EA	Nut - Hex
1	075346-00-000	EA	Washer
1	075347-01-000	EA	Front Shield Asm. - Bearing
1	075348-01-000	EA	Bolt - Hex - 3/8" - 16 x 1 1/2
1	075349-01-000	EA	Nut - Hex - w/Nylon Lock
1	075350-17-000	EA	Washer

**CHASSIS GROUP (CONTINUED)**



**DRIVELINE (FORD CHASSIS)**

Key	Part Number	U/M	Description
1	035511-02-000	EA	Front Driveshaft
2	000C31-07-44A	EA	Bolt - Hex - 7/16" - 14 x 2.75
3	074533-01-000	EA	Spacer (3 used)

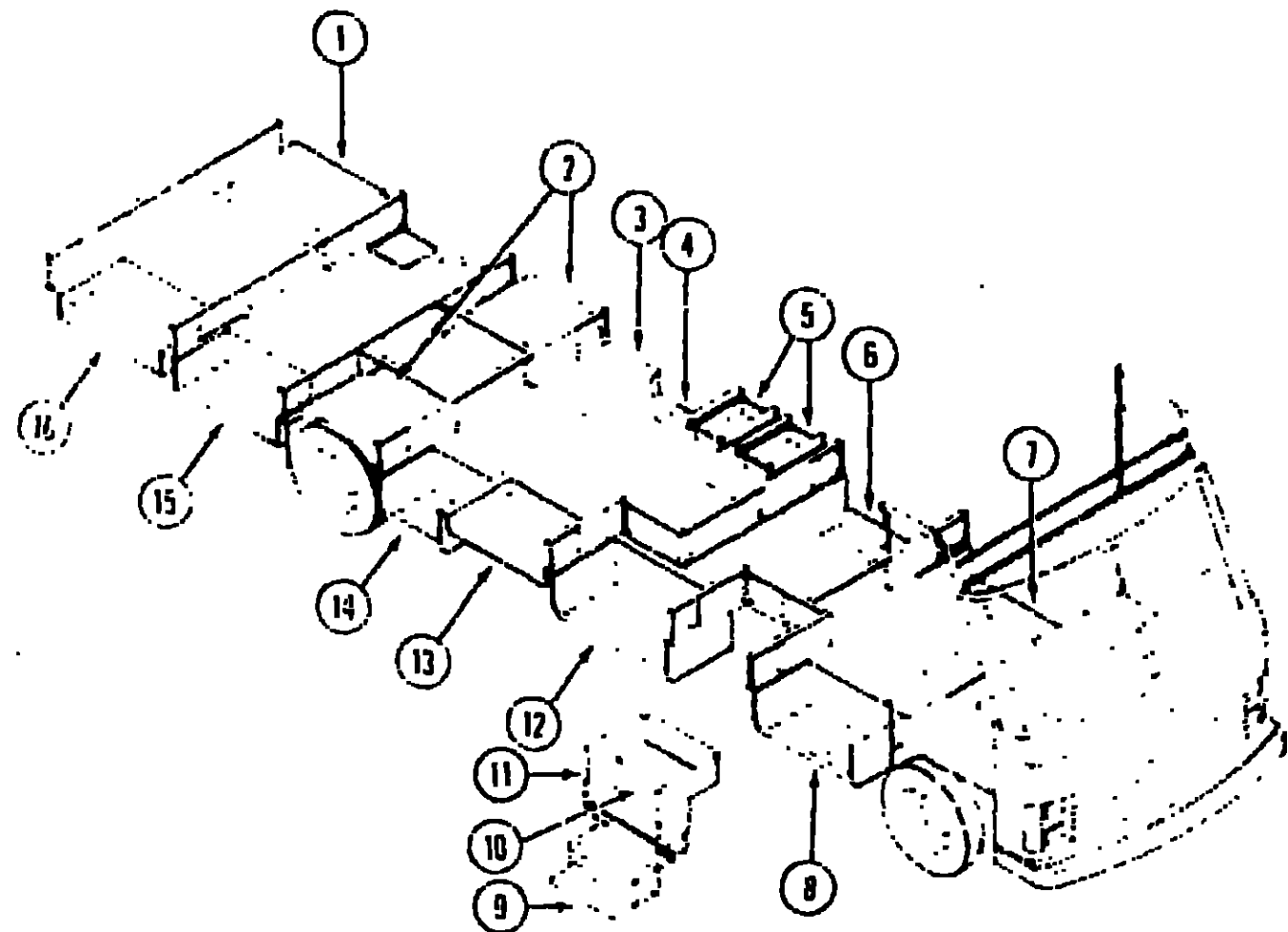
**1991 ITASCA  
TABLE OF CONTENTS**

INTRODUCTION	A-01 - A-02
ABBREVIATIONS	A-03
ALPHABETICAL/GROUP REFERENCE	A-04 - A-05
IC/FM32RQ	A-07 - F-10
IC/FM34RA	F-11 - K-12

**1991 IC/FM34RA INDEX**

Floor Plan	F-11 - F-12
Accessories Group	F-13 - F-16
Bath Group	F-17 - F-20
Bedroom Group	F-21 - G-02
Chassis Group	G-03 - G-21
Curtain, Cushion & Pad Group	G-22 - H-08
Dinette Group	H-09 - H-12
Driver's Compartment Group	H-13 - H-20
Electrical Group	H-21 - H-24
Exterior Body Group	I-01 - I-10
Galley Group	I-11 - I-16
Heating & Air Conditioning Group	I-17 - I-18
Interior Finish Group	I-19 - I-20
Labels Group	I-21 - J-05
LP Group	J-06
Lounge Group	J-07 - J-10
Sealants & Fasteners Group	J-11 - J-12
Water & Sewage Group	J-13 - J-15
Window, Vent & Exterior Door Group	J-16 - K-12

**CHASSIS GROUP (CONTINUED)**

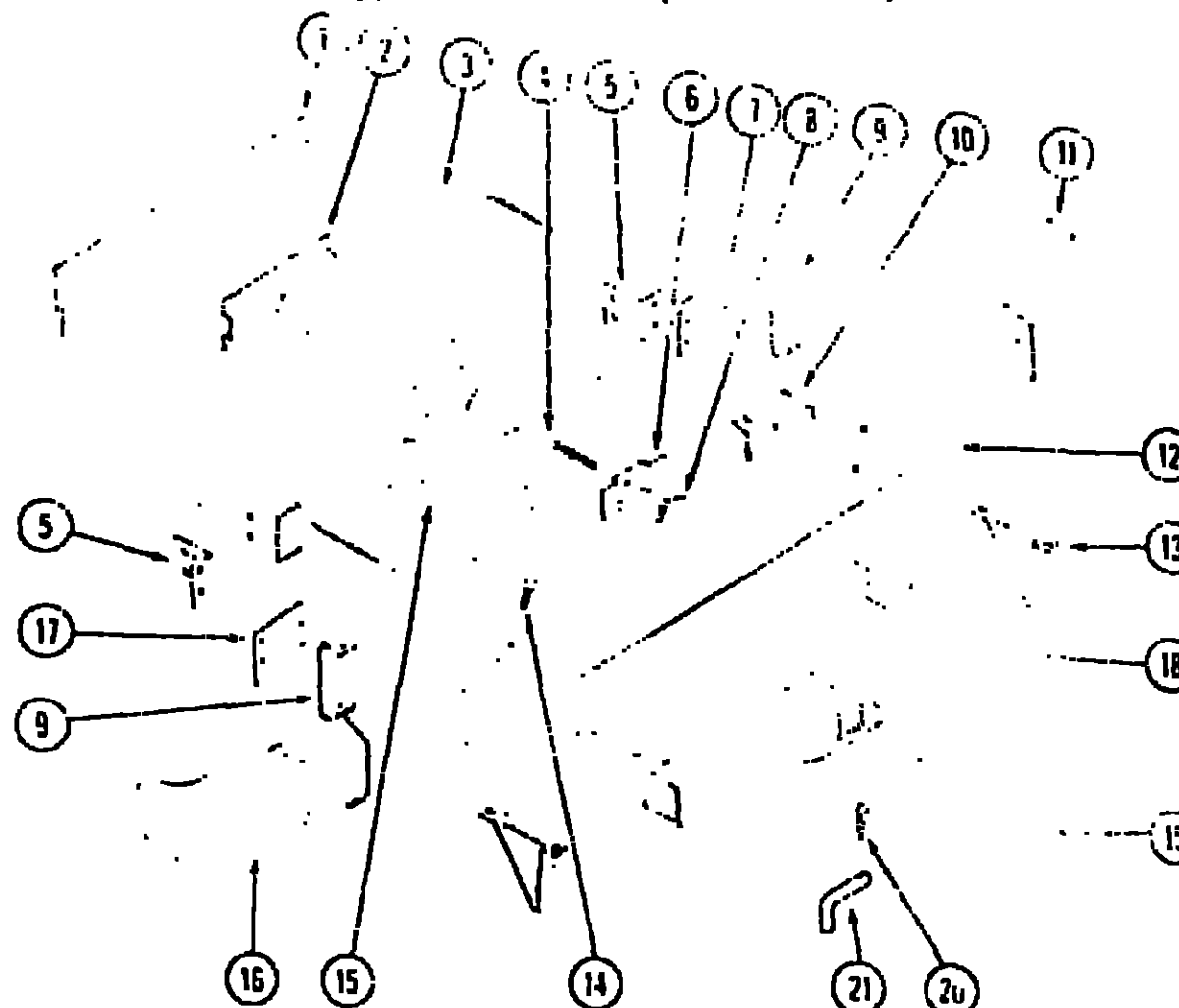


**STORAGE COMPARTMENTS & WHEELWELLS**

Key	Part Number	U/M	Description
1	093313-02-000	EA	Panel Asm. - Generator Compartment
2	087883-01-000	EA	Wheelwell - Plastic
	017516-01-000	EA	Mud Flap - Black
3	086560-01-000	EA	Compartment Asm. - Power Cord
4	059492-02-Y15	EA	Compartment Asm. - Sewer Hose
5	077404-02-000	EA	Drawer - Plastic
	05765-01-000	EA	Rail Drawer
6	081252-19-000	EA	Compartment Asm. - Storage
	064075-07-000	FT	Bulb Seal
7	081252-29-000	EA	Compartment Asm. - Storage
	064075-07-000	FT	Bulb Seal
8	081252-31-000	EA	Compartment Asm. - Storage
	064075-07-000	FT	Bulb Seal
9	091707-01-01A	EA	Step Asm. - Electric - Double
10	084693-02-000	EA	Battery Door
11	089103-01-000	EA	Support Asm. - Step - Entrance
12	081252-19-000	EA	Compartment Asm. - Storage
	064075-07-000	FT	Bulb Seal
13	096418-01-000	EA	Tray Asm.
14	081252-29-000	EA	Compartment Asm. - Storage
	054075-07-000	FT	Bulb Seal
15	088015-06-000	EA	Compartment Asm. - Storage
	079368-01-000	FT	Seal - Access Door
16	098015-03-000	EA	Compartment Asm. - Storage
	079368-01-000	FT	Seal - Access Door
	061420-01-000	EA	Plug - 1.75" Dia.
	098024-01-01A	EA	Light - Dome - 1 Bulb - USA
	095024-02-01A	EA	Light - Dome - 1 Bulb - CSA
	095024-01-700	EA	Lens - Dome Light
	093486-01-000	SY	Carpet - Trunk Liner

G-9

**CHASSIS GROUP (CONTINUED)**



**SPARE TIRE & REAR BUMPER**

Key	Part Number	U/M	Description
1	077395-01-000	EA	Shield - Sight - Spare Tire
2	077403-01-000	EA	Support - Rod - Spare Tire
3	007324-04-000	EA	Tire - 8R19.5LRD - Michelin (Chevrolet Chassis)
	093425-02-000	EA	Tire - LT235/85R16LRF - Michelin (Ford Chassis)
	051377-01-000	EA	Valve Stem Asm.
4	077411-01-000	EA	Rod - Retaining - Spare Tire
5	078669-01-000	EA	Support Angle - Bumper - Rear
6	077399-01-000	EA	Retainer - Spare Tire
7	078760-02-000	EA	Plate Asm. - Bumper - Mounting - Passenger Side
8	064081-01-000	EA	Wing Nut
	077400-01-000	EA	Support - Spare Tire
	077759-01-000	EA	Spacer - Support - Spare Tire
9	078670-02-000	EA	Bracket Asm. - Bumper - Rear
10	081107-01-000	EA	Bracket - Bumper Pin
11	078578-07-000	EA	Cap - Bumper End - Gray - Passenger Side
12	078584-01-000	EA	Bumper - Rear - Mill Finish
12	078584-08-000	EA	Bumper - Rear - Chrome
13	083376-01-000	EA	Stud Plate Asm.
14	005200-01-000	EA	Bolt - Carriage - 7/16" x 1 1/4" x 1.25 w/Stainless Steel Cap
15	095853-01-000	EA	Wheel - Steel - 16 x 6K (Ford Chassis Only)
16	078578-09-000	EA	Cap - Bumper End - Gray - Driver
17	078760-03-000	EA	Plate Asm. - Bumper - Mounting - Driver Side

**TOWBAR (OPTION 240)**

Key	Part Number	U/M	Description
18	077617-01-000	EA	Hitch Asm. - w/o Drawbar
19	077613-01-000	EA	Drawbar Asm. Only
20	034513-01-000	EA	Hitch Pin - 3/16" Wire
21	034512-01-000	EA	Locking Pin - Drawbar
	097745-02-000	EA	Receptacle Housing - Trailer - 48" Wire Length

**1991 ITASCA  
TABLE OF CONTENTS**

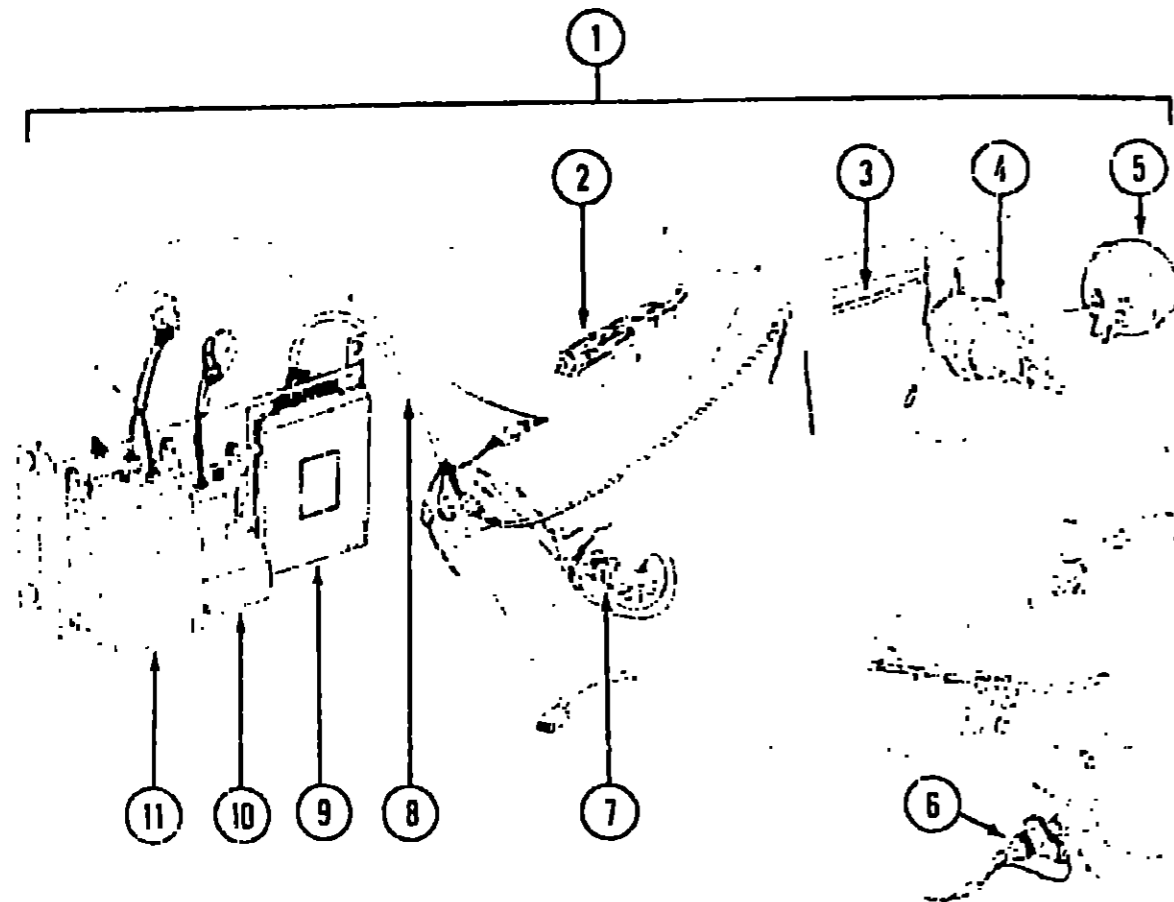
INTRODUCTION	A-01 - A-02
ABBREVIATIONS	A-03
ALPHABETICAL/GROUP REFERENCE	A-04 - A-06
IC/FM32110	A-07 - F-10
IC/FM34RA	F-11 - K-12

**1991 IC/FM34RA INDEX**

Floor Plan	F-11 - F-12
Accessories Group	F-13 - F-16
Bath Group	F-17 - F-20
Bedroom Group	F-21 - G-02
Chassis Group	G-03 - G-21
Curtain, Cushion & Pad Group	G-22 - H-08
Dinette Group	H-09 - H-12
Driver's Compartment Group	H-13 - H-20
Electrical Group	H-21 - H-24
Exterior Body Group	I-01 - I-10
Galley Group	I-11 - I-16
Heating & Air Conditioning Group	I-17 - I-18
Interior Finish Group	I-19 - I-20
Labels Group	I-21 - J-05
LP Group	J-06
Lounge Group	J-07 - J-10
Sealants & Fasteners Group	J-11 - J-12
Water & Sewage Group	J-13 - J-15
Window, Vent & Exterior Door Group	J-16 - K-12

G-10

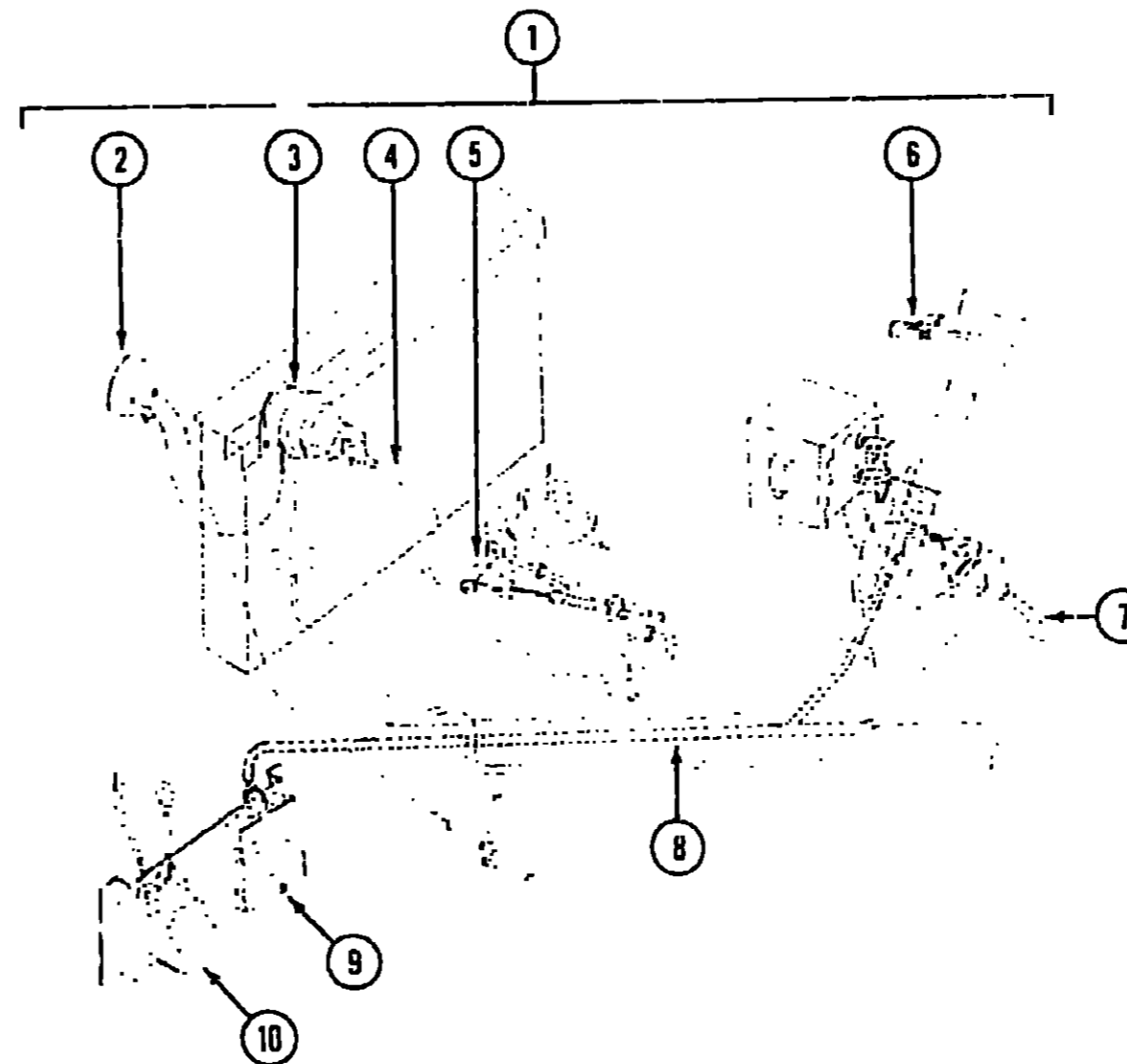
**CHASSIS GROUP (CONTINUED)**



**CRUISE CONTROL (1990 CHEVROLET CHASSIS)**

Key	Part Number	U/M	Description
1	094369-03-000	EA	Speed Control - 5 Stick II TBI
2	094369-01-701	EA	Switch & Lever Asm.
3	094369-01-700	EA	Servo & Cable Asm.
4	094369-01-706	EA	Servo Only
5	094369-01-705	EA	Vacuum Reservoir
6	069629-01-704	EA	Signal Generator Asm.
	069629-01-706	EA	Signal Generator Only
7	083212-01-704	EA	Stop Lamp/Cruise Release Switch
8	083212-04-701	EA	Main Wiring Harness
9	094369-01-702	EA	Regulator Asm. - Electronic
10	094369-01-704	EA	Headlight Dimmer Module Asm.
11	102362-01-702	EA	Wiper Control Module
	102362-01-705	EA	Throttle Retainer Clip
	059778-01-710	EA	Tester - Cruise Control w/Harness

**CHASSIS GROUP (CONTINUED)**



**CRUISE CONTROL (1991 CHEVROLET CHASSIS)**

Key	Part Number	U/M	Description
1	102362-01-000	EA	Speed Control - 1991 Chevrolet TBI
2	094369-01-705	EA	Vacuum Reservoir
3	094369-01-706	EA	Servo Only - Replacement
4	102362-01-700	EA	Cable Only - Replacement
5	102362-01-706	EA	Throttle Stud
6	102362-01-707	EA	Control Switch & Lever Asm.
7	102362-01-703	EA	Harness Asm. - Pivot SW to WPR
8	102362-01-704	EA	Harness Asm. - Main Wiring
9	102362-01-701	EA	Regulator Asm. - Electronic
10	102362-01-702	EA	Wiper Control Module
	102362-01-705	EA	Throttle Retaining Clip
	094863-01-704	EA	Housing - 4 Pin
	059778-01-710	EA	Tester - Cruise Control w/Harness

**1991 ITASCA  
TABLE OF CONTENTS**

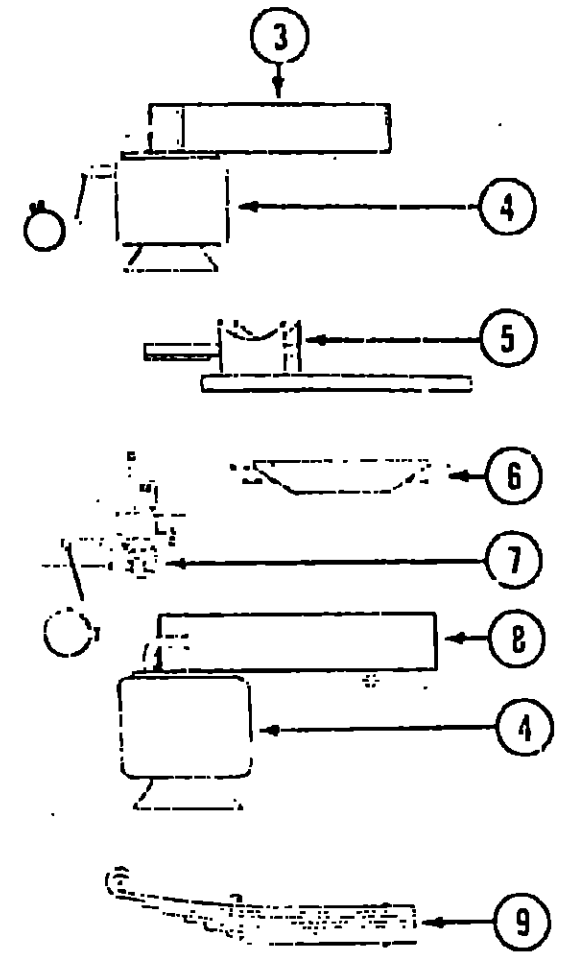
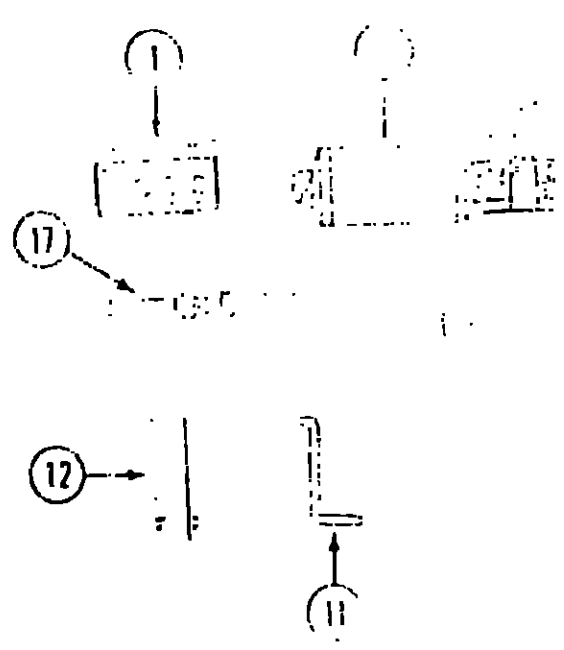
INTRODUCTION	A-01 - A-02
ABBREVIATIONS	A-03
ALPHABETICAL/GROUP REFERENCE	A-04 - A-06
IC/FM32RQ	A-07 - F-10
IC/FM34RA	F-11 - K-12

**1991 IC/FM34RA INDEX**

Floor Plan	F-11 - F-12
Accessories Group	F-13 - F-16
Bath Group	F-17 - F-20
Bedroom Group	F-21 - G-02
Chassis Group	G-03 - G-21
Curtain, Cushion & Pad Group	G-22 - H-08
Dinette Group	H-09 - H-12
Driver's Compartment Group	H-13 - H-20
Electrical Group	H-21 - H-24
Exterior Body Group	I-01 - I-10
Galley Group	I-11 - I-16
Heating & Air Conditioning Group	I-17 - I-18
Interior Finish Group	I-19 - I-20
Labels Group	I-21 - J-05
LP Group	J-06
Lounge Group	J-07 - J-10
Sealants & Fasteners Group	J-11 - J-12
Water & Sewage Group	J-13 - J-15
Window, Vent & Exterior Door Group	J-16 - K-12

# CHASSIS GROUP (CONTINUED)

## JET AIR RIDE W/PARK & LEVEL (1990 CHEVROLET CHASSIS) (OPTION 64P)



Key	Part Number	U/M	Description
1	090436-02-000	EA	Suspension Kit - Park & Level
	090436-06-000	EA	Control - Park/Level w/Wiring
	090436-15-700	EA	Toggle Switch - Up/Down
	090436-15-701	EA	Toggle Switch - Lighted - Manual/Auto
	090436-15-702	EA	Indicator Light
2	090436-35-000	EA	Compressor Asm. w/Tank & Wiring
4	090436-15-704	EA	Air Spring - Air Bag Only (Set/2)
5	090436-10-000	EA	Lower Spring/Axle Mount - Driver Side
	090436-11-000	EA	Lower Spring/Axle Mount - Passenger Side
6	090436-15-000	EA	Park & Level Solenoid Asm.
	090436-15-705	EA	Solenoid Only (Single)
7	090436-05-000	EA	Height Control Valve Asm. - Park/Level
8	090436-08-000	EA	Mount - Airspring Asm. - Upper - Driver Side
	090436-09-000	EA	Mount - Airspring Asm. - Upper - Passenger Side
9	090436-03-000	EA	Spring - Leaf - Semi - 14,500 GVWR Chassis
	090436-38-000	EA	Spring - Leaf - Semi - 16,000 GVWR Chassis
11	090436-16-000	EA	Bracket - Brake Hose/Axle Mount - P-30
12	090436-12-000	EA	U-Bolt - Forward - Straight 7/8"
	090436-13-000	EA	U-Bolt - Rearward - Bent 7/8"
17	090436-14-000	EA	Bar - Track w/Pivot Bolts & Brackets
	091250-01-000	EA	Bushing - Front Swaybar - Inboard - 1.25" Cut
	091250-02-000	EA	Bushing - Front Swaybar - Outboard - 1.25" Uncut
	091250-03-000	EA	Bushing - Rear Swaybar - 1.75" Cut

## JET AIR RIDE W/PARK & LEVEL (1991 CHEVROLET CHASSIS) (OPTION 64P)

Key	Part Number	U/M	Description
1	090436-32-000	EA	Control - Park & Level - Electronic - w/o Wiring
	090436-15-700	EA	Toggle Switch - Up/Down
	090436-15-701	EA	Toggle Switch - Lighted - Auto/Manual
2	090436-35-000	EA	Compressor/Tank Asm. - Electronic - w/o Wiring
3	090436-36-000	EA	Mount - Airspring - Upper - Driver Side
	090436-37-000	EA	Mount - Airspring - Upper - Passenger Side
4	090436-15-704	EA	Air Spring - Air Bag Only (Set/2)
	090436-10-000	EA	Lower Spring/Axle Mount - Driver Side
5	090436-11-000	EA	Lower Spring/Axle Mount - Passenger Side
	090436-38-000	EA	Spring - Leaf - Semi
11	090436-16-000	EA	Bracket - Brake Hose/Axle Mount - P-30
12	090436-12-000	EA	U-Bolt - Forward - Straight 7/8"
	090436-13-000	EA	U-Bolt - Rearward - Bent 7/8"
17	090436-14-000	EA	Bar - Track w/Pivot, Bolts & Brackets
	090436-34-000	EA	Wiring Asm. - Electronic
	091250-01-000	EA	Bushing - Front Swaybar - Inboard - 1.25" Cut
	091250-02-000	EA	Bushing - Front Swaybar - Outboard - 1.25" Uncut
	091250-03-000	EA	Bushing - Rear Swaybar - 1.75" Cut

# 1991 ITASCA TABLE OF CONTENTS

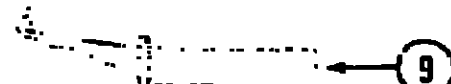
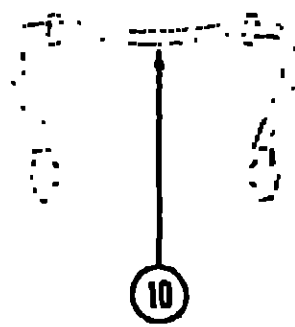
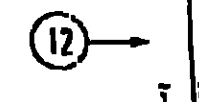
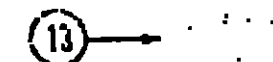
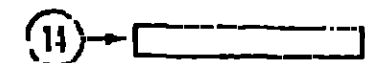
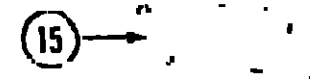
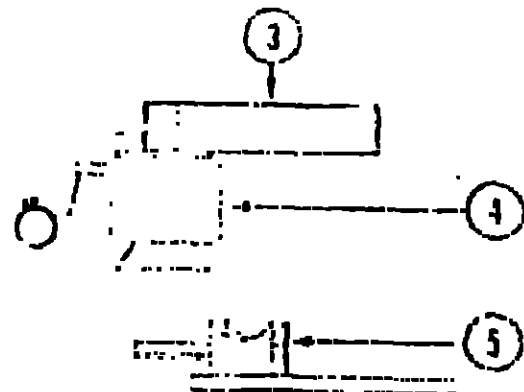
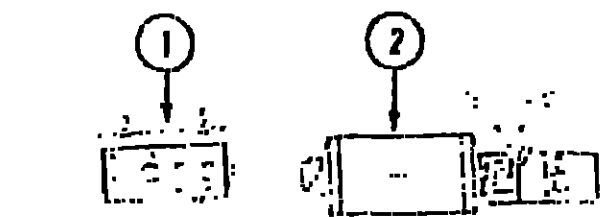
INTRODUCTION	A-01 - A-02
ABBREVIATIONS	A-03
ALPHABETICAL/GROUP REFERENCE	A-04 - A-06
IC/FM32RO	A-07 - F-10
IC/FM34RA	F-11 - K-12

# 1991 IC/FM34RA INDEX

Floor Plan	F-11 - F-12
Accessories Group	F-13 - F-16
Bath Group	F-17 - F-20
Bedroom Group	F-21 - G-02
Chassis Group	G-03 - G-21
Curtain, Cushion & Pad Group	G-22 - H-08
Dinette Group	H-09 - H-12
Driver's Compartment Group	H-13 - H-20
Electrical Group	H-21 - H-24
Exterior Body Group	I-01 - I-10
Galley Group	I-11 - I-16
Heating & Air Conditioning Group	I-17 - I-18
Interior Finish Group	I-19 - I-20
Labels Group	I-21 - J-05
LP Group	J-06
Lounge Group	J-07 - J-10
Sealants & Fasteners Group	J-11 - J-12
Water & Sewage Group	J-13 - J-15
Window, Vent & Exterior Door Group	J-16 - K-12

**CHASSIS GROUP (CONTINUED)**

**JET AIR RIDE W/PARK & LEVEL (1991 FORD CHASSIS) (OPTION 64P)**



Key	Part Number	U/M	Description
1	090436-02-000	EA	Control - Park Level - Electronic - w/wiring
	090436-15-700	EA	Toggle Switch - Up/Down
	090436-15-701	EA	Toggle Switch - Lighted - Auto/Manual
2	090436-27-000	EA	Compressor/Tank Asm - Electronic - w/wiring
	090436-07-700	EA	Compressor Only
3	090436-18-000	EA	Mount - Airspring Upper - Driver Side
	090436-19-000	EA	Mount - Airspring Upper - Passenger Side
4	090436-15-701	EA	Airspring - Air Bag Only (Set/2)
5	090436-20-000	EA	Lower Spring/Axle Mount - Driver Side
	090436-21-000	EA	Lower Spring/Axle Mount - Passenger Side
9	090436-23-000	EA	Spring - Leaf - Semi
10	090436-26-000	EA	Rear Stabilizer Bar
12	090436-22-000	EA	U-Bolt - 1 - 14 x 4 x 14 w/Nuts
	090436-25-000	EA	U-Bolt - 1 - 14 x 4 x 15 w/Nuts
13	090436-29-000	EA	Bracket - Brake Hose/Frame
14	090436-30-000	EA	Bracket - Brake Hose/Caliper
15	090436-28-000	EA	Fuel Tank Heat Shield
16	090436-31-000	EA	Bar - Track w/Bolts & Brackets
	090436-34-000	EA	Wiring Asm - Electronic

**JET AIR RIDE W/PARK & LEVEL (1990 FORD CHASSIS) (OPTION 64P)**

Key	Part Number	U/M	Description
	090436-17-000	EA	Suspension - Air Kit - Park & Level
1	090436-21-000	EA	Control - Park & Level w/Wiring
	090436-15-700	EA	Toggle Switch - Up/Down
	090436-15-701	EA	Toggle Switch - Lighted - Manual/Auto
	090436-15-702	EA	Indicator Light
2	090436-27-000	EA	Compressor Asm w/Tank
	090436-07-700	EA	Compressor Only
3	090436-18-000	EA	Mount - Airspring Asm - Upper - Driver Side
	090436-19-000	EA	Mount - Airspring Asm - Upper - Passenger Side
4	090436-15-704	EA	Airspring - Air Bag Only (Set/2)
5	090436-20-000	EA	Lower Spring/Axle Mount - Driver Side
	090436-21-000	EA	Lower Spring/Axle Mount - Passenger Side
9	090436-23-000	EA	Spring - Leaf - Semi
10	090436-26-000	EA	Rear Stabilizer Bar
12	090436-22-000	EA	U-Bolt - 1 - 14 x 4 x 14 w/Nuts
	090436-25-000	EA	U-Bolt - 1 - 14 x 4 x 15 w/Nuts
13	090486-29-000	EA	Bracket - Brake Hose/Frame
14	090436-30-000	EA	Bracket - Brake Hose/Caliper
15	090436-28-000	EA	Fuel Tank Heat Shield
16	090436-31-000	EA	Bar - Track w/Bolts & Brackets

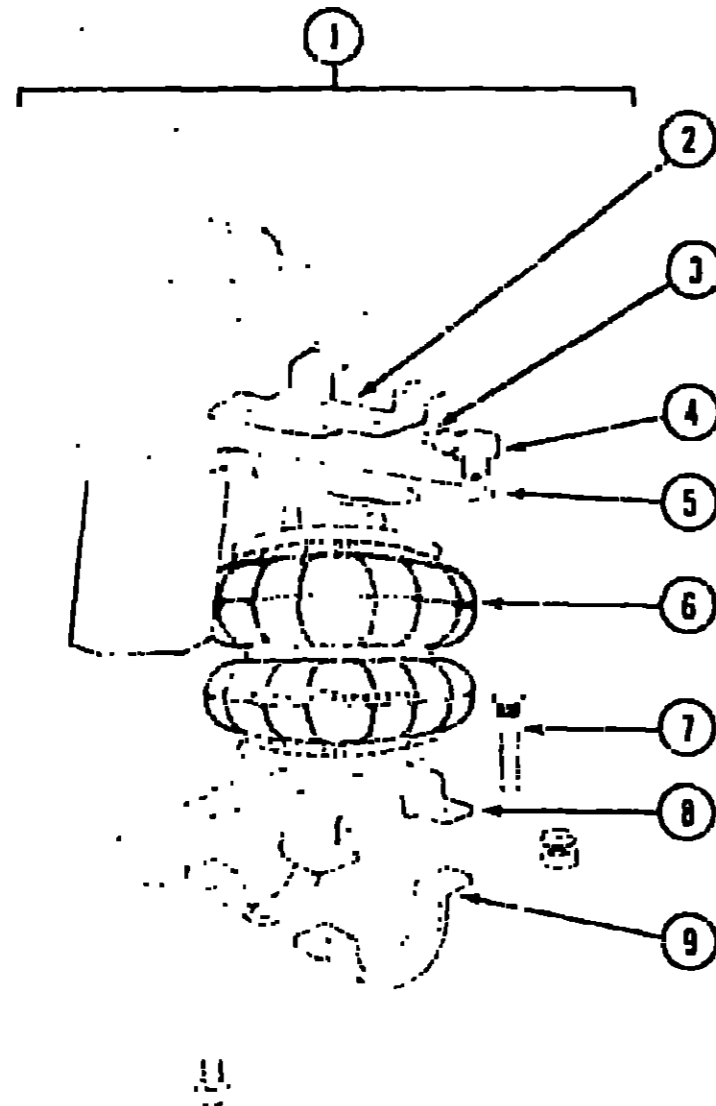
**1991 ITASCA  
TABLE OF CONTENTS**

INTRODUCTION	A-01 - A-02
ABBREVIATIONS	A-03
ALPHABETICAL/GROUP REFERENCE	A-04 - A-06
IC/FM34RA	A-07 - F-10
	F-11 - K-12

**1991 IC/FM34RA INDEX**

Floor Plan	F-11 - F-12
Accessories Group	F-13 - F-16
Bath Group	F-17 - F-20
Bedroom Group	F-21 - G-02
Chassis Group	G-03 - G-21
Curtain, Cushion & Pad Group	G-22 - H-09
Dinette Group	H-09 - H-12
Driver's Compartment Group	H-13 - H-20
Electrical Group	H-21 - H-24
Exterior Body Group	I-01 - I-10
Galley Group	I-11 - I-16
Heating & Air Conditioning Group	I-17 - I-18
Interior Finish Group	I-19 - I-20
Labels Group	I-21 - J-C5
LP Group	J-06
Lounge Group	J-07 - J-10
Sealants & Fasteners Group	J-11 - J-12
Water & Sewage Group	J-13 - J-15
Window, Vent & Exterior Door Group	J-16 - K-12

**CHASSIS GROUP (CONTINUED)**



**REAR AIRBAGS & FRONT STABILIZER SHOCKS (CHEVROLET CHASSIS ONLY) (OPTION 64C)**

Key	Part Number	U/M	Description
1	094006-01-000	EA	Air Spring - Bellows - Rear Axle - Complete System
2	094007-01-700	EA	Upper Bracket
3	094008-01-701	EA	Flexible Tubing - 1/4" x 18"
4	094009-01-704	EA	Elbow Connector
5	094010-01-709	EA	Heat Shield
6	094011-01-700	EA	Bellow Only (Airbag)
7	094012-01-702	EA	Ribbed Neck Bolt - 3/8" - 24 x 2 1/2"
8	094013-01-707	EA	Lower Bracket
9	094014-01-710	EA	Axle Strap Bracket
	094015-01-703	EA	Air Valve
	094016-01-705	EA	Tuning Protectors
	094017-01-708	EA	Axle Repair Kit
	094018-01-711	EA	Ball Kit
	079942-01-000	EA	Shock Absorber - Stabilizer Ft
	041953-01-000	EA	Conduit - Convolute - Sht - .25" ID

**CHASSIS GROUP (CONTINUED)**

**ELECTRIC ENTRANCE STEP**

Key	Part Number	U/M	Description
	094707-01-01A	EA	Step Asm. - Electric - Double
	094707-01-700	EA	Control Unit
	100312-01-000	EA	Switch - Electric Step - Door Jamb
	075723-02-000	EA	Spacer Block - Switch
	079363-01-000	EA	Switch - Electric Step - On/Off
	094351-03-01A	EA	Switch Plate - 3 Gang
	094707-01-702	EA	Frame - Double Step
	094707-01-703	EA	Gearbox Asm - Double Mt

**BATTERY HARDWARE INSTALLATION**

Key	Part Number	U/M	Description
	088751-01-000	FT	Cable - Battery - 1/0 AWG Stranded
	008037-02-000	FT	Cable - Battery - 1 AWG Stranded - Red
	009348-01-000	EA	Terminal - Ring - 2 - 3/8" Stud
	090604-03-000	EA	Tray Asm - Battery (Chevrolet Chassis Battery)
	096751-02-000	EA	Tray Asm. - Battery (Ford Chassis Battery)
	099074-01-000	EA	Tray - Battery (House Batteries)
	065450-01-000	EA	Tiedown - Battery (Chevrolet Chassis Battery)
	087475-02-000	EA	Bracket - Battery Tiedown (Ford Chassis Battery)
	065450-05-000	EA	Tiedown - Battery (House Batteries)
	051387-06-000	EA	Bolt - Carriage - 5/16 - 18 x 9.5 (House & Chassis Batteries)
	040921-03-000	EA	Nut - Spaced - U-Type No. *0 (Chassis Battery)
	044364-02-000	EA	Nut - Spaced - Flat - Round (House Batteries)
	077479-01-000	EA	Boot - Battery Terminal - Double Cable
	077479-02-000	EA	Boot - Battery Terminal - Single Cable

**STABILIZING JACKS - MANUAL (OPTION 64L)**

Key	Part Number	U/M	Description
	099025-01-000	EA	Stabilizer Jack - RT
	099025-02-000	EA	Stabilizer Jack - LT
	099641-01-000	EA	Bracket Asm. - Jack - RT Rear
	099641-02-000	EA	Bracket Asm. - Jack - LT Rear
	099642-01-000	EA	Bracket Asm. - Jack - RT Front
	099642-02-000	EA	Bracket Asm. - Jack - LT Front

**FOG LAMP (OPTION 57M)**

Key	Part Number	U/M	Description
	088747-03-000	EA	Fog Lamp Asm. - Clear Lens
	088747-01-700	EA	Lens - Fog Lamp
	089305-02-000	EA	Switch - Fog Lamp
	007940-01-000	EA	Slide Receptacle - 15 to 21 AWG
	041953-09-000	FT	Conduit - Convolute - .50"
	063910-01-000	EA	Relay Housing
	063912-02-000	EA	Relay Canister - SPDT w/Resistor
	088474-09-000	EA	Socket Housing
	088476-01-000	EA	Connector Socket
	089305-03-000	EA	Housing Asm. - 4 Position
	093654-02-000	EA	Circuit Breaker - 15 Amp

**1991 ITASCA  
TABLE OF CONTENTS**

INTRODUCTION	A-01 - A-02
ABBREVIATIONS	A-03
ALPHABETICAL/GROUP REFERENCE	A-04 - A-06
IC/FM32PQ	A-07 - F-10
IC/FM34RA	F-11 - K-12

**1991 IC/FM34RA INDEX**

Floor Plan	F-11 - F-12
Accessories Group	F-13 - F-16
Bath Group	F-17 - F-20
Bedroom Group	F-21 - G-02
Chassis Group	G-03 - G-21
Curtain, Cushion & Pad Group	G-22 - H-08
Dinette Group	H-09 - H-12
Driver's Compartment Group	H-13 - H-20
Electrical Group	H-21 - H-24
Exterior Body Group	I-01 - I-10
Galley Group	I-11 - I-16
Heating & Air Conditioning Group	I-17 - I-18
Interior Finish Group	I-19 - I-20
Labels Group	I-21 - J-05
LP Group	J-06
Lounge Group	J-07 - J-10
Sealants & Fasteners Group	J-11 - J-12
Water & Sewage Group	J-13 - J-15
Window, Vent & Exterior Door Group	J-16 - K-12



### CHASSIS GROUP (CONTINUED)

#### 4.0KW & 6.5KW GENERATORS & COMPONENTS (OPTIONS 39E & 39G)

Key	Part Number	U/M	Description
	100974-01-000	EA	Generator - 4.0KW - Emerald Plus - Onan BGE-FA/261
	100975-01-000	EA	Generator - 6.5KW - Emerald Plus - Onan NHE-FA/261
	094657-02-000	EA	Tray Asm. - Generator
	007067-01-000	EA	Insulation - Fiberglass
	024059-01-000	EA	Spacer
	023942-01-000	EA	Grommet - Rubber - 2" OD
	001361-03-000	EA	Muffler
	007125-03-000	EA	Clamp Asm. - Muffler
	003152-11-000	EA	Exhaust Pipe - Generator
	008054-01-000	EA	Power Cord - 10/3 - 30 Amp. - 25' (USA)
	008052-01-000	EA	Power Cord - 10/3 - 30 Amp. - 25' (CSA)
	008289-01-000	EA	Box - Electrical - 4" x 4" (USA)
	008289-02-000	EA	Box - Electrical - 4" x 4" (CSA)
	008294-01-000	EA	Cover Plate - 4" x 4" (USA)
	008294-02-000	EA	Cover Plate - 4" x 4" (CSA)
	024924-02-000	EA	Receptacle - Power Cord
	069238-01-000	EA	Cover Plate - Receptacle Box - Power Cord - 4" x 4"
	008394-01-000	FT	Conduit - Flexible - 1/2"
	008355-01-000	EA	Connector - 3/4" - Cable Clamping
	008356-01-000	EA	Connector - Plastic - 3/8" Avg. Wire
	010495-01-000	EA	Clamp - Cable - 9/16"
	008026-01-000	FT	Wire - 12/2 Romex w/Ground
	008311-01-000	EA	Connector - Wire Nut - Red
	008312-01-000	EA	Connector - Wire Nut - Blue
	008314-01-000	EA	Connector - Wire Nut - Gray
	008328-01-000	EA	Terminal Ring - 12/10 Wire
	024976-01-000	EA	Generator Switch - w/o Circuit Board
	098351-04-01A	EA	Plate - Switch - Generator - Rear Bedroom
	100258-10-01A	EA	Hourmeter
	008348-01-000	EA	Terminal Ring - 2, 3/8" Stud
	007063-01-000	FT	Hose - Gasoline - 1/4" ID x 1/2" OD
	062401-06-000	EA	Clamp - Hose - Wormgear - .22" to .62" ID

#### 5.0KW GENERATOR & COMPONENTS (EXPORT) (OPTION 05J)

Key	Part Number	U/M	Description
	100974-04-000	EA	Generator - 5.0KW - Emerald Plus - Onan NHE-FN/292
	007067-01-000	SF	Insulation - Fiberglass
	023942-01-000	EA	Grommet - Rubber - 2" OD
	093590-04-000	EA	Muffler
	007125-03-000	EA	Clamp Asm. - Muffler
	003152-11-000	EA	Exhaust Pipe - Generator
	008054-01-000	EA	Power Cord - 10/3 - 30 Amp. - 25'
	008289-01-000	EA	Box - Electrical - 4" x 4"
	008294-01-000	EA	Cover Plate - 4" x 4"
	024924-02-000	EA	Receptacle - Power Cord
	069238-01-000	EA	Cover Plate - Receptacle Box - Power Cord - 4" x 4"
	008394-01-000	FT	Conduit - Flexible - 1/2"
	008355-01-000	EA	Connector - 3/4" - Cable Clamping
	008356-01-000	EA	Connector - Plastic - 3/8"
	010495-01-000	EA	Clamp - Cable - 9/16"
	008026-01-000	FT	Wire - 12/2 Romex w/Ground
	008311-01-000	EA	Connector - Wire Nut - Red
	008312-01-000	EA	Connector - Wire Nut - Blue
	008314-01-000	EA	Connector - Wire Nut - Gray
	008328-01-000	EA	Terminal Ring - 12/10 Wire
	092615-01-000	EA	Converter - 40 Amp. w/Charger
	024976-01-000	EA	Generator Switch - w/o Circuit Board
	098351-04-01A	EA	Plate - Switch - Generator - Rear Bedroom
	100258-10-01A	EA	Hourmeter
	008348-01-000	EA	Terminal Ring - 2, 3/8" Stud
	007063-01-000	FT	Hose - Gasoline - 1/4" ID x 1/2" OD
	062401-06-000	EA	Clamp - Hose - Wormgear - .22" to .62" ID

### CHASSIS GROUP (CONTINUED)

#### 7.0KW GENERATOR & COMPONENTS (OPTION 37M)

Key	Part Number	U/M	Description
	093517-01-000	EA	Generator - 7.0KW - Kohler 7.0CKM21-RV
	007067-01-000	SF	Insulation - Fiberglass
	023942-01-000	EA	Grommet - Rubber - 2" OD
	093590-04-000	EA	Muffler
	007125-03-000	EA	Clamp Asm. - Muffler - 1.50" Dia.
	003152-11-000	EA	Exhaust Pipe
	008054-01-000	EA	Power Cord - 10/3 - 30 Amp. - 25' (USA)
	008052-01-000	EA	Power Cord - 10/3 - 30 Amp. - 25' (CSA)
	008289-01-000	EA	Box - Electrical - 4" x 4" (USA)
	008289-02-000	EA	Box - Electrical - 4" x 4" (CSA)
	008294-01-000	EA	Cover Plate - 4" x 4" (USA)
	008294-02-000	EA	Cover Plate - 4" x 4" (CSA)
	024924-02-000	EA	Receptacle - Power Cord
	069238-01-000	EA	Cover Plate - Receptacle Box - Power Cord - 4" x 4"
	008394-01-000	FT	Conduit - Flexible - 1/2"
	008355-01-000	EA	Connector - 3/4" - Cable Clamping
	008356-01-000	EA	Connector - Plastic - 3/8" Avg. Wire
	010495-01-000	EA	Clamp - Cable - 9/16"
	008026-01-000	FT	Wire - 12/2 Romex w/Ground
	008311-01-000	EA	Connector - Wire Nut - Red
	008312-01-000	EA	Connector - Wire Nut - Blue
	008314-01-000	EA	Connector - Wire Nut - Gray
	008328-01-000	EA	Terminal Ring - 12/10 Wire
	024976-01-000	EA	Generator Switch - w/o Circuit Board
	098351-04-01A	EA	Plate - Switch - Generator - Rear Bedroom
	100258-01-01A	EA	Hourmeter
	008348-01-000	EA	Terminal Ring - 2, 3/8" Stud
	007063-01-000	FT	Hose - Gasoline - 1/4" ID x 1/2" OD
	062401-06-000	EA	Clamp - Hose - Wormgear - .22" to .62" ID

#### 3.5KW GENERATOR & COMPONENTS (EXPORT) (OPTION 383)

Key	Part Number	U/M	Description
	100974-05-000	EA	Generator - 4.0KW - Emerald Plus - Onan BGE-FN/292
	007067-01-000	SF	Insulation - Fiberglass
	023942-01-000	EA	Grommet - Rubber - 2" OD
	093590-01-000	EA	Muffler
	007125-03-000	EA	Clamp Asm. - Muffler
	003152-11-000	EA	Exhaust Pipe - Generator
	008054-01-000	EA	Power Cord - 10/3 - 30 Amp. - 25'
	008289-01-000	EA	Box - Electrical - 4" x 4"
	008294-01-000	EA	Cover Plate - 4" x 4"
	024924-02-000	EA	Receptacle - Power Cord
	069238-01-000	EA	Cover Plate - Receptacle Box - Power Cord - 4" x 4"
	008394-01-000	FT	Conduit - Flexible - 1/2"
	008355-01-000	EA	Connector - 3/4" - Cable Clamping
	008356-01-000	EA	Connector - Plastic - 3/8"
	010495-01-000	EA	Clamp - Cable - 9/16"
	008026-01-000	FT	Wire - 12/2 Romex w/Ground
	008311-01-000	EA	Connector - Wire Nut - Red
	008312-01-000	EA	Connector - Wire Nut - Blue
	008314-01-000	EA	Connector - Wire Nut - Gray
	008328-01-000	EA	Terminal Ring - 12/10 Wire
	092615-01-000	EA	Converter - 40 Amp. - w/Charger
	024976-01-000	EA	Generator Switch - w/o Circuit Board
	098351-04-01A	EA	Plate - Switch - Generator - Rear Bedroom
	100258-10-01A	EA	Hourmeter
	008348-01-000	EA	Terminal Ring - 2, 3/8" Stud
	007063-01-000	FT	Hose - Gasoline - 1/4" ID x 1/2" OD
	062401-06-000	EA	Clamp - Hose - Wormgear - .22" to .62" ID

### 1991 ITASCA TABLE OF CONTENTS

INTRODUCTION	A-01 - A-02
ABBREVIATIONS	A-03
ALPHABETICAL/GROUP REFERENCE	F-04 - A-06
IC/FM32RO	F-07 - F-10
IC/FM34RA	F-11 - K-12

### 1991 IC/FM34RA INDEX

Floor Plan	F-11 - F-12
Accessories Group	F-13 - F-16
Bath Group	F-17 - F-20
Bedroom Group	F-21 - G-02
Chassis Group	G-03 - G-21
Curtain, Cushion & Pad Group	G-22 - H-08
Dinette Group	H-09 - H-12
Driver's Compartment Group	H-13 - H-20
Electrical Group	H-21 - H-24
Exterior Body Group	I-01 - I-10
Galley Group	I-11 - I-16
Heating & Air Conditioning Group	I-17 - I-18
Interior Finish Group	I-19 - I-20
Labels Group	I-21 - J-05
LP Group	J-06
Lounge Group	J-07 - J-10
Sealants & Fasteners Group	J-11 - J-12
Water & Sewage Group	J-13 - J-15
Window, Vent & Exterior Door Group	J-16 - K-12

## CHASSIS GROUP (CONTINUED)

### WHEEL COVER & MOUNTING HARDWARE

Key	Part Number	U/M	Description
	083181-03-000	EA	Wheel Cover - 19.5" (Set/4)
	083181-03-700	EA	Wheel Cover - 19.5" (1)
	083181-12-000	EA	Retainer Kit - 19.5" Wheel Cover (Set/4) (Chevrolet)
	083181-04-700	EA	Retainer Kit - 19.5" Wheel Cover - Front (1) (Chevrolet)
	083181-04-701	EA	Retainer Kit - 19.5" Wheel Cover - Rear (1) (Chevrolet)
	083181-04-702	EA	Nut Cover - 19.5" Wheel
	083181-04-703	EA	Center Cap - Chrome
	098532-01-000	EA	Wheel Cover - 16" Ford (Set/4)
	098532-01-701	EA	Wheel Cover (1 Only)
	098532-01-700	EA	Lug Nut Cover (Chrome)

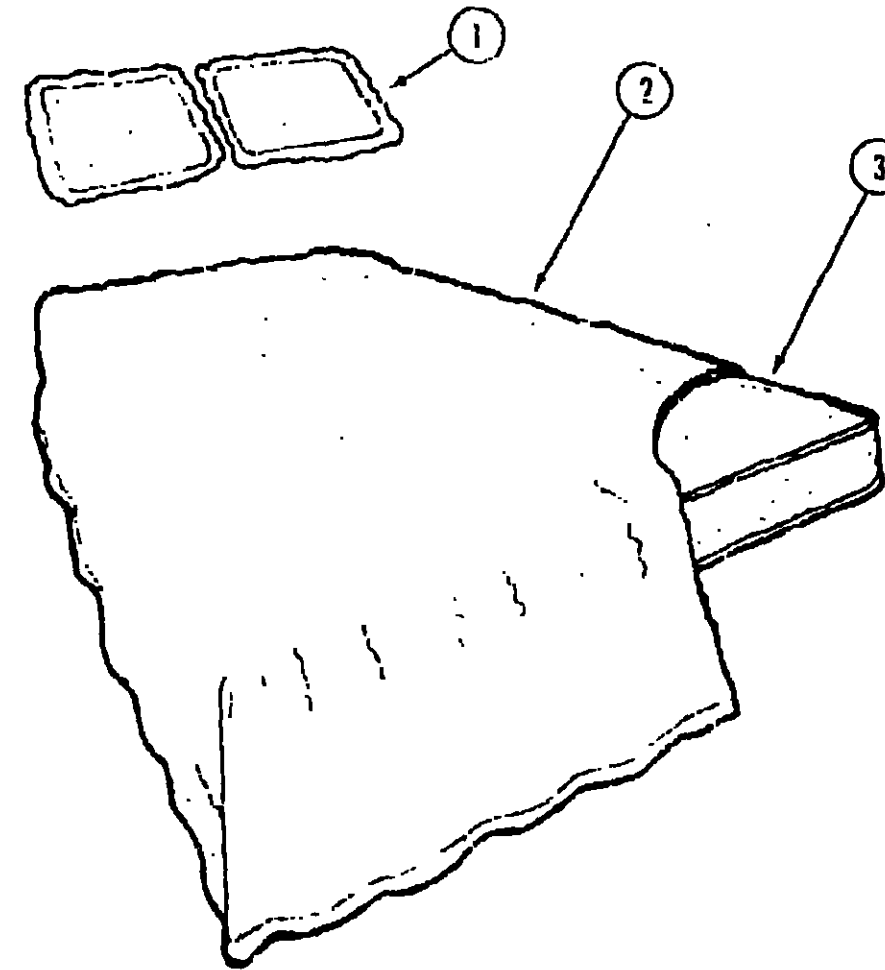
### CHROME WHEEL LINERS (FORD & CHEVROLET CHASSIS) (OPTIONS 63J & 63K)

Key	Part Number	U/M	Description
	091209-01-000	EA	Wheel Liner - Chrome - 19.5" (Set/4) (Chevrolet)
	091209-01-700	EA	Wheel Liner - Chrome - 19.5" - Front
	091209-01-701	EA	Wheel Liner - Chrome - 19.5" - Rear
	091209-01-702	EA	Axle Cover - 10 Lug - 19.5" - Front
	091209-01-703	EA	Axle Cover - 10 Lug - 19.5" - Rear
	091209-01-704	EA	Cover - Lug Nut
	091209-06-000	EA	Wheel Liner - Chrome - 16" (Set/4) (Ford)
	091209-06-700	EA	Wheel Liner - Chrome - 16" - Front
	091209-06-701	EA	Wheel Liner - Chrome - 16" - Rear
	091209-06-702	EA	Axle Cover - 16" - Front
	091209-06-703	EA	Axle Cover - 16" - Rear
	091209-06-704	EA	Cover - Lug Nut
	077030-02-000	EA	Valve Stem Extension - 1.25"
	095012-01-000	EA	Valve Stem Extension - Dual Wheel

### MISCELLANEOUS

Key	Part Number	U/M	Description
	093307-02-000	EA	Reservoir - Radiator Overflow (Ford Chassis)
	072359-01-000	EA	Bottle - Coolant Expansion (Chevrolet Chassis)
	099100-01-000	EA	Cap - Bottle - Overflow (Ford & Chevrolet Chassis)
	071656-01-000	EA	Radiator Cover - Rear
	063977-06-000	EA	Step Asm. - Driver Door
	080208-02-000	EA	Bar - Lug Wrench (Chevrolet)
	080208-01-000	EA	Lug Wrench (Chevrolet)
	017516-01-000	EA	Mud Flap - Black
	091955-02-000	EA	Squeegee - Telescoping Handle
	091952-02-000	EA	Clip - 3/4" - Squeegee Retainer
	093527-01-000	EA	Bracket - Squeegee Clip

## CURTAIN, CUSHION & PAD GROUP



QUEEN BED

Key	Part Number	U/M	Description
1	102161-01-B29	EA	Pillow Sham - w/Ruffle - Open Back (B32)
1	102161-01-B30	EA	Pillow Sham - w/Ruffle - Open Back (B33)
1	102161-01-B31	EA	Pillow Sham - w/Ruffle - Open Back (B34)
1	061997-07-B35	EA	Cover - Pillow Sham (B32)
1	081997-07-B36	EA	Cover - Pillow Sham (B33)
1	081997-07-B37	EA	Cover - Pillow Sham (B34)
2	083986-04-B29	EA	Bedspread Asm. - Fitted (B32)
2	083986-04-B30	EA	Bedspread Asm. - Fitted (B33)
2	083986-04-B31	EA	Bedspread Asm. - Fitted (B34)
3	099176-04-000	EA	Mattress - Innerspring - 59" x 74" x 7.75"
	089273-53-000	YD	Bedspread Fabric (B32)
	088273-55-000	YD	Bedspread Fabric (B33)
	088273-54-000	YD	Bedspread Fabric (B34)

## 1991 ITASCA TABLE OF CONTENTS

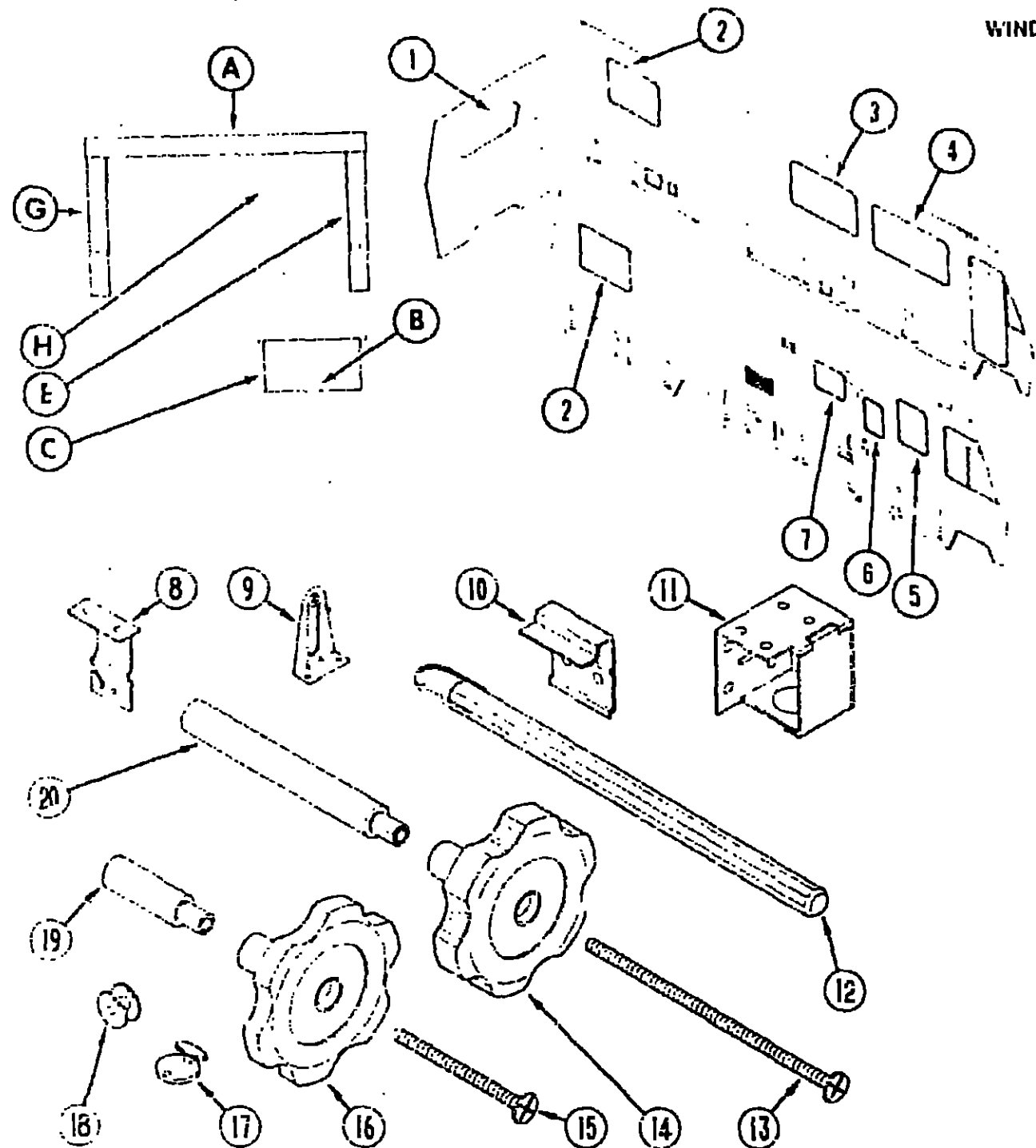
INTRODUCTION	A-01 - A-02
ABBREVIATIONS	A-03
ALPHABETICAL/GROUP REFERENCE	A-04 - A-06
IC/FM32RO	A-07 - F-10
IC/FM34RA	F-11 - K-12

## 1991 IC/FM34RA INDEX

Floor Plan	F-11 - F-12
Accessories Group	F-13 - F-16
Bath Group	F-17 - F-20
Bedroom Group	F-21 - G-02
Chassis Group	G-03 - G-21
Curtain, Cushion & Pad Group	G-22 - H-08
Dinette Group	H-09 - H-12
Driver's Compartment Group	H-13 - H-20
Electrical Group	H-21 - H-24
Exterior Body Group	I-01 - I-10
Galley Group	I-11 - I-16
Heating & Air Conditioning Group	I-17 - I-18
Interior Finish Group	I-19 - I-20
Labels Group	I-21 - J-05
LP Group	J-06
Lounge Group	J-07 - J-10
Sealants & Fasteners Group	J-11 - J-12
Water & Sewage Group	J-13 - J-15
Window, Vent & Exterior Door Group	J-16 - K-12

**CURTAIN, CUSHION & PAD GROUP**

**WINDOW TREATMENT**



Key	Part Number	U/M	Description
1A	101613-06-B32	EA	Valance - w/Fabric Trim - 51"
1A	101613-06-B33	EA	Valance - w/Fabric Trim - 51"
1A	101613-06-B34	EA	Valance - w/Fabric Trim - 51"
1E	100281-13-B35	EA	Leg - Right - w/Fabric Trim (B32)
1E	100281-13-B36	EA	Leg - Right - w/Fabric Trim (B33)
1E	100281-13-B37	EA	Leg - Right - w/Fabric Trim (B34)
1G	100281-14-B35	EA	Leg - Left - w/Fabric Trim (B32)
1G	100281-14-B36	EA	Leg - Left - w/Fabric Trim (B33)
1G	100281-14-B37	EA	Leg - Left - w/Fabric Trim (B34)
1H	096335-16-B32	EA	Blind - Pleated - 47" x 28.5" Drop (B34)
1H	096335-16-B33	EA	Blind - Pleated - 47" x 28.5" Drop
2A	101613-01-B32	EA	Valance - w/Fabric Trim - 44.5"
2A	101613-01-B33	EA	Valance - w/Fabric Trim - 44.5"
2A	101613-01-B34	EA	Valance - w/Fabric Trim - 44.5"
2E	100281-19-B29	EA	Leg - Right - w/Fabric Trim (B32)
2E	100281-19-B30	EA	Leg - Right - w/Fabric Trim (B33)
2E	100281-19-B31	EA	Leg - Right - w/Fabric Trim (B34)

Key	Part Number	U/M	Description
2G	100281-20-B29	EA	Leg - Left - w/Fabric Trim (B32)
2G	100281-20-B30	EA	Leg - Left - w/Fabric Trim (B33)
2G	100281-20-B31	EA	Leg - Left - w/Fabric Trim (B34)
2H	096335-44-B32	EA	Blind - Pleated - 39.5" x 33" Drop (B34)
2H	096335-44-B33	EA	Blind - Pleated - 39.5" x 33" Drop
3A	101427-03-B35	EA	Valance - Wood - 46.5"
3A	101427-12-B32	EA	Valance - Wood - 58.5"
3E	101079-02-B29	EA	Leg - Right - w/Wood Trim - 31.5" (B32)
3E	101079-02-B30	EA	Leg - Right - w/Wood Trim - 31.5" (B33)
3E	101079-02-B31	EA	Leg - Right - w/Wood Trim - 31.5" (B34)
3G	101079-04-B29	EA	Leg - Left - w/Wood Trim - 31.5" (B32)
3G	101079-04-B30	EA	Leg - Left - w/Wood Trim - 31.5" (B33)
3G	101079-04-B31	EA	Leg - Left - w/Wood Trim - 31.5" (B34)
3H	093475-60-01A	EA	Blind - Mini - 38.5" x 31.5" Drop
3H	093475-40-05A	EA	Blind - Mini - 51" x 33" Drop (B32)
3H	093475-40-07A	EA	Blind - Mini - 51" x 33" Drop (B33, B34)
4A	101427-01-B32	EA	Valance - Wood - 65.5"
4E	101079-02-B29	EA	Leg - Right - w/Wood Trim (B32)
4E	101079-02-B30	EA	Leg - Right - w/Wood Trim (B33)
4E	101079-02-B31	EA	Leg - Right - w/Wood Trim (B34)
4G	101079-04-B29	EA	Leg - Left - w/Wood Trim (B32)
4G	101079-04-B30	EA	Leg - Left - w/Wood Trim (B33)
4G	101079-04-B31	EA	Leg - Left - w/Wood Trim (B34)
4H	093475-11-08A	EA	Blind - Mini - 57.5" x 33" Drop (B32)
4H	093475-11-10A	EA	Blind - Mini - 57.5" x 33" Drop (B33, B34)
5A	101427-02-B32	EA	Valance - Wood - 61"
5E	101079-02-B29	EA	Leg - Right - w/Wood Trim (B32)
5E	101079-02-B30	EA	Leg - Right - w/Wood Trim (B33)
5E	101079-02-B31	EA	Leg - Right - w/Wood Trim (B34)
5G	101079-05-B32	EA	Leg - Left - w/Wood Trim
5G	101079-05-B33	EA	Leg - Left - w/Wood Trim
5G	101079-05-B31	EA	Leg - Left - w/Wood Trim (B34)
5H	093475-70-02A	EA	Blind - Mini - 21" x 34.5" Drop (B32)
5H	093475-70-03A	EA	Blind - Mini - 21" x 34.5" Drop (B33, B34)
6B	087253-01-C00	EA	Clear Shade Pull - Plastic
6C	084755-66-B10	EA	Shade Asm. - 27.25"
6	048304-02-000	YD	Velcro - Hook Tape
6	086792-02-000	YD	Velcro - Loop Tape
7H	093475-02-08A	EA	Blind - Mini - 27" x 22.5" Drop (B32)
7H	093475-02-10A	EA	Blind - Mini - 27" x 22.5" Drop (B33, B34)
	096008-62-000	YD	Valance & Leg Fabric (B10) (Windows 3,4,5,6)
	096008-31-000	YD	Valance & Leg Fabric (B11) (Windows 3,4,5,6)
	096008-61-000	YD	Valance & Leg Fabric (B12) (Windows 3,4,5,6)
	088273-53-000	YD	Valance & Leg Fabric (B32) (Windows 1,2)
	083273-55-000	YD	Valance & Leg Fabric (B33) (Windows 1,2)
	088273-54-000	YD	Valance & Leg Fabric (B34) (Windows 1,2)
8	084434-01-000	EA	Roller Shade Bracket
9	095591-02-000	EA	Hold Down Bracket - Blind
10	097565-01-000	EA	Blind Mounting Bracket - Right or Left Side (Bedroom)
11	083170-01-000	EA	Blind Mounting Bracket - Right Side (Shown) Clear Plastic
	083170-02-000	EA	Blind Mounting Bracket - Left Side - Clear Plastic
12	093475-01-700	EA	Wand w/Metal Clip - 8"
13	089371-01-000	EA	Screw - Window Knob (Zinc)
13	101269-01-01A	EA	Screw - Window Knob (Gold)
14	067052-02-000	EA	Window Knob (Beige)
14	101290-01-11A	EA	Window Knob (Gold)
15	009439-07-000	EA	Screw - Window Knob (Black)
16	009439-05-000	EA	Window Knob - Black
17	102555-01-000	EA	Cord Cleat - Blind
18	097592-01-000	EA	Hold Down Adjuster - Blind
19	009439-06-000	EA	Extension - Window Knob (Black)
20	090025-01-000	EA	Extension - Window Knob (Black)

**1991 ITASCA  
TABLE OF CONTENTS**

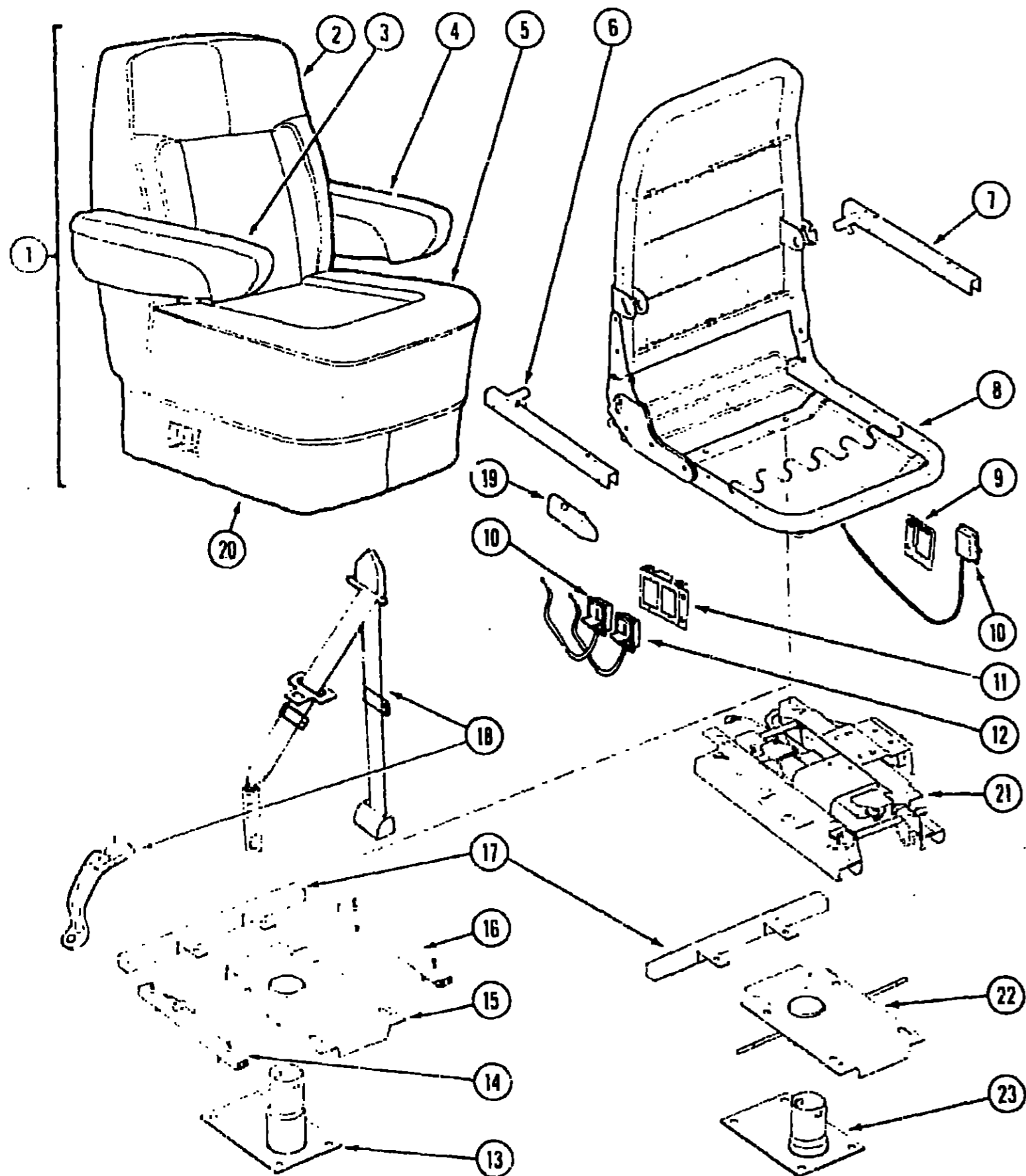
INTRODUCTION	A-01 - A-02
ABBREVIATIONS	A-03
ALPHABETICAL/GROUP REFERENCE	A-04 - A-06
IC/FM32RA	A-07 - F-10
IC/FM34RA	F-11 - K-12

**1991 IC/FM34RA INDEX**

Floor Plan	F-11 - F-12
Accessories Group	F-13 - F-16
Bath Group	F-17 - F-20
Bedroom Group	F-21 - G-02
Chassis Group	G-03 - G-21
Curtain, Cushion & Pad Group	G-22 - H-08
Dinette Group	H-09 - H-12
Driver's Compartment Group	H-13 - H-20
Electrical Group	H-21 - H-24
Exterior Body Group	I-01 - I-10
Galley Group	I-11 - I-16
Heating & Air Conditioning Group	I-17 - I-18
Interior Finish Group	I-19 - I-20
Labels Group	I-21 - J-05
LP Group	J-06
Lounge Group	J-07 - J-10
Sealants & Fasteners Group	J-11 - J-12
Water & Sewage Group	J-13 - J-15
Window, Vent & Exterior Door Group	J-16 - K-12

# CURTAIN, CUSHION & PAD GROUP (CONTINUED)

## BUCKET SEAT ASM.



Key	Part Number	U/M	Description
1	101294-05-B29	EA	Seat Asm. - w/Arm & Headrest - w/o Skirt (Driver or Passenger) (B32)
1	101294-05-B30	EA	Seat Asm. - w/Arm & Headrest - w/o Skirt (Driver or Passenger) (B33)
1	101294-05-B31	EA	Seat Asm. - w/Arm & Headrest - w/o Skirt (Driver or Passenger) (B34)
2	M03445-26-B25	EA	Cover Asm. - Seat Back (B32)
2	M03445-26-B30	EA	Cover Asm. - Seat Back (B33)
2	M03445-26-B31	EA	Cover Asm. - Seat Back (B34)
3	080243-43-B29	EA	Armrest Asm. - Right Hand (B32)
3	080243-43-B30	EA	Armrest Asm. - Right Hand (B33)
3	080243-43-B31	EA	Armrest Asm. - Right Hand (B34)
3	M08243-43-B35	EA	Armrest Cover - Right Hand (B32)
3	M08243-43-B36	EA	Armrest Cover - Right Hand (B33)
3	M08243-43-B37	EA	Armrest Cover - Right Hand (B34)
4	080243-44-B29	EA	Armrest Asm. - Left Hand (B32)
4	080243-44-B30	EA	Armrest Asm. - Left Hand (B33)
4	080243-44-B31	EA	Armrest Asm. - Left Hand (B34)
4	M80243-44-B35	EA	Armrest - Cover - Left Hand (B32)
4	M80243-44-B36	EA	Armrest - Cover - Left Hand (B33)
4	M80243-44-B37	EA	Armrest - Cover - Left Hand (B34)
5	M03445-37-B29	EA	Cover Asm. - Seat Bottom (B32)
5	M03445-37-B30	EA	Cover Asm. - Seat Bottom (B33)
5	M03445-37-B31	EA	Cover Asm. - Seat Bottom (B34)
6	101124-01-000	EA	Armrest Frame Asm. - Right Hand
7	101124-02-000	EA	Armrest Frame Asm. - Left Hand
8	M80906-04-000	EA	Seat Frame Asm.
9	097683-03-000	EA	Cable Bracket
10	089368-04-000	EA	Remote Control Cable
11	097583-02-000	EA	Cable Bracket
12	089368-05-000	EA	Remote Control Cable
13	069585-18-000	EA	Seat Base
14	069585-05-000	EA	Seat Slide w/Lock
15	093481-04-000	EA	Top Plate
16	069246-02-000	EA	Seat Slide w/o Lock
17	069585-29-000	EA	Seat Belt Bar
18	091990-01-01A	EA	Seat Belt
19	089369-08-000	EA	Cable Shield - Plastic
20	071126-24-B29	EA	Skirt Asm. (B32)
20	071126-24-AD2	EA	Skirt Asm. (B33)
20	071126-24-B31	EA	Skirt Asm. (B34)
20	096008-62-000	YD	Bucket Seat Fabric - Accent (B32)
20	096008-31-000	YD	Bucket Seat Fabric - Accent (B33)
20	096008-61-000	YD	Bucket Seat Fabric - Accent (B34)
20	096008-60-000	YD	Bucket Seat Fabric - Pattern Accent (B32)
20	096008-59-000	YD	Bucket Seat Fabric - Pattern Accent (B33)
20	096008-58-000	YD	Bucket Seat Fabric - Pattern Accent (B34)

## POWER SEAT OPTION (63M)

Key	Part Number	U/M	Description
17	069585-29-000	EA	Seat Belt Bar
20	071126-26-B29	EA	Skirt Asm. - Power Seat (B32)
20	071126-26-AF3	EA	Skirt Asm. - Power Seat (B33)
20	071126-26-B31	EA	Skirt Asm. - Power Seat (B34)
21	081373-01-000	EA	Power Control - 6 Way
22	069585-39-000	EA	Top Plate (6 Way Power Seat)
23	069585-37-000	EA	Seat Base (6 Way Power Seat)
23	081591-04-000	EA	Wire Asm. (6 Way Power Seat)

# 1991 ITASCA TABLE OF CONTENTS

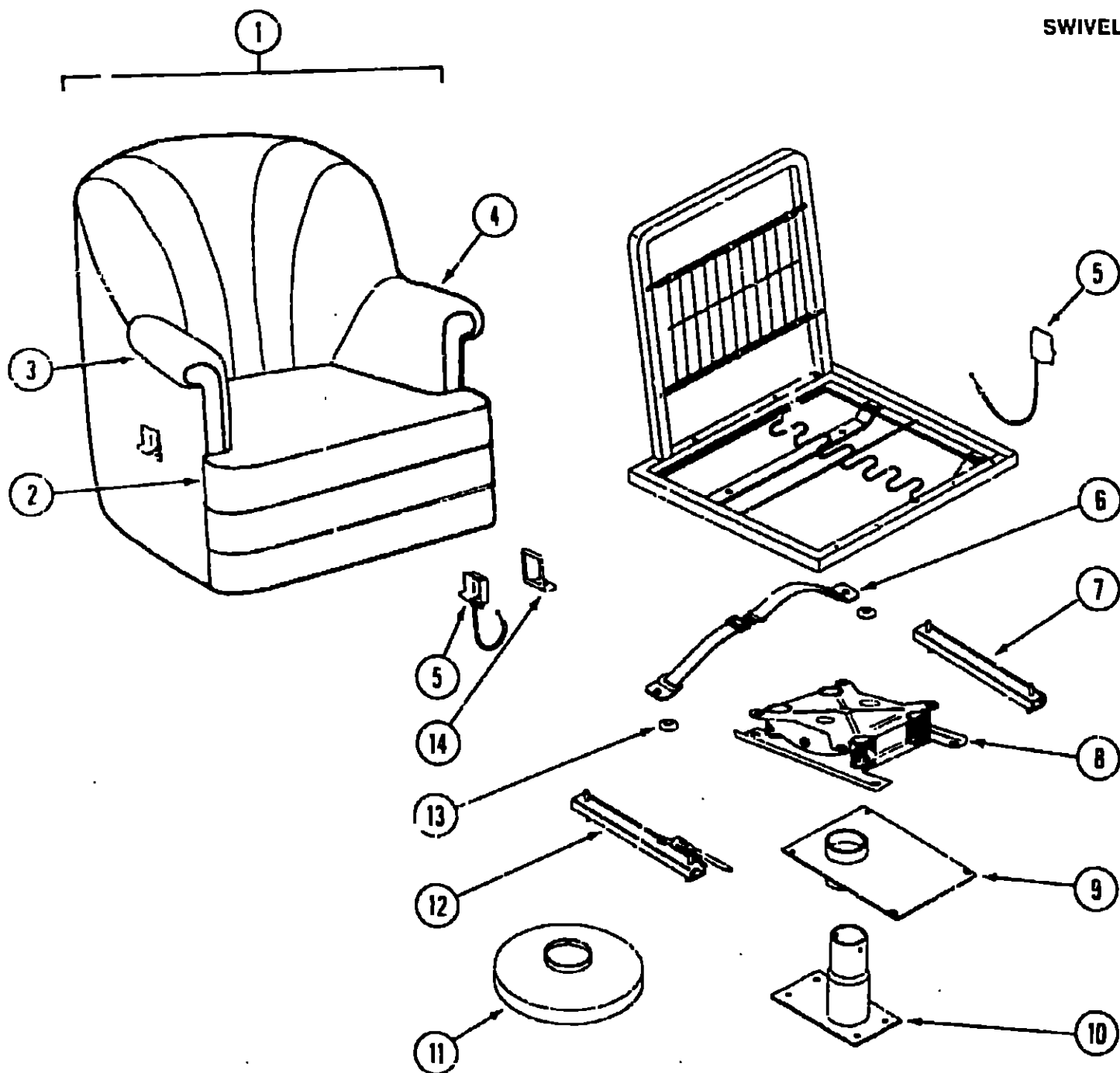
INTRODUCTION	A-01 - A-02
ABBREVIATIONS	A-03
ALPHABETICAL/GROUP REFERENCE	A-04 - A-06
IC/FM32EQ	A-07 - F-10
IC/FM34RA	F-11 - K-12

## 1991 IC/FM34RA INDEX

Floor Plan	F-11 - F-12
Accessories Group	F-13 - F-16
Bath Group	F-17 - F-20
Bedroom Group	F-21 - G-02
Chassis Group	G-03 - G-21
Curtain, Cushion & Pad Group	G-22 - H-08
Dinette Group	H-09 - H-12
Driver's Compartment Group	H-13 - H-20
Electrical Group	H-21 - H-24
Exterior Body Group	I-01 - I-10
Galley Group	I-11 - I-16
Heating & Air Conditioning Group	I-17 - I-18
Interior Finish Group	I-19 - I-20
Labels Group	I-21 - J-05
L <sup>2</sup> Group	J-06
Lounge Group	J-07 - J-10
Sealants & Fasteners Group	J-11 - J-12
Water & Sewage Group	J-13 - J-15
Window, Vent & Exterior Door Group	J-16 - K-12

**CURTAIN, CUSHION & PAD GROUP (CONTINUED)**

**SWIVEL CHAIR**



Key	Part Number	U/M	Description
1	101178-02-B29	EA	Chair Asm. (B32)
1	101178-02-B30	EA	Chair Asm. (B33)
1	101178-02-B31	EA	Chair Asm. (B34)
1	P01178-02-B29	EA	Cover Asm. (B32)
1	P01178-02-B30	EA	Cover Asm. (B33)
1	P01178-02-B31	EA	Cover Asm. (B34)
2	102754-02-B29	EA	Seat Cushion Asm. (B32)
2	102754-02-B30	EA	Seat Cushion Asm. (B33)
2	102754-02-B31	EA	Seat Cushion Asm. (B34)
2	P02754-02-B29	EA	Cushion Cover (B32)
2	P02754-02-B30	EA	Cushion Cover (B33)
2	P02754-02-B31	EA	Cushion Cover (B34)
3	P01178-25-B29	EA	Armrest Cover - Right (B32)
3	P01178-25-B30	EA	Armrest Cover - Right (B33)
3	P01178-25-B31	EA	Armrest Cover - Right (B34)
4	P01178-26-B29	EA	Armrest Cover - Left (B32)
4	P01178-26-B30	EA	Armrest Cover - Left (B33)
4	P01178-26-B31	EA	Armrest Cover - Left (B34)
5	089368-04-000	EA	Cable - Remote Slide or Swivel
6	007021-01-000	EA	Seat Belt Asm.
7	069246-02-000	EA	Seat Slide Asm. - w/o Lock
8	101187-01-000	EA	Rocker Asm.
9	093481-05-000	EA	Seat Top Plate
10	093481-01-000	EA	Seat Base
11	093482-01-000	EA	Seat Base Cover
12	069246-05-000	EA	Seat Slide Asm. - w/ Lock
13	007221-01-000	EA	Washer - Coned
14	097683-03-000	EA	Cable Bracket
	087330-01-000	EA	Stop Bracket - Slide Track
	096008-62-000	YD	Chair Fabric (B32)
	096008-31-000	YD	Chair Fabric (B33)
	096008-61-000	YD	Chair Fabric (B34)

**1991 ITASCA  
TABLE OF CONTENTS**

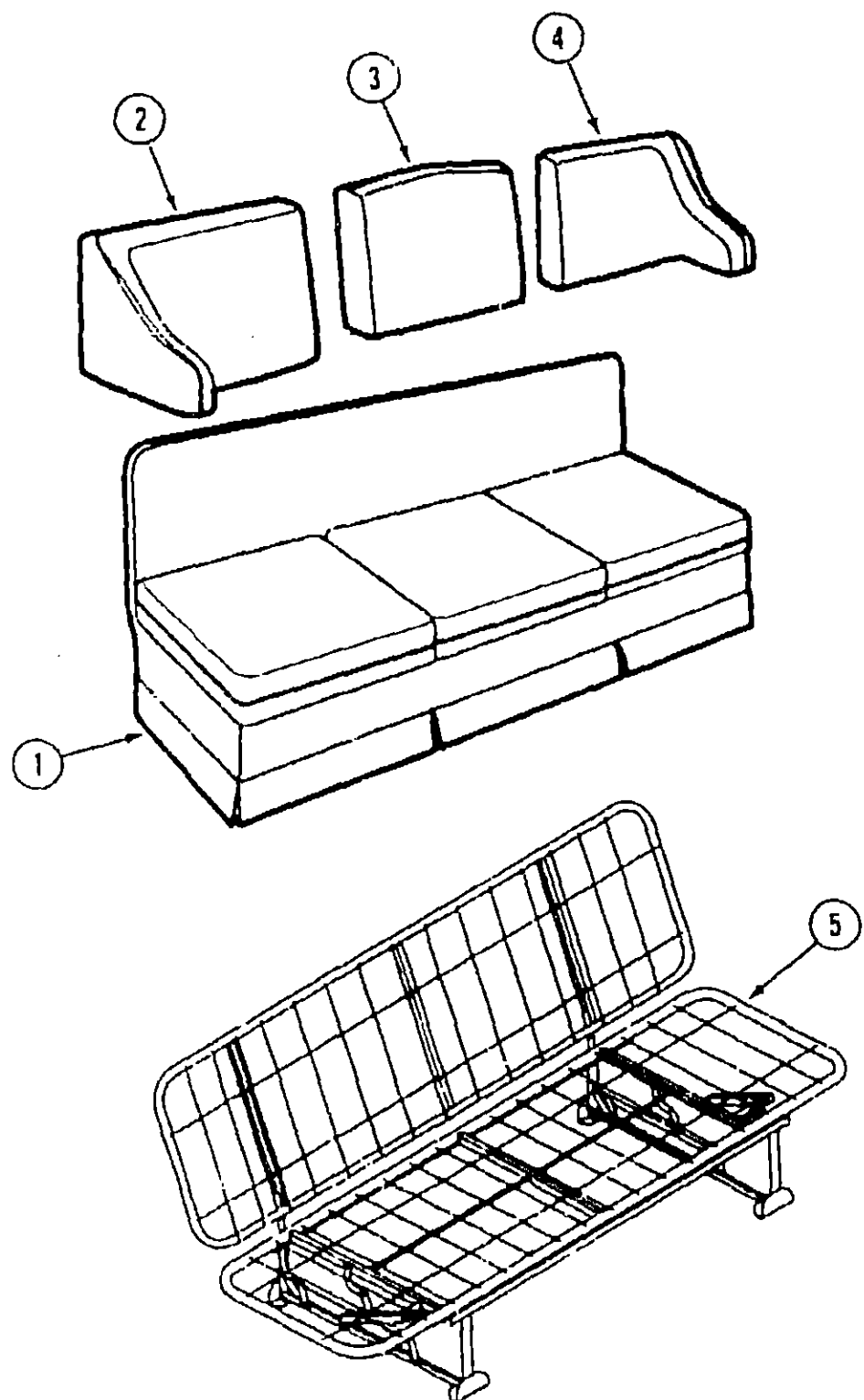
INTRODUCTION	A-01 - A-02
ABBREVIATIONS	A-03
ALPHABETICAL/GROUP REFERENCE	A-04 - A-06
IC/FM32RQ	A-07 - F-10
IC/FM34RA	F-11 - K-12

**1991 IC/FM34RA INDEX**

Floor Plan	F-11 - F-12
Accessories Group	F-13 - F-16
Bath Group	F-17 - F-20
Bedroom Group	F-21 - G-02
Chassis Group	G-03 - G-21
Curtain, Cushion & Pad Group	G-22 - H-08
Dinette Group	H-09 - H-12
Driver's Compartment Group	H-13 - H-20
Electrical Group	H-21 - H-24
Exterior Body Group	I-01 - I-10
Galley Group	I-11 - I-16
Heating & Air Conditioning Group	I-17 - I-18
Interior Finish Group	I-19 - I-20
Labels Group	I-21 - J-05
LP Group	J-06
Lounge Group	J-07 - J-10
Sealants & Fasteners Group	J-11 - J-12
Water & Sewage Group	J-13 - J-15
Window, Vent & Exterior Door Group	J-16 - K-12

## CURTAIN, CUSHION & PAD GROUP (CONTINUED)

### SOFA BED



Key	Part Number	U/M	Description
1	089007-05-B29	EA	Bed - Sofa Seat - w/Skirt (B32)
1	089007-05-B30	EA	Bed - Sofa Seat - w/Skirt (B33)
1	089007-05-B31	EA	Bed - Sofa Seat - w/Skirt (B34)
1	M89007-05-B29	EA	Cover - Sofa Seat - w/Skirt (B32)
1	M89007-05-B30	EA	Cover - Sofa Seat - w/Skirt (B33)
1	M89007-05-B31	EA	Cover - Sofa Seat - w/Skirt (B34)
2	101175-04-B29	EA	Cushion Asm. - Back Pillow w/Armrest (B32)
2	101175-04-B30	EA	Cushion Asm. - Back Pillow w/Armrest (B33)
2	101175-04-B31	EA	Cushion Asm. - Back Pillow w/Armrest (B34)
2	P01175-04-B29	EA	Cover Asm. - Pillow w/Armrest (B32)
2	P01175-04-B30	EA	Cover Asm. - Pillow w/Armrest (B33)
2	P01175-04-B31	EA	Cover Asm. - Pillow w/Armrest (B34)
3	101175-06-B29	EA	Cushion Asm. - Pillow (B32)
3	101175-06-B30	EA	Cushion Asm. - Pillow (B33)
3	101175-06-B31	EA	Cushion Asm. - Pillow (B34)
3	P01175-06-B29	EA	Cover Asm. - Pillow (B32)
3	P01175-06-B30	EA	Cover Asm. - Pillow (B33)
3	P01175-06-B31	EA	Cover Asm. - Pillow (B34)
4	101175-05-B29	EA	Cushion Asm. - Back Pillow w/Armrest (B32)
4	101175-05-B30	EA	Cushion Asm. - Back Pillow w/Armrest (B33)
4	101175-05-B31	EA	Cushion Asm. - Back Pillow w/Armrest (B34)
4	P01175-05-B29	EA	Cover Asm. - Pillow w/Armrest (B32)
4	P01175-05-B30	EA	Cover Asm. - Pillow w/Armrest (B33)
4	P01175-05-B31	EA	Cover Asm. - Pillow w/Armrest (B34)
5	079386-01-000	EA	Frame Asm. - Bed
	079386-02-000	EA	Mounting Hardware - Pullout Bed - Kit
	095567-01-000	EA	Tack Strip - 1/2" x 625' Roll
	007021-01-000	EA	Seat Belt Asm.
	096008-57-000	YD	Sofa Fabric (B32)
	096008-56-000	YD	Sofa Fabric (B33)
	096008-55-000	YD	Sofa Fabric (B34)

## 1991 ITASCA TABLE OF CONTENTS

INTRODUCTION	A-01 - A-02
ABBREVIATIONS	A-03
ALPHABETICAL/GROUP REFERENCE	A-04 - A-06
IC/FM32RO	A-07 - F-10
IC/FM34RA	F-11 - K-12

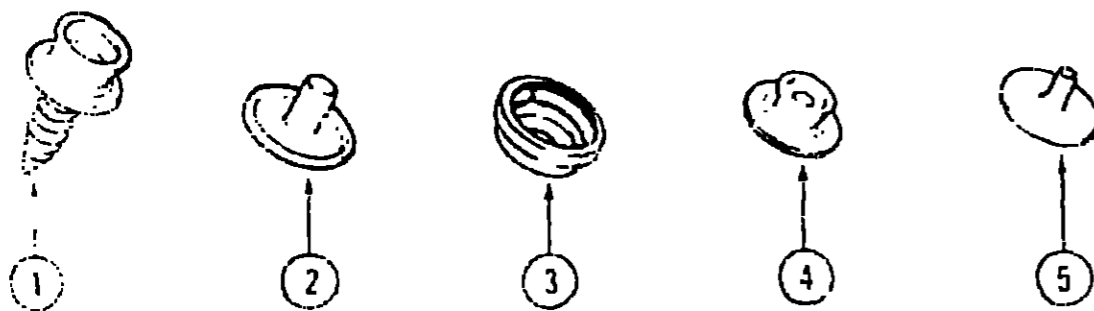
## 1991 IC/FM34RA INDEX

Floor Plan	F-11 - F-12
Accessories Group	F-13 - F-16
Bath Group	F-17 - F-20
Bedroom Group	F-21 - G-02
Chassis Group	G-03 - G-21
Curtain, Cushion & Pad Group	G-22 - H-08
Dinette Group	H-09 - H-12
Driver's Compartment Group	H-13 - H-20
Electrical Group	H-21 - H-24
Exterior Body Group	I-01 - I-10
Galley Group	I-11 - I-16
Heating & Air Conditioning Group	I-17 - I-18
Interior Finish Group	I-19 - I-20
Labels Group	I-21 - J-05
LP Group	J-06
Lounge Group	J-07 - J-10
Sealants & Fasteners Group	J-11 - J-12
Water & Sewage Group	J-13 - J-15
Window, Vent & Exterior Door Group	J-16 - K-12

**CURTAIN, CUSHION & PAD GROUP (CONTINUED)**

**FRONT CURTAINS & ACCESSORIES**

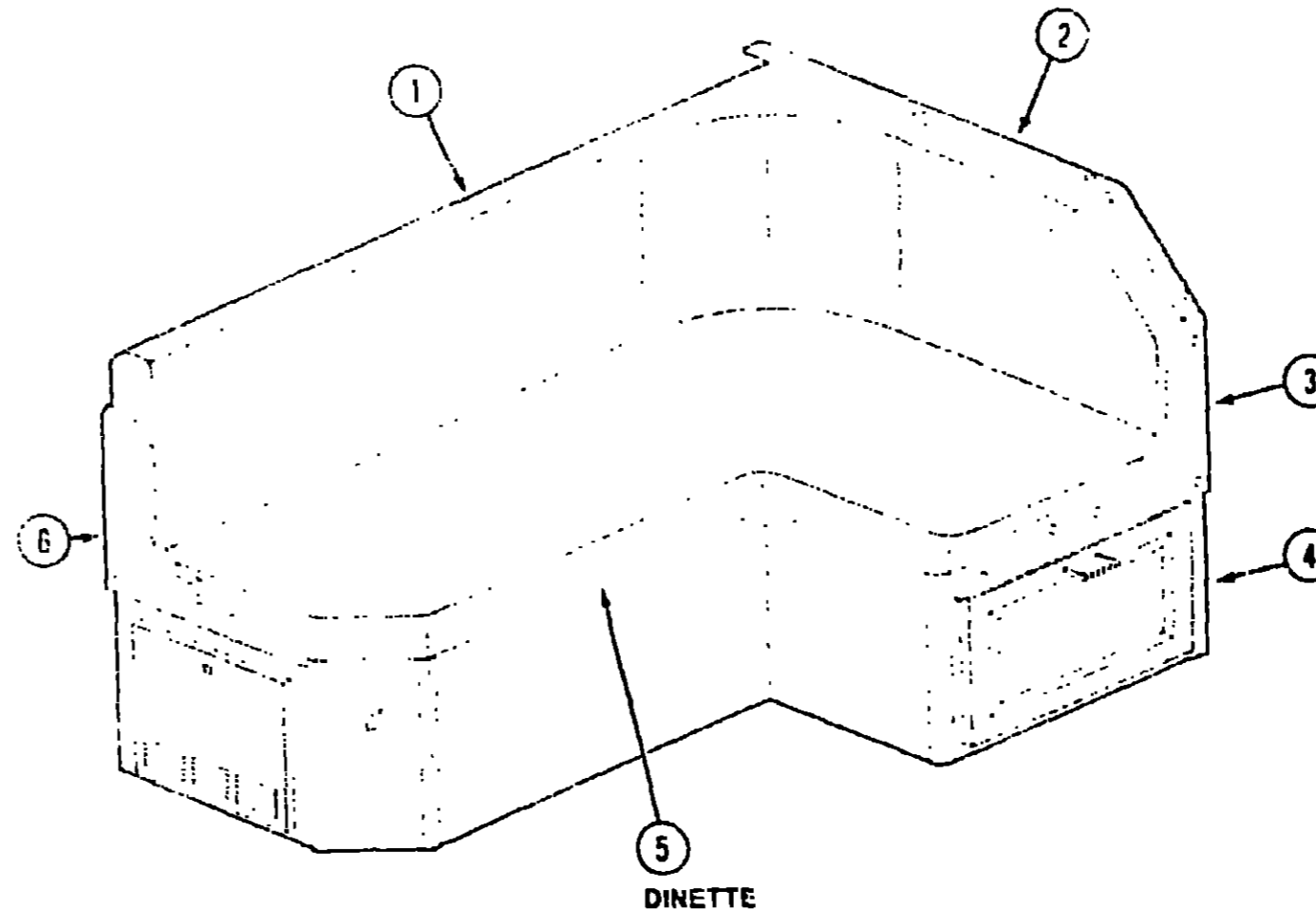
Key	Part Number	U/M	Description
	073265-42-B07	EA	Tieback - 6" x 18" - Left or Right Side (B32)
	073265-42-B09	EA	Tieback - 6" x 18" - Left or Right Side (B33, B34)
	097994-06-B10	EA	Curtain - Front Wraparound - Driver Side - 37" x 40" (B32)
	097994-06-B11	EA	Curtain - Front Wraparound - Driver Side - 37" x 40" (B33, B34)
	094855-07-01A	EA	Front Wraparound Track - Driver Side (Gray)
	094855-07-01A	EA	Front Wraparound Track - Driver Side (Off White)
	094855-01-B03	EA	Front Wraparound Track - Passenger Side (Gray)
	094855-01-B04	EA	Front Wraparound Track - Passenger Side (Off White)
	094855-01-000	EA	Roller Carrier - Wraparound Curtain
	094855-01-000	EA	End Stop - Roller Carrier
	097994-07-B10	EA	Curtain - Front Wraparound - Passenger Side - 35" x 125" (B32)
	097994-07-B11	EA	Curtain - Front Wraparound - Passenger Side - 35" x 125" (B33, B34)
	098792-01-000	EA	Velcro - 5/8" Hook - Non-Adhesive
	098792-02-000	EA	Velcro - 3/4" Loop - Adhesive
	072345-77-003	YD	Curtain Fabric (B32)
	072345-77-000	YD	Curtain Fabric (B33, B34)



**MISCELLANEOUS**

Key	Part Number	U/M	Description
	029155-01-000	EA	Socket - Snap Fastener - 7 x 5/8"
	029155-01-000	EA	Cap - Snap
	029155-01-000	EA	Socket - Snap Fastener
	029092-01-000	EA	Stud - Nickel Finish
	029093-01-000	EA	Eyelet - Nickel Finish
	071632-04-000	EA	Hamper Bag - w/Elastic - 49"
	075943-04-000	EA	Valance Brace - Beige
	053552-01-AA8	EA	Assist Strap - Interior
	078245-01-000	EA	Boot - Steering Column
	029094-01-010	YD	Velcro Tape - Loop - 1" - Black
	029096-01-010	YD	Velcro Tape - Hook - 1" - Black

**CURTAIN, CUSHION & PAD GROUP (CONTINUED)**



**DINETTE**

Key	Part Number	U/M	Description
1	098642-01-B32	EA	Cushion Asm. - Bolster Back
1	098642-01-B33	EA	Cushion Asm. - Bolster Back
1	098642-01-B34	EA	Cushion Asm. - Bolster Back
1	M98642-01-B29	EA	Cover Asm. - Bolster Back (B32)
1	M98642-01-B30	EA	Cover Asm. - Bolster Back (B33)
1	M98642-01-B31	EA	Cover Asm. - Bolster Back (B34)
2	098453-01-B32	EA	Pad Asm. - Dinette Trim
2	098453-01-B33	EA	Pad Asm. - Dinette Trim
2	098453-01-B34	EA	Pad Asm. - Dinette Trim
3	098441-01-B32	EA	Arm Pad - Left Side
3	098441-01-B33	EA	Arm Pad - Left Side
3	098441-01-B34	EA	Arm Pad - Left Side
4	098433-01-B29	EA	Pad Asm. - Dinette Trim (B32)
4	098433-01-B30	EA	Pad Asm. - Dinette Trim (B33)
4	098433-01-B31	EA	Pad Asm. - Dinette Trim (B34)
5	098642-02-B32	EA	Cushion Asm. - Seat
5	098642-02-B33	EA	Cushion Asm. - Seat
5	098642-02-B34	EA	Cushion Asm. - Seat
5	M98642-02-B29	EA	Cover Asm. - Seat (B32)
5	M98642-02-B30	EA	Cover Asm. - Seat (B33)
5	M98642-02-B31	EA	Cover Asm. - Seat (B34)
6	098441-03-B29	EA	Arm Pad - Right Side (B32)
6	098441-03-B30	EA	Arm Pad - Right Side (B33)
6	098441-03-B31	EA	Arm Pad - Right Side (B34)
	070578-01-B29	EA	Button - Screw Stud - #30 (B32)
	070578-01-AF3	EA	Button - Screw Stud - #30 (B33)
	070578-01-B31	EA	Button - Screw Stud - #30 (B34)
	096008-57-000	YD	Dinette Main Fabric (B32)
	096008-56-000	YD	Dinette Main Fabric (B33)
	096008-55-000	YD	Dinette Main Fabric (B34)
	096008-62-000	YD	Dinette Fabric - Plain Accent (B32)
	096008-61-000	YD	Dinette Fabric - Plain Accent (B33)
	096008-61-000	YD	Dinette Fabric - Plain Accent (B34)

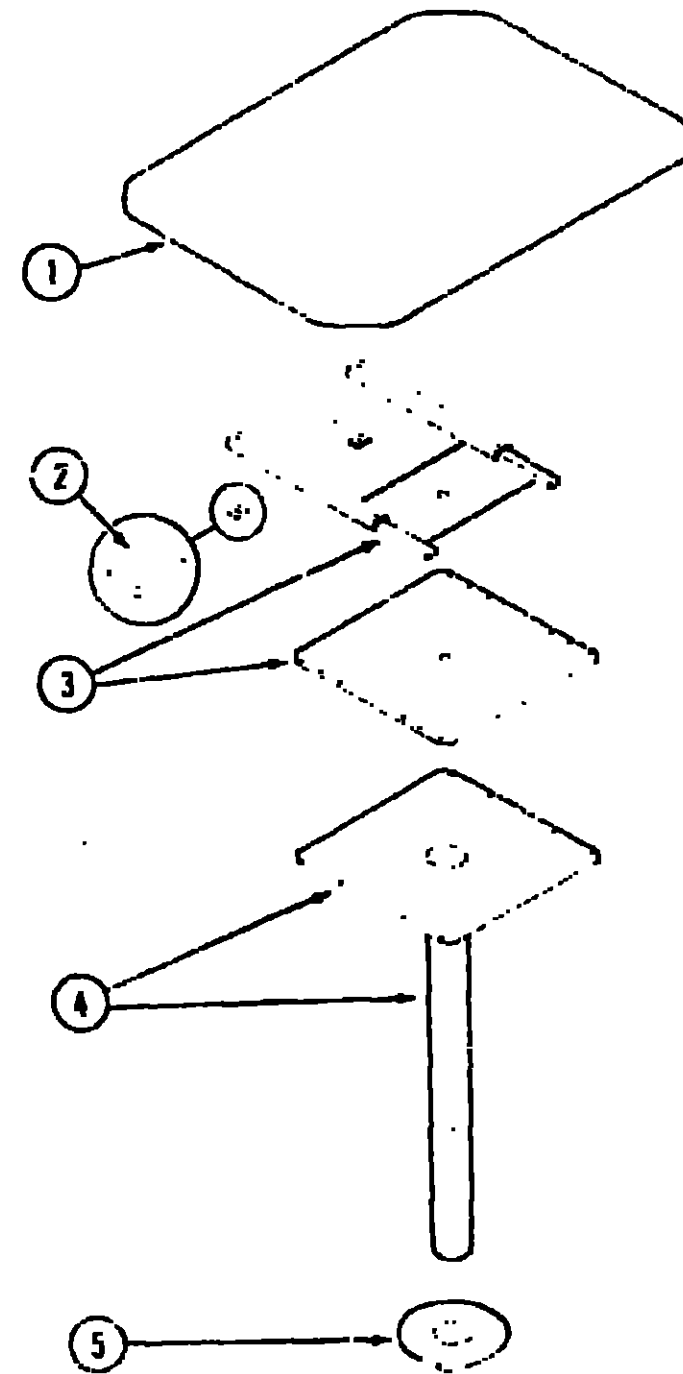
**1991 ITASCA  
TABLE OF CONTENTS**

INTRODUCTION	A-01 - A-02
ABBREVIATIONS	A-03
ALPHABETICAL/GROUP REFERENCE	A-04 - A-06
IC/FM32RO	A-07 - F-10
IC/FM34RA	F-11 - K-12

**1991 IC/FM34RA INDEX**

Floor Plan	F-11 - F-12
Accessories Group	F-13 - F-16
Bath Group	F-17 - F-20
Bedroom Group	F-21 - G-02
Chassis Group	G-03 - G-21
Curtain, Cushion & Pad Group	G-22 - H-08
Dinette Group	H-09 - H-12
Driver's Compartment Group	H-13 - H-20
Electrical Group	H-21 - H-24
Exterior Body Group	I-01 - I-10
Galley Group	I-11 - I-16
Heating & Air Conditioning Group	I-17 - I-18
Interior Finish Group	I-19 - I-20
Labels Group	I-21 - J-05
LP Group	J-06
Lounge Group	J-07 - J-10
Sealants & Fasteners Group	J-11 - J-12
Water & Sewage Group	J-13 - J-15
Window, Vent & Exterior Door Group	J-16 - K-12

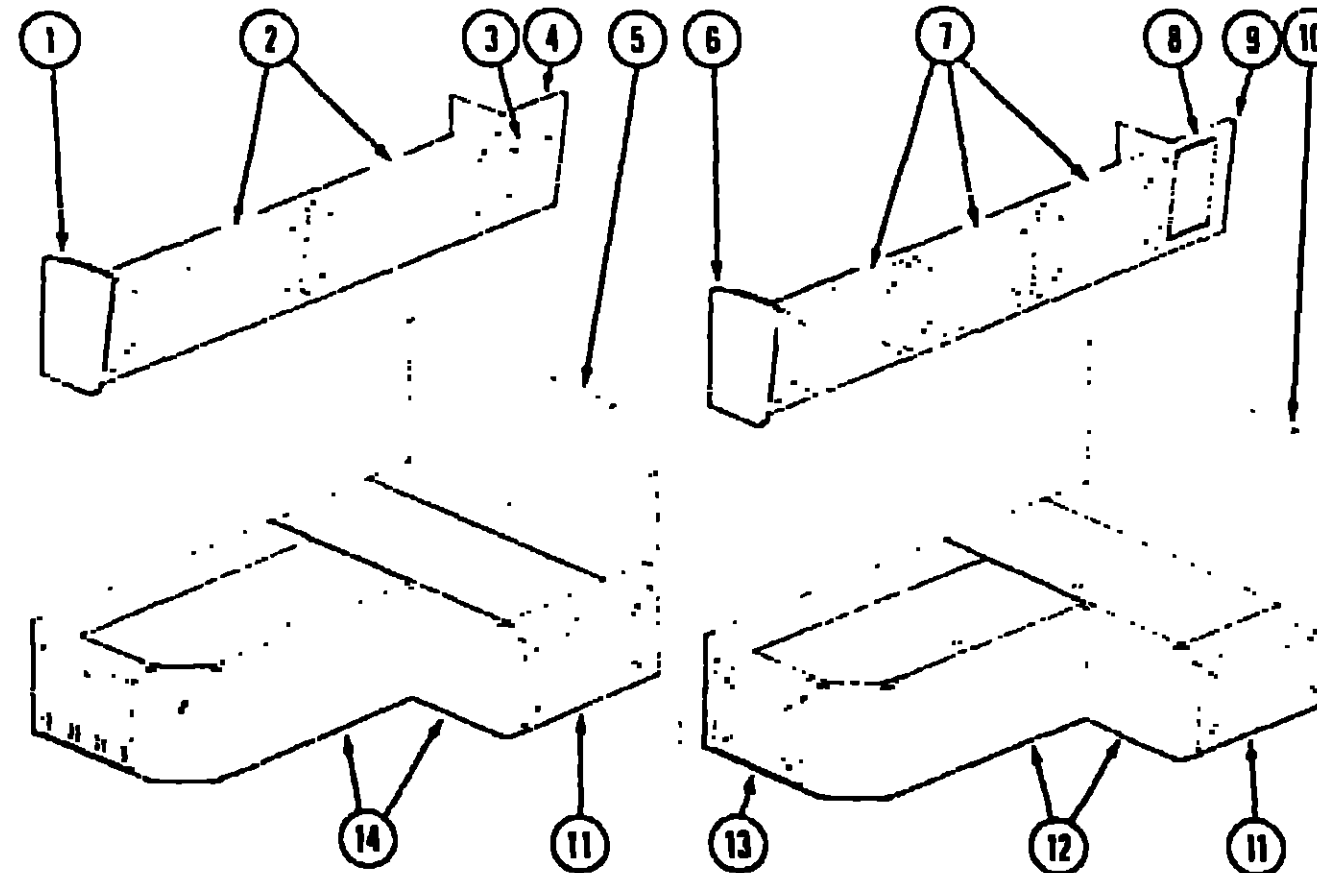
### DINETTE GROUP



**DINETTE TABLE**

Key	Part Number	U/M	Description
1	M04033-27-B07	EA	Table Top Asm.
2	096695-01-000	EA	Stop Blocks
3	056922-01-000	EA	Slide Track Asm.
4	097049-01-01A	EA	Table Leg
5	041193-01-000	EA	Flush Mount Base

### DINETTE GROUP (CONTINUED)



**DINETTE & OVERHEAD CABINERY**

Key	Part Number	U/M	Description
1	097048-03-B32	EA	End Cap Asm.
2	P00523-11-B29	EA	Door Asm. - w/o Hardware
3	089340-01-000	EA	Speaker Grille
4	M04162-10-B32	EA	Overhead Cabinet Asm. - w/o Doors or Hardware
5	M04045-01-B32	EA	Seat Back Asm.
6	097048-06-B32	EA	End Cap Asm.
7	P00523-48-B32	EA	Door Asm. - w/o Hardware
8	101659-11-B10	EA	Speaker Cover
9	M04162-24-B32	EA	Overhead Cabinet Asm. - w/o Doors or Hardware
10	M05099-01-B32	EA	Seat Back Asm.
11	P00523-19-B29	EA	Door Asm. - w/o Hardware
12	M05098-01-B32	EA	Seat Base Cabinet
13	P00523-A3-B32	EA	Door Asm. - w/o Hardware
14	M04044-01-B32	EA	Seat Base Cabinet
	042357-15-002	EA	Corner Molding - Radius - Plastic
	083620-06-000	FT	T-Molding - 3/4" - w/Edge Lips
	009767-10-000	FT	Wetling - Mahogany
	009767-12-000	FT	Wetling - Antique White
	009812-22-000	EA	Corner Molding - Plastic - 5' - Country Forest

### 1991 ITASCA TABLE OF CONTENTS

INTRODUCTION	A-01 - A-02
ABBREVIATIONS	A-03
ALPHABETICAL/GROUP REFERENCE	A-04 - A-06
IC/FM32RO	A-07 - F-10
IC/FM34RA	F-11 - K-12

### 1991 IC/FM34RA INDEX

Floor Plan	F-11 - F-12
Accessories Group	F-13 - F-16
Bath Group	F-17 - F-20
Bedroom Group	F-21 - G-02
Chassis Group	G-03 - G-21
Curtain, Cushion & Pad Group	G-22 - H-08
Dinette Group	H-09 - H-12
Driver's Compartment Group	H-13 - H-20
Electrical Group	H-21 - H-24
Exterior Body Group	I-01 - I-10
Galley Group	I-11 - I-16
Heating & Air Conditioning Group	I-17 - I-18
Interior Finish Group	I-19 - I-20
Labels Group	I-21 - J-05
LP Group	J-06
Lounge Group	J-07 - J-10
Sealants & Fasteners Group	J-11 - J-12
Water & Sewage Group	J-13 - J-15
Window, Vent & Exterior Door Group	J-16 - K-12

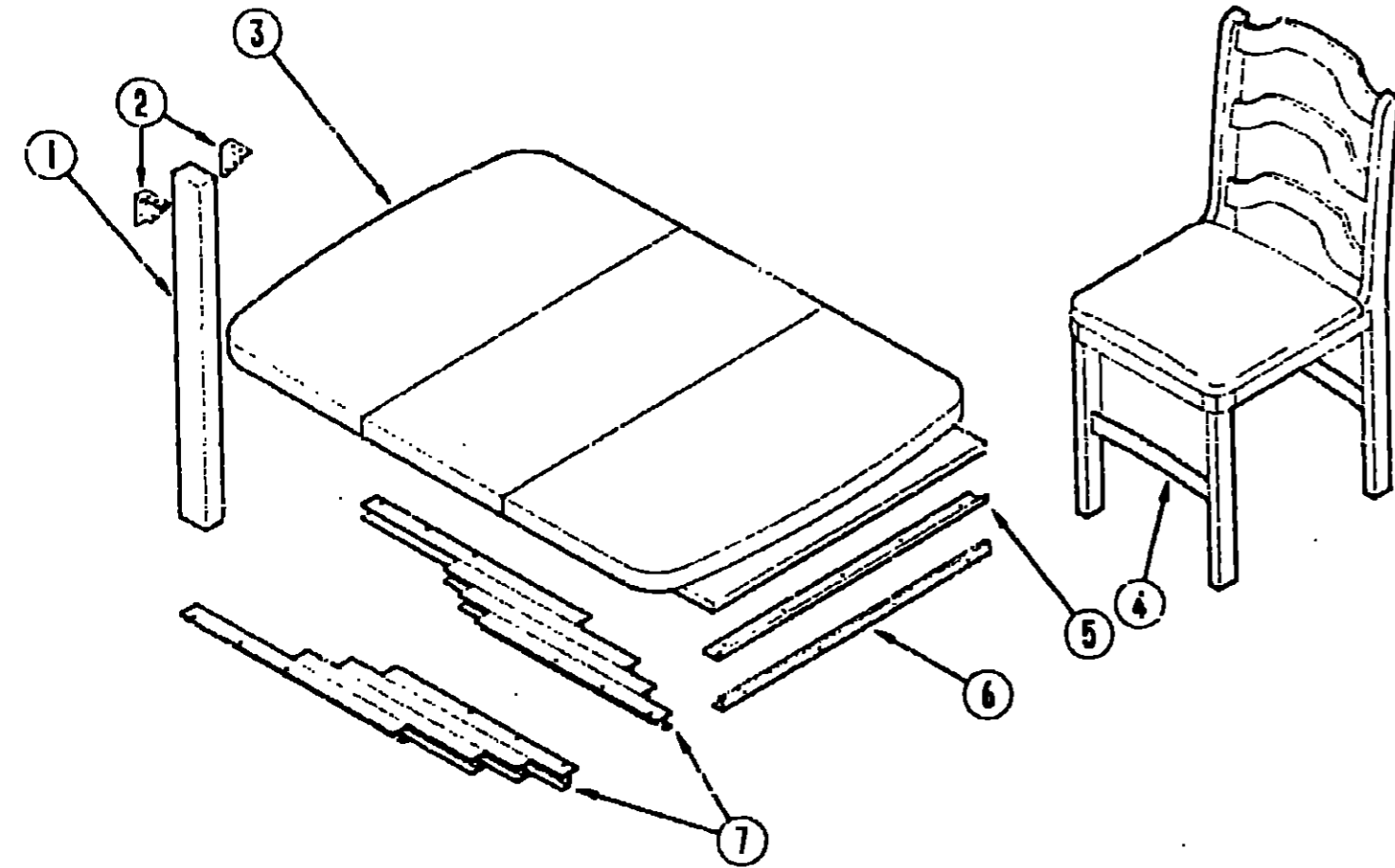


**DINETTE GROUP (CONTINUED)**

**DINETTE GROUP (CONTINUED)**

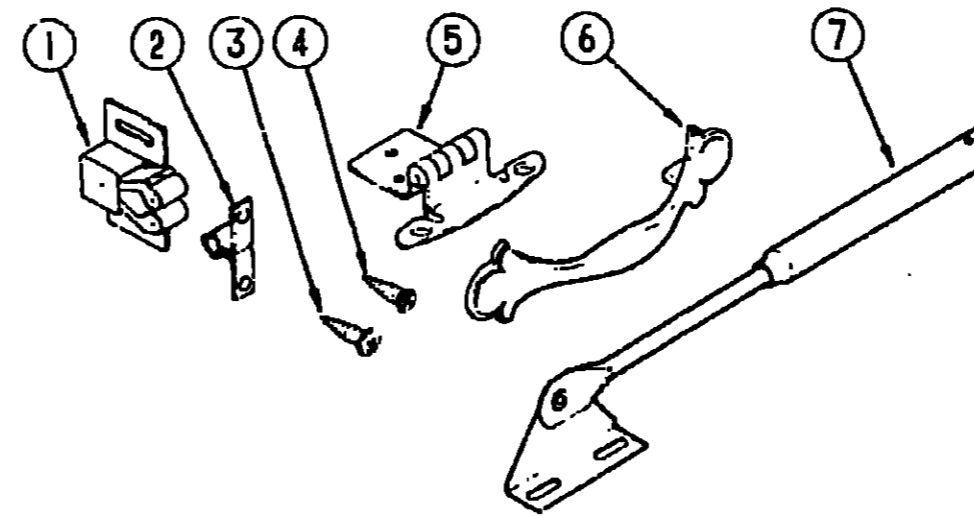
**1991 ITASCA  
TABLE OF CONTENTS**

INTRODUCTION	A-01 - A-02
ABBREVIATIONS	A-03
ALPHABETICAL/GROUP REFERENCE	A-04 - A-06
IC/FM32RQ	A-07 - F-10
IC/FM34RA	F-11 - K-12



**TABLE & FOLDING CHAIR (OPTION 21W)**

Key	Part Number	U/M	Description
1	092707-02-02A	EA	Leg
2	102810-01-01A	EA	Table Leg Brace
3	P02056-01-B32	EA	Pullout Table Asm.
4	101604-01-01A	EA	Folding Chair
5	102201-01-01A	EA	Hinge Lock Support (Table)
6	102200-01-01A	EA	Hinge Lock Support (Wall)
7	009210-01-000	EA	Table Slides (Pair)



**CABINET HARDWARE (DOORS & CABINETS)**

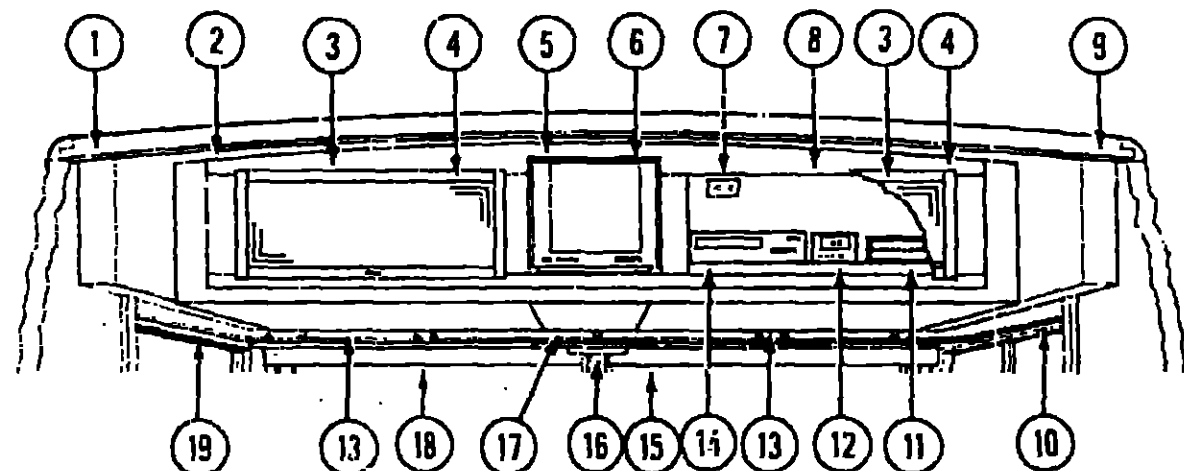
Key	Part Number	U/M	Description
1	093586-03-000	EA	Roller Catch
2	093586-04-000	EA	Steel Strike
3	000G68-06-10G	EA	Screw - #6 - 18 x .625" POH - Antique Brass - Hinge to Cabinet
4	000G13-06-10G	EA	Screw - #6 - 20 x .625" PFH - Antique Brass - Hinge to Door
5	059777-02-000	EA	Hinge - Burnished Brass (Doors)
6	100273-01-000	EA	Pull Handle
7	074493-02-000	EA	Door Support
	081521-02-007	EA	Corner Molding - Aluminum (Plastic Trim Holder)
	016604-03-000	EA	Angle Support Bracket - 2.5"

**1991 IC/FM34RA INDEX**

Floor Plan	F-11 - F-12
Accessories Group	F-13 - F-16
Bath Group	F-17 - F-20
Bedroom Group	F-21 - G-02
Chassis Group	G-03 - G-21
Curtain, Cushion & Pad Group	G-22 - H-08
Dinette Group	H-09 - H-12
Driver's Compartment Group	H-13 - H-20
Electrical Group	H-21 - H-24
Exterior Body Group	I-01 - I-10
Galley Group	I-11 - I-16
Heating & Air Conditioning Group	I-17 - I-18
Interior Finish Group	I-19 - I-20
Labels Group	I-21 - J-05
LP Group	J-06
Lounge Group	J-07 - J-10
Sealants & Fasteners Group	J-11 - J-12
Water & Sewage Group	J-13 - J-15
Window, Vent & Exterior Door Group	J-16 - K-12

## DRIVER'S COMPARTMENT GROUP

### UPPER DRIVER'S COMPARTMENT COMPONENTS



Key	Part Number	U/M	Description
1	101286-02-B32	EA	Pad Asm. - End Cap - Driver - Gray - w/o Bunk
1	101286-02-B11	EA	Pad Asm. - End Cap - Driver - Off White - w/o Bunk
2	101277-01-B32	EA	Cabinet Asm. - Front Overhead - Face Only
3	P00523-86-B32	EA	Door Asm. - Front Overhead - Driver & Passenger - w/o Hardware
4	101346-01-000	EA	Door Insert - Glass
5	P00523-84-B29	EA	Door Asm. - Front Overhead - Center - w/o Hardware
6	098447-01-000	EA	TV - 13" Color Remote - Magnavox RX4029WA (Options 42C & 42Y) (USA)
6	098447-02-000	EA	TV - 13" Color Remote - Magnavox XK4029CH (Options 42C & 42Y) (CSA)
	101278-01-000	EA	Shelf Asm. - TV
	099717-01-000	EA	Tiedown Asm. - TV (Rear)
	099717-02-000	EA	Tiedown Asm. - TV (Front)
	085774-01-000	EA	Velcro - 1" Wide - Loop
	085774-02-000	EA	Velcro - 1" Wide - Hook
7	058708-02-000	EA	Duplex Receptacle - Ivory
	076319-08-000	EA	Wallplate - Duplex Receptacle - Ivory
8	101284-01-B10	EA	Liner - Cabinet Asm. - Front Overhead - Gray
8	101284-01-B11	EA	Liner - Cabinet Asm. - Front Overhead - Off White
8	101284-02-B10	EA	Liner - Cabinet Asm. - Front Overhead - Gray (w/TV)
8	101284-02-B11	EA	Liner - Cabinet Asm. - Front Overhead - Off White (w/TV)
8	101284-03-B10	EA	Liner - Cabinet Asm. - Front Overhead - Gray (w/TV/VCR)
8	101284-03-B11	EA	Liner - Cabinet Asm. - Front Overhead - Off White (w/TV/VCR)
8	101284-04-B10	EA	Liner - Cabinet Asm. - Front Overhead - Gray (Invertor w/TV/VCR)
8	101284-04-B11	EA	Liner - Cabinet Asm. - Front Overhead - Off White (Invertor w/TV/VCR)
8	101284-05-B10	EA	Liner - Cabinet Asm. - Front Overhead - Gray (Invertor w/TV)
8	101284-05-B11	EA	Liner - Cabinet Asm. - Front Overhead - Off White (Invertor w/TV)
9	101286-01-B10	EA	Pad Asm. - End Cap - Passenger - Gray - w/o Bunk
9	101286-01-B11	EA	Pad Asm. - End Cap - Passenger - Off White - w/o Bunk
10	101589-01-B03	EA	Track - Wraparound Curtain - Passenger - Gray
10	101589-01-B04	EA	Track - Wraparound Curtain - Passenger - Off White
11	086757-02-000	EA	Control Center - Switch - Xantech (Option 42C)
12	099048-01-000	EA	Invertor - 100 Watt (Option 40F)
13	P01282-01-B10	EA	Shelf - Cabinet Base - Passenger or Driver - Gray
13	P01282-01-B11	EA	Shelf - Cabinet Base - Passenger or Driver - Off White
14	098446-02-000	EA	VCR-VHS Cable Ready Remote - Magnavox VR9912 (Option 42C)
	101676-01-000	EA	VCR Stand
15	078579-03-000	EA	Windshield Trim - Upper Passenger - Inner - Gray
15	078579-05-000	EA	Windshield Trim - Upper Passenger - Inner - Tan
16	086280-01-000	EA	Surface Mount Light - 12 Volt
	086280-01-710	EA	Bulb - 12 Volt - 6 Watt
17	P01903-01-B10	EA	Shelf - Cabinet Base - Center - Gray
17	P01903-01-B11	EA	Shelf - Cabinet Base - Center - Off White
18	078579-04-000	EA	Windshield Trim - Upper Driver - Inner - Gray
18	078579-06-000	EA	Windshield Trim - Upper Driver - Inner - Tan
19	094856-07-01A	EA	Track - Wraparound Curtain - Driver - Gray
19	094856-07-02A	EA	Track - Wraparound Curtain - Driver - Off White
	078811-05-B03	EA	Pad Asm. - Trim - Header - Lower - Gray
	078811-05-B11	EA	Pad Asm. - Trim - Header - Lower - Tan

## 1991 ITASCA TABLE OF CONTENTS

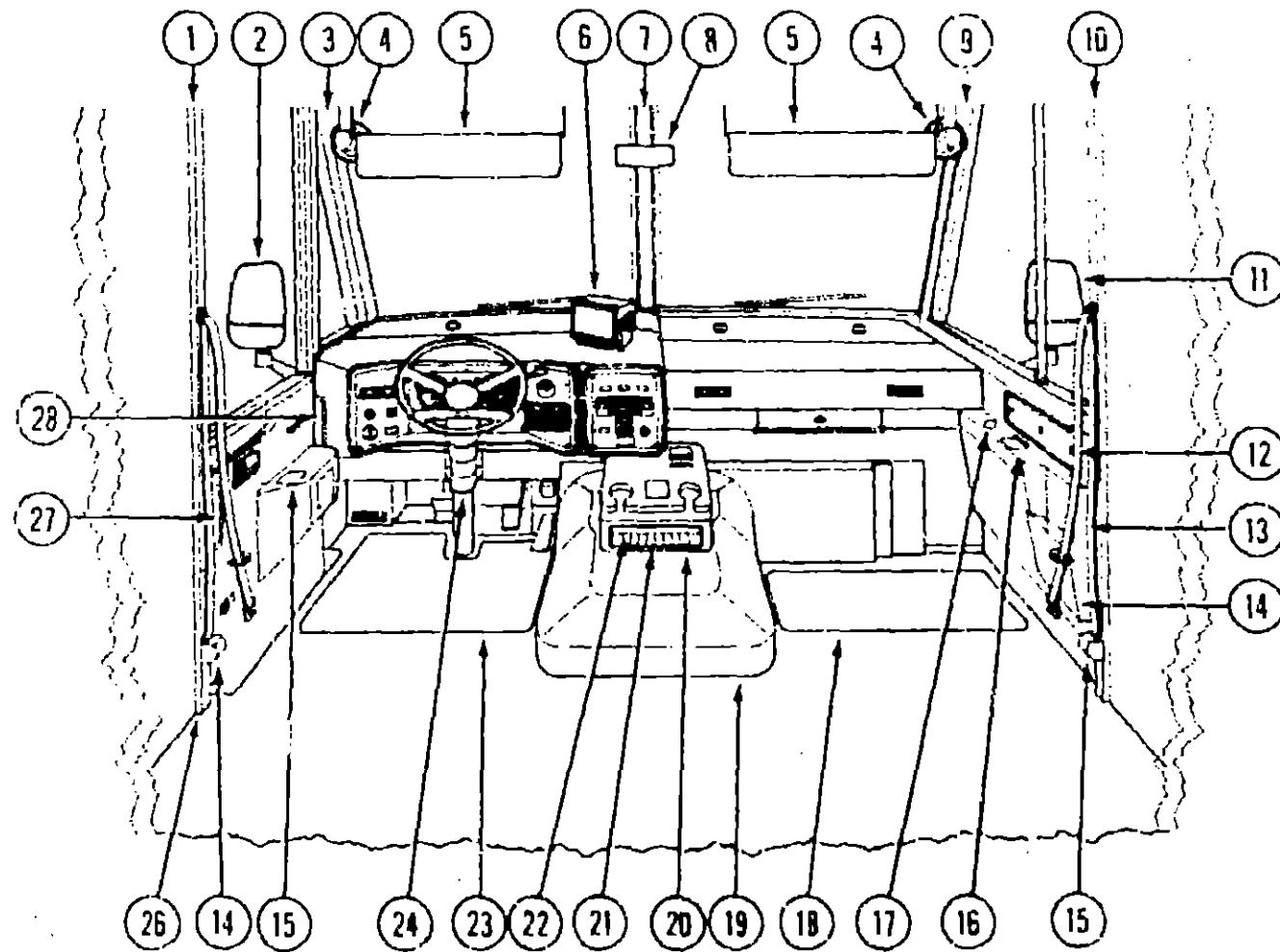
INTRODUCTION	A-01 - A-02
ABBREVIATIONS	A-03
ALPHABETICAL/GROUP REFERENCE	A-04 - A-06
IC/FM32RQ	A-07 - F-10
IC/FM34RA	F-11 - K-12

## 1991 IC/FM34RA INDEX

Floor Plan	F-11 - F-12
Accessories Group	F-13 - F-16
Bath Group	F-17 - F-20
Bedroom Group	F-21 - G-02
Chassis Group	G-03 - G-21
Curtain, Cushion & Pad Group	G-22 - H-08
Dinette Group	H-09 - H-12
Driver's Compartment Group	H-13 - H-20
Electrical Group	H-21 - H-24
Exterior Body Group	I-01 - I-10
Galley Group	I-11 - I-16
Heating & Air Conditioning Group	I-17 - I-18
Interior Finish Group	I-19 - I-20
Labels Group	I-21 - J-05
LP Group	J-06
Lounge Group	J-07 - J-10
Sealants & Fasteners Group	J-11 - J-12
Water & Sewage Group	J-13 - J-15
Window, Vent & Exterior Door Group	J-16 - K-12

## DRIVER'S COMPARTMENT GROUP (CONTINUED)

### LOWER DRIVER'S COMPARTMENT COMPONENTS



Key	Part Number	U/M	Description
1	024700-37-000	EA	Roll Bar Cover - Driver - Upper - Gray
1	024700-40-000	EA	Roll Bar Cover - Driver Upper - Off White
2	086260-02-000	EA	Mirror Asm. - w/Convex - Driver
2	086259-05-000	EA	Mirror Asm. - w/Convex - Electrically Controlled & Heated - Driver (Option 61Y)
3	079206-08-000	EA	Windshield Trim - Driver - Inner - Gray
3	079206-10-000	EA	Windshield Trim - Driver - Inner - Black
4	036420-02-000	EA	Defroster Fan - 6" Dia. - 2 Speed (Option 36N)
5	092286-05-Y35	EA	Sunvisor Asm. - Gray
5	082286-05-B07	EA	Sunvisor Asm. - Off White
	007211-01-000	EA	Hinge - Sunvisor
	074012-01-000	EA	Clip - Sunvisor - Square Pinch On
	102377-01-000	EA	Bracket
6	093040-01-701	EA	Monitor - w/Bracket - Rear Viewing System
7	079765-03-000	EA	Windshield Trim - Center - Inner - Gray
7	079765-05-000	EA	Windshield Trim - Center - Inner - Tan
8	040714-01-700	EA	Mirror - Inside Rear View
9	079206-07-000	EA	Windshield Trim - Passenger - Inner - Gray
9	079206-09-000	EA	Windshield Trim - Passenger - Inner - Black
10	024700-35-000	EA	Roll Bar Cover - Passenger - Gray
10	024700-39-000	EA	Roll Bar Cover - Passenger - Off White
11	086260-01-000	EA	Mirror Asm. - w/Convex - Passenger
11	086259-04-000	EA	Mirror Asm. - w/Convex - Electrically Controlled & Heated - Passenger (Option 61Y)
12	059414-07-000	EA	Pad Asm. - Passenger Sidewall - 3 Button - Gray
12	059414-08-000	EA	Pad Asm. - Passenger Sidewall - 3 Button - Tan
13	072811-03-000	EA	Side Panel - Passenger Sidewall - Plastic - Gray
13	072811-04-000	EA	Side Panel - Passenger Sidewall - Plastic - Tan
14	059467-04-B25	EA	Pad Asm. - Map Pocket - Gray
14	059467-04-B10	EA	Pad Asm. - Map Pocket - Tan
15	091990-01-01A	EA	Seat Belt - 3 Point - Black
16	046866-03-000	EA	Ash Tray - Chrome
17	064701-01-000	EA	Cup Holder - Chrome - Plastic
18	081202-02-000	EA	Floormat - Passenger - Itasca
19	097552-01-000	EA	Motor Cover - w/o Carpet
	075564-01-000	EA	Mounting Bracket - Motor Cover
20	097167-01-B32	EA	Beverage Tray - Oak - w/Cassette Holder
21	085411-02-000	EA	Cassette Holder - Housing - Plastic - Gray
21	086411-03-000	EA	Cassette Holder - Housing - Plastic - Tan
22	086412-02-000	EA	Cassette Holder - Insert - Plastic - Gray
22	086412-03-000	EA	Cassette Holder - Insert - Plastic - Tan
23	081201-02-000	EA	Floormat - Driver - Itasca
24	078425-01-000	EA	Boot - Steering Column (1990 Chevrolet)
24	103498-01-000	EA	Boot - Steering Column - Lower (1991 Chevrolet)
24	103498-02-000	EA	Boot - Steering Column - Upper (1991 Chevrolet)
26	024700-33-000	EA	Roll Bar Cover - Driver - Lower - Gray
26	024700-38-000	EA	Roll Bar Cover - Driver - Lower - Off White
27	063886-07-000	EA	Assist Handle - Driver Door - Rear - Gray
27	063886-22-000	EA	Assist Handle - Driver Door - Rear - Off White
26	063886-09-000	EA	Assist Handle - Driver Door - Front - Gray
28	063886-23-000	EA	Assist Handle - Driver Door - Front - Off White

#### DELUXE STEERING WHEEL (OPTION 38P - CHEVROLET)

Key	Part Number	U/M	Description
	080752-15-000	EA	Steering Wheel - 4 Spoke (1990 Chassis)
	080752-17-000	EA	Steering Wheel w/2 Horn Buttons (1991 Chassis)
	080752-06-000	EA	Adapter Hub
	080752-08-000	EA	Screw - Steering Wheel

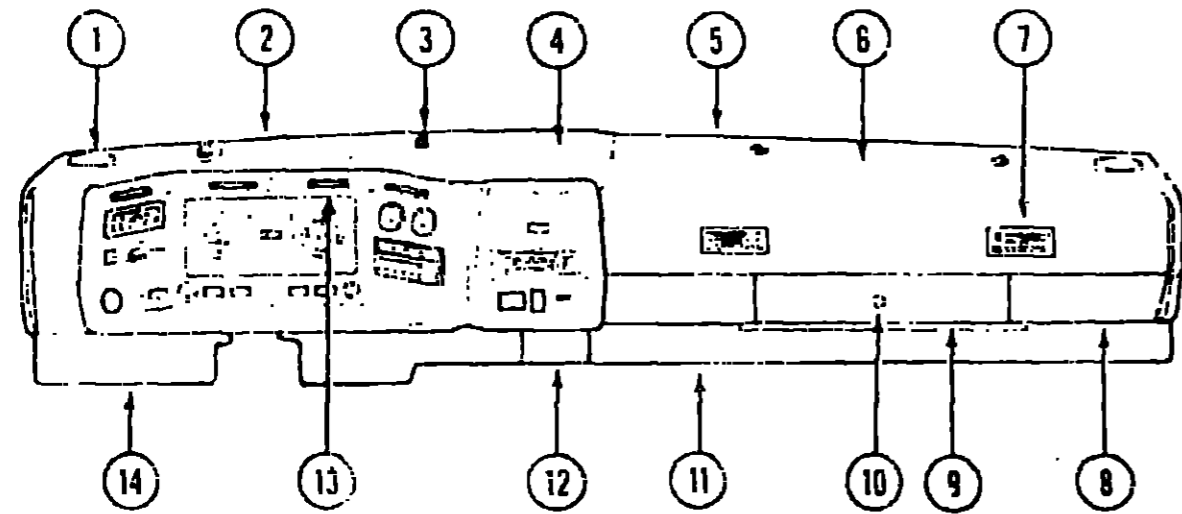
## 1991 ITASCA TABLE OF CONTENTS

INTRODUCTION	A-01 - A-02
ABBREVIATIONS	A-03
ALPHABETICAL/GROUP REFERENCE	A-04 - A-06
IC/FM32RQ	A-07 - F-10
IC/FM34RA	F-11 - K-12

## 1991 IC/FM34RA INDEX

Floor Plan	F-11 - F-12
Accessories Group	F-13 - F-16
Bath Group	F-17 - F-20
Bedroom Group	F-21 - G-02
Chassis Group	G-03 - G-21
Curtain, Cushion & Pad Group	G-22 - H-08
Dinette Group	H-09 - H-12
Driver's Compartment Group	H-13 - H-20
Electrical Group	H-21 - H-24
Exterior Body Group	I-01 - I-10
Galley Group	I-11 - I-16
Heating & Air Conditioning Group	I-17 - I-18
Interior Finish Group	I-19 - I-20
Labels Group	I-21 - J-05
LP Group	J-06
Lounge Group	J-07 - J-10
Sealants & Fasteners Group	J-11 - J-12
Water & Sewage Group	J-13 - J-15
Window, Vent & Exterior Door Group	J-16 - K-12

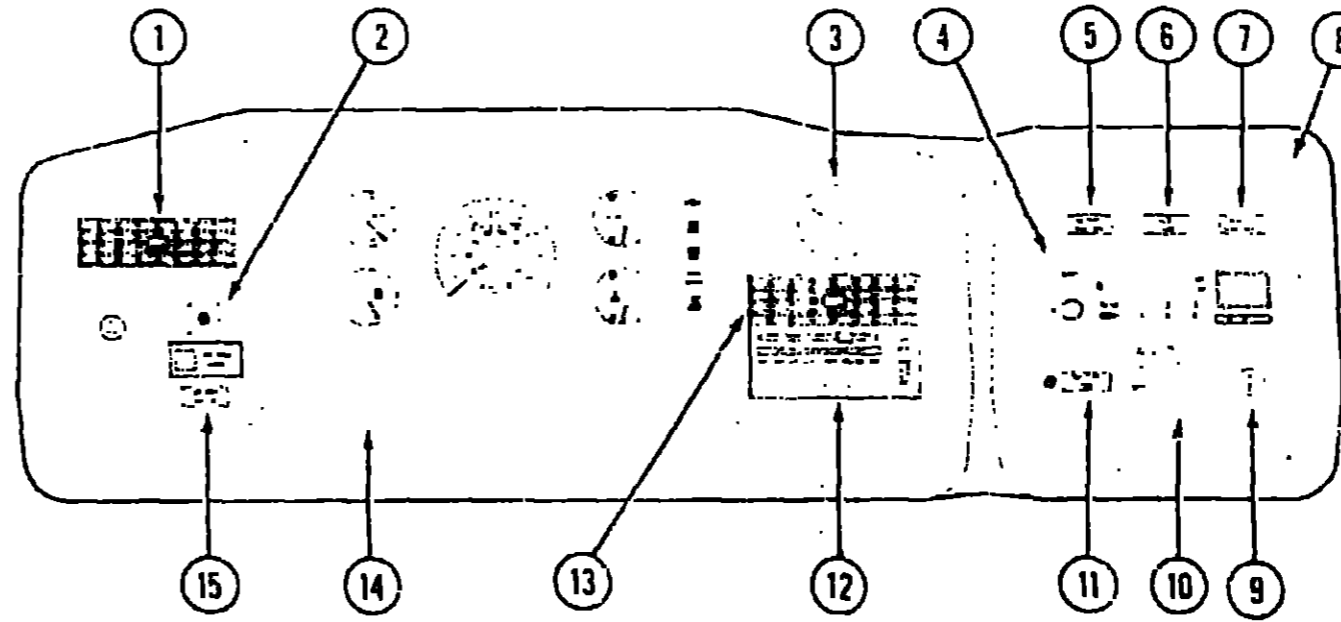
**DRIVER'S COMPARTMENT GROUP (CONTINUED)**



**DASH PANEL COMPONENTS**

Key	Part Number	U/M	Description
1	073741-04-000	EA	Speaker Grille - 4" x 6" Oval - Audiovox 136-1157
2	078582-04-000	EA	Pad Asm. - Dash - Front Driver - Gray - w/o Defroster Vent
2	078582-06-000	EA	Pad Asm. - Dash - Front Driver - Tan - w/o Defroster Vent
3	024990-03-000	EA	Defroster Outlet - w/Swivel - 2" Gray
3	024990-04-000	EA	Defroster Outlet - w/Swivel - 2" Tan
4	079088-04-000	EA	Pad Asm. - Dash - Instrument Panel - Driver - Gray
4	079088-05-000	EA	Pad Asm. - Dash - Instrument Panel - Driver - Tan
5	076581-04-000	EA	Pad Asm. - Dash - Front Passenger - Gray - w/o Defroster Vent
5	076581-06-000	EA	Pad Asm. - Dash - Front Passenger - Tan - w/o Defroster Vent
6	079089-02-000	EA	Pad Asm. - Dash - Instrument Panel - Passenger - Gray
6	079089-03-000	EA	Pad Asm. - Dash - Instrument Panel - Passenger - Tan
7	039044-01-000	EA	Louver Asm. - Air Conditioner - Adjustable Vent
8	023834-01-000	EA	Knee Kick
9	022219-01-000	EA	Glove Compartment Door
10	009118-01-000	EA	Twist Lock - Glove Compartment
10	023892-01-000	EA	Glove Compartment Box - Black Fiberboard
10	024598-01-000	EA	Glove Compartment Hinge
11	077367-01-000	EA	Instrument Panel Cover - Lower Right - Black (Chevrolet)
11	077367-05-000	EA	Instrument Panel Cover - Lower Right - Black (Ford)
12	077369-01-000	EA	Access Panel - Lower Instrument Panel - Black
13	081424-01-000	EA	Light - 12 Volt - Rectangular
14	077358-01-000	EA	Instrument Panel Cover - Lower Left - Black (Chevrolet)
14	077358-05-000	EA	Instrument Panel Cover - Lower Left - Black (Ford)
14	077368-03-000	EA	Instrument Panel Cover - Lower Left - Black (Chevrolet w/Spotlight)
14	077358-06-000	EA	Instrument Panel Cover - Lower Left - Black (Ford w/Spotlight)

**DRIVER'S COMPARTMENT GROUP (CONTINUED)**



**INSTRUMENT CLUSTER (FORD)**

Key	Part Number	U/M	Description
1	039044-01-000	EA	Louver Asm. - Air Conditioner - Adjustable Vent
2	099305-02-000	EA	Fog Light Switch (Option 57M)
3	024460-04-000	EA	Vacuum/Fuel Economy Gauge
4	097459-01-000	EA	Radio - AM/FM - Cassette - Digital Clock - Seek/Scan - Audiovox IM-DXA
4	097460-02-000	EA	Radio - AM/FM - Cassette - Digital Clock - Seek - Sony XR-300 (Option 57E)
5	024461-01-000	EA	Battery Mode Switch
6	089306-01-000	EA	Switch Auxiliary Defroster Fans (Option 36N)
7	093381-01-000	EA	Radio - Battery Selection Switch
8	100389-02-01A	EA	Bezel - Entertainment Center
9	089294-01-000	EA	Cigarette Lighter
10	087202-02-000	EA	Rear Auto Heater Switch - w/o Knob (Option 611)
10	090977-01-000	EA	Knob - Rear Auto Heater Switch - Rotary (Option 611)
10	084410-02-000	EA	Decal - Rear Auto Heater Switch (Option 611)
11	065963-04-000	EA	Auxiliary Battery Disconnect Switch
12	094831-01-732	EA	Heater/Air Conditioner Controls
13	094831-01-741	EA	Louver Asm./Control Panel Trim
14	100390-02-01A	EA	Bezel - Instrument Panel
15	087266-02-000	EA	Air Horn Switch (Option 57M)

**1991 ITASCA  
TABLE OF CONTENTS**

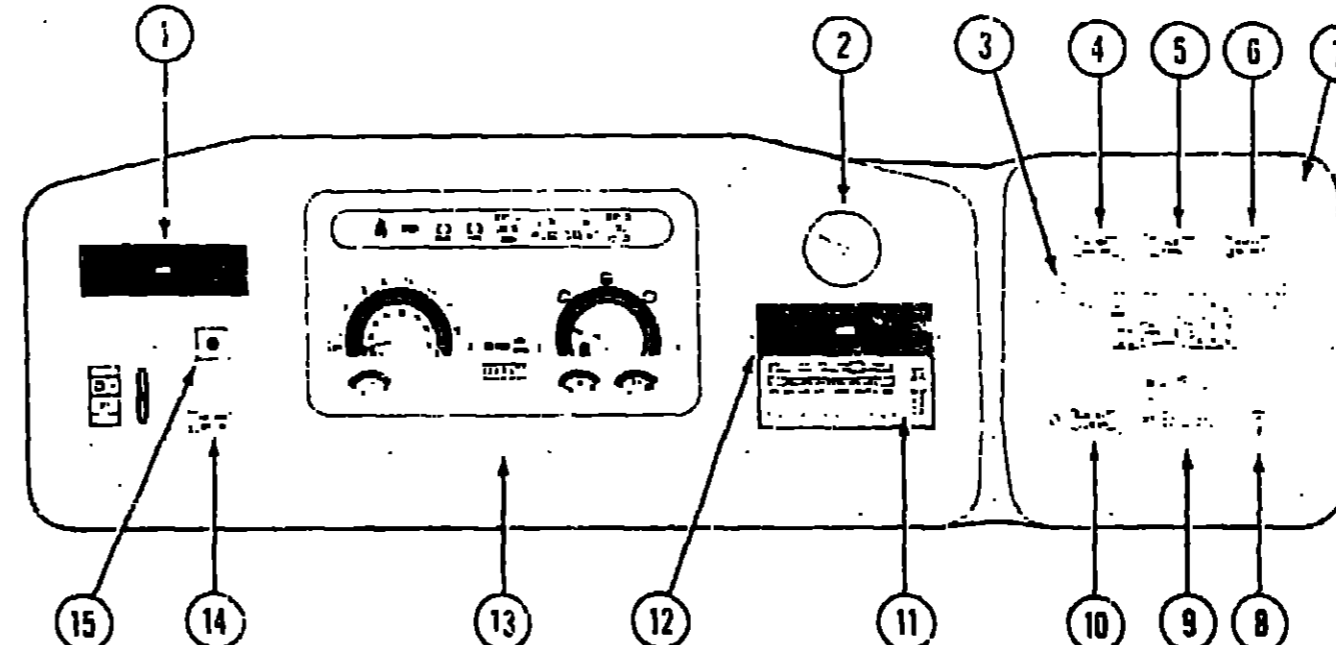
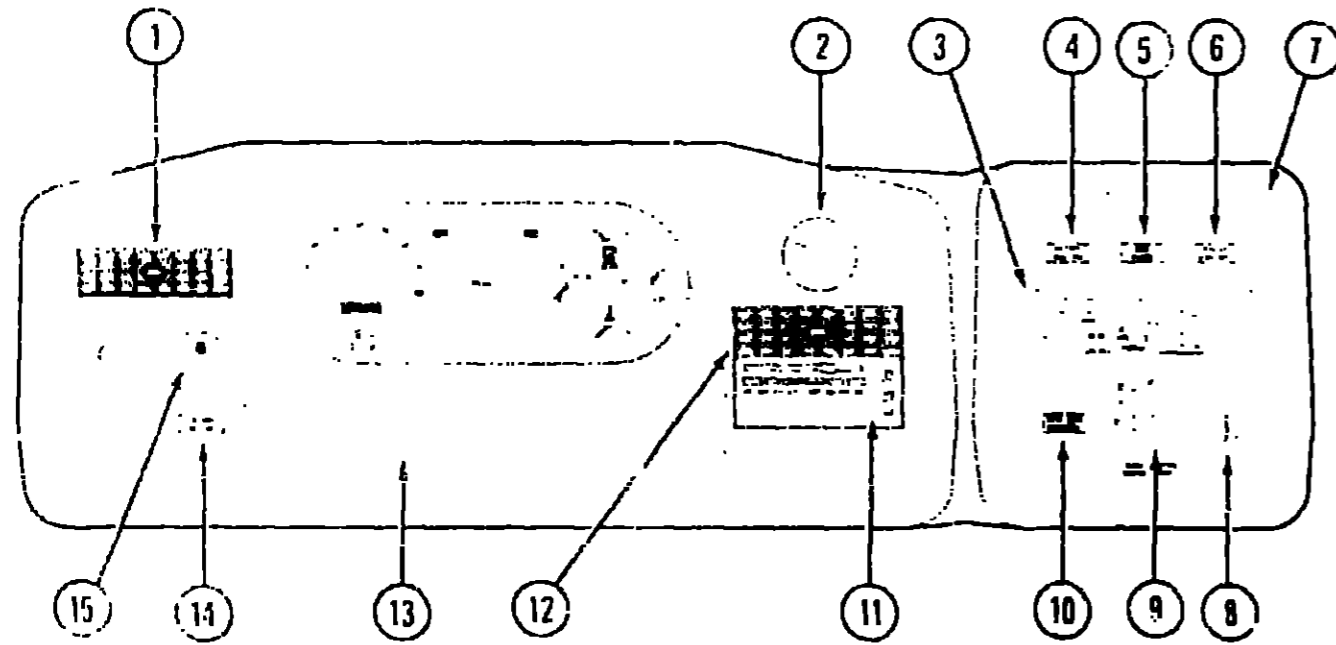
INTRODUCTION	A-01 - A-02
ABBREVIATIONS	A-03
ALPHABETICAL/GROUP REFERENCE	A-04 - A-06
IC/FM32RQ	A-07 - F-10
IC/FM34RA	F-11 - K-12

**1991 IC/FM34RA INDEX**

Floor Plan	F-11 - F-12
Accessories Group	F-13 - F-16
Bath Group	F-17 - F-20
Bedroom Group	F-21 - G-02
Chassis Group	G-03 - G-21
Curtain, Cushion & Pad Group	G-22 - H-08
Dinette Group	H-09 - H-12
Driver's Compartment Group	H-13 - H-20
Electrical Group	H-21 - H-24
Exterior Body Group	I-01 - I-10
Galley Group	I-11 - I-16
Heating & Air Conditioning Group	I-17 - I-18
Interior Finish Group	I-19 - I-20
Labels Group	I-21 - J-05
LP Group	J-06
Lounge Group	J-07 - J-10
Sealants & Fasteners Group	J-11 - J-12
Water & Sewage Group	J-13 - J-15
Window, Vent & Exterior Door Group	J-16 - K-12

**DRIVER'S COMPARTMENT GROUP (CONTINUED)**

**DRIVER'S COMPARTMENT GROUP (CONTINUED)**



**INSTRUMENT CLUSTER (CHEVROLET 1990 CHASSIS)**

**INSTRUMENT CLUSTER (CHEVROLET 1991 CHASSIS)**

Key	Part Number	U/M	Description
1	039044-01-000	EA	Louver Asm. - Air Conditioner - Adjustable Vent
2	024460-04-000	EA	Vacuum/Fuel Economy Gauge
3	097459-01-000	EA	Radio - AM/FM - Cassette - Digital Clock - Seek/Scan - Audiovox IM-DXA
3	097460-02-000	EA	Radio - AM/FM - Cassette - Digital Clock - Seek - Sony XR-300 (Option 57E)
4	024461-01-000	EA	Battery Mode Switch
5	089306-01-000	EA	Switch - Auxiliary Defroster Fans (Option 36N)
6	093381-01-000	EA	Radio - Battery Selection Switch
7	100389-01-01A	EA	Bezel - Entertainment Center
8	089294-01-000	EA	Cigarette Lighter
8	087202-02-000	EA	Rear Auto Heater Switch - w/o Knob (Option 611)
8	090977-01-000	EA	Knob - Rear Auto Heater Switch - Rotary (Option 611)
8	084410-02-000	EA	Decal - Rear Auto Heater Switch (Option 611)
10	065963-04-000	EA	Auxiliary Battery Disconnect Switch
11	094831-01-732	EA	Heater/Air Conditioner Controls
12	094831-01-741	EA	Louver Asm./Control Panel Trim
13	100390-04-01A	EA	Bezel - Instrument Panel
14	087266-02-000	EA	Air Horn Switch (Option 36R)
15	089305-02-000	EA	Fog Light Switch (Option 57M)

Key	Part Number	U/M	Description
1	039044-01-000	EA	Louver Asm. - Air Conditioner - Adjustable Vent
2	024460-04-000	EA	Vacuum/Fuel Economy Gauge
3	097459-01-000	EA	Radio - AM/FM - Cassette - Digital Clock - Seek/Scan - Audiovox IM-DXA
3	097460-02-000	EA	Radio - AM/FM - Cassette - Digital Clock - Seek - Sony XR-300 (Option 57E)
4	024461-01-000	EA	Battery Mode Switch
5	089306-01-000	EA	Switch - Auxiliary Defroster Fans (Option 36N)
6	093381-01-000	EA	Radio - Battery Selection Switch
7	100389-02-01A	EA	Bezel - Entertainment Center
8	089294-01-000	EA	Cigarette Lighter
8	087202-02-000	EA	Rear Auto Heater Switch - w/o Knob (Option 611)
8	090977-01-000	EA	Knob - Rear Auto Heater Switch - Rotary (Option 611)
8	084410-02-000	EA	Decal - Rear Auto Heater Switch (Option 611)
10	065963-04-000	EA	Auxiliary Battery Disconnect Switch
11	094831-01-732	EA	Heater/Air Conditioner Controls
12	094831-01-741	EA	Louver Asm./Control Panel Trim
13	100390-04-01A	EA	Bezel - Instrument Panel
14	087266-02-000	EA	Air Horn Switch (Option 36R)
15	089305-02-000	EA	Fog Light Switch (Option 57M)

**1991 ITASCA  
TABLE OF CONTENTS**

INTRODUCTION	A-01 - A-02
ABBREVIATIONS	A-03
ALPHABETICAL/GROUP REFERENCE	A-04 - A-06
IC/FM32RO	A-07 - F-10
IC/FM34RA	F-11 - K-12

**1991 IC/FM34RA INDEX**

Floor Plan	F-11 - F-12
Accessories Group	F-13 - F-16
Bath Group	F-17 - F-20
Bedroom Group	F-21 - G-02
Chassis Group	G-03 - G-21
Curtain, Cushion & Pad Group	G-22 - H-08
Dinette Group	H-09 - H-12
Driver's Compartment Group	H-13 - H-20
Electrical Group	H-21 - H-24
Exterior Body Group	I-01 - I-10
Galley Group	I-11 - I-16
Heating & Air Conditioning Group	I-17 - I-18
Interior Finish Group	I-19 - I-20
Labels Group	I-21 - J-05
LP Group	J-06
Lounge Group	J-07 - J-10
Sealants & Fasteners Group	J-11 - J-12
Water & Sewage Group	J-13 - J-15
Window, Vent & Exterior Door Group	J-16 - K-12

## ELECTRICAL GROUP

### BULBS

Key	Part Number	U/M	Description
	002218-01-000	EA	Bulb - #1141 - Dome Light
	067479-01-000	EA	Bulb - #1076 - Wall Lamps
	091937-03-000	EA	Bulb - Fluorescent Light - Recessed
	0784243-02-700	EA	Bulb - Fluorescent Light - Galley
	081633-01-700	EA	Bulb - Makeup Light
	086280-01-700	EA	Bulb - Surface Mount Light (Cab)
	088737-01-710	EA	Bulb - Microwave Oven
	092696-01-709	EA	Bulb - Range Hood
	084860-01-706	EA	Bulb - Refrigerator
	037135-01-000	EA	Bulb - #1157 - Tail Lamp Asm.
	036196-01-000	EA	Bulb - #1193 - Clearance & License Plate Lights
	008215-01-000	EA	Bulb - #1003 - Porch Light
	051057-01-705	EA	Bulb - Spotlight (Option 63E)

### INTERIOR LIGHTS & BULBS

Key	Part Number	U/M	Description
	098024-01-01A	EA	Light - Dome - Ivory - Single (USA)
	098024-02-01A	EA	Light - Dome - Ivory - Single (CSA)
	098024-03-01A	EA	Light - Dome - Ivory - Double (USA)
	098024-04-01A	EA	Light - Dome - Ivory - Double (CSA)
	098024-01-700	EA	Lens - Dome Light
	008218-01-000	EA	Bulb - 12 Volt - #1141 - Used For All Above
	055202-14-000	EA	Wall Lamp - Bright Brass/Acrylic (USA)
	065202-15-000	EA	Wall Lamp - Bright Brass/Acrylic (CSA)
	065201-03-000	EA	Lamp Shade - Wall Lamp - Parchment w/Gold Trim
	067479-01-000	EA	Bulb - 12 Volt - #1076 - Wall Lamps
	091937-04-000	EA	Flourescent Light - 12 Volt - Recessed (Ceiling)
	091937-02-000	EA	Lens - Recessed - Fluorescent Light
	091937-03-000	EA	Bulb - Recessed - Fluorescent Light
	078424-02-000	EA	Flourescent Light - 18" - Almond (Galley)
	078424-02-701	EA	Lens - Fluorescent Light - 18" - Almond
	078424-02-700	EA	Bulb - Fluorescent Light - 18" - Almond
	082169-01-000	EA	Makeup Light - 3 Bulb
	081633-01-700	EA	Bulb - Makeup Light
	086280-01-000	EA	Surface Mount Light - 12 Volt - Jensen 1236 (Cab)
	086280-01-700	EA	Bulb - Surface Mount Light
	061424-01-000	EA	Rectangular Light - Aisle & Instrument Panel
	092696-01-709	EA	Bulb - Range Hood
	084860-01-706	EA	Bulb - Refrigerator
	088737-01-710	EA	Bulb - Microwave Oven

## ELECTRICAL GROUP (CONTINUED)

### EXTERIOR LIGHTS & BULBS

Key	Part Number	U/M	Description
	075459-07-000	EA	Lamp Asm. - Tail/Brake - Red
	075459-08-000	EA	Lamp Asm. - Turn - Amber
	075459-09-000	EA	Lamp Asm. - Backup/Reflector - Clear/Red
	037935-01-000	EA	Bulb - 12 Volt - #1157 - Used For Tail Lamp Asm.
	081250-02-000	EA	Light - Clearance - Rear
	081250-02-700	EA	Lens - Clearance Light - Red
	081250-01-000	EA	Light - Clearance - Front
	081250-01-700	EA	Lens - Clearance Light - Amber
	081437-01-000	EA	Bracket - Clearance Light
	076795-01-000	EA	Light Asm. - License Plate
	036196-01-000	EA	Bulb - 12 Volt - #184 - Used For Clearance & License Plate
	042405-03-000	EA	Base - Side Marker Light - w/Bulb (8GE 1985)
	042405-02-000	EA	Lens - Side Marker Light - Amber
	042405-01-000	EA	Lens - Side Marker Light - Red
	097917-01-02A	EA	Porch Light - Recessed - Beige
	097917-01-700	EA	Lens - Porch Light - Recessed
	008215-01-000	EA	Bulb - 12 Volt - #1003 - Porch Light
	051057-02-000	EA	Spotlight - Power Driven (Option 63E)
	051057-01-705	EA	Bulb - Spotlight (Option 63E)
	084901-01-000	EA	Lamp Asm. - Park/Turn
	049185-01-000	EA	Headlight Capsule Asm. - Driver - High/Low Beam
	049186-01-000	EA	Headlight Capsule Asm. - Passenger - High/Low Beam
	049187-01-000	EA	Headlight Capsule Asm. - Driver - High Beam
	049188-01-000	EA	Headlight Capsule Asm. - Passenger - High Beam
	049359-01-000	EA	Spring - Headlight Retainer
	062207-01-000	EA	Headlight Guard
	090202-01-000	EA	Headlight Bezel - Passenger - Black
	090202-02-000	EA	Headlight Bezel - Driver - Black
	088747-03-000	EA	Lamp Asm. - Fog - Clear Lens (Option 57M)
	098024-01-01A	EA	Light - Dome - Ivory - Storage Compartment (USA)
	098024-02-01A	EA	Light - Dome - Ivory - Storage Compartment (CSA)
	098024-01-700	EA	Lens - Dome Light
	008218-01-000	EA	Bulb - 12 Volt - Dome Light

### MISCELLANEOUS ELECTRICAL COMPONENTS

Key	Part Number	U/M	Description
	008188-01-000	EA	Solenoid - Dual Battery - Relay
	083208-02-000	EA	Control Center - 45 Amp. - BW6345A
	036420-02-000	EA	Fan - 6" Defroster - 2 Speed (Option 36N)
	089294-01-000	EA	Lighter Asm. - Cigarette
	072852-01-000	EA	Smoke Detector

### FUSES & CIRCUIT BREAKERS

Key	Part Number	U/M	Description
	008235-01-000	EA	Fuse - 15 Amp. (CSA)
	062901-02-000	EA	Fuse - Automotive - 5 Amp.
	062901-05-000	EA	Fuse - Automotive - 15 Amp.
	062901-07-000	EA	Fuse - Automotive - 25 Amp.
	083209-01-000	EA	Circuit Breaker - 15 Amp. - 120 Volt
	093209-02-000	EA	Circuit Breaker - 15/15 Amp. - 120 Volt (CSA)
	083209-03-000	EA	Circuit Breaker - 15/20 Amp. - 120 Volt (CSA)
	083209-05-000	EA	Circuit Breaker - 20 Amp. - 120 Volt - w/o Washer/Dryer
	083209-06-000	EA	Circuit Breaker - 30/15 Amp. - 120 Volt
	083209-07-000	EA	Circuit Breaker - 20/20 Amp. - 120 Volt - w/Washer/Dryer
	093654-01-000	EA	Circuit Breaker - 6 Amp. - 12 Volt
	093654-02-000	EA	Circuit Breaker - 15 Amp. - 12 Volt
	093655-01-000	EA	Circuit Breaker - 25 Amp. - 12 Volt
	093655-02-000	EA	Circuit Breaker - 30 Amp. - 12 Volt
	093655-03-000	EA	Circuit Breaker - 40 Amp. - 12 Volt
	097611-01-000	EA	Circuit Breaker - 7.5 Amp. - 12 Volt
	092786-01-000	EA	Buss Bar - 2 Circuit
	092786-02-000	EA	Buss Bar - 3 Circuit

## 1991 ITASCA TABLE OF CONTENTS

INTRODUCTION	A-01 - A-02
ABBREVIATIONS	A-03
ALPHABETICAL/GROUP REFERENCE	A-04 - A-06
IC/FM32RO	A-07 - F-10
IC/FM34RA	F-11 - K-12

## 1991 IC/FM34RA INDEX

Floor Plan	F-11 - F-12
Accessories Group	F-13 - F-16
Bath Group	F-17 - F-20
Bedroom Group	F-21 - G-02
Chassis Group	G-03 - G-21
Curain, Cushion & Pad Group	G-22 - H-08
Dinette Group	H-09 - H-12
Driver's Compartment Group	H-13 - H-20
Electrical Group	H-21 - H-24
Exterior Body Group	I-01 - I-10
Galley Group	I-11 - I-16
Heating & Air Conditioning Group	I-17 - I-18
Interior Finish Group	I-19 - I-20
Labels Group	I-21 - J-05
LP Group	J-06
Lounge Group	J-07 - J-10
Sealants & Fasteners Group	J-11 - J-12
Water & Sewage Group	J-13 - J-15
Window, Vent & Exterior Door Group	J-16 - K-12

**ELECTRICAL GROUP (CONTINUED)**

**ELECTRICAL COMPONENTS**

Key	Part Number	U/M	Description
	008288-02-000	EA	Box - Electrical - 3.94" x 3.13" x 1.81" - Plastic (USA)
	091910-01-000	EA	Box - Electrical - 3.75" x 3.5" x 1.75" - Plastic (CSA)
	008289-01-000	EA	Box - Electrical - 4" x 4" - 1/2 x 3/4 - Steel (USA)
	008289-02-000	EA	Box - Electrical - 4" x 4" - 1/2 x 3/4 - Steel (CSA)
	058049-01-000	EA	Box - Electrical - 2" x 3" x 2.25" - Steel
	088751-01-000	FT	Cable - Battery - 1/0 AWG Stranded
	010495-01-000	EA	Clamp - Cable - 9/16"
	010497-01-000	EA	Clamp - Closed - 5/8" ID
	010499-01-000	EA	Clamp - Closed - 3/8" ID
	041953-01-000	FT	Conduit - Convolute Slit - .50" ID
	041953-02-000	FT	Conduit - Convolute Slit - .625" ID
	041953-03-000	FT	Conduit - Convolute Slit - 1" ID
	041953-05-000	FT	Conduit - Convolute Solid - .625" ID
	041953-06-000	FT	Conduit - Convolute Slit - .375" ID
	041953-07-000	FT	Conduit - Convolute Slit - .250" ID
	041953-09-000	FT	Conduit - Convolute Slit - .50" ID
	041953-10-000	FT	Conduit - Convolute Slit - .75" ID
	041953-11-000	FT	Conduit - Convolute Slit - 1.063" ID
	008353-01-000	EA	Connector - 3/8" - Cable Clamping
	008355-01-000	EA	Connector - 3/4" - Cable Clamping
	008356-01-000	EA	Connector - 3/8" - Plastic
	008311-01-000	EA	Connector - Wire Nut - Red
	008312-01-000	EA	Connector - Wire Nut - Blue
	008313-01-000	EA	Connector - Wire Nut - Yellow
	008314-01-000	EA	Connector - Wire Nut - Gray
	058028-01-000	EA	Connector - Clear Nylon Pigtail
	088475-01-000	EA	Connector - Pin
	082743-01-000	EA	Connector Body - 2 Contact Female
	098052-01-000	EA	Cord - Power - 10/3 - 30 Amp. - 25' (CSA)
	098054-01-000	EA	Cord - Power - 10/3 - 30 Amp. - 25' (USA)
	008294-01-000	EA	Cover - Electrical Box - Flat Blank - 4" x 4" - Steel (USA)
	008294-02-000	EA	Cover - Electrical Box - Flat Blank - 4" x 4" - Steel (CSA)
	069238-01-000	EA	Cover - Electrical Box - 4" x 4"
	076319-09-000	EA	Cover - Receptacle - Brown
	084077-02-000	EA	Cover - Receptacle - Brown - GFI
	091927-01-000	EA	Cover - Receptacle - Double - Ivory
	084077-03-000	EA	Cover - Blank A/C - Ivory
	090964-01-000	EA	Cover - Exterior Receptacle
	092633-02-02A	EA	Cover - A/C - Plate - Off White - w/o A/C
	092633-01-02A	EA	Cover - A/C - Plate - Off White - w/A/C
	074897-01-000	EA	Cover - Electrical Box - A/C Dual Switch
	058781-01-000	EA	Diode - 6.0 Amp. - 100 Volt
	078493-01-000	EA	Extension - Electrical Box - Steel - 1 1/2"
	097734-01-02A	EA	Extension - Duplex Receptacle - Brown
	100341-01-000	EA	Holder - Fuse - In Line
	064399-01-000	EA	Housing Asm. - Trailer Pin
	097745-02-000	EA	Housing Asm. - Trailer Receptacle - 48"
	062037-01-000	EA	Housing - Automotive Fuse - Natural
	062037-02-000	EA	Housing - Automotive Fuse - Green
	062037-03-000	EA	Housing - Automotive Fuse - Black
	062037-05-000	EA	Housing - Automotive Fuse - Gray
	062037-06-000	EA	Housing - Automotive Fuse - Brown
	088074-01-000	EA	Housing - Socket - 1 Position
	088474-02-000	EA	Housing - Socket - 15 Position
	088474-03-000	EA	Housing - Socket - 9 Position
	088474-06-000	EA	Housing - Socket - 6 Position
	088474-08-000	EA	Housing - Socket - 4 Position
	088474-09-000	EA	Housing - Socket - 3 Position
	088474-10-000	EA	Housing - Socket - 2 Position

**ELECTRICAL GROUP (CONTINUED)**

**ELECTRICAL COMPONENTS (CONTINUED)**

Key	Part Number	U/M	Description
	088473-01-000	EA	Housing - Pin - 1 Position
	088473-02-000	EA	Housing - Pin - 15 Position
	088473-03-000	EA	Housing - Pin - 9 Position
	088473-06-000	EA	Housing - Pin - 6 Position
	088473-08-000	EA	Housing - Pin - 4 Position
	088473-09-000	EA	Housing - Pin - 3 Position
	088473-10-000	EA	Housing - Pin - 2 Position
	063910-01-000	EA	Housing - Relay - 3 Position
	101571-01-000	EA	Housing - Male - 2 Position
	098351-01-01A	EA	Plate - Switch - 1 Gang
	098351-02-01A	EA	Plate - Switch - 2 Gang
	098351-03-01A	EA	Plate - Switch - 3 Gang
	098351-04-01A	EA	Plate - Switch - Generator (Bedroom)
	024924-02-000	EA	Receptacle - Power Cord
	058707-01-000	EA	Receptacle - Single - Brown - T & B
	058708-01-000	EA	Receptacle - Duplex - Brown - T & B
	058708-02-000	EA	Receptacle - Duplex - Ivory - T & B
	084076-02-000	EA	Receptacle - Duplex - Brown - GFI
	090961-01-000	EA	Receptacle - Duplex - Exterior
	007940-01-000	EA	Receptacle - Slide - 16/12 AWG
	080015-02-000	EA	Receptacle - Flag - .185 - 16/14 Gauge
	086273-01-000	EA	Relay - Battery Disconnect
	063912-02-000	EA	Relay - Canister - SPDT w/Resistor
	077000-01-000	EA	Socket Asm. - w/8" Pigtail Leads
	088476-01-000	EA	Socket - Connector
	088476-02-000	EA	Socket - Connector - 12/10 Gauge
	090971-01-000	EA	Splice - Cable - 110 Volt
	024976-01-000	EA	Switch - Generator (Bedroom)
	041250-01-000	EA	Switch - Push Button (Driver Door Jamb)
	079363-01-000	EA	Switch - Single - w/Switch Plate
	079363-01-700	EA	Switch Only
	079364-01-000	EA	Switch - On/Off Rocker - Brown
	079364-02-000	EA	Switch - Lock/Lock Rocker - Brown
	100312-01-000	EA	Switch - Electric Step (Entrance Door Jamb)
	007942-01-000	EA	Tab - 18/14 AWG Wire
	007943-01-000	EA	Tab - 14/10 AWG Wire
	007949-01-000	EA	Tab - HSG - 1 Position
	008326-01-000	EA	Terminal - Ring - 16/14 - 3/8" Stud
	008328-01-000	EA	Terminal - Ring - 12/10 Wire
	008329-01-000	EA	Terminal - Ring - 8 - 5/16" Stud
	008331-01-000	EA	Terminal - Ring - 4 - 3/8" Stud
	008332-01-000	EA	Terminal - Ring - 6 - 1/4" - Stud
	008348-01-000	EA	Terminal - Ring - 2 - 3/8" Stud
	035416-04-000	EA	Terminal - Ring - #10 Stud Fil
	047443-01-000	EA	Terminal - .250 Receptacle 16-14
	047443-02-000	EA	Terminal - .250 Receptacle 12-10
	047443-03-000	EA	Terminal - .187 Receptacle 16-14
	062036-01-000	EA	Terminal - Pack - 12/10 AWG
	062036-02-000	EA	Terminal - Pack - 16/14 AWG
	008025-01-000	EA	Wire w/Ground - Romex - 12/2
	008027-01-000	EA	Wire w/Ground - Romex - 14/2
	008343-01-000	EA	Wire Tie - 6'

**1991 ITASCA  
TABLE OF CONTENTS**

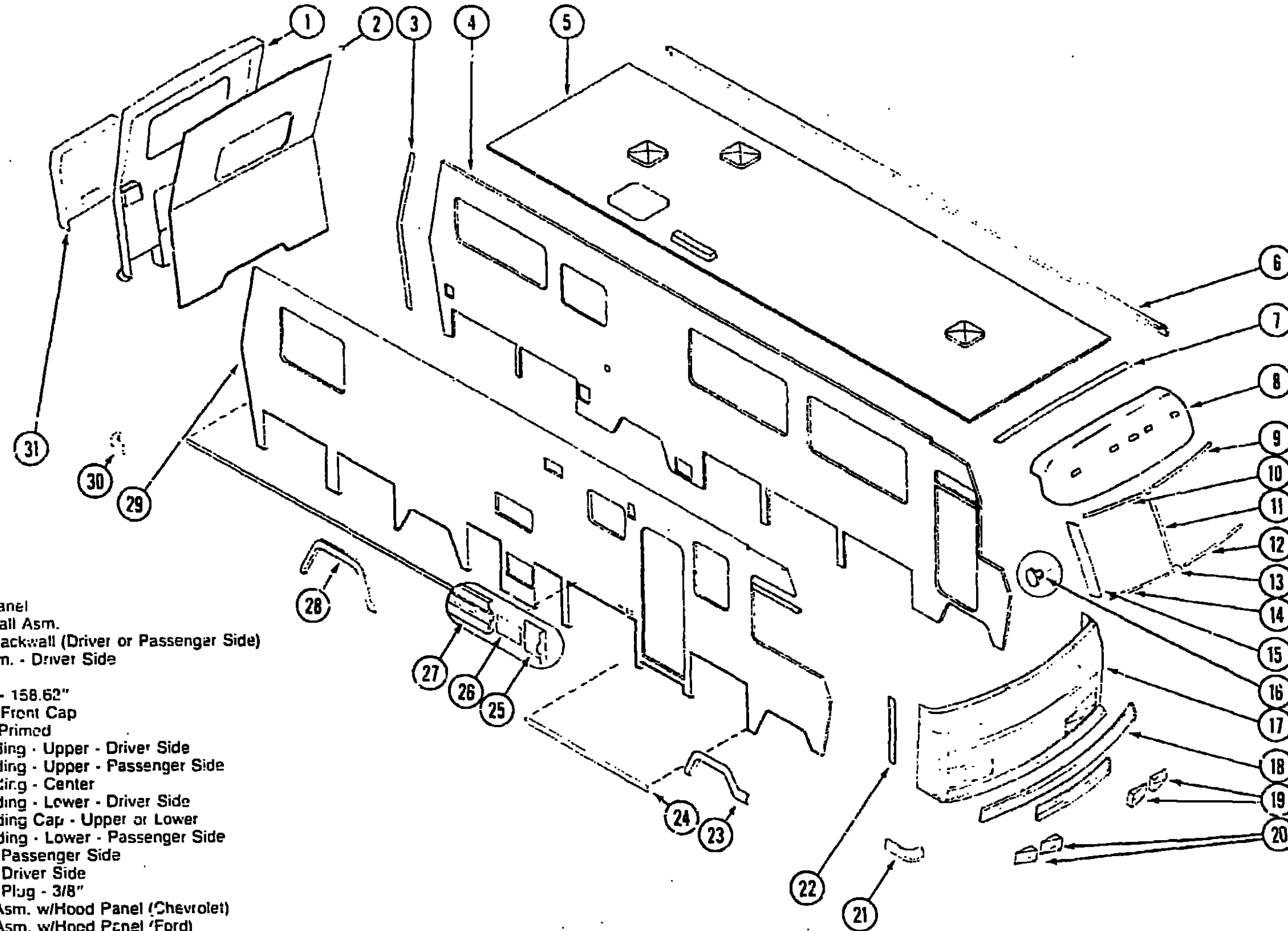
INTRODUCTION	A-01 - A-02
ABBREVIATIONS	A-03
ALPHABETICAL/GROUP REFERENCE	A-04 - A-06
IC/FM32RO	A-07 - F-10
IC/FM34RA	F-11 - K-12

**1991 IC/FM34RA INDEX**

Floor Plan	F-11 - F-12
Accessories Group	F-13 - F-16
Bath Group	F-17 - F-20
Bedroom Group	F-21 - G-02
Chassis Group	G-03 - G-21
Curtain, Cushion & Pad Group	G-22 - H-08
Dinette Group	H-09 - H-12
Driver's Compartment Group	H-13 - H-20
Electrical Group	H-21 - H-24
Exterior Body Group	I-01 - I-10
Galley Group	I-11 - I-16
Heating & Air Conditioning Group	I-17 - I-18
Interior Finish Group	I-19 - I-20
Labels Group	I-21 - J-05
LP Group	J-06
Lounge Group	J-07 - J-10
Sealants & Fasteners Group	J-11 - J-12
Water & Sewage Group	J-13 - J-15
Window, Vent & Exterior Door Group	J-16 - K-12

# EXTERIOR BODY GROUP

## EXTERIOR BODY PANELS & TRIM



Key	Part Number	U/M	Description
1	088402-02-000	EA	Rear Cap Panel
2	100792-01-B32	EA	Rear Backwall Asm.
3	073502-26-000	EA	Trim Rear Backwall (Driver or Passenger Side)
4	P00766-01-B32	EA	Sidewall Asm. - Driver Side
5	100768-01-B10	EA	Roof Asm.
6	078600-12-000	EA	Roof Cover - 158.62"
7	078580-01-000	EA	Roof Trim - Front Cap
8	089923-03-000	EA	Roof Cap - Primed
9	077944-02-000	EA	Reveal Molding - Upper - Driver Side
10	077944-01-000	EA	Reveal Molding - Upper - Passenger Side
11	076676-05-000	EA	Reveal Molding - Center
12	077945-02-000	EA	Reveal Molding - Lower - Driver Side
13	077952-02-000	EA	Reveal Molding Cap - Upper or Lower
14	077945-01-000	EA	Reveal Molding - Lower - Passenger Side
15	079225-03-000	EA	Trim Post - Passenger Side
	079225-04-000	EA	Trim Post - Driver Side
16	034141-02-000	EA	Nylon Hole Plug - 3/8"
17	M01115-27-Y70	EA	Front End Asm. w/Hood Panel (Chevrolet)
18	M01115-23-Y70	EA	Front End Asm. w/Hood Panel (Ford)
	090411-01-X70	EA	Grille Asm. - Upper
	090412-01-X70	EA	Grille Asm. - Lower
	088252-02-000	FT	Chrome Trim - 1" Plastic
	088252-03-000	FT	Chrome Trim - 2" Plastic
19	090202-02-000	EA	Headlight Bezel - Driver Side
20	090202-01-000	EA	Headlight Bezel - Passenger Side
21	078577-09-000	EA	Bumper End Cap - Passenger Side
	078577-10-000	EA	Bumper End Cap - Driver Side
22	089922-01-000	EA	Trim - Front End Asm. - Driver or Passenger Side
23	078556-13-000	EA	Trim - Front Wheelwell - Passenger Side
	078556-14-000	EA	Trim - Front Wheelwell - Driver Side
	089909-01-000	EA	Trim - Front Wheelwell - U Channel - Driver or Passenger Side
24	091161-55-004	EA	Rocker Panel

Key	Part Number	U/M	Description
25	009731-01-000	EA	End Cap Feature Strip
26	001030-11-001	EA	Insert Feature Strip - 17'
27	059576-11-000	EA	Feature Strip
28	075070-02-000	EA	Trim - Rear Wheelwell - Passenger
	075070-04-000	EA	Trim - Rear Wheelwell - Driver
	096658-01-Y15	EA	Trim - Rear Wheelwell - U Channel - Driver or Passenger Side
29	P00767-01-B32	EA	Sidewall Asm. - Passenger
30	078578-07-000	EA	Bumper End Cap - Passenger
	078578-08-000	EA	Bumper End Cap - Driver
31	088425-01-X70	EA	Tire Cover Asm.
	058027-01-000	FT	Tire Cover Seal

# 1991 ITASCA TABLE OF CONTENTS

INTRODUCTION	A-01 - A-02
ABBREVIATIONS	A-03
ALPHABETICAL/GROUP REFERENCE	A-04 - A-06
IC/FM32RO	A-07 - F-10
IC/FM34RA	F-11 - K-12

# 1991 IC/FM34RA INDEX

Floor Plan	F-11 - F-12
Accessories Group	F-13 - F-16
Bath Group	F-17 - F-20
Bedroom Group	F-21 - G-02
Chassis Group	G-03 - G-21
Curtain, Cushion & Pad Group	G-22 - H-08
Dinette Group	H-09 - H-12
Driver's Compartment Group	H-13 - H-20
Electrical Group	H-21 - H-24
Exterior Body Group	I-01 - I-10
Galley Group	I-11 - I-16
Heating & Air Conditioning Group	I-17 - I-18
Interior Finish Group	I-19 - I-20
Labels Group	I-21 - J-05
L.P. Group	J-06
Lounge Group	J-07 - J-10
Sealants & Fasteners Group	J-11 - J-12
Water & Sewage Group	J-13 - J-15
Window, Vent & Exterior Door Group	J-16 - K-12

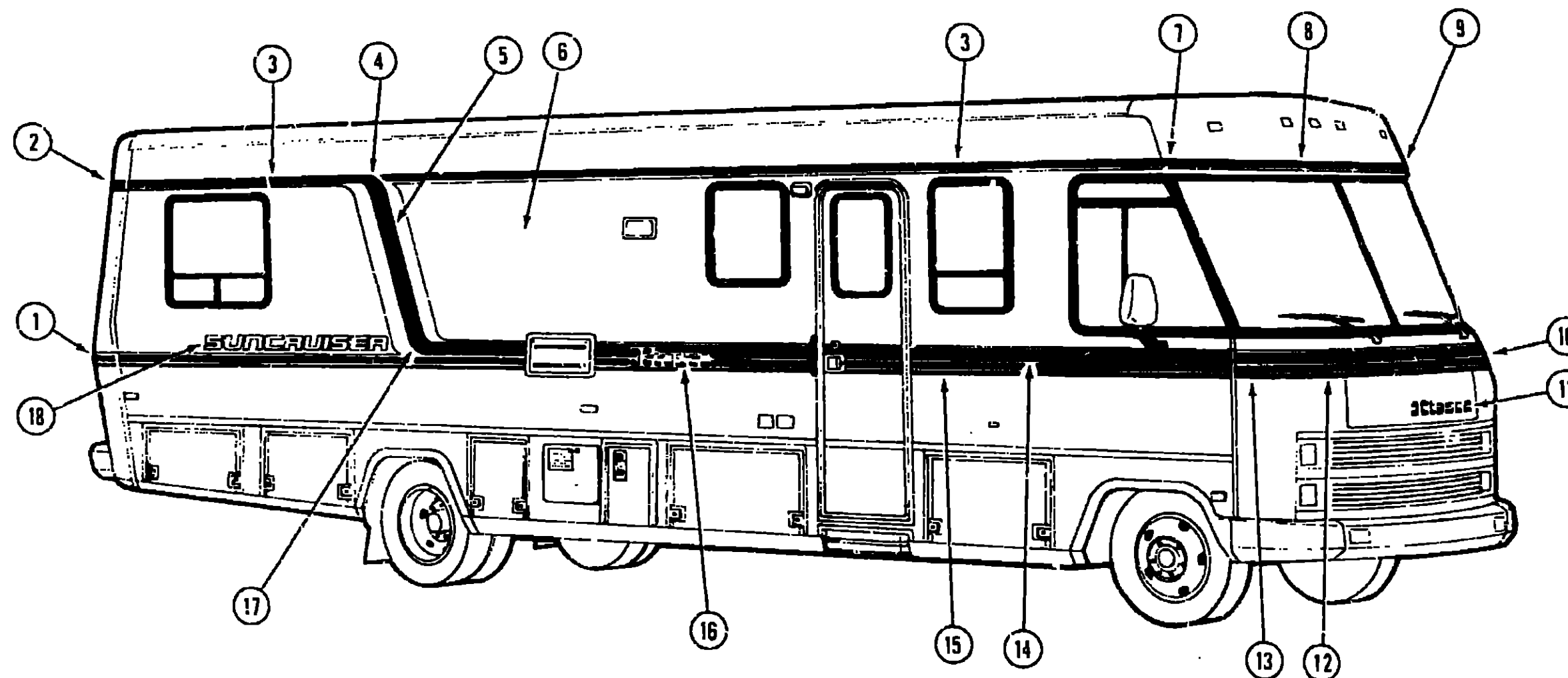


EXTERIOR BODY GROUP (CONTINUED)

DECALS, FILM STRIPE & PAINT

1991 ITASCA  
TABLE OF CONTENTS

INTRODUCTION	A-01 - A-02
ABBREVIATIONS	A-03
ALPHABETICAL/GROUP REFERENCE	A-04 - A-06
IC/FM32RO	A-07 - F-10
IC/FM34RA	F-11 - K-12



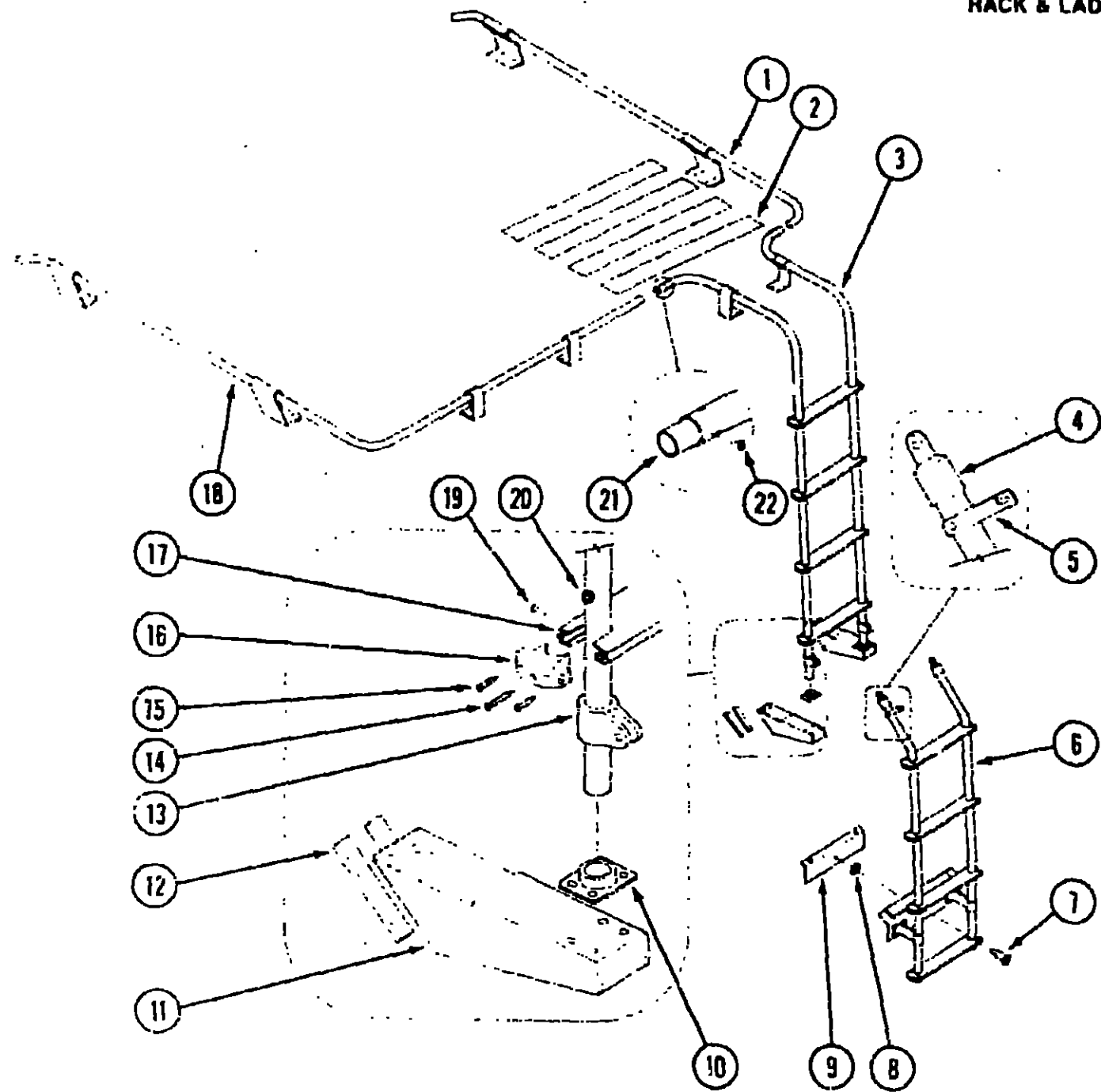
1991 IC/FM34RA INDEX

Floor Plan	F-11 - F-12
Accessories Group	F-13 - F-16
Bath Group	F-17 - F-20
Bedroom Group	F-21 - G-02
Chassis Group	G-03 - G-21
Curtain, Cushion & Pad Group	G-22 - H-08
Dinette Group	H-09 - H-12
Driver's Compartment Group	H-13 - H-20
Electrical Group	H-21 - H-24
Exterior Body Group	I-01 - I-10
Galley Group	I-11 - I-16
Heating & Air Conditioning Group	I-17 - I-18
Interior Finish Group	I-19 - I-20
Labels Group	I-21 - J-05
LP Group	J-06
Lounge Group	J-07 - J-10
Sealants & Fasteners Group	J-11 - J-12
Water & Sewage Group	J-13 - J-15
Window, Vent & Exterior Door Group	J-16 - K-12

Key	Part Number	U/M	Description
1	100308-01-01A	EA	Decal - Rear Lower Corner - Passenger
1	100308-02-01A	EA	Decal - Rear Lower Corner - Driver
2	100306-01-01A	EA	Decal - Rear Upper Corner - Passenger
2	100306-02-01A	EA	Decal - Rear Upper Corner - Driver
3	093681-11-02A	FT	Film Stripe - Burgundy
4	100310-01-01A	EA	Decal - Upper Radius - Passenger
4	100310-02-01A	EA	Decal - Upper Radius - Driver
5	096381-21-01A	FT	Film Stripe - Burgundy
6		GL	Paint - Gray (DuPont H9283U) (Non Serviceable)
7	100307-01-01A	EA	Decal - Front Upper Corner - Passenger
8	093691-19-01A	FT	Film Stripe - Burgundy
9	100307-02-01A	EA	Decal - Front Upper Corner - Driver
10	100305-02-01A	EA	Decal - Front Lower Corner - Driver
11	078919-04-000	EA	Decal Logo - "Itasca" - Front and Rear
12	100311-01-01A	EA	Decal - Hood
13	100305-01-01A	EA	Decal - Front Lower Corner - Passenger
14	093681-20-01A	FT	Film Stripe - Burgundy
15	093680-26-01A	FT	Film Stripe - Burgundy
16	078852-19-000	EA	Decal Logo - "Itasca" - Passenger and Driver
17	100309-01-01A	EA	Decal - Lower Radius - Passenger
17	100309-02-01A	EA	Decal - Lower Radius - Driver
18	100301-01-01A	EA	Decal Logo - "SunCruiser" - Passenger
18	100301-02-01A	EA	Decal Logo - "SunCruiser" - Driver

## EXTERIOR BODY GROUP (CONTINUED)

### RACK & LADDER COMPONENTS



Key	Part Number	U/M	Description
1	081026-01-T03	EA	Rack Asm. - Passenger Side
2	038327-01-000	EA	Tap - Anti-Slip - 2" x 60'
3	080999-02-T03	EA	Ladder Asm. - Upper
4	081115-01-000	EA	Top Cap - 1"
5	080873-01-000	EA	Latch - Lower Ladder
6	080997-04-X14	EA	Ladder Asm. - Lower
7	081056-01-000	EA	Pin - Quick Release
8	081055-01-000	EA	Springgrip - Internal Tooth Washer
9	081107-01-000	EA	Bracket - Bumper Pin
10	067165-01-000	EA	Mounting Bracket
11	080868-01-000	EA	Footing Bracket
12	081627-02-000	EA	Sponge Seal - 3/16" x 2" x 3.25"
13	081116-01-000	EA	Slide Bracket
14	000G68-10-36U	EA	Screw
15	000G39-06-10U	EA	Screw
16	076980-02-000	EA	Step Cap - Black
17	067130-01-000	EA	Bright Dipped Step (Non Serviceable)
18	081026-02-T03	EA	Rack Asm. - Driver Side
19	000G39-08-16U	EA	Screw
20	081113-01-000	EA	Bushing - Plastic Flange - White
21	083891-51-002	EA	Splice
22	000G39-08-069	EA	Screw
	081114-01-000	EA	Cap Insert - Round - 1" Dia.

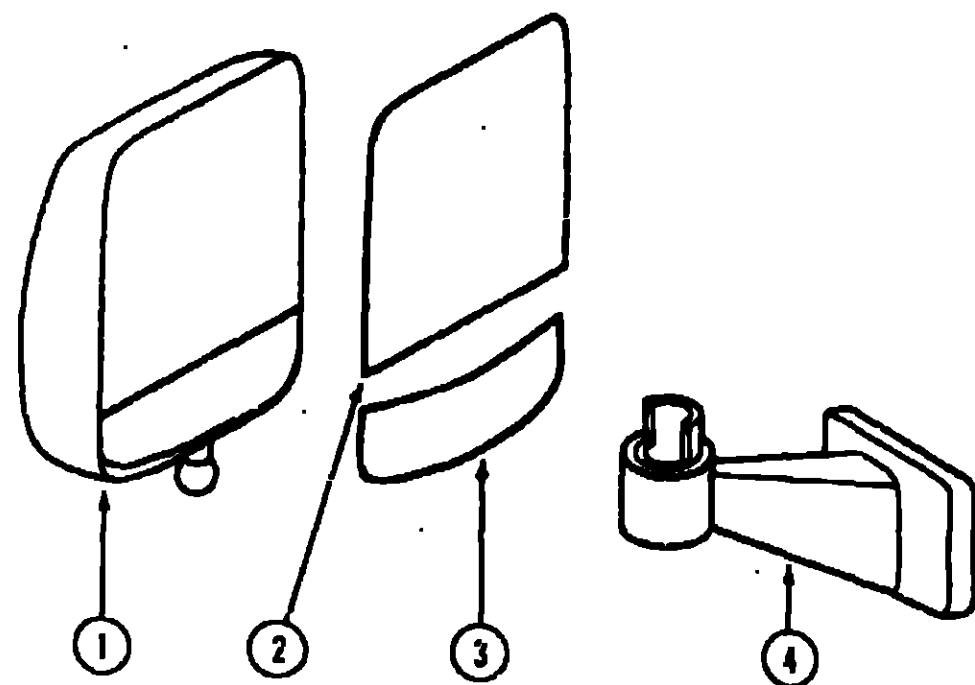
## 1991 ITASCA TABLE OF CONTENTS

INTRODUCTION	A-01 - A-02
ABBREVIATIONS	A-03
ALPHABETICAL/GROUP REFERENCE	A-04 - A-06
IC/FM32RQ	A-07 - F-10
IC/FM34RA	F-11 - K-12

## 1991 IC/FM34RA INDEX

Floor Plan	F-11 - F-12
Accessories Group	F-13 - F-16
Bath Group	F-17 - F-20
Bedroom Group	F-21 - G-02
Chassis Group	G-03 - G-21
Curtain, Cushion & Pad Group	G-22 - H-08
Dinette Group	H-09 - H-12
Driver's Compartment Group	H-13 - H-20
Electrical Group	H-21 - H-24
Exterior Body Group	I-01 - I-10
Galley Group	I-11 - I-16
Heating & Air Conditioning Group	I-17 - I-18
Interior Finish Group	I-19 - I-20
Labels Group	I-21 - J-05
LP Group	J-06
Lounge Group	J-07 - J-10
Sealants & Fasteners Group	J-11 - J-12
Water & Sewage Group	J-13 - J-15
Window, Vent & Exterior Door Group	J-16 - K-12

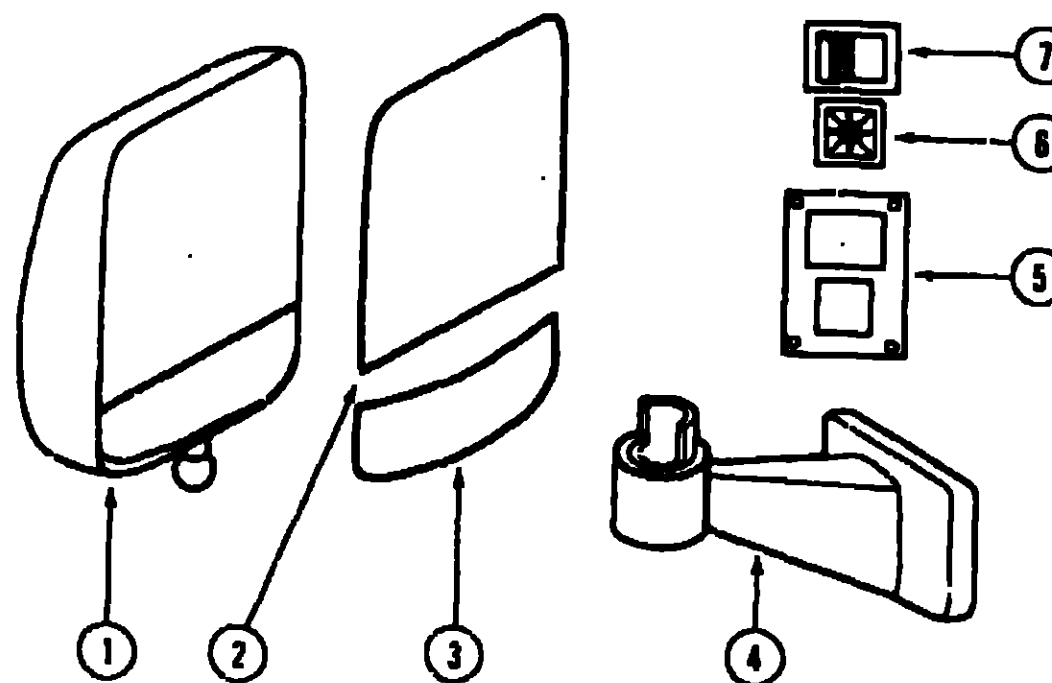
**EXTERIOR BODY GROUP (CONTINUED)**



**MIRRORS - NON-POWERED**

Key	Part Number	U/M	Description
1	086260-01-000	EA	Mirror Asm. - Passenger Side (Includes Glass)
1	086260-02-000	EA	Mirror Asm. - Driver Side (Includes Glass)
2	086260-01-701	EA	Flat Glass - Passenger Side
2	086260-02-701	EA	Flat Glass - Driver Side
3	086260-01-700	EA	Convex Glass - Passenger Side
3	086260-02-700	EA	Convex Glass - Driver Side
4	086260-03-000	EA	Arm Asm. - Passenger & Driver Side

**EXTERIOR BODY GROUP (CONTINUED)**



**POWER MIRRORS - ELECTRICALLY HEATED & CONTROLLED (OPTION 81Y)**

Key	Part Number	U/M	Description
1	086259-04-000	EA	Mirror Asm. - Passenger Side w/Remote & Heater (Includes Glass)
1	086259-05-000	EA	Mirror Asm. - Driver Side w/Remote & Heater (Includes Glass)
2	086259-04-701	EA	Flat Glass - Passenger Side - Heated
2	086259-05-701	EA	Flat Glass - Driver Side - Heated
3	086259-04-700	EA	Convex Glass - Passenger Side - Heated
3	086259-05-700	EA	Convex Glass - Driver Side - Heated
4	086260-03-000	EA	Arm Asm. - Passenger & Driver Side
5	099982-01-01A	EA	Switch Plate - Black
6	088246-01-000	EA	Switch Asm. - Mirror - Remote
7	087695-01-000	EA	Switch - Mirror Heater
	099836-01-000	EA	Wire Asm. - Mirror - Cab - 1990 Chevrolet Chassis
	099836-03-000	EA	Wire Asm. - Mirror - Cab - 1991 Chevrolet Chassis
	099836-02-000	EA	Wire Asm. - Mirror - Cab - Ford Chassis
	099837-01-000	EA	Wire Asm. - Mirror - Door
	063912-02-000	EA	Relay - Cannister - SPDT - w/Resist

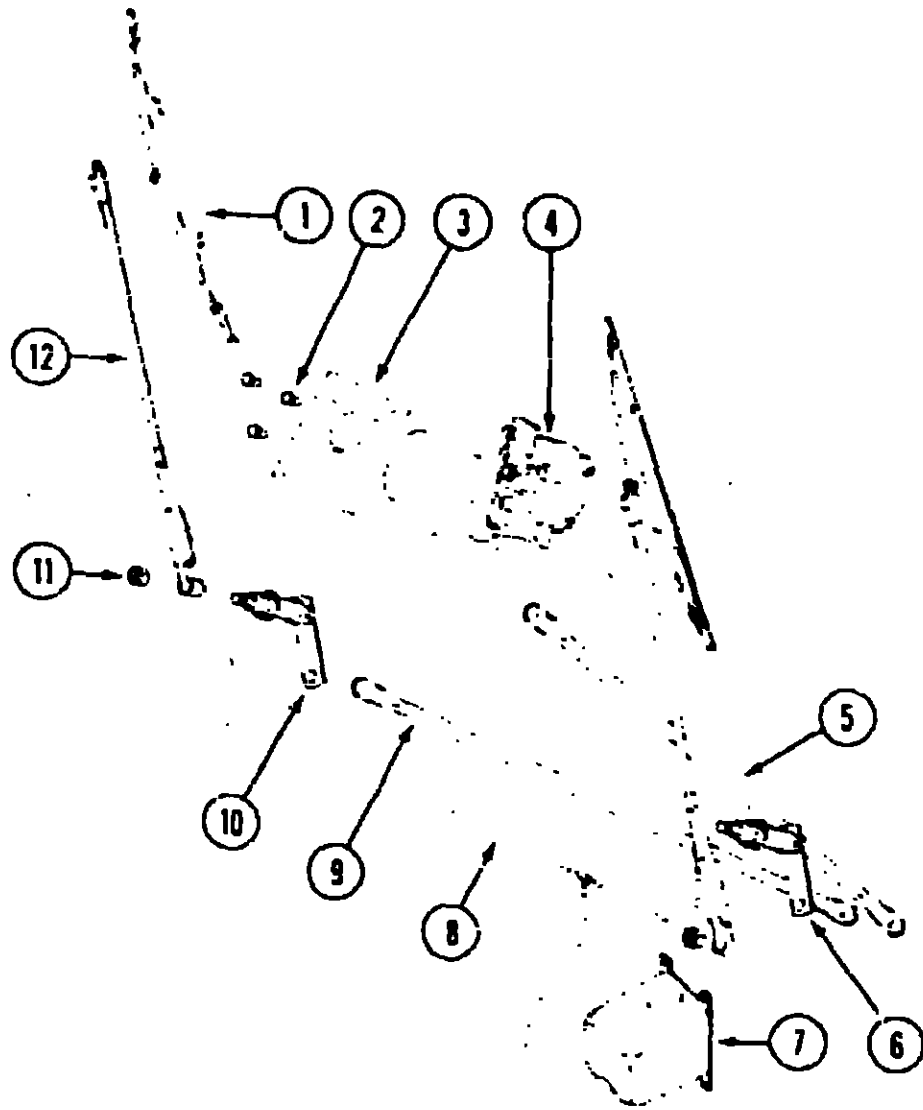
**1991 ITASCA  
TABLE OF CONTENTS**

INTRODUCTION	A-01 - A-02
ABBREVIATIONS	A-03
ALPHABETICAL/GROUP REFERENCE	A-04 - A-06
IC/FM32RO	A-07 - F-10
IC/FM34RA	F-11 - K-12

**1991 IC/FM34RA INDEX**

Floor Plan	F-11 - F-12
Accessories Group	F-13 - F-16
Bath Group	F-17 - F-20
Bedroom Group	F-21 - G-02
Chassis Group	G-03 - G-21
Curtain, Cushion & Pad Group	G-22 - H-08
Dinette Group	H-09 - H-12
Driver's Compartment Group	H-13 - H-20
Electrical Group	H-21 - H-24
Exterior Body Group	I-01 - I-10
Galley Group	I-11 - I-16
Heating & Air Conditioning Group	I-17 - I-18
Interior Finish Group	I-19 - I-20
Labels Group	I-21 - J-05
LP Group	J-06
Lounge Group	J-07 - J-10
Sealants & Fasteners Group	J-11 - J-12
Water & Sewage Group	J-13 - J-15
Window, Vent & Exterior Door Group	J-16 - K-12

**EXTERIOR BODY GROUP (CONTINUED)**



**WINDSHIELD WIPER & DRIVE ASSEMBLY**

Key	Part Number	U/M	Description
1	095964-01-000	EA	Blade - Wiper - 24"
2	000C26-04-10B	EA	Hex Bolt - Serrated Flange - 1/4" - 20 x 5/8" Zinc
3	063971-01-000	EA	Support Bracket - Motor Asm.
4	096380-01-000	EA	Motor Asm.
5	067192-01-000	EA	Connecting Link Asm.
6	096504-01-000	EA	Pivot Shaft Asm.
7	056000-02-000	EA	Washer Asm. - w/o Nozzles
8	096931-01-700	FT	Hose - Washer
9	067192-02-000	EA	Connecting Link Asm.
10	096505-02-000	EA	Pivot Shaft Asm.
11	077049-01-000	EA	Acorn Nut
12	096931-01-000	EA	Wiper Arm - 20"
	096931-01-701	EA	Nozzle Hardware Kit - Washer
	102362-01-702	EA	Wiper Control Module

**EXTERIOR BODY GROUP (CONTINUED)**

**SHEET FIBERGLASS PANEL, ALUMINUM & STYROFOAM**

Key	Part Number	U/M	Description
	000868-01-000	SF	Styrofoam - 75" x 24" x 96"
	000970-03-000	SF	Styrofoam - 1.34" x 48" x 96"
	000870-05-000	SF	Styrofoam - 50" x 24" x 96"
	083574-01-000	SF	Styrofoam - 1.50" x 24" x 85.25"
	081395-22-000	EA	Panel - Fiberglass - Mende Board - Gray - 76.75" x 32.25"
	081395-24-000	EA	Panel - Fiberglass - Mende Board - Gray - 23.62" x 120"
	081395-06-000	EA	Panel - Fiberglass - Mende Board - Gray - 48" x 96"
	044487-01-001	EA	Aluminum - Mill Finish - Roof - 96" x 360"

**MISCELLANEOUS EXTERNALLY MOUNTED PARTS**

Key	Part Number	U/M	Description
	009126-02-000	EA	Assist Handle - Black
	087659-03-000	EA	Fill - City Water - Gray - Brass Fittings
	086260-01-000	EA	Mirror Asm. - Rear View - Exterior - w/Convex - Passenger
	086260-02-000	EA	Mirror Asm. - Rear View - Exterior - w/Convex - Driver
	086260-03-000	EA	Accessory Kit - Rear View Mirror - Exterior
	090961-01-000	EA	Receptacle - Outside - Electric
	083615-01-000	EA	Door Stop - Plastic

**FRONT HOOD PANEL & HARDWARE**

Key	Part Number	U/M	Description
	08S768-01-X70	EA	Panel Asm. - Hood
	073336-01-000	EA	Bracket - Striker Latch
	073611-01-000	EA	Striker Pin Asm.
	073610-01-000	EA	Spring - Striker Pin
	R77006-68-172	EA	Shim Plate
	058753-01-000	EA	Bracket - Hinge Pivot - Left or Right Side
	073339-02-000	EA	Hood Arm - Left or Right Side
	R77006-68-721	EA	Hood Release Cable
	R77006-19-765	EA	Hood Release Sleeve
	R77006-38-499	EA	Spring
	072917-03-000	EA	Prop Rod

**1991 ITASCA  
TABLE OF CONTENTS**

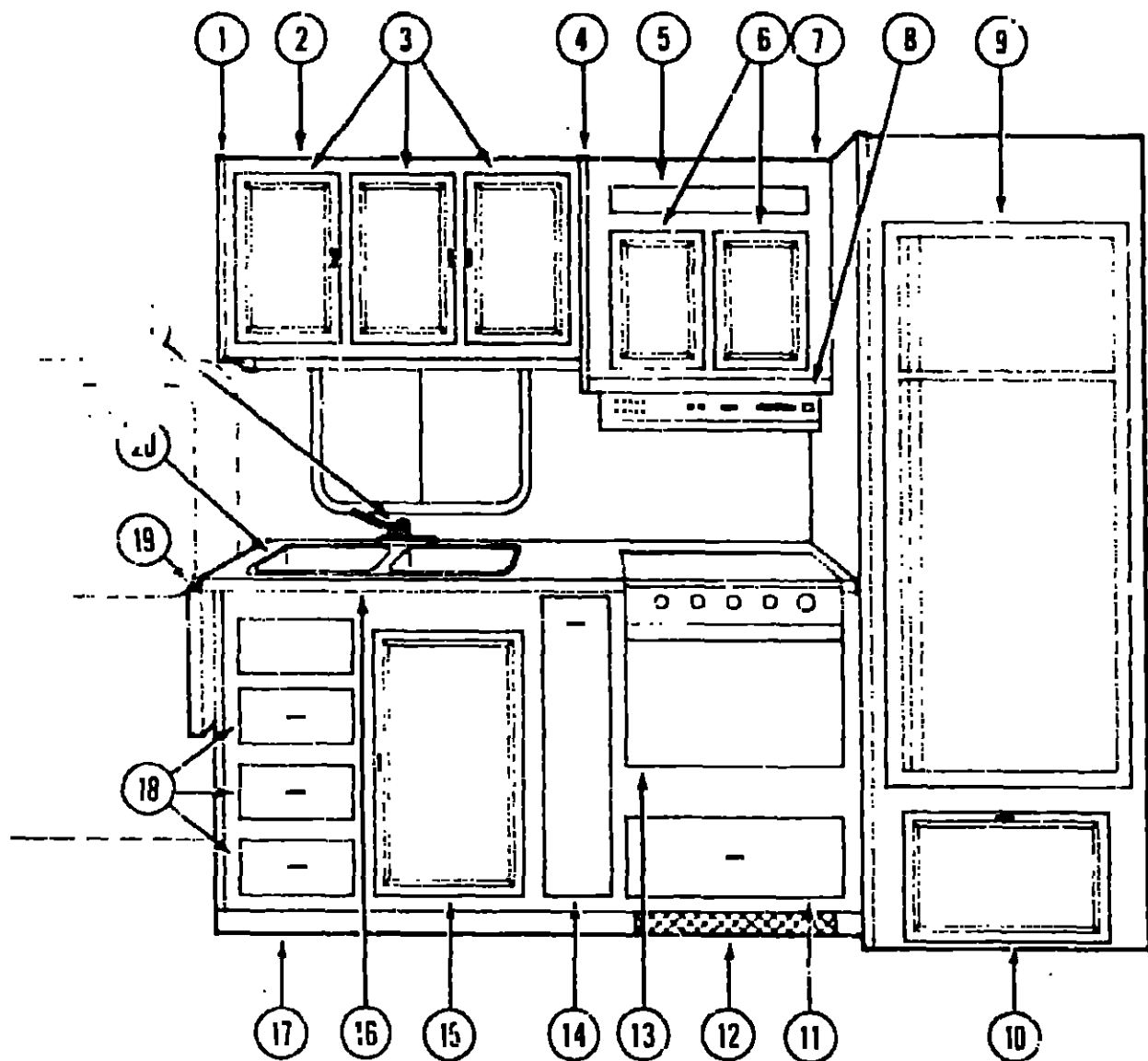
INTRODUCTION	A-01 - A-02
ABBREVIATIONS	A-03
ALPHABETICAL/GROUP REFERENCE	A-04 - A-06
IC/FM32RO	A-07 - F-10
IC/FM34RA	F-11 - K-12

**1991 IC/FM34RA INDEX**

Floor Plan	F-11 - F-12
Accessories Group	F-13 - F-16
Bath Group	F-17 - F-20
Bedroom Group	F-21 - G-02
Chassis Group	G-03 - G-21
Curtain, Cushion & Pad Group	G-22 - H-08
Dinette Group	H-09 - H-12
Driver's Compartment Group	H-13 - H-20
Electrical Group	H-21 - H-24
Exterior Body Group	I-01 - I-10
Galley Group	I-11 - I-16
Heating & Air Conditioning Group	I-17 - I-18
Interior Finish Group	I-19 - I-20
Labels Group	I-21 - J-05
LP Group	J-06
Lounge Group	J-07 - J-10
Sealants & Fasteners Group	J-11 - J-12
Water & Sewage Group	J-13 - J-15
Window, Vent & Exterior Door Group	J-16 - K-12

# GALLEY GROUP

## CABINETS



Key	Part Number	U/M	Description
1	099077-02-B32	EA	End Cap Asm. - Galley Overhead Cabinet
2	M04162-18-B32	EA	Cabinet Asm. - Galley Overhead - w/o Doors
3	P00523-16-B29	EA	Door Asm. - Galley Overhead - w/o Hardware
4	081320-14-B25	EA	End Cap Asm. - Microwave Cabinet
5	P00520-03-B29	EA	Door Asm. - Microwave Cabinet - w/o Hardware
6	P00520-02-B29	EA	Door Asm. - Microwave Cabinet - w/o Hardware
7	M04092-21-B32	EA	Cabinet Asm. - Microwave - w/o Doors
7	M04092-22-B32	EA	Cabinet Asm. - Microwave - w/o Doors (Options 13C, 136)
	091269-03-000	EA	Microwave/Browning Oven (Option 136)
	091269-05-000	EA	Microwave Oven (Option 13C)
	098916-01-01A	EA	Cabinet Brace - RH - Microwave Cabinet
	098916-02-01A	EA	Cabinet Brace - LH - Microwave Cabinet
8	100258-04-01A	EA	Range Hood w/Monitor Panel (USA)
8	100258-05-01A	EA	Range Hood w/Monitor Panel (CSA)
9	094039-04-000	EA	Refrigerator - 2 Way - w/Large Double Door
9	094039-09-000	EA	Refrigerator - 2 Way - w/Large Double Door & Ice Marker (Option 21C)
10	101729-13-B32	EA	Door Asm. - Refrigerator Cabinet - w/o Hardware
11	P03397-08-B32	EA	Drawer Asm. - Galley Cabinet - w/o Hardware
12	072369-38-000	EA	Mesh Insert - Bronze
13	098507-02-000	EA	Range w/Large Oven - 4 Burner - w/Black Trim
13	102020-01-01A	EA	Range w/Large Oven - 4 Burner - w/Almond Trim
14	098470-03-B32	EA	Door Asm. - Pantry - w/o Hardware
	064467-01-000	EA	W/I Mount Guide - Pantry Door
	082128-01-000	EA	Slide Asm. - Pantry - w/L Bracket
	075451-01-000	EA	Storage Rack - Canned Goods
	075451-02-000	EA	Clip - Storage Rack
15	P00523-46-B32	EA	Door Asm. - w/o Hardware
16	098471-12-B10	EA	Countertop Asm.
17	M04162-16-B32	EA	Cabinet Asm. - Galley - w/Oven - w/o Doors or Drawers
17	M04162-14-B32	EA	Cabinet Asm. - Galley - w/Range Top - w/o Doors or Drawers (Option 136)
18	P00522-10-B32	EA	Drawer Asm. - Galley Cabinet - w/o Hardware (Thru 12/90)
18	P03397-06-B32	EA	Drawer Asm. - Galley Cabinet - w/o Hardware (From 1/91)
19	080812-04-B10	EA	Galley Extension
	009059-01-000	EA	Hinge - 2" - Brass
	009049-01-000	EA	Support - Galley Extension
20	093526-01-000	EA	Sink - Double Bowl - Stainless Steel - 25" x 19"
21	064952-01-000	EA	Galley Faucet - Single Control
	098979-01-000	EA	Clip - Adjustable Shelf (Microwave & Galley Overhead Cabinets)
	098980-02-000	EA	Pilaster - Adjustable Shelf (Microwave & Galley Overhead Cabinets)
	M82184-34-B32	EA	Drawer Asm. - Galley Cabinet - Pots & Pans - w/o Hardware (Option 136)
	081521-02-007	EA	Corner Molding - Aluminum (Plastic Trim Ho'der)
	042357-15-000	EA	Corner Molding - Radius - Plastic (Cabinets)
	003620-06-000	FT	T-Molding - 3/4" w/Edge Lips (Cabinets)
	009767-10-000	FT	Wetling - Mahogany (Cabinets)
	009767-12-000	FT	Wetling - Antique White (Cabinets)
	009912-22-000	EA	Corner Molding - Plastic - 5" - Country Forest

## 1991 ITASCA TABLE OF CONTENTS

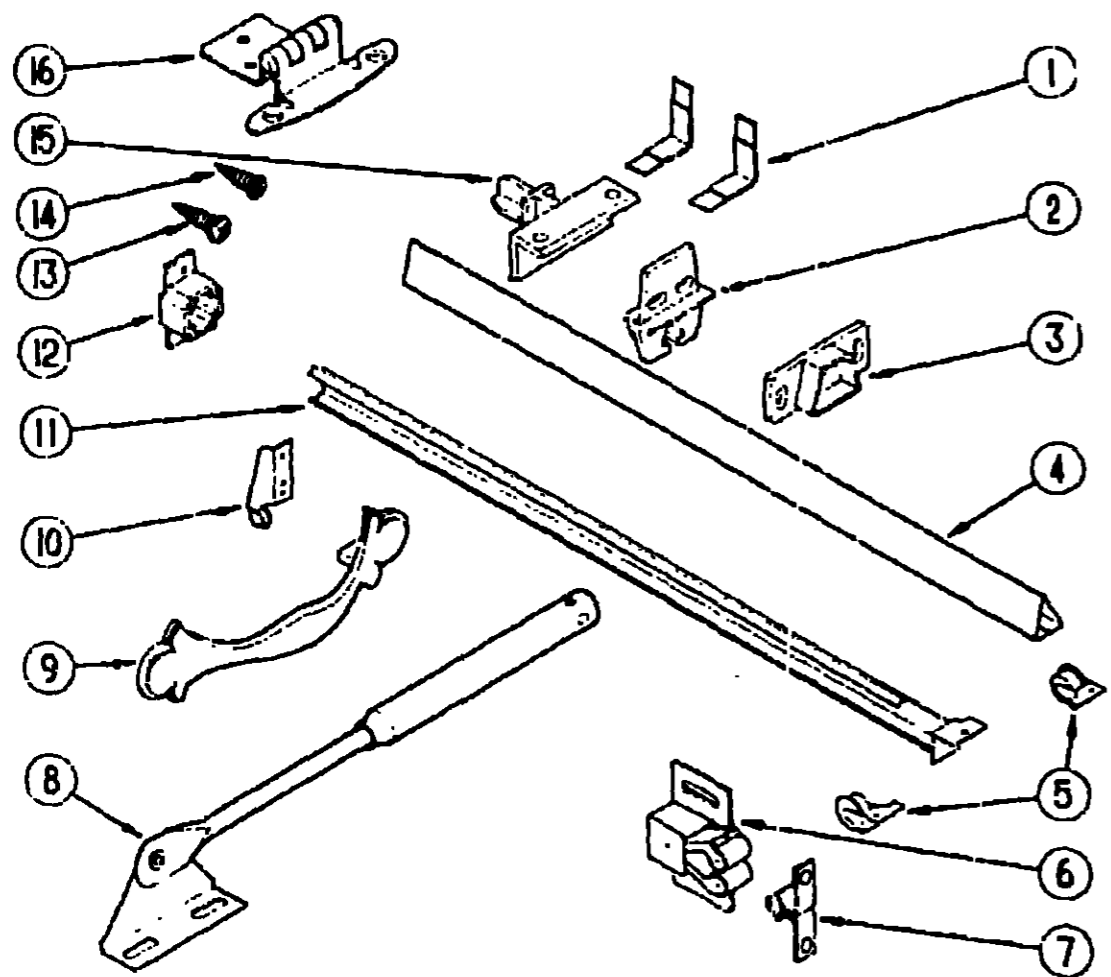
INTRODUCTION	A-01 - A-02
ABBREVIATIONS	A-03
ALPHABETICAL/GROUP REFERENCE	A-04 - A-05
IC/FM32RD	A-07 - F-10
IC/FM34RA	F-11 - K-12

## 1991 IC/FM34RA INDEX

Floor Plan	F-11 - F-12
Accessories Group	F-13 - F-16
Bath Group	F-17 - F-20
Bedroom Group	F-21 - G-02
Chassis Group	G-03 - G-21
Curtain, Cushion & Pad Group	G-22 - H-08
Dinette Group	H-09 - H-12
Driver's Compartment Group	H-13 - H-20
Electrical Group	H-21 - H-24
Exterior Body Group	I-01 - I-10
Galley Group	I-11 - I-16
Heating & Air Conditioning Group	I-17 - I-18
Interior Finish Group	I-19 - I-20
Labels Group	I-21 - J-05
LP Group	J-06
Lounge Group	J-07 - J-10
Sealants & Fasteners Group	J-11 - J-12
Water & Sewage Group	J-13 - J-15
Window, Vent & Exterior Door Group	J-16 - K-12

## GALLEY GROUP (CONTINUED)

### CABINET HARDWARE (DOORS, DRAWERS & CABINETS)



Key	Part Number	U/M	Description
1	037688-02-000	EA	L-Corner Glide (Drawers)
2	037688-03-000	EA	Center Glide (Drawers)
3	037688-05-000	EA	Rail Mounting Bracket - Rear (Drawers)
4	037688-01-000	FT	V-Rail (Drawers)
5	102837-03-000	EA	Nylon Rollers (Set of 2) (Drawers)
6	093586-03-000	EA	Roller Catch
7	093586-04-000	EA	Steel Strike
8	074493-02-000	EA	Door Support
9	100273-01-000	EA	Pull Handle
10	102827-02-000	EA	Rear Roller Bracket (Drawers)
11	102827-05-000	EA	Track (Drawers)
12	102827-04-000	EA	Rear Mounting Bracket (Drawers)
13	000G68-06-10G	EA	Screw - #6 - 18 x .625" POH - Antique Brass - Hinge to Cabinet
14	000G13-06-10G	EA	Screw - #6 - 20 x .625" PFH - Antique Brass - Hinge to Door
15	037688-04-000	EA	Rail Mounting Bracket - Front (Drawers)
16	059777-02-000	EA	Hinge - Burnished Brass
	016604-03-000	EA	Angle Support Bracket - 2.5"
	084466-02-000	EA	Slide Asm. - Right (Drawers)
	084466-03-000	EA	Slide Asm. - Left (Drawers)
	084466-04-000	EA	Slide Asm. - Right (Cabinet)
	084466-05-000	EA	Slide Asm. - Left (Cabinet)

## 1991 ITASCA TABLE OF CONTENTS

INTRODUCTION	A-01 - A-02
ABBREVIATIONS	A-03
ALPHABETICAL/GROUP REFERENCE	A-04 - A-06
IC/FM32RQ	A-07 - F-10
IC/FM34RA	F-11 - K-12

## 1991 IC/FM34RA INDEX

Floor Plan	F-11 - F-12
Accessories Group	F-13 - F-16
Bath Group	F-17 - F-20
Bedroom Group	F-21 - G-02
Chassis Group	G-03 - G-21
Curtain, Cushion & Pad Group	G-22 - H-08
Dinette Group	H-09 - H-12
Driver's Compartment Group	H-13 - H-20
Electrical Group	H-21 - H-24
Exterior Body Group	I-01 - I-10
Galley Group	I-11 - I-16
Heating & Air Conditioning Group	I-17 - I-18
Interior Finish Group	I-19 - I-20
Labels Group	I-21 - J-05
LP Group	J-06
Lounge Group	J-07 - J-10
Sealants & Fasteners Group	J-11 - J-12
Water & Sewage Group	J-13 - J-15
Window, Vent & Exterior Door Group	J-16 - K-12







## INTERIOR FINISH GROUP

### MOLDINGS & TRIMS

Key	Part Number	U/M	Description
	069733-78-000	EA	Batt Strip - Rambling Oak
	079653-09-000	EA	Batt Strip - Rambling Oak - Kerfed
	085284-32-000	FT	Batt Strip - Rambling Oak - Tape Adhesive
	088263-54-000	EA	Batt Strip - Mist (Main Wall/Galley/Bedroom)
	079653-15-000	EA	Batt Strip - Mist - Kerfed (Wet Bath)
	075284-42-000	FT	Batt Strip - Mist - Tape Adhesive (Main Wall/Galley/Bedroom)
	088263-55-000	EA	Batt Strip - Blossom (Dry Bath)
	085284-41-000	FT	Batt Strip - Blossom - Tape Adhesive (Dry Bath)
	088263-50-000	EA	Batt Strip - White (Wet Bath)
	006229-04-000	EA	Batt Strip - Ivory (Ceiling)
	009767-10-000	FT	Welling - Mahogany
	009767-12-000	FT	Welling - Antique White
	022992-11-000	FT	Reverse Cove Molding - Ivory
	085620-08-000	FT	T-Molding - Pecan
	009909-21-000	EA	F-Molding - 1" - Country Forest
	009812-22-000	EA	F-Molding - 1/2" - Country Forest
	009812-24-000	EA	F-Molding - 1/2" - Ivory
	085746-01-000	FT	J-Molding - Beige
	042357-15-000	EA	Corner Molding - Radius - Pecan
	081521-02-007	EA	Corner Molding - Aluminum (Plastic Trim Holder)
	016604-01-000	EA	Angle Bracket - 2.5"
	070504-01-000	FT	U-Channel - .65" - Light Brown
	009778-13-000	FT	U-Channel - 1" - Pecan
	070504-20-000	FT	U-Channel - .815" - Pecan
	070504-18-000	FT	U-Channel - .65" - Ivory
	009778-11-000	FT	U-Channel - 1" - Ivory
	024700-36-000	EA	Roll Bar Cover - Gray (110")
	024700-17-000	EA	Roll Bar Cover - Off White (110")
	100182-10-B29	EA	Trim - Chair Rail

### PANELING, COUNTERTOP & VINYL HEADLINER

Key	Part Number	U/M	Description
	088272-76-000	SF	Paneling - Mist - 48" x 84" (Main Wall)
	074497-17-000	SF	Paneling - Rambling Oak - 48" x 96" (Wall & Cabinet)
	088272-75-000	SF	Paneling - Blossom - 48" x 84" (Dry Bath)
	088272-72-000	SF	Paneling - Travertine White - 48" x 84" (Wet Bath)
	000885-46-000	SF	Particle Board - 3/8" - One Sided - Rambling Oak - 49" x 97"
	000885-47-000	SF	Particle Board - 3/4" - One Sided - Rambling Oak - 49" x 97"
	000685-48-000	SF	Particle Board - 3/4" Two Sided - Rambling Oak - 49" x 97"
	074498-36-000	SF	Laminate - Plastic - Caldera Rose
	074498-34-000	SF	Laminate - Plastic - Rambling Oak
	076325-26-000	FT	Edgeband - Beige
	076325-25-000	FT	Edgeband - Rambling Oak
	059351-03-000	YD	Vinyl Headliner

## INTERIOR FINISH GROUP (CONTINUED)

### FABRIC & FLOOR COVERING

Key	Part Number	U/M	Description
	096008-57-000	YD	Fabric - Upholstery - Main - Cocoa (B32)
	096008-56-000	YD	Fabric - Upholstery - Main - Gray (B33)
	096008-55-000	YD	Fabric - Upholstery - Main - Plum (B34)
	096008-60-000	YD	Fabric - Upholstery - Patterned Accent - Cocoa (B32)
	096008-59-000	YD	Fabric - Upholstery - Patterned Accent - Gray (B33)
	096008-58-000	YD	Fabric - Upholstery - Patterned Accent - Plum (B34)
	096008-62-000	YD	Fabric - Upholstery - Plain Accent - Cocoa (B32)
	096008-31-000	YD	Fabric - Upholstery - Plain Accent - Gray (B33)
	096008-61-000	YD	Fabric - Upholstery - Plain Accent - Plum (B34)
	072333-77-000	YD	Fabric - Wraparound Curtain - Taupe (B32)
	072333-76-000	YD	Fabric - Wraparound Curtain - Silver (B33, B34)
	088273-53-000	YD	Fabric - Bedspread - Sunset (B32)
	088273-55-000	YD	Fabric - Bedspread - Opal (B33)
	088273-54-000	YD	Fabric - Bedspread - Cameo (B34)
	096060-15-000	SY	Carpet - Dark Sand (B32)
	096040-18-000	SY	Carpet - Silver Cloud (B33)
	096040-20-000	SY	Carpet - Aubergine (B34)
	042720-08-000	SY	Vinyl Floor Covering
	093486-01-000	SY	Carpet - Outside Storage Compartments - Charcoal
	075233-03-000	SY	Pad - Carpet - 3/8"
	077484-01-000	YD	Vinyl - Gray
	079680-09-000	YD	Vinyl - Off White
	079680-01-000	YD	Vinyl - Buckskin
	089351-03-000	YD	Vinyl - Headliner - Acoustical

### MISCELLANEOUS

Key	Part Number	U/M	Description
	053552-02-AA8	EA	Assist Handle - Interior - Entrance Door
	101333-01-000	EA	Mounting Plate - Clock
	100793-01-01A	EA	Clock
	094499-01-000	EA	Fire Extinguisher - IA10BC (USA)
	094499-02-000	EA	Fire Extinguisher - IA10BC (CSA)
	094499-01-700	EA	Holder - Fire Extinguisher
	081075-02-000	EA	Floor Mat - Entrance Door
	081201-02-000	EA	Floor Mat - Front - Drivers Side
	081202-02-000	EA	Floor Mat - Front - Passenger Side
	072852-01-000	EA	Smoke Detector - w/9 Volt Battery
	102441-01-000	EA	Picture Set - Decorative
	102302-01-000	EA	Bracket - Picture - Decorative
	102973-01-000	EA	Anchor - Picture - Decorative
	M03112-04-000	EA	Door Asm. - Battery - w/o Carpet
	100031-01-01A	EA	Silverware Tray - Almond

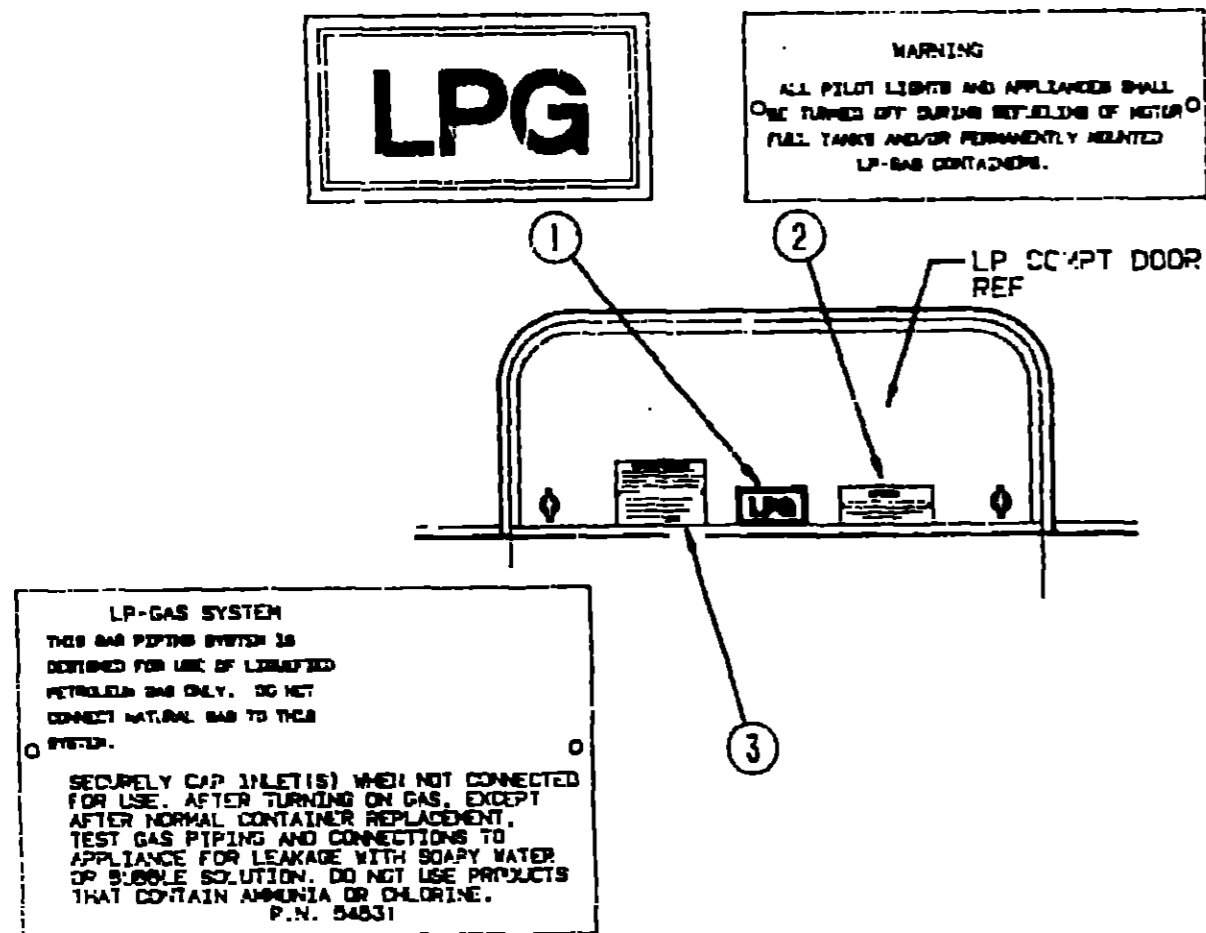
## 1991 ITASCA TABLE OF CONTENTS

INTRODUCTION	A-01 - A-02
ABBREVIATIONS	A-03
ALPHABETICAL/GROUP REFERENCE	A-04 - A-06
IC/FM32RQ	A-07 - F-10
IC/FM34RA	F-11 - K-12

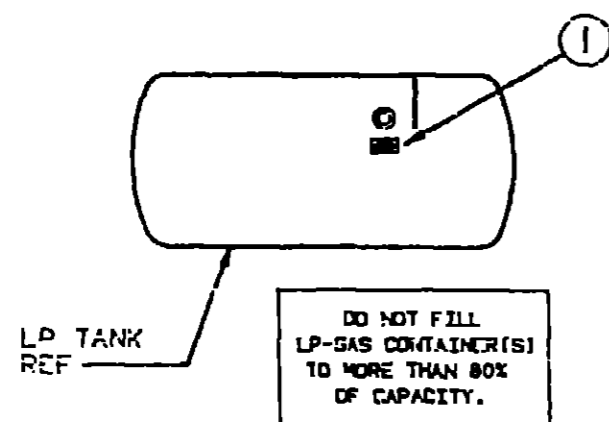
## 1991 IC/FM34HA INDEX

Floor Plan	F-11 - F-12
Accessories Group	F-13 - F-16
Bath Group	F-17 - F-20
Bedroom Group	F-21 - G-02
Chassis Group	G-03 - G-21
Curtain, Cushion & Pad Group	G-22 - H-08
Dinette Group	H-09 - H-12
Driver's Compartment Group	H-13 - H-20
Electrical Group	H-21 - H-24
Exterior Body Group	I-01 - I-10
Galley Group	I-11 - I-16
Heating & Air Conditioning Group	I-17 - I-18
Interior Finish Group	I-19 - I-20
Labels Group	I-21 - J-05
LP Group	J-06
Lounge Group	J-07 - J-10
Sealants & Fasteners Group	J-11 - J-12
Water & Sewage Group	J-13 - J-15
Window, Vent & Exterior Door Group	J-16 - K-12

**LABELS GROUP**

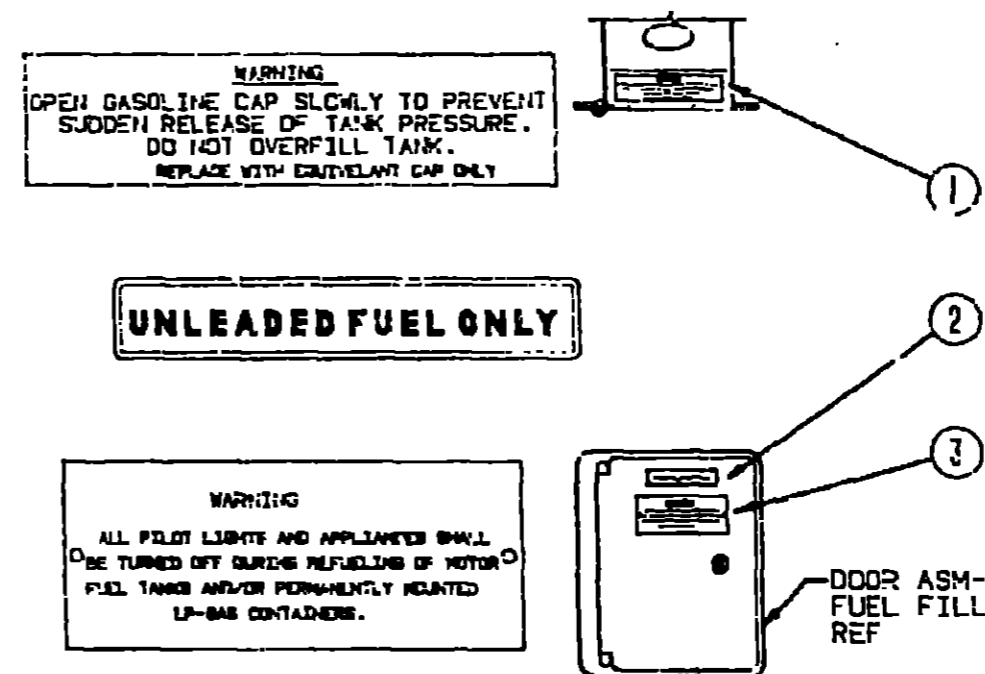


Key	Part Number	U/M	Description
1	074559-01-000	EA	Label - "LPG" (California Code)
2	006040-01-000	EA	Tag - Gas Refueling Warning (USA)
2	006040-02-000	EA	Tag - Gas Refueling Warning (CSA)
3	054531-01-000	EA	Label - LP Gas Only (USA)
3	023769-01-000	EA	Label - LP Gas Only (CSA)

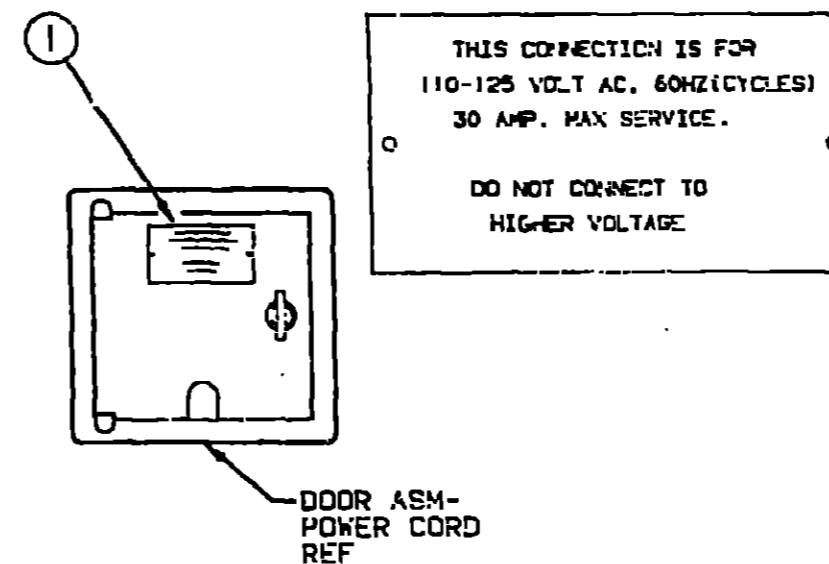


Key	Part Number	U/M	Description
1	079965-01-000	EA	Label - LPG - 80% Capacity

**LABELS GROUP (CONTINUED)**



Key	Part Number	U/M	Description
1	087207-05-000	EA	Label - Fuel Cap Removal (GM-15611763)
2	062043-01-000	EA	Label - Unleaded Fuel
3	006040-01-000	EA	Tag - Gas Refueling Warning (USA)
3	006040-02-000	EA	Tag - Gas Refueling Warning (CSA)



Key	Part Number	U/M	Description
1	006062-01-000	EA	Tag - Electrical - 110 Volt Connection

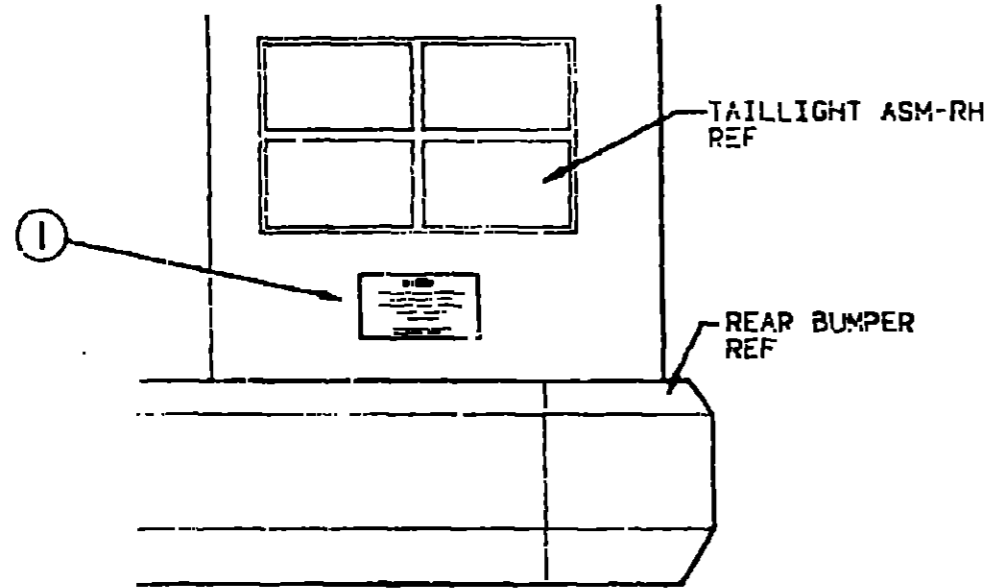
**1991 ITASCA TABLE OF CONTENTS**

INTRODUCTION	A-01 - A-02
ABBREVIATIONS	A-03
ALPHABETICAL/GROUP REFERENCE	A-04 - A-06
IC/FM32RQ	A-07 - F-10
IC/FM34RA	F-11 - K-12

**1991 IC/FM34RA INDEX**

Floor Plan	F-11 - F-12
Accessories Group	F-13 - F-16
Bath Group	F-17 - F-20
Bedroom Group	F-21 - G-02
Chassis Group	G-03 - G-21
Curtain, Cushion & Pad Group	G-22 - H-08
Dinette Group	H-09 - H-12
Driver's Compartment Group	H-13 - H-20
Electrical Group	H-21 - H-24
Exterior Body Group	I-01 - I-10
Galley Group	I-11 - I-16
Heating & Air Conditioning Group	I-17 - I-18
Interior Finish Group	I-19 - I-20
Labels Group	I-21 - J-05
LP Group	J-06
Lounge Group	J-07 - J-10
Sealants & Fasteners Group	J-11 - J-12
Water & Sewage Group	J-13 - J-15
WinJow, Vent & Exterior Door Group	J-16 - K-12

**LABELS GROUP (CONTINUED)**

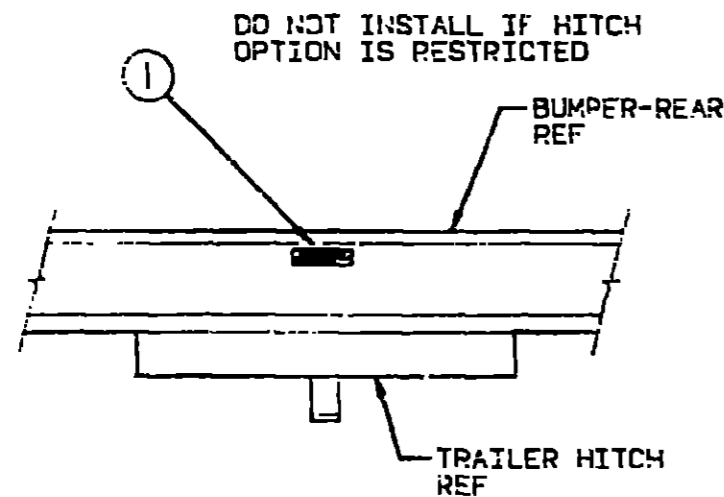


**WARNING**

DO NOT EXCEED THE VEHICLE WEIGHT RATINGS OR LOADING RECOMMENDATIONS (E.G., GROSS VEHICLE, GROSS AXLE, GROSS COMBINED) OF THE CHASSIS MANUFACTURER OR WINNEBAGO IND.

REFER TO YOUR OWNERS MANUAL, BEFORE LOADING OR TOWING.

Key	Part Number	U/M	Description
1	075220-01-000	EA	Label - Exterior Load Warning

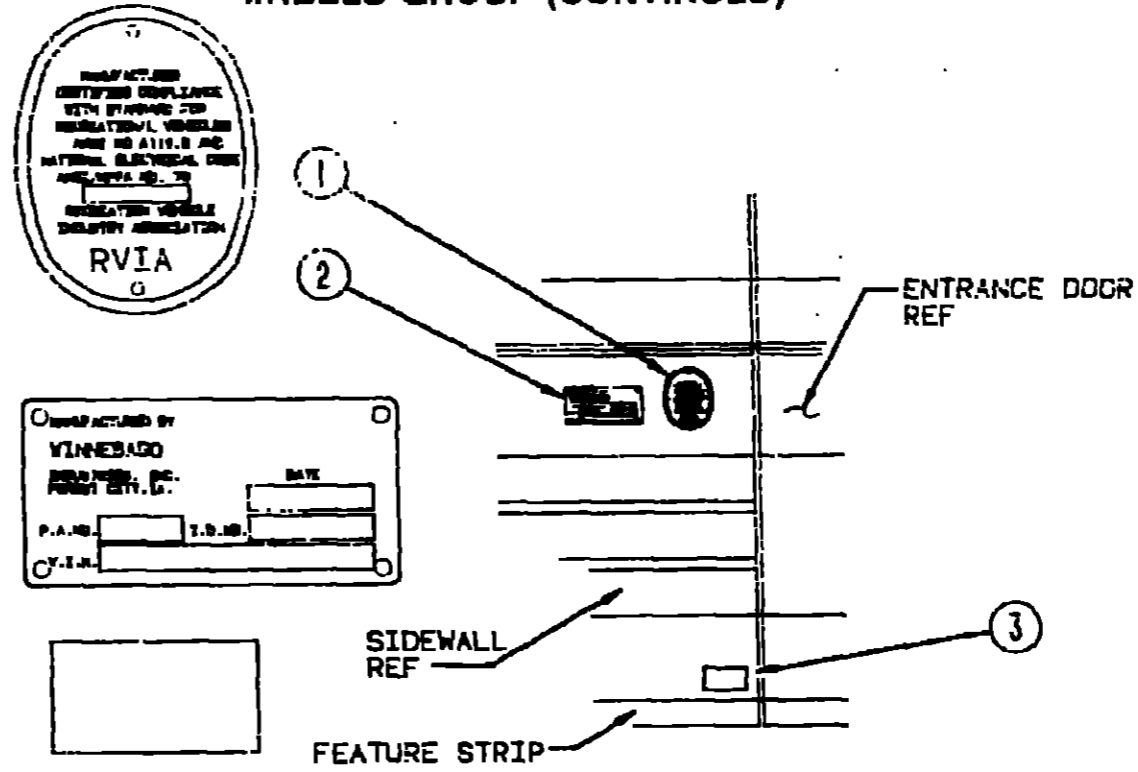


**TOWING CAPACITY**

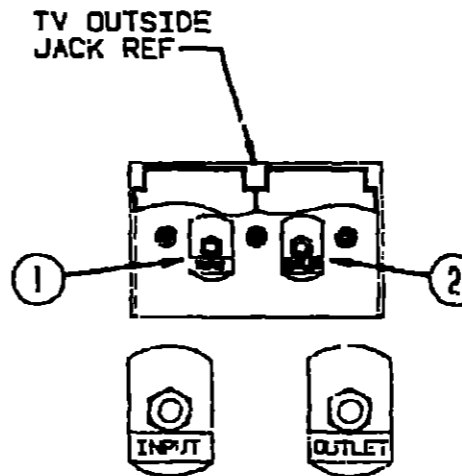
TOWED VEHICLE 3500 LB. GROSS MAXIMUM  
HITCH BALL 200 LB. MAXIMUM

Key	Part Number	U/M	Description
1	075221-03-000	EA	Label - Towing Capacity

**I LABELS GROUP (CONTINUED)**



Key	Part Number	U/M	Description
1	006019-01-000	EA	Tag - RVIA Approved - Plastic



Key	Part Number	U/M	Description
1	087236-01-000	EA	Label - Cable Input
2	087236-02-000	EA	Label - TV Outlet

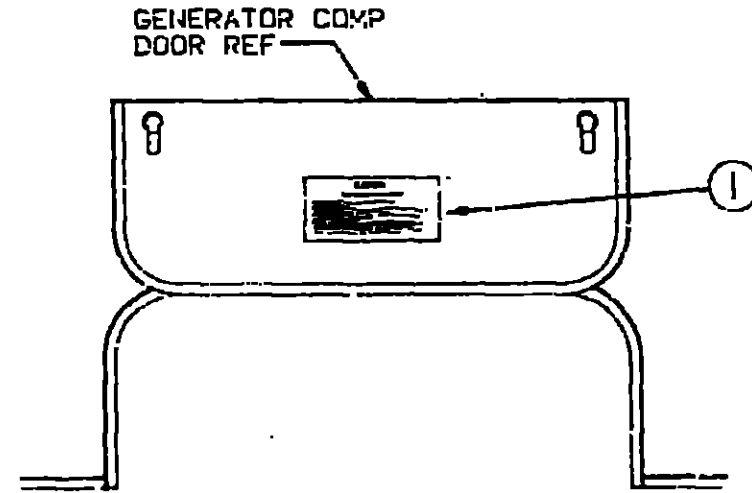
**1991 iTASCA  
TABLE OF CONTENTS**

INTRODUCTION	A-01 - A-02
ABBREVIATIONS	A-03
ALPHABETICAL/GROUP REFERENCE	A-04 - A-06
IC/FM32RD	A-07 - F-10
IC/FM34RA	F-11 - K-12

**1991 IC/FM34RA INDEX**

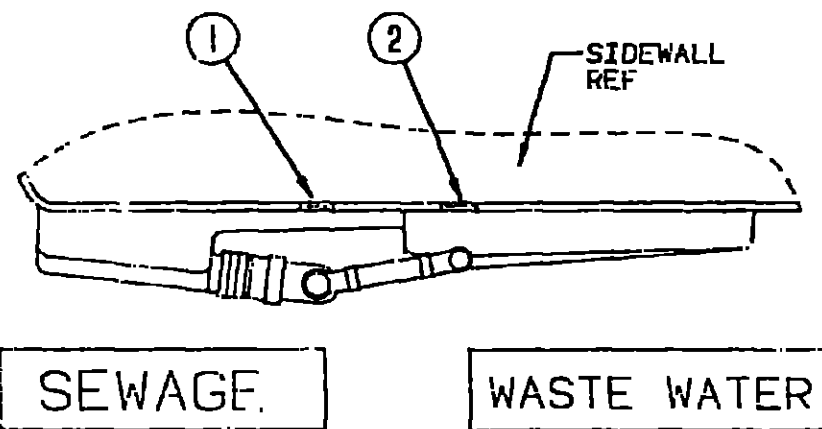
Floor Plan	F-11 - F-12
Accessories Group	F-13 - F-16
Bath Group	F-17 - F-20
Bedroom Group	F-21 - G-02
Chassis Group	G-03 - G-21
Curtain, Cushion & Pad Group	G-22 - H-08
Dinette Group	H-09 - H-12
Driver's Compartment Group	H-13 - H-20
Electrical Group	H-21 - H-24
Exterior Body Group	I-01 - I-10
Galley Group	I-11 - I-16
Heating & Air Conditioning Group	I-17 - I-18
Interior Finish Group	I-19 - I-20
Labels Group	I-21 - J-05
LP Group	J-06
Lounge Group	J-07 - J-10
Sealants & Fasteners Group	J-11 - J-12
Water & Sewage Group	J-13 - J-15
Window, Vent & Exterior Door Group	J-16 - K-12

**LABELS GROUP (CONTINUED)**



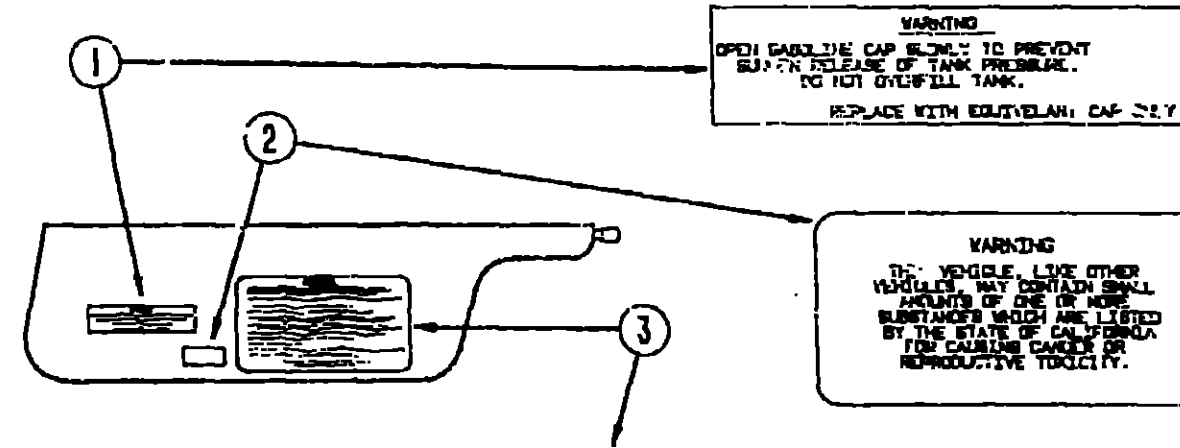
**WARNING**  
**WHEN ADDING A GENERATOR SET:**  
 HIGH VOLTAGE-USE EXTREME CAUTION WHEN WORKING ON ELECTRICAL COMPONENTS.  
 HAVE ALL ELECTRICAL INSTALLATION PERFORMED BY A QUALIFIED LICENSED ELECTRICIAN-FOLLOW ALL STATE AND LOCAL CODES.  
 ONLY INSTALL GENERATOR SET APPROVED FOR R.V. APPLICATION, HAVE INSTALLED BY QUALIFIED TECHNICIAN.  
 TO AVOID HEAT BUILD-UP AND TO GUARANTEE AN ADEQUATE AIR SUPPLY TO THE GENERATOR COMPARTMENT, FOLLOW INSTALLATION INSTRUCTIONS.  
 GENERATOR ENGINE EXHAUST GASES ARE TOXIC AND MUST NOT TERMINATE UNDER THE VEHICLE-DISCHARGE EXHAUST AWAY FROM VEHICLE.

Key	Part Number	U/M	Description
1	077510-01-000	EA	Label - Generator Prep



Key	Part Number	U/M	Description
1	006187-01-000	EA	Label - Sewage
2	006188-01-000	EA	Label - Waste Water

**LABELS GROUP (CONTINUED)**

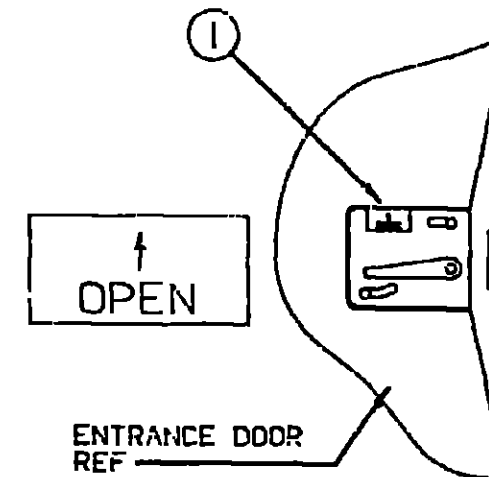


**CAUTION**  
 THIS MOTOR HOME HAS BEEN DESIGNED, MANUFACTURED AND TESTED WITH OBJECTIVE FOR THE PROTECTION OF ITS OCCUPANTS. WE RECOMMEND YOU PERFORM THE FOLLOWING INSPECTIONS FOR YOUR SAFETY AND THE SAFETY OF YOUR PASSENGERS BEFORE STARTING YOUR VEHICLE.

1. LP GAS SYSTEM- TURN OFF AT TANK FOR TRAVELING. TEST FOR LEAKS UPON ARRIVAL AT DESTINATION. BEFORE LIGHTING PILOTS.
2. WHEELS- INSPECT FOR DAMAGE AND CHECK LUG NUTS FOR TIGHTNESS.
3. TIRES- INSPECT FOR WEAR AND DAMAGE AND CHECK FOR RECOMMENDED AIR PRESSURE.
4. LIGHTING- TEST FOR PROPER OPERATION OF ALL INTERIOR AND EXTERIOR LIGHTS INCLUDING DASH LIGHTS, HEADLIGHTS, TAIL LIGHTS, BRAKE LIGHTS, CLEARANCE LIGHTS AND TURN SIGNALS.
5. EXITS- INSPECT RELEASE MECHANISM ON EMERGENCY EXIT WINDOW. TEST BOTH LOCKS ON MAIN ENTRANCE DOOR FOR EASE OF OPERATION AND INSTRUCT PASSENGERS HOW TO USE BOTH MEANS OF EXIT.
6. SEAT BELTS- DIRECT PASSENGERS TO DESIGNATED SEATS AND REASURE USE OF SEAT BELTS.
7. APPLIANCES- TURN OFF AND LATCH OR LOCK DOORS WHERE PROVIDED.
8. LOOSE PARCELS- STOW SECURELY.
9. UTILITY SUPPLY LINES- DISCONNECT ALL ELECTRIC, SEWER AND WATER LINES AND SECURE PROPERLY.
10. ENTRANCE DOOR STEP- PLACE IN RETRACTED POSITION FOR TRAVELING.

READ YOUR MOTOR HOME AND CHASSIS OWNER'S MANUAL FOR FURTHER PRECAUTIONS

Key	Part Number	U/M	Description
1	087207-05-000	EA	Label - Fuel Cap Removal
2	099689-01-000	EA	Label - Warning - Cancer/Toxicity (California Code)
3	056259-01-000	EA	Label - Safety Check List



Key	Part Number	U/M	Description
1	040944-01-000	EA	Label - Open

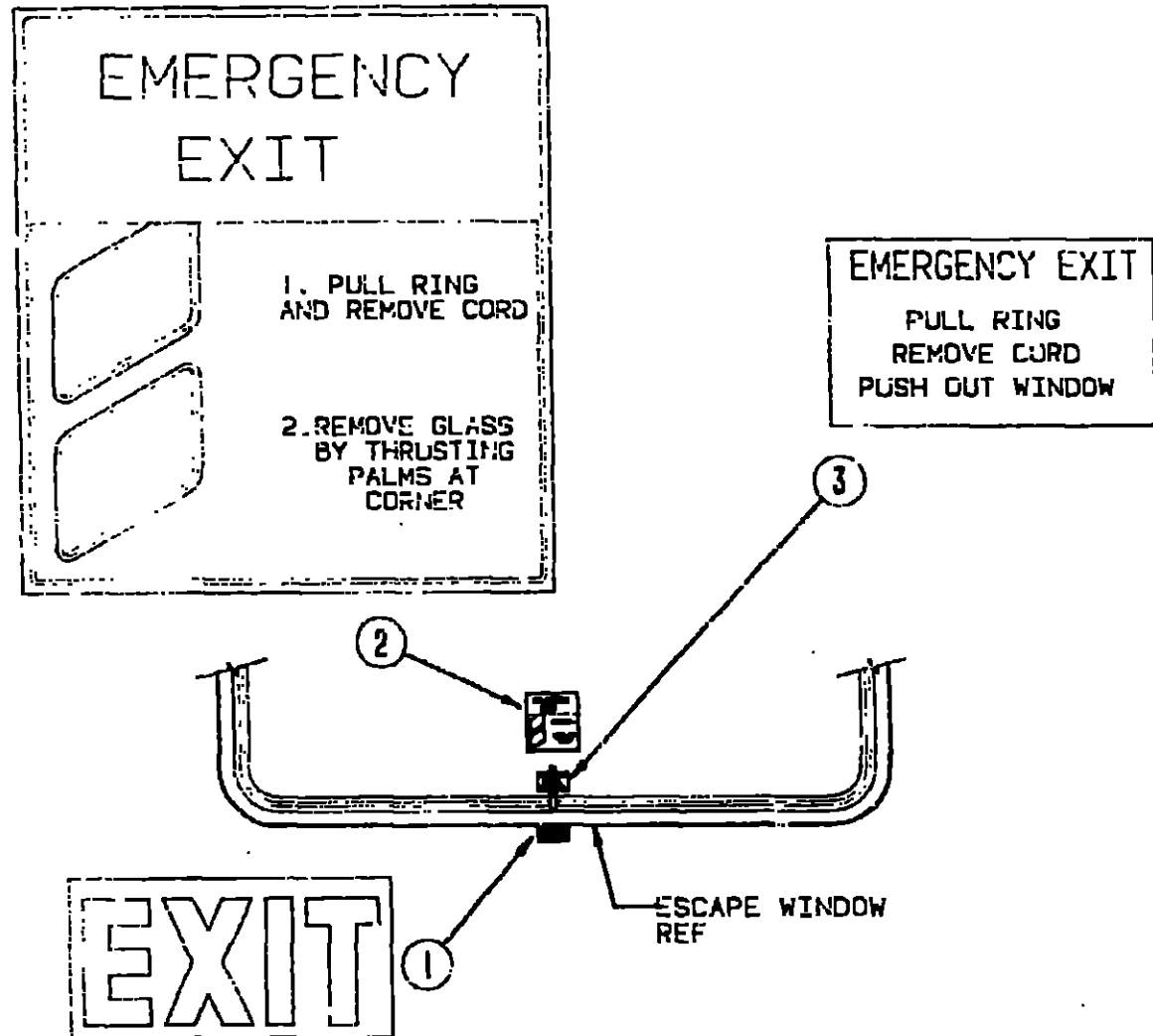
**1991 ITASCA  
 TABLE OF CONTENTS**

INTRODUCTION	A-01 - A-02
ABBREVIATIONS	A-03
ALPHABETICAL/GROUP REFERENCE	A-04 - A-06
IC/FM32RQ	A-07 - F-10
IC/FM34RA	F-11 - K-12

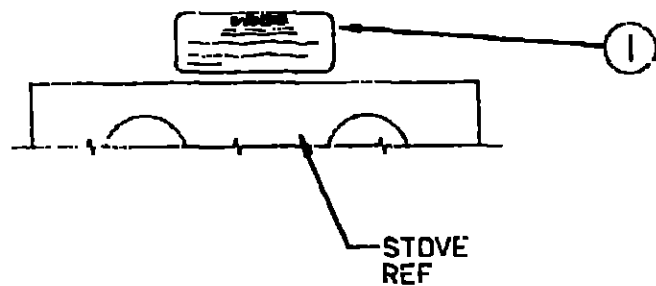
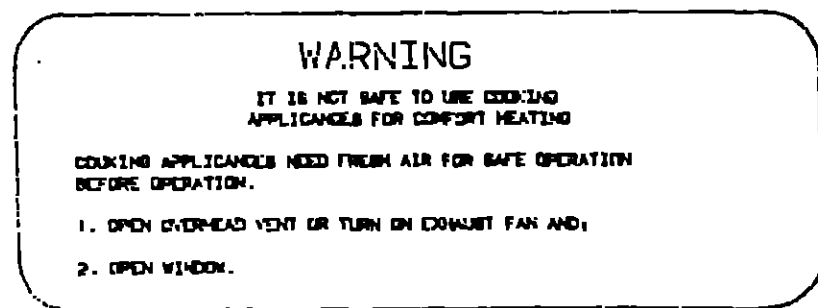
**1991 IC/FM34RA INDEX**

Floor Plan	F-11 - F-12
Accessories Group	F-13 - F-16
Bath Group	F-17 - F-20
Bedroom Group	F-21 - G-02
Chassis Group	G-03 - G-21
Curtain, Cushion & Pad Group	G-22 - H-08
Dinette Group	H-09 - H-12
Driver's Compartment Group	H-13 - H-20
Electrical Group	H-21 - H-24
Exterior Body Group	I-01 - I-10
Galley Group	I-11 - I-16
Heating & Air Conditioning Group	I-17 - I-18
Interior Finish Group	I-19 - I-20
Labels Group	I-21 - J-05
LP Group	J-06
Lounge Group	J-07 - J-10
Sealants & Fasteners Group	J-11 - J-12
Water & Sewage Group	J-13 - J-15
Window, Vent & Exterior Door Group	J-16 - K-12

**LABELS GROUP (CONTINUED)**

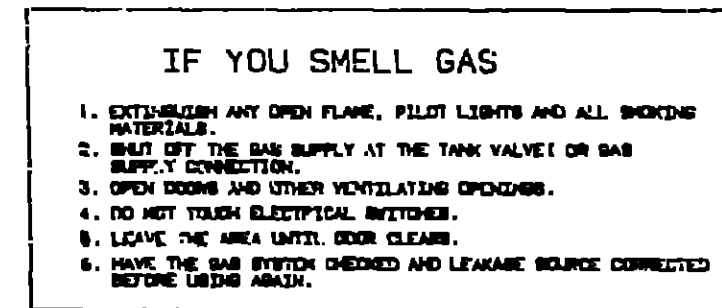
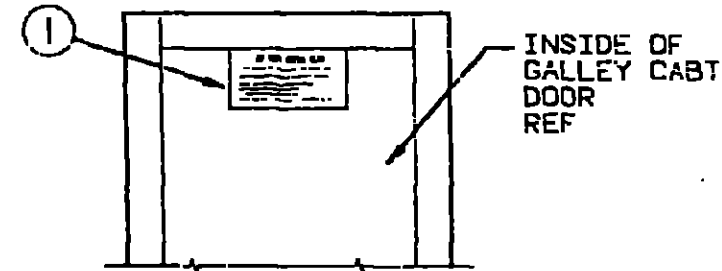


Key	Part Number	U/M	Description
1	039290-01-000	EA	Label - Warning - Exit
2	047731-01-000	EA	Label - Emergency Exit
3	006199-01-000	EA	Label - Exit - Escape Window

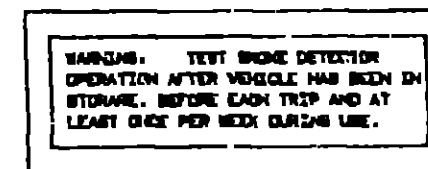
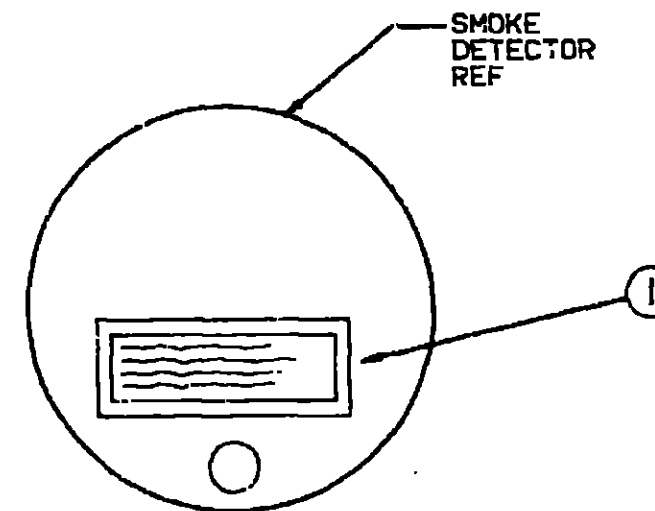


Key	Part Number	U/M	Description
1	050225-01-000	EA	Label - Warning - Stove Vent (USA)
2	050222-01-000	EA	Label - Warning - Stove Vent (CSA)

**LABELS GROUP (CONTINUED)**



Key	Part Number	U/M	Description
1	073998-01-00	EA	Label - LP Gas Odor Warning



Key	Part Number	U/M	Description
1	077956-01-000	EA	Label - Warning - Smoke Detector

**1991 ITASCA TABLE OF CONTENTS**

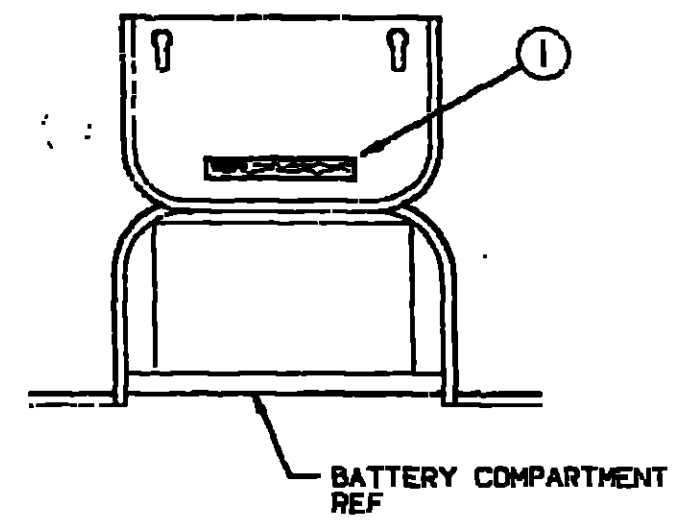
INTRODUCTION	A-01 - A-02
ABBREVIATIONS	A-03
ALPHABETICAL/GROUP REFERENCE	A-04 - A-06
IC/FM32RQ	A-07 - F-10
IC/FM34RA	F-11 - K-12

**1991 IC/FM34RA INDEX**

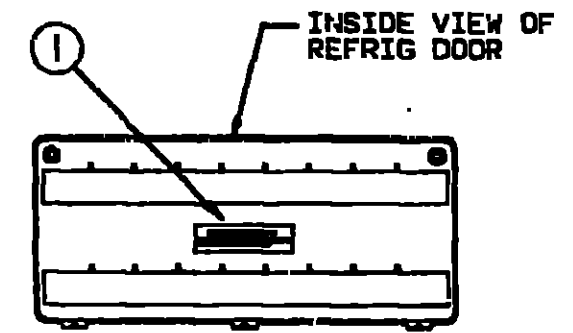
Floor Plan	F-11 - F-12
Accessories Group	F-13 - F-16
Bath Group	F-17 - F-20
Bedroom Group	F-21 - G-02
Chassis Group	G-03 - G-21
Curtain, Cushion & Pad Group	G-22 - H-08
Dinette Group	H-09 - H-12
Driver's Compartment Group	H-13 - H-20
Electrical Group	H-21 - H-24
Exterior Body Group	I-01 - I-10
Galley Group	I-11 - I-16
Heating & Air Conditioning Group	I-17 - I-18
Interior Finish Group	I-19 - I-20
Labels Group	I-21 - J-05
LP Group	J-06
Lounge Group	J-07 - J-10
Sealants & Fasteners Group	J-11 - J-12
Water & Sewage Group	J-13 - J-15
Window, Vent & Exterior Door Group	J-16 - K-12

**LABELS GROUP (CONTINUED)**

**WARNING** DISCONNECT BATTERIES BEFORE CONNECTING EXTERNAL CHARGING EQUIPMENT.



Key	Part Number	U/M	Description
1	065748-01-000	EA	Label - Caution - Battery Charging

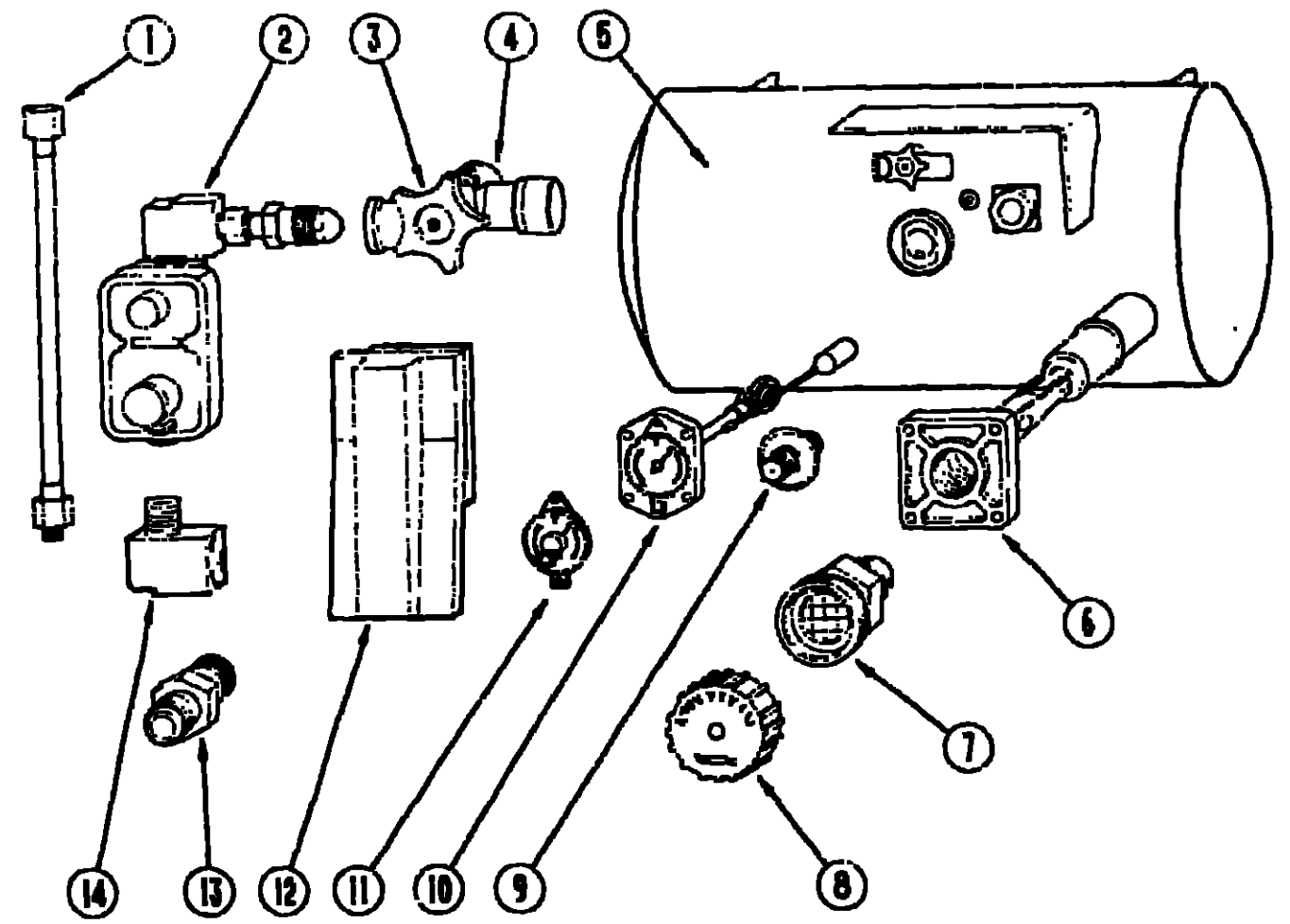


COMBUSTION AIR KIT NO 04270  
FOR COLD EG MODELS  
THIS VENTILATION KIT MUST BE INSTALLED AND USED WITHOUT MODIFICATION.

Key	Part Number	U/M	Description
1	070905-02-000	EA	Label - Refrigerator Combustion Air

Key	Part Number	U/M	Description
	006064-01-000	EA	Label - Seat w/o Seat Belt (USA)
	006064-02-000	EA	Label - Seat w/o Seat Belt (CSA)
	035709-01-000	EA	Label - Warning - No Storage
	074983-01-000	EA	Label - Air Conditioner Selector Switch
	091224-02-000	EA	Label - Trailer Lighting
	091243-01-000	EA	Label - Air Conditioner Cover
	099509-01-000	EA	Label - Awning Installation

**LP GROUP**



Key	Part Number	U/M	Description
1	045703-01-000	EA	Hose Asm. - LP - 3/8" ID x 24" (USA)
1	045703-02-000	EA	Hose Asm. - LP - 3/8" ID x 24" (CSA)
2	076301-01-000	EA	Regulator - Two Stage
3	040421-01-708	EA	Handwheel - Service Valve
4	040421-01-703	EA	Service Valve - Vapor Relief
5	088253-03-000	EA	LP Tank - 100 Pound - 16" Dia. x 36"
6	040421-01-711	EA	Inner Tank Valve - 80% Fill
7	040421-01-701	EA	Fill Valve
8	040421-01-702	EA	Fill Valve Cap
9	040421-01-700	EA	Liquid Level Gauge
10	040421-01-707	EA	Float Gauge
11	040440-02-000	EA	Dial - Visible Face - Float Gauge (w/Electric Transmitter)
12	081938-01-000	EA	Cover - LP Regulator
13	010329-01-000	EA	Adapter - Brass - 1/2" F x 1/2" MPT
14	065318-02-000	EA	Elbow - Brass - 90° - 3/8" MPT x 3/8" FPT
	085741-01-000	EA	Gauge - Diaphragm Pressure - Test Leak (Manometer)
	010644-01-000	FT	Pipe - Black Steel - 1/2" ID
	010515-01-000	EA	Elbow - Black Steel - 1/2" ID x 90°
	010536-01-000	EA	Tee - Black Steel - 1/2" ID
	010589-01-000	EA	Nipple - Black Steel - 1/2" ID x 1 1/2" Long
	057042-01-000	EA	Cross - Black Steel - 1/2" ID
	093380-01-000	EA	Coupler - Black Steel - 1/2" ID to 3/8" ID
	010473-01-000	FT	Copper Tubing - 3/8" OD
	010474-01-000	EA	Copper Tubing - 1/2" OD
	010271-01-000	EA	Elbow - Brass - 90° - 1/2" F x 1/2" MPT
	010377-02-000	EA	Nut - Brass - 3/8" F
	010380-02-000	EA	Nut - Brass - 1/2" F
	008042-01-000	FT	Vinyl Tubing - .65" ID
	016188-03-000	EA	Grommet - 3/8" - 2.5" Long
	016188-04-000	EA	Grommet - 1/2" - 2.5" Long
	016188-05-000	EA	Grommet - 3/8" - 1.25" Long

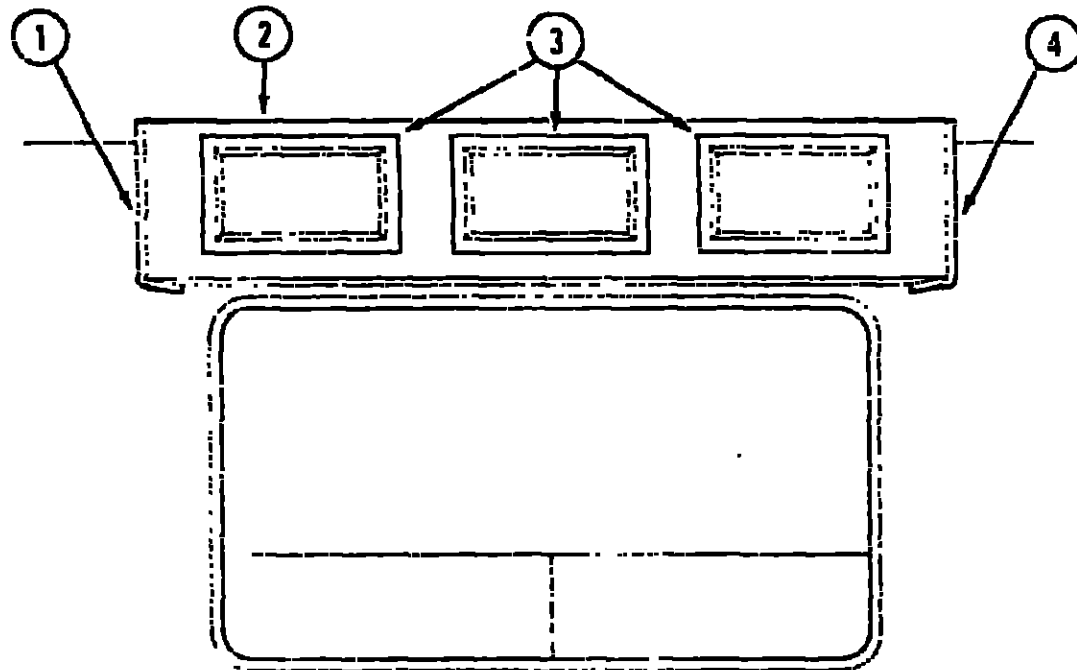
**1991 ITASCA TABLE OF CONTENTS**

INTRODUCTION	A-01 - A-02
ABBREVIATIONS	A-03
ALPHABETICAL/GROUP REFERENCE	A-04 - A-06
IC/FM32RQ	A-07 - F-10
IC/FM34RA	F-11 - K-12

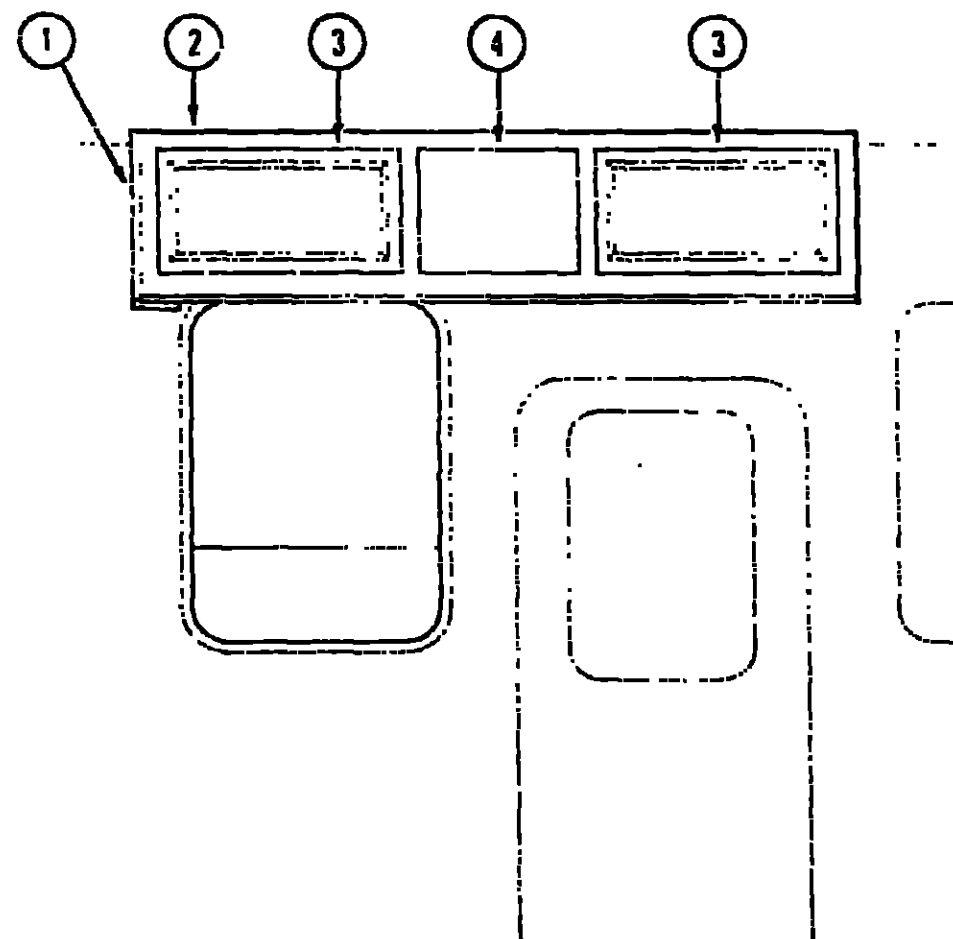
**1991 IC/FM34RA INDEX**

Floor Plan	F-11 - F-12
Accessories Group	F-13 - F-16
Bath Group	F-17 - F-20
Bedroom Group	F-21 - G-02
Chassis Group	G-03 - G-21
Curtain, Cushion & Pad Group	G-22 - H-08
Dinette Group	H-09 - H-12
Driver's Compartment Group	H-13 - H-20
Electrical Group	H-21 - H-24
Exterior Body Group	I-01 - I-10
Galley Group	I-11 - I-16
Heating & Air Conditioning Group	I-17 - I-18
Interior Finish Group	I-19 - I-20
Labels Group	I-21 - J-05
LP Group	J-06
Lounge Group	J-07 - J-10
Sealants & Fasteners Group	J-11 - J-12
Water & Sewage Group	J-13 - J-15
Window, Vent & Exterior Door Group	J-16 - K-12

**LOUNGE GROUP**



**LOUNGE GROUP (CONTINUED)**



**1991 ITASCA  
TABLE OF CONTENTS**

INTRODUCTION	A-01 - A-02
ABBREVIATIONS	A-03
ALPHABETICAL/GROUP REFERENCE	A-04 - A-06
IC/FM32RO	A-07 - F-10
IC/FM34RA	F-11 - K-12

**OVERHEAD CABINERY - DRIVER SIDE LOUNGE**

Key	Part Number	U/M	Description
1	081325-04-B32	EA	End Cap Asm. - Overhead Cabinet - Left
2	M04162-09-B32	EA	Cabinet Asm. - Overhead - w/o Door or Hardware
3	P00523-11-B29	EA	Door Asm. - Overhead - w/o Hardware
4	081325-03-B32	EA	End Cap Asm. - Overhead Cabinet - Right

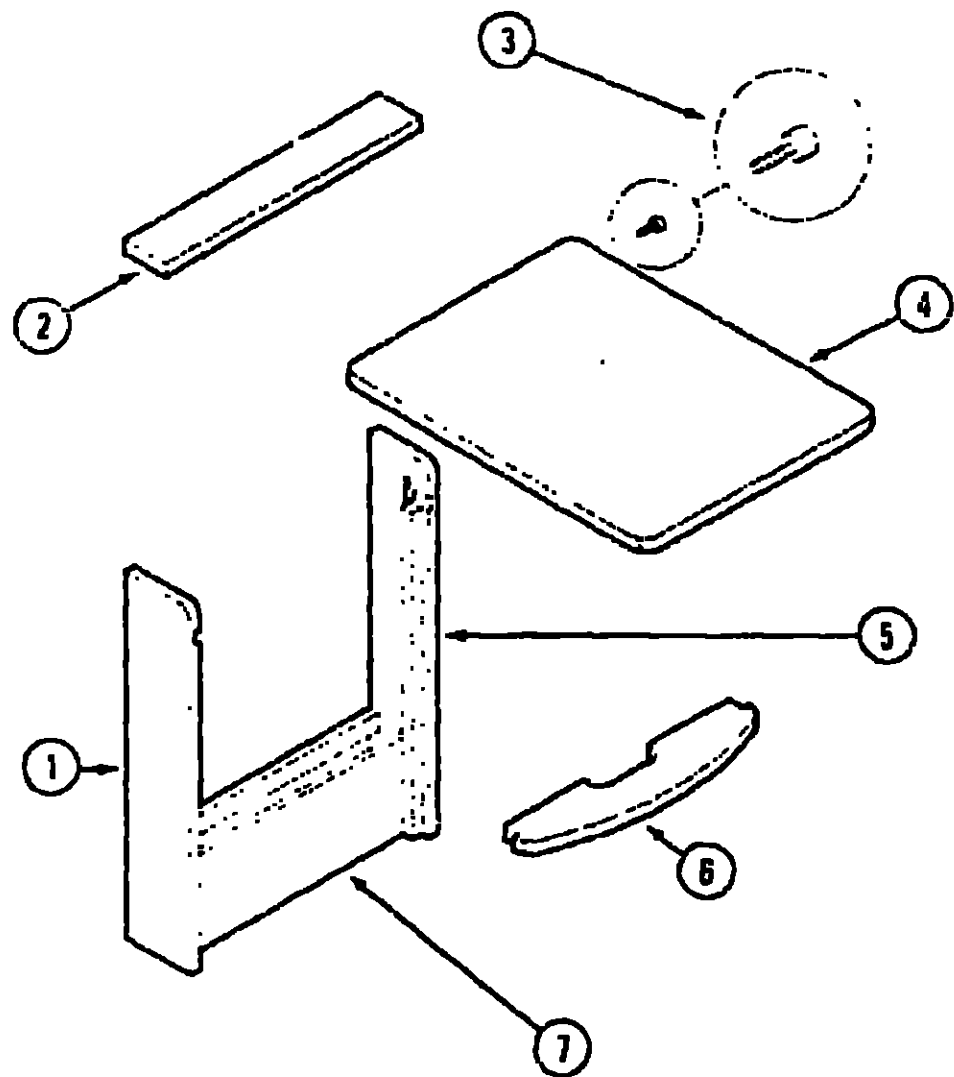
**OVERHEAD CABINERY - PASSENGER SIDE LOUNGE**

Key	Part Number	U/M	Description
1	097048-05-B32	EA	End Cap Asm. - Overhead Cabinet
2	M04162-22-B32	EA	Cabinet Asm. - Overhead - w/o Doors or Drawers
3	P00523-49-B35	EA	Door Asm. - Overhead Cabinet - w/o Hardware
4	101620-11-B10	EA	Speaker Cover
	048394-02-000	YD	Velcro Tape - Loop
	048395-02-000	YD	Velcro Tape - Hook

**1991 IC/FM34RA INDEX**

Floor Plan	F-11 - F-12
Accessories Group	F-13 - F-16
Bath Group	F-17 - F-20
Bedroom Group	F-21 - G-02
Chassis Group	G-03 - G-21
Curtain, Cushion & Pad Group	G-22 - H-08
Dinette Group	H-09 - H-12
Driver's Compartment Group	H-13 - H-20
Electrical Group	H-21 - H-24
Exterior Body Group	I-01 - I-10
Galley Group	I-11 - I-16
Heating & Air Conditioning Group	I-17 - I-18
Interior Finish Group	I-19 - I-20
Labels Group	I-21 - J-05
LP Group	J-06
Lounge Group	J-07 - J-10
Sealants & Fasteners Group	J-11 - J-12
Water & Sewage Group	J-13 - J-15
Window, Vent & Exterior Door Group	J-16 - K-12

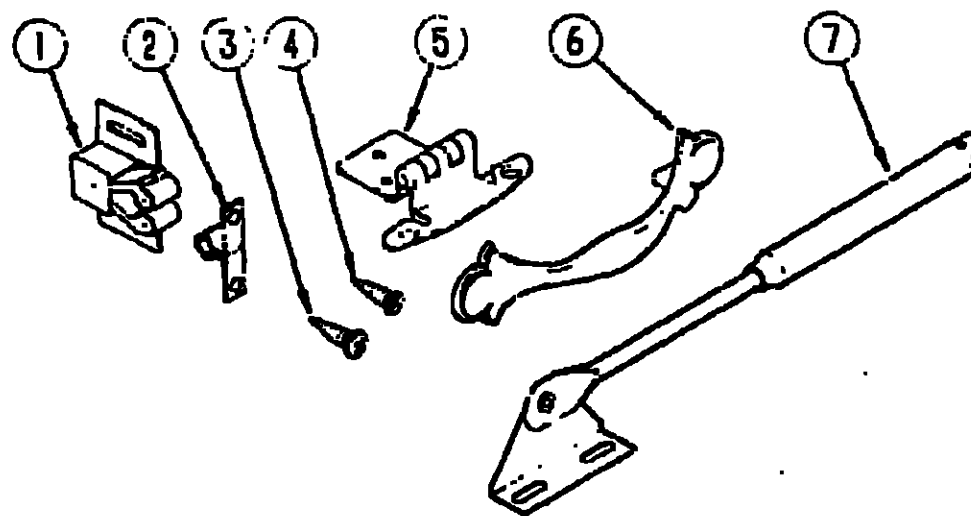
**LOUNGE GROUP (CONTINUED)**



**PULLOUT TABLE**

Key	Part Number	U/M	Description
1	095873-14-B32	EA	Table Cabinet End - Left
2	09C873-15-B29	EA	Table Cabinet End - Right
3	079921-01-000	EA	Nylon Roller w/Shaft
4	096873-11-B27	EA	Pullout Table
5	080735-01-000	EA	Out: Pull Handle
6	095873-13-B32	EA	Table Cabinet End - Right
7	09C873-12-B29	EA	Shell
7	096873-16-B29	EA	Table Cabinet Front - Bottom

**LOUNGE GROUP (CONTINUED)**



**CABINET HARDWARE (DOORS & CABINETS)**

Key	Part Number	U/M	Description
1	093586-03-000	EA	Roller Catch
2	093586-04-000	EA	Steel Strike
3	000G68-06-10G	EA	Screw - #6 - 18 x .625" POH - Antique Brass - Hinge to Cabinet
4	000G13-05-10G	EA	Screw - #6 - 20 x .625" PFH - Antique Brass - Hinge to Door
5	059777-02-000	EA	Hinge - Burnished Brass (Doors)
6	100273-01-000	EA	Pull Handle
7	074493-02-000	EA	Door Support
	081521-02-007	EA	Corner Molding - Aluminum (Plastic Trim Holder)
	042357-15-002	EA	Corner Molding - Radius - Plastic (Cabinets)
	083620-06000	FT	T-Molding - 3/4" w/Edge Lips (Cabinets)
	009767-10-000	FT	Welting - Mahogany
	009767-12-000	FT	Welting - Antique White
	018604-03-000	EA	Angle Bracket - 2.5"
	009812-22-000	EA	Molding - Corner - .5" - Country Forest (Cabinets)

**1991 ITASCA  
TABLE OF CONTENTS**

INTRODUCTION	A-01 - A-02
ABBREVIATIONS	A-03
ALPHABETICAL/GROUP REFERENCE	A-04 - A-06
IC/FM32RQ	A-07 - F-10
IC/FM34RA	F-11 - K-12

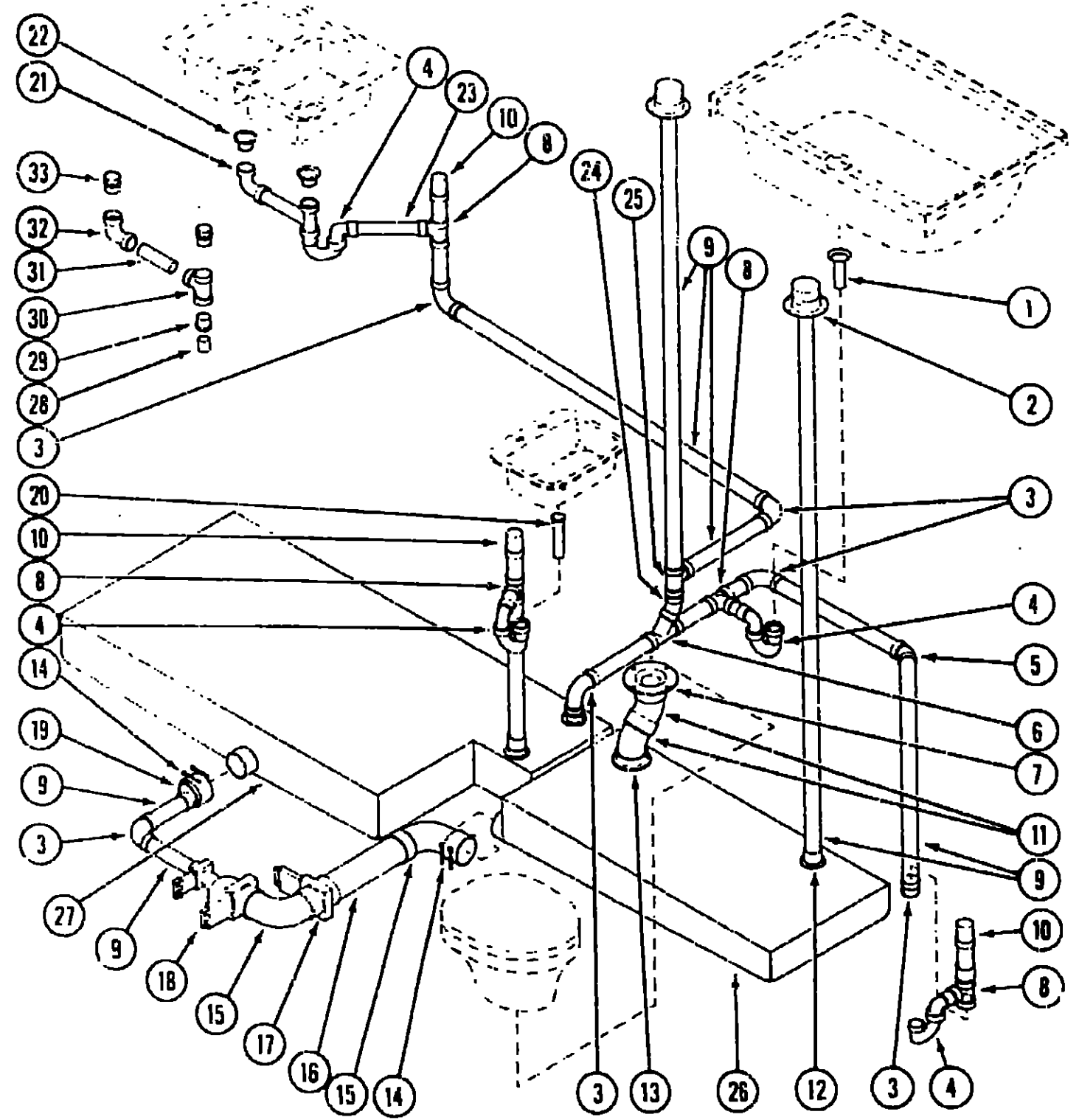
**1991 IC/FM34RA INDEX**

Floor Plan	F-11 - F-12
Accessories Group	F-13 - F-16
Bath Group	F-17 - F-20
Bedroom Group	F-21 - G-02
Chassis Group	G-03 - G-21
Curtain, Cushion & Pad Group	G-22 - H-08
Dinette Group	H-09 - H-12
Driver's Compartment Group	H-13 - H-20
Electrical Group	H-21 - H-24
Exterior Body Group	I-01 - I-10
Galley Group	I-11 - I-16
Heating & Air Conditioning Group	I-17 - I-18
Interior Finish Group	I-19 - I-20
Labels Group	I-21 - J-05
LP Group	J-06
Lounge Group	J-07 - J-10
Sealants & Fasteners Group	J-11 - J-12
Water & Sewage Group	J-13 - J-15
Window, Vent & Exterior Door Group	J-16 - K-12





## WATER & SEWAGE GROUP



Key	Part Number	U/M	Description
1	011069-03-000	EA	Plastic Tailpiece (US)
1	011069-02-000	EA	Brass Tailpiece - 1 1/2" x 1 1/4" x 4" (CSA)
2	093558-01-000	EA	Vent Cap
3	010079-01-000	EA	Tee - 1 1/2" H x 1 1/2" H x 1 1/4" H
4	011066-03-000	EA	P-Trap (US)
4	100166-02-000	EA	P-Trap (CSA)
5	010006-01-000	EA	Elbow - 1 1/2" H x 1 1/2" H x 45°
6	101173-01-000	EA	Wye - 1 1/2" H x 1 1/2" H x 1 1/2" H
7	024676-01-000	EA	Closet Flange (US)
7	024676-02-000	EA	Closet Flange (CSA)
7	063641-01-000	EA	Closet Flange (China, Shortly w/Spray)
8	010079-01-000	EA	Tee - 1 1/2" H x 1 1/2" H x 1 1/4" H
9	010195-01-000	FT	Plastic Pipe - 1 1/2" (US)
9	010195-02-000	FT	Plastic Pipe - 1 1/2" (CSA)
10	079968-01-000	EA	Vent Asm.
11	010061-01-000	EA	Elbow - 45° - Street - 3" H
12	061607-01-000	EA	Pipe Grommet - 1 1/2"
13	061607-02-000	EA	Pipe Grommet - 3"
14	078406-01-000	EA	Coupling - 3" - Rubber
15	031126-01-000	EA	Elbow - 90° - Street - 3" H
16	010197-01-000	FT	Plastic Pipe - 3" (US)
16	010197-02-000	FT	Plastic Pipe - 3" (CSA)
17	062418-01-000	EA	Valve Asm. - 3"
18	070916-01-000	EA	Dual Valve Asm. - 3" x 1 1/2"
19	062422-01-000	EA	Reducer Adapter - Offset - 3" x 1 1/2"
20	096927-01-701	EA	Tailpiece - Plastic
21	091980-01-000	EA	Continuous Waste Asm. (US)
22	092303-01-000	EA	Sink Strainers
23	010194-01-000	FT	Plastic Pipe - 1 1/4" (US)
23	010194-01-000	FT	Plastic Pipe - 1 1/4" (CSA)
24	010151-01-000	EA	Elbow - 45° - Street - 1 1/2" H
25	010071-01-000	EA	Tee - 1 1/2" H x 1 1/2" H x 1 1/2" H
26	096412-01-000	EA	Holding Tank - 26 Gal.
27	096411-01-000	EA	Holding Tank - 56 Gal.

### CONTINUOUS WASTE (CANADA)

Key	Part Number	U/M	Description
28	010194-02-000	FT	Plastic Pipe - 1 1/4"
29	010121-01-000	EA	Bushing Adapter - 1 1/2" x 1 1/4" H
30	010071-01-000	EA	Tee - 1 1/2" H x 1 1/2" H x 1 1/2" H
31	010195-02-000	FT	Plastic Pipe - 1 1/2"
32	037101-02-000	EA	Elbow - 1 1/2" H x 1 1/2" H x 90°
33	033302-02-000	EA	Adapter

## 1991 ITASCA TABLE OF CONTENTS

INTRODUCTION	A-01 - A-02
ABBREVIATIONS	A-03
ALPHABETICAL/GROUP REFERENCE	A-04 - A-06
IC/FM32RO	A-07 - F-10
IC/FM34RA	F-11 - K-12

## 1991 IC/FM34RA INDEX

Floor Plan	F-11 - F-12
Accessories Group	F-13 - F-16
Bath Group	F-17 - F-20
Bedroom Group	F-21 - G-02
Chassis Group	G-03 - G-21
Curtain, Cushion & Pad Group	G-22 - H-08
Dinette Group	H-09 - H-12
Driver's Compartment Group	H-13 - H-20
Electrical Group	H-21 - H-24
Exterior Body Group	I-01 - I-10
Galley Group	I-11 - I-16
Heating & Air Conditioning Group	I-17 - I-18
Interior Finish Group	I-19 - I-20
Labels Group	I-21 - J-05
LP Group	J-06
Lounge Group	J-07 - J-10
Sealants & Fasteners Group	J-11 - J-12
Water & Sewage Group	J-13 - J-15
Window, Vent & Exterior Door Group	J-16 - K-12

## WATER & SEWAGE GROUP (CONTINUED)

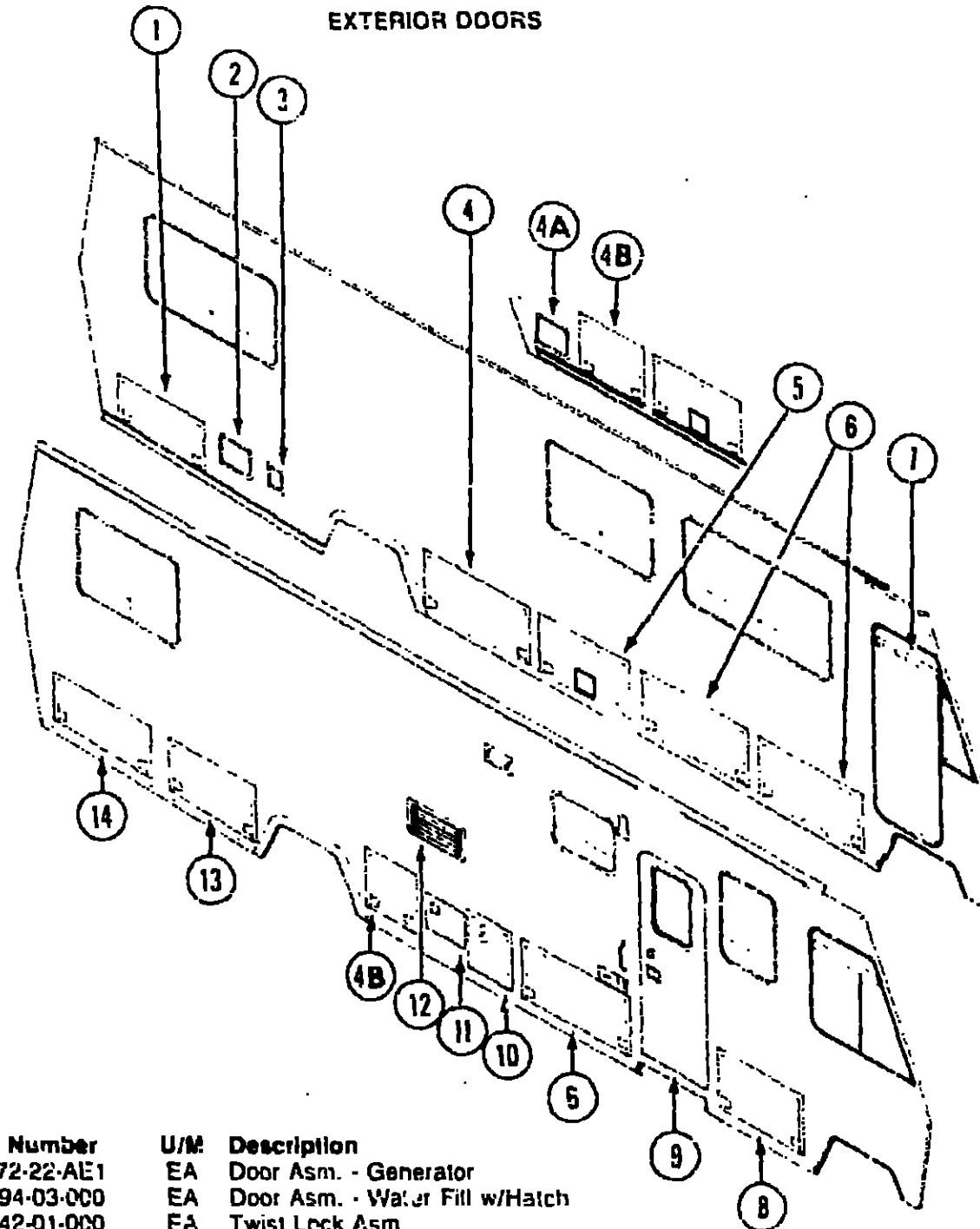
### WATER LINES & HARDWARE

Key	Part Number	U/M	Description
	075240-05-000	EA	Lavatory Faucet - Brass (USA)
	075240-06-000	EA	Lavatory Faucet - Bone (CSA)
	075241-04-000	EA	Faucet - Shower - Brass (USA)
	075241-05-000	EA	Faucet - Shower - Bone (CSA)
**	051391-03-000	EA	Water Heater - w/Electronic Ignition
**	051393-01-000	EA	Water Heater - w/Direct Ignition - Mntor Aid (Option 611)
	098607-01-000	EA	Water Pump - 2.8 GPM Flow - w/1/2" MPT Fitting (USA)
	098607-02-000	EA	Water Pump - 2.8 GPM Flow - w/1/2" MPT Fitting (CSA)
	028607-01-701	EA	Drive Asm.
	098607-01-702	EA	Diaphragm
	098607-01-703	EA	Valve Asm.
	098607-01-704	EA	Upper Housing
	098607-01-705	EA	Check Valve Kit
	098607-01-706	EA	Switch Asm. - Complete
	098607-01-700	EA	Pumphead
	098607-01-707	EA	Motor & Base Plate
	669180-05-000	EA	Water Tank - 58 Gallon w/Fittings
	089180-01-000	EA	Water Tank - 58 Gallon w/o Fittings
	077954-02-000	EA	Water Filter/Screen - In Tank
	087200-01-000	EA	Filter - Water Purification (Option 29B)
	087200-02-000	EA	Cartridge - Filter - Water Purification (Option 29B)
	079381-01-000	EA	Flexible Tubing - Smooth - 1.25" ID
	062401-02-000	EA	Hose Clamp - Wormgear - 1.56" to 2.5" ID
	087659-02-000	EA	Water Fill - City
	052960-01-000	EA	Valve - Line Drain - 1/2" F x 1/2" F - 2.75"
	052960-02-000	EA	Valve - Line Drain - 1/2" F x 1/2" F - 16"
	052954-01-000	EA	Adapter - Nose Cone - 3/8" or 1/2"
	079317-01-000	EA	Adapter - Swivel - 1/2" Tube x 1/2" FPT
	036522-02-000	EA	Cap - Brass - 1/2" Flare
	052959-03-000	EA	Connector - Plastic - 1/2" F x 3/8" MPT
	052957-01-000	EA	Elbow - Plastic - 1/2" F x 3/8" MPT
	035539-01-000	EA	Elbow - Plastic - 3/8" MPT x 3/8" BARB
	052957-02-000	EA	Elbow - Plastic - 1/2" F x 1/2" MPT
	065120-01-000	EA	Elbow - Plastic - Swivel - 1/2" ID
	010219-01-000	EA	Elbow - Plastic - 1 1/4" MPT x 1 1/4" BARB
	052952-01-000	EA	Nut - Plastic - 1/2" F
	052953-01-000	EA	Nut - Faucet - 1/2" Tube x 1/2" FPT
	042989-02-000	EA	Spinweld Fitting - Plastic - 1/2" NPT
	042989-03-000	EA	Spinweld Fitting - Plastic - 1 1/4" NPT
	042989-04-000	EA	Spinweld Fitting - Plastic - 3/8" FPT
	042989-05-000	EA	Spinweld Fitting - Plastic - 1/2" FPT
	052955-01-000	EA	Tee - Plastic - 1/2" F x 1/2" F x 1/2" MPT
	052958-01-000	EA	Tee - Plastic - 1/2" F x 1/2" F x 1/2" F
	052956-01-000	EA	Tee - Plastic - 1/2" F x 1/2" MPT x 1/2" F
	074463-01-000	EA	Tee - 4 Way - 1/2" Flare
	039800-01-000	FT	Tubing - Polybutyl - 1/2" OD x 20'
	039800-01-000	FT	Tubing - Polybutyl - 5/8" OD x 20'
	074462-02-000	FT	Tubing - Vinyl - 3/8" ID
	091208-01-000	EA	Washer - Rubber - .06" x .75" x .50"

\*\* The illustrated parts breakdown for this item is provided on the Common Items Fiche.

## WINDOW, VENT & EXTERIOR DOOR GROUP

### EXTERIOR DOORS



Key	Part Number	U/M	Description
1	087472-22-AE1	EA	Door Asm. - Generator
2	088794-03-000	EA	Door Asm. - Water Fill w/Hatch
	042442-01-000	EA	Twist Lock Asm.
3	078010-05-000	EA	Door Asm. - Fuel Fill
	042441-01-000	EA	Key Lock Asm. (w/o Keys)
	082684-01-700	EA	Key
4	087448-14-AE1	EA	Door Asm. - Sewage & Power Cord
4A	088794-03-000	EA	Door Asm. - Power Cord w/Hatch
	042442-01-000	EA	Twist Lock Asm.
4B	087448-10-X70	EA	Door Asm. - Sewage/Storage
5	087495-05-AE1	EA	Door Asm. - LP
6	087448-03-W84	EA	Door Asm. - Luggage
7	M89487-04-B33	EA	Door Asm. - Driver
8	087448-02-W84	EA	Door Asm. - Luggage
9	M01970-53-B32	EA	Door Asm. - Entrance
10	096478-01-AE1	EA	Door Asm. - Furnace
11	052009-03-000	EA	Door Asm. - Water Heater
12	084103-02-000	EA	Door - Vent - Refrigerator
	034104-02-000	EA	Jamb - Vent - Refrigerator
13	097472-19-AE1	EA	Door Asm. - Luggage
14	087472-20-AE1	EA	Door Asm. - Luggage

## 1991 ITASCA TABLE OF CONTENTS

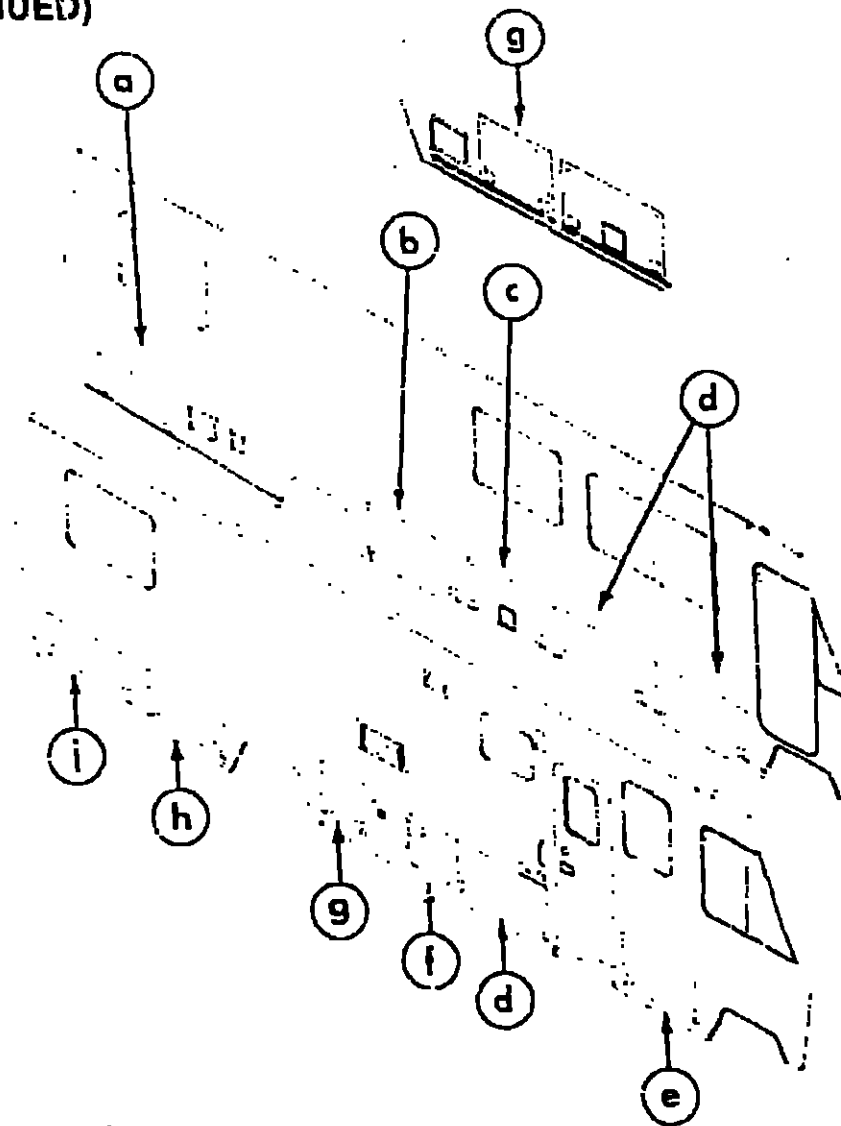
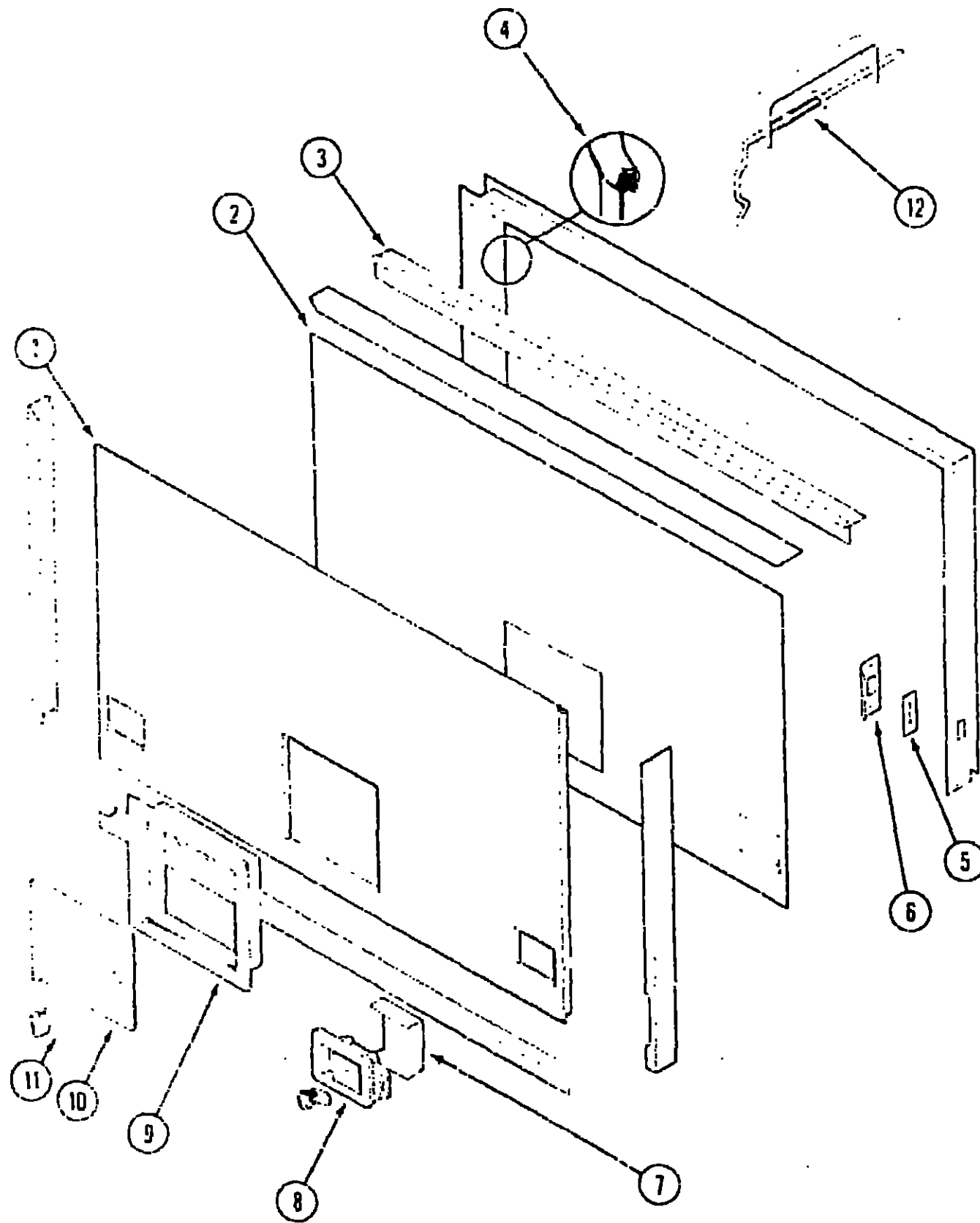
INTRODUCTION	A-01 - A-02
ABBREVIATIONS	A-03
ALPHABETICAL/GROUP REFERENCE	A-04 - A-06
IC/FM32RQ	A-07 - F-10
IC/FM34RA	F-11 - K-12

## 1991 IC/FM34RA INDEX

Floor Plan	F-11 - F-12
Accessories Group	F-13 - F-16
Bath Group	F-17 - F-20
Bedroom Group	F-21 - G-02
Chassis Group	G-03 - G-21
Curtain, Cushion & Pad Group	G-22 - H-08
Direct Group	H-09 - H-12
Driver's Compartment Group	H-13 - H-20
Electrical Group	H-21 - H-24
Exterior Body Group	I-01 - I-10
Galley Group	I-11 - I-16
Heating & Air Conditioning Group	I-17 - I-19
Interior Finish Group	I-19 - I-20
Labels Group	I-21 - J-05
LP Group	J-06
Lounge Group	J-07 - J-10
Sealants & Fasteners Group	J-11 - J-12
Water & Sewage Group	J-13 - J-15
Window, Vent & Exterior Door Group	J-16 - K-12

# WINDOW, VENT & EXTERIOR DOOR GROUP (CONTINUED)

## LUGGAGE & GENERATOR DOORS



Key	Part Number	U/M	Description
1	M03044-02-Y70	EA	Insert Asm. - Compartment Doors - 4' x 8' - Gray - Fiberglass/Styrofoam
2a	096782-02-01A	EA	Door Liner - Metal - Generator
2b	089095-06-000	EA	Door Liner
2c	089097-02-000	EA	Door Liner - LP
2d	039095-06-000	EA	Door Liner
2e	089095-04-000	EA	Door Liner
2f	089097-08-000	EA	Door Liner
2g	089095-10-000	EA	Door Liner
2h	089094-24-000	EA	Door Liner
2j	089094-26-000	EA	Door Liner
3	081801-03-000	EA	Hinge - 2" x 96" - Gray
4	064075-07-000	FT	Bulb Seal
5	081067-02-000	EA	Seal
6	086809-02-000	EA	Strike
7	086810-02-000	EA	Bracket
8	030G11-08-12T	EA	Screw - #8 - 18 x 3/4" PPH - Black
8	085730-02-000	EA	Paddle Latch Asm. w/Lock
8	085730-05-000	EA	Paddle Latch Asm. w/o Lock
9	052424-03-000	EA	Door Jamb
10	052423-03-000	EA	Door
11	042442-01-000	EA	Lock Asm. - Twist Type
12	092644-02-Y12	EA	Prop Rod Asm.
	072917-01-000	EA	Prop Rod Asm. - Generator & LP Doors
	039984-01-000	EA	Prop Rod End Cap (Black)
	092459-01-000	EA	Prop Rod Spring
	092636-01-000	EA	Prop Rod
	092639-01-000	EA	Prop Rod Bracket
	062628-01-000	EA	Clip - Prop Rod - Generator & LP Doors
	098490-01-000	EA	Bracket - Prop Rod - Generator & LP Doors
	008386-01-000	EA	Snap Grommet - 3/8" - Generator & LP Doors

## 1991 ITASCA TABLE OF CONTENTS

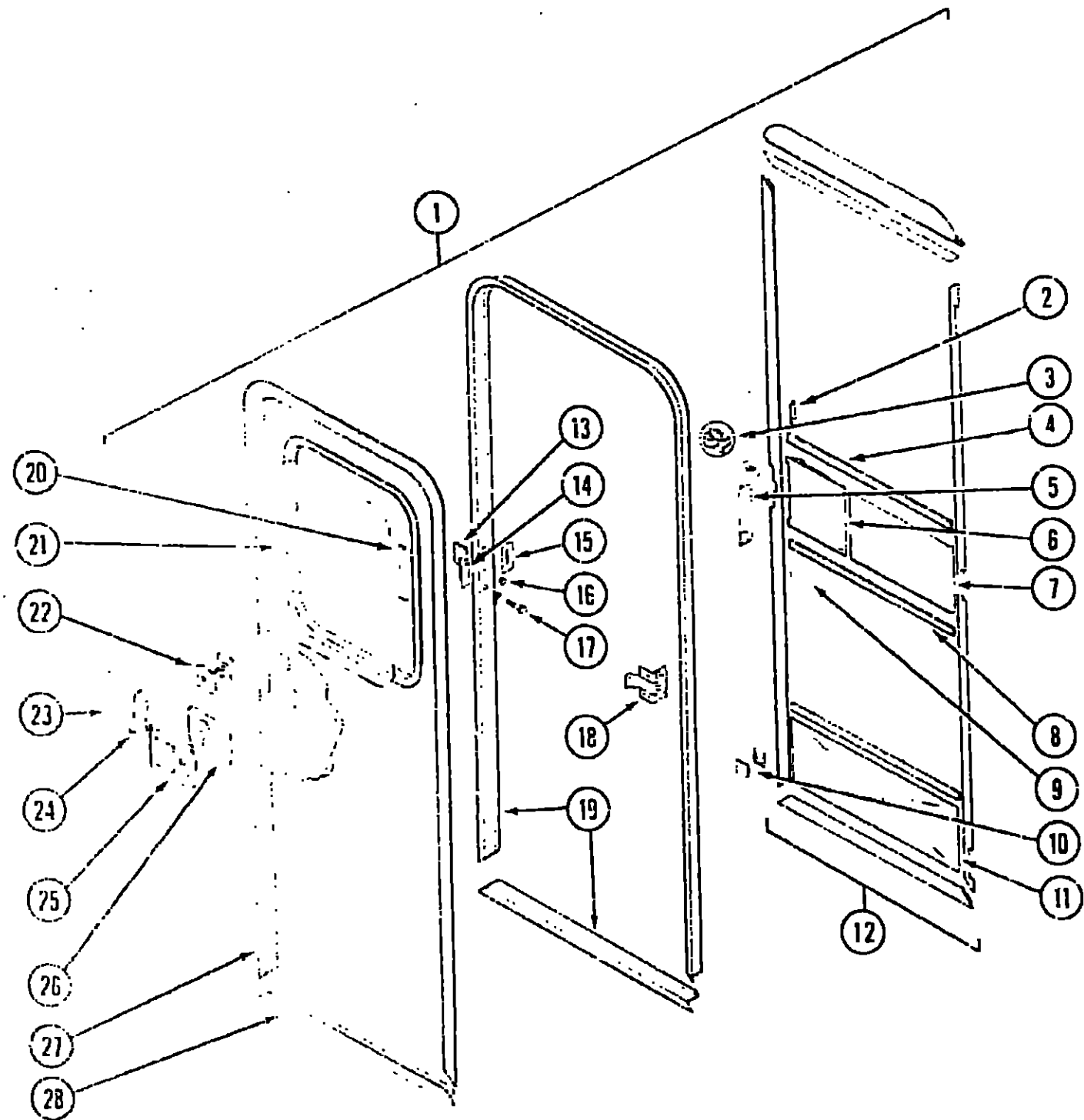
INTRODUCTION	A-01 - A-02
ABBREVIATIONS	A-03
ALPHABETICAL/GROUP REFERENCE	A-04 - A-06
IC/FM32RQ	A-07 - F-10
IC/FM34RA	F-11 - K-12

## 1991 IC/FM34RA INDEX

Floor Plan	F-11 - F-12
Accessories Group	F-13 - F-16
Bath Group	F-17 - F-20
Bedroom Group	F-21 - G-02
Chassis Group	G-03 - G-21
Curtain, Cushion & Pad Group	G-22 - H-08
Dinette Group	H-09 - H-12
Driver's Compartment Group	H-13 - H-20
Electrical Group	H-21 - H-24
Exterior Body Group	I-01 - I-10
Galley Group	I-11 - I-16
Heating & Air Conditioning Group	I-17 - I-18
Interior Finish Group	I-19 - I-20
Labels Group	I-21 - J-05
LP Group	J-06
Lounge Group	J-07 - J-10
Sealants & Fasteners Group	J-11 - J-12
Water & Sewage Group	J-13 - J-15
Window, Vent & Exterior Door Group	J-16 - K-12

# WINDOW, VENT & EXTERIOR DOOR GROUP (CONTINUED)

## ENTRANCE DOOR



Key	Part Number	U/M	Description
1	M01870-53-B32	EA	Door Asm. w/Screen Door
	075639-14-000	EA	Door Garnish - Off White
2	050712-04-000	EA	Door Handle - Screen Door
3	009018-01-000	EA	Roller Catch
4	078592-01-000	EA	Screen Door Mullion - Upper & Lower Slider
	078777-01-000	EA	Slider Channel (Mullion Insert)
5	079087-02-000	EA	Screen Door Slider Strike
6	079086-02-000	EA	Screen Door Slider
7	016454-01-000	EA	Screen Door Insert
8	002294-01-000	FT	Spline - Black
9	002293-02-000	SF	Window Screen - 26" Charcoal
10	085774-01-000	FT	Dual Lock Fastener - 1" Wide - Black
10	085774-02-000	FT	Dual Lock Fastener - 1" Wide - Black
11	078552-01-000	EA	Screen Door Insert - Lower
12	079012-05-B10	EA	Screen Door Asm.
13	077461-03-000	EA	Strike Cover
14	041546-03-000	EA	Angle Bracket
15	079173-01-000	EA	Deadbolt Gasket
16	058806-01-000	EA	Plug - Tapered Plastic
17	039539-01-000	EA	Strike
18	097724-01-03A	EA	Hinge
19	095277-04-03A	EA	Door Jamb
	044592-06-000	EA	Drip Cap - Gray
20	0875E1-01-000	FT	Window Seal
21	002181-06-000	EA	Glass
	079733-04-T03	EA	Window Asm. w/o Inside Frame
	067609-27-000	EA	Inside Frame - Window Asm. - Black
22	101145-01-01A	EA	Deadbolt Asm. - Square - Black
	095229-01-700	EA	Key Blank - Deadbolt
	101147-01-000	EA	Bolt - Security
23	098173-01-02A	EA	Stiffener
	102524-01-000	EA	Bumper - Flat - Black Rubber
24	039540-01-000	EA	Latch Asm. - Hook
25	045017-11-000	EA	Latch Asm. - Plate - Black
	045017-11-701	EA	Key Blank - Door Latch Plate
26	039979-04-000	EA	Cover Asm. - Latch Plate - Black
27	095276-03-03A	EA	Door Frame - Gray
28	089748-03-000	EA	Door Frame - Bottom - Gray
	039984-01-000	FA	Cap - Black Vinyl - Lock Grip
	075673-01-000	FT	Seal - Pile - Adhesive Back
	075671-01-000	FT	Seal - Sponge - Lazy T Shape
	081914-01-000	EA	Bumper - Round - Black Rubber
	100128-02-000	FT	Seal - Screen Door

## 1991 ITASCA TABLE OF CONTENTS

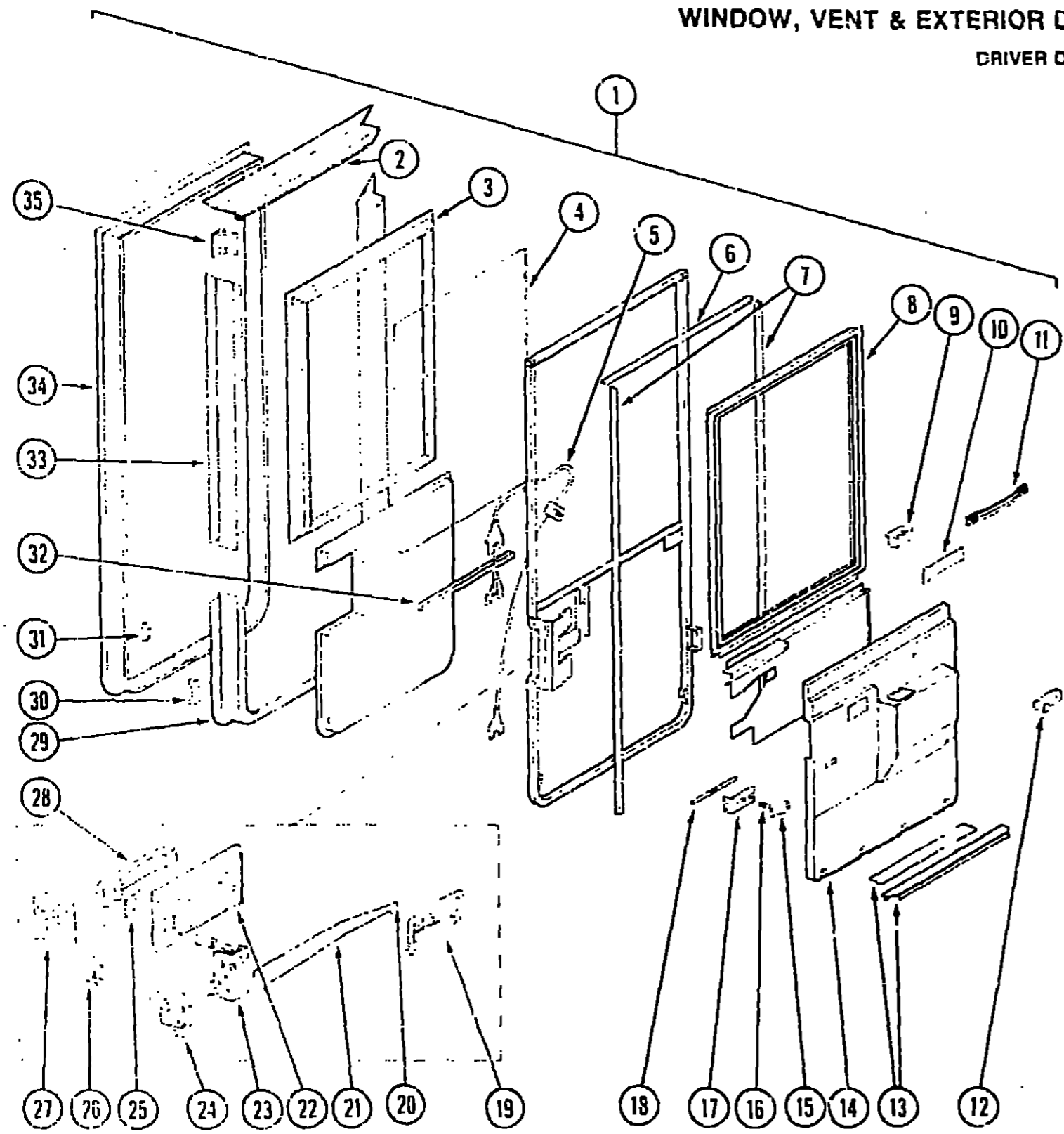
INTRODUCTION	A-01 - A-02
ABBREVIATIONS	A-03
ALPHABETICAL/GROUP REFERENCE	A-04 - A-06
IC/FM32RQ	A-07 - F-10
IC/FM34RA	F-11 - K-12

## 1991 IC/FM34RA INDEX

Floor Plan	F-11 - F-12
Accessories Group	F-13 - F-16
Ba'h Group	F-17 - F-20
Bedroom Group	F-21 - G-02
Chassis Group	G-03 - G-21
Curtain, Cushion & Pad Group	G-22 - H-08
Dinette Group	H-09 - H-12
Driver's Compartment Group	H-13 - H-20
Electrical Group	H-21 - H-24
Exterior Body Group	I-01 - I-10
Galley Group	I-11 - I-16
Heating & Air Conditioning Group	I-17 - I-18
Interior Finish Group	I-19 - I-20
Labels Group	I-21 - J-05
LP Group	J-06
Lounge Group	J-07 - J-10
Sealants & Fasteners Group	J-11 - J-12
Water & Sewage Group	J-13 - J-15
Window, Vent & Exterior Door Group	J-16 - K-12

# WINDOW, VENT & EXTERIOR DOOR GROUP (CONTINUED)

## DRIVER DOOR



Key	Part Number	U/M	Description
1	M89487-04-B32	EA	Door Asm. - Complete (w/Tan Door Panel)
1	M89487-04-B33	EA	Door Asm. - Complete (w/Gray Door Panel)
2	089458-01-000	EA	Door Frame - Upper
3	089459-01-000	EA	Window Frame - Outer
4	081488-02-000	EA	Glass
5	081911-01-000	EA	Glass Setting Tape
5	081907-02-000	EA	Regulator Asm.
6	089454-01-000	EA	Glass Run Channel - Aluminum - Black
7	082240-02-000	EA	Glass Run Channel - Aluminum - Black
	081910-02-000	EA	Glass Run Channel - Seal - 10'
8	089461-02-000	EA	Window Frame - Inner
	079370-04-000	FT	Vinyl Screw Cover - Black
9	046886-03-000	EA	Ashtray
10	098030-01-000	EA	Check Strap
	064219-01-000	EA	Retainer - Check Strap
11	061400-04-000	EA	Assist Strap
12	094575-01-000	EA	Window Crank
13	099240-01-01A	EA	Door Threshold (Inner) (not included in Door Asm.)
13	099841-01-01A	EA	Door Threshold (Outer) (not included in Door Asm.)
14	082471-08-000	EA	Trim Panel - Tan
14	082471-05-000	EA	Trim Panel - Gray
15	081905-02-000	EA	Control Knob - Slide Bolt
16	081903-01-000	EA	Knob Shaft
17	081487-01-000	EA	Slide Bolt Housing
18	081906-01-000	EA	Slide Bolt
19	R77006-50-326	EA	Interior Door Handle
20	076542-04-000	EA	Control Rod - Latch
21	073110-03-000	EA	Control Link Rod - Lock
22	082107-02-000	EA	Door Handle Escutcheon
23	073303-03-000	EA	Latch Asm.
24	R77007-56-702	EA	Lock Asm.
25	R77007-05-374	EA	Seal
26	083223-01-000	EA	Key Lock Asm.
27	R77013-48-165	EA	Door Lock Catch
28	R77040-01-538	EA	Door Handle
29	085007-10-000	EA	Door Frame - Lower
30	084465-01-000	EA	Door Stop Block - Jamb
31	084465-02-000	EA	Door Stop Block - Door
32	032472-01-000	EA	Glass Retainer Channel
33	089455-04-000	EA	Door Frame - Upper Rear
34	089463-08-000	EA	Door Jamb Asm. (not included in Door Asm.)
35	063993-03-000	EA	Hinge
	083551-01-000	EA	Jamb Sponge Seal - Lazy T Shape

## 1991 ITASCA TABLE OF CONTENTS

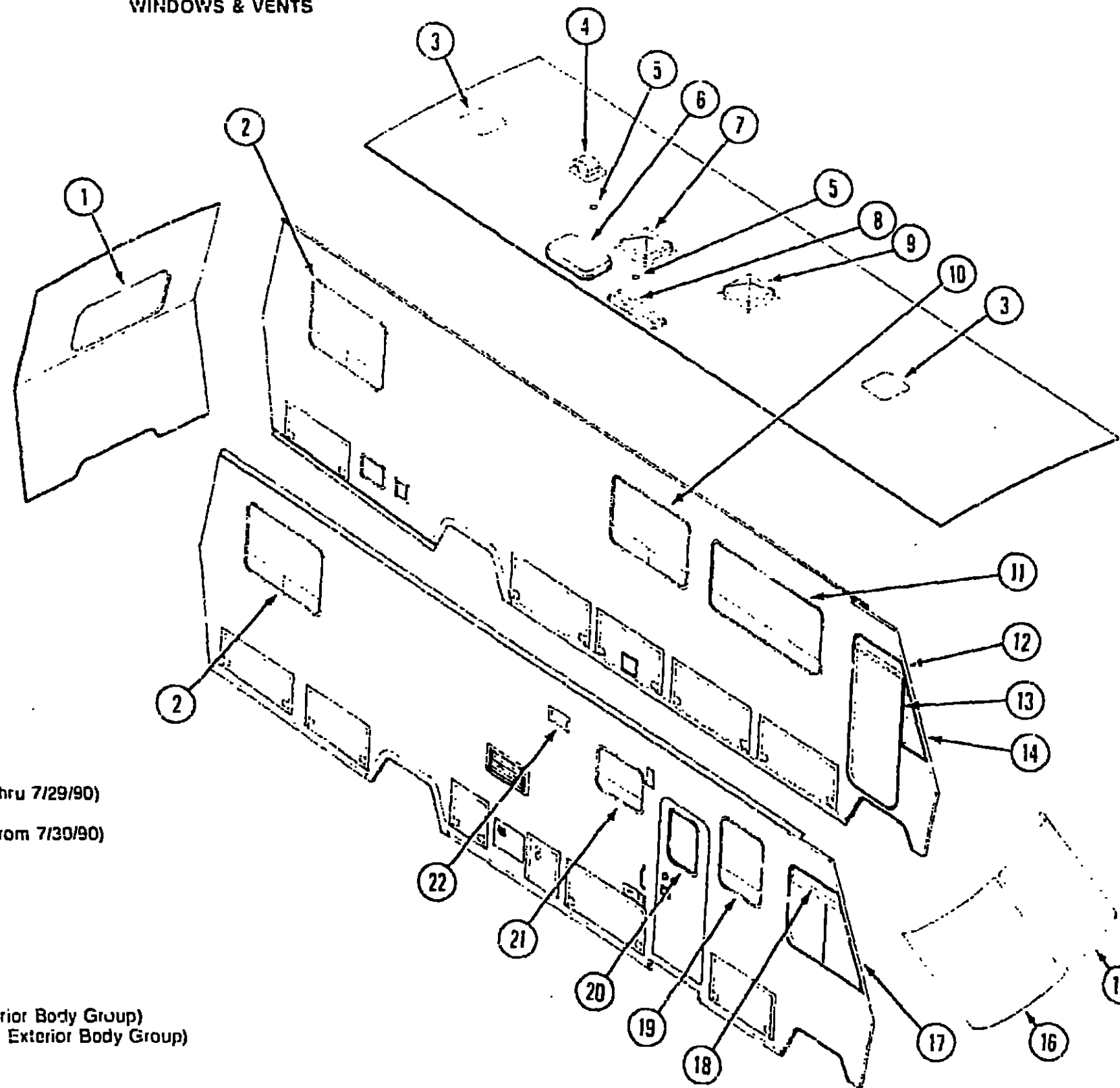
INTRODUCTION	A-01 - A-02
ABBREVIATIONS	A-03
ALPHABETICAL/GROUP REFERENCE	A-04 - A-06
IC/FM32RO	A-07 - F-10
IC/FM34RA	F-11 - K-12

## 1991 IC/FM34RA INDEX

Floor Plan	F-11 - F-12
Accessories Group	F-13 - F-16
Bath Group	F-17 - F-20
Bedroom Group	F-21 - G-02
Chassis Group	G-03 - G-21
Curtain, Cushion & Pad Group	G-22 - H-08
Dinette Group	H-09 - H-12
Driver's Compartment Group	H-13 - H-20
Electrical Group	H-21 - H-24
Exterior Body Group	I-01 - I-10
Galley Group	I-11 - I-16
Heating & Air Conditioning Group	I-17 - I-18
Interior Finish Group	I-19 - I-20
Labels Group	I-21 - J-05
LP Group	J-06
Lounge Group	J-07 - J-10
Sealants & Fasteners Group	J-11 - J-12
Water & Sewage Group	J-13 - J-15
Window, Vent & Exterior Door Group	J-16 - K-12

WINDOW, VENT & EXTERIOR DOOR GROUP (CONTINUED)

WINDOWS & VENTS



Key	Part Number	U/M	Description
1	078528-03-Y12	EA	Window Asm. - Escape (w/o inside frame)
1	074816-06-000	EA	Inside Frame
2	092234-01-Y12	EA	Window Asm. - Double Tipout (w/o inside frame)
2	090893-07-01A	EA	Inside Frame
3	090392-01-Y12	EA	Roof Vent - Non-Powered
4	097848-01-000	EA	Vent - Washer/Dryer (Option 21T)
5	083558-01-000	EA	Roof Vent Pipe Cap
6	080507-01-000	EA	Skylight Panel - Outer
6	080508-01-000	EA	Skylight Panel - Inner
7	090393-01-Y12	EA	Roof Vent - Powered (Bath) USA
7	064469-08-000	EA	Roof Vent - Powered (Bath) CSA
8	084073-02-000	EA	Roof Vent Cap - Refrigerator
8	084073-04-000	EA	Roof Vent Base - Refrigerator
9	090392-01-Y12	EA	Roof Vent - Non-Powered
9	084079-06-000	EA	Roof Vent - Powered (Option 41M)
10	092234-01-Y12	EA	Window Asm. - Double Tipout (w/o inside frame) (Thru 7/29/90)
10	090893-07-01A	EA	Inside Frame
10	092234-02-Y12	EA	Window Asm. - Double Tipout (w/o inside frame) (From 7/30/90)
10	090893-08-01A	EA	Inside Frame
11	092234-03-Y12	EA	Window Asm. - Double Tipout (w/o inside frame)
11	090893-09-01A	EA	Inside Frame
12	089619-02-X14	EA	Window Asm. - Vista (w/o inside frame)
12	089727-06-000	EA	Inside Frame
13	081488-02-000	EA	Door Glass Only - Rollup
14	099933-01-Y12	EA	Window Asm. - Slant (w/o inside frame)
14	099932-01-01A	EA	Inside Frame
15	080793-02-000	EA	Windshield Glass - Driver (Molding Trim - See Exterior Body Group)
16	080793-01-000	EA	Windshield Glass - Passenger (Molding, Trim - See Exterior Body Group)
17	089607-01-X14	EA	Window Asm. - Slant Slider (w/o inside frame)
17	089603-01-AB1	EA	Inside Frame w/Slider Screen
18	089619-01-X14	EA	Window Asm. - Vista (w/o inside frame)
18	089727-05-000	EA	Inside Frame
19	092235-06-Y12	EA	Window Asm. - Single Tipout (w/o inside frame)
19	090893-06-01A	EA	Inside Frame
20	079733-04-T03	EA	Window Asm. - Entrance Door (w/o inside frame)
20	067009-27-000	EA	Inside Frame - Black
21	092235-09-Y12	EA	Window Asm. - Single Tipout (w/o inside frame)
21	090893-02-01A	EA	Inside Frame
22	092698-02-C3A	EA	Vent w/Door - Range Hood

1991 ITASCA  
TABLE OF CONTENTS

INTRODUCTION	A-01 - A-02
ABBREVIATIONS	A-03
ALPHABETICAL/GROUP REFERENCE	A-04 - A-06
IC/FM32RO	A-07 - F-10
IC/FM34RA	F-11 - K-12

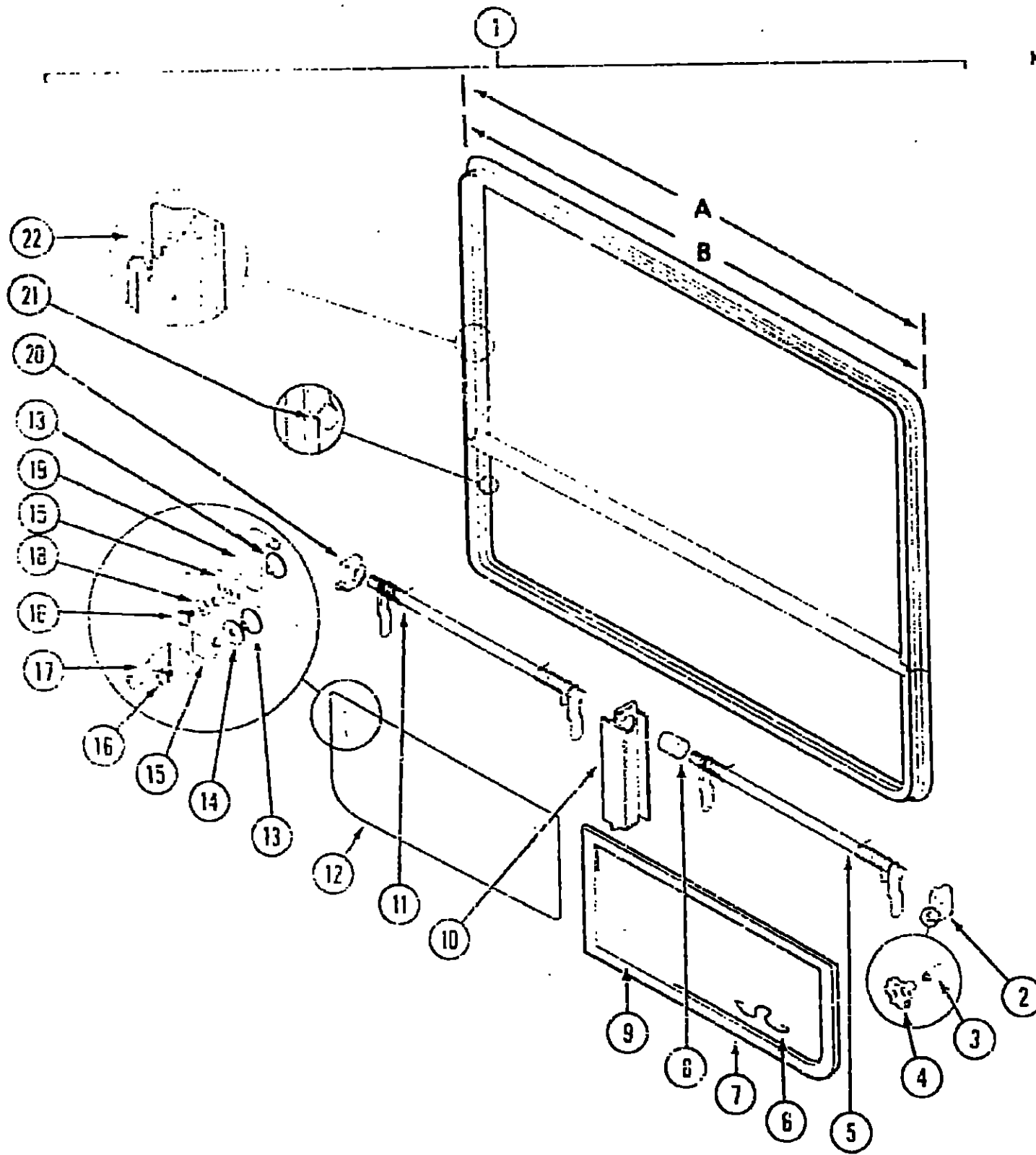
1991 IC/FM34RA INDEX

Floor Plan	F-11 - F-12
Accessories Group	F-13 - F-16
Bath Group	F-17 - F-20
Bedroom Group	F-21 - G-02
Chassis Group	G-03 - G-21
Curtain, Cushion & Pad Group	G-22 - H-08
Dinette Group	H-09 - H-12
Driver's Compartment Group	H-13 - H-20
Electrical Group	H-21 - H-24
Exterior Body Group	I-01 - I-10
Galley Group	I-11 - I-16
Heating & Air Conditioning Group	I-17 - I-18
Interior Finish Group	I-19 - I-20
Labels Group	I-21 - J-05
LP Group	J-06
Lounge Group	J-07 - J-10
Sealants & Fasteners Group	J-11 - J-12
Water & Sewage Group	J-13 - J-15
Window, Vent & Exterior Door Group	J-16 - K-12

# WINDOW, VENT & EXTERIOR DOOR GROUP (CONTINUED)

## DINETTE DOUBLE TIPOUT WINDOW (B) 55" (CONTINUED)

## 1991 ITASCA TABLE OF CONTENTS



Key	Part Number	U/M	Description
5	033227-07-000	EA	Torque Tube Asm.
6	100168-01-000	EA	Screen Clip
7	100234-04-807	EA	Screen Asm. - Right Side (Illustrated)
	100234-03-807	EA	Screen Asm. - Left Side (Not Illustrated)
8	088816-51-001	EA	Torque Tube Sleeve
9	080218-03-000	SF	Window Screen - 12"
	100240-01-000	FT	Window Screen Spine
10	088803-01-01A	EA	Mullion - Black
11	083228-07-000	EA	Torque Tube Asm.
12	084068-21-000	EA	Glass - 1/8" x 9 1/4" x 25.5" - Right or Left Side
13	086762-01-000	EA	Window T-Nut
14	068927-03-000	EA	Seal - Rubber
15	084473-01-000	EA	Seal - Rubber
16	086763-01-000	EA	Screw - #10 - 32 x 1/4" PTH
17	097578-01-000	EA	Connecting Rod Asm.
	081649-01-000	EA	Snap Ring Clip
18	084453-02-000	EA	Plastic Washer - .06 x .50 x .25
19	089913-01-000	EA	Hinge
20	035302-02-000	EA	Operator Drive - Left Side
21	084067-01-000	FT	Seal - Sponge Rubber
22	059640-06-000	FT	Ribbon Seal (not included w/Window Assembly)

INTRODUCTION	A-01 - A-02
ABBREVIATIONS	A-03
ALPHABETICAL/GROUP REFERENCE	A-04 - A-06
IC/FM32RO	A-07 - F-10
IC/FM34RA	F-11 - K-12

## BEDROOM & DINETTE DOUBLE TIPOUT WINDOW (A) 43"

Key	Part Number	U/M	Description
1	092234-01-Y12	EA	Window Asm. - Double Tipout
	090893-07-01A	EA	Inside Frame (not included w/Window Assembly)
2	035302-01-000	EA	Operator Drive - Right Side
3	090025-01-000	EA	Extension - Window Knob (not included w/Window Assembly)
4	067052-02-000	EA	Window Knob - Beige (not included w/Window Assembly)
	089371-01-000	EA	Screw - Window Knob (not included w/Window Assembly)
4	101290-01-01A	EA	Window Knob - Brass (not included w/Window Assembly)
	101289-01-01A	EA	Screw - Window Knob - Brass (not included w/Window Assembly)
5	083227-06-000	EA	Torque Tube Asm.
6	100168-01-000	EA	Screen Clip
7	100234-02-807	EA	Screen Asm. - Right Side (Illustrated)
	100234-01-807	EA	Screen Asm. - Left Side (Not Illustrated)
8	088816-51-001	EA	Torque Tube Sleeve
9	080218-03-000	SF	Window Screen - 12"
	100240-01-000	FT	Window Screen Spine
10	088803-01-01A	EA	Mullion - Black
11	083228-06-000	EA	Torque Tube Asm.
12	084068-20-000	EA	Glass - 1/8" x 9 1/4" x 20 1/4" - Right or Left Side
13	086762-01-000	EA	Window T-Nut
14	068927-03-000	EA	Seal - Rubber
15	084473-01-000	EA	Seal - Rubber
16	086763-01-000	EA	Screw - #10 - 32 x 1/4" PTH
17	097578-01-000	EA	Connecting Rod Asm.
	081649-01-000	EA	Snap Ring Clip
18	084453-02-000	EA	Plastic Washer - .06 x .50 x .25
19	089913-01-000	EA	Hinge
20	035302-02-000	EA	Operator Drive - Left Side
21	084067-01-000	FT	Seal - Sponge Rubber
22	069640-06-000	FT	Ribbon Seal (not included w/Window Assembly)

## DINETTE DOUBLE TIPOUT WINDOW (B) 55"

Key	Part Number	U/M	Description
1	092234-02-Y12	EA	Window Asm. - Double Tipout
	090893-08-01A	EA	Inside Frame (not included w/Window Assembly)
2	035302-01-000	EA	Operator Drive - Right Side
3	090025-01-000	EA	Extension - Window Knob (not included w/Window Assembly)
4	067052-02-000	EA	Window Knob - Beige (not included w/Window Assembly)
	089371-01-000	EA	Screw - Window Knob (not included w/Window Assembly)
4	101290-01-01A	EA	Window Knob - Brass (not included w/Window Assembly)
	101289-01-01A	EA	Screw - Window Knob - Brass (not included w/Window Assembly)

K-1

## 1991 IC/FM34RA INDEX

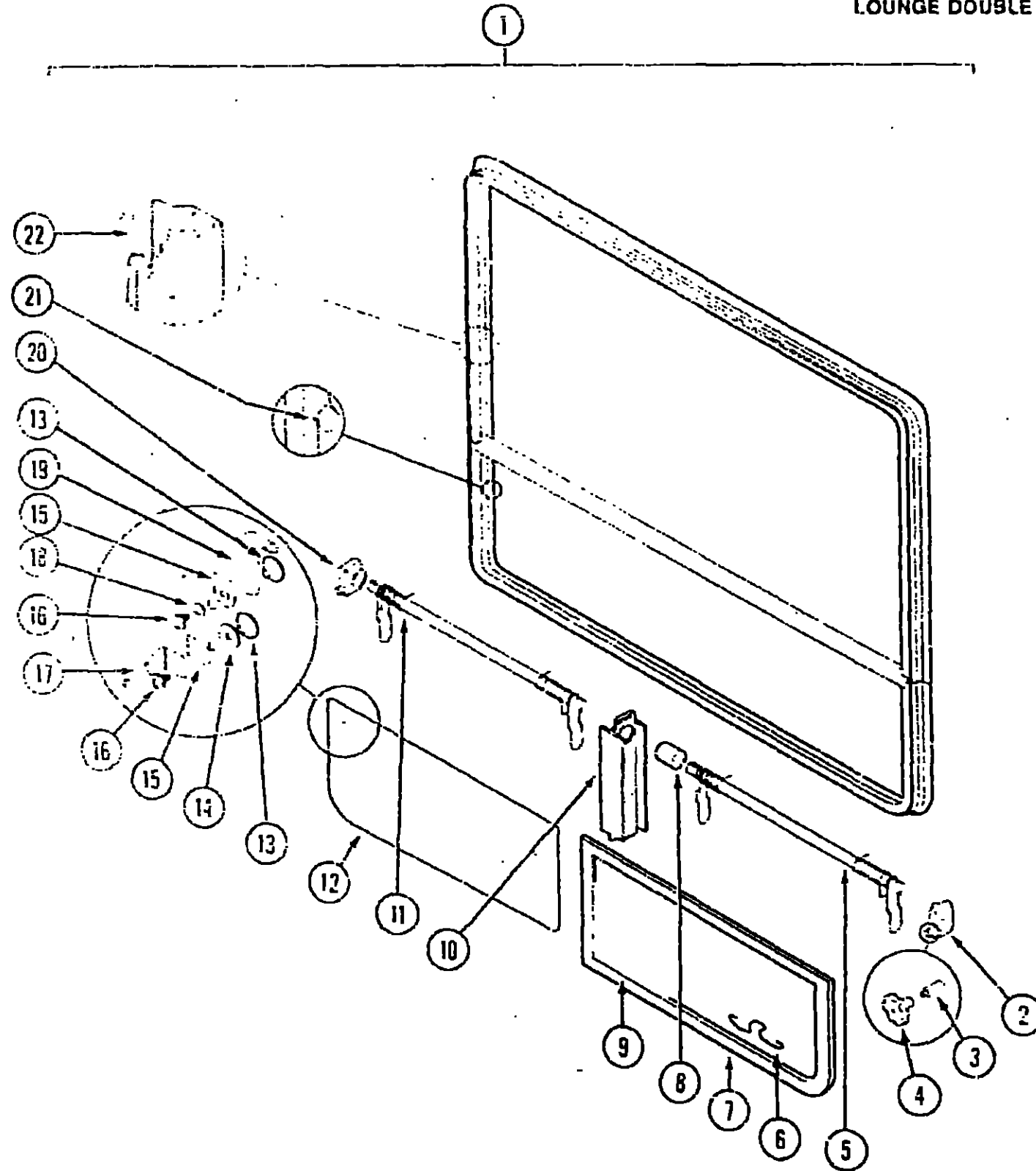
Floor Plan	F-11 - F-12
Accessories Group	F-13 - F-16
Bath Group	F-17 - F-20
Bedroom Group	F-21 - G-02
Chassis Group	G-03 - G-21
Curtain, Cushion & Pad Group	G-22 - H-08
Dinette Group	H-09 - H-12
Driver's Compartment Group	H-13 - H-20
Electrical Group	H-21 - H-24
Exterior Body Group	I-01 - I-10
Galley Group	I-11 - I-16
Heating & Air Conditioning Group	I-17 - I-18
Interior Finish Group	I-19 - I-20
Labels Group	I-21 - J-05
LP Group	J-06
Lounge Group	J-07 - J-10
Sealants & Fasteners Group	J-11 - J-12
Water & Sewage Group	J-13 - J-15
Window, Vent & Exterior Door Group	J-16 - K-12

K-2



# WINDOW, VENT & EXTERIOR DOOR GROUP (CONTINUED)

## LOUNGE DOUBLE TIPOUT WINDOW



Key	Part Number	U/M	Description
1	022234-03-Y12	EA	Window Asm. - Double Tipout
	090893-03-01A	EA	Inside Frame (not included w/Window Assembly)
2	035302-01-000	EA	Operator Drive - Right Side
3	093025-01-000	EA	Extension - Window Knob (not included w/Window Assembly)
4	067052-02-000	EA	Window Knob - Beige (not included w/Window Assembly)
	099371-01-000	EA	Screw - Window Knob (not included w/Window Assembly)
	101290-01-01A	EA	Window Knob - Brass (not included w/Window Assembly)
	101289-01-01A	EA	Screw - Window Knob - Brass (not included w/Window Assembly)
5	083227-03-000	EA	Torque Tube Asm.
6	100168-01-000	EA	Screen Clip
7	100234-06-B07	EA	Screen Asm. - Right Side (Illustrated)
	100234-05-B07	EA	Screen Asm. - Left Side (Not Illustrated)
9	088813-51-001	EA	Torque Tube Sleeve
9	080218-03-000	SF	Window Screen - 12"
	100240-01-000	FT	Window Screen Spline
10	088903-01-01A	EA	Mullion - Black
11	083228-08-000	EA	Torque Tube Asm.
12	084068-22-000	EA	Glass - 1/8" x 3 1/4" x 30" - Left or Right Side
13	036762-01-000	EA	Window T-Nut
14	068927-03-000	EA	Seal - Rubber
15	084473-01-000	EA	Seal - Rubber
16	086763-01-000	EA	Screw - #10 - 32 x 1/4" PTH
17	037578-01-000	EA	Connecting Rod Asm.
	081649-01-000	EA	Snap Ring Clip
18	084453-02-000	EA	Plastic Washer - .06 x .50 x .25
19	089913-01-000	EA	Hinge
20	035302-02-000	EA	Operator Drive - Left Side
21	084067-01-000	FT	Seal - Sponge Rubber
22	069540-06-000	FT	Ribbon Seal (not included w/Window Assembly)

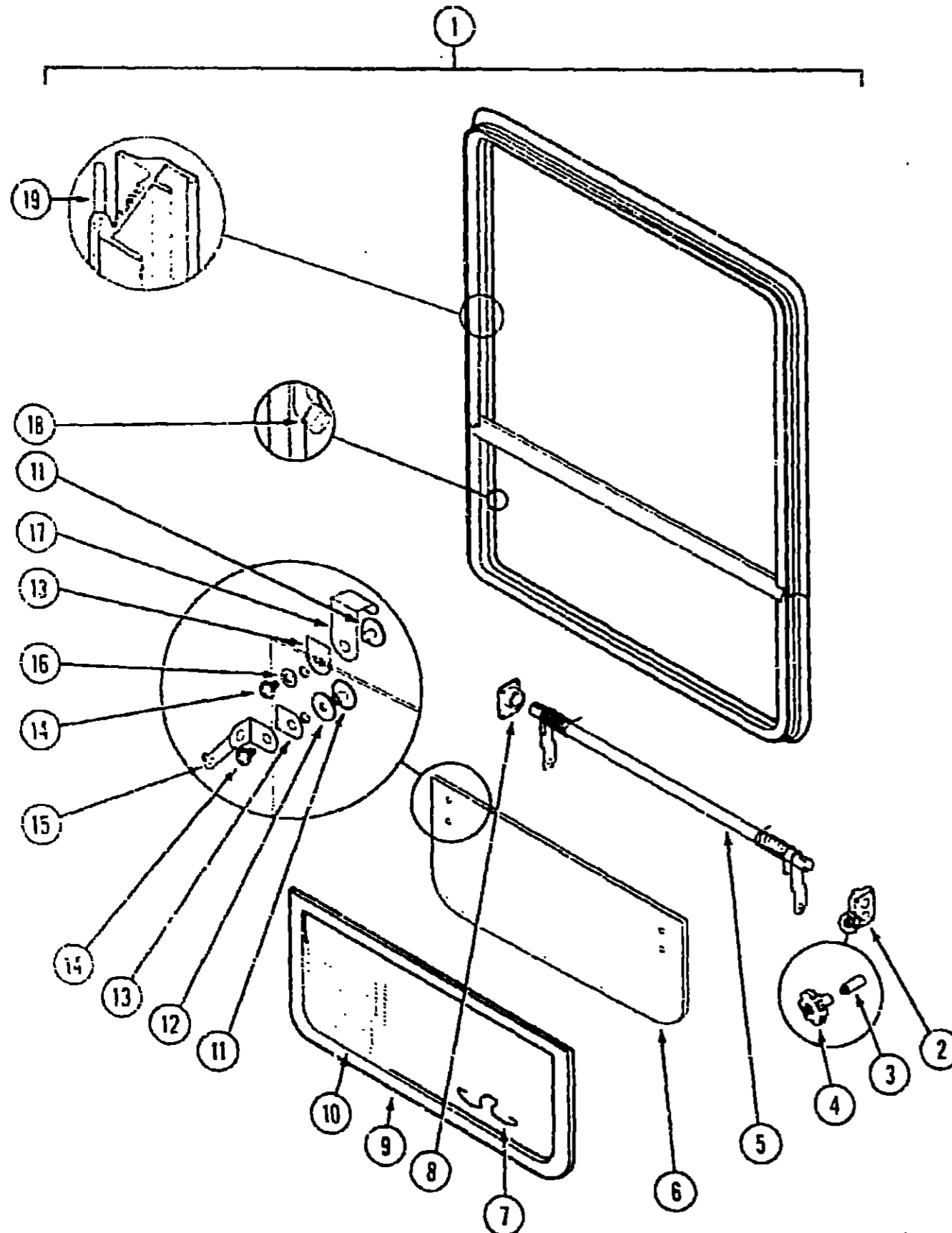
## 1991 ITASCA TABLE OF CONTENTS

INTRODUCTION	A-01 - A-02
ABBREVIATIONS	A-03
ALPHABETICAL/GROUP REFERENCE	A-04 - A-06
IC/FM32RO	A-07 - F-10
IC/FM34RA	F-11 - K-12

## 1991 IC/FM34RA INDEX

Floor Plan	F-11 - F-12
Accessories Group	F-13 - F-16
Bath Group	F-17 - F-20
Bedroom Group	F-21 - G-02
Chassis Group	G-03 - G-21
Curtain, Cushion & Pad Group	G-22 - H-08
Dinette Group	H-09 - H-12
Driver's Compartment Group	H-13 - H-20
Electrical Group	H-21 - H-22
Exterior Body Group	I-01 - I-10
Galley Group	I-11 - I-16
Heating & Air Conditioning Group	I-17 - I-18
Interior Finish Group	I-19 - I-20
Labels Group	I-21 - J-05
LP Group	J-06
Lounge Group	J-07 - J-10
Sealants & Fasteners Group	J-11 - J-12
Water & Sewage Group	J-13 - J-15
Window, Vent & Exterior Door Group	J-16 - K-12

WINDOW, VENT & EXTERIOR DOOR GROUP (CONTINUED)



LOUNGE SINGLE TIPOUT WINDOW

Key	Part Number	U/M	Description
1	092235-06-Y12	EA	Window Asm. - Single Tipout
	090893-05-01A	EA	Inside Frame (not included w/Window Assembly)
2	035302-01-000	EA	Operator Drive
3	090025-01-000	EA	Extension - Window Knob (not included w/Window Assembly)
4	067052-02-000	EA	Window Knob - Beige (not included w/Window Assembly)
	099371-01-000	EA	Screw - Window Knob (not included w/Window Assembly)
	101290-01-01A	EA	Window Knob - Brass (not included w/Window Assembly)
	101259-01-01A	EA	Screw - Window Knob - Brass (not included w/Window Assembly)
5	083150-14-000	EA	Torque Tube Asm.
6	084068-19-000	EA	Glass - 2.9 mm x 234.7 mm x 559.5 mm
7	100168-01-000	EA	Screen Clip
8	081354-01-000	EA	Torque Tube Sleeve
9	100235-06-B07	EA	Screen Asm.
10	080218-03-000	SF	Window Screen - 12"
	100240-01-000	FT	Window Screen Spline
11	086762-01-000	EA	Window T-Nut
12	068927-03-000	EA	Seal - Rubber
13	084473-01-000	EA	Seal - Rubber
14	086763-01-000	EA	Screw - #10 - 32 x 1/4" PTH
15	097578-01-000	EA	Connecting Rod Asm.
	081649-01-000	EA	Snap Ring Clip
16	084453-02-000	EA	Plastic Washer - .06 x .50 x .25
17	089913-01-000	EA	Hinge
18	084057-01-000	FT	Seal - Sponge Rubber
19	069640-06-000	FT	Ribbon Sealer (not included w/Window Assembly)

GALLEY SINGLE TIPOUT WINDOW

Key	Part Number	U/M	Description
1	092235-09-Y12	EA	Window Asm. - Single Tipout
	090893-02-01A	EA	Inside Frame (not included w/Window Assembly)
2	035302-01-000	EA	Operator Drive
3	009439-06-000	EA	Extension - Window Knob (not included w/Window Assembly)
4	009439-05-000	EA	Window Knob - Black (not included w/Window Assembly)
	009439-07-000	EA	Screw - Window Knob (not included w/Window Assembly)
5	083150-10-000	EA	Torque Tube Asm.
6	084068-15-000	EA	Glass - 2.9 mm x 234.7 mm x 622.5 mm
7	100168-01-000	EA	Screen Clip
8	081354-01-000	EA	Torque Tube Sleeve
9	100235-02-B07	EA	Screen Asm.
10	080218-03-000	SF	Window Screen - 12"
	100240-01-000	FT	Window Screen Spline
11	086762-01-000	EA	Window T-Nut
12	068927-03-000	EA	Seal - Rubber
13	084473-01-000	EA	Seal - Rubber
14	086763-01-000	EA	Screw - #10 - 32 x 1/4" PTH
15	097578-01-000	EA	Connecting Rod Asm.
	081649-01-000	EA	Snap Ring Clip
16	084453-02-000	EA	Plastic Washer - .06 x .50 x .25
17	089913-01-000	EA	Hinge
18	084057-01-000	FT	Seal - Sponge Rubber
19	069640-06-000	FT	Ribbon Sealer (not included w/Window Assembly)

1991 ITASCA  
TABLE OF CONTENTS

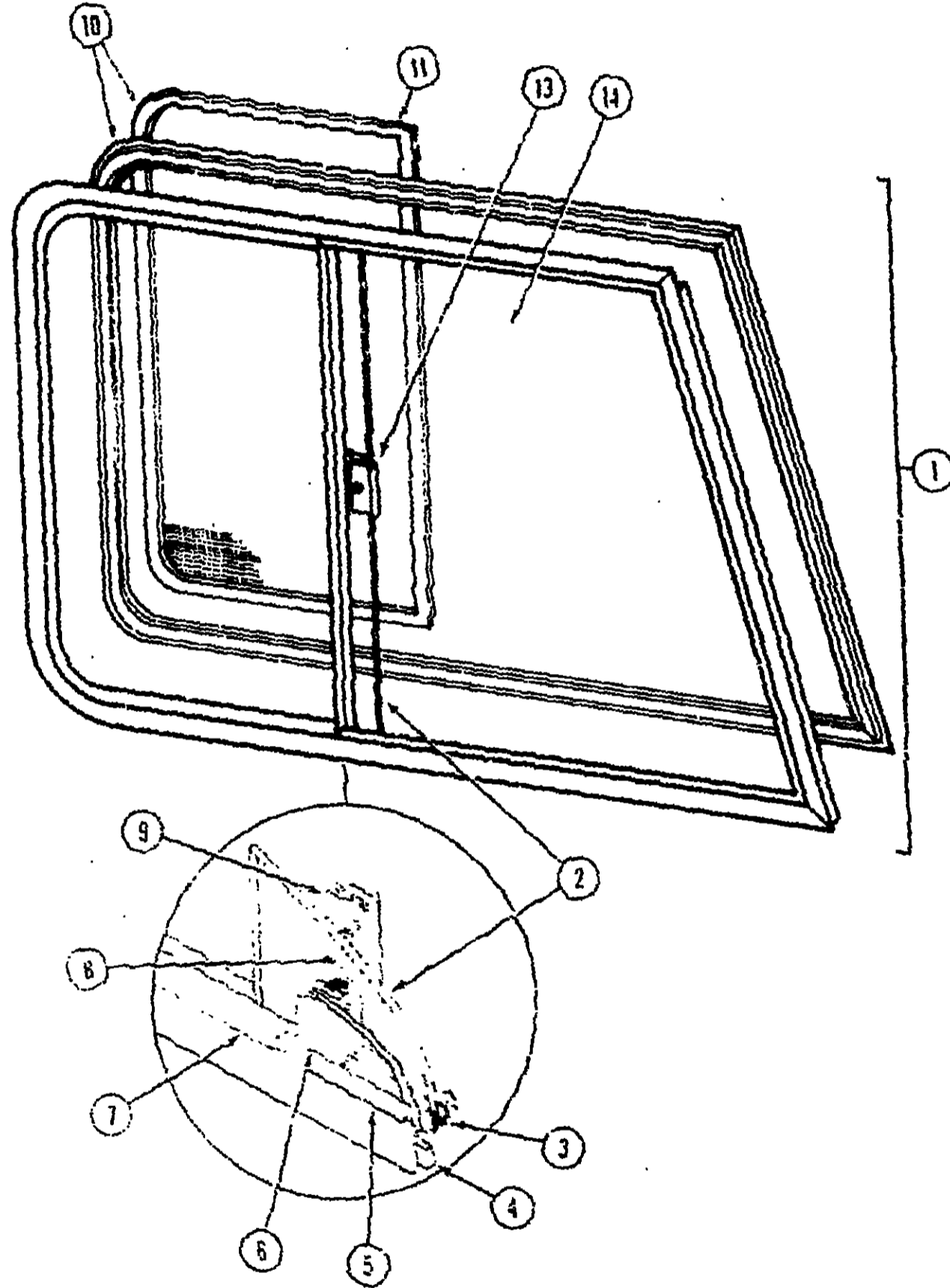
INTRODUCTION	A-01 - A-02
ABBREVIATIONS	A-03
ALPHABETICAL/GROUP REFERENCE	A-04 - A-06
IC/FM32RO	A-07 - F-10
IC/FM34RA	F-11 - K-12

1991 IC/FM34RA INDEX

Floor Plan	F-11 - F-12
Accessories Group	F-13 - F-16
Bath Group	F-17 - F-20
Bedroom Group	F-21 - G-02
Chassis Group	G-03 - G-21
Curtain, Cushion & Pad Group	G-22 - H-08
Dinette Group	H-09 - H-12
Driver's Compartment Group	H-13 - H-20
Electrical Group	H-21 - H-24
Exterior Body Group	I-01 - I-10
Galley Group	I-11 - I-16
Heating & Air Conditioning Group	I-17 - I-19
Interior Finish Group	I-19 - I-20
Labels Group	I-21 - J-05
LP Group	J-06
Lounge Group	J-07 - J-10
Sealants & Fasteners Group	J-11 - J-12
Water & Sewage Group	J-13 - J-15
Window, Vent & Exterior Door Group	J-16 - K-12

WINDOW, VENT & EXTERIOR DOOR GROUP (CONTINUED)

SLANT SLIDER WINDOW - PASSENGER



Key	Part Number	U/M	Description
1	052507-01-X14	EA	Window Asm. - Front Slant (w/inside frame or screen)
2	089299-01-000	EA	Glass - Slider
3	042077-01-000	FT	Channel - Weatherstrip - Glass Run - 1/8" Glass
4	069540-06-000	FT	Seal (not included in Window Asm.)
5	050216-02-000	FT	Spline - Glass Seal - Black
6	002383-03-203	EA	Seal Holder - w/Fin Seal
7	041928-02-000	FT	Glass Seal - Black Vinyl
8	073740-01-000	FT	Fin Seal - .46" Flt Haight
9	084170-07-000	EA	Inside Mullion - Slider Window - Black - w/fin Seal
10	089503-01-AB1	EA	Inside Frame Asm. - w/Slider Screen
11	089502-01-X14	EA	Slider Screen Asm.
	061310-07-000	EA	Slider - Screen Handle
	002291-02-000	SF	Screen - 16" Charcoal
	002269-02-000	FT	Spline - Charcoal
	078364-01-000	EA	Slider Screen Track - Top
	078365-01-000	EA	Slider Screen Track - Bottom
13	047363-01-700	EA	Latch Kit - Plastic w/Fastener
14	057655-11-300	EA	Glass - Stationary
	002328-01-000	EA	Window Block - 1/8" x 3/16" x 1"
	023330-01-000	EA	Felt Pad - 3/8" Dia.
	079824-01-000	FT	Seal - C-Fold - .50"

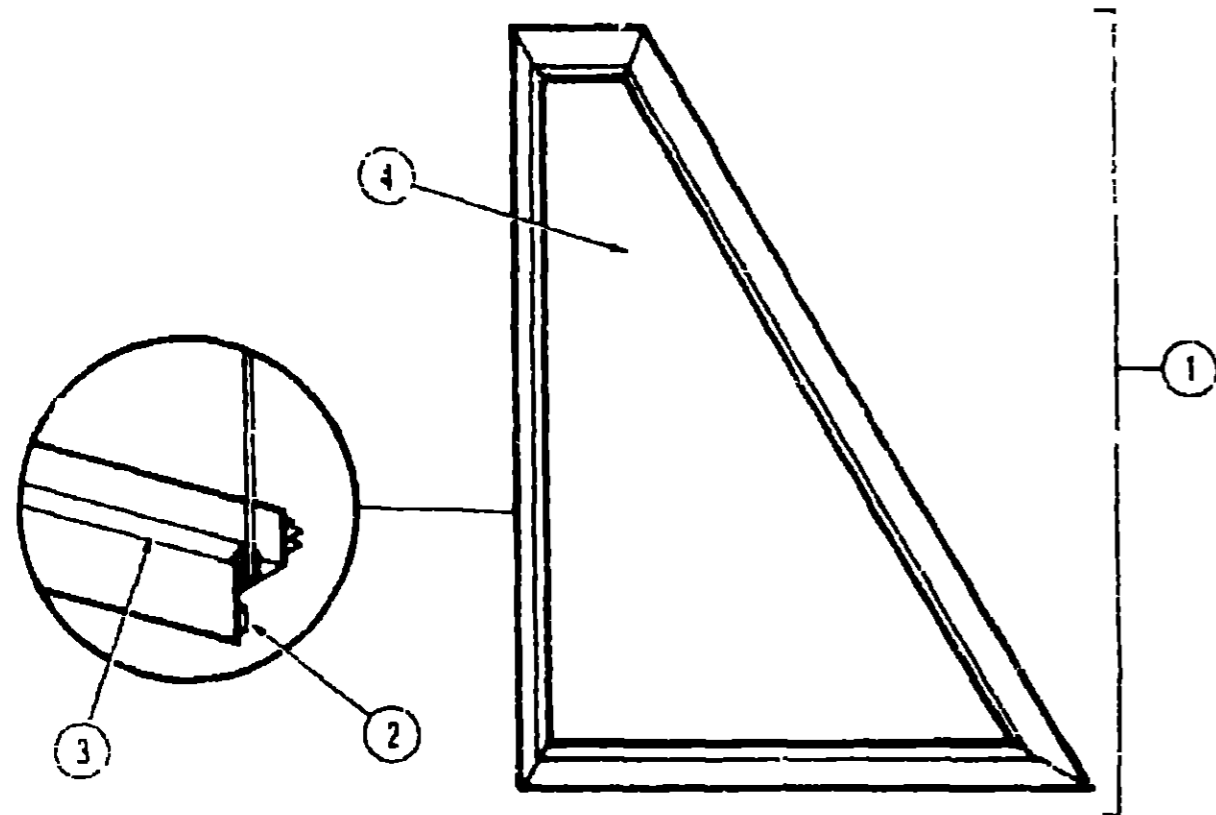
1991 ITASCA  
TABLE OF CONTENTS

INTRODUCTION	A-01 - A-02
ABBREVIATIONS	A-03
ALPHABETICAL/GROUP REFERENCE	A-04 - A-06
IC/FM32RD	A-07 - F-10
IC/FM34RA	F-11 - K-12

1991 IC/FM34RA INDEX

Floor Plan	F-11 - F-12
Accessories Group	F-13 - F-16
Bath Group	F-17 - F-20
Bedroom Group	F-21 - G-02
Chassis Group	G-03 - G-21
Curtain, Cushion & Pad Group	G-22 - H-08
Dinette Group	H-09 - H-12
Driver's Compartment Group	H-13 - H-20
Electrical Group	H-21 - H-24
Exterior Body Group	I-01 - I-10
Galley Group	I-11 - I-16
Heating & Air Conditioning Group	I-17 - I-18
Interior Finish Group	I-19 - I-20
Labels Group	I-21 - J-05
LP Group	J-06
Lounge Group	J-07 - J-10
Sealants & Fasteners Group	J-11 - J-12
Water & Sewage Group	J-13 - J-15
Window, Vent & Exterior Door Group	J-16 - K-12

WINDOW, VENT & EXTERIOR DOOR GROUP (CONTINUED)



SLANT WINDOW - DRIVER

Key	Part Number	U/M	Description
1	079933-01-Y12	EA	Window Asm - Slant (w/o inside frame)
	099932-01 01A	EA	Inside Frame - Black (not included in assembly)
2	06960-0-00 000	FT	Ribbon Seal - 5/16" Bead (not included in assembly)
3	050216 02-000	FT	Spline - Glass - 19" - Black
	050216 13-000	EA	Glass - Slant - 19" x 29 11" x 13 98"
	002328-01 000	EA	Window Block - 1/8" x 3/16" x 1"

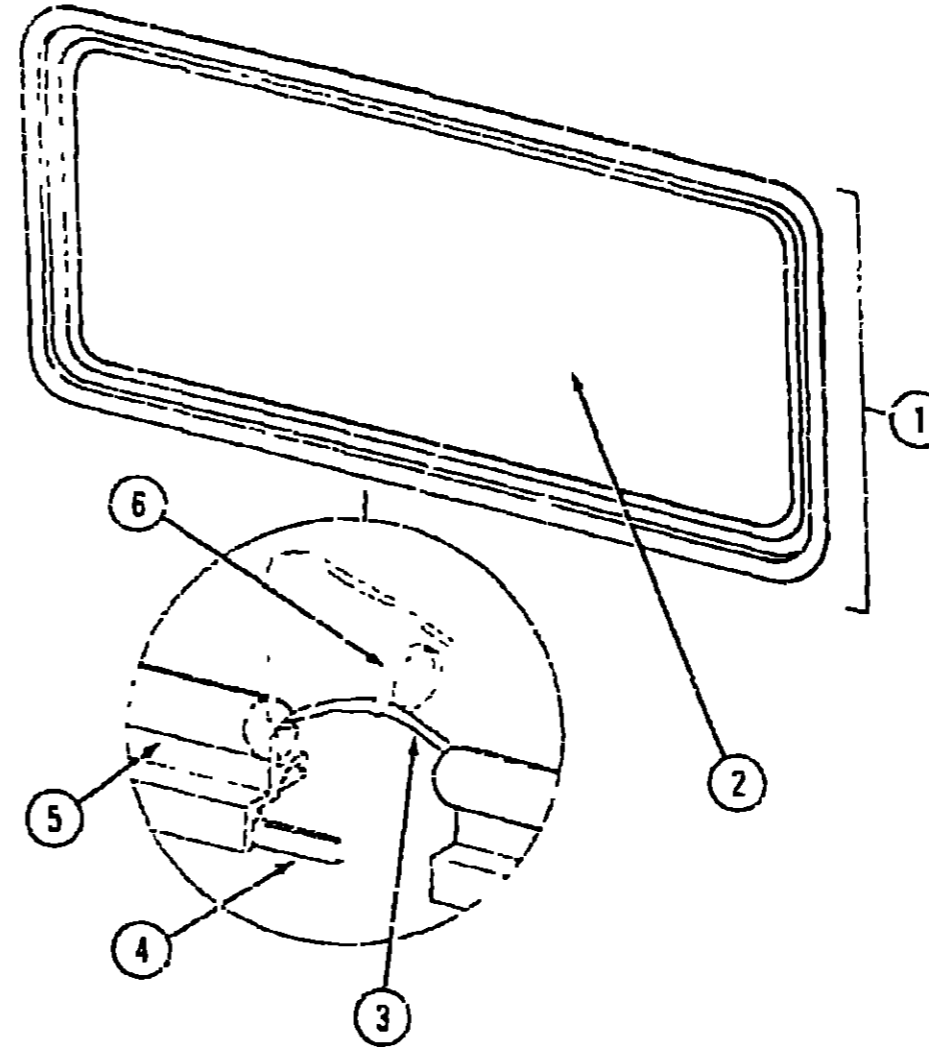
VISTA WINDOW - DRIVER

Key	Part Number	U/M	Description
	076528-03 Y12	EA	Window Asm - Vista (w/o inside frame)
	074815-06-000	EA	Inside Frame - Black (not included in assembly)
	075337 02 000	EA	Glass - Vista Window - Driver Side
	002285-01-000	FT	Spline - Glass - 19" - Black
	069540-05-000	EA	Window Block - 1/8" x 3/16" x 1"
	002282-05-000	FT	Ribbon Seal - 5/16" Bead (not included in assembly)

VISTA WINDOW - PASSENGER

Key	Part Number	U/M	Description
	055614 01-X11	EA	Window Asm - Vista (w/o inside frame)
	089727 05 000	EA	Inside Frame - Black (not included in assembly)
	05931 1-01 000	EA	Glass - Vista Window - Passenger Side
	050216 02 000	FT	Spline - Glass - 19" - Black
	002328-01-000	EA	Window Block - 1/8" x 3/16" x 1"
	069540-05 000	FT	Ribbon Seal - 5/16" Bead (not included in assembly)

WINDOW, VENT & EXTERIOR DOOR GROUP (CONTINUED)



ESCAPE WINDOW

Key	Part Number	U/M	Description
1	076528-03 Y12	EA	Window Asm - Escape - Black (w/o inside frame)
	074815-06-000	EA	Inside Frame - Escape Window - Black (not included in assembly)
2	075337 02 000	EA	Glass
3	002285-01-000	FT	Filler - Weatherstrip - Black
4	069540-05-000	FT	Sealer Ribbon - 5/16" Bead (not included in assembly)
5	002282-05-000	FT	Weatherstrip - 125" Black
	005199-01-000	EA	Label - Exit - Escape Window
6	077066-01-7/32	EA	Pull Tape - Escape Window

1991 ITASCA  
TABLE OF CONTENTS

INTRODUCTION	A-01 - A-02
ABBREVIATIONS	A-03
ALPHABETICAL/GROUP REFERENCE	A-04 - A-05
IC/FM32RO	A-07 - F-10
IC/FM34RA	F-11 - K-12

1991 IC/FM34RA INDEX

Floor Plan	F-11 - F-12
Accessories Group	F-13 - F-16
Bath Group	F-17 - F-20
Bedroom Group	F-21 - G-02
Chassis Group	G-03 - G-21
Curtain Cushion & Pad Group	G-22 - H-03
Dining Group	H-09 - H-12
Driver's Compartment Group	H-13 - H-20
Electrical Group	H-21 - H-24
Exterior Body Group	I-01 - I-10
Galley Group	I-11 - I-16
Heating & Air Conditioning Group	I-17 - I-18
Interior Finish Group	I-19 - I-20
Labels Group	I-21 - J-05
LP Group	J-06
Lounge Group	J-07 - J-10
Sealants & Fasteners Group	J-11 - J-12
Water & Sewage Group	J-13 - J-15
Window, Vent & Exterior Door Group	J-16 - K-12

**WINDOW, VENT & EXTERIOR DOOR GROUP (CONTINUED)**

**NON-POWERED ROOF VENT**

Key	Part Number	U/M	Description
	000392-01-Y12	EA	Roof Vent Arm - Non Powered / w Screen
	051394-01-000	EA	Cover - Roof Vent
	052639-01-001	EA	Hinge
	009410-01-000	EA	Lift Mechanism
	009439-01-000	EA	Crank
	009439-02-000	EA	Knob
	009439-03-000	EA	Extension
	009439-04-000	EA	Screw - 8 - 32 x 1 1/4" POH
	002225-01-000	EA	Weatherstrip
	078785-01-Y12	EA	Screen Asm
	002291-02-000	SF	Screen - "6" - Charcoal
	002298-02-000	FT	Spine

**POWERED ROOF VENT (OPTION 41M)**

Key	Part Number	U/M	Description
	084079-05-000	EA	Powered Roof Vent
	084079-01-700	EA	Cover - Roof Vent
	084079-07-701	EA	Screen Asm
	084079-01-702	EA	Arm Lift Asm
	084079-01-703	EA	Crank Knob
	084079-01-704	EA	Fan
	084079-01-705	EA	Motor
	084079-01-706	EA	12 Volt Wire Plug
	084079-01-707	EA	Safety Switch
	084079-01-708	EA	Reverse Switch
	084079-01-709	EA	3 Speed Switch
	084079-01-710	EA	Wall Thermostat
	084079-01-711	EA	Holding (Motor Mount)

**POWERED ROOF VENT (BATH) (USA)**

Key	Part Number	U/M	Description
	090390-01-Y12	EA	Powered Roof Vent
	051394-01-000	EA	Cover - Roof Vent
	052639-01-001	EA	Hinge
	002225-01-000	EA	Weatherstrip
	045048-01-000	EA	Motor Asm - 12 Volt
	045049-01-000	EA	6 Plastic Fan - 6 Blades
	018195-01-000	EA	Push Button Switch
	009410-01-000	EA	Lift Mechanism
	009439-01-000	EA	Crank
	009439-02-000	EA	Knob
	009439-03-000	EA	Extension
	009439-04-000	EA	Screw - 8 - 32 x 1 1/4" POH
	078785-01-Y12	EA	Screen Asm
	002291-02-000	SF	Window Screen - 16" Charcoal
	002298-02-000	FT	Spine

**POWERED ROOF VENT (BATH) (CSA)**

Key	Part Number	U/M	Description
	001404-000	EA	Powered Roof Vent

The following parts breakdown for this item is provided on the Common Items Fiche

**1991 ITASCA  
TABLE OF CONTENTS**

INTRODUCTION	A 01 - A 02
ABBREVIATIONS	A-03
ALPHABETICAL/GROUP REFERENCE	A-04 - A-06
IC/FM32RO	A-07 - F-10
IC/FM34RA	F-11 - K-12

**1991 IC/FM34RA INDEX**

Floor Plan	F-11 - F-12
Accessories Group	F-13 - F-16
Bath Group	F-17 - F-20
Bedroom Group	F-21 - G-02
Chassis Group	G-03 - G-21
Curtain, Cushion & Pad Group	G-22 - H-08
Dinette Group	H-09 - H-12
Diver's Compartment Group	H-13 - H-20
Electrical Group	H-21 - H-24
Exterior Body Group	J-01 - J-10
Galley Group	J-11 - J-16
Heating & Air Conditioning Group	J-17 - J-18
Interior Finish Group	J-19 - J-20
Labels Group	J-21 - J-25
LP Group	J-06
Lounge Group	J-07 - J-10
Sealants & Fasteners Group	J-11 - J-12
Water & Sewage Group	J-13 - J-15
Window, Vent & Exterior Door Group	J-16 - K-12