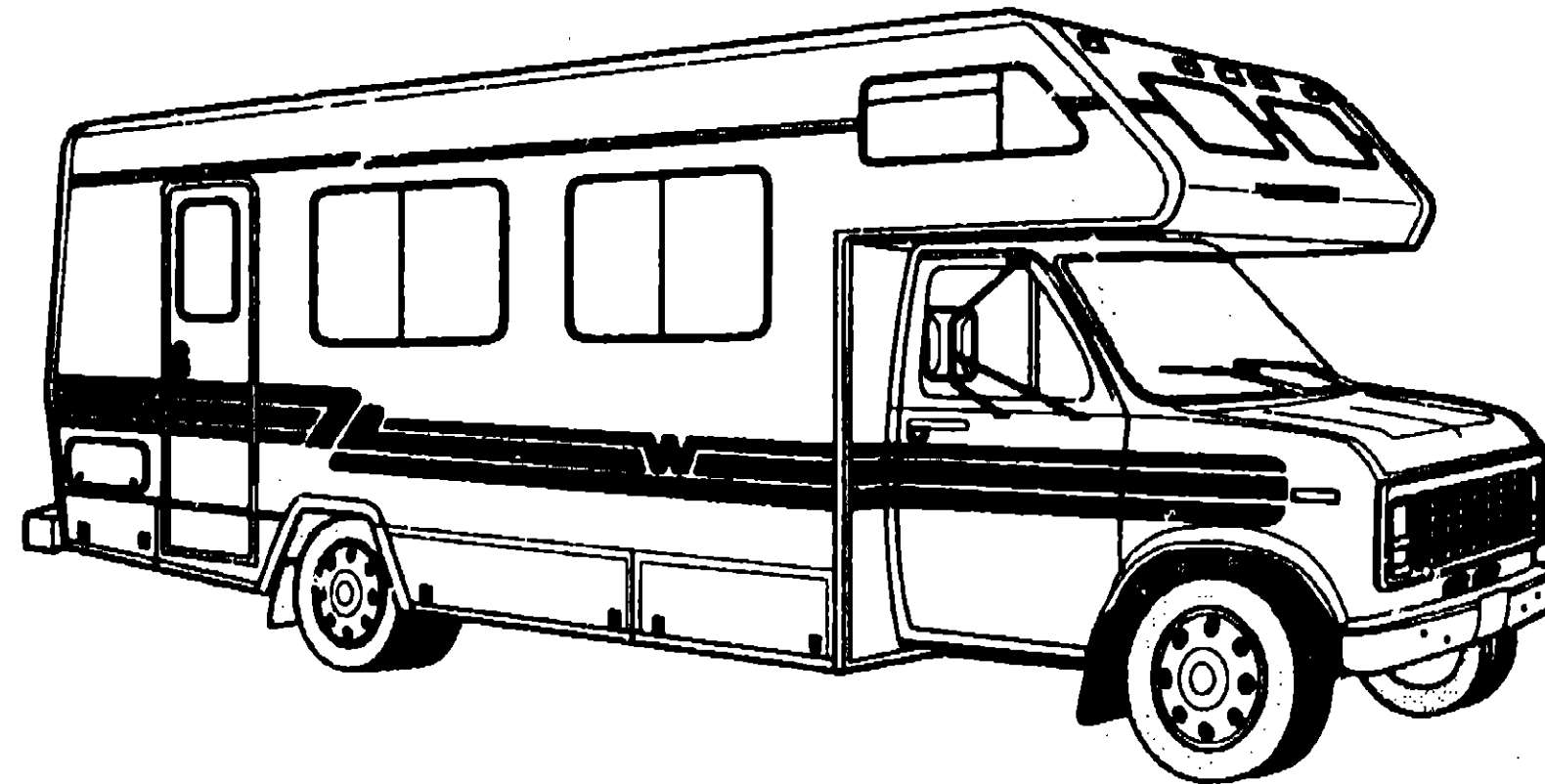


**1991 1/2 WINNEBAGO
TABLE OF CONTENTS**

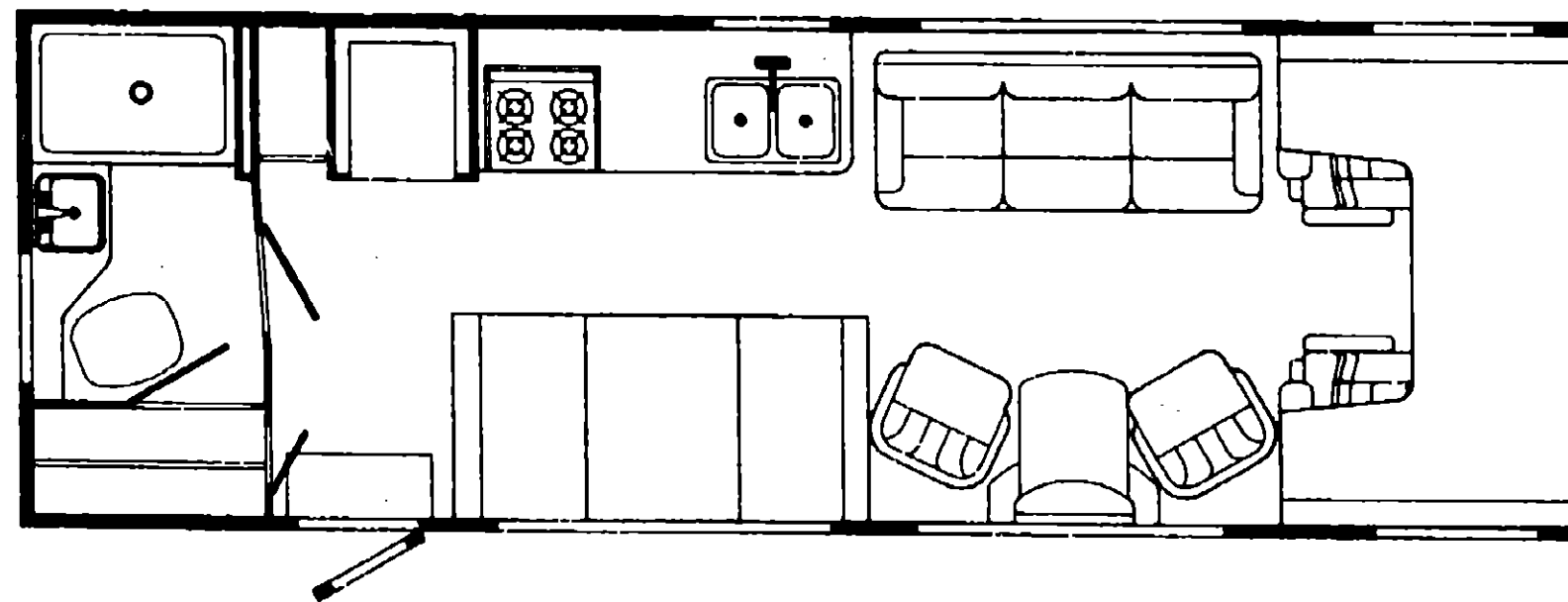
INTRODUCTION	A-01 - A-02
ABBREVIATIONS	A-03
ALPHABETICAL/GROUP REFERENCE	A-04 - A-06
WF327RB	A-07 - D-08
WF327RT	D-07 - G-16



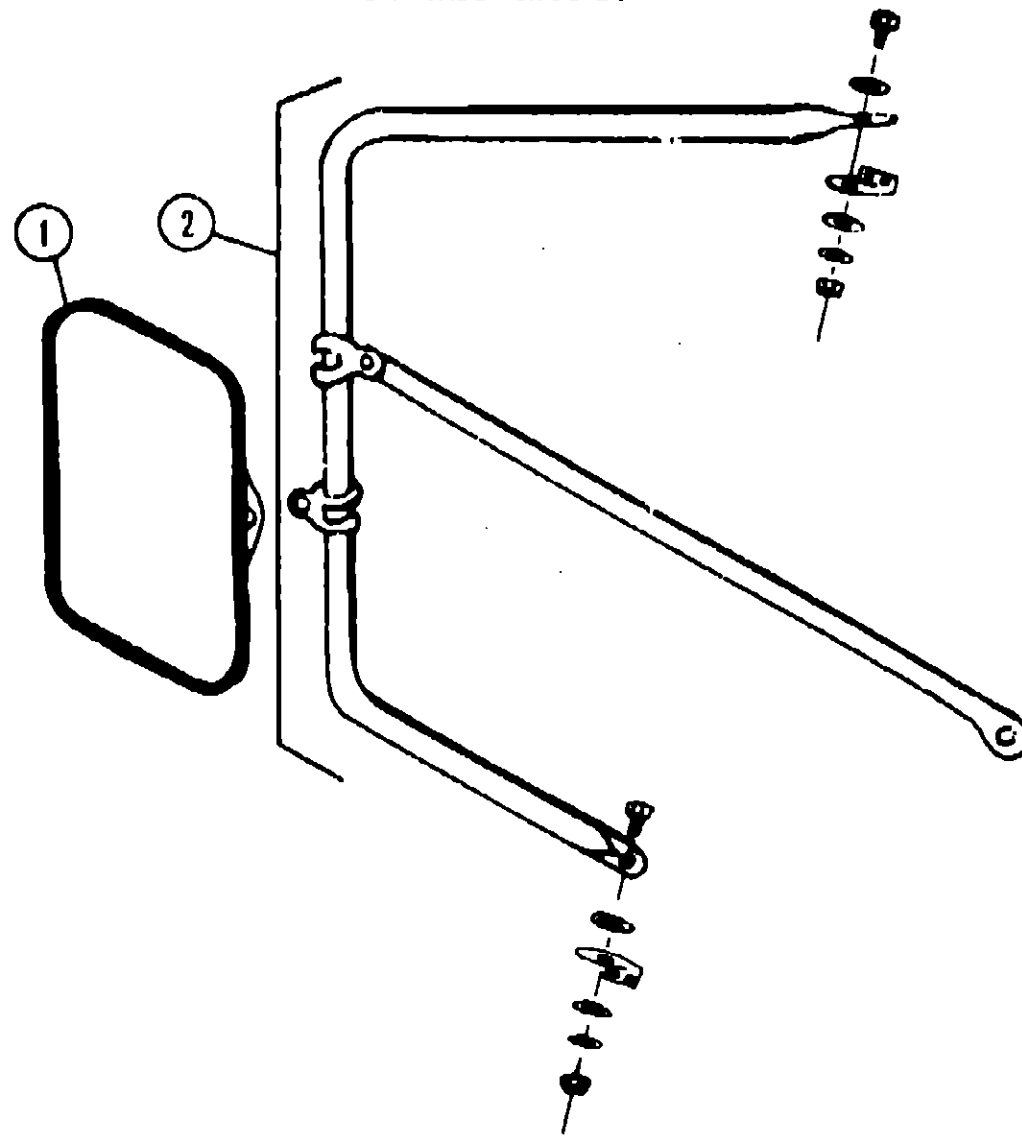
**1991 1/2
WF327RB**

1991 1/2 WF327RB INDEX

Floor Plan	A-07 - A-08
Accessories Group	A-09 - A-12
Bath Group	A-13 - A-14
Chassis Group	A-15 - A-18
Curtain, Cushion & Pad Group	A-19 - B-02
Dinette Group	B-03 - B-04
Driver's Compartment Group	B-05 - B-07
Electrical Group	B-08 - B-10
Exterior Body Group	B-11 - B-15
Galley Group	B-16 - B-19
Heating & Air Conditioning Group	B-20 - B-21
Interior Finish Group	B-22 - B-24
Labels Group	C-01 - C-09
LP Group	C-10
Lounge	C-11 - C-13
Sealants & Fasteners Group	C-14 - C-15
Water & Sewage Group	C-16 - C-18
Window, Vent & Exterior Door Group	C-19 - D-06



ACCESSORIES GROUP



EXTERIOR MIRRORS

Key	Part Number	U/M	Description
1	049347-01-000	EA	Mirror Head - 7.5" x 10.5" - Stainless Steel
	049347-01-700	EA	Glass - Mirror - 7.5" x 10.5"
2	062047-01-000	EA	Arm - West Coast Mirror - Stainless Steel
	006043-01-000	EA	Mirror - Convex - Adhesive Back

WHEEL COVER, LINERS & MOUNTING HARDWARE

Key	Part Number	U/M	Description
	083181-01-000	EA	Wheel Cover - 16" (Set/4)
	083181-01-700	EA	Wheel Cover - 16" (1)
	083181-04-702	EA	Nut - Wheel Cover
	095012-03-000	EA	Extension - Valve Stem - Dual Wheel
	091209-05-000	EA	Wheel Liner - 16" (Set/4) - Ford - Stainless Steel
	091209-10-000	EA	Wheel Liner - 16" (Set/4) - Ford - Stainless Steel
	077030-02-000	EA	Extension - Valve Stem - 1.25"

These parts are used from 5/16/91 on.

ACCESSORIES GROUP (CONTINUED)

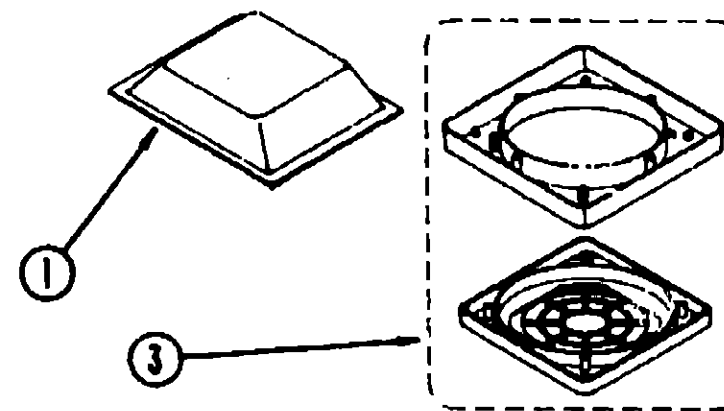
TV ANTENNA (OPTION L193)

Key	Part Number	U/M	Description
	076319-13-000	EA	Antenna - TV Roof Mount - 4' 5"
	076319-13-700	EA	Head - Antenna - Non-Amplified
	076319-01-701	EA	Gear - Elevating - Plastic
	076319-01-702	EA	Shaft Arm - Elevating
	076319-01-703	EA	Bearing - Nylon - .5" OD
	076319-01-704	EA	Bearing - Nylon - 1.25" OD
	076319-01-705	EA	Grommet - Nylon - 7/8" ID
	076319-01-706	EA	Crank - Elevating w/Set Screw
	076319-01-707	EA	Spring - Handle
	076319-06-000	EA	Adaptor - Cable Roof Plate
	093252-01-01A	EA	Wallplate/Cable - Beige
	076319-11-000	EA	Adapter - Coax w/Str. Litter
	076319-03-000	FT	Cable - Coaxial - 1000' Roll
	076319-12-000	EA	Connector - Coaxial
	076319-04-000	EA	Connector w/Ferrule
	080734-02-000	EA	Clip - Wire Nylon

TV/VCR & RELATED COMPONENTS (OPTION L43V & L49F)

Key	Part Number	U/M	Description
	098447-01-000	EA	TV - 13" Color w/Remote - Magnavox (US) RX4029WA
	098447-02-000	EA	TV - 13" Color w/Remote - Magnavox (CSA) XK4029CH
	098447-01-700	EA	Remote Control - TV
	098447-03-000	EA	TV - 13" Color w/Remote - Magnavox (US) RR1337W
	098447-04-000	EA	TV - 13" Color w/Remote - Magnavox (CSA) RR1330W
	098447-03-700	EA	Remote Control - TV
	098446-02-000	EA	VCR - VHS - Cable Ready w/Remote - Magnavox VR9912
	098446-02-700	EA	Remote Control - VCR
	098446-03-000	EA	VCR - VHS - Cable Ready w/Remote - Magnavox VR9010
	098446-03-700	EA	Remote Control - VCR
	099858-01-000	EA	TV Tiedown - 53.1" x 1" - Black
	099819-01-000	EA	Speaker - 2 Watt - 8 OHM - 4"
	074979-11-000	EA	Cover - Speaker - Off White - Plastic
	085774-01-000	FT	Fastener - Dual Hook - 1" Wide - Adhesive Back - Black
	085774-02-000	FT	Fastener - Dual Loop - 1" Wide - Adhesive Back - Black

These parts are used from 6/24/91 on.



RADIO & RELATED COMPONENTS

Key	Part Number	U/M	Description
1	074979-01-000	EA	Speaker Cover Protector - Plastic
3	089340-02-000	EA	Speaker Grille & Adapter - 8.5" Square
	090982-01-000	EA	Radio - AM/FM Stereo - w/Cassette
	081082-01-000	EA	Plaque - Mounting Switch
	079385-02-000	EA	Radio Mounting Kit
	094097-01-000	EA	Speaker - 5.25" - w/o Grille
	081059-02-000	EA	Wire Arm - 9 Pin - Audkvox Radio

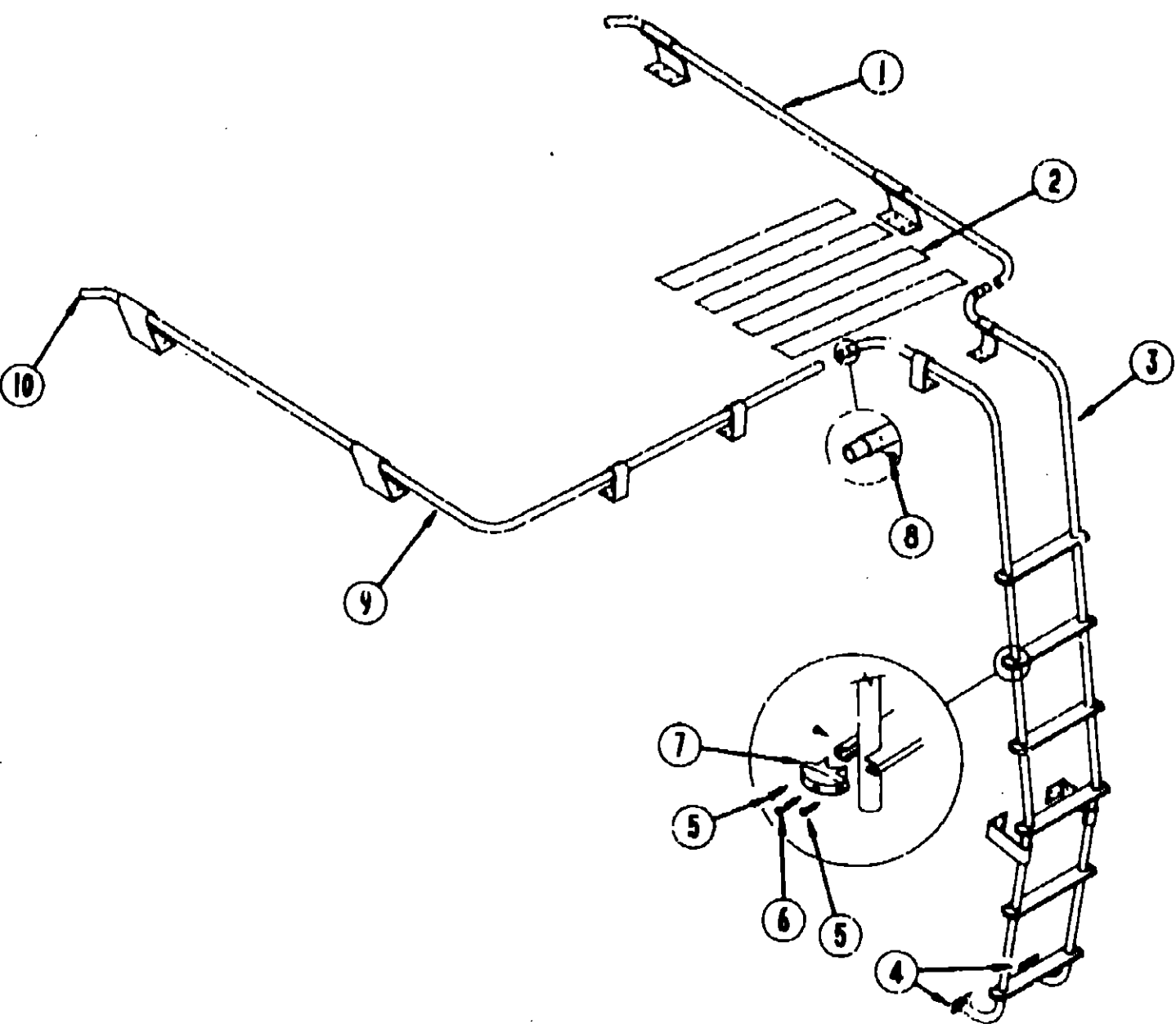
1991 1/2 WINNEBAGO TABLE OF CONTENTS

INTRODUCTION	A-01 - A-02
ABBREVIATIONS	A-03
ALPHABETICAL/GROUP REFERENCE	A-04 - A-08
WF327RB	A-07 - D-08
WF327HT	D-07 - G-18

1991 1/2 WF327RB INDEX

Floor Plan	A-07 - A-08
Accessories Group	A-09 - A-12
Bath Group	A-13 - A-14
Chassis Group	A-15 - A-18
Curtain, Cushion & Pad Group	A-19 - B-02
Dinette Group	B-03 - B-04
Driver's Compartment Group	B-05 - B-07
Electrical Group	B-08 - B-10
Exterior Body Group	B-11 - B-15
Galley Group	B-16 - B-19
Heating & Air Conditioning Group	B-20 - B-21
Interior Finish Group	B-22 - B-24
Labels Group	C-01 - C-09
LP Group	C-10
Lounge	C-11 - C-13
Sealants & Fasteners Group	C-14 - C-15
Water & Sewage Group	C-16 - C-18
Window, Vent & Exterior Door Group	C-19 - D-06

ACCESSORIES GROUP (CONTINUED)



RACK & LADDER COMPONENTS (OPTION L502)

Key	Part Number	U/M	Description
1	081026-01-T03	EA	Rack Asm. - Passenger Side w/2 Angled Standoff
2	038327-01-000	EA	Tape - Anti-Slip - 2" x 60'
3	081016-04-AA3	EA	Ladder
4	067185-01-000	EA	Mounting Bracket - Ladder - Lower
5	000G39-06-10T	EA	Screw - SF/DR - 6 - 20 x 5/8" PPH - Black
6	000G68-10-36T	EA	Screw - 10 - 12 x 2.25" POH - Black
7	076980-02-000	EA	End Cap - Step - Black
8	000G39-08-08E	EA	Screw - SF/DR - 8 - 18 x 50 PPH
9	081026-13-AA3	EA	Rack Asm. - Driver Side w/2 Angled & 2 Straight Standoff
10	081114-01-000	EA	Cap - Insert - Round - 1" Dia.

ACCESSORIES GROUP (CONTINUED)

EXPORT GENERATOR (OPTION L383)

Key	Part Number	U/M	Description
	100974-05-000	EA	Generator - Onan - 4.0kw
	079854-05-000	EA	Exhaust Pipe - Angled w/Flange - 2" ID
	081364-01-000	EA	Muffler - Generator
	007125-01-000	EA	Clamp - Muffler - 1.62" Dia.
	093591-02-000	EA	Exhaust Pipe - Curved - 1.5" O.D.
	081634-02-700	EA	LP System - For Onan Conversion
	078045-01-000	EA	Strap - Support - Generator - 4 Hole
	084365-01-000	EA	Strap - Support - Generator - 2 Hole
	007067-01-000	SF	Insulation - Fiberglass - 1"
	079654-01-700	EA	Hinge Kit - Emerald Generator
	007063-01-000	FT	Hose - Gas - 1/4" ID x 1/2" OD
	007125-04-000	EA	Clamp - Muffler - 1.1" Dia.
	007181-01-000	EA	Clamp - Hose Spring Type - 1/2"
	094059-01-000	EA	Spacer - Generator - Steel

GENERATORS & COMPONENTS (OPTION L39E)

Key	Part Number	U/M	Description
	100974-03-000	EA	Generator - Emerald - 4.0 kw
	082273-01-000	EA	Exhaust Pipe - Generator (CSA)
	079854-05-000	EA	Exhaust Pipe - Angled w/Flange - 2" ID
	081364-02-000	EA	Muffler - Generator (US)
	093591-02-000	EA	Exhaust Pipe - Curved - 1.5" O.D.
	082272-01-000	EA	Muffler - Generator (CSA)
	007067-01-000	SF	Insulation - Fiberglass - 1"
	078045-01-000	EA	Strap - Support - Generator - 4 Hole
	084365-01-000	EA	Strap - Support - Generator - 2 Hole
	079654-01-700	EA	Hinge Kit - Emerald Generator
	007063-01-000	FT	Hose - Gas - 1/4" ID x 1/2" OD
	007125-04-000	EA	Clamp - Muffler - 1.5" Dia.
	007181-01-000	EA	Clamp - Hose - Spring Type - 1/2"
	007125-01-000	EA	Clamp - Muffler - 1.62" Dia.

MISCELLANEOUS ACCESSORIES

Key	Part Number	U/M	Description
	054185-63-000	EA	Owner's Manual - 1991 - Warrior
	092318-01-000	EA	Binder - 3 Ring - Vendor Manual
	092319-01-000	EA	Page - Plastic Pocket
	099084-05-000	EA	Cassette - Winnebago Warrior
	094499-01-000	EA	Fire Extinguisher - 1A 10BC (US)
	094499-02-000	EA	Fire Extinguisher - 1A 10BC (CSA)
	094499-01-700	EA	Bracket - Mounting w/Plastic Strap - Fire Extinguisher
	072852-01-000	EA	Smoke Detector w/9 Volt Battery (US)
	072852-02-000	EA	Smoke Detector w/9 Volt Battery (CSA)
	100603-01-01A	EA	Wall Clock - Round - Bezel
	101333-01-000	EA	Backplate - Clock Mounting - Black Plastic
	104764-01-01A	EA	Wall Clock - Spartus

• These parts are used from 5/6/91 on.

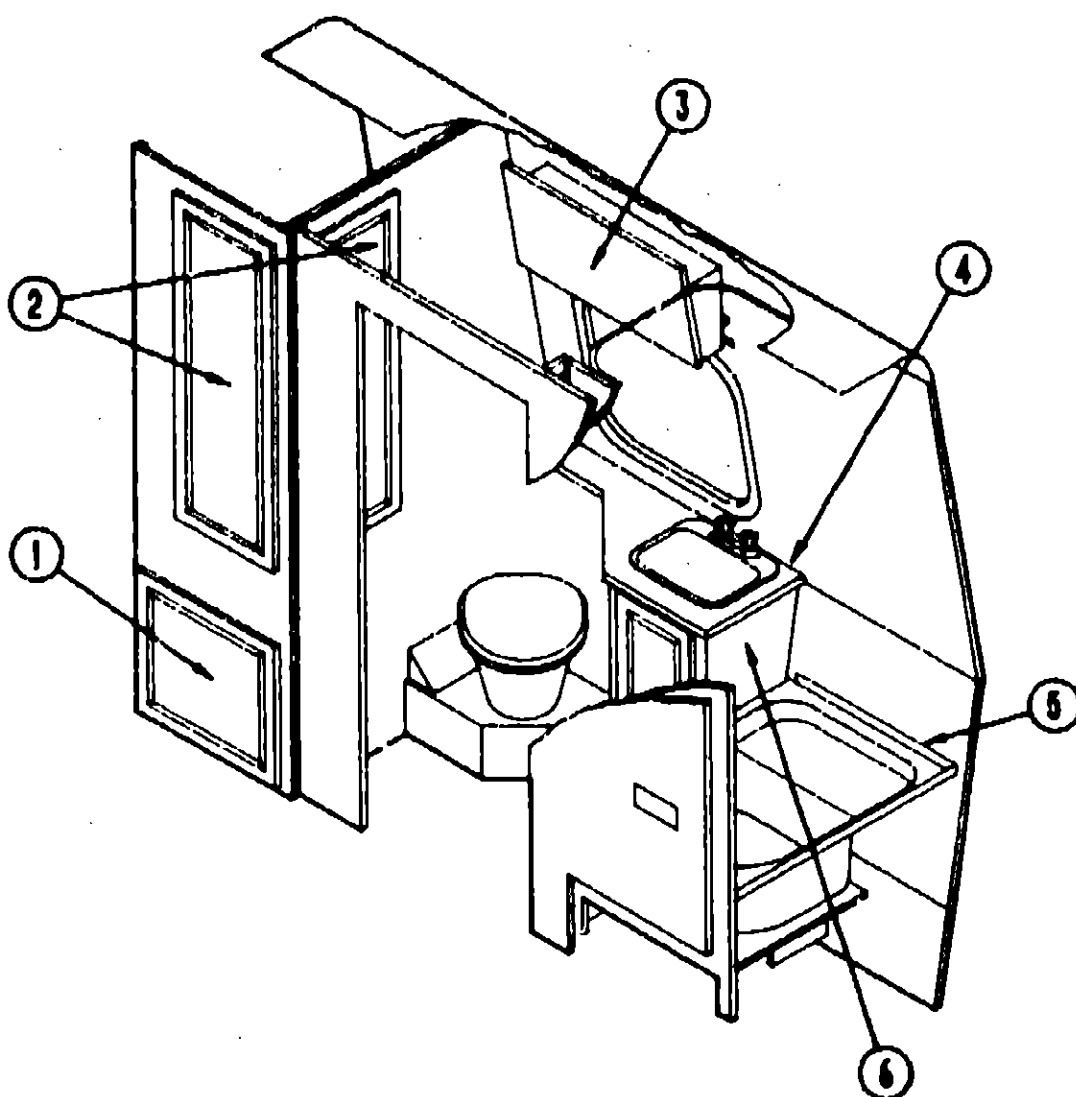
**1991 1/2 WINNEBAGO
TABLE OF CONTENTS**

INTRODUCTION	A-01 - A-02
ABBREVIATIONS	A-03
ALPHABETICAL/GROUP REFERENCE	A-04 - A-08
WF327RB	A-07 - D-06
WF327RT	D-07 - G-18

1991 1/2 WF327RB INDEX

Floor Plan	A-07 - A-08
Accessories Group	A-09 - A-12
Bath Group	A-13 - A-14
Chassis Group	A-15 - A-18
Curtain, Cushion & Pad Group	A-19 - B-02
Dinette Group	B-03 - B-04
Driver's Compartment Group	B-05 - B-07
Electrical Group	B-08 - B-10
Exterior Body Group	B-11 - B-15
Galley Group	B-16 - B-19
Heating & Air Conditioning Group	B-20 - B-21
Interior Finish Group	B-22 - B-24
Labels Group	C-01 - C-09
LP Group	C-10
Lounge	C-11 - C-13
Sealants & Fasteners Group	C-14 - C-15
Water & Sewage Group	C-16 - C-18
Window, Vent & Exterior Door Group	C-19 - D-06

BATH GROUP



BATH CABINETRY

Key	Part Number	U/M	Description
1	P03701-42-B85 077404-02-000	EA	Door Asm. - Wardrobe Cabinet - 21.9" x 19.9" - w/o Hardware
2	P03701-16-B85 058331-39-000	EA	Drawer - Plastic - 20" x 12.7"
3	099683-01-01A 076073-01-700	EA	Mirror - Safety Glass - 12.8" x 42.8"
4	096726-11-B85	EA	Cabinet - Medicine w/Mirror Door - 16" x 29.7"
5	M02630-13-AA3	EA	Travel Lock - Medicine Cabinet
6	096726-01-B85 P03701-15-B85 M82429-06-B85 093446-01-X81 058331-20-000	EA	Countertop - Lavatory Cabinet
		EA	Shower Pan Asm.
		EA	Cabinet Asm. - Lavatory w/Countertop
		EA	Door Asm. - Lavatory Cabinet - 12" x 25.9" - w/o Hardware or Mirror Asm.
		EA	Door Asm. - Bath - 73.8" x 30" - w/o Hardware
		EA	Mirror Asm. - Bath Door
		EA	Mirror - Safety Glass - 44.5" x 13.2"

BATH GROUP (CONTINUED)

BATH & WARDROBE HARDWARE

Key	Part Number	U/M	Description
	M02630-13-AA3	EA	Shower Pan Asm.
	057671-01-000	EA	Cover - Screw Off White
	084481-11-B85	EA	Shower Curtain - 60" x 82" - Vinyl
	084481-11-B86	EA	Shower Curtain - 60" x 82" - Vinyl
	009701-01-000	EA	Carrier - Shower Curtain
	009702-01-000	EA	End Stop - Shower Curtain Carrier
	083801-01-000	FT	Track - Shower Curtain - Off White
	075242-04-000	EA	Faucet - Shower - Bone
**	011048-02-000	EA	Shower Head - w/60" Hose (US)
	011048-05-000	EA	Shower Head - w/60" Hose (CSA)
	075806-01-000	EA	Shower Panel - Faucet - Plastic
	066729-01-000	EA	Strainer - Shower Pan Asm.
	069735-01-000	EA	Washer - Tailpiece - 1.5" Plastic - Shower Pan Asm.
	066436-01-000	EA	Slip Nut - 1.5" Tailpiece - Shower Pan Asm.
	011069-02-000	EA	Tailpiece - 1 1/2" x 1 1/4" x 4" - Brass
	075240-06-000	EA	Faucet - Lavatory - Bone
	091253-01-000	EA	Gasket - Lavatory Faucet
	105218-01-01A	EA	Spacer - Lavatory Faucet - 2" x 5.9" - Off White Plastic
	081814-02-000	EA	Soap Dish w/Plastic Cover - Brass
	096927-01-01A	EA	Sink - Lavatory - Rectangular - Plastic - Bone
	096927-01-700	EA	Sink - Stopper
	096927-01-701	EA	Tailpiece - Sink
	067487-01-000	EA	Toilet - Thetford - Aqua Magic
	067487-01-700	EA	C.L.F.L. Seal & Bolt Package
	067487-01-701	EA	Water Saver Package
	067487-01-702	EA	Clamp
	063740-01-710	EA	Link
	063740-01-711	EA	Spring - Return Lever
	063740-01-716	EA	Seat - w/Cover
	063740-01-700	EA	Lever - Water
	063740-01-701	EA	Lever - Flush
	063740-01-713	EA	Seal - Ball Valve to Bowl
	063740-01-714	EA	Valve Asm. - Water
	063740-01-707	EA	Seal - Closet Flange
	063740-01-706	EA	Bolt Package - Closet
	063740-01-717	EA	Flush Tube
	024676-01-000	EA	Closet Flange - 4" x 3" (US)
	024676-02-000	EA	Closet Flange - 4" x 3" (CSA)
	075452-02-000	EA	Tissue Holder - Brass
	075453-02-000	EA	Towel Bar - 18" - Brass
	075454-02-000	EA	Ring - Towel - Brass
	050335-02-000	EA	Latch - Shower/Bath Door
	009151-01-000	EA	Warp Guard - Shower/Bath Door - 48"
	059777-02-000	EA	Hinge - Cabinet Door - Burnished Brass
	059783-01-000	FT	Clothes Rod - Aluminum Slotted - 7'
	077409-02-000	EA	Slide - Plastic Drawer - 20.75"
	094067-01-01A	EA	Divider - Drawer - LT Oak

** The illustrated parts breakdown for this item is provided on the Common Items Fiche.
NOTE: Items indented below assemblies are serviceable parts for that assembly.

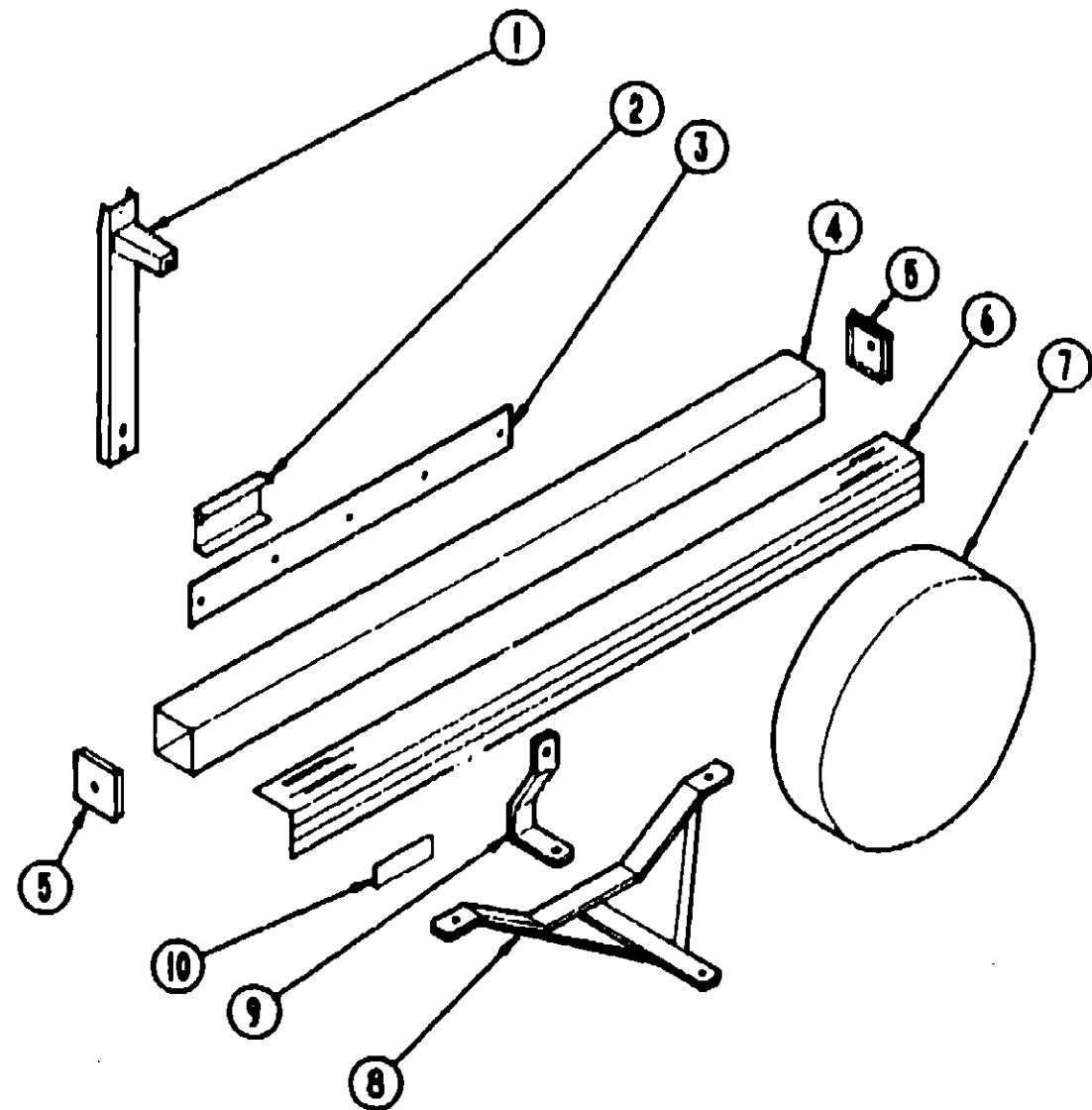
1991 1/2 WINNEBAGO TABLE OF CONTENTS

INTRODUCTION	A-01 - 1-02
ABBREVIATIONS	A-03
ALPHABETICAL/GROUP REFERENCE	A-04 - A-08
WF327RB	A-07 - D-06
WF327RT	D-07 - G-16

1991 1/2 WF327RB INDEX

Floor Plan	A-07 - A-08
Accessories Group	A-09 - A-12
Bath Group	A-13 - A-14
Chassis Group	A-15 - A-18
Curtain, Cushion & Pad Group	A-19 - B-02
Dinette Group	B-03 - B-04
Driver's Compartment Group	B-05 - B-07
Electrical Group	B-08 - B-10
Exterior Body Group	B-11 - B-15
Galley Group	B-16 - B-19
Heating & Air Conditioning Group	B-20 - B-21
Interior Finish Group	B-22 - B-24
Labels Group	C-01 - C-09
LP Group	C-10
Lounge	C-11 - C-13
Sealants & Fasteners Group	C-14 - C-15
Water & Sewage Group	C-16 - C-18
Window, Vent & Exterior Door Group	C-19 - D-06

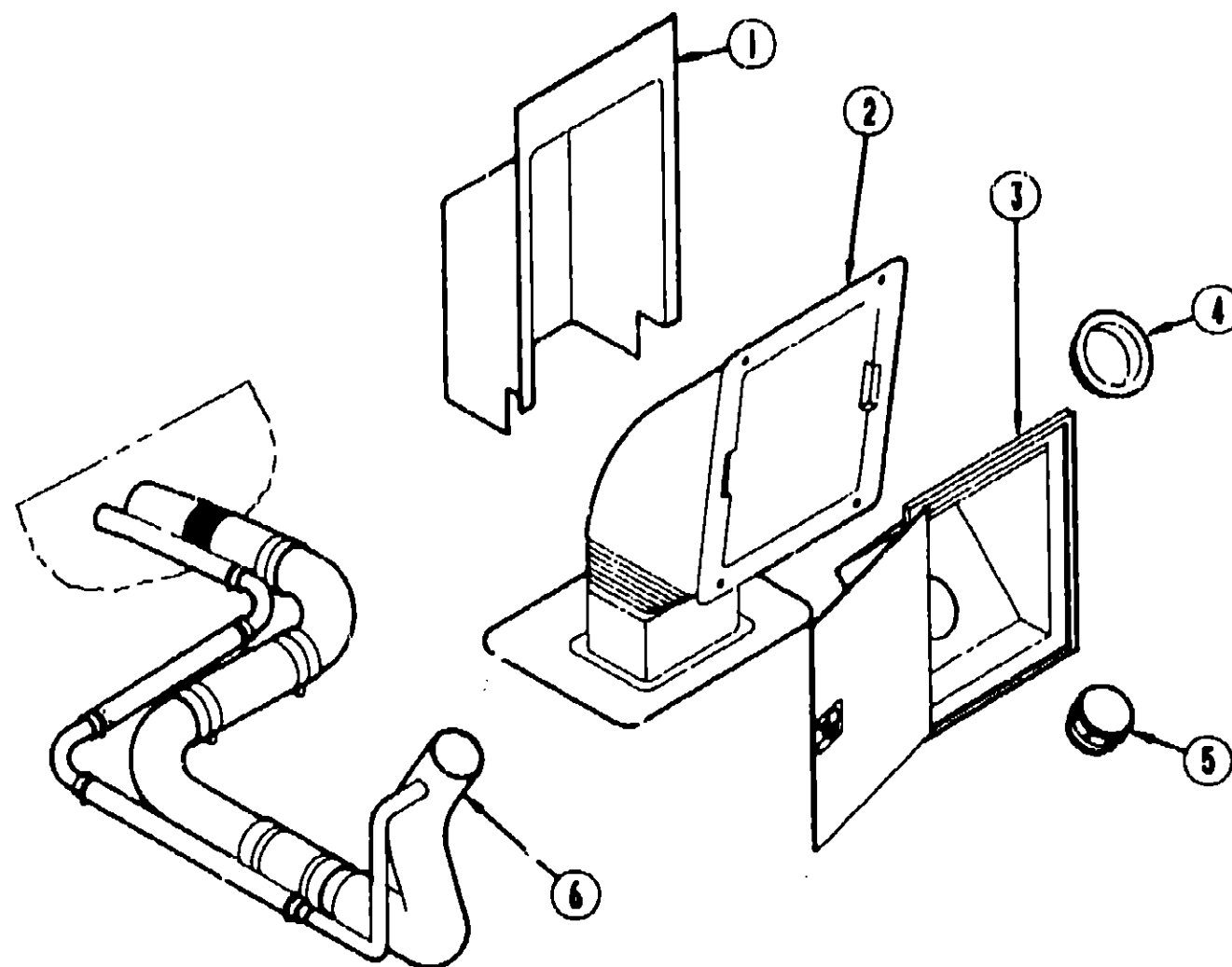
CHASSIS GROUP



SPARE TIRE, HITCH & REAR BUMPER

Key	Part Number	U/M	Description
1	079027-01-000	EA	Bracket Asm. - Tire Carrier
2	M64600-02-000	EA	Mount Support - Tire Carrier
3	M22150-01-000	EA	Bracket - Rear Bumper
4	064602-01-000	EA	Bumper Asm. - Square - Off White
5	039779-01-000	EA	Bumper Cap - Black Rubber - 4" x 4"
6	041332-03-000	EA	Cover - Bumper - w/o Reflector - 4" Square x 92"
7	098855-01-AA3	EA	Cover - Spare Tire - Vinyl - Off White
8	064833-03-000	EA	Trailer Hitch Asm.
9	064824-02-000	EA	Support - Trailer Hitch
10	041332-02-000	EA	Reflector - Bumper Cover - Self-Adhesive - 6 1/2" x 3/4"
	070917-02-000	EA	Tire - Michelin - Radial
	070917-04-000	EA	Tire - Firestone - Radial
	083617-01-000	EA	Wheel - Steel - 6" x 16" - 8 Hole
	051377-01-000	EA	Valve Stem TR500

CHASSIS GROUP (CONTINUED)



FUEL FILL COMPONENTS

Key	Part Number	U/M	Description
1	078040-02-000	EA	Shroud - Fuel Fill - Upper
2	083578-01-000	EA	Boot - Fuel Fill
	084235-01-000	EA	Support Flange - Fuel Fill Boot
3	078010-03-000	EA	Door Asm. - Fuel Fill - Off White
4	078200-01-000	EA	Gasket - Fuel Fill
5	NOTE	EA	Fuel Cap
6	099273-01-000	EA	Filler Neck - Fuel Fill
	NOTE: This item is chassis supplied.		

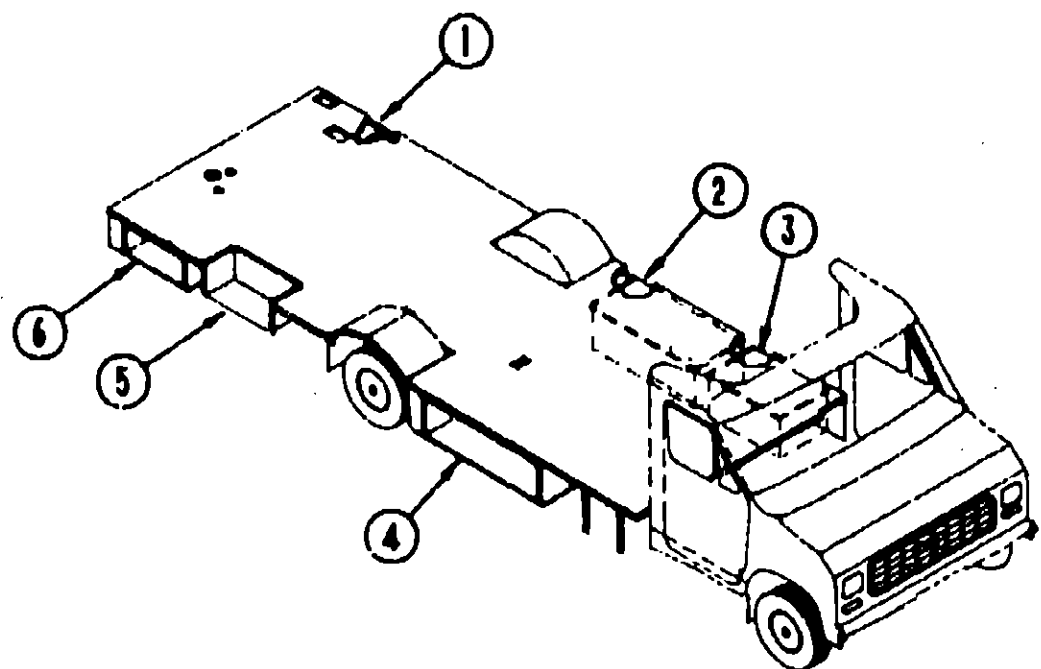
**1991 1/2 WINNEBAGO
TABLE OF CONTENTS**

INTRODUCTION	A-01 - A-02
ABBREVIATIONS	A-03
ALPHABETICAL/GROUP REFERENCE	A-04 - A-06
WF327RB	A-07 - D-08
WF327RT	D-07 - G-16

1991 1/2 WF327RB INDEX

Floor Plan	A-07 - A-08
Accessories Group	A-09 - A-12
Bath Group	A-13 - A-14
Chassis Group	A-15 - A-18
Curtain, Cushion & Pad Group	A-19 - B-02
Dinette Group	B-03 - B-04
Driver's Compartment Group	B-05 - B-07
Electrical Group	B-08 - B-10
Exterior Body Group	B-11 - B-15
Galley Group	B-16 - B-19
Heating & Air Conditioning Group	B-20 - B-21
Interior Finish Group	B-22 - B-24
Labels Group	C-01 - C-09
LP Group	C-10
Lounge	C-11 - C-13
Sealants & Fasteners Group	C-14 - C-15
Water & Sewage Group	C-16 - C-18
Window, Vent & Exterior Door Group	C-19 - D-06

CHASSIS GROUP (CONTINUED)



COMPARTMENTS & COMPONENTS

Key	Part Number	U/M	Description
1	101572-01-000	EA	Compartment Asm. - Power Cord
	000C18-05-40A	EA	Bolt
	000D34-05-00C	EA	Nut
	101578-01-000	EA	Filler Panel
	000G39-10-12B	EA	Screw
	092908-02-000	EA	Grommet - Edging - Black
2	096020-02-000	EA	Compartment Asm. - Storage - 46.4" Wide x 20.6" Deep
	078137-02-000	EA	Tray - Storage Compartment - 27.18" Wide x 21" Deep
3	000C26-04-14B	EA	Bolt
	000G39-10-12B	EA	Screw
	096020-07-000	EA	Compartment Asm. - Storage - 52.36" Wide x 20.6" High
4	076241-01-000	EA	Box - Support - Step Asm.
	077848-02-000	EA	Step Asm. - Pullout
5	000G39-10-12B	EA	Screw
	000D39-05-00B	EA	Nut
	096020-09-000	EA	Compartment Asm. - Storage - 29.2" x 20.6"
	064075-07-000	FT	Seal - Bulb - Rubber - Black
	061420-01-000	EA	Plug - Plastic - 1.75" - Brown
	096646-01-000	EA	Angle - Strike
	000C26-04-10B	EA	Bolt
	000D39-04-00B	EA	Nut

CHASSIS GROUP (CONTINUED)

GENERATOR & COMPONENTS (OPTION L38E)

Key	Part Number	U/M	Description
	100974-03-000	EA	Generator - Emerald - 4.0 kw
	082273-01-000	EA	Exhaust Pipe - Generator - w/2 Bolt Hole Flange (CSA)
	079854-05-000	EA	Exhaust Pipe - Angled w/Flange - 2" ID
	081364-02-000	EA	Muffler - Generator (US)
	093591-02-000	EA	Exhaust Pipe - Curved - 1.5" OD
	082272-01-000	EA	Muffler - Generator (CSA)
	007087-01-000	SF	Insulation - Fiberglass - 1"
	078045-01-000	EA	Strap - Support - Generator - 4 Hole
	084385-01-000	EA	Strap - Support - Generator - 2 Hole
	079854-01-700	EA	Hinge Kit - Emerald Generator
	007083-01-000	FT	Hose - Gas - 1/4" ID x 1/2" OD
	007125-04-000	EA	Clamp - Muffler - 1.1" Dia.
	007125-01-000	EA	Clamp - Muffler - 1.62" Dia.
	007161-01-000	EA	Clamp - Hose - Spring Type - 1/2"

EXPORT GENERATOR (OPTION L383)

Key	Part Number	U/M	Description
	100974-05-000	EA	Generator - Onan - 4.0 kw
	079854-05-000	EA	Exhaust Pipe - Angled w/Flange - 2" ID
	093591-02-000	EA	Exhaust Pipe - Curved - 1.5" OD
	081364-01-000	EA	Muffler - Generator
	081834-02-700	EA	LP System - For Onan Conversion
	078045-01-000	EA	Strap - Support - Generator - 4 Hole
	084385-01-000	EA	Strap - Support - Generator - 2 Hole
	007087-01-000	EA	Insulation - Fiberglass - 1"
	079854-01-700	EA	Hinge Kit - Emerald Generator
	007083-01-000	FT	Hose - Gas - 1/4" ID x 1/2" OD
	007125-04-000	EA	Clamp - Muffler - 1.1" Dia.
	007161-01-000	EA	Clamp - Hose - Spring Type - 1/2"
	007125-01-000	EA	Clamp - Muffler - 1.62" Dia.
	084059-01-000	EA	Spacer - Generator - Steel

MISCELLANEOUS CHASSIS PARTS

Key	Part Number	U/M	Description
	085450-05-000	EA	Tiedown - Battery
	010497-01-000	EA	Clamp - Closed - 5/8" ID
	007161-01-000	EA	Clamp - Hose - Spring Type 1/2"
	082401-01-000	EA	Clamp - Hose - Wormgear - .22" ID - 1" ID
	082401-02-000	EA	Clamp - Hose - Wormgear - 1.56" ID - 2.5" ID
	082401-03-000	EA	Clamp - Hose - Wormgear - .25" ID - 1" ID
	082401-04-000	EA	Clamp - Hose - Wormgear - .69" ID - 1.25" ID
	082401-06-000	EA	Clamp - Hose - Wormgear - .22" ID - .62" ID
	023146-01-000	EA	Clamp - Screw Type - 4"
	091952-02-000	EA	Clip - Gripper - 3/4" (Tire Iron)
	061420-01-000	EA	Plug - Plastic - 1.75" - Storage Compartment
	007063-01-000	FT	Hose - Gas - 1/4" ID x 1/2" OD
	007108-01-000	FT	Hose - Heater - 5/8" ID
	017516-01-000	EA	Mud Flap w/Holes - 14" x 18" - Black
	064089-01-700	EA	Splash Guard - Black Rubber (Set of 2)
	045731-04-000	EA	Rock Guard - Steel
	072884-20-000	EA	Running Boards - Ford - 39" (Option 66R)
	094795-02-000	EA	Speedometer - Kilometer
	077848-02-000	EA	Step Asm. - Pullout
	096322-01-000	EA	Wheelwell - Plastic
	008343-01-000	EA	Wire Tie - 6"

NOTE: Remainder of exhaust components available from Chassis Service Center.

**1991 1/2 WINNEBAGO
TABLE OF CONTENTS**

INTRODUCTION	A-01 - A-02
ABBREVIATIONS	A-03
ALPHABETICAL/GROUP REFERENCE	A-04 - A-06
WF327RB	A-07 - D-06
WF327RT	D-07 - G-16

1991 1/2 WF327RB INDEX

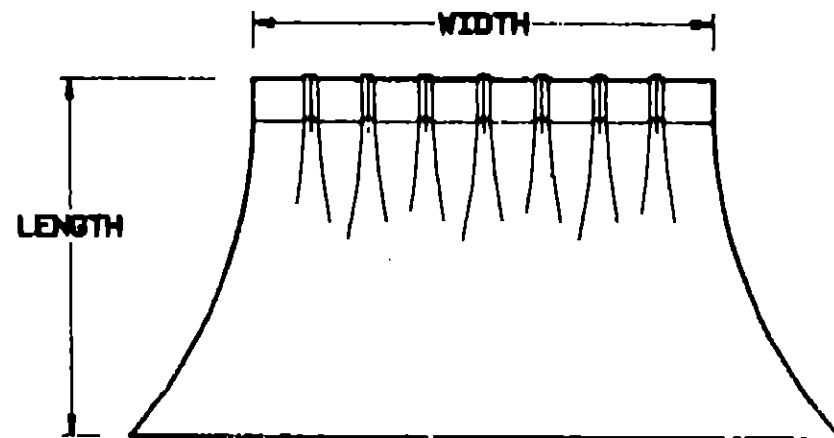
Floor Plan	A-07 - A-08
Accessories Group	A-09 - A-12
Bath Group	A-13 - A-14
Chassis Group	A-15 - A-19
Curtain, Cushion & Pad Group	A-19 - B-02
Dinette Group	B-03 - B-04
Driver's Compartment Group	B-05 - B-07
Electrical Group	B-08 - B-10
Exterior Body Group	B-11 - B-15
Galley Group	B-16 - B-19
Heating & Air Conditioning Group	B-20 - B-21
Interior Finish Group	B-22 - B-24
Labels Group	C-01 - C-09
LP Group	C-10
Lounge	C-11 - C-13
Sealants & Fasteners Group	C-14 - C-15
Water & Sewage Group	C-16 - C-18
Window, Vent & Exterior Door Group	C-19 - D-06

CURTAIN, CUSHION & PAD GROUP

NOTICE

In order to assist our Part Sales Dept. in providing interior software items, please include the serial number and the color code number from the vehicle certification label when ordering. This label is located on the left sidewall at the end of the dash (A-Body), or on the driver's door latch plate (C-Body).

An example of a color code number is P31, which designates an overall color scheme of a particular unit. The color listed after the item description on the microfiche, indicates the overall unit color. Order the item you desire according to unit color code.



NOTE: Use this illustration when determining length and width measurements for curtains. You will note the width measurement is taken on the top of the curtain with the curtain fully extended. The length measurement is taken from top to bottom.

FABRICS & CARPETS

Key	Part Number	U/M	Description
	072333-82-000	YD	Fabric - Drapery - Beige (Privacy)
	096008-76-000	YD	Fabric - Upholstery - Main - Patterned (B85)
	104233-12-000	YD	Fabric - Upholstery - Main - Patterned (B85)
	096008-79-000	YD	Fabric - Upholstery - Main - Patterned (B86)
	096008-78-000	YD	Fabric - Upholstery - Accent - Plain (B85)
	096008-80-000	YD	Fabric - Upholstery - Accent - Plain (B86)
	096008-77-000	YD	Fabric - Upholstery - Accent - Velvet Patterned (B85)
	096008-81-000	YD	Fabric - Upholstery - Accent - Velvet Patterned (B86)
	096008-86-000	YD	Fabric - Upholstery - Accent - Flat Patterned (B85)
	096008-82-000	YD	Fabric - Upholstery - Accent - Flat Patterned (B86)
	072333-67-000	YD	Fabric - Speaker Cover
	075244-04-000	YD	Vinyl - Shower Curtain - Salmon (B05)
	075244-06-000	YD	Vinyl - Shower Curtain - Teal (B86)
	079680-09-000	YD	Vinyl - Off White
#	1C3907-01-01A	YD	Vinyl - Off White
	096060-24-000	SY	Carpet - Eggplant (B85)
	096060-25-000	SY	Carpet - Brown (B86)
	076314-02-000	FT	Tape - Heat Bonded - Carpet Seam
	047034-02-000	SF	Plastic Runner - Carpet - 4' Wide - Clear
	075233-01-000	SY	Pad - Carpet - 3/8' x 6'
	085746-01-000	FT	Trim - "J" - Carpet - PVC - Beige
	078539-01-000	EA	Trim - Carpet - 29" Long - Passenger
	078539-02-000	EA	Trim - Carpet - 29" Long - Driver

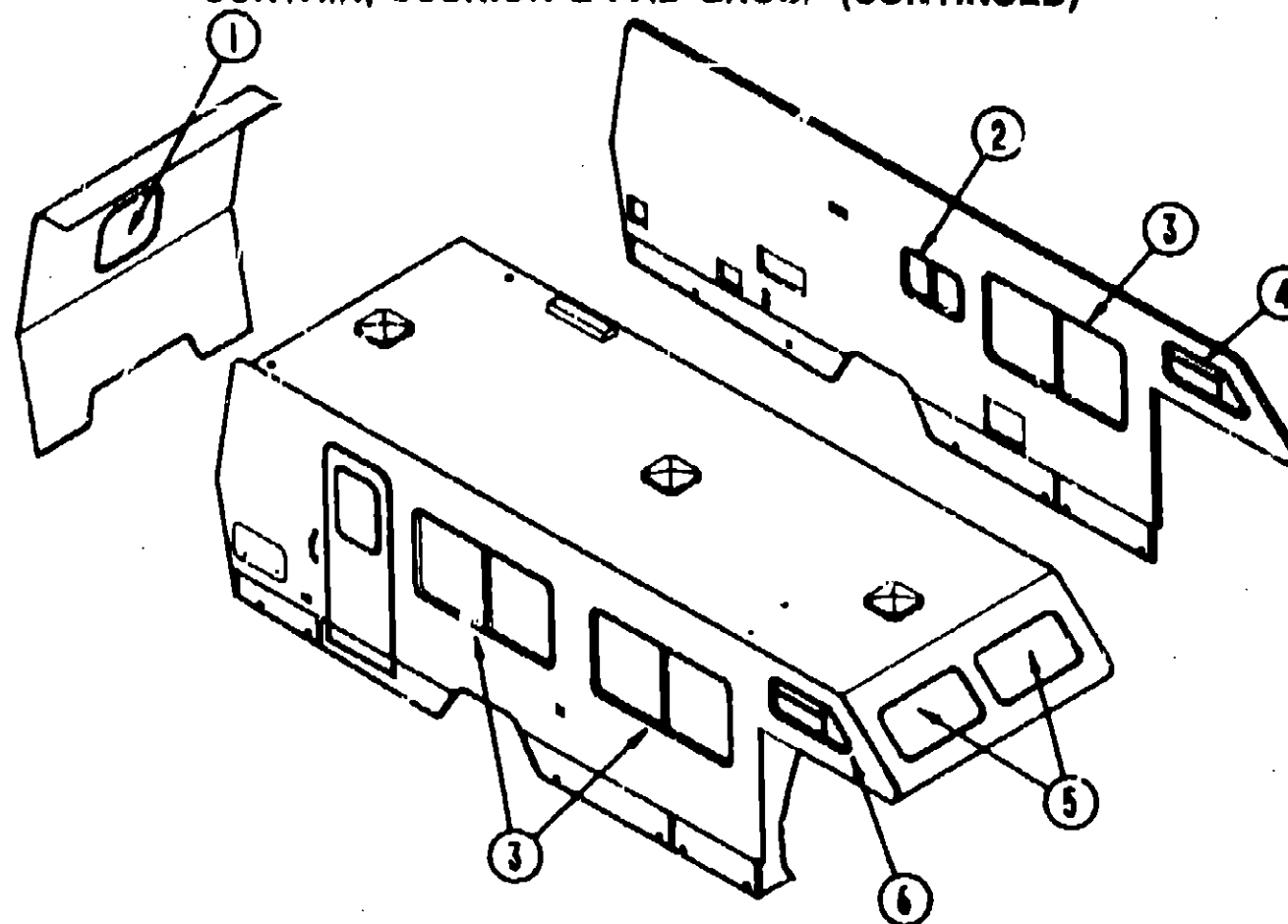
These parts are used from 4/15/91 on.

These parts are used from 4/17/91 on.

NOTE: Replace vinyl flooring locally.

A-19

CURTAIN, CUSHION & PAD GROUP (CONTINUED)



CURTAINS, BLINDS, VALANCES & TIEBACKS

Key	Part Number	U/M	Description
1	102514-14-B85	EA	Valance Asm. w/Insert - 30.5"
1	102514-14-B86	EA	Valance Asm. w/Insert - 30.5"
1	093475-52-02A	EA	Mini Blind - 26.5" x 28" Drop - (B85)
1	093475-52-03A	EA	Mini Blind - 26.5" x 28" Drop - (B86)
2	093475-14-08A	EA	Mini Blind - 26" x 18" Drop - (B65)
2	093475-34-C9A	EA	Mini Blind - 26" x 18" Drop - (B86)
3	103966-09-B85	EA	Valance Asm. w/Brass Trim - 62"
*3	103966-09-CA9	EA	Valance Asm. w/Brass Trim - 62" (B65)
3	103966-10-B86	EA	Valance Asm. w/Brass Trim - 62"
3	100281-01-B85	EA	Leg Asm. - Window - 29" - Right
3	100281-39-B86	EA	Leg Asm. - Window - 29" - Right
3	100281-02-B85	EA	Leg Asm. - Window - 29" - Left
3	100281-40-B36	EA	Leg Asm. - Window - 29" - Left
3	093475-49-02A	EA	Mini Blind - 58" x 32" Drop - B85
3	093475-49-03A	EA	Mini Blind - 58" x 32" Drop - B86
4	097878-30-B85	EA	Valance Asm. w/Brass Trim - 43"
4	097878-30-B86	EA	Valance Asm. w/Brass Trim - 43"
4	101034-01-B85	EA	Curtain - Tape Top - 16" x 25" - Beige
5	097878-28-B85	EA	Valance Asm. w/Brass Trim - 85.5"
5	097878-28-B86	EA	Valance Asm. w/Brass Trim - 85.5"
5	101034-02-B85	EA	Curtain - Tape Top - 22" x 45" - Beige
6	097878-29-B85	EA	Valance Asm. w/Brass Trim - 43"
6	097878-29-B86	EA	Valance Asm. w/Brass Trim - 43"
6	101034-01-B85	EA	Curtain - Tape Top - 16" x 25" - Beige
	101668-15-B85	EA	Curtain Asm. w/Snap Top - 30" x 50" - Driver
	101668-15-B86	EA	Curtain Asm. w/Snap Top - 30" x 50" - Driver
	101668-14-B85	EA	Curtain Asm. w/Tape Top - 30" x 50" - Passenger
	101668-14-B86	EA	Curtain Asm. w/Tape Top - 30" x 50" - Passenger
	076892-06-B85	EA	Curtain w/Snap Top - 40" x 72" - Privacy
	073260-49-B87	EA	Tieback Asm. - 3" x 18" (B85)
	073260-49-B86	EA	Tieback Asm. - 3" x 18"
	084481-11-B85	EA	Curtain - Shower - 60" x 62"
	084481-11-B86	EA	Curtain - Shower - 60" x 62"

* These parts were used from 4/15/91 on.

1991 1/2 WINNEBAGO TABLE OF CONTENTS

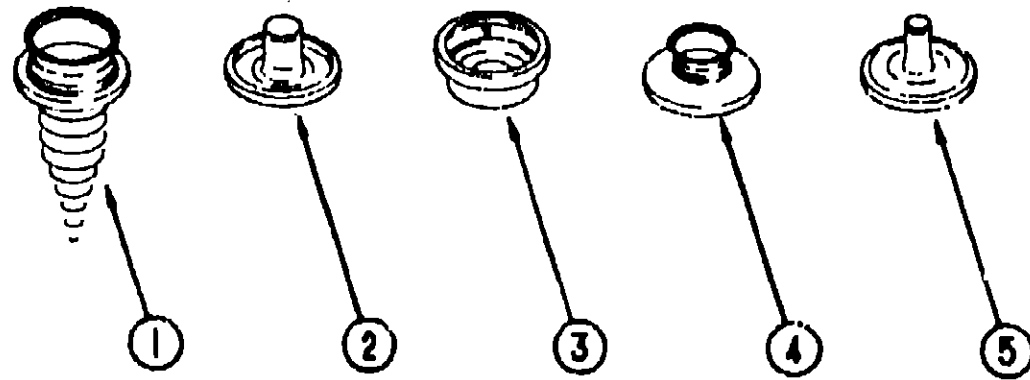
INTRODUCTION	A-01 - A-02
ABBREVIATIONS	A-03
ALPHABETICAL/GROUP REFERENCE	A-04 - A-06
WF327RB	A-07 - D-06
WF327RT	D-07 - G-16

1991 1/2 WF327RB INDEX

Floor Plan	A-07 - A-08
Accessories Group	A-09 - A-12
Birth Group	A-13 - A-14
Chassis Group	A-15 - A-18
Curtain, Cushion & Pad Group	A-19 - B-02
Dinette Group	B-03 - B-04
Driver's Compartment Group	B-05 - B-07
Electrical Group	B-08 - B-10
Exterior Body Group	B-11 - B-15
Galley Group	B-16 - B-19
Heating & Air Conditioning Group	B-20 - B-21
Interior Finish Group	B-22 - B-24
Labels Group	C-01 - C-09
LP Group	C-10
Lounge	C-11 - C-13
Sealants & Fasteners Group	C-14 - C-15
Water & Sewage Group	C-16 - C-18
Window, Vent & Exterior Door Group	C-19 - D-06

A-20

CURTAIN, CUSHION & PAD GROUP (CONTINUED)



Key	Part Number	U/M	Description
1	029130-01-000	EA	Screw - Snap Socket - 8PH x 5/8"
2	029155-01-000	EA	Cap - Snap - .156" Dia. x .17" Barrel
3	029156-01-000	EA	Socket - Snap Fastener
4	029092-01-000	EA	Stud - Nickel Finish
5	029093-01-000	EA	Eyelet - Nickel Finish

CURTAIN & CUSHION HARDWARE

Key	Part Number	U/M	Description
	083801-01-000	EA	Track - Shower Curtain - Off White
	009701-01-000	EA	Carrier - Shower Curtain
	009702-01-000	EA	End - Stop - Curtain Carrier - Shower
	046867-01-000	EA	Grommet - Brass - 7/16" ID x 1" OD (Shower Curtain)
	009136-01-000	EA	Pin - Shower Curtain
	029130-01-000	EA	Screw - Snap Socket - 8 PH x 5/8"
	029092-01-000	EA	Stud - Nickel Finish
	029093-01-000	EA	Eyelet - Nickel Finish
	029155-01-000	EA	Cap - Snap
	029156-01-000	EA	Socket - Snap Fastener
	088792-02-000	YD	Velcro Tape - Adhesive Backed - Loop - 3/4" - Beige
	048394-02-000	YD	Velcro Tape - Adhesive Backed - Hook - 3/4" - Beige
	089916-01-000	EA	Mount - Window Leg - Black
	101032-01-000	FT	Track - Curtain - Ceiling Mount - White (Valance)
	101033-01-000	FT	Track - Curtain - Low Profile - White
	101033-02-000	EA	End Cap - Track - Clear
	101031-01-000	EA	Tape - Glide - 4.25" Spacing
	095591-02-000	EA	Bracket - Blind - Hold Down w/Pin
	082239-02-000	EA	Brace - Window Valance - Beige - 18.7" Long
	075943-01-000	EA	Brace - Window Valance - Beige - 20" Long
	083170-01-000	EA	Bracket - Blind - Right
	083170-02-000	EA	Bracket - Blind - Left
	093475-01-700	EA	Wand - Blind w/Metal Clip - 8" Long
	093475-01-701	EA	End Cap - Blind w/Stud
	089522-04-000	EA	Panel - Leg - Window - 2.5" Face - 31.5" Long
	057534-01-000	EA	Tieback - Door - 6" - Clear Plastic
	078155-01-000	EA	Strap - Snap - Backrest Cushion
	103986-01-000	FT	Trim - Valance - .75" Wide - Brass
	105450-02-01A	EA	Track - Curtain - 48" - Aluminum - Off White (Valance)
	105450-05-01A	EA	Track - Curtain - 79" - Aluminum - Off White (Valance)
	105450-06-01A	EA	Track - Curtain - 88" - Aluminum - Off White (Valance)
	007021-01-000	EA	Seatbelt Asm. - 2" x 90" - Black

CURTAIN, CUSHION & PAD GROUP (CONTINUED)

TRIMS & PADS

Key	Part Number	U/M	Description
	070578-06-B05	EA	Button Asm. - Snap Top - #30 - Vinyl
	070578-10-B85	EA	Button Asm. - Snap Top - #30 - Accent - Plain
	070578-10-B86	EA	Button Asm. - Snap Top - #30 - Accent - Plain
	059797-02-000	EA	Shell - Upholstery Button - #30
	069734-01-000	EA	Back - Upholstery Button - #30
	078155-01-000	EA	Strap Asm. - Cushion (Dinette Cushion)
	081519-17-B85	EA	Pad Asm. - Dinette - Front
	081519-17-B86	EA	Pad Asm. - Dinette - Front
	081519-18-B85	EA	Pad Asm. - Dinette - Rear
	081519-18-B86	EA	Pad Asm. - Dinette - Rear
	069885-18-B85	EA	Motor Cover w/Map Pocket
	069885-18-B86	EA	Motor Cover w/Map Pocket
	079349-01-B85	YD	Wetling - Skirt
	079349-01-B86	YD	Wetling - Skirt
	084415-31-000	YD	Trim - Braid - Curtain (B85)
	084415-27-000	YD	Trim - Braid - Curtain (B86)

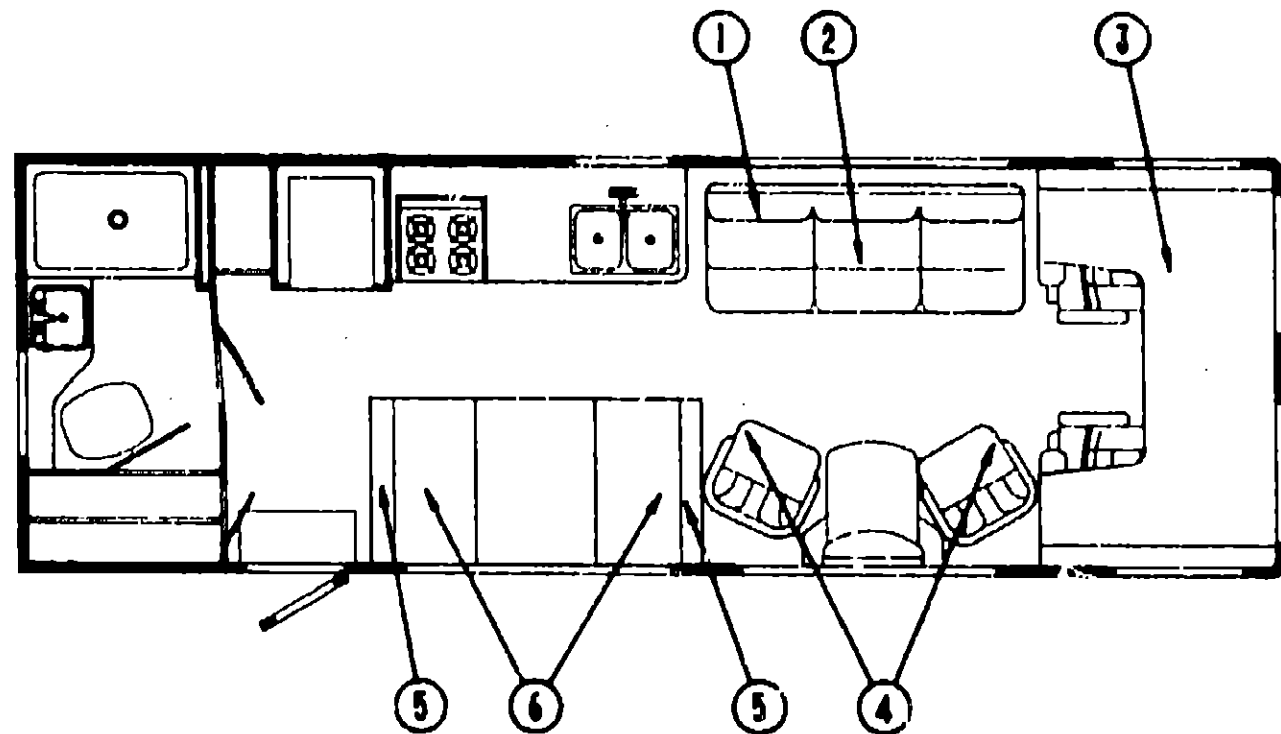
**1991 1/2 WINNEBAGO
TABLE OF CONTENTS**

INTRODUCTION	A-01 - A-02
ABBREVIATIONS	A-03
ALPHABETICAL/GROUP REFERENCE	A-04 - A-06
WF327RB	A-07 - D-06
WF327RT	D-07 - G-18

1991 1/2 WF327RB INDEX

Floor Plan	A-07 - A-08
Accessories Group	A-09 - A-12
Bath Group	A-13 - A-14
Chassis Group	A-15 - A-18
Curtain, Cushion & Pad Group	A-19 - B-02
Dinette Group	B-03 - B-04
Driver's Compartment Group	B-05 - B-07
Electrical Group	B-08 - B-10
Exterior Body Group	B-11 - B-15
Galley Group	B-16 - B-19
Heating & Air Conditioning Group	B-20 - B-21
Interior Finish Group	B-22 - B-24
Labels Group	C-01 - C-09
LP Group	C-10
Lounge	C-11 - C-13
Sealants & Fasteners Group	C-14 - C-15
Water & Sewage Group	C-16 - C-18
Window, Vent & Exterior Door Group	C-19 - D-06

CURTAIN, CUSHION & PAD GROUP (CONTINUED)



PRESTO BED COUCH

Key	Part Number	U/M	Description
1	100032-05-B85	EA	Presto Bed - Couch Back
*1	100032-05-CA9	EA	Presto Bed - Couch Back (B85)
1	100032-05-B86	EA	Presto Bed - Couch Back
	P00032-05-B85	EA	Cover Asm. - Presto Bed Back
	P00032-05-CA9	EA	Cover Asm. - Presto Bed Back (B85)
	P00032-05-B86	EA	Cover Asm. - Presto Bed Back
2	100032-06-B85	EA	Presto Bed - Couch Seat
*2	100032-06-CA9	EA	Presto Bed - Couch Seat (B85)
2	100032-06-B86	EA	Presto Bed - Couch Seat
	P00032-06-B85	EA	Cover Asm. - Presto Bed Seat
	P00032-06-CA9	EA	Cover Asm. - Presto Bed Seat (B85)
	P00032-06-B86	EA	Cover Asm. - Presto Bed Seat
	101236-03-B85	EA	Armrest - Presto Bed - Rear
	101236-03-CA9	EA	Armrest - Presto Bed - Rear (B85)
	101236-03-B86	EA	Armrest - Presto Bed - Rear
	P01236-03-B85	EA	Cover - Armrest Presto Bed - Rear
	P01236-03-CA9	EA	Cover - Armrest Presto Bed - Rear (B85)
	P01236-03-B86	EA	Cover - Armrest Presto Bed - Rear
	101236-04-B85	EA	Armrest - Presto Bed - Front
	101236-04-CA9	EA	Armrest - Presto Bed - Front (B85)
	101236-04-B86	EA	Armrest - Presto Bed - Front
	P01236-04-B85	EA	Cover - Armrest Presto Bed - Front
	P01236-04-CA9	EA	Cover - Armrest Presto Bed - Front (B85)
	P01236-04-B86	EA	Cover - Armrest Presto Bed - Front
	101085-06-000	EA	Frame - Base - 74.75"
	101085-04-000	EA	Frame - Seat - 74.75"
	101085-05-000	EA	Frame - Back - 74.75"
	101085-07-000	EA	Frame - Armrest - Rear
	101085-08-000	EA	Frame - Armrest - Front
	101568-03-000	EA	Bracket Asm. - Armrest - Rear
	101568-04-000	EA	Bracket Asm. - Armrest - Front

These parts are used from 4/15/91 on.

CURTAIN, CUSHION & PAD GROUP (CONTINUED)

FRONT BUNK

Key	Part Number	U/M	Description
3	084753-25-B85	EA	Cushion - "U" Shaped - 57" x 90" x 5"
3	084753-25-B86	EA	Cushion - "U" Shaped - 57" x 90" x 5"
**3	084753-29-B85	EA	Cushion - "U" Shaped - 58" x 92" x 5"
**3	084753-29-B86	EA	Cushion - "U" Shaped - 58" x 92" x 5"
	M84753-25-B85	EA	Cover - "U" Shaped Cushion
	M84753-25-B86	EA	Cover - "U" Shaped Cushion
**	M84753-29-B85	EA	Cover - "U" Shaped Cushion
**	M84753-29-B86	EA	Cover - "U" Shaped Cushion
	084753-26-B85	EA	Cushion - Filler - 52" x 25" x 5"
	084753-26-B86	EA	Cushion - Filler - 52" x 25" x 5"
**	084753-30-B85	EA	Cushion - Filler - 59.5" x 26.5" x 5"
**	084753-30-B86	EA	Cushion - Filler - 59.5" x 26.5" x 5"
	M84753-26-B85	EA	Cover - Filler Cushion
	M84753-26-B86	EA	Cover - Filler Cushion
**	M84753-30-B85	EA	Cover - Filler Cushion
**	M84753-30-B86	EA	Cover - Filler Cushion
	096008-86-000	YD	Fabric - Front Bunk Cushion (B85)
	096008-82-000	YD	Fabric - Front Bunk Cushion (B86)
	079145-08-000	EA	Cushion - Front Bunk - 25" x 74" x 3.5" (L43V & L49F)
**	M79145-08-000	EA	Cover - Front Bunk Cushion (L43V & L49F)

These parts are used from 4/24/91 on.

SWIVEL CHAIR

Key	Part Number	U/M	Description
4	096429-07-B85	EA	Swivel Chair
4	096429-07-B86	EA	Swivel Chair
	M96429-07-B85	EA	Cover - Swivel Chair
	M96429-07-B86	EA	Cover - Swivel Chair
	099272-04-B85	EA	Skirt - Swivel Chair
	099202-04-B86	EA	Skirt - Swivel Chair
	036008-77-000	YD	Fabric - Swivel Chair (B85)
	096008-81-000	YD	Fabric - Swivel Chair (B86)
	069246-06-000	EA	Adjuster Asm. - Swivel Chair - Manual
	069246-07-000	EA	Adjuster Asm. - Swivel Chair - Manual w/Hand
	088245-01-000	EA	Base - Swivel Chair w/Legs
	088245-03-000	EA	Plate - Top - Swivel w/o Tilt - w/Lock
	088245-06-000	EA	Extension - 7" - Base To Top Plate
	069705-02-000	EA	Bar - Seat Belt - 2.5" x 12.75"
	007221-01-000	EA	Spacer - Seat - Adjuster - 4 Used Per Chair

DINETTE CUSHION

Key	Part Number	U/M	Description
5	088927-80-B85	EA	Cushion Asm. - 14.5" x 38" x 5" - Back
*5	088927-80-CA9	EA	Cushion Asm. - 14.5" x 38" x 5" - Back (B85)
5	088927-80-B86	EA	Cushion Asm. - 14.5" x 38" x 5" - Back
	M88927-80-B85	EA	Cover Asm. - Back - Dinette Cushion
	M88927-80-CA9	EA	Cover Asm. - Back - Dinette Cushion (B85)
	M88927-80-B86	EA	Cover Asm. - Back - Dinette Cushion
	088927-87-B85	EA	Cushion Asm. - 23" x 38" x 5" - Seat
*6	088927-87-CA9	EA	Cushion Asm. - 23" x 38" x 5" - Seat (B85)
6	038927-87-B86	EA	Cushion Asm. - 23" x 38" x 5" - Seat
	M88927-87-B85	EA	Cover Asm. - Seat - Dinette Cushion
	M88927-87-CA9	EA	Cover Asm. - Seat - Dinette Cushion (B85)
	M88927-87-B86	EA	Cover Asm. - Seat - Dinette Cushion
	078155-01-000	EA	Strap Asm. - Cushion Snap
	096008-76-000	YD	Fabric - Dinette Cushion (B85)
	104233-12-000	YD	Fabric - Dinette Cushion (B85)
	096008-79-000	YD	Fabric - Dinette Cushion (B86)

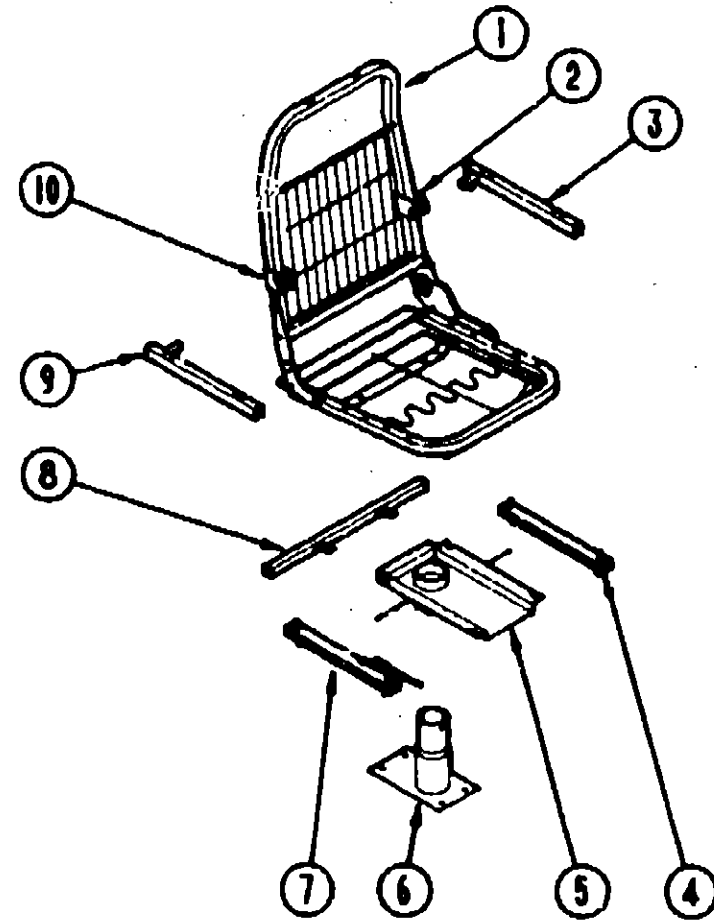
These parts were used from 4/15/91 on.

**1991 1/2 WINNEBAGO
TABLE OF CONTENTS**

INTRODUCTION	A-01 - A-02
ABBREVIATIONS	A-03
ALPHABETICAL/GROUP REFERENCE	A-04 - A-06
WF327RB	A-07 - D-06
WF327RT	D-07 - G-16

1991 1/2 WF327RB INDEX

Floor Plan	A-07 - A-08
Accessories Group	A-09 - A-12
Bath Group	A-13 - A-14
Chassis Group	A-15 - A-18
Curtain, Cushion & Pad Group	A-19 - B-02
Dinette Group	B-03 - B-04
Driver's Compartment Group	B-05 - B-07
Electrical Group	B-08 - B-10
Exterior Body Group	B-11 - B-15
Galley Group	B-16 - B-19
Heating & Air Conditioning Group	B-20 - B-21
Interior Finish Group	B-22 - B-24
Labels Group	C-01 - C-09
LP Group	C-10
Lounge	C-11 - C-13
Sealants & Fasteners Group	C-14 - C-15
Water & Sewage Group	C-16 - C-18
Window, Vent & Exterior Door Group	C-19 - D-06



BUCKET SEAT HARDWARE

Key	Part Number	U/M	Description
1	M80906-04-000	EA	Frame Asm. - Seat, Back & Spring
*1	M80906-05-000	EA	Frame Asm. - Seat, Back & Spring
2	081362-02-000	EA	Bracket - Armrest - Left Hand
3	101124-02-000	EA	Rod & Channel - Armrest - Left - Metal
4	089246-02-000	EA	Adjuster - Bucket Seat w/o Lock - Forward & Back
5	093481-04-000	EA	Top Plate - Pedestal - Bucket Seats
6	089585-03-000	EA	Base - Bucket Seats - Bolts to Floor - Vertical - 8"
7	089246-05-000	EA	Adjuster - Bucket Seat w/Remote
8	099585-28-000	EA	Bar - Seat Belt - Bucket Seats - 18"
9	101124-01-000	EA	Rod & Channel - Armrest - Right - Metal
10	081362-01-000	EA	Bracket - Armrest - Right Hand
	089246-05-700	EA	Spring for Slide Adjuster
	089246-05-701	EA	Clip Only For Cable Asm.
	101125-01-000	EA	Recliner - Seat Back - Left Hand
	089369-04-000	EA	Frame - Cable - Remote Swivel
	089368-05-000	EA	Frame - Cable - Remote Recliner
	081361-01-000	EA	Rod - Armrest - Metal

* These parts are used from 6/3/91 on.

BUCKET SEAT CUSHIONS

Key	Part Number	U/M	Description
	093450-17-B85	EA	Seat Asm. - Bucket - Driver
	093450-17-B86	EA	Seat Asm. - Bucket - Driver
	093450-18-B85	EA	Seat Asm. - Bucket - Passenger
	093450-18-B86	EA	Seat Asm. - Bucket - Passenger
	M03445-23-B85	EA	Cover - Seat - Bucket Seat
	M03445-23-B86	EA	Cover - Seat - Bucket Seat
	M03445-22-B85	EA	Cover - Back - Bucket Seat
	M03445-22-B86	EA	Cover - Back - Bucket Seat
	080243-41-B85	EA	Armrest - Bucket Seat - Right Hand
	080243-41-B86	EA	Armrest - Bucket Seat - Right Hand
	M80243-41-B85	EA	Cover - Right Armrest - Bucket Seat
	M80243-41-B86	EA	Cover - Right Armrest - Bucket Seat
	080243-42-B85	EA	Armrest - Bucket Seat - Left Hand
	080243-42-B86	EA	Armrest - Bucket Seat - Left Hand
	M80243-42-B85	EA	Cover - Left Armrest - Bucket Seat
	M80243-42-B86	EA	Cover - Left Armrest - Bucket Seat
	071126-24-B85	EA	Skirt Asm. - Single Bucket (B85)
	071126-24-B86	EA	Skirt Asm. - Single Bucket (B86)

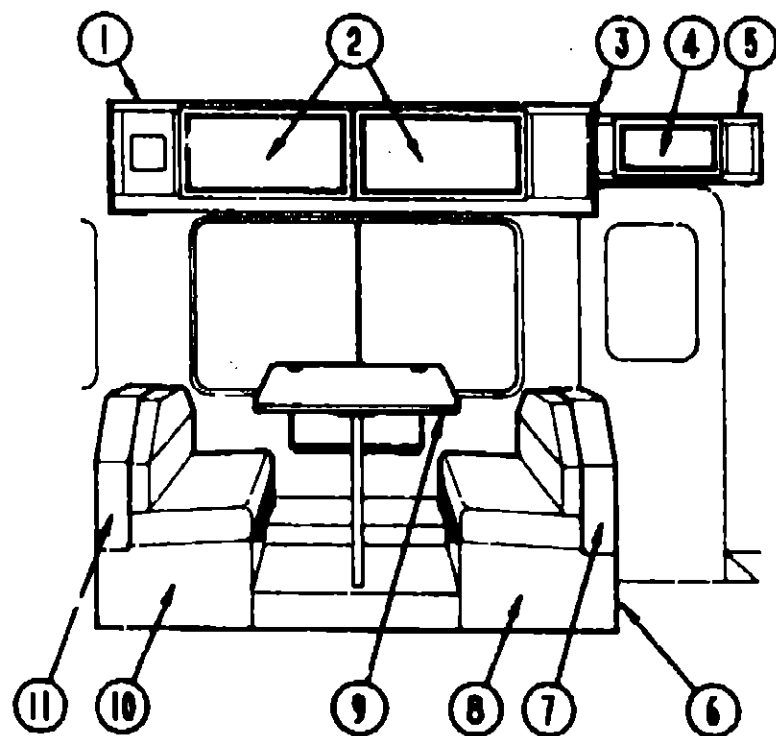
**1991 1/2 WINNEBAGO
TABLE OF CONTENTS**

INTRODUCTION	A-01 - A-02
ABBREVIATIONS	A-03
ALPHABETICAL/GROUP REFERENCE	A-04 - A-06
WF327RB	A-07 - D-06
WF327RT	D-07 - G-16

1991 1/2 WF327RB INDEX

Floor Plan	A-07 - A-08
Accessories Group	A-09 - A-12
Bath Group	A-13 - A-14
Chassis Group	A-15 - A-18
Curtain, Cushion & Pad Group	A-19 - B-02
Dinette Group	B-03 - B-04
Driver's Compartment Group	B-05 - B-07
Electrical Group	B-08 - B-10
Exterior Body Group	B-11 - B-15
Galley Group	B-16 - B-19
Heating & Air Conditioning Group	B-20 - B-21
Interior Finish Group	B-22 - B-24
Labels Group	C-01 - C-09
LP Group	C-10
Lounge	C-11 - C-13
Sealants & Fasteners Group	C-14 - C-15
Water & Sewage Group	C-16 - C-18
Window, Vent & Exterior Door Group	C-19 - D-06

DINETTE GROUP

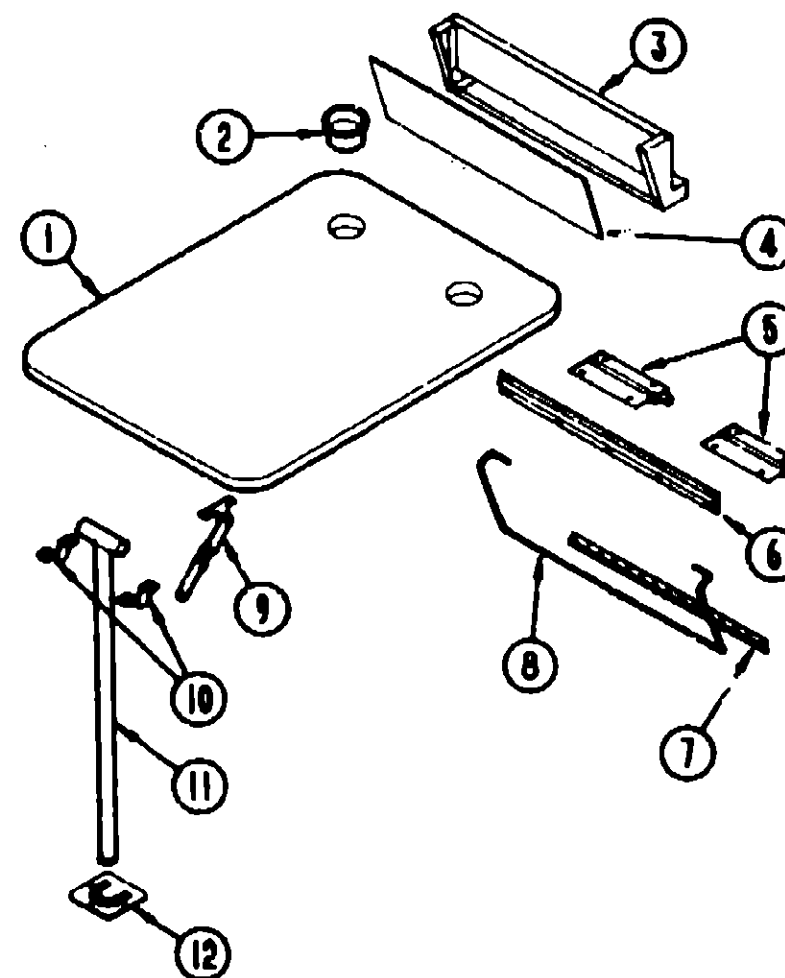


DINETTE CABINETRY

Key	Part Number	U/M	Description
1	M05149-24-B85	EA	Cabinet Asm. - Dinette Overhead - w/o Doors or Hardware
2	P03701-23-B85	EA	Door Asm. - Dinette Overhead - 14.4" x 26.8" - w/o Hardware
3	081280-21-B05	EA	End Cap - Overhead Cabinet
	103799-01-01A	EA	Coffeemaker - Almond (Option L26U)
	104610-01-000	EA	Strap Asm. - Coffeemaker (Option L26U)
4	P03701-33-B85	EA	Door Asm. - Entrance Overhead - 10" x 19.1" - w/o Hardware
5	M05149-25-B85	EA	Cabinet Asm. - Entrance Overhead - w/o Door or Hardware
6	P03701-43-B85	EA	Door Asm. - Dinette Cabinet - 14.4" x 28.8" - w/o Hardware
7	081519-16-B85	EA	Pad - Backrest
7	081519-16-B86	EA	Pad - Backrest
7	M04123-01-B85	EA	Cabinet Asm. - Seat Back
8	M04124-01-B85	EA	Cabinet Asm. - Seat Back - w/o Door or Hardware
9	M99464-01-B85	EA	Table Asm. - Dinette - w/o Hardware
10	M04124-02-B85	EA	Cabinet Asm. - Seat Base
11	081519-17-B85	EA	Pad - Backrest
11	081519-17-B86	EA	Pad - Backrest
11	M04123-02-B85	EA	Cabinet Asm. - Seat Back

See the next page for the breakdown of this item.

DINETTE GROUP (CONTINUED)



DINETTE & TABLE HARDWARE

Key	Part Number	U/M	Description
1	M99464-01-B85	EA	Table Asm. - Dinette - w/o Hardware
2	064781-06-000	EA	Cupholder - Two-Stage - Off White
3	099463-01-01A	EA	Support Table - 22.8" x 6.4" - Metal - Beige
4	082071-11-B05	EA	Cover Asm. - Table Support Pad
5	088410-01-000	EA	Hanger - Table - Beige
6	053200-05-000	EA	Support - Table - 23.5" - Beige
7	024281-07-000	EA	Bracket - Table Lift - Beige
8	024275-05-000	EA	Rod - Table Lift - Beige
9	024282-01-000	EA	Brace - Table Leg
10	064050-03-000	EA	Clamp - Table Leg - Beige
11	024276-21-000	EA	Leg Asm. - Table - Beige
12	049493-11-700	EA	Catch - Table Leg
	024283-01-000	EA	Clip - Leg - 1" x 1.125" O.D. - Black

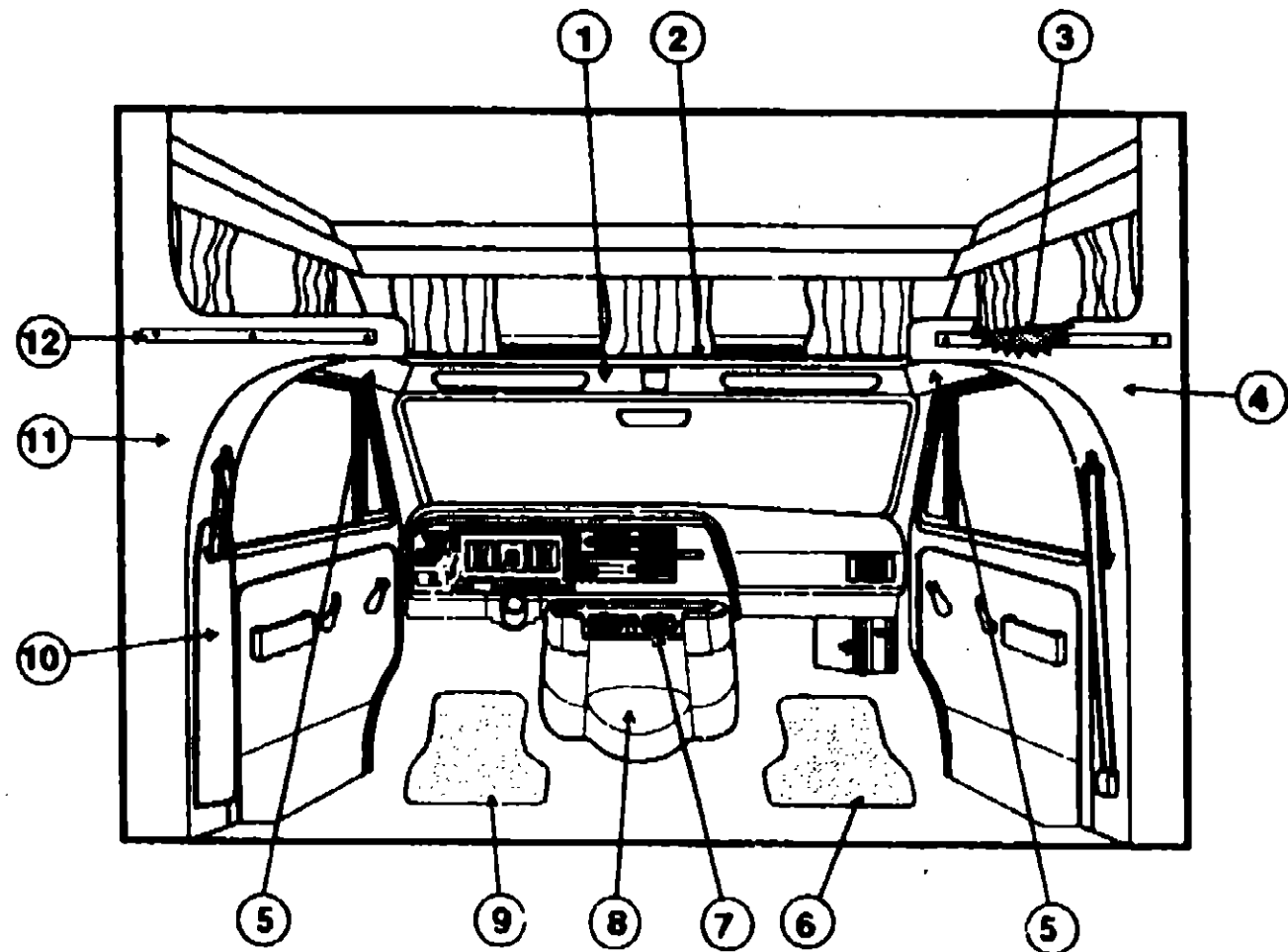
1991 1/2 WINNEBAGO TABLE OF CONTENTS

INTRODUCTION	A-01 - A-02
ABBREVIATIONS	A-03
ALPHABETICAL/GROUP REFERENCE	A-04 - A-06
WF327RB	A-07 - D-06
WF327RT	D-07 - G-16

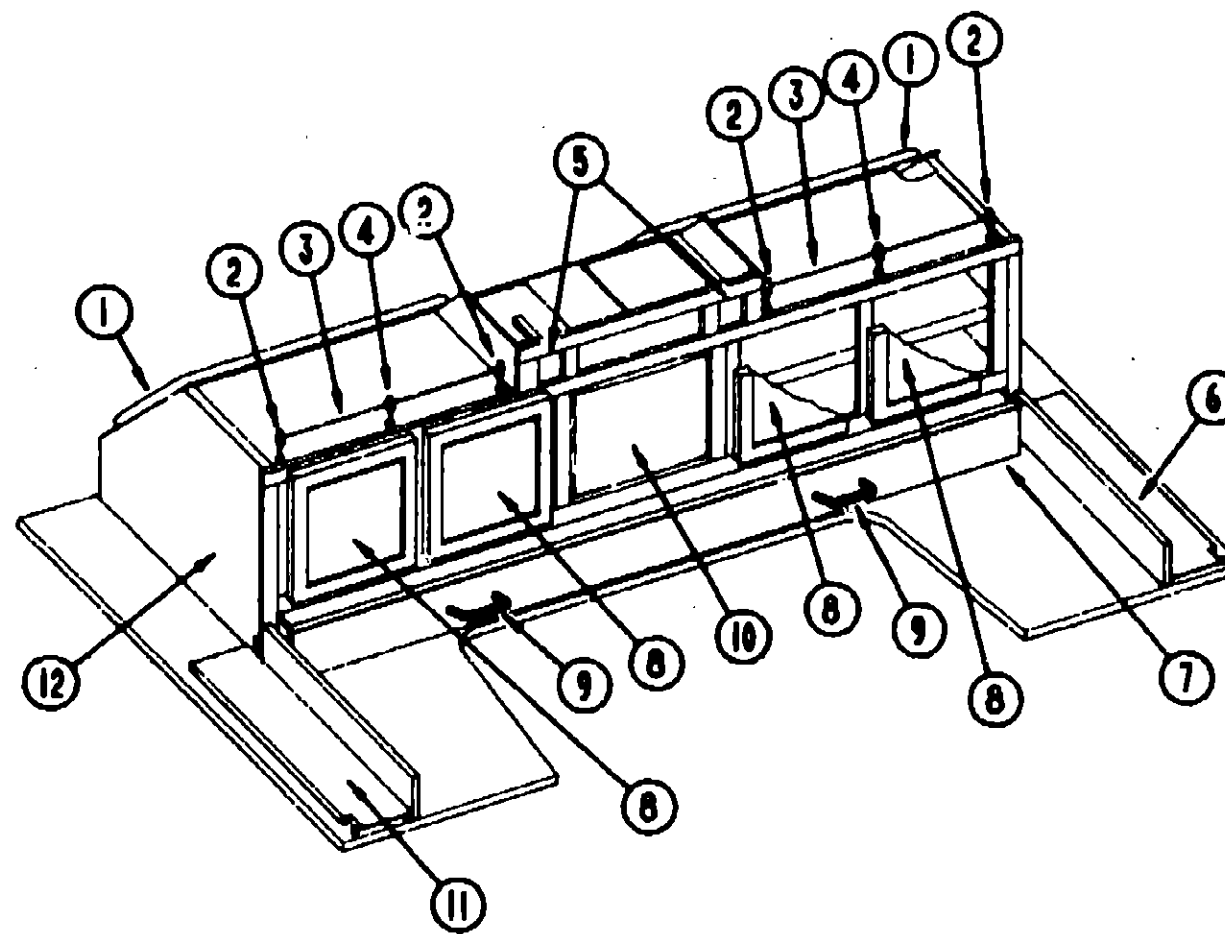
1991 1/2 WF327RB INDEX

Floor Plan	A-07 - A-08
Accessories Group	A-09 - A-12
Bath Group	A-13 - A-14
Chassis Group	A-15 - A-18
Curtain, Cushion & Pad Group	A-19 - B-02
Dinette Group	B-03 - B-04
Driver's Compartment Group	B-05 - B-07
Electrical Group	B-08 - B-10
Exterior Body Group	B-11 - B-15
Galley Group	B-16 - B-19
Heating & Air Conditioning Group	B-20 - B-21
Interior Finish Group	B-22 - B-24
Labels Group	C-01 - C-09
LP Group	C-10
Lounge	C-11 - C-13
Sealants & Fasteners Group	C-14 - C-15
Water & Sewage Group	C-16 - C-18
Window, Vent & Exterior Door Group	C-19 - D-06

DRIVER'S COMPARTMENT GROUP



DRIVER'S COMPARTMENT GROUP (CONTINUED)



**1991 1/2 WINNEBAGO
TABLE OF CONTENTS**

INTRODUCTION	A-01 - A-02
ABBREVIATIONS	A-03
ALPHABETICAL/GROUP REFERENCE	A-04 - A-06
WF327RB	A-07 - D-06
WF327RT	D-07 - G-16

MISCELLANEOUS DRIVER'S COMPARTMENT COMPONENTS

Key	Part Number	U/M	Description
1	091831-01-B05	EA	Headliner - Front - Off White Vinyl
	098703-01-B05	EA	Sleeper Board Asm.
2	079800-04-000	EA	Trim - Front Sleeper Board - Metal - Off White
2	080742-03-000	FT	Accent Trim - Off White Vinyl
3	098208-01-B05	EA	Cabinet Asm. - Headboard
4	096244-01-B05	EA	Wingwall Asm. - Inner - Passenger - Off White
5	091825-02-AA5	EA	Headliner - Sides - Off White Vinyl
6	083219-01-000	EA	Floor Mat - Passenger
7	099857-01-AA5	EA	Beverage Tray
8	089885-16-B85	EA	Motor Cover w/Pocket
8	069885-16-B86	EA	Motor Cover w/Pocket
9	083219-02-000	EA	Floor Mat - Driver
10	091871-05-000	EA	Seat Belt Cover - Off white
11	096244-02-B05	EA	Wingwall Asm. - Inner - Driver - Off White
12	082089-03-Y05	EA	Wood Trim - Wingwall - 15.8"
	074045-07-000	EA	Oak Plug - 1/2"
	094795-02-000	EA	Instrument Cluster - Kilometer
	082081-20-B05	EA	Pad - Vinyl Covered - 1.5" x 78.8" - Off White
	024461-01-000	EA	Switch - Battery

TV & ENTERTAINMENT CABINETRY (OPTION L43V & L49F)

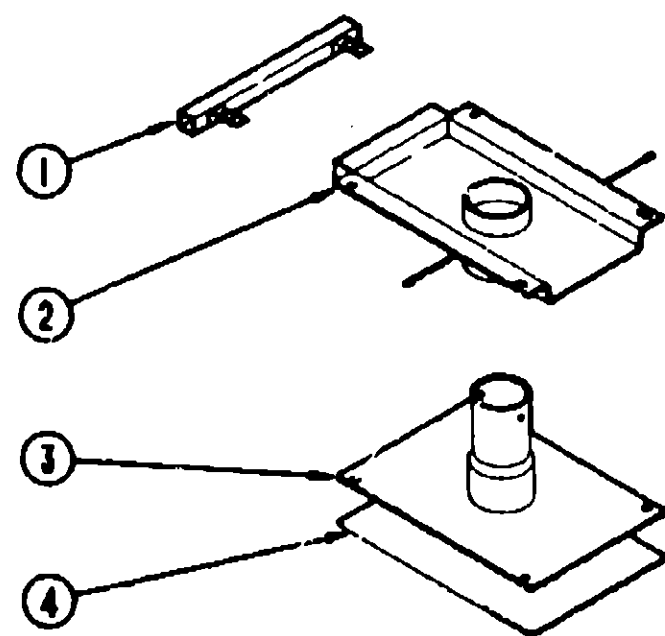
Key	Part Number	U/M	Description
1	099879-01-01A	EA	Panel - Window - Black Plastic
2	084070-02-000	EA	Post - End - Brass
3	084071-06-000	EA	Rod - Brass - 25"
4	084070-01-000	EA	Post - Center - Brass
5	072333-87-000	YD	Fabric - Speaker Cover
	098819-01-000	EA	Speaker - 2 Watt - 8 OHM - 4"
	074979-11-000	EA	Cover - Speaker - Plastic - Off White
6	099887-01-B85	EA	Cabinet - Headboard - Passenger
7	099839-01-B85	EA	Drawer - Entertainment - Front
	079145-08-000	EA	Cushion - Front Bunk - 25" x 74" x 3.5"
8	P03701-70-B85	EA	Door - Cabinet - 13.9" x 13.9" - w/o Hardware
9	103856-01-000	EA	Pull - Drawer - Brass
10	098447-01-000	EA	TV - 13" Color w/Remote (US) RX4029WA
10	098447-02-000	EA	TV - 13" Color w/Remote (CSA) XK1029CH
	098447-01-700	EA	Remote Control
#	098447-03-000	EA	TV - 13" Color - w/Remote - Magnavox (US) RR1337W
#	098447-04-000	EA	TV - 13" Color w/Remote - Magnavox (CSA) RR1330W
#	098447-03-700	EA	Remote Control - TV
	099856-01-000	EA	TV - Tiedown
11	099887-02-B85	EA	Cabinet - Headboard - Driver
12	099445-01-B85	EA	Cabinet - Entertainment - Front
	098448-02-000	EA	VCR - VHS Cable Ready - w/Remote - Magnavox VR9912
	098448-02-700	EA	Remote Control - VCR
	098448-03-000	EA	VCR - VHS Cable Ready w/Remote - Magnavox VR9010
	098448-03-700	EA	Remote Control - VCR

* See Curtain, Cushion & Pad Group for further breakdown of this item.
These parts were used from 8/24/91 on.

1991 1/2 WF327RB INDEX

Floor Plan	A-07 - A-08
Accessories Group	A-09 - A-12
Bath Group	A-13 - A-14
Chassis Group	A-15 - A-18
Curtain, Cushion & Pad Group	A-19 - B-02
Dinette Group	B-03 - B-04
Driver's Compartment Group	B-05 - B-07
Electrical Group	B-08 - B-10
Exterior Body Group	B-11 - B-15
Galley Group	B-16 - B-19
Heating & Air Conditioning Group	B-20 - B-21
Interior Finish Group	B-22 - B-24
Labels Group	C-01 - C-09
LP Group	C-10
Lounge	C-11 - C-13
Sealants & Fasteners Group	C-14 - C-15
Water & Sewage Group	C-16 - C-18
Window, Vent & Exterior Door Group	C-19 - D-06

DRIVER'S COMPARTMENT GROUP (CONTINUED)



BUCKET SEAT PEDESTAL

Key	Part Number	U/M	Description
1	069585-28-000	EA	Bolt - Seat Belt - 18"
2	093481-04-000	EA	Plate - Top - Pedestal Asm.
3	069585-03-000	EA	Plate - Sub - Pedestal Asm.
4	069585-02-000	EA	Plate - Base - Pedestal Asm. - Bucket Seat
	069246-02-000	EA	Adjuster Asm. - Seat - w/o Lock
	069246-05-000	EA	Adjuster Asm. - w/Remote
	069246-05-700	EA	Spring For Slide Adjuster
	069246-05-701	EA	Clip - For Cable Asm. Only

ELECTRICAL GROUP

WIRES, SWITCHES, & RECEPTACLES

Key	Part Number	U/M	Description
	006288-01-000	EA	Box - Electrical - 3" x 3.5" - Plastic
	093603-01-000	EA	Box - Electrical - 4" x 2 1/8" x 2 1/8"
	006289-01-000	EA	Box - Electrical - 4" x 4" - 1/2 & 3/4 Steel (US)
	006289-02-000	EA	Box - Electrical - 4" x 4" (CSA)
	058049-01-000	EA	Box - Electrical - 2" x 3" x 2.25" - Steel
	006037-01-000	EA	Cable - Battery - 1 AWG - Stranded - Black
	041953-01-000	FT	Conduit - Convolute Silt - .5" ID
	041953-03-000	FT	Conduit - Convolute Silt - 1" ID
	041953-05-000	FT	Conduit - Convolute Silt - .62" ID
	041953-07-000	FT	Conduit - Convolute Silt - .25" ID
	041953-09-000	FT	Conduit - Convolute Silt - .50" ID
	041953-10-000	FT	Conduit - Convolute Silt - .75" ID
	041953-11-000	FT	Conduit - Convolute Silt - 1.06" ID
	006355-01-000	EA	Connector - Cable Clamping - 3/4"
	006356-01-000	EA	Connector - Plastic - 3/8" Avg.
	058028-01-000	EA	Connector - Pigtail - Clear Nylon
	006311-01-000	EA	Connector - Wire Nut - Red
	006314-01-000	EA	Connector - Wire Nut - Gray
	031967-01-000	EA	Contact - Receptacle
	006054-01-000	EA	Cord - Power - 10-3 30 Amp. - 25' (US)
	006052-01-000	EA	Cord - Power - 10-3 30 Amp. - 25' (CSA)
	006294-01-000	EA	Cover Plate - Electrical Box - Blank Steel - 4" x 4" (US)
	006294-02-000	EA	Cover Plate - Electrical Box - Blank Steel - 4" x 4" (CSA)
	053337-01-000	EA	Cover Plate - Blank - Ivory
	006384-01-000	EA	Grommet - Snap - 3/4" Dia.
	023942-01-000	EA	Grommet - Rubber - 2" OD
	082037-01-000	EA	Housing - Auto Fuse - Natural
	063910-01-000	EA	Housing - Relay
	088474-09-000	EA	Housing - Socket
	097744-01-000	EA	Housing - Trailer Pin - 12"
	097744-02-000	EA	Housing - Trailer Pin - 48"
	097746-01-000	EA	Housing Asm. - Trailer Cap
	097745-01-000	EA	Housing Asm. - Trailer Receptacle - 12"
	088473-01-000	EA	Housing Pin - 4 Rows of 3
	088473-06-000	EA	Housing Pin - 2 Rows of 3
	088473-09-000	EA	Housing Pin - 3 Position In Line
	088473-05-000	EA	Housing Pin - 6 Position In Line
	088473-08-000	EA	Housing Pin - 4 Position
	088473-10-000	EA	Housing Pin - 2 Position
	088474-06-000	EA	Housing Socket - 6 Position (2 Rows of Three)
	088474-08-000	EA	Housing Socket - 4 Position
	088474-09-000	EA	Housing Socket - 6 Position
	088475-01-000	EA	Pin - Connector
	046885-01-000	EA	Plaque - Mounting Switch
	075736-02-000	EA	Receptacle/Cover Asm. - Off White (Exterior)
	084077-01-000	EA	Receptacle Cover - Ivory (Ground Fault Interrupter)
	084077-02-000	EA	Receptacle Cover - Brown (Ground Fault Interrupter)
	084078-02-000	EA	Receptacle - 15 Amp. - 125 Volt - Brown (Ground Fault Interrupter)
	084078-01-000	EA	Receptacle - 15 Amp. - 125 Volt - Ivory (Ground Fault Interrupter)
	024924-02-000	EA	Receptacle - Power Cord
	058707-01-000	EA	Receptacle - Single - Brown
	007940-01-000	EA	Receptacle - Slide - 16 to 12 Awg.
	058708-02-000	EA	Receptacle - Double Electrical - Ivory
	058708-01-000	EA	Receptacle - Double Electrical - Brown
	097734-01-01A	EA	Extension - Receptacle - Ivory (CSA)
	097734-01-02A	EA	Extension - Receptacle - Brown (CSA)

**1991 1/2 WINNEBAGO
TABLE OF CONTENTS**

INTRODUCTION	A-01 - A-02
ABBREVIATIONS	A-03
ALPHABETICAL/GROUP REFERENCE	A-04 - J-06
WF327RB	A-07 - J-06
WF327RT	D-07 - G-16

1991 1/2 WF327RB INDEX

Floor Plan	A-07 - A-08
Accessories Group	A-09 - A-12
Bath Group	A-13 - A-14
Chassis Group	A-15 - A-18
Curtain, Cushion & Pad Group	A-19 - B-02
Dinette Group	B-03 - B-04
Driver's Compartment Group	B-05 - B-07
Electrical Group	B-08 - B-10
Exterior Body Group	B-11 - B-15
Galley Group	B-16 - B-19
Heating & Air Conditioning Group	B-20 - B-21
Interior Finish Group	B-22 - B-24
Labels Group	C-01 - C-09
LP Group	C-10
Lounge	C-11 - C-13
Sealant's & Fasteners Group	C-14 - C-15
Water & Sewage Group	C-16 - C-18
Window, Vent & Exterior Door Group	C-19 - D-06

ELECTRICAL GROUP (CONTINUED)

WIRES, SWITCHES & RECEPTACLES (CONTINUED)

Key	Part Number	U/M	Description
	068476-01-000	EA	Socket - Connector
	008188-01-000	EA	Solenoid - 3 Post - Battery Charge Over
	090971-01-000	EA	Splice - Cable - 110 Volt
	090971-02-000	EA	Splice - Cable - 110 Volt - Tap
	024481-01-000	EA	Switch - Battery
	008195-01-000	EA	Switch - Push Button - 12 Volt
	098351-02-01A	EA	Switch Plate - 2 Gang - Polished Brass
	079384-01-000	EA	Switch - On/Off Rocker - Brown
	095188-01-01A	EA	Spacer - Switch - 2.3" x 3.4" - Dark Brown Plastic
	047443-01-000	EA	Terminal - .250 Receptacle Fit - Insulated - 16/14 AWG
	047443-02-000	EA	Terminal - .250 Receptacle Fit - Insulated - 12/10 AWG
	008328-01-000	EA	Terminal Ring - 16/14 Wire - 3/8" Stud
	035416-04-000	EA	Terminal Ring - #10 Stud Fit
	008328-01-000	EA	Terminal Ring - 12/10 Wire
	008348-01-000	EA	Terminal Ring - 2 - 3/8 Stud
	008331-01-000	EA	Terminal Ring - 4 - 3/8 Stud
	097987-01-000	EA	Switch - Water Heater - Atwood 91959
	008026-01-000	FT	Wire - 12/2 Romex w/Ground
	008343-01-000	EA	Wire Tie - 6"
	080015-02-000	EA	Receptacle - Flag - .185 - 16/14 GA

EXTERIOR LIGHTS

Key	Part Number	U/M	Description
	042405-01-000	EA	Lens - Side Marker/Clearance Light - w/Reflex - Red
	042405-02-000	EA	Lens - Side Marker Light - w/Reflex - Amber
	042405-03-000	EA	Base - Clearance Light - Rectangular
	091983-01-000	EA	Gasket - Light - Side Marker
	008213-01-000	EA	Bulb - 12 Volt - #57
	082740-04-000	EA	Wedge - Tail Light - Plastic - Passenger Side - Off White
	082742-04-000	EA	Wedge - Tail Light - Plastic - Driver Side - Off White
	007309-01-000	EA	Light - License Plate
	059540-01-000	EA	Bracket - License Plate
	058032-02-000	EA	Tail Lamp - 2 Bulb - Black Bezel
	058032-02-700	EA	Lens - Tail Lamp - w/Backup - Red
	058032-02-701	EA	Lens - Tail Lamp - w/o Backup - Red
	037935-01-000	EA	Bulb - Tail Lamp - #1157 - 12 Volt
	097917-01-01A	EA	Light - Porch/Entry Door - Off White (US)
	097917-01-700	EA	Lens - Porch Light
	008215-01-000	EA	Bulb - Porch Light
	008089-02-000	EA	Porch Light - Recessed (CSA)
	008089-01-700	EA	Lens - Porch Light
	008215-01-000	EA	Bulb - Porch Light
	100138-01-000	EA	Module - Daytime Running Lights
	100159-02-000	EA	Wire Asm. - Daytime Running Lights (Ford)

INTERIOR LIGHTS

Key	Part Number	U/M	Description
	098024-01-01A	EA	Dome Light - 1 Bulb - Ivory
	098024-03-01A	EA	Dome Light - 2 Bulb - Ivory
	098024-01-700	EA	Lens - Dome Light
	008218-01-000	EA	Bulb - Dome Light - 12 Volt - #1141
	086280-01-000	EA	Light - Surface Mount - 12 Volt
	086280-01-700	EA	Bulb - 12 Volt - 6 Watt

ELECTRICAL GROUP (CONTINUED)

BULBS

Key	Part Number	U/M	Description
	092696-01-709	EA	Bulb - 912 (Stove Hood)
	008215-01-000	EA	Bulb - 1003 (Porch Light)
	003218-01-000	EA	Bulb - 1141 (Dome Light)
	037934-01-000	EA	Bulb - 1156 (Back-Up Light)
	037935-03-000	EA	Bulb - 1157 (Tail Lamp)
	084860-01-706	EA	Bulb - DC Light (Refrigerator)
	086737-01-710	EA	Bulb - 30W (Microwave Oven)
	086280-01-700	EA	Bulb - 12 Volt - 6 Watt (Surface Light)
	008213-01-000	EA	Bulb - 57 (Clearance Light)

FUSES & CIRCUIT BREAKERS

Key	Part Number	U/M	Description
	033573-02-000	EA	Circuit Breaker - 15 Amp. - 12 Volt
	008235-01-000	EA	Fuse - 12 Volt - 15 Amp.
	082901-05-000	EA	Fuse - 15 Amp. - Automotive
	008211-01-000	EA	Circuit Breaker - 6 Amp. - 12 Volt
	083209-01-000	EA	Circuit Breaker - 15 Amp. - 120 Volt
	083209-02-000	EA	Circuit Breaker - 15/15 Amp. - 120 Volt
	083209-03-000	EA	Circuit Breaker - 15/20 Amp. - 120 Volt
	033573-01-000	EA	Circuit Breaker - 20 Amp. - 12 Volt
	094811-01-000	EA	Circuit Breaker - 20/20 Amp. - 120 Volt
	008268-01-000	EA	Circuit Breaker - 30 Amp. - 12 Volt
	083209-04-000	EA	Circuit Breaker - 20 Amp. - 120 Volt
	083209-06-000	EA	Circuit Breaker - 30/15 Amp. - 120 Volt
	094810-01-000	EA	Circuit Breaker - 30/30 Amp. - 120 Volt (Export)
	083209-08-000	EA	Circuit Breaker Blank
	050283-02-000	EA	Circuit Breaker - Buss Bar
	100341-01-000	EA	Fuse Holder - In Line Type
	008277-01-000	EA	Fuse Holder - Black - Panel Mount

MISCELLANEOUS ELECTRICAL COMPONENTS

Key	Part Number	U/M	Description
	072852-01-000	EA	Smoke Detector w/9 Volt Battery (US)
	072852-02-000	EA	Smoke Detector w/9 Volt Battery (CSA)
	094809-01-000	EA	Load Center - 240 Volt - 125 Amp. (Export)
	092615-01-000	EA	Converter - 40 Amp. w/Charger

1991 1/2 WINNEBAGO TABLE OF CONTENTS

INTRODUCTION	A-01 - A-02
ABBREVIATIONS	A-03
ALPHABETICAL/GROUP REFERENCE	A-04 - A-06
WF327RB	A-07 - D-06
WF327RT	D-07 - G-16

1991 1/2 WF327RB INDEX

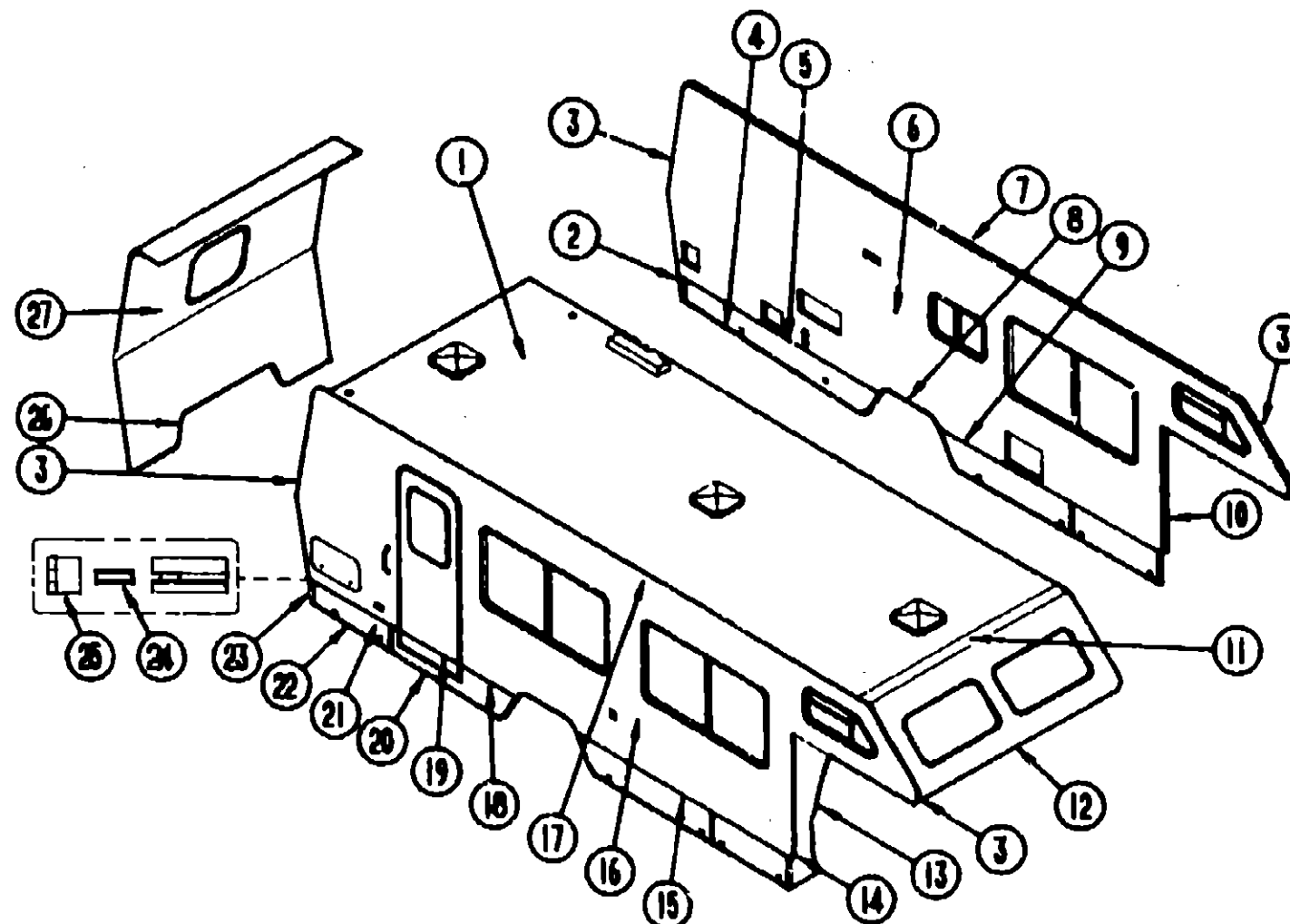
Floor Plan	A-07 - A-08
Accessories Group	A-09 - A-12
Bath Group	A-13 - A-14
Chassis Group	A-15 - A-18
Curtain, Cushion & Pad Group	A-19 - B-02
Dinette Group	B-03 - B-04
Driver's Compartment Group	B-05 - B-07
Electrical Group	B-08 - B-10
Exterior Body Group	B-11 - B-15
Galley Group	B-16 - B-19
Heating & Air Conditioning Group	B-20 - B-21
Interior Finish Group	B-22 - B-24
Labels Group	C-01 - C-09
LP Group	C-10
Lounge	C-11 - C-13
Sealants & Fasteners Group	C-14 - C-15
Water & Sewage Group	C-16 - C-18
Window, Vent & Exterior Door Group	C-19 - D-08

EXTERIOR BODY GROUP

EXTERIOR BODY PANELS

1991 1/2 WINNEBAGO TABLE OF CONTENTS

INTRODUCTION	A-01 - A-02
ABBREVIATIONS	A-03
ALPHABETICAL/GROUP REFERENCE	A-04 - A-06
WF327RB	A-07 - D-06
WF327RT	D-07 - G-16



Key	Part Number	U/M	Description
1	M98700-02-B85	EA	Roof Asm. (Special Order Item)
2	097907-05-02A	EA	Filler - Valance Panel - Rear - Off White
3	096854-01-01A	EA	Trim - Contour - Off White
4	096393-10-B05	EA	Valance Asm. - Rear (Hinged)
5	096816-02-01A	EA	Trim - Sidewall - Lower - 75.2" - Off White
6	P00499-01-B85	EA	Sidewall Asm. - Driver (Special Order Item)
7	096864-01-01A	EA	Trim - Contour - Roof - Off White
8	096215-01-01A	EA	Trim - Wheelwell - Rear - Metal - Off White - Either Side
9	096817-01-01A	EA	Trim - Sidewall - To Valance - 102.9" - Off White
10	096970-02-01A	EA	Trim - Wingwall - Off White
	079280-01-01A	FT	Vinyl Insert - Contour Trim - Off White
	M96154-02-B05	EA	Wingwall - Driver Side w/Gusset
	079203-03-000	EA	Trim - Wingwall - 14.2" - Off White
	096945-02-01A	EA	Trim - "L" Angled - Driver Wingwall - Off White
	089334-01-000	FT	Vinyl - Exterior Trim - Between Wingwall & Cab Seal - White
11	078580-01-000	EA	Trim - Roof to Front Cab
12	039644-09-000	EA	Trim - Sleeper Board - Off White
	M76177-01-700	EA	Front Cap - w/o Windows
13	M96154-01-B05	EA	Wingwall - Passenger Side w/Gusset
	079203-03-000	EA	Trim - Wingwall - 14.2" - Off White
	096945-01-01A	EA	Trim - "L" Angled - Passenger Wingwall - Off White
	089334-01-000	FT	Vinyl - Exterior Trim - Between Wingwall & Cab Seal - White

Key	Part Number	U/M	Description
14	096970-01-01A	EA	Trim - Wingwall - Off White
15	096818-06-01A	EA	Trim - Sidewall - To Valance - 102.6" - Off White
16	M96638-01-B85	EA	Sidewall Asm. - Passenger (Special Order Item)
17	10C483-01-01A	EA	Trim - Contour - Roof (Awning) - Off White
18	096817-06-01A	EA	Trim - Sidewall - To Valance - 26.3" - Off White
19	0C2444-04-002	EA	Feature Strip w/o Insert - 15' Long - Off White
	001030-02-003	EA	Insert - Feature Strip - Stucco - 17' - Off White
	009731-01-000	EA	End Cap - Feature Strip
20	096698-02-B05	EA	Valance - Entry Door
21	096818-07-01A	EA	Trim - Sidewall - To Valance - 40.7" - Off White
22	096217-55-001	EA	U-Channel - Extrusion - 17.5' - Off White
23	097907-04-02A	EA	Filler - Valance Panel - Rear - Off White
24	001030-02-003	EA	Insert - Lower Sidewall Trim - 17' - Off White
25	096424-02-01A	EA	End Cap - Sidewall Trim - Rear (Passenger Side) & Front (Driver Side)
	096424-01-01A	EA	End Cap - Sidewall Trim - Rear (Driver Side) & Front (Passenger Side)
26	096197-02-01A	EA	Trim - Backwall - Lower - U-Channel - 1" Wide - Off White - Either Side
27	P00382-01-B85	EA	Backwall Asm. (Special Order Item)

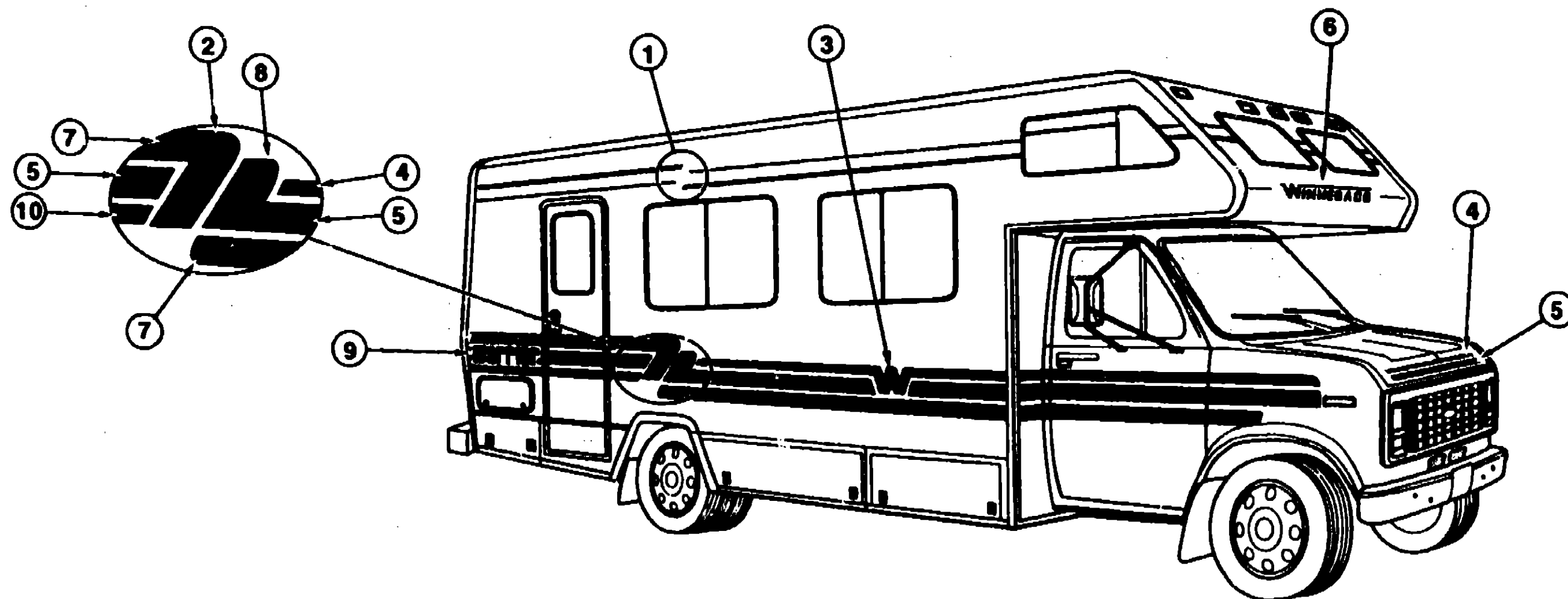
See the inset illustration for additional parts.

1991 1/2 WF327RB INDEX

Floor Plan	A-07 - A-08
Accessories Group	A-09 - A-12
Bath Group	A-13 - A-14
Chassis Group	A-15 - A-18
Curtain, Cushion & Pad Group	A-19 - B-02
Dinette Group	B-03 - B-04
Driver's Compartment Group	B-05 - B-07
Electrical Group	B-08 - B-10
Exterior Body Group	B-11 - B-15
Galley Group	B-16 - B-19
Heating & Air Conditioning Group	B-20 - B-21
Interior Finish Group	B-22 - B-24
Labels Group	C-01 - C-09
LP Group	C-10
Lounge	C-11 - C-13
Sealants & Fasteners Group	C-14 - C-15
Water & Sewage Group	C-16 - C-18
Window, Vent & Exterior Door Group	C-19 - D-06

EXTERIOR BODY GROUP (CONTINUED)

DECALS & FILM STRIPE



Key	Part Number	U/M	Description
1	094434-01-01A	FT	Multistripe - 2 Lines - 2.8" Wide - Plum/Blue/Turquoise
2	099984-03-01A	EA	Decal - Angle - Passenger Side - Rear - 11" High - Blue/Turquoise
	099984-04-01A	EA	Decal - Angle - Driver Side - Rear - 11" High - Blue/Turquoise
3	093691-03-03A	EA	Decal - Flying "W" - Blue
	093681-31-01A	FT	Film - .24" x 150' - Turquoise
4	094422-01-01A	FT	Film - 1.5" x 150' - Blue/Turquoise
5	094433-02-02A	FT	Film - 4" x 150' - Plum/Turquoise
6	050313-44-00C	EA	Decal - Logo - "Winnebago" - 2.8" - Blue
7	094433-02-01A	FT	Film - 4" x 150' - Blue/Turquoise
8	099983-01-03A	EA	Decal - Angle - Passenger Side - Front - 8.9" High - Light Wine
	093681-30-01A	FT	Film - .12" x 150' - Turquoise
	099983-02-03A	EA	Decal - Angle - Driver Side - Front - 8.9" High - Light Wine
9	099999-01-06A	EA	Decal - Logo "Warrior" - Off White/Blue
10	093631-14-04A	EA	Film - 1.5" x 150' - Turquoise

For your convenience here are the Dupont color codes that you can purchase locally
 Dark Plum K9455
 Turquoise C9837
 Blue K9460
 Off White I.8723
 Black 99A

1991 1/2 WINNEBAGO TABLE OF CONTENTS

INTRODUCTION	A-01 - A-02
ABBREVIATIONS	A-03
ALPHABETICAL/GROUP REFERENCE	A-04 - A-06
WF327RB	A-07 - D-06
WF327RT	D-07 - G-16

1991 1/2 WF327RB INDEX

Floor Plan	A-07 - A-08
Accessories Group	A-09 - A-12
Bath Group	A-13 - A-14
Chassis Group	A-15 - A-18
Curtain, Cushion & Pad Group	A-19 - B-02
Dinette Group	B-03 - B-04
Driver's Compartment Group	B-05 - B-07
Electrical Group	B-08 - B-10
Exterior Body Group	B-11 - B-15
Galley Group	D-16 - B-19
Heating & Air Conditioning Group	B-20 - B-21
Interior Finish Group	B-22 - B-24
Labels Group	C-01 - C-09
LP Group	C-10
Lounge	C-11 - C-13
Sealants & Fasteners Group	C-14 - C-15
Water & Sewage Group	C-16 - C-18
Window, Vent & Exterior Door Group	C-19 - D-06

EXTERIOR BODY GROUP (CONTINUED)

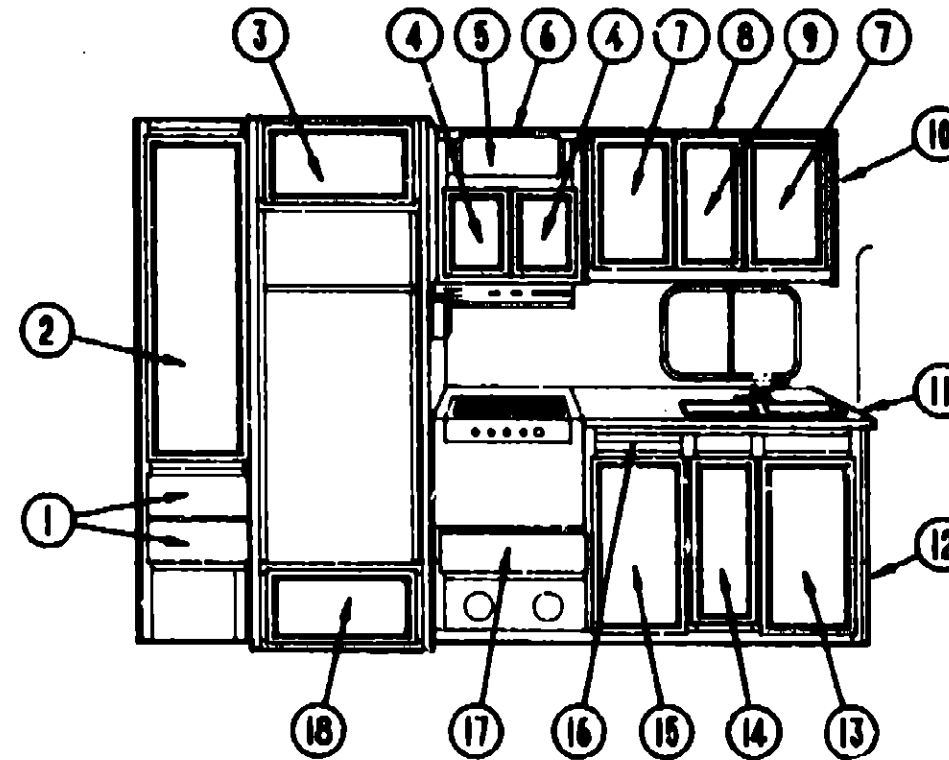
MISCELLANEOUS EXTERNALLY MOUNTED PARTS

Key	Part Number	U/M	Description
	063558-03-000	EA	Plumbing Seal - Roof Vent w/Cover - Off White
	009126-02-000	EA	Assist Handle - Black
	087859-04-000	EA	Fill - City Water - Off White
	069362-06-000	EA	Tube - Support - Floor to Valance - 17"
	075736-02-000	EA	Cover - Exterior Receptacle - Off White
	102769-01-000	EA	Holder - Compartment Door - Metal
	049347-01-000	EA	Head - Mirror - 7.5" x 10.5" - Stainless Steel
	049347-01-700	EA	Glass - Mirror - 7.5" x 10.5"
	062047-01-000	EA	Arm - West Coast Mirror
	006043-01-000	EA	Mirror - Exterior - Convex - Adhesive Backed

SHEET FIBERGLASS, ALUMINUM & STYROFOAM

Key	Part Number	U/M	Description
	044487-01-001	EA	Aluminum - Mill Finish - No Design - 96" x 360" (Roof)
	001054-01-011	EA	Aluminum Sheet - 48" x 96" - Flat - Off White
	000868-01-000	SF	Styrofoam - 3/4" x 24" x 96"
	000870-03-000	SF	Styrofoam - 1.34" x 48" x 96"
	000870-05-000	SF	Styrofoam - .50" x 24" x 96"
	078054-C9-001	EA	Fiberglass Sheet - 36" x 240" - Off White
	078054-D3-006	EA	Fiberglass Sheet - 48" x 298" - Off White
	078054-D3-001	EA	Fiberglass Sheet - 48" x 96" - Off White
	078054-D6-001	EA	Fiberglass Sheet - 60" x 24" - Off White
	093743-01-02A	SF	Plastic - ABS - 11.5" Wide Roll - Off White
	093743-02-01A	SF	Plastic - ABS - 20" Wide Roll - Off White

GALLEY GROUP



GALLEY CABINETRY

Key	Part Number	U/M	Description
1	P03397-73-B85	EA	Drawer Asm. - Pantry Cabinet - 8.1" x 13.8" Face Size - w/o Hardware
2	P03701-44-B85	EA	Door Asm. - Pantry Cabinet - 15.3" x 49.2" - w/o Hardware
3	P03701-64-B85	EA	Door Asm. - Refrigerator Cabinet - 11" x 21.8" - w/o Hardware
4	P03701-63-B85	EA	Door Asm. - Galley Overhead - 14.4" x 10.8" - w/o Hardware
5	P00520-B2-B85	EA	Door Asm. - Galley Overhead - 7.1" x 21.85" - w/o Hardware
6	M05149-20-B85	EA	Cabinet Asm. - Over Range - w/o Doors or Hardware
6	M05149-21-B85	EA	Cabinet Asm. - Microwave - w/o Doors or Hardware
	081280-33-B05	EA	End Cap - Microwave Cabinet
7	P03701-41-B85	EA	Door Asm. - Galley Overhead - 21.8" x 13.4" - w/o Hardware
8	P00206-01-B05	EA	Cabinet Asm. - Overhead - w/o Doors or Hardware
9	P03701-32-B85	EA	Door Asm. - Galley Overhead - 11" x 21.8" - w/o Hardware
10	081280-35-B05	EA	End Cap - Galley Overhead Cabinet
11	098731-11-B85	EA	Countertop - Galley Cabinet
12	M98731-01-B85	EA	Cabinet Asm. - Galley - w/Countertop - w/o Doors or Hardware
13	P03701-17-B85	EA	Door Asm. - Galley Cabinet - 26.8" x 14.4" - w/o Hardware
14	P03701-54-B85	EA	Door Asm. - Galley Cabinet - 10" x 25.2" - w/o Hardware
15	P03701-18-B85	EA	Door Asm. - Galley Cabinet - 14.4" x 26.8" - w/o Hardware
16	099441-01-B85	EA	Cutting Board - Pullout
17	P03397-71-B85	EA	Drawer Asm. - Galley Cabinet - 8.1" x 22" Face Size - w/o Hardware
18	P03701-51-B85	EA	Door Asm. - Furnace - 21.8" x 11" - w/o Hardware
	077404-02-000	EA	Drawer - Plastic - 20" x 12.7" - Beige

1991 1/2 WINNEBAGO TABLE OF CONTENTS

INTRODUCTION	A-01 - A-02
ABBREVIATIONS	A-03
ALPHABETICAL/GROUP REFERENCE	A-04 - A-06
WF327RB	A-07 - D-06
WF327RT	D-07 - G-16

1991 1/2 WF327RB INDEX

Floor Plan	A-07 - A-08
Accessories Group	A-09 - A-12
Bath Group	A-13 - A-14
Chassis Group	A-15 - A-16
Curtain, Cushion & Pad Group	A-19 - B-02
Dinette Group	B-03 - B-04
Driver's Compartment Group	B-05 - B-07
Electrical Group	B-08 - B-10
Exterior Body Group	B-11 - B-15
Galley Group	B-16 - B-19
Heating & Air Conditioning Group	B-20 - B-21
Interior Finish Group	B-22 - B-24
Labels Group	C-01 - C-09
LP Group	C-10
Lounge	C-11 - C-13
Sealants & Fasteners Group	C-14 - C-15
Water & Sewage Group	C-16 - C-18
Window, Vent & Exterior Door Group	C-19 - D-06

GALLEY GROUP (CONTINUED)

GALLEY HARDWARE

Key	Part Number	U/M	Description
	094745-01-01A	EA	Trim - Microwave - Lower
	094774-03-01A	EA	Trim - Microwave - Either Side - 1.5"
	098916-03-01A	EA	Brace - Microwave Cabinet - Left - 9.4" x 7.5" - Steel
	098916-04-01A	EA	Brace - Microwave Cabinet - Right - 9.4" x 7.5" - Steel
	094750-01-000	EA	Bracket - Microwave - 90°
	084073-03-000	EA	Vent - Refrigerator - Roof - Off White
	084073-04-000	EA	Base - Roof Vent - Norcold Refrigerator - Black
	054450-01-000	EA	Level - Refrigerator
	084878-09-000	EA	Vent - Range Hood - Short
	084616-01-000	EA	Shroud - Range Hood Vent - Off White
	083752-01-000	EA	Shroud - Range - 18.5" x 20.6" x 16.2" - Off White Metal
	068437-01-000	EA	Strainer - w/Basket - Sink
	068437-01-700	EA	Basket - Strainer
	011053-04-000	EA	Faucet - w/Swing Spout - 8"
	011053-01-700	EA	Aerator - Swing Spout Faucet
	091253-01-000	EA	Gasket - Faucet
	059777-02-000	EA	Hinge - Burnished Brass
	103856-01-000	EA	Pull - Cabinet - Brass
	072369-48-000	EA	Mesh - Expanded Aluminum - Bronze - 19.1" x 8.3"
	100995-01-000	EA	Backplate - Pull - 5.7" - Brass
	093586-03-000	EA	Catch - Spring Roller
	093586-04-000	EA	Strike - Spring Steel
	090329-01-000	FT	Seal - Refrigerator Cabinet
	094067-01-01A	EA	Divider - Drawer - Plastic
	077409-02-000	EA	Slide - Drawer - Plastic - 20.75"
	102551-01-000	EA	Sink - Galley - Double w/Mounting Hardware - Stainless Steel
	081530-01-885	EA	Sink Cover
	088979-01-000	EA	Clip - Adjustable Shelf
	098980-01-000	EA	Pilaster - Adjustable Shelf - 18" Long
	102827-02-000	EA	Bracket - Roller - Drawer - Rear
	102827-03-000	EA	Roller - Drawer - Nylon - Pair
	102827-04-000	EA	Bracket - Mounting - Drawer - Rear
	102827-05-000	EA	Track - Drawer - 22.8" Long

GALLEY GROUP (CONTINUED)

GALLEY APPLIANCES

Key	Part Number	U/M	Description
	103822-01-01A	EA	Refrigerator - 2 Way - Norcold 462
	084880-01-754	EA	Rack - Juice
	094039-01-704	EA	Plate - Hinge - Btm Left/Top Right - Black
	094039-01-710	EA	Plate - Hinge - Top Left/Btm Right - Black
	094039-01-702	EA	Gasket - Freezer Door - Gray
	094039-01-706	EA	Liner - Freezer Door - White
	103822-01-700	EA	Handle - Freezer Door - Moveable
	103822-01-702	EA	Bin - Shelf - Door
	084880-01-781	EA	Cap - End - Spring Catch - Moveable Handle
	094038-01-700	EA	Gasket - Lower Door - Gray
	094038-01-702	EA	Liner - Lower Door - White
	103822-01-705	EA	Handle - Lower Door - Moveable
	103822-01-706	EA	Bin - Milk
	103822-01-707	EA	Keeper - Dairy
	084879-03-700	EA	Cooling Unit - Horizontal Burner
	088248-01-709	EA	Heater - AC - Horizontal
	094039-01-722	EA	Plug - Hole - Black
	094039-01-723	EA	Bracket - Hinge - Top Right/Btm Left - Black
	094039-01-725	EA	Pin - Hinge - Male
	094039-01-726	EA	Shelf w/Legs - Wire
	084880-01-749	EA	Bushing - Hinge
	094039-01-728	EA	Bracket - Hinge - Center - Black
	094039-01-730	EA	Pin - Hinge - Center
	084880-03-705	EA	Bracket - Lamp
	084880-03-708	EA	Lamp Bulb
	084880-03-707	EA	Cover - Lamp
	084880-01-722	EA	Cover - Crisper
	103822-01-708	EA	Crisper
	094039-01-724	EA	Bracket - Hinge - Top Left/Btm Right - Black
	094039-01-739	EA	Shelf w/Cutout - Wire
	103822-01-709	EA	Knob - Selector
	103822-01-710	EA	Knob - Thermostat
	094039-01-732	EA	Trim - Bottom - Black
	103822-01-711	EA	Panel - Control - 2 Way
	094039-01-733	EA	Shelf - Middle - Wire
	094039-01-734	EA	Shelf - Top w/Riser - Wire
	094039-01-735	EA	Tray - Drip
	094038-01-736	EA	Switch - Light - Black
	075217-01-738	EA	Switch - Humidity
	084880-01-732	EA	Latch - Door
	088248-01-706	EA	Burner - Horizontal
	084880-01-705	EA	Orifice
	084472-01-700	EA	Thermocouple
	084473-03-720	EA	Relighter
	084880-01-713	EA	Connector - Male - Inlet Fitting
	094039-01-738	EA	Valve - Shut Off - Manual
	084473-03-721	EA	Control - Combination
	103822-01-713	EA	Switch - Ignition
	103822-01-712	EA	Indicator - Flame

1991 1/2 WINNEBAGO TABLE OF CONTENTS

INTRODUCTION	A-01 - A-02
ABBREVIATIONS	A-03
ALPHABETICAL/GROUP REFERENCE	A-04 - A-06
WF327RB	A-07 - D-06
WF327RT	D-07 - G-16

1991 1/2 WF327RB INDEX

Floor Plan	A-07 - A-08
Accessories Group	A-09 - A-12
Bath Group	A-13 - A-14
Chassis Group	A-15 - A-18
Curtain, Cushion & Pad Group	A-19 - B-02
Dinette Group	B-03 - B-04
Driver's Compartment Group	B-05 - B-07
Electrical Group	B-08 - B-10
Exterior Body Group	B-11 - B-15
Galley Group	B-16 - B-19
Heating & Air Conditioning Group	B-20 - B-21
Interior Finish Group	B-22 - B-24
Labels Group	C-01 - C-09
LP Group	C-10
Lounge	C-11 - C-13
Sealants & Fasteners Group	C-14 - C-15
Water & Sewage Group	C-16 - C-18
Window, Vent & Exterior Door Group	C-19 - D-06

GALLEY GROUP (CONTINUED)

GALLEY APPLIANCES (CONTINUED)

Key	Part Number	U/M	Description
	091269-04-000	EA	Oven - Microwave - Magic Chef
	100258-01-01A	EA	Hood Range w/o Monitor Panel
	100258-03-01A	EA	Hood Range - w/o Monitor Panel - Almond (US) (Option L39E & L383)
	100258-02-01A	EA	Hood Range - w/o Monitor Panel - Almond (CSA) (Option L265)
	099983-01-702	EA	Switch - Two Way - Momentary - Generator (if used)
	099983-01-700	EA	Switch - ON/OFF - Fan/Lamp
	092696-01-709	EA	Bulb - #912
	092696-01-710	EA	Socket - Light
	096983-01-708	EA	Lens - Lamp
	090973-01-700	EA	Motor
	090973-01-702	EA	Blade - Fan
	090983-01-707	EA	Filter - Grease
	092696-01-707	EA	Vent - Gasket
	100258-10-01A	EA	Hourmeter - Ventline (Option L39E) CSA
	102022-01-01A	EA	Range - 16" - 4 Burner - Almond
	102022-01-02A	EA	Range - 16" - 4 Burner - Almond
	102022-01-700	EA	Door Panel - Black (For 102022-01-01A only)
	102022-01-704	EA	Glass - Outer (For 102022-01-02A only)
	102022-01-702	EA	Manifold Pipe
	102022-01-703	EA	Pressure Regulator
	102022-01-705	EA	Shield - Deflector Flue
	102022-01-706	EA	Trim - Left - Flat
	055282-03-705	EA	Trim - Left
	102022-01-707	EA	Trim - Right - Flat
	102020-01-701	EA	Handle - Door
	102020-01-702	EA	Panel - Manifold
	102020-01-700	EA	Shell - Oven
	102020-01-708	EA	Burner - Oven
	102020-01-709	EA	Bumper - Grate
	102020-01-711	EA	Grate - Top
	102020-01-712	EA	Knob - Burner Valve
	102020-01-713	EA	Knob - Thermostat
	102020-01-714	EA	Pilot - Oven
	102020-01-717	EA	Thermostat
	102020-01-720	EA	Valve - Mercury Control
	102020-01-721	EA	Valve - Shut Off
	102020-01-722	EA	Valve - Top Burner
	102020-01-723	EA	Pilot - Burner
	102020-01-724	EA	Bumper - Main Top
	055518-03-000	EA	Bracket - Front Tiedown - Range w/o Oven
	055518-04-000	EA	Bracket - Rear Tiedown - Range w/o Oven
	063752-01-000	EA	Shroud Asm. - Range
	097617-01-01A	EA	Panel - Monitor - Almond
	097617-01-700	EA	Plate - Cover
	097617-01-701	EA	Switch - On/Off - Almond
	097617-01-702	EA	Switch - 1 Way - Almond
	097617-01-703	EA	Circuit Board
	097618-01-000	EA	Wire Asm. - Monitor Panel

These parts were used from 3/11/91 on.

HEATING & AIR CONDITIONING GROUP

FURNACES & REPAIR PARTS

Key	Part Number	U/M	Description
	098868-02-000	EA	Furnace - 30,000 BTU - Suburban
	098868-02-700	EA	Burner Asm. - Complete
	098868-01-702	EA	Electrode
	069834-01-733	EA	Relay - Time Delay
	098868-01-709	EA	Motor Asm.
	098868-01-711	EA	Wheel - Room Air
	062300-02-702	EA	Microswitch Asm.
	098868-01-706	EA	Wheel - Combustion Air
	098868-01-707	EA	Vent Cap & Exhaust Tube Asm.
	098868-01-704	EA	Valve
	098988-01-701	EA	Cabinet Asm.
	098868-01-700	EA	Cabinet - Front
	098868-01-705	EA	Switch - Limit
	092300-02-701	EA	Orifice - Main Burner
	092300-01-704	EA	Gasket - Electrode
	098868-01-712	EA	Board Module
	075898-02-709	EA	Disc - Glass
	098868-01-710	EA	Blower Asm. (Room Air)
	098868-01-708	EA	Blower Asm. (Combustion Air)
	075898-02-703	EA	Collar - Duct
	093365-01-000	EA	Thermostat - Wall - Furnace

NOTE: Items indented below assemblies are serviceable parts for that assembly.

ROOF AIR CONDITIONER & PARTS

Key	Part Number	U/M	Description
	093784-01-000	EA	Ceiling Asm. - Air Conditioner - Cool Only (Option 29)
	042204-01-709	EA	Thermostat In - 84, Out - 58
	042205-01-702	EA	Thermostat In - 89, Out - 58
	073742-01-701	EA	Selector Switch (5 - Terminal)
	073742-01-702	EA	Decal - Cool Only
	073742-01-703	EA	Decal - Heat & Cool
	081608-01-708	EA	Limit Switch (Open 160, Close 110)
	091225-01-713	EA	Knob (2 Per Package)
	076303-01-707	EA	Filter - 6" x 14 3/4" x 1/2" (12 Per Package)
	091225-01-717	EA	Decal (Thermostat) Cool Only
	081608-01-712	EA	Ceiling Shroud (Ivory)
	093783-01-705	EA	Decal - Heat/Cool - Thermostat
	093783-01-708	EA	Heat Element
	093783-01-710	EA	Single Parts Package
	093783-01-04A	EA	Air Conditioner - 110 Volt - Roof Mount - 13,500 BTU - Off White (Option 29)
	093783-04-700	EA	Shroud - Roof A/C - w/o Lcgs
	093783-01-711	EA	Gasket - Package
	093783-01-712	EA	Fan Blade - Condenser
	093308-01-701	EA	Decal Package - Left & Right
	073742-02-704	EA	Run Capacitor (Compressor)
	091225-01-710	EA	Start Capacitor
	091225-01-709	EA	Start Relay
	076303-01-712	EA	Motor
	093783-01-702	EA	Overload
	093783-01-703	EA	Impeller - 7" Dia. x 2.8" Wide
	093783-01-704	EA	Capacitor - Fan
	093783-01-707	EA	Evaporator Coil
	093783-01-708	EA	Condenser Coil
	093783-01-713	EA	Compressor - E Series
	084077-03-000	EA	Cover - Blank - Roof A/C - Ivory
	092441-01-000	EA	Ceiling Asm. - Air Conditioner - 220 Volt (European) (Option 29)
	092440-01-000	EA	Air Conditioner - 220 Volt - Roof Mount - 13,500 BTU (European) (Option 29)

NOTE: Items indented below assemblies are serviceable parts for that assembly.

1991 1/2 WINNEBAGO TABLE OF CONTENTS

INTRODUCTION	A-01 - A-02
ABBREVIATIONS	A-03
ALPHABETICAL/GROUP REFERENCE	A-04 - A-08
WF327RB	A-07 - D-08
WF327RT	D-07 - G-16

1991 1/2 WF327RB INDEX

Floor Plan	A-07 - A-08
Accessories Group	A-09 - A-12
Bath Group	A-13 - A-14
Chassis Group	A-15 - A-18
Curtain, Cushion & Pad Group	A-19 - B-02
Dinette Group	B-03 - B-04
Driver's Compartment Group	B-05 - B-07
Electrical Group	B-08 - B-10
Exterior Body Group	B-11 - B-15
Galley Group	B-16 - B-19
Heating & Air Conditioning Group	B-20 - B-21
Interior Finish Group	B-22 - B-24
Labels Group	C-01 - C-09
LP Group	C-10
Lounge	C-11 - C-13
Sealants & Fasteners Group	C-14 - C-15
Water & Sewage Group	C-16 - C-18
Window, Vent & Exterior Door Group	C-19 - D-06

HEATING & AIR CONDITIONING GROUP (CONTINUED)

REAR HEATER (OPTION 53G)

Key	Part Number	U/M	Description
	084405-01-000	EA	Rear Heater Asm. - w/o Switch
	084405-01-700	EA	Heater Core
	084405-01-701	EA	Fan Blades
	084405-01-702	EA	Motor Asm.
	084404-01-000	EA	Switch - Off/Low/Medium/High - Heater
	082401-04-000	EA	Clamp - Hose - Wormgear
	083081-01-000	EA	Hose Formed
	078776-01-000	EA	Tee - Barb - 5/8" x 5/8" x 5/8"
	083810-01-000	EA	Clamp - Wire Dual - Unequal Diameters - .75" x 1.25"
	009198-01-000	FT	Duct - Heat Flexible - 4" ID
	023146-01-000	EA	Clamp - Screw Type - 4"
	089636-02-000	EA	Connector - Duct - 4" ID
	007108-01-000	EA	Heater Hose - 5/8" ID
	009200-01-000	EA	Furnace Tape - 1 1/2"
	058484-05-000	EA	Register - Plastic - w/o Damper - 4" Dia. - Golden
	038753-01-000	EA	Tube - Aluminized Steel - 5/8" - 18 Gauge
	079987-01-000	EA	Switch - Off/Low/Medium/High - Heater
	084410-01-000	EA	Decal - Rear Auto Heater
	098078-01-000	EA	Decal - Auto Air & Rear Heater
	084374-01-000	EA	Bracket - Switch - Heater
	084374-02-000	EA	Bracket - Switch - Heater

NOTE: Items indented below assemblies are serviceable parts for that assembly.

INTERIOR FINISH GROUP

CABINETS & TABLE HARDWARE

Key	Part Number	U/M	Description
	053200-05-000	EA	Bracket - Table Support - Upper Wall Mount - 23.5" - Beige
	024275-05-000	EA	Rod - Table Lift - 8" x 23.5" - Beige
	064781-06-000	EA	Cupholder - Two Stage - Off White
	088410-01-000	EA	Bracket - Lift - Table Mounted - Beige
	024281-07-000	EA	Bracket - Lift - Rod - Lower Wall Mount - Beige
	024276-21-000	EA	Leg Asm. - Table - Beige
	049493-11-700	EA	Catch - Table Leg - Floor Mounted
	064050-03-000	EA	Clamp - Saddle - Leg Hinge - Tan
	024282-01-000	EA	Brace - Table Leg - Hinged
	024283-01-000	EA	Clip - Leg - 1" x 1.12" OD - Black
	059777-02-000	EA	Hinge - Antique Light Brass
	103856-01-000	EA	Pull - Cabinet Door - Brass
	100995-01-000	EA	Backplate - Door Pull - 5.7" - Brass
	099979-01-000	EA	Clip - Adjustable Shelf
	090980-01-000	EA	Pilaster - Adjustable Shelf - 18"
	098980-04-000	EA	Pilaster - Adjustable Shelf - 48"
	074483-02-000	EA	Support - Sprung - Door
	004354-01-000	EA	Bumper - Cabinet Door - Rubber - Brown
	023320-01-000	EA	Pad - Felt - 3/8" Dia. - Brown
	093588-03-000	EA	Catch - Spring - Roller
	093588-04-000	EA	Strike - Spring Steel
	072369-48-000	EA	Mesh - Expanded Aluminum - 19.1" x 8.3" - Bronze
	084070-01-000	EA	Center Post - Brass
	084070-02-000	EA	End Post - Brass
	084071-08-000	EA	Rod - Brass - 2.5"
	084071-05-000	EA	Rod - Brass - 15" (Pullout Table)
	080728-01-000	EA	Pull Handle - Table Top
	009059-01-000	EA	Hinge - Brass (Pullout Table)
	077409-02-000	EA	Slide - Drawer - Plastic - 20.75"
	077404-02-000	EA	Plastic Drawer - 20" x 12.7" - Beige
	094087-01-01A	EA	Divider - Plastic Drawer
	085740-01-000	EA	Brace - Cabinet Corner - Plastic
	088252-02-000	FT	Trim - Chrome - 1" Wide w/Pressure Sensitive Backing
	074045-07-000	EA	Wooden Plug - 1/2"
	079921-01-000	EA	Roller - Nylon w/Steel Shaft - Barbed (Pullout Table)
	102827-02-000	EA	Bracket - Roller - Drawer - Rear
	102827-03-000	EA	Roller - Drawer - Nylon (pair)
	102827-04-000	EA	Bracket - Drawer Mounting - Rear
	102827-05-000	EA	Track - Drawer - 22.6" Long
	059783-01-000	FT	Clothes Rod - Aluminum Slotted - 7'

PANELING & COUNTERTOP MATERIAL

Key	Part Number	U/M	Description
	074497-10-000	SF	Paneling - Oak - 48" x 84" (28 SF) (Cabinets)
	074497-18-000	SF	Paneling - Crosslink - 48" x 96" (32 SF) (Ceiling)
	074497-19-000	SF	Paneling - Trowell Work - 48" x 96" (32 SF) (Ceiling)
	000885-34-000	SF	Particle Board - 3/8" x 49" x 97" (33 SF) - 1 Side Woodgrain
	000885-59-000	SF	Particle Board 3/4" x 60" x 96" (40 SF) - 2 Sides Woodgrain
	074497-14-700	EA	Sealer - Stain - Ceiling
	089351-03-000	YD	Vinyl - Ceiling Diamond Design - 54" Wide
	088272-84-000	SF	Paneling - Decorative - Plain - 48" x 84" (28 SF)
	088272-85-000	SF	Paneling - Decorative - Patterned w/Flowers - 48" x 84" (28 SF)
	088272-72-000	SF	Paneling - Travertine White - 48" x 84" (28 SF) (Shower)
	074498-39-000	SF	Plastic Laminate - Gray/Beige - 5' x 8' (40 SF)
	074498-24-000	SF	Plastic Laminate - Oak - 5' x 8' (40 SF) - Pullout Table
	076325-18-000	FT	Molding - Edge Band - Oak - Pullout Table
	076325-28-000	FT	Molding - Edge Band - Rose
	076325-32-000	FT	Molding - Edge Band - Beige

These parts were used from 4/29/91 on.

1991 1/2 WINNEBAGO TABLE OF CONTENTS

INTRODUCTION	A-01 - A-02
ABBREVIATIONS	A-03
ALPHABETICAL/GROUP REFERENCE	A-04 - A-06
WF327RB	A-07 - D-06
WF327RT	D-07 - G-16

1991 1/2 WF327RB INDEX

Floor Plan	A-07 - A-08
Accessories Group	A-09 - A-12
Bath Group	A-13 - A-14
Chassis Group	A-15 - A-18
Curtain, Cushion & Pad Group	A-19 - B-02
Dinette Group	B-03 - B-04
Driver's Compartment Group	B-05 - B-07
Electrical Group	B-08 - B-10
Exterior Body Group	B-11 - B-15
Galley Group	B-16 - B-19
Heating & Air Conditioning Group	B-20 - B-21
Interior Finish Group	B-22 - B-24
Labels Group	C-01 - C-09
LP Group	C-10
Lounge	C-11 - C-13
Sealants & Fasteners Group	C-14 - C-15
Water & Sewage Group	C-16 - C-18
Window, Vent & Exterior Door Group	C-19 - D-06

INTERIOR FINISH GROUP (CONTINUED)

BATT STRIPS

Key	Part Number	U/M	Description
	069733-70-000	EA	Batt Strip - Oak - 8'
	065284-03-000	FT	Batt Strip - Oak - Tape Adhesive
	085294-03-700	FT	Batt Strip - Oak - Tape Adhesive - 3" x 250'
	088283-83-000	EA	Batt Strip - Decorative - Plain - 8'
	088283-84-000	EA	Batt Strip - Decorative w/Flowers - 8'
	085284-51-000	FT	Batt Strip - Decorative - Plain - Tape Adhesive
	085284-52-000	FT	Batt Strip - Decorative w/Flowers
	085284-38-000	FT	Batt Strip - Bone - Tape Adhesive
	088283-51-000	EA	Batt Strip - Crosshik Spatter - 8' - Beige (Ceiling)
	088283-71-000	EA	Batt Strip - Trowell Work - 8' - Fawn (Ceiling)

* These parts were used from 4/29/91 on.

INTERIOR MOLDINGS & TRIMS

Key	Part Number	U/M	Description
	081294-02-000	EA	Molding - Shelf - Knotted Wood - 8' Long
	083620-07-000	FT	T-Molding - End Cap - Edge - 3/4" - Pecan
	009815-09-000	FT	T-Molding - .75" - Ivory
	070504-18-000	FT	U-Channel - .085" - Ivory
	009812-17-000	EA	Molding - Plastic Corner - Outside - 1/2" - Oak
	009812-25-000	EA	Molding - Plastic Corner - Outside - 1/2" - Pecan
	022892-11-000	FT	Molding - Reverse Cove - T-Shaped - Vinyl - Ivory
	042357-17-000	EA	Molding - Corner - Radius - 1.5" x 7" - Woodgrain - Plastic
	081521-02-007	EA	Mount - Molding - 12.5' EA - for Radius Corner
	070504-06-000	FT	U-Channel - .815" - Pecan
	070504-20-000	FT	U-Channel - .815" - Oak
	009778-13-000	FT	U-Channel - 1" - Pecan
	009778-11-000	FT	U-Channel - 1" - Light Oak
	009787-12-000	FT	Waiting - Antique White (Ceiling to Wall)
	092331-D2-134	EA	Molding - Vinyl Wrapped - 1.57" x 7'
	092331-F2-134	EA	Molding - Vinyl Wrapped - 2.5" x 7'
	092330-D2-43A	EA	Lumber - Vinyl Wrapped - 1.5" x 8'
	092330-E2-438	EA	Lumber - Vinyl Wrapped - 2" x 96"
	074045-07-000	EA	Plug - Wood - 1/2"
	077309-02-000	EA	Trim - Stepwell - Entry Door
	057205-01-000	EA	Angle - Support - 1" x 1.5" x 24" - Off White
	057205-02-000	EA	Angle - Support - 1" x 1.5" x 36" - Off White

FABRICS & CARPETS

Key	Part Number	U/M	Description
	072333-82-000	YD	Fabric - Drapery - Beige (Privacy)
	096008-76-000	YD	Fabric - Upholstery - Main - Patterned (B85)
#	104233-12-000	YD	Fabric - Upholstery - Main - Patterned (B85)
	096008-79-000	YD	Fabric - Upholstery - Main - Patterned (B86)
	096008-78-000	YD	Fabric - Upholstery - Accent - Plain (B85)
	096008-80-000	YD	Fabric - Upholstery - Accent - Plain (B86)
	096008-77-000	YD	Fabric - Upholstery - Accent - Velvet Patterned (B85)
	096008-81-000	YD	Fabric - Upholstery - Accent - Velvet Patterned (B86)
	096008-86-000	YD	Fabric - Upholstery - Accent - Flat Patterned (B85)
	096008-82-000	YD	Fabric - Upholstery - Accent - Flat Patterned (B86)
	072333-87-000	YD	Fabric - Speaker Cover
	075244-04-000	YD	Vinyl - Shower Curtain - Salmon (B85)
	075244-06-000	YD	Vinyl - Shower Curtain - Teal (B86)
	079680-09-000	YD	Vinyl - Off White
	103307-01-01A	YD	Vinyl - Off White
	096060-24-000	YD	Carpet - Eggplant (B85)
	096060-25-000	YD	Carpet - Brown (B86)
	076314-02-000	FT	Tape - Heat Bonded - Carpet Seam
	047034-02-000	SF	Plastic Runner - Carpet - 4' Wide - Clear
	078539-01-000	EA	Trim - Carpet - Cab - Passenger - 29" Long
	078539-02-000	EA	Trim - Carpet - Cab - Driver - 29" Long
	085746-01-000	FT	Trim - "J" - Carpet - PVC - Beige - 10' Long

NOTE: Replace vinyl flooring locally.

These parts are used from 4/15/91 on.

* These parts are used from 4/17/91 on.

INTERIOR FINISH GROUP (CONTINUED)

CURTAIN & CUSHION HARDWARE

Key	Part Number	U/M	Description
	083801-01-000	EA	Track - Shower Curtain - Off White
	009701-01-000	EA	Carrier - Shower Curtain
	008702-01-000	EA	End - Stop - Curtain Carrier - Shower
	048887-01-000	EA	Grommet - Brass - 7/16" ID x 1" OD (Shower Curtain)
	009138-01-000	EA	Pin - Shower Curtain
	029130-01-000	EA	Screw - Snap Socket - 8 PH x 5/8"
	029092-01-000	EA	Stud - Nickel Finish
	029093-01-000	EA	Eyelet - Nickel Finish
	029155-01-000	EA	Cap - Snap
	029156-01-000	EA	Socket - Snap Fastener
	089918-01-000	EA	Mount - Window Leg - Black
	089522-04-000	EA	Panel - Window Leg - 2.5" Face - 31.5" Long
	101032-01-000	FT	Track - Curtain - Ceiling Mount - White (Valance)
	101033-01-000	FT	Track - Curtain - Low Profile - White
	101033-02-000	EA	End Cap - Track - Clear
	101031-01-000	EA	Tape - Glide - 4.25" Spacing
	095591-02-000	EA	Bracket - Blind - Hold Down w/Pin
	082239-02-000	EA	Brace - Window Valance - Beige - 18.7" Long
	075943-01-000	EA	Brace - Window Valance - Beige - 20" Long
	083170-01-000	EA	Bracket - Blind - Right
	083170-02-000	EA	Bracket - Blind - Left
	093475-01-70U	EA	Wand - Blind w/Metal Clip - 8" Long
	093475-01-70I	EA	End Cap - Blind w/Strid
	078155-01-000	EA	Strap - Back Cushion
	057534-01-000	EA	Tieback - 6" - Clear Plastic
	085774-01-000	FT	Fastener - Dual Hook - 1" Wide - Adhesive Back - Black
	085774-02-000	FT	Fastener - Dual Loop - 1" Wide - Adhesive Back - Black
	088792-02-000	YD	Velcro Tape - Adhesive Back - Loop - 3/4" Wide
	048394-02-000	YD	Velcro Tape - Adhesive Back - Hook - 3/4" Wide
	103986-01-000	FT	Trim - Valance - .75" Wide - Brass
	105450-02-01A	EA	Track - Curtain - 48" - Aluminum - Off White (Valance)
	105450-05-01A	EA	Track - Curtain - 79" - Aluminum - Off White (Valance)
	105450-08-01A	EA	Track - Curtain - 88" - Aluminum - Off White (Valance)
	007021-01-000	EA	Seatbelt Asm. - 2" x 90" - Black

MISCELLANEOUS PARTS

Key	Part Number	U/M	Description
	053552-02-AA8	EA	Handle Asm. - Interior Asclri
	000020-07-00R	EA	Nut - Acorn - Assist Handle - 7/16" x 14 ZN
	000C16-07-16B	EA	Bolt - Carriage - Assist Handle - 7/16" - 14 x 1" ZN
	089178-02-000	EA	Bracket - Mounting - Assist Handle
	094499-02-000	EA	Fire Extinguisher w/Mounting Bracket - Dry IA 10BC (CSA)
	094499-01-000	EA	Fire Extinguisher w/Mounting Bracket - Dry IA 10BC (US)
	094499-01-700	EA	Bracket - Mounting - w/Plastic Strap
	094851-01-01A	EA	Recessed Holder - Fire Extinguisher - Light Oak
	072852-01-000	EA	Smoke Detector w/9 Volt Battery (IJS)
	072852-02-000	EA	Smoke Detector w/9 Volt Battery (CSA)
	054185-83-000	EA	Owners Manual - 1991 Warrior
	092318-01-000	EA	Binder - 3-Ring - Motor Home Manual
	092318-01-000	EA	Pocket Page - 3-Ring Binder - Plastic
	098084-05-000	EA	Cassette - Winnebago "Warrior"
	100803-01-01A	EA	Wall Clock - Round Bezel
	101333-01-000	EA	Backplate - Clock - Plastic - Black
	104764-01-01A	EA	Wall Clock - Spartus
	083219-01-000	EA	Floor Mat - w/"Winnebago" Logo - Passenger
	083219-02-000	EA	Floor Mat - w/"Winnebago" Logo - Driver
	007038-01-000	EA	Floor Mat - w/"Winnebago" Logo - 10.5" x 28" - Black Rubber

* These parts were used from 5/8/91 on.

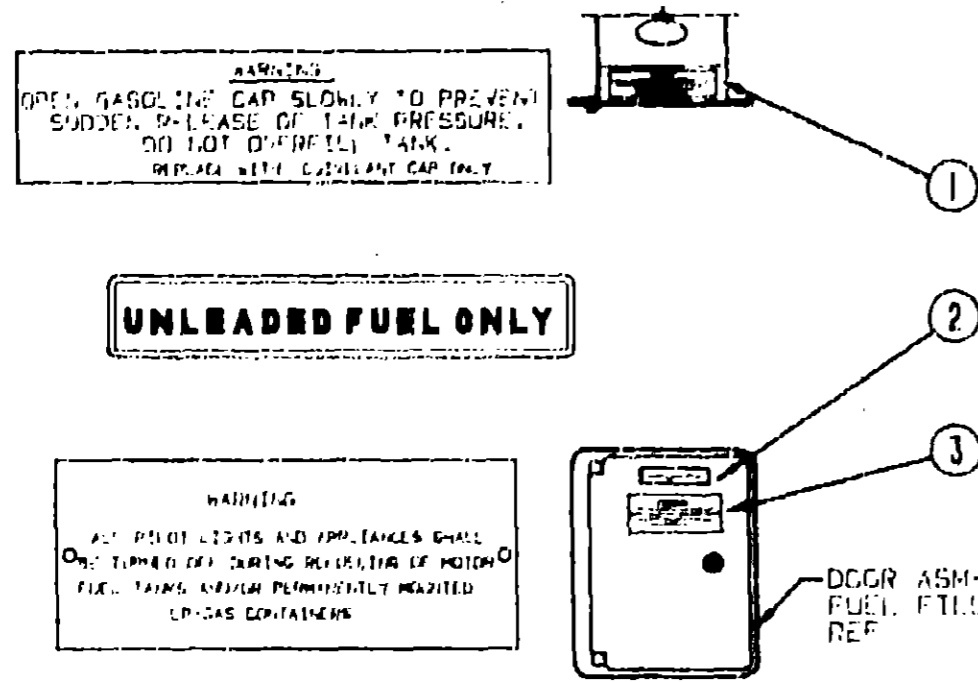
1991 1/2 WINNEBAGO TABLE OF CONTENTS

INTRODUCTION	A-01 - A-02
ABBREVIATIONS	A-03
ALPHABETICAL/GROUP REFERENCE	A-04 - A-06
WF327RB	A-07 - D-06
WF327RT	D-07 - G-16

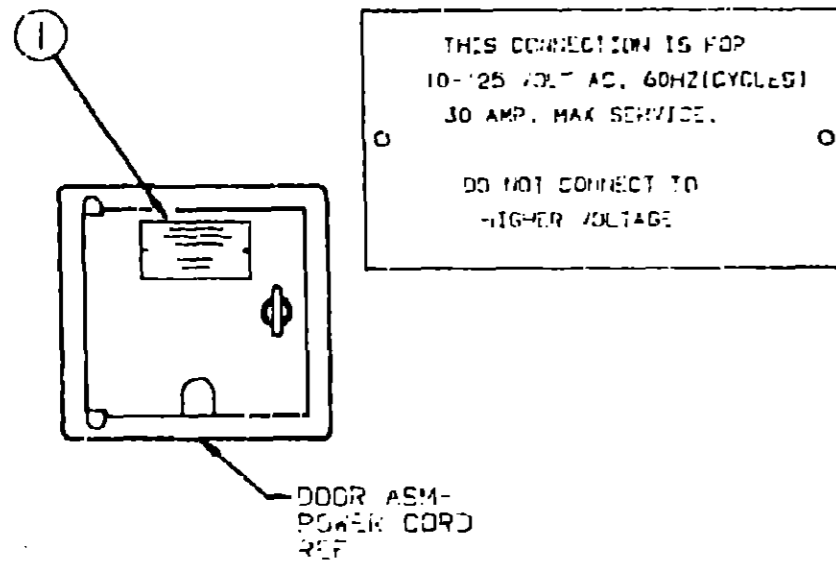
1991 1/2 WF327RB INDEX

Floor Plan	A-07 - A-08
Accessories Group	A-09 - A-12
Bath Group	A-13 - A-14
Chassis Group	A-15 - A-18
Curtain, Cushion & Pad Group	A-19 - B-02
Dinette Group	B-03 - B-04
Driver's Compartment Group	B-05 - B-07
Electrical Group	B-08 - B-10
Exterior Body Group	B-11 - B-15
Galley Group	B-16 - B-19
Heating & Air Conditioning Group	B-20 - B-21
Interior Finish Group	B-22 - B-24
Labels Group	C-01 - C-09
LP Group	C-10
Lounge	C-11 - C-13
Sealants & Fasteners Group	C-14 - C-15
Water & Sewage Group	C-16 - C-18
Window, Vent & Exterior Door Group	C-19 - D-06

LABELS GROUP

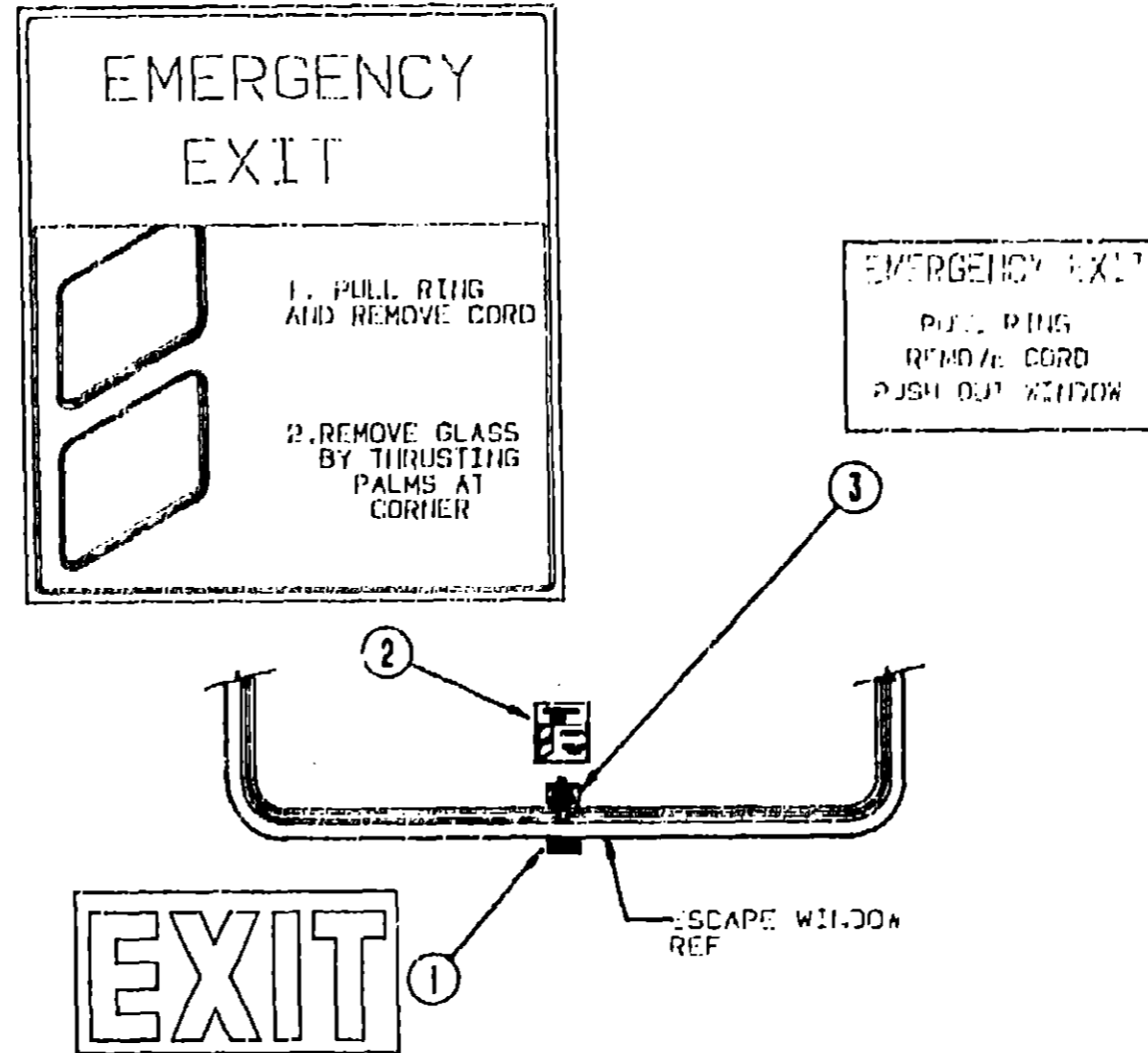


Key	Part Number	U/M	Description
1	087207-05-000	EA	Label - Fuel Cap Removal
2	062043-01-000	EA	Label - Unleaded Fuel
3	006040-01-000	EA	Tag - Gas Refueling Warning (US)
3	006040-02-000	EA	Tag - Gas Refueling Warning (CSA)

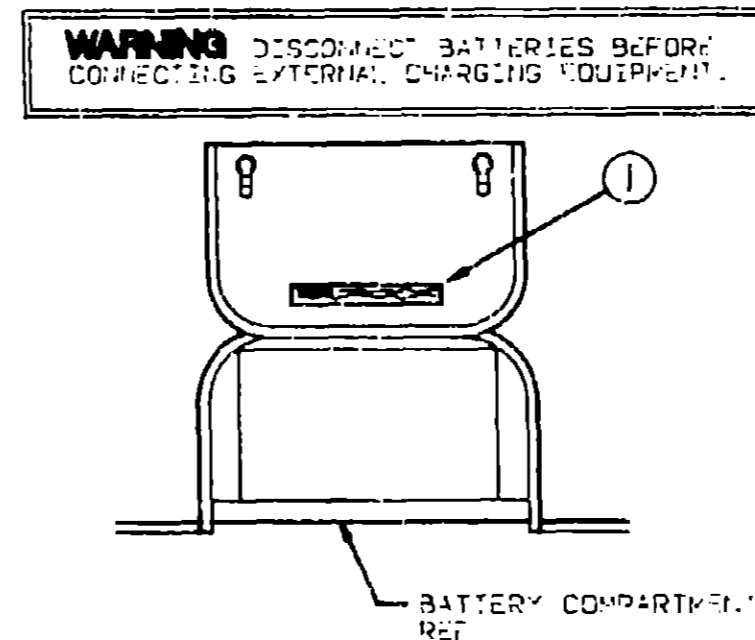


Key	Part Number	U/M	Description
1	006062-01-000	EA	Tag - Electrical - 110 Volt Connection

LABELS GROUP (CONTINUED)



Key	Part Number	U/M	Description
1	039290-01-000	EA	Label - Warning - Exit
2	047731-01-000	EA	Label - Emergency Exit
3	006199-01-000	EA	Label - Exit - Escape Window



Key	Part Number	U/M	Description
1	065748-01-000	EA	Label - Caution - Battery Charging

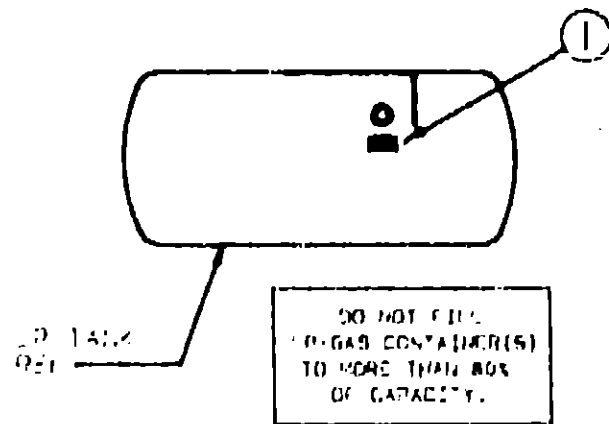
**1991 1/2 WINNEBAGO
TABLE OF CONTENTS**

INTRODUCTION	A-01 - A-02
ABBREVIATIONS	A-03
ALPHABETICAL/GROUP REFERENCE	A-04 - A-06
WF327RB	A-07 - D-06
WF327RT	D-07 - G-16

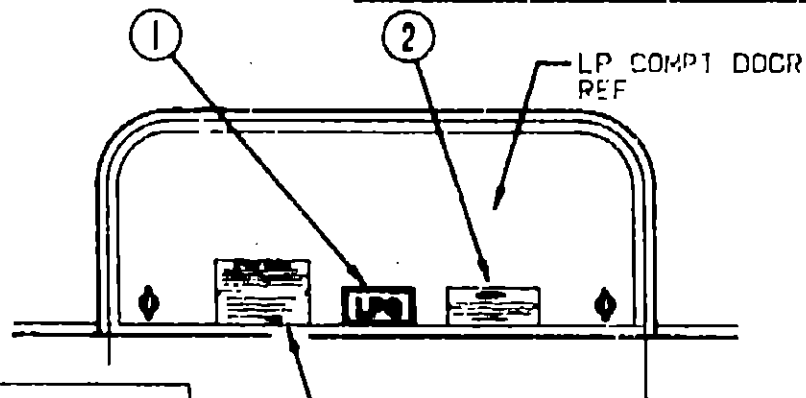
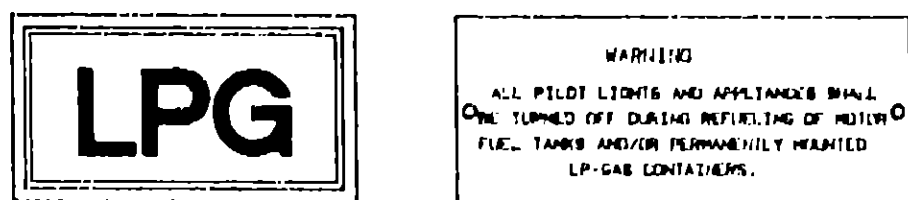
1991 1/2 WF327RR INDEX

Floor Plan	A-07 - A-08
Accessories Group	A-09 - A-12
Bath Group	A-13 - A-14
Chassis Group	A-15 - A-18
Curtain, Cushion & Pad Group	A-19 - B-02
Dinette Group	B-03 - B-04
Driver's Compartment Group	B-05 - B-07
Electrical Group	B-08 - B-10
Exterior Body Group	B-11 - B-15
Galley Group	B-16 - B-19
Heating & Air Conditioning Group	B-20 - B-21
Interior Finish Group	B-22 - B-24
Labels Group	C-01 - C-09
LP Group	C-10
Lounge	C-11 - C-13
Sealants & Fasteners Group	C-14 - C-15
Water & Sewage Group	C-16 - C-18
Window, Vent & Exterior Door Group	C-19 - D-06

LABELS GROUP (CONTINUED)



Key	Part Number	U/M	Description
1	078965-01-000	EA	Label - LPG - 80% Capacity

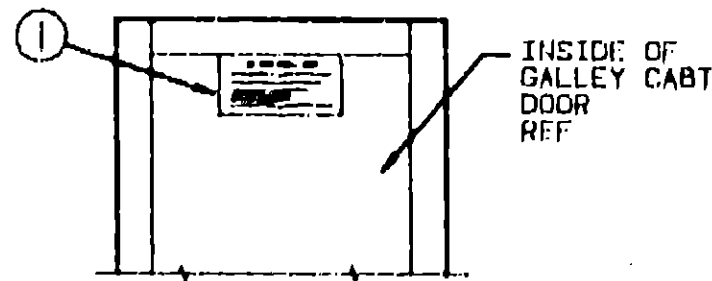


LP-GAS SYSTEM
THIS GAS PIPING SYSTEM IS DESIGNED FOR USE OF LIQUEFIED PETROLEUM GAS ONLY. DO NOT CONNECT NATURAL GAS TO THIS SYSTEM.

SECURELY CAP INLET(S) WHEN NOT CONNECTED FOR USE. AFTER TURNING ON GAS, EXCEPT AFTER NORMAL CONTAINER REPLACEMENT, TEST GAS PIPING AND CONNECTIONS TO APPLIANCE FOR LEAKAGE WITH SOAPY WATER OR BUBBLE SOLUTION. DO NOT USE PRODUCTS THAT CONTAIN AMMONIA OR CHLORINE.
P.N. 54531

Key	Part Number	U/M	Description
1	074559-01-000	EA	Label - "LPG" - 3.3" x 1.75" (California Code)
2	006040-01-000	EA	Tag - Gas Refueling Warning (US)
2	006040-02-000	EA	Tag - Gas Refueling Warning (CSA)
3	054531-01-000	EA	Label - LP Gas Only

LABELS GROUP (CONTINUE())



IF YOU SMELL GAS

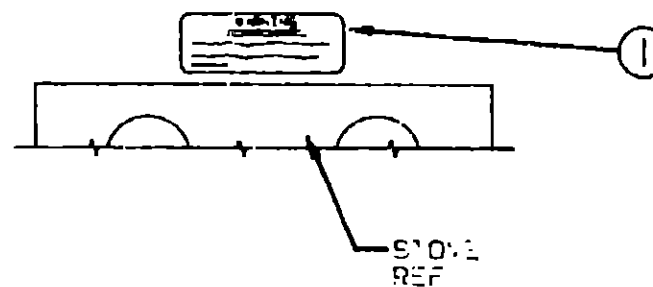
1. EXTINGUISH ANY OPEN FLAME, PILOT LIGHTS AND ALL SMOKING MATERIALS.
2. SHUT OFF THE GAS SUPPLY AT THE TANK VALVE OR GAS SUPPLY CONNECTION.
3. OPEN DOORS AND OTHER VENTILATING OPENINGS.
4. DO NOT TOUCH ELECTRICAL SWITCHES.
5. LEAVE THE AREA UNTIL ODOR CLEARS.
6. HAVE THE GAS SYSTEM CHECKED AND LEAKAGE SOURCE CORRECTED BEFORE USING AGAIN.

Key	Part Number	U/M	Description
1	073998-01-000	EA	Label - LPG - Odor Warning (US)
1	023769-01-000	EA	Label - LPG - Odor Warning (CSA)

WARNING
IT IS NOT SAFE TO USE COOKING APPLIANCES FOR COMFORT HEATING.

COOKING APPLIANCES NEED FRESH AIR FOR SAFE OPERATION BEFORE OPERATION.

1. OPEN OVER-HEAD VENT OR TURN ON EXHAUST FAN AND.
2. OPEN WINDOW.



Key	Part Number	U/M	Description
1	050225-01-000	EA	Label - Warning - Stove Vent

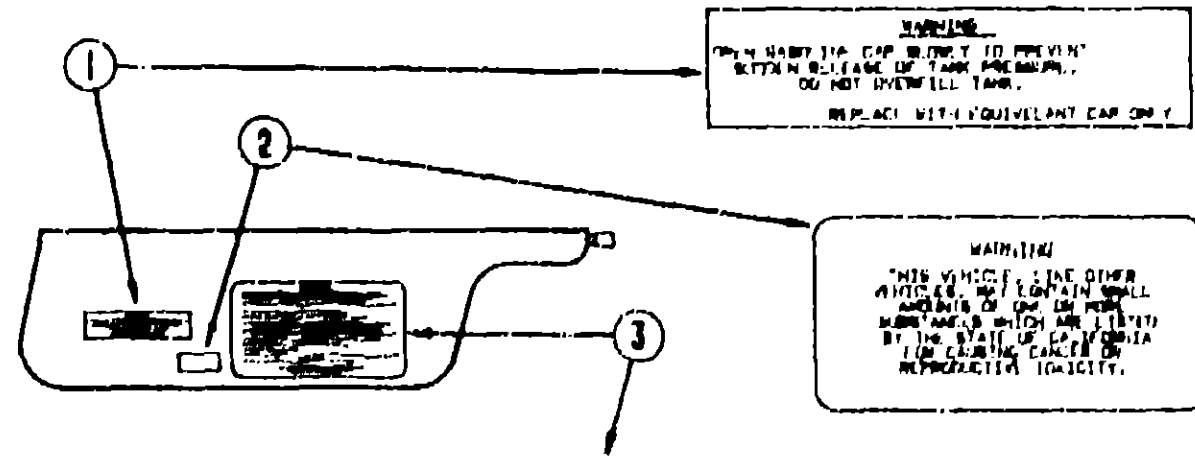
1991 1/2 WINNEBAGO TABLE OF CONTENTS

INTRODUCTION	A-01 - A-02
ABBREVIATIONS	A-03
ALPHABETICAL/GROUP REFERENCE	A-04 - A-06
WF327RB	A-07 - D-06
WF327RT	D-07 - G-16

1991 1/2 WF327RB INDEX

Floor Plan	A-07 - A-08
Accessories Group	A-09 - A-12
Bath Group	A-13 - A-14
Chassis Group	A-15 - A-18
Curtain, Cushion & Pad Group	A-19 - B-02
Dinette Group	B-03 - B-04
Driver's Compartment Group	B-05 - B-07
Electrical Group	B-08 - B-10
Exterior Body Group	B-11 - B-15
Galley Group	B-16 - B-19
Heating & Air Conditioning Group	B-20 - B-21
Interior Finish Group	B-22 - B-24
Labels Group	C-01 - C-09
LP Group	C-10
Lounge	C-11 - C-13
Sealants & Fasteners Group	C-14 - C-15
Water & Sewage Group	C-16 - C-18
Window, Vent & Exterior Door Group	C-19 - D-06

LABELS GROUP (CONTINUED)



WARNING
 OPEN HATCH CAP SLOWLY TO PREVENT
 SUDDEN RELEASE OF TAHOE PRESSURE.
 DO NOT OVERFILL TAHOE.
 REPLACE WITH EQUIVALENT CAP ONLY.

WARNING
 THIS VEHICLE LIKE OTHER
 VEHICLES, MAY CONTAIN SMALL
 AMOUNTS OF LEAD OR OTHER
 SUBSTANCES WHICH ARE LISTED
 BY THE STATE OF FLORIDA
 AS CAUSING CANCER OR
 REPRODUCTIVE TOXICITY.

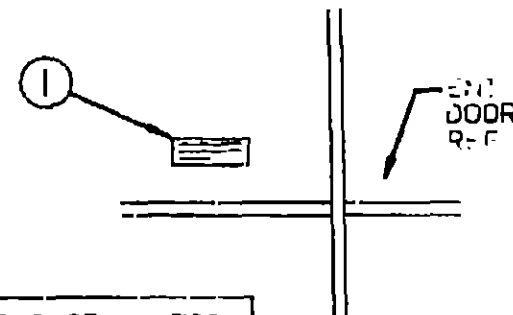
CAUTION

THIS MOTOR HOME HAS BEEN DESIGNED, MANUFACTURED AND TESTED WITH CONCERN FOR THE PROTECTION OF ITS OCCUPANTS. WE RECOMMEND YOU PERFORM THE FOLLOWING INSPECTIONS FOR YOUR SAFETY AND THE SAFETY OF YOUR PASSENGERS BEFORE STARTING YOUR VEHICLE.

1. LP GAS SYSTEM- TURN OFF AT TANK FOR TRAVELING, TEST FOR LEAKS UPON ARRIVAL AT DESTINATION, BEFORE LIGHTING PILOTS.
2. WHEELS- INSPECT FOR DAMAGE AND CHECK LUB NUTS FOR TIGHTNESS.
3. TIRES- INSPECT FOR WEAR AND DAMAGE AND CHECK FOR RECOMMENDED AIR PRESSURE.
4. LIGHTING- TEST FOR PROPER OPERATION OF ALL INTERIOR AND EXTERIOR LIGHTS INCLUDING DASH LIGHTS, HEADLIGHTS, TAIL LIGHTS, BRAKE LIGHTS, CLEARANCE LIGHTS AND TURN SIGNALS.
5. EXITS- INSPECT RELEASE MECHANISM ON EMERGENCY EXIT WINDOW. TEST BOTH LOCKS ON MAIN ENTRANCE DOOR FOR EASE OF OPERATION AND INSTRUCT PASSENGERS HOW TO USE BOTH MEANS OF EXIT.
6. SEAT BELTS- DIRECT PASSENGERS TO DESIGNATED SEATS AND REQUIRE USE OF SEAT BELTS.
7. APPLIANCES- TURN OFF AND LOCK ON LOCK DOORS WHERE PROVIDED.
8. LOOSE PARCELS- STORE SECURELY.
9. UTILITY SUPPLY LINES- DISCONNECT ALL ELECTRIC, SEWER AND WATER LINES AND SECURE PROPERLY.
10. ENTRANCE SEAM STEP- PLACE IN RETRACTED POSITION FOR TRAVELING.

READ YOUR MOTOR HOME AND CHASSIS OWNER'S MANUAL FOR FURTHER PRECAUTIONS

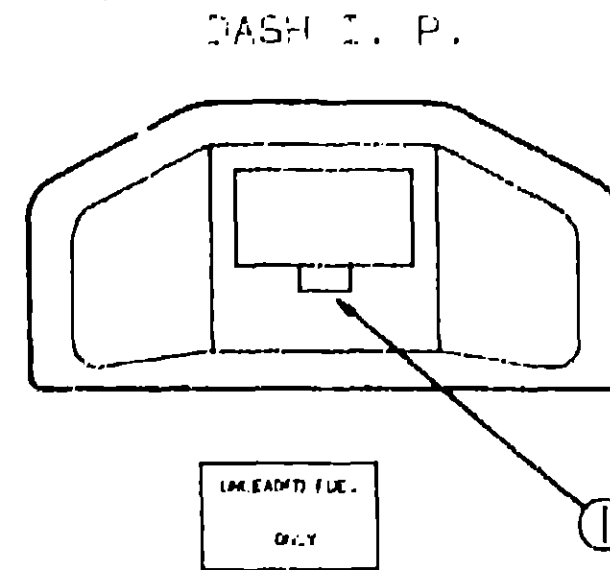
Key	Part Number	U/M	Description
1	067207-05-000	EA	Label - Fuel Cap Removal
2	099689-01-000	EA	Label - Warning - Cancer/Toxicity
3	056259-01-000	EA	Label - Safety Check List



FOR AWNING INSTALLATION,
 CONTACT YOUR MOTORHOME
 DEALERSHIP

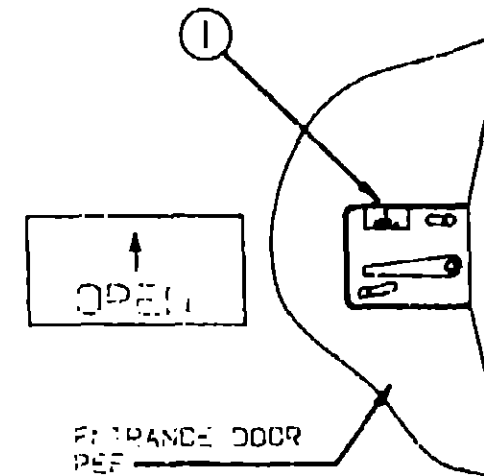
Key	Part Number	U/M	Description
1	099509-01-000	EA	Label - Awning Installation

LABELS GROUP (CONTINUED)



UNLEADED FUEL
 ONLY

Key	Part Number	U/M	Description
1	098641-01-000	EA	Label - Unleaded Fuel (Dash)



Key	Part Number	U/M	Description
1	040944-01-000	EA	Label - Open - Entrance Door

MISCELLANEOUS LABELS

Key	Part Number	U/M	Description
	006064-01-000	EA	Label - Seat - w/o Seat Belt
	091243-01-000	EA	Label - A/C Cover

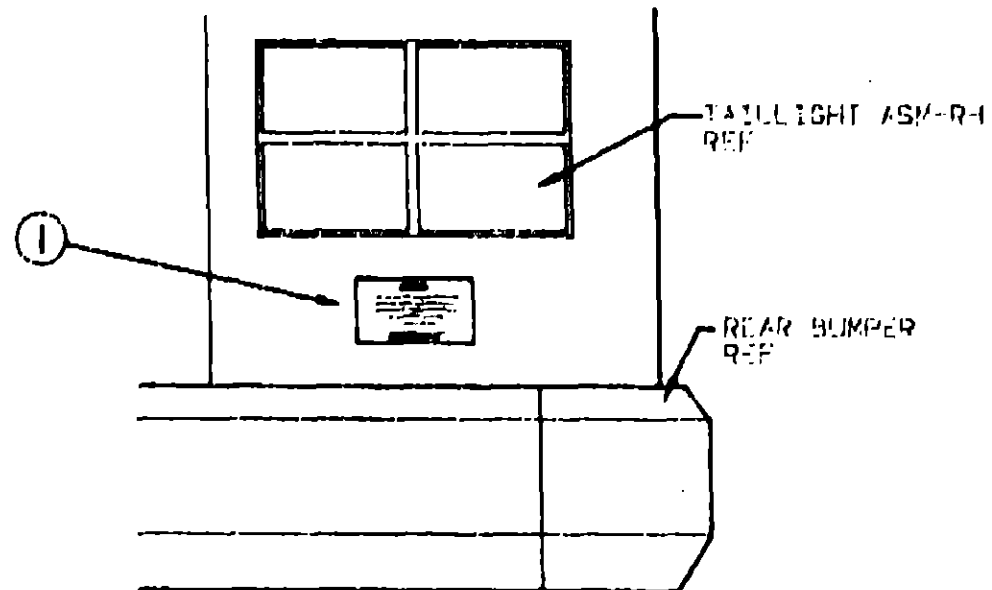
**1991 1/2 WINNEBAGO
 TABLE OF CONTENTS**

INTRODUCTION	A-01 - A-02
ABBREVIATIONS	A-03
ALPHABETICAL/GROUP REFERENCE	A-04 - A-06
WF327RB	A-07 - D-06
WF327RT	D-07 - G-16

1991 1/2 WF327RB INDEX

Floor Plan	A-07 - A-08
Accessories Group	A-09 - A-12
Bath Group	A-13 - A-14
Chassis Group	A-15 - A-18
Curtain, Cushion & Pad Group	A-19 - B-02
Dinette Group	B-03 - B-04
Driver's Compartment Group	B-05 - B-07
Electrical Group	B-08 - B-10
Exterior Body Group	B-11 - B-15
Galley Group	B-16 - B-19
Heating & Air Conditioning Group	B-20 - B-21
Interior Finish Group	B-22 - B-24
Labels Group	C-01 - C-09
LP Group	C-10
Lounge	C-11 - C-13
Sealants & Fasteners Group	C-14 - C-15
Water & Sewage Group	C-16 - C-18
Window, Vent & Exterior Door Group	C-19 - D-06

LABELS GROUP (CONTINUED)

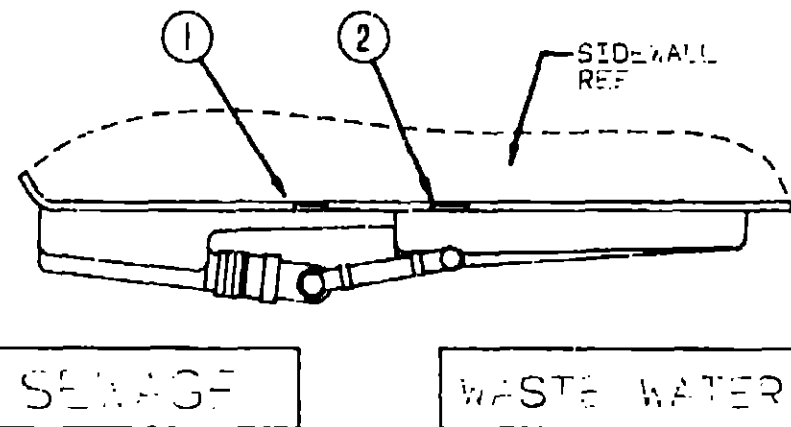


WARNING

DO NOT EXCEED THE VEHICLE WEIGHT RATINGS OR LOADING RECOMMENDATIONS (E.G., GROSS VEHICLE, GROSS AXLE, GROSS COMBINED) OF THE CHASSIS MANUFACTURER OR WINNEBAGO INC.

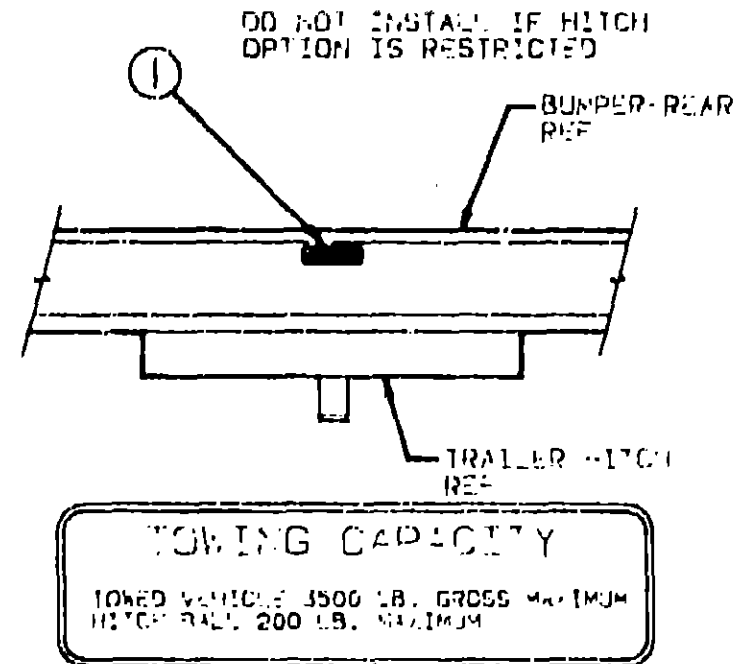
REFER TO YOUR OWNERS MANUAL BEFORE LOADING OR TOWING.

Key	Part Number	U/M	Description
1	075220-01-000	EA	Label - Warning - Exterior Load

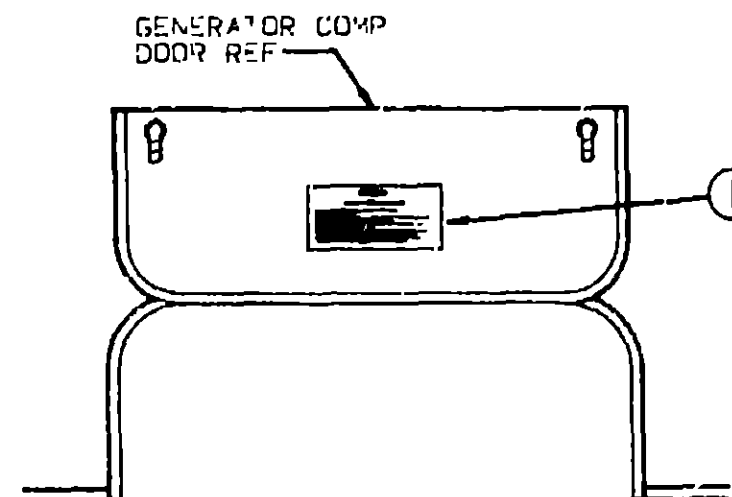


Key	Part Number	U/M	Description
1	006187-01-000	EA	Label - Sewage
2	006188-01-000	EA	Label - Waste Water

LABELS GROUP (CONTINUED)



Key	Part Number	U/M	Description
1	075221-01-000	EA	Label - Towing Capacity



WARNING

WHEN ADDING A GENERATOR SET:

HIGH VOLTAGE-USE EXTREME CAUTION WHEN WORKING ON ELECTRICAL COMPONENTS.
HAVE ALL ELECTRICAL INSTALLATION PERFORMED BY A QUALIFIED LICENSED ELECTRICIAN-FOLLOW ALL STATE AND LOCAL CODES.
ONLY INSTALL GENERATOR SET APPROVED FOR R.V. APPLICATION. HAVE INSTALLED BY QUALIFIED TECHNICIAN.
TO AVOID HEAT BUILD-UP AND TO GUARANTEE AN ADEQUATE AIR SUPPLY TO THE GENERATOR CARBUJETOR, FOLLOW INSTALLATION INSTRUCTIONS.
GENERATOR ENGINE EXHAUST GASES ARE TOXIC AND MUST NOT TERMINATE UNDER THE VEHICLE-DISCHARGE EXHAUST AWAY FROM VEHICLE.

Key	Part Number	U/M	Description
1	077510-01-000	EA	Label - Generator Prep

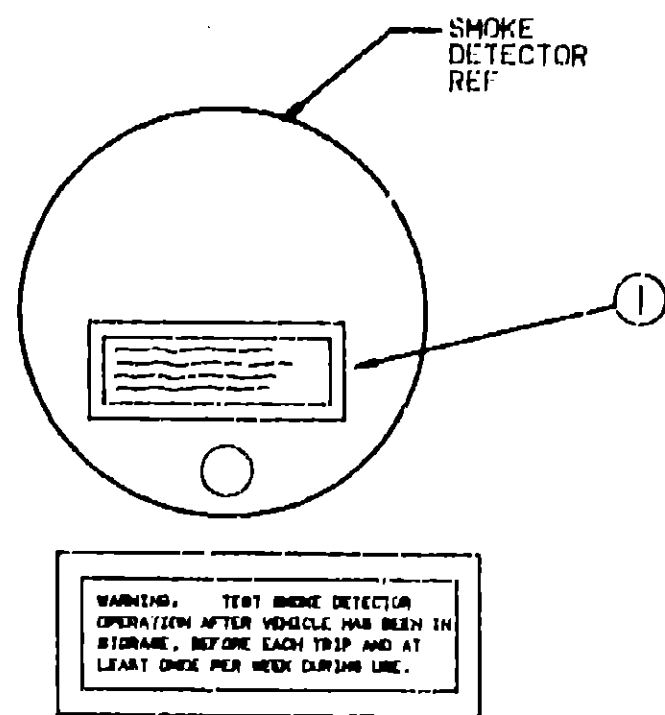
1991 1/2 WINNEBAGO TABLE OF CONTENTS

INTRODUCTION	A-01 - A-02
ABBREVIATIONS	A-03
ALPHABETICAL/GROUP REFERENCE	A-04 - A-06
WF327RB	A-07 - D-06
WF327RT	D-07 - G-16

1991 1/2 WF327RB INDEX

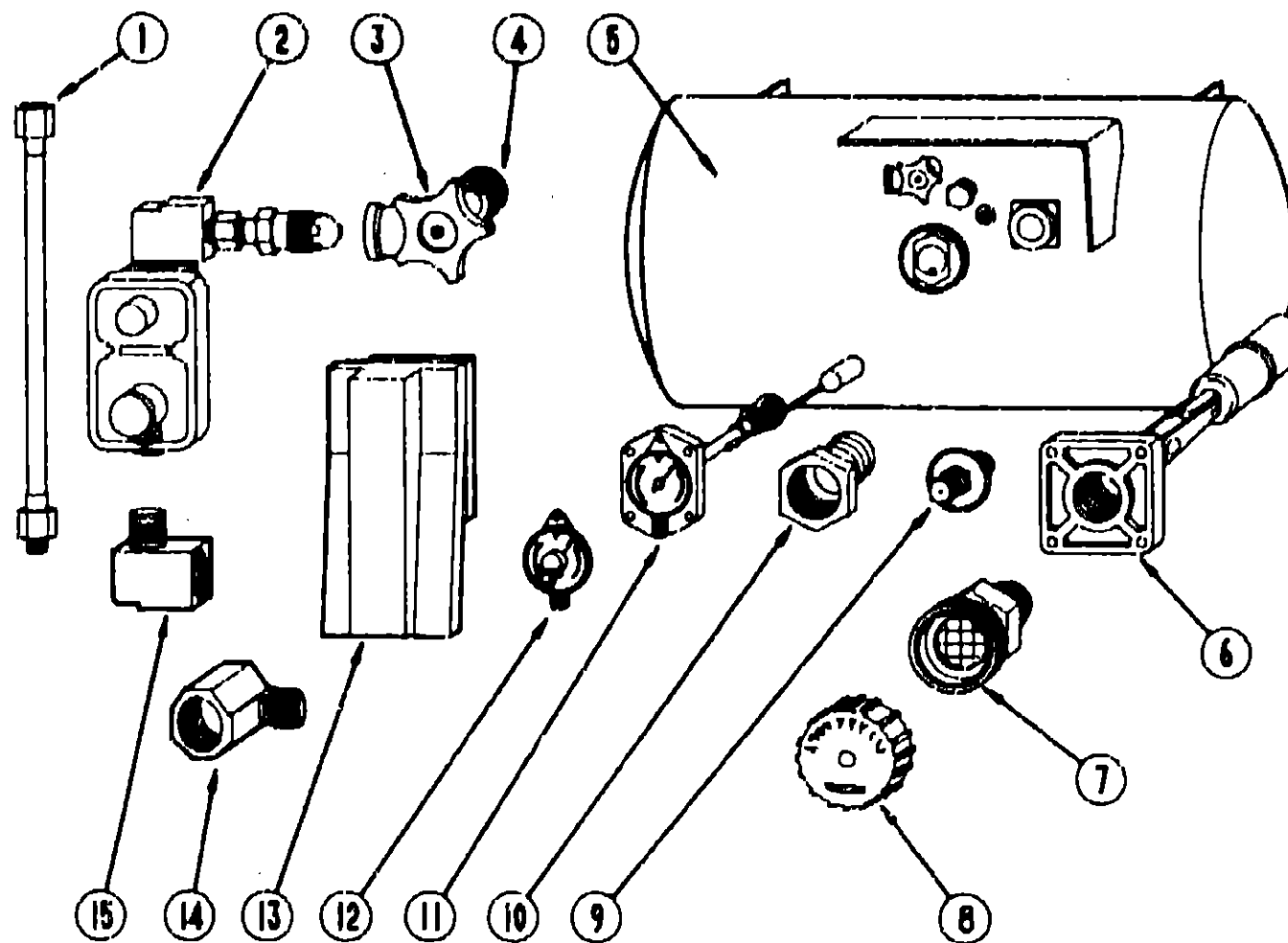
Floor Plan	A-07 - A-08
Accessories Group	A-09 - A-12
Bath Group	A-13 - A-14
Chassis Group	A-15 - A-18
Curtain, Cushion & Pad Group	A-19 - B-02
Dinette Group	B-03 - B-04
Driver's Compartment Group	B-05 - B-07
Electrical Group	B-08 - B-10
Exterior Body Group	B-11 - B-15
Galley Group	B-16 - B-19
Heating & Air Conditioning Group	B-20 - B-21
Interior Finish Group	B-22 - B-24
Labels Group	C-01 - C-09
LP Group	C-10
Lounge	C-11 - C-13
Sealants & Fasteners Group	C-14 - C-15
Water & Sewage Group	C-16 - C-18
Window, Vent & Exterior Door Group	C-19 - D-06

LABELS GROUP (CONTINUED)



Key	Part Number	U/M	Description
1	077956-01-000	EA	Label - Warning - Smoke Detector

LP GROUP



LP TANK & COMPONENTS

Key	Part Number	U/M	Description
1	045703-01-000	EA	Hose Asm. - LP - 3/8" ID x 24" (US)
1	045703-02-000	EA	Hose Asm. - LP - 3/8" ID x 24" (CSA)
2	076301-01-000	EA	Regulator - Two Stage
3	040421-01-708	EA	Handwheel - Service Valve
4	040421-01-712	EA	Service Valve w/Handwheel
5	097821-01-000	EA	Tank Asm. - LP - 60 Pound - 14" Diameter x 30" Long
6	040421-01-711	EA	Valve - 80% w/Float Plate, Bolts & Gauges
7	040421-01-701	EA	Valve - Filler - LP w/Cap
8	040421-01-702	EA	Cap - Plastic - Fill Valve
9	040421-01-700	EA	Valve - Liquid Level - 20% LP
10	040421-01-713	EA	Pressure Relief Valve
11	040421-01-707	EA	Gauge - Float - 60 Pound Tank
12	040440-01-000	EA	Dial - Visible Face - Float Gauge
13	081938-01-000	EA	Cover - LP Regulator
14	065318-02-000	EA	Elbow - 90° - 3/8" MPT x 3/8" FPT
15	065742-01-000	EA	Tee - .38 F x .37 F x .25 FPT
	065741-01-000	EA	Gauge - Diaphragm Pressure - Test Leak
	008042-01-000	FT	Tubing - Vinyl - .65" ID
	010377-01-000	EA	Nut - 3/8" F - Brass
	010380-02-000	EA	Nut - 1/2" F - Brass - Forged
	010377-02-000	EA	Nut - 3/8" F - Brass - Forged
	010323-01-000	EA	Adapter - Brass - 3/8" F x 1/2" MPT (Ford)
	084884-01-000	EA	Brass - Plug - 3/8"

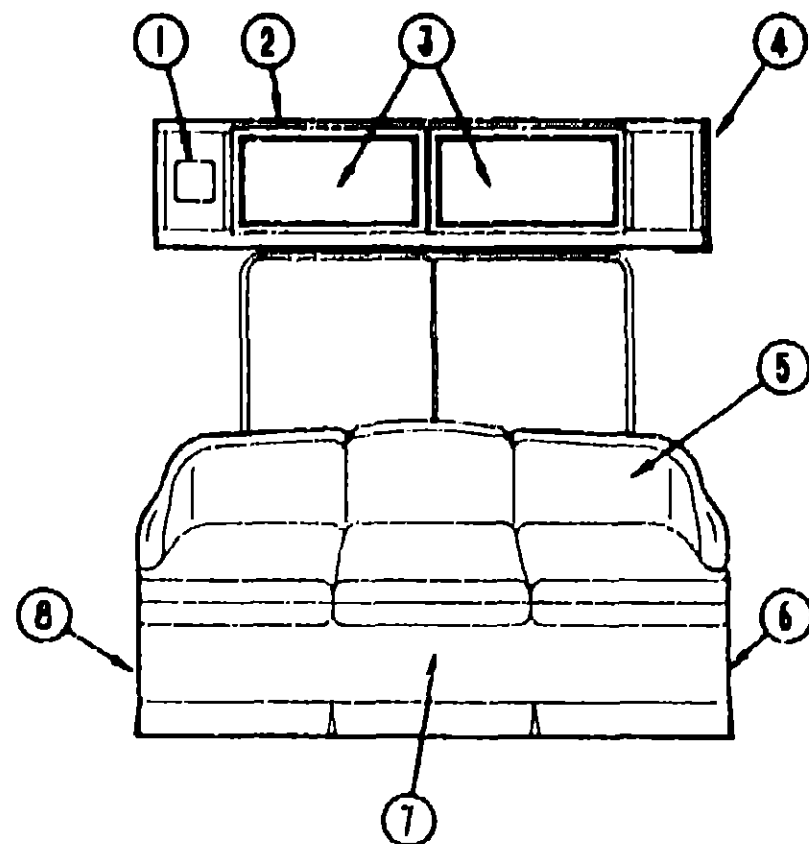
**1991 1/2 WINNEBAGO
TABLE OF CONTENTS**

INTRODUCTION	A-01 - A-02
ABBREVIATIONS	A-03
ALPHABETICAL/GROUP REFERENCE	A-04 - A-06
WF327RB	A-07 - D-06
WF327RT	D-07 - G-11

1991 1/2 WF327RB INDEX

Floor Plan	A-07 - A-08
Accessories Group	A-09 - A-12
Bath Group	A-13 - A-14
Chassis Group	A-15 - A-18
Curtain, Cushion & Pad Group	A-19 - B-02
Dinette Group	B-03 - B-04
Driver's Compartment Group	B-05 - B-07
Electrical Group	B-08 - B-10
Exterior Body Group	B-11 - B-15
Galley Group	B-16 - B-19
Heating & Air Conditioning Group	B-20 - B-21
Interior Finish Group	B-22 - B-24
Labels Group	C-01 - C-09
LP Group	C-10
Lounge	C-11 - C-13
Sealants & Fasteners Group	C-14 - C-15
Water & Sewage Group	C-16 - C-18
Window, Vent & Exterior Door Group	C-19 - D-06

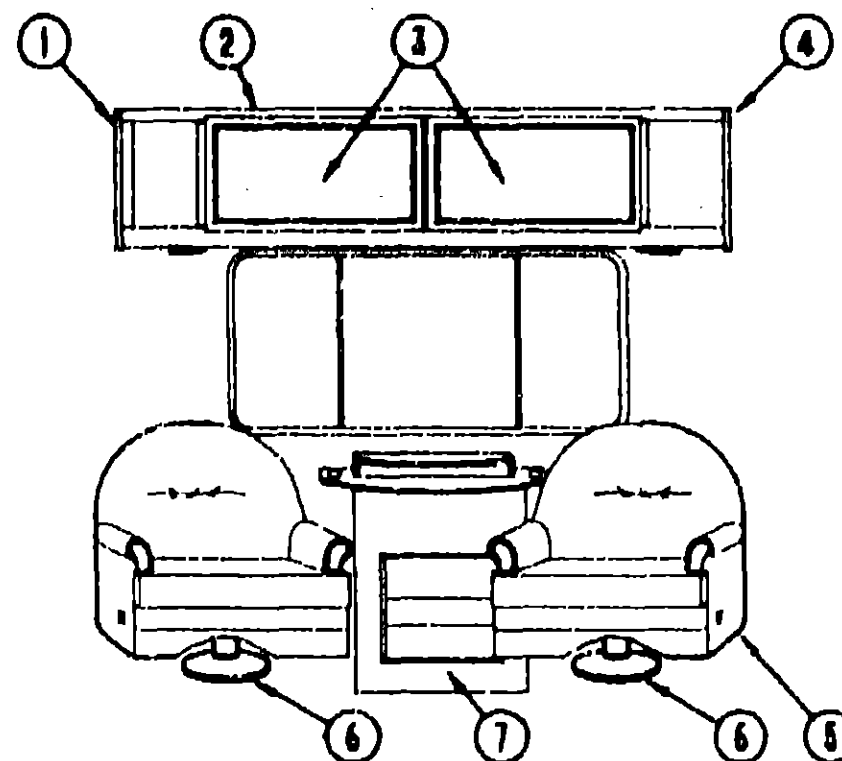
LOUNGE GROUP



LOUNGE CABINETRY & HARDWARE

Key	Part Number	U/M	Description
1	089340-02-000	EA	Grille - Speaker - 6.5" Square - Brown
	094097-01-000	EA	Speaker - Radio w/o Grill - 5.25" Dia.
	074979-01-000	EA	Shield - Speaker Back - Molded Plastic - Beige
2	M05149-22-B85	EA	Cabinet Asm. - Overhead - w/o Doors or Hardware
3	P03701-23-B85	EA	Door Asm. - Overhead Cabinet - 14.4" x 26.8" - w/o Hardware
	103847-02-000	EA	Mirror - Glass - Decorative - 11.6" x 24"
4	081280-21-B05	EA	End Cap - Front Overhead
*5		EA	Bed Asm. - Presto
*5		EA	Bed Asm. - Presto
6	M04187-09-B85	EA	Cabinet Asm. - Couch/Presto Bed
6	M04187-09-B86	EA	Cabinet Asm. - Couch/Presto Bed
7	M04187-10-B85	EA	Cabinet Asm. - Couch/Presto Bed
7	M04187-10-B86	EA	Cabinet Asm. - Couch/Presto Bed
8	M04187-11-B85	EA	Cabinet Asm. - Couch/Presto Bed
8	M04187-11-B86	EA	Cabinet Asm. - Couch/Presto Bed
*			See Curtain, Cushion & Pad Group for the breakdown of this item.

LOUNGE GROUP (CONTINUED)



SWIVEL CHAIRS CABINETRY

Key	Part Number	U/M	Description
1	081280-18-B05	EA	End Cap - Overhead
2	M05149-23-B85	EA	Cabinet Asm. - Front Overhead - w/o Doors or Hardware
3	P03701-22-B85	EA	Door Asm. - Overhead Cabinet - 14.4" x 26.8" - w/o Hardware
4	081280-21-B05	EA	End Cap - Overhead
*5	096429-07-B85	EA	Swivel Chair w/o Skirt
*5	096429-07-B86	EA	Swivel Chair w/o Skirt
*6	088245-01-000	EA	Base - Swivel Chair w/Legs
**7	096928-04-B85	EA	Table Asm. - Pull Out - w/o Magazine Rack or Cup Holders
	007021-01-000	EA	Seat Belt - 2" x 90" - Black
	057759-01-000	EA	Washer Bracket - Seat Belt - 4" Dia.
*			See Curtain, Cushion & Pad Group for breakdown of this item.
**			See the following page for a breakdown of this item.

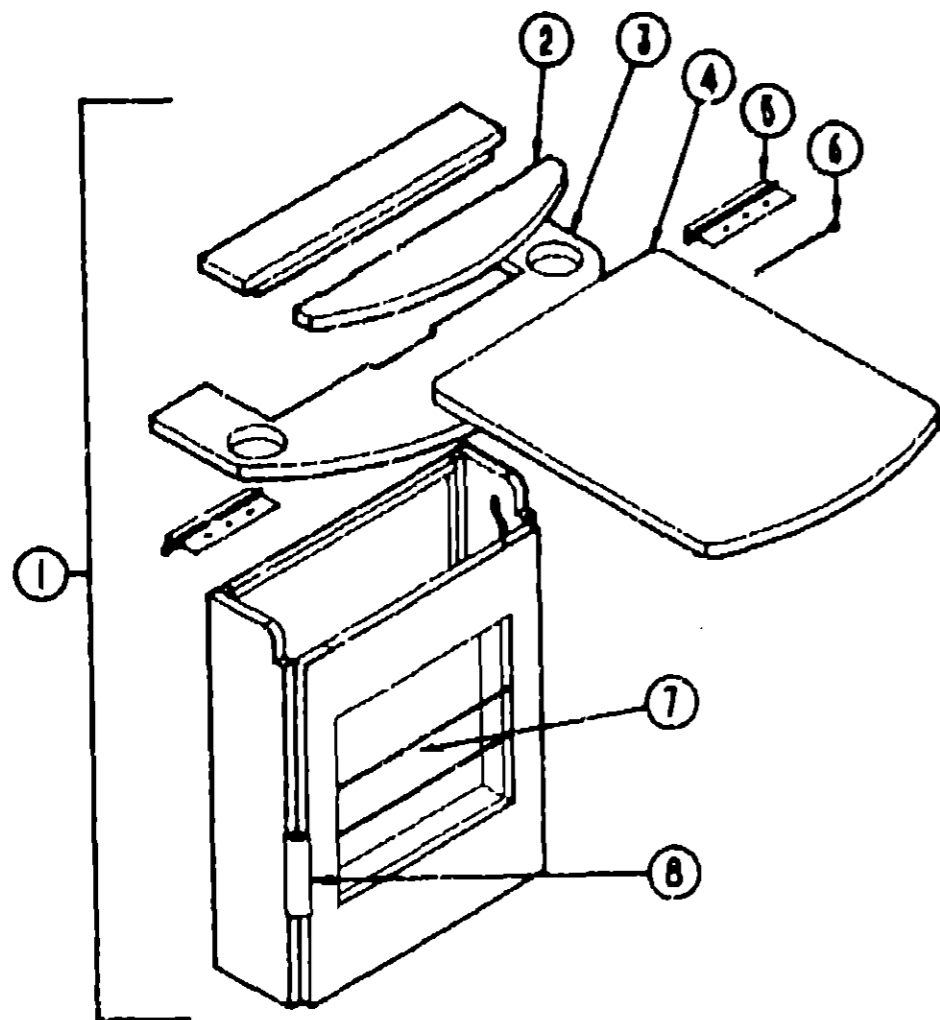
1991 1/2 WINNEBAGO TABLE OF CONTENTS

INTRODUCTION	A-01 - A-02
ABBREVIATIONS	A-03
ALPHABETICAL/GROUP REFERENCE	A-04 - A-06
WF327RB	A-07 - D-06
WF327RT	D-07 - G-18

1991 1/2 WF327RB INDEX

Floor Plan	A-07 - A-08
Accessories Group	A-09 - A-12
Bath Group	A-13 - A-14
Chassis Group	A-15 - A-18
Curtain, Cushion & Pad Group	A-19 - B-02
Dine/ite Group	B-03 - B-04
Driver's Compartment Group	B-05 - B-07
Electrical Group	B-08 - B-10
Exterior Body Group	B-11 - B-15
Galley Group	B-16 - B-19
Heating & Air Conditioning Group	B-20 - B-21
Interior Finish Group	B-22 - B-24
Labels Group	C-01 - C-09
LP Group	C-10
Lounge	C-11 - C-13
Sealants & Fasteners Group	C-14 - C-15
Water & Sewage Group	C-16 - C-18
Window, Vent & Exterior Door Group	C-19 - D-06

LOUNGE GROUP (CONTINUED)



PULLOUT TABLE & HARDWARE

Key	Part Number	U/M	Description
1	096928-04-B85	EA	Table Asm. - Pullout Table - w/o Cupholders & Magazine Rack
2	096928-13-B07	EA	Cover - Flip-Up - Pullout Table - w/o Hardware
3	096928-24-B85	EA	Top
	064781-03-000	EA	Cup Holder - Two Step - Off White (not Included In assembly)
4	096928-11-B05	EA	Top - Table - Pullout
	080728-01-000	EA	Pull Handle - Table Top
5	009059-01-000	EA	Hinge - 2" - Brass
6	079921-01-000	EA	Roller - Nylon w/Shaft
7	097208-02-AB5	EA	Magazine Rack
	084071-05-000	EA	Rod - Brass - 15" Long
8	042357-17-000	EA	Corner Molding - Woodgrain
	079789-01-000	EA	Support - Pullout Table - Beige
	081521-02-007	EA	Corner Molding - Aluminum (Plastic Trim Holder)

SEALANTS & FASTENERS GROUP

SCREWS & FASTENERS

Key	Part Number	U/M	Description
	000G13-07-18B	EA	Bolt - Hex - 7/16 - 20 x 3 - Zn 5
	000C28-05-20B	EA	Bolt - Hex - Ser Fig 5/16 - 18 x 1 1/4" - Zinc
	000D24-10-00B	EA	Nut - Hex - Locking - 10-32 - Zn
	000D39-05-00B	EA	Nut - Hex - Ser Fig Lk - 5/16 - 18 - Zn
	000D39-06-00B	EA	Nut - Hex - Ser Fig Lk - 3/8 - 18 - Zn
	000D39-08-00B	EA	Nut - Hex - Ser Fig Lk - 1/2 - 13 - Zn
	000D44-07-00B	EA	Nut - Hex - Ser Fig Lk - 7/16 - 20 - Zn
	000E13-11-00B	EA	Washer - Flat - 3/16" Wide - Zn
	000G11-06-10J	EA	Screw - 6 - 20 x 5/8 PPH - Brass
	000G11-07-08B	EA	Screw - 7 - 19 x 1/2 PPH - Zn
	000G11-08-06B	EA	Screw - 8 - 18 x 3/8 PPH - Zn
	000G11-08-12B	EA	Screw - 8 - 18 x 3/4 PPH - Zn
	000G11-08-12D	EA	Screw - 8 - 18 x 3/4 PPH - Black
	000G11-08-12P	EA	Screw - 8 - 18 x .75 - Dark Brown
	000G11-08-12R	EA	Screw - 8 - 18 x .75 PPH - Beige
	000G11-08-12S	EA	Screw - 8 - 18 x .75 PPH - Off White
	000G11-08-16S	EA	Screw - 8 - 18 x 1.00 PPH - Off White
	000G11-10-12D	EA	Screw - 10 - 16 x 3/4 PPH - Black
	000G11-10-24P	EA	Screw - 10 - 18 x 1 1/2 PPH - Dark Brown
	000G12-08-12S	EA	Screw - 8 - 18 x .75 POH - Off White
	000G12-08-16S	EA	Screw - 8 - 18 x 1" POH - Off White
	000G13-06-08B	EA	Screw - 6 - 20 x 1/2 PFH - Zn
	000G13-06-08G	EA	Screw - 6 - 20 x 1/2" PFH - Antique Brass
	000G13-06-10G	EA	Screw - 6 - 20 x 5/8 PFH - Antique Brass
	000G13-07-12B	EA	Screw - 7 - 19 x 3/4 PFH - Zn
	000G13-08-18B	EA	Screw - 8 - 18 x 1 PFH - Zn
	000G18-08-12B	EA	Screw - Machine - 8 - 32 x 3/4" PPH - Zn
	000G18-08-16B	EA	Screw - Machine - 8 - 32 x 1 PPH - Zn
	000G18-08-22B	EA	Screw - Machine - 8 - 32 x 1 3/8 PPH - Zn
	000G39-08-08B	EA	Screw - SF/DR 8 - 18 x 1/2 PPH - Zn
	000G39-08-08R	EA	Screw - SF/DR 8 - 18 x 1/2 PPH - Beige
	000G39-08-12B	EA	Screw - SF/DR 8 - 18 x 3/4 PPH - Zn
	000G39-08-12R	EA	Screw - SF/DR 8 - 18 x 3/4 PPH - Beige
	000G39-08-16S	EA	Screw - SF/DR 8 - 18 x 1.00 PPH - Off White
	000G39-08-24B	EA	Screw - SF/DR 8 - 18 x 1 1/2 PPH - Zn
	000G39-08-24S	EA	Screw - SF/DR 8 - 18 x 1.50 PPH - Off White
	000G39-10-10S	EA	Screw - SF/DR 10 - 16 x .62" PPH - Off White
	000G39-10-12D	EA	Screw - SF/DR 10 - 16 x 3/4 PPH - Black
	000G39-10-20B	EA	Screw - SF/DR 10 - 16 x 1 1/4 PPH - Zn
	000G39-12-12E	EA	Screw - SF/DR 12 - 14 x 3/4" PFH - Chrome
	000G42-04-16B	EA	Screw - SF/DR 1/4 - 14 x 1 HWH - Zn
	000G53-04-06B	EA	Screw - Machine - 1/4 - 20 x 3/8 PPH - Zn
	000G54-04-20B	EA	Screw - 1/4 - 20 x 1 1/4 PTH Typ 23 - Zn
	000G67-10-08B	EA	Screw - 10 - 12 x 1/2 PPH - Zn
	000G67-10-08R	EA	Screw - 10 - 12 x 1/2 PPH - Beige - Type A
	000G67-10-10B	EA	Screw - 10 - 12 x 5/8 PPH - Zn - Type A
	000G67-10-10R	EA	Screw - 10 - 12 x 5/8 PPH - Beige - Type A
	000G67-10-12B	EA	Screw - 10 - 12 x 3/4 PPH - Zn
	000G67-10-12P	EA	Screw - 10 - 12 x .75 PPH - Dark Brown
	000G67-10-120	EA	Screw - 10 - 12 x .75 PPH - Tan
	000G67-10-24B	EA	Screw - 10 - 12 x 1 1/2 PPH - Zn
	000G67-10-32B	EA	Screw - 10 - 12 x 2 PPH - Zn
	000G68-06-10G	EA	Screw - 6 - 18 x 5/8 POH - Antique Brass
	000H16-04-06R	EA	Rivet - Pop - AL 1/8 x .313 - .375
	005081-01-000	EA	Nut - Speed - C Type - No. 8 Screw
	062401-02-000	EA	Clamp - Hose - Wormgear - 1.56" - 2.5"
	062401-06-000	EA	Clamp - Hose - Wormgear - .22" x .62"
	007161-01-000	EA	Clamp - Hose - Spring Type - 1/2"
	008343-01-000	EA	Tie - Wire - 6"
	008388-01-000	EA	Grommet - Snap - 3/8

**1991 1/2 WINNEBAGO
TABLE OF CONTENTS**

INTRODUCTION	A-01 - A-02
ABBREVIATIONS	A-03
ALPHABETICAL/GROUP REFERENCE	A-04 - A-06
WF327RB	A-07 - D-06
WF327RT	D-07 - G-16

1991 1/2 WF327RB INDEX

Floor Plan	A-07 - A-08
Accessories Group	A-09 - A-12
Bath Group	A-13 - A-14
Chassis Group	A-15 - A-18
Curtain, Cushion & Pad Group	A-19 - B-02
Dinette Group	B-03 - B-04
Driver's Compartment Group	B-05 - B-07
Electrical Group	B-08 - B-10
Exterior Body Group	B-11 - B-15
Galley Group	B-16 - B-19
Heating & Air Conditioning Group	B-20 - B-21
Interior Finish Group	B-22 - B-24
Labels Group	C-01 - C-09
LP Group	C-10
Lounge	C-11 - C-13
Sealants & Fasteners Group	C-14 - C-15
Water & Sewage Group	C-16 - C-18
Window, Vent & Exterior Door Group	C-19 - D-06

SEALANTS & FASTENERS GROUP (CONTINUED)

SCREWS & FASTENERS (CONTINUED)

Key	Part Number	U/M	Description
	008401-01-000	EA	Strap - Conduit - 3/4" - 1 Hole - Galvanized Steel
	010495-01-000	EA	Clamp - Cable - 9/16"
	010497-01-000	EA	Clamp - Closed - 5/8" ID
	010497-03-000	EA	Clamp - Closed - 1" ID - Cushioned
	010497-05-000	EA	Clamp - Closed - 1/2" ID
	010497-06-000	EA	Clamp - Closed - 11/16" ID
	010497-07-000	EA	Clamp - Closed - 3/8" ID
	010499-01-000	EA	Clamp - Closed - 3/8" ID
	016604-01-000	EA	Brace - Cabinet - Angled Metal - 2.5"
	063609-01-000	EA	Clamp - Wire Dual - Equal 5/8" Dia.
	064864-01-000	EA	Plug - Brass - 3/8"
	067721-01-000	EA	Screw - Flat Head - Tapping - 1/4 x 1 1/4 LG - Zn
	069371-01-000	EA	Screw - Machine - 8 - 32 x 3 5/16 - Zn
	075148-02-000	EA	Clamp - Grounding - Bronze Screws
	075908-01-000	EA	Screw - Machine - 10 - 32 x .56 PTH - Zn
	049485-04-000	EA	Screw - 10 - 16 x 1 PTH w/Washer - Beige
	076790-01-000	EA	Screw - 8 - 20 x 1 1/4 PPH - Black
	063729-04-000	EA	Rivet - 10 - 32 UNF - .010 - .060

SEALANTS & ADHESIVES

Key	Part Number	U/M	Description
	004020-01-000	QT	Adhesive - ABS Cement (Plastic Fittings)
	004005-02-000	GL	Adhesive - Swifts - Glue (Sidewalls)
	053766-07-000	EA	Bedding Compound - Tube - Beige (Exterior)
	053766-08-000	EA	Bedding Compound - Tube - Clear (Window)
	053766-08-000	EA	Bedding Compound - Tube - Gray (Exterior)
	102352-01-000	EA	Bedding Compound - Tube - Black (Luggage Compartment)
	053766-02-000	EA	Bedding Compound - Tube - Off White (Exterior)
	002328-02-000	EA	Block - Rubber Spacer (Windshield)
	077967-01-000	EA	Sealant - Acrylic Latex - Tube - Off White (Interior Sealant)
	034552-04-000	EA	Sealant - Silicone - Beige
	034552-02-000	EA	Sealant - Silicone - Clear
	034552-07-000	EA	Sealant - Silicone - Dark Gray
	034552-06-000	EA	Sealant - Silicone - Off White
	039518-01-000	EA	Sealant - Silicone - Black
	069640-01-000	FT	Sealer Ribbon - .25" Bead x 20'
	069640-02-000	FT	Sealer Ribbon - .5" x .125" x 30'
	069640-03-000	FT	Sealer Ribbon - .75" x .125" x 30'
	069640-09-000	FT	Sealer Ribbon - 1/32" x 2.5" x 30'
	069640-08-000	FT	Sealer Ribbon - 5/16" Bead x 15'
	069640-07-000	FT	Sealer Ribbon - 2" x 3/32" x 30'
	069640-10-000	FT	Sealer Ribbon - 1/32" x 1.5" x 100'
	002707-02-000	FT	Sealer Tape - 5/16" x 1/2"
	074497-14-700	EA	Sealer - Stain (Ceiling)
	102353-01-700	EA	Seam Sealer - Tube - Gray (Roof Seams)
	094401-01-000	EA	Seam Sealer - Tube - Clear (Cap to Sidewall)
	063642-01-000	FT	Tape - Adhesive - .10mm x 1.5" Wide
	038886-01-000	EA	Tape - Butyl - .31" x .31" x 148" (Windshield)
	076322-01-000	FT	Tape - Foam - Double Coated - .025 x .75 x 72' (Fiberglass Sidewall Seams)
	076322-02-000	FT	Tape - Foam - Double Coated - .045 x 1" (Fiberglass Sidewall Seams)
	10002R-01-000	FT	Tape - Foam - Double Coated - .031 x .75 x 72' (Non-Structural Fastening)
	009200-01-000	EA	Tape - Furnace - 1.5"
	002825-01-000	FT	Weather Stripping (Roof Vent)
	081377-01-700	EA	Adhesive - Cyanoacrylate - 10GM

WATER & SEWAGE GROUP

DRAINAGE SYSTEM

Key	Part Number	U/M	Description
	062422-01-000	EA	Adapter - Offset Reducer - 3" x 1 1/2"
	062416-01-000	EA	Adapter - Sewer Hose to 3" Pipe
	033302-02-000	EA	Adapter Asm. - Strainer - 1 1/2" (CSA)
	010121-01-000	EA	Bushing - Plastic - Red - 1 1/2 S x 1 1/4 H
	011091-02-000	EA	Continuous Waste - Double Sink - 11 7/8"
	076406-01-000	EA	Coupler - Rubber - 3" x 3"
	010006-01-000	EA	Elbow - Plastic - 1/8 BD x 1 1/2 x 45° H x H
	010006-01-000	EA	Elbow - Plastic - 1/4 BD x 1 1/2 x 90° - Left
	010061-01-000	EA	Elbow - Plastic - 1/8 BD x 3 x 45 S x H
	037101-02-000	EA	Elbow - Plastic - 1/4" Bend Vent - 1 1/2" Hub (CSA)
	075240-06-000	EA	Faucet - Lavatory - Bone
	011053-04-000	EA	Faucet - Swing Spout - 8" - Galley
	091253-01-000	EA	Gasket - Faucet
	061607-01-000	EA	Grommet - Holding Tank Coupler - 1 1/2"
	011066-03-000	EA	P-Trap - 1 1/4" - Plastic (US)
	011066-02-000	EA	P-Trap - 1 1/4" - Plastic (CSA) (Lavatory/Shower)
	053335-01-000	EA	P-Trap - 1 1/4" - Plastic w/Union (CSA) (Galley)
	083558-01-000	EA	Roof Vent - Covered - Vent Pipe
	062415-01-000	EA	Sewer Cap - 3"
	062415-01-700	EA	String - Sewer Cap
	010201-01-000	EA	Sewer Hose - 3" ID x 8'
	011048-02-000	EA	Shower Head w/60" Hose (US)
	011048-05-000	EA	Shower Head w/80" Hose (CSA)
	M02630-13-AA3	EA	Shower Pan Asm.
	096927-01-01A	EA	Sink - Lavatory - Rectangular Plastic - Bone
	096927-01-700	EA	Sink - Stopper
	096927-01-701	EA	Tailpiece - Sink
	102551-01-000	EA	Sink - Double - w/Mounting Hardware - Stainless Steel
	066436-01-000	EA	Slip Nut - 1.5 - Tailpiece
	066729-01-000	EA	Strainer - Shower Drain
	066437-01-000	EA	Strainer - Sink - Galley
	066437-01-700	EA	Basket - Strainer - Galley Sink
	011069-02-000	EA	Tailpiece - 1 1/2 x 1 1/4 x 4" - Brass
	083041-01-000	EA	Tank - Holding - 30 Gal. - 14.5" x 51.9" (Waste Water)
	075298-01-000	EA	Tank - Holding - 37 Gal. - 13.3" x 35" x 27" (Sewage)
	010079-01-000	EA	Tee - Plastic - 1 1/2" H x 1 1/2" H x 1 1/4" H
	010071-01-000	EA	Tee - Plastic - 1 1/2" H x H x H
	024676-01-000	EA	Toilet Closet Flange - 4" x 3" - Red (US)
	024676-02-000	EA	Toilet Closet Flange - 4" x 3" - Red (CSA)
	067487-01-000	EA	Toilet - Ivory - Aqua Magic
	067487-01-700	EA	C.L.F.L. Seal & Bolt Package
	067487-01-701	EA	Water Saver Pkg.
	067487-01-702	EA	Clamp
	063740-01-710	EA	Link
	063740-01-711	EA	Spring - Return Lever
	063740-01-716	EA	Seat and Cover Asm.
	063740-01-700	EA	Lever - Water
	063740-01-701	EA	Lever - Flush
	063740-01-717	EA	Flush Tube
	063740-01-713	EA	Seal - Ball - Valve to Bowl
	063740-01-714	EA	Valve Asm. - Water
	063740-01-707	EA	Seal - Closet Flange
	063740-01-706	EA	Bolt Package - Closet
	070916-01-000	EA	Valve - Dual - 3" x 1.5"
	070916-01-700	EA	Valve - Only - 3"
	070916-01-701	EA	Valve - Only - 1 1/2"
	062419-02-000	EA	Rod Extension - 53" - w/Handle & Adapter
	062419-02-700	EA	Handle Only - For Extension Rod
	079968-01-000	EA	Vent - Mechanical Trap Arm
	069735-01-000	EA	Washer - Tailpiece - 1.5 - Plastic

NOTE: Items indented below assemblies are serviceable parts for that assembly.

1991 1/2 WINNEBAGO TABLE OF CONTENTS

INTRODUCTION	A-01 - A-02
ABBREVIATIONS	A-03
ALPHABETICAL/GROUP REFERENCE	A-04 - A-06
WF327RB	A-07 - D-06
WF327RT	D-07 - G-16

1991 1/2 WF327RB INDEX

Floor Plan	A-07 - A-08
Accessories Group	A-09 - A-12
Bath Group	A-13 - A-14
Chassis Group	A-15 - A-18
Curtain, Cushion & Pad Group	A-19 - B-02
Dinette Group	B-03 - B-04
Driver's Compartment Group	B-05 - B-07
Electrical Group	B-08 - B-10
Exterior Body Group	B-11 - B-15
Galley Group	B-16 - B-19
Heating & Air Conditioning Group	B-20 - B-21
Interior Finish Group	B-22 - B-24
Labels Group	C-01 - C-09
LP Group	C-10
Lounge	C-11 - C-13
Sealants & Fasteners Group	C-14 - C-15
Water & Sewage Group	C-16 - C-18
Window, Vent & Exterior Door Group	C-19 - D-06

WATER & SEWAGE GROUP (CONTINUED)

WATER LINES & HARDWARE

Key	Part Number	U/M	Description
	044927-01-000	EA	Adapter - Plastic - 1 1/4" MPT x 1 1/4" Bar (Water Tank)
	079317-01-000	EA	Adapter - Swivel - .0 Tube x .5 FPT
	052954-01-000	EA	Adapter - Nose Cone - 3/8" or 1/2" - Plastic
	036522-02-000	EA	Cap - Brass - 1/2" Flare
	065120-01-000	EA	Elbow - Plastic - Swivel - 1/2" FPT x 1/2" Flare - Gray
	035539-01-000	EA	Elbow - Plastic - 3/8" MPT x 3/8" Barb
	077954-02-000	EA	Filter/Screen (In Water Tank)
	052952-01-000	EA	Nut - Plastic - 1/2" F
	052953-01-000	EA	Nut - Faucet - 1/2" Tube x 1/2" FPT
	049032-01-000	EA	Patch - Spinweld - Plastic - 3/8"
	088475-01-000	EA	Pin - Connector
	098607-01-000	EA	Pump - Water - 2.8 GPM - Direct Flow (US)
	098607-02-000	EA	Pump - Water - 2.8 GPM - Direct Flow (CSA)
	098607-01-707	EA	Motor/Backplate - Replacement
	098607-01-701	EA	Drive Asm.
	098607-01-702	EA	Diaphragm Kit
	098607-01-703	EA	Valve Asm.
	098607-01-704	EA	Upper Housing
	098607-01-706	EA	Switch Asm. - Complete
	098607-01-700	EA	Pumphead - Replacement
	098607-01-705	EA	Check - Valve Kit
	091208-01-000	EA	Rubber Washer - .06 x .75 x .50
	042989-03-000	EA	Spinweld Fitting - Plastic - 1/4" NPT
	042989-05-000	EA	Spinweld Fitting - Plastic - 1/2" FPT
	042989-04-000	EA	Spinweld Fitting - Plastic - 3/8" FPT
	052955-01-000	EA	Tee - Plastic - 1/2" F x 1/2" F x 1/2" MPT
	052956-01-000	EA	Tee - Plastic - 1/2" F x 1/2" MPT x 1/2" F
	052957-02-000	EA	Elbow - Plastic - 1/2" F x 1/2" MPT
	052958-01-000	EA	Tee - Plastic - 1/2" F x 1/2" F x 1/2" F
	078776-01-000	EA	Tee - Barb - 5/8" x 5/8" x 5/8"
	039800-01-000	FT	Tubing - Polybutyl - 1/2" OD x 20' (Water Line)
	079381-01-000	FT	Tubing - Flex/Smooth - 1.25 ID (Water Tank)
	074462-02-000	FT	Tubing - Vinyl - 3/8" ID
	052960-01-000	EA	Valve - Line Drain - 1/2" F x 1/2" F
	052960-01-700	EA	Connector - Union - 1/2" F x 1/2" F
	052961-02-000	EA	Header - 1/2" MPT x 1/2" F x 1/2" F x 1/2" F
	099400-01-000	EA	Water Tank - 36 Gal. w/o Fittings - 19" x 25" x 17.5"
	099400-02-000	EA	Water Tank - 36 Gal. w/Fittings - 19" x 25" x 17.5"

EXTERIOR SHOWER (OPTION L64R)

Key	Part Number	U/M	Description
	103173-01-01A	EA	Shower Kit - Exterior - Off White (Piece Parts are N/A)
	103173-02-01A	EA	Shower Kit - Exterior - Off White
	103173-03-700	EA	Compartment Only
	103173-03-701	EA	Door Only
	103173-03-702	EA	Hinge Pin
	103173-03-703	EA	Hinge Pin Spring
	103173-03-704	EA	Lock Asm. w/Key & Clip
	103173-03-705	EA	Decal - "Auxiliary Shower"
	103173-03-706	EA	Shower Head w/Hose & Bracket
	103173-03-707	EA	Faucet w/Adapter - Chrome
	046128-01-000	EA	Valve - Drain - Plastic - 1/2" FPT
	052952-01-000	EA	Nut - Plastic - 1/2" F x 1/2" Tube - Gray
	002726-01-000	EA	Garnish - U-Channel - 1.38" x 19" - Serrated - Mill Aluminum
	052957-02-000	EA	Elbow - Male - 1/2" F x 1/2" MPT - Plastic - Gray

These parts were used from 3/25/91 on.

WATER & SEWAGE GROUP (CONTINUED)

WATER HEATER BYPASS (OPTION L63J)

Key	Part Number	U/M	Description
	036800-01-000	FT	Tubing - Polybutyl - 1/2" OD x 20'
	052956-01-000	EA	Tee - Plastic - 1/2" F x 1/2" MPT x 1/2" F
	052957-01-000	EA	Elbow - Plastic - 1/2" F x 1/2" MPT
	099729-01-000	EA	Bypass Kit - Water Heater
	052952-01-000	EA	Nut - Plastic - 1/2" F
	052955-01-000	EA	Tee - Plastic - 1/2" F x 1/2" F x 1/2" MPT

WATER HEATER & REPAIR PARTS

Key	Part Number	U/M	Description
	051391-02-000	EA	Heater - Water - Atwood G4-SM
	051391-01-700	EA	Hinge Kit - w/Clip - Atwood #92568 & 92559
	051391-01-715	EA	Drain Plug - Atwood #91561
	051391-02-700	EA	Tank - Inner For G4SM
	051391-01-704	EA	Valve - Relief - 1/2" Fitting - Atwood #91604
	051391-01-705	EA	Fastener - Camloc - Atwood #92609
	051391-01-708	EA	Grille - Exhaust - Atwood #92787
	051391-01-712	EA	Thermostat - 3/8" NPT Inlet
	051391-01-708	EA	Burner - Main - Atwood #92615
	051391-01-709	EA	Pilot Asm. w/Thermocouple & Tube
	051391-01-710	EA	Orifice - Main Burner - Atwood #92742
	051391-01-711	EA	Elbow - Orifice - Main Burner
	051391-03-000	EA	Heater - Water - w/Electric Ignition - Atwood # G6A-3E, 4E & 6E
	051393-03-700	EA	Tank - Inner (G6A-3E) Rear Mount - Atwood #91409
	051391-04-700	EA	Tank - Inner (G6A-3E) Front Mount - Atwood #91608
	051391-04-706	EA	Tank - Inner - G6A-4E & 6E - Front Mount - Atwood #9164
	051391-01-704	EA	Valve - Relief - 1/2" Fitting - Atwood #91604
	051391-01-705	EA	Fastener - Camloc - Atwood #92609
	051393-01-701	EA	Switch Package - Atwood #91959
	051393-01-702	EA	Switch - Energy Cut-Off - Atwood #91951
	051391-04-701	EA	Thermostat 12 VDC - 120 Preset - Atwood #91470 - Front Mount Only
	051393-01-703	EA	Thermostat - Rear Mount - Atwood #91952
	051393-01-721	EA	ECO & Thermostat Asm. - Front Mount - 140 Degree - Atwood #
	051393-01-714	EA	Circuit Board - w/Black Box - Atwood #91420
	051391-01-703	EA	Grille - Exhaust - Atwood #92787
	051393-01-705	EA	Orifice Holder - Atwood #91925
	051391-01-710	EA	Orifice - Main Burner - Atwood #92742
	051393-01-716	EA	Spark & Probe Asm. - Atwood #91606
	051391-01-708	EA	Burner - Main - Atwood #92615
	051393-01-718	EA	Valve - Dual Solenoid - Atwood #91605
	051391-01-715	EA	Drain Plug - Atwood #91561
	051391-01-700	EA	Hinge Kit - w/Clip - Atwood #92568 & 92559
	051393-01-000	EA	Water Heater - w/Motor Aid - Pilotless Ignition - Atwood GH6-3E, GH6-4E or GH6-6E
	051391-04-705	EA	Tank - Inner - GH6-3E - Front Mount - Atwood #91609
	051393-01-714	EA	Tank - Inner - GH6-3E - Rear Mount - Atwood #91408
	051391-04-704	EA	Tank - Inner - Front Mount - GH6-4E & 6E - Atwood #91642
	051391-01-704	EA	Valve - Relief - 1/2" Fitting - Atwood #91604
	051391-01-705	EA	Fastener - Camloc - Atwood #92609
	051393-01-701	EA	Switch Package - Atwood #91959
	051393-01-702	EA	Switch - Energy Cut-off - Atwood #91951
	051391-04-701	EA	Thermostat - 12 VDC - 120 Preset - Atwood #91470 - Front Mount Only
	051393-01-703	EA	Thermostat - Rear Mount - Atwood #91952
	051393-01-721	EA	ECO & Thermostat Asm. - Front Mount - 140 Degree - Atwood #
	051393-01-704	EA	Circuit Board - w/Black Box - Atwood #91420
	051391-01-706	EA	Grille - Exhaust - Atwood #92787
	051393-01-705	EA	Orifice Holder - Atwood #91925
	051391-01-710	EA	Orifice - Main Burner - Atwood #92742
	051393-01-716	EA	Spark & Probe Asm. - Atwood #91606
	051391-01-708	EA	Burner - Main - Atwood #92615
	051393-01-718	EA	Valve - Dual Solenoid - Atwood #91605
	051391-01-715	EA	Drain Plug - Atwood #91561
	051391-01-700	EA	Hinge Kit - w/Clip - Atwood #92568 & 92559

**1991 1/2 WINNEBAGO
TABLE OF CONTENTS**

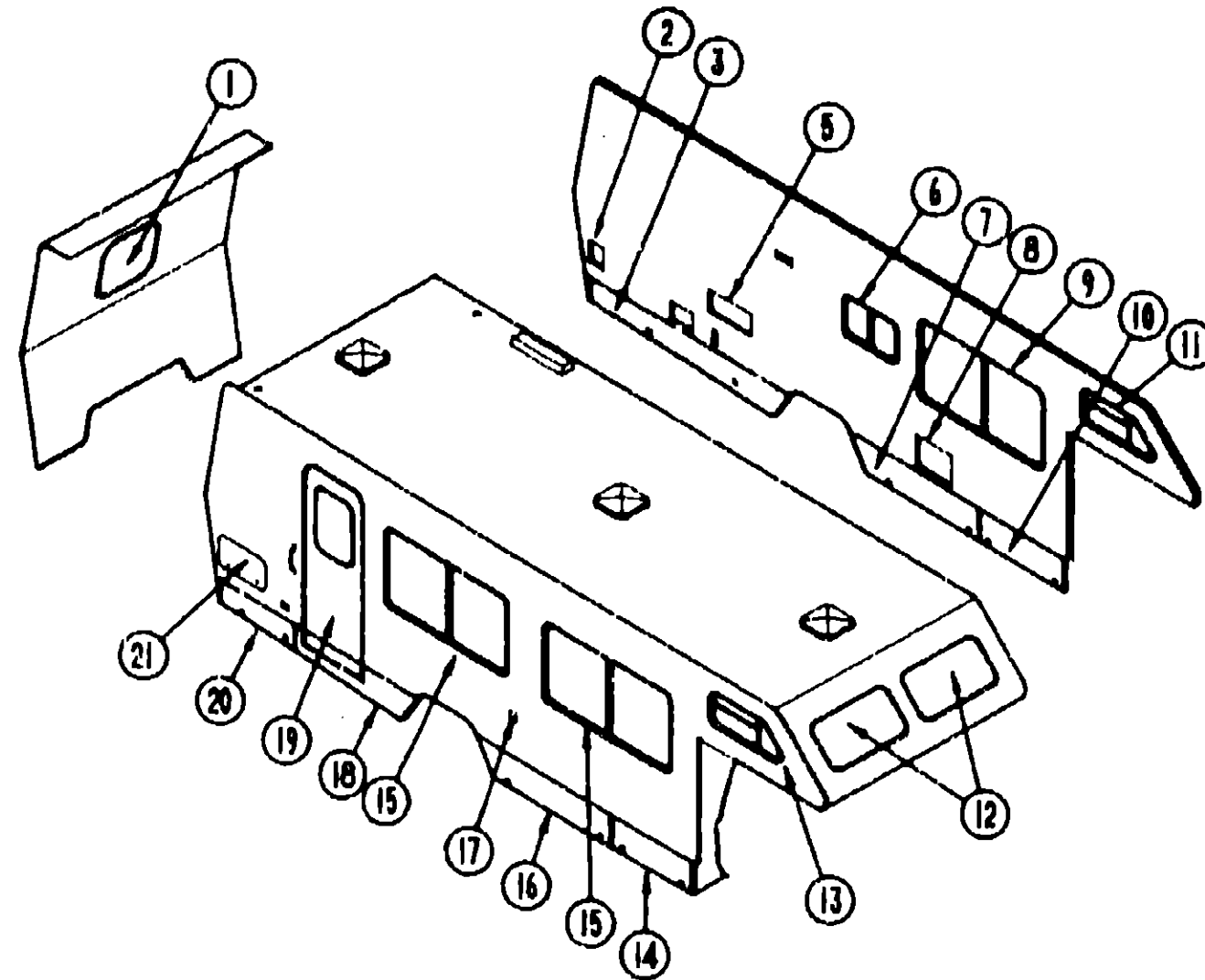
INTRODUCTION	A-01 - A-02
ABBREVIATIONS	A-03
ALPHABETICAL/GROUP REFERENCE	A-04 - A-06
WF327RB	A-07 - D-06
WF327RT	D-07 - G-16

1991 1/2 WF327RB INDEX

Floor Plan	A-07 - A-08
Accessories Group	A-09 - A-12
Bath Group	A-13 - A-14
Chassis Group	A-15 - A-18
Curtain, Cushion & Pad Group	A-19 - B-02
Dinette Group	B-03 - B-04
Driver's Compartment Group	B-05 - B-07
Electrical Group	B-08 - B-10
Exterior Body Group	B-11 - B-15
Galley Group	B-16 - B-19
Heating & Air Conditioning Group	B-20 - B-21
Interior Finish Group	B-22 - B-24
Labels Group	C-01 - C-09
LP Group	C-10
Lounge	C-11 - C-13
Sealants & Fasteners Group	C-14 - C-15
Water & Sewage Group	C-16 - C-18
Window, Vent & Exterior Door Group	C-19 - D-06

WINDOW, VENT & EXTERIOR DOOR GROUP

WINDOWS & ACCESS DOORS



Key	Part Number	U/M	Description
1	079729-02-T03	EA	Window Asm. - Escape
2	078010-03-000	EA	Door Asm. - Fuel Fill
3	096392-10-B05	EA	Door Asm. - Valance - Storage - Tapered
5	084103-03-000	EA	Door Asm. - Refrigerator
6	098647-07-700	EA	Window Asm. - Single Slider
7	096395-01-AA3	EA	Door Asm. - Valance - Storage
8	052009-01-000	EA	Door Asm. - Water Heater
9	098647-02-700	EA	Window Asm. - Single Slider
10	096386-03-AA3	EA	Door Asm. - Valance - Storage/Generator
11	100322-02-700	EA	Window - Vented - 12" x 35.8" - w/o Inside Frame

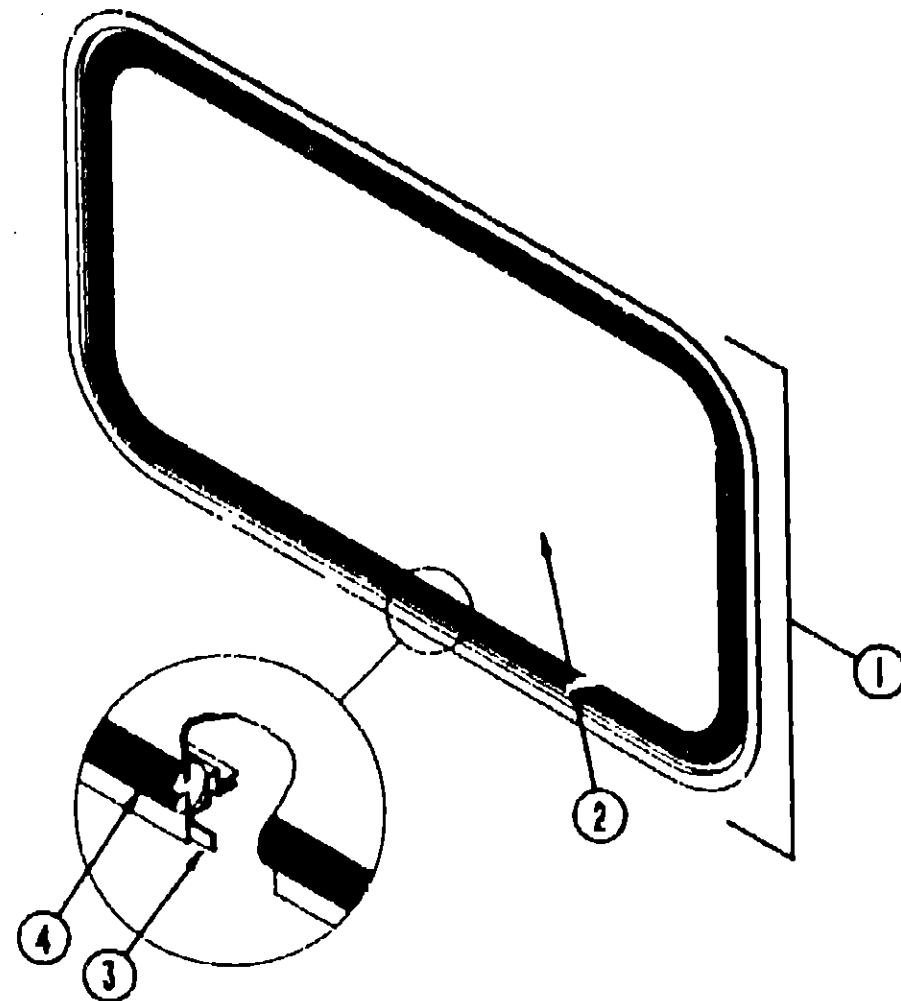
Key	Part Number	U/M	Description
12	078533-08-B13	EA	Window - Picture - 17" x 34"
13	100322-01-720	EA	Window - Vented - 12" x 35.8" - w/o Inside Frame
14	096386-01-AA3	EA	Door Asm. - Valance - Storage
15	098647-01-705	EA	Window Asm. - Single Slider
16	096395-08-AA3	EA	Door Asm. - Valance - Storage
17	081240-03-000	EA	Door Asm. - Water Fill
18	098698-02-B05	EA	Valance Asm. - Entrance
19	M01870-32-B85	EA	Door Asm. - Entrance
20	096397-06-B05	EA	Door Asm. - Valance - Rear - Tapered
21	079578-04-U28	EA	Door Asm. - Storage

1991 1/2 WINNEBAGO TABLE OF CONTENTS

INTRODUCTION	A-01 - A-02
ABBREVIATIONS	A-03
ALPHABETICAL/GROUP REFERENCE	A-04 - A-06
WF327RB	A-07 - D-06
WF327RT	D-07 - G-16

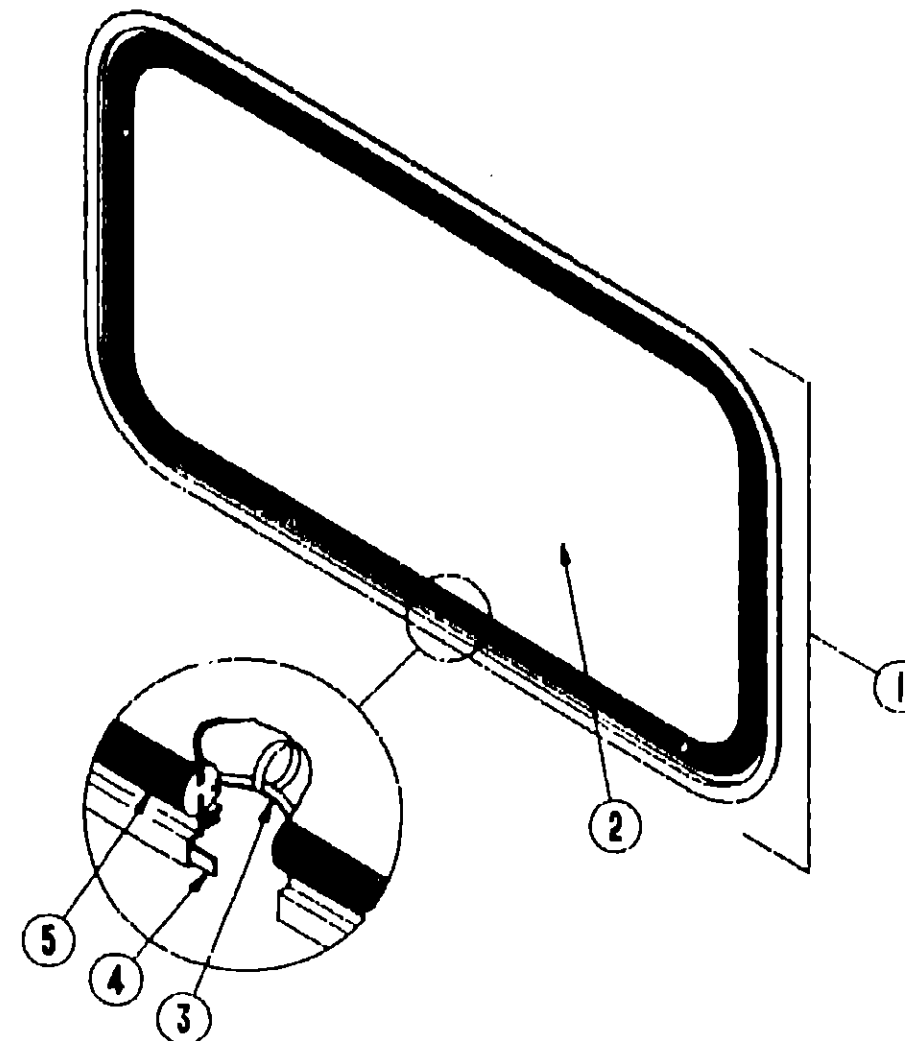
1991 1/2 WF327RB INDEX

Floor Plan	A-07 - A-08
Accessories Group	A-09 - A-12
Bath Group	A-13 - A-14
Chassis Group	A-15 - A-18
Curtain, Cushion & Pad Group	A-19 - B-02
Dinette Group	B-03 - B-04
Driver's Compartment Group	B-05 - B-07
Electrical Group	B-08 - B-10
Exterior Body Group	B-11 - B-15
Galley Group	B-16 - B-19
Heating & Air Conditioning Group	B-20 - B-21
Interior Finish Group	B-22 - B-24
Labels Group	C-01 - C-09
LP Group	C-10
Lounge	C-11 - C-13
Sealants & Fasteners Group	C-14 - C-15
Water & Sewage Group	C-16 - C-18
Window, Vent & Exterior Door Group	C-19 - D-06



FRONT PICTURE WINDOW

Key	Part Number	U/M	Description
1	078533-08-B13	EA	Window Asm. - Front Picture - 17" x 34" - Black (w/o inside frame)
	041938-12-000	EA	Inside Frame - Black (not included in assembly)
	041938-15-000	EA	Inside Frame - Off White (not included in assembly)
2	002181-13-000	EA	Glass - Window - 15.3" x 32.5" - Gray
3	069640-06-000	FT	Ribbon Sealer - 5/16" Bead x 15'
4	002281-02-000	EA	Weatherstrip - Self Seal - .06" Panel x .125"



BATH ESCAPE WINDOW

Key	Part Number	U/M	Description
1	079729-02-T03	EA	Window Asm. - Rear Escape - 24" x 22" - Black (w/o inside frame)
	020749-09-000	EA	Inside Frame - Black (not included in assembly)
	020749-10-000	EA	Inside Frame - Off White (not included in assembly)
2	041392-03-000	EA	Glass - 1/8" x 21.6" x 19.6"
3	002285-01-000	FT	Filler - Weatherstrip - Black
4	069640-07-000	FT	Ribbon Sealer - 5/16" Bead x 15'
5	002282-01-000	FT	Weatherstrip - 1.25" Window
	077066-01-702	EA	Tape Asm. - Escape Window - Red
	006199-01-000	EA	Label - Exit - Escape Window

1991 1/2 WINNEBAGO
TABLE OF CONTENTS

INTRODUCTION	A-01 - A-02
ABBREVIATIONS	A-03
ALPHABETICAL/GROUP REFERENCE	A-04 - A-08
WF327RB	A-07 - D-06
WF327RT	D-07 - G-16

1991 1/2 WF327RB INDEX

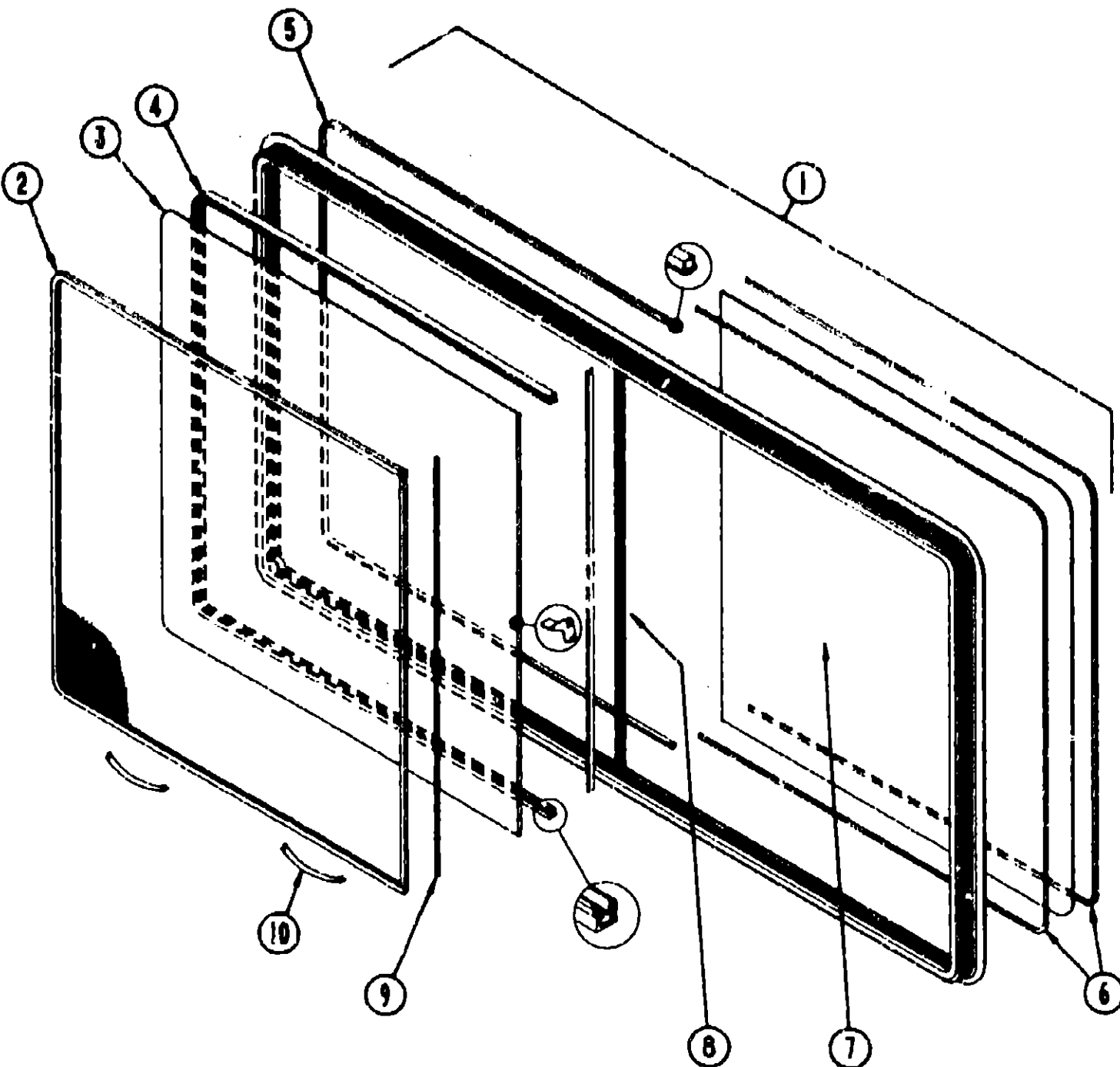
Floor Plan	A-07 - A-08
Accessories Group	A-09 - A-12
Bath Group	A-13 - A-14
Chassis Group	A-15 - A-18
Curtain, Cushion & Pad Group	A-19 - B-02
Dinette Group	B-03 - B-04
Driver's Compartment Group	B-05 - B-07
Electrical Group	B-08 - B-10
Exterior Body Group	B-11 - B-15
Galley Group	B-16 - B-19
Heating & Air Conditioning Group	B-20 - B-21
Interior Finish Group	B-22 - B-24
Labels Group	C-01 - C-09
L.P. Group	C-10
Lounge	C-11 - C-13
Sealants & Fasteners Group	C-14 - C-15
Water & Sewage Group	C-16 - C-18
Window, Vent & Exterior Door Group	C-19 - D-06

WINDOW, VENT & EXTERIOR DOOR GROUP (CONTINUED)

WINDOW, VENT & EXTERIOR DOOR GROUP (CONTINUED)

1991 1/2 WINNEBAGO
TABLE OF CONTENTS

INTRODUCTION	A-01 - A-02
ABBREVIATIONS	A-03
ALPHABETICAL/GROUP REFERENCE	A-04 - A-06
WF327RB	A-07 - D-06
WF327HT	D-07 - G-16



LOUNGE/DINETTE SINGLE SLIDER WINDOW (EXCEL)

Key	Part Number	U/M	Description
1	098647-01-705	EA	Window Asm. - Single Slider - 30.5" x 57.5" (w/o inside frame) - Pass. Side
1	098647-02-700	EA	Window Asm. - Single Slider - 30.5" x 57.5" (w/o inside frame) - Driver Side
	098647-01-704	EA	Inside Frame - Black (not included in assembly)
	098647-01-707	EA	Inside Frame - Off White (not included in assembly)
	098644-01-701	EA	Splice Plate - Window
2	098647-01-706	EA	Screen - Window w/Spring & Seal
3	098647-01-702	EA	Sash Asm. w/Sliding Glass & Latch
	098647-01-703	EA	Spacer - Track
4	098644-01-708	FT	Channel - Pierced Run
	098644-01-700	EA	Latch - Repair Kit
5	098644-01-706	FT	Weatherstrip
6	098644-01-705	FT	Glazing Strip
7	098647-01-700	EA	Glass - Stationary - 29.27" x 27.72"
8	098647-01-701	EA	Rail - Locking w/Weatherstrip
9	098644-01-711	FT	Weatherstrip - Screen - Black
10	098644-01-713	EA	Spring - Screen Frame (Clip) Plastic - Black
	098644-01-702	EA	Screw - Splice - #6 - 32 x 1/4" Pan Head
	098644-01-703	EA	Screw - Locking Rail - #6 x 15 Pro-Head Recess - Black
	098644-01-716	EA	Plug - Filler

GALLEY SINGLE SLIDER WINDOW (EXCEL)

Key	Part Number	U/M	Description
1	098647-07-700	EA	Window - Single Slider (w/o inside frame)
	098647-06-704	EA	Inside Frame - Black (not included in assembly)
	098647-06-706	EA	Inside Frame - Off White (not included in assembly)
	098644-01-701	EA	Splice Plate - Window
	098644-01-702	EA	Screw - Splice
	098644-01-703	EA	Screw - Locking Rail
2	098647-06-703	EA	Screen w/Weatherstrip & Frame Spring (Clip)
3	098647-06-702	EA	Sash Asm. w/Sliding Glass & Latch
	098644-01-710	FT	Track - Screen Spacer (12' Length)
4	098644-01-708	FT	Channel - Pierced Run
	098644-01-700	EA	Latch - Repair Kit
5	098644-01-706	FT	Weatherstripping
6	098644-01-705	FT	Glazing Strip
7	098647-06-700	EA	Glass - Stationary - 10.91" x 13.77"
8	098647-06-701	EA	Rail - Locking w/Weatherstrip
9	098644-01-711	FT	Weatherstrip - Screen - Black
10	098644-01-713	EA	Spring - Screen Frame (Clip) - Plastic - Black
	098644-01-716	FT	Plug - Filler

1991 1/2 WF327RB INDEX

Floor Plan	A-07 - A-08
Accessories Group	A-09 - A-12
Bath Group	A-13 - A-14
Chassis Group	A-15 - A-18
Curtain, Cushion & Pad Group	A-19 - B-02
Dinette Group	B-03 - B-04
Driver's Compartment Group	B-05 - B-07
Electrical Group	B-08 - B-10
Exterior Body Group	B-11 - B-15
Galley Group	B-16 - B-19
Heating & Air Conditioning Group	B-20 - B-21
Interior Finish Group	B-22 - B-24
Labels Group	C-01 - C-09
LP Group	C-10
Lounge	C-11 - C-13
Sealants & Fasteners Group	C-14 - C-15
Water & Sewage Group	C-16 - C-18
Window, Vent & Exterior Door Group	C-19 - D-06

WINDOW, VENT & EXTERIOR DOOR GROUP (CONTINUED)

BUNK VENTED WINDOWS

Key	Part Number	U/M	Description
	100322-02-700	EA	Window - Vented - 12" x 35.8" - w/o Inside Frame - Driver
	100322-01-720	EA	Window - Vented - 12" x 35.8" - w/o Inside Frame - Passenger
	100322-01-719	EA	Inside Frame - Black - Passenger
	100322-01-724	EA	Inside Frame - Off White - Passenger
	100322-01-721	EA	Inside Frame - Black - Driver
	100322-02-701	EA	Inside Frame - Off White - Driver
	098844-01-716	EA	Filter Plug
	100322-01-701	EA	Seal - Vent
	100322-01-702	EA	Weatherstrip - Horizontal Rail
	100322-01-703	EA	Strip - Glazing - Butyl
	100322-01-704	EA	Butyl Tape
	100322-01-705	EA	Glass - Stationary - Small Top
	100322-01-706	EA	Glass - Stationary - Large Front
	100322-01-707	EA	Glass - Tipout - Sub Assembly - Passenger Side
	100322-01-708	EA	Screen - Driver Side
	100322-01-709	EA	Screen - Passenger Side
	100322-01-710	EA	Plate - Splice
	100322-01-711	EA	Operator - Vent - Sub Assembly - Passenger Side
	100322-01-712	EA	Rail - Horizontal
	100322-01-713	EA	Division Bar - Vertical
	100322-01-714	EA	Support - Torque Bar - Left
	100322-01-715	EA	Support - Torque Bar - Right
	100322-01-716	EA	Support - Torque Bar - Center Rail
	100322-01-717	EA	E-Ring
	100322-01-718	EA	Handle - Dial
	100322-01-722	EA	Glass - Tipout - Sub Asm. - Driver Side
	100322-01-723	EA	Vent Operator - Sub Asm. - Driver Side

WINDOW, VENT & EXTERIOR DOOR GROUP (CONTINUED)

BATH POWERED ROOF VENT

Key	Part Number	U/M	Description
	090394-01-Y12	EA	Vent Asm. - Roof - Powered - w/o Screen (US)
	009440-01-000	EA	Lift Mechanism
	009439-01-000	EA	Handle - Crank - Roof Vent
	009439-03-000	EA	Extension - Crank Handle - .9" - Mill
	009439-04-000	EA	Screw
	048649-01-000	EA	Fan - Plastic - 6"
	008195-01-000	EA	Switch - Push Button - 12 Volt
	015911-01-000	EA	Track - Slide - Roof Vent
	002825-01-000	EA	Weatherstrip Seal
	048648-01-000	EA	Motor - 12 Volt
	055218-01-000	EA	Cover Asm. - Roof Vent
	052639-01-200	EA	Hinge - 7" - Roof Vent
	078785-01-Y12	EA	Screen Asm. - Roof Vent - Powered
	002291-02-000	SF	Screen - Window - 16" - Charcoal
	002298-02-000	FT	Spline - Charcoal
**	064489-08-000	EA	Vent Asm. - Roof Powered - w/o Screen (CSA)
**	The illustrated parts breakdown of this item is provided on the Common Items Fiche.		

NON-POWERED VENT

Key	Part Number	U/M	Description
	090395-01-Y12	EA	Vent Asm. - Roof - Non-Powered - w/o Screen
	009440-01-000	EA	Lift Mechanism Asm.
	009439-01-000	EA	Handle - Crank - Roof Vent
	009439-03-000	EA	Extension - Crank Handle - .9" - Mill
	009439-04-000	EA	Screw
	015911-01-000	EA	Track - Slide - Roof Vent
	002825-01-000	EA	Weatherstrip Seal
	055218-01-000	EA	Cover Asm. - Roof Vent
	052639-01-200	EA	Hinge - 7" - Roof Vent
	078786-01-Y12	EA	Screen Asm. - Charcoal
	002291-02-000	SF	Screen - Window - 16" - Charcoal
	002298-02-000	FT	Spline - Charcoal

VENTS & SHROUDS

Key	Part Number	U/M	Description
	083558-03-000	EA	Vent - Plumbing Pipe - Roof w/Cover - Off White
	084073-03-000	EA	Vent - Refrigerator Roof - Off White
	084073-04-000	EA	Base - Roof Vent - Norcold Refrigerator - Black
	084878-09-000	EA	Vent - Range Hood - Short - LVS
	084816-01-000	EA	Shroud - Range Hood Vent - Off White

**1991 1/2 WINNEBAGO
TABLE OF CONTENTS**

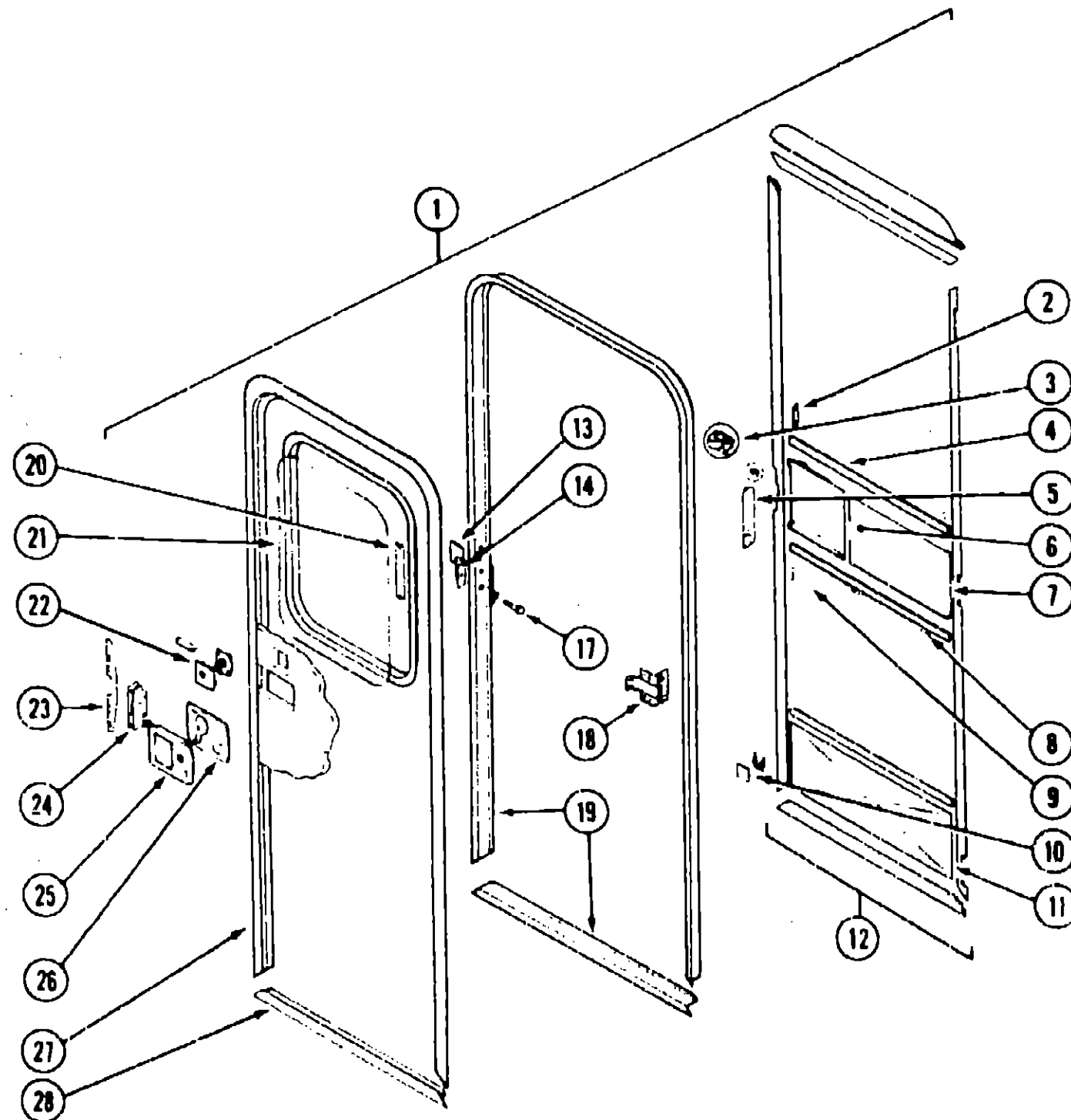
INTRODUCTION	A-01 - A-02
ABBREVIATIONS	A-03
ALPHABETICAL/GROUP REFERENCE	A-04 - A-06
WF327RB	A-07 - D-06
WF327RT	D-07 - G-16

1991 1/2 WF327RB INDEX

Floor Plan	A-07 - A-08
Accessories Group	A-09 - A-12
Bath Group	A-13 - A-14
Chassis Group	A-15 - A-18
Curtain, Cushion & Pad Group	A-19 - B-02
Dinette Group	B-03 - B-04
Driver's Compartment Group	B-05 - B-07
Electrical Group	B-08 - B-10
Exterior Body Group	B-11 - B-15
Galley Group	B-16 - C-19
Heating & Air Conditioning Group	B-20 - B-21
Interior Finish Group	B-22 - B-24
Labels Group	C-01 - C-09
LP Group	C-10
Lounge	C-11 - C-13
Sealants & Fasteners Group	C-14 - C-15
Water & Sewage Group	C-16 - C-18
Window, Vent & Exterior Door Group	C-19 - D-06

WINDOW, VENT & EXTERIOR DOOR GROUP (CONTINUED)

ENTRANCE DOOR



Key	Part Number	U/M	Description
1	M01870-32-B85	EA	Door Asm. - Entrance w/Screen Door
	044582-02-000	EA	Drip Cap - Top Entrance Door Jamb - Off White
	075639-11-000	EA	Garnish - Radius - Entrance Door
2	050712-04-000	EA	Door Handle - Screen Door - Off White
3	009018-01-000	EA	Roller Catch - Screen Door
	058025-02-000	EA	Clip - Roller Latch Catch
	009016-01-000	EA	Catch - Elbow - Spring Loaded - Screen Door
	100412-01-000	EA	Catch - Screen Door
4	078777-01-000	EA	Channel - Slide - Screen Door Center Slider Cover
5	079087-02-000	EA	Strike - Slider - Screen Door
6	079086-02-000	EA	Slider - Screen Door
7	016454-01-000	EA	Insert - Screen Door - Center - Leather Grain Aluminum
8	002294-01-000	FT	Spline - Black
9	002293-02-000	SF	Screen - Window - 26" Charcoal
10	085774-01-000	FT	Fastener - Dual Lock - 1" Wide
10	085774-02-000	FT	Fastener - Dual Lock - 1" Wide
11	078552-03-000	EA	Insert - Screen Door - Lower - Kick Panel
12	079012-01-U01	EA	Screen Door Asm.
	078595-01-000	EA	Plate - Screen Door
13	077461-03-000	EA	Strike Cover - Off White
14	041546-03-000	EA	Angle Backset
17	039539-01-000	EA	Strike
18	097724-01-02A	EA	Hinge - Entrance Door - Off White
	076725-01-000	EA	Hinge Cover - Light Oak
19	095277-02-01A	EA	Door Jamb - Entrance Door w/Bottom Portion
	051049-01-000	EA	Jamb Bottom - Entry Door
	079207-01-000	EA	Striker - Roller Catch - Welded to Door Jamb
	095278-01-01A	EA	Jamb Door - Entrance - Unpainted
20	087581-01-000	FT	Window Seal
21	002181-07-000	EA	Glass - Picture Window - Frosted
	079733-07-AA8	EA	Window Asm. - Picture - 17" x 25" - Frosted Glass (w/o inside frame)
	067609-27-000	EA	Inside Frame - Black (not included in assembly)
	067609-32-000	EA	Inside Frame - Off White (not included in assembly)
22	101145-01-01A	EA	Deadbolt - Entry Door - Black
	095229-01-700	EA	Key - Blank - Deadbolt
	101147-01-000	EA	Security Bolt - 4.12" Bracket
23	098173-01-04A	EA	Stiffener - Entrance Door - Unpainted
24	039540-01-000	EA	Latch Asm. - Entrance Door
	096810-01-01A	EA	Plate - Entry Door Latch - Black Plastic
25	045017-11-000	EA	Latch Asm. - Entrance Door w/Lock & Key - Black
	045017-11-700	EA	Master Key
	045017-11-701	EA	Blank Key
	045017-08-700	EA	Lock Cylinder & Key - Set of Three
26	039979-04-000	EA	Cover Asm. - Latch Plate - Black
27	095278-01-01A	EA	Frame Asm. - Entrance Door - Off White - w/o Bottom Portion
28	089748-01-000	EA	Frame Entrance Door - Bottom Portion
	039984-01-000	EA	Cap - Black Vinyl - Lock Grip
	081914-01-000	EA	Bumper - Round Rubber - .43" Dia. - Black
	102524-01-000	EA	Bumper - Rubber - Flat - Black
	000340-01-000	FT	Seal Foam - Closed Cell - 1/4" x 1/2" x 50'
	091968-03-000	FT	Tape Adhesive - 1" Wide
	058748-01-000	EA	Plug - Cap - 1.5" Dia.
	100128-02-000	FT	Seal - Pile - Adhesive Back - Gray
	075671-01-000	FT	Seal - Sponge - Lazy T Shaped
	002748-01-000	EA	Corner - Key
	063729-04-000	EA	Rivnut - 10 - 32 UNF - .010 - .080
	072893-01-000	EA	Nutsert - M5 x 0.8

1991 1/2 WINNEBAGO TABLE OF CONTENTS

INTRODUCTION	A-01 - A-02
ABBREVIATIONS	A-03
ALPHABETICAL/GROUP REFERENCE	A-04 - A-08
WF327RB	A-07 - D-06
WF327RT	D-07 - G-16

1991 1/2 WF327RB INDEX

Floor Plan	A-07 - A-08
Accessories Group	A-09 - A-12
Bath Group	A-13 - A-14
Chassis Group	A-15 - A-18
Curtain, Cushion & Pad Group	A-19 - B-02
Dinette Group	B-03 - B-04
Driver's Compartment Group	B-05 - B-07
Electrical Group	B-08 - B-10
Exterior Body Group	B-11 - B-15
Galley Group	B-16 - B-19
Heating & Air Conditioning Group	B-20 - B-21
Interior Finish Group	B-22 - B-24
Labels Group	C-01 - C-09
LP Group	C-10
Lounge	C-11 - C-13
Sealants & Fasteners Group	C-14 - C-15
Water & Sewage Group	C-16 - C-18
Window, Vent & Exterior Door Group	C-19 - D-06

WINDOW, VENT & EXTERIOR DOOR GROUP (CONTINUED)

ACCESS DOORS

Key	Part Number	U/M	Description
	096393-10-B05	EA	Door Asm. - Rear Drivers Side - 72.25" - Tapered
	079927-03-000	EA	Lock - Twist Type - Double Cam
	078010-03-000	EA	Door Asm. - Fuel Fill - Off White
	078200-01-000	EA	Gasket - Fuel Fill Door
	078040-02-000	EA	Shroud - Fuel Fill - Upper
	083578-01-000	EA	Boot - Fuel Fill
	084235-01-000	EA	Support - Flange
	079578-04-U28	EA	Door Asm. - Storage - 12.9" x 22.1"
	079366-04-000	EA	Lock - Key Type w/o Keys
	082684-01-700	EA	Key - Compartment Door Lock
	081801-02-000	EA	Hinge - 2" x 96"
	084103-03-000	EA	Door Asm. - Refrigerator - Vented - Off White
	084104-01-700	EA	Lock - Male - Dyrus Fasteners
	084104-01-701	EA	Lock - Female - Dyrus Fasteners
	084104-03-000	EA	Jamb - Door - Vented - Refrigerator - Off White
	081240-03-000	EA	Door Asm. - Water Fill - Lockable - 4" x 4 5/8" - Off White
	096395-01-AA3	EA	Door Asm. - Storage - 13.7" x 61.6"
	079366-04-000	EA	Lock - Door - Key Type w/o Keys
	082684-01-700	EA	Key - Storage Compartment - Single
	096396-01-AA3	EA	Door Asm. - LP Compartment - 13.7" x 36.8"
	079927-03-000	EA	Lock - Twist Type - Double Cam
	096397-08-B05	EA	Door Asm. - Rear Passenger - 8.4" x 35.7" x 10.5" - Tapered
	079366-04-000	EA	Lock - Key Type - w/o Keys
	082684-01-700	EA	Key - Compartment Door Lock
	096395-08-AA3	EA	Door Asm. - Passenger Side - 13.7" x 61.6"
	079366-04-000	EA	Lock - Key Type - w/o Keys
	082684-01-000	EA	Key - Compartment Door - Lock
	052009-01-000	EA	Door Asm. - Water Heater - Off White
	096386-03-AA3	EA	Door Asm. - Storage/Generator - w/Locks - 13.7" x 39.9"
	079927-03-000	EA	Lock - Twist Type - Double Cam
	078137-02-000	EA	Tray - Storage Compartment - 27.18" x 21" Deep
	096209-55-001	EA	U-Channel - Hinged - 16' - Off White
	098217-55-001	EA	U-Channel - 17.5' - Off White
	097111-01-01A	EA	Pocket - Lock Valance - Off White
	098338-01-000	EA	Gasket - Lock Pocket
	101667-01-000	EA	Prop Rod - 7.8" Long
	090340-01-000	FT	Seal - Closed Cell Foam - 1/4" x 1/2" x 50'
	084075-07-000	FT	Seal - Door - Bulb - Black

**1991 1/2 WINNEBAGO
TABLE OF CONTENTS**

INTRODUCTION	A-01 - A-02
ABBREVIATIONS	A-03
ALPHABETICAL/GROUP REFERENCE	A-04 - A-06
WF327RB	A-07 - D-06
WF327RT	D-07 - G-16

1991 1/2 WF327RB INDEX

Floor Plan	A-07 - A-08
Accessories Group	A-09 - A-12
Bath Group	A-13 - A-14
Chassis Group	A-15 - A-18
Curtain, Cushion & Pad Group	A-19 - B-02
Dinette Group	B-03 - B-04
Driver's Compartment Group	B-05 - B-07
Electrical Group	B-08 - B-10
Exterior Body Group	B-11 - B-15
Galley Group	B-16 - B-19
Heating & Air Conditioning Group	B-20 - B-21
Interior Finish Group	B-22 - B-24
Labels Group	C-01 - C-09
LP Group	C-10
Lounge	C-11 - C-13
Sealants & Fasteners Group	C-14 - C-15
Water & Sewage Group	C-16 - C-18
Window, Vent & Exterior Door Group	C-19 - D-06