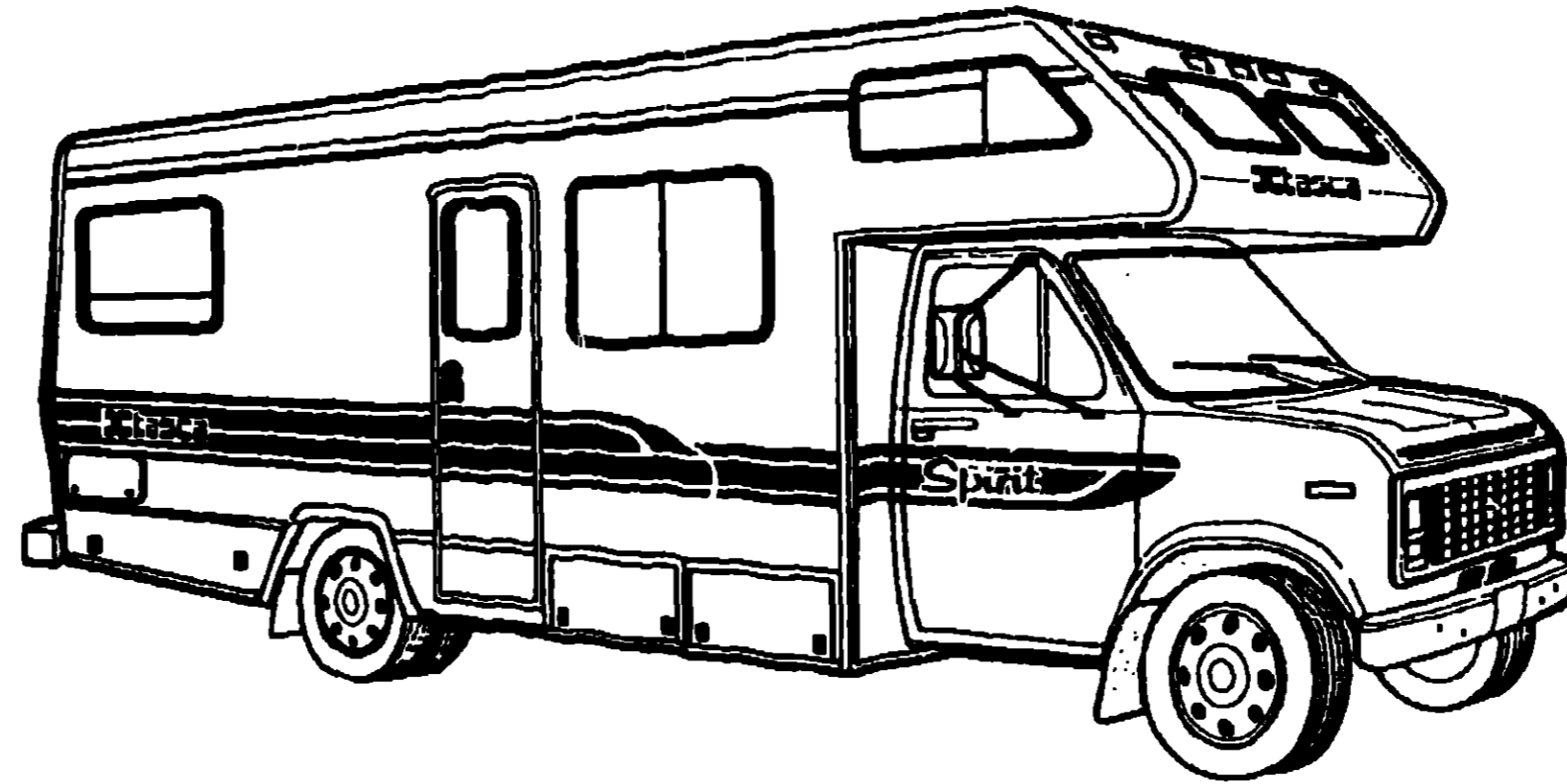
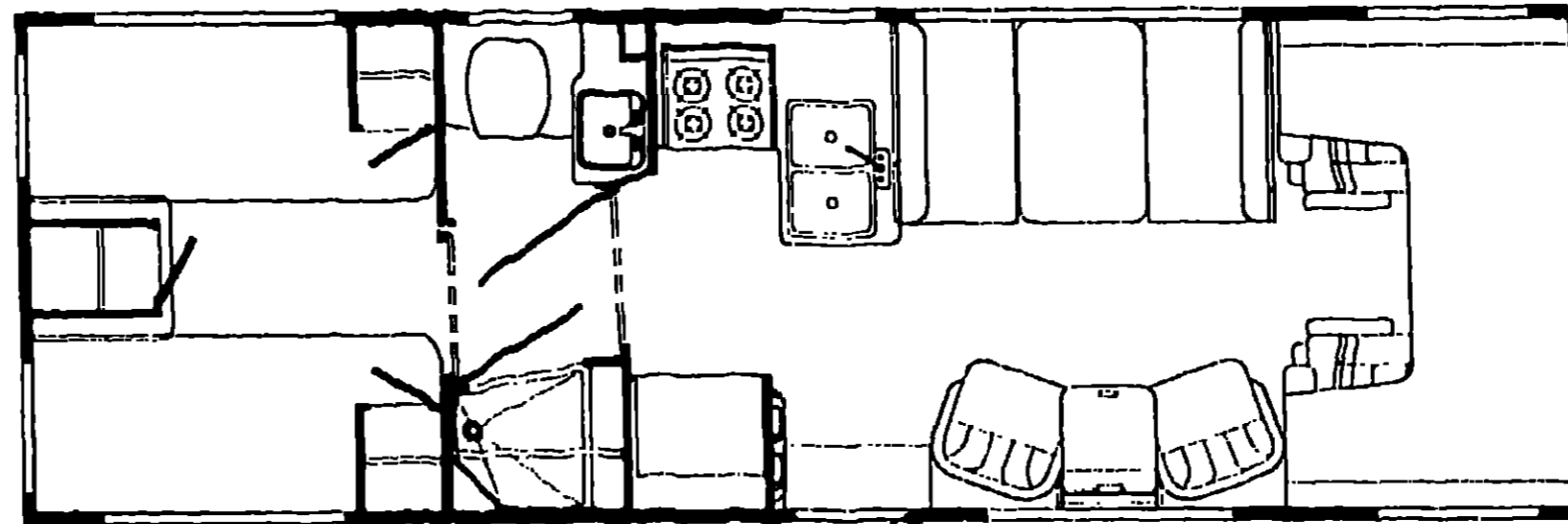
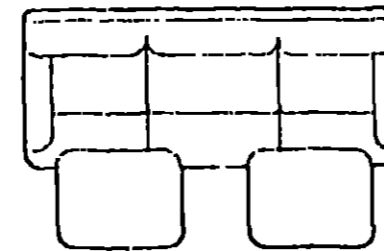
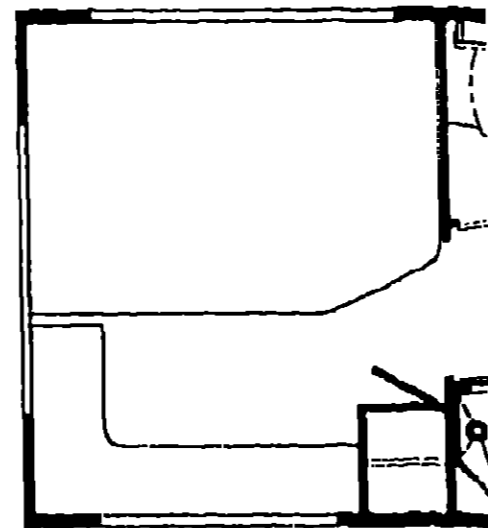


**1991 1/2 ITASCA
TABLE OF CONTENTS**

INTRODUCTION	A-01 - A-02
ABBREVIATIONS	A-03
ALPHABETICAL/GROUP REFERENCE	A-01 - A-06
IF327RB	A-07 - D-04
IF327RT	D-05 - G-13



**1991 1/2
IF327RT**



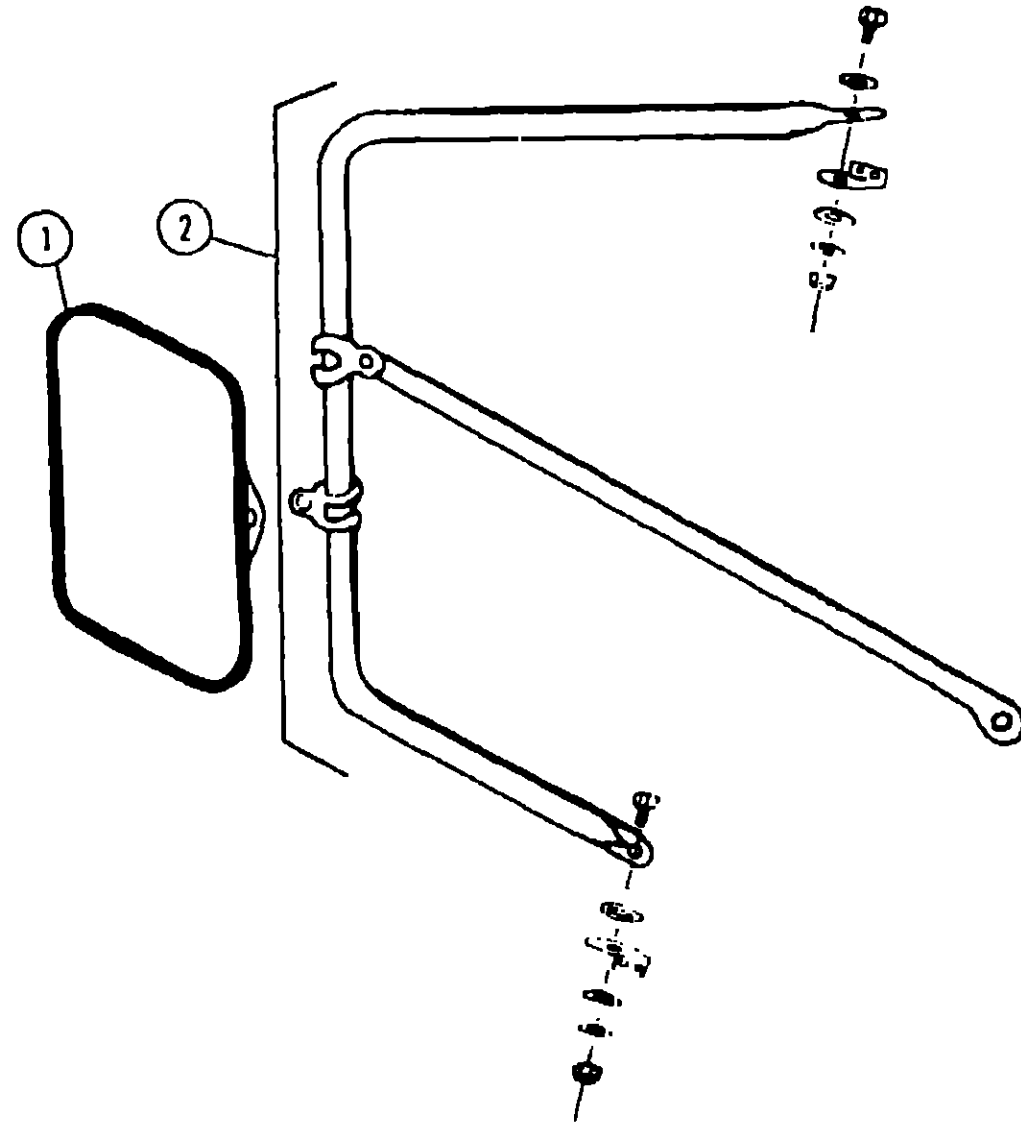
D-5

D-6

1991 1/2 IF327RT INDEX

Floor Plan	D-05 - D-06
Accessories Group	D-07 - D-10
Bath Group	D-11 - D-12
Bedroom Group	D-13 - D-15
Chassis Group	D-16 - D-19
Curtain, Cushion & Pad Group	D-20 - E-05
Dinette Group	E-06 - E-08
Driver's Compartment Group	E-09 - E-11
Electrical Group	E-12 - E-14
Exterior Body Group	E-15 - E-19
Galley Group	E-20 - E-23
Heating & Air Conditioning Group	E-24 - F-01
Interior Finish Group	F-02 - F-05
Labels Group	F-06 - F-13
LP Group	F-14
Lounge Group	F-15
Sealants & Fasteners Group	F-16 - F-17
Water & Sewage Group	F-18 - F-22
Window, Vent & Exterior Door Group	F-23 - G-13

ACCESSORIES GROUP



EXTERIOR MIRRORS

Key	Part Number	U/M	Description
1	049347-01-000	EA	Mirror Head - 7.5" x 10.5" - Stainless Steel
	049347-01-700	EA	Glass - Mirror - 7.5" x 10.5"
2	062047-01-000	EA	Arm - West Coast Mirror - Stainless Steel
	006043-01-000	EA	Mirror - Convex - Adhesive Back

WHEEL COVER, LINERS & MOUNTING HARDWARE

Key	Part Number	U/M	Description
	083181-01-000	EA	Wheel Cover - 16" (Set/4)
	083181-01-700	EA	Wheel Cover - 16" (1)
	083181-04-702	EA	Nut - Wheel Cover
	095012-03-000	EA	Extension - Valve Stem - Dual Wheel
	091209-05-000	EA	Wheel Liner - 16" (Set/4) - Ford - Stainless Steel
	091209-10-000	EA	Wheel Liner - 16" (Set/4) - Ford - Stainless Steel
	077030-02-000	EA	Extension - Valve Stem - 1.25"
* These parts are used from 5/16/91 on			

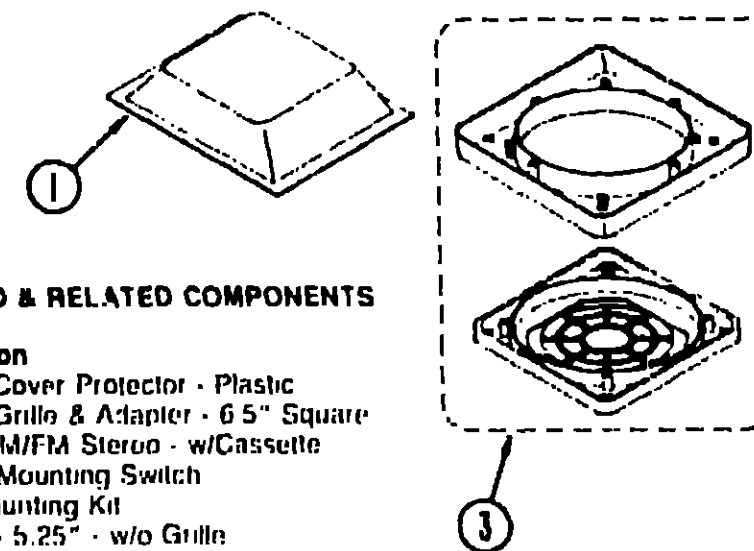
ACCESSORIES GROUP (CONTINUED)

TV ANTENNA (OPTION L193)

Key	Part Number	U/M	Description
	076319-13-000	EA	Antenna - TV Roof Mount - 44.5"
	076319-13-700	EA	Head - Antenna - Non-Amplified
	076319-01-701	EA	Gear - Elevating - Plastic
	076319-01-702	EA	Shaft Asm. - Elevating
	076319-01-703	EA	Bearing - Nylon - .5" OD
	076319-01-704	EA	Bearing - Nylon - 1.25" OD
	076319-01-705	EA	Grommel - Nylon - 7/8" ID
	076319-01-706	EA	Crank - Elevating w/Set Screw
	076319-01-707	EA	Spring - Handle
	076319-01-709	EA	Plate - Directional
	076319-06-000	EA	Adaptor - Cable Roof Plate
	093252-01-01A	EA	Wallplate/Cable - Beige
	076319-11-000	EA	Adapter - Coax w/Splitter
	076319-03-000	FT	Cable - Coaxial - 1000' Roll
	076319-12-000	EA	Connector - Coaxial
	076319-04-000	EA	Connector w/Ferrule
	080734-02-000	EA	Clip - Wire Nylon

TV/VCR & RELATED COMPONENTS (OPTION L43V & L49F)

Key	Part Number	U/M	Description
	098447-01-000	EA	TV - 13" Color w/Remote - Magnavox (US) RX4029WA
	098447-02-000	EA	TV - 13" Color w/Remote - Magnavox (CSA) XK4029CH
	098447-01-700	EA	Remote Control - TV
	098447-03-000	EA	TV - 13" Color w/Remote - Magnavox (US) RR1337W
	098447-04-000	EA	TV - 13" Color w/Remote - Magnavox (CSA) RR1330W
	098447-03-700	EA	Remote Control - TV
	098446-02-000	EA	VCR - VHS - Cable Ready w/Remote - Magnavox VR9912
	098446-02-700	EA	Remote Control - VCR
	098446-03-000	EA	VCR - VHS - Cable Ready w/Remote - Magnavox VR9010
	098446-03-700	EA	Remote Control - VCR
	099856-01-000	EA	TV Tiedown - 53.1" x 1" - Black
	098819-01-000	EA	Speaker - 2 Watt - 8 OHM - 4"
	074979-11-000	EA	Cover - Speaker - Off White - Plastic
	085774-01-000	FT	Fastener - Dual Hook - 1" Wide - Adhesive Back - Black
	085774-02-000	FT	Fastener - Dual Loop - 1" Wide - Adhesive Back - Black
* These parts are used from 6/24/91 on			



RADIO & RELATED COMPONENTS

Key	Part Number	U/M	Description
1	074979-01-000	EA	Speaker Cover Protector - Plastic
3	089340-02-000	EA	Speaker Grille & Adapter - 6.5" Square
	090902-01-000	EA	Radio - AM/FM Stereo - w/Cassette
	081082-01-000	EA	Plaquo - Mounting Switch
	079385-02-000	EA	Radio Mounting Kit
	094097-01-000	EA	Speaker - 5.25" - w/o Grille
	081059-02-000	EA	Wire Asm. - 9 Pin - Audioover Radio

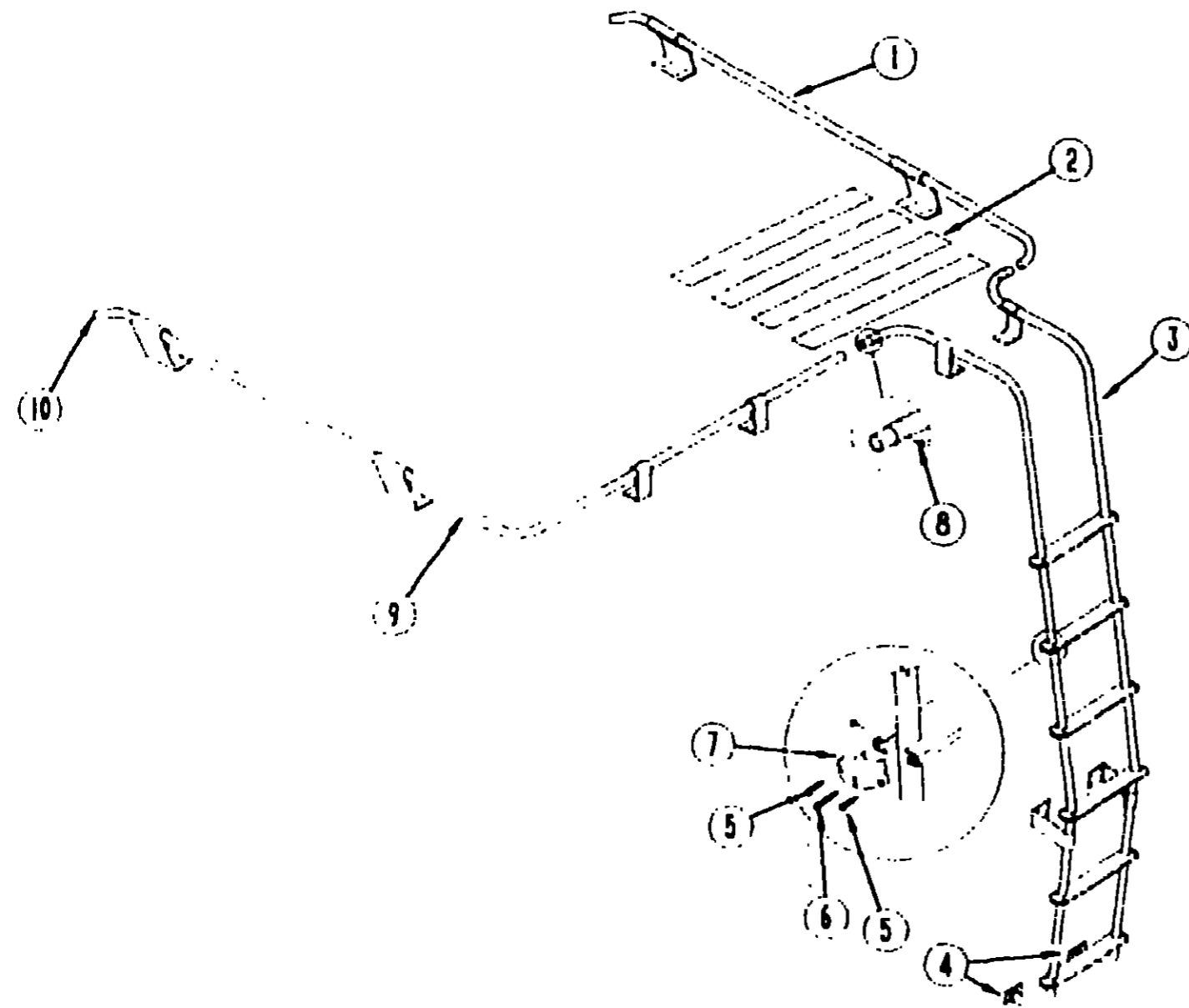
1991 1/2 ITASCA TABLE OF CONTENTS

INTRODUCTION	A-01 - A-02
ABBREVIATIONS	A-03
ALPHABETICAL/GROUP REFERENCE	A-04 - A-06
IF327RB	A-07 - D-04
IF327RT	D-05 - G-13

1991 1/2 IF327RT INDEX

Floor Plan	D-05 - D-06
Accessories Group	D-07 - D-10
Bath Group	D-11 - D-12
Bedroom Group	D-13 - D-15
Chassis Group	D-16 - D-19
Curtain, Cushion & Pad Group	D-20 - E-05
Dinette Group	E-06 - E-08
Driver's Compartment Group	E-09 - E-11
Electrical Group	E-12 - E-14
Exterior Body Group	E-15 - E-19
Galley Group	E-20 - E-23
Heating & Air Conditioning Group	E-24 - F-01
Interior Finish Group	F-02 - F-05
Labels Group	F-06 - F-13
LP Group	F-14
Lounge Group	F-15
Sealants & Fasteners Group	F-16 - F-17
Water & Sewage Group	F-18 - F-22
Window, Vent & Exterior Door Group	F-23 - G-13

ACCESSORIES GROUP (CONTINUED)



RACK & LADDER COMPONENTS (OPTION L502)

Key	Part Number	U/M	Description
1	081026-01-103	EA	Rack Asm - Passenger Side w/2 Angled Standoffs
2	038327-01-000	EA	Tap - Ann Sep - 2" x 60"
3	081016-04-AA3	EA	Ladder
4	067165-01-000	EA	Mounting Bracket - Ladder - Lower
5	000639-06-10T	EA	Screw - SF/DR - 5 - 20 x 5/8" PPH - Black
6	000668-10-36T	EA	Screw - 10 - 12 x 2.25" POH - Black
7	076980-02-000	EA	End Cap - Step - Black
8	000639-08-08E	EA	Screw - SF/DR - 8 - 18 x 5/8" PPH
9	081026-02-103	EA	Rack Asm - Driver Side w/2 Angled & 2 Straight Standoffs
10	081114-01-000	EA	Cap - Insert - Round - 1" Dia

ACCESSORIES GROUP (CONTINUED)

GENERATORS & COMPONENTS (OPTION L39E)

Key	Part Number	U/M	Description
	100974-03-000	EA	Generator - Emerald - 4.0 kw
	082273-01-000	EA	Exhaust Pipe - Generator (CSA)
	079654-05-000	EA	Exhaust Pipe - Angled w/Flange - 2" ID
	081364-02-000	EA	Muffler - Generator (US)
	093591-02-000	EA	Exhaust Pipe - Curved - 1.5" O.D
	082272-01-000	EA	Muffler - Generator (CSA)
	007067-01-000	SF	Insulation - Fiberglass - 1"
	078045-01-000	EA	Strap - Support - Generator - 4 Hole
	084365-01-000	EA	Strap - Support - Generator - 2 Hole
	079654-01-700	EA	Hinge Kit - Emerald Generator
	007063-01-000	FT	Hose - Gas - 1/4" ID x 1/2" OD
	007125-04-000	EA	Clamp - Muffler - 1.5" Dia.
	007161-01-000	EA	Clamp - Hose - Spring Type - 1/2"
	007125-01-000	EA	Clamp - Muffler - 1.62" Dia.

EXPORT GENERATOR (OPTION L383)

Key	Part Number	U/M	Description
	100974-05-000	EA	Generator - Onan - 4.0 kw
	079654-05-000	EA	Exhaust Pipe - Angled w/Flange - 2" ID
	081364-01-000	EA	Muffler - Generator
	007125-01-000	EA	Clamp - Muffler - 1.62" Dia
	093591-02-000	EA	Exhaust Pipe - Curved - 1.5" O.D
	081634-02-700	EA	LP System - For Onan Conversion
	078045-01-000	EA	Strap - Support - Generator - 4 Hole
	084365-01-000	EA	Strap - Support - Generator - 2 Hole
	007067-01-000	SF	Insulation - Fiberglass - 1"
	079654-01-700	EA	Hinge Kit - Emerald Generator
	007063-01-000	FT	Hose - Gas - 1/4" ID x 1/2" OD
	007125-04-000	EA	Clamp - Muffler - 1.1" Dia
	007161-01-000	EA	Clamp - Hose Spring Type - 1/2"
	094059-01-000	EA	Spacer - Generator - Steel

MISCELLANEOUS ACCESSORIES

Key	Part Number	U/M	Description
	054185-70-000	EA	Owner's Manual - 1991 - Spirit
	092318-01-000	EA	Binder - 3 Ring - Vendor Manual
	092319-01-000	FA	Page - Plastic Pocket
	098084-11-000	EA	Cassette - Itasca Spirit
	094499-01-000	EA	Fire Extinguisher - 1A 10BC (US)
	094499-02-000	EA	Fire Extinguisher - 1A 10BC (CSA)
	094499-01-700	EA	Bracket - Mounting w/Plastic Strap - Fire Extinguisher
	072852-01-000	EA	Smoke Detector w/9 Volt Battery (US)
	072852-02-000	EA	Smoke Detector w/9 Volt Battery (CSA)
	100603-01-01A	EA	Wall Clock - Round Bezel
	101333-01-000	EA	Backplate - Clock Mounting - Black Plastic
	104764-01-01A	EA	Wall Clock - Spartus
	* These parts are used from 5/6/91 on		

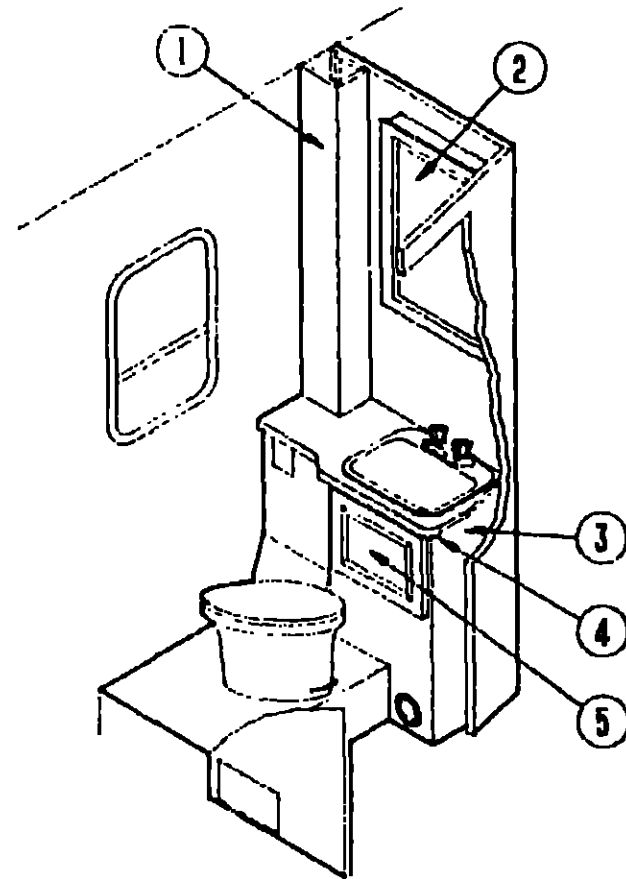
**1991 1/2 ITASCA
TABLE OF CONTENTS**

INTRODUCTION	A-01 - A-02
ABBREVIATIONS	A-03
ALPHABETICAL/GROUP REFERENCE	A-04 - A-06
IF327RB	A-07 - D-04
IF327RT	D-05 - G-13

1991 1/2 IF327RT INDEX

Floor Plan	D-05 - D-06
Accessories Group	D-07 - D-10
Bath Group	D-11 - D-12
Bedroom Group	D-13 - D-15
Chassis Group	D-16 - D-19
Curtain, Cushion & Pad Group	D-20 - E-05
Dinette Group	E-06 - E-08
Driver's Compartment Group	E-09 - E-11
Electrical Group	E-12 - E-14
Exterior Body Group	E-15 - E-19
Galley Group	E-20 - E-23
Heating & Air Conditioning Group	E-24 - F-01
Interior Finish Group	F-02 - F-05
Labels Group	F-06 - F-13
LP Group	F-14
Lounge Group	F-15
Sealants & Fasteners Group	F-16 - F-17
Water & Sewage Group	F-18 - F-22
Window, Vent & Exterior Door Group	F-23 - G-13

BATH GROUP



BATH CABINETRY

Key	Part Number	U/M	Description
1	095927-01-B87	EA	Cabinet Asm. - Pipe Cover
2	P03702-21-B87	EA	Door Asm. - Medicine Cabinet - 15" x 29" - w/o Hardware - w/Mirror
	058331-45-000	EA	Mirror - Safety Glass - 12.2" x 26.2"
	M05150-26-B87	EA	Medicine Cabinet Asm. w/o Door
3	M92359-02-B87	EA	Cabinet Asm. - Lavatory - w/Countertop - w/o Door or Hardware (US)
3	M04043-01-B87	EA	Cabinet Asm. - Lavatory - w/Countertop - w/o Door or Hardware (CSA)
4	092359-13-B87	EA	Countertop Asm. - Lavatory
5	P03702-48-B87	EA	Door Asm. - Lavatory Cabinet - 14.4" x 17.9" - w/o Hardware
	M82429-08-B87	EA	Door Asm. - Bath - w/o Mirror or Hardware
	093446-01-B27	EA	Mirror Asm. - Bath Door
	058331-20-000	EA	Mirror - Safety Glass - 13.2" x 44.5"
	M82429-07-B87	EA	Door Asm. - Shower - w/o Hardware

BATH GROUP (CONTINUED)

BATH HARDWARE

Key	Part Number	U/M	Description
	M02673-03-X81	EA	Shower Pan Asm.
	075606-01-000	EA	Panel - Shower Faucet - Plastic - Back
	084481-10-B87	EA	Shower Curtain - 70" x 32" - Vinyl
	084481-10-B88	EA	Shower Curtain - 70" x 32" - Vinyl
	092464-01-01A	FT	Track - Shower Curtain - Off White - Curved
	075241-05-000	EA	Faucet - Shower - Bone
**	011048-02-000	EA	Shower Head - w/60" Hose (US)
	011048-05-000	EA	Shower Head - w/60" Hose (CSA)
	066440-01-000	EA	Strainer - Shower Pan Asm.
	069735-01-000	EA	Washer - Tailpiece - 1.5" Plastic - Shower Pan Asm.
	066436-01-000	EA	Slip Nut - 1.5" Tailpiece - Shower Pan Asm.
	011069-02-000	EA	Tailpiece - 1 1/2" x 1 1/4" x 4" - Brass
	075240-06-000	EA	Faucet - Lavatory - Bone
	091253-01-000	EA	Gasket - Lavatory Faucet
	081614-02-000	EA	Soap Dish w/Plastic Cover - Brass
	096927-01-01A	EA	Sink - Lavatory - Rectangular - Plastic - Bone
	096927-01-700	EA	Sink - Stopper
	096927-01-701	EA	Tailpiece - Sink
	067487-01-000	EA	Toilet - Thetford - Aqua Magic
	067487-01-700	EA	C.L.F.L. Seal & Bolt Package
	067487-01-701	EA	Water Saver Package
	063740-01-710	EA	Link
	063740-01-711	EA	Spring - Return Lever
	063740-01-716	EA	Seal & Cover - Ivory
	063740-01-700	EA	Lever - Water
	063740-01-701	EA	Lever - Flush
	063740-01-713	EA	Seal - Ball Valve to Bowl
	063740-01-714	EA	Valve Asm. - Water
	063740-01-707	EA	Seal - Closet Flange
	063740-01-706	EA	Bolt Package - Closet
	063740-01-717	EA	Flush Tube
	024676-01-000	EA	Closet Flange - 4" x 3" (US)
	024676-02-000	EA	Closet Flange - 4" x 3" (CSA)
	075452-02-000	EA	Tissue Holder - Brass
	075454-02-000	EA	Towel Ring - Bright Brass w/Mounting Hardware
	075453-02-000	EA	Towel Bar - 18" - Brass
	103857-01-000	EA	Pull - Cabinet Door - Brass
	081376-01-000	EA	Backplate - 4.3" Long - Brass
	093586-03-000	EA	Catch - Roller
	093586-04-000	EA	Strike - Spring Steel
	058335-02-000	EA	Latch - Shower/Bath Door
	009013-01-000	EA	Catch - Male & Female Bulldog (Shower/Bath Door)
	009151-01-000	EA	Warp Guard - Shower/Bath Door - 48"
	059777-02-000	EA	Hinge - Cabinet Door - Burnished Brass
	080507-01-000	EA	Panel - Skylight - Outer - 23.25" x 20.3"
	080508-01-000	EA	Panel - Skylight - Inner - 23.25" x 20.3"
**	The illustrated parts breakdown for this item is provided on the Common Items Ficho.		
	NOTE: Items indented below assemblies are serviceable parts for that assembly.		

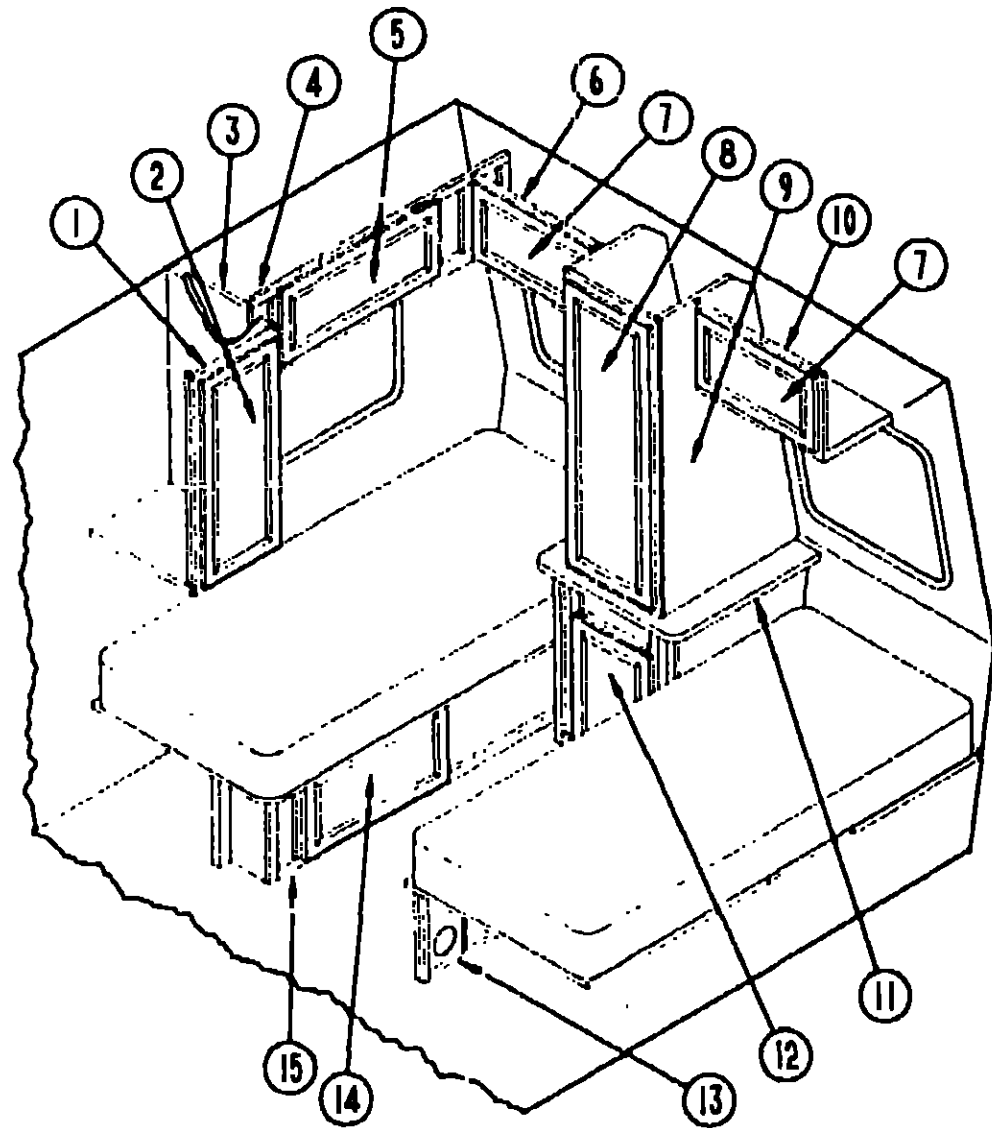
**1991 1/2 ITASCA
TABLE OF CONTENTS**

INTRODUCTION	A-01 - A-02
ABBREVIATIONS	A-03
ALPHABETICAL/GROUP REFERENCE	A-04 - A-06
IF327RB	A-07 - D-04
IF327RT	D-05 - G-13

1991 1/2 IF327RT INDEX

Floor Plan	D-05 - D-06
Accessories Group	D-07 - D-10
Bath Group	D-11 - D-12
Bedroom Group	D-13 - D-15
Chassis Group	D-16 - D-19
Curtain, Cushion & Pad Group	D-20 - E-05
Dinette Group	E-06 - E-08
Driver's Compartment Group	E-09 - E-11
Electrical Group	E-12 - E-14
Exterior Body Group	E-15 - E-19
Galley Group	E-20 - E-23
Heating & Air Conditioning Group	E-24 - F-01
Interior Finish Group	F-02 - F-05
Labels Group	F-06 - F-13
LP Group	F-14
Lounge Group	F-15
Sealants & Fasteners Group	F-16 - F-17
Water & Sewage Group	F-18 - F-22
Window, Vent & Exterior Door Group	F-23 - G-13

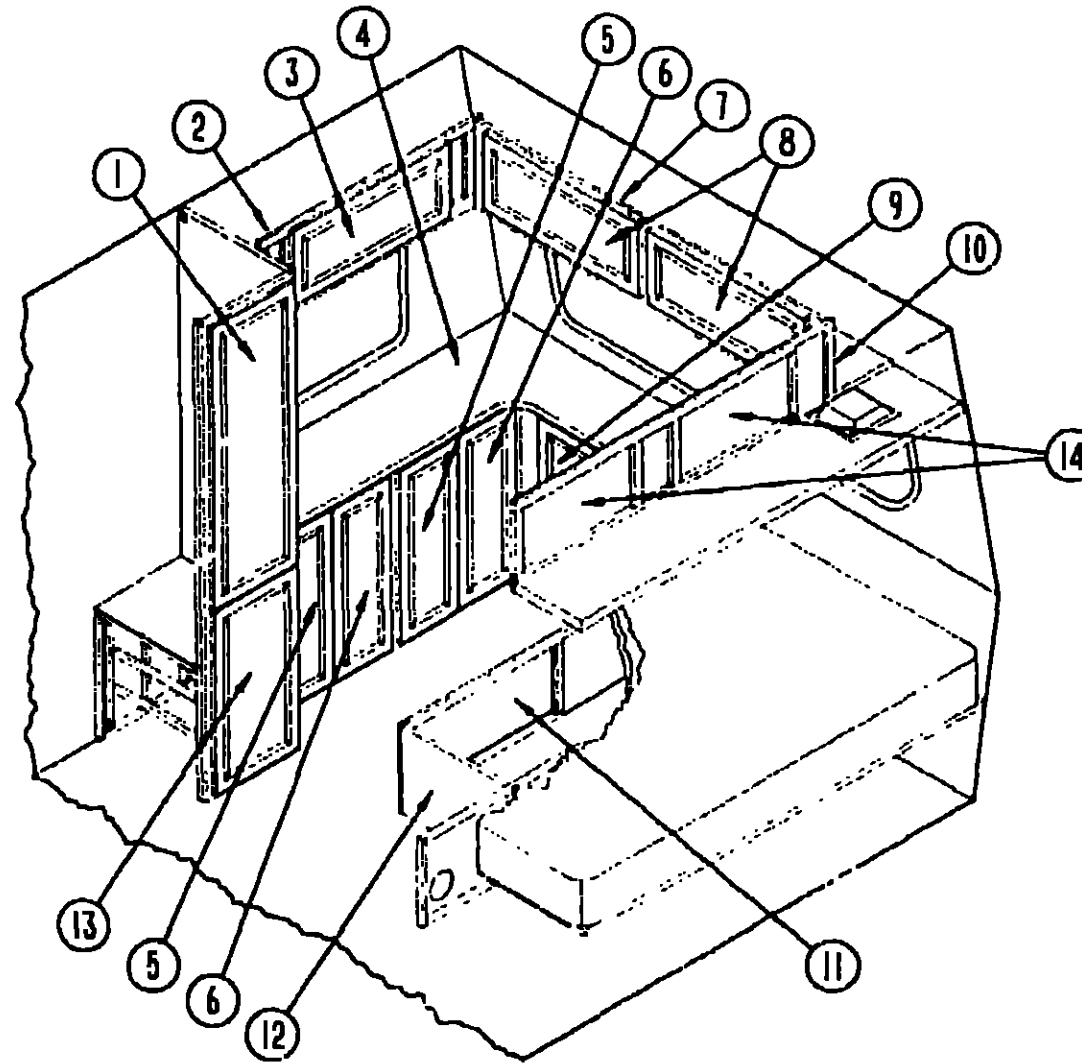
BEDROOM GROUP



TWIN BED CABINETY

Key	Part Number	U/M	Description
1	095937-01-B27	EA	Cabinet Asm. - Passenger Side Shirt Closet - w/o Door or Hardware
	095938-01-B27	EA	Cabinet Asm. - Driver Side Shirt Closet - w/o Door or Hardware
2	P03702-31-B87	EA	Door Asm. - Shirt Closets - 14.4" x 33.5" - w/o Hardware
3	081280-18-B27	EA	End Cap - Cabinet - Passenger Side Overhead
4	M05150-31-B87	EA	Cabinet Asm. - Passenger Side Overhead - w/o Door or Hardware
	M05150-34-B87	EA	Cabinet Asm. - Driver Side Overhead - w/o Door or Hardware
	081280-21-B27	EA	End Cap - Cabinet - Driver Side Overhead
5	P03702-26-B87	EA	Door Asm. - Side Overheads - 14.4" x 33.5" - w/o Hardware
6	M05150-28-B87	EA	Cabinet Asm. - Rear Overhead - Passenger Side - w/o Door or Hardware
7	P03702-29-B87	EA	Door Asm. - Rear Overhead - w/Mirror - 14.4" x 17.9" - w/o Hardware
	103847-05-000	EA	Mirror - Decorative Glass - 11.6" x 15.2"
8	P03702-16-B87	EA	Door Asm. - Wardrobe - w/Mirror - 45.5" x 15.6" - w/o Hardware
	058331-39-000	EA	Mirror - Glass - 42.8" x 12.8"
9	M95928-01-B87	EA	Cabinet Asm. - Center Wardrobe - w/o Door or Hardware
10	M05150-27-B87	EA	Cabinet Asm. - Rear Overhead - Driver Side - w/o Door or Hardware
11	095928-14-B87	EA	Countertop - Wardrobe
12	P03702-03-B87	EA	Door Asm. - Cabinet - 14.4" x 21.8" - w/o Hardware
13	M92336-01-B27	EA	Cabinet Asm. - Twin Bed - Driver Side - w/o Hardware
14	P03702-16-B87	EA	Door Asm. - Twin Bed Cabinet - 12" x 26"
15	M92335-01-B27	EA	Cabinet Asm. - Twin Bed Cabinet - Passenger Side w/o Door or Hardware

BEDROOM GROUP (CONTINUED)



DOUBLE BED CABINETY (OPTION L46L)

Key	Part Number	U/M	Description
1	P03702-16-B87	EA	Door Asm. - Wardrobe - w/Mirror - 15.6" x 45.5" - w/o Hardware
	058331-39-000	EA	Mirror - Glass - 12.8" x 42.8"
2	M05150-37-B87	EA	Cabinet Asm. - Passenger Overhead - w/o Door or Hardware
	081280-18-B27	EA	End Cap - Cabinet - Front
3	P03702-26-B87	EA	Door Asm. - Passenger Side Overhead - 14.4" x 33.5" - w/o Hardware
4	M97945-01-B87	EA	Cabinet Asm. - Vanity w/Countertop - w/o Doors or Hardware
	097945-13-B87	EA	Countertop - Vanity Cabinet
5	P03702-36-B87	EA	Door Asm. - Vanity Cabinet - 10.8" x 28" - w/o Hardware
6	P03702-37-B87	EA	Door Asm. - Vanity Cabinet - 10.8" x 28" - w/o Hardware
7	M05150-35-B87	EA	Cabinet Asm. - Backwall Overhead - w/o Doors or Hardware
8	P03702-23-B87	EA	Door Asm. - Backwall Cabinet - w/Mirror - 14.4" x 26.8" - w/o Hardware
	103847-02-000	EA	Mirror - Decorative Glass - 11.6" x 24"
9	P03702-52-B87	EA	Door Asm. - Vanity Cabinet - 15.8" x 28" - w/o Hardware
10	M05150-36-B87	EA	Cabinet Asm. - Driver Side Overhead - w/o Doors or Hardware
	081280-21-B27	EA	End Cap - Cabinet - Front
11	P03702-47-B87	EA	Door Asm. - Double Bed Cabinet - 12" x 29" - w/o Hardware
12	M93436-01-B27	EA	Cabinet Asm. - Double Bed - w/o Door or Hardware
13	P03702-30-B87	EA	Door Asm. - Wardrobe Cabinet - 15.6" x 29.5" - w/o Hardware
14	P03702-22-B87	EA	Door Asm. - Driver Side Overhead - 14.4" x 26.8" - w/o Hardware
	077404-02-000	EA	Drawer - Plastic - 20" x 12.7" - Beige

**1991 1/2 ITASCA
TABLE OF CONTENTS**

INTRODUCTION	A-01 - A-02
ABBREVIATIONS	A-03
ALPHABETICAL/GROUP REFERENCE	A-04 - A-06
IF327RB	A-07 - D-04
IF327RT	D-05 - G-13

1991 1/2 IF327RT INDEX

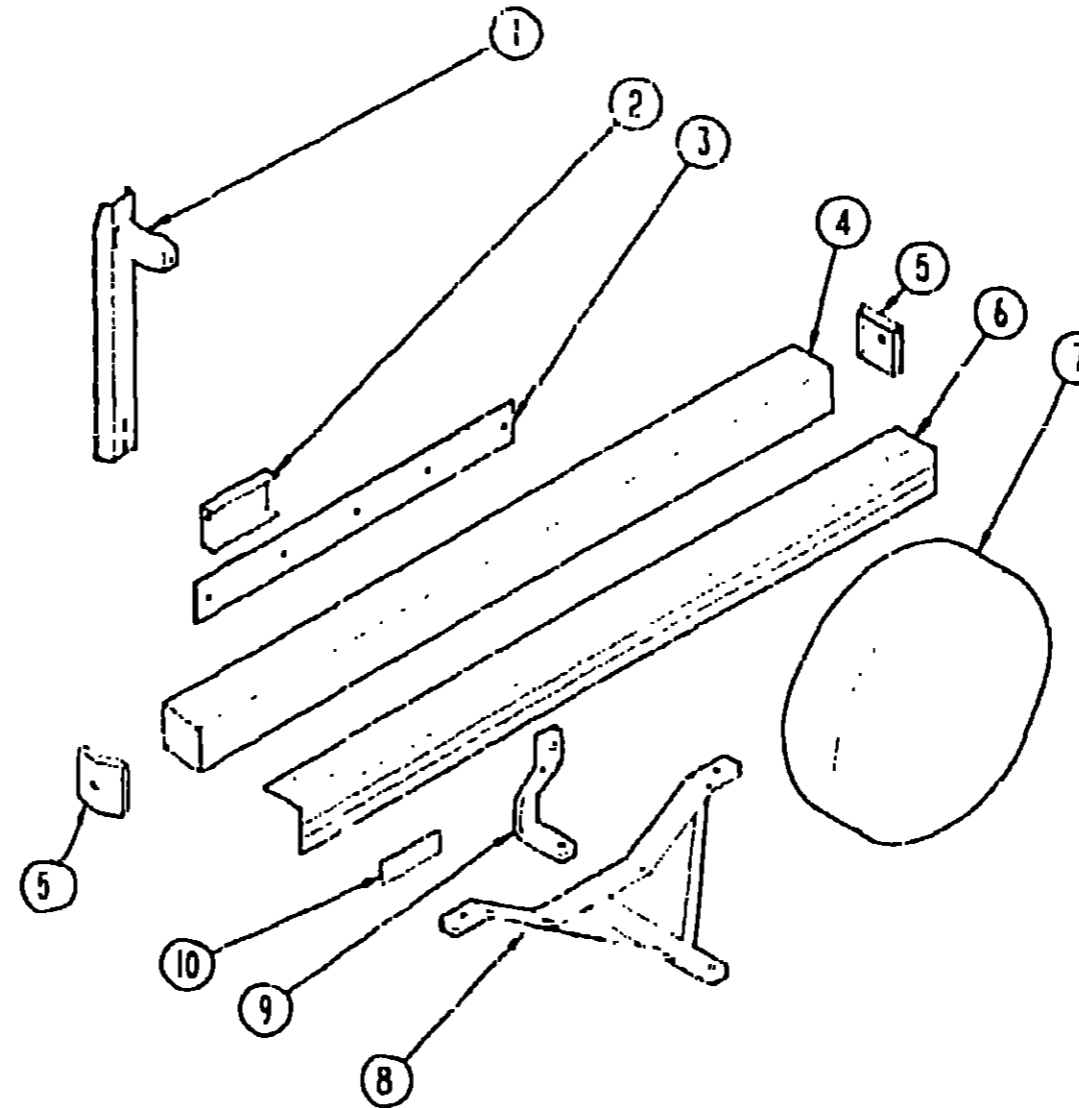
Floor Plan	D-05 - D-06
Accessories Group	D-07 - D-10
Bath Group	D-11 - D-12
Bedroom Group	D-13 - D-15
Chassis Group	D-16 - D-19
Curtain, Cushion & Pad Group	D-20 - E-05
Dinette Group	E-06 - E-08
Driver's Compartment Group	E-09 - E-11
Electrical Group	E-12 - E-14
Exterior Body Group	E-15 - E-19
Galley Group	E-20 - E-23
Heating & Air Conditioning Group	E-24 - F-01
Interior Finish Group	F-02 - F-05
Labels Group	F-06 - F-13
LP Group	F-14
Lounge Group	F-15
Sealants & Fasteners Group	F-16 - F-17
Water & Sewage Group	F-18 - F-22
Window, Vent & Exterior Door Group	F-23 - G-13

BEDROOM GROUP (CONTINUED)

BEDROOM HARDWARE

Key	Part Number	U/M	Description
	041953-03-000	FT	Conduit - Convolute Slit - 1" ID (Clothes Rod Cover)
	042438-01-000	EA	Dowel - Wood - Clothes Rod - 1" Dia. x 4'
	009112-01-000	EA	Flange - 1" Clothes Rod - Plastic - Off White
	089076-02-000	EA	H-Channel - Bed Support - Beige
	059777-02-000	EA	Hinge - Cabinet Door - Burnished Brass
	103857-01-000	EA	Pull - Cabinet Door - Brass
	081376-01-000	EA	Backplate - 4.3" Long - Brass
	074493-02-000	EA	Support - Overhead Door - Sprung
	093586-03-000	EA	Catch - Roller Spring
	093586-04-000	EA	Strike - Spring Steel
	057205-01-000	EA	Angle - Support Bed - 1" x 1.5" x 24" - Metal - Off White
	057205-02-000	EA	Angle - Support Bed - 1" x 1.5" x 34" - Metal - Off White
	077409-02-000	EA	Slide - Drawer - Plastic - 20.75" Long
	094067-01-01A	EA	Divider - Drawer - Plastic
	016604-03-000	EA	Brace - Angle - 2.5" Long - Beige
	057534-01-000	EA	Tieback - 6" - Clear Plastic

CHASSIS GROUP



SPARE TIRE, HITCH & REAR BUMPER

Key	Part Number	U/M	Description
1	079027-1-000	EA	Bracket Asm - Tire Carrier
2	M64600-02-000	EA	Mount Support - Tire Carrier
3	M221500-1-000	EA	Bracket - Rear Bumper
4	064602-01-000	EA	Bumper Asm - Square - Off White
5	039779-01-000	EA	Bumper Cap - Black Rubber - 4" x 4"
6	041332-03-000	EA	Cover - Bumper - w/o Reflector - 4" Square x 92"
7	098855-01-AA3	EA	Cover - Spare Tire - Vinyl - Off White
8	064833-03-000	EA	Trailer Hitch Asm
9	064824-02-000	EA	Support - Trailer Hitch
10	041332-02-000	EA	Reflector - Bumper Cover - Self-Adhesive - 6 1/2" x 3/4"
	070917-02-000	EA	Tire - Michelin - Radial
	070917-03-000	EA	Tire - Firestone - Radial
	083617-01-000	EA	Wheel - Steel - 5" x 16" - 8 Hole
	051377-01-000	CA	Valve Stem 111560

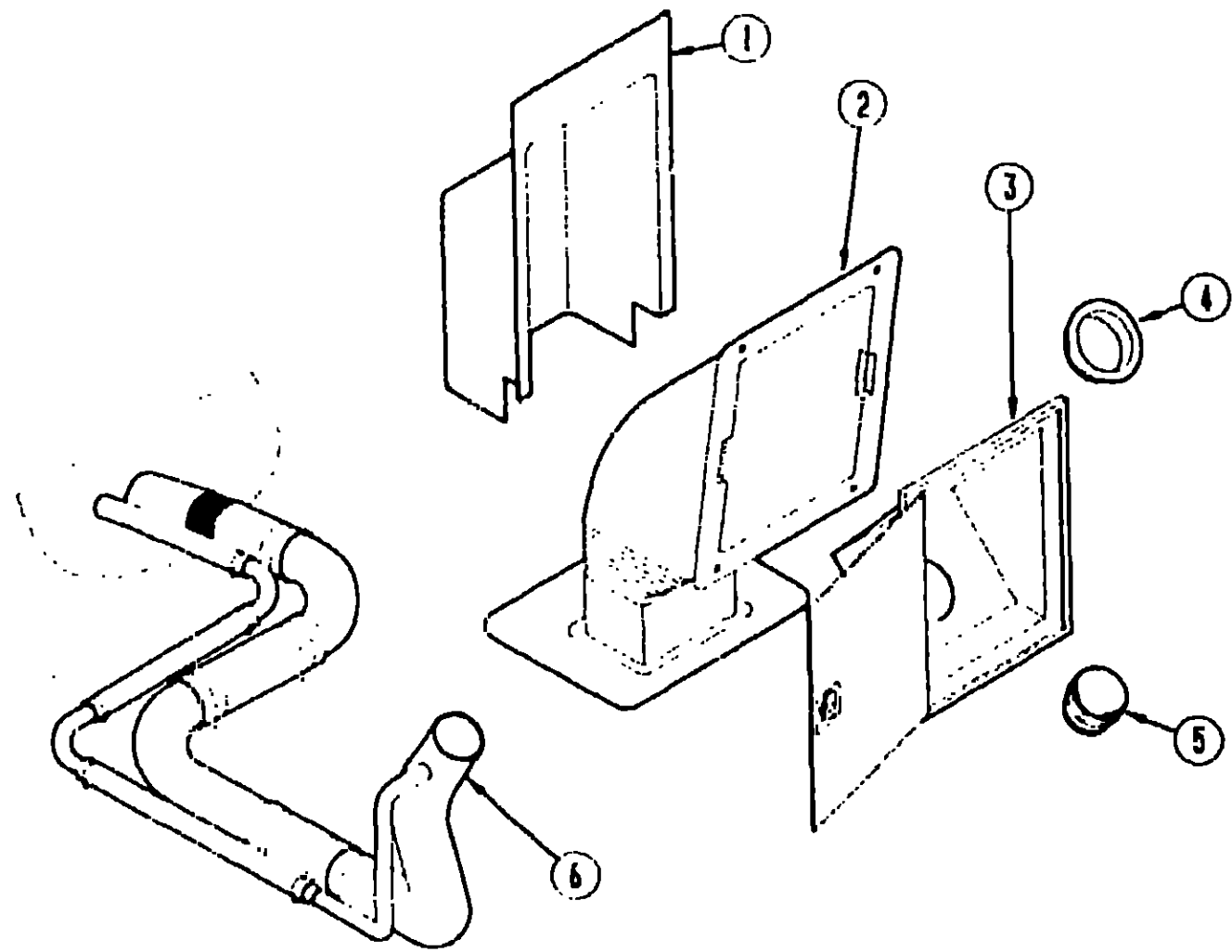
1991 1/2 ITASCA TABLE OF CONTENTS

INTRODUCTION	A-01 - A-02
ABBREVIATIONS	A-03
ALPHABETICAL/GROUP REFERENCE	A-04 - A-06
IF327RB	A-07 - D-04
IF327RT	D-05 - G-13

1991 1/2 IF327RT INDEX

Floor Plan	D-05 - D-06
Accessories Group	D-07 - D-10
Bath Group	D-11 - D-12
Bedroom Group	D-13 - D-15
Chassis Group	D-16 - D-19
Curtain, Cushion & Pad Group	D-20 - E-05
Diante Group	E-06 - E-08
Driver's Compartment Group	E-09 - E-11
Electrical Group	E-12 - E-14
Exterior Body Group	E-15 - E-19
Galley Group	E-20 - F-23
Heating & Air Conditioning Group	E-24 - F-01
Interior Finish Group	F-02 - F-05
Labels Group	F-06 - F-13
LP Group	F-14
Lounge Group	F-15
Sealants & Fasteners Group	F-16 - F-17
Water & Sewage Group	F-18 - F-22
Window, Vent & Exterior Door Group	F-23 - G-13

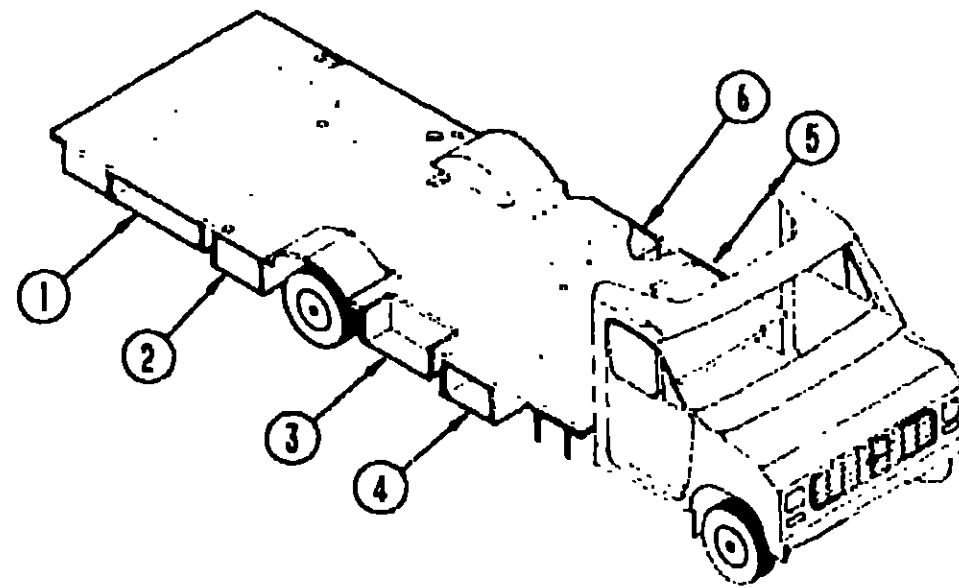
CHASSIS GROUP (CONTINUED)



FUEL FILL COMPONENTS

Key	Part Number	U/M	Description
1	078040-02-000	EA	Shroud - Fuel Fill - Upper
2	003578-01-000	EA	Boot - Fuel Fill
	084735-01-000	EA	Support Flange - Fuel Fill Boot
3	078010-03-000	EA	Door Asm - Fuel Fill - Off White
	077963-01-000	EA	Gasket - Fuel Fill Door w/PSA
4	078200-01-000	EA	Gasket - Fuel Fill
5	NOTE	EA	Fuel Cap
6	083675-02-000	EA	Filler Neck - Fuel Fill
	066732-01-000	FI	Hose - Fuel Fill - 62 ID
	087207-05-000	EA	Label - Fuel Cap Removal
	NOTE: This item is chassis supplied		

CHASSIS GROUP (CONTINUED)



CHASSIS COMPARTMENTS & HARDWARE

Key	Part Number	U/M	Description
1	096020-08-000	EA	Rear Compartment - 52.3" Wide x 20.6" Deep
2	096020-01-000	EA	Storage Compartment - Plastic
	079068-01-000	FT	Bulb Seal w/Wire Rigid U-Channel - 1" - Black Rubber
3	077048-02-000	EA	Step Asm. - Pullout
	076241-01-000	EA	Support Box - Entry Door Step - 23.3" x 12.3" x 11.4"
4	096020-01-000	EA	Storage Compartment - 22.6" x 20.6"
5	078137-02-000	EA	Tray Asm - Luggage Compartment - 27.18" Wide x 21" Deep
6	096020-02-000	EA	Storage Compartment - 46.4" Wide x 20.6" Deep
	084075-07-000	FT	Bulb Seal w/Wire Rigid U-Channel - 1" - Black Rubber
	061420-01-000	EA	Plug - Plastic - 1.75"
	096646-01-000	EA	Anglo - Strike - Storage Compartment
	000C26-04-10B	EA	Bolt - Hex - Ser Flange - 1/4 - 20 x 5/8 Zinc
	000D39-04-00B	EA	Nut - Hex - Ser Flange Lk - 1/4 - 20 Zinc

**1991 1/2 ITASCA
TABLE OF CONTENTS**

INTRODUCTION	A-01 - A-02
ABBREVIATIONS	A-03
ALPHABETICAL GROUP REFERENCE	A-04 - A-06
IF327RD	A-07 - D-04
IF327RT	D-05 - G-13

1991 1/2 IF327RT INDEX

Floor Plan	D-05 - D-06
Accessories Group	D-07 - D-10
Bath Group	D-11 - D-12
Bedroom Group	D-13 - D-15
Chassis Group	D-16 - D-19
Curtain, Cushion & Pad Group	D-20 - E-05
Dinette Group	E-06 - E-08
Driver's Compartment Group	E-09 - E-11
Electrical Group	E-12 - E-14
Exterior Body Group	E-15 - E-19
Galley Group	E-20 - E-23
Heating & Air Conditioning Group	E-24 - F-01
Interior Finish Group	F-02 - F-05
Labels Group	F-06 - F-13
LP Group	F-14
Lounge Group	F-15
Sealants & Fasteners Group	F-16 - F-17
Water & Sewage Group	F-18 - F-22
Window, Vent & Exterior Door Group	F-23 - G-13

CHASSIS GROUP (CONTINUED)

GENERATOR & COMPONENTS (OPTION L39E)

Key	Part Number	U/M	Description
	100974-03-000	EA	Generator - Emerald - 4.0 kw
	082273-01-000	EA	Exhaust Pipe - Generator - w/2 Bolt Hole Flange (CSA)
	079654-05-000	EA	Exhaust Pipe - Angled w/Flange - 2" ID
	081364-02-000	EA	Muffler - Generator (US)
	093591-02-000	EA	Exhaust Pipe - Curved - 1.5" OD
	082272-01-000	EA	Muffler - Generator (CSA)
	007067-01-000	SF	Insulation - Fiberglass - 1"
	078045-01-000	EA	Strap - Support - Generator - 4 Hole
	084365-01-000	EA	Strap - Support - Generator - 2 Hole
	079654-01-700	EA	Hinge Kit - Emerald Generator
	007063-01-000	FT	Hose - Gas - 1/4" ID x 1/2" OD
	007125-04-000	EA	Clamp - Muffler - 1.1" Dia.
	007125-01-000	EA	Clamp - Muffler - 1.62" Dia.
	007161-01-000	EA	Clamp - Hose - Spring Type - 1/2"

EXPORT GENERATOR (OPTION L383)

Key	Part Number	U/M	Description
	100974-05-000	EA	Generator - Onan - 4.0 kw
	079654-05-000	EA	Exhaust Pipe - Angled w/Flange - 2" ID
	093591-02-000	EA	Exhaust Pipe - Curved - 1.5" OD
	081364-01-000	EA	Muffler - Generator
	081634-02-700	EA	LP System - For Onan Conversion
	078045-01-000	EA	Strap - Support - Generator - 4 Hole
	084365-01-000	EA	Strap - Support - Generator - 2 Hole
	007067-01-000	EA	Insulation - Fiberglass - 1"
	079654-01-700	EA	Hinge Kit - Emerald Generator
	007063-01-000	FT	Hose - Gas - 1/4" ID x 1/2" OD
	007125-04-000	EA	Clamp - Muffler - 1.1" Dia.
	007161-01-000	EA	Clamp - Hose - Spring Type - 1/2"
	007125-01-000	EA	Clamp - Muffler - 1.62" Dia.
	094059-01-000	EA	Spacer - Generator - Steel

MISCELLANEOUS CHASSIS PARTS

Key	Part Number	U/M	Description
	065450-05-000	EA	Tiedown - Battery
	010497-01-000	EA	Clamp - Closed - 5/8" ID
	010497-03-000	EA	Clamp - Closed - 1" ID - Cushioned
	007161-01-000	EA	Clamp - Hose - Spring Type 1/2"
	062401-01-000	EA	Clamp - Hose - Wormgear - .22" ID - 1" ID
	062401-02-000	EA	Clamp - Hose - Wormgear - 1.56" ID - 2.5" ID
	062401-03-000	EA	Clamp - Hose - Wormgear - .25" ID - 1" ID
	062401-04-000	EA	Clamp - Hose - Wormgear - .69" ID - 1.25" ID
	062401-06-000	EA	Clamp - Hose - Wormgear - .22" ID - .62" ID
	023146-01-000	EA	Clamp - Screw Type - 4"
	091952-02-000	EA	Clip - Gripper - 3/4" (Tire Iron)
	061420-01-000	EA	Plug - Plastic - 1.75" - Storage Compartment
	007063-01-000	FT	Hose - Gas - 1/4" ID x 1/2" OD
	007108-01-000	FT	Hose - Heater - 5/8" ID
	017516-01-000	EA	Mud Flap w/Holes - 14" x 18" - Black
	064089-01-700	EA	Splash Guard - Black Rubber (Set of 2)
	045731-01-000	EA	Rock Guard - Steel
	072084-20-000	EA	Running Boards - Ford - 39" (Option 66R)
	094795-02-000	EA	Speedometer - Kilometer
	077048-02-000	EA	Step Asm. - Pullout
	096322-01-000	EA	Wheelwell - Plastic
	008343-01-000	EA	Wire Tie - 6"

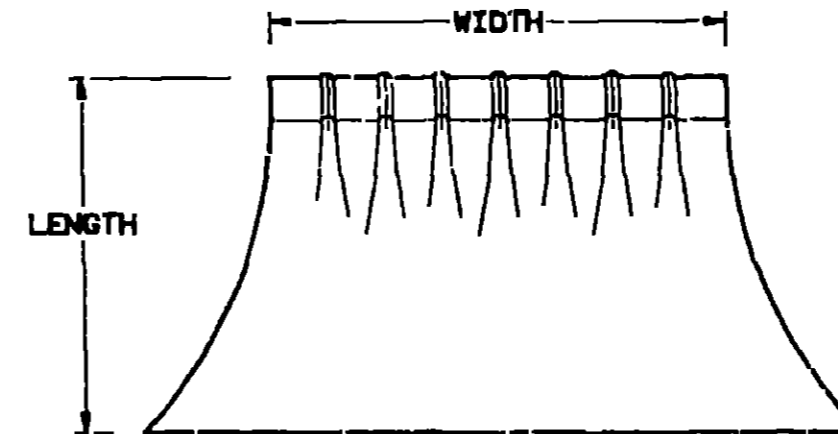
NOTE: Remainder of exhaust components, available from Chassis Service Center.

CURTAIN, CUSHION & PAD GROUP

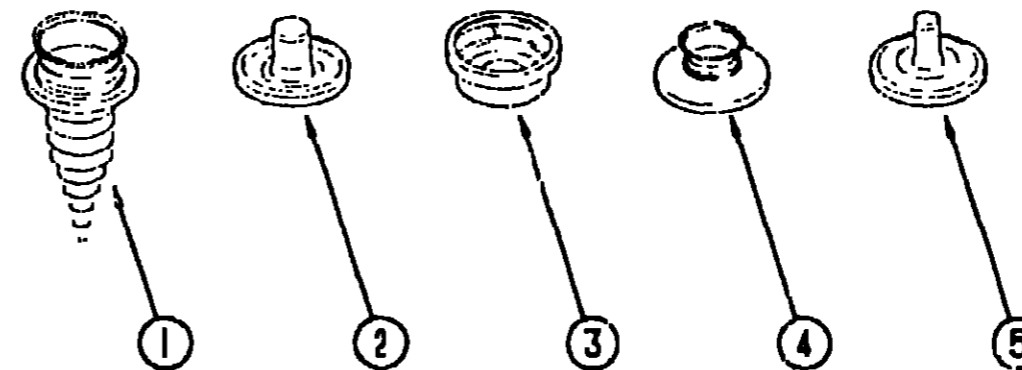
NOTICE

In order to assist our Part Sales Dept. in providing interior software items, please include the serial number and the color code number from the vehicle certification label when ordering. This label is located on the left sidewall at the end of the dash (A-Body), or on the driver's door latch plate (C-Body).

An example of a color code number is P31, which designates an overall color scheme of a particular unit. The color listed after the item description on the microfiche, indicates the overall unit color. Order the item you desire according to unit color code.



NOTE: Use this illustration when determining length and width measurements for curtains. You will note the width measurement is taken on the top of the curtain with the curtain fully extended. The length measurement is taken from top to bottom.



Key	Part Number	U/M	Description
1	029130-01-000	EA	Screw - Snap Socket - B PH x 5/8"
2	029155-01-000	EA	Cap - Snap - .156" Dia. x .17" Barrel
3	029156-01-000	EA	Socket - Snap Fastener
4	029092-01-000	EA	Stud - Nickel Finish
5	029093-01-000	EA	Eyelet - Nickel Finish

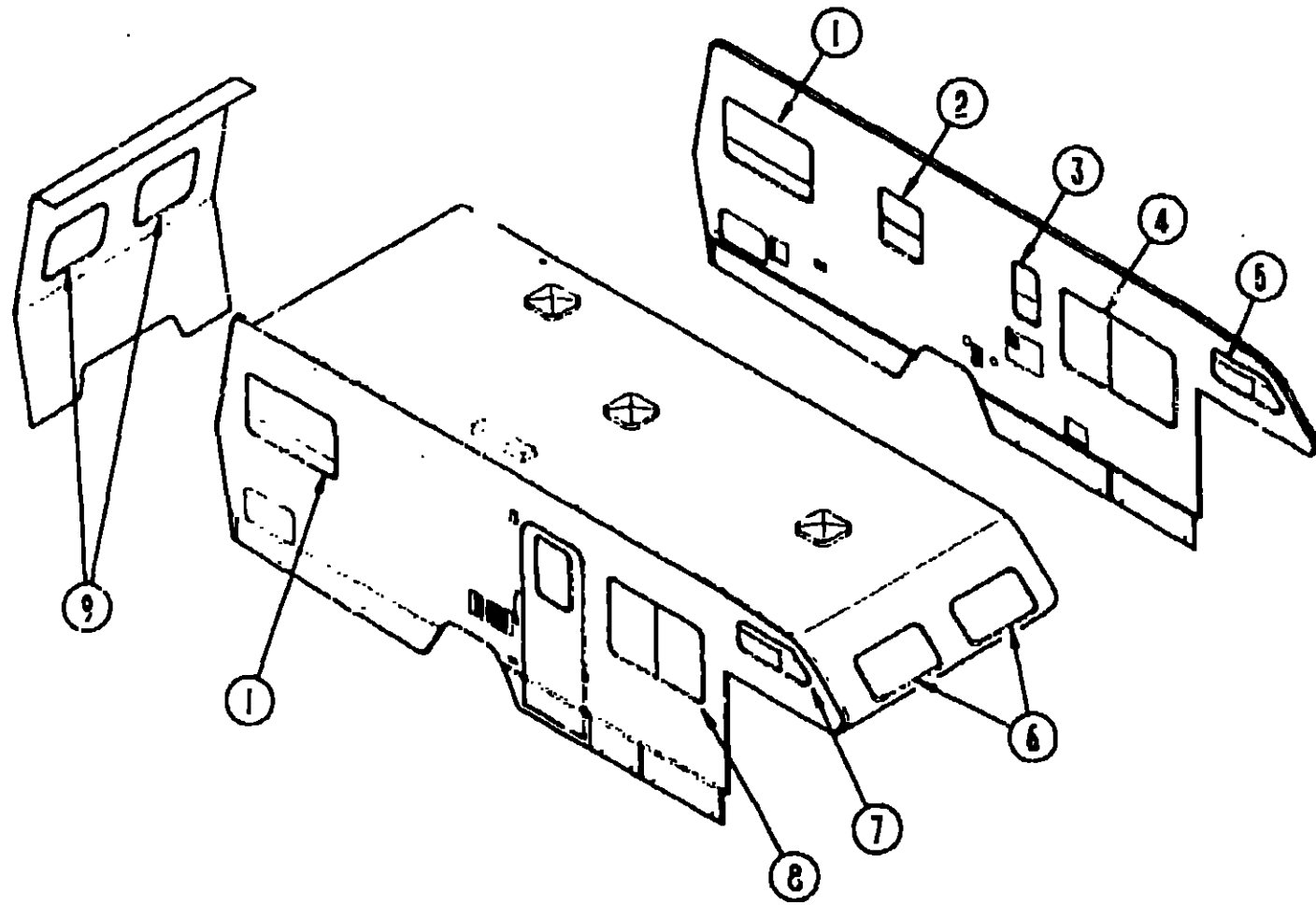
1991 1/2 ITASCA TABLE OF CONTENTS

INTRODUCTION	A-01 - A-02
ABBREVIATIONS	A-03
ALPHABETICAL/GROUP REFERENCE	A-04 - A-06
IF327RB	A-07 - D-04
IF327RT	D-05 - G-13

1991 1/2 IF327RT INDEX

Floor Plan	D-05 - D-06
Accessories Group	D-07 - D-10
Bath Group	D-11 - U-12
Bedroom Group	D-13 - D-15
Chassis Group	D-16 - D-19
Curtain, Cushion & Pad Group	D-20 - E-05
Dinette Group	E-06 - E-08
Driver's Compartment Group	E-09 - E-11
Electrical Group	E-12 - E-14
Exterior Body Group	E-15 - E-19
Galley Group	E-20 - E-23
Heating & Air Conditioning Group	E-24 - F-01
Interior Finish Group	F-02 - F-05
Labels Group	F-06 - F-13
LP Group	F-14
Lounge Group	F-15
Sealants & Fasteners Group	F-16 - F-17
Water & Sewage Group	F-18 - F-22
Window, Vent & Exterior Door Group	F-23 - G-13

CURTAIN, CUSHION & PAD GROUP (CONTINUED)



CURTAIN, BLINDS, VALANCES & TIEBACKS

Key	Part Number	U/M	Description
1	102514-07-B07	EA	Valance Asm. - 45" w/Insert
1	102514-07-B08	EA	Valance Asm. - 45" w/Insert
1	100281-31-B85	EA	Leg Asm. w/Hole - Window - 27" - Right (B87)
1	100281-31-B88	EA	Leg Asm. w/Hole - Window - 27" - Right
1	100281-30-B85	EA	Leg Asm. w/o Hole - Window - 27" - Left (B87)
1	100281-30-B88	EA	Leg Asm. w/o Hole - Window - 27" - Left
1	096335-46-B87	EA	Pleated Blind - 39.5" x 28" Drop
1	096335-46-B88	EA	Pleated Blind - 39.5" x 28" Drop
2	102514-12-B87	EA	Valance Asm. w/Insert - 20"
2	102514-12-B88	EA	Valance Asm. w/Insert - 20"
2	093475-46-08A	EA	Mini Blind - 17.5" x 23.5" Drop (B87)
2	093475-46-10A	EA	Mini Blind - 17.5" x 23.5" Drop (B88)
3	093475-46-08A	EA	Mini Blind - 17.5" x 23.5" Drop (B87)
3	093475-46-09A	EA	Mini Blind - 17.5" x 23.5" Drop (B88)
4	104021-01-B87	EA	Valance Asm. w/Brass Trim - 58.5"
4	104021-01-B88	EA	Valance Asm. w/Brass Trim - 58.5"
4	100281-01-B87	EA	Leg Asm. - 31.5" Tall - Front
4	100281-01-B88	EA	Leg Asm. - 31.5" Tall - Front
4	100281-02-B87	EA	Leg Asm. - 31.5" Tall - Rear
4	100281-02-B88	EA	Leg Asm. - 31.5" Tall - Rear
4	093475-44-02A	EA	Mini Blind - 54" x 31.5" Drop

CURTAIN, CUSHION & PAD GROUP (CONTINUED)

CURTAINS, BLINDS, VALANCES & TIEBACKS (CONT.)

Key	Part Number	U/M	Description
5	097878-27-B87	EA	Valance Asm. w/Brass Trim - 43"
5	097878-27-B88	EA	Valance Asm. w/Brass Trim - 43"
5	101034-01-B85	EA	Curtain Asm. - Tape Top - 16" x 25" - Beige
6	097878-25-B87	EA	Valance Asm. w/Brass Trim - 85.5"
6	097878-25-B88	EA	Valance Asm. w/Brass Trim - 85.5"
6	101034-02-B85	EA	Curtain Asm. - Tape Top - 22" x 45" - Beige
7	097878-26-B87	EA	Valance Asm. w/Brass Trim - 43"
7	097878-26-B88	EA	Valance Asm. w/Brass Trim - 43"
7	101034-01-B85	EA	Curtain Asm. - Tape Top - 16" x 25" - Beige
8	104021-08-B87	EA	Valance Asm. w/Brass Trim - 44.5"
8	104021-08-B88	EA	Valance Asm. w/Brass Trim - 44.5"
8	100281-09-B87	EA	Leg Asm. - Rear
8	100281-09-B88	EA	Leg Asm. - Rear
8	100281-10-B87	EA	Leg Asm. - Front
8	100281-10-B88	EA	Leg Asm. - Front
8	093475-45-02A	EA	Mini Blind - 39.5" x 27" Drop
9	102514-09-B87	EA	Valance Asm. - 29" w/Insert
9	102514-09-B88	EA	Valance Asm. - 29" w/Insert
9	100281-30-B85	EA	Leg Asm. - Window - Passenger Side (B87)
9	100281-30-B88	EA	Leg Asm. - Window - Passenger Side
9	100281-29-B85	EA	Leg Asm. - Window - Driver Side (B87)
9	100281-29-B88	EA	Leg Asm. - Window - Driver Side
9	096335-51-B87	EA	Pleated Blind - 25" x 28" Drop
9	096335-51-B88	EA	Pleated Blind - 25" x 28" Drop
9	102514-10-B87	EA	Valance Asm. - 72.5" w/Insert (Option L46L)
9	102514-10-B88	EA	Valance Asm. - 72.5" w/Insert (Option L46L)
9	096335-47-B87	EA	Pleated Blind - 68.5" x 28" Drop (Option L46L)
9	096335-47-B88	EA	Pleated Blind - 68.5" x 28" Drop (Option L46L)
	101668-15-B87	EA	Curtain Asm. w/Tape Top - 30" x 50" (Driver Side)
	101668-14-B87	EA	Curtain Asm. w/Tape Top - 30" x 50" (Passenger Side)
	101668-15-B88	EA	Curtain Asm. w/Tape Top - 30" x 50" (Driver Side)
	101668-14-B88	EA	Curtain Asm. w/Tape Top - 30" x 50" (Passenger Side)
	076892-06-B85	EA	Curtain Asm. w/Snap Top - Cab Privacy - 40" x 72"
	073260-49-B87	EA	Tieback Asm. - 3" x 18"
	073260-49-B88	EA	Tieback Asm. - 3" x 18"

**1991 1/2 ITASCA
TABLE OF CONTENTS**

INTRODUCTION	A-01 - A-02
ABBREVIATIONS	A-03
ALPHABETICAL/GROUP REFERENCE	A-04 - A-06
IF327RB	A-07 - D-04
IF327RT	D-05 - G-13

1991 1/2 IF327RT INDEX

Floor Plan	D-05 - D-06
Accessories Group	D-07 - D-10
Bath Group	D-11 - D-12
Bedroom Group	D-13 - D-15
Chassis Group	D-16 - D-19
Curtain, Cushion & Pad Group	D-20 - E-05
Dinette Group	E-06 - E-08
Driver's Compartment Group	E-09 - E-11
Electrical Group	E-12 - E-14
Exterior Body Group	E-15 - E-19
Galley Group	E-20 - E-23
Heating & Air Conditioning Group	E-24 - F-01
Interior Finish Group	F-02 - F-05
Labels Group	F-06 - F-13
LP Group	F-14
Lounge Group	F-15
Sealants & Fasteners Group	F-16 - F-17
Water & Sewage Group	F-18 - F-22
Window, Vant & Exterior Door Group	F-23 - G-13

CURTAIN, CUSHION & PAD GROUP (CONTINUED)

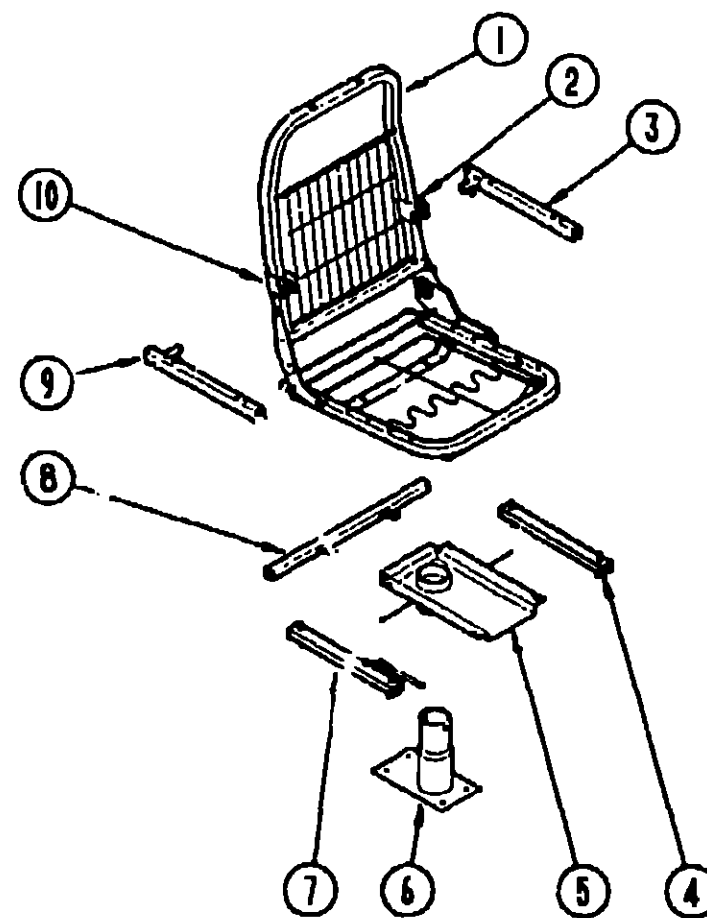
CURTAIN & CUSHION HARDWARE

Key	Part Number	U/M	Description
	092464-01-01A	EA	Track - Shower Curtain - Off White - Curved
	009701-01-000	EA	Carrier - Shower Curtain
	009702-01-000	EA	End - Stop - Curtain Carrier - Shower
	046867-01-000	EA	Grommet - Brass - 7/16" ID x 1" OD (Shower Curtain)
	009136-01-000	EA	Pin - Shower Curtain
	029052-01-000	EA	Stud - Nickel Finish
	029093-01-000	EA	Eyelet - Nickel Finish
	029155-01-000	EA	Cap - Snap
	029156-01-000	EA	Socket - Snap Fastener
	029130-01-000	EA	Screw - Snap Socket - 8 PH x 5/8"
	069916-01-000	EA	Mount - Window Leg - Black
	101032-01-000	FT	Track - Curtain - Ceiling Mount - White (Bunk Privacy)
	101033-01-000	FT	Track - Curtain - Low Profile - White (Bunk Window Valance)
	101033-02-000	EA	End Cap - Track - Clear
	101031-01-000	EA	Tape - Glide - 4.25" Spacing
	095591-02-000	EA	Bracket - Blind - Hold Down w/Pin
	082239-02-000	EA	Brace - Window Valance - Beige - 18.7" Long
	075943-01-000	EA	Brace - Window Valance - Beige - 20" Long
	083170-01-000	EA	Bracket - Blind - Right
	083170-02-000	EA	Bracket - Blind - Left
	089522-03-000	EA	Panel - Leg - Window - 27" Long
	089522-04-000	EA	Panel - Leg - Window - 31.5" Long
	094896-02-000	EA	Grommet - Cord - Pleated Blind - Nylon - Gray
	094907-02-000	EA	End Cap - Top - Pleated Blind - Plastic - Gray
	094907-03-000	EA	End Cap - Bottom - Pleated Blind - Plastic - Gray
	097591-01-000	EA	Spring - Extension - Pleated Blind
	097592-01-000	EA	Spool - Cord - Elevated Blind Holdup - Clear Plastic
	097593-02-000	FT	Cord - Pleated Blind (B87)
	097593-06-000	FT	Cord - Pleated Blind (B88)
	093475-01-700	EA	Wand - Blind w/Metal Clip - 8" Long
	093475-01-701	EA	End Cap - Blind w/Stud
	097565-01-000	EA	Bracket - Mounting - Pleated Blind
	102555-01-000	EA	Cleat - Cord - Blind - Off White
	103986-01-000	FT	Trim - Valance - .75" Wide - Brass
	105450-02-01A	EA	Track - Curtain - 48" - Aluminum - Off White
	105450-05-01A	EA	Track - Curtain - 79" - Aluminum - Off White
	105450-06-01A	EA	Track - Curtain - 80" - Aluminum - Off White

BUCKET SEAT CUSHIONS

Key	Part Number	U/M	Description
	093450-17-B87	EA	Seat Asm. - Bucket - Driver
	093450-17-B88	EA	Seat Asm. - Bucket - Driver
	093450-18-B87	EA	Seat Asm. - Bucket - Passenger
	093450-18-B88	EA	Seat Asm. - Bucket - Passenger
	M03445-23-B87	EA	Cover - Seat - Bucket Seat
	M03445-23-B88	EA	Cover - Seat - Bucket Seat
	M03445-22-B87	EA	Cover - Back - Bucket Seat
	M03445-22-B88	EA	Cover - Back - Bucket Seat
	M0243-41-B87	EA	Armrest - Bucket Seat - Right Hand
	080243-41-B88	EA	Armrest - Bucket Seat - Right Hand
	M80243-41-B87	EA	Cover - Right Armrest - Bucket Seat
	M80243-41-B88	EA	Cover - Right Armrest - Bucket Seat
	080243-42-B87	EA	Armrest - Bucket Seat - Left Hand
	080243-42-B88	EA	Armrest - Bucket Seat - Left Hand
	M80243-42-B87	EA	Cover - Left Armrest - Bucket Seat
	M80243-42-B88	EA	Cover - Left Armrest - Bucket Seat
	071126-24-B87	EA	Skirt Asm. - Single Bucket
	071126-24-B88	EA	Skirt Asm. - Single Bucket

CURTAIN, CUSHION & PAD GROUP (CONTINUED)



BUCKET SEAT HARDWARE

Key	Part Number	U/M	Description
	1 M80906-04-000	EA	Frame Asm. - Seat, Back & Spring
*	1 M80906-05-000	EA	Frame Asm. - Seat, Back & Spring
	2 081362-02-000	EA	Bracket - Armrest - Left Hand
	3 101124-02-000	EA	Rod & Channel - Armrest - Left - Metal
	4 069246-02-000	EA	Adjuster - Bucket Seat w/o Lock - Forward & Back
	5 093481-04-000	EA	Top Plate - Pedestal - Bucket Seats
	6 069585-03-000	EA	Base - Bucket Seats - Bolts to Floor - Vertical - 8"
	7 069246-05-000	EA	Adjuster - Bucket Seat w/Remote
	8 069585-28-000	EA	Bar - Seat Belt - Bucket Seats - 18"
	9 101124-01-000	EA	Rod & Channel - Armrest - Right - Metal
10	081362-01-000	EA	Bracket - Armrest - Right Hand
	069246-05-700	EA	Spring for Slide Adjuster
	069246-05-701	EA	Clip Only For Cable Asm.
	101125-01-000	EA	Recliner - Seat Back - Left Hand
	089368-04-000	EA	Frame - Cable - Remote Swivel
	089368-05-000	EA	Frame - Cable - Remote Recliner
	081361-01-000	EA	Rod - Armrest - Metal

* Those parts are used from 6/3/91 on.

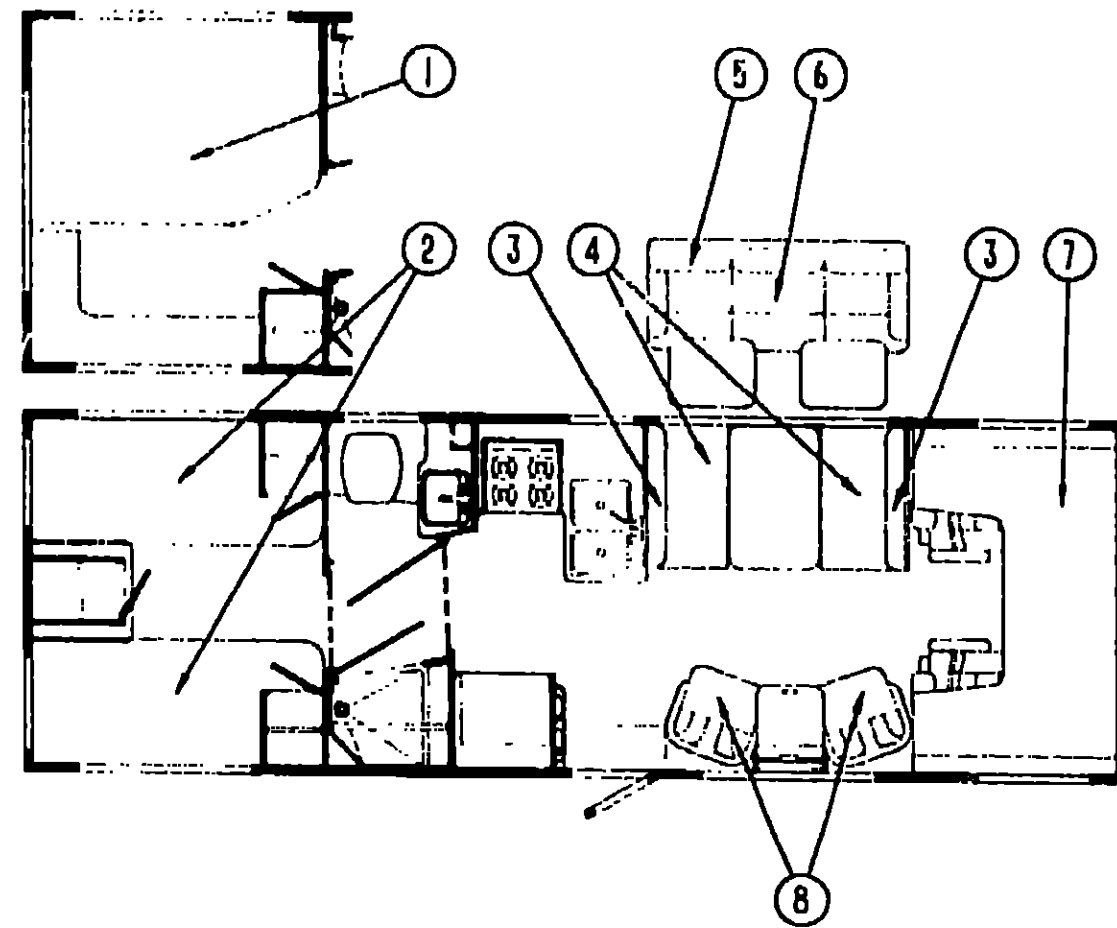
**1991 1/2 ITASCA
TABLE OF CONTENTS**

INTRODUCTION	A-01 - A-02
ABBREVIATIONS	A-03
ALPHABETICAL/GROUP REFERENCE	A-04 - A-06
IF327RB	A-07 - D-04
IF327RT	D-05 - G-13

1991 1/2 IF327RT INDEX

Floor Plan	D-05 - D-06
Accessories Group	D-07 - D-10
Bath Group	D-11 - D-12
Bedroom Group	D-13 - D-15
Chassis Group	D-16 - D-19
Curtain, Cushion & Pad Group	D-20 - E-05
Dinette Group	E-06 - E-08
Driver's Compartment Group	E-09 - E-11
Electrical Group	E-12 - E-14
Exterior Body Group	E-15 - E-19
Galley Group	E-20 - E-23
Heating & Air Conditioning Group	E-24 - F-01
Interior Finish Group	F-02 - F-05
Labels Group	F-06 - F-13
LP Group	F-14
Lounge Group	F-15
Sealants & Fasteners Group	F-16 - F-17
Water & Sewage Group	F-18 - F-22
Window, Vent & Exterior Door Group	F-23 - G-13

CURTAIN, CUSHION & PAD GROUP (CONTINUED)



DOUBLE BED (OPTION L46L)

Key	Part Number	U/M	Description
1	085365-08-B87	EA	Bedsread - Double w/Rounded Corners - 54"
1	085365-08-B88	EA	Bedsread - Double w/Rounded Corners - 54"
1	101123-03-000	EA	Mattress - Double - 53" x 74"
	P01123-03-000	EA	Cover - Mattress - 53" x 74"
	102161-01-B87	EA	Pillow Sham w/Foam Pillow
	102161-01-B88	EA	Pillow Sham w/Foam Pillow
	081997-07-B87	EA	Pillow Sham Only
	081997-07-B88	EA	Pillow Sham Only
1	102161-07-B87	EA	Pillow Sham w/Foam Pillow
1	102161-07-B88	EA	Pillow Sham w/Foam Pillow
1	104565-01-B87	EA	Pillow Sham Only
1	104565-01-B88	EA	Pillow Sham Only
	088273-73-000	YD	Fabric - Bedsread - Patterned (B87)
	088273-70-000	YD	Fabric - Bedsread - Patterned (B88)
	088273-72-000	YD	Fabric - Bedsread - Plain (B87)
	088273-67-000	YD	Fabric - Bedsread - Plain (B88)
†	These parts were used from 4/8/91 on.		

CURTAIN, CUSHION & PAD GROUP (CONTINUED)

TWIN BED

Key	Part Number	U/M	Description
2	085365-07-B07	EA	Bedsread - Twin w/Rounded Corners - 33"
2	085365-07-D00	EA	Bedsread - Twin w/Rounded Corners - 33"
2	101123-02-000	EA	Mattress - Twin - 32" x 74"
	P01123-02-000	EA	Cover - Mattress - 32" x 74"
	102161-01-B87	EA	Pillow Sham w/Foam Pillow
	102161-01-B88	EA	Pillow Sham w/Foam Pillow
	081997-07-B07	EA	Pillow Sham Only
	081997-07-B88	EA	Pillow Sham Only
1	102161-07-B87	EA	Pillow Sham w/Foam Pillow
1	102161-07-B88	EA	Pillow Sham w/Foam Pillow
1	104565-01-B87	EA	Pillow Sham Only
1	104565-01-B88	EA	Pillow Sham Only
	088273-73-000	YD	Fabric - Bedsread - Patterned (B87)
	088273-70-000	YD	Fabric - Bedsread - Patterned (B88)
	088273-72-000	YD	Fabric - Bedsread - Plain (B87)
	088273-67-000	YD	Fabric - Bedsread - Plain (B88)
†	These parts were used from 4/8/91.		

DINETTE CUSHIONS

Key	Part Number	U/M	Description
3	088927-77-B87	EA	Cushion Asm. - 13" x 38" x 5" - Back
3	088927-77-B88	EA	Cushion Asm. - 13" x 38" x 5" - Back
	M88927-77-B87	EA	Cover Asm. - Back - Dinette Cushion
	M88927-77-B88	EA	Cover Asm. - Back - Dinette Cushion
4	088927-86-B87	EA	Cushion Asm. - 21" x 38" x 5" - Seat
4	088927-86-B88	EA	Cushion Asm. - 21" x 38" x 5" - Seat
	M88927-86-B07	EA	Cover Asm. - Seat - Dinette Cushion
	M88927-86-B88	EA	Cover Asm. - Seat - Dinette Cushion
	078155-01-000	EA	Strap Asm. - Cushion Snap
	096008-90-000	YD	Fabric - Dinette Cushion (B87)
	096008-83-000	YD	Fabric - Dinette Cushion (B88)

PRESTO BED COUCH (OPTION L041)

Key	Part Number	U/M	Description
5	100032-04-B87	EA	Presto Bed - Couch Back
5	100032-04-B88	EA	Presto Bed - Couch Back
	P00032-04-B87	EA	Cover Asm. - Presto Bed Back
	P00032-04-B88	EA	Cover Asm. - Presto Bed Back
6	100032-03-B87	EA	Presto Bed - Couch Seat
6	100032-03-B88	EA	Presto Bed - Couch Seat
	P00032-03-B87	EA	Cover Asm. - Presto Bed Seat
	P00032-03-B88	EA	Cover Asm. - Presto Bed Seat
	101236-03-B87	EA	Armrest - Presto Bed - Rear
	101236-03-B88	EA	Armrest - Presto Bed - Rear
	P01236-03-B87	EA	Cover - Armrest Presto Bed - Rear
	P01236-03-B88	EA	Cover - Armrest Presto Bed - Rear
	101236-04-B87	EA	Armrest - Presto Bed - Front
	101236-04-B88	EA	Armrest - Presto Bed - Front
	P01236-04-B87	EA	Cover - Armrest Presto Bed - Front
	P01236-04-B88	EA	Cover - Armrest Presto Bed - Front
	101085-03-000	EA	Frame - Base - 66.5"
	101085-01-000	EA	Frame - Seat - 66.5"
	101085-02-000	EA	Frame - Back - 66.5"
	101085-07-000	EA	Frame - Armrest - Rear
	101085-08-000	EA	Frame - Armrest - Front
	101568-03-000	EA	Bracket Asm. - Armrest - Rear
	101568-04-000	EA	Bracket Asm. - Armrest - Front
	103669-01-B87	EA	Pillow - Throw - 16" x 16"
	103669-01-B88	EA	Pillow - Throw - 16" x 16"

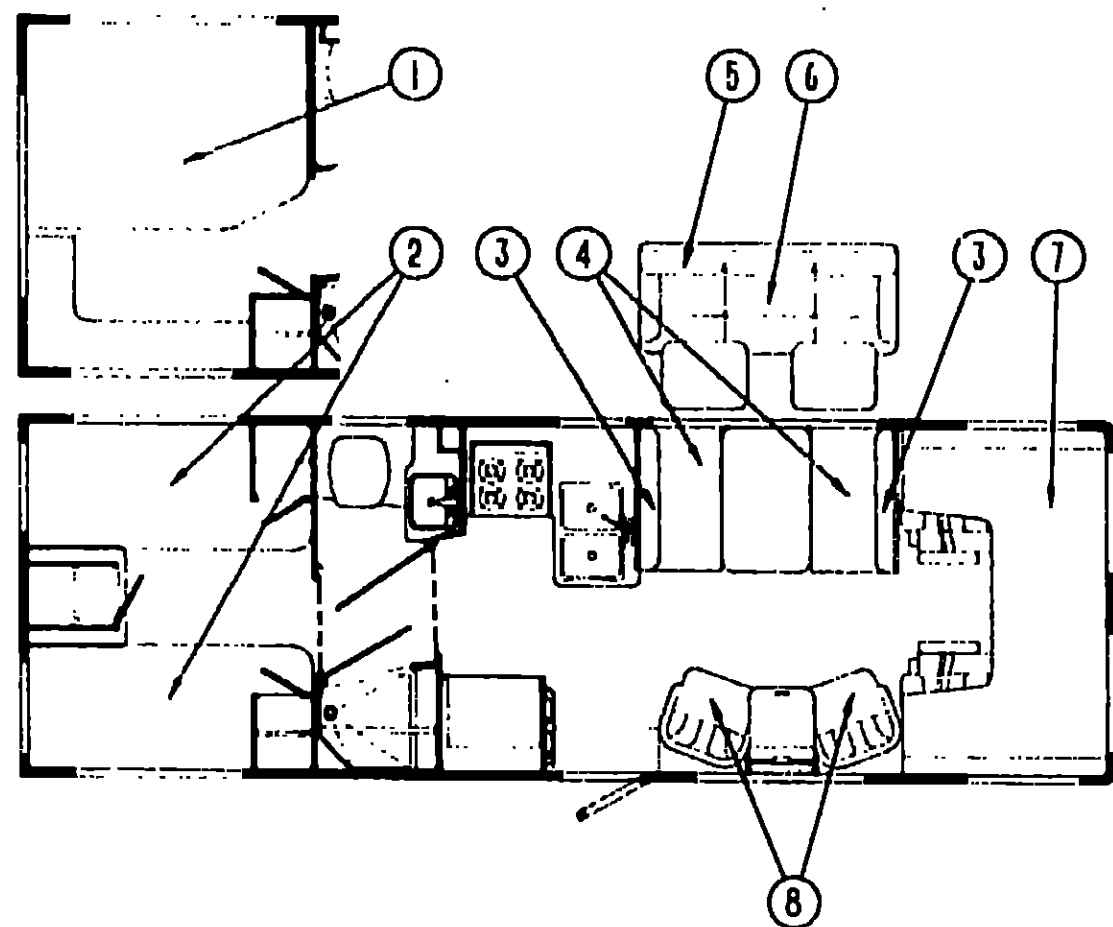
**1991 1/2 ITASCA
TABLE OF CONTENTS**

INTRODUCTION	A-01 - A-02
ABBREVIATIONS	A-03
ALPHABETICAL/GROUP REFERENCE	A-04 - A-06
IF327RB	A-07 - D-04
IF327RT	D-05 - G-13

1991 1/2 IF327RT INDEX

Floor Plan	D-05 - D-06
Accessories Group	D-07 - D-10
Bath Group	D-11 - D-12
Bedroom Group	D-13 - D-15
Chassis Group	D-16 - D-19
Curtain, Cushion & Pad Group	D-20 - E-05
Dinette Group	E-06 - E-08
Electrical Compartment Group	E-09 - E-11
Electrical Group	E-12 - E-14
Exterior Body Group	F-15 - F-19
Exterior Group	E-20 - E-22
Heating & Air Conditioning Group	E-24 - F-01
Interior Finish Group	F-02 - F-05
Labels Group	F-06 - F-13
LP Group	F-14
Lounge Group	F-15
Sealants & Fasteners Group	F-16 - F-17
Water & Sewage Group	F-18 - F-22
Window, Vent & Exterior Door Group	F-23 - G-13

CURTAIN, CUSHION & PAD GROUP (CONTINUED)



FRONT BUNK

Key	Part Number	U/M	Description
7	084753-22-B87	EA	Cushion - "U" Shaped - 57" x 90" x 5"
7	084753-22-B88	EA	Cushion - "U" Shaped - 57" x 90" x 5"
**7	084753-31-B87	EA	Cushion - "U" Shaped - 58" x 92" x 5"
**7	084753-31-B88	EA	Cushion - "U" Shaped - 58" x 92" x 5"
	M84753-16-B87	EA	Cover - "U" Shaped Cushion
	M84753-16-B88	EA	Cover - "U" Shaped Cushion
**	M84753-31-B87	EA	Cover - "U" Shaped Cushion
**	M84753-31-B88	EA	Cover - "U" Shaped Cushion
	084753-19-B87	EA	Cushion - Filler - 54" x 25" x 5"
	084753-19-B88	EA	Cushion - Filler - 54" x 25" x 5"
**	084753-32-B87	EA	Cushion - Filler - 59.5" x 26.5" x 5"
**	084753-32-B88	EA	Cushion - Filler - 59.5" x 26.5" x 5"
	M84753-19-B87	EA	Cover - Filler Cushion
	M84753-19-B88	EA	Cover - Filler Cushion
**	M84753-32-B87	CA	Cover - Filler Cushion
**	M84753-32-B88	EA	Cover - Filler Cushion
	096008-91-000	YD	Fabric - Front Bunk Cushion (B87)
	096008-84-000	YD	Fabric - Front Bunk Cushion (B88)
	079145-06-000	EA	Cushion - Front Bunk - 25" x 74" x 3.5" (L43V & L49F)
	M79145-08-000	EA	Cover - Front Bunk Cushion (L43V & L49F)

** These parts are used from 4/24/91 on.

CURTAIN, CUSHION & PAD GROUP (CONTINUED)

SWIVEL CHAIR

Key	Part Number	U/M	Description
B	096429-07-B87	EA	Swivel Chair w/o Skirt
B	096429-07-B88	EA	Swivel Chair w/o Skirt
	M96429-07-B87	EA	Cover - Swivel Chair
	M96429-07-B88	EA	Cover - Swivel Chair
	099202-04-B87	EA	Skirt - Swivel Chair
	099202-04-B88	EA	Skirt - Swivel Chair
	096008-91-000	YD	Fabric - Swivel Chair (B87)
	096008-84-000	YD	Fabric - Swivel Chair (B88)
	069246-06-000	EA	Adjuster Asm. - Swivel Chair - Manual
	069246-07-000	EA	Adjuster Asm. - Swivel Chair - Manual w/Hand
	088245-01-000	EA	Base - Swivel Chair w/Legs
	088245-03-000	EA	Plate - Top - Swivel w/o Tilt - w/Lock
	088245-06-000	EA	Extension - 7" - Base To Top Plate
	069705-02-000	EA	Bar - Seat Belt - 2.5" x 12.75"
	007221-01-000	EA	Spacer - Seal - Adjuster - 4 Used Per Chair

FABRICS & CARPETS

Key	Part Number	U/M	Description
	072353-82-000	YD	Fabric - Drapery - Mushroom (Privacy)
	096008-90-000	YD	Fabric - Upholstery - Main - Patterned (B87)
	096008-83-000	YD	Fabric - Upholstery - Main - Patterned (B88)
	096008-92-000	YD	Fabric - Upholstery - Accent - Plain (B87)
	096008-85-000	YD	Fabric - Upholstery - Accent - Plain (B88)
	096008-91-000	YD	Fabric - Upholstery - Accent - Patterned (B87)
	096008-84-000	YD	Fabric - Upholstery - Accent - Patterned (B88)
	088273-73-000	YD	Fabric - Main Bedspread - Patterned (B87)
	088273-70-000	YD	Fabric - Main Bedspread - Patterned (B88)
	088273-72-000	YD	Fabric - Accent Bedspread - Plain (B87)
	088273-67-000	YD	Fabric - Accent Bedspread - Plain (B88)
	072333-67-000	YD	Fabric - Speaker Cover
	075244-04-000	YD	Vinyl - Shower Curtain - Salmon (B87)
	075244-05-000	YD	Vinyl - Shower Curtain - Blue (B88)
	079660-09-000	YD	Vinyl - Off White (Headliner)
#	103907-01-01A	YD	Vinyl - Off White (Headliner)
	096060-21-000	YD	Carpet - Pale Orchid (B87)
	096060-23-000	YD	Carpet - Sand (B89)
	076314-02-000	FT	Tape - Heat Bonded - Carpet Seam
	047034-02-000	SF	Plastic Runner - Carpet - 4' Wide - Clear
	084415-31-000	FT	Trim - Braid - Curtain - Plum (B87)
	084415-30-000	FT	Trim - Braid - Curtain - Blue (B88)

These parts were used from 4/17/91 on.
NOTE: Replace vinyl flooring locally.

**1991 1/2 ITASCA
TABLE OF CONTENTS**

INTRODUCTION	A-01 - A-02
ABBREVIATIONS	A-03
ALPHABETICAL/GROUP REFERENCE	A-04 - A-06
IF327RD	A-07 - D-04
IF327RT	D-05 - G-13

1991 1/2 IF327RT INDEX

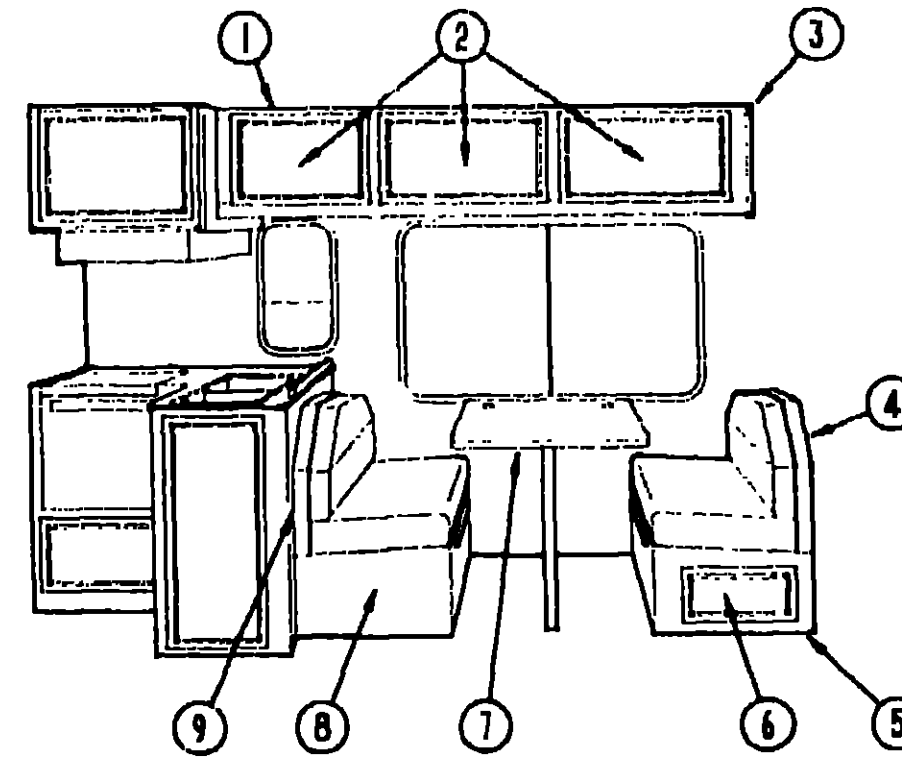
Floor Plan	D-05 - D-06
Accessories Group	D-07 - D-10
Bath Group	D-11 - D-12
Bedroom Group	D-13 - D-15
Chassis Group	D-16 - D-19
Curtain, Cushion & Pad Group	D-20 - E-05
Dinette Group	E-06 - E-08
Driver's Compartment Group	E-09 - E-11
Electrical Group	E-12 - E-14
Exterior Body Group	E-15 - E-19
Galley Group	E-20 - E-23
Heating & Air Conditioning Group	E-24 - F-01
Interior Finish Group	F-02 - F-05
Labels Group	F-06 - F-13
LP Group	F-14
Lounge Group	F-15
Sealants & Fasteners Group	F-16 - F-17
Water & Sewage Group	F-18 - F-22
Window, Vent & Exterior Door Group	F-23 - G-13

CURTAIN, CUSHION & PAD GROUP (CONTINUED)

TRIMS & PADS

Key	Part Number	U/M	Description
	070570-06-B05	EA	Button Asm. - Snap Top - #30 - Vinyl
	070570-10-B07	EA	Button Asm. - Snap Top - #30 - Accent - Plain
	070570-10-B00	EA	Button Asm. - Snap Top - #30 - Accent - Plain
	059797-02-000	EA	Shell - Upholstery Button - #30
	069734-01-000	EA	Back - Upholstery Button - #30
	070155-01-000	EA	Strap Asm. - Cushion (Dinette Cushion)
	081519-17-B87	EA	Pad Asm. - Dinette - Rear
	081519-17-B88	EA	Part Asm. - Dinette - Rear
	081519-16-B87	EA	Pad Asm. - Dinette - Front
	081519-16-B88	EA	Pad Asm. - Dinette - Front
	069885-16-B87	EA	Motor Cover w/Map Pocket (Option L26Y)
	069885-16-B88	EA	Motor Cover w/Map Pocket (Option L26Y)
	079349-01-B87	YD	Welling - Skirt
	079349-01-B88	YD	Welling - Skirt
	084415-31-000	YD	Trim - Braid - Curtain (B87)
	084415-30-000	YD	Trim - Braid - Curtain (B88)
	082081-22-B05	EA	Pad - Vinyl Covered - 1.5" x 52.2" - Off White
	082081-21-AA3	EA	Pad - Vinyl Covered - 1.5" x 60.6" - Off White (Option L041)
	082081-20-B05	EA	Pad - Vinyl Covered - 1.5" x 78.8" - Off White
	082071-10-B05	EA	Pad - Vinyl Covered - 6.6" x 28" - Off White

DINETTE GROUP



DINETTE CABINETRY

Key	Part Number	U/M	Description
1	M05150-32-B87	EA	Cabinet Asm. - Dinette Overhead - w/o Door or Hardware
2	P03702-23-B87	EA	Door Asm. - Dinette Cabinet - 14.4" x 26.8" - w/o Hardware
3	081280-21-B27	EA	End Cap Asm.
	103799-01-01A	EA	Coffee Maker - Almond (Option L26U)
	104610-01-000	EA	Strap Asm. - Coffee Maker (Option L26U)
4	M02174-08-B27	EA	Cabinet Asm. - Dinette Back
4	081519-16-B87	EA	Pad Asm. - Dinette Back
4	081519-16-B88	EA	Pad Asm. - Dinette Back
5	M02175-10-B87	EA	Cabinet Asm. - Dinette Seat
6	P03702-13-B87	EA	Door Asm. - Dinette Seat Cabinet - 10" x 19" - w/o Hardware
7	M81299-08-B87	EA	Table Asm. - Dinette - w/o Hardware
8	M02175-09-B27	EA	Cabinet Asm. - Dinette Seat
9	081519-17-B87	EA	Pad Asm. - Dinette Back
9	081519-17-B88	EA	Part Asm. - Dinette Back
	007021-01-000	EA	Seat Belt - 2" x 90" - Black
	057759-01-000	EA	Washer Bracket - Seat Belt - 4" Dia.
	000D44-07-08B	EA	Hex Nut - Ser Fig. - LK

* See the next page for the breakdown of this item.

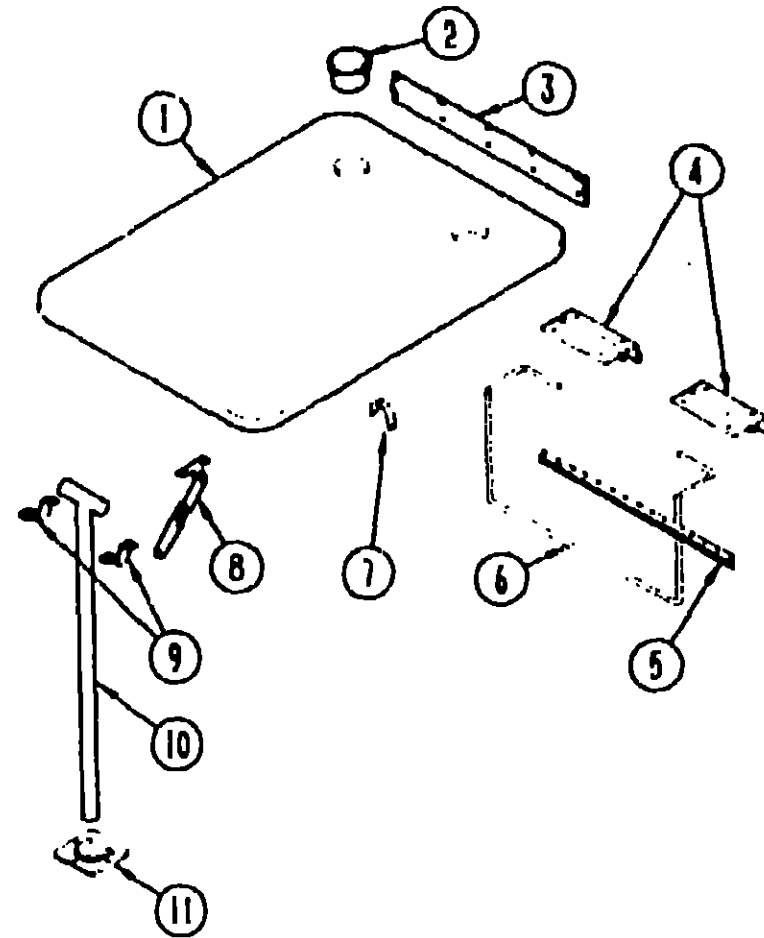
**1991 1/2 ITASCA
TABLE OF CONTENTS**

INTRODUCTION	A-01 - A-02
ABBREVIATIONS	A-03
ALPHABETICAL/GROUP REFERENCE	A-04 - A-06
IF327RD	A-07 - D-04
IF327RT	D-05 - G-13

1991 1/2 IF327RT INDEX

Floor Plan	D-05 - D-06
Accessories Group	D-07 - D-10
Bath Group	D-11 - D-12
Bedroom Group	D-13 - D-15
Chassis Group	D-16 - D-19
Curtain, Cushion & Pad Group	D-20 - E-05
Dinette Group	E-06 - E-08
Driver's Compartment Group	E-09 - E-11
Electrical Group	E-12 - E-14
Exterior Body Group	E-15 - E-19
Galley Group	E-20 - E-23
Heating & Air Conditioning Group	E-24 - F-01
Interior Finish Group	F-02 - F-05
Labels Group	F-06 - F-13
LP Group	F-14
Lounge Group	F-15
Sealants & Fasteners Group	F-16 - F-17
Water & Sewage Group	F-18 - F-22
Window, Vent & Exterior Door Group	F-23 - G-13

DINETTE GROUP (CONTINUED)



DINETTE TABLE & HARDWARE

Key	Part Number	U/M	Description
1	081299-08-B87	EA	Table Asm - Dinette - w/o Hardware or Cupholders
2	064781-06-000	EA	Cupholder - Two Step - Off White
3	053200-03-000	EA	Support - Table - 18 5" - Beige
4	088410-01-000	EA	Hanger - Table - Beige
5	024281-11-000	EA	Bracket - Table Lift - 17 12" - Beige
6	024275-11-000	EA	Rod - Table Lift - Beige
7	024283-01-000	EA	Clip - 1" - 1 125" - OD Tube - Black
8	024282-01-000	EA	Brace - Table Leg
9	064050-03-000	EA	Clamp - Saddle - Leg Hinge - Beige
10	024276-21-000	EA	Leg Asm - Table - Beige
11	049493-11-700 081295-01-AA8	EA	Catch - Table Leg Support - Dinette - 1 5" x 28" - Wood

DINETTE GROUP (CONTINUED)

PRESTO BED CABINETSRY (OPTION L041)

Key	Part Number	U/M	Description
	M04187-12-B87	EA	Panel Asm - Couch w/Fabric - Front
	M04187-12-B88	EA	Panel Asm - Couch w/Fabric - Front
	M04187-13-B87	EA	Panel Asm - Couch w/Fabric - Left Side
	M04187-13-B88	EA	Panel Asm - Couch w/Fabric - Left Side
**		EA	Couch - Presto Bed - Back
**		EA	Couch - Presto Bed - Seat
	081298-01-B87	EA	Pedestal Table Asm - 17" x 24" - w/o Hardware
	009040-04-000	EA	Leg - Pedestal Table - 27 5" x 2 25" OD - Crown
	009040-02-000	EA	Leg - Pedestal Table - 27 5" x 2 25" OD - Chrome
	041194-01-000	EA	Table Base - Flush Floor Mount
	042438-02-000	EA	Wood Dowel - 2" OD x 2
	009040-03-000	EA	Base - Raised Table Mount
	101926-01-01A	EA	Bracket - ZEE - 2" - Beige (3 Required)
	093586-03-000	EA	Catch - Roller Spring
	093586-04-000	EA	Stroke - Spring Steel
	082525-01-000	EA	Brace - Presto Bed - Floor Mount (3 Required)
	082525-05-000	EA	Brace - Angle - Presto Bed - 2 5" Beige
	062046-01-000	EA	Clip - Pedestal Leg - 1 7" x 2 2" - Chrome
**	See Curtain, Cushion & Pad Group for breakdown of this item		

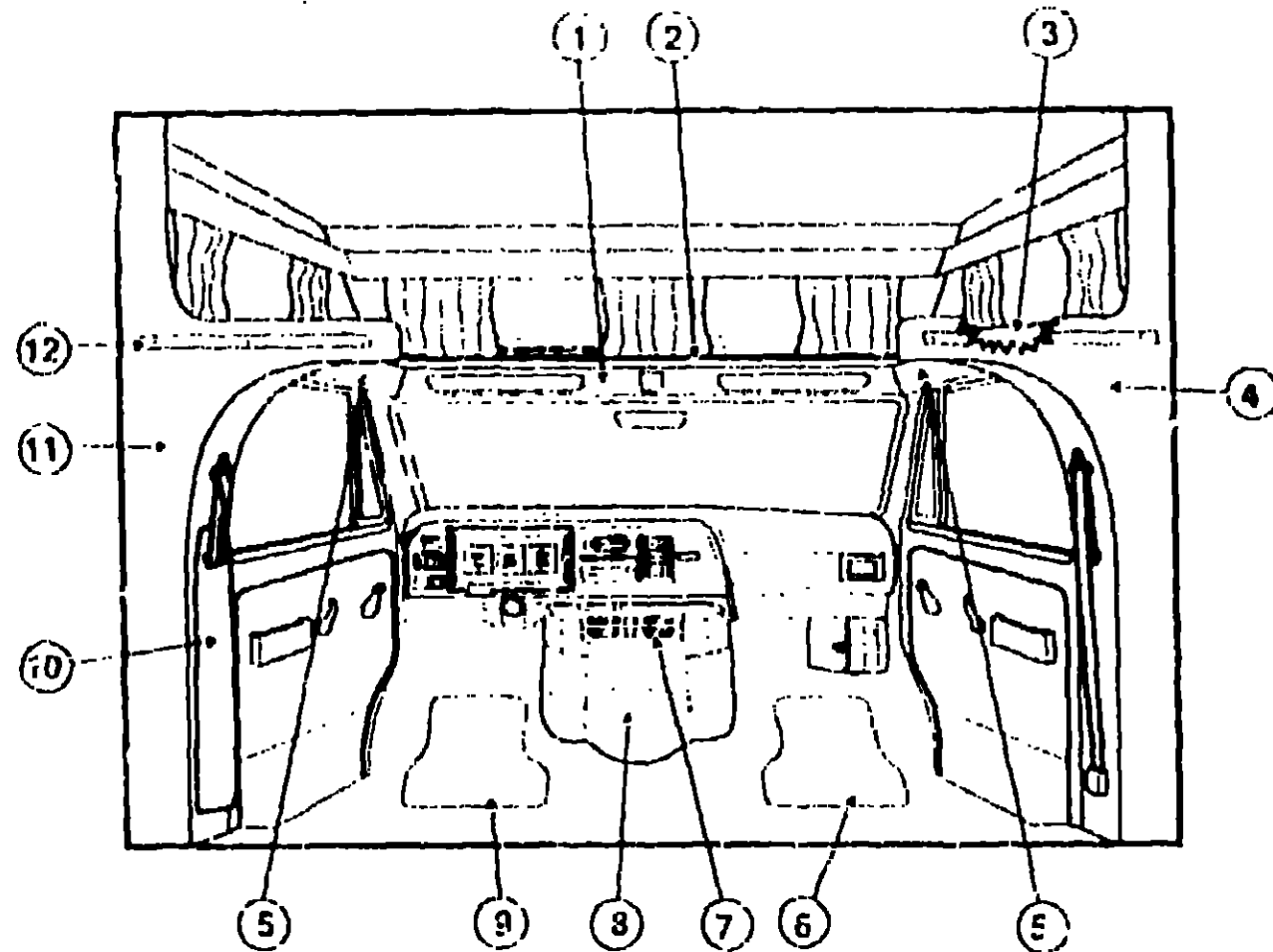
**1991 1/2 ITASCA
TABLE OF CONTENTS**

INTRODUCTION	A-01 - A-02
ABBREVIATIONS	A-03
ALPHABETICAL/GROUP REFERENCE	A-04 - A-06
IF327RT	A-07 - D-04
IF327RT	D-05 - G-13

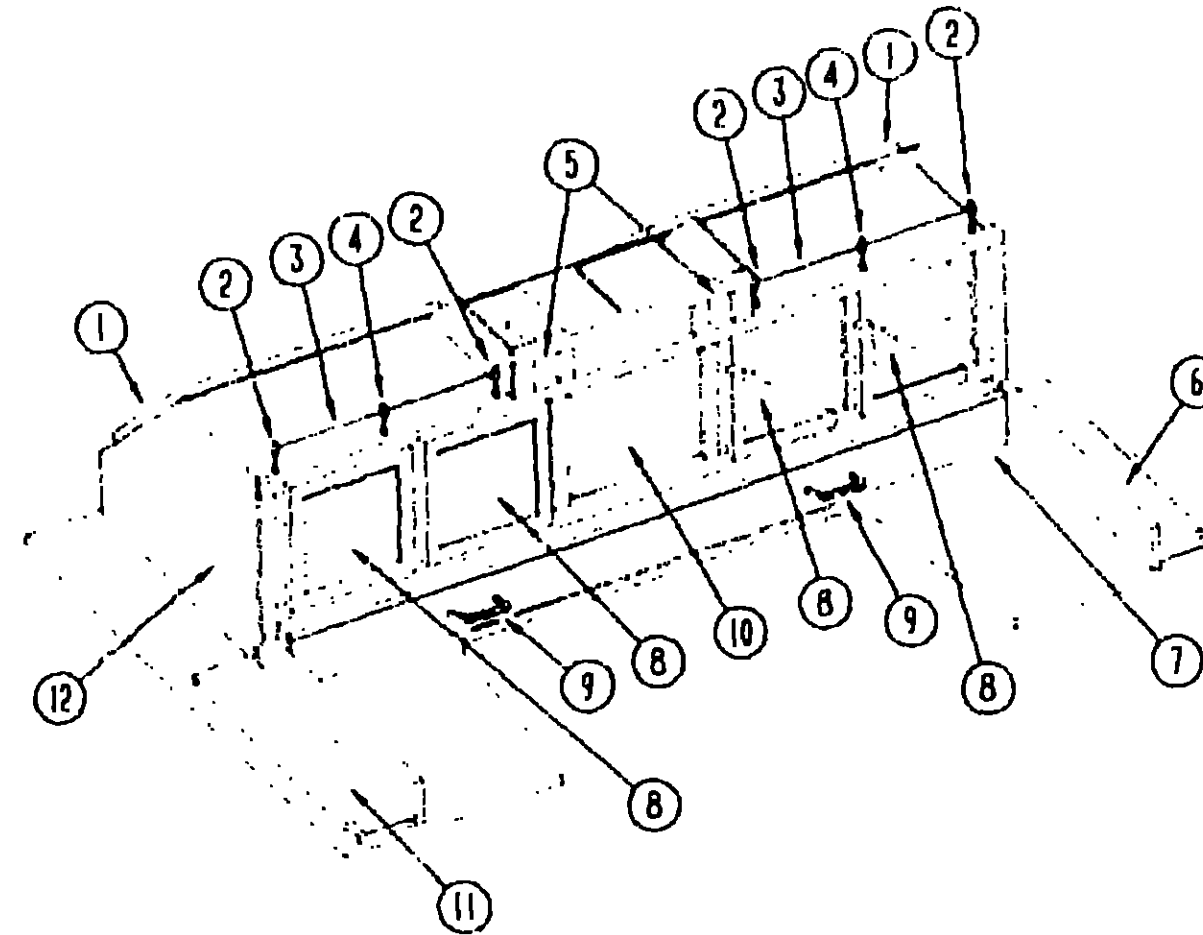
1991 1/2 IF327RT INDEX

Floor Plan	D-05 - D-06
Accessories Group	D-07 - D-10
Bath Group	D-11 - D-12
Bedroom Group	D-13 - D-15
Chassis Group	D-16 - D-19
Curtain, Cushion & Pad Group	D-20 - E-05
Dinette Group	E-06 - E-08
Driver's Compartment Group	E-09 - E-11
Electrical Group	E-12 - E-14
Exterior Body Group	E-15 - E-19
Galley Group	E-20 - E-23
Heating & Air Conditioning Group	E-24 - F-01
Interior Finish Group	F-02 - F-05
Labels Group	F-06 - F-13
LP Group	F-14
Lounge Group	F-15
Sealants & Fasteners Group	F-16 - F-17
Water & Sewage Group	F-18 - F-22
Window, Vent & Exterior Door Group	F-23 - G-13

DRIVER'S COMPARTMENT GROUP



DRIVER'S COMPARTMENT GROUP (CONTINUED)



**1991 1/2 ITASCA
TABLE OF CONTENTS**

INTRODUCTION	A-01 - A-02
ABBREVIATIONS	A-03
ALPHABETICAL/GROUP REFERENCE	A-04 - A-06
IF327RB	A-07 - A-04
IF327RT	D-05 - G-13

MISCELLANEOUS DRIVER'S COMPARTMENT COMPONENTS

Key	Part Number	U/M	Description
1	071831-01-B05	EA	Headliner - Front - Off White Vinyl
	098703-01-B05	LA	Sleeper Board Asm
2	079800-04-000	EA	Trim - Front Sleeper Board - Metal - Off White
2	080712-03-000	FT	Accent Trim - Off White Vinyl
3	096208-01-B05	EA	Cabinet Asm - Headboard
4	096244-01-B05	EA	Wingwall Asm - Inner - Passenger - Off White
5	091825-02-A45	EA	Headliner - Sides - Off White Vinyl
6	083219-03-000	EA	Floor Mat - Passenger (Option L26Y)
7	099857-01-B27	EA	Beverage Tray (Option L26Y)
8	069885-16-B87	EA	Motor Cover w/Pocket (Option L26Y)
8	069885-16-B88	EA	Motor Cover w/Pocket (Option L26Y)
9	083219-04-000	EA	Floor Mat - Driver (Option L26Y)
10	091871-05-000	EA	Seat Belt Cover - Off White
11	096244-02-B27	EA	Wingwall Asm - Inner - Driver - Off White
12	082069-03-B27	EA	Wood Trim - Wingwall - 15 8"
	074045-07-000	EA	Oak Plug - 1/2"
	091795-02-000	EA	Instrument Cluster - Kilometer
	082071-10-B05	EA	Pad - Vinyl Covered - 6 6" x 28" - Off White
	082081-22-B05	EA	Pad - Vinyl Covered - 1 5" x 52 2" - Off White
	082081-21-AA3	EA	Pad - Vinyl Covered - 1 5" x 60 6" - Off White (Option L041)
	082061-20-B05	EA	Pad Vinyl Covered - 1 5" x 78 8" - Off White
	024461-01-000	EA	Switch - Battery

TV & ENTERTAINMENT CABINETRY (OPTION L43V & L49F)

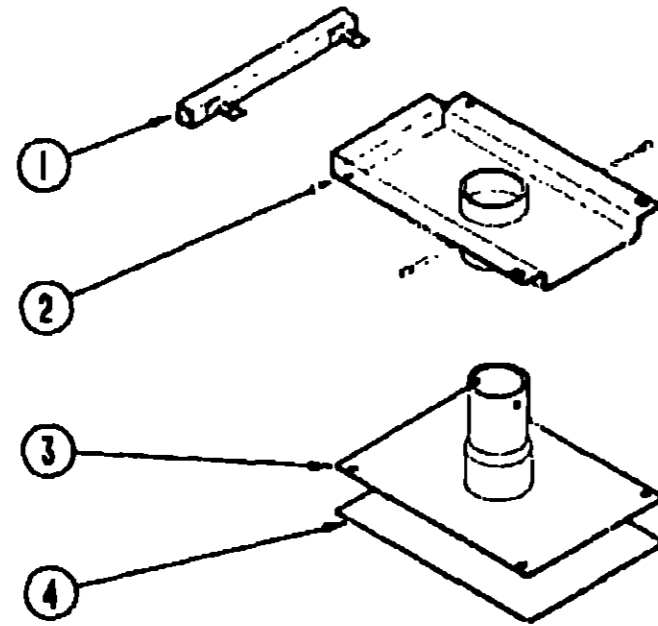
Key	Part Number	U/M	Description
1	099879-01-01A	EA	Panel - Window - Black Plastic
2	084070-02-000	EA	Post - End - Brass
3	084071-05-000	EA	Rod - Brass - 25"
4	084070-01-000	EA	Post - Center - Brass
5	072333-67-000	YD	Fabric - Speaker Cover
	098819-01-000	EA	Speaker - 2 Watt - 8 OHM - 4"
	074979-11-000	EA	Cover - Speaker - Plastic - Off White
6	099687-01-B27	EA	Cabinet - Headboard - Passenger
7	099639-01-B87	EA	Drawer - Entertainment - Front
*	079145-08-000	EA	Cushion - Front Bunk - 25" x 74" x 3.5"
8	P03702-70-B87	EA	Door - Cabinet - 13 9" x 13 9" - w/o Hardware
9	103857-01-000	EA	Pull - Drawer - Brass
10	098447-01-000	EA	TV - 13" Color w/Remote (US) RX4029WA
	098447-02-000	EA	TV - 13" Color w/Remote (CSA) XK4029CH
	098447-01-700	EA	Remote Control
*	098447-03-000	EA	TV - 13" Color - w/Remote - Magnavox (US) RR1337W
*	098447-04-000	EA	TV - 13" Color - w/Remote - Magnavox (CSA) RR1330W
*	098447-03-700	EA	Remote Control - TV
	099856-01-000	EA	TV - Tiedown
11	099687-02-B27	EA	Cabinet - Headboard - Driver
12	099445-01-B27	EA	Cabinet - Entertainment - Front
	098446-02-000	EA	VCR - VHS Cable Ready - w/Remote - Magnavox VR9912
	098446-02-700	EA	Remote Control - VCR
	095446-03-000	EA	VCR - VHS Cable Ready w/Remote - Magnavox VR9010
	096446-03-700	EA	Remote Control - VCR

* See Curtain, Cushion & Pad Group for further breakdown of this item
 * These parts were used from 6/24/91 on

1991 1/2 IF327RT INDEX

Floor Plan	D-05 - D-06
Accessories Group	D-07 - D-10
Bath Group	D-11 - D-12
Bedroom Group	D-13 - D-15
Chassis Group	D-16 - D-19
Curtain, Cushion & Pad Group	D-20 - E-05
Dinette Group	E-06 - E-08
Driver's Compartment Group	E-09 - E-11
Electrical Group	E-12 - E-14
Exterior Body Group	E-15 - E-19
Galley Group	E-20 - E-23
Heating & Air Conditioning Group	E-24 - F-01
Interior Finish Group	F-02 - F-05
Labels Group	F-06 - F-13
LP Group	F-14
Lounge Group	F-15
Sealants & Fasteners Group	F-16 - F-17
Water & Sewage Group	F-18 - F-22
Window, Vent & Exterior Door Group	F-23 - G-13

DRIVER'S COMPARTMENT GROUP (CONTINUED)



BUCKET SEAT PEDESTAL

Key	Part Number	U/M	Description
1	069585-28-000	EA	Bar - Seat Belt - 18"
2	093181-04-000	EA	Plate - Top - Pedestal Asm.
3	069585-03-000	EA	Plate - Sub - Pedestal Asm.
4	069585-02-000	EA	Plate - Base - Pedestal Asm. - Bucket Seat
	069246-02-000	EA	Adjuster Asm. - Seat - w/o Lock
	069246-05-000	EA	Adjuster Asm. - w/Remote
	069246-05-700	EA	Spring For Slide Adjuster
	069246-05-701	EA	Clip - For Cable Asm. Only

ELECTRICAL GROUP

WIRES, SWITCHES, & RECEPTACLES

Key	Part Number	U/M	Description
	008280-01-000	EA	Box - Electrical - 3" x 3.5" - Plastic
	093603-01-000	EA	Box - Electrical - 4" x 2 1/8" x 2 1/8"
	008289-01-000	EA	Box - Electrical - 4" x 4" - 1/2 & 3/4 Steel (US)
	008289-02-000	EA	Box - Electrical - 4" x 4" (CSA)
	058049-01-000	EA	Box - Electrical - 2" x 3" x 2.25" - Steel
	041953-01-000	FT	Conduit - Convolute Slit - .5" ID
	041953-03-000	FT	Conduit - Convolute Slit - 1" ID
	041953-09-000	FT	Conduit - Convolute Slit - .5" ID - Black w/Gray Stripes
	008355-01-000	EA	Connector - Cable Clamping - 3/4"
	008356-01-000	EA	Connector - Plastic - 3/8" Avg.
	058028-01-000	EA	Connector - Pigtail - Clear Nylon
	008311-01-000	EA	Connector - Wire Nut - Red
	008314-01-000	EA	Connector - Wire Nut - Gray
	031968-01-000	EA	Contact - Plug
	008054-01-000	EA	Cord - Power - 10-3 30 Amp. - 25' (US)
	008052-01-000	EA	Cord - Power - 10-3 30 Amp. - 25' (CSA)
	069238-01-000	EA	Cover - Electrical Box - w/Hole - 4" x 4" - Gray
	063910-01-000	EA	Housing - Relay
	088474-08-000	EA	Housing - Socket - 4 Position
	088474-09-000	EA	Housing - Socket - 3 Position
	097744-01-000	EA	Housing - Trailer Pin - 12"
	097744-02-000	EA	Housing - Trailer Pin - 48"
	097746-01-000	EA	Housing Asm. - Trailer Cap
	097745-01-000	EA	Housing Asm. - Trailer Receptacle - 12"
	097745-02-000	EA	Housing Asm. - Trailer Receptacle - 48"
	083473-01-000	EA	Housing Pin - 4 Rows of 3
	088473-05-000	EA	Housing Pin - 6 Position In Line
	088473-09-000	EA	Housing Pin - 3 Position
	088473-10-000	EA	Housing Pin - 2 Position
	088474-01-000	EA	Housing - Socket - 12 Position
	088475-01-000	EA	Pin - Connector
	046885-01-000	EA	Plaque - Switch Mounting
	075736-02-000	EA	Receptacle/Cover Asm. - Off White (Exterior)
	084077-01-000	EA	Receptacle Cover - Ivory (Ground Fault Interrupter)
	084077-02-000	EA	Receptacle Cover - Brown (Ground Fault Interrupter)
	084076-01-000	EA	Receptacle - 15 Amp. - 125 Volt - Ivory (Ground Fault Interrupter)
	084076-02-000	EA	Receptacle - 15 Amp. - 125 Volt - Brown (Ground Fault Interrupter)
	024924-02-000	EA	Receptacle - Power Cord
	058707-01-000	EA	Receptacle - Single - Brown
	007940-01-000	EA	Receptacle - Slide - 16 to 12 Awg.
	058708-01-000	EA	Receptacle - Double Electrical - Brown
	058708-02-000	EA	Receptacle - Double Electrical - Ivory
	097734-01-01A	EA	Receptacle - Extension - 3.2" x 5" x 7" - Plastic - Ivory
	097734-01-02A	EA	Receptacle - Extension - 3.2" x 5" x 7" - Plastic - Brown

**1991 1/2 ITASCA
TABLE OF CONTENTS**

INTRODUCTION	A-01 - A-02
ABBREVIATIONS	A-03
ALPHABETICAL/GROUP REFERENCE	A-04 - A-06
IF327RE	A-07 - D-04
IF327RT	D-05 - G-13

1991 1/2 IF327RT INDEX

Floor Plan	D-05 - D-06
Accessories Group	D-07 - D-10
Bath Group	D-11 - D-12
Bedroom Group	D-13 - D-15
Chassis Group	D-16 - D-19
Curtain, Cushion & Pad Group	D-20 - E-05
Dinette Group	E-06 - E-08
Driver's Compartment Group	E-09 - E-11
Electrical Group	E-12 - E-14
Exterior Body Group	E-15 - E-19
Galley Group	E-20 - E-23
Heating & Air Conditioning Group	E-24 - F-01
Interior Finish Group	F-02 - F-05
Labels Group	F-06 - F-13
LP Group	F-14
Lounge Group	F-15
Sealants & Fasteners Group	F-16 - F-17
Water & Sewage Group	F-18 - F-22
Window, Vent & Exterior Door Group	F-23 - G-13

ELECTRICAL GROUP (CONTINUED)

WIRES, SWITCHES & RECEPTACLES (CONTINUED)

Key	Part Number	U/M	Description
	095188-01-01A	EA	Spacer - Switch - Dark Brown
	102568-01-032	EA	Spacer - Receptacle - Between Sidewall & Plate - Wood
	090971-01-000	EA	Splice - Cable - 110V
	090971-02-000	EA	Splice - Cable - 110V - Tap
	088476-01-000	EA	Socket - Connector
	088476-02-000	EA	Socket - Connector - 12-10 Ga.
	008188-01-000	EA	Solenoid - 3 Post - Battery Charge Over
	098351-02-01A	EA	Switch Plate - 2 Gang - Polished Brass
	079364-01-000	EA	Switch - On/Off Rocker - Brown
	007942-01-000	EA	Tab - 18 to 14 Awg Wire
	007949-01-000	EA	Tab - 14 to 10 Awg Wire
	031965-01-000	EA	Tab - Housing - 2 Position
	047443-01-000	EA	Terminal - .250 Receptacle Fit - Insulated - 16/14 AWG
	047443-02-000	EA	Terminal - .250 Receptacle Fit - Insulated - 12/10 AWG
	050003-02-000	EA	Terminal Pin - 16-14 AWG
	008326-01-000	EA	Terminal Ring - 16/14 Wire - 3/8" Stud
	035416-04-000	EA	Terminal Ring - #10 Stud Fit
	008328-01-000	EA	Terminal Ring - 12/10 Wire
	008348-01-000	EA	Terminal Ring - 2 - 3/8 Stud
	008331-01-000	EA	Terminal Ring - 4 - 3/8 Stud
	093252-01-01A	EA	Wall Plate - Cable - Beige
	008026-01-000	FT	Wire - 12/2 Romex w/Ground
	008030-01-000	FT	Wire - Bonded
	008343-01-000	EA	Wire Tie - 6"

EXTERIOR LIGHTS

Key	Part Number	U/M	Description
	042405-01-000	EA	Lens - Side Marker/Clearance Light - w/Reflex - Red
	042405-02-000	EA	Lens - Side Marker Light - w/Reflex - Amber
	042405-03-000	EA	Base - Clearance Light - Rectangular
	091903-01-000	EA	Gasket - Light - Side Marker
	008213-01-000	EA	Bulb - 12 Volt - #57
	062740-04-000	EA	Wedge - Tail Light - Plastic - Passenger Side - Off White
	062742-04-000	EA	Wedge - Tail Light - Plastic - Driver Side - Off White
	007309-01-000	EA	Light - License Plate
	059540-01-000	EA	Bracket - License Plate
	058032-02-000	EA	Tail Lamp - 2 Bulb - Black Bezel
	058032-02-700	EA	Lens - Tail Lamp - w/Backup - Red
	058032-02-701	EA	Lens - Tail Lamp - w/o Backup - Red
	037935-01-000	EA	Bulb - Tail Lamp - #1157 - 12 Volt
	097917-01-01A	EA	Light - Porch/Entry Door - Off White
	097917-01-700	EA	Lens - Porch Light
	008215-01-000	EA	Bulb - Porch Light
	100138-01-000	EA	Module - Daytime Running Lights (CSA)
	100159-02-000	EA	Wire Assn. - Daytime Running Lights - w/Fuse (CSA)

INTERIOR LIGHTS

Key	Part Number	U/M	Description
	007309-01-000	EA	Light - Step Well - Round - 12V
	098024-01-01A	EA	Dome Light - 1 Bulb - Ivory
	098024-03-01A	EA	Dome Light - 2 Bulb - Ivory
	098024-01-700	EA	Lens - Dome Light
	008218-01-000	EA	Bulb - Dome Light - 12 Volt - #1141
	086280-01-000	EA	Light - Surface Mount - 12 Volt
	086280-01-700	EA	Bulb - 12 Volt - 6 Watt

ELECTRICAL GROUP (CONTINUED)

BULBS

Key	Part Number	U/M	Description
	092696-01-700	EA	Bulb - 912 (Stove Hood)
	008215-01-000	EA	Bulb - 1003 (Porch Light)
	008218-01-000	EA	Bulb - 1141 (Dome Light)
	037934-01-000	EA	Bulb - 1156 (Back-Up Light)
	037935-01-000	EA	Bulb - 1157 (Tail Lamp)
	084880-03-700	EA	Bulb - DC Light (Refrigerator)
	088737-01-710	EA	Bulb - 30W (Microwave Oven)
	036196-01-000	EA	Bulb - 194 (Clearance Light)
	006280-01-700	EA	Bulb - 12 Volt - 6 Watt (Surface Light)
	008213-01-000	EA	Bulb - 57 (Clearance Light)

FUSES & CIRCUIT BREAKERS

Key	Part Number	U/M	Description
	008235-01-000	EA	Fuse - 12 Volt - 15 Amp.
	062901-05-000	EA	Fuse - 15 Amp. - Automotive
	008211-01-000	EA	Circuit Breaker - 6 Amp - 12 Volt
	083209-01-000	EA	Circuit Breaker - 15 Amp. 120 Volt
	083209-02-000	EA	Circuit Breaker - 15/15 Amp. - 120 Volt
	083209-03-000	EA	Circuit Breaker - 15/20 Amp. - 120 Volt
	083209-04-000	EA	Circuit Breaker - 20 Amp. - 120 Volt
	083209-06-000	EA	Circuit Breaker - 30/15 Amp. - 120 Volt
	083209-08-000	EA	Circuit Breaker - Blank
	083210-02-000	EA	Circuit Breaker - 15 Amp. - 120 Volt (Ground Fault Interrupter)
	033573-01-000	EA	Circuit Breaker - 20 Amp. - 120 Volt
	094811-01-000	EA	Circuit Breaker - 20/20 Amp. - 120 Volt
	008260-01-000	EA	Circuit Breaker - 30 Amp - 12 Volt
	094810-01-000	EA	Circuit Breaker - 30/30 Amp. - 120 Volt (Export)
	050283-02-000	EA	Circuit Breaker - Buss Bar
	100341-01-000	EA	Fuse Holder - In Line Type
	008277-01-000	EA	Fuse Holder - Panel Mount - Black

MISCELLANEOUS ELECTRICAL COMPONENTS

Key	Part Number	U/M	Description
	072852-01-000	EA	Smoke Detector w/9 Volt Battery (US)
	072852-02-000	EA	Smoke Detector w/9 Volt Battery (CSA)
	092615-01-000	EA	Converter - 40 Amp. w/Charger
	094809-01-000	EA	Load Center - 240 Volt - 125 Amp. (Export)
	083209-01-000	EA	Control Center - 32 Amp - 120V/12V

**1991 1/2 ITASCA
TABLE OF CONTENTS**

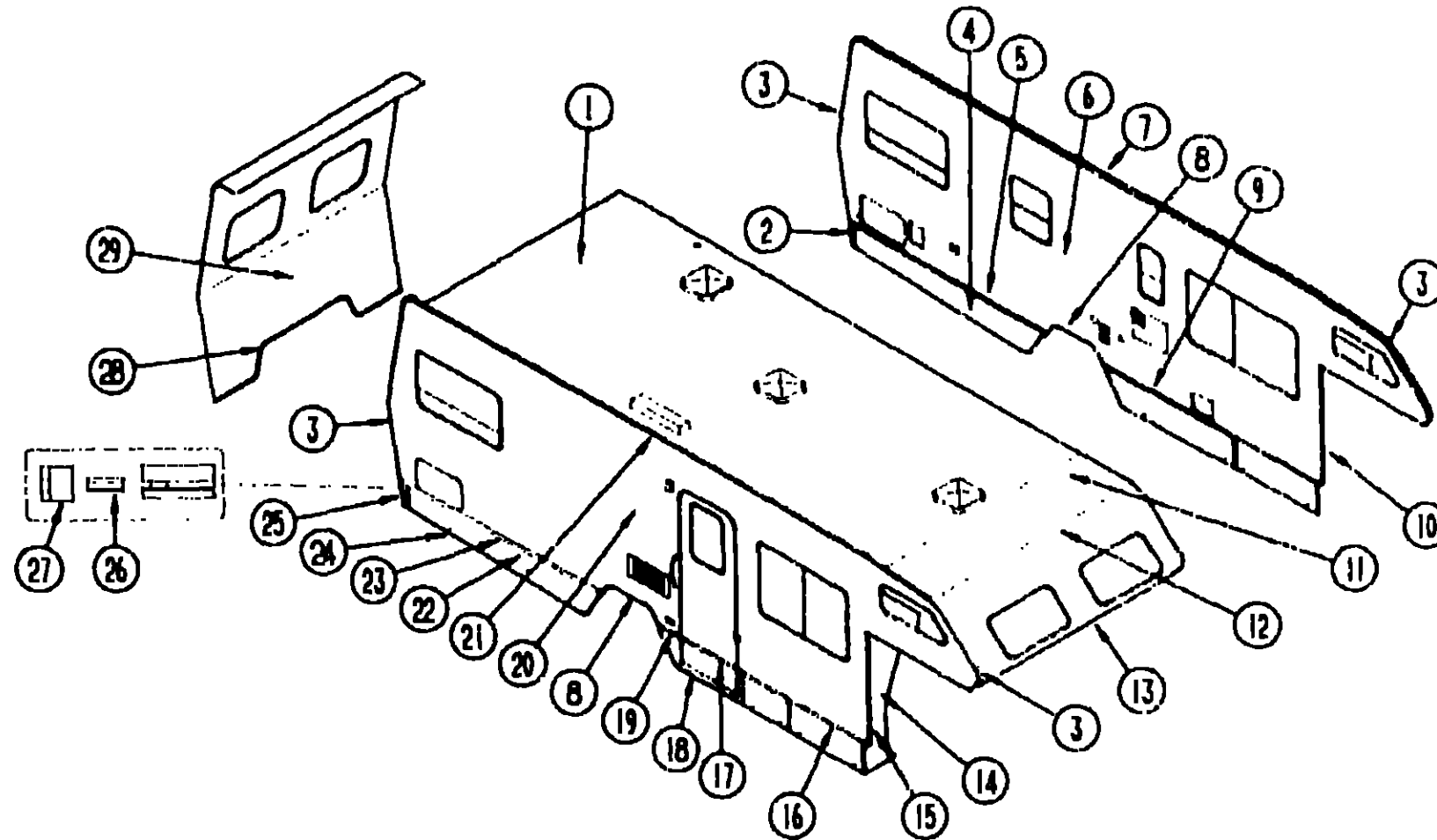
INTRODUCTION	A-01 - A-02
ABBREVIATIONS	A-03
ALPHABETICAL/GROUP REFERENCE	A-04 - A-06
IF327RB	A-07 - D-04
IF327RT	D-05 - G-13

1991 1/2 IF327RT INDEX

Floor Plan	D-05 - D-06
Accessories Group	D-07 - D-10
Bath Group	D-11 - D-12
Bedroom Group	D-13 - D-15
Chassis Group	D-16 - D-19
Curtain, Cushion & Pad Group	D-20 - E-05
Dinette Group	E-06 - E-08
Driver's Compartment Group	E-09 - E-11
Electrical Group	E-12 - E-14
Exterior Body Group	E-15 - E-19
Galley Group	E-20 - E-23
Heating & Air Conditioning Group	E-24 - F-01
Interior Finish Group	F-02 - F-05
Labels Group	F-06 - F-13
LP Group	F-14
Lounge Group	F-15
Sealants & Fasteners Group	F-16 - F-17
Water & Sewage Group	F-18 - F-22
Window, Vent & Exterior Door Group	F-23 - G-13

EXTERIOR BODY GROUP

EXTERIOR BODY PANELS



1991 1/2 ITASCA TABLE OF CONTENTS

INTRODUCTION	A-01 - A-02
ABBREVIATIONS	A-03
ALPHABETICAL GROUP REFERENCE	A-04 - A-06
IF327RB	A-07 - D-04
IF327RT	D-05 - G-13

Key	Part Number	U/M	Description
1	P00217-02-B87	EA	Roof Asm. (Special Order Item)
2	097907-05-02A	EA	Filler - Valance Panel - Rear - Off White
3	096854-01-01A	EA	Trim - Contour - Off White
4	096393-19-B05	EA	Valance Asm. - Rear
*5	096816-02-01A	EA	Trim - Sidewall - Lower - 75.2" - Off White
6	P00498-01-B87	EA	Sidewall Asm. - Driver (Special Order Item)
7	096864-01-01A	EA	Trim - Contour - Roof - Off White - 10' EA
8	096215-01-01A	EA	Trim - Wheelwell - Rear - Metal - Off White - Either Side
*9	096817-01-01A	EA	Trim - Sidewall - To Valance - 102.9" - Off White
10	096970-02-01A	EA	Trim - Wingwall - Off White
	079280-01-01A	FT	Vinyl Insert - Contour Trim - Off White
	M96154-02-B05	EA	Wingwall - Driver Side w/Gusset
	079203-02-000	EA	Trim - Wingwall - Off White
	096945-02-01A	EA	Trim - "L" Angled - Driver Wingwall - Off White
	089334-01-000	FT	Vinyl - Exterior Trim - Between Wingwall & Cab Seal - White
11	M76177-01-700	EA	Roof Section - Cab Over to First Seam
12	078580-01-000	EA	Trim - Roof to Front Cab
13	039644-09-030	EA	Trim - Sleeper Board - Off White
14	M96154-01-B05	EA	Wingwall - Passenger Side w/Gusset
	079203-03-000	EA	Trim - Wingwall - Off White
	096945-01-01A	EA	Trim - "L" Angled - Passenger Wingwall - Off White
	089334-01-000	FT	Vinyl - Exterior Trim - Between Wingwall & Cab Seal - White

Key	Part Number	U/M	Description
15	096970-01-01A	EA	Trim - Wingwall - Off White
*16	096818-01-01A	EA	Trim - Sidewall - To Valance - 54" - Off White
17	002444-04-002	EA	Feature Strip w/ Insert - 15' Long - Off White
	001030-02-003	EA	Insert - Feature Strip - Stucco - 17" - Off White
	009731-01-000	EA	End Cap - Feature Strip
18	096398-01-AA3	EA	Valance - Entry Door
	044582-02-000	EA	Drip Cap - Entry Door - Off White
	096882-02-01A	EA	Trim - Angle - Entrance Valance - Off White
19	096818-02-01A	EA	Trim - Sidewall - To Valance - 103" - Off White
20	M98680-01-B87	EA	Sidewall Asm. - Passenger (Special Order Item)
21	100483-01-01A	EA	Trim - Roof Contour - Off White (Awning) - 10' EA
	099583-55-001	EA	Awning Rail - 10' EA - Off White
22	096393-11-B05	EA	Valance Asm. - Rear
*23	096816-01-01A	EA	Trim - Sidewall - To Valance - 95.7" - Off White
24	096217-55-001	EA	U-Channel - Extrusion - 17.5" - Off White
25	097907-04-02A	EA	Filler - Valance Panel - Rear - Off White
26	001030-02-003	EA	Insert - Lower Sidewall Trim - 17" - Off White
27	098424-02-01A	EA	End Cap - Sidewall Trim - Rear (Passenger Side) & Front (Driver Side)
	098424-01-01A	EA	End Cap - Sidewall Trim - Rear (Driver Side) & Front (Passenger Side)
28	096197-02-01A	EA	Trim - Backwall - Lower - U-Channel - 1" Wide - Off White - Either Side
29	P00218-01-B87	EA	Backwall Asm. (Special Order Item)
			* See the inset illustration for additional parts

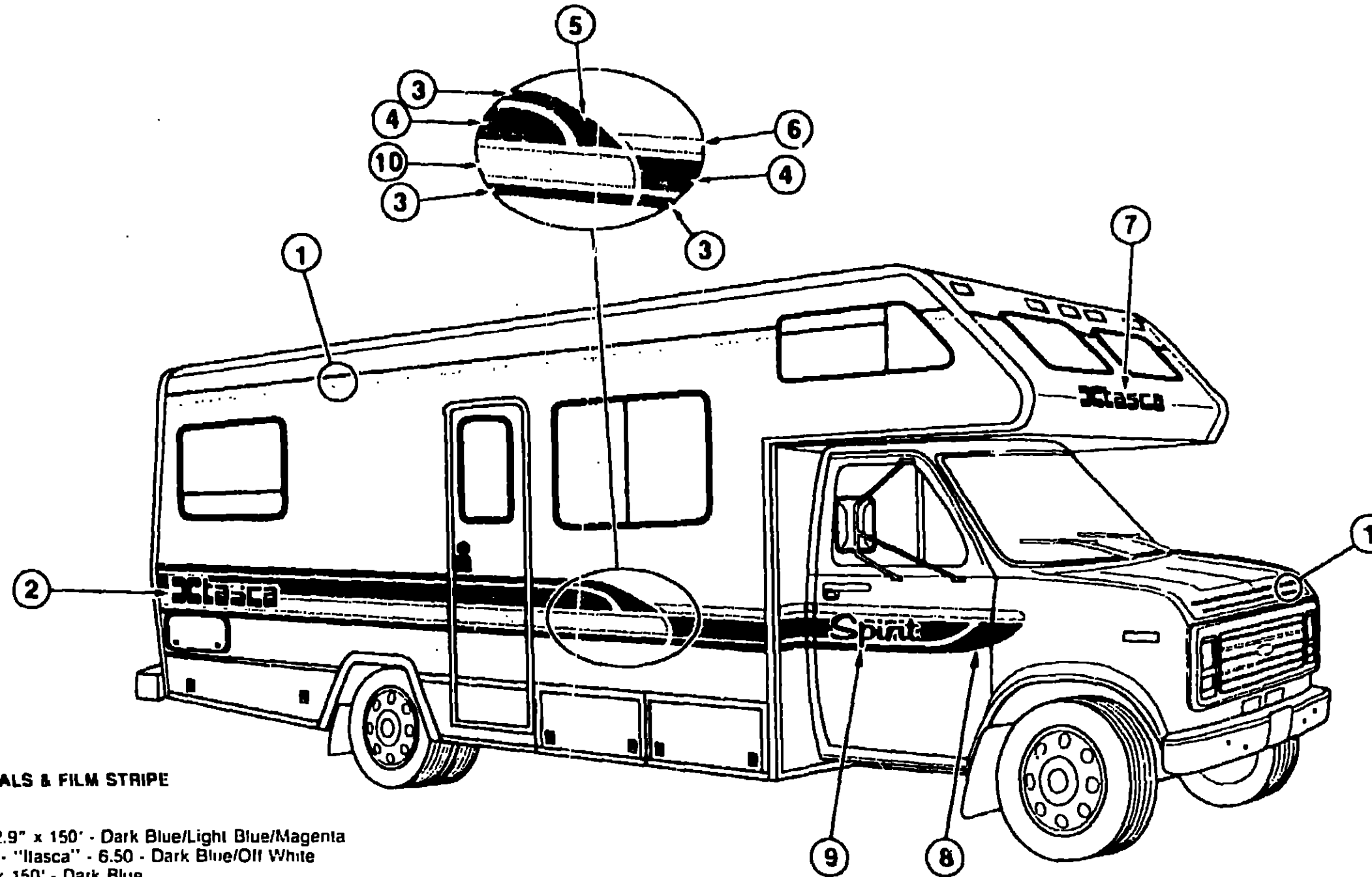
1991 1/2 IF327RT INDEX

Floor Plan	D-05 - D-06
Accessories Group	D-07 - D-10
Bath Group	D-11 - D-12
Bedroom Group	D-13 - D-15
Chassis Group	D-16 - D-19
Curtain, Cushion & Pad Group	D-20 - E-05
Dinette Group	E-06 - E-08
Driver's Compartment Group	E-09 - E-11
Electrical Group	E-12 - E-14
Exterior Body Group	E-15 - E-19
Galley Group	E-20 - E-23
Heating & Air Conditioning Group	E-24 - F-01
Interior Finish Group	F-02 - F-05
Labels Group	F-06 - F-13
LP Group	F-14
Lounge Group	F-15
Sealants & Fasteners Group	F-16 - F-17
Water & Sewage Group	F-18 - F-22
Window, Vent & Exterior Door Group	F-23 - G-13

EXTERIOR BODY GROUP (CONTINUED)

1991 1/2 ITASCA
TABLE OF CONTENTS

INTRODUCTION	A-01 - A-02
ABBREVIATIONS	A-03
ALPHABETICAL/GROUP REFERENCE	A-04 - A-06
IF327RD	A-07 - D-04
IF327RT	D-05 - G-13



DECALS & FILM STRIPE

Key	Part Number	U/M	Description
1	094423-01-01A	FT	Multistripe - 2.9" x 150' - Dark Blue/Light Blue/Magenta
2	078852-17-000	EA	Decal - Logo - "Itasca" - 6.50 - Dark Blue/Off White
3	093681-18-01A	FT	Film - 1.26" x 150' - Dark Blue
4	094433-01-01A	FT	Film - 5" x 150' - Dark Blue/Magenta
5	100039-03-01A	EA	Decal - Sweep - Dark Blue/Light Blue/Magenta (Passenger)
5	100039-04-01A	EA	Decal - Sweep - Dark Blue/Light Blue/Magenta (Driver)
6	093681-03-03A	FT	Film - 1.5" x 150' - Light Blue
7	078191-03-000	EA	Decal - Logo - "Itasca" - Dark Blue Metallic
8	100039-04-01A	EA	Decal - Sweep - Dark Blue/Light Blue/Magenta (Passenger)
8	100039-03-01A	EA	Decal - Sweep - Dark Blue/Light Blue/Magenta (Driver)
9	093565-01-01A	EA	Decal - Logo - "Spirit" - Dark Blue/Off White
10	094433-01-02A	FT	Film - 5" x 150' - Light Blue/Magenta
	084075-01-000	EA	Decal - "by Winnebago Ind." - Black (Backwall)

For your convenience here are the Dupont color codes that you can purchase locally:

- Dark Blue Metallic K9456
- Light Blue Metallic K9457
- Magenta C9942
- Off White Enamel L8723A
- Off White Lacquer L8723L
- Black Enamel 99A
- Black Iron 99T
- Black Lacquer 99S

1991 1/2 IF327RT INDEX

Floor Plan	D-05 - D-06
Accessories Group	D-07 - D-10
Bath Group	D-11 - D-12
Bedroom Group	D-13 - D-15
Chassis Group	D-16 - D-19
Curtain, Cushion & Pad Group	D-20 - E-05
Dinette Group	E-06 - E-08
Driver's Compartment Group	E-09 - E-11
Electrical Group	E-12 - E-14
Exterior Body Group	E-15 - E-19
Galley Group	E-20 - E-23
Heating & Air Conditioning Group	E-24 - F-01
Interior Finish Group	F-02 - F-05
Labels Group	F-06 - F-13
LP Group	F-14
Lounge Group	F-15
Sealants & Fasteners Group	F-16 - F-17
Water & Sewage Group	F-18 - F-22
Window, Vent & Exterior Door Group	F-23 - G-13

EXTERIOR BODY GROUP (CONTINUED)

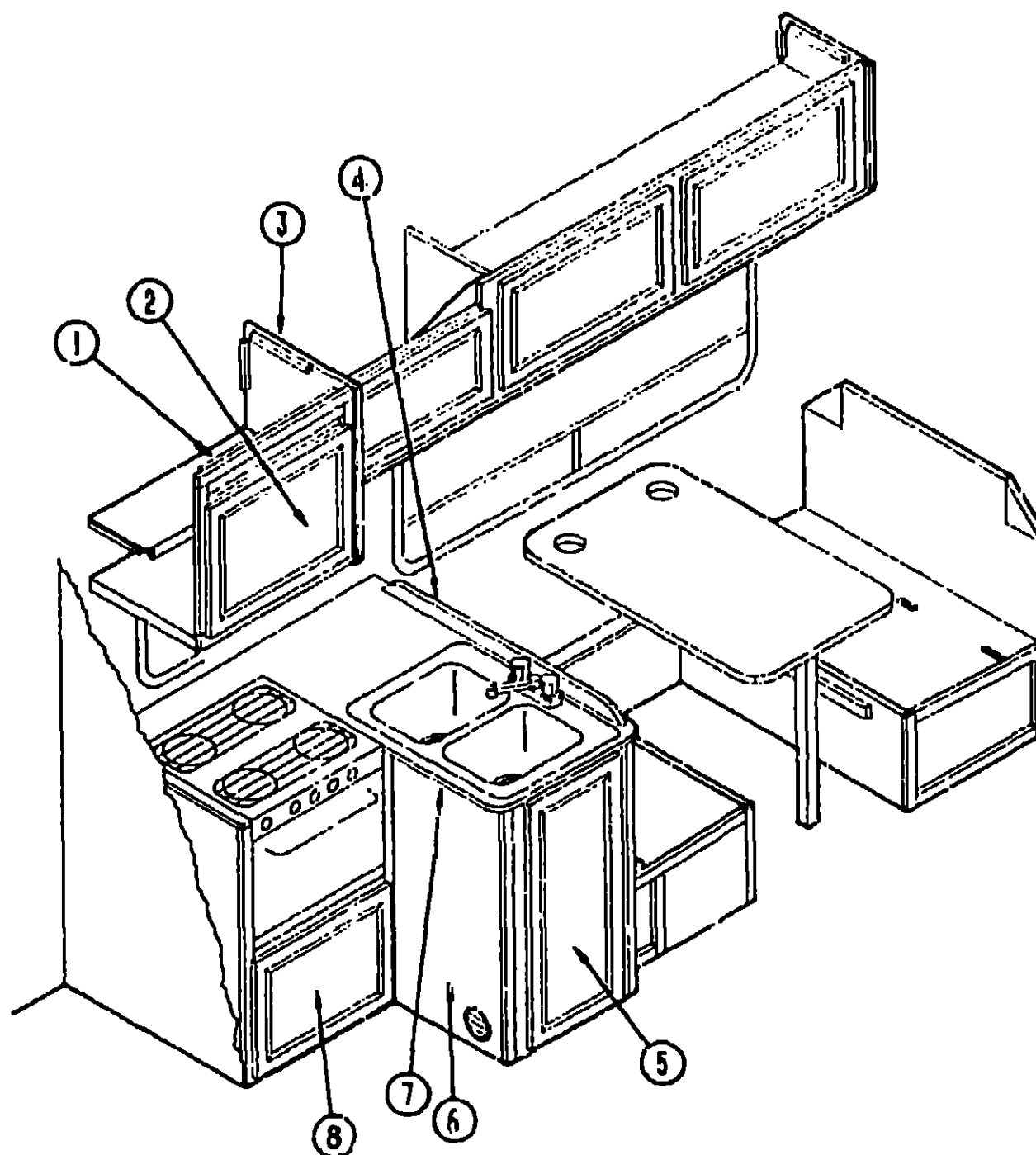
SHEET FIBERGLASS, ALUMINUM & STYROFOAM

Key	Part Number	U/M	Description
	044487-01-001	EA	Aluminum - Mill Finish - No Design - 96" x 360" (Foot)
	001054-01-011	EA	Aluminum Sheet - 48" x 96" - Flat - Off White
	000868-01-000	SF	Styrofoam - 3/4" x 24" x 96"
	000870-03-000	SF	Styrofoam - 1.34" x 48" x 96"
	000870-05-000	SF	Styrofoam - .50" x 24" x 96"
	076054-C9-001	EA	Fiberglass Sheet - 36" x 240" - Off White
	076054-D3-006	EA	Fiberglass Sheet - 48" x 298" - Off White
	076054-D3-001	EA	Fiberglass Sheet - 48" x 96" - Off White
	076054-D6-001	EA	Fiberglass Sheet - 60" x 24" - Off White
	093743-01-02A	SF	Plastic - ABS - 11.5" Wide Roll - Off White
	093743-02-01A	SF	Plastic - ABS - 20" Wide Roll - Off White

MISCELLANEOUS EXTERNALLY MOUNTED PARTS

Key	Part Number	U/M	Description
	083558-G3-000	EA	Plumbing Seal - Roof Vent w/Cover - Off White
	009126-02-000	EA	Assist Handle - Black
	087659-04-000	EA	Fill - City Water - Off White
	069362-06-000	EA	Tube - Support - Floor to Valance - 17"
	075736-02-000	EA	Cover - Exterior Receptacle - Off White
	102768-01-000	EA	Holder - Compartment Door - Metal
	049347-01-000	EA	Head - Mirror - 7.5" x 10.5" - Stainless Steel
	049347-01-700	EA	Glass - Mirror - 7.5" x 10.5"
	062047-01-000	EA	Arm - West Coast Mirror
	006043-01-000	EA	Mirror - Exterior - Convex - Adhesive Backed

GALLEY GROUP



GALLEY CABINETRY

Key	Part Number	U/M	Description
1	M05150-33-B87	EA	Cabinet Asm. - Galley Overhead - w/o Door or Hardware
2	P03702-24-B87	EA	Door Asm. - Galley Overhead - 14.4" x 21.8" - w/o Hardware
3	081280-24-B27	EA	End Cap - Overhead
4	038335-03-B87	EA	Galley Rail - 40.2"
5	P03702-18-B87	EA	Door Asm. - Galley Cabinet - 14.4" x 26.8" - w/o Hardware
6	M03981-01-B87	EA	Cabinet Asm. - Galley w/Countertop - w/o Doors or Hardware
7	092034-11-B87	EA	Countertop Asm. - Galley Cabinet
8	P03702-49-B87	EA	Door Asm. - Furnace - 15.9" x 21.8" - w/o Hardware
	P03702-64-B87	EA	Door Asm. - Refrigerator Cabinet - 11" x 21.8" - w/o Hardware
	091257-08-000	EA	Handrail - Refrigerator Cabinet - Rambling Oak

**1991 1/2 ITASCA
TABLE OF CONTENTS**

INTRODUCTION	A-01 - A-02
ABBREVIATIONS	A-03
ALPHABETICAL/GROUP REFERENCE	A-04 - A-06
IF327RB	A-07 - D-04
IF327RT	D-05 - G-13

1991 1/2 IF327RT INDEX

Floor Plan	D-05 - D-06
Accessories Group	D-07 - D-10
Bath Group	D-11 - D-12
Bedroom Group	D-13 - D-15
Chassis Group	D-16 - D-19
Curtain, Cushion & Pad Group	D-20 - E-05
Dinette Group	E-06 - E-08
Driver's Compartment Group	E-09 - E-11
Electrical Group	E-12 - E-14
Exterior Body Group	E-15 - E-19
Galley Group	E-20 - E-23
Heating & Air Conditioning Group	E-24 - F-01
Interior Finish Group	F-02 - F-05
Labels Group	F-06 - F-13
LP Group	F-14
Lounge Group	F-15
Sealants & Fasteners Group	F-16 - F-17
Water & Sewage Group	F-18 - F-22
Window, Vent & Exterior Door Group	F-23 - G-13

GALLEY GROUP (CONTINUED)

GALLEY HARDWARE

Key	Part Number	U/M	Description
	094745-01-01A	EA	Trim - Microwave - Lower
	094774-03-01A	EA	Trim - Microwave - Either Side - 1.5"
	094756-02-01A	EA	Bracket - Microwave - Tan
	094750-01-000	EA	Bracket - Microwave - 90°
	084073-03-000	EA	Vent - Refrigerator - Roof - Off White
	084073-04-000	EA	Base - Roof Vent - Norcold Refrigerator - Black
	054450-01-000	EA	Level - Refrigerator
	084878-09-000	EA	Vent - Range Hood - Short
	066437-01-000	EA	Strainer - w/Basket - Sink
	066437-01-700	EA	Basket - Strainer
	011053-04-000	EA	Faucet - w/Swing Spout - 8"
	011053-01-700	EA	Aerator - Swing Spout Faucet
	091253-01-000	EA	Gasket - Faucet
	059777-02-000	EA	Hinge - Burnished Brass
	103857-01-000	EA	Pull - Cabinet - Brass
	081376-01-000	EA	Backplate - 4.3" - Brass
	072369-49-000	EA	Mesh - Expanded Aluminum - Bronze - 19.1" x 6.4"
	093586-03-000	EA	Catch - Spring Roller
	093586-04-000	EA	Strike - Spring Steel
	090329-01-000	FT	Seal - Refrigerator Cabinet
	077404-02-000	EA	Drawer - Plastic - 20" x 12.7" - Beige
	077409-02-000	EA	Slide - Drawer - Plastic - 20.75"
	094067-01-01A	EA	Divider - Drawer - Plastic
	098654-01-000	EA	Sink - Galley - Double w/Mounting Hardware - Stainless Steel
	081530-01-887	EA	Sink Cover
	098979-01-000	EA	Clip - Adjustable Shelf
	098980-01-000	EA	Pilaster - Adjustable Shelf - 18" Long

GALLEY GROUP (CONTINUED)

GALLEY APPLIANCES

Key	Part Number	U/M	Description
	103622-01-01A	EA	Refrigerator - 2 Way - Norcold 462
	084880-01-754	EA	Rack - Juice
	094039-01-704	EA	Plate - Hinge - Btm Left/Top Right - Black
	094039-01-710	EA	Plate - Hinge - Top Left/Btm Right - Black
	094039-01-702	EA	Gasket - Freezer Door - Gray
	094039-01-706	EA	Liner - Freezer Door - White
	103622-01-700	EA	Handle - Freezer Door - Moveable
	103822-01-702	EA	Bin - Shelf - Door
	084880-01-761	EA	Cap - End - Spring Catch - Moveable Handle
	094038-01-700	EA	Gasket - Lower Door - Gray
	094038-01-702	EA	Liner - Lower Door - White
	103622-01-705	EA	Handle - Lower Door - Moveable
	103622-01-706	EA	Bin - Milk
	103622-01-707	EA	Keeper - Dairy
	084879-03-700	EA	Cooling Unit - Horizontal Burner
	088248-01-709	EA	Heater - AC - Horizontal
	094039-01-722	EA	Plug - Hole - Black
	094039-01-723	EA	Bracket - Hinge - Top Right/Btm Left - Black
	094039-01-725	EA	Pin - Hinge - Male
	094039-01-726	EA	Shelf w/Legs - Wire
	084880-01-749	EA	Bushing - Hinge
	094039-01-728	EA	Bracket - Hinge - Center - Black
	094039-01-730	EA	Pin - Hinge - Center
	084880-03-705	EA	Bracket - Lamp
	084880-03-706	EA	Lamp Bulb
	084880-03-707	EA	Cover - Lamp
	084880-01-722	EA	Cover - Crisper
	103622-01-708	EA	Crisper
	094039-01-724	EA	Bracket - Hinge - Top Left/Btm Right - Black
	094039-01-739	EA	Shelf w/Cutout - Wire
	103622-01-709	EA	Knob - Selector
	103622-01-710	EA	Knob - Thermostat
	094039-01-732	EA	Trim - Bottom - Black
	103622-01-711	EA	Panel - Control - 2 Way
	094039-01-733	EA	Shelf - Middle - Wire
	094039-01-734	EA	Shelf - Top w/Riser - Wire
	094039-01-735	EA	Tray - Drip
	094036-01-736	EA	Switch - Light - Black
	075217-01-738	EA	Switch - Humidity
	084880-01-732	EA	Latch - Door
	088248-01-706	EA	Burner - Horizontal
	084880-01-705	EA	Orifice
	064472-01-700	EA	Thermocouple
	064473-03-720	EA	Relighter
	084880-01-713	EA	Connector - Male - Inlet Fitting
	094039-01-738	EA	Valve - Shut Off - Manual
	064473-03-721	EA	Control - Combination
	103622-01-713	EA	Switch - Ignition
	103622-01-712	EA	Indicator - Flame

**1991 1/2 ITASCA
TABLE OF CONTENTS**

INTRODUCTION	A-01 - A-02
ABBREVIATIONS	A-03
ALPHABETICAL/GROUP REFERENCE	A-04 - A-06
IF327RB	A-07 - D-04
IF327RT	D-05 - G-13

1991 1/2 IF327RT INDEX

Floor Plan	D-05 - D-06
Accessories Group	D-07 - D-10
Bath Group	D-11 - D-12
Bedroom Group	D-13 - D-15
Chassis Group	D-16 - D-19
Curtain, Cushion & Pad Group	D-20 - E-05
Dinette Group	E-06 - E-08
Driver's Compartment Group	E-09 - E-11
Electrical Group	E-12 - E-14
Exterior Body Group	E-15 - E-19
Galley Group	E-20 - E-23
Heating & Air Conditioning Group	E-24 - F-01
Interior Finish Group	F-02 - F-05
Labels Group	F-06 - F-13
LP Group	F-14
Lounge Group	F-15
Sealants & Fasteners Group	F-16 - F-17
Water & Sewage Group	F-18 - F-22
Window, Vent & Exterior Door Group	F-23 - G-13

GALLEY GROUP (CONTINUED)

GALLEY APPLIANCES (CONTINUED)

Key	Part Number	U/M	Description
	091269-04-000	EA	Oven - Microwave - Magic Chef
	100258-01-01A	EA	Hood Range - w/o Monitor Panel
	100258-03-01A	EA	Hood Range - w/o Monitor Panel - Almond (US) (Option L39E & L383)
	100258-02-01A	EA	Hood Range - w/o Monitor Panel - Almond (CSA) (Option L265)
	096983-01-702	EA	Switch - Two Way - Momentary - Generator (If used)
	096983-01-700	EA	Switch - ON/OFF - Fan/Lamp
	092696-01-709	EA	Bulb - #912
	092696-01-710	EA	Socket - Light
	096983-01-708	EA	Lens - Lamp
	090973-01-700	EA	Motor
	090973-01-702	EA	Blade - Fan
	096983-01-707	EA	Filter - Grease
	092696-01-707	EA	Vent - Gasket
	100258-10-01A	EA	Hourmeter - Ventline (Option L39E) CSA
	102022-01-01A	EA	Range - 16" - 4 Burner - Almond
	102022-01-02A	EA	Range - 16" - 4 Burner - Almond
	102022-01-700	EA	Door Panel - Black (For 102022-01-01A only)
	102022-01-704	EA	Glass - Outer (For 102022-01-02A only)
	102022-01-702	EA	Manifold Pipe
	102022-01-703	EA	Pressure Regulator
	102022-01-705	EA	Shield - Deflector Flue
	102022-01-706	EA	Trim - Left - Flat
	055282-03-705	EA	Trim - Left
	102022-01-707	EA	Trim - Right - Flat
	102020-01-701	EA	Handle - Door
	102020-01-702	EA	Panel - Manifold
	102020-01-700	EA	Shell - Oven
	102020-01-708	EA	Burner - Oven
	102020-01-709	EA	Bumper - Grate
	102020-01-711	EA	Grate - Top
	102020-01-712	EA	Knob - Burner Valve
	102020-01-713	EA	Knob - Thermostat
	102020-01-714	EA	Pilot - Oven
	102020-01-717	EA	Thermostat
	102020-01-720	EA	Valve - Mercury Control
	102020-01-721	EA	Valve - Shut Off
	102020-01-722	EA	Valve - Top Burner
	102020-01-723	EA	Pilot - Burner
	102020-01-724	EA	Bumper - Main Top
	055516-03-000	EA	Bracket - Front Tiedown - Range w/o Oven
	055516-04-000	EA	Bracket - Rear Tiedown - Range w/o Oven
	063752-01-000	EA	Shroud Asm. - Range
	097617-01-01A	EA	Panel - Monitor - Almond
	097617-01-700	EA	Plate - Cover
	097617-01-701	EA	Switch - On/Off - Almond
	097617-01-702	EA	Switch - 1 Way - Almond
	097617-01-703	EA	Circuit Board
	097618-01-000	EA	Wire Asm. - Monitor Panel

These parts were used from 3/11/91 on.

HEATING & AIR CONDITIONING GROUP

FURNACES & REPAIR PARTS

Key	Part Number	U/M	Description
	093365-01-000	EA	Thermostat - Wall - Furnace
	090039-05-000	EA	Furnace - 30,000 BTU - Suburban
	090039-01-701	EA	Electrode
	074466-01-702	EA	Relay - Time Delay
	090039-01-706	EA	Motor
	090039-01-707	EA	Impellor Wheel - Forced Air
	075695-01-709	EA	Micro Switch
	074466-01-712	EA	Gasket - Combustion Air
	069634-01-729	EA	Valve - Gas
	090039-01-700	EA	Cabinet
	090039-01-708	EA	Door - Front Cabinet
	090039-01-702	EA	Switch - Limit
	090039-01-703	EA	Orifice - Main Burner
	092300-01-704	EA	Gasket - Electrode
	069634-01-706	EA	Module Board
	090039-01-704	EA	Burner Asm.
	090039-05-702	EA	Gasket - Manifold
	090039-05-703	EA	Manifold Pipe
	090039-05-705	EA	Wheel - Combustion Air
	090039-05-707	EA	Gasket - Blower Motor
	090039-05-710	EA	Gasket - Crossover Tube

NOTE: Items indented below assemblies are serviceable parts for that assembly.

ROOF AIR CONDITIONER & PARTS

Key	Part Number	U/M	Description
	093764-01-000	EA	Ceiling Asm. - Air Conditioner - Cool Only (Option 29)
	042204-01-709	EA	Thermostat In - 64, Out - 58
	042205-01-702	EA	Thermostat In - 89, Out - 58
	073742-01-701	EA	Selector Switch (5 - Terminal)
	073742-01-702	EA	Decal - Cool Only
	073742-01-703	EA	Decal - Heat & Cool
	081606-01-708	EA	Limit Switch (Open 160, Close 110)
	091225-01-713	EA	Knob (2 Per Package)
	076303-01-707	EA	Filter - 6" x 14 3/4" x 1/2" (12 Per Package)
	091225-01-717	EA	Decal (Thermostat) Cool Only
	081606-01-712	EA	Ceiling Shroud (Ivory)
	093763-01-705	EA	Decal - Heat/Cool - Thermostat
	093763-01-706	EA	Heat Element
	093763-01-710	EA	Single Parts Package
	093763-01-04A	EA	Air Conditioner - 110 Volt - Roof Mount - 13,500 BTU - Off White (Option 29)
	093763-04-700	EA	Shroud - Roof A/C - w/o Logos
	093763-01-711	EA	Gasket - Package
	093763-01-712	EA	Fan Blade - Condenser
	093306-01-701	EA	Decal Package - Left & Right
	073742-02-704	EA	Run Capacitor (Compressor)
	091225-01-710	EA	Start Capacitor
	091225-01-709	EA	Start Relay
	076303-01-712	EA	Motor
	093763-01-702	EA	Overload
	093763-01-703	EA	Impellor - 7" Dia. x 2.8" Wide
	093763-01-704	EA	Capacitor - Fan
	093763-01-707	EA	Evaporator Coil
	093763-01-708	EA	Condenser Coil
	093763-01-713	EA	Compressor - E Series
	084077-03-000	EA	Cover - Blank - Roof A/C - Ivory
	092441-01-000	EA	Ceiling Asm. - Air Conditioner - 220 Volt (European) (Option 29)
	092440-01-000	EA	Air Conditioner - 220 Volt - Roof Mount - 13,500 BTU (European) (Option 29)

NOTE: Items indented below assemblies are serviceable parts for that assembly.

**1991 1/2 ITASCA
TABLE OF CONTENTS**

INTRODUCTION	A-01 - A-02
ABBREVIATIONS	A-03
ALPHABETICAL/GROUP REFERENCE	A-04 - A-06
IF327RB	A-07 - D-04
IF327RT	D-05 - G-13

1991 1/2 IF327RT INDEX

Floor Plan	D-05 - D-06
Accessories Group	D-07 - D-10
Bath Group	D-11 - D-12
Bedroom Group	D-13 - D-15
Chassis Group	D-16 - D-19
Curtain, Cushion & Pad Group	D-20 - E-05
Dinette Group	E-06 - E-08
Driver's Compartment Group	E-09 - E-11
Electrical Group	E-12 - E-14
Exterior Body Group	E-15 - E-19
Galley Group	E-20 - E-23
Heating & Air Conditioning Group	E-24 - F-01
Interior Finish Group	F-02 - F-05
Labels Group	F-06 - F-13
LP Group	F-14
Lounge Group	F-15
Sealants & Fasteners Group	F-16 - F-17
Water & Sewage Group	F-18 - F-22
Window, Vent & Exterior Door Group	F-23 - G-13

HEATING & AIR CONDITIONING GROUP (CONTINUED)

REAR HEATER (OPTION L53G)

Key	Part Number	U/M	Description
	084405-01-000	EA	Rear Heater Asm. - w/o Switch
	084405-01-700	EA	Heater Core
	084405-01-701	EA	Fan Blades
	084405-01-702	FA	Motor Asm.
	062401-04-000	EA	Clamp - Hose - Wormgear
	007108-01-000	EA	Hose - Heater 5/8" ID SAE
	083081-01-000	EA	Hose Formed
	076776-01-000	EA	Tee - Barb - 5/8" x 5/8" x 5/8"
	083610-01-000	EA	Clamp - Wire Dual - Unequal Diameters - .75" x 1.25"
	009198-01-000	FT	Duct - Heat Flexible - 4" ID
	023146-01-000	EA	Clamp - Screw Type - 4"
	069636-02-000	EA	Connector - Duct - 4" ID
	056464-05-000	EA	Register - Plastic - w/o Damper - 4" Dia. - Golden
	088753-01-000	EA	Tube - Aluminized Steel - 5/8" - 18 Gauge
	084404-01-000	EA	Switch - Off/Low/Medium/High - Heater
	084410-01-000	EA	Decal - Rear Auto Heater
	098076-01-000	EA	Decal - Auto Air & Rear Heater
	084374-01-000	EA	Bracket - Heater Switch - Right
	084374-02-000	EA	Bracket - Heater Switch - Left

NOTE: Items indented below assemblies are serviceable parts for that assembly.

INTERIOR FINISH GROUP

CABINETS & TABLE HARDWARE

Key	Part Number	U/M	Description
	053200-09-000	EA	Bracket - Table Support - Upper Wall Mount - 18.5" - Beige
	024275-11-000	EA	Rod - Table Lift - 8" x 18.5" - Beige
	064781-06-000	EA	Cupholder - Two Stage - Off White
	088410-01-000	EA	Bracket - Lift - Table Mounted - Beige
	024281-11-000	EA	Bracket - Lift - Rod - Lower Wall Mount - Beige - 17.12"
	024276-21-000	EA	Leg Asm. - Table - Beige
	049493-11-700	EA	Catch - Table Leg - Floor Mounted
	064050-03-000	EA	Clamp - Saddle - Leg Hinge - Tan
	024282-01-000	EA	Brace - Table Leg - Hinged
	024283-01-000	EA	Clip - Leg - 1" x 1.12" OD - Black
	059777-02-000	EA	Hinge - Antique Light Brass
	103857-01-000	EA	Pull - Cabinet Door - Brass
	081376-01-000	EA	Backplate - Door Pull - 4.3" - Brass
	074493-02-000	EA	Support - Sprung - Door
	004354-01-000	EA	Bumper - Cabinet Door - Rubber - Brown
	023320-01-000	EA	Pad - Felt - 3/8" Dia. - Brown
	093586-03-000	EA	Catch - Spring - Roller
	093586-04-000	EA	Strike - Spring Steel
	072369-49-000	EA	Mesh - Expanded Aluminum - 19.1" x 6.4" - Bronze
	084070-01-000	EA	Center Post - Brass
	084070-02-000	EA	End Post - Brass
	084071-06-000	EA	Rod - Brass - 25"
	080736-01-000	EA	Pull - Table Top - 1.25" x 4" - Oak
	009018-01-000	EA	Catch Asm. - Single Roller
	079921-01-000	EA	Roller - Nylon w/Steel Shaft - Barbed
	077409-02-000	EA	Slide - Drawer - Plastic - 20.75"
	077404-02-000	EA	Plastic Drawer - 20" x 12.7" - Beige
	094067-01-01A	EA	Divider - Plastic Drawer
	065740-01-000	EA	Brace - Cabinet Corner - Plastic
	088252-02-000	FT	Trim - Chrome - 1" Wide w/Pressure Sensitive Backing
	074045-07-000	EA	Wooden Plug - 1/2"
	102827-02-000	EA	Bracket - Roller - Drawer - Rear
	102827-03-000	EA	Roller - Drawer - Nylon (pair)
	102827-04-000	EA	Bracket - Drawer Mounting - Rear
	102827-05-000	EA	Track - Drawer - 22.6" Long
	009013-01-000	EA	Catch - Male & Female Bulldog - Antique Copper

1991 1/2 ITASCA TABLE OF CONTENTS

INTRODUCTION	A-01 - A-02
ABBREVIATIONS	A-03
ALPHABETICAL/GROUP REFERENCE	A-04 - A-06
IF327RB	A-07 - D-04
IF327RT	D-05 - G-13

1991 1/2 IF327RT INDEX

Floor Plan	D-05 - D-06
Accessories Group	D-07 - D-10
Bath Group	D-11 - D-12
Bedroom Group	D-13 - D-15
Chassis Group	D-16 - D-19
Curtain, Cushion & Pad Group	D-20 - E-05
Dinette Group	E-06 - E-08
Driver's Compartment Group	E-09 - E-11
Electrical Group	E-12 - E-14
Exterior Body Group	E-15 - E-19
Galley Group	E-20 - E-23
Heating & Air Conditioning Group	E-24 - F-01
Interior Finish Group	F-02 - F-05
Labels Group	F-06 - F-13
LP Group	F-14
Lounge Group	F-15
Sealants & Fasteners Group	F-16 - F-17
Water & Sewage Group	F-18 - F-22
Window, Vent & Exterior Door Group	F-23 - G-13

INTERIOR FINISH GROUP (CONTINUED)

INTERIOR MOLDINGS & TRIMS

Key	Part Number	U/M	Description
	081294-02-000	EA	Molding - Shelf - Knotched Wood - 8' Long
	003620-06-000	FT	T-Molding - End Cap - Edge - 3/4" - Reber Birch
	083620-08-000	FT	T-Molding - End Cap - Edge - 3/4" - Western Oak
	009815-09-000	FT	T-Molding - .75" - Ivory
	088252-02-000	FT	Trim - Chrome - 1" Wide with Pressure Sensitive Backing
	009812-17-000	EA	Molding - Plastic Corner - Outside - 1/2" - Oak
	009812-22-000	EA	Molding - Plastic Corner - Outside - 1/2" - Brown
	009812-23-000	EA	Molding - Plastic Corner - Outside - 1" - Ivory
	009809-21-000	EA	Molding - Plastic Corner - Outside - 1" - Woodgrain
	009809-23-000	EA	Molding - Plastic Corner - Outside - 1" - Ivory
	022992-11-000	FT	Molding - Reverse Cove - T-Shaped - Vinyl - Ivory
	070504-19-000	FT	U-Channel - .815 - Oak
	009778-12-000	FT	U-Channel - 1" - Country Forest
	009767-12-000	FT	Welling - Antique White (Ceiling to Wall)
	100040-03-000	EA	Lumber - Vinyl Wrapped - 2" x 8' - Rambling Oak
	100040-01-000	EA	Lumber - Vinyl Wrapped - 1.5" x 8' - Rambling Oak
	100040-01-000	EA	Molding - Vinyl Wrapped - 1.5" x 84' - Rambling Oak
	100040-02-000	EA	Molding - Vinyl Wrapped - 2.5" x 84' - Rambling Oak
	074045-07-000	EA	Plug - Wood - 1/2"
	078539-01-000	EA	Trim - Carpet - Cab - Passenger - 29" Long - Ford
	078539-02-000	EA	Trim - Carpet - Cab - Driver - 29" Long - Ford
	077309-02-000	EA	Trim - Stepwell - Entry Door
	100659-01-B25	EA	Trim - Floor - Wood - 72" x 1" x 1/2"
	093743-02-01A	SF	Plastic - ABS - 20" Wide Roll - Off White
	093743-01-02A	SF	Plastic - ABS - 11.5" Wide Roll - Off White

* These parts were used from 1/7/91 on.

BATT STRIPS

Key	Part Number	U/M	Description
	069733-78-000	EA	Batt Strip - Rambling Oak - 8'
	085284-32-000	FT	Batt Strip - Rambling Oak - Tape Adhesive
	085284-65-000	FT	Batt Strip - Decorative - Plain - 8' (Wall)
	088263-53-000	EA	Batt Strip - Decorative - Plain - Tape Adhesive (Wall)
	088263-66-000	EA	Batt Strip - Decorative - w/Blossoms - 8'
	085284-54-000	FT	Batt Strip - Decorative - w/Blossoms - Tape Adhesive
	088263-51-000	EA	Batt Strip - Crossilk Spatter - 8' - Beige (Ceiling)
	088263-71-000	EA	Batt Strip - Trowell Work - 8' - Fawn (Ceiling)
	088263-50-000	EA	Batt Strip - Shower - Off White - 8'
	085284-38-000	FT	Batt Strip - Off White - Shower - Tape Adhesive

* These parts were used from 4/29/91 on.

PANELING & COUNTERTOP MATERIAL

Key	Part Number	U/M	Description
	074497-17-000	SF	Paneling - Oak - 48" x 84" (28 SF) (Cabinets)
	074497-18-000	SF	Paneling - Crossilk - 48" x 96" (32 SF) (Ceiling)
	074497-19-000	SF	Paneling - Trowell Work - 48" x 96" (32 SF) (Ceiling)
	074497-14-700	EA	Sealer - Stain - Ceiling
	089351-03-000	YD	Vinyl - Ceiling Diamond Design - 54" Wide
	000885-46-000	SF	Particle Board - 3/8" x 48" x 96" (32 SF) - 1 Side Woodgrain Vinyl
	000885-48-000	SF	Particle Board - 3/4" x 60" x 96" (40 SF) - 2 Sides Woodgrain Vinyl
	088272-72-000	SF	Paneling - Travertine White - 48" x 84" (28 SF) (Shower)
	074498-40-000	SF	Plastic Laminate - Off White - 5' x 8' (40 SF)
	074498-41-000	SF	Plastic Laminate - Lavender - 5' x 8' (40 SF)
	076325-34-000	FT	Molding - Edge Band - Lavender - 1 5/16" Wide
	076325-28-000	FT	Molding - Edge Band - Rose - 1 5/16" Wide
	088272-87-000	SF	Paneling - Decorative - w/Blossoms - 48" x 84" (28 SF)

* These parts were used from 5/29/91 on.

INTERIOR FINISH GROUP (CONTINUED)

CURTAIN & CUSHION HARDWARE

Key	Part Number	U/M	Description
	092464-01-01A	EA	Track - Shower Curtain - Off White - Curved
	009701-01-000	EA	Carrier - Shower Curtain
	009702-01-000	EA	End - Stop - Curtain Carrier - Shower
	046867-01-000	EA	Grommet - Brass - 7/16" ID x 1" OD (Shower Curtain)
	009136-01-000	EA	Pin - Shower Curtain
	029092-01-000	EA	Stud - Nickel Finish
	029093-01-000	EA	Eyelet - Nickel Finish
	029155-01-000	EA	Cap - Snap
	029156-01-000	EA	Socket - Snap Fastener
	029130-01-000	EA	Screw - Snap Socket - 8 PH x 5/8"
	089916-01-000	EA	Mount - Window Leg - Black
	101032-01-000	FT	Track - Curtain - Ceiling Mount - White (Valance)
	101033-01-000	FT	Track - Curtain - Low Profile - White
	101033-02-000	EA	End Cap - Track - Clear
	101031-01-000	EA	Tape - Glide - 4.25" Spacing
	095591-02-000	EA	Bracket - Blind - Hold Down w/Pin
	082239-02-000	EA	Brace - Window Valance - Beige - 18.7" Long
	075943-01-000	EA	Brace - Window Valance - Beige - 20" Long
	083170-01-000	EA	Bracket - Blind - Right
	083170-02-000	EA	Bracket - Blind - Left
	093475-01-700	EA	Wand - Blind w/Metal Clip - 8" Long
	093475-01-701	EA	End Cap - Blind w/Stud
	089522-03-000	EA	Panel - Leg - Window - 27" Long
	089522-04-000	EA	Panel - Leg - Window - 31.5" Long
	097565-01-000	EA	Bracket - Mounting - Pleated Blind
	094896-02-000	EA	Grommet - Cord - Pleated Blind - Nylon - Gray
	094907-02-000	EA	End Cap - Top - Pleated Blind - Plastic - Gray
	094907-03-000	EA	End Cap - Bottom - Pleated Blind - Plastic - Gray
	097591-01-000	EA	Spring - Extension - Pleated Blind
	097592-01-000	EA	Spool - Cord - Elevated Blind Holdup - Clear Plastic
	097593-02-000	FT	Cord - Pleated Blind (B87)
	097593-06-000	FT	Cord - Pleated Blind (B88)
	102555-01-000	EA	Cleat - Cord - Blind - Off White
	103986-01-000	FT	Trim - Valance - .75" Wide - Brass
	105450-02-01A	EA	Track - Curtain - 48" - Aluminum - Off White
	105450-05-01A	EA	Track - Curtain - 79" - Aluminum - Off White
	105450-06-01A	EA	Track - Curtain - 88" - Aluminum - Off White

**1991 1/2 ITASCA
TABLE OF CONTENTS**

INTRODUCTION	A-01 - A-02
ABBREVIATIONS	A-03
ALPHABETICAL/GROUP REFERENCE	A-04 - A-06
IF327RB	A-07 - D-04
IF327RT	D-05 - G-13

1991 1/2 IF327RT INDEX

Floor Plan	D-05 - D-06
Accessories Group	D-07 - D-10
Bath Group	D-11 - D-12
Bedroom Group	D-13 - D-15
Chassis Group	D-16 - D-19
Curtain, Cushion & Pad Group	D-20 - E-05
Dinette Group	E-06 - E-08
Driver's Compartment Group	E-09 - E-11
Electrical Group	E-12 - E-14
Exterior Body Group	E-15 - E-19
Galley Group	E-20 - E-23
Heating & Air Conditioning Group	E-24 - F-01
Interior Finish Group	F-02 - F-05
Labels Group	F-06 - F-13
LP Group	F-14
Lounge Group	F-15
Sealants & Fasteners Group	F-16 - F-17
Water & Sewage Group	F-18 - F-22
Window, Vent & Exterior Door Group	F-23 - G-13

INTERIOR FINISH GROUP (CONTINUED)

FABRICS & CARPETS

Key	Part Number	U/M	Description
	072333-82-000	YD	Fabric - Drapery - Mushroom (Privacy)
	096008-90-000	YD	Fabric - Upholstery - Main - Patterned (B87)
	096008-83-000	YD	Fabric - Upholstery - Main - Patterned (B88)
	096008-92-000	YD	Fabric - Upholstery - Accent - Plain (B87)
	096008-85-000	YD	Fabric - Upholstery - Accent - Plain (B88)
	096008-91-000	YD	Fabric - Upholstery - Accent - Patterned (B87)
	096008-84-000	YD	Fabric - Upholstery - Accent - Patterned (B88)
	088273-73-000	YD	Fabric - Main Bedspread - Patterned (B87)
	088273-70-000	YD	Fabric - Main Bedspread - Patterned (B88)
	088273-72-000	YD	Fabric - Accent Bedspread - Plain (B87)
	088273-67-000	YD	Fabric - Accent Bedspread - Plain (B88)
	072333-67-000	YD	Fabric - Speaker Cover
	075244-04-000	YD	Vinyl - Shower Curtain - Salmon (B87)
	075244-05-000	YD	Vinyl - Shower Curtain - Blue (B88)
	079680-09-000	YD	Vinyl - Off White (Headliner)
	103907-01-01A	YD	Vinyl - Off White (Headliner)
	096060-21-000	YD	Carpet - Pale Orchid (B87)
	096060-23-000	YD	Carpet - Sand (B88)
	076314-02-000	FT	Tape - Heat Bonded - Carpet Seam
	047034-02-000	SF	Plastic Runner - Carpet - 4' Wide - Clear
	084415-31-000	FT	Trim - Braid - Curtain - Plum (B87)
	084415-30-000	FT	Trim - Braid - Curtain - Blue (B88)

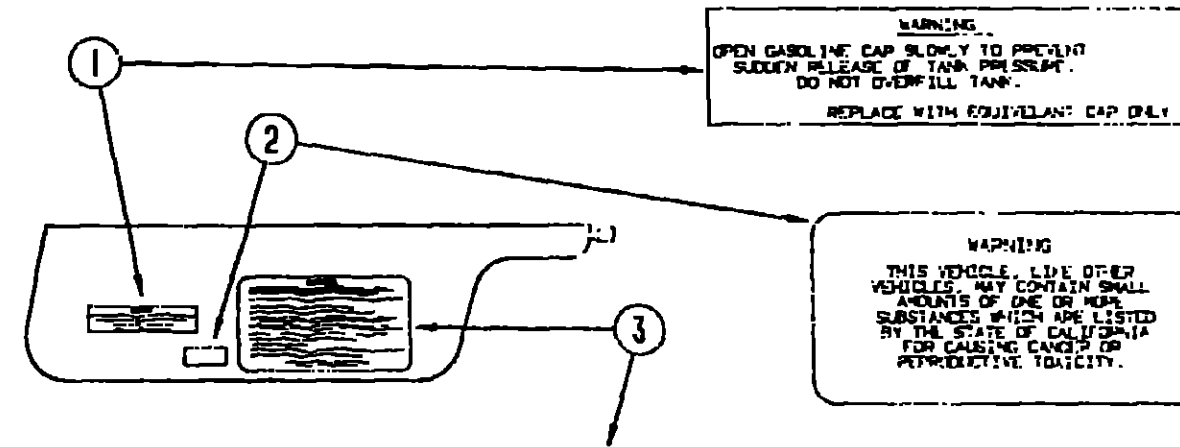
* These parts were used from 4/17/91 on.
NOTE: Replace vinyl flooring locally

MISCELLANEOUS PARTS

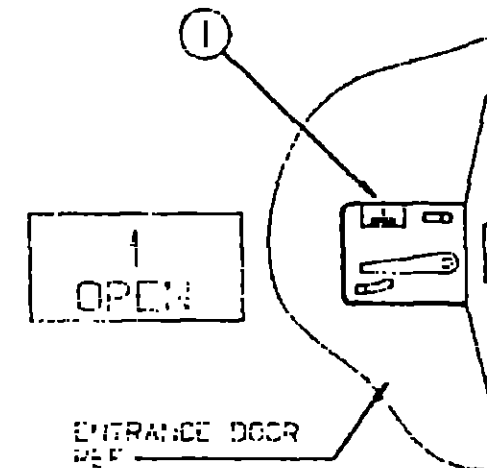
Key	Part Number	U/M	Description
	053552-02-AA8	EA	Handle Asm. - Interior Assist
	000D20-07-00B	EA	Nut - Acorn - Assist Handle - 7/16" x 14 ZN
	000C16-07-16B	EA	Bolt - Carriage - Assist Handle - 7/16" - 14 x 1" ZN
	069178-02-000	EA	Bracket - Mounting - Assist Handle
	094499-02-000	EA	Fire Extinguisher - w/Mounting Bracket - Dry IA 10BC (CSA)
	094499-01-000	EA	Fire Extinguisher - w/Mounting Bracket - Dry IA 10BC (US)
	094499-01-700	EA	Bracket - Mounting - w/Plastic Strap
	094651-01-01A	EA	Recessed Holder - Fire Extinguisher - Light Oak
	072852-01-000	EA	Smoke Detector w/9 Volt Battery (US)
	072852-02-000	EA	Smoke Detector w/9 Volt Battery (CSA)
	054185-63-000	EA	Owners Manual - 1991 "Spirit"
	092318-01-000	EA	Binder - 3-Ring - Motor Home Manual
	092319-01-000	EA	Pocket Page - 3-Ring Binder - Plastic
	09B084-05-000	EA	Cassette - Winnebago "Spirit"
	100603-01-01A	EA	Wall Clock - Round Bezel
	101333-01-000	EA	Backplate - Clock - Plastic - Black
	104764-01-01A	EA	Wall Clock - Spartus
	083219-01-000	EA	Floor Mat - w/"Itasca" Logo - Passenger (Option L26Y)
	083219-02-000	EA	Floor Mat - w/"Itasca" Logo - Driver (Option L26Y)
	040069-01-000	EA	Floor Mat - w/"Itasca" Logo - 10.5" x 26" - Black Rubber

* These parts were used from 5/6/91 on

LABELS GROUP



Key	Part Number	U/M	Description
1	087207-05-000	EA	Label - Fuel Cap Removal
2	099689-01-000	EA	Label - Warning - Cancer/Toxicity
3	056259-01-000	EA	Label - Safety Check List



Key	Part Number	U/M	Description
1	040944-01-000	EA	Label - Open - Entrance Door

F-5

1991 1/2 ITASCA TABLE OF CONTENTS

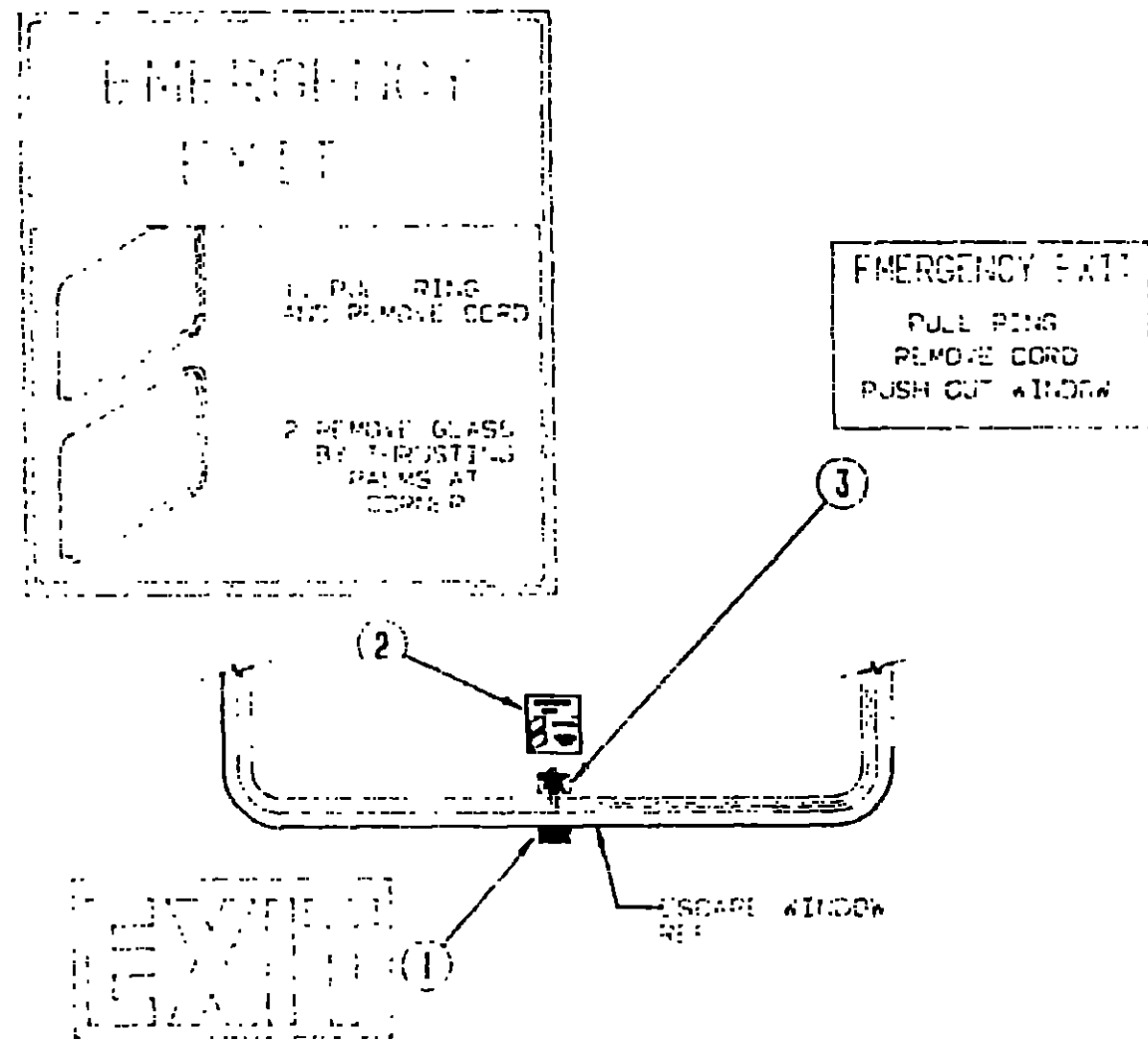
INTRODUCTION	A-01 - A-02
ABBREVIATIONS	A-03
ALPHABETICAL/GROUP REFERENCE	A-04 - A-06
IF327RB	A-07 - D-04
IF327RT	D-05 - G-13

1991 1/2 IF327RT INDEX

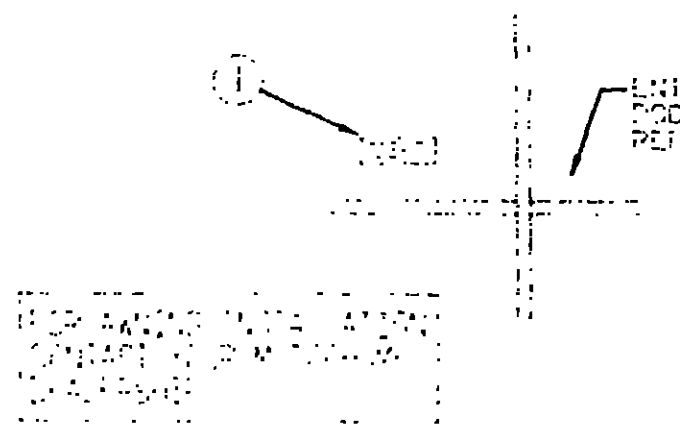
Floor Plan	D-05 - D-05
Accessories Group	D-07 - D-10
Bath Group	D-11 - D-12
Bedroom Group	D-13 - D-15
Chassis Group	D-16 - D-19
Curtain, Cushion & Pad Group	D-20 - E-05
Dinette Group	E-06 - E-08
Driver's Compartment Group	E-09 - E-11
Electrical Group	E-12 - E-14
Exterior Body Group	E-15 - E-19
Galley Group	E-20 - E-23
Heating & Air Conditioning Group	F-02 - F-05
Interior Finish Group	F-06 - F-13
Labels Group	F-14
LP Group	F-14
Lounge Group	F-15
Sealants & Fasteners Group	F-16 - F-17
Water & Sewage Group	F-18 - F-22
Window, Vent & Exterior Door Group	F-23 - G-13

F-6

LABELS GROUP (CONTINUED)

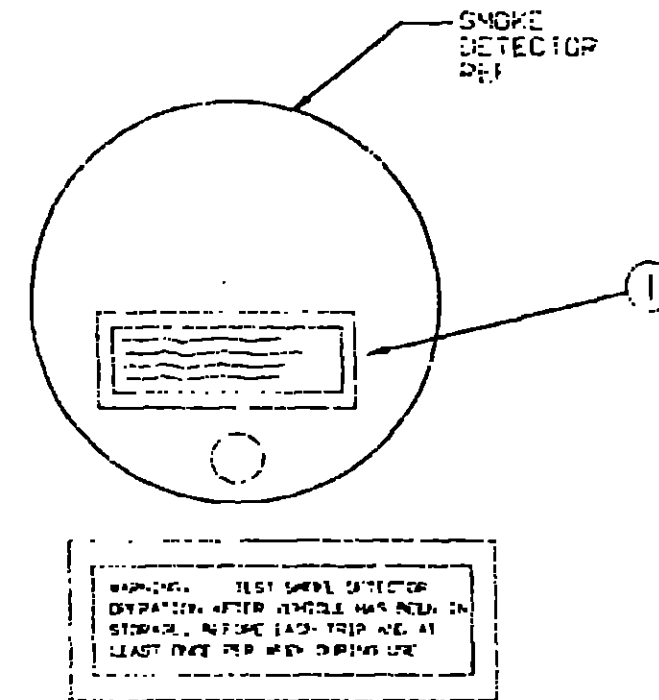


Key	Part Number	U/M	Description
1	039290-01-000	EA	Label - Warning - Exit
2	047731-01-000	EA	Label - Emergency Exit
3	006199-01-000	EA	Label - Exit - Escape Window

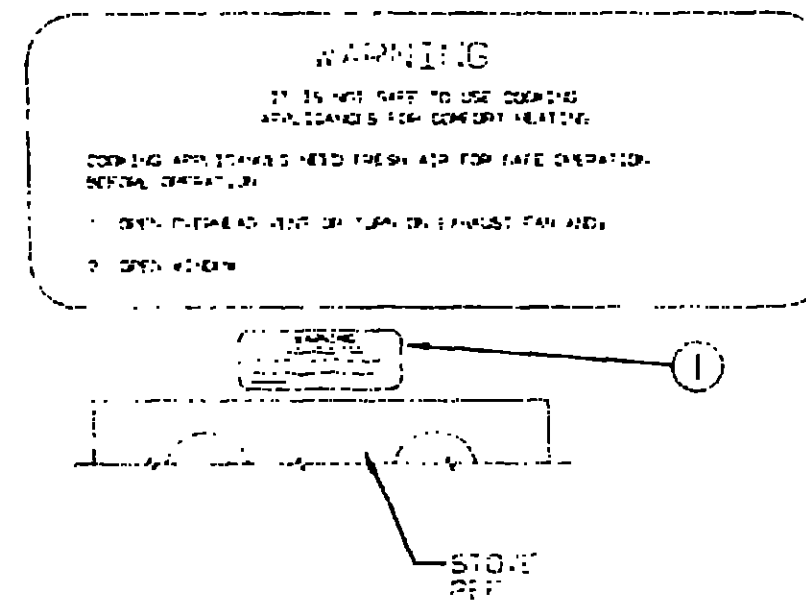


Key	Part Number	U/M	Description
1	099529-01-000	EA	Label - Awning Installation

LABELS GROUP (CONTINUED)



Key	Part Number	U/M	Description
1	077956-01-000	EA	Label - Warning - Smoke Detector



Key	Part Number	U/M	Description
1	050225-01-000	EA	Label - Warning - Stove Vent

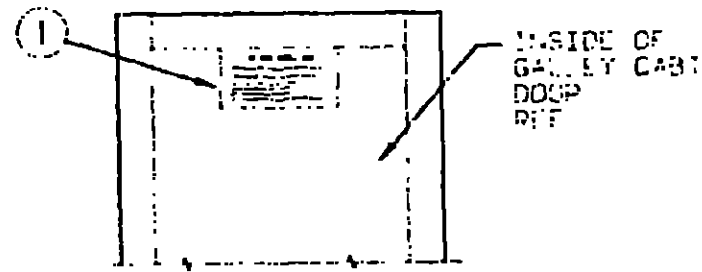
1991 1/2 ITASCA TABLE OF CONTENTS

INTRODUCTION	A-01 - A-02
ABBREVIATIONS	A-03
ALPHABETICAL/GROUP REFERENCE	A-04 - A-05
IF327RB	A-07 - G-04
IF327RT	D-05 - G-13

1991 1/2 IF327RT INDEX

Floor Plan	D-05 - D-05
Accessories Group	D-07 - D-10
Bath Group	D-11 - D-12
Bedroom Group	D-13 - D-15
Chassis Group	D-16 - D-19
Curtain, Cushion & Pad Group	D-20 - E-05
Dinette Group	E-06 - E-08
Driver's Compartment Group	E-09 - E-11
Electrical Group	E-12 - E-14
Exterior Body Group	E-15 - E-19
Galley Group	E-20 - E-23
Heating & Air Conditioning Group	E-24 - F-01
Interior Finish Group	F-02 - F-05
Labels Group	F-06 - F-13
LP Group	F-14
Lounge Group	F-15
Sealants & Fasteners Group	F-16 - F-17
Water & Sewage Group	F-18 - F-22
Window, Vent & Exterior Door Group	F-23 - G-13

LABELS GROUP (CONTINUED)



INSIDE OF
GALLEYS CABT
DOOR
REF

IF YOU SMELL GAS

1. EXTINGUISH ANY OPEN FLAME, PILOT LIGHTS AND ALL BURNING MATERIALS.
2. SHUT OFF THE GAS SUPPLY AT THE TANK OR VALVE OR GAS SUPPLY CONNECTION.
3. OPEN DOORS AND OTHER VENTILATING DEVICES.
4. DO NOT TOUCH ELECTRICAL SWITCHES.
5. LEAVE THE AREA UNTIL GAS DEPARTS.
6. HAVE THE GAS SYSTEM CHECKED AND REPAIRS MADE BEFORE USING AGAIN.

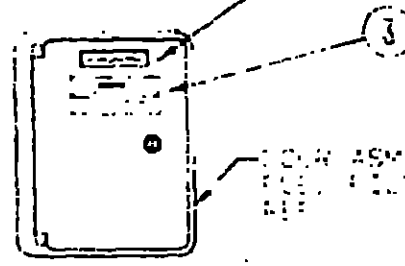
Key	Part Number	U/M	Description
1	073998-01-000	EA	Label - LPG - Odor Warning

WARNING
ALL HANDLING CAPS MUST BE REMOVED TO AVOID RELEASE OF FUEL. PRECAUTIONS SHOULD BE TAKEN TO PREVENT FIRE. DO NOT OVERFILL TANKS. PLEASE REUSE HANDLING CAPS.



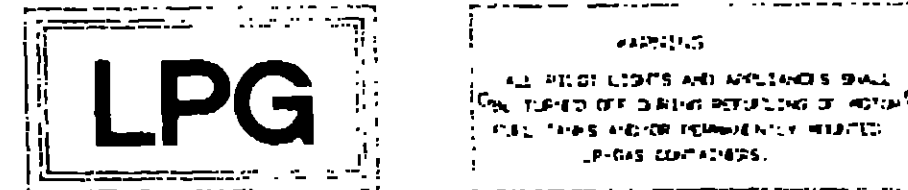
UNLEADED FUEL ONLY

WARNING
ALL PILOT LIGHTS AND APPLIANCES SHALL BE TURNED OFF DURING REFUELING OF MOTOR OR FUEL TANKS AND/OR PERMANENTLY HEATED LP-GAS CONTAINERS.



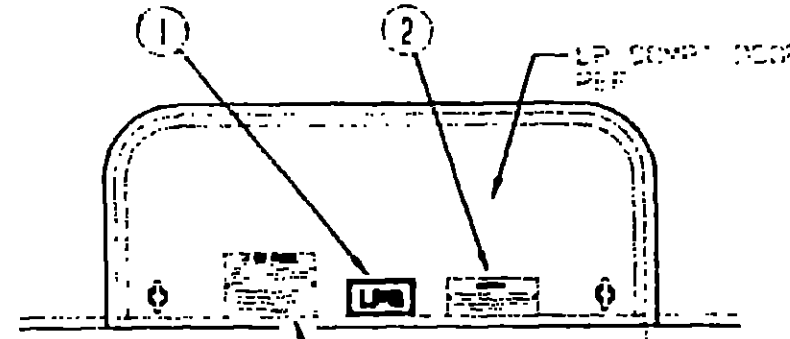
Key	Part Number	U/M	Description
1	087207-05-000	EA	Label - Fuel Cap Removal
2	062043-01-000	EA	Label - Unleaded Fuel
3	006040-01-000	EA	Tag - Gas Refueling Warning (US)
3	056040-02-000	EA	Tag - Gas Refueling Warning (CSA)

LABELS GROUP (CONTINUED)



LPG

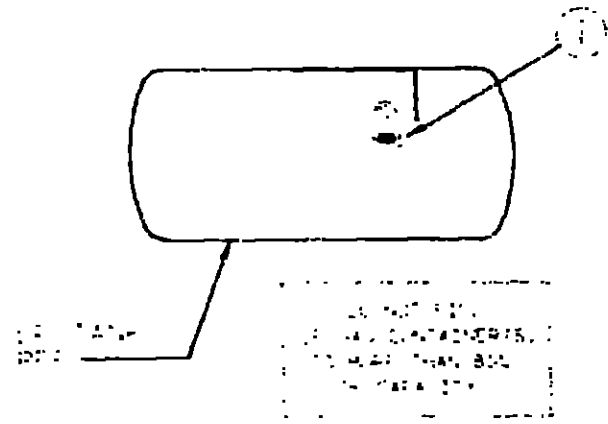
WARNING
ALL PILOT LIGHTS AND APPLIANCES SHALL BE TURNED OFF DURING REFUELING OF MOTOR OR FUEL TANKS AND/OR PERMANENTLY HEATED LP-GAS CONTAINERS.



LP GAS SYSTEM
THIS GAS PIPING SYSTEM IS DESIGNED FOR USE OF LIQUEFIED PETROLEUM GAS ONLY. DO NOT CONNECT OTHER GAS TO THIS SYSTEM.

SECURELY CAP THE TIE(S) WHEN NOT CONNECTED FOR USE. AFTER TURNING ON GAS, EXCEPT AFTER REGULAR CONTAINER REPLACEMENT, TEST GAS PIPING AND CONNECTIONS TO APPLIANCE FOR LEAKAGE WITH SOAP WATER OR BLEND SOLUTION. DO NOT USE BLOWERS THAT CONTACT APPROVAL OR CHITING. BURN 24531

Key	Part Number	U/M	Description
1	074559-01-000	EA	Label - LPG - 3.3 x 1.75 (California Code)
2	006040-01-000	EA	Tag - Gas Refueling Warning (US)
2	006040-02-000	EA	Tag - Gas Refueling Warning (CSA)
3	054531-01-000	EA	Label - LP Gas Only



Key	Part Number	U/M	Description
1	079955-01-000	EA	Label - LPG - 80" Capacity

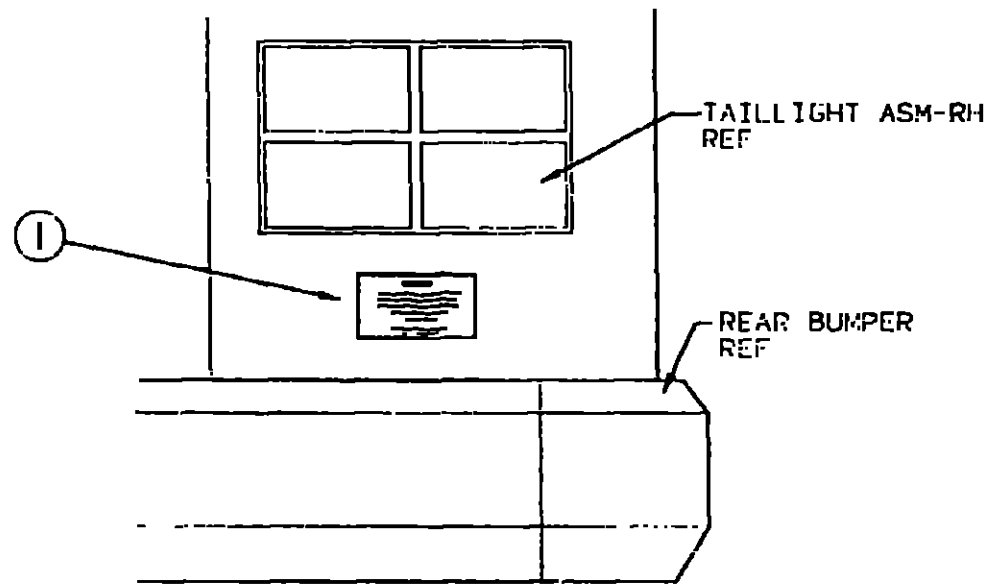
**1991 1/2 ITASCA
TABLE OF CONTENTS**

INTRODUCTION	A-01 - A-02
ABBREVIATIONS	A-03
ALPHABETICAL/GROUP REFERENCE	A-04 - A-05
IF327RB	A-07 - D-04
IF327RT	D-05 - G-13

1991 1/2 IF327RT INDEX

Floor Plan	D-05 - D-06
Accessories Group	D-07 - D-10
Bath Group	D-11 - D-12
Bedroom Group	D-13 - D-15
Chassis Group	D-16 - D-19
Curtain, Cushion & Pad Group	D-20 - F-05
Dinette Group	E-06 - E-08
Driver's Compartment Group	E-09 - E-11
Electrical Group	E-12 - E-14
Exterior Body Group	E-15 - E-19
Galley Group	E-20 - E-23
Heating & Air Conditioning Group	E-24 - F-01
Interior Finish Group	F-02 - F-05
Labels Group	F-06 - F-13
LP Group	F-14
Lounge Group	F-15
Sealants & Fasteners Group	F-16 - F-17
Water & Sewage Group	F-18 - F-22
Window, Vent & Exterior Door Group	F-23 - G-13

LABELS GROUP (CONTINUED)

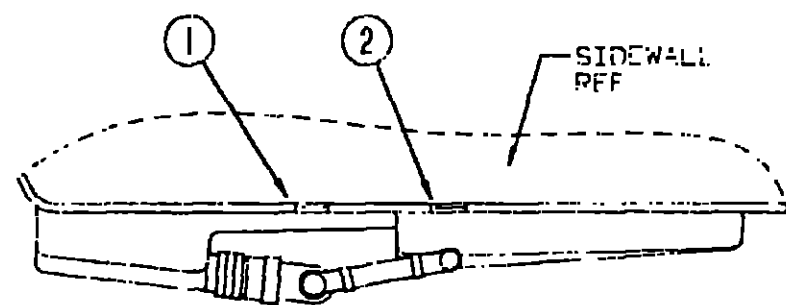


WARNING

DO NOT EXCEED THE VEHICLE WEIGHT RATINGS OR LOADING RECOMMENDATIONS (L.G., GROSS VEHICLE, GROSS AXLE, GROSS COMBINED) OF THE CHASSIS MANUFACTURER OR WINNEBAGO INC.

REFER TO YOUR OWNERS MANUAL, BEFORE LOADING OR TOWING.

Key	Part Number	U/M	Description
1	075220-01-000	EA	Label - Warning - Exterior Load

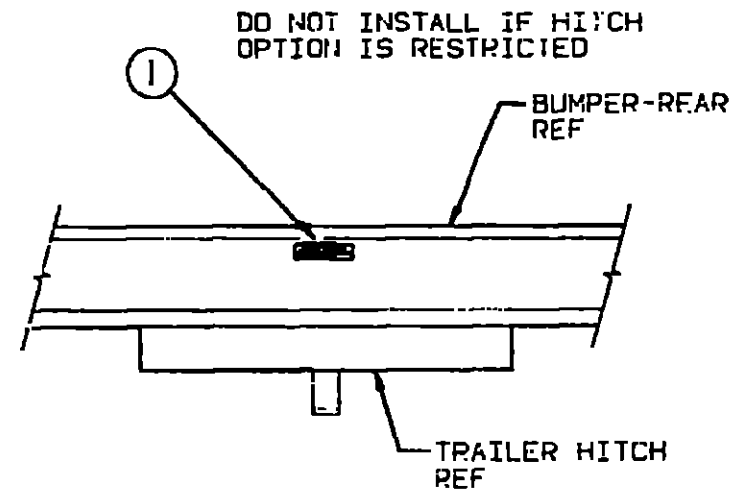


SEWAGE

WASTE WATER

Key	Part Number	U/M	Description
1	006187-01-000	EA	Label - Sewage
2	006188-01-000	EA	Label - Waste Water

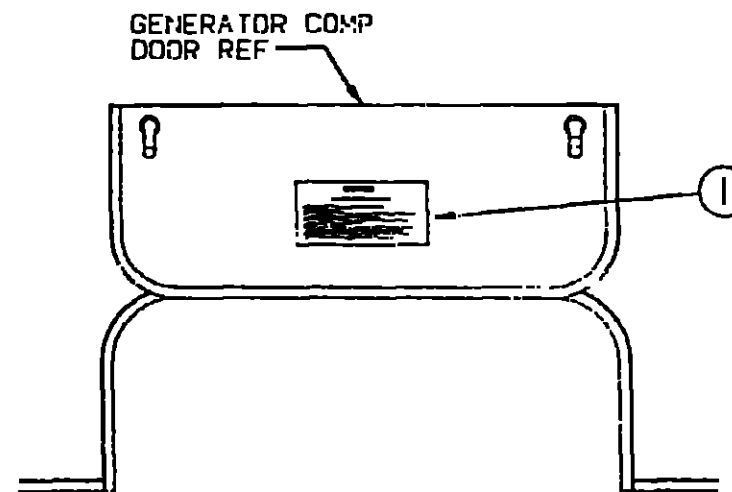
LABELS GROUP (CONTINUED)



TOWING CAPACITY

TOWED VEHICLE 3500 LB. GROSS MAXIMUM
HITCH BALL 200 LB. MAXIMUM

Key	Part Number	U/M	Description
1	075221-01-000	EA	Label - Towing Capacity



WARNING

WHEN ADDING A GENERATOR SET:

HIGH VOLTAGE-USE EXTREME CAUTION WHEN WORKING ON ELECTRICAL COMPONENTS. HAVE ALL ELECTRICAL INSTALLATION PERFORMED BY A QUALIFIED LICENSED ELECTRICIAN-FOLLOW ALL STATE AND LOCAL CODES. ONLY INSTALL GENERATOR SET APPROVED FOR R.V. APPLICATION. HAVE INSTALLED BY QUALIFIED TECHNICIAN. TO AVOID HEAT BUILD-UP AND TO GUARANTEE AN ADEQUATE AIR SUPPLY TO THE GENERATOR COMPARTMENT, FOLLOW INSTALLATION INSTRUCTIONS. GENERATOR ENGINE EXHAUST GASES ARE TOXIC AND MUST NOT TERMINATE UNDER THE VEHICLE-DISCHARGE EXHAUST AWAY FROM VEHICLE.

Key	Part Number	U/M	Description
1	077510-01-000	EA	Label - Generator Prep

**1991 1/2 ITASCA
TABLE OF CONTENTS**

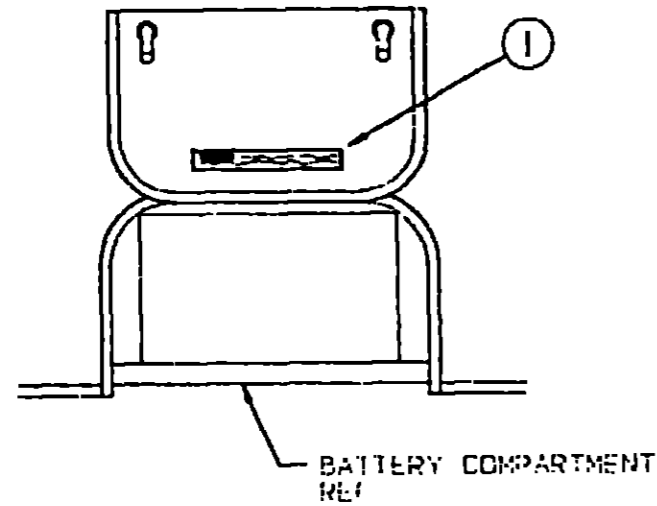
INTRODUCTION	A-01 - A-02
ABBREVIATIONS	A-03
ALPHABETICAL/GROUP REFERENCE	A-04 - A-06
IF327RB	A-07 - D-04
IF327RT	D-05 - G-13

1991 1/2 IF327RT INDEX

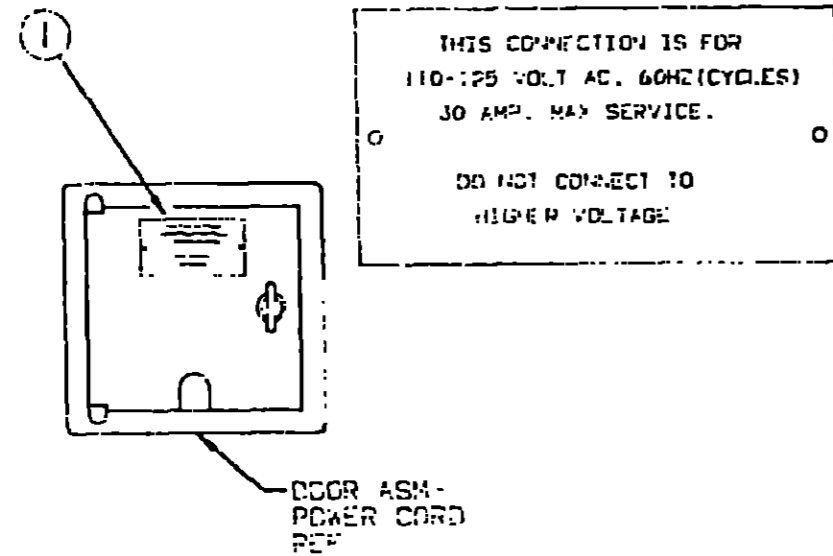
Floor Plan	D-05 - D-06
Accessories Group	D-07 - D-10
Bath Group	D-11 - D-12
Bedroom Group	D-13 - D-15
Chassis Group	D-16 - D-19
Curtain, Cushion & Pad Group	D-20 - E-05
Dinette Group	E-06 - E-08
Driver's Compartment Group	E-09 - E-11
Electrical Group	E-12 - E-14
Exterior Body Group	E-15 - E-19
Galley Group	E-20 - E-23
Heating & Air Conditioning Group	E-24 - F-01
Interior Finish Group	F-02 - F-05
Labels Group	F-06 - F-13
LP Group	F-14
Lounge Group	F-15
Sealants & Fasteners Group	F-16 - F-17
Water & Sewage Group	F-18 - F-22
Window, Vent & Exterior Door Group	F-23 - G-13

LABELS GROUP (CONTINUED)

WARNING DISCONNECT BATTERIES BEFORE CONNECTING EXTERNAL CHARGING EQUIPMENT.



Key	Part Number	U/M	Description
1	065748-01-000	EA	Label - Caution - Battery Charging

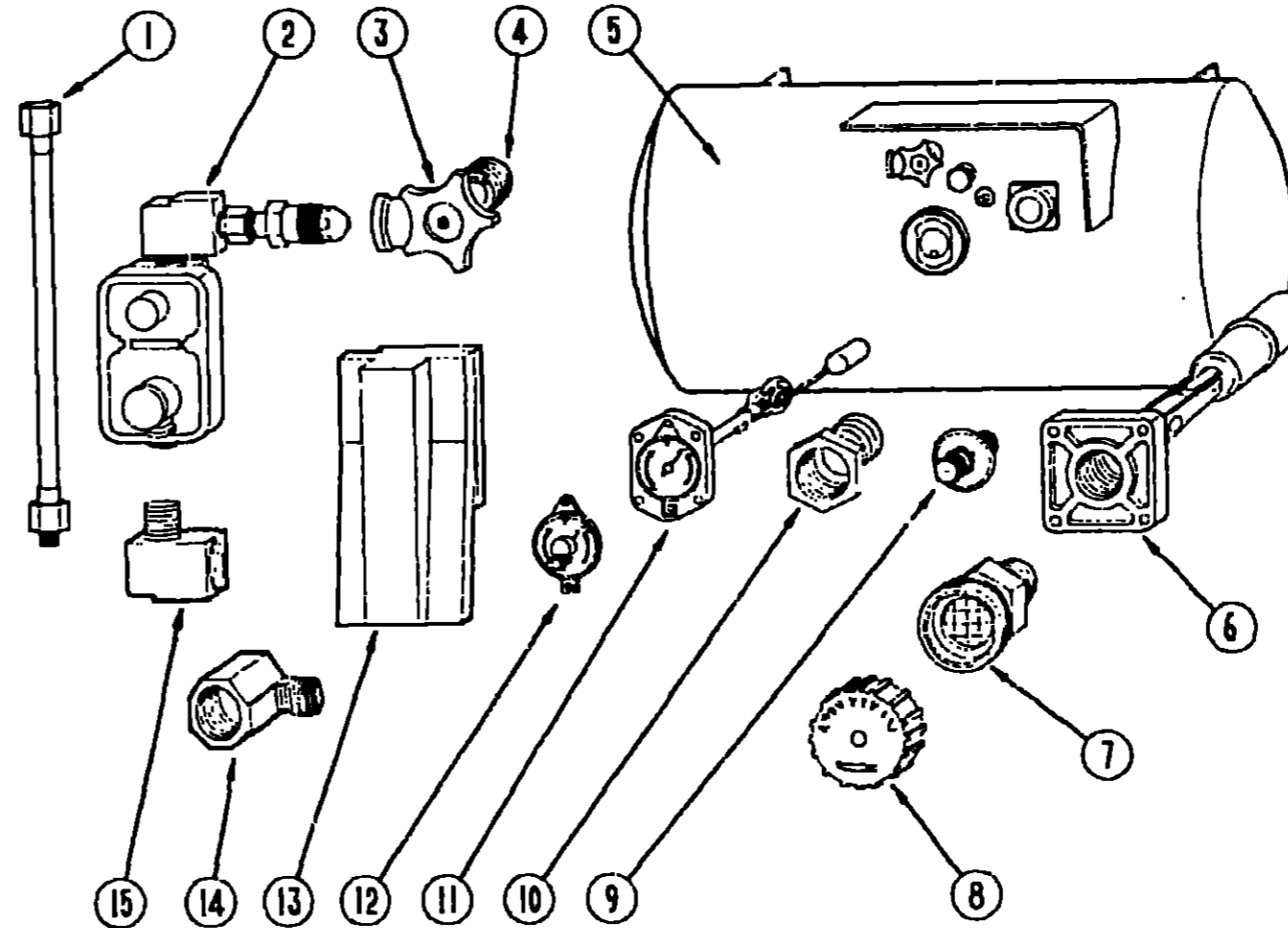


Key	Part Number	U/M	Description
1	006062-01-000	EA	Tag - Electrical - 110 Volt Connection

MISCELLANEOUS LABELS

Key	Part Number	U/M	Description
	006064-01-000	EA	Label - Seat - w/o Seat Belt
	091243-01-000	EA	Label - A/C Cover
	099641-01-000	EA	Label - Unleaded Fuel (Dash)

LP GROUP



LP TANK & COMPONENTS

Key	Part Number	U/M	Description
1	045703-01-000	EA	Hose Asm. - LP - 3/8" ID x 24" (US)
1	045703-02-000	EA	Hose Asm. - LP - 3/8" ID x 24" (CSA)
2	076301-01-000	EA	Regulator - Two Stage
3	040421-01-708	EA	Handwheel - Service Valve
4	040421-01-712	EA	Service Valve w/Handwheel
5	097821-01-060	EA	Tank Asm. - LP - 60 Pound - 14" Diameter x 30" Long
6	040421-01-711	EA	Valve - 80% w/Float Plate, Bolts & Gauges
7	040421-01-701	EA	Valve - Filler - LP w/Cap
8	040421-01-702	EA	Cap - Plastic - Fill Valve
9	040421-01-700	EA	Valve - Liquid Level - 20% LP
10	040421-01-713	EA	Pressure Relief Valve
11	040421-01-707	EA	Gauge - Float - 60 Pound Tank
12	040440-01-000	EA	Dial - Visible Face - Float Gauge
13	081938-01-000	EA	Cover - LP Regulator
14	065318-02-000	EA	Elbow - 90° - 3/8" MPT x 3/8" FPT
15	065742-01-000	EA	Tee - .38" F x .37" F x .25" FPT
	065741-01-000	EA	Gauge - Diaphragm Pressure - Test Leak
	008042-01-000	FT	Tubing - Vinyl - .65" ID
	010377-01-000	EA	Nut - 3/8" F - Brass
	010380-02-000	EA	Nut - 1/2" F - Brass - Forged
	010377-02-000	EA	Nut - 3/8" F - Brass - Forged
	010323-01-000	EA	Adapter - Brass - 3/8" F x 1/2" IPT (Ford)
	084884-01-000	EA	Brass - Plug - 3/8"

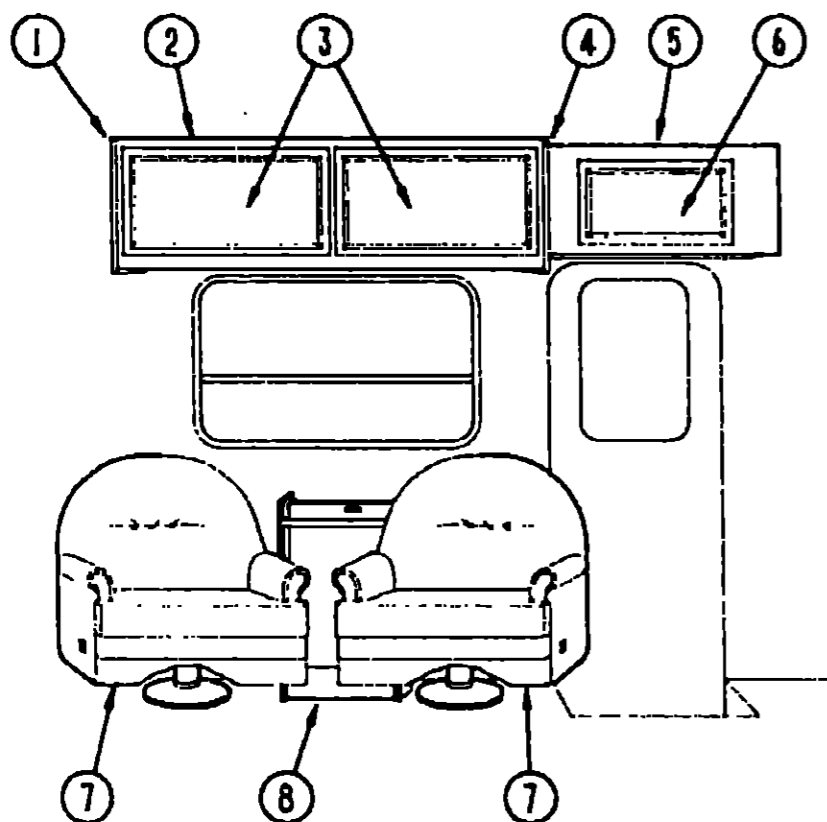
**1991 1/2 ITASCA
TABLE OF CONTENTS**

INTRODUCTION	A-01 - A-02
ABBREVIATIONS	A-03
ALPHABETICAL/GROUP REFERENCE	A-04 - A-06
IF327RD	A-07 - D-04
IF327RT	D-05 - G-13

1991 1/2 IF327RT INDEX

Floor Plan	D-05 - D-06
Accessories Group	D-07 - D-10
Bath Group	D-11 - D-12
Bedroom Group	D-13 - D-15
Chassis Group	D-16 - D-19
Curtain, Cushion & Pad Group	D-20 - E-05
Dinette Group	E-06 - E-08
Driver's Compartment Group	E-09 - E-11
Electrical Group	E-12 - E-14
Exterior Body Group	E-15 - E-19
Galley Group	E-20 - E-23
Heating & Air Conditioning Group	E-24 - F-01
Interior Finish Group	F-02 - F-05
Labels Group	F-06 - F-13
LP Group	F-14
Lounge Group	F-15
Sealants & Fasteners Group	F-16 - F-17
Water & Sewage Group	F-18 - F-22
Window, Vent & Exterior Door Group	F-23 - G-13

LOUNGE GROUP



LOUNGE CABINETRY

Key	Part Number	U/M	Description
1	081280-18-B27	EA	End Cap - Front Overhead Cabinet
2	M05150-29-B87	EA	Cabinet - Overhead - Entry Door - w/o Doors or Hardware
3	P03702-22-B87	EA	Door - Overhead Cabinet - 14 4" x 26 8" - w/o Hardware
4	081280-21-B27	EA	End Cap - Front Overhead Cabinet
5	M05150-30-B87	EA	Cabinet Asm. - Entrance Overhead - w/o Door or Hardware
6	P03702-33-B87	EA	Door Asm. - Entrance Overhead - 10" x 19" - w/o Hardware
17	096429-07-B87	EA	Chair - Swivel
17	096429-07-B88	EA	Chair - Swivel
8	M96873-01-B87	EA	Table Asm. - Cabinet Only
8	096873-11-B87	EA	Table Asm. - Pullout Top - 17.6" x 21.8"
	079921-01-000	EA	Roller Nylon w/Steel Shaft
	009018-01-000	EA	Catch Asm. - Single Roller
	088245-03-000	EA	Plate - Swivel - Top w/o Tilt - w/Lock
	088245-07-000	EA	Extension - Chair Base - 6"
	088245-01-000	EA	Base - Swivel Chair w/Legs
	057759-01-000	EA	Washer - Bracket - Seat Belt - 4" Dia
	059705-02-000	EA	Bar - Seat Belt - 2.5" x 12.75"
	007021-01-000	EA	Belt - Seal - 2" x 90" - Black

† See Curtain, Cushion & Pad Group for the breakdown of these items

SEALANTS & FASTENERS GROUP

SCREWS & FASTENERS

Key	Part Number	U/M	Description
	000C13-07-48B	EA	Bolt - Hex - 7/16" - 20 x 3 - Zn 5
	000C26-05-20B	EA	Bolt - Hex - Ser Fig 5'16" - 18 x 1 1/4" - Zinc
	000D24-10-00B	EA	Nut - Hex - Locking - 10-32 - Zn
	000D39-05-00B	EA	Nut - Hex - Ser Fig Lk - 5/16" - 18 - Zn
	000D39-06-00B	EA	Nut - Hex - Ser Fig Lk - 3/8" - 16 - Zn
	000D39-08-00B	EA	Nut - Hex - Ser Fig Lk - 1/2" - 13 - Zn
	000D44-07-00B	EA	Nut - Hex - Ser Fig Lk - 7/16" - 20 - Zn
	000E13-11-00B	EA	Washer - Flat - 3/16" Wide - Zn
	000G11-06-10J	EA	Screw - 6 - 20 x 5/8" PPH - Brass
	000G11-07-08B	EA	Screw - 7 - 19 x 1/2" PPH - Zn
	000G11-08-06B	EA	Screw - 8 - 18 x 3/8" PPH - Zn
	000G11-08-12B	EA	Screw - 8 - 18 x 3/4" PPH - Zn
	000G11-08-12D	EA	Screw - 8 - 18 x 3/4" PPH - Black
	000G11-08-12P	EA	Screw - 8 - 18 x 75" - Dark Brown
	000G11-08-12R	EA	Screw - 8 - 18 x 75" PPH - Beige
	000G11-08-12S	EA	Screw - 8 - 18 x 75" PPH - Off White
	000G11-08-16S	EA	Screw - 8 - 18 x 1.00" PPH - Off White
	000G11-10-12D	EA	Screw - 10 - 16 x 3/4" PPH - Black
	000G11-10-24P	EA	Screw - 10 - 16 x 1 1/2" PPH - Dark Brown
	000G12-08-12S	EA	Screw - 8 - 18 x 75" PPH - Off White
	000G12-08-16S	EA	Screw - 8 - 18 x 1" PPH - Off White
	000G13-06-08B	EA	Screw - 6 - 20 x 1/2" PPH - Zn
	000G13-06-08G	EA	Screw - 6 - 20 x 1/2" PPH - Antique Brass
	000G13-06-10G	EA	Screw - 6 - 20 x 5/8" PPH - Antique Brass
	000G13-07-12B	EA	Screw - 7 - 19 x 3/4" PPH - Zn
	000G13-08-16B	EA	Screw - 8 - 18 x 1" PPH - Zn
	000G18-08-12B	EA	Screw - Machine - 8 - 32 x 3/4" PPH - Zn
	000G18-08-16B	EA	Screw - Machine - 8 - 32 x 1" PPH - Zn
	000G18-08-22B	EA	Screw - Machine - 8 - 32 x 1.38" PPH - Zn
	000G39-08-08B	EA	Screw - SF/DR 8 - 18 x 1/2" PPH - Zn
	000G39-08-08R	EA	Screw - SF/DR 8 - 18 x 1/2" PPH - Beige
	000G39-08-12B	EA	Screw - SF/DR 8 - 18 x 3/4" PPH - Zn
	000G39-08-12R	EA	Screw - SF/DR 8 - 18 x 3/4" PPH - Beige
	000G39-08-16S	EA	Screw - SF/DR 8 - 18 x 1.00" PPH - Off White
	000G39-09-24D	EA	Screw - SF/DR 8 - 18 x 1 1/2" PPH - Zn
	000G39-08-24S	EA	Screw - SF/DR 8 - 18 x 1.50" PPH - Off White
	000G39-10-10S	EA	Screw - SF/DR 10 - 16 x 5/2" PPH - Off White
	000G39-10-12D	EA	Screw - SF/DR 10 - 16 x 3/4" PPH - Black
	000G39-10-20R	EA	Screw - SF/DR 10 - 16 x 1 1/4" PPH - Zn
	000G39-12-12E	EA	Screw - SF/DR 12 - 14 x 3/4" PPH - Chrome
	000G42-04-16B	EA	Screw - SF/DR 1/4 - 14 x 1" HWH - Zn
	000G53-04-06B	EA	Screw - Machine - 1/4 - 20 x 3/8" PPH - Zn
	000G54-04-20B	EA	Screw - 1/4 - 20 x 1 1/4" PPH Typ 23 - Zn
	000G67-10-08B	EA	Screw - 10 - 12 x 1/2" PPH - Zn
	000G67-10-08R	EA	Screw - 10 - 12 x 1/2" PPH - Beige - Type A
	000G67-10-10B	EA	Screw - 10 - 12 x 5/8" PPH - Zn - Type A
	000G67-10-10R	EA	Screw - 10 - 12 x 5/8" PPH - Beige - Type A
	000G67-10-12B	EA	Screw - 10 - 12 x 3/4" PPH - Zn
	000G67-10-12P	EA	Screw - 10 - 12 x 75" PPH - Dark Brown
	000G67-10-12Q	EA	Screw - 10 - 12 x 75" PPH - Tan
	000G67-10-24B	EA	Screw - 10 - 12 x 1 1/2" PPH - Zn
	000G67-10-32B	EA	Screw - 10 - 12 x 2" PPH - Zn
	000G68-06-16G	EA	Screw - 6 - 18 x 5/8" PPH - Antique Brass
	000H16-04-05R	EA	Roller - Pop - AL 1 1/8 x 3/16" - 375"
	005091-01-000	EA	Nut - Speed - C Type - No 8 Screw
	062401-02-000	EA	Clamp - Hose - Wormgear - 1.56" - 2.5"
	062401-05-000	EA	Clamp - Hose - Wormgear - 2.25" x 5.2"
	081916-02-000	EA	Clamp - Hose - Wormgear - 1.5" - 27mm
	007161-91-000	EA	Clamp - Hose - Spring Type - 1.0"
	006343-01-000	EA	Te - Wt - 6
	008386-01-000	EA	Ground - Snap - 3/8"

1991 1/2 ITASCA TABLE OF CONTENTS

INTRODUCTION	A-01 - A-02
ABBREVIATIONS	A-03
ALPHABETICAL/GROUP REFERENCE	A-04 - A-06
IF327RB	A-07 - D-04
IF327RT	D-05 - G-13

1991 1/2 IF327RT INDEX

Floor Plan	D-05 - D-06
Accessories Group	D-07 - D-10
Bath Group	D-11 - D-12
Bedroom Group	D-13 - D-15
Chassis Group	D-16 - D-19
Curtain, Cushion & Pad Group	D-20 - E-05
Dinette Group	E-06 - E-08
Driver's Compartment Group	E-09 - E-11
Electrical Group	E-12 - E-14
Exterior Body Group	E-15 - E-19
Galley Group	E-20 - E-23
Heating & Air Conditioning Group	E-24 - F-01
Interior Finish Group	F-02 - F-05
Labels Group	F-06 - F-13
LP Group	F-14
Lounge Group	F-15
Sealants & Fasteners Group	F-16 - F-17
Water & Sewage Group	F-18 - F-22
Window, Vent & Exterior Door Group	F-23 - G-13

SEALANTS & FASTENERS GROUP (CONTINUED)

SCREWS & FASTENERS (CONTINUED)

Key	Part Number	U/M	Description
	008401-01-000	EA	Strap - Conduit - 3/4" - 1 Hole - Galvanized Steel
	010495-01-000	EA	Clamp - Cable - 9/16"
	010497-01-000	EA	Clamp - Closed - 5/8" ID
	010497-03-000	EA	Clamp - Closed - 1" ID - Cushioned
	010499-01-000	EA	Clamp - Closed - 3/8" ID
	016604-01-000	EA	Brace - Cabinet - Angled Metal - 2.5"
	083609-01-000	EA	Clamp - Wire Dual - Equal 5/8" Dia.
	084884-01-000	EA	Plug - Brass - 3/8"
	087721-01-000	EA	Screw - Flat Head - Tapping - 1/4" x 1 1/4" LG - Zn
	089371-01-000	EA	Screw - Machine - 8 - 32 x 3 5/16" - Zn
	075148-02-000	EA	Clamp - Grounding - Bronze Screws
	075908-01-000	EA	Screw - Machine - 10 - 32 x .56" PTH - Zn
	049465-03-000	EA	Screw - 10 - 16 x 1" POH w/Washer - Off White
	049465-04-000	EA	Screw - 10 - 16 x 1" PTH w/Washer - Beige
	076790-01-000	EA	Screw - 6 - 20 x 1 1/4" PPH - Black
	063729-04-000	EA	Rivet - 10 - 32 UNF - .010" - .080"
	008380-01-000	EA	Grommet - 5/8" Hole x 1 1/2" Dia. - Black Rubber
	083204-03-000	EA	Button - Mirror Retainer - 5/16" Tip - Walnut

SEALANTS & ADHESIVES

Key	Part Number	U/M	Description
	004020-01-000	OT	Adhesive - ABS Cement (Plastic Fittings)
	004005-02-000	GL	Adhesive - Swirls - Glue (Sidewalls)
	053766-07-000	EA	Bedding Compound - Tube - Beige (Exterior)
	053766-06-000	EA	Bedding Compound - Tube - Clear (Window)
	053766-08-000	EA	Bedding Compound - Tube - Gray (Exterior)
	102352-01-000	EA	Bedding Compound - Tube - Black (Luggage Compartment)
	053766-02-000	EA	Bedding Compound - Tube - Off White (Exterior)
	002328-02-000	EA	Block - Rubber Spacer (Windshield)
	077967-01-000	EA	Sealant - Acrylic Latex - Tube - Off White (Interior Sealant)
	034552-04-000	EA	Sealant - Silicone - Beige
	034552-02-000	EA	Sealant - Silicone - Clear
	034552-07-000	EA	Sealant - Silicone - Dark Gray
	034552-06-000	EA	Sealant - Silicone - Off White
	039518-01-000	EA	Sealant - Silicone - Black
	069640-01-000	FT	Sealer Ribbon - 25" Bead x 20'
	069640-02-000	FT	Sealer Ribbon - 5" x 125" x 30'
	069640-03-000	FT	Sealer Ribbon - 75" x 125" x 30'
	069640-09-000	FT	Sealer Ribbon - 1/32" x 2 5/8" x 30'
	069640-06-000	FT	Sealer Ribbon - 5/16" Bead x 15'
	069640-07-000	FT	Sealer Ribbon - 2" x 3/32" x 30'
	069640-10-000	FT	Sealer Ribbon - 1/32" x 1 5/8" x 100'
	002707-02-000	FT	Sealer Tape - 5/16" x 1/2"
	074497-14-700	EA	Sealer - Slant (Ceiling)
	102353-01-700	EA	Seam Sealer - Tube - Gray (Roof Seams)
	094401-01-000	EA	Seam Sealer - Tube - Clear (Cap to Sidewall)
	063642-01-000	FT	Tape - Adhesive - 10mm x 1 5/8" Wide
	038686-01-000	EA	Tape - Butyl - 31" x 31" x 148" (Windshield)
	076322-01-000	FT	Tape - Foam - Double Coated - 025" x 75" x 7' (Fiberglass Sidewall Seams)
	076322-02-000	FT	Tape - Foam - Double Coated - 045" x 1" (Fiberglass Sidewall Seams)
	100028-01-000	FT	Tape - Foam - Double Coated - 031" x 75" x 2" (Non-Structural Fastening)
	009200-01-000	EA	Tape - Furnace - 1 5/8"
	002825-01-000	FT	Weather Stripping (Roof Vent)
	081377-01-700	EA	Adhesive - Cyanoacrylate - 10GM

WATER & SEWAGE GROUP

WATER LINES & HARDWARE

Key	Part Number	U/M	Description
	044927-01-000	EA	Adapter - Plastic - 1 1/4" MPT x 1 1/4" Bar (Water Tank)
	079317-01-000	EA	Adapter - Swivel - .5" Tube x .5" FPT
	052954-01-000	EA	Adapter - Nose Cone - 3/8" or 1/2" - Plastic
	036522-02-000	EA	Cap - Brass - 1/2" Flare
	052959-02-000	EA	Connector - Plastic - 1/2" F x 1/2" MPT
	052959-03-000	EA	Connector - 1/2" x 3/8" MPT - Plastic
	010219-01-000	EA	Elbow - Plastic - 1 1/3" MPT x 1 1/4" Barb
	065120-01-000	EA	Elbow - Plastic - Swivel - 1/2" FPT x 1/2" Flare - Gray
	035539-01-000	EA	Elbow - Plastic - 3/8" MPT x 3/8" Barb
	070924-01-000	EA	Elbow - Swivel - 1/2" MPT x 1/2" FPT - Gray
	075240-06-000	EA	Faucet - Lavatory - Bone
	011053-04-000	EA	Faucet - Swing Spout - Galley - 8"
	091253-01-000	EA	Gasket - Faucet
	075241-05-000	EA	Faucet - Shower - Bone
	077954-02-000	EA	Filter/Screen (In Water Tank)
	052961-02-000	EA	Header - 1/2" MPT x 1/2" F x 1/2" F x 1/2" F
	052952-01-000	EA	Nut - Plastic - 1/2" F
	052953-01-000	EA	Nut - Faucet - 1/2" Tube x 1/2" FPT
	049032-01-000	EA	Patch - Spinweld - Plastic - 3/8"
	098607-01-000	EA	Pump - Water - 2.8 GPM - Direct Flow (US)
	098607-02-000	EA	Pump - Water - 2.8 GPM - Direct Flow (CSA)
	098607-01-707	EA	Motor/Backplate - Replacement
	098607-01-701	EA	Drive Asm.
	098607-01-702	EA	Diaphragm Kit
	098607-01-703	EA	Valve Asm.
	098607-01-704	EA	Upper Housing
	098607-01-706	EA	Switch Asm. - Complete
	098607-01-700	EA	Pumphead - Replacement
	098607-01-705	EA	Check - Valve Kit
	091208-01-000	EA	Rubber Washer - .06" x .75" x .50"
	039861-01-000	EA	Sending Unit
	011048-02-000	EA	Shower Head - w/60" Hose (US)
	011048-05-000	EA	Shower Head - w/60" Hose (CSA)
	042989-03-000	EA	Spinweld Fitting - Plastic - 1/4" NPT
	042989-05-000	EA	Spinweld Fitting - Plastic - 1/2" FPT
	042989-04-000	EA	Spinweld Fitting - Plastic - 3/8" FPT
	097967-01-000	EA	Switch - Water Heater
	052955-01-000	EA	Tee - Plastic - 1/2" F x 1/2" F x 1/2" MPT
	052956-01-000	EA	Tee - Plastic - 1/2" F x 1/2" MPT x 1/2" F
	052958-01-000	EA	Tee - Plastic - 1/2" F x 1/2" F x 1/2" F
	074463-01-000	EA	Tee - 4 Way - Plastic - 1/2" Flare - Gray
	039800-01-000	FT	Tubing - Polybutyl - 1/2" OD x 20' (Water Line)
	079301-01-000	FT	Tubing - Flex/Smooth - 1 25" ID (Water Tank)
	074462-02-000	FT	Tubing - Vinyl - 3/8" ID
	052960-01-000	EA	Valve - Line Drain - 1/2" F x 1/2" F
	064214-01-000	EA	Water Tank - 31 Gal w/o Fittings - 24" x 12 75" x 30"
	064214-05-000	EA	Water Tank - 31 Gal w/Fittings - 24" x 12 75" x 30"

BYPASS FOR WATER HEATER (OPTION L53J)

Key	Part Number	U/M	Description
	099729-01-000	EA	Bypass Kit - Water Heater
	052957-02-000	EA	Elbow - 1/2" F x 1/2" MPT - Plastic
	052956-01-000	EA	Tee - 1/2" F x 1/2" MPT x 1/2" F - Plastic
	039800-01-000	FT	Tubing - Polybutyl - 1/2" OD - Black

1991 1/2 ITASCA TABLE OF CONTENTS

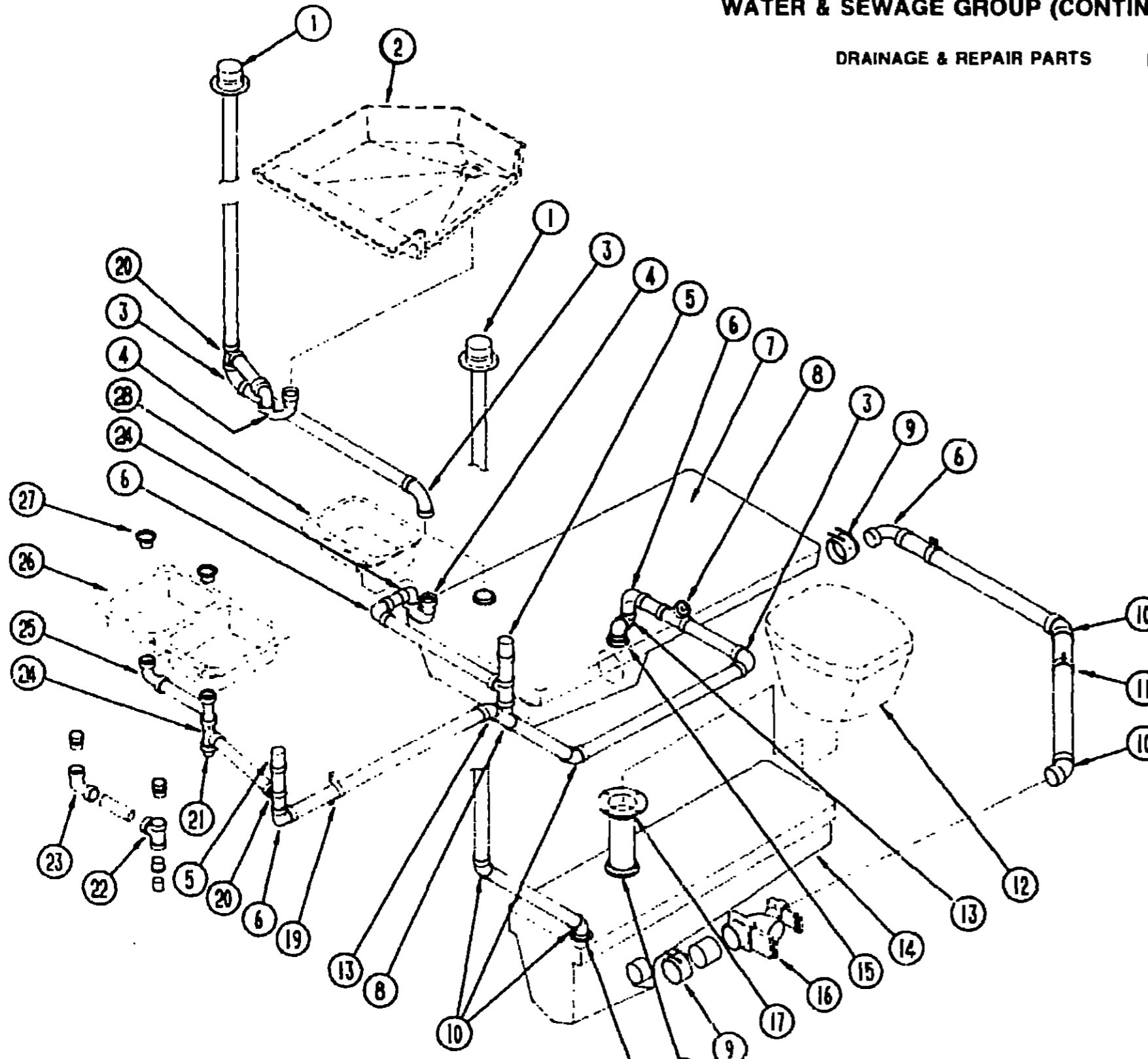
INTRODUCTION	A-01 - A-02
ABBREVIATIONS	A-03
ALPHABETICAL/GROUP REFERENCE	A-04 - A-06
IF327RB	A-07 - D-04
IF327RT	D-05 - G-13

1991 1/2 IF327RT INDEX

Floor Plan	D-05 - D-06
Accessories Group	D-07 - D-10
Bath Group	D-11 - D-12
Bedroom Group	D-13 - D-15
Cassis Group	D-16 - D-19
Curtain, Cushion & Pad Group	D-20 - E-05
Dinette Group	E-06 - E-08
Driver's Compartment Group	E-09 - E-11
Electrical Group	E-12 - E-14
Exterior Body Group	E-15 - E-19
Galley Group	E-20 - E-23
Heating & Air Conditioning Group	E-24 - F-01
Interior Finish Group	F-02 - F-05
Labels Group	F-06 - F-13
LP Group	F-14
Lounge Group	F-15
Sealants & Fasteners Group	F-16 - F-17
Water & Sewage Group	F-18 - F-22
Window, Vent & Exterior Door Group	F-23 - G-13

WATER & SEWAGE GROUP (CONTINUED)

DRAINAGE & REPAIR PARTS



Key	Part Number	U/M	Description
1	083558-03-000	EA	Root Vent - Covered - Vent Pipe
2	M02630-03-X81	EA	Shower Pan Asm
	066440-01-000	EA	Strainer - Shower Drain
	066435-01-000	EA	Nut - Strainer
	059735-01-000	EA	Washer - Tailpiece - 1.5" - Plastic
	011069-02-000	EA	Tailpiece - 1 1/2" x 1 1/4" x 4" - Plastic
	066436-01-000	EA	Slip Nut - 1.5" - Tailpiece
	011048-02-000	EA	Shower Head - w/60" Hose (US)
	011048-05-000	EA	Shower Head - w/60" Hose (CSA)
	075241-05-000	EA	Faucet - Shower - Bone
3	010008-01-000	EA	Elbow - Plastic - 1/4 BD x 1 1/2" x 90° - Left
4	011066-03-000	EA	P-Trap - Plastic - 1 1/4" x 1 1/2" (US)
5	011066-02-000	EA	P-Trap - Plastic - 1 1/4" (CSA)

Key	Part Number	U/M	Description
5	079968-01-000	EA	Vent - Mechanical - Trap Asm.
6	033761-01-000	EA	Elbow - Plastic - 1/4 BD x 1 1/2" x 90°
7	061804-01-000	EA	Tank Asm. - Holding - 36 Gallon
8	010073-01-000	EA	Wye - Plastic - 1 1/2" x 45° H x H
	010166-01-000	EA	Plug - Plastic - 1 1/4" (US)
	010166-02-000	EA	Plug - Plastic - 1 1/4" (CSA)
	010121-01-000	EA	Bushing - Reducer - 1 1/2" S x 1 1/4" H - Black Plastic
	010122-01-000	EA	Bushing - Plastic - Red - 1 1/2" S x 1 1/4" T
	038342-01-000	EA	Tee - Plastic - 1.5" S x 1/2" H x 1/2" H
9	078406-01-000	EA	Coupler - Rubber - 3" x 3"
	062422-01-000	EA	Adapter - Offset Reducer - 3" x 1/2"
10	010006-01-000	EA	Elbow - Plastic - 1/8 BD x 1 1/2" x 45° H x H
11	056134-02-000	EA	Holder - Ring
12	067487-01-000	EA	Toilet - Aqua Magic IV - Low
	063740-01-716	EA	Seat & Cover
	063740-01-706	EA	Bolt Package - Closet
	063740-01-700	EA	Lever - Water
	063740-01-701	EA	Lever - Flush
	063740-01-707	EA	Seal - Closet Flange
	063740-01-710	EA	Link
	063740-01-711	EA	Spring - Return Lever
	063740-01-713	EA	Seal - Ball Valve to Bowl
	063740-01-714	EA	Valve Asm. - Water
	063740-01-717	EA	Flush Tube
	067487-01-700	EA	C.L.F.L. - Seal & Bolt
	067487-01-701	EA	Water Saver Package
	067487-01-702	EA	Clamp
13	010051-01-000	EA	Elbow - ST Plastic - 1/8 BD x 1 1/2" x 45°
14	083041-01-000	EA	Tank - Holding - 30 Gallons w/o Fittings
15	061607-01-000	EA	Grommet - Holding Tank - 1 1/2" NPS
16	070916-01-000	EA	Valve - Dual - 3" x 1.5"
	070916-01-700	EA	Valve - 3"
	070916-01-701	EA	Valve - 1.5"
	062416-01-000	EA	Adapter - Hose - 3"
	062415-01-000	EA	Sewer Cap - 3"
	062415-01-700	EA	String - Sewer Cap
	010201-01-000	EA	Sewer Hose - 3" ID x 8'
17	024676-01-000	EA	Flange - Closet - 4" x 3" (US)
17	024676-02-000	EA	Flange - Closet - 4" x 3" (CSA)
18	061607-02-000	EA	Grommet - Holding Tank - 3" NPS
19	008406-01-000	EA	Strap - Conduit - 2 in 2 Hole
20	010079-01-000	EA	Tee - Plastic - 1 1/2" H x 1 1/2" H x 1 1/4" H
21	011066-03-000	EA	P-Trap - 1 1/4" x 1 1/2" (US)
21	053335-01-000	EA	P-Trap - Plastic - 1 1/4" H x H w/Union (CSA)
22	010971-01-000	EA	Tee - Plastic - 1 1/2" H x H x H (CSA)
23	037101-02-000	EA	Elbow - Plastic - 1/4 BD Vent 1 1/2" H (CSA)
	033302-01-000	EA	Adaptor Asm. - Strainer - 1 1/2" (CSA)
24	010000-01-000	EA	Elbow - Plastic - 1/8 BD x 1 1/4" x 45° H x H
25	011091-02-000	EA	Continuous Waste - Double Sink (US)
26	098654-01-000	EA	Sink - Stainless Steel - Double w/Mounting Hardware
	011053-04-000	EA	Faucet - Swing Spout - 8" - Galley
27	066437-01-000	EA	Strainer w/Basket - Sink
	066437-01-700	EA	Basket Only
28	096927-01-01A	EA	Sink - Lavatory - Rectangular
	096927-01-700	EA	Sink - Strainer
	096927-01-701	EA	Tailpiece
	075240-06-000	EA	Faucet - Lavatory - Bone
	091253-01-000	EA	Gasket - Lavatory Faucet
	039861-01-000	EA	Sending Unit

NOTE: Items indented below assemblies are serviceable parts for that assembly.

1991 1/2 ITASCA TABLE OF CONTENTS

INTRODUCTION	A-01 - A-02
ABBREVIATIONS	A-03
ALPHABETICAL/GROUP REFERENCE	A-04 - A-06
IF327RB	A-07 - D-04
IF327RT	D-05 - G-13

1991 1/2 IF327RT INDEX

Floor Plan	D-05 - D-06
Accessories Group	D-07 - D-10
Bath Group	D-11 - D-12
Bedroom Group	D-13 - D-15
Chassis Group	D-16 - D-19
Curtain, Cushion & Pad Group	D-20 - E-05
Dinette Group	E-06 - E-09
Driver's Compartment Group	E-09 - E-11
Electrical Group	E-12 - E-14
Exterior Body Group	E-15 - E-19
Galley Group	E-20 - E-23
Heating & Air Conditioning Group	E-24 - F-01
Interior Finish Group	F-02 - F-05
Labels Group	F-06 - F-13
LP Group	F-14
Lounge Group	F-15
Sealants & Fasteners Group	F-16 - F-17
Water & Sewage Group	F-18 - F-22
Window, Vent & Exterior Door Group	F-23 - G-13

WATER & SEWAGE GROUP (CONTINUED)

WATER HEATER & REPAIR PARTS

Key	Part Number	U/M	Description
	051391-01-000	EA	Heater - Water - Atwood G6A-3
	051391-01-700	EA	Hinge Kit - w/Clip - Atwood #92568 & 92559
	051391-01-715	EA	Drain Plug - Atwood #91561
	051391-01-702	EA	Tank - Inner - G6A-2, 3, 6 - Water Heater - Atwood 91412
	051391-01-704	EA	Valve - Relief - 1/2" Fitting - Atwood 91604
	051391-01-705	EA	Fastener - Camloc - Atwood #92609
	051391-01-706	EA	Grille - Exhaust - Atwood #92787
	051391-01-712	EA	Thermostat - 3/8" NPT Inlet
	051391-01-708	EA	Burner - Main - Atwood #92615
	051391-01-709	EA	Pilot Asm. - w/Thermocouple & Tube
	051391-01-710	EA	Orifice - Main Burner - Atwood #92742
	051391-01-711	EA	Elbow - Orifice - Main Burner
	051391-01-714	EA	Elbow - 45 Degree - 3/8" F x 3/8" MPT - Atwood #91044
	051391-03-000	EA	Heater - Water - w/Electric Ignition - Atwood # G6A-3E, 4E & 6E
	051393-03-700	EA	Tank - Inner (G6A-3E) Rear Mount - Atwood #91409
	051391-04-700	EA	Tank - Inner (G6A-3E) Front Mount - Atwood #91608
	051391-04-706	EA	Tank - Inner - G6A-4E & 6E - Front Mount - Atwood #9164
	051391-01-704	EA	Valve - Relief - 1/2" Fitting - Atwood #91604
	051391-01-705	EA	Fastener - Camloc - Atwood #92609
	051393-01-701	EA	Switch Package - Atwood #91959
	051393-01-702	EA	Switch - Energy Cut-Off - Atwood #91951
	051391-04-701	EA	Thermostat 12 VDC - 120 Preset - Atwood #91470 - Front Mount Only
	051393-01-703	EA	Thermostat - Rear Mount - Atwood #91952
	051393-01-721	EA	ECO & Thermostat Asm. - Front Mount - 140 Degree - Atwood #
	051393-01-704	EA	Circuit Board - w/Black Box - Atwood #91420
	051391-01-706	EA	Grille - Exhaust - Atwood #92787
	051393-01-705	EA	Orifice Holder - Atwood #91925
	051391-01-710	EA	Orifice - Main Burner - Atwood #92742
	051393-01-716	EA	Spark & Probe Asm. - Atwood #91606
	051391-01-708	EA	Burner - Main - Atwood #92615
	051393-01-718	EA	Valve - Dual Solenoid - Atwood #91605
	051391-01-715	EA	Drain Plug - Atwood #91561
	051391-01-700	EA	Hinge Kit - w/Clip - Atwood #92568 & 92559
	051393-01-000	EA	Water Heater - w/Motor Aid - Pilotless Ignition - Atwood GH6-3E, GH6-4E or GH6-6E
	051391-04-705	EA	Tank - Inner - GH6-3E - Front Mount - Atwood #91609
	051393-01-714	EA	Tank - Inner - GH6-3E - Rear Mount - Atwood #91408
	051391-04-704	EA	Tank - Inner - Front Mount - GH6-4E & 6E - Atwood #91642
	051391-01-704	EA	Valve - Relief - 1/2" Fitting - Atwood #91604
	051391-01-705	EA	Fastener - Camloc - Atwood #92609
	051393-01-701	EA	Switch Package - Atwood #91959
	051393-01-702	EA	Switch - Energy Cut-off - Atwood #91951
	051391-04-701	EA	Thermostat - 12 VDC - 120 Preset - Atwood #91470 - Front Mount Only
	051393-01-703	EA	Thermostat - Rear Mount - Atwood #91952
	051393-01-721	EA	ECO & Thermostat Asm. - Front Mount - 140 Degree - Atwood #
	051393-01-704	EA	Circuit Board - w/Black Box - Atwood #91420
	051391-01-706	EA	Grille - Exhaust - Atwood #92787
	051393-01-705	EA	Orifice Holder - Atwood #91925
	051391-01-710	EA	Orifice - Main Burner - Atwood #92742
	051393-01-716	EA	Spark & Probe Asm. - Atwood #91606
	051391-01-708	EA	Burner - Main - Atwood #92615
	051393-01-718	EA	Valve - Dual Solenoid - Atwood #91605
	051391-01-715	EA	Drain Plug - Atwood #91561
	051391-01-700	EA	Hinge Kit - w/Clip - Atwood #92568 & 92559

NOTE: Items indented below assemblies are serviceable parts for that assembly.

WATER & SEWAGE GROUP (CONTINUED)

EXTERIOR SHOWER KIT (OPTION L64R)

Key	Part Number	U/M	Description
	103173-01-01A	EA	Shower Kit - Exterior - Off White (Piece Parts are N/A)
	103173-02-01A	EA	Shower Kit - Exterior - Off White
	103173-03-700	EA	Compartment Only
	103173-03-701	EA	Door Only
	103173-03-702	EA	Hinge Pin
	103173-03-703	EA	Hinge Pin Spring
	103173-03-704	EA	Lock Asm. w/Key & Clip
	103173-03-705	EA	Decal - "Auxiliary Shower"
	103173-03-706	EA	Shower Head w/Hose & Bracket
	103173-03-707	EA	Faucet w/Adapter - Chrome
	046128-01-000	EA	Valve - Drain - Plastic - 1/2" FPT
	000G39-08-16S	EA	Screw - SF/DR - 8 - 18 x 1" PPH - Off White
	052957-02-000	EA	Elbow - Male - 1/2" F x 1/2" MPT - Plastic - Gray

* These are parts used from 3/25/91 on.

**1991 1/2 ITASCA
TABLE OF CONTENTS**

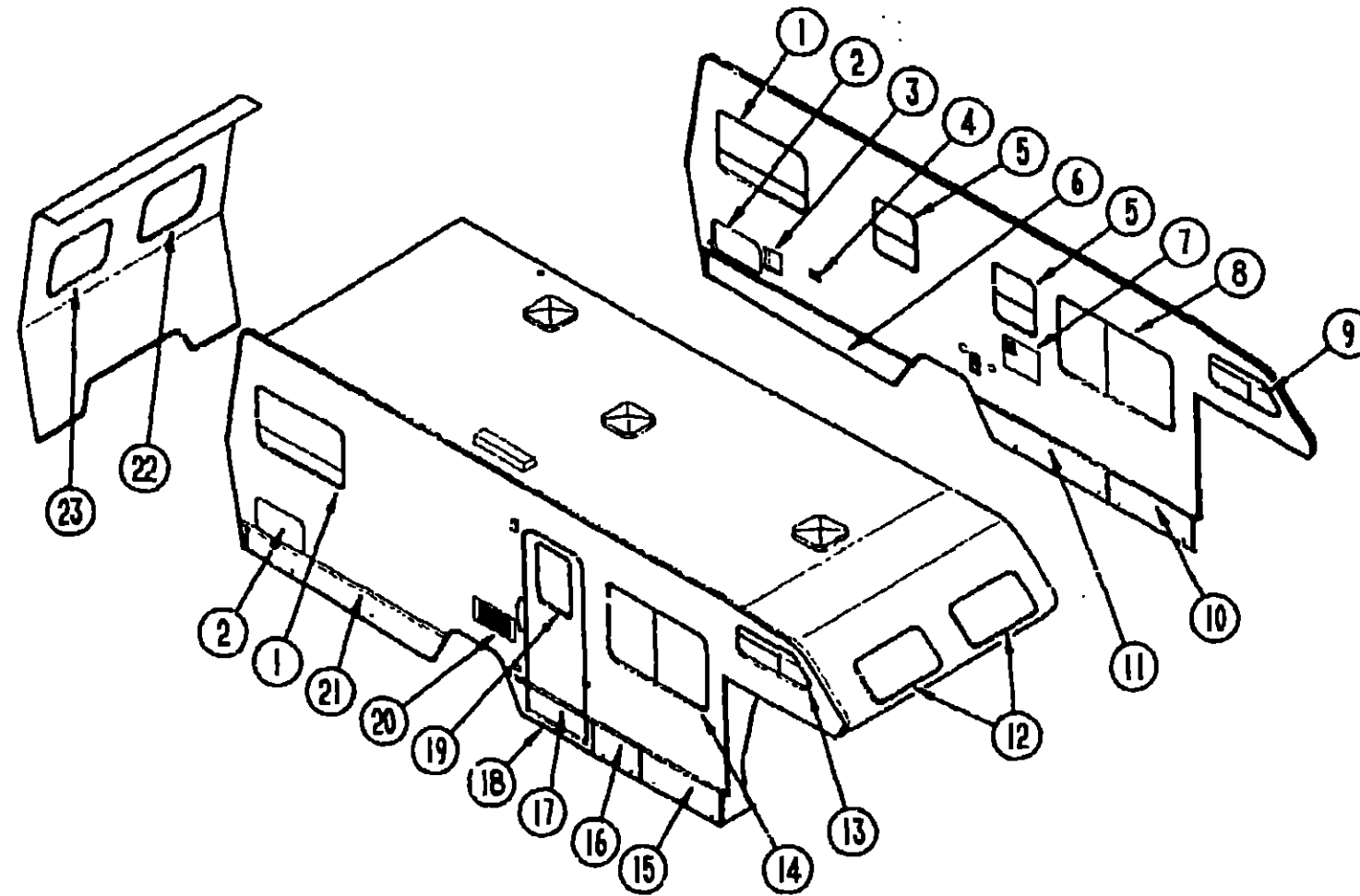
INTRODUCTION	A-01 - A-02
ABBREVIATIONS	A-03
ALPHABETICAL/GROUP REFERENCE	A-04 - A-06
IF327RB	A-07 - D-04
IF327RT	D-05 - G-13

1991 1/2 IF327RT INDEX

Floor Plan	D-05 - D-06
Accessories Group	D-07 - D-10
Bath Group	D-11 - D-12
Bedroom Group	D-13 - D-15
Chassis Group	D-16 - D-19
Curtain, Cushion & Pad Group	D-20 - E-05
Dinette Group	E-06 - E-08
Driver's Compartment Group	E-09 - E-11
Electrical Group	E-12 - E-14
Exterior Body Group	E-15 - E-19
Galley Group	E-20 - E-23
Heating & Air Conditioning Group	E-24 - F-01
Interior Finish Group	F-02 - F-05
Labels Group	F-06 - F-13
LP Group	F-14
Lounge Group	F-15
Sealants & Fasteners Group	F-16 - F-17
Water & Sewage Group	F-18 - F-22
Window, Vent & Exterior Door Group	F-23 - G-13

WINDOWS, VENTS & EXTERIOR DOORS

WINDOWS & ACCESS DOORS



1991 1/2 ITASCA TABLE OF CONTENTS

INTRODUCTION	A-01 - A-02
ABBREVIATIONS	A-03
ALPHABETICAL/GROUP REFERENCE	A-04 - A-06
IF327RB	A-07 - D-04
IF327RT	D-05 - G-13

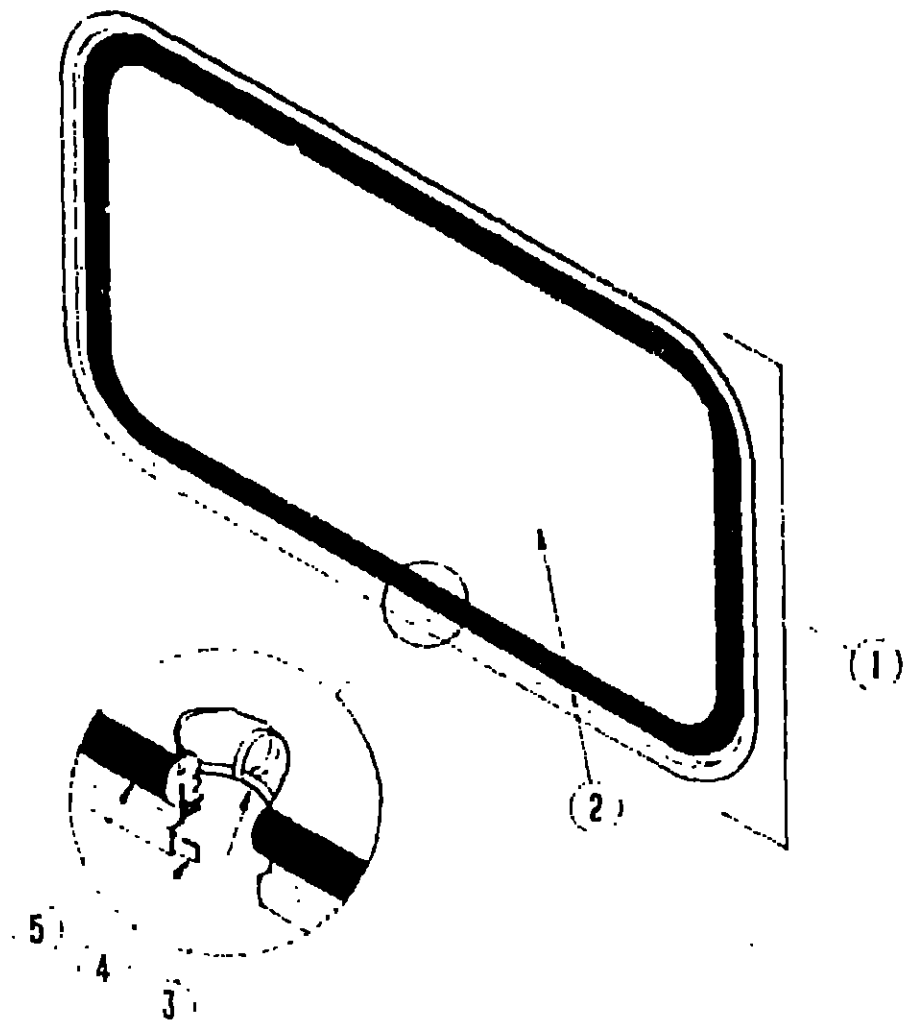
Key	Part Number	U/M	Description
1	092235-07-Y12	EA	Window Asm. - Tipout - 24.3" x 40.3"
2	079578-04-U28	EA	Door Asm. - Storage - 12.9" x 22.1" - Off White
3	078010-03-000	EA	Door Asm. - Fuel Fill - Off White
4	081240-03-000	EA	Door Asm. - Water Fill - Lockable - 4" x 4 5/8" - Off White
5	098644-01-715	EA	Window Asm. - Vertical Slider - 22" x 15" (Excel)
6	096393-19-B05	EA	Door Asm. - Rear - Tapered
7	052009-01-000	EA	Door Asm. - Water Heater - Off White
8	098647-04-700	EA	Window Asm. - Slider - 31" x 54" (Excel)
9	100322-02-700	EA	Window Asm. - Vented - 12" x 36" (Excel)
10	096386-03-AA3	EA	Door Asm. - Storage/Generator - 13.7" x 39.9"
11	096395-01-AA3	EA	Door Asm. - Storage/Luggage - 13.7" x 61.6"
12	078533-08-B13	EA	Window Asm. - Picture - 17" x 34"

Key	Part Number	U/M	Description
13	100322-01-720	EA	Window Asm. - Vented - 12" x 36" (Excel)
14	098647-05-706	EA	Window Asm. - Slider - 24" x 40" (Excel)
15	096386-01-AA3	EA	Door Asm. - LP Compartment - 13.7" x 36.8"
16	096386-02-AA3	EA	Door Asm. - Storage - 13.7" x 23.3"
17	M01870-32-B85	EA	Door Asm. - Entrance
18	096398-01-AA3	EA	Valance Asm. - Entrance Door
19	079733-07-AA8	EA	Window Asm. - Frosted Glass - 17" x 25"
20	084103-03-000	EA	Door Asm. - Refrigerator - Vented - Off White
21	096393-11-B05	EA	Door Asm. - Valance - Rear - Tapered
22	079729-02-T03	EA	Window Asm. - Rear Escape - 24" x 22"
23	079729-03-W17	EA	Window Asm. - Rear Escape - 24" x 22"
†	078536-01-T03	EA	Window Asm. - Escape - 23" x 68"
†	These parts were used in the Double Bed (Option L46L)		

1991 1/2 IF327RT INDEX

Floor Plan	D-05 - D-06
Accessories Group	D-07 - D-10
Bath Group	D-11 - D-12
Bedroom Group	D-13 - D-15
Chassis Group	D-16 - D-19
Curtain, Cushion & Pad Group	D-20 - E-05
Dinette Group	E-06 - E-08
Driver's Compartment Group	E-09 - E-11
Electrical Group	E-12 - E-14
Exterior Body Group	E-15 - E-19
Galley Group	E-20 - E-23
Heating & Air Conditioning Group	E-24 - F-01
Interior Finish Group	F-02 - F-05
Labels Group	F-06 - F-13
LP Group	F-14
Lounge Group	F-15
Sealants & Fasteners Group	F-16 - F-17
Water & Sewage Group	F-18 - F-22
Window, Vent & Exterior Door Group	F-23 - G-13

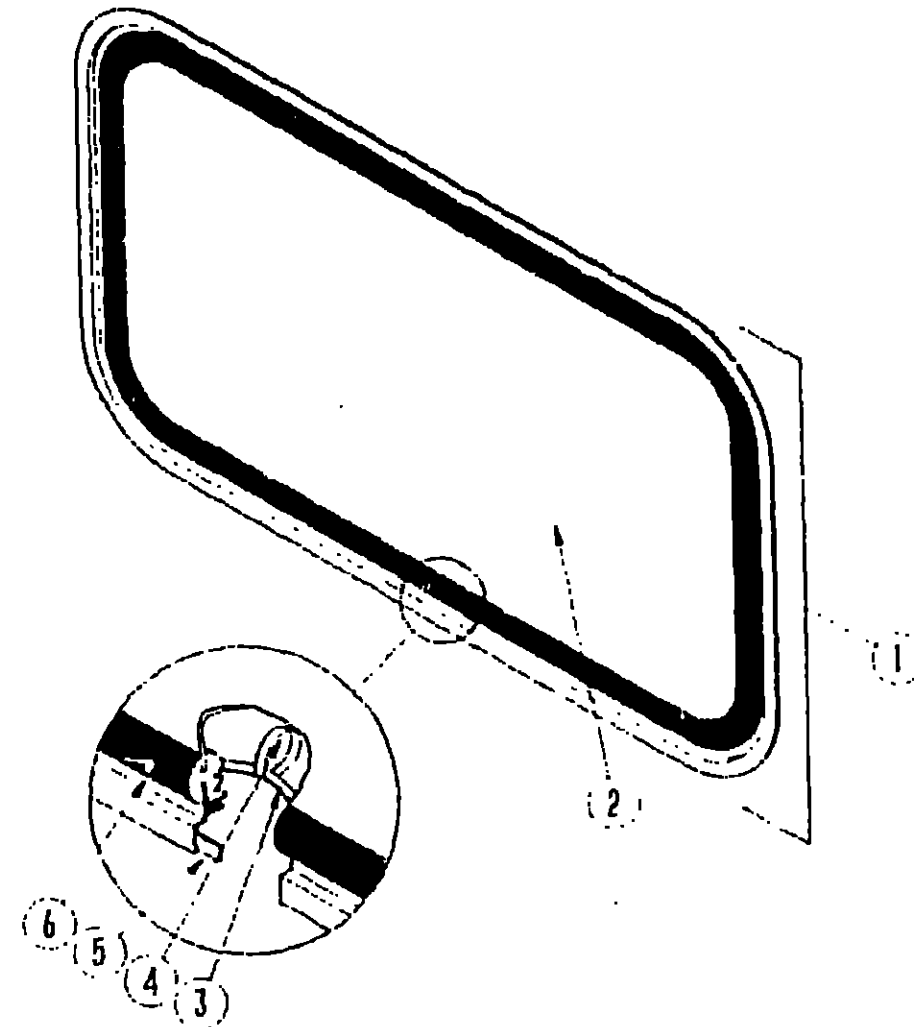
WINDOW, VENT & EXTERIOR DOOR GROUP (CONTINUED)



ESCAPE WINDOW

Key	Part Number	U/M	Description
1	079729-02-T03	EA	Window Asm. - Rear Escape - 24" x 22" (w/o inside frame)
1	079729-03-V17	EA	Window Asm. - Rear Escape - 24" x 22" (w/o inside frame)
	020749-09-000	EA	Inside Frame - Black (not included in assembly)
	020749-10-000	EA	Inside Frame - Off White (not included in assembly)
2	041392-03-000	EA	Glass - 1/8" x 21.6" x 19.6"
3	002285-01-000	FT	Filler - Weatherstrip - Black
4	069640-07-000	FT	Ribbon Sealer - 5/16" Bead x 15'
5	002282-01-000	FT	Weatherstrip - 1.25" Window
	087561-01-000	FT	Seal - Exterior Window - Black Vinyl
	006199-01-000	EA	Label - Exit - Escape Window
	077066-01-702	EA	Tape Asm. - Escape Window - Red

WINDOW, VENT & EXTERIOR DOOR GROUP (CONTINUED)



ESCAPE WINDOW (OPTION L46L)

Key	Part Number	U/M	Description
1	078536-01-T03	EA	Window Asm. - Escape - 23" x 68" (w/o inside frame)
	042027-12-000	EA	Inside Frame - Black (not included in assembly)
	042027-13-000	EA	Inside Frame - Off White (not included in assembly)
2	002178-01-000	EA	Glass - 19.6" x 64.8"
3	002285-01-000	FT	Filler - Weatherstrip - Black
4	077066-01-702	EA	Tape Asm. - Escape Window - Red
5	069640-05-000	FT	Ribbon Sealer - 5/16" Bead x 15'
6	002282-01-000	FT	Weatherstrip - 1.25" Window - Red

1991 1/2 ITASCA
TABLE OF CONTENTS

INTRODUCTION	A-01 - A-02
ABBREVIATIONS	A-03
ALPHABETICAL/GROUP REFERENCE	A-04 - A-06
IF327RB	A-07 - D-04
IF327RT	D-05 - G-13

1991 1/2 IF327RT INDEX

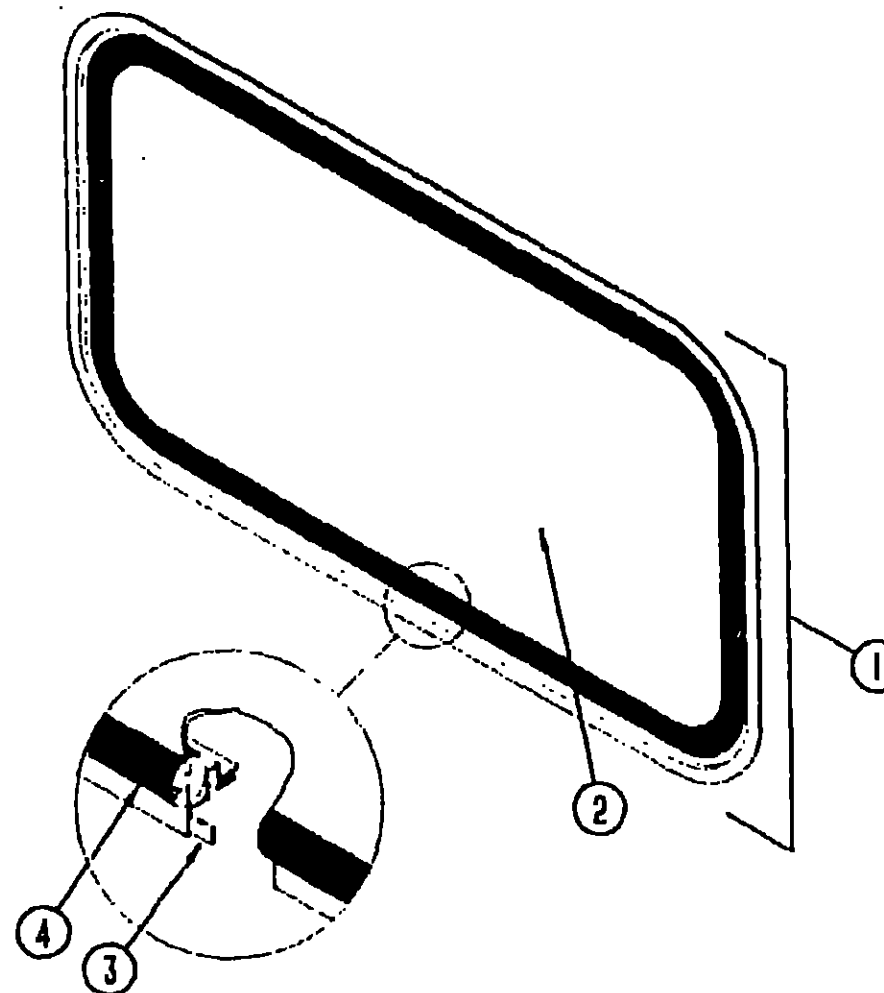
Floor Plan	D-05 - D-08
Accessories Group	D-07 - D-10
Bath Group	D-11 - D-12
Bedroom Group	D-13 - D-15
Chassis Group	D-16 - D-19
Curtain, Cushion & Pad Group	D-20 - E-05
Dinette Group	E-06 - E-08
Driver's Compartment Group	E-09 - E-11
Electrical Group	E-12 - E-14
Exterior Body Group	E-15 - E-19
Galley Group	E-20 - E-23
Heating & Air Conditioning Group	E-24 - F-01
Interior Finish Group	F-02 - F-05
Labels Group	F-06 - F-13
LP Group	F-14
Lounge Group	F-15
Sealants & Fasteners Group	F-16 - F-17
Water & Sewage Group	F-18 - F-22
Window, Vent & Exterior Door Group	F-23 - G-13

WINDOW, VENT & EXTERIOR DOOR GROUP (CONTINUED)

BUNK VENTED WINDOWS

Key	Part Number	U/M	Description
	100322-02-700	EA	Window - Vented - 12" x 35.8" - w/o Inside Frame - Driver
	100322-01-720	EA	Window - Vented - 12" x 35.8" - w/o Inside Frame - Passenger
	100322-01-719	EA	Inside Frame - Black - Passenger
	100322-01-724	EA	Inside Frame - Off White - Passenger
	100322-01-721	EA	Inside Frame - Black - Driver
	100322-01-701	EA	Inside Frame - Off White - Driver
	098644-01-716	EA	Filler Plug
	100322-01-701	EA	Seal - Vent
	100322-01-702	EA	Weatherstrip - Horizontal Rail
	100322-01-703	EA	Strip - Glazing - Butyl
	100322-01-704	EA	Butyl Tape
	100322-01-705	EA	Glass - Stationary - Small Top
	100322-01-706	EA	Glass - Stationary - Large Front
	100322-01-707	EA	Glass - Tipout - Sub Asm. - Passenger Side
	100322-01-708	EA	Screen - Driver Side
	100322-01-709	EA	Screen - Passenger Side
	100322-01-710	EA	Plate - Splice
	100322-01-711	EA	Vent - Operator - Sub Asm. - Passenger Side
	100322-01-712	EA	Rail - Horizontal
	100322-01-713	EA	Division Bar - Vertical
	100322-01-714	EA	Support - Torque Bar - Left
	100322-01-715	EA	Support - Torque Bar - Right
	100322-01-716	EA	Support - Torque Bar - Center Rail
	100322-01-717	EA	E-Ring
	100322-01-718	EA	Handle - Dial
	100322-01-722	EA	Glass - Tipout - Sub Asm. - Driver Side
	100322-01-723	EA	Vent Operator - Sub Asm. - Driver Side

WINDOW, VENT & EXTERIOR DOOR GROUP (CONTINUED)



FRONT PICTURE WINDOW

Key	Part Number	U/M	Description
1	078533-08-B13	EA	Window Asm. - Front Picture - 17" x 31" - Black (w/o inside frame)
	041936-12-000	EA	Inside Frame - Black (not included in assembly)
	041938-15-000	EA	Inside Frame - Off White (not included in assembly)
2	002181-13-000	EA	Glass - Window - 15.3" x 32.5" - Gray
3	069640-06-000	FT	Ribbon Sealer - 5/16" Bead x 15'
4	002281-02-000	EA	Weatherstrip - Self Seal - .06" Panel x .125"

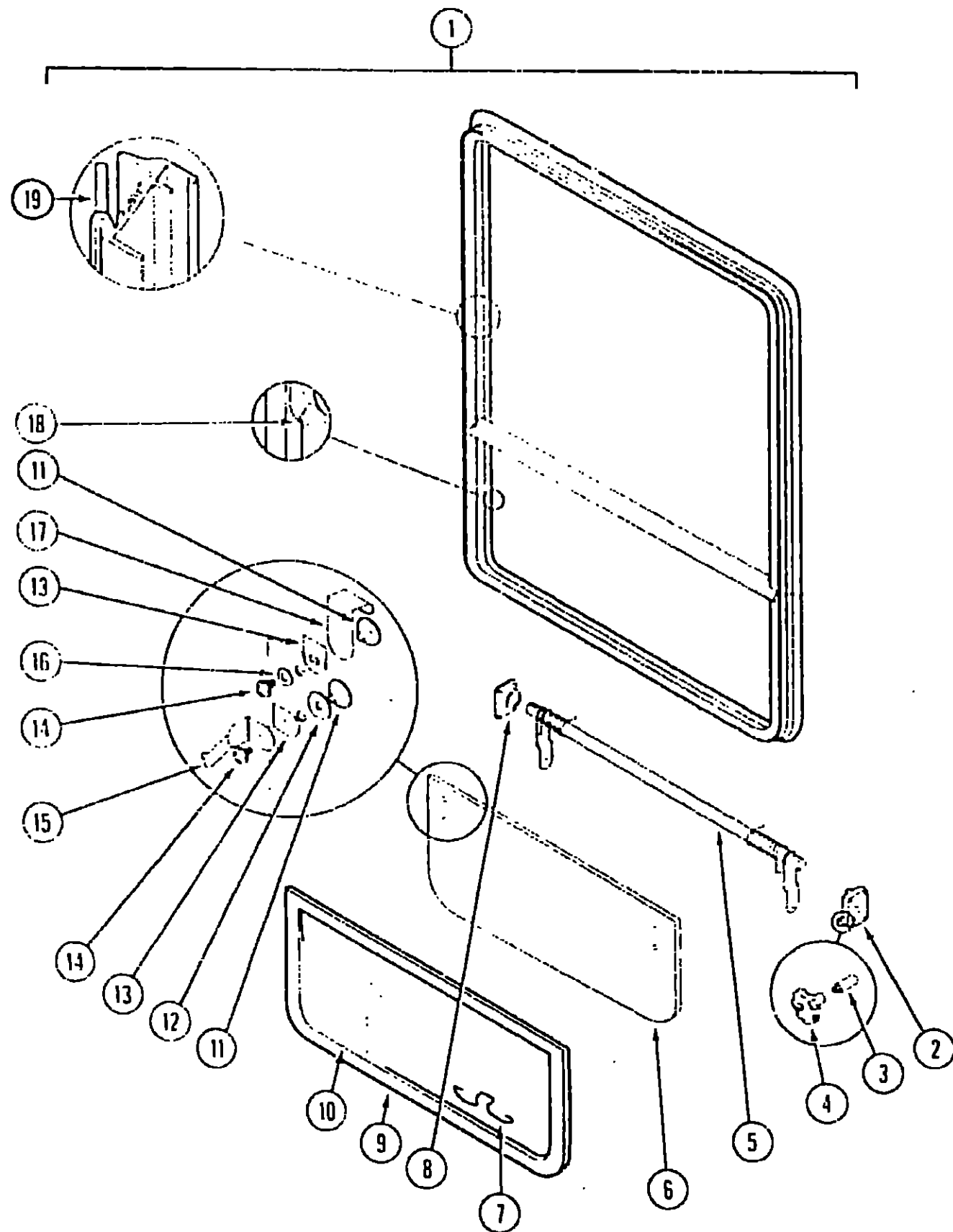
**1991 1/2 ITASCA
TABLE OF CONTENTS**

INTRODUCTION	A-01 - A-02
ABBREVIATIONS	A-03
ALPHABETICAL/GROUP REFERENCE	A-04 - A-06
IF327RB	A-07 - D-04
IF327RT	D-05 - G-13

1991 1/2 IF327RT INDEX

Floor Plan	D-05 - D-06
Accessories Group	D-07 - D-10
Bath Group	D-11 - D-12
Bedroom Group	D-13 - D-15
Chassis Group	D-16 - D-19
Curtain, Cushion & Pad Group	D-20 - E-05
Dinette Group	E-06 - E-08
Driver's Compartment Group	E-09 - E-11
Electrical Group	E-12 - E-14
Exterior Body Group	E-15 - E-19
Galley Group	E-20 - E-23
Heating & Air Conditioning Group	E-24 - F-01
Interior Finish Group	F-02 - F-05
Labels Group	F-06 - F-13
LP Group	F-14
Lounge Group	F-15
Sealants & Fasteners Group	F-16 - F-17
Water & Sewage Group	F-18 - F-22
Window, Vent & Exterior Door Group	F-23 - G-13

WINDOW, VENT & EXTERIOR DOOR GROUP (CONTINUED)



WINDOW, VENT & EXTERIOR DOOR GROUP (CONTINUED)

BEDROOM SINGLE TIPOUT WINDOW

Key	Part Number	U/M	Description
1	092235-07-Y12	EA	Window Asm. - Single Tipout - 24 3/4" x 40 3/4" (w/o inside frame)
	090893-11-01A	EA	Inside Frame - Black (not included w/Window Assembly)
	090893-11-02A	EA	Inside Frame - Off White (not included w/Window Assembly)
2	035302-02-000	CA	Operator Drive
3	090025-01-000	EA	Extension - Window Knob (not included w/Window Assembly)
4	067052-02-000	EA	Window Knob - Beige (not included w/Window Assembly)
	089371-01-000	EA	Screw - Window Knob (not included w/Window Assembly)
5	083150-12-000	EA	Torque Tube Asm. w/Spring
5	080918-01-000	EA	Spring - Torque Tube - Left
5	080918-02-000	EA	Spring - Torque Tube - Right
6	084068-17-000	EA	Glass - 1/8" x 9 2/3" x 40"
7	100168-01-030	EA	Screen Clip
8	081354-01-000	EA	Torque Tube Sleeve
9	100235-04-B07	CA	Screen Asm
10	080218-03-090	SF	Window Screen - 12"
	100240-01-000	FT	Spine - Window Screen
11	086762-01-000	EA	T-Nut - Window
12	068927-03-000	EA	Seal - Rubber
13	084473-01-000	EA	Seal - Rubber
14	006763-01-000	EA	Screw - #10 - 32 x 1/4" PTH
15	047578-01-000	EA	Connecting Rod Asm
	081649-01-000	EA	Snap Ring Clip
	085315-01-000	EA	Rivet - Shoulder - Tipout Window
	084453-01-000	EA	Plastic Washer - .06" x 5" x .135"
16	084453-02-000	EA	Plastic Washer - .06" x 5" x .25"
17	089913-01-000	EA	Hinge
18	084067-01-000	FT	Seal - Sponge Rubber
19	069640-06-000	FT	Ribbon Sealer (not included w/Window Assembly)

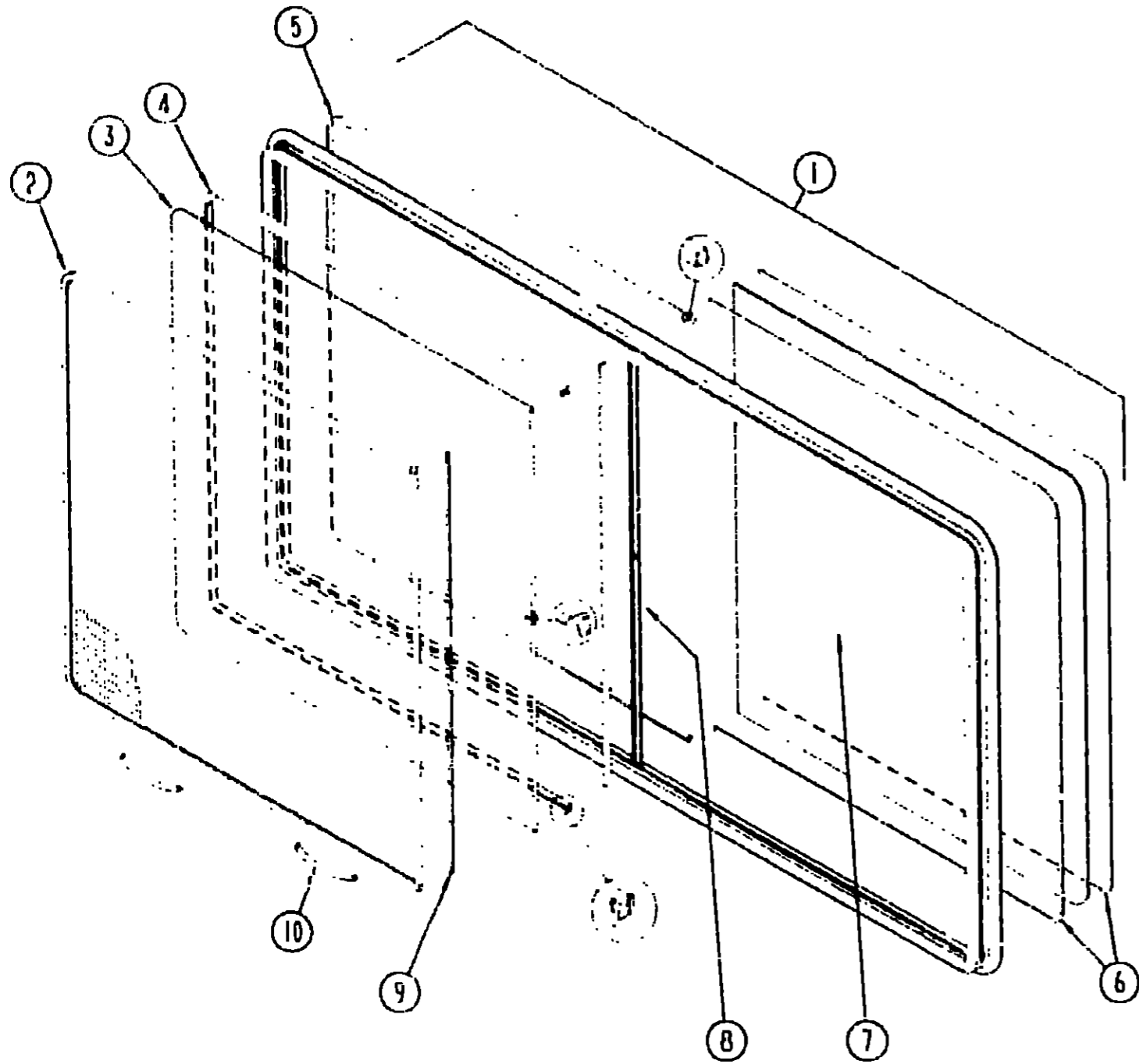
1991 1/2 ITASCA
TABLE OF CONTENTS

INTRODUCTION	A-01 - A-02
ABBREVIATIONS	A-03
ALPHABETICAL/GROUP REFERENCE	A-04 - A-05
IF327RR	A-07 - D-04
IF327RT	D-05 - G-13

1991 1/2 IF327RT INDEX

Floor Plan	D-05 - D-05
Accessories Group	D-07 - D-10
Bath Group	D-11 - D-12
Bedroom Group	D-13 - D-15
Chassis Group	E-16 - D-19
Curtain, Cushion & Pad Group	D-20 - E-05
Dinette Group	E-06 - E-08
Driver's Compartment Group	E-09 - E-11
Electrical Group	E-12 - E-14
Exterior Body Group	E-15 - E-19
Galley Group	E-20 - E-23
Heating & Air Conditioning Group	E-24 - F-01
Interior Finish Group	F-02 - F-05
Labels Group	F-06 - F-13
LP Group	F-14
Lounge Group	F-15
Sealants & Fasteners Group	F-16 - F-17
Water & Sewage Group	F-18 - F-22
Window, Vent & Exterior Door Group	F-23 - G-13

WINDOW, VENT & EXTERIOR DOOR GROUP (CONTINUED)



Key	Part Number	U/M	Description
1	098647-04-700	EA	Window Arm - Single Slider 31" x 54" (w/o inside frame)
	098647-03-705	EA	Inside Frame - Black (not included in assembly)
	098647-03-707	EA	Inside Frame - Off White (not included in assembly)
2	098647-03-704	EA	Screen Asm. w/Spring & Weatherstrip
	098644-01-701	EA	Splice Plate - Window
	098644-01-702	EA	Screw - Splice - #6 - 32 x 1/4" Pan Head
	098644-01-703	EA	Screw - Locking Rail - #6 x 15 Pro-Head Recess - Black
3	098644-03-702	EA	Sash Asm. w/Sliding Glass & Latch
4	098644-01-708	FT	Channel - Perced Run
5	098644-01-706	FT	Weatherstrip
6	098644-01-705	FT	Glazing Strip
7	098647-03-700	EA	Glass Stationary - 26 (31" x 28 7/8")
8	098647-03-701	EA	Rail - Locking w/Weatherstrip
	098644-01-700	EA	Latch - Repair Kit
	098644-01-710	EA	Spacer - Track
9	098644-01-711	FT	Weatherstrip - Screen - Black
10	098644-01-713	EA	Spring - Screen Frame (Clip) Plastic - Black
	098644-01-716	FT	Plug - Filler

DINETTE SINGLE SLIDER WINDOW (EXCEL)

Key	Part Number	U/M	Description
1	098647-05-706	EA	Window - Single Slider - 24" x 40" (two inside frame)
	098647-05-705	EA	Inside Frame - Black (not included in assembly)
	098647-05-707	EA	Inside Frame - Off White (not included in assembly)
2	098647-05-704	EA	Screen w/Weatherstrip & Frame Spring (Clip)
	098644-01-701	EA	Splice Plate - Window
	098644-01-702	EA	Screw - Splice
	098644-01-703	EA	Screw - Locking Rail
3	098647-05-702	EA	Sash Asm. w/Sliding Glass & Latch
	098644-01-710	FT	Track - Screen Spacer (12" Length)
4	098644-01-708	FT	Channel - Perced Run
	098644-01-700	EA	Latch - Repair Kit
5	098644-01-706	FT	Weatherstrip
6	098644-01-705	FT	Glazing Strip
7	098647-05-700	EA	Glass - Stationary - 19 3/4" x 22 7/8"
8	098647-05-701	EA	Rail - Locking w/Weatherstrip
9	098644-01-711	FT	Weatherstrip - Screen - Black
10	098644-01-713	EA	Spring - Screen Frame (Clip) - Plastic - Black
	098644-01-716	FT	Plug - Filler

LOUNGE SINGLE SLIDER WINDOW (EXCEL)

WINDOW, VENT & EXTERIOR DOOR GROUP (CONTINUED)

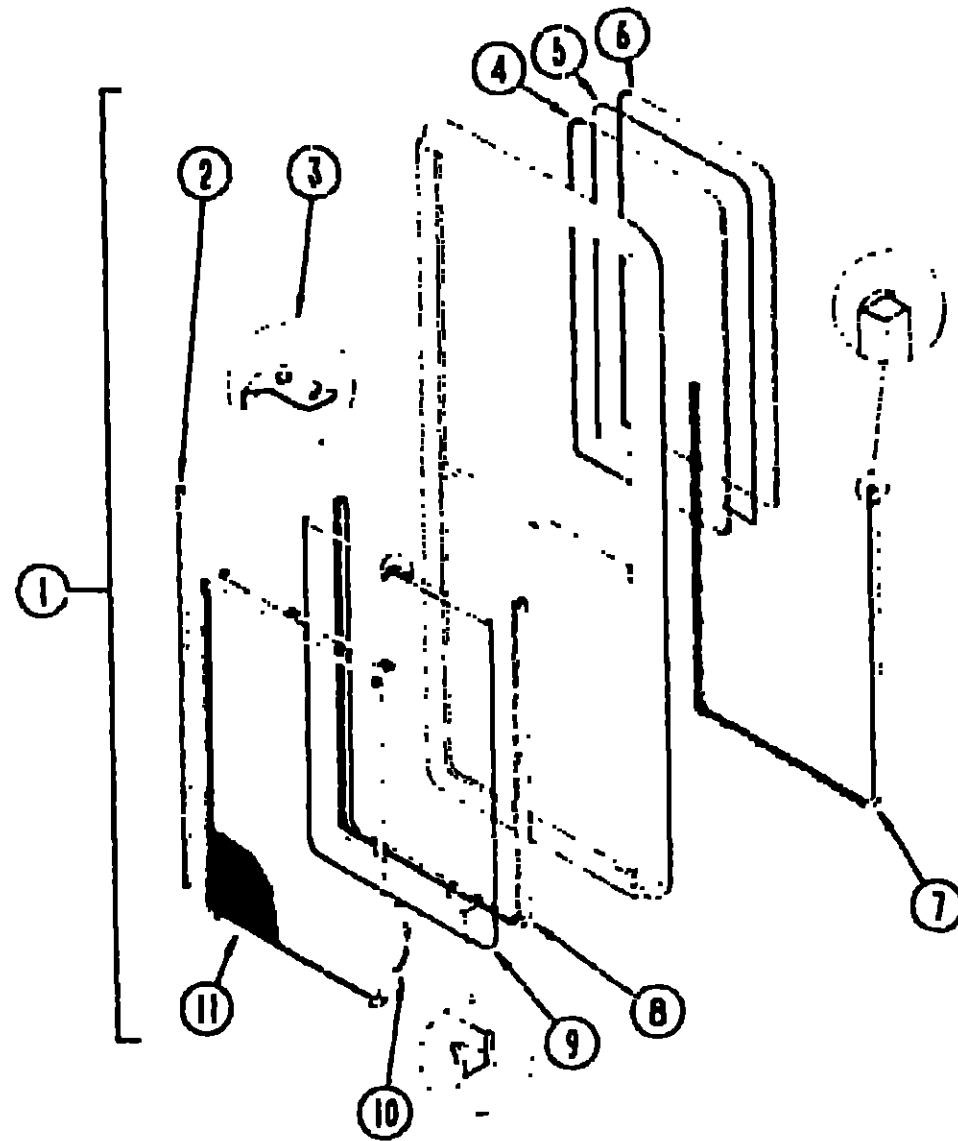
1991 1/2 ITASCA
TABLE OF CONTENTS

INTRODUCTION	A-01 - A-02
ABBREVIATIONS	A-03
ALPHABETICAL/GROUP REFERENCE	A-04 - A-06
IF327RB	A-07 - D-04
IF327RT	D-05 - G-13

1991 1/2 IF327RT INDEX

Floor Plan	D-05 - D-06
Accessories Group	D-07 - D-13
Bath Group	D-14 - D-16
Bedroom Group	D-17 - D-18
Chassis Group	D-19 - D-20
Curtain, Cushion & Pad Group	D-21 - E-05
Dinette Group	E-06 - E-08
Driver's Compartment Group	E-09 - E-11
Electrical Group	E-12 - E-14
Exterior Body Group	E-15 - E-19
Galley Group	E-20 - E-23
Heating & Air Conditioning Group	F-01 - F-01
Interior Finish Group	F-02 - F-05
Labels Group	F-06 - F-11
LP Group	F-12
Lounge Group	F-13
Sealants & Fasteners Group	F-15 - F-17
Water & Sewage Group	F-18 - F-22
Window, Vent & Exterior Door Group	F-23 - G-13

WINDOW, VENT & EXTERIOR DOOR GROUP (CONTINUED)



GALLEY/BATH VERTICAL SLIDER (EXCEL)

Key	Part Number	U/M	Description
1	098744-01-715	EA	Window Asm - 20" x 15" w/ 2-1/2" Jc. frame
	098744-01-714	EA	Ins de Frame - Black metal included in assembly
	098744-01-718	EA	Inside Frame - Off White metal included in assembly
2	098644-01-711	EA	Weatherstrip - Screen - Black
	098644-01-701	EA	Splice Plate - Vertical
	048644-01-702	EA	Screw - Splice - #0 - 3/2" x 1/4" Pin Head
	098644-01-703	EA	Screw - Locking Rail - #0 x 1/8" Pro Head Recess - Black
3	098644-01-700	EA	Latch - Repair Kit
4	098644-01-707	EA	Rail - Locking w/ Weatherstrip
5	098644-01-704	EA	Glass - Stationary - 19 03" x 13 77"
6	098644-01-705	FT	Glazing Strip
7	098644-01-706	FT	Weatherstrip
8	098644-01-708	FT	Channel - Flange Run
9	098644-01-709	FT	Glass Sliding - w/ Sash & Latch
	098644-01-710	FT	Track - Screen Spacer - 12" Length
10	048644-01-713	EA	Spring - Screen Frame (Cup) - Plastic - Black
11	098644-01-712	EA	Screen & Weatherstrip & Frame (Cup)
	098644-01-716	EA	Plug - Filter

WINDOW, VENT & EXTERIOR DOOR GROUP (CONTINUED)

POWERED ROOF VENT

Key	Part Number	U/M	Description
	090344-01-Y12	EA	Vent Asm - Roof - Powered - w/ Screen (USA)
	090440-01-000	EA	Lift Mechanism
	090439-01-000	EA	Crank Handle - Roof Vent
	090439-03-000	EA	Extension - Crank Handle - 17" MB
	090439-04-000	EA	Screw - B - 3/2" x 1/4" PH
	061603-01-000	EA	Grommet - Strap - 1/2" ID - Black Plastic
	048649-01-000	EA	Fan - Plastic - 6"
	090195-01-000	EA	Switch - Push Button - 12 Volt
	015911-01-000	EA	Track - Slide - Roof Vent
	002825-01-000	EA	Weatherstrip Seal
	048648-01-000	EA	Motor - 12 Volt
	055218-01-000	EA	Cover Asm - Roof Vent
	052639-01-000	EA	Hinge - 7" - Roof Vent
	078785-01-Y12	EA	Screen Asm - Roof Vent - Powered
	052291-02-000	SF	Screen - Window - 16" x 14" Frame
	032298-02-000	FT	Spine - Channel
**	090439-04-000	EA	Vent Asm - Roof - Powered - w/ Screen (USA)
**	The Illustrated Parts Breakdown (IBB) does not include the Common Items Field.		

NON-POWERED VENT

Key	Part Number	U/M	Description
	090344-01-Y12	EA	Vent Asm - Roof - Non Powered - w/ Screen
	090440-01-000	EA	Lift Mechanism Asm
	090439-04-000	EA	Screw - B - 3/2" x 1/4" PH
	090439-03-000	EA	Extension - Crank Handle - 9" - MB
	090439-01-000	EA	Crank Handle - Roof Vent
	015911-01-000	EA	Track - Slide - Roof Vent
	002825-01-000	EA	Weatherstrip Seal
	055218-01-000	EA	Cover Asm - Roof Vent
	052639-01-000	EA	Hinge - 7" - Roof Vent
	078785-01-Y12	EA	Screen Asm - Channel
	052291-02-000	SF	Screen - Window - 16" x 14" Frame
	032298-02-000	FT	Spine - Channel
	090439-03-000	EA	Extension - Crank Handle - 9" - MB

VENTS & SHROUDS

Key	Part Number	U/M	Description
	053558-03-000	EA	Vent - Plumbed Pipe - Roof & Cover - Off White
	084073-03-000	EA	Vent - Refrigerator Hood - Off White
	084073-04-000	EA	Base - Roof Vent - Top of Refrigerator - Black
	094978-09-000	EA	Vent - Range Hood - Shroud - LVS
	063752-01-000	EA	Shroud Asm - Range
	084616-01-000	EA	Shroud Asm - Range Vent - Off White
	080537-01-000	EA	Panel - Skylight - Outer - 23 25" x 20 31"
	080509-01-000	EA	Panel - Skylight - Inner - 23 25" x 20 31"

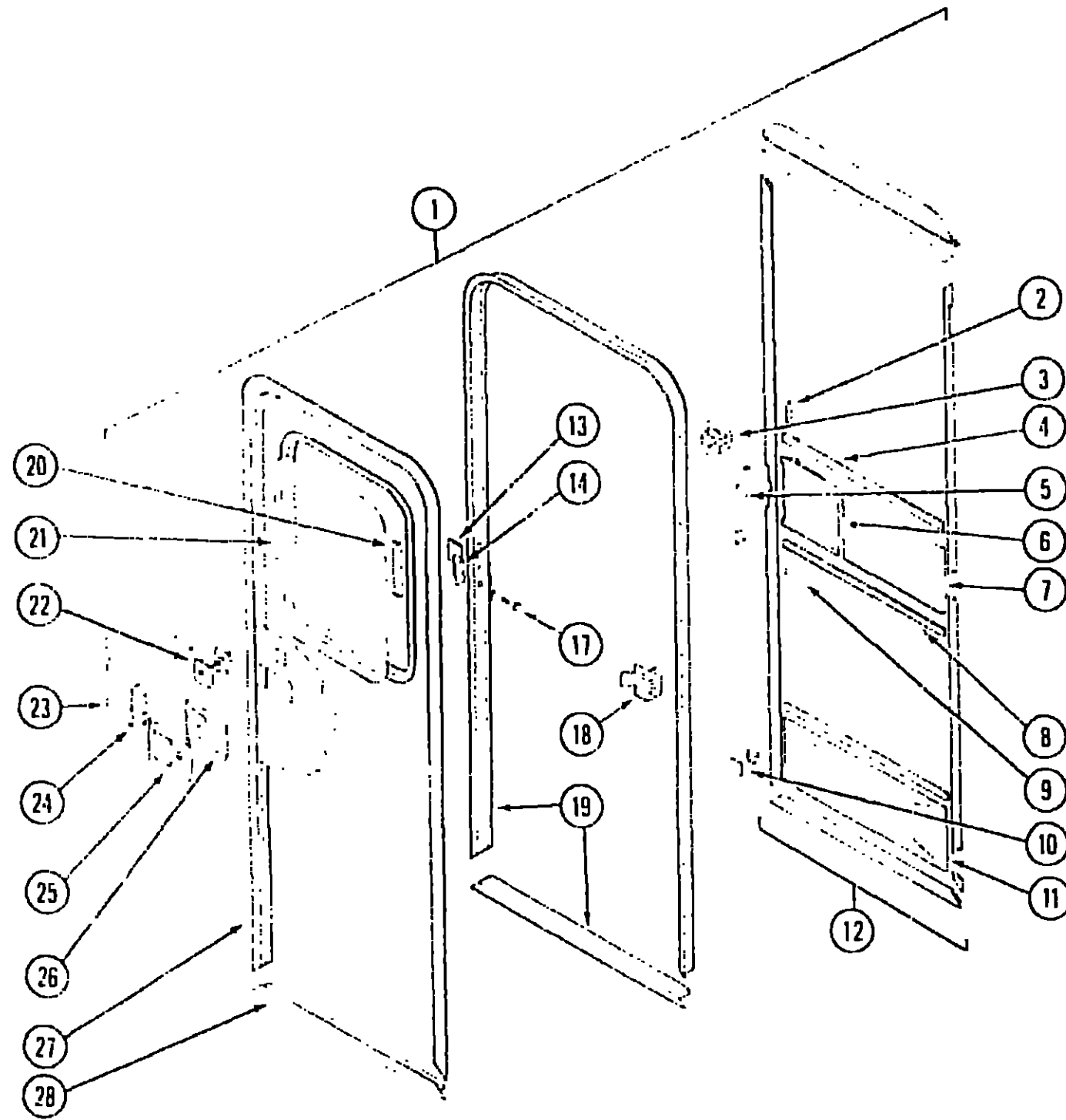
**1991 1/2 ITASCA
TABLE OF CONTENTS**

INTRODUCTION	A-01 - A-02
ABBREVIATIONS	A-03
ALPHABETICAL GROUP REFERENCE	A-01 - A-06
FIGURES	A-07 - D-01
FIGURES	D-05 - G-13

1991 1/2 IF327RT INDEX

Floor Plan	D-05 - D-09
Accessories Group	D-07 - D-10
Bath Group	D-11 - D-12
Bedroom Group	D-13 - D-15
Chassis Group	D-16 - D-19
Curtain, Cushion & Pad Group	D-20 - E-05
Dinette Group	E-06 - E-08
Driver's Compartment Group	E-09 - E-11
Electrical Group	E-12 - F-14
Exterior Body Group	E-15 - E-19
Galley Group	E-20 - E-23
Heating & Air Conditioning Group	E-24 - F-01
Interior Finish Group	F-02 - F-05
Labels Group	F-06 - F-13
LP Group	F-14
Lounge Group	F-15
Sealants & Fasteners Group	F-16 - F-17
Water & Sewage Group	F-18 - F-22
Window, Vent & Exterior Door Group	F-23 - G-13

WINDOW, VENT & EXTERIOR DOOR GROUP (CONTINUED)



WINDOW, VENT & EXTERIOR DOOR GROUP (CONTINUED)

ENTRANCE DOOR

Key	Part Number	U/M	Description
1	M01870-32-087	EA	Door Asm. - Entrance w/Screen Door
	044582-02-000	EA	Drip Cap - Top Entrance Door Jamb - Off White
	075639-11-000	EA	Garnish - Radius - Entrance Door
2	050712-04-000	EA	Door Handle - Screen Door - Off White
3	009018-01-000	EA	Roller Catch - Screen Door
	058025-02-000	EA	Clip - Roller Latch Catch
	009016-01-000	EA	Catch - Elbow - Spring Loaded - Screen Door
	100412-01-000	EA	Catch - Screen Door
4	078777-01-000	EA	Channel - Slide - Screen Door Center Slider Cover
5	079087-02-000	EA	Strike - Slider - Screen Door
6	079006-02-000	EA	Slider - Screen Door
7	016454-01-000	EA	Insert - Screen Door - Center - Leather Grain Aluminum
8	002294-01-000	FT	Spline - Black
9	002293-02-000	SF	Screen - Window - 26" Charcoal
10	085774-01-000	FT	Fastener - Dual Lock - 1" Wide
10	085774-02-000	FT	Fastener - Dual Lock - 1" Wide
11	078552-03-000	EA	Insert - Screen Door - Lower - Kick Panel
12	079012-01-U01	EA	Screen Door Asm
	078595-01-000	EA	Plate - Screen Door
13	077461-03-000	EA	Strike Cover - Off White
14	041546-03-000	EA	Angle Backset
17	039539-01-000	EA	Strike
18	097724-01-02A	EA	Hinge - Entrance Door - Off White
	076725-01-000	EA	Hinge Cover - Light Oak
19	095277-02-01A	EA	Door Jamb - Entrance Door w/Bottom Portion
	051049-01-000	EA	Jamb Bottom - Entry Door
	079207-01-000	EA	Striker - Roller Catch - Welded to Door Jamb
	095278-01-01A	EA	Jamb Door - Entrance - Unpainted
20	087561-01-000	FT	Window Seal
21	002181-07-000	EA	Glass - Picture Window - Frosted
	079733-07-AA8	EA	Window Asm. - Picture - 17" x 25" - Frosted Glass (w/o inside frame)
	067609-27-000	EA	Inside Frame - Black (not included in assembly)
	067609-32-000	EA	Inside Frame - Off White (not included in assembly)
22	101145-01-01A	EA	Deadbolt - Entry Door - Black
	095229-01-700	EA	Key - Blank - Deadbolt
	101147-01-000	EA	Security Bolt - 4.12" Bracket
23	098173-01-04A	EA	Stiffener - Entrance Door - Unpainted
24	039540-01-000	EA	Latch Asm. - Entrance Door
	096810-01-01A	EA	Plate - Entry Door Latch - Black Plastic
25	045017-11-000	EA	Latch Asm. - Entrance Door w/Lock & Key - Black
	045017-11-701	EA	Master Key
	045017-11-701	EA	Blank Key
	045017-08-700	EA	Lock Cylinder & Key - Set of Three
26	039979-04-000	EA	Cover Asm. - Latch Plate - Black
27	095276-01-01A	EA	Frame Asm. - Entrance Door - Off White - w/o Bottom Portion
28	089748-01-000	EA	Frame Entrance Door - Bottom Portion
	039984-01-000	EA	Cap - Black Vinyl - Lock Grip
	081914-01-000	EA	Bumper - Round Rubber - .43" Dia - Black
	102524-01-000	EA	Bumper - Rubber - Flat - Black
	090340-01-000	FT	Seal Foam - Closed Cell - 1/4" x 1/2" x 50'
	091968-03-000	FT	Tape Adhesive - 1" Wide
	056748-01-000	EA	Plug - Cap - 1.5" Dia.
	100128-02-000	FT	Seal - Pile - Adhesive Back - Gray
	075671-01-000	FT	Seal - Sponge - Lazy T Shaped
	002748-01-000	EA	Corner - Key
	063729-04-000	EA	Rivnut - 10 - 32 UNF - .010 - .080
	072893-01-000	EA	Nutsert - M5 x 0.9

1991 1/2 ITASCA
TABLE OF CONTENTS

INTRODUCTION	A-01 - A-02
ABBREVIATIONS	A-03
ALPHABETICAL/GROUP REFERENCE	A-04 - A-06
IF327RB	A-07 - D-04
IF327RT	D-05 - G-13

1991 1/2 IF327RT INDEX

Floor Plan	D-05 - D-06
Accessories Group	D-07 - D-10
Bath Group	D-11 - D-12
Bedroom Group	D-13 - D-15
Chassis Group	D-16 - D-19
Curtain, Cushion & Pad Group	D-20 - E-05
Dinette Group	E-06 - E-08
Driver's Compartment Group	E-09 - E-11
Electrical Group	E-12 - E-14
Exterior Body Group	E-15 - E-19
Galley Group	E-20 - E-23
Heating & Air Conditioning Group	E-24 - F-01
Interior Finish Group	F-02 - F-05
Labels Group	F-06 - F-13
LP Group	F-14
Lounge Group	F-15
Sealants & Fasteners Group	F-16 - F-17
Water & Sewage Group	F-18 - F-22
Window, Vent & Exterior Door Group	F-23 - G-13

WINDOW, VENT & EXTERIOR DOOR GROUP (CONTINUED)

ACCESS DOORS

Key	Part Number	U/M	Description
	078010-03-000	EA	Door Asm. - Fuel Fill - Off White
	078200-01-000	EA	Gasket - Fuel Fill
	077963-01-000	EA	Gasket - Fuel Fill Door w/PSA
	078040-02-000	EA	Shroud - Fuel Fill - Upper
	083578-01-000	EA	Boot - Fuel Fill
	084235-01-000	EA	Support - Flange
	079578-01-U28	EA	Door Asm. - Storage - 12.9" x 22 1"
	064075-07-000	FT	Seal - Door - Bulb - Black
	079366-04-000	EA	Lock - Key Type w/o Keys
	082684-01-700	EA	Key - Compartment Door Lock
	081801-02-000	EA	Hinge - 2" x 96"
	084103-03-000	EA	Door Asm. - Refrigerator - Vented - Off White
	084104-01-700	EA	Lock - Male - Dyrus Fasteners
	084104-01-701	EA	Lock - Female - Dyrus Fasteners
	084104-03-000	EA	Jamb - Door - Vented - Refrigerator - Off White
	081240-03-000	EA	Door Asm. - Water Fill - Lockable - 4' x 4 5/8" - Off White
	096395-01-AA3	EA	Door Asm. - Storage - 13 7" x 61 6"
	064075-07-000	FT	Seal - Door - Bulb - Black
	079366-04-000	EA	Lock - Door - Key Type w/o Keys
	082684-01-700	EA	Key - Storage Compartment - Single
	096386-01-AA3	EA	Door Asm. - LP Compartment - w/Locks - 13 7" x 36.8"
	079927-03-000	EA	Lock - Twist Type - Double Cam
	096386-02-AA3	EA	Door Asm. - Battery Compartment w/Locks - 13 7" x 23 3"
	079366-04-000	EA	Lock - Key Type - w/o Keys
	082684-01-700	EA	Key - Compartment Door Lock
	052009-01-000	EA	Door Asm. - Water Heater - Off White
	096386-03-AA3	EA	Door Asm. - Storage/Generator - 13.7" x 39.9"
	079927-03-000	EA	Lock - Twist Type - Double Cam
	096393-19-B05	EA	Door Asm. - Rear Compartment - Driver - Tapered
	079927-03-000	EA	Lock Asm. - Twist Type - Double Cam
	096393-11-B05	EA	Door Asm. - Rear Compartment - Passenger - Tapered
	079366-04-000	EA	Lock Asm. - Key Type - w/o Keys
	082684-01-700	EA	Key - Compartment Door Lock
	096209-55-001	EA	U-Channel - Hinged - 16' - Off White
	096217-55-001	EA	U-Channel - 17.5' - Off White
	097111-01-01A	EA	Pocket - Lock Valance - Off White
	098338-01-000	EA	Gasket - Lock Pocket

Note: Items indented below assemblies are serviceable parts for that assembly

1991 1/2 ITASCA TABLE OF CONTENTS

INTRODUCTION	A-01 - A-02
ABBREVIATIONS	A-03
ALPHABETICAL/GROUP REFERENCE	A-04 - A-06
IF327RB	A-07 - D-04
IF327RT	D-05 - G-13

1991 1/2 IF327RT INDEX

Floor Plan	D-05 - D-06
Accessories Group	D-07 - D-10
Bath Group	D-11 - D-12
Bedroom Group	D-13 - D-15
Chassis Group	D-16 - D-19
Curtain, Cushion & Pad Group	D-20 - E-05
Dinette Group	E-05 - E-08
Driver's Compartment Group	E-09 - E-11
Electrical Group	E-12 - E-14
Exterior Body Group	E-15 - E-19
Galley Group	E-20 - E-23
Heating & Air Conditioning Group	E-24 - F-01
Interior Finish Group	F-02 - F-05
Labels Group	F-06 - F-13
LP Group	F-14
Lounge Group	F-15
Sealants & Fasteners Group	F-16 - F-17
Water & Sewage Group	F-18 - F-22
Window, Vent & Exterior Door Group	F-23 - G-13