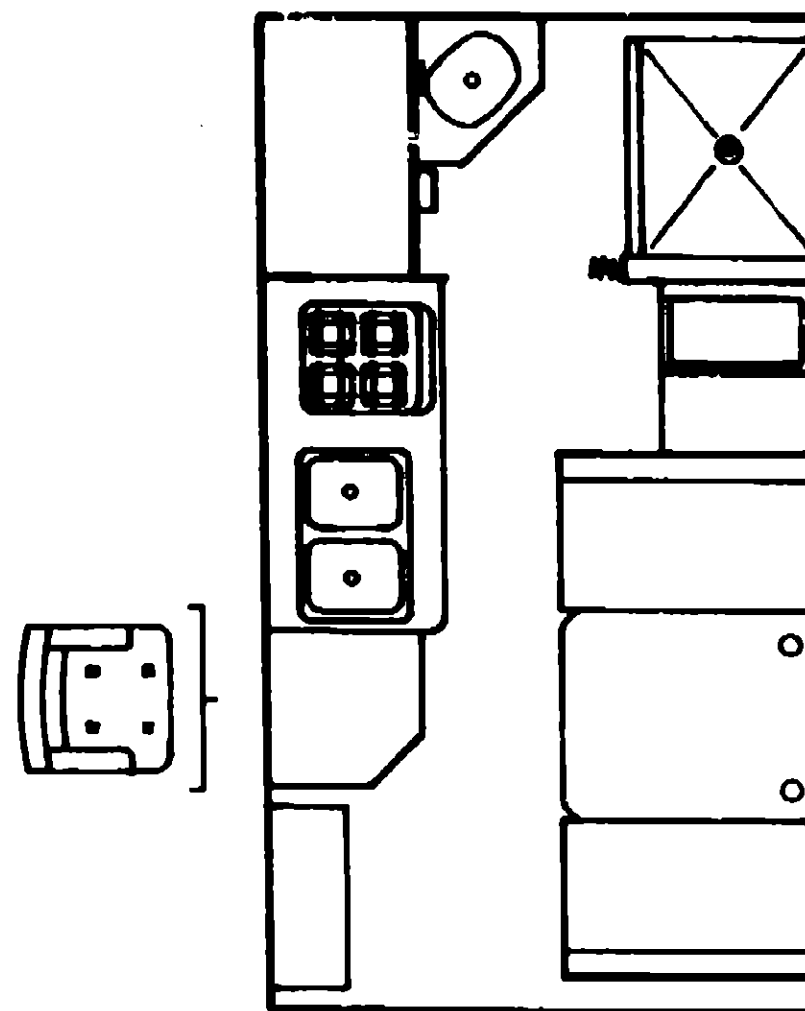


**1989 WINNEBAGO
TABLE OF CONTENTS**

WT319FK
WT319RB

A-01 - B-16
B-17 - D-08

**1989
WT319RB**



1989 WT319RB INDEX

Floor Plan	B-17 - B-18
Accessories Group	B-19
Bath Group	B-20
Chassis Group	B-21
Curtain, Cushion & Pad Group	B-22 - C-01
Dinette Group	C-02 - C-03
Driver's Compartment Group	C-04
Electrical Group	C-05 - C-07
Exterior Body Group	C-08 - C-13
Galley Group	C-14 - C-15
Heating & Air Conditioning Group	C-16
Interior Finish Group	C-17 - C-18
LP Group	C-19
Lounge Group	C-20
Water & Sewage Group	C-21 - C-22
Window, Vent & Exterior Door Group	C-23 - D-08

ACCESSORIES GROUP

MISCELLANEOUS ACCESSORIES

Key	Part Number	U/M	Description
	054185-31-000	EA	Owner's Manual - 1989 - Itasca & Winnebago
	084438-03-000	EA	Speed Control Package - Electric Dana
	084438-03-701	EA	Regulator Asm.
	084438-03-702	EA	Neutral Safety Pigtail
	084438-03-703	EA	Wire Asm. - Neutral Safety Switch
	084488-01-000	EA	Fire Extinguisher - Dry 1A 10BC
	084472-01-000	EA	Recessed Holder - Fire Extinguisher
	072852-01-000	EA	Smoke Detector w/9 Volt Battery
	008088-01-000	EA	Key Case - Leather
	084445-01-000	EA	Mirror Asm. - Exterior - Passenger Side
	084445-02-000	EA	Mirror Asm. - Exterior - Driver Side
	086780-01-000	EA	Mud Flaps - Toyota (Set of 2) - Rubber - Black
	084774-01-000	EA	Bracket - Antenna - Radio
	084424-01-000	EA	Plug - Rubber - Antenna Hole

BATH GROUP

Key	Part Number	U/M	Description
	M84673-03-Y03	EA	Cabinet Asm. - Lavatory - w/o Countertop or Door
	M02912-01-Y03	EA	Countertop Asm. - Lavatory Cabinet
	M94598-09-Y03	EA	Door Asm. - Lavatory - w/o Hardware
	M94598-21-Y03	EA	Door Asm. - Medicine Cabinet - w/Mirror - w/o Hardware
	C42488-04-000	EA	Door Asm. - Bath - Folding - Walnut
	M84991-01-X01	EA	Cabinet Asm. - Medicine - w/o Door

BATH HARDWARE

Key	Part Number	U/M	Description
	M02630-03-U28	EA	Shower Pan
	011056-03-000	EA	Faucet - Lavatory
	011058-04-000	EA	Faucet - Shower
	011048-02-000	EA	Shower Head - w/8" Hose
	088440-01-000	EA	Strainer - Shower
	088438-01-000	EA	Slip Nut - 1.5" Tail Piece
	088735-01-000	EA	Washer - Tail Piece - 1.5" - Plastic
	011089-03-000	EA	Tailpiece - 1.5" x 1.25" x 4" - Brass
	088388-01-000	EA	Sink - Oval - Ivory
	011083-01-000	EA	Tail Piece w/Stopper - 1.25" x 5" - Plastic - Sink
	083740-01-000	EA	Toilet - Thetford - Aqua Magic IV - Ivory
	009134-01-000	EA	Tissue Holder
	009133-01-000	EA	Towel Bar - 12" Plastic
	058331-05-000	EA	Mirror - Tempered Glass - 12" x 26"
	085279-02-000	EA	Holder - Toothbrush/Tumbler
	059783-01-000	FT	Clothes Rod

1989 WINNEBAGO TABLE OF CONTENTS

WT319RK
WT319RB

A-01 - B-18
B-17 - D-08

1989 WT319RB INDEX

Floor Plan	B-17 - B-18
Accessories Group	B-19
Bath Group	B-20
Chassis Group	B-21
Curtain, Cushion & Pad Group	B-22 - C-01
Dinette Group	C-02 - C-03
Driver's Compartment Group	C-04
Electrical Group	C-05 - C-07
Exterior Body Group	C-08 - C-13
Galley Group	C-14 - C-15
Heating & Air Conditioning Group	C-16
Interior Finish Group	C-17 - C-18
LP Group	C-19
Lounge Group	C-20
Water & Sewage Group	C-21 - C-22
Window, Vent & Exterior Door Group	C-23 - D-08

CHASSIS GROUP

Key	Part Number	U/M	Description
	064696-01-000	EA	Tailpipe Extension - 2"
	007161-01-000	EA	Clamp - Hose - Spring Type 112
	062401-01-000	EA	Clamp - Hose - Wormgear - .22" ID - 1" ID
	062401-02-000	EA	Clamp - Hose - Wormgear - 1.56" ID - 2.5" ID
	062401-03-000	EA	Clamp - Hose - Wormgear - .25" ID - 1" ID
	062401-04-000	EA	Clamp - Hose - Wormgear - .69" ID - 1.25" ID
	062401-05-000	EA	Clamp - Hose - Wormgear - 2" ID - 3" ID
	062401-06-000	EA	Clamp - Hose - Wormgear - .22" ID - .62" ID
	064622-01-000	EA	Bumper Asm. - Rear - Black
	064773-01-000	EA	Bracket - Spare Tire Mounting
	069423-01-000	EA	Filter Neck - Main Fuel Tank

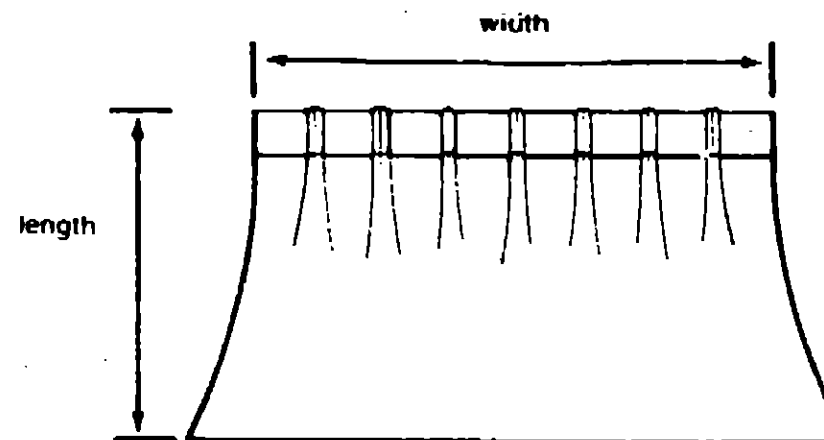
NOTE: Remainder of exhaust components available from chassis service center.

CURTAIN, CUSHION & PAD GROUP

NOTICE

In order to assist our Part Sales Dept. in providing interior software items, please include the serial number and the color code number from the vehicle certification label when ordering. This label is located on the left sidewall at the end of the dash (A-Body), or on the driver's door (C-Body).

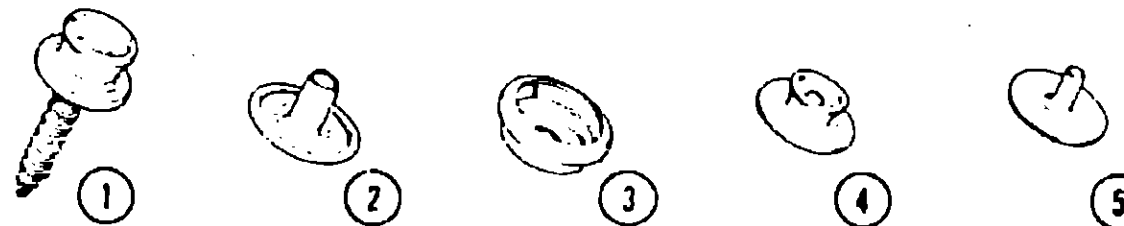
An example of a color code number is P31, which designates an overall color scheme of a particular unit. The color listed after the item description on the microfiche, indicates the overall unit color. Order the item you desire according to unit color code.



NOTE: Use this illustration when determining length and width measurements for curtains. You will note the width measurement is taken on the top of the curtain with the curtain fully extended. The length measurement is taken from top to bottom.

CURTAIN & CUSHION HARDWARE

Key	Part Number	U/M	Description
	039175-02-000	EA	Bracket - Curtain Rod
	039175-05-000	EA	Bracket - Curtain Rod - Center
	039175-03-000	EA	Curtain Rod - Extension - 28" x 48"
	039175-01-000	EA	Curtain Rod - Extension - 48" x 84"
	067253-01-000	EA	Pull - Window Shade - Clear Plastic
	076155-01-000	EA	Strap Asm. - Cushion - Snap
	009701-01-000	EA	Carrier - Curtain L Rod
	009702-01-000	EA	End Stop - Curtain L Rod
	058003-01-000	EA	Bracket - Drapery Retainer - Right
	058003-02-000	EA	Bracket - Drapery Retainer - Left



Key	Part Number	U/M	Description
1	029130-01-000	EA	Socket - Snap Fastener
2	029155-01-000	EA	Cap - Snap - .156" Dia. x 17" Barrel
3	029156-01-000	EA	Socket - Snap Fastener
4	029172-01-000	EA	Stud - Nickel Finish
5	029093-01-000	EA	Eyelet - Nickel Finish

1989 WINNEBAGO TABLE OF CONTENTS

WT319FK
VT319RB

A-01 - B-16
B-17 - D-08

1989 WT319RB INDEX

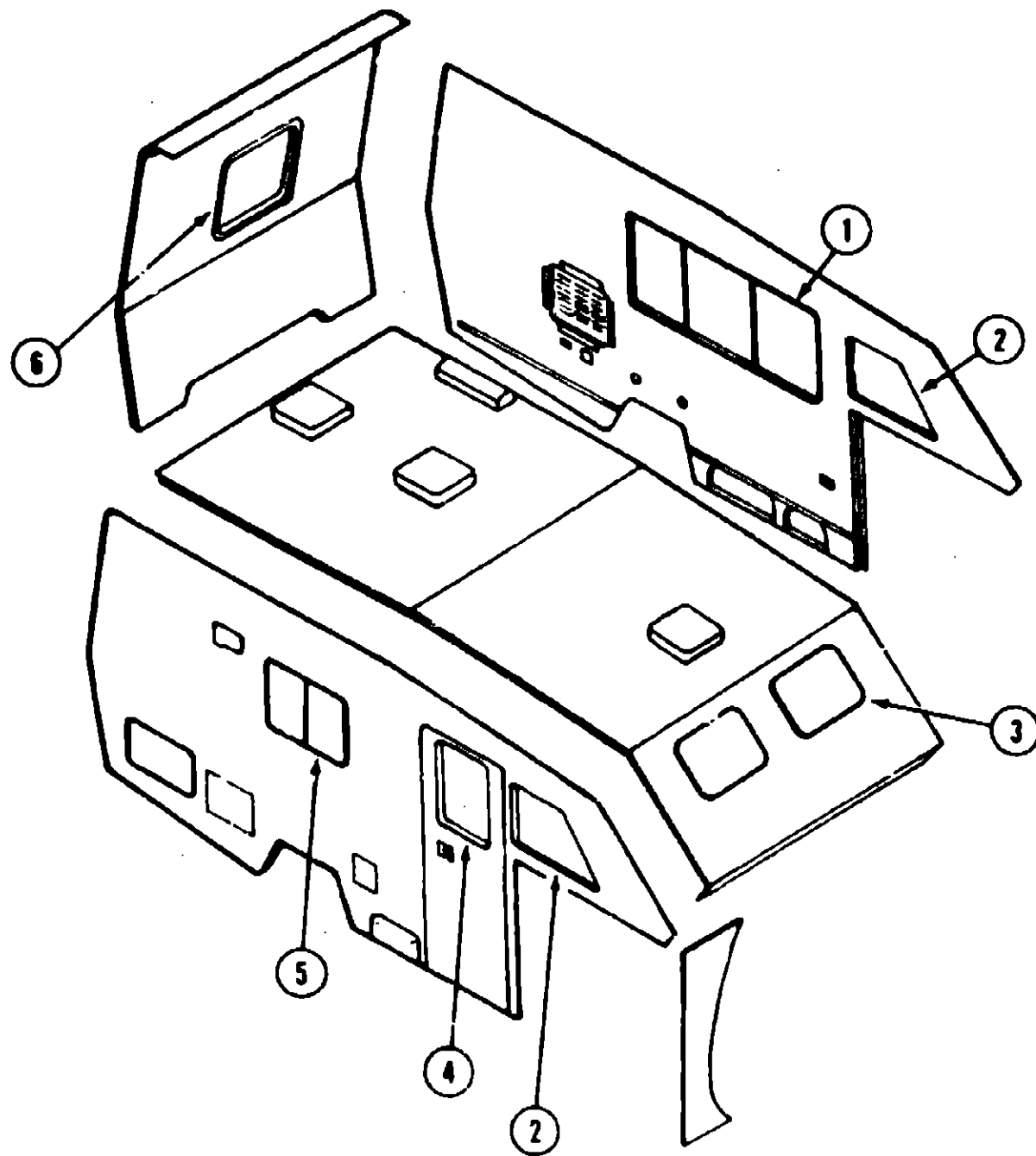
Floor Plan	B-17 - B-18
Accessories Group	B-19
Bath Group	B-20
Chassis Group	B-21
Curtain, Cushion & Pad Group	B-22 - C-01
Cinette Group	C-02 - C-03
Driver's Compartment Group	C-04
Electrical Group	C-05 - C-07
Exterior Body Group	C-08 - C-13
Galley Group	C-14 - C-15
Heating & Air Conditioning Group	C-16
Interior Finish Group	C-17 - C-18
LP Group	C-19
Lounge Group	C-20
Water & Sewage Group	C-21 - C-22
Window, Vent & Exterior Door Group	C-23 - D-08

CURTAINS, VALANCES, SHADES & TIEBACKS

1989 WINNEBAGO
TABLE OF CONTENTS

WT319RK
WT319RB

A-01 - B-16
B-17 - D-08



BUCKET SEAT COVERS

Key	Part Number	U/M	Description
	086740-01-Y03	EA	Seat Cover Asm. - Bucket
	086740-01-Y04	EA	Seat Cover Asm. - Bucket

Key	Part Number	U/M	Description
1	083434-01-Y03	EA	Curtain Asm. - 30" x 40"
1	083434-01-Y04	EA	Curtain Asm. - 30" x 40"
1	088228-43-Y03	EA	Curtain Valance Asm. - 5" x 90"
1	088228-43-Y04	EA	Curtain Valance Asm. - 5" x 90"
1	084755-02-Y03	EA	Shade Asm. - 67.25"
1	084755-02-Y04	EA	Shade Asm. - 67.75"
2	073323-33-Y30	EA	Curtain Asm. - 17.5" x 24" (Option 23B) (Y03)
2	073323-33-Y08	EA	Curtain Asm. - 17.5" x 24" (Option 23B) (Y04)
3	073323-37-Y30	EA	Curtain Asm. - 19.5" x 30" (Y03)
3	073323-37-Y08	EA	Curtain Asm. - 19.5" x 30" (Y04)
4	073304-42-Y05	EA	Curtain Asm. - 34" x 37" (Y03)
4	073304-42-Y08	EA	Curtain Asm. - 34" x 37" (Y04)
5	088228-27-Y03	EA	Curtain Asm. - 22.5" x 10"
5	088228-27-Y04	EA	Curtain Asm. - 22.5" x 10"
5	088228-44-Y03	EA	Curtain Valance Asm. - 5" x 60"
5	088228-44-Y04	EA	Curtain Valance Asm. - 5" x 60"
5	084755-01-Y03	EA	Shade Asm. - 28.25" x 30"
5	084755-01-Y04	EA	Shade Asm. - 28.25" x 30"
6	084755-01-Y03	EA	Shade Asm. - 28.25" x 30"
6	084755-01-Y04	EA	Shade Asm. - 28.25" x 30"
	078892-03-Y03	EA	Curtain Asm. - Blackout - 35" x 55"
	078892-03-Y04	EA	Curtain Asm. - Blackout - 35" x 55"
	084481-04-000	EA	Curtain Asm. - Shower - 65" x 60"
	073260-24-Y30	EA	Tieback Asm. - 2" x 14" (Front Bunk) (Y03)
	073260-24-Y08	EA	Tieback Asm. - 2" x 14" (Front Bunk) (Y04)
	073260-28-Y03	EA	Tieback Asm. - 3" x 18" (Dinette)
	073260-28-Y04	EA	Tieback Asm. - 3" x 18" (Dinette)
	073260-23-Y03	EA	Tieback Asm. - 3" x 18" (Entrance Door) (Y03)
	073260-23-Y08	EA	Tieback Asm. - 3" x 18" (Entrance Door) (Y04)
	057534-07-000	EA	Tieback Asm. - 10" - Clear

FRONT OVERHEAD BUNK CUSHIONS

Key	Part Number	U/M	Description
	084753-03-Y03	EA	Cushion Asm. - Front Bunk - 52" x 81" x 4" - U-Shaped
	084753-03-Y04	EA	Cushion Asm. - Front Bunk - 52" x 81" x 4" - U-Shaped
	M84753-03-Y03	EA	Cover Asm. - Front Bunk - 52" x 81" x 4" - U-Shaped
	M84753-03-Y04	EA	Cover Asm. - Front Bunk - 52" x 81" x 4" - U-Shaped
	084753-04-Y03	EA	Cushion Asm. - Front Bunk - 24" x 41" x 4"
	084753-04-Y04	EA	Cushion Asm. - Front Bunk - 24" x 41" x 4"
	M84753-04-Y03	EA	Cover Asm. - Front Bunk - 24" x 41" x 4"
	M84753-04-Y04	EA	Cover Asm. - Front Bunk - 24" x 41" x 4"

FABRICS, TRIMS & PADS

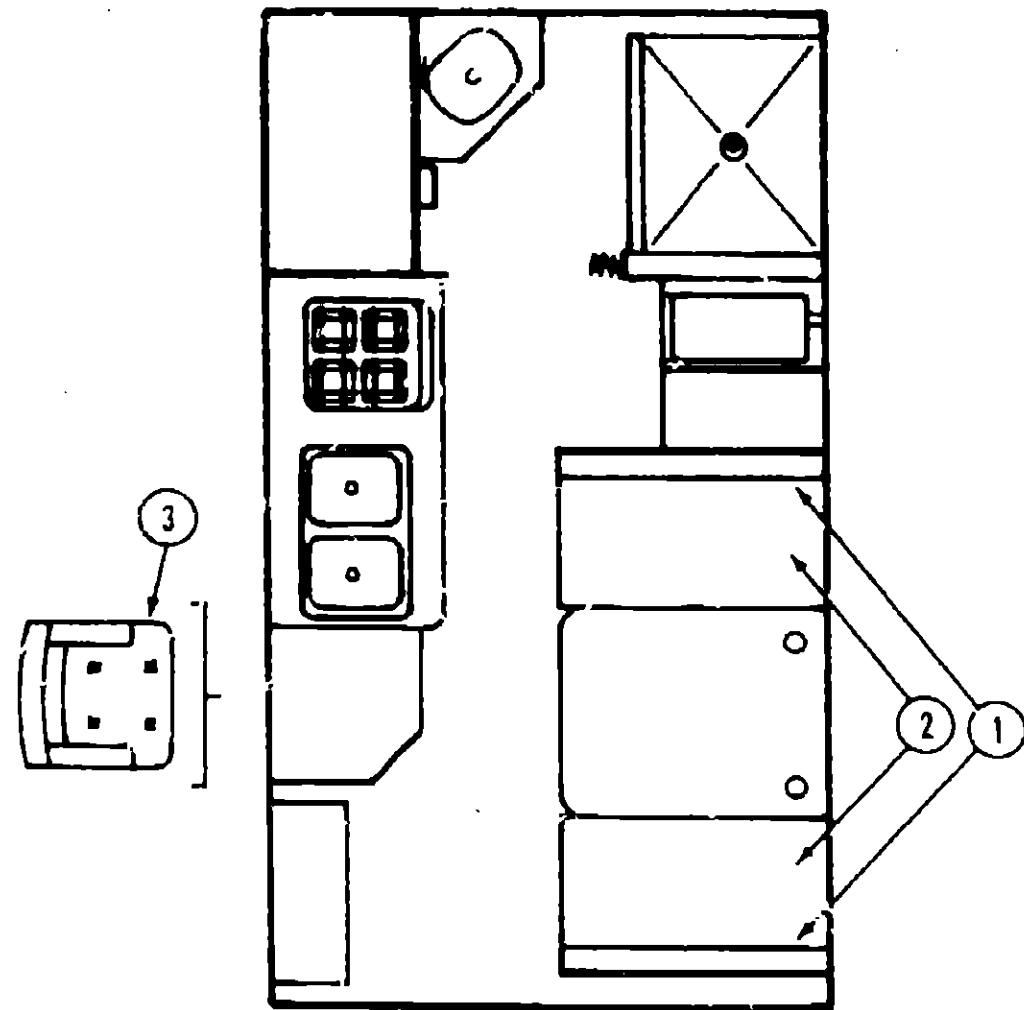
Key	Part Number	U/M	Description
	072333-81-000	YD	Fabric - Drapery (Y03)
	072333-82-000	YD	Fabric - Drapery (Y04)
	088274-64-000	YD	Fabric w/Pattern - Upholstery (Y03)
	088274-65-000	YD	Fabric w/Pattern - Upholstery (Y04)
	088274-68-000	YD	Fabric - Upholstery Accent (Y03)
	088274-69-000	YD	Fabric - Upholstery Accent (Y04)
	052859-07-Y05	FT	Accent Trim (Dinette Seat Back) (Y03)
	052859-07-Y06	FT	Accent Trim (Dinette Seat Back) (Y04)
	079880-01-000	YD	Expanded Vinyl - 26 oz. - Buckskin
	078155-01-000	EA	Strap - Cushion
	079349-01-Y03	YD	Welt Asm. - Accent
	079349-01-Y04	YD	Welt Asm. - Accent
	086120-01-Y03	EA	Pad Asm. - Map Pocket - 12" x 16"
	086120-01-Y04	EA	Pad Asm. - Map Pocket - 12" x 16"

1989 WT319RB INDEX

Floor Plan	B-17 - B-18
Accessories Group	B-19
Bath Group	B-20
Chassis Group	B-21
Curtain, Cushion & Pad Group	B-22 - C-01
Dinette Group	C-02 - C-03
Driver's Compartment Group	C-04
Electrical Group	C-05 - C-07
Exterior Body Group	C-08 - C-13
Galley Group	C-14 - C-15
Heating & Air Conditioning Group	C-16
Interior Finish Group	C-17 - C-18
LP Group	C-19
Lounge Group	C-20
Water & Sewage Group	C-21 - C-22
Window, Vent & Exterior Door Group	C-23 - D-08

WT319RK
WT319RB

A-01 - B-16
B-17 - D-08

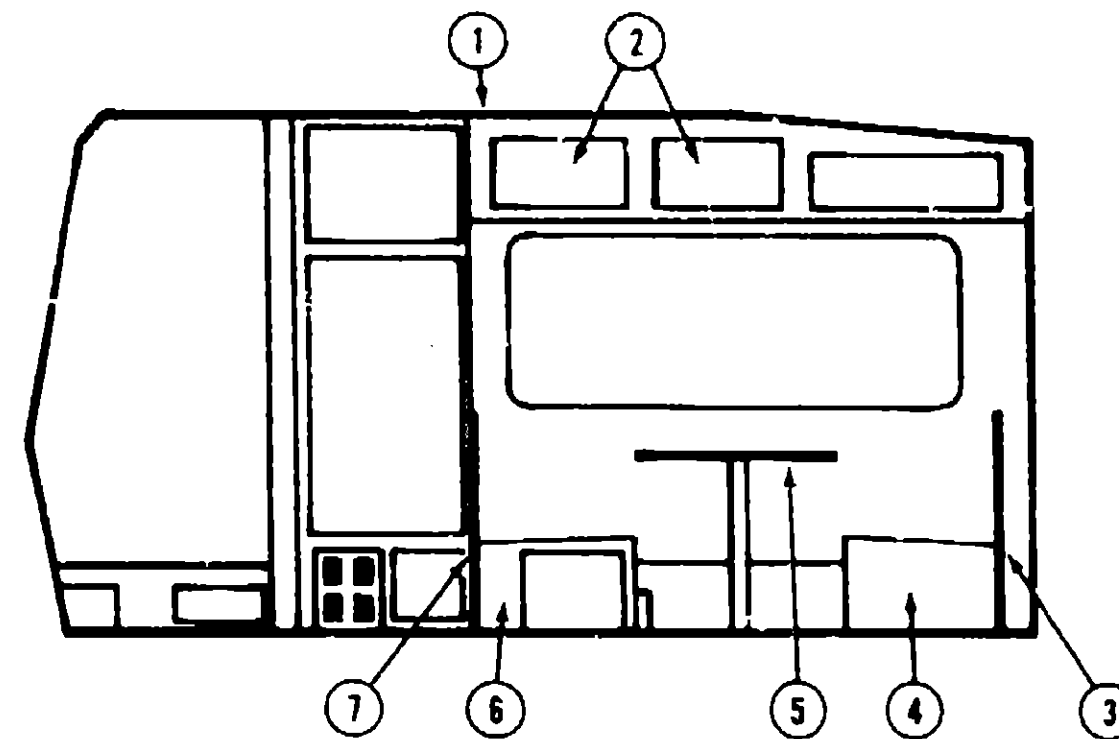


DINETTE CUSHION

Key	Part Number	U/M	Description
1	088927-24-Y03	EA	Cushion Asm. - Dinette Back - 13" x 38" x 5"
1	088927-24-Y04	EA	Cushion Asm. - Dinette Back - 13" x 38" x 5"
	M88927-24-Y03	EA	Cover Asm. - Dinette Back Cushion - 13" x 38" x 5"
	M88927-24-Y04	EA	Cover Asm. - Dinette Back Cushion - 13" x 38" x 5"
2	088927-26-Y03	EA	Cushion Asm. - Dinette Bottom - 23" x 38" x 5"
2	088927-26-Y04	EA	Cushion Asm. - Dinette Bottom - 23" x 38" x 5"
	M88927-26-Y03	EA	Cover Asm. - Dinette Bottom Cushion - 23" x 38" x 5"
	M88927-26-Y04	EA	Cover Asm. - Dinette Bottom Cushion - 23" x 38" x 5"

SWIVEL CHAIR (OPTION 36W)

Key	Part Number	U/M	Description
3	092389-02-Y05	EA	Swivel Chair Asm. (Starlet I) Used up to 1/22/89 (Y03)
3	092389-02-Y06	EA	Swivel Chair Asm. (Starlet II) Used up to 1/22/89 (Y04)
3	M92389-02-Y05	EA	Cover Asm. (Starlet II) Used up to 1/22/89 (Y03)
3	M92389-02-Y06	EA	Cover Asm. (Starlet II) Used up to 1/22/89 (Y04)
3	096100-01-Y05	EA	Swivel Chair (Anthem) Used from 1/23/89 (Y03)
3	096100-01-Y06	EA	Swivel Chair (Anthem) Used from 1/23/89 (Y04)
3	M96100-01-Y05	EA	Cover Asm. (Anthem) Used from 1/23/89 (Y03)
3	M96100-01-Y06	EA	Cover Asm. (Anthem) Used from 1/23/89 (Y04)
	088245-01-000	EA	Base w/Legs
	088245-03-000	EA	Swivel Plate
	088245-06-000	EA	Extension - 7"



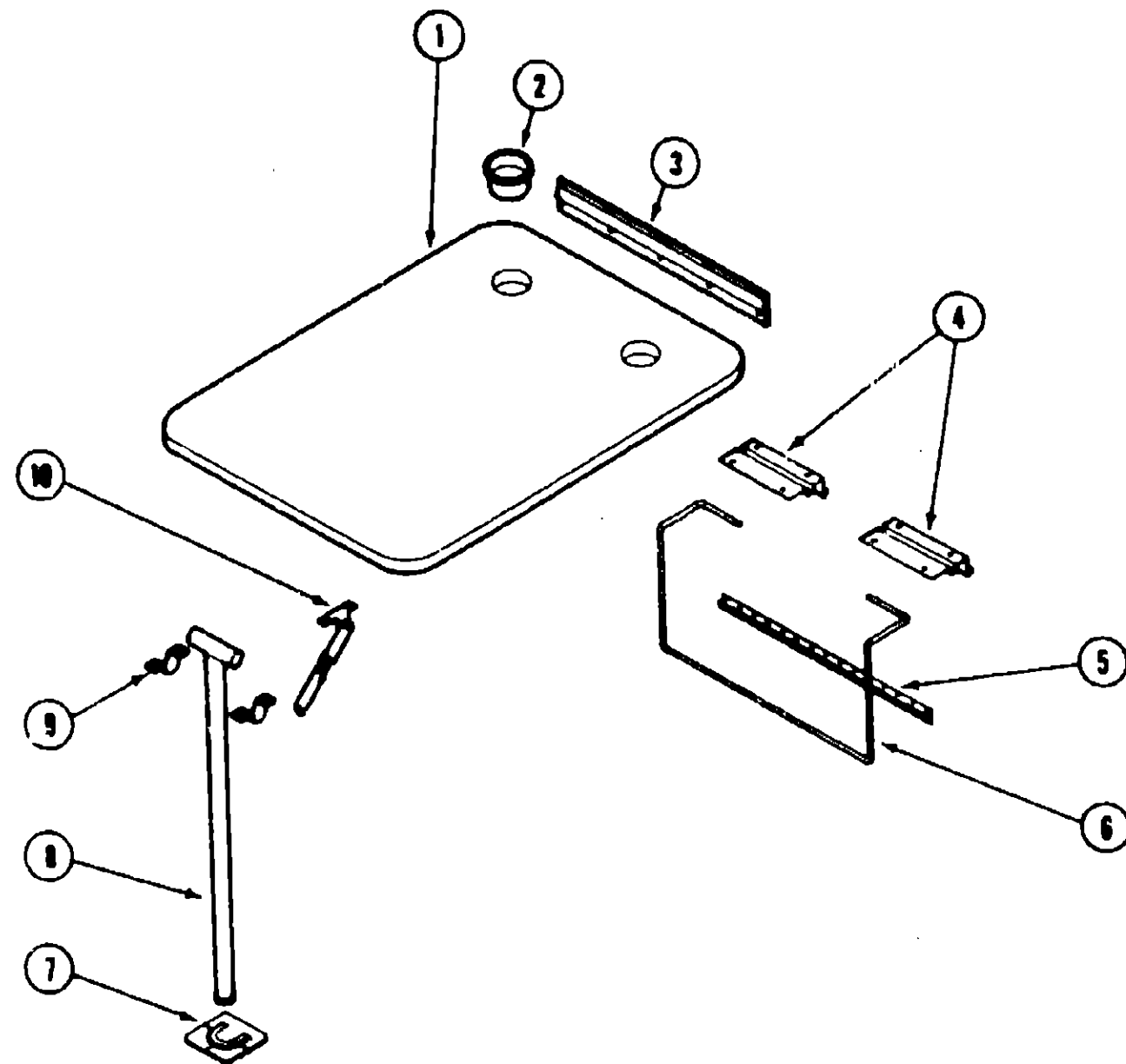
CONVENTIONAL DINETTE & OVERHEAD CABINERY

Key	Part Number	U/M	Description
1	M92451-01-Y03	EA	Cabinet Asm. - Dinette Overhead - w/o Doors or Hardware
2	M94598-03-Y03	EA	Door Asm. - Dinette Overhead - w/o Hardware
3	M02913-01-Y03	EA	Cabinet Asm. - Dinette Back
4	M02914-01-W17	EA	Cabinet Asm. - Dinette Seat
5	M02115-09-Y03	EA	Table Asm. - Dinette - w/o Hardware
5	M02914-02-W17	EA	Cabinet Asm. - Dinette Seat
7	M02913-02-Y03	EA	Cabinet Asm. - Dinette Back
	081518-01-W24	EA	Dinette Seat Board
	074493-02-000	EA	Support - Sprung Door Asm. - Overhead Cabinet
	093586-03-000	EA	Roller Spring Catch
	093586-04-000	EA	Spring Steel Strike
	059777-02-000	EA	Hinge - Burnished Brass
	088264-01-000	EA	Door Pull - Polished Brass

1989 WT319RB INDEX

Floor Plan	B-17 - B-18
Accessories Group	B-19
Bath Group	B-20
Chassis Group	B-21
Curtain, Cushion & Pad Group	B-22 - C-01
Dinette Group	C-02 - C-03
Driver's Compartment Group	C-04
Electrical Group	C-05 - C-07
Exterior Body Group	C-08 - C-13
Galley Group	C-14 - C-15
Heating & Air Conditioning Group	C-16
Interior Finish Group	C-17 - C-18
LP Group	C-19
Lounge Group	C-20
Water & Sewage Group	C-21 - C-22
Window, Vent & Exterior Door Group	C-23 - D-08

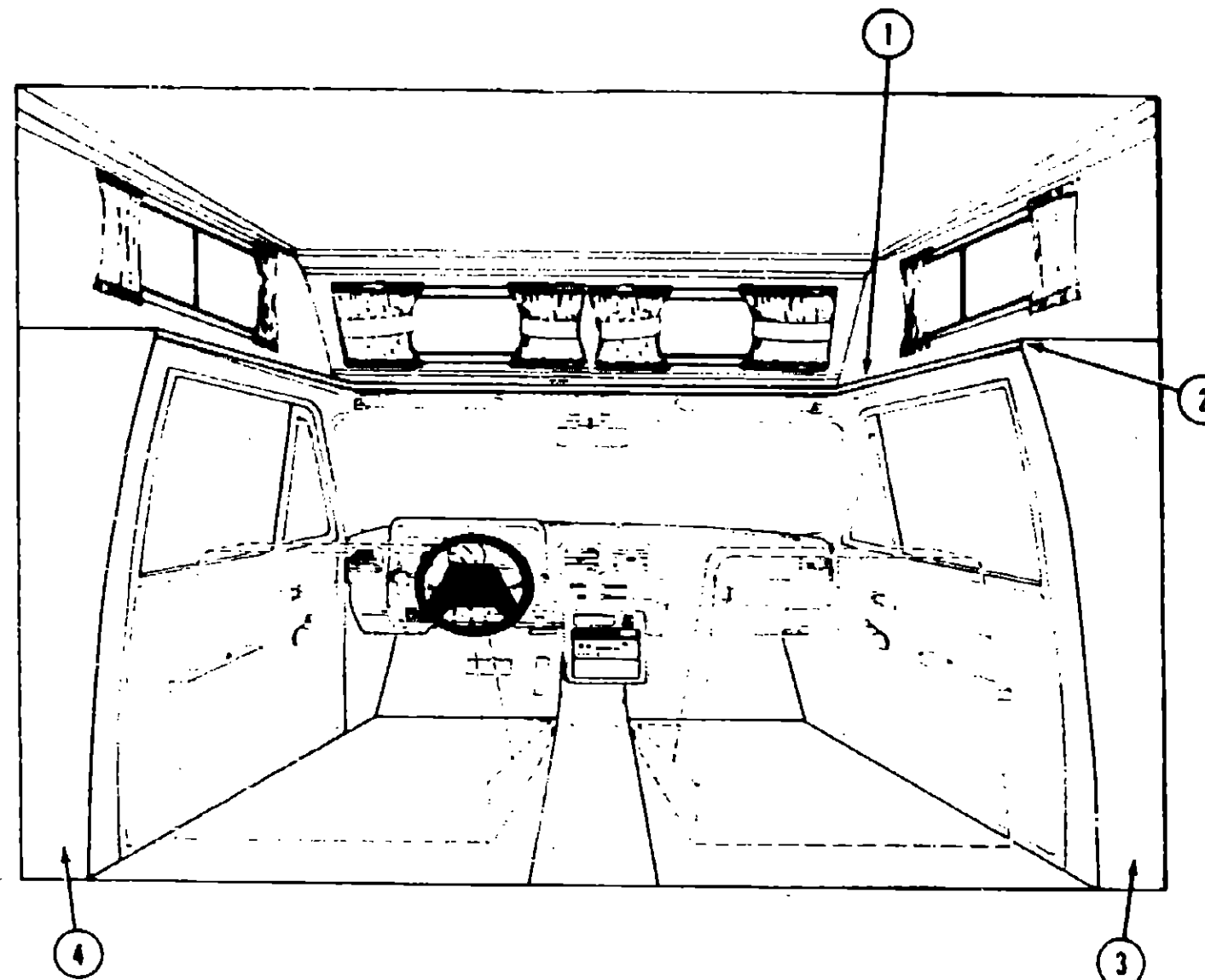
DINETTE GROUP (CONTINUED)



DINETTE TABLE & HARDWARE

Key	Part Number	U/M	Description
1	M02115-09-Y03	EA	Table - Dinette - w/o Hardware
2	064781-05-000	EA	Cup Holder - Two Step - Beige
3	053200-05-000	EA	Support - Table - 23.5" - Beige
4	088410-01-000	EA	Hanger - Table - Beige
5	024281-07-000	EA	Bracket - Table Lift
6	024275-05-000	EA	Rod - Table Lift - Tan
7	049493-01-000	EA	Catch - Table Leg
8	024278-21-000	EA	Leg Asm. - Table - Tan
9	064050-03-000	EA	Hinge - Table Leg - Tan
10	024282-01-000	EA	Brace Table Leg
	024283-01-000	EA	Clip - 1" - 1.25" - OD Tube - Black

DRIVER'S COMPARTMENT GROUP



MISCELLANEOUS DRIVER'S COMPARTMENT COMPONENTS

Key	Part Number	U/M	Description
1	M84656-01-Y03	EA	Panel Asm. - Sleeper Board w/o Vinyl
2	079800-02-000	EA	Trim - Front - Sleeper Board
	080742-01-000	FT	Insert - Trim - Sleeper Board - Vinyl
3	M84568-01-Y03	EA	Panel Asm. - Wingwall Transition - Inner - Passenger Side
3	M84568-03-X27	EA	Panel Asm. - Wingwall Transition - Inner - Passenger Side (Y04)
4	M84568-02-Y03	EA	Panel Asm. - Wingwall Transition - Inner - Drivers Side
4	M84568-02-X27	EA	Panel Asm. - Wingwall Transition - Inner - Driver Side (Y04)

1989 WINNEBAGO TABLE OF CONTENTS

WT319RK
WT319RB

A-01 - B-16
B-17 - D-08

1989 WT319RB INDEX

Floor Plan	B-17 - B-18
Accessories Group	B-19
Bath Group	B-20
Chassis Group	B-21
Curtain, Cushion & Fad Group	B-22 - C-01
Dinette Group	C-02 - C-03
Driver's Compartment Group	C-04
Electrical Group	C-05 - C-07
Exterior Body Group	C-08 - C-13
Galley Group	C-14 - C-15
Heating & Air Conditioning Group	C-16
Interior Finish Group	C-17 - C-18
LP Group	C-19
Lounge Group	C-20
Water & Sewage Group	C-21 - C-22
Window, Vent & Exterior Door Group	C-23 - D-08

ELECTRICAL GROUP

WIRE, SWITCHES & RECEPTACLES

Key	Part Number	U/M	Description
	018058-01-000	EA	Adapter - Power Cord
	008288-01-000	EA	Box - Electrical - 3" x 3.5" - Plastic
	008288-01-000	EA	Box - Electrical - 4" x 4" - 1/2 & 3/4 Steel - UL
	008288-02-000	EA	Box - Electrical - 4" x 4" - 1/2 & 3/4 Steel - CSA
	058048-01-000	EA	Box - Electrical - 2" x 3" x 2.25" - Steel
	083803-01-000	EA	Box - Electrical - 4" x 2" - 1/8" x 2 1/8" - Steel
	008353-01-000	EA	Connector - Clamping - 3/8 Cable - UL & CSA
	058028-01-000	EA	Connector - Pigtail - Clear Nylon
	008314-01-000	EA	Connector - Wire Nut - Gray
	008313-01-000	EA	Connector - Wire Nut - Insulated - Yellow
	008358-01-000	EA	Connector Clamp - Plastic - 3/8" AVG Wire
	008311-01-000	EA	Connector - Wire Nut - Red
	031888-01-000	EA	Contact Plug - Brass - Tin Plated
	031887-01-000	EA	Contact - Receptacle
	008054-01-000	EA	Cord - Power - 10-3 30 Amp. - 25' - UL
	008238-02-000	EA	Cover - Electrical Box - 4" x 4"
	058048-01-000	EA	Cover - Electrical Box - 4.5" x 2.75" - Rain Tight (Exterior)
	024571-03-000	EA	Cover Plate - Receptacle - Jumbo - Brown Plastic
	024571-04-000	EA	Cover Plate - Receptacle - Jumbo - Ivory Plastic
	008164-01-000	EA	Cover Plate - Switch - Brown
	053337-01-000	EA	Cover Plate Blank - Ivory Plastic - Single
	084077-02-000	EA	Cover - Receptacle - Ground Fault Interrupter - Brown
	008294-01-000	EA	Cover - Flat Blank - 4" x 4" - Steel - US
	008250-01-000	EA	Fuse Holder - In Line - 10 Amp.
	008250-02-000	EA	Fuse Holder - In Line - 15 Amp.
	008277-01-000	EA	Fuse Holder - Panel Mount - Black
	054532-01-000	EA	Housing Pin - 6 Position
	048885-01-000	EA	Plaque - Mounting Switch
	084077-02-000	EA	Receptacle Cover - GFI - Brown
	008157-01-000	EA	Receptacle - Duplex - Brown (Exterior Backwall)
	058708-01-000	EA	Receptacle - Duplex - Brown
	084078-02-000	EA	Receptacle - Ground Fault Interrupter - 125 Volt - Ivory
	024924-02-000	EA	Receptacle - Power Cord
	058707-01-000	EA	Receptacle - Single - Brown
	063912-01-000	EA	Relay - Canister SPDT w/Ground
	008188-01-000	EA	Solenoid Relay - 3 Terminal
	075723-01-000	EA	Switch - Block Spacer - w/o Holes
	075723-02-000	EA	Switch - Block Spacer - w/Holes
	008182-01-000	EA	Switch - Double Toggle - Brown
	077942-02-000	EA	Switch - Dummy - Brown
	058284-01-000	EA	Switch - Leaf Actuator
	078383-05-000	EA	Switch Plate - Single - Polish Chrome
	078383-03-000	EA	Switch Plate - Single w/Switch - Polish Brass
	081086-01-000	EA	Switch Plate 2 Gang - 2 Switches
	078383-01-000	EA	Switch Plate - Single - w/Switch
	078384-01-000	EA	Switch - On/Off Rocker - Brown
	008195-01-000	EA	Switch - Push Button - 12 Volt
	008183-01-000	EA	Switch - Toggle - Brown
	047443-02-000	EA	Terminal - .250 Receptacle - 12 - 10 AWG
	035417-01-000	EA	Terminal - Pin Receptacle - .125 Dia.
	035416-04-000	EA	Terminal Ring #10 Stud Fit
	008348-01-000	EA	Terminal Ring - 2 - w/3/8 Stud
	008331-01-000	EA	Terminal Ring - 4 - w/3/8 Stud
	008328-01-000	EA	Terminal Ring - 12/10 Wire
	008028-01-000	FT	Wire - 18.5 Bonded - Blue/Red/Yellow/Orange/White
	008024-01-000	FT	Wire - 18.5 Bonded - Orange/White/Yellow/Blue/Brown
	008025-01-000	FT	Wire - 18.5 Bonded - Orange/White/Yellow/Blue/Green
	008026-01-000	FT	Wire w/Ground - Romex - 12/2

ELECTRICAL GROUP (CONTINUED)

EXTERIOR LIGHTS

Key	Part Number	U/M	Description
	081638-02-000	EA	Tail Lamp Asm. - 2 Bulb - Chrome - Driver/Passenger
	081638-03-000	EA	Bezel - Tail Lamp - Driver/Passenger
	088432-01-000	EA	Light Bracket - License Plate
	042405-03-000	EA	Base - Rectangular Clearance Light
	042405-01-000	EA	Lens - Clearance Light - Red w/Reflex
	042405-02-000	EA	Lens - Clearance Light - Amber w/Reflex
	008089-01-000	EA	Porch Light - Recessed
	008089-01-700	EA	Lens - Porch Light

INTERIOR LIGHT

Key	Part Number	U/M	Description
	008024-01-01A	EA	Light - Dome - Ivory - 1 Bulb - US
	081424-01-000	EA	Light - 12V Receptacle - Aisle - IP

FUSES & CIRCUIT BREAKERS

Key	Part Number	U/M	Description
	008233-01-000	EA	Fuse - 6 Amp - 12 Volt
	008234-01-000	EA	Fuse - 10 Amp - 12 Volt
	048893-01-000	EA	Fuse - 13 Amp - 12 Volt
	008235-01-000	EA	Fuse - 15 Amp - 12 Volt
	008236-01-000	EA	Fuse - 20 Amp - 12 Volt
	008248-01-000	EA	Fuse - 30 Amp - 110 Volt - AGU
	008252-01-000	EA	Fuse - 50 Amp - 110 Volt
	056473-02-000	EA	Fuse - 5 Amp - Slow Blow
	056473-01-000	EA	Fuse - 6 1/4 Amp - Slow Blow
	062901-02-000	EA	Fuse - 5 Amp - Automotive
	062901-05-000	EA	Fuse - 15 Amp - Automotive
	008211-01-000	EA	Circuit Breaker - 6 Amp - 12 Volt
	008208-01-000	EA	Circuit Breaker - 40 Amp - 12 Volt
	033573-02-000	EA	Circuit Breaker - 15 Amp - 12 Volt - w/Mount
	033573-01-000	EA	Circuit Breaker - 20 Amp - 12 Volt - w/Mount
	044486-03-000	EA	Circuit Breaker - 25 Amp - 12 Volt - w/Mount
	008288-01-000	EA	Circuit Breaker - 30 Amp - 12 Volt - w/Mount
	040051-01-000	EA	Circuit Breaker - 20 Amp - 110 Volt - TQL
	008297-01-000	EA	Circuit Breaker - 120 Amp - TQL
	008293-01-000	EA	Circuit Breaker - 130 Amp - TQL
	083209-01-000	EA	Circuit Breaker - 15 Amp - 120 Volt
	083209-05-000	EA	Circuit Breaker - 20 Amp - 120 Volt
	071279-04-000	EA	Circuit Breaker - 30 Amp - 120 Volt
	071279-02-000	EA	Circuit Breaker - 15/15 Amp - 120 Volt
	071279-03-000	EA	Circuit Breaker - 15/20 Amp - 120 Volt
	071279-01-000	EA	Circuit Breaker - 15/30 Amp - 120 Volt
	071279-06-000	EA	Circuit Breaker - 30/15 Amp - 120 Volt
	050283-02-000	EA	Circuit Breaker - Bus Bar
	083209-08-000	EA	Circuit Breaker - Blank
	094810-01-000	EA	Circuit Breaker - 30/30 (Export Option)
	094811-01-000	EA	Circuit Breaker - 20/20 (Export Option)

1989 WINNEBAGO TABLE OF CONTENTS

WT319RK	A-01 - B-16
WT319RB	B-17 - D-08

1989 WT319RB INDEX

Floor Plan	B-17 - B-18
Accessories Group	B-19
Bath Group	B-20
Chassis Group	B-21
Curtain, Cushion & Pad Group	B-22 - C-01
Dinette Group	C-02 - C-03
Driver's Compartment Group	C-04
Electrical Group	C-05 - C-07
Exterior Body Group	C-08 - C-13
Galley Group	C-14 - C-15
Heating & Air Conditioning Group	C-16
Interior Finish Group	C-17 - C-18
LP Group	C-19
Lounge Group	C-20
Water & Sewage Group	C-21 - C-22
Window, Vent & Exterior Door Group	C-23 - D-08

ELECTRICAL GROUP (CONTINUED)

BULBS

Key	Part Number	U/M	Description
	008220-01-000	EA	Bulb - 12V - 25W
	008103-01-000	EA	Bulb - 53
	008213-01-000	EA	Bulb - 57
	008214-01-000	EA	Bulb - 67
	008198-01-000	EA	Bulb - 194
	008215-01-000	EA	Bulb - 1003
	067479-01-000	EA	Bulb - 1078
	063914-01-000	EA	Bulb - 1139
	008218-01-000	EA	Bulb - 1141
	037835-01-000	EA	Bulb - 1157
	037836-01-000	EA	Bulb - 1157A
	056288-02-000	EA	Bulb - 9431808

MISCELLANEOUS ELECTRICAL COMPONENTS

Key	Part Number	U/M	Description
	008188-01-000	EA	Solenoid - Dual Battery - Relay
	084454-01-000	EA	Control Center - 25 Amp. - 120 Volt/12 Volt
	072852-01-000	EA	Smoke Detector
	094809-01-000	EA	Load Center - 240 Volt/124 Amp. (Export Option)
	094810-01-000	EA	Circuit Breaker - 30/30 (Export Option)
	094811-01-000	EA	Circuit Breaker - 20/20 (Export Option)

EXTERIOR BODY GROUP

MISCELLANEOUS EXTERNALLY MOUNTED PARTS

Key	Part Number	U/M	Description
	083558-01-000	EA	Plumbing Seal - Roof Vent - 1.5" - Covered
	008128-01-000	EA	Assist Handle - Chromed
	081240-03-000	EA	Fill - City Water - Lockable - Off White
	078200-01-000	EA	Gasket - Fuel Fill
	083815-08-000	EA	Door Stop - Plastic - Off White
	084104-03-000	EA	Jamb - Refrigerator Door
	081838-03-000	EA	Bezel - Tail Light Mount - Angled

LABELS & EXTERIOR PAINT

Key	Part Number	U/M	Description
	085748-01-000	EA	Label - Caution - Battery Charging
	008195-01-000	EA	Label - Electrical Test
	047731-01-000	EA	Label - Emergency Exit
	008199-01-000	EA	Label - Exit - Escape Window
	057467-04-000	EA	Label - Exterior Loading Limit
	084378-01-000	EA	Label - Flying "W" w/Thermo Panel
	081417-01-000	EA	Label - Fuel
	087207-02-000	EA	Label - Fuel Cap Removal
	006196-01-000	EA	Label - Gas Test
	054531-01-000	EA	Label - LP Gas Only
	073998-01-000	EA	Label - LPG Odor Warning
	040944-01-000	EA	Label - Open - Entrance Door
	008015-01-000	EA	Label - Patent Motor Horns
	056259-01-000	EA	Label - Safety Check List
	008064-01-000	EA	Label - Seat - w/o Seat Belts
	006187-01-000	EA	Label - Sewage
	006006-01-000	EA	Label - Thermo Panel - 2 1/4" x 2 1/4"
	088249-01-000	EA	Label - Warning - Electric Stop
	075220-01-000	EA	Label - Warning - Exterior Load Limit
	050225-01-000	EA	Label - Warning - Stove Vent - US
	079968-01-000	EA	Label - Warning - Stowed Motion
	006188-01-000	EA	Label - Waste Water
	006197-01-000	EA	Label - Water Test
	008062-01-000	EA	Tag - Electrical - 110 Volt Connection
	006040-01-000	EA	Tag - Gas - Refueling Warning
	044486-03-000	EA	Paint - Beige Acrylic Enamel - 16 oz. Aerosol (7633A Dupont)
	045681-03-000	EA	Paint - Gloss Black - Acrylic Enamel - 16 oz. Aerosol (99 Dupont)
	058637-05-000	EA	Paint - Gray Acrylic Enamel - 16 oz. Aerosol (71537 Dupont)
	041561-03-000	EA	Paint - Off White Acrylic Enamel - 16 oz. Aerosol (45396A Dupont)
	074559-01-000	EA	Label "LPG" - 3.3" x 1.75" (Calif. Code)

1989 WINNEBAGO TABLE OF CONTENTS

WT319RK
WT319RB

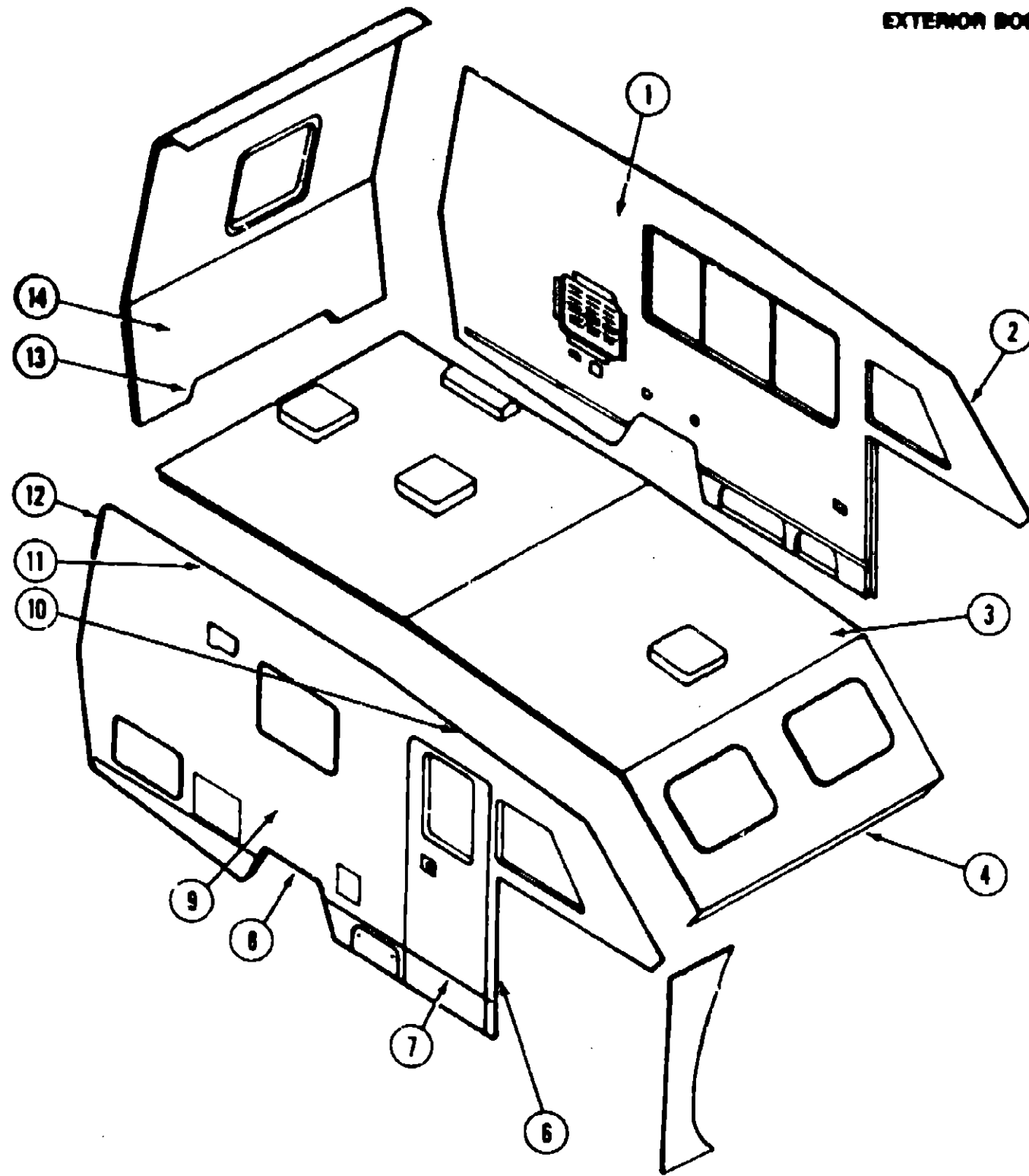
A-01 - B-18
B-17 - D-08

1989 WT319RB INDEX

Floor Plan	B-17 - B-18
Accessories Group	B-19
Bath Group	B-20
Chassis Group	B-21
Curtain, Cushion & Pad Group	B-22 - C-01
Dinette Group	C-02 - C-03
Driver's Compartment Group	C-04
Electrical Group	C-05 - C-07
Exterior Body Group	C-08 - C-13
Galley Group	C-14 - C-15
Heating & Air Conditioning Group	C-16
Interior Finish Group	C-17 - C-18
LP Group	C-19
Lounge Group	C-20
Water & Sewage Group	C-21 - C-22
Window, Vent & Exterior Door Group	C-23 - D-08

EXTERIOR BODY GROUP (CONTINUED)

EXTERIOR BODY PANELS & TRIM



Key	Part Number	UM	Description
1	M82158-01-Y03	EA	Sidewall Asm. - Driver Side
1	M82158-01-Y04	EA	Sidewall Asm. - Driver Side
2	085480-04-000	EA	Trim - Contour - Upper Front - Driver Side - Off White
	085480-03-000	EA	Trim - Contour - Upper Front - Passenger Side - Off White
3	M88827-01-Y03	EA	Roof Asm.
3	M88827-01-Y04	EA	Roof Asm.
4	038844-07-000	EA	Trim - Sleeper Board - Front - Off White
5	M84655-01-W17	EA	Wingwall Asm. - Passenger Side
	M84655-02-W17	EA	Wingwall Asm. - Driver Side
6	078875-07-000	EA	Trim - Wingwall Transition - Passenger Side - Off White
	078875-08-000	EA	Trim - Wingwall Transition - Driver Side - Off White
7	059578-05-000	EA	Feature Strip - w/o Insert - Extr. - 14' - Off White
	001030-02-100	EA	Insert - Feature Strip - 17' - Off White
	009731-01-000	EA	End Cap - Feature Strip
8	084440-04-000	EA	Trim - Wheel Well - Rear Passenger Side - Off White
	084440-03-000	EA	Trim - Wheel Well - Rear Driver Side - Off White
9	M88561-01-Y03	EA	Sidewall Asm. - Passenger Side
9	M88561-01-Y04	EA	Sidewall Asm. - Passenger Side
10	078875-09-000	EA	Trim - Contour - Upper - Right or Left Side
11	087965-01-000	EA	Trim - Contour - Upper - Passenger Side Rear
	087965-02-000	EA	Trim - Contour - Upper - Driver Side Rear
12	078805-05-000	EA	Trim - Contour - Rear Passenger Side - Off White
	078805-06-000	EA	Trim - Contour - Rear Driver Side - Off White
13	085004-01-000	EA	Trim - Backwall - Lower - Passenger or Driver Side
14	M84646-01-Y03	EA	Backwall Asm.
14	M84648-01-Y04	EA	Backwall Asm.
	002365-01-001	EA	U-Channel - Extrusion - 1" x 18'
	009717-01-002	EA	Drip Rail - 19'
	039155-28-006	EA	Alum. - Mesa II - .024" x 48" x 360" - Off White
	039155-28-003	EA	Alum. - Mesa II - .024" x 36" x 360" - Off White
	039155-28-007	EA	Alum. - Mesa II - .024" x 12" x 360" - Off White
	001054-01-011	EA	Alum. - No Design - 48" x 96" - Off White
	000868-01-000	SF	Styrofoam - .75" x 24" x 96"
	000870-01-000	SF	Styrofoam - 1.5" x 24" x 96"
	000870-03-000	SF	Styrofoam - 1.34" x 48" x 96"

1989 WINNEBAGO TABLE OF CONTENTS

WT319RK
WT319RB

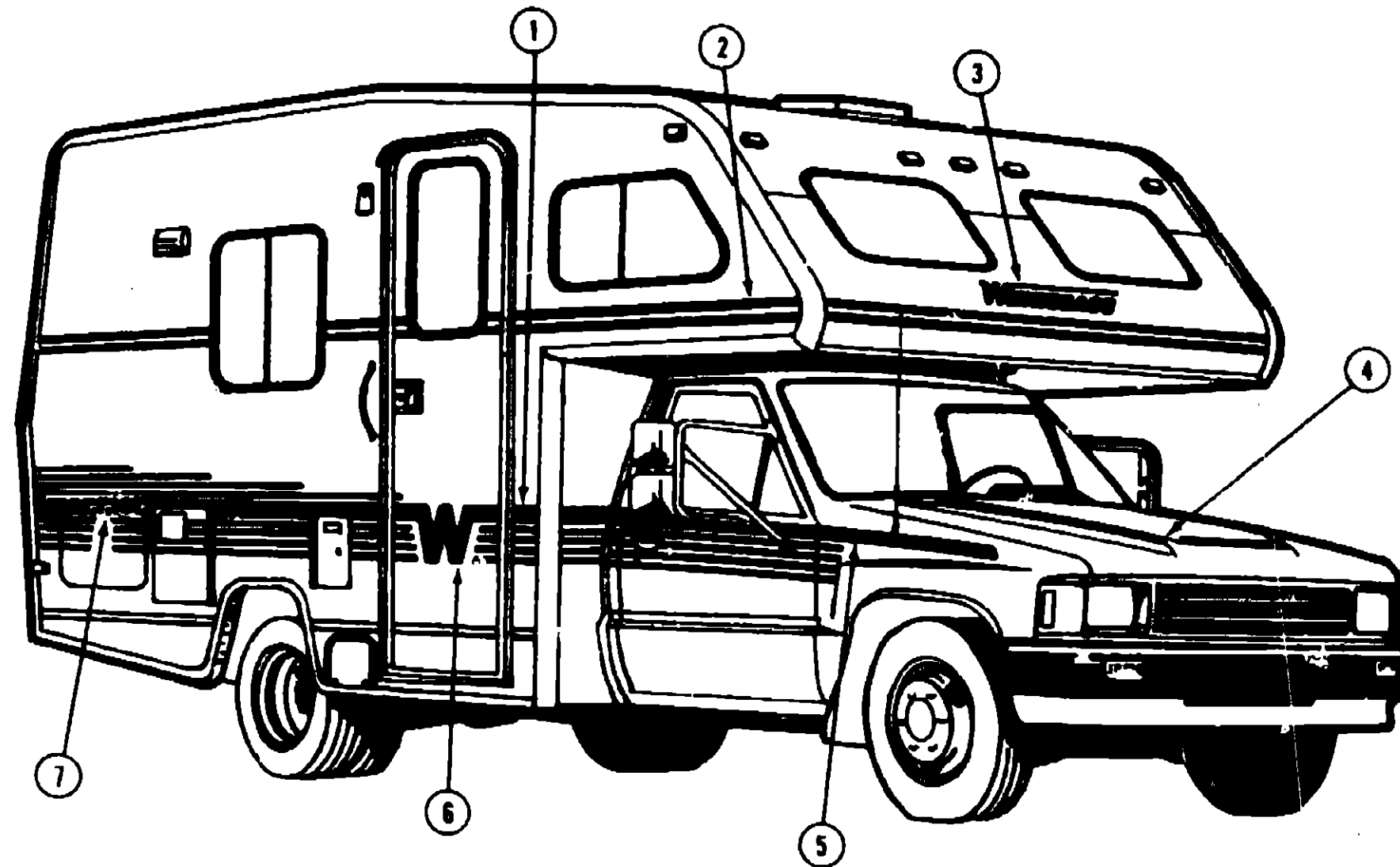
A-01 - B-16
B-17 - D-08

1989 WT319RB INDEX

Floor Plan	B-17 - B-18
Accessories Group	B-19
Bath Group	B-20
Chassis Group	B-21
Curtain, Cushion & Pad Group	B-22 - C-01
Dinette Group	C-02 - C-03
Driver's Compartment Group	C-04
Electrical Group	C-05 - C-07
Exterior Body Group	C-08 - C-13
Galley Group	C-14 - C-15
Heating & Air Conditioning Group	C-16
Interior Finish Group	C-17 - C-18
LP Group	C-19
Lounge Group	C-20
Water & Sewage Group	C-21 - C-22
Window, Vent & Exterior Door Group	C-23 - D-08

EXTERIOR BODY GROUP (CONTINUED)

DECALS & FILM STRIPE



Key	Part Number	U/M	Description
1	078831-47-000	FT	Decal - Stripping - Blue
2	065217-M4-000	FT	Film - Multi - Stripes - Blue/Dark Rose
3	050313-22-000	EA	Decal - Logo - "Winnebago" - Chrome
4	093739-01-01A	EA	Decal - Fender - Passenger Side
	093739-02-01A	EA	Decal - Fender - Driver Side
5	078196-38-000	FT	Film - Multi-Stripes - Dark Rose
6	078351-26-000	EA	Decal - Flying "W" - Blue
7	093589-01-01A	EA	Decal - Logo - "Warrior"

**1989 WINNEBAGO
TABLE OF CONTENTS**

WT319RK
WT319RB

A-01 - B-16
B-17 - D-08

1989 WT319RB INDEX

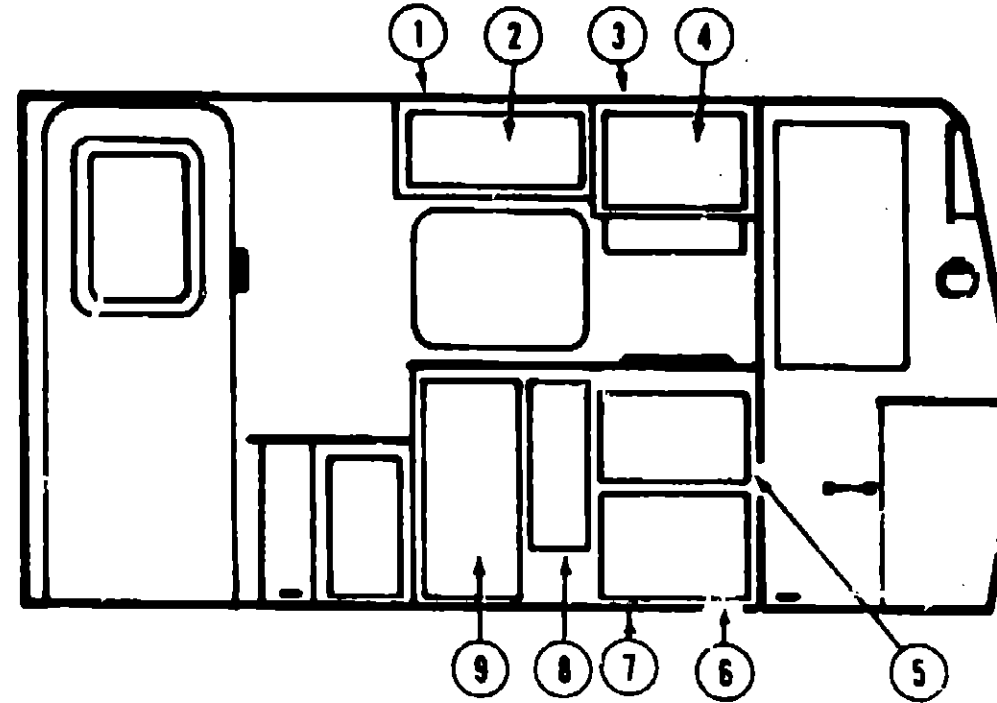
Floor Plan	B-17 - B-18
Accessories Group	B-19
Bath Group	B-20
Chassis Group	B-21
Curtain, Cushion & Pad Group	B-22 - C-01
Dinette Group	C-02 - C-03
Driver's Compartment Group	C-04
Electrical Group	C-05 - C-07
Exterior Body Group	C-08 - C-13
Galley Group	C-14 - C-15
Heating & Air Conditioning Group	C-16
Interior Finish Group	C-17 - C-18
LP Group	C-19
Lounge Group	C-20
Water & Sewage Group	C-21 - C-22
Window, Vent & Exterior Door Group	C-23 - D-08

EXTERIOR BODY GROUP (CONTINUED)

SEALANTS & ADHESIVES

Key	Part Number	U/M	Description
	004020-01-000	QT	Adhesive - ABS Cement (Plastic Fittings)
	002337-01-000	EA	Adhesive - 1300 Tite-Bond - 3M (Windows)
	004005-02-000	GL	Adhesive - Swifts - Glue (Sidewalls)
	053788-07-000	EA	Bedding Compound - Tube - Black (Exterior)
	053778-08-000	EA	Bedding Compound - Tube - Clear (Window)
	053788-08-000	EA	Bedding Compound - Tube - Gray (Exterior)
	053788-05-000	EA	Bedding Compound - Tube - Gray (Sidewalls to Floor)
	053788-02-000	EA	Bedding Compound - Tube - Off White (Exterior)
	002328-02-000	EA	Block - Rubber Spacer (Windshield)
	004336-01-000	EA	Caulk - Latex - Golden Walnut (Sidewalls)
	077967-01-000	EA	Sealant - Acrylic Latex - Tube - Off White (Interior Sealant)
	034552-04-000	EA	Sealant - Silicone - Beige
	034552-02-000	EA	Sealant - Silicone - Clear
	034552-07-000	EA	Sealant - Silicone - Dark Gray
	034552-06-000	EA	Sealant - Silicone - Off White
	069637-01-000	EA	Sealant - Weatherban 404 - Tube - White (Door Caulk)
	072889-01-000	EA	Sealant - Urethane - Black (Windshield)
	069640-01-000	FT	Sealer Ribbon - .25" Bead x 20'
	069640-02-000	FT	Sealer Ribbon - .5" x .125" x 30'
	069640-03-000	FT	Sealer Ribbon - .75" x .125" x 30'
	069640-04-000	FT	Sealer Ribbon - 2" x .09" x 45' (P-Series)
	069640-05-000	FT	Sealer Ribbon - 2.5" x .09" x 50'
	069640-06-000	FT	Sealer Ribbon - 5/16" Bead x 15'
	069640-07-000	FT	Sealer Ribbon - 2" x 3/32" x 30'
	002316-01-000	FT	Sealer Tape - 3/32" x 3/8" - White (Window)
	002707-01-000	FT	Sealer Tape - 5/16" x 3/4"
	002707-02-000	FT	Sealer Tape - 5/16" x 1/2"
	040545-01-000	GL	Sealer - Seam Weld
	053752-04-000	EA	Seam Sealer - Tube - Aluminum (Roof)
	063642-01-000	FT	Tape - Adhesive - .10mm x 1.5" Wide
	038886-01-000	EA	Tape - Butyl - .31" x .31" x 148" (Windshield)
	076322-01-000	FT	Tape - Foam - Double Coated - .025 x 1" (Fiberglass Sidewall Seams)
	076322-02-000	FT	Tape - Foam - Double Coated - .045 x 1" (Fiberglass Sidewall Seams)
	009200-01-000	EA	Tape - Furnace - 1.5"
	002825-01-000	FT	Weather Stripping (Roof Vent)

GALLEY GROUP



GALLEY CABINETRY

Key	Part Number	U/M	Description
1	M92450-01-Y03	EA	Cabinet Asm. Galley Overhead - w/o Door or Hardware
2	M94598-08-Y03	EA	Door Asm. - Galley Overhead - w/o Hardware
3	M92452-01-Y03	EA	Cabinet Asm. - Galley Overhead - w/o Door or Hardware
4	M94598-16-Y03	EA	Door Asm. - Galley Overhead - w/o Hardware
5	092696-10-01A	EA	Range Hood - w/o Monitor Panel
6	M94598-13-Y03	EA	Door Asm. - Galley Cabinet - w/o Hardware
7	M88589-01-Y03	EA	Cabinet Asm. - Galley - w/o Countertop, Doors, Drawers or Hardware
	088589-13-Y03	EA	Countertop Asm. - Galley
8	M94598-02-Y03	EA	Door Asm. - Galley - w/o Hardware
9	M94598-14-Y03	EA	Door Asm. - Galley - w/o Hardware
	M94598-18-Y03	EA	Door Asm. - Refrigerator Cabinet - w/o Hardware

**1989 WINNEBAGO
TABLE OF CONTENTS**

WT319RK
WT319RB

A-01 - B-16
B-17 - D-08

1989 WT319RB INDEX

Floor Plan	B-17 - D-18
Accessories Group	B-19
Bath Group	B-20
Chassis Group	B-21
Curtain, Cushion & Pad Group	B-22 - C-01
Dinette Group	C-02 - C-03
Driver's Compartment Group	C-04
Electrical Group	C-05 - C-07
Exterior Body Group	C-08 - C-13
Galley Group	C-14 - C-15
Heating & Air Conditioning Group	C-16
Interior Finish Group	C-17 - C-18
LP Group	C-19
Lounge Group	C-20
Water & Sewage Group	C-21 - C-22
Window, Vent & Exterior Door Group	C-23 - D-08

GALLEY GROUP (CONTINUED)

GALLEY HARDWARE & APPLIANCES

Key	Part Number	U/M	Description
	054450-01-000	EA	Level - Refrigerator
	088854-01-000	EA	Sink - Stainless Steel - Double w/Bolts
	011053-03-000	EA	Faucet - Swing Spout - 8" - US/CSA
	011053-01-700	EA	Aerator - Swing Spout Faucet
	088432-01-000	EA	Strainer w/Basket - Sink
	088284-01-000	EA	Pull - Cabinet - Polished Brass
	059777-02-000	EA	Hinge - Cabinet Door - Antique Light Brass
	009021-01-000	EA	Catch - Nylon Grill
	009021-02-000	EA	Strike - Spring Steel
	047744-01-000	EA	Kit - Drawer Guide - Plastic
	077408-02-000	EA	Slide - Drawer - 20.75" - Plastic
	077404-02-000	EA	Drawer - 20" x 12.70" - Plastic
	086435-01-000	EA	Nut Strainer
	088777-01-000	EA	Panel - Monitor - Jensen
	064426-01-000	EA	Range Top - 4 Burner
	064473-03-300	EA	Refrigerator - 2 Way - 6' 875EG2
	064473-03-701	EA	Heater
	064473-03-719	EA	Flue
	064473-03-720	EA	Ignition Control Module
	064473-03-721	EA	Power Supply Board
	064472-01-700	EA	Thermocouple
	064473-03-722	EA	Control Panel Insert
	064473-03-715	EA	Thermostat Knob
	064473-03-714	EA	Mode Selector Knob
	064473-03-716	EA	Selector Switch
	084880-01-715	EA	Manual Shut-Off Valve
	084880-01-713	EA	Male Connector (Inlet Fitting)
	064473-03-703	EA	Burner Tube
	064473-01-702	EA	Orifice
	088248-01-706	EA	Burner
	064473-03-700	EA	Spark Electrode
	064473-01-725	EA	Single Door Asm.
	064473-03-704	EA	Single Door Gasket
	064473-03-705	EA	Single Foamed Door Liner
	046955-01-702	EA	Top or Bottom Hinge Bushing
	064472-01-728	EA	Hinge Bracket - Top Left or Bottom Right
	064472-01-727	EA	Hinge Bracket - Bottom Left or Top Right
	046955-01-713	EA	Hinge Pin Top Right
	064472-03-700	EA	Hinge Pin Bottom Right
	064473-03-706	EA	Door Frame (Sides & Bottom)
	064473-03-723	EA	Door Frame (Top)
	064473-03-707	EA	Door Shelf Trim Asm.
	064473-03-708	EA	Connector Rod
	064473-01-720	EA	Dairy Door
	064473-03-709	EA	Pin & Chain Travel Lock
	064473-01-708	EA	Top Cabinet Trim
	064473-01-711	EA	Cabinet Trim - Right
	064473-01-712	EA	Cabinet Trim - Left
	064473-03-711	EA	Freezer Door Handle
	064473-03-712	EA	Freezer Door
	064473-03-713	EA	Drip Tray
	064473-01-714	EA	Crisper Cover
	064472-01-716	EA	Crisper
	064472-02-728	EA	Nameplate Decal
	064473-03-727	EA	Travel Latch
	064473-03-728	EA	Travel Latch Decorative Trim

HEATING & AIR CONDITIONING GROUP

FURNACES & ROOF AIR CONDITIONER

Key	Part Number	U/M	Description
	084444-01-000	EA	Furnace - 12,000 BTU
	088834-01-723	EA	Thermostat - Wall Mount
	009198-01-000	FT	Duct - Flexible - 4" ID x 25'
	008200-01-000	EA	Tape - Furnace - 1 1/2"
	076304-01-000	EA	Shroud Arm. - Ceiling - Inside - Roof Air Cool Only
**	076303-01-000	EA	Air Conditioner - 110 Volt & Roof Mount - 7,100 BTU Rotary
**	The illustrated parts breakdown for this item is provided on the Common Items Fiche.		

1989 WINNEBAGO TABLE OF CONTENTS

WT319BK WT319RB	A-01 - 1-18 B-17 - D-08
--------------------	----------------------------

1989 WT319RB INDEX

Floor Plan	B-17 - B-18
Accessories Group	B-19
Bath Group	B-20
Chassis Group	B-21
Curtain, Cushion & Pad Group	B-22 - C-01
Dinette Group	C-02 - C-03
Driver's Compartment Group	C-04
Electrical Group	C-05 - C-07
Exterior Body Group	C-08 - C-13
Galley Group	C-14 - C-15
Heating & Air Conditioning Group	C-16
Interior Finish Group	C-17 - C-18
LP Group	C-19
Lounge Group	C-20
Water & Sewage Group	C-21 - C-22
Window, Vent & Exterior Dec. Group	C-23 - D-08

INTERIOR FINISH GROUP

INTERIOR MOLDING & TRIM

Key	Part Number	U/M	Description
	081521-01-001	EA	Molding Retainer - Corner - 16'
	008808-17-000	EA	Molding - Plastic - Outside Corner - 1"
	008812-17-000	FT	Molding - Plastic - Outside Corner - 1/2"
	042357-11-000	FT	Molding - Radius Corner - 7' - Light Oak
	022982-08-000	FT	Molding - Reverse Cover - Champagne White
	088263-19-000	EA	Batt Strip - Travertine - 8' (Wet Bath)
	088263-28-000	EA	Batt Strip - Rainbow - 8' (Wall) (Y03)
	085284-12-000	EA	Batt Strip - Rainbow - Tape - Adhesive (Wall) (Y03)
	088263-27-000	EA	Batt Strip - Sunkist - 8' (Wall) (Y04)
	085284-11-000	FT	Batt Strip - Sunkist - Tape - Adhesive (Wall) (Y04)
	088263-30-000	EA	Batt Strip - Crosshik Spatter - 8' (Ceiling)
	070504-01-000	FT	U-Channel - .085" - Light Brown
	009778-07-000	FT	U-Channel - 1" - Light Oak
	009767-06-000	FT	Wetling - Beige

PANELING & COUNTERTOP MATERIAL

Key	Part Number	U/M	Description
	074497-10-000	SF	Paneling - Regal Oak - 48" x 84" (28 SF) (Cabinets)
	088272-38-000	SF	Paneling - Decor - Bone - 48" x 84" (28 SF) (Bath)
	088272-29-000	SF	Paneling - Decor - Rainbow - 48" x 84" (28 SF) (Galley) (Y03)
	088272-30-000	SF	Paneling - Decor - Haze - 48" x 84" (28 SF) (Galley) (Y04)
	074497-14-000	SF	Paneling - Crosshik - 48" x 96" (32 SF) (Ceiling)
	088272-40-000	SF	Paneling - Rainbow - 48" x 84" (28 SF) (Wall) (Y03)
	088272-39-000	SF	Paneling - Sunkist - 48" x 84" (28 SF) (Wall) (Y04)
	074498-28-000	SF	Plastic Laminate - Sterling - 48" x 96" (32 SF) (Galley/Bath)
	076325-16-000	FT	Molding - Edge Band - Regal Oak (Table)

FABRICS & CARPET

Key	Part Number	U/M	Description
	072333-61-000	YD	Fabric - Drapery (Y03)
	072333-62-000	YD	Fabric - Drapery (Y04)
	088274-64-000	YD	Fabric w/Pattern - Upholstery (Y03)
	088274-65-000	YD	Fabric w/Pattern - Upholstery (Y04)
	088274-68-000	YD	Fabric - Upholstery Accent (Y03)
	088274-69-000	YD	Fabric - Upholstery Accent (Y04)
	052859-07-Y05	FT	Accent Trim (Dinette Seat Back) (Y03)
	052859-07-Y06	FT	Accent Trim (Dinette Seat Back) (Y04)
	079680-01-000	YD	Expanded Vinyl - 26 oz. Buckskin
	072860-84-000	YD	Carpet - Graphite (Y03)
	072860-89-000	YD	Carpet - Rose Mist (Y04)

INTERIOR FINISH GROUP (CONTINUED)

CABINETS & TABLE HARDWARE

Key	Part Number	U/M	Description
	053200-05-000	EA	Bracket - Upper Wall Mount - 18.5" - Beige
	024275-05-000	EA	Rod - Table Lift - Tan
	024281-07-000	EA	Bracket - Lower Wall Mount
	024278-21-000	EA	Leg Asm. - Table - 28.5" - Tan
	084050-03-000	EA	Hinge - Table Leg - Tan
**	024282-01-000	EA	Brace - Table Leg
**	024283-01-000	EA	Clip - 1" OD Tube
	049493-01-000	EA	Catch - Table Leg - Mounts on Floor
	077408-02-000	EA	Slide - Drawer - Plastic - 20.75"
	058777-02-000	EA	Hinge - Antique Light Brass
**	047744-01-000	EA	Kit - Drawer Glide
	057671-01-000	EA	Screw Cover - #8 - Off White
	009021-01-000	EA	Catch - Nylon
	009021-02-000	EA	Strike - Nylon Catch
	074493-02-000	EA	Support - Sprung - Door
**	The illustrated parts breakdown for this item is provided on the Common Items Fiche.		

CURTAIN & CUSHION HARDWARE

Key	Part Number	U/M	Description
	039175-02-000	EA	Bracket - Curtain Rod
	039175-05-000	EA	Bracket - Curtain Rod - Center
	039175-03-000	EA	Curtain Rod - Extension - 28" x 48"
	009701-01-000	EA	Carrier - Curtain L Rod
	009702-01-000	EA	End Stop - Curtain L Rod
	039175-01-000	EA	Curtain Rod - Extension - 48" x 84"
	087253-01-000	EA	Pull - Window Shade - Clear Plastic
	078155-01-000	EA	Strap Asm. - Cushion Snap

MISCELLANEOUS PARTS

Key	Part Number	U/M	Description
	053552-02-W24	EA	Handle Asm. - Interior Assist - Medium Almond Vinyl
	094499-01-000	EA	Fire Extinguisher - Dry - IA 10BC
	054185-31-000	EA	Owner's Manual - 1989 Itasca & Winnebago
	057671-02-000	EA	Cover - #8 Screw - Off White
	086120-01-Y03	EA	Map Pocket - 12" x 16"
	086120-01-Y04	EA	Map Pocket - 12" x 16"

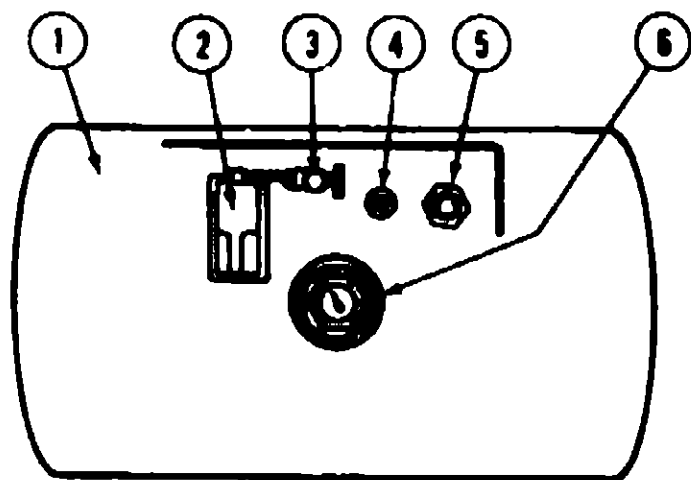
1989 WINNEBAGO TABLE OF CONTENTS

WT319RK	A-01 - B-18
WT319RB	B-17 - D-08

1989 WT319RB INDEX

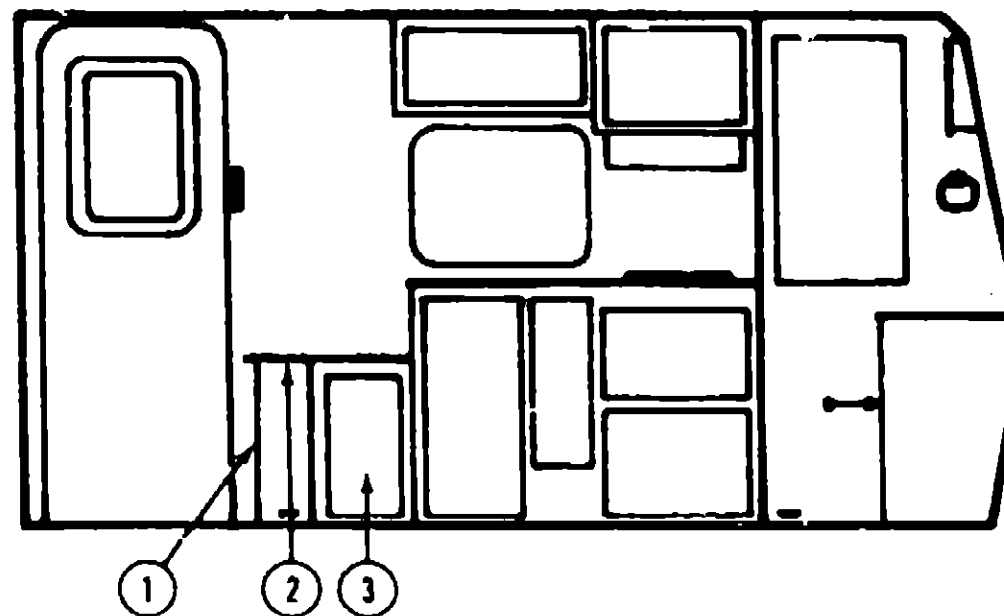
Floor Plan	B-17 - B-18
Accessories Group	B-19
Bath Group	B-20
Chassis Group	B-21
Curtain, Cushion & Pad Group	B-22 - C-01
Dinette Group	C-02 - C-03
Driver's Compartment Group	C-04
Electrical Group	C-05 - C-07
Exterior Body Group	C-08 - C-13
Galley Group	C-14 - C-15
Heating & Air Conditioning Group	C-16
Interior Finish Group	C-17 - C-18
LP Group	C-19
Lounge Group	C-20
Water & Sewage Group	C-21 - C-22
Window, Vent & Exterior Door Group	C-23 - D-08

LP GROUP



Key	Part Number	U/M	Description
1	074140-01-000	EA	Tank Asm. - LP - Frame Mount - 28 Pound - 10" x 23"
	065741-01-000	EA	Detector - LP Gas Leak - Marshtown Instruments
2	081938-01-000	EA	Cover - LP Regulator
	076301-01-000	EA	Regulator - Two Stage - US (Dual)
3	040421-01-703	EA	Valve - Vapor Relief
4	040421-01-700	EA	Gauge - Liquid Level - 20% LP
5	040421-01-701	EA	Valve - Filler - LP
	040421-01-702	EA	Cap - Plastic Fill Valve
6	040421-01-707	EA	Gauge - Float - w/Visible Dial
	040421-01-706	EA	Dial - Visible Face - Float Gauge (Tank w/o Electric Transmitter)
	040440-01-000	EA	Dial - Transmitter - 0 - 90 Ohm (Float Gauge)
	045703-01-000	EA	Hose Asm. - LP - 3/8" ID x 24"
	065742-01-000	EA	Tee - .38 F x .38 F x .25 FPT

LOUNGE GROUP



STORAGE CABINET

Key	Part Number	U/M	Description
1	M88591-01-Y03	EA	Cabinet Asm.
2	G88591-12-Y03	EA	Countertop Asm.
3	M94598-09-Y03	EA	Door Asm. - 12" x 22"

SWIVEL CHAIR (OPTION 38W)

Key	Part Number	U/M	Description
	092389-02-Y05	EA	Swivel Chair Asm. (Starlet II) (Used up to 1/22/89) (Y03)
	092389-02-Y06	EA	Swivel Chair Asm. (Starlet II) (Used up to 1/22/89) (Y04)
	096100-01-Y05	EA	Swivel Chair (Anthem) (Used from 1/23/89) (Y03)
	096100-01-Y06	EA	Swivel Chair (Anthem) (Used from 1/23/89) (Y04)
	088245-01-000	EA	Base w/Legs
	088245-03-000	EA	Swivel Plate
	088245-06-000	EA	Extension - 7"

**1989 WINNEBAGO
TABLE OF CONTENTS**

WT319RK
WT319RB

A-01 - B-16
B-17 - D-08

1989 WT319RB INDEX

Floor Plan	B-17 - B-18
Accessories Group	B-19
Bath Group	B-20
Chassis Group	B-21
Curtain, Cushion & Pad Group	B-22 - C-01
Dinette Group	C-02 - C-03
Driver's Compartment Group	C-04
Electrical Group	C-05 - C-07
Exterior Body Group	C-08 - C-13
Galley Group	C-14 - C-15
Heating & Air Conditioning Group	C-16
Interior Finish Group	C-17 - C-18
LP Group	C-19
Lounge Group	C-20
Water & Sewage Group	C-21 - C-22
Window, Vent & Exterior Door Group	C-23 - D-08

WATER & SEWAGE GROUP

PLUMBING & REPAIR PARTS

Key	Part Number	U/M	Description
	033302-02-000	EA	Adapter Asm. - SWVC Strain - 1 1/2"
	010328-01-000	EA	Adapter - Flare - w/Cone Gasket
	062422-01-000	EA	Adapter - Hose Offset - Reducer - 3" x 1 1/2"
	052954-01-000	EA	Adapter - Hose Cone - 3/8 x 1/2 - Plastic
	010224-01-000	EA	Adapter - Plastic - 3/8 MPT x 3/8 Barb
	044827-01-000	EA	Adapter - Plastic - 1 1/4 MPT x 1 1/4 Barb
	031802-02-000	EA	Adapter - Plastic - 1 1/2 H x FPT
	062416-01-000	EA	Adapter - Termination - 3"
	004020-01-000	QT	Adhesive - ABS Cement
	011048-04-000	EA	Breaker - Vacuum - 1/8 MPT - Nylon
..	010121-01-000	EA	Bushing - Plastic - 1 1/2 S x 1 1/4 H
	010122-01-000	EA	Bushing - Plastic - 1 1/2 S x 1 1/4 T
	010123-01-000	EA	Bushing - Plastic 2 S x 1 1/2 H
	036522-02-000	EA	Cap - Brass - 1/2 Flare
	062415-01-000	EA	Cap - Sewer - 3"
	052959-02-000	EA	Connector - 1/2 F x 1/2 MPT - Plastic
	052959-03-000	EA	Connector - 1/2 F x 3/8 MPT - Plastic
	011091-02-000	EA	Continuous Waste - Double Sink - 11 7/8 - US
	078406-01-000	EA	Coupler Rubber - 3" x 3"
	052960-01-000	EA	Drain Valve - 1/2 F x 1/2 F - Plastic
	010009-01-000	EA	Elbow - ST - Plastic - 1/4 BD x 1 1/2 x 90°
	010000-01-000	EA	Elbow - Plastic - 1/8 BD x 1 1/4 x 45° H x H
	010005-01-000	EA	Elbow - Plastic - 1/16 BD x 1 1/2
	010006-01-000	EA	Elbow - Plastic - 1/8 BD x 1 1/2 x 45° H x H
	010008-01-000	EA	Elbow - Plastic - 1/4 BD x 1 1/2 x 90° Left
	010051-01-000	EA	Elbow - ST - Plastic - 1/8 BD x 1 1/2 x 45°
	010219-01-000	EA	Elbow - 1 1/4 Barb x 1 1/4 MPT x 90°
	031111-01-000	EA	Elbow - Plastic - 1/4 BD x 1 1/4 x 90° Left
	034250-01-000	EA	Elbow - Plastic - 1/4 BD x 1 1/2 x 90° x H x H
	035539-01-000	EA	Elbow - Plastic - 3/8 MPT x 3/8 Barb
	052957-01-000	EA	Elbow - Plastic - 1/2 F x 3/8 MPT
	052957-02-000	EA	Elbow - 1/2 F x 1/2 MPT (In Tank Filter)
	058536-01-000	EA	Elbow - 1 1/4 - Slip Joint Ends
	065120-01-000	EA	Elbow - Plastic - Swivel - 50
	070824-01-000	EA	Elbow - Plastic - Swivel - 1/2 MPT x 1/2 FP
	010377-01-000	EA	Nut - Brass - 3/8 F
	010377-02-000	EA	Nut - Brass - 3/8 F (CSA Only)
	010380-02-000	EA	Nut - Brass - 1/2 F (CSA Only)
	010497-05-000	EA	Clamp - Closed - .50" ID
	010499-01-000	EA	Clamp - Closed - .3/8" ID
	062401-02-000	EA	Clamp - Hose - Wormgear - 1.56" - 2.5"

WATER & SEWAGE GROUP (CONTINUED)

PLUMBING & REPAIR PARTS (CONT.)

Key	Part Number	U/M	Description
	077954-02-000	EA	Filter/Screen (In Water Tank)
	039847-02-000	EA	Filter - Water Pump - 1/2" MPT
	039847-03-000	EA	Filter - Water Pump - 1/2" Flare
	063841-01-000	EA	Flange - Clotet - 4" F x 4" FPT - US
	079381-01-000	FT	Flexible Tubing - 1 1/4 ID x 10'
	061807-01-000	EA	Grommet - Holding Tank Coupler - 1 1/2"
	061807-02-000	EA	Grommet - Holding Tank Coupler - 3"
	052961-01-000	EA	Header - 1/2 F x 1/2 F x 1/2 F x 1/2 F
..	046524-01-000	EA	Kit - Holding Tank Fittings - Blank Tank
..	046524-02-000	EA	Kit - Water Tank Fittings - Blank Tank
	052953-01-000	EA	Nut - Faucet - 1/2 Tube x 1/2 FPT
	052952-01-000	EA	Nut - 1/2 F - Plastic
..	011086-03-000	EA	P-Trap - 1 1/4" Plastic - US
	010197-01-000	FT	Pipe - Plastic - 3" x 240" - Black
	045729-01-000	EA	Pump - Water - 2.8 G.P.M. - Direct Drive - Shurflo - US
	010201-01-000	EA	Sewer Hose - 3" x 8" w/Clamp
	042989-05-000	EA	Spinweld Fittings - Plastic - 1/2 FPT (In Tank Filter)
	042989-03-000	EA	Spinweld Fittings - Plastic - 1/4 MPT
	042989-04-000	EA	Spinweld Fittings - Plastic 3/8 FPT
	011089-03-000	EA	Tailpiece - 1/2" x 1 3/4" - Plastic
	010071-01-000	EA	Tee - Plastic - 1 1/2 x H x H x H
	010072-01-000	EA	Tee - Plastic - 1 1/2 H x 1 1/4 H x 1 1/2 H
..	010079-01-000	EA	Tee - Plastic - 1 1/2 H x 1 1/2 H x 1 1/4 H
	046172-01-000	EA	Tee - Plastic - 3/8 B x 3/8 B x 3/8 MPT
	052955-01-000	EA	Tee - Plastic - 1/2 F x 1/2 F x 1/2 MPT
	052956-01-000	EA	Tee - Plastic - 1/2 F x 1/2 MPT x 1/2 F
	052958-01-000	EA	Tee - Plastic - 1/2 F x 1/2 F x 1/2 F
..	010133-01-000	EA	Trap Adapter - Plastic - 1 1/2 H x MPT
	039800-01-000	FT	Tubing - Polybutyl - 1/2 OD (Water Line)
	079381-01-000	FT	Tubing - Flexible - Smooth - 1.25" ID
	074462-02-000	FT	Tubing - Vinyl - 3/8 ID
	062421-01-000	EA	Valve - 1 1/2" - w/Handle
	062418-02-000	EA	Valve - 3" - w/o Handle
	052960-01-000	EA	Valve - Line Drain - 1/2 F x 1/2 F
	052962-01-000	EA	Valve - Stool - 90° - 1/2 F x 3/8 MPT
	010073-01-000	EA	Wye - Plastic - 1 1/2 x 45 H x H
	078842-01-000	EA	Valve - 3" x 1.5" Tee - w/Handle
	072346-01-000	EA	Valve Asm. - 3" E11 w/2" Socket
	079968-01-000	EA	Vent - Mechanical Trap Arm
..	The illustrated parts breakdown for this item is provided on the Common Items Fiche.		

HOLDING TANKS & WATER HEATER

Key	Part Number	U/M	Description
	074300-01-000	EA	Tank - Holding - 13 Gallon - w/o Fittings - Waste Water
	064679-01-000	EA	Tank - Holding - 11.5 Gallon - w/o Fittings - Sewage
	051391-02-000	EA	Water Heater - w/o Motor Aid - Atwood - G4-SM
	064677-01-000	EA	Tank Asm. - Water - 14 Gallon - Used Thru 6/9/88.
	064677-02-000	EA	Tank Asm. - Water - 14 Gallon - Used From 6/10/88.

**1989 WINNEBAGO
TABLE OF CONTENTS**

WT319FK	A-01 - B-16
WT319RB	B-17 - D-08

1989 WT319RB INDEX

Floor Plan	B-17 - B-18
Accessories Group	B-19
Bath Group	B-20
Chassis Group	B-21
Curtain, Cushion & Pad Group	B-22 - C-01
Dinette Group	C-02 - C-03
Driver's Compartment Group	C-04
Electrical Group	C-05 - C-07
Exterior Body Group	C-08 - C-13
Galley Group	C-14 - C-15
Heating & Air Conditioning Group	C-16
Interior Finish Group	C-17 - C-18
LP Group	C-19
Lounge Group	C-20
Water & Sewage Group	C-21 - C-22
Window, Vent & Exterior Door Group	C-23 - D-08

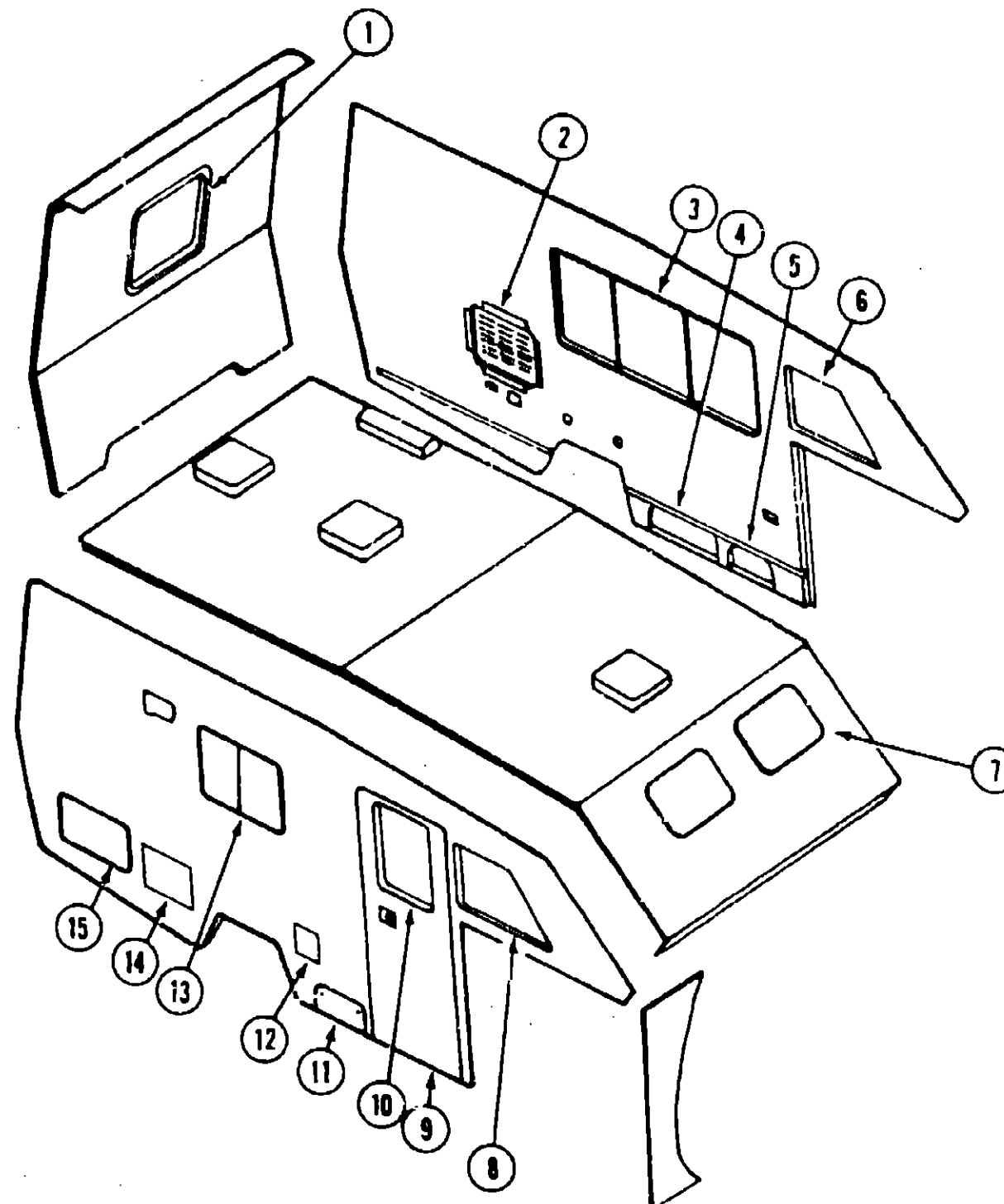
WINDOW, VENT & EXTERIOR DOOR GROUP

WINDOWS & ACCESS DOORS

1989 WINNEBAGO TABLE OF CONTENTS

WT319RK
WT319RB

A-01 - B-16
B-17 - D-08

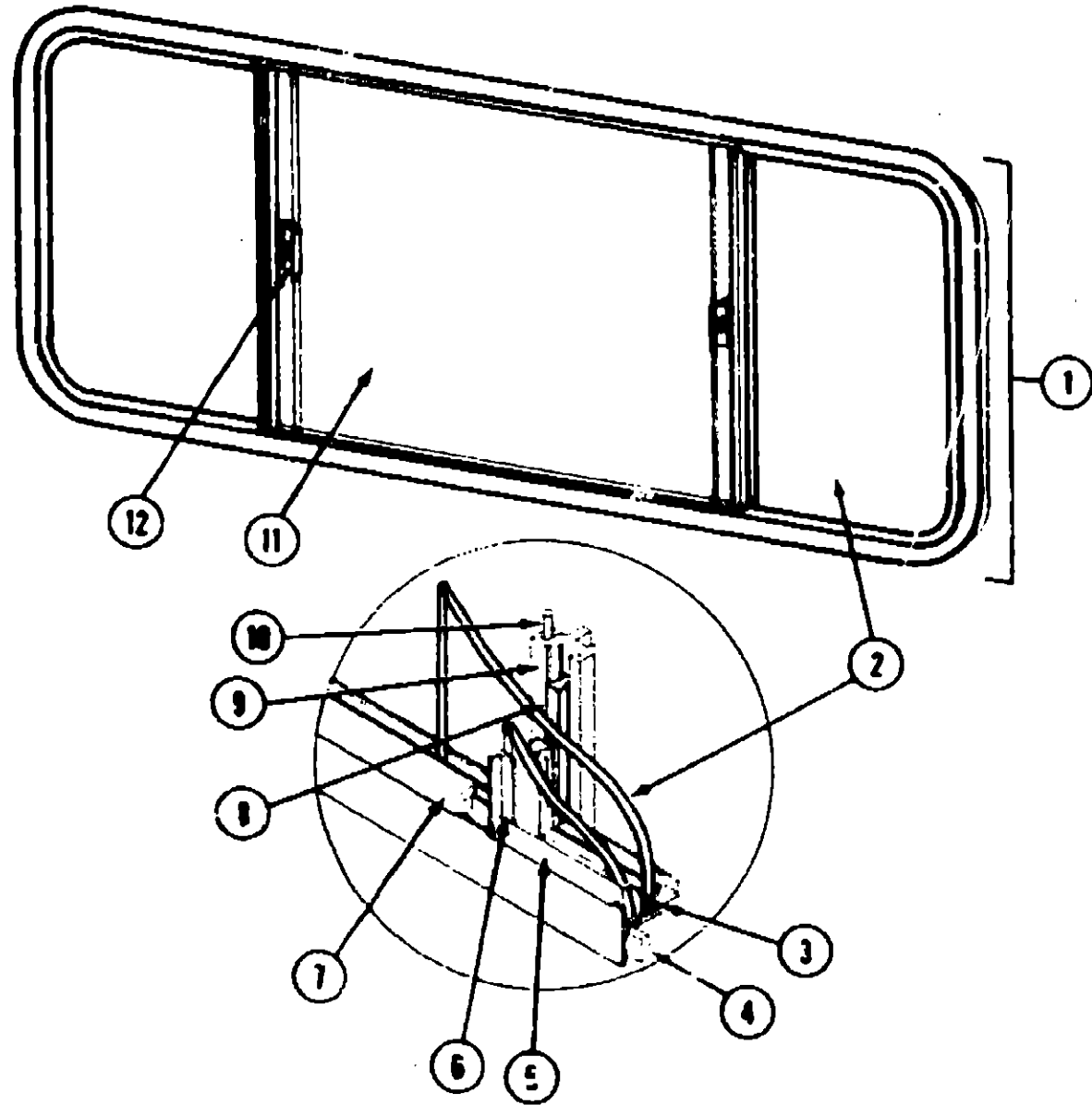


Key	Part Number	U/M	Description
1	079729-02-T03	EA	Window Asm. - Escape
2	084103-03-000	EA	Door Asm. - Refrigerator Access
3	078289-03-X11	EA	Window Asm. - Double Slider
4	084574-02-X01	EA	Door Asm. - Storage
5	084574-01-U2E	EA	Door Asm. - LP
6	086227-02-000	EA	Window Asm. - Bunk Slant Slider - Driver Side (Option 23V)
	086228-06-000	EA	Inside Frame - Bunk Left (not included in assembly)
7	078533-03-W17	EA	Window Asm. - Front Picture - 14" x 24"
8	086227-01-000	EA	Window Asm. - Bunk Slant Slider - Passenger Side (Option 23V)
	086228-05-000	EA	Inside Frame - Bunk Right (not included in assembly)
9	M01870-10-Y03	EA	Door Asm. - Entrance - w/Screen Door & Window
9	M01870-10-Y04	EA	Door Asm. - Entrance - w/Screen Door & Window
10	079733-04-T03	EA	Window Asm. - Picture - 17" x 25"
11	084574-03-X01	EA	Door Asm. - Storage
12	078010-03-000	EA	Door Asm. - Fuel Fill - C-1 White
13	078286-02-T03	EA	Window Asm. - Single Slider
14	052500-01-000	EA	Door Asm. - Water Heater
15	083840-02-Y03	EA	Door Asm. - Generator
15	083839-01-W87	EA	Door Asm. - Luggage

1989 WT319RB INDEX

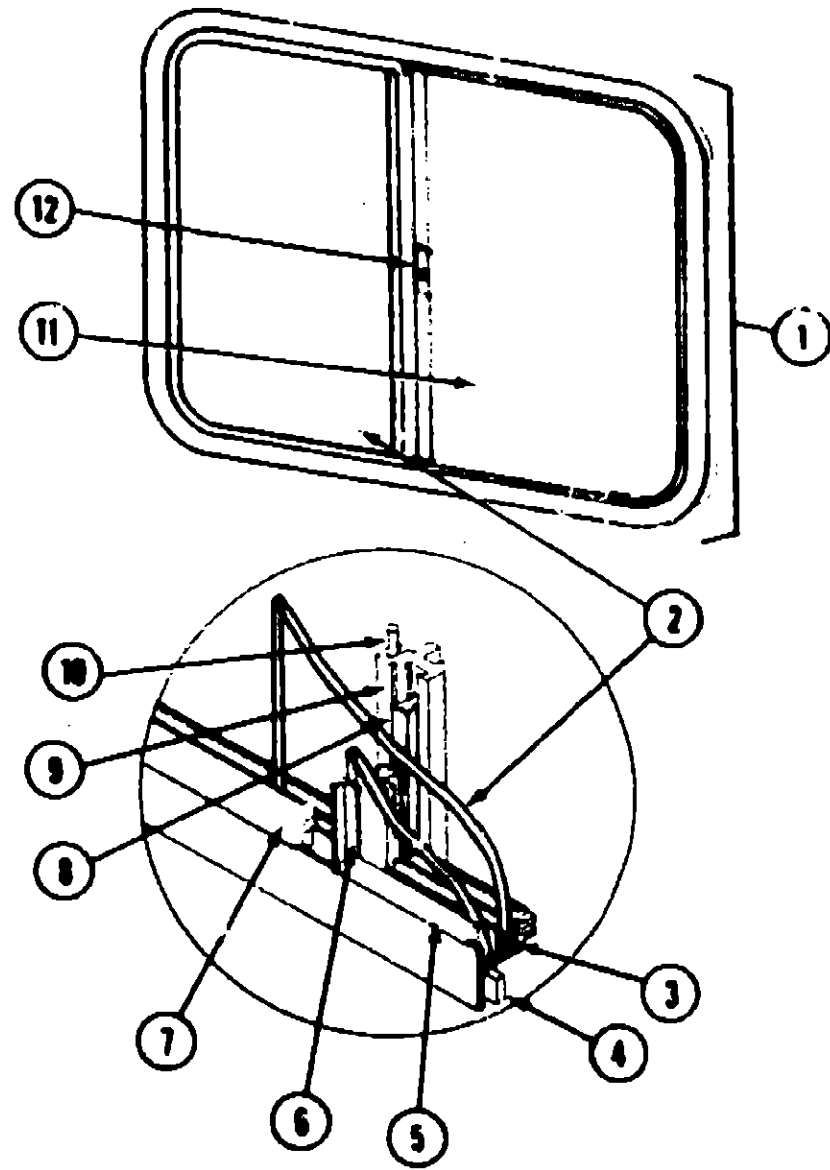
Floor Plan	B-17 - B-18
Accessories Group	B-19
Bath Group	B-20
Chassis Group	B-21
Curtain, Cushion & Pad Group	B-22 - C-01
Dinette Group	C-02 - C-03
Driver's Compartment Group	C-04
Electrical Group	C-05 - C-07
Exterior Body Group	C-08 - C-13
Galley Group	C-14 - C-15
Heating & Air Conditioning Group	C-16
Interior Finish Group	C-17 - C-18
LP Group	C-19
Lounge Group	C-20
Water & Sewage Group	C-21 - C-22
Window, Vent & Exterior Door Group	C-23 - D-08

WINDOW, VENT & EXTERIOR DOOR GROUP (CONTINUED)



Key	Part Number	U/M	Description
1	078288-03-X11	EA	Window Arm. - Double Slider - 25" x 85" - Black (w/o inside frame)
	083122-25-000	EA	Inside Frame - Beige (not included in assembly)
3	081980-09-000	EA	Glass - Sliding - 1/8" x 24" x 20.3"
3	002324-02-000	FT	Channel - Weatherstrip - Glass Run - 1/8" Glass
4	088840-08-000	FT	Ribbon Sealer - 5/16" x 15'
5	002308-02-000	FT	Spline - Glass - 1/8" - Black
6	M88886-03-003	EA	Seal Holder w/Fin Seal - 23.19" - Black
7	057374-02-000	FT	Extr. Vinyl - Window Seal - Black
8	073740-01-000	FT	Seal - Fin - Pile - .480"
9	084170-04-000	EA	Mullion - Slider Window - Black
10	002288-02-000	FT	Spline - .130" Dia. - Charcoal (Screen)
11	002188-05-000	EA	Glass - Stationary - 1/8" x 24" x 25.5"
12	047388-01-700	EA	Latch Kit - Window - Plastic w/Fastener
	078204-01-000	EA	Bracket - Mullion - Black
	002283-02-000	SF	Screen - Window - 28" - Charcoal

WINDOW, VENT & EXTERIOR DOOR GROUP (CONTINUED)



Key	Part Number	U/M	Description
1	078288-02-T03	EA	Window Arm. - Single Slider (w/o inside frame)
	083122-03-000	EA	Inside Frame - Beige (not included in assembly)
2	081980-05-000	EA	Glass - Sliding - 1/8" x 19" x 13.88"
3	002324-02-000	FT	Channel - Weatherstrip - Glass Run - 1/8" Glass
4	088840-08-000	FT	Ribbon Sealer - 5/16" Bead x 15'
5	002308-02-000	FT	Spline - Glass - 1/8" Material - Black
6	M88886-03-011	EA	Seal Holder w/Fin Seal - Black
7	057374-02-000	FT	Extr. Rubber - Window Seal - Black
8	073740-01-000	FT	Seal - Fin - Pile - .480"
9	084170-02-000	EA	Mullion - Slider Window - Black
10	002288-02-000	SF	Spline - .130" Dia. - Charcoal (Screen)
11	081984-03-000	EA	Glass - Stationary - 1/8" x 19" x 12.30"
12	047388-01-700	EA	Latch Kit - Window - Plastic w/Fastener
	078204-01-000	EA	Bracket - Mullion - Black
	002282-02-000	SF	Screen - Window - 20" - Charcoal

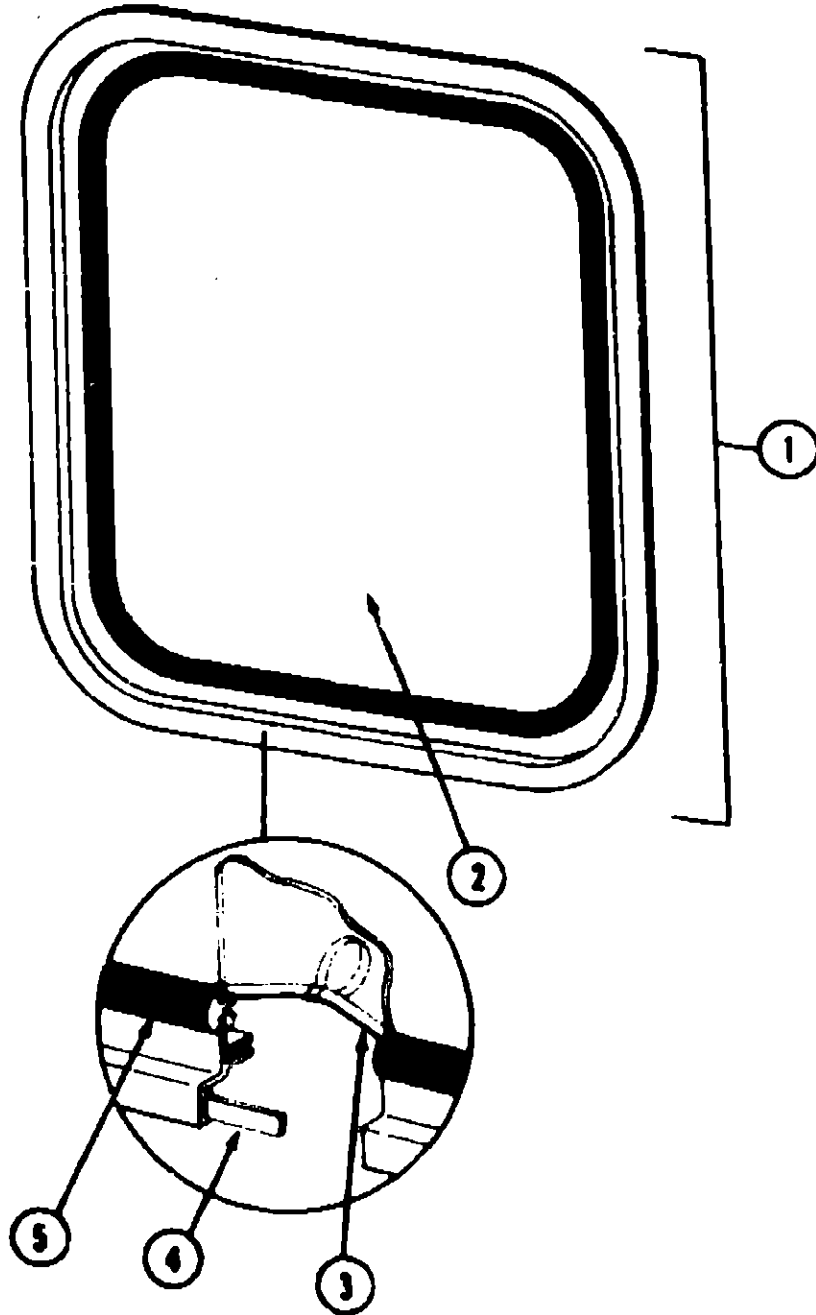
**1989 WINNEBAGO
TABLE OF CONTENTS**

WT318RK
WT318RB

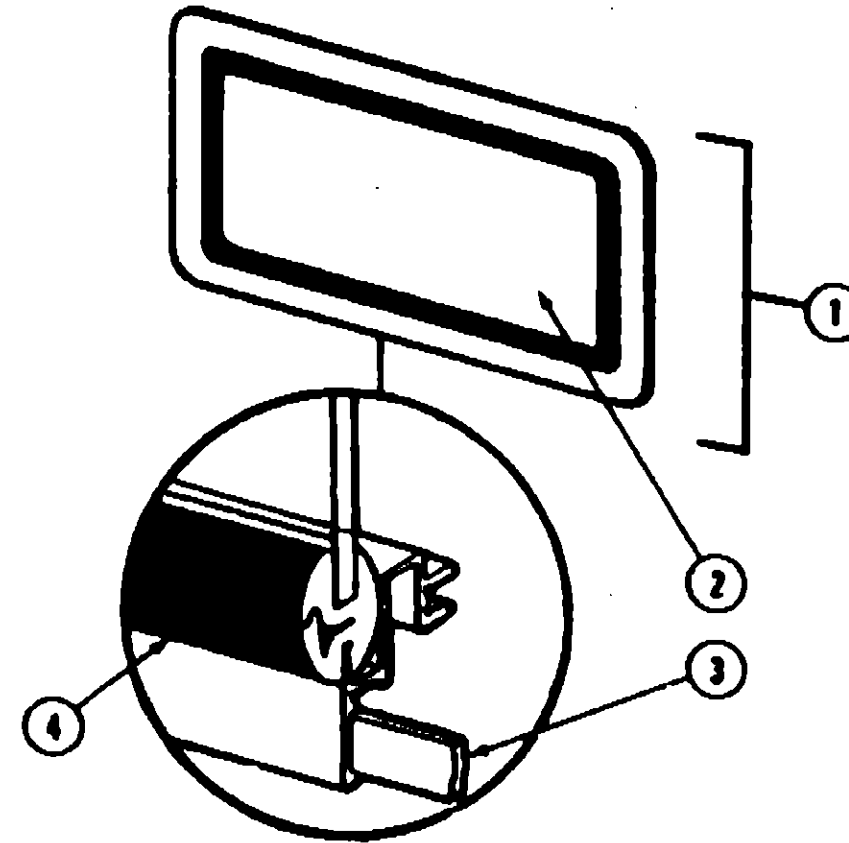
A-01 - B-18
B-17 - D-08

1989 WT318RB INDEX

Floor Plan	B-17 - B-18
Accessories Group	B-18
Bath Group	B-20
Cheese Group	B-21
Curtain, Cushion & Pad Group	B-22 - C-01
Dinette Group	C-02 - C-03
Driver's Compartment Group	C-04
Electrical Group	C-05 - C-07
Exterior Body Group	C-08 - C-13
Galley Group	C-14 - C-15
Heating & Air Conditioning Group	C-16
Interior Finish Group	C-17 - C-18
LP Group	C-19
Lounge Group	C-20
Water & Sewage Group	C-21 - C-22
Window, Vent & Exterior Door Group	C-23 - D-08



Key	Part Number	U/M	Description
1	079729-02-T03 020749-07-000	EA	Window Asm. - Rear Escape - 22.5" x 24.5" - Black (w/c inside frame)
2	041382-03-000	EA	Inside Frame (not included in assembly)
3	002285-01-000	FT	Filler - Weatherstrip - Black
4	088840-07-000	FT	Ribbon Sealer - 5/16" Bead x 15'
5	002282-01-000 006189-01-000	FT	Weatherstrip - .125" Window
		EA	Label - Exit - Escape Window



Key	Part Number	U/M	Description
1	078533-03-W17 041838-05-000	EA	Window Asm. - Front Picture - 14" x 88" - Black (w/o inside frame)
2	002200-04-000	EA	Glass - TP - Picture Window
3	088840-08-000	FT	Ribbon Sealer - 5/16" Bead x 15'
4	002281-01-000	FT	Weatherstrip - S&W Seal - .08" Panel x 3/16" - Black

1989 WINNEBAGO
TABLE OF CONTENTS

WT318RK
WT318RB

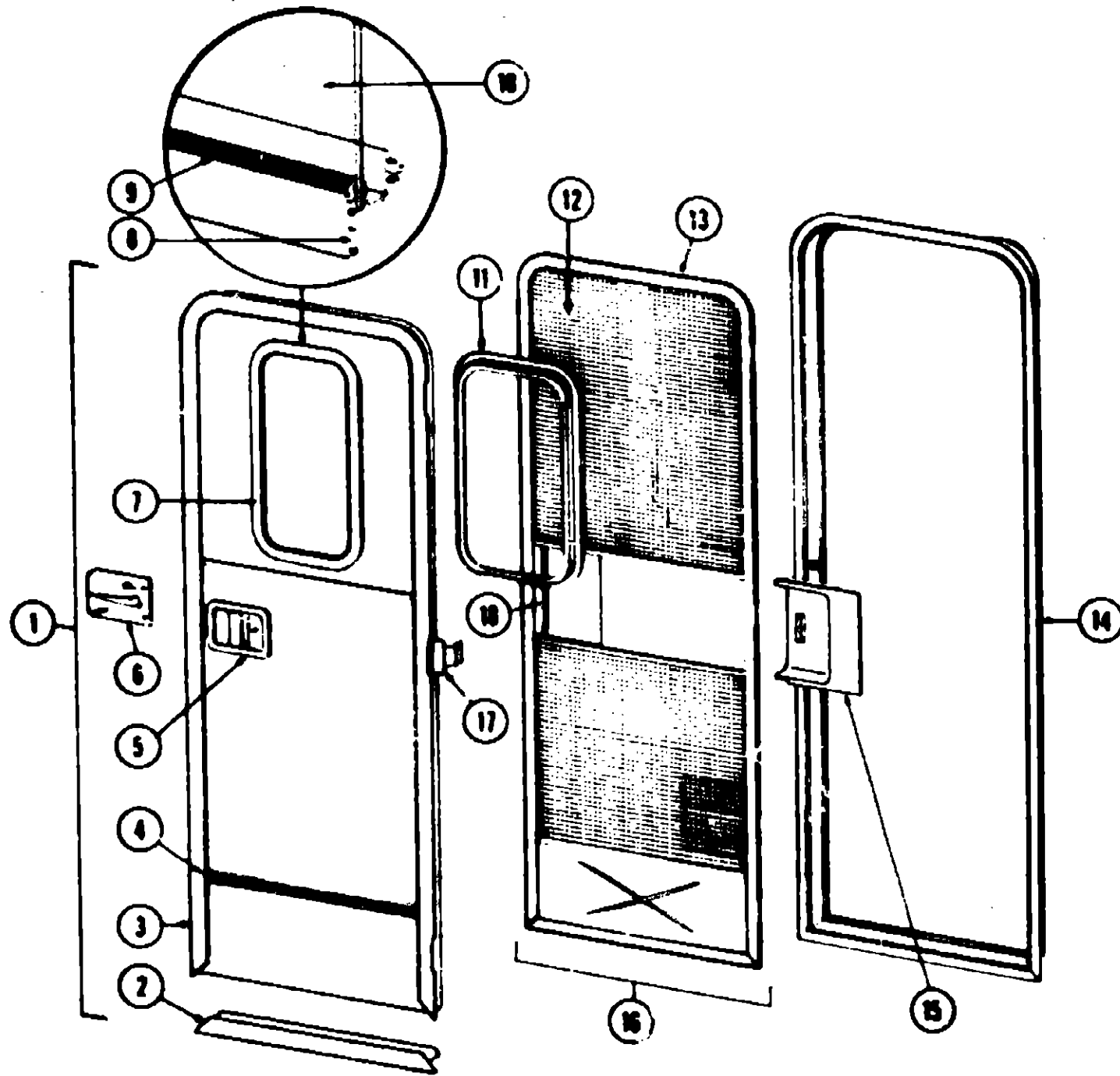
A-01 - B-16
B-17 - D-08

1989 WT318RB INDEX

Floor Plan	B-17 - B-18
Accessories Group	B-19
Bath Group	B-20
Chassis Group	B-21
Curtain, Cushion & Pad Group	B-22 - C-01
Dinette Group	C-02 - C-03
Driver's Compartment Group	C-04
Electrical Group	C-05 - C-07
Exterior Body Group	C-08 - C-13
Galley Group	C-14 - C-15
Heating & Air Conditioning Group	C-16
Interior Finish Group	C-17 - C-18
LP Group	C-19
Lounge Group	C-20
Water & Sewage Group	C-21 - C-22
Window, Vent & Exterior Door Group	C-23 - D-08

WINDOW, VENT & EXTERIOR DOOR GROUP (CONTINUED)

ENTRANCE & SCREEN DOOR



Key	Part Number	U&I	Description
1	MD1670-10-Y03	EA	Door Ass. - Radius Entry - w/Window - w/Screen Door
1	MD1670-10-Y0:	EA	Door Ass. - Radius Entry - w/Window - w/Screen Door
2	077888-04-000	EA	Frame - Entry Door (Bottom Portion Only)
	078883-01-000	EA	Frame - Entry Door (Except Bottom Portion)
4	058578-05-000	EA	Feature Strip w/o Insert - Entr. - 14" - Off White
	001030-02-100	EA	Insert - Feature Strip - 17" - Off White
	008731-01-000	EA	End Cap - Feature Strip
5	045017-10-000	EA	Paddle Arm. - Door Lock - Exterior
	048017-05-700	EA	Lock Cylinder w/Keys - Lymor
	038573-01-000	EA	Striker Bolt - Entry Door
	038540-01-000	EA	Latch Claw - Entry Door
6	038878-03-000	EA	Plate - Inside Lock - Includes Inside Handle
7	078733-04-T03	EA	Window Ass. - Picture - Black (w/o inside frame)
8	088840-08-000	FT	Ribbon Sealer - 5/16" Bead x 15'
9	002308-02-000	FT	Spline - Glass - 1/8" Black
10	002181-08-000	EA	Glass - Picture Window - 1/8" x 18.25" x 24" - Gray
11	087808-03-000	EA	Inside Frame - Beige (not included in assembly)
12	002283-02-000	SF	Screen - Window - 28" - Charcoal
13	058785-01-000	FT	Seal Tape - 1/8" x 3/8" - Press On
14	078881-07-000	EA	Jamb Ass. - Entrance Door
15	078088-02-000	EA	Slider - Screen Door - Plastic
16	078012-01-U01	EA	Door Ass. - Screen
17	078381-05-000	EA	Hinge - Entrance Door (3 used per door)
18	015381-02-000	EA	Cap - Screen Door - Plastic
	008016-01-000	EA	Catch - Elbow - Spring Loaded - Screen Door
	038883-01-000	EA	Catch Ass. - Single Roller w/Strike - Screen Door
	078231-01-000	EA	Spacer - Latch - Screen Door
	077437-02-000	EA	Strike - Roller Catch
	088025-02-000	EA	Clip - Roller Latch Catch
	044882-02-000	EA	Drip Cap - Off White
	078278-01-000	EA	Seal - Mucklet - Entrance Door
	073080-01-000	FT	Seal - Entrance Door
	075738-01-000	EA	Stiffener - Entrance Door - Off White
	075873-01-000	FT	Seal - Pile - Adhesive Back
	075871-01-000	FT	Seal - Sponge - Lazy "T" Shaped
	002294-01-000	FT	Spline - Black - .135" x .138" (Screen Door)
	083838-02-000	EA	Strike - Screen Door
	083728-04-000	EA	Rivnut - 10-32 UNF - .010 - 080
	075838-07-000	EA	Garnish - Radius - Entrance Door

1988 WINNEBAGO TABLE OF CONTENTS

WT318FK
WT318FB

A-01 - B-18
B-17 - D-08

1988 WT318FB INDEX

Floor Plan	B-17 - B-18
Accessories Group	B-19
Bath Group	B-20
Chassis Group	B-21
Curtain, Cushion & Pad Group	B-22 - C-01
Dinette Group	C-02 - C-03
Driver's Compartment Group	C-04
Electrical Group	C-05 - C-07
Exterior Body Group	C-08 - C-13
Galley Group	C-14 - C-15
Heating & Air Conditioning Group	C-16
Interior Finish Group	C-17 - C-18
LP Group	C-19
Lounge Group	C-20
Water & Sewage Group	C-21 - C-22
Window, Vent & Exterior Door Group	C-23 - D-08

WINDOW, VENT & EXTERIOR DOOR GROUP (CONTINUED)

ACCESS DOORS & HARDWARE

Key	Part Number	U/M	Description
	084674-03-X01	EA	Door Asm. - Storage (Passenger Side Front)
	084674-02-X01	EA	Door Asm. - Storage (Drivers Side)
	084103-03-000	EA	Door Asm. - Refrigerator Access - Off White
	084104-03-000	EA	Door Jamb - Refrigerator Vent
	052008-01-000	EA	Door Asm. - Water Heater - Off White
	052423-01-000	EA	Door - Sewage Hose - Off White
	052888-01-000	EA	Outlet Extension - Sewage
	075730-01-000	EA	End Cap - Sewage Hose
	078010-03-000	EA	Door Asm. - Fuel Fill - Off White
	052424-01-000	EA	Jamb - Power Cord Door - Off White
	008428-02-000	EA	Hatch - Power Cord Door
	083815-08-000	EA	Door Holder
	041312-01-000	EA	Seal - Bulb - 'a' Section
	083223-03-000	EA	Lock Asm. - Key Type (Storage Door)
	052851-01-000	EA	Clip - Twist Lock - Retainer
	042441-01-000	EA	Lock Asm. - Key Type (Fuel Fill)
	052850-01-700	EA	Lock Asm. - Twist Type - White (Storage Door)

VENTS & DOME

Key	Part Number	U/M	Description
	080385-01-Y12	EA	Vent Asm. - Roof - Non-Powered - w/o Screen - Aluminum
	078788-01-Y12	EA	Screen Asm. - Roof Vent - Non-Powered
	048788-01-Y12	EA	Vent Asm. - Roof - Powered - w/o Screen - Aluminum
	078785-01-Y12	EA	Screen Asm. - Roof Vent - Powered
	085103-01-000	EA	Roof Base - Refrigerator
	085103-02-000	EA	Roof Cap - Refrigerator
	084078-03-000	EA	Vent Asm. - Roof - Powered - 12" Fan (Fantastic)

1989 WINNEBAGO TABLE OF CONTENTS

WT318FK
WT318RB

A-01 - B-16
B-17 - D-08

1989 WT318RB INDEX

Floor Plan	B-17 - B-18
Accessories Group	B-19
Bath Group	B-20
Chassis Group	B-21
Curtain, Cushion & Pad Group	B-22 - C-01
Dinette Group	C-02 - C-03
Driver's Compartment Group	C-04
Electrical Group	C-05 - C-07
Exterior Body Group	C-08 - C-13
Galley Group	C-14 - C-15
Heating & Air Conditioning Group	C-16
Interior Finish Group	C-17 - C-18
LP Group	C-19
Lounge Group	C-20
Water & Sewage Group	C-21 - C-22
Window, Vent & Exterior Door Group	C-23 - D-08