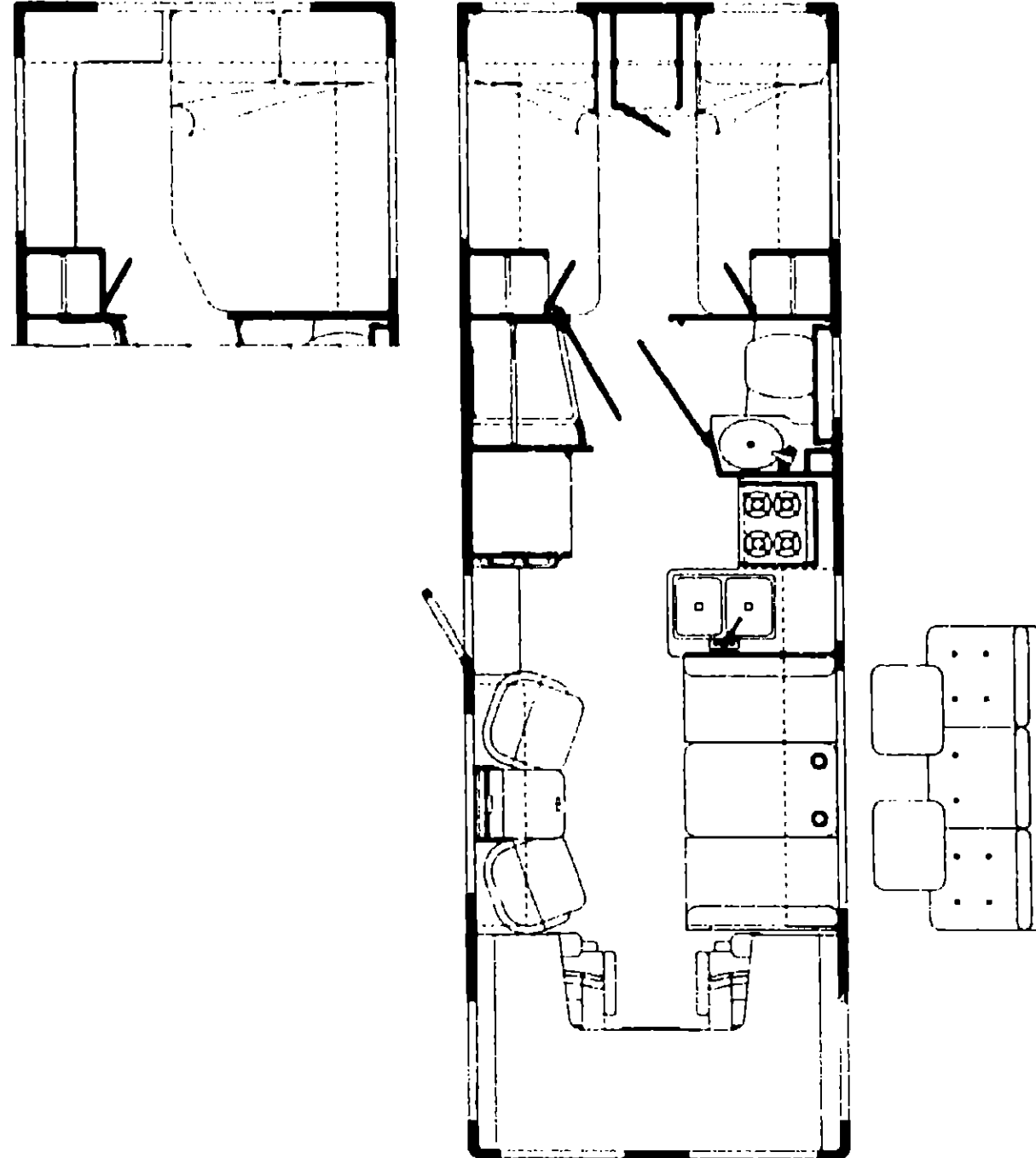


1989 WF427RT



1989 WINNEBAGO TABLE OF CONTENTS

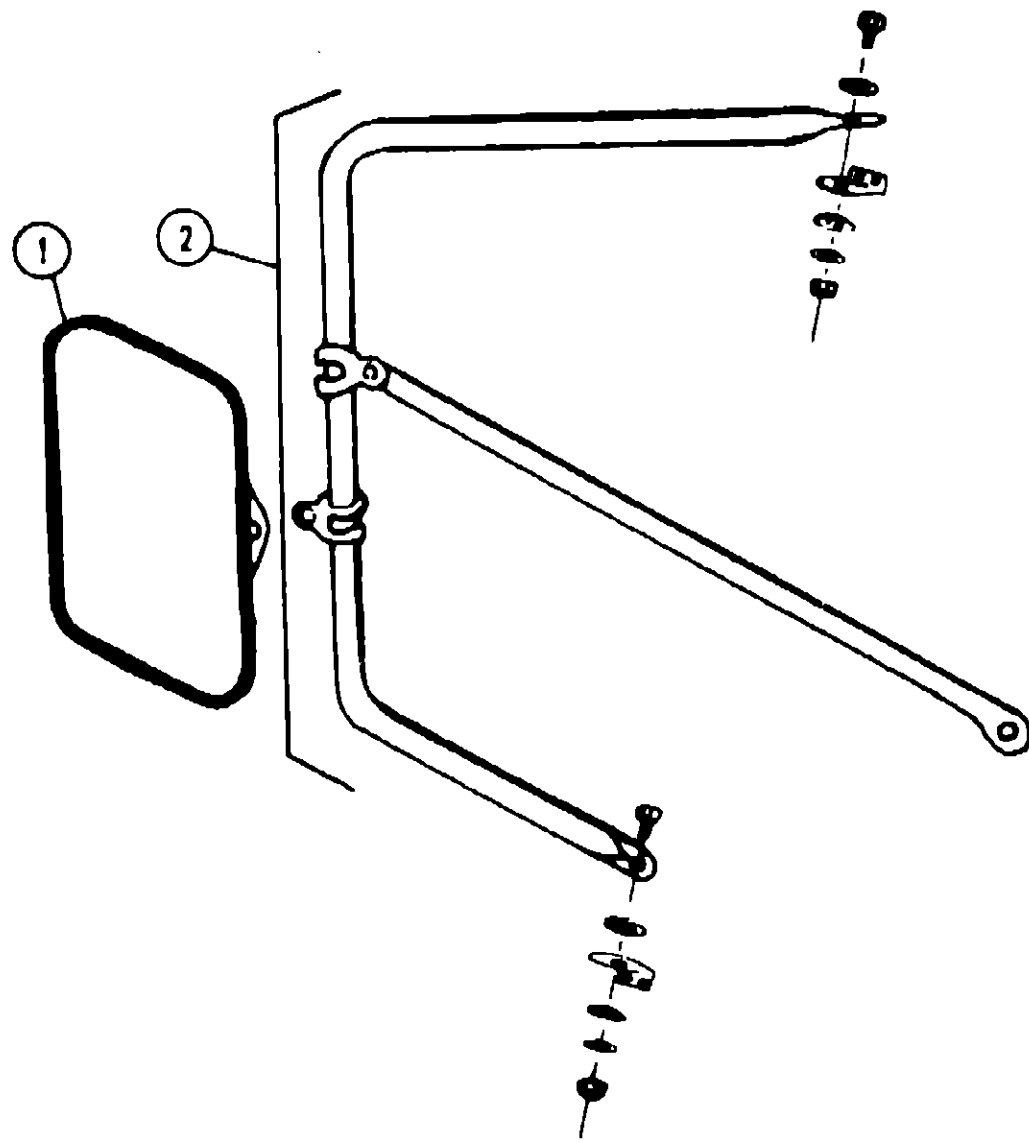
WC/F423RB
WC/F423RC
WF427RT

A-01 - C-02
C-03 - E-08
E-09 - G-16

1989 WF427RT INDEX

Floor Plan	E-09 - E-10
Accessories Group	E-11 - E-13
Bath Group	E-14 - E-15
Chassis Group	E-16 - E-18
Curtain, Cushion & Pad Group	E-19 - F-02
Dinette Group	F-03 - F-04
Driver's Compartment Group	F-05 - F-08
Electrical Group	F-07 - F-09
Exterior Body Group	F-10 - F-15
Galley Group	F-16 - F-17
Heating & Air Conditioning Group	F-18 - F-19
Interior Finish Group	F-20 - F-21
LP Group	F-22
Lounge Group	F-23 - G-01
Water & Sewage Group	G-02 - G-03
Window, Vent & Exterior Door Group	G-04 - G-16

ACCESSORIES GROUP



EXTERIOR MIRRORS

Key	Part Number	U/M	Description
1	049347-01-000	EA	Mirror Head - 7 1/2 x 10 1/2 - Stainless Steel
2	062047-01-000	EA	Arm - West Coast Mirror - Stainless Steel
2	062047-02-000	EA	Arm - West Coast Mirror - Off White
	006043-01-000	EA	Mirror - Convex - Adhesive Back

WHEEL COVER & MOUNTING HARDWARE

Key	Part Number	U/M	Description
	063181-01-000	EA	Wheel Cover - 16" (Set/4) (Ford)
	063181-01-700	EA	Wheel Cover - 16" (1) (Ford)
	063181-02-000	EA	Wheel Cover - 16.5 (Set/4) (Chevrolet)
	063181-02-700	EA	Wheel Cover - 16" (1) (Chevrolet)

ACCESSORIES GROUP (CONTINUED)

RACK & LADDER COMPONENTS (OPTION 38U)

Key	Part Number	U/M	Description
	080997-01-T03	EA	Ladder Asm. - Lower
	080999-01-T03	EA	Ladder Asm. - Upper
	081026-01-T03	EA	Rack Asm. - Right
	081026-02-T03	EA	Rack Asm. - Left
	081055-01-000	EA	Spring Grip - Internal
	081056-01-000	EA	Pin - Quick Release
	081107-01-000	EA	Bracket - Bumper Pin
	067165-01-000	EA	Bracket - Mounting - Rear & Ladder
	080966-01-000	EA	Stand Off - Rack & Ladder Asm.
	087130-01-000	EA	Ladder Step
	076980-01-000	EA	End Cap - Ladder Step
	081152-01-000	EA	Bumper Plate - Brite Dip - Lower Ladder
	084093-01-000	EA	Luggage Box - 14" x 30" x 60" (Optional)
	036327-01-000	EA	Tape - Anti-Slip - 2" x 60'

MISCELLANEOUS ACCESSORIES

Key	Part Number	U/M	Description
	054185-31-000	EA	Owner's Manual - 1989 - Winnebago & Itasca
	092318-01-000	EA	Binder - 3 Ring - Vendor Manual
	092319-01-000	EA	Page - Plastic Packet
	076319-01-000	EA	Antenna - TV - 44.5" Mast
	007038-01-000	EA	Floor Mat - Winnebago - 10 1/2" x 26"
	093410-01-Y05	EA	Floor Mat - Driver (Y05)
	093410-01-X84	EA	Floor Mat - Driver (Y06)
	093411-01-Y05	EA	Floor Mat - Passenger (Y05)
	093411-01-X84	EA	Floor Mat - Passenger (Y06)
	017516-01-000	EA	Mud Flap - 14" x 18" - Rear - Black
	064069-01-000	EA	Splashguard - Black Rubber - Front
	041944-03-000	EA	Fire Extinguisher - 5 BC (US)
	041944-05-000	EA	Fire Extinguisher - 5 BC (CSA)
	084472-01-000	EA	Holder - Fire Extinguisher
	094499-01-000	EA	Fire Extinguisher - 1A 10BC (UL)
	094499-02-000	EA	Fire Extinguisher - 1A 10BC (CSA)
	094651-01-01A	EA	Holder - Recessed - Fire Extinguisher
	072852-01-000	EA	Smoke Detector w/9 Volt Battery
	008113-01-000	EA	Jack - Hydraulic - 3 Ton - w/Handle
	079165-01-U10	EA	Tire Cover Asm. - Off White - Plastic
	086269-01-000	EA	Picture - Decorative (Option 46H)
	084077-03-000	EA	Cover - Blank - Air Conditioner - Ivory

TV ANTENNA/CABLE READY W/TV STAND (OPTION 42P)

Key	Part Number	U/M	Description
	076319-01-000	EA	Antenna - TV Roof Mount - 44.5"
	076319-06-000	EA	Adaptor - Cable Roof Plate
	076319-09-000	EA	Wallplate/Receptacle - Brown
	076319-11-000	EA	Adapter - Coax w/Splitter
	093445-11-Y05	EA	TV Stand Asm. - w/o Hardware
	087236-01-000	EA	Label - Cable Input
	087236-02-000	EA	Label - TV Outlet
	086756-01-000	EA	Splitter - TV - 2 Way
	086777-02-000	EA	Plate - Wall Outlet - Antenna/Cable - Brown
	086778-01-000	EA	Receptacle - Outside - Cable TV - Off White
	086778-04-000	EA	Gasket - Receptacle - TV/Cable

**The illustrated parts breakdown of this item is provided on the Common Items Fiche.

**1989 WINNEBAGO
TABLE OF CONTENTS**

WC/F423RB
WC/F423RC
WF427RT

A-01 - C-02
C-03 - E-08
E-09 - G-16

1989 WF427RT INDEX

Floor Plan	E-09 - E-10
Accessories Group	E-11 - E-13
Bath Group	E-14 - E-15
Chassis Group	E-16 - E-18
Curtain, Cushion & Pad Group	E-19 - F-02
Dinette Group	F-03 - F-04
Driver's Compartment Group	F-05 - F-06
Electrical Group	F-07 - F-09
Exterior Body Group	F-10 - F-15
Galley Group	F-16 - F-17
Heating & Air Conditioning Group	F-18 - F-19
Interior Finish Group	F-20 - F-21
LP Group	F-22
Lounge Group	F-23 - G-01
Water & Sewage Group	G-02 - G-03
Window, Vent & Exterior Door Group	G-04 - G-16

ACCESSORIES GROUP (CONTINUED)

EXPORT GENERATORS (3.5KW) (OPTIONS 05A & 3831A)

Key	Part Number	U/M	Description
	100974-05-000	EA	Generator - Onan - 4.0kw
	081834-02-000	EA	Generator - Emerald - 3.5kw
	008054-01-000	EA	Power Cord - 10-3 - 30 Amp. - 25' (UL)
	008052-01-000	EA	Power Cord - 10-3 - 30 Amp. - 25' (CSA)
	092615-01-000	EA	Converter - 40 Amp. w/Charger
	093591-02-000	EA	Exhaust Pipe - Generator
	086494-01-000	EA	Bracket - Exhaust
	093511-01-000	EA	Vapor Kit - LP Generator
	081364-01-000	EA	Muffler - Generator - 3.5KW
	007131-01-000	EA	Hanger - Tailpiece
	078045-01-000	EA	Plate - Support - Generator
	084565-01-000	EA	Plate - Support - Generator
	086246-01-000	EA	Tray Asm. - Generator Set

MICROWAVE/BROWNING OVEN (OPTION 133)

Key	Part Number	U/M	Description
	091289-01-000	EA	Microwave/Browning Oven
	091289-02-000	EA	Frame Kit - Microwave
	088682-10-000	EA	Bracket Asm. - Microwave - Left
	088682-12-000	EA	Bracket Asm. - Microwave - Right
	082363-03-000	EA	Bracket - Microwave

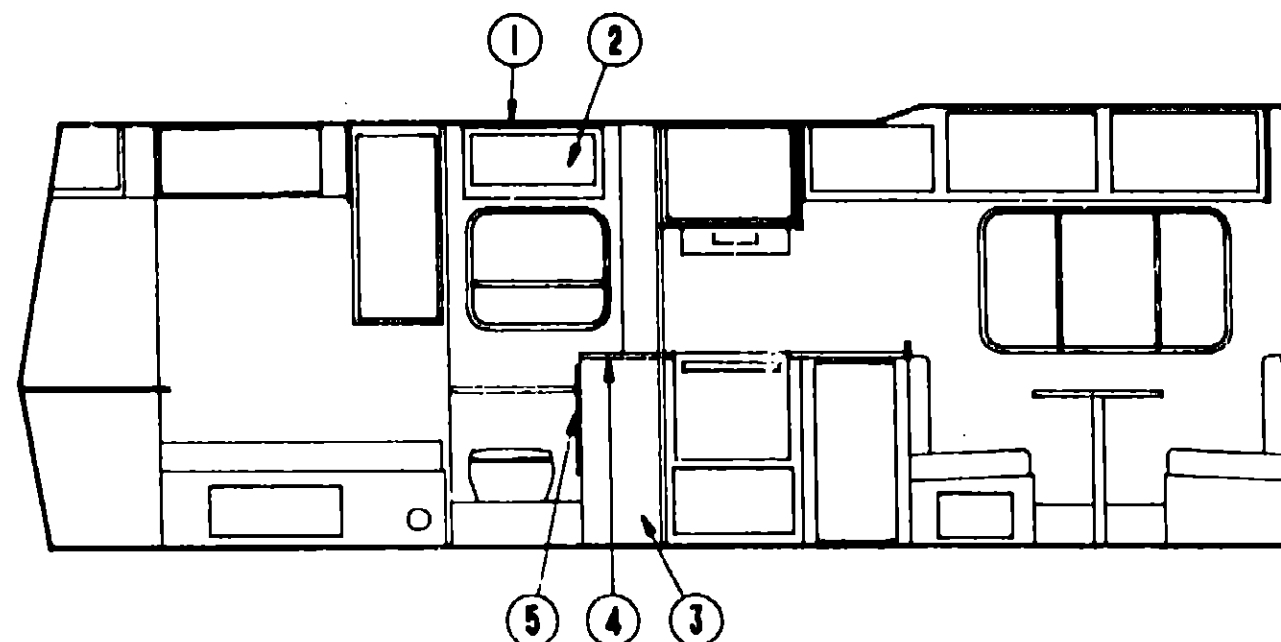
RADIO & RELATED COMPONENTS

Key	Part Number	U/M	Description
	092311-01-000	EA	Radio - AM/FM Stereo - w/Cassette
	007004-01-000	EA	Antenna - Radio - Cab Mount
	074979-01-000	EA	Speaker Cover Protector - Plastic (Chevrolet)
	089340-01-000	EA	Speaker - Grill - 6.50" - Square
	073741-03-000	EA	Speaker - 4" x 6" - Oval (Ford)
	073741-04-000	EA	Grill - Speaker - 4" x 6" - Oval (Ford)
	079385-02-000	EA	Radio Mounting Kit (Ford)
	091211-01-000	EA	Radio Mounting Kit (Chevrolet)
	094097-01-000	EA	Speaker - 5.25" - w/o Grille
	081059-01-000	EA	Wire Asm. - 9 Pin - Audiovox Radio

GENERATORS & COMPONENTS (OPTION 38C)

Key	Part Number	U/M	Description
	100974-03-000	EA	Generator - Emerald - 4.0 kw
	701629-02-000	EA	Installation Package
	079654-05-000	EA	Exhaust Pipe - Generator
	088322-03-000	EA	Tube - Exhaust - 1.5 ID - 90°
	081364-02-000	EA	Muffler - Generator - Emerald
	007087-01-000	EA	Insulation - Fiberglass - 1"
	078045-01-000	EA	Plate - Generator Support

BATH GROUP



BATH CABINETRY

Key	Part Number	U/M	Description
	M88174-01-X73	EA	Cabinet Asm. - Medicine - w/o Door or Hardware
	093588-03-000	EA	Catch - Spring Roller
	093588-04-000	EA	Strike - Spring Steel
	M88304-18-W24	EA	Door Asm. - Medicine Cabinet - 15.5" x 29.5"
	M92359-01-Y05	EA	Cabinet Asm. - Lavatory - w/Countertop - w/o Door or Hardware
	092360-14-X81	EA	Countertop Asm. - Lavatory
	M88304-77-X11	EA	Door Asm. - Lavatory Cabinet - 14.3" x 17.9" - w/o Hardware
	M82429-05-X81	EA	Door Asm. - Bath - w/o Mirror or Hardware
	M82429-04-X81	EA	Door Asm. - Shower - w/o Mirror or Hardware
	058331-03-000	EA	Mirror - Safety Glass - 19" x 26"

1989 WINNEBAGO TABLE OF CONTENTS

WC/F423RB
WC/F423RC
WF427RT

A-01 - C-02
C-03 - E-08
E-09 - G-16

1989 WF427RT INDEX

Floor Plan	E-09 - E-10
Accessories Group	E-11 - E-13
Bath Group	E-14 - E-15
Chassis Group	E-16 - E-18
Curtain, Cushion & Pad Group	E-19 - F-02
Dinette Group	F-03 - F-04
Driver's Compartment Group	F-05 - F-06
Electrical Group	F-07 - F-09
Exterior Body Group	F-10 - F-15
Galley Group	F-16 - F-17
Heating & Air Conditioning Group	F-18 - F-19
Interior Finish Group	F-20 - F-21
LP Group	F-22
Lounge Group	F-23 - G-01
Water & Sewage Group	G-02 - G-03
Window, Vent & Exterior Door Group	G-04 - G-16

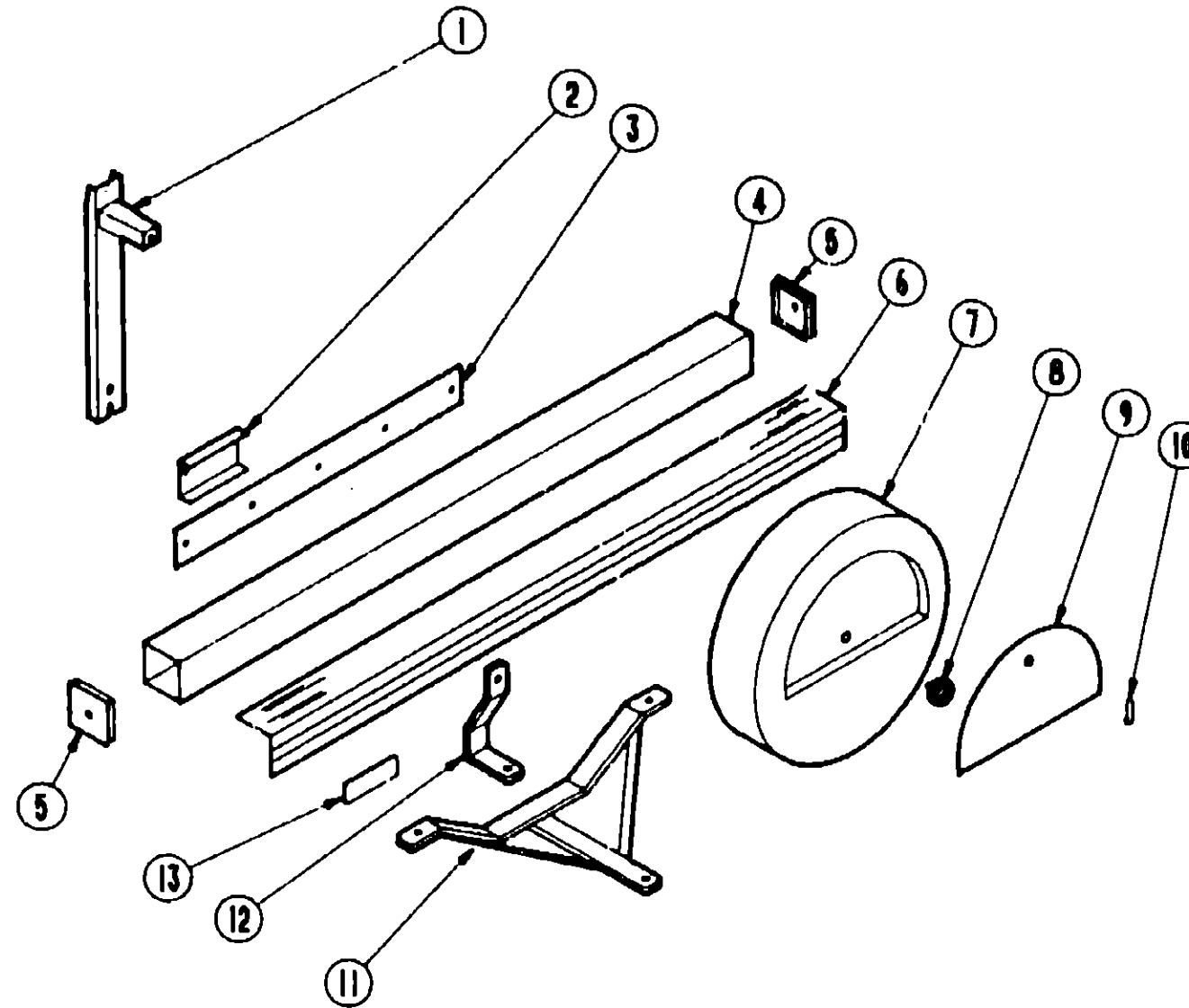
BATH GROUP (CONTINUED)

BATH & WARDROBE HARDWARE

Key	Part Number	U/M	Description
	M02673-03-X81	EA	Shower Pan - Off White
	066440-01-000	EA	Strainer - Shower Pan
	084481-06-000	EA	Shower Curtain - 70" x 32" - Vinyl
	092484-01-01A	EA	Track - Shower Curtain - Off White
	090027-01-000	EA	Soap Dish - Chrome
	011059-04-000	EA	Faucet - Shower
**	011048-02-000	EA	Shower Head - w/80" Hose (US)
	011048-05-000	EA	Shower Head - w/80" Hose (CSA)
	075606-01-000	EA	Shower Panel - Faucet - Plastic
**	066440-01-000	EA	Strainer - Shower Pan
	M82429-04-X81	EA	Door Asm. - Shower - w/o Hardware
	M82429-05-X81	EA	Door Asm. - Bathroom - w/o Hardware
	058335-02-000	EA	Latch - Shower/Bathroom Doors - w/o Lock - Brown
	093448-01-X81	EA	Mirror Asm. - Bathroom/Shower Door
	058331-20-000	EA	Mirror - 44.5" x 13.2"
	M03450-01-000	EA	Trim Asm. - Bathroom/Shower Door Mirror
	009013-01-000	EA	Catch - Male Bulldog - Door Mounted (Bath/Shower Door)
	009013-02-000	EA	Catch - Female Bulldog - Door Mounted (Bath/Shower Door)
	009151-01-000	EA	Warp Guard - Shower/Bath Door - 48"
	066435-01-000	EA	Nut Strainer - Plastic - Bathtub Asm.
	066436-01-000	EA	Slip Nut - 1.5" Tailpiece - Bathtub Asm.
	069735-01-000	EA	Washer - Tailpiece - 1.5" - Plastic - Bathtub Asm.
	011056-03-000	EA	Faucet - Lavatory
	091253-01-000	EA	Gasket - Lavatory Faucet
	011089-03-000	EA	Tailpiece - 1.75" - Plastic
	069366-01-000	EA	Sink - Oval - Ivory Plastic
	067487-01-000	EA	Toilet - Thetford - Aqua Magic
	009134-01-000	EA	Tissue Holder
	033580-01-000	EA	Towel Ring - Bright Brass
	009089-01-000	EA	Clip - Mirror
	009112-01-000	EA	Flange - Clothes Rod - 1"
	075680-02-000	EA	Clothes Rod - Adjustable (Shower)
	093586-03-000	EA	Catch - Medicine Cabinet
	093586-04-000	EA	Strike - Medicine Cabinet
	009133-01-000	EA	Rack - Towel Bar - 12" - Plastic
	023449-01-000	EA	Support - Towel Bar - Chrome
	090258-01-000	EA	Trim - Skylight
	090507-01-000	EA	Panel - Skylight - Outer
	090508-01-000	EA	Panel - Skylight - Inner

** The illustrated parts breakdown for this item is provided on the Common Items Fiche.

CHASSIS GROUP



SPARE TIRE, HITCH & REAR BUMPER

Key	Part Number	U/M	Description
1	079027-01-000	EA	Bracket Asm. - Tire Carrier
2	M84600-02-000	EA	Mount Support - Tire Carrier
3	M22150-01-000	EA	Bracket - Rear Bumper
4	064602-01-000	EA	Bumper Asm. - Square - Off White
5	039779-01-000	EA	Bumper Cap - Black Rubber - 4" x 4"
6	041332-03-000	EA	Cover - Bumper - w/o Reflector - 4" Square x 92"
7	079799-01-000	EA	Cover - Spare Tire - Off White
8	064082-02-000	EA	Bolt - Retainer - Wheel Cover
9	M02047-01-T95	EA	Door - Tire Cover - Off White
10	077408-02-000	EA	Lock Asm. - Key Type
11	064833-03-000	EA	Trailer Hitch Asm.
12	064824-02-000	EA	Support - Trailer Hitch
13	041332-02-000	EA	Reflector - Bumper Cover - Self Adhesive - 6 1/2" x 3/4"
	070917-02-000	EA	Tire - Michelin - Radial
	062400-02-000	EA	Wheel - Steel - 6" x 16.5"
	051377-01-000	EA	Valve Stem Asm.

1989 WINNEBAGO TABLE OF CONTENTS

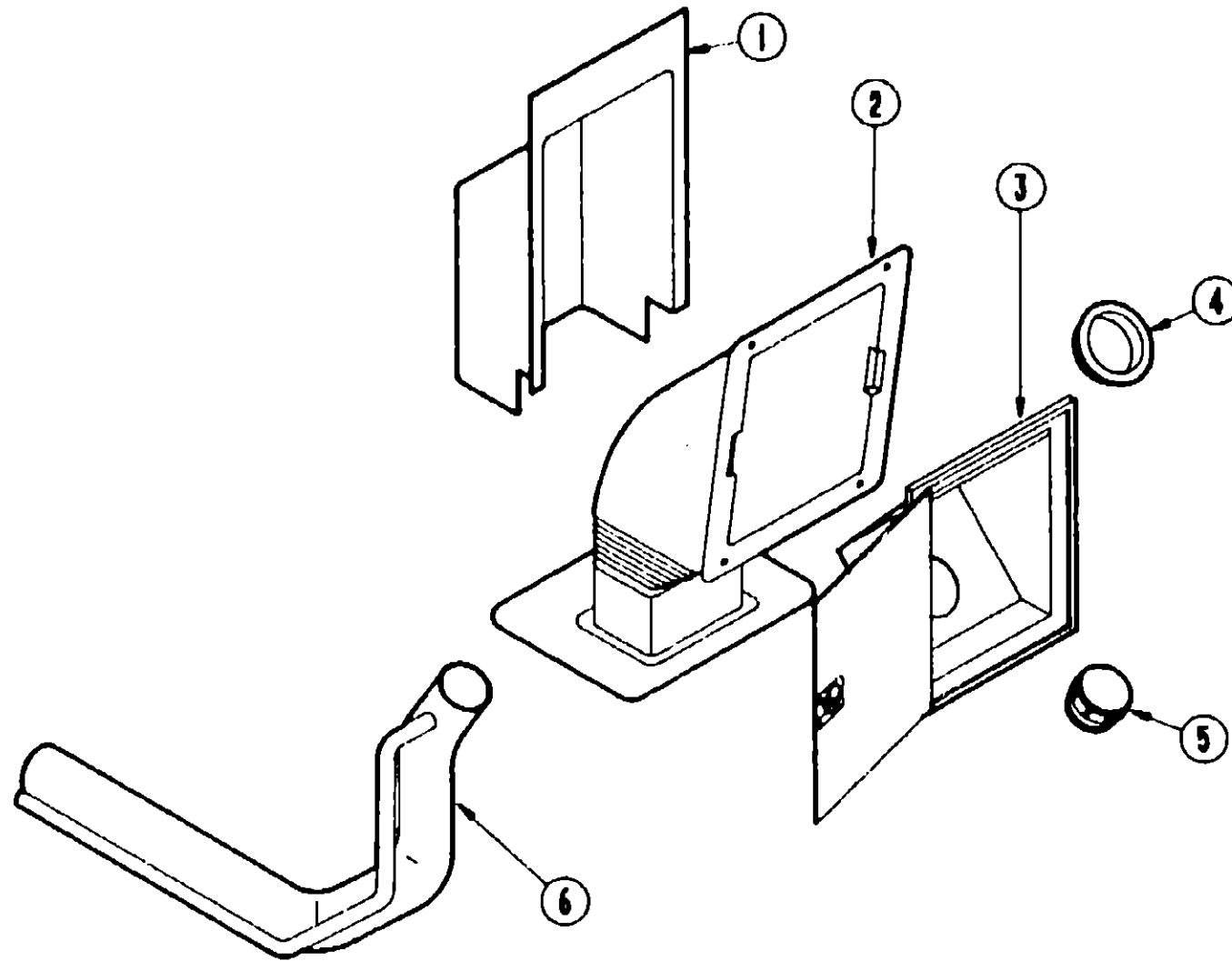
WC/F423RB
WC/F423RC
WF427RT

A-01 - C-02
C-03 - E-08
E-09 - G-18

1989 WF427RT INDEX

Floor Plan	E-09 - E-10
Accessories Group	E-11 - E-13
Bath Group	E-14 - E-15
Chassis Group	E-16 - E-18
Curtain, Cushion & Pad Group	E-19 - F-02
Dinette Group	F-03 - F-04
Driver's Compartment Group	F-05 - F-06
Electrical Group	F-07 - F-09
Exterior Body Group	F-10 - F-15
Galley Group	F-16 - F-17
Heating & Air Conditioning Group	F-18 - F-19
Interior Finish Group	F-20 - F-21
LP Group	F-22
Lounge Group	F-23 - G-01
Water & Sewage Group	G-02 - G-03
Window, Vent & Exterior Door Group	G-04 - G-16

CHASSIS GROUP (CONTINUED)



FUEL FILL COMPONENTS

Key	Part Number	U/M	Description
1	078040-01-000	EA	Shroud - Fuel Fill - Upper
2	083578-01-000	EA	Boot - Fuel Fill
	084235-01-000	EA	Support Flange - Fuel Fill Boot
3	078010-03-000	EA	Door Asm. - Fuel Fill - Off White
	077963-01-000	EA	Gasket - Fuel Door
	042441-01-000	EA	Lock Asm. - Fuel Fill
4	078200-01-00	EA	Gasket - Fuel Fill
5	073220-01-000	EA	Fuel Cap - Non-Lock - Gas
5	089310-01-000	EA	Fuel Cap - Turn to Vent
6	081187-03-000	EA	Filler Neck - Fuel Fill
	086732-01-000	EA	Hose - Fuel Fill - .62 ID

CHASSIS GROUP (CONTINUED)

MISCELLANEOUS CHASSIS PARTS

Key	Part Number	U/M	Description
	047441-01-000	EA	Battery Terminal - Horizontal Lug
	051897-01-000	EA	Bracket - Battery Tie Down - 8.9"
	010497-01-000	EA	Clamp - Closed - 5/8 ID
	007181-01-000	EA	Clamp - Hose - Spring Type 112
	007125-01-000	EA	Clamp Asm. - Muffler - 2.50 Dia.
	082401-03-000	EA	Clamp - Hose - Wormgear - .25" ID - 1" ID
	082401-04-000	EA	Clamp - Hose - Wormgear - .89" ID - 1.25" ID
	082401-06-000	EA	Clamp - Hose - Wormgear - .22" ID - .82" ID
	023148-01-000	EA	Clamp - Screw Type - 4"
	078781-09-000	EA	Compartment Asm. - Storage
	078048-02-000	EA	Compartment Asm. - Storage/Generator
	078781-02-000	EA	Compartment Asm. - Storage
	007063-01-000	FT	Hose - Gas - 1/4 ID x 1/2 OD
	007108-01-000	FT	Hose - Heater - 5/8 ID
	008113-01-000	EA	Jack - Hydraulic - 6 Ton - w/Handle
	017516-01-000	EA	Mud Flap w/Holes - 14" x 16" - Black
	084089-01-000	EA	Splash Guard - Black Rubber
	045731-01-000	EA	Rock Guard
	081264-01-000	EA	Shield - Heat Deflector
	094797-03-000	EA	Instrument Cluster (CSA)
	077848-01-000	EA	Step Asm. - Pullout
	078241-01-000	EA	Support Asm. - Step
	086246-01-000	EA	Tray Asm. - Generator
	078137-02-000	EA	Tray - Storage Compartment - 27.18" x 21"
	057724-01-000	EA	Wheelwell - Plastic
	008343-01-000	EA	Wire Tie - 6"

NOTE: Remainder of exhaust components available from Chassis Service Center.

1989 WINNEBAGO TABLE OF CONTENTS

WC/F423RB
WC/F423RC
WF427RT

A-01 - C-02
C-03 - E-08
E-09 - G-16

1989 WF427RT INDEX

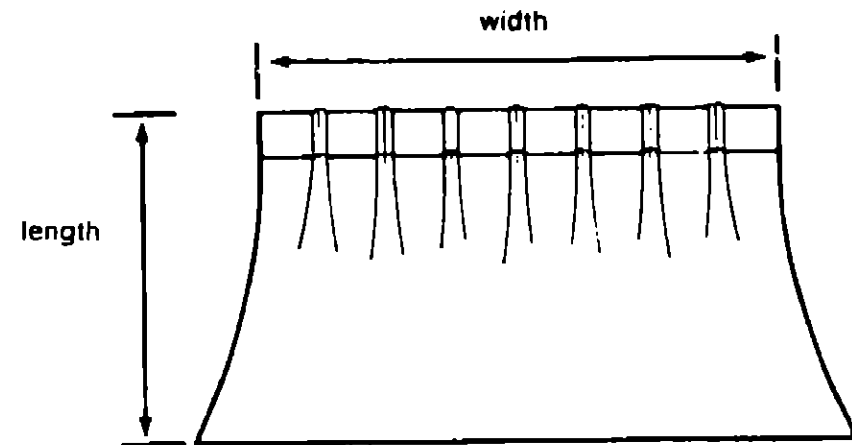
Floor Plan	E-09 - E-10
Accessories Group	E-11 - E-13
Bath Group	E-14 - E-15
Chassis Group	E-16 - E-18
Curtain, Cushion & Pad Group	E-19 - F-02
Dinette Group	F-03 - F-04
Driver's Compartment Group	F-05 - F-06
Electrical Group	F-07 - F-09
Exterior Body Group	F-10 - F-15
Galley Group	F-16 - F-17
Heating & Air Conditioning Group	F-18 - F-19
Interior Finish Group	F-20 - F-21
LP Group	F-22
Lounge Group	F-23 - G-01
Water & Sewage Group	G-02 - G-03
Window, Vent & Exterior Door Group	G-04 - G-16

CURTAIN, CUSHION & PAD GROUP

NOTICE

In order to assist our Part Sales Dept. in providing interior software items, please include the serial number and the color code number from the vehicle certification label when ordering. This label is located on the left sidewall at the end of the dash (A-Body), or on the driver's door latch plate (C-Body).

An example of a color code number is P31, which designates an overall color scheme of a particular unit. The color listed after the item description on the microfiche, indicates the overall unit color. Order the item you desire according to unit color code.



NOTE: Use this illustration when determining length and width measurements for curtains. You will note the width measurement is taken on the top of the curtain with the curtain fully extended. The length measurement is taken from top to bottom.

FABRIC & TRIM

Key	Part Number	U/M	Description
	088274-64-000	YD	Fabric - Upholstery - Main - Light Slate (Y05)
	088274-65-000	YD	Fabric - Upholstery - Main - Antelope (Y06)
	088274-68-000	YD	Fabric - Upholstery - Accent - Light Slate (Y05)
	088274-69-000	YD	Fabric - Upholstery - Accent - Antelope (Y06)
	088273-29-000	YD	Fabric - Bedspread - Natural (Y05)
	088273-22-000	YD	Fabric - Bedspread - Sandune (Y06)
	072333-61-000	YD	Fabric - Drapery Wraparound/Blackout - Pacific (Y05)
	072333-62-000	YD	Fabric - Drapery Wraparound/Blackout - Rose Beige (Y06)
	072333-63-000	YD	Fabric - Pull Shade - Entrance Door - Bone
	081926-01-000	YD	Backing - Quilting - Celestra
	087272-01-000	YD	Lining - Drapery - 48" Ivory
	029103-01-000	YD	Buckram - Non-Woven - 2
	079660-01-000	YD	Vinyl - Expanded - 26 oz. Buckskin (End Caps)
	072860-84-000	YD	Carpet - Graphite (Y05)
	072860-89-000	YD	Carpet - Rose Mist (Y06)

CURTAIN, CUSHION & PAD GROUP (CONTINUED)

CURTAIN & BLIND HARDWARE

Key	Part Number	U/M	Description
	029094-04-000	EA	Tape - Loop - 1" Wide - Black
	029096-03-000	EA	Tape - Hook - 1" Wide - Black
	048394-02-000	EA	Tape - Hook - .75" Wide - Beige
	048395-02-000	EA	Tape - Loop - .75" Wide - Beige
	088792-01-000	EA	Tape - Hook - 5/8" - Non-Adhesive
	088792-02-000	EA	Tape - Loop - .75" - Adhesive - Beige
	056003-01-000	EA	Bracket - Drapery Retainer - Right
	056003-02-000	EA	Bracket - Drapery Retainer - Left
	039175-01-000	EA	Rod - Cafe Curtain - 48" x 84"
	039175-02-000	EA	Bracket - Cafe Curtain
	039175-03-000	EA	Rod - Cafe Curtain - 28" x 48"
	039175-05-000	EA	Bracket - Cafe Curtain - Center
	091904-01-000	FT	Track - Curtain - Beige
	089335-01-000	FT	Track - Curtain - Brown
	078551-04-000	EA	Track - Curtain - Beige - 36"
	087253-01-000	EA	Pull - Shade - Clear Plastic
	084433-05-000	EA	Roller - Shade - 72.25"
	084434-01-000	EA	Bracket - Roller Shade - 1 3/8"
	M01867-01-000	FT	Trim - Valance - 8' - Oak

TRIMS & PADS

Key	Part Number	U/M	Description
	084415-24-000	YD	Trim Braid - Pull Shade (Y05)
	070578-06-T03	EA	Button Asm. - #30 - Vinyl
	057550-03-Y03	EA	Button Asm. - Nail - Vinyl (Door Pad)
	078155-01-000	EA	Strap Asm. - Cushion (Dinette Cushion)
	056632-01-X06	EA	Strap Asm. - Bunk (Front Overhead)

STRATON BUCKET SEAT

Key	Part Number	U/M	Description
	083909-26-Y05	EA	Seat Asm. - Straton w/Right Armrest
	083909-26-Y06	EA	Seat Asm. - Straton w/Right Armrest
	M01864-35-Y05	EA	Cover Asm. - Seat Cushion
	M01864-35-Y06	EA	Cover Asm. - Seat Cushion
	M01864-36-Y05	EA	Cover Asm. - Back Cushion
	M01864-36-Y06	EA	Cover Asm. - Back Cushion
	080243-23-Y05	EA	Armrest Asm. - Right
	080243-23-Y06	EA	Armrest Asm. - Right
	M80243-23-Y05	EA	Cover Asm. - Armrest
	M80243-23-Y06	EA	Cover Asm. - Armrest
	083909-27-Y05	EA	Seat Asm. - Straton w/Left Armrest
	083909-27-Y06	EA	Seat Asm. - Straton w/Left Armrest
	M01864-35-Y05	EA	Cover Asm. - Seat Cushion
	M01864-35-Y06	EA	Cover Asm. - Seat Cushion
	M01 64-36-Y05	EA	Cover Asm. - Back Cushion
	M01864-36-Y06	EA	Cover Asm. - Back Cushion
	080243-24-Y05	EA	Armrest Asm. - Left
	080243-24-Y06	EA	Armrest Asm. - Left
	M80243-24-Y05	EA	Cover Asm. - Armrest
	M80243-24-Y06	EA	Cover Asm. - Armrest
	088274-68-000	YU	Fabric - Straton Seat (Y05)
	088274-69-000	YD	Fabric - Straton Seat (Y06)

1989 WINNEBAGO TABLE OF CONTENTS

WC/F423RB
WC/F423RC
WF427RT

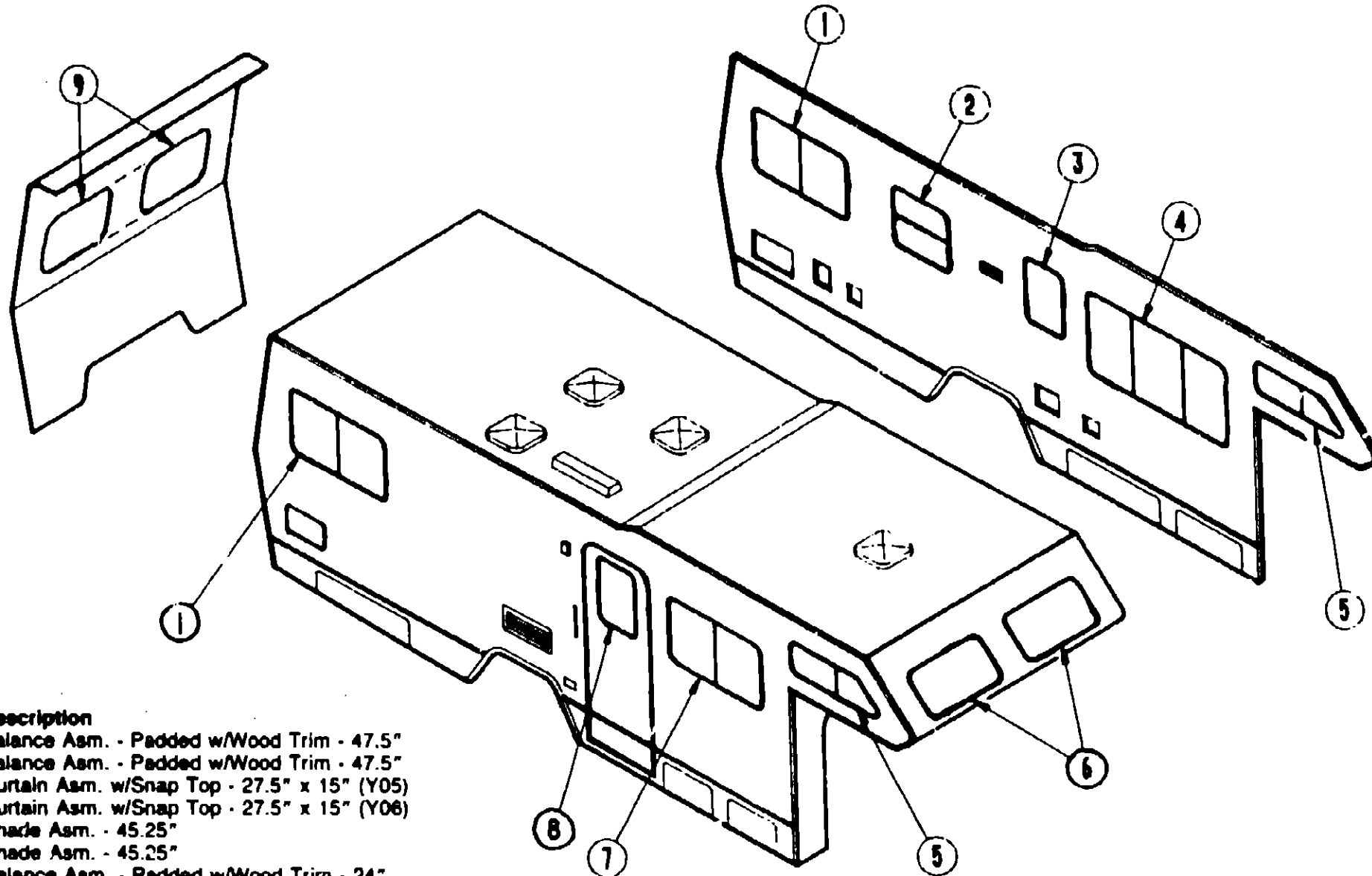
A-01 - C-02
C-03 - E-08
E-09 - G-16

1989 WF427RT INDEX

Floor Plan	E-09 - E-10
Accessories Group	E-11 - E-13
Bath Group	E-14 - E-15
Chassis Group	E-16 - E-18
Curtain, Cushion & Pad Group	E-19 - F-02
Dinette Group	F-03 - F-04
Driver's Compartment Group	F-05 - F-06
Electrical Group	F-07 - F-09
Exterior Body Group	F-10 - F-15
Galley Group	F-16 - F-17
Heating & Air Conditioning Group	F-18 - F-19
Interior Finish Group	F-20 - F-21
LP Group	F-22
Lounge Group	F-23 - G-01
Water & Sewage Group	G-02 - G-03
Window, Vent & Exterior Door Group	G-04 - G-16

CURTAIN, CUSHION & PAD GROUP (CONTINUED)

CURTAINS, SHADES, VALANCES & TIEBACKS



Key	Part Number	U/M	Description
1	M81977-32-Y05	EA	Valance Asm. - Padded w/Wood Trim - 47.5"
1	M81977-32-Y06	EA	Valance Asm. - Padded w/Wood Trim - 47.5"
1	093454-02-Y05	EA	Curtain Asm. w/Snap Top - 27.5" x 15" (Y05)
1	093454-02-Y06	EA	Curtain Asm. w/Snap Top - 27.5" x 15" (Y06)
1	093455-21-Y05	EA	Shade Asm. - 45.25"
1	093455-21-Y06	EA	Shade Asm. - 45.25"
2	M81977-34-Y05	EA	Valance Asm. - Padded w/Wood Trim - 24"
2	M81977-34-Y06	EA	Valance Asm. - Padded w/Wood Trim - 24"
2	073304-43-Y05	EA	Curtain Asm. w/Snap Top - 25.5" x 10"
2	073304-43-Y06	EA	Curtain Asm. w/Snap Top - 25.5" x 10"
2	093455-08-Y05	EA	Shade Asm. - Pull - 21.25"
2	093455-08-Y06	EA	Shade Asm. - Pull - 21.25"
3	M81977-33-Y05	EA	Valance Asm. - Padded w/Wood Trim - 16.5"
3	M81977-33-Y06	EA	Valance Asm. - Padded w/Wood Trim - 16.5"
3	093455-07-Y05	EA	Shade Asm. - Pull - 15.25"
3	093455-07-Y06	EA	Shade Asm. - Pull - 15.25"
4	M81977-29-Y05	EA	Valance Asm. - Padded w/Wood Trim - 61"
4	M81977-29-Y06	EA	Valance Asm. - Padded w/Wood Trim - 61"
4	093454-01-Y07	EA	Curtain Asm. w/Snap Top - 33.5" x 15" (Y05)
4	093454-01-Y06	EA	Curtain Asm. w/Snap Top - 33.5" x 15" (Y06)
4	093455-19-Y05	EA	Shade Asm. - Pull - 57"
4	093455-19-Y06	EA	Shade Asm. - Pull - 57"
5	073323-33-Y30	EA	Curtain Asm. w/Rod Top & Bottom - 17.5" x 24" (Y05)
5	073323-33-Y06	EA	Curtain Asm. w/Rod Top & Bottom - 17.5" x 24" (Y06)
6	073323-37-Y30	EA	Curtain Asm. w/Rod Top & Bottom - 21" x 30" (Y05)
6	073323-37-Y06	EA	Curtain Asm. w/Rod Top & Bottom - 21" x 30" (Y06)
7	M81977-32-Y05	EA	Valance Asm. - Padded w/Wood Trim - 47.5"
7	M81977-32-Y06	EA	Valance Asm. - Padded w/Wood Trim - 47.5"
7	093454-04-Y05	EA	Curtain Asm. Snap Top - 30" x 15"
7	093454-04-Y06	EA	Curtain Asm. Snap Top - 30" x 15"
7	093455-06-Y05	EA	Shade Asm. - Pull - 45.25"
7	093455-06-Y06	EA	Shade Asm. - Pull - 45.25"
8	073304-42-Y05	EA	Curtain Asm. w/Snap Top - 34" x 37"
8	073304-42-Y06	EA	Curtain Asm. w/Snap Top - 34" x 37"

Key	Part Number	U/M	Description
9	M81977-35-Y05	EA	Valance Asm. - Padded w/Wood Trim - 30.5"
9	M81977-35-Y06	EA	Valance Asm. - Padded w/Wood Trim - 30.5"
9	093454-10-Y05	EA	Curtain Asm. w/Gathers & Snap Top - 25.5" x 15" (Y05)
9	093454-10-Y06	EA	Curtain Asm. w/Gathers & Snap Top - 25.5" x 15" (Y06)
9	093455-17-Y05	EA	Shade Asm. - Pull - 28.25"
9	093455-17-Y06	EA	Shade Asm. - Pull - 28.25"
9	M81977-18-Y05	EA	Valance Asm. - 74.65"
9	M81977-18-Y06	EA	Valance Asm. - 74.65"
9	093454-04-Y05	EA	Curtain Asm. w/Snap Top - 30" x 15"
9	093454-04-Y06	EA	Curtain Asm. w/Snap Top - 30" x 15"
9	093455-30-Y05	EA	Shade Asm. - Pull - 71.25"
9	093455-30-Y06	EA	Shade Asm. - Pull - 71.25"
	073295-04-Y30	EA	Curtain Asm. w/Lining - Front Wraparound - 23" x 64" - Right (Y05)
	073295-04-Y06	EA	Curtain Asm. w/Lining - Front Wraparound - 23" x 64" - Right (Y06)
	073295-06-Y30	EA	Curtain Asm. w/Lining - Front Wraparound - 23" x 64" - Left (Y05)
	073295-06-Y06	EA	Curtain Asm. w/Lining - Front Wraparound - 23" x 64" - Left (Y06)
	093452-01-Y15	EA	Curtain Asm. w/Snap Top - 48" x 50" - Right Blackout (Y05)
	093452-01-Y06	EA	Curtain Asm. w/Snap Top - 48" x 50" - Right Blackout (Y06)
	093452-02-Y15	EA	Curtain Asm. w/Snap Top - 48" x 50" - Left Blackout (Y05)
	093452-02-Y06	EA	Curtain Asm. w/Snap Top - 48" x 50" - Left Blackout (Y06)
	073260-24-Y30	EA	Tieback Asm. - 2" x 14" (Y05)
	073260-24-Y06	EA	Tieback Asm. - 2" x 14" (Y06)
	073260-23-Y23	EA	Tieback Asm. - 3" x 18" (Y05)
	073260-23-Y06	EA	Tieback Asm. - 3" x 18" (Y06)
	057534-01-000	EA	Tieback - 6" - Clear Plastic

These parts are used with the Double Bed (Option 46)

**1989 WINNEBAGO
TABLE OF CONTENTS**

WC/F423RB
WC/F423RC
WF427RT

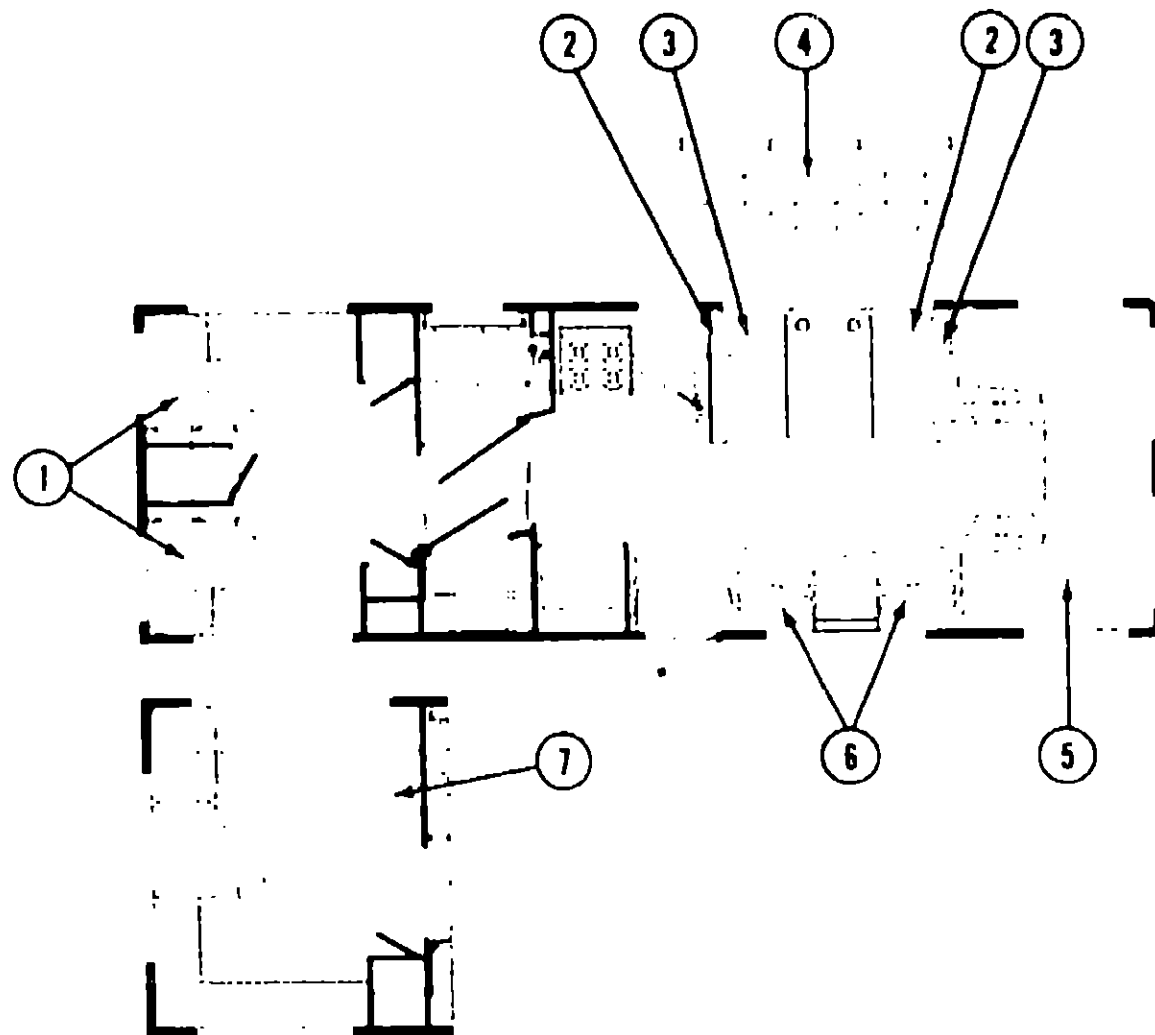
A-01 - C-02
C-03 - E-08
E-09 - G-16

1989 WF427RT INDEX

Floor Plan	E-09 - E-10
Accessories Group	E-11 - E-13
Bath Group	E-14 - E-15
Chassis Group	E-16 - E-18
Curtain, Cushion & Pad Group	E-19 - F-02
Dinette Group	F-03 - F-04
Driver's Compartment Group	F-05 - F-06
Electrical Group	F-07 - F-09
Exterior Body Group	F-10 - F-15
Galley Group	F-16 - F-17
Heating & Air Conditioning Group	F-18 - F-19
Interior Finish Group	F-20 - F-21
LP Group	F-22
Lounge Group	F-23 - G-01
Water & Sewage Group	G-02 - G-03
Window, Vent & Exterior Door Group	G-04 - G-16

CURTAIN, CUSHION & PAD GROUP (CONTINUED)

CURTAIN, CUSHION & PAD GROUP (CONTINUED)



TWIN BED

Key	Part Number	U/M	Description
1	093462-02-000	EA	Mattress - Foam - 33"
1	081969-04-Y05	EA	Bedsread - w/10" Ruffle - 33"
1	081969-04-Y06	EA	Bedsread - w/10" Ruffle - 33"
	081997-03-Y15	EA	Pillow Sham - Quilted (Y05)
	081997-03-Y06	EA	Pillow Sham - Quilted (Y06)
	088273-29-000	YD	Fabric - Bedsread - Natural (Y05)
	088273-22-000	YD	Fabric - Bedsread - Sandune (Y06)

DINETTE CUSHION

Key	Part Number	U/M	Description
2	088927-29-Y05	EA	Cushion Asm. - 13" x 38" x 5" - Back
2	088927-29-Y06	EA	Cushion Asm. - 13" x 38" x 5" - Back
	M88927-29-Y05	EA	Cover Asm. - Back - Dinette Cushion
	M88927-29-Y06	EA	Cover Asm. - Back - Dinette Cushion
3	088927-19-Y05	EA	Cushion Asm. - 22" x 38" x 5" - Seat
3	088927-19-Y06	EA	Cushion Asm. - 22" x 38" x 5" - Seat
	M88927-19-Y05	EA	Cover Asm. - Seat - Dinette Cushion
	M88927-19-Y06	EA	Cover Asm. - Seat - Dinette Cushion
	078155-01-000	EA	Strap Asm. - Cushion Snap
	088274-64-000	YD	Fabric - Dinette Cushion (Y05)
	088274-65-000	YD	Fabric - Dinette Cushion (Y06)

PRESTO BED

Key	Part Number	U/M	Description
4	091826-06-Y05	EA	Bed Asm. - Presto - Complete
4	091826-06-Y06	EA	Bed Asm. - Presto - Complete
	M91826-06-Y05	EA	Cover Asm. - Presto Bed
	M91826-06-Y06	EA	Cover Asm. - Presto Bed
	057470-01-000	EA	Frame Asm. - Back
	081923-02-000	EA	Frame Asm. - Seat
	081922-01-000	EA	Frame Asm. - Mechanism - Right
	081922-02-000	EA	Frame Asm. - Mechanism - Left
	081922-04-000	EA	Hardware Kit
	081922-05-000	EA	Bar - Spacer - Couch
	082525-01-000	EA	Brace - Couch Floor
	083125-05-000	EA	Brace - Couch Floor
	088274-64-000	YD	Fabric - Presto Bed (Y05)
	088274-65-000	YD	Fabric - Presto Bed (Y06)

FRONT BUNK

Key	Part Number	U/M	Description
5	073310-07-Y05	EA	Cushion Asm. - Front Bunk - 54" x 76" x 4"
5	073310-07-Y06	EA	Cushion Asm. - Front Bunk - 54" x 76" x 4"
	M73310-07-Y05	EA	Cover Asm. - Front Bunk Cushion
	M73310-07-Y06	EA	Cover Asm. - Front Bunk Cushion
	088274-64-000	YD	Fabric - Front Bunk Cushion (Y05)
	088274-65-000	YD	Fabric - Front Bunk Cushion (Y06)

ANTHEM SWIVEL CHAIR

Key	Part Number	U/M	Description
6	096100-01-Y05	EA	Chair Asm. - Anthem
6	096100-01-Y06	EA	Chair Asm. - Anthem
	M96100-01-Y05	EA	Cover Asm. - Swivel Chair
	M96100-01-Y06	EA	Cover Asm. - Swivel Chair
	088274-64-000	EA	Fabric - Anthem Swivel Chair (Y05)
	088274-65-000	EA	Fabric - Anthem Swivel Chair (Y06)
	088245-01-000	EA	Base w/Legs - Chair
	088245-03-000	EA	Plate - Non-Tilt - Swivel w/Lock
	088245-05-000	EA	Extension - 7"
	089705-02-000	EA	Bar - 25" x 12.75"

NOTE: This chair was used in units produced after 1/23/89.

STARLET II SWIVEL CHAIR

Key	Part Number	U/M	Description
6	092389-02-Y05	EA	Chair Asm. - Starlet II
6	092389-02-Y06	EA	Chair Asm. - Starlet II
	M92389-02-Y05	EA	Cover Asm. - Swivel Chair
	M92389-02-Y06	EA	Cover Asm. - Swivel Chair
	088274-64-000	YD	Fabric - Starlet II - Swivel Chair (Y05)
	088274-65-000	YD	Fabric - Starlet II - Swivel Chair (Y06)
	088245-01-000	EA	Base w/Legs - Chair
	088245-03-000	EA	Plate - Non-Tilt - Swivel w/Lock
	088245-06-000	EA	Extension - 7"

NOTE: This chair was used in units produced up until 1/23/89.

DOUBLE BED (OPTION 46L)

Key	Part Number	U/M	Description
7	093462-04-000	EA	Mattress - Foam - 48" x 75"
7	081969-17-Y05	EA	Bedsread - Fitted - Double
7	081969-17-Y06	EA	Bedsread - Fitted - Double
	081997-03-Y15	EA	Pillow Sham - Quilted (Y05)
	081997-03-Y06	EA	Pillow Sham - Quilted (Y06)
	088273-29-000	YD	Fabric - Bedsread - Natural (Y05)
	088273-22-000	YD	Fabric - Bedsread - Sandune (Y06)

**1989 WINNEBAGO
TABLE OF CONTENTS**

WC/F423RB
WC/F423RC
WF427RT

A-01 - C-02
C-03 - E-08
E-09 - G-16

1989 WF427RT INDEX

Floor Plan	E-09 - E-10
Accessories Group	E-11 - E-13
Bath Group	E-14 - E-15
Chassis Group	E-16 - E-18
Curtain, Cushion & Pad Group	E-19 - F-02
Dinette Group	F-03 - F-04
Driver's Compartment Group	F-05 - F-08
Electrical Group	F-07 - F-09
Exterior Body Group	F-10 - F-15
Galley Group	F-16 - F-17
Heating & Air Conditioning Group	F-18 - F-19
Interior Finish Group	F-20 - F-21
LP Group	F-22
Lounge Group	F-23 - G-01
Water & Sewage Group	G-02 - G-03
Window, Vent & Exterior Join Group	G-04 - G-16

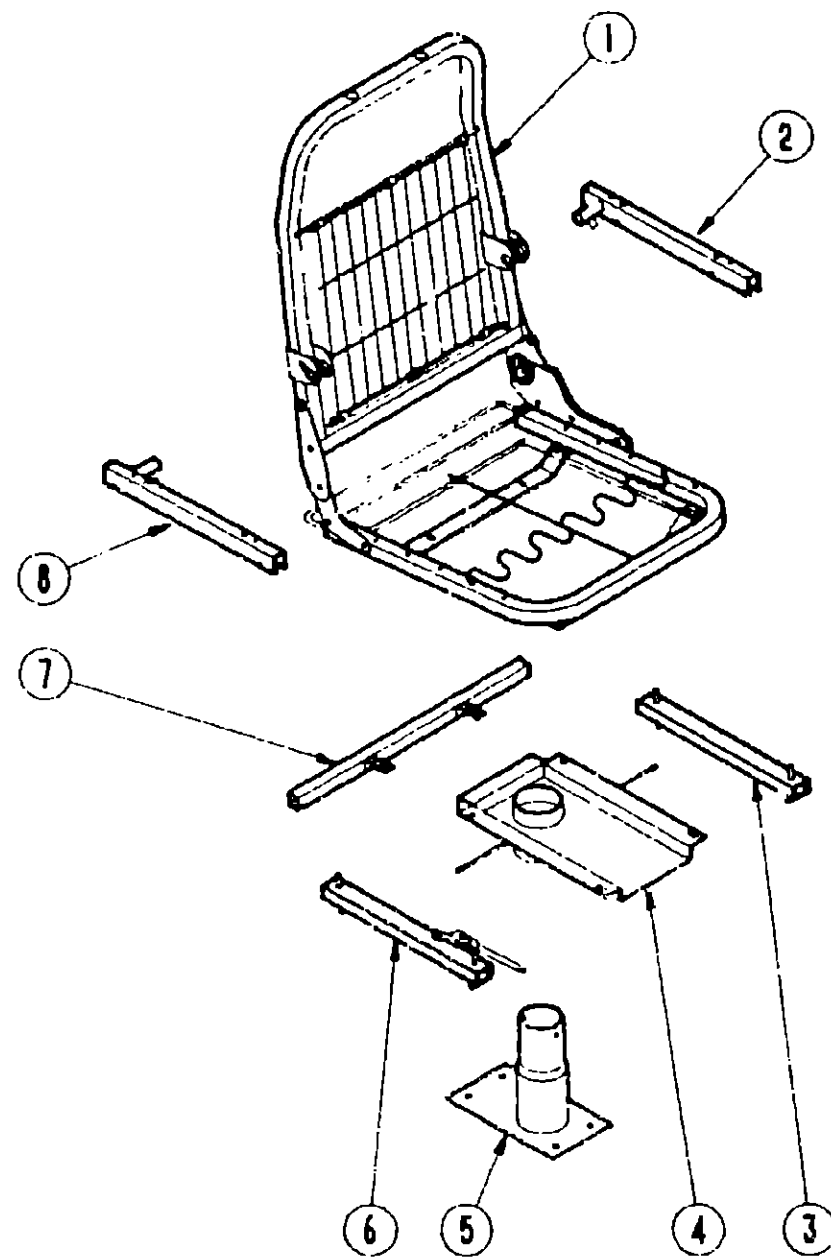
CURTAIN, CUSHION & PAD GROUP (CONTINUED)

CURTAIN, CUSHION & PAD GROUP (CONTINUED)

**1989 WINNEBAGO
TABLE OF CONTENTS**

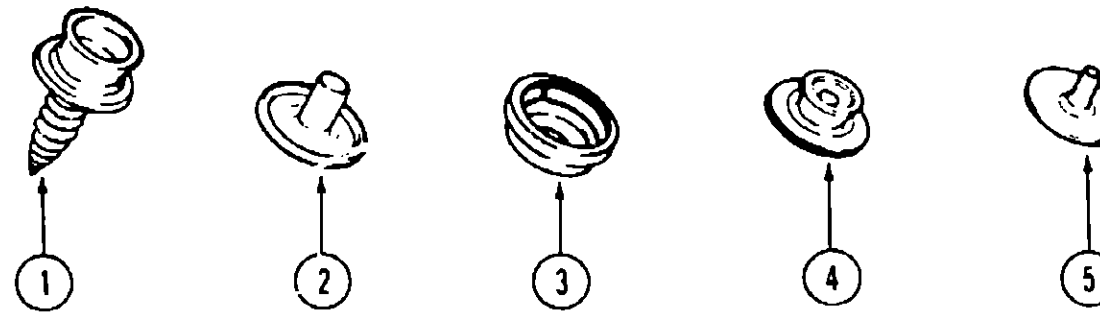
WC/F423RB
WC/F423RC
WF427RT

A-01 - C-02
C-03 - E-08
E-09 - G-16



BUCKET SEAT HARDWARE

Key	Part Number	U/M	Description
1	M80906-01-000	EA	Frame Asm. - Bucket Seat
2	081268-02-000	EA	Frame - Armrest - Left
3	069246-01-000	EA	Adjuster Asm. - Seat - w/Lock
4	069585-27-000	EA	Top Plate - Non-Powered Seat
5	069585-08-000	EA	Sub Plate - 8" - Used w/Non-Powered Seat
6	069246-02-000	EA	Adjuster Asm. - Seat w/o Lock
7	065485-29-000	EA	Seat Belt Bar - 20"
8	081268-01-000	EA	Frame - Armrest - Right
	080730-05-000	EA	Shield - Recliner

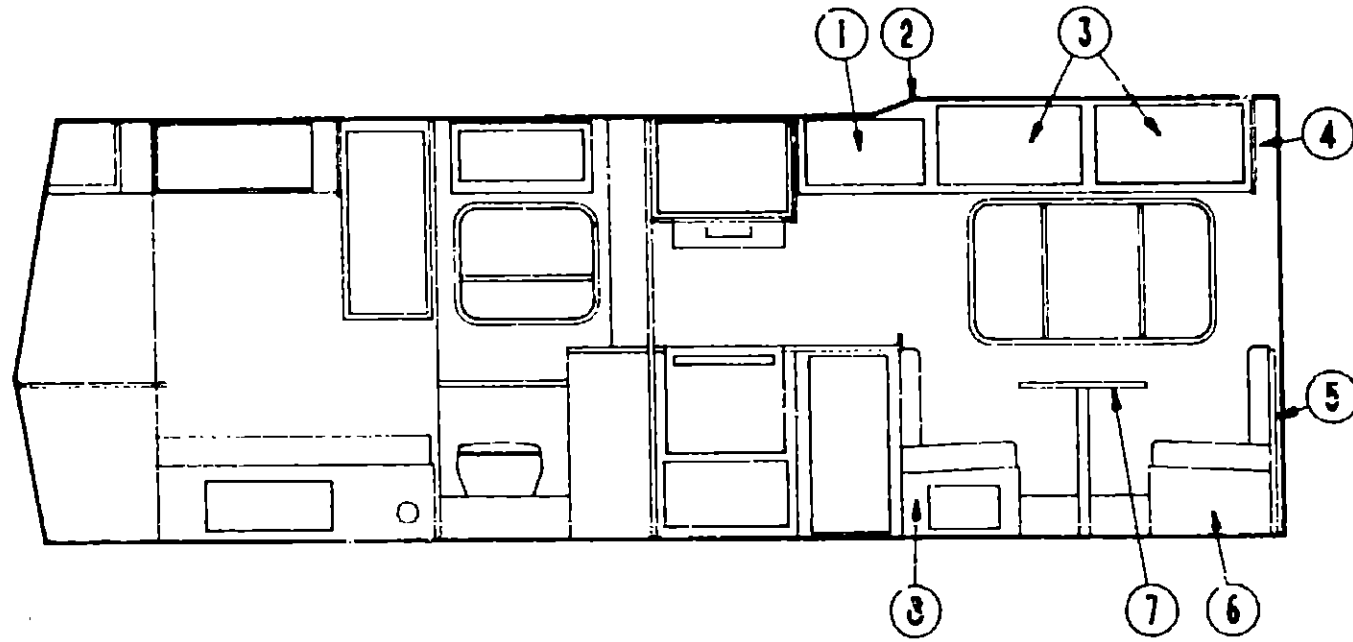


Key	Part Number	U/M	Description
1	029130-01-000	EA	Socket - Snap Fastener
2	029155-01-000	EA	Cap - Snap - .156" Dia. x .17" Barrel
3	029156-01-000	EA	Socket - Snap Fastener
4	029092-01-000	EA	Stud - Nickel Finish
5	029093-01-000	EA	Eyelet - Nickel Finish

1989 WF427RT INDEX

Floor Plan	E-09 - E-10
Accessories Group	E-11 - E-13
Bath Group	E-14 - E-15
Chassis Group	E-16 - E-18
Curtain, Cushion & Pad Group	E-19 - F-02
Dinette Group	F-03 - F-04
Driver's Compartment Group	F-05 - F-06
Electrical Group	F-07 - F-09
Exterior Body Group	F-10 - F-15
Galley Group	F-16 - F-17
Heating & Air Conditioning Group	F-18 - F-19
Interior Finish Group	F-20 - F-21
LP Group	F-22
Lounge Group	F-23 - G-01
Water & Sewage Group	G-02 - G-03
Window, Vent & Exterior Door Group	G-04 - G-16

DINETTE GROUP



DINETTE CABINETRY

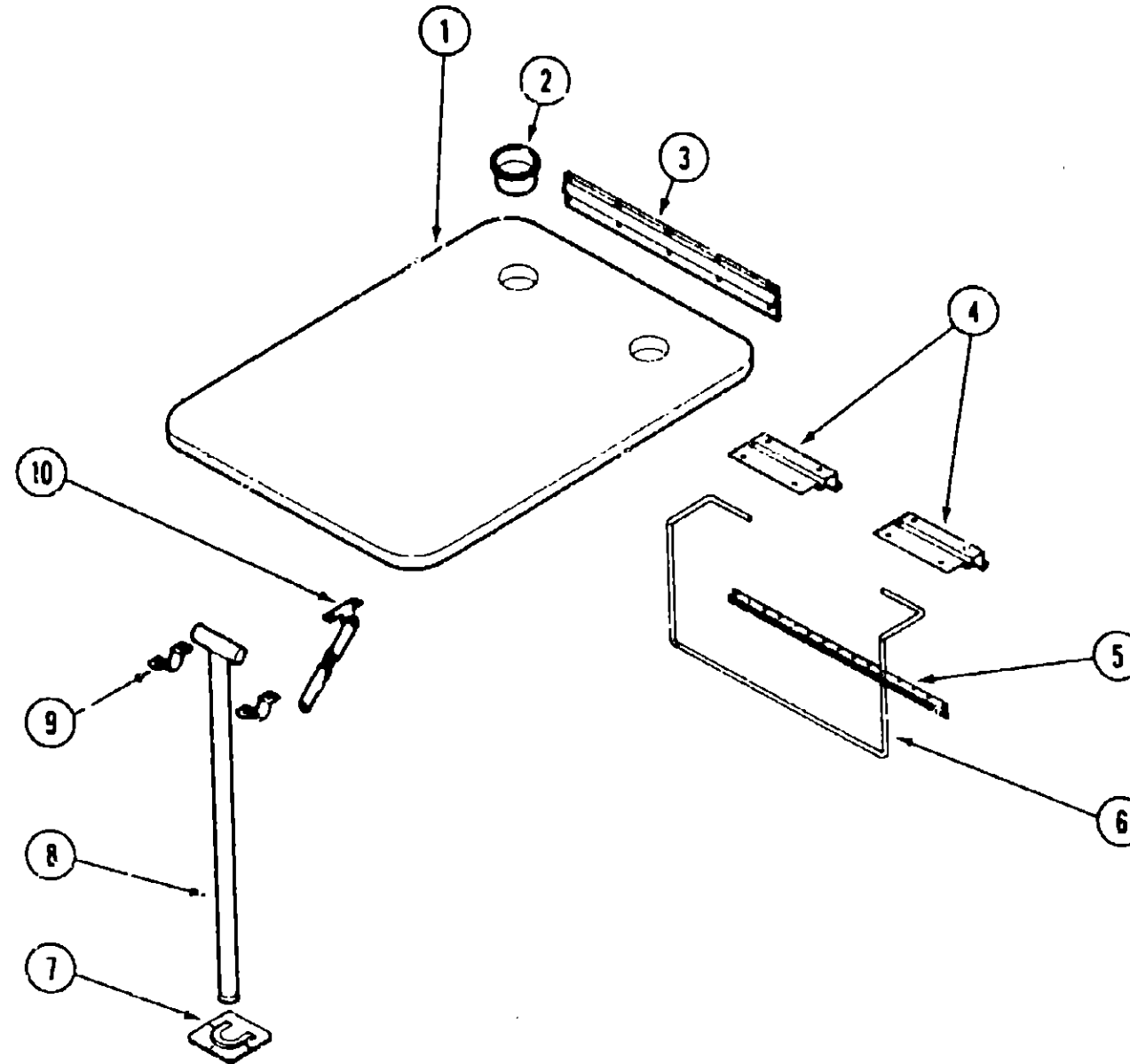
Key	Part Number	U/M	Description
1	M88304-A2-X08	EA	Door Asm. - Dinette Overhead - 11" x 21.8" - w/o Hardware
2	M92378-01-X81	EA	Cabinet Asm. - Dinette Overhead - w/o Doors or Hardware
3	M88304-B4-X08	EA	Door Asm. - Dinette Overhead - 14.3" x 26.7" - w/o Hardware
4	081280-21-W24	EA	End Cap Asm.
5	M02174-08-Y05	EA	Cabinet Asm. - Seat Back - w/o Hardware
6	M02175-08-X81	EA	Cabinet Asm. - Seat Base - w/o Hardware
7	M02946-58-Y05	EA	Panel Kit - Dinette Table
8	M02175-09-X81	EA	Cabinet Asm. - Seat Base - w/o Hardware
**	088927-19-Y05	EA	Cushion Asm. - Dinette Seat - 22" x 38" x 5"
**	088927-19-Y06	EA	Cushion Asm. - Dinette Seat - 22" x 38" x 5"
**	088927-29-Y05	EA	Cushion Asm. - Dinette Back - 12.5" x 38" x 5"
**	088927-29-Y06	EA	Cushion Asm. - Dinette Back - 12.5" x 38" x 5"

* See the next page for the breakdown of this item.
 ** See Curtain, Cushion & Pad breakdown for this item.

PRESTO BED (OPTION 0411)

Key	Part Number	U/M	Description
	093967-01-Y05	EA	Cabinet Asm. - Couch
	M88304-02-X23	EA	Door Asm. - Hardware - 11" x 21.8"
**	091826-06-Y05	EA	Presto Bed - 3 Pillow - 66.5"
**	091826-06-Y06	EA	Presto Bed - 3 Pillow - 66.5"
	082525-01-000	EA	Brace - Couch - Floor
	083125-05-000	EA	Brace - Couch - Beige
	081298-02-X11	EA	Table Asm. - Pedestal
	009040-04-000	EA	Leg - Pedestal Table - 27.5"
	041194-01-000	EA	Base - Table - Flush Mount
	09040-03-000	FA	Base - Table - Raised

DINETTE GROUP (CONTINUED)



DINETTE TABLE & HARDWARE

Key	Part Number	U/M	Description
1	M02946-58-Y05	EA	Table - Dinette - w/o Hardware
2	064781-05-000	EA	Cup Holder - Two Step - Beige
3	053200-09-000	EA	Support - Table - 23.5" - Beige
4	088410-01-000	EA	Hanger - Table - Beige
5	024281-11-000	EA	Bracket - Table Lift
6	024275-11-000	EA	Rod - Table Lift - Beige
7	049493-10-000	EA	Catch - Table Leg
8	024276-17-000	EA	Leg Asm. - Table - Tan
9	064050-02-000	EA	Hinge - Table Leg - Tan
10	024282-01-000	EA	Brace Table Leg
	024283-01-000	EA	Clip - 1" - 1.125" - OD Tube - Black

1989 WINNEBAGO TABLE OF CONTENTS

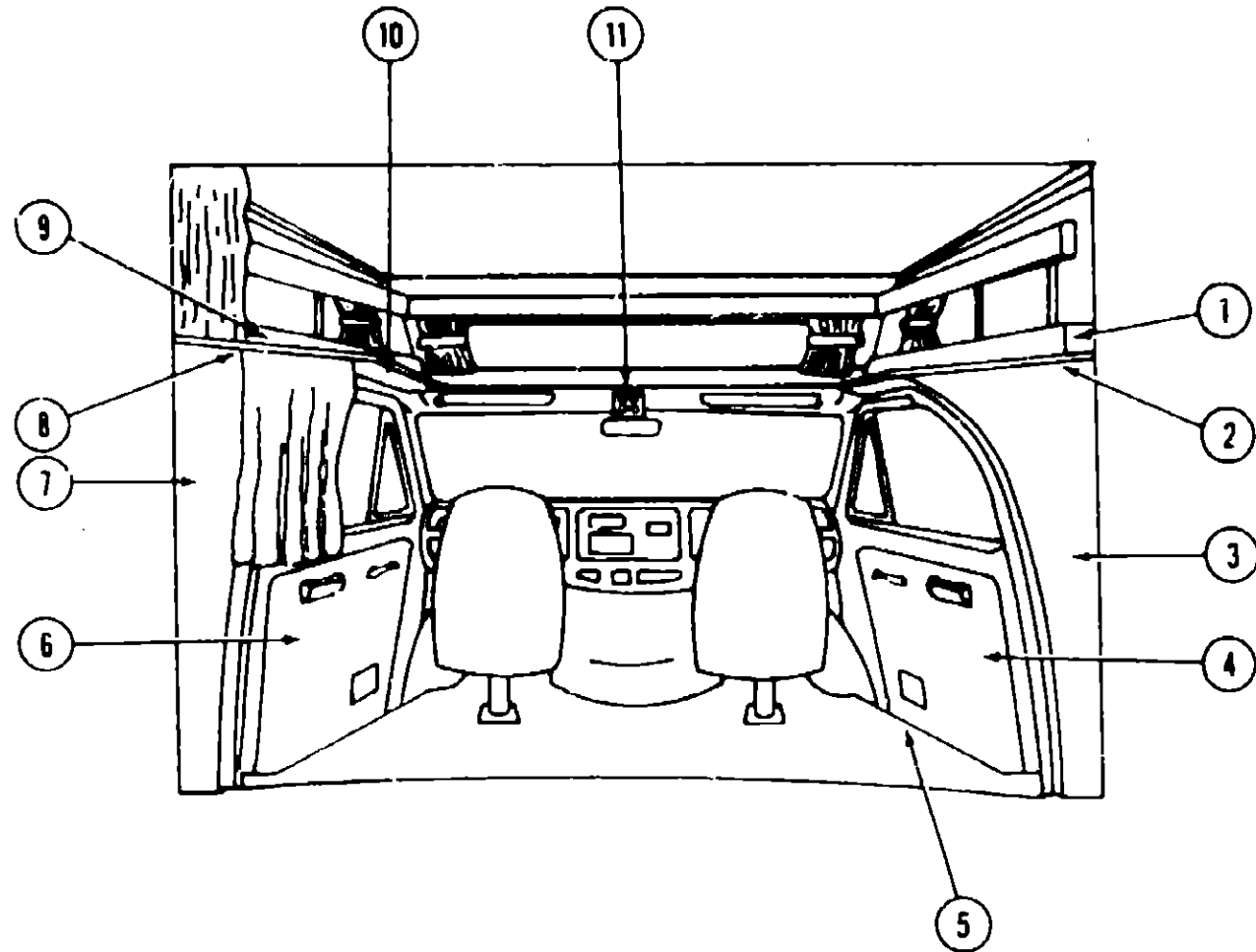
WC/F423RB
 WC/F423RC
 WF427RT

A-01 - C-02
 C-03 - E-08
 E-09 - G-16

1989 WF427RT INDEX

Floor Plan	E-09 - E-10
Accessories Group	E-11 - E-13
Bath Group	E-14 - E-15
Chassis Group	E-16 - E-18
Curtain, Cushion & Pad Group	E-19 - F-02
Dinette Group	F-03 - F-04
Driver's Compartment Group	F-05 - F-06
Electrical Group	F-07 - F-09
Exterior Body Group	F-10 - F-15
Galley Group	F-16 - F-17
Heating & Air Conditioning Group	F-18 - F-19
Interior Finish Group	F-20 - F-21
LP Group	F-22
Lounge Group	F-23 - G-01
Water & Sewage Group	G-02 - G-03
Window, Vent & Exterior Door Group	G-04 - G-16

DRIVER'S COMPARTMENT GROUP

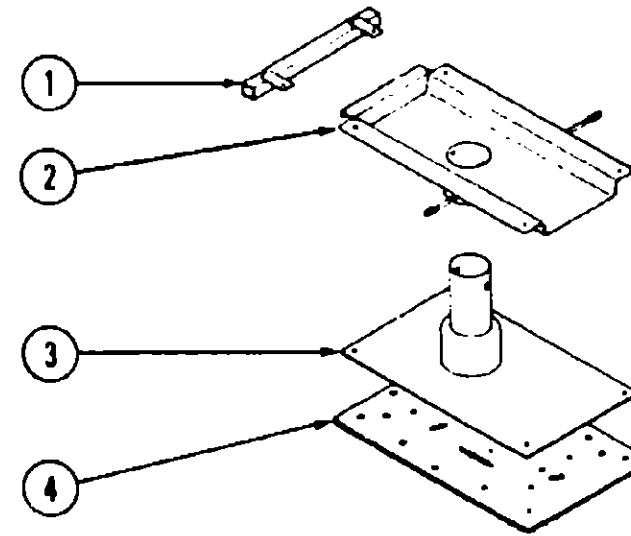


MISCELLANEOUS DRIVER'S COMPARTMENT COMPONENTS

Key	Part Number	U/M	Description
1	087012-01-X08	EA	Cabinet Asm. - Headboard
2	M92068-01-Y05	EA	Sleeper Board Asm.
	079800-03-000	EA	Trim - Front Sleeper Board
3	092037-01-X81	EA	Wingwall Asm. - Inner - Passenger
**4	NOTE	EA	Side Panel - Cab Door - Passenger
5	093411-01-Y05	EA	Floor Mat - Passenger (Y05)
	093411-01-X84	EA	Floor Mat - Passenger (Y06)
	093410-01-Y05	EA	Floor Mat - Driver (Y05)
	093410-01-X84	EA	Floor Mat - Driver (Y06)
**6	NOTE	EA	Panel Asm. - Cab Door - Driver - Beige
7	092037-02-X81	EA	Wingwall Asm. - Inner - Driver
8	080742-01-000	FT	Accent Trim - Vinyl
9	087012-01-X08	EA	Cabinet Asm. - Headboard
10	091825-02-X81	EA	Headliner Asm. w/Vinyl
11	M01298-01-000	EA	Console - Overhead - 7.5" x 6.14" - Black
	024461-01-000	EA	Switch - Battery
	024462-01-000	EA	Switch - Battery Condition
	024976-01-000	EA	Switch - Generator w/o Circuit Board
	031035-01-000	EA	Gauge - Generator Hourmeter
	024459-04-000	EA	Gauge - Voltmeter
	024459-02-000	EA	Bracket - Mounting - Voltmeter Gauge

** This part is supplied by your Ford dealer.

DRIVER'S COMPARTMENT GROUP (CONTINUED)



BUCKET SEAT PEDESTAL & SEAT BELTS

Key	Part Number	U/M	Description
1	069585-29-000	EA	Bar - Seat Belt - 20"
2	069585-27-000	EA	Plate - Top - Pedestal Asm.
3	069585-03-000	EA	Plate - Sub - Pedestal Asm.
4	069585-02-000	EA	Plate - Base - Pedestal Asm. - Bucket Seat
	056271-02-000	EA	Belt Asm. - Seat - 2" x 72" - Black
	007021-01-000	EA	Belt Asm. - Seat - 2" x 90" - Black
	041322-01-000	EA	Washer - Flat 15/32" ID x 2 3/8" OD - Seat Belt
	057759-01-000	EA	Bracket - Seat Belt Washer
	069246-01-000	FA	Adjuster Asm. - Seat - w/Lock
	069246-02-000	EA	Adjuster Asm. - Seat - w/o Lock
	007221-01-000	EA	Spacer - Seat Adjuster
	080730-02-000	EA	Recliner Drive - Driver
	090730-01-000	EA	Recliner Drive - Passenger

1989 WINNEBAGO TABLE OF CONTENTS

WC/F423RB
WC/F423RC
WF427RT

A-01 - C-02
C-03 - E-08
E-09 - G-16

1989 WF427RT INDEX

Floor Plan	E-09 - E-10
Accessories Group	E-11 - E-13
Bath Group	E-14 - E-15
Chassis Group	E-16 - E-18
Curtain, Cushion & Pad Group	E-19 - F-02
Dinette Group	F-03 - F-04
Driver's Compartment Group	F-05 - F-06
Electrical Group	F-07 - F-09
Exterior Body Group	F-10 - F-15
Galley Group	F-16 - F-17
Heating & Air Conditioning Group	F-18 - F-19
Interior Finish Group	F-20 - F-21
LP Group	F-22
Lounge Group	F-23 - G-01
Water & Sewage Group	G-02 - G-03
Window, Vent & Exterior Door Group	G-04 - G-16

ELECTRICAL GROUP

WIRES, SWITCHES, & RECEPTACLES

Key	Part Number	U/M	Description
	008288-01-000	EA	Box - Electrical - 3" x 3.5" - Plastic
	093603-01-000	EA	Box - Electrical - 4" x 2 1/8" x 2 1/8"
	008289-01-000	EA	Box - Electrical - 4" x 4" - 1/2 & 3/4 Steel
	008289-02-000	EA	Box - Electrical - 4" x 4" (CSA)
	058049-01-000	EA	Box - Electrical - 2" x 3" x 2.25" - Steel
	041953-01-000	FT	Conduit - Convolute Slit - .5" ID
	041953-02-000	FT	Conduit - Convolute Slit - .625" ID
	041953-09-000	FT	Conduit - Convolute Slit - .50" ID
	041953-10-000	FT	Conduit - Convolute Slit - .75" ID
	008356-01-000	EA	Connector - Plastic - 3/8" Avg.
	058028-01-000	EA	Connector - Pigtail - Clear Nylon
	008311-01-000	EA	Connector - Wire Nut - Red
	008314-01-000	EA	Connector - Wire Nut - Gray
	079090-01-000	EA	Connector - Molded - 12/2 Lead
	031967-01-000	EA	Contact - Receptacle
	002054-01-000	EA	Cord - Power - 10-3 30 Amp. - 25'
	008052-01-000	EA	Cord - Power - 10-3 30 Amp. (CSA)
	064450-01-000	EA	Housing - Trailer Plug
	054039-01-000	EA	Housing Asm. - Trailer Pin
	097744-02-000	EA	Housing - Trailer Pin - 48"
	097746-01-000	EA	Housing Asm. - Trailer Cap
	064398-01-000	EA	Housing Asm. - Trailer Receptacle
	088473-10-000	EA	Housing Pin - 2 Position
	088473-08-000	EA	Housing Pin - 4 Position
	088473-05-000	EA	Housing Pin - 6 Position In Line
	088473-08-000	EA	Housing Pin - 4 Position
	088475-01-000	EA	Pin - Connector
	075736-02-000	EA	Receptacle/Cover Asm. - Off White (Exterior)
	084077-02-000	EA	Receptacle Cover - Brown (Ground Fault Interrupter)
	084076-02-000	EA	Receptacle - 15 Amp. - 125 Volt - Brown (Ground Fault Interrupter)
	024924-02-000	EA	Receptacle - Power Cord
	058708-02-000	EA	Receptacle - Double - Electric - Ivory
	058707-01-000	EA	Receptacle - Single - Brown
	007940-01-000	EA	Receptacle - Slide - 16 to 12 Awg.
	088476-01-000	EA	Socket - Connector
	088476-02-000	EA	Socket - Connector - 12-10 Ga.
	024461-01-000	EA	Switch - Battery
	024462-01-000	EA	Switch - Battery Condition
	024776-01-000	EA	Switch - Generator w/o Circuit Board
	077942-02-000	EA	Switch - Dummy - Brown
	008195-01-000	EA	Switch - Push Button - 12 Volt
	079362-03-000	EA	Switch Plate - 3 Gang - 2 Switch
	007942-01-000	EA	Tap - 18 to 14 Awg. Wire
	007949-01-000	EA	Tab - 14 to 10 Awg. Wire
	007955-01-000	EA	Tab - HSG - 6 Position
	035416-04-000	EA	Terminal Ring - #10 Stud Fit
	008328-01-000	EA	Terminal Ring - 12/10 Wire
	008348-01-000	EA	Terminal Ring - 2 - 3/8 Stud
	008331-01-000	EA	Terminal Ring - 4 - 3/8 Stud
	062036-02-000	EA	Terminal - Pack - Con - 16/14 ANG
	086777-02-000	EA	Wallplate - Antenna Power
	008026-01-000	FT	Wire - 12/2 Romex w/Ground
	008028-01-000	FT	Wire - 18.5 Bonded - Blue/Red/Yellow/Orange/White
	008024-01-000	FT	Wire - 13.5 Bonded - Orange/White/Yellow/Blue/Brown
	008025-01-000	FT	Wire - 18.5 Bonded - Orange/White/Yellow/Blue/Green
	008030-01-000	FT	Wire - Bonded
	008343-01-000	EA	Wire Tie - 6"
	008343-02-000	EA	Wire Tie - 14"

ELECTRICAL GROUP (CONTINUED)

BULBS

Key	Part Number	U/M	Description
	008103-01-000	EA	Bulb - 53 (Aisle Light)
	072896-01-709	EA	Bulb - 912 (Stove Hood)
	008215-01-000	EA	Bulb - 1003 (Shower Light)
	067479-01-000	EA	Bulb - 1076 (Wall Lamp)
	063914-01-000	EA	Bulb - 1139 (Reading Light)
	008218-01-000	EA	Bulb - 1141 (Dome Light)
	037934-01-000	EA	Bulb - 1156 (Back-Up Light)
	037935-01-000	EA	Bulb - 1157 (Tail Lamp)
	084880-01-706	EA	Bulb - DC Light (Refrigerator)
	088737-01-710	EA	Bulb - 30W (Microwave Oven)
	078424-02-700	EA	Bulb - Fluorescent - 18" (Galley)
	087694-01-700	EA	Bulb - GE561 (Wardrobe Light)

FUSES & CIRCUIT BREAKERS

Key	Part Number	U/M	Description
	062901-02-000	EA	Fuse - 5 Amp. - Automotive
	062901-05-000	EA	Fuse - 15 Amp. - Automotive
	008211-01-000	EA	Circuit Breaker - 6 Amp. - 12 Volt
	093654-01-000	EA	Circuit Breaker - 6 Amp. - 12 Volt
	093654-02-000	EA	Circuit Breaker - 15 Amp. - 12 Volt
	088779-01-000	EA	Circuit Breaker - 15 Amp.
	033573-02-000	EA	Circuit Breaker - w/Mount - 15 Amp. - 12 Volt
	083209-02-000	EA	Circuit Breaker - 15/15 Amp. - 120 Volt
	083209-03-000	EA	Circuit Breaker - 15/20 mp. - 120 Volt
	094811-01-000	EA	Circuit Breaker - 20/20 Amp. - 120 Volt
	093655-01-000	EA	Circuit Breaker - 25 Amp. - 12 Volt
	006268-01-000	EA	Circuit Breaker - 30 Amp. - 12 Volt
	083209-04-000	EA	Circuit Breaker - 20 Amp. - 120 Volt
	083209-06-000	EA	Circuit Breaker - 30/15 Amp. - 120 Volt
	094810-01-000	EA	Circuit Breaker - 30/30 Amp. - 120 Volt (Export)
	093655-03-000	EA	Circuit Breaker - 40 Amp. - 12 Volt
	083209-08-000	EA	Circuit Breaker Blank
	008277-01-000	EA	Fuse Holder - Black - Panel Mount

MISCELLANEOUS ELECTRICAL COMPONENTS

Key	Part Number	U/M	Description
	063739-01-000	EA	Battery - 12 Volt - 80 Amp. - Gould
	072852-01-000	EA	Smoke Detector w/9 Volt Battery
	083208-01-000	EA	Convertor - 32 Amp. w/Charger
	094809-01-000	EA	Load Center - 240 Volt - 125 Amp. (Export)
	048649-01-000	EA	Fan - 6 Blade - 6"

1989 WINNEBAGO TABLE OF CONTENTS

WC/F423RB
WC/F423RC
WF427RT

A-01 - C-02
C-03 - E-08
E-09 - G-16

1989 WF427RT INDEX

Floor Plan	E-09 - E-10
Accessories Group	E-11 - E-13
Bath Group	E-14 - E-15
Chassis Group	E-16 - E-18
Curtain, Cushion & Pad Group	E-19 - F-02
Dinette Group	F-03 - F-04
Driver's Compartment Group	F-05 - F-06
Electrical Group	F-07 - F-09
Exterior Body Group	F-10 - F-15
Galley Group	F-16 - F-17
Heating & Air Conditioning Group	F-18 - F-19
Interior Finish Group	F-20 - F-21
LP Group	F-22
Lounge Group	F-23 - G-01
Water & Sewage Group	G-02 - G-03
Window, Vent & Exterior Door Group	G-04 - G-16

ELECTRICAL GROUP (CONTINUED)

EXTERIOR LIGHTS

Key	Part Number	U/M	Description
	042405-01-000	EA	Lens - Clearance Light - Red w/Reflex
	042405-02-000	EA	Lens - Clearance Light - Amber w/Reflex
	042405-03-000	EA	Base - Rectangular Clearance Light
	091983-01-000	EA	Gasket - Light - Side Marker
	062742-04-000	EA	Wedge Asm. - Tail Light - Off White
	058032-02-000	EA	Tail Light - 2 Bulb - Black
	007309-01-000	EA	Light - License Plate
	059540-01-000	EA	Bracket - License Plate
	008089-01-000	EA	Porch Light - Recessed (US)
	008069-02-000	EA	Porch Light - Recessed (CSA)
	008089-01-700	EA	Lens - Porch Light
	091981-01-000	EA	Gasket - Porch Light
	008215-01-000	EA	Bulb - Porch Light

INTERIOR LIGHTS

Key	Part Number	U/M	Description
	072353-08-000	EA	Reading Light - Single - Brass w/Tan Switch
	063914-01-000	EA	Bulb - 1139 (Reading Light)
	007309-01-000	EA	Light - Step Well - Round - 12V
	098024-01-01A	EA	Dome Light - 1 Bulb - Ivory
	098024-02-01A	EA	Dome Light - 1 Bulb - Ivory (CSA)
	098024-03-01A	EA	Dome Light - 2 Bulb - Ivory
	098024-04-01A	EA	Dome Light - 2 Bulb - Ivory (CSA)
	065202-03-000	EA	Lamp - Wall - Bright Brass
	065201-05-000	EA	Shade Asm. - Fabric - Bone

EXTERIOR BODY GROUP

SEALANTS & ADHESIVES

Key	Part Number	U/M	Description
	004020-01-000	QT	Adhesive - ABS Cement (Plastic Fittings)
	002337-01-000	EA	Adhesive - 1300 Tube - 3M (Windows)
	004005-02-000	GL	Adhesive - Swifts - Glue (Sidewalls)
	053766-07-000	EA	Bedding Compound - Tube - Beige (Exterior)
	053766-06-000	EA	Bedding Compound - Tube - Clear (Window)
	053766-08-000	EA	Bedding Compound - Tube - Gray (Exterior)
	053766-05-000	EA	Bedding Compound - Tube - Gray (Sidewalls to Floor)
	053766-02-000	EA	Bedding Compound - Tube - Off White (Exterior)
	002328-02-000	EA	Block - Rubber Spacer (Windshield)
	004336-01-000	EA	Caulk - Latex - Golden Walnut (Sidewalls)
	077967-01-000	EA	Sealant - Acrylic Latex - Tube - Off White (Interior Sealant)
	034552-04-000	EA	Sealant - Silicone - Beige
	034552-02-000	EA	Sealant - Silicone - Clear
	034552-07-000	EA	Sealant - Silicone - Dark Gray
	034552-06-000	EA	Sealant - Silicone - Off White
	069637-01-000	EA	Sealant - Weatherban 404 - Tube - White (Door Caulk)
	072889-01-000	EA	Sealant - Urethane - Black (Windshield)
	069640-01-000	FT	Sealer Ribbon - .25" Bead x 20'
	069640-02-000	FT	Sealer Ribbon - .5" x .125" x 30'
	069640-03-000	FT	Sealer Ribbon - .75" x .125" x 30'
	069640-04-000	FT	Sealer Ribbon - 2" x .09" x 45'
	069640-05-000	FT	Sealer Ribbon - 2.5" x .09" x 50'
	069640-06-000	FT	Sealer Ribbon - 5/16" Bead x 15'
	069640-07-000	FT	Sealer Ribbon - 2" x 3/32" x 30'
	002316-01-000	FT	Sealer Tape - 3/32" x 3/8" - White (Window)
	002707-01-000	FT	Sealer Tape - 5/16" x 3/4"
	002707-02-000	FT	Sealer Tape - 5/16" x 1/2"
	040545-01-000	GL	Sealer - Seam Weld
	053752-04-000	EA	Seam Sealer - Tube - Aluminum (Roof)
	063642-01-000	FT	Tape - Adhesive - .10mil x 1.5" Wide
	038886-01-000	EA	Tape - Butyl - .31" x .31" x 148" (Windshield)
	076322-01-000	FT	Tape - Foam - Double Coated - .025 x 1" (Fiberglass Sidewall Seams)
	076322-02-000	FT	Tape - Foam - Double Coated - .045 x 1" (Fiberglass Sidewall Seams)
	009200-01-000	EA	Tape - Furnace - 1.5"
	002825-01-000	FT	Weather Stripping (Roof Vent)

MISCELLANEOUS EXTERNALLY MOUNTED PARTS

Key	Part Number	U/M	Description
	083558-01-000	EA	Plumbing Seal - Roof Vent - 1.5
	009126-01-000	EA	Assist Handle - Chrome
	010230-02-000	EA	Fill - City Water - Recessed - Off White
	087659-04-000	EA	Fill - City Water - Off White
	081240-03-000	EA	Fill - City Water - Lockable - Off White

SHEET FIBERGLASS, ALUMINUM & STYROFOAM

Key	Part Number	U/M	Description
	044487-01-000	EA	Aluminum - Mill Finish - No Design - 96" x 360" (Roof)
	000868-01-000	SF	Styrofoam - 3/4" x 24" x 96"
	000870-01-000	SF	Styrofoam - 1 1/2" x 24" x 96"
	000870-02-000	SF	Styrofoam - 1/2" x 48" x 96"
	000870-03-000	SF	Styrofoam - 1.34" x 48" x 96"
	000870-05-000	SF	Styrofoam - .50" x 24" x 96"
	083574-01-000	SF	Styrofoam - 1.5" x 24" x 85.25"
	076054-84-000	EA	Fiberglass Sheet - 48" x 233" - Off White
	076054-85-000	EA	Fiberglass Sheet - 48" x 292" - Off White
	077517-24-000	EA	Fiberglass Sheet - 48" x 96" - Off White

**1989 WINNEBAGO
TABLE OF CONTENTS**

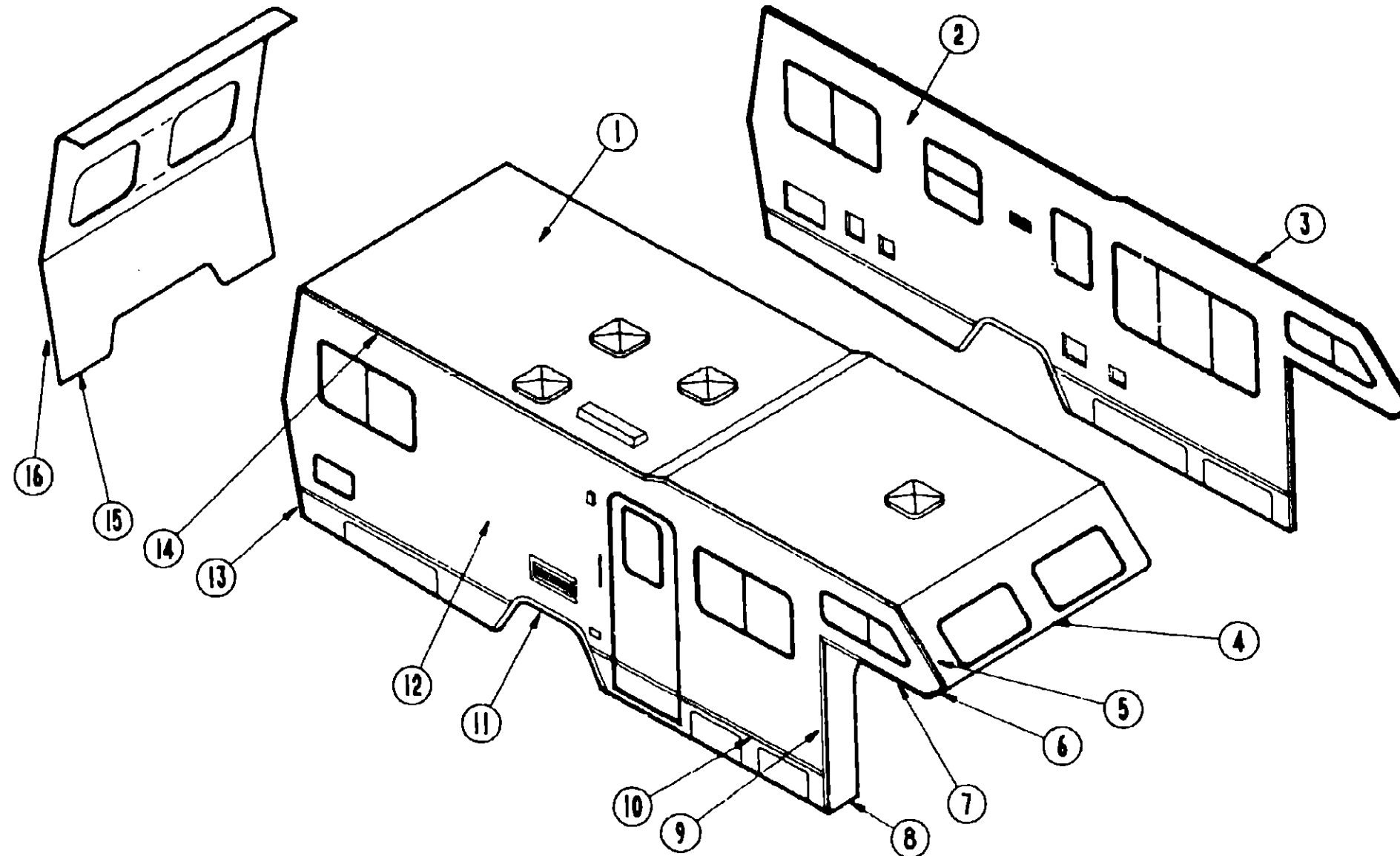
WC/F423RB	A-01 - C-02
WC/F423RC	C-03 - E-08
WF427RT	E-09 - G-16

1989 WF427RT INDEX

Floor Plan	E-09 - E-10
Accessories Group	E-11 - E-13
Bath Group	E-14 - E-15
Chassis Group	E-16 - E-18
Curtain, Cushion & Pad Group	E-19 - F-02
Dinette Group	F-03 - F-04
Driver's Compartment Group	F-05 - F-06
Electrical Group	F-07 - F-09
Exterior Body Group	F-10 - F-15
Galley Group	F-16 - F-17
Heating & Air Conditioning Group	F-18 - F-19
Interior Finish Group	F-20 - F-21
LP Group	F-22
Lounge Group	F-23 - G-01
Water & Sewage Group	G-02 - G-03
Window, Vent & Exterior Door Group	G-04 - G-16

EXTERIOR BODY GROUP (CONTINUED)

EXTERIOR BODY PANELS



Key	Part Number	U/M	Description
1	M92072-01-Y05	EA	Roof Asm.
	M76177-01-700	EA	Roof Section - Cab Over To First Seam
2	M92075-01-Y05	EA	Sidewall Asm. - Drivers
2	M92075-01-Y06	EA	Sidewall Asm. - Drivers
3	076802-08-000	EA	Trim - Contour - Upper Front - Driver
	076802-07-000	EA	Trim - Contour - Upper Front - Passenger
4	039644-08-000	EA	Trim - Sleeper Board Front
5	085490-01-000	EA	Trim - Contour Point - Sleeper - Passenger
	085490-02-000	EA	Trim - Contour Point - Sleeper - Driver
6	086889-01-000	EA	Trim - Contour - Sleeper - Passenger
	086889-02-000	EA	Trim - Contour - Sleeper - Driver
7	076975-05-000	EA	Trim - Wingwall - Passenger
	076975-06-000	EA	Trim - Wingwall - Driver
8	M81653-02-U01	EA	Wingwall Asm. - Passenger
	M81653-01-U01	EA	Wingwall Asm. - Driver

Key	Part Number	U/M	Description
9	076975-03-000	EA	Trim - Wingwall Transition - Passenger
	076975-04-000	EA	Trim - Wingwall Transition - Driver
10	059576-05-000	EA	Feature Strip w/o Insert - 14.8"
	001030-02-100	EA	Insert - Feature Strip - 17' - Stucco
	009731-01-000	EA	Cap - Feature Strip Trim
11	075189-01-000	EA	Trim - Wheelwell - Rear Passenger
	075189-02-000	EA	Trim - Wheelwell - Rear Driver
12	M92074-01-Y05	EA	Sidewall Asm. - Passenger
12	M92074-01-Y06	EA	Sidewall Asm. - Passenger
13	076805-01-000	EA	Trim - Contour - Rear Passenger
	076805-02-000	EA	Trim - Contour - Rear Driver
14	077339-03-000	EA	Trim - Contour - Upper Rear Passenger
	077339-04-000	EA	Trim - Contour - Upper Rear Driver
15	074966-02-000	EA	Trim - Backwall - Lower
16	M92069-01-Y05	EA	Backwall Asm.
	086180-55-001	EA	U-Channel - Extrusion - 192" - Off White

1989 WINNEBAGO TABLE OF CONTENTS

WC/F423RB
WC/F423RC
WF427RT

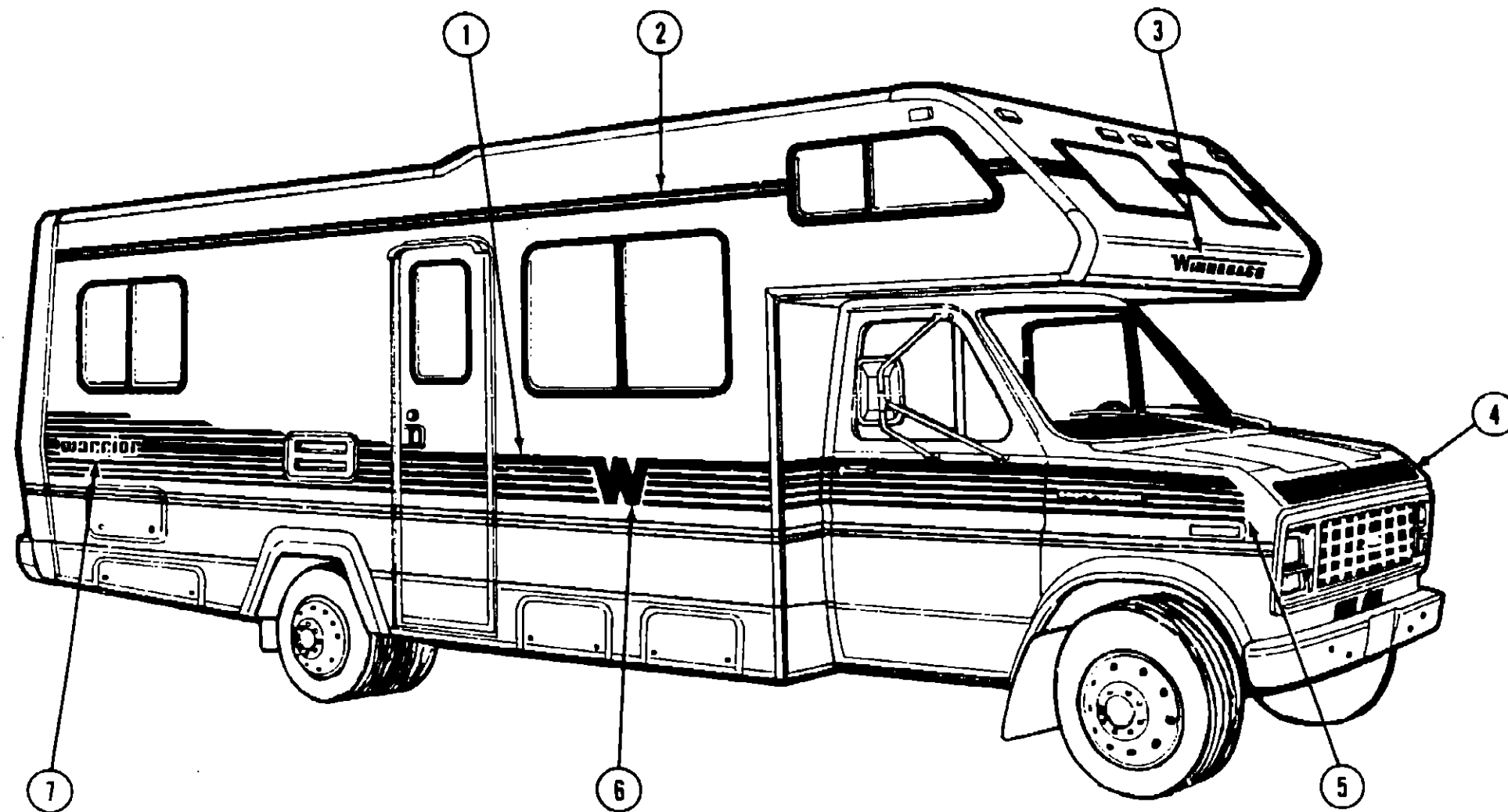
A-01 - C-02
C-03 - E-08
E-09 - G-16

1989 WF427RT INDEX

Floor Plan	E-09 - E-10
Accessories Group	E-11 - E-13
Bath Group	E-14 - E-15
Chassis Group	E-16 - E-18
Curtain, Cushion & Pad Group	E-19 - F-02
Dinette Group	F-03 - F-04
Driver's Compartment Group	F-05 - F-06
Electrical Group	F-07 - F-09
Exterior Body Group	F-10 - F-15
Galley Group	F-16 - F-17
Heating & Air Conditioning Group	F-18 - F-19
Interior Finish Group	F-20 - F-21
LP Group	F-22
Lounge Group	F-23 - G-01
Water & Sewage Group	G-02 - G-03
Window, Vent & Exterior Door Group	G-04 - G-16

EXTERIOR BODY GROUP (CONTINUED)

LABELS & DECALS



Key	Part Number	U/M	Description
1	078831-47-000	FT	Decal - Stripping - 1.75" x 150' - Blue
2	065217-M4-000	FT	Film - Multi-Stripe - 2.40" x 150' - Blue/Dark Rose
3	050313-22-000	EA	Decal - Logo - "Winnebago" - 2.8" - Chrome
4	081940-09-000	EA	Decal - Hood - Blue
5	078196-38-000	FT	Film - Multi-Stripe - 4.50" x 150' - Dark Rose
6	079351-26-000	EA	Decal - Flying "W" - 7.35" - Blue
7	093569-01-01A	EA	Decal - Logo - "Warrior" - Black/Off White

**1989 WINNEBAGO
TABLE OF CONTENTS**

WC/F423RB
WC/F423RC
WF427RT

A-01 - C-02
C-03 - E-08
E-09 - G-16

1989 WF427RT INDEX

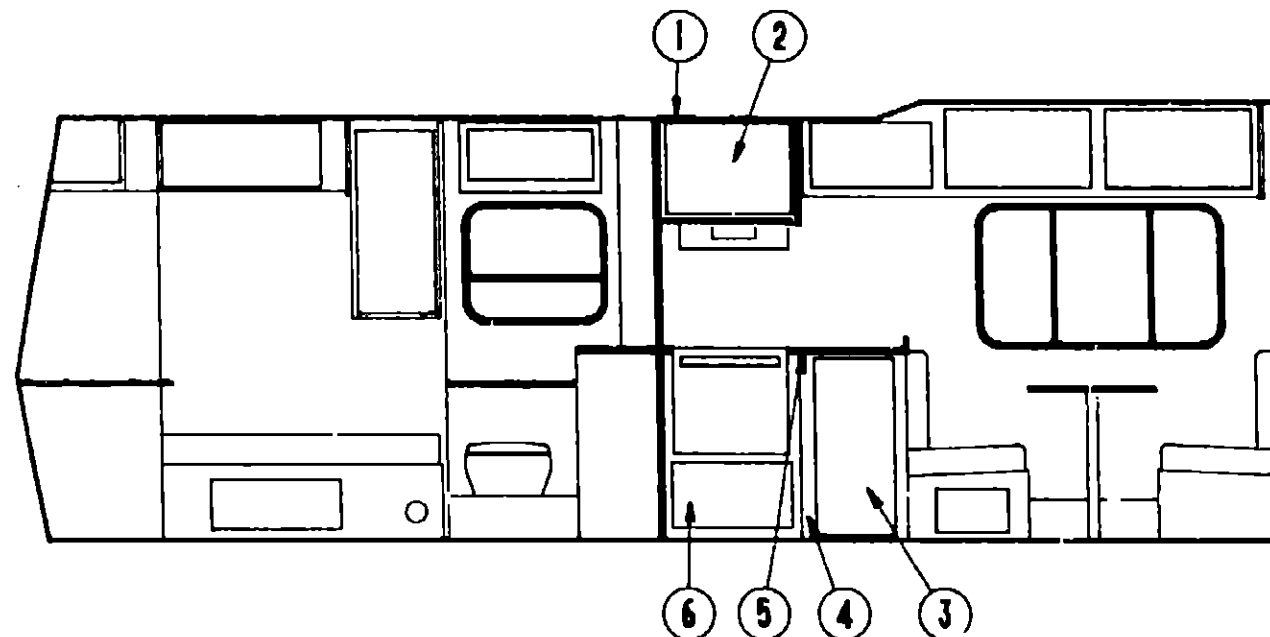
Floor Plan	E-09 - E-10
Accessories Group	E-11 - E-13
Bath Group	E-14 - E-15
Chassis Group	E-16 - E-18
Curtain, Cushion & Pad Group	E-19 - F-02
Dinette Group	F-03 - F-04
Driver's Compartment Group	F-05 - F-06
Electrical Group	F-07 - F-09
Exterior Body Group	F-10 - F-15
Galley Group	F-16 - F-17
Heating & Air Conditioning Group	F-18 - F-19
Interior Finish Group	F-20 - F-21
LP Group	F-22
Lounge Group	F-23 - G-01
Water & Sewage Group	G-02 - G-03
Window, Vent & Exterior Door Group	G-04 - G-16

EXTERIOR BODY GROUP (CONTINUED)

LABELS & EXTERIOR PAINT

Key	Part Number	U/M	Description
	091243-01-000	EA	Label - Air Conditioner Cover
	087236-01-000	EA	Label - Cable - Input
	087236-02-000	EA	Label - Cable - Output
	065748-01-000	EA	Label - Caution - Battery Charging
	006195-01-000	EA	Label - Electrical Test
	047731-01-000	EA	Label - Emergency Exit
	006199-01-000	EA	Label - Exit - Escape Window
	064378-01-000	EA	Label - Flying "W" w/Thermo Panel
	061417-01-000	EA	Label - Fuel
	087207-02-000	EA	Label - Fuel Cap Removal
	054531-01-000	EA	Label - LP Gas Only
	073998-01-000	EA	Label - LPG Odor Warning
	040944-01-000	EA	Label - Open - Entrance Door
	061606-01-000	EA	Label - Overlay - Vehicle Certification
	006015-01-000	EA	Label - Patent Motor Home
	088757-01-000	EA	Label - Retail - 8 5/8" x 12 7/8"
	056259-01-000	EA	Label - Safety Check List
	006064-01-000	EA	Label - Seat - w/o Seat Belts
	006187-01-000	EA	Label - Sewage
	006006-01-000	EA	Label - Thermo Panel - 2 1/4" x 2 1/4"
	075221-01-000	EA	Label - Trailer Hitch Capacity
	091224-02-000	EA	Label - Trailer Lighting
	075220-01-000	EA	Label - Warning - Exterior Load Limit
	050225-01-000	EA	Label - Warning - Stove Vent - US
	079986-01-000	EA	Label - Warning - Stowed Motion
	006188-01-000	EA	Label - Waste Water
	006197-01-000	EA	Label - Water Test
	006062-01-000	EA	Tag - Electrical - 110 Volt Connection
	006040-01-000	EA	Tag - Gas - Refueling Warning (US)
	006040-02-000	EA	Tag - Gas - Refueling Warning (CSA)
	006019-01-000	EA	Tag - RVI Approval - Plastic
	045681-03-000	EA	Paint - Gloss Black - Acrylic Enamel - 16 oz. Aerosol (99 Dupont)
	041561-03-000	EA	Paint - Off White Acrylic Enamel - 16 oz. Aerosol (45296A Dupont)
	074559-01-000	EA	Label "LPG" - 3.3" x 1.75" (Calif. Code)
	023769-01-000	EA	Label - Warning - LPG (CSA)

GALLEY GROUP



GALLEY CABINETRY

Key	Part Number	U/M	Description
1	M92036-01-X81	EA	Cabinet Asm. - Galley Overhead - w/o Door or Hardware
2	M88304-01-X08	EA	Door Asm. - Galley Overhead - 17.7" x 22.3" - w/o Hardware
3	M88304-14-X08	EA	Door Asm. - Galley Cabinet - 14.3" x 33.4" - w/o Hardware
4	M92034-01-Y05	EA	Cabinet Asm. - Galley w/Countertop - w/o Door, Drawers or Hardware
	077404-02-000	EA	Drawer Asm. - Plastic - 20" x 12.7"
	092393-01-X81	EA	Rail - Galley Backsplash
	091257-02-000	EA	Handrail - Refrigerator Cabinet - Wood
5	092034-11-Y05	EA	Ccountertop Asm. - Galley Cabinet
6	M92073-01-X11	EA	Door Asm. - Furnace - 15.9" x 21.8" - w/o Hardware

GALLEY HARDWARE

Key	Part Number	U/M	Description
	098654-01-000	EA	Sink - Stainless Steel - Double
	066437-01-000	EA	Strainer w/Basket - Sink
	033302-02-000	EA	Adapter Asm. - Strainer - 1 1/2" (CSA)
	011053-03-000	EA	Faucet - Swing Spout - 8"
	081530-01-Y30	EA	Cover Asm. - Sink
	011091-02-000	EA	Continuous Waste - Double Sink
	077409-02-000	EA	Drawer Slide - Plastic - 20.75"
	077404-02-000	EA	Drawer - Plastic - 20" x 12.7"
	093288-03-01A	EA	Tray - Silverware - Plastic
	094067-01-01A	EA	Drawer Divider - Plastic
	074490-01-000	EA	Rack Asm. - Spice
	054450-01-000	EA	Level - Refrigerator
	055516-05-000	EA	Bracket - Tiedown - Stove - Left
	055516-06-000	EA	Bracket - Tiedown - Stove - Right
	088682-10-000	EA	Bracket Asm. - Microwave - Left
	088682-12-000	EA	Bracket Asm. - Microwave - Right
	075249-01-000	EA	Railing - Spice Rack

**1989 WINNEBAGO
TABLE OF CONTENTS**

WC/F423RB
WC/F423RC
WF427RT

A-01 - C-02
C-03 - E-08
E-09 - G-16

1989 WF427RT INDEX

Floor Plan	E-09 - E-10
Accessories Group	E-11 - E-13
Bath Group	E-14 - E-15
Chassis Group	E-16 - E-18
Curtain, Cushion & Pad Group	E-19 - F-02
Dinette Group	F-03 - F-04
Driver's Compartment Group	F-05 - F-06
Electrical Group	F-07 - F-09
Exterior Body Group	F-10 - F-15
Galley Group	F-16 - F-17
Heating & Air Conditioning Group	F-18 - F-19
Interior Finish Group	F-20 - F-21
LP Group	F-22
Lounge Group	F-23 - G-01
Water & Sewage Group	G-02 - G-03
Window, Vent & Exterior Door Group	G-04 - G-16

GALLEY GROUP (CONTINUED)

GALLEY APPLIANCES

Key	Part Number	U/M	Description
	094038-01-000	EA	Refrigerator - 3-Way Small Double Door
	094038-01-700	EA	Gasket - Lower - Gray
	094038-01-701	EA	Lower Door Liner (Brown)
	094038-01-702	EA	Lower Door Liner (Black)
	094038-01-703	EA	Lower Door Handle Asm. (Brown)
	094038-01-704	EA	Lower Door Handle Asm. (Black)
	094038-01-705	EA	Cabinet Asm. - Frame - White Liner (Brown)
	094038-01-706	EA	Cabinet Asm. - Frame - White Liner (Black)
	084879-02-000	EA	Refrigerator - 3 Way - Double Door - 6'
	084879-01-700	EA	Cooling Unit
	084879-01-701	EA	Lower Door Gasket
	084879-02-700	EA	Handle - Lower Door
	084879-01-703	EA	Foamed Cabinet Asm.
	084879-01-704	EA	Foamed - Lower Door Liner w/Frame
	084879-01-705	EA	Panel Holder - Lower Door
	092696-05-01A	EA	Hood - Range - w/Monitor - Almond (US)
	092696-06-01A	EA	Hood - Range - w/Monitor - Almond (CSA)
	092696-01-01A	EA	Hood Vent - w/Door
	092696-01-701	EA	Knob - Plastic
	092696-01-702	EA	Register/Wire Asm.
	092696-01-703	EA	Fuse Holder
	092696-01-704	EA	Switch - Lever Asm. Module
	092696-01-705	EA	Actuator - Rod/Turnbuckle
	092696-01-707	EA	Gasket - Vent
	092696-01-708	EA	Mounting Clip - Vent
	092696-01-709	EA	Lamp #912
	092696-01-710	EA	Holder - Lamp
	092696-01-711	EA	Lens - Lamp
	092696-03-700	EA	Chassis w/Wiring - Almond (US)
	090973-01-700	EA	Motor
	092696-01-717	EA	Mesh Filter
	072351-02-700	EA	Clock Asm.
	079353-01-704	EA	Circuit Board - Tanks
	092696-03-701	EA	Control Panel Asm.
	092696-03-702	EA	Panel - Face Plate
	079353-01-700	EA	Test Connector
	075470-01-702	EA	Switch - On/Off/On - Fan Motor
	075470-01-703	EA	Switch - On/Momentary
	075470-01-705	EA	Switch - On/Off/On - Momentary
	055282-04-000	EA	Range w/Oven - 4 Burner - Almond
	085280-01-000	EA	Cover - Burner - Bi-Fold - SST
	091269-01-000	EA	Oven - Microwave - Magic Chef
	091269-01-700	EA	Knob - Defrost
	091269-01-701	EA	Knob - Timer
	091269-02-000	EA	Frame Kit - Microwave

HEATING & AIR CONDITIONING GROUP

FURNACES & REPAIR PARTS

Key	Part Number	U/M	Description
	090039-05-000	EA	Furnace - 30,000 BTU - Suburban
	090039-05-700	EA	Thermostat
	090039-05-701	EA	Combustion Chamber Asm.
	090039-05-702	EA	Gasket - Manifold
	090039-05-703	EA	Manifold Pipe Asm.
	090039-05-704	EA	Combustion Chamber Asm.
	090039-05-705	EA	Wheel - Combustion Air
	090039-05-706	EA	Combustion - Air Housing Asm.
	090039-05-707	EA	Gasket - Motor
	090039-05-708	EA	Gasket - Crossover Tube
	090039-05-709	EA	Crossover Tube Asm.
	090039-05-710	EA	Gasket - Crossover Tube
	090039-05-711	EA	Blower Housing Asm.
	093365-01-000	EA	Thermostat - Suburban Furnace
	009198-01-000	FT	Duct - Flexible - 4" ID x 25'
	056464-01-000	EA	Register - 4" Dia. - Plastic - w/Damper
	056462-02-000	EA	Register - 4" Dia. - Plastic - w/o Damper
	009200-01-000	EA	Tape - Furnace - 1 1/2"
	010326-01-000	EA	Adapter - Flare - w/Cone Gasket
	023146-01-000	EA	Clamp - Screw Type - 4"

ROOF AIR CONDITIONER & PARTS

Key	Part Number	U/M	Description
	093764-01-000	EA	Ceiling Asm. - Air Conditioner - Cool Only (Option 29)
	093763-01-04A	EA	Air Conditioner - 110 Volt - Roof Mount - 13,500 BTU - Off White (Option 29)
	093763-04-700	EA	Shroud - Ivory/Charcoal
	093763-01-705	EA	Decal - Heat/Cool Thermostat
	093763-01-711	EA	Gasket - Package
	093763-01-712	EA	Fan Blade - Condenser
	093306-01-701	EA	Decal Package
	042204-01-709	EA	Thermostat
	073742-02-704	EA	Run Capacitor (Compressor)
	091225-01-710	EA	Start Capacitor
	091225-01-709	EA	Start Relay
	076303-01-712	EA	Motor
	073742-01-701	EA	Selector Switch
	073742-01-702	EA	Decal - Cool
	073742-01-703	EA	Decal - Heat & Cool
	081606-01-708	EA	Switch - Limit
	091225-01-713	EA	Knob
	076303-01-707	EA	Filter (Package of 12)
	091225-01-717	EA	Decal - Thermostat (Cool Only)
	081606-01-712	EA	Ceiling Shroud (Ivory)

**1989 WINNEBAGO
TABLE OF CONTENTS**

WC/F423RB	A-01 - C-02
WC/F423RC	C-03 - E-08
WF427RT	E-09 - G-16

1989 WF427RT INDEX

Floor Plan	E-09 - E-10
Accessories Group	E-11 - E-13
Bath Group	E-14 - E-15
Chassis Group	E-16 - E-18
Curtain, Cushion & Pad Group	E-19 - F-02
Dinette Group	F-03 - F-04
Driver's Compartment Group	F-05 - F-06
Electrical Group	F-07 - F-09
Exterior Body Group	F-10 - F-15
Galley Group	F-16 - F-17
Heating & Air Conditioning Group	F-18 - F-19
Interior Finish Group	F-20 - F-21
LP Group	F-22
Lounge Group	F-23 - G-01
Water & Sewage Group	G-02 - G-03
Window, Vent & Exterior Door Group	G-04 - G-16

HEATING & AIR CONDITIONING GROUP (CONTINUED)

AUTOMOTIVE HEATER & AIR CONDITIONER

Key	Part Number	U/M	Description
	081051-02-000	EA	A/C - Compressor Mount Package - 350 CID
	086781-01-000	EA	Evaporator Asm. - A/C (Ford)
	072343-05-000	EA	Compressor/Clutch (Chevrolet)
	072343-07-000	EA	Compressor/Clutch (Ford)
	007108-01-000	FT	Hose - Heater - 5/8" ID SAE 20R
	049401-01-000	EA	Rear Heater Asm.
	062401-04-000	EA	Clamp - Worm Drive - .69" - 1.25 ID

REAR HEATER (OPTION 511)

Key	Part Number	U/M	Description
	084405-01-000	EA	Rear Heater Asm. - w/o Switch
	062401-04-000	EA	Clamp - Hose - Wormgear
	007108-01-000	EA	Hose - Heater - 5/8 ID SAE
	083081-01-000	EA	Hose Formed
	084374-01-000	EA	Bracket - Switch - Heater
	084374-02-000	EA	Bracket - Switch - Heater

INTERIOR FINISH GROUP

PANELING & COUNTERTOP

Key	Part Number	U/M	Description
	074497-10-000	SF	Paneling - Regal Oak - 48" x 84" (Cabinets)
	074497-14-000	SF	Paneling - Cross - Silk - 48" x 84" (Ceiling)
	088272-40-000	SF	Paneling - Decor - Rainbow - 48" x 84" (Main Wall) (Y05)
	088272-39-000	SF	Paneling - Decor - Sunkist - 48" x 84" (Main Wall) (Y06)
	088272-29-000	SF	Paneling - Decor - Rainbow - 48" x 84" (Galley & Bath) (Y05)
	088272-30-000	SF	Paneling - Decor - Haze - 48" x 84" (Galley & Bath) (Y06)
	088272-38-000	SF	Paneling - Decor - Bone (Wet Bath)
	074498-28-000	SF	Plastic Laminate - Tan (Lavatory)
	074498-24-000	SF	Plastic Laminate - Regal Oak (Woodgrain)
	076325-16-000	FT	Edge Molding - Regal Oak

INTERIOR MOLD & TRIMS

Key	Part Number	U/M	Description
	069733-70-000	EA	Batt Strip - Regal Oak - 8' (Woodgrain)
	085284-03-000	EA	Batt Strip - Regal Oak - Tape Adhesive
	088263-30-000	EA	Batt Strip - Cross - Silk Splatter (Ceiling)
	088263-28-000	EA	Batt Strip - Rainbow - 8' (Main Wall) (Y05)
	085284-12-000	FT	Batt Strip - Rainbow - Tape Adhesive (Y05)
	088263-27-000	EA	Batt Strip - Sunkist - 8' (Main Wall) (Y06)
	085284-11-000	FT	Batt Strip - Sunkist - Tape Adhesive (Y06)
	088263-08-000	EA	Batt Strip (Shower) - Bone - 8'
	086229-04-000	EA	Batten - 1" - Ceiling Molding - Ivory
	009809-17-000	EA	F-Molding - 1" - Regal Oak
	099812-17-000	EA	F-Molding - 1/2" - Regal Oak
	083620-01-000	FT	T-Molding - w/Edge Lips - Grady Brown
	083620-04-000	FT	T-Molding - w/Edge Lips - Light Oak
	070504-01-000	FT	U-Channel - .65" - Light Brown
	070504-06-000	FT	U-Channel - .815" - Regal Oak
	009778-07-000	FT	U-Channel - 1" - Regal Oak
	009767-06-000	FT	Welling - Beige
	085746-01-000	FT	J-Molding - .75" w/Lips - Grady Brown
	024700-17-000	EA	Cover - Sidewall Roll Bar - Beige (Wall/Ceiling)
	022992-08-000	FT	Molding - Reverse Cover - Champagne White
	022992-01-000	FT	Molding - Reverse Cover - T-Shaped - Vinyl
	042357-11-000	FT	Molding - Outside Corner - Light Oak
	077840-01-W30	FT	Molding - Wall Cap
	080176-02-000	EA	Corner Cap - Radius Plastic - Light Oak
	081521-02-007	EA	Molding - 64 Hole Space

MISCELLANEOUS

Key	Part Number	U/M	Description
	053552-02-W24	EA	Handle Asm. - Assist - Vinyl
	091257-02-000	EA	Assist Handle - Entrance Door
	041944-03-000	EA	Fire Extinguisher - 5BC - w/o Bracket (US)
	041944-05-000	EA	Fire Extinguisher - 5 BC - w/o Bracket (CSA)
	094499-01-000	EA	Fire Extinguisher - 10BC - w/Bracket (US)
	094499-02-000	EA	Fire Extinguisher - 10BC - w/Bracket (CSA)
	094651-01-01A	EA	Holder - Recessed - Fire Extinguisher
	072852-01-000	EA	Smoke Detector w/9 Volt Battery
	054185-31-000	EA	Owner's Manual - Winnebago/Itasca - 1989

1989 WINNEBAGO TABLE OF CONTENTS

WC/F423RB	A-01 - C-02
WC/F423RC	C-03 - E-08
WF427RT	E-09 - G-16

1989 WF427RT INDEX

Floor Plan	E-09 - E-10
Accessories Group	E-11 - E-13
Bath Group	E-14 - E-15
Chassis Group	E-16 - E-18
Curtain, Cushion & Pad Group	E-19 - F-02
Dinette Group	F-03 - F-04
Driver's Compartment Group	F-05 - F-06
Electrical Group	F-07 - F-09
Exterior Body Group	F-10 - F-15
Galley Group	F-16 - F-17
Heating & Air Conditioning Group	F-18 - F-19
Interior Finish Group	F-20 - F-21
LP Group	F-22
Lounge Group	F-23 - G-01
Water & Sewage Group	G-02 - G-03
Window, Vent & Exterior Door Group	G-04 - G-16

INTERIOR FINISH GROUP (CONTINUED)

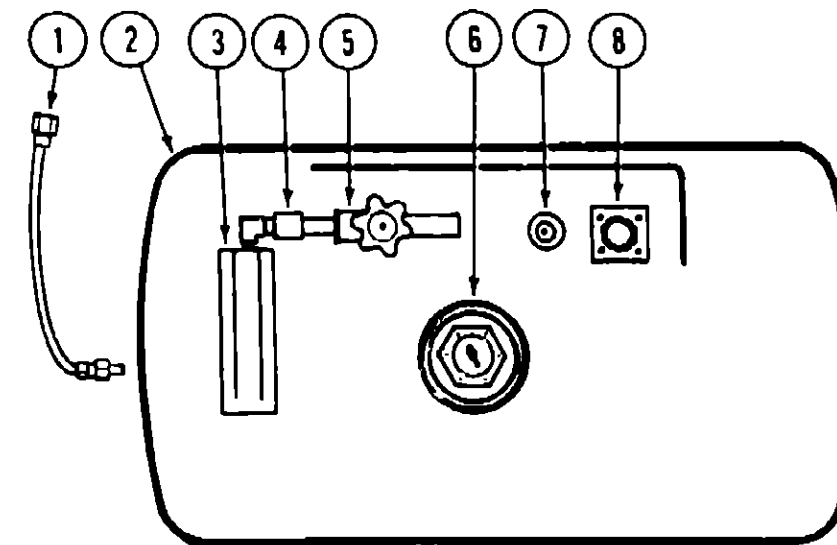
FABRIC & FLOOR COVERINGS

Key	Part Number	U/M	Description
	088274-64-000	YD	Fabric - Upholstery - Main - Lt. Slate (Y05)
	088274-65-000	YD	Fabric - Upholstery - Main - Antelope (Y06)
	088274-68-000	YD	Fabric - Upholstery - Accent - Lt. Slate (Y05)
	088274-69-000	YD	Fabric - Upholstery - Accent - Antelope (Y06)
	072333-61-000	YD	Fabric - Drapery - Pacific (Y05)
	072333-62-000	YD	Fabric - Drapery - Rose Beige (Y06)
	087272-01-000	YD	Lining - Drapery - 48" - Ivory
	088273-29-000	YD	Fabric - Bedspread - Natural (Y05)
	088273-22-000	YD	Fabric - Bedspread - Sandlin (Y06)
	079680-01-000	YD	Vinyl - Expanded - 26 oz. Buckskin (Headliner)
	075244-03-000	YD	Vinyl - Shower Curtain - 72" - Beige
	072333-63-000	YD	Fabric - Pull Shade - Entrance Door - Bone
	091261-01-000	FT	Backing - Carpet - Non-Skid - 12" Wide
	085746-01-000	FT	Trim - "J" Carpet
	093486-01-000	SY	Carpet - Outside Storage Compartment
	093486-01-001	EA	Carpet - Outside Storage Compartment (1SY)
	072160-84-000	SY	Carpet - Graphite (Y05)
	072860-69-000	SY	Carpet - Rose Mist (Y06)
	079970-09-000	YD	Tape Carpet - 3/4"

CABINETRY & TABLE HARDWARE

Key	Part Number	U/M	Description
	059777-02-000	EA	Hinge - Cabinet Door - Brass
	074493-02-000	EA	Overhead Door - Support - Sprung
	088264-01-000	EA	Pull - Cabinet - Polished Brass
	081376-01-000	EA	Back Plate - Door Pull - Polished Brass
	093586-03-000	EA	Catch - Spring Roller
	009021-01-000	EA	Catch - Nylon Grill
	009021-02-000	EA	Strike - Spring Steel
	009016-01-000	EA	Catch - Elbow - Spring Loaded
	093586-04-000	EA	Strike - Steel Spring
	074045-06-000	EA	Plug - 1/2" - Oak
	077409-02-000	EA	Slide - Plastic Drawers
	075249-01-000	EA	Railing - Oak - .72" - Unfinished
	009059-01-000	EA	Hinge - 2" - Brass
	080736-01-000	EA	Pull - Recessed - 1.25" x 4"
	064781-05-000	EA	Cup Holder - Two Step
	024281-11-000	EA	Bracket - Lower Wall Mount
	053200-09-000	EA	Bracket - Upper Wall Mount
	024275-11-000	EA	Rod - Table Lift
	048493-10-000	EA	Catch - Table Leg - Mounts on Floor
	064050-02-000	EA	Hinge - Bracket - Leg Folding
	024276-17-000	EA	Leg Asm. - Table - Regal Oak
	088410-01-000	EA	Hanger - Table
	024282-01-000	EA	Brace - Table Leg
	024283-01-000	EA	Clip - 1" - 1.25" - OD Tube - Black
	041194-01-000	EA	Base - Pedestal Table - Flush Mount
	009040-03-000	EA	Base - Pedestal Table - Raised
	082525-01-000	EA	Brace - Couch - Floor
	083125-05-000	EA	Brace - Couch
	009040-04-000	EA	Leg - Pedestal Table - 27.5"

LP GROUP



Key	Part Number	U/M	Description
	045703-01-000	EA	Hose Asm. - LP - 3/8" ID x 24" (US)
	045703-02-000	EA	Hose Asm. - LP - 3/8" ID x 24" (CSA)
	081637-01-000	EA	Tank Asn. - LP - Frame Mount - 68 Pound - 14" Dia. x 32"
	081938-01-000	EA	Cover - LP Regulator
	076301-01-000	EA	Regulator - Two Stage
	090976-02-000	EA	Safety Valve - Electric
	040421-01-703	EA	Valve - Vapor Relief
	040421-01-707	EA	Gauge - Float - w/Visible Dial - 80 Pound Tank
	040421-01-706	EA	Dial - Visible Face - Float Gauge (Tank w/o Electric Transmitter)
	040440-01-000	EA	Dial - Visible Face - Float Gauge (Tank w/Electric Transmitter)
	040421-01-700	EA	Gauge - Liquid Level - 20% LP
	040421-01-701	EA	Valve - Filler - LP
	040421-01-702	EA	Cap - Plastic Fill Valve
	040421-01-711	EA	Inner Tank Valve - 80% Fill
	065741-01-000	EA	Gauge - Diaphragm Pressure - Test Leak
	097395-01-000	EA	LP Gas Leak Detector
	065318-02-000	EA	Elbow - 90° - 3/8" MPT x 3/8" FPT
	093280-01-000	EA	Bracket - LP
	065742-01-000	EA	Tee - .38 F x .37 F x .25 FPT
	090976-02-000	EA	Safety Valve - LP
	034591-02-000	EA	Adaptor - Speed - LP Regulator w/Flow Dev.
	093511-01-000	EA	Vapor Kit - LP Generator

1989 WINNEBAGO TABLE OF CONTENTS

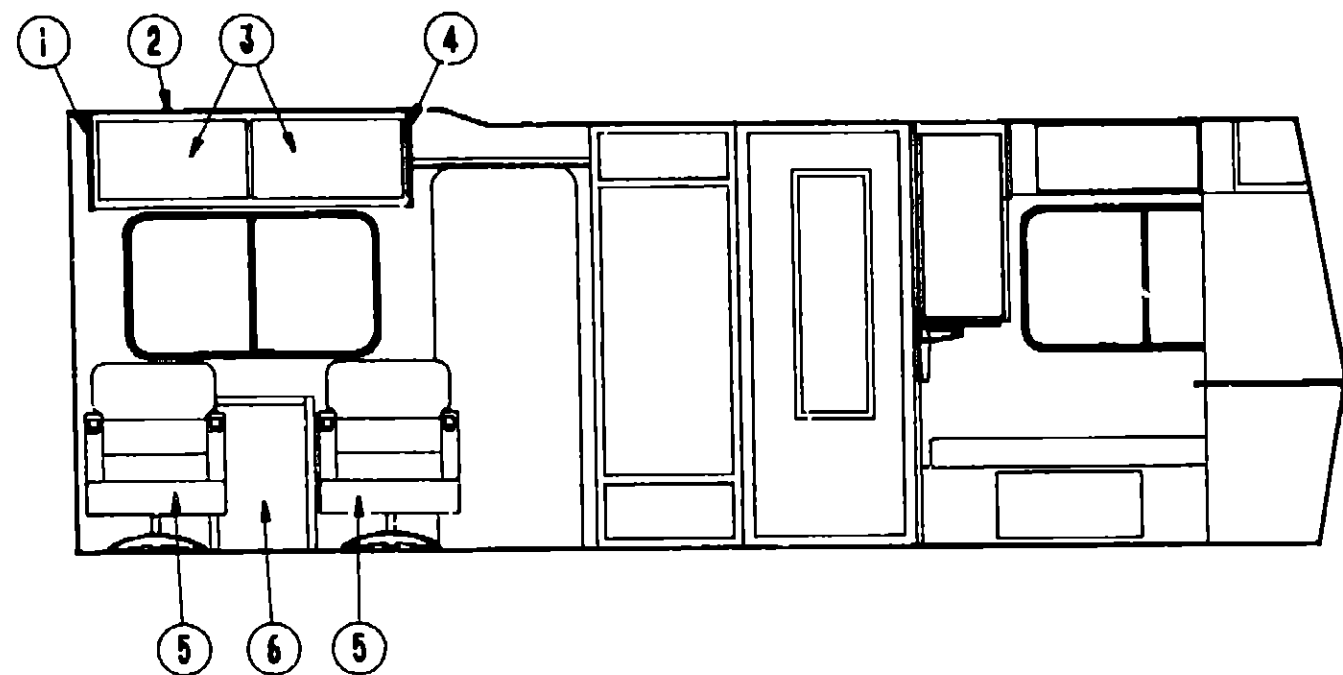
WC/F423RB
WC/F423RC
WF427RT

A-01 - C-02
C-03 - E-08
E-09 - G-16

1989 WF427RT INDEX

Floor Plan	E-09 - E-10
Accessories Group	E-11 - E-13
Bath Group	E-14 - E-15
Chassis Group	E-16 - E-18
Curtain, Cushion & Pad Group	E-19 - F-02
Dinette Group	F-03 - F-04
Driver's Compartment Group	F-05 - F-06
Electrical Group	F-07 - F-09
Exterior Body Group	F-10 - F-15
Galley Group	F-16 - F-17
Heating & Air Conditioning Group	F-18 - F-19
Interior Finish Group	F-20 - F-21
LP Group	F-22
Lounge Group	F-23 - G-01
Water & Sewage Group	G-02 - G-03
Window, Vent & Exterior Door Group	G-04 - G-16

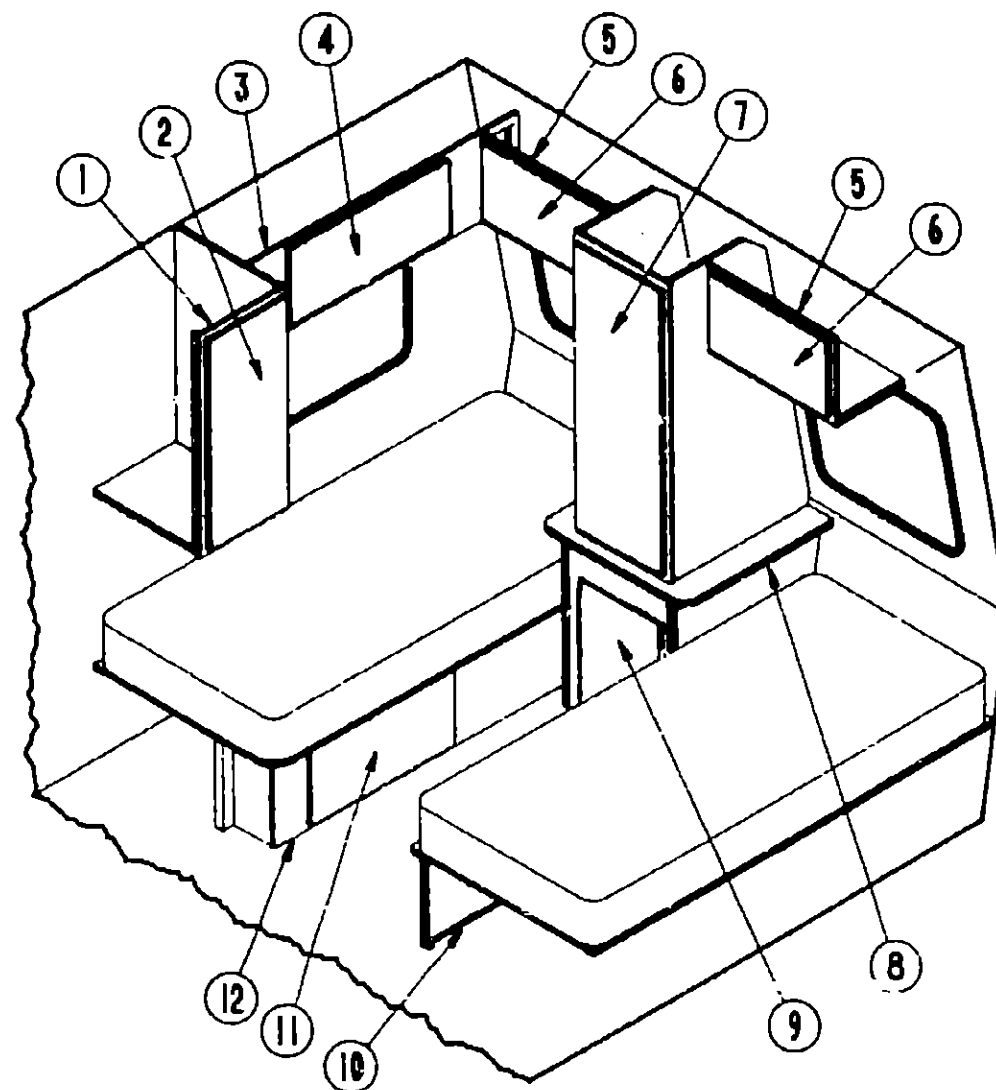
LOUNGE GROUP



FRONT LOUNGE CABINERY

Key	Part Number	U/M	Description
1	081280-18-W24	EA	End Cap Asm.
2	M92031-01-X81	EA	Cabinet Asm. - Entrance Door
3	M88304-84-X08	EA	Door Asm. - Overhead - 14.3" x 26.7" - w/o Hardware
4	092815-01-X81	EA	End Cap Asm.
*5	092389-02-Y05	EA	Swivel Chair
*5	092389-02-Y06	EA	Swivel Chair
*5	096100-01-Y05	EA	Swivel Chair
*5	096100-01-Y06	EA	Swivel Chair
6	M96873-01-AB1	EA	Table Asm. - Cabinet Only
	096873-11-AB6	EA	Table Asm. - Pullout Top
	• See the Curtain, Cushion & Pad Group.		

LOUNGE GROUP (CONTINUED)



TWIN BED CABINERY

Key	Part Number	U/M	Description
1	092046-01-X81	EA	Cabinet Asm. - Passenger Shirt Closet - w/o Door or Hardware
	092047-01-X81	EA	Cabinet Asm. - Driver Shirt Closet - w/o Door or Hardware
2	M88304-82-X08	EA	Door Asm. - Shirt Closet - 14.3" x 33.4" - w/o Hardware
3	M93400-01-X81	EA	Cabinet Asm. - Passenger Overhead - w/o Door or Hardware
	M93401-01-X81	EA	Cabinet Asm. - Driver Overhead - w/o Door or Hardware
4	M88304-07-X14	EA	Door Asm. - Side Rear Overhead - 12" x 29.1" - w/o Hardware
5	M92377-01-X81	EA	Cabinet Asm. - Rear Overhead - w/o Door or Hardware
6	M88304-16-X23	EA	Door Asm. - Rear Overhead - 12" x 21.8" - w/o Hardware
7	M88304-83-X08	EA	Door Asm. - Wardrobe Cabinet - 15.5" x 45.4" - w/o Hardware
8	092360-14-X81	EA	Countertop Asm. - Wardrobe Cabinet
9	M88304-52-X23	EA	Door Asm. - Wardrobe Cabinet - 14.3" x 21.8" - w/o Hardware
10	M92336-01-X81	EA	Cabinet Asm. - Twin Bed - Driver Side
11	M88304-93-X81	EA	Door Asm. - Twin Bed Cabinet - 12" x 25.9" - w/o Hardware
12	M92335-01-X81	EA	Cabinet Asm. - Twin Bed - Passenger Side

1989 WINNEBAGO TABLE OF CONTENTS

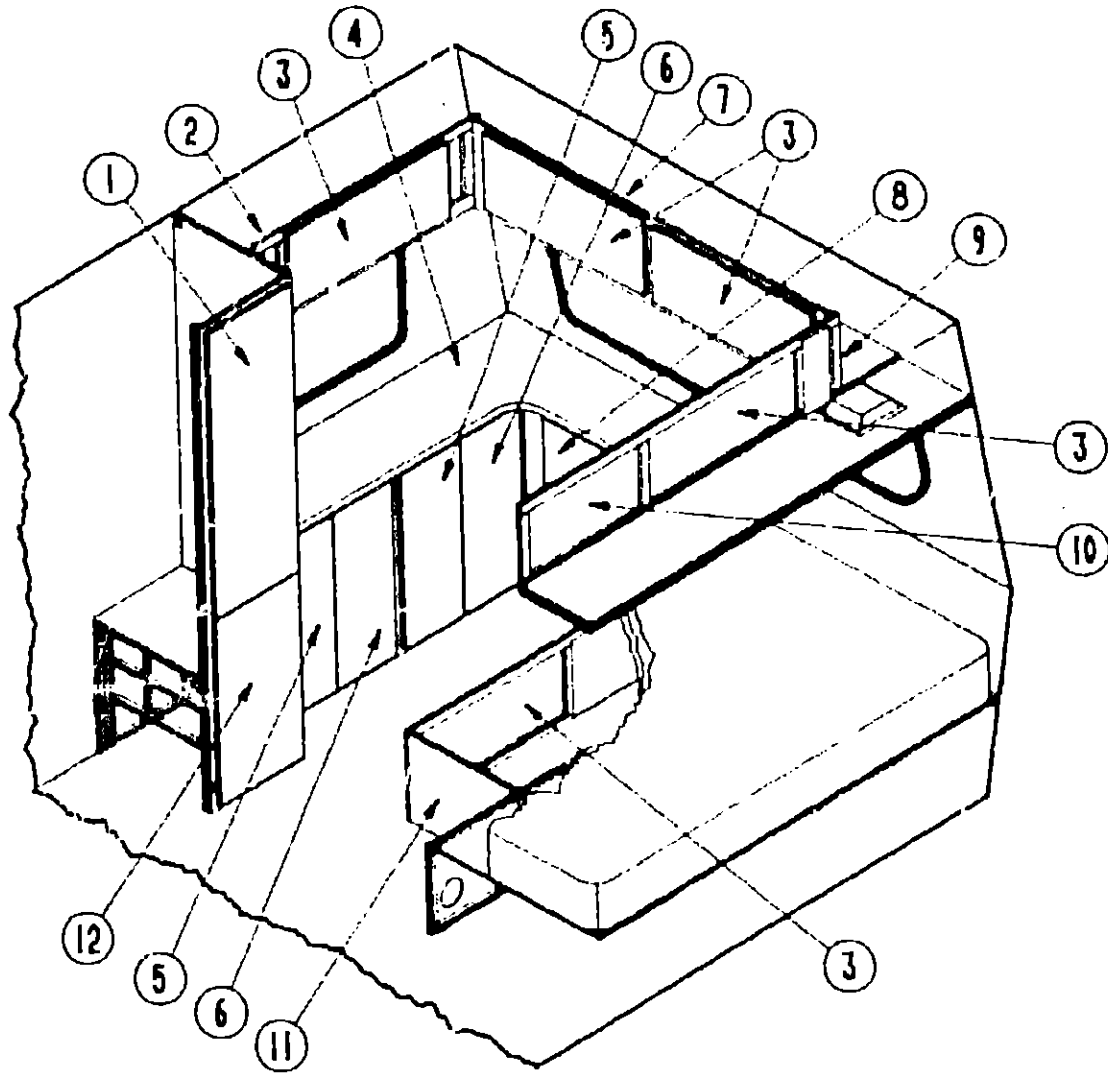
WC/F423RB
WC/F423RC
WF427RT

A-01 - C-02
C-03 - E-08
E-09 - G-16

1989 WF427RT INDEX

Floor Plan	E-09 - E-10
Accessories Group	E-11 - E-13
Bath Group	E-14 - E-15
Chassis Group	E-16 - E-18
Curtain, Cushion & Pad Group	E-19 - F-02
Dinette Group	F-03 - F-04
Driver's Compartment Group	F-05 - F-06
Electrical Group	F-07 - F-09
Exterior Body Group	F-10 - F-15
Galley Group	F-15 - F-17
Heating & Air Conditioning Group	F-18 - F-19
Interior Finish Group	F-20 - F-21
LP Group	F-22
Lounge Group	F-23 - G-01
Water & Sewage Group	G-02 - G-03
Window, Vent & Exterior Door Group	G-04 - G-16

LOUNGE GROUP (CONTINUED)



DOUBLE BED CABINERY (OPTION 46)

Key	Part Number	U/M	Description
1	M88304-83-X08	EA	Door Asm. - Wardrobe - 14.3" x 33.4" - w/o Hardware
	077404-02-000	EA	Drawer Asm. - Plastic - 20" x 12.7"
2	M93525-01-X91	EA	Cabinet Asm. - Passenger Overhead - w/o Door or Hardware
3	M88304-07-X14	EA	Door Asm. - Passenger Overhead - 12" x 29.1" - w/o Hardware
4	M93537-01-X81	EA	Cabinet Asm. - Vanity - w/Countertop - w/o Doors or Hardware
4	093537-13-X81	EA	Countertop Asm. - Vanity Cabinet
5	M88304-71-X08	EA	Door Asm. - Vanity Cabinet - 10.9" x 27.9" - Left
6	M88304-72-X08	EA	Door Asm. - Vanity Cabinet - 10.8" x 27.9" - Right
7	M93521-01-X81	EA	Cabinet Asm. - Rear Overhead - w/o Doors or Hardware
8	M88304-F2-X81	EA	Door Asm. - 15.7" x 27.9" - Vanity Cabinet - w/o Hardware
9	M93528-01-X81	EA	Cabinet Asm. - Driver Overhead - w/o Doors or Hardware
10	M88304-16-X23	EA	Door Asm. - Drivers Overhead - 12" x 21.8" - w/o Hardware
11	M93436-01-X81	EA	Cabinet Asm. - Double Bed - w/o Doors or Hardware
12	M88304-E8-X81	EA	Door Asm. - 15.5" x 29.5" - Wardrobe Cabinet - w/o Hardware
	082686-01-000	EA	Lamp - Table - Wood w/Brass
	082686-02-000	EA	Shade - Table Lamp
	082686-06-000	EA	Shade - Table Lamp

Parts used before 11/6/88.

WATER & SEWAGE GROUP

DRAINAGE SYSTEM

Key	Part Number	U/M	Description
	062422-01-000	EA	Adapter - Offset Reducer - 3" x 1 1/2"
	089330-01-000	EA	Adapter - Sewer Hose End
	033302-02-000	EA	Adapter Asm. - Strainer - 1 1/2" (CSA)
	010122-01-000	EA	Bushing - Plastic - Red - 1 1/2 S x 1 1/4 T
	010121-01-000	EA	Bushing - Plastic - Red - 1 1/2 S x 1 1/4 H
	011091-02-000	EA	Continuous Waste - Double Sink - 11 7/8" (US)
	053874-01-000	EA	Continuous Waste Asm. (CSA)
	078406-01-000	EA	Coupler - Rubber - 3" x 3"
	010009-01-000	EA	Elbow - Plastic - 1/4 BD x 1 1/2 x 90°
	041956-01-000	EA	Elbow - Plastic - 1/4 BD x 3" x 90°
	010000-01-000	EA	Elbow - Plastic - 1/8 BD x 1 1/4 x 45° x H
	031126-01-000	EA	Elbow - Plastic - 1/4 BD x 1 1/2 x 90°
	010051-01-000	EA	Elbow - Plastic - 1/8 BD x 1 1/2 x 45°
	010008-01-000	EA	Elbow - Plastic - 1/4 BD x 1 1/2 x 90° - Left
	033761-01-000	EA	Elbow - Plastic - 1/4 BD x 1 1/2 x 90°
	037101-02-000	EA	Elbow - Plastic - 1/4" Bend Vent - 1 1/2" Hub (CSA)
	070924-01-000	EA	Elbow - Plastic - Swivel - 1/2 MPT x 1/2 FP
	011056-03-000	EA	Faucet - Lavatory - Brass
	011059-04-000	EA	Faucet - Shower
	011053-04-000	EA	Faucet - Swing Spout - 8" - Galley
	091253-01-000	EA	Gasket - Galley Faucet
	010147-01-000	EA	Flange - Closet - Red - 4" x 3" (US)
	010147-02-000	EA	Flange - Closet - Red - 4" x 3" (CSA)
	024676-01-000	EA	Flange - Closet - 4" x 3" (US)
	024676-02-000	EA	Flange - Closet - 4" x 3" (CSA)
	091253-01-000	EA	Gasket - Lavatory Faucet
	061607-01-000	EA	Grommet - Holding Tank Coupler - 1 1/2"
	061607-02-000	EA	Grommet - Holding Tank Coupler - 3"
	056435-01-000	EA	Nut - Strainer
	075726-01-000	EA	Outlet Extension - Sewer
	011066-03-000	EA	P-Trap - 1 1/4" - Plastic (US)
	053335-01-000	EA	P-Trap - 1 1/4" - Plastic w/Union (CSA) (Galley)
	010194-01-000	FT	Pipe - Plastic - 1 1/4"
	010195-01-000	FT	Pipe - Plastic - 1 1/2"
	010197-01-000	FT	Pipe - Plastic - 3"
	010166-01-000	EA	Plug - Plastic - 1 1/4"
	062422-01-000	EA	Reducer Adapter - 3" x 1 1/2"
	083558-01-000	EA	Roof Vent - Covered - Vent Pipe
	062415-01-000	EA	Sewer Cap - 3"
	010201-01-000	EA	Sewer Hose - 3" ID x 20'
	011048-02-000	EA	Shower Head w/60" Hose (US)
	011048-05-000	EA	Shower Head w/60" Hose (CSA)
	M02630-08-Y21	EA	Shower Pan Asm.
	068615-01-000	EA	Sink - Double - Stainless Steel
	089366-01-000	EA	Sink - Oval - Plastic - Ivory
	066436-01-000	EA	Slip Nut - 1.5 - Tailpiece
	066729-01-000	EA	Strainer - Shower Drain
	066437-01-000	EA	Strainer - Sink - Galley
	011069-02-000	EA	Tailpiece - 1 1/2 x 1 1/4 x 4" - Brass
	083041-01-000	EA	Tank - Holding - 30 Gal.
	061804-01-000	EA	Tank - Holding - 36 Gal.
	010079-01-000	EA	Tee - Plastic - 1 1/2 H x 1 1/2 H x 1 1/4 H
	010072-01-000	EA	Tee - Plastic - Red - 1 1/2 H x 1 1/4 H x 1 1/2 H
	010071-01-000	EA	Tee - Plastic - 1 1/2 H x H x H
	038342-01-000	EA	Tee - Plastic - 1.5" Street x 1/2" Hub x 1/2" Hub
	063740-02-000	EA	Toilet - Ivory - Aqua Magic
	070916-01-000	EA	Valve - Dual - 3" x 1.5"
	052961-01-000	EA	Valve - Drain - In Line - 1/2" F x 1/2" F x 1/2" F x 1/2" F
	079968-01-000	EA	Vent - Mechanical Trap Arm
	069735-01-000	EA	Washer - Tailpiece - 1.5 - Plastic
	010073-01-000	EA	Wye - Plastic - 1 1/2 x 45° x H x H

**1989 WINNEBAGO
TABLE OF CONTENTS**

WC/F423RB
WC/F423RC
WF427RT

A-01 - C-02
C-03 - E-08
E-09 - G-16

1989 WF427RT INDEX

Floor Plan	E-09 - E-10
Accessories Group	E-11 - E-13
Bath Group	E-14 - E-15
Chassis Group	E-16 - E-18
Curtain, Cushion & Pad Group	E-19 - F-02
Dinette Group	F-03 - F-04
Driver's Compartment Group	F-05 - F-06
Electrical Group	F-07 - F-09
Exterior Body Group	F-10 - F-15
Galley Group	F-16 - F-17
Heating & Air Conditioning Group	F-18 - F-19
Interior Finish Group	F-20 - F-21
LP Group	F-22
Lounge Group	F-23 - G-01
Water & Sewage Group	G-02 - G-03
Window, Vent & Exterior Door Group	G-04 - G-16

WATER & SEWAGE GROUP (CONTINUED)

WATER LINES & HARDWARE

Key	Part Number	U/M	Description
	044927-01-000	EA	Adapter - Plastic - 1 1/4" MPT x 1 1/4" Bar (Water Tank)
	079317-01-000	EA	Adapter - Swivel - .5 Tube x .5 FPT
	052954-01-000	EA	Adapter - Nose Cone - 3/8" or 1/2" - Plastic
	036555-02-000	EA	Cap - Brass - 1/2" Flare
	052959-02-000	EA	Connector - Plastic - 1/2" F x 1/2" MPT
	052959-03-000	EA	Connector - 1/2" x 3/8 MPT - Plastic
	010219-01-000	EA	Elbow - Plastic - 1 1/3" MPT x 1 1/4" Barb
	065120-01-000	EA	Elbow - Plastic - Swivel - 50
	035539-01-000	EA	Elbow - Plastic - 3/8 MPT x 3/8" BARB
	052957-02-000	EA	Elbow - Plastic - 1/2" F x 1/2" MPT
	011056-03-000	EA	Faucet - Lavatory - Brass
	091253-01-000	EA	Gasket - Lavatory Faucet
	011053-04-000	EA	Faucet - Swing Spout - Galley - 8"
	091253-01-000	EA	Gasket - Galley Faucet
	011053-04-000	EA	Faucet - Tub/Shower - Brass
	000D34-05-00C	EA	Nut - Hex - 5/16 - 18 CAD
	052952-01-000	EA	Nut - Plastic - 1/2" F
	052952-02-000	EA	Nut - Plastic - 5/8 Flare
	052953-01-000	EA	Nut - Faucet - 1/2" Tube x 1/2" FPT
	049032-01-000	EA	Patch - Spinweld - Plastic - 3/8"
	045729-01-000	EA	Pump - Water - 2.8 GPM - Direct Flow (US)
	045729-02-000	EA	Pump - Water - 2.8 GPM - Direct Flow (CSA)
	045729-01-700	EA	Motor - Black
	045729-01-701	EA	Baseplate Kit
	045729-01-702	EA	Diaphragm Kit
	045729-01-703	EA	Valve Asm. - Kit
	045729-01-704	EA	Upper Housing
	045729-01-705	EA	Switch Cap Kit - w/Switch
	045729-01-706	EA	Pumphead
	045729-01-707	EA	Lower - Housing
	091208-01-000	EA	Rubber Washer - .06 x .75 x .50
	011048-02-000	EA	Shower Head - w/60" Hose
	042989-03-000	EA	Spinweld Fitting - Plastic - 1/4" NPT
	042989-05-000	EA	Spinweld Fitting - Plastic - 1/2" FPT
	042989-04-000	EA	Spinweld Fitting - Plastic - 3/8" FPT
	052955-01-000	EA	Tee - Plastic - 1/2" F x 1/2" F x 1/2" MPT
	052956-01-000	EA	Tee - Plastic - 1/2 F x 1/2 MPT x 1/2 F
	052958-01-000	EA	Tee - Plastic - 1/2" F x 1/2" F x 1/2" F
	074463-01-000	EA	Tee - 4 Way - 1/2" Flare - Plastic - Gray
	039800-01-000	FT	Tubing - Polybutyl - 1/2" OD x 20' (Water Line)
	079381-01-000	FT	Tubing - Flex/Smooth - 1.25 ID (Water Tank)
	074462-02-000	FT	Tubing - Vinyl - 3/8" ID
	052960-01-000	EA	Valve - Line Drain - 1/2" F x 1/2" F
	064214-01-000	EA	Water Tank - 36 Gal. w/Fittings
**	051391-03-000	EA	Water Heater - w/o Motoraid - Electronic Tune - Atwood - G6A-3E
**	051393-01-000	EA	Water Heater - w/Motoraid - Direct Ignition - Atwood - G6H-3E
**	The illustrated parts breakdown for this item is provided on the Common Items Fiche.		

WINDOW, VENT & EXTERIOR DOOR GROUP

ACCESS DOORS & HARDWARE

Key	Part Number	U/M	Description
	078010-03-000	EA	Door Asm. - Fuel Fill
	077963-01-000	EA	Gasket - Fuel Fill
	072447-04-000	EA	Shroud - Fuel Fill
	052009-01-000	EA	Door Asm. - Water Heater
	M79321-01-T03	EA	Door Asm. - Generator
	079246-01-000	EA	Jamb Asm. - Generator Door - Off White
	088794-01-000	EA	Door Asm. - Power Cord w/Hatch
	079578-04-U28	EA	Door Asm. - Storage
	064075-07-000	FT	Seal - Door - Bulb
	079366-04-000	EA	Lock Asm. - Key Type - w/o Keys
	081801-02-000	EA	Hinge - Continuous - 2" x 96"
	079149-01-T03	EA	Door Asm. - Luggage
	041312-01-000	FT	Seal - Bulb "E" - Section
	084103-03-000	EA	Door Asm. - Refrigerator Access
	086755-02-000	EA	Latch - 1/4 Turn
	093633-01-000	EA	Handle - 1/4 Turn Latch
	084104-01-000	EA	Jamb - Vent Door - Refrigerator
	084104-01-700	EA	Lock - Male Dryus Fastener
	084104-01-701	EA	Lock - Female Dryus Fastener
	079455-04-T95	EA	Door Asm. - Storage
	064075-07-000	FT	Seal - Door - Bulb
	079366-04-000	EA	Lock Asm. - Key Type - w/o Keys
	081801-02-000	EA	Hinge - Continuous - 2" x 96"
	079455-03-T95	EA	Door Asm. - LP
	064075-07-000	FT	Seal - Door - Bulb
	079927-03-000	EA	Lock Asm. - Twist Type - Double Cam
	081801-02-000	EA	Hinge - Continuous - 2" x 96"
	079455-01-T95	EA	Door Asm. - Storage
	064075-07-000	FT	Seal - Door - Bulb
	079366-04-000	EA	Lock Asm. - Key Type - w/o Keys
	081801-02-000	EA	Hinge - Continuous - 2" x 96"
	083264-05-X09	EA	Door Asm. - Storage
	064075-07-000	FT	Seal - Door - Bulb
	079366-04-000	EA	Lock Asm. - Key Type - w/o Keys
	081801-02-000	EA	Hinge - Continuous - 2" x 96"
	077408-01-000	EA	Lock Asm. - Key Type (Rear Cap)
	079368-01-000	FT	Seal - Access Door
	083615-06-000	EA	Door Holder - Off White

VENTS & SKYLIGHTS

Key	Part Number	U/M	Description
	G90395-01-Y12	EA	Vent - Non-Powered - Roof (w/o Screen Asm.)
	078786-01-Y12	EA	Screen Asm. - Non-Powered - Roof Vent
	084079-03-000	EA	Ventilator - Roof - Powered (Fantastic)
	090394-01-Y12	EA	Vent Asm. - Roof - Powered (w/o Screen Asm.)
	064469-08-000	EA	Vent - Roof - Powered - 14" x 14" - 12V (w/o Screen Asm.) (CSA)
	078785-01-Y12	EA	Screen Asm. - Powered - Roof Vent
	084073-03-000	EA	Vent - Roof - Refrigerator
	084073-04-000	EA	Base - Refrigerator Roof Vent
	092698-01-01A	EA	Vent w/Door - Range Hood - Off White
	083558-01-000	EA	Roof Vent - Pipe Cover
	080258-01-000	EA	Trim - Skylight
	080507-01-000	EA	Panel - Skylight - Outer
	080508-01-000	EA	Panel - Skylight - Inner

**1989 WINNEBAGO
TABLE OF CONTENTS**

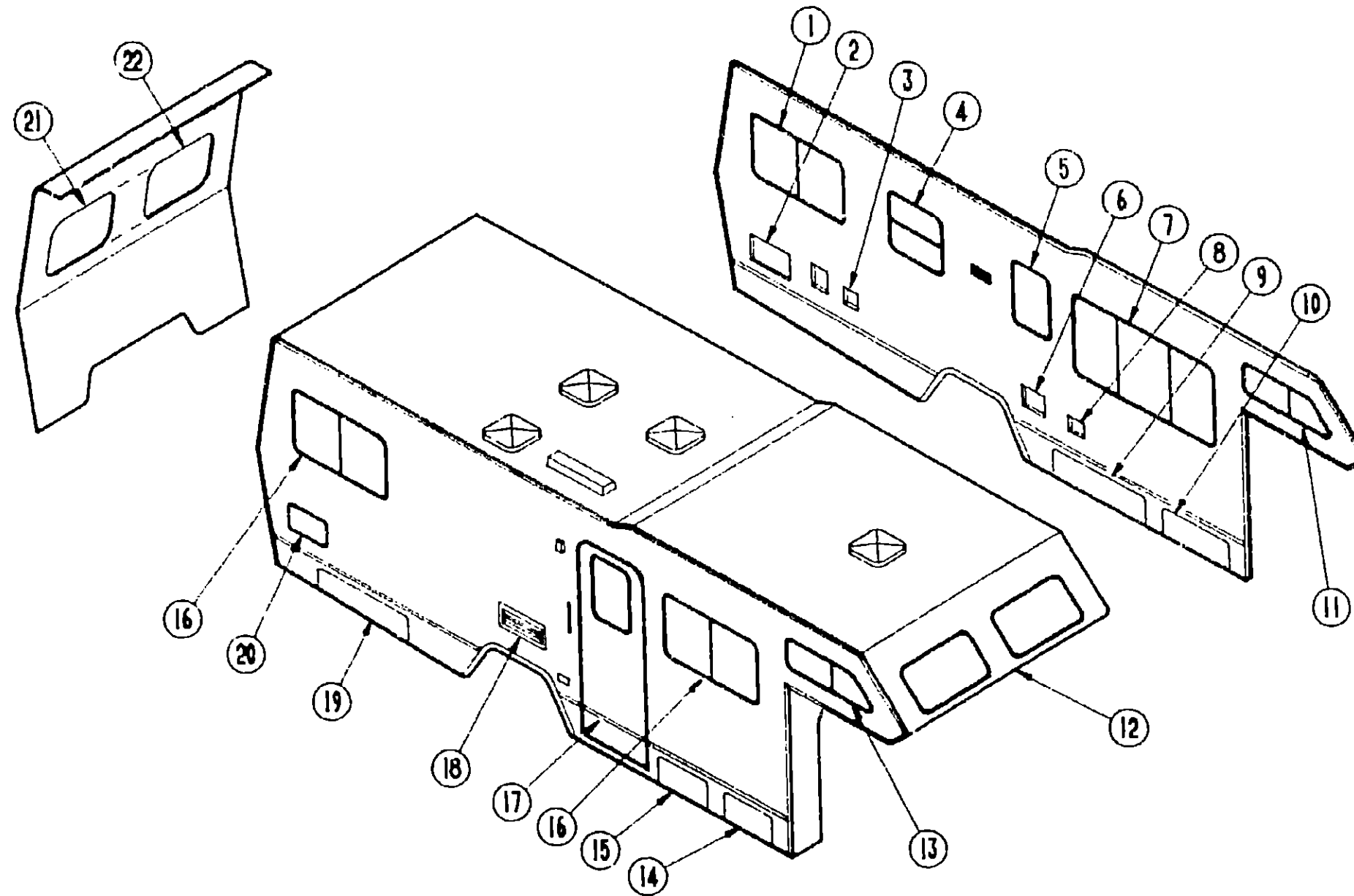
WC/F423RB	A-01 - C-02
WC/F423RC	C-03 - E-08
WF427RT	E-09 - G-16

1989 WF427RT INDEX

Floor Plan	E-09 - E-10
Accessories Group	E-11 - E-13
Bath Group	E-14 - E-15
Chassis Group	E-16 - E-18
Curtain, Cushion & Pad Group	E-19 - F-02
Dinette Group	F-03 - F-04
Driver's Compartment Group	F-05 - F-06
Electrical Group	F-07 - F-09
Exterior Body Group	F-10 - F-15
Galley Group	F-16 - F-17
Heating & Air Conditioning Group	F-18 - F-19
Interior Finish Group	F-20 - F-21
LP Group	F-22
Lounge Group	F-23 - G-01
Water & Sewage Group	G-02 - G-03
Window, Vent & Exterior Door Group	G-04 - G-16

WINDOW, VENT & EXTERIOR DOOR GROUP (CONTINUED)

WINDOWS & DOORS



Key	Part Number	U/M	Description
1	078266-10-X11	EA	Window Asm. - Single Slider
2	079578-04-U28	EA	Door Asm. - Storage
3	078010-03-000	EA	Door Asm. - Fuel Fill
4	078453-02-U25	EA	Window Asm. - Vertical Slider
5	079733-01-T03	EA	Window Asm. - Picture
6	052009-01-000	EA	Door Asm. - Water Heater
7	078271-03-X11	EA	Window Asm. - Center Slider
8	068794-01-000	EA	Door Asm. - Power Cord
9	079455-07-U01	EA	Door Asm. - Lower Compartment
10	079149-01-T03	EA	Door Asm. - Lower Compartment
10	060264-01-000	EA	Door Asm. - Generator
11	086227-02-000	EA	Window Asm. - Bunk Slider
	086228-05-000	EA	Inside Frame - Bunk Slider (Window)

Key	Part Number	U/M	Description
12	078533-04-X08	EA	Window Asm. - Front - Picture
13	086227-01-000	EA	Window Asm. - Bunk Slider
	086228-05-000	EA	Inside Frame - Bunk Slider Window
14	079455-03-T95	EA	Door Asm. - LP
15	079455-01-T95	EA	Door Asm. - Lower Compartment
16	078266-09-X11	EA	Window Asm. - Single Slider
17	M01870-22-Y05	EA	Door Asm. - Entrance
18	084103-03-000	EA	Door Asm. - Refrigerator Access
19	083264-05-X08	EA	Door Asm. - Storage
20	079578-04-U28	EA	Door Asm. - Storage
21	079729-03-W17	EA	Window Asm. - Rear
22	079729-02-T03	EA	Window Asm. - Rear Escape
	078536-01-T03	EA	Window Asm. - Rear Escape (Option 46)

1989 WINNEBAGO TABLE OF CONTENTS

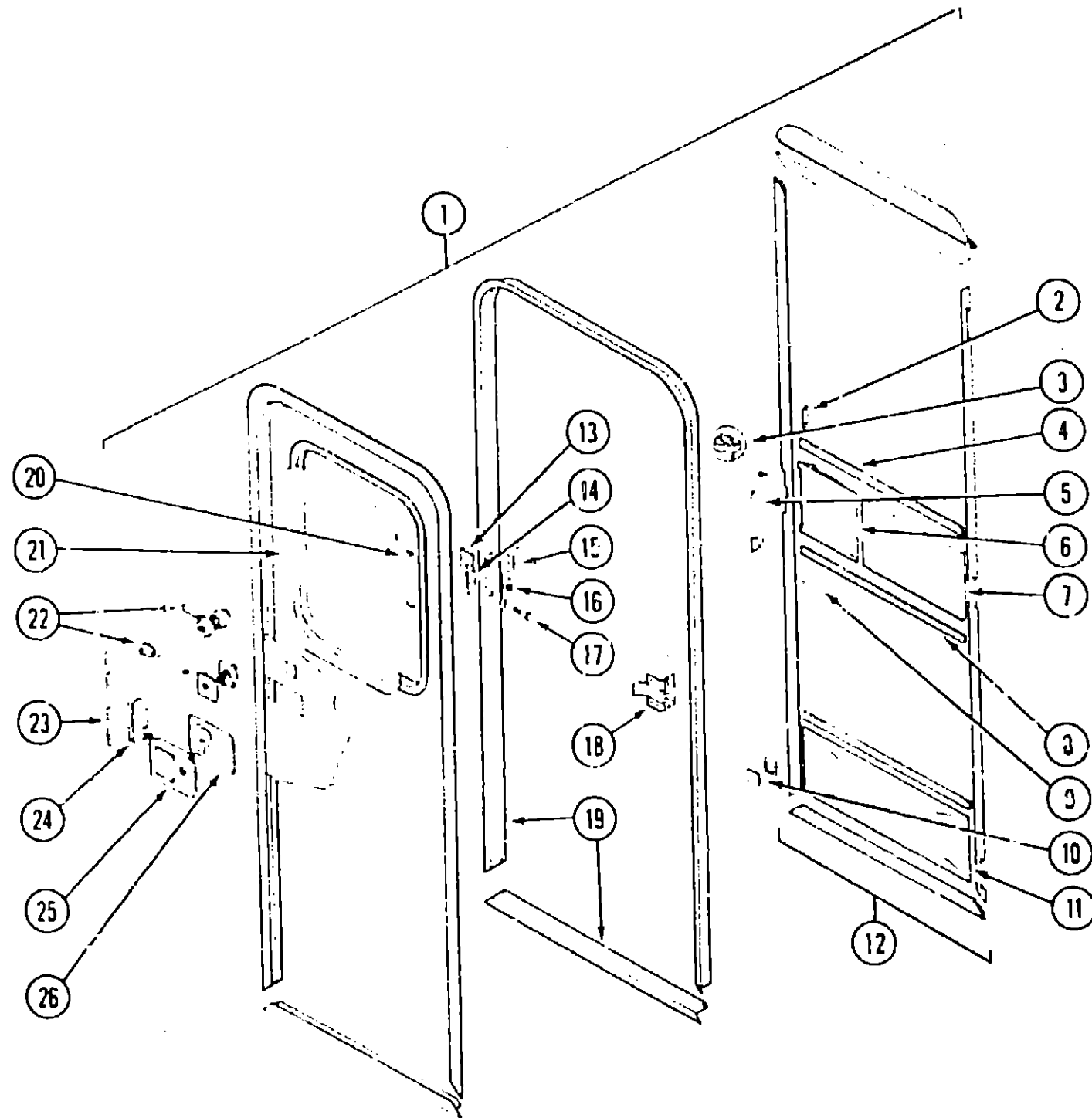
WC/F423RB
WC/F423RC
WF427RT

A-01 - C-02
C-03 - E-08
E-09 - G-16

1989 WF427RT INDEX

Floor Plan	E-09 - E-10
Accessories Group	E-11 - E-13
Bath Group	E-14 - E-15
Chassis Group	E-16 - E-18
Curtain, Cushion & Pad Group	E-19 - F-02
Dinette Group	F-03 - F-04
Driver's Compartment Group	F-05 - F-06
Electrical Group	F-07 - F-09
Exterior Body Group	F-10 - F-15
Galley Group	F-16 - F-17
Heating & Air Conditioning Group	F-18 - F-19
Interior Finish Group	F-20 - F-21
LP Group	F-22
Lounge Group	F-23 - G-01
Water & Sewage Group	G-02 - G-03
Window, Vent & Exterior Door Group	G-04 - G-16

WINDOW, VENT & EXTERIOR DOOR GROUP (CONTINUED)



WINDOW, VENT & EXTERIOR DOOR GROUP (CONTINUED)

ENTRANCE DOOR

Key	Part Number	U/M	Description
1	M01870-22-Y05	EA	Door Asm. - Entrance w/Screen Door
	095276-01-01A	EA	Frame Asm. - Entrance Door - Off White
	089748-01-000	EA	Frame - Entrance Door - Bottom Portion
	044582-02-000	EA	Drip Cap - Top Entrance Door Jamb - Off White
	075639-04-000	EA	Garnish - Radius - Entrance Door
2	050712-05-000	EA	Door Handle - Screen Door
3	009018-01-000	EA	Roller Catch - Screen Door
	058025-02-000	EA	Clip - Roller Latch Catch
	009016-01-000	EA	Catch - Elbow - Spring Loaded - Screen Door
4	078592-02-000	EA	Screen Door Mullion - Upper & Lower - Slider
	078777-01-000	EA	Slider Channel (Mullion Insert)
5	079087-02-000	EA	Strike - Slider - Screen Door
6	079086-02-000	EA	Slider - Screen Door
7	016454-01-000	EA	Insert - Screen Door
8	002294-01-000	FT	Spline - Black
9	002293-02-000	SF	Screen - Window - 26" Charcoal
10	085774-01-000	FT	Fastener - Dual Lock - 1" Wide
10	085774-02-000	FT	Fastener - Dual Lock - 1" Wide
11	078552-03-000	EA	Insert - Screen Door - Lower
12	079012-01-001	EA	Screen Door Asm.
	078595-01-000	EA	Plate - Screen Door
13	077461-03-000	EA	Strike Cover - Off White
14	041546-03-000	EA	Angle Bracket
15	079173-01-000	EA	Deadbolt - Gasket
16	058806-01-000	EA	Plug - Tapered Plastic
17	039539-01-000	EA	Strike
18	079361-05-000	EA	Kinge
19	095277-01-01A	EA	Door Jamb - Entrance Door
20	087561-01-000	FT	Window Seal
21	002181-06-000	EA	Glass - Picture Window
	079733-04-T03	EA	Window Asm. - Picture - 17" x 25" (w/o inside frame)
	067609-03-000	EA	Inside Frame (not included in assembly)
22	039738-01-000	EA	Deadbolt Asm. - Round
22	095229-01-01A	EA	Deadbolt Asm. - Square - Black
23	098173-01-03A	EA	Stiffener - Entrance Door
24	039540-01-000	EA	Latch Asm. - Entrance Door
25	045017-05-000	EA	Latch Asm. - Plate
26	039979-03-000	EA	Cover Asm. - Latch Plate - Black
	039984-01-000	EA	Cap - Black Vinyl - Lock Grip
	075673-01-000	FT	Seal - Pile - Adhesive Back
	075671-01-000	FT	Seal - Sponge - Lazy T Shaped
	002748-01-000	EA	Cover - Key
	081067-01-000	EA	Seal - Lock - Flat w/Slit

1989 WINNEBAGO
TABLE OF CONTENTS

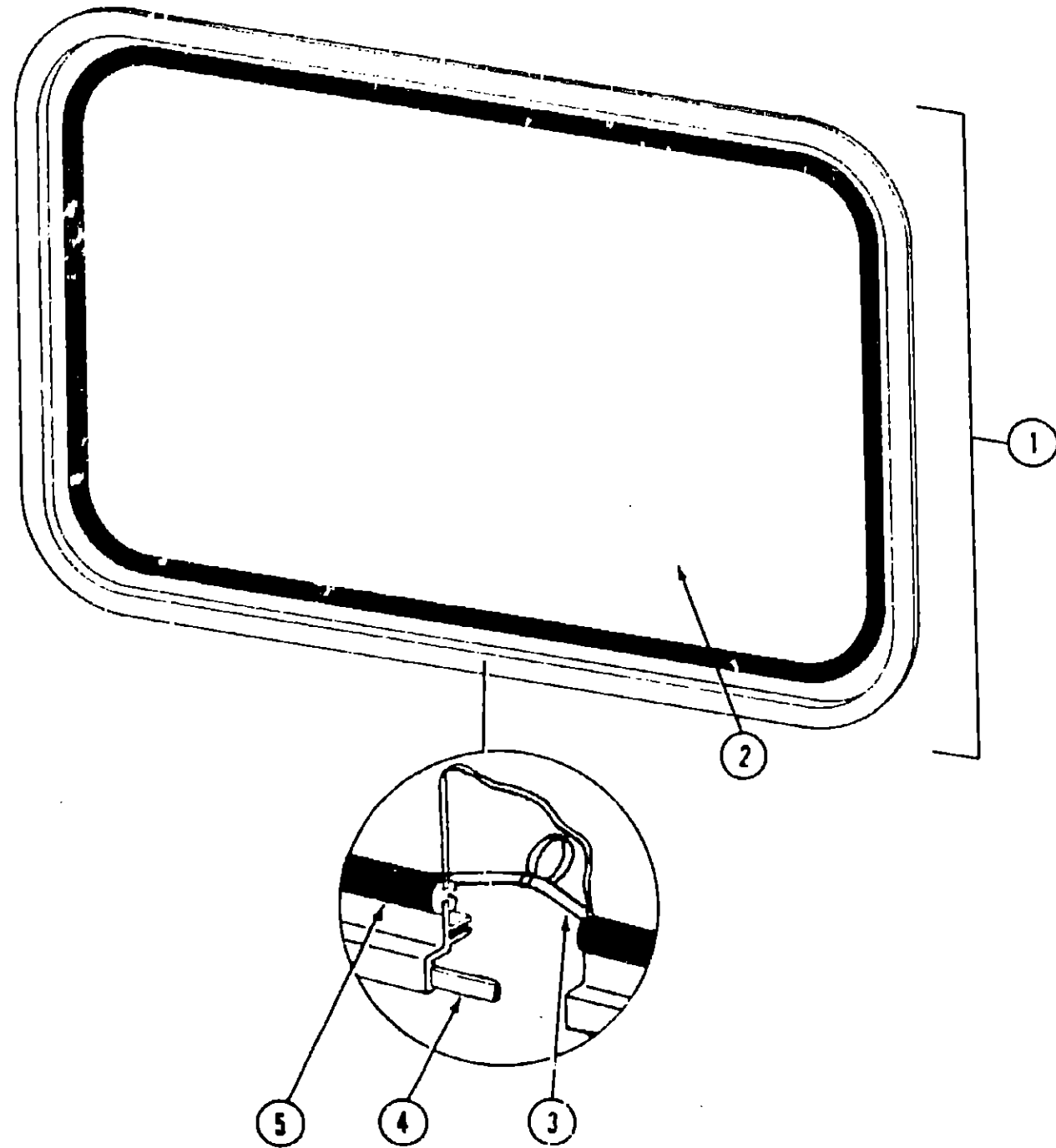
WC/F423RB
WC/F423RC
WF427RT

A-01 - C-02
C-03 - E-08
E-09 - G-16

1989 WF427RT INDEX

Floor Plan	E-09 - E-10
Accessories Group	E-11 - E-13
Bath Group	E-14 - E-15
Chassis Group	E-16 - E-18
Curtain, Cushion & Pad Group	E-19 - F-02
Dinette Group	F-03 - F-04
Driver's Compartment Group	F-05 - F-06
Electrical Group	F-07 - F-09
Exterior Body Group	F-10 - F-15
Galley Group	F-16 - F-17
Heating & Air Conditioning Group	F-18 - F-21
Interior Finish Group	F-20 - F-21
LP Group	F-22
Lounge Group	F-23 - G-01
Water & Sewage Group	G-02 - G-03
Window, Vent & Exterior Door Group	G-04 - G-16

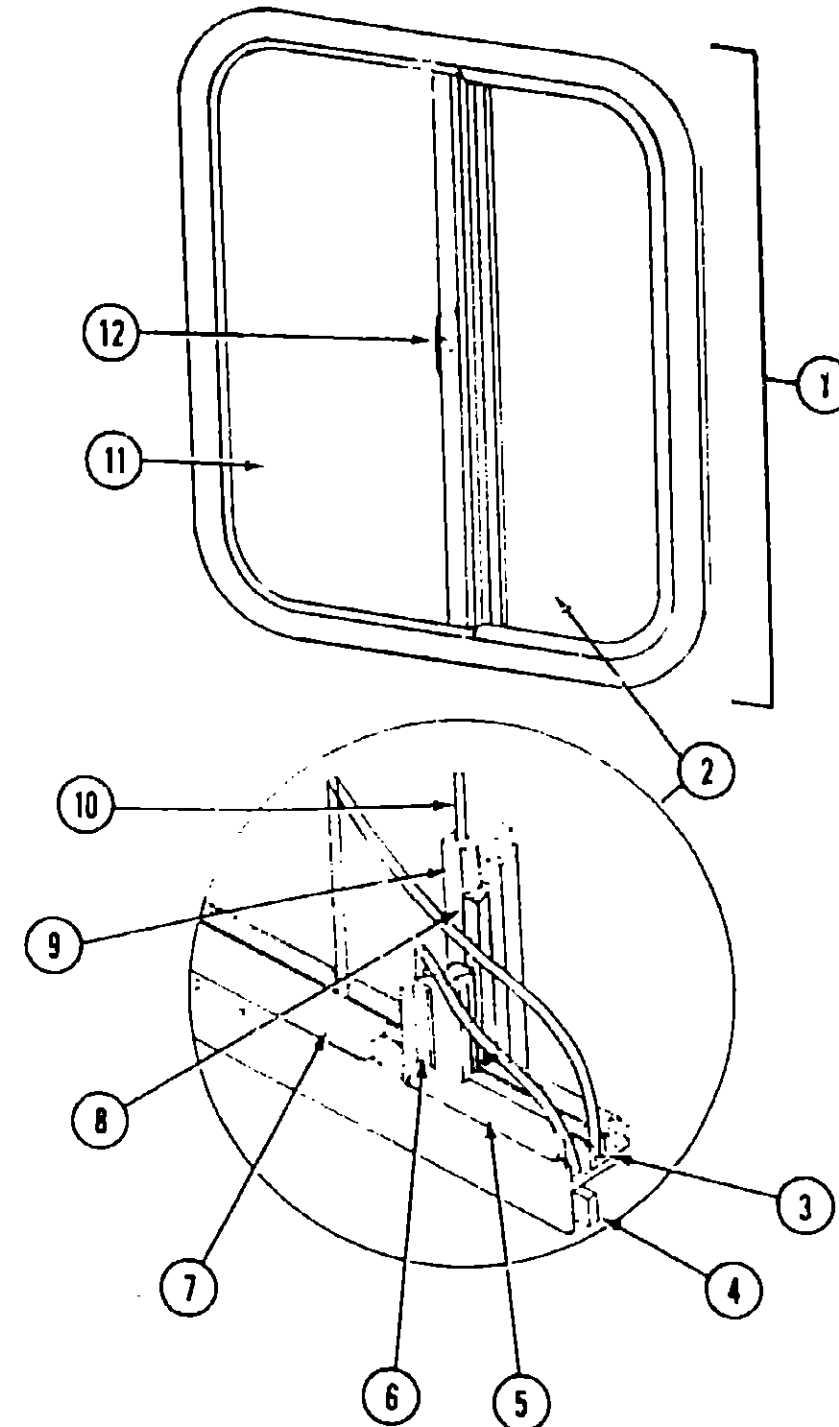
WINDOW, VENT & EXTERIOR DOOR GROUP (CONTINUED)



ESCAPE WINDOW (OPTION 46)

Key	Part Number	U/M	Description
1	078536-01-T03 020749-07-000	EA	Window Asm. - Rear Escape - 23" x 68" (w/o inside frame) (Option 46)
2	002178-01-000	EA	Inside Frame - Beige (not included in assembly)
3	002285-01-000	EA	Glass - 1/8" x 19.6" x 64.8"
4	069640-05-000	FT	Filler - Weatherstrip - Black
5	002282-01-000 006199-01-000	FT	Ribbon Sealer - 5/16" Bead x 15'
		EA	Weatherstrip - .125" Window
		EA	Label - Exit - Escape Window

WINDOW, VENT & EXTERIOR DOOR GROUP (CONTINUED)



SINGLE SLIDER

Key	Part Number	U/M	Description
1	078266-10-X11	EA	Window Asm. - Single Slider - 19.25" x 24.5" (w/o inside frame)
1	078266-09-X11	EA	Window Asm. - Single Slider - 19.25" x 24.5" (w/o inside frame)
	083122-24-000	EA	Inside Frame - Beige (not included in assembly)
2	081980-09-000	EA	Glass - Sliding - 1/8" x 24" x 20"
3	002324-02-000	FT	Channel - Weatherstrip - Glass Run - 1/8" Glass
4	069640-06-000	FT	Ribbon Sealer - 5/16" Bead x 15'
5	002309-02-000	FT	Spline - Glass - 1/8" Material - Black
6	M69886-03-003	EA	Seal Holder w/Fin Seal - Black
7	024096-02-000	FT	Extr. Rubber - Window Seal - Black
8	073740-01-000	FT	Seal - Fin - Pile - .460"
9	083926-02-001	EA	Mullion - Slider Window - Black
10	002298-02-000	FT	Spline - .130" Dia. - Charcoal (Screen)
11	081984-09-000	EA	Glass - Stationary - 1/8" x 24" x 22.5"
12	047369-01-700	EA	Latch Kit - Window - Plastic w/Fastener
	002292-02-000	SF	Screen - Window 20" - Charcoal

1989 WINNEBAGO
TABLE OF CONTENTS

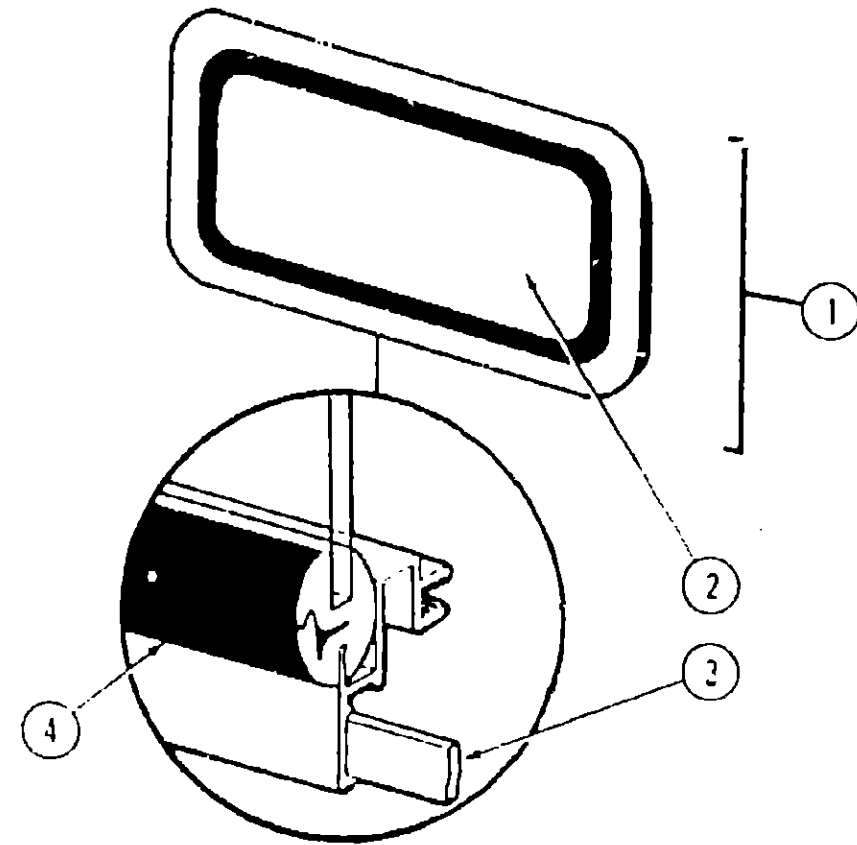
WC/F423RB
WC/F423RC
WF427RT

A-01 - C-02
C-03 - E-08
E-09 - G-16

1989 WF427RT INDEX

Floor Plan	E-09 - E-10
Accessories Group	E-11 - E-13
Bath Group	E-14 - E-15
Chassis Group	E-18 - E-18
Curtain, Cushion & Pad Group	E-19 - F-02
Dinette Group	F-03 - F-04
Driver's Compartment Group	F-05 - F-06
Electrical Group	F-07 - F-09
Exterior Body Group	F-10 - F-15
Galley Group	F-16 - F-17
Heating & Air Conditioning Group	F-18 - F-19
Interior Finish Group	F-20 - F-21
LP Group	F-22
Lounge Group	F-23 - G-01
Water & Sewage Group	G-02 - G-03
Window, Vent & Exterior Door Group	G-04 - G-16

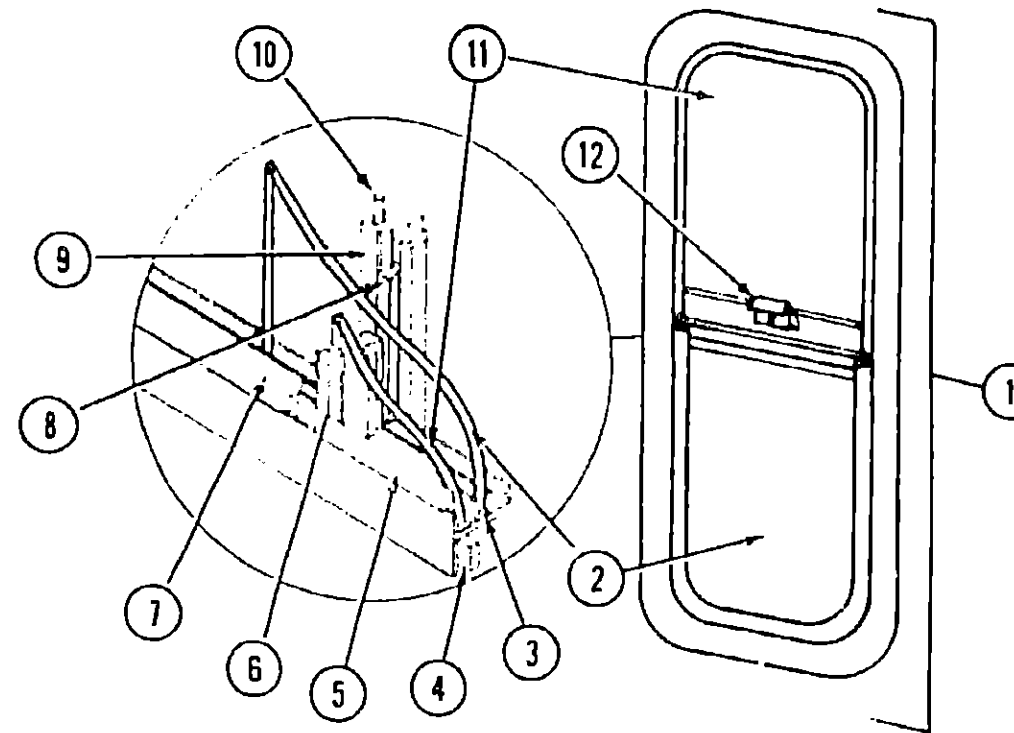
WINDOW, VENT & EXTERIOR DOOR GROUP (CONTINUED)



FRONT PICTURE WINDOW

Key	Part Number	U/M	Description
1	078533-04-X08 041938-06-000	EA	Window Asm. - Front Picture - 15" x 30" - Black (w/o inside frame) Inside Frame - Black (not included in assembly)
2	002200-05-000	EA	Glass - TP - Picture Window - 15.3" x 30"
3	069640-06-000	FT	Ribbon Sealer - 5/16" Bead x 15'
4	002281-01-000	FT	Weatherstrip - Self Seal - .06" Panel x 3/16" - Black

WINDOW, VENT & EXTERIOR DOOR GROUP (CONTINUED)



VERTICAL SLIDER WINDOW

Key	Part Number	U/M	Description
1	078453-02-U25	EA	Window Asm. - Vertical Slider - Black (w/o inside frame)
	083122-13-000	EA	Inside Frame - Beige (not included in assembly)
2	081981-01-000	EA	Glass - Slider - 1/8" x 14.4" x 19"
3	002324-02-000	FT	Channel - Weatherstrip - Glass Run - 1/8" Glass
4	069640-06-000	FT	Ribbon Sealer - 5/16" Bead x 15'
5	002309-02-000	FT	Spline - Glass - 1/8" Material - Black
6	069887-03-001	EA	Seal Holder w/Fin Seal - Black
7	024096-04-000	FT	Entr. Ribbon - Window Seal - Black
8	073740-01-000	FT	Seal - Fin - Pile - .460"
9	084170-06-000	EA	Mullion - Slider Window - Black
10	002298-02-000	FT	Spline - .130" Dia. - Charcoal (Screen)
11	081984-04-000	EA	Glass - Stationary - 1/8" x 17.5" x 11.5"
12	047369-01-700 002292-02-000	EA SF	Latch Kit - Window - Plastic w/Fastener Screen - Window - 20" - Charcoal

1989 WINNEBAGO
TABLE OF CONTENTS

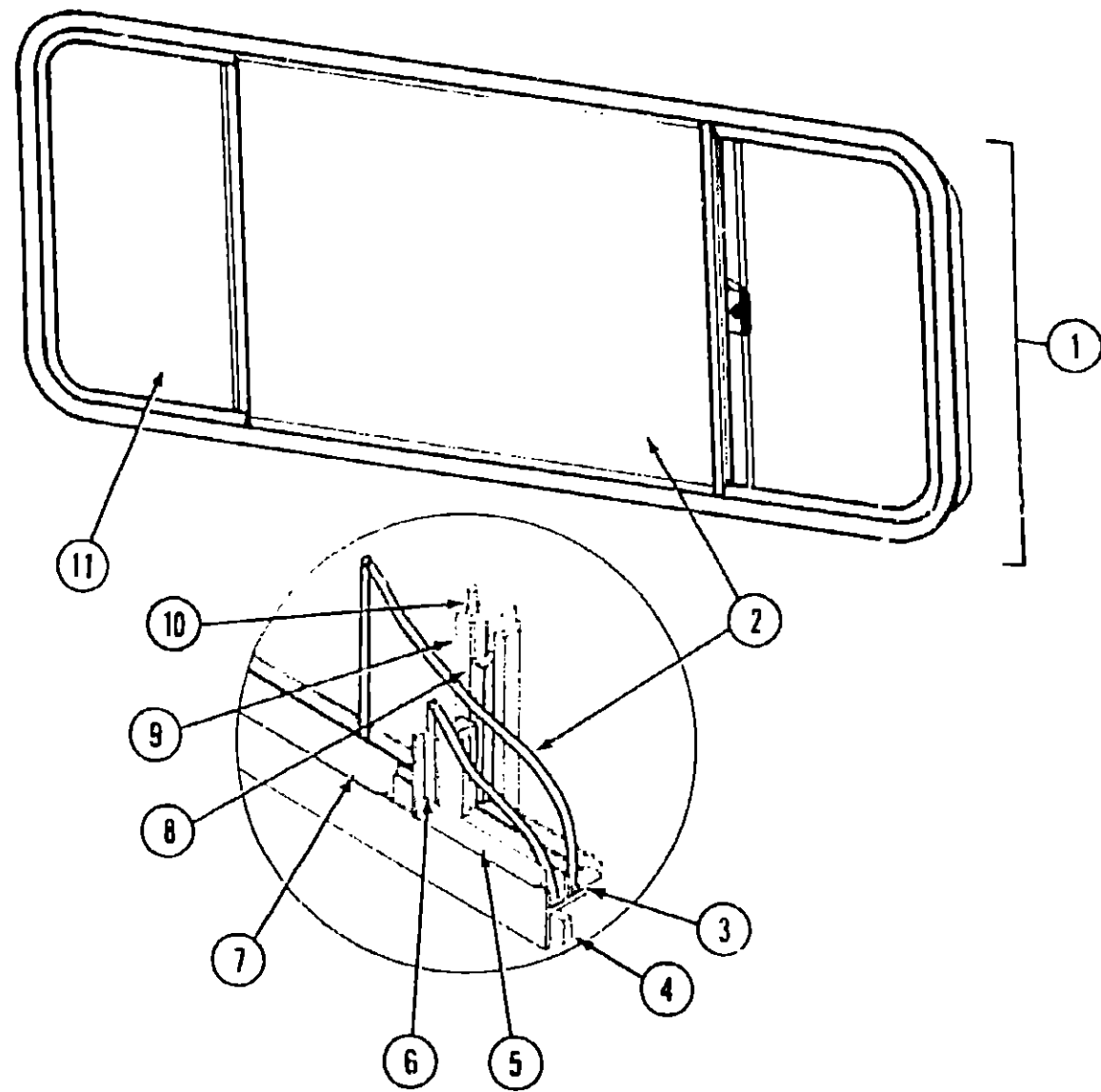
WC/F423RB
WC/F423RC
WF427RT

A-01 - C-02
C-03 - E-08
E-09 - G-16

1989 WF427RT INDEX

Floor Plan	E-09 - E-10
Accessories Group	E-11 - E-13
Bath Group	E-14 - E-15
Chassis Group	E-16 - E-18
Curtain, Cushion & Pad Group	E-19 - F-02
Dinette Group	F-03 - F-04
Driver's Compartment Group	F-05 - F-06
Electrical Group	F-07 - F-09
Exterior Body Group	F-10 - F-15
Galley Group	F-16 - F-17
Heating & Air Conditioning Group	F-18 - F-19
Interior Finish Group	F-20 - F-21
LP Group	F-22
Lounge Group	F-23 - G-01
Water & Sewage Group	G-02 - G-03
Window, Vent & Exterior Door Group	G-04 - G-16

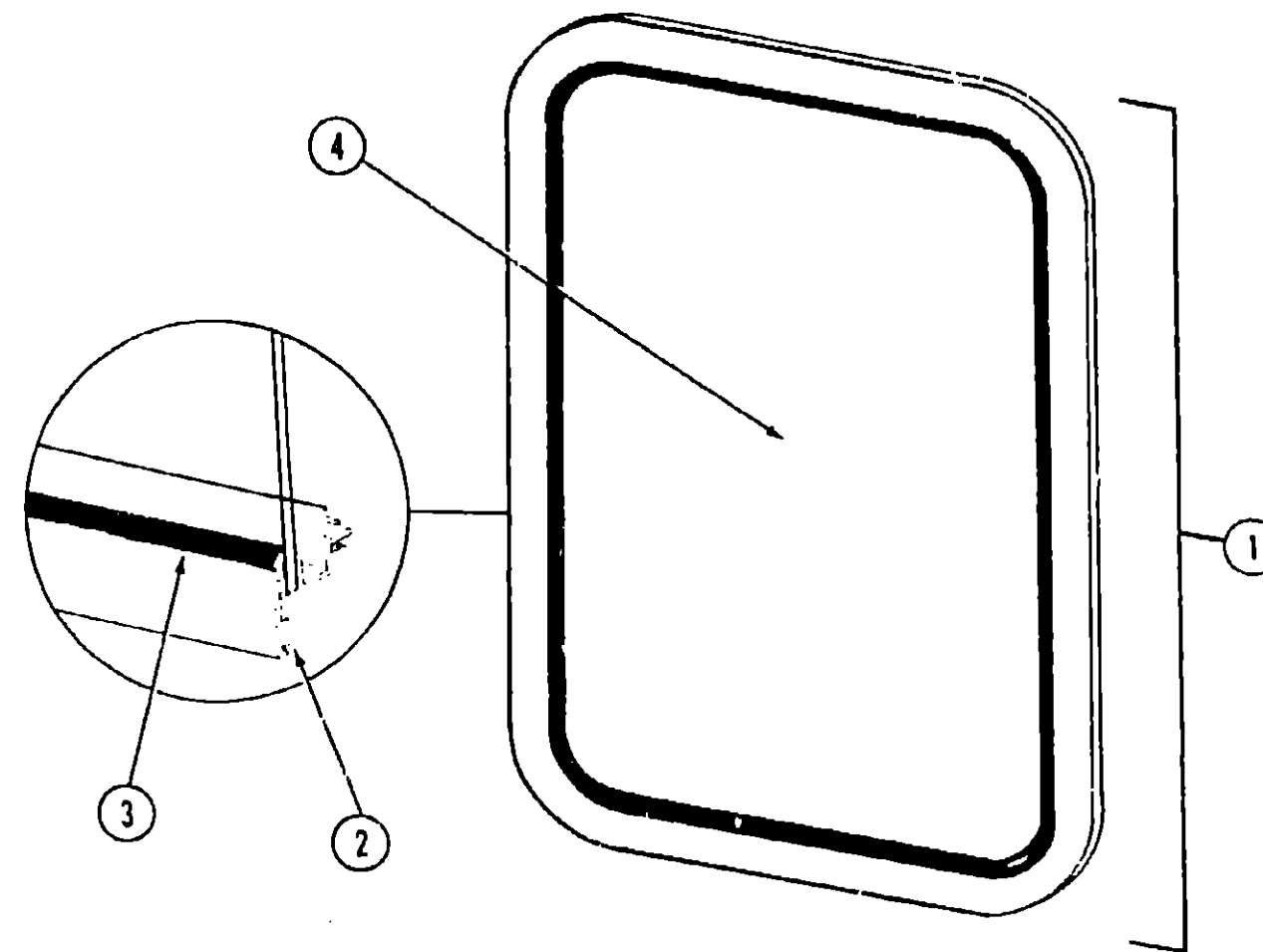
WINDOW, VENT & EXTERIOR DOOR GROUP (CONTINUED)



CENTER SLIDER WINDOW

Key	Part Number	U/M	Description
1	078271-03-X11	EA	Window Asm. - Center Slider (w/o Inside frame)
	083122-28-000	EA	Inside Frame - Beige (not included in assembly)
2	065727-04-000	EA	Glass - Sliding - 1/8" x 23.5" x 30.7"
3	002324-02-000	FT	Channel - Weatherstrip - Glass Run - 1/8" Glass
4	069640-06-000	FT	Ribbon Sealer - 5/16" Bead x 15'
5	002309-02-000	FT	Spline - Glass - 1/8" Material - Black
6	M69886-03-004	EA	Seal Holder w/Fir. Seal - Black
7	024096-02-000	FT	Seal - Window - Channel - Black
8	073740-01-000	FT	Seal - Fin Pile - .460"
9	084170-07-000	EA	Mullion - Slider Window - Black
10	002298-02-000	FT	Spline - .130" Dia. - Charcoal (Screen)
11	081984-11-000	EA	Glass - Stationary - 1/8" x 30.7" x 16.5"
	047369-01-700	EA	Latch Kit - Window - Plastic w/Fastener
	002293-02-000	EA	Screen - Window - 26" - Charcoal

WINDOW, VENT & EXTERIOR DOOR GROUP (CONTINUED)



STATIONARY WINDOW

Key	Part Number	U/M	Description
1	079729-03-W17	EA	Window Asm. - Stationary - 22" x 24" (w/o inside frame)
	020749-07-000	EA	Inside Frame - Beige (not included in assembly)
2	069640-07-000	FT	Ribbon Sealer - 2" x 3/32" x 30'
3	002282-01-000	FT	Weatherstrip - .125" Black
	002285-01-000	FT	Filler - Weatherstrip - Black
4	041392-03-000	EA	Glass - 1/8" x 21.6" x 19.6"

1989 WINNEBAGO
TABLE OF CONTENTS

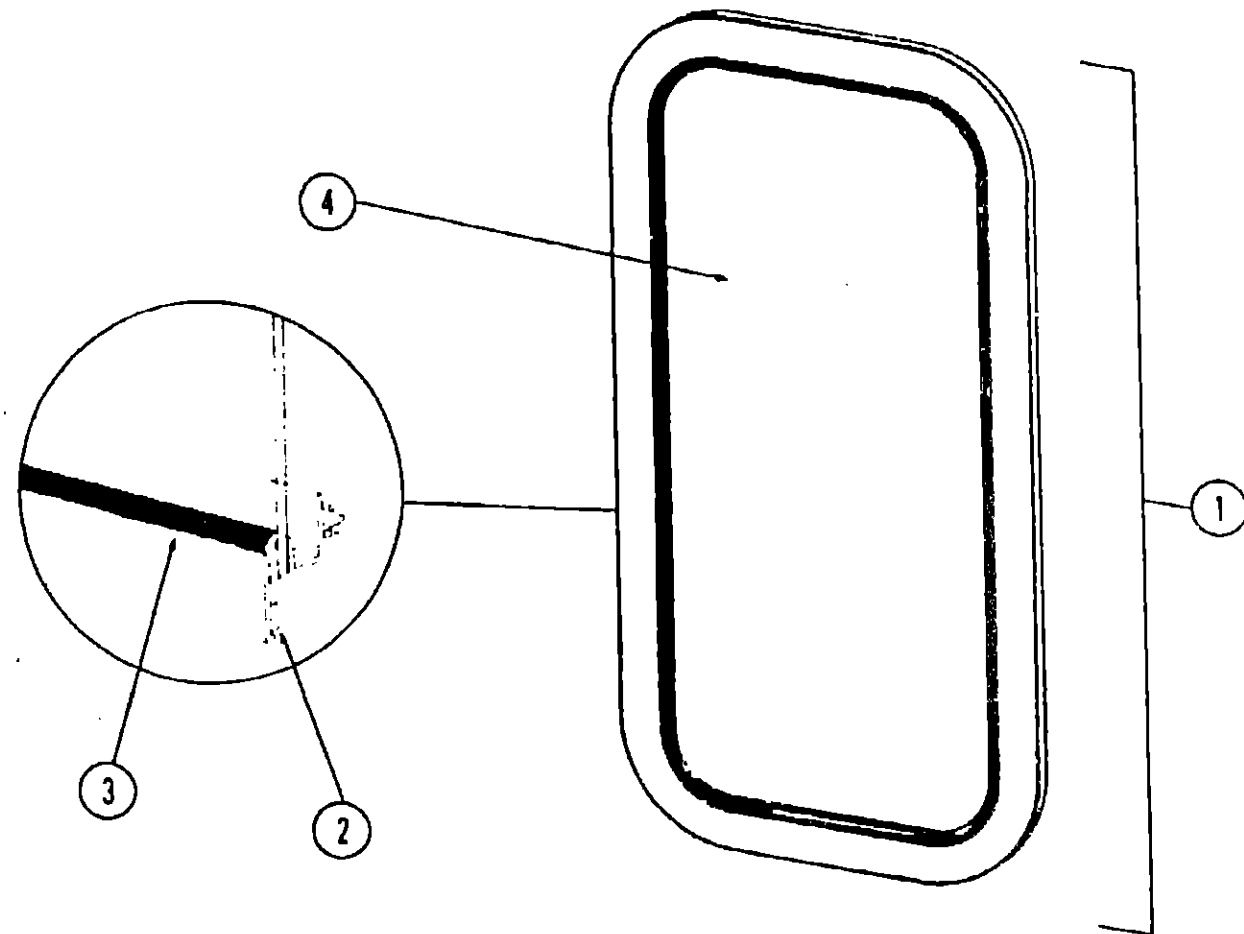
WC/F423RB
WC/F423RC
WF427RT

A-01 - C-02
C-03 - E-08
E-09 - G-16

1989 WF427RT INDEX

Floor Plan	E-09 - E-10
Accessories Group	E-11 - E-13
Bath Group	E-14 - E-15
Chassis Group	E-16 - E-18
Curtain, Cushion / Pad Group	E-19 - F-02
Dinette Group	F-03 - F-04
Driver's Compartment Group	F-05 - F-06
Electrical Group	F-07 - F-09
Exterior Body Group	F-10 - F-15
Galley Group	F-16 - F-17
Heating & Air Conditioning Group	F-18 - F-19
Interior Finish Group	F-20 - F-21
LP Group	F-22
Lounge Group	F-23 - G-01
Water & Sewage Group	G-02 - G-03
Window, Vent & Exterior Door Group	G-04 - G-16

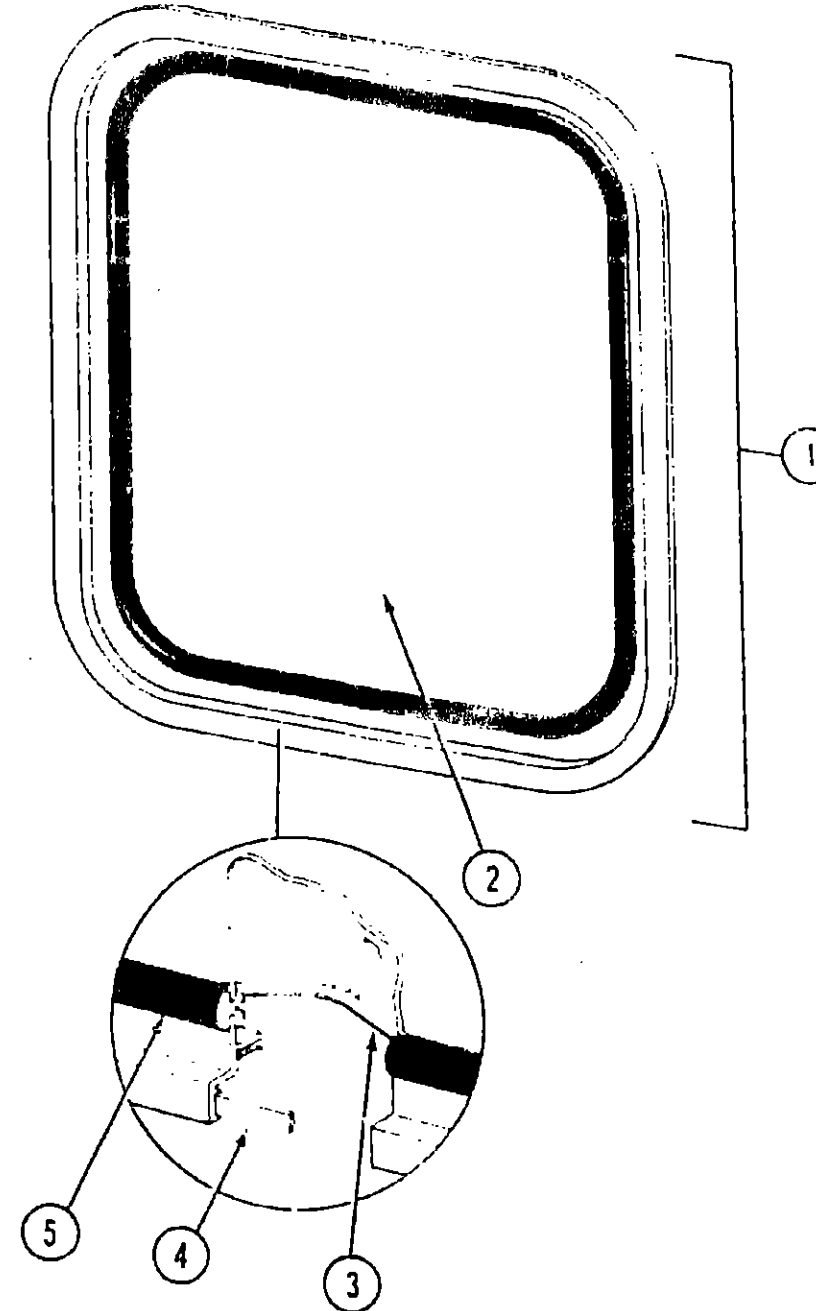
WINDOW, VENT & EXTERIOR DOOR GROUP (CONTINUED)



PICTURE WINDOW

Key	Part Number	U/M	Description
1	079733-01-T03	EA	Window Asm. - Picture - 13" x 23" (w/o inside frame)
	041696-15-000	EA	Inside Frame - Picture - Beige (not included in assembly)
2	069640-06-000	EA	Ribbon Sealer - 5/16" Bead x 15'
3	087561-01-000	FT	Extr. - Vinyl Seal
4	002181-01-000	EA	Glass - 1/8" x 12" x 22"

WINDOW, VENT & EXTERIOR DOOR GROUP (CONTINUED)



ESCAPE WINDOW

Key	Part Number	U/M	Description
1	079729-02-T03	EA	Window Asm. - Sidewall Escape - 22" x 24" - Black (w/o inside frame)
	079771-01-000	EA	Inside Frame - Beige (not included in assembly)
2	041392-03-000	EA	Glass - 1/8" x 21.6" x 19.6"
3	002285-01-000	FT	Filler - Weatherstrip - Black
4	069640-05-000	FT	Ribbon Sealer - 5/16" Bead x 15'
5	002282-01-000	FT	Weatherstrip - .125" Window
	006199-01-000	EA	Label - Exit - Escape Window

1989 WINNEBAGO
TABLE OF CONTENTS

WC/F423RB
WC/F423RC
WF427RT

A-01 - C-02
C-03 - E-08
E-09 - G-16

1989 WF427RT INDEX

Floor Plan	E-09 - E-10
Accessories Group	E-11 - E-13
Bath Group	E-14 - E-15
Chassis Group	E-16 - E-18
Curtain, Cushion & Pad Group	E-19 - F-02
Dinette Group	F-03 - F-04
Driver's Compartment Group	F-05 - F-06
Electrical Group	F-07 - F-09
Exterior Body Group	F-10 - F-15
Galley Group	F-16 - F-17
Heating & Air Conditioning Group	F-18 - F-19
Interior Finish Group	F-20 - F-21
LP Group	F-22
Lounge Group	F-23 - G-01
Water & Sewage Group	G-02 - G-03
Window, Vent & Exterior Door Group	G-04 - G-16