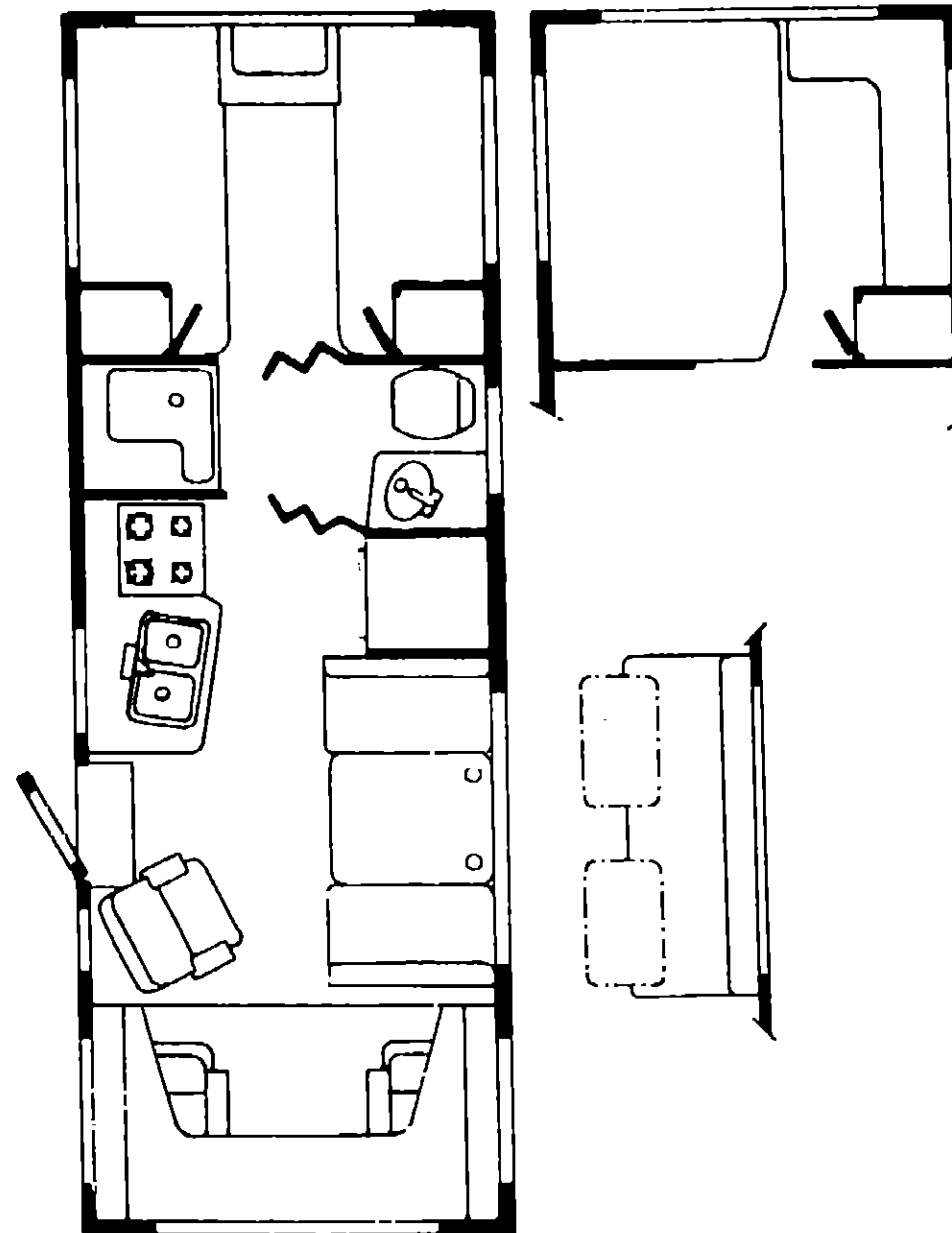


1989 WF426RT



1989 WINNEBAGO TABLE OF CONTENTS

WC/F424RB
WC/F424RC
WF426RT

A-01 - C-06
C-07 - E-16
E-17 - G-14

1989 WF426RT INDEX

Floor Plan	E-17 - E-18
Accessories Group	E-19 - E-20
Bath Group	E-21
Chassis Group	E-22
Curtain, Cushion & Pad Group	E-23 - F-06
Dinette Group	F-07 - F-08
Driver's Compartment Group	F-09 - F-10
Electrical Group	F-11 - F-12
Exterior Body Group	F-13 - F-18
Galley Group	F-19 - F-20
Heating & Air Conditioning Group	F-21
Interior Finish Group	F-22 - F-23
LP Group	F-24
Lounge Group	G-01 - G-02
Water & Sewage Group	G-03
Window, Vent & Exterior Door Group	G-04 - G-14

ACCESSORIES GROUP

EXTERIOR MIRRORS

Key	Part Number	U/M	Description
	048347-01-000	EA	Mirror Head - 7 1/2 x 10 1/2 - Stainless Steel
	082047-01-000	EA	Arm - West Coast Mirror - Stainless Steel
	082047-02-000	EA	Arm - West Coast Mirror - Off White
	008043-01-000	EA	Mirror - Convex - Adhesive Back

WHEEL COVER & MOUNTING HARDWARE

Key	Part Number	U/M	Description
	083181-01-000	EA	Wheel Cover - 18" (Set/4)
	083181-01-700	EA	Wheel Cover - 18" (1)
	083181-04-702	EA	Nut - Cover - 18.5"
	091209-05-000	EA	Wheel Liner - 18" Dia. - Ford (Set/4)
	091209-05-701	EA	Liner - Rear Only
	091209-05-700	EA	Liner - Front Only

MISCELLANEOUS ACCESSORIES

Key	Part Number	U/M	Description
	054185-31-000	EA	Owner's Manual - 1989 - Itasca & Winnebago
	708053-02-000	EA	Antenna - TV Skyliner w/6" Shaft - Braund Delux
**	076319-01-000	EA	Antenna - TV Roof Mount - 44.5" Mast
	017518-01-000	EA	Mud Flap w/Holes - 14" x 18" - Black - Front
	084089-01-000	EA	Splash Guard - Black Rubber - Rear
	094499-01-000	EA	Fire Extinguisher - Dry 1A 10BC
	041944-03-000	EA	Fire Extinguisher - w/Bracket - 5BC
	084472-01-000	EA	Holder - Fire Extinguisher
	091289-03-000	EA	Microwave Oven - Magic Chef
	094750-01-000	EA	Bracket Asm. - Microwave
	094745-01-01A	EA	Trim - Microwave - Top - Black
	094774-03-01A	EA	Trim - Microwave - Side - Black
	080999-01-T03	EA	Ladder Asm. - Upper
	080997-01-T03	EA	Ladder Asm. - Lower
	081026-01-T03	EA	Rack Asm. - Right
	081026-02-T03	EA	Rack Asm. - Left
	081055-01-000	EA	Spring Grip - Internal Tooth
	081058-01-000	EA	Quick Pin - Release
	083219-01-000	EA	Floor Mat - Black - Right
	083219-02-000	EA	Floor Mat - Black - Left
	081075-01-000	EA	Mat - Entrance - "Winnebago"
	072852-01-000	EA	Smoke Detector w/9 Volt Battery
	093552-01-01A	EA	Clock - 10" x 10"
	086289-01-000	EA	Picture - Decorative
	006089-01-0x0	EA	Key Case - Leather
	089580-01-000	EA	Lug Wrench - 1" x 1.25" x 18.3"
	089580-02-000	EA	Leverage Bar - 22" - Lug Wrench
	008113-01-000	EA	Jack - Hydraulic - 6 Ton - w/Handle
	022756-01-000	EA	Cover - Roof Air Conditioner - Plastic
	079942-05-000	EA	Shock Absorber - Stabilizer - Front
	079942-08-000	EA	Shock Absorber - Stabilizer - Rear
	077848-01-000	EA	Step Asm. - Pullout
	076319-09-000	EA	Wall Plate/Receptacle - Brown
	076319-08-000	EA	Adaptor - Cable Roof Plate
	086778-01-000	EA	Outside Receptacle - Cable TV
	086778-04-000	EA	Gasket
	087236-01-000	EA	Label - Cable TV Input
	087236-02-000	EA	Label - Cable TV Output

** The illustrated parts breakdown for this item is provided on the Common Items Fiche.

ACCESSORIES GROUP (CONTINUED)

RADIO & RELATED COMPONENTS

Key	Part Number	U/M	Description
	007004-01-000	EA	Antenna - Radio - Cab Mount
	089340-01-000	EA	Grille - Speaker - 8.5" Square
	082311-01-000	EA	Radio - AM/FM - w/Cassette
	090992-01-000	EA	Radio - AM/FM - w/Cassette - Electronic Tune
	074979-01-000	EA	Speaker Cover Protector - Plastic
	084097-01-000	EA	Speaker - 5.25" - w/o Grille
	064791-01-000	EA	Speaker - Recessed - 5.25"
	079385-02-000	EA	Radio - Mounting Kit - Ford

GENERATORS & COMPONENTS

Key	Part Number	U/M	Description
	100974-03-000	EA	Generator - 4.0 kw - Emerald Plus - FA/2601
	100974-05-000	EA	Generator - 4.0 kw. - Emerald Plus - FN/29237
	079854-05-000	EA	Pipe & Accessories - 4.0 kw - Emerald
	701629-04-000	EA	Installation Package
	081364-01-000	EA	Muffler - Generator - 4.0 Emerald
	078045-01-000	EA	Plate Support - Generator

REAR WINDOW WIPER/WASHER OPTION

Key	Part Number	U/M	Description
	049360-18-000	EA	Overhead Console - Lt. Oak
	087249-01-000	EA	Motor Asm. - Wiper
	087251-01-000	EA	Blade - Wiper - 18" - Black
	087268-01-000	EA	Switch - Rear Wiper
	087252-01-000	EA	Arm Asm. - Wiper - Black
	087967-01-000	EA	Cover - Wiper Motor - Lt. Oak
	024459-04-000	EA	Gauge Asm. - Voltmeter
	056000-03-000	EA	Washer Asm. - Rear Window

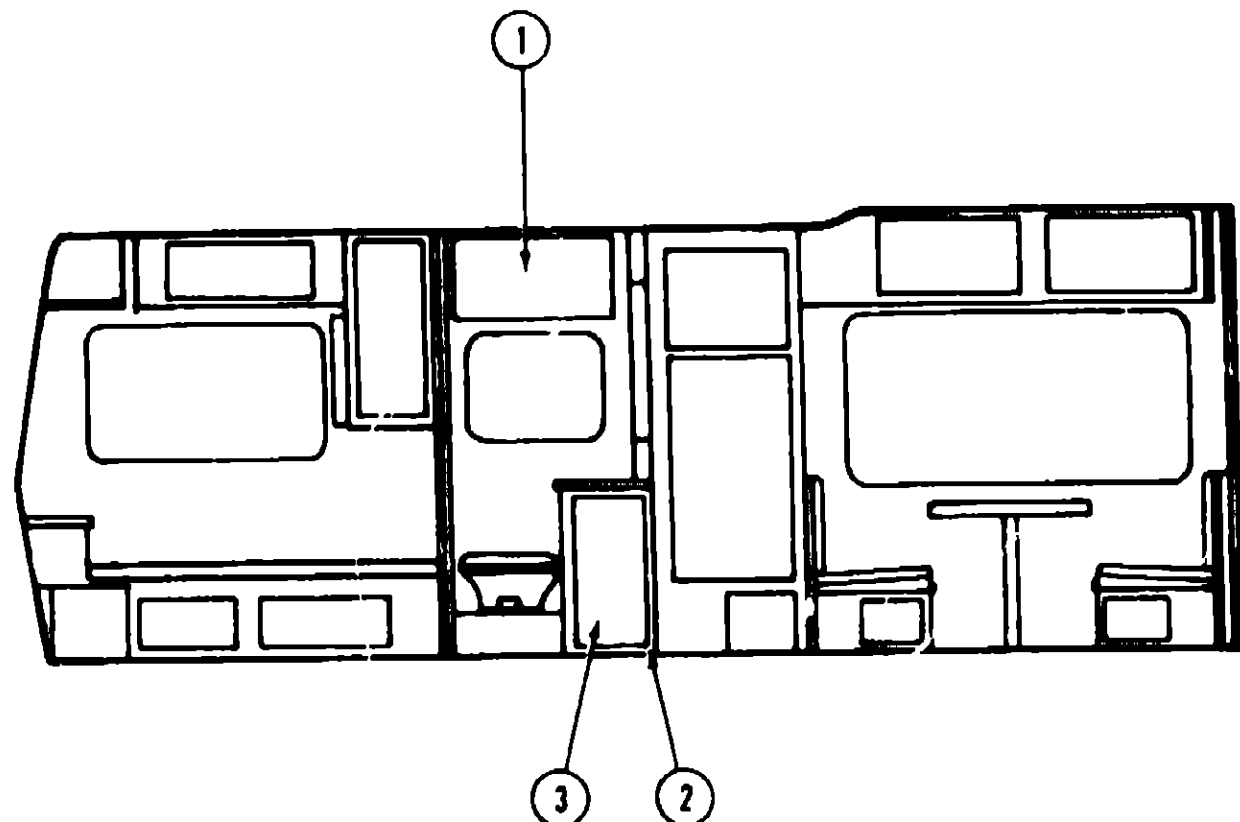
1989 WINNEBAGO TABLE OF CONTENTS

WC/F424RB	A-01 - C-08
WC/F424RC	C-07 - E-16
WF426RT	E-17 - G-14

1989 WF426RT INDEX

Floor Plan	E-17 - E-18
Accessories Group	E-19 - E-20
Bath Group	E-21
Chassis Group	E-22
Curtain, Cushion & Pad Group	E-23 - F-06
Dinette Group	F-07 - F-08
Driver's Compartment Group	F-09 - F-10
Electrical Group	F-11 - F-12
Exterior Body Group	F-13 - F-18
Galley Group	F-19 - F-20
Heating & Air Conditioning Group	F-21
Interior Finish Group	F-22 - F-23
LP Group	F-24
Lounge Group	G-01 - G-02
Water & Sewage Group	G-03
Window, Vent & Exterior Door Group	G-04 - G-14

BATH GROUP



BATH CABINETRY & HARDWARE

Key	Part Number	U/M	Description
1	068303-52-X08	EA	Door Asm. - Medicine Cabinet - 29.5" x 15.5" - Mirror
	076073-01-000	EA	Cabinet Asm. - Medicine - Almond
	076367-01-000	EA	Bracket - Medicine Cabinet
2	M83934-01-Y30	EA	Cabinet Asm. - Lavatory - w/o Door, Drawer, Hardware or Countertop
	M02666-01-Y30	EA	Countertop Asm. - Lavatory Cabinet
	061893-02-X11	EA	Drawer - Face - Tiltout
	077251-01-000	EA	Drawer - Plastic - Tipout
3	M88304-97-X08	EA	Door Asm. - Lavatory Cabinet - 10" x 25.1" - w/o Hardware
	060224-18-000	EA	Door Asm. - Folding - 35" x 75"
	060224-14-000	EA	Track - Folding Door - "S" Curve - Front
	060224-15-000	EA	Track - Folding Door - Rear
	062189-01-000	EA	Light - Make-Up - 3 Bulb
	069318-01-000	EA	Door Asm. - Shower - Gold - 29.8"
	058331-05-000	EA	Mirror - Tempered Glass - 12" x 26"
	058331-14-000	EA	Mirror - Tempered Glass - 14" x 12.7"
	060508-01-000	EA	Panel - Skylight - Inner
	060507-01-000	EA	Panel - Skylight - Outer
	M02673-02-X11	EA	Shower Pan Asm. - Off White
	060258-01-000	EA	Trim - Skylight
	011048-02-000	EA	Shower Head - w/CO" Hose
	075241-04-000	EA	Faucet - Shower - Brass
	075606-01-000	EA	Panel - Shower Faucet
	069366-01-000	EA	Sink - Oval - Lavatory - Ivory Plastic
	075240-05-000	EA	Faucet - Lavatory - Brass
	064076-01-000	EA	Toilet - Ivory
	063641-01-000	EA	Closet Flange - Roll - 4" x 3"
	075454-02-000	EA	Towel Ring - Brass
	075452-02-000	EA	Toilet Tissue Holder - Brass
	075680-02-000	EA	Clothes Roll - Adjustable - 27" x 38"
	063588-03-000	EA	Catch - Spring - Roller
	063588-04-000	EA	Strike - Spring - Steel
	011089-02-000	EA	Tailpiece - 6.5" x 1.25" x 4" - Brass
	069735-01-000	EA	Washer - 1.5" Tailpiece - Plastic

CHASSIS GROUP

SPARE TIRE & REAR BUMPER

Key	Part Number	U/M	Description
	077366-01-000	EA	Dust Shield - Spare Tire
	077403-01-000	EA	Support - Rod - Spare Tire
	077411-01-000	EA	Retaining Rod
	070917-01-000	EA	Tire - Radial
	070917-02-000	EA	Tire - Radial - Michelin
	063617-01-000	EA	Wheel - 6" x 16" - 8 Hole
	077399-01-000	EA	Spare Tire - Retainer
	077759-01-000	EA	Support Spacer - Spare Tire
	064081-01-000	EA	Wing Nut
	058027-01-000	FT	Tire Cover Seal - D Section Sponge Rubber
	079165-01-U10	EA	Cover Asm. - Tire
	078564-09-000	EA	Bumper - Rear - Chrome
	078668-01-000	EA	Support Asm. - Rear Bumper - 2 Required
	078670-02-000	EA	Support Asm. - Rear Bumper - 2 Required
	079018-01-000	EA	Strap - Tire Carrier
	077406-01-000	EA	Lock Asm. - Tire Cover
	078578-05-000	EA	End Cap - Bumper - Right
	078578-06-000	EA	End Cap - Bumper - Left
	076767-02-000	EA	Cable Asm. - 16.5" SST

MISCELLANEOUS

Key	Part Number	U/M	Description
	007125-07-000	EA	Clamp Asm. - Muffler - 2.50"
	010497-01-000	EA	Clamp - Closed - 5/8" ID
	007161-01-000	EA	Clamp - Hose - Spring Type 112
	062401-01-000	EA	Clamp - Hose - Wormgear - .22" ID - 1" ID
	062401-02-000	EA	Clamp - Hose - Wormgear - 1.56" ID - 2.5" ID
	062401-03-000	EA	Clamp - Hose - Wormgear - .25" ID - 1" ID
	062401-04-000	EA	Clamp - Hose - Wormgear - .69" ID - 1.25" ID
	062401-05-000	EA	Clamp - Hose - Wormgear - 2" ID - 3" ID
	062401-06-000	EA	Clamp - Hose - Wormgear - .22" ID - .62" ID
	023146-01-000	EA	Clamp - Screw Type - 4"
	068580-06-000	EA	Compartment - Power Cord - Black Plastic
	007083-01-000	FT	Hose - Fuel - 1/4" ID x 1/2" OD
	068113-01-000	EA	Jack - Hydraulic - 6 Ton - w/Handle
	069580-02-000	EA	Leverage Bar - 22" - Lug Wrench
	069580-01-000	EA	Lug Wrench - 1" x 1.25" x 16.3"
	017518-01-000	EA	Mud Flap w/Holes - 14" x 18" - Black
	079942-05-000	EA	Shock Absorber - Stabilizer - Front
	079942-06-000	EA	Shock Absorber - Stabilizer - Rear
	064089-01-000	EA	Splash Guard - Black Rubber
	076241-01-000	EA	Support Asm. - Step
	077848-01-000	EA	Step Asm. - Entry
	077971-01-000	EA	Tray - Aux. Battery
	078137-02-000	EA	Tray - Luggage
	057724-01-000	EA	Wheelwell - Plastic
	006343-01-000	EA	Wire Tie - 6"
	060359-02-000	EA	Step Well Plate - Ford

1989 WINNEBAGO TABLE OF CONTENTS

WC/F424RB
WC/F424TC
WF426RT

A-01 - C-06
C-07 - E-16
E-17 - G-14

1989 WF426RT INDEX

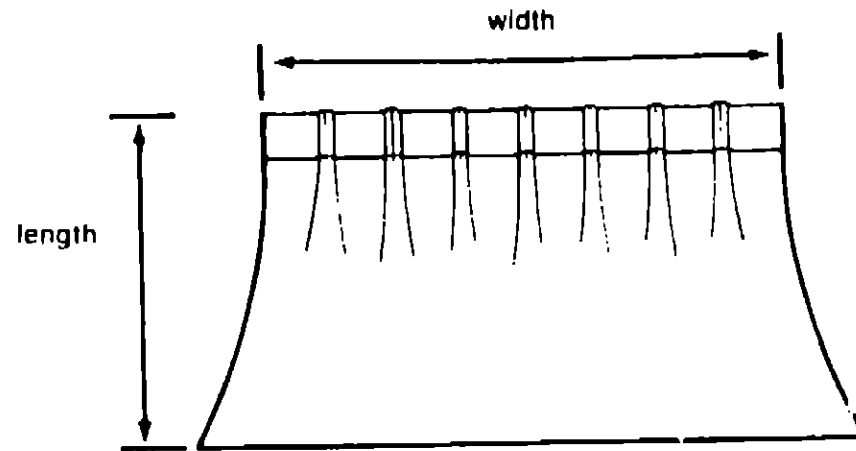
Floor Plan	E-17 - E-18
Accessories Group	E-19 - E-20
Bath Group	E-21
Chassis Group	E-22
Curtain, Cushion & Pad Group	E-23 - F-06
Dinette Group	F-07 - F-08
Driver's Compartment Group	F-09 - F-10
Electrical Group	F-11 - F-12
Exterior Body Group	F-13 - F-18
Galley Group	F-19 - F-20
Heating & Air Conditioning Group	F-21
Interior Finish Group	F-22 - F-23
LP Group	F-24
Lounge Group	G-01 - G-02
Water & Sewage Group	G-03
Window, Vent & Exterior Door Group	G-04 - G-14

CURTAIN, CUSHION & PAD GROUP

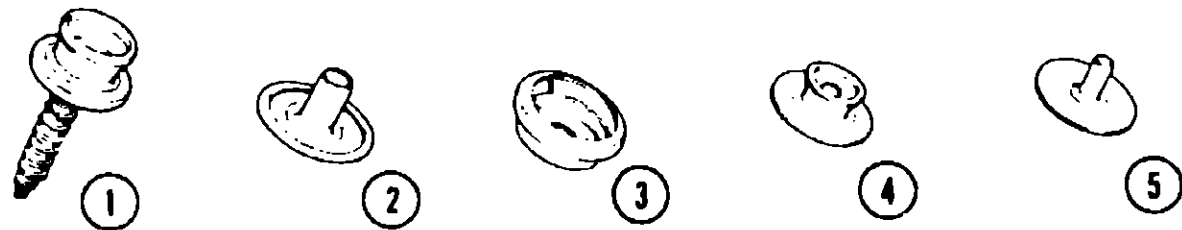
NOTICE

In order to assist our Part Sales Dept. in providing interior software items, please include the serial number and the color code number from the vehicle certification label when ordering. This label is located on the left sidewall at the end of the dash (A-Body), or on the driver's door latch plate (C-Body).

An example of a color code number is P31, which designates an overall color scheme of a particular unit. The color listed after the item description on the microfiche, indicates the overall unit color. Order the item you desire according to unit color code.



NOTE: Use this illustration when determining length and width measurements for curtains. You will note the width measurement is taken on the top of the curtain with the curtain fully extended. The length measurement is taken from top to bottom.



Key	Part Number	U/M	Description
1	029130-01-000	EA	Socket - Snap Fastener
2	029155-01-000	EA	Cap - Snap - .156" Dia. x 17" Barrel
3	029158-01-000	EA	Socket - Snap Fastener
4	029092-01-000	EA	Stud - Nickel Finish
5	029093-01-000	EA	Eyelet - Nickel Finish

CURTAIN, CUSHION & PAD GROUP (CONTINUED)

CURTAIN & BLIND HARDWARE

Key	Part Number	U/M	Description
	029094-04-000	EA	Tape - Loop - 1" Wide - Black
	029096-03-000	EA	Tape - Hook - 1" Wide - Black
	048394-02-000	EA	Tape - Hook - .75" Wide - Beige
	048395-02-000	EA	Tape - Loop - .75" Wide - Beige
	088792-01-000	EA	Tape - Hook - 5/8" - Non-Adhesive
	088792-02-000	EA	Tape - Loop - .75" - Adhesive - Beige
	058003-01-000	EA	Bracket - Drapery Retainer - Right
	058003-02-000	EA	Bracket - Drapery Retainer - Left
	039175-01-000	EA	Rod - Cafe Curtain - 48" x 84"
	039175-02-000	EA	Bracket - Cafe Curtain
	039175-03-000	EA	Rod - Cafe Curtain - 28" x 48"
	039175-05-000	EA	Bracket - Cafe Curtain - Center
	095591-01-000	EA	Bracket - Hold Down w/Pin
	091904-01-000	FT	Track - Curtain - Beige
	089335-01-000	FT	Track - Curtain - Brown
	087253-01-000	EA	Pull - Shade - Clear Plastic
	084434-01-000	EA	Bracket - Roller Shade - 1 3/8"
	083170-01-000	EA	Bracket - Installation - Blind - Right
	083170-02-000	EA	Bracket - Installation - Blind - Left

FABRIC & TRIM

Key	Part Number	U/M	Description
	088274-52-000	YD	Fabric - Upholstery - Main - Blue Haze (Y07)
	088274-76-000	YD	Fabric - Upholstery - Main - Divine (Y08)
	088274-77-000	YD	Fabric - Upholstery - Main - Columbine (Y09)
	088274-79-000	YD	Fabric - Upholstery - Accent - Sky Blue (Y07)
	077496-86-000	YD	Fabric - Upholstery - Accent - Oyster (Y08)
	088274-78-000	YD	Fabric - Upholstery - Accent - Columbine (Y09)
	088273-29-000	YD	Fabric - Bedspread - Natural (Y07)
	088273-22-000	YD	Fabric - Bedspread - Sandune (Y08)
	088273-23-000	YD	Fabric - Bedspread - Gray (Y09)
	072333-81-000	YD	Fabric - Drapery Wraparound/Blackout - Pacific (Y07)
	072333-59-000	YD	Fabric - Drapery Wraparound/Blackout - Tan (Y08)
	072333-37-000	YD	Fabric - Drapery Wraparound/Blackout - Mauve (Y09)
	072333-69-000	YD	Fabric - Drapery Wraparound/Blackout - Penta Mauve (Y09)
	072333-63-000	YD	Fabric - Pull Shade - Entrance Door - Bone
	081926-01-000	YD	Backing - Quilting - Celestra
	087272-01-000	YD	Lining - Drapery - 48" Ivory
	029103-01-000	YD	Buckram - Non-Woven - 2
	079680-01-000	YD	Vinyl - Expanded - 26 oz. Buckskin (End Caps)
	072860-84-000	YD	Carpet - Graphite (Y07)
	072860-86-000	YD	Carpet - Sienna Sand (Y08)
	072860-89-000	YD	Carpet - Rose Mist (Y09)
	093486-01-000	SY	Carpet - Outside Storage Compartment
	093486-01-001	EA	Carpet - Outside Storage Compartment (1 SY)

This fabric was used only between 9/19/88 - 10/19/88.

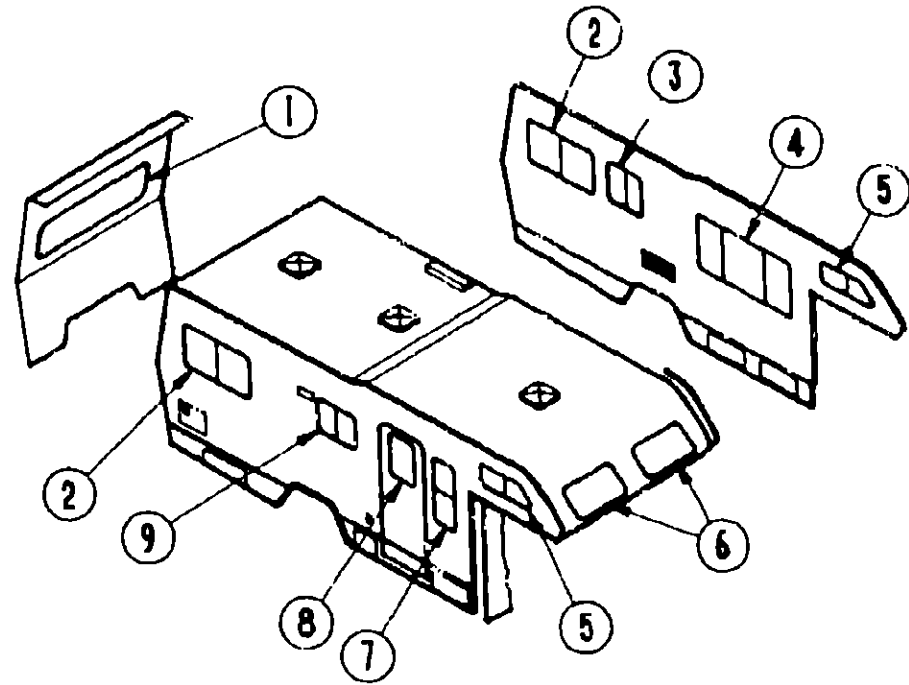
**1989 WINNEBAGO
TABLE OF CONTENTS**

WC/F424RB	A-01 - C-08
WC/F424RC	C-07 - E-18
WF426RT	E-17 - G-14

1989 WF426RT INDEX

Floor Plan	E-17 - E-18
Accessories Group	E-19 - E-20
Bath Group	E-21
Chassis Group	E-22
Curtain, Cushion & Pad Group	E-23 - F-06
Dirrette Group	F-07 - F-08
Driver's Compartment Group	F-09 - F-10
Electrical Group	F-11 - F-12
Exterior Body Group	F-13 - F-18
Galley Group	F-19 - F-20
Heating & Air Conditioning Group	F-21
Interior Finish Group	F-22 - F-23
LP Group	F-24
Lounge Group	G-01 - G-02
Water & Sewage Group	G-03
Window, Vent & Exterior Door Group	G-04 - G-14

CURTAIN, CUSHION & PAD GROUP (CONTINUED)



CURTAINS, SHADES, VALANCES & TIEBACKS

Key	Part Number	U/M	Description
1	093454-06-Y07	EA	Curtain Asm. w/Gathered Snap Top - 29.5" x 15" (Y07)
1	093454-06-Y08	EA	Curtain Asm. w/Gathered Snap Top - 29.5" x 15" (Y08)
1	093454-06-YA4	EA	Curtain Asm. w/Gathered Snap Top - 29.5" x 15" (Y09)
1	093453-23-Y07	EA	Valance Asm. - Gathered - 72" (Y07)
1	093453-23-YA8	EA	Valance Asm. - Gathered - 72" (Y08)
1	093453-23-YA4	EA	Valance Asm. - Gathered - 72" (Y09)
1	093475-07-01A	EA	Mini Blind - 67.5" x 26" Drop (Y07)
1	093475-07-02A	EA	Mini Blind - 67.5" x 26" Drop (Y08)
1	093475-07-03A	EA	Mini Blind - 67.5" x 26" Drop (Y09)
2	093454-06-Y07	EA	Curtain Asm. - Gathered w/Snaps Top - 29.5" x 15" (Y07)
2	093454-06-Y08	EA	Curtain Asm. - Gathered w/Snaps Top - 29.5" x 15" (Y08)
2	093454-06-YA4	EA	Curtain Asm. - Gathered w/Snaps Top - 29.5" x 15" (Y09)
2	093453-22-Y07	EA	Valance Asm. - Gathered - 48.5" (Y07)
2	093453-22-YA8	EA	Valance Asm. - Gathered - 48.5" (Y08)
2	093453-22-YA4	EA	Valance Asm. - Gathered - 48.5" (Y09)
2	093475-06-01A	EA	Mini Blind - 45.5" x 28" Drop (Y07)
2	093475-06-02A	EA	Mini Blind - 45.5" x 28" Drop (Y08)
2	093475-06-03A	EA	Mini Blind - 45.5" x 28" Drop (Y09)
3	073304-43-Y05	EA	Curtain Asm. w/Snap Top - 25.5" x 10" (Y07)
3	073304-43-Y19	EA	Curtain Asm. w/Snap Top - 25.5" x 10" (Y08)
3	073304-43-YB4	EA	Curtain Asm. w/Snap Top - 25.5" x 10" (Y09)
3	093453-18-Y15	EA	Valance Asm. - Gathered - 30.5" (Y07)
3	093453-18-Y16	EA	Valance Asm. - Gathered - 30.5" (Y08)
3	093453-18-YA8	EA	Valance Asm. - Gathered - 30.5" (Y09)
3	093475-03-01A	EA	Mini Blind - 28" x 25" Drop (Y07)
3	093475-03-02A	EA	Mini Blind - 28" x 25" Drop (Y08)
3	093475-03-03A	EA	Mini Blind - 28" x 25" Drop (Y09)
4	093454-01-Y07	EA	Curtain Asm. - Gathered - 33.5" x 15" (Y07)
4	093454-01-Y19	EA	Curtain Asm. - Gathered - 33.5" x 15" (Y08)
4	093454-01-YA4	EA	Curtain Asm. - Gathered - 33.5" x 15" (Y09)

CURTAIN, CUSHION & PAD GROUP (CONTINUED)

CURTAINS, SHADES, VALANCES & TIEBACKS (CONT.)

Key	Part Number	U/M	Description
4	093453-12-Y07	EA	Valance Asm. w/Insert - Gathered - 66.5" (Y07)
4	093453-12-Y08	EA	Valance Asm. w/Insert - Gathered - 66.5" (Y08)
4	093453-12-YA4	EA	Valance Asm. w/Insert - Gathered - 66.5" (Y09)
	093475-05-01A	EA	Mini Blinds - 63" x 33" Drop (Y07)
	093475-05-02A	EA	Mini Blinds - 63" x 33" Drop (Y08)
	093475-05-03A	EA	Mini Blinds - 63" x 33" Drop (Y09)
5	073323-33-Y30	EA	Curtain Asm. w/Rod Top & Bottom - 17.5" x 24" (Y07)
5	073323-33-Y31	EA	Curtain Asm. w/Rod Top & Bottom - 17.5" x 24" (Y08)
5	073323-33-AB4	EA	Curtain Asm. w/Rod Top & Bottom - 17.5" x 24" (Y09)
6	073323-37-Y30	EA	Curtain Asm. w/Rod Top & Bottom - 21" x 30" (Y07)
6	073323-37-Y31	EA	Curtain Asm. w/Rod Top & Bottom - 21" x 30" (Y08)
6	073323-37-YB4	EA	Curtain Asm. w/Rod Top & Bottom - 21" x 30" (Y09)
7	093454-03-Y05	EA	Curtain Asm. - Gathered - 45.5" x 10" (Y07)
7	093454-03-Y19	EA	Curtain Asm. - Gathered - 45.5" x 10" (Y08)
7	093454-03-YA4	EA	Curtain Asm. - Gathered - 45.5" x 10" (Y09)
7	093467-01-Y07	EA	Valance Asm. - Flat Door - Gathered - 52.2" (Y07)
7	093467-01-Y08	EA	Valance Asm. - Flat Door - Gathered - 52.2" (Y08)
7	093467-01-YA4	EA	Valance Asm. - Flat Door - Gathered - 52.2" (Y09)
7	093475-01-01A	EA	Mini Blind - 19" x 43.5" Drop (Y07)
7	093475-01-02A	EA	Mini Blind - 19" x 43.5" Drop (Y08)
7	093475-01-03A	EA	Mini Blind - 19" x 43.5" Drop (Y09)
8	093455-11-Y73	EA	Shade - 24.25" (Y07)
8	093455-13-Y19	EA	Shade - 24.25" (Y08)
8	093455-13-Y20	EA	Shade - 24.25" (Y09)
9	093453-20-Y07	EA	Valance Asm. - Gathered - 29.5" (Y07)
9	093453-20-Y08	EA	Valance Asm. - Gathered - 29.5" (Y08)
9	093453-20-YA4	EA	Valance Asm. - Gathered - 29.5" (Y09)
9	093475-02-01A	EA	Mini Blind - 27" x 22" Drop (Y07)
9	093475-02-02A	EA	Mini Blind - 27" x 22" Drop (Y08)
9	093475-02-03A	EA	Mini Blind - 27" x 22" Drop (Y09)
	093295-04-Y30	EA	Curtain Asm. w/Lining - Front Wraparound - 23" x 64" - Passenger (Y07)
	093295-04-Y31	EA	Curtain Asm. w/Lining - Front Wraparound - 23" x 64" - Passenger (Y08)
	093295-04-YB4	EA	Curtain Asm. w/Lining - Front Wraparound - 23" x 64" - Passenger (Y09)
	073295-06-Y30	EA	Curtain Asm. w/Lining - Front Wraparound - 23" x 64" - Drivers (Y07)
	073295-06-Y31	EA	Curtain Asm. w/Lining - Front Wraparound - 23" x 64" - Drivers (Y08)
	073295-06-YB4	EA	Curtain Asm. w/Lining - Front Wraparound - 23" x 64" - Drivers (Y09)
	093452-01-Y15	EA	Curtain w/Velcro Top - Bunk Privacy - 48" x 50" - Passenger (Y07)
	093452-01-Y31	EA	Curtain w/Velcro Top - Bunk Privacy - 48" x 50" - Passenger (Y08)
	093452-01-YB4	EA	Curtain w/Velcro Top - Bunk Privacy - 48" x 50" - Passenger (Y09)
	093452-02-Y15	EA	Curtain w/Velcro Top - Bunk Privacy - 48" x 50" - Driver (Y07)
	093452-02-Y31	EA	Curtain w/Velcro Top - Bunk Privacy - 48" x 50" - Driver (Y08)
	093452-02-YB4	EA	Curtain w/Velcro Top - Bunk Privacy - 48" x 50" - Driver (Y09)
	073260-23-Y23	EA	Tieback Asm. - 3" x 18" - Drapery (Y07)
	073260-23-Y16	EA	Tieback Asm. - 3" x 18" - Drapery (Y08)
	073260-23-YB4	EA	Tieback Asm. - 3" x 18" - Drapery (Y09)
	073260-24-Y30	EA	Tieback Asm. - 2" x 14" - Drapery (Y07)
	073260-24-Y31	EA	Tieback Asm. - 2" x 14" - Drapery (Y08)
	073260-24-YB4	EA	Tieback Asm. - 2" x 14" - Drapery (Y09)
	085283-01-000	EA	Bracket - Hold Back - Clear

**1989 WINNEBAGO
TABLE OF CONTENTS**

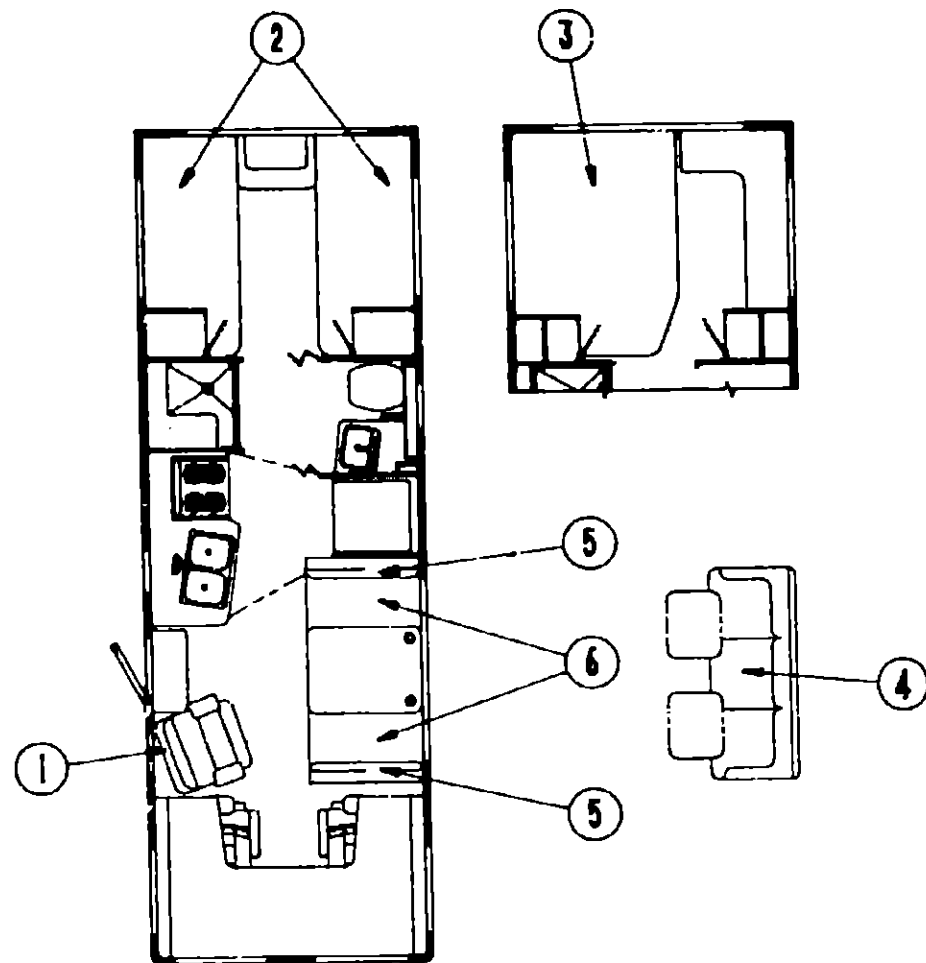
WC/F424RB
WC/F424RC
WF426RT

A-01 - C-06
C-07 - E-16
E-17 - G-14

1989 WF426RT INDEX

Floor Plan	E-17 - E-18
Accessories Group	E-19 - E-20
Bath Group	E-21
Chassis Group	E-22
Curtain, Cushion & Pad Group	E-23 - F-06
Dinette Group	F-07 - F-08
Driver's Compartment Group	F-09 - F-10
Electrical Group	F-11 - F-12
Exterior Body Group	F-13 - F-18
Galley Group	F-19 - F-20
Heating & Air Conditioning Group	F-21
Interior Finish Group	F-22 - F-23
LP Group	F-24
Lounge Group	G-01 - G-02
Water & Sewage Group	G-03
Window, Vent & Exterior Door Group	G-04 - G-14

CURTAIN, CUSHION & PAD GROUP (CONTINUED)



TEARDROP CHAIR

Key	Part Number	U/M	Description
1	093466-01-Y07	EA	Chair Asm. - Teardrop
1	093466-01-Y08	EA	Chair Asm. - Teardrop
1	093466-01-Y09	EA	Chair Asm. - Teardrop
	085187-02-Y07	EA	Skirt Asm.
	085187-02-Y08	EA	Skirt Asm.
	085187-02-Y09	EA	Skirt Asm.
	088245-03-000	EA	Plate - Non-Tilt - Swivel w/Lock
	088245-01-000	EA	Base w/Legs - Chair
	088245-06-000	EA	Extension - 7"

FRONT BUNK

Key	Part Number	U/M	Description
	073310-07-Y07	EA	Cushion Asm. - Front Bunk - 54" x 76" x 4"
	073310-07-Y08	EA	Cushion Asm. - Front Bunk - 54" x 76" x 4"
	073310-07-Y09	EA	Cushion Asm. - Front Bunk - 54" x 76" x 4"
	M73310-07-Y07	EA	Cover Asm. - Front Bunk Cushion
	M73310-07-Y08	EA	Cover Asm. - Front Bunk Cushion
	M73310-07-Y09	EA	Cover Asm. - Front Bunk Cushion
	088274-52-000	YD	Fabric - Front Bunk Cushion (Y07)
	088274-76-000	YD	Fabric - Front Bunk Cushion (Y08)
	088274-77-000	YD	Fabric - Front Bunk Cushion (Y09)

CURTAIN, CUSHION & PAD GROUP (CONTINUED)

TWIN BED MATTRESS

Key	Part Number	U/M	Description
2	093593-01-000	EA	Mattress - Innerspring - 33" x 75"
	083986-14-Y14	EA	Bedsread - Twin Bed - Passenger (Y07)
	083986-14-Y19	EA	Bedsread - Twin Bed - Passenger (Y08)
	083986-14-Y17	EA	Bedsread - Twin Bed - Passenger (Y09)
	083986-15-Y15	EA	Bedsread - Twin Bed - Drivers (Y07)
	083986-15-Y19	EA	Bedsread - Twin Bed - Drivers (Y08)
	083986-15-Y17	EA	Bedsread - Twin Bed - Drivers (Y09)
	081997-03-Y15	EA	Pillow Sham (Y07)
	081997-03-Y06	EA	Pillow Sham (Y08)
	081997-03-Y09	EA	Pillow Sham (Y09)

DOUBLE BED MATTRESS

Key	Part Number	U/M	Description
3	083496-05-000	EA	Mattress - Foam - 43" x 75" - Winnebago
3	093593-03-000	EA	Mattress - Innerspring - 54" x 75"
	083986-05-Y07	EA	Bedsread - Double Bed
	083986-05-Y08	EA	Bedsread - Double Bed
	083986-05-Y09	EA	Bedsread - Double Bed
	081997-03-Y15	EA	Pillow Sham
	081997-03-Y06	EA	Pillow Sham
	081997-03-Y09	EA	Pillow Sham

CONTINENTAL BED OPTION

Key	Part Number	U/M	Description
4	085355-03-Y07	EA	Bed Asm. - Teardrop (Y07)
4	085355-03-Y08	EA	Bed Asm. - Teardrop (Y08)
4	085355-03-Y09	EA	Bed Asm. - Teardrop (Y09)
	M85355-03-Y07	EA	Cover Asm. - Teardrop (Y07)
	M85355-03-Y16	EA	Cover Asm. - Teardrop (Y08)
	M85355-03-Y17	EA	Cover Asm. - Teardrop (Y09)
	086545-02-Y15	EA	Pillow Asm. - Teardrop (Y07)
	086545-02-Y16	EA	Pillow Asm. - Teardrop (Y08)
	086545-02-Y17	EA	Pillow Asm. - Teardrop (Y09)
	M86454-02-Y15	EA	Cover Asm. - Pillow (Y07)
	M86545-02-Y16	EA	Cover Asm. - Pillow (Y08)
	M86545-02-Y17	EA	Cover Asm. - Pillow (Y09)
	085060-03-Y15	EA	Throw Pillow (Y07)
	085060-03-Y16	EA	Throw Pillow (Y08)
	085060-03-Y17	EA	Throw Pillow (Y09)

DINETTE CUSHION

Key	Part Number	U/M	Description
5	088927-18-Y07	EA	Cushion Asm. - Dinette Back - 13" x 38" x 5"
5	088927-18-Y16	EA	Cushion Asm. - Dinette Back - 13" x 38" x 5" (Y08)
5	088927-18-Y09	EA	Cushion Asm. - Dinette Back - 13" x 38" x 5"
	M88927-18-Y07	EA	Cover Asm. - Dinette Back Curtain - 13" x 38" x 5"
	M88927-18-Y16	EA	Cover Asm. - Dinette Back Curtain - 13" x 38" x 5" (Y08)
	M88927-18-Y09	EA	Cover Asm. - Dinette Back Curtain - 13" x 38" x 5"
6	088927-19-Y07	EA	Cushion Asm. - Dinette Bottom - 22" x 38" x 5"
6	088927-19-Y16	EA	Cushion Asm. - Dinette Bottom - 22" x 38" x 5" (Y08)
	088927-19-Y09	EA	Cushion Asm. - Dinette Bottom - 22" x 38" x 5"
	M88927-19-Y07	EA	Cover Asm. - Dinette Bottom Cushion - 22" x 38" x 5"
	M88927-19-Y16	EA	Cover Asm. - Dinette Bottom Cushion - 22" x 38" x 5" (Y08)
	M88927-19-Y09	EA	Cover Asm. - Dinette Bottom Cushion - 22" x 38" x 5"

**1989 WINNEBAGO
TABLE OF CONTENTS**

WC/F424RB
WC/F424RC
WF426RT

A-01 - C-06
C-07 - E-16
E-17 - G-14

1989 WF426RT INDEX

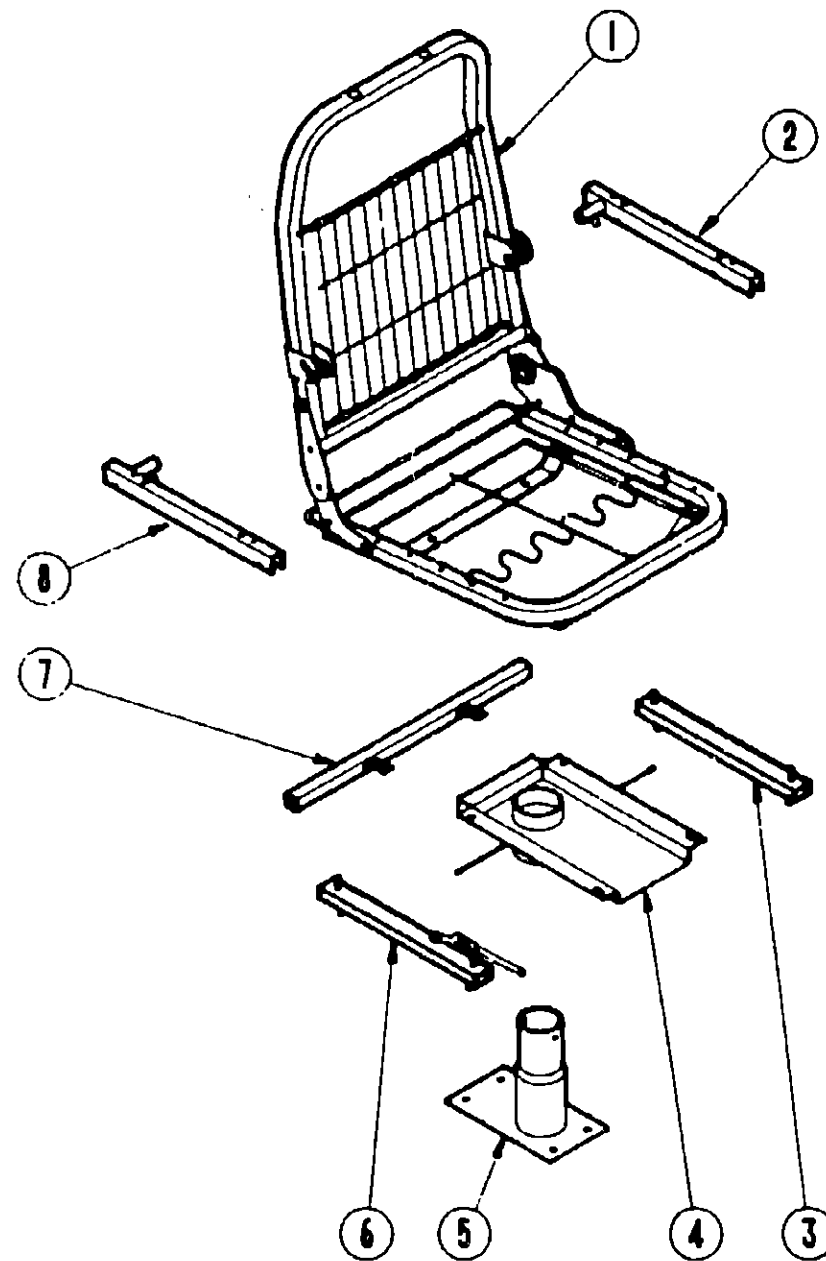
Floor Plan	E-17 - E-18
Accessories Group	E-19 - E-20
Bath Group	E-21
Chassis Group	E-22
Curtain, Cushion & Pad Group	E-23 - F-06
Dinette Group	F-07 - F-08
Driver's Compartment Group	F-09 - F-10
Electrical Group	F-11 - F-12
Exterior Body Group	F-13 - F-18
Galley Group	F-19 - F-20
Heating & Air Conditioning Group	F-21
Interior Finish Group	F-22 - F-23
LP Group	F-24
Lounge Group	G-01 - G-02
Water & Sewage Group	G-03
Window, Vent & Exterior Door Group	G-04 - G-14

CURTAIN, CUSHION & PAD GROUP (CONTINUED)

CURTAIN, CUSHION & PAD GROUP (CONTINUED)

STRATON BUCKET SEAT

**1989 WINNEBAGO
TABLE OF CONTENTS**



BUCKET SEAT HARDWARE

Key	Part Number	U/M	Description
1	M80906-01-000	EA	Frame Asm. - Bucket Seat
2	081268-02-000	EA	Frame - Armrest - Left
3	069246-01-000	EA	Adjuster Asm. - Seat - w/Lock
4	069585-27-000	EA	Top Plate - Non-Powered Seat
5	069585-08-000	EA	Sub Plate - 8" - Used w/Non-Powered Seat
6	069246-02-000	EA	Adjuster Asm. - Seat w/o Lock
7	065485-29-000	EA	Seat Belt Bar - 20"
8	081268-01-000	EA	Frame - Armrest - Right
	080730-05-000	EA	Shield - Recliner

Key	Part Number	U/M	Description
	083909-26-Y07	EA	Seat Asm. - Straton w/Right Armrest
	083909-26-Y08	EA	Seat Asm. - Straton w/Right Armrest
	083909-26-Y09	EA	Seat Asm. - Straton w/Right Armrest
	M01864-35-Y07	EA	Cover Asm. - Seat Cushion (Y07)
	M01864-35-W01	EA	Cover Asm. - Seat Cushion (Y08)
	M01864-35-Y09	EA	Cover Asm. - Seat Cushion (Y09)
	M01864-36-Y07	EA	Cover Asm. - Back Cushion (Y07)
	M01864-36-W01	EA	Cover Asm. - Back Cushion (Y08)
	M01864-36-Y09	EA	Cover Asm. - Back Cushion (Y09)
	080243-23-Y07	EA	Armrest Asm. - Right (Y07)
	080243-23-W01	EA	Armrest Asm. - Right (Y08)
	080243-23-Y09	EA	Armrest Asm. - Right (Y09)
	M80243-23-Y07	EA	Cover Asm. - Armrest (Y07)
	M80243-23-W01	EA	Cover Asm. - Armrest (Y08)
	M80243-23-Y09	EA	Cover Asm. - Armrest (Y09)
	083909-27-Y07	EA	Seat Asm. - Straton w/Left Armrest
	083909-27-Y08	EA	Seat Asm. - Straton w/Left Armrest
	083909-27-Y09	EA	Seat Asm. - Straton w/Left Armrest
	M01864-35-Y07	EA	Cover Asm. - Seat Cushion (Y07)
	M01864-35-W01	EA	Cover Asm. - Seat Cushion (Y08)
	M01864-35-Y09	EA	Cover Asm. - Seat Cushion (Y09)
	M01864-36-Y07	EA	Cover Asm. - Back Cushion (Y07)
	M01864-36-W01	EA	Cover Asm. - Back Cushion (Y08)
	M01864-36-Y09	EA	Cover Asm. - Back Cushion (Y09)
	080243-24-Y07	EA	Armrest Asm. - Left
	080243-24-Y08	EA	Armrest Asm. - Left
	080243-24-Y09	EA	Armrest Asm. - Left
	M80243-24-Y07	EA	Cover Asm. - Armrest
	M80243-24-Y08	EA	Cover Asm. - Armrest
	M80243-24-Y09	EA	Cover Asm. - Armrest

TRIMS & PADS

Key	Part Number	U/M	Description
	084415-23-000	YD	Trim Braid - Pull Shade (Y07)
	084415-21-000	YD	Trim Braid - Pull Shade (Y08)
	084415-24-000	YD	Trim Braid - Pull Shade (Y09)
	070578-06-T03	EA	Button Asm. - #30 - Vinyl
	071127-11-Y28	EA	Button Asm. - #30 (Y07) (Presto Bed)
	071127-11-Y19	EA	Button Asm. - #30 (Y08) (Presto Bed)
	071127-11-Y20	EA	Button Asm. - #30 (Y09) (Presto Bed)
	070578-01-Y07	EA	Button Asm. - #30 - Screw Stud (Motor Cover)
	070578-01-Y08	EA	Button Asm. - #30 - Screw Stud (Motor Cover)
	070578-01-Y09	EA	Button Asm. - #30 - Screw Stud (Motor Cover)
	078155-01-000	EA	Strap Asm. - Cushion (Dinette Cushion)
	056632-01-X08	EA	Strap Asm. - Bunk (Front Overhead)
	081519-01-Y07	EA	Pad Asm. - Dinette - Front (Y07)
	081519-01-W14	EA	Pad Asm. - Dinette - Front (Y08)
	081519-01-Y09	EA	Pad Asm. - Dinette - Front (Y09)
	081519-02-Y07	EA	Pad Asm. - Dinette - Rear (Y07)
	081519-02-W14	EA	Pad Asm. - Dinette - Rear (Y08)
	081519-02-Y09	EA	Pad Asm. - Dinette - Rear (Y09)
	069885-16-Y07	EA	Motor Cover w/Pocket (Ford)
	069885-16-Y08	EA	Motor Cover w/Pocket (Ford)
	069885-16-Y09	EA	Motor Cover w/Pocket (Ford)

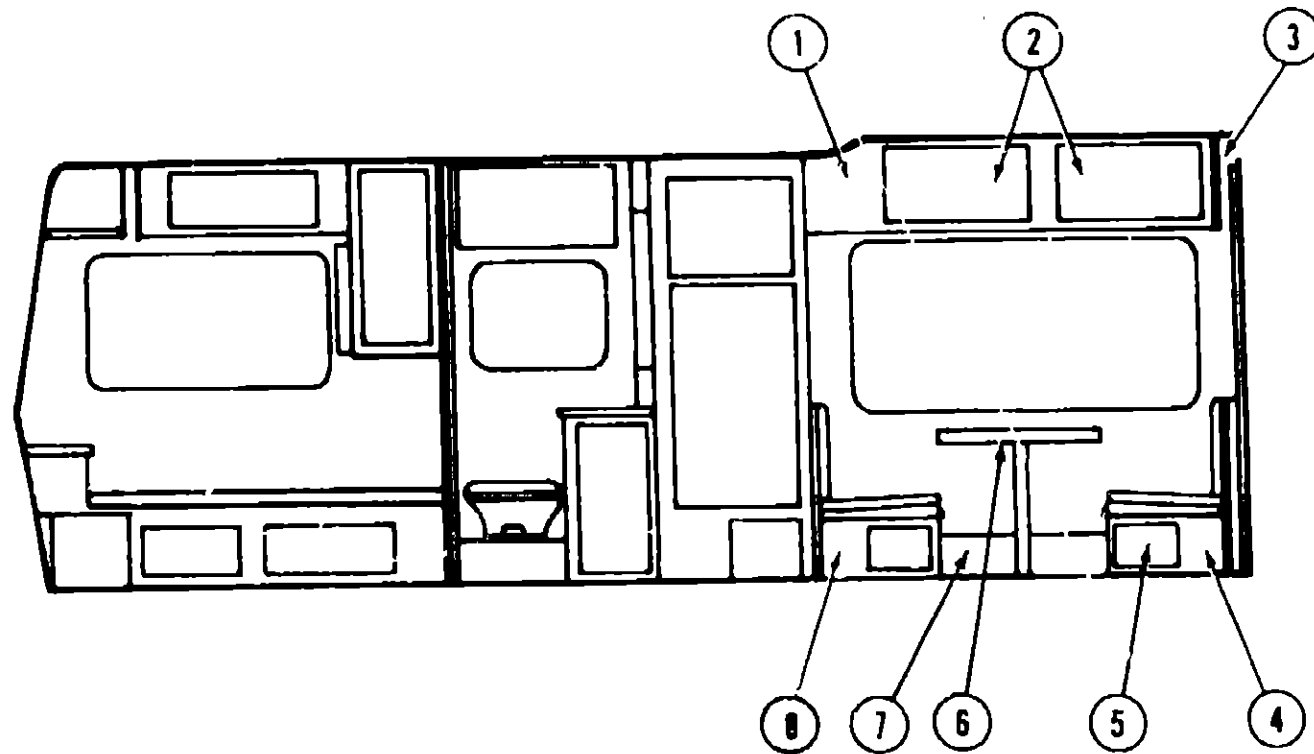
WC/F424RB
WC/F424RC
WF426RT

A-01 - C-08
C-07 - E-16
E-17 - G-14

1989 WF426RT INDEX

Floor Plan	E-17 - E-18
Accessories Group	E-19 - E-20
Bath Group	E-21
Chassis Group	E-22
Curtain, Cushion & Pad Group	E-23 - F-06
Dinette Group	F-07 - F-08
Driver's Compartment Group	F-09 - F-10
Electrical Group	F-11 - F-12
Exterior Body Group	F-13 - F-18
Galley Group	F-19 - F-20
Heating & Air Conditioning Group	F-21
Interior Finish Group	F-22 - F-23
LP Group	F-24
Lounge Group	G-01 - G-02
Water & Sewage Group	G-03
Window, Vent & Exterior Door Group	G-04 - G-14

DINETTE GROUP



Key	Part Number	U/M	Description
1	M83929-03-X33	EA	Cabinet Asm. - Dinette Overhead - w/o Doors or Hardware
2	M88304-21-X08	EA	Door Asm. - Dinette Overhead - w/o Hardware
3	081280-21-W24	EA	Pad Asm. - End Cap - Dinette Overhead - Vinyl
4	M02175-02-W30	EA	Cabinet Asm. - Dinette Seat - w/o Door or Hardware
	M02174-01-W30	EA	Cabinet Asm. - Dinette Back
5	M88304-21-X08	EA	Door Asm. - Dinette Seat - w/o Door or Hardware
6	M03475-02-Y07	EA	Table Asm. - Dinette - w/o Hardware
7	081733-01-Y07	EA	Cabinet Asm. - Pipe Cover
	M02174-03-W30	EA	Cabinet Asm. - Dinette Back
8	M02175-04-W24	EA	Cabinet Asm. - Dinette Seat - w/o Door or Hardware
	074493-02-000	EA	Support - Spring Door Asm. - Overhead Cabinet
	053200-05-000	EA	Bracket - Upper Wall Mount - 23.5" - Beige
	088410-01-000	EA	Bracket - Table Mount - Beige
	024275-05-000	EA	Rod - Table Lift - 8" x 23.5" - Beige
	024281-07-000	EA	Bracket - Lower Wall Mount - Table Lift - Tan
	092708-01-Y15	EA	Leg Asm. - Table - Oak
	093550-01-000	EA	Hinge - Table Leg
	049493-08-000	EA	Catch - Table Leg - Mounts on Floor - Tan
	064781-05-000	EA	Cup Holder - 3.47" OD x 2.75" ID x 1.5" - Beige
	092593-01-04A	EA	Catch - Table Leg - Mounts on Leg

DINETTE GROUP (CONTINUED)

BENCH SEAT CUSHIONS W/TABLE OPTION

Key	Part Number	U/M	Description
**	NOTE	EA	Bench Seat Cushions
	081298-01-U01	EA	Table Asm. - Pedestal
	009040-06-000	EA	Leg - Pedestal Table - 27.50"
	009040-03-000	EA	Base - Table - Raised
	041194-01-000	EA	Base - Table - Flush Mount
	062046-01-000	EA	Clip - Pedestal Table
**	See Curtain, Cushion & Pad Group.		

1989 WINNEBAGO TABLE OF CONTENTS

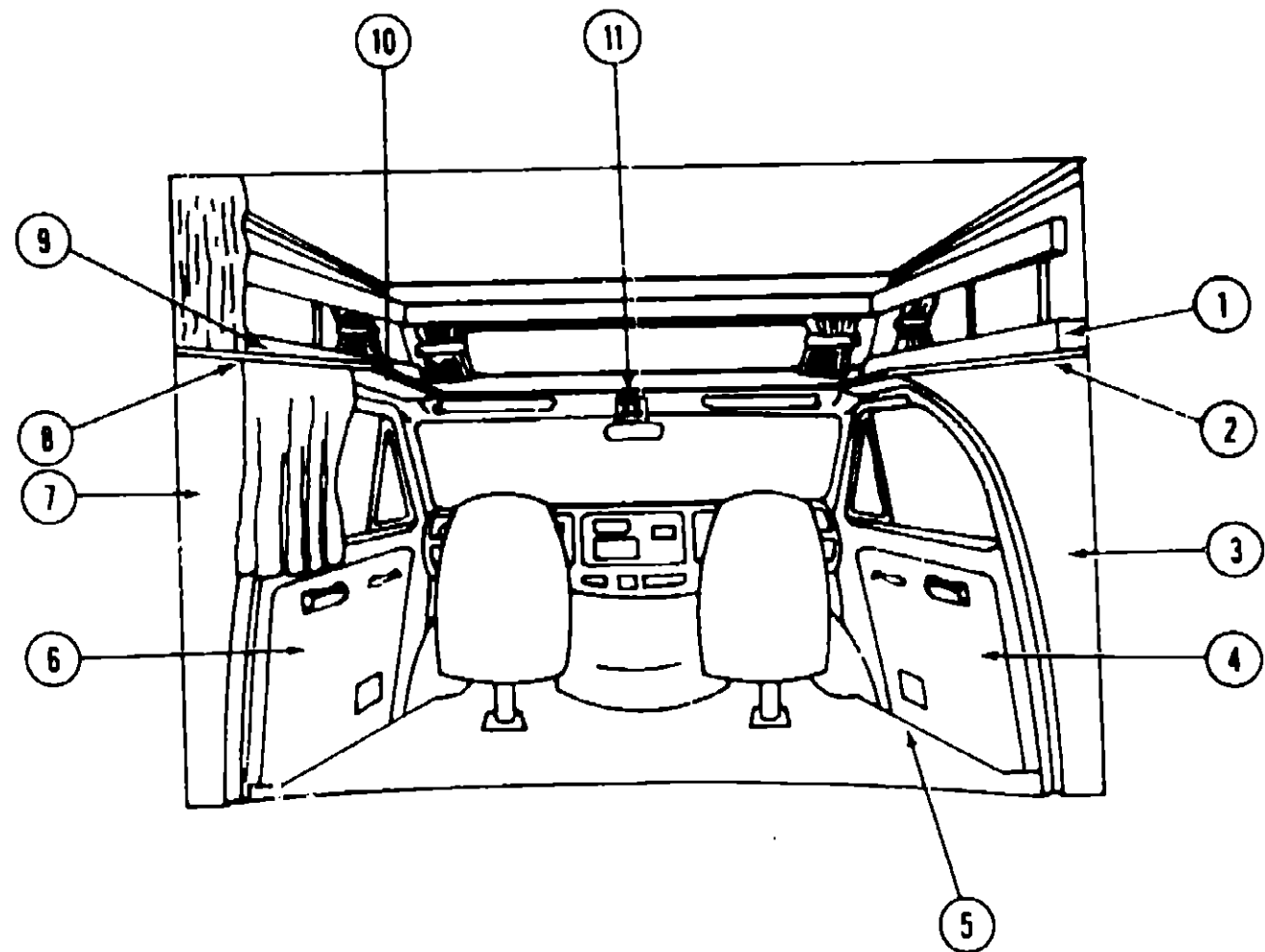
WC/F424RB
WC/F424RC
WF426RT

A-01 - C-08
C-07 - E-16
E-17 - G-14

1989 WF426RT INDEX

Floor Plan	E-17 - E-18
Accessories Group	E-19 - E-20
Bath Group	E-21
Chassis Group	E-22
Curtain, Cushion & Pad Group	E-23 - F-06
Dinette Group	F-07 - F-08
Driver's Compartment Group	F-09 - F-10
Electrical Group	F-11 - F-12
Exterior Body Group	F-13 - F-18
Galley Group	F-19 - F-20
Heating & Air Conditioning Group	F-21
Interior Finish Group	F-22 - F-23
LP Group	F-24
Lounge Group	G-01 - G-02
Water & Sewage Group	G-03
Window, Vent & Exterior Door Group	G-04 - G-14

DRIVER'S COMPARTMENT GROUP

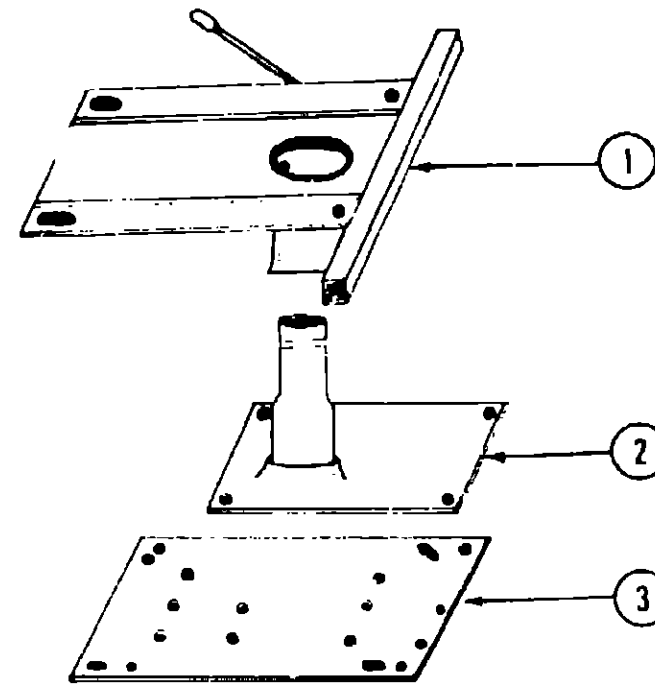


MISCELLANEOUS DRIVER'S COMPARTMENT COMPONENTS (FORD)

Key	Part Number	U/M	Description
1	087012-01-X08	EA	Cabinet Asm. - Headboard
2	092068-02-Y07	EA	Sleeper Board Asm.
	079800-03-000	EA	Trim - Front Sleeper Board
3	092087-01-X81	EA	Wingwall Asm. - Inner - Passenger
**4	NOTE	EA	Side Panel - Cab Door - Passenger
5	083219-01-000	EA	Floor Mat - Passenger
	083219-02-000	EA	Floor Mat - Driver
	080359-02-000	EA	Step Well Plate
**6	NOTE	EA	Panel Asm. - Cab Door - Driver - Beige
7	092037-02-X81	EA	Wingwall Asm. - Inner - Driver
8	080742-01-000	FT	Accent Trim - Vinyl
9	087012-01-X08	EA	Cabinet Asm. - Headboard
10	091831-01-X08	EA	Headliner Asm.
11	M01298-01-000	EA	Console - Overhead - 7.5" x 6.14" - Black
	024461-01-000	EA	Switch - Battery
	024462-01-000	EA	Switch - Battery Condition
	024976-01-000	EA	Switch - Generator w/o Circuit Board
	031035-01-000	EA	Gauge - Generator Hourmeter
	024459-04-000	EA	Gauge - Voltmeter
	024459-02-000	EA	Bracket - Mounting - Voltmeter Gauge
	069885-16-Y07	EA	Motor Cover w/Pocket
	069885-16-Y08	EA	Motor Cover w/Map Pocket
	069885-16-Y09	EA	Motor Cover w/Map Pocket

** This part is supplied by your Ford dealer.

DRIVER'S COMPARTMENT GROUP (CONTINUED)



BUCKET SEAT PEDESTAL & SEAT BELTS

Key	Part Number	U/M	Description
1	069585-29-000	EA	Bar - Seat Belt - 20"
2	069585-27-000	EA	Plate - Top - Pedestal Asm.
3	069585-03-000	EA	Plate - Sub - Pedestal Asm.
	069585-02-000	EA	Plate - Base - Pedestal Asm. - Bucket Seat
	056271-02-000	EA	Belt Asm. - Seat - 2" x 72" - Black
	007021-01-000	EA	Belt Asm. - Seat - 2" x 90" - Black
	041322-01-000	EA	Washer - Flat 15/32" ID x 2 3/8" OD - Seat Belt
	057759-01-000	EA	Bracket - Seat Belt Washer
	069246-01-000	EA	Adjuster Asm. - Seat - w/Lock
	069246-02-000	EA	Adjuster Asm. - Seat - w/o Lock
	080730-02-000	EA	Recliner Drive - Driver
	080730-01-000	EA	Recliner Drive - Passenger

1989 WINNEBAGO TABLE OF CONTENTS

WC/F424RB
WC/F424RC
WF428RT

A-01 - C-06
C-07 - E-16
E-17 - G-14

1989 WF428RT INDEX

Floor Plan	E-17 - E-18
Accessories Group	E-19 - E-20
Bath Group	E-21
Chassis Group	E-22
Curtain, Cushion & Pad Group	E-23 - F-06
Dinette Group	F-07 - F-08
Driver's Compartment Group	F-09 - F-10
Electrical Group	F-11 - F-12
Exterior Body Group	F-13 - F-18
Galley Group	F-19 - F-20
Heating & Air Conditioning Group	F-21
Interior Finish Group	F-22 - F-23
LP Group	F-24
Lounge Group	G-01 - G-02
Water & Sewage Group	G-03
Window, Vent & Exterior Door Group	G-04 - G-14

ELECTRICAL GROUP

MISCELLANEOUS ELECTRICAL COMPONENTS

Key	Part Number	U/M	Description
	008188-01-000	EA	Solenoid - Dual Battery - Relay
	083208-01-000	EA	Control Center - 32 Amp.
	008233-01-000	EA	Fuse - 6 Amp. - 12 Volt
	008234-01-000	EA	Fuse - 10 Amp. - 12 Volt
	046893-01-000	EA	Fuse - 13 Amp. - 12 Volt
	008235-01-000	EA	Fuse - 15 Amp. - 12 Volt
	008236-01-000	EA	Fuse - 20 Amp. - 12 Volt
	008248-01-000	EA	Fuse - 30 Amp. - 110 Volt - AGU
	008252-01-000	EA	Fuse - 50 Amp. - 110 Volt
	056473-02-000	EA	Fuse - 5 Amp. - Slow Blow
	056473-01-000	EA	Fuse - 6 1/4 Amp. - Slow Blow
	062901-02-000	EA	Fuse - 5 Amp. - Automotive
	062901-05-000	EA	Fuse - 15 Amp. - Automotive
	008211-01-000	EA	Circuit Breaker - 6 Amp. - 12 Volt
	033573-02-000	EA	Circuit Breaker - 15 Amp. - 12 Volt - w/Mount
	033573-01-000	EA	Circuit Breaker - 20 Amp. - 12 Volt - w/Mount
	044466-03-000	EA	Circuit Breaker - 25 Amp. - 12 Volt - w/Mount
	008268-01-000	EA	Circuit Breaker - 30 Amp. - 12 Volt - w/Mount
	083209-05-000	EA	Circuit Breaker - 20 Amp. - 120 Volt
	083209-04-000	EA	Circuit Breaker - 30 Amp. - 120 Volt
	083209-02-000	EA	Circuit Breaker - 15/15 Amp. - 120 Volt
	083209-03-000	EA	Circuit Breaker - 15/20 Amp. - 120 Volt
	083209-07-000	EA	Circuit Breaker - 20/20 Amp. - 120 Volt
	083209-06-000	EA	Circuit Breaker - 20/15 Amp. - 120 Volt
	083209-08-000	EA	Circuit Breaker Blank

INTERIOR LIGHT

Key	Part Number	U/M	Description
	033508-02-000	EA	Light - Dome - Ivory - 1 Bulb - US
	033508-03-000	EA	Light - Dome - Ivory - 1 Bulb - CSA
	033509-02-000	EA	Light - Dome - Ivory - 2 Bulb - US
	033509-03-000	EA	Light - Dome - Ivory - 2 Bulb - CSA
	078424-02-000	EA	Light - Fluorescent - 12V
	061424-01-000	EA	Light - 12V Receptacle - Aisle - IP
	007309-01-000	EA	Light - Step Well
	086280-01-000	EA	Light - Surface Mount - 12 Volt
	083686-01-000	EA	Lamp - Table - Brass w/Wood
	082686-02-000	EA	Shade - Table Lamp
	082169-01-000	EA	Light - Make-Up - 3 Bulb
	077026-01-000	EA	Lens - Courtesy Light - Clear

EXTERIOR LIGHTS

Key	Part Number	U/M	Description
	008089-01-000	EA	Light - Recessed Porch
	075459-04-000	EA	Lamp Asm. - Tail - Red
	075459-05-000	EA	Lamp Asm. - Turn - Amber
	075459-06-000	EA	Lamp Asm. - Back Up/Reflex
	081250-02-000	EA	Light Asm. - Cab Marker - Red
	076785-01-000	EA	Light Asm. - License
	042405-03-000	EA	Base - Rectangular Clearance Light
	042405-01-000	EA	Lens - Clearance Light - Red w/Reflex
	042405-02-000	EA	Lens - Clearance Light - Amber w/Reflex
	081437-01-000	EA	Bracket - Clearance Light

ELECTRICAL GROUP (CONTINUED)

BULBS

Key	Part Number	U/M	Description
	008220-01-000	EA	Bulb - 12V - 25W
	008103-01-000	EA	Bulb - 53
	008213-01-000	EA	Bulb - 57
	008214-01-000	EA	Bulb - 67
	036196-01-000	EA	Bulb - 194
	008215-01-000	EA	Bulb - 1003
	087479-01-000	EA	Bulb - 1076
	083914-01-000	EA	Bulb - 1139
	008218-01-000	EA	Bulb - 1141
	037935-01-000	EA	Bulb - 1157
	055288-02-000	EA	Bulb - 9431808

WIRE, SWITCHES & RECEPTACLES

Key	Part Number	U/M	Description
	008288-01-000	EA	Box - Electrical - 3" x 3.5" - Plastic
	008289-01-000	EA	Box - Electrical - 4" x 4" - 1/2 & 3/4 Steel - UL
	058049-01-000	EA	Box - Electrical - 2" x 3" x 2.25" - Steel
	041953-01-000	EA	Conduit - Convoluted Slit - .5" ID
	058028-01-000	EA	Connector - Pigtail - Clear Nylon
	008314-01-000	EA	Connector - Wire Nut - Gray
	008311-01-000	EA	Connector - Wire Nut - Red
	031968-01-000	EA	Contact Plug - Brass - Tin Plated
	031967-01-000	EA	Contact - Receptacle
	008054-01-000	EA	Cord - Power - 10-3 30 Amp. - 25' - UL
	069238-01-000	EA	Cover - Electrical Box - 4" x 4"
	024571-03-000	EA	Cover Plate - Receptacle - Jumbo - Brown Plastic
	008164-01-000	EA	Cover Plate - Switch - Brown
	008294-01-000	EA	Cover - Flat Blank - 4" x 4" - Steel - US
	008294-02-000	EA	Cover - Flat Blank - 4" x 4" - Steel - CSA
	064450-01-000	EA	Housing Asm. - Trailer Plug
	064398-01-000	EA	Housing Asm. - Trailer Receptacle
	054532-01-000	EA	Housing Pin - 6 Position
	075736-02-000	EA	Receptacle/Cover Asm. - Off White (Exterior)
	058708-01-000	EA	Receptacle - Duplex - Brown
	024924-02-000	EA	Receptacle - Power Cord
	058707-01-000	EA	Receptacle - Single - Brown
	075723-01-000	EA	Switch - Block Spacer - w/o Holes
	075723-02-000	EA	Switch - Block Spacer - w/Holes
	056264-01-000	EA	Switch - Leaf Actuator
	079362-01-000	EA	Switch Plate - 3 Gang - 2 Switches
	079363-01-000	EA	Switch Plate - Single - w/Switches
	079364-01-000	EA	Switch - On/Off Rocker - Brown
	008195-01-000	EA	Switch - Push Button - 12 Volt
	047443-02-000	EA	Terminal - .250 Receptacle - 12-10 AWG
	035417-01-000	EA	Terminal - Pin Receptacle - .125 Dia.
	008348-01-000	EA	Terminal Ring - 2 - w/2/8 Stud
	008331-01-000	EA	Terminal Ring - 4 - w/3/8 Stud
	008028-01-000	FT	Wire - 18.5 Bonded - Blue/Red/Yellow/Orange/White
	008024-01-000	FT	Wire - 18.5 Bonded - Orange/White/Yellow/Blue/Brown
	008025-01-000	FT	Wire - 18.5 Bonded - Orange/White/Yellow/Blue/Green
	008026-01-000	FT	Wire w/Ground - Romex - 12/2

1989 WINNEBAGO TABLE OF CONTENTS

WC/F424RB
WC/F424RC
WF426RT

A-01 - C-06
C-07 - E-16
E-17 - G-14

1989 WF426RT INDEX

Floor Plan	E-17 - E-18
Accessories Group	E-19 - E-20
Bath Group	E-21
Chassis Group	E-22
Curtain, Cushion & Pad Group	E-23 - F-06
Dinette Group	F-07 - F-08
Driver's Compartment Group	F-09 - F-10
Electrical Group	F-11 - F-12
Exterior Body Group	F-13 - F-18
Galley Group	F-19 - F-20
Heating & Air Conditioning Group	F-21
Interior Finish Group	F-22 - F-23
LP Group	F-24
Lounge Group	G-01 - G-02
Water & Sewage Group	G-03
Window, Vent & Exterior Door Group	G-04 - G-14

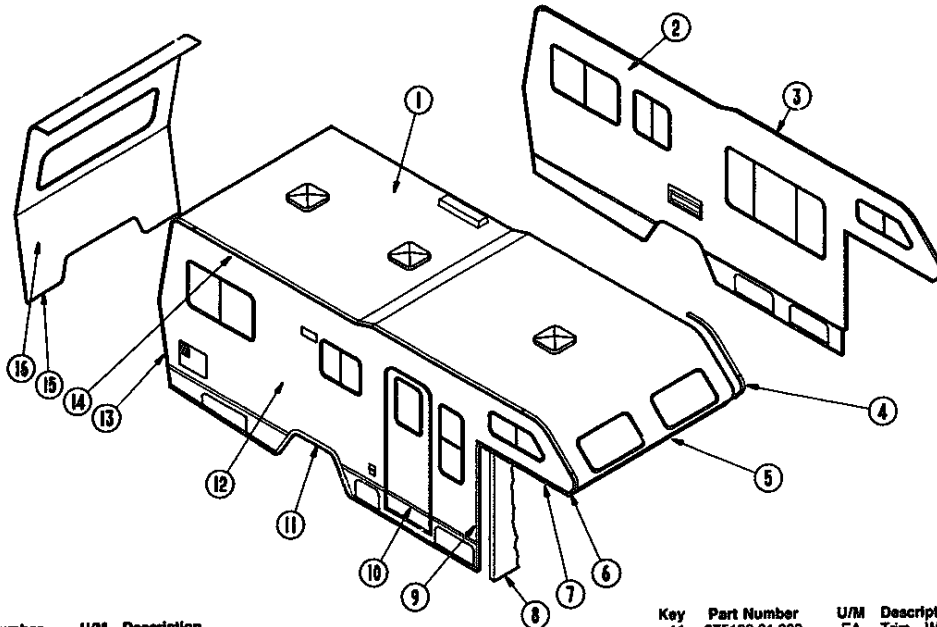
EXTERIOR BODY GROUP

EXTERIOR BODY PANELS

1989 WINNEBAGO TABLE OF CONTENTS

WC/F424RB
WC/F424RC
WF426RT

A-01 - C-06
C-07 - E-16
E-17 - G-14



Key	Part Number	U/M	Description
1	M88628-01-Y07	EA	Roof Asm.
1	M88628-01-Y08	EA	Roof Asm.
1	M88628-01-Y09	EA	Roof Asm.
	M78177-01-700	EA	Roof Section - Cab Over To First Seam
2	M92144-01-Y07	EA	Sidewall Asm. - Driver
	M92144-01-Y08	EA	Sidewall Asm. - Driver
	M92144-01-Y09	EA	Sidewall Asm. - Driver
3	078802-08-000	EA	Trim - Contour - Upper Front - Driver - Off White
	078802-07-000	EA	Trim - Contour - Upper Front - Passenger - Off White
4	085491-02-000	EA	Trim - Sleeper Board - Driver - Off White
5	085490-01-000	EA	Trim - Contour - Front - Passenger - Off White
	085490-02-000	EA	Trim - Contour - Front - Driver - Off White
6	088889-03-000	EA	Trim - Front Radius - Passenger - Off White
	088889-04-000	EA	Trim - Front Radius - Driver - Off White
7	085491-02-000	EA	Trim - Transition Panel - Passenger - Off White
	085491-01-000	EA	Trim - Transition Panel - Driver - Off White
8	080683-02-W04	EA	Wingwall Asm. - Passenger
8	080683-01-W04	EA	Wingwall Asm. - Driver
9	085492-01-000	EA	Trim - Wingwall Transition - Off White
10	058578-05-000	EA	Feature Strip - w/o Insert - Extr. - 14' - Brown
	009731-01-000	EA	End Cap - Feature Strip

Key	Part Number	U/M	Description
11	075189-01-000	EA	Trim - Wheelwell - Rear Passenger - Off White
	075189-02-000	EA	Trim - Wheelwell - Rear Driver - Off White
	087953-01-000	EA	Trim - Wheelwell - Rear - Extrusion - Off White
12	M92145-01-Y07	EA	Sidewall Asm. - Passenger
	M92145-01-Y08	EA	Sidewall Asm. - Passenger
	M92145-01-Y09	EA	Sidewall Asm. - Passenger
13	077338-05-000	EA	Trim - Contour - Rear Passenger - Off White
	077338-06-000	EA	Trim - Contour - Rear Driver - Off White
14	077338-05-000	EA	Trim - Contour - Upper Rear Passenger - Off White
	077338-06-000	EA	Trim - Contour - Upper Rear Driver - Off White
15	074968-02-000	EA	Trim - Backwall - Lower - Passenger or Driver
16	081651-01-Y07	EA	Backwall Asm.
16	081651-01-Y08	EA	Backwall Asm.
16	081651-01-Y09	EA	Backwall Asm.
	083605-08-000	EA	Trim - Backwall To Roof
	002365-01-001	EA	U-Channel - Extrusion - 1" x 18'
	002776-01-001	EA	U-Channel - Extrusion - 1.75" x 16'
	077514-04-001	EA	Fiberglass Sheet - 48.08" x 259" - Mesa - Off White
	077517-04-002	EA	Fiberglass Sheet - 48.08" x 60" - Mesa - Off White
	001054-01-011	EA	Alum. - No Design - 48" x 96" - Off White
	000868-01-000	SF	Styrofoam - .75" x 24" x 96"
	000870-01-000	SF	Styrofoam - 1.5" x 24" x 96"
	000870-03-000	SF	Styrofoam - 1.34" x 48" x 96"
	080858-01-000	EA	Sleeper Board Asm.

1989 WF426RT INDEX

Floor Plan	E-17 - E-18
Accessories Group	E-19 - E-20
Bath Group	E-21
Chassis Group	E-22
Curtain, Cushion & Pad Group	E-23 - F-06
Dinette Group	F-07 - F-08
Driver's Compartment Group	F-09 - F-10
Electrical Group	F-11 - F-12
Exterior Body Group	F-13 - F-18
Galley Group	F-19 - F-20
Heating & Air Conditioning Group	F-21
Interior Finish Group	F-22 - F-23
LP Group	F-24
Lounge Group	G-01 - G-02
Water & Sewage Group	G-03
Window, Vent & Exterior Door Group	G-04 - G-14

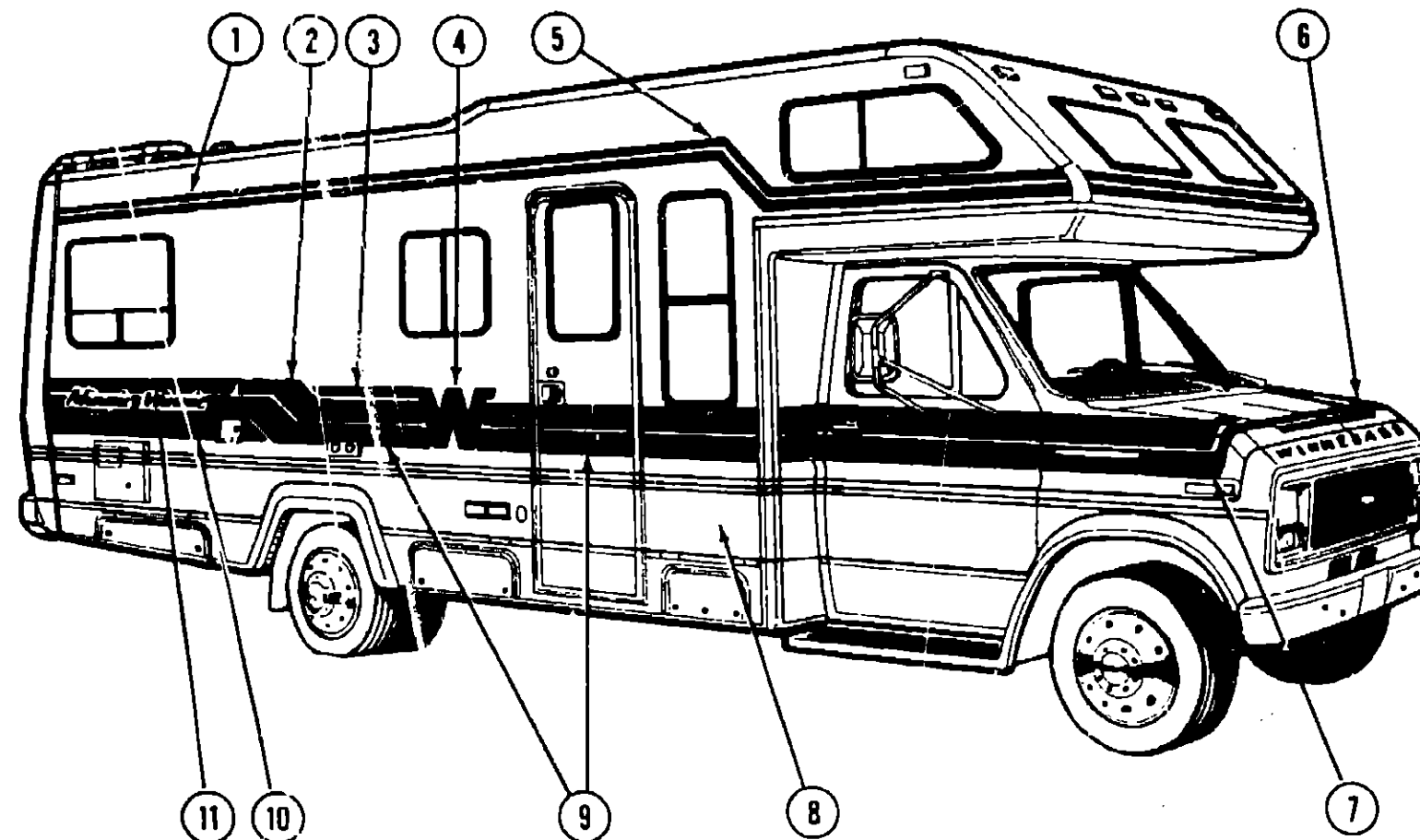
EXTERIOR BODY GROUP (CONTINUED)

DECALS, FILMSTRIPE & EXTERIOR PAINT

**1989 WINNEBAGO
TABLE OF CONTENTS**

WC/F424RB
WC/F424RC
WF426RT

A-01 - C-06
C-07 - E-16
E-17 - G-14



1989 WF426RT INDEX

Floor Plan	E-17 - E-18
Accessories Group	E-19 - E-20
Bath Group	E-21
Chassis Group	E-22
Curtain, Cushion & Pad Group	E-23 - F-06
Dinette Group	F-07 - F-08
Driver's Compartment Group	F-09 - F-10
Electrical Group	F-11 - F-12
Exterior Body Group	F-13 - F-18
Galley Group	F-19 - F-20
Heating & Air Conditioning Group	F-21
Interior Finish Group	F-22 - F-23
LP Group	F-24
Lounge Group	G-01 - G-02
Water & Sewage Group	G-03
Window, Vent & Exterior Door Group	G-04 - G-14

Key	Part Number	U/M	Description
1	093680-08-01A	FT	Film - Multistripe - 3.6" x 150' - Rose/Blue (Y07, Y09)
1	093680-08-02A	FT	Film - Multistripe - 3.6" x 150' - Brown/Green (Y08)
2	093705-01-01A	EA	Decal - Step Side - Passenger - Rose/Blue (Y07, Y09)
2	093705-01-02A	EA	Decal - Step Side - Passenger - Brown/Green (Y08)
	093705-02-01A	EA	Decal - Step Side - Driver - Rose/Blue (Y07, Y09)
	093705-02-02A	EA	Decal - Step Side - Driver - Brown/Green (Y08)
3	093681-03-01A	FT	Film - 1.4" x 150' - Gray
4	079351-31-000	EA	Decal - Flying "W"
5	093706-01-01A	EA	Decal - Side Step - Passenger - Rose/Blue (Y07, Y09)
5	093706-01-02A	EA	Decal - Side Step - Passenger - Brown/Green (Y08)
	093706-02-01A	EA	Decal - Side Step - Driver - Rose/Blue (Y07, Y09)
	093706-02-02A	EA	Decal - Side Step - Driver - Brown/Green (Y08)
6	093707-02-01A	EA	Decal - Fender - Driver - Rose/Blue (Y07, Y09) (Ford)
6	093707-02-02A	EA	Decal - Fender - Driver - Brown/Green (Y08) (Ford)

Key	Part Number	U/M	Description
	069745-03-000	EA	Decal - "Winne"
	069745-04-000	EA	Decal - "Bago"
7	093707-01-01A	EA	Decal - Fender - Passenger - Rose/Blue (Y07, Y09) (Ford)
7	093707-01-02A	EA	Decal - Fender - Passenger - Brown/Green (Y08) (Ford)
8	089363-01-700	EA	Paint Kit - Aegean - Gray
	089363-01-701	EA	Clear Body Seam Sealer - Gray
9	093680-10-01A	FT	Film - Multistripe - 6.8" x 150' - Rose/Blue (Y07, Y09)
9	093680-10-02A	FT	Film - Multistripe - 6.8" x 150' - Brown/Green (Y08)
10	093681-02-01A	FT	Film - 3.2" x 150' - Gray
11	075478-02-000	EA	Decal - Logo - "Minnie Winnie" - Chrome
	050313-22-000	EA	Decal - Logo - "Winnebago" - 2.8" - Chrome (Backwall)

EXTERIOR BODY GROUP (CONTINUED)

LABELS & EXTERIOR PAINT

Key	Part Number	U/M	Description
	091243-01-000	EA	Label - Air Conditioner Cover
	087238-01-000	EA	Label - Cable - Input
	087238-02-000	EA	Label - Cable - Output
	085748-01-000	EA	Label - Caution - Battery Charging
	006195-01-000	EA	Label - Electrical Test
	047731-01-000	EA	Label - Emergency Exit
	006199-01-000	EA	Label - Exit - Escape Window
	064378-01-000	EA	Label - Flying "W" w/Thermo Panel
	061417-01-000	EA	Label - Fuel
	087207-02-000	EA	Label - Fuel Cap Removal
	006196-01-000	EA	Label - Gas Test
	054531-01-000	EA	Label - LP Gas Only
	073998-01-000	EA	Label - LPG Odor Warning
	040844-01-000	EA	Label - Open - Entrance Door
	061606-01-000	EA	Label - Overlay - Vehicle Certification
	006015-01-000	EA	Label - Patent Motor Home
	088757-01-000	EA	Label - Retail - 8 5/8" x 12 7/8"
	056259-01-000	EA	Label - Safety Check List
	006064-01-000	EA	Label - Seat - w/o Seat Belts
	006187-01-000	EA	Label - Sewage
	006006-01-000	EA	Label - Thermo Panel - 2 1/4" x 2 1/4"
	075221-01-000	EA	Label - Trailer Hitch Capacity
	091224-01-000	EA	Label - Trailer Lighting
	075220-01-000	EA	Label - Warning - Exterior Load Limit
	050225-01-000	EA	Label - Warning - Stove Vent - US
	079966-01-000	EA	Label - Warning - Stowed Motion
	006186-01-000	EA	Label - Waste Water
	006197-01-000	EA	Label - Water Test
	006062-01-000	EA	Tag - Electrical - 110 Volt Connection
	006040-01-000	EA	Tag - Gas - Refueling Warning
	006019-01-000	EA	Tag - RVI Approval - Plastic
	045681-03-000	EA	Paint - Gloss Black - Acrylic Enamel - 16 oz. Aerosol (99 Dupont)
	041561-03-000	EA	Paint - Off White Acrylic Enamel - 16 oz. Aerosol (45396A Dupont)
	074559-01-000	EA	Label "LPG" - 3.3" x 1.75" (Calif. Code)

MISCELLANEOUS EXTERNALLY MOUNTED PARTS

Key	Part Number	U/M	Description
	083558-01-000	EA	Plumbing Seal - Roof Vent - 1.5
	048817-01-000	EA	Assist Handle - w/Light
	048817-01-700	EA	Lens - Assist Handle
	010230-02-000	EA	Fill - City Water - Recessed - Off White
	087659-04-000	EA	Fill - City Water - Off White
	081240-03-000	EA	Fill - City Water - Lockable - Off White

EXTERIOR BODY GROUP (CONTINUED)

SEALANTS & ADHESIVES

Key	Part Number	U/M	Description
	004020-01-000	QT	Adhesive - ABS Cement (Plastic Fittings)
	002337-01-000	EA	Adhesive - 1300 Tube - 3M (Windows)
	004005-02-000	GL	Adhesive - Swifts - Glue (Sidewalls)
	053766-07-000	EA	Bedding Compound - Tube - Beige (Exterior)
	053766-06-000	EA	Bedding Compound - Tube - Clear (Window)
	053766-08-000	EA	Bedding Compound - Tube - Gray (Exterior)
	053766-05-000	EA	Bedding Compound - Tube - Gray (Sidewalls to Floor)
	053766-02-000	EA	Bedding Compound - Tube - Off White (Exterior)
	002328-02-000	EA	Block - Rubber Spacer (Windshield)
	004336-01-000	EA	Caulk - Latex - Golden Walnut (Sidewalls)
	077967-01-000	EA	Sealant - Acrylic Latex - Tube - Off White (Interior Sealant)
	034552-04-000	EA	Sealant - Silicone - Beige
	034552-02-000	EA	Sealant - Silicone - Clear
	034552-07-000	EA	Sealant - Silicone - Dark Gray
	034552-06-000	EA	Sealant - Silicone - Off White
	069637-01-000	EA	Sealant - Weatherban 404 - Tube - White (Door Caulk)
	072889-01-000	EA	Sealant - Urethane - Black (Windshield)
	069640-01-000	FT	Sealer Ribbon - .25" Bead x 20'
	069640-02-000	FT	Sealer Ribbon - .5" x .125" x 30'
	069640-03-000	FT	Sealer Ribbon - .75" x .125" x 30'
	069640-04-000	FT	Sealer Ribbon - 2" x .09" x 45'
	069640-05-000	FT	Sealer Ribbon - 2.5" x .09" x 50'
	069640-08-000	FT	Sealer Ribbon - 5/16" Bead x 15'
	069640-07-000	FT	Sealer Ribbon - 2" x 3/32" x 30'
	002316-01-000	FT	Sealer Tape - 3/32" x 3/8" - White (Window)
	002707-01-000	FT	Sealer Tape - 5/16" x 3/4"
	002707-02-000	FT	Sealer Tape - 5/16" x 1/2"
	040545-01-000	GL	Sealer - Seam Weld
	053752-04-000	EA	Seam Sealer - Tube - Aluminum (Roof)
	063642-01-000	FT	Tape - Adhesive - .10mm x 1.5" Wide
	038886-01-000	EA	Tape - Butyl - .31" x .31" x 148" (Windshield)
	076322-01-000	FT	Tape - Foam - Double Coated - .025 x 1" (Fiberglass Sidewall Seams)
	076322-02-000	FT	Tape - Foam - Double Coated - .045 x 1" (Fiberglass Sidewall Seams)
	009200-01-000	EA	Tape - Furnace - 1.5"
	002825-01-000	FT	Weather Stripping (Roof Vent)

**1989 WINNEBAGO
TABLE OF CONTENTS**

WC/F424RB	A-01 - C-06
WC/F424RC	C-07 - E-18
WF426RT	E-17 - G-14

1989 WF426RT INDEX

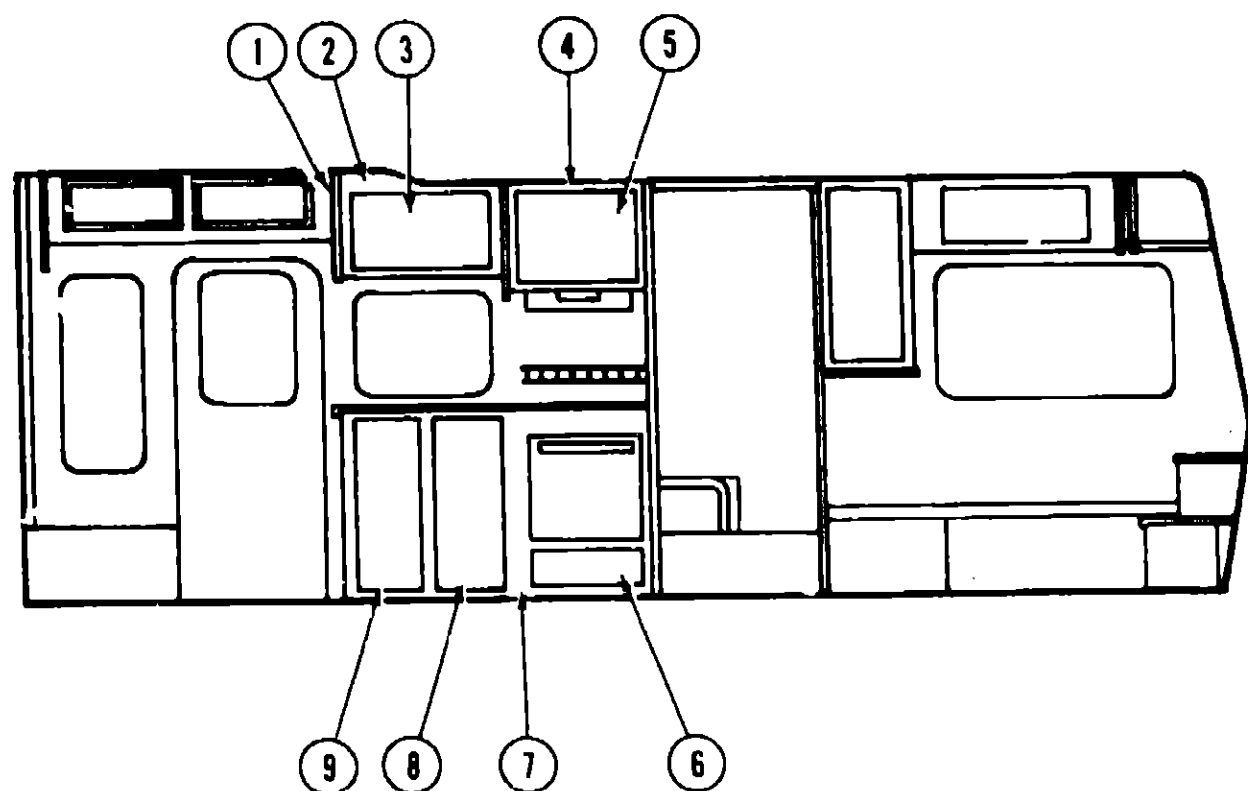
Floor Plan	E-17 - E-18
Accessories Group	E-19 - E-20
Bath Group	E-21
Chassis Group	E-22
Curtain, Cushion & Pad Group	E-23 - F-06
Dinette Group	F-07 - F-08
Driver's Compartment Group	F-09 - F-10
Electrical Group	F-11 - F-12
Exterior Body Group	F-13 - F-18
Galley Group	F-19 - F-20
Heating & Air Conditioning Group	F-21
Interior Finish Group	F-22 - F-23
LP Group	F-24
Lounge Group	G-01 - G-02
Water & Sewage Group	G-03
Window, Vent & Exterior Door Group	G-04 - G-14

GALLEY GROUP

GALLEY GROUP (CONTINUED)

GALLEY HARDWARE & APPLIANCES

1989 WINNEBAGO TABLE OF CONTENTS



Key	Part Number	U/M	Description
	092898-03-01A	EA	Hood - Range - Powered w/Monitor - Almond - US
	075470-04-000	EA	Duct Extension - Hood Range
	055282-02-000	EA	Range w/Small Oven - 4 Burner - Almond - Magic Chef
	081374-03-000	EA	Top - Main - Almond
	102019-01-01A	EA	Range Top - 4 Burner - Almond
	084879-02-000	EA	Range Top - 4 Burner - Almond
	084879-01-700	EA	Refrigerator - AC/DC/Gas - Norcold - 8' - 8663
	084879-01-701	EA	Cooling Unit
	084879-01-702	EA	Gasket - Lower Door
	084879-01-703	EA	Handle - Lower Door
	084879-01-704	EA	Foamed - Cabinet Asm.
	084879-01-705	EA	Liner - Lower Door - Foamed w/Frame
	094038-02-000	EA	Panel Holder - Lower Door
	054450-01-000	EA	Refrigerator - 3 Way - Small Double Door - Norcold 663
	091289-03-000	EA	Level - Refrigerator
	094750-01-000	EA	Microwave Oven - Convection - Magic Chef
	081530-01-Y30	EA	Bracket Asm. - Microwave
	009049-01-000	EA	Sink Cover - Large
	009059-01-000	EA	Support - Drop Leaf Table
	074490-02-W24	EA	Hinge - 2" - Gold - Drop Leaf Table
	074491-02-W24	EA	Spice Rack - Oak
	074981-01-000	EA	Magazine Rack - Oak
	058334-01-000	EA	Cutting Board - Maple
	059777-02-000	EA	Wastebasket - 9 3/4" x 7" x 10" - White
	077409-01-000	EA	Hinge - Cabinet Door - Light Brass
	077404-02-000	EA	Slide - Drawer - 20.75" - Plastic
	094067-01-01A	EA	Drawer - 20" x 12.70" - Plastic
	066435-01-000	EA	Drawer - Dividers
		EA	Nut Strainer

WC/F424RB
WC/F424RC
WF426RT

A-01 - C-06
C-07 - E-16
E-17 - G-14

GALLEY CABINETRY & COMPONENTS

Key	Part Number	U/M	Description
1	081280-06-W24	EA	Pad Asm. - End Cap - Galley Overhead - Vinyl
2	M83916-01-X08	EA	Cabinet Asm. - Galley Overhead - w/o Doors or Hardware
3	M88304-84-X08	EA	Door Asm. - Galley Overhead - w/o Hardware
4	M94767-08-Y07	EA	Cabinet Asm. - Galley Overhead - w/o Door or Hardware
	081280-29-Y07	EA	Pad Asm. - End Cap - Microwave Overhead - Vinyl
5	M88304-A9-X08	EA	Door Asm. - Galley Overhead - 14.37" x 21.85" - w/o Hardware
6	M92073-04-X11	EA	Door Asm. - Galley Cabinet - Furnace - 13.38" x 21.85" - w/o Hardware
7	M88611-01-Y07	EA	Cabinet Asm. - Galley - w/o Countertop, Doors, Drawers or Hardware
	088611-12-Y30	EA	Countertop Asm. - Galley
8	M88304-14-X08	EA	Door Asm. - Galley Cabinet - 14.37" x 33.46" - w/o Hardware
9	M88304-13-X08	EA	Door Asm. - Galley Cabinet - 14.37" x 33.46" - w/o Hardware
	077404-01-000	EA	Drawer - Plastic - 20" x 12.7"
	080812-03-Y30	EA	Extension Asm. - Galley
	009049-01-000	EA	Table Support - Drop Leaf
	074493-02-000	EA	Support - Overhead Sprung Door
	093586-03-000	EA	Catch - Spring Roller
	093586-04-000	EA	Strike - Spring Steel
	098654-01-000	EA	Sink - Double - w/Mounting Hardware - SST
	091253-01-000	EA	Gasket - Faucet
	011053-04-000	EA	Faucet - 8" Swing Spout
	M82184-11-X36	EA	Drawer Asm. - 12" x 21.85" - w/o Clip

1989 WF426FIT INDEX

Floor Plan	E-17 - E-18
Accessories Group	E-19 - E-20
Bath Group	E-21
Chassis Group	E-22
Curtain, Cushion & Pad Group	E-23 - F-06
Dinette Group	F-07 - F-08
Driver's Compartment Group	F-09 - F-10
Electrical Group	F-11 - F-12
Exterior Body Group	F-13 - F-18
Galley Group	F-19 - F-20
Heating & Air Conditioning Group	F-21
Interior Finish Group	F-22 - F-23
LP Group	F-24
Lounge Group	G-01 - G-02
Water & Sewage Group	G-03
Window, Vent & Exterior Door Group	G-04 - G-14

HEATING & AIR CONDITIONING GROUP

FURNACES & ROOF AIR CONDITIONER

Key	Part Number	U/M	Description
	009198-01-000	FT	Duct - Flexible - 4" ID x 25'
	058464-01-000	EA	Register - 4" Dia. - Plastic - w/Damper
	058462-02-000	EA	Register - 4" Dia. - Plastic - w/o Damper
	009200-01-000	EA	Tape - Furnace - 1 1/2"
	010326-01-000	EA	Adapter - Flare - w/Cone Gasket
	023146-01-000	EA	Clamp - Screw Type - 4"
	093764-01-000	EA	Shroud Asm. - Inside - Roof Air Cool Only - 13,500 BTU - TSR
	073744-01-000	EA	Shroud Asm. - Inside - Roof Air Heat & Cool - 13,500 BTU
	093763-01-04A	EA	Air Conditioner - 110 Volt & Roof Mount - 13,500 BTU - TSR
	090039-05-000	EA	Furnace - 30,000 BTU - w/Electrical Ignition - #90030
	093365-01-000	EA	Thermostat - Furnace - Suburban
	090039-05-000	EA	Furnace - 30,000 BTU - Suburban
	090039-05-700	EA	Thermostat
	090039-05-701	EA	Combustion Chamber Asm.
	090039-05-702	EA	Gasket - Manifold
	090039-05-703	EA	Manifold Pipe Asm.
	090039-05-704	EA	Combustion Chamber Asm.
	090039-05-705	EA	Wheel - Combustion Air
	090039-05-706	EA	Combustion Air Housing Asm.
	090039-05-707	EA	Gasket - Motor
	090039-05-708	EA	Gasket - Crossover Tube Housing
	090039-05-709	EA	Crossover Tube Asm.
	090039-05-710	EA	Gasket - Crossover Tube Chamber
	090039-05-711	EA	Blower Housing Asm. - Room Air

INTERIOR FINISH GROUP

PANELING & COUNTERTOP

Key	Part Number	U/M	Description
	074497-10-000	SF	Paneling - Regal Oak - 48" x 84" (Cabinets)
	074497-14-000	SF	Paneling - Crossilk - 48" x 84" (Ceiling)
	088272-41-000	SF	Paneling - Decor - Pastel - 48" x 84" (Main Wall) (Y07)
	088272-39-000	SF	Paneling - Decor - Sunkist - 48" x 84" (Main Wall) (Y08)
	088272-40-000	SF	Paneling - Decor - Rainbow - 48" x 84" (Main Wall) (Y09)
	088272-31-000	SF	Paneling - Decor - Light Slate - 48" x 84" (Galley/Bath) (Y07)
	088272-32-000	SF	Paneling - Decor - Adobe - 48" x 84" (Galley/Bath) (Y08)
	088272-33-000	SF	Paneling - Decor - Mauve - 48" x 84" (Galley/Bath) (Y09)
	088272-38-000	SF	Paneling - Decor - Bone - 48" x 84" (Wet Bath)
	074498-29-000	SF	Plastic Laminate - Tan (Galley/Dinette)
	076325-16-000	FT	Edge Molding - Regal Oak

INTERIOR MOLDINGS & TRIMS

Key	Part Number	U/M	Description
	069733-70-000	EA	Batt Strip - Regal Oak - 8' (Woodgrain)
	088263-30-000	EA	Batt Strip - Crossilk (Ceiling)
	088263-20-000	EA	Batt Strip - Pastel - 8' (Main Wall) (Y07)
	088263-27-000	EA	Batt Strip - Sunkist - 8' (Main Wall) (Y08)
	088263-28-000	EA	Batt Strip - Rainbow - 8' (Main Wall) (Y09)
	085284-10-000	FT	Batt Strip - Pastel - Tape Adhesive (Main Wall) (Y07)
	085284-11-000	FT	Batt Strip - Sunkist - Tape Adhesive (Main Wall) (Y08)
	085284-12-000	FT	Batt Strip - Rainbow - Tape Adhesive (Main Wall) (Y09)
	085284-03-000	EA	Batt Strip - Regal Oak - Tape Adhesive
	088263-08-000	EA	Batt Strip - Bone (Galley/Bath)
	088263-19-000	EA	Batt Strip - Bone (Wet Bath)
	086229-04-000	EA	Batten - 1" - Ceiling Molding - Ivory
	009809-17-000	EA	F-Molding - 1" - Regal Oak
	009812-17-000	EA	F-Molding - 1/2" - Regal Oak
	083620-01-000	FT	T-Molding - w/Edge Lips - Grady Brown
	083620-04-000	FT	T-Molding - w/Edge Lips - Light Oak
	070504-01-000	FT	U-Channel - .65" - Light Brown
	070504-06-000	FT	U-Channel - .815" - Regal Oak
	009778-07-000	FT	U-Channel - 1" - Regal Oak
	009767-06-000	FT	Wetling - Beige
	085746-01-000	FT	J-Molding - .75" w/Lips - Grady Brown
	024700-17-000	EA	Cover - Sidewall Roll Bar - Beige (Wall/Ceiling)
	022992-08-000	FT	Molding - Reverse Cove - Champagne White
	042357-11-000	FT	Molding - Outside Corner - Light Oak
	077840-01-W30	FT	Molding - Wall Cap
	080176-02-000	EA	Corner Cap - Radius Plastic - Light Oak
	081521-02-007	EA	Molding - 64 Hole Sapce

MISCELLANEOUS

Key	Part Number	U/M	Description
	041944-03-000	EA	Fire Extinguisher - 5BC - w/o Bracket
	084472-01-000	EA	Holder - Plastic - Fire Extinguisher
	094499-01-000	EA	Fire Extinguisher - 10BC - w/Bracket
	094651-01-01A	EA	Holder - Recessed - Fire Extinguisher
	072852-01-000	EA	Smoke Detector w/9 Volt Battery
	054185-31-000	EA	Owner's Manual - Winnebago/Itasca - 1989

1989 WINNEBAGO TABLE OF CONTENTS

WC/F424RB
WC/F424RC
WF426RT

A-01 - C-06
C-07 - E-16
E-17 - G-14

1989 WF426RT INDEX

Floor Plan	E-17 - E-18
Accessories Group	E-19 - E-20
Bath Group	E-21
Chassis Group	E-22
Curtain, Cushion & Pad Group	E-23 - F-06
Dinette Group	F-07 - F-08
Driver's Compartment Group	F-09 - F-10
Electrical Group	F-11 - F-12
Exterior Body Group	F-13 - F-18
Galley Group	F-19 - F-20
Heating & Air Conditioning Group	F-21
Interior Finish Group	F-22 - F-23
LP Group	F-24
Lounge Group	G-01 - G-02
Water & Sewage Group	G-03
Window, Vent & Exterior Door Group	G-04 - G-14

INTERIOR FINISH GROUP (CONTINUED)

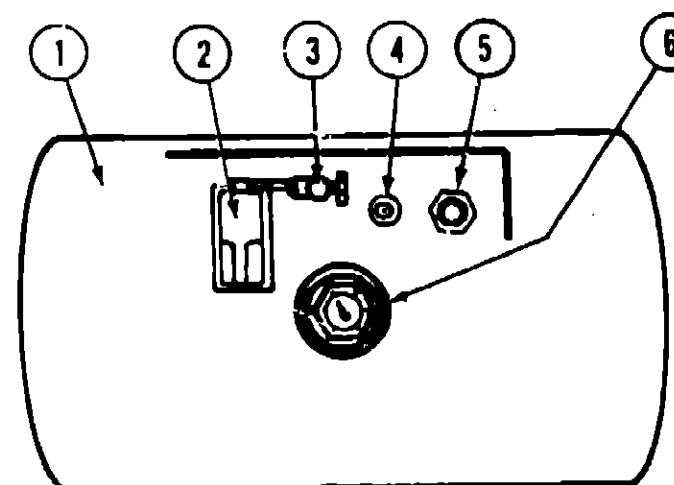
FABRIC & FLOOR COVERINGS

Key	Part Number	U/M	Description
	088274-52-000	YD	Fabric - Upholstery - Main - Blue Haze (Y07)
	088274-76-000	YD	Fabric - Upholstery - Main - Divine (Y08)
	088274-77-000	YD	Fabric - Upholstery - Main - Columbine (Y09)
	088274-79-000	YD	Fabric - Upholstery - Accent - Sky Blue (Y07)
	088274-86-000	YD	Fabric - Upholstery - Accent - Oyster (Y08)
	088274-78-000	YD	Fabric - Upholstery - Accent - Columbine (Y09)
	072333-61-000	YD	Fabric - Drapery - Blackout/Wraparound - Pacific (Y07)
	072333-59-000	YD	Fabric - Drapery - Blackout/Wraparound - Tan (Y08)
	072333-37-000	YD	Fabric - Drapery - Blackout/Wraparound - Mauve (Y09)
	087272-01-000	YD	Lining - Drapery - 48" - Ivory
	088273-29-000	YD	Fabric - Bedspread - Natural (Y07)
	088273-22-000	YD	Fabric - Bedspread - Sandune (Y08)
	088273-23-000	YD	Fabric - Bedspread - Gray (Y09)
	079680-01-000	YD	Vinyl - Expanded - 26 oz. Buckskin (End Cap)
	072333-63-000	YD	Fabric - Pull Shade - Entrance Door - Bone (Y08 Y09)
	093486-01-000	SY	Carpet - Outside Storage Compartment
	093486-01-001	EA	Carpet - Outside Storage Compartment (1SY)
	072860-84-000	SY	Carpet - Graphite (Y07)
	072860-86-000	SY	Carpet - Sienna Sand (Y08)
	072860-69-000	SY	Carpet - Rose Mist (Y09)

CABINETRY & TABLE HARDWARE

Key	Part Number	U/M	Description
	059777-02-000	EA	Hinge - Cabinet Door - Brass
	074493-02-000	EA	Overhead Door - Support - Sprung
	088264-01-000	EA	Pull - Cabinet - Polished Brass
	081376-01-000	EA	Back Plate - Door Pull - Polished Brass
	093586-03-000	EA	Catch - Spring Roller
	093586-04-000	EA	Strike - Steel Spring
	074045-06-000	EA	Plug - 1/2" Oak
	009089-01-000	EA	Clip - Mirror
	084451-01-000	EA	Catch - TV Shelf - Brass
	009059-01-000	EA	Hinge - 2" - Brass - TV Shelf
	064781-05-000	EA	Cup Holder - Two Step
	024281-07-000	EA	Bracket - Lower Wall Mount
	053200-05-000	EA	Bracket - Upper Wall Mount
	024275-05-000	EA	Rod - Table Lift
	092593-01-04A	EA	Catch - Table Leg
	092593-01-01A	EA	Catch - Table Leg - Mounts on Floor
	093550-01-000	EA	Hinge - Bracket - Leg Folding
	092708-01-Y15	EA	Leg Asm. - Table - Regal Oak
	088410-01-000	EA	Hanger - Table
	077409-02-000	EA	Slide - Plastic Drawer
	074493-02-000	EA	Support - Door Spring
	009021-01-000	EA	Catch - Nylon Grill
	009021-02-000	EA	Strike - Spring Steel
	009016-01-000	EA	Catch - Elbow - Spring Loaded
	093586-01-000	EA	Catch - Spring Roller

LP GROUP



Key	Part Number	U/M	Description
1	081637-01-000	EA	Tank Asm. - LP - 68 Pound - 14" x 32"
	065741-01-000	EA	Detector - LP Gas Leak - Marshalltown Instruments
2	076277-01-000	EA	Cover - LP Regulator - Front (Dual)
	076278-01-000	EA	Cover - LP Regulator - Black (Dual)
	076301-01-000	EA	Regulator - Two Stage - US (Dual)
	076301-02-000	EA	Regulator - Two Stage - CSA (Dual)
3	040421-01-703	EA	Valve - Vapor Relief
4	040421-01-700	EA	Gauge - Liquid Level - 20% LP
5	040421-01-701	EA	Valve - Filler - LP
	040421-01-702	EA	Cap - Plastic Fill Valve
6	040421-01-707	EA	Gauge - Float - w/Visible Dial
	040421-01-706	EA	Dial - Visible Face - Float Gauge (Tank w/o Electric Transmitter)
	040440-01-000	EA	Dial - Transmitter - 0 - 90 Ohm (Float Gauge)
	045703-01-000	EA	Hose - Asm. - LP - 3/8" ID x 24" - US
	045703-02-000	EA	Hose Asm. - LP - 3/8" ID x 24" - CSA
	045703-03-000	EA	Hose Asm. - LP - 3/8" ID x 18" - US
	045703-04-000	EA	Hose Asm. - LP - 3/8" ID x 14" - CSA
	065959-01-000	EA	Housing - LP Gauge
	065742-01-000	EA	Tee - .38 F x .39 F x .25 FPT
	068046-01-000	EA	Conversion Kit - LP - Onan Generator

1989 WINNEBAGO TABLE OF CONTENTS

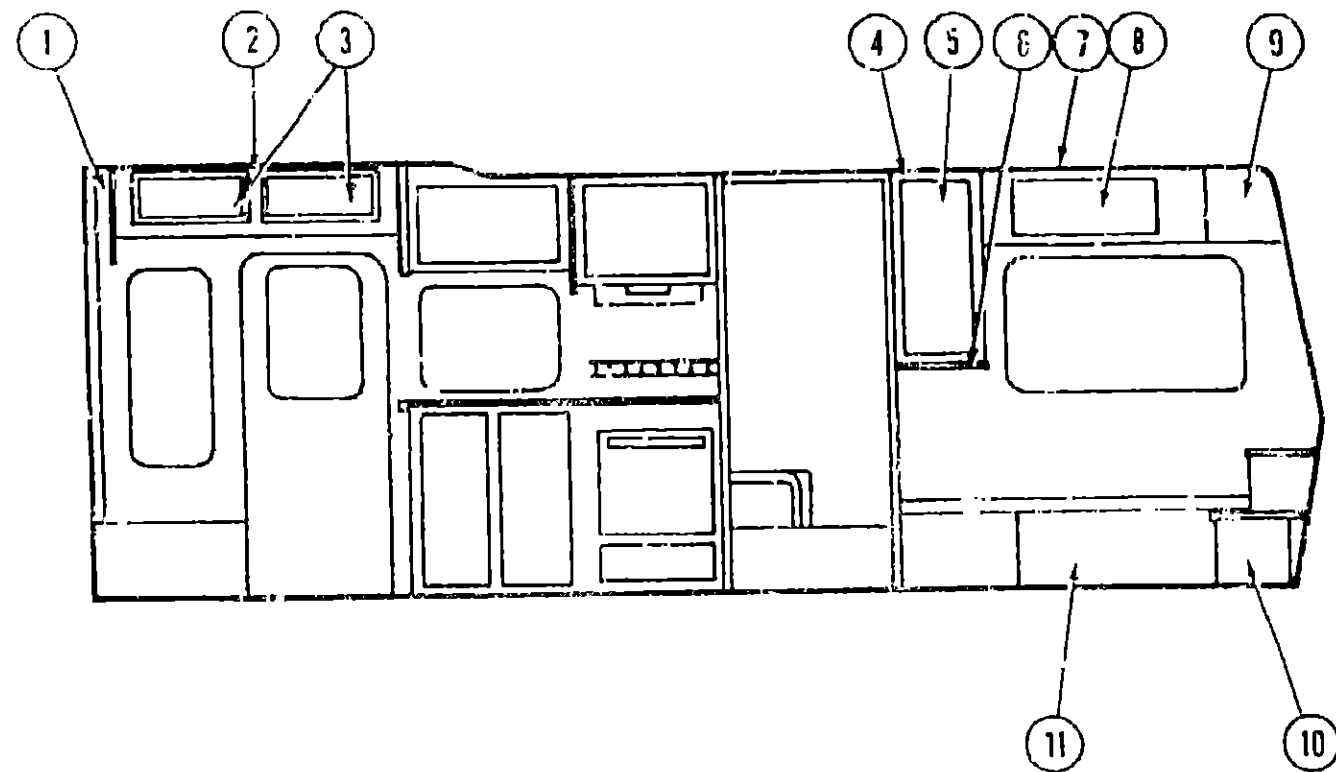
WC/F424RB
WC/F424RC
WF426RT

A-01 - C-06
C-07 - E-16
E-17 - G-14

1989 WF426RT INDEX

Floor Plan	E-17 - E-18
Accessories Group	E-19 - E-20
Bath Group	E-21
Chassis Group	E-22
Curtain, Cushion & Pad Group	E-23 - F-06
Dinette Group	F-07 - F-08
Driver's Compartment Group	F-09 - F-10
Electrical Group	F-11 - F-12
Exterior Body Group	F-13 - F-18
Galley Group	F-19 - F-20
Heating & Air Conditioning Group	F-21
Interior Finish Group	F-22 - F-23
LP Group	F-24
Lounge Group	G-01 - G-02
Water & Sewage Group	G-03
Window, Vent & Exterior Door Group	G-04 - G-14

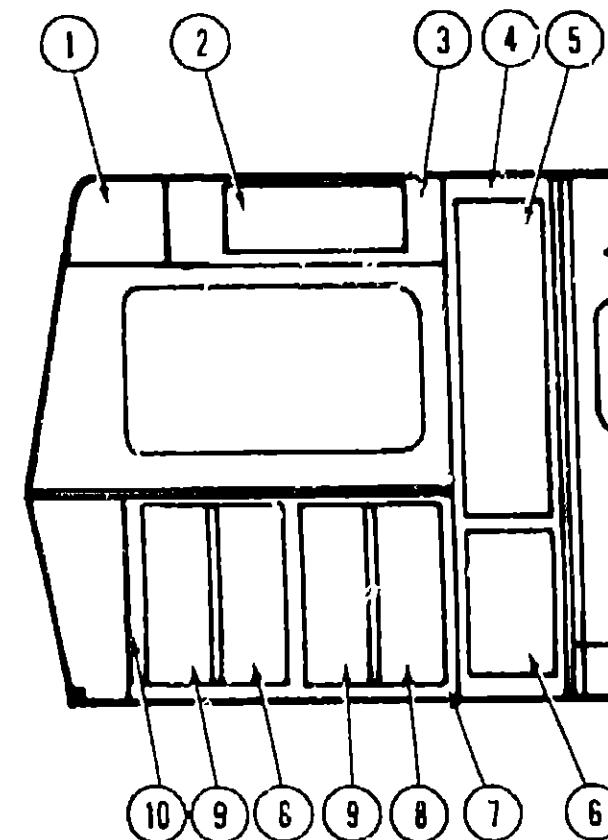
LOUNGE GROUP



LOUNGE CABINETRY W/TWIN BED

Key	Part Number	U/M	Description
1	081280-22-W24	EA	Pad Asm. - End Cap - Entrance Overhead - Vinyl
2	M88603-02-X33	EA	Cabinet Asm. - Entrance
3	M88304-95-X08	EA	Door Asm. - Entrance Overhead - 10" x 19.1" - w/o Hardware
4	083948-01-W24	EA	Cabinet Asm. - Right Shirt Closet - w/o Door or Hardware
	083949-01-X08	EA	Cabinet Asm. - Left Shirt Closet - w/o Door or Hardware
5	M88304-82-X08	EA	Door Asm. - Shirt Closet - w/o Hardware
6	081280-13-W24	EA	Pad Asm. - End Cap - Right Shirt Closet - Vinyl
	081280-16-W24	EA	Pad Asm. - End Cap - Left Shirt Closet - Vinyl
7	M83931-01-X08	EA	Cabinet Asm. - Right Rear Overhead - w/o Door or Hardware
	M83930-01-X08	EA	Cabinet Asm. - Left Rear Overhead - w/o Door or Hardware
8	M88304-66-X08	EA	Door Asm. - Rear Overhead - w/o Hardware
9	M83932-01-X08	EA	Cabinet Asm. - Rear Overhead - w/o Door or Hardware
10	M83903-01-X08	EA	Cabinet Asm. - Nightstand - w/o Doors, Countertop or Hardware
	081710-01-000	EA	Drawer Slide - Plastic
	077404-02-000	EA	Drawer - Plastic - 20" x 12"
	M88304-02-X23	EA	Door Asm. - Nightstand - w/o Hardware
	M02670-01-X08	EA	Countertop Asm. - Nightstand - Top
	M02671-01-X08	EA	Countertop Asm. - Nightstand - Bottom
11	M88609-01-X08	EA	Cabinet Asm. - Twin Bed - Right
	090125-01-X08	EA	Cabinet Asm. - Twin Bed - Left
	M88304-21-X08	EA	Door Asm. - Twin Bed Cabinet

LOUNGE GROUP (CONTINUED)



DOUBLE BED OPTION

Key	Part Number	U/M	Description
1	M83932-01-X08	EA	Cabinet Asm. - Rear Overhead - w/o Door or Hardware
2	M88304-66-X08	EA	Door Asm. - Rear Overhead - w/o Hardware
3	M83930-01-X08	EA	Cabinet Asm. - Left Rear Overhead - w/o Doors or Hardware
4	M83977-01-Y07	EA	Cabinet Asm. - Wardrobe - w/o Doors or Hardware
5	M88304-09-X08	EA	Door Asm. - Wardrobe Cabinet - 12" x 48" - w/o Hardware
6	M88304-52-X23	EA	Door Asm. - Wardrobe Cabinet - 14.37" x 21.85" - w/o Hardware
7	M83946-01-X08	EA	Cabinet Asm. - Vanity - w/o Doors or Hardware
	M02667-01-X08	EA	Countertop Asm. - Vanity
8	M88304-72-X08	EA	Door Asm. - Vanity Cabinet - 10.82" x 27.95"
9	M88304-71-X08	EA	Door Asm. - Vanity Cabinet - 10.82" x 27.95" - w/o Hardware
10	M88304-98-X08	EA	Door Asm. - Vanity Cabinet - 15.75" x 27.95" - w/o Hardware
	M88304-73-X11	EA	Door Asm. - Double Bed Cabinet - 10.04" x 25.20"

WARDROBE (OPTION 43R)

Key	Part Number	U/M	Description
	M89774-01-Y30	EA	Cabinet Asm. - Wardrobe - w/o Door or Hardware
	M88304-B2-X08	EA	Door Asm. - Wardrobe - 16.73" x 48" - w/o Hardware

1989 WINNEBAGO TABLE OF CONTENTS

WC/F424RB
WC/F424RC
WF426RT

A-01 - C-06
C-07 - E-16
E-17 - G-14

1989 WF426RT INDEX

Floor Plan	E-17 - E-18
Accessories Group	E-19 - E-20
Bath Group	E-21
Chassis Group	E-22
Curtain, Cushion & Pad Group	E-23 - F-06
Dinette Group	F-07 - F-08
Driver's Compartment Group	F-09 - F-10
Electrical Group	F-11 - F-12
Exterior Body Group	F-13 - F-18
Galley Group	F-19 - F-20
Heating & Air Conditioning Group	F-21
Interior Finish Group	F-22 - F-23
LP Group	F-24
Lounge Group	G-01 - G-02
Water & Sewage Group	G-03
Window, Vent & Exterior Door Group	G-04 - G-14

WATER & SEWAGE GROUP

HOLDING TANKS & WATER HEATER

Key	Part Number	U/M	Description
	045195-01-000	EA	Tank - Water - 30 Gallon
	045195-02-000	EA	Tank Asm. - Water - 35 Gallon - w/Fittings
	063041-01-000	EA	Tank - Holding - 30 Gallon - w/o Fittings - Waste Water
	075298-01-000	EA	Tank - Holding - 37 Gallon - w/o Fittings - Sewage
**	051391-03-000	EA	Water Heater - w/o Motor Aid - Atwood - GH6-3E
**	051393-01-000	EA	Water Heater - w/Motor Aid - Direct Ignition - Atwood - GH6-3E
**	The illustrated parts breakdown for this item is provided on the Common Items Fiche		

PLUMBING & REPAIR PARTS

Key	Part Number	U/M	Description
	062422-01-000	EA	Adapter - Hose Offset - Reducar - 3" x 1 1/2"
	052954-01-000	EA	Adapter - Hose Cone - 3/8 or 1/2 - Plastic
	004020-01-000	QT	Adhesive - ABS Cement
**	010121-01-000	EA	Bushing - Plastic - 1 1/2 S x 1 1/4 H
	062415-01-000	EA	Cap - Sewer - 3"
	052959-03-000	EA	Connector - 1/2 F x 3/8 MPT - Plastic
	011091-02-000	EA	Continuous Waste - Double Sink - 11 7/8" - US
	078406-01-000	EA	Coupler Rubber - 3" x 3"
	052960-01-000	EA	Drain Valve - 1/2 F x 1/2 F - Plastic
	010006-01-000	EA	Elbow - Plastic - 1/8 BD x 1 1/2 x 45° H x H
	010008-01-000	EA	Elbow - Plastic - 1/4 BD x 1 1/2 x 90° Left
	010051-01-000	EA	Elbow - ST - Plastic - 1/8 BD x 1 1/2 x 45°
	010219-01-000	EA	Elbow - 1 1/4 Barb x 1 1/4 MPT x 90°
	031111-01-000	EA	Elbow - Plastic - 1/4 BD x 1 1/4 x 90° Left
	034250-01-000	EA	Elbow - Plastic - 1/4 BD x 1 1/2 x 90° x H x H
	035539-01-000	EA	Elbow - Plastic - 3/8 MPT x 3/8 Barb
	052957-01-000	EA	Elbow - Plastic - 1/2 F x 3/8 MPT
	052957-02-000	EA	Elbow - Plastic - 1/2 F x 1/2 MPT (In Tank Filter)
	065120-01-000	EA	Elbow - Plastic - Swivel - .50
	077954-02-000	EA	Filter/Screen (In Water Tank)
	087200-01-000	EA	Filter - Water Purification
	087200-02-000	EA	Cartridge - Water Purification
	010147-01-000	EA	Flange - Closet - 4" F x 3" FPT - US
	079381-01-000	FT	Flexible Tubing - 1 1/4 ID x 10'
	061607-01-000	EA	Grommet - Holding Tank Coupler - 1 1/2"
	061607-02-000	EA	Grommet - Holding Tank Coupler - 3"
	052953-01-000	EA	Nut - Faucet - 1/2 Tube x 1/2 FPT
	052952-01-000	EA	Nut - 1/2 F - Plastic
**	011066-03-000	EA	P-Trap - 1 1/4" Plastic - US
	010197-01-000	FT	Pipe - Plastic - 3" x 240" - Black
**	045729-01-000	EA	Pump - Water - 2.8 G.P.M. - Direct Drive - Shurflo - US
**	010201-01-000	EA	Sewer Hose - 3" x 8' w/Clamp
	042989-03-000	EA	Spinweld Fittings - Plastic - 1/4 NPT
	042989-05-000	EA	Spinweld Fittings - Plastic - 1/2 FPT
	011089-02-000	EA	Tailpiece - 1 1/2" x 1 1/4" x 4" - Brass
**	010079-01-000	EA	Tee - Plastic - 1 1/2 H x 1 1/2 H x 1 1/4 H
	052955-01-000	EA	Tee - Plastic - 1/2 F x 1/2 F x 1/2 MPT
	052956-01-000	EA	Tee - Plastic - 1/2 F x 1/2 MPT x 1/2 F
	052958-01-000	EA	Tee - Plastic - 1/2 F x 1/2 F x 1/2 F
	039800-01-000	FT	Tubing - Polybutyl - 1/2 OD (Water Line)
	074482-02-000	FT	Tubing - Vinyl - 3/8 ID
	062418-01-000	EA	Valve - 1 1/2" - w/Handle
	062418-02-000	EA	Valve - 3" - w/o Handle
	052960-01-000	EA	Valve - Line Drain - 1/2 F x 1/2 F
	010073-01-000	EA	Wye - Plastic - 1 1/2 x 45 H x H
**	The illustrated parts breakdown for this item is provided on the Common Items Fiche.		

WINDOW, VENT & EXTERIOR DOOR GROUP

ACCESS DOORS

Key	Part Number	U/M	Description
	079455-07-U01	EA	Door Asm. - Storage - 9.5" x 30"
	079455-01-T95	EA	Door Asm. - Storage - 9.5" x 30"
	081787-01-U01	EA	Door Asm. - Storage
	M79321-01-T03	EA	Door Asm. - Generator
	079455-08-U01	EA	Door Asm. - LP - 9.5" x 21.7"
	079149-01-T03	EA	Door Asm. - Luggage - Off White
	072269-02-T55	EA	Door Asm. - Refrigerator Access - w/Twist Lock - Off White
	084104-03-000	EA	Door Asm. - Refrigerator Access - Off White
	052009-01-000	EA	Door Asm. - Water Heater - Off White
	052423-01-000	EA	Door Asm. - Sewage
	078010-03-000	EA	Door - Fuel Fill - Off White
	063742-01-000	EA	Door - Power Cord - Off White
	052424-01-000	EA	Jamb - Power Cord/Fuel Fill Door - Off White
	054543-01-000	EA	Hatch - Power Cord Door
	052181-01-000	EA	Baffle - Generator Door
	M02054-01-T03	EA	Jamb Asm. - Generator Door - Off White
	083815-06-000	EA	Door Slop - Plastic - Off White
	079368-01-000	FT	Seal - Access Door
	041312-01-000	EA	Seal - Bulb - "E" Section
	042442-01-000	EA	Lock Asm. - Twist Type
	047305-01-000	EA	Lock Asm. - Key Type w/Clip - Metal (LP)
	079366-03-000	EA	Lock Asm. - Key Type
	079366-04-000	EA	Lock Asm. - Key Type
	079927-03-000	EA	Lock Asm. - Twist Type
	042441-01-000	EA	Lock Asm. - Key Type
	052950-01-700	EA	Lock Asm. - Twist Type - White

VENTS

Key	Part Number	U/M	Description
	083558-01-000	EA	Roof Vent - Pipe Cover
	064073-03-000	EA	Roof Vent - Refrigerator - Off White
	084073-04-000	EA	Base - Roof Vent - Refrigerator - Black
	090395-01-Y12	EA	Vent Asm. - Roof - Non-Powered
	084079-03-000	EA	Vent Asm. - Roof - Powered
	090394-01-Y12	EA	Vent Asm. - Roof - Powered
	078785-01-Y12	EA	Screen Asm. - Roof Vent - Powered
	078786-01-Y12	EA	Screen Asm. - Roof Vent - Non-Powered
	080508-01-000	EA	Panel - Skylight - Inner
	080507-01-000	EA	Panel - Skylight - Outer
	080258-01-000	EA	Trim - Skylight
	090039-02-000	EA	Vent Kit - Furnace
	092731-02-000	EA	Duct - Extension - 4.8"

1989 WINNEBAGO TABLE OF CONTENTS

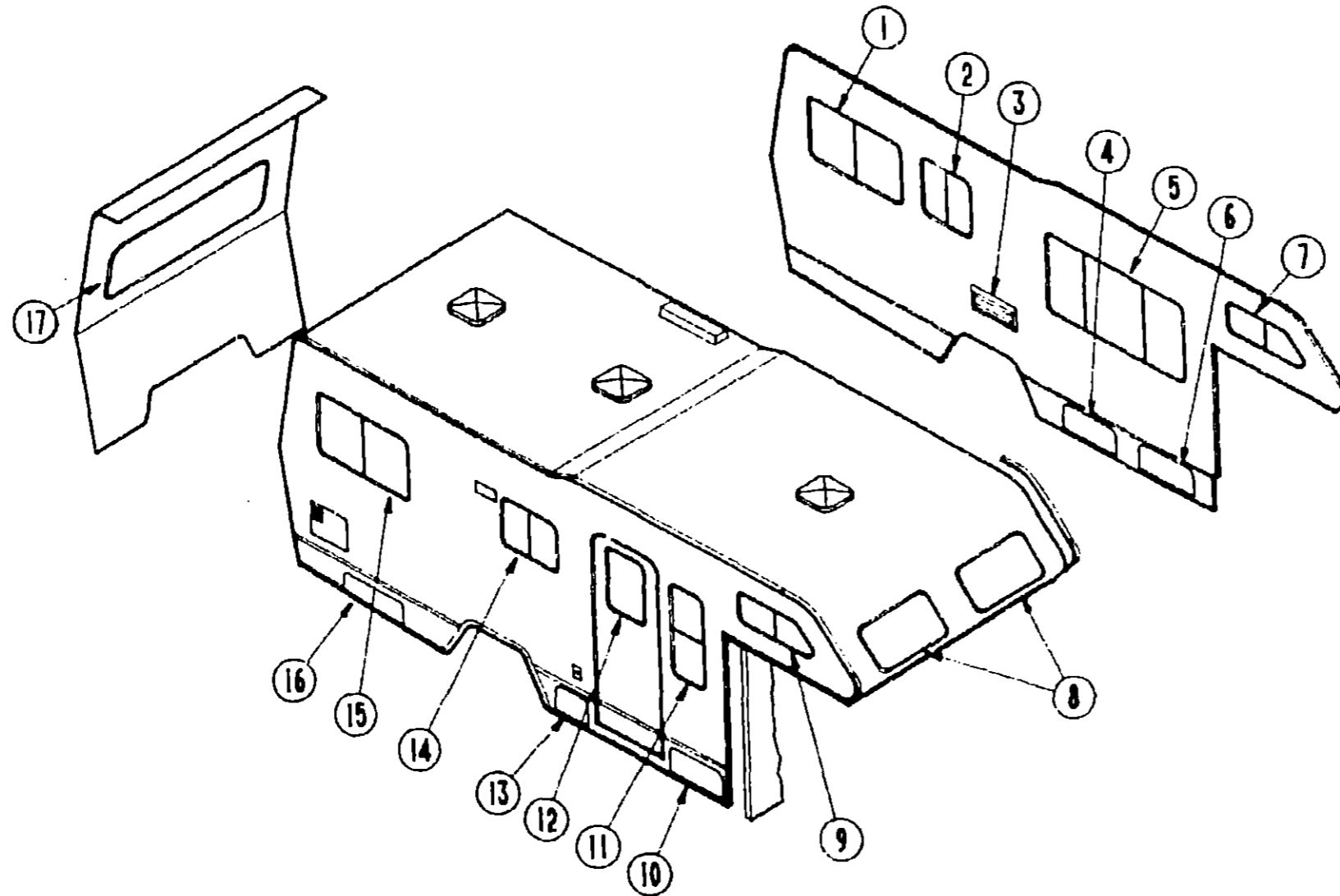
WC/F424RB	A-01 - C-06
WC/F424RC	C-07 - E-16
WF426RT	E-17 - G-14

1989 WF426RT INDEX

Floor Plan	E-17 - E-18
Accessories Group	E-19 - E-20
Bath Group	E-21
Chassis Group	E-22
Curtain, Cushion & Pad Group	E-23 - F-06
Dinette Group	F-07 - F-08
Driver's Compartment Group	F-09 - F-10
Electrical Group	F-11 - F-12
Exterior Body Group	F-13 - F-18
Galley Group	F-19 - F-20
Heating & Air Conditioning Group	F-21
Interior Finish Group	F-22 - F-23
LP Group	F-24
Lounge Group	G-01 - G-02
Water & Sewage Group	G-03
Window, Vent & Exterior Door Group	G-04 - G-14

WINDOW, VENT & EXTERIOR DOOR GROUP (CONTINUED)

WINDOWS & ACCESS DOORS



Key	Part Number	U/M	Description
1	078266-10-X11	EA	Window Asm. - Single Slider - Left
2	078266-03-T03	EA	Window Asm. - Single Slider
3	084103-03-000	EA	Door Asm. - Refrigerator Access
3	084104-03-000	EA	Jamb - Refrigerator Access
4	079455-07-U01	EA	Door Asm. - Storage
5	085354-05-X11	EA	Window Asm. - Double
6	079149-01-T03	EA	Door Asm. - Luggage
6	M79321-01-T03	EA	Door Asm. - Generator
7	086227-02-000	EA	Window Asm. - Bunk - Slant Slider - Left
	086228-06-000	EA	Inside Frame - Slider Window
8	078533-04-X08	EA	Window Asm. - Front Picture - 15" x 30"

Key	Part Number	U/M	Description
9	086227-01-000	EA	Window Asm. - Bunk - Slant Slider - Right
	086228-05-000	EA	Inside Frame - Slider Window
10	079455-01-T95	EA	Door Asm. - Storage
11	078453-01-T03	EA	Window Asm. - Vertical Slider
12	079733-04-T03	EA	Window Asm. - Picture
13	079455-03-T95	EA	Door Asm. - LP
14	078266-02-T03	EA	Window Asm. - Single Slider
15	078266-09-X11	EA	Window Asm. - Single Slider - Right
16	083264-05-X08	EA	Door Asm. - Storage
17	078536-01-T03	EA	Window Asm. - Rear Escape

1989 WINNEBAGO TABLE OF CONTENTS

WC/F424RB
WC/F424RC
WF426RT

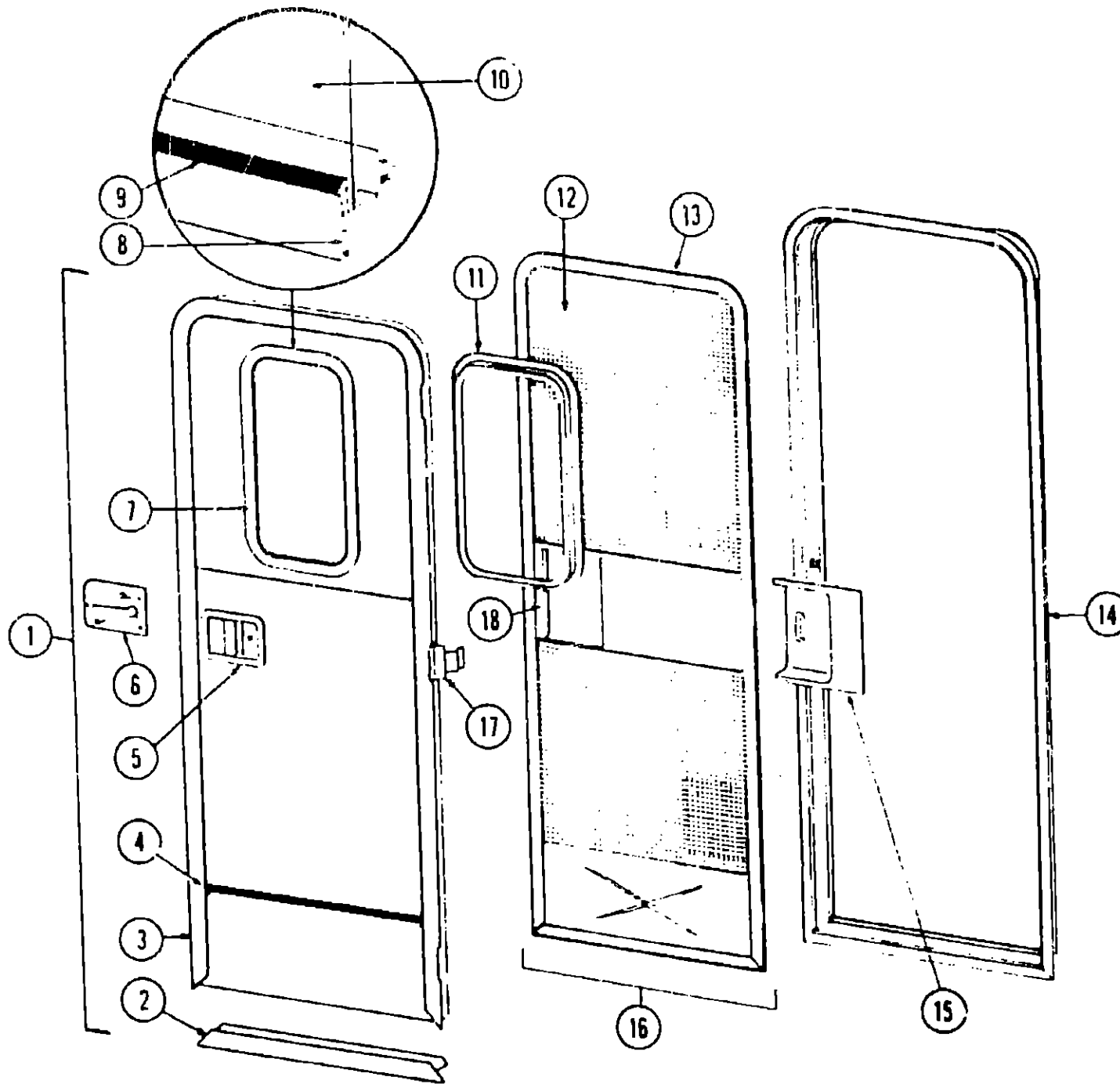
A-01 - C-06
C-07 - E-16
E-17 - G-14

1989 WF426RT INDEX

Floor Plan	E-17 - E-18
Accessories Group	E-19 - E-20
Bath Group	E-21
Chassis Group	E-22
Curtain, Cushion & Pad Group	E-23 - F-06
Dinette Group	F-07 - F-08
Driver's Compartment Group	F-09 - F-10
Electrical Group	F-11 - F-12
Exterior Body Group	F-13 - F-18
Galley Group	F-19 - F-20
Heating & Air Conditioning Group	F-21
Interior Finish Group	F-22 - F-23
LP Group	F-24
Lounge Group	G-01 - G-02
Water & Sewage Group	G-03
Window, Vent & Exterior Door Group	G-04 - G-14

WINDOW, VENT & EXTERIOR DOOR GROUP (CONTINUED)

ENTRANCE & SCREEN DOOR



Key	Part Number	U/M	Description
1	M01870-21-Y07	EA	Door Asm. - Radius Entry w/Screen Door
2	089748-01-000	EA	Frame - Entry Door (Bottom Portion Only)
3	095276-01-01A	EA	Frame - Entry Door (Except Bottom Portion)
4	059576-03-000	EA	Feature Strip w/o Insert - Extr. - 14" - Brown
	001030-02-003	EA	Insert - Feature Strip - 17" - Stucco - Off White
	009731-01-000	EA	End Cap - Feature Strip
5	045017-05-000	EA	Paddle Asm. - Door Lock - Exterior
	045017-05-700	EA	Lock Cylinder w/Keys - Lynor
	039539-01-000	EA	Striker Bolt - Entry Door
	039540-01-000	EA	Latch Claw - Entry Door
	095229-01-01A	EA	Dead Bolt - Entry Door
	083205-01-000	EA	Dead Bolt - Press Fit
6	039979-03-000	EA	Plate - Inside Lock - Includes Inside Handle
	052186-01-000	EA	Lock Asm. - Complete - Lynor
7	079733-04-T03	EA	Window Asm. - Picture - 17" x 25" - Black (w/o inside frame)
8	069640-06-000	FT	Ribbon Sealer - 5/16" Bead x 15'
9	002309-02-000	FT	Spline - Glass - 1/8" Black
10	073113-01-000	EA	Glass - Picture Window - 1/8" x 16.25" x 24" - Gray
11	069609-03-000	EA	Inside Frame - Beige (not included in assembly)
12	002293-02-000	SF	Screen - Window - 26" - Charcoal
13	056795-02-000	FT	Seal Tape - 1/8" x 3/8" - Press On
14	078591-07-000	EA	Jamb Asm. - Entrance Door
	051049-01-000	EA	Jamb - Entrance Door - Bottom
15	079086-02-000	EA	Slider - Screen Door - Light Oak Plastic
16	079012-01-U01	EA	Door Asm. - Screen
17	079361-08-000	EA	Hinge - Entrance Door (3 used per door)
18	079081-01-000	EA	Cap - Screen Door - Light Oak Plastic
	009016-01-000	EA	Catch - Elbow - Spring Loaded - Screen Door
	039863-01-000	EA	Catch Asm. - Single Roller w/Strike - Screen Door
	076231-01-000	EA	Spacer - Latch - Screen Door
	077437-02-000	EA	Strike - Roller Catch
	058025-02-000	EA	Clip - Roller Latch Catch
	044582-02-000	EA	Drip Cap - Off White
	079278-01-000	EA	Seal - Mocket - Entrance Door
	073090-01-000	FT	Seal - Entrance Door
	075739-01-000	EA	Stiffener - Entrance Door - Off White
	075673-01-000	FT	Seal - Pile - Adhesive Back
	075671-01-000	FT	Seal - Sponge - Lazy "T" Shaped
	002294-01-000	FT	Strike - Black - .135 x 138 (Screen Door)
	079087-02-000	EA	Strike - Screen Door
	063729-04-000	EA	Rivnut - 10-32 UNF - .010 - .080
	075639-04-000	EA	Garnish - Radius - Entrance Door
	085774-01-000	EA	Fastener - Dual Lock - 1" Wide
	085774-02-000	EA	Fastener - Dual Lock - 1" Wide

1989 WINNEBAGO TABLE OF CONTENTS

WC/F424RB
WC/F424FC
WF426RT

A-01 - C-06
C-07 - E-16
E-17 - G-14

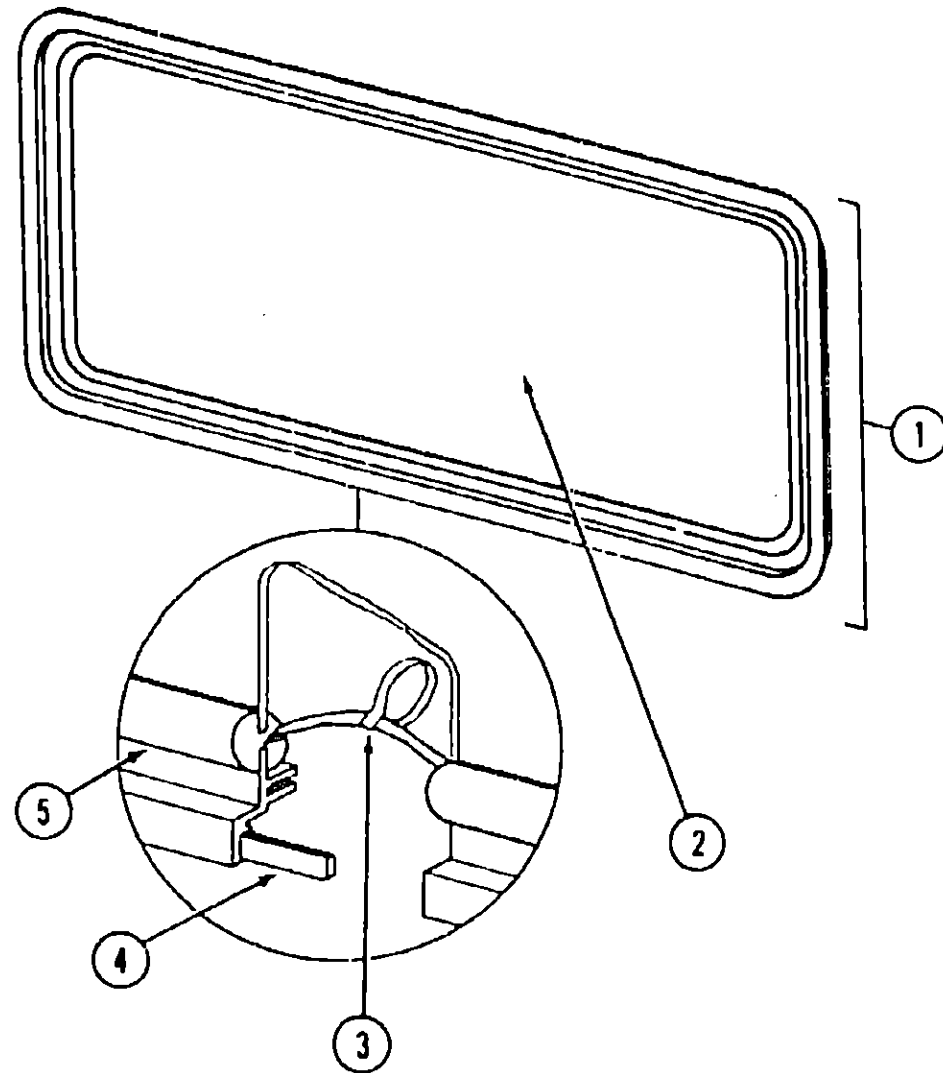
1989 WF426RT INDEX

Floor Plan	E-17 - E-18
Accessories Group	E-19 - E-20
Bath Group	E-21
Chassis Group	E-22
Curtain, Cushion & Pad Group	E-23 - F-06
Dinette Group	F-07 - F-08
Driver's Compartment Group	F-09 - F-10
Electrical Group	F-11 - F-12
Exterior Body Group	F-13 - F-18
Galley Group	F-19 - F-20
Heating & Air Conditioning Group	F-21
Interior Finish Group	F-22 - F-23
LP Group	F-24
Lounge Group	G-01 - G-02
Water & Sewage Group	G-03
Window, Vent & Exterior Door Group	G-04 - G-14

1989 WINNEBAGO
TABLE OF CONTENTS

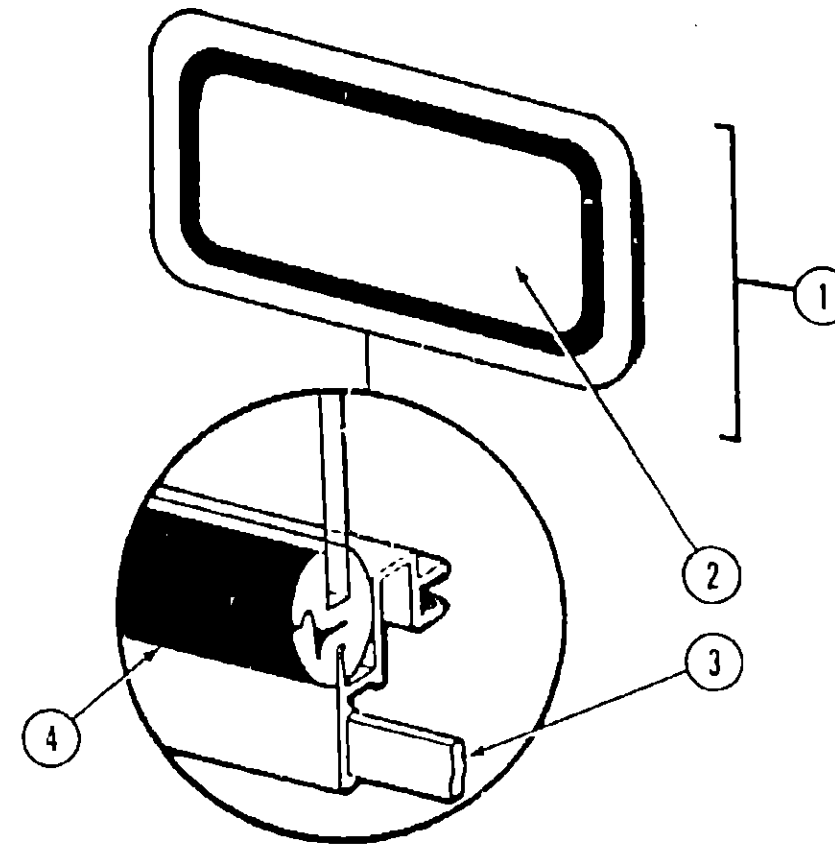
WC/F424RB
WC/F424RC
WF426RT

A-01 - C-06
C-07 - E-16
E-17 - G-14



REAR ESCAPE WINDOW

Key	Part Number	U/M	Description
1	078536-01-T03	EA	Window Asm. - Rear Escape - 23" x 68" - Black (w/o inside frame)
	042027-05-000	EA	Inside Frame - Beige (not included in assembly)
2	002178-01-000	EA	Glass - 1/8" x 19.61" x 64.80"
3	002285-01-000	FT	Filler - Weatherstrip - Black
4	069640-05-000	FT	Ribbon Sealer - 5/16" Bead x 15'
5	002282-01-000	FT	Weatherstrip - .125" Window
	006199-01-000	EA	Label - Exit - Escape Window



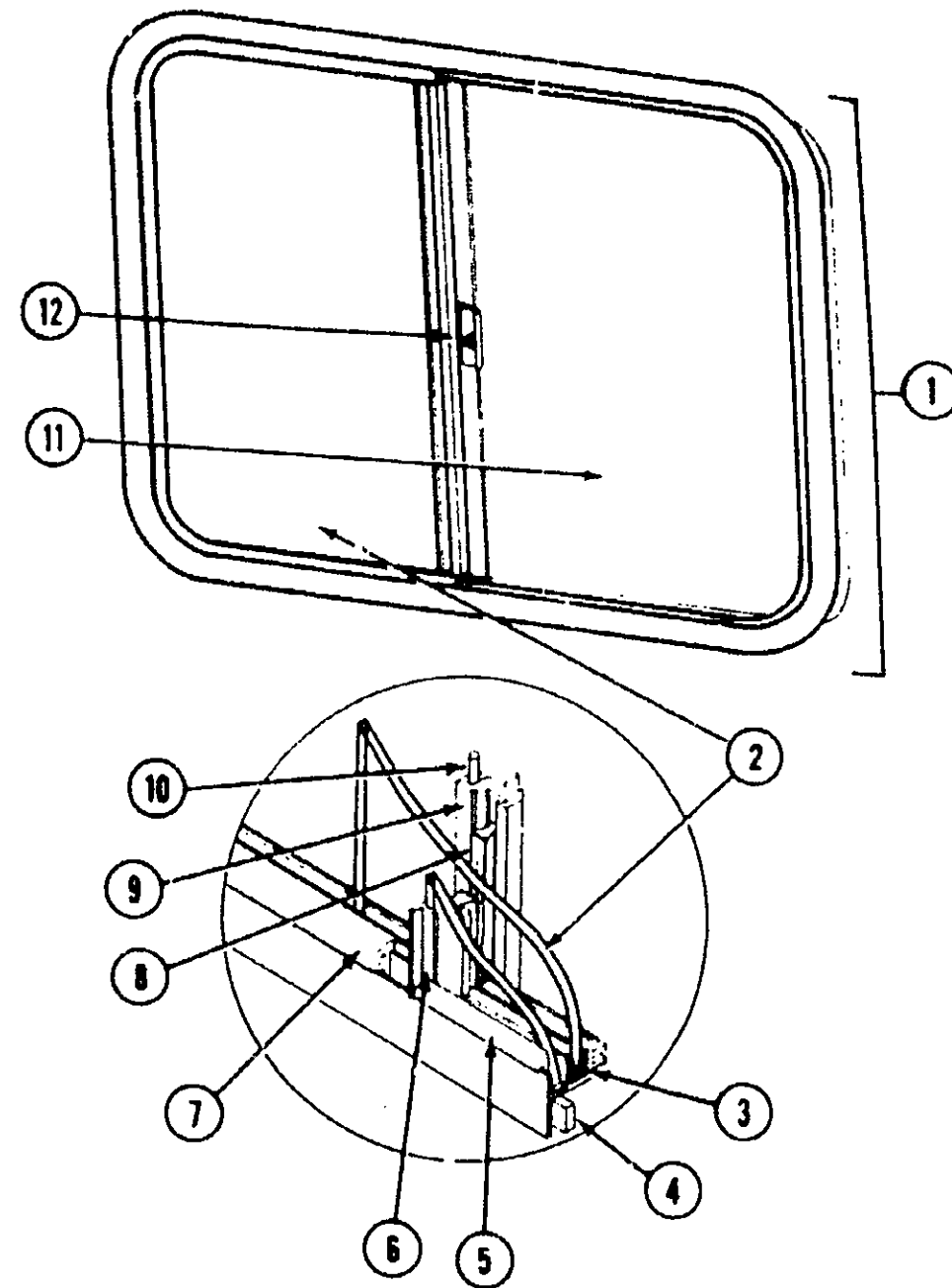
FRONT PICTURE WINDOW

Key	Part Number	U/M	Description
1	078533-04-X08	EA	Window Asm. - Front Picture - 15" x 30" - Black (w/o inside frame)
	041938-06-000	EA	Inside Frame - Beige (not included in assembly)
2	002200-05-000	EA	Glass - TP - Picture Window - 15.3" x 30"
3	069640-06-000	FT	Ribbon Sealer - 5/16" Bead x 15'
4	002281-01-000	EA	Weatherstrip - Self Seal - .06" Panel x 3/16" - Black

1989 WF426RT INDEX

Floor Plan	E-17 - E-18
Accessories Group	E-19 - E-20
Bath Group	E-21
Chassis Group	E-22
Curtain, Cushion & Pad Group	E-23 - F-06
Dinette Group	F-07 - F-08
Driver's Compartment Group	F-09 - F-10
Electrical Group	F-11 - F-12
Exterior Body Group	F-13 - F-18
Galley Group	F-19 - F-20
Heating & Air Conditioning Group	F-21
Interior Finish Group	F-22 - F-23
LP Group	F-24
Lounge Group	G-01 - G-02
Water & Sewage Group	G-03
Window, Vent & Exterior Door Group	G-04 - G-14

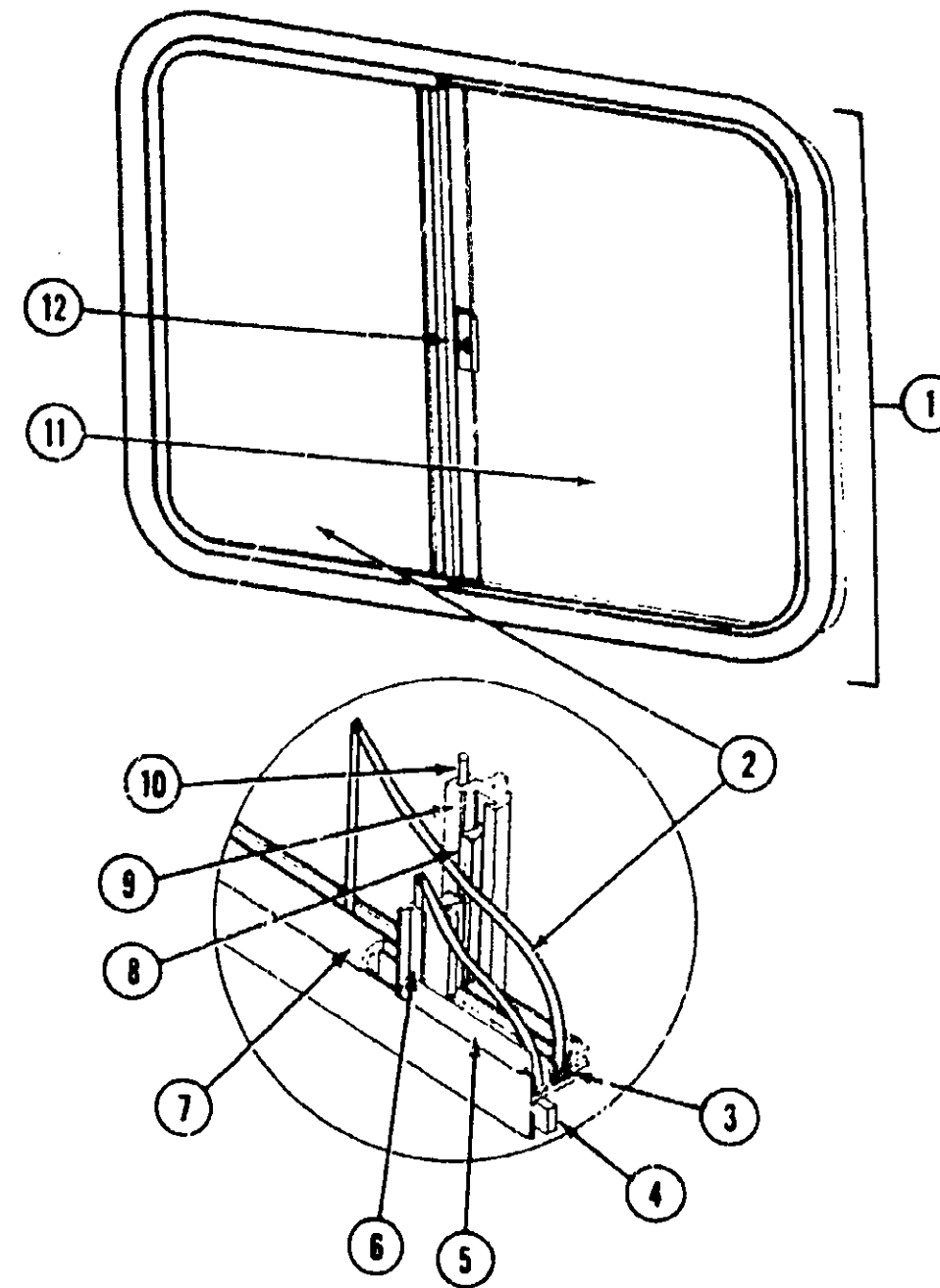
WINDOW, VENT & EXTERIOR DOOR GROUP (CONTINUED)



SINGLE SLIDER

Key	Part Number	U/M	Description
1	078266-10-X11	EA	Window asm. - Single Slider - Left (w/o inside frame)
1	078266-09-X11	EA	Window Asm. - Single Slider - Right (w/o inside frame)
	083122-24-000	EA	Inside Frame - Beige (not included in assembly)
2	081980-09-000	EA	Glass - Sliding - 1/8" x 24" x 20.03"
3	002324-02-000	FT	Channel - Weatherstrip - Glass Run - 1/8" Glass
4	069640-06-000	FT	Ribbon Sealer - 5/16" Bead x 15'
5	002309-02-000	FT	Spline - Glass - 1/8" Material - Black
6	M69886-03-003	EA	Seal Holder w/Fin Seal - Black
7	057374-02-000	FT	Extr. Rubber - Window Seal - Black
8	073740-01-000	FT	Seal - Fin - Pile - .460"
9	083926-02-001	EA	Mullion - Slider Window - Black
10	002298-02-000	FT	Spline - .130" Dia. - Charcoal (Screen)
11	081984-09-000	EA	Glass - Stationary - 1/8 x 24" x 22.49"
12	047359-01-700	EA	Latch Kit - Window - Plastic w/Fastener
	002292-02-000	SF	Screen - Window - 20" - Charcoal (Screen)

WINDOW, VENT & EXTERIOR DOOR GROUP (CONTINUED)



SINGLE SLIDER

Key	Part Number	U/M	Description
1	078266-02-T03	EA	Window Asm. - Single Slider (w/o inside frame)
	083122-03-000	EA	Inside Frame - Beige (not included in assembly)
2	081980-05-000	EA	Glass - Sliding - 1/8" x 19" x 13.68"
3	002324-02-000	FT	Channel - Weatherstrip - Glass Run - 1/8" Glass
4	069640-06-000	FT	Ribbon Sealer - 5/16" Bead x 15'
5	002309-02-000	FT	Spline - Glass - 1/8" Material - Black
6	M69886-03-011	EA	Seal Holder w/Fin Seal - Black
7	057374-02-000	FT	Extr. Rubber - Window Seal - Black
8	073740-01-000	FT	Seal - Fin - Pile - .460"
9	083926-02-001	EA	Mullion - Slider Window - Black
10	002298-02-000	SF	Spline - .130" Dia. - Charcoal (Screen)
11	081984-03-000	EA	Glass - Stationary - 1/8" x 19" x 12.30"
12	047359-01-700	EA	Latch Kit - Window - Plastic w/Fastener
	002291-02-000	SF	Screen - Window - 16" - Charcoal

1989 WINNEBAGO
TABLE OF CONTENTS

WC/F424RB
WC/F424RC
WF426RT

A-01 - C-06
C-07 - E-16
E-17 - G-14

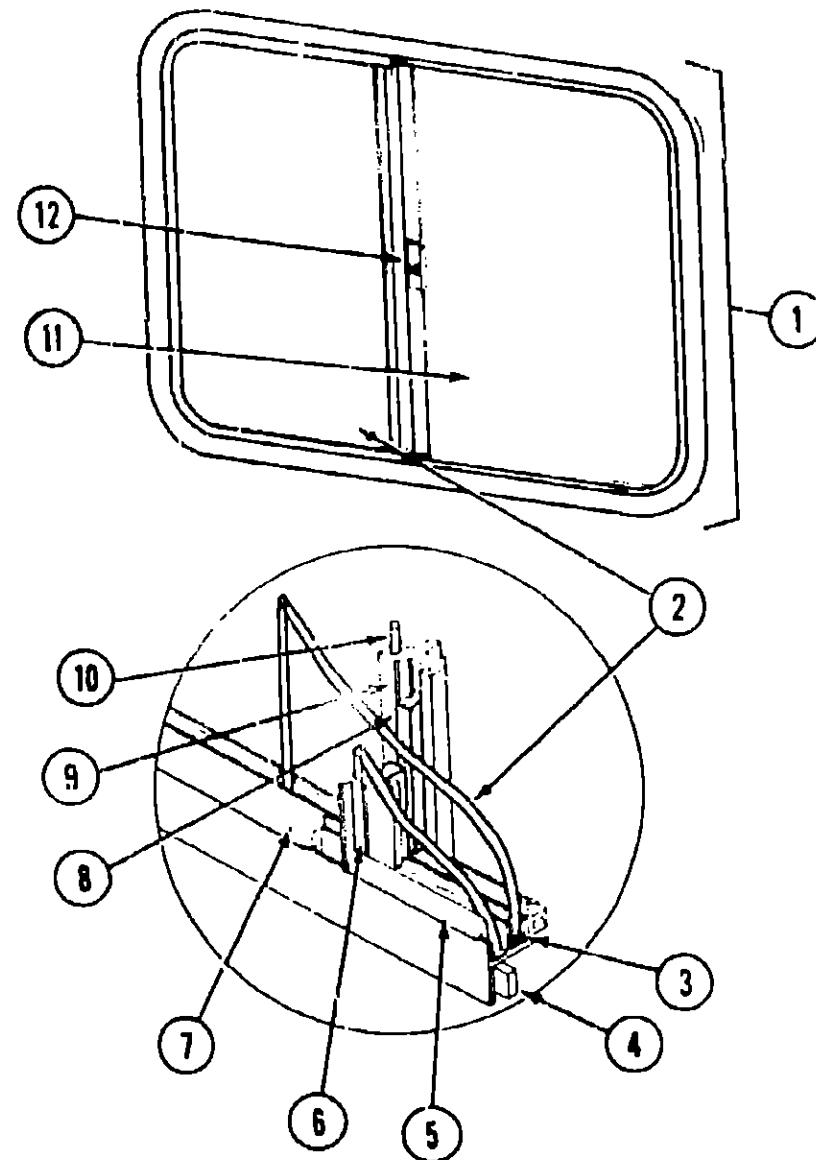
1989 WF426RT INDEX

Floor Plan	E-17 - E-18
Accessories Group	E-19 - E-20
Bath Group	E-21
Chassis Group	E-22
Curtain, Cushion & Pad Group	E-23 - F-06
Dinette Group	F-07 - F-08
Driver's Compartment Group	F-09 - F-10
Electrical Group	F-11 - F-12
Exterior Body Group	F-13 - F-18
Galley Group	F-19 - F-20
Heating & Air Conditioning Group	F-21
Interior Finish Group	F-22 - F-23
LP Group	F-24
Lounge Group	G-01 - G-02
Water & Sewage Group	G-03
Window, Vent & Exterior Door Group	G-04 - G-14

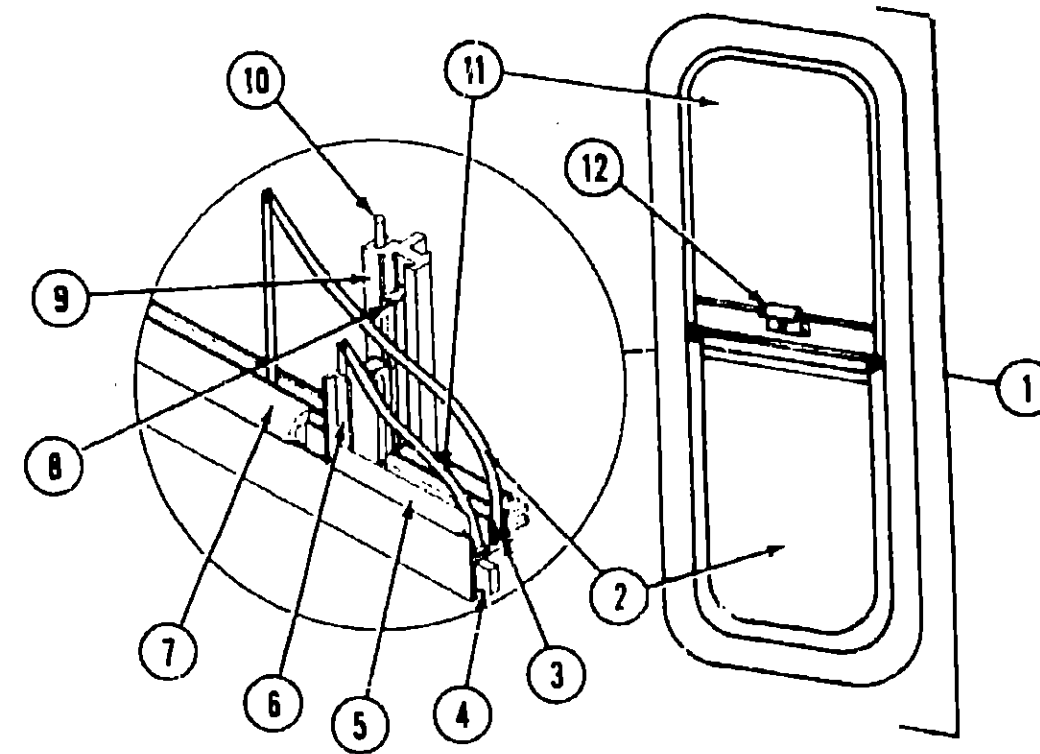
1989 WINNEBAGO
TABLE OF CONTENTS

WC/F424RB
WC/F424RC
WF426RT

A-01 - C-06
C-07 - E-16
E-17 - G-14



SINGLE SLIDER



VERTICAL SLIDER

Key	Part Number	U/M	Description
1	078266-03-T03	EA	Window Asm. - Single Slider - Black (w/o inside frame)
	083122-03-000	EA	Inside Frame - Beige (not included in assembly)
2	081980-05-000	EA	Glass - Slider - 1/8" x 19" x 13.68"
3	002324-02-000	FT	Channel - Weatherstrip - Glass Run - 1/8" Glass
4	069640-06-000	FT	Ribbon Seal - 5/16" Bead x 15'
5	002309-02-000	FT	Spline - Glass - 1/8" Material - Black
6	M69886-03-011	EA	Seal Holder w/Fin Seal - Black
7	047273-01-000	FT	Extr. Rubber - Window Seal - Black
8	073740-01-000	FT	Seal - Fin - Pile - .460"
9	083926-02-001	EA	Mullion - Slider Window - Black
10	002298-02-000	FT	Spline - .130" Dia. - Charcoal (Screen)
11	081984-03-000	EA	Glass - Stationary - 1/8" x 19" x 12.3"
12	047369-01-700	EA	Latch Kit - Window - Plastic w/Fastener
	002292-02-000	SF	Screen - Window - 20" - Charcoal

Key	Part Number	U/M	Description
1	078453-01-T03	EA	Window Asm. - Vertical Slider - 37" x 15" - Black (w/o inside frame)
	083122-01-000	EA	Inside Frame - Beige (not included in assembly)
2	081980-03-000	EA	Glass - Slider - 1/8" x 14.4" x 19"
3	002324-02-000	FT	Channel - Weatherstrip - Glass Run - 1/8" Glass
4	069640-06-000	FT	Ribbon Sealer - 5/16" Bead x 15'
5	002309-02-000	FT	Spline - Glass - 1/8" Material - Black
6	M69886-03-007	EA	Seal Holder w/Fin Seal - Black
7	057374-02-000	FT	Extr. Ribbon - Window Seal - Black
8	073740-01-000	FT	Seal - Fin - Pile - .460"
9	084170-01-000	EA	Mullion - Slider Window - Black
10	002298-02-000	FT	Spline - .130" Dia. - Charcoal (Screen)
11	081984-02-000	EA	Glass - Stationary - 1/8" x 14.4" x 19"
12	047369-01-700	EA	Latch Kit - Window - Plastic w/Fastener
	002291-02-000	SF	Screen - Window - 16" - Charcoal

1989 WF426RT INDEX

Floor Plan	E-17 - E-18
Accessories Group	E-19 - E-20
Bath Group	E-21
Chassis Group	E-22
Curtain, Cushion & Pad Group	E-23 - F-06
Dinette Group	F-07 - F-08
Driver's Compartment Group	F-09 - F-10
Electrical Group	F-11 - F-12
Exterior Body Group	F-13 - F-18
Galley Group	F-19 - F-20
Heating & Air Conditioning Group	F-21
Interior Finish Group	F-22 - F-23
LP Group	F-24
Lounge Group	G-01 - G-02
Water & Sewage Group	G-03
Window, Vent & Exterior Door Group	G-04 - G-14