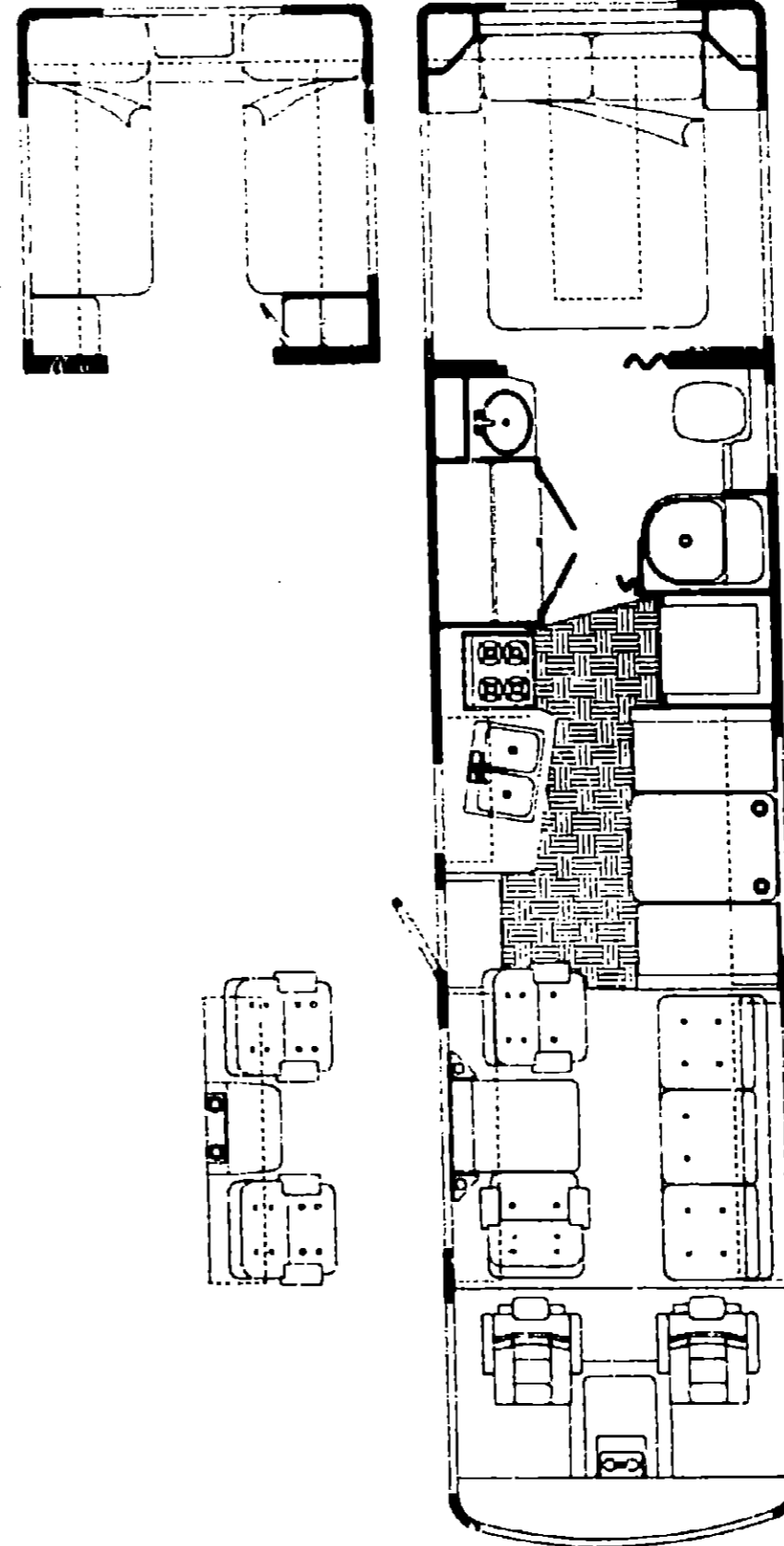


1989 WCP37RQ



1989 WINNEBAGO TABLE OF CONTENTS

WC/JP34RU
WCP37RQ

A-01 - D-12
D-13 - H-06

1989 WCP37RQ INDEX

Floor Plan	D-13 - D-14
Accessories Group	D-15 - D-19
Bath Group	D-20 - D-21
Chassis Group	D-22 - E-03
Curtain, Cushion & Pad Group	E-04 - F-02
Dinette Group	F-03 - F-04
Driver's Compartment Group	F-05 - F-10
Electrical Group	F-11 - F-14
Exterior Body Group	F-15 - F-22
Galley Group	F-23 - G-02
Heating & Air Conditioning Group	G-03
Interior Finish Group	G-04 - G-08
LP Group	G-09
Lounge Group	G-10 - G-12
Water & Sewage Group	G-13 - G-14
Window, Vent & Exterior Door Group	G-15 - H-06

ACCESSORIES GROUP

RACK & LADDER COMPONENTS

Key	Part Number	U/M	Description
	080997-03-T03	EA	Ladder Asm. - Lower
	080999-03-T03	EA	Ladder Asm. - Upper
	081026-05-T03	EA	Rack Asm. - Right
	081026-06-T03	EA	Rack Asm. - Left
	081055-01-000	EA	Spring Grip - Internal
	081056-01-000	EA	Pin - Quick Release
	081152-01-000	EA	Bumper Plate - Brite Dip
	064093-01-000	EA	Luggage Box - 14" x 30" x 60" (Optional)

MICROWAVE/CONVECTION OVEN & COMPONENTS

Key	Part Number	U/M	Description
	088737-01-000	EA	Microwave/Convection Oven - Magic Chef
	088682-03-000	EA	Bracket Asm. - Microwave - Right
	088682-04-000	EA	Bracket Asm. - Microwave - Left
	088737-02-000	EA	Frame Kit - Microwave Oven

FOG LAMP & COMPONENTS

Key	Part Number	U/M	Description
	088747-01-000	EA	Lamp Asm. - Fog w/Clear Lens
	088942-01-000	EA	Mounting Bracket - Fog Lamp
	088747-01-700	EA	Cover Only

CUSTOM STEERING WHEEL

Key	Part Number	U/M	Description
	080752-05-000	EA	Steering Wheel - Custom
	080752-06-000	EA	Hub Adapter - Steering Wheel
	080752-07-000	EA	Button - Horn - w/Wire
	080752-08-000	EA	Screw - Custom Steering Wheel

POWER SEARCHLIGHT & COMPONENTS (OPT 63E)

Key	Part Number	U/M	Description
	051057-02-000	EA	Searchlight - Power - Less Switch Asm.
	051057-01-700	EA	Switch - Panel Asm. (Aux.)
	051057-01-701	EA	Switch - Panel Asm. (Main)
	051057-01-702	EA	Joy Switch & Housing
	051057-01-703	EA	Toggle Switch - On/Off
	051057-01-704	EA	Micro Switch
	051057-01-705	EA	Bulb
	051057-03-000	EA	Switch Asm. - Searchlight

WHEEL COVER & MOUNTING HARDWARE

Key	Part Number	U/M	Description
	083181-03-700	EA	Wheel Cover - 19.5" - w/Nut Cover & Cap
	083181-04-000	EA	Retainer Kit - 19.5" Wheel Cover (Set/4)
	083181-04-700	EA	Retainer Kit - 19.5" Front (1)
	083181-04-701	EA	Retainer Kit - 19.5" Rear (1)
	083181-04-702	EA	Nut Cover - 19.5"
	083181-04-703	EA	Cap - Chrome Center

ACCESSORIES GROUP (CONTINUED)

STYLIZED ALUMINUM WHEELS & COMPONENTS (OPT. 68Y)

Key	Part Number	U/M	Description
	077042-01-000	EA	Wheel - Polished Aluminum - 19.5" x 6" - Front
	077042-02-000	EA	Wheel - Polished Aluminum - 19.5" x 6" - Rear
	077043-01-000	EA	Lug Nut - 2 Pieces - Cone Seat & Flange
	077044-01-000	EA	Chrome Cover - Lug Nut - w/Skirt
	077045-01-000	EA	Chrome Cover - Front - Axle - 2 Piece
	077045-02-000	EA	Chrome Cover - Rear Axle - 2 Piece
	078260-02-000	EA	Pouch - Wrench - 11" x 11"
	077927-01-000	EA	Label - Warning - Wheel Nuts
	007321-01-000	EA	Tire - 8.00 x 19.5 - 8 Ply Poly - Goodyear

CHROME WHEEL LINERS (OPT. 64B)

Key	Part Number	U/M	Description
	091209-01-000	EA	Wheel Liner - Chrome - 19.5" (Set/4) w/Axle & Lugnut Covers
	091209-02-000	EA	Wheel Liner - Chrome - 19.5" (Set/2) w/Axle & Lugnut Covers
	091209-01-700	EA	Wheel Liner - Chrome - 19.5" Front (1) Only
	091209-01-701	EA	Wheel Liner - Chrome - 19.5" Rear (1)
	091209-01-702	EA	Chrome Cover - Front Axle
	091209-01-703	EA	Chrome Cover - Rear Axle
	091209-01-704	EA	Chrome Cover - Lug Nut
	095012-01-000	EA	Valve Stem Extension - Dual Wheel

GENERATORS & COMPONENTS (OPT. 38E&G)

Key	Part Number	U/M	Description
	081634-04-000	EA	Generator - Onan - 6.5 - Emerald
	079654-07-000	EA	Generator - Onan - 4.0 - Emerald
	083151-01-000	EA	Muffler - Onan - Emerald Generator
	083152-01-000	EA	Pipe - Exhaust - Generator
	079654-05-000	EA	Pipe - Exhaust - Generator
	078045-01-000	EA	Plate - Generator Support
	084365-01-000	EA	Plate Support - Generator
	023942-01-000	EA	Grommet - Rubber - 2" O.D.
	007067-01-000	SF	Insulation - Fiberglass - 1"
	079654-01-700	EA	Hinge Kit

AIR HORNS & COMPONENTS (OPT. 38R)

Key	Part Number	U/M	Description
	077497-01-000	EA	Air Horn Kit - w/o Auxiliary Hose Kit (Below)
	077497-01-700	EA	Solenoid - Air Tank
	077497-01-701	EA	Switch - Compressor
	077497-01-702	EA	Toggle Switch w/Wire
	077497-01-703	EA	Air Tank
	077497-01-704	EA	Compressor w/Switch
	077497-02-000	EA	Hose Kit - Auxiliary Air
	077497-03-000	EA	Parts Kit - Hose - Auxiliary Air
	078239-01-000	EA	Label Plate - Horn
	063912-02-000	EA	Relay - Canister 332-20-159
	078022-01-000	EA	Wire Asm. - Air Horn
	081404-01-000	EA	Bracket - Mounting Compressor

1989 WINNEBAGO TABLE OF CONTENTS

WC/JP34RU
WCP37RQ

A-01 - D-12
D-13 - H-06

1989 WCP37RQ INDEX

Floor Plan	D-13 - D-14
Accessories Group	D-15 - D-19
Bath Group	D-20 - D-21
Chassis Group	D-22 - E-03
Curtain, Cushion & Pad Group	E-04 - F-02
Dinette Group	F-03 - F-04
Driver's Compartment Group	F-05 - F-10
Electrical Group	F-11 - F-14
Exterior Body Group	F-15 - F-22
Galley Group	F-23 - G-02
Heating & Air Conditioning Group	G-03
Interior Finish Group	G-04 - G-08
LP Group	G-09
Lounge Group	G-10 - G-12
Water & Sewage Group	G-13 - G-14
Window, Vent & Exterior Door Group	G-15 - H-06

ACCESSORIES GROUP (CONTINUED)

EXTERIOR MIRRORS

Key	Part Number	U/M	Description
**	077051-03-000	EA	Mirror Asm. - Exterior - Right
**	077051-04-000	EA	Mirror Asm. - Exterior - Left
**	086261-01-000	EA	Mirror Asm. - Electronic Control & Heat - Right (OPT. 61Y)
**	086261-02-000	EA	Mirror Asm. - Electronic Control & Heat - Left
	087695-01-000	EA	Switch - Heater
	088216-01-000	EA	Switch - Remote
	090243-01-000	EA	Wire Asm. - Remote - Door
	090244-01-000	EA	Wire Asm. - Remote - Cab

**The illustrated parts breakdown for this item is provided on the Common Items Fiche

REAR VIEW TELEVISIONS (TWELVE) (OPT. 67W)

BEFORE 10/30/88

Key	Part Number	U/M	Description
	083207-01-000	EA	Television System - Rear View
	083207-02-000	EA	Cable - Rear View TV System
	084349-01-U07	EA	Shroud Asm. - Camera - Beige
	084403-01-000	EA	Seal - Camera Mounting
	084264-01-000	EA	Bracket - Mounting Camera

REAR VIEW TELEVISION OPTION (SONY) (OPT. 67Z)

AFTER 10/31/88

Key	Part Number	U/M	Description
	093040-01-000	EA	TV & Monitor Only
	093041-01-000	EA	Cable
	093952-01-02A	EA	Shroud - TV Camera - Beige
	093221-01-000	EA	Lens - Monitor Shroud - Rear
	084265-01-000	EA	Wire Asm. - Monitor - Modified
	092881-01-000	EA	Wire Asm. - IP Rear Monitor
	094001-01-000	EA	Clamp - Camera
	094003-01-000	EA	Bracket Asm. - Camera

REAR RADIO & COMPONENTS (OPT. 28L)

Key	Part Number	U/M	Description
	090339-01-000	EA	Radio - AM/FM Stereo - w/Cassette - Magnadyne LS1800
	073431-01-000	EA	Speaker - 5.25" Dia. - 3 Way (Pair) - 110-2071 w/Grilles
	090944-01-000	EA	Antenna - Radio - 16" Rubber
	090862-01-000	EA	Antenna Bracket - Hat
	074979-01-000	EA	Speaker Cover - Light Oak Plastic
	089340-01-000	EA	Grille - Speaker - 6.5" Square

FRONT RADIO & COMPONENTS

Key	Part Number	U/M	Description
	092311-01-000	EA	Radio - AM/FM Stereo w/Cassette - Audiovox HCC 1170
	073741-03-000	EA	Speaker - 4" x 6" Oval
	073741-04-000	EA	Grille - 4" x 6" - Oval Speaker
	077069-01-000	EA	Antenna Asm. - Radio
	077069-02-000	EA	Cable - Antenna Extension - 93"
	074979-07-000	EA	Speaker Cover - Light Oak Plastic

ACCESSORIES GROUP (CONTINUED)

TV, VCR & COMPONENTS

Key	Part Number	U/M	Description
	091258-02-000	EA	Television - 13" Color - w/Remote - Sharp
	091258-02-700	EA	Remote - 13" Color TV - Sharp
	085774-01-000	FT	Fastener - Dual Lock - 1" Wide
	085774-02-000	FT	Fastener - Dual Lock - 1" Wide
	086759-03-000	EA	VCR-VHS - GE VG7520 HQ
	086757-01-000	EA	Control Center - Switching - Channel Master
	071996-01-000	EA	Separator - Band - VHF/UHF
	075319-12-000	EA	Connector - Coaxial Cable Ends - 1 PC
**	076319-01-000	EA	Antenna - TV - 44.5" Mast
**	086756-01-000	EA	Splitter - TV - 2-Way
**	086777-03-000	EA	Wall Plate - Antenna/Power - Ivory
**	076319-03-000	FT	Coaxial Cable
	086778-01-000	EA	Receptacle - Outside - Cable TV
	087236-01-000	EA	Label - Cable Input
	087236-02-000	EA	Label - TV Outlet

**The illustrated parts breakdown for this item is provided on the Common Items Fiche.

ICE MAKER (OPT. 38J)

Key	Part Number	U/M	Description
**	076799-01-000	EA	Ice Maker - Black
	039800-01-000	FT	Tubing - Plastic - 1/2" DD x 20'
	052952-01-000	EA	Nut - Plastic - 1/2 F
	052960-01-000	EA	Valve - Line Drain - 1/2" F x 1/2 F
	077054-01-000	EA	Valve - Plastic - 1/2" M x 1/2" M x 1/4" COMP
	082144-02-000	EA	Cap - Pipe - Brass Hex - 1/2" FPT
	077841-01-000	EA	Bracket - Tiedown - Right
	077841-02-000	EA	Bracket - Tie Down - Left

**The illustrated parts breakdown for this item is provided on the Common Items Fiche.

1989 WINNEBAGO TABLE OF CONTENTS

WC/JF34RU
WCP37RQ

A-01 - D-12
D-13 - H-08

1989 WCP37RQ INDEX

Floor Plan	D-13 - D-14
Accessories Group	D-15 - D-19
Bath Group	D-20 - D-21
Chassis Group	D-22 - E-03
Curtain, Cushion & Pad Group	E-04 - F-02
Dinette Group	F-03 - F-04
Driver's Compartment Group	F-05 - F-10
Electrical Group	F-11 - F-14
Exterior Body Group	F-15 - F-22
Galley Group	F-23 - G-02
Heating & Air Conditioning Group	G-03
Interior Finish Group	G-04 - G-08
LP Group	G-09
Lounge Group	G-10 - G-12
Water & Sewage Group	G-13 - G-14
Window, Vent & Exterior Door Group	G-15 - H-08

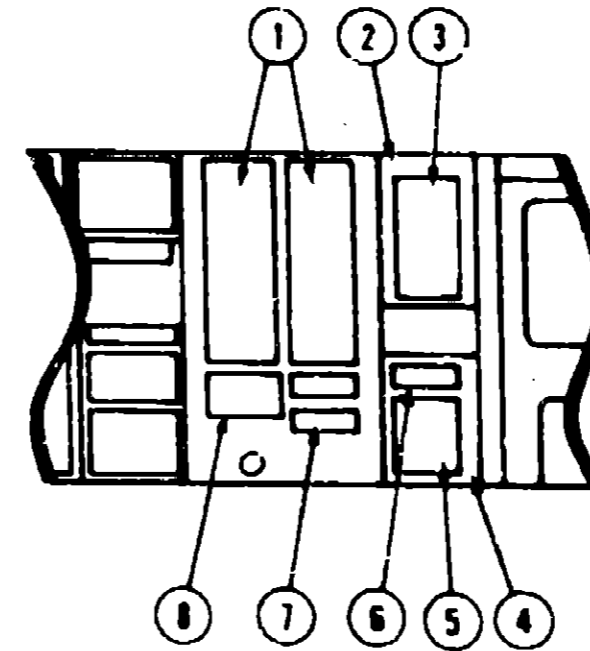
ACCESSORIES GROUP (CONTINUED)

MISCELLANEOUS ACCESSORIES

DATE	Key	Part Number	U/M	Description
		054185-31-000	EA	Owners Manual - 1989 - Winnebago & Itasca
		093552-01-01A	EA	Clock - 10" x 10"
		081072-01-000	EA	Floor Mat - Front - Right - Winnebago
		081074-01-000	EA	Floor Mat - Front - Left - Winnebago
		081075-01-000	EA	Floor Mat - Entrance - Winnebago
		017516-01-000	EA	Mud Flap - 14" x 18" - Rear - Black
		017516-02-000	EA	Mud Flap - 14" x 12" - Front - Black
		090097-03-000	EA	Bracket - Mudflap Hanger - Rear Passenger
		090097-04-000	EA	Bracket - Mudflap Hanger - Rear Drivers
		041944-04-000	EA	Fire Extinguisher - 5 BC - w/o Mounting Bracket
		084472-01-000	EA	Holder - Fire Extinguisher
		094499-01-000	EA	Fire Extinguisher - Dry 10BC
		094651-01-01A	EA	Holder - Fire Extinguisher - Light Oak
		072852-01-000	EA	Smoke Detector w/9 Volt Battery
		080208-01-000	EA	Lug Wrench
		080208-02-000	EA	Leverage Bar - Lug Wrench
		078250-02-000	EA	Pouch - Wrench - 11" x 11"
		006113-01-000	EA	Jack - Hydraulic - 6 Ton - w/Handle
		036420-02-000	EA	Defroster Fan - 6" - 2 Speed Fan
		077988-01-000	EA	Bracket - Defroster Fan
		064093-01-000	EA	Luggage Box - 14" x 30" x 60"
		085741-01-700	EA	Valve Stem Extension - (Set/4) Stainless Steel
		077030-02-000	EA	Valve Stem Extension - 1.25"
		051377-01-000	EA	Valve Stem Asm. - TR500
		091955-01-000	EA	Squeegee - Extended Handle
		091952-01-000	EA	Clip - 1" Squeegee Retainer
		093527-01-000	EA	Bracket - Squeegee Clip
		082684-01-000	EA	Key Set
		094369-01-000	EA	Speed Control - w/Smart Stick
		094708-01-01A	EA	Step Asm. - Electric (Kwikkee)
		088778-01-000	EA	Vacuum Cleaner - Hand Held
		088778-01-700	EA	Bag - Disposable - Hand Held Vacuum - 4 Pak
		093501-01-000	EA	Lock - Lock Box
		093663-01-000	EA	Drawer - Lock Box
		093666-01-700	EA	Lock Box Asm. - w/Lock & Drawer
		087716-01-000	EA	Information Center - Uniforce (OPT. 431)
		089339-01-000	EA	Leveling System - Hydraulic (OPT. 64H)
		089339-01-700	EA	Hydraulic Jack - Leveling System

Thru 1/2/89
Thru 1/2/89
From 1/3/89
From 1/3/89

BATH GROUP



BATH & HARDWARE CABINETRY

Key	Part Number	U/M	Description
1	M88304-87-Y21	EA	Door Asm. - Mirror - 48" x 16.7" - w/o Hardware
2	086023-01-X19	EA	Cabinet Asm. - Medicine - w/o Doors or Hardware
3	M88304-41-Y21	EA	Door Asm. - Mirror - Medicine Cabinet - 29.5" x 15.5" - w/o Hardware
4	M86116-01-Y21	EA	Cabinet Asm. - Lavatory - Wall
	M03000-01-X19	EA	Countertop Asm. - Lavatory Cabinet
5	M88304-76-Y21	EA	Door Asm. - Lavatory Cabinet - 14.4" x 17.9" - w/o Hardware
6	081893-01-Y21	EA	Face Asm. - Lavatory Drawer
7	M78921-06-W13	EA	Drawer Asm. - Wardrobe Cabinet - w/o Hardware
	037688-03-000	EA	Guide - Drawer Center
8	M92073-02-X11	EA	Door Asm. - Furnace - w/o Hardware - 14.37" x 17.91"
	092684-11-Y21	EA	Countertop Asm. - Bath Storage Cabinet
	M88304-D4-Y21	EA	Door Asm. - Bath Storage Cabinet - 6.29" x 16.14" - w/o Hardware
	080224-18-000	EA	Folding Door - Front - w/o Latch
	080224-21-000	EA	Folding Door - Rear - w/o Latch
	077251-01-000	EA	Drawer - Plastic Tipout
	077902-01-000	EA	Skylight Color - Inner Panel
	080910-01-000	EA	Skylight Panel - Outer
	081171-01-000	EA	Skylight Trim - Outer - Mill

**1989 WINNEBAGO
TABLE OF CONTENTS**

WC/JP34RU
WCP37RQ

A-01 - D-12
D-13 - H-06

1989 WCP37RQ INDEX

Floor Plan	D-13 - D-14
Accessories Group	D-15 - D-19
Bath Group	D-20 - D-21
Chassis Group	D-22 - E-03
Curtain, Cushion & Pad Group	E-04 - F-02
Dinette Group	F-03 - F-04
Driver's Compartment Group	F-05 - F-10
Electrical Group	F-11 - F-14
Exterior Body Group	F-15 - F-22
Galley Group	F-23 - G-02
Heating & Air Conditioning Group	G-03
Interior Finish Group	G-04 - G-08
LP Group	G-09
Lounge Group	G-10 - G-12
Water & Sewage Group	G-13 - G-14
Window, Vent & Exterior Door Group	G-15 - H-06

BATH GROUP (CONTINUED)

BATH & WARDROBE HARDWARE

Date	Key	Part Number	U/M	Description
		075240-05-000	EA	Faucet Lavatory - Brass
		075242-03-000	EA	Faucet - Tub & Shower - Brass
		089366-01-000	EA	Sink Oval - Ivory Plastic
		M02630-08-Y21	EA	Shower Pan Asm.
		072650-J1-J00	EA	Shower Panel - Faucet & Shower Head Insert
		093070-01-01A	FT	Molding - Corner - Bathtub - Off White
		093069-01-01A	EA	Molding - Bathtub - Off White - 36.2"
		093069-02-01A	EA	Molding - Bathtub - Off White - 26.57"
		009059-01-000	EA	Hinge - 2" - Gold
		059777-02-000	EA	Hinge - Cabinet Door - Brass & Chrome
		093579-01-000	EA	Pull - Polished
		081376-01-000	EA	Backplate - Door Pulls
		009021-01-000	EA	Catch - Nylon - Grill
		009021-02-000	EA	Strike - Spring Steel
		093586-01-000	EA	Catch Friction
		093586-02-000	EA	Strike - Friction Catch
		011048-02-000	EA	Shower Head - w/60" Hose
		066729-01-000	EA	Strainer - Shower Pan & Tub
		069735-01-000	EA	Washer - Tailpiece - 1.5" Plastic
		066435-01-000	EA	Nut - Strainer - Plastic
		085278-01-000	EA	Tissue Holder - Recessed - Brass
		085279-01-000	EA	Toothbrush Holder/Tumbler - Brass
		075452-02-000	EA	Tissue Holder - Brass
		042438-01-000	EA	Clothes Rod - Wood - 1" x 4"
		009112-01-000	EA	Flange - 1" Closet Rod
		075453-02-000	EA	Bar - Towel Rack
		093605-01-01A	EA	Rack - Towel - White Wire
		080224-01-701	EA	Catch Only - Mounts on Door Jamb
		075454-02-000	EA	Towel Ring - Brass
		080224-07-000	EA	Track - Folding Door - "S" Curve - Brown (Front)
		080224-23-000	EA	Track - Folding Door - Straight - 44.5" (Rear)
		080224-01-700	EA	Latch & Catch Asm. - Folding Door
		058331-05-000	EA	Mirror - Tempered Glass - 12" x 23" - Medicine Cabinet
		058331-10-000	EA	Mirror - Tempered Glass - 14" x 17" - TV Cabinet
		088742-02-000	EA	Mirror - Tempered Glass - 13.2" x 44.5" - Wardrobe Door
		085330-04-000	EA	Toilet - Shorty - Bone China - w/Spray
		081614-02-000	EA	Soap Dish - Brass w/Plastic Cover
		076073-01-000	EA	Medicine Cabinet - Almond
		079657-04-000	EA	Door Asm. - Shower - Satin Brass
		091204-03-000	EA	Threshold - Shower Door - Off White
		091205-03-000	EA	Header - Shower Door - Off White
		092157-01-01A	EA	Header - Shower - Off White
		092748-01-01A	EA	Jamb - Bath Door - Right - Off White
		092748-02-01A	EA	Jamb - Bath Door - Left - Off White
		094781-01-01A	EA	Jamb - Bath Door - Right - Off White
		094781-02-01A	EA	Jamb - Bath Door - Left - Off White
		091073-03-Y21	EA	Trim - Shower Door

Thru 9/20/88
Thru 9/20/88
From 9/21/88
From 9/21/88

** The illustrated parts breakdown for this item is provided on the Common Items Fiche.

CHASSIS GROUP

MISCELLANEOUS

Key	Part Number	U/M	Description
	077995-02-000	EA	Baffle - Upper - Radiator
	065450-01-000	EA	Battery Tiedown - Plastic Coated
	089611-01-000	EA	Box - Power Cord
	089310-01-000	EA	Cap - Fuel Fill - Non-Locking - Gas
	062401-01-000	EA	Clamp - Hose - Wormgear - .22 ID - 1" ID
	062401-02-000	EA	Clamp - Hose - Wormgear - 1.56 ID - 2.5" ID
	062401-03-000	EA	Clamp - Hose - Wormgear - .25 ID - 1" ID
	062401-04-000	EA	Clamp - Hose - Wormgear - .69 ID - 1.25" ID
	062401-05-000	EA	Clamp Hose - Wormgear - 2" ID - 3" ID
	062401-06-000	EA	Clamp - Hose - Wormgear - .22" ID - 62" ID
	007125-06-000	EA	Clamp - Muffler - 2.25"
	007125-11-000	EA	Clamp - Muffler - 2.75"
	007063-01-000	FT	Hose - Gas - 1/4 ID x 1/2 OD
	017516-01-000	EA	Mud Flap - Black
	017516-02-000	EA	Mud Flap - Black - 14" x 12.5" w/Holes
	075526-01-000	EA	Radiator Cover - Rear
	076281-01-000	EA	Tray - Battery
	085935-01-000	EA	Exhaust Pipe - Left - Federal
	085936-01-000	EA	Exhaust Pipe - Right - Federal
	075758-01-000	EA	Wheelwell - Plastic - Rear - Dual
	079942-01-000	EA	Shock Absorber - Front Stabilizer

* The remainder of exhaust components are available from chassis dealer.

TAG AXLE

Key	Part Number	U/M	Description
	071375-02-000	EA	Tank - Air Reservoir - 37 Tag
	071375-03-000	EA	Isolator - Tank Mount
	071387-04-000	EA	Elbow - Male - Brk Tube - 3/8 x 1/4
	071387-05-000	EA	Elbow - Male - Brk Tube - 1/4 x 1/4
	071389-02-000	EA	Tee - Male Branch - 1/4 x 1/4
	071392-03-000	EA	Plug - Hex Head - Brass - 1/4 NPT
	085750-02-000	EA	Tag Axle - Torsion/Rubber Suspension - Sure Lube
	085751-01-000	EA	Shock Absorber - Tag Axle
	085752-01-000	EA	Suspension - Air - P30 Supperide
	085754-01-000	EA	Valve Asm. - Right Height Control
	085754-02-000	EA	Valve Asm. - Left Height Control
	085758-01-000	EA	Switch Asm. - Low Air
	085766-01-000	EA	Adapter - 1/4 FP x 1/4 MPT - Brass
	085771-01-000	EA	Nut - Hex Flange - 5/8 18 UNF
	085772-01-000	EA	Washer - Conical Spring - 5/8
	085773-01-000	EA	Drain Valve - Air tank - 1/4 MPT
	086241-01-000	EA	Valve - Air - 1/4 MPT - Tire Stem

1989 WINNEBAGO TABLE OF CONTENTS

WC:JP34RU
WCP37RQ

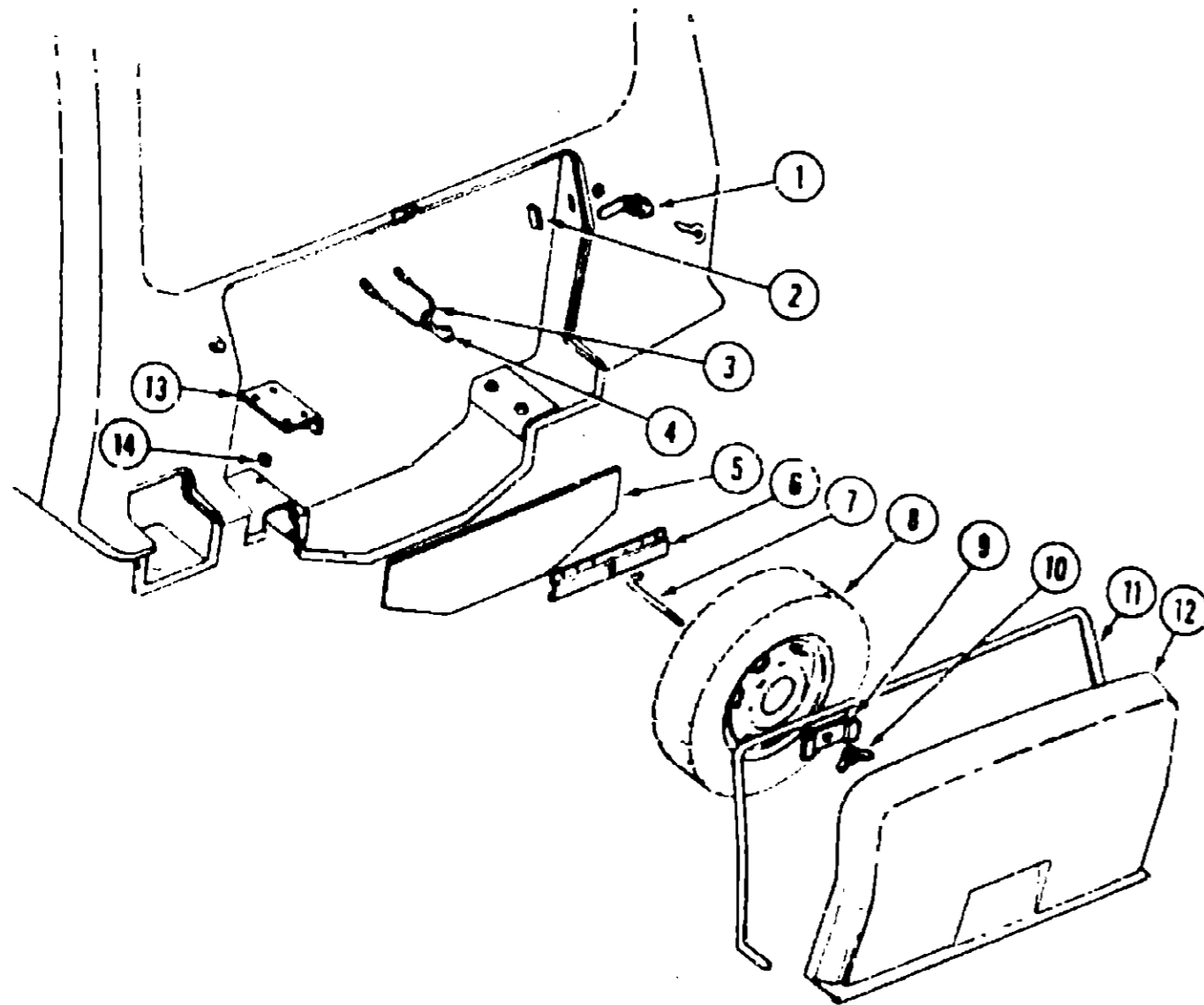
A-01 - D-12
D-13 - H-06

1989 WCP37RQ INDEX

Floor Plan	D-13 - D-14
Accessories Group	D-15 - D-19
Bath Group	D-20 - D-21
Chassis Group	D-22 - E-03
Curtain, Cushion & Pad Group	E-04 - F-02
Dinette Group	F-03 - F-04
Driver's Compartment Group	F-05 - F-10
Electrical Group	F-11 - F-14
Exterior Body Group	F-15 - F-22
Galley Group	F-23 - G-02
Heating & Air Conditioning Group	G-03
Interior Finish Group	G-04 - G-08
LP Group	G-09
Lounge Group	G-10 - G-12
Water & Sewage Group	G-13 - G-14
Window, Vent & Exterior Door Group	G-15 - H-06

CHASSIS GROUP (CONTINUED)

SPARE TIRE & COMPARTMENT



Key	Part Number	U/M	Description
1	077048-01-000	EA	Lock Asm. - Key Type
2	077941-01-000	EA	Rubber Seal - Flat w/Slit
3	076767-02-000	EA	Cable Asm.
4	072463-02-000	EA	Spring Hook - 5/8" Eye
5	077395-01-000	EA	Shield - Spare Tire
6	077403-01-000	EA	Support Bracket - Spare Tire
7	077411-01-000	EA	Retaining Rod - Spare Tire
8	007324-04-000	EA	Tire - 8" x 13.5" - Radial - Michelin
	064953-01-000	EA	Rim - Wheel - 19.5" x 6.75"
	051377-01-000	EA	Valve Stem
9	077399-01-000	EA	Retainer - Spare Tire
10	064081-01-000	EA	Wing Nut - 3/8" - Spare Tire
11	058027-01-000	FT	Weather Seal
12	M01990-04-X19	EA	Cover - Spare Tire - Beige
	077392-01-000	EA	Strike - Latch
	077080-01-000	EA	Angle Support - Pivot
	077381-01-000	EA	Plate - Pivot
	077385-01-000	EA	Pin Asm. - Pivot
	077384-01-000	EA	Plate - Pin
13	077400-01-000	EA	Support - Spare Tire
	077393-01-000	EA	Support Asm. - Strike
14	077759-01-000	EA	Spacer - Spare Tire Support
	077384-01-000	EA	Plate - Hinge Pin
	077385-01-000	EA	Pin Asm. - Pivot

1989 WINNEBAGO TABLE OF CONTENTS

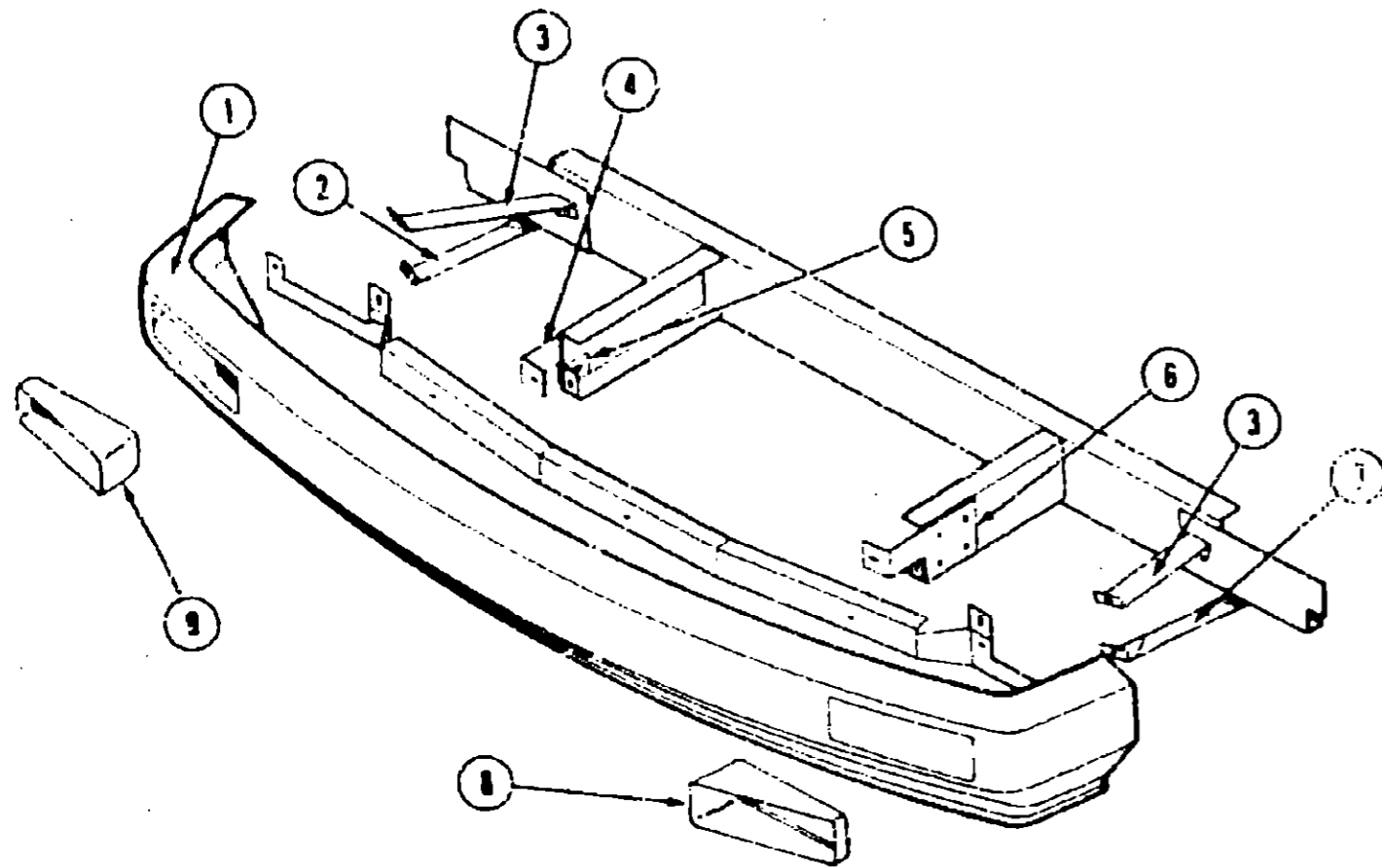
WC/IP34RU
WCP37RQ

A-01 - D-12
D-13 - H-06

1989 WCP37RQ INDEX

Floor Plan	D-13 - D-14
Accessories Group	D-15 - D-19
Bath Group	D-20 - D-21
Chassis Group	D-22 - E-03
Curtain, Cushion & Pad Group	E-04 - F-02
Dinette Group	F-03 - F-04
Driver's Compartment Group	F-05 - F-10
Electrical Group	F-11 - F-14
Exterior Body Group	F-15 - F-22
Galley Group	F-23 - G-02
Heating & Air Conditioning Group	G-03
Interior Finish Group	G-04 - G-08
LP Group	G-09
Lounge Group	G-10 - G-12
Water & Sewage Group	G-13 - G-14
Window, Vent & Exterior Door Group	G-15 - H-06

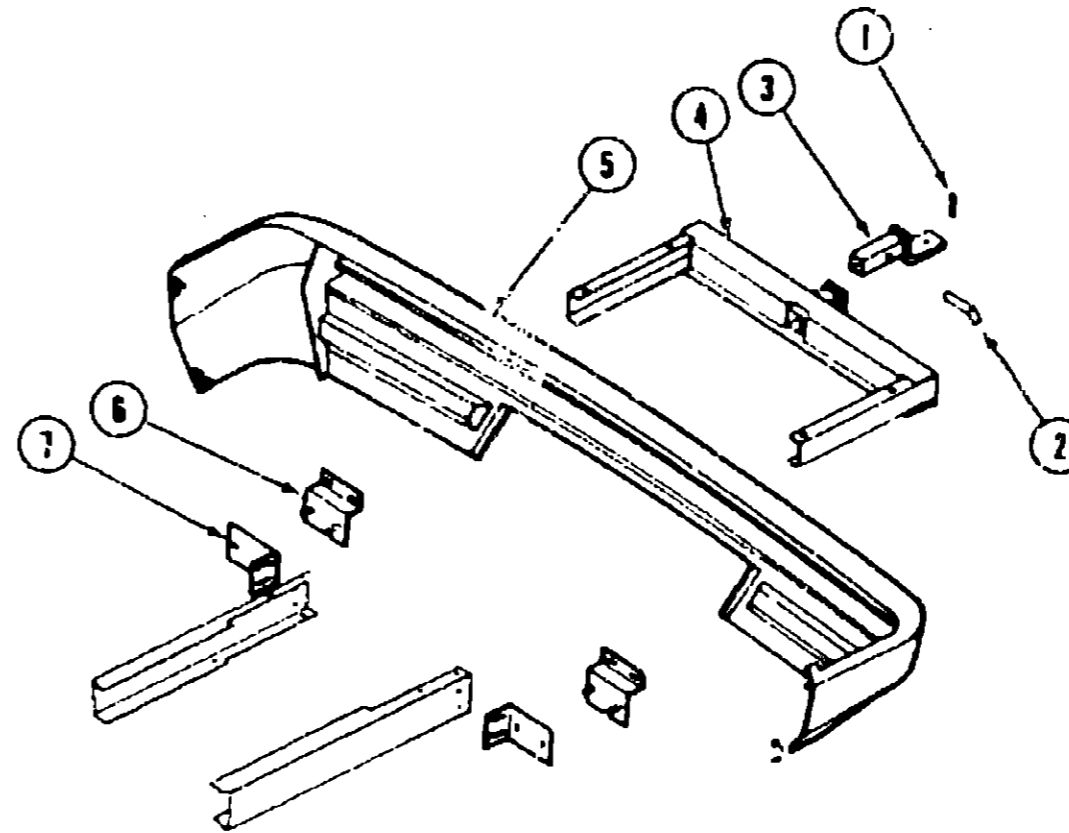
CHASSIS GROUP (CONTINUED)



FRONT BUMPER

Key	Part Number	U/M	Description
1	M88632-01-X19	EA	Bumper Asm. - Front - w/Turn Lamp Housings
	076345-01-000	EA	Lens Asm. - Park/Turn - Amber
	008103-01-000	EA	Bulb - 12 V - 12 Amp. #53
	076345-02-000	EA	Socket Asm. - Park/Turn Lamp
2	077854-01-000	EA	Bumper Brace - Lower Passengers Side
3	089039-01-000	EA	Bumper Brace - Upper - Chevy
4	086140-01-000	EA	Bumper Support - Passengers Side
5	088942-02-000	EA	Fog Lamp Bracket
6	086140-02-000	EA	Bumper Support - Drivers Side
7	077854-02-000	EA	Bumper Brace - Lower Drivers Side
8	090215-02-000	EA	Bezel - Park/Turn Light - Black - Drivers Side
9	090215-01-000	EA	Bezel - Park/Turn Light - Black - Passengers Side

CHASSIS GROUP (CONTINUED)



REAR BUMPER & HITCH (OPT 240)

Key	Part Number	U/M	Description
1	034513-01-000	EA	Pin - Wire - Hitch - 3/16"
2	034512-01-000	EA	Pin - Locking - Drawbar
3	077613-01-000	EA	Drawbar
4	077617-01-000	EA	Hitch Asm. - w/o Drawbar
5	M86700-01-W13	EA	Rear Bumper Asm. - Beige
6	086727-02-000	EA	Support Angle-To-Bumper
7	086709-01-000	EA	Support Angle-To-Frame
	064399-01-000	EA	Plug - Trailer Taillights - Male - 60°
	064398-01-000	EA	Plug - Trailer Taillights - Female - 10°
	091224-01-000	EA	Label - Trailer Lighting

**1989 WINNEBAGO
TABLE OF CONTENTS**

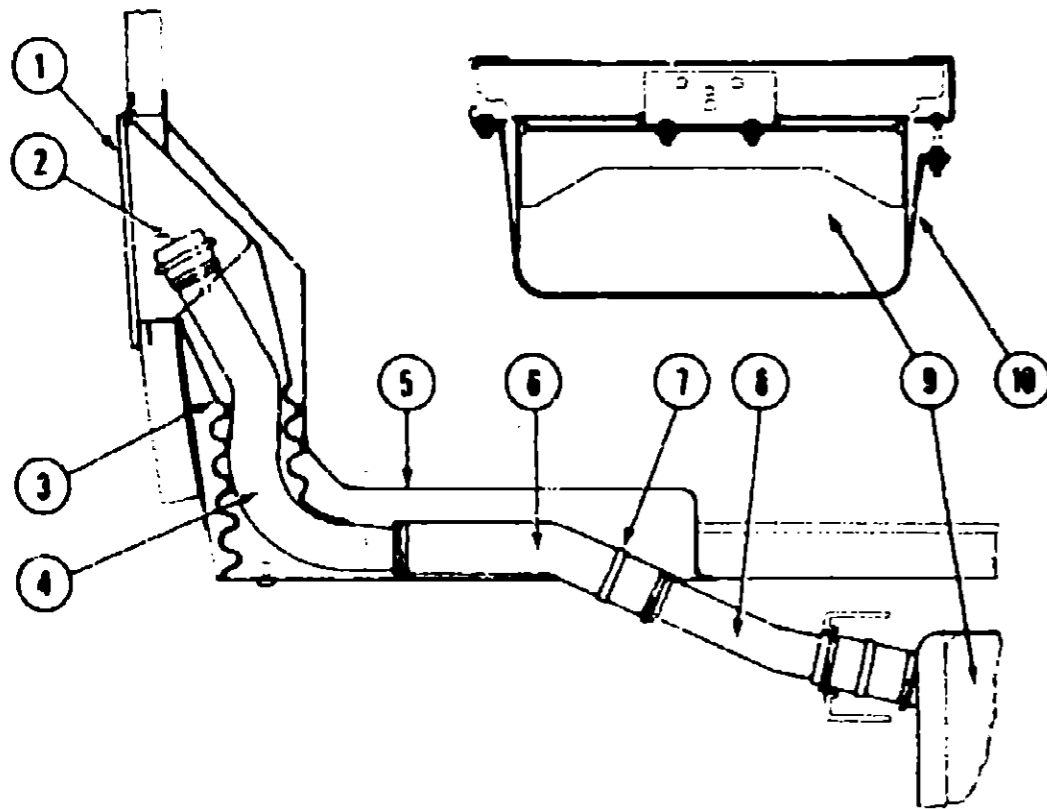
WC/JP34RU
WCP37RQ

A-01 - D-12
D-13 - H-06

1989 WCP37RQ INDEX

Floor Plan	D-13 - D-14
Accessories Group	G-15 - D-19
Bath Group	D-20 - D-21
Chassis Group	D-22 - E-03
Curtain, Cushion & Pad Group	E-04 - F-02
Dinette Group	F-03 - F-04
Driver's Compartment Group	F-05 - F-10
Electrical Group	F-11 - F-14
Exterior Body Group	F-15 - F-22
Galley Group	F-23 - G-02
Heating & Air Conditioning Group	G-03
Interior Finish Group	G-04 - G-08
LP Group	G-09
Lounge Group	G-10 - G-12
Water & Sewage Group	G-13 - G-14
Window, Vent & Exterior Door Group	G-15 - H-06

CHASSIS GROUP (CONTINUED)



FUEL SYSTEM COMPONENTS

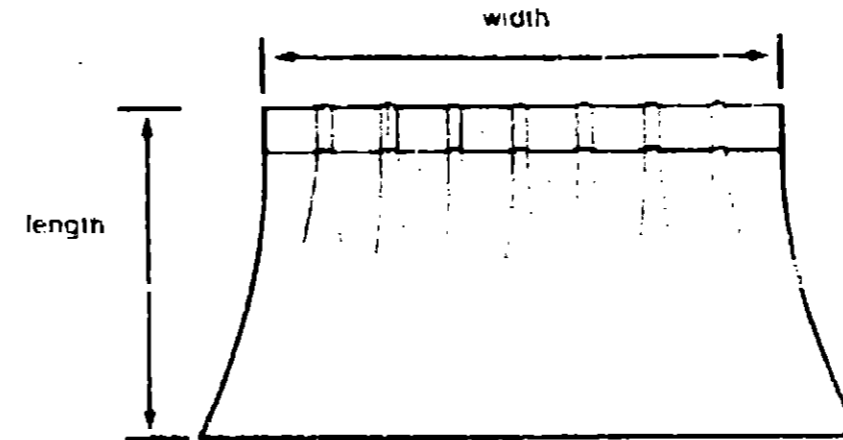
Key	Part Number	U/M	Description
1	076010-01-000	EA	Door Asm. - Fuel Fill - Beige
2	073220-02-000	Ea	Cap - Fuel Fill
3	083578-01-000	EA	Boot - Fuel Fill
4	075227-03-000	EA	Neck Asm. - Fuel Fill (GM 15595635 Calif.)
4	075227-01-000	EA	Neck Asm. - Fuel Fill (GM 140420436 Federal)
5	082768-01-000	EA	Shroud - Fuel Fill - Inside
6	091245-01-000	EA	Hose - Fuel Fill - Formed
7	075229-01-000	EA	Strap - Fuel Fill (GM 482336)
8	075228-01-000	EA	Neck - Fuel Fill - Lower
	007111-03-000	EA	Hose - Fuel Tank to Neck - 1.75" x 3'
9	090082-01-000	EA	Tank - Fuel - 80 Gallon
10	086486-02-000	EA	Strap Asm. - Fuel Tank
	066732-01-000	FT	Hose - Fuel .62" I.D. - Vent Hose
	080173-01-000	EA	Tube Extension - Fuel - 29.25" - Formed Steel Tube
	079661-01-000	EA	Valve Asm. - Vent - Fuel Tank
	073223-01-000	EA	Gasket - Vent Valve Asm. - Fuel Tank
	088740-01-000	EA	Sending Unit/Pump
	086255-01-000	EA	Gasket - Sending Unit
	090572-01-000	EA	Cover - Relief Valve - Bottom
	069640-03-000	FT	Sealer Ribbon - 3/4" x 30'
	062401-05-000	EA	Clamp - Worm Gear - 2" to 3"
	062401-10-000	EA	Clamp - Worm Gear - 1" to 2"

CURTAIN, CUSHION & PAD GROUP

NOTICE

In order to assist our Parts Sales Dept. in providing interior software items, please include the serial number and the color code number from the vehicle certification label when ordering. This label is located on the left sidewall at the end of the dash (A-Body), or on the driver's door latch plate (C-Body).

An example of a color code number is P31, which designates an overall color scheme of a particular unit. The color listed after the item description on the microfiche, indicates the overall unit color. Order the item you desire according to unit color code.



NOTE:

Use this illustration when determining length and width measurements for curtains. You will note the width measurement is taken on the top of the curtain with the curtain fully extended. The length measurement is taken from top to bottom.

1989 WINNEBAGO TABLE OF CONTENTS

WC/JP34RU
WCP37RQ

A-01 - D-12
D-13 - H-06

1989 WCP37RQ INDEX

Floor Plan	D-13 - D-14
Accessories Group	D-15 - D-18
Bath Group	D-20 - D-21
Chassis Group	D-22 - E-03
Curtain, Cushion & Pad Group	E-04 - F-02
Dinette Group	F-03 - F-04
Driver's Compartment Group	F-05 - F-10
Electrical Group	F-11 - F-14
Exterior Body Group	F-15 - F-22
Galley Group	F-23 - G-02
Heating & Air Conditioning Group	G-03
Interior Finish Group	G-04 - G-08
I.P. Group	G-09
Lounge Group	G-10 - G-12
Water & Sewage Group	G-13 - G-14
Window, Vent & Exterior Door Group	G-15 - H-06

FABRICS

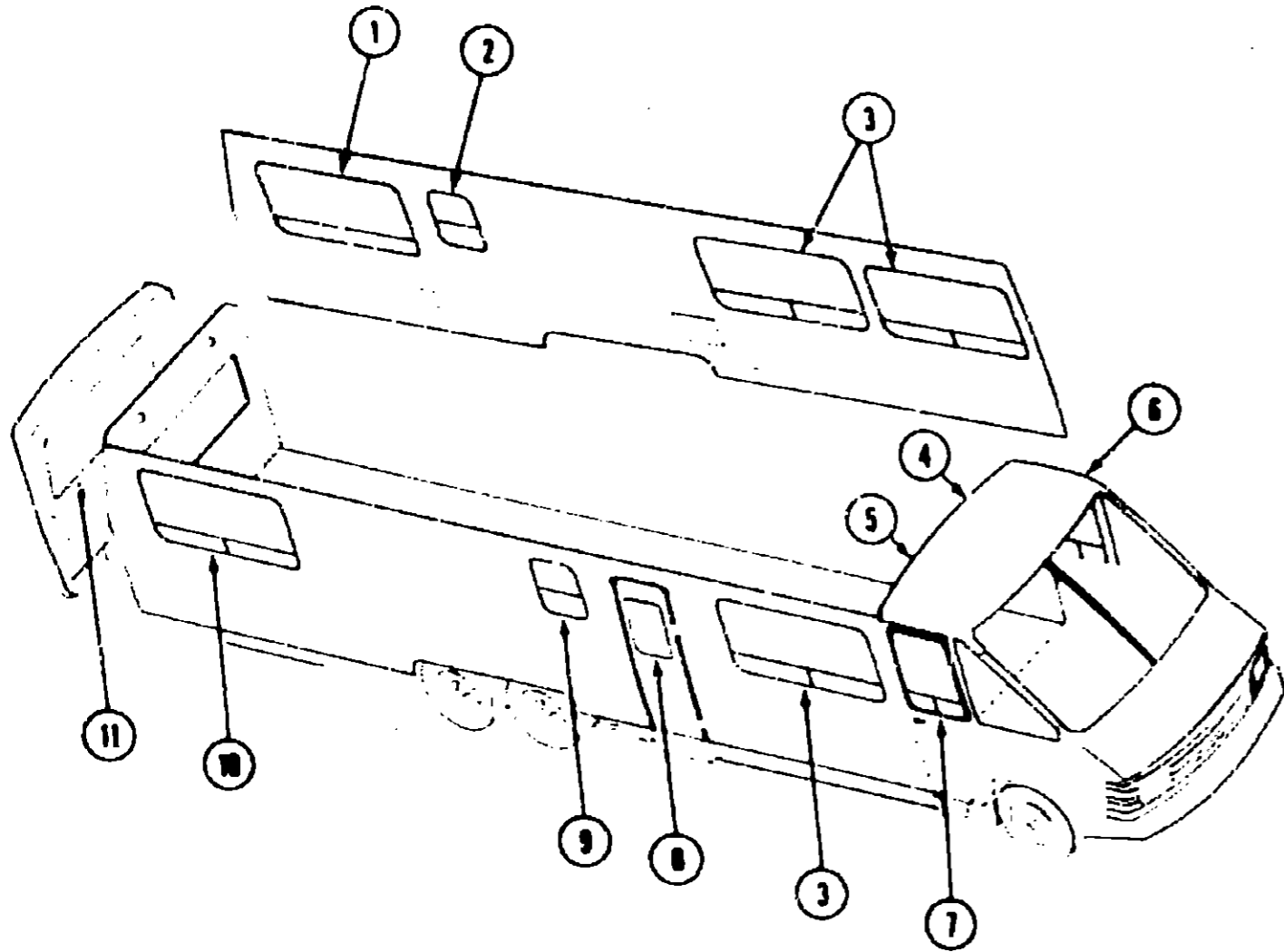
Key	Part Number	U/M	Description
	088274-72-000	YD	Fabric - Upholstery - Rose/Pearl (Y21)
	088274-51-000	YD	Fabric - Upholstery - Heather (Y22)
	088274-73-000	YD	Fabric - Upholstery - Teal (Y23)
	088274-56-000	YD	Fabric - Upholstery/Accent - Heather (Y22)
	088274-70-000	YD	Fabric - Upholstery/Plain Accent - Rose/Pearl (Y21)
	088274-80-000	YD	Fabric - Upholstery/Plain Accent - Heather (Y22)
	088274-71-000	YD	Fabric - Upholstery/Plain Accent - Teal (Y23)
	088273-20-000	YD	Fabric - Bedspread - Rose/Pearl (Y21)
	088273-28-000	YD	Fabric - Bedspread - Heather (Y22)
	088273-21-000	YD	Fabric - Bedspread - Teal (Y23)
	072333-37-000	YD	Fabric - Drapery - Rose/Pearl (Y21)
**	072333-69-000	YD	Fabric - Drapery - Rose/Pearl (Y21)
	088273-28-000	YD	Fabric - Drapery - Heather (Y22)
	072333-61-000	YD	Fabric - Drapery - Teal (Y23)
	079680-01-000	YD	Vinyl - Expanded - Buckskin
	069649-03-000	YD	Vinyl - Expanded - Taupe
	069351-01-000	YD	Vinyl - Headliner - Beige
	078394-01-000	FT	Trim - Half Round Vinyl - 7/16"
	038421-05-000	YD	Fabric - Mattress - Ticking - Gray/White

** Fabric used on units between 9-19-88 and 10-19-88.

CURTAIN, CUSHION & PAD GROUP (CONTINUED)

(Y21) CURTAIN, VALANCE & BLINDS

1989 WINNEBAGO TABLE OF CONTENTS



Key	Part Number	U/M	Description
1	089058-03-Y21	EA	Padded Window Leg - Right
1	089058-04-Y21	EA	Padded Window Leg - Left
1	093477-01-02A	EA	Blind - Day/Night - 57.5" x 36" Drop (Y21)
†1	093477-04-01A	EA	Blind - Day/Night - 38.5" x 36" Drop (Y21)
1	094552-04-Y21	EA	Valance Asm. - Ruffled w/Wood - 62.5"
†1	094552-03-Y21	EA	Valance Asm. - Ruffled w/Wood - 51.5"
1	093479-01-01A	EA	Shade - Woven Wood - 57.5" x 36" Drop (Opt. 59U1)
†1	093479-03-01A	EA	Shade - Woven Wood - 38.5" x 36" Drop (Opt. 59U2)
2	073304-45-Y21	EA	Curtain Asm. - Snap Top - 30" x 9"
**2	073304-45-YA4	EA	Curtain Asm. - Snap Top - 30" x 9" (Y21)
†2	073304-45-YB4	EA	Curtain Asm. - Snap Top - 30" x 9" (Y21)
2	093477-02-01A	EA	Blind - Day/Night - 28" x 28" Drop (Y21)
3	089058-07-Y21	EA	Padded Window Leg - Right
3	089058-08-Y21	EA	Padded Window Leg - Left
3	093477-01-01A	EA	Blind - Day/Night - 57.5" x 36" Drop (Y21)
*4	093452-01-Y21	EA	Curtain - Blackout - Right - 48" x 50" (Y21)
**4	093452-01-YA4	EA	Curtain - Blackout - Right - 48" x 50" (Y21)
†4	093452-01-YB4	EA	Curtain - Blackout - Right - 48" x 50" (Y21)
4	077591-01-Y21	EA	Curtain Asm. - Bunk Privacy - 52" x 40" - Velcro Top - Passengers
*5	093452-02-Y21	EA	Curtain - Blackout - Left - 48" x 50" (Y21)
**5	093452-02-YA4	EA	Curtain - Blackout - Left - 48" x 50" (Y21)
†5	093452-02-YB4	EA	Curtain - Blackout - Left - 48" x 50" (Y21)
5	077591-02-Y21	EA	Curtain Asm. - Bunk Privacy - 52" x 42" - Velcro Top - Drivers
6	093487-04-000	EA	Curtain Wraparound - Left - 34" x 102" (Y21, Y22, Y23)
7	093487-03-000	EA	Curtain - Wraparound - Right - 34" x 102" (Y21, Y22, Y23)
8	093455-14-Y21	EA	Shade Asm. - 27.5"
9	093477-02-01A	EA	Blind - Day/Night - 28" x 28" Drop (Y21)
10	089058-03-Y21	EA	Padded Window Leg - Right
10	089058-04-Y21	EA	Padded Window Leg - Left
10	093477-01-02A	EA	Blind - Day/Night - 57.5" x 36" Drop (Y21)
10	094552-04-Y21	EA	Valance Asm. - Ruffled w/Wood - 62.5"
10	093479-01-01A	EA	Shade - Woven Wood - 57.5" x 36" Drop (Opt. 59U)
11	089058-05-Y21	EA	Padded Window Leg - Right
11	093477-03-01A	EA	Blind - Day/Night - 45" x 35" Drop (Y21)
11	089058-06-Y21	EA	Padded Window Leg - Left
11	091464-01-Y21	EA	Valance Asm. - Gathered Swag
11	093479-02-01A	EA	Shade - Woven Wood - 43.5" x 35" Drop (Opt. 59U)
	057534-03-000	EA	Tieback - Clear Plastic - 7.5"
	057534-04-000	EA	Tieback - Clear Plastic - 20"
	057534-05-000	EA	Tieback - Chestnut Vinyl - 6"
	057534-08-000	EA	Tieback - Clear Plastic - 16"

† Parts used with the Twin Bed Option
 * Parts used in units produced before 9/18/88.
 ** Parts used in units produced between 9/19/88 to 10/19/88.
 ‡ Parts used in units produced after 10/20/88.

WC/P34RU
WCP37RO

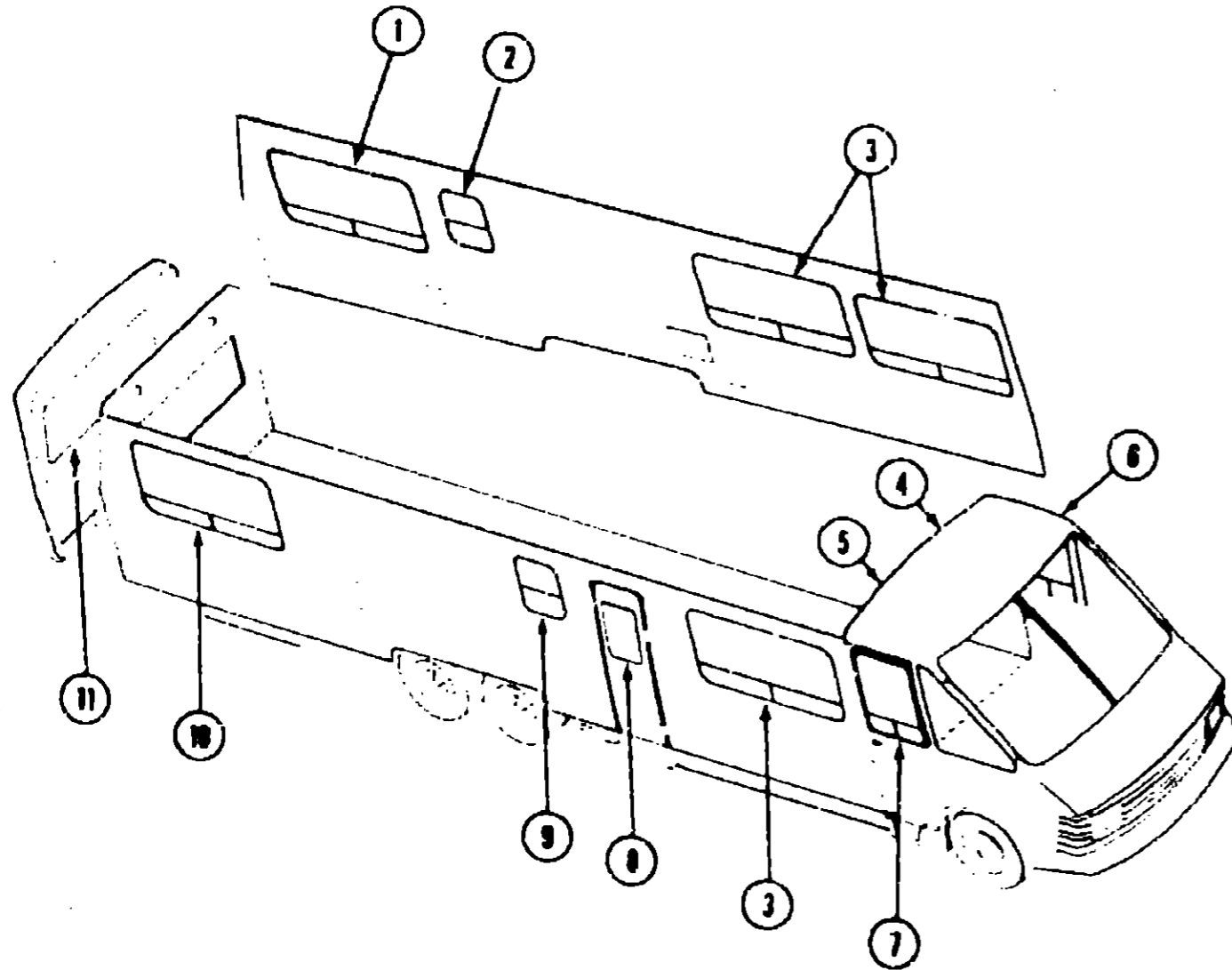
A-01 - D-12
D-13 - H-08

1989 WCP37RO INDEX

Floor Plan	D-13 - D-14
Accessories Group	D-15 - D-19
Bath Group	D-20 - D-21
Chassis Group	D-22 - E-03
Curtain, Cushion & Pad Group	E-04 - F-02
Dinette Group	F-03 - F-04
Driver's Compartment Group	F-05 - F-10
Electrical Group	F-11 - F-14
Exterior Body Group	F-15 - F-22
Galley Group	F-23 - G-02
Heating & Air Conditioning Group	G-03
Interior Finish Group	G-04 - G-08
LP Group	G-09
Lounge Group	G-10 - G-12
Water & Sewage Group	G-13 - G-14
Window, Vent & Exterior Door Group	G-15 - H-08

CURTAIN, CUSHION & PAD GROUP (CONTINUED)

(Y22) CURTAIN, VALANCE & BLINDS



Key	Part Number	U/M	Description
1	089058-03-Y22	EA	Padded Window Leg - Right
1	089058-04-Y22	EA	Padded Window Leg - Left
1	093477-01-04A	EA	Blind - Day/Night - 57.5" x 36" Drop (Y22)
11	093477-04-02A	EA	Blind - Day/Night - 38.5" x 36" Drop (Y22)
1	094552-04-Y22	EA	Valance Asm. - Ruffled w/Wood - 62.5"
11	094552-03-Y22	EA	Valance Asm. - Ruffled w/Wood - 51.5"
1	093479-01-01A	EA	Shade - Woven Wood - 57.5" x 36" Drop (Opt 59U1)
11	093479-03-01A	EA	Shade - Woven Wood - 38.5" x 36" Drop (Opt 59U2)
2	073304-45-Y22	EA	Curtain Asm. - Snap Top - 30" x 9"
2	093477-02-02A	EA	Blind - Day/Night - 28" x 28" Drop (Y22)
3	089058-01-Y22	EA	Padded Window Leg - Right
3	089058-02-Y22	EA	Padded Window Leg - Left
3	093477-01-03A	EA	Blind - Day/Night - 57.5" x 36" Drop (Y22)
4	093452-01-Y22	EA	Curtain - Blackout - Right - 48" x 50" (Y22)
4	077591-01-Y22	EA	Curtain Asm. - Bunk Privacy - 52" x 40" - Velcro Top - Passenger
5	077591-02-Y22	EA	Curtain Asm. - Bunk Privacy - 52" x 42" - Velcro Top - Drivers
5	093452-02-Y22	EA	Curtain - Blackout - Left - 48" x 50" (Y22)
6	093487-04-000	EA	Curtain Wraparound - Left - 34" x 102" (Y21, Y22, Y23)
7	093487-03-000	EA	Curtain - Wraparound - Right - 34" x 102" (Y21, Y22, Y23)
8	093455-14-Y22	EA	Shade Asm. - 27.5" (Y22, Y23)
9	093477-02-02A	EA	Blind - Day/Night - 28" x 28" Drop (Y22)
10	089058-03-Y22	EA	Padded Window Leg - Right
10	089058-04-Y22	EA	Padded Window Leg - Left
10	093477-01-04A	EA	Blind - Day/Night - 57.5" x 36" Drop (Y22)
10	094552-04-Y22	EA	Valance Asm. - Ruffled w/Wood - 62.5"
10	093479-01-01A	EA	Shade - Woven Wood - 57.5" x 36" Drop (Opt 59U)
11	089058-05-Y22	EA	Padded Window Leg - Right
11	089058-06-Y22	EA	Padded Window Leg - Left
11	093477-03-02A	EA	Blind - Day/Night - 45" x 35" Drop (Y22)
11	093464-01-Y22	EA	Valance Asm. - Gathered Swag
11	093479-02-01A	EA	Shade - Woven Wood - 43.5" x 35" Drop (Opt 59U)
	057534-03-000	EA	Tieback - Clear Plastic - 7.5"
	057534-04-000	EA	Tieback - Clear Plastic - 20"
	057534-05-000	EA	Tieback - Chestnut Vinyl - 6"
	057534-08-000	EA	Tieback - Clear Plastic - 16"

† Parts used with the Twin Bed Option

1988 WINNEBAGO TABLE OF CONTENTS

WC/JP34RU
WCP37RQ

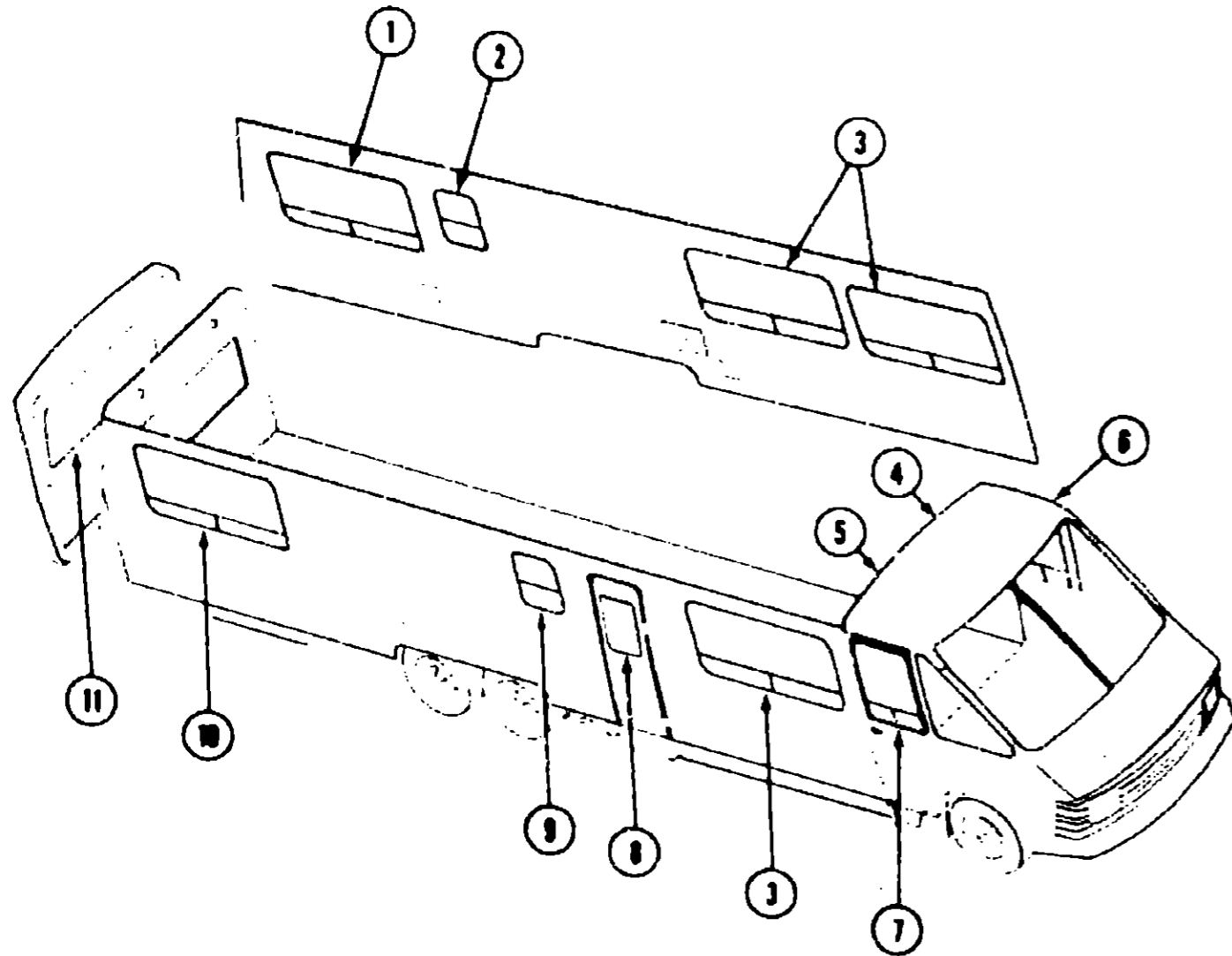
A-01 - D-12
D-13 - H-08

1988 WCP37RQ INDEX

Floor Plan	D-13 - D-14
Accessories Group	D-15 - D-18
Bath Group	D-20 - D-21
Chassis Group	D-22 - E-03
Curtain, Cushion & Pad Group	E-04 - F-02
Dinette Group	F-03 - F-04
Driver's Compartment Group	F-05 - F-10
Electrical Group	F-11 - F-14
Exterior Body Group	F-15 - F-22
Galley Group	F-23 - G-02
Heating & Air Conditioning Group	G-03
Interior Finish Group	G-04 - G-08
LP Group	G-09
Lounge Group	G-10 - G-12
Water & Sewage Group	G-13 - G-14
Window, Vent & Exterior Door Group	G-15 - H-08

CURTAIN, CUSHION & PAD GROUP (CONTINUED)

**(Y23)
CURTAIN, VALANCE & BLINDS**



Key	Part Number	U/M	Description
1	089058-03-Y23	EA	Padded Window Leg - Right
1	089058-04-Y23	EA	Padded Window Leg - Left
1	093477-01-06A	EA	Blind - Day/Night - 57.5" x 36" Drop (Y23)
†1	093477-04-03A	EA	Blind - Day/Night - 38.5" x 36" Drop (Y23)
1	094552-04-Y23	EA	Valance Asm. - Ruffled w/Wood - 62.5"
†1	094552-03-Y23	EA	Valance Asm. - Ruffled w/Wood - 51.5"
1	093479-01-01A	EA	Shade - Woven Wood - 57.5" x 36" Drop (Opt 59U1)
†1	093479-03-01A	EA	Shade - Woven Wood - 57.5" x 36" Drop (Opt 59U2)
2	073304-45-Y23	EA	Curtain Asm. - Snap Top - 30" x 9"
2	093477-02-03A	EA	Blind - Day/Night - 28" x 28" Drop (Y23)
3	089058-07-Y23	EA	Padded Window Leg - Right
3	089058-08-Y23	EA	Padded Window Leg - Left
3	093477-01-06A	EA	Blind - Day/Night - 57.5" x 36" Drop (Y23)
4	093452-01-Y15	EA	Curtain - Blackout - Right - 48" x 50" (Y23)
4	077591-01-Y23	EA	Curtain Asm. - Bunk Privacy - 52" x 40" - Velcro Top - Passenger
5	093452-02-Y15	EA	Curtain - Blackout - Left - 48" x 50" (Y23)
5	077591-02-Y23	EA	Curtain Asm. - Bunk Privacy - 52" x 42" - Velcro Top - Drivers
6	093487-04-000	EA	Curtain - Wraparound - Left - 34" x 102" (Y21, Y22, Y23)
7	093487-03-000	EA	Curtain - Wraparound - Right - 34" x 102" (Y21, Y22, Y23)
8	093455-14-Y22	EA	Shade Asm. - 27.5" (Y22, Y23)
9	093477-02-03A	EA	Blind - Day/Night - 28" x 28" Drop (Y23)
10	089058-03-Y23	EA	Padded Window Leg - Right
10	089058-04-Y23	EA	Padded Window Leg - Left
10	093477-01-06A	EA	Blind - Day/Night - 57.5" x 36" Drop (Y23)
10	094552-04-Y23	EA	Valance Asm. - Ruffled w/Wood - 62.5"
10	093479-01-01A	EA	Shade - Woven Wood - 57.5" x 36" Drop (Opt 59U)
11	089058-05-Y23	EA	Padded Window Leg - Right
11	089058-06-Y23	EA	Padded Window Leg - Left
11	093477-03-03A	EA	Blind - Day/Night - 45" x 35" Drop (Y23)
11	093464-01-Y23	EA	Valance Asm. - Gathered Swag
11	093479-02-01A	EA	Shade - Woven Wood - 43.5" x 35" Drop (Opt 59U)
	057534-03-000	EA	Tieback - Clear Plastic - 7.5"
	057534-04-000	EA	Tieback - Clear Plastic - 20"
	057534-05-000	EA	Tieback - Chestnut Vinyl - 6"
	057534-08-000	EA	Tieback - Clear Plastic - 16"

† Parts used with the Twin Bed Option.

**1989 WINNEBAGO
TABLE OF CONTENTS**

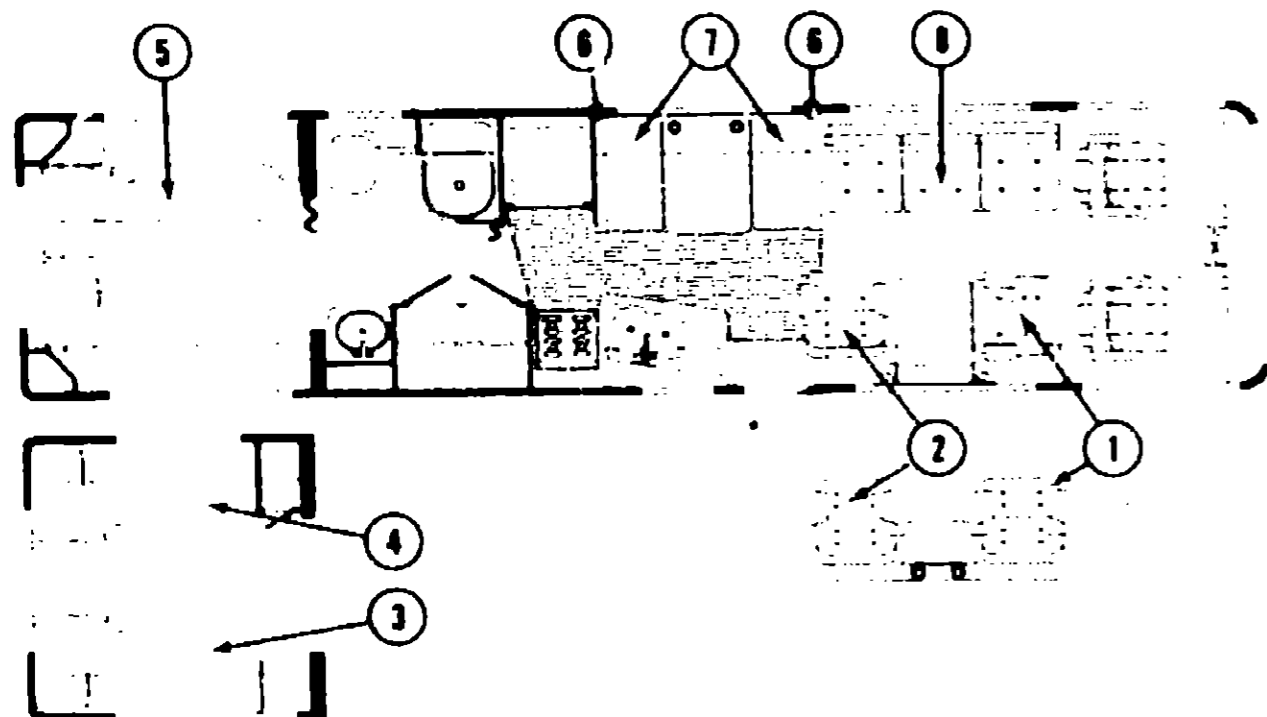
WC/JP34RU
WCP37RQ

A-01 - D-12
D-13 - H-06

1989 WCP37RQ INDEX

Floor Plan	D-13 - D-14
Accessories Group	D-15 - D-19
Bath Group	D-20 - D-21
Chassis Group	D-22 - E-03
Curtain, Cushion & Pad Group	E-04 - F-02
Dinette Group	F-03 - F-04
Driver's Compartment Group	F-05 - F-10
Electrical Group	F-11 - F-14
Exterior Body Group	F-15 - F-22
Galley Group	F-23 - G-02
Heating & Air Conditioning Group	G-03
Interior Finish Group	G-04 - G-06
LP Group	G-09
Lounge Group	G-10 - G-12
Water & Sewage Group	G-13 - G-14
Window, Vent & Exterior Door Group	G-15 - H-06

CURTAIN, CUSHION & PAD GROUP (CONTINUED)



**(Y21)
DINETTE CUSHIONS & PADS**

Key	Part Number	U/M	Description
6	088927-20-Y21	EA	Cushion - 13" x 38" x 5" - Angled Dinette Back
	M88927-20-Y21	EA	Cover - Dinette Back Cushion
7	088927-21-Y21	EA	Cushion - 22" x 38" x 5" - Dinette Seat
	M88927-21-Y21	EA	Cover - Dinette Seat Cushion
	081519-07-Y21	EA	Pad - Dinette Back - Front
	081519-08-Y21	EA	Pad - Dinette Back - Rear

**(Y21)
CELESTIAL COUCH/BED**

Key	Part Number	U/M	Description
8	093460-01-Y21	EA	Couch/Bed Asm. - Celestial - w/o Back Cushions
	M93460-01-Y21	EA	Cover - Celestial Couch/Bed
8	085358-05-Y21	EA	Armrest Cushion - Removable
	M85358-05-Y21	EA	Cover - Armrest Cushion
8	085357-02-Y21	EA	Cushion - Celestial Couch/Bed Back (3 per couch)
	M853357-02-Y21	EA	Cover - Celestial Cushion Back

**(Y21)
CELEBRITY CHAIRS**

Key	Part Number	U/M	Description
1	086516-06-Y21	EA	Chair Asm. - Celebrity Recliner - w/o Skirt
1	M86516-06-Y21	EA	Cover Asm. - Celebrity Recliner
1	089032-11-Y21	EA	Skirt Asm. - Celebrity
2	093463-01-Y21	EA	Chair Asm. - Celebrity Recliner w/Footrest
2	M93463-01-Y21	EA	Cover Asm. - Celebrity Recliner w/Footrest
2	094599-01-Y21	EA	Footrest
2	M94599-01-Y21	EA	Cover - Footrest
2	089032-07-Y21	EA	Skirt Asm. - 3/4 - Celebrity Recliner w/Footrest

**(Y21)
TWIN BED OPTION**

Key	Part Number	U/M	Description
3	077478-04-000	EA	Mattress - Inner Spring - 33" x 75" x 7.5" - Sealy
3	083986-14-Y21	EA	Bedsread - Fitted w/8" Drop - 33" x 75" - Passenger
4	083986-15-Y21	EA	Bedsread - Fitted w/8" Drop - 33" x 75" - Drivers
4	081997-03-Y21	EA	Pillow Sham - Quilted
4	093458-03-Y21	EA	Headboard Asm. - Ruffled - 33"

**(Y21)
QUEEN BED OPTION**

Key	Part Number	U/M	Description
5	077478-06-000	EA	Mattress - Inner Spring - 60" x 80" x 7.75" - Sealy
5	092371-04-Y21	EA	Bedsread - Fitted w/Ruffle - 60" x 80"
5	081997-02-Y21	EA	Pillow Sham - w/Ruffle - 30" x 26"
5	093458-02-Y21	EA	Headboard Asm. - Ruffled - 54"

**1989 WINNEBAGO
TABLE OF CONTENTS**

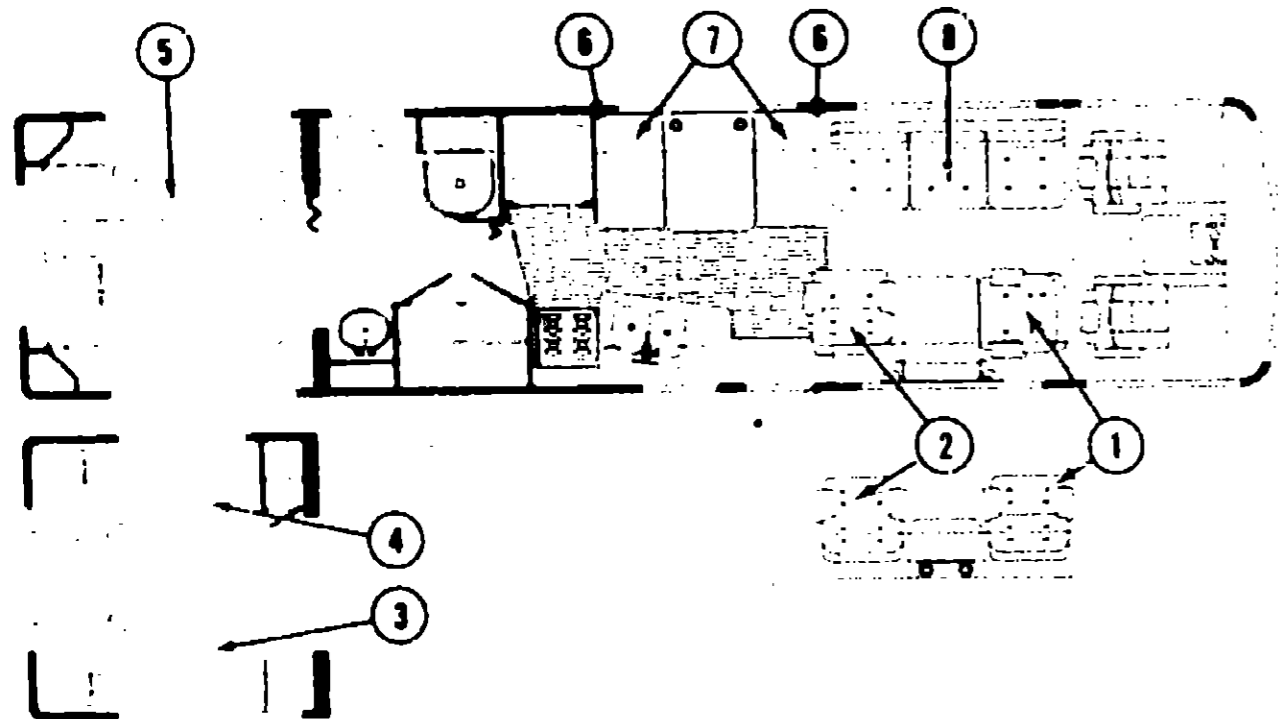
WC/JP34RU
WCP37RQ

A-01 - D-12
D-13 - H-08

1989 WCP37RQ INDEX

Floor Plan	D-13 - D-14
Accessories Group	D-15 - D-19
Bath Group	D-20 - D-21
Chassis Group	D-22 - E-03
Curtain, Cushion & Pad Group	E-04 - F-02
Dinette Group	F-03 - F-04
Driver's Compartment Group	F-05 - F-10
Electrical Group	F-11 - F-14
Exterior Body Group	F-15 - F-22
Galley Group	F-23 - G-02
Heating & Air Conditioning Group	G-03
Interior Finish Group	G-04 - G-08
LP Group	G-09
Lounge Group	G-10 - G-12
Water & Sewage Group	G-13 - G-14
Window, Vent & Exterior Door Group	G-15 - H-08

CURTAIN, CUSHION & PAD GROUP (CONTINUED)



**(Y22)
DINETTE CUSHIONS & PADS**

Key	Part Number	U/M	Description
6	088927-20-Y22	EA	Cushion - 13" x 38" x 5" - Angled Dinette Back
	M88927-20-Y22	EA	Cover - Dinette Back Cushion
7	088927-21-Y22	EA	Cushion - 22" x 38" x 5" Dinette Seal
	M88927-21-Y22	EA	Cover - Dinette Seal Cushion
	081519-07-Y22	EA	Pad - Dinette Back - Front
	081519-08-Y22	EA	Pad - Dinette Back - Rear

**(Y22)
CELESTIAL COUCH/BED**

Key	Part Number	U/M	Description
8	093460-01-Y22	EA	Couch/Bed Asm. - Celestial - w/o Back Cushions
	M93460-01-Y22	EA	Cover - Celestial Couch/Bed
8	085358-05-Y22	EA	Armrest Cushion - Removable
	M85358-05-Y22	EA	Cover - Armrest Cushion
8	085357-02-Y22	EA	Cushion - Celestial Couch/Bed Back (3 per couch)
	M85357-02-Y22	EA	Cover - Celestial Cushion Back

**(Y22)
CELEBRITY CHAIRS**

Key	Part Number	U/M	Description
1	086516-02-Y22	EA	Chair Asm. - Celebrity Recliner - w/o Skirt
1	M86516-02-Y22	EA	Cover Asm. - Celebrity Recliner
1	089032-11-Y22	EA	Skirt Asm. - Celebrity
2	093463-02-Y22	EA	Chair Asm. - Celebrity Recliner w/Footrest
2	M93463-02-Y22	EA	Cover Asm. - Celebrity Recliner w/Footrest
2	089032-06-Y22	EA	Skirt Asm. - 3/4 Celebrity
2	094599-01-Y22	EA	Footrest
2	M94599-01-Y22	EA	Cover - Footrest

**(Y22)
TWIN BED OPTION**

Key	Part Number	U/M	Description
3	077478-04-000	EA	Mattress - Inner Spring - 33" x 75" x 7.5" - Sealy
3	083986-14-Y22	EA	Bedspread - Fitted w/8" Drop - 33" x 75" - Passenger
4	083986-15-Y22	EA	Bedspread - Fitted w/8" Drop - 33" x 75" - Drivers
4	081997-03-Y22	EA	Pillow Sham - Quilted
4	093458-03-Y22	EA	Headboard Asm. - Ruffled - 33"

**(Y22)
QUEEN BED OPTION**

Key	Part Number	U/M	Description
5	077478-06-000	EA	Mattress - Inner Spring - 60" x 80" x 7.75" - Sealy
5	092371-04-Y22	EA	Bedspread - Fitted w/Ruffle - 60" x 80"
5	081997-02-Y22	EA	Pillow Sham - w/Ruffle - 30" x 26"
5	093458-02-Y22	EA	Headboard Asm. - Ruffled - 54"

**1989 WINNEBAGO
TABLE OF CONTENTS**

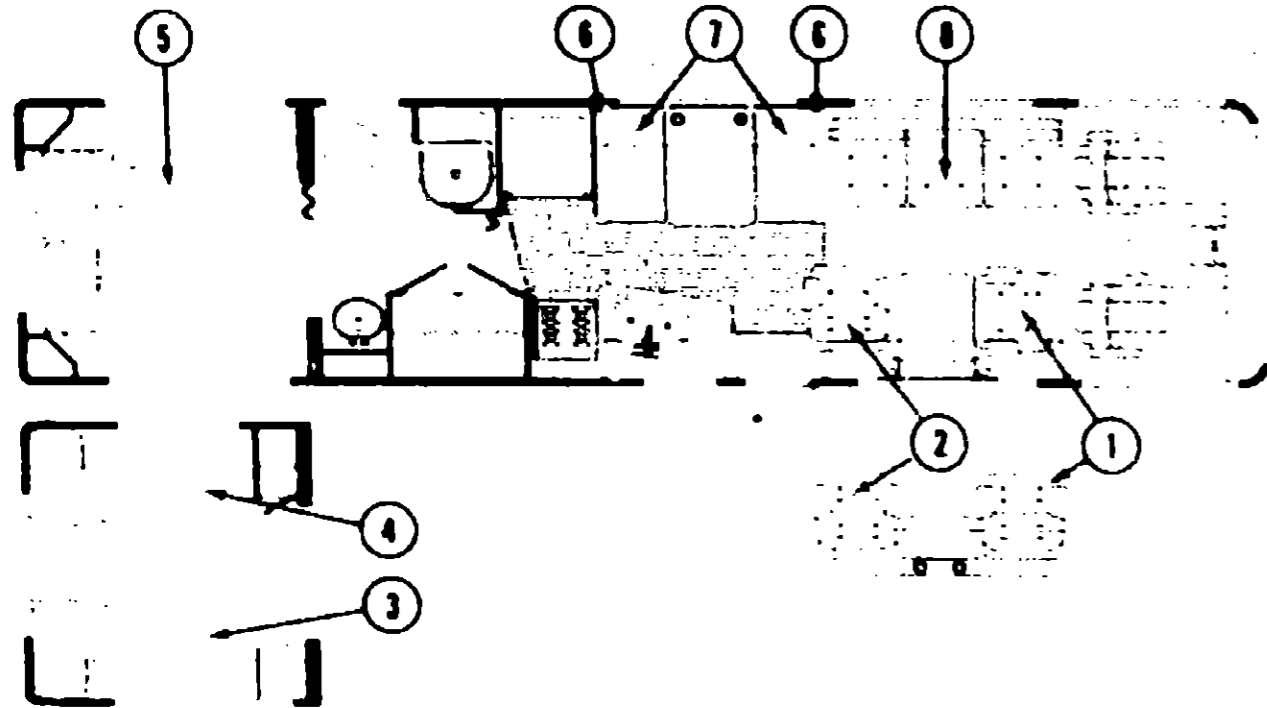
WC/JP34RU
WCP37RQ

A-01 - D-12
D-13 - H-06

1989 WCP37RQ INDEX

Floor Plan	D-13 - D-14
Accessories Group	D-15 - D-19
Bath Group	D-20 - D-21
Chassis Group	D-22 - E-03
Curtain, Cushion & Pad Group	E-04 - F-02
Dinette Group	F-03 - F-04
Driver's Compartment Group	F-05 - F-10
Electrical Group	F-11 - F-14
Exterior Body Group	F-15 - F-22
Galley Group	F-23 - G-02
Heating & Air Conditioning Group	G-03
Interior Finish Group	G-04 - G-08
L.P. Group	G-09
Lounge Group	G-10 - G-12
Water & Sewage Group	G-13 - G-14
Window, Vent & Exterior Door Group	G-15 - H-06

CURTAIN, CUSHION & PAD GROUP (CONTINUED)



**(Y23)
DINETTE CUSHIONS & PADS**

Key	Part Number	U/M	Description
6	088927-20-Y23	EA	Cushion - 13" x 38" x 5" - Angled Dinette Back
	M88927-20-Y23	EA	Cover - Dinette Back Cushion
7	088927-21-Y23	EA	Cushion - 22" x 38" x 5" - Dinette Seat
	M88927-21-Y23	EA	Cover - Dinette Seat Cushion
	081519-07-Y23	EA	Pad - Dinette Back - Front
	081519-08-Y23	EA	Pad - Dinette Back - Rear

**(Y23)
CELESTIAL COUCH/BED**

Key	Part Number	U/M	Description
8	093460-01-Y23	EA	Couch/Bed Asm - Celestial - w/o Back Cushions
	M93460-01-Y23	EA	Cover - Celestial Couch/Bed
8	085358-05-Y23	EA	Armrest Cushion - Removable
	M85358-05-Y23	EA	Cover - Armrest Cushion
8	085357-02-Y23	EA	Cushion - Celestial Couch/Bed Back (3 per couch)
	M85357-02-Y23	EA	Cover - Celestial Cushion Back

**(Y23)
CELEBRITY CHAIRS**

Key	Part Number	U/M	Description
1	086516-06-Y23	EA	Chair Asm. - Celebrity Recliner
1	M86516-06-Y23	EA	Cover Asm. - Celebrity Recliner
1	089032-11-Y23	EA	Skirt Asm. - Celebrity
2	093463-01-Y23	EA	Chair Asm. - Celebrity Recliner w/Footrest
2	M93463-01-Y23	EA	Cover Asm. - Celebrity Recliner w/Footrest
2	089032-07-Y23	EA	Skirt Asm. - 3/4 - Celebrity
2	094599-01-Y23	EA	Footrest
2	M94599-01-Y23	EA	Cover - Footrest

**(Y23)
TWIN BED OPTION**

Key	Part Number	U/M	Description
3	077478-04-000	EA	Mattress - Inner Spring - 33" x 75" x 7.5" - Sealy
3	083986-14-Y23	EA	Bedsread - Fitted w/8" Drop - 33" x 75" - Passenger
4	083986-15-Y23	EA	Bedsread - Fitted w/8" Drop - 33" x 75" - Drivers
4	081997-03-Y23	EA	Pillow Sham - Quilted
4	093458-03-Y23	EA	Headboard Asm. - Ruffled - 33"

**(Y23)
QUEEN BED OPTION**

Key	Part Number	U/M	Description
5	077478-06-000	EA	Mattress - Inner Spring - 60" x 80" x 7.75" - Sealy
5	092371-04-Y23	EA	Bedsread - Fitted w/Ruffle - 60" x 90"
5	091997-02-Y23	EA	Pillow Sham - w/Ruffle - 30" x 26"
5	093458-02-Y23	EA	Headboard Asm. - Ruffled - 54"

**1989 WINNEBAGO
TABLE OF CONTENTS**

WC/JP34RU
WCP37RQ

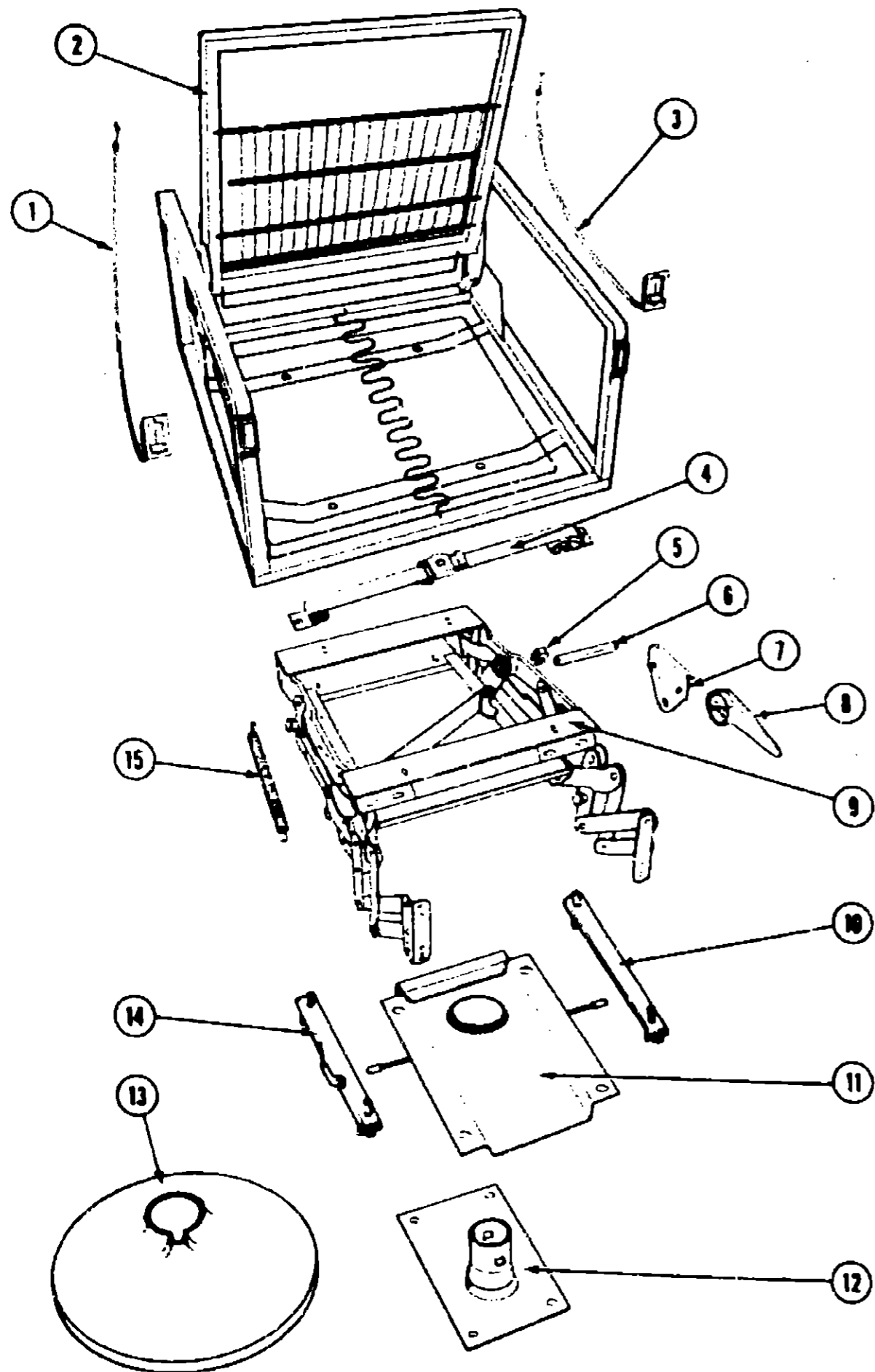
A-01 - D-12
D-13 - H-08

1989 WCP37RQ INDEX

Floor Plan	D-13 - D-14
Accessories Group	D-15 - D-19
Bath Group	D-20 - D-21
Chassis Group	D-22 - E-03
Curtain, Cushion & Pad Group	E-04 - F-02
Dinette Group	F-03 - F-04
Driver's Compartment Group	F-05 - F-10
Electrical Group	F-11 - F-14
Exterior Body Group	F-15 - F-22
Galley Group	F-23 - G-02
Heating & Air Conditioning Group	G-03
Interior Finish Group	G-04 - G-08
LP Group	G-09
Lounge Group	G-10 - G-12
Water & Sewage Group	G-13 - G-14
Window, Vent & Exterior Door Group	G-15 - H-08

CURTAIN, CUSHION & PAD GROUP (CONTINUED)

CELEBRITY RECLINER HARDWARE



Key	Part Number	U/M	Description
1	089368-03-000	EA	Remote Asm. - Recliner
2	089368-01-000	EA	Frame Asm. - Celebrity Chair
3	089368-02-000	EA	Remote Asm. - Slider
4	007021-01-000	EA	Seat Belt Asm. - 90" x 2" - Black
	057759-01-000	EA	Bracket - Seat Belt Washer
5	093484-02-700	EA	Clamp
6	093484-02-701	EA	Torsion Bar
7	093484-02-702	EA	Support - Torsion Bar
8	093484-02-703	EA	Handle
	093484-02-000	EA	Hardware Kit - Footrest - includes Keys 5,6,7,8, & 15
9	093484-01-000	EA	Footrest Pedestal Mechanism
10	069246-02-000	EA	Adjuster Asm. - Celebrity Chair - w/o Lock
11	093481-03-000	EA	Top Plate - Celebrity Chair - w/Lock
12	093481-01-000	EA	Pedestal - 6" - Used with Footrest Only
	093481-02-000	EA	Pedestal - 10" - Used with Recliner Only
13	093482-01-000	EA	Pedestal Shroud - 13" - Black Plastic
14	069246-05-000	EA	Adjuster Asm. - Celebrity Chair - w/Lock
	087330-01-000	EA	Bracket - Stop - Side Track
15	093484-02-704	EA	Spring

1989 WINNEBAGO TABLE OF CONTENTS

WC/JP34RU
WCP37RO

A-01 - D-12
D-13 - H-08

1989 WCP37RO INDEX

Floor Plan	D-13 - D-14
Accessories Group	D-15 - D-19
Bath Group	D-20 - D-21
Chassis Group	D-22 - E-03
Curtain, Cushion & Pad Group	E-04 - F-02
Dinette Group	F-03 - F-04
Driver's Compartment Group	F-05 - F-10
Electrical Group	F-11 - F-14
Exterior Body Group	F-15 - F-22
Galley Group	F-23 - G-02
Heating & Air Conditioning Group	G-03
Interior Finish Group	G-04 - G-08
LP Group	G-09
Lounge Group	G-10 - G-12
Water & Sewage Group	G-13 - G-14
Window, Vent & Exterior Door Group	G-15 - H-08

CURTAIN, CUSHION & PAD GROUP (CONTINUED)

**(Y21)
BUCKET SEAT:**

Key	Part Number	U/M	Description
	093459-01-Y21	EA	Seat Asm. - Single Bucket - w/Armrests & Headrests w/o Skirt
	M03445-08-Y21	EA	Cover - Back - Single Bucket
	M03445-07-Y21	EA	Cover - Bottom - Single Bucket
	071126-24-Y01	EA	Skirt - Single Bucket
	080243-36-Y21	EA	Armrest Asm. - Right
	080243-37-Y21	EA	Armrest Asm. - Left
	M80243-36-Y21	EA	Cover - Armrest - Right
	M80243-37-Y21	EA	Cover - Armrest - Left

**(Y22)
BUCKET SEATS**

Key	Part Number	U/M	Description
	093459-02-Y22	EA	Seat Asm. - Single Bucket - w/Armrests & Headrests w/o Skirt
	M03445-10-Y22	EA	Cover - Back - Single Bucket
	M03445-10-Y22	EA	Cover - Bottom - Single Bucket
	071126-24-Y22	EA	Skirt - Single Bucket
	080243-36-Y22	EA	Armrest Asm. - Right
	M80243-36-Y22	EA	Cover - Armrest - Right
	080243-37-Y22	EA	Armrest Asm. - Left
	M80243-37-Y22	EA	Cover - Armrest - Left

**(Y23)
BUCKET SEATS**

Key	Part Number	U/M	Description
	093459-01-Y23	EA	Seat Asm. - Single Bucket - w/Armrests & Headrests
	M03445-08-Y23	EA	Cover - Back - Single Bucket
	M03445-07-Y23	EA	Cover - Bottom - Single Bucket
	071126-24-Y02	EA	Skirt - Single Bucket
	080243-36-Y23	EA	Armrest Asm. - Right
	M80243-36-Y23	EA	Cover - Armrest - Right
	080243-37-Y23	EA	Armrest Asm. - Left
	M80243-37-Y23	EA	Cover - Armrest - Left

CURTAIN, CUSHION & PAD GROUP (CONTINUED)

**(Y21)
POWER BUCKET SEAT OPTION**

Key	Part Number	U/M	Description
	093459-03-Y21	EA	Seat Asm. - Single Bucket - Drivers w/Armrest w/o Skirt
	M03445-07-Y21	EA	Cover - Bottom - Drivers Bucket
	M03445-08-Y21	EA	Cover - Back - Drivers Bucket
	071126-26-Y21	EA	Skirt - Power Seat Bucket
	080243-36-Y21	EA	Armrest Asm. - Right w/Remote
	M80243-36-Y21	EA	Cover - Right Armrest
	080243-38-Y21	EA	Armrest Asm. - Left Drivers w/Power Seat
	M80243-38-Y21	EA	Cover - Left Armrest w/Power Seat

**(Y22)
POWER BUCKET SEAT OPTION**

Key	Part Number	U/M	Description
	093459-04-Y22	EA	Seat Asm. - Single Bucket - Drivers w/Armrest w/o Skirt
	M03445-09-Y22	EA	Cover - Bottom - Drivers Bucket
	M03445-10-Y22	EA	Cover - Back - Drivers Bucket
	071126-26-Y22	EA	Skirt - Power Seat Bucket
	080243-36-Y22	EA	Armrest Asm. - Right w/Remote
	M80243-36-Y22	EA	Cover - Right Armrest
	080243-38-Y22	EA	Armrest Asm. - Left Drivers w/Power Seat
	M80243-38-Y22	EA	Cover - Left Armrest w/Power Seat

**(Y23)
POWER BUCKET SEAT OPTION**

Key	Part Number	U/M	Description
	093459-03-Y23	EA	Seat Asm. - Single Bucket - Drivers w/Armrest w/o Skirt
	M03445-07-Y23	EA	Cover - Bottom - Drivers Bucket
	M03445-08-Y23	EA	Cover - Back - Drivers Bucket
	071126-26-Y23	EA	Skirt - Power Seat Bucket
	080243-36-Y23	EA	Armrest Asm. - Right w/Remote
	M80243-36-Y23	EA	Cover - Right Armrest
	080243-38-Y23	EA	Armrest Asm. - Left Drivers w/Power Seat
	M80243-38-Y23	EA	Cover - Left Armrest w/Power Seat

**1989 WINNEBAGO
TABLE OF CONTENTS**

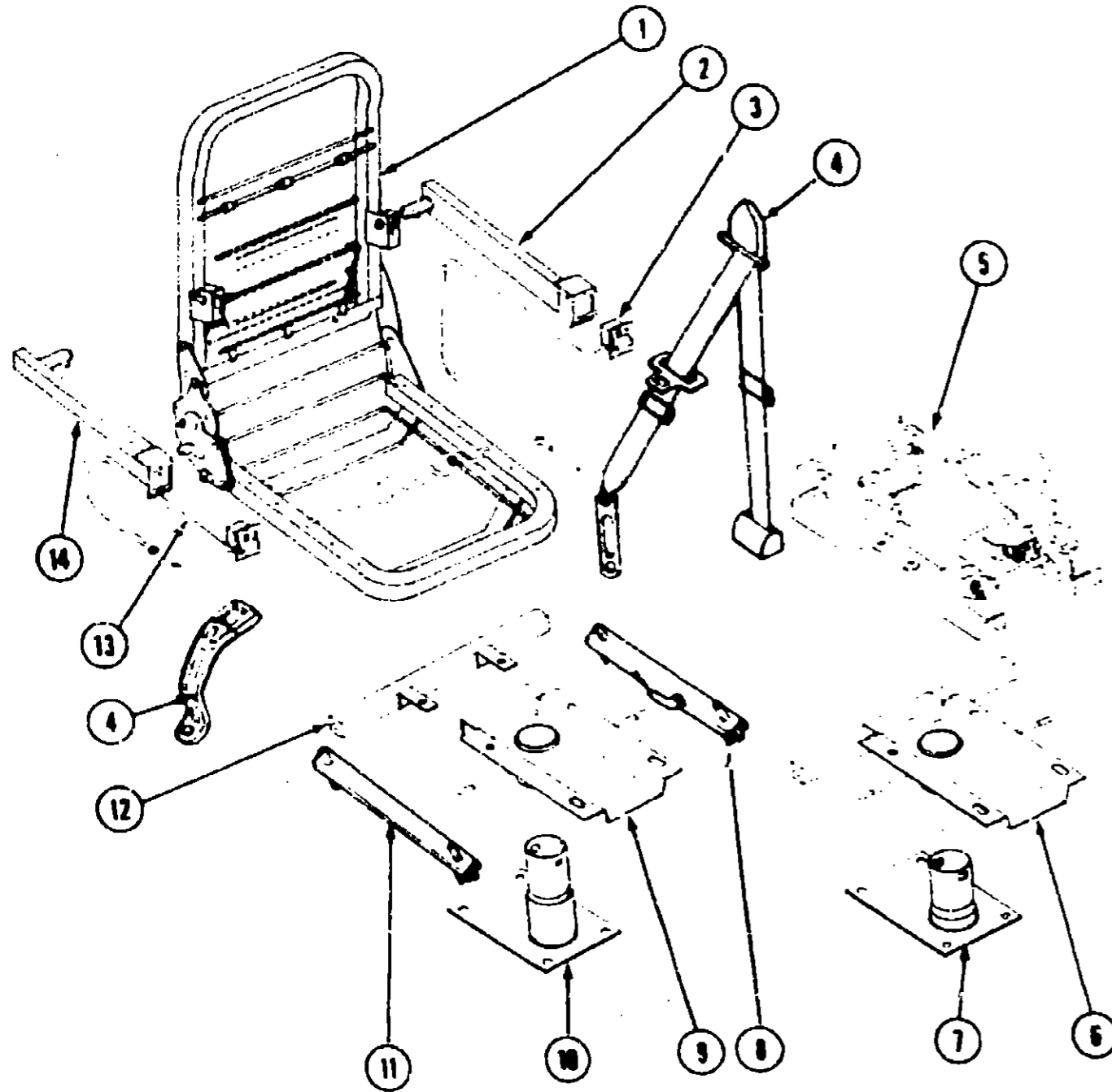
WC/JP34RU	A-01 - D-12
WCP37RO	D-13 - H-08

1989 WCP37RO INDEX

Floor Plan	D-13 - D-14
Accessories Group	D-15 - D-19
Bath Group	D-20 - D-21
Chassis Group	D-22 - E-03
Curtain, Cushion & Pad Group	E-04 - F-02
Dinette Group	F-03 - F-04
Driver's Compartment Group	F-05 - F-10
Electrical Group	F-11 - F-14
Exterior Body Group	F-15 - F-22
Galley Group	F-23 - G-02
Heating & Air Conditioning Group	G-03
Interior Finish Group	G-04 - G-08
LP Group	G-09
Lounge Group	G-10 - G-12
Water & Sewage Group	G-13 - G-14
Window, Vent & Exterior Door Group	G-15 - H-08

CURTAIN, CUSHION & PAD GROUP (CONTINUED)

BUCKET SEAT HARDWARE



Key	Part Number	U/M	Description
1	089369-01-000	EA	Frame Asm. - Bucket Seat
2	089369-03-000	EA	Frame - Armrest - Left
3	089368-03-000	EA	Cable Asm. - Remote - Slide
4	091990-02-01A	EA	Seat Belt - Driver - 3 Point
	091990-01-01A	EA	Seat Belt - Passenger - 3 Point
5	081373-01-000	EA	Power Seat Asm.
	081373-02-700	EA	Switch Asm. - Power Set
	081373-02-701	EA	Wire Harness - Drivers - Power Seat
	081373-02-702	EA	Wire Harness - Passenger - Power Seat
	081373-02-703	EA	Horizontal Adjustment Package
	081373-02-704	EA	Vertical Adjustment Package
6	069585-36-000	EA	Top Plate - Power Seat
7	069585-37-000	EA	Sub Plate - 5" - Used w/Power Seat
8	069246-C5-000	EA	Adjuster Asm. - Seat w/Lock
9	069585-27-000	EA	Top Plate - Non Powered Seat
10	069585-08-000	EA	Sub Plate - 8" - Used w/Non Powered Seat
11	069246-02-000	EA	Adjuster Asm. - Seat - w/o Lock
12	069585-29-000	EA	Seat Belt Bar - 20"
13	089368-02-000	EA	Cable Asm. - Remote - Recliner
14	089369-02-000	EA	Frame - Armrest - Right

1989 WINNEBAGO TABLE OF CONTENTS

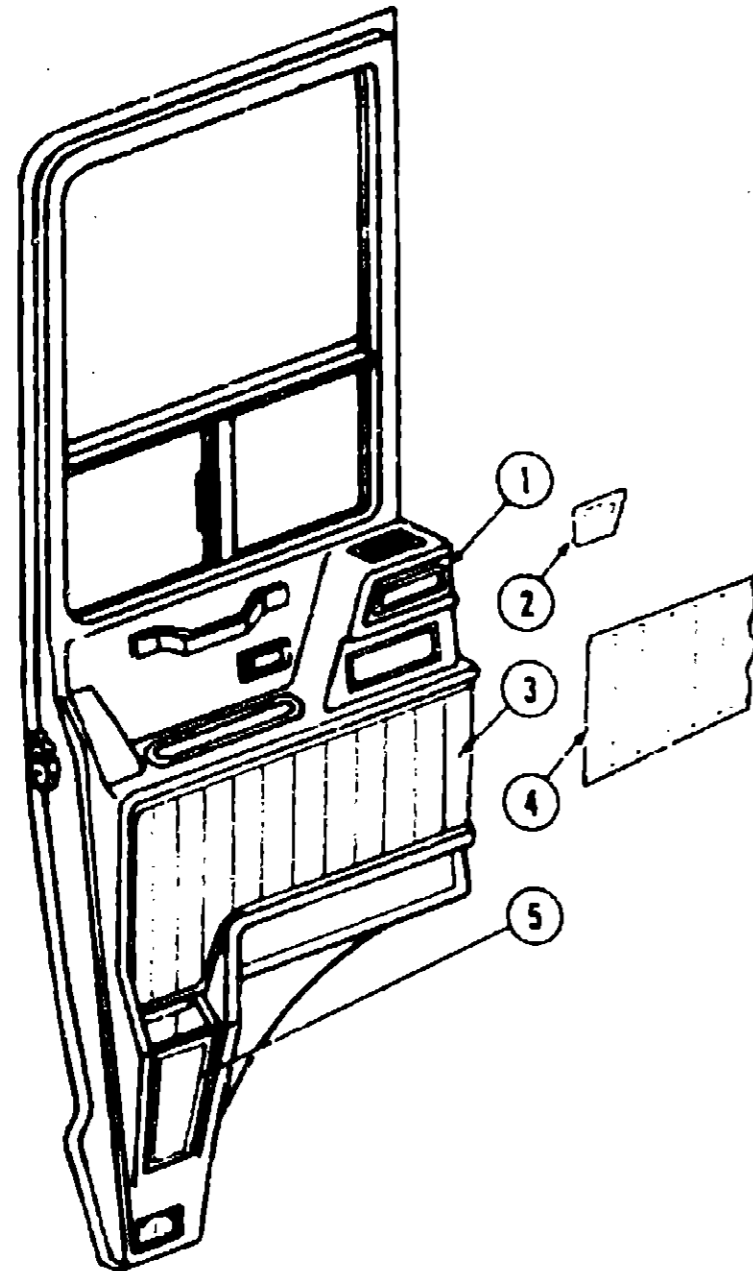
WC/JP34RU
WCP37RO

A-01 - D-12
D-13 - H-08

1989 WCP37RO INDEX

Floor Plan	D-13 - D-14
Accessories Group	D-15 - D-19
Bath Group	D-20 - D-21
Chassis Group	D-22 - E-03
Curtain, Cushion & Pad Group	E-04 - F-02
Dinette Group	F-03 - F-04
Driver's Compartment Group	F-05 - F-10
Electrical Group	F-11 - F-14
Exterior Body Group	F-15 - F-22
Galley Group	F-23 - G-02
Heating & Air Conditioning Group	G-03
Interior Finish Group	G-04 - G-08
LP Group	G-09
Lounge Group	G-10 - G-12
Water & Sewage Group	G-13 - G-14
Window, Vent & Exterior Door Group	G-15 - H-06

CURTAIN, CUSHION & PAD GROUP (CONTINUED)



**(Y21)
TRIM PADS & INSERTS**

Key	Part Number	U/M	Description
1	089104-03-Y21	EA	Insert - Upper Passenger Door - 2.5" x 6.25"
1	089104-04-Y21	EA	Insert - Upper Drivers Door - 2.5" x 6.25"
2	089107-02-Y21	EA	Insert - Side Upper - Drivers - 2.6" x 3.14"
2	089109-02-Y21	EA	Insert - Side Upper - Passenger - 2.6" x 17.1"
3	089105-03-Y21	EA	Insert - Lower Passenger Door - 14.2" x 28.25"
3	089105-04-Y21	EA	Insert - Lower Drivers Door - 14.2" x 28.25"
4	089108-02-Y21	EA	Insert - Side Lower - Driver - 9.3" x 21.3"
4	089110-02-Y21	EA	Insert - Side Lower - Passenger - 9.2" x 28"
5	089106-03-Y21	EA	Insert - Map Pocket - Passenger Door - 5.75" x 7.6"
5	089106-04-Y21	EA	Insert - Map Pocket - Driver Door - 5.75" x 7.6"
	089111-02-Y21	EA	Insert - Front Center Overhead - 19.5" x 4"
	089112-03-Y21	EA	Insert - Front Overhead (Sunvisor) Passenger - 28" x 23.2"
	089112-04-Y21	EA	Insert - Front Overhead (Sunvisor) Driver - 28" x 23.2"
	089113-02-Y21	EA	Insert - TT Chair Lounge - 12" x 16"

**(Y22)
TRIM PADS & INSERTS**

Key	Part Number	U/M	Description
1	089104-03-Y22	EA	Insert - Upper Passenger Door - 2.5" x 6.25"
1	089104-04-Y22	EA	Insert - Upper Drivers Door - 2.5" x 6.25"
2	089107-02-Y22	EA	Insert - Side Upper - Drivers - 2.6" x 3.14"
2	089109-02-Y22	EA	Insert - Side Upper - Passenger - 2.6" x 17.1"
3	089105-03-Y22	EA	Insert - Lower Passenger Door - 14.2" x 28.25"
3	089105-04-Y22	EA	Insert - Lower Drivers Door - 14.2" x 28.25"
4	089108-02-Y22	EA	Insert - Side Lower - Driver - 9.3" x 21.3"
4	089110-02-Y22	EA	Insert - Side Lower - Passenger - 9.2" x 28"
5	089106-03-Y22	EA	Insert - Map Pocket - Passenger Door - 5.75" x 7.6"
5	089106-04-Y22	EA	Insert - Map Pocket - Driver Door - 5.75" x 7.6"
	089111-02-Y22	EA	Insert - Front Center Overhead - 19.5" x 4"
	089112-03-Y22	EA	Insert - Front Overhead (Sunvisor) Passenger - 28" x 23.2"
	089112-04-Y22	EA	Insert - Front Overhead (Sunvisor) Driver - 28" x 23.2"
	089113-02-Y22	EA	Insert - TT Chair Lounge - 12" x 16"

**(Y23)
TRIM PADS & INSERTS**

Key	Part Number	U/M	Description
1	089104-03-Y23	EA	Insert - Upper Passenger Door - 2.5" x 6.25"
1	089104-04-Y23	EA	Insert - Upper Drivers Door - 2.5" x 6.25"
2	089107-02-Y23	EA	Insert - Side Upper - Drivers - 2.6" x 3.14"
2	089109-02-Y23	EA	Insert - Side Upper - Passenger - 2.6" x 17.1"
3	089105-03-Y23	EA	Insert - Lower Passenger Door - 14.2" x 28.25"
3	089105-04-Y23	EA	Insert - Lower Drivers Door - 14.2" x 28.25"
4	089108-02-Y23	EA	Insert - Side Lower - Driver - 9.3" x 21.3"
4	089110-02-Y23	EA	Insert - Side Lower - Passenger - 9.2" x 28"
5	089106-03-Y23	EA	Insert - Map Pocket - Passenger Door - 5.75" x 7.6"
5	089106-04-Y23	EA	Insert - Map Pocket - Driver Door - 5.75" x 7.6"
	089107-02-Y23	EA	Insert - Side Upper - Drivers - 2.6" x 3.14"
	089109-02-Y23	EA	Insert - Side Upper - Passenger - 2.6" x 17.1"
	089108-02-Y23	EA	Insert - Side Lower - Driver - 9.3" x 21.3"
	089110-02-Y23	EA	Insert - Side Lower - Passenger - 9.2" x 28"
	089111-02-Y23	EA	Insert - Front Center Overhead - 19.5" x 4"
	089112-03-Y23	EA	Insert - Front Overhead (Sunvisor) Passenger - 28" x 23.2"
	089112-04-Y23	EA	Insert - Front Overhead (Sunvisor) Driver - 28" x 23.2"
	089113-02-Y23	EA	Insert - TT Chair Lounge - 12" x 16"

**1989 WINNEBAGO
TABLE OF CONTENTS**

WC/JP34RU
WCP37RQ

A-01 - D-12
D-13 - H-06

1988 WCP37RQ INDEX

Floor Plan	D-13 - D-14
Accessories Group	D-15 - D-19
Bath Group	D-20 - D-21
Chassis Group	D-22 - E-03
Curtain, Cushion & Pad Group	E-04 - F-02
Dinette Group	F-03 - F-04
Driver's Compartment Group	F-05 - F-10
Electrical Group	F-11 - F-14
Exterior Body Group	F-15 - F-22
Galley Group	F-23 - G-02
Heating & Air Conditioning Group	G-03
Interior Finish Group	G-04 - G-08
LP Group	G-09
Lounge Group	G-10 - G-12
Water & Sewage Group	G-13 - G-14
Window, Vent & Exterior Door Group	G-15 - H-06

CURTAIN, CUSHION & PAD GROUP (CONTINUED)

CURTAIN, CUSHION & PAD GROUP (CONTINUED)

CURTAIN HARDWARE

Key	Part Number	U/M	Description
	056116-01-000	EA	Track - Curtain - Brown - Plastic
	077046-01-000	EA	Track - Curtain - Front Wraparound - Passenger
	077046-02-000	EA	Track - Curtain - Front Wraparound - Driver
	091904-01-000	FT	Track - Curtain - Light Beige
	077046-01-000	EA	Baton Asm. - w/Strap - Wraparound
	077046-01-701	EA	Swivel Carrier - Wraparound
	077046-01-702	EA	Lock Stop - Wraparound
	077046-01-704	EA	End Stop - Wraparound
	077046-01-705	EA	Master Carrier - Left Wraparound
	077046-01-706	EA	Master Carrier - Right Wraparound
	081381-01-000	EA	Swivel - Snap - Curtain Track
	056003-01-000	EA	Bracket - Drapery Retainer - Right
	056003-02-000	EA	Bracket - Drapery Retainer - Left
	056784-02-000	EA	Pull - Window Shade - Brass
	039175-02-000	EA	Bracket - Curtain Rod
	048394-01-000	YD	Tape Hook - 1" x 50 YD - Beige (Velcro)
	048395-01-000	YD	Tape Loop - 1" x 50 YD - Beige (Velcro)
	052139-01-000	EA	Bracket - Hold Down - Blind
	016604-02-000	EA	Brace - Seat - Angle - 2.50" Brown
	084434-01-000	EA	Bracket - Roller Shade
	087253-01-000	EA	Shade Pull - Clear Plastic
	075943-01-000	EA	Brace - Valance - Beige
	088792-01-000	YD	Velcro - 5/8" Hook - Non Adhesive
	088792-02-000	YD	Velcro - 3/4" Loop - Adhesive
	089916-01-000	EA	Trim - Window - Mounting for Leg Asm.
	089522-01-000	EA	Panel - Trim - Mounting Leg to Window Trim

CELESTIAL COUCH/BED HARDWARE

Key	Part Number	U/M	Description
	074044-90-000	EA	Oak Trim - Celestial Couch/Bed
	079356-01-000	EA	Frame Asm. - Celestial Couch/Bed
	079356-02-000	EA	Kit - Hardware

**1989 WINNEBAGO
TABLE OF CONTENTS**

WC/JP34RU
WCP37RQ

A-01 - D-12
D-13 - H-06



Key	Part Number	U/M	Description
1	029130-01-000	EA	Socket - Snap Fastener
2	029155-01-000	EA	Cap - Snap - .156" Dia. x 17" Barrel
3	029156-01-000	EA	Socket - Snap Fastener
4	029092-01-000	EA	Stud - Nickel Finish
5	029093-01-000	EA	Eyelet - Nickel Finish

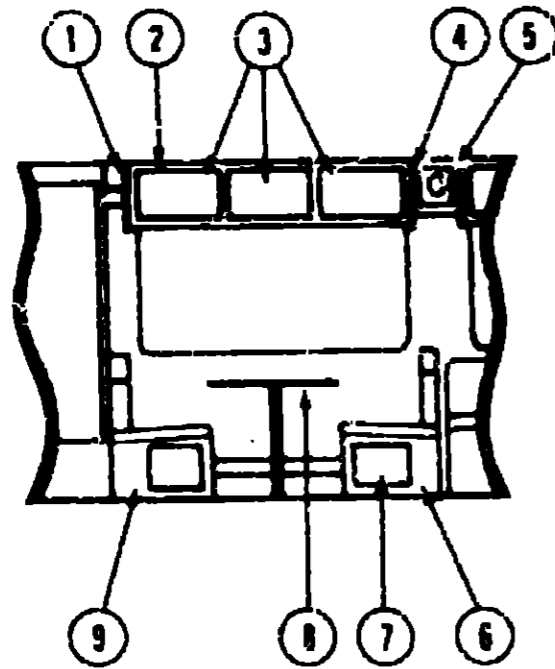
FRONT OVERHEAD BUNK CUSHIONS

Key	Part Number	U/M	Description
	079145-02-000	EA	Cushion Asm. - Front Bunk - 30" x 72" x 4"
	1379145-02-000	EA	Cover Asm. - Front Bunk Cushion

1989 WCP37RQ INDEX

Floor Plan	D-13 - D-14
Accessories Group	D-15 - D-19
Bath Group	D-20 - D-21
Chassis Group	D-22 - E-03
Curtain, Cushion & Pad Group	E-04 - F-02
Dinette Group	F-03 - F-04
Driver's Compartment Group	F-05 - F-10
Electrical Group	F-11 - F-14
Exterior Body Group	F-15 - F-22
Galley Group	F-23 - G-02
Heating & Air Conditioning Group	G-03
Interior Finish Group	G-04 - G-08
LP Group	G-09
Lounge Group	G-10 - G-12
Water & Sewage Group	G-13 - G-14
Window, Vent & Exterior Door Group	G-15 - H-06

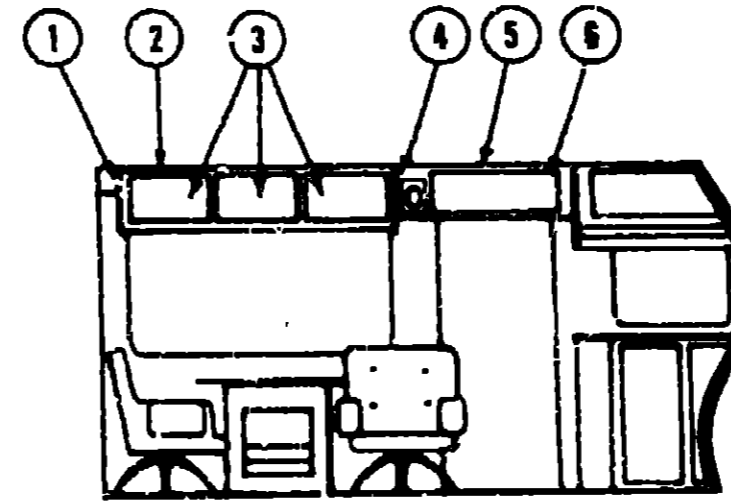
DINETTE GROUP



CONVENTIONAL DINETTE & COMPONENTS

Key	Part Number	U/M	Description
1	085468-02-X19	EA	End Cap Asm. - Dinette Overhead - Vinyl
2	M03110-17-Y21	EA	Cabinet Asm. - Dinette Overhead - w/o Doors or Hardware
	076376-01-000	EA	Bottom Panel - Overhead - Light Oak Plastic
	075583-08-000	EA	Shelf - Overhead - Tan Aluminum
3	M88304-38-Y21	EA	Door Asm. - Dinette Overhead - 12" x 18.7" - w/o Hardware
4	085468-01-X19	EA	End Cap Asm. - Dinette Overhead - Vinyl
5	086394-01-W13	EA	Cabinet Asm. - Speaker - Left
6	M02964-01-W13	EA	Cabinet Asm. - Dinette Seat - w/o Doors or Hardware
	M02963-01-W13	EA	Cabinet Asm. - Dinette Back
7	M88304-40-Y21	EA	Door Asm. - Dinette Seat - 19" x 10" - w/o Hardware
7	M88304-26-X19	EA	Door Asm. - Dinette Seat - w/Auxiliary Furnace - w/o Hardware
	072369-19-000	EA	Mesh - Expanded Aluminum - Bronze
	080176-02-000	EA	Corner Cap - Light Oak Plastic (Dinette)
	004354-01-000	EA	Bumper - 1/2" Dia - White
8	M03475-01-Y21	EA	Table Asm. - Dinette - w/o Hardware & Leg
9	M02964-02-W13	EA	Cabinet Asm. - Dinette Seat - w/o Door or Hardware
	M02963-02-W13	EA	Cabinet Asm. - Dinette Back
	053200-05-000	EA	Bracket - Upper Wall Mount - 23.5" - Beige
	069410-01-000	EA	Bracket - Table Mount - 23" - Beige
	024275-05-000	EA	Rod - Table Lift - 8" x 23.5" - Beige
	092707-01-01A	EA	Leg Asm. - Table - Oak
	024261-07-000	EA	Bracket - Lower Wall Mount - 22.12" - Beige
	032593-01-02A	EA	Clip - Table Leg
	049493-05-000	EA	Catch - Table Leg - Mounts on Floor - Tan
	093550-01-000	EA	Bracket - Leg - Folding

DINETTE GROUP (CONTINUED)



SWIVEL CHAIR W/PULLOUT TABLE

Key	Part Number	U/M	Description
1	085468-02-X19	EA	End Cap Asm. - Swivel Chair Overhead - Vinyl
2	M03110-15-Y21	EA	Cabinet Asm. - Swivel Chair Overhead - w/o Doors or Hardware
	076376-02-000	EA	Panel - Bottom - Overhead
	076583-08-000	EA	Shelf - Overhead - Tan Aluminum
3	M88304-36-Y21	EA	Door Asm. - Swivel Chair Overhead - 12" x 18.7" - w/o Hardware
4	085468-01-X19	EA	End Cap Asm. - Swivel Chair Overhead - Vinyl
5	M03110-19-Y21	EA	Cabinet Asm. - Entrance Door - w/o Doors or Hardware
6	M88304-45-Y21	EA	Door Asm. - Entrance Door Overhead - w/o Hardware
	M02414-01-X19	EA	Countertop Asm. - Cup Holder - w/o Hardware
	M02417-01-X19	EA	Cover - Pullout Table
	M02415-01-X19	EA	Table Asm. - Pullout - w/o Handle
	M02416-01-X19	EA	Top - T.V. - Pullout Table
	079606-01-W13	EA	Magazine Rack Asm.
	079921-01-000	EA	Nylon Roller w/Shaft
	030728-01-000	EA	Handle - Recessed - Brown Plastic

SWIVEL CHAIR W/ICEMAKER (OPT 35J)

Key	Part Number	U/M	Description
	M82837-01-X19	EA	Cabinet Asm. - IceMaker
	M02493-01-X19	EA	Countertop Asm. - IceMaker
	M02494-01-X19	EA	Table Asm. - Side Out - IceMaker
	074489-01-000	EA	Holder - Beverage - Oak - w/Tray
	007105-01-000	FT	Hose - Heater - 5/8" I.D.
	039800-01-000	FT	Tubing - 1/2" O.D. x 20'
	052952-01-000	EA	Nut - Plastic - 1/2" F
	052960-01-000	EA	Valve - Line Drain - 1/2" F x 1/2" F
	077054-01-000	EA	Valve - Plastic - 1/2" M x 1/2" M x 1/4" Comp
**	075799-01-000	EA	IceMaker - Black Glass
**	The illustrated breakdown for this item is provided on the Common Items Fiche.		

1989 WINNEBAGO TABLE OF CONTENTS

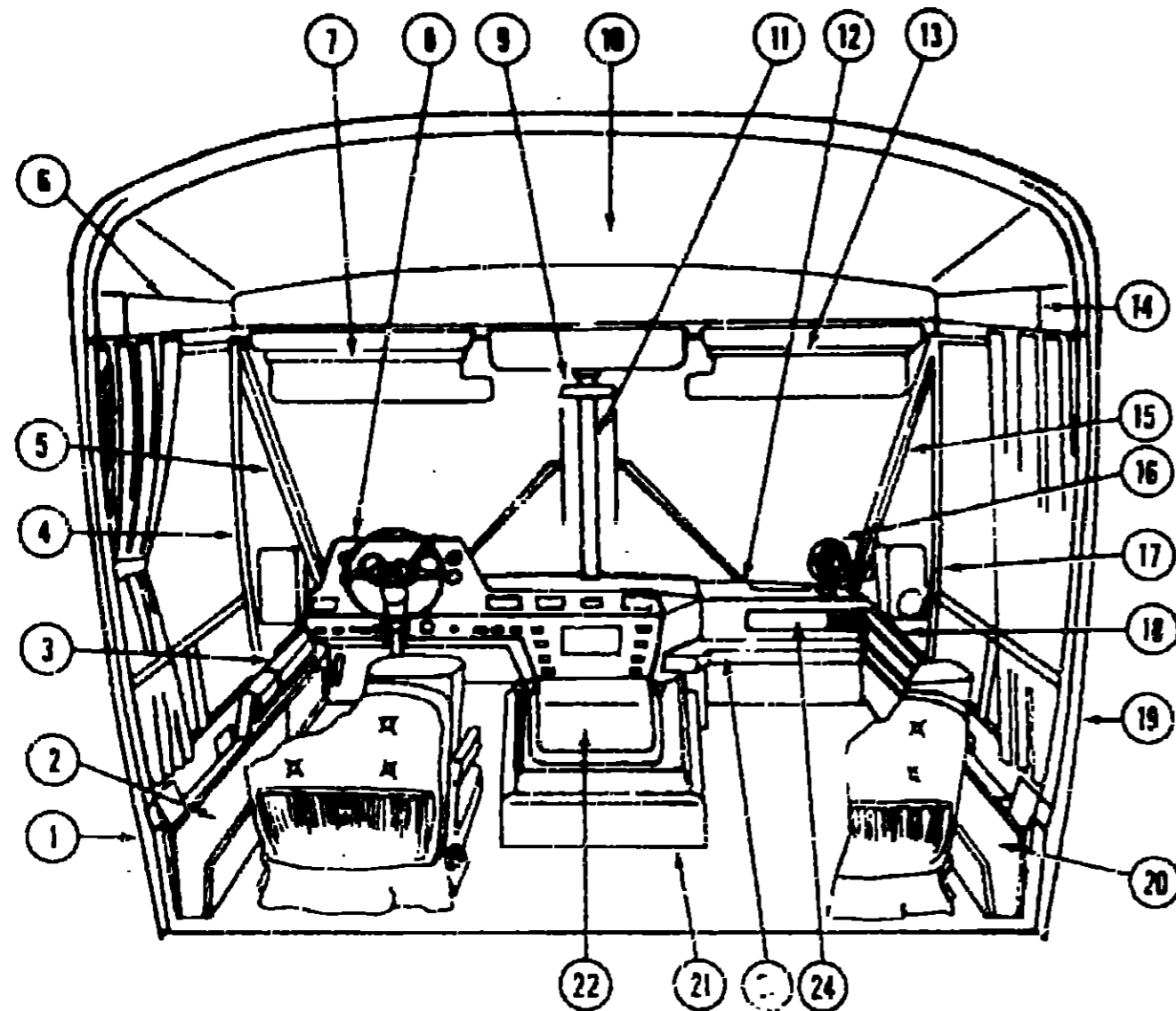
WC/JP34RU
WCP37RO

A-01 - D-12
D-13 - H-08

1989 WCP37RO INDEX

Floor Plan	D-13 - D-14
Accessories Group	D-15 - D-19
Bath Group	D-20 - D-21
Chassis Group	D-22 - E-03
Curtain, Cushion & Pad Group	E-04 - F-02
Dinette Group	F-03 - F-04
Driver's Compartment Group	F-05 - F-10
Electrical Group	F-11 - F-14
Exterior Body Group	F-15 - F-22
Galley Group	F-23 - G-02
Heating & Air Conditioning Group	G-03
Interior Finish Group	G-04 - G-08
LP Group	G-09
Lounge Group	G-10 - G-12
Water & Sewage Group	G-13 - G-14
Window, Vent & Exterior Door Group	G-15 - H-06

DRIVER'S COMPARTMENT GROUP



DRIVER'S COMPARTMENT GROUP (CONTINUED)

MISCELLANEOUS DRIVER'S COMPARTMENT COMPONENTS (CONT.)

Key	Part Number	U/M	Description
9	040714-01-700	EA	Rear View Mirror Kit
	040714-01-000	EA	Rear View Mirror
	067490-01-000	EA	Button - Rear View Mirror
	079926-01-000	EA	Lamp - Flex Arm
	079925-01-700	EA	Bulb - Flex Arm Lamp
10	077108-06-000	EA	Trim Panel - Front Roof Headliner - Light Fawn - w/o Bunk & T.V
11	077114-03-000	EA	Trim Panel - Center - Pillar
	076783-01-000	EA	Louver Asm. - A/C Adjustable
12	085252-01-W13	EA	Instrument Panel Asm. - Upper - Right
13	082286-03-X23	EA	Sunvisor Asm. - w/Mirror - Vinyl
	007211-01-000	EA	Hinge Asm. - Sunvisor
	039994-01-000	EA	Cap - Black Vinyl - .25 I.D.
	074012-01-000	EA	Clip - Sunvisor - Pinch On
	085709-01-000	EA	Mounting Asm. - Sunvisor Pivot - Black
	083153-01-000	EA	Mirror - Sunvisor - 3.5" x 1"
	000C12-04-08D	EA	Hex Bolt - 1/4" x 20" x 5" - Sunvisor
14	077110-09-000	EA	Trim Cover - w/Bunk - Right
15	077112-05-000	EA	Trim - Windshield - Interior - "A" Post - Right
16	036420-02-000	EA	Defroster Fan
	077988-01-000	EA	Bracket - Fan
17	077113-05-000	EA	Trim Panel - Hinge Pillar
18	077115-03-000	EA	Side Panel Trim - Front
19	077111-05-000	EA	Trim Panel - Passenger Side
20	077117-05-000	EA	Side Panel Trim - Door
21	075939-01-000	EA	Motor Cover - w/o Carpet
	039623-01-000	EA	Seal - Engine Cover
	075564-01-000	EA	Bracket - Motor Cover Mounting
22	076729-03-000	EA	Beverage Tray (Plastic)
	077431-04-000	EA	Beverage Tray - Regal Oak
	086752-02-000	EA	Board - Trim - Beverage Tray
	077026-01-000	EA	Lens - Courtesy Light
	036196-01-000	EA	Bulb - Courtesy Light
	099294-01-000	EA	Cigarette Lighter
	076359-01-000	EA	Panel Asm. - Stepwell - Rear - Passengers
	076359-02-000	EA	Panel Asm. - Stepwell - Rear - Drivers
	075360-01-000	EA	Panel Asm. - Stepwell - Front - Passengers
	076360-02-000	EA	Panel Asm. - Stepwell - Front - Drivers
	086921-01-000	EA	Door Panel - Battery Door - Passengers Side - Black Plastic
	086921-02-000	EA	Door Panel - Battery Door - Drivers Side - Black Plastic
	075972-01-000	EA	Mat - Rubber - Lower
	075969-01-000	EA	Mat - Rubber - Upper - Right
	075969-02-000	EA	Mat - Rubber - Upper - Left
	086755-01-000	EA	Latch - 1/4 Turn - Rotary - Plastic
	079130-01-000	EA	Board - Trim - Bunk
23	076734-03-000	EA	Tray - Dash - Passengers
24	076797-01-000	EA	Panel - Dash - Passengers

1989 WINNEBAGO TABLE OF CONTENTS

WC/JP34RJ
WCP37RQ

A-01 - D-12
D-13 - H-06

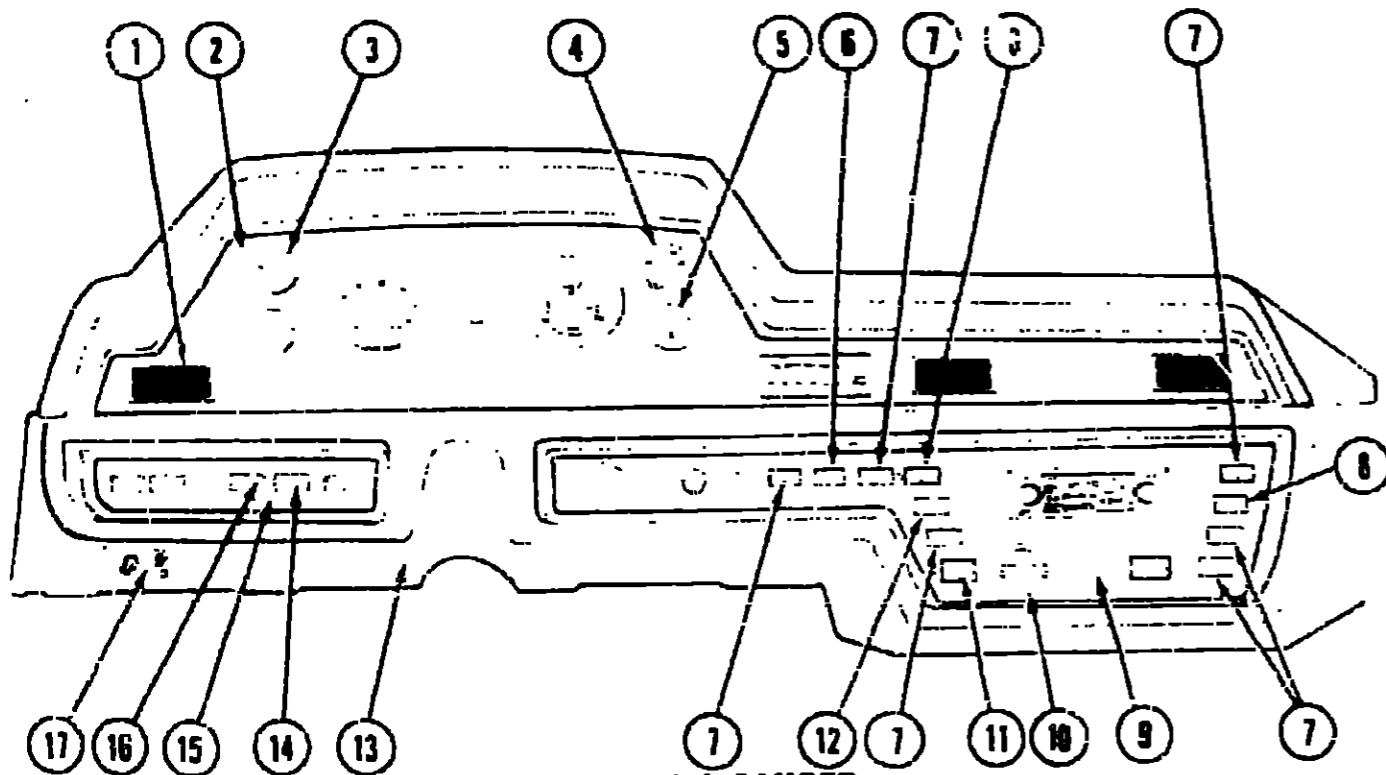
MISCELLANEOUS DRIVER'S COMPARTMENT COMPONENTS (WINNEBAGO)

Key	Part Number	U/M	Description
1	077111-06-000	EA	Panel Trim - Driver's Side
2	077117-05-000	EA	Side Panel Trim - Door
3	077116-03-000	EA	Side Panel Trim - Front
4	077113-05-000	EA	Trim Panel - Hinge Pillar
5	077112-06-000	EA	Trim - Windshield - Interior - "A" Post - Left
6	077110-10-000	EA	Trim Cover - w/Bunk - Left
7	082286-04-X19	EA	Sunvisor Asm. - Driver - Vinyl
	087716-01-000	EA	Information Center - Uniforce
	083919-01-W13	EA	Cabinet Asm. - Front Overhead (w/o Front Bunk)
**	M03110-21-Y21	EA	Cabinet Asm. - Front Overhead - Right - w/o Doors or Hardware
**	M03110-23-Y21	EA	Cabinet Asm. - Front Overhead - Left - w/o Doors or Hardware
**	086714-01-W13	EA	Cabinet Asm. - Television
**	086725-01-000	EA	Shell Asm. - TV
**	089045-01-W13	EA	Pad Asm. - Bottom - TV Cabinet
**	070578-02-X19	EA	Button Screw Stud - #30 - Vinyl
**	070578-11-Y13	EA	Button Asm. - #30 - Vinyl
**	M38304-16-Y21	EA	Door Asm. - Front Overhead Cabinet - w/o Hardware
8	085253-01-W13	EA	Instrument Panel Asm. - Upper - Left
	076908-05-000	EA	Dash Panel - Lower - Left
	076908-07-000	EA	Dash Panel - Lower - Left (w/Electronic Dash)
**	Parts used with the Television Option		

1989 WCP37RQ INDEX

Floor Plan	D-13 - D-14
Accessories Group	D-15 - D-19
Bath Group	D-20 - D-21
Chassis Group	D-22 - E-03
Curtain, Cushion & Pad Group	E-04 - F-02
Dinette Group	F-03 - F-04
Driver's Compartment Group	F-05 - F-10
Electrical Group	F-11 - F-14
Exterior Body Group	F-15 - F-22
Galley Group	F-23 - G-02
Heating & Air Conditioning Group	G-03
Interior Finish Group	G-04 - G-08
LP Group	G-09
Lounge Group	G-10 - G-12
Water & Sewage Group	G-13 - G-14
Window, Vent & Exterior Door Group	G-15 - H-05

DRIVER'S COMPARTMENT GROUP (CONTINUED)

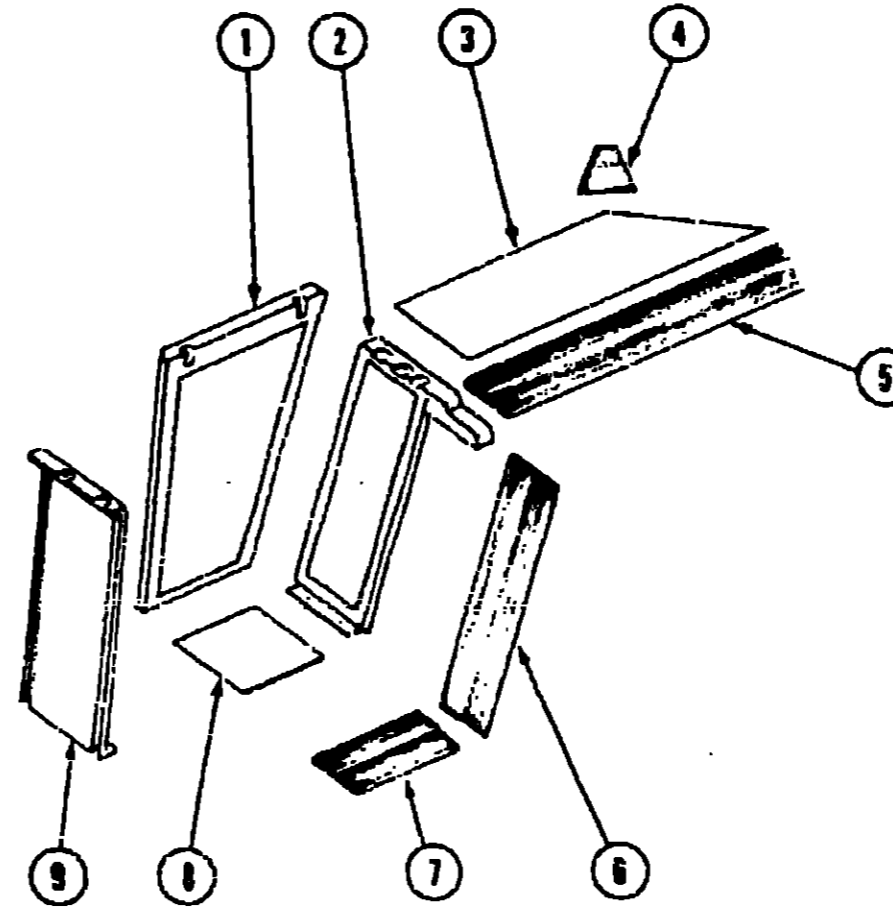


DASH SWITCHES & GAUGES

Key	Part Number	U/M	Description
1	076783-02-000	EA	Louver Asm. - A/C Adjustable
2	076216-07-000	EA	Instrument Panel - Upper - Elandan
3	024460-04-000	EA	Gauge - Vacuum
4	024459-04-000	EA	Gauge - Voltmeter
5	031035-01-000	EA	Gauge - Hourmeter - Generator
6	076759-04-000	EA	Switch - 3 Position
7	076759-01-000	EA	Switch - 2 Position
8	076759-09-000	EA	Switch - 3 Position
9	076217-15-000	EA	Instrument Panel - Lower Right
10	087202-02-000	EA	Switch - 4 Position
	090977-01-000	EA	Switch Knob - Rotary
11	076272-01-000	EA	Switch - 3 Position
12	076759-03-000	EA	Switch - 3 Position
13	076855-05-000	EA	Dash Panel - Lower Drivers - Light Fawn
	076808-07-000	EA	Dash Panel - Lower Drivers - Light Fawn - Electronic Dash - Uniforce
14	076759-07-000	EA	Switch - 2 Position
15	076218-03-000	EA	Instrument Panel - Lower Left
16	076759-05-000	EA	Switch - 3 Position
17	051057-03-000	EA	Switch Asm. - Search Light
	081087-01-000	EA	Light Asm. - Indication (Generator)
	067715-02-000	EA	Bezel - Electronic Dash
	087713-02-000	EA	Display Panel - w/o Aux. Fuel
	087714-02-000	EA	Computer - w/o Aux. Fuel
	081369-07-000	EA	Sensor Kit - Speed - Electronic Dash
	057712-01-000	EA	Wire Asm. - Electronic Dash - Uniforce
	076766-01-000	EA	Lamp Socket - Mini Bayonet
	076788-03-000	EA	Lamp Plate Asm.
	076788-04-000	EA	Lamp Plate Asm. - Turn Signal
	077031-01-000	EA	Film - Black - 1" x 1.75" - Dash Bezel
	077031-02-000	EA	Film - Amber - 1" x 1.75" - Dash Bezel
	008103-01-000	EA	Bulb - 12 V - #53
	089294-01-000	EA	Cigarette Lighter Asm.
	086272-01-000	EA	Switch - Rocker - DFDT - 3 Position

Parts used w/the Electronic Dash Option

DRIVER'S COMPARTMENT GROUP (CONTINUED)



STEPWELL TRIMS & PADS

Key	Part Number	U/M	Description
1	086921-01-000	EA	Door - Outer Battery - Black - Passenger
	086921-02-000	EA	Door - Outer Battery - Black - Driver
2	076360-01-000	EA	Panel Trim - Stepwell - Front - Passenger
	076360-02-000	EA	Panel Trim - Stepwell - Front - Driver
3	075969-01-000	EA	Pad - Upper Stepwell - Passenger
	0075969-02-000	EA	Pad - Upper Stepwell - Driver
4	092821-01-01A	EA	Trim - Door Threshold - Black
5	077084-01-000	EA	Trim - Door Threshold - Top - Passenger
	077084-02-000	EA	Trim - Door Threshold - Top - Driver
6	077083-01-000	EA	Trim - Door Threshold - Center - Passenger
	077083-02-000	EA	Trim - Door Threshold - Center - Driver
7	077082-01-000	EA	Trim - Door Threshold - Bottom - Passenger
	077082-02-000	EA	Trim - Door Threshold - Bottom - Driver
8	075972-01-000	EA	Pad - Lower Stepwell
9	076359-01-000	EA	Panel Trim - Stepwell - Rear - Passenger
	076359-02-000	EA	Panel Trim - Stepwell - Rear - Driver
	086755-01-000	EA	Latch - 1/4 Turn - Rotary - Plastic

FRONT BUNK & HARDWARE

Key	Part Number	U/M	Description
	076760-02-000	EA	Bunk Support - Overhead - Complete
	077110-09-000	EA	Cover - Bunk Support - Passenger Side
	077110-10-000	EA	Cover - Bunk Support - Drivers Side
	079144-02-W10	EA	Bunk Strap
	042541-04-700	EA	Latch Asm. - w/Strike - Brass
	089351-02-000	YD	Headliner - Vinyl - Acoustical
	081717-02-X19	EA	Bunkboard Asm.
	077140-03-X19	EA	Board Asm. - Trim - Bunk
	076760-02-700	EA	Gas Spring - Bunk Hardware

**1989 WINNEBAGO
TABLE OF CONTENTS**

WC/JF34RU
WCP37RQ

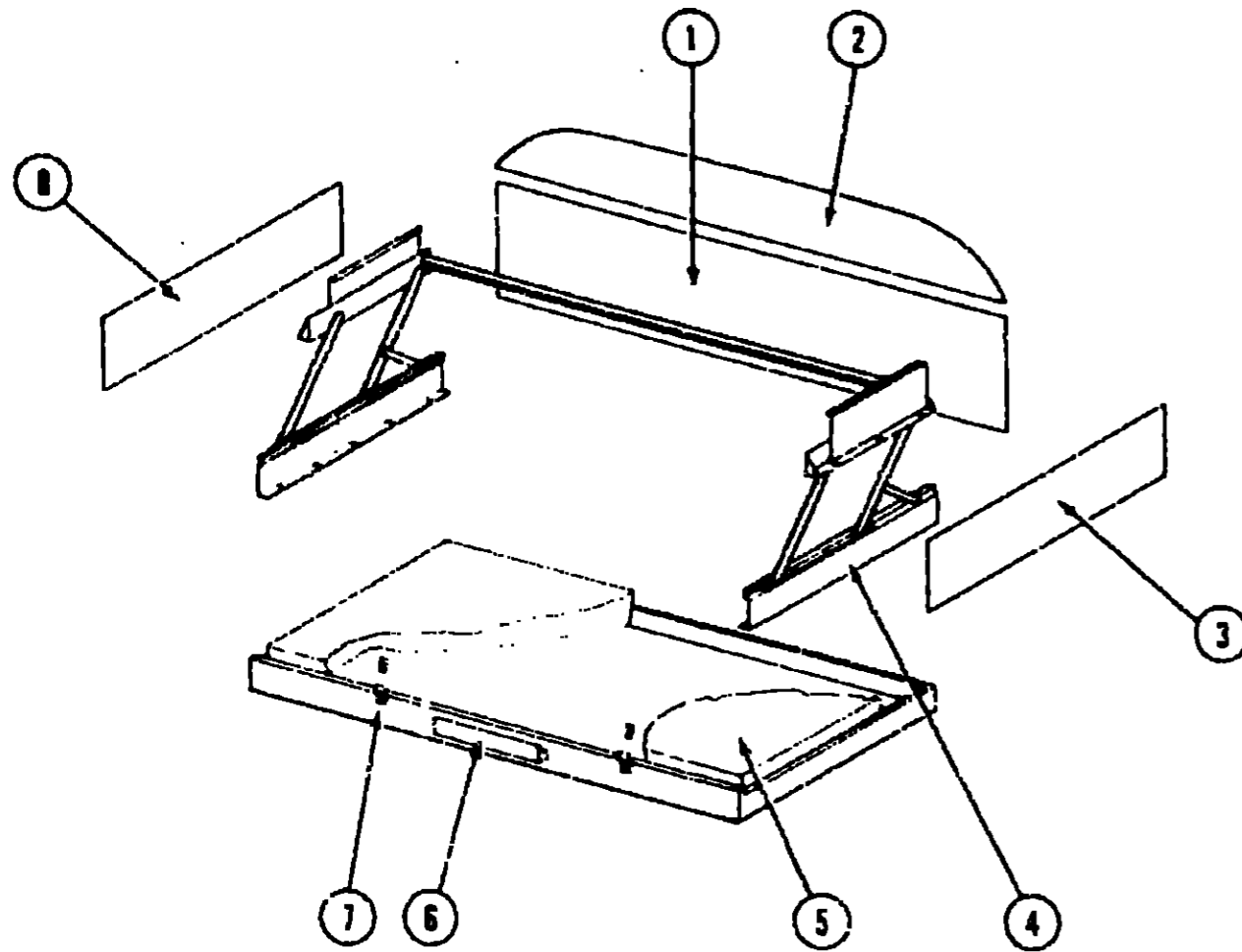
A-01 - D-12
D-13 - H-08

1989 WCP37RQ INDEX

Floor Plan	D-13 - D-14
Accessories Group	D-15 - D-19
Bath Group	D-20 - D-21
Chassis Group	D-22 - E-03
Curtain, Cushion & Pad Group	E-04 - F-02
Dinette Group	F-03 - F-04
Driver's Compartment Group	F-05 - F-10
Electrical Group	F-11 - F-14
Exterior Body Group	F-15 - F-22
Galley Group	F-23 - G-02
Heating & Air Conditioning Group	G-03
Interior Finish Group	G-04 - G-08
LP Group	G-09
Lounge Group	G-10 - G-12
Water & Sewage Group	G-13 - G-14
Window, Vent & Exterior Door Group	G-15 - H-06

DRIVER'S COMPARTMENT GROUP (CONTINUED)

FRONT BUNK & HARDWARE (OPTION 61H)



Key	Part Number	U/M	Description
1	077140-03-X19	EA	Board Asm. - Bunk Trim - w/o Velcro
	048394-02-000	YD	Tape Hood - .75" x 50 YD - Beige (Velcro)
	048395-02-000	YD	Tape Loop - .75" x 50 YD - Beige (Velcro)
2	077108-06-000	EA	Panel Trim - Front - Roof
3	077110-09-000	EA	Cover - Bunk Mech - Right
4	076760-02-000	EA	Bunk Hardware - Complete
	076760-02-700	EA	Gas Spring - Bunk Hardware
5	079145-02-000	EA	Cushion Asm. - Bunk
	M79145-02-000	EA	Cover - Bunk Cushion Asm.
6	094658-01-Y12	EA	Handle Asm. - Oak
7	042541-04-700	EA	Latch Asm. - w/Strike (2 required)
	000C26-04-10B	EA	Bolt - Hex - Ser. Fig. - 1/4 - 20 x 5/8"
8	077110-10-000	EA	Cover - Bunk Mech - Left

1989 WINNEBAGO TABLE OF CONTENTS

WC/JP34RU
WCP37RQ

A-01 - D-12
D-13 - H-06

1989 WCP37RQ INDEX

Floor Plan	D-13 - D-14
Accessories Group	D-15 - D-19
Bath Group	D-20 - D-21
Chassis Group	D-22 - E-03
Curtain, Cushion & Pad Group	E-04 - F-02
Dinette Group	F-03 - F-04
Driver's Compartment Group	F-05 - F-10
Electrical Group	F-11 - F-14
Exterior Body Group	F-15 - F-22
Galley Group	F-23 - G-02
Heating & Air Conditioning Group	G-03
Interior Finish Group	G-04 - G-06
LP Group	G-09
Lounge Group	G-10 - G-12
Water & Sewage Group	G-13 - G-14
Window, Vent & Exterior Door Group	G-15 - H-06

ELECTRICAL GROUP

WIRE, SWITCHES & RECEPTACLES

Key	Part Number	U/M	Description
	008288-01-000	EA	Box - Electrical - 3" x 3.5" - Plastic
	008289-01-000	EA	Box - Electrical - 4" x 4" - 1/2 & 3/4 Steel - UL
	058049-01-000	EA	Box - Electrical - 2" x 3" x 2.25" - Steel
	008288-02-000	EA	Box - Electrical - 3.94" x 3.13" x 1.81" - Plastic
	041953-01-000	FT	Conduit - Convolute Slit - .5" I.D.
	041953-03-000	FT	Conduit - Convolute Slit - 1" I.D.
	008353-01-000	EA	Connector - Clamping - 3/8 Cable - UL & CSA
	058028-01-000	EA	Connector - Pigtail - Clear Nylon
	008311-01-000	EA	Connector - Wire Nut - Red
	008305-01-000	EA	Connector - Butt - Blue - 16/14
	008356-01-000	EA	Connector - Plastic - 3/8"
	008314-01-000	EA	Connector - Wire Nut - Gray
	031968-01-000	EA	Contact Plug - Brass - Tin Plated
	031967-01-000	EA	Contact - Receptacle
	008054-01-000	EA	Cord - Power - 10-3 30 Amp. - 25' - UL
	008052-01-000	EA	Cord - Power - 10-3 30 Amp. - 25' - CSA
	069236-01-000	EA	Cover - Electrical Box - 4" x 4"
	008294-01-000	EA	Cover - Flat Blank - 4" x 4" - Steel - US
	054399-01-000	EA	Housing Asm. - Trailer Pin
	064450-01-000	EA	Housing Asm. - Trailer Plug
	064398-01-000	EA	Housing Asm. - Trailer Receptacle
	054532-02-000	EA	Housing Pin - 4 Position
	054532-01-000	EA	Housing Pin - 6 Position
	075736-03-000	EA	Receptacle/Cover Asm. - Beige (Exterior)
	058708-01-000	EA	Receptacle - Duplex - Brown
	024924-02-000	EA	Receptacle - Power Cord
	058707-01-000	EA	Receptacle - Single - Brown
	084076-01-000	EA	Receptacle - GFI - 15A - 125 V - Ivory
	086273-01-000	EA	Relay - Battery Disconnect
	063912-01-000	EA	Relay - Canister SPDT w/Ground
	075723-01-000	EA	Switch - Block Spacer - w/o Holes
	075723-02-000	EA	Switch - Block Spacer - w/Holes
	056264-01-000	EA	Switch - Leaf Actuator
	079363-01-000	EA	Switch Plate - Single - w/Switches
	079364-01-000	EA	Switch - On/Off Rocker - Brown
	076759-01-000	EA	Switch - SPST - Lock/Lock
	076759-03-000	EA	Switch - SPST - Lock/Lock/Lock
	076759-04-000	EA	Switch - SPDT - Mom/Lock/Mom
	076759-05-000	EA	Switch - SPDT - Lock/Lock/Mom
	076759-06-000	EA	Switch - Dummy
	076759-07-000	EA	Switch - SPST - Mom/Off/Lock (NC)
	077942-02-000	EA	Switch - Dummy - Brown
	079362-04-000	EA	Switch Plate - 4 Gang - 2 Switch
	081066-02-000	EA	Switch Plate - 2 Gang - 2 Switch
	090351-01-000	EA	Switch - Door Lock
	072153-01-000	EA	Switch - Cab Door
	047443-02-000	EA	Terminal - .250 Receptacle - 12-10 AWG
	008348-01-000	EA	Terminal Ring - 2 - w/ 3/8 Stud
	008331-01-000	EA	Terminal Ring - 4 - w/ 3/8 Stud
	005328-01-000	EA	Terminal Ring - 12/10 Wire
	008028-01-000	F1	Wire - 18.5 Bonded - Blue/Red/Yellow/Orange/White
	008024-01-000	FT	Wire - 18.5 Bonded - Orange/White/Yellow/Blue/Brown
	005025-01-000	FT	Wire - 18.5 Bonded - Orange/White/Yellow/Blue/Green
	008126-01-000	FT	Wire w/Ground - Romex - 12/2
	005343-01-000	EA	Wire Tie - 6"

ELECTRICAL GROUP (CONTINUED)

BULBS

Key	Part Number	U/M	Description
	008103-01-000	EA	Bulb - 53
	008213-01-000	EA	Bulb - 57
	008214-01-000	EA	Bulb - 67
	036196-01-000	EA	Bulb - 194
	008215-01-000	EA	Bulb - 1003
	067479-01-000	EA	Bulb - 1075
	063914-01-000	EA	Bulb - 1139
	003218-01-000	EA	Bulb - 1141
	037935-01-000	EA	Bulb - 1157
	037936-01-000	EA	Bulb - 1157A
	056288-02-000	EA	Bulb - 9431808
	081533-01-700	EA	Bulb - Make Up Light
	081087-01-000	EA	Light Asm. - Indicator - LVS #436

FUSES & CIRCUIT BREAKERS

Key	Part Number	U/M	Description
	008234-01-000	EA	Fuse - 10 Amp - 12 Volt
	008235-01-000	EA	Fuse - 15 Amp. - 12 Volt
	062901-02-000	EA	Fuse - 5 Amp. - Automotive
	062901-05-000	EA	Fuse - 15 Amp. - Automotive
	062901-05-000	EA	Fuse - 15 Amp. - Automotive
	008211-01-000	EA	Circuit Breaker - 6 Amp. - 12 Volt
	082678-01-000	EA	Circuit Breaker - 40 Amp. - 12 Volt
	082678-02-000	EA	Circuit Breaker - 20 Amp. - 12 Volt - w/Mount
	044466-03-000	EA	Circuit Breaker - 25 Amp. - 12 Volt - w/Mount
	083209-01-000	EA	Circuit Breaker - 15 Amp. - 120 Volt
	083209-02-000	EA	Circuit Breaker - 15/15 Amp. - 120 Volt
	083210-02-000	EA	Circuit Breaker - 15 Amp. - 120 Volt (Ground Fault Interrupter)
	085720-01-000	EA	Circuit Breaker - 15 Amp. - 12 Volt
	085720-02-000	EA	Circuit Breaker - 20 Amp. - 12 Volt
	085720-03-000	EA	Circuit Breaker - 25 Amp. - 12 Volt
	085720-04-000	EA	Circuit Breaker - 30 Amp. - 12 Volt
	085720-05-000	EA	Circuit Breaker - 40 Amp. - 12 Volt
	083209-03-000	EA	Circuit Breaker - 15/20 Amp. - 120 Volt
	083209-05-000	EA	Circuit Breaker - 20 Amp. - 120 Volt
	083209-07-000	EA	Circuit Breaker - 20/20 - 120 Volt
	083209-04-000	EA	Circuit Breaker - 30 Amp. - 120 Volt
	083209-06-000	EA	Circuit Breaker - 30/15 Amp. - 120 Volt

**1989 WINNEBAGO
TABLE OF CONTENTS**

WC/JP34RU
WCP37RQ

A-01 - D-12
D-13 - H-08

1989 WCP37RQ INDEX

Floor Plan	D-13 - D-14
Accessories Group	D-15 - D-19
Bath Group	D-20 - D-21
Chassis Group	D-22 - E-03
Curtain, Cushion & Pad Group	E-04 - F-02
Dinette Group	F-03 - F-04
Driver's Compartment Group	F-05 - F-10
Electrical Group	F-11 - F-14
Exterior Body Group	F-15 - F-22
Galley Group	F-23 - G-02
Heating & Air Conditioning Group	G-03
Interior Finish Group	G-04 - G-08
LP Group	G-09
Lounge Group	G-10 - G-12
Water & Sewage Group	G-13 - G-14
Window, Vent & Exterior Door Group	G-15 - H-08

ELECTRICAL GROUP (CONTINUED)

INTERIOR LIGHTS

Date	Key	Part Number	U/M	Description
		065202-12-000	EA	Wall Lamp - Brass/Cream - 6"
		065201-05-000	EA	Shade - Lamp - Fabric - Bone/Brass
		067479-01-000	EA	Bulb - 12V - #1076
		082686-01-000	EA	Table Lamp - Brass & Wood (Household bulb)
		082686-02-000	EA	Shade - Table Lamp
		082686-06-000	EA	Shade - Table Lamp
Thru 11/6/88		033508-02-000	EA	Light - Dome - Ivory - 1 Bulb
From 1/7/88		033508-02-000	EA	Light - Dome - Ivory - 2 Bulb
		008216-01-000	EA	Bulb - 12V - #1141
		086349-02-000	EA	Trim - Dome Light - 2 Bulb - Oak
		086349-01-000	EA	Trim - Dome Light - 1 Bulb - Oak
		061424-01-000	EA	Light - 12V - Aisle
		008103-01-000	EA	Bulb - 12V - #53
		078424-02-000	EA	Fluorescent Light - 12V DC - 18"
		078424-02-700	EA	Bulb - Fluorescent
		078424-02-701	EA	Lens - Fluorescent Light - 18"
		079926-01-000	EA	Lamp - Flex Arm (w/Bulb #6411 NA Separately)
		082169-01-000	EA	Light - Make-up - 3 Bulb
		081633-01-700	EA	Bulb - Make-up
		091937-01-000	EA	Light - Fluorescent - 12V Recessed
		091937-02-000	EA	Lens - Recessed Fluorescent Light - 12V
		091937-03-000	EA	Bulb - Fluorescent Light
		087694-02-000	EA	Light - Wardrobe w/Switch
		087694-01-700	EA	Bulb - #GE561
		068937-04-000	EA	Light - Dome - Surface - No Switch
		068937-01-700	EA	Lens - Dome Light - Surface
		008215-01-000	EA	Bulb - 12V - #1003
		072353-08-000	EA	Light - Reading - 360° Swivel - Brass
		008215-01-000	EA	Bulb - 12V - #1003
		081909-01-000	EA	Light Strip - 18" Clean
		086280-01-000	EA	Light - Surface Mount - 12V
		086280-01-700	EA	Bulb - 12V - #Apr 1029
		077026-01-000	EA	Lens - Courtesy - Clear (Front Doors & Beverage Tray)
		077000-01-000	EA	Socket Asm. - w/8" Leads - Courtesy Light
		036196-01-000	EA	Bulb - 12V - #194

ELECTRICAL GROUP (CONTINUED)

EXTERIOR LIGHTS

Key	Part Number	U/M	Description
	008089-01-000	EA	Porch Light - Recessed
	008215-01-000	EA	Bulb - 12V - #1003
	091981-01-000	EA	Gasket - Porch Light
	008089-01-700	EA	Lens - Recessed Porch Light
	051424-01-000	EA	Aisle Light - 12V
	008103-01-000	EA	Bulb - 12V - #53
	087201-01-000	EA	Light - Dump Valve
	070795-01-000	EA	Light - License Plate
	077190-01-000	EA	Wire Asm. - License Plate Light
	086747-01-000	EA	Fog Lamp Asm. - Clear Lens
	088747-01-700	EA	Cover - Fog Light
	076345-01-000	EA	Lens Asm. - Park/Turn - Amber
	076345-02-000	EA	Socket Asm. - Park/Turn Lamp
	008103-01-000	EA	Bulb - 12V - #53
	075459-04-000	EA	Lamp Asm. - Tail Light - Red
	075459-05-000	EA	Lamp Asm. - Turn Light - Amber
	075459-06-000	EA	Lamp Asm. - Backup Light - Reflex
	037935-01-000	EA	Bulb - 12V - #1157
	081237-01-000	EA	Light Asm. - Cab Marker Light - Amber
	081237-02-000	EA	Light Asm. - Cab Marker Light - Red
	008214-01-000	EA	Bulb - 12V - #67
	088733-01-000	EA	Headlamp Asm. - w/Halogen Bulb
	088733-01-700	EA	Bulb - Headlamp Asm. - Halogen
	075660-01-000	EA	Lens Asm. - Sidemarker - Amber
	075660-02-000	EA	Lens Asm. - Sidemarker - Red
	067789-03-000	EA	Socket Asm. - Sidemarker Light
	036196-01-000	EA	Bulb - 12V - #194

WINDSHIELD WIPERS & WASHER

Key	Part Number	U/M	Description
**	056000-02-000	EA	Washer Asm. - Windshield
	067191-02-700	EA	Wiper Motor Asm.
	067192-01-000	EA	Link Asm. - Connecting - Left - 39"
	067193-01-000	EA	Link Asm. - Short Connecting - 7"
	067193-02-000	EA	Link Asm. - Short Connecting - 8.1"
	067193-03-000	EA	Link Asm. - Short Connecting - 8.6"
	067190-04-000	EA	Shaft & Pivot
	067189-01-000	EA	Stud - Crank - Wiper
**	072472-04-000	EA	Arm - Windshield Wiper - 29" - Black
**	049464-03-000	EA	Blade - Windshield Wiper - 20" - Black
**	049464-03-700	EA	Blade Refill - Wiper

** The illustrated parts breakdown for this item is provided on the Common Items Fiche.

MISCELLANEOUS

Key	Part Number	U/M	Description
	098188-01-000	EA	Solenoid - Dual Battery - Relay
	083209-02-000	EA	Control Center - 45 Amp.
	071278-01-703	EA	Catch - Control Center Door
	071278-01-700	EA	Door w/Catch - Control Center
	053733-01-000	EA	Battery - 12 Volt - 80 Amp - Gould
	035429-02-000	EA	Fan - 6" Defroster - 2 Speed
	077985-01-000	EA	Bracket - 6" Fan
	089294-01-000	EA	Lighter Asm. - Cigarette
	087716-01-000	EA	Information Center - Uniforce

**1989 WINNEBAGO
TABLE OF CONTENTS**

WC/JP34RU
WCP37RQ

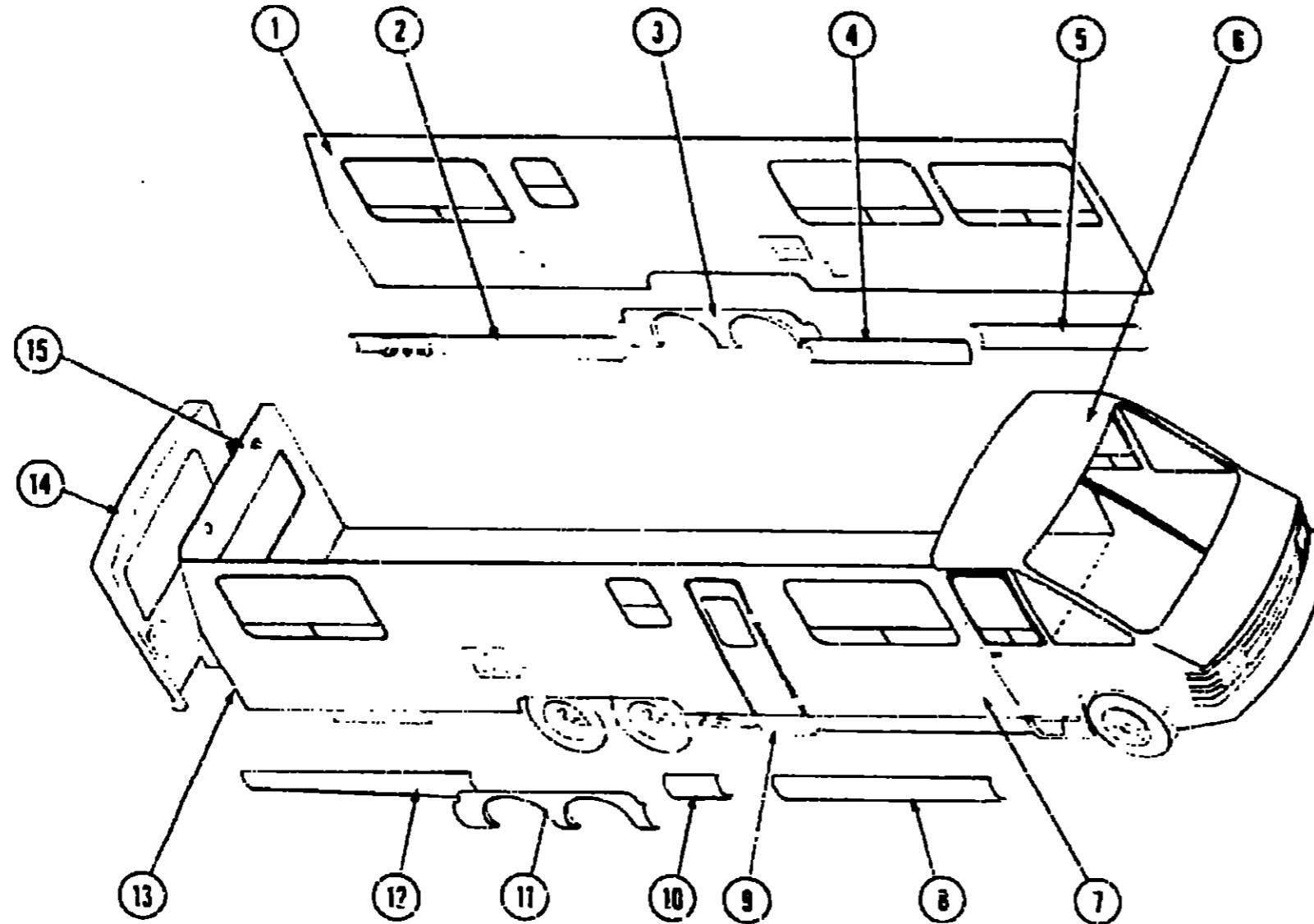
A-01 - D-12
D-13 - H-06

1989 WCP37RQ INDEX

Floor Plan	D-13 - D-14
Accessories Group	D-15 - D-19
Bath Group	D-20 - D-21
Chassis Group	D-22 - E-03
Curtain, Cushion & Pad Group	E-04 - F-02
Dinette Group	F-03 - F-04
Driver's Compartment Group	F-05 - F-10
Electrical Group	F-11 - F-14
Exterior Body Group	F-15 - F-22
Galley Group	F-23 - G-02
Heating & Air Conditioning Group	G-03
Interior Finish Group	G-04 - G-08
LP Group	G-09
Lounge Group	G-10 - G-12
Water & Sewage Group	G-13 - G-14
Window, Vent & Exterior Door Group	G-15 - H-06

EXTERIOR BODY GROUP

EXTERIOR BODY PANELS



1989 WINNEBAGO TABLE OF CONTENTS

WC/JP34RU
WCP37RO

A-01 - D-12
D-13 - H-06

1989 WCP37RU INDEX

Floor Plan	D-13 - D-14
Accessories Group	D-15 - D-19
Bath Group	D-20 - D-21
Chassis Group	D-22 - E-03
Curtain, Cushion & Pad Group	E-04 - F-02
Dinette Group	F-03 - F-04
Driver's Compartment Group	F-05 - F-10
Electrical Group	F-11 - F-14
Exterior Body Group	F-15 - F-22
Galley Group	F-23 - G-02
Heating & Air Conditioning Group	G-03
Interior Finish Group	G-04 - G-06
LP Group	G-09
Lounge Group	G-10 - G-12
Water & Sewage Group	G-13 - G-14
Window, Vent & Exterior Door Group	G-15 - H-06

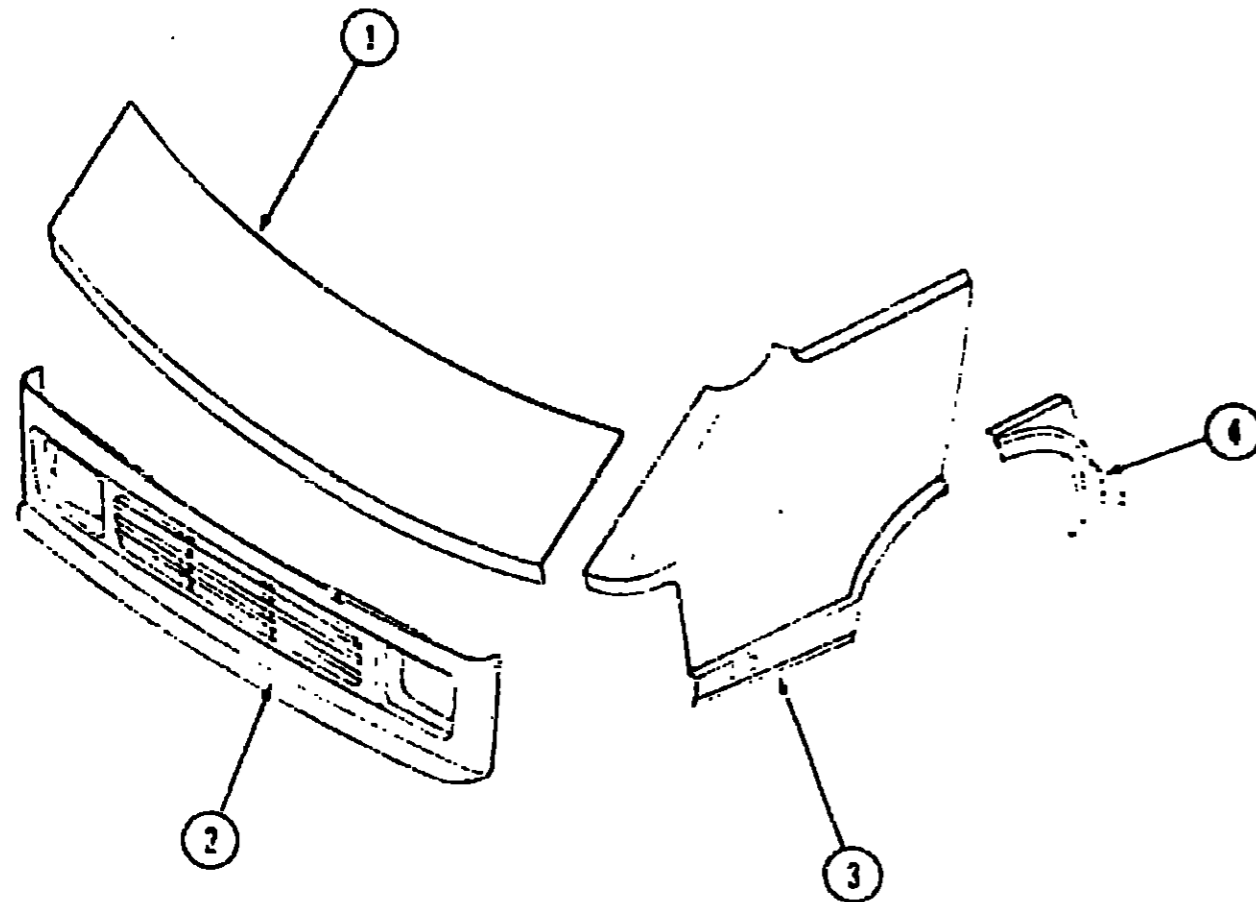
Key	Part Number	U/M	Description
1	M92112-01-Y21	EA	Sidewall Asm. - Left
1	M92112-01-Y22	EA	Sidewall Asm. - Left
1	M92112-01-Y23	EA	Sidewall Asm. - Left
2	M02586-44-X19	EA	Valance Panel Asm. - Rear - Left
3	086653-02-W13	EA	Valance Panel Asm. - Wheelwell - Left
	076515-01-000	EA	Trim - Rear - Wheelwell
4	085037-03-W13	EA	Valance Panel Asm. - Center - Left (Door)
5	085037-02-W13	EA	Valance Panel Asm. - Front - Left
6	075764-05-000	EA	Front Cap Asm. - Primed
7	M92116-01-Y21	EA	Sidewall Asm. - Right
7	M92116-01-Y22	EA	Sidewall Asm. - Right
7	M92116-01-Y23	EA	Sidewall Asm. - Right
8	085037-01-W13	EA	Valance Panel Asm. - Front - Right (Door)
9	086684-01-X19	EA	Valance Panel Asm. - Entrance Door

* Specify Queen or Twin Bed Unit

Key	Part Number	U/M	Description
10	M02586-27-W13	EA	Valance Panel Asm. - Center - Right
11	066653-01-W13	EA	Valance Panel Asm. - Wheelwell - Right
12	M02586-28-W13	EA	Valance Panel Asm. - Rear - Right
13	086922-01-000	EA	Fiberglass Trim - Rear - Right
	086922-02-000	EA	Fiberglass Trim - Rear - Left
14	M01616-11-W13	EA	Rear Cap Asm. - Beige
	077395-01-000	EA	Spare Tire Shield
15	085182-01-X19	EA	Backwall Asm.
	M01990-04-X19	EA	Access Door - Spare Tire - Beige
	M93540-01-Y21	EA	Roof Asm.
	073050-02-000	EA	Mounting Clip - Valance Panel
	093952-01-02A	EA	Shroud - Rear View TV - Beige (Sony Monitor)
	093221-01-000	EA	Lens - For Shroud 093952-01-02A
	034341-01-U07	EA	Shroud - Rear View TV (Kamematsu Monitor)
	069362-04-000	EA	Brace Tube - Floor to Valance - 13.21"
	069362-06-000	EA	Brace Tube - Floor to Valance - 17"
	069726-02-000	EA	Bumper - .88" Dia. x .40" - Black
	085747-09-000	EA	Trim - Floor to Sidewall - 151.5" - Beige
	087287-09-000	EA	Trim - Valance to Sidewall

EXTERIOR BODY GROUP (CONTINUED)

EXTERIOR BODY PANEL (CAB)



Key	Part Number	U/M	Description	
1	084759-01-W13	EA	Hood Panel	
	058786-02-000	EA	Hood Bolt - Adjusting	
	M02680-01-U25	EA	Hinge Asm. - Hood - Right	
	M02680-02-U25	EA	Hinge Asm. - Hood - Left	
	062528-01-000	EA	Clip - Prop Rod	
	077064-01-000	EA	Cable Asm. - Hood Release	
	073336-02-000	EA	Bracket - Mounting Latch	
	077407-01-000	EA	Bracket - Hood Release Cable	
	2	088572-01-700	EA	Grille - Panel Asm.
		068252-02-000	FT	Chrome Trim - 1"
088758-01-000		EA	Headlamp - Housing - Bosch	
3		084751-04-W13	EA	Fender Panel - Front Left
		084751-03-W13	EA	Fender Panel - Front Right
4	084714-02-000	EA	Fender Panel - Rear Left	
	084714-01-000	EA	Fender Panel - Rear Right	
	075764-05-000	EA	Roof Cap - Front Cab - Printed	
	R77006-38-499	EA	Spring - Striker - Latch	
	R77007-01-950	EA	Striker - Latch - Hood	
	R77006-38-499	EA	Spring - Cable - Hood Latch	
	073342-01-000	EA	Bracket Asm. - Hood Latch	
	R77006-59-931	EA	Latch Asm. - Hood	
	076837-01-000	EA	Prop Rod - Hood	
	077406-01-000	EA	Bracket - Hood Release Cable	
091952-01-000	EA	Clip - 1" - Gripper		
091955-01-000	EA	Squeegee		
093527-01-000	EA	Bracket - Squeegee		

1989 WINNEBAGO TABLE OF CONTENTS

WC/JP34RU
WCP37RQ

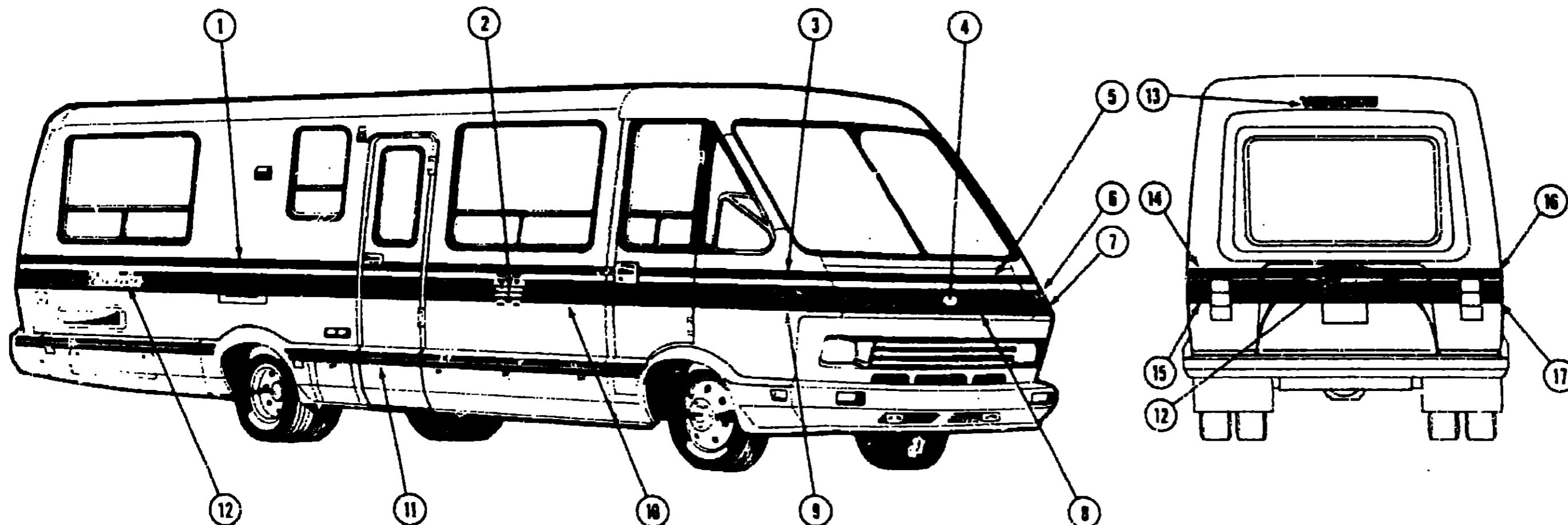
A-01 - D-12
D-13 - H-08

1989 WCP37RQ INDEX

Floor Plan	D-13 - D-14
Accessories Group	D-15 - D-19
Bath Group	D-20 - D-21
Chassis Group	D-22 - E-03
Curtain, Cushion & Pad Group	E-04 - F-02
Dinette Group	F-03 - F-04
Driver's Compartment Group	F-05 - F-10
Electrical Group	F-11 - F-14
Exterior Body Group	F-15 - F-22
Galley Group	F-23 - G-02
Heating & Air Conditioning Group	G-03
Interior Finish Group	G-04 - G-08
LP Group	G-09
Lounge Group	G-10 - G-12
Water & Sewage Group	G-13 - G-14
Window, Vent & Exterior Door Group	G-15 - H-06

EXTERIOR BODY GROUP (CONTINUED)

LABELS & DECALS



1989 WINNEBAGO TABLE OF CONTENTS

WC/JP34RU
WCP37RQ

A-01 - D-12
D-13 - H-06

Key	Part Number	U/M	Description
1	093681-01-01A	FT	Decal - Striping - 2.51" x 150" - Rose/Pearl (Y21)
1	093681-01-02A	FT	Decal - Striping - 2.51" x 150" - Taupe (Y22)
1	093681-01-03A	FT	Decal - Striping - 2.51" x 150" - Teal (Y23)
2	093684-01-01A	EA	Decal - Flying "W" - Rose/Pearl (Y21)
2	093684-01-02A	EA	Decal - Flying "W" - Taupe (Y22)
2	093684-01-03A	EA	Decal - Flying "W" - Teal (Y23)
3	093688-01-01A	EA	Corner Decal - Hood - Upper - Right - Rose/Pearl (Y21)
3	093688-01-02A	EA	Corner Decal - Hood - Upper - Right - Taupe (Y22)
3	093688-01-03A	EA	Corner Decal - Hood - Upper - Right - Teal (Y23)
4	088772-01-000	EA	Hood Medallion "Winnebago"
5	093685-01-01A	EA	Decal - Hood - Upper - Rose/Pearl (Y21)
5	093685-01-02A	EA	Decal - Hood - Upper - Taupe (Y22)
5	093685-01-03A	EA	Decal - Hood - Upper - Teal (Y23)
6	093688-02-01A	EA	Corner Decal - Upper - Left - Rose/Pearl (Y21)
6	093688-02-02A	EA	Corner Decal - Upper - Left - Taupe (Y22)
6	093688-02-03A	EA	Corner Decal - Upper - Left - Teal (Y23)
7	093687-02-01A	EA	Corner Decal - Lower - Left - Rose/Pearl (Y21)
7	093687-02-02A	EA	Corner Decal - Lower - Left - Taupe (Y22)
7	093687-02-03A	EA	Corner Decal - Lower - Left - Teal (Y23)
8	093686-01-01A	EA	Decal - Hood - Lower - Rose/Pearl (Y21)
8	093686-01-02A	EA	Decal - Hood - Lower - Taupe (Y22)
8	093686-01-03A	EA	Decal - Hood - Lower - Teal (Y23)

Key	Part Number	U/M	Description
9	093687-01-01A	EA	Corner Decal - Hood - Lower - Right - Rose/Pearl (Y21)
9	093687-01-02A	EA	Corner Decal - Hood - Lower - Right - Taupe (Y22)
9	093687-01-03A	EA	Corner Decal - Hood - Lower - Right - Teal (Y23)
10	093689-01-01A	FT	Film - Multistripe - 6.45" - Rose/Pearl (Y21)
10	093689-01-02A	FT	Film - Multistripe - 6.45" - Taupe (Y22)
10	093689-01-03A	FT	Film - Multistripe - 6.45" - Teal (Y23)
11	093680-02-01A	FT	Film - Multistripe - 3" x 150" - Rose/Pearl (Y21)
11	093680-02-02A	FT	Film - Multistripe - 3" x 150" - Taupe (Y22)
11	093680-02-03A	FT	Film - Multistripe - 3" x 150" - Teal (Y23)
12	076754-01-000	EA	Decal - Logo - "Elandan" Chrome
13	050313-16-000	EA	Decal - Logo - "Winnebago" 2.80"
14	093683-02-01A	EA	Decal - Rear Corner - Upper - Left - Rose/Pearl (Y21)
14	093683-02-02A	EA	Decal - Rear Corner - Upper - Left - Taupe (Y22)
14	093683-02-03A	EA	Decal - Rear Corner - Upper - Left - Teal (Y23)
15	093682-02-01A	EA	Decal - Rear Corner - Lower - Left - Rose/Pearl (Y21)
15	093682-02-02A	EA	Decal - Rear Corner - Lower - Left - Taupe (Y22)
15	093682-02-03A	EA	Decal - Rear Corner - Lower - Left - Teal (Y23)
16	093683-01-01A	EA	Decal - Rear Corner - Upper - Right - Rose/Pearl (Y21)
16	093683-01-02A	EA	Decal - Rear Corner - Upper - Right - Taupe (Y22)
16	093683-01-03A	EA	Decal - Rear Corner - Upper - Right - Teal (Y23)
17	093682-01-01A	EA	Decal - Rear Corner - Lower - Right - Rose/Pearl (Y21)
17	093682-01-02A	EA	Decal - Rear Corner - Lower - Right - Taupe (Y22)
17	093682-01-03A	EA	Decal - Rear Corner - Lower - Right - Teal (Y23)

1989 WCP37RQ INDEX

Floor Plan	D-13 - D-14
Accessories Group	D-15 - D-19
Bath Group	D-20 - D-21
Chassis Group	D-22 - E-03
Curtain, Cushion & Pad Group	E-04 - F-02
Dinette Group	F-03 - F-04
Driver's Compartment Group	F-05 - F-10
Electrical Group	F-11 - F-14
Exterior Body Group	F-15 - F-22
Galley Group	F-23 - G-02
Heating & Air Conditioning Group	G-03
Interior Finish Group	G-04 - G-08
LP Group	G-09
Lounge Group	G-10 - G-12
Water & Sewage Group	G-13 - G-14
Window, Vent & Exterior Door Group	G-15 - H-06

NOTE: The following DuPont paint information is provided to help meet the needs of your customers. These DuPont paints are available at your automotive parts stores and may be used to replace exterior graphic tapes.

Brown DuPont # B2157
Dark Rose DuPont # N8746
Peach DuPont # B&227

EXTERIOR BODY GROUP (CONTINUED)

LABELS & EXTERIOR PAINT

Key	Part Number	U/M	Description
	091243-01-000	EA	Label - A/C Cover
	074983-01-000	EA	Label - Air Conditioner Selector
	087236-01-000	EA	Label - Cable Input
	065383-01-000	EA	Label - Diesel Fuel
	006195-01-000	EA	Label - Electrical Test
	047731-01-000	EA	Label - Emergency Exit
	006199-01-000	EA	Label - Exit - Escape Window
	057467-04-000	EA	Label - Exterior Loading Limit
	064378-01-000	EA	Label - Flying "W" w/ Formal Panel
	061417-01-000	EA	Label - Fuel
	067207-02-000	EA	Label - Fuel Cap Removal
	006196-01-000	EA	Label - Gas Test
	054531-01-000	EA	Label - LP Gas Only
	073998-01-000	EA	Label - LPG Odor Warning
	040944-01-000	EA	Label - Open - Entrance Door
	006015-01-000	EA	Label - Patent Motor Home
	056259-01-000	EA	Label - Safety Check List
	006064-01-000	EA	Label - Seat - w/o Seat Belts
	006187-01-000	EA	Label - Sewage
	087236-02-000	EA	Label - TV Outlet
	006006-01-000	EA	Label - Thermo Panel - 2 1/4" x 2 1/4"
	075221-01-000	EA	Label - Trailer Hitch Capacity
	075220-01-000	EA	Label - Warning - Exterior Load Limit
	077956-01-000	EA	Label - Warning - Smoke Detector
	050225-01-000	EA	Label - Warning - Stove Vent - US
	006188-01-000	EA	Label - Waste Water
	006197-01-000	EA	Label - Water Test
	077927-01-000	EA	Label - Warning - Wheel Nuts
	090342-01-000	EA	Label - Vapor Relief
	072863-01-000	EA	Nameplate - Diesel - 6.2L
	005062-01-000	EA	Tag - Electrical - 110 Volt Connection
	006040-01-000	EA	Tag - Gas - Refueling Warning
	074559-01-000	EA	Label "LPG" - 3.3" x 1.75" - (Calif. Code)
	006019-01-000	EA	Tag - RV Approved - Plastic
	065748-01-000	EA	Label - Caution - Battery Charging
	077510-01-000	EA	Label - Generator Prep
	061606-01-000	EA	Label - Overlay - Vehicle Certificate
	079366-01-000	EA	Label - Warning - Stowed-in Motion
	067237-01-000	EA	Label - Certification
	088757-01-000	EA	Label - Retail - 8 5/8" x 12 7/8"
	090424-01-000	EA	Label - No Smoking

EXTERIOR BODY GROUP (CONTINUED)

ACCESS PANEL HARDWARE

Key	Part Number	U/M	Description
	076739-01-000	EA	Bracket - Grille Hanger - Inner - Right
	076739-02-000	EA	Bracket - Grille Hanger - Inner - Left
	077407-01-000	EA	Bracket - Hood Release Cable
	073336-02-000	EA	Bracket - Mounting - Latch
	073342-01-000	EA	Bracket Asm. - Latch Hood
	077064-01-000	EA	Cap Asm. - Hood Release
	062628-01-000	EA	Clip - Prop Rod
	077252-01-000	EA	Hinge Pin - Stainless Steel
	M02680-01-U25	EA	Hinge Asm. - Hood - Right
	M02680-02-U25	EA	Hinge Asm. - Hood - Left
	R77006-51-429	EA	Latch - Hood
	R77006-68-172	EA	Plate - Spacer
	076837-01-000	EA	Prop Rod
	R77007-01-950	EA	Striker - Hood Latch
	R77006-38-499	EA	Spring - Striker - Latch
	077406-01-000	EA	Bracket - Hood Release Cable

SHEET FIBERGLASS, ALUMINUM & STYROFOAM

Key	Part Number	U/M	Description
	084882-01-000	EA	Panel - Mindboard - Beige
	044487-01-001	EA	Aluminum - Mill Finish - No Design (Roof) - 96" x 360"
	000868-01-000	SF	Styrofoam - 3/4" x 24" x 96"
	000870-02-000	SF	Styrofoam - 1 1/2" x 48" x 96"
	000870-03-000	SF	Styrofoam - 1.34" x 48" x 96"
	000870-04-000	SF	Styrofoam - 1.34" x 24" x 96"
	083574-01-000	SF	Styrofoam - 1.5" x 24" x 85.25"

MISCELLANEOUS EXTERNALLY MOUNTED PARTS

Key	Part Number	U/M	Description
	083558-01-000	EA	Plumbing Seal - Roof Vent - 1 1/2" - Covered
	067659-02-000	EA	Fill - City Water - Recessed - Beige
	081240-01-000	EA	Water Fill - Lockable - Beige
	073050-02-000	EA	Mounting Clip - Valance Panel

**1989 WINNEBAGO
TABLE OF CONTENTS**

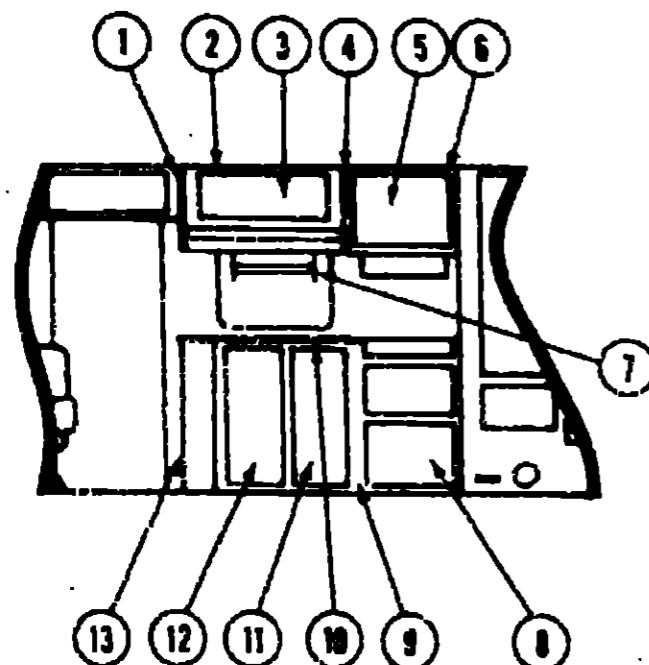
WC/JP34RU
WCP37RQ

A-01 - D-12
D-13 - H-06

1989 WCP37RQ INDEX

Floor Plan	D-13 - D-14
Accessories Group	D-15 - D-19
Bath Group	D-20 - D-21
Chassis Group	D-22 - E-03
Curtain, Cushion & Pad Group	E-04 - F-02
Dinette Group	F-03 - F-04
Driver's Compartment Group	F-05 - F-10
Electrical Group	F-11 - F-14
Exterior Body Group	F-15 - F-22
Galley Group	F-23 - G-02
Heating & Air Conditioning Group	G-03
Interior Finish Group	G-04 - G-08
LP Group	G-09
Lounge Group	G-10 - G-12
Water & Sewage Group	G-13 - G-14
Window, Vent & Exterior Door Group	G-15 - H-06

GALLEY GROUP



GALLEY CABINETS

Key	Part Number	U/M	Description
1	085468-02-X19	EA	End Cap - Galley Overhead - Vinyl
2	M03110-09-Y21	EA	Cabinet Asm. - Galley Overhead - w/o Doors or Hardware
3	M51704-36-Y21	EA	Door Asm. - Galley Overhead - 12" x 29.1" - w/o Hardware
4	085471-01-W13	EA	End Cap - Galley Overhead - Microwave
5	M88304-80-Y21	EA	Door Asm. - Overhead - 17.7" x 22.8" - w/o Hardware
6	M03110-07-Y21	EA	Cabinet Asm. - Overhead - w/o Doors or Hardware
7	092488-01-Y21	EA	Paper Towel Holder - Regal Oak
8	M38304-33-Y21	EA	Door Asm. - Galley Cabinet - 15.9" x 21.8" - w/o Hardware
9	M93612-01-Y21	EA	Cabinet Asm. - Galley - w/o Doors, Drawers, Countertop or Hardware
9	M03914-01-Y21	EA	Cabinet Asm. - Galley - w/Oven Opening - w/o Doors, Drawers, Countertop or Hardware
10	093511-01-Y21	EA	Countertop Asm. - Galley Cabinet
11	M88304-32-Y21	EA	Door Asm. - Galley Cabinet - 14.3" x 33.5" - w/o Hardware
12	M88304-31-Y21	EA	Door Asm. - Galley Cabinet - 14.3" x 33.5" - w/o Hardware
12	M82184-09-Y21	EA	Drawer Asm. - Galley Cabinet
13	M88304-F1-Y21	EA	Door Asm. - Mirror - 15.4" x 25.6" - w/o Hardware
	092487-02-Y21	EA	Spice Rack Asm.
	093238-01-Y21	EA	Cover - Knife Holder
	093282-01-000	EA	Knife Holder Asm. - Below Counter

-- The parts used in the Microwave Option

GALLEY GROUP (CONTINUED)

GALLEY HARDWARE

Key	Part Number	U/M	Description
	093653-01-Y21	EA	Sink Cover - Large
	093526-01-000	EA	Sink - Stainless Steel - Double - 25" x 19"
	092303-01-000	EA	Strainer - w/Basket - Sink
	091254-01-000	EA	Gasket - Galley Faucet - Thru 9/19/88
	084072-01-000	EA	Faucet - Swing Spout - 8" - Double Control
	064952-01-000	EA	Faucet - Swing Spout - Single Control
	058334-01-000	EA	Wastebasket - 9 3/4" x 7" x 10" - White
	056476-01-000	EA	Support - Waste Basket
	C77409-02-000	EA	Drawer Slide - Plastic - 20.75"
	077404-02-000	EA	Drawer - Plastic - 20" x 12.7"
	037688-01-000	EA	Drawer Rail - V-Guide
	059777-02-000	EA	Hinge - Antique - Light Brass
	093153-01-000	EA	Cutting Board - Maple
	054450-01-000	EA	Level - Refrigerator
	093551-01-000	EA	Door Pull - Polished Brass
	093579-01-000	EA	Door Pull - Polished Chrome & Brass
	081376-01-000	EA	Back Plate - Door Pull - Polished Brass
	093238-01-Y12	EA	Cover - Oak Knife Holder - Above Countertop
	093282-01-000	EA	Bonnet Asm. - Knife Holder - Below Countertop
	084466-04-000	EA	Slide Asm. - Cabinet - Right
	084466-05-000	EA	Slide Asm. - Cabinet - Left
	084466-02-000	EA	Slide Asm. - Drawer - Right
	084466-03-000	EA	Slide Asm. - Drawer - Left
	092428-02-000	EA	Glass Cabinet Door - 11.95" x 22.20"

1989 WINNEBAGO TABLE OF CONTENTS

WC/JP34RU
WCP37RQ

A-01 - D-12
D-13 - H-06

1989 WCP37RQ INDEX

Floor Plan	D-13 - D-14
Accessories Group	D-15 - D-19
Bath Group	D-20 - D-21
Chassis Group	D-22 - E-03
Curtain, Cushion & Pad Group	E-04 - F-02
Dinette Group	F-03 - F-04
Driver's Compartment Group	F-05 - F-10
Electrical Group	F-11 - F-14
Exterior Body Group	F-15 - F-22
Galley Group	F-23 - G-02
Heating & Air Conditioning Group	G-03
Interior Finish Group	G-04 - G-08
LP Group	G-09
Lounge Group	G-10 - G-12
Water & Sewage Group	G-13 - G-14
Window, Vent & Exterior Door Group	G-15 - H-06

GALLEY GROUP (CONTINUED)

GALLEY APPLIANCES

Date
Thru 7/24/83

Key	Part Number	U/M	Description
	084880-02-000	EA	Refrigerator - 3-Way - Large Double Door - Norcold 6583
	034880-01-700	EA	Cooling Unit
	064880-01-701	EA	Lower Door Handle
	054880-01-702	EA	Cabinet Asm. - Foamed
	054880-01-703	EA	Liner - Lower Door - Foamed w/Frame
	084880-01-704	EA	Panel Holder - Lower Door
	084880-01-705	EA	Orifice
	084880-01-706	EA	DC Light Bulb
	034880-01-707	EA	Heater (3 Way)
	084880-01-708	EA	Baffle Asm.
	084880-01-709	EA	Lamp Socket
	094880-01-710	EA	Ignition Electrode
	084880-01-711	EA	Sensor Electrode
	084880-01-712	EA	Control Module - Fenwal
	084880-01-713	EA	Male Connector - Inlet Fitting
	034880-01-714	EA	Burner
	084880-01-715	EA	Valve - Manual Shut Off
	084880-01-716	EA	Burner Tube
	084880-01-717	EA	Control Module
	084880-01-718	EA	Gas Valve
	084880-01-719	EA	Brass Elbow
	034880-01-720	EA	Spring (For Door Handle)
	084880-01-721	EA	Cover - Power Supply
	034880-01-722	EA	Cover - Crisper
	054880-01-723	EA	Board - Power Supply (3 Way)
	054880-01-724	EA	Hinge Plate - Bottom
	084880-01-725	EA	Hinge Plate - Top
	084880-01-726	EA	Hinge Bracket - Center
	084880-01-727	EA	Upper Door - Gasket
	084880-01-728	EA	Lower Door - Gasket
	054880-01-729	EA	Eyebrow (3 Way)
	054880-01-730	EA	Crisper
	084880-01-731	EA	Hinge Pin
	084880-01-732	EA	Latch
	084880-01-733	EA	Dairy Keeper
	084880-01-734	EA	Bracket - Hinge - Right
	084880-01-735	EA	Bracket - Hinge - Left
	084880-01-736	EA	Light Switch (Down)
	084880-01-737	EA	Liner - Upper Door - Foamed w/Frame
	084880-01-738	EA	Bracket - Control Asm. - (3 Way)
	084880-01-739	EA	End Cap - Spring Catch
	084880-01-740	EA	End Cap - Stop Catch
	084880-01-741	EA	Humidity Switch
	084880-01-742	EA	Trim - Lower Seal
	034880-01-743	EA	P/C Board (3 Way)
	034880-01-744	EA	Shank - Hinge Pin - Center
	084880-01-745	EA	Bushing - Hinge
	084880-01-746	EA	Cable
	084880-01-747	EA	Hole Plug
	084880-01-748	EA	Bushing - Hinge
	084880-01-749	EA	Bushing - Hinge
	094030-02-000	EA	Refrigerator - 2 Way - Large Double Door - Norcold 653

From 7/25/83

GALLEY GROUP (CONTINUED)

GALLEY APPLIANCES (CONT.)

Key	Part Number	U/M	Description
	092696-01-01A	EA	Range Hood - w/Monitor Panel - Almond
	092696-01-02A	EA	Vent - w/Door
	092696-01-700	EA	Plastic Fastener - F/Cable
	092696-01-701	EA	Plastic Knob - F/Cable
	092696-01-702	EA	Resistor/Wire Asm
	092696-01-703	EA	Fuse Holder
	092696-01-704	EA	Switch Lever Asm. - Module
	092696-01-705	EA	Actuator Rod/Turn Buckle
	092696-01-706	EA	Screw Cap
	092696-01-707	EA	Gasket - Vent
	092696-01-708	EA	Clip - Vent Mounting
	092696-01-709	EA	Lamp - #912
	092696-01-710	EA	Lamp Holder
	092696-01-711	EA	Lamp Lens
	092696-01-712	EA	Mesh Filter
	092696-01-713	EA	Chassis - w/Wiring
	092696-01-714	EA	Control Panel Asm.
	092696-01-715	EA	Face Plate - Control Panel
	092696-01-716	EA	Lamp Holder
	092696-01-717	EA	Mesh Filter
	054782-02-000	EA	Range - 4 Burner - Almond Top
	054782-02-700	EA	Top - Main - 4 Burner - Almond
	054782-02-701	EA	Deflector Plate - Black
	054782-02-702	EA	Trim - Cab - Right - Black
	054782-02-703	EA	Trim - Cab - Left - Black
	054782-02-704	EA	Trim - Lower Outside Glass - Black
	054782-02-705	EA	Handle - Oven Door - Black
	054782-02-706	EA	Trim - Vertical - Black
	054782-02-707	EA	Panel - Manifold
	054782-02-708	EA	Valve - Mercury
	054782-02-709	EA	Glass - Oven Door
	064782-02-710	EA	Clip - Glass Holder
	064782-02-711	EA	Main Top - 4 Burner - Square - Almond
	064782-02-712	EA	Grate - Top Burner Square
	064782-02-713	EA	Gas Regulator
	064782-02-714	EA	Nipple - 1/8"
	064782-02-715	EA	Grate Clip
	085280-04-000	EA	Burner Cover - Bi-Fold - Almond
	085280-03-000	EA	Burner Cover - Bi-Fold - Almond - Range Top
	088737-01-000	EA	Microwave Oven - Convection - Mag & Chef
	081374-03-000	EA	Range Top - 4 Burner Almond
	081374-03-700	EA	Trim - Cab - Left
	081374-03-701	EA	Trim - Cab - Right
	081374-03-703	EA	Trim Top Rear
	088737-01-700	EA	Control
	088737-01-701	EA	Frame Panel
	088737-01-702	EA	Touch Panel Asm.
	088737-01-703	EA	Door Frame
	088737-01-704	EA	Glass - Outside Door
	088737-01-705	EA	Trim - Upper Frame Inner
	088737-01-706	EA	Cabinet
	088737-01-707	EA	Fuse
	088737-01-708	EA	Transformer - H.V.
	088737-01-709	EA	Trim
	088737-01-710	EA	Lamp - 30 Watt Oven
	088737-01-711	EA	Relay - Complete
	088737-01-712	EA	Trim
	088737-02-000	EA	Frame Kit - Microwave Oven

**1989 WINNEBAGO
TABLE OF CONTENTS**

WC/JP34RU
WCP37RQ

A-01 - D-12
D-13 - H-06

1989 WCP37RQ INDEX

Floor Plan	D-13 - D-14
Accessories Group	D-15 - D-19
Bath Group	D-20 - D-21
Chassis Group	D-22 - E-03
Curtain, Cushion & Pad Group	E-04 - F-02
Dinette Group	F-03 - F-04
Driver's Compartment Group	F-05 - F-10
Electrical Group	F-11 - F-14
Exterior Body Group	F-15 - F-22
Galley Group	F-23 - G-02
Heating & Air Conditioning Group	G-03
Interior Finish Group	G-04 - G-06
LP Group	G-09
Lounge Group	G-10 - G-12
Water & Sewage Group	G-13 - G-14
Window, Vent & Exterior Door Group	G-15 - H-06

HEATING & AIR CONDITIONING GROUP

INTERIOR FINISH GROUP

FURNACE

Key	Part Number	U/M	Description
	090039-05-000	EA	Furnace - 30,000 BTU - Suburban
	093365-01-000	EA	Thermostat (Wall Mount)
	090039-05-700	EA	Thermostat
	090039-05-701	EA	Combustion Chamber #X020098
	090039-05-702	EA	Manifold Gasket
	090039-05-703	EA	Manifold Pipe Asm
	090039-05-704	EA	Combustion Chamber #0190365
	090039-05-705	EA	Wheel - Combustion Air
	090039-05-706	EA	Combustion Air Housing
	090039-05-707	EA	Gasket Motor
	090039-05-708	EA	Gasket - Crossover Tube (Housing)
	090039-05-709	EA	Crossover Tube Asm
	090039-05-710	EA	Gasket - Crossover Tube (Chamber)
	090039-05-711	EA	Blower Housing Asm

REAR AUX. HEATER

Key	Part Number	U/M	Description
	084405-01-000	EA	Heater Asm. - Rear - Ducted
	084405-01-700	EA	Heater Core
	084405-01-701	EA	Fan
	084405-01-702	EA	Motor - 12 Volt
	009198-01-000	FT	Duct - Flexible - 4" I.D. x 25'
	056464-01-000	EA	Register - 4" Dia - Plastic - w/Damper
	056464-02-000	EA	Register - 4" Dia - Plastic - w/Damper
	009200-01-000	EA	Tape - Furnace - 1 1/2"

ROOF AIR CONDITIONER

Key	Part Number	U/M	Description
	093766-01-000	EA	Ceiling Asm - A/C Cool - w/Controls - Coleman 6798A714
	093766-02-000	EA	Ceiling Asm. - A/C Cool - w/o Controls - Thermostat Separate - Coleman 6798-720
	093766-03-000	EA	Thermostat - A/C and Furnace - Coleman 6798-6951
	093765-01-03A	EA	Air Conditioner - 110 Volt - Roof Mount - 13,500 BTU Coleman 6798A708

** The illustrated parts breakdown for this item is provided on the Common Items Fiche.

AUTOMOTIVE HEATER & AIR CONDITIONER

Key	Part Number	U/M	Description
	080426-02-000	EA	Heater/Evaporator Asm - w/Pressure Sensor Switch
	080426-02-701	EA	Hose - Liquid
	080426-02-702	EA	Hose - Suction
	080426-02-703	EA	Pressure Switch - Fan
	007108-01-000	EA	Hose - Heater - 5.8 I.D. SAE
	031170-01-000	EA	Clamp - Cable - 3/16" Dia
	072341-01-706	EA	Resistor
	072341-01-701	EA	Heater Core
	060426-01-700	EA	Evaporator Coil
	075789-01-705	EA	Expansion Valve
	072341-01-707	EA	Thermostat
	072341-04-706	EA	Blower Motor
	072341-04-707	EA	Blower Wheel
	072341-04-709	EA	Vacuum Motor #1120142
	072341-04-702	EA	Relay
	072341-01-710	EA	Control Head Asm. - w/o Decal
	072341-01-714	EA	Heater Control Valve

MISCELLANEOUS

Date	Key	Part Number	U/M	Description
Thru 1/2/89		053552-02-W24	EA	Handle Asm - Assist - Vinyl
Thru 1/2/89		041944-04-000	EA	Fire Extinguisher - 5 BC - w/o Bracket
From 1/3/89		084472-01-000	EA	Holder - Plastic - Fire Extinguisher
From 1/3/89		084499-01-000	EA	Fire Extinguisher 10 BC
		084651-01-000	EA	Holder - 10 BC Fire Extinguisher
		054185-31-000	EA	Owner's Manual - Winnebago/Masca
		081072-01-000	EA	Floor Mat - Front - Right - Brown - "Winnebago"
		051074-01-000	EA	Floor Mat - Front - Left - Brown - "Winnebago"
		051075-01-000	EA	Floor Mat - Entrance - Brown - Winnebago"
		055201-05-000	EA	Lamp Shade - Fabric - Bronze Brass - Wall Lamp
From 11/7/80		082666-05-000	EA	Lamp Shade - Fabric - Table Lamp
Thru 11/6/83		082666-02-000	EA	Lamp Shade - Fabric - Table Lamp

PANELLING & COUNTERTOP MATERIAL

Key	Part Number	U/M	Description
	083272-22-000	SF	Panelling - Crescendo Marble (Main Wall, Galley, Dry Bath) Y21
	055272-41-000	SF	Panelling - Pastel (Main Wall) Y22
	059272-34-000	SF	Panelling - Mushroom (Galley, Dry Bath) Y22
	059272-23-000	SF	Panelling - Sky (Main Wall, Galley, Dry Bath) Y23
	059272-33-000	SF	Panelling - Decor - Bone (Wet Bath)
	074497-10-000	SF	Panelling - Regal Oak - Cabinets
	000895-34-000	SF	Panelling - Regal Oak - 3 1/2" One Sided - Particle Board
	000895-36-000	SF	Panelling - Regal Oak - 3 1/2" Two Sided - Particle Board
	079665-02-000	SF	Panelling - Cedar - Circa. Linen - 48" x 96"
	074498-26-000	SF	Plastic Laminate - Almond Slate (Dinette and Bath)
	074498-24-000	SF	Plastic Laminate - Sterling (Nightstand)
	065217-03-000	SF	Countertop - Avonite - Almond
	076325-16-000	FT	Edge Molding - Regal Oak (Nightstand)
	076325-19-000	FT	Edge Molding - Almond Slate (Bath and Dinette)

**1989 WINNEBAGO
TABLE OF CONTENTS**

WC/JP34RU
WCP37RQ

A-01 - D-12
D-13 - H-06

1989 WCP37RQ INDEX

Floor Plan	D-13 - D-14
Accessories Group	D-15 - U-19
Bath Group	D-20 - D-21
Chassis Group	D-22 - E-03
Curtain, Cushion & Pad Group	E-04 - F-02
Dinette Group	F-03 - F-04
Driver's Compartment Group	F-05 - F-10
Electrical Group	F-11 - F-14
Exterior Body Group	F-15 - F-22
Galley Group	F-23 - G-02
Heating & Air Conditioning Group	G-03
Interior Finish Group	G-04 - G-08
LP Group	G-09
Lounge Group	G-10 - G-17
Water & Sewage Group	G-13 - G-14
Window, Vent & Exterior Door Group	G-15 - H-06

INTERIOR FINISH GROUP (CONTINUED)

CABINETS & TABLE HARDWARE

Date	Key	Part Number	U/M	Description
		053200-05-000	EA	Bracket - Upper Wall Mount - 23 5" - Beige
		058410-01-000	EA	Bracket - Table Mount - 23" - Beige
		024275-05-000	EA	Rod - Table Lift - 3" x 23.5" - Beige
		024281-07-000	EA	Bracket - Lower Wall Mount - 22 12" - Beige
		092707-01-01A	EA	Leg Asm. - Table - Regal Oak
		054050-02-000	EA	Hinge - Table Leg - Tan
		093550-01-000	EA	Bracket - Dinette Leg - Folding
		092593-01-02A	EA	Clip - 1" O.D. Tube
		049493-06-000	EA	Catch - Table Leg - Mounts on Floor - Tan
		009016-01-000	EA	Catch - Elbow - Spring Loaded Zn
		029021-01-000	EA	Catch - Nylon - Grille
		069021-02-000	EA	Strike - Spring Steel
		093579-01-000	EA	Pull - Polished Brass/Chrome
		093551-01-000	EA	Pull - Polished Brass
		075725-01-000	EA	Access Cover - Door Hinge
		084451-01-000	EA	Catch - TV Shelf - Brass
		084466-02-000	EA	Slide Asm. - Drawer - Right
		084466-03-000	EA	Slide Asm. - Drawer - Left
		037669-03-000	EA	Slide - Center - Drawer
		088254-01-000	EA	Catch - Magnetic
		084456-04-000	EA	Slide Asm. - Cabinet - Right
		084456-05-000	EA	Slide Asm. - Cabinet - Left
		059777-02-000	EA	Hinge - Cabinet Door - Brass
		074493-02-000	EA	Overhead Door Support - Spring
		081376-01-000	EA	Back Plate - Door Pull - Polished Brass
		009053-01-000	EA	Hinge - 1 37" - Brass
		009053-02-000	EA	Hinge - 2 70" - Brass
		080728-01-000	EA	Handle - Recessed - Brown Plastic
		079921-01-000	EA	Roller - Nylon - w/Shaft
		093586-03-000	EA	Catch - Spring Roller
		093586-04-000	EA	Strike - Spring Steel
		072369-19-000	EA	Mesh - Expanded - Bronze - 15 5" x 6 5"

From 8/9/89
Thru 8/28/89

Thru 10/31/85
From 11/1/85

INTERIOR FINISH GROUP (CONTINUED)

FABRICS & CARPET

Date	Key	Part Number	U/M	Description
		088274-72-000	YD	Fabric - Upholstery - Rose/Pearl (Y21)
		088274-51-000	YD	Fabric - Upholstery - Heather (Y22)
		088274-73-000	YD	Fabric - Upholstery - Teal (Y23)
		088274-56-000	YD	Fabric - Upholstery/Accent - Heather (Y22)
		088274-70-000	YD	Fabric - Upholstery/Plain Accent - Rose/Pearl (Y21)
		088274-74-000	YD	Fabric - Upholstery/Plain Accent - Heather (Y22)
		088274-71-000	YD	Fabric - Upholstery/Plain Accent - Teal (Y23)
		088273-20-000	YD	Fabric - Bedspread - Rose/Pearl (Y21)
		088273-28-000	YD	Fabric - Bedspread - Heather (Y22)
		088273-21-000	YD	Fabric - Bedspread - Teal (Y23)
		072333-37-000	YD	Fabric - Drapery - Rose/Pearl (Y21)
	**	072333-69-000	YD	Fabric - Drapery - Rose/Pearl (Y21)
		088273-28-000	YD	Fabric - Drapery - Heather (Y22)
		072333-51-000	YD	Fabric - Drapery - Teal (Y23)
		079580-01-000	YD	Vinyl - Expanded - Buckskin
		069649-03-000	YD	Vinyl - Expanded - Taupe
		088351-01-000	YD	Vinyl - Expanded - Taupe
		078394-01-000	FT	Trim - Half Round Vinyl - 7/16"
		038421-05-000	YD	Fabric - Mattress - Ticking - Gray/White
		072860-69-000	SY	Carpet - Rose Mist (Y21)
		072860-72-000	SY	Carpet - Cool Oasis (Y22)
		072860-89-000	SY	Carpet - Blue Bonnet (Y22)
		072860-82-000	SY	Carpet - Pearl Gray (Y23)

** Fabric used on units between 9-19-88 and 10-13-88

**1989 WINNEBAGO
TABLE OF CONTENTS**

WC:JP34RU	A-01 - D-12
WCP37RQ	D-13 - H-06

1989 WCP37RQ INDEX

Floor Plan	D-13 - D-14
Accessories Group	D-15 - D-19
Bath Group	D-20 - D-21
Chassis Group	D-22 - E-03
Curtain, Cushion & Pad Group	E-04 - F-02
Dinette Group	F-03 - F-04
Driver's Compartment Group	F-05 - F-10
Electrical Group	F-11 - F-14
Exterior Body Group	F-15 - F-22
Galley Group	F-23 - G-02
Heating & Air Conditioning Group	G-03
Interior Finish Group	G-04 - G-08
LP Group	G-09
Lounge Group	G-10 - G-12
Water & Sewage Group	G-13 - G-14
Window, Vent & Exterior Door Group	G-15 - H-06

INTERIOR FINISH GROUP (CONTINUED)

INTERIOR TRIMS

Key	Part Number	U/M	Description
	065263-02-000	EA	Batt Strip - Crescendo Marble (Y21)
	065263-20-000	EA	Batt Strip - Marble Pastel (Y22)
	065263-03-000	EA	Batt Strip - Crescendo Sky
	065263-22-000	EA	Batt Strip - Bath and Galley York Mushroom (Y22)
	065733-70-000	EA	Batt Strip - Regal Oak
	065284-03-000	FT	Batt Strip - Tape Adhesive - Regal Oak
	065284-03-000	FT	Batt Strip - Tape Adhesive - Regal Oak - 3" x 20.5"
	065284-03-700	FT	Batt Strip - Tape Adhesive - Crescendo Marble (Y21)
	065284-10-000	FT	Batt Strip - Tape Adhesive - Marble Pastel (Y22)
	065284-08-000	FT	Batt Strip - Tape Adhesive - Crescendo Sky
	063520-01-000	FT	T-Molding - 3/4" - w/Edge Lift - Brown
	074044-90-000	EA	Trim Oak - 2" x 6" - w/o Groove - Regal Oak (Ceiling)
	069571-20-Y21	EA	Trim Oak - 5/8" - w. Groove - Regal Oak (Ceiling)
	078394-01-000	EA	Brass Insert - Ceiling
	042357-11-000	EA	Molding - Outside Corner - Light Oak
	061521-01-007	EA	Molding - Corner Molding Retainer (Used with 42357-11-000)
	069767-05-000	FT	Weltung - Beige
	060176-02-000	EA	Cap - Corner Radius (Used with 42357-11-000)
	022992-08-000	FT	Molding - Reverse Cover - Chamosgne White
	070504-05-000	FT	U-Channel - Light Oak
	070504-01-000	FT	U-Channel - 65" - Light Brown
	069778-07-000	FT	U-Channel - 1" - Regal Oak
	072660-69-000	SY	Carpet - Rose Mist (Y21)
	072660-72-000	SY	Carpet (Y22)
	072660-82-000	SY	Carpet - Pearl Gray (Y23)
	065746-01-000	FT	Trim - J Molding - Carpet Wall Trim - Beige
	074045-01-000	EA	Plug - Oak - 5" Dia
	075249-01-000	EA	Rail Asm - Galley - 72" Plain
	076026-31-W13	EA	Trim - Valance - 2 5/8" x 12 7/16" - Regal Oak
	077840-14-W24	EA	Molding - Wallcap - 50" - Regal Oak
	086349-01-W13	EA	Trim - Ceiling Light - Regal Oak
	065738-02-000	EA	Trim Cove - Roof - 12"
	091255-02-000	FT	Seal Foam - Tape
	093070-01-01A	FT	Molding - Bath Tub Corner
	042356-01-000	EA	Plug - Button - 3/8" Dia - Mahogany
	052559-05-W13	FT	Trim Asm - Accent - Vinyl (Dineite Seal Back)

INTERIOR FINISH GROUP (CONTINUED)

CURTAIN HARDWARE

Key	Part Number	U/M	Description
	056116-01-000	EA	Track - Curtain - Brown - Plastic
	077046-01-000	EA	Track - Curtain - Front Wraparound - Passenger
	077046-02-000	EA	Track - Curtain - Front Wraparound - Driver
	091904-01-000	FT	Track - Curtain - Light
	077046-01-700	EA	Baton Asm - w/Strap - Wraparound
	077046-01-701	EA	Swivel Corner - Wraparound
	077046-01-702	EA	Lock Stop - Wraparound
	077046-01-704	EA	End Stop - Wraparound
	077046-01-705	EA	Master Corner - Left Wraparound
	077046-01-706	EA	Master Corner - Right Wraparound
	081381-01-000	EA	Swivel - Snap - Curtain Track
	055003-01-000	EA	Bracket - Drapery Retainer - Right
	055003-02-000	EA	Bracket - Drapery Retainer - Left
	055784-02-000	EA	Pull - Window Shade - Brass
	039175-02-000	EA	Bracket - Curtain Rod
	048334-01-000	YD	Tape Hook - 1" x 50 YD - Beige (Velcro)
	048335-01-000	YD	Tape Loop - 1" x 50 YD - Beige (Velcro)
	092139-01-000	EA	Bracket - Hold Down - Blind
	016604-02-000	EA	Brace - Seat - Angle - 2.50" Brown
	064434-01-000	EA	Bracket - Roller Shade
	067253-01-000	EA	Shade Pull - Clear Plastic
	075943-01-000	EA	Brace - Valance - Beige
	056792-01-000	YD	Velcro - 5/8" Hook - Non Adhesive
	088762-02-000	YD	Velcro - 3/4" Loop - Adhesive

**1989 WINNEBAGO
TABLE OF CONTENTS**

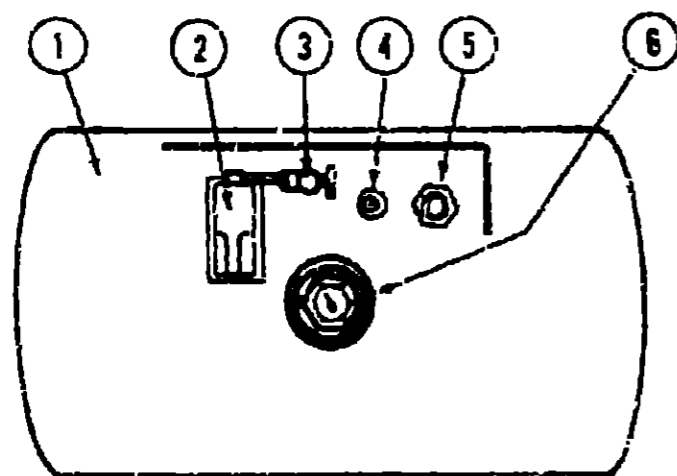
WC/JP34RU
WCP37RQ

A-01 - D-12
D-13 - H-06

1989 WCP37RQ INDEX

Floor Plan	D-13 - D-14
Accessories Group	D-15 - D-19
Bath Group	D-20 - D-21
Chassis Group	D-22 - E-03
Curtain, Cushion & Pad Group	E-04 - F-02
Dineite Group	F-03 - F-04
Driver's Compartment Group	F-05 - F-10
Electrical Group	F-11 - F-14
Exterior Body Group	F-15 - F-22
Galley Group	F-23 - G-02
Heating & Air Conditioning Group	G-03
Interior Finish Group	G-04 - G-06
LP Group	G-09
Lounge Group	G-10 - G-12
Water & Sewage Group	G-13 - G-14
Window, Vent & Exterior Door Group	G-15 - H-06

LP GROUP

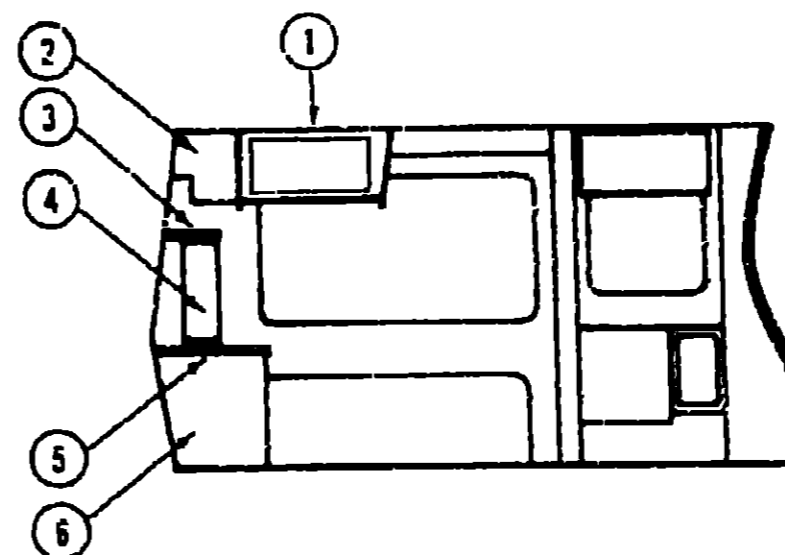


Date
From 8/9/88
Thru 8/10/88

Key	Part Number	U/M	Description
1	088253-03-000	EA	Tank Asm. - LP - Frame Mount - 100 Pound - 16" x 36"
1	088253-02-000	EA	Tank Asm. - LP - Frame Mount - 100 Pound - 16" x 36"
2	081938-01-000	EA	Compartment - LP Regulator
	076301-02-000	EA	Regulator - Two Stage - LP Gas
3	040421-01-703	EA	Valve - Vapor Relief
4	040421-01-700	EA	Gauge - Liquid Level - 20" LP
5	040421-01-701	EA	Valve - Filter - LP
	040421-01-702	EA	Cap - Plastic Fill Valve
6	040421-01-707	EA	Gauge - Float - w/Visible Dial
	040421-01-706	EA	Dial - Visible Face - Float Gauge (Tank w/o Electric Transmitter)
	045703-01-000	EA	Hose Asm. - LP - 3/8" I.D. x 24" - US
	045703-02-000	EA	Hose Asm. - LP - 3/8" I.D. x 24" - CSA
	065741-01-000	EA	Gauge - Diaphragm Pressure - Test Leak
	090933-01-000	EA	LP Leak Detector
	095612-01-000	EA	LP Leak Detector
	090976-01-000	EA	Valve - LP Safety - Between Regulator & Tank
	090976-02-000	EA	Valve - LP Safety - Between Regulator & Tank

Thru 1/1/89
From 1/2/89
Thru 1/2/89
From 1/3/89

LOUNGE GROUP



QUEEN BED

Key	Part Number	U/M	Description
1	M03110-92-Y21	EA	Cabinet Asm. - Rear Ceiling Overhead - w/o Doors or Hardware
	M88304-35-Y21	EA	Door Asm. - Rear Overhead - 12" x 29.1" - w/o Hardware
	059331-16-050	EA	Mirror - Safety Glass - 11.25" x 22.4"
2	M03110-90-Y21	EA	Cabinet Asm. - Backwall Overhead - w/o Doors or Hardware
	M88304-E4-Y21	EA	Door Asm. - Backwall Overhead - w/o Hardware
3	M03000-02-X19	EA	Countertop Asm. - Nightstand Cabinet - Upper Passenger
	M03000-04-X19	EA	Countertop Asm. - Nightstand Cabinet - Upper Drivers
4	M88304-E6-Y21	EA	Door Asm. - Nightstand Cabinet - 10.8" x 23.8" - w/o Hardware
5	M03000-05-X19	EA	Countertop Asm. - Nightstand - Lower Passengers
	M03000-05-X16	EA	Countertop Asm. - Nightstand - Lower Drivers
	M03000-06-X19	EA	Countertop Asm. - Nightstand (Radio Option) Lower
6	M85153-01-X19	EA	Cabinet Asm. - Nightstand - Passengers - w/o Countertop, Door, Drawer or Hardware
	M86108-01-X19	EA	Cabinet Asm. - Nightstand - Drivers - w/o Countertop, Door, Drawer or Hardware
	M86322-01-X19	EA	Cabinet Asm. - Nightstand - Drivers (Radio Option) w/o Countertop, Door, Drawer or Hardware
	M78921-04-W13	EA	Drawer Asm. - Nightstand Cabinet - w/o Hardware
	088254-01-000	EA	Catch - Magnetic
	057460-02-000	EA	Ball Stud - Gas Spring
	057460-03-000	EA	Safety Clip - Gas Spring
	057460-04-000	EA	Gas Spring
	086199-01-000	EA	Hinge Asm. - Bed
	084070-01-000	EA	Post - Center - Brass
	084070-02-000	EA	Post - End - Brass
	084071-02-000	EA	Rod - Brass - 12.4"
	037688-03-000	EA	Center Glide - Drawer
	054856-01-000	EA	Rail - Bed
	084357-01-W13	EA	T.V. Stand Asm.
	058331-10-000	EA	Mirror - T.V. Stand - 14" x 17"

1989 WINNEBAGO TABLE OF CONTENTS

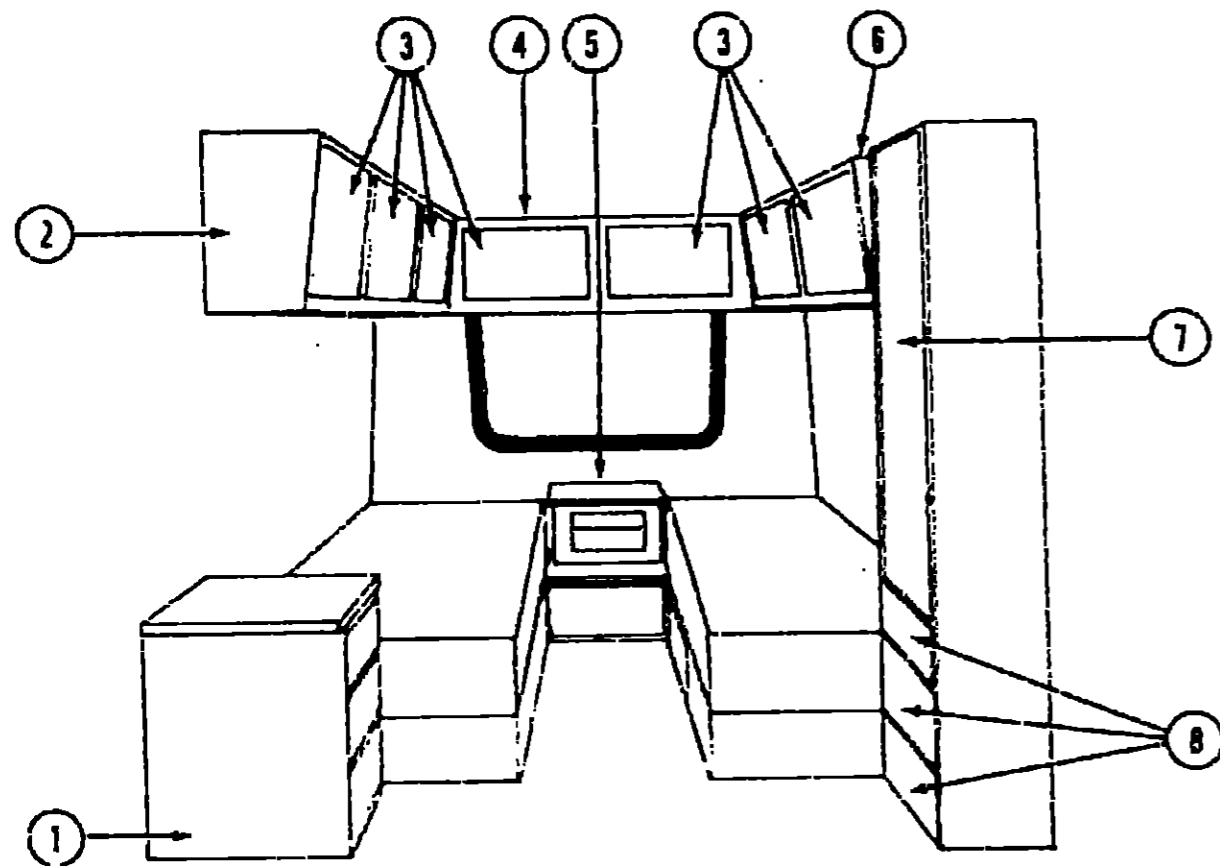
WC/JP34RU
WCP37RQ

A-01 - D-12
D-13 - H-06

1989 WCP37RQ INDEX

Floor Plan	D-13 - D-14
Accessories Group	D-15 - D-19
Bath Group	D-20 - D-21
Chassis Group	D-22 - E-03
Curtain, Cushion & Pad Group	E-04 - F-02
Dinette Group	F-03 - F-04
Driver's Compartment Group	F-05 - F-10
Electrical Group	F-11 - F-14
Exterior Body Group	F-15 - F-22
Galley Group	F-23 - G-02
Heating & Air Conditioning Group	G-03
Interior Finish Group	G-04 - G-08
LP Group	G-09
Lounge Group	G-10 - G-12
Water & Sewage Group	G-13 - G-14
Window, Vent & Exterior Door Group	G-15 - H-06

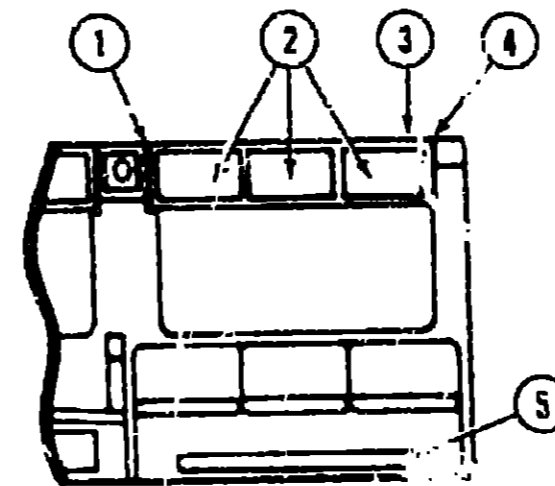
LOUNGE GROUP (CONTINUED)



TWIN BED OPTIONS

Key	Part Number	U/M	Description
1	M87831-01-X19	EA	Cabinet Asm. - Nightstand - w/o Countertop, Drawer, Door or Hardware
	M03000-14-X19	EA	Countertop Asm. - Nightstand Cabinet
	M78921-09-W13	EA	Drawer Asm. - Nightstand Cabinet - w/o Hardware
2	M03110-03-Y21	EA	Cabinet Asm. - Sidewall Overhead - w/o Doors or Hardware
	085468-03-X19	EA	Cap Asm. - Rear Passengers Overhead
3	M88304-49-Y21	EA	Door Asm. - Overhead - 12" x 21.9" - w/o Hardware
4	M03110-01-Y21	EA	Cabinet Asm. - Rear Overhead - w/o Doors or Hardware
5	M83441-01-X19	EA	Cabinet Asm. - Nightstand - w/o Countertop, Door or Hardware
	M02608-01-X19	EA	Countertop Asm. - Nightstand Cabinet - Bottom
	M02603-01-X19	EA	Countertop Asm. - Nightstand Cabinet - Top
	M88304-10-Y21	EA	Door Asm. - Nightstand Cabinet - 11.10" x 21.9" - w/o Hardware
6	M03110-05-Y21	EA	Cabinet Asm. - Overhead Cabinet - w/o Doors or Hardware
	085468-03-X19	EA	Cap Asm. - Rear Drivers Overhead
	M88304-47-Y21	EA	Door Asm. - Twin Bed Cabinet - 12" x 29.1" - w/o Hardware
7	M88304-48-Y21	EA	Door Asm. - Wardrobe - 12" x 48.3" - w/o Hardware
8	M78921-12-X19	EA	Drawer Asm. - Wardrobe Cabinet - w/o Hardware
	077404-02-000	EA	Drawer - Plastic - 20" x 12.7"
	037688-03-000	EA	Glide - Center - Drawer
	047744-01-000	EA	Kit - Drawer Glides
	081710-01-000	EA	Slide - Plastic Drawer
	054856-01-000	EA	Rail - Bed

LOUNGE GROUP (CONTINUED)



FRONT LOUNGE

Key	Part Number	U/M	Description
1	085468-02-X19	EA	End Cap Asm. - Front Lounge - Vinyl
2	M88304-38-Y21	EA	Door Asm. - Front Overhead - 12" x 18.7" - w/o Hardware
3	M03110-13-Y21	EA	Front Overhead Cabinet - w/o Doors or Hardware
4	085468-01-X19	EA	End Cap Asm. - Front Lounge Overhead - Vinyl
5	090405-01-X19	EA	Drawer Asm. - Couch
	064466-02-000	EA	Slide Asm. - Couch Drawer - Right
	034466-03-000	EA	Slide Asm. - Couch Drawer - Left
	084466-04-000	EA	Slide Asm. - Cabinet - Right
	084466-05-000	EA	Slide Asm. - Cabinet - Left
	076583-08-000	EA	Shell - Overhead - Tan

**1989 WINNEBAGO
TABLE OF CONTENTS**

WC/JP34RU
WCP37RQ

A-01 - D-12
D-13 - H-06

1989 WCP37RQ INDEX

Floor Plan	D-13 - D-14
Accessories Group	D-15 - D-19
Bath Group	D-20 - D-21
Chassis Group	G-22 - E-03
Curtain, Cushion & Pad Group	E-04 - F-02
Dinette Group	F-03 - F-04
Driver's Compartment Group	F-05 - F-10
Electrical Group	F-11 - F-14
Exterior Body Group	F-15 - F-22
Galley Group	F-23 - G-02
Heating & Air Conditioning Group	G-03
Interior Finish Group	G-04 - G-08
LP Group	G-09
Lounge Group	G-10 - G-12
Water & Sewage Group	G-13 - G-14
Window, Vent & Exterior Door Group	G-15 - H-06

WATER & SEWAGE GROUP

HOLDING TANKS & WATER HEATERS

Key	Part Number	U/M	Description
	085189-02-000	EA	Tank Asm. - Water - 70 Gallon - w/Fittings (Queen Bed)
	085189-03-000	EA	Tank Asm. - 70 Gallon - w/Fittings (Twin Bed)
	085159-01-000	EA	Tank Asm. - Water - 70 Gallon - w/o Fittings
	089992-01-000	EA	Tank - Holding - 21 Gallon - w/o Fittings - Main
	089993-01-000	EA	Tank - Holding - 31 Gallon - w/o Fittings - Auxiliary #1
	089994-01-000	EA	Tank - Holding - 33 Gallon - w/o Fittings - Auxiliary #2
	081240-01-000	EA	Water Fill - Lockable - Beige
	087659-02-000	EA	Water Fill - Cry - Beige
**	051393-01-000	EA	Water Heater - Direct Ignition - Atwood - GH6-3E
**	The illustrated parts breakdown for this item is provided on the Common Items Fiche.		

PLUMBING & REPAIR PARTS

Key	Part Number	U/M	Description
	044927-01-000	EA	Adapter - Plastic - 1 1/4" MPT x 1 1/4" Bar
	010326-01-000	EA	Adapter - Flare - w/Cone Gasket
	062422-01-000	EA	Adapter - Hose Offset - Reducer - 3" x 1 1/2"
	052954-01-000	EA	Adapter - Hose Cone - 3/8 or 1/2 - Plastic
	089330-01-000	EA	Adapter - Sewer Hose
	079317-01-000	EA	Adapter - Swivel - 5" Tube x .5" FPT
	062415-01-000	EA	Cap - Sewer - 3"
	082144-02-000	EA	Cap - Pipe 1/2" FPT - Brass - Hex
	052959-02-000	EA	Connector - Plastic - 1/2" F x 1/2" MPT
	052959-03-000	EA	Connector - 1/2" F x 3/8" MPT - Plastic
	011091-02-000	EA	Continuous Waste - Double Sink - 11 7/8" - US
	078406-01-000	EA	Coupler Rubber - 3" x 3"
	052960-01-000	EA	Drain Valve - 1/2 F x 1/2 F - Plastic
	037101-02-000	EA	Elbow Plastic - 1/4" BD Vent 1 1/2" H
	010000-01-000	EA	Elbow - Plastic - 1/8 BD x 1 1/4 x 45° H x H
	010005-01-000	EA	Elbow - Plastic - 1/8 BD x 1 1/2" x 2 1/2"
	010006-01-000	EA	Elbow - Plastic - 1/8 BD x 1 1/2 x 45° H x H
	010008-01-000	EA	Elbow - Plastic - 1/4 BD x 1 1/2 x 90° Left
	070924-01-000	EA	Elbow - Plastic - Swivel - 1/2" x 1/2"
	052957-01-000	EA	Elbow - Plastic - 1/2 F x 3/8 MPT
	052957-02-000	EA	Elbow - Plastic - 1/2 F x 1/2 MPT (In Tank Filter)
	035539-01-000	EA	Elbow - Plastic - 3/8" MPT x 3/8 BARB
	065120-01-000	EA	Elbow - Plastic - Swivel - .50
	033761-01-000	EA	Elbow - Plastic - 1/4" BD 1 1/2" x 90 x LT
	010051-01-000	EA	Elbow - Plastic - ST - 1/8" BD 1 1/2" x 45
	077954-01-000	EA	Filter/Screen (In Water Tank)
	063541-01-000	EA	Flange - Closet - Red - 4 F x 3" FPT
	010147-01-000	EA	Flange - Closet - 4" F x 3" FPT - US
	010147-02-000	EA	Flange - Closet - 4" F x 3" FPT - CSA
	079381-01-000	FT	Flexible Tubing - 1 1/4 ID x 10'
	061607-01-000	EA	Grommet - Holding Tank Coupler - 1 1/2"
	061607-02-000	EA	Grommet - Holding Tank Coupler - 3"
	052961-01-000	EA	Header - 1/2 F x 1/2 F x 1/2 F x 1/2 F
	052961-02-000	EA	Header - 1/2 MPT x 1/2 F x 1/2 F - Plastic
	062416-01-000	EA	Hose Adapter - 3"
	052952-01-000	EA	Nut - Faucet 1/2 F - Plastic
	052953-01-000	EA	Nut - Faucet - 1/2 Tube x 1/2 FPT - Plastic
	011066-03-000	EA	P-Trap - 1 1/4" Plastic - US
**	011066-02-000	EA	P-Trap - 1 1/4" Plastic - CSA
	053325-01-000	EA	P-Trap - 1 1/4" Plastic - w/Union
	049032-01-000	EA	Patch - Spinweld - Plastic - 3/8"
	010197-01-000	EA	Pipe - Plastic - 3" x 240" - Black

WATER & SEWAGE GROUP (CONTINUED)

PLUMBING & REPAIR PARTS (CONT.)

Key	Part Number	U/M	Description
	045729-01-000	EA	Pump - Water - 2.8 G.P.M. - Direct Drive - Shurflo - US
	045729-02-000	EA	Pump - Water - 2.8 G.P.M. - Direct Drive - Shurflo - CSA
**	010201-01-000	EA	Sewer Hose - 3" x 8' w/Clamp
	010201-02-000	EA	Sewer Hose - 3" x 20'
	042989-02-000	EA	Spinweld Fittings - Plastic - 1/2 FPT (In Tank Filter)
	042989-03-000	EA	Spinweld Fittings - Plastic - 1/4 NPT
	042989-04-000	EA	Spinweld Fittings - Plastic - 3/8 FPT
	042989-05-000	EA	Spinweld Fittings - Plastic - 1/2 FPT
	011069-02-000	EA	Tailpiece - 1 1/2" x 1 1/4" x 4" - Brass
	010071-01-000	EA	Tee - Plastic - 1 1/2 H x H x H
**	010079-01-000	EA	Tee - Plastic - 1 1/2 H x 1 1/2 H x 1 1/4 H
	052955-01-000	EA	Tee - Plastic - 1/2 F x 1/2 F x 1/2 MPT
	052956-01-000	EA	Tee - Plastic - 1/2 F x 1/2 MPT x 1/2 F
	052959-01-000	EA	Tee - Plastic - 1/2 F x 1/2 F x 1/2 F
	074463-01-000	EA	Tee - 4 Way - 1/2" Flare
	039900-01-000	FT	Tubing - Polybutyl - 1/2 O.D. (Water Line)
	079381-01-000	FT	Tubing - Flexiote - Smooth - 1.25 I.D.
	074462-02-000	FT	Tubing - Vinyl - 3/8 I.D.
	062421-01-000	EA	Valve - 1 1/2" - w/Handle
	082696-01-000	EA	Valve - Waste - 3"
	052960-01-000	EA	Valve - Line Drain - 1/2 F x 1/2 F
	010073-01-000	EA	Wye - Plastic - 1 1/2 x 45 H x H
	079958-01-000	EA	Vent - Mechanical Trap Arm
**	The illustrated parts breakdown for this item is provided on the Common Items Fiche.		

**1989 WINNEBAGO
TABLE OF CONTENTS**

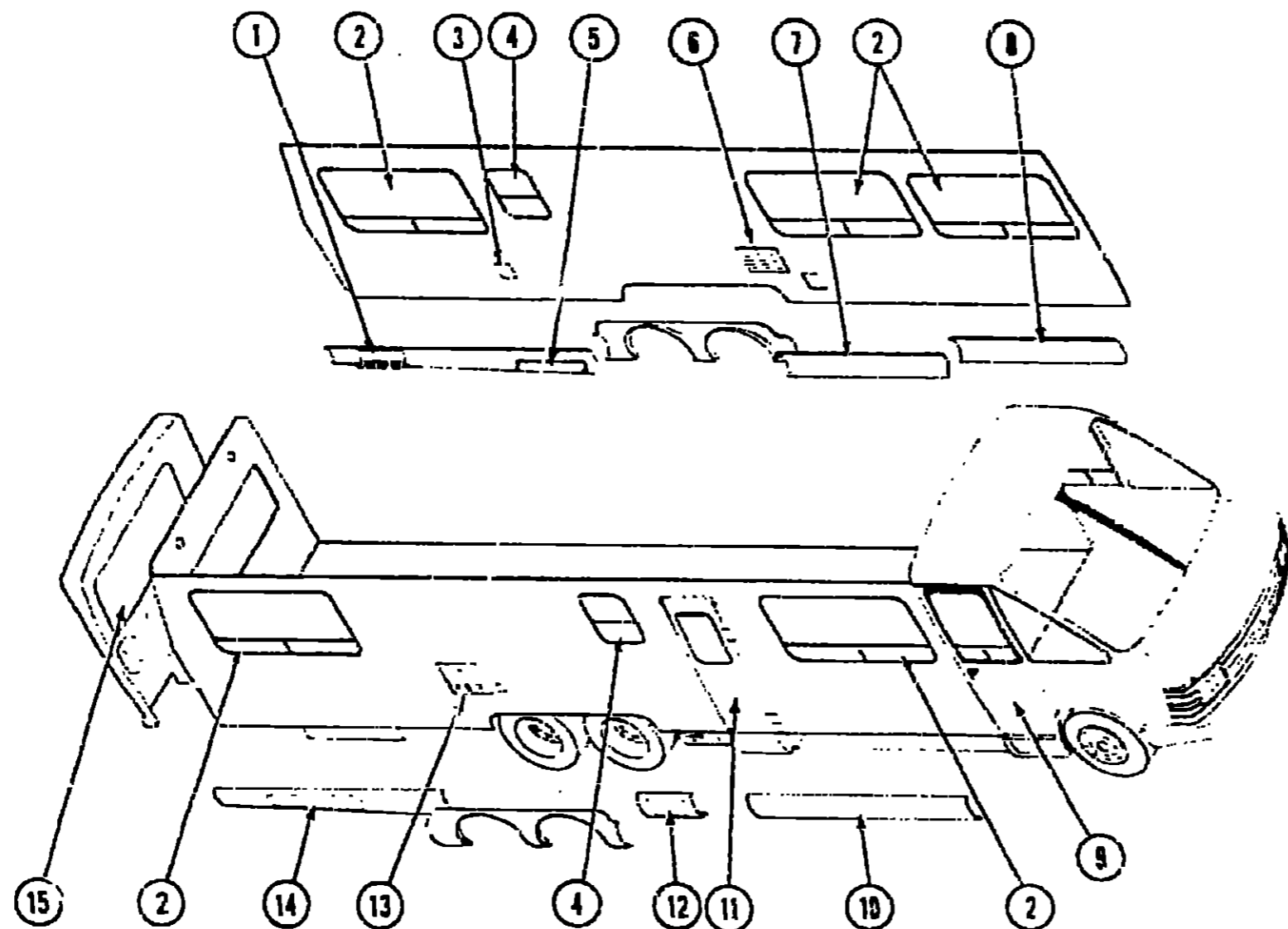
WC/JP34RU	A-01 - D-12
WCP37RQ	D-13 - H-06

1989 WCP37RQ INDEX

Floor Plan	D-13 - D-14
Accessories Group	D-15 - D-19
Bath Group	D-20 - D-21
Chassis Group	D-22 - E-03
Curtain, Cushion & Pad Group	E-04 - F-02
Dinette Group	F-03 - F-04
Driver's Compartment Group	F-05 - F-10
Electrical Group	F-11 - F-14
Exterior Body Group	F-15 - F-22
Galley Group	F-23 - G-02
Heating & Air Conditioning Group	G-03
Interior Finish Group	G-04 - G-08
LP Group	G-09
Lounge Group	G-10 - G-12
Water & Sewage Group	G-13 - G-14
Window, Vent & Exterior Door Group	G-15 - H-06

WINDOW, VENT & EXTERIOR DOOR GROUP

WINDOW & ACCESS DOORS



1989 WINNEBAGO TABLE OF CONTENTS

WC:JP34RU
WCP37RO

A-01 - D-12
D-13 - H-06

1989 WCP37RQ INDEX

Floor Plan	D-13 - D-14
Accessories Group	D-15 - D-19
Bath Group	D-20 - D-21
Chassis Group	D-22 - E-03
Curtain, Cushion & Pad Group	E-04 - F-02
Dinette Group	F-03 - F-04
Driver's Compartment Group	F-05 - F-10
Electrical Group	F-11 - F-14
Exterior Body Group	F-15 - F-22
Galley Group	F-23 - G-02
Heating & Air Conditioning Group	G-03
Interior Finish Group	G-04 - G-08
LP Group	G-09
Lounge Group	G-10 - G-12
Water & Sewage Group	G-13 - G-14
Window, Vent & Exterior Door Group	G-15 - H-06

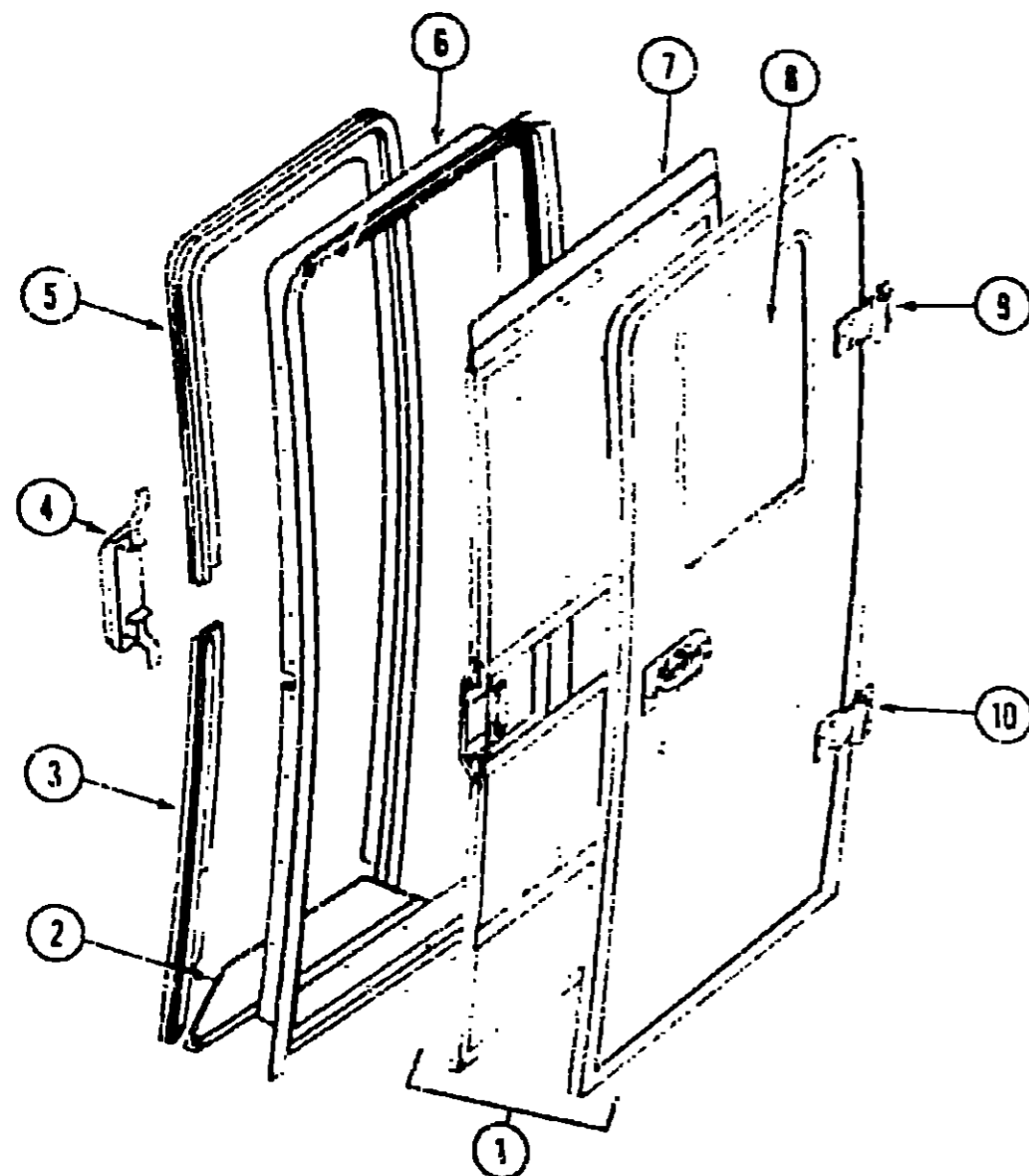
Date	Key	Part Number	U/M	Description
	1	055040-01-W13	EA	Door Asm. - Generator
	2	085354-04-X11	EA	Window Asm. - Double
		085353-10-X11	EA	Window Asm. - Single (Used w/Tv in Bed Option)
	3	078010-01-000	EA	Door Asm. - Fuel Fill
	4	085353-07-W07	EA	Window Asm. - Single
	5	089079-03-000	EA	Door Panel - Sewage Dump Compartment
	6	084103-01-000	EA	Door - Vent - Refrigerator
		084104-01-000	EA	Jamb - Vent Door - Refrigerator
	7	085037-03-W13	EA	Door Asm. - Valance - Left Center
	8	085037-02-W13	EA	Door Asm. - Valance - Left Front
	9	M01595-09-Y21	EA	Door Asm. - Passengers - Beige
		M01596-09-Y21	EA	Door Asm. - Drivers - Beige
	10	085037-01-W13	EA	Door Asm. - Valance - Right Front
	11	M84385-02-Y21	EA	Door Asm. - Entrance - w/Power Lock
	12	085031-01-X19	EA	Door Asm. - LP Access - Right Center
	13	052009-02-000	EA	Door Asm. - Water Heater
	14	085034-01-W13	EA	Door Asm. - Valance - Right Rear
	15	087985-03-W13	EA	Window Asm. - Escape - Rear
	15	087985-04-Y12	EA	Window Asm. - Escape - Rear

* Used in Twin Bed Option, Left Sidewall

Thru 10/31/88
From 11/1/88

WINDOW, VENT & EXTERIOR DOOR GROUP (CONTINUED)

ENTRANCE DOOR



Key	Part Number	U/M	Description
1	M84385-02-Y2	EA	Door Asm. - Entrance
2	066905-01-000	EA	Trim - Entrance Door - Lower
3	M01670-03-W13	EA	Trim - Entrance Door - Upper - Beige - w/Roller Catch
4	085739-01-000	EA	Cover - Strike - Light Oak
5	M01671-03-W13	EA	Trim - Entrance Door
6	076947-03-000	EA	Jamb Asm. - Entrance Door
7	084389-01-W13	EA	Screen Door - Complete
	095276-01-000	EA	Slider - Screen Door - Light Oak Plastic
	002293-02-000	SF	Screen - 26" Charcoal
	076912-03-000	EA	Insert - Screen Door - Lower
	076914-06-000	EA	Insert - Screen Door - Center
	009016-01-000	EA	Catch - Elbow - Spring Loaded
	009018-01-000	EA	Catch - Single Roller
	077437-01-000	EA	Strike - Screen Door
	076231-01-000	EA	Spacer - Screen Door - Latch
	076856-01-000	EA	Plate - Screen Door
	002294-01-000	FT	Spline - Screen Door - Black
	084098-01-000	EA	Transition Frame - Screen Door - Beige
8	079733-01-003	EA	Window Asm. - Picture (w/o inside frame)
	067609-03-000	EA	Inside Frame - Beige (not included in assembly)

Key	Part Number	U/M	Description
	002181-06-000	EA	Glass - .115" x 16.25" x 24"
	087561-01-000	FT	Spline - Glass - 1/8 Material - Black
	069637-02-000	EA	Sealer - 3M EC5510
9	084097-01-000	EA	Hinge Asm. - Upper - Beige
10	084096-01-000	EA	Hinge Asm. - Lower - Beige
	073090-03-000	FT	Seal - Entrance Door
	076725-01-000	EA	Cover - Access - Door Handle
	076809-01-000	EA	Gasket - Hinge - Jamb
	085739-01-000	EA	Cover - Striker - Beige
	089450-01-000	EA	Cover - Hinge - Entrance Door
	076810-01-000	EA	Gasket - Door: Hinge
	009126-02-000	EA	Assist Handle - Black
	073303-01-000	EA	Latch Asm. - Inner
	076728-01-000	EA	Panel Trim - Light Oak Plastic
	R77007-05-374	EA	Gasket - Exterior Door Handle
	R77040-01-538	EA	Handle - Exterior Door
	R77005-50-261	EA	Handle - Interior - Right Door
	073104-01-000	EA	Escutcheon - Door Handle
	R77013-46-168	EA	Lock Bolt - Right
	R77007-51-201	EA	Cylinder & Key Set
	R77010-21-753	EA	Key Blank
	R77007-56-701	EA	Plate - Door Lock
	R77006-65-924	EA	Key & Tumbler (1 only)
	045017-01-701	EA	Key Blank (Deadbolt)
	082205-01-000	EA	Deadbolt - Press Fit - 5"
	079173-01-000	EA	Gasket - Deadbolt - Exterior
	R77030-67-257	EA	Spline Pin
	080953-01-000	EA	Arm - Lock Control
	073111-01-000	EA	Rod - Latch
	073110-01-000	EA	Rod - Lock
	R77005-64-355	EA	Linch - Control
	073303-02-000	EA	Latch Asm. - Inner - Right
	073093-01-000	EA	Support Asm. - Latch - Beige
	R77007-04-136	EA	Bracket - Lock
	053729-04-000	EA	Nut - 10-32 UNF
	076937-07-000	EA	Trim - Door - Upper
	076909-01-000	EA	Trim - Door - Lower
	076231-01-000	EA	Spacer - Latch - Screen Door
	075673-01-000	FT	Seal - Pile - A.D.H. Back
	076907-07-000	EA	Trim - Upper Door - Beige
	076906-01-000	EA	Trim - Lower Door - Beige
	077222-01-000	EA	Spring - Wire Guard - Door
	081915-01-000	EA	Motor - Electric Door Lock
	081915-02-000	EA	Bracket - Motor - Electric Door Lock
	081993-02-000	EA	Rod - Motor Control - Electric Lock
	083551-01-000	EA	Seal - Sponge - Lazy T Shape
	084406-01-000	EA	Nut - Capped - Cross Recessed - Black
	090340-01-000	FT	Seal - Closed Cell Foam
	091968-01-000	FT	Adhesive - Tape - .04" x .50"
	091966-02-000	FT	Adhesive - Tape - .04" x 1.5"
	091876-01-000	EA	Retainer - Door
	053552-02-W24	EA	Handle - Assist Interior

1989 WINNEBAGO TABLE OF CONTENTS

WC/JP34RU
WCP37RO

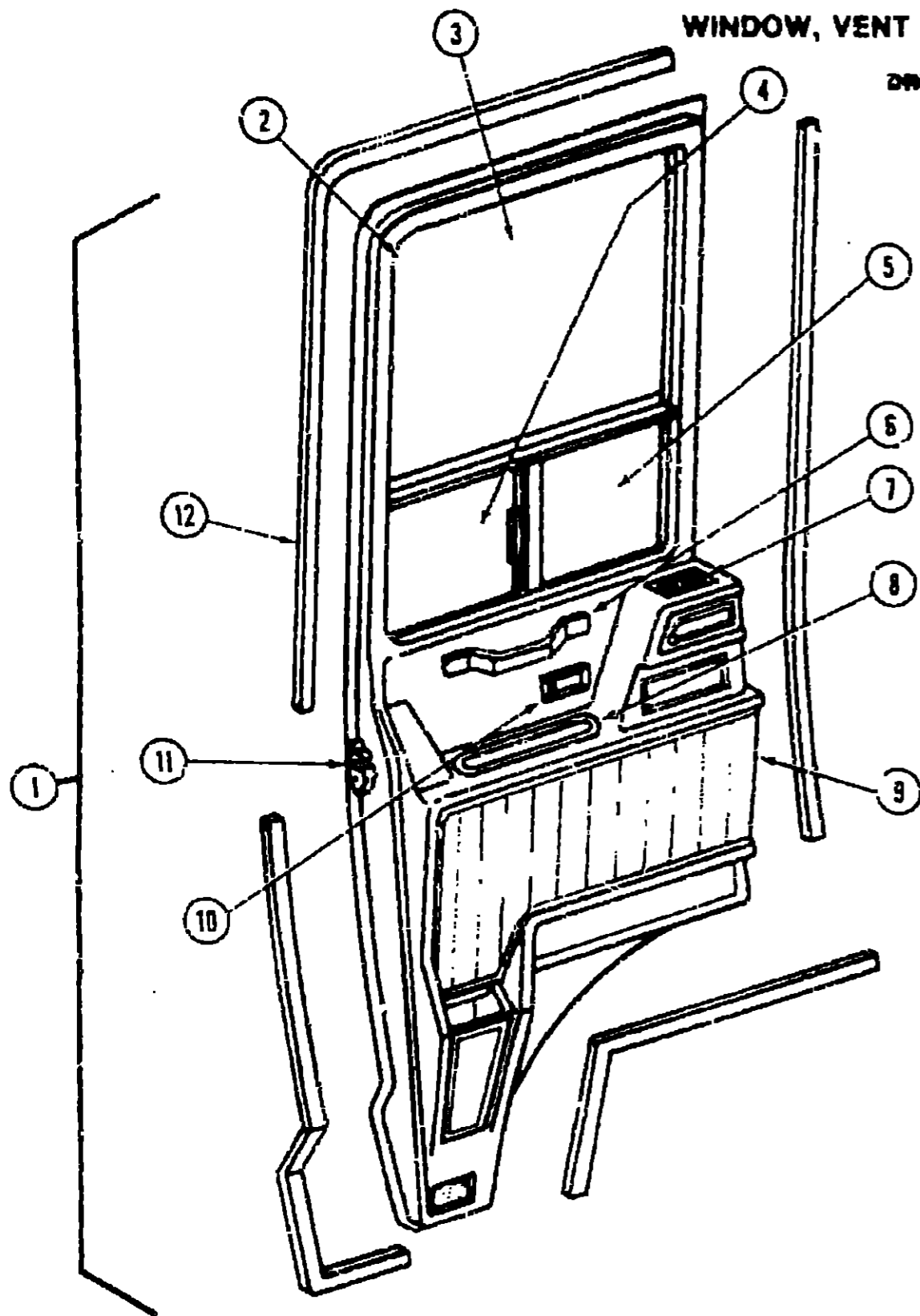
A-01 - D-12
D-13 - H-06

1989 WCP37RO INDEX

Floor Plan	D-13 - D-14
Accessories Group	D-15 - D-19
Bath Group	D-20 - D-21
Chassis Group	D-22 - E-03
Curtain, Cushion & Pad Group	E-04 - F-02
Dinette Group	F-03 - F-04
Driver's Compartment Group	F-05 - F-10
Electrical Group	F-11 - F-14
Exterior Body Group	F-15 - F-22
Galley Group	F-23 - G-02
Heating & Air Conditioning Group	G-03
Interior Finish Group	G-04 - G-08
LP Group	G-09
Lounge Group	G-10 - G-12
Water & Sewage Group	G-13 - G-14
Window, Vent & Exterior Door Group	G-15 - H-06

WINDOW, VENT & EXTERIOR DOOR GROUP (CONTINUED)

DRIVERS & PASSENGER CAB DOOR



Key	Part Number	UM	Description
1	M01596-09-Y21	EA	Door Asm. - Drivers
	M01595-09-Y21	EA	Door Asm. - Passengers
2	M78469-01-000	EA	Window Asm. - Passengers Door - w/Support
	M78469-02-000	EA	Window Asm. - Drivers Door - w/Support
3	077209-01-000	EA	Inside Frame Asm. - Window - Passenger
	077209-02-000	EA	Inside Frame Asm. - Window - Driver
4	077036-03-000	EA	Glass - 19" x 26.9" x 22" - Passenger
	077036-02-000	EA	Glass - 19" x 28.9" x 22" - Driver
5	078379-01-000	EA	Glass - 19" x 15" x 9.3" - w/Hole
	078378-01-000	EA	Glass - 19" x 15" x 9.3"

Key	Part Number	UM	Description
	077224-03-000	EA	Window Mullion - Horizontal - Passenger
	077224-04-000	EA	Window Mullion - Horizontal - Driver
	077226-02-000	EA	Window Mullion - Vertical - Passenger Door
	077226-01-000	EA	Window Mullion - Vertical - Driver Door
	M02389-53-001	EA	Seal Holder - w/Fin Seal
	042077-01-000	FT	Channel - Weatherstrip - Glass
	024096-02-000	EA	Seal - Window Channel
	050216-02-000	EA	Spine - Vinyl Glass - .19 Black
6	061400-04-000	EA	Assist Strap - 12" - Black w/Woodgrain
7	076783-01-000	EA	Louver/Bezel Asm. - Black - 2"
	075671-01-000	FT	Sponge Seal - Lazy T Shape
	076542-01-000	EA	Control Rod - Right Hand Latch
	076543-01-000	EA	Control Rod - Right Hand Lock
	076542-02-000	EA	Control Rod - Left Hand Latch
	076543-02-000	EA	Control Rod - Left Hand Lock
	077167-01-000	EA	Door Prop Rod - Passenger
	077167-02-000	EA	Door Prop Rod - Drivers
8	077118-03-000	EA	Storage Tray - Door Panel - Beige
	077179-01-000	EA	Hose Adapter - 2" - Snap In
	077000-01-000	EA	Socket Asm. - w/8" Pigtail Leads
9	077117-05-000	EA	Door Panel - Front Inner - Driver
	077117-05-000	EA	Door Panel - Front Inner - Passenger
	063885-03-000	EA	Assist Handle - Beige Steel Tube
10	R77005-50-261	EA	Door Handle - Interior - Right
10	R77005-50-326	EA	Door Handle - Interior - Left
	R77040-01-538	EA	Door Handle - Exterior
	R77007-05-374	EA	Gasket - Door Handle - Exterior
11	R77007-56-701	EA	Latch Asm. - Right
11	R77007-55-702	EA	Latch Asm. - Left
	R77007-62-747	EA	Latch Asm. - Inner - Right
	R77007-62-746	EA	Latch Asm. - Inner - Left
12	076615-01-000	FT	Seal - Entrance Door (Glue On)
	R77007-04-135	EA	Lock Bracket
	080963-01-000	EA	Arm - Lock Control
	R77030-67-257	EA	Spine Pin
	R77007-51-201	EA	Cylinder & Key (Set of 3)
	R77005-55-924	EA	Cylinder & Key (Set of 1)
	R77010-21-758	EA	Key Blank
	R77015-49-179	EA	Switch - Dome Light - Door Jamb
	R77005-64-355	EA	Control Link
	077429-01-000	EA	Bracket Asm. - Door Catch - Passengers
	077429-02-000	EA	Bracket Asm. - Door Catch - Drivers
	064580-02-000	EA	Check Strap - Front Door - 7"
	064219-01-000	EA	Retainer - Check Strap - Front Door
	R77013-48-165	EA	Striker - Door - Left
	R77013-48-166	EA	Striker - Door - Right
	081632-01-000	FT	Sub Seal - Cab Door - w/Wire Channel
	075245-03-000	EA	Hinge - Cab Door
	081905-01-000	EA	Control Knob (Lock/Unlock) Right
	081905-02-000	EA	Control Knob (Lock/Unlock) Left
	R77007-56-702	EA	Lock Bolt - Drivers
	R77007-56-701	EA	Lock Bolt - Passengers
	090351-01-000	EA	Switch - Door Lock
	083678-01-000	EA	Rod - Slide Bolt - Passengers
	083678-02-000	EA	Rod - Slide Bolt - Drivers
	083677-01-000	EA	Bearing Plate
	081993-02-000	EA	Control Rod - Motor - Lock - 2.1"
	081915-01-000	EA	Motor - Electric Door Lock

1989 WINNEBAGO TABLE OF CONTENTS

WC/JP34RU
WCP37RQ

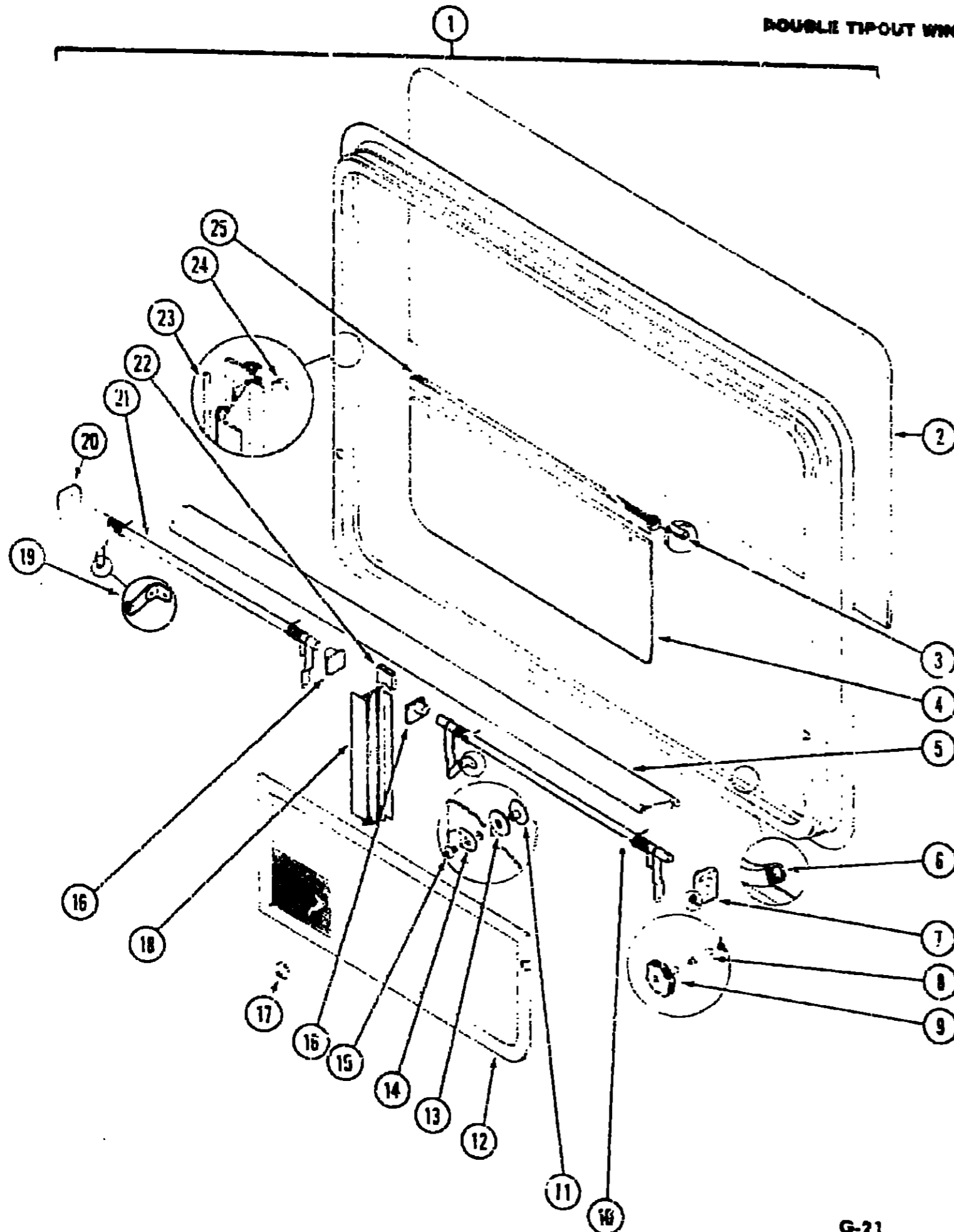
A-01 - D-12
D-13 - H-06

1989 WCP37RQ INDEX

Floor Plan	D-13 - D-14
Accessories Group	D-15 - D-19
Bath Group	D-20 - D-21
Chassis Group	D-22 - E-03
Curtain, Cushion & Pad Group	E-04 - F-02
Dinette Group	F-03 - F-04
Driver's Compartment Group	F-05 - F-10
Electrical Group	F-11 - F-14
Exterior Body Group	F-15 - F-22
Galley Group	F-23 - G-02
Heating & Air Conditioning Group	G-03
Interior Finish Group	G-04 - G-06
LP Group	G-09
Lounge Group	G-10 - G-12
Water & Sewage Group	G-13 - G-14
Window, Vent & Exterior Door Group	G-15 - H-06

WINDOW, VENT & EXTERIOR DOOR GROUP (CONTINUED)

DOUBLE TIP-OUT WINDOW



Key	Part Number	U/M	Description
1	065354-04-X11	EA	Window Asm. - Double Tipout - 61 1/2" x 47 1/2" inside frame)
	061822-11-000	EA	Inside Frame - Black (not included in assembly)
2	081223-17-000	CA	Glass - 1/8" x 61 7/8" x 23" - Stationary
3	081357-01-000	FT	Foam Seal - Vinyl
4	084068-08-000	EA	Glass - 1/8" x 32 1/4" x 30 3/4" - Tipout
5	082563-52-001	EA	Mullion - Horizontal - Black
	000G39-05-16T	EA	Screw - SF/DR - 6 - 20 x 1.00 PPH (Mullion - 4 Required)
	076778-03-000	EA	Rivet - Plastic - Pin Drive - Black (2 Required)
6	084067-01-000	FT	Seal - "e" - Sponge Rubber
7	035302-01-000	EA	Operator Drive - Right
8	090025-01-000	EA	Extension - Window Knob (not included in assembly)
9	067052-02-000	EA	Knob - Beige (not included in assembly)
	089371-01-000	EA	Screw - Window Knob (not included in assembly)
10	063228-03-000	EA	Torque Tube Asm. - Right
11	086762-01-000	EA	T-Nut - 10-32
12	084581-01-W07	EA	Screen Asm. - Tipout - Right
	084581-02-W07	EA	Screen Asm. - Tipout - Left
	002293-02-000	SF	Screen - 26" - Window
	002298-02-000	FT	Spine - .130" Dia. - Charcoal (Screen)
13	068927-03-000	EA	Seal - Rubber - .12" x 25" I.D. x 80" O.D.
14	084473-01-000	EA	Seal - Rubber - "D" Shaped
15	086762-01-000	EA	Screw - #10 - 32 x 1/4" PTH
16	081354-01-000	EA	Sleeve - Window Torque Tube
17	081243-01-000	EA	Clip - Plastic - Screen (4 Required)
	000G12-06-08T	EA	Screw - #6 - 20 x .50" PDH - Black
18	084192-52-001	EA	Mullion - Vertical - Black
	000G39-08-038	EA	Screw - #8 x 18 x 1/2 PPH (Mullion - 4 Required)
19	097578-01-000	EA	Connecting Rod Asm.
	085316-01-000	EA	Washer - Wave - .44 O.D. 32 I.D.
	081649-01-000	EA	Snap Ring - 7/32 Shaft
20	035302-02-000	EA	Operator Drive - Left
21	063227-03-000	EA	Torque Tube Asm. - Left
22	084055-01-000	FT	Bulb Seal - Double - Sponge Rubber
23	069540-06-000	FT	Seal - 5/16" x 15" (not included in assembly)
24	083160-01-000	FT	Seal - Vinyl Glazing
25	084155-09-000	EA	Hinge - Tipout Window - Black

1989 WINNEBAGO TABLE OF CONTENTS

WCP37RU
WCP37RQ

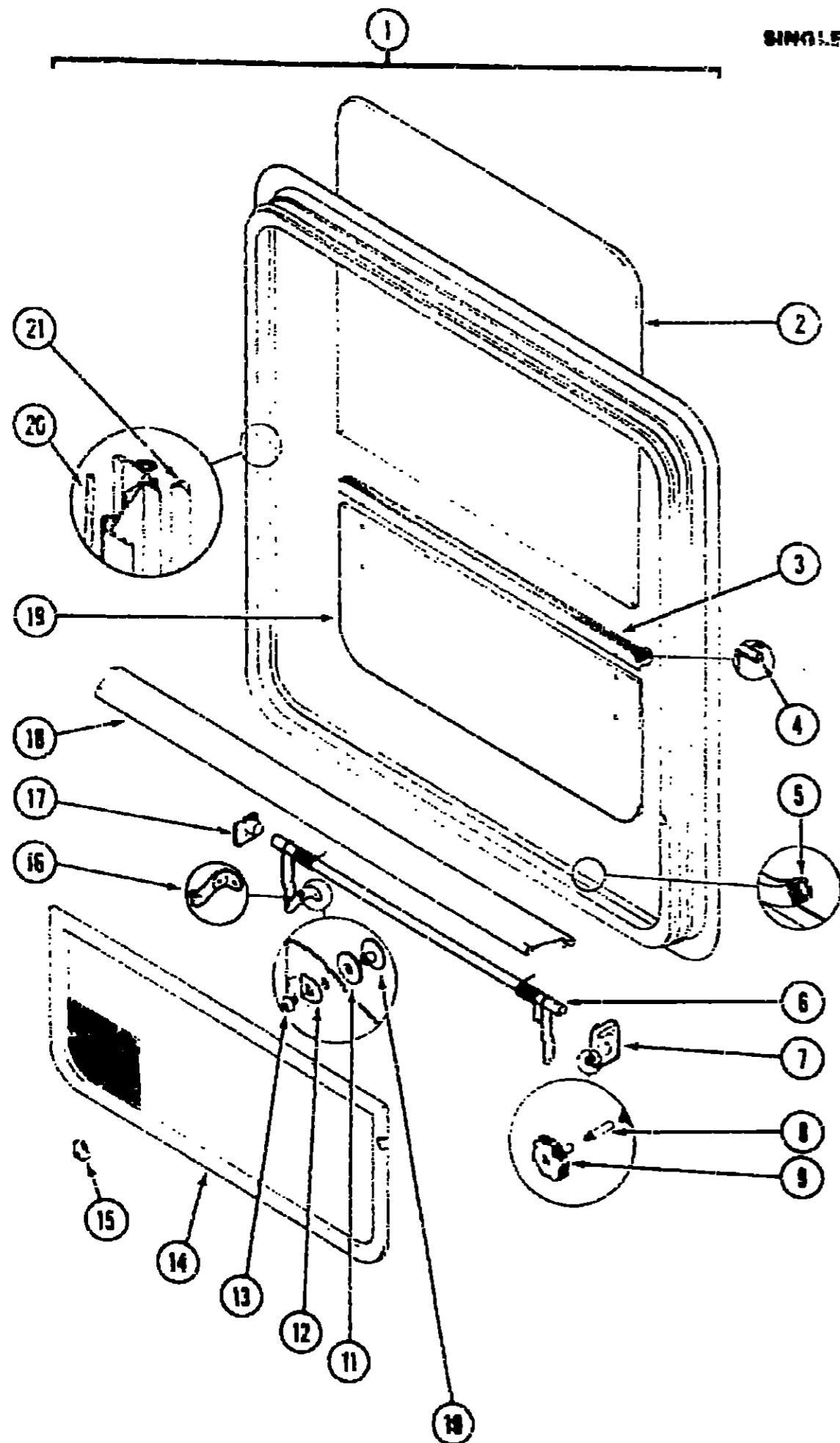
A-01 - D-12
D-13 - H-06

1989 WCP37RQ INDEX

Floor Plan	D-13 - D-14
Accessories Group	D-15 - D-19
Bath Group	D-20 - D-21
Chassis Group	D-22 - E-03
Curtain, Cushion & Pad Group	E-04 - F-02
Dinette Group	F-03 - F-04
Driver's Compartment Group	F-05 - F-10
Electrical Group	F-11 - F-14
Exterior Body Group	F-15 - F-22
Galley Group	F-23 - G-02
Heating & Air Conditioning Group	G-03
Interior Finish Group	G-04 - G-08
LP Group	G-09
Lounge Group	G-10 - G-12
Water & Sewage Group	G-13 - G-14
Window, Vent & Exterior Door Group	G-15 - H-06

WINDOW, VENT & EXTERIOR DOOR GROUP (CONTINUED)

SINGLE TIPOUT WINDOW



Key	Part Number	U/M	Description
1	085353-07-W07	EA	Window Asm. - Single Tipout - 24.6" x 24.9" (w/o inside frame)
	081822-04-000	EA	Inside Frame - Black (not included in assembly)
2	081239-05-000	EA	Glass - 14.6" x 24.25" - Stationary
3	059913-01-000	EA	Hinge - Tipout Window - Black
4	091357-01-000	FT	Seal Foam - Vinyl
5	084067-01-000	FT	Seal - "e" - Sponge Rubber
6	083150-05-000	EA	Torque Tube Asm.
7	035302-02-000	EA	Operator Drive - Left
8	009439-06-000	EA	Extension - .900" - Black (not included in assembly)
9	009439-05-000	EA	Knob - Window Crankout - Black (not included in assembly)
	009439-07-000	EA	Screw - 8/32" x 1 1/4" POH - Black (not included in assembly)
10	025762-01-000	EA	T-Nut - 10-32
11	065927-03-000	EA	Seal - Rubber - .12" x 25" I.D. x 50" O.D.
12	084473-01-000	EA	Seal - Rubber - "D" Shaped
13	085763-01-000	EA	Screw - #10 - 32 x 1 1/4" PTH
14	084520-04-W07	EA	Screw Asm. - Tipout Window - Single
	032293-02-000	SF	Screen - Window - 28" - Charcoal
	002295-02-000	FT	Spline - .130" D.a. - Charcoal (Screen)
15	091243-01-000	EA	Screen Clip - Plastic - Black
	000G12-02-08T	EA	Screw - #6 - 20 x .50" POH - Black
16	097575-01-000	EA	Connecting Rod Asm.
	085316-01-000	EA	Washer - Wave - .44 O.D. 32 I.D.
	081649-01-000	EA	Snap Ring - 7/32 Shaft
17	091354-01-000	EA	Sleeve - Window Torque Tube
18	082563-52-001	EA	Mullion - Horizontal - Black
19	094058-02-000	EA	Glass - 9.24" x 24.13" - Tipout
20	069540-06-000	FT	Seal - 5/16" x 1 1/2" (not included in assembly)
21	083150-01-000	FT	Seal - Vinyl Cracking

1989 WINNEBAGO TABLE OF CONTENTS

WC JF34RU
WCP37RQ

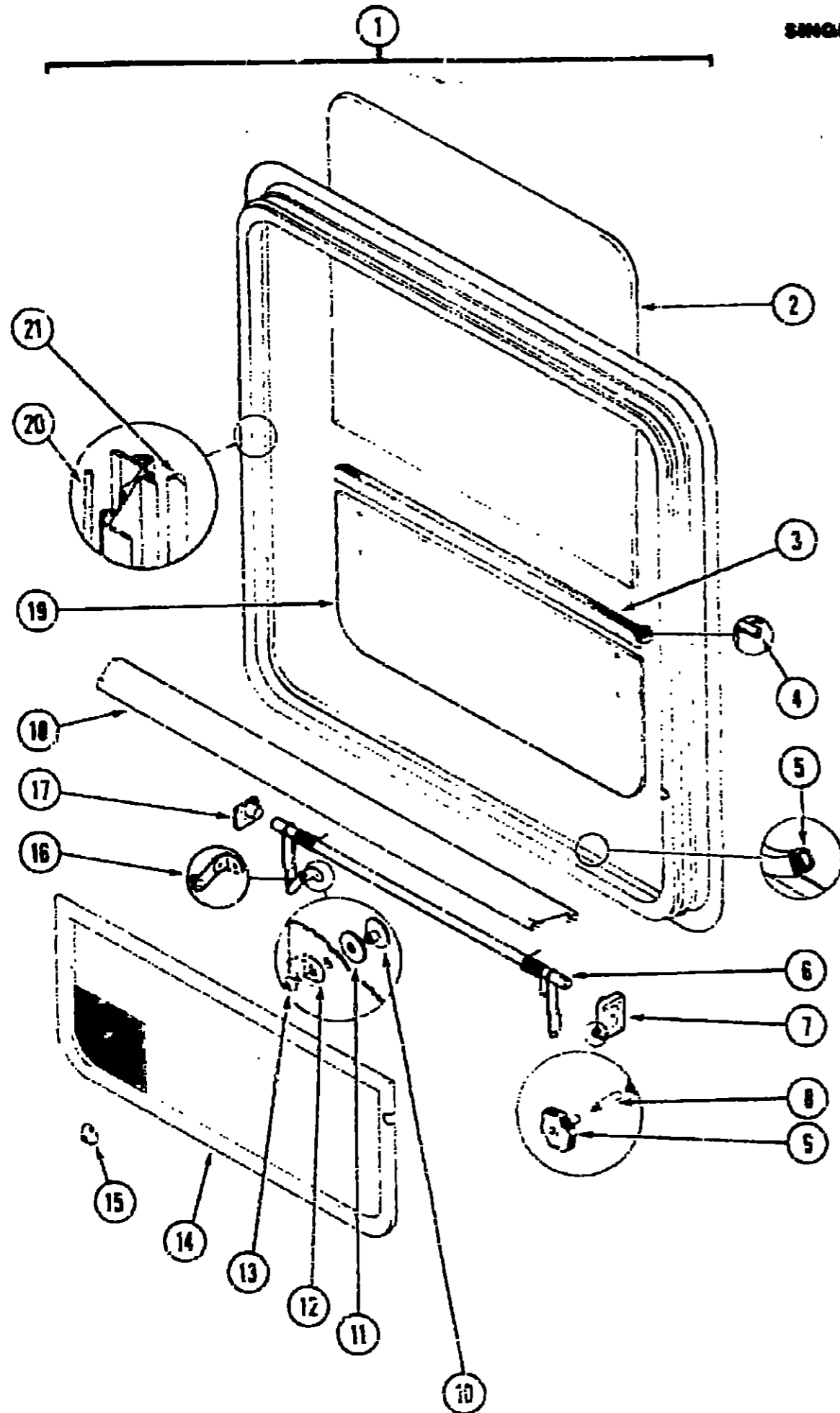
A-01 - D-12
D-13 - H-06

1989 WCP37RQ INDEX

Floor Plan	D-13 - D-14
Accessories Group	D-15 - D-19
Bath Group	D-20 - D-21
Chassis Group	D-22 - E-03
Curtain, Cushion & Pad Group	E-04 - F-02
Dinette Group	F-03 - F-04
Driver's Compartment Group	F-05 - F-10
Electrical Group	F-11 - F-14
Exterior Body Group	F-15 - F-22
Galley Group	F-23 - G-02
Heating & Air Conditioning Group	G-03
Interior Finish Group	G-04 - G-08
LP Group	G-09
Lounge Group	G-10 - G-12
Water & Sewage Group	G-13 - G-14
Window, Vent & Exterior Door Group	G-15 - H-06

WINDOW, VENT & EXTERIOR DOOR GROUP (CONTINUED)

SINGLE TIPOUT WINDOW



Key	Part Number	U:M	Description
1	085353-10-X11	EA	Window Asm. - Single (w/o inside frame)
	081822-10-000	EA	Inside Frame - Black (not included in assembly)
2	051239-20-000	EA	Glass - 23" x 33.8" - Stationary
3	089913-01-000	EA	Hinge - Tipout Window - Black
4	051357-01-000	FT	Seal Foam - Vinyl
5	084067-01-000	FT	Seal - "e" - Sponge Rubber
6	083150-05-000	EA	Torque Tube Asm.
7	035302-02-000	EA	Operator Drive - Left
8	009439-06-000	EA	Extension - .900" - Black (not included in assembly)
9	009439-05-000	EA	Knob - Window Crankout - Black (not included in assembly)
	009439-07-000	EA	Screw - 8/32" x 1 1/4" POH - Black (not included in assembly)
10	066762-01-000	EA	T-Nut - 10-32
11	066927-03-000	EA	Seal - Rubber - .12" x 25" I.D. x 80" O.D.
12	084473-01-000	EA	Seal - Rubber - "D" Shaped
13	086763-01-000	EA	Screw - #10 - 32 x 1/4" PTH
14	084580-04-W07	EA	Screw Asm. - Tipout Window - Single
	002293-02-000	SF	Screen - Window - 26" - Charcoal
	002298-02-000	FT	Spine - .130" Dia - Charcoal (Screen)
15	081243-01-000	EA	Screen Clip - Plastic - Black
	000G12-06-08T	EA	Screw - #6 - 26 x .50" POH - Black
16	097576-01-000	EA	Connecting Rod Asm.
	085316-01-000	EA	Washer - Wave - .44 O.D 32 I.D.
	081649-01-000	EA	Snap Ring - 7/32 Shaft
17	081354-01-000	EA	Sleeve - Window Torque Tube
18	082563-52-001	EA	Mullion - Horizontal - Black
19	084058-10-000	EA	Glass - 9.24" x 39.64" - Tipout
20	059640-06-000	FT	Seal - 5/16" x 15" (not included in assembly)
21	083180-01-000	FT	Seal - Vinyl Glazing

1989 WINNEBAGO TABLE OF CONTENTS

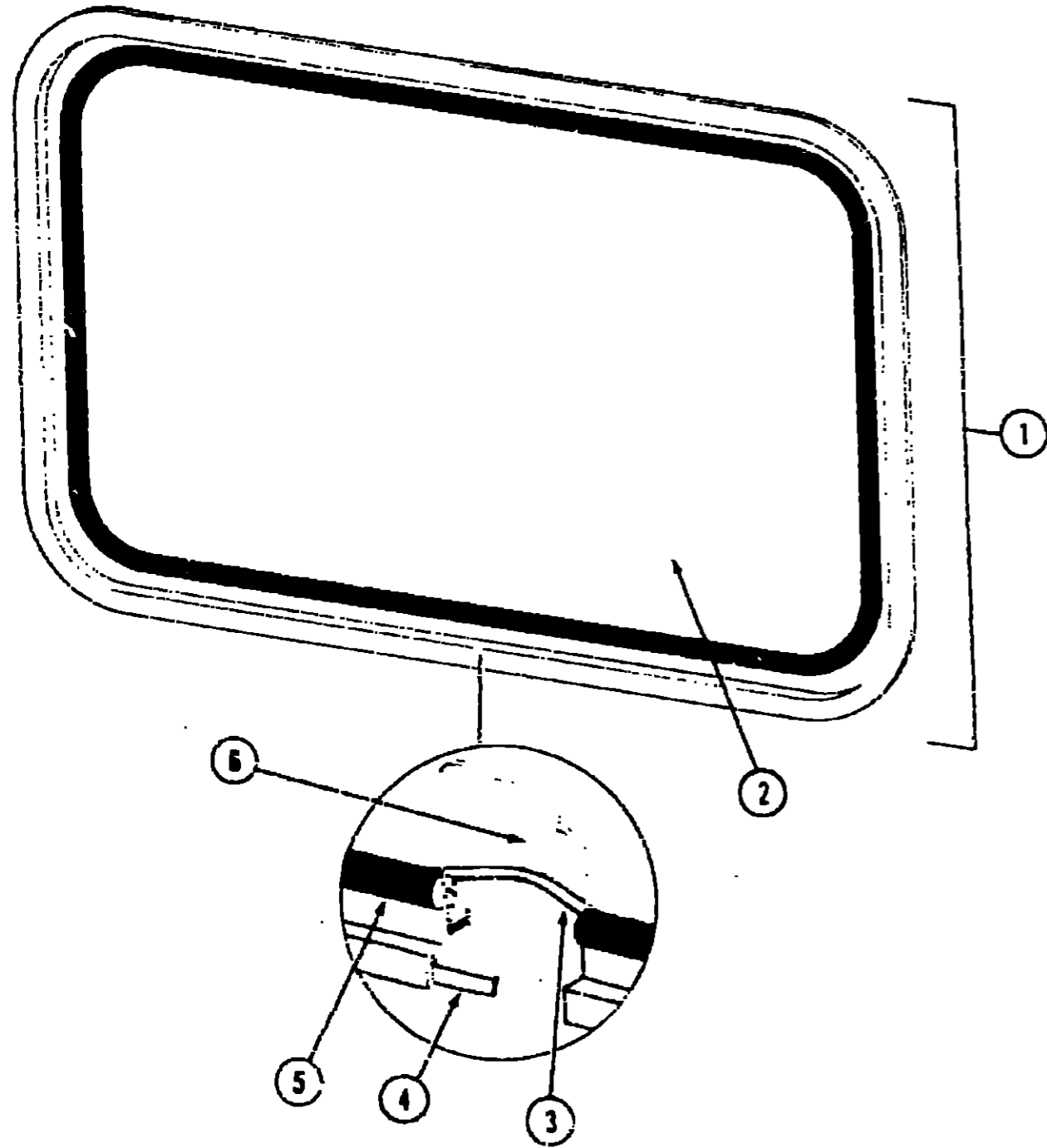
WC/JP34RU
WCP37RQ

A-51 - D-12
D-13 - H-06

1989 WCP37RQ INDEX

Floor Plan	D-13 - D-14
Accessories Group	D-15 - D-19
Bath Group	D-20 - D-21
Chassis Group	D-22 - E-03
Curtain, Cushion & Pad Group	E-04 - F-02
Dinette Group	F-03 - F-04
Driver's Compartment Group	F-05 - F-10
Electrical Group	F-11 - F-14
Exterior Body Group	F-15 - F-22
Galley Group	F-23 - G-02
Heating & Air Conditioning Group	G-03
Interior Finish Group	G-04 - G-08
LP Group	G-09
Lounge Group	G-10 - G-12
Water & Sewage Group	G-13 - G-14
Window, Vent & Exterior Door Group	G-15 - H-06

WINDOW, VENT & EXTERIOR DOOR GROUP (CONTINUED)



Date
Thru 10/31/88

Key	Part Number	U/M	Description
1	087985-03-W13	EA	Window Asm. - Escape (w/o inside frame)
	076650-03-000	EA	Inside Frame - Black (not included in assembly)
2	076337-03-000	EA	Glass - 1/8" x 44.8" x 28.7"
3	002285-01-000	FT	Filler - Weatherstrip - Black
4	069640-07-000	FT	Tape - 2" Bead x 3/32" x 30'
5	002282-01-000	FT	Weatherstrip - Window - .125" Black
5	077066-01-701	EA	Tape - Poly - Red - 36"

Date
From 11/1/88

Key	Part Number	U/M	Description
1	087985-04-Y12	EA	Window Asm. - Escape (w/o inside frame)
	076650-04-000	EA	Inside Frame - Black (not included in assembly)
2	076337-06-000	EA	Glass - 1/8" x 44.8" x 28.1"
3	002285-01-000	FT	Filler - Weatherstrip - Black
4	069640-07-000	FT	Tape - 2" Bead x 3/32" x 30'
5	002282-01-000	FT	Weatherstrip - Window - .125" Black
6	077066-01-701	EA	Tape - Poly Red - 36"

1988 WINNEBAGO
TABLE OF CONTENTS

WC-JP34RU
WCP37RQ

A-01 - D-12
D-13 - H-06

1988 WCP37RQ INDEX

Floor Plan	D-13 - D-14
Accessories Group	D-15 - D-19
Bath Group	D-20 - D-21
Chassis Group	D-22 - E-03
Curtain, Cushion & Pad Group	E-04 - F-02
Dinette Group	F-03 - F-04
Driver's Compartment Group	F-05 - F-10
Electrical Group	F-11 - F-14
Exterior Body Group	F-15 - F-22
Galley Group	F-23 - G-02
Heating & Air Conditioning Group	G-03
Interior Finish Group	G-04 - G-08
LP Group	G-09
Lounge Group	G-10 - G-12
Water & Sewage Group	G-13 - G-14
Window, Vent & Exterior Door Group	G-15 - H-06

WINDOW, VENT & EXTERIOR DOOR GROUP (CONTINUED)

VENTS, ACCESS DOOR HARDWARE

Key	Part Number	U/M	Description
	009439-01-000	EA	Crank - Roof Vent
	009439-03-000	EA	Extension - .900" - Roof Vent
	009439-05-000	EA	Knob - Roof Vent - Black
	009439-06-000	EA	Extension - Roof Vent - Black
	009439-07-000	EA	Screw - Roof Vent Crank
	090392-01-Y12	EA	Vent - Non Powered - Roof - Beige
**	078786-01-Y12	EA	Screen Asm. - Non Powered - Roof
**	064469-09-000	EA	Vent - Powered - Roof - w/Power Lift (Jensen)
**	064079-04-000	EA	Vent - Powered - Roof (Fantastic) Beige
	081171-01-000	EA	Trim - Skylight - Outer
	080910-01-000	EA	Panel - Skylight - Outer
	077902-01-000	EA	Collar - Skylight
	084073-01-000	EA	Vent - Refrigerator - Roof - Beige Plastic
	084073-04-000	EA	Base - Refrigerator Roof Vent
	084103-01-000	EA	Door - Refrigerator Vent
	084104-01-000	EA	Jamb - Refrigerator - Vent Door
	083558-01-000	EA	Cover - Vent Pipe - Plastic
	090039-03-000	EA	Vent Kit - Furnace - 30,000 BTU - Curved Sidewall
	078010-01-000	EA	Door Asm. - Fuel Fill - Beige
	052009-02-000	EA	Door Asm. - Water Heater Beige
	088794-02-000	EA	Door Asm. - Power Cord - w/Hatch - Beige
	054543-02-000	EA	Hatch - Power Cord Door - Beige
	077137-01-000	EA	Door Asm. - Sewer Hose Compartment - Beige (Backwall)
	086234-01-000	EA	Pin - Hinge
	086235-01-000	EA	Bearing - Snap In - 3/8" ID x 1 1/16"
	086776-01-000	EA	Spring - Compression
	076767-01-000	EA	Cable Asm. - 1/16" x 12"
	087473-03-000	EA	Seal - Valance Door - 57.7" x 5.1"
	087473-02-000	EA	Seal - Valance Door - 73.3" x 5.1"
	087473-01-000	EA	Seal - Valance Door - 71.3" x 3.9"
	077486-02-000	EA	Lock Asm. - Key Type
	082684-01-000	EA	Key Set
	034007-11-000	EA	Hinge - Access Door - 1.5" x 96" - Beige
	081801-01-000	EA	Hinge - Continuous - 2" x 96" - Beige
	085730-01-000	EA	Latch Asm. - Access Door - w/Lock - Plastic Paddle - Beige
	085730-04-000	EA	Latch Asm. - Access Door - w/c Lock - Plastic Paddle - Beige
	085810-02-000	EA	Bracket - Paddle Latch Retainer - Beige
	088727-01-000	EA	Cable Asm. - w/Spring - Access Door
	076767-02-000	EA	Cable Asm. - 1/16" x 16.5" - Access Door
	077222-01-000	EA	Spring - Cable Guard - Access Door
	042442-02-000	EA	Lock Asm. - Twist Type - Access Door
	083615-04-000	EA	Holder - Door - Beige Plastic
	092698-01-02A	EA	Vent - Range Hood w/Door - Beige Plastic
	090340-01-000	FT	Seal - Foam - Closed Ceil - 25" x 5" x .50"

** The illustrated parts breakdown for this item is provided on the Common Items Fiche

WINDOW, VENT & EXTERIOR DOOR GROUP (CONTINUED)

WINDSHIELD & VENT WINDOWS

Key	Part Number	U/M	Description
	074887-01-000	EA	Glass - Windshield - Passenger
	074887-02-000	EA	Glass - Windshield - Driver
	076671-01-000	EA	Glass - Front Corner - Driver
	076671-02-000	EA	Glass - Front Corner - Passenger
	083179-01-000	FT	Reveal Molding - Windshield - Passenger or Driver
	083178-01-000	FT	Reveal Molding - Center Windshield or Front Corner Glass
	076844-02-000	EA	T-Cap Reveal Molding - Center Windshield
	076841-02-000	EA	Cap - Reveal Molding - Front Corner Glass - Upper
	076842-02-000	EA	Cap - Reveal Molding - Front Corner Glass - Lower

1988 WINNEBAGO TABLE OF CONTENTS

WC/JP34RU
WCP37RQ

A-01 - D-12
D-13 - H-06

1988 WCP37RQ INDEX

Floor Plan	D-13 - D-14
Accessories Group	D-15 - D-18
Bath Group	D-20 - D-21
Chassis Group	D-22 - E-03
Curtain, Cushion & Pad Group	E-04 - F-02
Dinette Group	F-03 - F-04
Driver's Compartment Group	F-05 - F-10
Electrical Group	F-11 - F-14
Exterior Body Group	F-15 - F-22
Galley Group	F-23 - G-02
Heating & Air Conditioning Group	G-03
Interior Finish Group	G-04 - G-08
LP Group	G-09
Lounge Group	G-10 - G-12
Water & Sewage Group	G-13 - G-14
Window, Vent & Exterior Door Group	G-15 - H-06