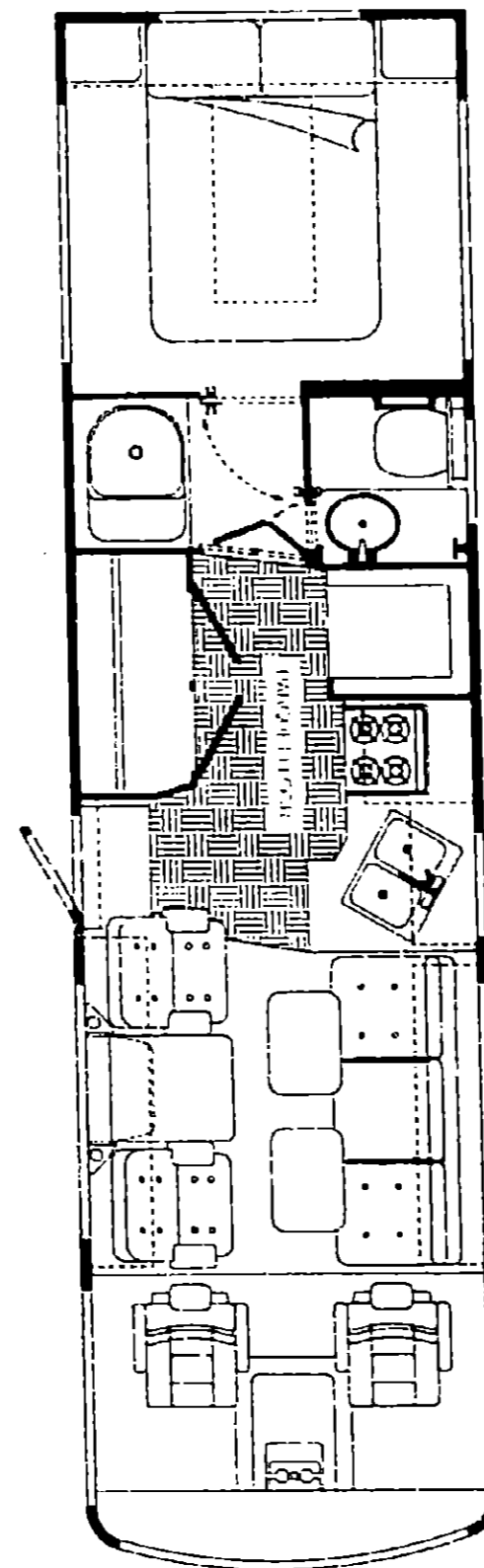


# 1989 WCP32DQ



## 1989 WINNEBAGO TABLE OF CONTENTS

INTRODUCTION	A-01
ABBREVIATIONS	A-01
ALPHABETICAL INDEX	A-02 - A-04
WCP32DQ	A-05 - C-18
WC/JP32RQ	C-19 - F-20

## 1989 WCP32DQ INDEX

Floor Plan	A-05 - A-06
Accessories Group	A-07 - A-10
Bath Group	A-11 - A-13
Chassis Group	A-14 - A-18
Curtain, Cushion & Pad Group	A-19 - B-03
Dinette Group	B-04
Driver's Compartment Group	B-05 - B-08
Electrical Group	B-09 - B-12
Exterior Body Group	B-13 - B-19
Galley Group	B-20 - B-21
Heating & Air Conditioning Group	B-22 - B-23
Interior Finish Group	B-24 - C-02
LP Group	C-03
Lounge Group	C-04 - C-05
Water & Sewage Group	C-06 - C-07
Window, Vent & Exterior Door Group	C-08 - C-18

## ACCESSORIES GROUP

### RACK & LADDER COMPONENTS

Key	Part Number	U/M	Description
	080997-03-T03	EA	Ladder Asm. - Lower
	080999-03-T03	EA	Ladder Asm. - Upper
	081026-05-T03	EA	Rack Asm. - Right
	081026-06-T03	EA	Rack Asm. - Left
	081055-01-000	EA	Spring Grip - Internal
	081056-01-000	EA	Pin - Quick Release
	081152-01-C00	EA	Bumper Plate - Brite Dip - Lower Ladder
	064093-01-000	EA	Luggage Box - 14" x 30" x 60" (Optional)

### MICROWAVE/CONVECTION OVEN & COMPONENTS

Key	Part Number	U/M	Description
	088737-01-000	EA	Microwave/Convection Oven - Magic Chef
	088737-01-700	EA	Control
	088737-01-701	EA	Frame - Panel
	088737-01-702	EA	Touch Panel Asm.
	088737-01-703	EA	Frame - Door
	088737-01-704	EA	Glass - Outside - Door
	088737-01-705	EA	Trim - Upper Frame - Inner
	088737-01-706	EA	Cabinet
	088737-01-707	EA	Fuse
	088737-01-708	EA	Transformer H.V.
	088737-01-709	EA	Trim
	088737-01-710	EA	Lamp - Oven - 30W
	088737-01-711	EA	Relay - Complete
	088737-01-712	EA	Trim
	088737-02-000	EA	Frame Kit - Microwave Oven
	088682-03-000	EA	Bracket Asm. - Microwave - Right
	088682-04-000	EA	Bracket Asm. - Microwave - Left
	088737-02-000	EA	Frame Kit - Microwave Oven

### FOG LAMP & COMPONENTS

Key	Part Number	U/M	Description
	088747-01-000	EA	Lamp Asm. - Fog w/Cover - Clear
	088747-01-700	EA	Cover - Fog Light
	088942-01-000	EA	Bracket - Fog Lamp Mounting

### CUSTOM STEERING WHEEL

Key	Part Number	U/M	Description
	080752-16-000	EA	Steering Wheel - Custom - Mahogany
	080752-06-000	EA	Hub Adapter - Steering Wheel
	080752-07-000	EA	Button - Horn - w/Wire
	080752-08-000	EA	Screw - Custom Steering Wheel

### STYLIZED ALUMINUM WHEELS & COMPONENTS (Option 66L)

Key	Part Number	U/M	Description
	077042-01-000	EA	Wheel - Polished Aluminum - 19.5" x 6" - Front
	077042-02-000	EA	Wheel - Polished Aluminum - 19.5" x 6" - Rear
	077043-01-000	EA	Lug Nut - 2 Pieces - Cone Seat & Flange
	077044-01-000	EA	Chrome Cover - Lug Nut - w/Skirt
	077045-01-000	EA	Chrome Cover - Front Axle - 2 Piece
	077045-02-000	EA	Chrome Cover - Rear Axle - 2 Piece
	078260-02-000	EA	Pouch - Wrench - 11" x 11"
	077030-02-000	EA	Extension - Valve Stem - 1.25

## ACCESSORIES GROUP (CONTINUED)

### MISCELLANEOUS ACCESSORIES

Key	Part Number	U/M	Description
	054185-31-000	EA	Owners Manual - 1989 - Winnebago & Itasca
	092318-01-000	EA	Binder - 3 Ring - Vendor Manual
	092319-01-000	EA	Page - Plastic Pocket
**	076319-01-000	EA	Antenna - TV - 44.5" Mast
	081072-01-000	EA	Floor Mat - Front - Right - Winnebago
	081074-01-000	EA	Floor Mat - Front - Left - Winnebago
	081075-01-000	EA	Floor Mat - Entrance - Winnebago
	017516-01-000	EA	Mud Flap - 14" x 18" - Rear - Black
	017516-02-000	EA	Mud Flap - 14" x 12" - Front - Black
	090097-03-000	EA	Bracket Asm. - Mud Flap - Passenger
	090097-04-000	EA	Bracket Asm. - Mud Flap - Driver
	041944-04-000	EA	Fire Extinguisher - 5 BC - w/o Mounting Bracket
	084472-01-000	EA	Holder - Fire Extinguisher
	094499-01-000	EA	Fire Extinguisher - 1A 10BC w/Bracket
	072852-01-000	EA	Smoke Detector w/9 Volt Battery
	080208-01-000	EA	Lug Wrench
	080208-02-000	EA	Leverage Bar - Lug Wrench
	006113-01-000	EA	Jack - Hydraulic - 6 Ton - w/Handle
	091955-01-000	EA	Squeegee - Extended Handle
	091952-01-000	EA	Clip - 1" Gripper - Squeegee
	093527-01-000	EA	Bracket - Squeegee
	036420-02-000	EA	Defroster Fan - 6" - 2 Speed Fan
	077988-01-000	EA	Bracket - Defroster Fan - Right
	077988-02-000	EA	Bracket - Defroster Fan - Left
	091258-02-000	EA	Television - 13" Digital Color - Sharp
	091258-02-700	EA	Remote Control - Television
	086759-02-000	EA	VCR - VHS - Table Model
	086759-03-000	EA	VCR - VHS
	086757-01-000	EA	Control Center - Channel Master
**	094369-01-000	EA	Speed Control - w/Smart Stick
**	076799-01-000	EA	Ice Maker - Black
	094708-01-01A	EA	Step Asm. - Electric - Single
	087716-01-000	EA	Information Center - Uniforce
	088778-01-000	EA	Vacuum Cleaner - Hand Held

\*\*The illustrated parts breakdown for this item is provided on the Common Items Fiche.

### AIR HORNS & COMPONENTS

Key	Part Number	U/M	Description
	077497-01-000	EA	Air Horn Kit - Twin Chromed - w/o Auxiliary Hose Kit
	077497-01-700	EA	Solenoid - Air Tank
	077497-01-701	EA	Switch - Compressor
	077497-01-702	EA	Toggle Switch w/Wire
	077497-01-703	EA	Air Tank
	077497-01-704	EA	Compressor w/Switch
	077497-01-705	EA	Repair Kit - Air Horn
	077497-02-000	EA	Hose Kit - Auxiliary Air
	077497-03-000	EA	Parts Kit - Hose - Auxiliary Air
	078239-01-000	EA	Label Plate - Horn
	063912-02-000	EA	Relay - Canister
	078022-01-000	EA	Wire Asm. - Air Horn
	081404-01-000	EA	Mounting Bracket - Compressor

## 1989 WINNEBAGO TABLE OF CONTENTS

INTRODUCTION	A-01
ABBREVIATIONS	A-01
ALPHABETICAL INDEX	A-02 - A-04
WCP32DQ	A-05 - C-18
WC/JP32RQ	C-19 - F-20

## 1989 WCP32DQ INDEX

Floor Plan	A-05 - A-06
Accessories Group	A-07 - A-10
Bath Group	A-11 - A-13
Chassis Group	A-14 - A-18
Curtain, Cushion & Pad Group	A-19 - B-03
Dinette Group	B-04
Driver's Compartment Group	B-05 - B-08
Electrical Group	B-09 - B-12
Exterior Body Group	B-13 - B-19
Galley Group	B-20 - B-21
Heating & Air Conditioning Group	B-22 - B-23
Interior Finish Group	B-24 - C-02
LP Group	C-03
Lounge Group	C-04 - C-05
Water & Sewage Group	C-06 - C-07
Window, Vent & Exterior Door Group	C-08 - C-18

## ACCESSORIES GROUP (CONTINUED)

### EXTERIOR MIRRORS

Key	Part Number	U/M	Description
**	086261-01-000	EA	Mirror Asm. - Electronic Control & Heat - Right
	086236-01-000	EA	Gasket - Exterior Mirror - Right
**	086261-02-000	EA	Mirror Asm. - Electronic Control & Heat - Left
	086236-02-000	EA	Gasket - Exterior Mirror - Left

\*\*The illustrated parts breakdown for this item is provided on the common items fiche.

### WHEEL LINERS & MOUNTING HARDWARE

Key	Part Number	U/M	Description
	091209-01-000	EA	Wheel Liner - w/Axle & Lugnut Covers - Chrome - 19.5" (Set/4)
	091209-01-700	EA	Simulator - Front Wheel
	091209-01-701	EA	Simulator - Rear Wheel
	091209-01-702	EA	Cover - Front Axle
	091209-01-703	EA	Cover - Rear Axle
	071209-01-704	EA	Cover - Lug Nut

### GENERATORS & COMPONENTS

Key	Part Number	U/M	Description
	081634-04-000	EA	Generator - Onan - 6.5 Emerald
	079654-05-000	EA	Pipe & Accessories Kit - Emerald
	083151-01-000	EA	Muffler - Generator - 6.5 Emerald (used w/2 Air Conditioners)
	078045-01-000	EA	Support Plate - Generator
	083152-01-000	EA	Exhaust Pipe - Generator
	007067-01-000	EA	Insulation - Fiberglass - 1"
	084365-01-000	EA	Support Plate - Generator
	079654-01-700	EA	Hinge Kit - Emerald Generator

### REAR RADIO & COMPONENTS

Key	Part Number	U/M	Description
	090944-01-000	EA	Antenna - Radio - 16" Rubber
	090862-01-000	EA	Bracket - Hat - Antenna
	089340-01-000	EA	Grille - Speaker - 6.25" Square
	090339-01-000	EA	Radio - AM/FM Stereo - w/Cassette - Electronics Tune
	094097-01-000	EA	Speaker - 5.25" w/o Grille
	074979-01-000	EA	Speaker Cover - Light Oak

### FRONT RADIO & COMPONENTS

Key	Part Number	U/M	Description
	077069-01-000	EA	Antenna - Radio
	077448-01-000	EA	Bracket - Radio - Front
	077442-01-000	EA	Bracket - Radio Support - Rear
	077069-02-000	EA	Cable - Antenna Extension - 96"
	073741-04-000	EA	Grille - Speaker - Oval - 4" x 6"
	087706-01-000	EA	Mounting Kit - Radio
	092311-01-000	EA	Radio - AM/FM - w/Cassette
	073741-03-000	EA	Speaker - Oval - 4" x 6"
	074979-01-000	EA	Speaker Cover - Light Oak

## ACCESSORIES GROUP (CONTINUED)

### REAR VIEW TELEVISION (SONY)

Key	Part Number	U/M	Description
	093040-01-000	EA	Camera & Monitor
	093040-01-700	EA	Camera Only
	093040-01-701	EA	Monitor - 6" - w/Bracket & Wire Harness
	093041-01-000	EA	Cable - TV/Monitor
	031170-01-000	EA	Clamp - Cable - 3/16 Dia.
	093221-01-000	EA	Lens - Rear Monitor - Shroud
	093952-01-02A	EA	Shroud - TV - Beige
	080006-01-000	EA	Wire Asm. - Fuse Block
	092881-01-000	EA	Wire Asm. - IP to Rear Monitor
	093040-03-000	EA	Wire Asm. - Monitor

### REAR VIEW TELEVISION (TW-620B)

Key	Part Number	U/M	Description
	083207-01-000	EA	Camera & Monitor
	083207-01-701	EA	Monitor Only
	083207-02-000	EA	Cable - Camera/Monitor
	084349-01-U07	EA	Shroud Asm. - Camera - Beige
	084409-01-000	EA	Seal - Camera Mounting
	084408-01-000	EA	Rubber Gasket - Camera
	084264-01-000	EA	Bracket - Mounting Camera
	080006-01-000	EA	Wire Asm. - Fuse Block
	084418-01-000	EA	Spacer - 16 x 6
	084403-01-000	EA	Screw Cap - 5/16" x 18" x 1"
	084428-01-000	EA	Insert - Press In - 5/16" x 18"

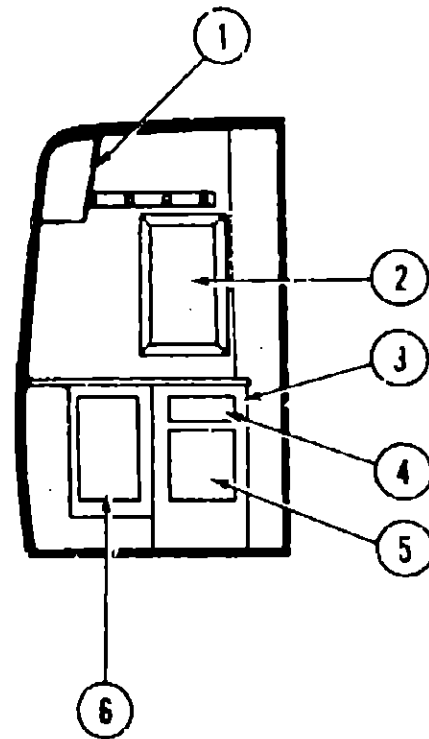
## 1989 WINNEBAGO TABLE OF CONTENTS

INTRODUCTION	A-01
ABBREVIATIONS	A-01
ALPHABETICAL INDEX	A-02 - A-04
WCP32DQ	A-05 - C-18
WC/JP32RQ	C-19 - F-20

## 1989 WCP32DQ INDEX

Floor Plan	A-05 - A-06
Accessories Group	A-07 - A-10
Bath Group	A-11 - A-13
Chassis Group	A-14 - A-18
Curtain, Cushion & Pad Group	A-19 - B-03
Dinette Group	B-04
Driver's Compartment Group	B-05 - B-08
Electrical Group	B-09 - B-12
Exterior Body Group	B-13 - B-19
Galley Group	B-20 - B-21
Heating & Air Conditioning Group	B-22 - B-23
Interior Finish Group	B-24 - C-02
LP Group	C-03
Lounge Group	C-04 - C-05
Water & Sewage Group	C-06 - C-07
Window, Vent & Exterior Door Group	C-08 - C-18

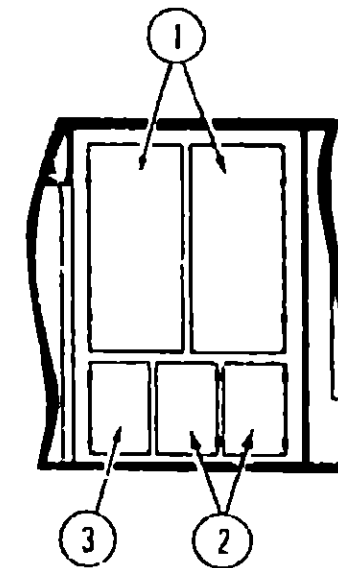
## BATH GROUP



### BATH CABINETRY

Key	Part Number	U/M	Description
1	088303-52-Y75	EA	Door Asm. - Medicine Cabinet - 15.5" x 29.5" - w/o Hardware
	076073-01-000	EA	Cabinet - Medicine - 15.4" x 29.4"
	076073-01-700	EA	Latch - Medicine Cabinet
2	M88304-86-Y75	EA	Mirror Asm. - Wall - 15.5" x 29.5" - w/o Hardware
3	M94085-01-Y75	EA	Cabinet Asm. - Lavatory - w/o Countertop, Doors, Drawer or Hardware
	094085-11-Y75	EA	Countertop Asm. - Lavatory Cabinet
4	081893-01-Y75	EA	Face Asm. - Drawer - Lavatory
	077251-01-000	EA	Tipout Drawer - Plastic
	047744-01-000	EA	Kit - Drawer Glide
5	M88304-43-Y75	EA	Door Asm. - Lavatory - 16.1" x 11.4" - w/o Hardware
6	M80304-F9-Y75	EA	Door Asm. - Lavatory - Hamper - 19.0" x 10" - w/o Hardware
	089383-15-Y75	EA	Countertop Asm. - Pipe Cover
	M93360-01-Y75	EA	Door Asm. - Bath Cabinet - w/o Hardware
	M93361-01-Y75	EA	Door Asm. - Bi-fold Cabinet - w/o Hardware
	092574-01-01A	EA	Door - Solid - w/Gold Trim - Shower
	091073-03-Y75	EA	Trim - Shower Door

## BATH GROUP (CONTINUED)



### WARDROBE CABINETRY

Key	Part Number	U/M	Description
1	M88304-B5-Y75	EA	Door Asm. - Wardrobe - w/Mirror - 20.6" x 48" - w/o Hardware
	088742-01-000	EA	Mirror - Beveled - Safety Glass
2	M88304-C1-Y75	EA	Door Asm. - Wardrobe - Lower - 14.3" x 21.6" - w/o Hardware
3	M88304-C2-Y75	EA	Door Asm. - Wardrobe - Lower - 14.3" x 21.8" - w/o Hardware
	M02151-92-Y75	EA	Frame Asm. - Stationary Door - w/o Glass
	093580-01-000	EA	Glass - 75th Birthday
	077404-01-000	EA	Drawer - 20" x 12.7" - Plastic
	077409-02-000	EA	Slide - Plastic Drawer - 20.75"

## 1989 WINNEBAGO TABLE OF CONTENTS

INTRODUCTION	A-01
ABBREVIATIONS	A-01
ALPHABETICAL INDEX	A-02 - A-04
WCP32DQ	A-05 - C-18
WC/JP32RQ	C-19 - F-20

## 1989 WCP32DQ INDEX

Floor Plan	A-05 - A-06
Accessories Group	A-07 - A-10
Bath Group	A-11 - A-13
Chassis Group	A-14 - A-18
Curtain, Cushion & Pad Group	A-19 - B-03
Dinette Group	B-04
Driver's Compartment Group	B-05 - B-08
Electrical Group	B-09 - B-12
Exterior Body Group	B-13 - B-19
Galley Group	B-20 - B-21
Heating & Air Conditioning Group	B-22 - B-23
Interior Finish Group	B-24 - C-02
LP Group	C-03
Lounge Group	C-04 - C-05
Water & Sewage Group	C-06 - C-07
Window, Vent & Exterior Door Group	C-08 - C-18

## BATH GROUP (CONTINUED)

### BATH & WARDROBE HARDWARE

Key	Part Number	U/M	Description
	093999-01-01A	EA	Faucet Lavatory - Brass
	091253-01-000	EA	Gasket - Lavatory Faucet
	075242-03-000	EA	Faucet - Tub & Shower - Brass
	011048-01-000	EA	Shower Head - w/EO" Hose
	089366-01-000	EA	Sink Oval - Ivory Plastic
	M02630-10-Y12	EA	Shower Pan Asm.
	075606-01-000	EA	Panel - Shower Faucet
	009059-01-000	EA	Hinge - 1" - Brass
	009059-02-000	EA	Hinge - 2" - Brass
	059777-02-000	EA	Hinge - Cabinet Door - Brass
	009021-01-000	EA	Catch - Nylon - Grill
	009021-02-000	EA	Strike - Spring Steel
	092314-01-01A	EA	Shower Head - Guide - Brass
	066729-01-000	EA	Strainer - Shower Pan & Tub
	066436-01-000	EA	Slip Nut - 1.5" Tail Piece - Bathtub
	066435-01-000	EA	Net - Strainer - Plastic
	085278-01-000	EA	Tissue Holder - Recessed - Brass
	075680-01-000	EA	Clothes Rod - Adjustable
	075453-02-000	EA	Bar - Towel Rack
	075454-02-000	EA	Towel Ring - Brass
	058331-05-000	EA	Mirror - Tempered Glass - 12" x 26"
	058331-10-000	EA	Mirror - Tempered Glass - 14" x 17"
	083204-01-000	EA	Retaining Button - Glass
	085330-04-000	EA	Toilet - Shorty - Bone China - w/Spray
	081614-02-000	EA	Soap Dish - Brass - w/Plastic Cover
	075687-03-000	EA	Lockset - Bath Door - Brown
	071632-01-000	EA	Hamper Bag
	066433-01-000	EA	Hook - Cup - Bright
	009089-01-000	EA	Clip - Mirror
	094485-01-01A	EA	Knob - Door - Polished Brass
	077902-01-000	EA	Coilar - Skylite - Inner Panel
	080910-01-000	EA	Skylite Panel - Outer
	081171-01-000	EA	Skylite Trim - Outer - Mill

## CHASSIS GROUP

### MISCELLANEOUS

Key	Part Number	U/M	Description
	077995-02-000	EA	Baffle - Upper - Radiator
	065450-01-000	EA	Battery Tiedown - Plastic Coated
	088557-01-000	EA	Box - Power Cord
	062401-01-000	EA	Clamp - Hose - Wormgear - .22 ID - 1" ID
	062401-02-000	EA	Clamp - Hose - Wormgear - 1.56 ID - 2.5" ID
	062401-03-000	EA	Clamp - Hose - Wormgear - .25 ID - 1" ID
	062401-04-000	EA	Clamp - Hose - Wormgear - .69 ID - 1.25" ID
	062401-05-000	EA	Clamp - Hose - Wormgear - 2" ID - 3" IDF
	062401-06-000	EA	Clamp - Hose - Wormgear - .22" ID - .62" ID
	007125-03-000	EA	Clamp Asm. - Muffler - 1.50 DIA
	007125-04-000	EA	Clamp Asm. - Muffler - 1.12 DIA
	010497-01-000	EA	Clamp - Closed - 5/8 I.D.
	010499-01-000	EA	Clamp - Closed - 3/8 I.D.
	007131-01-000	EA	Hanger - Tailpipe
	007063-01-000	FT	Hose - Gas - 1/4" I.D. x 1/2 O.D.
	024138-01-000	FT	Hose - Fuel - 5/16 I.D.
	075526-01-000	EA	Radiator Cover - Rear
	017516-01-000	EA	Mud Flap - Black
	017516-02-000	EA	Mud Flap - Black - 14" x 12.5" w/Holes
	090097-03-000	EA	Bracket Asm. - Mud Flap - Passenger
	090097-04-000	EA	Bracket Asm. - Mud Flap - Driver
	094708-01-01A	EA	Step Asm. - Electric - Single
	076281-01-000	EA	Tray - Battery
	075758-01-000	EA	Wheelwell - Plastic - Rear - Dual
	081918-02-000	EA	Exhaust Extension - 7"

### AIR SUSPENSION

Key	Part Number	U/M	Description
	090436-01-000	EA	Air Suspension Kit
	090436-03-000	EA	Spring - Leaf
	090436-05-000	EA	Valve Asm. - Height - Park/Level
	090436-06-000	EA	Control w/Wiring - Park/Level
	090436-07-000	EA	Compressor Asm. w/Tank & Wiring
	090326-08-000	EA	Upper Mount - Air Spring Asm. - Left
	090436-09-000	EA	Upper Mount - Air Spring Asm. - Right
	090436-10-000	EA	Lower Mount - Spring Axle - Left
	090436-11-000	EA	Lower Mount - Spring Axle - Right
	090436-12-000	EA	U-Bolt - Forward - Straight - 7/8"
	090436-13-000	EA	U-Bolt - Rearward - Bent - 7/8"
	090436-14-000	EA	Bar - Track w/Pivot - Bolt & Bracket
	090436-15-000	EA	Solenoid Asm. - Valve - Park/Level

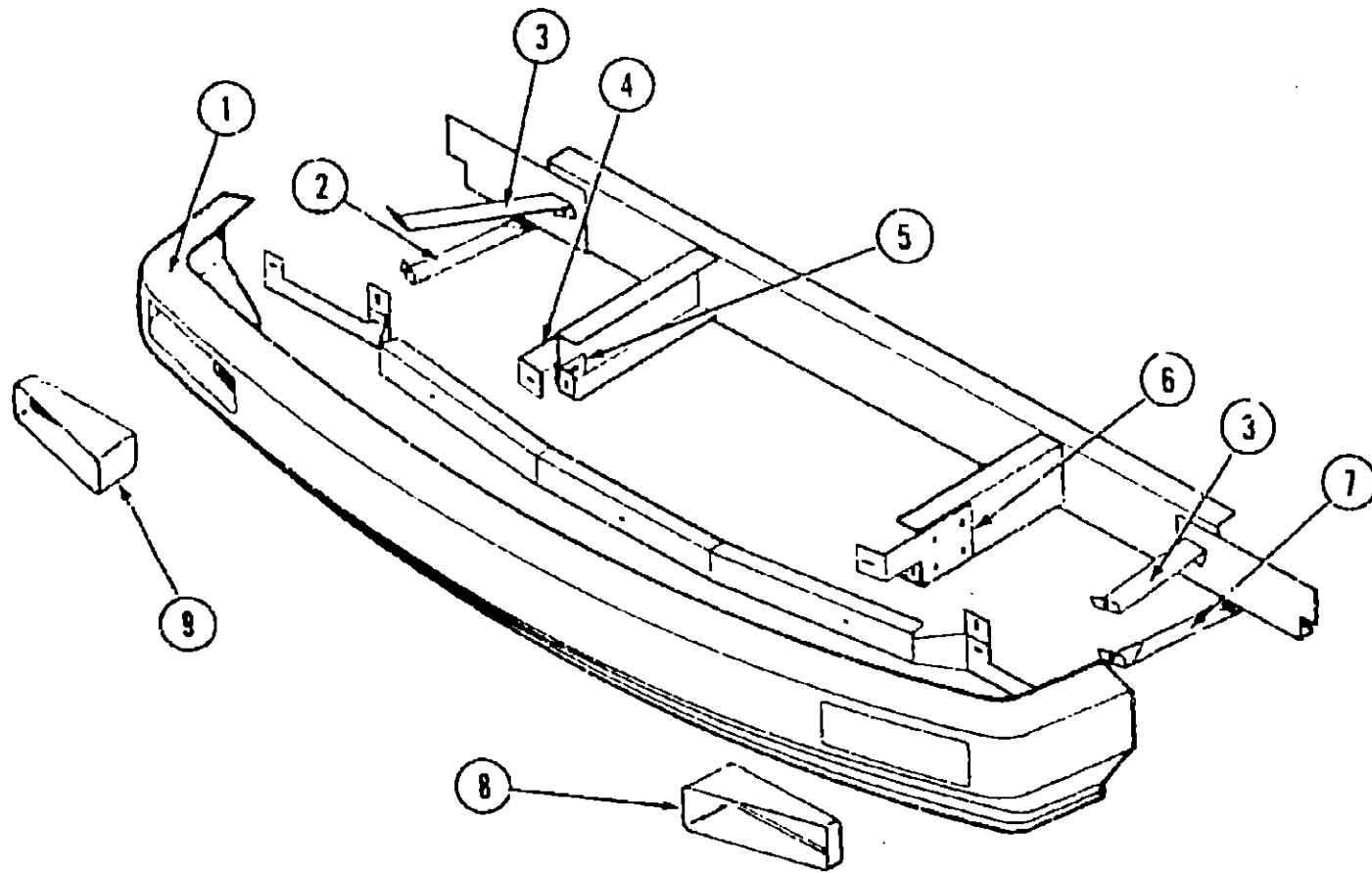
## 1989 WINNEBAGO TABLE OF CONTENTS

INTRODUCTION	A-01
ABBREVIATIONS	A-01
ALPHABETICAL INDEX	A-02 - A-04
WCP32DQ	A-05 - C-18
WC/JP32RQ	C-19 - F-20

## 1989 WCP32DQ INDEX

Floor Plan	A-05 - A-06
Accessories Group	A-07 - A-10
Bath Group	A-11 - A-13
Chassis Group	A-14 - A-18
Curtain, Cushion & Pad Group	A-19 - B-03
Dine-in Group	B-04
Driver's Compartment Group	B-05 - B-08
Electrical Group	B-09 - B-12
Exterior Body Group	B-13 - B-19
Galley Group	B-20 - B-21
Heating & Air Conditioning Group	B-22 - B-23
Interior Finish Group	B-24 - C-02
LP Group	C-03
Lounge Group	C-04 - C-05
Water & Sewage Group	C-06 - C-07
Window, Vent & Exterior Door Group	C-08 - C-18

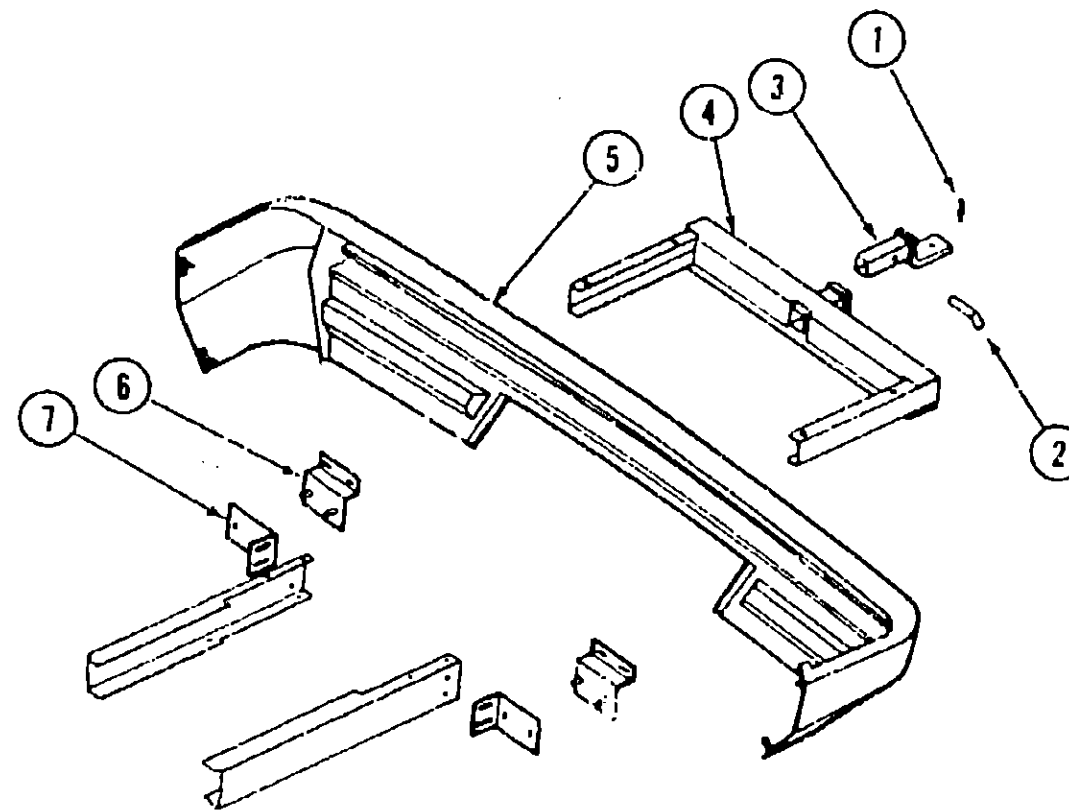
**CHASSIS GROUP (CONTINUED)**



**FRONT BUMPER**

Key	Part Number	U/M	Description
1	M88632-01-X19	EA	Bumper Asm. - Front - w/Turn Lamp - Housing
	076345-01-000	EA	Lens Asm. - Park/Turn - Amber (Not included in Bumper Asm.)
	008103-01-000	EA	Bulb - 12V - #53 - 12 Amp (Not included in Bumper Asm.)
	076345-02-000	EA	Socket Asm. - Park/Turn Lamp (Not included in Bumper Asm.)
2	077854-01-000	EA	Brace - Lower - Front Bumper - Passenger
3	089039-01-000	EA	Brace - Upper - Front Bumper
4	086140-01-000	EA	Support Bracket - Bumper - Passenger
5	088942-01-000	EA	Bracket - Fog Lamp - Mounting
6	086140-02-000	EA	Support Bracket - Bumper - Driver
7	077854-02-000	EA	Brace - Lower - Front Bumper - Driver
8	090215-02-000	EA	Bezel - Park/Turn Lamp - Black - Driver
9	090215-01-000	EA	Bezel - Park/Turn Lamp - Black - Passenger

**CHASSIS GROUP (CONTINUED)**



**REAR BUMPER & HITCH**

Key	Part Number	U/M	Description
1	034513-01-000	EA	Spring Pin - Hitch - 3/16" Wire
2	034512-01-000	EA	Locking Pin - Drawbar
3	077613-01-000	EA	Drawbar Asm.
4	077617-01-000	EA	Hitch Asm. - w/o Drawbar
5	M86700-01-W13	EA	Rear Bumper Asm. - Beige
6	086727-02-000	EA	Support Angle (To Bumper)
7	086709-01-000	EA	Support Angle (To Frame)
	064398-01-000	EA	Plug - Trailer Tailight - Female 10"
	064399-01-000	EA	Plug - Trailer Tailight - Male - 60"
	091224-01-000	EA	Label - Trailer Lighting

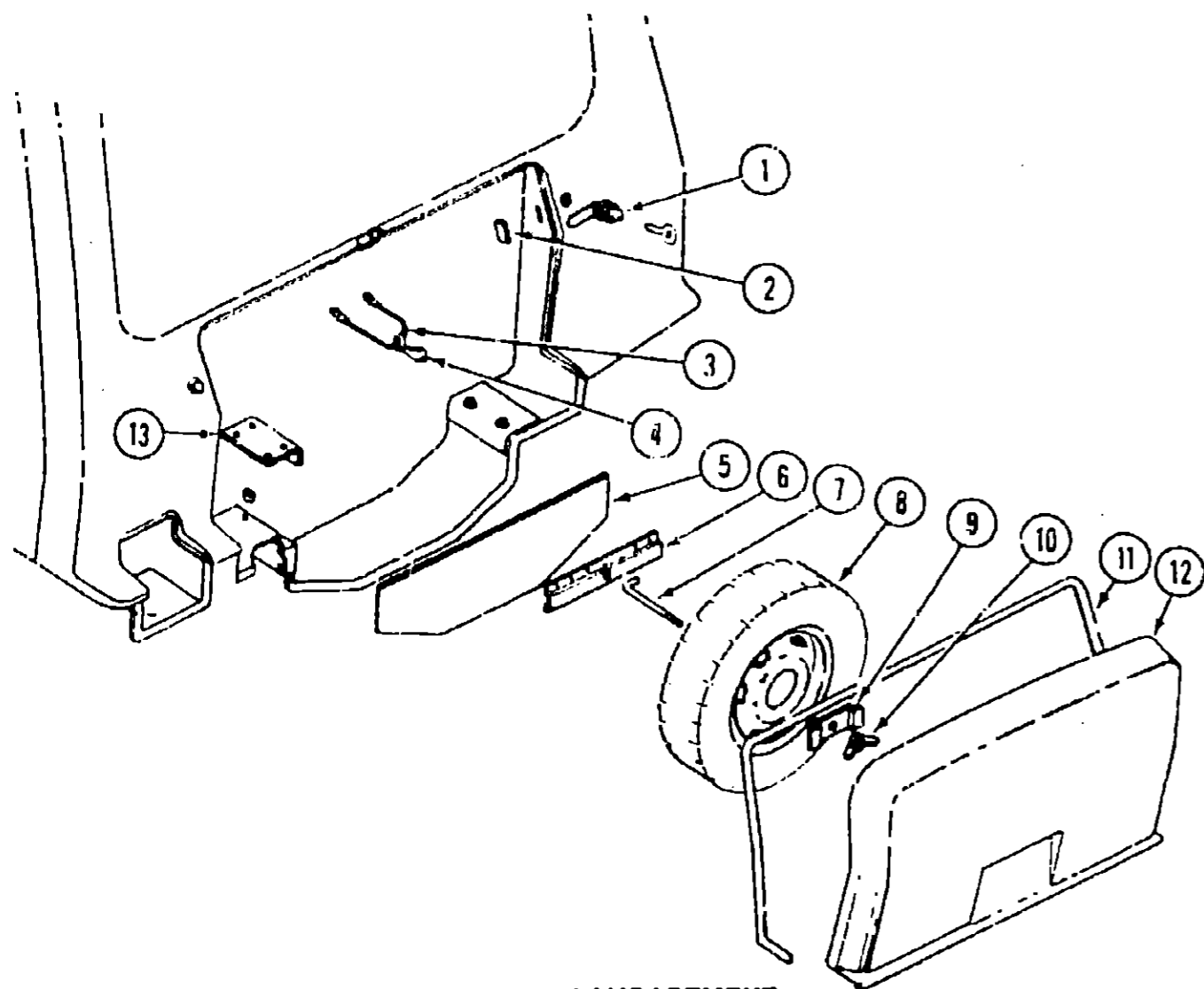
**1989 WINNEBAGO  
TABLE OF CONTENTS**

INTRODUCTION	A-01
ABBREVIATIONS	A-01
ALPHABETICAL INDEX	A-02 - A-04
WCP32DQ	A-05 - C-18
WC/JP32RO	C-19 - F-20

**1989 WCP32DQ INDEX**

Floor Plan	A-05 - A-06
Accessories Group	A-07 - A-10
Bath Group	A-11 - A-13
Chassis Group	A-14 - A-18
Curtain, Cushion & Pad Group	A-19 - B-03
Dinette Group	B-04
Driver's Compartment Group	B-05 - B-08
Electrical Group	B-09 - B-12
Exterior Body Group	B-13 - B-19
Galley Group	B-20 - B-21
Heating & Air Conditioning Group	B-22 - B-23
Interior Finish Group	B-24 - C-02
LP Group	C-03
Lounge Group	C-04 - C-05
Water & Sewage Group	C-06 - C-07
Window, Vent & Exterior Door Group	C-08 - C-18

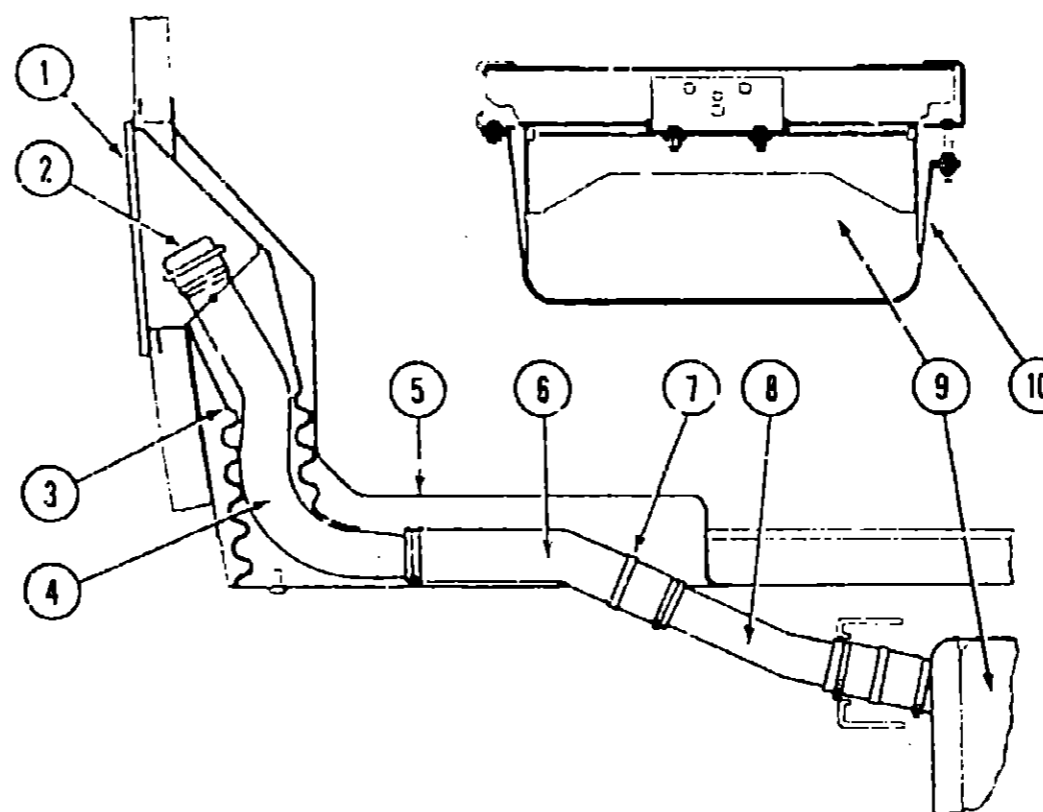
**CHASSIS GROUP (CONTINUED)**



**SPARE TIRE & COMPARTMENT**

Key	Part Number	U/M	Description
1	077408-01-000	EA	Lock Asm. - Key Type
2	077941-01-000	EA	Rubber Seal - Flat/Slit
3	076767-02-000	EA	Cable Asm.
4	072463-02-000	EA	Spring Hook - 5/8"
5	077395-01-000	EA	Shield - Spare Tire
6	077403-01-000	EA	Support Bracket - Spare Tire
7	077411-01-000	EA	Retaining Rod - Spare Tire
8	007324-04-000	EA	Tire - 8" x 19.5" - Radial - Michelin
	064963-01-000	EA	Rim - Wheel - 19.5" x 6.75"
	077030-02-000	EA	Extension - Valve Stem - 1.25"
9	077399-01-000	EA	Retainer - Spare Tire
10	064081-01-000	EA	Wing Nut - 3/8" - Spare Tire
11	073090-01-000	FT	Weather Seal
12	M01990-04-X19	EA	Cover - Spare Tire - Beige
	077392-01-000	EA	Strike - Latch
	077080-01-000	EA	Angle Support - Pivot
	077381-01-000	EA	Plate - Pivot
	077385-01-000	EA	Pin Asm. - Pivot
	077384-01-000	EA	Plate - Pin
13	077400-01-000	EA	Support - Spare Tire
	077393-01-000	EA	Support Asm. - Strike
	077759-01-000	EA	Spacer - Spare Tire Support

**CHASSIS GROUP (CONTINUED)**



**FUEL SYSTEMS COMPONENTS**

Key	Part Number	U/M	Description
1	078010-01-000	EA	Door Asm. - Fuel Fill - Beige
2	073220-02-000	EA	Cap - Fuel Fill
	078200-01-000	EA	Gasket - Fuel Fill
3	083578-01-000	EA	Boot - Fuel Fill
4	075227-01-000	EA	Neck Asm. - Upper Fuel Fill - Gas (Florida)
	075227-03-000	EA	Neck Asm. - Upper Fuel Fill - Gas (California)
5	082768-01-000	EA	Shroud - Fuel Fill - Inside
6	091245-01-000	EA	Hose - Fuel Fill - Formed
	062401-05-000	EA	Clamp - Hose - Wormgear - 2" - 3" (Fuel Hose)
7	075229-01-000	EA	Strap Asm.
8	075228-01-000	EA	Neck - Fuel Fill - Lower
9	090082-01-000	EA	Tank - Fuel - 80 Gallon
10	086486-02-000	EA	Strap Asm. - Fuel Tank
	066732-01-000	FT	Hose - Fuel - .52 I.D. (Vent Hose)
	062401-10-000	EA	Clamp - Hose - Wormgear - 1" - 2" (Vent Hose)
	079661-01-000	EA	Valve Asm. - Vent - Fuel Tank
	007111-03-000	EA	Hose - Fuel - 1.75" x 3' (Tank to Neck)
	088740-01-000	EA	Sending Unit/Pump
	066255-01-000	EA	Gasket - Sending Unit

**1989 WINNEBAGO  
TABLE OF CONTENTS**

INTRODUCTION	A-01
ABBREVIATIONS	A-01
ALPHABETICAL INDEX	A-02 - A-04
WCP32DQ	A-05 - C-18
WC/JP32RQ	C-19 - F-20

**1989 WCP32DQ INDEX**

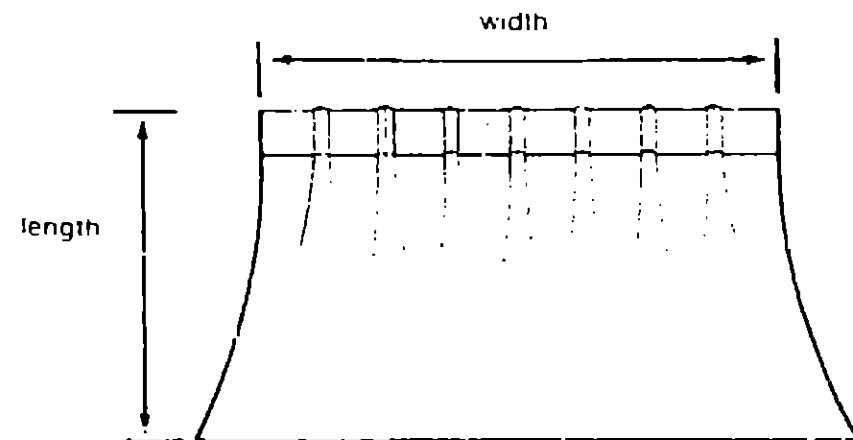
Floor Plan	A-05 - A-06
Accessories Group	A-07 - A-10
Bath Group	A-11 - A-13
Chassis Group	A-14 - A-18
Curtain, Cushion & Pad Group	A-19 - B-03
Dinette Group	B-04
Driver's Compartment Group	B-05 - B-08
Electrical Group	B-09 - B-12
Exterior Body Group	B-13 - B-19
Galley Group	B-20 - B-21
Heating & Air Conditioning Group	B-22 - B-23
Interior Finish Group	B-24 - C-02
LP Group	C-03
Lounge Group	C-04 - C-05
Water & Sewage Group	C-06 - C-07
Window, Vent & Exterior Door Group	C-08 - C-18

**CURTAIN, CUSHION & PAD GROUP**

**NOTICE**

In order to assist our Part Sales Dept. in providing interior software items, please include the serial number and the color code number from the vehicle certification label when ordering. This label is located on the left sidewall at the end of the dash (A-Body), or on the driver's door latch plate (C-Body).

An example of a color code number is P31, which designates an overall color scheme of a particular unit. The color listed after the item description on the microfilm, indicates the overall unit color. Order the item you desire according to unit color code.



**NOTE:**

Use this illustration when determining length and width measurements for curtains. You will note the width measurement is taken on the top of the curtain with the curtain fully extended. The length measurement is taken from top to bottom.

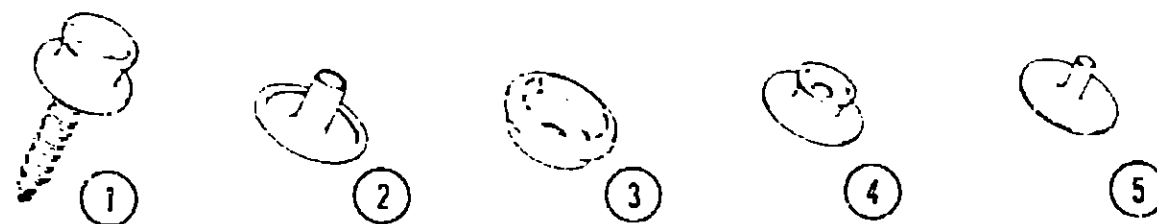
**FABRICS & TRIMS**

Key	Part Number	U/M	Description
	088274-83-000	YD	Fabric - Upholstery - Cream (Sofa)
	088274-85-000	YD	Fabric - Upholstery - Dazzle (Bucket Seats)
	088273-30-000	YD	Fabric - Bedroom - Ravel (Headboard)
	088273-31-000	YD	Fabric - Bedroom - Alabaster (Valance)
	072333-64-000	YD	Fabric - Drapery - Ivory (Blackout)
	072333-67-000	YD	Fabric - Drapery - Light Brown (Speaker Cover)
	072333-53-000	YD	Fabric - Drapery - Bone (Shades)
	089351-01-000	YD	Vinyl - Headliner (Roof)
	069649-03-000	YD	Vinyl - Expanded - Taupe (Sunvisor)
	070578-11-Y15	EA	Button Asm. - #30 - Vinyl (Roof)
	070578-02-X19	EA	Button Asm. - #30 - Vinyl (TV Cabinet)

**CURTAIN, CUSHION & PAD GROUP (CONTINUED)**

**CURTAIN HARDWARE**

Key	Part Number	U/M	Description
	029094-04-000	YD	Tape - Loop - 1" Wide - Black
	029096-03-000	YD	Tape - Hook - 1" Wide - Black
	048394-02-000	YD	Tape - Hook - .75" Wide - Beige
	047395-02-000	YD	Tape - Loop - .75" Wide - Beige
	088792-01-000	YD	Tape - Hook - 5/8" - Non-Adhesive
	088792-02-000	YD	Tape - Loop - .75" Wide - Beige - Adhesive
	056003-01-000	EA	Bracket - Drapery Retainer - Right
	056003-02-000	EA	Bracket - Drapery Retainer - Left
	081381-01-000	EA	Swivel Snap - Curtain Track
	075943-01-000	EA	Brace - Valance - Beige
	082139-01-000	EA	Bracket - Hold Down - Blinds
	083170-01-000	EA	Bracket - Blind Installation - Right
	083170-02-000	EA	Bracket - Blind Installation - Left
	084434-01-000	EA	Bracket - Roller Shade - 1.375"
	087253-01-000	EA	Pull - Window Shade - Clear Plastic
	089335-01-000	EA	Track - Curtain - Brown Plastic
	089916-01-000	EA	Window - Trim
	086276-01-000	EA	Tape - Double Sided - .5"
	078394-01-000	FT	Trim - Brass Vinyl - .437" Wide - Window Side Panel
	077046-01-000	EA	Track - Curtain - Front Wraparound - Passenger
	077046-02-000	EA	Track - Curtain - Front Wraparound - Driver
	077046-01-700	EA	Baton Asm. - w/Snap
	077046-01-701	EA	Carrier - Swivel
	077046-01-702	EA	Lock Stop
	077046-01-703	EA	Swivel - Snap Pendant
	077046-01-704	EA	End Stop
	077046-01-705	EA	Master Carrier - Left
	077046-01-706	EA	Master Carrier - Right



Key	Part Number	U/M	Description
1	029130-01-000	EA	Socket - Snap Fastener
2	029155-01-000	EA	Cap - Snap - .156" Dia. x .17" Barrel
3	029156-01-000	EA	Socket - Snap Fastener
4	029092-01-000	EA	Stud - Nickel Finish
5	029093-01-000	EA	Eyelet - Nickel Finish

**1989 WINNEBAGO  
TABLE OF CONTENTS**

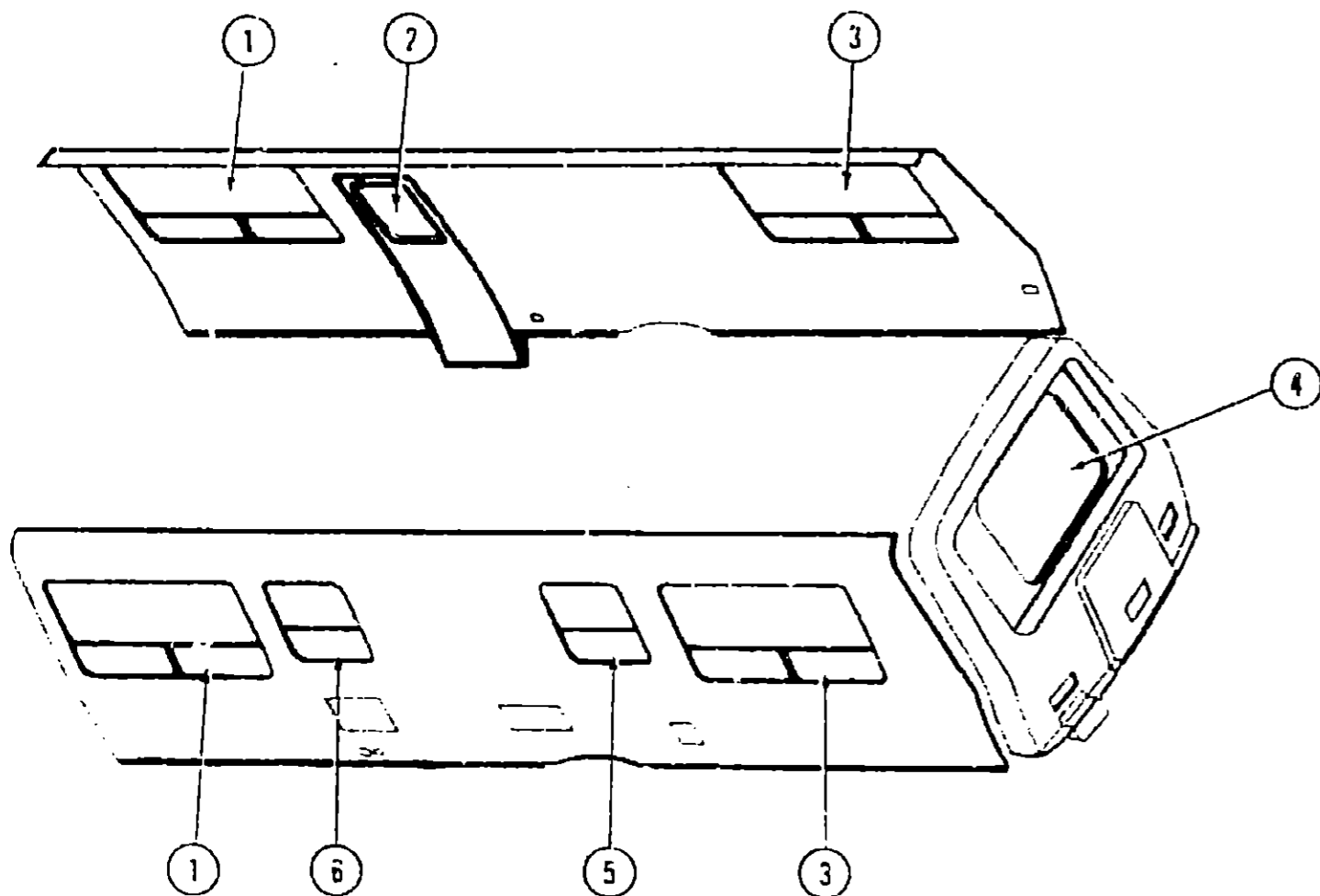
INTRODUCTION	A-01
ABBREVIATIONS	A-01
ALPHABETICAL INDEX	A-02 - A-04
WCP32DQ	A-05 - C-18
WC/JP32RQ	C-19 - F-20

**1989 WCP32DQ INDEX**

Floor Plan	A-05 - A-06
Accessories Group	A-07 - A-10
Bath Group	A-11 - A-13
Chassis Group	A-14 - A-18
Curtain, Cushion & Pad Group	A-19 - B-03
Dinette Group	B-04
Driver's Compartment Group	B-05 - B-08
Electrical Group	B-09 - B-12
Exterior Body Group	B-13 - B-19
Galley Group	B-20 - B-21
Heating & Air Conditioning Group	B-22 - B-23
Interior Finish Group	B-24 - C-02
LP Group	C-03
Lounge Group	C-04 - C-05
Water & Sewage Group	C-06 - C-07
Window, Vent & Exterior Door Group	C-06 - C-18



**CURTAIN, CUSHION & PAD GROUP (CONTINUED)**



**CURTAIN, SHADES, VALANCES & TIEBACKS**

Key	Part Number	U/M	Description
1	089058-11-Y75	EA	Padded - Window Leg - Right
1	089058-12-Y75	EA	Padded - Window Leg - Left
1	093478-01-04A	EA	Blind - Micro-Mini - 57.5" x 35" Drop
2	093455-33-Y75	EA	Shade Asm. - Pull - 27.25"
3	089058-03-Y75	EA	Padded - Window Leg - Right
3	089058-04-Y75	EA	Padded - Window Leg - Left
3	093478-01-04A	EA	Blind - Micro-Mini - 57.5" x 35" Drop
3	094552-04-Y75	EA	Valance Asm. - Ruffled w/Wood - 62.5"
4	089058-05-Y75	EA	Padded - Window Leg - Right
4	089058-06-Y75	EA	Padded - Window Leg - Left
4	093478-03-01A	EA	Blind - Micro-Mini - 45" x 34" Drop
4	093464-01-Y75	EA	Valance Asm. - Gathered - Swag
5	093478-02-04A	EA	Blind - Micro-Mini - 28" x 28" Drop
5	073304-45-Y75	EA	Curtain Asm. - 30" x 9" - w/Snap Top
6	093478-04-01A	EA	Blind - Micro-Mini - 28" x 27.5" Drop
	093452-01-Y75	EA	Curtain Asm. w/Snap Top - Blackout - 48" x 50" - Passenger
	093452-02-Y75	EA	Curtain Asm. w/Snap Top - Blackout - 48" x 50" - Driver
	093487-03-000	EA	Curtain Asm. - Pleated - Front Wraparound - Right
	093437-04-000	EA	Curtain Asm. - Pleated - Front Wraparound - Left
	073260-23-Y75	EA	Tieback Asm. - 3" x 18" - Drapery
	057534-06-000	EA	Tieback Asm. - Taupe - Vinyl
	057534-08-000	EA	Tieback Asm. - Clear - 6"

**CURTAIN, CUSHION & PAD GROUP (CONTINUED)**

**QUEEN BED**

Key	Part Number	U/M	Description
	077478-05-000	EA	Mattress - Inner Spring - 60" x 75"
	094560-01-000	EA	Bedsread - 60" w/Dust Ruffle
	094560-02-000	EA	Pillow Sham /w Ruffle
	093458-02-Y75	EA	Headboard Asm. - 54" - Ruffled

**CELESTIAL SOFA BED**

Key	Part Number	U/M	Description
	093460-01-Y75	EA	Bed Asm. - Celestial Sofa - w/o Cushions & Armrests
	M93460-01-Y75	EA	Cover Asm. - Celestial Sofa Bed
	085357-02-Y75	EA	Cushion Asm. - 16" x 23" - Celestial Bed (3 required)
	M85357-02-Y75	EA	Cover Asm. - Cushion
	085358-05-Y75	EA	Removable Arms - Sofa Bed (2 required)
	M85358-05-Y75	EA	Cover Asm. - Removable Arms
	090406-01-Y75	EA	Drawer Asm. - Sofa
	074044-90-000	EA	Oak Trim - Celestial Sofa Bed
	079386-01-000	EA	Frame Asm. - Continental Bed
	079386-02-000	EA	Hardware Kit
	016604-06-000	EA	Brace - Seat Angle - Drawer
	084466-02-000	EA	Slide Asm. - Drawer - Right
	084466-03-000	EA	Slide Asm. - Drawer - Left
	084466-04-000	EA	Slide Asm. - Cabinet - Right
	084466-05-000	EA	Slide Asm. - Cabinet - Left

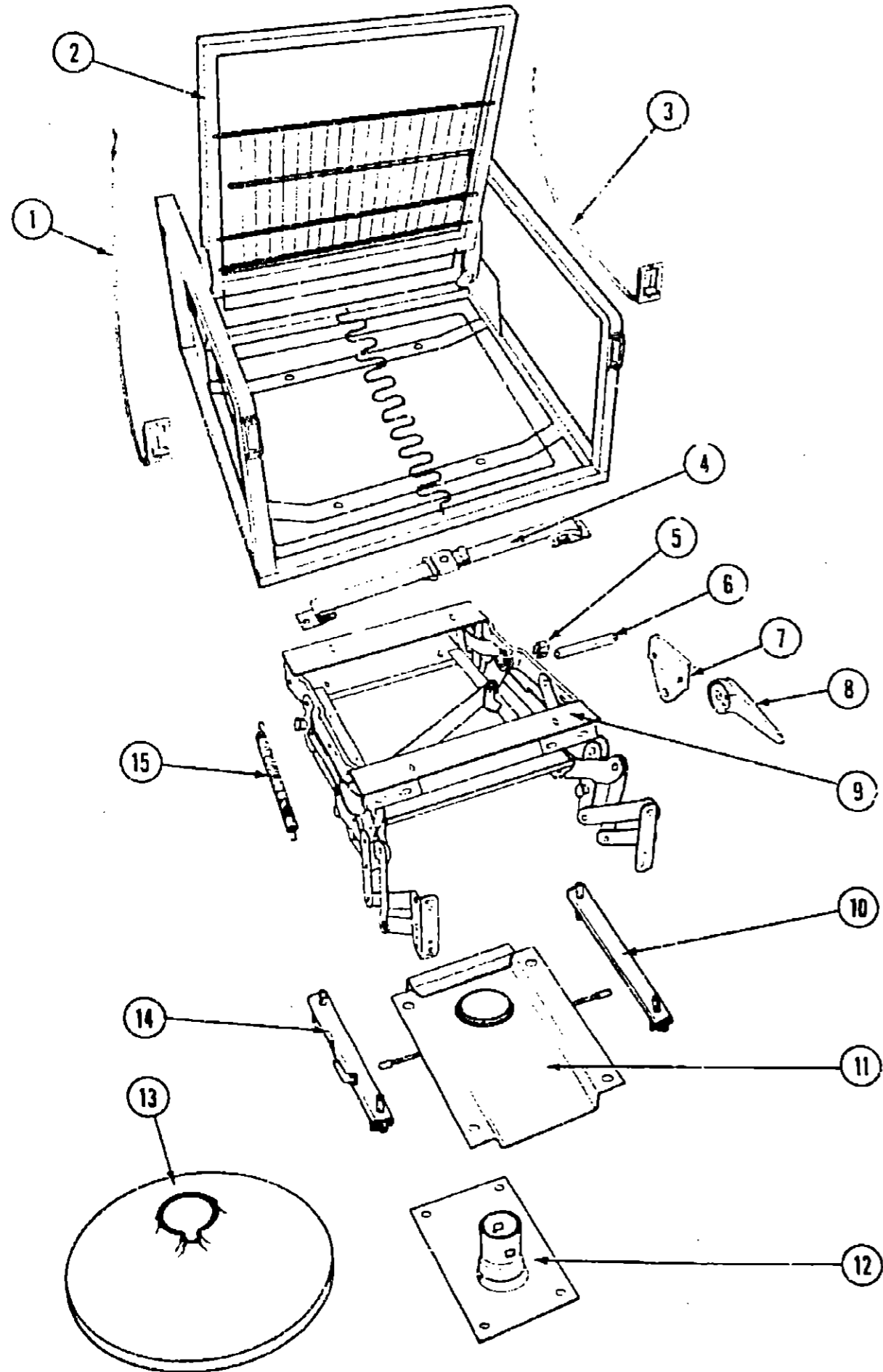
**1989 WINNEBAGO  
TABLE OF CONTENTS**

INTRODUCTION	A-01
ABBREVIATIONS	A-01
ALPHABETICAL INDEX	A-02 - A-04
WCP32DQ	A-05 - C-18
WC/JP32RQ	C-19 - F-20

**1989 WCP32DQ INDEX**

Floor Plan	A-05 - A-06
Accessories Group	A-07 - A-10
Bath Group	A-11 - A-13
Chassis Group	A-14 - A-18
Curtain, Cushion & Pad Group	A-19 - B-03
Dinette Group	B-04
Driver's Compartment Group	B-05 - B-08
Electrical Group	B-09 - B-12
Exterior Body Group	B-13 - B-19
Galley Group	B-20 - B-21
Heating & Air Conditioning Group	B-22 - B-23
Interior Finish Group	B-24 - C-02
LP Group	C-03
Lounge Group	C-04 - C-05
Water & Sewage Group	C-06 - C-07
Window, Vent & Exterior Door Group	C-08 - C-18

**CURTAIN, CUSHION & PAD GROUP (CONTINUED)**



**CURTAIN, CUSHION & PAD GROUP (CONTINUED)**

**CELEBRITY RECLINER HARDWARE**

Key	Part Number	U/M	Description
1	089368-03-000	EA	Remote Asm. - Recliner
2	089368-01-000	EA	Frame Asm. - Celebrity Chair
3	089368-02-000	EA	Remote Asm. - Slider
4	007021-01-000	EA	Seat Belt Asm. - 90" x 2" Black
	057759-01-000	EA	Bracket - Seat Belt Washer
5	093484-02-700	EA	Clamp - Torsion Rod
6	093484-02-701	EA	Torsion Bar
7	093484-02-702	EA	Support - Torsion Bar
8	093484-02-703	EA	Handle
	093484-02-000	EA	Hardware Kit - Footrest (Includes Keys 5,6,7,8, & 15)
9	093484-01-000	EA	Footrest Mechanism
10	069246-02-000	EA	Adjuster Asm. - Celebrity Chair - w/o Lock
11	093481-03-000	EA	Top Plate - Celebrity Chair - w/Lock
12	093481-01-000	EA	Pedestal - 6" - Used with Footrest Only
12	093481-02-000	EA	Pedestal - 10" - Used with Recliner Only
13	093482-01-000	EA	Pedestal Shroud - 13" Black Plastic
14	069246-05-000	EA	Adjuster Asm. - Celebrity Chair - w/Lock
	087330-01-000	EA	Bracket - Stop - Slide Track
15	093484-02-704	EA	Spring

**SWIVEL CHAIR**

Key	Part Number	U/M	Description
	086516-02-Y75	EA	Chair Asm. - Celebrity - Recliner
	089032-01-Y75	EA	Skirt Asm. - Celebrity - Recliner
	093463-02-Y75	EA	Chair Asm. - Celebrity - Recliner w/Foot Rest
	089032-08-Y75	EA	Skirt Asm. - Celebrity - 3/4"
	094599-01-Y75	EA	Foot Rest Asm. - Swivel Chair

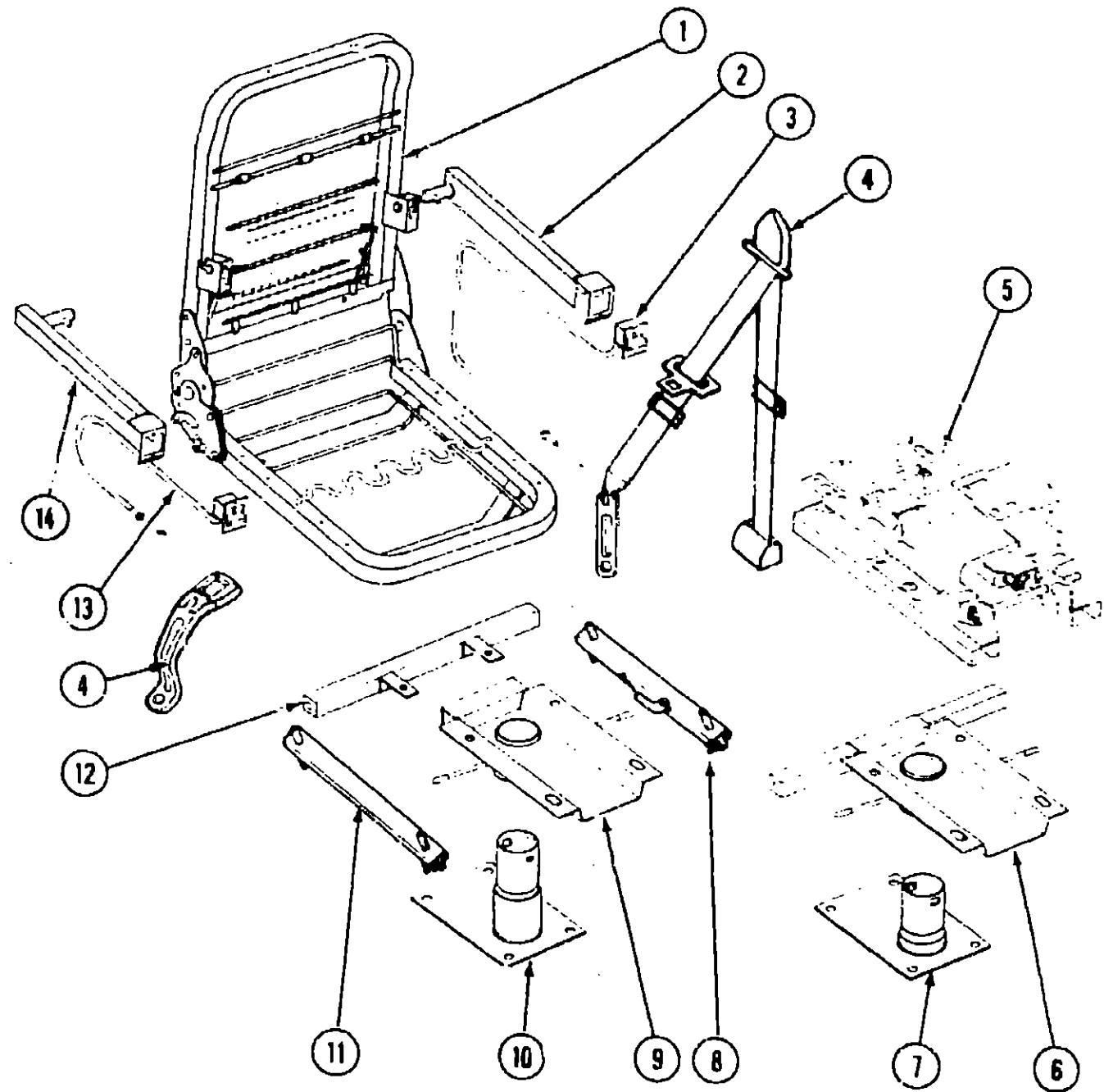
**1989 Y/INNEBAGO  
TABLE OF CONTENTS:**

INTRODUCTION	A-01
ABBREVIATIONS	A-01
ALPHABETICAL INDEX	A-02 - A-04
WCP32DO	A-05 - C-18
WC/JP32RQ	C-19 - F-20

**1989 WCP32DO INDEX**

Floor Plan	A-05 - A-06
Accessories Group	A-07 - A-10
Bath Group	A-11 - A-13
Chassis Group	A-14 - A-18
Curtain, Cushion & Pad Group	A-19 - B-03
Dineite Group	B-04
Driver's Compartment Group	B-05 - B-08
Electrical Group	B-09 - B-12
Exterior Body Group	B-13 - B-19
Galley Group	B-20 - B-21
Heating & Air Conditioning Group	B-22 - B-23
Interior Finish Group	B-24 - C-02
LP Group	C-03
Lounge Group	C-04 - C-05
Water & Sewage Group	C-06 - C-07
Window, Vent & Exterior Door Group	C-08 - C-18

**CURTAIN, CUSHION & PAD GROUP (CONTINUED)**



**CURTAIN, CUSHION & PAD GROUP (CONTINUED)**

**BUCKET SEAT HARDWARE**

Key	Part Number	U/M	Description
1	089369-01-000	EA	Frame Asm. - Bucket Seat
2	089369-03-000	EA	Frame - Armrest - Left
3	089368-03-000	EA	Cable Asm. - Remote - Slide
4	091990-02-01A	EA	Seat Belt - Drivers - 3 Point
	091990-01-01A	EA	Seat Belt - Passenger - 3 Point
5	081373-01-000	EA	Power Seat Asm.
	081373-02-700	EA	Switch Asm. - Power Set
	081373-02-701	EA	Wire Harness - Drivers - Power Seat
	081373-02-702	EA	Horizontal Adjustment Package
	081373-02-703	EA	Horizontal Adjustment Package
	081373-02-704	EA	Vertical Adjustment Package
6	069585-36-000	EA	Top Plate - Power Seat
7	069585-37-000	EA	Sub Plate - 5" - Used w/Power Seat
8	069246-05-000	EA	Adjuster Asm. - Seat w/Lock
9	069585-27-000	EA	Top Plate - Non Powered Seat
10	069585-08-000	EA	Sub Plate - 6" - Used w/Non Powered Seat
11	069246-02-000	EA	Adjuster Asm. - Seat - w/o Lock
12	065485-29-000	EA	Seat Belt Bar - 20"
13	089368-02-000	EA	Cable Asm. - Remote - Recliner
14	089369-02-000	EA	Frame - Armrest - Right

**DRIVER POWER BUCKET SEAT**

Key	Part Number	U/M	Description
	093469-02-Y75	EA	Seat Asm. - Power Bucket - Driver - w/o Skirt
	M03445-15-Y75	EA	Cover Asm. - Power Bucket - Seat
	M03445-16-Y75	EA	Cover Asm. - Power Bucket - Back
	071126-26-Y75	EA	Skirt Asm. - Power Bucket Seat
	080243-36-Y75	EA	Armrest Asm. - Right
	M80243-36-Y75	EA	Cover Asm. - Right Armrest
	080243-38-Y75	EA	Armrest Asm. - Left
	M80243-38-Y75	EA	Cover Asm. - Left Armrest
	093472-01-Y75	EA	Headrest Asm. - Bucket Seat
	M93472-01-Y75	EA	Cover Asm. - Headrest Bucket

**PASSENGER BUCKET SEAT**

Key	Part Number	U/M	Description
	093469-01-Y75	EA	Seat Asm. - Bucket w/Remote - Passenger - w/o Skirt
	M03445-15-Y75	EA	Cover Asm. - Bucket - Seat
	M03445-16-Y75	EA	Cover Asm. - Bucket - Back
	071126-24-Y75	EA	Skirt Asm. - Bucket Seat
	080243-36-Y75	EA	Armrest Asm. - Right
	M80245-36-Y75	EA	Cover Asm. - Right Armrest
	080243-37-Y75	EA	Armrest Asm. - Left
	M80243-37-Y75	EA	Cover Asm. - Left Armrest
	093472-01-Y75	EA	Headrest Asm. - Bucket Seat
	M93472-01-Y75	EA	Cover Asm. - Headrest

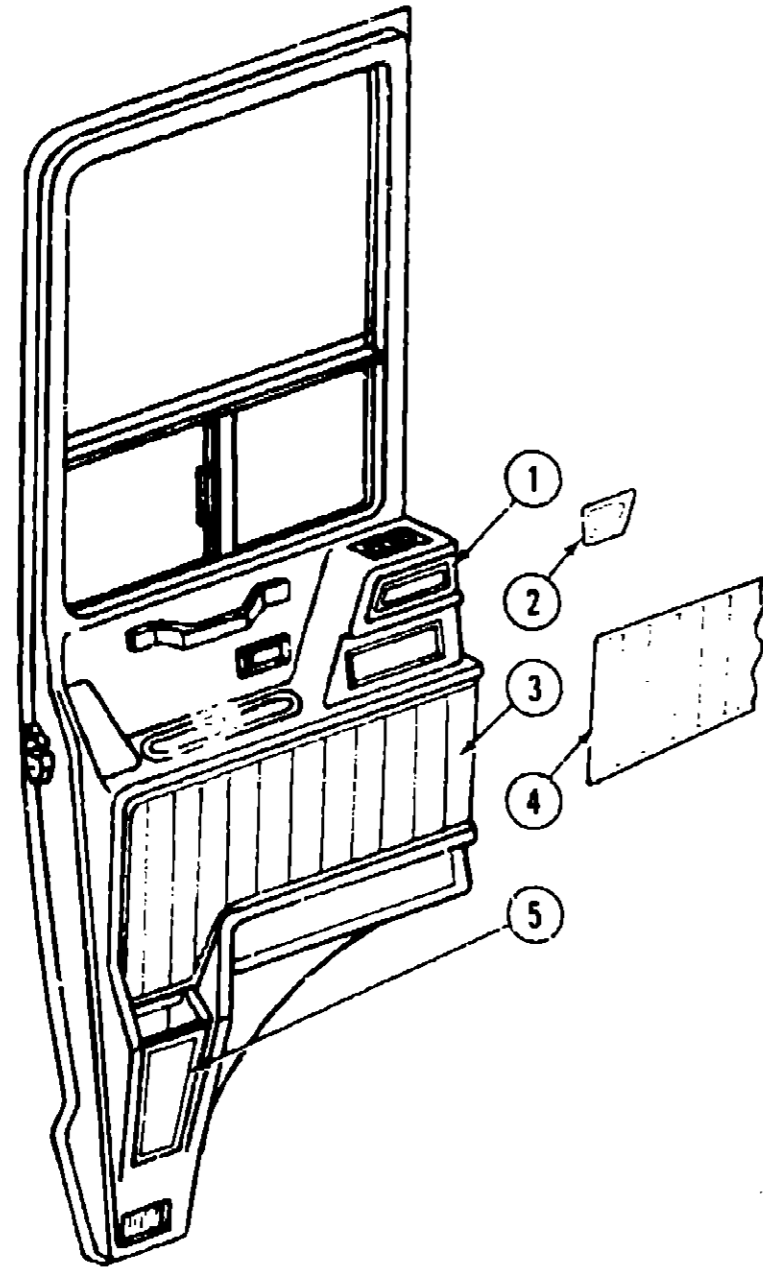
**1989 WINNEBAGO  
TABLE OF CONTENTS**

INTRODUCTION	A-01
ABBREVIATIONS	A-01
ALPHABETICAL INDEX	A-02 - A-04
WCP32DQ	A-05 - C-18
WC/JP32RQ	C-19 - F-20

**1989 WCP32DQ INDEX**

Floor Plan	A-05 - A-06
Accessories Group	A-07 - A-10
Bath Group	A-11 - A-13
Chassis Group	A-14 - A-18
Curtain, Cushion & Pad Group	A-19 - B-03
Dinette Group	P-04
Driver's Compartment Group	B-05 - B-08
Electrical Group	B-09 - B-12
Exterior Body Group	B-13 - B-19
Galley Group	B-20 - B-21
Heating & Air Conditioning Group	B-22 - B-23
Interior Finish Group	B-24 - C-02
LP Group	C-03
Lounge Group	C-04 - C-05
Water & Sewage Group	C-06 - C-07
Window, Vent & Exterior Door Group	C-08 - C-18

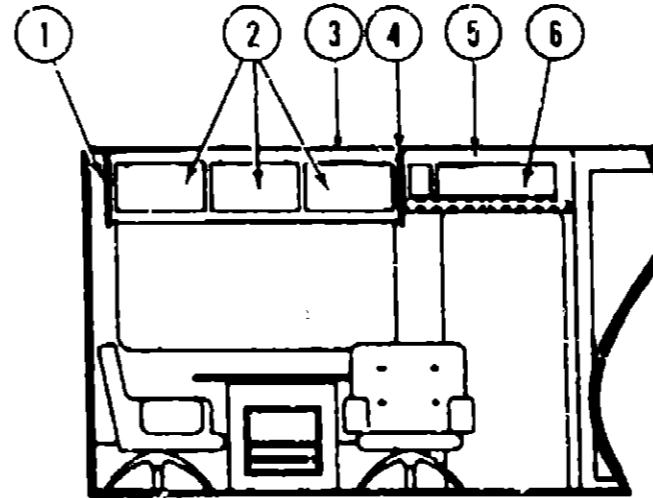
**CURTAIN, CUSHION & PAD GROUP (CONTINUED)**



**TRIM PADS**

Key	Part Number	U/M	Description
1	089104-04-Y75	EA	Insert Pad - Upper Door - Driver
	089104-03-Y75	EA	Insert Pad - Upper Door - Passenger
2	089107-02-Y75	EA	Insert Pad - Upper Sidewall - Driver
	089109-02-Y75	EA	Insert Pad - Upper Sidewall - Passenger
3	089105-04-Y75	EA	Insert Pad - Lower Door - Driver
	089105-03-Y75	EA	Insert Pad - Lower Door - Passenger
4	089109-02-Y75	EA	Insert Pad - Lower Sidewall - Driver
	089110-02-Y75	EA	Insert Pad - Lower Sidewall - Passenger
5	089106-04-Y75	EA	Insert Pad - Map Pocket - Driver
	089106-03-Y75	EA	Insert Pad - Map Pocket - Passenger
	089112-04-Y75	EA	Insert Pad - Front Overhead (Sunvisor) - Driver
	089112-03-Y75	EA	Insert Pad - Front Overhead (Sunvisor) - Passenger
	089045-01-W13	EA	Pad Asm. - TV Cabinet - Vinyl
	089113-02-Y75	EA	Wall Pad - TT Chairs - 12" x 16"

**DINETTE GROUP**



**SWIVEL CHAIR DINETTE & OVERHEAD CABINETS**

Key	Part Number	U/M	Description
1	085468-02-Y75	EA	Pad Asm. - End Cap - Front Overhead - Left - Vinyl
2	M88304-38-Y75	EA	Door Asm. - Overhead Cabinet - 12" x 18.7" - w/o Hardware
3	M03110-15-Y75	EA	Cabinet Asm. - Front Overhead - Passenger - w/o Doors or Hardware
	M03110-13-Y75	EA	Cabinet Asm. - Front Overhead - Driver - w/o Doors or Hardware
4	085469-01-Y75	EA	Pad Asm. - End Cap - Front Overhead - Right - Vinyl
5	M03110-59-Y76	EA	Cabinet Asm. - Entrance Door Overhead
	089391-12-Y21	EA	Speaker Cover - Fabric
6	M88304-45-Y75	EA	Door Asm. - 10" x 29.5" - Entrance Cabinet
	M81727-02-Y75	EA	Cabinet Asm. - Pullout Table
	M02415-01-Y75	EA	Table Asm. - Pullout
	079921-01-000	EA	Roller - Nylon Shaft
	M02416-01-Y75	EA	Countertop Asm. - Pullout Table
	M02414-01-Y75	EA	Top - Cupholder - Pullout Table
	M02417-01-Y75	EA	Hinged Top - Pullout Table - w/o Hardware
	080728-01-000	EA	Handle - Pullout Table
	079606-01-Y75	EA	Magazine Rack
	081298-01-Y75	EA	Table Asm. - Pedestal
	009040-03-000	EA	Base - Table - Mounts to Table
	009040-04-000	EA	Leg - Pedestal Table
	062046-01-000	EA	Clip - Pedestal Table
	041191-01-000	EA	Base - Table - Flush Mounts in Floor

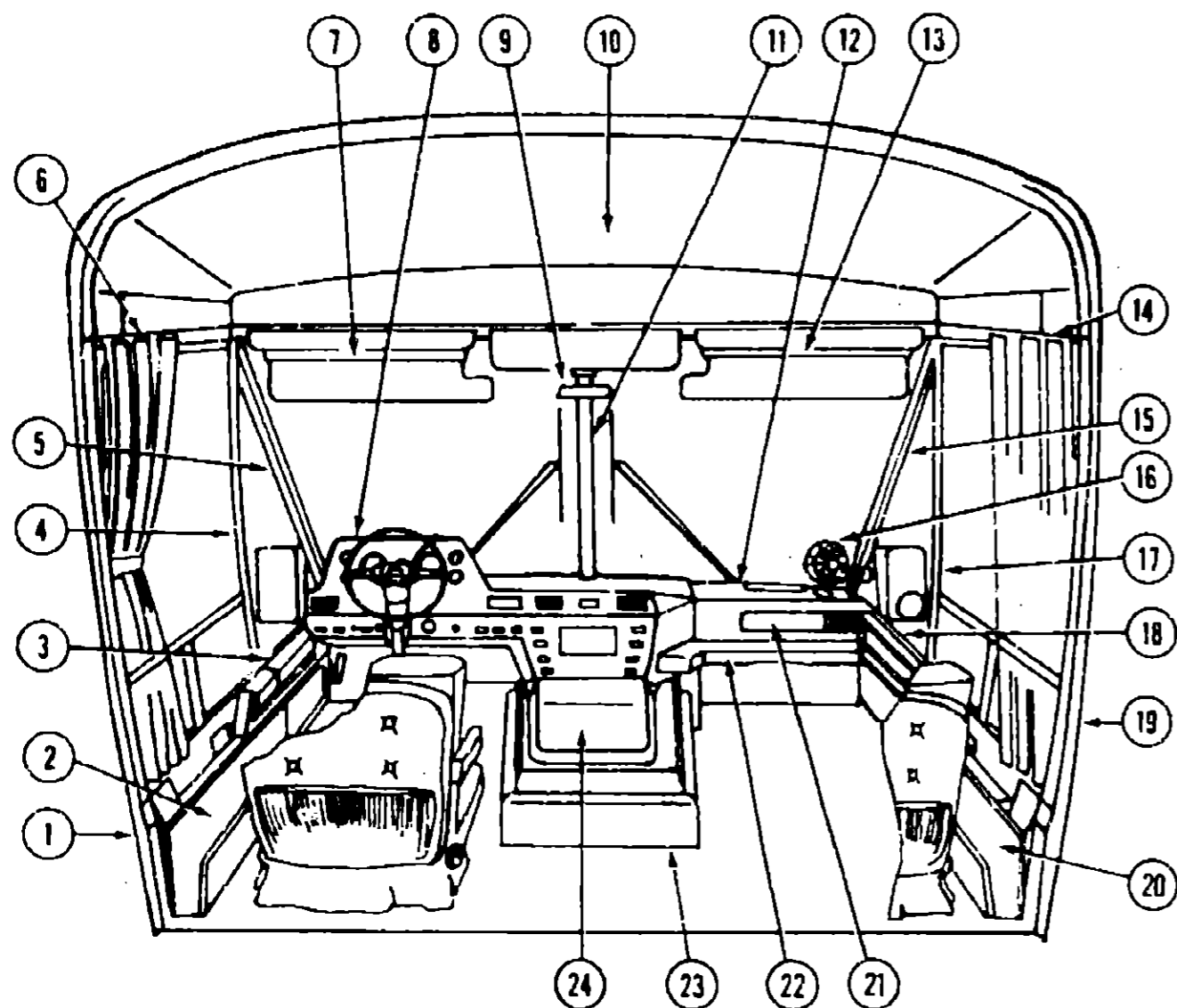
**1989 WINNEBAGO  
TABLE OF CONTENTS**

INTRODUCTION	A-01
ABBREVIATIONS	A-01
ALPHABETICAL INDEX	A-02 - A-04
WCP32DQ	A-05 - C-18
WC/JP32RO	C-19 - F-20

**1989 WCP32DQ INDEX**

Floor Plan	A-05 - A-06
Accessories Group	A-07 - A-10
Bath Group	A-11 - A-13
Chassis Group	A-14 - A-18
Curtain, Cushion & Pad Group	A-19 - B-03
Dinette Group	B-04
Driver's Compartment Group	B-05 - B-08
Electrical Group	B-09 - B-12
Exterior Body Group	B-13 - B-19
Galley Group	B-20 - B-21
Heating & Air Conditioning Group	B-22 - B-23
Interior Finish Group	B-24 - C-02
LP Group	C-03
Lounge Group	C-04 - C-05
Water & Sewage Group	C-06 - C-07
Window, Vent & Exterior Door Group	C-08 - C-18

### DRIVER'S COMPARTMENT GROUP



### MISCELLANEOUS DRIVER'S COMPARTMENT COMPONENTS

Key	Part Number	U/M	Description
1	077111-08-000	EA	Panel Trim - Driver's Side
2	077117-06-000	EA	Side Panel Trim - Plastic
3	077116-03-000	EA	Side Panel Trim - Plastic
4	077113-06-000	EA	Trim Panel - Hinge Pillar
5	077112-06-000	EA	Trim - Windshield - Interior - "A" Post - Left
6	093452-02-Y75	EA	Curtain Asm. - w/Snap Top - Blackout - 48" x 50"
7	082286-04-X19	EA	Sunvisor Asrn. - Driver - Vinyl w/Map Pocket
	007211-01-000	EA	Hinge - Sunvisor
	074012-01-000	EA	Clip - Sunvisor - Square - Pinch On
	M03110-23-Y75	EA	Cabinet Asm. - Front Overhead - Right - w/o Doors or Hardware
	M03110-21-Y75	EA	Cabinet Asm. - Front Overhead - Left - w/o Doors or Hardware
	086714-01-Y75	EA	Cabinet Asm. - Television
	089045-01-W13	EA	Pad Asm. - TV Cabinet - Vinyl
	M88304-46-Y75	EA	Door Asm. - Front Overhead Cabinet - 7" x 25.1" - w/o Hardware
8	085253-01-W13	EA	Instrument Panel Asm. - Upper - Left
	076808-05-000	EA	Dash Panel - Lower - Left
	076808-07-000	EA	Dash Panel - Lower - Left (w/Electronic Dash)

### DRIVER'S COMPARTMENT GROUP (CONTINUED)

### MISCELLANEOUS DRIVER'S COMPARTMENT COMPONENTS (CONT.)

Key	Part Number	U/M	Description
9	040714-01-000	EA	Mirror - Inside Rear View
	040714-01-700	EA	Rearview Mirror Kit
	079926-01-000	EA	Lamp - Flex Arm
	079926-01-700	EA	Bulb - Flex Arm Lamp
10	077108-06-000	EA	Trim Panel - Roof Front
11	077114-03-000	EA	Trim Panel - Center - Pillar
	076783-01-000	EA	Louver Asm. - A/C Adjustable
12	085252-01-W13	EA	Instrument Panel Asm. - Upper - Right
13	082286-03-X23	EA	Sunvisor Asm. - w/Mirror - Vinyl
	085709-01-000	EA	Mounting Asm. - Sunvisor Pivot - Black
	007211-01-000	EA	Hinge - Sunvisor
	074012-01-000	EA	Clip - Sunvisor Square - Pinch On
	083153-01-000	EA	Mirror - Sunvisor - 3.5" x 7"
14	093452-01-Y75	EA	Curtain Asm. w/Snap Top - Blackout - 48" x 50"
15	077112-05-000	EA	Trim - Windshield - Interior - "A" Post - Right
16	036420-02-000	EA	Defroster Fan
	077988-01-000	EA	Bracket - Fan - Right
	077988-02-000	EA	Bracket - Fan - Left
17	077113-05-000	EA	Trim Panel - Hinge Pillar
18	077115-03-000	EA	Side Panel Trim. - Front
19	077111-07-000	EA	Trim Panel - Passenger Side
20	077117-05-000	EA	Side Panel Trim - Door
21	076797-01-000	EA	Instrument Panel Asm. - Upper - Right
22	076734-03-000	EA	Tray - Instrument Panel - Plastic
23	075993-01-Y75	EA	Motor Cover
	039623-01-000	EA	Seal - Engine Cover
	080544-01-000	EA	Trim - Motor Cover
24	076729-03-000	EA	Beverage Tray (Plastic)
	086752-04-000	EA	Trim Board - Beverage Tray
	077026-01-000	EA	Lens - Courtesy
	036196-01-000	EA	Bulb
	077431-06-000	EA	Beverage Tray - Woodland
	089294-01-000	EA	Cigarette Lighter

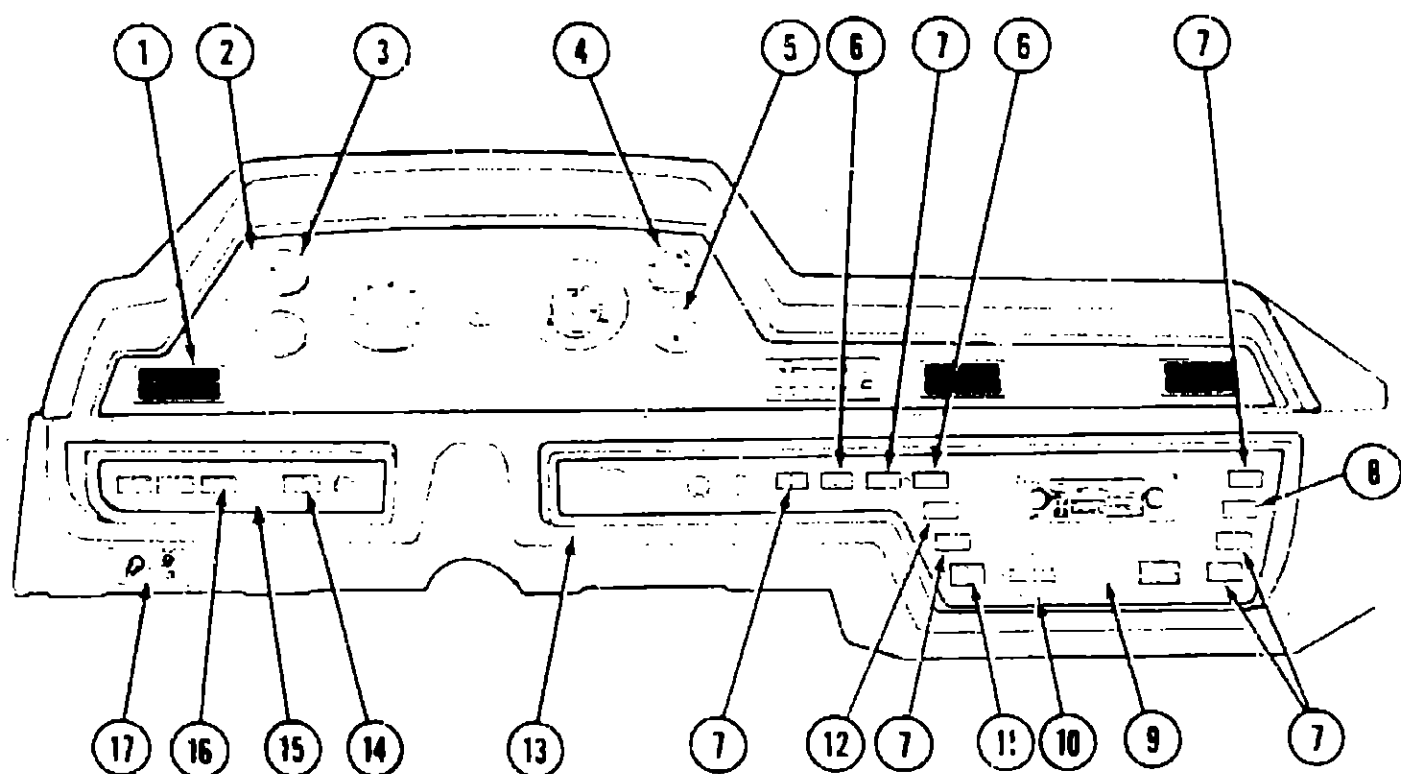
### 1989 WINNEBAGO TABLE OF CONTENTS

INTRODUCTION	A-01
ABBREVIATIONS	A-01
ALPHABETICAL INDEX	A-02 - A-04
WCP32DO	A-05 - C-18
WC/JP32RQ	C-19 - F-20

### 1989 WCP32DO INDEX

Floor Plan	A-05 - A-06
Accessories Group	A-07 - A-10
Bath Group	A-11 - A-13
Chassis Group	A-14 - A-18
Curtain, Cushion & Pad Group	A-19 - B-03
Dinette Group	B-04
Driver's Compartment Group	B-05 - B-08
Electrical Group	B-09 - B-12
Exterior Body Group	B-13 - B-19
Galley Group	B-20 - B-21
Heating & Air Conditioning Group	B-22 - B-23
Interior Finish Group	B-24 - C-02
LP Group	C-03
Lounge Group	C-04 - C-05
Water & Sewage Group	C-06 - C-07
Windshield & Exterior Door Group	C-08 - C-18

## DRIVER'S COMPARTMENT GROUP (CONTINUED)

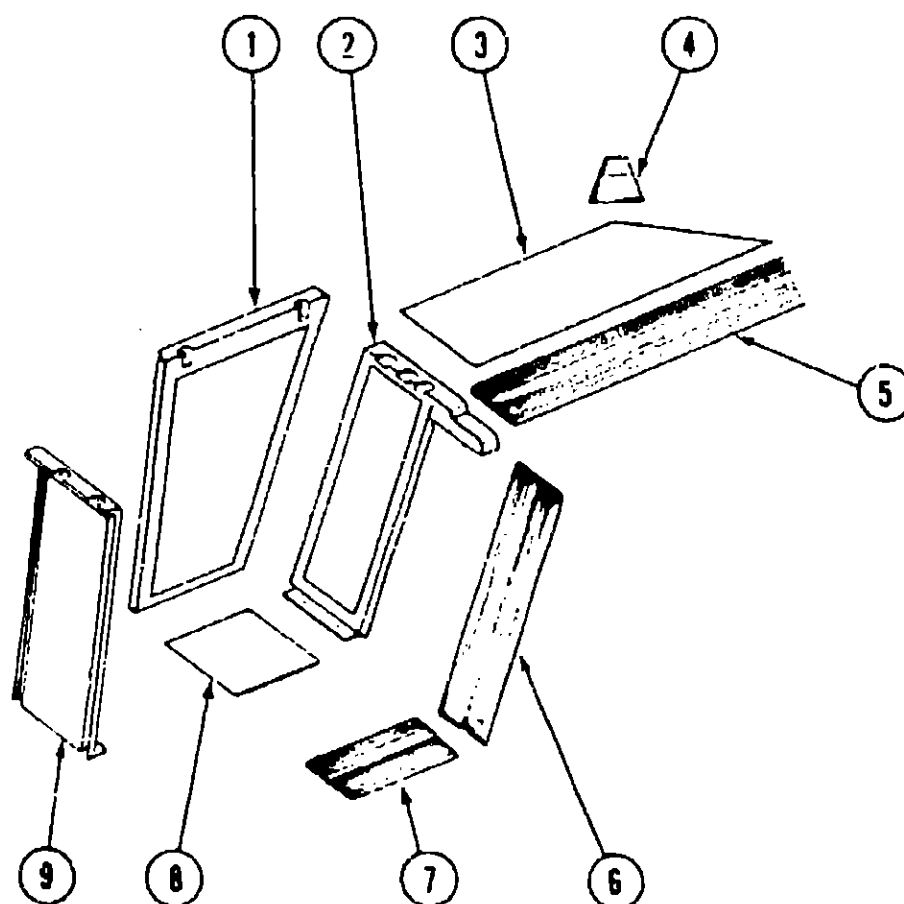


### DASH SWITCHES & GAUGES

Key	Part Number	U/M	Description
1	076783-02-000	EA	Louver Asm. - A/C Adjustable
2	076216-07-000	EA	Instrument Panel - Upper - Elandan
3	024460-04-000	EA	Gauge - Vacuum
4	024459-04-000	EA	Gauge - Voltmeter
5	031035-01-000	EA	Gauge - Hourmeter - Generator
6	076759-04-000	EA	Switch - 3 Position
7	076759-01-000	EA	Switch - 2 Position
8	076759-09-000	EA	Switch - 3 Position
9	076217-14-000	EA	Instrument Panel - Lower Right
10	087202-02-000	EA	Switch - 4 Position
	090977-01-000	EA	Switch Knob - Rotary
11	086272-01-000	EA	Switch - 3 Position
12	076759-03-000	EA	Switch - 3 Position
13	076808-05-000	EA	Dash Panel - Lower - Left
	076808-07-000	EA	Dash Panel - Lower - Left
14	076759-07-000	EA	Switch - 2 Position
15	076218-03-000	EA	Instrument Panel - Lower Left
16	076759-05-000	EA	Switch - 3 Position
17	051057-03-000	EA	Switch Asm. - Search Light
	077031-01-000	EA	Film - Black - 1" x 1.75"
	077031-02-000	EA	Film - Red - 1" x 1.75"
	081087-01-000	EA	Light Asm. - Indicator - Generator
	076788-01-000	EA	Socket - Lamp - Mini Bayonet
	076788-03-000	EA	Lamp Plate Asm.
	076788-04-000	EA	Lamp Plate Asm. - Instrument Panel - Turn Signal
	08103-01-000	EA	Bulb - Behind Lamp Plate Asm.
	087715-02-000	EA	Bezel - Electronic Dash
	087713-01-000	EA	Display Panel - w/o Aux. Fuel
	087714-02-000	EA	Computer - w/o Aux. Fuel
	081369-07-000	EA	Sender Kit - Speed - Electronic Dash

\* Parts used w/the Electronic Dash Option

## DRIVER'S COMPARTMENT GROUP (CONTINUED)



### STEPWELL TRIMS & PADS

Key	Part Number	U/M	Description
1	086921-01-000	EA	Door - Outer Battery - Black - Passenger
	086921-02-000	EA	Door - Outer Battery - Black - Driver
2	076360-01-000	EA	Panel Trim - Stepwell - Front - Passenger
	076360-02-000	EA	Panel Trim - Stepwell - Front - Driver
3	075969-01-000	EA	Pad - Upper Stepwell - Passenger
	075969-02-000	EA	Pad - Upper Stepwell - Driver
4	092821-01-01A	EA	Trim - Door Threshold - Black
5	077084-01-000	EA	Trim - Door Threshold - Top - Passenger
	077084-02-000	EA	Trim - Door Threshold - Top - Driver
6	077083-01-000	EA	Trim - Door Threshold - Center - Passenger
	077083-02-000	EA	Trim - Door Threshold - Center - Driver
7	077082-01-000	EA	Trim - Door Threshold - Bottom - Passenger
	077082-02-000	EA	Trim - Door Threshold - Bottom - Driver
8	075972-01-000	EA	Pad - Lower Stepwell
9	076359-01-000	EA	Panel Trim - Stepwell - Rear - Passenger
	076359-02-000	EA	Panel Trim - Stepwell - Rear - Driver
	086755-01-000	EA	Latch - 1/4 Turn - Rotary - Plastic

## 1989 WINNEBAGO TABLE OF CONTENTS

INTRODUCTION	A-01
ABBREVIATIONS	A-01
ALPHABETICAL INDEX	A-02 - A-04
WCP32DQ	A-05 - C-18
WC/JP32RQ	C-19 - F-20

## 1989 WCP32DQ INDEX

Floor Plan	A-05 - A-06
Accessories Group	A-07 - A-10
Bath Group	A-11 - A-13
Chassis Group	A-14 - A-18
Curtain, Cushion & Pad Group	A-19 - B-03
Dinette Group	B-04
Driver's Compartment Group	B-05 - B-08
Electrical Group	B-09 - B-12
Exterior Body Group	B-13 - B-19
Galley Group	B-20 - B-21
Heating & Air Conditioning Group	B-22 - B-23
Interior Finish Group	B-24 - C-02
LP Group	C-03
Lounge Group	C-04 - C-05
Water & Sewage Group	C-06 - C-07
Window, Vent & Exterior Door Group	C-08 - C-18

## ELECTRICAL GROUP

### BULBS

Key	Part Number	U/M	Description
	008103-01-000	EA	Bubl - 53
	008213-01-000	EA	Bulb - 57
	008214-01-000	EA	Bulb - 67
	036196-01-000	EA	Bulb - 194
	008215-01-000	EA	Bulb - 1003
	067479-01-000	EA	Bulb - 1076
	063914-01-000	EA	Bulb - 1139
	008218-01-000	EA	Bulb - 1141
	037935-01-000	EA	Bulb - 1157
	037936-01-000	EA	Bulb - 1157A
	056288-02-000	EA	Bulb - 9431808
	081633-01-700	EA	Bulb - Make Up Light
	091937-03-000	EA	Bulb - Fluorescent - 12V
	078424-02-700	EA	Bulb - Fluorescent - 18"
	088733-01-700	EA	Bulb - Headlamp Asm.

### FUSES & CIRCUIT BREAKERS

Key	Part Number	U/M	Description
	008234-01-000	EA	Fuse - 10 Amp. - 12 Volt
	008235-01-000	EA	Fuse - 15 Amp. - 12 Volt
	062901-02-000	EA	Fuse - 5 Amp. - Automotive
	062901-04-000	EA	Fuse - 10 Amp. - Automotive
	062901-05-000	EA	Fuse - 15 Amp. - Automotive
	062901-06-000	EA	Fuse - 20 Amp. - Automotive
	062901-07-000	EA	Fuse - 25 Amp. - Automotive
	062901-08-000	EA	Fuse - 30 Amp. - Automotive
	008211-01-000	EA	Circuit Breaker - 6 Amp. - 12 Volt
	033573-02-000	EA	Circuit Breaker - 15 Amp. - 12 Volt - w/Mount
	033573-01-000	EA	Circuit Breaker - 20 Amp. - 12 Volt - w/Mount
	044466-03-000	EA	Circuit Breaker - 25 Amp. - 12 Volt - w/Mount
	008268-01-000	EA	Circuit Breaker - 30 Amp. - 12 Volt - w/Mount
	083209-01-000	EA	Circuit Breaker - 15 Amp. - 120 Volt
	083210-02-000	EA	Circuit Breaker - 15 Amp. - 120 Volt (Ground Fault Interrupter)
	085720-01-000	EA	Circuit Breaker - 15 Amp.
	085720-02-000	EA	Circuit Breaker - 20 Amp. - 120 Volt
	085720-03-000	EA	Circuit Breaker - 25 Amp.
	085720-04-000	EA	Circuit Breaker - 30 Amp. - 120 Volt
	085720-05-000	EA	Circuit Breaker - 40 Amp.
	083209-03-000	EA	Circuit Breaker - 15/20 Amp. - 120 Volt
	083209-07-000	EA	Circuit Breaker - 20/20 Amp. - 120 Volt
	083209-04-000	EA	Circuit Breaker - 30 Amp. - 120 Volt
	083209-06-000	EA	Circuit Breaker - 30/15 Amp. - 120 Volt
	071279-06-000	EA	Circuit Breaker - 30/15 Amp. - 120 Volt
	082678-01-000	EA	Circuit Breaker - 40 Amp. - 12 Volt
	082678-02-000	EA	Circuit Breaker - 20 Amp. - 12 Volt

## ELECTRICAL GROUP (CONTINUED)

### WIRE, SWITCHES & RECEPTACLES

Key	Part Number	U/M	Description
	008288-01-000	EA	Box - Electrical - 3" x 3.5" - Plastic
	008288-02-000	EA	Box - Electrical - 3.94" x 3.13" - Plastic
	008289-01-000	EA	Box - Electrical - 4" x 4" - 1/2 & 3/4 Steel - UL
	058049-01-000	EA	Box - Electrical - 2" x 3" x 2.25" - Steel
	041953-01-000	FT	Conduit - Convolute Slit - .5" I.D.
	041953-03-000	FT	Conduit - Convolute Slit - 1" I.D.
	008353-01-000	EA	Connector - Clamping - 3/8 Cable - UL & CSA
	008356-01-000	EA	Connector - Plastic - 3/8"
	058028-01-000	EA	Connector - Pigtail - Clear Nylon
	008311-01-000	EA	Connector - Wire Nut - Red
	031968-01-000	EA	Contact Plug - Brass - Tin Plated
	031967-01-000	EA	Contact - Receptacle
	008054-01-000	EA	Cord - Power - 10-3 30 Amp. - 25' - UL
	008052-01-000	EA	Cord - Power - 10-3 30 Amp. - 25' - CSA
	069238-01-000	EA	Cover - Electrical Box - 4" x 4"
	008294-01-000	EA	Cover - Flat Blank - 4" x 4" - Steel - US
	064399-01-000	EA	Housing Asm. - Trailer Pin
	064450-01-000	EA	Housing Asm. - Trailer Plug
	064398-01-000	EA	Housing Asm. - Trailer Receptacle
	054532-02-000	EA	Housing Pin - 4 Position
	054532-01-000	EA	Housing Pin - 6 Position
	075736-03-000	EA	Receptacle/Cover Asm. - Beige (Exterior)
	075736-01-000	EA	Receptacle/Cover Asm. - Gray (Exterior)
	084077-01-000	EA	Receptacle Cover - Ivory
	084076-01-000	EA	Receptacle - GFI - 15 Amp. 125 Volt - Ivory
	058708-02-000	EA	Receptacle - Duplex - Ivory
	024924-02-000	EA	Receptacle - Power Cord
	058707-01-000	EA	Receptacle - Single - Brown
	086273-01-000	EA	Relay - Battery Disconnect
	063912-01-000	EA	Relay - Canister SPDT w/Ground
	075723-01-000	EA	Switch - Block Spacer - w/o Holes
	075723-02-000	EA	Switch - Block Spacer - w/Holes
	056264-01-000	EA	Switch - Leaf Actuator
	079363-03-000	EA	Switch Plate - Single - w/Switches - Brass
	079362-04-000	EA	Switch Plate - Double - Polished Brass
	079364-01-000	EA	Switch - On/Off Rocker - Brown
	081066-02-000	EA	Switch Plate - Double - Brass
	008195-01-000	EA	Switch - Push Button - 12 Volt
	079364-03-000	EA	Switch - On/Off Rocker
	076759-01-000	EA	Switch - SPST - Lock/Lock
	076759-03-000	EA	Switch - SPST - Lock/Lock/Lock
	076759-04-000	EA	Switch - SPDT - Mom/Lock/Mom
	076759-05-000	EA	Switch - SPDT - Lock/Lock/Mom
	076759-06-000	EA	Switch - Dummy
	076759-07-000	EA	Switch - SPST - Mom Off/Lock (No)
	076759-09-000	EA	Switch - SPDT - Lock/Lock
	047443-02-000	EA	Terminal - .250 Receptacle - 12-10 AWG
	008348-01-000	EA	Terminal Ring - 2 - w/3/8 Stud
	008331-01-000	EA	Terminal Ring - 4 - w/3/8 Stud
	008328-01-000	EA	Terminal Ring - 12/10 Wire
	008028-01-000	FT	Wire - 18.5 Bonded - Blue/Red/Yellow/Orange/White
	008024-01-000	FT	Wire - 18.5 Bonded - Orange/White/Yellow/Blue/Brown
	008025-01-000	FT	Wire - 18.5 Bonded - Orange/White/Yellow/Blue/Green
	008026-01-000	FT	Wire w/Ground - Romex - 12/2
	008343-01-000	EA	Wire Tie - 6"

## 1989 WINNEBAGO TABLE OF CONTENTS

INTRODUCTION	A-01
ABBREVIATIONS	A-01
ALPHABETICAL INDEX	A-02 - A-04
WCP32DQ	A-05 - C-18
WC/JP32RQ	C-19 - F-20

## 1989 WCP32DQ INDEX

Floor Plan	A-05 - A-06
Accessories Group	A-07 - A-10
Bath Group	A-11 - A-13
Chassis Group	A-14 - A-18
Curtain, Cushion & Pad Group	A-19 - B-03
Dinette Group	B-04
Driver's Compartment Group	B-05 - B-08
Electrical Group	B-09 - B-12
Exterior Body Group	B-13 - B-19
Galley Group	B-20 - B-21
Heating & Air Conditioning Group	B-22 - B-23
Interior Finish Group	B-24 - C-02
LP Group	C-03
Lounge Group	C-04 - C-05
Water & Sewage Group	C-06 - C-07
Window, Vent & Exterior Door Group	C-08 - C-18

## ELECTRICAL GROUP (CONTINUED)

### MISCELLANEOUS ELECTRICAL COMPONENTS

Key	Part Number	U/M	Description
	008188-01-000	EA	Solenoid - Dual Battery - Relay
	083208-01-000	EA	Control Center - 32 Amp.
	071278-01-700	EA	Door w/Catch - Brown
	071278-01-701	EA	Converter Module - 32 Amp.
	071278-01-702	EA	Catch - Door
	083208-02-000	EA	Control Center - 45 Amp.
	071278-02-700	EA	Converter Module - 45Amp.
	063739-01-000	EA	Battery - 12 Volt - 80 Amp. - Gould
	036420-02-000	EA	Fan - 6" Defroster - 2 Speed
	089294-01-000	EA	Lighter Asm. - Cigarette
	087716-C1-000	EA	Information Center - Uniforce
	077988-01-000	EA	Bracket - Defroster Fan - 6"

### INTERIOR LIGHTS

Key	Part Number	U/M	Description
	065202-12-000	EA	Lamp - Wall Decor - Brass & Cream
	065201-05-000	EA	Shade - Wall Lamp - Bone Fabric
	067479-01-000	EA	Bulb - Wall Decor Lamp
	033508-02-000	EA	Dome Light - 1 Bulb - Ivory
	033509-02-000	EA	Dome Light - 2 Bulb - Ivory
	R77013-48-179	EA	Switch - Dome Light
	008218-01-000	EA	Bulb - Dome Light
	091937-01-000	EA	Light - Fluorescent - 12 V. - Recessed
	091937-02-000	EA	Lens - Fluorescent - 12V
	091937-03-000	EA	Bulb - Fluorescent - 12V
	078424-02-000	EA	Light - Fluorescent - 12V - 18" - Almond
	078424-02-700	EA	Bulb - Fluorescent - 12V
	078424-02-701	EA	Lens - Fluorescent - 12V
	061424-01-000	EA	Light - 12V - Rectangular - Aisle
	008103-01-000	EA	Bulb - Aisle
	072353-08-000	EA	Light - Reading - 360° Swivel - Tan
	008215-01-000	EA	Bulb - Reading Light
	082169-01-000	EA	Light - Make-Up - 3 Bulb
	081633-01-700	EA	Bulb - Make-Up Mirror
	087694-02-000	EA	Light - Wardrobe w/Switch
	087694-01-700	EA	Bulb - Wardrobe Light
	079926-01-000	EA	Lamp - Flexible Arm w/Bulb
	079926-01-700	EA	Bulb - Flexible Lamp
	077026-01-000	EA	Lens - Courtesy Light - Clear
	077000-01-000	EA	Socket Asm. w/Pigtails
	036196-01-000	EA	Bulb - Courtesy Light
	076786-01-000	EA	Socket Lamp - Mini Bayonet
	081909-01-000	EA	Light Strip - Clear - 18" w/Mounting

## ELECTRICAL GROUP (CONTINUED)

### WINDSHIELD WIPERS & WASHER

Key	Part Number	U/M	Description
	056000-02-000	EA	Washer Asm. - Windshield
	072472-04-000	EA	Arm - Windshield Wiper - 29" - Black
	049464-03-000	EA	Blade - Windshield Wiper - 20" - Black
	049464-03-700	EA	Blade - Wiper Refill
	067190-04-000	EA	Shaft & Pivot Asm.
	067191-02-700	EA	Motor Asm. Wiper
	067192-01-000	EA	Link Asm. Connection 39"
	067193-01-000	EA	Link Asm. - Connection - 7.00"
	067193-02-000	EA	Link Asm. - Connection - 8.10"
	067193-03-000	EA	Link Asm. - Connection - 8.60"
	067188-01-000	EA	Stud - Crank Wiper
	076388-01-000	EA	Bracket - Wiper Motor
	077048-01-000	EA	Adapter - Shaft - Pantograph Arm
	077049-01-000	EA	Acorn Nut - Aluminum

### EXTERIOR LIGHTS

Key	Part Number	U/M	Description
	075660-01-000	EA	Lamp Asm. - Side Marker - Amber
	075660-02-000	EA	Lamp Asm. - Side Marker - Red
	067789-03-000	EA	Socket Asm. - Lamp w/6"
	036196-01-000	EA	Bulb - Side Marker Lamp - 194
	076795-01-000	EA	Lamp - License
	067789-02-000	EA	Socket Asm. - Lamp
	036196-01-000	EA	Bulb - License Lamp - 194
	097201-01-000	EA	Light - Dump Valve
	081237-01-000	EA	Lamp Asm. - Cab Marker - Amber
	081237-02-000	EA	Lamp Asm. - Cab Marker - Red
	008214-01-000	EA	Bulb - Cab Marker
	008089-01-000	EA	Porch Light - Recessed
	008215-01-000	EA	Bulb - Porch Light
	008089-01-700	EA	Lens - Recessed Porch Light
	091981-01-000	EA	Gasket - Porch Light
	088747-01-000	EA	Lamp Asm. - Fog w/Clear Lens
	088747-01-700	EA	Cover - Fog Lamp
	077190-01-000	EA	Wire Asm. - Fog Lamp
	088942-01-000	EA	Bracket - Fog Lamp Mounting
	075459-04-000	EA	Lamp Asm. - Taillight - Red
	075459-05-000	EA	Lamp Asm. - Taillight - Amber
	075459-06-000	EA	Lamp Asm. - Back-up - Reflex
	037935-01-000	EA	Bulb - 1157
	076345-01-000	EA	Lens Asm. - Park/Turn - Amber
	076345-02-000	EA	Socket Asm. - Park/Turn Lamp
	008103-01-000	EA	Bulb - Park Lamp
	088733-01-000	EA	Headlamp Asm. - w/Halogen Bulb
	088733-01-700	EA	Bulb - Halogen

## 1989 WINNEBAGO TABLE OF CONTENTS

INTRODUCTION	A-01
ABBREVIATIONS	A-01
ALPHABETICAL INDEX	A-02 - A-04
WCP32DQ	A-05 - C-18
WC/JP32RQ	C-19 - F-20

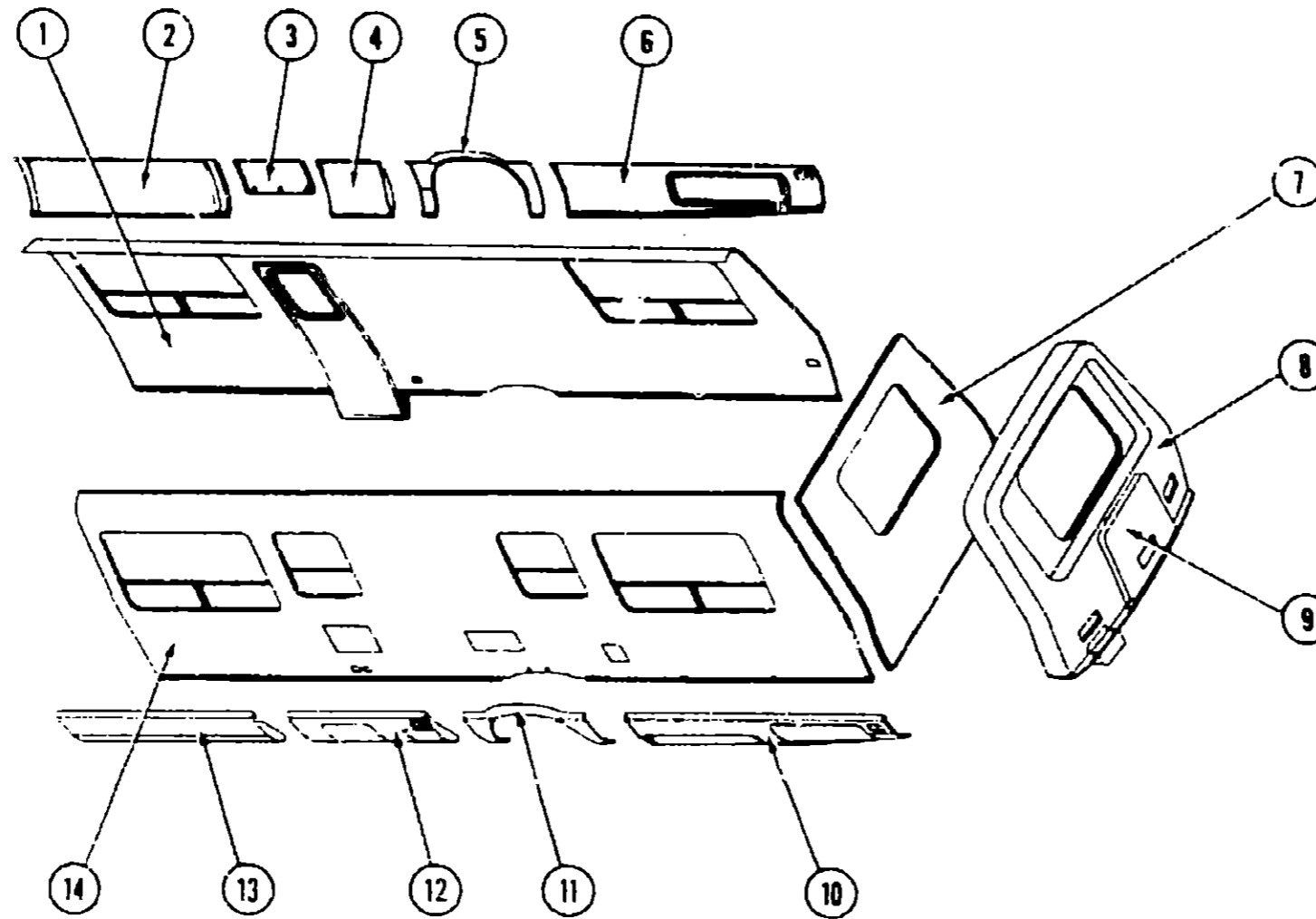
## 1989 WCP32DQ INDEX

Floor Plan	A-05 - A-06
Accessories Group	A-07 - A-10
Bath Group	A-11 - A-13
Chassis Group	A-14 - A-18
Curtain, Cushion & Pad Group	A-19 - B-03
Dinette Group	B-04
Driver's Compartment Group	B-05 - B-08
Electrical Group	B-09 - B-12
Exterior Body Group	B-13 - B-19
Galley Group	B-20 - B-21
Heating & Air Conditioning Group	B-22 - B-23
Interior Finish Group	B-24 - C-02
LP Group	C-03
Lounge Group	C-04 - C-05
Water & Sewage Group	C-06 - C-07
Window, Vent & Exterior Door Group	C-08 - C-18



## EXTERIOR BODY GROUP

### EXTERIOR BODY PANELS



## 1989 WINNEBAGO TABLE OF CONTENTS

INTRODUCTION	A-01
ABBREVIATIONS	A-01
ALPHABETICAL INDEX	A-02 - A-04
WCP32DQ	A-05 - C-18
WC/JP32RO	C-18 - F-20

Key	Part Number	U/M	Description
1	M92114-01-Y75	EA	Sidewall Asm - Right
2	085037-01-W13	EA	Panel Asm - Front Valance - Right
3	02E584-01-X19	EA	Panel Asm - Valance - Entrance Door
4	088362-01-X19	EA	Panel Asm - Center Valance - Right
5	088358-01-X19	EA	Panel Asm - Wheelwell - Right
6	M02586-33-X19	EA	Valance Panel - Rear Right - Beige
7	085182-01-X75	EA	Backwall Asm.
8	M01616-11-W13	EA	Rear Cap Asm - Beige
9	M01990-04-X19	EA	Spare Tire Cover Asm
10	M02586-34-X19	EA	Valance Panel - Rear Left - Beige

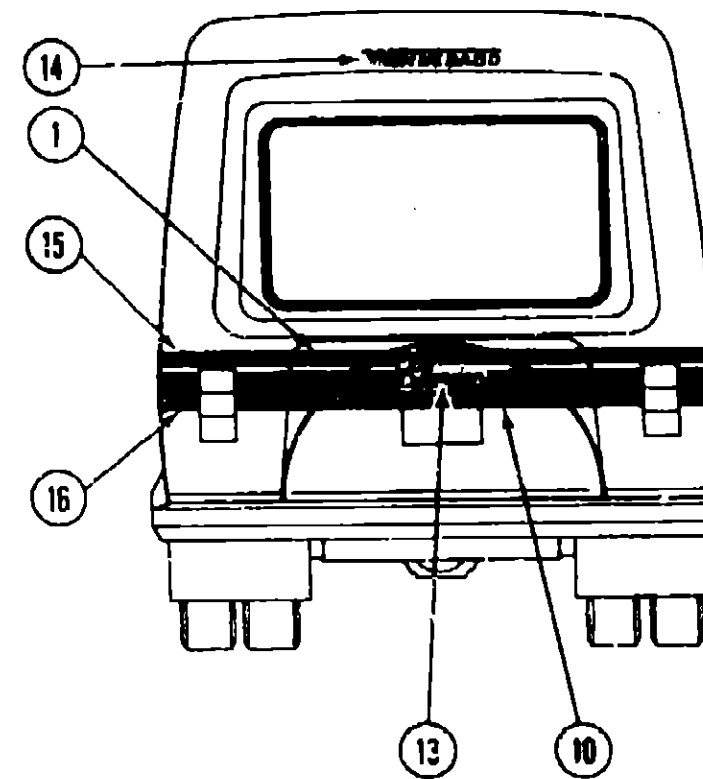
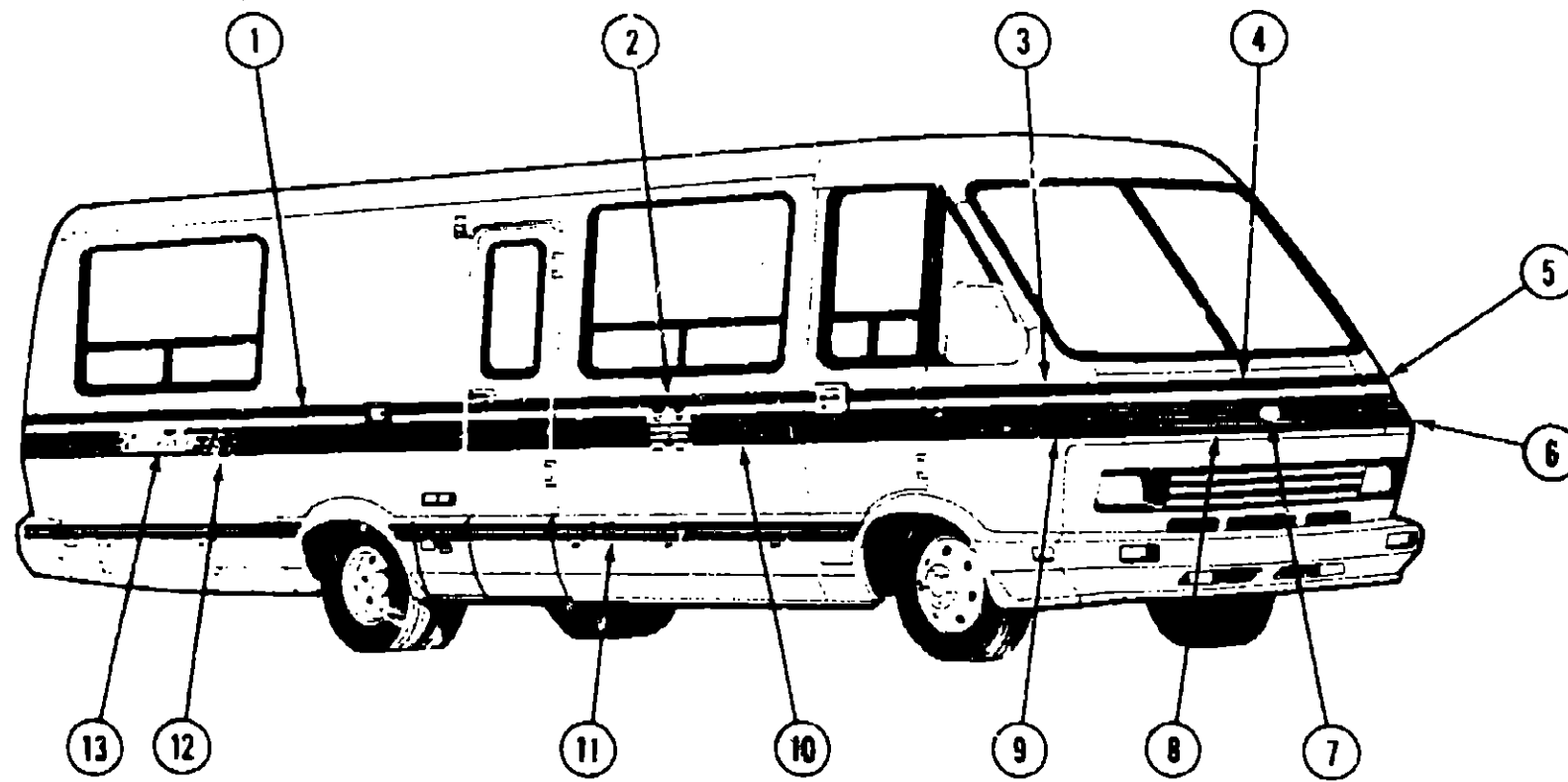
Key	Part Number	U/M	Description
11	088358-02-X19	EA	Panel Asm - Wheelwell - Left
12	M02586-35-X19	EA	Panel Asm - Center Valance - Left
13	085037-02-W13	EA	Panel Asm - Front Valance - Left
14	M92110-01-Y75	EA	Sidewall Asm - Left
	M03892-01-Y75	EA	Roof Asm - 180" - Beige
	073505-06-000	EA	Roof Trim - 180" - Beige
	075764-05-000	EA	Cap Asm - Front - Primed
	076515-01-000	EA	Inside Trim - Wheelwell - Rear - Left/Right - Steel
	086922-01-000	EA	Trim Panel - Rear Right - Beige
	086922-02-000	EA	Trim Panel - Rear Left - Beige
	073050-02-000	EA	Mounting Clip - Valance Panels
	069362-03-000	EA	Brace - Floor to Valance Panel - 13.21"
	084349-01-U07	EA	Shroud - Rear View TV Camera - Beige (Karematu Monitor)
	093952-01-02A	EA	Shroud - Rear View TV Camera - Beige (Sony Monitor)

## 1989 WCP32DQ INDEX

Floor Plan	A-05 - A-06
Accessories Group	A-07 - A-10
Bath Group	A-11 - A-13
Chassis Group	A-14 - A-18
Curtain, Cushion & Pad Group	A-19 - B-03
Dinette Group	B-04
Driver's Compartment Group	B-05 - B-08
Electrical Group	B-09 - B-12
Exterior Body Group	B-13 - B-19
Galley Group	B-20 - B-21
Heating & Air Conditioning Group	B-22 - B-23
Interior Finish Group	B-24 - C-02
LP Group	C-03
Lounge Group	C-04 - C-05
Water & Sewage Group	C-06 - C-07
Window, Vent & Exterior Door Group	C-08 - C-18

## EXTERIOR BODY GROUP (CONTINUED)

### LABELS & DECALS



## 1989 WINNEBAGO TABLE OF CONTENTS

INTRODUCTION	A-01
ABBREVIATIONS	A-01
ALPHABETICAL INDEX	A-02 - A-04
WCP32DQ	A-05 - C-19
WC/JP32RQ	C-19 - F-20

Key	Part Number	U/M	Description
1	093681-01-04A	FT	Film Strip - 2.5" x 150' - Brown
2	093684-01-04A	EA	Decal - "W" Negative - Brown/Dark Rose/Peach
3	093688-01-04A	EA	Decal - Upper Front - Right - Brown
4	093685-01-04A	EA	Decal - Hood Upper - Brown
5	093698-02-04A	EA	Decal - Upper Front - Left - Brown
6	093697-02-04A	EA	Decal - Lower Front - Left - Dark Rose/Peach
7	088772-01-000	EA	Medallion - Hood - Winnebago
8	093686-01-04A	EA	Decal - Hood Lower - Dark Rose/Peach
9	093687-01-04A	EA	Decal - Lower Front - Right - Dark Rose/Peach
10	093689-01-04A	FT	Film - Multi-Stripe - 6.5" x 150' - Dark Rose/Peach
11	093680-02-04A	FT	Film - Multi-Stripe - 3.07" x 150' - Dark Rose/Peach
12	093963-01-01A	EA	Decal - 75th Anniversary
13	076754-01-000	EA	Decal - Logo - "Elandan" - Chrome
14	050313-16-000	EA	Decal - Logo - "Winnebago" - 2.8" - Black
15	093683-02-04A	EA	Decal - Upper Rear Corner - Left - Brown
	093683-01-04A	EA	Decal - Upper Rear Corner - Right - Brown
16	093682-02-04A	EA	Decal - Lower Rear Corner - Left - Dark Rose/Peach
	093682-01-04A	EA	Decal - Lower Rear Corner - Right - Dark Rose/Peach

NOTE: The following DuPont paint information is provided to help meet the needs of your customers. These DuPont paints are available at your automotive parts stores and may be used to replace exterior graphic tapes.

Brown	DuPont # B8157
Dark Rose	DuPont # N8746
Peach	DuPont # B8227

## 1989 WCP32DQ INDEX

Floor Plan	A-05 - A-06
Accessories Group	A-07 - A-10
Bath Group	A-11 - A-13
Chassis Group	A-14 - A-18
Curtain, Cushion & Pad Group	A-19 - B-03
Dinette Group	B-04
Driver's Compartment Group	B-05 - B-08
Electrical Group	B-09 - B-12
Exterior Body Group	B-13 - B-19
Galley Group	B-20 - B-21
Heating & Air Conditioning Group	B-22 - B-23
Interior Finish Group	B-24 - C-02
LP Group	C-03
Lounge Group	C-04 - C-05
Water & Sewage Group	C-06 - C-07
Window, Vent & Exterior Door Group	C-08 - C-18

**EXTERIOR BODY GROUP (CONTINUED)**

**LABELS & EXTERIOR PAINT**

Key	Part Number	U/M	Description
	074983-01-000	EA	Label - Air Conditioner Selector
	087236-01-000	EA	Label - Cable - Input
	065748-01-000	EA	Label - Caution - Battery Changing
	087237-01-000	EA	Label - Certification
	068383-01-000	EA	Label - Diesel Fuel
	006195-01-000	EA	Label - Electrical Test
	047731-01-000	EA	Label - Emergency Exit
	006199-01-000	EA	Label - Exit - Escape Window
	061417-01-000	EA	Label - Fuel
	087207-02-000	EA	Label - Fuel Cap Removal
	006196-01-000	EA	Label - Gas Test
	054531-01-000	EA	Label - LP Gas Only
	073998-01-000	EA	Label - LPG Odor Warning
	040944-01-000	EA	Label - Open - Entrance Door
	061606-01-000	EA	Label - Overlay - Vehicle Certification
	088757-01-000	EA	Label - Retail - 8 5/8" x 12 7/8"
	056259-01-000	EA	Label - Safety Check List
	006064-01-000	EA	Label - Seat - w/o Seat Belts
	006187-01-000	EA	Label - Sewage
	079966-01-000	EA	Label - Warning - Stowed Motion
	077956-01-000	EA	Label - Warning - Smoke Detector
	075221-03-000	EA	Label - Trailer Hitch Capacity
	091224-01-000	EA	Label - Trailer Lighting
	07E236-02-000	EA	Label - TV Outlet
	090342-01-000	EA	Label - Vapor Relief
	075220-01-000	EA	Label - Warning - Exterior Load Limit
	050225-01-000	EA	Label - Warning - Stove Vent - US
	006188-01-000	EA	Label - Waste Water
	006197-01-000	EA	Label - Water Test
	077927-01-000	EA	Label - Warning - Wheel Nuts
	006001-01-000	EA	Nameplate - "Winnebago" - Chrome Plastic
	006062-01-000	EA	Tag - Electrical - 110 Volt Connection
	006040-01-000	EA	Tag - Gas - Refueling Warning
	006019-01-000	EA	Tag - RVI Approved - Plastic
	044486-03-000	EA	Paint - Beige Acrylic Enamel - 16 oz. Aerosol (Dupont #7633A)
	045681-03-000	EA	Paint - Gloss Black - Acrylic Enamel - 16 oz. Aerosol (Dupont #99)
	074559-01-000	EA	Label "LPG" 3.3" x 1.75" (Calif. Code)

**EXTERIOR BODY GROUP (CONTINUED)**

**SHEET FIBERGLASS, ALUMINUM & STYROFOAM**

Key	Part Number	U/M	Description
	044487-01-001	EA	Aluminum - Mill Finish - No Design (Roof) - 96" x 360"
	000868-01-000	SF	Styrofoam - 3/4" x 24" x 96"
	000870-01-000	SF	Styrofoam - 1 1/2" x 24" x 96"
	000870-03-000	SF	Styrofoam - 1.34" x 48" x 96"
	000870-04-000	SF	Styrofoam - 1.34" x 24" x 96"
	083574-01-000	SF	Styrofoam - 1.5" x 24" x 85.25"
	084882-01-700	EA	Fiberglass/Mende Board Sheet - Beige

**MISCELLANEOUS EXTERNALLY MOUNTED PARTS**

Key	Part Number	U/M	Description
	063558-01-000	EA	Plumbing Seal - Roof Vent - 1 1/2" - Covered
	087659-02-000	EA	Fill - City Water - Recessed - Beige
	081240-01-000	EA	Water Fill - Lockable - Beige
	073050-02-000	EA	Mounting Clip - Valance Panel
	069362-03-000	EA	Brace - Floor to Valance - 13.21"
	085747-05-000	EA	Trim - Floor to Sidewall - 81.8"
	069726-02-000	EA	Bumper - Black - 88" x 40"

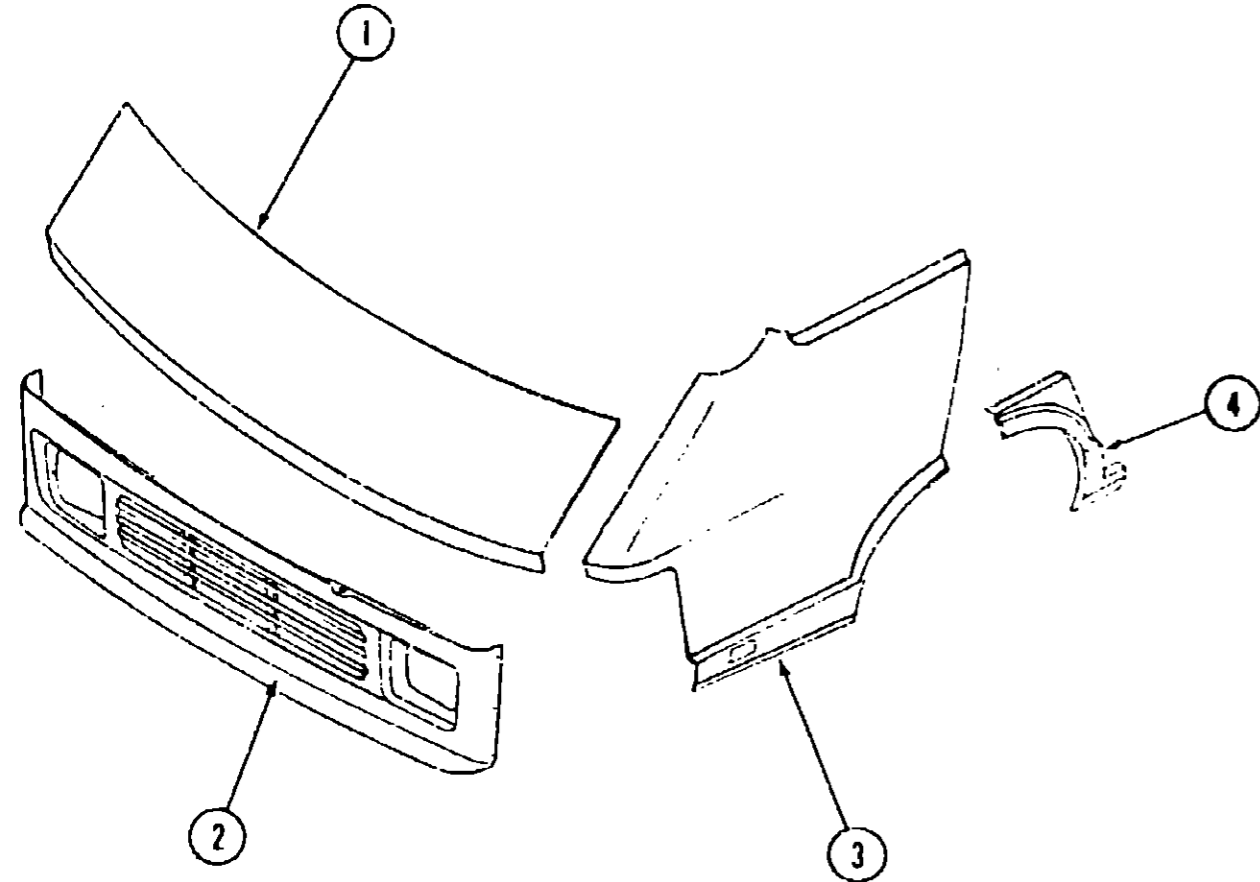
**1989 WINNEBAGO  
TABLE OF CONTENTS**

INTRODUCTION	A-01
ABBREVIATIONS	A-01
ALPHABETICAL INDEX	A-02 - A-04
WCP32DQ	A-05 - C-18
WC/JP32RQ	C-19 - F-20

**1989 WCP32DQ INDEX**

Floor Plan	A-05 - A-06
Accessories Group	A-07 - A-10
Bath Group	A-11 - A-13
Chassis Group	A-14 - A-18
Curtain, Cushion & Pad Group	A-19 - B-03
Dinette Group	B-04
Driver's Compartment Group	B-05 - B-08
Electrical Group	B-09 - B-12
Exterior Body Group	B-13 - B-19
Galley Group	B-20 - B-21
Heating & Air Conditioning Group	B-22 - B-23
Interior Finish Group	B-24 - C-02
LP Group	C-03
Lounge Group	C-04 - C-05
Water & Sewage Group	C-06 - C-07
Window, Vent & Exterior Door Group	C-08 - C-18

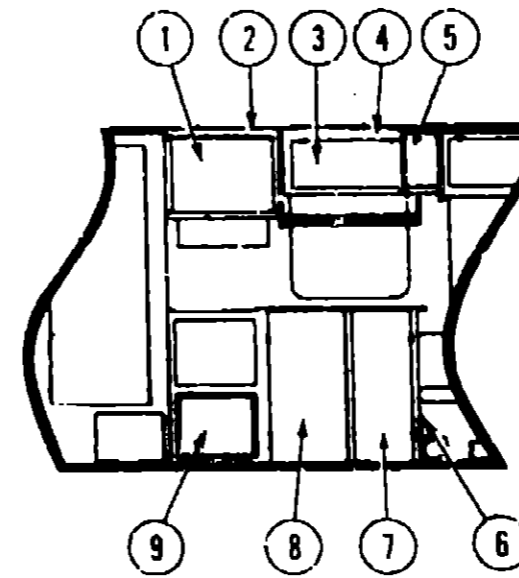
## EXTERIOR BODY GROUP (CONTINUED)



### EXTERIOR BODY PANELS HARDWARE (CAB)

Key	Part Number	U/M	Description	
1	084759-01-W13	EA	Hood Panel	
	058786-02-000	EA	Hood Bolt - Adjusting	
	M02680-01-U25	EA	Hinge Asm. - Hood - Right	
	M02660-02-U25	EA	Hinge Asm. - Hood - Left	
	076772-01-000	EA	Clip - Prop Rod	
	077064-01-000	EA	Cable Asm. - Hood Release	
	073336-02-000	EA	Bracket - Mounting Latch	
	R77007-01-950	EA	Locking Pin Asm.	
	073342-01-000	EA	Bracket Asm. - Hood Latch	
	076837-01-000	EA	Prop Rod	
	R77007-51-429	EA	Latch Asm. - Hood	
	R77006-38-499	EA	Spring - Hood Release	
	077407-01-000	EA	Bracket - Hood Release Cable (Mounted under the hood)	
	077406-01-000	EA	Bracket - Hood Release Cable (Mounted under the dash)	
	091955-01-000	EA	Squeegee - Extended Handle	
	091952-01-000	EA	Clip - Gripper - Squeegee	
	093527-01-000	EA	Bracket - Squeegee	
	2	M01608-06-X19	EA	Grille - Panel Asm.
		088252-02-000	EA	Chrome Trim - Grille
		076739-01-000	EA	Bracket - Grille Hanger - Inner - Right
	076739-02-000	EA	Bracket - Grille Hanger - Inner - Left	
3	084751-04-W13	EA	Fender Panel - Front Left	
	084751-03-W13	EA	Fender Panel - Front Right	
4	084714-02-000	EA	Fender Panel - Rear Left	
	084714-01-000	EA	Fender Panel - Rear Right	
	075764-05-000	EA	Roof Cap - Front Cab - Primed	

## GALLEY GROUP



### GALLEY CABINETS

Key	Part Number	U/M	Description
1	M88304-80-Y75	EA	Door Asm. - Galley Microwave - 17.7" x 22.8"
2	M03110-47-Y75	EA	Cabinet Asm. - Galley - Microwave - w/o Door or Hardware
3	M88304-05-Y75	EA	Door Asm. - Galley Overhead - 12" x 25.9" - w/o Hardware
4	M03110-63-Y75	EA	Cabinet Asm. - Galley Overhead - w/o Doors or Hardware
5	085468-02-Y75	EA	Pad Asm. - End Cap - Galley Overhead - Vinyl
6	M03479-02-Y75	EA	Cabinet Asm. - Galley - w/o Doors, Countertop, or Hardware
	093624-12-Y21	EA	Countertop Asm. - Galley Cabinet
	M82184-09-Y75	EA	Drawer Asm. - Galley Cabinet
7	M88304-32-Y75	EA	Door Asm. - Galley - 14.3" x 33.4" - w/o Hardware
8	M88304-31-Y75	EA	Door Asm. - Galley - 15.9" x 21.8" - w/o Hardware
9	M92073-01-Y75	EA	Door Asm. - Furnace - 15.9" x 21.8" - w/o Hardware
	072369-34-000	EA	Mesh Insert - Furnace Door - 18.3" x 5.8" - Gold
	093605-01-01A	EA	Rack Asm. - Towel - White Wire
	093238-01-Y75	EA	Cover - Knife Rack
	093282-01-000	EA	Knife Rack Asm. - Below Counter
	092487-02-Y75	EA	Spice Rack Asm.
	094893-01-Y75	EA	Panel - Refrigerator Insert - 19.6" x 16" - Top
	094893-02-Y75	EA	Panel - Refrigerator Insert - 19.6" x 39.2" - Bottom

## 1989 WINNEBAGO TABLE OF CONTENTS

INTRODUCTION	A-01
ABBREVIATIONS	A-01
ALPHABETICAL INDEX	A-02 - A-04
WCP32DQ	A-05 - C-18
WC/JP32RQ	C-19 - F-20

### 1989 WCP32DQ INDEX

Floor Plan	A-05 - A-06
Accessories Group	A-07 - A-10
Bath Group	A-11 - A-13
Chassis Group	A-14 - A-15
Curtain, Cushion & Pad Group	A-19 - B-03
Dinette Group	B-04
Driver's Compartment Group	B-05 - B-08
Electrical Group	B-09 - B-12
Exterior Body Group	B-13 - B-19
Galley Group	B-20 - B-21
Heating & Air Conditioning Group	B-22 - B-23
Interior Finish Group	B-24 - C-02
LP Group	C-03
Lounge Group	C-04 - C-05
Water & Sewage Group	C-06 - C-07
Window, Vent & Exterior Door Group	C-08 - C-18

## GALLEY GROUP (CONTINUED)

### GALLEY APPLIANCES & HARDWARE

Key	Part Number	U/M	Description
	088737-01-000	EA	Microwave Oven - Magic Chef
	088737-02-000	EA	Frame Kit - Microwave Oven
	088732-03-000	EA	Bracket Asm. - Microwave - Right
	088682-04-000	EA	Bracket Asm. - Microwave - Left
	093653-01-Y75	EA	Sink Cover - Large
	092526-01-000	EA	Sink - Stainless Steel - Double
	092303-01-000	EA	Strainer - w/Basket - Sink
	064952-01-000	EA	Faucet - Swing Spout - 8"
	091254-01-000	EA	Gasket - Galley Faucet
	058334-01-000	EA	Wastebasket - 9 3/4" x 7" x 10" - White
	077409-02-000	EA	Drawer Slide - Plastic - 20.75"
	077404-02-000	EA	Drawer Slide - Plastic - 20" x 12.7"
	037688-01-000	EA	Drawer Rail - V-Guide
	093288-03-01A	EA	Tray - Silverware - Plastic
	094067-01-01A	EA	Drawer Divider - Plastic
	081646-01-000	EA	Rack - White Wire - Storage
	075451-02-000	EA	Clip - White Wire Storage Rack
	059777-02-000	EA	Hinge - Antique - Light Brass
	081376-01-000	EA	Back Plate - Door Pull - Polished Brass
	093579-01-000	EA	Pull - Door - Polished Brass & Chrome
	093153-01-000	EA	Cutting Board - Maple
	092487-02-Y75	EA	Rack Asm. - Spice
	092488-01-Y75	EA	Towel Holder - Paper
	054450-01-000	EA	Level - Refrigerator
	084466-04-000	EA	Slide Asm. - Galley Cabinet Drawer - Right
	084466-05-000	EA	Slide Asm. - Galley Cabinet Drawer - Left
	094039-02-000	EA	Refrigerator - 3-Way Large Double Door
	089983-02-000	EA	Baffle - Refrigerator - Back
	090195-04-000	EA	Baffle - Refrigerator - Lower
	092696-01-01A	EA	Hood - Range - w/Monitor - Almond
	092696-01-02A	EA	Hood Vent - w/Door
	092696-01-700	EA	Fastener - Plastic
	092696-01-701	EA	Knob - Plastic
	092696-01-702	EA	Register/Wire Asm.
	092696-01-703	EA	Fuse Holder
	092696-01-704	EA	Switch - Lever Asm. Module
	092696-01-705	EA	Actuator - Rod/Tumbuckle
	092696-01-706	EA	Screw Cap
	092696-01-707	EA	Gasket - Vent
	092696-01-708	EA	Mounting Clip - Vent
	092696-01-709	EA	Lamp #912
	092696-01-710	EA	Holder - Lamp
	092696-01-711	EA	Lens - Lamp
	092696-01-712	EA	Filter - Mesh
	092696-01-713	EA	Chassis w/Wiring - Almond
	092696-02-01A	EA	Hood - Range w/Monitor - CSA
	092696-02-700	EA	Chassis w/Wiring - ALmond
	085280-03-000	EA	Cover - Burner - Bi-Fold - Almond
	081374-03-000	EA	Range Top - 4 Burner - Almond - w/o Oven
	064782-02-700	EA	Top - Main - 4 Burner - Almond
	081374-03-700	EA	Trim - Cab Top - Left
	081374-03-701	EA	Trim - Cap Top - Right
	081374-03-703	EA	Trim Top Rear
	081374-01-704	EA	Guard - Fabric

## HEATING & AIR CONDITIONING GROUP

### FURNACE & ROOF AIR CONDITIONER

Key	Part Number	U/M	Description
	075696-02-000	EA	Furnace - 34,000 BTU - w/Direct Ignition - Suburban
	075696-02-700	EA	Cabinet Asm.
	075696-02-701	EA	U-Clip - Finnerman
	075696-02-702	EA	Cabinet - Front
	075696-02-703	EA	Collar - Duct
	075696-02-704	EA	Thermostat
	075696-02-705	EA	Harness - Power Supply
	075696-02-706	EA	Electrode
	075696-02-707	EA	Burner Access Door
	075696-02-708	EA	Gasket - Electrode
	075696-02-709	EA	Glass Disc
	075696-02-710	EA	Gasket - Burner Access Door
	075696-02-711	EA	Switch - Limit
	075696-02-712	EA	Module Board
	075696-02-713	EA	Relay - Time Delay
	075696-02-714	EA	Vent Cap & Exhaust Tube Asm.
	075696-02-715	EA	Burner Asm.
	075696-02-716	EA	Orifice - Main Burner
	075696-02-717	EA	Gasket - Manifold
	075696-02-718	EA	Manifold Pipe
	075696-02-719	EA	Valve
	075696-02-720	EA	Pipe Asm. - Gas Insert
	075696-02-721	EA	Gasket - Gas Inlet Pipe
	075696-02-722	EA	Elbow - 90°
	075696-02-723	EA	Valve - Manual - Off
	075696-02-724	EA	Wheel - Room Air
	075696-02-725	EA	Blower - Housing Asm.
	075696-02-726	EA	Microswitch & Paddle Asm.
	075696-02-727	EA	Bracket - Motor Mount
	075696-02-728	EA	Gasket - Crossover Tube
	075696-02-729	EA	Crossover Tube
	075696-02-730	EA	Motor Asm.
	075696-02-731	EA	Gasket - Motor Mount
	075696-02-732	EA	Housing - Combustion Air Asm.
	075696-02-733	EA	Wheel - Combustion Air
	075696-02-734	EA	Gasket - Combustion Air Housing
	075696-02-735	EA	Housing - Combustion Air - O/S
	084405-01-000	EA	Heater Asm. - Rear - Ducted
	084405-01-700	EA	Heater Core
	084405-01-701	EA	Fan
	084405-01-702	EA	Motor - 12 Volt
	009198-01-000	FT	Duct - Flexible - 4" I.D. x 25'
	050424-02-000	EA	Register - 4" Dia. - Plastic - w/o Damper
	009200-01-000	EA	Taps - Furnace - 1 1/2"
	093766-01-000	EA	Shroud Asm. - Ceiling - Roof Air - Cool Only
	093756-02-000	EA	Shroud Asm. - Ceiling - Roof Air - Cool Only
	093766-03-000	EA	Thermostat - Air Conditioner & Furnace
	093765-01-03A	EA	Air Conditioner - 110 Volt - Roof Mount - 13,500 - Beige

## 1989 WINNEBAGO TABLE OF CONTENTS

INTRODUCTION	A-01
ABBREVIATIONS	A-01
ALPHABETICAL INDEX	A-02 - A-04
WCP32DQ	A-05 - C-18
WC/JP32RQ	C-19 - F-20

## 1989 WCP32DQ INDEX

Floor Plan	A-05 - A-06
Accessories Group	A-07 - A-10
Bath Group	A-11 - A-13
Chassis Group	A-14 - A-18
Curtain, Cushion & Pad Group	A-19 - B-03
Dinette Group	B-04
Driver's Compartment Group	B-05 - B-08
Electrical Group	B-09 - B-12
Exterior Body Group	B-13 - B-19
Galley Group	B-20 - B-21
Heating & Air Conditioning Group	B-22 - B-23
Interior Finish Group	B-24 - C-02
LP Group	C-03
Lounge Group	C-04 - C-05
Water & Sewage Group	C-06 - C-07
Window, Vent & Exterior Door Group	C-08 - C-18

## HEATING & AIR CONDITIONING GROUP (CONTINUED)

### AUTOMOTIVE HEATER

Key	Part Number	U/M	Description
	080426-02-000	EA	Heater/Evaporator Asm. - w/Pressure Sensor Switch
	080426-02-701	EA	Hose - Liquid
	080426-02-702	EA	Hose - Suction
	080426-02-703	EA	Switch - Pressure - Fan
	080426-01-700	EA	Evaporator Coil
	072341-01-706	EA	Resistor
	072341-01-701	EA	Heater Core
	075789-01-705	EA	Expansion Valve
	072341-01-707	EA	Thermostat
	072341-01-706	EA	Blower Motor
	072341-04-707	EA	Blower Wheel
	072341-01-708	EA	Vacuum Motor
	072341-01-710	EA	Control Head
	072341-04-702	EA	Relay
	072341-01-714	EA	Heater Control Valve
	007108-01-000	FT	Hose Heater - 5/8" I.D. SAE
	007108-02-000	FT	Hose - Heater - 3/4" I.D. SAE
	031170-01-000	EA	Clamp - Cable - 3/16" DIA
	076252-01-000	EA	Plenum - Floor Heat
	076988-01-000	EA	Door Asm. - Heater Air
	076783-01-000	EA	Louver Bezel - Black - 2 1/2"
	075229-01-000	EA	Duct - Heater

## INTERIOR FINISH GROUP

### CABINETRY & TABLE HARDWARE

Key	Part Number	U/M	Description
	059777-02-000	EA	Hinge - Cabinet Door - Brass
	074493-02-000	EA	Overhead Door - Support - Sprung
	041194-01-000	EA	Base - Pedestal Table - Flush Mounts - Floor
	009040-03-000	EA	Base - Pedestal Table - Raised
	009040-04-000	EA	Leg - Pedestal Table - 27.5" - Brown
	064046-01-000	EA	Clip - Pedestal Table Leg
	079789-01-000	EA	Support - Table - Pullout - Beige
	080728-01-000	EA	Handle - Recessed - Brown Plastic
	079921-01-000	EA	Roller - Nylon w/Shaft
	088254-01-000	EA	Catch - Magnetic
	093579-01-000	EA	Pull - Cabinet - Chrome/Brass
	081376-01-000	EA	Back Plate - Door Pull - Polished Brass
	093586-03-000	EA	Catch - Spring Roller
	093586-04-000	EA	Strike - Steel Spring
	074045-06-000	EA	Plug - 1/2" - Woodland Oak
	092652-01-000	EA	Guide Wheel - Top Mount - Door
	084466-02-000	EA	Slide Asm. - Drawer - Right
	084466-03-000	EA	Slide Asm. - Drawer - Left
	084466-04-000	EA	Slide Asm. - Cabinet - Right
	084466-05-000	EA	Slide Asm. - Cabinet - Left
	047744-01-000	EA	Kit Drawer Glide
	009089-01-000	EA	Clip - Mirror
	093580-01-000	EA	Glass - 75th Anniversary
	084071-02-000	EA	Decorative Rod - Brass
	084070-01-000	EA	Center Post - Decorative Rod - Brass
	084070-02-000	EA	End Post - Decorative Rod - Brass
	084451-01-000	EA	Catch - TV Shell - Brass
	058331-10-000	EA	Mirror - Safety Glass - TV Shell - 14" x 17"
	064781-01-000	EA	Cup Holder - Two Step

### INTERIOR MOLDINGS & TRIMS

Key	Part Number	U/M	Description
	069733-75-000	EA	Balt Strip - Woodland Oak
	085284-16-000	EA	Balt Strip - Moire - Adhesive
	022992-08-000	FT	Molding - Reverse Cove - Champaign White
	074044-90-000	EA	Molding - Oak Trim - w/o Groove
	077840-01-Y75	EA	Molding - Wall - Cap
	069733-75-000	EA	Roof Trim - Woodland Oak (Ceiling)
	078394-01-000	FT	Brass Insert - Oak Molding (Ceiling)
	093589-01-000	FT	Sealer Tape - Avonite Countertop
	009812-21-000	EA	F-Molding - .50" - Bleached Oak
	083620-04-000	FT	T-Molding - w/Edge Lips - Light Oak
	009778-07-000	FT	U-Channel - 1" - Light Oak
	009767-06-000	FT	Welting - Beige
	085738-01-000	EA	Trim - Roof Cap

## 1989 WINNEBAGO TABLE OF CONTENTS

INTRODUCTION	A-01
ABBREVIATIONS	A-01
ALPHABETICAL INDEX	A-02 - A-04
WCP32DQ	A-05 - C-18
WC/JP32RQ	C-19 - F-20

## 1989 WCP32DQ INDEX

Floor Plan	A-05 - A-06
Accessories Group	A-07 - A-10
Bath Group	A-11 - A-13
Chassis Group	A-14 - A-18
Curtain, Cushion & Pad Group	A-19 - B-03
Dinette Group	B-04
Driver's Compartment Group	B-05 - B-08
Electrical Group	B-09 - B-12
Exterior Body Group	B-13 - B-19
Galley Group	B-20 - B-21
Heating & Air Conditioning Group	B-22 - B-23
Interior Finish Group	B-24 - C-02
LP Group	C-03
Lounge Group	C-04 - C-05
Water & Sewage Group	C-06 - C-07
Window, Vent & Exterior Door Group	C-08 - C-18

**INTERIOR FINISH GROUP (CONTINUED)**

**MISCELLANEOUS**

Key	Part Number	U/M	Description
	053552-02-W24	EA	Handle Asm. - Assist - Vinyl
	041944-04-000	EA	Fire Extinguisher - 5BC - w/o Bracket
	084472-01-000	EA	Holder - Plastic - Fire Extinguisher
	094499-01-000	EA	Fire Extinguisher - 10 BC - w/Bracket
	054185-31-000	EA	Owner's Manual - Winnebago/Itasca - 1989
	081072-01-000	EA	Floor Mat - Front - Right - Winnebago
	081074-01-000	EA	Floor Mat - Front - Left - Winnebago
	081075-01-000	EA	Floor Mat - Entrance - Winnebago

**PANELING & COUNTERTOP**

Key	Part Number	U/M	Description
	074497-13-000	SF	Paneling - Wall - Woodgrain - 48" x 84"
	088272-45-000	SF	Paneling - Decor - Moire - 49" x 94"
	079666-02-000	SF	Paneling - Closet - Solid Cedar - 48" x 96"
	088272-19-000	SF	Paneling - Steel - Shower
	074498-24-000	SF	Plastic Laminate - Sterling
	085217-03-000	SF	Countertop - Avonite - Almond
	076325-22-000	FT	Edge Molding - Beige - 1.3" x 6.00"

**FABRICS & CARPETS**

Key	Part Number	U/M	Description
	088274-83-000	YD	Fabric - Upholstery - Cream (Sofa)
	088274-85-000	YD	Fabric - Upholstery - Dazzle (Bucket Seats)
	088273-30-000	YD	Fabric - Bedspread - Ravel (Hardboard)
	088273-31-000	YD	Fabric - Bedspread - Alabaster (Valance)
	072333-64-000	YD	Fabric - Drapery - Ivory (Blackout)
	072333-67-000	YD	Fabric - Drapery - Light Brown (Speaker Cover)
	072333-63-000	YD	Fabric - Drapery - Bone (Shades)
	089351-02-000	YD	Vinyl - Headliner (Assist Strap)
	069649-03-000	YD	Vinyl - Expanded - Taupe (Sunvisor)
	072860-97-000	SY	Carpet - Raspberry
	093486-01-000	SY	Carpet - Trunk Liner (Compartments)

**INTERIOR FINISH GROUP (CONTINUED)**

**CURTAIN HARDWARE**

Key	Part Number	U/M	Description
	029094-04-000	YD	Tape - Loop - 1" Wide - Black
	029096-03-000	YD	Tape - Hook - 1" Wide - Black
	048294-02-000	YD	Tape - Hook - .75" Wide - Beige
	088792-02-000	YD	Tape - Loop - .75" Wide - Beige - Adhesive
	048395-02-000	YD	Tape Loop - .75" Wide - Beige
	088792-01-000	YD	Tape Hook - 5/8" Non Adhesive
	056003-01-000	EA	Bracket Drapery Retainer - Right
	056003-02-000	EA	Bracket Drapery Retainer - Left
	081381-01-000	EA	Swivel Snap - Curtain Track
	075943-01-000	EA	Brace - Valance - Beige
	082139-01-000	EA	Bracket - Hold Down - Blinds
	083170-01-000	EA	Bracket - Blind Installation - Right
	083170-02-000	EA	Bracket - Blind Installation - Left
	084134-01-000	EA	Bracket - Roller Shade - 1.375"
	087253-01-000	E/L	Pull - Window Shade - Clear Plastic
	089335-01-000	EA	Track - Curtain - Brown Plastic
	086276-01-000	EA	Tape - Double Sided - .5"
	078394-01-000	FT	Trim - Brass Vinyl - .437" Wide - Window Side Panel
	077046-01-000	EA	Track - Curtain - Front Wraparound - Passenger
	077046-02-000	EA	Track - Curtain - Front Wraparound - Drivers
	077046-01-700	EA	Baton Asm. - w/Snap
	077046-01-701	EA	Swivel Carrier
	077046-01-702	EA	Lock Stop
	077046-01-703	EA	Swivel Snap Pendant
	077046-01-704	EA	End Stop
	077046-01-705	EA	Master Carrier - Left
	077046-01-706	EA	Master Carrier - Right

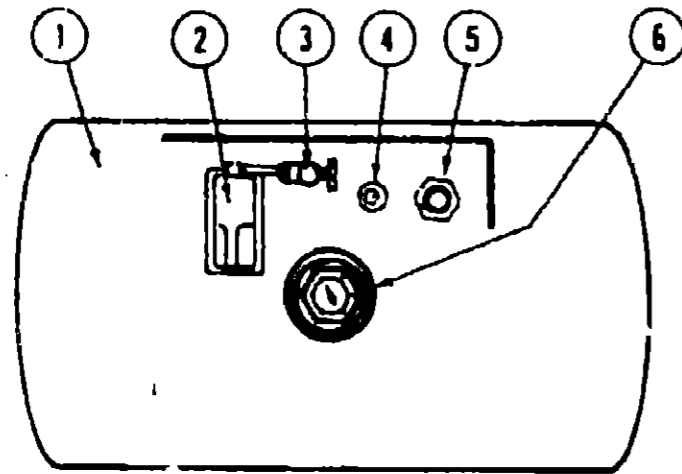
**1989 WINNEBAGO  
TABLE OF CONTENTS**

INTRODUCTION	A-01
ABBREVIATIONS	A-01
ALPHABETICAL INDEX	A-02 - A-04
WCP32DQ	A-05 - C-18
WC/JP32RQ	C-19 - F-20

**1989 WCP32DQ INDEX**

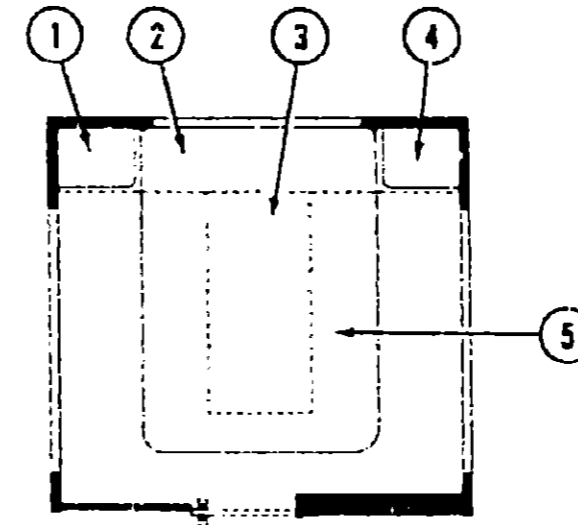
Floor Plan	A-05 - A-06
Accessories Group	A-07 - A-10
Bath Group	A-11 - A-13
Chassis Group	A-14 - A-18
Curtain, Cushion & Pad Group	A-19 - B-03
Dinette Group	B-04
Driver's Compartment Group	B-05 - B-08
Electrical Group	B-09 - B-12
Exterior Body Group	B-13 - B-19
Galley Group	B-20 - B-21
Heating & Air Conditioning Group	B-22 - B-23
Interior Finish Group	B-24 - C-02
LP Group	C-03
Lounge Group	C-04 - C-05
Water & Sewage Group	C-06 - C-07
Window, Vent & Exterior Door Group	C-08 - C-18

**LP GROUP**



Key	Part Number	U/M	Description
1	088253-03-000	EA	Tank Asm. - LP - Frame Mount - 100 Pound - 16" x 35"
2	081938-01-000	EA	Compartment - LP Regulator
	076301-02-000	EA	Regulator - Two Stage - LP Gas
3	040421-01-703	EA	Valve - Vapor Relief
4	040421-01-700	EA	Gauge - Liquid Level - 20% LP
5	040421-01-701	EA	Valve - Filler - LP
	040421-01-702	EA	Cap - Plastic Fill Valve
6	042421-01-707	EA	Gauge - Float - w/Visible Dial - 80 Pound Tank
	040421-01-706	EA	Dial - Visible Face - Float Gauge (Tank w/o Electric Transmitter)
	045703-01-000	EA	Hose Asm. - LP - 3/8" I.D. x 24" - US
	045703-02-000	EA	Hose Asm. - LP - 3/8" I.D. x 24" - CSA
	045703-03-000	EA	Hose Asm. - LP - 3/8" I.D. x 18" - US
	045703-04-000	EA	Hose Asm. - LP - 3/8" I.D. x 14" - CSA
	065741-01-000	EA	Gauge - Diaphragm Pressure - Test Leak
	095612-01-000	EA	Detector - LP Gas
	090976-02-000	EA	Valve - Safety - Shut Off

**LOUNGE GROUP**



**QUEEN BED CABINETS**

Key	Part Number	U/M	Description
1	M85153-01-Y75	EA	Cabinetry Asm. - Nightstand - w/o Countertop, Drawer or Door
	M03000-05-Y75	EA	Countertop Asm. - Nightstand - Lower
	M03000-02-Y75	EA	Countertop Asm. - Nightstand - Upper
	084070-01-000	EA	Center Post - Brass
	084070-02-000	EA	End Post - Brass
	084071-02-000	EA	Rod - Brass - 12.4"
2	M03110-90-Y75	EA	Cabinet Asm. - Overhead - w/o Doors
	M88304-E4-Y75	EA	Door Asm. - Rear Overhead Cabinet - w/o Hardware
3	M03110-92-Y75	EA	Cabinet Asm. - Center Overhead - w/o Doors or Hardware
	M88304-36-Y75	EA	Door Asm. - Center Overhead - 12" x 29.1" - w/o Hardware
	091738-01-Y75	EA	Cap Asm. - Center Overhead - w/o Mirror
	058631-18-000	EA	Mirror - Safety Glass - 11.25" x 22.4"
	084357-01-Y81	EA	TV Stand Asm.
4	M89383-01-Y75	EA	Cabinet Asm. - Nightstand - w/o Countertop, Drawers, or Door
	089383-15-Y75	EA	Countertop Asm. - Nightstand - Upper
	069383-16-Y75	EA	Countertop Asm. - Nightstand - Lower
	M88304-H1-Y75	EA	Door Asm. - Nightstand - Right or Left - w/Birthday Glass - w/o Hardware
	093580-02-000	EA	Glass - 75th Birthday - 5.3" x 20.3"
	083204-02-000	EA	Button - Glass Retaining
	061376-01-000	EA	Backplate - Brass
	M78921-04-Y75	EA	Drawer Asm. - Nightstand - Right or Left - w/o Hardware
5	M89070-01-Y75	EA	Cabinet Asm. - Queen Bed
	088199-01-X11	EA	Hinge Asm. - Bed
	057460-02-000	EA	Ball - Stud - 10 mm Ball - 5/16" x 18"
	057460-03-000	EA	Safety Clip
	057460-04-000	EA	Gas Spring
	088254-01-000	EA	Catch - Magnetic (Drawer)

**1989 WINNEBAGO  
TABLE OF CONTENTS**

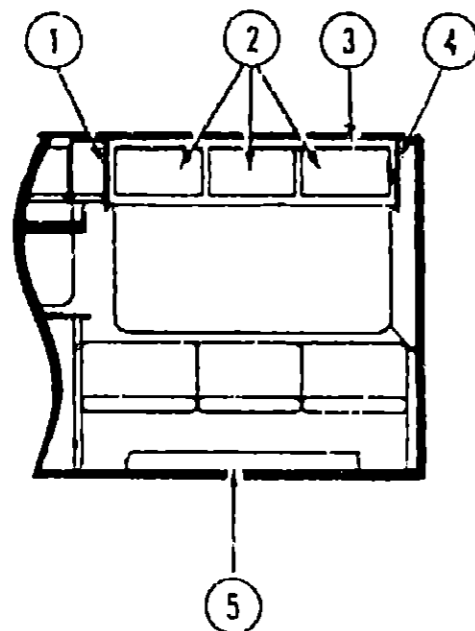
INTRODUCTION	A-01
ABBREVIATIONS	A-01
ALPHABETICAL INDEX	A-02 - A-04
WCP32DQ	A-05 - C-18
WC/JP32RO	C-19 - F-20

**1989 WCP32DQ INDEX**

Floor Plan	A-05 - A-06
Accessories Group	A-07 - A-10
Bath Group	A-11 - A-13
Chassis Group	A-14 - A-18
Curtain, Cushion & Pad Group	A-19 - B-03
Dinette Group	B-04
Driver's Compartment Group	B-05 - B-09
Electrical Group	B-09 - B-12
Exterior Body Group	B-13 - B-19
Galley Group	B-20 - B-21
Heating & Air Conditioning Group	B-22 - B-23
Interior Finish Group	B-24 - C-02
LP Group	C-03
Lounge Group	C-04 - C-05
Water & Sewage Group	C-06 - C-07
Window, Vent & Exterior Door Group	C-08 - C-18



## LOUNGE GROUP (CONTINUED)



**FRONT LOUNGE**

Key	Part Number	U/M	Description
1	085462-02-Y75	EA	End Cap Asm. - Front Lounge - Vinyl
2	M8B304-39-Y75	EA	Door Asm. - Front Overhead - 12" x 18.7" - w/o Hardware
3	M03110-13-Y75	EA	Front Overhead Cabinet - w/o Doors or Hardware
4	085469-01-Y75	EA	End Cap Asm. - Front Lounge - Vinyl
5	090406-01-Y75	EA	Drawer Asm. - Couch
	093601-01-000	EA	Security Lock - Lock Box
	093666-01-000	EA	Outer Box - Lock Box
	033653-01-000	EA	Drawer - Lock Box

## WATER & SEWAGE GROUP

### PLUMBING & REPAIR PARTS

Key	Part Number	U/M	Description
	044927-01-000	EA	Adapter - Plastic - 1 1/4" MPT x 1 1/4" Bar
	010326-01-000	EA	Adapter - Flare - w/Cone Gasket
	062422-01-000	EA	Adapter - Hose Offset - Reducer - 3" x 1 1/2"
	052954-01-000	EA	Adapter - Hose Cone - 3/8 or 1/2 - Plastic
	069330-01-000	EA	Adapter - Sewer Hose
	079317-01-000	EA	Adapter - Swivel - .5 Tube x .5 FPT
	062415-01-000	EA	Cap - Sewer - 3"
	087200-02-000	EA	Cartridge - Water Filter
	052959-02-000	EA	Connector - Plastic - 1/2" F x 1/2" MPT
	052959-03-000	EA	Connector - 1/2 F x 3/8 MPT - Plastic
	011091-02-000	EA	Continuous Waste - Double Sink - 11 7/8" - US
	078406-01-000	EA	Coupler Rubber - 3" x 3"
	052960-01-000	EA	Drain Valve - 1/2 F x 1/2 F - Plastic
	010006-01-000	EA	Elbow - Plastic - 1/8 BD x 1 1/2 x 45° H x H
	010008-01-000	EA	Elbow - Plastic - 1/4 BD x 1 1/2 x 90° Left
	052957-02-000	EA	Elbow - Plastic - 1/2 F x 1/2 MPT (In Tank Filter)
	035539-01-000	EA	Elbow - Plastic - 3/8" MPT x 3/8 BARB
	033761-01-000	EA	Elbow - Plastic - 1/4" BD x 1 1/2" x 90 x LT
	010051-01-000	EA	Elbow - Plastic - ST - 1/8" BD x 1 1/2" x 45
	077954-02-000	EA	Filter/Screen (In Water Tank)
	087200-01-000	EA	Filter - Water Purifier
	063641-01-000	EA	Flange - Closet - Red - 4 F x 3" FPT
	010147-01-000	EA	Flange - Closet - 4" F x 3" FPT - US
	010147-02-000	EA	Flange - Closet - 4" F x 3" FPT - CSA
	079381-01-000	FT	Flexible Tubing - 1 1/4 ID x 10'
	061607-01-000	EA	Grommet - Holding Tank Coupler - 1 1/2"
	061607-02-000	EA	Grommet - Holding Tank Coupler - 3"
	052951-02-000	EA	Header - 1/2 MPT x 1/2 x 1/2 x 1/2 F
	062416-01-000	EA	Hose Adapter - 3"
	052953-01-000	EA	Nut - Faucet - 1/2 Tube x 1/2 FPT
	011066-03-000	EA	P-Trap - 1 1/4" Plastic - US
**	011066-02-000	EA	P-Trap - 1 1/4" Plastic - CSA
	053335-01-000	EA	P-Trap - 1 1/4" Plastic - w/Union
	049032-01-000	EA	Patch - Spinweld - Plastic - 3/8"
	045729-01-000	EA	Pump - Water - 2.8 G.P.M. - Direct Drive - Shurflo - US
	045729-02-000	EA	Pump - Water - 2.8 G.P.M. - Direct Drive - Shurflo - CSA
	010201-02-000	EA	Sewer Hose - 3" x 20'
	042989-03-000	EA	Spinweld Fittings - Plastic - 1/4 NPT
	042989-04-000	EA	Spinweld Fittings - Plastic - 3/8 FPT
	042989-05-000	EA	Spinweld Fittings - Plastic - 1/2 FPT
	011069-02-000	EA	Tailpiece - 1 1/2 x 1 1/4" x 4" - Brass
**	010079-01-000	EA	Tee - Plastic - 1 1/2 H x 1 1/2 H x 1 1/4 H
	052955-01-000	EA	Tee - Plastic - 1/2 F x 1/2 F x 1/2 MPT
	052958-01-000	EA	Tee - Plastic - 1/2 F x 1/2 F x 1/2 F
	074463-01-000	EA	Tee - 4 Way - 1/2" Flare
	039800-01-000	FT	Tubing - Polybutyl - 1/2 O.D. (Water Line)
	079381-01-000	FT	Tubing - Flexible - Smooth - 1.25 I.D.
	074462-02-000	FT	Tubing - Vinyl - 3/8 I.D.
	062421-01-000	EA	Valve - 1 1/2" - w/Handle
	082596-01-000	EA	Valve - Waste - 3"
	052960-01-000	EA	Valve - Line Drain - 1/2 F x 1/2 F
	010073-01-000	EA	Wye - Plastic - 1 1/2 x 45 H x H x H
	079968-01-000	EA	Vent - Mechanical Trap Arm

\*\* The illustrated parts breakdown for this item is provided on the Common Items Fiche.

## 1989 WINNEBAGO TABLE OF CONTENTS

INTRODUCTION	A-01
ABBREVIATIONS	A-01
ALPHABETICAL INDEX	A-02 - A-04
WCP32DQ	A-05 - C-18
WC/JP32RO	C-19 - F-20

## 1989 WCP32DQ INDEX

Floor Plan	A-05 - A-06
Accessories Group	A-07 - A-10
Bath Group	A-11 - A-13
Chassis Group	A-14 - A-18
Curtain, Cushion & Pad Group	A-19 - B-03
Dinette Group	B-04
Driver's Compartment Group	B-05 - B-08
Electrical Group	B-09 - B-12
Exterior Body Group	B-13 - B-19
Galley Group	B-20 - B-21
Heating & Air Conditioning Group	B-22 - B-23
Interior Finish Group	B-24 - C-02
LP Group	C-03
Lounge Group	C-04 - C-05
Water & Sewage Group	C-06 - C-07
Window, Vent & Exterior Door Group	C-08 - C-18

# WATER & SEWAGE GROUP (CONTINUED)

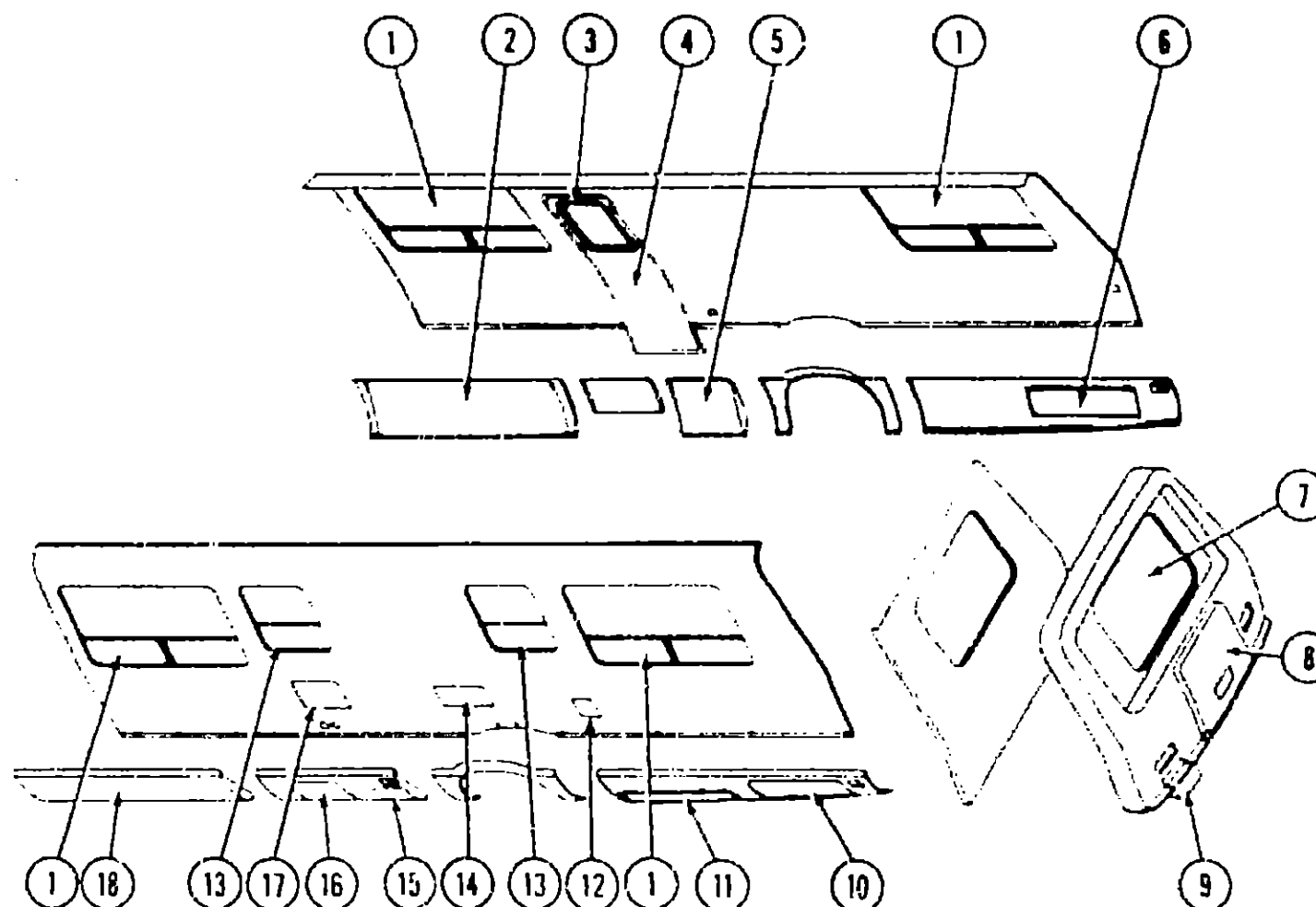
## HOLDING TANKS & WATER HEATERS

Key	Part Number	U/M	Description
	081189-02-000	EA	Tank - Water - 48 Gallon
	076574-01-000	EA	Tank - Holding - 28 Gallon - w/o Fitting
	088384-01-000	EA	Tank - Holding - 32 Gallon - w/o Fittings
	099385-01-000	EA	Tank - Holding - 24 Gallon - w/o Fitting
**	051393-01-000	EA	Water Heater - Direct Ignition - Atwood - GH6-3E

\*\* The illustrated parts breakdown for this item is provided on the Common Items Fiche

# WINDOW, VENT & EXTERIOR DOOR GROUP

## WINDOW & ACCESS DOOR



Key	Part Number	U/M	Description
1	085354-04-X11	EA	Window Asm. - Double
2	085037-01-X75	EA	Door Asm. - Front Valance
3	079733-04-T03	EA	Window Asm. - Picture
4	M84385-02-X19	EA	Door Asm. - Entrance
	098684-01-X19	EA	Door Asm. - Entrance Door Valance
5	088362-01-X19	EA	Door Asm. - Center Valance
6	085034-01-W13	EA	Door Asm. - Storage
7	087985-04-Y12	EA	Window Asm. - Escape
8	M01990-04-X19	EA	Spare Tire Cover
9	077137-01-000	EA	Door Asm. - Sewer Hose Compartment
10	085040-01-W13	EA	Door Asm. - Generator
11	088369-01-X19	EA	Door Asm. - Access Panel
12	078010-01-000	EA	Door Asm. - Fuel Fill
13	085353-07-W07	EA	Window Asm. - Vertical Slider
14	084103-01-000	EA	Door Asm. - Refrigerator Access
15	088356-01-X19	EA	Door Asm. - Power Cord
16	085031-01-X19	EA	Door Asm. - LP
17	052009-02-000	EA	Door Asm. - Water Heater
18	085037-02-W13	EA	Door Asm. - Front Valance
	M01596-11-Y75	EA	Door Asm. - Drivers - Beige - w/o Insert
	M78469-02-000	EA	Window Asm. - Driver Door
	077209-02-000	EA	Inside Frame - Driver Door - Black
	M01595-11-Y75	EA	Door Asm. - Passenger - Beige - w/o Inserts
	M78469-01-000	EA	Window Asm. - Passenger Door
	077209-01-000	EA	Inside Frame - Passenger Door - Black

## 1989 WINNEBAGO TABLE OF CONTENTS

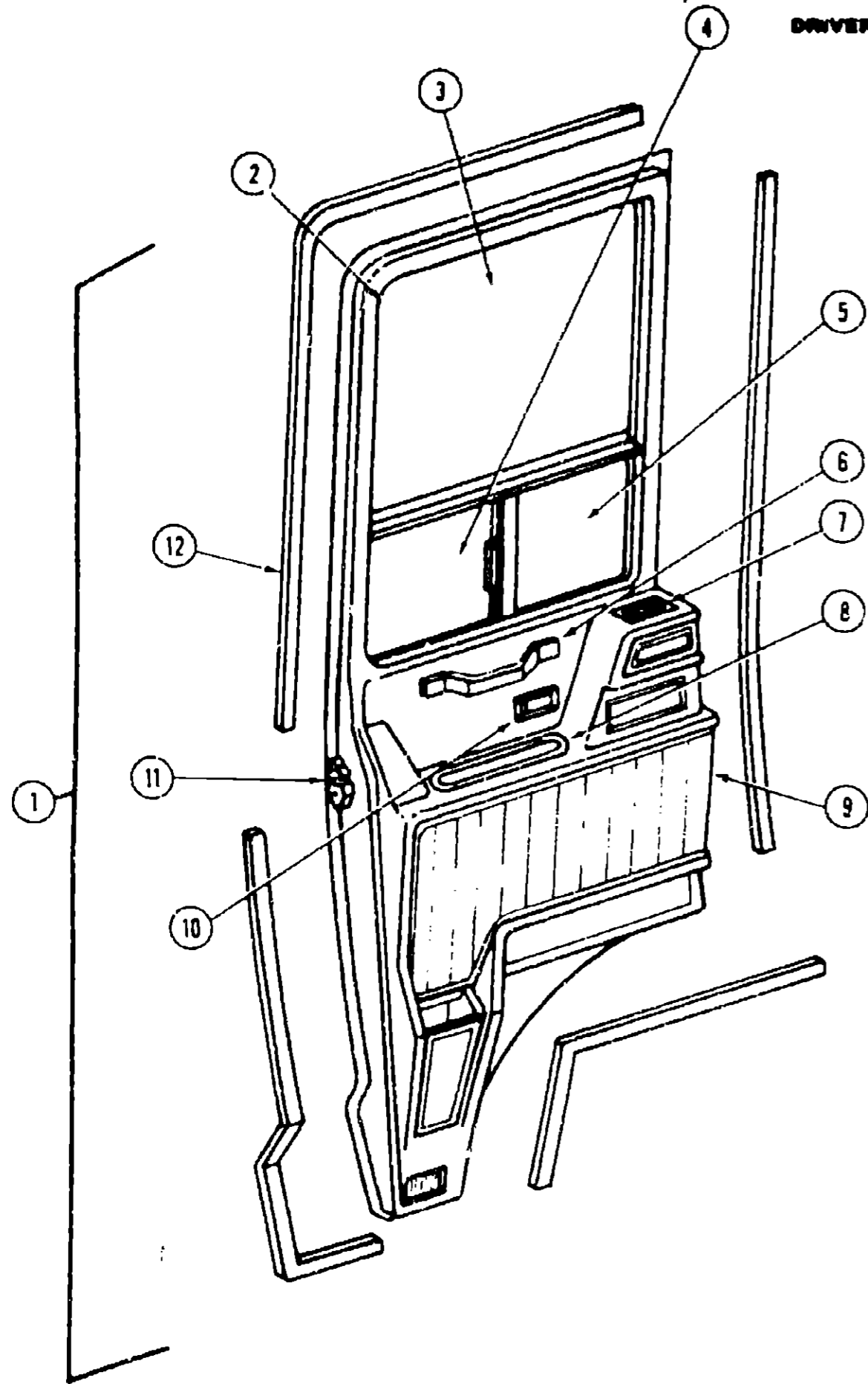
INTRODUCTION	A-01
ABBREVIATIONS	A-01
ALPHABETICAL INDEX	A-02 - A-04
WCP32DQ	A-05 - C-18
WC/JP32RQ	C-19 - F-20

## 1989 WCP32DQ INDEX

Floor Plan	A-05 - A-06
Accessories Group	A-07 - A-10
Bath Group	A-11 - A-13
Chassis Group	A-14 - A-18
Curtain, Cushion & Pad Group	A-19 - B-03
Dinette Group	B-04
Driver's Compartment Group	B-05 - B-08
Electrical Group	B-09 - B-12
Exterior Body Group	B-13 - B-19
Galley Group	B-20 - B-21
Heating & Air Conditioning Group	B-22 - B-23
Interior Finish Group	B-24 - C-02
LP Group	C-03
Lounge Group	C-04 - C-05
Water & Sewage Group	C-06 - C-07
Window, Vent & Exterior Door Group	C-08 - C-18

# WINDOW, VENT & EXTERIOR DOOR GROUP (CONTINUED)

## DRIVERS & PASSENGER CAB DOOR



Key	Part Number	U/M	Description
2	M78469-01-000	EA	Window Asm. - Passenger Door - w/Support
	M78469-02-000	EA	Window Asm. - Drivers Door - w/Support
	077209-01-000	EA	Inside Frame Asm. - Window - Passenger
	077209-02-000	EA	Inside Frame Asm. - Window - Driver
3	077036-03-000	EA	Glass - .19" x 28.9" x 22" - Passenger
3	077036-02-000	EA	Glass - .19" x 28.9" x 22" - Driver
4	078379-01-000	EA	Glass - 19" x 15" x 9.3" - w/Hole
5	078378-01-000	EA	Glass - .19" x 15" x 9.3"
	077224-02-000	EA	Window Mullion - Horizontal - Passenger
	077224-04-000	EA	Window Mullion - Horizontal - Driver
	077226-01-000	EA	Window Mullion - Vertical - Driver
	077226-02-000	EA	Window Mullion - Vertical - Passenger
	M02389-53-001	EA	Seal Holder - w/Fin Seal
	042077-01-000	FT	Channel - Weatherstrip - Glass
	024096-02-000	EA	Seal - Window Channel
	050216-02-000	EA	Spline - Vinyl Glass - 19 Black
6	051400-04-000	EA	Assist Strap - 12" - w/Woodgrain
7	076783-01-000	EA	Louver/Bezel Asm. - Black - 2"
	075671-01-000	FT	Sponge Seal - Lazy T Shape
	076542-01-000	EA	Control Rod - Right Hand Latch
	076543-01-000	EA	Control Rod - Right Hand Lock
	076542-02-000	EA	Control Rod - Left Hand Latch
	076543-02-000	EA	Control Rod - Left Hand Lock
	077167-01-000	EA	Door Prop Rod - Passenger
	077167-02-000	EA	Door Prop Rod - Drivers
8	077118-03-000	EA	Storage Tray - Door Panel - Beige
	077179-01-000	EA	Hose Adapter - 2" - Snap In
	077000-01-000	EA	Socket Asm. - w/8" Pigtail Leads
9	077117-06-000	EA	Door Panel - Front Inner - Driver - Beige
	077117-05-000	EA	Door Panel - Front Inner - Passenger - Beige
	063886-03-000	EA	Assist Handle - Beige Steel Tube
10	R77006-50-261	EA	Door Handle - Interior - Right
10	R77005-50-326	EA	Door Handle - Interior - Left
	R77040-01-538	EA	Door Handle - Exterior
	R77007-05-374	EA	Gasket - Door Handle - Exterior
11	R77007-56-701	EA	Latch Asm. - Right
11	R77007-56-702	EA	Latch Asm. - Left
	R77007-62-747	EA	Latch Asm. - Inner - Right
	R77007-62-746	EA	Latch Asm. - Inner - Left
	081905-01-000	EA	Motor - Electric Door Lock
	090351-01-000	EA	Switch - Door Lock
12	076813-01-000	FT	Seal - Entrance Door (Glue On)
	R77007-04-136	EA	Lock Bracket
	080963-01-000	EA	Arm - Lock Control
	091993-02-000	EA	Rod - Control - Lock Motor
	083678-01-000	EA	Rod - Slide Bolt - Passenger
	083678-02-000	EA	Rod - Slide Bolt - Driver
	081905-01-000	EA	Knob - Control - Slide Bolt - Passenger
	081905-02-000	EA	Knob - Control - Slide Bolt - Driver
	R77030-67-257	EA	Spline Pin
	R77007-51-201	EA	Cylinder & Key (Set of 3)
	R77006-65-924	EA	Cylinder & Key (Single)
	R77010-21-758	EA	Key Blank
	R77006-64-355	EA	Control Link
	064580-02-000	EA	Check Strap - Front Door - 7"
	064219-01-000	EA	Retainer - Check Strap - Front Door
	R77013-48-165	EA	Striker - Door - Left
	R77013-48-166	EA	Striker - Door - Right
	075245-03-000	EA	Hinge - Cab Door - Beige

Key	Part Number	U/M	Description
1	M01596-11-Y75	EA	Door Asm. - Drivers - Beige - w/o Insert
	M01595-11-Y75	EA	Door Asm. - Passengers - Beige - w/o Inserts

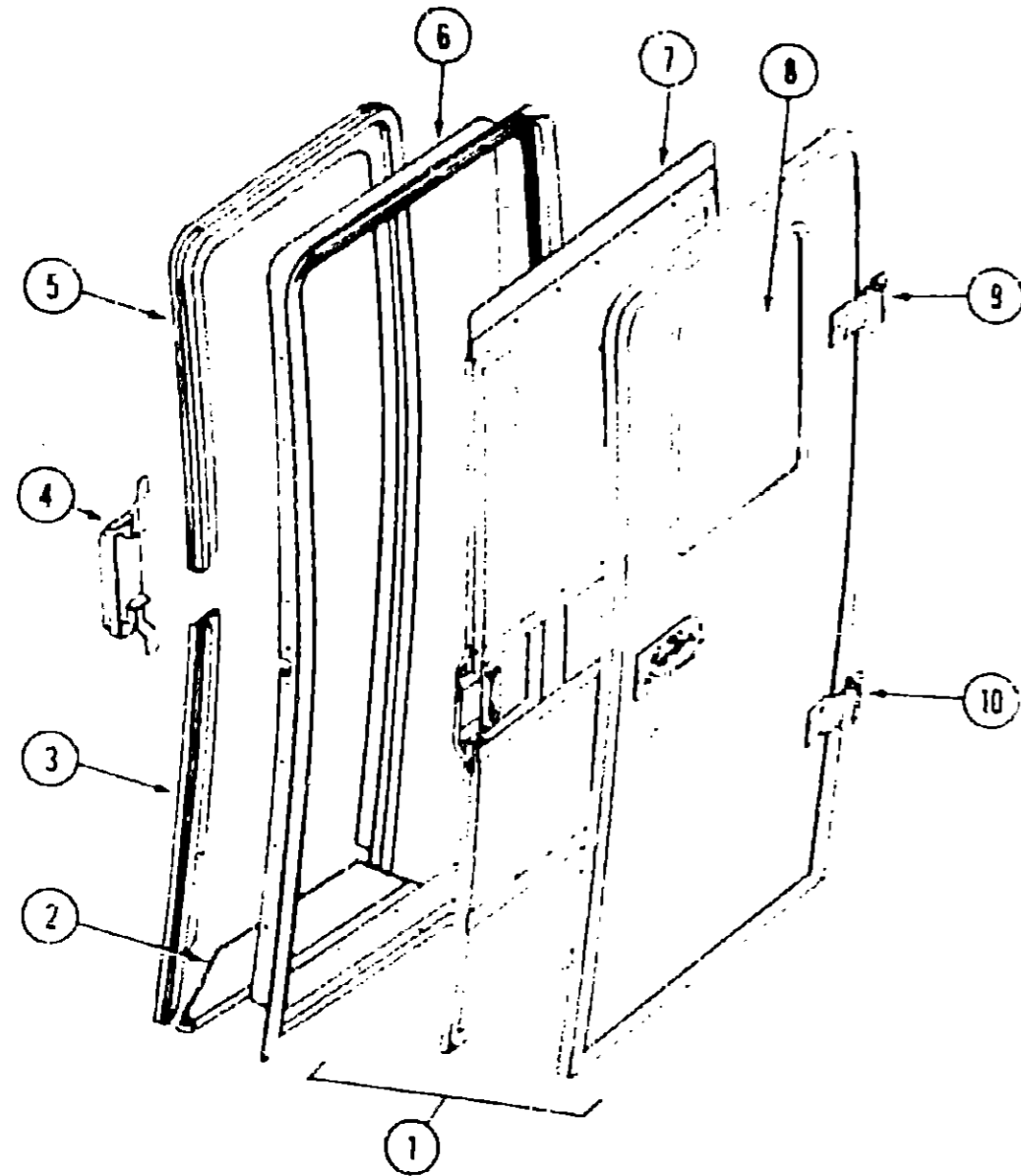
## 1989 WINNEBAGO TABLE OF CONTENTS

INTRODUCTION	A-01
ABBREVIATION	A-01
ALPHABETICAL INDEX	A-02 - A-04
WCP32DQ	A-05 - C-18
WC/JP32RQ	C-19 - F-20

## 1989 WCP32DQ INDEX

Floor Plan	A-05 - A-06
Accessories Group	A-07 - A-10
Bath Group	A-11 - A-13
Chassis Group	A-14 - A-18
Curtain, Cushion & Pad Group	A-19 - B-03
Dinette Group	B-04
Driver's Compartment Group	B-05 - B-08
Electrical Group	B-09 - B-12
Exterior Body Group	B-13 - B-19
Galley Group	B-20 - B-21
Heating & Air Conditioning Group	B-22 - B-23
Interior Finish Group	B-24 - C-02
LP Group	C-03
Loisje Group	C-04 - C-05
Water & Sewage Group	C-06 - C-07
Window, Vent & Exterior Door Group	C-08 - C-18

WINDOW, VENT & EXTERIOR DOOR GROUP (CONTINUED)



WINDOW, VENT & EXTERIOR DOOR GROUP (CONTINUED)

ENTRANCE DOOR W/POWER LOCK

Key	Part Number	U/M	Description
1	MB4335-02-Y75	EA	Door Asm - Entrance - w/Power Lock
	091876-01-000	EA	Retainer Door
2	085905-01-000	EA	Trim - Entrance Door - Lower
3	M01670-03-W13	EA	Trim - Entrance Door - Upper - w/Roller Catch - Beige
4	085739-01-000	EA	Cover - Strike - Light Oak
5	M01671-03-W13	EA	Trim - Entrance Door
6	076947-03-000	EA	Jamb Asm - Entrance Door
7	084389-01-W13	EA	Screen Door - Complete
	085276-01-000	EA	Slider - Screen Door - Light Oak Plastic
	002293-02-000	SF	Screen - 26" Charcoal
	076231-01-000	EA	Spacer - Screen Door - Latch
	076956-01-000	EA	Plate - Screen Door
	002294-01-000	FT	Spline - Screen Door - Black
	084098-01-000	EA	Transition Frame - Screen Door - Beige
	009015-01-000	EA	Catch - Eibox - Spring Loaded
	009018-01-000	EA	Catch - Single Roller
	077437-01-000	EA	Strike - Roller Catch - Beige
8	079733-04-T03	EA	Window Asm - Picture (w/o inside frame)
	067609-03-000	EA	Inside Frame - Beige (not included in assembly)
	002181-06-000	EA	Glass - 115" x 16 25" x 24"
	087551-01-000	FT	Spline - Glass - 1/8 Material - Black
	069637-02-000	EA	Sealer - 3M EC5510
9	084097-01-000	EA	Hinge Asm - Upper - Beige
10	084096-01-000	EA	Hinge Asm - Lower - Beige
	076810-01-000	EA	Gasket - Door Hinge
	069126-02-000	EA	Assist Handle - Black
	073303-02-000	EA	Latch Asm - Inner
	076729-01-000	EA	Panel Trim - Light Oak Plastic
	R77037-05-374	EA	Gasket - Exterior Door Handle
	R77040-01-538	EA	Handle - Exterior Door
	R77005-50-261	EA	Handle - Interior - Right Door
	073104-01-000	EA	Escutcheon - Door Handle
	R77007-56-701	EA	Lock Bolt - Right
	R77007-51-201	EA	Cylinder & Key Set (Set of 3)
	R77006-65-924	EA	Cylinder & Key Set (Single)
	R77010-21-758	EA	Key - Blank
	083205-01-000	EA	Deadbolt - Press Fit - 5"
	045017-01-701	EA	Key - Blank - Deadbolt
	079173-01-000	EA	Gasket - Deadbolt - Exterior
	R77030-67-257	EA	Spline Pin
	080962-01-000	EA	Arm - Lock Control
	073111-01-000	EA	Rod - Latch
	073110-01-000	EA	Rod - Lock
	R77006-64-355	EA	Link - Control
	073093-01-000	EA	Support Asm - Latch - Beige
	R77007-04-136	EA	Bracket - Lock
	063729-04-000	EA	Rivnut - 10-32UNF
	075907-07-000	EA	Trim - Door - Upper
	076908-01-000	EA	Trim - Door - Lower
	R77007-56-701	EA	Plate - Door Lock - Right
	075673-01-000	EA	Seal - Pile - Adhesive Back
	081915-01-000	EA	Motor - Electric - Door Lock
	081915-02-000	EA	Bracket - Mounting - Door Lock Motor
	081993-02-000	EA	Control Rod - Lock Motor

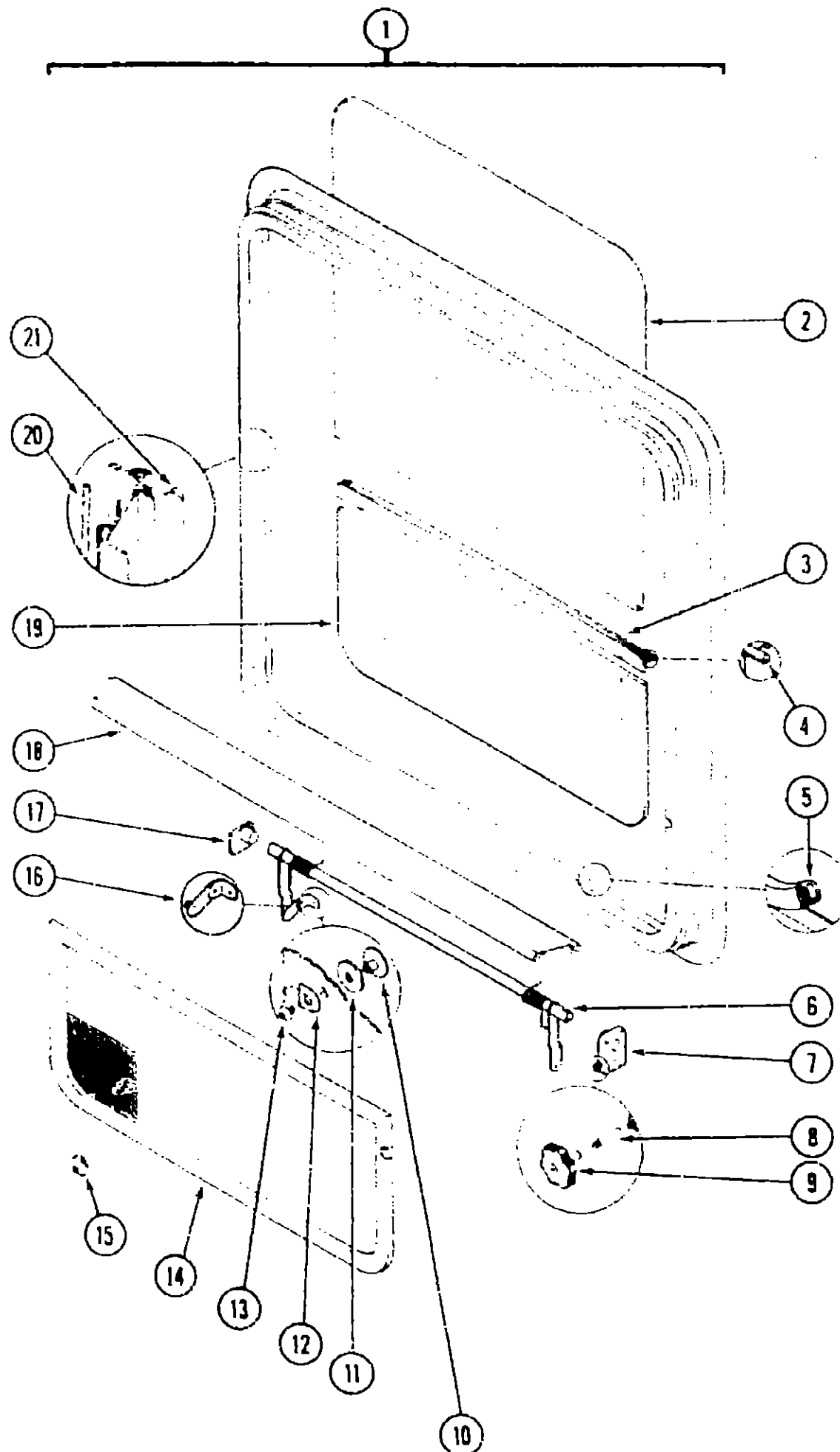
1989 WINNEBAGO  
TABLE OF CONTENTS

INTRODUCTION	A-01
ABBREVIATIONS	A-01
ALPHABETICAL INDEX	A-02 - A-04
WCP32DQ	A-05 - C-18
WCJP32RD	C-19 - F-20

1989 WCP32DQ INDEX

Floor Plan	A-05 - A-06
Accessories Group	A-07 - A-10
Bath Group	A-11 - A-13
Chassis Group	A-14 - A-18
Curtain Cushion & Pad Group	A-19 - B-03
Dinette Group	B-04
Driver's Compartment Group	B-05 - B-08
Electrical Group	B-09 - B-12
Exterior Body Group	B-13 - B-19
Galley Group	B-20 - B-21
Heating & Air Conditioning Group	B-22 - B-23
Interior Finish Group	B-24 - C-02
LP Group	C-03
Lounge Group	C-04 - C-05
Water & Sewage Group	C-06 - C-07
Window, Vent & Exterior Door Group	C-08 - C-18

**SINGLE TIPOUT WINDOW**



Key	Part Number	U/M	Description
1	065353-07-W07	EA	Window Asm. - Single Tipout - 24.8" x 24.9" (w/o inside frame)
	081022-04-000	EA	Inside Frame - Black (not included in assembly)
2	081239-05-000	EA	Glass - 14.6" x 24.25" - Stationary
3	089913-01-000	EA	Hinge - Tipout Window - Black
4	081357-01-000	FT	Seal Foam - Vinyl
5	084067-01-000	FT	Seal - "e" - Sponge Rubber
6	083150-05-000	EA	Torque Tube Asm
7	035302-02-000	EA	Operator Drive - Left
8	009439-05-000	EA	Extension - 900" - Black (not included in assembly)
9	009439-05-000	EA	Knob - Window Crankout - Black (not included in assembly)
	009439-07-000	EA	Screw - 8/32" x 1 1/4" POH - Black (not included in assembly)
10	086762-01-000	EA	T-Nut - 10-32
11	068927-03-000	EA	Seal - Rubber - 12" x 25" I.D. x 80" O.D.
12	084473-01-000	EA	Seal - Rubber - "D" Shaped
13	086763-01-000	EA	Screw - #10 - 32 x 1/4" PTH
14	084580-04-W07	EA	Screw Asm - Tipout Window - Single
	002293-02-000	SF	Screen - Window - 26" Charcoal
	002298-02-000	FT	Spline - 130" Dia - Charcoal (Screen)
15	081243-01-000	EA	Screen Clip - Plastic - Black
	000G12-06-08T	EA	Screw - #6 - 20 x 50" POH - Black
16	097578-01-000	EA	Connecting Rod Asm
	085316-01-000	EA	Washer - Wave - 44 O.D. 32 I.D.
	081649-01-000	EA	Snap Ring - 7/32 Shaft
17	081354-01-000	EA	Sleeve - Window Torque Tube
18	082563-52-001	EA	Mullion - Horizontal - Black
19	084068-02-000	EA	Glass - 9.24" x 24.13" - Tipout
20	069640-06-000	FT	Seal - 5.16" x 15" (not included in assembly)
21	083180-01-000	FT	Seal - Vinyl Glazing

**1989 WINNEBAGO  
TABLE OF CONTENTS**

INTRODUCTION	A-01
ABBREVIATIONS	A-01
ALPHABETICAL INDEX	A-02 - A-04
WCP32DO	A-05 - C-18
WCJP32RO	C-19 - F-20

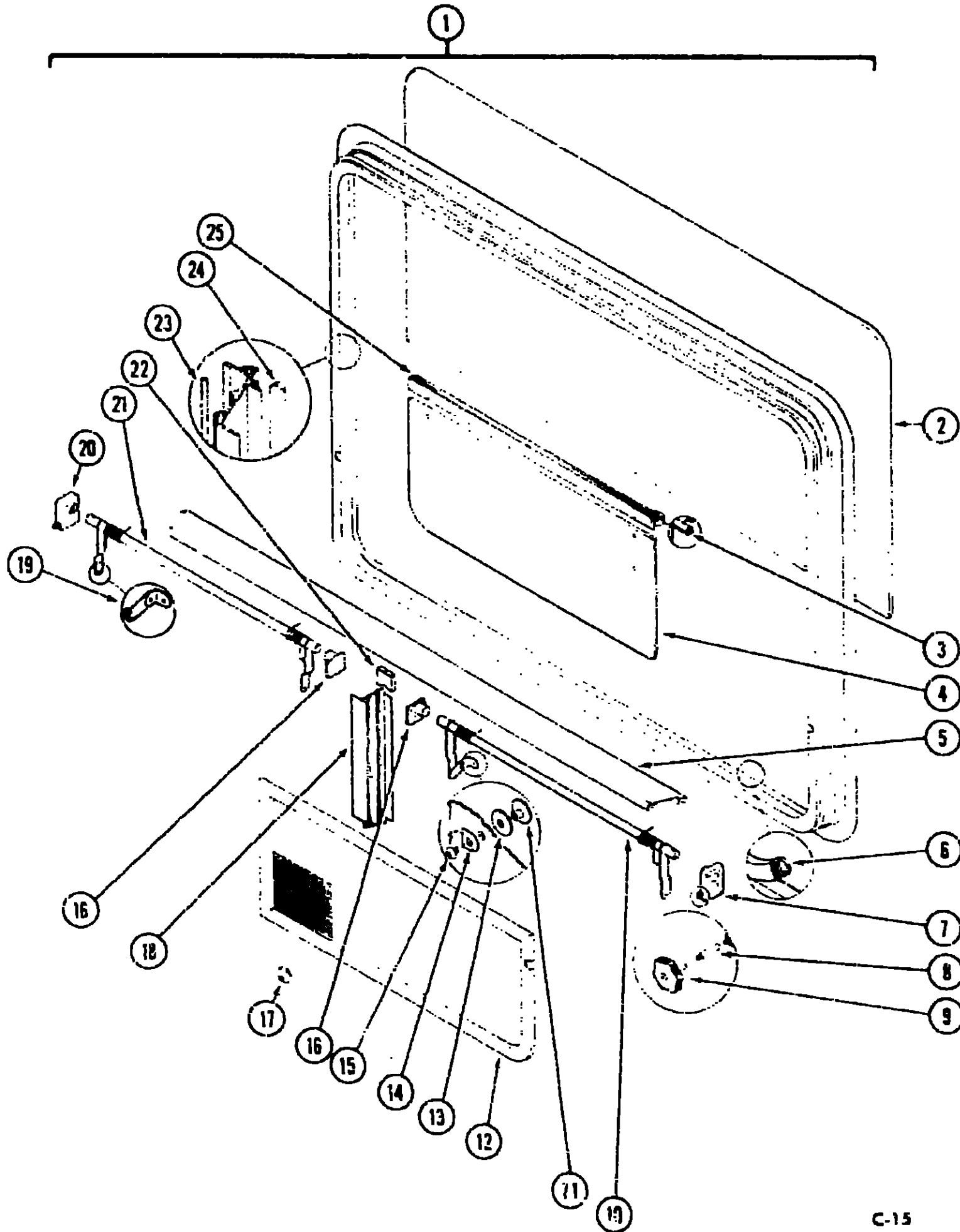
**1989 WCP32DO INDEX**

Floor Plan	A-05 - A-06
Accessories Group	A-07 - A-10
Bath Group	A-11 - A-13
Chassis Group	A-14 - A-18
Curtain, Cushion & Pad Group	A-19 - B-03
Dinette Group	B-04
Driver's Compartment Group	B-05 - B-08
Electrical Group	B-09 - B-12
Exterior Body Group	B-13 - B-19
Galley Group	B-20 - B-21
Heating & Air Conditioning Group	B-22 - B-23
Interior Finish Group	B-24 - C-02
I.P. Group	C-03
Lounge Group	C-04 - C-05
Water & Sewage Group	C-06 - C-07
Window, Vent & Exterior Door Group	C-08 - C-18

WINDOW, VENT & EXTERIOR DOOR GROUP (CONTINUED)

WINDOW, VENT & EXTERIOR DOOR GROUP (CONTINUED)

DOUBLE TIPOUT WINDOW



Key	Part Number	U/M	Description
1	085354-04-X11	EA	Window Asm. - Double Tipout - 61.24" (w/o inside frame)
	081822-11-000	EA	Inside Frame - Black (not included in assembly)
2	081239-17-000	EA	Glass - 1/8" x 61.77" x 23" - Stationary
3	081357-01-000	FT	Foam Seal - Vinyl
4	084068-08-000	EA	Glass - 1/8" x 9.24" x 30.39" - Tipout
5	082563-52-001	EA	Mullion - Horizontal - Black
	000G39-06-16T	EA	Screw - SF/DR - 5 - 20 x 1.00 PPH (Mullion - 4 Required)
	076778-03-000	EA	Rivet - Plastic - Pin Drive - Black (2 Required)
6	084067-01-000	FT	Seal - "e" - Sponge Rubber
7	035302-01-000	EA	Operator Drive - Right
8	090025-01-000	EA	Extension - Window Knob (not included in assembly)
9	067052-02-000	EA	Knob - Beige (not included in assembly)
	089371-01-000	EA	Screw - Window Knob (not included in assembly)
10	083228-03-000	EA	Torque Tube Asm. - Right
11	086762-01-000	EA	T-Nut - 10-32
12	084581-01-W07	EA	Screen Asm. - Tipout - Right
	084581-02-W07	EA	Screen Asm. - Tipout - Left
	002293-02-000	SF	Screen - 26" - Window
	002298-02-000	FT	Spline - .130" Dia - Charcoal (Screen)
13	068927-03-000	EA	Seal - Rubber - 12" x 25" I.D x 80" O.D.
14	084473-01-000	EA	Seal - Rubber - "D" Shaped
15	086763-01-000	EA	Screw - #10 - 32 x 1/4" PTH
16	081354-01-000	EA	Sleeve - Window Torque Tube
17	081243-01-000	EA	Clip - Plastic - Screen (4 Required)
	000G12-06-08T	EA	Screw - #6 - 20 x 50" POH - Black
18	084192-52-001	EA	Mullion - Vertical - Black
	000G39-08-088	EA	Screw - #8 x 18 x 1/2 PPH (Mullion - 4 Required)
19	097578-01-000	EA	Connecting Rod Asm
	065316-01-000	EA	Washer - Wave - 44 O.D. 32 I.D
	081649-01-000	EA	Snap Ring - 7/32 Shaft
20	035302-02-000	EA	Operator Drive - Left
21	083227-03-000	EA	Torque Tube Asm. - Left
22	084066-01-000	FT	Bulb Seal - Double - Sponge Rubber
23	069640-06-000	FT	Seal - 5/16" x 15" (not included in assembly)
24	083180-01-000	FT	Seal - Vinyl Glazing
25	084155-09-000	EA	Hinge - Tipout Window - Black

1989 WINNEBAGO  
TABLE OF CONTENTS

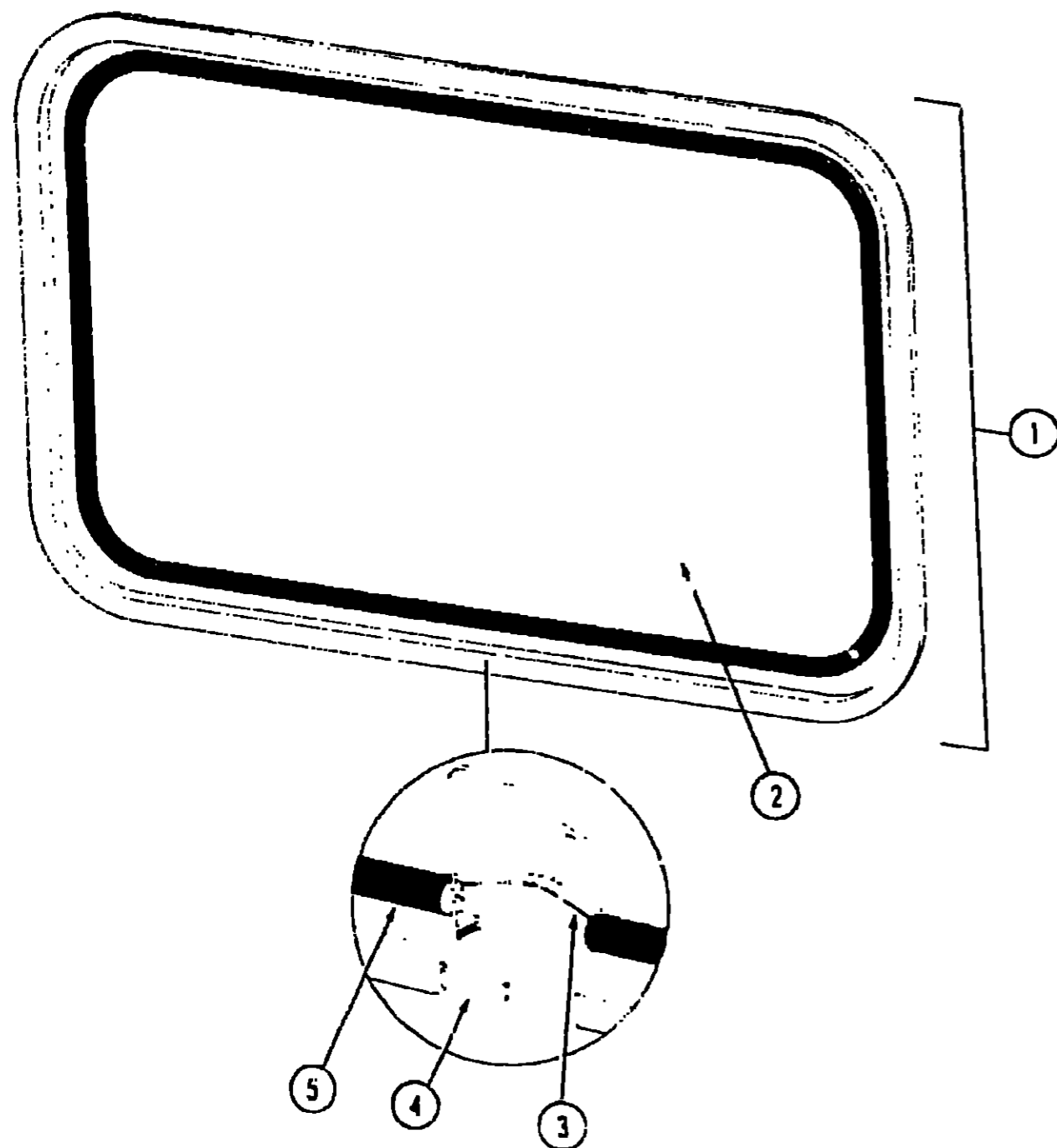
INTRODUCTION	A-01
ABBREVIATIONS	A-01
ALPHABETICAL INDEX	A-02 - A-04
WCP32DQ	A-05 - C-18
WC/JP32RO	C-19 - F-20

1989 WCP32DQ INDEX

Floor Plan	A-05 - A-06
Accessories Group	A-07 - A-10
Bath Group	A-11 - A-13
Chassis Group	A-14 - A-18
Curtain, Cushion & Pad Group	A-19 - B-03
Dinette Group	B-04
Driver's Compartment Group	B-05 - B-08
Electrical Group	B-09 - B-12
Exterior Body Group	B-13 - B-19
Galley Group	B-20 - B-21
Heating & Air Conditioning Group	B-22 - B-23
Interior Finish Group	B-24 - C-02
L.P. Group	C-03
Lounge Group	C-04 - C-05
Water & Sewage Group	C-06 - C-07
Window, Vent & Exterior Door Group	C-08 - C-18

**WINDOW, VENT & EXTERIOR DOOR GROUP (CONTINUED)**

**WINDOW, VENT & EXTERIOR DOOR GROUP (CONTINUED)**



Key	Part Number	U/M	Description
1	087985-04-Y12	EA	Window Asm - Escape - (w/o inside frame)
	076650-03-000	EA	Inside Frame - Black (not included in assembly)
2	076337-06-000	EA	Glass - 1/8" x 44 8" x 28"
3	002285-01-000	FT	Filler - Weatherstrip - Black
4	069640-07-000	FT	Tape - 2" Bead x 45'
5	002282-01-000	FT	Weatherstrip - Window - 125" Black
	077066-01-701	EA	Tape - Poly - Escape Window - 36"

**VENTS, ACCESS DOORS AND HARDWARE**

Key	Part Number	U/M	Description
	064469-09-000	EA	Vent - Powered - Roof - w/Power Lift (Jensen)
	054469-08-000	EA	Vent - Powered - Roof (Jensen)
	084079-04-000	EA	Vent - Powered - Roof (Fantastic)
	092698-01-02A	EA	Vent - Range Hood w/Door - Beige
	081171-01-000	EA	Trim - Skylight - Outer
	090910-01-000	EA	Panel - Skylight - Outer
	077962-01-000	EA	Panel - Skylight - Inner
	084073-01-000	EA	Vent - Refrigerator - Roof
	084073-04-000	EA	Base - Refrigerator Roof Vent
	084103-01-000	EA	Door - Refrigerator Vent
	084104-01-000	EA	Jamb - Refrigerator - Vent Door
	083558-01-000	EA	Cover - Vent Pipe - Plastic
	076010-01-000	EA	Door Asm. - Fuel Fill
	077963-01-000	EA	Gasket Fuel Fill Door
	052009-02-000	EA	Door Asm. - Water Heater
	088369-01-X19	EA	Door Asm. - Access - Rear - Left
	085040-01-W13	EA	Door Asm. - Generator/Luggage
	088366-01-X19	EA	Door Asm. - Power Cord
	095031-01-X19	EA	Door Asm. - LP
	077137-01-000	EA	Door Asm. - Sewer Hose Compartment (Backwall)
	034007-41-000	EA	Hinge - Access Door - 1.5" x 96"
	076322-02-000	FT	Foam Tape - Double Coated
	082684-01-700	EA	Key - Single
	087281-01-000	EA	Strike - Door - Beige
	085730-01-000	EA	Latch Asm. - Access Door - w/Lock - Plastic Paddle
	055730-04-000	EA	Latch Asm. - Access Door - w/o Lock - Plastic Paddle - Beige
	086810-05-000	EA	Bracket - Paddle Latch Retainer
	090340-01-000	FT	Seal - Foam - Closed Cell - .25" x .5" x 50'
	099727-01-000	EA	Cable Asm. - w/Spring - Access Door
	076767-07-000	EA	Cable Asm. - 1/16" x 7" - Access Door
	076767-02-000	EA	Cable Asm. - 1/16" x 16.5" - Access Door
	077222-01-000	EA	Spring - Cable Guard - Access Door
	042442-02-000	EA	Lock Asm. - Twist Type - Access Door
	083615-04-000	EA	Holder - Door - Plastic

**WINDSHIELD & VENT WINDOWS**

Key	Part Number	U/M	Description
	074887-01-000	EA	Glass - Windshield - Passenger
	074887-02-000	EA	Glass - Windshield - Driver
	076671-01-000	EA	Glass - Front Cover - Driver
	076671-02-000	EA	Glass - Front Corner - Passenger
	083179-01-000	FT	Reveal Molding Windshield - Passenger or Driver
	083178-01-000	FT	Reveal Molding - Center Windshield or Front Corner Glass
	076844-02-000	EA	T-Cap Reveal Molding - Center Windshield
	076841-02-000	EA	Cap - Reveal Molding - Front Corner Glass - Upper
	076842-02-000	EA	Cap - Reveal Molding - Front Corner Glass - Lower

**1989 WINNEBAGO  
TABLE OF CONTENTS**

INTRODUCTION	A-01
ABBREVIATIONS	A-01
ALPHABETICAL INDEX	A-02 - A-04
WCP32DO	A-05 - C-18
WC/JP32RO	C-19 - F-20

**1989 WCP32DQ INDEX**

Floor Plan	A-05 - A-06
Accessories Group	A-07 - A-10
Bath Group	A-11 - A-13
Chassis Group	A-14 - A-18
Curtain, Cushion & Pad Group	A-19 - B-03
Dinette Group	B-04
Driver's Compartment Group	B-05 - B-08
Electrical Group	B-09 - B-12
Exterior Body Group	B-13 - B-19
Galley Group	B-20 - B-21
Heating & Air Conditioning Group	B-22 - B-23
Interior Finish Group	B-24 - C-02
LP Group	C-03
Lounge Group	C-04 - C-05
Water & Sewage Group	C-06 - C-07
Window, Vent & Exterior Door Group	C-08 - C-18