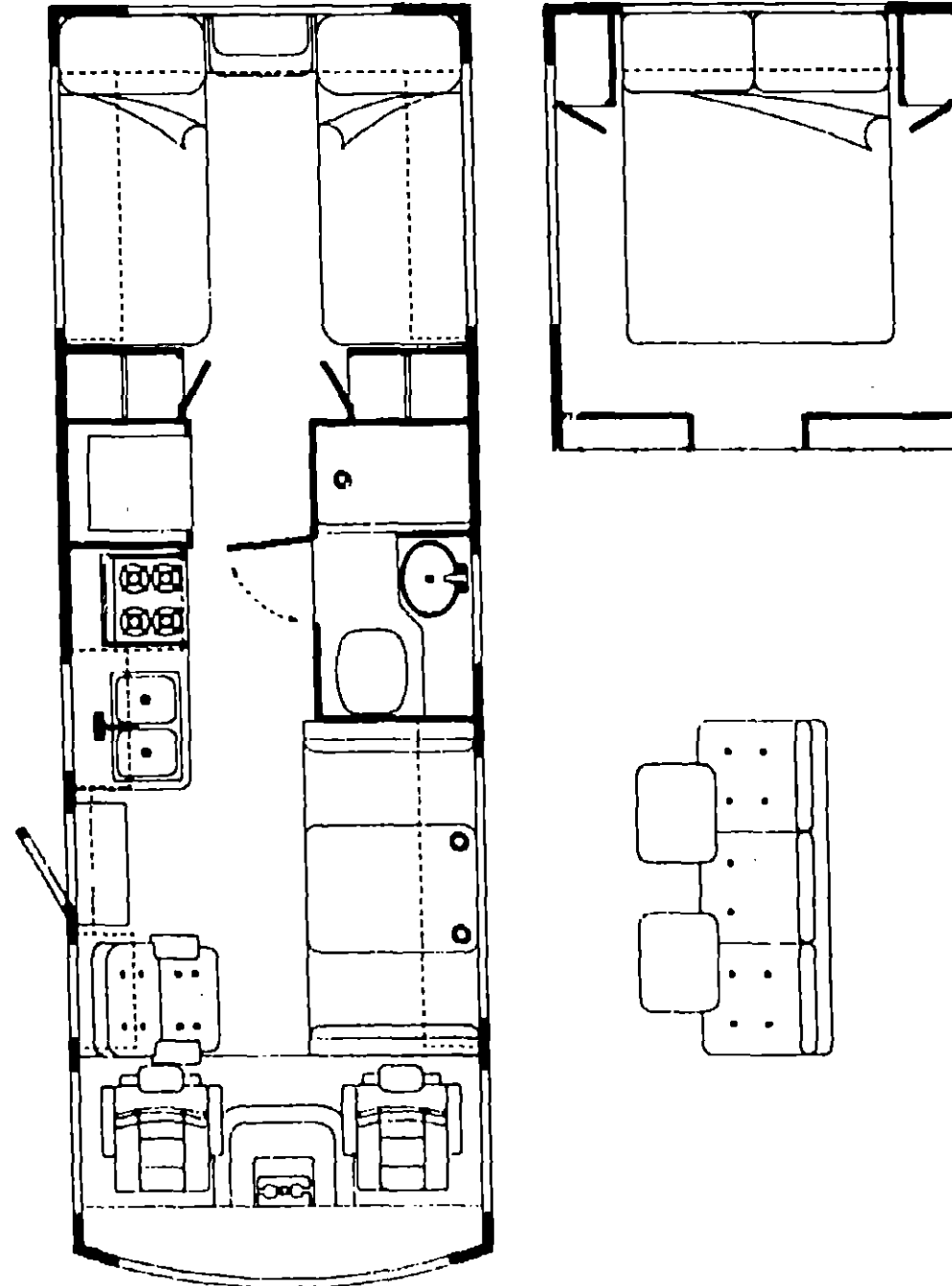


**1989 WINNEBAGO
TABLE OF CONTENTS**

WCN23RC
WCN27RT

A-01 - D-11
D-13 - G-23

**1989
WCN27RT**



1989 WCN27RT INDEX

Floor Plan	D-13 - D-14
Accessories Group	D-15 - D-18
Bath Group	D-19
Chassis Group	D-20 - E-02
Curtain, Cushion & Pad Group	E-03 - E-16
Dinette Group	E-17 - E-18
Driver's Compartment Group	E-19 - F-02
Electrical Group	F-03 - F-06
Exterior Body Group	F-07 - F-15
Galley Group	F-16 - F-18
Heating & Air Conditioning Group	F-19 - F-20
Interior Finish Group	F-21 - F-22
LP Group	F-23
Lounge Group	F-24 - G-01
Water & Sewage Group	G-02 - G-05
Window, Vent & Exterior Door Group	G-06 - G-23

ACCESSORIES GROUP

MISCELLANEOUS ACCESSORIES

Key	Part Number	U/M	Description
	054185-31-000	EA	Owner's Manual - 1989 Winnebago & Itasca
	017516-01-000	EA	Mud Flap
	063181-03-700	EA	Wheel Cover - 19.5" (1)
	079942-01-000	EA	Stabilizer Shock Absorber - Front
	094499-01-000	EA	Fire Extinguisher - Dry IA 10BC
	094651-01-01A	EA	Recessed Holder - Fire Extinguisher - Light Oak Plastic
	072852-01-000	EA	Smoke Detector - w/9 Volt Battery
	007038-01-000	EA	Floor Mat - Entrance Door - Black
	081075-01-000	EA	Floor Mat - Entrance Door - Brown "Winnebago"
	081201-01-000	EA	Floor Mat - Drivers Stepwell - Brown
	081202-01-000	EA	Floor Mat - Passenger Step Well - Brown
	080208-01-000	EA	Lug Wrench
	080208-02-000	EA	Leverage Bar - Lug Wrench
	006113-01-000	EA	Jack - Hydraulic - 8 Ton - w/Handle
	091955-01-000	EA	Squeegee - Extended Handle
	091952-01-000	EA	Clip - 1" - Squeegee Holder
	093527-01-000	EA	Bracket - Squeegee Clip

WHEEL LINERS (OPTION 63K)

Key	Part Number	U/M	Description
	091209-01-000	EA	Wheel Liner - 19.5" - Set/4
	091209-01-700	EA	Wheel Liner - 19.5" - Front Wheel (1)
	091209-01-701	EA	Wheel Liner - 19.5" - Rear Wheel (1)
	091209-01-702	EA	Cover - Front Axle
	091209-01-703	EA	Cover - Rear Axle
	091209-01-704	EA	Cover - Lug Nut
	077030-02-000	EA	Valve Stem Extensions - 1.25"

AUXILIARY BATTERY DISCONNECT (OPTION 29A)

Key	Part Number	U/M	Description
	008037-01-000	FT	Battery Cable - 1 AWG
	008348-01-000	EA	Terminal Ring - 2 - 3/8 Stud
	081087-01-000	EA	Indicator Light
	086272-01-000	EA	Rocker Switch - 3 Position
	086273-01-000	EA	Battery Disconnect Relay
	089445-01-000	EA	Bracket - Battery Disconnect Relay

AUXILIARY DEFROSTER FANS (OPTION 36N)

Key	Part Number	U/M	Description
	097372-03-01A	EA	Switch - Rocker - SPDT - On/Off/On
	036420-02-000	EA	Defroster Fan - 6" - 2 Speed

TV ANTENNA (OPTION 43N)

Key	Part Number	U/M	Description
	076319-01-000	EA	TV Antenna - 44.5" Roof Mount
	087236-01-000	EA	Label - Cable Input
	087236-02-000	EA	Label - TV Outlet
	091909-01-000	EA	TV Shelf - Swivel - Beige
	093252-01-01A	EA	Wall Plate - Cable TV
	093268-01-000	EA	TV Shelf - Black Steel

ACCESSORIES GROUP (CONTINUED)

TV, VCR & SWITCH SYSTEM (OPTIONS 43W & 43X)

Key	Part Number	U/M	Description
	086759-03-000	EA	VCR - VHS - GE - VG7520HQ
	091907-02-000	EA	VCR - VHS - Sharp VC-2208U
	086757-01-000	EA	Switch Box - Channel Master Control Center
	091258-03-000	EA	TV - 13" Color - Sharp 13RM59
	093197-01-Y12	EA	Cabinet Asm. - TV - Center - w/o Hardware
	M93242-01-Y12	EA	Cabinet Asm. - Passengers - w/o Hardware
	M93242-02-Y12	EA	Cabinet Asm. - Drivers - w/o Hardware
	M88304-C0-Y10	EA	Door Asm. - Front Overhead - Passengers & Drivers - w/o Hardware
	085774-01-000	FT	Dual Lock Fastener - 1" Wide
	085774-02-000	FT	Dual Lock Fastener - 1" Wide

FRONT BUNK (OPTION 523)

Key	Part Number	U/M	Description
	M93055-01-Y12	EA	Bunk Board Trim - w/o Angle
	029012-01-000	BF	Rolled Foam - 3/4"
	048394-02-000	YD	Velcro - Hook - .75" x 50 Yd. - Beige
	088792-02-000	YD	Velcro - Loop - .75" Adhesive Back
	089351-01-000	YD	Vinyl - Headliner - Acoustical
	018604-03-000	EA	Brace - Seat Angle - 2" Beige
	042541-04-000	EA	Latch Asm. - w/o Strike - Brass
	042541-05-000	EA	Strike - Brass
	064219-01-000	EA	Strap Retainer
	070578-11-Y70	EA	Button Asm. - #30
	075943-02-000	EA	Brace - 14" - Beige
	076760-02-000	EA	Hardware - Front Overhead Bunk
	079144-02-Y10	EA	Bunk Strap
	094398-01-000	EA	Wraparound - Curtain Track - Straight
	078946-08-000	EA	Wraparound Curtain Track - Curved
	031717-04-Y12	EA	Red Asm. - Front Bunk
	034058-01-Y12	EA	Oak Handle

MICROWAVE/BROWNING OVEN (OPTION 136)

Key	Part Number	U/M	Description
	011269-03-000	EA	Microwave Browning Oven - Magic Chef
	054745-01-01A	EA	Trim - Microwave - Black - Lower
	054774-01-01A	EA	Trim - Microwave - Black - Right Side
	054774-02-01A	EA	Trim - Microwave - Black - Left Side
	094767-02-Y12	EA	Cabinet Asm. - Microwave - Overhead w/o Hardware
	094750-01-000	EA	Microwave Bracket - 90° (2 Required)

RACK & LADDER (OPTION 35U)

Key	Part Number	U/M	Description
	0311327-01-000	EA	Tape - Anti-Slip - 2" x 80'
	081026-09-Y12	EA	Rack Asm. - Luggage - Right
	081026-10-Y12	EA	Rack Asm. - Luggage - Left
	081114-01-000	EA	Cap - Round Insert - 1" Dia.
	092983-01-Y12	EA	Ladder Asm. - Lower
	092984-01-Y12	EA	Ladder Asm. - Upper
	078780-02-000	EA	Step Cap - Black
	080173-01-000	EA	Latch - Lower Ladder - Gray
	081115-01-000	EA	Top Cap - Rack & Ladder - 1"
	081152-01-000	EA	Bumper Plate
	067185-01-000	EA	Mounting Bracket - Rack & Ladder
	081113-01-000	EA	Bushing - Flange - White Plastic
	081118-01-000	EA	Top Slide - Rack & Ladder - 1"
	081055-01-000	EA	Spring Grip - Internal Tooth
	081058-01-000	EA	Quick Release Pin

1989 WINNEBAGO TABLE OF CONTENTS

WCN23RC
WCN27RT

A-01 - D-11
D-13 - G-23

1989 WCN27RT INDEX

Floor Plan	D-13 - D-14
Accessories Group	D-15 - D-18
Bath Group	D-19
Chassis Group	D-20 - E-02
Curtain, Cushion & Pad Group	E-03 - E-16
Dinette Group	E-17 - E-18
Driver's Compartment Group	E-19 - F-02
Electrical Group	F-03 - F-06
Exterior Body Group	F-07 - F-15
Galley Group	F-16 - F-18
Heating & Air Conditioning Group	F-19 - F-20
Interior Finish Group	F-21 - F-22
LP Group	F-23
Lounge Group	F-24 - G-01
Water & Sewage Group	G-02 - G-05
Window, Vent & Exterior Door Group	G-06 - G-23

ACCESSORIES GROUP (CONTINUED)

HITCH ASSEMBLY

Key	Part Number	U/M	Description
	075221-01-000	EA	Label - Trailer Hitch Capacity
	091224-02-000	EA	Label - Trailer Lighting
	097745-02-000	EA	Receptacle - Trailer Housing - 48"
	034512-01-000	EA	Locking Pin - Drawbar
	034513-01-000	EA	Hitch Pin - 3/16" Wire
	077613-01-000	EA	Drawbar Asm.
	077617-04-000	EA	Hitch Asm. - w/o Drawbar
	093048-01-000	EA	Skid Plate

GENERATOR & COMPONENTS (ONAN) (OPTION 39E)

Key	Part Number	U/M	Description
	093545-01-000	EA	Generator - Onan - 4.0 KW
	081364-03-000	EA	Muffler - Onan Generator - 4.0 KW
	083152-06-000	EA	Exhaust Pipe - Onan Generator - 4.0 KW
	093995-01-000	EA	Generator Tray
	007131-01-000	EA	Tallpipe Hanger

GENERATOR & COMPONENTS (KOHLER) (OPTION 350)

Key	Part Number	U/M	Description
	093740-01-000	EA	Generator - Kohler - 4.5 KW
	093590-02-000	EA	Muffler - Kohler Generator - 4.5 KW
	083152-06-000	EA	Exhaust Pipe - Kohler Generator - 4.5 KW
	007125-03-000	EA	Clamp - Muffler - 1.5"
	007125-04-000	EA	Clamp - Muffler - 1.12"

SPEED CONTROL

Key	Part Number	U/M	Description
	094369-01-000	EA	Speed Control - Smart Stick - Dana 59L - 11128B
	094369-01-700	EA	Servo & Cable Asm.
	094369-01-701	EA	Switch & Lever Asm.
	094369-01-702	EA	Electronic Regulator Asm.
	094369-01-703	EA	Wiper Control Module
	094369-01-704	EA	Headlight Dimmer Module
	094369-01-705	EA	Vacuum Reservoir
	094369-01-706	EA	Servo
	094369-03-000	EA	Speed Control - Smart Stick - Dana 59L - 11129B
	083212-06-000	EA	Speed Control - A-Body Smart Stick - Dana 59L - 1126B
	083212-06-700	EA	Switch Asm.
	083212-06-701	EA	Wiper Module
	083212-06-702	EA	Wire Harness - Wiper Control Output
	083212-06-703	EA	Light Relay
	094369-02-000	EA	Speed Control - Smart Stick - Diesel - Dana 59L - 11168B

ACCESSORIES GROUP (CONTINUED)

EXTERIOR MIRRORS

Key	Part Number	U/M	Description
	086260-01-000	EA	Mirror Asm. - Exterior - w/Convex - Passenger
	086260-02-000	EA	Mirror Asm. - Exterior - w/Convex - Drivers
	086260-03-000	EA	Accessory Kit - Exterior Mirror

ELECTRIC STEP

Key	Part Number	U/M	Description
↑	091201-01-000	EA	Step Asm. - Electric - Double - Kwikkee
	091201-01-700	EA	Linkage Asm.
	091201-01-701	EA	Motor Asm.
	091201-01-702	EA	Frame Asm. - Double Step
↑↑	094707-01-01A	EA	Step Asm. - Electric - Double - Kwikkee 3218
	094707-01-700	EA	Control Unit
	094707-01-701	EA	Switch - Door Jamb - Plastic
	094707-01-702	EA	Frame Asm. - Double Step (For 3218)
↑	Thru 9/25/88		
↑↑	From 9/26/88		

REAR VIEW TELEVISION (OPTION 67Z)

Key	Part Number	U/M	Description
	093040-01-000	EA	Sony Rear View Television System
	093040-03-000	EA	Wire Asm. - Monitor
	093041-01-000	EA	Cable - Monitor/Camera
	093221-01-000	EA	Shroud - Rear Monitor Shroud
	093957-01-01A	EA	Shroud - Rear View TV - Beige
	094002-01-000	EA	Bracket Asm. - Rear View Camera

1989 WINNEBAGO TABLE OF CONTENTS

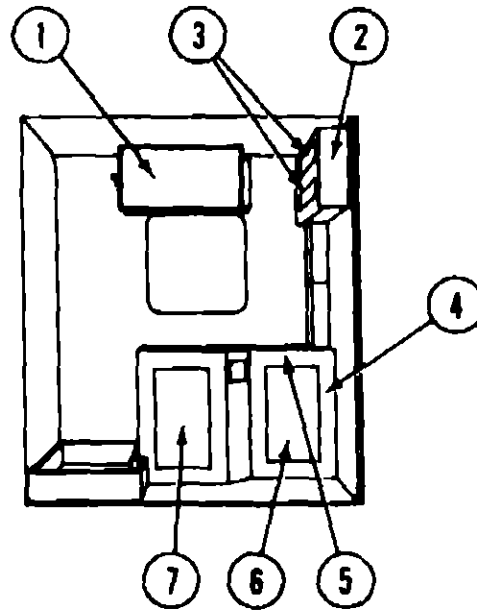
WCN23RC
WCN27RT

A-01 - D-11
D-13 - G-23

1989 WCN27RT INDEX

Floor Plan	D-13 - D-14
Accessories Group	D-15 - D-18
Bath Group	D-19
Chassis Group	D-20 - E-02
Curtain, Cushion & Pad Group	E-03 - E-16
Dinette Group	E-17 - E-18
Driver's Compartment Group	E-19 - F-02
Electrical Group	F-03 - F-06
Exterior Body Group	F-07 - F-15
Galley Group	F-16 - F-18
Heating & Air Conditioning Group	F-19 - F-20
Interior Finish Group	F-21 - F-22
I.P. Group	F-23
Lounge Group	F-24 - G-01
Water & Sewage Group	G-02 - G-05
Window, Vent & Exterior Door Group	G-06 - G-23

BATH GROUP



BATH CABINETRY & RELATED ITEMS

Key	Part Number	U/M	Description
1	093448-06-Y15	EA	Mirror Asm.
	058331-32-000	EA	Mirror - Safety Glass - 13.85" x 27.83"
	095986-01-01A	EA	Bracket - Mirror Asm. - Beige
	095986-02-01A	EA	Bracket - Mirror Asm. - Beige
2	095547-01-Y12	EA	Medicine Cabinet Asm.
3	M88304-21-X08	EA	Door Asm. - 10" x 19.09" - w/o Hardware
4	M94155-01-Y12	EA	Lavatory Cabinet - w/o Door, Hardware or Countenop
5	094155-12-Y12	EA	Countertop Asm. - Lavatory Cabinet
6	079606-03-W30	EA	Magazine Rack Asm.
7	M88304-77-X11	EA	Door Asm. - Lavatory Cabinet - 14.3" x 17.9" - w/o Hardware
	M87868-01-W33	EA	Door Asm. - Bath Entrance - w/o Hardware
	094485-01-01A	EA	Lock Set - Bath Door - Polished Brass
	009059-02-000	EA	Hinge - 2" - Brass
	075240-05-000	EA	Faucet - Lavatory - Brass
	089366-01-000	EA	Sink - Oval - Ivory Plastic
	091253-01-000	EA	Gasket - Lavatory Faucet
	066138-01-000	EA	Slip Nut - 1.5" Tallpiece - Shower
	086440-01-000	EA	Strainer w/Rubber Washer
	089735-01-000	EA	Washer - 1.5" Tallpiece - Plastic
	075241-04-000	EA	Faucet - Shower - Brass
	075680-02-000	EA	Clothes Rod - Adjustable - 27" - 38"
	075453-02-000	EA	Towel Bar - 18" - Brass
	075454-02-000	EA	Towel Ring - Brass w/Mounting Hardware
	081614-02-000	EA	Soap Dish - Brass - w/Plastic Cover
	085278-01-000	EA	Paper Holder - Recessed - Brass
	064076-01-000	EA	Toilet - Ivory
	024676-01-000	EA	Flange - Closet - Red - 4 x 3
	085330-04-000	EA	Toilet - China - Shorty w/Spray
	087721-01-000	EA	Screw - Flat Head - 1/4 x 1 1/4 LG 2N (China Toilet)

CHASSIS GROUP

MISCELLANEOUS CHASSIS

Key	Part Number	U/M	Description
	084086-01-000	EA	Airspring Bellows - Rear Axle
	072359-01-000	EA	Bottle Coolant - Expansion
	010497-01-000	EA	Clamp - Closed - 5/8" ID
	010497-03-000	EA	Clamp - Closed - 1" ID - Cushioned
	062401-01-000	EA	Clamp - Hose - Wormgear - .22" ID - 1" ID
	062401-03-000	EA	Clamp - Hose - Wormgear - .25" ID - 1" ID
	062401-02-000	EA	Clamp - Hose - Wormgear - 1.56" ID - 2.5" ID
	062401-04-000	EA	Clamp - Hose - Wormgear - .69" ID - 1.25" ID
	062401-05-000	EA	Clamp - Hose - Wormgear - 2" ID - 3" ID
	062401-06-000	EA	Clamp - Hose - Wormgear - .22" ID - .62" ID
	062401-08-000	EA	Clamp - Hose - Wormgear - 4.06" ID - 5" ID
	023148-01-000	EA	Clamp - Screw Type - 4"
	062628-01-000	EA	Clip - Prop Rod - Hood
	041953-09-000	FT	Conduit - Convoluted w/Slit - .5" ID
	041953-10-000	FT	Conduit - Convoluted w/Slit - .75" ID
	098661-01-000	EA	Cover - Radiator - Rear
	020167-03-000	EA	Dirt Guard - Rear Wheel
	092522-01-000	EA	Door - Electrical Box
	024138-01-000	FT	Hose - Fuel - 5/16" ID SAE 30RI
	066732-01-000	FT	Hose - Fuel Fill - .62" ID
	007111-02-000	EA	Hose - Fuel Fill - 2.0" ID
	007111-01-000	EA	Hose - Fuel Fill - 2.25" ID
	007108-01-000	FT	Hose - Heater - 5/8" ID SAE 20R3
	007108-02-000	FT	Hose - Heater - .75" ID SAE 20R3
	033719-01-000	EA	Hose - Oil Fill - Preformed - Diesel
	079059-02-000	EA	Hose - 90° - .61" x 4" x 6" - Preformed
	017516-01-000	EA	Mud Flap w/Holes - 14" x 18" - Black
	086273-01-000	EA	Relay - Battery Disconnect
	081264-01-000	EA	Heat Shield - Deflector
	053322-12-000	EA	Heat Shield - Exhaust
	093631-01-000	EA	Lever - Park Brake - Foot Pedal
	079942-01-000	EA	Shock Absorber - Stabilizer - Front
	063977-08-000	EA	Step Asm. - Drivers Door
	040548-03-000	EA	Tire - 7.5" x 16" - 8 Ply - Tube - Polyester
	092148-01-000	EA	Wheelwell - Plastic
	008343-01-000	EA	Wire Tie - 6"
	008343-02-000	EA	Wire Tie - 14"
	047441-01-000	EA	Battery Terminal - Horizontal Lug
	075722-01-000	EA	Block - Switch - Spacer
**	007125-06-000	EA	Clamp Asm. - Muffler - 2.25"
**	007125-07-000	EA	Clamp Asm. - Muffler - 2.5"
**	095190-01-000	EA	Exhaust Hanger
**	095222-02-000	EA	Bracket - Exhaust - Upper
**	095223-01-000	EA	Bracket - Exhaust - Lower
**	095523-01-000	EA	Bracket - Exhaust - Upper
**	095523-02-000	EA	Bracket - Exhaust - Upper
**	095189-01-000	EA	Exhaust Pipe Asm. - Right
**	095189-02-000	EA	Exhaust Pipe Asm. - Left
**	Remainder of exhaust components available from chassis service center.		

1989 WINNEBAGO TABLE OF CONTENTS

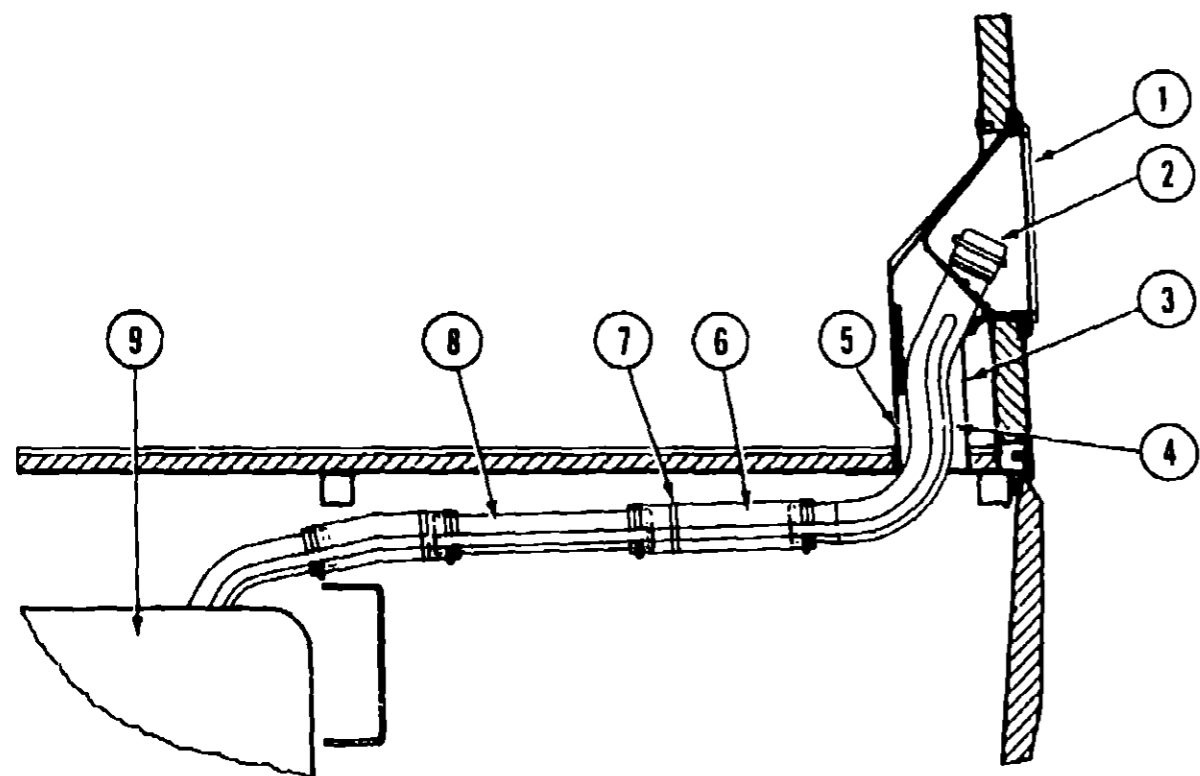
WCN23RC
WCN27RT

A-01 - D-11
D-13 - G-23

1989 WCN27RT INDEX

Floor Plan	D-13 - D-14
Accessories Group	D-15 - D-18
Bath Group	D-19
Chassis Group	D-20 - E-02
Curtain, Cushion & Pad Group	E-03 - E-16
Dinette Group	E-17 - E-18
Driver's Compartment Group	E-19 - F-02
Electrical Group	F-03 - F-06
Exterior Body Group	F-07 - F-15
Galley Group	F-16 - F-18
Heating & Air Conditioning Group	F-19 - F-20
Interior Finish Group	F-21 - F-22
LP Group	F-23
Lounge Group	F-24 - G-01
Water & Sewage Group	G-02 - G-05
Window, Vent & Exterior Door Group	G-06 - G-23

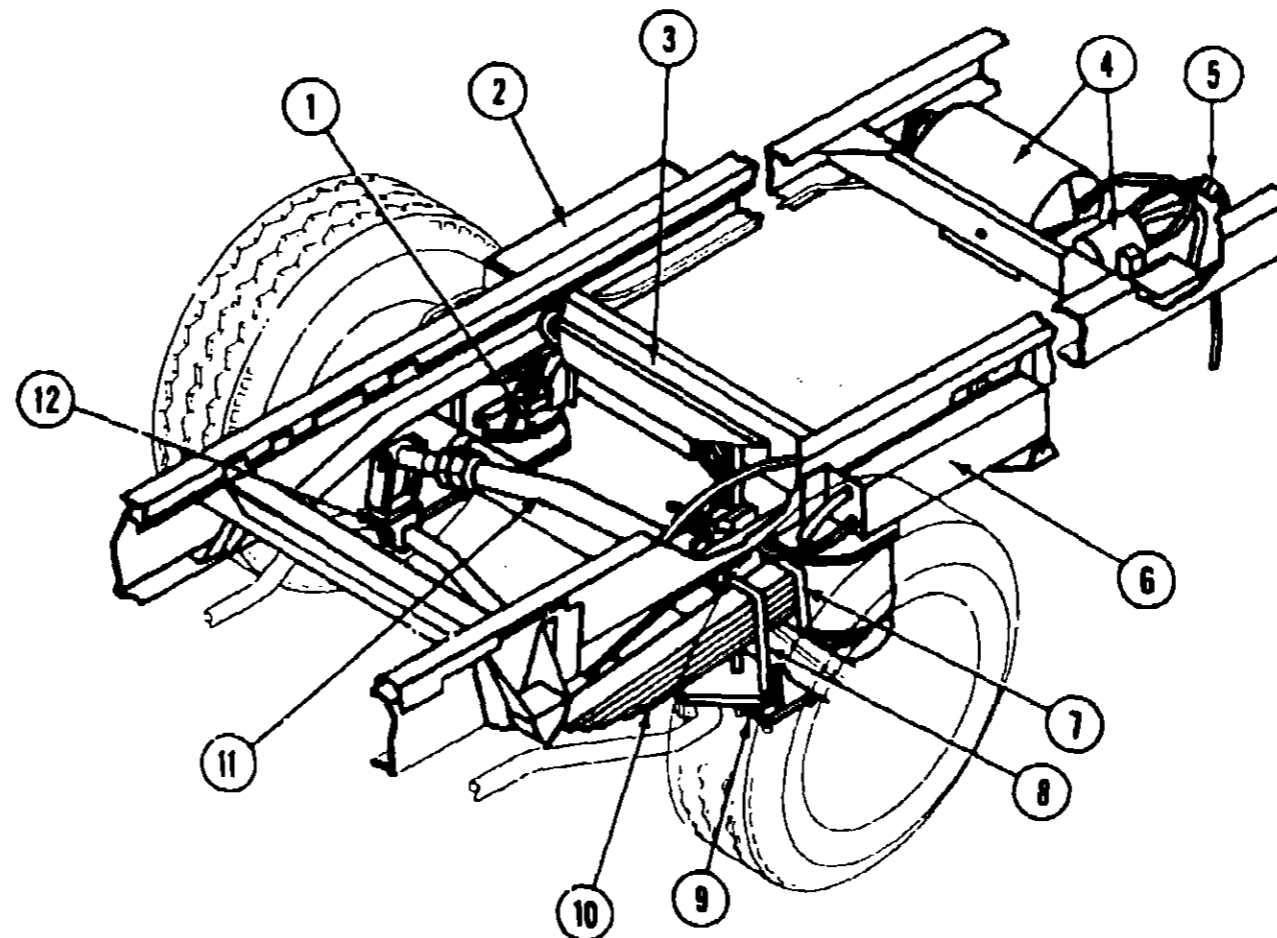
CHASSIS GROUP (CONTINUED)



FUEL SYSTEMS COMPONENTS (CHEVROLET)

Key	Part Number	U/M	Description
1	078010-04-000	EA	Door Asm. - Fuel Fill - Belge
2	073220-02-000	EA	Cap - Fuel Fill (Gas)
	078200-01-000	EA	Gasket - Fuel Fill
3	083578-01-000	EA	Boot - Fuel Fill
4	075227-01-000	EA	Neck Asm. - Upper Fuel Fill (Federal)
4	075227-03-000	EA	Neck Asm. - Upper Fuel Fill (California)
5	072447-04-000	EA	Shroud - Fuel Fill - Inside
6	081245-01-000	EA	Hose - Fuel Fill - Formed
	082401-05-000	EA	Clamp - Hose - Wormgear - 2" - 3" (Fuel Hose)
7	075229-01-000	EA	Strap Asm.
8	075228-01-000	EA	Neck Asm. - Fuel Fill - Lower
9	093721-01-000	EA	Tank - Fuel - 80 Gal.
	086488-02-000	EA	Strap Asm. - Fuel Tank
	088740-01-000	EA	Sending Unit
	086255-01-000	EA	Gasket - Sending Unit
	079611-01-000	EA	Valve Asm. - Vent - Fuel Tank
	066732-01-000	FT	Hose - Fuel - .62 ID (Vent Hose)
	062401-10-000	EA	Clamp - Hose - Wormgear - 1" - 2" (Vent Hose)
	007111-03-000	EA	Hose - Fuel - 1.75" - 3" (Tank To Neck)

CHASSIS GROUP (CONTINUED)



AIR RIDE SUSPENSION (OPTION 64K)

Key	Part Number	U/M	Description
1	090436-11-000	EA	Spring Mount - Lower Axle - Driver
2	090436-09-000	EA	Mount - Airspring Asm. - Upper Driver
3	090436-04-000	EA	Valve Asm. - Height - w/o Park & Level
3	090436-05-000	EA	Valve Asm. - Height - w/Park & Level
4	090436-07-000	EA	Compressor Asm. - w/Tank & Wiring
5	090436-06-000	EA	Control - Park Level w/Wiring
6	090436-08-000	EA	Mount - Airspring Asm. - Upper - Passenger
7	090436-13-000	EA	U-Bolt - Rearward Bent - 7/8"
8	090436-12-000	EA	U-Bolt - Straight - 7/8"
9	090436-10-000	EA	Spring Mount - Lower Axle - Passenger
10	090436-03-000	EA	Leaf Spring - Semi
11	090436-14-000	EA	Track Bar - w/Pivot Bolt & Brackets
12	091250-03-000	FA	Bushing - Sway Bar - 1.75"
	000D14-05-00B	EA	Hex Nut - 5/16 - #18
	000D34-06-00B	EA	Hex Nut - Locking - 3/8 - #16
	000E13-17-00B	EA	Washer - Flange - 3/8
	071374-03-000	EA	Fitting - Bulkhead - 1/4 x 1/4 MNPT
	007125-11-000	EA	Clamp Asm. - Muffler
	018379-02-000	EA	Strap - Hanger Extension
	081918-02-000	EA	Extension - Exhaust - 2.25 OD x 7
	085433-01-000	EA	Shield - Heat Exhaust
	095190-01-000	EA	Hanger - Exhaust
	016379-02-000	EA	Strap - Hanger Extension
	098199-01-000	EA	Exhaust Pipe - Driver
	098200-01-000	EA	Exhaust Pipe - Passenger
	096087-02-000	EA	Bracket Asm. - Strap - Exhaust Pipe
	091250-01-000	EA	Bushing - Sway Bar - 1.25 (Inboard)
	091250-02-000	EA	Bushing - Sway Bar - 1.25 (Outboard)

**1989 WINNEBAGO
TABLE OF CONTENTS**

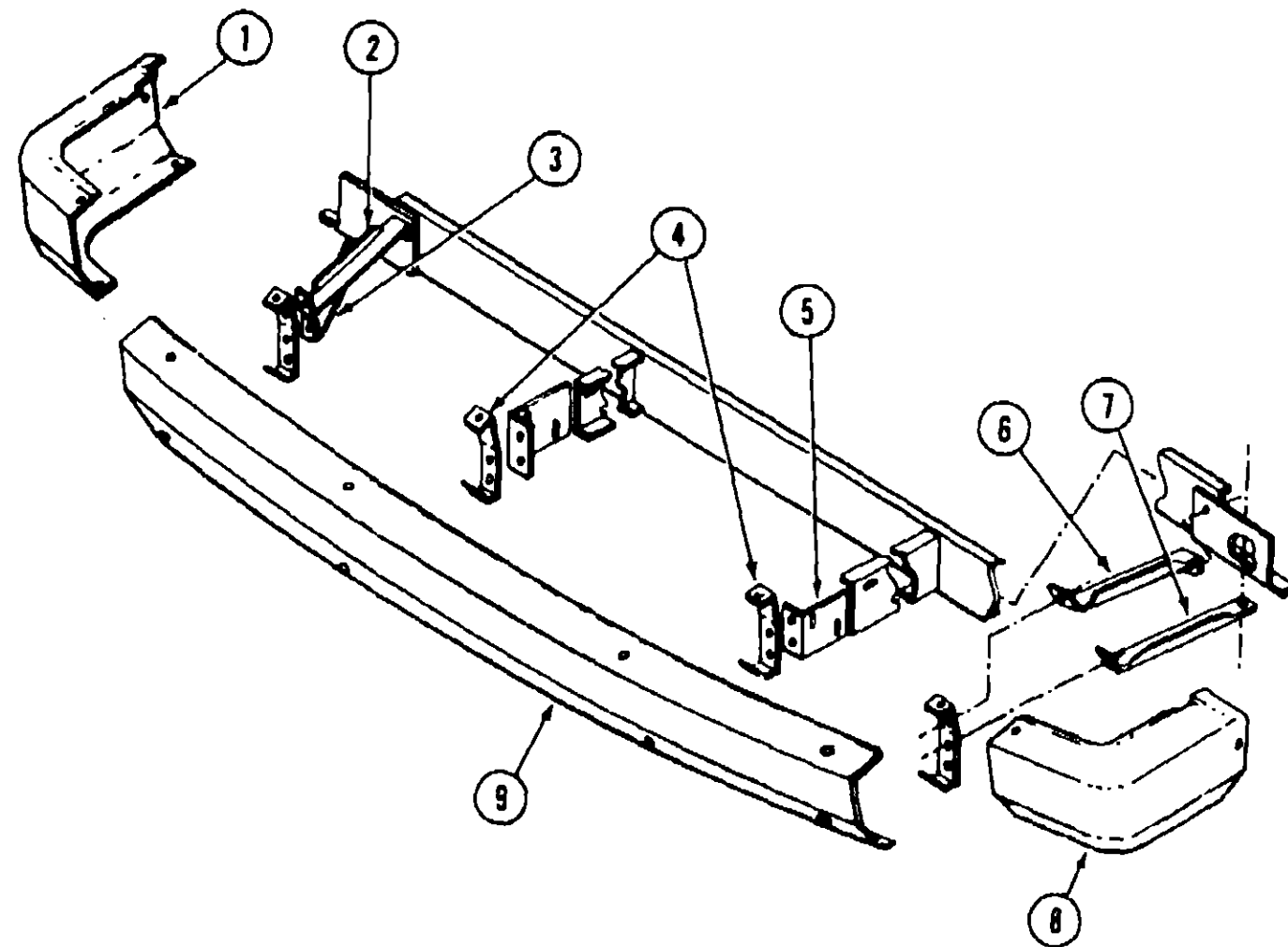
WCN23RC
WCN27RT

A-01 - D-11
D-13 - G-23

1989 WCN27RT INDEX

Floor Plan	D-13 - D-14
Accessories Group	D-15 - D-18
Bath Group	D-19
Chassis Group	D-20 - E-02
Curtain, Cushion & Pad Group	E-03 - E-16
Dinette Group	E-17 - E-18
Driver's Compartment Group	E-19 - F-02
Electrical Group	F-03 - F-06
Exterior Body Group	F-07 - F-15
Galley Group	F-16 - F-18
Heating & Air Conditioning Group	F-19 - F-20
Interior Finish Group	F-21 - F-22
LP Group	F-23
Lounge Group	F-24 - G-01
Water & Sewage Group	G-02 - G-05
Window, Vent & Exterior Door Group	G-06 - G-23

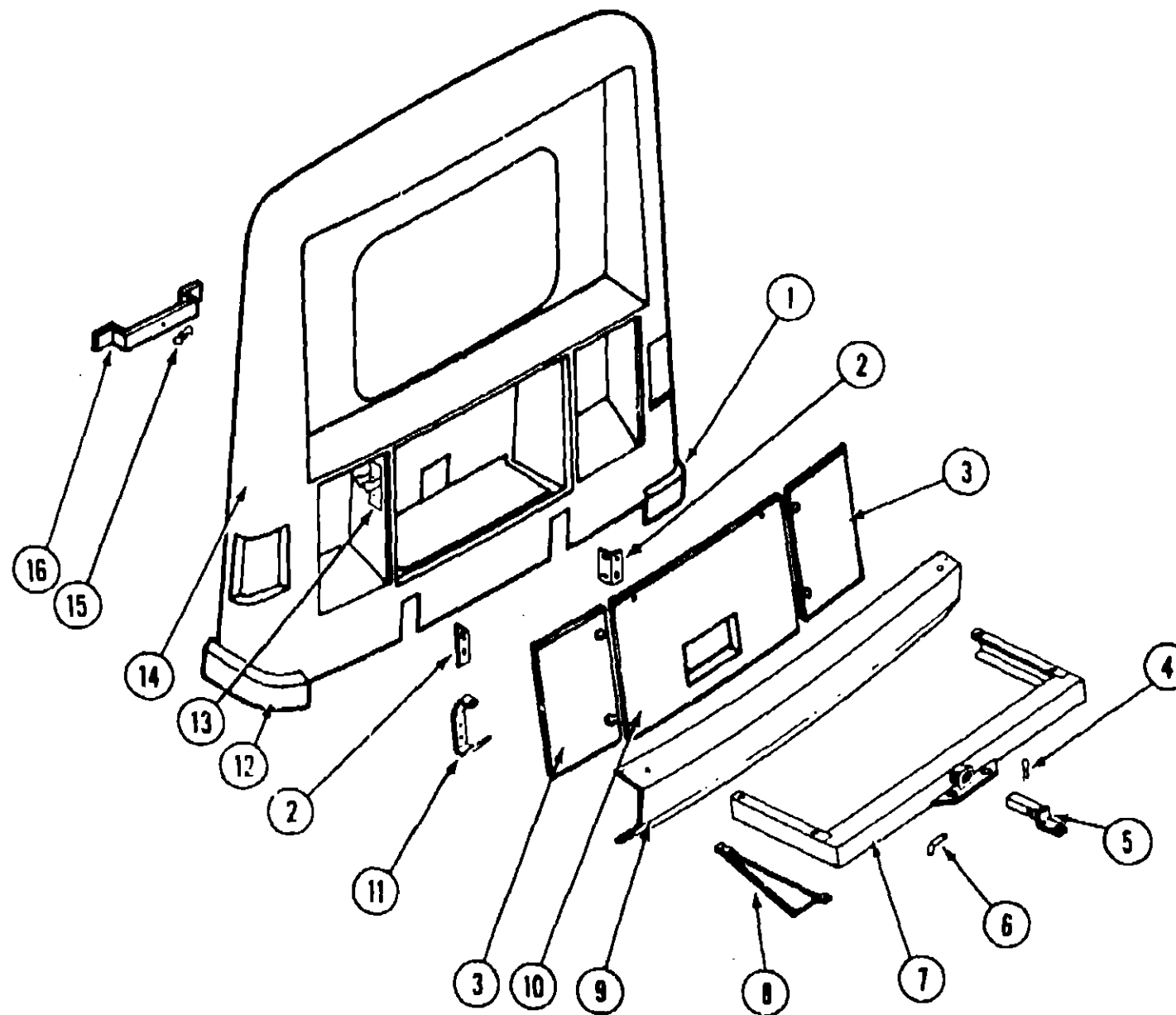
CHASSIS GROUP (CONTINUED)



FRONT BUMPER

Key	Part Number	U/M	Description
1	091840-01-01A	EA	Bumper End Cap - Beige - Right Front
2	092808-01-000	EA	Brace - Upper Right - Front Bumper
3	092809-01-000	EA	Brace - Lower Right - Front Bumper
4	077852-01-000	EA	Bracket to Bumper - Front
5	093514-01-000	EA	Bracket to Frame - Front Bumper
6	092808-02-000	EA	Brace - Upper Left - Front Bumper
7	092809-02-000	EA	Brace - Lower Left - Front Bumper
8	091840-02-01A	EA	Bumper End Cap - Beige - Left Front
9	091994-01-02A	EA	Bumper - Front - Unfinished
	005200-01-000	EA	Bumper Bolt - Chrome - 7/16" x 14 x 1 1/4
	000D39-07-00B	EA	Nut - Hex - 7/16 - 14

CHASSIS GROUP (CONTINUED)



REAR BUMPER, SPARE TIRE & TRAILER HITCH

Key	Part Number	U/M	Description
1	092250-01-01A	EA	End Cap - Rear Bumper - Passenger
2	078668-01-000	EA	Angle Support - Rear Bumper
3	092981-01-000	EA	Door Panel - Right or Left
4	034513-01-000	EA	Hitch Pin - 3/16" Wire
5	077613-01-000	EA	Drawbar Asm.
6	034512-01-000	EA	Locking Pin - Drawbar
7	077617-04-000	FA	Hitch Asm. - w/o Drawbar
8	093048-01-000	EA	Skid Plate Asm.
9	077851-08-000	EA	Rear Bumper - Chrome
	005200-01-000	EA	Bumper Bolt - 7/16" - 14 x 1 1/4
	000D39-07-00B	EA	Hex Nut - 7/16" - 14
10	092982-01-000	EA	Door Panel - Spare Tire
11	077855-01-000	EA	Bracket - Rear Bumper
12	092250-02-01A	EA	End Cap - Rear Bumper - Driver
13	092986-01-000	EA	Bracket - Hose Hanger
14	M03490-01-Y10	EA	Rear Cap Asm. - Beige (Chevrolet)
15	064081-01-000	EA	Wing Nut
16	077399-01-000	EA	Retainer - Spare Tire
	007324-04-000	EA	Tire - 8" x 19.5" - Michelin
	095012-01-000	EA	Extension - Valve Stem

**1989 WINNEBAGO
TABLE OF CONTENTS**

WCN23RC
WCN27RT

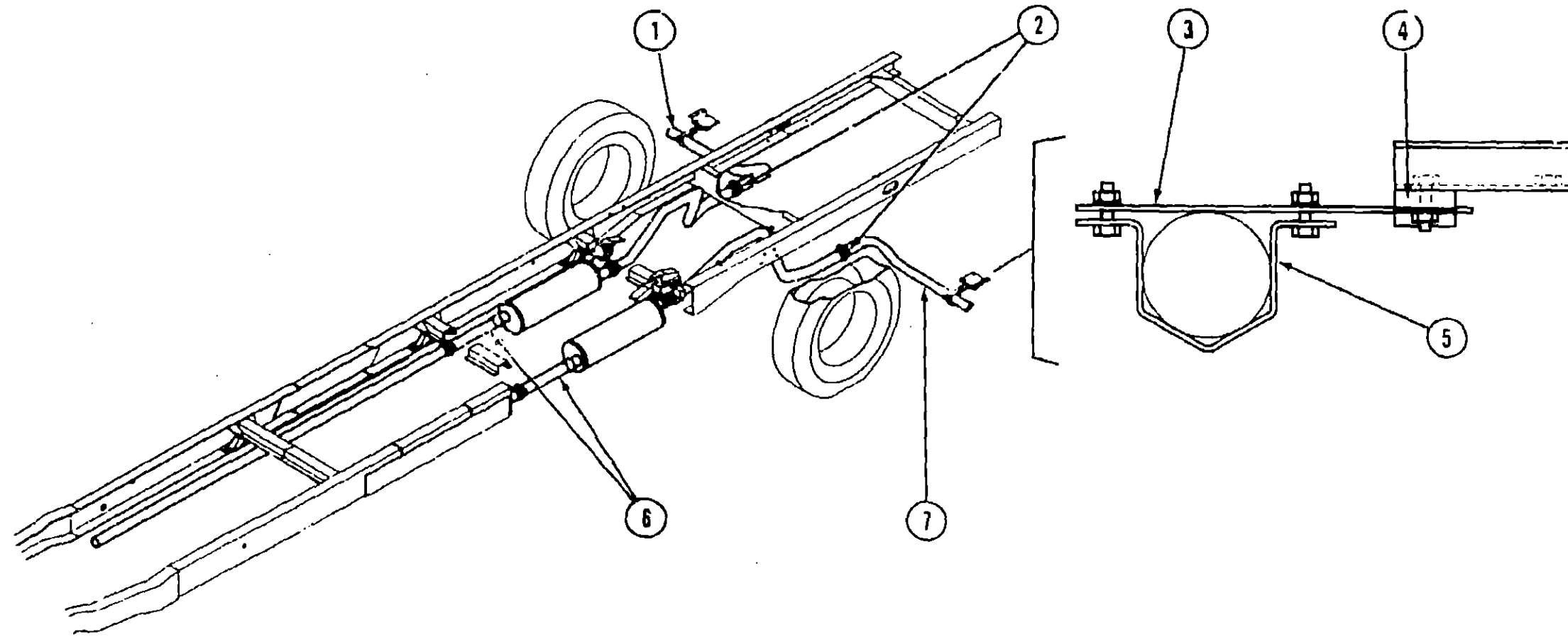
A-01 - D-11
D-13 - G-23

1989 WCN27RT INDEX

Floor Plan	D-13 - D-14
Accessories Group	D-15 - D-18
Bath Group	D-19
Chassis Group	D-20 - E-02
Curtain, Cushion & Pad Group	E-03 - E-16
Dinette Group	E-17 - E-18
Driver's Compartment Group	E-19 - F-02
Electrical Group	F-03 - F-06
Exterior Body Group	F-07 - F-15
Galley Group	F-16 - F-18
Heating & Air Conditioning Group	F-19 - F-20
Interior Finish Group	F-21 - F-22
LP Group	F-23
Lounge Group	F-24 - G-01
Water & Sewage Group	G-02 - G-05
Window, Vent & Exterior Door Group	G-06 - G-23

CHASSIS GROUP (CONTINUED)

CHEVROLET EXHAUST COMPONENTS



Key	Part Number	U/M	Description
1	095189-02-000	EA	Pipe - Exhaust - Passengers
2	007125-06-000	EA	Clamp Asm. - Muffler - 2.25"
3	095523-02-000	EA	Exhaust Bracket - Upper
4	095190-01-000	EA	Exhaust Hanger
5	095223-01-000	EA	Exhaust Bracket - Lower
6	061094-02-000	EA	Exhaust Pipe - Straight
7	095189-01-000	EA	Pipe - Exhaust - Drivers

Remainder of exhaust components are available from chassis service center.

1989 WINNEBAGO TABLE OF CONTENTS

WCN23RC
WCN27RT

A-01 - D-11
D-13 - G-23

1989 WCN27RT INDEX

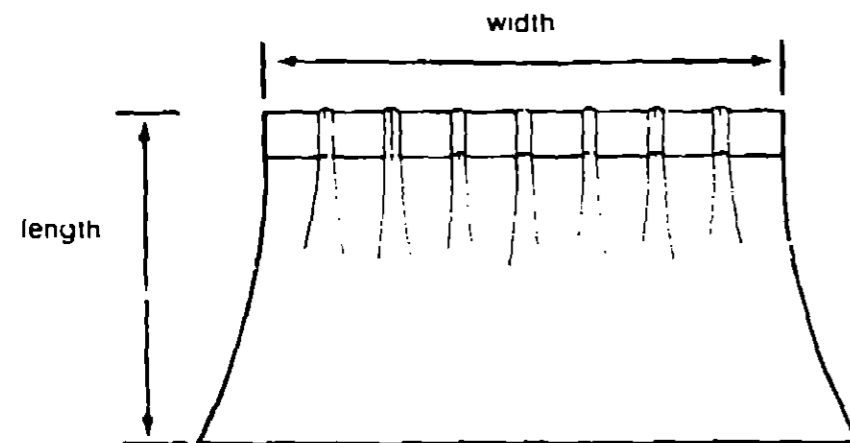
Floor Plan	D-13 - D-14
Accessories Group	D-15 - D-18
Bath Group	D-19
Chassis Group	D-20 - E-02
Curtain, Cushion & Pad Group	E-03 - E-16
Dinette Group	E-17 - E-18
Driver's Compartment Group	E-19 - F-02
Electrical Group	F-03 - F-06
Exterior Body Group	F-07 - F-15
Galley Group	F-16 - F-18
Heating & Air Conditioning Group	F-19 - F-20
Interior Finish Group	F-21 - F-22
LP Group	F-23
Lounge Group	F-24 - G-01
Water & Sewage Group	G-02 - G-05
Window, Vent & Exterior Door Group	G-06 - G-23

CURTAIN, CUSHION & PAD GROUP

NOTICE

In order to assist our Part Sales Dept. in providing interior software items, please include the serial number and the color code number from the vehicle certification label when ordering. This label is located on the left sidewall at the end of the dash (A-Body), or on the driver's door latch plate (C-Body).

An example of a color code number is P31, which designates an overall color scheme of a particular unit. The color listed after the item description on the microfiche, indicates the overall unit color. Order the item you desire according to unit color code.



NOTE: Use this illustration when determining length and width measurements for curtains. You will note the width measurement is taken on the top of the curtain with the curtain fully extended. The length measurement is taken from top to bottom.

CURTAIN & BLIND HARDWARE

Key	Part Number	U/M	Description
	029094-04-000	EA	Tape - Loop - 1" Wide - Black
	029096-03-000	EA	Tape - Hook - 1" Wide - Black
	048394-02-000	EA	Tape - Hook - .75" Wide - Beige
	048395-02-000	EA	Tape - Loop - .75" Wide - Beige
	088792-01-000	EA	Tape - Hook - 5/8" - Non-Adhesive
	088792-02-000	EA	Tape - Loop - .75" - Adhesive - Beige
	056003-01-000	EA	Bracket - Drapery Retainer - Right
	056003-02-000	EA	Bracket - Drapery Retainer - Left
	081381-01-000	EA	Swivel Snap - Curtain Track
	094396-01-000	EA	Track - Curtain - Front Wraparound (Option 61H)
	079946-08-000	EA	Track - Curtain - Front Wraparound (Option 61H)
	091904-01-000	EA	Track - Curtain - Front Wraparound - Beige
	075943-01-000	EA	Brace - Beige
	082139-01-000	EA	Bracket - Hold Down - Blinds
	084434-01-000	EA	Bracket - Roller Shade - 1.37"
	087253-01-000	EA	Pull - Window Shade - Clear Plastic
	089916-01-000	EA	Window - Trim
	086276-01-000	EA	Tape - Double Sided - .5"
	091313-01-000	EA	Grommet - Headrest
	052859-01-W30	EA	Trim Asm. - Accent - Vinyl Welting
	089916-01-000	EA	Trim - Window
	067052-02-000	EA	Knobs - Operator - Window - Beige
	090025-01-000	EA	Extension - Window Control
	094897-05-000	EA	Hardware - Lift Cord - Pleated Blind
	094900-02-000	EA	Hardware - Stop Ball - White - Pleated Blind
	094900-03-000	EA	Hardware - #4 Nylon Washer - Pleated Blind
	094907-01-000	EA	Hardware - End Cap - Pleated Blind

CURTAIN, CUSHION & PAD GROUP (CONTINUED)

FABRIC & TRIM

Key	Part Number	U/M	Description
	088274-52-000	YD	Fabric - Upholstery - Main - Blue Haze (Y12)
	088274-76-000	YD	Fabric - Upholstery - Main - Divine (Y13)
	088274-77-000	YD	Fabric - Upholstery - Main - Columbine (Y14)
	088274-79-000	YD	Fabric - Upholstery - Accent - Sky Blue (Y12)
	077498-86-000	YD	Fabric - Upholstery - Accent - Oyster (Y13)
	088274-78-000	YD	Fabric - Upholstery - Accent - Columbine (Y14)
	088273-29-000	YD	Fabric - Bedspread - Natural (Y12)
	088273-22-000	YD	Fabric - Bedspread - Sandune (Y13)
	088273-23-000	YD	Fabric - Bedspread - Grey (Y14)
	072333-61-000	YD	Fabric - Drapery Wraparound/Blackout - Pacific (Y12)
	072333-59-000	YD	Fabric - Drapery Wraparound/Blackout - Tan (Y13)
	072333-37-000	YD	Fabric - Drapery Wraparound/Blackout - Mauve (Y14)
	072333-69-000	YD	Fabric - Drapery Wraparound/Blackout - Penta Mauve (Y14)
	072333-63-000	YD	Fabric - Pull Shade - Entrance Door - Bone (Y13, Y14)
	081926-01-000	YD	Backing - Quilting - Celestra
	087272-01-000	YD	Lining - Drapery - 48" Ivory
	029103-01-000	YD	Buckram - Non-Woven - 2
	075244-02-000	YD	Vinyl - Shower Curtain - 72" Wide
	069649-03-000	YD	Vinyl - Expanded - Taupe (TV Pad)
	089351-01-000	YD	Vinyl - Headliner - Acoustical Ceiling (Roof)
	079680-01-000	YD	Vinyl - Expanded - 26 oz. Buckskin (End Caps)
	072860-84-000	YD	Carpet - Graphite (Y12)
	072860-86-000	YD	Carpet - Sienna Sand (Y13)
	072860-69-000	YD	Carpet - Rose Mist (Y14)
	093486-01-001	SY	Carpet - Outside Storage Compartment
	093486-01-000	EA	Carpet - Outside Storage Compartment (1 SY)
	070245-01-000	EA	Boot - Steering Column
	053552-02-W24	EA	Assist Strap - Interior
	071632-01-000	EA	Hamper Bag - w/Elastic - 49"

This fabric was used only between 9/19/88 - 10/19/88.

PADS & TRIM

Key	Part Number	U/M	Description
	081519-01-Y07	EA	Pad Asm. - Dinette - Back
	081519-01-W14	EA	Pad Asm. - Dinette - Back
	081519-01-Y09	EA	Pad Asm. - Dinette - Back
	081519-02-Y07	EA	Pad Asm. - Dinette - Front
	081519-02-W14	EA	Pad Asm. - Dinette - Front
	081519-02-Y09	EA	Pad Asm. - Dinette - Front
	093195-01-Y12	EA	Pad Asm. - Door
	089045-01-Y12	EA	Pad Asm. - TV Cabinet
	089045-02-Y12	EA	Pad Asm. - TV Cabinet
	082286-05-Y12	EA	Sunvisor Asm. - Driver
	083386-06-Y12	EA	Sunvisor Asm. - w/Mirror - Passenger
	070578-02-W13	EA	Button Asm. - Stud - #30 - Vinyl (TV Cabinet)
	070578-11-Y15	EA	Button Asm. - #30 - Vinyl (Headliner)

Parts used after 8/29/88.

1989 WINNEBAGO TABLE OF CONTENTS

WCN23RC
WCN27RT

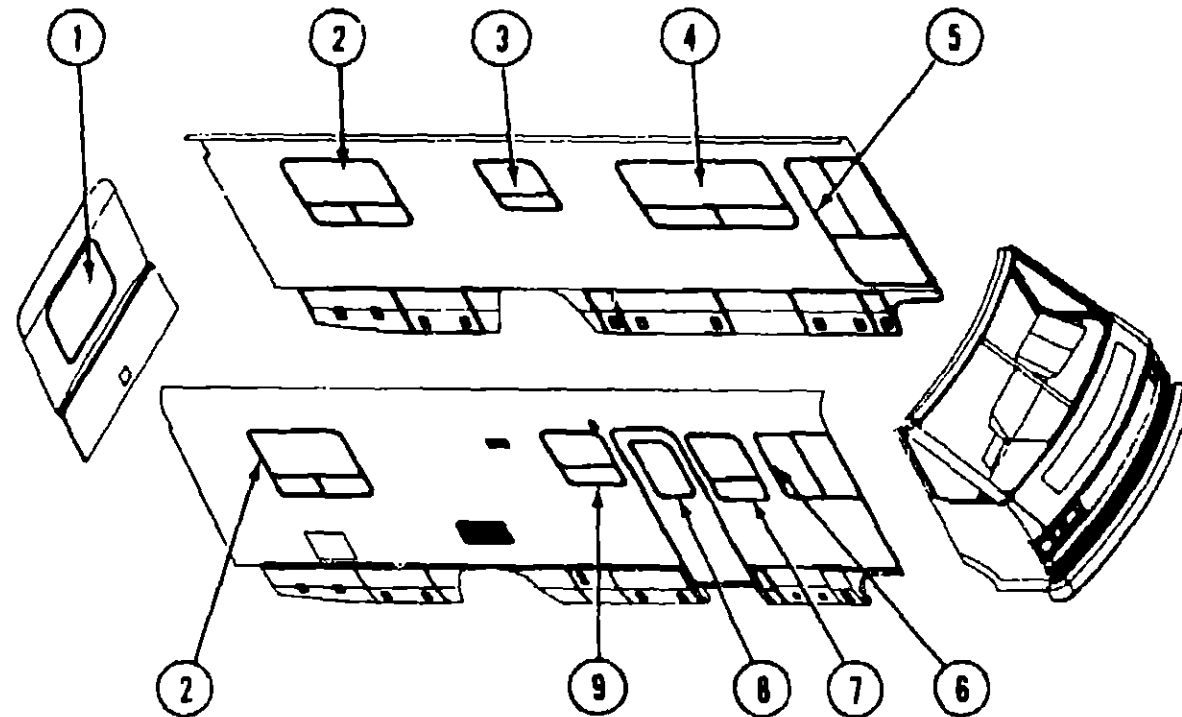
A-01 - D-11
D-13 - G-23

1989 WCN27RT INDEX

Floor Plan	D-13 - D-14
Accessories Group	D-15 - D-18
Bath Group	D-19
Chassis Group	D-20 - E-02
Curtain, Cushion & Pad Group	E-03 - E-16
Dinette Group	E-17 - E-18
Driver's Compartment Group	E-19 - F-02
Electrical Group	F-03 - F-06
Exterior Body Group	F-07 - F-15
Galley Group	F-16 - F-18
Heating & Air Conditioning Group	F-19 - F-20
Interior Finish Group	F-21 - F-22
LP Group	F-23
Lounge Group	F-24 - G-01
Water & Sewage Group	G-02 - G-05
Window, Vent & Exterior Door Group	G-06 - G-23

CURTAIN, CUSHION & PAD GROUP (CONTINUED)

CURTAINS, SHADES, VALANCES & TIEBACKS
(Y12) BLUE, (Y13) COCOA, (Y14) MAUVE



Key	Part Number	U/M	Description
1	089058-15-Y15	EA	Padded - Window Leg - Drivers - w/Fabric Trim (Y12)
1	089058-15-Y13	EA	Padded - Window Leg - Drivers - w/Fabric Trim (Y13)
1	089058-15-YB4	EA	Padded - Window Leg - Drivers - w/Fabric Trim (Y14)
1	089058-16-Y15	EA	Padded - Window Leg - Passengers - w/Fabric Trim (Y12)
1	089058-16-Y13	EA	Padded - Window Leg - Passengers - w/Fabric Trim (Y13)
1	089058-16-YB4	EA	Padded - Window Leg - Passengers - w/Fabric Trim (Y14)
1	093476-11-01A	EA	Blind - Pleated - 45.5" x 33" Drop (Y12)
1	093476-11-02A	EA	Blind - Pleated - 45.5" x 33" Drop (Y13)
1	093476-11-03A	EA	Blind - Pleated - 45.5" x 33" Drop (Y14)
2	089058-13-Y15	EA	Padded - Window Leg - Left - Gathered w/Wood Trim (Y12)
2	089058-13-Y13	EA	Padded - Window Leg - Left - Gathered w/Wood Trim (Y13)
2	089058-13-YB4	EA	Padded - Window Leg - Left - Gathered w/Wood Trim (Y14)
2	089058-14-Y15	EA	Padded - Window Leg - Right - Gathered w/Wood Trim (Y12)
2	089058-14-Y13	EA	Padded - Window Leg - Right - Gathered w/Wood Trim (Y13)
2	089058-14-YB4	EA	Padded - Window Leg - Right - Gathered w/Wood Trim (Y14)
2	093476-06-01A	EA	Blind - Pleated - 38.5" x 34" Drop (Y12)
2	093476-06-02A	EA	Blind - Pleated - 38.5" x 34" Drop (Y13)
2	093476-06-03A	EA	Blind - Pleated - 38.5" x 34" Drop (Y14)
3	073304-53-Y07	EA	Curtain Asm. - Snap Top - 28" x 10" (Y12)
3	073304-53-Y13	EA	Curtain Asm. - Snap Top - 28" x 10" (Y13)
3	073304-53-YB4	EA	Curtain Asm. - Snap Top - 28" x 10" (Y14)
3	093476-08-01A	EA	Blind - Pleated - 28" x 27" Drop (Y12)
3	093476-08-02A	EA	Blind - Pleated - 28" x 27" Drop (Y13)
3	093476-08-03A	EA	Blind - Pleated - 28" x 27" Drop (Y14)
4	089058-09-Y12	EA	Padded - Window Leg - Right - Gathered w/Wood Trim (Y12)
4	089058-09-Y13	EA	Padded - Window Leg - Right - Gathered w/Wood Trim (Y13)
4	089058-09-YB4	EA	Padded - Window Leg - Right - Gathered w/Wood Trim (Y14)
4	089058-10-Y12	EA	Padded - Window Leg - Left - Gathered w/Wood Trim (Y12)
4	089058-10-Y13	EA	Padded - Window Leg - Left - Gathered w/Wood Trim (Y13)
4	089058-10-YB4	EA	Padded - Window Leg - Left - Gathered w/Wood Trim (Y14)

Key	Part Number	U/M	Description
4	093476-09-01A	EA	Blind - Pleated - 57.5" x 32" Drop (Y12)
4	093476-09-02A	EA	Blind - Pleated - 57.5" x 32" Drop (Y13)
4	093476-09-03A	EA	Blind - Pleated - 57.5" x 32" Drop (Y14)
5	093452-02-Y15	EA	Blackout Curtain - w/Snaps Top - Drivers - 48" x 50" (Y12)
5	093452-02-Y31	EA	Blackout Curtain - w/Snaps Top - Drivers - 48" x 50" (Y13)
5	093452-02-YB4	EA	Blackout Curtain - w/Snaps Top - Drivers - 48" x 50" (Y14)
†5	093452-02-YA4	EA	Blackout Curtain - w/Snaps Top - Drivers - 48" x 50" (Y14)
5	077591-10-Y12	EA	Blackout Curtain - w/Velcro Top - Drivers - 60" x 47.5" (w/Bunk)
5	077591-10-Y13	EA	Blackout Curtain - w/Velcro Top - Drivers - 60" x 47.5" (w/Bunk)
5	077591-10-Y14	EA	Blackout Curtain - w/Velcro Top - Drivers - 60" x 47.5" (w/Bunk)
†5	077591-10-YA4	EA	Blackout Curtain - w/Velcro Top - Drivers - 60" x 47.5" (w/Bunk) (Y14)
5	073304-60-Y12	EA	Front Wraparound - 34" x 82" - Drivers or Passengers
5	073304-60-Y13	EA	Front Wraparound - 34" x 82" - Drivers or Passengers
5	073304-60-Y14	EA	Front Wraparound - 34" x 82" - Drivers or Passengers
†5	073304-60-YA4	EA	Front Wraparound - 34" x 82" - Drivers or Passengers (Y14)
5	073304-58-Y12	EA	Front Wraparound - 36" x 30" - Drivers (w/Bunk)
5	073304-58-Y13	EA	Front Wraparound - 36" x 30" - Drivers (w/Bunk)
5	073304-58-Y14	EA	Front Wraparound - 36" x 30" - Drivers (w/Bunk)
†5	073304-58-YA4	EA	Front Wraparound - 36" x 30" - Drivers (w/Bunk) (Y14)
6	093452-01-Y15	EA	Blackout Curtain - w/Snaps Top - Passengers - 48" x 50" (Y12)
6	093452-01-Y31	EA	Blackout Curtain - w/Snaps Top - Passengers - 48" x 50" (Y13)
6	093452-01-YB4	EA	Blackout Curtain - w/Snaps Top - Passengers - 48" x 50" (Y14)
†6	093452-01-YA4	EA	Blackout Curtain - w/Snaps Top - Passengers - 48" x 50" (Y14)
6	077591-09-Y12	EA	Blackout Curtain - w/Velcro Top - Passengers - 60" x 47.5" (Y12)
6	077591-09-Y13	EA	Blackout Curtain - w/Velcro Top - Passengers - 60" x 47.5" (Y13)
6	077591-09-Y14	EA	Blackout Curtain - w/Velcro Top - Passengers - 60" x 47.5" (Y14)
†6	077591-09-YA4	EA	Blackout Curtain - w/Velcro Top - Passengers - 60" x 47.5" (Y14)
6	073304-60-Y12	EA	Front Wraparound - 34" x 82" - Passengers or Drivers (Y12)
6	073304-60-Y13	EA	Front Wraparound - 34" x 82" - Passengers or Drivers (Y13)
6	073304-60-YB4	EA	Front Wraparound - 34" x 82" - Passengers or Drivers (Y14)
6	073304-59-Y12	EA	Front Wraparound - 36" x 125" - Passengers (Y12)
6	073304-59-Y13	EA	Front Wraparound - 36" x 125" - Passengers (Y13)
6	073304-59-Y14	EA	Front Wraparound - 36" x 125" - Passengers (Y14)
†6	073304-59-YA4	EA	Front Wraparound - 36" x 125" - Passengers (Y14)
7	093454-09-Y07	EA	Curtain Asm. - 33.5" x 10" - Gathered w/Snaps Top (Y12)
7	093454-09-Y19	EA	Curtain Asm. - 33.5" x 10" - Gathered w/Snaps Top (Y13)
7	093454-09-YB4	EA	Curtain Asm. - 33.5" x 10" - Gathered w/Snaps Top (Y14)
7	093476-13-01A	EA	Blinds - Pleated - 21" x 32" Drop (Y12)
7	093476-13-02A	EA	Blinds - Pleated - 21" x 32" Drop (Y13)
7	093476-13-03A	EA	Blinds - Pleated - 21" x 32" Drop (Y14)
8	093455-11-Y07	EA	Shade Asm. - 24.25" - Entrance Door (Y12)
8	093455-13-Y19	EA	Shade Asm. - 24.25" - Entrance Door (Y13)(Y14)
9	093476-16-01A	EA	Blinds - Pleated - 28" x 25.5" Drop (Y12)
9	093476-16-02A	EA	Blinds - Pleated - 28" x 25.5" Drop (Y13)
9	093476-16-03A	EA	Blinds - Pleated - 28" x 25.5" Drop (Y14)
	073260-23-Y23	EA	Tieback - 3" x 18" (Y12)
	073260-23-Y16	EA	Tieback - 3" x 18" (Y13)
	073260-23-W05	EA	Tieback - 3" x 18" (Y14)
†	073260-23-YA4	EA	Tieback - 3" x 18" (Y14)
	073260-26-Y03	EA	Tieback - 3" x 16" (Y12)
	073260-26-Y13	EA	Tieback - 3" x 16" (Y13)
	073260-26-Y14	EA	Tieback - 3" x 16" (Y14)
†	073260-26-YA4	EA	Tieback - 3" x 16" (Y14)
	073260-28-Y12	EA	Tieback - 3" x 23" (Y12)
	073260-28-Y13	EA	Tieback - 3" x 23" (Y13)
	073260-28-Y14	EA	Tieback - 3" x 23" (Y14)
†	073260-28-YA4	EA	Tieback - 3" x 23" (Y14)
	084481-09-000	EA	Shower Liner Curtain - 71" x 34"
†	Used in units built between 9/19/88 and 10/19/88 with color code Y14		

1989 WINNEBAGO TABLE OF CONTENTS

WCN23RC
WCN27RT

A-01 - D-11
D-13 - G-23

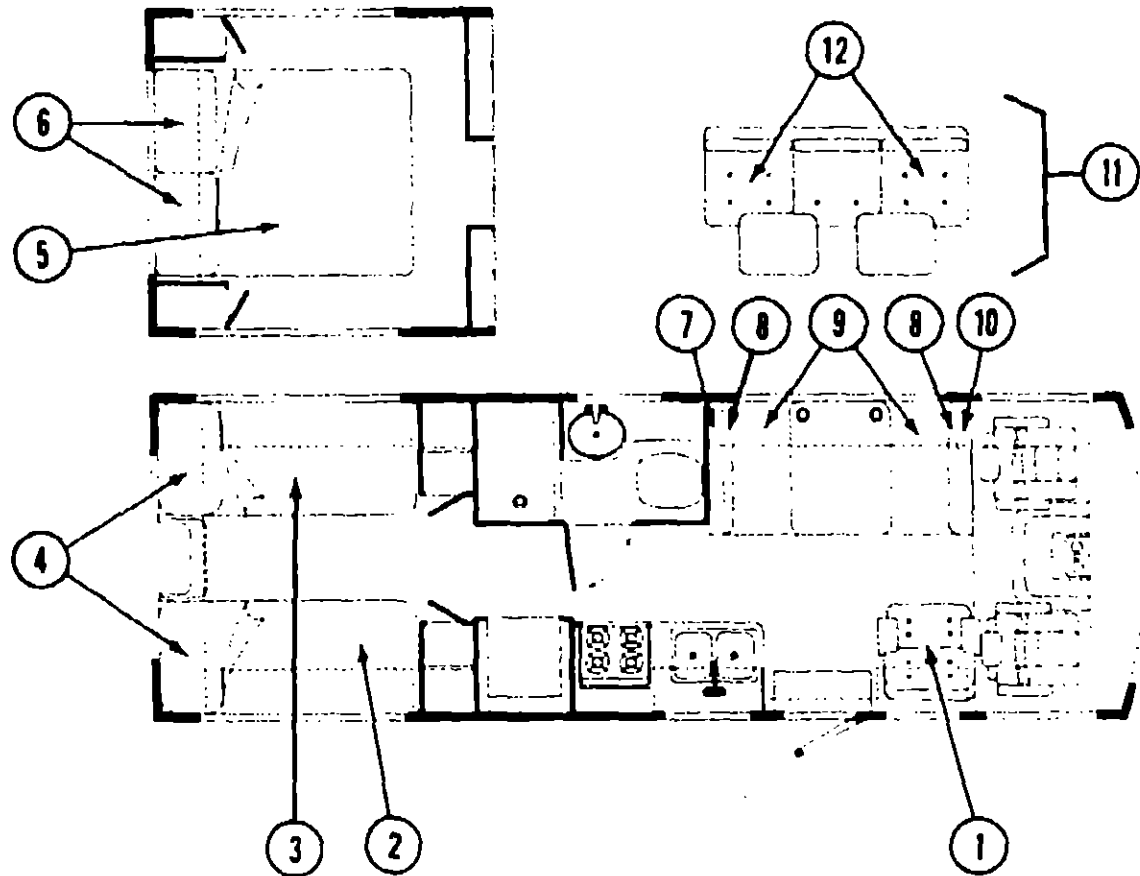
1989 WCN27RT INDEX

Floor Plan	D-13 - D-14
Accessories Group	D-15 - D-18
Bath Group	D-19
Chassis Group	D-20 - E-02
Curtain, Cushion & Pad Group	E-03 - E-16
Dinette Group	E-17 - E-18
Driver's Compartment Group	E-19 - F-02
Electrical Group	F-03 - F-06
Exterior Body Group	F-07 - F-15
Galley Group	F-16 - F-18
Heating & Air Conditioning Group	F-19 - F-20
Interior Finish Group	F-21 - F-22
LP Group	F-23
Lounge Group	F-24 - G-01
Water & Sewage Group	G-02 - G-05
Window, Vent & Exterior Door Group	G-06 - G-23

CURTAIN, CUSHION & PAD GROUP (CONTINUED)

CUSHIONS & PADS
(Y12) BLUE, (Y13) COCOA, (Y14) MAUVE

Key	Part Number	U/M	Description
1	086518-03-Y15	EA	Chair Asm. - Teardrop - Recliner (Y12)
1	086518-03-Y16	EA	Chair Asm. - Teardrop - Recliner (Y13)
1	086518-03-Y17	EA	Chair Asm. - Teardrop - Recliner (Y14)
2	077478-04-000	EA	Innerspring Mattress - 33" x 75" x 7.5" Sealy
2	083986-14-Y15	EA	Bedsread - Fitted - Passengers w/8" Drop - 33" x 75" (Y12)
2	083986-14-Y16	EA	Bedsread - Fitted - Passengers w/8" Drop - 33" x 75" (Y13)
2	083986-14-Y17	EA	Bedsread - Fitted - Passengers w/8" Drop - 33" x 75" (Y14)
3	083986-15-Y15	EA	Bedsread - Fitted - Drivers w/8" Drop - 33" x 75" (Y12)
3	083986-15-Y16	EA	Bedsread - Fitted - Drivers w/8" Drop - 33" x 75" (Y13)
3	083986-15-Y17	EA	Bedsread - Fitted - Drivers w/8" Drop - 33" x 75" (Y14)
4	081997-03-Y15	EA	Pillow Sham - w/Open Back (Y12)
4	081997-03-Y06	EA	Pillow Sham - w/Open Back (Y13)
4	081997-03-Y09	EA	Pillow Sham - w/Open Back (Y14)
5	092371-03-Y12	EA	Bedsread - Fitted - Queen Bed - w/Ruffle - 60" x 75" (Y12)
5	092371-03-Y13	EA	Bedsread - Fitted - Queen Bed - w/Ruffle - 60" x 75" (Y13)
5	092371-03-Y14	EA	Bedsread - Fitted - Queen Bed - w/Ruffle - 60" x 75" (Y14)
6	081997-02-Y15	EA	Pillow Sham - w/Ruffle - 30" x 26" (Y12)
6	081997-02-Y16	EA	Pillow Sham - w/Ruffle - 30" x 26" (Y13)
6	081997-02-Y17	EA	Pillow Sham - w/Ruffle - 30" x 26" (Y14)
7	081519-02-Y07	EA	Pad Asm. - Dinette Back - Rear (Y12)
7	081519-02-W14	EA	Pad Asm. - Dinette Back - Rear (Y13)
7	081519-02-Y09	EA	Pad Asm. - Dinette Back - Rear (Y14)
8	088927-18-Y07	EA	Cushion Asm. - Angled Back - 13" x 38" x 5" (Y12)
8	088927-18-Y16	EA	Cushion Asm. - Angled Back - 13" x 38" x 5" (Y13)
8	088927-18-Y09	EA	Cushion Asm. - Angled Back - 13" x 38" x 5" (Y14)
M88927-18-Y07		EA	Cover Asm. - Dinette Angled Back Cushion - 13" x 38" x 5" (Y12)
M88927-18-Y16		EA	Cover Asm. - Dinette Angled Back Cushion - 13" x 38" x 5" (Y13)
M88927-18-Y09		EA	Cover Asm. - Dinette Angled Back Cushion - 13" x 38" x 5" (Y14)
9	088927-19-Y07	EA	Cushion Asm. - Dinette Bottom - 22" x 38" x 5" (Y12)
9	088927-19-Y16	EA	Cushion Asm. - Dinette Bottom - 22" x 38" x 5" (Y13)
9	088927-19-Y09	EA	Cushion Asm. - Dinette Bottom - 22" x 38" x 5" (Y14)
M88927-19-Y07		EA	Cover Asm. - Dinette Bottom - 22" x 38" x 5" (Y12)
M88927-19-Y16		EA	Cover Asm. - Dinette Bottom - 22" x 38" x 5" (Y13)
M88927-19-Y09		EA	Cover Asm. - Dinette Bottom - 22" x 38" x 5" (Y14)
10	081519-01-Y07	EA	Pad Asm. - Dinette Back - Front (Y12)
10	081519-01-W14	EA	Pad Asm. - Dinette Back - Front (Y13)
10	081519-01-Y09	EA	Pad Asm. - Dinette Back - Front (Y14)
11	085355-03-Y15	EA	Bed - Teardrop - w/Wood Skirt (Y12)
11	085355-03-Y16	EA	Bed - Teardrop - w/Wood Skirt (Y13)
11	085355-03-Y17	EA	Bed - Teardrop - w/Wood Skirt (Y14)
12	093461-01-Y15	EA	Seat Asm. - w/Arm & Headrest - w/o Skirt (Driver/Passenger) (Y12)
12	093461-01-Y16	EA	Seat Asm. - w/Arm & Headrest - w/o Skirt (Driver/Passenger) (Y13)
12	093461-01-Y17	EA	Seat Asm. - w/Arm & Headrest - w/o Skirt (Driver/Passenger) (Y14)
	079145-05-000	EA	Bunk Cushion - 30" x 73" x 4"
	M79145-05-000	EA	Cover Asm. - Bunk Cushion - 30" x 73" x 4"
	053552-02-W04	EA	Assist Handle - Vinyl Strap



1989 WINNEBAGO TABLE OF CONTENTS

WCN23RC
WCN27RT

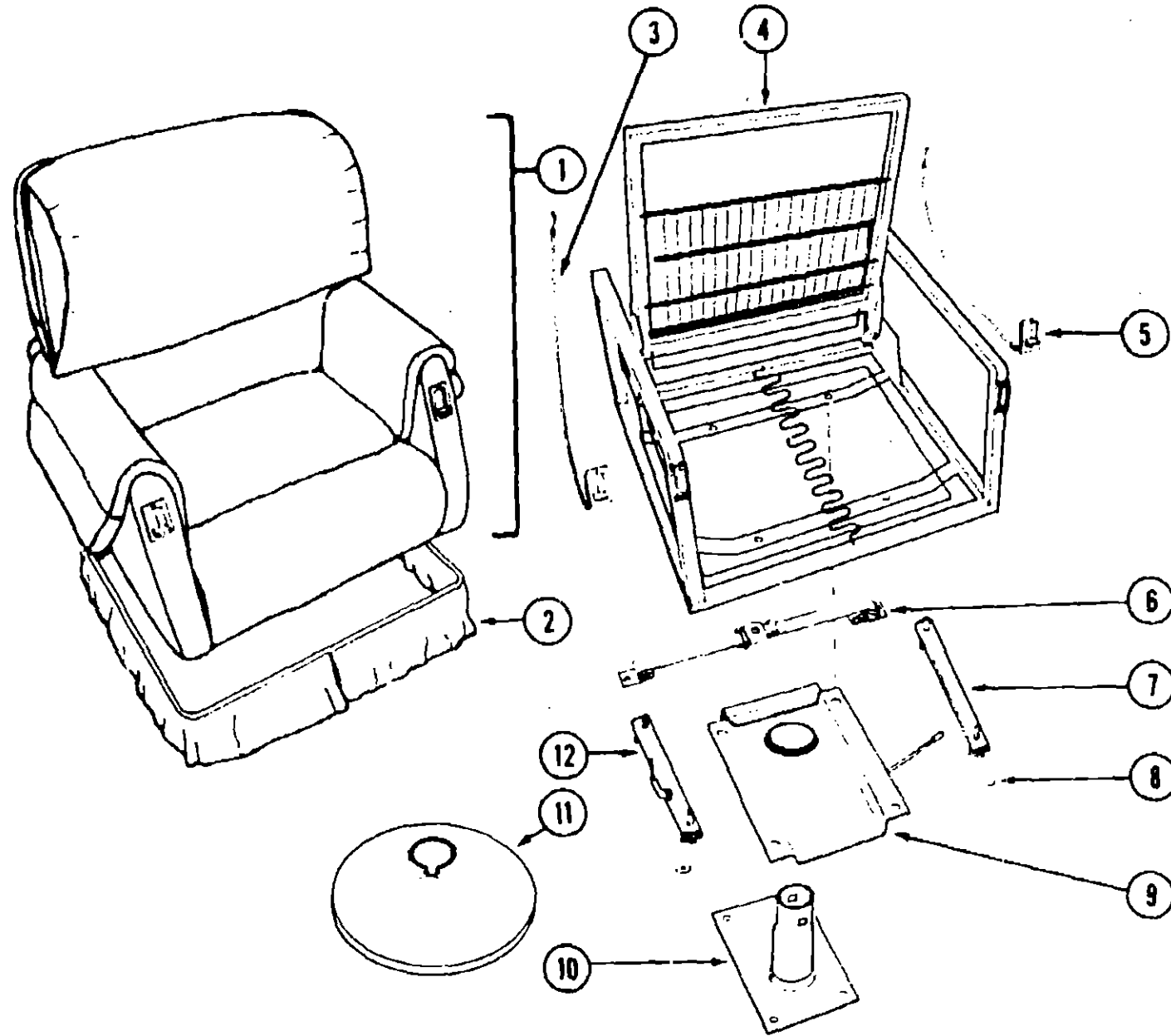
A-01 - D-11
D-13 - G-23

1989 WCN27RT INDEX

Floor Plan	D-13 - D-14
Accessories Group	D-15 - D-18
Bath Group	D-19
Chassis Group	D-20 - E-02
Curtain, Cushion & Pad Group	E-03 - E-16
Dinette Group	E-17 - E-18
Driver's Compartment Group	E-19 - F-02
Electrical Group	F-03 - F-06
Exterior Body Group	F-07 - F-15
Galley Group	F-16 - F-18
Heating & Air Conditioning Group	F-19 - F-20
Interior Finish Group	F-21 - F-22
LP Group	F-23
Lounge Group	F-24 - G-01
Water & Sewage Group	G-02 - G-05
Window, Vent & Exterior Door Group	G-06 - G-23

CURTAIN, CUSHION & PAD GROUP (CONTINUED)

SWIVEL CHAIR
(Y12) BLUE, (Y13) COCOA, (Y14) MAUVE



Key	Part Number	U/M	Description
1	086516-03-Y15	EA	Chair Asm. - Teardrop - Recliner (Y12)
1	086516-03-Y16	EA	Chair Asm. - Teardrop - Recliner (Y13)
1	086516-03-Y17	EA	Chair Asm. - Teardrop - Recliner (Y14)
1	M86516-03-Y15	EA	Cover Asm. - Teardrop Recliner (Y12)
1	M86516-03-Y16	EA	Cover Asm. - Teardrop Recliner (Y13)
1	M86516-03-Y17	EA	Cover Asm. - Teardrop Recliner (Y14)
2	089032-02-Y15	EA	Skirt Asm. - Teardrop Recliner (Y12)
2	089032-02-Y16	EA	Skirt Asm. - Teardrop Recliner (Y13)
2	089032-02-Y17	EA	Skirt Asm. - Teardrop Recliner (Y14)
2	M89032-02-Y15	EA	Cover Asm. - Teardrop Skirt (Y12)
2	M89032-02-Y16	EA	Cover Asm. - Teardrop Skirt (Y13)
2	M89032-02-Y17	EA	Cover Asm. - Teardrop Skirt (Y14)
3	089386-02-000	EA	Cable - Remote Recliner
4	089386-01-000	EA	Frame Asm. - Remote Recliner Chair
5	089386-03-000	EA	Cable - Remote Slide
6	007021-01-000	EA	Seat Belt Asm.
7	069246-02-000	EA	Slide Asm. - w/o Lock
8	007221-01-000	EA	Washer - Coned
9	093481-03-000	EA	Seat Top Plate
10	093481-02-000	EA	Seat Base
11	093482-01-000	EA	Cover - Seat Brace - Black Plastic
12	069246-05-000	EA	Slide Asm. - w/Lock
	087330-01-000	EA	Stop Bracket - Slide Track

1989 WINNEBAGO TABLE OF CONTENTS

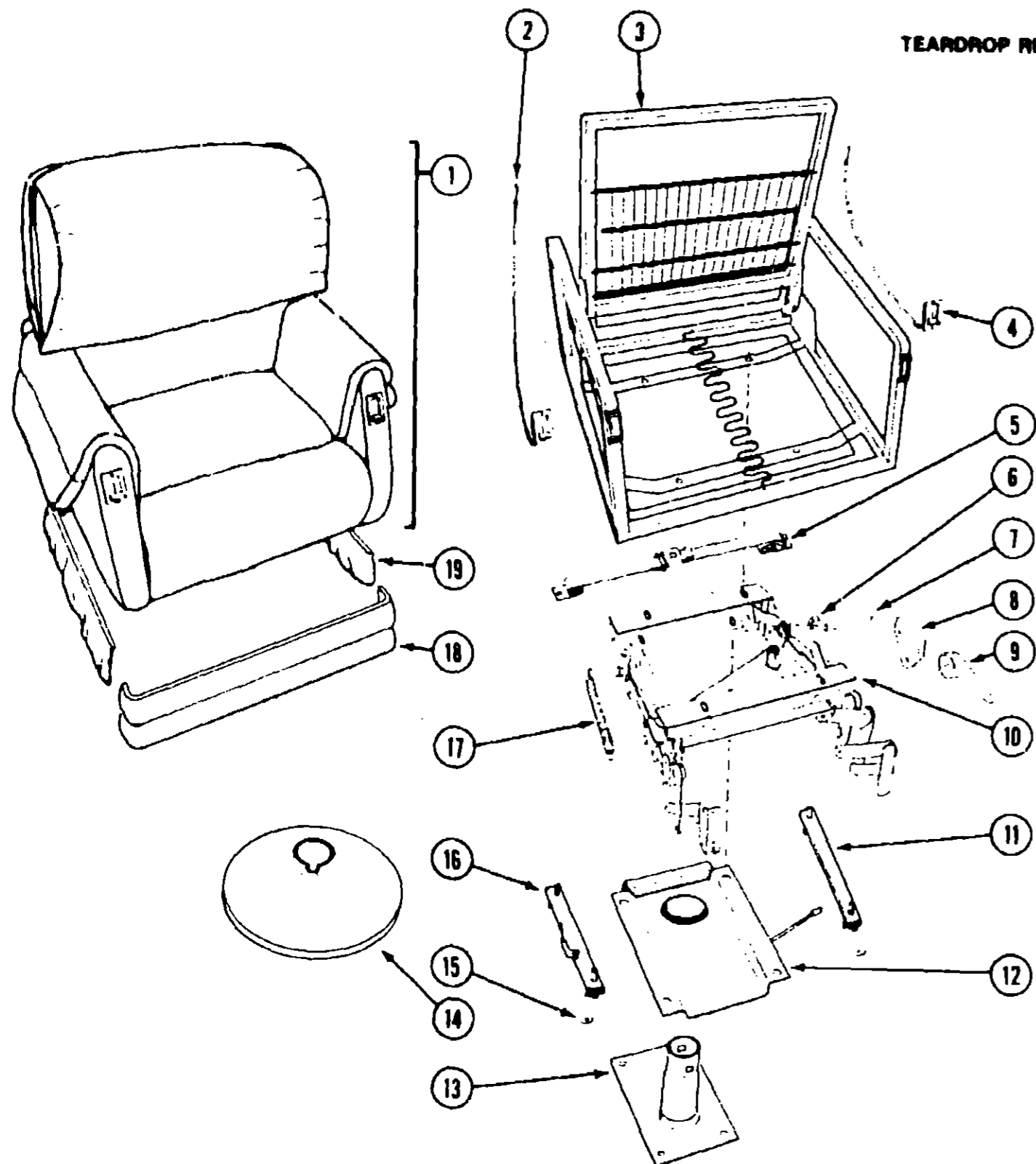
WCN23RC
WCN27RT

A-01 - D-11
D-13 - G-23

1989 WCN27RT INDEX

Floor Plan	D-13 - D-14
Accessories Group	D-15 - D-18
Bath Group	D-19
Chassis Group	D-20 - E-02
Curtain, Cushion & Pad Group	E-03 - E-16
Dinette Group	E-17 - E-18
Driver's Compartment Group	E-19 - F-02
Electrical Group	F-03 - F-06
Exterior Body Group	F-07 - F-15
Galley Group	F-16 - F-18
Heating & Air Conditioning Group	F-19 - F-20
Interior Finish Group	F-21 - F-22
LP Group	F-23
Lounge Group	F-24 - G-01
Water & Sewage Group	G-02 - G-05
Window, Vent & Exterior Door Group	G-06 - G-23

CURTAIN, CUSHION & PAD GROUP (CONTINUED)



TEARDROP RECLINER CHAIR

Key	Part Number	U/M	Description
1	093463-04-Y15	EA	Swivel Chair Asm. w/Footrest - w/o Skirt (Y12)
1	093463-04-Y18	EA	Swivel Chair Asm. w/Footrest - w/o Skirt (Y13)
1	093463-04-Y17	EA	Swivel Chair Asm. w/Footrest - w/o Skirt (Y14)
1	M93463-04-Y15	EA	Cover - Swivel Chair
1	M93463-04-Y18	EA	Cover - Swivel Chair
1	M93463-04-Y17	EA	Cover - Swivel Chair
2	089368-02-000	EA	Remote Cable Asm. - Recline
3	089368-01-000	EA	Frame Asm.
4	089368-03-000	EA	Remote Cable Asm. - Slide Control
5	007021-01-000	EA	Seat Belt Asm.
6	093484-02-700	EA	Clamp - Torsion Bar
7	093484-02-701	EA	Torsion Bar
8	093484-02-702	EA	Torsion Bar Support
9	093484-02-703	EA	Handle - Footrest
10	093484-01-000	EA	Footrest Recliner Asm.
11	089246-02-000	EA	Seat Slide Asm. - w/o Lock
12	093481-03-000	EA	Seat Top Plate
13	093481-01-000	EA	Seat Base
14	093482-01-000	EA	Seat Base Cover
15	007221-01-000	EA	Washer - Coned
16	089246-05-000	EA	Seat Slide Asm. - w/Lock
17	093484-02-704	EA	Spring
18	M94599-01-Y15	EA	Footrest Cover (Y12)
18	M94599-01-Y16	EA	Footrest Cover (Y13)
18	M94599-01-Y17	EA	Footrest Cover (Y14)
19	089032-08-Y15	EA	Skirt Asm. (Y12)
19	089032-08-Y16	EA	Skirt Asm. (Y13)
19	089032-08-Y17	EA	Skirt Asm. (Y14)

**1989 WINNEBAGO
TABLE OF CONTENTS**

WCN23RC
WCN27RT

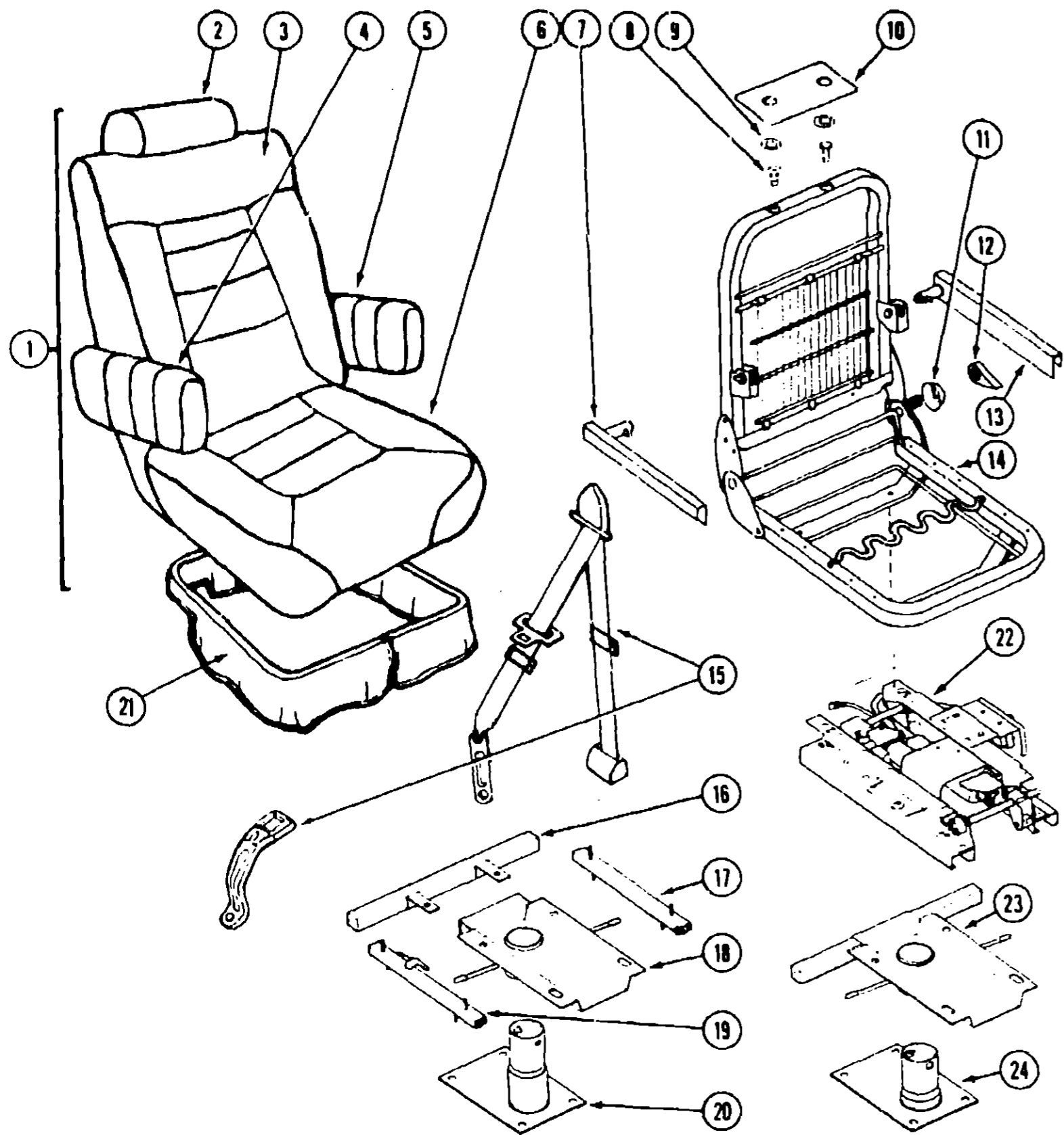
A-01 - D-11
D-13 - G-23

1989 WCN27RT INDEX

Floor Plan	D-13 - D-14
Accessories Group	D-15 - D-18
Bath Group	D-19
Chassis Group	D-20 - E-02
Curtain, Cushion & Pad Group	E-03 - E-16
Dinette Group	E-17 - E-18
Driver's Compartment Group	E-19 - F-02
Electrical Group	F-03 - F-06
Exterior Body Group	F-07 - F-15
Galley Group	F-16 - F-18
Heating & Air Conditioning Group	F-19 - F-20
Interior Finish Group	F-21 - F-22
LP Group	F-23
Lounge Group	F-24 - G-01
Water & Sewage Group	G-02 - G-05
Window, Vent & Exterior Door Group	G-06 - G-23

CURTAIN, CUSHION & PAD GROUP (CONTINUED)

BUCKET SEAT ASM.
(Y12) BLUE, (Y13) COCOA, (Y14) MAUVE



Key	Part Number	U/M	Description
1	093481-01-Y15	EA	Seat Asm. w/Arm & Headrest - w/o Skirt (Driver or Passenger)
1	093481-01-Y16	EA	Seat Asm. w/Arm & Headrest - w/o Skirt (Driver or Passenger)
1	093481-01-Y17	EA	Seat Asm. w/Arm & Headrest - w/o Skirt (Driver or Passenger)
2	085268-01-Y15	EA	Headrest Asm. (Y12)
2	085268-01-Y16	EA	Headrest Asm. (Y13)
2	085268-01-Y17	EA	Headrest Asm. (Y14)
2	085268-01-Y15	EA	Headrest Cover (Y12)
2	085268-01-Y16	EA	Headrest Cover (Y13)
2	085268-01-Y17	EA	Headrest Cover (Y14)
3	M03445-12-Y15	EA	Cover Asm. - Seat Back (Y12)
3	M03445-12-Y16	EA	Cover Asm. - Seat Back (Y13)
3	M03445-12-Y17	EA	Cover Asm. - Seat Back (Y14)
4	080243-34-Y15	EA	Armrest Asm. - Right Hand (Y12)
4	080243-34-Y16	EA	Armrest Asm. - Right Hand (Y13)
4	080243-34-Y17	EA	Armrest Asm. - Right Hand (Y14)
4	M80243-34-Y15	EA	Armrest Cover - Right Hand (Y12)
4	M80243-34-Y16	EA	Armrest Cover - Right Hand (Y13)
4	M80243-34-Y17	EA	Armrest Cover - Right Hand (Y14)
5	080243-35-Y15	EA	Armrest Asm. - Left Hand (Y12)
5	080243-35-Y16	EA	Armrest Asm. - Left Hand (Y13)
5	080243-35-Y17	EA	Armrest Asm. - Left Hand (Y14)
5	M80243-35-Y15	EA	Armrest Cover - Left Hand (Y12)
5	M80243-35-Y16	EA	Armrest Cover - Left Hand (Y13)
5	M80243-35-Y17	EA	Armrest Cover - Left Hand (Y14)
6	M03445-11-Y15	EA	Cover Asm. - Seat Bottom (Y12)
6	M03445-11-Y16	EA	Cover Asm. - Seat Bottom (Y13)
6	M03445-11-Y17	EA	Cover Asm. - Seat Bottom (Y14)
7	081268-01-000	EA	Armrest Frame Asm. - Right Hand
8	091313-01-000	EA	Headrest Bushing
9	083163-01-000	EA	Push Nut - 7/16"
10	081172-01-000	EA	Trim Plate
11	080730-05-000	EA	Shield - Recliner Lever
12	080730-03-000	EA	Recliner Lever
13	081268-02-000	EA	Armrest Frame Asm. - Left Hand
14	M80906-01-000	EA	Seat Frame Asm.
15	091990-01-01A	EA	Seat Belt
16	069525-29-000	EA	Seat Belt Bar
17	069246-02-000	EA	Seat Slide w/o Lock
18	069585-27-000	EA	Top Plate
19	069246-01-000	EA	Seat Slide w/Lock
20	069585-08-000	EA	Seat Base
21	071126-24-Y15	EA	Skirt Asm. (Y12)
21	071126-24-Y16	EA	Skirt Asm. (Y13)
21	071126-24-Y25	EA	Skirt Asm. (Y14)
	088274-79-000	YD	Bucket Seat Fabric (Y12)
	077498-86-000	YD	Bucket Seat Fabric (Y13)
	088274-78-000	YD	Bucket Seat Fabric (Y14)

POWER SEAT OPTION (63M)

Key	Part Number	U/M	Description
21	088274-26-Y12	EA	Skirt Asm. - Power Seat
21	088274-26-Y13	EA	Skirt Asm. - Power Seat
21	088274-26-Y14	EA	Skirt Asm. - Power Seat
22	081373-01-000	EA	Power Control - 6 Way
23	069585-36-000	EA	Top Plate (6 Way Power Seat)
24	069585-37-000	EA	Seat Base
	081591-04-000	EA	Wire Asm. (6 Way Power Seat)

1989 WINNEBAGO TABLE OF CONTENTS

WCN23RC
WCN27RT

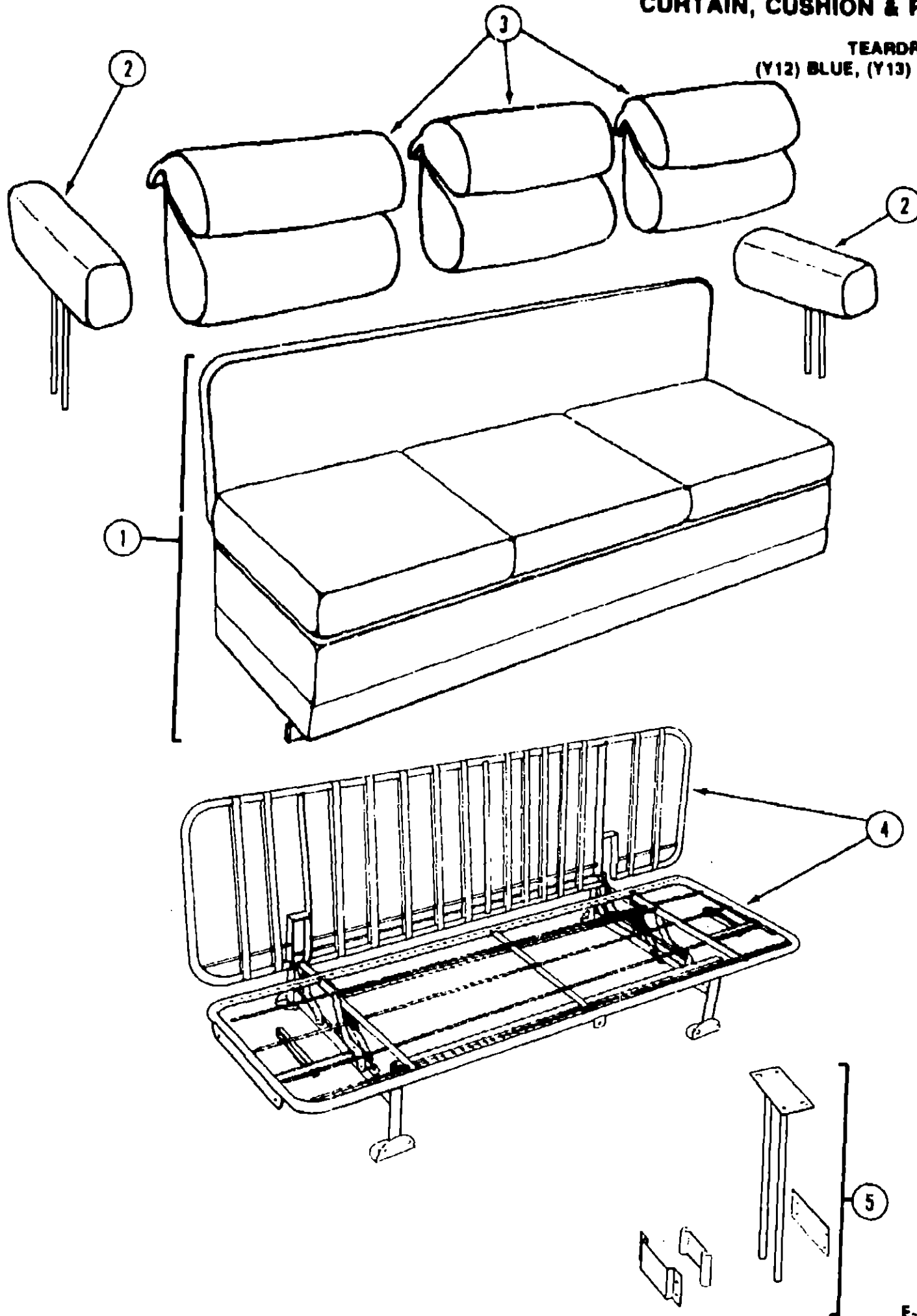
A-01 - D-11
D-13 - G-23

1989 WCN27RT INDEX

Floor Plan	D-13 - D-14
Accessories Group	D-15 - D-18
Bath Group	D-19
Chassis Group	D-20 - E-02
Curtain, Cushion & Pad Group	E-03 - E-16
Dinette Group	E-17 - E-18
Driver's Compartment Group	E-19 - F-02
Electrical Group	F-03 - F-06
Exterior Body Group	F-07 - F-15
Galley Group	F-16 - F-18
Heating & Air Conditioning Group	F-19 - F-20
Interior Finish Group	F-21 - F-22
LP Group	F-23
Lounge Group	F-24 - G-01
Water & Sewage Group	G-02 - G-05
Window, Vent & Exterior Door Group	G-06 - G-23

CURTAIN, CUSHION & PAD GROUP (CONTINUED)

TEARDROP COUCH (Y12) BLUE, (Y13) COCOA, (Y14) MAUVE



Key	Part Number	U/M	Description
1	085355-03-Y15	EA	Sofa Bed - Teardrop (Y12)
1	085355-03-Y16	EA	Sofa Bed - Teardrop (Y13)
1	085355-03-Y17	EA	Sofa Bed - Teardrop (Y14)
1	M85355-03-Y15	EA	Cover - Sofa Bed - Teardrop (Y12)
1	M85355-03-Y16	EA	Cover - Sofa Bed - Teardrop (Y13)
1	M85355-03-Y17	EA	Cover - Sofa Bed - Teardrop (Y14)
2	086546-01-Y12	EA	Armrest w/Slide Rods (Y12)
2	086546-01-Y13	EA	Armrest w/Slide Rods (Y13)
2	086546-01-Y14	EA	Armrest w/Slide Rods (Y14)
2	M86546-01-Y12	EA	Cover - Armrest (Y12)
2	M86546-01-Y13	EA	Cover - Armrest (Y13)
2	M86546-01-Y14	EA	Cover - Armrest (Y14)
3	086545-02-Y15	EA	Pillow Cushion - Back (Y12)
3	086545-02-Y16	EA	Pillow Cushion - Back (Y13)
3	086545-02-Y17	EA	Pillow Cushion - Back (Y14)
3	M86545-02-Y15	EA	Cover - Pillow Cushion (Y12)
3	M86545-02-Y16	EA	Cover - Pillow Cushion (Y13)
3	M86545-02-Y17	EA	Cover - Pillow Cushion (Y14)
4	079386-01-000	EA	Frame As'n. - Sofa Bed
5	087204-01-000	EA	Hardware Brackets - Armrest
	079386-02-000	EA	Mounting Hardware - Sofa Bed
	088274-52-000	YD	Sofa Fabric (Y12)
	088274-76-000	YD	Sofa Fabric (Y13)
	088274-77-000	YD	Sofa Fabric (Y14)

1989 WINNEBAGO TABLE OF CONTENTS

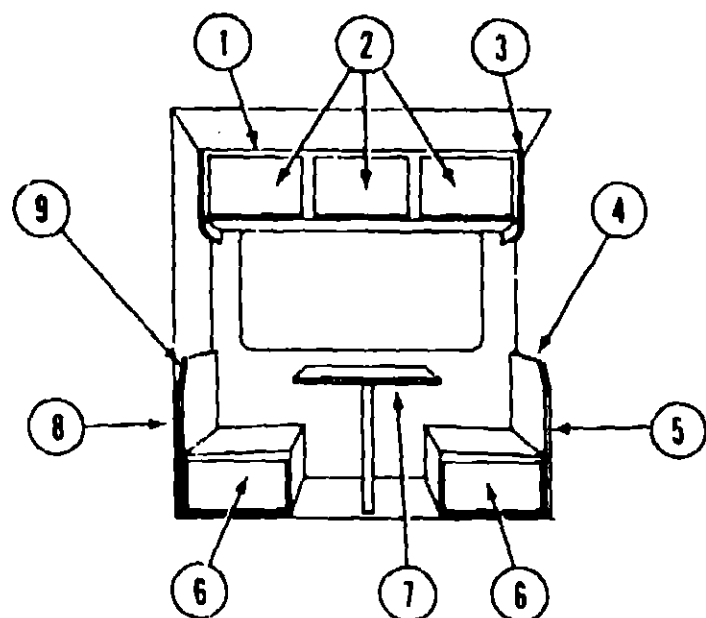
WCN23RC
WCN27RT

A-01 - D-11
D-13 - G-23

1989 WCN27RT INDEX

Floor Plan	D-13 - D-14
Accessories Group	D-15 - D-18
Bath Group	D-19
Chassis Group	D-20 - E-02
Curtain, Cushion & Pad Group	E-03 - E-16
Dinette Group	E-17 - E-18
Driver's Compartment Group	E-19 - F-02
Electrical Group	F-03 - F-06
Exterior Body Group	F-07 - F-15
Galley Group	F-16 - F-18
Heating & Air Conditioning Group	F-19 - F-20
Interior Finish Group	F-21 - F-22
LP Group	F-23
Lounge Group	F-24 - G-01
Water & Sewage Group	G-02 - G-05
Window, Vent & Exterior Door Group	G-06 - G-23

DINETTE GROUP



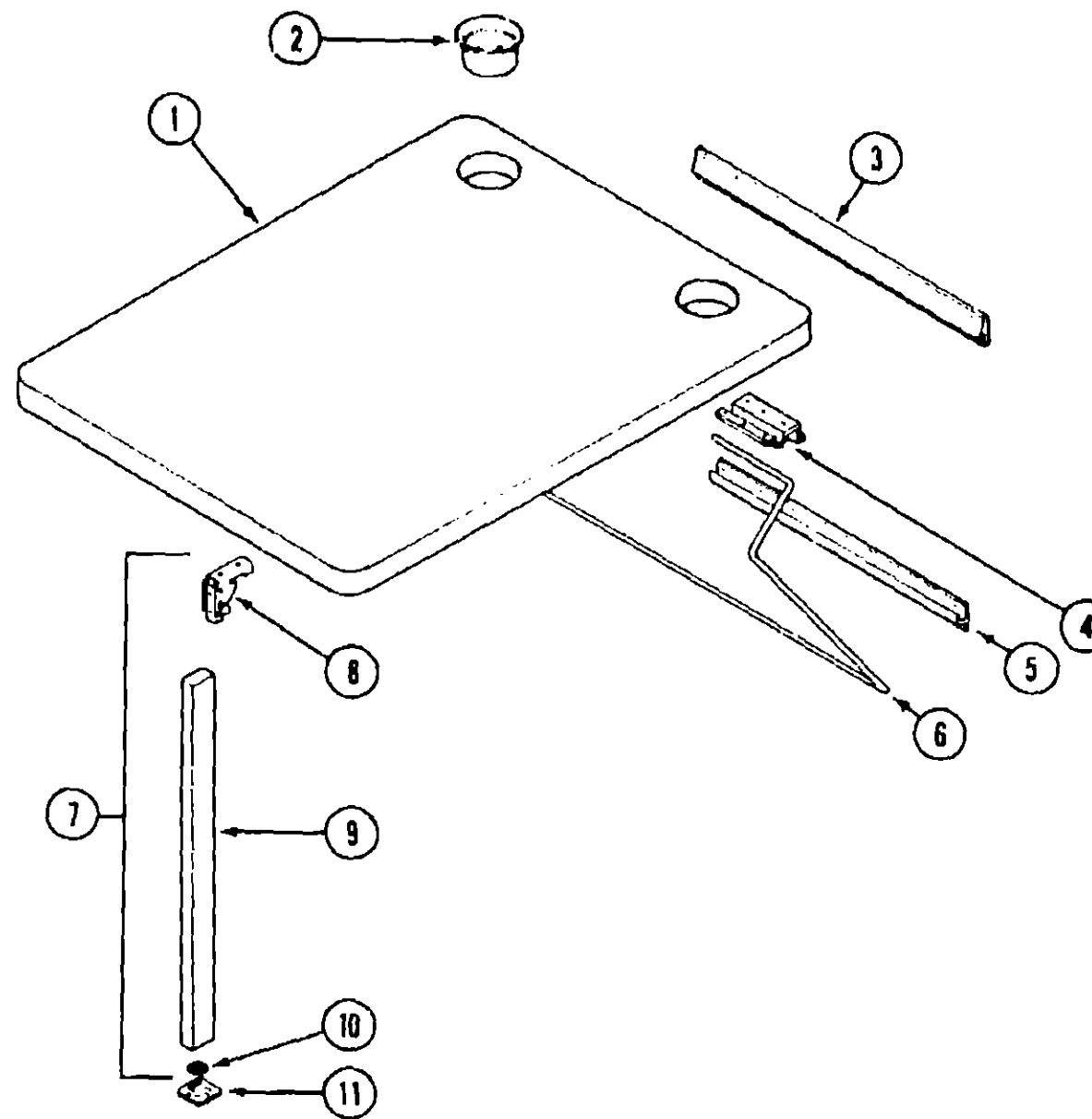
DINETTE OVERHEAD & CABINERY

Key	Part Number	U/M	Description
1	M92093-07-Y12	EA	Dinette Overhead Asm. - w/o Doors or Hardware
2	M88304-A9-X08	EA	Doc. : Asm. - Dinette Overhead - w/o Hardware - 14.37" x 21.85"
3	092747-01-Y10	EA	End Cap Asm.
4	M03434-01-Y10	EA	Dinette Cabinet Back - Forward Seat
4	081519-01-Y07	EA	Pad Asm. - Dinette Seat Back - Forward Seat (Y12)
4	081519-01-W14	EA	Pad Asm. - Dinette Seat Back - Forward Seat (Y13)
4	081519-01-Y09	EA	Pad Asm. - Dinette Seat Back - Forward Seat (Y14)
5	M03435-01-Y12	EA	Dinette Cabinet Seat - Forward Seat - w/o Door or Hardware
6	M88304-21-X08	EA	Door Asm. - Dinette Seat
7	M92743-02-Y12	EA	Table Asm. - Dinette - w/o Hardware
8	M03435-05-Y12	EA	Dinette Cabinet Seat - Rearward Seat - w/o Door or Hardware
9	M03434-05-Y12	EA	Dinette Cabinet Back - Rearward Seat
9	081519-02-Y07	EA	Pad Asm. - Dinette Seat Back - Rearward Seat (Y12)
9	081519-02-W14	EA	Pad Asm. - Dinette Seat Back - Rearward Seat (Y13)
9	081519-02-Y14	EA	Pad Asm. - Dinette Seat Back - Rearward Seat (Y14)

PEDESTAL TABLE - CONTINENTAL COUCH

Key	Part Number	U/M	Description
	081298-01-X11	EA	Table Asm. - Pedestal
	009040-04-000	EA	Leg - Pedestal - 27.5" - Brown
	041194-01-000	EA	Base - Flush Mount - Floor
	009040-03-000	EA	Base - Raised - Table

DINETTE GROUP (CONTINUED)



DINETTE TABLE ASM.

Key	Part Number	U/M	Description
1	M92743-02-Y12	EA	Table Asm. - Dinette - w/o Hardware
2	064781-05-000	EA	Cup Holder - Two Step - Beige
3	053200-05-000	EA	Bracket - Upper Wall Mount - 23" - Beige
4	088410-01-000	EA	Bracket - Table Mount Hanger
5	024281-07-000	EA	Bracket - Lower Wall Mount - 22.12" - Beige
6	024275-05-000	EA	Rod - Table Lift - Beige
7	092708-01-Y15	EA	Leg Asm. - Dinette Table
8	093550-01-000	EA	Bracket - Leg - Folding
9	092707-01-01A	EA	Leg - Dinette Table - Oak
10	092593-01-01A	EA	Catch - Table Leg
11	049493-08-000	EA	Floor Catch - Table Leg
	004354-01-000	EA	Rubber Bumper - Brown
	076325-16-000	FT	Molding - Edge Band - Regal Oak

1989 WINNEBAGO TABLE OF CONTENTS

WCN23RC
WCN27RT

A-01 - D-11
D-13 - G-23

1989 WCN27RT INDEX

Floor Plan	D-13 - D-14
Accessories Group	D-15 - D-18
Bath Group	D-19
Chassis Group	D-20 - E-02
Curtain, Cushion & Pad Group	E-03 - E-16
Dinette Group	E-17 - E-18
Driver's Compartment Group	E-19 - F-02
Electrical Group	F-03 - F-06
Exterior Body Group	F-07 - F-15
Galley Group	F-16 - F-18
Heating & Air Conditioning Group	F-19 - F-20
Interior Finish Group	F-21 - F-22
LP Group	F-23
Lounge Group	F-24 - G-01
Water & Sewage Group	G-02 - G-05
Window, Vent & Exterior Door Group	G-06 - G-23

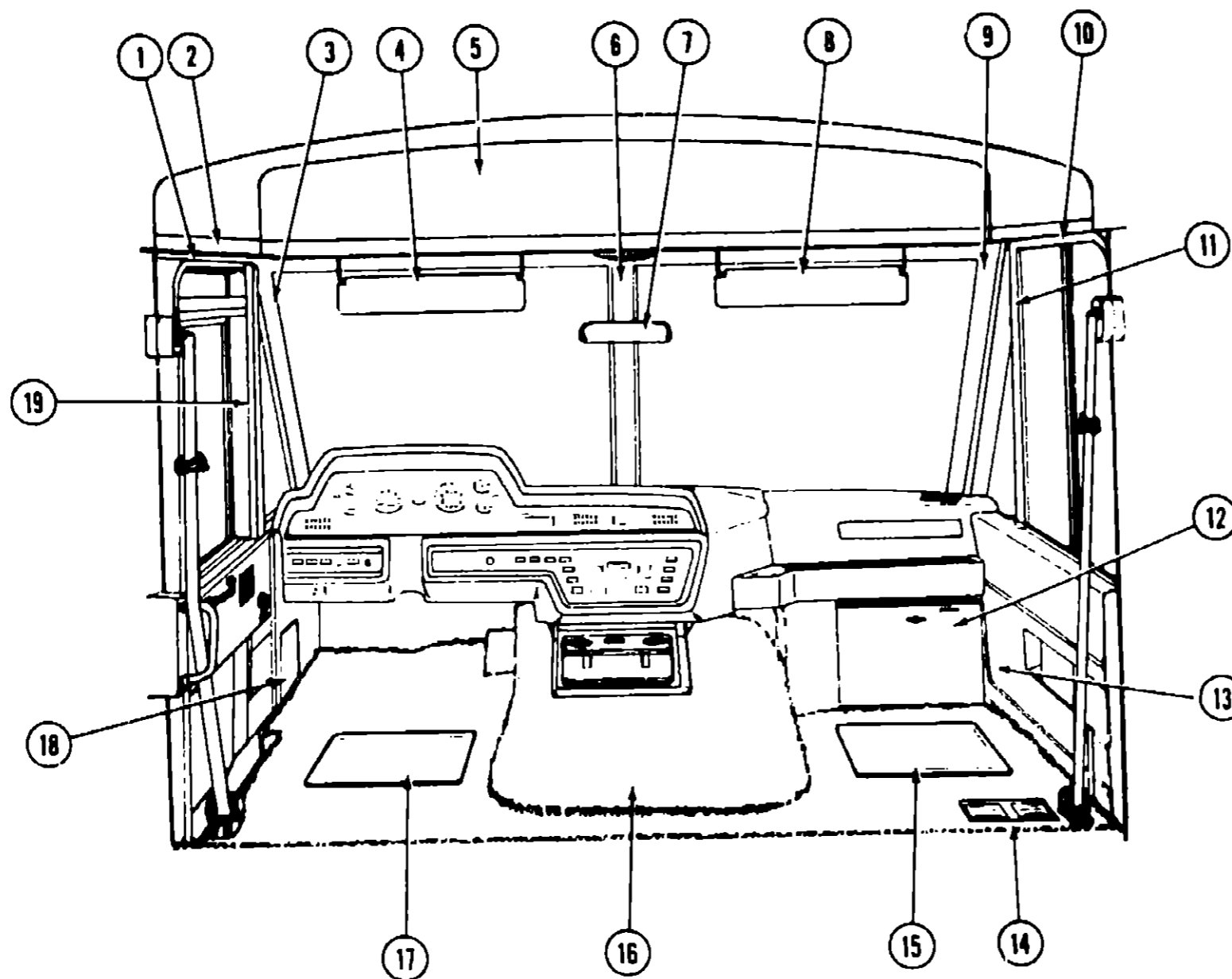
DRIVER'S COMPARTMENT GROUP

MISCELLANEOUS DRIVER'S COMPARTMENT COMPONENTS

1989 WINNEBAGO TABLE OF CONTENTS

WCN23RC
WCN27RT

A-01 - D-11
D-13 - G-23



1989 WCN27RT INDEX

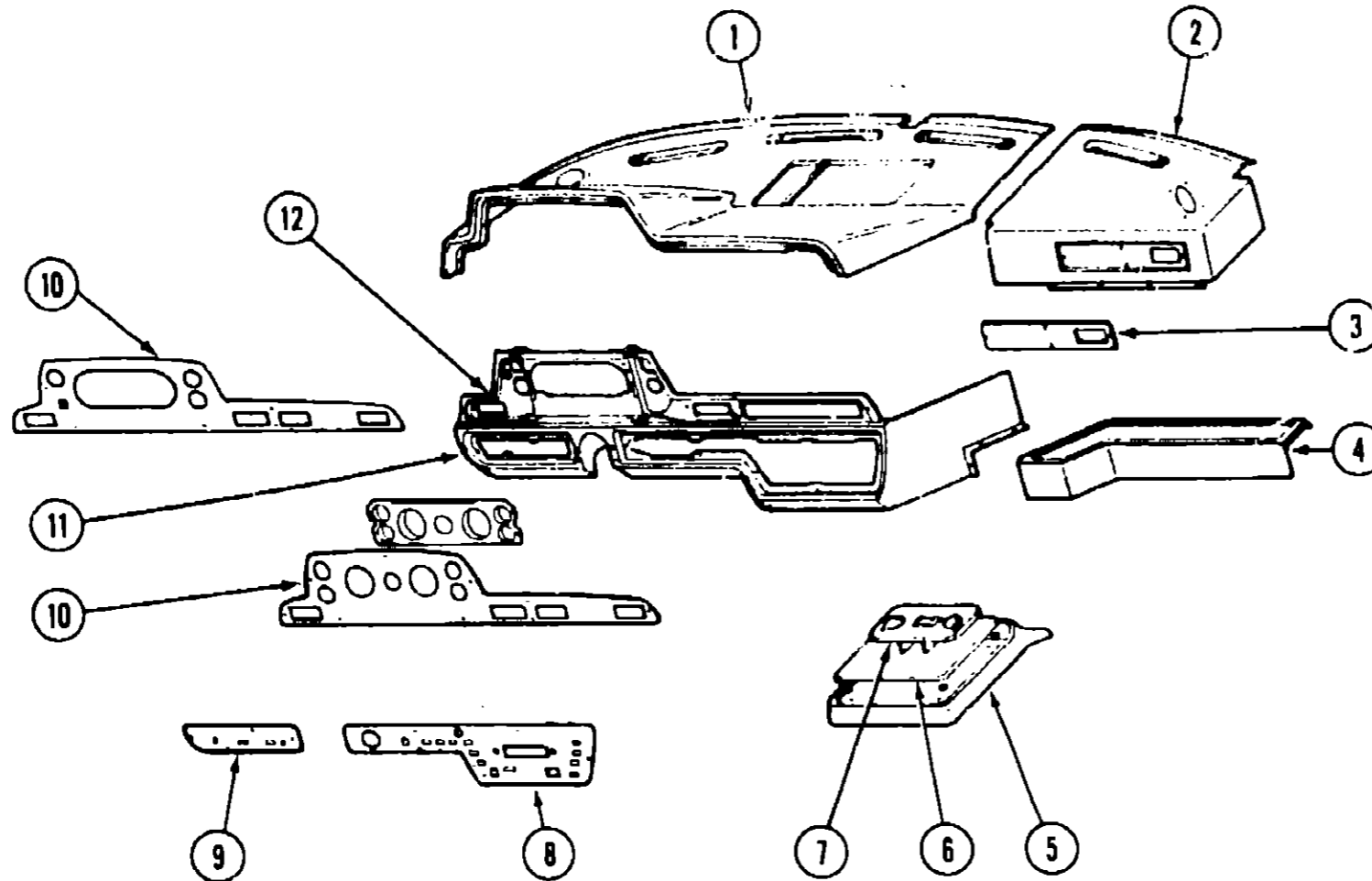
Floor Plan	D-13 - D-14
Accessories Group	D-15 - D-18
Bath Group	D-19
Chassis Group	D-20 - E-02
Curtain, Cushion & Pad Group	E-03 - E-16
Dinette Group	E-17 - E-18
Driver's Compartment Group	E-19 - F-02
Electrical Group	F-03 - F-06
Exterior Body Group	F-07 - F-15
Galley Group	F-16 - F-18
Heating & Air Conditioning Group	F-19 - F-20
Interior Finish Group	F-21 - F-22
LP Group	F-23
Lounge Group	F-24 - G-01
Water & Sewage Group	G-02 - G-05
Window, Vent & Exterior Door Group	G-06 - G-23

Key	Part Number	U/M	Description
1	079946-04-000	EA	Track - Front Wraparound - Left
2	092472-01-01A	EA	Trim Asm. - Lower - w/o Bunk
3	092584-02-01A	EA	Cover - "A" Pillar Trim - Left - Beige
4	082286-05-Y12	EA	Sunvisor Asm. - Driver
	007211-01-000	EA	Hinge - Sunvisor
	074012-01-000	EA	Clip - Sunvisor - Square Pinch-On
	085709-01-000	EA	Clip Asm. - Sunvisor - Black
5	093884-01-Y12	EA	Headliner Asm.
6	077114-03-000	EA	Cover - Panel Trim - Center - Beige
7	040714-01-000	EA	Mirror - Inside - Rear View
	040714-01-700	E/A	Kit - Inside Rear View Mirror
8	082286-06-Y12	EA	Sunvisor Asm. - w/Mirror
	007211-01-000	EA	Hinge - Sunvisor
	074012-01-000	EA	Clip - Sunvisor - Square Pinch-On
	065709-01-000	EA	Clip Asm. - Sunvisor - Black
	083153-01-000	EA	Mirror - Sunvisor - 3.5" x 7"

Key	Part Number	U/M	Description
9	092584-01-01A	EA	Cover - "A" Pillar Trim - Right - Beige
10	079946-03-000	EA	Track - Front Wraparound - Right
11	092585-01-01A	EA	Cover - Hinge Trim - Pillar - Right
12	095757-01-Y12	EA	Cover Asm. - Heater
13	092582-01-01A	EA	Panel - Lower Kick
14	093614-01-01A	EA	Grille
15	081202-01-000	EA	Floor Mat - Right (Option 63H)
16	075939-01-000	EA	Motor Cover
	075564-01-000	E/A	Mounting Bracket - Motor Cover
17	081201-01-000	EA	Floor Mat - Left - "Winnebago" (Option 63H)
18	092583-02-01A	EA	Panel - Lower Kick
19	092585-02-01A	EA	Cover - Hinge Trim Pillar - Left
	089294-01-000	EA	Cigarette Lighter Asm.
	036420-02-000	EA	Fan - Defroster - 6" Dia. - 2-Speed (Option 36N)
	024990-01-000	EA	Defroster Outlet - w/Swivel
	076783-02-000	EA	Lower Asm. - Air Conditioner - Adjustable Vent - Black

DRIVER'S COMPARTMENT GROUP (CONTINUED)

DASH PANELS & BEVERAGE TRAY



Key	Part Number	U/M	Description
1	085253-02-Y10	EA	Instrument Panel - Upper - Left
	076867-01-000	EA	Bracket - Instrument Panel - Large
	075867-02-000	EA	Bracket - Instrument Panel - Small
2	085252-02-Y10	EA	Instrument Panel - Upper - Right
	076872-01-000	EA	Bracket - Mounting - Right Panel
3	076797-01-000	EA	Instrument Panel Insert - Right
4	076734-05-000	EA	Tray - Instrument Panel - Right
5	076729-03-000	EA	Beverage Tray - Plastic - Beige
6	086752-02-000	EA	Trim Board - Beverage Tray
7	077431-04-000	EA	Beverage Tray - Wood
8	076217-14-000	EA	Instrument Panel - Lower - Right
8	076217-15-000	EA	Instrument Panel - Lower - Right - w/Low Air Indicator
9	076218-03-000	EA	Instrument Panel - Lower - Left
10	076216-08-000	EA	Instrument Panel - Upper
10	076216-10-000	EA	Instrument Panel - Upper (w/Generator)
10	076216-06-000	EA	Instrument Panel - Upper (w/o Generator)
11	076808-05-000	EA	Dash Panel - Lower
12	077353-01-000	EA	Shroud - Instrument Panel - w/Voltmeter & Vacuum Gauge
12	077353-09-000	EA	Shroud - Instrument Panel - w/Generator Hour, Voltmeter & Vacuum Gauge
	073741-03-000	EA	Speaker - Oval - 4" x 6"
	073741-04-000	EA	Grille - Oval Speaker - 4" x 6"
	077406-01-000	EA	Bracket - Hood Release Cable

• Parts used with Electronic Instrument Cluster.

1989 WINNEBAGO TABLE OF CONTENTS

WCN23RC
WCN27RT

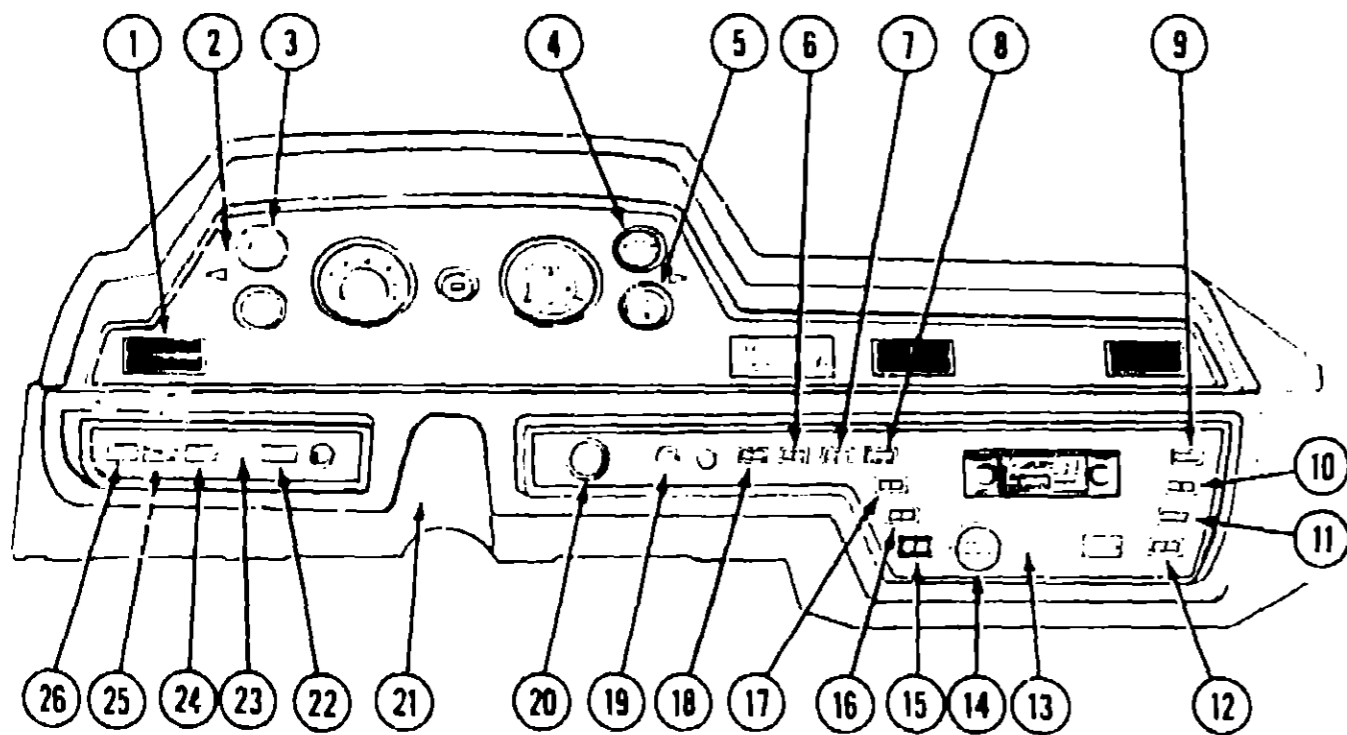
A-01 - D-11
D-13 - G-23

1989 WCN27RT INDEX

Floor Plan	D-13 - D-14
Accessories Group	D-15 - D-18
Bath Group	D-19
Chassis Group	D-20 - E-02
Curtain, Cushion & Pad Group	E-03 - E-16
Dinette Group	E-17 - E-18
Driver's Compartment Group	E-19 - F-02
Electrical Group	F-03 - F-06
Exterior Body Group	F-07 - F-15
Galley Group	F-16 - F-18
Heating & Air Conditioning Group	F-19 - F-20
Interior Finish Group	F-21 - F-22
LP Group	F-23
Lounge Group	F-24 - G-01
Water & Sewage Group	G-02 - G-05
Window, Vent & Exterior Door Group	G-06 - G-23

DRIVER'S COMPARTMENT GROUP (CONTINUED)

DASH SWITCHES & GAUGES



Key	Part Number	U/M	Description
1	076783-02-000	EA	Louver Asm. - A/C Adjustable
2	076216-08-000	EA	Instrument Panel - Upper - Chieftain
3	076216-08-000	EA	Instrument Panel - Upper - Chieftain
†2	076216-10-000	EA	Instrument Panel - Upper - Chieftain
	090938-01-000	EA	Cluster Asm. - Electronic Instrument Panel
	091242-01-000	EA	Cluster Asm. - Instrument Panel (CSA)
	077353-09-000	E	Shroud - Instrument Cluster
3	024460-04-000	EA	Gauge - Vacuum
4	024459-04-000	EA	Gauge - Voltmeter
5	031035-01-000	EA	Gauge - Hourmeter - Generator
6	076759-04-000	EA	Battery Condition Switch
7	076759-01-000	EA	Fog Light Switch (Option 57M)
8	076759-04-000	EA	Generator Switch (Option 39)
9	076759-06-000	EA	Switch - Blank
10	076759-09-000	EA	Aisle Light Switch
11	076759-01-000	EA	Map Light Switch
12	076759-01-000	EA	Beverage Tray Light Switch
13	076217-14-000	EA	Instrument Panel - Lower - Right
14	087202-02-000	EA	Auxiliary Heater Switch (Option 61)
14	090977-01-000	EA	Knob - Auxiliary Heater Switch (Option 61)
15	086272-01-000	EA	Battery Disconnect Switch
16	076759-09-000	EA	Power - Radio Switch
17	076759-03-000	EA	Auxiliary Fan Switch (Option 36N)
18	076759-01-000	EA	Air Horn Switch (Option 36R)
19	089294-01-000	EA	Lighter Asm. - Cigarette
20	N.P.N.	EA	Ignition Switch (Chevrolet)
21	076808-05-000	EA	Dash Panel - Lower - Left (w/o Electronic Instrument Panel)
21	076808-09-000	EA	Dash Panel - Lower - Left (w/ELectronic Instrument Panel)
22	076759-07-000	EA	Courtesy Bunk Switch
23	076218-03-000	EA	Instrument Panel - Lower - Left
24	076759-05-000	EA	Battery Mode Switch
25	076759-05-000	EA	Rear Washer Switch (Option 59F)
26	076759-01-000	EA	Rear Wiper Switch (Option 59F)
	076788-02-000	EA	Cardboard Cylinder - Lamp
	077031-01-000	EA	Film - Instrument Panel - Black
	077031-02-000	EA	Film - Instrument Panel - Amber
	076768-03-000	EA	Lamp Plate

† Parts used with the Electronic Instrument Cluster - w/Generator Option.
 * Parts used with the Electronic Instrument Cluster - w/o Generator Option.

1989 WINNEBAGO TABLE OF CONTENTS

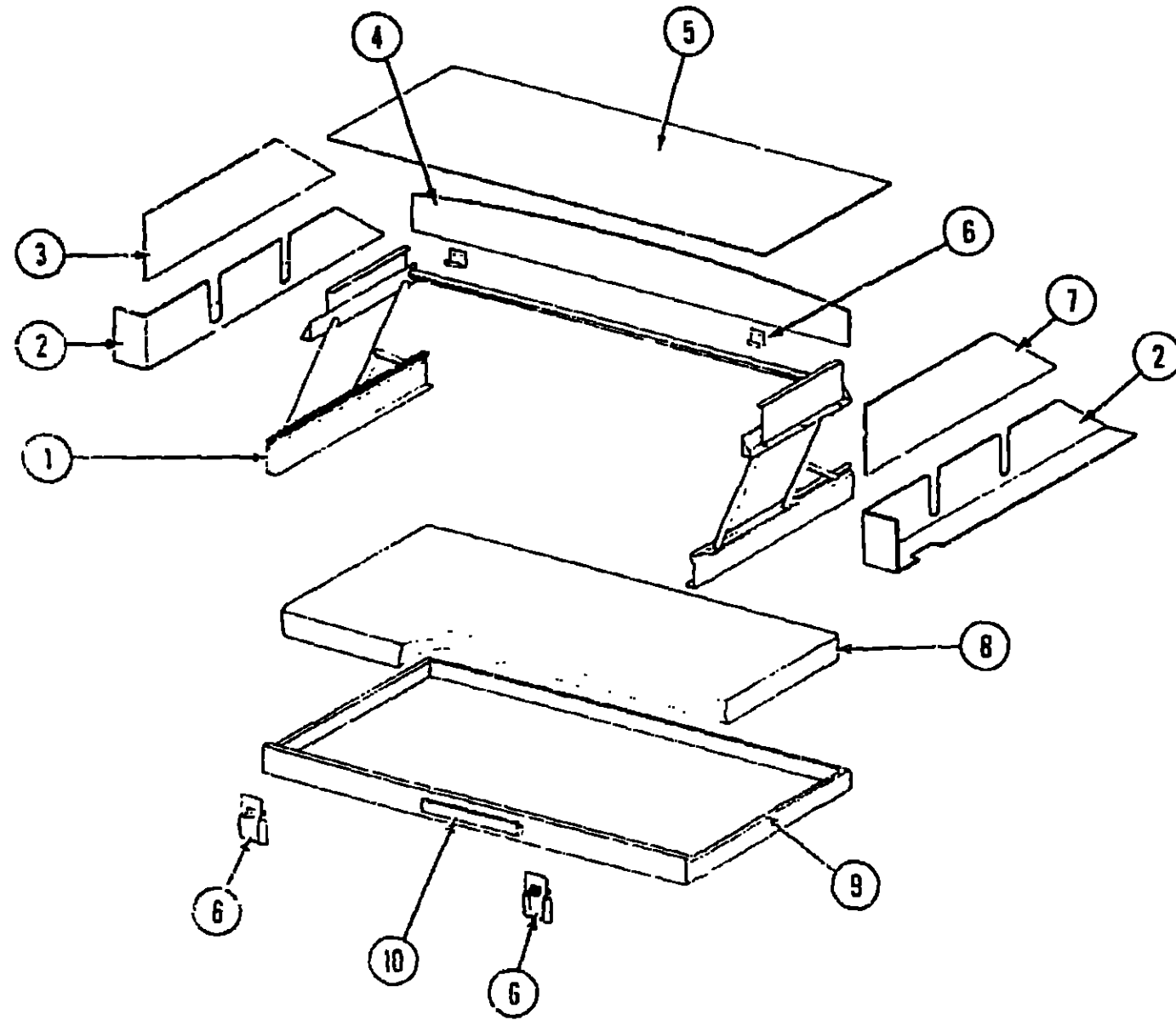
WCN23RC
WCN27RT

A-01 - D-11
D-13 - G-23

1989 WCN27RT INDEX

Floor Plan	D-13 - D-14
Accessories Group	D-15 - D-18
Bath Group	D-19
Chassis Group	D-20 - E-02
Curtain, Cushion & Pad Group	E-03 - E-16
Dinette Group	E-17 - E-18
Driver's Compartment Group	E-19 - F-02
Electrical Group	F-03 - F-06
Exterior Body Group	F-07 - F-15
Galley Group	F-16 - F-18
Heating & Air Conditioning Group	F-19 - F-20
Interior Finish Group	F-21 - F-22
LP Group	F-23
Lounge Group	F-24 - G-01
Water & Sewage Group	G-02 - G-05
Window, Vent & Exterior Door Group	G-06 - G-23

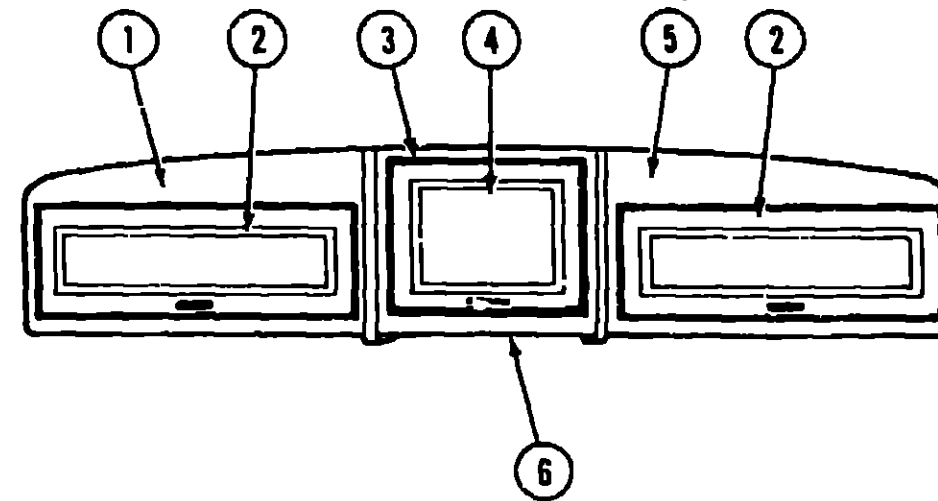
DRIVER'S COMPARTMENT GROUP (CONTINUED)



FRONT OVERHEAD BUNK & HARDWARE (OPTION 61H)

Key	Part Number	U/M	Description
1	075760-02-000	EA	Hardware Asm. - Overhead Bunk
2	092472-02-01A	EA	Trim - Lower Side - Bunk
3	092471-02-01A	EA	Trim - Upper Side - Bunk - Left
4	M93055-01-Y12	EA	Board Asm. - Bunk Trim w/Vinyl
5	093394-01-Y12	EA	Headliner Asm. - Front
6	042541-04-700	EA	Latch Asm. w/Strike (2 ea.)
7	092471-01-01A	EA	Trim - Upper Side - Bunk - Right
8	075145-05-000	EA	Cushion Asm. - 30" x 73" x 4"
9	061717-04-Y12	EA	Bed Asm. - Front Bunk
10	094559-01-Y12	EA	Handle - Oak
	075946-09-000	EA	Curtain Track - Front Wraparound - Right
	094393-01-000	EA	Curtain Track - Front Wraparound - Left

DRIVER'S COMPARTMENT GROUP (CONTINUED)



TV & VCR CABINETRY (OPTION L42)

Key	Part Number	U/M	Description
1	M93242-02-Y12	EA	Cabinet Asm. - Front Overhead - w/o Door or Hardware
2	M88304-C0-Y10	EA	Door Asm. - Front Overhead Cabinet - 7" x 25.1" - w/o Hardware
3	M93197-02-Y12	EA	Cabinet Asm. - Front - w/o Door or Hardware
3	093197-01-Y12	EA	Cabinet Asm. - Front Overhead - w/o TV Shelf
	093268-01-000	EA	Shelf Asm. - TV
	091258-03-000	EA	TV - 13" Color
	091907-02-000	EA	VCR-VHS - Table Model
	091996-01-000	EA	Separator - VHF/UHF Band
4	M88304-08-X11	EA	Door Asm. - Center Overhead - 12" x 18.7" - w/o Hardware
5	M93242-01-Y12	EA	Cabinet Asm. - Front Overhead - w/o Door or Hardware
6	089045-01-W13	EA	Pad Asm. - TV Cabinet - Vinyl
	070576-02-W13	EA	Button Asm. - Screw Stud - #30 - Vinyl
• Parts used with the TV Option only.			

**1989 WINNEBAGO
TABLE OF CONTENTS**

WCN23RC
WCN27RT

A-01 - D-11
D-13 - G-23

1989 WCN27RT INDEX

Floor Plan	D-13 - D-14
Accessories Group	D-15 - D-18
Bath Group	D-19
Chassis Group	D-20 - E-02
Curtain, Cushion & Pad Group	E-03 - E-16
Dinette Group	E-17 - E-18
Driver's Compartment Group	E-19 - F-02
Electrical Group	F-03 - F-06
Exterior Body Group	F-07 - F-15
Galley Group	F-16 - F-18
Heating & Air Conditioning Group	F-19 - F-20
Interior Finish Group	F-21 - F-22
LP Group	F-23
Lounge Group	F-24 - G-01
Water & Sewage Group	G-02 - G-05
Window, Vent & Exterior Door Group	G-06 - G-23

ELECTRICAL GROUP

WIRE SWITCHES & RECEPTACLES

Key	Part Number	U/M	Description
	008288-01-000	EA	Box - Electrical - 3" x 3.5" - Plastic
	008289-01-000	EA	Box - Electrical - 4" x 4" - 1/2 & 3/4 Steel
	008289-02-000	EA	Box - Electrical - 4" x 4" - 1/2 & 3/4 Steel (CSA)
	058049-01-000	EA	Box - Electrical - 2" x 3" x 2.25" - Steel (CSA)
	041953-01-000	FT	Conduit - Convolute Slit - .5" ID
	041953-03-000	FT	Conduit - Convolute Slit - 1" ID
	041953-06-000	FT	Conduit - Convolute Slit - .375" ID
	008353-01-000	EA	Connector - Clamping - 3/8 Cable
	008356-01-000	EA	Connector - Plastic - 3/8" Avg.
	058028-01-000	EA	Connector - Pigtail - Clear Nylon
	008311-01-000	EA	Connector - Wire Nut - Red
	008314-01-000	EA	Connector - Wire Nut - Gray
	008054-01-000	EA	Cord - Power - 10-3 30 Amp. - 25'
	008054-02-000	EA	Cord - Power - 10-3 30 Amp. - 33'
	008052-01-000	EA	Cord - Power - 10-3 30 Amp. - 25' (CSA)
	009426-01-000	EA	Hatch - Power Cord - White
	008294-01-000	EA	Cover Plate - Blank - Steel 4 x 4 (USA)
	008294-02-000	EA	Cover Plate - Blank - Steel 4 x 4 (CSA)
	074890-01-000	EA	Extension Ring - Electrical Box - 1 1/2
	074017-02-000	EA	Housing Asm. - 5 Position
	097744-02-000	EA	Housing Asm. - Trailer Pin - 48"
	097746-01-000	EA	Housing Asm. - Trailer Cap
	097745-02-000	EA	Housing Asm. - Trailer Receptacle - 48"
	082109-01-000	EA	Housing - Connector
	088473-01-000	EA	Housing Pin
	088473-02-000	EA	Housing Pin - 15 Position
	088473-03-000	EA	Housing Pin - 9 Position
	088473-05-000	EA	Housing Pin - 6 Position In Line
	088473-06-000	EA	Housing Pin - 6 Position
	088473-08-000	EA	Housing Pin - 4 Position
	088473-09-000	EA	Housing Pin - 3 Position
	088473-10-000	EA	Housing Pin - 2 Position
	088474-01-000	EA	Housing Socket
	088474-02-000	EA	Housing Socket - 15 Position
	088474-03-000	EA	Housing Socket - 9 Position
	088474-06-000	EA	Housing Socket - 6 Position
	088474-08-000	EA	Housing Socket - 4 Position
	088474-09-000	EA	Housing Socket - 3 Position
	063910-01-000	EA	Housing - Relay
	088475-01-000	EA	Pin - Connector
	075736-03-000	EA	Receptacle/Cover Asm. - Beige (Exterior)
	084077-01-000	EA	Receptacle Cover - Ivory (Ground Fault Interrupter)
	084077-02-000	EA	Receptacle Cover - Brown (Ground Fault Interrupter)
	084076-01-000	EA	Receptacle - 15 Amp - 125 Volt - Ivory (Ground Fault Interrupter)
	058708-02-000	EA	Receptacle - Duplex - Ivory
	024924-02-000	EA	Receptacle - Power Cord
	058707-01-000	EA	Receptacle - Single - Brown
	007940-01-000	EA	Receptacle - Slide - 16 to 12 Awg.
	086273-01-000	EA	Relay - Battery Disconnect
	067789-02-000	EA	Socket Asm. - Lamp
	088476-01-000	EA	Socket - Connector
	094086-01-01A	EA	Switch Plate - Single Gang - Black
	081066-02-000	EA	Switch Plate - 2 Gang - 2 Switch
	079362-04-000	EA	Switch Plate - 4 Gang - 2 Switch
	079363-03-000	EA	Switch Plate - Single w/Switch - Polished Brass
	079364-01-000	EA	Switch - ON/OFF Rocker - Brown
	079364-03-000	EA	Switch - ON/OFF - Rocker
	008195-01-000	EA	Switch - Push Button - 12 Volt
	076759-01-000	EA	Switch - SPST - Lock/Lock
	076759-03-000	EA	Switch - SPST - Lock/Lock/Lock
	076759-04-000	EA	Switch - SPDT - Mom/Lock/Mom
	076759-05-000	EA	Switch - SPDT - Lock/Lock/Mom

ELECTRICAL GROUP (CONTINUED)

WIRE SWITCHES & RECEPTACLES (CONT.)

Key	Part Number	U/M	Description
	076759-06-000	EA	Switch - Dummy
	076759-07-000	EA	Switch - SPST - Mom/Off/Lock
	076759-09-000	EA	Switch - SPDT - Lock/Lock
	073937-03-000	EA	Switch - Rotary - 3 Deck - A/C Select
	035416-04-000	EA	Terminal Ring - #10 Stud Fit
	008328-01-000	EA	Terminal Ring - 12/10 Wire
	008348-01-000	EA	Terminal Ring - 2 - 3/8 Stud
	008331-01-000	EA	Terminal Ring - 4 - 3/8 Stud
	062036-02-000	EA	Terminal - Pack - Con - 16/14 ANG
	008026-01-000	FT	Wire w/Ground - Romex - 12/2
	008343-01-000	EA	Wire Tie - 6"
	008343-02-000	EA	Wire Tie - 14"

FUSES & CIRCUIT BREAKERS

Key	Part Number	U/M	Description
	062901-02-000	EA	Fuse - 5 Amp. - Automotive
	062901-05-000	EA	Fuse - 15 Amp. - Automotive
	008211-01-000	EA	Circuit Breaker - 6 Amp. - 12 Volt
	093654-01-000	EA	Circuit Breaker - 6 Amp. - 12 Volt
	093654-02-000	EA	Circuit Breaker - 15 Amp. - 12 Volt
	083210-02-000	EA	Circuit Breaker - 15 Amp - 120 Volt (Ground Fault Interrupter)
	083209-02-000	EA	Circuit Breaker - 15/15 Amp. - 120 Volt
	083209-03-000	EA	Circuit Breaker - 15/20 Amp. - 120 Volt
	093654-03-000	EA	Circuit Breaker - 20 Amp. - 12 Volt
	083209-05-000	EA	Circuit Breaker - 20 Amp. - 120 Volt
	093655-01-000	EA	Circuit Breaker - 25 Amp. - 12 Volt
	093655-02-000	EA	Circuit Breaker - 30 Amp. - 12 Volt
	083209-06-000	EA	Circuit Breaker - 30/15 Amp. - 120 Volt
	093655-03-000	EA	Circuit Breaker - 40 Amp. - 12 Volt

MISCELLANEOUS ELECTRICAL COMPONENTS

Key	Part Number	U/M	Description
	063739-01-000	EA	Battery - 12 Volt - 80 Amp. - Gould
	036420-02-000	EA	Fan - Defroster - 6" - 2 Speed (Option 36N)
	089294-01-000	EA	Lighter Asm. - Cigarette
	072852-01-000	EA	Smoke Detector w/9 Volt Battery
	067762-01-000	EA	Converter - 40 Amp. w/Charger (UL)
	067762-02-000	EA	Converter - 40 Amp. w/Charger (CSA)
	092615-01-000	EA	Converter - 40 Amp. w/Charger (Export)
	051912-01-000	EA	Transformer - Dry Control (Export)
	093674-01-000	EA	Plate - Push Button Circuit Breaker
	092547-01-000	EA	Label - Circuit Breaker Plate

BULBS

Key	Part Number	U/M	Description
	008103-01-000	EA	Bulb - 53 (Aisle Light)
	036196-01-000	EA	Bulb - 194 (Courtesy & Clearance Lights)
	072696-01-709	EA	Bulb - 912 (Stove Hood)
	008215-01-000	EA	Bulb - 1003 (Shower Light)
	067479-01-000	EA	Bulb - 1076 (Wall Lamp)
	063914-01-000	EA	Bulb - 1139 (Reading Light)
	008218-01-000	EA	Bulb - 1141 (Dome Light)
	037934-01-000	EA	Bulb - 1156 (Back-Up Light)
	081633-01-700	EA	Bulb - Make-Up Light
	084880-01-706	EA	Bulb - DC Light (Refrigerator)
	088737-01-710	EA	Bulb - 30W (Microwave Oven)
	078424-02-700	EA	Bulb - Fluorescent - 18" (Galley)
	091937-03-000	EA	Bulb - Fluorescent - 18" (Ceiling)

1989 WINNEBAGO TABLE OF CONTENTS

WCN23RC
WCN27RT

A-01 - D-11
D-13 - G-23

1989 WCN27RT INDEX

Floor Plan	D-13 - D-14
Accessories Group	D-15 - D-18
Bath Group	D-19
Chassis Group	D-20 - E-02
Curtain, Cushion & Pad Group	E-03 - E-16
Dinette Group	E-17 - E-18
Driver's Compartment Group	E-19 - F-02
Electrical Group	F-03 - F-06
Exterior Body Group	F-07 - F-15
Galley Group	F-16 - F-18
Heating & Air Conditioning Group	F-19 - F-20
Interior Finish Group	F-21 - F-22
LP Group	F-23
Lounge Group	F-24 - G-01
Water & Sewage Group	G-02 - G-05
Window, Vent & Exterior Door Group	G-06 - G-23

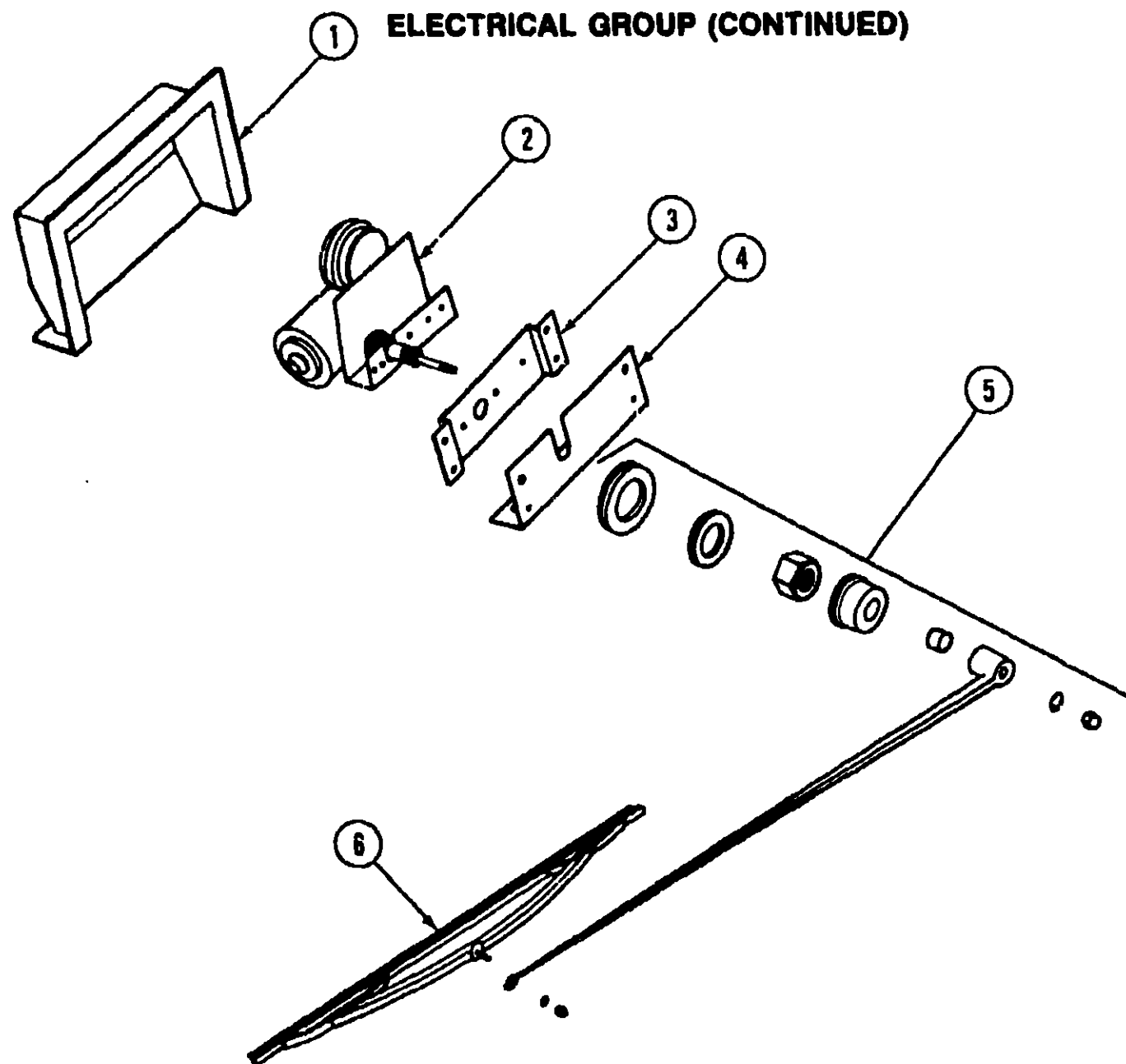
ELECTRICAL GROUP (CONTINUED)

INTERIOR LIGHTS & BULBS

Key	Part Number	U/M	Description
	065202-03-000	EA	Lamp Asm. - Wall Decor - Brass & Cream
	065201-05-000	EA	Shade - Wall Lamp - Bone
	067479-01-000	EA	Bulb - Wall Lamp
	033508-02-000	EA	Dome Light - 1 Bulb - Ivory (US)
	033508-03-000	EA	Dome Light - 1 Bulb - Ivory (CSA)
	033509-02-000	EA	Dome Light - 2 Bulb - Ivory (US)
	033509-03-000	EA	Dome Light - 2 Bulb - Ivory (CSA)
	R77013-48-179	EA	Switch - Dome Light
	008218-01-000	EA	Bulb - Dome Light
	078424-02-000	EA	Light Asm. - Fluorescent - 12V - 18" - Almond (Galley)
	078424-02-701	EA	Lens - Fluorescent Light - 18"
	078424-02-700	EA	Bulb - Fluorescent Light - 12V - 18"
	091937-01-000	EA	Light Asm. - Fluorescent - 12V - 19" - Almond (Ceiling)
	091937-02-000	EA	Lens - Fluorescent Light - 18"
	091937-03-000	EA	Bulb - Fluorescent Light - 18"
	072353-08-000	EA	Light Asm. - Reading - 360° Swivel - Tan
	063914-01-000	EA	Bulb - Reading Light
	061424-01-000	EA	Light Asm. - 12V - Rectangular - Aisle
	008103-01-000	EA	Bulb - Aisle Light
	068937-04-000	EA	Light Asm. - Surface - No Switch (Shower)
	008215-01-000	EA	Bulb - Light - #1003
	081633-01-000	EA	Light Asm. - Make-Up (US)
	081633-02-000	EA	Light Asm. - Make-Up (CSA)
	081633-01-700	EA	Bulb - Make-Up Light
	087694-02-000	EA	Light Asm. - Wardrobe w/Switch
	087694-01-700	EA	Bulb - Wardrobe - Light
	090353-05-000	EA	Light Asm. - Map - Double
	077026-01-000	EA	Lens - Courtesy Light (Beverage Tray)
	077000-01-000	EA	Socket Asm. w/Pigtail
	036196-01-000	EA	Bulb - Courtesy Light
	076788-01-000	EA	Socket - Lamp - Mini - Bayonet (Dash)
	082169-01-000	EA	Light - Make Up - 3 Bulb

EXTERIOR LIGHTS & BULBS

Key	Part Number	U/M	Description
	081250-01-000	EA	Light Asm. - Clearance - Amber
	081250-01-700	EA	Lens - Clearance - Amber
	081250-02-000	EA	Light Asm. - Clearance - Red
	081250-02-700	EA	Lens - Clearance - Red
	036196-01-000	EA	Bulb - Clearance Lights
	081437-01-000	EA	Bracket - Clearance Lights
	089289-01-000	EA	Light Asm. - Side Marker - Red
	089289-02-000	EA	Light Asm. - Side Marker - Amber
	089291-01-000	EA	Light Asm. - Turn Signal - Red
	089292-01-000	EA	Light Asm. - Turn Signal - Amber
	089290-01-000	EA	Light Asm. - Back-Up - Red/Clear
	037934-01-000	EA	Bulb - Back-Up Light
	076795-01-000	EA	Light Asm. - License
	070907-01-000	EA	Headlamp Capsule Asm. - Rectangular
	091838-01-01A	EA	Bezel - Headlamp - Right
	091838-02-01A	EA	Bezel - Headlamp - Left
	033508-02-000	EA	Lamp Asm. - Storage Compartment - Ivory (US)
	033508-03-000	EA	Lamp Asm. - Storage Compartment - Ivory (CSA)
	008089-01-000	EA	Porch Light - Recessed (US)
	008089-02-000	EA	Porch Light - Recessed (CSA)
	008089-01-700	EA	Lens - Porch Light
	091981-01-000	EA	Gasket - Porch Light
	008215-01-000	EA	Bulb - Porch Light
	088747-01-000	EA	Light Asm. - Fog Light - Clear Lens (Option 57M)
	088747-01-700	EA	Lens - Fog Light
	070907-01-000	EA	Headlamp Capsule Asm. - Rectangular



Key	Part Number	U/M	REAR WIPER & WASHER (OPTION 59F) Description
1	094079-01-01A	EA	Cover - Rear Wiper - Beige
2	085721-01-000	EA	Motor Asm. - Wiper - 93°
3	094081-01-000	EA	Bracket - Rear Wiper
4	094080-02-000	EA	Bracket Asm. - Rear Wiper
5	057653-02-000	EA	Arm - Windshield Wiper - 20"
6	049464-03-000	EA	Blade - 20" Wiper
	056000-03-000	EA	Washer Asm. - Rear Window
	061603-01-000	EA	Grommet - Snap - 3/16 ID
	071015-21-000	EA	Grommet - .50 ID

Key	Part Number	U/M	WINDSHIELD WIPER & WASHER Description
	056000-02-000	EA	Washer Asm. - Windshield
	072472-04-000	EA	Arm - Windshield Wiper - 29" - Black
	049464-03-000	EA	Blade Asm. - Windshield Wiper - 20" - Black
	049464-03-700	EA	Blade - Wiper Refill
	067190-04-000	EA	Shaft & Pivot Asm.
	077048-01-000	EA	Shaft Adapter - Pantograph Arm
	067191-02-700	EA	Drive Motor Asm. - Wiper
	067192-01-000	EA	Link Asm. - Connection - 39"
	067193-02-000	EA	Link Asm. - Connection - 8.10"
	067188-01-000	EA	Stud - Crank Wiper
	091206-02-000	EA	Control - Wiper
	045794-01-000	FT	Hose - 5/32" ID - Black

F-5

F-6

1989 WINNEBAGO TABLE OF CONTENTS

WCN23RC
WCN27RT

A-01 - D-11
D-13 - G-23

1989 WCN27RT INDEX

Floor Plan	D-13 - D-14
Accessories Group	D-15 - D-18
Bath Group	D-19
Chassis Group	D-20 - E-02
Curtain, Cushion & Pad Group	E-03 - E-16
Dinette Group	E-17 - E-18
Driver's Compartment Group	E-19 - F-02
Electrical Group	F-03 - F-06
Exterior Body Group	F-07 - F-15
Galley Group	F-16 - F-18
Heating & Air Conditioning Group	F-19 - F-20
Interior Finish Group	F-21 - F-22
LP Group	F-23
Lounge Group	F-24 - G-01
Water & Sewage Group	G-02 - G-05
Window, Vent & Exterior Door Group	G-06 - G-23

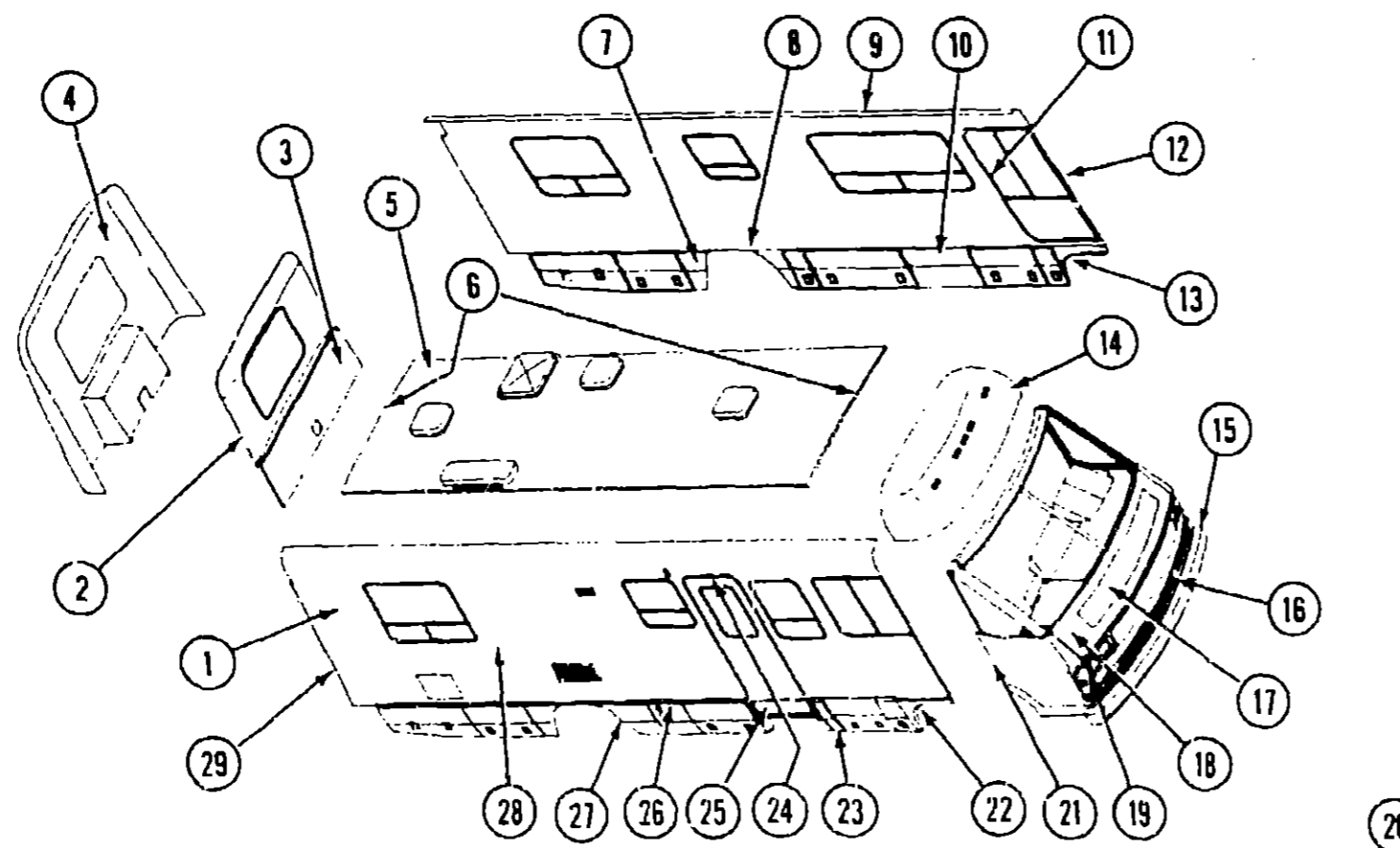
EXTERIOR BODY GROUP

EXTERIOR BODY PANELS & TRIM

1989 WINNEBAGO TABLE OF CONTENTS

WCN23RC
WCN27RT

A-01 - D-11
D-13 - G-23



1989 WCN27RT INDEX

Key	Part Number	U/M	Description
1	M94196-01-Y12	EA	Sidewall Asm. - Passenger
1	M94196-01-Y13	EA	Sidewall Asm. - Passenger
1	M94196-01-Y14	EA	Sidewall Asm. - Passenger
2	092732-01-Y12	EA	Backwall Asm. - Twin Bed - Upper
2	092732-01-Y13	EA	Backwall Asm. - Twin Bed - Upper
2	092732-01-Y14	EA	Backwall Asm. - Twin Bed - Upper
3	092526-01-Y10	EA	Backwall Asm. - Twin Bed - Lower
4	M03490-01-Y10	EA	Rear Cap Asm. - Backwall
5	M94150-01-Y12	EA	Roof Asm.
6	083805-14-000	EA	Trim - Front & Rear Caps to Roof
7	093244-01-Y10	EA	Wheel Well Panel - Drivers Rear - Plastic
8	094354-01-01A	EA	Trim - Rear Wheel Well - Drivers or Passenger
9	M94147-01-Y12	EA	Sidewall Asm. - Drivers
9	M94147-01-Y13	EA	Sidewall Asm. - Drivers
9	M94147-01-Y14	EA	Sidewall Asm. - Drivers
10	093021-09-Y12	EA	Valance Panel - 30.39" - Off White
	092689-01-02A	EA	End Cap - Valance Panel - Left - Off White
	092689-02-02A	EA	End Cap - Valance Panel - Right - Off White
11	092646-01-01A	EA	Garnish Trim - Drivers Door - Rear - Beige
12	092647-01-01A	EA	Garnish Trim - Drivers Door - Front & Top - Beige
	092661-01-01A	EA	Threshold - Drivers Door - Beige
13	092588-02-01A	EA	Wheel Well Panel - Front Drivers
14	M02959-01-W07	EA	Front Cap - Over Windshield
15	091840-02-01A	EA	Bumper End Cap - Front Drivers - Brown
16	092901-01-Y10	EA	Grille Asm. - Center
	092414-01-000	FT	Chrome Trim - Grille

Key	Part Number	U/M	Description
17	092677-01-Y10	EA	Hood Asm. - Beige
	093851-01-Y12	EA	Hinge Asm. - Hood - Passengers
	093851-02-Y12	EA	Hinge Asm. - Hood - Drivers
18	M01115-20-Y10	EA	Front Shroud Panel
19	091838-01-01A	EA	Headlamp Bezel - Passenger - Black
	091838-02-01A	EA	Headlamp Bezel - Drivers - Black
	070907-01-000	EA	Headlamp Capsule Asm.
20	091986-01-000	EA	Reveal Molding - Windshield
21	096204-01-01A	EA	J-Trim - Fiberboard Trim - Beige
22	092588-01-01A	EA	Wheel Well Panel - Front - Passenger
23	093021-02-Y12	EA	Valance Panel - 4.05" - Off White
	092689-01-02A	EA	End Cap - Valance Panel - Left - Off White
	092689-02-02A	EA	End Cap - Valance Panel - Right - Off White
24	044582-01-000	EA	Drip - Molding - Entrance Door - Beige
25	093673-01-02A	FT	Body Molding - Entrance Door - Beige Vinyl
26	092301-01-01A	FT	Body Molding - Off White Vinyl
27	093244-01-Y10	EA	Wheel Well Panel - Passengers
28	M94147-01-Y12	EA	Sidewall Asm. - Passengers
	M94147-01-Y13	EA	Sidewall Asm. - Passengers
	M94147-01-Y14	EA	Sidewall Asm. - Passengers
29	092041-01-01A	EA	Trim - Rear Cap to Sidewall - Beige
	091985-01-02A	FT	Trim Insert - Cap to Sidewall - Beige
	076322-02-000	FT	Tape - Double Coated Foam - .045" x 1"
	076322-03-000	FT	Tape - Double Coated Foam - .045" x .5"
	079368-01-000	FT	Bulb Seal - Drivers & Access Doors
	090340-01-000	FT	Seal - Closed Cell Foam - .25" x .5" x 50' - Access Doors
	094355-01-01A	EA	Trim - Valance Panel to Sidewall - 6.3' - Hinge Look-a-Like

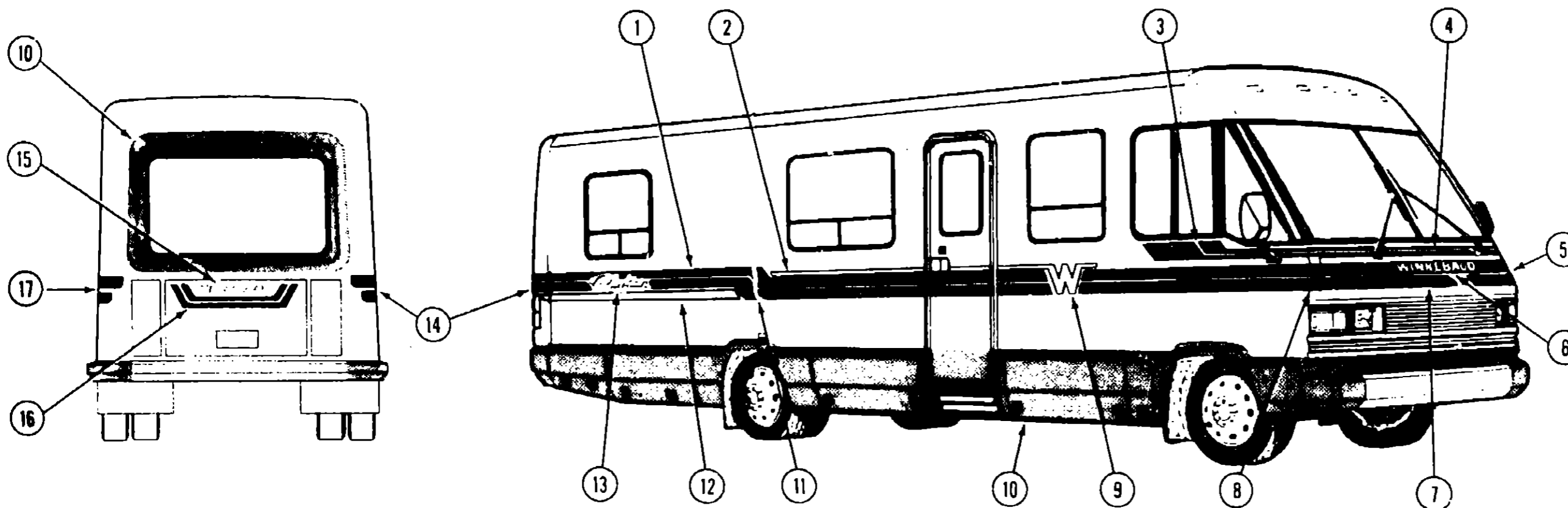
F-7

F-8

Floor Plan	D-13 - D-14
Accessories Group	D-15 - D-18
Bath Group	D-19
Chassis Group	D-20 - E-02
Curtain, Cushion & Pad Group	E-03 - E-16
Dine'te Group	E-17 - E-18
Driver's Compartment Group	E-19 - F-02
Electrical Group	F-03 - F-06
Exterior Body Group	F-07 - F-15
Galley Group	F-16 - F-18
Heating & Air Conditioning Group	F-19 - F-20
Interior Finish Group	F-21 - F-22
LP Group	F-23
Lounge Group	F-24 - G-01
Water & Sewage Group	G-02 - G-05
Window, Vent & Exterior Door Group	G-06 - G-23

EXTERIOR BODY GROUP (CONTINUED)

DECALS, FILM STRIPE & PAINT



1989 WINNEBAGO TABLE OF CONTENTS

WCN23RC
WCN27RT

A-01 - D-11
D-13 - G-23

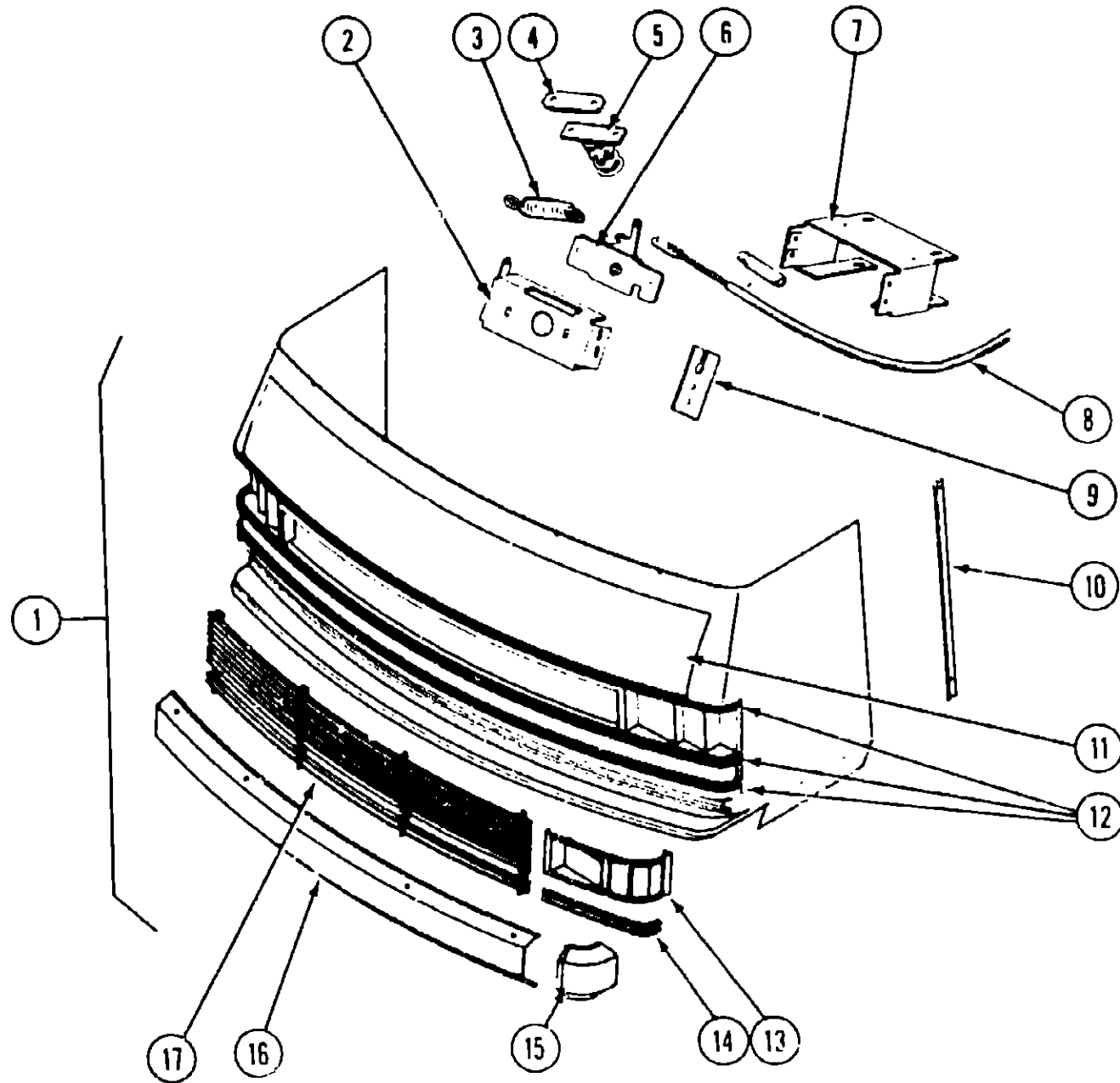
Key	Part Number	U/M	Description
1	093680-10-01A	FT	Film - Multi-Stripe - 6.8" x 150' - Rose/Blue (Y12, Y14)
1	093680-10-02A	FT	Film - Multi-Stripe - 6.8" x 150' - Brown/Green (Y13)
2	093681-03-02A	FT	Film - Stripe - 1.4" x 150' - Brown
3	092991-01-01A	EA	Decal - Corner - Upper Front - Passenger - Blue/Rose (Y12, Y14)
3	092991-01-02A	EA	Decal - Corner - Upper Front - Passenger - Green/Brown (Y13)
	092991-02-01A	EA	Decal - Corner - Upper Front - Driver - Blue/Rose (Y12, Y14)
	092991-02-02A	EA	Decal - Corner - Upper Front - Driver - Green/Brown (Y13)
4	093680-12-01A	FT	Film - Multi-Stripe - 2.1" x 150' - Rose/Blue (Y12, Y14)
4	093680-12-02A	FT	Film - Multi-Stripe - 2.1" x 150' - Green/Brown (Y13)
5	092990-01-01A	EA	Decal - Corner - Lower Front - Rose/Blue (Y12, Y14)
5	092990-01-02A	EA	Decal - Corner - Lower Front - Brown/Green (Y13)
6	069745-03-000	EA	Decal - "Winnie" - Chrome
6	069745-04-000	EA	Decal - "Bago" - Chrome
7	092989-01-01A	EA	Decal - Hood - Rose/Blue (Y12, Y14)
7	092989-01-02A	EA	Decal - Hood - Green/Brown (Y13)
8	092990-02-01A	EA	Decal - Corner - Lower Front - Rose/Blue (Y12, 14)
8	092990-02-02A	EA	Decal - Corner - Lower Front - Brown/Green (Y13)
9	079351-34-000	EA	Decal - Flying "W" - Brown
10	089363-06-700	EA	Paint Kit - Taupe - Metallic
11	093705-01-01A	EA	Decal - Side Step Lower - Passenger - Rose/Blue (Y12, Y14)
11	093705-01-02A	EA	Decal - Side Step Lower - Passenger - Brown/Green (Y13)
	093705-02-01A	EA	Decal - Side Step Lower - Driver - Rose/Blue (Y12, Y14)
	093705-02-02A	EA	Decal - Side Step Lower - Driver - Brown/Green (Y13)
12	093681-02-02A	FT	Film Stripe - 3.2" x 150' - Brown
13	058719-03-000	EA	Decal - Logo - "Chieftain" - Chrome
14	092993-02-01A	EA	Decal - Rear Corner - Rose/Blue/Brown (Y12, Y14)
14	092993-02-02A	EA	Decal - Rear Corner - Brown/Green/Brown (Y13)
15	092995-01-01A	EA	Decal - Logo - "Winnebago" - Black
16	092994-01-01A	EA	Decal - Tire Cover - Rose/Blue (Y12, Y14)
16	092994-01-02A	EA	Decal - Tire Cover - Brown/Green (Y13)
17	092993-02-01A	EA	Decal - Rear Corner - Rose/Blue/Brown (Y12, Y14)
17	092993-02-02A	EA	Decal - Rear Corner - Brown/Green/Brown (Y13)

1989 WCN27RT INDEX

Floor Plan	D-13 - D-14
Accessories Group	D-15 - D-18
Bath Group	D-19
Chassis Group	D-20 - E-02
Curtain, Cushion & Pad Group	E-03 - E-16
Dinette Group	E-17 - E-18
Driver's Compartment Group	E-19 - F-02
Electrical Group	F-03 - F-06
Exterior Body Group	F-07 - F-15
Galley Group	F-16 - F-18
Heating & Air Conditioning Group	F-19 - F-20
Interior Finish Group	F-21 - F-22
LP Group	F-23
Lounge Group	F-24 - G-01
Water & Sewage Group	G-02 - G-03
Window, Vent & Exterior Door Group	G-04 - G-05

EXTERIOR BODY GROUP (CONTINUED)

FRONT END PANELS & HARDWARE



Key	Part Number	U/M	Description
1	M01115-20-Y10	EA	Panel Asm. - Front Shroud (includes access panel)
2	073336-02-000	EA	Bracket - Mounting Latch
3	R77006-38-499	EA	Spring - Hood Release
4	R77006-68-172	EA	Shim - Spacer Plate
5	R77007-01-950	EA	Striker & Spring - Hood Latch
6	R77007-51-429	EA	Latch Asm. - Hood
7	073342-01-000	EA	Bracket Asm. - Hood Latch
8	077064-01-000	EA	Cable - Hood Release - w/Clamp
9	077407-01-000	EA	Bracket - Hood Cable Release (mounts under the hood)
	077406-01-000	EA	Bracket - Hood Cable Release (mounts under the dash)
10	096204-01-01A	EA	Trim - "J" Molding - Beige
11	092677-01-Y10	EA	Access Panel Asm. - Hood
	058786-02-000	EA	Hood Bolt Adjusting
	076716-01-000	EA	Bracket Asm. - Striker Latch
	093851-01-Y12	EA	Hinge Asm. - Hood - Passenger
	093851-02-Y12	EA	Hinge Asm. - Hood - Driver
	076767-02-000	EA	Cable Asm. - 1/16" x 16.5" - Stainless Steel
	091955-01-000	EA	Squeegee - Extended Handle
	091952-01-000	EA	Clip - 1" Gripper
	093527-01-000	EA	Bracket - Squeegee
12	092414-01-000	FT	Trim - Chrome
13	091838-02-01A	EA	Bezel - Headlamp - Driver
	091838-01-01A	EA	Bezel - Headlamp - Passenger
	070907-01-000	EA	Headlamp Capsule Asm. - Rectangular
	091230-02-000	EA	Screw - Headlamp Bezel - 8.32 x 3/4 POH
	063749-02-000	EA	Housing Asm. - Headlamp
14	093014-01-Y10	EA	Bar Asm. - Grille - End
15	091840-02-01A	EA	End Cap - Bumper - Driver
	091840-01-01A	EA	End Cap - Bumper - Passenger
16	091994-01-03A	EA	Bumper Asm. - Chrome
17	092901-01-Y10	EA	Grille Asm. - 10 Bar

1989 WINNEBAGO TABLE OF CONTENTS

WCN23RC
WCN27RT

A-01 - D-11
D-13 - G-23

1989 WCN27RT INDEX

Floor Plan	D-13 - D-14
Accessories Group	D-15 - D-18
Bath Group	D-19
Chassis Group	D-20 - E-02
Curtain, Cushion & Pad Group	E-03 - E-16
Dinette Group	E-17 - E-18
Driver's Compartment Group	E-19 - F-02
Electrical Group	F-03 - F-06
Exterior Body Group	F-07 - F-15
Galley Group	F-16 - F-19
Heating & Air Conditioning Group	F-19 - F-20
Interior Finish Group	F-21 - F-22
LP Group	F-23
Lounge Group	F-24 - G-01
Water & Sewage Group	G-02 - G-05
Window, Vent & Exterior Door Group	G-06 - G-23

EXTERIOR BODY GROUP (CONTINUED)

LABELS & TAGS

Key	Part Number	U/M	Description
	091243-01-000	EA	Label - Air Conditioner Cover
	074983-01-000	EA	Label - Air Conditioner Selector Switch
	087236-01-000	EA	Label - TV Cable Input
	095721-06-000	EA	Label - Control Center - w/o Microwave
	093236-01-000	EA	Label - Circuit Breaker Main
	093237-01-000	EA	Label - Circuit Breaker - Front - Battery Condition/Radio
	093237-02-000	EA	Label - Circuit Breaker - Front - Power Seat
	092547-01-000	EA	Label - Circuit Breaker
	096506-01-000	EA	Label - Compartment Not Sealed
	065748-01-000	EA	Label - Caution - Battery Charging
	006195-01-000	EA	Label - Electrical Test
	047731-01-000	EA	Label - Emergency Exit
	006199-01-000	EA	Label - Exit - Escape Window
	094675-01-000	EA	Label - Exterior Light Service
	061417-01-000	EA	Label - Fuel
	087207-02-000	EA	Label - Fuel Cap Removal
	094622-01-000	EA	Label - Fuel Pump - Power
	006196-01-000	EA	Label - Gas Test
	077510-01-000	EA	Label - Generator Prep
	054531-01-000	EA	Label - LP Gas Only
	073998-01-000	EA	Label - LP Ordor Warning
	061606-01-000	EA	Label - Overlay, Vehicle Certification
	088757-01-000	EA	Label - Retail - 8 5/8" x 12 7/8"
	056259-01-000	EA	Label - Safety Check List
	006064-01-000	EA	Label - Seat - w/o Seatbelts - USA
	006064-02-000	EA	Label - Seat - w/o Seatbelts - CSA
	006187-01-000	EA	Label - Sewage
	091224-02-000	EA	Label - Trailer Lighting
	075221-01-000	EA	Label - Trailer Hitch Capacity
	075221-03-000	EA	Label - Trailer Hitch
	090342-01-000	EA	Label - Vapor Relief
	050225-01-000	EA	Label - Warning - Stove Vent - US
	075220-01-000	EA	Label - Warning - Exterior Load
	077956-01-000	EA	Label - Warning - Smoke Detector
	079966-01-000	EA	Label - Warning - Stowed Motion
	006188-01-000	EA	Label - Waste Water
	006197-01-000	EA	Label - Water Test
	006062-01-000	EA	Tag - Electrical - 110 Volt Connection
	006040-01-000	EA	Tag - Refueling Warning
	006040-02-000	EA	Tag - Refueling Warning - CSA
	006019-01-000	EA	Tag - RVI Approved - Plastic
	088410-02-000	EA	Decal - Rear Auto Heater

MENDE BOARD, ALUMINUM & STYROFOAM

Key	Part Number	U/M	Description
	081395-14-000	EA	Panel - Fiberglass - Mende Board - Beige - 78.75" x 32.25"
	081395-23-000	EA	Panel - Fiberglass - Mende Board - Beige - 23.62" x 120"
	081395-07-000	EA	Panel - Fiberglass - Mende Board - Beige - 48" x 96"
	044487-01-001	EA	Aluminum - Mill Finish - No Design (Roof) - 96" x 360"
	000868-01-000	SF	Styrofoam - 3/4" x 24" x 96"
	000870-02-000	SF	Styrofoam - 1.5" x 48" x 96"
	000870-03-000	SF	Styrofoam - 1.34" x 48" x 96"
	083574-01-000	SF	Styrofoam - 1.5" x 24" x 85.25"

EXTERIOR BODY GROUP (CONTINUED)

SEALANTS & ADHESIVES

Key	Part Number	U/M	Description
	002337-01-000	EA	Adhesive - 1300 Tube - 3M (Window)
	004005-02-000	EA	Adhesive - Swifts - 1 Gallon (Sidewall)
	004006-04-700	EA	Adhesive - Pierce - 1 Gallon (Sidewall)
	075672-02-000	EA	Adhesive - Scotch Rubber Gripper (Rear Cap)
	081377-01-000	EA	Adhesive - Cyanoacrylate (Window & Door)
	053766-02-000	EA	Bedding Compound - Tube - White (Exterior)
	053766-07-000	EA	Bedding Compound - Tube - Clear (Window)
	053766-07-000	EA	Bedding Compound - Tube - Beige (Exterior)
	011129-01-000	EA	Seal - Plumbing Pipe - Roof - For 1 1/2" OD Pipe
	077967-01-000	EA	Sealant - Acrylic Latex - Tube (Interior)
	034552-02-000	EA	Sealant - Silicone - Clear (Exterior)
	034552-04-000	EA	Sealant - Silicone - Beige (Exterior)
	053752-04-000	EA	Sealer - Seam - Tube - Aluminum (Roof)
	069637-01-000	EA	Sealer - 3M EC5510 - White (Door)
	069640-01-000	FT	Sealer - Ribbon - 1/4" Dia. x 20' (Cabinet)
	069640-02-000	FT	Sealer - Ribbon - 1/2" x 1/8" x 30' (Sidewalls)
	069640-03-000	FT	Sealer - Ribbon - 3/4" x 1/8" x 30' (Body Panels)
	069640-05-000	FT	Sealer - Ribbon - 2 1/2" x 3/32" x 30' (Body Panels)
	069640-06-000	FT	Sealer - Ribbon - 5/16" Dia. x 15' (Window)
	069640-07-000	FT	Sealer - Ribbon - 2" x 3/32" x 30' (Interior)
	081359-01-000	FT	Sealer - Vinyl Glazing (Window)
	081380-01-000	FT	Sealer - Vinyl Glazing - Black (Window)
	089363-01-701	EA	Sealer - Body Seam - Flexible - Fawn (Exterior)
	090340-01-000	FT	Sealer - Foam Seal - Closed Cell - 1/4" x 1/2" (Exterior)
	090340-02-000	FT	Sealer - Foam Seal - Closed Cell - 3/8" x 1/2" (Exterior)
	701674-05-000	EA	Service Manual - Sealants
	004363-01-000	FT	Tape - Foam - 3/16" x 1/2" - Gray - 1 Side (Sidewall)
	009200-01-000	EA	Tape - Furnace - 1 1/2"
	063542-01-000	FT	Tape - Adhesive - 10 Mil x 1.5" (Exterior)
	076322-02-000	FT	Tape - Foam - Double Coated - .45" x 1" (Fiberglass Seams)
	076322-03-000	FT	Tape - Foam - Double Coated - .045" x .5" (Fiberglass Seams)
	076322-04-000	FT	Tape - Foam - Double Coated - .045" x .75" (Fiberglass Seams)
	077959-01-000	FT	Tape - Foam - 1/2" Black - 2 Sided (Interior)
	079967-02-000	FT	Tape - Plastic Film - .375" (Window)
	088244-01-000	FT	Tape - Foam - Vinyl Coated - 2" (Chassis)
	091968-03-000	FT	Tape - Adhesive - .04" x 1" (Entrance Door)
	002281-01-000	FT	Weatherstrip - Self-Seal - .06" Panel x 3/16" (Window)
	056903-01-000	FT	Weatherseal - Upper Front Cap

MISCELLANEOUS EXTERNALLY MOUNTED PARTS

Key	Part Number	U/M	Description
	083558-01-000	EA	Plumbing Seal - Roof Vent - 1.5" - Covered
	081240-01-000	EA	Water Fill - Lockable - Beige
	090944-01-000	EA	Antenna - Radio - 16" Rubber
	092698-01-02A	EA	Vent w/Door - Range Hood
	083615-01-000	EA	Door Holder - Beige Plastic
	063977-08-000	EA	Step Asm. - Drivers Door - Black
	084073-01-000	EA	Roof Vent Refrigerator - Beige
	084073-04-000	EA	Base - Roof Vent Refrigerator
	038327-01-000	EA	Tape - Anti-Slip - 2" x 60"

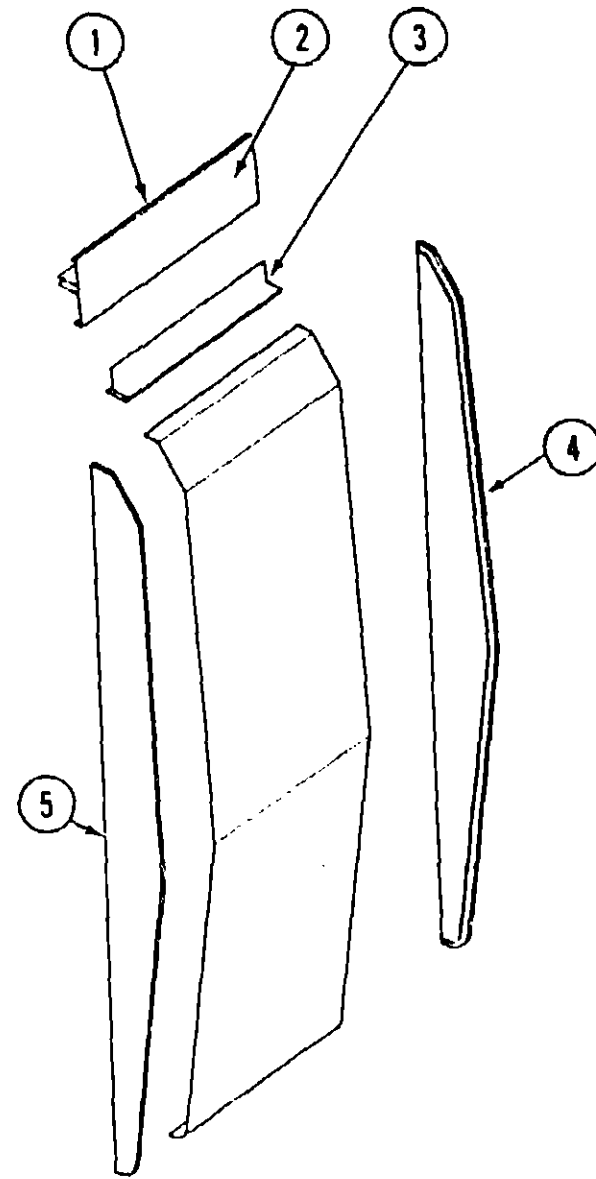
**1989 WINNEBAGO
TABLE OF CONTENTS**

WCN23RC	A-01 - D-11
WCN27RT	D-13 - G-23

1989 WCN27RT INDEX

Floor Plan	D-13 - D-14
Accessories Group	D-15 - D-18
Bath Group	D-19
Chassis Group	D-20 - E-02
Curtain, Cushion & Pad Group	E-03 - E-16
Dinette Group	E-17 - E-18
Driver's Compartment Group	E-19 - F-02
Electrical Group	F-03 - F-06
Exterior Body Group	F-07 - F-15
Galley Group	F-16 - F-18
Heating & Air Conditioning Group	F-19 - F-20
Interior Finish Group	F-21 - F-22
LP Group	F-23
Lounge Group	F-24 - G-31
Water & Sewage Group	G-02 - G-05
Window, Vent & Exterior Door Group	G-06 - G-23

EXTERIOR BODY GROUP (CONTINUED)

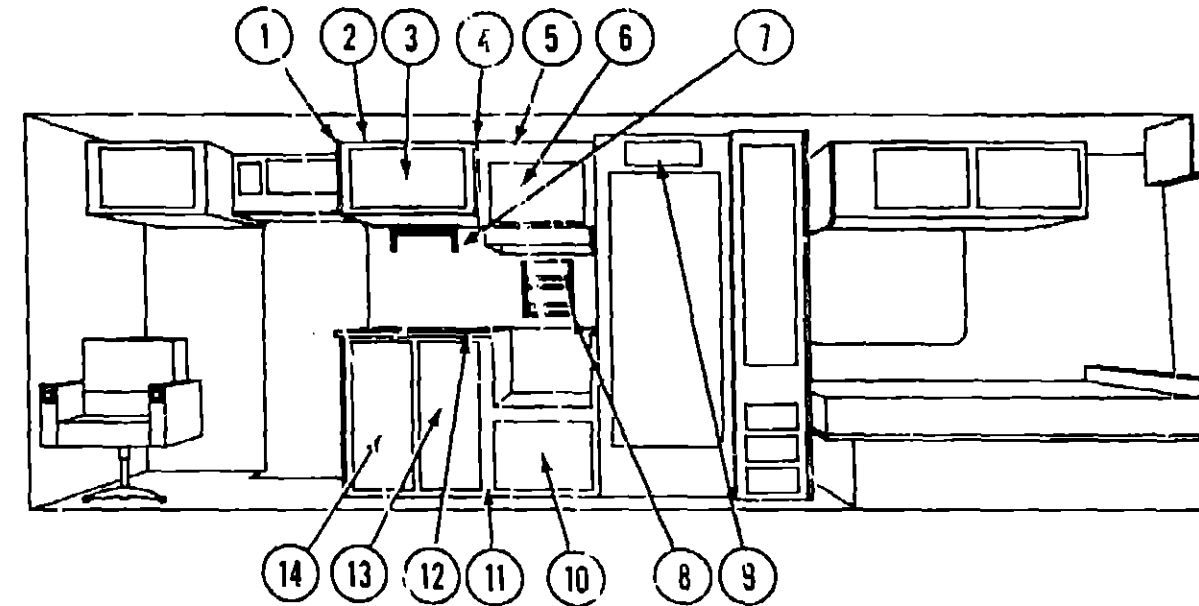


VALANCE PANEL ASM.

Key	Part Number	U/M	Description
1	092301-01-01A	EA	Body Molding - Off White
2	094362-02-000	EA	Clip - X-Mas - Flat Head
3	094355-01-01A	EA	Trim - Valance to Sidewall
4	092689-01-02A	EA	End Cap - Valance Panel - Right
5	092689-02-02A	EA	End Cap - Valance Panel - Left

GALLEY GROUP

GALLEY CABINERY & RELATED ITEMS



Key	Part Number	U/M	Description
1	092747-01-Y10	EA	End Cap Asm. - Galley Overhead
2	M92078-01-Y10	EA	Cabinet Asm. - Galley Overhead - w/o Door or Hardware
3	M88304-84-X08	EA	Door Asm. - Galley Overhead - w/o Hardware
4	092090-02-Y12	EA	End Cap Asm. - Range Overhead
5	M94767-02-Y07	EA	Cabinet Asm. - Range Overhead - w/o Door or Hardware
*	M94767-02-Y12	EA	Cabinet Asm. - Range Overhead - Used w/Microwave
6	M88304-A9-X08	EA	Door Asm. - Range Overhead - w/o Hardware
7	092488-01-Y12	EA	Paper Towel Holder - Oak
8	092487-02-Y12	EA	Spice Rack - Oak
9	M88304-F4-Y10	EA	Door Asm. - Refrigerator Cabinet - w/o Hardware
10	M88304-05-Y23	EA	Door Asm. - Galley Cabinet - w/o Hardware
11	M03869-04-Y12	EA	Cabinet Asm. - Galley - w/o Doors, Drawers, Countertop or Hardware
*	M03869-05-Y12	EA	Cabinet Asm. - Galley - w/o Oven Cut Out - w/o Doors, Drawers, Countertop or Hardware
*	M82184-11-X36	EA	Drawer Asm. - Galley Cabinet - w/o Hardware - Used w/o Oven
12	092117-14-Y12	EA	Countertop Asm. - Galley Cabinet
*	092117-11-Y12	EA	Countertop Asm. - Galley Cabinet - Used w/o Oven
13	M88304-14-X08	EA	Door Asm. - Galley Cabinet - w/o Hardware
14	M88304-13-X08	EA	Door Asm. - Galley Cabinet - w/o Hardware
	093153-01-000	EA	Cutting Board - Maple
	093653-01-Y12	EA	Sink Cover
	093288-01-01A	EA	Silverware Tray - Drawer
	094067-01-01A	EA	Drawer Dividers - Light Oak
	077409-02-000	EA	Drawer Slide - 20.75" Plastic
	064952-01-000	EA	Faucet - Galley - Single Control
	091253-01-000	EA	Gasket - Galley Faucet
	093238-01-Y12	EA	Cover - Knife Holder
	093282-01-000	EA	Bonnet Asm. - Knife Rack
	093303-01-000	EA	Sink Strainer
	093526-01-000	EA	Sink - Stainless Steel - Double Sink - 25" x 19"

**1989 WINNEBAGO
TABLE OF CONTENTS**

WCN23RC
WCN27RT

A-01 - D-11
D-13 - G-23

1989 WCN27RT INDEX

Floor Plan	D-13 - D-14
Accessories Group	D-15 - D-18
Bath Group	D-19
Chassis Group	D-20 - E-02
Curtain, Cushion & Pad Group	E-03 - E-16
Dineite Group	E-17 - E-18
Driver's Compartment Group	E-19 - F-02
Electrical Group	F-03 - F-06
Exterior Body Group	F-07 - F-15
Galley Group	F-16 - F-18
Heating & Air Conditioning Group	F-19 - F-20
Interior Finish Group	F-21 - F-22
LP Group	F-23
Lounge Group	F-24 - G-01
Water & Sewage Group	G-02 - G-05
Window, Vent & Exterior Door Group	G-06 - G-23

GALLEY GROUP (CONTINUED)

GALLEY APPLIANCES

Key	Part Number	U/M	Description
	091269-03-000	EA	Microwave Browning Oven - Magic Chef
	094745-01-01A	EA	Trim - Bottom - Microwave - Black
	094774-01-01A	EA	Trim - Sides - Microwave - Black
	091269-03-700	EA	Panel - Outer Door - Microwave
	091269-03-701	EA	Plate - Ceramic - 9.5" Round
	081374-03-000	EA	Range Top - 4 Burner - Almond - w/o Oven
	081374-03-700	EA	Trim - Cabinet - Left - Almond
	081374-03-701	EA	Trim - Cabinet - Right - Almond
	081374-03-703	EA	Trim - Cabinet - Rear
	085280-03-000	EA	Cover - Range Top - Bi-Fold - Almond
	064782-02-000	EA	Range - 4 Burner - Almond Top - w/Oven
	064782-02-700	EA	Top - 4 Burner - Main - Almond
	064782-02-701	EA	Deflector Plate - Black
	064782-02-702	EA	Trim - Cabinet - Right - Black
	0644782-02-703	EA	Trim - Cabinet - Left - Black
	064782-02-704	EA	Trim - Lower - Outside Glass - Black
	064782-02-705	EA	Handle - Oven Door - Black
	064782-02-706	EA	Vertical Trim - Black
	064782-02-707	EA	Manifold Panel
	064782-02-708	EA	Mercury Valve
	064782-02-709	EA	Glass - Oven Door
	064782-02-710	EA	Clip - Glass Door
	064782-02-711	EA	Top - Square 4 Burner - Main - Almond
	064782-02-712	EA	Grate - Square Top Burner
	064782-02-713	EA	Gas Regulator
	064782-02-714	EA	Nipple - 1/8"
	064782-02-715	EA	Clip - Grate
	085280-04-000	EA	Cover - Range Top - Bi-Fold - Almond
	094038-01-000	EA	Refrigerator - 8' - Small Double Door - Norcold 663
	094038-01-700	EA	Gasket - Lower - Gray
	094038-01-701	EA	Liner - Lower Door - Brown/White
	094038-01-702	EA	Liner - Lower Door - Black/White
	094038-01-703	EA	Door Handle - Lower Door - Brown
	094038-01-704	EA	Door Handle - Lower Door - Black
	094038-01-705	EA	Cabinet Asm. - Brown Frame - White Liner
	094038-01-706	EA	Cabinet Asm. - Black Frame - White Liner
	094039-01-000	EA	Refrigerator - 10' Large Double Door - Norcold 683
	094039-01-700	EA	PC Board - 3 Way Asm.
	094039-01-701	EA	EyeBrow - 3 Way Shell

GALLEY GROUP (CONTINUED)

GALLEY APPLIANCES (CONT.)

Key	Part Number	U/M	Description
	094039-01-702	EA	Gasket - Upper - Gray
	094039-01-703	EA	Hinge Plate - Brown - Left Hand
	094039-01-704	EA	Hinge Plate - Black - Left Hand
	094039-01-705	EA	Door Liner - White - Upper Door - Brown Frame
	094039-01-706	EA	Door Liner - White - Upper Door - Black Frame
	094039-01-707	EA	Door Handle - Upper - Brown Frame
	094039-01-708	EA	Door Handle - Upper - Black Frame
	094039-01-709	EA	Hinge Plate - Brown Frame - Right Top/Left Bottom
	094039-01-710	EA	Hinge Plate - Black Frame - Right Top/Left Bottom
	094039-01-711	EA	Juice Rack - w/Silver Trim - Gray
	094039-01-712	EA	Door Bin - Silver Border - Gray
	094039-01-713	EA	Lower Door Gasket - Gray
	094039-01-714	EA	Lower Door Liner - White - Brown Frame
	094039-01-715	EA	Lower Door Liner - White - Black Frame
	094039-01-716	EA	Lower Door Handle - Brown Frame
	094039-01-717	EA	Lower Door Handle - Black Frame
	094039-01-718	EA	Milk Bin - w/Silver Trim - Gray
	094039-01-719	EA	Dairy Keeper - w/Silver Trim - Gray
	094039-01-720	EA	Cabinet Asm. - White Liner - Brown Frame
	094039-01-721	EA	Cabinet Asm. - White Liner - Black Frame
	094039-01-722	EA	Hole Plug - Black - Hinge Holes
	094039-01-723	EA	Hinge Bracket - Black - Right Bottom/Left Top
	094039-01-724	EA	Hinge Bracket - Black - Left Bottom/Right Top
	094039-01-725	EA	Hinge Pin - Black - Male
	094039-01-726	EA	Evaporator Shell
	094039-01-727	EA	Hinge Bracket - Center Hinge - Brown Frame
	094039-01-728	EA	Hinge Bracket - Center Hinge - Black Frame
	094039-01-729	EA	Hinge Pin Shaft - Center Hinge - Brown Frame
	094039-01-730	EA	Hinge Pin Shaft - Center Hinge - Black Frame
	094039-01-731	EA	Crisper - Silver Trim - Gray
	094039-01-732	EA	Front Cover - Bottom Trim - Black
	094039-01-733	EA	Wire Shelf - Middle
	094039-01-734	EA	Wire Shelf - Top - w/Riser
	094039-01-735	EA	Inside Drip Tray - White
	094039-01-736	EA	Light Switch - Black
	094039-01-737	EA	Power Supply - 3 Way
	094039-01-738	EA	Manual Shut-Off
	094039-01-739	EA	Shell - Cutout
	087200-01-000	EA	Filter - Water Purification
	087200-02-000	EA	Cartridge - Water Filter

1989 WINNEBAGO TABLE OF CONTENTS

WCN23RC
WCN27RT

A-01 - D-11
D-13 - G-23

1989 WCN27RT INDEX

Floor Plan	D-13 - D-14
Accessories Group	D-15 - D-18
Bath Group	D-19
Chassis Group	D-20 - E-02
Curtain, Cushion & Pad Group	E-03 - E-16
Dinette Group	E-17 - E-18
Driver's Compartment Group	E-19 - F-02
Electrical Group	F-03 - F-06
Exterior Body Group	F-07 - F-15
Galley Group	F-16 - F-18
Heating & Air Conditioning Group	F-19 - F-20
Interior Finish Group	F-21 - F-22
LP Group	F-23
Lounge Group	F-24 - G-01
Water & Sewage Group	G-02 - G-05
Window, Vent & Exterior Door Group	G-06 - G-23

HEATING & AIR CONDITIONING GROUP

FURNACE

Key	Part Number	U/M	Description
	092300-01-000	EA	Furnace - 24,000 BTU - Sub Floor Suburban NT 24B
	092300-01-700	EA	Cabinet
	092300-01-701	EA	Cabinet
	092300-01-702	EA	Thermostat
	092300-01-703	EA	Combustion Chamber - 24BW
	092300-01-704	EA	Gasket - Electrode
	092300-01-705	EA	Electrode
	092300-01-706	EA	Door - Burner - Access
	092300-01-707	EA	Gasket - Burner Access Burner
	092300-01-708	EA	Limit Switch
	092300-01-709	EA	Board - Module
	092300-01-710	EA	Relay Time Delay
	092300-01-711	EA	Vent Cap Asm.
	092300-01-712	EA	Burner Asm.
	092300-01-713	EA	Orifice - Main Burner
	092300-01-714	EA	Gasket - Manifold
	092300-01-715	EA	Manifold Asm.
	092300-01-716	EA	Valve
	092300-01-717	EA	Wire Asm. - Power Supply
	092300-01-718	EA	Elbow - 90°
	092300-01-719	EA	Valve - Manual Shut Off
	092300-01-720	EA	Wheel - Room Air
	092300-01-721	EA	Blower Housing Asm.
	092300-01-722	EA	Microswitch Asm.
	092300-01-723	EA	Motor Asm.
	092300-01-724	EA	Gasket - Motor Mount
	092300-01-725	EA	Housing Air Asm.
	092300-01-726	EA	Wheel - Combustion Air
	092300-01-727	EA	Gasket - Combustion Air Housing
	092300-01-728	EA	Housing - Outside - Combustion Air
	092300-03-000	EA	Furnace - 34,000 BTU - Sub Floor - Suburban 34B
	092300-03-700	EA	Orifice - Main Burner
	092300-03-701	EA	Motor Asm.
	092300-03-702	EA	Housing Asm. - Combustion Air - 34 BW
	009200-01-000	EA	Tape - Furnace - 1.5"
	091961-01-000	EA	Heat Register - w/o Damper - 4" x 8" - Brown Steel
	091961-02-000	EA	Heat Register - w/Damper - 4" x 8" - Brown Steel
	094600-01-02A	EA	Heat Register - w/o Damper - 3.6" x 11.2" - Brown Steel
	094600-02-02A	EA	Heat Register - w/Damper - 3.6" x 11.2" - Brown Steel
	093614-01-01A	EA	Grill - Return Air - Brown
	092321-01-000	FT	Insulation - Fiberglass w/Foil - Heat Runs

HEATING & AIR CONDITIONING GROUP (CONTINUED)

ROOF AIR CONDITIONER

Key	Part Number	U/M	Description
	093764-01-000	EA	Ceiling Asm. - A/C Cool - w/Controls - TSR - Coleman 6759D714
	093763-01-03A	EA	Air Conditioner - 110 Volt - Roof Mount - TSR - 13,500 BTU Coleman 6759D708
	093763-03-700	EA	Shroud - Beige/Charcoal
	093763-01-701	EA	Overload
	093763-01-702	EA	Overload
	093763-01-703	EA	Impellor - 7" Dia. x 2.80" Wide
	093763-01-704	EA	Fan Capacitor
	093763-01-705	EA	Decal - HT/Cool Thermostat
	093763-01-706	EA	Heat Element
	093763-01-708	EA	Condenser Coil
	093763-01-709	EA	Compressor
	093763-01-710	EA	Single Parts Package

REAR AUTO HEATER

Key	Part Number	U/M	Description
	084405-01-000	EA	Heater Asm. - Rear - Ducted
	084405-01-700	EA	Heater Core
	084405-01-701	EA	Fan
	084405-01-702	EA	Motor - 12V
	007108-01-000	FT	Hose - Heater - 5/8" ID SAE 20R3
	007108-02-000	FT	Hose - Heater - .75" ID SAE 20R3
	087202-02-000	EA	Switch - w/o Knob - 4 Position
	090977-01-000	EA	Knob - Rotary Switch
	084410-02-000	EA	Decal - Rear Auto Heater

AUTOMOTIVE HEATER & A/C

Key	Part Number	U/M	Description
	088227-02-000	EA	Evaporator Asm. - A/C
	088227-02-700	EA	Drain Tube Asm.
	088227-02-701	EA	Bracket - Bowden Cable Mounting
	088227-02-702	EA	Door Asm. - F.A./Recircling
	088227-02-703	EA	Suction Hose #10
	088227-02-704	EA	Bracket - Vacuum Motor
	088227-02-705	EA	Hose - Liquid
	091902-01-000	EA	Control/Pleum Set
	091902-01-700	EA	Door - Defrost/Heat
	091902-01-701	EA	Motor - Vacuum
	091902-01-702	EA	Door - A/C - Heat
	091902-01-703	EA	Rod - A/C - Heat Door
	091902-01-704	EA	Transition Asm. - Hi Temp
	091902-01-705	EA	Harness & Socket Jumper
	091902-01-706	EA	Cable - Bowden
	091902-01-707	EA	Harness Wire
	091902-01-708	EA	Harness Vacuum
	091902-01-709	EA	Grille - Return Air

1989 WINNEBAGO TABLE OF CONTENTS

WCN23RC
WCN27RT

A-01 - D-11
D-13 - G-23

1989 WCN27RT INDEX

Floor Plan	D-13 - D-14
Accessories Group	D-15 - D-18
Bath Group	D-19
Chassis Group	D-20 - E-02
Curtain, Cushion & Pad Group	E-03 - E-16
Dinette Group	E-17 - E-18
Driver's Compartment Group	E-19 - F-02
Electrical Group	F-03 - F-06
Exterior Body Group	F-07 - F-15
Galley Group	F-16 - F-18
Heating & Air Conditioning Group	F-19 - F-20
Interior Finish Group	F-21 - F-22
LP Group	F-23
Lounge Group	F-24 - G-01
Water & Sewage Group	G-02 - G-05
Window, Vent & Exterior Door Group	G-06 - G-23

INTERIOR FINISH GROUP

PANELING & COUNTERTOP

Key	Part Number	U/M	Description
	074497-10-000	SF	Paneling - Regal Oak - 48" x 84" (Cabinets)
	088272-11-000	SF	Paneling - Decor - Pastel - 48" x 84" (Main Wall) (Y12)
	088272-39-000	SF	Paneling - Decor - Sunkist - 48" x 84" (Main Wall) (Y13)
	088272-40-000	SF	Paneling - Decor - Rainbow - 48" x 84" (Main Wall) (Y14)
	088272-31-000	SF	Paneling - Decor - Light Slate - 48" x 84" (Galley/Bath) (Y12)
	088272-32-000	SF	Paneling - Decor - Adobe - 48" x 84" (Galley/Bath) (Y13)
	088272-33-000	SF	Paneling - Decor - Mauve - 48" x 84" (Galley/Bath) (Y14)
	088272-38-000	SF	Paneling - Decor - Bone - 48" x 84" (Wet Bath)
	074498-28-000	SF	Plastic Laminate - Tan (Galley/Dinette)
	074498-24-000	SF	Plastic Laminate - Regal Oak (Nightstand)
	076325-16-000	FT	Edge Molding - Regal Oak

INTERIOR MOLD & TRIMS

Key	Part Number	U/M	Description
	069733-70-000	EA	Batt Strip - Regal Oak - 8' (Woodgrain)
	086263-20-000	EA	Batt Strip - Pastel - 8' (Main Wall) (Y12)
	088263-27-000	EA	Batt Strip - Sunkist - 8' (Main Wall) (Y13)
	088263-28-000	EA	Batt Strip - Rainbow - 8' (Main Wall) (Y14)
	085284-10-000	FT	Batt Strip - Pastel - Tape Adhesive (Main Wall) (Y12)
	085284-11-000	FT	Batt Strip - Sunkist - Tape Adhesive (Main Wall) (Y13)
	035284-12-000	FT	Batt Strip - Rainbow - Tape Adhesive (Main Wall) (Y14)
	085284-03-000	EA	Batt Strip - Regal Oak - Tape Adhesive
	088263-08-000	EA	Batt Strip - Bone (Galley/Bath)
	088263-19-000	EA	Batt Strip - Bone (Wet Bath)
	086229-04-000	EA	Batten - 1" - Ceiling Molding - Ivory
	009809-17-000	EA	F-Molding - 1" - Regal Oak
	009812-17-000	EA	F-Molding - 1/2" - Regal Oak
	083620-01-000	FT	T-Molding - w/Edge Lips - Grady Brown
	070504-01-000	FT	U-Channel - .65" - Light Brown
	070504-06-000	FT	U-Channel - .815" - Regal Oak
	009778-07-000	FT	U-Channel - 1" - Regal Oak
	009767-06-000	FT	Welting - Beige
	085746-01-000	FT	J-Molding - .75" w/Lips - Grady Brown
	024700-17-000	EA	Cover - Sidewall Roll Bar - Beige (Wall/Ceiling)
	022992-08-000	FT	Molding - Reverse Cover - Champagne White
	042357-11-000	FT	Molding - Outside Corner - Light Oak
	077840-01-W30	FT	Molding - Wall Cap
	080176-02-000	EA	Corner Cap - Radius Plastic - Light Oak
	081521-02-007	EA	Molding - 64 Hole Space
	092041-01-01A	EA	Trim - Rear Cap to Sidewall - Beige

MISCELLANEOUS

Key	Part Number	U/M	Description
	053552-02-W24	EA	Handle Asm. - Assist - Vinyl
	094658-01-Y12	EA	Handle Asm. - Oak - Front Bunk
	091257-04-000	EA	Handle Asm. - Assist Railing - Dinette
	041944-04-000	EA	Fire Extinguisher - 5BC - w/o Bracket
	084472-01-000	EA	Holder - Plastic - Fire Extinguisher
	094499-01-000	EA	Fire Extinguisher - 10BC - w/Bracket
	094499-02-000	EA	Fire Extinguisher - 1A - 10BC (CSA)
	094651-01-01A	EA	Holder - Recessed - Fire Extinguisher
	072852-01-000	EA	Smoke Detector w/9 Volt Battery
	054185-31-000	EA	Owner's Manual - Winnebago/Itasca - 1989
	081072-01-000	EA	Floor Mat - Front - Flight - Winnebago
	081974-01-000	EA	Floor Mat - Front - Left - Winnebago
	081075-01-000	EA	Floor Mat - Front - Entrance - Winnebago

INTERIOR FINISH GROUP (CONTINUED)

FABRIC & FLOOR COVERINGS

Key	Part Number	U/M	Description
	088274-52-000	YD	Fabric - Upholstery - Main - Blue Haze (Y12)
	088274-76-000	YD	Fabric - Upholstery - Main - Divine (Y13)
	088274-77-000	YD	Fabric - Upholstery - Main - Columbine (Y14)
	088274-79-000	YD	Fabric - Upholstery - Accent - Sky Blue (Y12)
	088274-86-000	YD	Fabric - Upholstery - Accent - Oyster (Y13)
	088274-78-000	YD	Fabric - Upholstery - Accent - Columbine (Y14)
	072333-61-000	YD	Fabric - Drapery - Blackout/Wraparound - Pacific (Y12)
	072333-59-000	YD	Fabric - Drapery - Blackout/Wraparound - Tan (Y13)
	072333-37-000	YD	Fabric - Drapery - Blackout/Wraparound - Mauve (Y14)
	087272-01-000	YD	Lining - Drapery - 48" - Ivory
	088273-29-000	YD	Fabric - Bedspread - Natural (Y12)
	088273-22-000	YD	Fabric - Bedspread - Sandune (Y13)
	088273-23-000	YD	Fabric - Bedspread - Gray (Y14)
	075244-02-000	YD	Vinyl - Shower Curtain
	079680-01-000	YD	Vinyl - Expanded - 26 oz. Buckskin (End Cap)
	089351-01-000	YD	Vinyl - Headliner - Acoustical (Ceiling)
	069649-03-000	YD	Vinyl - Expanded - Taupe (Door Pads)
	072333-63-000	YD	Fabric - Pull Shade - Entrance Door - Bone (Y13, Y14)
	093486-01-000	SY	Carpet - Outside Storage Compartment
	093486-01-001	EA	Carpet - Outside Storage Compartment (1SY)
	072860-84-000	SY	Carpet - Graphite (Y12)
	072860-86-000	SY	Carpet - Sienna Sand (Y13)
	072860-69-000	SY	Carpet - Rose Mist (Y14)

CABINETSRY & TABLE HARDWARE

Key	Part Number	U/M	Description
	059777-02-000	EA	Hinge - Cabinet Door - Brass
	074493-02-000	EA	Overhead Door - Support - Sprung
	079789-01-000	EA	Support - Table - Pullout - Beige
	080728-01-000	EA	Handle - Recessed - Brown Plastic
	079921-01-000	EA	Roller - Nylon w/Shaft
	088264-01-000	EA	Pull - Cabinet - Polished Brass
	081376-01-000	EA	Back Plate - Door Pull - Polished Brass
	093586-03-000	EA	Catch - Spring Roller
	093586-04-000	EA	Strike - Steel Spring
	074045-06-000	EA	Plug - 1/2" - Oak
	084466-02-000	EA	Slide Asm. - Drawer - Right
	084466-03-000	EA	Slide Asm. - Drawer - Left
	084466-04-000	EA	Slide Asm. - Cabinet - Right
	084466-05-000	EA	Slide Asm. - Cabinet - Left
	047744-01-000	EA	Kit - Drawer Glide
	009089-01-000	EA	Clip - Mirror
	084451-01-000	EA	Catch - TV Shelf - Brass
	009059-01-000	EA	Hinge - 2" - Brass - TV Shelf
	058331-10-000	EA	Mirror - Safety Glass - TV Shelf - 14" x 17"
	064781-05-000	EA	Cup Holder - Two Step
	024281-11-000	EA	Bracket - Lower Wall Mount
	053200-09-000	EA	Bracket - Upper Wall Mount
	024275-11-000	EA	Rod - Table Lint
	092593-01-02A	EA	Catch - Table Leg
	049493-08-000	EA	Catch - Table Leg - Mounts on Floor
	093550-01-000	EA	Hinge - Bracket - Leg Folding
	092708-01-Y15	EA	Leg Asm. - Table - Regal Oak
	088410-01-000	EA	Hanger - Table
	093212-01-01A	EA	Door Bolt - Mortise - Bi-Fold Door
	092652-01-000	EA	Guide Wheel - Top Mount - Bi-Fold Door
	093832-01-01A	EA	Knob - Bright Brass - Bi-Fold Door
	009059-02-000	EA	Hinge - 2" - Brass - Bi-Fold Door
	061604-01-000	EA	Slide Bolt - Antique Brass - Bath Door
	094485-01-01A	EA	Knob - Polished Brass - Bath Door

1989 WINNEBAGO TABLE OF CONTENTS

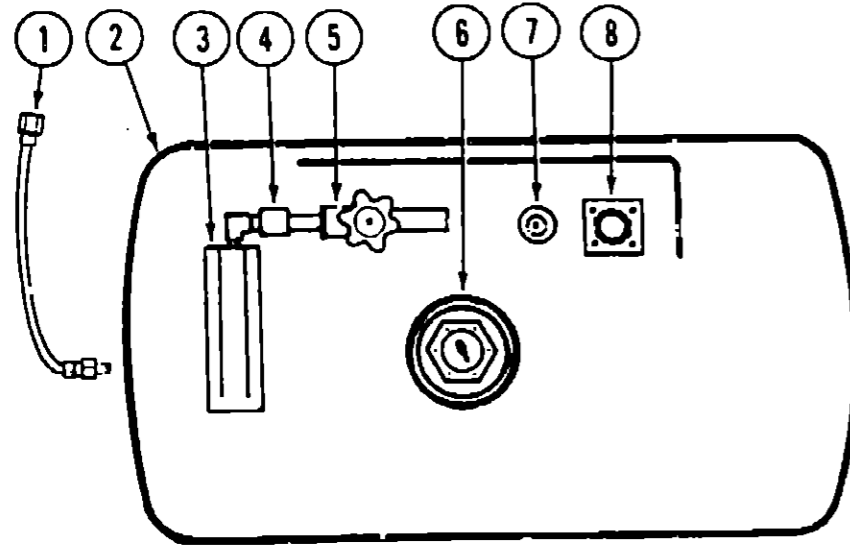
WCN23RC
WCN27RT

A-01 - D-11
D-13 - G-23

1989 WCN27RT INDEX

Floor Plan	D-13 - D-14
Accessories Group	D-15 - D-18
Bath Group	D-19
Chassis Group	D-20 - E-02
Curtain, Cushion & Pad Group	E-03 - E-16
Dinette Group	E-17 - E-18
Driver's Compartment Group	E-19 - F-02
Electrical Group	F-03 - F-06
Exterior Body Group	F-07 - F-15
Galley Group	F-16 - F-18
Heating & Air Conditioning Group	F-19 - F-20
Interior Finish Group	F-21 - F-22
LP Group	F-23
Lounge Group	F-24 - G-01
Water & Sewage Group	G-02 - G-05
Window, Vent & Exterior Door Group	G-06 - G-23

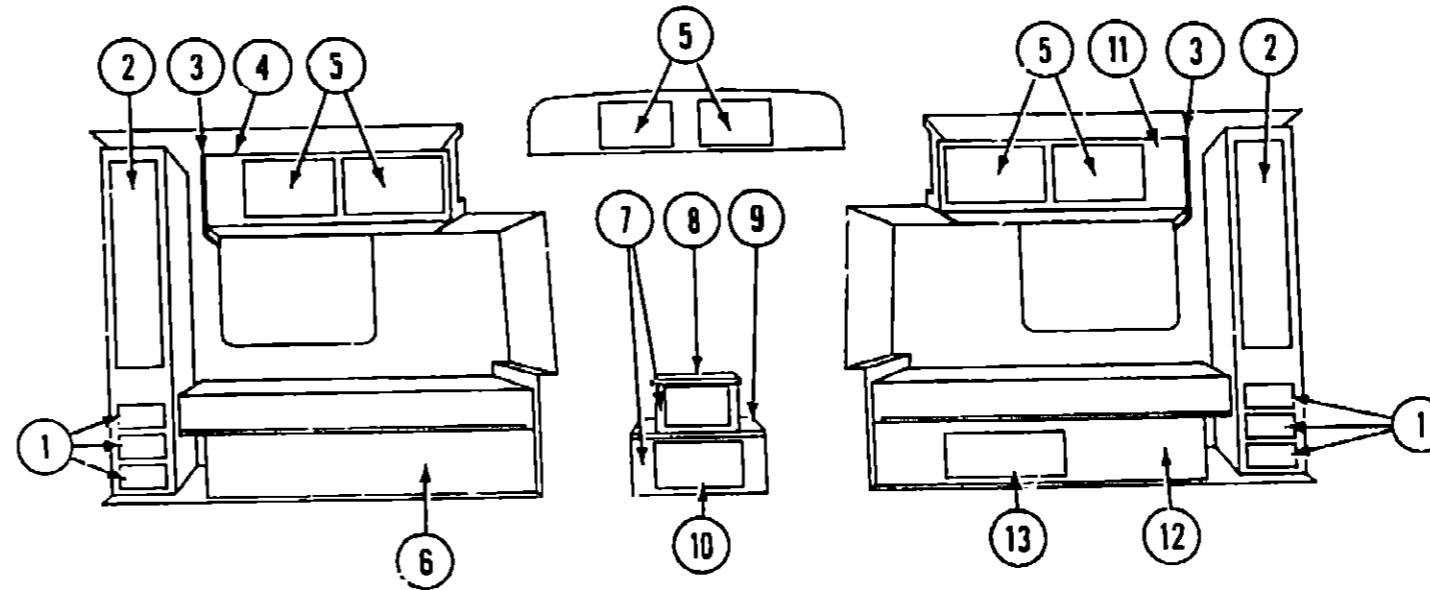
LP GROUP



LP TANK & HARDWARE

Key	Part Number	U/M	Description
1	045703-01-000	EA	Hose Asm. - LP - 3/8 x 24 (US)
1	045703-02-000	EA	Hose Asm. - LP - 3/8 x 24 (CSA)
2	091970-01-000	EA	Tank Asm. - LP - Frame Mount - 80 Pound - 20" x 24"
3	081938-01-000	EA	Cover - LP Regulator
3	076301-02-000	EA	Regulator - LP - Two-Stage
4	090976-02-000	EA	Safety Valve - LP - Electric
5	040421-01-703	EA	Valve - Vapor Relief
6	040421-01-707	EA	Gauge - Float - w/Visible Dial
6	040421-01-706	EA	Dial - Visible Face - Float Gauge
6	040440-01-000	EA	Dial - Visible Face - Float Gauge (w/Electric Transmitter)
7	040421-01-700	EA	Gauge - Liquid Level
8	040421-01-701	EA	Valve - Filler
8	040421-01-702	EA	Cap - Filler Valve
8	040421-01-711	EA	Inner Tank Valve - 80% Fill
	065741-01-000	EA	Gauge - Diaphragm Pressure - Test Leak
	097395-01-000	EA	LP Leak Detector

LOUNGE GROUP



TWIN BED CABINERY

Key	Part Number	U/M	Description
1	M78921-11-X14	EA	Drawer Asm. - Wardrobe Cabinets
2	M88304-H4-Y12	EA	Door Asm. - Wardrobe - 12" x 48"
3	092747-01-Y10	EA	End Cap Asm. - Passengers Twin Bed Overhead
4	M92530-03-Y12	EA	Cabinet Asm. - Passengers Twin Bed Overhead - w/o Door or Hardware
5	M88304-84-X08	EA	Door Asm. - Rear Overheads - 14.37" x 26.77" - w/o Hardware
6	M92863-01-Y12	EA	Cabinet Asm. - Twin Bed - Passengers - w/o Doors or Hardware
7	M92860-01-Y12	EA	Cabinet Asm. - Nightstand - w/o Door or Hardware
8	092860-12-Y12	EA	Countertop Asm. - Nightstand - Upper
9	092860-11-Y12	EA	Countertop Asm. - Nightstand - Lower
10	M88304-02-X23	EA	Door Asm. - Nightstand
11	M92530-04-Y12	EA	Cabinet Asm. - Drivers Twin Bed Overhead - w/o Doors or Hardware
12	M93231-01-Y12	EA	Cabinet Asm. - Drivers Twin Bed - w/o Door or Hardware
13	M88304-H3-Y12	EA	Door Asm. - Drivers Twin Bed - 12.79" x 17.71" - w/o Hardware
	082686-01-000	EA	Lamp - Table - Brass w/Wood
	082686-06-000	EA	Shade - Table Lamp
	088199-02-Y12	EA	Hinge - Twin Bed Top
	084357-01-W13	EA	TV Stand - Fold Down
	058331-10-000	EA	Mirror - Safety Glass
	084356-03-000	EA	Insert - TV Stand Fold-Down - Tan
	084356-07-000	EA	Insert - TV Stand Fold-Down - Off White
	084412-01-000	EA	Hinged Support - TV Stand - Fold-Down
	084451-01-000	EA	Catch - TV Shelf - Brass
	084413-01-000	EA	Hinge - 1" x 72" - w/Holes
	042488-06-000	EA	Folding Door - Oak - 27.5" x 75"
	094856-02-01A	EA	Track - Folding Door - 27.5"
	042488-04-750	EA	Catch Asm. - Folding Door - Leading Edge
	057460-02-000	EA	Ball Stud - 10 mm Ball - Gas Spring
	057460-03-000	EA	Safety Clip - Gas Spring - Wireformed Type
	057460-04-000	EA	Gas Spring

1989 WINNEBAGO TABLE OF CONTENTS

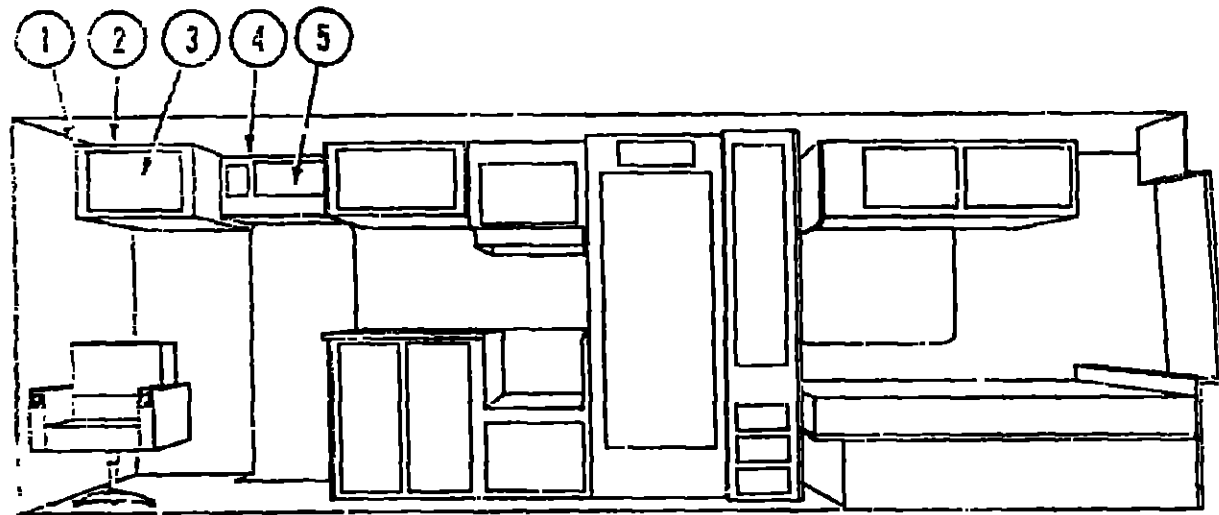
WCN23RC
WCN27RT

A-01 - D-11
D-13 - G-23

1989 WCN27RT INDEX

Floor Plan	D-13 - D-14
Accessories Group	D-15 - D-18
Bath Group	D-19
Chassis Group	D-20 - E-02
Curtain, Cushion & Pad Group	E-03 - E-16
Dinette Group	E-17 - E-18
Driver's Compartment Group	E-19 - F-02
Electrical Group	F-03 - F-06
Exterior Body Group	F-07 - F-15
Galley Group	F-16 - F-18
Heating & Air Conditioning Group	F-19 - F-20
Interior Finish Group	F-21 - F-22
LP Group	F-23
Lounge Group	F-24 - G-01
Water & Sewage Group	G-02 - G-05
Window, Vent & Exterior Door Group	G-06 - G-23

LOUNGE GROUP (CONTINUED)



LOUNGE CHAIR & ENTRANCE DOOR CABINERY

Key	Part Number	U/M	Description
1	092747-01-Y10	EA	Ent' Cap Asm. - Chair Overhead
2	M32245-01-Y10	EA	Cabinet Asm. - Chair Overhead - w/o Door or Hardware
3	M35324-A9-X03	EA	Door Asm. - Chair Overhead - w/o Hardware - 14.37" x 21.85"
4	M32420-01-Y10	EA	Cabinet Asm. - Entrance Door
5	M35304-09-X03	EA	Door Asm. - Entrance Door Cabinet - w/o Hardware - 10" x 19.1"

QUEEN BED CABINERY

Key	Part Number	U/M	Description
	M78921-16-Y12	EA	Drawer Asm. - Wardrobe Cabinet
	M33304-F7-Y12	EA	Door Asm. - Wardrobe Cabinet - 9.84" x 33.46" w/o Hardware
	M32712-01-Y12	EA	Cabinet Asm. - Backwall Overhead - w/o Doors or Hardware
	M38354-03-X14	EA	Door Asm. - Backwall Overhead - w/o Hardware - 11" x 11"
	M39552-01-X14	EA	Cabinet Asm. - Rear Center Overhead - w/o Doors or Hardware
	M38304-07-X14	EA	Door Asm. - Rear Center Overhead - w/o Hardware - 12" x 29.13"
	M32734-01-Y12	EA	Cabinet Asm. - Queen Bed
	052852-01-W30	FT	Trim - Accent - Buckskin Vinyl

WATER & SEWAGE GROUP

WATER SYSTEM

Key	Part Number	U/M	Description
	081240-01-000	EA	Water Fill - Lockable - Beige
	069637-01-000	EA	Soaker - 3M
	079381-01-000	FT	Tubing - Flex/Smooth - 1.25" ID
	062401-01-000	EA	Clamp - Wormgear - .81" x 1.75"
	074462-02-000	FT	Tubing - Vinyl - 3/8" ID
	007161-01-000	EA	Clamp - Hose - Spring Type
	054250-02-000	EA	Support - Water Fill
	010224-01-000	EA	Adapter - Plastic - 3/8" MPT x 3/8" BARB - Fill to Tank
	044927-01-000	EA	Adapter - Plastic - 1.25" MPT x 1.25" BARB - Fill to Tank
	052956-01-000	EA	Tee - Plastic - .5" F x .5" MPT x .5" F
	077954-02-000	EA	Water Filter/Screen - In Tank
	075186-05-000	EA	Water Tank - 45 Gal. w/Fittings
	042989-03-000	EA	Fitting - Spinweld Plastic - 1.25" NPT
	042989-04-000	EA	Fitting - Spinweld Plastic - 3/8" FPT
	049032-01-000	EA	Patch - Spinweld Plastic - 3/8"
	075186-01-000	EA	Water Tank - 45 Gal. - w/o Fittings
	035416-04-000	EA	Terminal Ring - #10 Stud Fit
	088474-06-000	EA	Socket Housing
	088476-01-000	EA	Socket Connector
	045729-01-000	EA	Water Pump - 2.8 GPM Shur Flow
	045729-02-000	EA	Water - Pump - 2.8 GPM Shur Flow - CSA
	055120-01-000	EA	Elbow - Plastic - Swivel - .5"
	052952-01-000	EA	Nut - Plastic - .5" F
	039500-01-000	EA	Tubing - .5" OD x 20'
	052960-01-000	EA	Drain Valve - In Line - .5" F x .5" F
	036522-02-000	EA	Cap - Brass - .5" Flare
	011053-01-000	EA	Faucet - 8" w/Swing Spout (Thru 10/23/88)
	011053-03-000	EA	Faucet - 8" w/Swing Spout (From 10/24/88)
	064952-01-000	EA	Faucet - 8" w/Swing Spout - CSA
	091253-01-000	EA	Gasket - Faucet
	079317-01-000	EA	Adapter - Swivel - .5" Tube x .5" FPT
	075240-03-000	EA	Faucet - Lavatory - Brass (Thru 10/9/88)
	075240-05-000	EA	Faucet - Lavatory - Brass (From 10/10/88)
	011056-02-000	EA	Faucet - Lavatory - Chrome - CSA
	091253-01-000	EA	Gasket - Faucet
	052954-01-000	EA	Adapter - Nose Cone - 3/8" or 1/2"
	091208-01-000	EA	Washer - Rubber - .75" x .50"
	087659-01-000	EA	Waterfill - City Water - Beige
	052955-01-000	EA	Tee - Plastic - .5" F x .5" F x .5" MPT
	052959-03-000	EA	Connector - Plastic - .5" F x 3/8" MPT - Toilet to Water
	052953-01-000	EA	Nut - Faucet - .5" Tube x .5" FPT
	052958-01-000	EA	Tee - Plastic - .5" F x .5" F x .5" F
	052957-02-000	EA	Elbow - Plastic - .5" F x .5" MPT
	075241-03-000	EA	Faucet - Shower - Brass
	075241-04-000	EA	Faucet - Shower - Brass
	075606-01-000	EA	Faucet Panel - Plastic
	031558-01-000	EA	Faucet - Shower - Chrome - CSA
	011048-02-000	EA	Shower Head - w/60" Hose
	010048-05-000	EA	Shower Head - w/60" - CSA
	051391-02-000	EA	Water Heater - w/o Motor Aid - 4 Gal. - Atwood
	051393-01-000	EA	Water Heater - w/Motor Aid
	052009-01-000	EA	Door - Water Heater - Beige

**1989 WINNEBAGO
TABLE OF CONTENTS**

WCN23RC
WCN27RT

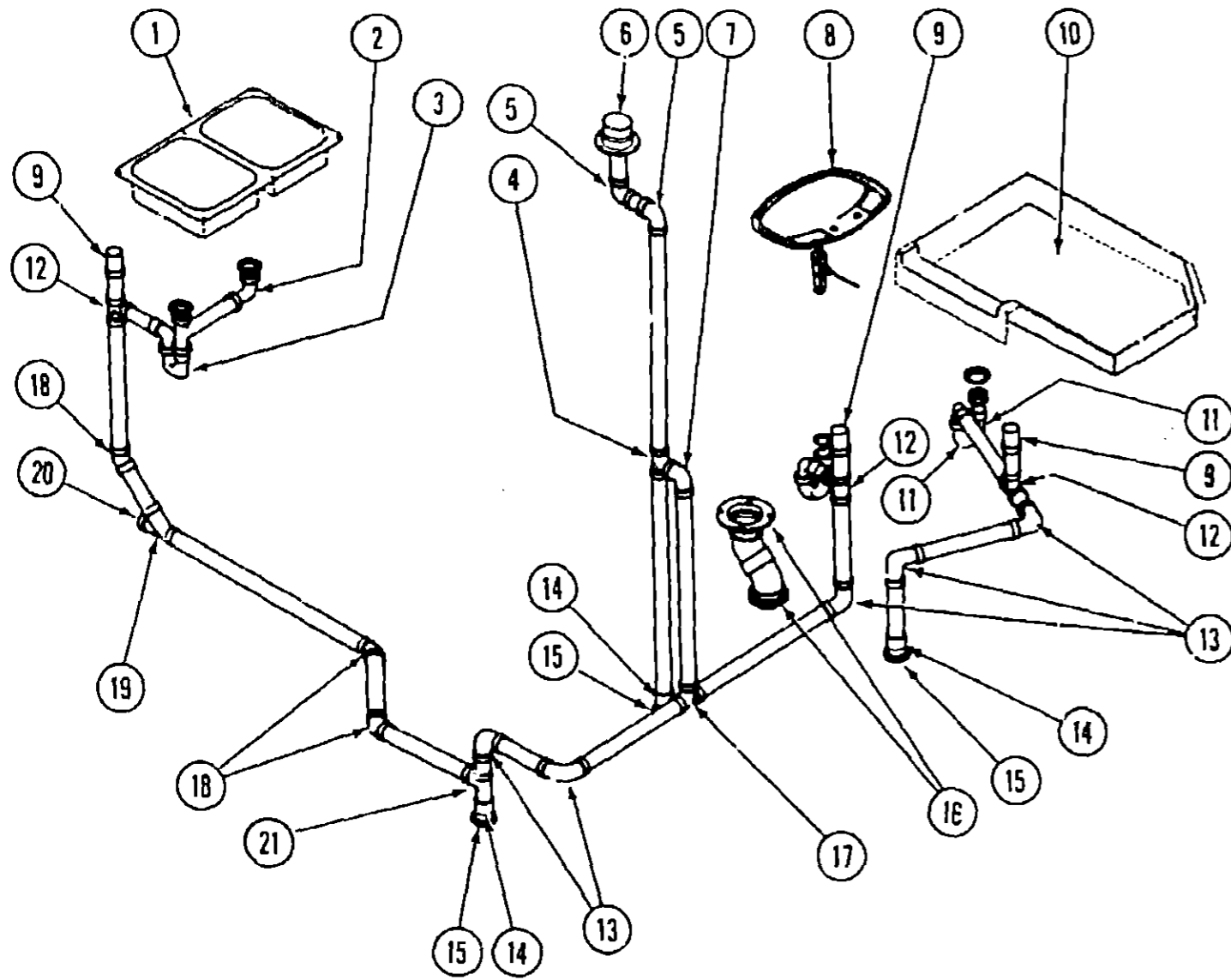
A-01 - D-11
D-13 - G-23

1989 WCN27RT INDEX

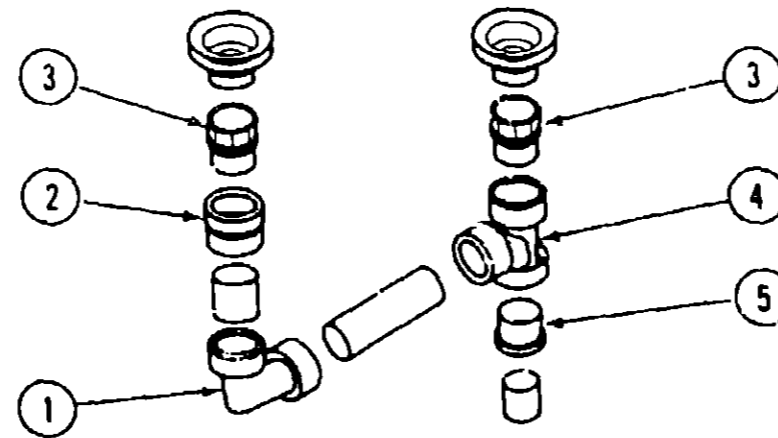
Floor Plan	D-13 - D-14
Accessories Group	D-15 - D-18
Bath Group	D-19
Chassis Group	D-20 - E-02
Curtain, Cushion & Pad Group	E-03 - E-10
Dinette Group	E-17 - E-18
Driver's Compartment Group	E-19 - F-02
Electrical Group	F-03 - F-06
Exterior Body Group	F-07 - F-15
Galley Group	F-16 - F-18
Heating & Air Conditioning Group	F-19 - F-20
Interior Finish Group	F-21 - F-22
LP Group	F-23
Lounge Group	F-24 - G-01
Water & Sewage Group	G-02 - G-05
Window, Vent & Exterior Door Group	G-06 - G-23

WATER & SEWAGE GROUP (CONTINUED)

DRAINAGE SYSTEM



Key	Part Number	U/M	Description
1	093526-01-000	EA	Sink - SST - Double - 25" x 19"
2	011091-02-000	EA	Continuous Waste - Double Sink
2	053874-01-000	EA	Continuous Waste - Double Sink - CSA
3	011066-01-000	EA	P-Trap - 1 1/4"
3	053335-01-000	EA	P-Trap - 1 1/4" - CSA
4	010073-01-000	EA	Wye - Plastic - 1 1/2" / 15° H x H x H
5	034250-01-000	EA	Elbow - Plastic - 1 1/2" / 90° H x H
6	083558-01-000	EA	Roof Vent - Covered - Plastic
7	010006-01-000	EA	Elbow - Plastic - 1 1/2" x 45° H x H
8	089366-01-000	EA	Sink - Oval - Plastic - Ivory
9	079968-01-000	EA	Vent - Mechanical Trap Arm
10	094715-01-000	EA	Shower Pan - Off White -
	066729-01-000	EA	Strainer - Shower Drain
	066435-01-000	EA	Nut - Strainer
	069735-01-000	EA	Washer - Tailpiece - 1.5" Plastic
	011069-02-000	EA	Tailpiece - 1.5" x 1.25" x 4" Brass
	066436-01-000	EA	Nut - Slip - 1.5" Tailpiece
11	011066-03-000	EA	P-Trap - Plastic - 1.25" x 1.5" (US)
11	053335-01-000	EA	P-Trap - Plastic - 1.25" - H x H (CSA)
12	010072-01-000	EA	Tee - Plastic - 1.5" x 1.25" x 1.5" - H x H x H
	010121-01-000	EA	Bushing
13	010008-01-000	EA	Elbow - Plastic - 1.25" BD 1.5" x 90° XLT
14	010115-01-000	EA	Coupling - Plastic - 1.5" H x H
15	061607-01-000	EA	Grommet - Holding Tank - 1.5" NPS
16	024676-01-000	EA	Flange
16	024676-02-000	EA	Flange
17	010071-01-000	EA	Tee
18	010006-01-000	EA	Elbow
19	010073-01-000	EA	Wye
	010166-01-000	EA	Bushing
	010166-02-000	EA	Bushing
20	010122-01-000	EA	Adapter
20	010166-01-000	EA	Bushing
	010166-02-000	EA	Bushing
21	038342-01-000	EA	Tee - Plastic - 1.5" SP x H x H



CONTINUOUS WASTE (CANADA)

Key	Part Number	U/M	Description
1	037101-02-000	EA	Elbow - 1.5" H x 1.5" H x 90°
2	010115-01-000	EA	Coupling - 1.5" H x 1.5" H
3	033302-02-000	EA	Adapter
4	010071-01-000	EA	Tee - 1.5" H x 1.5" H x 1.5" H
5	010121-01-000	EA	Bushing Adapter - 1.5" x 1.25" H x H

1989 WINNEBAGO TABLE OF CONTENTS

WCN23RC
WCN27RT

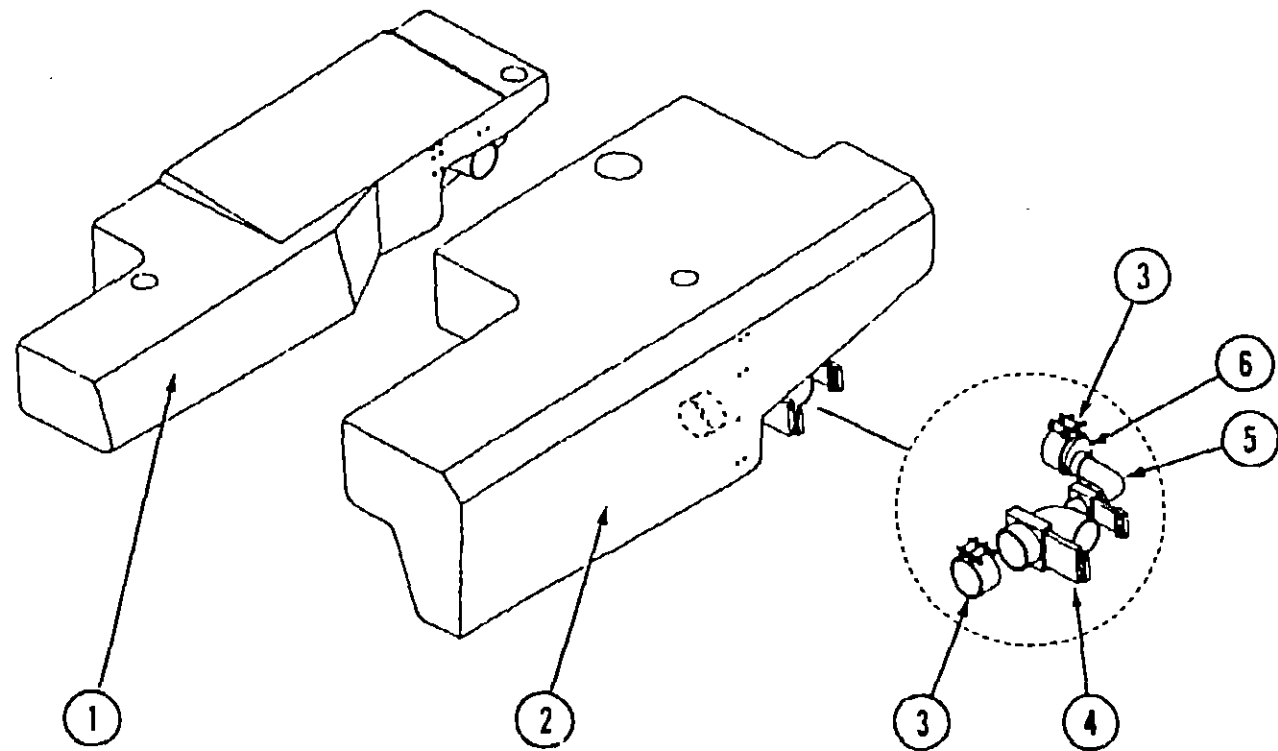
A-01 - D-11
D-13 - G-23

1989 WCN27RT INDEX

Floor Plan	D-13 - D-14
Accessories Group	D-15 - D-18
Bath Group	D-19
Chassis Group	D-20 - E-02
Curtain, Cushion & Pad Group	E-03 - E-16
Dinette Group	E-17 - E-18
Driver's Compartment Group	E-19 - F-02
Electrical Group	F-03 - F-06
Exterior Body Group	F-07 - F-15
Galley Group	F-16 - F-18
Heating & Air Conditioning Group	F-19 - F-20
Interior Finish Group	F-21 - F-22
LP Group	F-23
Lounge Group	F-24 - G-01
Water & Sewage Group	G-02 - G-05
Window, Vent & Exterior Door Group	G-06 - G-23

WATER & SEWAGE GROUP (CONTINUED)

WINDOW, VENT & EXTERIOR DOOR GROUP



HOLDING TANK

Key	Part Number	U/M	Description
1	092271-01-000	EA	Holding Tank - Aux. - 30 Gal.
2	092272-01-000	EA	Holding Tank - Main - 50 Gal.
3	078406-01-000	EA	Rubber Coupler - 3" x 3"
4	070916-01-000	EA	Dual Dump Valve - 3" & 1.5"
5	033761-01-000	EA	Elbow - Plastic - 1.5" x 90° XLT
6	062422-01-000	EA	Adapter - Offset Reducer - 3" x 1.5"

VENTS, ACCESS DOOR HARDWARE

Key	Part Number	U/M	Description
	009439-01-000	EA	Crank - Roof Vent
	009439-03-000	EA	Extension - .9" - Roof Vent
	009439-05-000	EA	Knob - Roof Vent - Black
	009439-06-000	EA	Extension - Roof Vent - Black
	009439-07-000	EA	Screw - Roof Vent Crank
	090392-01-Y12	EA	Vent - Non-Powered - Roof - Beige
	078786-01-Y12	EA	Screen Asm. - Non-Powered - Roof Vent
	090393-01-Y12	EA	Vent - Powered - Roof
	078785-01-Y12	EA	Screen Asm. - Powered Roof Vent
	092698-01-02A	EA	Vent - Range - w/Door - Outside
	092731-01-000	EA	Extension - Duct - Range Hood
	084073-01-000	EA	Vent - Refrigerator Roof Vent
	084073-04-000	EA	Base - Refrigerator Roof Vent
	084103-01-000	EA	Door - Refrigerator Vent - Sidewall
	084104-01-000	EA	Jamb - Refrigerator Vent - Sidewall
	084104-01-700	EA	Lock - Male - Refrigerator Door - Exterior
	084104-01-701	EA	Lock - Female - Refrigerator Door - Exterior
	083558-01-000	EA	Cover - Vent Pipe - Plastic
	078010-04-000	EA	Door Asm. - Fuel Fill - Beige
	077963-01-000	EA	Gasket - Gas Fill Door
	078200-01-000	EA	Gasket - Fuel Fill
	052009-02-000	EA	Door Asm. - Water Heater - Beige
	079368-01-000	EA	Seal - Access Door
	093061-01-02A	EA	Striker - Luggage Door - Black
	093882-01-000	EA	Strike - Door
	083615-01-000	EA	Door Stop - Beige Plastic
	094362-01-000	EA	Clip - Flat Head Plastic - Valance Panel - .4"
	094362-02-000	EA	Clip - Flat Head Plastic - Valance Panel - .95"
	093668-01-02A	EA	Pocket Latch - Off White
	085730-11-000	EA	Latch Asm. - Paddle - Plastic - w/Key Lock
	004363-01-000	FT	Tape - Foam - 3/16" x 1/2"
	085730-14-000	EA	Latch Asm. - Paddle - Plastic - w/o Key Lock
	042442-02-000	EA	Lock Asm. - Twist Type - Access Door
	093756 01-01A	EA	Shroud - Furnace

WINDSHIELD & CORNER GLASS

Key	Part Number	U/M	Description
	091953-04-000	EA	Glass - Corner Vent - Drivers
	091953-03-000	EA	Glass - Corner Vent - Passengers
	091215-02-000	EA	Glass - Windshield - Drivers
	091215-01-000	EA	Glass - Windshield - Passengers
	091986-01-000	EA	Reveal Molding - w/s Black Rubber

**1989 WINNEBAGO
TABLE OF CONTENTS**

WCN23RC
WCN27RT

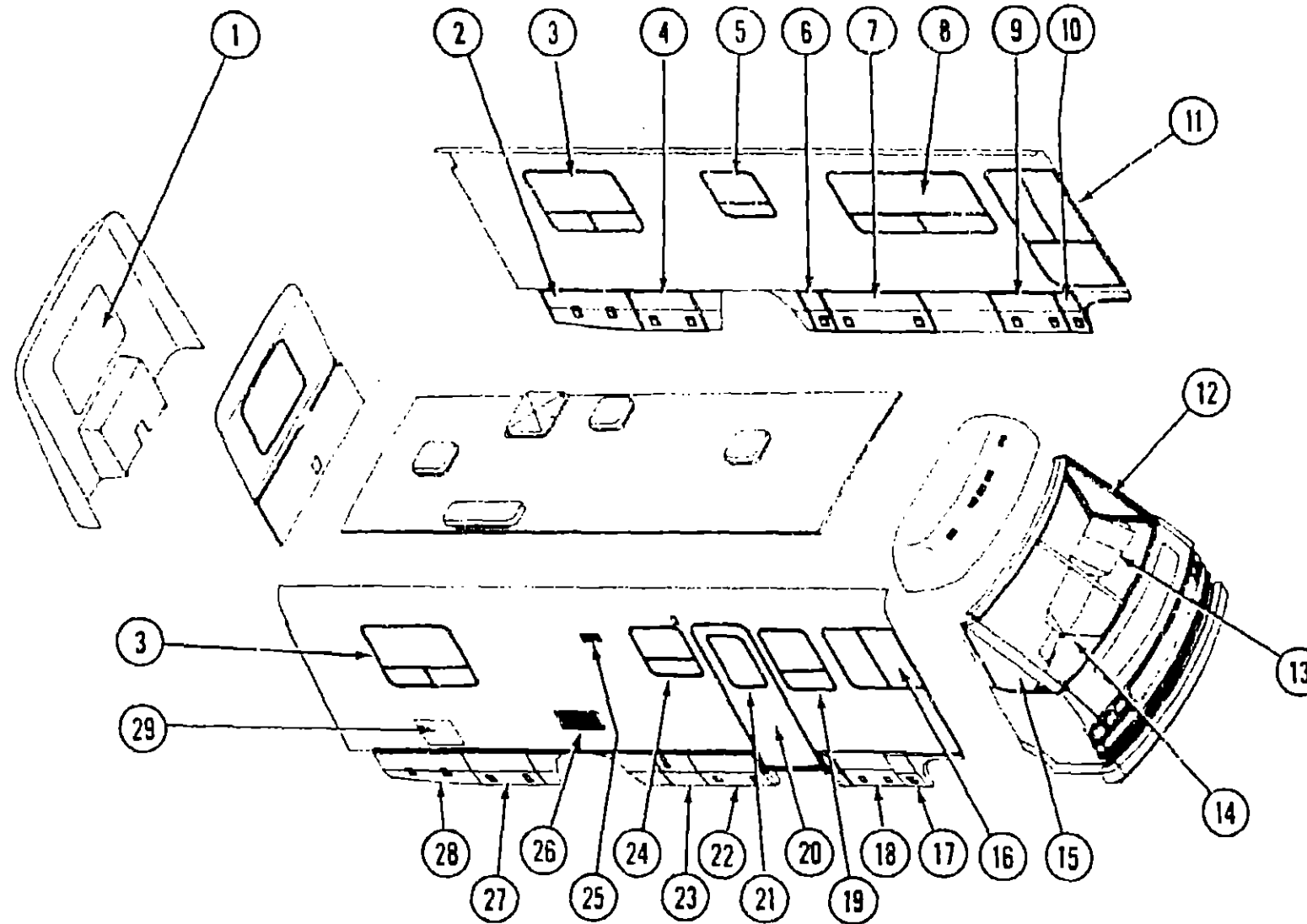
A-01 - D-11
D-13 - G-23

1989 WCN27RT INDEX

Floor Plan	D-13 - D-14
Accessories Group	D-15 - D-18
Bath Group	D-19
Chassis Group	D-20 - E-02
Curtain, Cushion & Pad Group	E-03 - E-16
Dinette Group	E-17 - E-18
Driver's Compartment Group	E-19 - F-02
Electrical Group	F-03 - F-06
Exterior Body Group	F-07 - F-15
Galley Group	F-16 - F-18
Heating & Air Conditioning Group	F-19 - F-20
Interior Finish Group	F-21 - F-22
LP Group	F-23
Lounge Group	F-24 - G-01
Water & Sewage Group	G-02 - G-05
Window, Vent & Exterior Door Group	G-06 - G-23

WINDOW, VENT & EXTERIOR DOOR GROUP (CONTINUED)

WINDOWS & ACCESS DOOR



1989 WINNEBAGO TABLE OF CONTENTS

WCN23RC
WCN27RT

A-01 - D-11
D-13 - G-23

1989 WCN27RT INDEX

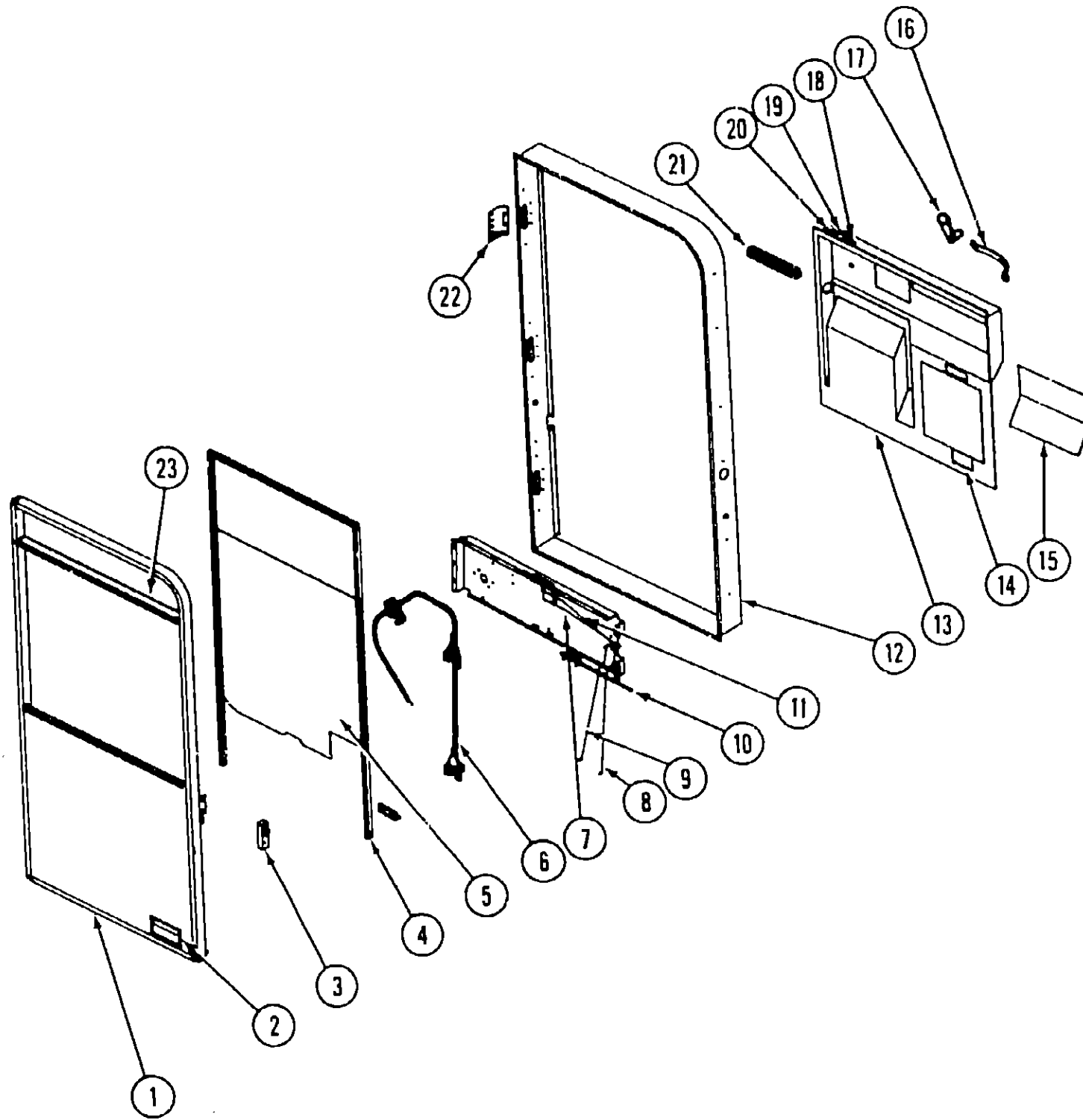
Floor Plan	D-13 - D-14
Accessories Group	D-15 - D-18
Bath Group	D-19
Chassis Group	D-20 - E-02
Curtain, Cushion & Pad Group	E-03 - E-16
Dinette Group	E-17 - E-18
Driver's Compartment Group	E-19 - F-02
Electrical Group	F-03 - F-06
Exterior Body Group	F-07 - F-15
Galley Group	F-16 - F-18
Heating & Air Conditioning Group	F-19 - F-20
Interior Finish Group	F-21 - F-22
LP Group	F-23
Lounge Group	F-24 - G-01
Water & Sewage Group	G-02 - G-05
Window, Vent & Exterior Door Group	G-06 - G-23

Key	Part Number	U/M	Description
1	087985-04-Y12	EA	Window Asm. - Escape - w/o Inside Frame
	076650-04-000	EA	Inside Frame - Escape Window - Black
2	092630-02-Y12	EA	Door Asm. - Valance - Drivers Rear
3	085354-07-X11	EA	Window Asm. - Double Tipout - w/o Inside Retainer
	084153-12-000	EA	Inside Retainer - Double Tipout - Black
4	092481-04-Y10	EA	Door Asm. Valance - Drivers Side
5	085353-07-W07	EA	Window Asm. - Single Tipout - w/o Inside Retainer
	084153-04-000	EA	Inside Retainer - Single Tipout - Black
6	092481-03-Y10	EA	Door Asm. - Valance - Center Rear - Beige
7	092481-02-Y10	EA	Door Asm. - Valance - Center Front - Beige
8	085354-05-X11	EA	Window Asm. - Double Tipout - w/o Inside Retainer - 31.1" x 21.2"
	094153-10-000	EA	Inside Retainer - Double Tipout - Black
9	092481-04-Y10	EA	Door Asm. - Valance - Front Rear - Beige
10	092481-03-Y10	EA	Door Asm. - Valance - Front - Beige
11	M93054-02-Y10	EA	Door Asm. - Drivers Door - Manual Window
11	M93054-07-Y12	EA	Door Asm. - Drivers Door - Electric Window
12	091953-04-000	EA	Glass - Corner Vent - Drivers
13	091215-02-000	EA	Glass - Windshield - Drivers
14	091215-01-000	EA	Glass - Windshield - Passengers
15	091953-03-000	EA	Glass - Corner Vent - Passengers
16	093703-01-Y10	EA	Window Asm. - Passengers Slider - w/o Inside Frame
	092665-01-Y10	EA	Inside Frame - w/Screen - Passenger Slider
	092538-01-Y10	EA	Inside Frame - w/o Screen or Trim - Passengers Slider
	092664-01-Y10	EA	Screen Asm. - Passengers Slider

Key	Part Number	U/M	Description
	078364-01-000	EA	Screen Retainer Top - Passengers Slider
	078365-01-000	EA	Screen Retainer Bottom - Passengers Slider
17	092481-03-Y10	EA	Door Asm. - Valance - Passengers Front - Beige
18	092481-07-Y10	EA	Door Asm. - Valance - Passengers Front Rear - Beige
19	085353-12-X11	EA	Window Asm. - Single Tipout - w/o Inside Retainer
	084153-14-000	EA	Inside Retainer - Single Tipout - Black
20	M01870-21-Y12	EA	Door Asm. - Entrance - Beige
21	079733-04-T03	EA	Window Asm. - Picture - Entrance Door - 17 x 25 - w/o Inside Frame
	067609-03-000	EA	Inside Frame - Entrance Door Window - Beige
22	092481-04-Y10	EA	Door Asm. - Valance - Passengers - Center Front - Beige
23	093028-03-Y12	EA	Door Asm. - Furnace - Passengers Center Rear - Beige
24	085353-07-W07	EA	Window Asm. - Single Tipout - w/o Inside Retainer
	084153-04-000	EA	Inside Retainer - Single Tipout - Black
25	092698-01-02A	EA	Vent - Range Hood - w/Door - Beige
26	084104-01-000	EA	Jamb - Refrigerator Vent Door
26	084073-01-000	EA	Door - Refrigerator Vent
27	092481-04-Y10	EA	Door Asm. - Valance - Passengers Rear Front - Beige
28	092630-01-Y10	EA	Door Asm. - Valance - Passengers - Rear - Beige
29	052009-02-000	EA	Door Asm. - Water Heater - Beige
	078010-04-000	EA	Door Asm. - Fuel Fill - Beige
	077963-01-000	EA	Gasket - Fuel Fill Door
	092763-01-Y12	EA	Panel Asm. - Door - Rear Cap - Passengers - Beige
	092981-01-Y10	EA	Panel Asm. - Door - Rear Cap - Center - Beige
	092765-01-Y10	EA	Panel Asm. - Door - Rear Cap - Drivers - Beige

WINDOW, VENT & EXTERIOR DOOR GROUP (CONTINUED)

DRIVER'S DOOR & HARDWARE



Key	Part Number	U/M	Description
1	M93054-02-Y10	EA	Door Asm. - Driver Door - w/Crank Window
1	M93054-07-Y12	EA	Door Asm. - Driver Door - w/Power Window
2	092927-01-000	EA	Latch Asm. - Outside Door Handle
	092927-01-700	EA	Lock Lever - Black
	092927-01-701	EA	Lock Lever - Chrome
3	092927-04-000	EA	Latch Striker - Driver Door
4	089454-02-000	EA	Channel - Glass Run - Top
5	092446-01-000	EA	Glass - Roll-Up - Door
	081912-02-000	EA	Weatherstrip - Rigid
6	093634-01-000	EA	Regulator Asm. - Window (w/Crank Window)
6	092996-01-000	EA	Regulator Asm. - Power Window
7	092928-04-000	EA	Rod - Inside Lock
	092927-05-000	EA	Clip - Rod End - Right
8	092928-01-000	EA	Rod - Door Lock
	092927-05-000	EA	Clip - Rod End - Right
9	092928-02-000	EA	Rod - Outside Release
	092927-06-000	EA	Clip - Rod End - Left
10	081906-02-000	EA	Slide Bolt - Driver Door
	092594-01-000	EA	Bracket - Dead Bolt
	081903-01-000	EA	Knob - Mounting Shaft
11	092928-03-000	EA	Rod - Inside Release
	092927-05-000	EA	Clip - Rod End - Right
12	092800-01-Y10	EA	Jamb Asm. - Door
13	M92581-01-01A	EA	Panel - Interior - Fawn
	081905-02-000	EA	Knob Control - Slide Bolt - Left
14	077026-01-000	EA	Lens - Courtesy Light - Clear
	077000-01-000	EA	Socket Asm. - w/8" Pigtail Head
15	092580-01-01A	EA	Cover - Map Pocket - Fawn
16	061400-04-000	EA	Assist Strap - 12" - Black w/Woodgrain Insert
17	094575-01-000	EA	Hand Crank - Glass Lift
18	093132-01-000	EA	Switch - Power Window
19	088246-01-000	EA	Switch - Remote Mirror
20	087695-01-000	EA	Switch - Mirror Heater
21	093144-01-000	EA	Conduit - Wire
	080734-02-000	EA	Clip - Nylon Wire
22	092937-01-01A	EA	Hinge Asm. - Front Door - Beige
23	092997-01-000	EA	Glass - Stationary
	064580-03-000	EA	Strap - Check - Door

1989 WINNEBAGO TABLE OF CONTENTS

WCN23RC
WCN27RT

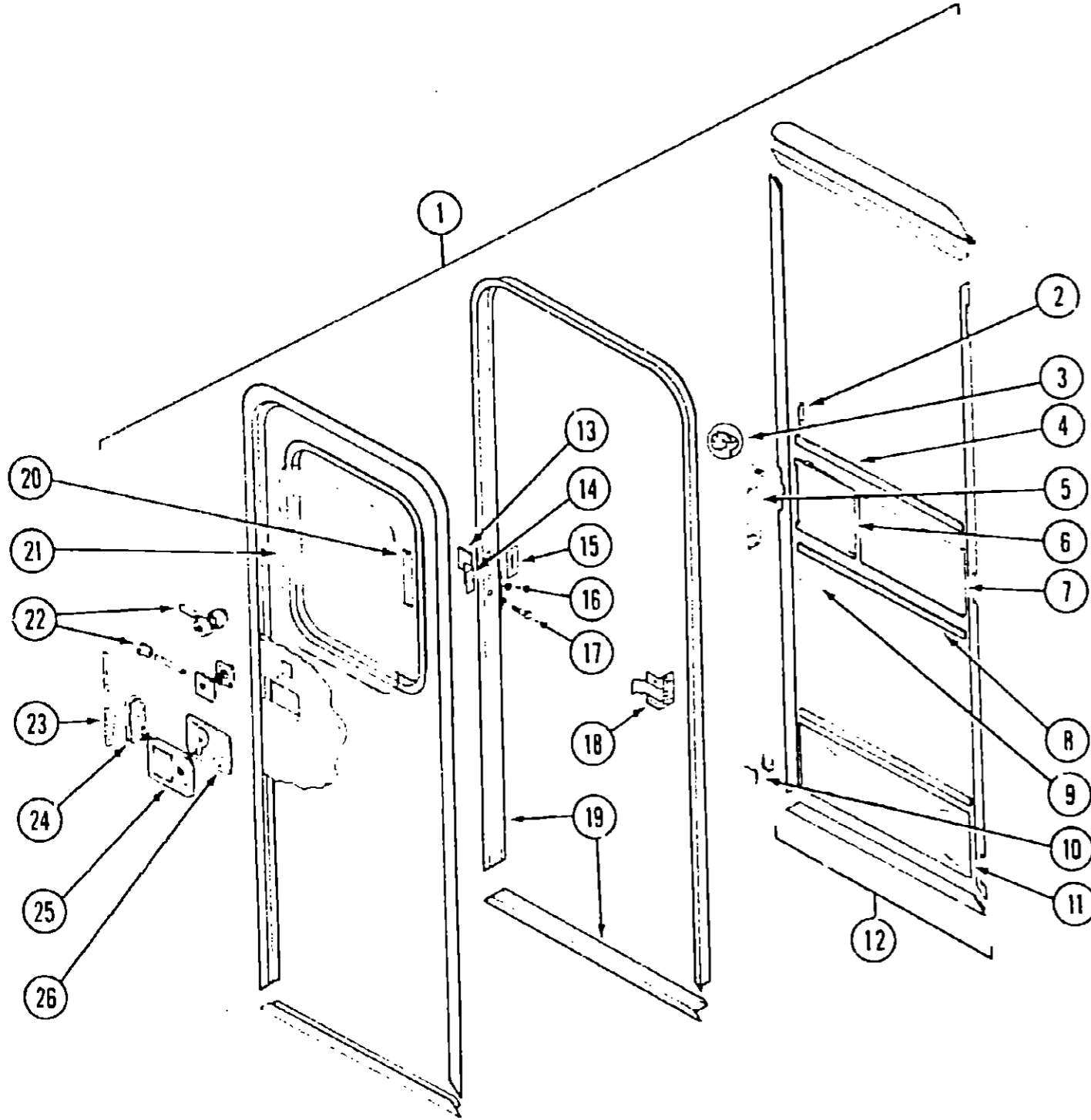
A-01 - D-11
D-13 - G-23

1989 WCN27RT INDEX

Floor Plan	D-13 - D-14
Accessories Group	D-15 - D-18
Bath Group	D-19
Chassis Group	D-20 - E-02
Curtain, Cushion & Pad Group	E-03 - E-16
Dinette Group	E-17 - E-18
Driver's Compartment Group	E-19 - F-02
Electrical Group	F-03 - F-06
Exterior Body Group	F-07 - F-15
Galley Group	F-16 - F-18
Heating & Air Conditioning Group	F-19 - F-20
Interior Finish Group	F-21 - F-22
LP Group	F-23
Lounge Group	F-24 - G-01
Water & Sewage Group	G-02 - G-05
Window, Vent & Exterior Door Group	G-06 - G-23

WINDOW, VENT & EXTERIOR DOOR GROUP (CONTINUED)

ENTRANCE DOOR



Key	Part Number	U/M	Description
1	M01870-21-Y12	EA	Door Asm. - Entrance w/Screen Door
	095276-01-02A	EA	Frame Asm. - Entrance Door - Beige
	089748-02-000	EA	Frame - Entrance Door - Bottom Portion
2	050712-05-000	EA	Door Handle - Screen Door
3	009018-01-000	EA	Roller Catch - Screen Door
	058025-01-000	EA	Clip - Roller Latch Catch
	009016-01-000	EA	Catch - Elbow - Spring Loaded - Screen Door
4	078592-01-000	EA	Screen Door Mullion - Upper & Lower - Slider
	078777-01-000	EA	Slider Channel (Mullion Insert)
5	079087-01-000	EA	Strike - Slider - Screen Door
6	079086-01-000	EA	Slider - Screen Door
7	016454-01-000	EA	Insert - Screen Door
8	002294-01-000	FT	Spline - Black
9	002293-02-000	SF	Screen - Window - 26" Charcoal
10	085774-01-000	FT	Fastener - Dual Lock - 1" Wide
10	085774-02-000	FT	Fastener - Dual Lock - 1" Wide
11	078552-03-000	EA	Insert - Screen Door - Lower
12	079012-01-T03	EA	Screen Door Asm.
	078595-01-000	EA	Plate - Screen Door
13	077461-01-000	EA	Strike Cover
14	041546-03-000	EA	Angle Bracket
15	079173-01-000	EA	Deadbolt - Gasket
16	058806-01-000	EA	Plug - Tapered Plastic
17	039539-01-000	EA	Strike
18	079361-05-000	EA	Hinge
19	095277-02-02A	EA	Door Jamb - Entrance Door
20	087561-01-000	FT	Window Seal
21	002181-06-000	EA	Glass - Picture Window
	079733-04-T03	EA	Window Asm. - Picture - 17" x 25" (w/o inside frame)
	069609-03-000	EA	Inside Frame - Beige (not included in assembly)
22	039738-01-000	EA	Dead Bolt Asm. - Round
22	095229-01-01A	EA	Dead Bolt Asm. - Square - Black
23	098173-01-01A	EA	Stiffener - Entrance Door
24	039540-01-000	EA	Latch Asm. - Entrance Door
25	045017-10-000	EA	Latch Asm. - Plate - Black
26	039979-03-000	EA	Cover Asm. - Latch Plate - Black
	039984-01-000	EA	Cap - Black Vinyl - Lock Grip
	075673-01-000	FT	Seal - Pile - Adhesive Back
	075671-01-000	FT	Seal - Sponge - Lazy T Shaped
	002748-01-000	EA	Cover - Key
	081067-01-000	EA	Seal - Lock - Flat w/Silt

1989 WINNEBAGO TABLE OF CONTENTS

WCN23RC
WCN27RT

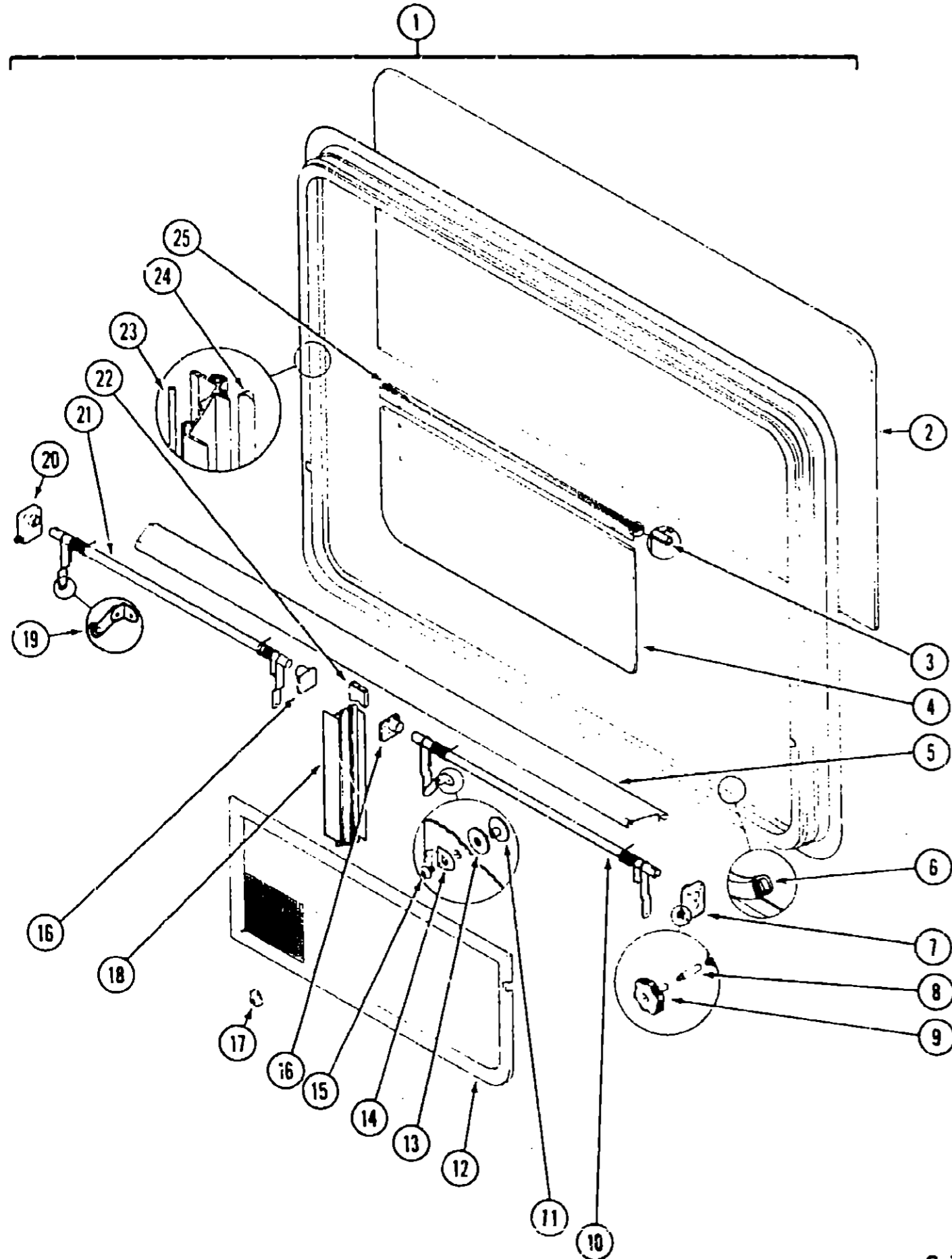
A-01 - D-11
D-13 - G-23

1989 WCN27RT INDEX

Floor Plan	D-13 - D-14
Accessories Group	D-15 - D-18
Bath Group	D-19
Chassis Group	D-20 - E-02
Curtain, Cushion & Pad Group	E-03 - E-16
Dinette Group	E-17 - E-18
Driver's Compartment Group	E-19 - F-02
Electrical Group	F-03 - F-06
Exterior Body Group	F-07 - F-15
Galley Group	F-16 - F-18
Heating & Air Conditioning Group	F-19 - F-20
Interior Finish Group	F-21 - F-22
LP Group	F-23
Lounge Group	F-24 - G-01
Water & Sewage Group	G-02 - G-05
Window, Vent & Exterior Door Group	G-06 - G-23

WINDOW, VENT & EXTERIOR DOOR GROUP (CONTINUED)

DOUBLE TIPOUT WINDOW



Key	Part Number	U/M	Description
1	085354-07-X11	EA	Window Asm. - Double Tipout (w/o inside window)
	084153-12-000	EA	Window Retainer - Double Tipout
2	081239-23-000	EA	Glass - 1/8" x 40.70" x 20.55" - Stationary
3	081357-01-000	FT	Foam Seal - Vinyl
4	084068-13-000	EA	Glass - 1/8" x 9.21" x 20.15"
5	082563-52-001	EA	Mullion - Horizontal - Black
	000G39-06-16T	EA	Screw - SF/DR - 6 - 20 x 1.00 PPH (Mullion - 4 Required)
	076778-03-000	EA	Rivet - Plastic - Pin Drive - Black (2 Required)
6	084067-01-000	FT	Seal - "e" - Sponge Rubber
7	035302-01-000	EA	Operator Drive - Right
8	090025-01-000	EA	Extension - Window Knob (not included in assembly)
9	067052-02-000	EA	Knob - Beige (not included in assembly)
	089371-01-000	EA	Screw - Window Knob (not included in assembly)
10	083228-05-000	EA	Torque Tube Asm. - Right
11	086762-01-000	EA	T-Nut - 10-32
12	084581-09-X11	EA	Screen Asm. - Tipout - Right
	084581-06-X11	EA	Screen Asm. - Tipout - Left
	002293-02-000	SF	Screen - 26" - Window
	002298-02-000	FT	Splino - .130" Dia. - Charcoal (Screen)
13	068927-03-000	EA	Seal - Rubber - .12" x 25" ID x 80" OD
14	084473-01-C70	EA	Seal - Rubber - "D" Shaped
15	086763-01-000	EA	Screw - #10 - 32 x 1/4" PTH
16	081354-01-000	EA	Sleeve - Window Torque Tube
17	081243-01-000	EA	Clip - Plastic - Screen (4 required)
	000G12-06-08T	EA	Screw - #6 - 20 x .50" PPH - Black
18	084192-52-001	EA	Mullion - Vertical - Black
	000G39-08-088	EA	Screw - #8 x 18 x 1/2 PPH (Mullion - 4 Required)
19	097578-01-000	EA	Connecting Rod Asm.
	085316-01-000	EA	Washer - Wave - .44 OD 32 ID
	081649-01-000	EA	Snap Ring - 7/32 Shaft
20	035302-02-000	EA	Operator Drive - Left
21	083227-03-000	EA	Torque Tube Asm. - Left
22	084066-01-000	FT	Bulb Seal - Double - Sponge Rubber
23	069640-06-000	FT	Seal - 5/16" x 15' (not included in assembly)
24	083180-01-000	FT	Seal - Vinyl Glazing
25	084155-09-000	EA	Hinge - Tipout Window - Black

1989 WINNEBAGO TABLE OF CONTENTS

WCN23RC
WCN27RT

A-01 - D-11
D-13 - G-23

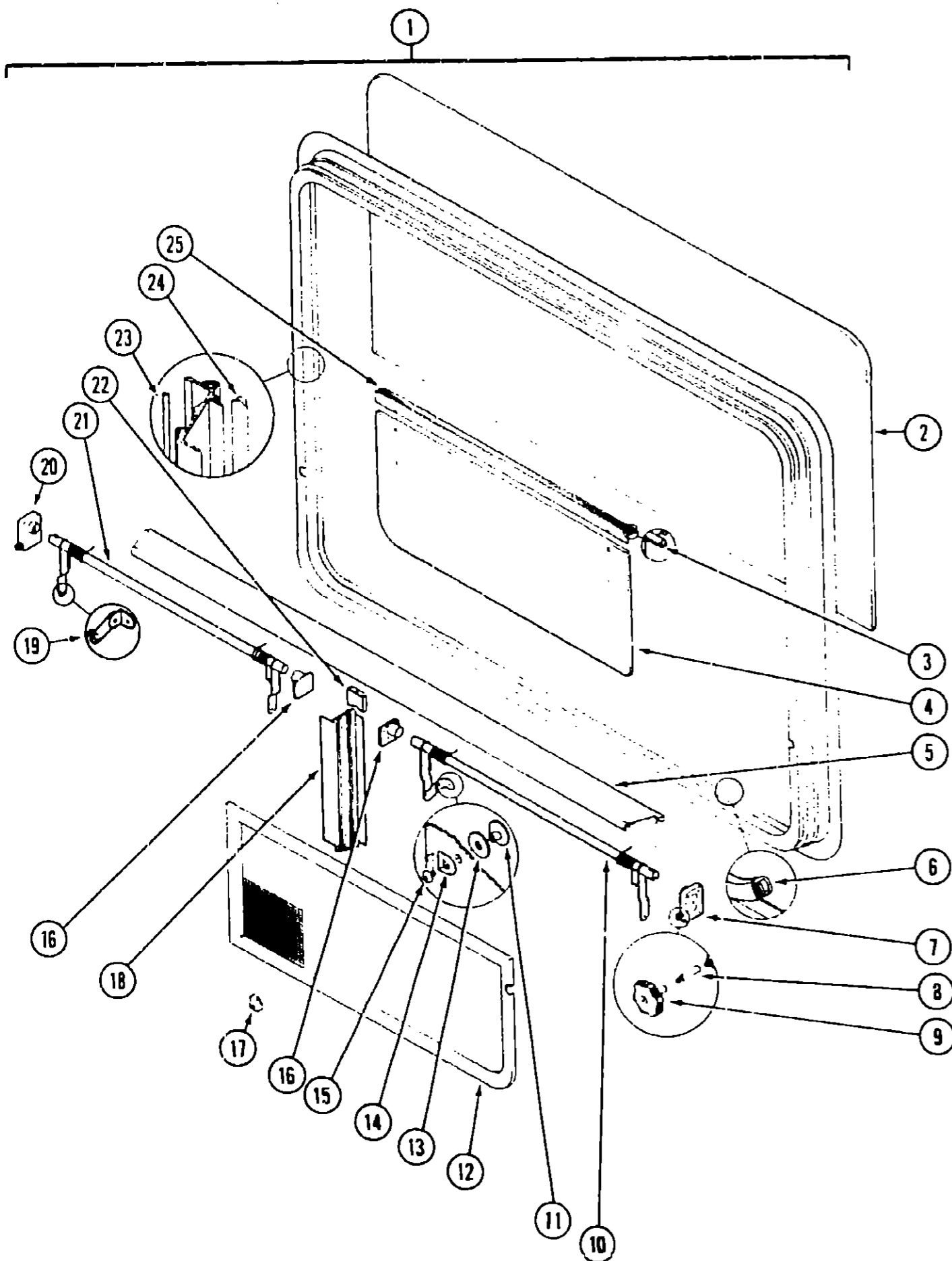
1989 WCN27RT INDEX

Floor Plan	D-13 - D-14
Accessories Group	D-15 - D-18
Bath Group	D-19
Chassis Group	D-20 - E-02
Curtain, Cushion & Pad Group	E-03 - E-16
Dinette Group	E-17 - E-18
Driver's Compartment Group	E-19 - F-02
Electrical Group	F-03 - F-06
Exterior Body Group	F-07 - F-15
Galley Group	F-16 - F-18
Heating & Air Conditioning Group	F-19 - F-20
Interior Finish Group	F-21 - F-22
LP Group	F-23
Lounge Group	F-24 - G-01
Water & Sewage Group	G-02 - G-05
Window, Vent & Exterior Door Group	G-06 - G-23

WINDOW, VENT & EXTERIOR DOOR GROUP (CONTINUED)

DOUBLE TIPOUT WINDOW

1989 WINNEBAGO TABLE OF CONTENTS



Key	Part Number	U/M	Description
1	085354-05-X11	EA	Window Asm. - Double Tipout (w/o Inside frame)
	084153-10-000	EA	Window - Retainer - Double Tipout
2	081239-18-000	EA	Glass - 1/8" x 59.8" x 20.55" - Stationary
3	081357-01-000	FT	Foam Seal - Vinyl
4	084068-08-000	EA	Glass - 1/8" x 9.24" x 29.6"
5	082563-52-001	EA	Mullion - Horizontal - Black
	000G39-06-16T	EA	Screw - SF/DR - 6 - 20 x 1.00 PPH (Mullion - 4 Required)
	076778-03-000	EA	Rivet - Plastic - Pin Drive - Black (2 required)
6	084067-01-000	FT	Seal - "e" - Sponge Rubber
7	035302-01-000	EA	Operator Drive - Right
8	090025-01-000	EA	Extension - Window Knob (not included in assembly)
9	067052-02-000	EA	Knob - Beige (not included in assembly)
	089371-01-000	EA	Screw - Window Knob (not included in assembly)
10	083228-03-000	EA	Torque Tube Asm. - Right
11	086762-01-000	EA	T-Nut - 10-32
12	084581-05-X11	EA	Screen Asm. - Tipout - Right
	084581-06-X11	EA	Screen Asm. - Tipout - Left
	002293-02-000	SF	Screen - 26" - Window - Charcoal
	002298-02-000	FT	Spline - .130" Dia. - Charcoal (Screen)
13	G68927-03-000	EA	Seal - Rubber - .12" x 25" ID x 80" OD
14	084473-01-000	EA	Seal - Rubber - "D" Shaped
15	086763-01-000	EA	Screw - #10 - 32 x 1/4" PTH
16	081354-01-000	EA	Sleeve - Window Torque Tube
17	081243-01-000	EA	Clip - Plastic - Screen (4 required)
	000G12-06-08T	EA	Screw - #6 - 20 x .50" POH - Black
18	084192-52-001	EA	Mullion - Vertical - Black
	000G39-08-088	EA	Screw - #8 x 18 x 1/2 PPH (Mullion - 4 Required)
19	097578-01-000	EA	Connecting Rod Asm.
	085316-01-000	EA	Washer - Wave - .44 OD 32 ID
	081649-01-000	EA	Snap Ring - 7/32 Shaft
20	035302-02-000	EA	Operator Drive - Left
21	083227-03-000	EA	Torque Tube Asm. - Left
22	084066-01-000	FT	Buib Seal - Double - Sponge Rubber
23	059640-06-000	FT	Seal - 5/16" x 15" (not included in assembly)
24	083180-01-000	FT	Seal - Vinyl Glazing
25	084155-09-000	EA	Hinge - Tipout Window - Black

WCN23RC
WCN27RT

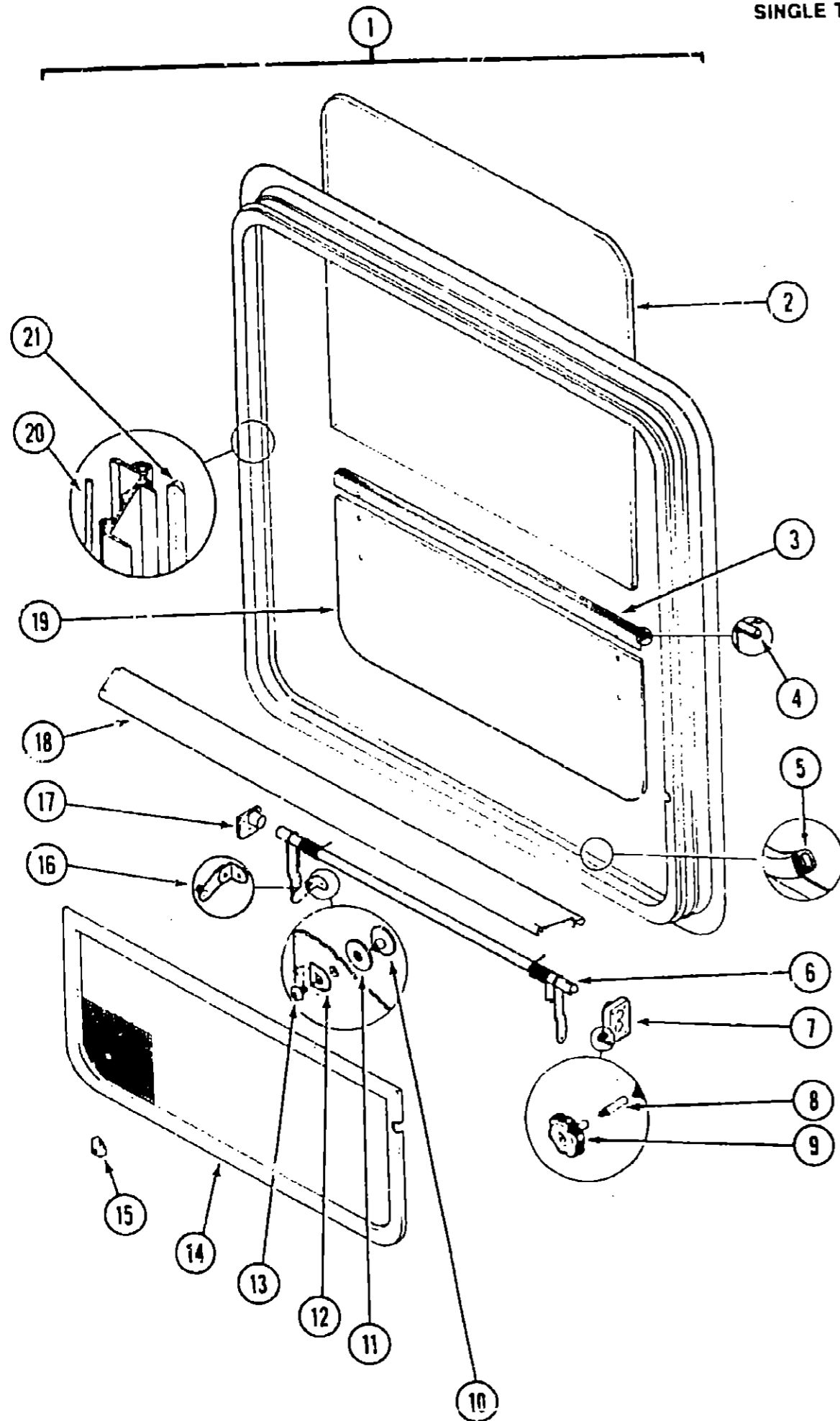
A-01 - D-11
D-13 - G-23

1989 WCN27RT INDEX

Floor Plan	D-13 - D-14
Accessories Group	D-15 - D-18
Bath Group	D-19
Chassis Group	D-20 - E-02
Curtain, Cushion & Pad Group	E-03 - E-16
Dinette Group	E-17 - E-18
Driver's Compartment Group	E-19 - F-02
Electrical Group	F-03 - F-06
Exterior Body Group	F-07 - F-15
Galley Group	F-16 - F-18
Heating & Air Conditioning Group	F-19 - F-20
Interior Finish Group	F-21 - F-22
LP Group	F-23
Lounge Group	F-24 - G-01
Water & Sewage Group	G-02 - G-05
Window, Vent & Exterior Door Group	G-06 - G-23

WINDOW, VENT & EXTERIOR DOOR GROUP (CONTINUED)

SINGLE TIPOUT WINDOW



Key	Part Number	U/M	Description
1	085353-12-X11	EA	Window Asm. - Single Tipout (w/o inside frame)
	084153-14-000	EA	Window Retainer
2	081239-22-000	EA	Glass - 21.7" x 20.66" - Stationary
3	089913-01-000	EA	Hinge - Tipout Window - Black
4	081357-01-000	FT	Seal Foam - Vinyl
5	084067-01-000	FT	Seal - "e" - Sponge Rubber
6	083150-08-000	EA	Torque Tube Asm.
7	035302-02-000	EA	Operator Drive - Left
8	009439-06-000	EA	Extension - .900" - Black (not included in assembly)
9	009439-05-000	EA	Knob - Window
	009439-07-000	EA	Screw - 8/32" x 1 1/4" POH - Black (not included in assembly)
10	086762-01-000	EA	T-Nut 10-32
11	068927-03-000	EA	Seal - Rubber - .12" x 25" ID x 80" OD
12	084473-01-000	EA	Seal - Rubber - "D" Shaped
13	086763-01-000	EA	Screw - #10 - 32 x 1/4" PTH
14	084580-04-W07	EA	Screw Asm. - Tipout Window - Single
	002293-02-000	SF	Screen - Window - 26" - Charcoal
	002298-02-000	FT	Spline - .130" Dia. - Charcoal
15	081243-01-000	EA	Screen Clip - Black Plastic
	000G12-06-08T	EA	Screw - #6 - 20 x .50" POH - Black
16	097578-01-000	EA	Connecting Rod Asm.
	085316-01-000	EA	Washer - Wave - .44 OD 32 ID
	081649-01-000	EA	Snap Ring - 7/32 Shaft
17	081354-01-000	EA	Sleeve - Window Torque Tube
18	082563-52-001	EA	Mullion - Horizontal - Black
19	084068-12-000	EA	Glass - 9.21" x 21.59" - Tipout
20	069640-06-000	FT	Seal - 5/16" x 15" (not included in assembly)
21	083180-01-000	FT	Seal - Vinyl Glazing

1989 WINNEBAGO TABLE OF CONTENTS

WCN23RC
WCN27RT

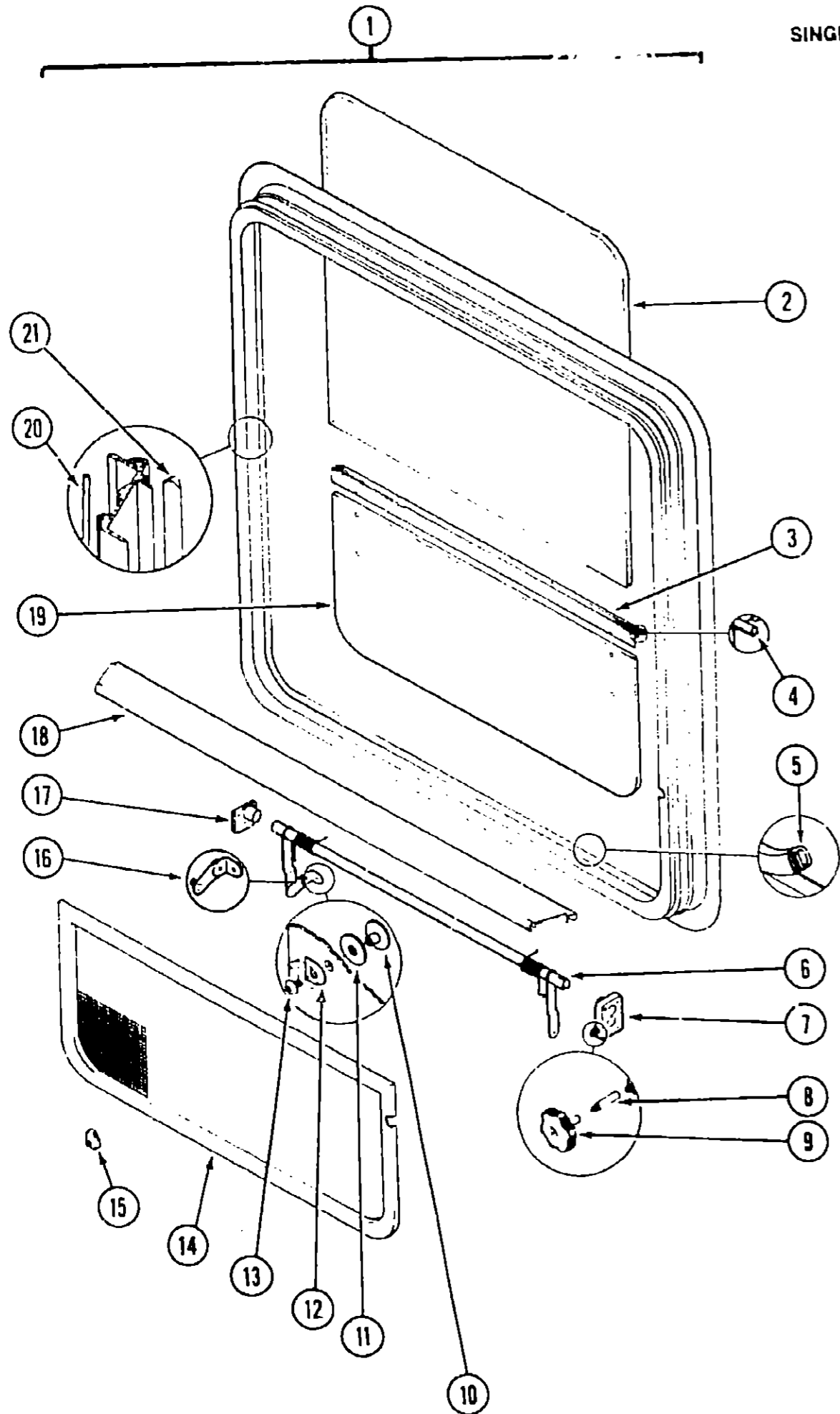
A-01 - D-11
D-13 - G-23

1989 WCN27RT INDEX

Floor Plan	D-13 - D-14
Accessories Group	D-15 - D-18
Bath Group	D-19
Chassis Group	D-20 - E-02
Curtain, Cushion & Pad Group	E-03 - E-16
Dinette Group	E-17 - E-18
Driver's Compartment Group	E-19 - F-02
Electrical Group	F-03 - F-06
Exterior Body Group	F-07 - F-15
Galley Group	F-16 - F-18
Heating & Air Conditioning Group	F-19 - F-20
Interior Finish Group	F-21 - F-22
LP Group	F-23
Lounge Group	F-24 - G-01
Water & Sewage Group	G-02 - G-05
Window, Vent & Exterior Door Group	G-06 - G-23

WINDOW, VENT & EXTERIOR DOOR GROUP (CONTINUED)

SINGLE TIPOUT WINDOW



Key	Part Number	U/M	Description
1	085353-07-W07	EA	Window Asm. - Single Tipout - 24.8" x 24.9" (w/o Inside frame)
	004153-04-000	EA	Inside Frame - Black (not included in assembly)
2	081239-05-000	EA	Glass - 14.6" x 24.25" - Stationary
3	089913-01-000	EA	Hinge - Tipout Window - Black
4	081357-01-000	FT	Seal Foam - Vinyl
5	084067-01-000	FT	Seal - "e" - Sponge Rubber
6	083150-05-000	EA	Torque Tube Asm.
7	035302-02-000	EA	Operator Drive - Left
8	009439-06-000	EA	Extension - .900" - Black (not included in assembly)
9	009439-05-000	EA	Knob - Window Crankout - Black (not included in assembly)
	009439-07-000	EA	Screw - 8/32" x 1 1/4" POH - Black (not included in assembly)
10	086762-01-000	EA	T-Nut - 10-32
11	068927-03-000	EA	Seal - Rubber - .12" x 25" ID x 80" OD
12	084473-01-000	EA	Seal - Rubber - "D" Shaped
13	086763-01-000	EA	Screw - #10 - 32 x 1/4" PTH
14	084580-04-W07	EA	Screw Asm. - Tipout Window - Single
	002293-02-000	SF	Screen - Window - 26" - Charcoal
	002298-02-000	FT	Spline - .130" Dia. - Charcoal (Screen)
15	081243-01-000	EA	Screen Clip - Plastic - Black
	000G12-06-08T	EA	Screw - #6 - 20 x .50" POH - Black
16	097578-01-000	EA	Connecting Rod Asm.
	085316-01-000	EA	Washer - Wave - .44 OD 32 ID
	081649-01-000	EA	Snap Ring - 7/32 Shaft
17	081354-01-000	EA	Sleeve - Window Torque Tube
18	082563-52-001	EA	Mullion - Horizontal - Black
19	084068-02-000	EA	Glass - 9.24" x 24.13" - Tipout
20	069640-06-000	FT	Seal - 5/16" x 15" (not included in assembly)
21	083180-01-00	FT	Seal - Vinyl Glazing

1989 WINNEBAGO TABLE OF CONTENTS

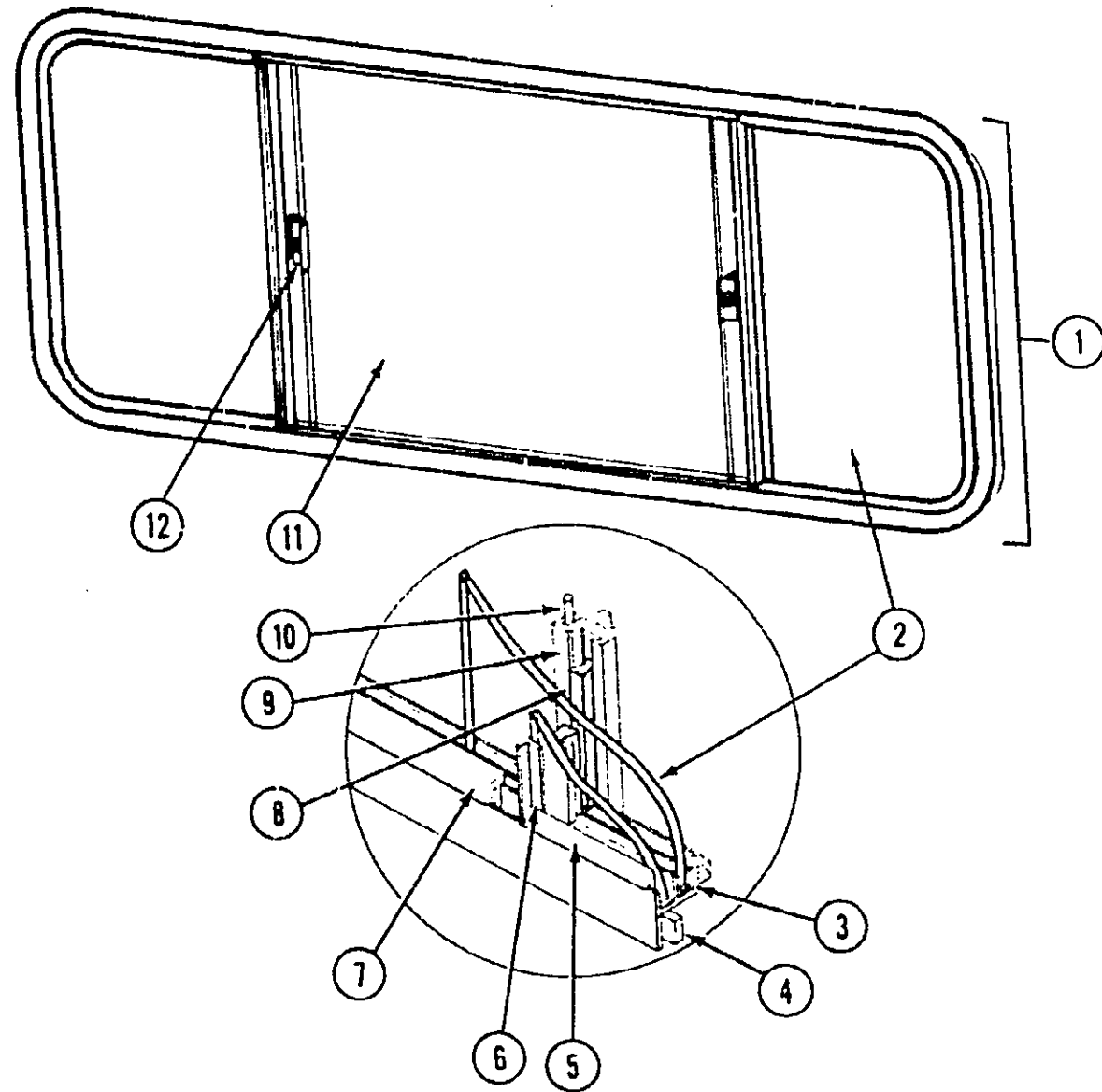
WCN23RC
WCN27RT

A-01 - D-11
D-13 - G-23

1989 WCN27RT INDEX

Floor Plan	D-13 - D-14
Accessories Group	D-15 - D-19
Bath Group	D-19
Chassis Group	D-20 - E-02
Curtain, Cushion & Pad Group	E-03 - E-16
Dinette Group	E-17 - E-18
Driver's Compartment Group	E-19 - F-02
Electrical Group	F-03 - F-06
Exterior Body Group	F-07 - F-15
Galley Group	F-16 - F-18
Heating & Air Conditioning Group	F-19 - F-20
Interior Finish Group	F-21 - F-22
LP Group	F-23
Lounge Group	F-24 - G-01
Water & Sewage Group	G-02 - G-05
Window, Vent & Exterior Door Group	G-06 - G-23

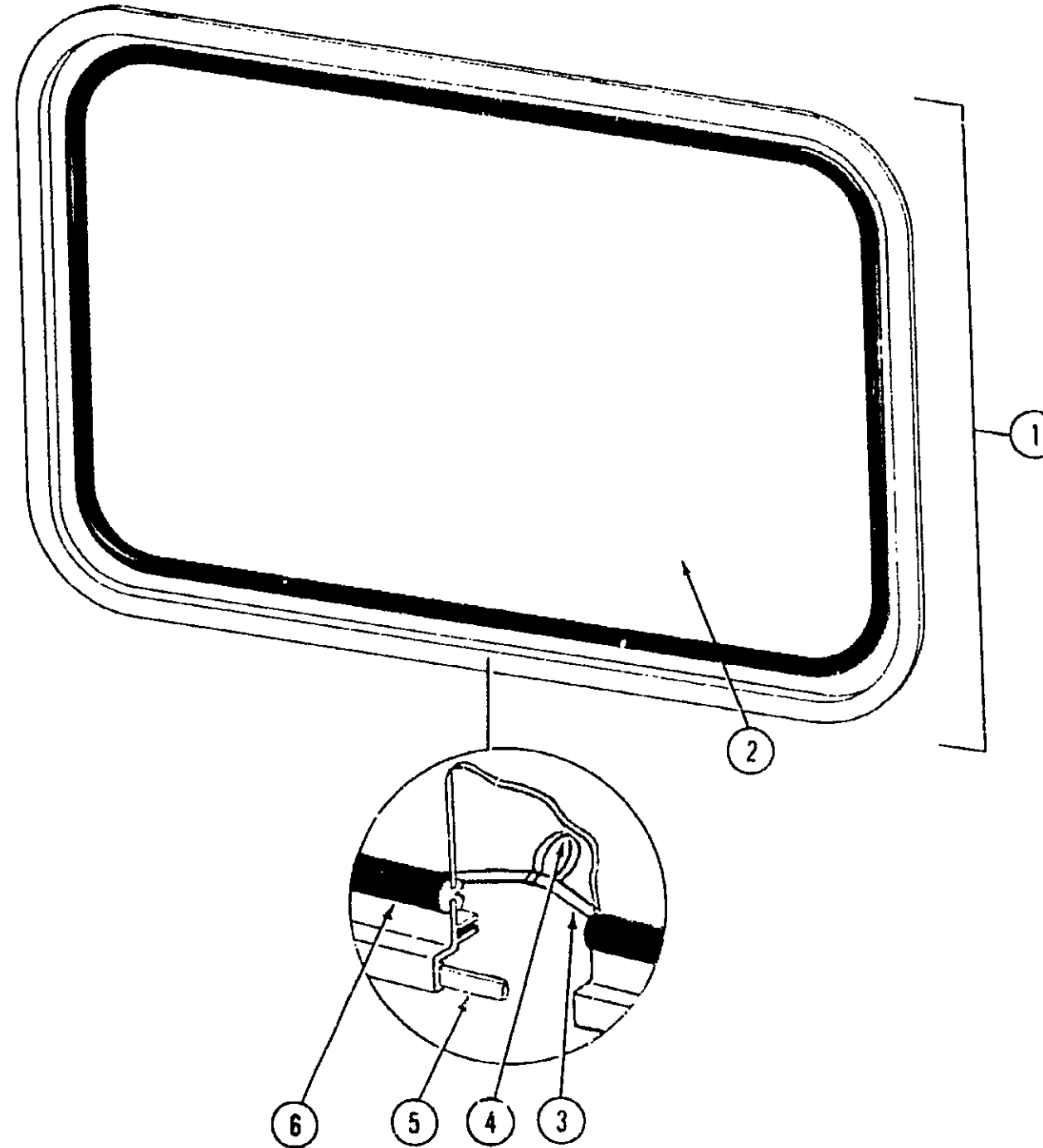
WINDOW, VENT & EXTERIOR DOOR GROUP (CONTINUED)



DOUBLE SLIDER WINDOW

Key	Part Number	U/M	Description
1	078269-04-X11	EA	Window Asm. - Double Slider (w/o inside frame)
	083122-26-000	EA	Inside Frame - Double Slider - Beige
2	081980-10-000	EA	Glass - Sliding - 1/8" x 30.6" x 19.31" - Gray
3	002324-02-000	FT	Channel - Weatherstrip - Glass
4	069640-06-000	FT	Sealer Ribbon - 5/16" Bead x 15'
5	002309-02-000	FT	Spline - Glass - 1/8" - Black
6	069886-03-001	EA	Seal Holder - 1/8" Glass - Black
7	024096-02-000	FT	Vinyl Window Seal - Black
8	073740-01-000	FT	Fin Seal - .460" Pile
9	083926-02-001	EA	Mullion - Slider Window - Black
	002293-02-000	SF	Screen - Window - 26" - Charcoal
10	002298-02-000	FT	Spline - .130" Dia. - Charcoal (Screen)
11	002188-07-000	EA	Glass - Stationary - 1/8" x 30.7" x 24.75"
12	047369-01-700	EA	Latch Kit - Window - Plastic w/Fastener

WINDOW, VENT & EXTERIOR DOOR GROUP (CONTINUED)



ESCAPE WINDOW

Key	Part Number	U/M	Description
1	087985-04-Y12	EA	Window Asm. - Escape (w/o inside frame)
	076650-04-000	EA	Inside Frame - Escape Window - Black
2	076337-06-000	EA	Glass - 1/8" x 44.8" x 28.14"
3	002285-01-000	FT	Filler - Weatherstrip - Black
4	069640-07-000	FT	Tape - 2" Bead x 3/32" x 30'
5	002282-01-000	FT	Weatherstrip - Window - .125" Black
6	077066-01-701	EA	Tape - Poly - Red - 36"

1989 WINNEBAGO
TABLE OF CONTENTS

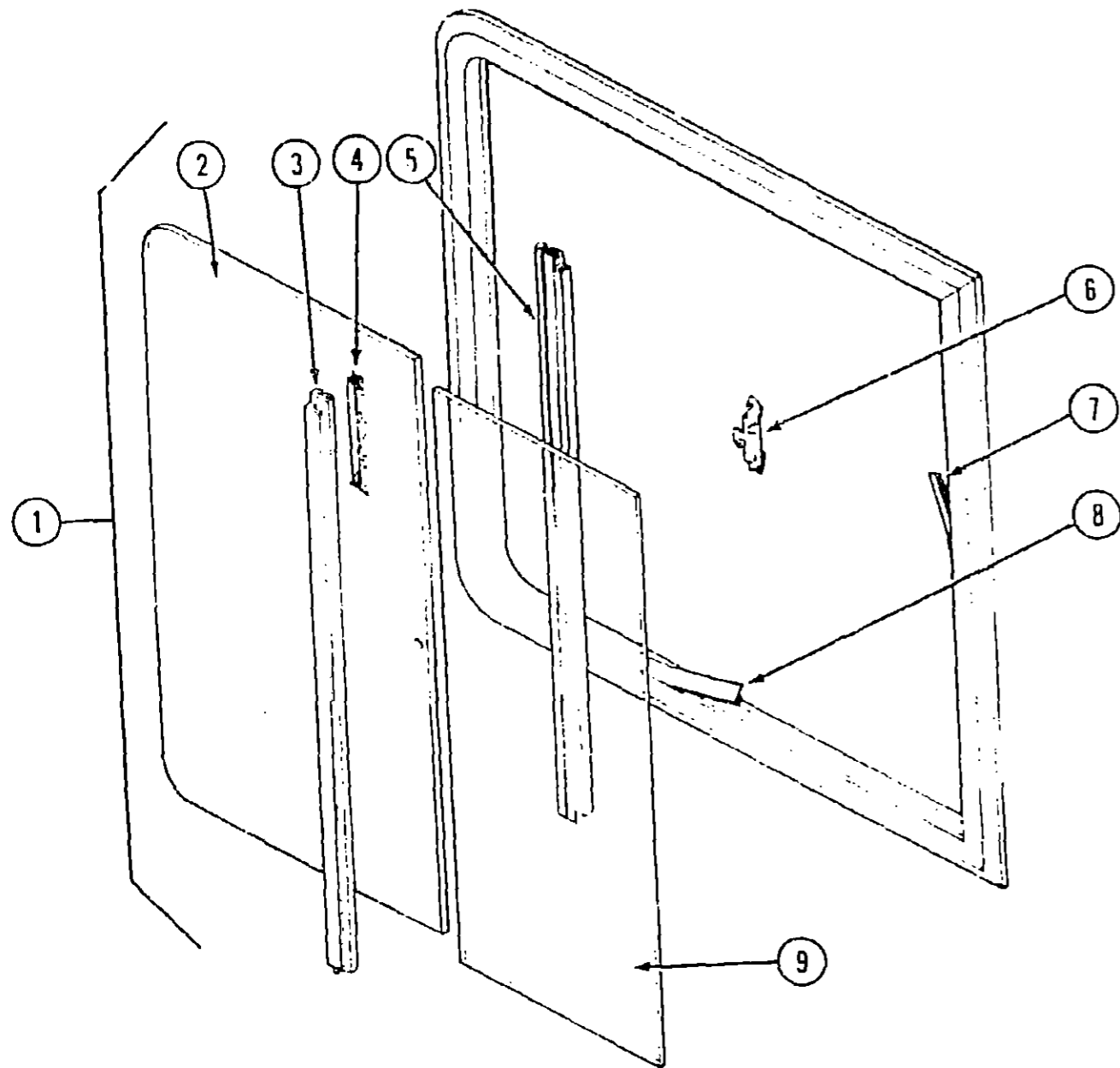
WCN23RC
WCN27RT

A-01 - D-11
D-13 - G-23

1989 WCN27RT INDEX

Floor Plan	D-13 - D-14
Accessories Group	D-15 - D-18
Bath Group	D-19
Chassis Group	D-20 - E-02
Curtain, Cushion & Pad Group	E-03 - E-16
Dinette Group	E-17 - E-18
Driver's Compartment Group	E-19 - F-02
Electrical Group	F-03 - F-06
Exterior Body Group	F-07 - F-15
Galley Group	F-16 - F-18
Heating & Air Conditioning Group	F-19 - F-20
Interior Finish Group	F-21 - F-22
LP Group	F-23
Lounge Group	F-24 - G-01
Water & Sewage Group	G-02 - G-05
Window, Vent & Exterior Door Group	G-06 - G-23

WINDOW, VENT & EXTERIOR DOOR GROUP (CONTINUED)



PASSENGERS FRONT SLIDER

Key	Part Number	U/M	Description
1	093703-01-Y10	EA	Window Asm. - Single Slider - 31.5" x 31" (w/o inside frame)
	092565-01-Y10	EA	Inside Frame - Black (not included in assembly)
2	061980-11-000	EA	Glass - Slider - 1/8" x 30.4" x 16.5"
3	002389-03-209	EA	Glass Holder - 29.57"
4	073740-01-000	FT	Seal - Fin - Pile - .460
5	084170-09-000	EA	Mullion - Slider Window - Black
	042077-01-000	FT	Channel - Window - Glass Run - 3/16"
	050216-02-000	FT	Spline - Vinyl Glass - .19" - Black
6	047369-01-700	EA	Latch Kit - Window - Black Plastic w/Fastener
7	002309-02-000	FT	Spline - Glass - 1/8" Material - Black
8	041928-02-000	FT	Seal - Window Channel
9	057656-12-000	EA	Glass - Stationary - 1/8" x 15.7" x 30.4"
	000G39-06-16T	EA	Screw - SF/DR - 6 x 20 x 1.00 - PPH
	002328-01-000	EA	Black - Window - 1/8" x 3/16" x 1"
	023320-01-000	EA	Pad - Felt - 3/8" Dia.
	081377-01-000	EA	Adhesive - Cyanoacrylate

1989 WINNEBAGO
TABLE OF CONTENTS

WCN23RC
WCN27RT

A-01 - D-11
D-13 - G-23

1989 WCN27RT INDEX

Floor Plan	D-13 - D-14
Accessories Group	D-15 - D-18
Bath Group	D-19
Chassis Group	D-20 - E-02
Curtain, Cushion & Pad Group	E-03 - E-16
Dinette Group	E-17 - E-18
Driver's Compartment Group	E-19 - F-02
Electrical Group	F-03 - F-06
Exterior Body Group	F-07 - F-15
Galley Group	F-16 - F-18
Heating & Air Conditioning Group	F-19 - F-20
Interior Finish Group	F-21 - F-22
LP Group	F-23
Lounge Group	F-24 - G-01
Water & Sewage Group	G-02 - G-05
Window, Vent & Exterior Door Group	G-06 - G-23