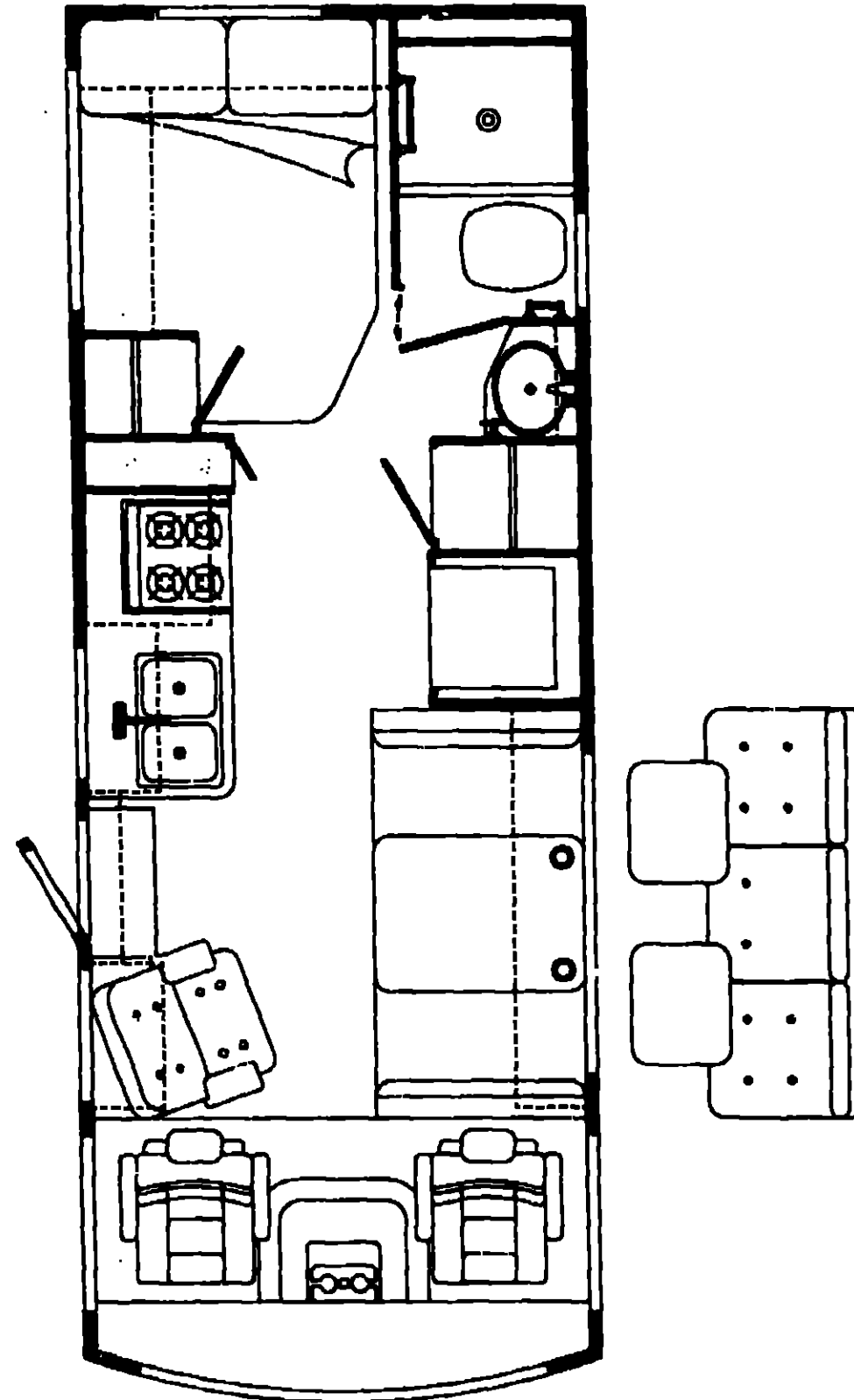


# 1989 WCN23RC



## 1989 WINNEBAGO TABLE OF CONTENTS

WCN23RC  
WCN27RT

A-01 - D-11  
D-13 - G-23

### 1989 WCN23RC INDEX

Floor Plan	A-01 - A-02
Accessories Group	A-03 - A-06
Bath Group	A-07 - A-08
Chassis Group	A-09 - A-14
Curtain, Cushion & Pad Group	A-15 - B-04
Dinette Group	B-05 - B-06
Driver's Compartment Group	B-07 - B-13
Electrical Group	B-14 - B-18
Exterior Body Group	B-19 - C-03
Galley Group	C-04 - C-06
Heating & Air Conditioning Group	C-07 - C-08
Interior Finish Group	C-09 - C-10
LP Group	C-11
Lounge Group	C-12
Water & Sewage Group	C-13 - C-16
Window, Vent & Exterior Door Group	C-17 - D-11

## ACCESSORIES GROUP

### MISCELLANEOUS ACCESSORIES

Key	Part Number	U/M	Description
	054185-31-000	EA	Owner's Manual - 1989 Winnebago & Itasca
	017516-01-000	EA	Mud Flap
	083181-01-700	EA	Wheel Cover - 16" (1)
	079942-01-000	EA	Stabilizer Shock Absorber - Front
	094499-01-000	EA	Fire Extinguisher - Dry IA 10BC
	094651-01-01A	EA	Recessed Holder - Fire Extinguisher - Light Oak Plastic
	072852-01-000	EA	Smoke Detector - w/B Volt Battery
	007038-01-000	EA	Floor Mat - Entrance Door - Black
	081075-01-000	EA	Floor Mat - Entrance Door - Brown "Winnebago"
	081201-01-000	EA	Floor Mat - Drivers Stepwell - Brown
	081202-01-000	EA	Floor Mat - Passenger Step Well - Brown
	080208-01-000	EA	Lug Wrench
	080208-02-000	EA	Leverage Bar - Lug Wrench
	006113-01-000	EA	Jack - Hydraulic - 6 Ton - w/Handle
	091955-01-000	EA	Squeeze - Extended Handle
	091952-01-000	EA	Clip - 1" - Squeeze Holder
	093527-01-000	EA	Bracket - Squeeze Clip

### WHEEL LINERS

Key	Part Number	U/M	Description
	091209-05-000	EA	Wheel Liners - 16" - Set/4
	091209-05-701	EA	Wheel Liner - 16" - Front Wheel (1)
	091209-05-701	EA	Wheel Liner - 16" - Rear Wheel (1)
	091209-03-702	EA	Cover - Front Axle
	091209-03-703	EA	Cover - Rear Axle
	091209-03-704	EA	Snap Ring
	091209-03-735	EA	Axle Cover - Set/4

### AUXILIARY BATTERY DISCONNECT (OPTION 29A)

Key	Part Number	U/M	Description
	008037-01-000	FT	Battery Cable - 1 AWG
	008348-01-000	EA	Terminal Ring - 2 - 3/8 Stud
	081087-01-000	EA	Indicator Light
	086272-01-000	EA	Rocker Switch - 3 Position
	086273-01-000	EA	Battery Disconnect Relay
	089445-01-000	EA	Bracket - Battery Disconnect Relay

### AUXILIARY DEFROSTER FANS (OPTION 36N)

Key	Part Number	U/M	Description
	097372-03-01A	EA	Switch - Rocker - SPDT - On/Off/On
	036420-02-000	EA	Defroster Fan - 6" - 2 Speed

### TV ANTENNA (OPTION 43N)

Key	Part Number	U/M	Description
	076319-01-000	EA	TV Antenna - 44.5" Roof Mount
	087236-01-000	EA	Label - Cable Input
	087236-02-000	EA	Label - TV Outlet
	091909-01-000	EA	TV Shelf - Swivel - Beige
	093252-01-01A	EA	Wall Plate - Cable TV
	093268-01-000	EA	TV Shelf - Black Steel

## ACCESSORIES GROUP (CONTINUED)

### TV, VCR & SWITCH SYSTEM (OPTIONS 43W & 43X)

Key	Part Number	U/M	Description
	086759-03-000	EA	VCR - VHS - GE - VG7520HQ
	091907-02-000	EA	VCR - VHS - Sharp VC-2208U
	086757-01-000	EA	Switch Box - Channel Master Control Center
	091258-03-000	EA	TV - 13" Color - Sharp 13RM59
	093197-01-Y12	EA	Cabinet Asm. - TV - Center - w/o Hardware
	M93242-01-Y12	EA	Cabinet Asm. - Passengers - w/o Hardware
	M93242-02-Y12	EA	Cabinet Asm. - Drivers - w/o Hardware
	M88304-C0-Y10	EA	Door Asm. - Front Overhead - Passengers & Drivers - w/o Hardware
	085774-01-000	FT	Dual Lock Fastener - 1" Wide
	085774-02-000	FT	Dual Lock Fastener - 1" Wide

### FRONT BUNK (OPTION 523)

Key	Part Number	U/M	Description
	M93055-01-Y12	EA	Bunk Board Trim - w/o Angle
	029012-01-000	BF	Rolled Foam - 3/8"
	048394-02-000	YD	Velcro - Hook - .75" x 50 Yd. - Beige
	088792-02-000	YD	Velcro - Loop - .75" Adhesive Back
	089351-01-000	YD	Vinyl - Headliner - Acoustical
	016604-03-000	EA	Brace - Seat Angle - 2" Beige
	042541-04-000	EA	Latch Asm. - w/o Strike - Brass
	042541-05-000	EA	Strike - Brass
	064219-01-000	EA	Strap Retainer
	070578-11-Y70	EA	Button Asm. - #30
	075943-02-000	EA	Brace - 14" - Beige
	076760-02-000	EA	Hardware - Front Overhead Bunk
	079144-02-Y10	EA	Bunk Strap
	094396-01-000	EA	Wraparound - Curtain Track - Straight
	079946-08-000	EA	Wraparound Curtain Track - Curved
	081717-04-Y12	EA	Bed Asm. - Front Bunk
	094658-01-Y12	EA	Oak Handle

### MICROWAVE/BROWNING OVEN (OPTION 136)

Key	Part Number	U/M	Description
	091269-03-000	EA	Microwave Browning Oven - Magic Chef
	094745-01-01A	EA	Trim - Microwave - Black - Lower
	094774-01-01A	EA	Trim - Microwave - Black - Right Side
	094774-02-01A	EA	Trim - Microwave - Black - Left Side
	094767-02-Y12	EA	Cabinet Asm. - Microwave - Overhead w/o Hardware
	094750-01-000	EA	Microwave Bracket - 90° (2 Required)

### RACK & LADDER (OPTION 35U)

Key	Part Number	U/M	Description
	038327-01-000	EA	Tape - Anti-Slip - 2" x 60'
	081026-09-Y12	EA	Rack Asm. - Luggage - Right
	081026-10-Y12	EA	Rack Asm. - Luggage - Left
	081114-01-000	EA	Cap - Round Insert - 1" Dia.
	092963-01-Y12	EA	Ladder Asm. - Lower
	092964-01-Y12	EA	Ladder Asm. - Upper
	076980-02-000	EA	Step Cap - Black
	080873-01-000	EA	Latch - Lower Ladder - Gray
	081115-01-000	EA	Top Cap - Rack & Ladder - 1"
	081152-01-000	EA	Bumper Plate
	067165-01-000	EA	Mounting Bracket - Rack & Ladder
	081113-01-000	EA	Bushing - Flange - White Plastic
	081116-01-000	EA	Top Slide - Rack & Ladder - 1"
	081055-01-000	EA	Spring Grip - Internal Tooth
	081056-01-000	EA	Quick Release Pin

## 1989 WINNEBAGO TABLE OF CONTENTS

WCN23RC  
WCN27RT

A-01 - D-11  
D-13 - G-23

## 1989 WCN23RC INDEX

Floor Plan	A-01 - A-02
Accessories Group	A-03 - A-06
Bath Group	A-07 - A-08
Chassis Group	A-09 - A-14
Curtain, Cushion & Pad Group	A-15 - B-04
Dinette Group	B-05 - B-06
Driver's Compartment Group	B-07 - B-13
Electrical Group	B-14 - B-18
Exterior Body Group	B-19 - C-03
Galley Group	C-04 - C-06
Heating & Air Conditioning Group	C-07 - C-08
Interior Finish Group	C-09 - C-10
LP Group	C-11
Lounge Group	C-12
Water & Sewage Group	C-13 - C-16
Window, Vent & Exterior Door Group	C-17 - D-11

**ACCESSORIES GROUP (CONTINUED)**

**HITCH ASSEMBLY FOR 23RC**

Key	Part Number	U/M	Description
	075221-01-000	EA	Label - Trailer Hitch Capacity
	091224-02-000	EA	Label - Trailer Lighting
	097745-02-000	EA	Receptacle - Trailer Housing - 48"
	034512-01-000	EA	Locking Pin - Drawbar
	034513-01-000	EA	Hitch Pin - 3/16" Wire
	077613-01-000	EA	Drawbar Asm.
	077617-04-000	EA	Hitch Asm. - w/o Drawbar
	093046-01-000	EA	Skid Plate

**GENERATOR & COMPONENTS (ONAN) (OPTION 32T)**

Key	Part Number	U/M	Description
	093545-01-000	EA	Generator - Onan - 4.0 KW
	081364-03-000	EA	Muffler - Onan Generator - 4.0 KW
	083152-04-000	EA	Exhaust Pipe - Onan Generator - 4.0 KW (Used w/081364-03-000)
	094657-01-000	EA	Generator Tray

**GENERATOR & COMPONENTS (KOHLER) (OPTION 350)**

Key	Part Number	U/M	Description
	093740-01-000	EA	Generator - Kohler - 4.5 KW
	093590-02-000	EA	Muffler - Kohler Generator - 4.5 KW
	083152-06-000	EA	Exhaust Pipe - Kohler Generator - 4.5 KW
	007125-03-000	EA	Clamp - Muffler - 1.5"
	007125-04-000	EA	Clamp - Muffler - 1.12"

**SPEED CONTROL**

Key	Part Number	U/M	Description
	094369-01-000	EA	Speed Control - Smart Stick - Dana 59L - 11128B
	094369-01-700	EA	Servo & Cable Asm.
	094369-01-701	EA	Switch & Lever Asm.
	094369-01-702	EA	Electronic Regulator Asm.
	094369-01-703	EA	Wiper Control Module
	094369-01-704	EA	Headlight Dimmer Module
	094369-01-705	EA	Vacuum Reservoir
	094369-01-706	EA	Servo
	094369-03-000	EA	Speed Control - Smart Stick - Dana 59L - 11129B
	083212-06-000	EA	Speed Control - A-Body Smart Stick - Dana 59L - 1126B
	083212-06-700	EA	Switch Asm.
	083212-06-701	EA	Wiper Module
	083212-06-702	EA	Wire Harness - Wiper Control Output
	083212-06-703	EA	Light Relay
	094369-02-000	EA	Speed Control - Smart Stick - Diesel - Dana 59L - 11168B

**ACCESSORIES GROUP (CONTINUED)**

**EXTERIOR MIRRORS**

Key	Part Number	U/M	Description
	086260-01-000	EA	Mirror Asm. - Exterior - w/Convex - Passenger
	086260-02-000	EA	Mirror Asm. - Exterior - w/Convex - Drivers
	086260-03-000	EA	Accessory Kit - Exterior Mirror

**ELECTRIC STEP**

Key	Part Number	U/M	Description
	091201-01-000	EA	Step Asm. - Electric - Double - Kwikkee
	091201-01-700	EA	Linkage Asm.
	091201-01-701	EA	Motor Asm.
	091201-01-702	EA	Frame Asm. - Double Step
††	094707-01-01A	EA	Step Asm. - Electric - Double - Kwikkee 3218
	094707-01-700	EA	Control Unit
	094707-01-701	EA	Switch - Door Jamb - Plastic
	094707-01-702	EA	Frame Asm. - Double Step (For 3218)
†	Thru 9/25/88		
††	From 9/26/88		

**1989 WINNEBAGO  
TABLE OF CONTENTS**

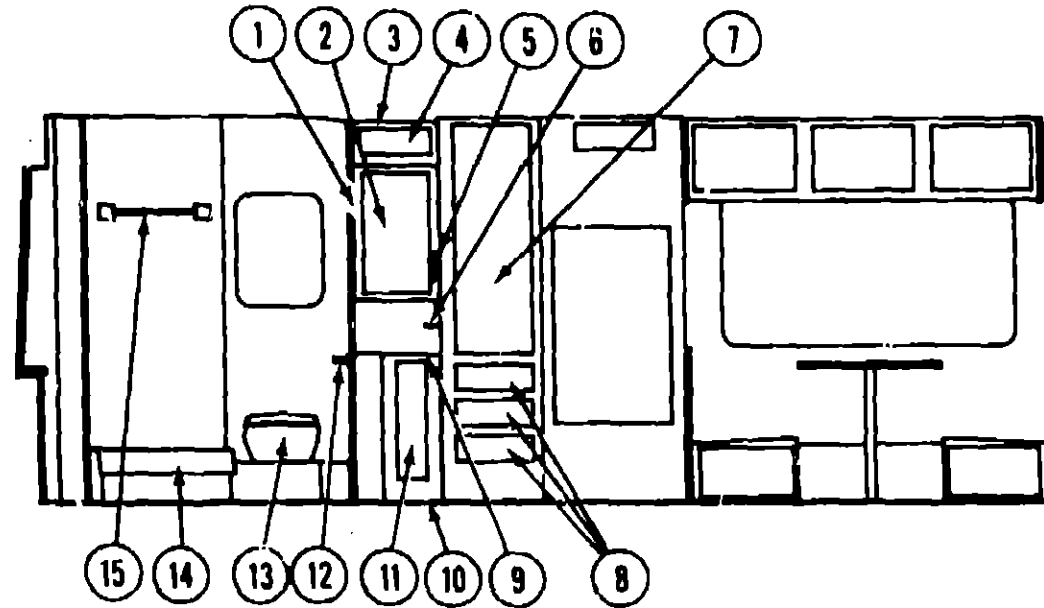
WCN23RC  
WCN27RT

A-01 - D-11  
D-13 - G-23

**1989 WCN23RC INDEX**

Floor Plan	A-01 - A-02
Accessories Group	A-03 - A-06
Bath Group	A-07 - A-08
Chassis Group	A-09 - A-14
Curtain, Cushion & Pad Group	A-15 - B-04
Dinette Group	B-05 - B-06
Driver's Compartment Group	B-07 - B-13
Electrical Group	B-14 - B-18
Exterior Body Group	B-19 - C-03
Galley Group	C-04 - C-06
Heating & Air Conditioning Group	C-07 - C-08
Interior Finish Group	C-09 - C-10
LP Group	C-11
Lounge Group	C-12
Water & Sewage Group	C-13 - C-16
Window, Vent & Exterior Door Group	C-17 - D-11

## BATH GROUP



### BATH CABINETRY

Key	Part Number	U/M	Description
1	M92797-01-Y10	EA	Medicine Cabinet - Lower
2	M88304-G2-Y12 058331-30-000	EA	Door Asm. - Lower Medicine Cabinet - 15.3" x 25.6" Mirror - Safety Glass - 11.8" x 22.08"
3	M92827-01-Y10	EA	Medicine Cabinet - Upper
4	M88304-F4-Y10	EA	Door Asm. - Upper Medicine Cabinet - 6.2" x 16.14"
5	075454-02-000	EA	Towel Ring - Brass
6	081614-01-000	EA	Soap Dish - Brass (Thru 8/15/88)
6	081614-02-000	EA	Soap Dish - Brass w/Plastic Cover (From 8/16/88)
7	M89304-22-X11 058331-20-000	EA	Door Asm. - Wardrobe - 16.7" x 48" Mirror - Safety Glass - 13.2" x 44.5"
8	M78921-15-Y10	EA	Drawer Asm. - Wardrobe
	037688-03-000	EA	Glide - Center Drawer Guide - Mounts on Drawer
	037688-01-000	FT	Rail - Drawer Guide - "V"
	037688-02-000	EA	Glide - Sides - Corner "L"
	037688-04-000	EA	Bracket - Rail Mounting - Front
	037688-05-000	EA	Bracket - Rail Mounting - Rear
9	092478-11-Y10	EA	Countertop - Lavatory Cabinet
	089366-01-000	EA	Sink - Oval - Ivory Plastic
	075240-05-000	EA	Faucet - Lavatory - Brass
	091253-01-000	EA	Gasket - Lavatory Faucet
10	M92478-01-Y13	EA	Lavatory Cabinet - w/o Door or Countertop
	M87860-01-W33	EA	Bath Door - w/o Lockset
	075687-01-000	EA	Lockset - Bath Door - Bronzestone
11	M88304-97-X08	EA	Door Asm. - Lavatory - 10" x 25.19" - w/o Hardware
12	075452-02-000	EA	Toilet Tissue Holder
13	064076-01-000	EA	Toilet - Ivory
	063641-01-000	EA	Red Closet Flange - 4 x 3 FPT
14	M02630-09-Y10	EA	Shower Pan Asm.
	075241-04-000	EA	Faucet - Shower - Brass
	075606-01-000	EA	Faucet Panel - Shower - Plastic
	011048-02-000	EA	Shower Head - w/60" Hose
15	075453-02-000	EA	Towel Bar - 18" Brass
	009112-01-000	EA	Flange - 1" - Off White Plastic
	075680-02-000	EA	Clothes Rod - Adjustable - 27" - 36"

## BATH GROUP (CONTINUED)

### BATH HARDWARE

Key	Part Number	U/M	Description
	059777-02-000	EA	Hinge - Antique Light Brass
	093586-01-000	EA	Door Latch - Friction Catch
	093586-02-000	EA	Door Strike - Friction Catch
	082284-01-000	EA	Door Pull - Polished Brass
	011069-02-000	EA	Tailpiece - 1.5" x 1.25" x 4"
	069735-01-000	EA	Washer - Tailpiece - 1.5" Plastic
	066437-01-000	EA	Strainer w/Basket - Sink
	011048-02-000	EA	Shower Head - w/60" Hose
	011069-03-000	EA	Tailpiece - 1.5" x 1.75" Plastic (Tub)
	066435-01-000	EA	Nut - Strainer
	066436-01-000	EA	Nut - Slip - 1.5" Tailpiece
	066440-01-000	EA	Strainer w/Rubber Washer
	066729-01-000	EA	Strainer - Shower Tub - Drain
	069735-01-000	EA	Washer - Tailpiece - 1.5" Plastic

## 1989 WINNEBAGO TABLE OF CONTENTS

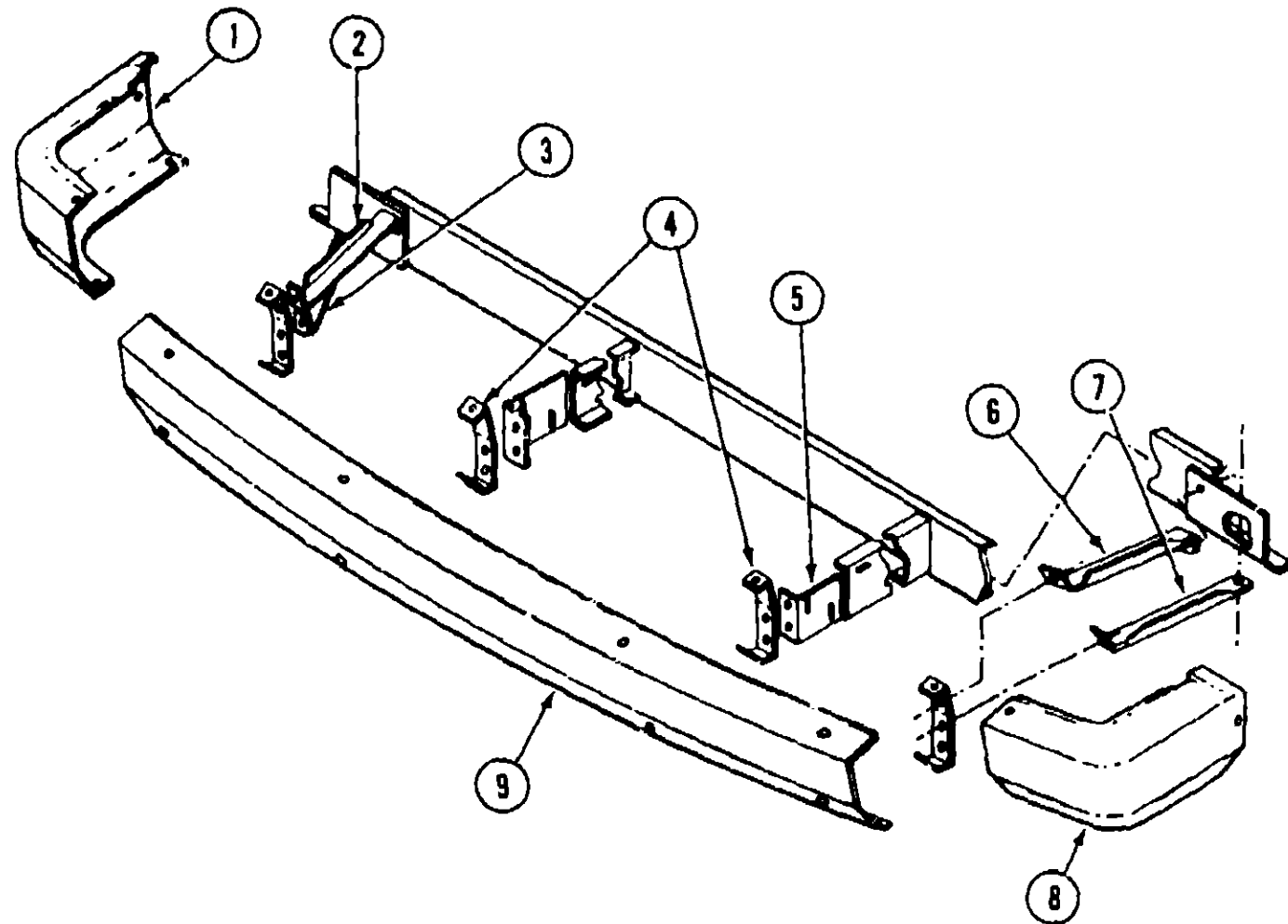
WCN23RC  
WCN27RT

A-01 - D-11  
D-13 - G-23

## 1989 WCN23RC INDEX

Floor Plan	A-01 - A-02
Accessories Group	A-03 - A-06
Bath Group	A-07 - A-08
Chassis Group	A-09 - A-14
Curtain, Cushion & Pad Group	A-15 - B-04
Dinette Group	B-05 - B-06
Driver's Compartment Group	B-07 - B-13
Electrical Group	B-14 - B-18
Exterior Body Group	B-19 - C-03
Galley Group	C-04 - C-06
Heating & Air Conditioning Group	C-07 - C-08
Interior Finish Group	C-09 - C-10
LP Group	C-11
Lounge Group	C-12
Water & Sewage Group	C-13 - C-16
Window, Vent & Exterior Door Group	C-17 - D-11

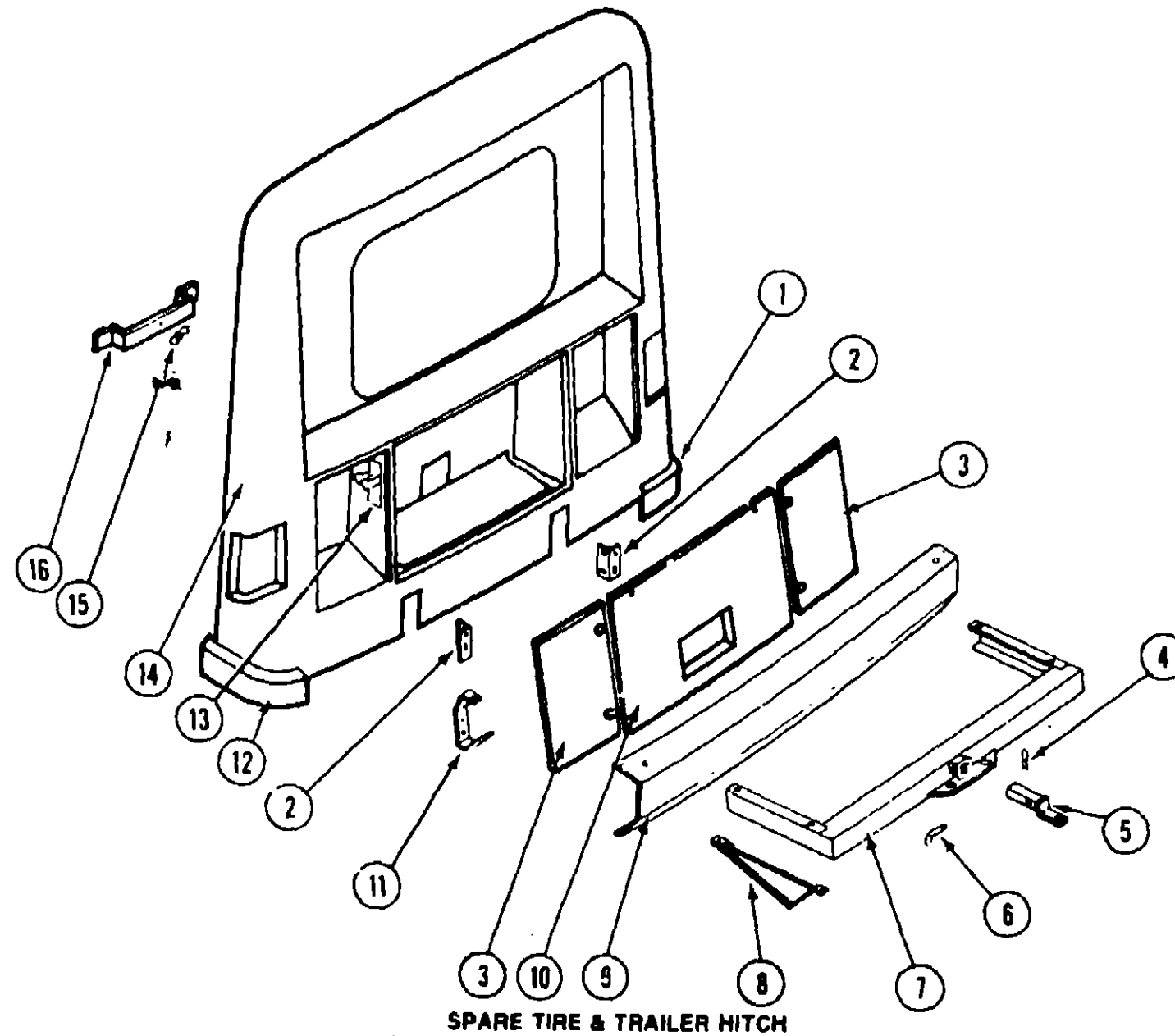
## CHASSIS GROUP



**FRONT BUMPER**

Key	Part Number	U/M	Description
1	091840-01-01A	EA	End Cap - Right - Front Bumper - Beige
2	092808-01-000	EA	Brace - Upper Right - Front Bumper
3	092809-01-000	EA	Brace - Lower Right - Front Bumper
4	077852-01-000	EA	Support - Bracket To Bumper - Front Bumper
5	093514-01-000	EA	Support - Bracket To Frame - Front Bumper
6	092808-02-000	EA	Brace - Upper Left - Front Bumper
7	092809-02-000	EA	Brace - Lower Left - Front Bumper
8	091840-02-01A	EA	End Cap - Left - Front Bumper - Beige
9	091994-01-03A	EA	Bumper - Front - Chrome
	005200-01-000	EA	Carriage Bolt - Chrome - 7/16" - 14 x 1 1/4"
	000D39-07-00B	EA	Hex Nut - 7/16" - 14

## CHASSIS GROUP (CONTINUED)



**SPARE TIRE & TRAILER HITCH**

Key	Part Number	U/M	Description
1	092250-01-01A	EA	End Cap - Rear Bumper - Passenger
2	078668-01-000	EA	Angle Support - Rear Bumper
3	092991-01-000	EA	Door Panel - Right or Left
4	034513-01-000	EA	Hitch Pin - 3/16" Wire
5	077613-01-000	EA	Drawbar Asm.
6	034512-01-000	EA	Locking Pin - Drawbar
7	077617-04-000	EA	Hitch Asm. - w/o Drawbar
8	093048-01-000	EA	Skid Plate Asm.
9	077851-08-000	EA	Rear Bumper - Chrome
	005200-01-000	EA	Bumper Bolt - 7/16" - 14 x 1 1/4"
	000D39-07-00B	EA	Hex Nut - 7/16" - 14
10	092982-01-000	EA	Door Panel - Spare Tire
11	077855-01-000	EA	Bracket - Rear Bumper
12	092250-02-01A	EA	End Cap - Rear Bumper - Driver
13	092986-01-000	EA	Bracket - Hose Hanger
14	M03490-01-Y10	EA	Rear Cap Asm. - Beige (Chevrolet)
14	M03490-02-Y12	EA	Rear Cap Asm. - Beige (John Deere)
15	064081-01-000	EA	Wing Nut
16	077399-01-000	EA	Retainer - Spare Tire
	007324-04-000	EA	Tire - 8" x 19.5" - Michelin (Chevrolet)
	095012-01-000	EA	Extension - Valve Stem (Chevrolet)

## 1989 WINNEBAGO TABLE OF CONTENTS

WCN23RC  
WCN27RT

A-01 - D-11  
D-13 - G-23

## 1989 WCN23RC INDEX

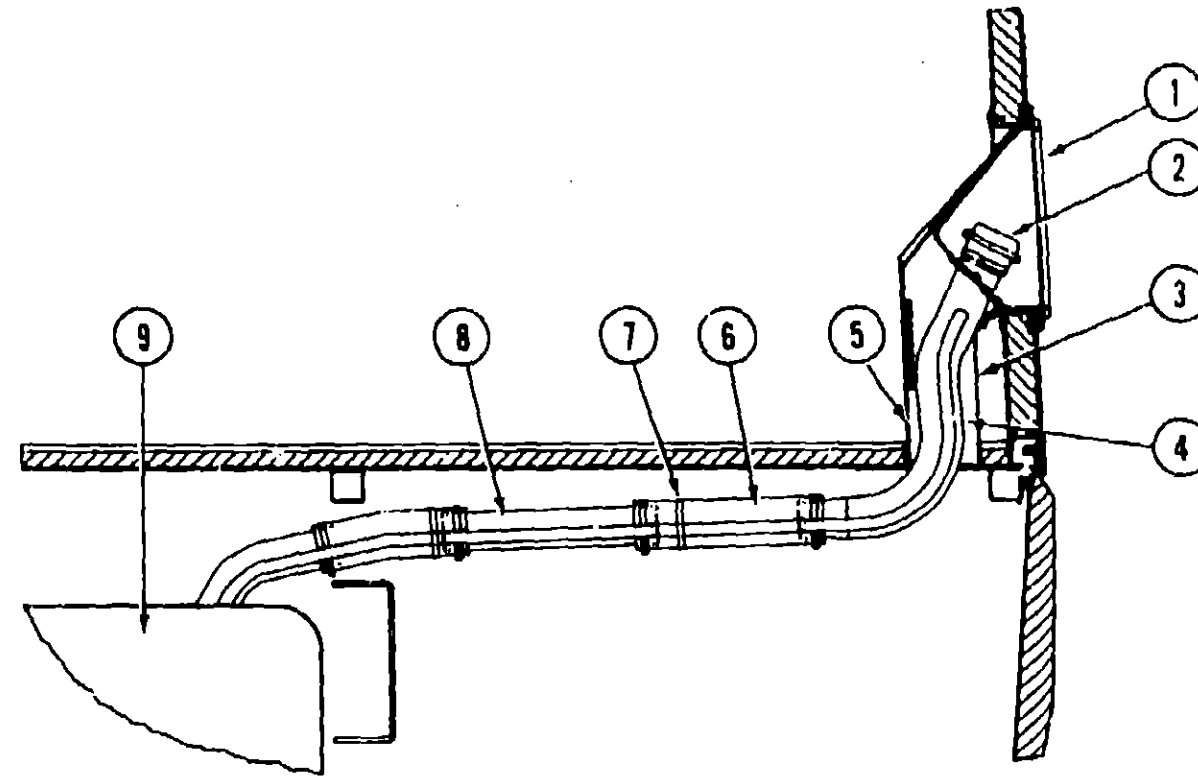
Floor Plan	A-01 - A-02
Accessories Group	A-03 - A-06
Bath Group	A-07 - A-08
Chassis Group	A-09 - A-14
Curtain, Cushion & Pad Group	A-15 - B-04
Dinette Group	B-05 - B-06
Driver's Compartment Group	B-07 - B-13
Electrical Group	B-14 - B-18
Exterior Body Group	B-19 - C-03
Galley Group	C-04 - C-06
Heating & Air Conditioning Group	C-07 - C-08
Interior Finish Group	C-09 - C-10
LP Group	C-11
Lounge Group	C-12
Water & Sewage Group	C-13 - C-16
Window, Vent & Exterior Door Group	C-17 - D-11

## CHASSIS GROUP (CONTINUED)

### MISCELLANEOUS CHASSIS

Key	Part Number	U/M	Description
	072359-01-000	EA	Bottle Coolant - Expansion
	010497-01-000	EA	Clamp - Closed - 5/8" ID
	010497-03-000	EA	Clamp - Closed - 1" ID - Cushioned
	062401-01-000	EA	Clamp - Hose - Wormgear - .22" ID - 1" ID
	062401-03-000	EA	Clamp - Hose - Wormgear - .25" ID - 1" ID
	062401-02-000	EA	Clamp - Hose - Wormgear - 1.56" ID - 2.5" ID
	062401-04-000	EA	Clamp - Hose - Wormgear - .89" ID - 1.25" ID
	062401-05-000	EA	Clamp - Hose - Wormgear - 2" ID - 3" ID
	062401-06-000	EA	Clamp - Hose - Wormgear - .22" ID - .62" ID
	062401-08-000	EA	Clamp - Hose - Wormgear - 4.06" ID - 5" ID
	023146-01-000	EA	Clamp - Screw Type - 4"
	062628-01-000	EA	Clip - Prop Rod - Hood
	041953-09-000	FT	Conduit - Convolute w/Silt - .5" ID
	041953-10-000	FT	Conduit - Convolute w/Silt - .75" ID
	098661-01-000	EA	Cover - Radiator - Rear
	020167-03-000	EA	Dirt Guard - Rear Wheel
	092522-01-000	EA	Door - Electrical Box
	024138-01-000	FT	Hose - Fuel - 5/16" ID SAE 30RI
	066732-01-000	FT	Hose - Fuel Fill - .62" ID
	007111-02-000	EA	Hose - Fuel Fill - 2.0" ID
	007111-01-000	EA	Hose - Fuel Fill - 2.25" ID
	007108-01-000	FT	Hose - Heater - 5/8" ID SAE 20R3
	007108-02-000	FT	Hose - Heater - .75" ID SAE 20R3
	093719-01-000	EA	Hose - Oil Fill - Preformed - Diesel
	079059-02-000	EA	Hose - 90° - .61" x 4" x 6" - Preformed
	017516-01-000	EA	Mud Flap w/Holes - 14" x 18" - Black
	089359-02-000	EA	Rim - Wheel - 16" x 6"
	086273-01-000	EA	Relay - Battery Disconnect
	081264-01-000	EA	Heat Shield - Deflector
	053322-12-000	EA	Heat Shield - Exhaust
	079942-01-000	EA	Shock Absorber - Stabilizer - Front
	063977-08-000	EA	Step Asm. - Drivers Door
	040546-03-000	EA	Tire - 7.5" x 16" - 8 Ply - Tube - Polyester
	092148-01-000	EA	Wheelwell - Plastic
	008343-01-000	EA	Wire Tie - 6"
	008343-02-000	EA	Wire Tie - 14"
	047441-01-000	EA	Battery Terminal - Horizontal Lug
	075722-01-000	EA	Block - Switch - Spacer
**	007125-06-000	EA	Clamp Asm. - Muffler - 2.25"
**	007125-07-000	EA	Clamp Asm. - Muffler - 2.5"
**	095190-01-000	EA	Exhaust Hanger
**	095222-02-000	EA	Bracket - Exhaust - Upper
**	095223-01-000	EA	Bracket - Exhaust - Lower
**	095523-01-000	EA	Bracket - Exhaust - Upper
**	095523-02-000	EA	Bracket - Exhaust - Upper
**	095189-01-000	EA	Exhaust Pipe Asm. - Right
**	095189-02-000	EA	Exhaust Pipe Asm. - Left
**	Remainder of exhaust components available from chassis service center.		

## CHASSIS GROUP (CONTINUED)



### FUEL SYSTEMS COMPONENTS (CHEVROLET)

Key	Part Number	U/M	Description
1	078010-04-000	EA	Door Asm. - Fuel Fill - Beige
2	073220-02-000	EA	Cap - Fuel Fill (Gas)
2	073220-03-000	EA	Cap - Fuel Fill (Diesel)
	078200-01-000	EA	Gasket - Fuel Fill
3	083578-01-000	EA	Boot - Fuel Fill
4	075227-01-000	EA	Neck Asm. - Upper Fuel Fill (Federal)
4	075227-03-000	EA	Neck Asm. - Upper Fuel Fill (California)
5	072447-04-000	EA	Shroud - Fuel Fill - Inside
6	081245-01-000	EA	Hose - Fuel Fill - Formed
	062401-05-000	EA	Clamp - Hose - Wormgear - 2" - 3" (Fuel Hose)
7	075229-01-000	EA	Strap Asm.
8	075228-01-000	EA	Neck Asm. - Fuel Fill - Lower
9	093721-01-000	EA	Tank - Fuel - 80 Gal.
	086486-02-000	EA	Strap Asm. - Fuel Tank
	088740-01-000	EA	Sending Unit
	086255-01-000	EA	Gasket - Sending Unit
	079611-01-000	EA	Valve Asm. - Vent - Fuel Tank
	066732-01-000	FT	Hose - Fuel - .62 ID (Vent Hose)
	062401-10-000	EA	Clamp - Hose - Wormgear - 1" - 2" (Vent Hose)
	007111-03-000	EA	Hose - Fuel - 1.75" - 3" (Tank To Neck)

## 1989 WINNEBAGO TABLE OF CONTENTS

WCN23RC  
WCN27RT

A-01 - D-11  
D-13 - G-23

### 1989 WCN23RC INDEX

Floor Plan	A-01 - A-02
Accessories Group	A-03 - A-06
Bath Group	A-07 - A-08
Chassis Group	A-09 - A-14
Curtain, Cushion & Pad Group	A-15 - B-04
Dinette Group	B-05 - B-06
Driver's Compartment Group	B-07 - B-13
Electrical Group	B-14 - B-18
Exterior Body Group	B-19 - C-03
Galley Group	C-04 - C-06
Heating & Air Conditioning Group	C-07 - C-08
Interior Finish Group	C-09 - C-10
LP Group	C-11
Lounge Group	C-12
Water & Sewage Group	C-13 - C-16
Window, Vent & Exterior Door Group	C-17 - D-11

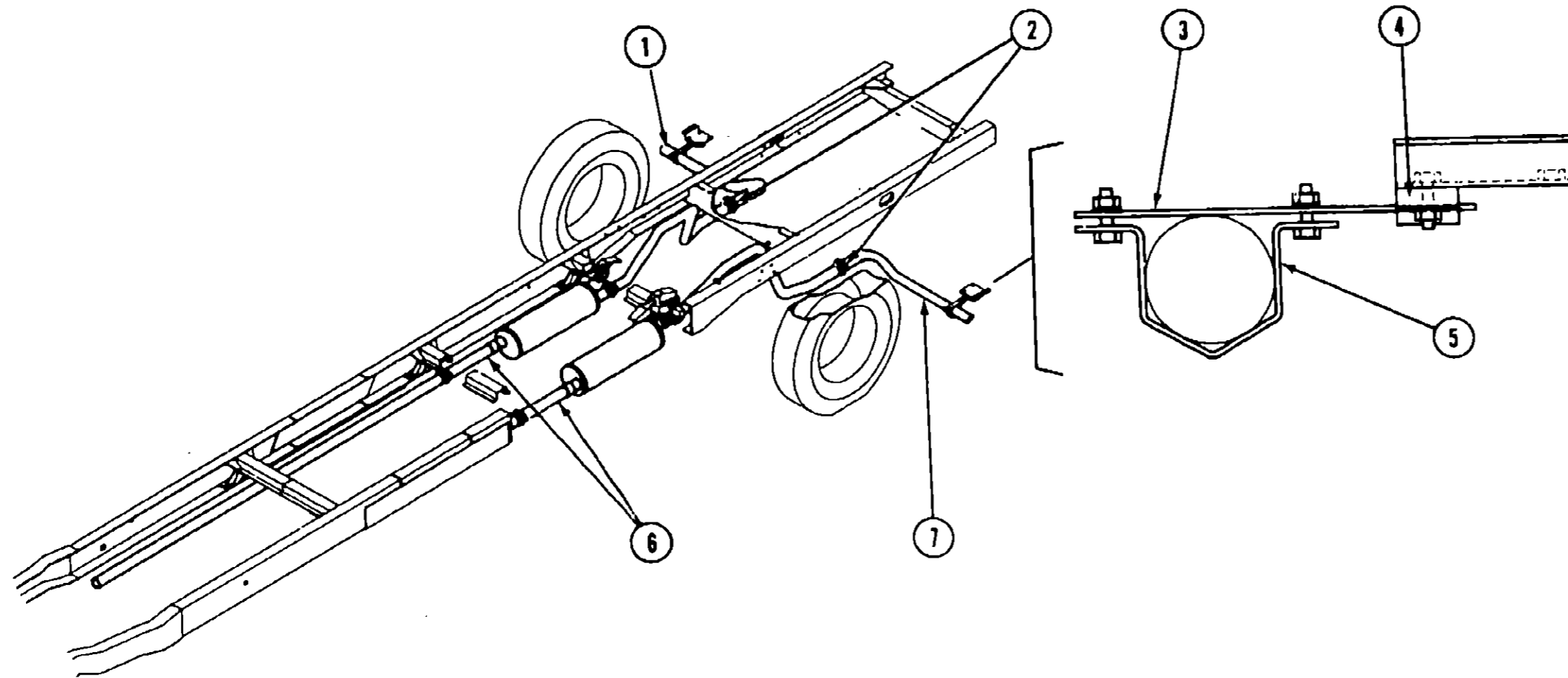
# CHASSIS GROUP (CONTINUED)

## CHEVROLET EXHAUST COMPONENTS

### 1989 WINNEBAGO TABLE OF CONTENTS

WCN23RC  
WCN27RT

A-01 - D-11  
D-13 - G-23



### 1989 WCN23RC INDEX

Floor Plan	A-01 - A-02
Accessories Group	A-03 - A-06
Bath Group	A-07 - A-08
Chassis Group	A-09 - A-14
Curtain, Cushion & Pad Group	A-15 - B-04
Dinette Group	B-05 - B-06
Driver's Compartment Group	B-07 - B-13
Electrical Group	B-14 - B-18
Exterior Body Group	B-19 - C-03
Galley Group	C-04 - C-06
Heating & Air Conditioning Group	C-07 - C-08
Interior Finish Group	C-09 - C-10
LP Group	C-11
Lounge Group	C-12
Water & Sewage Group	C-13 - C-16
Window, Vent & Exterior Door Group	C-17 - D-11

Key	Part Number	U/M	Description
1	095189-02-000	EA	Pipe - Exhaust - Passengers
2	007125-06-000	EA	Clamp Asm. - Muffler - 2.25"
3	095523-02-000	EA	Exhaust Bracket - Upper
4	095190-01-000	EA	Exhaust Hanger
5	095223-01-000	EA	Exhaust Bracket - Lower
6	081084-06-000	EA	Exhaust Pipe - Straight
7	095189-01-000	EA	Pipe - Exhaust - Drivers

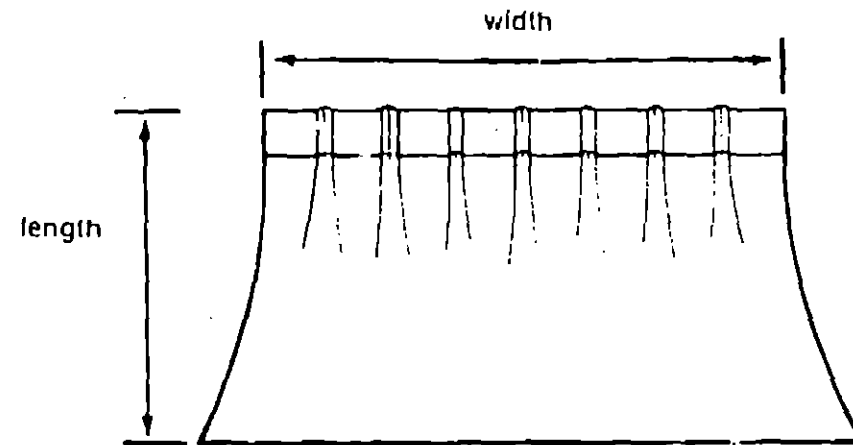
Remainder of exhaust components are available from chassis service center.

**CURTAIN, CUSHION & PAD GROUP**

**NOTICE**

In order to assist our Part Sales Dept. in providing interior software items, please include the serial number and the color code number from the vehicle certification label when ordering. This label is located on the left sidewall at the end of the dash (A-Body), or on the driver's door latch plate (C-Body).

An example of a color code number is P31, which designates an overall color scheme of a particular unit. The color listed after the item description on the microfiche, indicates the overall unit color. Order the item you desire according to unit color code.



NOTE: Use this illustration when determining length and width measurements for curtains. You will note the width measurement is taken on the top of the curtain with the curtain fully extended. The length measurement is taken from top to bottom.

**CURTAIN & BLIND HARDWARE**

Key	Part Number	U/M	Description
	029094-04-000	EA	Tape - Loop - 1" Wide - Black
	029096-03-000	EA	Tape - Hook - 1" Wide - Black
	048394-02-000	EA	Tape - Hook - .75" Wide - Beige
	048395-02-000	EA	Tape - Loop - .75" Wide - Beige
	088792-01-000	EA	Tape - Hook - 5/8" - Non-Adhesive
	088792-02-000	EA	Tape - Loop - .75" - Adhesive - Beige
	056003-01-000	EA	Bracket - Drapery Retainer - Right
	056003-02-000	EA	Bracket - Drapery Retainer - Left
	081381-01-000	EA	Swivel Snap - Curtain Track
	094396-01-000	EA	Track - Curtain - Front Wraparound (Option 61H)
	079946-08-000	EA	Track - Curtain - Front Wraparound (Option 61H)
	091904-01-000	EA	Track - Curtain - Front Wraparound - Beige
	075943-01-000	EA	Brace - Beige
	082139-01-000	EA	Bracket - Hold Down - Blinds
	084434-01-000	EA	Bracket - Roller Shade - 1.37"
	087253-01-000	EA	Pull - Window Shade - Clear Plastic
	089916-01-000	EA	Window - Trim
	086276-01-000	EA	Tape - Double Sided - .5"
	091313-01-000	EA	Grommet - Headrest
	052859-01-W30	EA	Trim Asm. - Accent - Vinyl Welting
	089916-01-000	EA	Trim - Window
	067052-02-000	EA	Knobs - Operator - Window - Beige
	090025-01-000	EA	Extension - Window Control
	094897-05-000	EA	Hardware - Lift Cord - Pleated Blind
	094900-02-000	EA	Hardware - Stop Ball - White - Pleated Blind
	094900-03-000	EA	Hardware - #4 Nylon Washer - Pleated Blind
	094907-01-000	EA	Hardware - End Cap - Pleated Blind

**CURTAIN, CUSHION & PAD GROUP (CONTINUED)**

**FABRIC & TRIM**

Key	Part Number	U/M	Description
	088274-52-000	YD	Fabric - Upholstery - Main - Blue Haze (Y12)
	088274-76-000	YD	Fabric - Upholstery - Main - Divine (Y13)
	088274-77-000	YD	Fabric - Upholstery - Main - Columbine (Y14)
	088274-79-000	YD	Fabric - Upholstery - Accent - Sky Blue (Y12)
	077498-86-000	YD	Fabric - Upholstery - Accent - Oyster (Y13)
	088274-78-000	YD	Fabric - Upholstery - Accent - Columbine (Y14)
	088273-29-000	YD	Fabric - Bedspread - Natural (Y12)
	088273-22-000	YD	Fabric - Bedspread - Sandune (Y13)
	088273-23-000	YD	Fabric - Bedspread - Grey (Y14)
	072333-61-000	YD	Fabric - Drapery Wraparound/Blackout - Pacific (Y12)
	072333-59-000	YD	Fabric - Drapery Wraparound/Blackout - Tan (Y13)
	072333-37-000	YD	Fabric - Drapery Wraparound/Blackout - Mauve (Y14)
	072333-69-000	YD	Fabric - Drapery Wraparound/Blackout - Penta Mauve (Y14)
	072333-63-000	YD	Fabric - Pull Shade - Entrance Door - Bone (Y13, Y14)
	081926-01-000	YD	Backing - Quilting - Celestra
	087272-01-000	YD	Lining - Drapery - 48" Ivory
	029103-01-000	YD	Buckram - Non-Woven - 2
	075244-02-000	YD	Vinyl - Shower Curtain - 72" Wide
	069649-03-000	YD	Vinyl - Expanded - Taupe (TV Pad)
	089351-01-000	YD	Vinyl - Headliner - Acoustical Ceiling (Roof)
	079680-01-000	YD	Vinyl - Expanded - 26 oz. Buckskin (End Caps)
	072860-84-000	YD	Carpet - Graphite (Y12)
	072860-86-000	YD	Carpet - Sienna Sand (Y13)
	072860-69-000	YD	Carpet - Rose Mist (Y14)
	093486-01-001	SY	Carpet - Outside Storage Compartment
	093486-01-000	EA	Carpet - Outside Storage Compartment (1 SY)
	078245-01-000	EA	Boot - Steering Column
	053552-02-W24	EA	Assist Strap - Interior
	071632-01-000	EA	Hamper Bag - w/Elastic - 49"
			This fabric was used only between 9/19/88 - 10/19/88.

**PADS & TRIM**

Key	Part Number	U/M	Description
	081519-01-Y07	EA	Pad Asm. - Dinette - Back
	081519-01-W14	EA	Pad Asm. - Dinette - Back
	081519-01-Y09	EA	Pad Asm. - Dinette - Back
	081519-02-Y07	EA	Pad Asm. - Dinette - Front
	081519-02-W14	EA	Pad Asm. - Dinette - Front
	081519-02-Y09	EA	Pad Asm. - Dinette - Front
	093195-01-Y12	EA	Pad Asm. - Door
	089045-01-Y12	EA	Pad Asm. - TV Cabinet
	089045-02-Y12	EA	Pad Asm. - TV Cabinet
	082286-05-Y12	EA	Sunvisor Asm. - Driver
	083386-06-Y12	EA	Sunvisor Asm. - w/Mirror - Passenger
	070578-02-W13	EA	Button Asm. - Stud - #30 - Vinyl (TV Cabinet)
	070578-11-Y15	EA	Button Asm. - #30 - Vinyl (Headliner)
			Parts used after 8/29/88.

**1989 WINNEBAGO  
TABLE OF CONTENTS**

WCN23RC  
WCN27RT

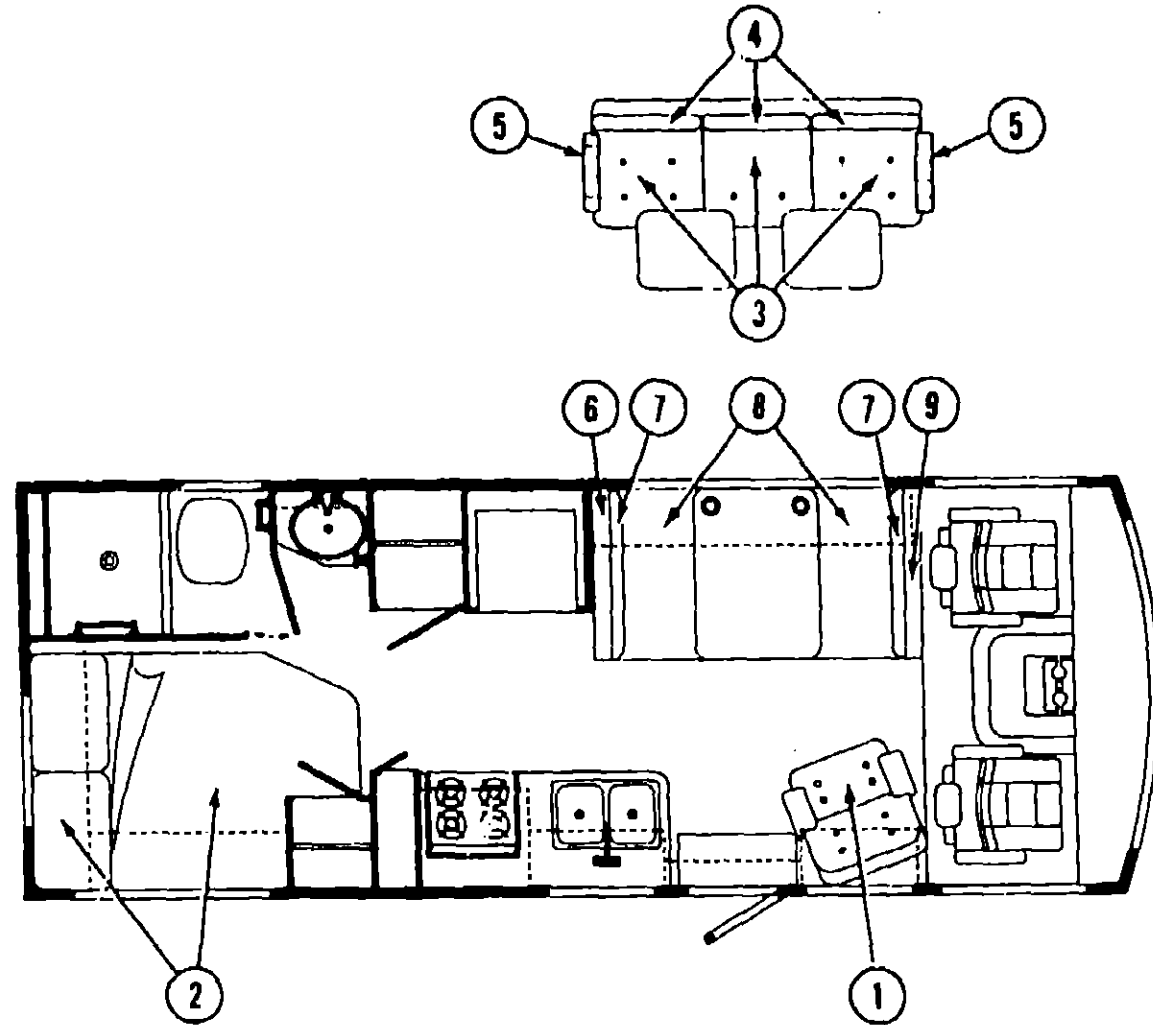
A-01 - D-11  
D-13 - G-23

**1989 WCN23RC INDEX**

Floor Plan	A-01 - A-02
Accessories Group	A-03 - A-06
Bath Group	A-07 - A-08
Chassis Group	A-09 - A-14
Curtain, Cushion & Pad Group	A-15 - B-04
Dinette Group	B-05 - B-06
Driver's Compartment Group	B-07 - B-13
Electrical Group	B-14 - B-18
Exterior Body Group	B-19 - C-03
Galley Group	C-04 - C-06
Heating & Air Conditioning Group	C-07 - C-08
Interior Finish Group	C-09 - C-10
LP Group	C-11
Lounge Group	C-12
Water & Sewage Group	C-13 - C-16
Window, Vent & Exterior Door Group	C-17 - D-11



**CURTAIN, CUSHION & PAD GROUP (CONTINUED)**



**TEARDROP SWIVEL CHAIR**  
(Y12 - BLUE) (Y13 - COCOA) (Y14 - MAUVE)

Key	Part Number	U/M	Description
1	093466-01-Y07	EA	Chair Asm. - Teardrop - Swivel (Y12)
1	093466-01-Y08	EA	Chair Asm. - Teardrop - Swivel (Y13)
1	093466-01-Y09	EA	Chair Asm. - Teardrop - Swivel (Y14)
	M93466-01-Y07	EA	Cover Asm. - Teardrop Chair (Y12)
	M93466-01-Y08	EA	Cover Asm. - Teardrop Chair (Y13)
	M93466-01-Y09	EA	Cover Asm. - Teardrop Chair (Y14)
	085187-02-Y07	EA	Skirt Asm. - Swivel Chair (Y12)
	085187-02-Y08	EA	Skirt Asm. - Swivel Chair (Y13)
	085187-02-Y09	EA	Skirt Asm. - Swivel Chair (Y14)
	M85187-02-Y07	EA	Cover Asm. - Swivel Chair Skirt (Y12)
	M85187-02-Y08	EA	Cover Asm. - Swivel Chair Skirt (Y13)
	M85187-02-Y09	EA	Cover Asm. - Swivel Chair Skirt (Y14)
	088245-01-000	EA	Base - Swivel Chair - w/Legs
	088245-03-000	EA	Swivel - Swivel Chair
	088245-06-000	EA	7" Extension
	069705-02-000	EA	Bars - 2.5" x 12.75"

**DOUBLE BED MATTRESS**  
(Y12 - BLUE) (Y13 - COCOA) (Y14 - MAUVE)

Key	Part Number	U/M	Description
2	093462-01-000	EA	Mattress - Foam - 54" x 75" w/Cut Corner
2	083986-05-Y07	EA	Bedspread - Fitted - w/Cut Corner - 54" (Y12)
2	083986-05-Y08	EA	Bedspread - Fitted - w/Cut Corner - 54" (Y13)
2	083986-05-Y09	EA	Bedspread - Fitted - w/Cut Corner - 54" (Y14)
2	081997-03-Y15	EA	Pillow Sham - Quilted (Y12)
2	081997-03-Y16	EA	Pillow Sham - Quilted (Y13)
2	091997-03-Y17	EA	Pillow Sham - Quilted (Y14)

**CURTAIN, CUSHION & PAD GROUP (CONTINUED)**

**TEARDROP SOFA**  
(Y12 - BLUE) (Y13 - COCOA) (Y14 - MAUVE)

Key	Part Number	U/M	Description
3	085355-03-Y15	EA	Teardrop Sofa - w/o Pillow Back & Armrests (Y12)
3	085355-03-Y16	EA	Teardrop Sofa - w/o Pillow Back & Armrests (Y13)
3	085355-03-Y17	EA	Teardrop Sofa - w/o Pillow Back & Armrests (Y14)
	M85355-03-Y15	EA	Cover Asm. - Teardrop Sofa Bottom (Y12)
	M85355-03-Y16	EA	Cover Asm. - Teardrop Sofa Bottom (Y13)
	M85355-03-Y17	EA	Cover Asm. - Teardrop Sofa Bottom (Y14)
4	086545-02-Y15	EA	Pillow Cushion - Teardrop Sofa Back (3 Per Couch) (Y12)
4	086545-02-Y16	EA	Pillow Cushion - Teardrop Sofa Back (3 Per Couch) (Y13)
4	086545-02-Y17	EA	Pillow Cushion - Teardrop Sofa Back (3 Per Couch) (Y14)
	M86545-02-Y15	EA	Cover - Pillow Cushion - Teardrop Sofa Back (Y12)
	M86545-02-Y16	EA	Cover - Pillow Cushion - Teardrop Sofa Back (Y13)
	M86545-02-Y17	EA	Cover - Pillow Cushion - Teardrop Sofa Back (Y14)
5	086546-01-Y12	EA	Armrest Asm. - Teardrop Sofa (2 Per Couch) (Y12)
5	086546-01-Y13	EA	Armrest Asm. - Teardrop Sofa (2 Per Couch) (Y13)
5	086546-01-Y14	EA	Armrest Asm. - Teardrop Sofa (2 Per Couch) (Y14)
	M86546-01-Y12	EA	Cover - Armrest - Teardrop Sofa (Y12)
	M86546-01-Y13	EA	Cover - Armrest - Teardrop Sofa (Y13)
	M86546-01-Y14	EA	Cover - Armrest - Teardrop Sofa (Y14)
	079386-01-000	EA	Frame Asm. - Teardrop Couch
	079386-01-000	EA	Hardware Kit - Teardrop Couch
	074044-90-000	EA	Trim - Oak - Teardrop Sofa Skirt
	087204-01-000	EA	Bracket - Removable Armrest - Teardrop Sofa (2 Per Couch)

**DINETTE CUSHION & PAD**  
(Y12 - BLUE) (Y13 - COCOA) (Y14 - MAUVE)

Key	Part Number	U/M	Description
6	081519-02-Y07	EA	Dinette Pad - Rear (Y12)
6	081519-02-W14	EA	Dinette Pad - Rear (Y13)
6	081519-02-Y09	EA	Dinette Pad - Rear (Y14)
7	088927-18-Y07	EA	Dinette Cushion - Back - Angled - 13" x 38" x 5" (Y12)
7	088927-18-Y16	EA	Dinette Cushion - Back - Angled - 13" x 38" x 5" (Y13)
7	088927-18-Y09	EA	Dinette Cushion - Back - Angled - 13" x 38" x 5" (Y14)
	M88927-18-Y07	EA	Cover - Dinette Cushion Back - Angled (Y12)
	M88927-18-Y16	EA	Cover - Dinette Cushion Back - Angled (Y13)
	M88927-18-Y09	EA	Cover - Dinette Cushion Back - Angled (Y14)
8	088927-19-Y07	EA	Dinette Cushion - Bottom - 22" x 38" x 5" (Y12)
8	088927-19-Y16	EA	Dinette Cushion - Bottom - 22" x 38" x 5" (Y13)
8	088927-19-Y09	EA	Dinette Cushion - Bottom - 22" x 38" x 5" (Y14)
	M88927-19-Y07	EA	Cover - Dinette Cushion - Bottom (Y12)
	M88927-19-Y16	EA	Cover - Dinette Cushion - Bottom (Y13)
	M88927-19-Y09	EA	Cover - Dinette Cushion - Bottom (Y14)
9	081519-01-Y07	EA	Dinette Pad - Front (Y12)
9	081519-01-W14	EA	Dinette Pad - Front (Y13)
9	081519-01-Y09	EA	Dinette Pad - Front (Y14)

**1989 WINNEBAGO**  
**TABLE OF CONTENTS**

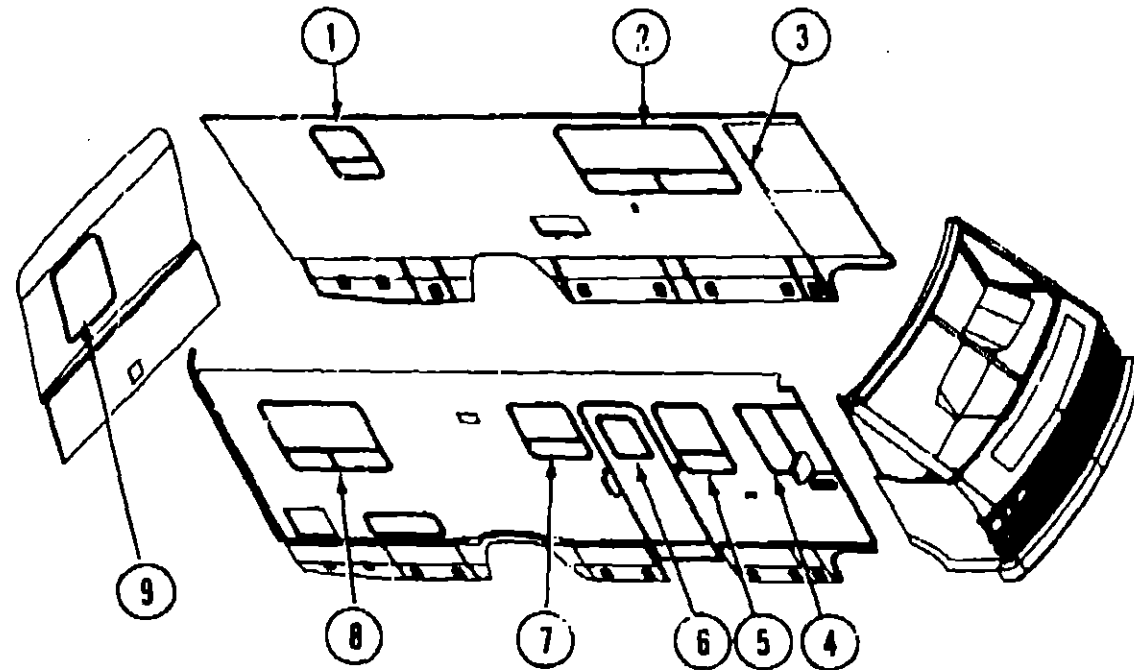
WCN23RC  
WCN27RT

A-01 - D-11  
D-13 - G-22

**1989 WCN23RC INDEX**

Floor Plan	A-01 - A-02
Accessories Group	A-03 - A-06
Bath Group	A-07 - A-08
Chassis Group	A-09 - A-14
Curtain, Cushion & Pad Group	A-15 - B-04
Dinette Group	B-05 - B-06
Driver's Compartment Group	B-07 - B-13
Electrical Group	B-14 - B-18
Exterior Body Group	B-19 - C-03
Galley Group	C-04 - C-06
Heating & Air Conditioning Group	C-07 - C-08
Interior Finish Group	C-09 - C-10
LP Group	C-11
Lounge Group	C-12
Water & Sewage Group	C-13 - C-16
Window, Vent & Exterior Door Group	C-17 - D-11

**CURTAIN, CUSHION & PAD GROUP**



**CURTAINS, SHADES, VALANCES & TIEBACKS  
(Y12 - BLUE) (Y13 - COCOA) (Y14 - MAUVE)**

Key	Part Number	U/M	Description
1	093453-05-Y18	EA	Valance Asm. - Gathered w/Wood Trim - 23.5" (Y12)
1	093453-05-Y20	EA	Valance Asm. - Gathered w/Wood Trim - 23.5" (Y13)
1	093453-05-Y19	EA	Valance Asm. - Gathered w/Wood Trim - 23.5" (Y14)
1	093453-03-YA4	EA	Valance Asm. - Gathered w/Wood Trim - 23.5" (Y14) Used Before 9/18/88 and After 10/20/88
1	073304-53-Y07	EA	Curtain w/Snaps Top - 28" x 10" (Y12)
1	073304-53-Y13	EA	Curtain w/Snaps Top - 28" x 10" (Y13)
1	073304-53-Y09	EA	Curtain w/Snaps Top - 28" x 10" (Y14) Used Before 9/18/88 and After 10/20/88
1	073304-53-YA4	EA	Curtain w/Snaps Top - 28" x 10" (Y14) Used Between 9/19/88 and 10/19/88
1	093476-18-01A	EA	Pleated Blind - 21" x 27" Drop (Y12)
1	093476-18-02A	EA	Pleated Blind - 21" x 27" Drop (Y13)
1	093476-18-03A	EA	Pleated Blind - 21" x 27" Drop (Y14)
2	089058-20-Y12	EA	Leg Asm. - Front - Used w/Slider Window (Y12)
2	089058-20-Y13	EA	Leg Asm. - Front - Used w/Slider Window (Y13)
2	089058-20-Y14	EA	Leg Asm. - Front - Used w/Slider Window (Y14) Used Before 9/18/88 and After 10/20/88
2	089058-20-YA4	EA	Leg Asm. - Front - Used w/Slider Window (Y14) Used Between 9/19/88 and 10/19/88
2	089058-09-Y12	EA	Leg Asm. - Front - w/Wood Trim - Used w/Tipout Window (Y12)
2	089058-09-Y13	EA	Leg Asm. - Front - w/Wood Trim - Used w/Tipout Window (Y13)
2	089058-09-Y14	EA	Leg Asm. - Front - w/Wood Trim - Used w/Tipout Window (Y14)
2	089058-19-Y12	EA	Leg Asm. - Rear - w/Wood Trim - Used w/Slider Window (Y12)
2	089058-19-Y13	EA	Leg Asm. - Rear - w/Wood Trim - Used w/Slider Window (Y13)
2	089058-19-Y14	EA	Leg Asm. - Rear - w/Wood Trim - Used w/Slider Window (Y14) Used Before 9/18/88 and After 10/20/88
2	089058-19-YA4	EA	Leg Asm. - Rear - w/Wood Trim - Used w/Slider Window (Y14) Used Between 9/19/88 and 10/19/88
2	089058-10-Y12	EA	Leg Asm. - Rear - w/Wood Trim - Used w/Tipout Window (Y12)
2	089058-10-Y13	EA	Leg Asm. - Rear - w/Wood Trim - Used w/Tipout Window (Y13)
2	089058-10-Y14	EA	Leg Asm. - Rear - w/Wood Trim - Used w/Tipout Window (Y14)
2	093476-09-01A	EA	Pleated Blinds - 57.5" x 32" Drop (Y12)
2	093476-09-02A	EA	Pleated Blinds - 57.5" x 32" Drop (Y13)
2	093476-09-03A	EA	Pleated Blinds - 57.5" x 32" Drop (Y14)
3	073304-60-Y12	EA	Wraparound Curtain - w/Snaps Top - 34" x 82" (Y12)
3	073304-60-Y13	EA	Wraparound Curtain - w/Snaps Top - 34" x 82" (Y13)
3	073304-60-Y14	EA	Wraparound Curtain - w/Snaps Top - 34" x 82" (Y14) Used Before 9/18/88 and After 10/20/88

**CURTAIN, CUSHION & PAD GROUP (CONTINUED)**

**CURTAINS, SHADES, VALANCES & TIEBACKS (CONT.)  
(Y12 - BLUE) (Y13 - COCOA) (Y14 - MAUVE)**

Key	Part Number	U/M	Description
3	073304-60-YA4	EA	Wraparound Curtain - w/Snaps Top - 34" x 82" (Y14) Used Between 9/19/88 and 10/19/88
3	073304-58-Y12	EA	Wraparound Curtain (w/Bunk Option) w/Snaps Top - 36" x 37" (Y12)
3	073304-58-Y13	EA	Wraparound Curtain (w/Bunk Option) w/Snaps Top - 36" x 37" (Y13)
3	073304-58-Y14	EA	Wraparound Curtain (w/Bunk Option) w/Snaps Top - 36" x 37" (Y14) Used Before 9/20/88 and After 10/20/88
3	073304-58-YA4	EA	Wraparound Curtain (w/Bunk Option) w/Snaps Top - 36" x 37" (Y14) Used Between 9/19/88 and 10/19/88
3	093452-02-Y15	EA	Blackout Curtain - w/Snaps Top - Drivers - 48" x 50" (Y12)
3	093452-02-Y31	EA	Blackout Curtain - w/Snaps Top - Drivers - 48" x 50" (Y13)
3	093452-02-Y21	EA	Blackout Curtain - w/Snaps Top - Drivers - 48" x 50" (Y14) Used Before 8/20/88 and After 10/20/88
3	093452-02-YA1	EA	Blackout Curtain - w/Snaps Top - Drivers - 48" x 50" (Y14) Used Between 9/19/88 and 10/19/88
3	077591-10-Y12	EA	Blackout Curtain - w/Velcro Top - Drivers - Used w/Bunk - 60" x 47.5" (Y12)
3	077591-10-Y13	EA	Blackout Curtain - w/Velcro Top - Drivers - Used w/Bunk - 60" x 47.5" (Y13)
3	077591-10-Y14	EA	Blackout Curtain - w/Velcro Top - Drivers - Used w/Bunk - 60" x 47.5" (Y14) Used Before 9/20/88 and After 10/20/88
3	077591-10-YA4	EA	Blackout Curtain - w/Velcro Top - Drivers - Used w/Bunk - 60" x 47.5" (Y14) Used Between 9/19/88 and 10/19/88
4	073304-60-Y12	EA	Wraparound Curtain - w/Snaps Top - 34" x 82" (Y12)
4	073304-60-Y13	EA	Wraparound Curtain - w/Snaps Top - 34" x 82" (Y13)
4	073304-60-Y14	EA	Wraparound Curtain - w/Snaps Top - 34" x 82" (Y14) Used Before 9/20/88 and After 10/20/88
4	073304-60-YA4	EA	Wraparound Curtain - w/Snaps Top - 34" x 82" (Y14) Used Between 9/19/88 and 10/19/88
4	073304-59-Y12	EA	Wraparound Curtain (w/Bunk Option) w/Snaps Top - 36" x 125" (Y12)
4	073304-59-Y13	EA	Wraparound Curtain (w/Bunk Option) w/Snaps Top - 36" x 125" (Y13)
4	073304-59-Y14	EA	Wraparound Curtain (w/Bunk Option) w/Snaps Top - 36" x 125" (Y14) Used Before 9/20/88 and After 10/20/88
4	073304-59-YA4	EA	Wraparound Curtain (w/Bunk Option) w/Snaps Top - 36" x 125" (Y14) Used Between 9/19/88 and 10/19/88
4	093452-01-Y15	EA	Blackout Curtain - w/Snaps Top - Passengers - 48" x 50" (Y12)
4	093452-01-Y31	EA	Blackout Curtain - w/Snaps Top - Passengers - 48" x 50" (Y13)
4	093452-01-Y83	EA	Blackout Curtain - w/Snaps Top - Passengers - 48" x 50" (Y14) Used Before 9/20/88 and After 10/20/88
4	093452-01-YA4	EA	Blackout Curtain - w/Snaps Top - Passenger - 48" x 50" (Y14) Used Between 9/19/88 and 10/19/88
4	077591-09-Y12	EA	Blackout Curtain - w/Velcro Top - Passenger - Used w/Bunk - 60" x 47.5" (Y12)
4	077591-09-Y13	EA	Blackout Curtain - w/Velcro Top - Passenger - Used w/Bunk - 60" x 47.5" (Y13)
4	077591-09-Y14	EA	Blackout Curtain - w/Velcro Top - Passengers - Used w/Bunk - 60" x 47.5" (Y14) Used Before 9/20/88 and After 10/22/88
4	077591-09-YA4	EA	Blackout Curtain - w/Velcro Top - Passengers - Used w/Bunk - 60" x 47.5" (Y14) Used Between 9/19/88 and 10/19/88
5	093454-09-Y07	EA	Curtain w/Snaps Top - Gathered - 33.5" x 10" (Y12)
5	093454-09-Y19	EA	Curtain w/Snaps Top - Gathered - 33.5" x 10" (Y13)
5	093454-09-Y09	EA	Curtain w/Snaps Top - Gathered - 33.5" x 10" (Y14) Used Before 9/20/88 and After 10/22/99
5	093454-09-YA4	EA	Curtain w/Snaps Top - Gathered - 33.5" x 10" (Y14) Used Between 9/19/88 and 10/19/88
5	093476-13-01A	EA	Pleated Blind - 21" x 32" Drop (Y12)
5	093476-13-02A	EA	Pleated Blind - 21" x 32" Drop (Y13)
5	059476-13-03A	EA	Pleated Blind - 21" x 32" Drop (Y14)
6	093455-11-Y07	EA	Shade - 24.25" (Y12)
6	093455-11-Y19	EA	Shade - 24.25" (Y13)
6	093455-11-Y09	EA	Shade - 24.25" (Y14)

**1989 WINNEBAGO  
TABLE OF CONTENTS**

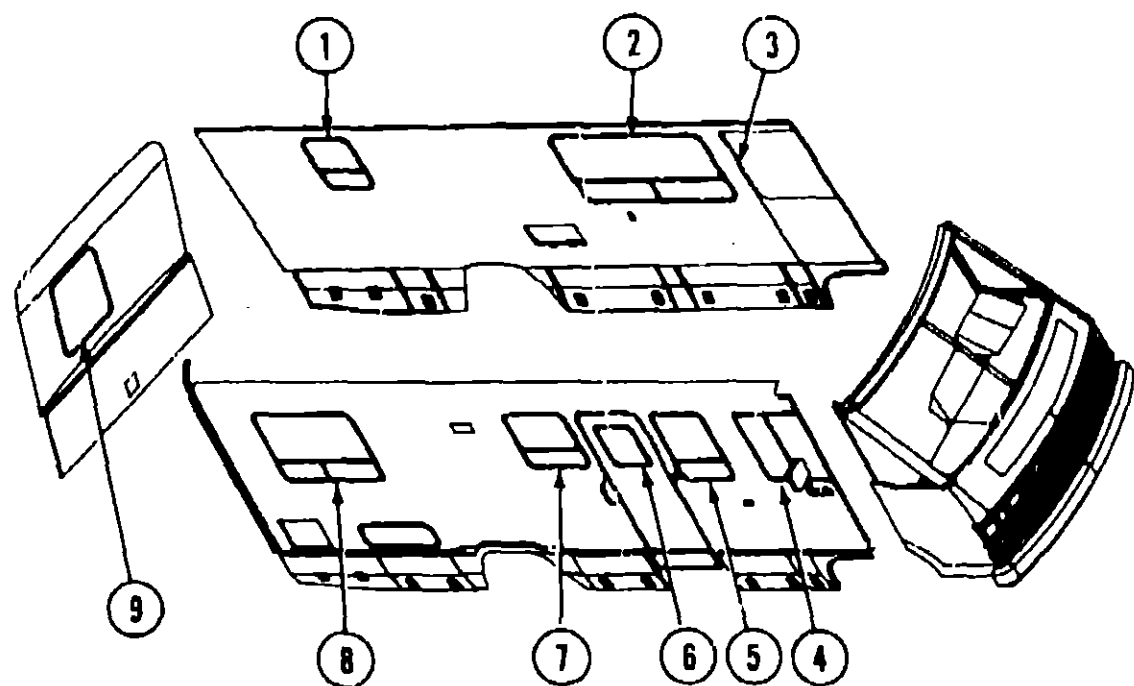
WCN23RC  
V/CN27RT

A-01 - D-11  
D-13 - G-23

**1989 WCN23RC INDEX**

Floor Plan	A-01 - A-02
Accessories Group	A-03 - A-06
Bath Group	A-07 - A-08
Chassis Group	A-09 - A-14
Curtain, Cushion & Pad Group	A-15 - B-04
Dinette Group	B-05 - B-06
Driver's Compartment Group	B-07 - B-13
Electrical Group	B-14 - B-18
Exterior Body Group	B-19 - C-03
Galley Group	C-04 - C-06
Heating & Air Conditioning Group	C-07 - C-08
Interior Finish Group	C-09 - C-10
LP Group	C-11
Lounge Group	C-12
Water & Sewage Group	C-13 - C-16
Window, Vent & Exterior Door Group	C-17 - D-11

**CURTAIN, CUSHION & PAD GROUP (CONTINUED)**



**CURTAIN, CUSHION & PAD GROUP (CONTINUED)**

**CURTAINS, SHADES, VALANCES & TIEBACKS (CONT.)**  
(Y12 - BLUE) (Y13 - COCOA) (Y14 - MAUVE)

Key	Part Number	U/M	Description
7	093476-16-01A	EA	Pleated Blind - 28" x 25.5" Drop (Y12)
7	093476-16-02A	EA	Pleated Blind - 28" x 25.5" Drop (Y13)
7	093476-16-03A	EA	Pleated Blind - 28" x 25.5" Drop (Y14)
8	089058-14-Y15	EA	Leg Asm. - Front (Y12)
8	089058-14-Y13	EA	Leg Asm. - Front (Y13)
8	089058-14-Y17	EA	Leg Asm. - Front (Y14)
			Used Before 9/20/88 and After 10/20/88
8	089058-14-YA4	EA	Leg Asm. - Front (Y14)
			Used Between 9/19/88 and 10/19/88
8	089058-13-Y15	EA	Leg Asm. - Rear (Y12)
8	089058-13-Y13	EA	Leg Asm. - Rear (Y13)
8	089058-13-Y17	EA	Leg Asm. - Rear (Y14)
			Used Before 9/20/88 and After 10/20/88
8	089058-13-YA4	EA	Leg Asm. - Rear (Y14)
			Used Between 9/19/88 and 10/19/88
8	093476-06-01A	EA	Pleated Blind - 38.5" x 34" Drop (Y12)
8	093476-06-02A	EA	Pleated Blind - 38.5" x 34" Drop (Y13)
8	093476-06-03A	EA	Pleated Blind - 38.5" x 34" Drop (Y14)
9	089058-15-Y15	EA	Leg Asm. - Passengers (Y12)
9	089058-15-Y13	EA	Leg Asm. - Passengers (Y13)
9	089058-15-Y17	EA	Leg Asm. - Passengers (Y14)
			Used Before 9/20/88 and After 10/20/88
9	089058-15-YA4	EA	Leg Asm. - Passengers (Y14)
			Used Between 9/19/88 and 10/19/88
9	089058-16-Y15	EA	Leg Asm. - Drivers (Y12)
9	089058-16-Y13	EA	Leg Asm. - Drivers (Y13)
9	089058-16-Y17	EA	Leg Asm. - Drivers (Y14)
			Used Before 9/20/88 and After 10/20/88
9	089058-16-YA4	EA	Leg Asm. - Drivers (Y14)
			Used Between 9/19/88 and 10/19/88
9	093476-07-01A	EA	Pleated Blind - 28" x 33" Drop (Y12)
9	093476-07-02A	EA	Pleated Blind - 28" x 33" Drop (Y13)
9	093476-07-03A	EA	Pleated Blind - 28" x 33" Drop (Y14)
	084481-09-000	EA	Shower Curtain - 71" x 34"
	073260-23-Y23	EA	Tieback Asm. - 3" x 18" (Y12)
	073260-23-Y16	EA	Tieback Asm. - 3" x 18" (Y13)
	073260-23-W05	EA	Tieback Asm. - 3" x 18" (Y14)
			Used Before 9/20/88 and After 10/20/88
	073260-23-YA5	EA	Tieback Asm. - 3" x 18" (Y14)
			Used Between 9/19/88 and 10/19/88
	073260-26-Y03	EA	Tieback Asm. - 3" x 26" - Wraparound & Blackout (Y12)
	073260-26-Y13	EA	Tieback Asm. - 3" x 26" - Wraparound & Blackout (Y13)
	073260-26-Y14	EA	Tieback Asm. - 3" x 26" - Wraparound & Blackout (Y14)
			Used Before 9/20/88 and After 10/20/88
	073260-26-YA4	EA	Tieback Asm. - 3" x 26" - Wraparound & Blackout (Y14)
			Used Between 9/19/88 and 10/19/88
	073260-28-Y12	EA	Tieback Asm. - 3" x 23" (Y12)
	073260-28-Y13	EA	Tieback Asm. - 3" x 23" (Y13)
	073260-28-Y14	EA	Tieback Asm. - 3" x 23" (Y14)
			Used before 9/20/88 and Before 10/20/88
	073260-28-YA4	EA	Tieback Asm. - 3" x 23" (Y14)
			Used between 9/19/88 and 10/19/88
	057534-01-000	EA	Tieback - Clear Plastic - 6"
	057534-04-000	EA	Tieback - Clear Plastic - 20"

**1989 WINNEBAGO  
TABLE OF CONTENTS**

WCN23RC  
WCN27RT

A-01 - D-11  
D-13 - G-23

**1989 WCN23RC INDEX**

Floor Plan	A-01 - A-02
Accessories Group	A-03 - A-06
Bath Group	A-07 - A-08
Chassis Group	A-09 - A-14
Curtain, Cushion & Pad Group	A-15 - B-04
Dinette Group	B-05 - B-06
Driver's Compartment Group	B-07 - B-13
Electrical Group	B-14 - B-18
Exterior Body Group	B-19 - C-03
Galley Group	C-04 - C-06
Heating & Air Conditioning Group	C-07 - C-08
Interior Finish Group	C-09 - C-10
LP Group	C-11
Lounge Group	C-12
Water & Sewage Group	C-13 - C-15
Window, Vent & Exterior Door Group	C-17 - D-11

**CURTAIN, CUSHION & PAD GROUP (CONTINUED)**

**BUCKET SEAT - STRATON  
(Y12 - BLUE) (Y13 - COCOA) (Y14 - MAUVE)**

Key	Part Number	U/M	Description
	083909-17-Y12	EA	Bucket Seat - Straton - w/o Headrest (Y12)
	083909-17-Y13	EA	Bucket Seat - Straton - w/o Headrest (Y13)
	083909-17-Y14	EA	Bucket Seat - Straton - w/o Headrest (Y14)
	M01864-35-Y07	EA	Cover Asm. - Straton Seat (Y12)
	M01864-35-Y08	EA	Cover Asm. - Straton Seat (Y13)
	M01864-35-Y09	EA	Cover Asm. - Straton Seat (Y14)
	M01864-36-Y07	EA	Cover Asm. - Straton Back (Y12)
	M01864-36-Y08	EA	Cover Asm. - Straton Back (Y13)
	M01864-36-Y09	EA	Cover Asm. - Straton Back (Y14)
	080243-23-Y28	EA	Armrest Asm. - Right (Y12)
	080243-23-Y08	EA	Armrest Asm. - Right (Y13)
	080243-23-Y09	EA	Armrest Asm. - Right (Y14)
	M80243-23-Y28	EA	Cover - Armrest Asm. - Right (Y12)
	M80243-23-Y08	EA	Cover - Armrest Asm. - Right (Y13)
	M80243-23-Y09	EA	Cover - Armrest Asm. - Right (Y14)
	080243-24-Y28	EA	Armrest Asm. - Left (Y12)
	080243-24-Y08	EA	Armrest Asm. - Left (Y13)
	080243-24-Y09	EA	Armrest Asm. - Left (Y14)
	M80243-24-Y28	EA	Cover - Armrest Asm. - Left (Y12)
	M80243-24-W01	EA	Cover - Armrest Asm. - Left (Y13)
	M80243-24-Y09	EA	Cover - Armrest Asm. - Left (Y14)
	M80906-01-000	EA	Frame Asm. - Seat, Back & Spring
	080730-02-000	EA	Recliner Hinge - Bucket Seat
	080731-02-000	EA	Slave Hinge - Bucket Seat
	081362-01-000	EA	Bracket - Right Armrest
	081362-02-000	EA	Bracket - Left Armrest
	081268-01-000	EA	Metal Frame - Right Armrest
	081268-02-000	EA	Metal Frame - Left Armrest
	080730-03-000	EA	Handle - Recliner
	080730-04-000	EA	Screw - Recliner Handle
	080730-05-000	EA	Shield - Recliner
	069246-01-000	EA	Seat Adjuster - w/Lock
	069246-02-000	EA	Seat Adjuster - w/o Lock
	069585-27-000	EA	Top Plate - Pedestal
	069585-29-000	EA	Bar - Seat Belt - 20"
	071126-24-Y15	EA	Skirt Asm. - Bucket (Y12)
	071126-24-Y16	EA	Skirt Asm. - Bucket (Y13)
	071126-24-Y25	EA	Skirt Asm. - Bucket (Y14)

**FRONT BUNK**

Key	Part Number	U/M	Description
	079145-05-000	EA	Front Bunk Cushion
	M79145-05-000	EA	Cover - Front Bunk Cushion

**CURTAIN, CUSHION & PAD GROUP (CONTINUED)**

**CURTAIN HARDWARE**

Key	Part Number	U/M	Description
	009701-01-000	EA	Curtain Carrier - L Rod
	008702-01-000	EA	End Stop - L Rod
	018031-60-000	EA	Curtain Track - L Rod - 22" - Off White
	056003-01-000	EA	Bracket - Drapery Retainer - Right
	056003-02-000	EA	Bracket - Drapery Retainer - Left
	076943-01-000	EA	Brace - Valance - Beige
	091904-01-000	FT	Curtain Track - Beige
	081381-01-000	EA	Swivel Snap - Curtain Track
	082159-01-000	EA	Hold Down Bracket - Blinds
	084434-01-000	EA	Roller Shade Bracket
	087253-01-000	EA	Shade Pull - Clear Plastic
	029094-05-000	YD	Velcro Tape - Loop - .5" Wide - Beige
	048394-02-000	YD	Velcro Tape - Hook - .75" Wide - Beige
	079946-06-000	EA	Curtain Track - Wraparound - Used w/Bunk - Passengers
	094396-01-000	EA	Curtain Track - Wraparound - Used w/Bunk - Drivers
	079946-03-000	EA	Curtain Track - Wraparound - Passengers
	079946-04-000	EA	Curtain Track - Wraparound - Drivers
	070578-11-Y70	EA	Button Asm. - #30

**DOOR PADS  
(Y12 - BLUE) (Y13 - COCOA) (Y14 - MAUVE)**

Key	Part Number	U/M	Description
	093195-01-Y12	EA	Door Pad - Drivers (Y12)
	093195-01-Y13	EA	Door Pad - Drivers (Y13)
	093195-01-Y14	EA	Door Pad - Drivers (Y14)

**1989 WINNEBAGO  
TABLE OF CONTENTS**

WCN23RC	A-01 - D-11
WCN27RT	D-13 - G-23

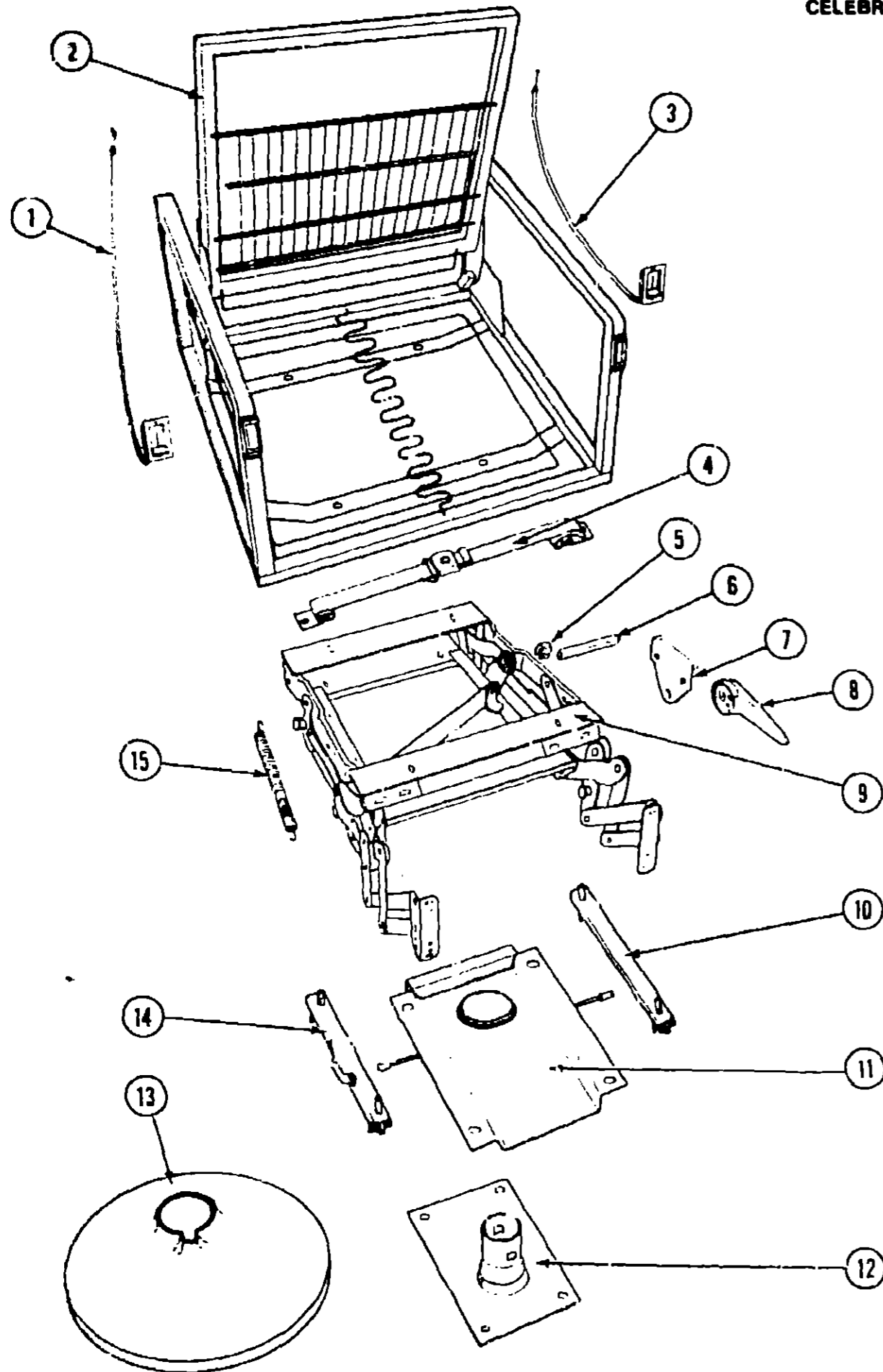
**1989 WCN23RC INDEX**

Floor Plan	A-01 - A-02
Accessories Group	A-03 - A-06
Bath Group	A-07 - A-08
Chassis Group	A-09 - A-14
Curtain, Cushion & Pad Group	A-15 - B-04
Dinette Group	B-05 - B-06
Driver's Compartment Group	B-07 - B-13
Electrical Group	B-14 - B-18
Exterior Body Group	B-19 - C-03
Galley Group	C-04 - C-06
Heating & Air Conditioning Group	C-07 - C-08
Interior Finish Group	C-09 - C-10
LP Group	C-11
Lounge Group	C-12
Water & Sewage Group	C-13 - C-16
Window, Vent & Exterior Door Group	C-17 - D-11

## CURTAIN, CUSHION & PAD GROUP (CONTINUED)

### CELEBRITY RECLINER HARDWARE

Key	Part Number	U/M	Description
1	089368-03-000	EA	Remote Asm. - Recliner
2	089368-01-000	EA	Frame Asm. - Celebrity Chair
3	089368-02-000	EA	Remote Asm. - Slider
4	007021-01-000	EA	Seat Belt Asm. - 90" x 2" - Black
	057759-01-000	EA	Bracket - Seat Belt Washer
5	093484-02-700	EA	Clamp - Torsion Rod
6	093484-02-701	EA	Torsion Bar
7	093484-02-702	EA	Support - Torsion Bar
8	093484-02-703	I: A	Handle
	093484-02-000	EA	Hardware Kit - Footrest (Includes Key 5,6,7,8 & 15)
9	093484-01-000	EA	Footrest Mechanism
10	069246-02-000	EA	Adjuster Asm. - Celebrity Chair - w/o Lock
11	093481-03-000	EA	Top Plate - Celebrity Chair - w/Lock
12	093481-01-000	EA	Pedestal - 6" - Used w/Footrest Only
12	093481-02-000	EA	Pedestal - 10" - Used w/Recliner Only
13	093482-01-000	EA	Pedestal Shroud - 13" Black Plastic
14	069246-05-000	EA	Adjuster Asm. - Celebrity Chair - w/Lock
	087330-01-000	EA	Bracket - Stop - Slide Track
15	093484-02-704	EA	Spring



## 1989 WINNEBAGO TABLE OF CONTENTS

WCN23RC  
WCN27RT

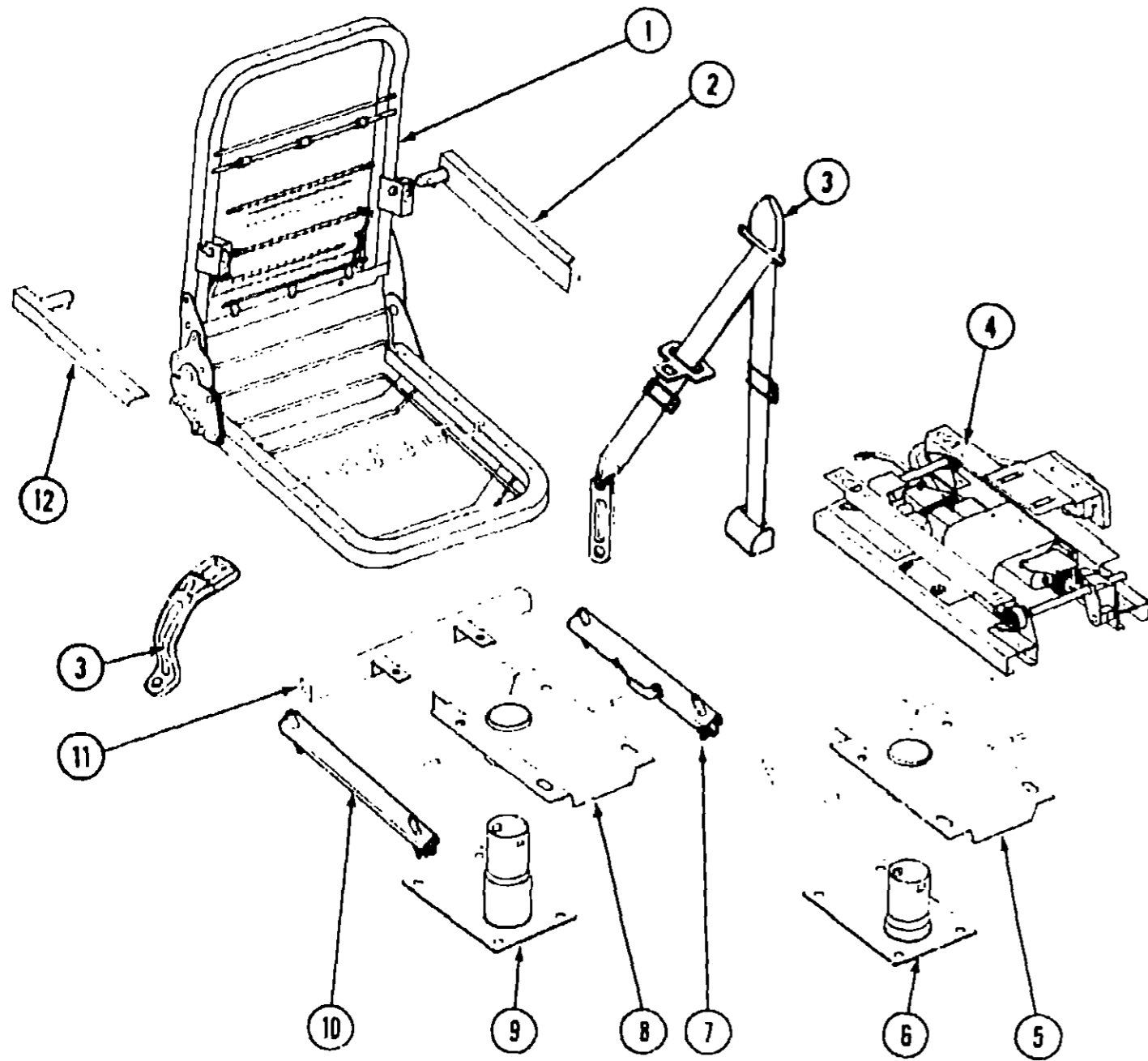
A-01 - D-11  
D-13 - G-23

### 1989 WCN23RC INDEX

Floor Plan	A-01 - A-02
Accessories Group	A-03 - A-06
Bath Group	A-07 - A-08
Chassis Group	A-09 - A-14
Curtain, Cushion & Pad Group	A-15 - B-04
Dinette Group	B-05 - B-06
Driver's Compartment Group	B-07 - B-13
Electrical Group	B-14 - B-18
Exterior Body Group	B-19 - C-03
Galley Group	C-04 - C-06
Heating & Air Conditioning Group	C-07 - C-08
Interior Finish Group	C-09 - C-10
LP Group	C-11
Lounge Group	C-12
Water & Sewage Group	C-13 - C-16
Window, Vent & Exterior Door Group	C-17 - D-11

## CURTAIN, CUSHION & PAD GROUP (CONTINUED)

### BUCKET SEAT HARDWARE



Key	Part Number	U/M	Description
1	M80906-01-000	EA	Frame Asm. - Bucket Seat
2	081268-02-000	EA	Frame - Armrest - Left
3	091990-02-01A	EA	Seat Belt - Drivers - 3 Point
	091990-01-01A	EA	Seat Belt - Passenger - 3 Point
4	081373-01-000	EA	Power Seat Asm.
	081373-02-700	EA	Switch Asm. - Power Seat
	081373-02-701	EA	Wire Harness - Drivers - Power Seat
	081373-02-701	EA	Wire Harness - Left Side - Power Seat
	081373-02-702	EA	Wire Harness - Right Side - Power Seat
	081373-02-704	EA	Vertical Adjustment Package
5	069585-36-000	EA	Top Plate - Power Seat
6	069585-37-000	EA	Sub Plate - 5" - Used w/Power Seat
7	069246-01-000	EA	Adjuster Asm. - Seat - w/Lock
8	069585-27-000	EA	Top Plate - Non-Powered Seat
9	069585-08-000	EA	Sub Plate - 8" - Used w/Non-Powered Seat
10	069246-02-000	EA	Adjuster Asm. - Seat w/o Lock
11	065485-29-000	EA	Seat Belt Bar - 20"
11	092760-01-000	EA	Seat Belt Bar - 18" (Used w/Telescoping Seat)
12	081268-01-000	EA	Frame - Armrest - Right
	092759-01-000	EA	Pedestal Asm. - Telescoping (Passenger Seat)
	080730-03-700	EA	Kit - Recliner Handle
	080730-05-000	EA	Shield - Recliner

## 1989 WINNEBAGO TABLE OF CONTENTS

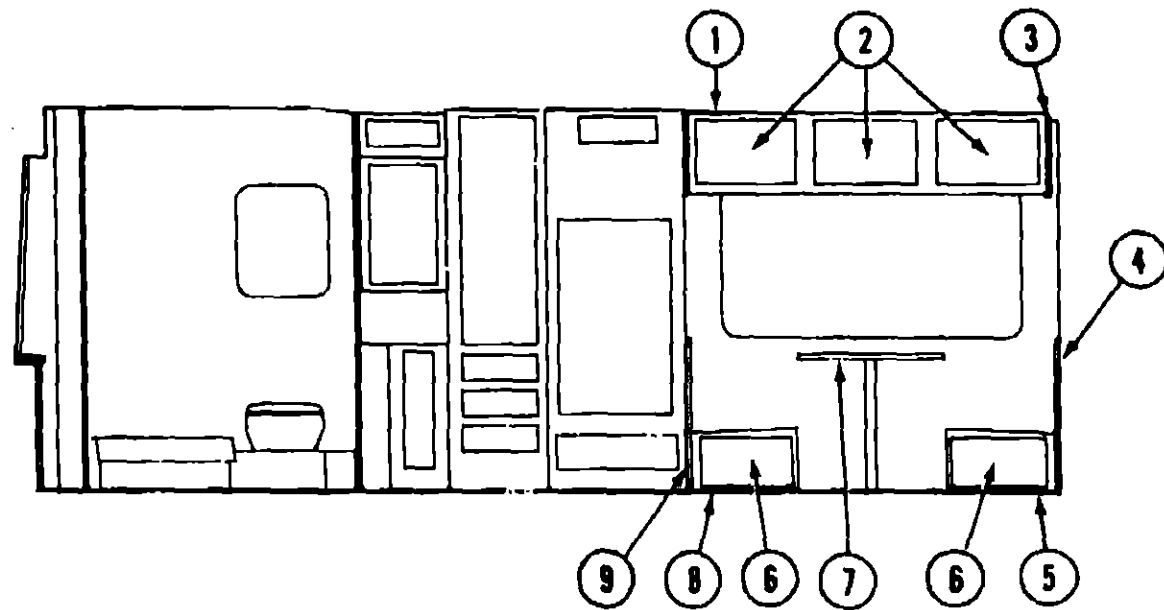
WCN23RC  
WCN27RT

A-01 - D-11  
D-13 - G-23

### 1989 WCN23RC INDEX

Floor Plan	A-01 - A-02
Accessories Group	A-03 - A-06
Bath Group	A-07 - A-08
Chassis Group	A-09 - A-14
Curtain, Cushion & Pad Group	A-15 - B-04
Dinette Group	B-05 - B-06
Driver's Compartment Group	B-07 - E-13
Electrical Group	B-14 - B-18
Exterior Body Group	B-19 - C-03
Galley Group	C-04 - C-06
Heating & Air Conditioning Group	C-07 - C-08
Interior Finish Group	C-09 - C-10
LP Group	C-11
Lounge Group	C-12
Water & Sewage Group	C-13 - C-16
Window, Vent & Exterior Door Group	C-17 - D-11

## DINETTE GROUP



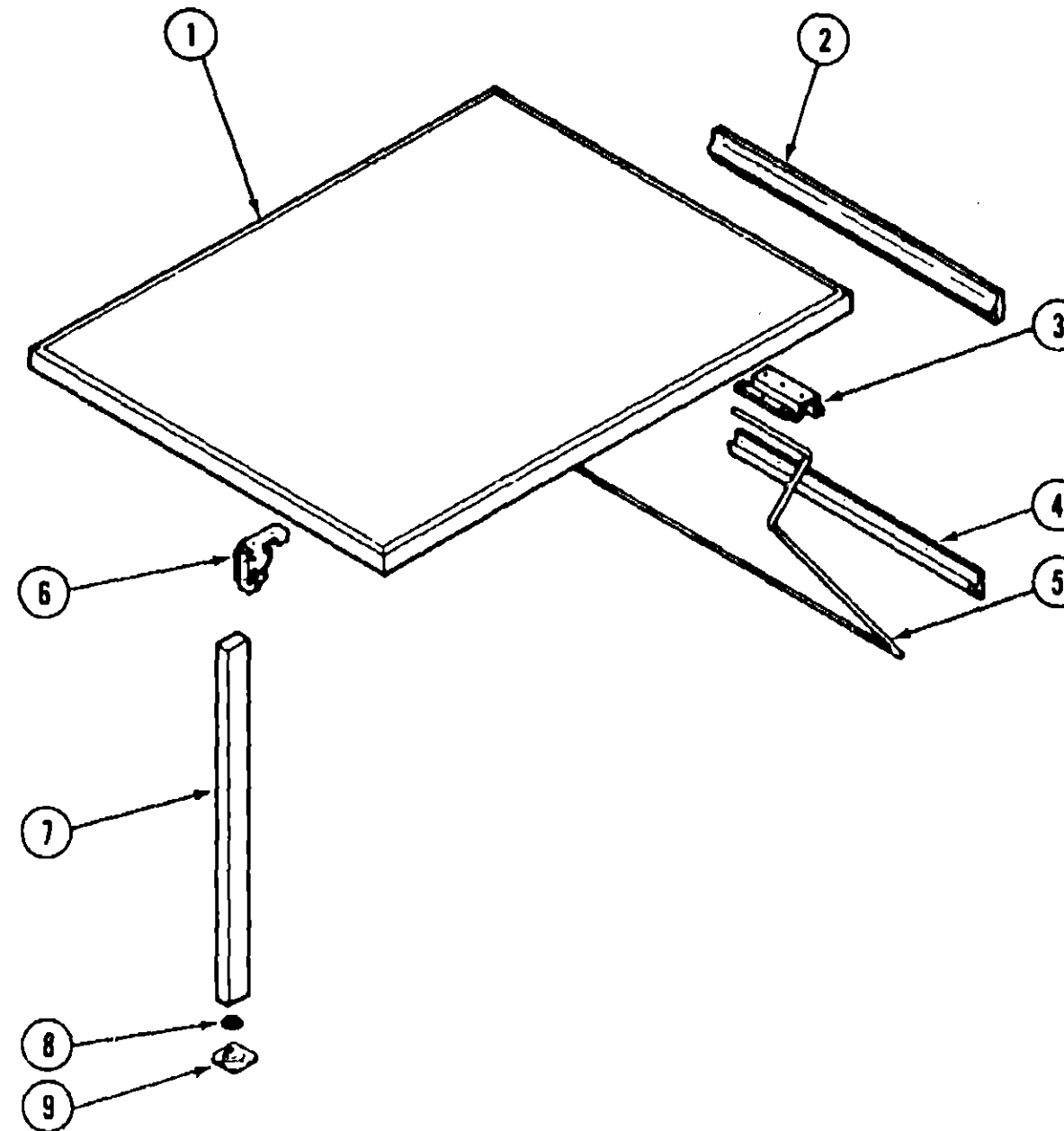
### CONVENTIONAL DINETTE & OVERHEAD CABINETRY

Key	Part Number	U/M	Description
1	M92093-01-Y10	EA	Cabinet Asm. - Dinette Overhead - w/o Doors or Hardware
2	M88304-A9-X08	EA	Door Asm. - Dinette Overhead - w/o Hardware - 14.37" x 21.85"
3	092747-01-Y10	EA	End Cap - Dinette Overhead
4	M03434-01-Y10	EA	Cabinet Asm. - Dinette Back - Right
5	M03435-01-Y12	EA	Cabinet Asm. - Dinette Seat - Right - w/o Hardware
6	M88304-21-X08	EA	Door Asm. - Dinette Seat - w/o Hardware - 10" x 19"
7	M02115-09-Y30	EA	Table Asm. - Dinette - w/o Hardware
8	M03435-03-Y33	EA	Cabinet Asm. - Dinette Seat - Left - w/o Door or Hardware
9	M03434-03-Y10	EA	Cabinet Asm. - Dinette Back - Left

### DINETTE PADS

Key	Part Number	U/M	Description
	081519-01-Y07	EA	Dinette Pad Asm. - Right (Y12)
	081519-01-W14	EA	Dinette Pad Asm. - Right (Y13)
	081519-01-Y09	EA	Dinette Pad Asm. - Right (Y14)
	081519-02-Y07	EA	Dinette Pad Asm. - Left (Y12)
	081519-02-W14	EA	Dinette Pad Asm. - Left (Y13)
	081519-02-Y09	EA	Dinette Pad Asm. - Left (Y14)

## DINETTE GROUP (CONTINUED)



### DINETTE TABLE & HARDWARE

Key	Part Number	U/M	Description
1	M02115-09-Y30	EA	Table Top Asm. - Dinette - w/o Hardware
2	053200-05-000	EA	Bracket - Upper Wall Mount - 23.5" - Beige
3	088410-01-000	EA	Bracket - Table Mount - 5.18" - Beige
4	024281-07-000	EA	Bracket - Lower Wall Mount - 22.12" - Beige
5	024275-05-000	EA	Rod - Table Lift - 8" x 23.5" - Beige
6	093550-01-000	EA	Hinge - Bracket - Folding Leg
7	092707-01-02A	EA	Leg Asm. - Table - Driftwood Oak
8	092593-01-02A	EA	Catch - Table Leg
9	049493-08-000	EA	Catch - Table Leg - Mounts on Floor
	092593-01-02A	EA	Clip - Table Leg
	004354-01-02A	EA	Bumper - .5" Dia. - White

## 1989 WINNEBAGO TABLE OF CONTENTS

WCN23RC  
WCN27RT

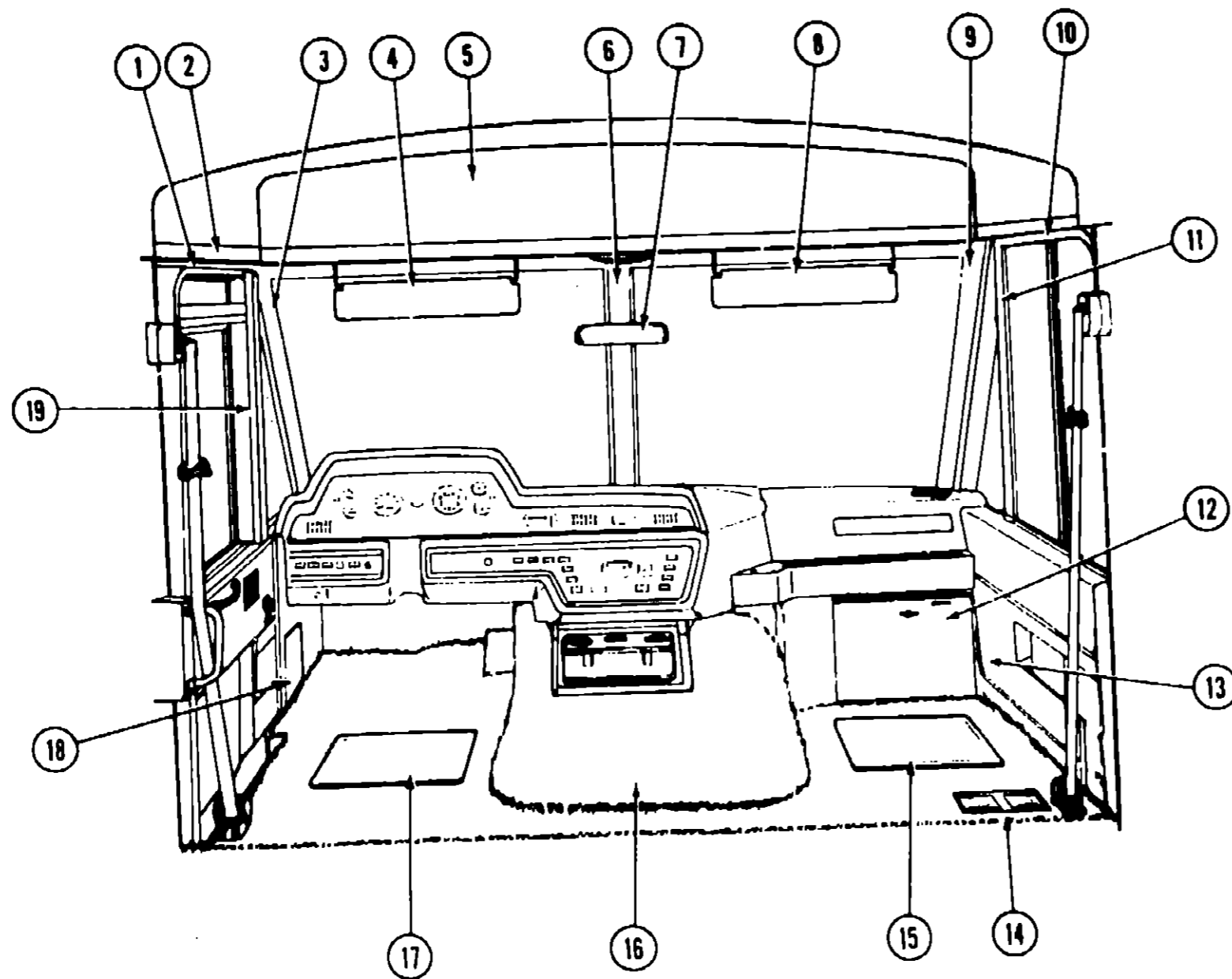
A-01 - D-11  
D-13 - G-23

### 1989 WCN23RC INDEX

Floor Plan	A-01 - A-02
Accessories Group	A-03 - A-06
Bath Group	A-07 - A-08
Chassis Group	A-09 - A-14
Curtain, Cushion & Pad Group	A-15 - B-04
Dinette Group	B-05 - B-06
Driver's Compartment Group	B-07 - B-13
Electrical Group	B-14 - B-18
Exterior Body Group	B-19 - C-03
Galley Group	C-04 - C-08
Heating & Air Conditioning Group	C-07 - C-08
Interior Finish Group	C-09 - C-10
LP Group	C-11
Lounge Group	C-12
Water & Sewage Group	C-13 - C-16
Window, Vent & Exterior Door Group	C-17 - D-11

# DRIVER'S COMPARTMENT GROUP

## MISCELLANEOUS DRIVER'S COMPARTMENT COMPONENTS



Key	Part Number
1	079946-04-000
2	092472-01-01A
3	092584-02-01A
4	082286-05-Y12
	007211-01-000
	074012-01-000
	085709-01-000
5	093884-01-Y12
6	077114-03-000
7	040714-01-000
	040714-01-700
8	082286-06-Y12
	007211-01-000
	074012-01-000
	085709-01-000
	083153-01-000

U/M	Description
EA	Track - Front Wraparound - Left
EA	Trim Asm. - Lower - w/o Bunk
EA	Cover - "A" Pillar Trim - Left - Beige
EA	Sunvisor Asm. - Driver
EA	Hinge - Sunvisor
EA	Clip - Sunvisor - Square Pinch-On
EA	Clip Asm. - Sunvisor - Black
EA	Headliner Asm.
EA	Cover - Panel Trim - Center - Beige
EA	Mirror - Inside - Rear View
EA	Kit - Inside Rear View Mirror
EA	Sunvisor Asm. - w/Mirror
EA	Hinge - Sunvisor
EA	Clip - Sunvisor - Square Pinch-On
EA	Clip Asm. - Sunvisor - Black
EA	Mirror - Sunvisor - 3.5" x 7"

Key	Part Number	U/M	Description
9	092584-01-01A	EA	Cover - "A" Pillar Trim - Right - Beige
10	079946-03-000	EA	Track - Front Wraparound - Right
11	092585-01-01A	EA	Cover - Hinge Trim - Pillar - Right
12	095757-01-Y12	EA	Cover Asm. - Heater
13	052582-01-01A	EA	Panel - Lower Kick
14	053614-01-01A	EA	Grille
15	081202-01-000	EA	Floor Mat - Right (Option 63H)
16	075939-01-000	EA	Motor Cover
	076584-01-000	EA	Mounting Bracket - Motor Cover
17	081201-01-000	EA	Floor Mat - Left - "Winnebago" (Option 63H)
18	092583-02-01A	EA	Panel - Lower Kick
19	092585-02-01A	EA	Cover - Hinge Trim Pillar - Left
	089294-01-000	EA	Cigarette Lighter Asm.
	036420-02-000	EA	Fan - Defroster - 6" Dia. - 2-Speed (Option 36N)
	024990-01-000	EA	Defroster Outlet - w/Swivel
	076783-02-000	EA	Lower Asm. - Air Conditioner - Adjustable Vent - Black

## 1989 WINNEBAGO TABLE OF CONTENTS

WCN23RC  
WCN27RT

A-01 - D-11  
D-13 - G-23

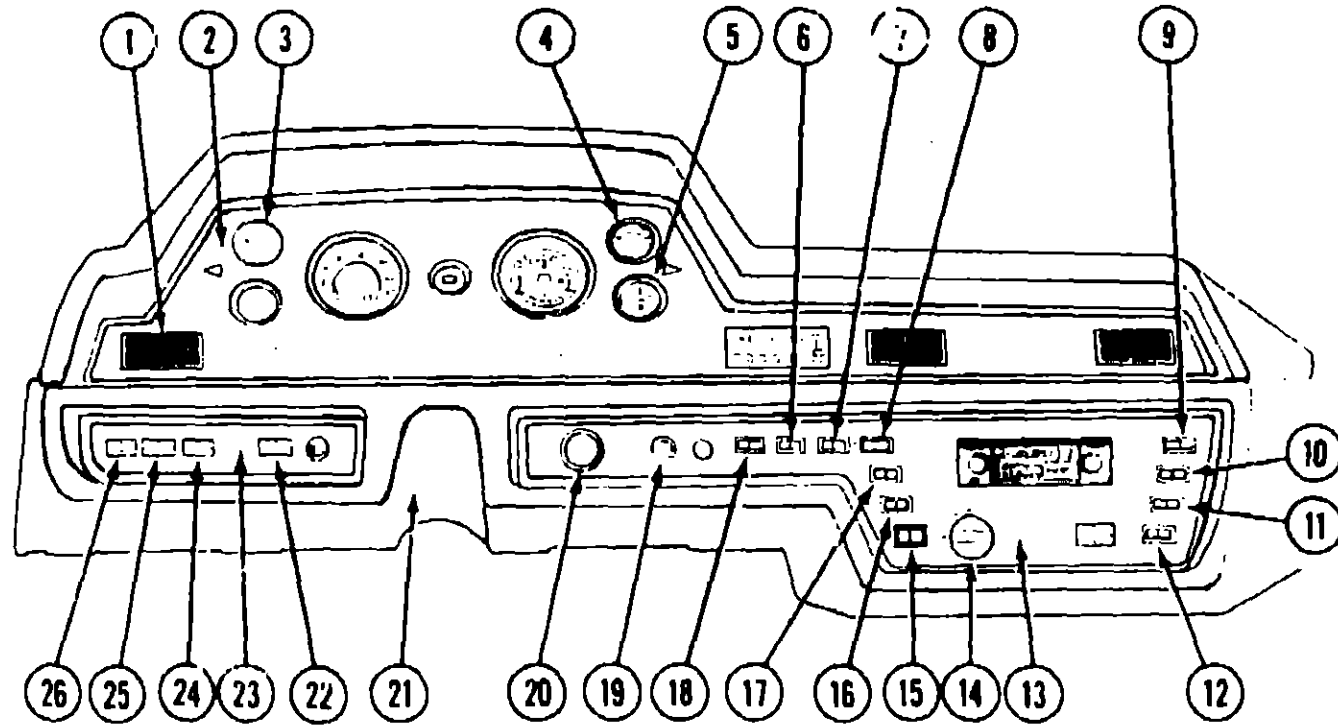
### 1989 WCN23RC INDEX

Floor Plan	A-01 - A-02
Accessories Group	A-03 - A-06
Bath Group	A-07 - A-08
Chassis Group	A-09 - A-14
Curtain, Cushion & Pad Group	A-15 - B-04
Dinette Group	B-05 - B-06
Driver's Compartment Group	B-07 - B-13
Electrical Group	B-14 - B-18
Exterior Body Group	B-19 - C-03
Galley Group	C-04 - C-06
Heating & Air Conditioning Group	C-07 - C-08
Interior Finish Group	C-09 - C-10
LP Group	C-11
Lounge Group	C-12
Water & Sewage Group	C-13 - C-16
Window, Vent & Exterior Door Group	C-17 - D-11



## DRIVER'S COMPARTMENT GROUP (CONTINUED)

### DASH SWITCHES & GAUGES



Key	Part Number	U/M	Description
1	076783-02-000	EA	Louver Asm. - A/C Adjustable
2	076216-08-000	EA	Instrument Panel - Upper - Chieftain (Chevrolet)
2	076216-06-000	EA	Instrument Panel - Upper - Chieftain (John Deere & Chevrolet)
†2	076216-10-000	EA	Instrument Panel - Upper - Chieftain (John Deere & Chevrolet)
	090938-01-000	EA	Cluster Asm. - Electronic Instrument Panel (Chevrolet)
	088745-01-000	EA	Cluster Asm. - Electronic Instrument Panel (John Deere)
	091242-01-000	EA	Cluster Asm. - Instrument Panel (CSA)
	077353-09-000	E	Shroud - Instrument Cluster
3	024460-04-000	EA	Gauge - Vacuum
4	074459-04-000	EA	Gauge - Voltmeter
5	031035-01-000	EA	Gauge - Hourmeter - Generator
6	076759-04-000	EA	Battery Condition Switch
7	076759-01-000	EA	Fog Light Switch (Option 57M)
8	076759-04-000	EA	Generator Switch (Option 39)
9	076759-08-000	EA	Switch - Blank
10	076759-09-000	EA	Aisle Light Switch
11	076759-01-000	EA	Map Light Switch
12	076759-01-000	EA	Beverage Tray Light Switch
13	076217-14-000	EA	Instrument Panel - Lower - Right (Chevrolet)
13	076217-16-000	EA	Instrument Panel - Lower - Right (John Deere)
14	087202-02-000	EA	Auxiliary Heater Switch (Option 61)
14	090977-01-000	EA	Knob - Auxiliary Heater Switch (Option 61)
15	086272-01-000	EA	Battery Disconnect Switch
18	076759-09-000	EA	Power - Radio Switch
17	076759-03-000	EA	Auxiliary Fan Switch (Option 36R)
18	076759-01-000	EA	Air Horn Switch (Option 36R)
19	089294-01-000	EA	Lighter Asm. - Cigarette
20	091206-01-000	EA	Wiper Control (John Deere)
20	N.P.N.	EA	Ignition Switch (Chevrolet)
21	076808-05-000	EA	Dash Panel - Lower - Left (w/o Electronic Instrument Panel)
21	076808-09-000	EA	Dash Panel - Lower - Left (w/ELectronic Instrument Panel)
22	076759-07-000	EA	Courtesy Bunk Switch
23	076218-03-000	EA	Instrument Panel - Lower - Left
24	076759-05-000	EA	Battery Mode Switch
25	076759-05-000	EA	Rear Washer Switch (Option 59F)
26	076759-01-000	EA	Rear Wiper Switch (Option 59F)
	076788-02-000	EA	Cardboard Cylinder - Lamp
	077031-01-000	EA	Film - Instrument Panel - Black
	077031-02-000	EA	Film - Instrument Panel - Amber
	076788-03-000	EA	Lamp Plate

† Parts used with the Electronic Instrument Cluster - w/Generator Option.  
 • Parts used with the Electronic Instrument Cluster - w/o Generator Option.

## 1989 WINNEBAGO TABLE OF CONTENTS

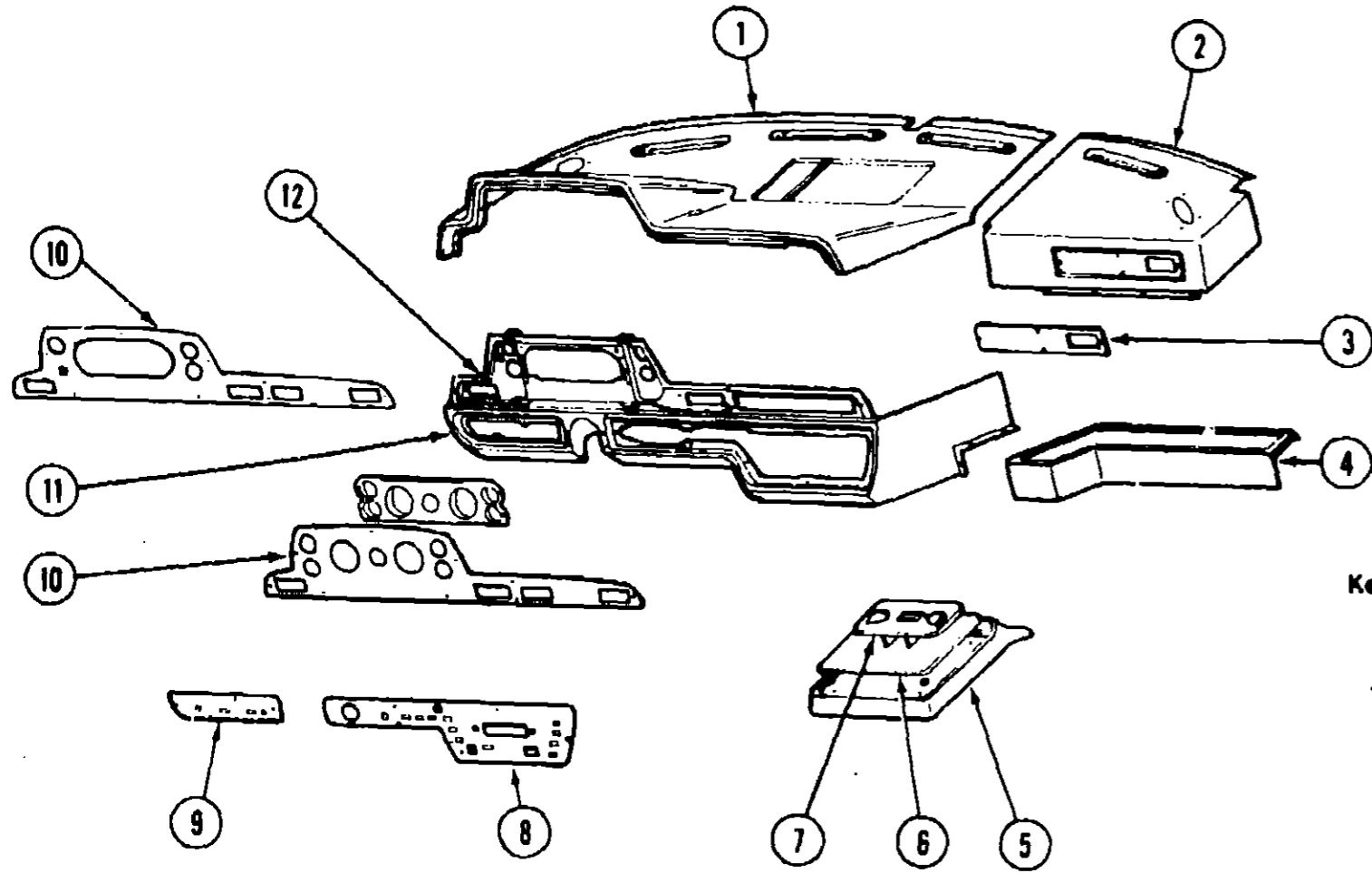
WCN23RC  
WCN27RT

A-01 - D-11  
D-13 - G-23

### 1989 WCN23RC INDEX

Floor Plan	A-01 - A-02
Accessories Group	A-03 - A-06
Bath Group	A-07 - A-08
Chassis Group	A-09 - A-14
Curtain, Cushion & Pad Group	A-15 - B-04
Dinette Group	B-05 - B-06
Driver's Compartment Group	B-07 - B-13
Electrical Group	B-14 - B-18
Exterior Body Group	B-19 - C-03
Galley Group	C-04 - C-06
Heating & Air Conditioning Group	C-07 - C-08
Interior Finish Group	C-09 - C-10
LP Group	C-11
Lounge Group	C-12
Water & Sewage Group	C-13 - C-16
Window, Vent & Exterior Door Group	C-17 - D-11

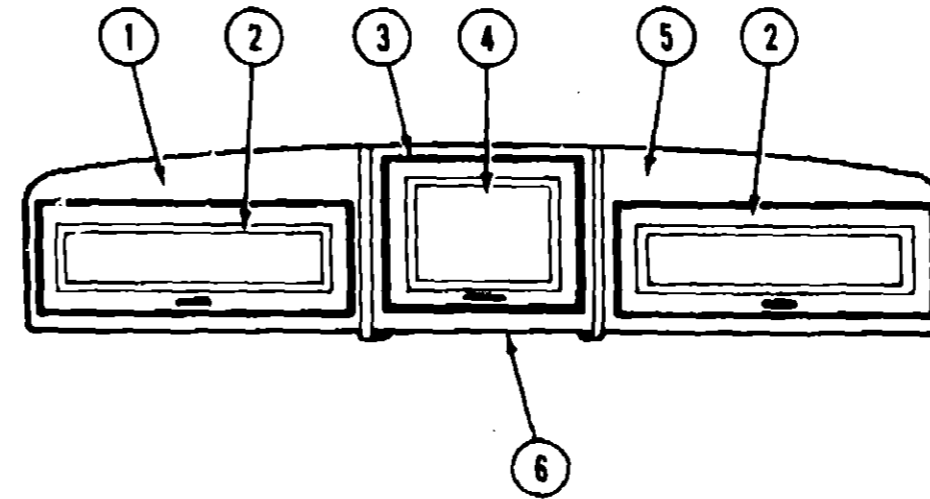
**DRIVER'S COMPARTMENT GROUP (CONTINUED)**



**DASH PANELS & BEVERAGE TRAY**

Key	Part Number	U/M	Description
1	085253-02-Y10	EA	Instrument Panel - Upper - Left
	076867-01-000	EA	Bracket - Instrument Panel - Large
	076867-02-000	EA	Bracket - Instrument Panel - Small
2	085252-02-Y10	EA	Instrument Panel - Upper - Right
	076872-01-000	EA	Bracket - Mounting - Right Panel
3	076797-01-000	EA	Instrument Panel Insert - Right
4	076734-05-000	EA	Tray - Instrument Panel - Right
5	076729-03-000	EA	Beverage Tray - Plastic - Belge
6	086752-02-000	EA	Trim Board - Beverage Tray
7	077431-04-000	EA	Beverage Tray - Wood
8	076217-14-000	EA	Instrument Panel - Lower - Right
8	076217-15-000	EA	Instrument Panel - Lower - Right - w/Low Air Indicator
9	076218-03-000	EA	Instrument Panel - Lower - Left
10	076216-08-000	EA	Instrument Panel - Upper (Chevrolet)
10	076216-10-000	EA	Instrument Panel - Upper (w/Generator)
10	076216-06-000	EA	Instrument Panel - Upper (w/o Generator)
11	076808-05-000	EA	Dash Panel - Lower (Chevrolet)
11	076808-09-000	EA	Dash Panel - Lower (John Deere)
12	077353-01-000	EA	Shroud - Instrument Panel - w/Voltmeter & Vacuum Gauge
12	077353-09-000	EA	Shroud - Instrument Panel - w/Generator Hour, Voltmeter & Vacuum Gauge
	073741-03-000	EA	Speaker - Oval - 4" x 6"
	073741-04-000	EA	Grille - Oval Speaker - 4" x 6"
	077406-01-000	EA	Bracket - Hood Release Cable
* Parts used with Electronic Instrument Cluster.			

**DRIVER'S COMPARTMENT GROUP (CONTINUED)**



**TV & VCR CABINETY (OPTION L42)**

Key	Part Number	U/M	Description
1	M93242-02-Y12	EA	Cabinet Asm. - Front Overhead - w/o Door or Hardware
2	M88304-C0-Y10	EA	Door Asm. - Front Overhead Cabinet - 7" x 25.1" - w/o Hardware
3	M93197-02-Y12	EA	Cabinet Asm. - Front - w/o Door or Hardware
3	093197-01-Y12	EA	Cabinet Asm. - Front Overhead - w/o TV Shelf
	093268-01-000	EA	Shell Asm. - TV
	091258-03-000	EA	TV - 13" Color
	091907-02-000	EA	VCR-VHS - Table Model
	091996-01-000	EA	Separator - VHF/UHF Band
4	M88304-08-X11	EA	Door Asm. - Center Overhead - 12" x 18.7" - w/o Hardware
5	M93242-01-Y12	EA	Cabinet Asm. - Front Overhead - w/o Door or Hardware
6	089045-01-W13	EA	Pad Asm. - TV Cabinet - Vinyl
	070578-02-W13	EA	Button Asm. - Screw Stud - #30 - Vinyl
* Parts used with the TV Option only.			

**1989 WINNEBAGO  
TABLE OF CONTENTS**

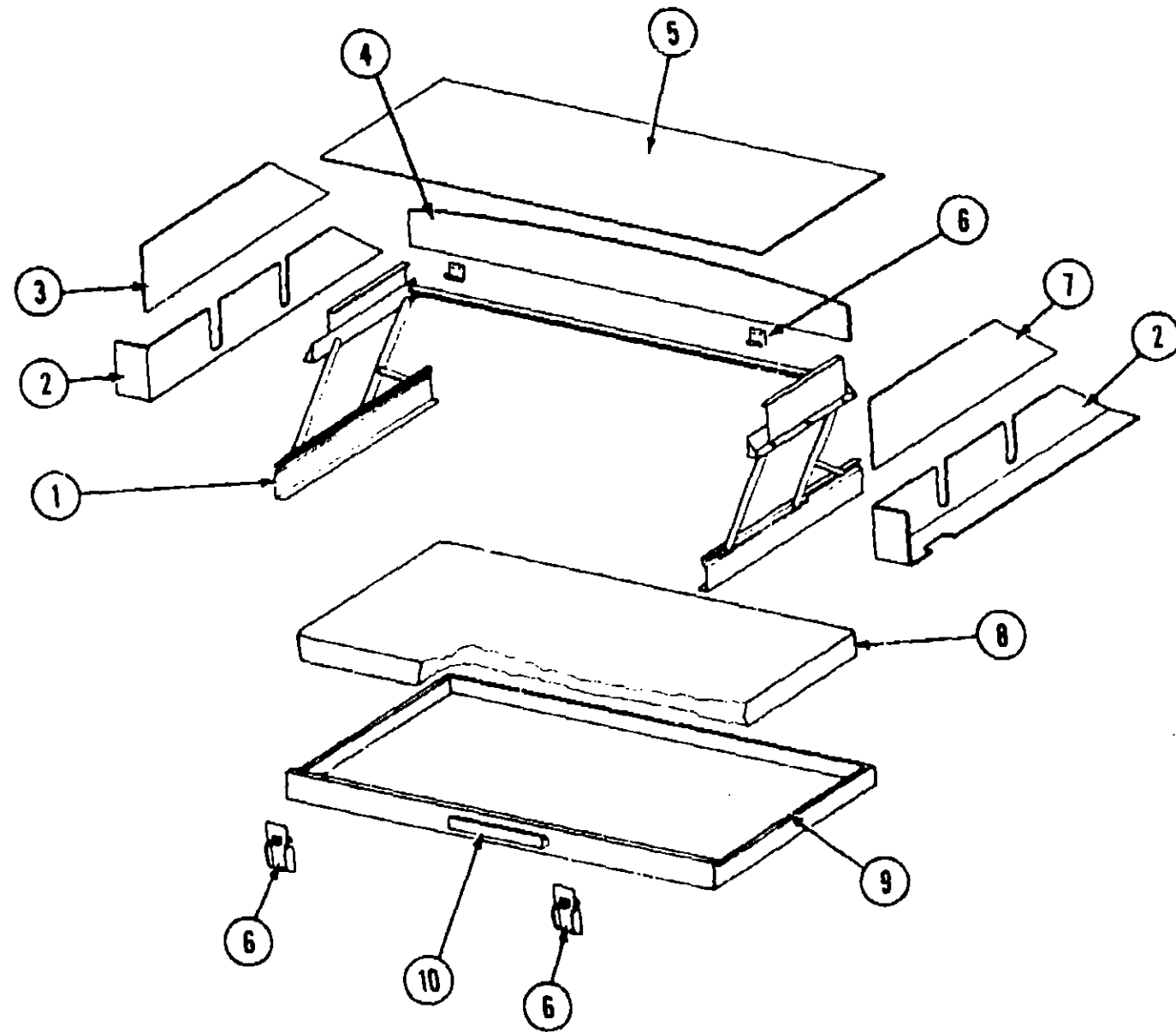
WCN23RC  
WCN27RT

A-01 - D-11  
D-13 - G-23

**1989 WCN23RC INDEX**

Floor Plan	A-01 - A-02
Accessories Group	A-03 - A-06
Bath Group	A-07 - A-08
Chassis Group	A-09 - A-14
Curtain, Cushion & Pad Group	A-15 - B-04
Dinette Group	B-05 - B-06
Driver's Compartment Group	B-07 - B-13
Electrical Group	B-14 - B-18
Exterior Body Group	B-19 - C-03
Galley Group	C-04 - C-06
Heating & Air Conditioning Group	C-07 - C-08
Interior Finish Group	C-09 - C-10
LP Group	C-11
Lounge Group	C-12
Water & Sewage Group	C-13 - C-16
Window, Vent & Exterior Door Group	C-17 - D-11

### DRIVER'S COMPARTMENT GROUP (CONTINUED)



**FRONT OVERHEAD BUNK & HARDWARE (OPTION 61H)**

Key	Part Number	U/M	Description
1	076760-02-000	EA	Hardware Asm. - Overhead Bunk
2	092472-02-01A	EA	Trim - Lower Side - Bunk
3	092471-01-01A	EA	Trim - Upper Side - Bunk - Right
4	M93055-01-Y12	EA	Board Asm. - Bunk Trim w/Invl
5	093884-01-Y12	EA	Headliner Asm. - Front
6	042541-04-700	EA	Latch Asm. w/Strike (2 ea.)
7	092471-02-01A	EA	Trim - Upper Side - Bunk - Left
8	079145-05-000	EA	Cushion Asm. - 30" x 73" x 4"
9	081717-04-Y12	EA	Bed Asm. - Front Bunk
10	094658-01-Y12	EA	Handle - Oak
	079946-08-000	EA	Curtain Track - Front Wraparound - Right
	094396-01-000	EA	Curtain Track - Front Wraparound - Left

### ELECTRICAL GROUP (CONTINUED)

#### FUSES & CIRCUIT BREAKERS

Key	Part Number	U/M	Description
	062901-02-000	EA	Fuse - 5 Amp. - Automotive
	062901-05-000	EA	Fuse - 15 Amp. - Automotive
	008211-01-000	EA	Circuit Breaker - 6 Amp. - 12 Volt
	093654-01-000	EA	Circuit Breaker - 6 Amp. - 12 Volt
	093654-02-000	EA	Circuit Breaker - 15 Amp. - 12 Volt
	083210-02-000	EA	Circuit Breaker - 15 Amp. - 120 Volt (Ground Fault Interrupter)
	083209-02-000	EA	Circuit Breaker - 15/15 Amp. - 120 Volt
	083209-03-000	EA	Circuit Breaker - 15/20 Amp. - 120 Volt
	093654-03-000	EA	Circuit Breaker - 20 Amp. - 12 Volt
	083209-05-000	EA	Circuit Breaker - 20 Amp. - 120 Volt
	093655-01-000	EA	Circuit Breaker - 25 Amp. - 12 Volt
	093655-02-000	EA	Circuit Breaker - 30 Amp. - 12 Volt
	083209-06-000	EA	Circuit Breaker - 30/15 Amp. - 120 Volt
	093655-03-000	EA	Circuit Breaker - 40 Amp. - 12 Volt

#### MISCELLANEOUS ELECTRICAL COMPONENTS

Key	Part Number	U/M	Description
	063739-01-000	EA	Battery - 12 Volt - 80 Amp. - Gould
	036420-02-000	EA	Fan - Defroster - 6" - 2 Speed (Option 36N)
	089294-01-000	EA	Lighter Asm. - Cigarette
	072852-01-000	EA	Smoke Detector w/9 Volt Battery
	067762-01-000	EA	Converter - 40 Amp. w/Charger (UL)
	067762-02-000	EA	Converter - 40 Amp. w/Charger (CSA)
	092615-01-000	EA	Converter - 40 Amp. w/Charger (Export)
	051912-01-000	EA	Transformer - Dry Control (Export)
	093674-01-000	EA	Plate - Push Button Circuit Breaker
	092547-01-000	EA	Label - Circuit Breaker Plate

#### BULBS

Key	Part Number	U/M	Description
	008103-01-000	EA	Bulb - 53 (Aisle Light)
	036196-01-000	EA	Bulb - 194 (Courtesy & Clearance Lights)
	072696-01-709	EA	Bulb - 912 (Stove Hood)
	008215-01-000	EA	Bulb - 1003 (Shower Light)
	087479-01-000	EA	Bulb - 1076 (Wall Lamp)
	063914-01-000	EA	Bulb - 1139 (Reading Light)
	008218-01-000	EA	Bulb - 1141 (Dome Light)
	037934-01-000	EA	Bulb - 1156 (Back-Up Light)
	081633-01-700	EA	Bulb - Make-Up Light
	084880-01-706	EA	Bulb - DC Light (Refrigerator)
	088737-01-710	EA	Bulb - 30W (Microwave Oven)
	078424-02-700	EA	Bulb - Fluorescent - 18" (Galley)
	091937-03-000	EA	Bulb - Fluorescent - 18" (Ceiling)

### 1989 WINNEBAGO TABLE OF CONTENTS

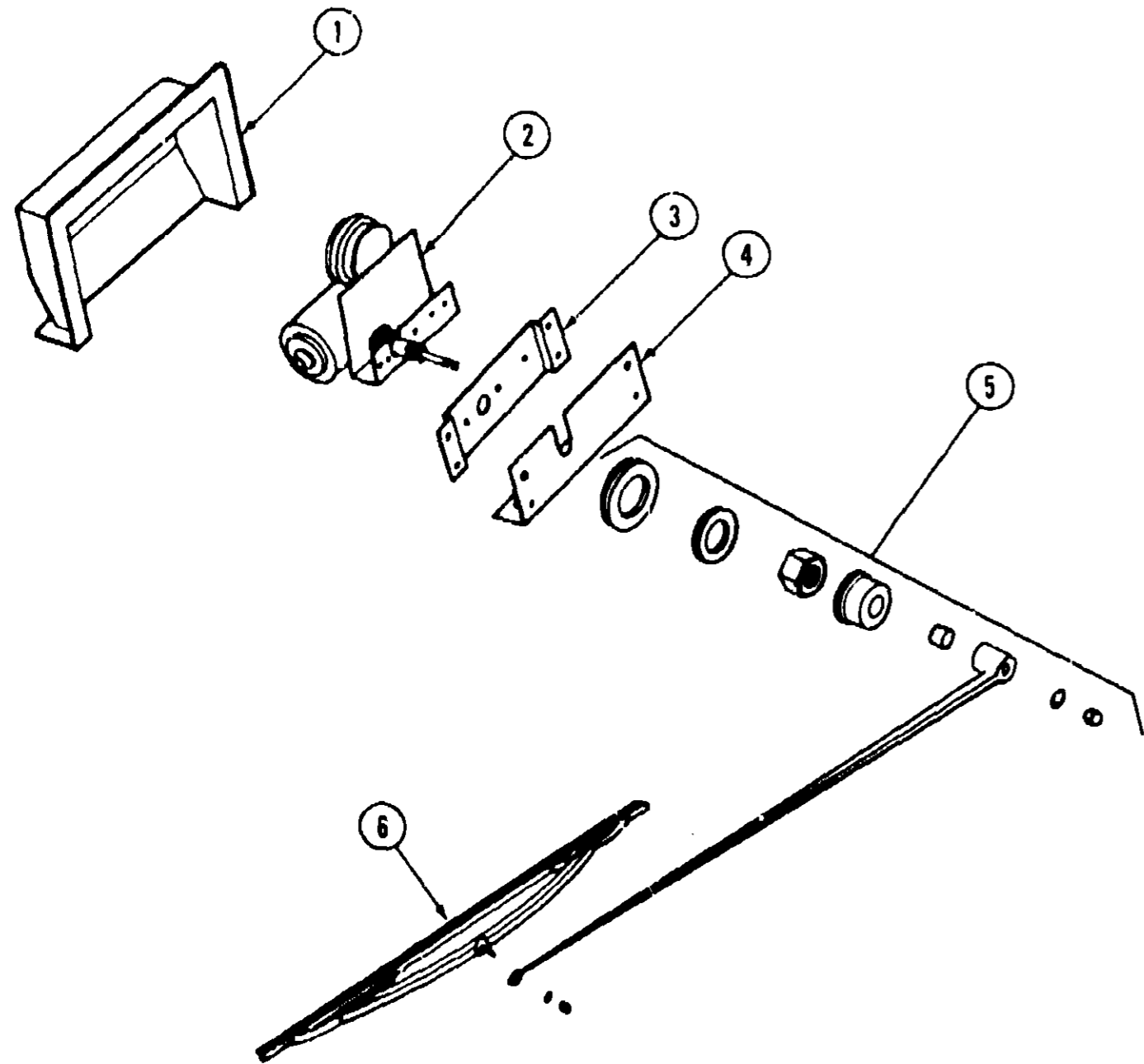
WCN23RC  
WCN27RT

A-01 - D-11  
D-13 - G-23

### 1989 WCN23RC INDEX

Floor Plan	A-01 - A-02
Accessories Group	A-03 - A-06
Bath Group	A-07 - A-08
Chassis Group	A-09 - A-14
Curtain, Cushion & Pad Group	A-15 - B-04
Dinette Group	B-05 - B-06
Driver's Compartment Group	B-07 - B-13
Electrical Group	B-14 - B-18
Exterior Body Group	B-19 - C-03
Galley Group	C-04 - C-06
Heating & Air Conditioning Group	C-07 - C-08
Interior Finish Group	C-09 - C-10
LP Group	C-11
Lounge Group	C-12
Water & Sewage Group	C-13 - C-16
Window, Vent & Exterior Door Group	C-17 - D-11

**ELECTRICAL GROUP (CONTINUED)**



**REAR WIPER & WASHER (OPTION 59F)**

Key	Part Number	U/M	Description
1	094079-01-01A	EA	Cover - Rear Wiper - Beige
2	085721-01-000	EA	Motor Asm. - Wiper - 93°
3	094081-01-000	EA	Bracket - Rear Wiper
4	094080-02-000	EA	Bracket Asm. - Rear Wiper
5	057653-02-000	EA	Arm - Windshield Wiper - 20"
6	049464-03-000	EA	Blade - 20" Wiper
	056000-03-000	EA	Washer Asm. - Rear Window
	061603-01-000	EA	Grommet - Snap - 3/16 ID
	071015-21-000	EA	Grommet - .50 ID

**ELECTRICAL GROUP (CONTINUED)**

**INTERIOR LIGHTS & BULBS**

Key	Part Number	U/M	Description
	085202-03-000	EA	Lamp Asm. - Wall Decor - Brass & Cream
	085201-05-000	EA	Shade - Wall Lamp - Bone
	087479-01-000	EA	Bulb - Wall Lamp
	033508-02-000	EA	Dome Light - 1 Bulb - Ivory (US)
	033508-03-000	EA	Dome Light - 1 Bulb - Ivory (CSA)
	033509-02-000	EA	Dome Light - 2 Bulb - Ivory (US)
	033509-03-000	EA	Dome Light - 2 Bulb - Ivory (CSA)
	R77013-48-179	EA	Switch - Dome Light
	008218-01-000	EA	Bulb - Dome Light
	078424-02-000	EA	Light Asm. - Fluorescent - 12V - 18" - Almond (Galley)
	078424-02-701	EA	Lens - Fluorescent Light - 18"
	078424-02-700	EA	Bulb - Fluorescent Light - 12V - 18"
	091937-01-000	EA	Light Asm. - Fluorescent - 12V - 18" - Almond (Ceiling)
	091937-02-000	EA	Lens - Fluorescent Light - 18"
	091937-03-000	EA	Bulb - Fluorescent Light - 18"
	072353-08-000	EA	Light Asm. - Reading - 360° Swivel - Tan
	063914-01-000	EA	Bulb - Reading Light
	061424-01-000	EA	Light Asm. - 12V - Rectangular - Aisle
	008103-01-000	EA	Bulb - Aisle Light
	068937-04-000	EA	Light Asm. - Surface - No Switch (Shower)
	008215-01-000	EA	Bulb - Light - #1003
	081633-01-000	EA	Light Asm. - Make-Up (US)
	081633-02-000	EA	Light Asm. - Make-Up (CSA)
	081633-01-700	EA	Bulb - Make-Up Light
	087694-02-000	EA	Light Asm. - Wardrobe w/Switch
	087694-01-700	EA	Bulb - Wardrobe - Light
	090353-05-000	EA	Light Asm. - Map - Double
	077026-01-000	EA	Lens - Courtesy Light (Beverage Tray)
	077000-01-000	EA	Socket Asm. w/Pigtail
	036196-01-000	EA	Bulb - Courtesy Light
	076788-01-000	EA	Socket - Lamp - Mini - Bayonet (Dash)

**EXTERIOR LIGHTS & BULBS**

Key	Part Number	U/M	Description
	081250-01-000	EA	Light Asm. - Clearance - Amber
	081250-01-700	EA	Lens - Clearance - Amber
	081250-02-000	EA	Light Asm. - Clearance - Red
	081250-02-700	EA	Lens - Clearance - Red
	036196-01-000	EA	Bulb - Clearance Lights
	081437-01-000	EA	Bracket - Clearance Lights
	089289-01-000	EA	Light Asm. - Side Marker - Red
	089289-02-000	EA	Light Asm. - Side Marker - Amber
	089291-01-000	EA	Light Asm. - Turn Signal - Red
	089292-01-000	EA	Light Asm. - Turn Signal - Amber
	089290-01-000	EA	Light Asm. - Back-Up - Red/Clear
	037934-01-000	EA	Bulb - Back-Up Light
	076795-01-000	EA	Light Asm. - License
	070907-01-000	EA	Headlamp Capsule Asm. - Rectangular
	091838-01-01A	EA	Bezel - Headlamp - Right
	091838-02-01A	EA	Bezel - Headlamp - Left
	033508-02-000	EA	Lamp Asm. - Storage Compartment - Ivory (US)
	033508-03-000	EA	Lamp Asm. - Storage Compartment - Ivory (CSA)
	008089-01-000	EA	Porch Light - Recessed (US)
	008089-02-000	EA	Porch Light - Recessed (CSA)
	008083-01-700	EA	Lens - Porch Light
	091981-01-000	EA	Gasket - Porch Light
	008215-01-000	EA	Bulb - Porch Light
	088747-01-000	EA	Light Asm. - Fog Light - Clear Lens (Option 57M)
	088747-01-700	EA	Lens - Fog Light
	070907-01-000	EA	Headlamp Capsule Asm. - Rectangular

**1989 WINNEBAGO  
TABLE OF CONTENTS**

WCN23RC  
WCN27RT

A-01 - D-11  
D-13 - G-23

**1989 WCN23RC INDEX**

Floor Plan	A-01 - A-02
Accessories Group	A-03 - A-06
Bath Group	A-07 - A-08
Chassis Group	A-09 - A-14
Curtain, Cushion & Pad Group	A-15 - B-04
Dinette Group	B-05 - B-06
Driver's Compartment Group	B-07 - B-13
Electrical Group	B-14 - B-18
Exterior Body Group	B-19 - C-03
Galley Group	C-04 - C-06
Heating & Air Conditioning Group	C-07 - C-08
Interior Finish Group	C-09 - C-10
LP Group	C-11
Lounge Group	C-12
Water & Sewage Group	C-13 - C-14
Window, Vent & Exterior Door Group	C-17 - D-1

## ELECTRICAL GROUP

### WIRE SWITCHES & RECEPTACLES

Key	Part Number	U/M	Description
	008288-01-000	EA	Box - Electrical - 3" x 3.5" - Plastic
	008289-01-000	EA	Box - Electrical - 4" x 4" - 1/2 & 3/4 Steel
	008289-02-000	EA	Box - Electrical - 4" x 4" - 1/2 & 3/4 Steel (CSA)
	058049-01-000	EA	Box - Electrical - 2" x 3" x 2.25" - Steel (CSA)
	041953-01-000	FT	Conduit - Convolute Slit - .5" ID
	041953-03-000	FT	Conduit - Convolute Slit - 1" ID
	041953-06-000	FT	Conduit - Convolute Slit - .375" ID
	008353-01-000	EA	Connector - Clamping - 3/8 Cable
	008356-01-000	EA	Connector - Plastic - 3/8" Avg.
	058028-01-000	EA	Connector - Pigtail - Clear Nylon
	008311-01-000	EA	Connector - Wire Nut - Red
	008314-01-000	EA	Connector - Wire Nut - Gray
	008054-01-000	EA	Cord - Power - 10-3 30 Amp. - 25'
	008054-02-000	EA	Cord - Power - 10-3 30 Amp. - 33'
	008052-01-000	EA	Cord - Power - 10-3 30 Amp. - 25' (CSA)
	009426-01-000	EA	Hatch - Power Cord - White
	008294-01-000	EA	Cover Plate - Blank - Steel 4 x 4 (USA)
	008294-02-000	EA	Cover Plate - Blank - Steel 4 x 4 (CSA)
	074890-01-000	EA	Extension Ring - Electrical Box - 1 1/2
	074017-02-000	EA	Housing Asm. - 5 Position
	097744-02-000	EA	Housing Asm. - Trailer Pin - 4 1/2"
	097746-01-000	EA	Housing Asm. - Trailer Cap
	097745-02-000	EA	Housing Asm. - Trailer Receptacle - 48"
	082109-01-000	EA	Housing - Connector
	088473-01-000	EA	Housing Pin
	088473-02-000	EA	Housing Pin - 15 Position
	088473-03-000	EA	Housing Pin - 9 Position
	088473-05-000	EA	Housing Pin - 6 Position In Line
	088473-06-000	EA	Housing Pin - 6 Position
	088473-08-000	EA	Housing Pin - 4 Position
	088473-09-000	EA	Housing Pin - 3 Position
	088473-10-000	EA	Housing Pin - 2 Position
	088474-01-000	EA	Housing Socket
	088474-02-000	EA	Housing Socket - 15 Position
	088474-03-000	EA	Housing Socket - 9 Position
	088474-06-000	EA	Housing Socket - 6 Position
	088474-08-000	EA	Housing Socket - 4 Position
	088474-09-000	EA	Housing Socket - 3 Position
	063910-01-000	EA	Housing - Relay
	088475-01-000	EA	Pin - Connector
	075736-03-000	EA	Receptacle/Cover Asm. - Beige (Exterior)
	084077-01-000	EA	Receptacle Cover - Ivory (Ground Fault Interrupter)
	084077-02-000	EA	Receptacle Cover - Brown (Ground Fault Interrupter)
	084076-01-000	EA	Receptacle - 15 Amp - 125 Volt - Ivory (Ground Fault Interrupter)
	058708-02-000	EA	Receptacle - Duplex - Ivory
	024924-02-000	EA	Receptacle - Power Cord
	058707-01-000	EA	Receptacle - Single - Brown
	007940-01-000	EA	Receptacle - Slide - 18 to 12 Awg.
	086273-01-000	EA	Relay - Battery Disconnect
	067789-02-000	EA	Socket Asm. - Lamp
	088476-01-000	EA	Socket - Connector
	094086-01-01A	EA	Switch Plate - Single Gang - Black
	081066-02-000	EA	Switch Plate - 2 Gang - 2 Switch
	079382-04-000	EA	Switch Plate - 4 Gang - 2 Switch
	079363-03-000	EA	Switch Plate - Single w/Switch - Polished Brass
	079364-01-000	EA	Switch - ON/OFF Rocker - Brown
	079364-03-000	EA	Switch - ON/OFF - Rocker
	008195-01-000	EA	Switch - Push Button - 12 Volt
	076759-01-000	EA	Switch - SPST - Lock/Lock
	076759-03-000	EA	Switch - SPST - Lock/Lock/Lock
	076759-04-000	EA	Switch - SPDT - Mom/Lock/Mom
	076759-05-000	EA	Switch - SPDT - Lock/Lock/Mom

## ELECTRICAL GROUP (CONTINUED)

### WIRE, SWITCHES & RECEPTACLES (CONT.)

Key	Part Number	U/M	Description
	076759-06-000	EA	Switch - Dummy
	076759-07-000	EA	Switch - SPST - Mom/Off/Lock
	076759-09-000	EA	Switch - SPDT - Lock/Lock
	073937-03-000	EA	Switch - Rotary - 3 Deck - A/C Select
	035416-04-000	EA	Terminal Ring - #10 Stud Fit
	008328-01-000	EA	Terminal Ring - 12/10 Wire
	008348-01-000	EA	Terminal Ring - 2 - 3/8 Stud
	008331-01-000	EA	Terminal Ring - 4 - 3/8 Stud
	062036-02-000	EA	Terminal - Pack - Con - 16/14 ANG
	008026-01-000	FT	Wire w/Ground - Romex - 12/2
	001343-01-000	EA	Wire Tie - 6"
	068343-02-000	EA	Wire Tie - 14"

### WINDSHIELD WIPER & WASHER

Key	Part Number	U/M	Description
	056000-02-000	EA	Washer Asm. - Windshield
	072472-04-000	EA	Arm - Windshield Wiper - 29" - Black
	049464-03-000	EA	Blade Asm. - Windshield Wiper - 20" - Black
	049464-03-700	EA	Blade - Wiper Refill
	067190-04-000	EA	Shaft & Pivot Asm.
	077048-01-000	EA	Shaft Adapter - Pantograph Arm
	067191-02-700	EA	Drive Motor Asm. - Wiper
	067192-01-000	EA	Link Asm. - Connection - 39"
	067193-02-000	EA	Link Asm. - Connection - 8.10"
	067188-01-000	EA	Stud - Crank Wiper
	091206-02-000	EA	Control - Wiper
	045794-01-000	FT	Hose - 5/32" ID - Black

## 1989 WINNEBAGO TABLE OF CONTENTS

WCN23RC  
WCN27RT

A-01 - D-11  
D-13 - G-23

## 1989 WCN23RC INDEX

Floor Plan	A-01 - A-02
Accessories Group	A-03 - A-08
Bath Group	A-07 - A-08
Chassis Group	A-09 - A-14
Curtain, Cushion & Pad Group	A-15 - B-04
Dinette Group	B-05 - B-06
Driver's Compartment Group	B-07 - B-13
Electrical Group	B-14 - B-18
Exterior Body Group	B-19 - C-03
Galley Group	C-04 - C-08
Heating & Air Conditioning Group	C-07 - C-08
Interior Finish Group	C-09 - C-10
LP Group	C-11
Lounge Group	C-12
Water & Sewage Group	C-13 - C-16
Window, Vent & Exterior Door Group	C-17 - D-11

## EXTERIOR BODY GROUP

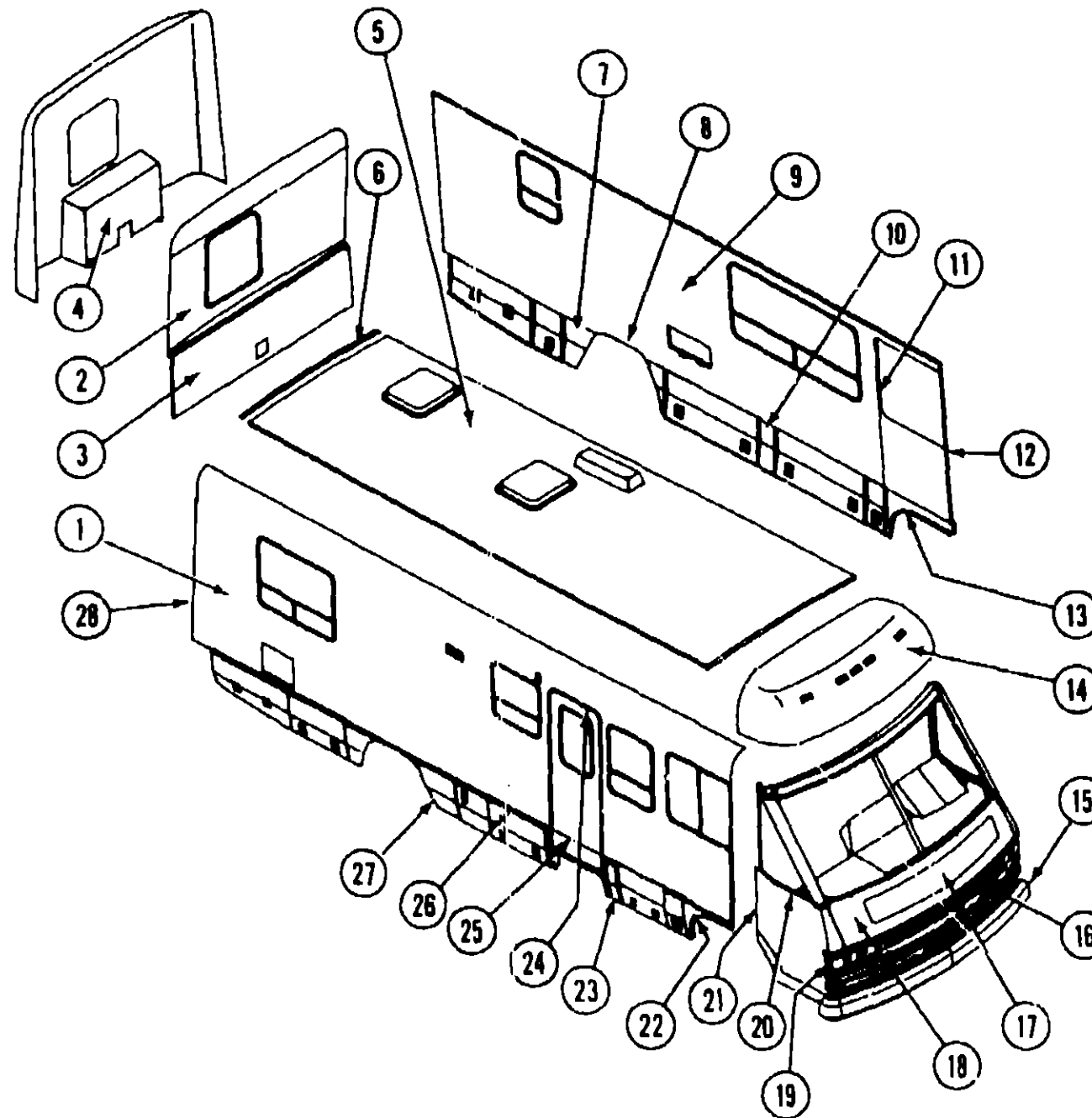
### EXTERIOR BODY PANELS & TRIM

Key	Part Number	U/M	Description
1	M93406-01-Y12	EA	Sidewall Asm. - Passenger
1	M93406-01-Y13	EA	Sidewall Asm. - Passenger
1	M93406-01-Y14	EA	Sidewall Asm. - Passenger
2	M03911-03-Y12	EA	Backwall Asm. - Upper
2	M03911-03-Y13	EA	Backwall Asm. - Upper
2	M03911-03-Y14	EA	Backwall Asm. - Upper
3	M03912-03-Y12	EA	Backwall Asm. - Lower
4	M03490-01-Y10	EA	Rear Cap Asm. - Backwall
5	092813-01-Y12	EA	Roof Asm.
6	083805-14-000	EA	Trim - Front & Rear Caps to Roof
7	093244-01-Y10	EA	Wheel Well Panel - Drivers Rear - Plastic
8	094354-01-01A	EA	Trim - Rear Wheel Well - Drivers or Passenger
9	M92367-01-Y12	EA	Sidewall Asm. - Drivers
9	M92367-01-Y13	EA	Sidewall Asm. - Drivers
9	M92367-01-Y14	EA	Sidewall Asm. - Drivers
10	093019-01-01A	EA	Valance Panel - 10.35" - Off White
	092689-01-02A	EA	End Cap - Valance Panel - Left - Off White
	092689-02-02A	EA	End Cap - Valance Panel - Right - Off White
11	092646-01-01A	EA	Garnish Trim - Drivers Door - Rear - Beige
12	092647-01-01A	EA	Garnish Trim - Drivers Door - Front & Top - Beige
	092661-01-01A	EA	Threshold - Drivers Door - Beige
13	092588-02-01A	EA	Wheel Well Panel - Front Drivers
14	M02959-01-W07	EA	Front Cap - Over Windshield
15	091840-02-01A	EA	Bumper End Cap - Front Drivers - Brown
16	092901-01-Y10	EA	Grille Asm. - Center
	092414-01-000	FT	Chrome Trim - Grille
17	092677-01-Y10	EA	Hood Asm. - Beige
	093851-01-Y12	EA	Hinge Asm. - Hood - Passengers
	093851-02-Y12	EA	Hinge Asm. - Hood - Drivers
18	M01115-20-Y10	EA	Front Shroud Panel
19	091838-01-01A	EA	Headlamp Bezel - Passenger - Black
	091838-02-01A	EA	Headlamp Bezel - Drivers - Black
	070907-01-000	EA	Headlamp Capsule Asm.
20	091986-01-000	EA	Reveal Molding - Windshield
21	096204-01-01A	EA	J-Trim - Fiberboard Trim - Beige
22	092588-01-01A	EA	Wheel Well Panel - Front - Passenger
23	093019-02-01A	EA	Valance Panel - 4.05" - Off White
	092689-01-02A	EA	End Cap - Valance Panel - Left - Off White
	092689-02-02A	EA	End Cap - Valance Panel - Right - Off White
24	044582-01-000	EA	Drip - Molding - Entrance Door - Beige
25	093673-01-02A	FT	Body Molding - Entrance Door - Beige Vinyl
26	092301-01-01A	FT	Body Molding - Off White Vinyl
27	093244-01-Y10	EA	Wheel Well Panel - Passengers
28	092041-01-01A	EA	Trim - Rear Cap to Sidewall - Beige
28	091985-01-02A	FT	Trim Insert - Cap to Sidewall - Beige
	076322-02-000	FT	Tape - Double Coated Foam - .045" x 1"
	076322-03-000	FT	Tape - Double Coated Foam - .045" x .5"
	079368-01-000	FT	Bulb Seal - Drivers & Access Doors
	090340-01-000	FT	Seal - Closed Cell Foam - .25" x .5" x 50' - Access Doors
	094355-01-01A	EA	Trim - Valance Panel to Sidewall - 6.3' - Hinge Look-a-Like

## 1989 WINNEBAGO TABLE OF CONTENTS

WCN23RC  
WCN27RT

A-01 - D-11  
D-13 - G-23

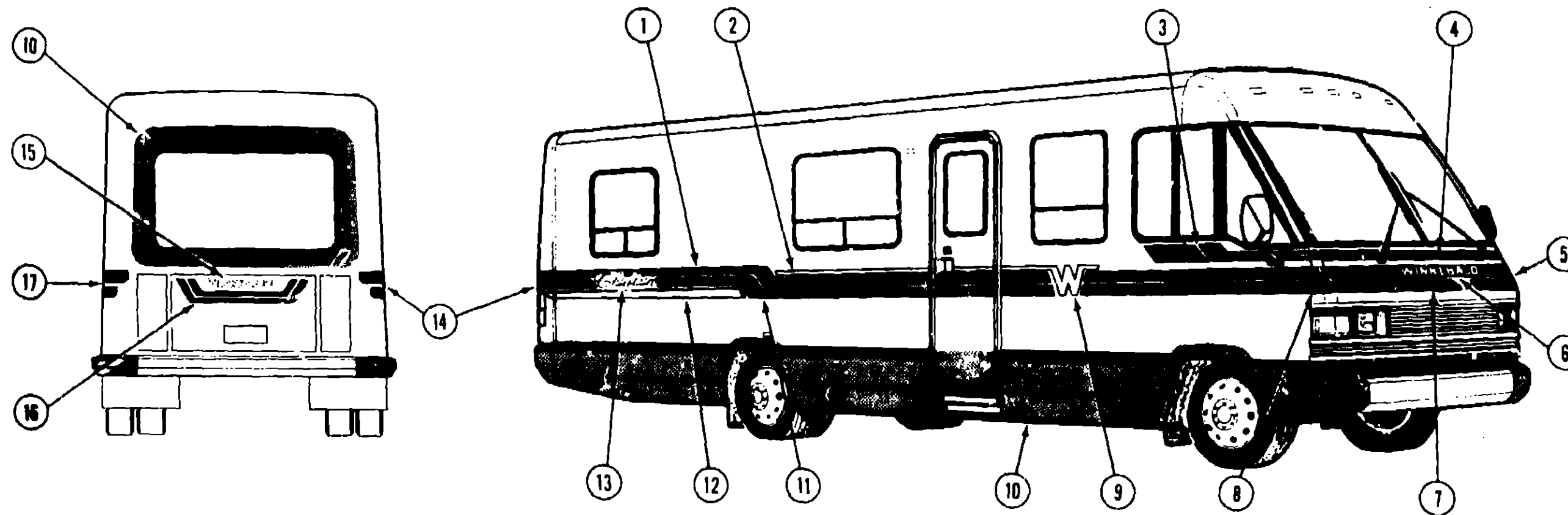


### 1989 WCN23RC INDEX

Floor Plan	A-01 - A-02
Accessories Group	A-03 - A-06
Bath Group	A-07 - A-08
Chassis Group	A-09 - A-14
Curtain, Cushion & Pad Group	A-15 - B-04
Dinette Group	B-05 - B-06
Driver's Compartment Group	B-07 - B-13
Electrical Group	B-14 - B-18
Exterior Body Group	B-19 - C-03
Galley Group	C-04 - C-06
Heating & Air Conditioning Group	C-07 - C-08
Interior Finish Group	C-09 - C-10
LP Group	C-11
Lounge Group	C-12
Water & Sewage Group	C-13 - C-16
Window, Vent & Exterior Door Group	C-17 - D-11

## EXTERIOR BODY GROUP (CONTINUED)

### DECALS, FILM STRIPE & PAINT



## 1989 WINNEBAGO TABLE OF CONTENTS

WCN23RC  
WCN27RT

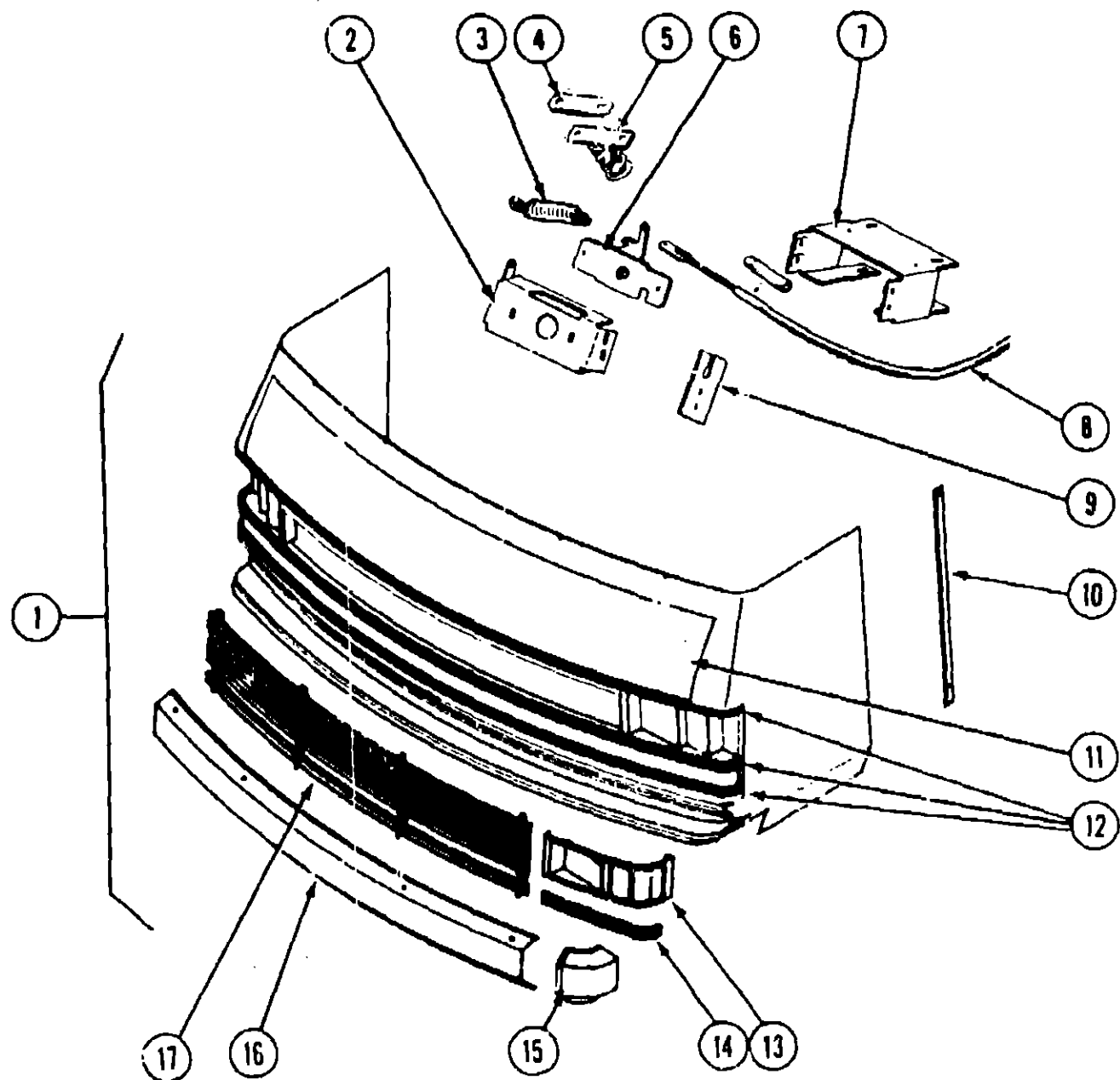
A-01 - D-11  
D-13 - G-23

Key	Part Number	U/M	Description
1	093680-10-01A	FT	Film - Multi-Stripe - 6.8" x 150' - Rose/Blue (Y12, Y14)
1	093680-10-02A	FT	Film - Multi-Stripe - 6.8" x 150' - Brown/Green (Y13)
2	093681-03-02A	FT	Film - Stripe - 1.4" x 150' - Brown
3	092991-01-01A	EA	Decal - Corner - Upper Front - Passenger - Blue/Rose (Y12, Y14)
3	092991-01-02A	EA	Decal - Corner - Upper Front - Passenger - Green/Brown (Y13)
	092991-02-01A	EA	Decal - Corner - Upper Front - Driver - Blue/Rose (Y12, Y14)
	092991-02-02A	EA	Decal - Corner - Upper Front - Driver - Green/Brown (Y13)
4	093680-12-01A	FT	Film - Multi-Stripe - 2.1" x 150' - Rose/Blue (Y12, Y14)
4	093680-12-02A	FT	Film - Multi-Stripe - 2.1" x 150' - Green/Brown (Y13)
5	092990-01-01A	EA	Decal - Corner - Lower Front - Rose/Blue (Y12, Y14)
5	092990-01-02A	EA	Decal - Corner - Lower Front - Brown/Green (Y13)
6	069745-03-000	EA	Decal - "Winnie" - Chrome
6	069745-04-000	EA	Decal - "Bago" - Chrome
7	092989-01-01A	EA	Decal - Hood - Rose/Blue (Y12, Y14)
7	092989-01-02A	EA	Decal - Hood - Green/Brown (Y13)
8	092990-02-01A	EA	Decal - Corner - Lower Front - Rose/Blue (Y12, 14)
8	092990-02-02A	EA	Decal - Corner - Lower Front - Brown/Green (Y13)
9	079351-34-000	EA	Decal - Flying "W" - Brown
10	089363-06-700	EA	Paint Kit - Taupe - Metallic
11	093705-01-01A	EA	Decal - Side Step Lower - Passenger - Rose/Blue (Y12, Y14)
11	093705-01-02A	EA	Decal - Side Step Lower - Passenger - Brown/Green (Y13)
	093705-02-01A	EA	Decal - Side Step Lower - Driver - Rose/Blue (Y12, Y14)
	093705-02-02A	EA	Decal - Side Step Lower - Driver - Brown/Green (Y13)
12	093681-02-02A	FT	Film Stripe - 3.2" x 150' - Brown
13	058719-03-000	EA	Decal - Logo - "Chieftain" - Chrome
14	092993-02-01A	EA	Decal - Rear Corner - Rose/Blue/Brown (Y12, Y14)
14	092993-02-02A	EA	Decal - Rear Corner - Brown/Green/Brown (Y13)
15	092995-01-01A	EA	Decal - Logo - "Winnebago" - Black
16	092994-01-01A	EA	Decal - Tire Cover - Rose/Blue (Y12, Y14)
16	092994-01-02A	EA	Decal - Tire Cover - Brown/Green (Y13)
17	092993-02-01A	EA	Decal - Rear Corner - Rose/Blue/Brown (Y12, Y14)
17	092993-02-02A	EA	Decal - Rear Corner - Brown/Green/Brown (Y13)

## 1989 WCN23RC INDEX

Floor Plan	A-01 - A-02
Accessories Group	A-03 - A-08
Bath Group	A-07 - A-08
Chassis Group	A-09 - A-14
Curtain, Cushion & Pad Group	A-15 - B-04
Dinette Group	B-05 - B-08
Driver's Compartment Group	B-07 - B-13
Electrical Group	B-14 - B-18
Exterior Body Group	B-19 - C-03
Galley Group	C-04 - C-06
Heating & Air Conditioning Group	C-07 - C-08
Interior Finish Group	C-09 - C-10
LP Group	C-11
Lounge Group	C-12
Water & Sewage Group	C-13 - C-16
Window, Vent & Exterior Door Group	C-17 - D-11

**EXTERIOR BODY GROUP (CONTINUED)**



Key	Part Number
1	M01115-20-Y10
2	073336-02-000
3	R77006-38-499
4	R77006-68-172
5	R77007-01-950
6	R77007-51-429
7	073342-01-000
8	077064-01-000
9	077407-01-000
10	096204-01-01A
11	092677-01-Y10
12	058786-02-000
13	076716-01-000
14	093851-01-Y12
15	093851-02-Y12
16	076707-02-000
17	091955-01-000
	091952-01-000
	093527-01-000
	092414-01-000
	091838-02-01A
	091838-01-01A
	070907-01-000
	091230-02-000
	063749-02-000
	093014-01-Y10
	091240-02-01A
	091840-01-01A
	091994-01-03A
	092901-01-Y10

**EXTERIOR BODY GROUP (CONTINUED)**

**EXTERIOR BODY PANELS & HARDWARE**

U/M	Description
EA	Panel Asm. - Front Shroud (Includes access panel)
EA	Bracket - Mounting Latch
EA	Spring - Hood Release
EA	Shim - Spacer Plate
EA	Striker & Spring - Hood Latch
EA	Latch Asm. - Hood
EA	Bracket Asm. - Hood Latch
EA	Cable - Hood Release - w/Clamp
EA	Bracket - Hood Cable Release (mounts under the hood)
EA	Bracket - Hood Cable Release (mounts under the dash)
EA	Trim - "J" Molding - Beige
EA	Access Panel Asm. - Hood
EA	Hood Bolt Adjusting
EA	Bracket Asm. - Striker Latch
EA	Hinge Asm. - Hood - Passenger
EA	Hinge Asm. - Hood - Driver
EA	Cable Asm. - 1/16" x 16.5" - Stainless Steel
EA	Squeegee - Extended Handle
EA	Clip - 1" Gripper
EA	Bracket - Squeegee
FT	Trim - Chrome
EA	Bezel - Headlamp - Driver
EA	Bezel - Headlamp - Passenger
EA	Headlamp Capsule Asm. - Rectangular
EA	Screw - Headlamp Bezel - 8.32 x 3/4 POH
EA	Housing Asm. - Headlamp
EA	Bar Asm. - Grille - End
EA	End Cap - Bumper - Driver
EA	End Cap - Bumper - Passenger
EA	Bumper Asm. - Chrome
EA	Grille Asm. - 10 Bar

**1989 WINNEBAGO  
TABLE OF CONTENTS**

WCN23RC  
WCN27RT

A-01 - D-11  
D-13 - G-23

**1989 WCN23RC INDEX**

Floor Plan	A-01 - A-02
Accessories Group	A-03 - A-06
Bath Group	A-07 - A-08
Chassis Group	A-09 - A-14
Curtain, Cushion & Pad Group	A-15 - B-04
Dinette Group	B-05 - B-06
Driver's Compartment Group	B-07 - B-13
Electrical Group	B-14 - B-18
Exterior Body Group	B-19 - C-03
Galley Group	C-04 - C-06
Heating & Air Conditioning Group	C-07 - C-08
Interior Finish Group	C-09 - C-10
LP Group	C-11
Lounge Group	C-12
Water & Sewage Group	C-13 - C-16
Window, Vent & Exterior Door Group	C-17 - D-11



**EXTERIOR BODY GROUP (CONTINUED)**

**LABELS & TAGS**

Key	Part Number	U/M	Description
	091243-01-000	EA	Label - Air Conditioner Cover
	074983-01-000	EA	Label - Air Conditioner Selector Switch
	067236-01-000	EA	Label - TV Cable Input
	095721-06-000	EA	Label - Control Center - w/o Microwave
	093236-01-000	EA	Label - Circuit Breaker Main
	053237-01-000	EA	Label - Circuit Breaker - Front - Battery Condition/Radio
	033237-02-000	EA	Label - Circuit Breaker - Front - Power Seat
	092547-01-000	EA	Label - Circuit Breaker
	096506-01-000	EA	Label - Compartment Not Sealed
	065748-01-000	EA	Label - Caution - Battery Charging
	006195-01-000	EA	Label - Electrical Test
	047731-01-000	EA	Label - Emergency Exit
	006199-01-000	EA	Label - Exit - Escape Window
	094675-01-000	EA	Label - Exterior Light Service
	061417-01-000	EA	Label - Fuel
	067207-02-000	EA	Label - Fuel Cap Removal
	094622-01-000	EA	Label - Fuel Pump - Power
	006195-01-000	EA	Label - Gas Test
	077510-01-000	EA	Label - Generator Prep
	054531-01-000	EA	Label - LP Gas Only
	073998-01-000	EA	Label - LP Odor Warning
	061606-01-000	EA	Label - Overlay, Vehicle Certification
	066757-01-000	EA	Label - Retail - 8 5/8" x 12 7/8"
	056258-01-000	EA	Label - Safety Check List
	006064-01-000	EA	Label - Seat - w/o Seatbelts - USA
	006054-02-000	EA	Label - Seat - w/o Seatbelts - CSA
	036137-01-000	EA	Label - Sewage
	091224-02-000	EA	Label - Trailer Lighting
	075221-01-000	EA	Label - Trailer Hitch Capacity
	075221-03-000	EA	Label - Trailer Hitch
	090342-01-000	EA	Label - Vapor Relief
	050225-01-000	EA	Label - Warning - Stove Vent - US
	075220-01-000	EA	Label - Warning - Exterior Load
	077956-01-000	EA	Label - Warning - Smoke Detector
	079966-01-000	EA	Label - Warning - Stowed Motion
	006188-01-000	EA	Label - Waste Water
	006197-01-000	EA	Label - Water Test
	006062-01-000	EA	Tag - Electrical - 110 Volt Connection
	006040-01-000	EA	Tag - Refueling Warning
	006040-02-000	EA	Tag - Refueling Warning - CSA
	000019-01-000	EA	Tag - RVI Approved - Plastic
	066410-02-000	EA	Decal - Rear Auto Heater

**MENDE BOARD, ALUMINUM & STYROFOAM**

Key	Part Number	U/M	Description
	061355-14-000	EA	Panel - Fiberglass - Mende Board - Beige - 78.75" x 32.25"
	061395-23-000	EA	Panel - Fiberglass - Mende Board - Beige - 23.62" x 120"
	061395-07-000	EA	Panel - Fiberglass - Mende Board - Beige - 48" x 96"
	044487-01-001	EA	Aluminum - Mill Finish - No Design (Roof) - 96" x 360"
	000658-01-000	SF	Styrofoam - 3/4" x 24" x 96"
	000870-02-000	SF	Styrofoam - 1.5" x 48" x 96"
	000870-03-000	SF	Styrofoam - 1.34" x 48" x 96"
	033374-01-000	SF	Styrofoam - 1 5/8" x 24" x 85.25"

**EXTERIOR BODY GROUP (CONTINUED)**

**SEALANTS & ADHESIVES**

Key	Part Number	U/M	Description
	002337-01-000	EA	Adhesive - 1300 Tube - 3M (Window)
	001005-02-000	EA	Adhesive - Swifts - 1 Gallon (Sidewall)
	004006-04-700	EA	Adhesive - Pierce - 1 Gallon (Sidewall)
	075872-02-000	EA	Adhesive - Scotch Rubber Gripper (Rear Cap)
	081377-01-000	EA	Adhesive - Cyanoacrylate (Window & Door)
	053766-02-000	EA	Bedding Compound - Tube - White (Exterior)
	053766-07-000	EA	Bedding Compound - Tube - Clear (Window)
	053766-07-000	EA	Bedding Compound - Tube - Beige (Exterior)
	011129-01-000	EA	Seal - Plumbing Pipe - Roof - For 1 1/2" OD Pipe
	077987-01-000	EA	Sealant - Acrylic Latex - Tube (Interior)
	034552-02-000	EA	Sealant - Silicone - Clear (Exterior)
	034552-04-000	EA	Sealant - Silicone - Beige (Exterior)
	053752-04-000	EA	Sealer - Seam - Tube - Aluminum (Roof)
	069637-01-000	EA	Sealer - 3M EC5510 - White (Door)
	069640-01-000	FT	Sealer - Ribbon - 1/4" Dia. x 20' (Cabinet)
	069640-02-000	FT	Sealer - Ribbon - 1/2" x 1/8" x 30' (Sidewalls)
	069640-03-000	FT	Sealer - Ribbon - 3/4" x 1/8" x 30' (Body Panels)
	069640-05-000	FT	Sealer - Ribbon - 2 1/2" x 3/32" x 30' (Body Panels)
	069640-06-000	FT	Sealer - Ribbon - 5/16" Dia. x 15' (Window)
	069640-07-000	FT	Sealer - Ribbon - 2" x 3/32" x 30' (Interior)
	081359-01-000	FT	Sealer - Vinyl Glazing (Window)
	081380-01-000	FT	Sealer - Vinyl Glazing - Black (Window)
	089363-01-701	EA	Sealer - Body Seam - Flexible - Fawn (Exterior)
	090340-01-000	FT	Sealer - Foam Seal - Closed Cell - 1/4" x 1/2" (Exterior)
	090340-02-000	FT	Sealer - Foam Seal - Closed Cell - 3/8" x 1/2" (Exterior)
	701674-05-000	EA	Service Manual - Sealants
	004363-01-000	FT	Tape - Foam - 3/16" x 1/2" - Gray - 1 Side (Sidewall)
	009200-01-000	EA	Tape - Furnace - 1 1/2"
	063642-01-000	FT	Tape - Adhesive - 10 Mil x 1.5" (Exterior)
	076322-02-000	FT	Tape - Foam - Double Coated - .45" x 1" (Fiberglass Seams)
	076322-03-000	FT	Tape - Foam - Double Coated - .045" x .5" (Fiberglass Seams)
	076322-04-000	FT	Tape - Foam - Double Coated - .045" x .75" (Fiberglass Seams)
	077959-01-000	FT	Tape - Foam - 1/2" Black - 2 Sided (Interior)
	079967-02-000	FT	Tape - Plastic Film - .375" (Window)
	088244-01-000	FT	Tape - Foam - Vinyl Coated - 2" (Chassis)
	091968-03-000	FT	Tape - Adhesive - .04" x 1" (Entrance Door)
	002281-01-000	FT	Weatherstrip - Self-Seal - .06" Panel x 3/16" (Window)
	056903-01-000	FT	Weatherseal - Upper Front Cap

**MISCELLANEOUS EXTERNALLY MOUNTED PARTS**

Key	Part Number	U/M	Description
	083558-01-000	EA	Plumbing Seal - Roof Vent - 1.5" - Covered
	081240-01-000	EA	Water Fill - Lockable - Beige
	090944-01-000	EA	Antenna - Radio - 16" Rubber
	092698-01-02A	EA	Vent w/Door - Range Hood
	083615-01-000	EA	Door Holder - Beige Plastic
	063977-08-000	EA	Step Asm. - Drivers Door - Black
	084073-01-000	EA	Roof Vent Refrigerator - Beige
	084073-04-000	EA	Base - Roof Vent Refrigerator
	038327-01-000	EA	Tape - Anti-Slip - 2" x 60'

**1989 WINNEBAGO  
TABLE OF CONTENTS**

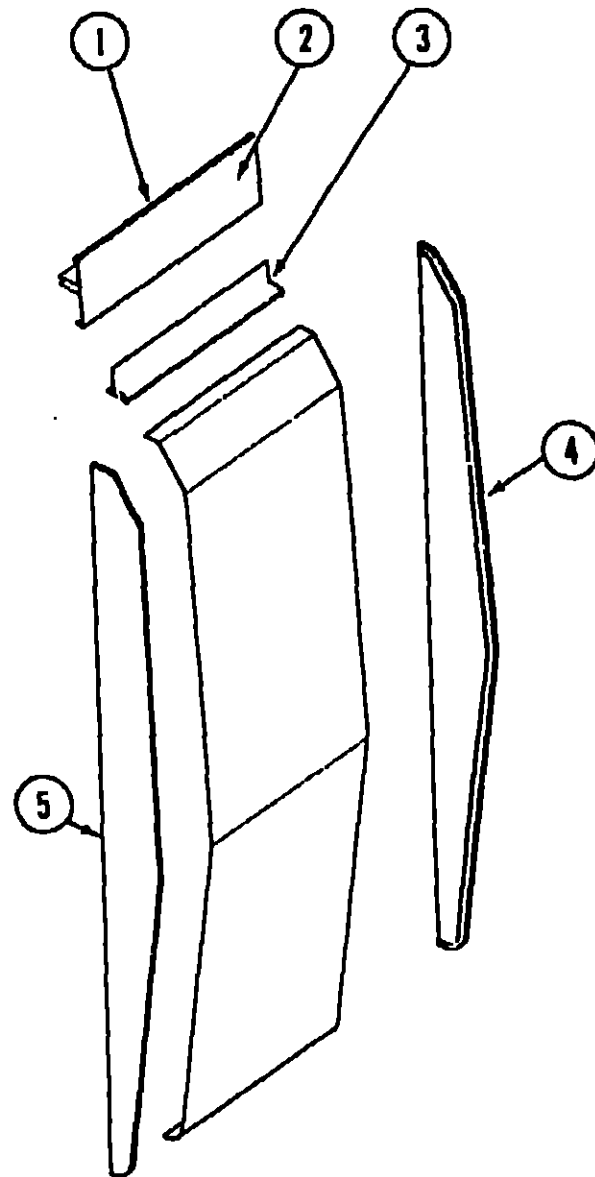
WCN23RC  
WCN27RT

A-01 - D-11  
D-13 - G-23

**1989 WCN23RC INDEX**

Floor Plan	A-01 - A-02
Accessories Group	A-03 - A-06
Bath Group	A-07 - A-08
Chassis Group	A-09 - A-14
Curtain, Cushion & Pad Group	A-15 - B-04
Dinette Group	B-05 - B-06
Driver's Compartment Group	B-07 - B-13
Electrical Group	B-14 - B-18
Exterior Body Group	B-19 - C-03
Galley Group	C-04 - C-06
Heating & Air Conditioning Group	C-07 - C-08
Interior Finish Group	C-09 - C-10
LP Group	C-11
Lounge Group	C-12
Water & Sewage Group	C-13 - C-16
Window, Vent & Exterior Door Group	C-17 - D-11

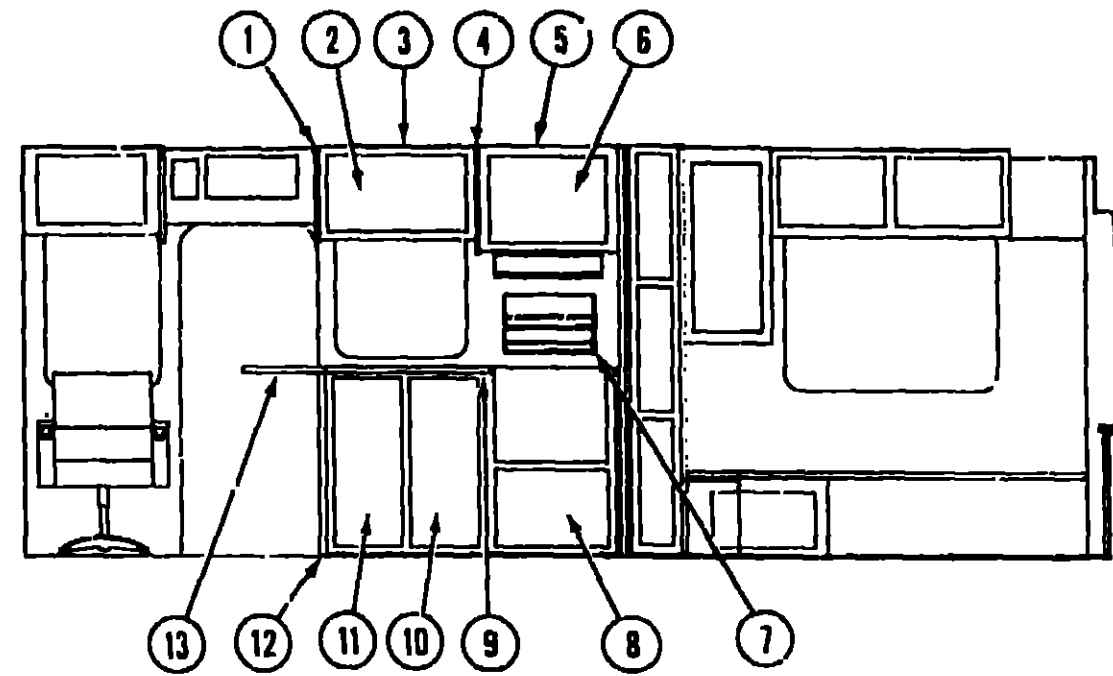
**EXTERIOR BODY GROUP (CONTINUED)**



**VALANCE PANEL ASM.**

Key	Part Number	U/M	Description
1	092301-01-01A	EA	Body Molding - Off White
2	094362-02-000	EA	Clip - X-Mas - Flat Head
3	094355-01-01A	EA	Trim - Valance to Sidewall
4	092689-01-02A	EA	End Cap - Valance Panel - Right
5	092689-02-02A	EA	End Cap - Valance Panel - Left

**GALLEY GROUP**



**GALLEY CABINETRY**

Key	Part Number	U/M	Description
1	092747-01-Y10	EA	Pad Asm. - End Cap - Galley Overhead
2	M88304-84-X08	EA	Door Asm. - Galley Overhead - w/o Hardware - 14.37" x 26.77"
3	M92078-01-Y10	EA	Cabinet Asm. - Galley Overhead - w/o Doors or Hardware
4	092090-02-Y12	EA	Cap Asm. - Galley Overhead
5	M94767-02-Y07	EA	Cabinet Asm. - Galley Overhead - w/o Doors or Hardware
5	G94767-02-Y12	EA	Cabinet Asm. - Microwave Overhead
6	M88304-A9-X08	EA	Door Asm. - Galley Overhead - 14.37" x 21.85" - w/o Hardware
	M88304-F4-Y10	EA	Door Asm. - Refrigerator Cabinet - 6.29" x 16.4" - w/o Hardware
7	092487-02-Y12	EA	Spice Rack
8	M88304-05-X23	EA	Door Asm. - Galley Cabinet - 15.94" x 21.8" - w/o Hardware
9	092117-11-Y10	EA	Countertop Asm. - Galley
10	M88304-14-X08	EA	Door Asm. - Galley Cabinet - 14.37" x 33.46" - w/o Hardware
11	M88304-13-X08	EA	Door Asm. - Galley Cabinet - 14.37" x 33.46" - w/o Hardware
12	M03869-03-Y12	EA	Galley Cabinet (Microwave Option) w/o Countertop, Doors, Drawers or Hardware
12	M03869-01-Y10	EA	Galley Cabinet - w/o Countertop, Doors, Drawers or Hardware
13	080812-02-Y15	EA	Galley Extension Asm.
	077404-02-000	EA	Drawer - Plastic - 20" x 12.7"
	093288-01-01A	EA	Tray - Silverware Drawer - Beige Plastic

**1989 WINNEBAGO  
TABLE OF CONTENTS**

WCN23RC  
WCN27HT

A-01 - D-11  
D-13 - G-23

**1989 WCN23RC INDEX**

Floor Plan	A-01 - A-02
Accessories Group	A-03 - A-05
Bath Group	A-07 - A-08
Chassis Group	A-09 - A-14
Curtain, Cushion & Pad Group	A-15 - B-04
Dinette Group	B-05 - B-06
Driver's Compartment Group	B-07 - B-13
Electrical Group	B-14 - B-18
Exterior Body Group	B-19 - C-03
Galley Group	C-04 - C-06
Heating & Air Conditioning Group	C-07 - C-08
Interior Finish Group	C-09 - C-10
LP Group	C-11
Lounge Group	C-12
Water & Sewage Group	C-13 - C-14
Window, Vent & Exterior Door Group	C-17 - D-11

## GALLEY GROUP (CONTINUED)

### GALLEY APPLIANCES

Key	Part Number	U/M	Description
	084879-01-000	EA	Refrigerator - 3 Way - Large Double Door - Norcold 8663
	084879-01-700	EA	Cooling Unit
	084879-01-701	EA	Lower Door Gasket
	084879-01-702	EA	Lower Door Handle
	084879-01-703	EA	Foamed Cabinet Asm.
	084879-01-704	EA	Foamed Lower Door w/Frame
	084879-01-705	EA	Panel Holder - Lower Door
	094038-01-000	EA	Refrigerator - 3 Way - Small Double Door - Right - Norcold 663
	094038-02-000	EA	Refrigerator - 3 Way - Small Double Door - Left - Norcold 663
	094038-01-700	EA	Gasket Lower
	094038-01-701	EA	Lower Door Liner - Brown/White
	094038-01-702	EA	Lower Door Liner - Black/White
	094038-01-703	EA	Lower Door Handle Asm. - Brown
	094038-01-704	EA	Lower Door Handle Asm. - Black
	094038-01-705	EA	Cabinet Asm. - Brown Frame - White Liner
	094038-01-706	EA	Cabinet Asm. - Black Frame - White Liner
	054450-01-000	EA	Level - Refrigerator
	055282-04-000	EA	Range - 4 Burner Small Oven - Almond
	055282-04-700	EA	Oven Door Panel - Almond
	081374-01-000	EA	Range - 4 Burner - w/o Oven - Almond
	081374-01-700	EA	Cabinet Trim - Top Right
	081374-01-701	EA	Cabinet Trim - Top Left
	081374-01-702	EA	Panel - Manifold - Warm - Black
	081374-01-703	EA	Trim - Top Rear
	081374-01-704	EA	Guard - Fabric
	092696-05-01A	EA	Range Hood - w/Monitor Panel - Almond
	092696-05-700	EA	Clock - Mini - L.C.D.
	092696-05-701	EA	Chassis - w/Wiring - Almond
	092696-05-702	EA	Control Panel Asm.
	092696-05-703	EA	Face Plate - Control Panel
	092698-01-02A	EA	Vent w/Door - Range Hood - Beige
	092731-01-000	EA	Vent Extension - Range Hood to Vent - 6.37"
	085280-04-000	EA	Bi-Fold Cover - 4 Burner Range - Almond
	085280-03-000	EA	Bi-Fold Cover - 4 Burner Range Top - Almond
	091269-03-000	EA	Microwave Oven - Magic Chef
	094745-01-01A	EA	Trim - Microwave - Bottom - Black
	094774-02-01A	EA	Trim - Microwave - Left Side - Black
	094774-01-01A	EA	Trim - Microwave - Right Side - Black
	083209-03-000	EA	Circuit Breaker - 15/20 Amp. - 120 Volt
	091269-02-000	EA	Frame Kit - Microwave

## GALLEY GROUP (CONTINUED)

### GALLEY HARDWARE

Key	Part Number	U/M	Description
	081530-01-Y30	EA	Sink Cover
	074981-01-000	EA	Cutting Board - Maple
	068815-01-000	EA	Sink - Stainless Steel - Double
	088437-01-000	EA	Stainer - w/Basket - Sink
	091253-01-000	EA	Gasket - Galley Faucet
	011053-03-000	FA	Faucet - 8" - Swing Spout
	058334-01-000	EA	Wastebasket - 9.75" x 7" x 10" - White
	077409-02-000	EA	Drawer Slide - Plastic - 20.75"
	077404-02-000	EA	Drawer - Plastic - 20" x 12.7"
	037688-01-000	EA	Drawer Rail - V Guide
	059777-02-000	EA	Hinge - Antique - Light Brass
	088264-01-000	EA	Door Pull - Polished Brass
	093238-01-Y77	EA	Cover - Oak Knife Holder - Above Countertop
	093282-01-000	EA	Bonnet Asm. - Knife Holder - Below Countertop

## 1989 WINNEBAGO TABLE OF CONTENTS

WCN23RC  
WCN27RT

A-01 - D-11  
D-13 - G-23

## 1989 WCN23RC INDEX

Floor Plan	A-01 - A-02
Accessories Group	A-03 - A-06
Bath Group	A-07 - A-08
Chassis Group	A-09 - A-14
Curtain, Cushion & Pad Group	A-15 - B-04
Dinette Group	B-05 - B-06
Driver's Compartment Group	B-07 - B-13
Electrical Group	B-14 - B-18
Exterior Body Group	B-19 - C-03
Galley Group	C-04 - C-06
Heating & Air Conditioning Group	C-07 - C-08
Interior Finish Group	C-09 - C-10
LP Group	C-11
Lounge Group	C-12
Water & Sewage Group	C-13 - C-16
Window, Vent & Exterior Door Group	C-17 - D-11

## HEATING & AIR CONDITIONING GROUP

### FURNACE

Key	Part Number	U/M	Description
	092300-01-000	EA	Furnace - 24,000 BTU - Sub Floor Suburban NT 24B
	092300-01-700	EA	Cabinet
	092300-01-701	EA	Cabinet
	092300-01-702	EA	Thermostat
	092300-01-703	EA	Combustion Chamber - 24BW
	092300-01-704	EA	Gasket - Electrode
	092300-01-705	EA	Electrode
	092300-01-708	EA	Door - Burner - Access
	092300-01-707	EA	Gasket - Burner Access Burner
	092300-01-708	EA	Limit Switch
	092300-01-709	EA	Board - Module
	092300-01-710	EA	Relay Time Delay
	092300-01-711	EA	Vent Cap Asm.
	092300-01-712	EA	Burner Asm.
	092300-01-713	EA	Orifice - Main Burner
	092300-01-714	EA	Gasket - Manifold
	092300-01-715	EA	Manifold Asm.
	092300-01-716	EA	Valve
	092300-01-717	EA	Wire Asm. - Power Supply
	092300-01-718	EA	Elbow - 90°
	092300-01-719	EA	Valve - Manual Shut Off
	092300-01-720	EA	Wheel - Room Air
	092300-01-721	EA	Blower Housing Asm.
	092300-01-722	EA	Microswitch Asm.
	092300-01-723	EA	Motor Asm.
	092300-01-724	EA	Gasket - Motor Mount
	092300-01-725	EA	Housing Air Asm.
	092300-01-726	EA	Wheel - Combustion Air
	092300-01-727	EA	Gasket - Combustion Air Housing
	092300-01-728	EA	Housing - Outside - Combustion Air
	092300-03-000	EA	Furnace - 34,000 BTU - Sub Floor - Suburban 34B
	092300-03-700	EA	Orifice - Main Burner
	092300-03-701	EA	Motor Asm.
	092300-03-702	EA	Housing Asm. - Combustion Air - 34 BW
	009200-01-000	EA	Tape - Furnace - 1.5"
	091961-01-000	EA	Heat Register - w/o Damper - 4" x 8" - Brown Steel
	091961-02-000	EA	Heat Register - w/Damper - 4" x 8" - Brown Steel
	094600-01-02A	EA	Heat Register - w/o Damper - 3.6" x 11.2" - Brown Steel
	094600-02-02A	EA	Heat Register - w/Damper - 3.6" x 11.2" - Brown Steel
	093614-01-01A	EA	Grill - Return Air - Brown
	092321-01-000	FT	Insulation - Fiberglass w/Foil - Heat Runs

## HEATING & AIR CONDITIONING GROUP (CONTINUED)

### ROOF AIR CONDITIONER

Key	Part Number	U/M	Description
	093764-01-000	EA	Ceiling Asm. - A/C Cool - w/Controls - TSR - Coleman 6759D714
	093763-01-03A	EA	Air Conditioner - 110 Volt - Roof Mount - TSR - 13,500 BTU Coleman 6759D708
	093763-03-700	EA	Shroud - Belge/Charcoal
	093763-01-701	EA	Overload
	093763-01-702	EA	Overload
	093763-01-703	EA	Impellor - 7" Dia. x 2.80" Wide
	093763-01-704	EA	Fan Capacitor
	093763-01-705	EA	Decal - HT/Cool Thermostat
	093763-01-708	EA	Heat Element
	093763-01-708	EA	Condenser Coil
	093763-01-709	EA	Compressor
	093763-01-710	EA	Single Parts Package

### REAR AUTO HEATER

Key	Part Number	U/M	Description
	084405-01-000	EA	Heater Asm. - Rear - Ducted
	084405-01-700	EA	Heater Core
	084405-01-701	EA	Fan
	084405-01-702	EA	Motor - 12V
	007108-01-000	FT	Hose - Heater - 5/8" ID SAE 20R3
	007108-02-000	FT	Hose - Heater - .75" ID SAE 20R3
	087202-02-000	EA	Switch - w/o Knob - 4 Position
	090977-01-000	EA	Knob - Rotary Switch
	084410-02-000	EA	Decal - Rear Auto Heater

### AUTOMOTIVE HEATER & A/C

Key	Part Number	U/M	Description
	088227-02-000	EA	Evaporator Asm. - A/C
	088227-02-700	EA	Drain Tube Asm.
	088227-02-701	EA	Bracket - Bowden Cable Mounting
	088227-02-702	EA	Door Asm. - F.A./Recircling
	088227-02-703	EA	Suction Hose #10
	088227-02-704	EA	Bracket - Vacuum Motor
	088227-02-705	EA	Hose - Liquid
	091902-01-000	EA	Control/Pleum Set
	091902-01-700	EA	Door - Defrost/Heat
	091902-01-701	EA	Motor - Vacuum
	091902-01-702	EA	Door - A/C - Heat
	091902-01-703	EA	Rod - A/C - Heat Door
	091902-01-704	EA	Transition Asm. - HI Temp
	091902-01-705	EA	Harness & Socket Jumper
	091902-01-706	EA	Cable - Bowden
	091902-01-707	EA	Harness Wire
	091902-01-708	EA	Harness Vacuum
	091902-01-709	EA	Grille - Return Air

## 1989 WINNEBAGO TABLE OF CONTENTS

WCN23RC  
WCN27RT

A-01 - D-11  
D-13 - G-23

## 1989 WCN23RC INDEX

Floor Plan	A-01 - A-02
Accessories Group	A-03 - A-06
Bath Group	A-07 - A-08
Chassis Group	A-09 - A-14
Curtain, Cushion & Pad Group	A-15 - B-04
Dinette Group	B-05 - B-06
Driver's Compartment Group	B-07 - B-13
Electrical Group	B-14 - B-18
Exterior Body Group	B-19 - C-03
Galley Group	C-04 - C-06
Heating & Air Conditioning Group	C-07 - C-08
Interior Finish Group	C-09 - C-10
LP Group	C-11
Lounge Group	C-12
Water & Sewage Group	C-13 - C-16
Window, Vent & Exterior Door Group	C-17 - D-11

**INTERIOR FINISH GROUP**

**PANELING & COUNTERTOP**

Key	Part Number	U/M	Description
	074497-10-000	SF	Paneling - Regal Oak - 48" x 84" (Cabinets)
	088272-41-000	SF	Paneling - Decor - Pastel - 48" x 84" (Main Wall) (Y12)
	088272-39-000	SF	Paneling - Decor - Sunkist - 48" x 84" (Main Wall) (Y13)
	088272-40-000	SF	Paneling - Decor - Rainbow - 48" x 84" (Main Wall) (Y14)
	088272-31-000	SF	Paneling - Decor - Light Slate - 48" x 84" (Galley/Bath) (Y12)
	088272-32-000	SF	Paneling - Decor - Adobe - 48" x 84" (Galley/Bath) (Y13)
	088272-33-000	SF	Paneling - Decor - Mauve - 48" x 84" (Galley/Bath) (Y14)
	088272-38-000	SF	Paneling - Decor - Bone - 48" x 84" (Wet Bath)
	074498-28-000	SF	Plastic Laminate - Tan (Galley/Dinette)
	074498-24-000	SF	Plastic Laminate - Regal Oak (Nightstand)
	076325-16-000	FT	Edge Molding - Regal Oak

**INTERIOR MOLD & TRIMS**

Key	Part Number	U/M	Description
	069733-70-000	EA	Batt Strip - Regal Oak - 8' (Woodgrain)
	088263-20-000	EA	Batt Strip - Pastel - 8' (Main Wall) (Y12)
	088263-27-000	EA	Batt Strip - Sunkist - 8' (Main Wall) (Y13)
	088263-28-000	EA	Batt Strip - Rainbow - 8' (Main Wall) (Y14)
	085284-10-000	FI	Batt Strip - Pastel - Tape Adhesive (Main Wall) (Y12)
	085284-11-000	FT	Batt Strip - Sunkist - Tape Adhesive (Main Wall) (Y13)
	085284-12-000	FT	Batt Strip - Rainbow - Tape Adhesive (Main Wall) (Y14)
	085284-03-000	EA	Batt Strip - Regal Oak - Tape Adhesive
	088263-08-000	EA	Batt Strip - Bone (Galley/Bath)
	088263-19-000	EA	Batt Strip - Bone (Wet Bath)
	088229-04-000	EA	Batten - 1" - Ceiling Molding - Ivory
	009809-17-000	EA	F-Molding - 1" - Regal Oak
	009812-17-000	EA	F-Molding - 1/2" - Regal Oak
	083620-01-000	FT	T-Molding - w/Edge Lips - Grady Brown
	070504-01-000	FT	U-Channel - .65" - Light Oak
	070504-06-000	FT	U-Channel - .815" - Regal Oak
	009778-07-000	FT	U-Channel - 1" - Regal Oak
	009767-06-000	FT	Welting - Beige
	085746-01-000	FT	J-Molding - .75" w/Lips - Grady Brown
	024700-17-000	EA	Cover - Sidewall Roll Bar - Beige (Wall/Ceiling)
	022992-08-000	FT	Molding - Reverse Cover - Champagne White
	042357-11-000	FT	Molding - Outside Corner - Light Oak
	077840-01-W30	FT	Molding - Wall Cap
	080176-02-000	EA	Corner Cap - Radius Plastic - Light Oak
	081521-02-007	EA	Molding - 64 Hole Space
	092041-01-01A	EA	Trim - Rear Cap to Sidewall - Beige

**MISCELLANEOUS**

Key	Part Number	U/M	Description
	053552-02-W24	EA	Handle Asm. - Assist - Vinyl
	094658-01-Y12	EA	Handle Asm. - Oak - Front Bunk
	091257-04-000	EA	Handle Asm. - Assist Railing - Dinette
	041944-04-000	EA	Fire Extinguisher - 5BC - w/o Bracket
	084472-01-000	EA	Holder - Plastic - Fire Extinguisher
	094499-01-000	EA	Fire Extinguisher - 10BC - w/Bracket
	094499-02-000	EA	Fire Extinguisher - 1A - 10BC (CSA)
	094651-01-01A	EA	Holder - Recessed - Fire Extinguisher
	072852-01-000	EA	Smoke Detector w/9 Volt Battery
	054185-31-000	EA	Owner's Manual - Winnebago/Itasca - 1989
	081072-01-000	EA	Floor Mat - Front - Right - Winnebago
	081074-01-000	EA	Floor Mat - Front - Left - Winnebago
	081075-01-000	EA	Floor Mat - Front - Entrance - Winnebago

**INTERIOR FINISH GROUP (CONTINUED)**

**FABRIC & FLOOR COVERINGS**

Key	Part Number	U/M	Description
	088274-62-000	YD	Fabric - Upholstery - Main - Blue Haze (Y12)
	088274-76-000	YD	Fabric - Upholstery - Main - Divine (Y13)
	088274-77-000	YD	Fabric - Upholstery - Main - Columbine (Y14)
	088274-79-000	YD	Fabric - Upholstery - Accent - Sky Blue (Y12)
	088274-86-000	YD	Fabric - Upholstery - Accent - Oyster (Y13)
	088274-78-000	YD	Fabric - Upholstery - Accent - Columbine (Y14)
	072333-61-000	YD	Fabric - Drapery - Blackout/Wraparound - Pacific (Y12)
	072333-59-000	YD	Fabric - Drapery - Blackout/Wraparound - Tan (Y13)
	072333-37-000	YD	Fabric - Drapery - Blackout/Wraparound - Mauve (Y14)
	087272-01-000	YD	Lining - Drapery - 48" - Ivory
	088273-29-000	YD	Fabric - Bedspread - Natural (Y12)
	088273-22-000	YD	Fabric - Bedspread - Sandune (Y13)
	088273-23-000	YD	Fabric - Bedspread - Gray (Y14)
	075244-02-000	YD	Vinyl - Shower Curtain
	079680-01-000	YD	Vinyl - Expanded - 26 oz. Buckskin (End Cap)
	089351-01-000	YD	Vinyl - Headliner - Acoustical (Ceiling)
	069649-03-000	YD	Vinyl - Expanded - Taupe (Door Pads)
	072333-63-000	YD	Fabric - Pull Shade - Entrance Door - Bone (Y13, Y14)
	093486-01-000	SY	Carpet - Outside Storage Compartment
	093486-01-001	EA	Carpet - Outside Storage Compartment (1SY)
	072860-84-000	SY	Carpet - Graphite (Y12)
	072860-86-000	SY	Carpet - Sienna Sand (Y13)
	072860-69-000	SY	Carpet - Rose Mist (Y14)

**CABINERY & TABLE HARDWARE**

Key	Part Number	U/M	Description
	059777-02-000	EA	Hinge - Cabinet Door - Brass
	074493-02-000	EA	Overhead Door - Support - Sprung
	079789-01-000	EA	Support - Table - Pullout - Beige
	080728-01-000	EA	Handle - Recessed - Brown Plastic
	079921-01-000	EA	Roller - Nylon w/Shaft
	088264-01-000	EA	Pull - Cabinet - Polished Brass
	081376-01-000	EA	Back Plate - Door Pull - Polished Brass
	093586-03-000	EA	Catch - Spring Roller
	093586-04-000	EA	Strike - Steel Spring
	074045-06-000	EA	Plug - 1/2" - Oak
	084466-02-000	EA	Slide Asm. - Drawer - Right
	084466-03-000	EA	Slide Asm. - Drawer - Left
	084466-04-000	EA	Slide Asm. - Cabinet - Right
	084466-05-000	EA	Slide Asm. - Cabinet - Left
	047744-01-000	EA	Kit - Drawer Glide
	009089-01-000	EA	Clip - Mirror
	084451-01-000	EA	Catch - TV Shell - Brass
	009059-01-000	EA	Hinge - 2" - Brass - TV Shell
	058331-10-000	EA	Mirror - Safety Glass - TV Shelf - 14" x 17"
	064781-05-000	EA	Cup Holder - Two Step
	024281-11-000	EA	Bracket - Lower Wall Mount
	053200-09-000	EA	Bracket - Upper Wall Mount
	024275-11-000	EA	Rod - Table Lift
	092593-01-02A	EA	Catch - Table Leg
	049493-08-000	EA	Catch - Table Leg - Mounts on Floor
	093550-01-000	EA	Hinge - Bracket - Leg Folding
	092708-01-Y15	EA	Leg Asm. - Table - Regal Oak
	088410-01-000	EA	Hanger - Table
	093212-01-01A	EA	Door Bolt - Mortise - Bi-Fold Door
	092652-01-000	EA	Guide Wheel - Top Mount - Bi-Fold Door
	093822-01-01A	EA	Knob - Bright Brass - Bi-Fold Door
	009059-02-000	EA	Hinge - 2" - Brass - Bi-Fold Door
	061604-01-000	EA	Slide Bolt - Antique Brass - Bath Door
	094485-01-01A	EA	Knob - Polished Brass - Bath Door

**1989 WINNEBAGO  
TABLE OF CONTENTS**

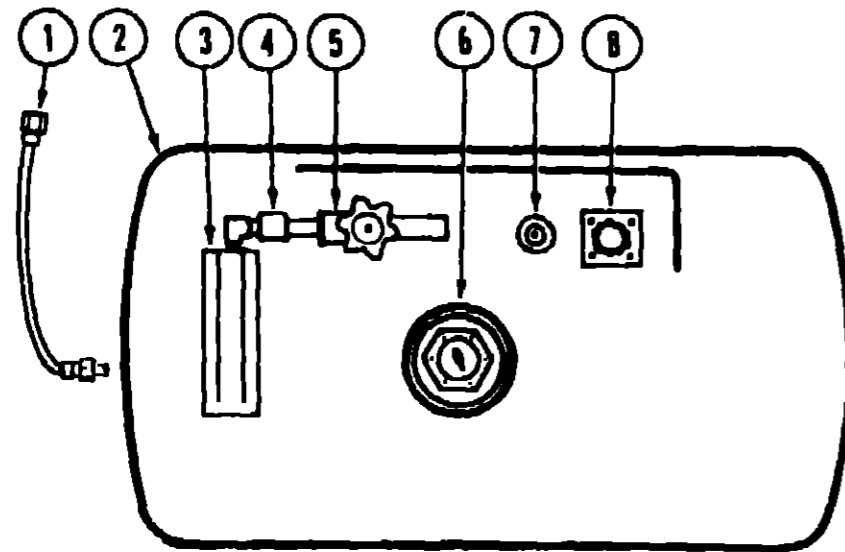
WCN23RC  
WCN27RT

A-01 - D-11  
D-13 - G-23

**1989 WCN23RC INDEX**

Floor Plan	A-01 - A-02
Accessories Group	A-03 - A-06
Bath Group	A-07 - A-08
Chassis Group	A-09 - A-14
Curtain, Cushion & Pad Group	A-15 - B-04
Dinette Group	B-05 - B-06
Driver's Compartment Group	B-07 - B-13
Electrical Group	B-14 - B-18
Exterior Body Group	B-19 - C-03
Galley Group	C-04 - C-06
Heating & Air Conditioning Group	C-07 - C-08
Interior Finish Group	C-09 - C-11
LP Group	C-12
Lounge Group	C-13
Water & Sewage Group	C-13 - C-14
Window, Vent & Exterior Door Group	C-17 - D-1

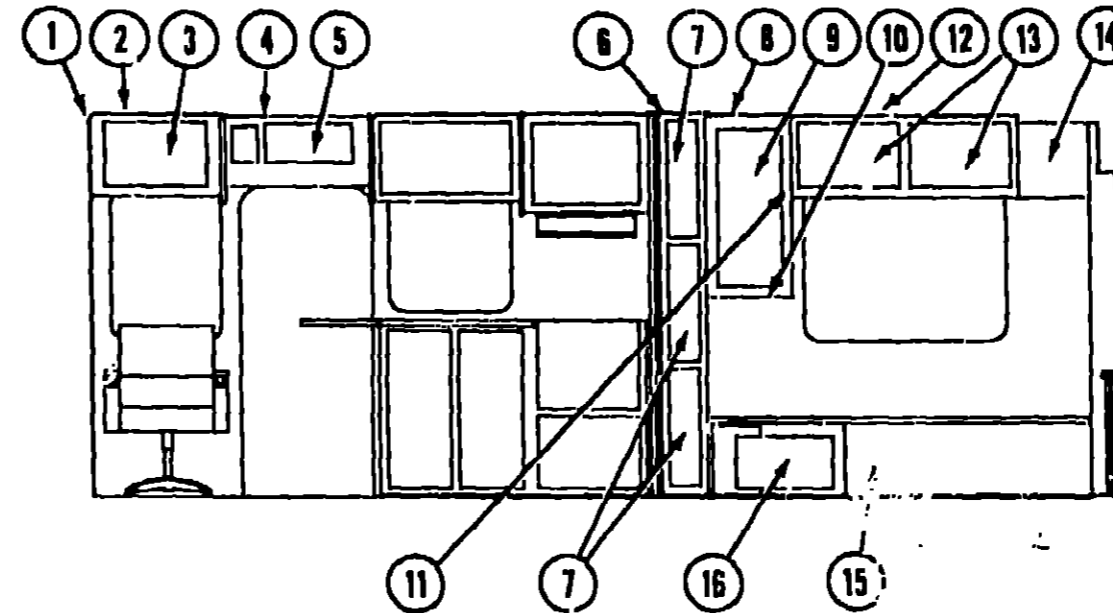
**LP GROUP**



**LP TANK & HARDWARE**

Key	Part Number	U/M	Description
1	045703-01-000	EA	Hose Asm. - LP - 3/8 x 24 (US)
1	045703-02-000	EA	Hose Asm. - LP - 3/8 x 24 (CA)
2	091970-01-000	EA	Tank Asm. - LP - Frame Mount - 80 Pound - 20" x 24"
3	081938-01-000	EA	Cover - LP Regulator
3	076301-02-000	EA	Regulator - LP - Two-Stage
4	090976-02-000	EA	Safety Valve - LP - Electric
5	040421-01-703	EA	Valve - Vapor Relief
6	040421-01-707	EA	Gauge - Float - w/Visible Dial
6	040421-01-706	EA	Dial - Visible Face - Float Gauge
6	040440-01-000	EA	Dial - Visible Face - Float Gauge (w/Electric Transmitter)
7	040421-01-700	EA	Gauge - Liquid Level
8	040421-01-701	EA	Valve - Filler
8	040421-01-702	EA	Cap - Filler Valve
8	040421-01-711	EA	Inner Tank Valve - 80% Fill
	065741-01-000	EA	Gauge - Diaphragm Pressure - Test Leak
	097395-01-000	EA	LP Leak Detector

**LOUNGE GROUP**



**LOUNGE CABINETRY**

Key	Part Number	U/M	Description
1	092747-01-Y10	EA	End Cap Asm. - Chair Overhead
2	M92945-01-Y10	EA	Cabinet Asm. - Chair Overhead - w/o Door or Hardware
3	M88304-A9-X08	EA	Door Asm. - Chair Overhead - w/o Hardware - 14.37" x 21.85"
4	M92430-01-Y10	EA	Cabinet Asm. - Entrance Overhead - w/o Door or Hardware
5	M88304-99-X08	EA	Door Asm. - Entrance Overhead - w/o Hardware - 10" x 19"
6	092032-01-Y12	EA	Cabinet Asm. - Pantry - w/o Doors or Hardware
7	M88304-C0-Y10	EA	Door Asm. - Pantry - w/o Hardware - 7" x 25.19"
8	M92178-01-Y10	EA	Cabinet Asm. - Shirt Closet - w/o Doors or Hardware
9	M88304-13-X08	EA	Door Asm. - Shirt Closet - w/o Hardware - 14.37" x 33.46"
10	081280-23-Y10	EA	Bottom Cap Asm. - Skirt Closet
11	092747-01-Y10	EA	Cap Asm. - Passengers Overhead - Rear
12	M93808-01-Y10	EA	Cabinet Asm. - Passenger Overhead - Rear - w/o Doors or Hardware
13	M88304-G1-Y10	EA	Door Asm. - Passenger Overhead - Rear - w/o Hardware - 14.37" x 17.9"
14	M93523-01-Y10	EA	Cabinet Asm. - Backwall Overhead - w/o Doors or Hardware
	M88304-F5-Y10	EA	Door Asm. - Backwall Overhead - w/o hardware - 14.37" x 33.46"
15	M93443-01-Y10	EA	Cabinet Asm. - Double Bed - w/o Doors or Hardware
16	M88304-04-X08	EA	Door Asm. - Double Bed - w/o Hardware - 12" x 29.13"

**1989 WINNEBAGO  
TABLE OF CONTENTS**

WCN23RC  
WCN27RT

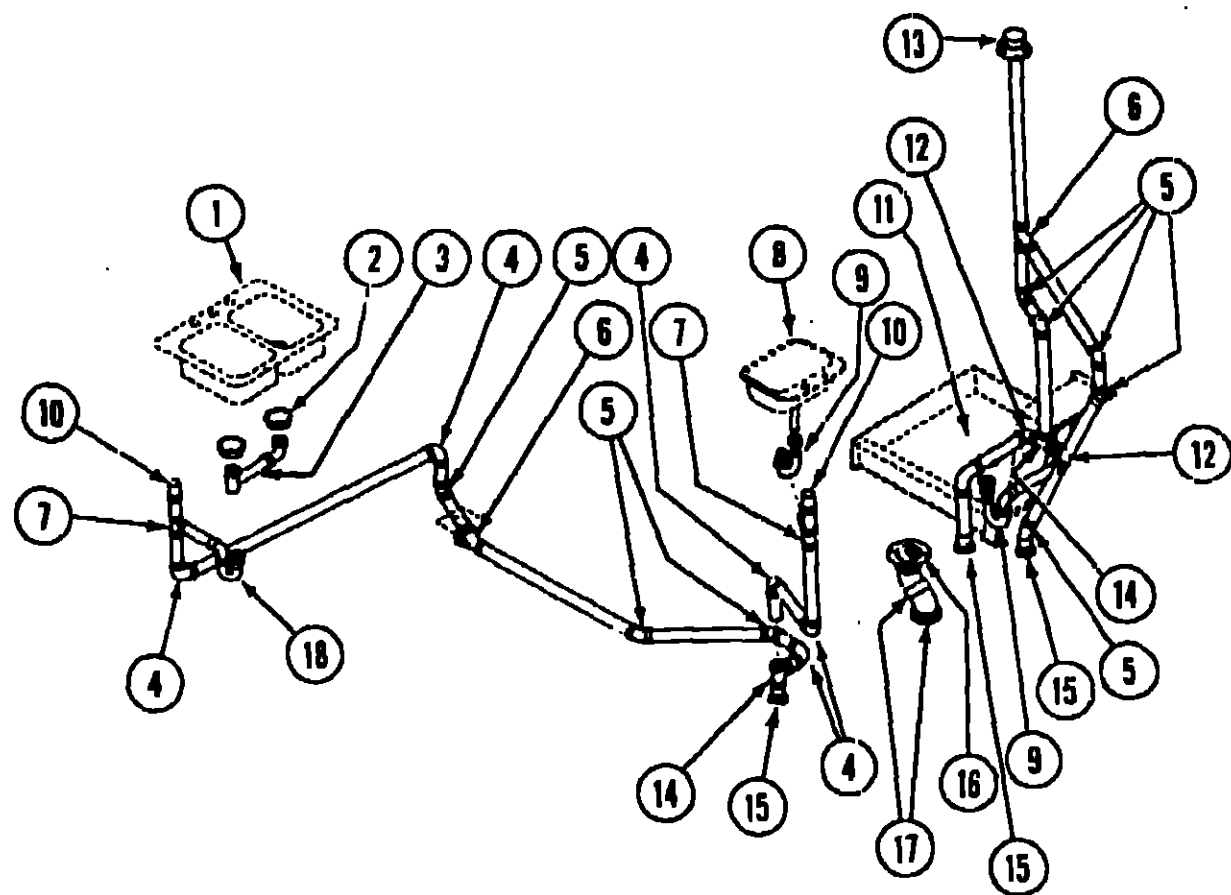
A-01 - D-11  
D-13 - G-23

**1989 WCN23RC INDEX**

Floor Plan	A-01 - A-02
Accessories Group	A-03 - A-06
Bath Group	A-07 - A-08
Chassis Group	A-09 - A-14
Curtain, Cushion & Pad Group	A-15 - B-04
Dinette Group	B-05 - B-06
Driver's Compartment Group	B-07 - B-13
Electrical Group	B-14 - B-18
Exterior Body Group	B-19 - C-03
Galley Group	C-04 - C-05
Heating & Air Conditioning Group	C-07 - C-08
Interior Finish Group	C-09 - C-10
LP Group	C-11
Lounge Group	C-12
Water & Sewage Group	C-13 - C-16
Window, Vent & Exterior Door Group	C-17 - D-11

# WATER & SEWAGE GROUP

## DRAINAGE SYSTEM



Key	Part Number	U/M	Description
1	068615-01-000	EA	Sink - SST - Double - w/Mounting Hardware
2	068437-01-000	EA	Strainer - w/Basket
	069640-01-000	EA	Sealer Ribbon - .25" x 20'
3	011091-02-000	EA	Continuous Waste - Double Sink
	010071-01-000	EA	Tee - Plastic - 1.5" H x H x H - CSA
	010121-01-000	EA	Bushing - Plastic - 1.5" S x 1.25" H - CSA
	033302-02-000	EA	Adapter Asm. - SWVC - 1.5" Strainer to Continuous Waste
	037101-02-000	EA	Elbow - Plastic - 1/4 BD Vent 1.5" Hub
4	010008-01-000	EA	Elbow - Plastic - 1.5" x 90° XLT
5	010008-01-000	EA	Elbow - Plastic - 1.5" x 45° H x H
6	010073-01-000	EA	Wye - Plastic - 1.5" x 45° H x H x H
	010188-01-000	EA	Plug - Plastic - 1.25" MPT
	010122-01-000	EA	Bushing - Plastic - Red - 1.5" S x 1.25" T
7	010079-01-000	EA	Tee - Plastic - Red - 1.5" x 1.5" x 1.25"
8	058713-01-000	EA	Sink - Oval - Plastic - Ivory
9	011066-03-000	EA	P-Trap - 1.25" x 1.5"
9	011066-02-000	EA	P-Trap - 1.25" x 1.5" CSA
10	079968-01-000	EA	Vent - Mechanical Trap Arm
11	M02630-09-Y10	EA	Shower Pan
12	010009-01-000	EA	Elbow - Plastic - 1.25" BD x 1.5" x 90°
13	083558-01-000	EA	Roof Vent - Covered - Plastic
	069640-03-000	FT	Sealer Ribbon - .75" x 30'
14	010071-01-000	EA	Tee - Plastic - 1.5" H x H x H
15	010115-01-000	EA	Coupling - Plastic - 1.5" H x H
15	061607-01-000	EA	Grommet - Holding Tank - 1.5" NPS
16	063641-01-000	EA	Closet Flange - Red - 4 x 3
16	063641-02-000	EA	Closet Flange - Red - 4 x 3 - CSA
17	010024-01-000	EA	Elbow - Plastic - 3" x 45° H x H
17	061607-02-000	EA	Grommet - Holding Tank - 3" NPS
18	011066-03-000	EA	P-Trap - Plastic - 1.25" x 1.5"
18	053335-01-000	EA	P-Trap - Plastic - 1.25" x 1.5" H x H w/Union - CSA

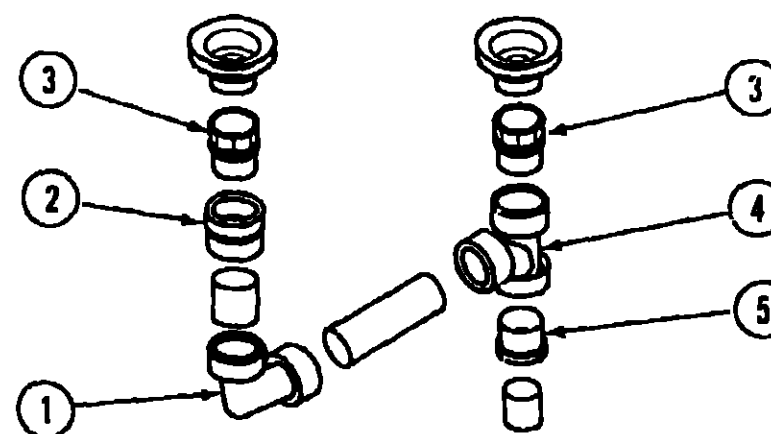
## 1989 WINNEBAGO TABLE OF CONTENTS

WCN23RC  
WCN27RT

A-01 - D-11  
D-13 - G-23

## 1989 WCN23RC INDEX

Floor Plan	A-01 - A-02
Accessories Group	A-03 - A-06
Bath Group	A-07 - A-08
Chassis Group	A-09 - A-14
Curtain, Cushion & Pad Group	A-15 - B-04
Dinette Group	B-05 - B-06
Driver's Compartment Group	B-07 - B-13
Electrical Group	B-14 - B-18
Exterior Body Group	B-19 - C-03
Galley Group	C-04 - C-06
Heating & Air Conditioning Group	C-07 - C-08
Interior Finish Group	C-09 - C-10
LP Group	C-11
Lounge Group	C-12
Water & Sewage Group	C-13 - C-16
Window, Vent & Exterior Door Group	C-17 - D-11

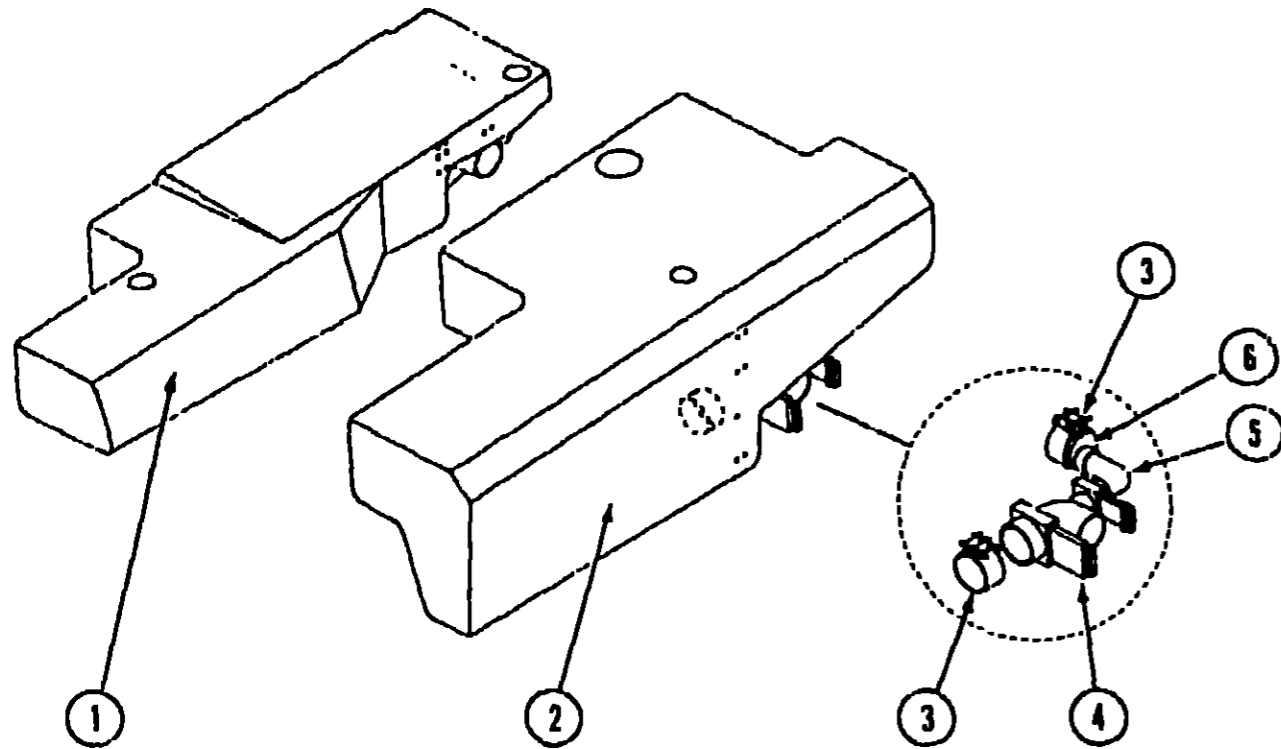


CONTINUOUS WASTE (CANADA)

Key	Part Number	U/M	Description
1	037101-02-000	EA	Elbow - 1.5" H x 1.5" H x 90°
2	010115-01-000	EA	Coupling - 1.5" H x 1.5" H
3	033302-02-000	EA	Adapter
4	010071-01-000	EA	Tee - 1.5" H x 1.5" H x 1.5" H
5	010121-01-000	EA	Bushing Adapter - 1.5" x 1.25" H x H

**WATER & SEWAGE GROUP (CONTINUED)**

**WATER & SEWAGE GROUP (CONTINUED)**



**HOLDING TANK**

Key	Part Number	U/M	Description
1	092271-01-000	EA	Holding Tank - Aux. - 30 Gal.
2	092272-01-000	EA	Holding Tank - Main - 50 Gal.
3	078406-01-000	EA	Rubber Coupler - 3" x 3"
4	070916-01-000	EA	Dual Dump Valve - 3" & 1.5"
5	033761-01-000	EA	Elbow - Plastic - 1.5" x 90° XLT
6	062422-01-000	EA	Adapter - Offset Reducer - 3" x 1.5"

Key	Part Number	U/M	Description
	081240-01-000	EA	Water Fill - Lockable - Beige
	089837-01-000	EA	Sealer - 3M
	079381-01-000	FT	Tubing - Flex/Smooth - 1.25" ID
	062401-01-000	EA	Clamp - Wormgear - .81" x 1.75"
	074482-02-000	FT	Tubing - Vinyl - 3/8" ID
	007181-01-000	EA	Clamp - Hose - Spring Type
	054250-02-000	EA	Support - Water Fill
	010224-01-000	EA	Adapter - Plastic - 3/8" MPT x 3/8" BARB - Fill to Tank
	044927-01-000	EA	Adapter - Plastic - 1.25" MPT x 1.25" BARB - Fill to Tank
	052956-01-000	EA	Tee - Plastic - .5" F x .5" MPT x .5" F
	077954-02-000	EA	Water Filter/Screen - In Tank
	075186-05-000	EA	Water Tank - 45 Gal. w/Fittings
	042989-03-000	EA	Fitting - Spinweld Plastic - 1.25" NPT
	042989-04-000	EA	Fitting - Spinweld Plastic - 3/8" FPT
	049032-01-000	EA	Patch - Spinweld Plastic - 3/8"
	075186-01-000	EA	Water Tank - 45 Gal. - w/o Fittings
	035416-04-000	EA	Terminal Ring - #10 Stud Fit
	088474-06-000	EA	Socket Housing)
	088476-01-000	EA	Socket Connector
	045729-01-000	EA	Water Pump - 2.8 GPM Shur Flow
	045729-02-000	EA	Water - Pump - 2.8 GPM Shur Flow - CSA
	065120-01-000	EA	Elbow - Plastic - Swivel - .5"
	052952-01-000	EA	Nut - Plastic - .5" F
	039800-01-000	EA	Tubing - .5" OD x 20'
	052960-01-000	EA	Drain Valve - In Line - .5" F x .5" F
	036522-02-000	EA	Cap - Brass - .5" Flare
	011053-01-000	EA	Faucet - 8" w/Swing Spout (Thru 10/23/88)
	011053-03-000	EA	Faucet - 8" w/Swing Spout (From 10/24/88)
	064952-01-000	EA	Faucet - 8" w/Swing Spout - CSA
	091253-01-000	EA	Gasket - Faucet
	079317-01-000	EA	Adapter - Swivel - .5" Tube x .5" FPT
	075240-03-000	EA	Faucet - Lavatory - Brass (Thru 10/9/88)
	075240-05-000	EA	Faucet - Lavatory - Brass (From 10/10/88)
	011058-02-000	EA	Faucet - Lavatory - Chrome - CSA
	091253-01-000	EA	Gasket - Faucet
	052954-01-000	EA	Adapter - Nose Cone - 3/8" or 1/2"
	091208-01-000	EA	Washer - Rubber - .75" x .50"
	087659-01-000	EA	Waterfill - City Water - Beige
	052955-01-000	EA	Tee - Plastic - .5" F x .5" F x .5" MPT
	052959-03-000	EA	Connector - Plastic - .5" F x 3/8" MPT - Toilet to Water
	052953-01-000	EA	Nut - Faucet - .5" Tube x .5" FPT
	052958-01-000	EA	Tee - Plastic - .5" F x .5" F x .5" F
	052957-02-000	EA	Elbow - Plastic - .5" F x .5" MPT
	075241-03-000	EA	Faucet - Shower - Brass
	075241-04-000	EA	Faucet - Shower - Brass
	075606-01-000	EA	Faucet Panel - Plastic
	031558-01-000	EA	Faucet - Shower - Chrome - CSA
	011048-02-000	EA	Shower Head - w/60" Hose
	010048-05-000	EA	Shower Head - w/60" - CSA
	051391-02-000	EA	Water Heater - w/o Motor Aid - 4 Gal. - Atwood
	051393-01-000	EA	Water Heater - w/Motor Aid
	052009-01-000	EA	Door - Water Heater - Beige

**WATER SYSTEM**

**1989 WINNEBAGO  
TABLE OF CONTENTS**

WCN23RC  
WCN27RT

A-01 - D-11  
C-13 - G-23

**1989 WCN23RC INDEX**

Floor Plan	A-01 - A-02
Accessories Group	A-03 - A-06
Bath Group	A-07 - A-08
Chassis Group	A-09 - A-14
Curtain, Cushion & Pad Group	A-15 - B-04
Dinette Group	B-05 - B-06
Driver's Compartment Group	B-07 - B-13
Electrical Group	B-14 - B-18
Exterior Body Group	B-19 - C-03
Galley Group	C-04 - C-06
Heating & Air Conditioning Group	C-07 - C-08
Interior Finish Group	C-09 - C-10
LP Group	C-11
Lounge Group	C-12
Water & Sewage Group	C-13 - C-16
Window, Vent & Exterior Door Group	C-17 - D-11

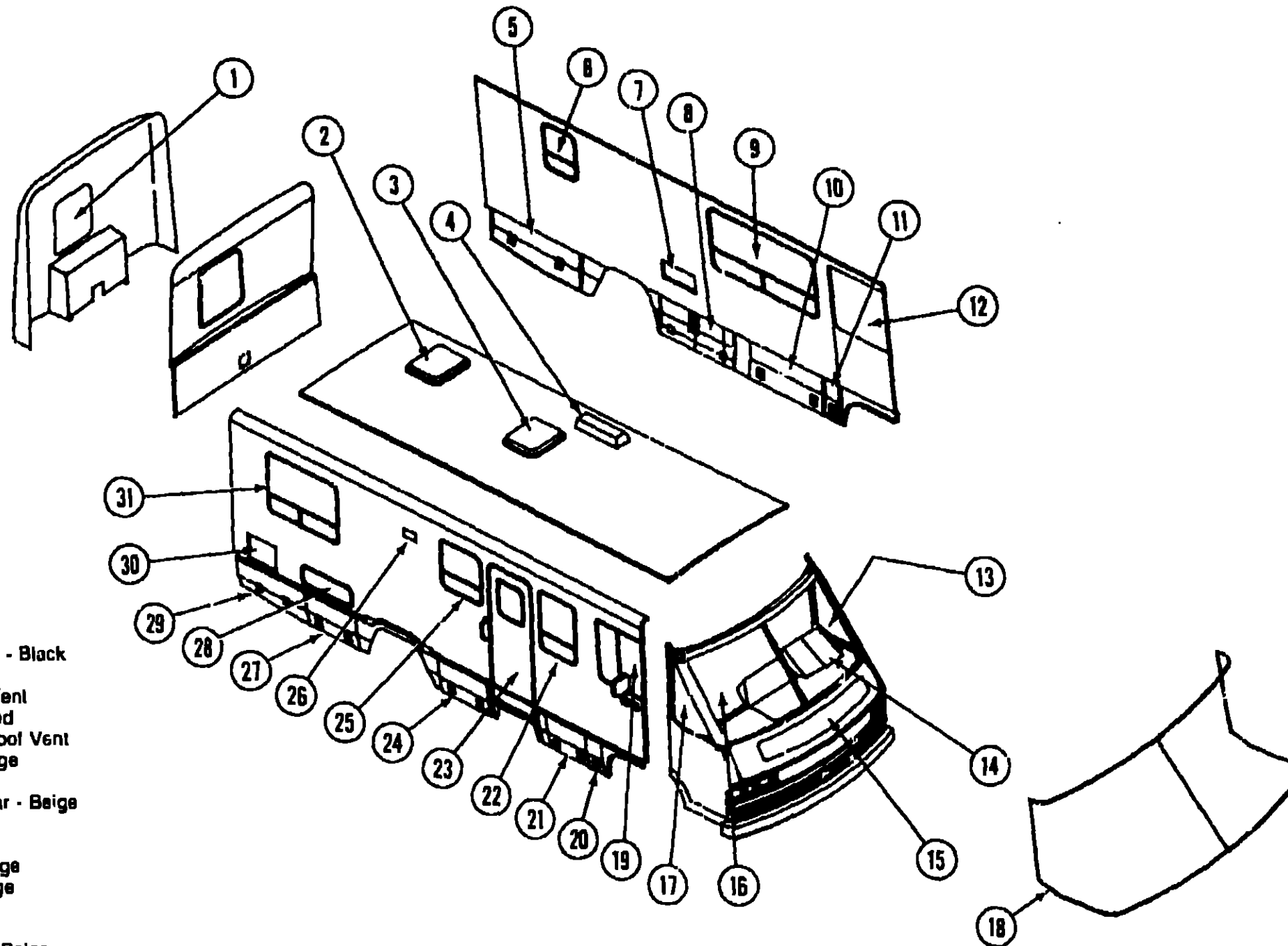


**WINDOW GROUP**  
WINDOWS, VENTS & ACCESS DOOR

**1989 WINNEBAGO**  
**TABLE OF CONTENTS**

WCN23RC  
WCN27RT

A-01 - D-11  
D-13 - G-23



Key	Part Number	U/M	Description
1	087985-05-Y10	EA	Window Asm. - Escape
	076650-05-000	EA	Inside Frame - Escape Window - Black
2	090393-01-Y12	EA	Vent Asm. - Roof - Powered
	078785-01-Y12	EA	Screen Asm. - Powered Roof Vent
3	090392-01-Y12	EA	Vent Asm. - Roof - Non-Powered
	078786-01-Y12	EA	Screen Asm. - Non-Powered Roof Vent
4	084073-01-000	EA	Vent - Roof - Refrigerator - Beige
	084073-04-000	EA	Base - Roof Vent - Refrigerator
5	092630-03-Y10	EA	Door Asm. - Valance - Left Rear - Beige
6	078453-02-U25	EA	Window Asm. - Vertical Slider
	083122-13-000	EA	Inside Frame - Vertical Slider
7	084103-01-000	EA	Door - Vent - Refrigerator - Beige
	084104-01-000	EA	Jamb - Refrigerator Vent - Beige
8	093758-01-Y10	EA	Door Asm. - Furnace - Beige
9	078269-04-X11	EA	Window Asm. - Double Slider
	083122-26-000	EA	Inside Frame - Double Slider - Beige
9	085354-05-X11	EA	Window Asm. - Double Tipout
	084153-10-000	EA	Window Retainer - Double Tipout
10	092481-04-Y10	EA	Door Asm. - Valance - Beige
11	092481-03-Y10	EA	Door Asm. - Valance - Front Left - Beige
12	M93054-02-Y10	EA	Door Asm. - Drivers Door
13	091953-04-000	EA	Corner Vent Glass - Drivers
14	091215-02-000	EA	Windshield - Drivers
15	092677-01-Y10	EA	Hood Panel - Front Shroud
16	091215-01-000	EA	Windshield - Passengers
17	091953-03-000	EA	Corner Vent Glass - Passengers
18	091986-01-000	EA	Reveal Molding - w/s - Black Rubber
19	093703-01-Y10	EA	Window Asm. - Single Slider - Passengers
	092665-01-Y10	EA	Inside Frame - Single Slider - Passengers
20	092481-03-Y10	EA	Door Asm. - Right Front - Beige
21	092481-07-Y10	EA	Door Asm. - Right Front Storage - Beige
22	085353-12-X11	EA	Window Asm. - Single Tipout
	084153-14-000	EA	Window Retainer

Key	Part Number	U/M	Description
23	M01870-21-Y12	EA	Entrance Door - Radius Entry w/Screen Door
24	092481-06-Y10	EA	Door Asm. - Valance - Right Center - Beige
25	085353-07-W07	EA	Window Asm. - Single Tipout
	084153-04-000	EA	Window Retainer - Single Tipout
26	092698-01-02A	EA	Vent w/Door - Stove Hood - Beige
27	092481-04-Y10	EA	Door Asm. - Valance - Beige
28	079578-01-T03	EA	Door Asm. - Storage - Beige
29	092630-05-Y12	EA	Door Asm. - Valance - Right Rear - Beige
30	052009-02-000	EA	Door - Water Heater - Beige
31	085354-07-X11	EA	Window Asm. - Double Tipout
	084153-12-000	EA	Window Retainer - Double Tipout
	078010-04-000	EA	Door Asm. - Fuel Fill - Beige
	078200-01-000	EA	Gasket - Fuel Fill Door
	081240-01-000	EA	Water Fill - Lockable - Beige
	092982-01-Y10	EA	Panel Asm. - Spare Tire Door - Beige
	092981-01-Y10	EA	Panel Asm. - Door - Backwall Storage - Beige

C-17

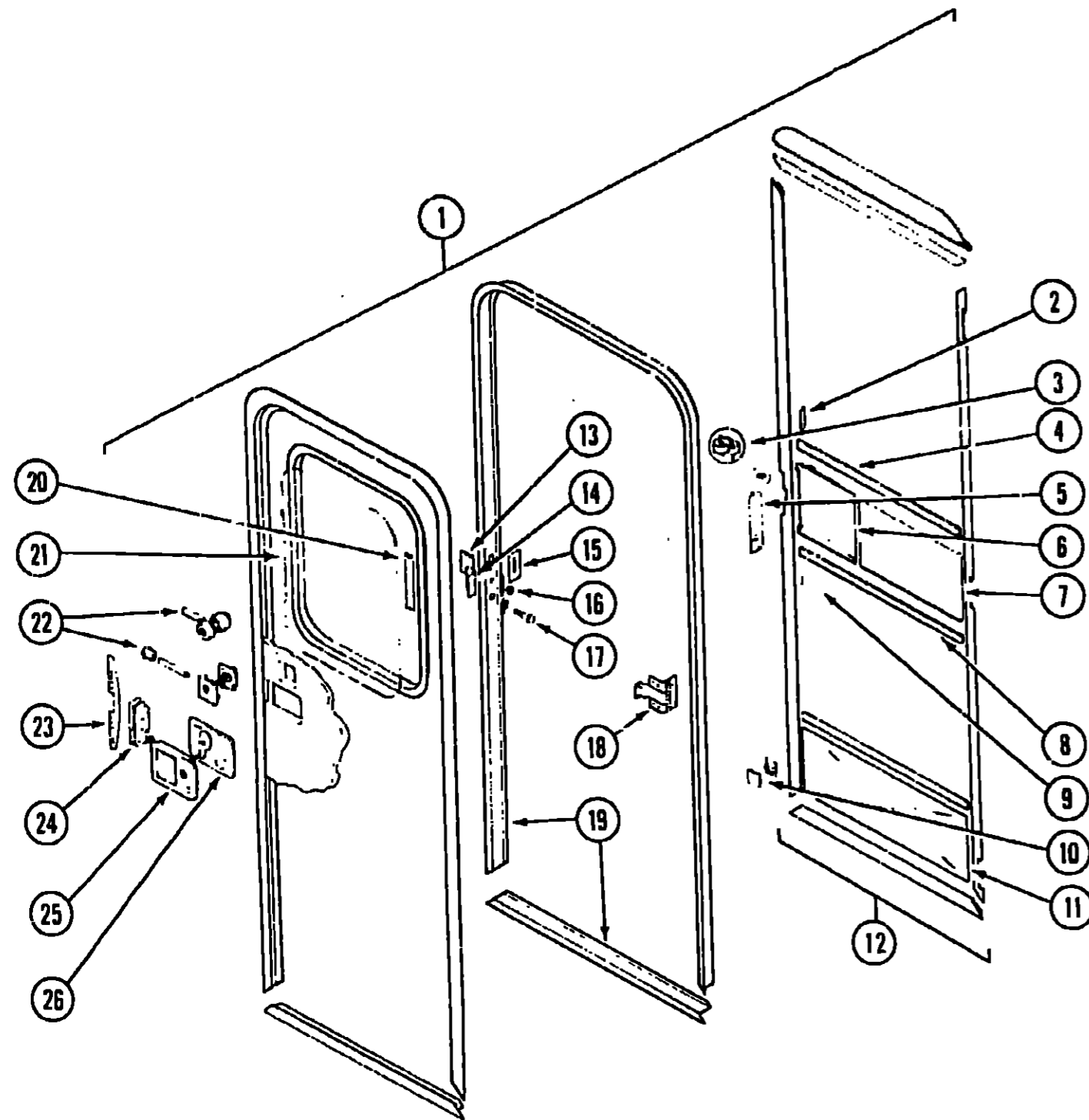
**1989 WCN23RC INDEX**

Floor Plan	A-01 - A-02
Accessories Group	A-03 - A-06
Bath Group	A-07 - A-08
Chassis Group	A-09 - A-14
Curtain, Cushion & Pad Group	A-15 - B-04
Dinette Group	B-05 - B-06
Driver's Compartment Group	B-07 - B-13
Electrical Group	B-14 - B-18
Exterior Body Group	B-19 - C-03
Galley Group	C-04 - C-05
Heating & Air Conditioning Group	C-07 - C-08
Interior Finish Group	C-09 - C-10
LP Group	C-11
Lounge Group	C-12
Water & Sewage Group	C-13 - C-16
Window, Vent & Exterior Door Group	C-17 - D-11

C-18

# WINDOW, VENT & EXTERIOR DOOR GROUP (CONTINUED)

## ENTRANCE & SCREEN DOOR



Key	Part Number	U/M	Description
1	M01870-21-Y12	EA	Door Asm. - Entrance w/Screen Door
	095278-01-02A	EA	Frame Asm. - Entrance Door - Beige
	089748-02-000	EA	Frame - Entrance Door - Bottom Portion
2	050712-05-000	EA	Door Handle - Screen Door
3	009018-01-000	EA	Roller Catch - Screen Door
	058025-01-000	EA	Clip - Roller Latch Catch
	009010-01-000	EA	Catch - Elbow - Spring Loaded - Screen Door
4	076592-01-000	EA	Screen Door Mullion - Upper & Lower - Slitter
	076777-01-000	EA	Slider Channel (Mullion Insert)
5	079087-01-000	EA	Strike - Slidnr - Screen Door
6	079086-01-000	EA	Slider - Screen Door
7	016454-01-000	EA	Insert - Screen Door
8	002294-01-000	FT	Spline - Black
9	002293-02-000	SF	Screen - Window - 26" Charcoal
10	085774-01-000	FT	Fastener - Dual Lock - 1" Wide
10	085774-02-000	FT	Fastener - Dual Lock - 1" Wide
11	078552-03-000	EA	Insert - Screen Door - Lower
12	079012-01-T/03	EA	Screen Door Asm.
	078595-01-000	EA	Plate - Screen Door
13	0774E1-01-000	EA	Strike Cover
14	041546-03-000	EA	Angle Bracket
15	079173-01-000	EA	Deadbolt - Gasket
16	058806-01-000	EA	Plug - Tapered Plastic
17	039539-01-000	EA	Strike
18	079361-05-000	EA	Hinge
19	095277-02-02A	EA	Door Jamb - Entrance Door
20	087561-01-000	FT	Window Seal
21	002181-06-000	EA	Glass - Picture Window
	079733-04-T/03	EA	Window Asm. - Picture - 17" x 25" (w/o inside frame)
	069609-03-000	EA	Inside Frame - Beige (not included in assembly)
22	039738-01-000	EA	Dead Bolt Asm. - Round
22	095229-01-01A	EA	Deal Bolt Asm. - Square - Black
23	098173-01-01A	EA	Stiffener - Entrance Door
24	039540-01-000	EA	Latch Asm. - Entrance Door
25	045017-10-000	EA	Latch Asm. - Plate - Black
26	039979-03-000	EA	Cover Asm. - Latch Plate - Black
	039984-01-000	EA	Cap - Black Vinyl - Lock Grip
	075673-01-000	FT	Seal - Pile - Adhesive Back
	075671-01-000	FT	Seal - Sponge - Lazy T Shapped
	002748-01-000	EA	Cover - Key
	081067-01-000	EA	Seal - Lock - Flat w/Slit

## 1989 WINNEBAGO TABLE OF CONTENTS

WCN23RC  
WCN27RT

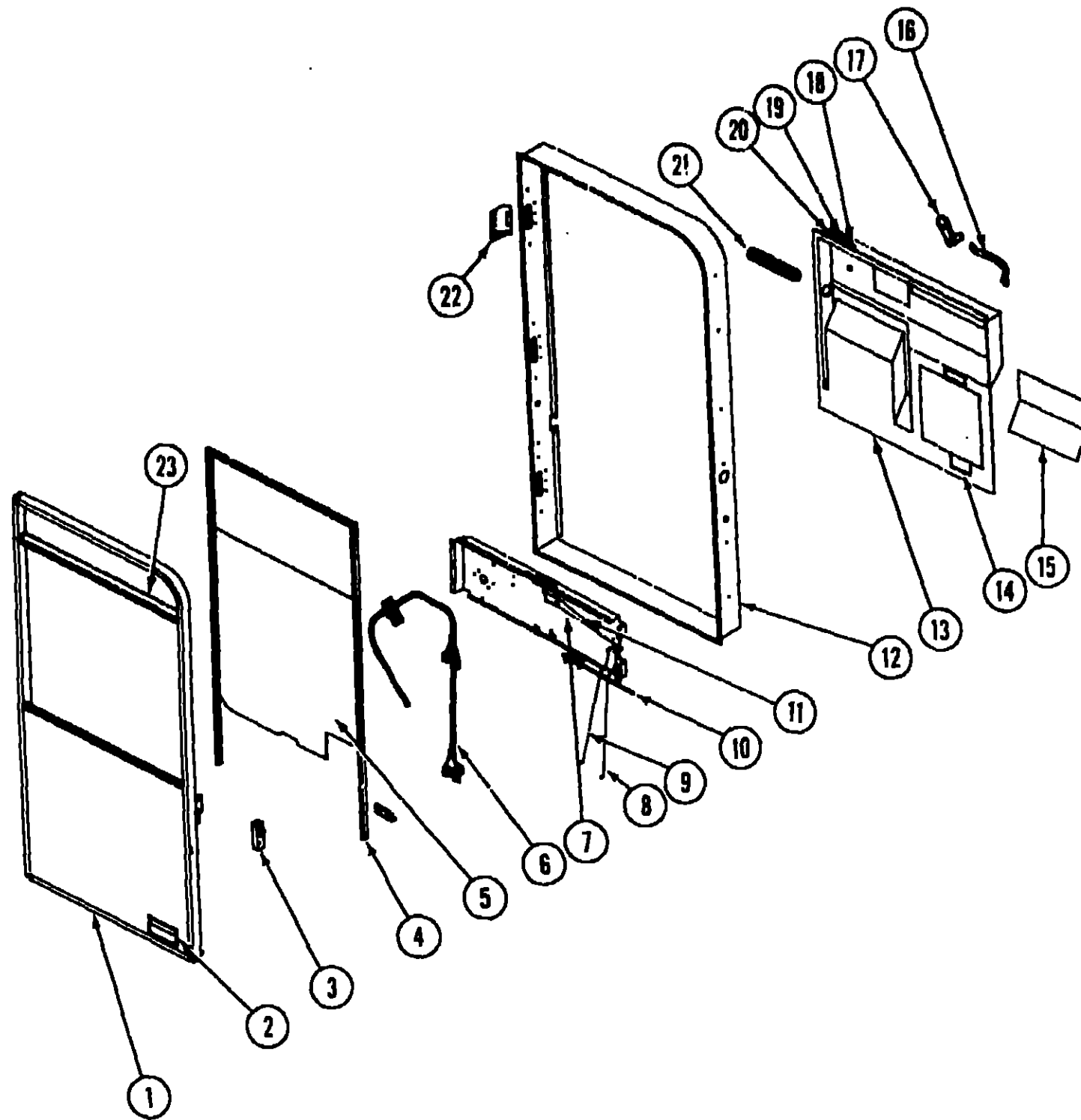
A-01 - D-11  
D-13 - G-23

## 1989 WCN23RC INDEX

Floor Plan	A-01 - A-02
Accessories Group	A-03 - A-06
Bath Group	A-07 - A-08
Chassis Group	A-09 - A-14
Curtain, Cushion & Pad Group	A-15 - B-04
Dinette Group	B-05 - B-06
Driver's Compartment Group	B-07 - B-13
Electrical Group	B-14 - B-18
Exterior Body Group	B-19 - C-03
Galley Group	C-04 - C-06
Heating & Air Conditioning Group	C-07 - C-08
Interior Finish Group	C-09 - C-10
LP Group	C-11
Lounge Group	C-12
Water & Sewage Group	C-13 - C-16
Window, Vent & Exterior Door Group	C-17 - D-11

# WINDOW, VENT & EXTERIOR DOOR GROUP (CONTINUED)

## DRIVER'S DOOR & HARDWARE



Key	Part Number	U/M	Description
1	M93054-02-Y10	EA	Door Asm. - Driver Door - w/Crank Window
1	M93054-07-Y12	EA	Door Asm. - Driver Door - w/Power Window
2	092927-01-000	EA	Latch Asm. - Outside Door Handle
	092927-01-700	EA	Lock Lever - Black
	092927-01-701	EA	Lock Lever - Chrome
3	092927-04-000	EA	Latch Striker - Driver Door
4	089454-02-000	EA	Channel - Glass Run - Top
5	092446-01-000	EA	Glass - Roll-Up - Door
	081912-02-000	EA	Weatherstrip - Rigid
6	093634-01-000	EA	Regulator Asm. - Window (w/Crank Window)
6	092996-01-000	EA	Regulator Asm. - Power Window
7	092928-04-000	EA	Rod - Inside Lock
	092927-05-000	EA	Clip - Rod End - Right
8	092928-01-000	EA	Rod - Door Lock
	092927-05-000	EA	Clip - Rod End - Right
9	092928-02-000	EA	Rod - Outside Release
	092927-06-000	EA	Clip - Rod End - Left
10	081906-02-000	EA	Slide Bolt - Driver Door
	092594-01-000	EA	Bracket - Dead Bolt
	081903-01-000	EA	Knob - Mounting Shaft
11	092928-03-000	EA	Rod - Inside Release
	092927-05-000	EA	Clip - Rod End - Right
12	092800-01-Y10	EA	Jamb Asm. - Door
13	M92581-01-01A	EA	Panel - Interior - Fawn
	081805-02-000	EA	Knob - Control - Slide Bolt - Left
14	077026-01-000	EA	Lens - Courtesy Light - Clear
	077000-01-000	EA	Socket Asm. - w/8" Pigtail Heads
15	092580-01-01A	EA	Cover - Map Pocket - Fawn
16	061400-04-000	EA	Assist Strap - 12" - Black w/Woodgrain Insert
17	094575-01-000	EA	Hand Crank - Glass Lift
18	093132-01-000	EA	Switch - Power Window
19	088246-01-000	EA	Switch - Remote Mirror
20	087695-01-000	EA	Switch - Mirror Heater
21	093144-01-000	EA	Conduit - Wire
	080734-02-000	EA	Clip - Nylon Wire
22	092937-01-01A	EA	Hinge Asm. - Front Door - Right
23	092997-01-000	EA	Glass - Stationary
	064580-03-000	EA	Strap - Chuck - Door

## 1989 WINNEBAGO TABLE OF CONTENTS

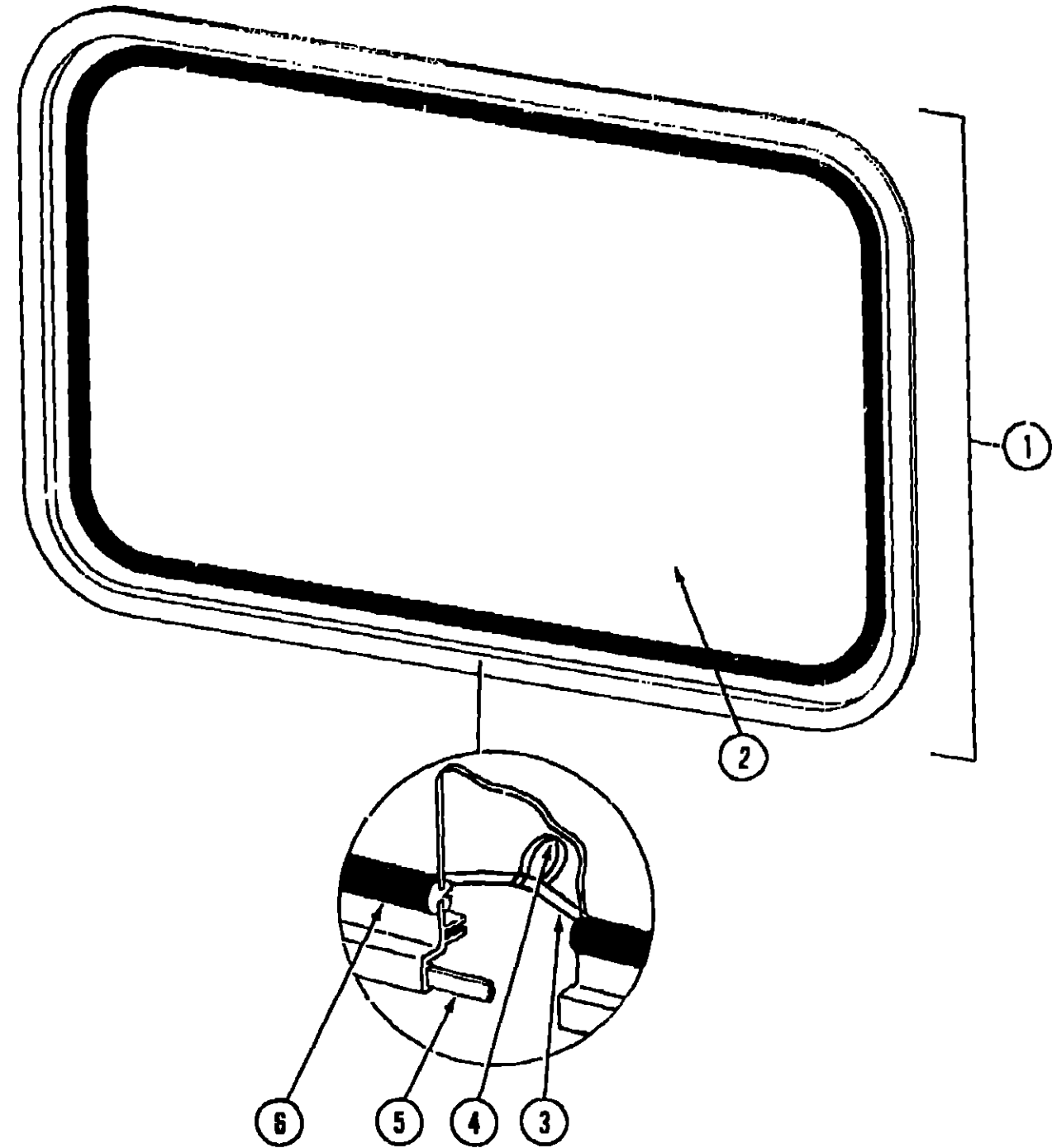
WCN23RC  
WCN27RT

A-01 - D-11  
D-13 - G-23

## 1989 WCN23RC INDEX

Floor Plan	A-01 - A-02
Accessories Group	A-03 - A-06
Bath Group	A-07 - A-08
Chassis Group	A-09 - A-14
Curtain, Cushion & Pad Group	A-15 - B-04
Dinette Group	B-05 - B-06
Driver's Compartment Group	B-07 - C-13
Electrical Group	B-14 - B-18
Exterior Body Group	B-19 - C-03
Galley Group	C-04 - C-06
Heating & Air Conditioning Group	C-07 - C-08
Interior Finish Group	C-09 - C-10
LP Group	C-11
Lounge Group	C-12
Water & Sewage Group	C-13 - C-16
Window, Vent & Exterior Door Group	C-17 - D-11

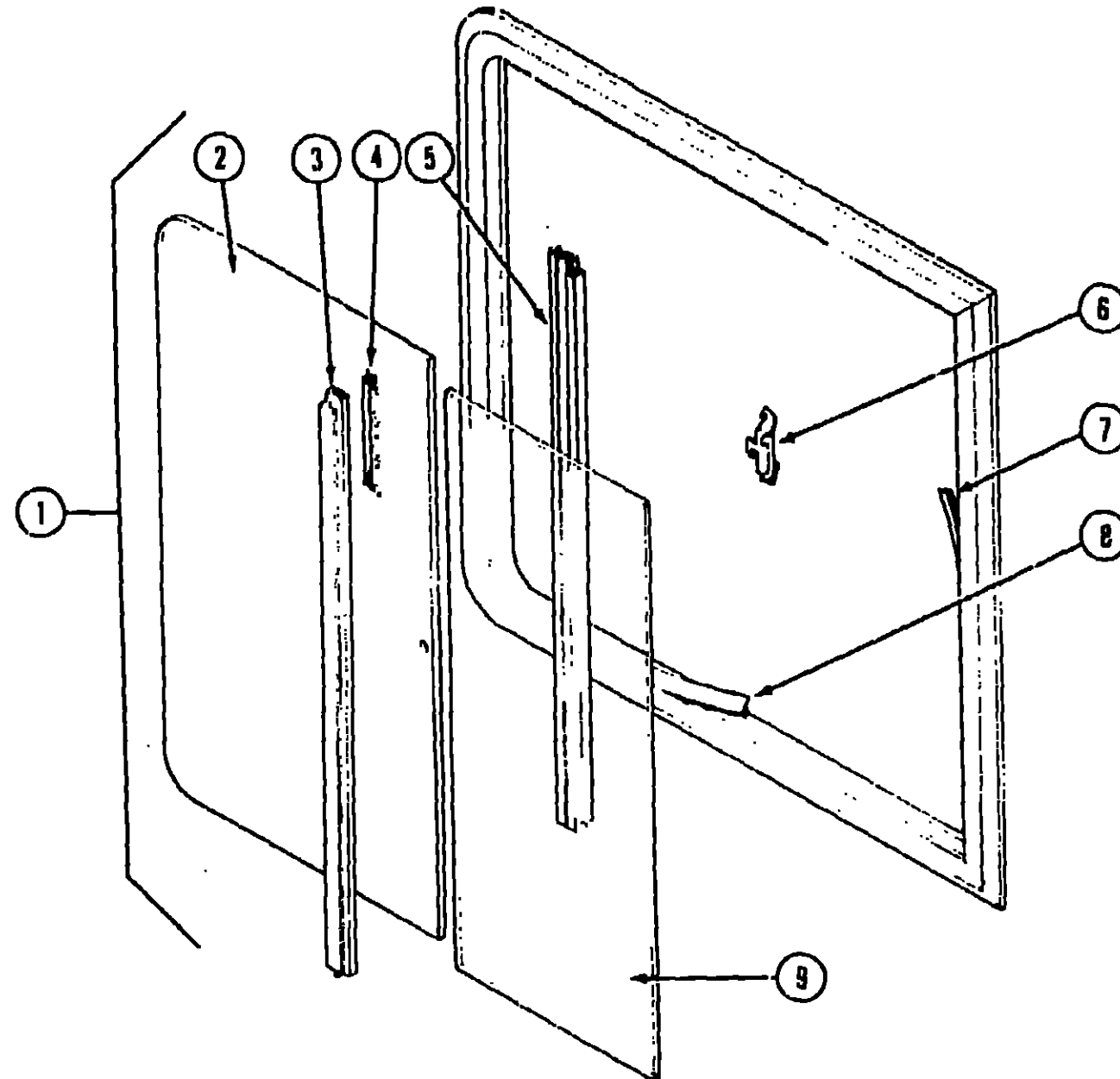
**WINDOW, VENT & EXTERIOR DOOR GROUP (CONTINUED)**



**ESCAPE WINDOW**

Key	Part Number	U/M	Description
1	087985-05-Y10	EA	Window Asm. - Escape (w/o inside frame)
	076650-05-000	EA	Inside Frame - Escape Window - Black
2	076337-07-000	EA	Glass - 1/8" x 28.14" x 28.14"
3	002285-01-000	FT	Filler - Weatherstrip - Black
4	069640-07-000	FT	Tape - 2" Bead x 3/32" x 30'
5	002282-01-000	FT	Weatherstrip - Window - .125" Black
6	077066-01-701	EA	Tape - Poly - Red - 36"

**WINDOW, VENT & EXTERIOR DOOR GROUP (CONTINUED)**



Key	Part Number	U/M	Description
1	093703-01-Y10	EA	Window Asm. - Single Slider - 31.5" x 31" (w/o inside frame)
	092665-01-Y10	EA	Inside Frame - Black (not included in assembly)
2	081980-11-000	EA	Glass - Slider - 1/8" x 30.4" x 15.5"
3	002389-03-209	EA	Glass Holder - 29.57"
4	073740-01-000	FT	Seal - Fin - Pile - .460
5	084170-09-000	EA	Mullion - Slider Window - Black
	042077-01-000	FT	Channel - Window - Glass Run - 3/16"
	050216-02-000	FT	Spline - Vinyl Glass - .19" - Black
6	047369-01-700	EA	Latch Kit - Window - Black Plastic w/Fastener
7	002309-02-000	FT	Spline - Glass - 1/8" Material - Black
8	041928-02-000	FT	Seal - Window Channel
9	057656-12-000	EA	Glass - Stationary - 1/8" x 15.7" x 30.4"
	000G39-06-16T	EA	Screw - SF/DR - 6 x 20 x 1.00 - PPH
	002328-01-000	EA	Black - Window - 1/8" x 3/10" x 1"
	023320-01-000	EA	Pad - Felt - 3/8" Dia.
	081377-01-000	EA	Adhesive - Cyanoacrylate

**1989 WINNEBAGO  
TABLE OF CONTENTS**

WCN23RC  
WCN27RT

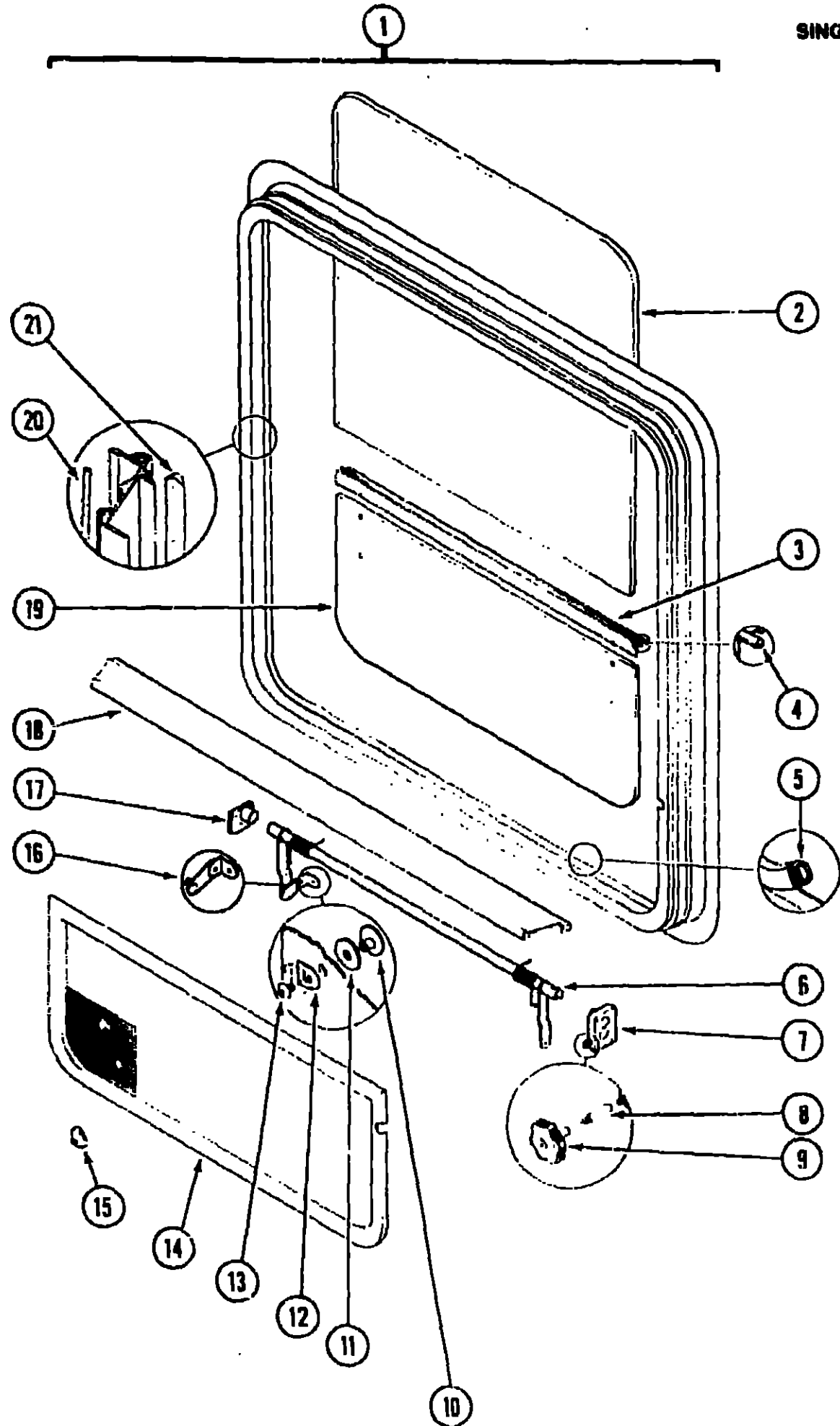
A-01 - D-11  
D-13 - G-23

**1989 WCN23RC INDEX**

Floor Plan	A-01 - A-02
Accessories Group	A-03 - A-06
Bath Group	A-07 - A-08
Chassis Group	A-09 - A-14
Curtain, Cushion & Pad Group	A-15 - B-04
Dirette Group	B-05 - B-06
Driver's Compartment Group	B-07 - B-13
Electrical Group	B-14 - B-18
Exterior Body Group	B-19 - C-03
Galley Group	C-04 - C-06
Heating & Air Conditioning Group	C-07 - C-08
Interior Finish Group	C-09 - C-10
LP Group	C-11
Lounge Group	C-12
Water & Sewage Group	C-13 - C-16
Window, Vent & Exterior Door Group	C-17 - D-11

**WINDOW, VENT & EXTERIOR DOOR GROUP (CONTINUED)**

**SINGLE TIPOUT WINDOW**



Key	Part Number	U/M	Description
1	085353-07-W07	EA	Window Asm. - Single Tipout - 24.8" x 24.9" (w/o inside frame)
	084153-04-000	EA	Inside Frame - Black (not included in assembly)
2	081239-05-000	EA	Glass - 14.6" x 24.25" - Stationary
3	089913-01-000	EA	Hinge - Tipout Window - Black
4	081357-01-000	FT	Seal Foam - Vinyl
5	084067-01-000	FT	Seal - "S" - Sponge Rubber
6	083150-05-000	EA	Torque Tube Asm.
7	035302-02-000	EA	Operator Drive - Left
8	009439-06-000	EA	Extension - .900" - Black (not included in assembly)
9	009439-05-000	EA	Knob - Window Crankout - Black (not included in assembly)
	009439-07-000	EA	Screw - 8/32" x 1 1/4" POH - Black (not included in assembly)
10	086762-01-000	EA	T-Nut - 10-32
11	068927-03-000	EA	Seal - Rubber - .12" x 25" ID x 80" OD
12	084473-01-000	EA	Seal - Rubber - "D" Shaped
13	068763-01-000	EA	Screw - #10 - 32 x 1/4" PTH
14	084580-04-W07	EA	Screw Asm. - Tipout Window - Single
	002293-02-000	SF	Screen - Window - 26" - Charcoal
	002298-02-000	FT	Spline - .130" Dia. - Charcoal (Screen)
15	081243-01-000	EA	Screen Clip - Plastic - Black
	000G12-06-08T	EA	Screw - #6 - 20 x .50" POH - Black
16	097578-01-000	EA	Connecting Rod Asm.
	085318-01-000	EA	Washer - Wave - .44 OD 32ID
	081849-01-000	EA	Snap Ring - 7/32 Shaft
17	081354-01-000	EA	Sleeve - Window Torque Tube
18	082583-52-001	EA	Mullion - Horizontal - Black
19	084088-02-000	EA	Glass - 9.24" x 24.13" - Tipout
20	069640-06-000	FT	Seal - 5/16" x 15" (not included in assembly)
21	083180-01-00	FT	Seal - Vinyl Glazing

**1989 WINNEBAGO  
TABLE OF CONTENTS**

WCN23RC  
WCN27RT

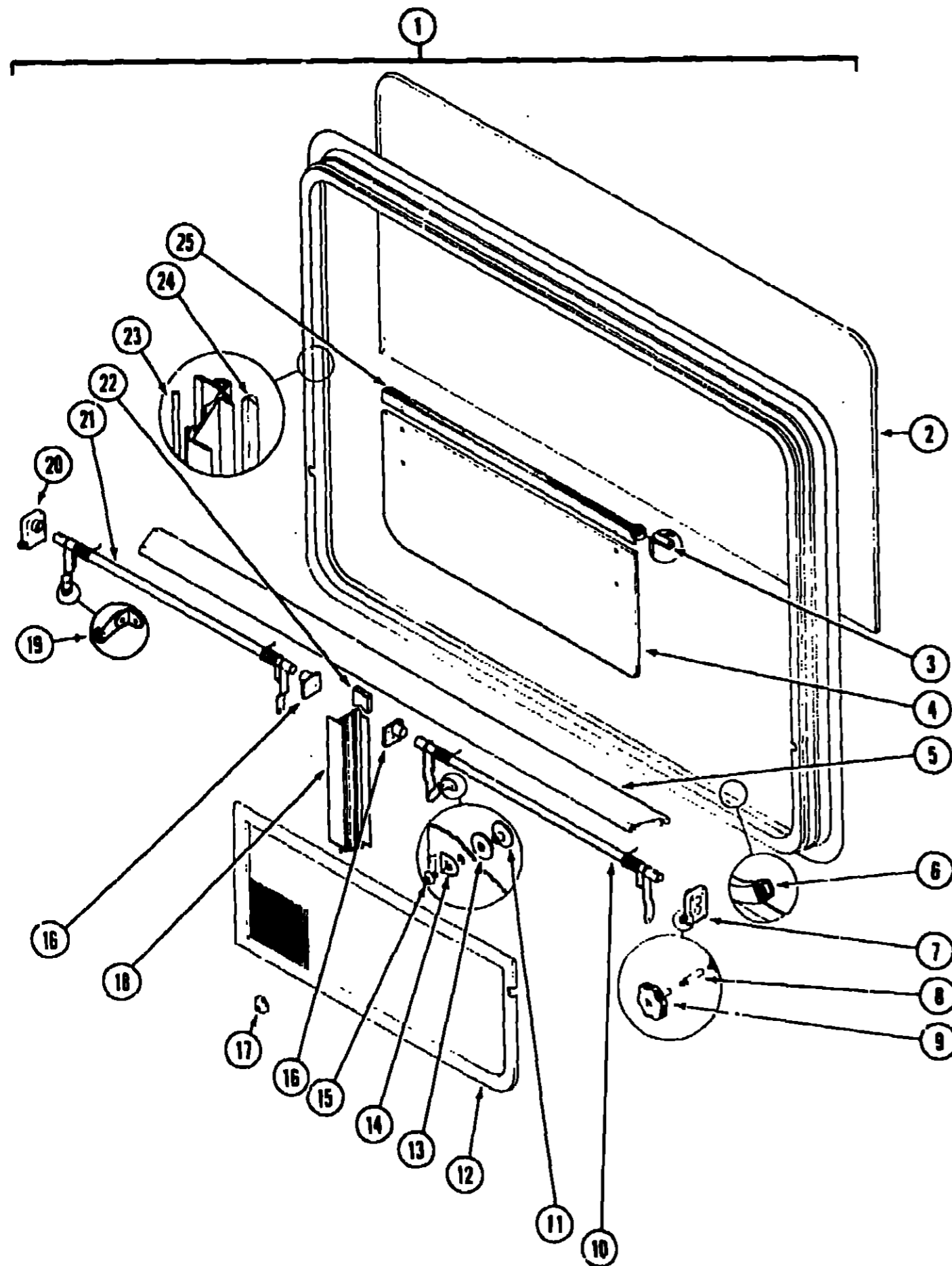
A-01 - D-11  
D-13 - G-23

**1989 WCN23RC INDEX**

Floor Plan	A-01 - A-02
Accessories Group	A-03 - A-06
Bath Group	A-07 - A-08
Chassis Group	A-09 - A-14
Curtain, Cushion & Pad Group	A-15 - B-04
Dinette Group	B-05 - B-06
Driver's Compartment Group	B-07 - B-13
Electrical Group	B-14 - B-18
Exterior Body Group	B-19 - C-03
Galley Group	C-04 - C-06
Heating & Air Conditioning Group	C-07 - C-08
Interior Finish Group	C-09 - C-10
LP Group	C-11
Lounge Group	C-12
Water & Sewage Group	C-13 - C-16
Window, Vent & Exterior Door Group	C-17 - D-11

# WINDOW, VENT & EXTERIOR DOOR GROUP (CONTINUED)

## DOUBLE TIPOUT WINDOW



Key	Part Number	U/M	Description
1	085354-05-X11	EA	Window Asm. - Double Tipout (w/o inside frame)
	084153-10-000	EA	Window - Retainer - Double Tipout
2	081239-18-000	EA	Glass - 1/8" x 59.8" x 20.55" - Stationary
3	081357-01-000	FT	Foam Seal - Vinyl
4	084068-08-000	EA	Glass - 1/8" x 9.24" x 29.6"
5	082563-52-001	EA	Mullion - Horizontal - Black
	000G39-08-16T	EA	Screw - SF/DR - 6 - 20 x 1.00 PPH (Mullion - 4 Required)
	076778-03-000	EA	Rivet - Plastic - Pin Drive - Black (2 required)
6	08-1067-01-000	FT	Seal - "e" - Sponge Rubber
7	035302-01-000	EA	Operator Drive - Right
8	090025-01-000	EA	Extension - Window Knob (not included in assembly)
9	067052-02-000	EA	Knob - Beige (not included in assembly)
	089371-01-000	EA	Screw - Window Knob (not included in assembly)
10	083228-03-000	EA	Torque Tube Asm. - Right
11	086762-01-000	EA	T-Nut - 10-32
12	084581-05-X11	EA	Screen Asm. - Tipout - Right
	084581-06-X11	EA	Screen Asm. - Tipout - Left
	002293-02-000	SF	Screen - 28" - Window - Charcoal
	002298-02-000	FT	Spline - .130" Dia. - Charcoal (Screen)
13	088927-03-000	EA	Seal - Rubber - .12" x 25" ID x 80" OD
14	084473-01-000	EA	Seal - Rubber - "D" Shaped
15	086763-01-000	EA	Screw - #10 - 32 x 1/4" PTH
16	081354-01-000	EA	Sleeve - Window Torque Tube
17	081243-01-000	EA	Clip - Plastic - Screen (4 required)
	000G12-06-08T	EA	Screw - #6 - 20 x .50" POH - Black
18	084192-52-001	EA	Mullion - Vertical - Black
	000G39-08-088	EA	Screw - #8 x 18 x 1/2 PPH (Mullion - 4 Required)
19	097578-01-000	EA	Connecting Rod Asm.
	085316-01-000	EA	Washer - Wave - .44 OD 32 ID
	081649-01-000	EA	Snap Ring - 7/32 Shaft
20	035302-02-000	EA	Operator Drive - Left
21	083227-03-000	EA	Torque Tube Asm. - Left
22	084066-01-000	FT	Bulb Seal - Double - Sponge Rubber
23	069640-06-000	FT	Seal - 5/16" x 15' (not included in assembly)
24	083180-01-000	FT	Seal - Vinyl Glazing
25	084155-09-000	EA	Hinge - Tipout Window - Black

## 1989 WINNEBAGO TABLE OF CONTENTS

WCN23RC  
WCN27RT

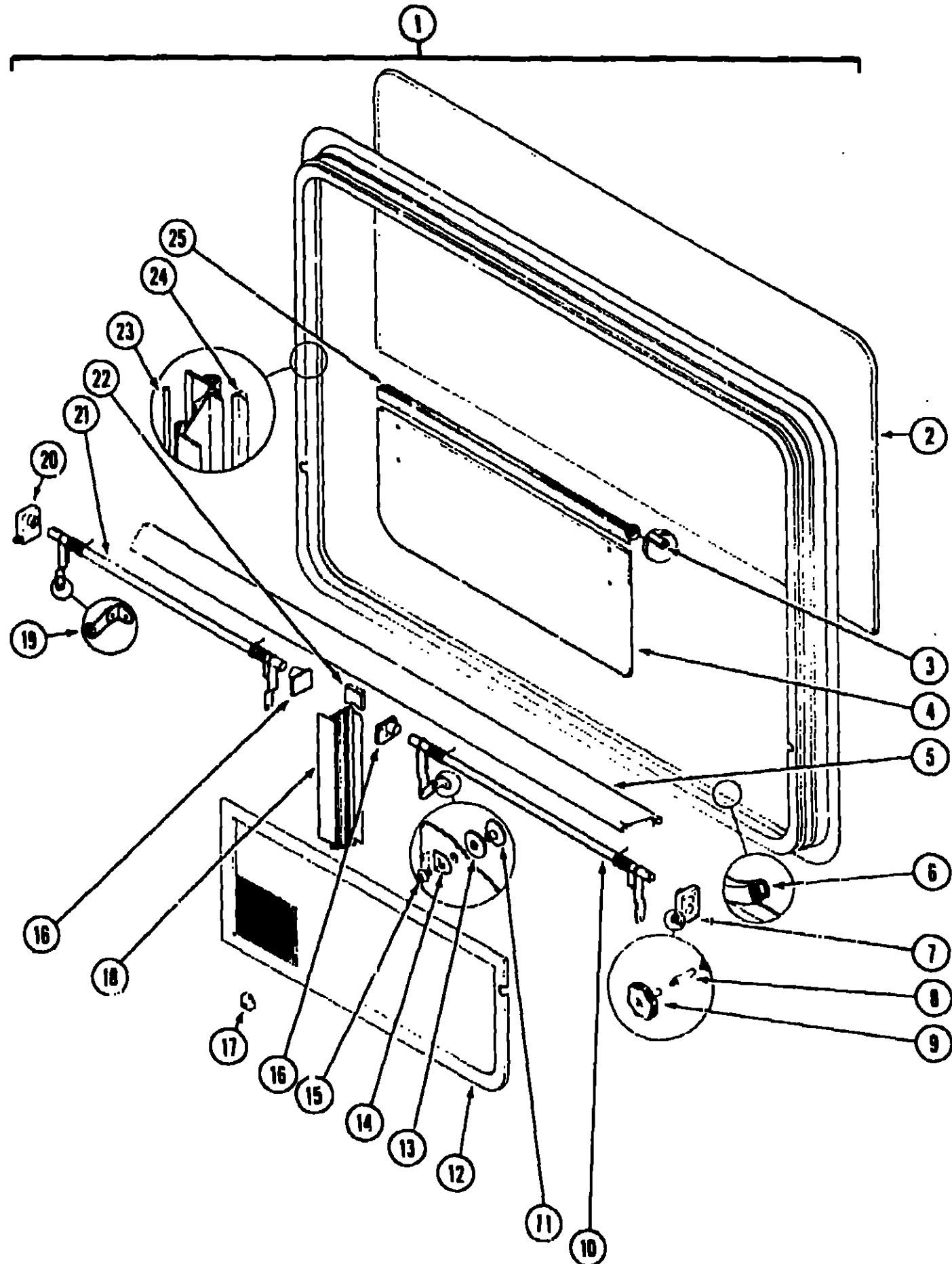
A-01 - D-11  
D-13 - G-23

## 1989 WCN23RC INDEX

Floor Plan	A-01 - A-02
Accessories Group	A-03 - A-08
Bath Group	A-07 - A-08
Chassis Group	A-09 - A-14
Curtain, Cushion & Pad Group	A-15 - B-04
Dinette Group	B-05 - B-06
Driver's Compartment Group	B-07 - B-13
Electrical Group	B-14 - B-18
Exterior Body Group	B-19 - C-03
Galley Group	C-04 - C-08
Heating & Air Conditioning Group	C-07 - C-08
Interior Finish Group	C-09 - C-10
LP Group	C-11
Lounge Group	C-12
Water & Sewage Group	C-13 - C-16
Window, Vent & Exterior Door Group	C-17 - D-11

## WINDOW, VENT & EXTERIOR DOOR GROUP (CONTINUED)

### DOUBLE TIPOUT WINDOW



Key	Part Number	U/M	Description
1	085354-07-X11	EA	Window Asm. - Double Tipout (w/o inside window)
	084153-12-000	EA	Window Retainer - Double Tipout
2	081239-23-000	EA	Glass - 1/8" x 40.78" x 20.55" - Stationary
3	081357-01-000	FT	Foam Seal - Vinyl
4	084068-13-000	EA	Glass - 1/8" x 9.21" x 20.15"
5	082583-52-001	EA	Mullion - Horizontal - Black
	000G39-08-16T	EA	Screw - SF/DR - 6 - 20 x 1.00 PPH (Mullion - 4 Required)
	078778-03-000	EA	Rivlet - Plastic - Pin Drive - Black (2 Required)
6	084067-01-000	FT	Seal - "e" - Sponge Rubber
7	035302-01-000	EA	Operator Drive - Right
8	090025-01-000	EA	Extension - Window Knob (not included in assembly)
9	067052-02-000	EA	Knob - Beige (not included in assembly)
	089371-01-000	EA	Screw - Window Knob (not included in assembly)
10	083228-05-000	EA	Torque Tube Asm. - Right
11	086782-01-000	EA	T-Nut - 10-32
12	084581-09-X11	EA	Screen Asm. - Tipout - Right
	084581-08-X11	EA	Screen Asm. - Tipout - Left
	002293-02-000	SF	Screen - 26" - Window
	002298-02-000	FT	Spline - .130" Dia. - Charcoal (Screen)
13	068927-03-000	EA	Seal - Rubber - .12" x 25" ID x 80" OD
14	084473-U1-000	EA	Seal - Rubber - "D" Shaped
15	086763-01-000	EA	Screw - #10 - 32 x 1/4" PTH
16	081354-01-000	EA	Sleeve - Window Torque Tube
17	081243-01-000	EA	Clip - Plastic - Screen (4 required)
	000G12-08-08T	EA	Screw - #6 - 20 x .50" PGH - Black
18	084192-52-001	EA	Mullion - Vertical - Black
	000G39-08-088	EA	Screw - #8 x 18 x 1/2 PPH (Mullion - 4 Required)
19	087578-01-000	EA	Connecting Rod Asm.
	085318-01-000	EA	Washer - Wave - .44 OD 32 ID
	081649-01-000	EA	Snap Ring - 7/32 Shaft
20	035302-02-000	EA	Operator Drive - Left
21	083227-03-000	EA	Torque Tube Asm. - Left
22	084068-01-000	FT	Bulb Seal - Double - Sponge Rubber
23	089840-08-000	FT	Seal - 5/16" x 15" (not included in assembly)
24	083180-01-000	FT	Seal - Vinyl Glazing
25	084155-09-000	EA	Hinge - Tipout Window - Black

## 1989 WINNEBAGO TABLE OF CONTENTS

WCN23RC  
WCN27RT

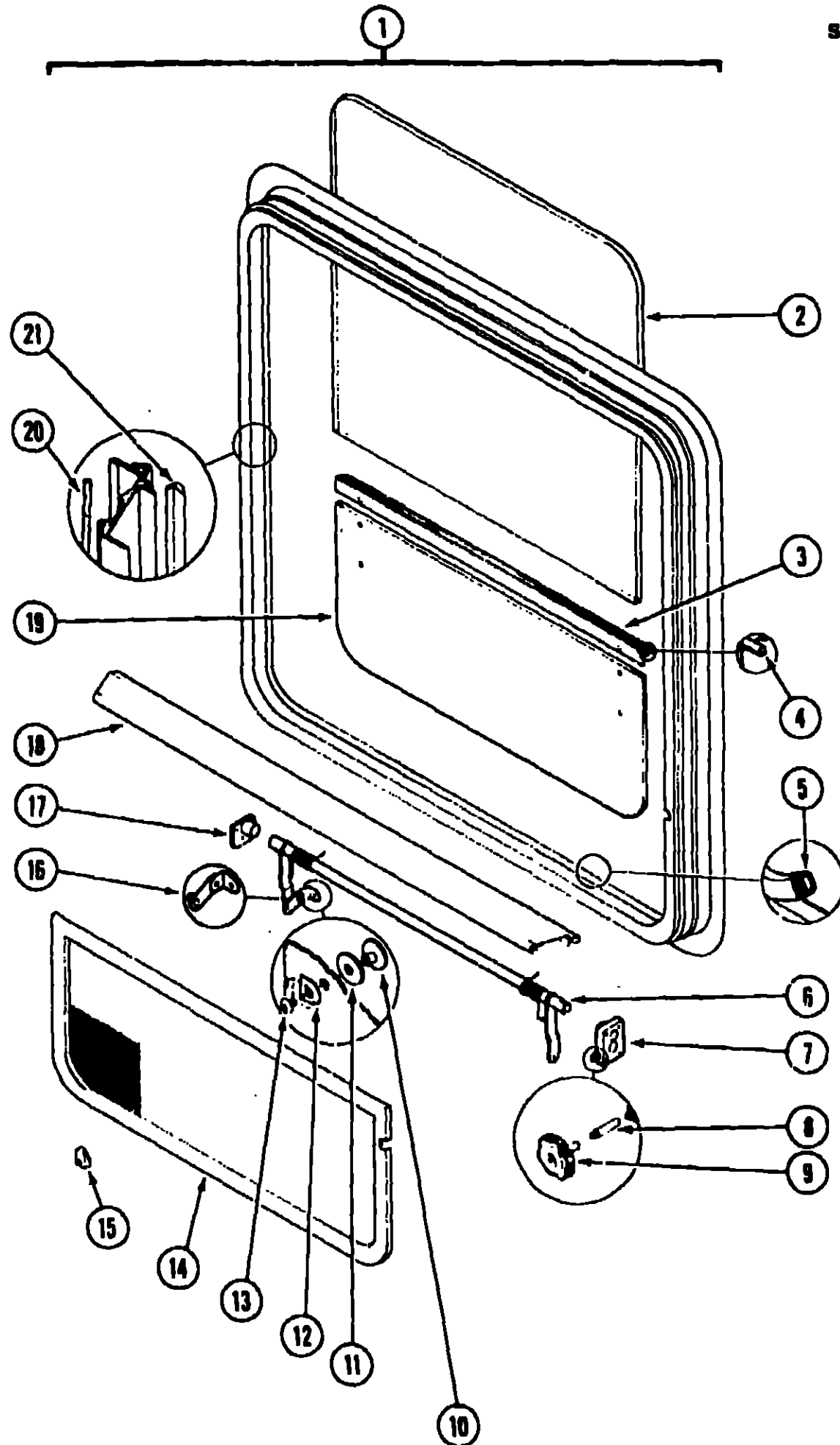
A-01 - D-11  
D-13 - G-23

### 1989 WCN23RC INDEX

Floor Plan	A-01 - A-02
Accessories Group	A-03 - A-06
Bath Group	A-07 - A-08
Chassis Group	A-09 - A-14
Curtain, Cushion & Pad Group	A-15 - B-04
Dinette Group	B-05 - B-08
Driver's Compartment Group	B-07 - B-13
Electrical Group	B-14 - B-18
Exterior Body Group	B-19 - C-03
Galley Group	C-04 - C-06
Heating & Air Conditioning Group	C-07 - C-08
Interior Finish Group	C-09 - C-10
LP Group	C-11
Lounge Group	C-12
Water & Sewage Group	C-13 - C-18
Window, Vent & Exterior Door Group	C-17 - D-11

## WINDOW, VENT & EXTERIOR DOOR GROUP (CONTINUED)

### SINGLE TIPOUT WINDOW



Key	Part Number	U/M	Description
1	085353-12-X11	EA	Window Asm. - Single Tipout (w/o inside frame)
	084153-14-000	EA	Window Retainer
2	081239-22-000	EA	Glass - 21.7" x 20.86" - Stationary
3	089913-01-000	EA	Hinge - Tipout Window - Black
4	081357-01-000	FT	Seal Foam - Vinyl
5	084067-01-000	FT	Seal - "e" - Sponge Rubber
6	083150-08-000	EA	Torque Tube Asm.
7	035302-02-000	EA	Operator Drive - Left
8	009439-06-000	EA	Extension - .900" - Black (not included in assembly)
9	009439-05-000	EA	Knob - Window
	009439-07-000	EA	Screw - 8/32" x 1 1/4" POH - Black (not included in assembly)
10	086762-01-000	EA	T-Nut 10-32
11	088927-03-000	EA	Seal - Rubber - .12" x 25" ID x 80" OD
12	084473-01-000	EA	Seal - Rubber - "D" Shaped
13	086763-01-000	EA	Screw - #10 - 32 x 1/4" PTH
14	084580-04-W07	EA	Screw Asm. - Tipout Window - Single
	002293-02-000	SF	Screen - Window - 26" - Charcoal
	002298-02-000	FT	Spline - .130" Dia. - Charcoal
15	081243-01-000	EA	Screen Clip - Black Plastic
	000G12-08-08T	EA	Screw - #6 - 20 x .50" POH - Black
16	097578-01-000	EA	Connecting Rod Asm.
	085316-01-000	EA	Washer - Wave - .44 OD 32 ID
	081649-01-000	EA	Snap Ring - 7/32 Shaft
17	081354-01-000	EA	Sleeve - Window Torque Tube
18	082563-52-001	EA	Mullion - Horizontal - Black
19	084088-12-000	EA	Glass - 9.21" x 21.59" - Tipout
20	089640-08-000	FT	Seal - 5/16" x 15' (not included in assembly)
21	083180-01-000	FT	Seal - Vinyl Glazing

## 1989 WINNEBAGO TABLE OF CONTENTS

WCN23RC  
WCN27RT

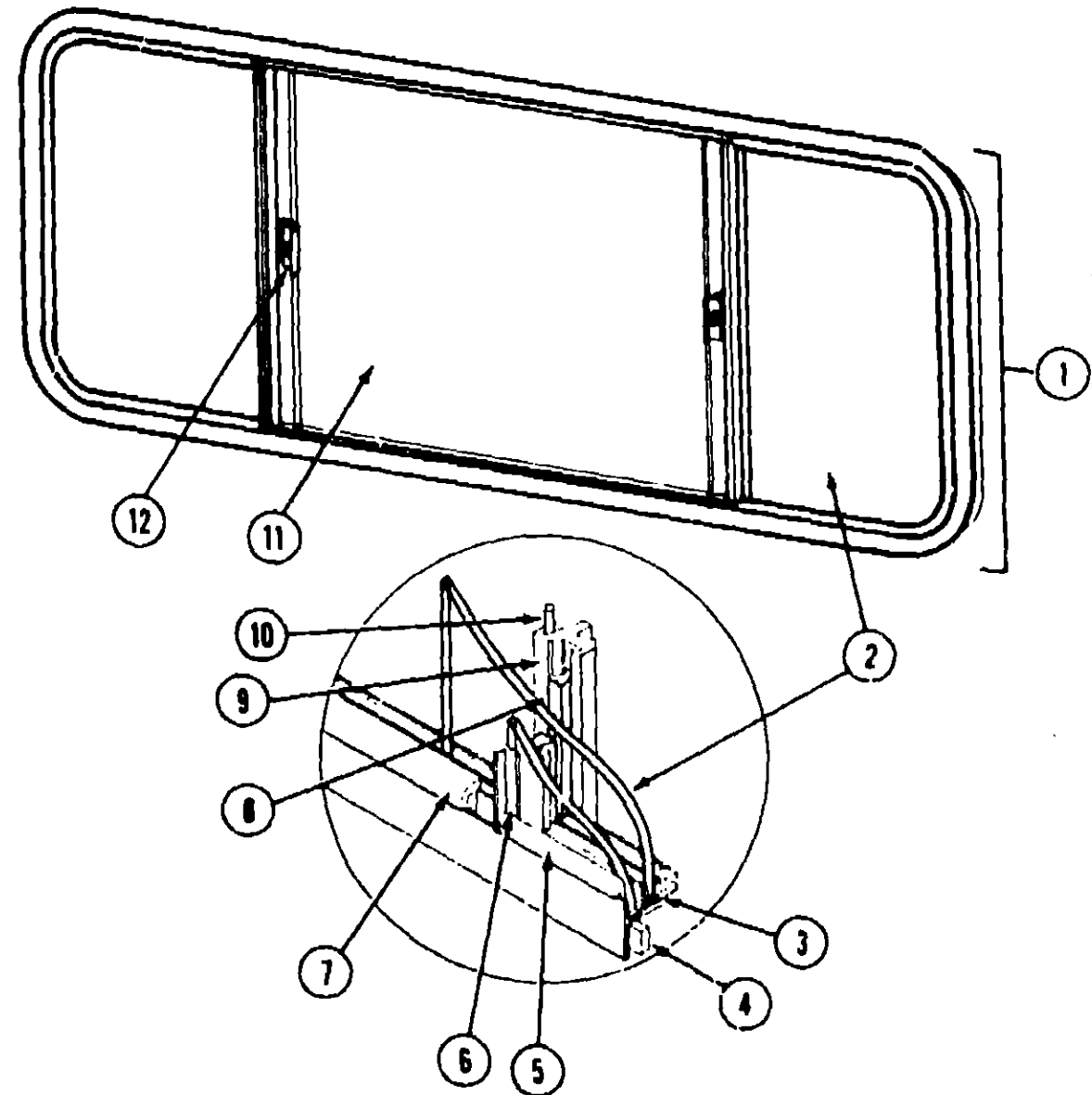
A-01 - D-11  
D-13 - G-23

### 1989 WCN23RC INDEX

Floor Plan	A-01 - A-02
Accessories Group	A-03 - A-06
Bath Group	A-07 - A-08
Chassis Group	A-09 - A-14
Curtain, Cushion & Pad Group	A-15 - B-04
Dinette Group	B-05 - B-06
Driver's Compartment Group	B-07 - B-13
Electrical Group	B-14 - B-18
Exterior Body Group	B-19 - C-03
Galley Group	C-04 - C-06
Heating & Air Conditioning Group	C-07 - C-08
Interior Finish Group	C-09 - C-10
LP Group	C-11
Lounge Group	C-12
Water & Sewage Group	C-13 - C-16
Window, Vent & Exterior Door Group	C-17 - D-11



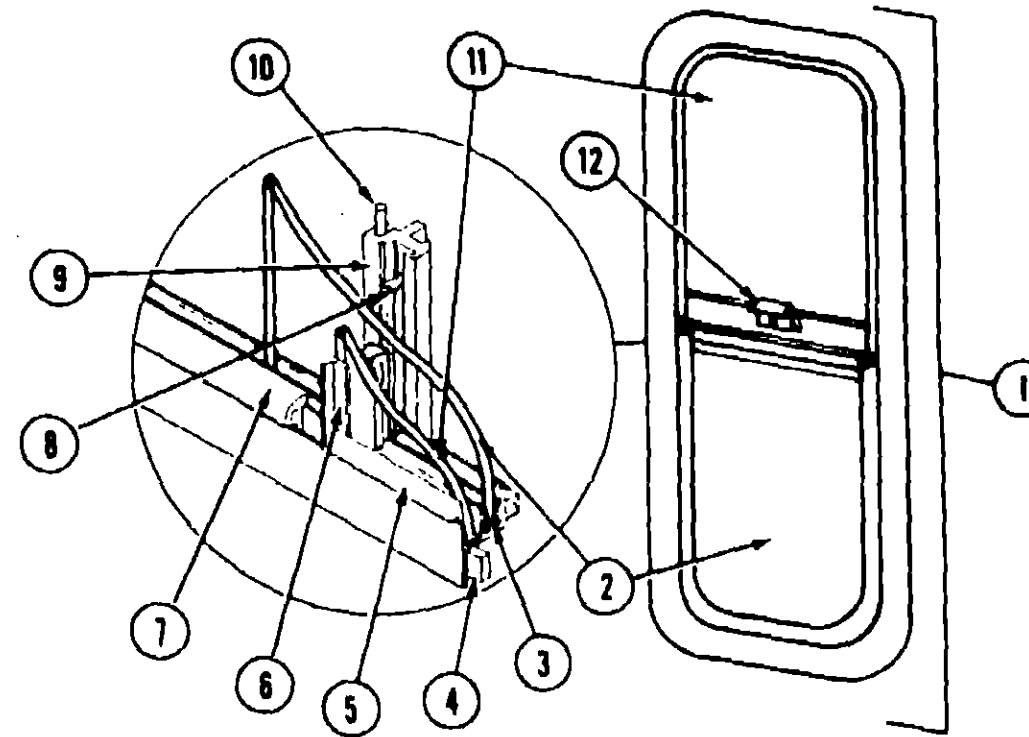
WINDOW, VENT & EXTERIOR DOOR GROUP (CONTINUED)



DOUBLE SLIDER WINDOW

Key	Part Number	U/M	Description
1	078269-04-X11	EA	Window Asm. - Double Slider (w/o inside frame)
	083122-26-000	EA	Inside Frame - Double Slider - Beige
2	081980-10-000	EA	Glass - Sliding - 1/8" x 30.8" x 19.31" - Gray
3	002324-02-000	FT	Channel - Weatherstrip - Glass
4	069640-06-000	FT	Sealer Ribbon - 5/16" Bead x 15'
5	002309-02-000	FT	Spline - Glass - 1/8" - Black
6	069886-03-001	EA	Seal Holder - 1/8" Glass - Black
7	024096-02-000	FT	Vinyl Window Seal - Black
8	073740-01-000	FT	Fin Seal - .460" Pile
9	083926-02-001	EA	Mullion - Slidr Window - Black
	002293-02-000	SF	Screen - Window - 26" - Charcoal
10	002298-02-000	FT	Spline - .130" Dia. - Charcoal (Screen)
11	002188-07-000	EA	Glass - Stationary - 1/8" x 30.7" x 24.75"
12	047369-01-700	EA	Latch Kit - Window - Plastic w/Fastener

WINDOW, VENT & EXTERIOR DOOR GROUP (CONTINUED)



VERTICAL SLIDER

Key	Part Number	U/M	Description
1	078453-02-U25	EA	Window Asm. - Vertical Slider
	083122-13-000	EA	Inside Frame - Vertical Slider - Beige
2	081981-01-000	EA	Glass - Slider
3	002324-02-000	FT	Channel - Weatherstrip - Glass Run - 1/8" Glass
4	069640-06-000	FT	Sealer Ribbon - 5/16" Bead x 15'
5	002309-02-000	FT	Spline - Glass - 1/8" - Black
6	069886-03-001	EA	Seal Holder - Black - 192"
7	024096-02-000	FT	Seal - Window - Channel - Black
8	073740-01-000	FT	Fin Seal - .460 Pile
9	084170-06-000	EA	Mullion - Slidr Window - Black
10	002298-02-000	FT	Spline - .130" Dia. - Charcoal (Screen)
11	081984-04-000	EA	Glass - Stationary - 1/8" x 17.5" x 11.5"
12	047369-01-700	EA	Latch Kit - Window - Plastic w/Fastener
	002292-02-000	SF	Screen - Window - 20" - Charcoal

1989 WINNEBAGO  
TABLE OF CONTENTS

WCN23RC  
WCN27RT

A-01 - D-11  
D-13 - G-23

1989 WCN23RC INDEX

Floor Plan	A-01 - A-02
Accessories Group	A-03 - A-08
Bath Group	A-07 - A-08
Chassis Group	A-09 - A-14
Curtain, Cushion & Pnd Group	A-15 - B-04
Dinette Group	B-05 - B-08
Driver's Compartment Group	B-07 - B-13
Electrical Group	B-14 - B-18
Exterior Body Group	B-19 - C-03
Galley Group	C-04 - C-06
Heating & Air Conditioning Group	C-07 - C-08
Interior Finish Group	C-09 - C-10
LP Group	C-11
Lounge Group	C-12
Water & Sewage Group	C-13 - C-16
Window, Vent & Exterior Door Group	C-17 - D-11

## WINDOW, VENT & EXTERIOR DOOR GROUP (CONTINUED)

### VENTS, ACCESS DOOR HARDWARE

Key	Part Number	U/M	Description
	009439-01-000	EA	Crank - Roof Vent
	009439-03-000	EA	Extension - .9" - Roof Vent
	009439-05-000	EA	Knob - Roof Vent - Black
	009439-06-000	EA	Extension - Roof Vent - Black
	009439-07-000	EA	Screw - Roof Vent Crank
	090392-01-Y12	EA	Vent - Non-Powered - Roof - Beige
	078786-01-Y12	EA	Screen Asm. - Non-Powered - Roof Vent
	090393-01-Y12	EA	Vent - Powered - Roof
	078785-01-Y12	EA	Screen Asm. - Powered Roof Vent
	092698-01-02A	EA	Vent - Range - w/Door - Outside
	092731-01-000	EA	Extension - Duct - Range Hood
	084073-01-000	EA	Vent - Refrigerator Roof Vent
	084073-04-000	EA	Base - Refrigerator Roof Vent
	084103-01-000	EA	Door - Refrigerator Vent - Sidewall
	084104-01-000	EA	Jamb - Refrigerator Vent - Sidewall
	084104-01-700	EA	Lock - Male - Refrigerator Door - Exterior
	084104-01-701	EA	Lock - Female - Refrigerator Door - Exterior
	083558-01-000	EA	Cover - Vent Pipe - Plastic
	078010-04-000	EA	Door Asm. - Fuel Fill - Beige
	077963-01-000	EA	Gasket - Gas Fill Door
	078200-01-000	EA	Gasket - Fuel Fill
	052009-02-000	EA	Door Asm. - Water Heater - Beige
	079388-01-000	EA	Seal - Access Door
	093061-01-02A	EA	Striker - Luggage Door - Black
	093882-01-000	EA	Strike - Door
	083615-01-000	EA	Door Stop - Beige Plastic
	094362-01-000	EA	Clip - Flat Head Plastic - Valance Panel - .4"
	094362-02-000	EA	Clip - Flat Head Plastic - Valance Panel - .95"
	093668-01-02A	EA	Pocket Latch - Off White
	085730-11-000	EA	Latch Asm. - Paddle - Plastic - w/Key Lock
	004363-01-000	FT	Tape - Foam - 3/16" x 1/2"
	085730-14-000	EA	Latch Asm. - Paddle - Plastic - w/o Key Lock
	042442-02-000	EA	Lock Asm. - Twist Type - Access Door
	093756-01-01A	EA	Shroud - Furnace

### WINDSHIELD & CORNER GLASS

Key	Part Number	U/M	Description
	091953-04-000	EA	Glass - Corner Vent - Drivers
	091953-03-000	EA	Glass - Corner Vent - Passengers
	091215-02-000	EA	Glass - Windshield - Drivers
	091215-01-000	EA	Glass - Windshield - Passengers
	091986-01-000	EA	Reveal Molding - w/s Black Rubber

## 1989 WINNEBAGO TABLE OF CONTENTS

WCN23RC  
WCN27RT

A-01 - D-11  
D-13 - G-23

### 1989 WCN23RC INDEX

Floor Plan	A-01 - A-02
Accessories Group	A-03 - A-06
Bath Group	A-07 - A-08
Chassis Group	A-09 - A-14
Curtain, Cushion & Pad Group	A-15 - B-04
Dinette Group	B-05 - B-06
Driver's Compartment Group	B-07 - B-13
Electrical Group	B-14 - B-18
Exterior Body Group	B-19 - C-03
Galley Group	C-04 - C-06
Heating & Air Conditioning Group	C-07 - C-08
Interior Finish Group	C-09 - C-10
LP Group	C-11
Lounge Group	C-12
Water & Sewage Group	C-13 - C-16
Window, Vent & Exterior Door Group	C-17 - D-11