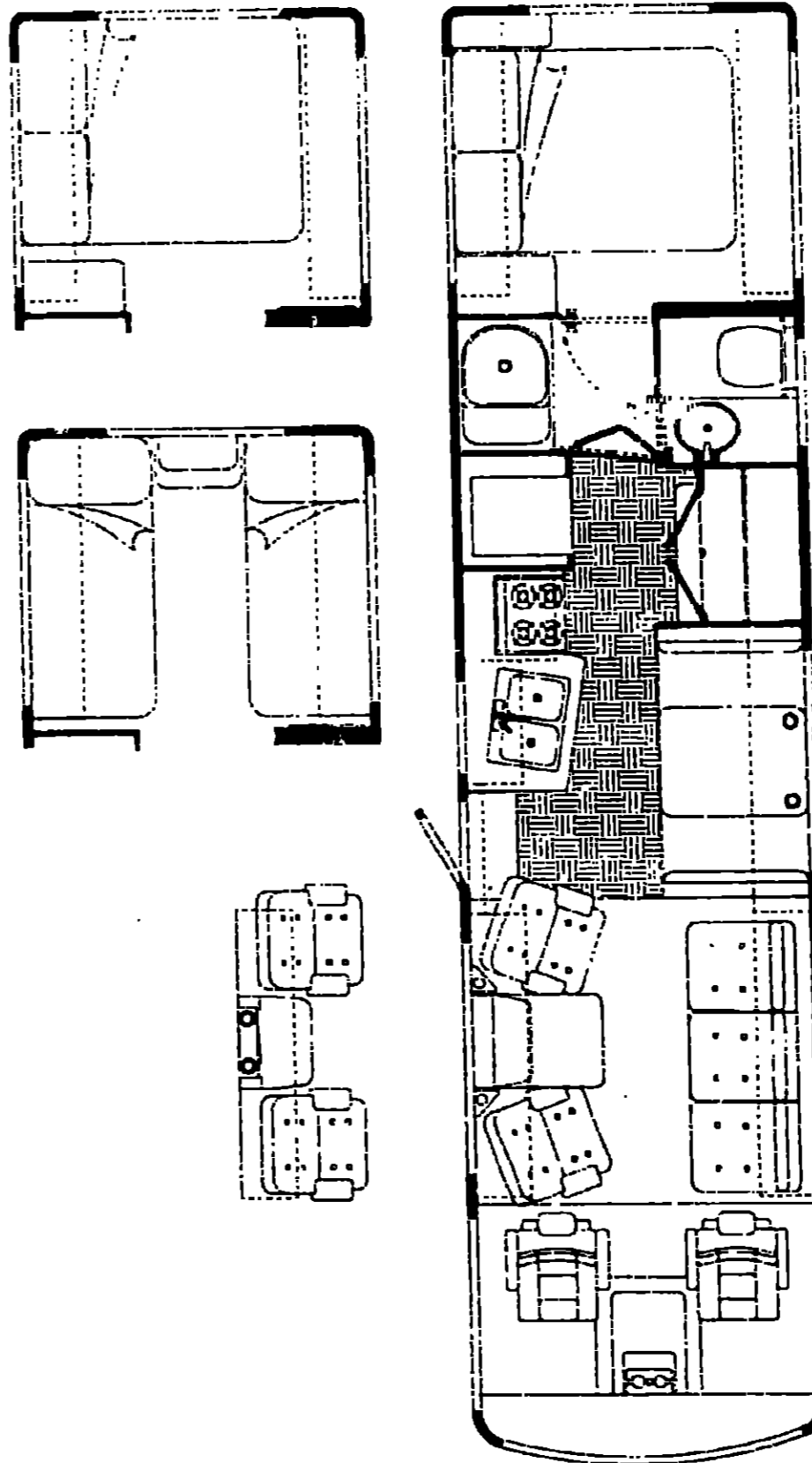


1989 WC/JP34RU



1989 WINNEBAGO TABLE OF CONTENTS

V-C/JP34RU
WCP37RO

A-01 - D-12
D-13 - H-06

1989 WC/JP34RU INDEX

Floor Plan	A-01 - A-02
Accessories Group	A-03 - A-07
Bath Group	A-08 - A-09
Chassis Group	A-10 - A-15
Curtain, Cushion & Pad Group	A-16 - B-12
Dinette Group	B-13 - B-14
Driver's Compartment Group	B-15 - B-22
Electrical Group	B-23 - C-02
Exterior Body Group	C-03 - C-09
Galley Group	C-10 - C-12
Heating & Air Conditioning Group	C-13
Interior Finish Group	C-14 - C-17
LP Group	C-18
Lounge Group	C-19 - C-20
Water & Sewage Group	C-21 - C-22
Window, Vent & Exterior Door Group	C-23 - C-12

ACCESSORIES GROUP

RACK & LADDER COMPONENTS

Key	Part Number	U/M	Description
	060997-03-T03	EA	Ladder Asm. - Lower
	060999-03-T03	EA	Ladder Asm. - Upper
	081026-05-T03	EA	Rack Asm. - Right
	081026-06-T03	EA	Rack Asm. - Left
	081055-01-000	EA	Spring Grip - Internal
	081056-01-000	EA	Pin - Quick Release
	081152-01-000	EA	Bumper Plate - Brite Dip
	064093-01-000	EA	Luggage Box - 14" x 30" x 60" (Optional)

MICROWAVE/CONVECTION OVEN & COMPONENTS (OPT 41D)

Key	Part Number	U/M	Description
	088737-01-000	EA	Microwave/Convection Oven - Magic Chef
	088682-03-003	EA	Bracket Asm. - Microwave - Right
	088682-04-000	EA	Bracket Asm. - Microwave - Left
	088737-02-000	EA	Frame Kit - Microwave Over.

FOG LAMP & COMPONENTS

Key	Part Number	U/M	Description
	088747-01-000	EA	Lamp Asm. - Fog w/Clear Lens
	088942-01-000	EA	Mounting Bracket - Fog Lamp
	088747-01-700	EA	Cover Only

CUSTOM STEERING WHEEL (OPT 36P)

Key	Part Number	U/M	Description
	080752-02-000	EA	Steering Wheel - Custom
	080752-06-000	EA	Hub Adapter - Steering Wheel
	080752-07-000	EA	Button - Horn - w/Wire
	080752-08-000	EA	Screw - Custom Steering Wheel

POWER SEARCHLIGHT & COMPONENTS (OPT 93E)

Key	Part Number	U/M	Description
	051057-02-000	EA	Searchlight - Power - Less Switch Asm.
	051057-01-700	EA	Switch - Panel Asm. (Aux.)
	051057-01-701	EA	Switch - Panel Asm. (Main)
	051057-01-702	EA	Joy Switch & Housing
	051057-01-703	EA	Toggle Switch - On/Off
	051057-01-704	EA	Micro Switch
	051057-01-705	EA	Bulb
	051057-03-000	EA	Switch Asm. - Searchlight

WHEEL COVER & MOUNTING HARDWARE

Key	Part Number	U/M	Description
	093181-03-700	EA	Wheel Cover - 19.5" - w/Nut Cover & Cap
†	083181-04-000	EA	Retainer Kit - 19.5" Wheel Cover (Set/4)
*	083181-12-000	EA	Retainer Kit - 19.5" Wheel Cover (Set/4)
	083181-04-700	EA	Retainer Kit - 19.5" Front (1)
	083181-04-701	EA	Retainer Kit - 19.5" Rear (1)
	083181-04-702	EA	Nut Cover - 19.5"
	083181-04-703	EA	Cap - Chrome Center
	083181-07-000	EA	Retainer Kit - 19.5" Wheel Cover (Set/4) John Deere
	083181-09-000	EA	Retainer Kit - 19.5" Wheel Cover (Set/2) John Deere

† Parts used thru 4/2/89.
* Parts used after 4/3/89.

ACCESSORIES GROUP (CONTINUED)

STYLIZED ALUMINUM WHEELS & COMPONENTS (CHEVY) (OPT. 67D)

Key	Part Number	U/M	Description
	077042-01-000	EA	Wheel - Polished Aluminum - 19.5" x 6" - Front
	077042-02-000	EA	Wheel - Polished Aluminum - 19.5" x 6" - Rear
	077043-01-000	EA	Lug Nut - 2 Pieces - Cone Seat & Flange
	077044-01-000	EA	Chrome Cover - Lug Nut - w/Skin
	077045-01-000	EA	Chrome Cover - Front - Axle - 2 Piece
	077045-02-000	EA	Chrome Cover - Rear Axle - 2 Piece
	078260-02-000	EA	Pouch - Wrench - 11" x 11"
	077927-01-000	EA	Label - Warning - Wheel Nuts
	007321-01-000	EA	Tire - 8.00 x 19.5 - 8 Ply Poly - Goodyear

CHROME WHEEL LINERS (OPT. 63K)

Key	Part Number	U/M	Description
	091209-01-000	EA	Wheel Liner - Chrome - 19.5" (Set/4) w/Axle & Lugnut Covers
	091209-02-000	EA	Wheel Liner - Chrome - 19.5" (Set/2) w/Axle & Lugnut Covers
	091209-01-700	EA	Wheel Liner - Chrome - 19.5" Front (1) Only
	091209-01-701	EA	Wheel Liner - Chrome - 19.5" Rear (1)
	091209-01-702	EA	Chrome Cover - Front Axle
	091209-01-703	EA	Chrome Cover - Rear Axle
	091209-01-704	EA	Chrome Cover - Lug Nut
	095012-01-000	EA	Extension - Valve Stem - Dual - 19.5" (Chevrolet)
	095012-02-000	EA	Extension - Valve Stem - Dual - 19.5" (John Deere)
	077030-02-000	EA	Extension - Valve Stem - 1.25"
	086271-01-000	EA	Wheel Liner - Chrome - 19.5" (Set/4) John Deere
	086271-01-700	EA	Wheel Liner - Chrome - 19.5" - Front (1) John Deere
	086271-01-701	EA	Wheel Liner - Chrome - 19.5" - Rear (1) John Deere
	086271-01-702	EA	Chrome Cover - Front Axle - John Deere
	086271-01-703	EA	Chrome Cover - Rear Axle - John Deere
	086271-01-704	EA	Beauty Ring
	086271-01-705	EA	Chrome Cover - Lug Nut - John Deere

EXTERIOR MIRRORS (OPT 61Y)

Key	Part Number	U/M	Description
**	077051-03-000	EA	Mirror Asm. - Exterior - Right
**	077051-04-000	EA	Mirror Asm. - Exterior - Left
**	086261-01-000	EA	Mirror Asm. - Electronic Control & Heat - Right (OPT. 61Y)
**	086261-02-000	EA	Mirror Asm. - Electronic Control & Heat - Left
	087095-01-000	EA	Switch - Heater
	088246-01-000	EA	Switch - Remote
	090243-01-000	EA	Wire Asm. - Remote - Door
	090244-01-000	EA	Wire Asm. - Remote - Cab

** The illustrated parts breakdown for this item is provided on the Common Items Fiche

1989 WINNEBAGO TABLE OF CONTENTS

WC/JP34RU
WCP37RU

A-01 - D-12
D-13 - H-08

1989 WC/JP34RU INDEX

Floor Plan	A-01 - A-02
Accessories Group	A-03 - A-07
Bath Group	A-08 - A-09
Chassis Group	A-10 - A-15
Curtain, Cushion & Pad Group	A-16 - B-12
Dinette Group	B-13 - B-14
Driver's Compartment Group	B-15 - B-22
Electrical Group	B-23 - C-02
Exterior Body Group	C-03 - C-09
Galley Group	C-10 - C-12
Heating & Air Conditioning Group	C-13
Interior Finish Group	C-14 - C-17
LP Group	C-18
Lounge Group	C-19 - C-20
Water & Sewage Group	C-21 - C-22
Window, Vent & Exterior Door Group	C-23 - C-12

ACCESSORIES GROUP (CONTINUED)

**REAR VIEW TELEVISIONS (TW6208) (OPT. 67W)
THRU 10/30/88**

Key	Part Number	U/M	Description
	083207-01-000	EA	Television System - Rear View - KG
	083207-02-000	EA	Cable - Rear View TV System - KG
	084349-01-U07	EA	Shroud Asm. - Camera - KG
	084408-01-000	EA	Seal - Camera Mounting - KG
	084264-01-000	EA	Bracket - Mounting Camera - KG

**REAR VIEW TELEVISION (OPT 67Z)
FROM 10/31/88**

Key	Part Number	U/M	Description
	093040-01-000	EA	Television System - Rear View - Sony
	093040-01-700	EA	Camera Only
	093040-01-701	EA	Monitor Only
	080006-01-000	EA	Wire Asm. - Fuse Block
	062037-01-000	EA	Housing - Auto Fuse - Natural
	093041-01-000	EA	Cable - Monitor/Camera - Internal
	093041-02-000	EA	Cable - Monitor/Camera - External
	093221-01-000	EA	Lens - Rear Shroud
	093952-01-02A	EA	Shroud - Rear TV - Beige
	031170-01-000	EA	Clamp - Cable - 3/16" Dia.
	093040-03-000	EA	Wire Asm. - Monitor

REAR RADIO & COMPONENTS (OPT 26L)

Key	Part Number	U/M	Description
	0930339-01-000	EA	Radio - AM/FM Stereo - w/Cassette - Magnadyne LS1800
	089340-01-000	EA	Grille - Speaker - 6.5" Square
	094097-01-000	EA	Speaker - 5.25" Dia. - w/o Grille
	074979-01-000	EA	Covers - Speaker - Light Oak Plastic
	090862-01-000	EA	Bracket - Antenna
	090944-01-000	EA	Antenna - Radio - 16" Rubber
	076319-12-000	EA	Connector - Coaxial - One Piece
	076319-03-000	FT	Coaxial Cable - 75 OHM - 1000'
	086756-01-000	EA	Splitter - 2 Way - Coaxial

FRONT RADIO & COMPONENTS

Key	Part Number	U/M	Description
	092311-01-000	EA	Radio - AM/FM Stereo w/Cassette - Audiovox HCC 1170
	073741-03-000	EA	Speaker - 4" x 6" Oval
	073741-04-000	EA	Grille - 4" x 6" Oval Speaker
	077069-01-000	EA	Antenna Asm. - Radio
	077069-02-000	EA	Cable - Antenna Extension - 96"
	074979-07-000	EA	Speaker Cover - Light Oak Plastic

ACCESSORIES GROUP (CONTINUED)

GENERATORS & COMPONENTS (OPT. 39EA9)

Key	Part Number	U/M	Description
	081634-04-000	EA	Generator - Onan - 6.5 - Emerald
	079654-07-000	EA	Generator - Onan - 4.0 - Emerald
	083151-01-000	EA	Muffler - Onan - Emerald Generator
	083152-01-000	EA	Pipe - Exhaust - Generator
	079654-05-000	EA	Pipe - Exhaust - Generator
	078045-01-000	EA	Plate - Generator Support
	084365-01-000	EA	Plate Support - Generator
	023942-01-000	EA	Grommet - Rubber - 2" O.D.
	007067-01-000	SF	Insulation - Fiberglass - 1"
	079654-01-700	EA	Hinge Kit

AIR HORNS & COMPONENTS (OPT. 36R)

Key	Part Number	U/M	Description
	077497-01-000	EA	Air Horn Kit - w/o Auxiliary Hose Kit (Below)
	077497-01-700	EA	Solenoid - Air Tank
	077497-01-701	EA	Switch - Compressor
	077497-01-702	EA	Toggle Switch w/Wire
	077497-01-703	EA	Air Tank
	077497-01-704	EA	Compressor w/Switch
	077497-02-000	EA	Hose Kit - Auxiliary Air
	077497-03-000	EA	Parts Kit - Hose - Auxiliary Air
	078239-01-000	EA	Label Plate - Horn
	063912-02-000	EA	Relay - Canister 332-20-159
	078022-01-000	EA	Wire Asm. - Air Horn
	081404-01-000	EA	Bracket - Mounting Compressor

TV, VCR & COMPONENTS

Key	Part Number	U/M	Description
	091258-02-000	EA	Television - 13" Color - w/Remote - Sharp
	091258-02-700	EA	Remote - 13" Color TV - Sharp
	085774-01-000	FT	Fastener - Dual Lock - 1" Wide
	085774-02-000	FT	Fastener - Dual Lock - 1" Wide
	086759-03-000	EA	VCR-VHS - GE VG7520 HQ
	086757-01-000	EA	Control Center - Switching - Channel Master
	091996-01-000	EA	Separator - Band - VHF/UHF
	076319-12-000	EA	Connector - Coaxial Cable Ends - 1 PC
**	076319-01-000	EA	Antenna - TV - 44.5" Mast
**	086756-01-000	EA	Splitter - TV - 2-Way
**	086777-03-000	EA	Wall Plate - Antenna/Power - Ivory
**	076319-03-000	FT	Coaxial Cable
	086778-01-000	EA	Receptacle - Outside - Cable TV
	087236-01-000	EA	Label - Cable Input
	087236-02-000	EA	Label - TV Outlet

** The illustrated parts breakdown for this item is provided on the Commor. Items Fiche.

**1989 WINNEBAGO
TABLE OF CONTENTS**

WC/JP34RU
WCP37RQ

A-01 - D-12
D-13 - H-08

1989 WC/JP34RU INDEX

Floor Plan	A-01 - A-02
Accessories Group	A-03 - A-07
Bath Group	A-08 - A-09
Chassis Group	A-10 - A-15
Curtain, Cushion & Pad Group	A-16 - B-12
Dinette Group	B-13 - B-14
Driver's Compartment Group	B-15 - B-22
Electrical Group	B-23 - C-02
Exterior Body Group	C-03 - C-09
Galley Group	C-10 - C-12
Heating & Air Conditioning Group	C-13
Interior Finish Group	C-14 - C-17
LP Group	C-18
Lounge Group	C-19 - C-20
Water & Sewage Group	C-21 - C-22
Window, Vent & Exterior Door Group	C-23 - C-12

ACCESSORIES GROUP (CONTINUED)

ICE MAKER (OPT. 35J)

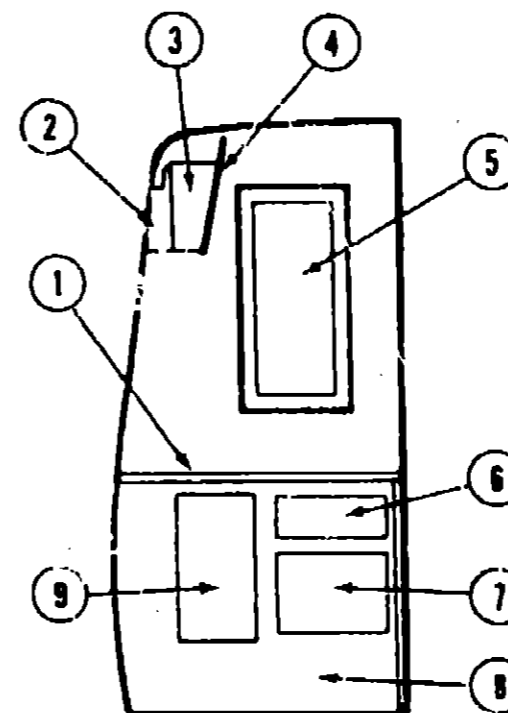
Key	Part Number	U/M	Description
**	076799-01-000	EA	Ice Maker - Black
	039800-01-000	FT	Tubing - Plastic - 1/2" DD x 20'
	052952-01-000	EA	Nut - Plastic - 1/2 F
	052960-01-000	EA	Valve - Line Drain - 1/2" F x 1/2 F
	077054-01-000	EA	Valve - Plastic - 1/2" M x 1/2" M x 1/4" COMP
	082144-02-000	EA	Cap - Pipe - Brass Hex - 1/2" FPT
	077841-01-000	EA	Bracket - Tie Down - Right
	077841-02-000	EA	Bracket - Tie Down - Left

** The illustrated parts breakdown for this item is provided on the Common Items Fiche.

MISCELLANEOUS ACCESSORIES

Date	Key	Part Number	U/M	Description
		054185-31-000	EA	Owners Manual - 1989 - Winnebago & Itasca
		093552-01-01A	EA	Clock - 10" x 10"
		081072-01-000	EA	Floor Mat - Front - Right - Winnebago
		081074-01-000	EA	Floor Mat - Front - Left - Winnebago
		081075-01-000	EA	Floor Mat - Entrance - Winnebago
		017516-01-000	EA	Mud Flap - 14" x 18" - Rear - Black
		017516-02-000	EA	Mud Flap - 14" x 12" - Front - Black
		090097-03-000	EA	Bracket - Mudflap Hanger - Rear Passenger
		090097-04-000	EA	Bracket - Mudflap Hanger - Rear Drivers
Thru 1/2/89		041944-04-000	EA	Fire Extinguisher - 5 BC - w/o Mounting Bracket
Thru 1/2/89		084472-01-000	EA	Holder - Fire Extinguisher
From 1/3/89		094499-01-000	EA	Fire Extinguisher - Dry 10BC
From 1/3/89		094651-01-01A	EA	Holder - Fire Extinguisher - Light Oak
		072852-01-000	EA	Smoke Detector w/9 Volt Battery
		080208-01-000	EA	Lug Wrench
		080208-02-000	EA	Leverage Bar - Lug Wrench
		078260-02-000	EA	Pouch - Wrench - 11" x 11"
		006113-01-000	EA	Jack - Hydraulic - 6 Ton - w/Handle
		036420-02-000	EA	Defroster Fan - 6" - 2 Speed Fan
		077988-01-000	EA	Bracket - Defroster Fan
		064093-01-000	EA	Luggage Box - 14" x 30" x 60"
		085741-01-700	EA	Valve Stem Extension - (Set/4) Stainless Steel
		077030-02-000	EA	Valve Stem Extension - 1.25"
		051377-01-000	EA	Valve Stem Asm. - TR500
		091955-01-000	EA	Squeegee - Extended Handle
		091952-01-000	EA	Clip - 1" Squeegee Retainer
		093527-01-000	EA	Bracket - Squeegee Clip
		082684-01-000	EA	Key Set
		094369-01-000	EA	Speed Control - w/Smart Stick
		094708-01-01A	EA	Step Asm. - Electric (Kwikiee)
		088778-01-000	EA	Vacuum Cleaner - Hand Held
		088778-01-700	EA	Bag - Disposable - Hand Held Vacuum - 4 Pak
		093601-01-000	EA	Lock - Lock Box
		093663-01-000	EA	Drawer - Lock Box
		093666-01-700	EA	Lock Box Asm. - w/Lock & Drawer
		087716-01-000	EA	Information Center - Uniforce (OPT. 43T)
		089339-01-000	EA	Leveling System - Hydraulic (OPT. 64H)
		089339-01-700	EA	Hydraulic Jack - Leveling System

BATH GROUP



BATH CABINETRY

Key	Part Number	U/M	Description
1	093316-11-Y21	EA	Countertop Asm. - Lavatory
2	083513-02-000	EA	Bracket Asm. - Medicine Cabinet - Left Side
	083513-03-000	EA	Bracket Asm. - Medicine Cabinet - Right Side
3	076073-01-000	EA	Cabinet Asm. - Medicine - Metal - Almond - w/o Door or Hardware
4	088303-52-X08	EA	Door Asm. - Medicine Cabinet - w/Mirror - w/o Hardware - 15.5" x 29.5"
	076073-01-700	EA	Latch - Medicine Cabinet
5	081535-01-W30	EA	Mirror Asm. - Bath Wall - 29.4" x 15.47"
6	081893-01-Y21	EA	Drawer Face - Lavatory Cabinet - Tilt Out
	077251-01-000	EA	Tilt Out Drawer - Plastic
7	M88304-43-Y21	EA	Door Asm. - Lavatory Cabinet - Lower - 16.14" x 11.4"
8	M93316-01-Y21	EA	Cabinet Asm. - Lavatory - w/o Countertop, Doors or Hardware
9	M88304-F9-Y21	EA	Door Asm. - Lavatory Cabinet - Hamper w/o Hardware - 19" x 10"
	M03867-02-Y21	EA	Door Asm. - Bath - w/o Hardware
	009059-02-000	EA	Hinge - 2" Brass
	061604-01-000	EA	Slide Bolt - Antique Brass
	093213-01-000	EA	Door Bolt - Bi-Fold
	093184-01-01A	EA	Strike Plate - Bi-Fold Bath Door
	094485-01-01A	EA	Knob - Door - Bright Brass
	092652-01-000	EA	Guide Wheel - Door Bi-Fold - Top Mount
	092574-01-01A	EA	Shower Door - Solid w/Gold Panel

1989 WINNEBAGO TABLE OF CONTENTS

WC/JP34RU
WCP37RQ

A-01 - D-12
D-13 - H-06

1989 WC/JP34RU INDEX

Floor Plan	A-01 - A-02
Accessories Group	A-03 - A-07
Bath Group	A-08 - A-09
Chassis Group	A-10 - A-15
Curtain, Cushion & Pad Group	A-16 - B-12
Dinette Group	B-13 - B-14
Driver's Compartment Group	B-15 - B-22
Electrical Group	B-23 - C-02
Exterior Body Group	C-03 - C-09
Galley Group	C-10 - C-12
Heating & Air Conditioning Group	C-13
Interior Finish Group	C-14 - C-17
LP Group	C-18
Lounge Group	C-19 - C-20
Water & Sewage Group	C-21 - C-22
Window, Vent & Exterior Door Group	C-23 - C-12

BATH GROUP (CONTINUED)

WARDROBE CABINETRY

Key	Part Number	U/M	Description
	M88304-87-Y21	EA	Door Asm. - Wardrobe Cabinet - Upper - w/o Hardware - 16.7" x 48"
	M88304-C1-Y21	EA	Door Asm. - Wardrobe Cabinet - Lower Right - w/o Hardware - 14.37" x 21.85"
	M88304-C2-Y21	EA	Door Asm. - Wardrobe Cabinet - Lower Left - w/o Hardware - 14.37" x 21.85"
	093315-11-Y21	EA	Countertop Asm. - Wardrobe

BATH & WARDROBE HARDWARE

Date	Key	Part Number	U/M	Description
Thru 10/9/88		075240-03-000	EA	Faucet - Lavatory - Brass
From 10/10/88		075240-05-000	EA	Faucet - Lavatory - Brass
		091253-01-000	EA	Gasket - Lavatory Faucet
		089366-01-000	EA	Sink - Oval - Ivory Plastic
		075242-03-000	EA	Faucet - Shower Tub
		M02630-10-Y12	EA	Shower Tub - Off White Plastic
		011066-03-000	EA	P-Trap - Plastic - 1.25" x 1.5"
		011069-02-000	EA	Tailpiece - 1.5" x 1.25" x 4" - Brass
		066436-01-000	EA	Nut - Slip - 1.5" Tailpiece
		069735-01-000	EA	Washer - 1.5" Tailpiece - Plastic
		075606-01-000	EA	Panel - Shower Faucet
		066729-01-000	EA	Strainer - Shower Tub
		066436-01-000	EA	Slip Nut - 1.5" Tailpiece - Shower Tub
		066435-01-000	EA	Nut - Strainer - Plastic
		085278-01-000	EA	Holder - Tissue
		075680-01-000	EA	Clothes Rod - Adjustable
		009112-01-000	EA	Flange - 1" Closet Rod
		075453-02-000	EA	Bar - Towel Rack
		075454-02-000	EA	Towel Ring - Brass
		058331-08-000	EA	Mirror - Tempered Glass - 24" x 30"
		058331-05-000	EA	Mirror - Tempered Glass - 12" x 26"
		009089-01-000	EA	Mirror Clip
		071632-01-000	EA	Hamper Bag - Fabric
		074550-03-000	EA	Guide - Hamper Bag - Beige Angle
		085330-04-000	EA	Toilet - China - Shorty w/Spray - Bone
		081614-02-000	EA	Soap Dish

CHASSIS GROUP

MISCELLANEOUS

Key	Part Number	U/M	Description
	084086-01-000	EA	Air Spring - Bellows - Rear Axle
	084086-01-700	EA	Bellows Only (Air Bag)
	084086-01-701	EA	Tubing - Dot - 1/4" x 18'
	084086-01-702	EA	Bolt - Ribbed Neck - 3/8 x 24 x 2 1/2
	084086-01-703	EA	Valve - Inflating - Dot 1/4
	084086-01-704	EA	Elbow Connector
	084086-01-705	EA	Tubing Protectors
	088782-01-000	EA	Air Spring - Bellows - Rear Axle - John Deere
	088782-01-700	EA	Ride Ride Bellows
	088782-01-701	EA	Flexible Tubing
	088782-01-702	EA	Brass Union
	077995-02-000	EA	Gaffle - Upper - Radiator
	065450-01-000	EA	Battery Tiedown - Plastic Coated
	089611-01-000	EA	Box - Power Cord
	089310-01-000	EA	Cup - Fuel Fill - Non-Locking - Gas
	062401-01-000	EA	Clamp - Hose - Wormgear - .25 ID - 1" ID
	062401-02-000	EA	Clamp - Hose - Wormgear - 1.56 ID - 2.5" ID
	062401-03-000	EA	Clamp - Hose - Wormgear - .22 ID - 1" ID
	062401-04-000	EA	Clamp - Hose - Wormgear - .69 ID - 1.25" ID
	062401-05-000	EA	Clamp - Hose - Wormgear - 2" ID - 3" ID
	062401-06-000	EA	Clamp - Hose - Wormgear - .22" ID - 62" ID
	007125-06-000	EA	Clamp - Muffler - 2.25"
	007125-11-000	EA	Clamp - Muffler - 2.75"
	007125-03-000	EA	Clamp Asm. - Muffler - 1.50 Dia.
	007125-11-000	EA	Clamp Asm. - Muffler - 1.12 Dia.
	007131-01-000	EA	Hanger - Tailpipe
	007063-01-000	FT	Hose - Gas - 1/4 ID x 1/2 OD
	017516-01-000	EA	Mud Flap - Black
	017516-02-000	EA	Mud Flap - Black - 14" x 12.5" w/Holes
	075526-01-000	EA	Radiator Cover - Rear
	076281-01-000	EA	Tray - Battery
	085935-01-000	EA	Exhaust Pipe - Drivers - Federal
	085936-01-000	EA	Exhaust Pipe - Passenger - Federal
	075758-01-000	EA	Wheelwell - Plastic - Rear - Dual
	081918-01-000	EA	Extension - Exhaust - 2.25 OD x 9.44"
	095012-01-000	EA	Extension - Valve Stem - Dual - 19.5" (Chevrolet)
	095012-02-000	EA	Extension - Valve Stem - Dual - 19.5" (John Deere)
	077030-02-000	EA	Extension - Valve Stem - 1.25"
	079942-01-000	EA	Shock Absorber - Front Stabilizer

* The remainder of exhaust components are available from chassis dealer.

1989 WINNEBAGO TABLE OF CONTENTS

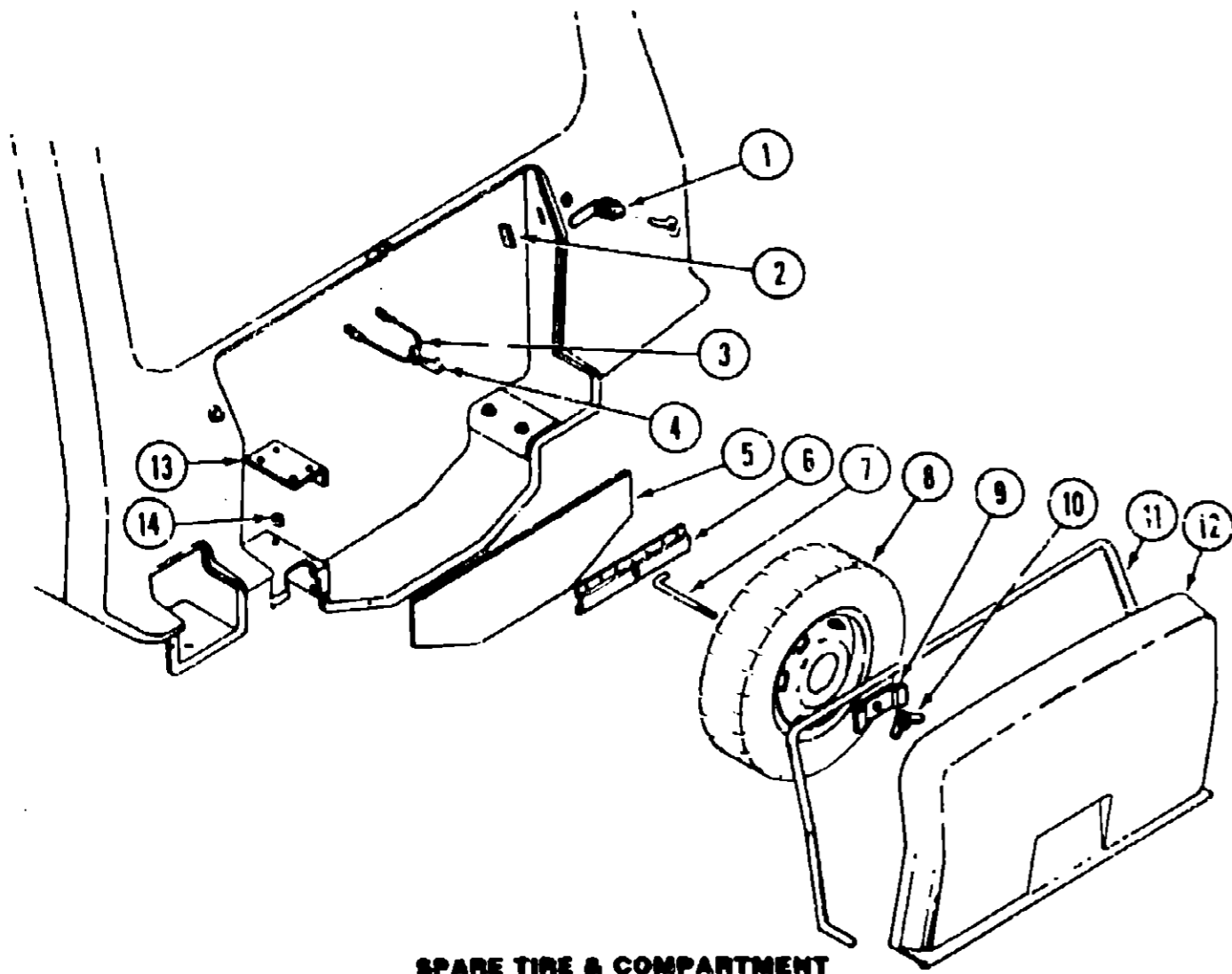
WC/JP34RU
WCP37RQ

A-01 - D-12
D-13 - H-06

1989 WC/JP34RU INDEX

Floor Plan	A-01 - A-02
Accessories Group	A-03 - A-07
Bath Group	A-08 - A-09
Chassis Group	A-10 - A-15
Curtain, Cushion & Pad Group	A-16 - B-12
Dinette Group	B-13 - B-14
Driver's Compartment Group	B-15 - B-22
Electrical Group	B-23 - C-02
Exterior Body Group	C-03 - C-09
Galley Group	C-10 - C-12
Heating & Air Conditioning Group	C-13
Interior Finish Group	C-14 - C-17
Lp Group	C-18
Lounge Group	C-19 - C-20
Water & Sewage Group	C-21 - C-22
Window, Vent & Exterior Door Group	C-23 - C-12

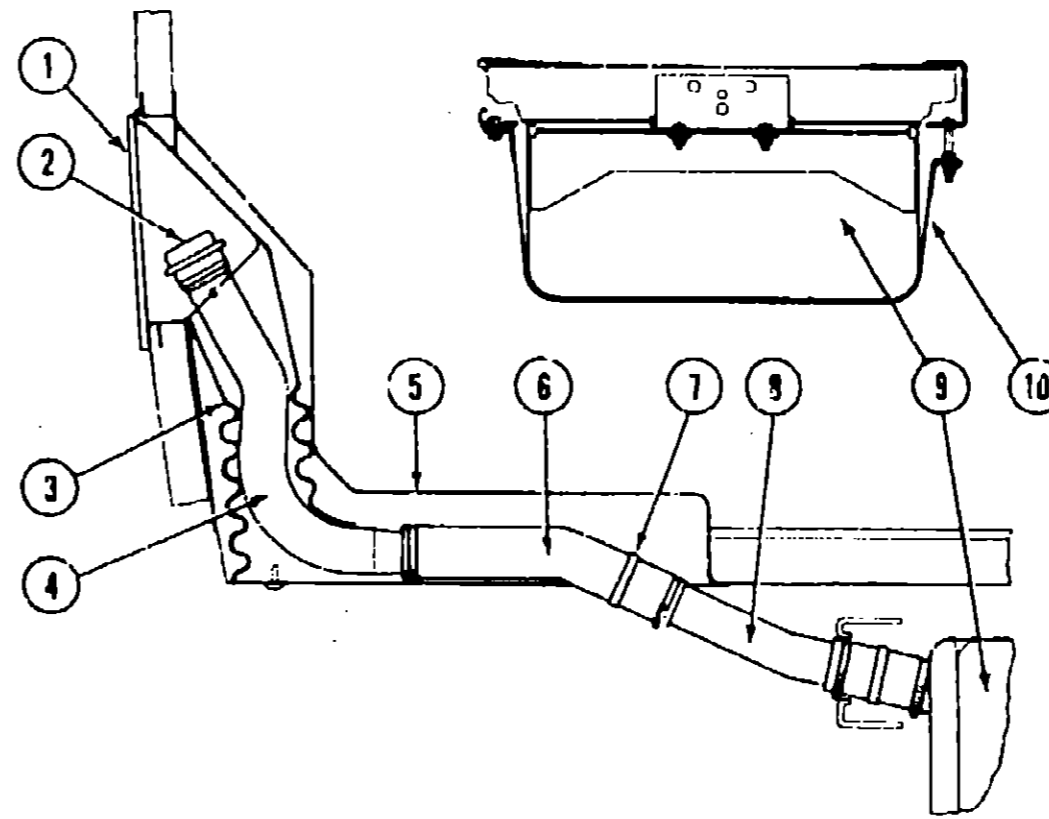
CHASSIS GROUP (CONTINUED)



SPARE TIRE & COMPARTMENT

Key	Part Number	U/M	Description
1	077408-01-000	EA	Lock Asm. - Key Type
2	077941-01-000	EA	Rubber Seal - Flat w/Slit
3	076767-02-000	EA	Cable Asm.
4	072463-02-000	EA	Spring Hook - 5/8" Eye
5	077395-01-000	EA	Shield - Spare Tire
6	077403-01-000	EA	Support Bracket - Spare Tire
7	077411-01-000	EA	Retaining Rod - Spare Tire
8	007324-04-000	EA	Tire - 8" x 19.5" - Radial - Michelin
	064963-01-000	EA	Rim - Wheel - 19.5" x 6.75"
	051377-01-000	EA	Valve Stem
9	077399-01-000	EA	Retainer - Spare Tire
10	064081-01-000	EA	Wing Nut - 3/8" - Spare Tire
11	C58027-01-000	FT	Weather Seal
12	MC1990-04-X19	EA	Cover - Spare Tire - Beige
	077392-01-000	EA	Strike - Latch
	077080-01-000	EA	Angle Support - Pivot
	077381-01-000	EA	Plate - Pivot
	077385-01-000	EA	Pin Asm. - Pivot
	077384-01-000	EA	Plate - Pin
13	077400-01-000	EA	Support - Spare Tire
	077393-01-000	EA	Support Asm. - Strike
14	077759-01-000	EA	Spacer - Spare Tire Support
	077384-01-000	EA	Plate - Hinge Pin
	077385-01-000	EA	Pin Asm. - Pivot

CHASSIS GROUP (CONTINUED)



FUEL SYSTEM COMPONENTS

Key	Part Number	U/M	Description
1	078010-01-000	EA	Door Asm. - Fuel Fill - Beige
2	089310-01-000	Ea	Cap - Fuel Fill
3	0E3578-01-000	EA	Boot - Fuel Fill
4	075227-03-000	EA	Neck Asm. - Fuel Fill (GM 15595635 Calif.)
4	075227-01-000	EA	Neck Asm. - Fuel Fill (GM 140420436 Federal)
5	082768-01-000	EA	Shroud - Fuel Fill - Inside
6	081245-01-000	EA	Hose - Fuel Fill - Formed
7	075229-01-000	EA	Strap - Fuel Full (GM 482336)
8	075228-01-000	EA	Neck - Fuel Fill - Lower
	007111-03-000	EA	Hose - Fuel Tank to Neck - 1.75" x 3'
9	090082-01-000	EA	Tank - Fuel - 80 Gallon
10	086486-02-000	EA	Strap Asm. - Fuel Tank
	066732-01-000	FT	Hose - Fuel .62" I.D. - Vent Hose
	080173-01-000	EA	Tube Extension - Fuel - 29.25" - Formed Steel Tube
	079661-01-000	EA	Valve Asm. - Vent - Fuel Tank
	073223-01-000	EA	Gasket - Vent Valve Asm. - Fuel Tank
	088740-01-000	EA	Sending Unit/Pump
	086255-01-000	EA	Gasket - Sending Unit
	090578-01-000	EA	Cover - Relief Valve - Bottom
	069640-03-000	FT	Sealer Ribbon - 3/4" x 30'
	06241-1-05-000	EA	Clamp - Worm Gear - 2" to 3"
	062401-10-000	EA	Clamp - Worm Gear - 1" to 2"

**1989 WINNEBAGO
TABLE OF CONTENTS**

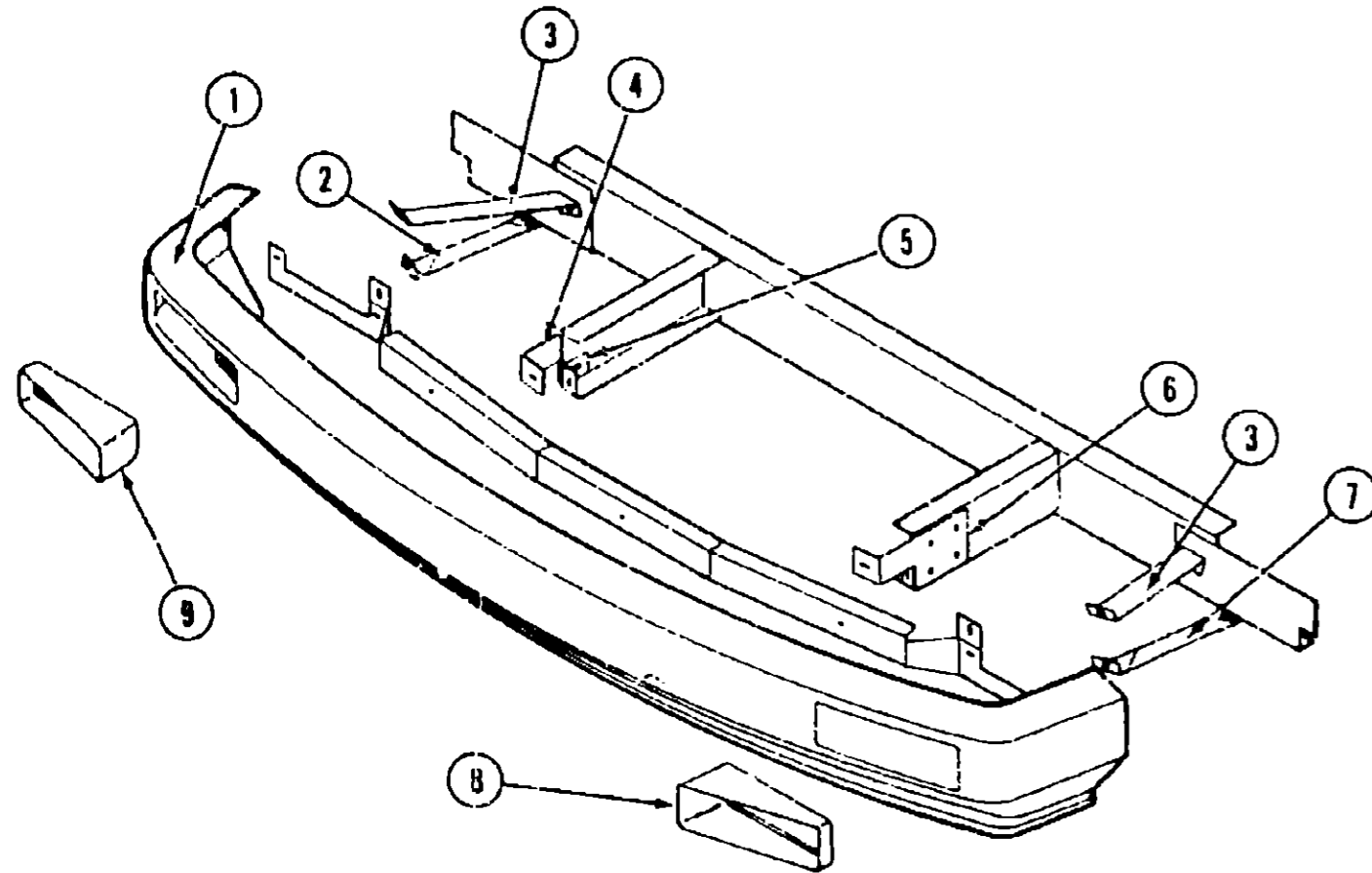
WC/JP34RU
WCP37RQ

A-01 - D-12
D-13 - H-08

1989 WC/JP34RU INDEX

Floor Plan	A-01 - A-02
Accessories Group	A-03 - A-07
Bath Group	A-08 - A-09
Chassis Group	A-10 - A-15
Curtain, Cushion & Pad Group	A-16 - B-12
Dinette Group	B-13 - B-14
Driver's Compartment Group	B-15 - B-22
Electrical Group	B-23 - C-02
Exterior Body Group	C-03 - C-09
Galley Group	C-10 - C-12
Heating & Air Conditioning Group	C-13
Interior Finish Group	C-14 - C-17
LP Group	C-18
Lounge Group	C-19 - C-20
Water & Sewage Group	C-21 - C-22
Window, Vent & Exterior Door Group	C-23 - C-12

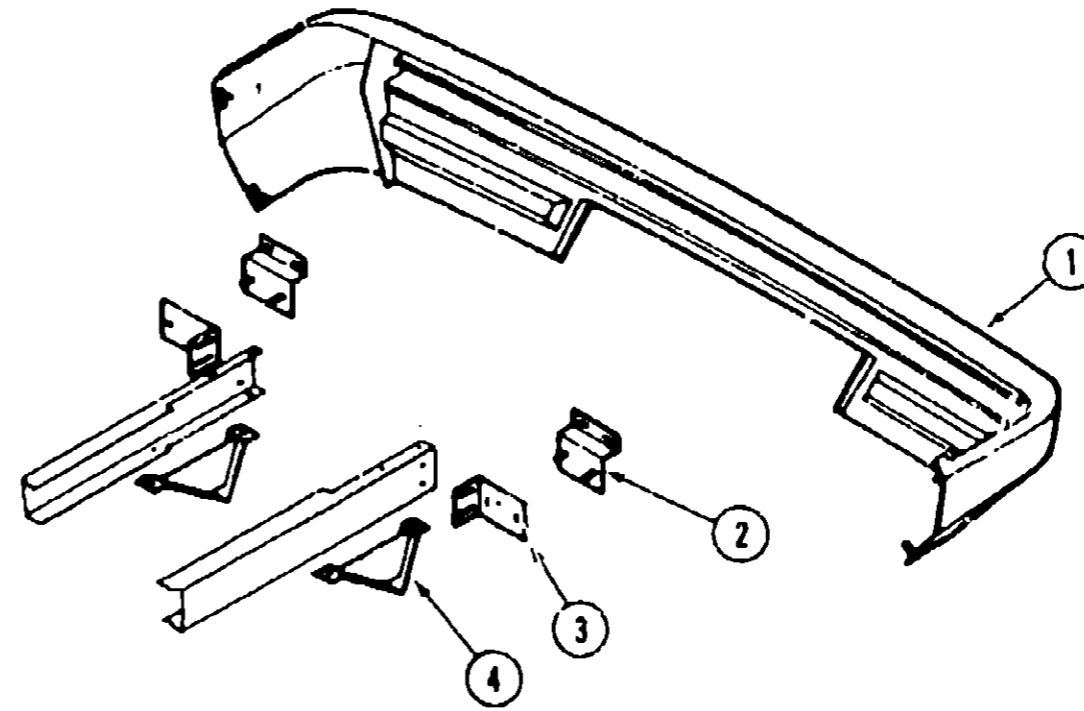
CHASSIS GROUP (CONTINUED)



FRONT BUMPER

Key	Part Number	U/M	Description
1	M88632-01-X19	EA	Bumper Asm. - Front - w/Turn Lamp Housings
	076345-01-000	EA	Lens Asm. - Park/Turn - Amber
	008103-01-000	EA	Bulb - 12 V .12 Amp. #53
	076345-02-000	EA	Socket Asm. - Park/Turn Lamp
2	077854-01-000	EA	Bumper Brace - Lower Passengers Side
3	089039-01-000	EA	Bumper Brace - Upper - Chevy
4	086140-01-000	EA	Bumper Support - Passengers Side
5	088942-01-000	EA	Fog Lamp Bracket
6	086140-02-000	EA	Bumper Support - Drivers Side
7	077854-02-000	EA	Bumper Brace - Lower Drivers Side
8	090215-02-000	EA	Bezel - Park/Turn Light - Black - Drivers Side
9	090215-01-000	EA	Bezel - Park/Turn Light - Black - Passengers Side

CHASSIS GROUP (CONTINUED)



REAR BUMPER

Key	Part Number	U/M	Description
1	M88700-01-W13	EA	Rear Bumper Asm. - Beige
2	086727-02-000	EA	Support Angle-to-Bumper
3	086709-01-000	EA	Support Angle-to-Frame
4	083376-01-000	EA	Skid Plates

**1989 WINNERBAGC
TABLE OF CONTENTS**

WC/JP34RU
WCP37RO

A-01 - D-12
D-13 - H-06

1989 WC/JP34RU INDEX

Floor Plan	A-01 - A-02
Accessories Group	A-03 - A-07
Bath Group	A-08 - A-09
Chassis Group	A-10 - A-15
Curtain, Cushion & Pad Group	A-16 - B-12
Dinette Group	B-13 - B-14
Driver's Compartment Group	B-15 - B-22
Electrical Group	B-23 - C-02
Exterior Body Group	C-03 - C-09
Galley Group	C-10 - C-12
Heating & Air Conditioning Group	C-13
Interior Finish Group	C-14 - C-17
LP Group	C-18
Lounge Group	C-19 - C-20
Water & Sewage Group	C-21 - C-22
Window, Vent & Exterior Door Group	C-23 - C-12

CHASSIS GROUP (CONTINUED)

AIR RIDE W/ & W/O PART/LEVEL OPTION

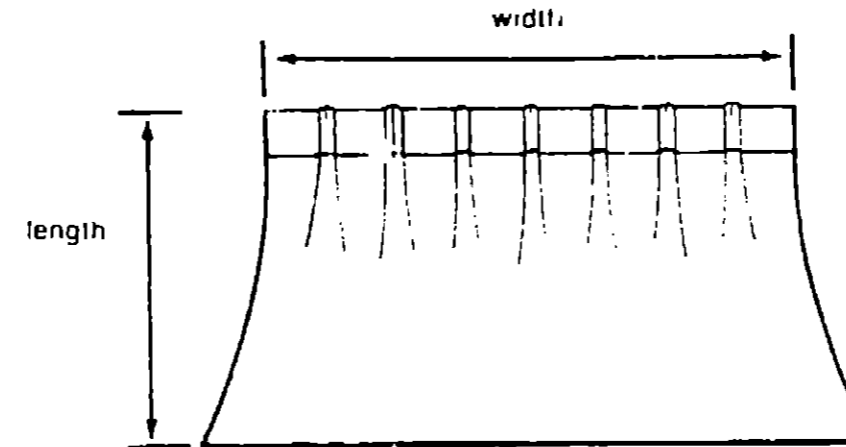
Key	Part Number	U/M	Description
	000D34-06-00B	EA	Nut - Hex Lock - 3/8" x 16" Grade C ZN
	000E13-17-00B	EA	Washer - Flat - 3/8" AR ZN
	071374-03-000	EA	Fitting - Bulkhead - 25" x .25" MNPT
	080006-01-000	EA	Wire Asm. - Fuse Block
	062037-01-000	EA	Housing - Auto Fuse
	081918-02-000	EA	Extension - Exhaust - 2.25" OD x 7"
	090436-03-000	EA	Leaf Spring - Semi
	090436-04-000	EA	Valve Asm. - Height - w/o Park & Level
	090436-05-000	EA	Valve Asm. - Height Park/Level
	090436-06-000	EA	Control - Park/Level w/Wiring
	090436-07-000	EA	Compressor Asm. - w/Tank & Wiring
	090436-08-000	EA	Mount - Air Spring Asm. - Upper Left
	090436-09-000	EA	Mount - Air Spring Asm. - Upper Right
	090436-10-000	EA	Mount - Spring Axle - Lower Left
	090436-11-000	EA	Mount - Spring Axle - Lower Right
	090436-12-000	EA	U-Bolt - Forward Straight 7/8"
	090436-13-000	EA	U-Bolt - Rearward Bent 7/8"
	090436-14-000	EA	Tracking Bar - w/Pivot Bolt & Bracket
	091250-01-000	EA	Bushing - Sway Bar - 1.25" Cut
	091250-02-000	EA	Bushing - Sway Bar - 1.25" Uncut
	091250-03-000	EA	Bushing - Sway Bar - 1.75" Cut
	093643-01-000	EA	Plate - Reinforcement
	085935-01-000	EA	Exhaust Pipe - Drivers
	005936-01-000	EA	Exhaust Pipe - Passengers
	085433-01-000	EA	Heat Shield

CURTAIN, CUSHION & PAD GROUP

NOTICE

In order to assist our Parts Sales Dept. in providing interior software items, please include the serial number and the color code number from the vehicle certification label when ordering. This label is located on the left sidewall at the end of the dash (A-Body), or on the driver's door latch plate (C-Body).

An example of a color code number is P31, which designated an overall color scheme of a particular unit. The color listed after the item description on the microfiche, indicates the overall unit color. Order the item you desire according to unit color code.



NOTE:

Use this illustration when determining length and width measurements for curtains. You will note the width measurement is taken on the top of the curtain with the curtain fully extended. The length measurement is taken from top to bottom.

1989 WINNEBAGO TABLE OF CONTENTS

WC/JP34RU
WCP37RQ

A-01 - D-12
U-13 - H-06

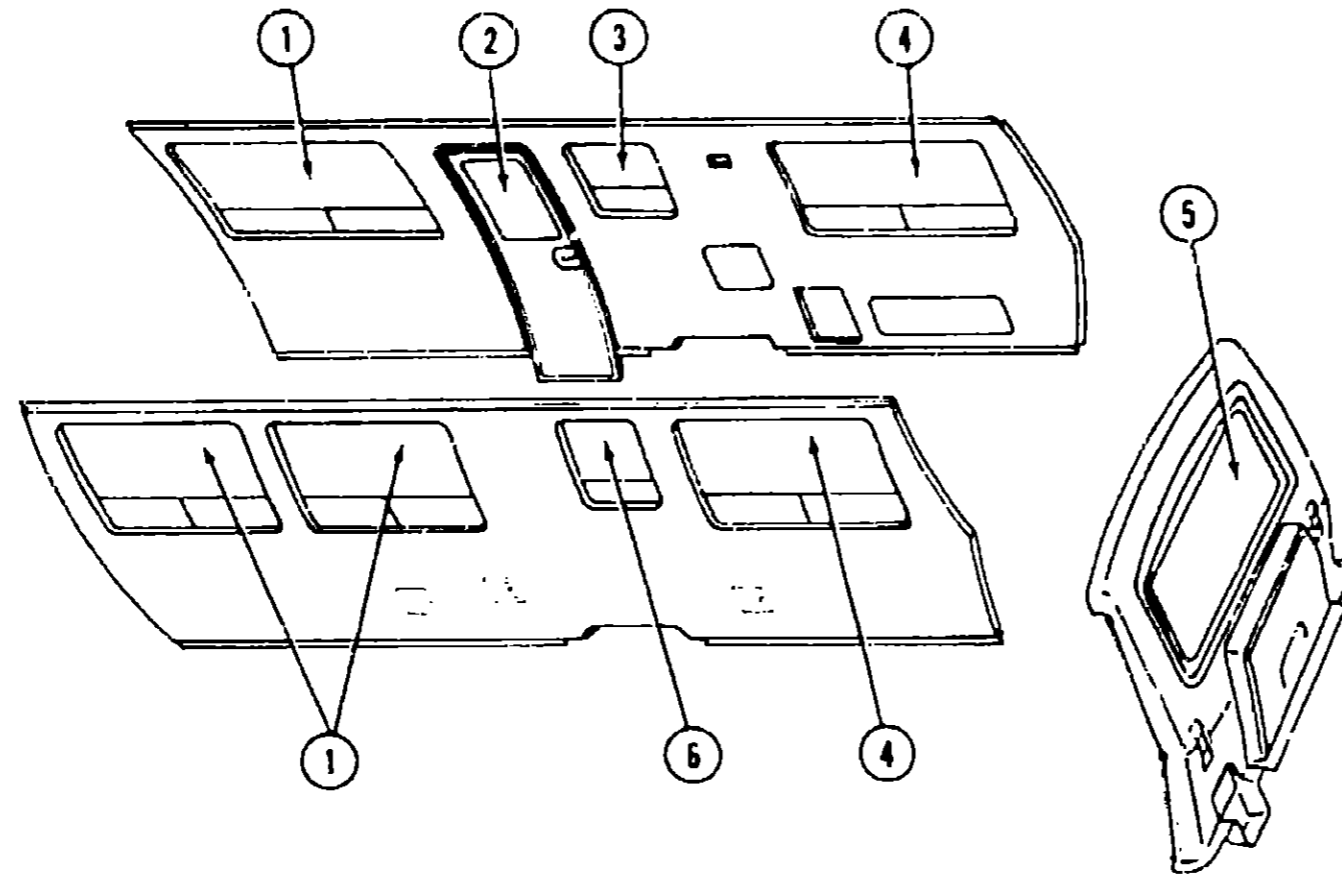
FABRICS

Key	Part Number	U/M	Description
	088274-72-000	YD	Fabric - Upholstery - Rose/Pearl (Y21)
	088274-51-000	YD	Fabric - Upholstery - Heather (Y22)
	088274-73-000	YD	Fabric - Upholstery - Teal (Y23)
	088274-56-000	YD	Fabric - Upholstery/Accent - Heather (Y22)
	088274-70-000	YD	Fabric - Upholstery/Plain Accent - Rose/Pearl (Y21)
	088274-80-000	YD	Fabric - Upholstery/Plain Accent - Heather (Y22)
	088274-71-000	YD	Fabric - Upholstery/Plain Accent - Teal (Y23)
	088273-20-000	YD	Fabric - Bedspread - Rose/Pearl (Y21)
	088273-28-000	YD	Fabric - Bedspread - Heather (Y22)
	088273-21-000	YD	Fabric - Bedspread - Teal (Y23)
	072333-37-000	YD	Fabric - Drapery - Rose/Pearl (Y21)
**	072333-69-000	YD	Fabric - Drapery - Rose/Pearl (Y21)
	088273-28-000	YD	Fabric - Drapery - Heather (Y22)
	072333-61-000	YD	Fabric - Drapery - Teal (Y23)
	079680-01-000	YD	Vinyl - Expanded - Buckskin
	069649-03-000	YD	Vinyl - Expanded - Taupe
	078394-01-000	FT	Trim - Half Round Vinyl - 7/16"
	038421-05-000	YD	Fabric - Mattress - Ticking - Gray/White
**	Fabric used on units between 9-19-88 and 10-19-88.		

1989 WC/JP34RU INDEX

Floor Plan	A-01 - A-02
Accessories Group	A-03 - A-07
Bath Group	A-08 - A-09
Chassis Group	A-10 - A-15
Curtain, Cushion & Pad Group	A-16 - B-12
Dinette Group	B-13 - B-14
Driver's Compartment Group	B-15 - B-22
Electrical Group	B-23 - C-02
Exterior Body Group	C-03 - C-09
Galley Group	C-10 - C-12
Heating & Air Conditioning Group	C-13
Interior Finish Group	C-14 - C-17
LP Group	C-18
Lounge Group	C-19 - C-20
Water & Sewage Group	C-21 - C-22
Window, Vent & Exterior Door Group	C-23 - C-12

CURTAIN, CUSHION & PAD GROUP (CONTINUED)



**1989 WINNEBAGO
TABLE OF CONTENTS**

WC/JP34RU
WCP37RQ

A-01 - D-12
D-13 - H-06

**(Y21)
CURTAIN, VALANCE & BLINDS**

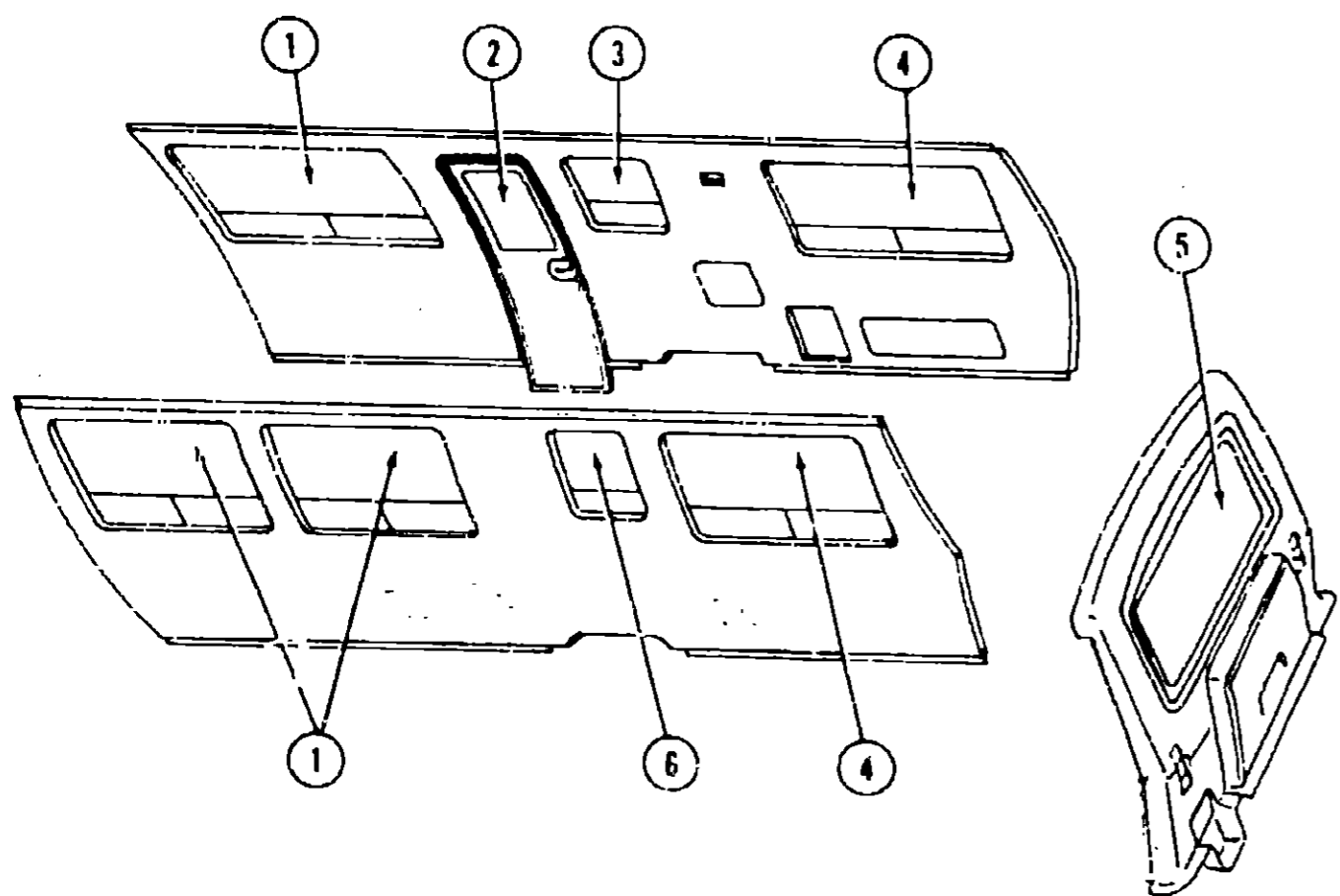
Key	Part Number	U/M	Description
1	093477-01-01A	EA	Blind - 57.5" x 36" Drop Day/Nighter (Y21)
1	089058-07-Y21	EA	Padded Side Panel - Right
1	089058-08-Y21	EA	Padded Side Panel - Left
2	093455-14-Y21	EA	Shade Asm. - Pull - 27.25" - Fabric (Y21, Y22, Y23)
3	093477-03-01A	EA	Blind - 28" x 28" Drop Day/Nighter (Y21)
4	093477-01-02A	EA	Blind - 57.5" x 36" Drop (Y21)
4	089058-03-Y21	EA	Padded Side Panel - Right
4	089058-04-Y21	EA	Padded Side Panel - Left
4	094552-04-Y21	EA	Valance Asm. - 62.5" Ruffled
4	093479-01-01A	EA	Shade - Woven Wood - 57.5" x 36" Drop (Y21, Y22, Y23)
5	093477-03-01A	EA	Blind - 45" x 35" Drop (Y21)
5	089058-05-Y21	EA	Padded Side Panel - Right
5	089058-06-Y21	EA	Padded Side Panel - Left
5	093464-01-Y21	EA	Valance Asm. - Swag
5	093479-02-01A	EA	Shade - Woven Wood - 43.5" x 35" Drop (Y21, Y22, Y23)
6	093477-02-01A	EA	Blind - 28" x 28" Drop (Y21)
6	073304-45-Y21	EA	Curtain Asm. - Snap Top - 30" x 9" (Y21)
6	073304-45-YA4	EA	Curtain Asm. - Snap Top - 30" x 9" (Y21)
6	073304-45-YB4	EA	Curtain Asm. - Snap Top - 30" x 9" (Y21)
	093452-01-Y21	EA	Blackout Curtain - 48" x 50" - Snap Top - Passenger (Y21)
	093452-01-YA4	EA	Blackout Curtain - 48" x 50" - Snap Top - Passenger (Y21)
	093452-01-YB4	EA	Blackout Curtain - 48" x 50" - Snap Top - Passenger (Y21)
	093452-02-Y21	EA	Blackout Curtain - 48" x 50" - Snap Top - Drivers (Y21)
	093452-02-YA4	EA	Blackout Curtain - 48" x 50" - Snap Top - Drivers (Y21)
	093452-02-YB4	EA	Blackout Curtain - 48" x 50" - Snap Top - Drivers (Y21)
	093487-03-000	EA	Wraparound Curtain - 34" x 102" - Passenger (Y21, Y22, Y23)
	093487-04-000	EA	Wraparound Curtain - 34" x 102" - Drivers (Y21, Y22, Y23)

Thru 9/18/89
9/19/88 - 10/19/88
From 10/20/88
Thru 9/18/88
9/19/88 - 10/19/88
From 10/20/88
Thru 9/18/88
9/19/88 - 10/19/88
From 10/20/88

1989 WC/JP34RU INDEX

Floor Plan	A-01 - A-02
Accessories Group	A-03 - A-07
Bath Group	A-08 - A-09
Chassis Group	A-10 - A-15
Curtain, Cushion & Pad Group	A-16 - B-12
Dinette Group	B-13 - B-14
Driver's Compartment Group	B-15 - B-22
Electrical Group	B-23 - C-02
Exterior Body Group	C-03 - C-09
Galley Group	C-10 - C-12
Heating & Air Conditioning Group	C-13
Interior Finish Group	C-14 - C-17
LP Group	C-18
Lounge Group	C-19 - C-20
Water & Sewage Group	C-21 - C-22
Window, Vent & Exterior Door Group	C-23 - C-12

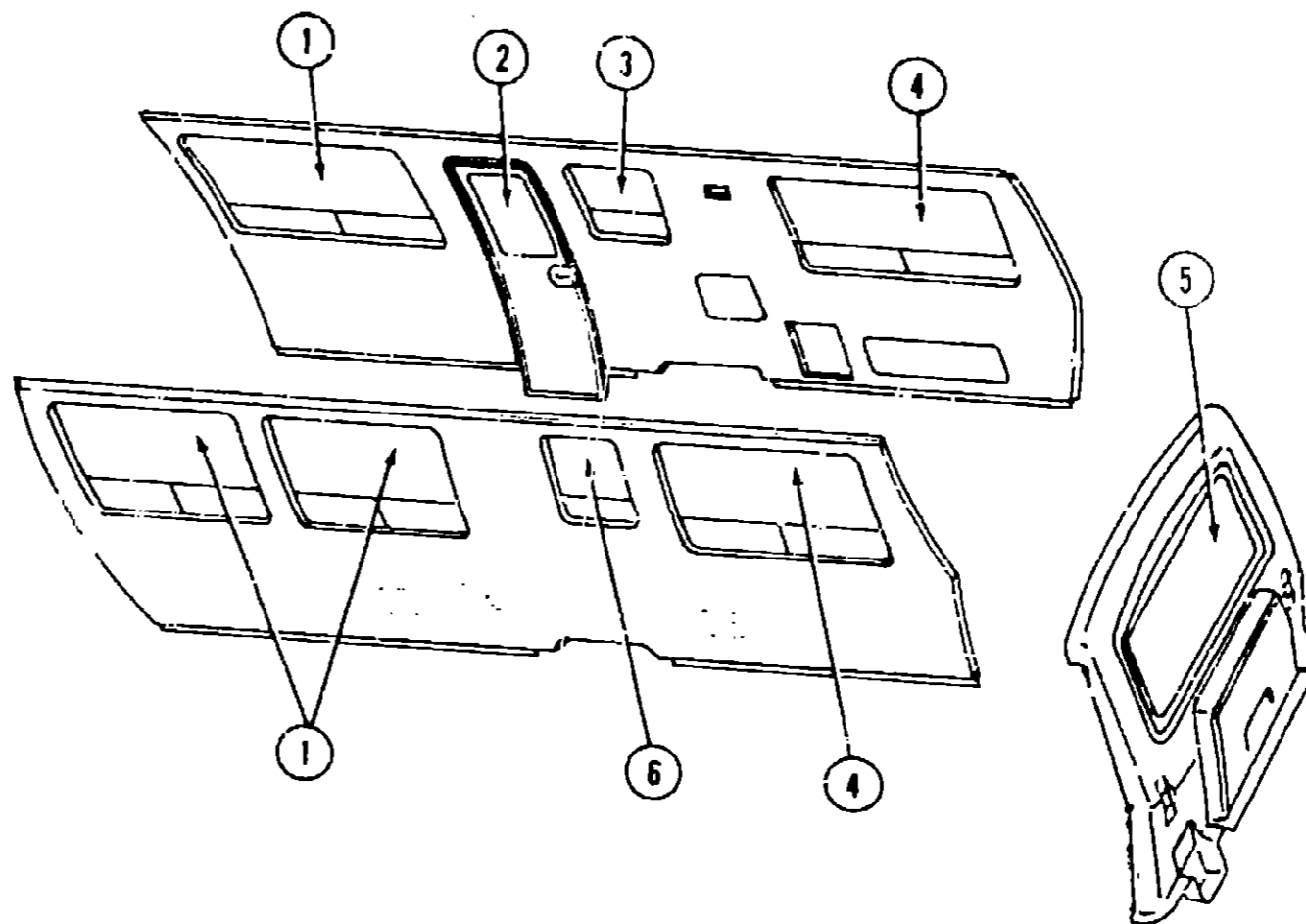
CURTAIN, CUSHION & PAD GROUP (CONTINUED)



**(Y22)
CURTAIN, VALANCES & BLINDS**

Key	Part Number	U/M	Description
1	093477-01-03A	EA	Blind - 57.5" x 36" Drop Day/Nighter (Y22)
1	089058-01-Y22	EA	Padded Side Panel - Right
1	089058-02-Y22	EA	Padded Side Panel - Left
2	093455-14-Y21	EA	Shade Asm. - Full - 27.25" - Fabric (Y21, Y22, Y23)
3	093477-02-02A	EA	Blind - 28" x 28" Drop Day/Nighter (Y22)
4	093477-01-04A	EA	Blind - 57.5" x 36" Drop (Y22)
4	089058-03-Y22	EA	Padded Side Panel - Right
4	089058-04-Y22	EA	Padded Side Panel - Left
4	094552-04-Y22	EA	Valance Asm. - 62.5" Ruffled
4	093479-01-01A	EA	Shade - Woven Wood - 57.5" x 36" Drop (Y21, Y22, Y23)
5	093477-03-02A	EA	Blind - 45" x 35" Drop (Y22)
5	089058-05-Y22	EA	Padded Side Panel - Right
5	089058-06-Y22	EA	Padded Side Panel - Left
5	093464-01-Y22	EA	Valance Asm. - Swag
5	093479-02-01A	EA	Shade - Woven Wood - 43.5" x 35" Drop (Y21, Y22, Y23)
6	093477-02-02A	EA	Blind - 28" x 28" Drop (Y22)
6	073304-45-Y22	EA	Curtain Asm. - 30" x 9" - Snap Top (Y22)
	093452-01-Y22	EA	Blackout Curtain - 48" x 50" - Snap Top - Passenger
	093452-02-Y22	EA	Blackout Curtain - 48" x 50" - Snap Top - Drivers
	093487-03-000	EA	Wraparound Curtain - 34" x 102" - Passengers (Y21, Y22, Y23)
	093487-04-000	EA	Wraparound Curtain - 34" x 102" - Drivers (Y21, Y22, Y23)

CURTAIN, CUSHION & PAD GROUP (CONTINUED)



**(Y23)
CURTAIN, VALANCE & BLINDS**

Key	Part Number	U/M	Description
1	093477-01-05A	EA	Blind - 57.5" x 36" Drop Day/Nighter (Y23)
1	089058-07-Y23	EA	Padded Side Panel - Right
1	089058-08-Y23	EA	Padded Side Panel - Left
2	093455-14-Y21	EA	Shade Asm. - Pull - 27.25" - Fabric (Y21, Y22, Y23)
3	093477-02-03A	EA	Blind - 28" x 28" Drop Day/Nighter (Y23)
4	093477-01-06A	EA	Blind - 57.5" x 36" Drop (Y23)
4	089058-03-Y23	EA	Padded Side Panel - Right
4	089058-04-Y23	EA	Padded Side Panel - Left
4	094552-04-Y23	EA	Valance Asm. - 62.5" Ruffled
4	093479-01-01A	EA	Shade - Woven Wood - 57.5" x 36" Drop (Y21, Y22, Y23)
5	093477-03-03A	EA	Blind - 45" x 35" Drop (Y23)
5	089058-05-Y23	EA	Padded Side Panel - Right
5	089058-06-Y23	EA	Padded Side Panel - Left
5	093464-01-Y23	EA	Valance Asm. - Swag
5	093479-02-01A	EA	Shade - Woven Wood - 43.5" x 35" Drop (Y21, Y22, Y23)
6	093477-02-03A	EA	Blind - 28" x 28" Drop (Y23)
6	073304-45-Y23	EA	Curtain Asm. - 30" x 9" - Snap Top (Y23)
	093452-01-Y15	EA	Blackout Curtain - 48" x 50" - Snap Top - Passenger (Y23)
	093452-02-Y15	EA	Blackout Curtain - 48" x 50" - Snap Top - Drivers (Y23)
	093487-03-000	EA	Wraparound Curtain - 34" x 102" - Passenger (Y21, Y22, Y23)
	093487-04-000	EA	Wraparound Curtain - 34" x 102" - Drivers (Y21, Y22, Y23)

**1989 WINNEBAGO
TABLE OF CONTENTS**

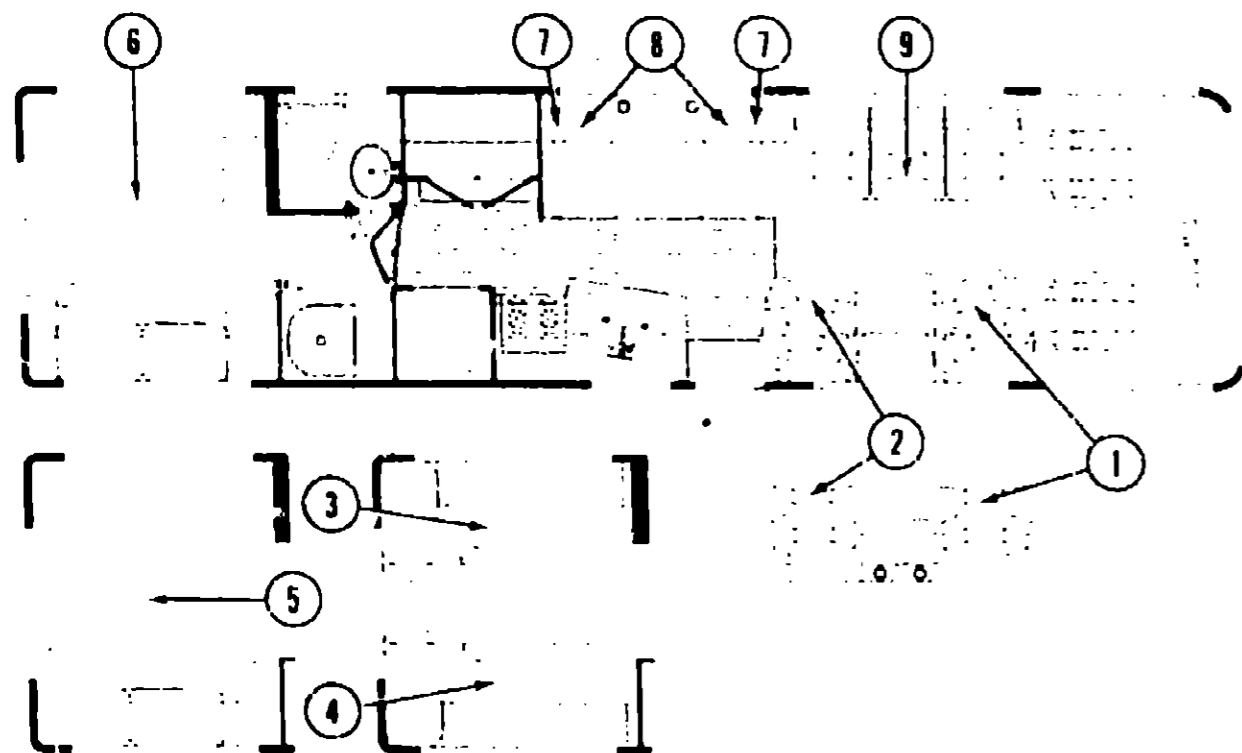
WC/JP34RU
WCP37RQ

A-01 - D-12
D-13 - H-06

1989 WC/JP34RU INDEX

Floor Plan	A-01 - A-02
Accessories Group	A-03 - A-07
Bath Group	A-08 - A-09
Chassis Group	A-10 - A-15
Curtain, Cushion & Pad Group	A-16 - B-12
Dinette Group	B-13 - B-14
Driver's Compartment Group	B-15 - B-22
Electrical Group	B-23 - C-02
Exterior Body Group	C-03 - C-09
Galley Group	C-10 - C-12
Heating & Air Conditioning Group	C-13
Interior Finish Group	C-14 - C-17
LP Group	C-18
Lounge Group	C-19 - C-20
Water & Sewage Group	C-21 - C-22
Window, Vent & Exterior Door Group	C-23 - C-12

CURTAIN, CUSHION & PAD GROUP (CONTINUED)



**(Y21)
CELEBRITY CHAIRS**

Key	Part Number	U/M	Description
1	086516-06-Y21	EA	Chair Asm. - Celebrity Recliner - w/o Skirt
1	M86516-06-Y21	EA	Cover Asm - Celebrity Recliner
1	089032-11-Y21	EA	Skirt Asm. - Celebrity
2	093463-01-Y21	EA	Chair Asm. - Celebrity Recliner w/Footrest
2	M83463-01-Y21	EA	Cover Asm. - Celebrity Recliner w/Footrest
2	094599-01-Y21	EA	Footrest
2	M84599-01-Y21	EA	Cover - Footrest
2	089032-07-Y21	EA	Skirt Asm. - 3/4 - Celebrity Recliner w/Footrest

**(Y21)
TWIN BED OPTION**

Key	Part Number	U/M	Description
3&4	077478-04-000	EA	Mattress - Inner Spring - 33" x 75" x 7.5" - Sealy
3	083986-14-Y21	EA	Bedsread - Fitted w/8" Drop - 33" x 75" - Passenger
4	083986-15-Y21	EA	Bedsread - Fitted w/8" Drop - 33" x 75" - Drivers
3&4	081997-03-Y21	EA	Pillow Sham - Quilted
3&4	093458-03-Y21	EA	Headboard Asm. - Ruffled - 33"

**(Y21)
QUEEN BED OPTION**

Key	Part Number	U/M	Description
5	077478-06-000	EA	Mattress - Inner Spring - 60" x 80" x 7.75" - Sealy
5	092371-04-Y21	EA	Bedsread - Fitted w/Ruffle - 60" x 80"
5	081997-02-Y21	EA	Pillow Sham - w/Ruffle - 30" x 26"
5	093458-02-Y21	EA	Headboard Asm. - Ruffled - 54"

CURTAIN, CUSHION & PAD GROUP (CONTINUED)

**(Y21)
DOUBLE BED**

Key	Part Number	U/M	Description
6	077478-03-000	EA	Mattress - Inner Spring - 54" x 75" x 7.5" - Sealy
6	092371-02-Y21	EA	Bedsread - w/Ruffle - 54" x 75"
6	081997-02-Y21	EA	Pillow Sham - w/Ruffle
6	093458-02-Y21	EA	Headboard Asm. - Ruffled - 54"

**(Y21)
DINETTE CUSHIONS & PADS**

Key	Part Number	U/M	Description
7	088927-20-Y21	EA	Cushion - 13" x 38" x 5" - Angled Dinette Back
	M88927-20-Y21	EA	Cover - Dinette Back Cushion
8	088927-21-Y21	EA	Cushion - 22" x 38" x 5" - Dinette Seat
	M88927-21-Y21	EA	Cover - Dinette Seat Cushion
	081519-07-Y21	EA	Pad - Dinette Back - Front
	081519-08-Y21	EA	Pad - Dinette Back - Rear

**(Y21)
CELESTIAL COUCH/BED**

Key	Part Number	U/M	Description
9	093460-01-Y21	EA	Couch/Bed Asm. - Celestial - w/o Back Cushions
	M93460-01-Y21	EA	Cover - Celestial Couch/Bed
9	085358-05-Y21	EA	Armrest Cushion - Removable
	M85358-05-Y21	EA	Cover - Armrest Cushion
9	085357-02-Y21	EA	Cushion - Celestial Couch/Bed Back (3 per couch)
	M85357-02-Y21	EA	Cover - Celestial Cushion Back

**1989 WINNEBAGO
TABLE OF CONTENTS**

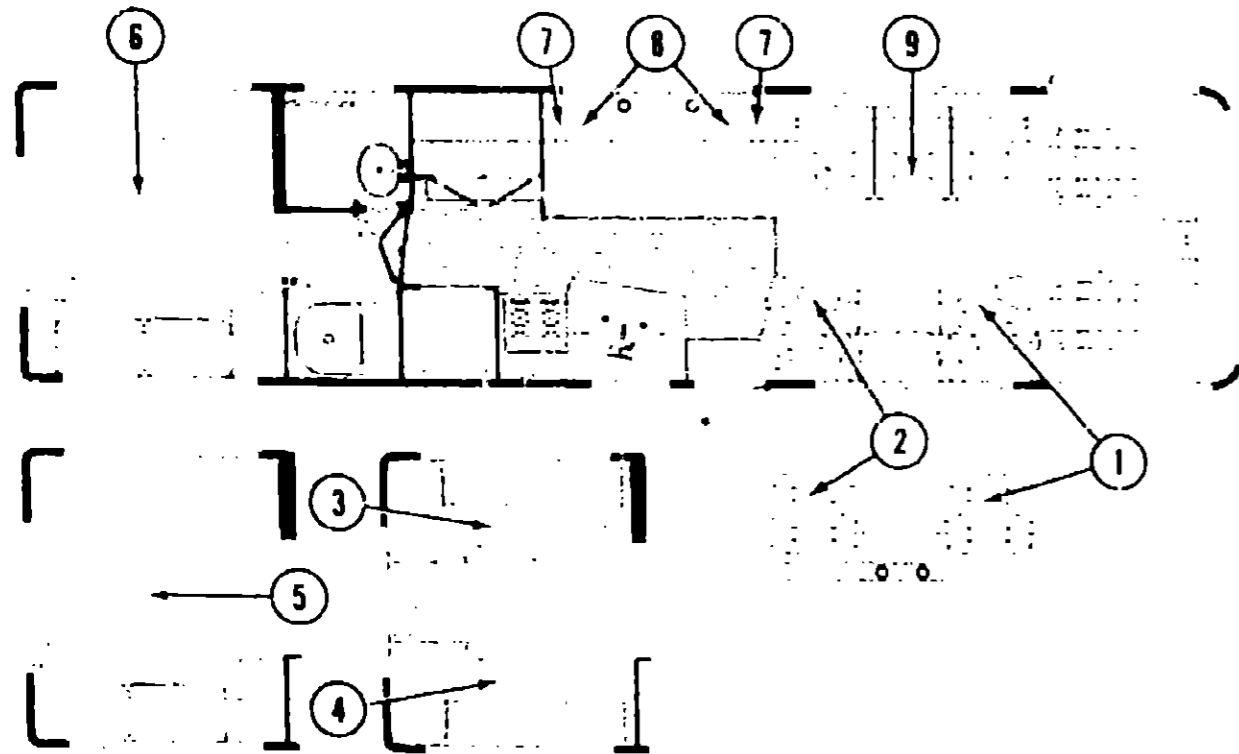
WC/JP34RU
WCP37RQ

A-01 - D-12
D-13 - H-08

1989 WC/JP34RU INDEX

Floor Plan	A-01 - A-02
Accessories Group	A-03 - A-07
Bath Group	A-08 - A-09
Chassis Group	A-10 - A-15
Curtain, Cushion & Pad Group	A-16 - B-12
Dinette Group	B-13 - B-14
Driver's Compartment Group	B-15 - B-22
Electrical Group	B-23 - C-02
Exterior Body Group	C-03 - C-09
Galley Group	C-10 - C-12
Heating & Air Conditioning Group	C-13
Interior Finish Group	C-14 - C-17
LP Group	C-18
Lounge Group	C-19 - C-20
Water & Sewage Group	C-21 - C-22
Window, Vent & Exterior Door Group	C-23 - C-12

CURTAIN, CUSHION & PAD GROUP (CONTINUED)



**(Y22)
CELEBRITY CHAIRS**

Key	Part Number	U/M	Description
1	086516-02-Y22	EA	Chair Asm. - Celebrity Recliner - w/o Skirt
1	M86516-02-Y22	EA	Cover Asm. - Celebrity Recliner
1	089032-11-Y22	EA	Skirt Asm. - Celebrity
2	093463-02-Y22	EA	Chair Asm. - Celebrity Recliner w/Footrest
2	M93463-02-Y22	EA	Cover Asm. - Celebrity Recliner w/Footrest
2	089032-08-Y22	EA	Skirt Asm. - 3/4 Celebrity
2	094599-01-Y22	EA	Footrest
2	M94599-01-Y22	EA	Cover - Footrest

**(Y22)
TWIN BED OPTION**

Key	Part Number	U/M	Description
3&4	077478-04-000	EA	Mattress - Inner Spring - 33" x 75" x 7.5" - Sealy
3	083986-14-Y22	EA	Bedsprad - Fitted w/8" Drop - 33" x 75" - Passenger
4	083986-15-Y22	EA	Bedsprad - Fitted w/8" Drop - 33" x 75" - Drivers
3&4	081997-03-Y22	EA	Pillow Sham - Quilted
3&4	093458-03-Y22	EA	Headboard Asm. - Ruffled - 33"

**(Y22)
QUEEN BED OPTION**

Key	Part Number	U/M	Description
5	077478-06-000	EA	Mattress - Inner Spring - 60" x 80" x 7.75" - Sealy
5	092371-04-Y22	EA	Bedsprad - Fitted w/Ruffle - 60" x 80"
5	081997-02-Y22	EA	Pillow Sham - w/Ruffle - 30" x 26"
5	093458-02-Y22	EA	Headboard Asm. - Ruffled - 54"

CURTAIN, CUSHION & PAD GROUP (CONTINUED)

**(Y22)
DOUBLE BED**

Key	Part Number	U/M	Description
6	077478-03-000	EA	Mattress - Inner Spring - 54" x 75" x 7.5" - Sealy
6	092371-02-Y22	EA	Bedsprad - w/Ruffle - 54" x 75" - Passenger
6	081997-02-Y22	EA	Pillow Sham - w/Ruffle
6	093458-02-Y22	EA	Headboard Asm. - Ruffled - 54"

**(Y22)
DINETTE CUSHIONS & PADS**

Key	Part Number	U/M	Description
7	086927-20-Y22	EA	Cushion - 13" x 38" x 5" - Angled Dinette Back
	M86927-20-Y22	EA	Cover - Dinette Back Cushion
8	088927-21-Y22	EA	Cushion - 22" x 38" x 5" Dinette Seat
	M88927-21-Y22	EA	Cover - Dinette Seat Cushion
	081519-07-Y22	EA	Pad - Dinette Back - Front
	081519-08-Y22	EA	Pad - Dinette Back - Rear

**(Y22)
CELESTIAL COUCH/BED**

Key	Part Number	U/M	Description
9	093460-01-Y22	EA	Couch/Bed Asm. - Celestial - w/o Back Cushions
	M93460-01-Y22	EA	Cover - Celestial Couch/Bed
9	085356-05-Y22	EA	Armrest Cushion - Removable
	M85356-05-Y22	EA	Cover - Armrest Cushion
9	085357-02-Y22	EA	Cushion - Celestial Couch/Bed Back (3 per couch)
	M85357-02-Y22	EA	Cover - Celestial Cushion Back

**1989 WINNEPAGO
TABLE OF CONTENTS**

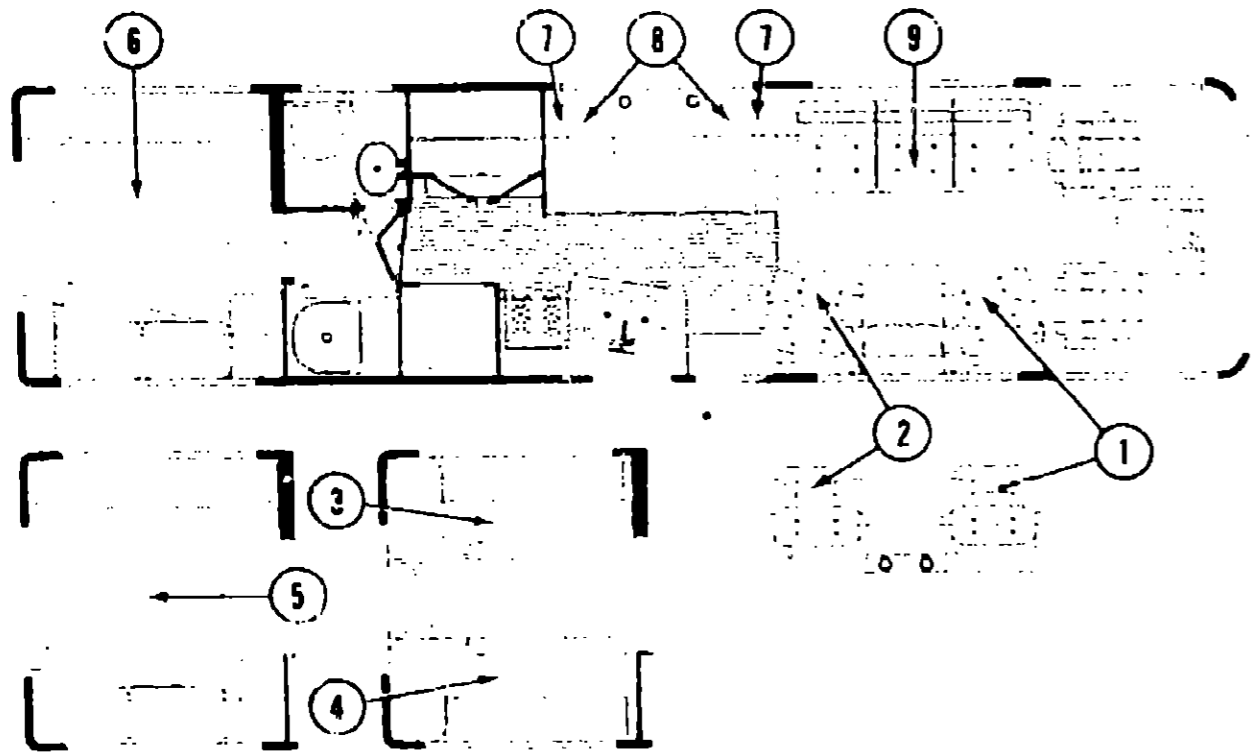
WC/JP34RU
WCP37RO

A-01 - D-12
D-13 - H-06

1989 WC/JP34RU INDEX

Floor Plan	A-01 - A-02
Accessories Group	A-03 - A-07
Bath Group	A-08 - A-09
Chassis Group	A-10 - A-15
Curtain, Cushion & Pad Group	A-16 - B-12
Dinette Group	B-13 - B-14
Driver's Compartment Group	B-15 - B-22
Electrical Group	B-23 - C-02
Exterior Body Group	C-03 - C-09
Galley Group	C-10 - C-12
Heating & Air Conditioning Group	C-13
Interior Finish Group	C-14 - C-17
LP Group	C-18
Lounge Group	C-19 - C-20
Water & Sewage Group	C-21 - C-22
Window, Vent & Exterior Door Group	C-23 - C-12

CURTAIN, CUSHION & PAD GROUP (CONTINUED)



**(Y23)
CELEBRITY CHAIRS**

Key	Part Number	U/M	Description
1	086516-06-Y23	EA	Chair Asm. - Celebrity Recliner
1	M86516-05-Y23	EA	Cover Asm. - Celebrity Recliner
1	089032-11-Y23	EA	Skirt Asm. - Celebrity
2	093463-01-Y23	EA	Chair Asm. - Celebrity Recliner w/Footrest
2	M93463-01-Y23	EA	Cover Asm. - Celebrity Recliner w/Footrest
2	089032-07-Y23	EA	Skirt Asm. - 3/4 - Celebrity
2	094595-01-Y23	EA	Footrest
2	M94595-01-Y23	EA	Cover - Footrest

**(Y23)
TWIN BED OPTION**

Key	Part Number	U/M	Description
3&4	077478-04-000	EA	Mattress - Inner Spring - 33" x 75" x 7.5" - Sealy
3	083986-14-Y23	EA	Bedsread - Fitted w/8" Drop - 33" x 75" - Passenger
4	083986-15-Y23	EA	Bedsread - Fitted w/8" Drop - 33" x 75" - Drivers
3&4	081997-03-Y23	EA	Pillow Sham - Quilted
3&4	093458-03-Y23	EA	Headboard Asm. - Ruffled - 33"

**(Y23)
QUEEN BED OPTION**

Key	Part Number	U/M	Description
5	077478-06-000	EA	Mattress - Inner Spring - 60" x 80" x 7.75" - Sealy
5	092371-04-Y23	EA	Bedsread - Fitted w/Ruffle - 60" x 80"
5	081997-02-Y23	EA	Pillow Sham - w/Ruffle - 30" x 26"
5	093458-02-Y23	EA	Headboard Asm. - Ruffled - 54"

CURTAIN, CUSHION & PAD GROUP (CONTINUED)

**(Y23)
DOUBLE BED**

Key	Part Number	U/M	Description
6	077478-03-000	EA	Mattress - Inner Spring - 54" x 75" x 7.5" - Sealy
6	092371-02-Y23	EA	Bedsread - w/Ruffle - 54" x 75" - Passenger
6	081997-02-Y23	EA	Pillow Sham - w/Ruffle
6	093458-02-Y23	EA	Headboard Asm. - Ruffled - 54"

**(Y23)
DINETTE CUSHIONS & PADS**

Key	Part Number	U/M	Description
7	088927-20-Y23	EA	Cushion - 13" x 30" x 5" - Angled Dinette Back
	M88927-20-Y23	EA	Cover - Dinette Back Cushion
8	088927-21-Y23	EA	Cushion - 22" x 38" x 5" - Dinette Seat
	M88927-21-Y23	EA	Cover - Dinette Seat Cushion
	081519-07-Y22	EA	Pad - Dinette Back - Front
	081519-08-Y23	EA	Pad - Dinette Back - Rear

**(Y23)
CELESTIAL COUCH/BED**

Key	Part Number	U/M	Description
9	093460-01-Y23	EA	Couch/Bed Asm. - Celestial - w/o Back Cushions
	M93460-01-Y23	EA	Cover - Celestial Couch/Bed
9	085358-05-Y23	EA	Armrest Cushion - Removable
	M85358-05-Y23	EA	Cover - Armrest Cushion
9	085357-02-Y23	EA	Cushion - Celestial Couch/Bed Back (3 per couch)
	M85357-02-Y23	EA	Cover - Celestial Cushion Back

**1989 WINNEBAGO
TABLE OF CONTENTS**

WC/JP34RU
WCP37RQ

A-01 - D-12
D-13 - H-08

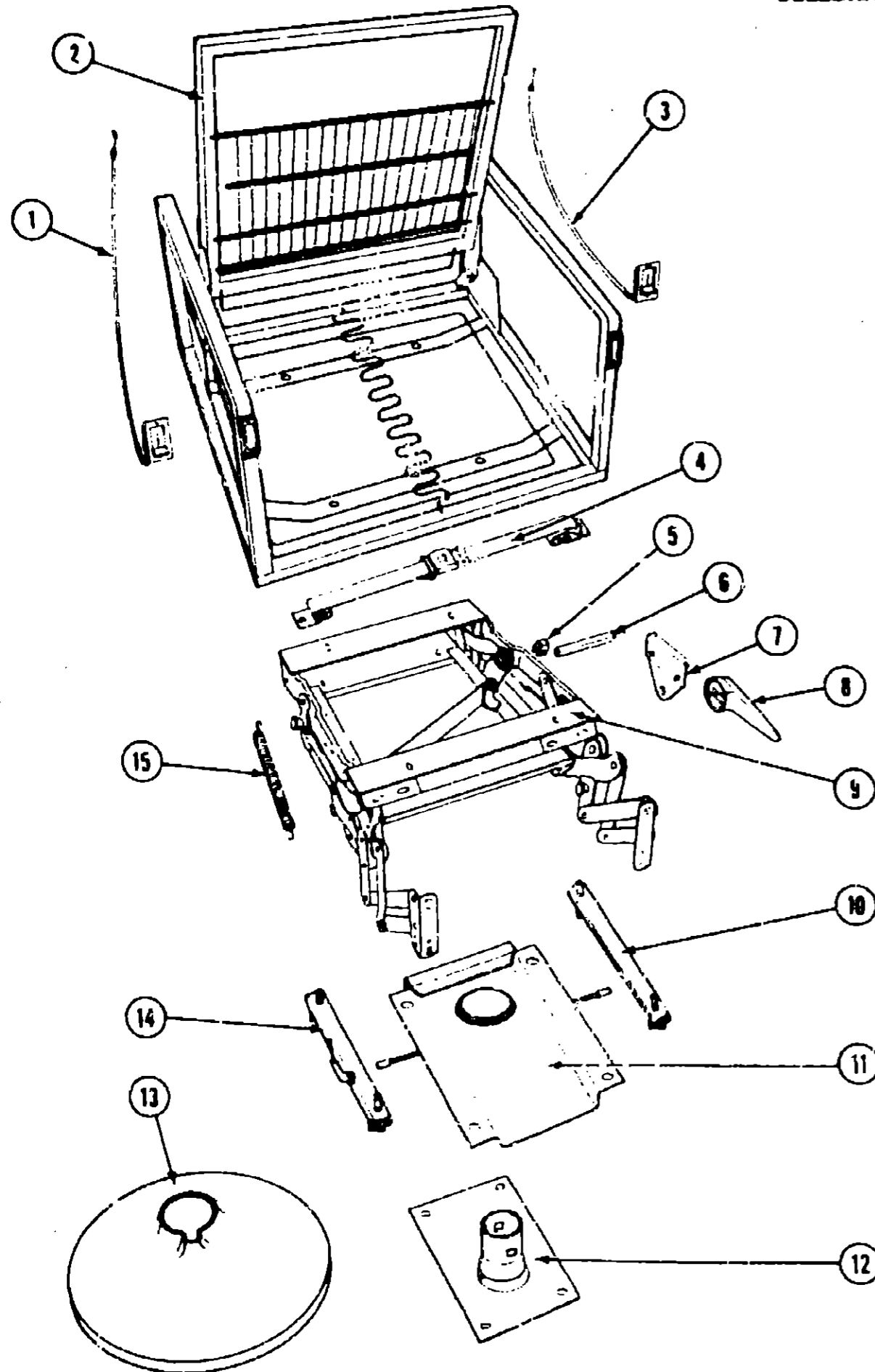
1989 WC/JP34RU INDEX

Floor Plan	A-01 - A-02
Accessories Group	A-03 - A-07
Bath Group	A-08 - A-09
Chassis Group	A-10 - A-15
Curtain, Cushion & Pad Group	A-16 - B-12
Dinette Group	B-13 - B-14
Driver's Compartment Group	B-15 - B-22
Electrical Group	B-23 - C-02
Exterior Body Group	C-03 - C-09
Galley Group	C-10 - C-12
Heating & Air Conditioning Group	C-13
Interior Finish Group	C-14 - C-17
LP Group	C-18
Lounge Group	C-19 - C-20
Water & Sewage Group	C-21 - C-22
Window, Vent & Exterior Door Group	C-23 - C-12

CURTAIN, CUSHION & PAD GROUP (CONTINUED)

CELEBRITY RECLINER HARDWARE

Key	Part Number	U/M	Description
1	089368-03-000	EA	Remote Asm. - Recliner
2	089368-01-000	EA	Frame Asm. - Celebrity Chair
3	089368-02-000	EA	Remote Asm. - Slider
4	007021-01-000	EA	Seat Belt Asm. - 90" x 2" - Black
	057759-01-000	EA	Bracket - Seat Belt Washer
5	093484-02-700	EA	Clamp
6	093484-02-701	EA	Torsion Bar
7	093484-02-702	EA	Support - Torsion Bar
8	093484-02-703	EA	Handle
	093484-02-000	EA	Hardware Kit - Footrest - Includes Keys 5,6,7,8, & 15
9	093484-01-000	EA	Footrest Pedestal Mechanism
10	069246-02-000	EA	Adjuster Asm. - Celebrity Chair - w/o Lock
11	093481-03-000	EA	Top Plate - Celebrity Chair - w/Lock
12	093481-01-000	EA	Pedestal - 6" - Used with Footrest Only
12	093481-02-000	EA	Pedestal - 10" - Used with Recliner Only
13	093482-01-000	EA	Pedestal Shroud - 13" - Black Plastic
14	069246-05-000	EA	Adjuster Asm. - Celebrity Chair - w/Lock
	087330-01-000	EA	Bracket - Stop - Slide Track
15	093484-02-704	EA	Spring



1989 WINNEBAGO TABLE OF CONTENTS

WC/JP34RU
WCP37RQ

A-01 - D-12
D-13 - H-06

1989 WC/JP34RU INDEX

Floor Plan	A-01 - A-02
Accessories Group	A-03 - A-07
Bath Group	A-08 - A-09
Chassis Group	A-10 - A-15
Curtain, Cushion & Pad Group	A-16 - B-12
Dinette Group	B-13 - B-14
Driver's Compartment Group	B-15 - B-22
Electrical Group	B-23 - C-02
Exterior Body Group	C-03 - C-09
Galley Group	C-10 - C-12
Heating & Air Conditioning Group	C-13
Interior Finish Group	C-14 - C-17
LP Group	C-18
Lounge Group	C-19 - C-20
Water & Sewage Group	C-21 - C-22
Window, Vent & Exterior Door Group	C-23 - C-12

CURTAIN, CUSHION & PAD GROUP (CONTINUED)

CURTAIN, CUSHION & PAD GROUP (CONTINUED)

**1989 WINNEBAGO
TABLE OF CONTENTS**

**(Y21)
BUCKET SEATS**

Key	Part Number	U/M	Description
	093459-01-Y21	EA	Seat Asm. - Single Bucket - w/Armrests & Headrests w/o Skirt
	M03445-08-Y21	EA	Cover - Back - Single Bucket
	M03445-07-Y21	EA	Cover - Bottom - Single Bucket
	071126-24-Y01	EA	Skirt - Single Bucket
	080243-36-Y21	EA	Armrest Asm. - Right
	080243-37-Y21	EA	Armrest Asm. - Left
	M80243-36-Y21	EA	Cover - Armrest - Right
	M80243-37-Y21	EA	Cover - Armrest - Left

**(Y21)
POWER BUCKET SEAT OPTION**

Key	Part Number	U/M	Description
	093459-03-Y21	EA	Seat Asm. - Single Bucket - Drivers w/Armrest w/o Skirt
	M03445-07-Y21	EA	Cover - Bottom - Drivers Bucket
	M03445-08-Y21	EA	Cover - Back - Drivers Bucket
	071126-26-Y21	EA	Skirt - Power Seat Bucket
	080243-36-Y21	EA	Armrest Asm. - Right w/Remote
	M80243-36-Y21	EA	Cover - Right Armrest
	080243-38-Y21	EA	Armrest Asm. - Left Drivers w/Power Seat
	M80243-38-Y21	EA	Cover - Left Armrest w/Power Seat

WC/JP34RU
WCP37RO

A-01 - D-12
D-13 - H-08

**(Y22)
BUCKET SEATS**

Key	Part Number	U/M	Description
	093459-02-Y22	EA	Seat Asm. - Single Bucket - w/Armrests & Headrests w/o Skirt
	M03445-10-Y22	EA	Cover - Back - Single Bucket
	M03445-10-Y22	EA	Cover - Bottom - Single Bucket
	071126-24-Y22	EA	Skirt - Single Bucket
	080243-36-Y22	EA	Armrest Asm. - Right
	M80243-36-Y22	EA	Cover - Armrest - Right
	080243-37-Y22	EA	Armrest Asm. - Left
	M80243-37-Y22	EA	Cover - Armrest - Left

**(Y22)
POWER BUCKET SEAT OPTION**

Key	Part Number	U/M	Description
	093459-04-Y22	EA	Seat Asm. - Single Bucket - Drivers w/Armrest w/o Skirt
	M03445-09-Y22	EA	Cover - Bottom - Drivers Bucket
	M03445-10-Y22	EA	Cover - Back - Drivers Bucket
	071126-26-Y22	EA	Skirt - Power Seat Bucket
	080243-36-Y22	EA	Armrest Asm. - Right w/Remote
	M80243-36-Y22	EA	Cover - Right Armrest
	080243-38-Y22	EA	Armrest Asm. - Left Drivers w/Power Seat
	M80243-38-Y22	EA	Cover - Left Armrest w/Power Seat

**(Y23)
BUCKET SEATS**

Key	Part Number	U/M	Description
	093459-01-Y23	EA	Seat Asm. - Single Bucket - w/Armrests & Headrests
	M03445-08-Y23	EA	Cover - Back - Single Bucket
	M03445-07-Y23	EA	Cover - Bottom - Single Bucket
	071126-24-Y02	EA	Skirt - Single Bucket
	080243-36-Y23	EA	Armrest Asm. - Right
	M80243-36-Y23	EA	Cover - Armrest - Right
	080243-37-Y23	EA	Armrest Asm. - Left
	M80243-37-Y23	EA	Cover - Armrest - Left

**(Y23)
POWER BUCKET SEAT OPTION**

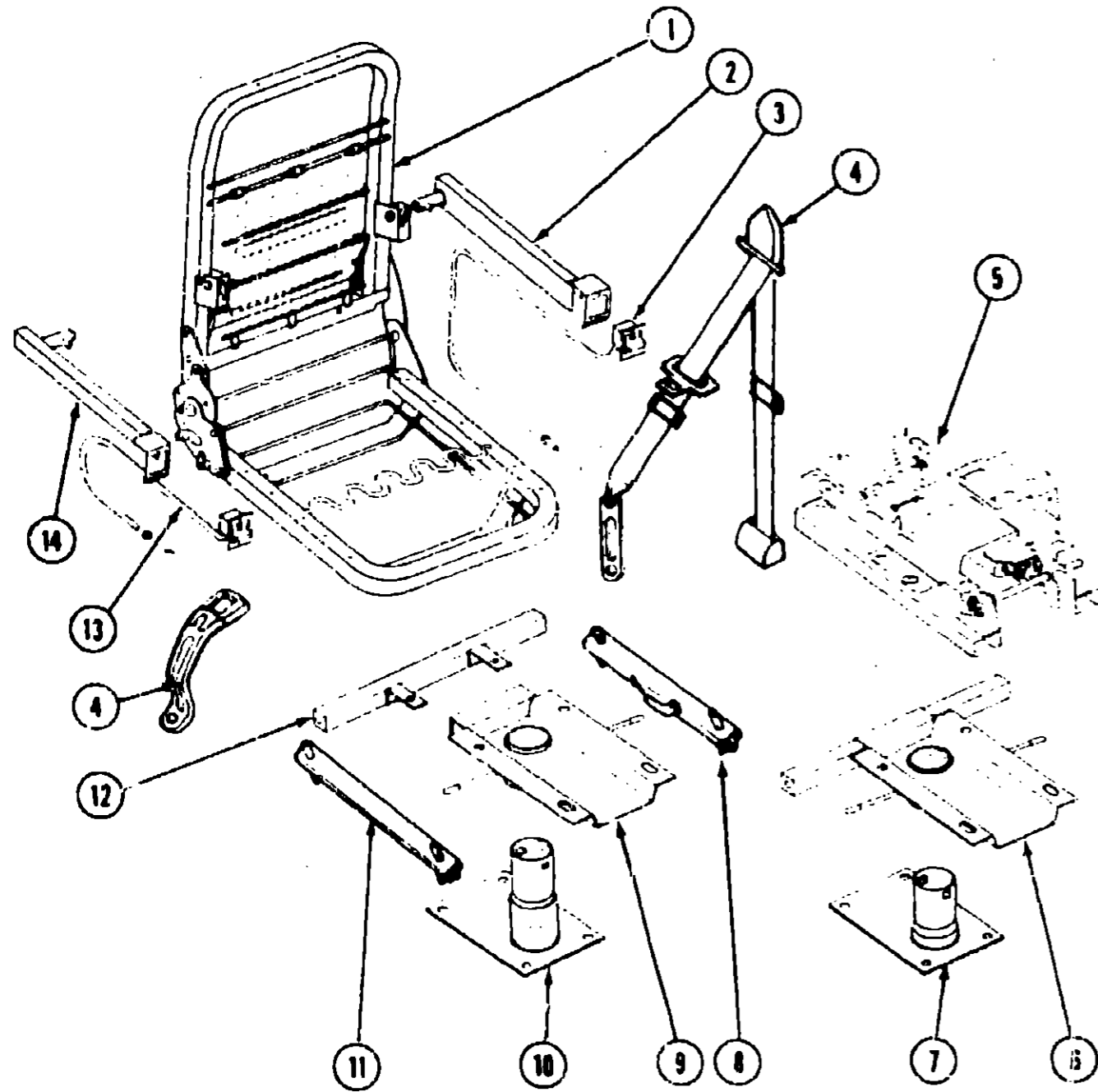
Key	Part Number	U/M	Description
	093459-03-Y23	EA	Seat Asm. - Single Bucket - Drivers w/Armrest w/o Skirt
	M03445-07-Y23	EA	Cover - Bottom - Drivers Bucket
	M03445-08-Y23	EA	Cover - Back - Drivers Bucket
	071126-26-Y23	EA	Skirt - Power Seat Bucket
	080243-36-Y23	EA	Armrest Asm. - Right w/Remote
	M80243-36-Y23	EA	Cover - Right Armrest
	080243-38-Y23	EA	Armrest Asm. - Left Drivers w/Power Seat
	M80243-38-Y23	EA	Cover - Left Armrest w/Power Seat

1989 WC/JP34RU INDEX

Floor Plan	A-01 - A-02
Accessories Group	A-03 - A-07
Bath Group	A-08 - A-09
Chassis Group	A-10 - A-15
Curtain, Cushion & Pad Group	A-16 - B-12
Dinette Group	B-13 - B-14
Driver's Compartment Group	B-15 - B-22
Electrical Group	B-23 - C-02
Exterior Body Group	C-03 - C-08
Galley Group	C-10 - C-12
Heating & Air Conditioning Group	C-13
Interior Finish Group	C-14 - C-17
LP Group	C-18
Lounge Group	C-19 - C-20
Water & Sewage Group	C-21 - C-22
Window, Vent & Exterior Door Group	C-23 - C-12

CURTAIN, CUSHION & PAD GROUP (CONTINUED)

BUCKET SEAT HARDWARE



Key	Part Number	U/M	Description
1	089369-01-000	EA	Frame Asm. - Bucket Seat
2	089369-03-000	EA	Frame - Armrest - Left
3	089369-03-000	EA	Cable Asm. - Remote - Slide
4	091990-02-01A	EA	Seat Belt - Driver - 3 Point
	091990-01-01A	EA	Seat Belt - Passenger - 3 Point
5	081373-01-000	EA	Power Seat Asm.
	081373-02-700	EA	Switch Asm. - Power Seat
	081373-02-701	EA	Wire Harness - Drivers - Power Seat
	081373-02-702	EA	Wire Harness - Passenger - Power Seat
	081373-02-703	EA	Horizontal Adjustment Package
	081373-02-704	EA	Vertical Adjustment Package
6	069585-36-000	EA	Top Plate - Power Seat
7	069585-37-000	EA	Sub Plate - 5" - Used w/Power Seat
8	069246-05-000	EA	Adjuster Asm. - Seat - w/Lock
9	069585-27-000	EA	Top Plate - Non Powered Seat
10	069585-08-000	EA	Sub Plate - 8" - Used w/Non Powered Seat
11	069246-02-000	EA	Adjuster Asm. - Seat - w/Lock
12	069585-29-000	EA	Seat Belt Bar - 20"
13	089368-02-000	EA	Cable Asm. - Remote - Recliner
14	089369-02-000	EA	Frame - Armrest - Right

1989 WINNEBAGO TABLE OF CONTENTS

WC/JP34RU
WCP37RQ

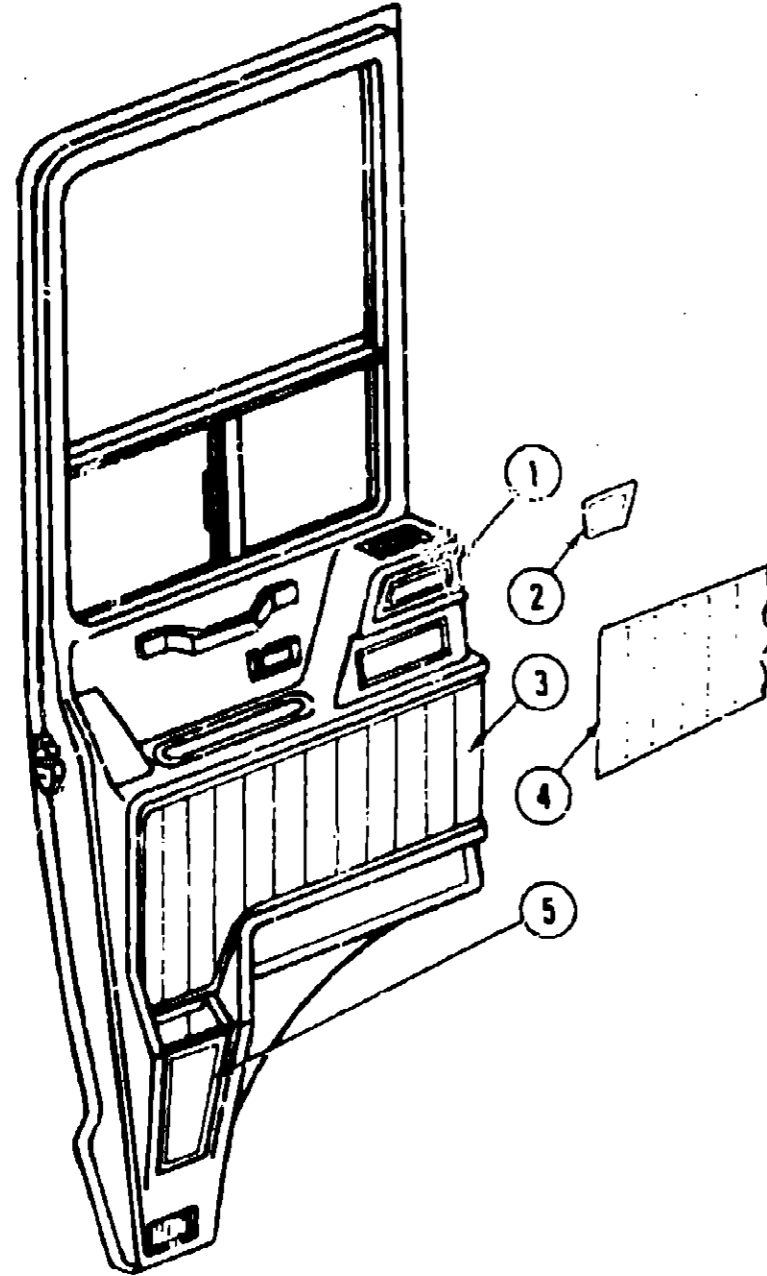
A-01 - D-12
D-13 - H-06

1989 WC/JP34RU INDEX

Floor Plan	A-01 - A-02
Accessories Group	A-03 - A-07
Bath Group	A-08 - A-09
Chassis Group	A-10 - A-15
Curtain, Cushion & Pad Group	A-16 - B-12
Dinette Group	B-13 - B-14
Driver's Compartment Group	B-15 - B-22
Electrical Group	B-23 - C-02
Exterior Body Group	C-03 - C-09
Galley Group	C-10 - C-12
Heating & Air Conditioning Group	C-13
Interior Finish Group	C-14 - C-17
LP Group	C-18
Lounge Group	C-19 - C-20
Water & Sewage Group	C-21 - C-22
Window, Vent & Exterior Door Group	C-23 - C-12

CURTAIN, CUSHION & PAD GROUP (CONTINUED)

CURTAIN, CUSHION & PAD GROUP (CONTINUED)



(Y21)

TRIM PADS & INSERTS

Key	Part Number	U/M	Description
1	089104-03-Y21	EA	Insert - Upper Passenger Door - 2.5" x 6.25"
1	089104-04-Y21	EA	Insert - Upper Drivers Door - 2.5" x 6.25"
2	089107-02-Y21	EA	Insert - Side Upper - Drivers - 2.6" x 3.14"
2	089109-02-Y21	EA	Insert - Side Upper - Passenger - 2.6" x 17.1"
3	089105-03-Y21	EA	Insert - Lower Passenger Door - 14.2" x 28.25"
3	089105-04-Y21	EA	Insert - Lower Drivers Door - 14.2" x 28.25"
4	089108-02-Y21	EA	Insert - Side Lower - Driver - 9.3" x 21.3"
4	089110-02-Y21	EA	Insert - Side Lower - Passenger - 9.2" x 28"
5	089106-03-Y21	EA	Insert - Map Pocket - Passenger Door - 5.75" x 7.6"
5	089106-04-Y21	EA	Insert - Map Pocket - Driver Door - 5.75" x 7.6"
	089111-02-Y21	EA	Insert - Front Center Overhead - 19.5" x 4"
	089112-03-Y21	EA	Insert - Front Overhead (Sunvisor) Passenger - 28" x 23.2"
	089112-04-Y21	EA	Insert - Front Overhead (Sunvisor) Driver - 29" x 23.2"
	089113-02-Y21	EA	Insert - TT Chair Lounge - 12" x 16"

(Y22)

TRIM PADS & INSERTS

Key	Part Number	U/M	Description
1	089104-03-Y22	EA	Insert - Upper Passenger Door - 2.5" x 6.25"
1	089104-04-Y22	EA	Insert - Upper Drivers Door - 2.5" x 6.25"
2	089107-02-Y22	EA	Insert - Side Upper - Drivers - 2.6" x 3.14"
2	089109-02-Y22	EA	Insert - Side Upper - Passenger - 2.6" x 17.1"
3	089105-03-Y22	EA	Insert - Lower Passenger Door - 14.2" x 28.25"
3	089105-04-Y22	EA	Insert - Lower Drivers Door - 14.2" x 28.25"
4	089108-02-Y22	EA	Insert - Side Lower - Driver - 9.3" x 21.3"
4	089110-02-Y22	EA	Insert - Side Lower - Passenger - 9.2" x 28"
5	089106-03-Y22	EA	Insert - Map Pocket - Passenger Door - 5.75" x 7.6"
5	089106-04-Y22	EA	Insert - Map Pocket - Driver Door - 5.75" x 7.6"
	089111-02-Y22	EA	Insert - Front Center Overhead - 19.5" x 4"
	089112-03-Y22	EA	Insert - Front Overhead (Sunvisor) Passenger - 28" x 23.2"
	089112-04-Y22	EA	Insert - Front Overhead (Sunvisor) Driver - 28" x 23.2"
	089113-02-Y22	EA	Insert - TT Chair Lounge - 12" x 16"

(Y23)

TRIM PADS & INSERTS

Key	Part Number	U/M	Description
1	089104-03-Y23	EA	Insert - Upper Passenger Door - 2.5" x 6.25"
1	089104-04-Y23	EA	Insert - Upper Drivers Door - 2.5" x 6.25"
2	089107-02-Y23	EA	Insert - Side Upper - Drivers - 2.6" x 3.14"
2	089109-02-Y23	EA	Insert - Side Upper - Passenger - 2.6" x 17.1"
3	089105-03-Y23	EA	Insert - Lower Passenger Door - 14.2" x 28.25"
3	089105-04-Y23	EA	Insert - Lower Drivers Door - 14.2" x 28.25"
4	089108-02-Y23	EA	Insert - Side Lower - Driver - 9.3" x 21.3"
4	089110-02-Y23	EA	Insert - Side Lower - Passenger - 9.2" x 28"
5	089106-03-Y23	EA	Insert - Map Pocket - Passenger Door - 5.75" x 7.6"
5	089106-04-Y23	EA	Insert - Map Pocket - Driver Door - 5.75" x 7.6"
	089107-02-Y23	EA	Insert - Side Upper - Drivers - 2.6" x 3.14"
	089109-02-Y23	EA	Insert - Side Upper - Passenger - 2.6" x 17.1"
	089108-02-Y23	EA	Insert - Side Lower - Driver - 9.3" x 21.3"
	089110-02-Y23	EA	Insert - Side Lower - Passenger - 9.2" x 28"
	089111-02-Y23	EA	Insert - Front Center Overhead - 19.5" x 4"
	089112-03-Y23	EA	Insert - Front Overhead (Sunvisor) Passenger - 28" x 23.2"
	089112-04-Y23	EA	Insert - Front Overhead (Sunvisor) Driver - 28" x 23.2"
	089113-02-Y23	EA	Insert - TT Chair Lounge - 12" x 16"

**1989 WINNEBAGO
TABLE OF CONTENTS**

WC/JP34RU
WCP37RO

A-01 - D-12
D-13 - H-08

1989 WC/JP34RU INDEX

Floor Plan	A-01 - A-02
Accessories Group	A-03 - A-07
Bath Group	A-08 - A-09
Chassis Group	A-10 - A-15
Curtain, Cushion & Pad Group	A-16 - B-12
Dinette Group	B-13 - B-14
Driver's Compartment Group	B-15 - B-22
Electrical Group	B-23 - C-02
Exterior Body Group	C-03 - C-09
Galley Group	C-10 - C-12
Heating & Air Conditioning Group	C-13
Interior Finish Group	C-14 - C-17
LP Group	C-18
Lounge Group	C-19 - C-20
Water & Sewage Group	C-21 - C-22
Window, Vent & Exterior Door Group	C-23 - C-12

CURTAIN, CUSHION & PAD GROUP (CONTINUED)

CURTAIN HARDWARE

Key	Part Number	U/M	Description
	056116-01-000	EA	Track - Curtain - Brown - Plastic
	077046-01-000	EA	Track - Curtain - Front Wraparound - Passenger
	077046-02-000	EA	Track - Curtain - Front Wraparound - Driver
	091904-01-000	FT	Track - Curtain - Light Beige
	077046-01-000	EA	Baton Asm. - w/Strap - Wraparound
	077046-01-701	EA	Swivel Carrier - Wraparound
	077046-01-702	EA	Lock Stop - Wraparound
	077043-01-704	EA	End Stop - Wraparound
	077046-01-705	EA	Master Carrier - Left Wraparound
	077046-01-708	EA	Master Carrier - Right Wraparound
	081381-01-000	EA	Swivel - Snap - Curtain Track
	056003-01-000	EA	Bracket - Drapery Retainer - Right
	056003-02-000	EA	Bracket - Drapery Retainer - Left
	056784-02-000	EA	Pull - Window Shade - Brass
	039175-02-000	EA	Bracket - Curtain Rod
	048394-01-000	YD	Tape Hook - 1" x 50 YD - Beige (Velcro)
	048395-01-000	YD	Tape Loop - 1" x 50 YD - Beige (Velcro)
	082139-01-000	EA	Bracket - Hold Down - Blind
	016804-02-000	EA	Brace - Seat - Angle - 2.50" Brown
	084434-01-000	EA	Bracket - Roller Shade
	087253-01-000	EA	Shade Pull - Clear Plastic
	075843-01-000	EA	Brace - Valance - Beige
	080792-01-000	YD	Velcro - 5/8" Hook - Non Adhesive
	088792-02-000	YD	Velcro - 3/4" Loop - Adhesive
	089918-01-000	EA	Trim - Window - Mounting for Leg Asm.
	039522-01-000	EA	Panel - Trim - Mounting Leg to Window Trim



Key	Part Number	U/M	Description
1	029130-01-000	EA	Socket - Snap Fastener
2	029155-01-000	EA	Cap - Snap - .156" Dia. x 17" Barrel
3	029156-01-000	EA	Socket - Snap Fastener
4	029092-01-000	EA	Stud - Nickel Finish
5	029093-01-000	EA	Eyelet - Nickel Finish

CURTAIN, CUSHION & PAD GROUP (CONTINUED)

FRONT OVERHEAD BUNK CUSHIONS

Key	Part Number	U/M	Description
	079145-02-000	EA	Cushion Asm. - Front Bunk - 30" x 72" x 4"
	M79145-02-000	EA	Cover Asm. - Front Bunk Cushion

CELESTIAL COUCH/BED HARDWARE

Key	Part Number	U/M	Description
	074044-90-000	EA	Oak Trim - Celestial Couch/Bed
	079386-01-000	EA	Frame Asm. - Celestial Couch/Bed
	079386-02-000	EA	Kit - Hardware

**1989 WINNEBAGO
TABLE OF CONTENTS**

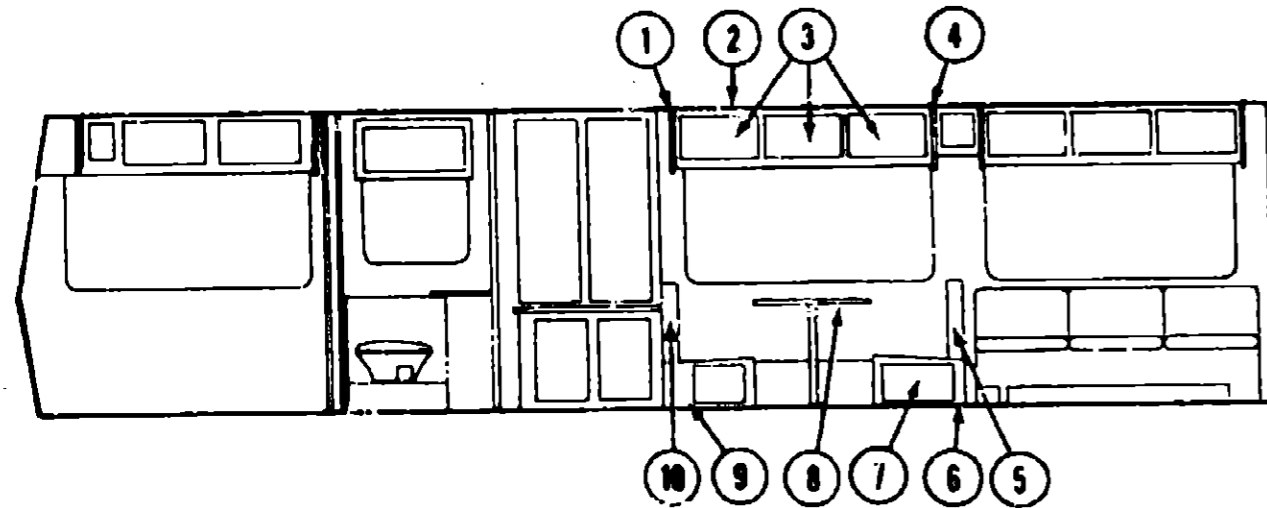
WC/JP34RU
WCP37RQ

A-01 - D-12
D-13 - H-08

1989 WC/JP34RU INDEX

Floor Plan	A-01 - A-02
Accessories Group	A-03 - A-07
Bath Group	A-08 - A-09
Chassis Group	A-10 - A-15
Curtain, Cushion & Pad Group	A-16 - B-12
Dinette Group	B-13 - B-14
Driver's Compartment Group	B-15 - B-22
Electrical Group	B-23 - C-02
Exterior Body Group	C-03 - C-09
Galley Group	C-10 - C-12
Heating & Air Conditioning Group	C-13
Interior Finish Group	C-14 - C-17
LP Group	C-18
Lounge Group	C-19 - C-20
Water & Sewage Group	C-21 - C-22
Window, Vent & Exterior Door Group	C-23 - C-12

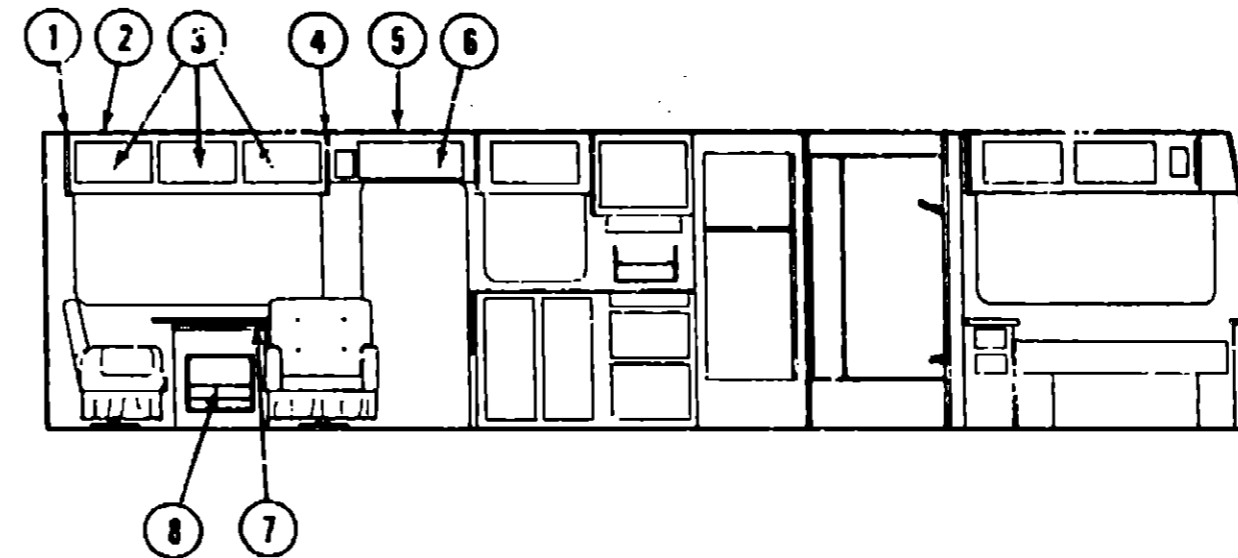
DINETTE GROUP



DINETTE & COMPONENTS

Key	Part Number	U/M	Description
1	085468-02-X19	EA	End Cap Asm. - Left Hand - Dinette Overhead - Vinyl
2	M03110-86-Y21	EA	Cabinet Asm. - Dinette Overhead - w/o Doors or Hardware
3	M88304-38-Y21	EA	Door Asm. - Dinette Overhead - 12" x 18.7" w/o Hardware
4	085468-01-X19	EA	End Cap Asm. - Right Hand - Dinette Overhead - Vinyl
5	M03183-01-X19	EA	Cabinet Asm. - Dinette Back - Right Hand
6	M03183-02-X19	EA	Cabinet Asm. - Dinette Seat - Right Hand - w/o Door or Hardware
7	M88304-40-Y21	EA	Door Asm. - Right Hand Dinette Seat - w/o Hardware
8	M03084-13-Y21	EA	Table Asm. - Dinette - Almond
9	M03184-02-X19	EA	Cabinet Asm. - Dinette Seat - Left Hand
10	M03184-01-X19	EA	Cabinet Asm. - Dinette Back - Left Hand
	053200-05-000	EA	Bracket - Upper Wall Mount - 23.5" - Beige
	088410-01-000	EA	Bracket - Table Mount - 23" - Beige
	024275-05-000	EA	Rod - Table Lift - 8" x 23.5" - Beige
	024281-07-000	EA	Bracket - Lower Wall Mount - 22.12" - Beige
	092707-01-01A	EA	Leg Asm. - Table - Oak
	092593-01-02A	EA	Clip - Table Leg Catch
	049493-05-000	EA	Catch - Table Leg - Mounts on Floor - Tan
	093550-01-000	EA	Bracket - Leg - Folding
	080176-02-000	EA	Corner Cap - Light Oak Plastic (Dinette)
	004354-01-000	EA	Bumper - 1/2" Dia. - White
	007021-01-000	EA	Seatbelt - 2" x 90" - Black

DINETTE GROUP (CONTINUED)



PULLOUT TABLE & OVERHEAD

Key	Part Number	U/M	Description
1	085468-02-X19	EA	End Cap Asm. - Left Hand - Swivel Chair Overhead - Vinyl
2	M03110-86-Y21	EA	Cabinet Asm. - Swivel Chair Overhead - w/o Doors or Hardware
3	M88304-38-Y21	EA	Door Asm. - Swivel Chair Overhead - 12" x 18.7" - w/o Hardware
4	085468-01-X19	EA	End Cap Asm. - Right Hand - Swivel Chair Overhead - Vinyl
5	M03110-59-Y21	EA	Cabinet Asm. - Entrance Door - w/o Doors or Hardware
6	M88304-45-Y21	EA	Door Asm. - Entrance Door Overhead - 10.3" x 29.5" - w/o Hardware
7	090095-12-X11	EA	Countertop Asm. - Cup Holder - w/o Hardware
	090095-14-X11	EA	Cover - Pullout Table
	090095-18-X14	EA	Table Asm. - Pullout - w/o Handle
	090095-11-X11	EA	Top - TV - Pullout Table
8	079606-01-W13	EA	Magazine Rack Asm.
	079921-01-000	EA	Nylon Roller w/Shaft
	080728-01-000	EA	Handle - Recessed - Brown Plastic
	088245-01-000	EA	Base w/Leg - Swivel Chair
	079789-01-000	EA	Support - Pullout Table - Beige

ICE MAKER OPTION (OPT 36J)

Key	Part Number	U/M	Description
	M82887-01-Y21	EA	Cabinet Asm. - Ice Maker
	M02493-01-X19	EA	Countertop Asm. - Ice Maker - Regal Oak
	M02494-01-X19	EA	Slide Out Table
	074489-01-000	EA	Beverage Holder w/Tray
	078238-08-W30	EA	Access Panel
**	076799-01-000	EA	Ice Maker - Black Glass
	007108-U1-000	FT	Hose - Heater - 5/8" ID
	039800-01-000	FT	Tubing - 1/2" OD x 20'
	052952-01-000	EA	Nut - Plastic - 1/2" F
	052960-01-000	EA	Valve - Line Drain - 1/2" F x 1/2" F
	077054-01-000	EA	Valve - Plastic - 1/2" M x 1/2" M - 1/4" Comp
**	The illustrated parts breakdown for this item is provided on the Common Items Fiche.		

1989 WINNEBAGO TABLE OF CONTENTS

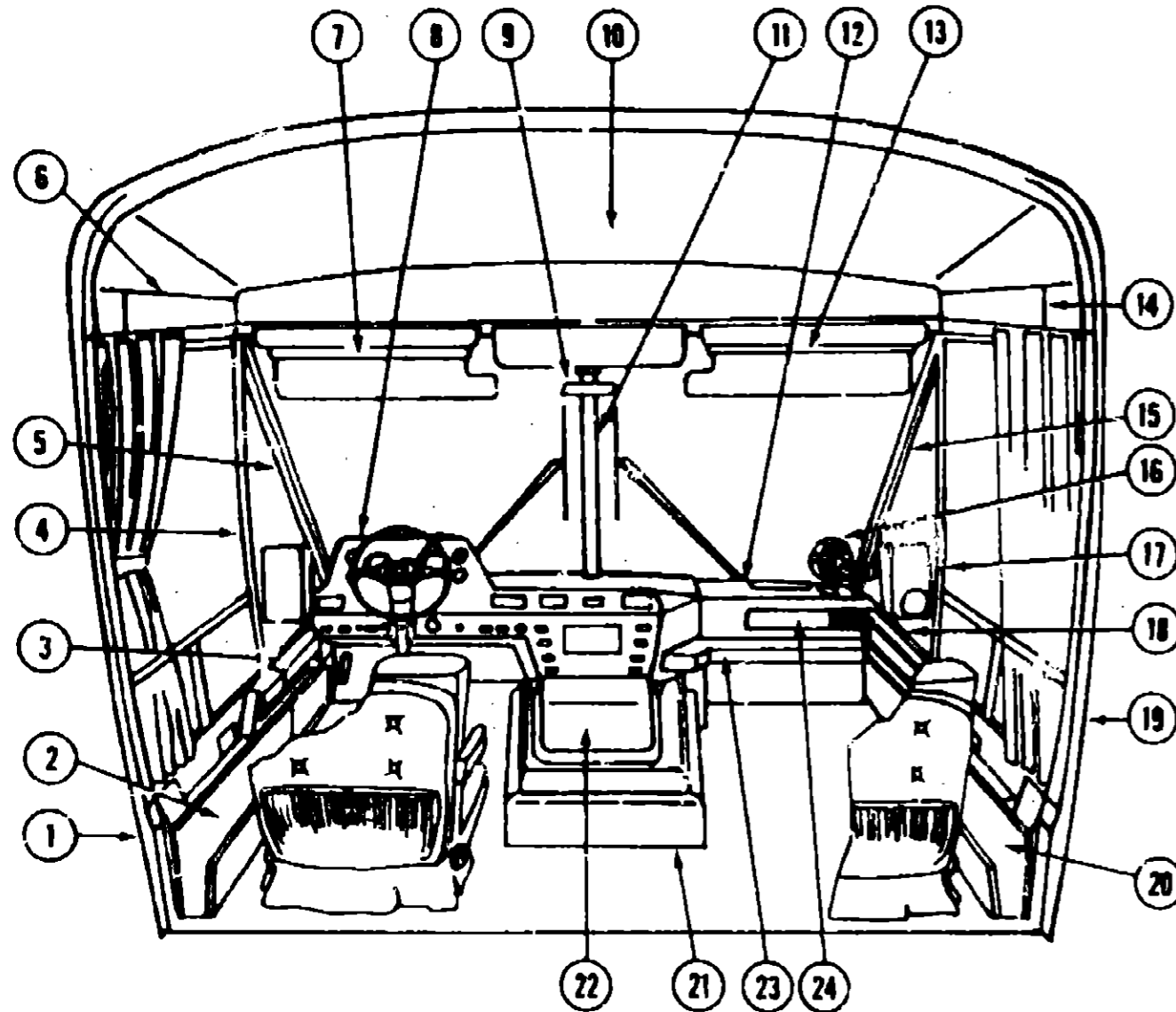
WC/JP34RU
WCP37RD

A-01 - D-12
D-13 - H-08

1989 WC/JP34RU INDEX

Floor Plan	A-01 - A-02
Accessories Group	A-03 - A-07
Bath Group	A-08 - A-09
Chassis Group	A-10 - A-15
Curtain, Cushion & Pad Group	A-16 - B-12
Dinette Group	B-13 - B-14
Driver's Compartment Group	B-15 - B-22
Electrical Group	B-23 - C-02
Exterior Body Group	C-03 - C-09
Galley Group	C-10 - C-12
Heating & Air Conditioning Group	C-13
Interior Finish Group	C-14 - C-17
LP Group	C-18
Lounge Group	C-19 - C-20
Water & Sewage Group	C-21 - C-22
Window, Vent & Exterior Door Group	C-23 - C-12

DRIVER'S COMPARTMENT GROUP



MISCELLANEOUS DRIVER'S COMPARTMENT COMPONENTS

Key	Part Number	U/M	Description
1	077111-06-000	EA	Panel Trim - Driver's Side
2	077117-06-000	EA	Side Panel Trim - Door
3	077116-03-000	EA	Side Panel Trim - Front
4	077113-06-000	EA	Trim Panel - Hinge Pillar
5	077112-06-000	EA	Trim - Windshield - Interior - "A" Post - Left
6	077110-10-000	EA	Trim Cover - w/Bunk - Left
7	082286-04-X19	EA	Sunvisor Asm. - Driver - Vinyl
	087716-01-000	EA	Information Center - Uniforce
	083919-01-W13	EA	Cabinet Asm. - Front Overhead (w/o Front Bunk)
**	M03110-21-Y21	EA	Cabinet Asm. - Front Overhead - Right - w/o Doors or Hardware
**	M03110-23-Y21	EA	Cabinet Asm. - Front Overhead - Left - w/o Doors or Hardware
**	085714-01-W13	EA	Cabinet Asm. - Television
**	083725-01-000	EA	Shelf Asm. - TV
**	089045-01-W13	EA	Pad Asm. - Bottom - TV Cabinet
**	070578-02-X19	EA	Button Screw Stud - #30 - Vinyl
**	070578-11-Y13	EA	Button Asm. - #30 - Vinyl
**	M88304-46-Y21	EA	Door Asm. - Front Overhead Cabinet - w/o Hardware
8	085253-01-W13	EA	Dash Panel - Upper - Left
	076808-05-000	EA	Dash Panel - Lower - Left - Light Fawn
	076808-07-000	EA	Dash Panel - Lower - Left (w/Electronic Dash) - Light Fawn
**	Parts used with the Television Option		

DRIVER'S COMPARTMENT GROUP (CONTINUED)

MISCELLANEOUS DRIVER'S COMPARTMENT COMPONENTS (CONT.)

Key	Part Number	U/M	Description
9	040714-01-700	EA	Rear View Mirror Kit
	040714-01-000	EA	Rear View Mirror
	067490-01-000	EA	Button - Rear View Mirror
	079926-01-000	EA	Lamp - Flex Arm
	079926-01-700	EA	Bulb - Flex Arm Lamp
10	077108-06-000	EA	Trim Panel - Front Roof Headliner - Light Fawn - w/o Bunk & T.V
11	077114-03-000	EA	Trim Panel - Center - Pillar
	076783-01-000	EA	Louver Asm. - A/C Adjustable
12	085252-01-W13	EA	Dash Panel - Upper - Right
13	082286-03-X23	EA	Sunvisor Asm. - w/Mirror - Vinyl
	007211-01-000	EA	Hinge Asm. - Sunvisor
	039984-01-000	EA	Cap - Black Vinyl - .28 I.D.
	074012-01-000	EA	Clip - Sunvisor - Pinch On
	0015709-01-000	EA	Mounting Asm. - Sunvisor Pivot - Black
	083153-01-000	EA	Mirror - Sunvisor - 3.5" x 7"
	000C12-04-08D	EA	Hex Bolt - 1/4" x 20" x .5" - Sunvisor
14	077110-09-000	EA	Trim Cover - w/Bunk - Right
15	077112-05-000	EA	Trim - Windshield - Interior - "A" Post - Right
16	036420-02-000	EA	Defroster Fan
	077988-01-000	EA	Bracket - Fan
17	077113-05-000	EA	Trim Panel - Hinge Pillar
18	077115-03-000	EA	Side Panel Trim - Front
19	077111-05-000	EA	Trim Panel - Passenger Side
20	077117-05-000	EA	Side Panel Trim - Door
21	075939-01-000	EA	Motor Cover - w/o Carpet
	039623-01-000	EA	Seal - Engine Cover
	075564-01-000	EA	Bracket - Motor Cover Mounting
22	076729-03-000	EA	Beverage Tray (Plastic)
	077431-04-000	EA	Beverage Tray - Regal Oak
	086752-02-000	EA	Board - Trim - Beverage Tray
	077026-01-000	EA	Lens - Courtesy Light
	036196-01-000	EA	Bulb - Courtesy Light
	089294-01-000	EA	Cigarette Lighter
	076359-01-000	EA	Panel Asm. - Stepwell - Rear - Passengers
	076359-02-000	EA	Panel Asm. - Stepwell - Rear - Drivers
	076360-01-000	EA	Panel Asm. - Stepwell - Front - Passengers
	076360-02-000	EA	Panel Asm. - Stepwell - Front - Drivers
	086921-01-000	EA	Door Panel - Battery Door - Passengers Side - Black Plastic
	086921-02-000	EA	Door Panel - Battery Door - Drivers Side - Black Plastic
	075972-01-000	EA	Mat - Rubber - Lower
	075969-01-000	EA	Mat - Rubber - Upper - Right
	075969-02-000	EA	Mat - Rubber - Upper - Left
	086755-01-000	EA	Latch - 1/4 Turn - Rotary - Plastic
	079130-01-000	EA	Board - Trim - Bunk
23	076734-03-000	EA	Tray - Cash - Passengers
24	076797-01-000	EA	Panel - Dash - Passengers

**1989 WINNEBAGO
TABLE OF CONTENTS**

WC/JP34RU
WCP37RQ

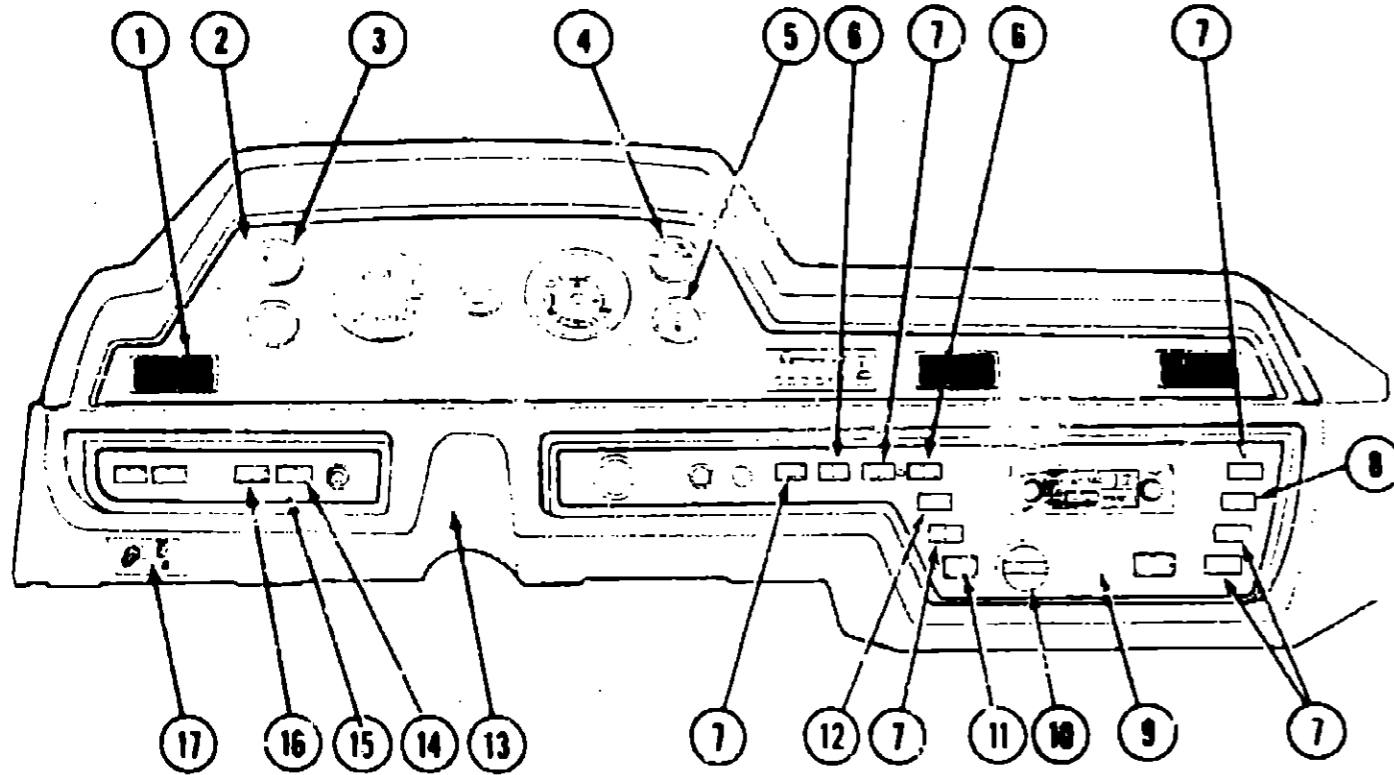
A-01 - D-12
D-13 - H-08

1989 WC/JP34RU INDEX

Floor Plan	A-01 - A-02
Accessories Group	A-03 - A-07
Bath Group	A-08 - A-09
Chassis Group	A-10 - A-15
Curtain, Cushion & Pad Group	A-16 - A-12
Dinette Group	B-13 - B-14
Driver's Compartment Group	C-15 - B-22
Electrical Group	B-23 - C-02
Exterior Body Group	C-03 - C-09
Galley Group	C-10 - C-12
Heating & Air Conditioning Group	C-13
Interior Finish Group	C-14 - C-17
LP Group	C-18
Lounge Group	C-19 - C-20
Water & Sewage Group	C-21 - C-22
Window, Vent & Exterior Door Group	C-23 - C-12

DRIVER'S COMPARTMENT GROUP (CONTINUED)

DASH SWITCHES & GAUGES



Key	Part Number	U/M	Description
1	076783-02-000	EA	Louver Asm. - A/C Adjustable
2	076216-07-000	EA	Instrument Panel - Upper - Elandan
3	024460-04-000	EA	Gauge - Vacuum
4	024459-04-000	EA	Gauge - Voltmeter
5	031035-01-000	EA	Gauge - Hourmeter - Generator
6	076759-04-000	EA	Switch - 3 Position
7	076759-01-000	EA	Switch - 2 Position
8	076759-09-000	EA	Switch - 3 Position
9	076217-15-000	EA	Instrument Panel - Lower Right
10	087202-02-000	EA	Switch - 4 Position
	090977-01-000	EA	Switch Knob - Rotary
11	036272-01-000	EA	Switch - 3 Position
12	076759-03-000	EA	Switch - 3 Position
13	076808-05-000	EA	Dash Panel - Lower Drivers - Light Fawn
	076808-07-000	EA	Dash Panel - Lower Drivers - Light Fawn - Electronic Dash - Uniforce
14	076759-07-000	EA	Switch - 2 Position
15	076218-03-000	EA	Instrument Panel - Lower Left
16	076759-05-000	EA	Switch - 3 Position
17	051057-03-000	EA	Switch Asm. - Search Light
	081087-01-000	EA	Light Asm. - Indication (Generator)
	087715-02-000	EA	Bezel - Electronic Dash
	087713-02-000	EA	Display Panel - w/o Aux. Fuel
	087714-02-000	EA	Computer - w/o Aux. Fuel
	081369-07-000	EA	Sender Kit - Speed - Electronic Dash
	087712-01-000	EA	Wire Asm. - Electronic Dash - Uniforce
	076788-01-000	EA	Lamp Socket - Mini Bayonet
	076788-03-000	EA	Lamp Plate Asm.
	076788-04-000	EA	Lamp Plate Asm. - Turn Signal
	077031-01-000	EA	Film - Black - 1" x 1.75" - Dash Bezel
	077031-02-000	EA	Film - Amber - 1" x 1.75" - Dash Bezel
	008103-01-000	EA	Bulb - 12 V - #55
	089294-01-000	EA	Cigarette Lighter Asm.
	086272-01-000	EA	Switch - Rocker - DPDT - 3 Position
			Parts used w/the Electronic Dash Option

1989 WINNEBAGO TABLE OF CONTENTS

WC/JP34RU
WCP37RQ

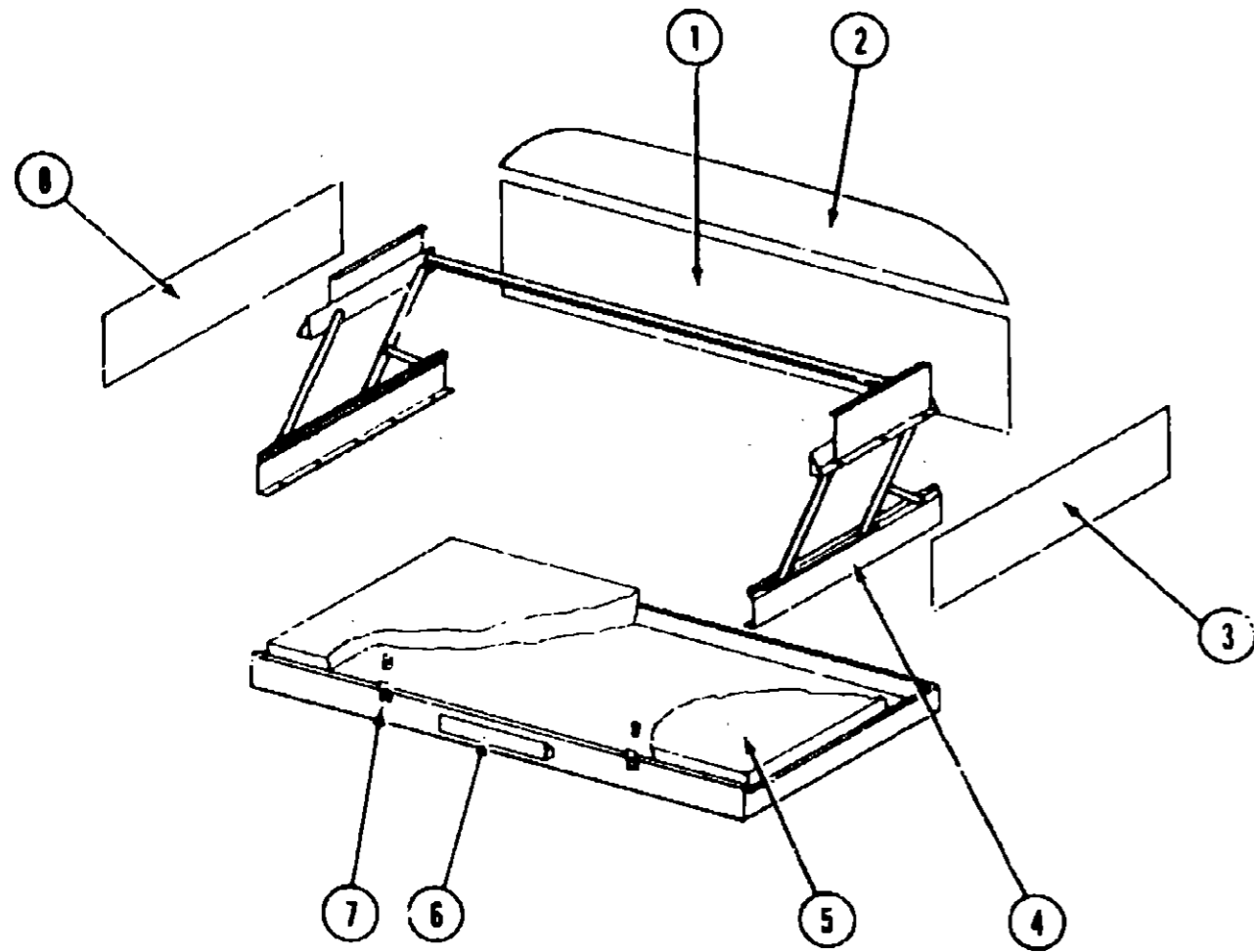
A-01 - D-12
D-13 - H-08

1989 WC/JP34RU INDEX

Floor Plan	A-01 - A-02
Accessories Group	A-03 - A-07
Bath Group	A-08 - A-09
Chassis Group	A-10 - A-15
Curtain, Cushion & Pad Group	A-16 - E-12
Dinette Group	B-13 - B-14
Driver's Compartment Group	B-15 - E-22
Electrical Group	B-23 - C-02
Exterior Body Group	C-03 - C-09
Galley Group	C-10 - C-12
Heating & Air Conditioning Group	C-13
Interior Finish Group	C-14 - C-17
LP Group	C-18
Lounge Group	C-19 - C-20
Water & Sewage Group	C-21 - C-22
Window, Vent & Exterior Door Group	C-23 - C-12

DRIVER'S COMPARTMENT GROUP (CONTINUED)

FRONT BUNK & HARDWARE (OPTION 61H)



Key	Part Number	U/M	Description
1	077140-03-X19	EA	Board Asm. - Bunk Trim - w/o Velcro
	048394-02-000	YD	Tape Hood - .75" x 50 YD - Beige (Velcro)
	048395-02-000	YD	Tap Loop - .75" x 50 YD - Beige (Velcro)
2	077108-06-000	EA	Panel Trim - Front - Roof
3	077110-09-000	EA	Cover - Bunk Mech - Right
4	076760-02-000	EA	Bunk Hardware - Complete
	076760-02-700	EA	Gas Spring - Bunk Hardware
5	079145-02-000	EA	Cushion Asm. - Bunk
	M79145-02-000	EA	Cover - Bunk Cushion Asm.
6	094653-01-Y12	EA	Handle Asm. - Oak
7	042541-04-70C	EA	Latch Asm. - w/Strike (2 required)
	000C26-04-10B	EA	Bolt - Hex - Ser. Fig. - 1/4 - 20 x 5/8"
8	077110-10-000	EA	Cover - Bunk Mech - Left

1989 WINNEBAGO TABLE OF CONTENTS

WC/JP34RU
WCP37RQ

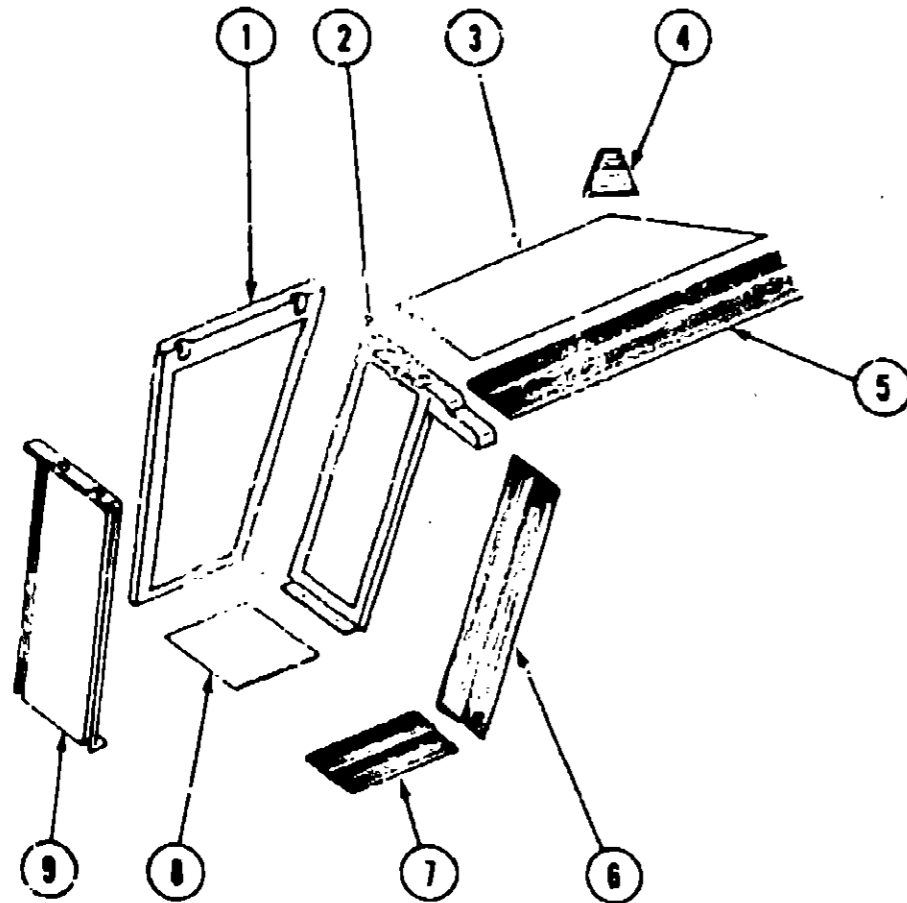
A-01 - D-12
D-13 - H-06

1989 WC/JP34RU INDEX

Floor Plan	A-01 - A-02
Accessories Group	A-03 - A-07
Bath Group	A-08 - A-09
Chassis Group	A-10 - A-15
Curtain, Cushion & Pad Group	A-16 - E-12
Dinette Group	B-13 - B-14
Driver's Compartment Group	B-15 - B-22
Electrical Group	B-23 - C-02
Exterior Body Group	C-03 - C-09
Galley Group	C-10 - C-12
Heating & Air Conditioning Group	C-13
Interior Finish Group	C-14 - C-17
LP Group	C-18
Lounge Group	C-19 - C-20
Water & Sewage Group	C-21 - C-22
Window, Vent & Exterior Door Group	C-23 - C-12

DRIVER'S COMPARTMENT GROUP (CONTINUED)

STEPWELL TRIMS & PADS



Key	Part Number	U/M	Description
1	086921-01-000	EA	Door - Outer Battery - Black - Passenger
	086921-02-000	EA	Door - Outer Battery - Black - Driver
2	076360-01-000	EA	Panel Trim - Stepwell - Front - Passenger
	076360-02-000	EA	Panel Trim - Stepwell - Front - Driver
3	075969-01-000	EA	Pad - Upper Stepwell - Passenger
	007597-02-000	EA	Pad - Upper Stepwell - Driver
4	077083-01-01A	EA	Trim - Door Threshold - Black
5	077083-01-000	EA	Trim - Door Threshold - Top - Passenger
	077083-02-000	EA	Trim - Door Threshold - Top - Driver
6	077083-01-000	EA	Trim - Door Threshold - Center - Passenger
	077083-02-000	EA	Trim - Door Threshold - Center - Driver
7	077083-01-000	EA	Trim - Door Threshold - Bottom - Passenger
	077083-02-000	EA	Trim - Door Threshold - Bottom - Driver
8	075972-01-000	EA	Pad - Lower Stepwell
9	076359-01-000	EA	Panel Trim - Stepwell - Rear - Passenger
	076359-02-000	EA	Panel Trim - Stepwell - Rear - Driver
	086755-01-000	EA	Latch - 1/4 Turn - Rotary - Plastic

1989 WINNEBAGO TABLE OF CONTENTS

WC/JP34RU
WCP37RQ

A-01 - D-12
D-13 - H-08

1989 WC/JP34RU INDEX

Floor Plan	A-01 - A-02
Accessories Group	A-03 - A-07
Bath Group	A-08 - A-09
Chassis Group	A-10 - A-15
Curtain, Cushion & Pad Group	A-16 - B-12
Dinette Group	B-13 - B-14
Driver's Compartment Group	B-15 - B-22
Electrical Group	B-23 - C-02
Exterior Body Group	C-03 - C-09
Galley Group	C-10 - C-12
Heating & Air Conditioning Group	C-13
Interior Finish Group	C-14 - C-17
LP Group	C-18
Lounge Group	C-19 - C-20
Water & Sewage Group	C-21 - C-22
Window, Vent & Exterior Door Group	C-23 - C-12

ELECTRICAL GROUP

EXTERIOR LIGHTS

Key	Part Number	U/M	Description
	008089-01-000	EA	Porch Light - Recessed
	008215-01-000	EA	Bulb - 12V - #1003
	091981-01-000	EA	Gasket - Porch Light
	008089-01-700	EA	Lens - Recessed Porch Light
	061424-01-000	EA	Aisle Light - 12V
	008102-01-000	EA	Bulb - 12V - #53
	087201-01-000	EA	Light - Dump Valve
	076795-01-000	EA	Light - License Plate
	077190-01-000	EA	Wire Asm. - License Plate Light
	088747-01-000	EA	Fog Lamp Asm. - Clear Lens
	088747-01-700	EA	Cover - Fog Light
	076345-01-000	EA	Lens Asm. - Park/Turn - Amber
	076345-02-000	EA	Socket Asm. - Park/Turn Lamp
	008103-01-000	EA	Bulb - 12V - #53
	075459-04-000	EA	Lamp Asm. - Tail Light - Red
	075459-05-000	EA	Lamp Asm. - Turn Light - Amber
	075459-06-000	EA	Lamp Asm. - Backup Light - Reflex
	037935-01-000	EA	Bulb - 12V - #1157
	081237-01-000	EA	Light Asm. - Cab Marker Light - Amber
	081237-02-000	EA	Light Asm. - Cab Marker Light - Red
	008214-01-000	EA	Bulb - 12V - #67
	088733-01-000	EA	Headlamp Asm. - w/Halogen Bulb
	088733-01-700	EA	Bulb - Headlamp Asm. - Halogen
	075660-01-000	EA	Lens Asm. - Sidemarkur - Amber
	075660-02-000	EA	Lens Asm. - Sidemarkur - Red
	067789-03-000	EA	Socket Asm. - Sidemarkur Light
	036196-01-000	EA	Bulb - 12V - #194

WINDSHIELD WIPERS & WASHER

Key	Part Number	U/M	Description
**	056000-02-000	EA	Washer Asm. - Windshield
	067191-02-700	EA	Wiper Motor Asm.
	067192-01-000	EA	Link Asm. - Connecting - Left - 39"
	067193-01-000	EA	Link Asm. - Short Connecting - 7"
	067193-02-000	EA	Link Asm. - Short Connecting - 8.1"
	067193-03-000	EA	Link Asm. - Short Connecting - 6.6"
	067190-04-000	EA	Shaft & Pivot
	067188-01-000	EA	Stud. - Crank - Wiper
**	072472-04-000	EA	Arm - Windshield Wiper - 29" - Black
**	049464-03-000	EA	Blade - Windshield Wiper - 20" - Black
**	049464-03-700	EA	Blade Refill - Wiper

** The illustrated parts breakdown for this item is provided on the Common Items Fiche.

MISCELLANEOUS

Key	Part Number	U/M	Description
	008188-01-000	EA	Solenoid - Dual Battery - Relay
	083208-02-000	EA	Control Center - 45 Amp.
	071278-01-703	EA	Catch - Control Center Door
	071278-01-700	EA	Door w/Catch - Control Center
	053739-01-000	EA	Battery - 12 Volt - 80 Amp. - Gould
	036420-02-000	EA	Fan - 6" Defroster - 2 Speed
	077988-01-000	EA	Bracket - 6" Fan
	089294-01-000	EA	Lighter Asm. - Cigarette
	087710-01-000	EA	Information Center - Uniforce

ELECTRICAL GROUP (CONTINUED)

INTERIOR LIGHTS

Date	Key	Part Number	U/M	Description
		065202-12-000	EA	Wall Lamp - Brass/Cream - 6"
		065201-05-000	EA	Shade - Lamp - Fabric - Bone/Brass
		067479-01-000	EA	Bulb - 12V - #1076
		082686-01-000	EA	Table Lamp - Brass & Wood (Household bulb)
		082686-02-000	EA	Shade - Table Lamp
		082686-06-000	EA	Shade - Table Lamp
		033508-02-000	EA	Light - Dome - Ivory - 1 Bulb
		033509-02-000	EA	Light - Dome - Ivory - 2 Bulb
		008218-01-000	EA	Bulb - 12V - #1141
		086349-02-W13	EA	Trim - Dome Light - 2 Bulb - Oak
		086349-01-W13	EA	Trim - Dome Light - 1 Bulb - Oak
		061424-01-000	EA	Light - 12V - Aisle
		008103-01-000	EA	Bulb - 12V - #53
		078424-02-000	EA	Fluorescent Light - 12V DC - 18"
		078424-02-700	EA	Bulb - Fluorescent
		078424-02-701	EA	Lens - Fluorescent Light - 18"
		079926-01-000	EA	Lamp - Flex Arm (w/Bulb #6411 NA Separately)
		082169-01-000	EA	Light - Make-up - 3 Bulb
		081633-01-700	EA	Bulb - Make-up
		091937-01-000	EA	Light - Fluorescent - 12V Recessed
		091937-02-000	EA	Lens - Recessed Fluorescent Light - 12V
		091937-03-000	EA	Bulb - Fluorescent Light
		087694-02-000	EA	Light - Wardrobe w/Switch
		087694-01-700	EA	Bulb - #GE561
		068937-04-000	EA	Light - Dome - Surface - No Switch
		068937-01-700	EA	Lens - Dome Light - Surface
		008215-01-000	EA	Bulb - 12V - #1003
		072353-08-000	EA	Light - Reading - 360° Swivel - Brass
		008215-01-000	EA	Bulb - 12V - #1003
		031909-01-000	EA	Light Strip - 18" Clean
		086280-01-000	EA	Light - Surface Mount - 12V
		086280-01-700	EA	Bulb - 12V - #Apr 108S
		077026-01-000	EA	Lens - Courtesy - Clear (Front Doors & Beverage Tray)
		077000-01-000	EA	Socket Asm. - w/B" Leads - Courtesy Light
		036196-01-000	EA	Bulb - 12V - #194

Thru 11/6/88
From 1/7/88

**1989 WINNEBAGO
TABLE OF CONTENTS**

WC/JP34RU	A-01 - D-12
WCP37RO	D-13 - H-08

1989 WC/JP34RU INDEX

Floor Plan	A-01 - A-02
Accessories Group	A-03 - A-07
Bath Group	A-08 - A-09
Chassis Group	A-10 - A-15
Curtain, Cushion & Pad Group	A-16 - B-12
Dirette Group	B-13 - B-14
Driver's Compartment Group	B-15 - B-22
Electrical Group	B-23 - C-02
Exterior Body Group	C-03 - C-08
Galley Group	C-10 - C-12
Heating & Air Conditioning Group	C-13
Interior Finish Group	C-14 - C-17
LP Group	C-18
Lounge Group	C-19 - C-20
Water & Sewage Group	C-21 - C-22
Window, Vent & Exterior Door Group	C-23 - C-12

ELECTRICAL GROUP (CONTINUED)

WIRE, SWITCHES & RECEPTACLES

Key	Part Number	U/M	Description
	008286-01-000	EA	Box - Electrical - 3" x 3.5" - Plastic
	008289-01-000	EA	Box - Electrical - 4" x 4" - 1/2 & 3/4 Steel - UL
	058049-01-000	EA	Box - Electrical - 2" x 3" x 2.25" - Steel
	008288-02-000	EA	Box - Electrical - 3.94" x 3.13" x 1.81" - Plastic
	041953-01-000	FT	Conduit - Convolute Slit - .5" I.D.
	041953-03-000	FT	Conduit - Convolute Slit - 1" I.D.
	008353-01-000	EA	Connector - Clamping - 3/8 Cable - UL & CSA
	058028-01-000	EA	Connector - Pigtail - Clear Nylon
	078311-01-000	EA	Connector - Wire Nut - Red
	008305-01-000	EA	Connector - Butt - Blue - 16/14
	008356-01-000	EA	Connector - Plastic - 3/8"
	008314-01-000	EA	Connector - Wire Nut - Gray
	031558-01-000	EA	Contact Plug - Brass - Tin Plated
	031967-01-000	EA	Contact - Receptacle
	008054-01-000	EA	Cord - Power - 10-3 30 Amp. - 25' - UL
	008052-01-000	EA	Cord - Power - 10-3 30 Amp. - 25' - CSA
	069230-01-000	EA	Cover - Electrical Box - 4" x 4"
	008294-01-000	EA	Cover - Flat Blank - 4" x 4" - Steel - US
	064399-01-000	EA	Housing Asm. - Trailer Pin
	064450-01-000	EA	Housing Asm. - Trailer Plug
	064399-01-000	EA	Housing Asm. - Trailer Receptacle
	054532-02-000	EA	Housing Pin - 4 Position
	054532-01-000	EA	Housing Pin - 6 Position
	075736-03-000	EA	Receptacle/Cover Asm. - Beige (Exterior)
	058708-01-000	EA	Receptacle - Duplex - Brown
	024924-02-000	EA	Receptacle - Power Cord
	058707-01-000	EA	Receptacle - Single - Brown
	084075-01-000	EA	Receptacle - GFI - 15A - 125 V - Ivory
	066273-01-000	EA	Relay - Battery Disconnect
	065912-01-000	EA	Relay - Canister SPDT w/Ground
	075723-01-000	EA	Switch - Block Spacer - w/o Holes
	075723-02-000	EA	Switch - Block Spacer - w/Holes
	056284-01-000	EA	Switch - Leaf Actuator
	079363-01-000	EA	Switch Plate - Single - w/switches
	079364-01-000	EA	Switch - On/Off Rocker - Brown
	076759-01-000	EA	Switch - SPST - Lock/Lock
	076759-03-000	EA	Switch - SPST - Lock/Lock/Lock
	076759-04-000	EA	Switch - SPDT - Mom/Lock/Mom
	076759-05-000	EA	Switch - SPDT - Lock/Lock/Mom
	076759-06-000	EA	Switch - Dummy
	076759-07-000	EA	Switch - SPST - Mom/Off/Lock (NC)
	077942-02-000	EA	Switch - Dummy - Brown
	079362-01-000	EA	Switch Plate - 4 Gang - 2 Switch
	081066-02-000	EA	Switch Plate - 2 Gang - 2 Switch
	090351-01-000	EA	Switch - Door Lock
	072153-01-000	EA	Switch - Cab Door
	047443-02-000	FA	Terminal - .250 Receptacle - 12-10 AWG
	008348-01-000	EA	Terminal Ring - 2 - w/ 3/8 Stud
	008331-01-000	EA	Terminal Ring - 4 - w/ 3/8 Stud
	008326-01-000	EA	Terminal Ring - 12/10 Wire
	008028-01-000	FT	Wire - 18.5 Bonded - Blue/Red/Yellow/Orange/White
	008024-01-000	FT	Wire - 18.5 Bonded - Orange/White/Yellow/Blue/Brown
	008025-01-000	FT	Wire - 18.5 Bonded - Orange/White/Yellow/Blue/Green
	008026-01-000	FT	Wire w/Ground - Romex - 12/2
	008343-01-000	EA	Wire Tie - 6"

ELECTRICAL GROUP (CONTINUED)

BULBS

Key	Part Number	U/M	Description
	008103-01-000	EA	Bulb - 53
	008213-01-000	EA	Bulb - 57
	008214-01-000	EA	Bulb - 67
	036196-01-000	EA	Bulb - 194
	008215-01-000	EA	Bulb - 1003
	067479-01-000	EA	Bulb - 1076
	063914-01-000	EA	Bulb - 1139
	008218-01-000	EA	Bulb - 1141
	037935-01-000	EA	Bulb - 1157
	037936-01-000	EA	Bulb - 1157A
	086280-01-700	EA	Bulb - 1414
	056280-02-000	EA	Bulb - 9431808
	081633-01-700	EA	Bulb - Make Up Light
	081087-01-000	EA	Light Asm. - Indicator - LVS 4436

FUSES & CIRCUIT BREAKERS

Key	Part Number	U/M	Description
	008234-01-000	EA	Fuse - 10 Amp - 12 Volt
	008235-01-000	EA	Fuse - 15 Amp. - 12 Volt
	062901-02-000	EA	Fuse - 5 Amp - Automotive
	062901-05-000	EA	Fuse - 15 Amp. - Automotive
	008211-01-000	EA	Circuit Breaker - 6 Amp. - 12 Volt
	082678-01-000	EA	Circuit Breaker - 40 Amp. - 12 Volt
	082678-02-000	EA	Circuit Breaker - 20 Amp. - 12 Volt - w/Mount
	044466-03-000	EA	Circuit Breaker - 25 Amp. - 12 Volt - w/Mount
	093209-01-000	EA	Circuit Breaker - 15 Amp. - 120 Volt
	083209-02-000	EA	Circuit Breaker - 15/15 Amp. - 120 Volt
	083210-02-000	EA	Circuit Breaker - 15 Amp. - 120 Volt (Ground Fault Interrupter)
	085720-01-000	EA	Circuit Breaker - 15 Amp. - 12 Volt
	085720-02-000	EA	Circuit Breaker - 20 Amp. - 12 Volt
	085720-03-000	EA	Circuit Breaker - 25 Amp. - 12 Volt
	085720-04-000	EA	Circuit Breaker - 30 Amp. - 12 Volt
	085720-05-000	EA	Circuit Breaker - 40 Amp. - 12 Volt
	083209-03-000	EA	Circuit Breaker - 15/20 Amp. - 120 Volt
	083209-05-000	EA	Circuit Breaker - 20 Amp. - 120 Volt
	083209-07-000	EA	Circuit Breaker - 20/20 - 120 Volt
	083209-04-000	EA	Circuit Breaker - 30 Amp - 120 Volt
	083209-06-000	EA	Circuit Breaker - 30/15 Amp. - 120 Volt

**1989 WINNEBAGO
TABLE OF CONTENTS**

WC/JP34RU
WCP37RO

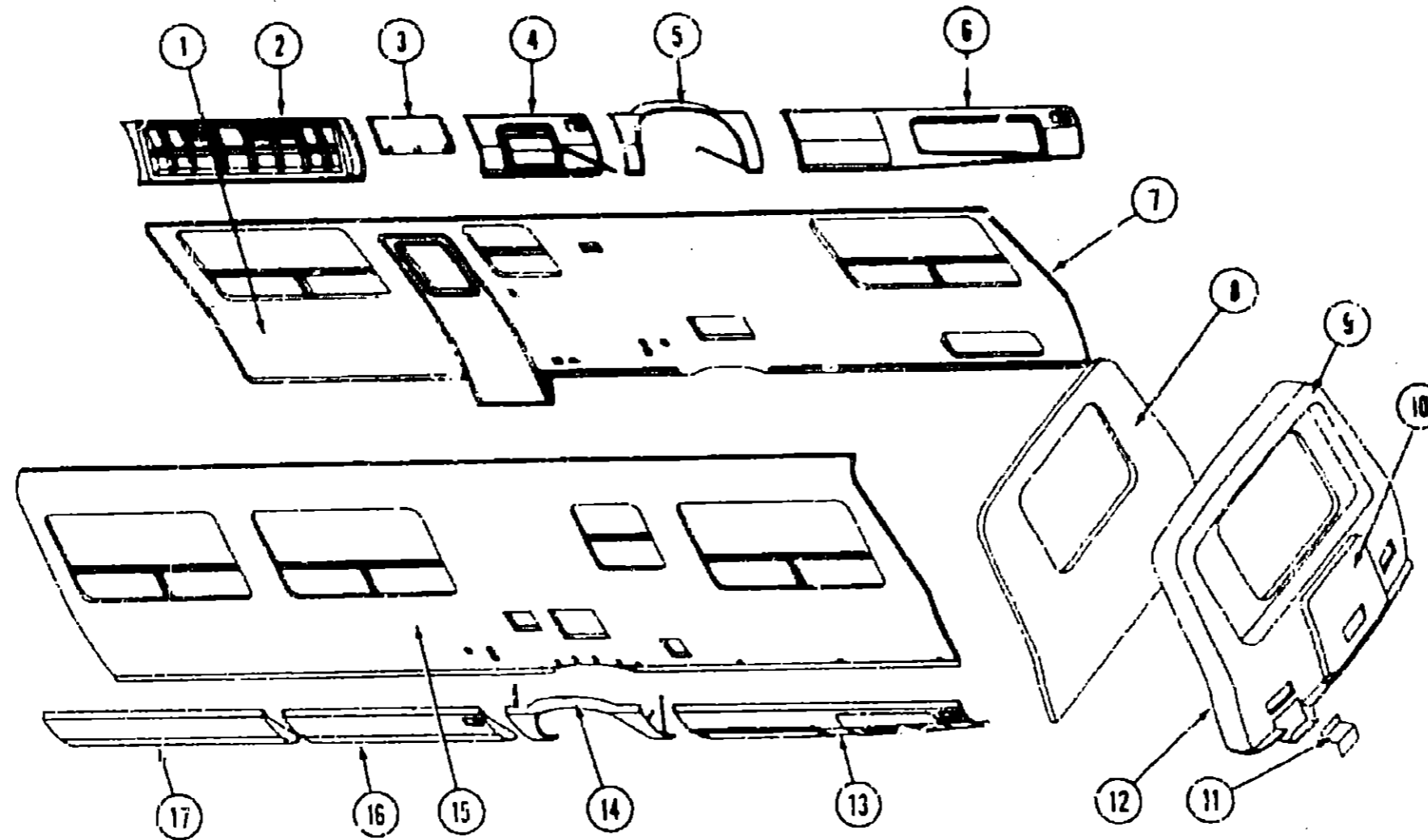
A-01 - D-12
D-13 - H-26

1989 WC/JP34RU INDEX

Floor Plan	A-01 - A-02
Accessories Group	A-03 - A-07
Bath Group	A-08 - A-09
Chassis Group	A-10 - A-15
Curtain, Cushion & Pad Group	A-16 - B-12
Dinette Group	B-13 - B-14
Driver's Compartment Group	B-15 - B-22
Electrical Group	B-23 - C-02
Exterior Body Group	C-03 - C-08
Galley Group	C-10 - C-12
Heating & Air Conditioning Group	C-13
Interior Finish Group	C-14 - C-17
LP Group	C-18
Lounge Group	C-19 - C-20
Water & Sewage Group	C-21 - C-22
Window, Vent & Exterior Door Group	C-23 - C-24

EXTERIOR BODY GROUP

EXTERIOR BODY PANELS



1983 WINNEBAGO TABLE OF CONTENTS

WC/JP34RU
WCP37RO

A-01 - D-12
D-13 - H-08

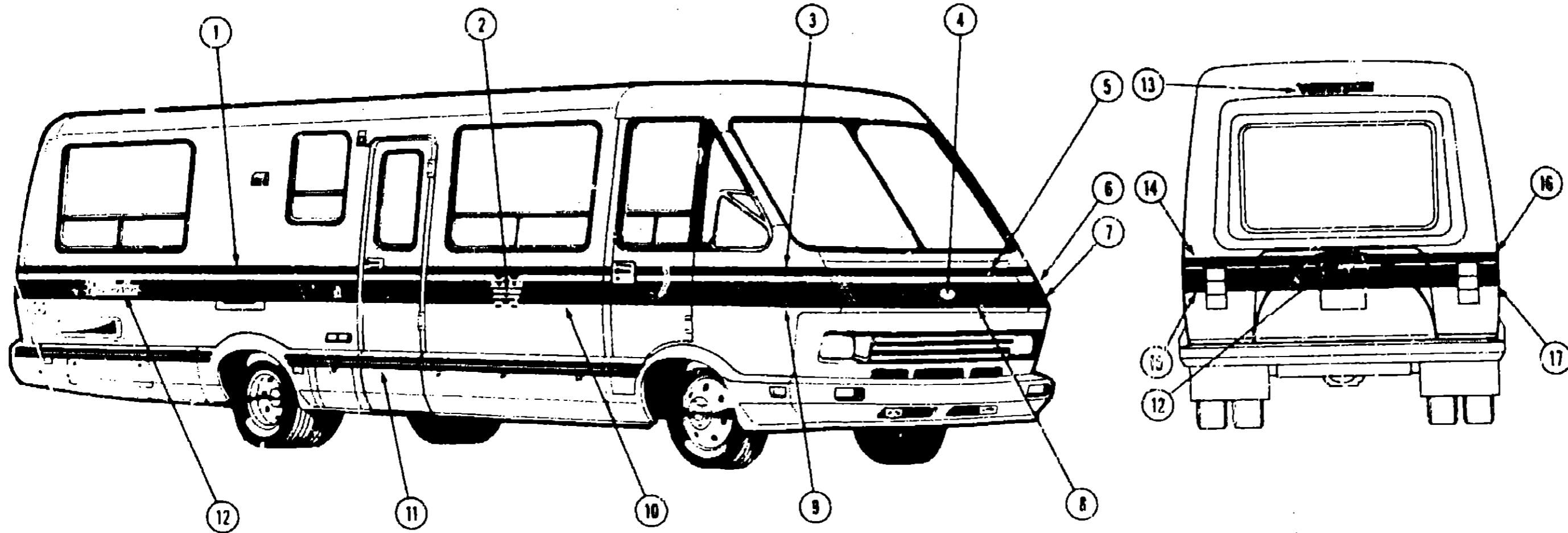
1983 WC/JP34RU INDEX

Floor Plan	A-01 - A-02
Accessories Group	A-03 - A-07
Bath Group	A-08 - A-09
Chassis Group	A-10 - A-15
Curtain, Cushion & Pad Group	A-16 - B-12
Dinette Group	B-13 - B-14
Driver's Compartment Group	B-15 - B-22
Electrical Group	B-23 - C-02
Exterior Body Group	C-03 - C-09
Galley Group	C-10 - C-12
Heating & Air Conditioning Group	C-13
Interior Finish Group	C-14 - C-17
I.P. Group	C-18
Lounge Group	C-19 - C-20
Water & Sewage Group	C-21 - C-22
Window, Vent & Exterior Door Group	C-23 - C-12

Key	Part Number	U/M	Description
1	M92115-01-Y21	EA	Sidewall Asm. - Passenger
1	M92115-01-Y22	EA	Sidewall Asm. - Passenger
1	M92115-01-Y23	EA	Sidewall Asm. - Passenger
2	085037-01-W13	EA	Valance Panel - Right Front (Door)
3	088684-01-X19	EA	Valance Panel - Entrance Door
4	M02586-40-X19	EA	Valance Panel - Right
5	088358-03-X19	EA	Wheelwell - Trim - Rear - Beige
6	M02586-41-Y21	EA	Valance Panel - Right Rear
7	086922-02-000	EA	Fiberglass Trim - Right Rear - Beige
8	065182-01-X19	EA	Backwall Asm. (Y21)
8	085182-01-Y22	EA	Backwall Asm. (Y22)
8	065182-01-Y21	EA	Backwall Asm. (Y23)
9	086523-03-000	EA	Rear Cap Panel
10	M01990-04-X19	EA	Spare Tire Cover

Key	Part Number	U/M	Description
11	077137-01-000	EA	Door Asm - Sewer Hose Compartment - Beige
12	086922-01-000	EA	Fiberglass Trim - Rear Left - Beige
13	M02586-42-X19	EA	Valance Panel - Rear Left
14	088358-02-X19	EA	Wheelwell Trim - Rear - Beige
15	M92111-01-Y21	EA	Sidewall Asm. - Driver
15	M92111-01-Y22	EA	Sidewall Asm. - Driver
15	M92111-01-Y23	EA	Sidewall Asm. - Driver
16	090552-01-X19	EA	Valance Panel (Door)
17	085037-02-W13	EA	Valance Panel - Front (Door)
	M93037-01-Y21	EA	Roof Asm
	073505-06-000	EA	Roof Trim - 160" - Beige
	076515-01-000	EA	Inside Trim - Rear Wheelwell - Right/Left - Steel
	085738-02-000	EA	Trim - Sidewall to Roof - Interior - Off White Vinyl
	069362-04-000	EA	Brace - Floor to Valance - 13 21"
	069362-05-000	EA	Brace - Floor to Valance - 17"

EXTERIOR BODY GROUP (CONTINUED)
LABELS & DECALS



1989 WINNEBAGO
TABLE OF CONTENTS

WC/JP34RU
WCP37RQ

A-01 - D-12
D-13 - H-06

Key	Part Number	U/M	Description
1	093681-01-01A	FT	Decal - Striping - 2.51" x 150" - Rose/Pearl (Y21)
1	093681-01-02A	FT	Decal - Striping - 2.51" x 150" - Taupe (Y22)
1	093681-01-03A	FT	Decal - Striping - 2.51" x 150" - Teal (Y23)
2	093684-01-01A	EA	Decal - Flying "W" - Rose/Pearl (Y21)
2	093684-01-02A	EA	Decal - Flying "W" - Taupe (Y22)
2	093684-01-03A	EA	Decal - Flying "W" - Teal (Y23)
3	093688-01-01A	EA	Corner Decal - Hood - Upper - Right - Rose/Pearl (Y21)
3	093688-01-02A	EA	Corner Decal - Hood - Upper - Right - Taupe (Y22)
3	093688-01-03A	EA	Corner Decal - Hood - Upper - Right - Teal (Y23)
4	088772-01-000	EA	Hood Medallion "Winnebago"
5	093685-01-01A	EA	Decal - Hood - Upper - Rose/Pearl (Y21)
5	093685-01-02A	EA	Decal - Hood - Upper - Taupe (Y22)
5	093685-01-03A	EA	Decal - Hood - Upper - Teal (Y23)
6	093688-02-01A	EA	Corner Decal - Upper - Left - Rose/Pearl (Y21)
6	093688-02-02A	EA	Corner Decal - Upper - Left - Taupe (Y22)
6	093688-02-03A	EA	Corner Decal - Upper - Left - Teal (Y23)
7	093687-02-01A	EA	Corner Decal - Lower - Left - Rose/Pearl (Y21)
7	093687-02-02A	EA	Corner Decal - Lower - Left - Taupe (Y22)
7	093687-02-03A	EA	Corner Decal - Lower - Left - Teal (Y23)
8	093686-01-01A	EA	Decal - Hood - Lower - Rose/Pearl (Y21)
8	093686-01-02A	EA	Decal - Hood - Lower - Taupe (Y22)
8	093686-01-03A	EA	Decal - Hood - Lower - Teal (Y23)

Key	Part Number	U/M	Description
9	093687-01-01A	EA	Corner Decal - Hood - Lower - Right - Rose/Pearl (Y21)
9	093687-01-02A	EA	Corner Decal - Hood - Lower - Right - Taupe (Y22)
9	093687-01-03A	EA	Corner Decal - Hood - Lower - Right - Teal (Y23)
10	093689-01-01A	FT	Film - Multistripe - 6.45" - Rose/Pearl (Y21)
10	093689-01-02A	FT	Film - Multistripe - 6.45" - Taupe (Y22)
10	093689-01-03A	FT	Film - Multistripe - 6.45" - Teal (Y23)
11	093680-02-01A	FT	Film - Multistripe - 3" x 150" - Rose/Pearl (Y21)
11	093680-02-02A	FT	Film - Multistripe - 3" x 150" - Taupe (Y22)
11	093680-02-03A	FT	Film - Multistripe - 3" x 150" - Teal (Y23)
12	076754-01-000	EA	Decal - Logo - "Elandan" Chrome
13	050313-16-000	EA	Decal - Logo - "Winnebago" 2.80"
14	093683-02-01A	EA	Decal - Rear Corner - Upper - Left - Rose/Pearl (Y21)
14	093683-02-02A	EA	Decal - Rear Corner - Upper - Left - Taupe (Y22)
14	093683-02-03A	EA	Decal - Rear Corner - Upper - Left - Teal (Y23)
15	093682-02-01A	EA	Decal - Rear Corner - Lower - Left - Rose/Pearl (Y21)
15	093682-02-02A	EA	Decal - Rear Corner - Lower - Left - Taupe (Y22)
15	093682-02-03A	EA	Decal - Rear Corner - Lower - Left - Teal (Y23)
16	093683-01-01A	EA	Decal - Rear Corner - Upper - Right - Rose/Pearl (Y21)
16	093683-01-02A	EA	Decal - Rear Corner - Upper - Right - Taupe (Y22)
16	093683-01-03A	EA	Decal - Rear Corner - Upper - Right - Teal (Y23)
17	093682-01-01A	EA	Decal - Rear Corner - Lower - Right - Rose/Pearl (Y21)
17	093682-01-02A	EA	Decal - Rear Corner - Lower - Right - Taupe (Y22)
17	093682-01-03A	EA	Decal - Rear Corner - Lower - Right - Teal (Y23)

1989 WC/JP34RU INDEX

Floor Plan	A-01 - A-02
Accessories Group	A-03 - A-07
Bath Group	A-08 - A-09
Chassis Group	A-10 - A-15
Curtain, Cushion, & Pad Group	A-15 - B-12
Dinette Group	B-13 - B-14
Driver's Compartment Group	B-15 - B-22
Electrical Group	B-23 - C-02
Exterior Body Group	C-03 - C-09
Galley Group	C-10 - C-12
Heating & Air Conditioning Group	C-13
Interior Finish Group	C-14 - C-17
LP Group	C-18
Lounge Group	C-19 - C-20
Water & Sewage Group	C-21 - C-22
Window, Vent & Exterior Door Group	C-23 - C-24

NOTE: The following DuPont paint information is provided to help meet the needs of your customers. These DuPont paints are available at your automotive parts stores and may be used to replace exterior graphic tapes.

Brown	DuPont # B8157
Dark Rose	DuPont # N8746
Peach	DuPont # B8227

EXTERIOR BODY GROUP (CONTINUED)

LABELS & EXTERIOR PARTS

Key	Part Number	U/M	Description
	091243-01-000	EA	Label - A/C Cover
	074983-01-000	EA	Label - Air Conditioner Selector
	087236-01-000	EA	Label - Cable Input
	068383-01-000	EA	Label - Diesel Fuel
	006195-01-000	EA	Label - Electrical Test
	047731-01-000	EA	Label - Emergency Exit
	006199-01-000	EA	Label - Exit - Escape Window
	064378-01-000	EA	Label - Flying "W" w/Thermal Panel
	061417-01-000	EA	Label - Fuel
	087207-02-000	EA	Label - Fuel Cap Removal
	006195-01-000	EA	Label - Gas Test
	054531-01-000	EA	Label - LP Gas Only
	073998-01-000	EA	Label - LPG Odor Warning
	040944-01-000	EA	Label - Open - Entrance Door
	006015-01-000	EA	Label - Patent Motor Home
	056259-01-000	EA	Label - Safety Check List
	006064-01-000	EA	Label - Seal - w/o Seal Belts
	006187-01-000	EA	Label - Sewage
	087236-02-000	EA	Label - TV Outlet
	075221-01-000	EA	Label - Trailer Hitch Capacity
	075220-01-000	EA	Label - Warning - Exterior Load Limit
	077956-01-000	EA	Label - Warning - Smoke Detector
	050225-01-000	EA	Label - Warning - Stove Vent - US
	006188-01-000	EA	Label - Waste Water
	006197-01-000	EA	Label - Water Test
	077927-01-000	EA	Label - Warning - Wheel Nuts
	090342-01-000	EA	Label - Vapor Relief
	072863-01-000	EA	Nameplate - Diesel - 6.2L
	006062-01-000	EA	Tag - Electrical - 110 Volt Connection
	006040-01-000	EA	Tag - Gas - Refueling Warning
	074559-01-000	EA	Label "LPG" - 3.3" x 1.75" - (Calif. Code)
	006019-01-000	EA	Tag - RVI Approved - Plastic
	065748-01-000	EA	Label - Caution - Battery Charging
	077510-01-000	EA	Label - Generator Prep
	061606-01-000	EA	Label - Overlay - Vehicle Certificate
	079966-01-000	EA	Label - Warning - Stowed-In Motion
	087237-01-000	EA	Label - Certification
	088757-01-000	EA	Label - Retail - 8 5/8" x 12 7/8"
	090424-01-000	EA	Label - No Smoking

EXTERIOR BODY GROUP (CONTINUED)

ACCESS PANEL HARDWARE

Key	Part Number	U/M	Description
	076738-01-000	EA	Bracket - Grille Hanger - Inner - Right
	076739-02-000	EA	Bracket - Grille Hanger - Inner - Left
	077407-01-000	EA	Bracket - Hood Release Cable
	073336-02-000	EA	Bracket - Mounting - Latch
	073342-01-000	EA	Bracket Asm. - Latch Hood
	077064-01-000	EA	Cable Asm. - Hood Release
	062628-01-000	EA	Clip - Prop Rod
	077252-01-000	EA	Hinge Pin - Stainless Steel
	M02680-01-U25	EA	Hinge Asm. - Hood - Right
	M02680-02-U25	EA	Hinge Asm. - Hood - Left
	R77006-51-429	EA	Latch - Hood
	R77006-68-172	EA	Plate - Spacer
	076837-01-000	EA	Prop Rod
	R77007-01-950	EA	Striker - Hood Latch
	R77006-38-499	EA	Spring - Striker - Latch
	077406-01-000	EA	Bracket - Hood Release Cable

SHEET FIBERGLASS, ALUMINUM & STYROFOAM

Key	Part Number	U/M	Description
	084882-01-000	EA	Panel - Mindboard - Beige
	044487-01-001	EA	Aluminum - Mill Finish - No Design (Roof) - 96" x 360"
	000868-01-000	SF	Styrofoam - 3/4" x 24" x 96"
	000870-02-000	SF	Styrofoam - 1.5" x 48" x 96"
	000870-03-000	SF	Styrofoam - 1.34" x 48" x 56"
	083574-01-000	SF	Styrofoam - 1.5" x 24" x 85.25"

MISCELLANEOUS EXTERNALLY MOUNTED PARTS

Key	Part Number	U/M	Description
	083558-01-000	EA	Plumbing Seal - Roof Vent - 1 1/2" - Covered
	087659-02-000	EA	Fill - City Water - Recessed - Beige
	081240-01-000	EA	Water Fill - Lockable - Beige
	073050-02-000	EA	Mounting Clip - Valance Panel

**1989 WINNEBAGO
TABLE OF CONTENTS**

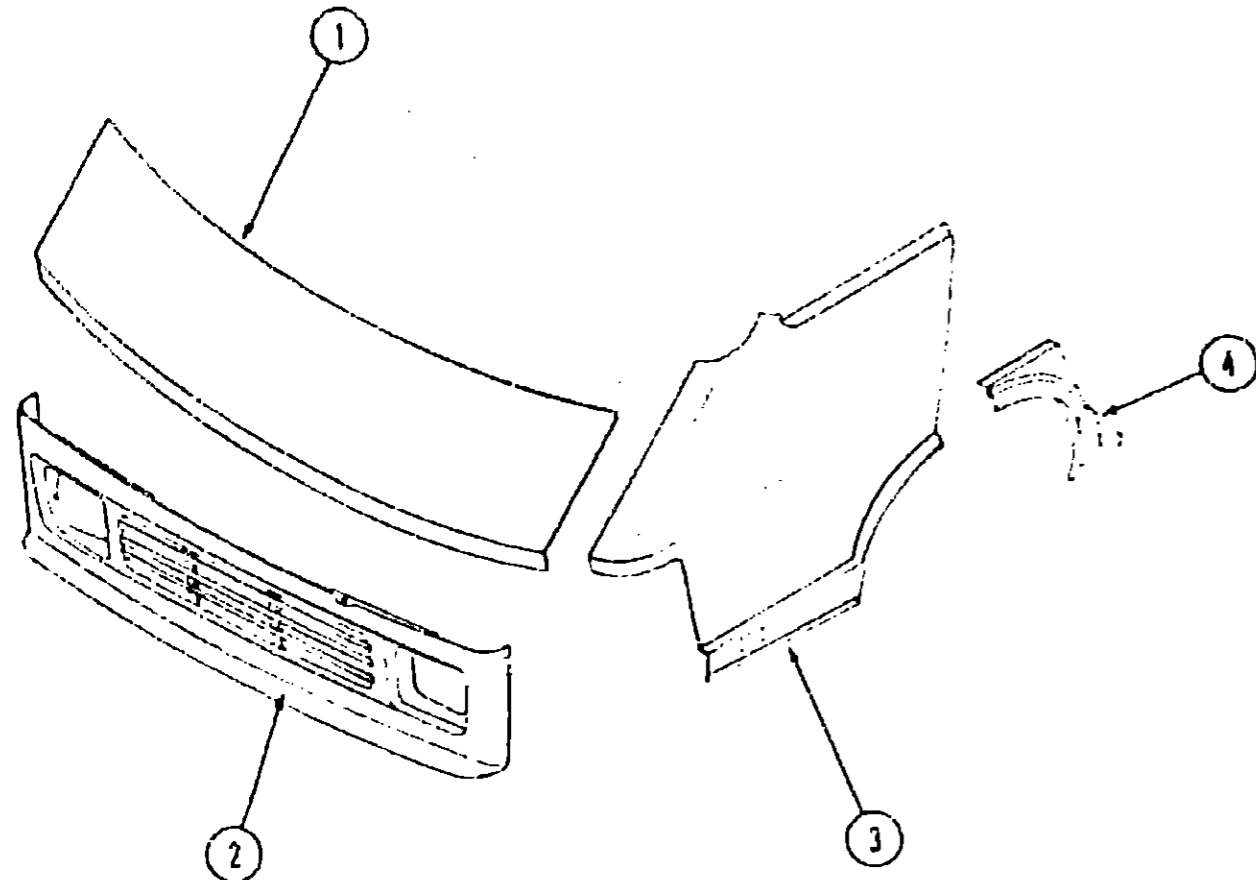
WC/JP34RU
WCP37RQ

A-01 - D-12
D-13 - H-08

1989 WC/JP34RU INDEX

Floor Plan	A-01 - A-02
Accessories Group	A-03 - A-07
Bath Group	A-08 - A-09
Chassis Group	A-10 - A-15
Curtain, Cushion & Pad Group	A-16 - B-12
Dinette Group	B-13 - B-14
Driver's Compartment Group	B-15 - B-22
Electrical Group	B-23 - C-02
Exterior Body Group	C-03 - C-09
Galley Group	C-10 - C-12
Heating & Air Conditioning Group	C-13
Interior Finish Group	C-14 - C-17
LP Group	C-18
Lounge Group	C-19 - C-20
Water & Sewage Group	C-21 - C-22
Window, Vent & Exterior Door Group	C-23 - C-12

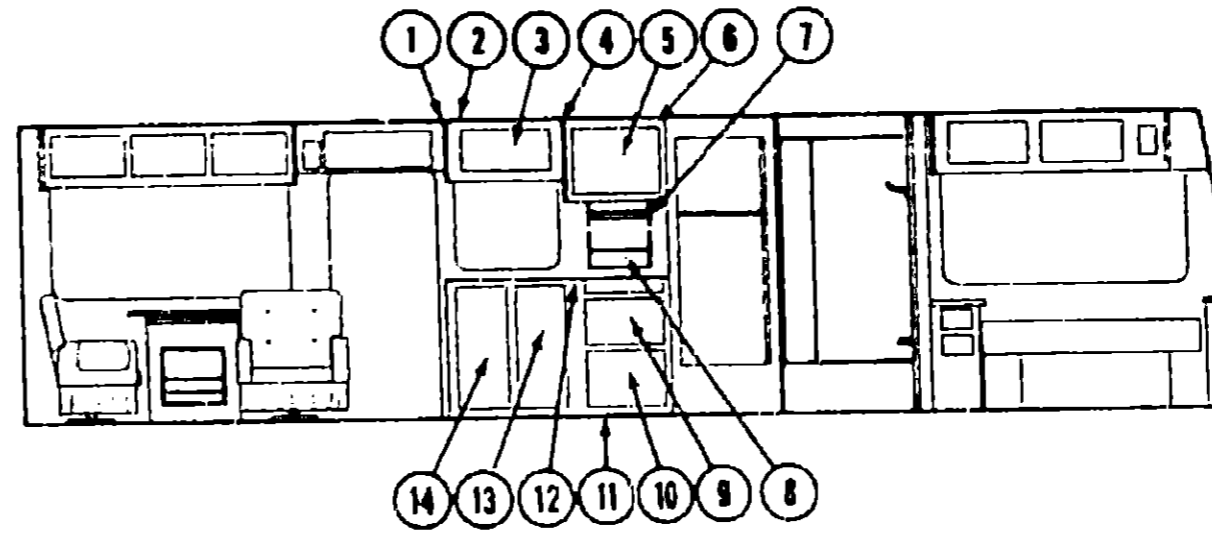
EXTERIOR BODY GROUP (CONTINUED)



EXTERIOR BODY PANEL (CAB)

Key	Part Number	U/M	Description
1	084759-01-W13	EA	Hood Panel
	058786-02-000	EA	Hood Bolt - Adjusting
	M02680-01-U25	EA	Hinge Asm. - Hood - Right
	M02680-02-U25	EA	Hinge Asm. - Hood - Left
	062629-01-000	EA	Clip - Prop Rod
	077064-01-000	EA	Cable Asm. - Hood Release
	073336-02-000	EA	Bracket - Mounting Latch
	077407-01-000	EA	Bracket - Hood Release Cable
2	068572-01-700	EA	Grille - Panel Asm.
	088252-02-000	FT	Chrome Trim - 1"
	088758-01-000	EA	Headlamp - Housing - Bosch
3	084751-04-W13	EA	Fender Panel - Front Left
	084751-03-W13	EA	Fender Panel - Front Right
4	084714-02-000	EA	Fender Panel - Rear Left
	084714-01-000	EA	Fender Panel - Rear Right
	075764-05-000	EA	Rout Cap - Front Cab - Primed
	R77006-38-499	EA	Spring - Striker - Latch
	R77007-01-950	EA	Striker - Latch - Hood
	R77006-38-499	EA	Spring - Cable - Hood Latch
	073342-01-000	EA	Bracket Asm. - Hood Latch
	R77006-59-931	EA	Latch Asm. - Hood
	076837-01-000	EA	Prop Rod - Hood
	077406-01-000	EA	Bracket - Hood Release Cable
	091952-01-000	EA	Clip - 1" - Gripper
	091955-01-000	EA	Squeegee
	093527-01-000	EA	Bracket - Squeegee

GALLEY GROUP



GALLEY CABINERY

Key	Part Number	U/M	Description
1	085468-02-X19	EA	End Cap - Galley Overhead - Front
2	M03110-84-Y21	EA	Cabinet Asm. - Galley Overhead - w/o Doors or Hardware
3	M88304-05-Y21	EA	Door Asm. - Galley Overhead - w/o Hardware - 12.1" x 26.2"
4	085471-01-W13	EA	End Cap - Galley Overhead - Rear
5	M88304-80-Y21	EA	Door Asm. - Range Overhead - w/o Hardware - 17.82" x 23"
6	M03110-07-Y21	EA	Cabinet Asm. - Range Overhead - Microwave - w/o Door or Hardware
7	092488-01-Y12	EA	Holder - Paper Towel
8	0992487-02-Y12	EA	Spice Rack Asm.
9	M82184-09-Y21	EA	Drawer Asm. - Galley - w/o Clip
10	M88304-33-Y21	EA	Door Asm. - Furnace - 15.94" x 21.85" - w/o Hardware
11	M93611-01-Y21	EA	Cabinet Asm. - Galley w/o Doors, Drawers, Countertop or Hardware
12	093611-13-Y21	EA	Countertop Asm. - Galley
13	M88304-32-Y21	EA	Door Asm. - Galley Cabinet - 14.37" x 33.46" - w/o Hardware
14	M88304-31-Y21	EA	Door Asm. - Galley Cabinet - 14.37" x 33.46" - w/o Hardware

GALLEY HARDWARE

Key	Part Number	U/M	Description
	093653-01-Y21	EA	Sink Cover - Large
	093526-01-000	EA	Sink - Stainless Steel - Double - 25" x 19"
	092303-01-000	EA	Strainer - w/Basket - Sink
	091254-01-000	EA	Gasket - Galley Faucet
	064952-01-000	EA	Faucet - Swing Spout - Single Control
	058334-01-000	EA	Wastebasket - 9 3/4" x 7" x 10" - White
	058478-01-000	EA	Support - Wastebasket
	077409-02-000	EA	Drawer Slide - Plastic - 20.75"
	077404-02-000	EA	Drawer - Plastic - 20" x 12.7"
	037688-01-000	EA	Drawer Rail - V-Guide
	059777-02-000	EA	Hinge - Antique - Light Brass
	093153-01-000	EA	Cutting Board - Maple
	054450-01-000	EA	Level - Refrigerator
	093551-01-000	EA	Door Pull - Polished Brass
	093579-01-000	EA	Door Pull - Polished Chrome & Brass
	081376-01-000	EA	Back Plate - Door Pull - Polished Brass
	093238-01-Y12	EA	Cover - Oak Knife Holder - Above Countertop
	090282-01-000	EA	Bonnet Asm. - Knife Holder - Below Countertop
	084466-04-000	EA	Slide Asm. - Cabinet - Right
	084466-05-000	EA	Slide Asm. - Cabinet - Left
	084466-02-000	EA	Slide Asm. - Drawer - Right
	084466-03-000	EA	Slide Asm. - Drawer - Left

1989 WINNEBAGO TABLE OF CONTENTS

WC/JP34RU
WCP37RG

A-01 - D-12
D-13 - H-08

1989 WC/JP34RU INDEX

Floor Plan	A-01 - A-02
Accessories Group	A-03 - A-07
Bath Group	A-08 - A-09
Chassis Group	A-10 - A-15
Curtain, Cushion & Pad Group	A-16 - B-12
Dinette Group	B-13 - B-14
Driver's Compartment Group	B-15 - B-22
Electrical Group	B-23 - C-02
Exterior Body Group	C-03 - C-09
Galley Group	C-10 - C-12
Heating & Air Conditioning Group	C-13
Interior Finish Group	C-14 - C-17
LP Group	C-18
Lounge Group	C-19 - C-20
Water & Sewage Group	C-21 - C-22
Window, Vent & Exterior Door Group	C-23 - C-12

GALLEY GROUP (CONTINUED)

GALLEY APPLIANCES

Date	Key	Part Number	U/M	Description
Thru 7/24/88		084880-02-000	EA	Refrigerator - 3-Way - Large Double Door - Norcold 8683
		084880-01-700	EA	Cooling Unit
		084880-03-703	EA	Lower Door Handle
		084880-01-702	EA	Cabinet Asm. - Foamed
		084880-01-703	EA	Liner - Lower Door - Foamed w/Frame
		084880-01-704	EA	Panel Holder - Lower Door
		084880-01-705	EA	Orifice
		084880-01-706	EA	DC Light Bulb
		084880-01-707	EA	Hoater (3 Way)
		084880-01-708	EA	Baffle Asm.
		084880-01-709	EA	Lamp Socket
		084880-01-710	EA	Ignition Electrode
		084880-01-711	EA	Sensor Electrode
		075217-01-737	EA	Control Module - Fenwal
		084880-01-713	EA	Mals Connector - Inlet Fitting
		084880-01-714	EA	Burner
		084880-01-715	EA	Valve - Manual Shut Off
		084880-01-716	EA	Burner Tube
		084880-01-718	EA	Gas Valve
		084880-01-719	EA	Brass Elbow
		084880-01-720	EA	Spring (For Door Handle)
		084880-01-721	EA	Cover - Power Supply
		084880-01-722	EA	Cover - Crisper
		084880-01-723	EA	Board - Power Supply (3 Way)
		084880-01-724	EA	Hinge Plate - Bottom
		084880-01-725	EA	Hinge Plate - Top
		084880-01-726	EA	Hinge Bracket - Center
		084880-01-727	EA	Upper Door - Gasket
		084880-01-728	EA	Lower Door - Gasket
		084880-01-729	EA	Eyebrow (3 Way)
		084880-01-730	EA	Crisper
		084880-01-731	EA	Hinge Pin
		084880-01-732	EA	Latch
		084880-01-733	EA	Dairy Keeper
		084880-01-734	EA	Bracket - Hinge - Right
		084880-01-735	EA	Bracket - Hinge - Left
		084880-01-736	EA	Light Switch (Brown)
		084880-01-737	EA	Liner - Upper Door - Foamed w/Frame
		084880-01-739	EA	End Cap - Spring Catch
		084880-01-740	EA	End Cap - Stop Catch
		084880-01-741	EA	Humidity Switch
		084880-01-742	EA	Trim - Lower Seal
		084880-01-744	EA	Shaft - Hinge Pin - Center
		084880-01-745	EA	Bushing - Hinge
		084880-01-746	EA	Cable
		084880-01-747	EA	Hole Plug
		084880-01-748	EA	Snap In Plug
		084880-01-749	EA	Bushing - Hinge
		094039-02-000	EA	Refrigerator - 3 Way - Large Double Door - Norcold 683

From 7/25/88

GALLEY GROUP (CONTINUED)

GALLEY APPLIANCES (CONT.)

Key	Part Number	U/M	Description
	092696-01-01A	EA	Range Hood - w/Monitor Panel - Almond - US
	092696-03-700	EA	Chassis - Hood - w/Wiring (Alarm)
	092696-03-701	EA	Control Panel Asm.
	092696-03-702	EA	Face Plate - Control Panel
	092696-01-02A	EA	Vent - w/Door
	064782-02-000	EA	Range - 4 Burner - Almond Top
	064782-02-700	EA	Top - Main - 4 Burner - Almond
	064782-02-701	EA	Deflector Plate - Black
	064782-02-702	EA	Trim - Cab - Right - Black
	064782-02-703	EA	Trim - Cab - Left - Black
	064782-02-704	EA	Trim - Lower Outside Glass - Black
	064782-02-705	EA	Handle - Oven Door - Black
	064782-02-706	EA	Trim - Vertical - Black
	064782-02-707	EA	Panel - Manifold
	064782-02-708	EA	Valve - Mercury
	064782-02-709	EA	Glass - Oven Door
	064782-02-710	EA	Clip - Glass Holder
	064782-02-711	EA	Main Top - 4 Burner - Square - Almond
	064782-02-712	EA	Grate - Top Burner Square
	064782-02-713	EA	Gas Regulator
	064782-02-714	EA	Nipple - 1/8"
	064782-02-715	EA	Grate Clip
	085280-04-000	EA	Burner Cover - Bi-Fold - Almond
	085280-03-000	EA	Burner Cover - Bi-Fold - Almond - Range Top
	081374-03-000	EA	Range Top - 4 Burner - Almond
	081374-03-700	EA	Trim - Cab - Left
	081374-03-701	EA	Trim - Cab - Right
	081374-03-703	EA	Trim Top Rear
	088737-01-000	EA	Microwave - Oven - Convection - Magic Chef
	088737-01-700	EA	Control
	088737-01-701	EA	Frame Panel
	088737-01-702	EA	Touch Panel Asm.
	088737-01-703	EA	Door Frame
	088737-01-704	EA	Glass - Outside Door
	088737-01-705	EA	Trim - Upper Frame Inner
	088737-01-706	EA	Cabinet
	088737-01-707	EA	Fuse
	088737-01-708	EA	Transformer - H.V.
	088737-01-709	EA	Trim
	088737-01-710	EA	Lamp - 30 Watt Oven
	088737-01-711	EA	Relay - Complete
	088737-01-712	EA	Trim
	088737-02-000	EA	Frame Kit - Microwave Oven

**1989 WINNEBAGO
TABLE OF CONTENTS**

WC/JP34RU
VICP37RQ

A-01 - D-12
D-13 - H-08

1989 WC/JP34RU INDEX

Floor Plan	A-01 - A-02
Accessories Group	A-03 - A-07
Bath Group	A-08 - A-09
Chassis Group	A-10 - A-15
Curtain, Cushion & Pad Group	A-16 - B-12
Dinette Group	B-13 - B-14
Driver's Compartment Group	B-15 - B-22
Electrical Group	B-23 - C-02
Exterior Body Group	C-03 - C-09
Galley Group	C-10 - C-12
Heating & Air Conditioning Group	C-13
Interior Finish Group	C-14 - C-17
LP Group	C-18
Lounge Group	C-19 - C-20
Water & Sewage Group	C-21 - C-22
Window, Vent & Exterior Door Group	C-23 - C-12

HEATING & AIR CONDITIONING GROUP

FURNACE

Key	Part Number	U/M	Description
	090039-05-000	EA	Furnace - 30,000 BTU - w/Electronic Suburban
	093365-01-000	EA	Thermostat (Wall Mount)
	090039-05-700	EA	Thermostat
	090039-05-701	EA	Combustion Chamber #X020098
	090039-05-702	EA	Manifold Gasket
	090039-05-703	EA	Manifold Pipe Asm.
	090039-05-704	EA	Combustion Chamber #0390365
	090039-05-705	EA	Wheel - Combustion Air
	090039-05-706	EA	Combustion Air Housing
	090039-05-707	EA	Gasket Motor
	090039-05-708	EA	Gasket - Crossover Tube (Housing)
	090039-05-709	EA	Crossover Tube Asm.
	090039-05-710	EA	Gasket - Crossover Tube (Chamber)
	090039-05-711	EA	Blower Housing Asm.
	084405-01-000	EA	Heater Asm. - Rear - Ducted
	084405-01-700	EA	Heater Core
	084405-01-701	EA	Fan
	084405-01-702	EA	Motor - 12 Volt
	009198-01-000	FT	Duct - Flexible - 4" I.D. x 25'
	056404-01-000	EA	Register - 4" Dia. - Plastic - w/Damper
	056464-02-000	EA	Register - 4" Dia. - Plastic - w/o Damper
	009200-01-000	EA	Tape - Furnace - 1 1/2"

ROOF AIR CONDITIONER

Key	Part Number	U/M	Description
	093766-01-000	EA	Ceiling Asm. - A/C Cool - w/Controls - Coleman 6798A714
	093766-02-000	EA	Ceiling Asm. - A/C Cool - w/o Controls - Thermostat Separate - Coleman 6798-720
	093766-03-000	EA	Thermostat - A/C and Furnace - Coleman 6798-6951
	093765-01-03A	EA	Air Conditioner - 110 Volt - Roof Mount - 13,500 BTU Coleman 6798A708

AUTOMOTIVE HEATER & AIR CONDITIONER

Key	Part Number	U/M	Description
	080426-02-000	EA	Heater/Evaporator Asm. - w/Pressure Sensor Switch
	080426-02-701	EA	Hose - Liquid
	080426-02-702	EA	Hose - Suction
	080426-02-703	EA	Pressure Switch - Fan
	072342-07-000	EA	Condensor Asm. - John Deere
	072343-06-000	EA	Compressor/Clutch - w/Rear Mounting Valve - John Deere
	088714-01-000	EA	Package - Compressor - Mounting - John Deere
	007108-01-000	EA	Hose - Heater - 5/8 I.D. SAE
	031170-01-000	EA	Clamp - Cable - 3/16" Dia.
	072341-01-706	EA	Resistor
	072341-01-701	EA	Heater Core
	080426-01-700	EA	Evaporator Coil
	075789-01-705	EA	Expansion Valve
	072341-01-707	EA	Thermostat
	072341-04-706	EA	Blower Motor
	072341-04-707	EA	Blower Wheel
	072341-04-709	EA	Vacuum Motor #1120142
	072341-04-702	EA	Relay
	072341-01-710	EA	Control Head Asm. - w/o Decal
	072341-01-714	EA	Heater Control Valve

INTERIOR FINISH GROUP

FABRICS & CARPET

Date	Key	Part Number	U/M	Description
		088274-72-000	YD	Fabric - Upholstery - Rose/Pearl (Y21)
		088274-51-000	YD	Fabric - Upholstery - Heather (Y22)
		088274-73-000	YD	Fabric - Upholstery - Teal (Y23)
		088274-56-000	YD	Fabric - Upholstery/Accent - Heather (Y22)
		088274-70-000	YD	Fabric - Upholstery/Plain Accent - Rose/Pearl (Y21)
		088274-80-000	YD	Fabric - Upholstery/Plain Accent - Heather (Y22)
		088274-71-000	YD	Fabric - Upholstery/Plain Accent - Teal (Y23)
		088273-20-000	YD	Fabric - Bedspread - Rose/Pearl (Y21)
		088273-28-000	YD	Fabric - Bedspread - Heather (Y22)
		088273-21-000	YD	Fabric - Bedspread - Teal (Y23)
		072333-37-000	YD	Fabric - Drapery - Rose/Pearl (Y21)
	**	072333-69-000	YD	Fabric - Drapery - Rose/Pearl (Y21)
		088273-28-000	YD	Fabric - Drapery - Heather (Y22)
		072333-61-000	YD	Fabric - Drapery - Teal (Y23)
		079680-01-000	YD	Vinyl - Expanded - Buckskin
		069649-03-000	YD	Vinyl - Expanded - Taupe
		089351-01-000	YD	Vinyl - Expanded - Taupe
		078394-01-000	FT	Trim - Half Round Vinyl - 7/16"
		038421-05-000	YD	Fabric - Mattress - Ticking - Gray/White
		072860-69-000	SY	Carpet - Rose Mist (Y21)
		072860-72-000	SY	Carpet - Cool Oasis (Y22)
		072860-89-000	SY	Carpet - Blue Bonnet (Y22)
		072860-82-000	SY	Carpet - Pearl Gray (Y23)
	**	Fabric used on units between 9-19-88 and 10-19-88.		

Thru 10/31/88
From 11/1/88

Date
Thru 1/2/89
Thru 1/2/89
From 1/3/89
From 1/3/89

From 11/7/88
Thru 11/6/88

MISCELLANEOUS

Key	Part Number	U/M	Description
	053552-02-W24	EA	Handle Asm. - Assist - Vinyl
	041944-04-000	EA	Fire Extinguisher - 5 BC - w/o Bracket
	084472-01-000	EA	Holder - Plastic - Fire Extinguisher
	094499-01-000	EA	Fire Extinguisher 10 BC
	094651-01-000	EA	Holder - 10 BC Fire Extinguisher
	054185-31-000	EA	Owner's Manual - Winnebago/Itasca
	081072-01-000	EA	Floor Mat - Front - Right - Brown - "Winnebago"
	081074-01-000	EA	Floor Mat - Front - Left - Brown - "Winnebago"
	081075-01-000	EA	Floor Mat - Entrance - Brown - "Winnebago"
	065201-05-000	EA	Lamp Shade - Fabric - Bone/Brass - Wall Lamp
	082686-06-000	EA	Lamp Shade - Fabric - Table Lamp
	082686-02-000	EA	Lamp Shade - Fabric - Table Lamp

1989 WINNEBAGO TABLE OF CONTENTS

WC/JP34RU
WCP37RO

A-01 - D-12
D-13 - H-06

1989 WC/JP34RU INDEX

Floor Plan	A-01 - A-02
Accessories Group	A-03 - A-07
Bath Group	A-08 - A-09
Chassis Group	A-10 - A-15
Curtain, Cushion & Pad Group	A-16 - B-12
Dinette Group	B-13 - B-14
Driver's Compartment Group	B-15 - B-22
Electrical Group	B-23 - C-02
Exterior Body Group	C-03 - C-09
Galley Group	C-10 - C-12
Heating & Air Conditioning Group	C-13
Interior Finish Group	C-14 - C-17
LP Group	C-18
Lounge Group	C-19 - C-20
Water & Sewage Group	C-21 - C-22
Window, Vent & Exterior Door Group	C-23 - C-12

INTERIOR FINISH GROUP (CONTINUED)

CABINETS & TABLE HARDWARE

Date	Key	Part Number	U/M	Description
		053200-05-000	EA	Bracket - Upper Wall Mount - 23.5" - Beige
		088410-01-000	EA	Bracket - Table Mount - 23" - Beige
		024275-05-000	EA	Rod - Table Lift - 8" x 23.5" - Beige
		024281-07-000	EA	Bracket - Lower Wall Mount - 22.12" - Beige
		092707-01-01A	EA	Leg Asm. - Table - Regal Oak
		064050-02-000	EA	Hinge - Table Leg - Tan
		093550-01-000	EA	Bracket - Dinette Leg - Folding
		092593-01-02A	EA	Clip - 1" O.D. Tube
		049493-08-000	EA	Catch - Table Leg - Mounts on Floor - Tan
		009016-01-000	EA	Catch - Elbow - Spring Loaded Zn.
		009021-01-000	EA	Catch - Nylon - Grille
		009021-02-000	EA	Strike - Spring Steel
		093579-01-000	EA	Pull - Polished Brass/Chrome
		093551-01-000	EA	Pull - Polished Brass
		076725-01-000	EA	Access Cover - Door Hinge
		084451-01-000	EA	Catch - TV Shelf - Brass
		084466-02-000	EA	Slide Asm. - Drawer - Right
		084466-03-000	EA	Slide Asm. - Drawer - Left
		037688-03-000	EA	Glide - Center - Drawer
		088254-01-000	EA	Catch - Magnetic
		084466-04-000	EA	Slide Asm. - Cabinet - Right
		084466-05-000	EA	Slide Asm. - Cabinet - Left
		059777-02-000	EA	Hinge - Cabinet Door - Brass
		074493-02-000	EA	Overhead Door Support - Sprung
		081376-01-000	EA	Back Plate - Door Pull - Polished Brass
		009059-01-000	EA	Hinge - 1.37" - Brass
		009059-02-000	EA	Hinge - 2.70" - Brass
		080728-01-000	EA	Handle - Recessed - Brown Plastic
		079921-01-000	EA	Roller - Nylon - w/Shaft
		093586-03-000	EA	Catch - Spring Roller
		093586-04-000	EA	Strike - Spring Steel
		072369-19-000	EA	Mesh - Expanded - Bronze - 15.5" x 6.5"

From 8/9/89
Thru 8/28/89

INTERIOR FINISH GROUP (CONTINUED)

CURTAIN HARDWARE

Key	Part Number	U/M	Description
	056116-01-000	EA	Track - Curtain - Brown - Plastic
	077046-01-000	EA	Track - Curtain - Front Wraparound - Passenger
	077046-02-000	EA	Track - Curtain - Front Wraparound - Driver
	091904-01-000	FT	Track - Curtain - Light
	077046-01-700	EA	Balon Asm. - w/Strap - Wraparound
	077046-01-701	EA	Swivel Carrier - Wraparound
	077046-01-702	EA	Lock Stop - Wraparound
	077046-01-704	EA	End Stop - Wraparound
	077046-01-705	EA	Master Carrier - Left Wraparound
	077046-01-706	EA	Master Carrier - Right Wraparound
	091381-01-000	EA	Swivel - Snap - Curtain Track
	056003-01-000	EA	Bracket - Drapery Retainer - Right
	056003-02-000	EA	Bracket - Drapery Retainer - Left
	056784-02-000	EA	Pull - Window Shade - Brass
	039175-02-000	EA	Bracket - Curtain Rod
	048394-01-000	YD	Tape Hook - 1" x 50 YD - Beige (Velcro)
	048395-01-000	YD	Tape Loop - 1" x 50 YD - Beige (Velcro)
	092139-01-000	EA	Bracket - Hold Down - Blind
	016604-02-000	EA	Brace - Seat - Angle - 2.50" Brown
	084434-01-000	EA	Bracket - Roller Shade
	087253-01-000	EA	Shade Pull - Clear Plastic
	075943-01-000	EA	Brace - Valance - Beige
	088792-01-000	YD	Velcro - 5/8" Hook - Non Adhesive
	088792-02-000	YD	Velcro - 3/4" Loop - Adhesive

**1989 WINNEBAGO
TABLE OF CONTENTS**

WC/JP34RU	A-01 - D-12
WCP37RQ	D-13 - H-08

PANELING & COUNTERTOP MATERIAL

Key	Part Number	U/M	Description
	088272-22-000	SF	Paneling - Crescendo Marble (Main Wall, Galley, Dry Bath) Y21
	088272-41-000	SF	Paneling - Pasiel (Main Wall) Y22
	098272-34-000	SF	Paneling - Mushroom (Galley, Dry Bath) Y22
	088272-23-000	SF	Paneling - Sky (Main Wall, Galley, Dry Bath) Y23
	088272-38-000	SF	Paneling - Decor - Bone (Wet Bath)
	074497-10-000	SF	Paneling - Regal Oak - Cabinets
	000885-34-000	SF	Paneling - Regal Oak - 3/8" One Sided - Particle Board
	000885-36-000	SF	Paneling - Regal Oak - 3/4" Two Sided - Particle Board
	079666-02-000	SF	Paneling - Cedar - Closet Linen - 48" x 96"
	074498-26-000	SF	Plastic Laminate - Almond Slate (Dinette and Bath)
	074498-24-000	SF	Plastic Laminate - Sterling (Nightstand)
	085217-03-000	SF	Countertop - Avonite - Almond
	076325-16-000	FT	Edge Molding - Regal Oak (Nightstand)
	076325-19-000	FT	Edge Molding - Almond Slate (Bath and Dinette)

1989 WC/JP34RU INDEX

Floor Plan	A-01 - A-02
Accessories Group	A-03 - A-07
Bath Group	A-08 - A-09
Chassis Group	A-10 - A-15
Curtain, Cushion & Pad Group	A-16 - B-12
Dinette Group	B-13 - B-14
Driver's Compartment Group	B-15 - B-22
Electrical Group	B-23 - C-02
Exterior Body Group	C-03 - C-08
Galley Group	C-10 - C-12
Heating & Air Conditioning Group	C-13
Interior Finish Group	C-14 - C-17
LP Group	C-18
Lounge Group	C-19 - C-20
Water & Sewage Group	C-21 - C-22
Window, Vent & Exterior Door Group	C-23 - C-12

INTERIOR FINISH GROUP (CONTINUED)

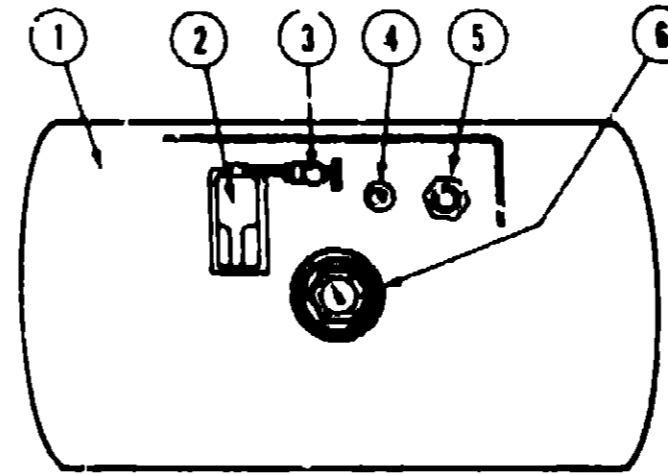
INTERIOR MOLDINGS - TRIMS

Key	Part Number	U/M	Description
	088263-02-000	EA	Batt Strip - Crescendo Marble (Y21)
	088263-20-000	EA	Batt Strip - Marble Pastel (Y22)
	088263-03-000	EA	Batt Strip - Crescendo Sky
	088263-22-000	EA	Batt Strip - Bath and Galley Ycck Mushroom (Y22)
	089733-70-000	EA	Batt Strip - Regal Oak
	085284-03-000	FT	Batt Strip - Tape Adhesive - Regal Oak
	085295-03-000	FT	Batt Strip - Tape Adhesive - Regal Oak - 3" x 20.5'
	085284-03-700	FT	Batt Strip - Tape Adhesive - Crescendo Marble (Y21)
	085284-10-000	FT	Batt Strip - Tape Adhesive - Marble Pastel (Y22)
	085284-08-000	FT	Batt Strip - Tape Adhesive - Crescendo Sky
	083620-01-000	FT	T-Molding - 3/4" - w/Edge Lift - Brown
	074044-90-000	EA	Trim Oak - 2" x 6" - w/o Groove - Regal Oak (Ceiling)
	089571-20-Y21	EA	Trim Oak - 59.6" - w/Groove - Regal Oak (Ceiling)
	078394-01-000	EA	Brass Insert - Ceiling
	042357-11-000	EA	Molding - Outside Corner - Light Oak
	081521-01-007	EA	Molding - Corner Molding Retainer (Used with 42357-11-000)
	009767-06-000	FT	Walling - Beige
	080176-02-000	EA	Cap - Corner Radius (Used with 42357-11-000)
	022992-08-000	FT	Molding - Reverse Cover - Champagne White
	070504-06-000	FT	U-Channel - Light Oak
	070504-01-000	FT	U-Channel - .65" - Light Brown
	009778-07-000	FT	U-Channel - 1" - Regal Oak
	072860-69-000	SY	Carpet - Rose Mist (Y21)
	072860-72-000	SY	Carpet (Y22)
	072860-82-000	SY	Carpet - Pearl Gray (Y23)
	095746-01-000	FT	Trim - J Molding - Carpet Wall Trim - Beige
	074045-01-000	EA	Plug - Oak - .5" Dia.
	075249-01-000	EA	Rail Asm. - Galley - 72" Plain
	078026-31-W13	EA	Trim - Valance - 2.5" x 12.71" - Regal Oak
	077840-14-W24	EA	Molding - Wallcap - 80" - Regal Oak
	086349-01-W13	EA	Trim - Ceiling light - Regal Oak
	085738-02-000	EA	Trim Cove - Roof - 12'
	091255-02-000	FT	Seal Foam - Tape
	093070-01-01A	FT	Molding - Bath Tub Corner
	042356-01-000	EA	Plug - Button - 3/8" Dia. - Mahogany
	052859-06-W13	FT	Trim Asm. - Accent - Vinyl (Dinette Seat Back)

Date
From 8/9/88
Thru 8/10/88

Thru 1/1/89
From 1/2/89
Thru 1/2/89
From 1/3/89

LP GROUP



Key	Part Number	U/M	Description
1	088253-03-000	EA	Tank Asm. - LP - Frame Mount - 100 Pound - 16" x 36"
1	088253-02-000	EA	Tank Asm. - LP - Frame Mount - 100 Pound - 16" x 36"
2	081938-01-000	EA	Compartment - LP Regulator
	076301-02-000	EA	Regulator - Two Stage - LP Gas
3	040421-01-703	EA	Valve - Vapor Relief
4	040421-01-700	EA	Gauge - Liquid Level - 20% LP
5	040421-01-701	EA	Valve - Filler - LP
	040421-01-702	EA	Cap - Plastic Fill Valve
6	040421-01-707	EA	Gauge - Float - w/Visible Dial
	040421-01-706	EA	Dial - Visible Face - Float Gauge (Tank w/o Electric Transmitter)
	045703-01-000	EA	Hose Asm. - LP - 3/8" I.D. x 24" - US
	045703-02-000	EA	Hose Asm. - LP - 3/8" I.D. x 24" - CSA
	065741-01-000	EA	Gauge - Diaphragm Pressure - Test Leak
	090939-01-000	EA	LP Leak Detector
	095612-01-000	EA	LP Leak Detector
	090576-01-000	EA	Valve - LP Safety - Between Regulator & Tank
	090576-02-000	EA	Valve - LP Safety - Between Regulator & Tank

**1989 WINNEBAGO
TABLE OF CONTENTS**

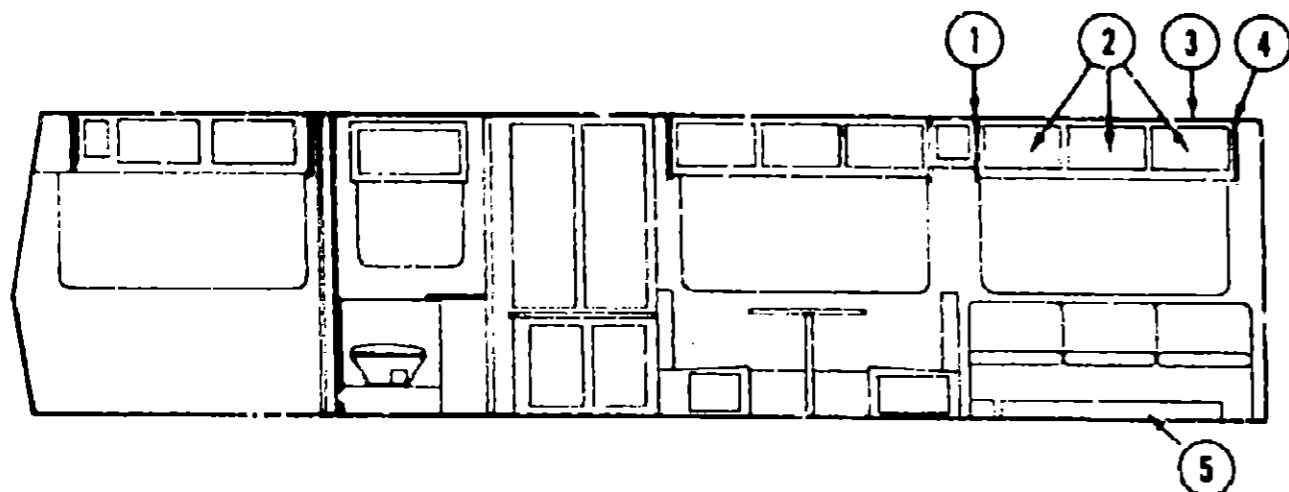
WC/JP34RU
WCP37RG

A-01 - D-12
D-13 - H-08

1989 WC/JP34RU INDEX

Floor Plan	A-01 - A-02
Accessories Group	A-03 - A-07
Bath Group	A-08 - A-09
Chassis Group	A-10 - A-15
Curtain, Cushion & Pad Group	A-16 - B-12
Dinette Group	B-13 - B-14
Driver's Compartment Group	B-15 - B-22
Electrical Group	B-23 - C-02
Exterior Body Group	C-03 - C-09
Galley Group	C-10 - C-12
Heating & Air Conditioning Group	C-13
Interior Finish Group	C-14 - C-17
LP Group	C-18
Lounge Group	C-19 - C-20
Water & Sewage Group	C-21 - C-22
Window, Vent & Exterior Door Group	C-23 - C-12

LOUNGE GROUP



FRONT LOUNGE

Key	Part Number	U/M	Description
1	085468-02-X19	EA	End Cap Asm. - Front Lounge - Vinyl
2	M88304-38-Y21	EA	Door Asm. - Overhead Cabinetry - w/o Hardware - 12" x 18.7"
3	M03110-86-Y21	EA	Cabinet Asm. - Front Lounge Overhead - w/o Door or Hardware
4	085468-01-X19	EA	End Cap Asm. - Front Lounge Overhead - Vinyl
5	090406-01-X19	EA	Drawer Asm. - Couch
	084466-04-000	EA	Slide Asm. - Cabinet - Right
	084466-05-000	EA	Slide Asm. - Cabinet - Left
	076583-08-000	EA	Shelf - Overhead - Tan
**	NOTE	EA	Bed Asm. - Victorian
**	See Curtain, Cushion & Pad Group for this item.		

DOUBLE BED W/NIGHTSTAND

Key	Part Number	U/M	Description
	090161-01-X19	EA	Cabinet Asm. - Nightstand - w/o Countertop, Drawers or Hardware - Front
	090161-11-X19	EA	Countertop Asm. - Front Nightstand
	M78921-02-W13	EA	Drawer Asm. - Nightstand Cabinet - w/o Hardware
	082100-01-Y21	EA	Cabinet Asm. - Nightstand - Rear Wall - w/o Countertop
	M01567-01-X19	EA	Countertop Asm. - Nightstand - Rear Wall
	M03110-82-Y21	EA	Cabinet Asm. - Passenger Side Overhead - w/o Doors or Hardware
	M03110-80-Y21	EA	Cabinet Asm. - Driver Side Overhead - w/o Doors or Hardware
	M88304-49-Y21	EA	Door Asm. - Overhead - 12.1" x 29.1" - w/o Hardware
	084357-01-W13	EA	Cabinet Asm. - TV - w/o Countertop, Door or Hardware
	M03110-68-Y21	EA	Cabinet Asm. - Backwall Overhead - w/o Door or Hardware
	M88304-10-Y21	EA	Door Asm. - Double Bed Cabinet - w/o Hardware

LOUNGE GROUP (CONTINUED)

TWIN BED & OVERHEAD CABINERY

Key	Part Number	U/M	Description
	M03110-82-Y21	EA	Cabinet Asm. - Sidewall Overhead - Passenger - w/o Doors or Hardware
	M88304-49-X21	EA	Door Asm. - Overhead - 12" x 21.9" - w/o Hardware
	083441-03-X11	EA	Cabinet Asm. - Nightstand - w/o Countertop, Door or Hardware
	M02608-01-X19	EA	Countertop Asm. - Nightstand Cabinet - Bottom
	M02609-01-X19	EA	Countertop Asm. - Nightstand Cabinet - Top
	M88304-10-Y21	EA	Door Asm. - Nightstand Cabinet - 21.5" x 11.5" - w/o Hardware
	M03110-80-Y21	EA	Cabinet Asm. - Sidewall Overhead - Driver - w/o Doors or Hardware
	084357-01-W13	EA	Shelf Asm. - TV
	M89964-01-X19	EA	Cabinet Asm. - Twin Bed - Left
	M90616-01-X19	EA	Cabinet Asm. - Twin Bed - Right
	M88304-10-Y21	EA	Door Asm. - Twin Bed Cabinet - w/o Hardware
	077404-02-000	EA	Drawer - Plastic - 20" x 12.7"
	037688-03-000	EA	Slide - Center - Drawer
	047744-01-000	EA	Kit - Drawer Glides
	081710-01-000	EA	Slide - Plastic Drawer
	054856-01-000	EA	Rail - Bed

QUEEN BED OPTION

Key	Part Number	U/M	Description
	090161-01-X19	EA	Cabinet Asm. - Nightstand - w/o Countertop, Drawers & Hardware
	090161-11-X19	EA	Countertop Asm. - Nightstand
	M78921-02-W13	EA	Drawer Asm. - Nightstand Cabinet - w/o Hardware
	M03110-62-Y21	EA	Cabinet Asm. - Passenger Side Overhead - w/o Doors or Hardware
	M03110-80-Y21	EA	Cabinet Asm. - Driver Side Overhead - w/o Doors or Hardware
	M88304-49-Y21	EA	Door Asm. - Overhead - 12.1" x 21.9" - w/o Hardware
	084357-01-W13	EA	Cabinet Asm. - TV

**1989 WINNEBAGO
TABLE OF CONTENTS**

WC/JP34RU
WCP37RQ

A-01 - D-12
D-13 - H-08

1989 WC/JP34RU INDEX

Floor Plan	A-01 - A-02
Accessories Group	A-03 - A-07
Bath Group	A-08 - A-09
Chassis Group	A-10 - A-15
Curtain, Cushion & Pad Group	A-16 - B-12
Dinette Group	B-13 - B-14
Driver's Compartment Group	B-15 - B-22
Electrical Group	B-23 - C-02
Exterior Body Group	C-03 - C-09
Galley Group	C-10 - C-12
Heating & Air Conditioning Group	C-13
Interior Finish Group	C-14 - C-17
LP Group	C-18
Lounge Group	C-19 - C-20
Water & Sewage Group	C-21 - C-22
Window, Vent & Exterior Door Group	C-23 - C-12

WATER & HEATING GROUP

HOLDING TANKS & WATER HEATERS

Key	Part Number	U/M	Description
	090722-01-000	EA	Tank Asm. - 44 Gallon - w/o Fittings - Chevrolet Chassis
	076625-05-000	EA	Tank Asm. - 54 Gallon - w/o Fittings - Double Bed - John Deere Chassis
	076625-06-000	EA	Tank Asm. - 54 Gallon - w/o Fittings - Twin & Queen Bed - John Deere Chassis
	090194-01-000	EA	Tank - Sewage - 53 Gallon - w/o Fittings
	090591-01-000	EA	Tank - Waste Water - 38 Gallon - w/o Fittings
**	051393-01-000	EA	Water Heater - Direct Ignition - w/Motor Aid - Atwood - GH6-3E
**	The illustrated parts breakdown for this item is provided on the Common Items Fiche		

PLUMBING & REPAIR PARTS

Key	Part Number	U/M	Description
	044927-01-000	EA	Adapter - Plastic - 1 1/4" MPT x 1 1/4" Bar
	010326-01-000	EA	Adapter - Flare - w/Cone Gasket
	062422-01-000	EA	Adapter - Hose Offset - Reducer - 3" x 1 1/2"
	052954-01-000	EA	Adapter - Hose Cone - 3/8 or 1/2 - Plastic
	089330-01-000	EA	Adapter - Sewer Hose
	079317-01-000	EA	Adapter - Swivel - .5" Tube x .5" FPT
	062415-01-000	EA	Cap - Sewer - 3"
	082144-02-000	EA	Cap - Pipe 1/2" FPT - Brass - Hex
	052959-02-000	EA	Connector - Plastic - 1/2" F x 1/2" MPT
	052959-03-000	EA	Connector - 1/2" F x 3/8" MPT - Plastic
	011091-02-000	EA	Continuous Waste - Double Sink - 11 7/8" - US
	078406-01-000	EA	Coupler Rubber - 3" x 3"
	052960-01-000	EA	Drain Valve - 1/2 F x 1/2 F - Plastic
	037101-02-000	EA	Elbow Plastic - 1/4" BD Vent 1 1/2" H
	010000-01-000	EA	Elbow - Plastic - 1/8 BD x 1 1/4 x 45° H x H
	010005-01-000	EA	Elbow - Plastic - 1/16 BD x 1 1/2" x 2 1/2"
	010006-01-000	EA	Elbow - Plastic - 1/8 BD x 1 1/2 x 45° H x H
	010008-01-000	EA	Elbow - Plastic - 1/4 BD x 1 1/2 x 90° Left
	070924-01-000	EA	Elbow - Plastic - Swivel - 1/2" x 1/2"
	052957-01-000	EA	Elbow - Plastic - 1/2 F x 3/8 MPT
	052957-02-000	EA	Elbow - Plastic - 1/2 F x 1/2 MPT (In Tank Filter)
	035539-01-000	EA	Elbow - Plastic - 3/8" MPT x 3/8 BARB
	065120-01-000	EA	Elbow - Plastic - Swivel - .50
	033761-01-000	EA	Elbow - Plastic - 1/4" BD 1 1/2" x 90 x L
	010051-01-000	EA	Elbow - Plastic - ST - 1/8" BD 1 1/2" x 45
	077954-01-000	EA	Filter/Screen (In Water Tank)
	063641-01-000	EA	Flange - Closet - Red - 4 F x 3" FPT
	010147-01-000	EA	Flange - Closet - 4" F x 3" FPT - US
	010147-02-000	EA	Flange - Closet - 4" F x 3" FPT - CSA
	079381-01-000	FT	Flexible Tubing - 1 1/4 ID x 10'
	061607-01-000	EA	Grommet - Holding Tank Coupler - 1 1/2"
	061607-02-000	EA	Grommet - Holding Tank Coupler - 3"
	052961-01-000	EA	Header - 1/2 F x 1/2 F x 1/2 F x 1/2 F
	052961-02-000	EA	Header - 1/2 MPT x 1/2 F x 1/2 F - Plastic
	062416-01-000	EA	Hose Adapter - 3"
	052952-01-000	EA	Nut - Faucet 1/2 F - Plastic
	052953-01-000	EA	Nut - Faucet - 1/2 Tube x 1/2 FPT - Plastic
	011066-03-000	EA	P-Trap - 1 1/4" Plastic - US
**	011066-02-000	EA	P-Trap - 1 1/4" Plastic - CSA
	053335-01-000	EA	P-Trap - 1 1/4" Plastic - w/Union
	049032-01-000	EA	Patch - Spinweld - Plastic - 3/8"
**	The illustrated parts breakdown for this item is provided on the Common Items Fiche.		

WATER & HEATING GROUP (CONTINUED)

PLUMBING & REPAIR PARTS (CONT.)

Key	Part Number	U/M	Description
	045729-01-000	EA	Pump - Water - 2.8 G.P.M. - Direct Drive - Shurflo - US
	045729-02-000	EA	Pump - Water - 2.8 G.P.M. - Direct Drive - Shurflo - CSA
**	010201-01-000	EA	Sewer Hose - 3" x 8' w/Clamp
	010201-02-000	EA	Sewer Hose - 3" x 20'
	042989-02-000	EA	Spinweld Fittings - Plastic - 1/2 FPT (In Tank Filter)
	042989-03-000	EA	Spinweld Fittings - Plastic - 1/4 NPT
	042989-04-000	EA	Spinweld Fittings - Plastic - 3/8 FPT
	042989-05-000	EA	Spinweld Fittings - Plastic - 1/2 FPT
	011069-02-000	EA	Tailpiece - 1 1/2" x 1 1/4" x 4" - Brass
	010071-01-000	EA	Tee - Plastic - 1 1/2 H x H x H
**	010079-01-000	EA	Tee - Plastic - 1 1/2 H x 1 1/2 H x 1 1/4 H
	052955-01-000	EA	Tee - Plastic - 1/2 F x 1/2 F x 1/2 MPT
	052956-01-000	EA	Tee - Plastic - 1/2 F x 1/2 MPT x 1/2 F
	052958-01-000	EA	Tee - Plastic - 1/2 F x 1/2 F x 1/2 F
	074463-01-000	EA	Tee - 4 Way - 1/2" Flare
	039800-01-000	FT	Tubing - Polybutyl - 1/2 O.D. (Water Line)
	079381-01-000	FT	Tubing - Flexible - Smooth - 1.25 I.D.
	074462-02-000	FT	Tubing - Vinyl - 3/8 I.D.
	062421-01-000	EA	Valve - 1 1/2" - w/Handle
	082696-01-000	EA	Valve - Waste - 3"
	052960-01-000	EA	Valve - Line Drain - 1/2 F x 1/2 F
	010073-01-000	EA	Wye - Plastic - 1 1/2 x 45 H x H
	079968-01-000	EA	Vent - Mechanical Trap Arm
**	The illustrated parts breakdown for this item is provided on the Common Items Fiche.		

1989 WINNEBAGO TABLE OF CONTENTS

WC/JP34RU
WCP37RQ

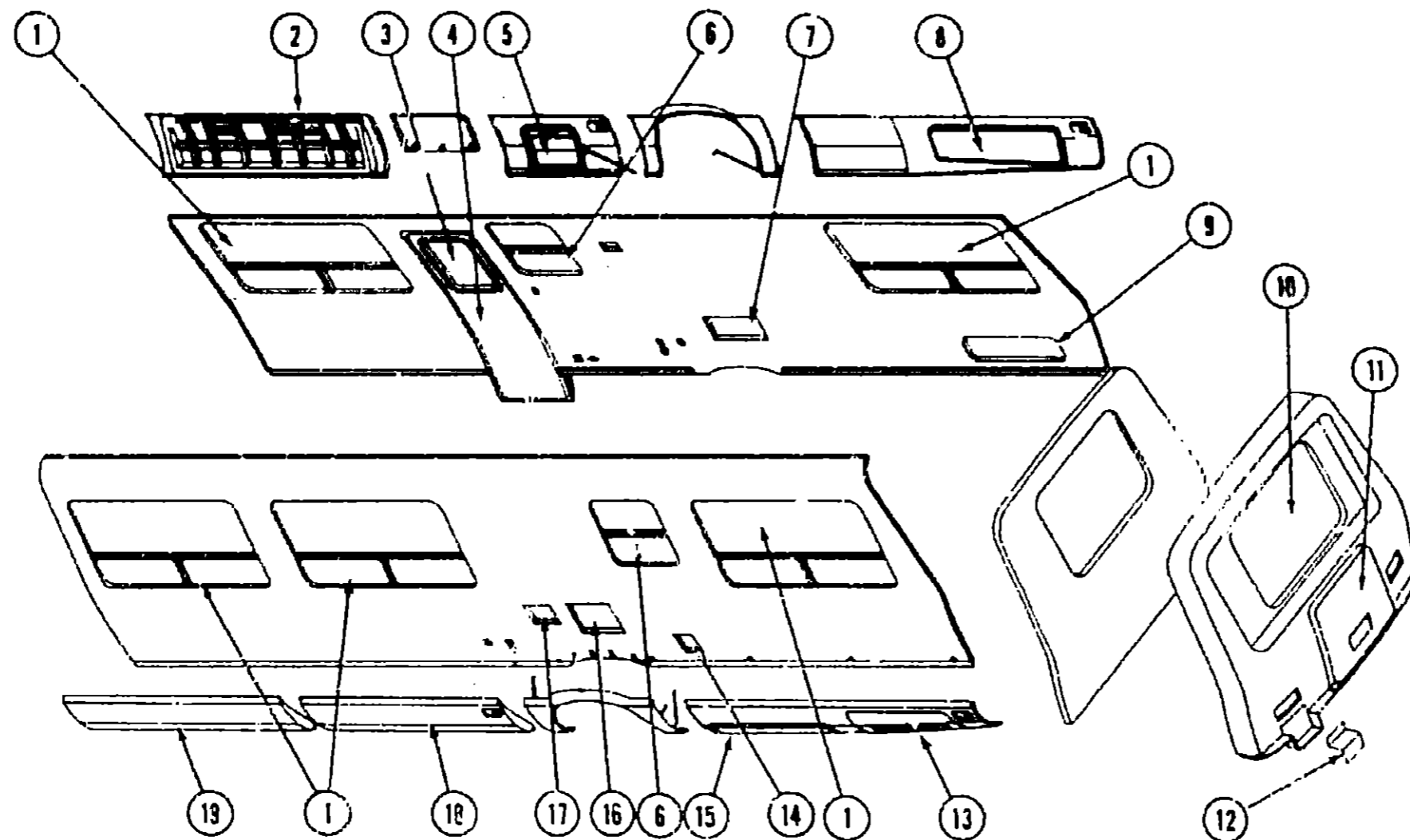
A-01 - D-12
D-13 - H-08

1989 WC/JP34RU INDEX

Floor Plan	A-01 - A-02
Accessories Group	A-03 - A-07
Bath Group	A-08 - A-09
Chassis Group	A-10 - A-15
Curtain, Cushion & Pad Group	A-16 - B-12
Dinette Group	B-13 - B-14
Driver's Compartment Group	B-15 - B-22
Electrical Group	B-23 - C-02
Exterior Body Group	C-03 - C-09
Galley Group	C-10 - C-12
Heating & Air Conditioning Group	C-12
Interior Finish Group	C-14 - C-17
LP Group	C-18
Lounge Group	C-19 - C-20
Water & Sewage Group	C-21 - C-22
Window, Vent & Exterior Door Group	C-23 - C-12

WINDOW, VENT & EXTERIOR DOOR GROUP

WINDOWS & ACCESS DOORS



1989 WINNEBAGO TABLE OF CONTENTS

WC/JP34RU
WCP37RD

A-01 - C-12
D-13 - H-06

1989 WC/JP34RU INDEX

Floor Plan	A-01 - A-02
Accessories Group	A-03 - A-07
Bath Group	A-08 - A-09
Chassis Group	A-10 - A-15
Curtain, Cushion & Pad Group	A-16 - B-12
Dinette Group	B-13 - B-14
Driver's Compartment Group	B-15 - B-22
Electrical Group	B-23 - C-02
Exterior Body Group	C-03 - C-09
Galley Group	C-10 - C-12
Heating & Air Conditioning Group	C-13
Interior Finish Group	C-14 - C-17
LP Group	C-18
Lounge Group	C-19 - C-20
Water & Sewage Group	C-21 - C-22
Window, Vent & Exterior Door Group	C-23 - C-12

Date

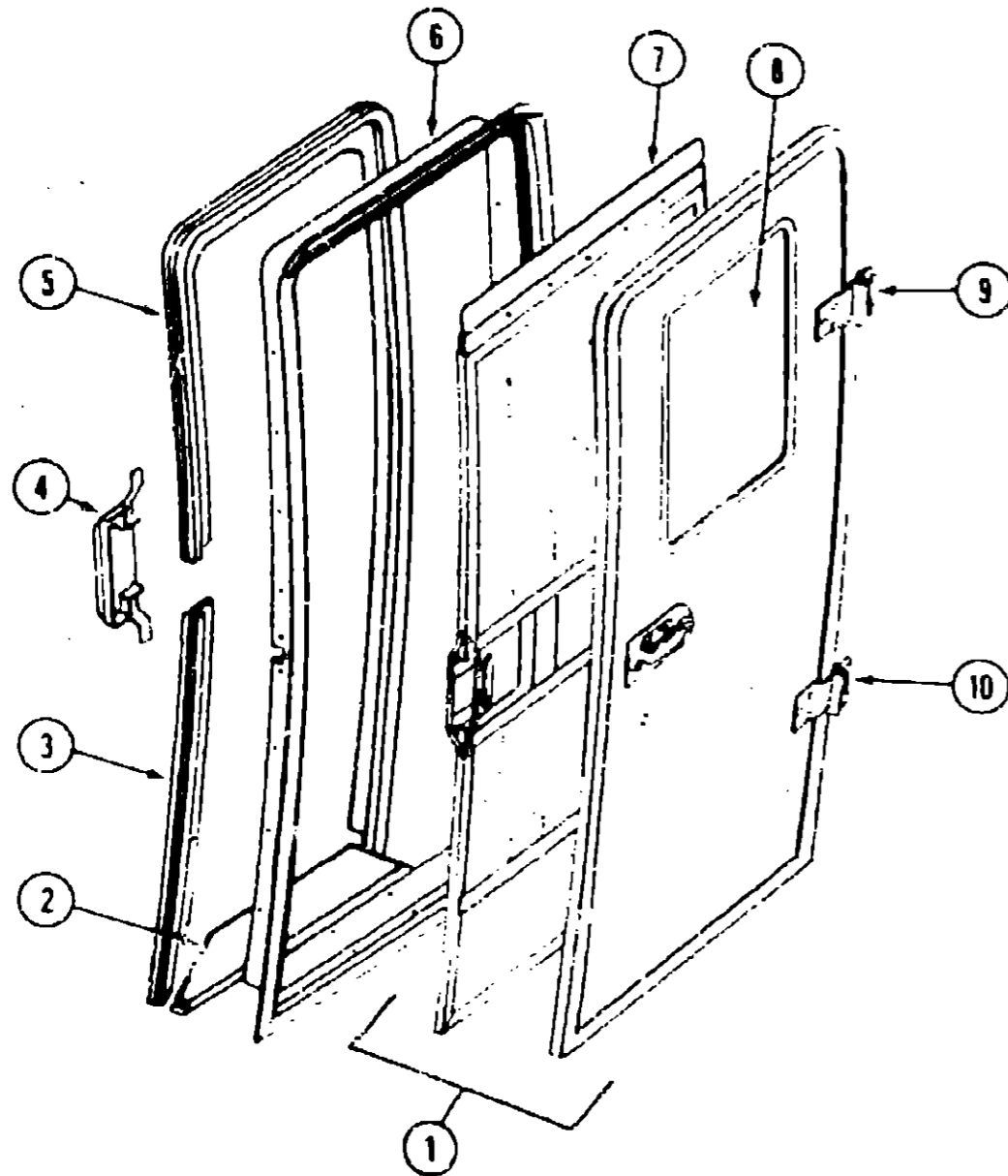
Key	Part Number	U/M	Description
1	085354-04-X11	EA	Window Asm. - Double
2	085037-01-W13	EA	Door Asm. - Storage
3	079733-04-T03	EA	Window Asm. - Picture
4	M84385-02-Y21	EA	Door Asm. - Entrance
5	M02586-40-X19	EA	Door Asm. - LP - w/Panel
6	085353-07-W07	EA	Window Asm. - Crank Out
	067609-03-000	EA	Inside Frame - Entrance Door - Beige
7	084103-01-000	EA	Door Asm. - Refrigerator Vent
8	079578-03-W13	EA	Door Asm. - Luggage
9	086820-01-000	EA	Door Asm. - Luggage
10	087985-03-W13	EA	Window Asm. - Rear Escape
10	087985-04-Y21	EA	Window Asm. - Rear Escape

Thru 10/31/88
From 11/1/88

Key	Part Number	U/M	Description
11	M01990-04-X19	EA	Cover - Spare Tire
12	077127-01-000	EA	Door Asm. - Sewer Hose Compartment
13	085040-01-W13	EA	Door Panel - Generator
14	078010-01-000	EA	Door Asm. - Fuel Fill
15	089079-01-000	EA	Door Panel - Sewage Dump Compartment
16	052009-02-000	EA	Door Asm. - Water Heater
17	088794-02-000	EA	Door Asm. - Power Cord
18	090552-01-X19	EA	Door Asm. - Storage
19	085037-02-W13	EA	Door Asm. - Storage
	M78469-02-000	EA	Window Asm. - Driver Door
	077209-02-000	EA	Inside Frame - Driver Door Window - Black
	M78469-01-000	EA	Window Asm. - Passenger Door
	077209-01-000	EA	Inside Frame - Passenger Door Window - Black
	076671-01-000	EA	Glass - Corner Vent - Passenger
	076671-02-000	EA	Glass - Corner Vent - Drivers
	084104-01-000	EA	Jamb - Refrigerator Vent

WINDOW, VENT & EXTERIOR DOOR GROUP (CONTINUED)

ENTRANCE DOOR



Key	Part Number	U/M	Description
1	M81385-02-Y21	EA	Door Asm. - Entrance
2	086905-01-000	EA	Trim - Entrance Door - Lower
3	M01370-03-W13	EA	Trim - Entrance Door - Upper - Beige - w/Roller Catch
4	085739-01-000	EA	Cover - Strike - Light Oak
5	M01671-03-W13	EA	Trim - Entrance Door
6	076947-03-000	EA	Jamb Asm. - Entrance Door
7	084389-01-V/13	EA	Screen Door - Complete
	085276-01-000	EA	Slider - Screen Door - Light Oak Plastic
	002293-02-000	SF	Screen - 26" Charcoal
	076912-03-000	EA	Insert - Screen Door - Lower
	076914-06-000	EA	Insert - Screen Door - Center
	009016-01-000	EA	Catch - Elbow - Spring Loaded
	009018-01-000	EA	Catch - Single Roller
	077437-01-000	EA	Strike - Screen Door
	076231-01-000	EA	Spacer - Screen Door - Latch
	076856-01-000	EA	Plate - Screen Door
	002294-01-000	FT	Spline - Screen Door - Black
	084096-01-000	EA	Transition Frame - Screen Door - Beige

Key	Part Number	U/M	Description
8	079733-04-T03	EA	Window Asm. - Picture (w/o inside frame)
	067609-03-000	EA	Inside Frame - Beige (not included in assembly)
	002181-05-000	EA	Glass - .115" x 16.25" x 24"
	087561-01-000	FT	Spline - Glass - 1/8 Material - Black
	069637-02-000	EA	Sealer - 3M EC5510
9	084097-01-000	EA	Hinge Asm. - Upper - Beige
10	084096-01-000	EA	Hinge Asm. - Lower - Beige
	073090-03-000	FT	Seal - Entrance Door
	076725-01-000	EA	Cover - Access - Door Handle
	076809-01-000	EA	Gasket - Hinge - Jamb
	085739-01-000	EA	Cover - Striker - Beige
	069450-01-000	EA	Cover - Hinge - Entrance Door
	076810-01-000	EA	Gasket - Door Hinge
	009126-02-000	EA	Assist Handle - Black
	073303-01-000	EA	Latch Asm. - Inner
	076728-01-000	EA	Panel Trim - Light Oak Plastic
	R77007-05-374	EA	Gasket - Exterior Door Handle
	R77040-01-538	EA	Handle - Exterior Door
	R77006-50-261	EA	Handle - Interior - Right Door
	073104-01-000	EA	Escutcheon - Door Handle
	R77013-48-158	EA	Lock Bolt - Right
	R77007-51-201	EA	Cylinder & Key Set
	R77010-21-718	EA	Key Blank
	R77007-56-701	EA	Plate - Door Lock
	R77006-65-924	EA	Key & Tumbler (1 only)
	045017-01-701	EA	Key Blank (Deadbolt)
	083205-01-000	EA	Deadbolt - Press Fit - 5"
	079173-01-000	EA	Gasket - Deadbolt - Exterior
	R77030-67-257	EA	Spline Pin
	080963-01-000	EA	Arm - Lock Control
	073111-01-000	EA	Rod - Latch
	073110-01-000	EA	Rod - Lock
	R77006-64-355	EA	Link - Control
	073303-02-000	EA	Latch Asm. - Inner - Right
	073093-01-000	EA	Support Asm. - Latch - Beige
	R77007-04-135	EA	Bracket - Lock
	083729-04-010	EA	Rivnut - 10-32 UNF
	076907-07-000	EA	Trim - Door - Upper
	076908-01-000	EA	Trim - Door - Lower
	076231-01-000	EA	Spacer - Latch - Screen Door
	075673-01-000	FT	Seal - Pile - A.D.H. Back
	076907-07-000	EA	Trim - Upper Door - Beige
	076906-01-000	EA	Trim - Lower Door - Beige
	077222-01-000	EA	Spring - Wire Guard - Door
	081915-01-000	EA	Motor - Electric Door Lock
	081915-02-000	EA	Bracket - Motor - Electric Door Lock
	081993-02-000	EA	Rod - Motor Control - Electric Lock
	083551-01-000	EA	Seal - Sponge - Lazy T Shape
	084406-01-000	EA	Nut - Capped - Cross Recessed - Black
	090340-01-000	FT	Seal - Closed Cell Foam
	091968-01-000	FT	Adhesive - Tape - .04" x .50"
	091968-02-000	FT	Adhesive - Tape - .04" x 1.5"
	091876-01-000	EA	Retainer - Door
	053552-02-W24	EA	Handle - Assist Interior

1989 WINNEBAGO TABLE OF CONTENTS

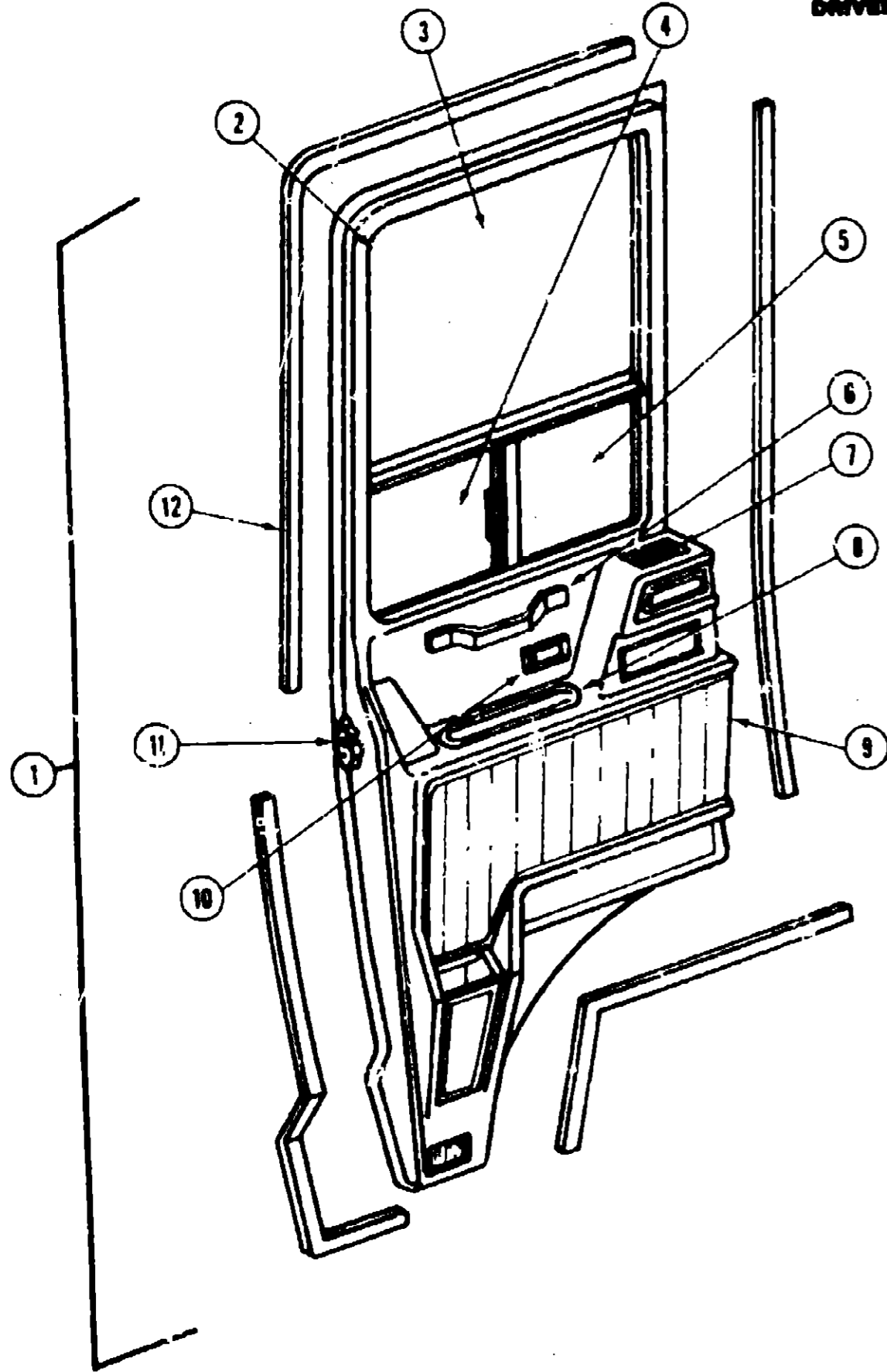
WC/JP34RU
WC:P37HQ

A-01 - D-12
D-13 - H-08

1989 WC/JP34RU INDEX

Floor Plan	A-01 - A-02
Accessories Group	A-03 - A-07
Bath Group	A-08 - A-09
Chassis Group	A-10 - A-15
Curtain, Cushion & Pad Group	A-16 - B-12
Dinette Group	B-13 - B-14
Driver's Compartment Group	B-15 - B-22
Electrical Group	B-23 - C-02
Exterior Body Group	C-03 - C-08
Galley Group	C-10 - C-12
Heating & Air Conditioning Group	C-13
Interior Finish Group	C-14 - C-17
LP Group	C-18
Lounge Group	C-19 - C-20
Water & Sewage Group	C-21 - C-22
Window, Vent & Exterior Door Group	C-23 - C-24

WINDOW, VENT & EXTERIOR DOOR GROUP (CONTINUED)
DRIVERS & PASSENGER CAB DOOR



Key	Part Number	U/M	Description
3	077036-03-000	EA	Glass - .19" x 28.9" x 22" - Passenger
	077036-02-000	EA	Glass - .19" x 28.9" x 22" - Driver
4	078379-01-000	EA	Glass - .19" x 15" x 9.3" - w/hole
5	078378-01-000	EA	Glass - .19" x 15" x 9.3"
	077224-03-000	EA	Window Mullion - Horizontal - Passenger
	077224-04-000	EA	Window Mullion - Horizontal - Driver
	077225-02-000	EA	Window Mullion - Vertical - Passenger Door
	077225-01-000	EA	Window Mullion - Vertical - Driver Door
	M02588-51-001	EA	Seal Holder - w/Fin Seal
	042077-01-000	FT	Channel - Weatherstrip - Glass
	024096-02-000	EA	Seal - Window Channel
	050216-02-000	EA	Spline - Vinyl Glass - .19 Black
6	061400-04-000	EA	Assist Strap - 12" - Black w/Woodgrain
7	076783-01-000	EA	Louver/Bezel Asm. - Black - 2"
	075871-01-000	FT	Sponge Seal - Lazy T Shape
	076542-01-000	EA	Control Rod - Right Hand Latch
	076543-01-000	EA	Control Rod - Right Hand Lock
	076542-02-000	EA	Control Rod - Left Hand Latch
	076543-02-000	EA	Control Rod - Left Hand Lock
	077167-01-000	EA	Door Prop Rod - Passenger
	077167-02-000	EA	Door Prop Rod - Drivers
8	077118-03-000	EA	Storage Tray - Door Panel - Beige
	077179-01-000	EA	Hose Adapter - 2" - Snap In
	077000-01-000	EA	Socket Asm. - w/8" Pigtail Leads
9	077117-08-000	EA	Door Panel - Front Inner - Driver
	077117-05-000	EA	Door Panel - Front Inner - Passenger
	063886-03-000	EA	Assist Handle - Beige Steel Tube
10	R77006-50-261	EA	Door Handle - Interior - Right
10	R77006-50-326	EA	Door Handle - Interior - Left
	R77040-01-538	EA	Door Handle - Exterior
	R77007-05-374	EA	Gasket - Door Handle - Exterior
11	R77007-56-701	EA	Latch Asm. - Right
11	R77007-56-702	EA	Latch Asm. - Left
	R77007-52-747	EA	Latch Asm. - Inner - Right
	R77007-62-746	EA	Latch Asm. - Inner - Left
12	076813-01-000	FT	Seal - Entrance Door (Glue On)
	R77007-04-136	EA	Lock Bracket
	080963-01-000	EA	Arm - Lock Control
	R77030-87-257	EA	Spline Pin
	R77007-51-201	EA	Cylinder & Key (Set of 3)
	R77006-65-924	EA	Cylinder & Key (Set of 1)
	R77010-21-758	EA	Key Blank
	R77013-48-179	EA	Switch - Dome Light - Door Jamb
	R77006-64-355	EA	Control Link
	077429-01-000	EA	Bracket Asm. - Door Catch - Passengers
	077429-02-000	EA	Bracket Asm. - Door Catch - Drivers
	084580-02-000	EA	Check Strap - Front Door - 7"
	064219-01-000	EA	Retainer - Check Strap - Front Door
	R77013-48-185	EA	Striker - Door - Left
	R77013-48-186	EA	Striker - Door - Right
	081832-01-000	FT	Bulb Seal - Cab Door - w/Wire Channel
	075245-03-000	EA	Hinge - Cab Door
	081905-01-000	EA	Control Knob (Lock/Unlock) Right
	081905-02-000	EA	Control Knob (Lock/Unlock) Left
	090351-01-000	EA	Switch - Door Lock
	083678-01-000	EA	Rod - Slide Bolt - Passengers
	083678-02-000	EA	Rod - Slide Bolt - Drivers
	083677-01-000	EA	Bearing Plate
	081993-02-000	EA	Control Rod - Motor - Lock - 2.1"
	081915-01-000	EA	Motor - Electric Door Lock

Key	Part Number	U/M	Description
1	M01596-09-Y21	EA	Door Asm. - Drivers
	M01595-09-Y21	EA	Door Asm. - Passengers
2	M78489-01-000	EA	Window Asm. - Passengers Door - w/Support
	M78489-02-000	EA	Window Asm. - Drivers Door - w/Support
	077209-01-000	EA	Inside Frame Asm. - Window - Passenger
	077209-02-000	EA	Inside Frame Asm. - Window - Driver

1989 WINNEBAGO
TABLE OF CONTENTS

WC/JP34RU
WCP37RQ

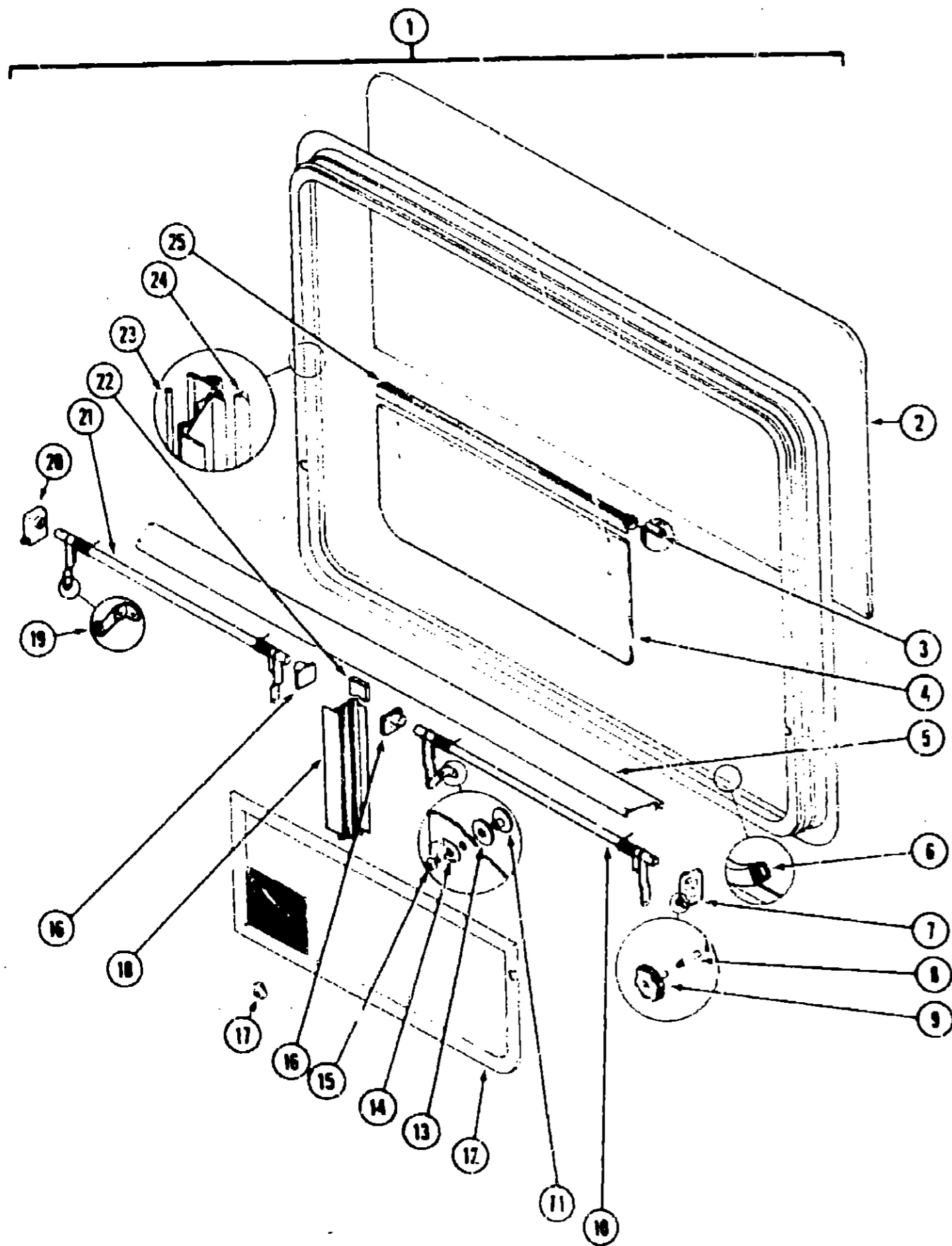
A-01 - D-12
D-13 - E-08

1989 WC/JP34RU INDEX

Floor Plan	A-01 - A-02
Accessories Group	A-03 - A-07
Bath Group	A-08 - A-09
Chassis Group	A-10 - A-15
Curtain, Cushion & Pad Group	A-16 - B-12
Dinette Group	B-13 - D-14
Driver's Compartment Group	B-15 - B-22
Electrical Group	B-23 - C-02
Exterior Body Group	C-03 - C-08
Galley Group	C-10 - C-12
Heating & Air Conditioning Group	C-13
Interior Finish Group	C-14 - C-17
LP Group	C-18
Lounge Group	C-19 - C-20
Water & Sewage Group	C-21 - C-22
Window, Vent & Exterior Door Group	C-23 - C-12

WINDOW, VENT & EXTERIOR DOOR GROUP (CONTINUED)

DOUBLE TIPOUT WINDOW



Key	Part Number	U/M	Description
1	085354-04-X11	EA	Window Asm. - Double Tipout - 61.24" (w/o inside frame)
	081822-11-000	EA	Inside Frame - Black (not included in assembly)
2	081239-17-000	EA	Glass - 1/8" x 61.77" x 23" - Stationary
3	081357-01-000	FT	Foam Seal - Vinyl
4	084068-08-000	EA	Glass - 1/8" x 9.24" x 30.39" - Tipout
5	082583-52-001	EA	Mullion - Horizontal - Black
	000G39-06-16T	EA	Screw - SF/DR - 6 - 20 x 1.00 PPH (Mullion - 4 Required)
	076778-03-000	EA	Rivet - Plastic - Pin Drive - Black (2 Required)
6	084067-01-000	FT	Seal - "g" - Sponge Rubber
7	035302-01-000	EA	Operator Drive - Right
8	090025-01-000	EA	Extension - Window Knob (not included in assembly)
9	067052-02-000	EA	Knob - Beige (not included in assembly)
	089371-01-000	EA	Screw - Window Knob (not included in assembly)
10	083228-03-000	EA	Torque Tube Asm. - Right
11	086762-01-000	EA	T-Nut - 10-32
12	084581-01-W07	EA	Screen Asm. - Tipout - Right
	084581-02-W07	EA	Screen Asm. - Tipout - Left
	002293-02-000	SF	Screen - 26" - Window
	002294-02-000	FT	Spline - .130" Dia. - Charcoal (Screen)
13	068927-03-000	EA	Seal - Rubber - .12" x 25" I.D. x 80" O.D.
14	084473-01-000	EA	Seal - Rubber - "D" Shaped
15	086763-01-000	EA	Screw - #10 - 32 x 1/4" PTH
16	081354-01-000	EA	Sleeve - Window Torque Tube
17	081243-01-000	EA	Clip - Plastic - Screen (4 Required)
	000G12-06-08T	EA	Screw - #6 - 20 x .50" POH - Black
18	084192-52-001	EA	Mullion - Vertical - Black
	000G39-08-068	EA	Screw - #8 x 18 x 1/2 PPH (Mullion - 4 Required)
19	097578-01-000	EA	Connecting Rod Asm.
	085316-01-000	EA	Washer - Wave - .44 O.D. 32 I.D.
	081649-01-070	EA	Snap Ring - 7/32 Shaft
20	035302-02-000	EA	Operator Drive - Left
21	083227-03-000	EA	Torque Tube Asm. - Left
22	084066-01-000	FT	Bulb Seal - Double - Sponge Rubber
23	069640-06-000	FT	Seal - 5/16" x 15" (not included in assembly)
24	083180-01-000	FT	Seal - Vinyl Glazing
25	084155-09-000	EA	Hinge - Tipout Window - Black

1989 WINNEBAGO TABLE OF CONTENTS

WC/JP34RU
WCP37RO

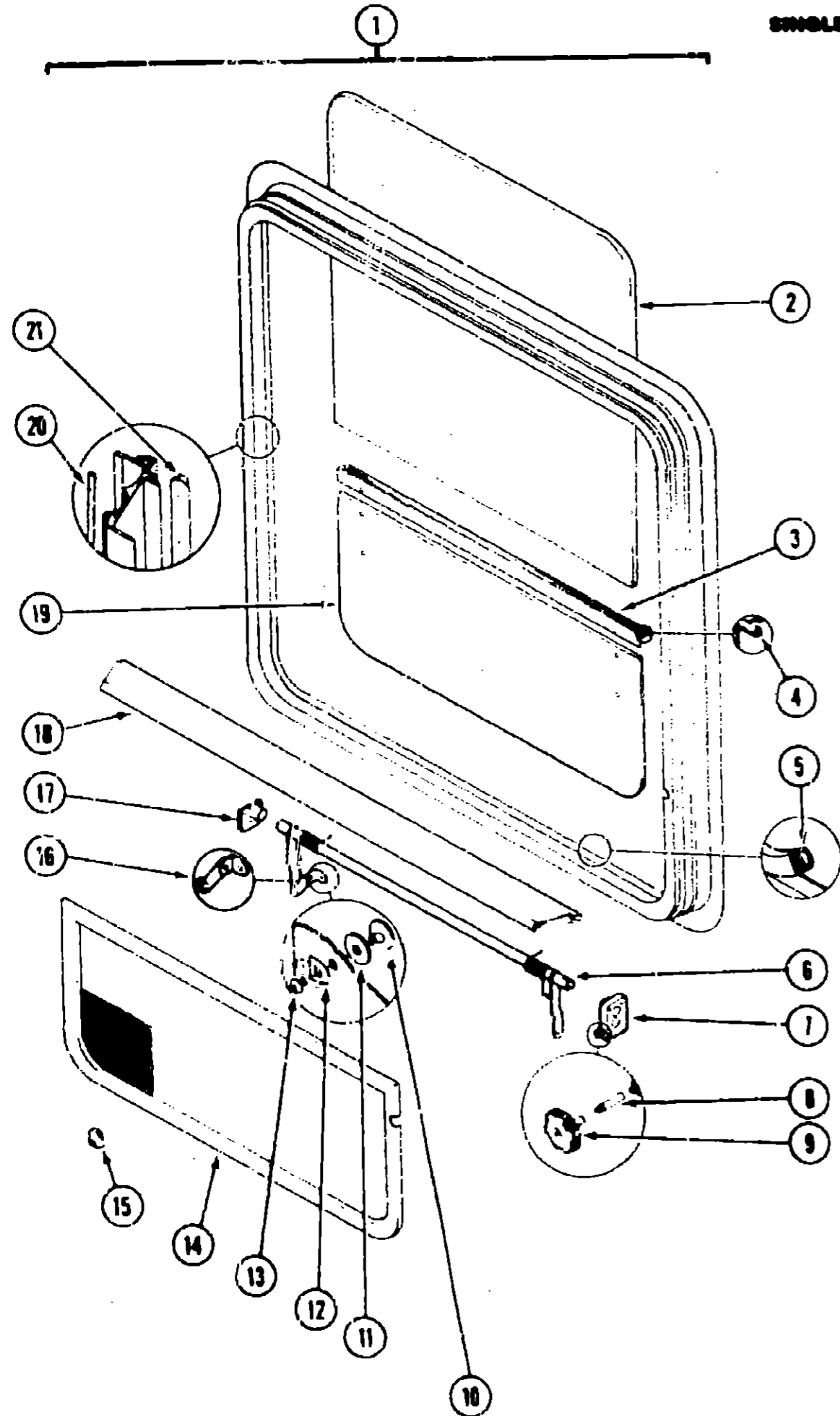
A-01 - D-12
D-13 - H-03

1989 WC/JP34RU INDEX

Floor Plan	A-01 - A-02
Accessories Group	A-03 - A-07
Bath Group	A-08 - A-09
Chassis Group	A-10 - A-15
Curtain, Cushion & Pad Group	A-16 - B-12
DINETTE Group	B-13 - B-14
Driver's Compartment Group	B-15 - B-22
Electrical Group	B-23 - C-02
Exterior Body Group	C-03 - C-09
Galley Group	C-10 - C-12
Heating & Air Conditioning Group	C-13
Interior Finish Group	C-14 - C-17
LP Group	C-18
Lounge Group	C-19 - C-20
Water & Sewage Group	C-21 - C-22
Window, Vent & Exterior Door Group	C-23 - C-22

WINDOW, VENT & EXTERIOR DOOR GROUP (CONTINUED)

SINGLE TIPOUT WINDOW



Key	Part Number	U/M	Description
1	085353-07-W07	EA	Window Asm. - Single Tipout - 24.8" x 24.9" (w/o inside frame)
	081822-04-000	EA	Inside Frame - Black (not included in assembly)
2	081238-05-000	EA	Glass - 14.6" x 24.25" - Stationary
3	089913-01-000	EA	Hinge - Tipout Window - Black
4	081357-01-000	FT	Seal Foam - Vinyl
5	084057-01-000	FT	Seal - "e" - Sponge Rubber
6	083150-05-000	EA	Torque Tube Asm.
7	035302-02-000	EA	Operator Drive - Left
8	009439-06-000	EA	Extension - .900" - Black (not included in assembly)
9	009439-05-000	EA	Knob - Window Crankout - Black (not included in assembly)
	009439-07-000	EA	Screw - 8/32" x 1/4" POH - Black (not included in assembly)
10	086762-01-000	EA	T-Nut - 10-32
11	088927-03-000	EA	Seal - Rubber - .12" x 25" I.D. x 80" O.D.
12	084473-01-000	EA	Seal - Rubber - "D" Shaped
13	086763-01-000	EA	Screw - #10 - 32 x 1/4" P1H
14	084580-04-W07	EA	Screw Asm. - Tipout Window - Single
	002293-02-000	SF	Screen - Window - 26" - Charcoal
	002298-02-000	FT	Spline - .130" Dia. - Charcoal (Screen)
15	081243-01-000	EA	Screen Clip - Plastic - Black
	000G12-06-08T	EA	Screw - #6 - 20 x .50" POH - Black
16	097578-01-000	EA	Connecting Rod Asm.
	085316-01-000	EA	Washer - Wave - .44 O.D. .32 I.D.
	081649-01-000	EA	Snap Ring - 7/32 Shaft
17	081354-01-000	EA	Sleeve - Window Torque Tube
18	082563-52-001	EA	Mullion - Horizontal - Black
19	084068-02-000	EA	Glass - 9.24" x 24.13" - Tipout
20	069640-06-000	FT	Seal - 5/16" x 15" (not included in assembly)
21	083180-01-000	FT	Seal - Vinyl Glazing

1989 WINNEBAGO TABLE OF CONTENTS

WC/JP34RU
WCP37RQ

A-01 - D-12
D-13 - H-08

1989 WC/JP34RU INDEX

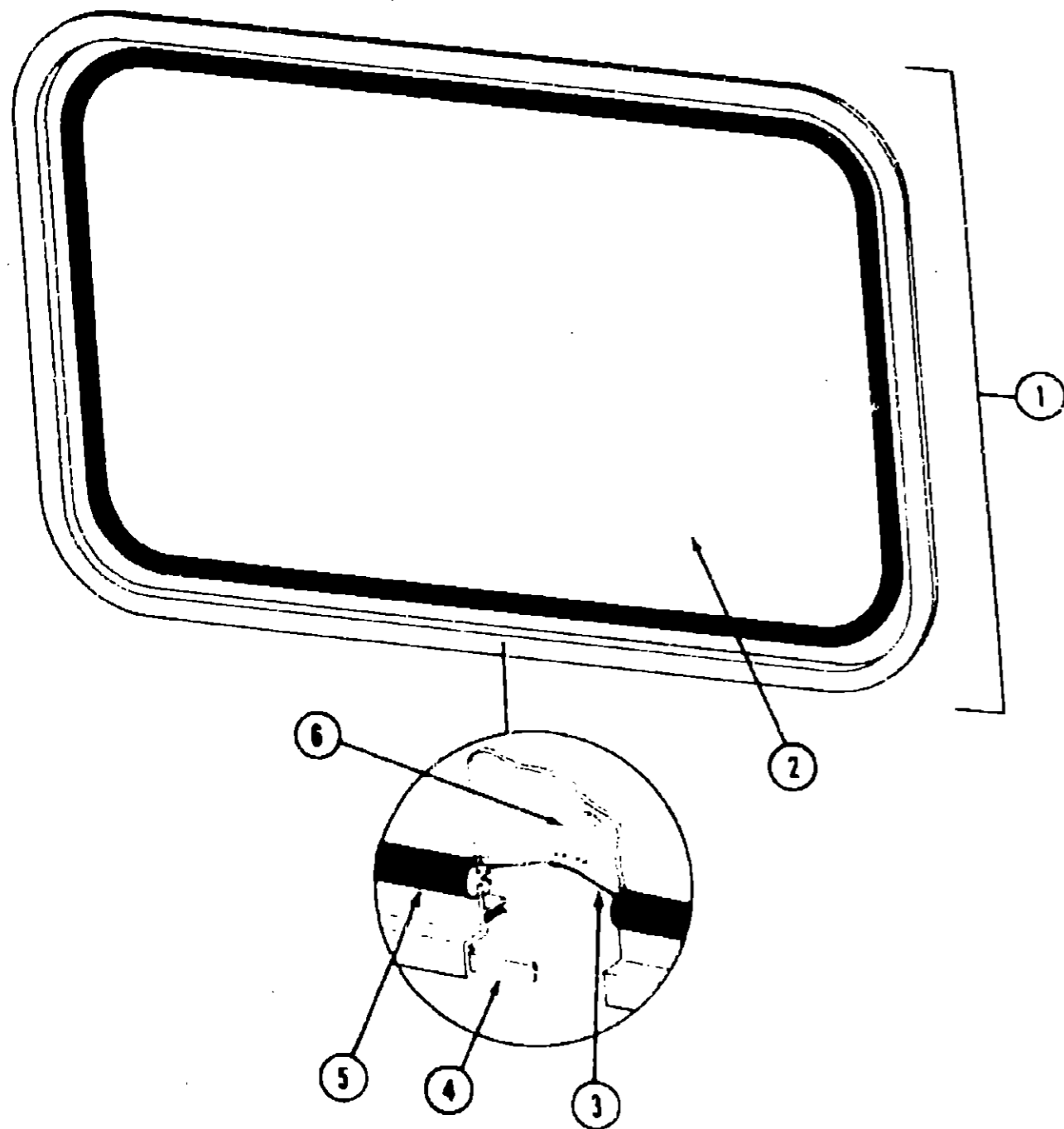
Floor Plan	A-01 - A-02
Accessories Group	A-03 - A-07
Bath Group	A-08 - A-09
Chassis Group	A-10 - A-15
Curtain, Cushion & Pad Group	A-16 - B-12
Dinette Group	B-13 - B-14
Driver's Compartment Group	B-15 - B-22
Electrical Group	B-23 - C-02
Exterior Body Group	C-03 - C-08
Galley Group	C-10 - C-12
Heating & Air Conditioning Group	C-13
Interior Finish Group	C-14 - C-17
LP Group	C-18
Lounge Group	C-19 - C-20
Water & Sewage Group	C-21 - C-22
Window, Vent & Exterior Door Group	C-23 - C-22

WINDOW, VENT & EXTERIOR DOOR GROUP (CONTINUED)

1989 WINNEBAGO
TABLE OF CONTENTS

WC/JP34RU
WCP37RQ

A-01 - D-12
D-13 - H-06



Date
Thru 10/31/88

Key	Part Number	U/M	Description
1	087985-03-W13	EA	Window Asm. - Escape (w/o inside frame)
	076650-03-000	EA	Inside Frame - Black (not included in assembly)
2	076337-03-000	EA	Glass - 1/8" x 44.8" x 28.7"
3	002285-01-000	FT	Filler - Weatherstrip - Black
4	069640-07-000	FT	Tape - 2" Bead x 3/32" x 30'
5	002282-01-000	FT	Weatherstrip - Window - .125" Black
6	077066-01-701	EA	Tape - Poly - Red - 36"

Date
From 11/1/88

Key	Part Number	U/M	Description
1	087985-04-Y12	EA	Window Asm. - Escape (w/o inside frame)
	076650-04-000	EA	Inside Frame - Black (not included in assembly)
2	076337-06-000	EA	Glass - 1/8" x 44.8" x 28.1"
3	002285-01-000	FT	Filler - Weatherstrip - Black
4	069640-07-000	FT	Tape - 2" Bead x 3/32" x 30'
5	002282-01-000	FT	Weatherstrip - Window - .125" Black
6	077066-01-701	EA	Tape - Poly Red - 36"

1989 WC/JP34RU INDEX

Floor Plan	A-01 - A-02
Accessories Group	A-03 - A-07
Bath Group	A-08 - A-09
Chassis Group	A-10 - A-15
Curtain, Cushion & Pad Group	A-16 - B-12
Dinette Group	B-13 - B-14
Driver's Compartment Group	B-15 - B-22
Electrical Group	B-23 - C-02
Exterior Body Group	C-03 - C-09
Galley Group	C-10 - C-12
Heating & Air Conditioning Group	C-13
Interior Finish Group	C-14 - C-17
LP Group	C-18
Lounge Group	C-19 - C-20
Water & Sewage Group	C-21 - C-22
Window, Vent & Exterior Door Group	C-23 - C-12

WINDOW, VENT & EXTERIOR DOOR GROUP (CONTINUED)

VENTS, ACCESS DOOR HARDWARE

Key	Part Number	U/M	Description
	009439-01-000	EA	Crank - Roof Vent
	009439-03-000	EA	Extension - .900" - Roof Vent
	009439-05-000	EA	Knob - Roof Vent - Black
	009439-06-000	EA	Extension - Roof Vent - Black
	009439-07-000	EA	Screw - Roof Vent Crack
	090392-01-Y12	EA	Vent - Non Powered - Roof - Beige
**	078786-01-Y12	EA	Screen Asm. - Non Powered - Roof
**	064469-09-000	EA	Vent - Powered - Roof - w/Power Lift (Jensen)
**	084079-04-000	EA	Vent - Powered - Roof (Fantastic) Beige
	081171-01-000	EA	Trim - Skylight - Outer
	077487-01-000	EA	Panel - Skylight - Outer
	077902-01-000	EA	Collar - Skylight
	084073-01-000	EA	Vent - Refrigerator - Roof - Beige Plastic
	084073-04-000	EA	Base - Refrigerator Roof Vent
	064103-01-000	EA	Door - Refrigerator Vent
	064104-01-000	EA	Jamb - Refrigerator - Vent Door
	083558-01-000	EA	Cover - Vent Pipe - Plastic
	078010-01-000	EA	Door Asm. - Fuel Fill - Beige
	052009-02-000	EA	Door Asm. - Water Heater Beige
	098794-02-000	EA	Door Asm. - Power Cord - w/Hatch - Beige
	054543-02-000	EA	Hatch - Power Cord Door - Beige
	077137-01-000	EA	Door Asm. - Sewer Hose Compartment - Beige (Backwall)
	086234-01-000	EA	Pin - Hinge
	086235-01-000	EA	Bearing - Snap In; - 3/8" ID x 1 1/16"
	086776-01-000	EA	Spring - Compression
	076767-01-000	EA	Cable Asm. - 1/16 x 12"
	087473-03-000	EA	Seal - Valance Door - 57.7" x 5.1"
	087473-02-000	EA	Seal - Valance Door - 73.3" x 5.1"
	087473-01-000	EA	Seal - Valance Door - 71.3" x 3.9"
	077486-02-000	EA	Lock Asm. - Key Type
	082684-01-000	EA	Key Set
	034007-41-000	EA	Hinge - Access Door - 1.5" x 96" - Beige
	081801-01-000	EA	Hinge - Continuous - 2" x 96" - Beige
	085730-01-000	EA	Latch Asm. - Access Door - w/Lock - Plastic Paddle - Beige
	085730-04-000	EA	Latch Asm. - Access Door - w/o Lock - Plastic Paddle - Beige
	086810-02-000	EA	Bracket - Paddle Latch Retainer - Beige
	088727-01-000	EA	Cable Asm. - w/Spring - Access Door
	079767-02-000	EA	Cable Asm. - 1/16" x 16.5" - Access Door
	077222-01-000	EA	Spring - Cable Guard - Access Door
	042442-02-000	EA	Lock Asm. - Twist Type - Access Door
	083615-04-000	EA	Holder - Door - Beige Plastic
	092898-01-02A	EA	Vent - Range Hood w/Door - Beige Plastic
	090340-01-000	FT	Seal - Foam - Closed Cell - .25" x .5" x 50'

** The illustrated parts breakdown for this item is provided on the Common Items Fiche.

WINDOW, VENT & EXTERIOR DOOR GROUP (CONTINUED)

WINDSHIELD & VENT WINDOWS

Key	Part Number	U/M	Description
	074887-01-000	EA	Glass - Windshield - Passenger
	074887-02-000	EA	Glass - Windshield - Driver
	076671-01-000	EA	Glass - Front Corner - Driver
	076671-02-000	EA	Glass - Front Corner - Passenger
	083179-01-000	FT	Reveal Molding - Windshield - Passenger or Driver
	083178-01-000	FT	Reveal Molding - Center Windshield or Front Corner Glass
	076844-02-000	EA	T-Cap Reveal Molding - Center Windshield
	076841-02-000	EA	Cap - Reveal Molding - Front Corner Glass - Upper
	076842-02-000	EA	Cap - Reveal Molding - Front Corner Glass - Lower

**1989 WINNEBAGO
TABLE OF CONTENTS**

WC/JP34RU	A-01 - D-12
WCP37RQ	D-13 - H-06

1989 WC/JP34RU INDEX

Floor Plan	A-01 - A-02
Accessories Group	A-03 - A-07
Bath Group	A-08 - A-09
Chassis Group	A-10 - A-15
Curtain, Cushion & Pad Group	A-16 - B-12
Dinette Group	B-13 - B-14
Driver's Compartment Group	B-15 - B-22
Electrical Group	B-23 - C-02
Exterior Body Group	C-03 - C-09
Galley Group	C-10 - C-12
Heating & Air Conditioning Group	C-13
Interior Finish Group	C-14 - C-17
LP Group	C-18
Lounge Group	C-19 - C-20
Waste & Sewage Group	C-21 - C-22
Window, Vent & Exterior Door Group	C-23 - C-12