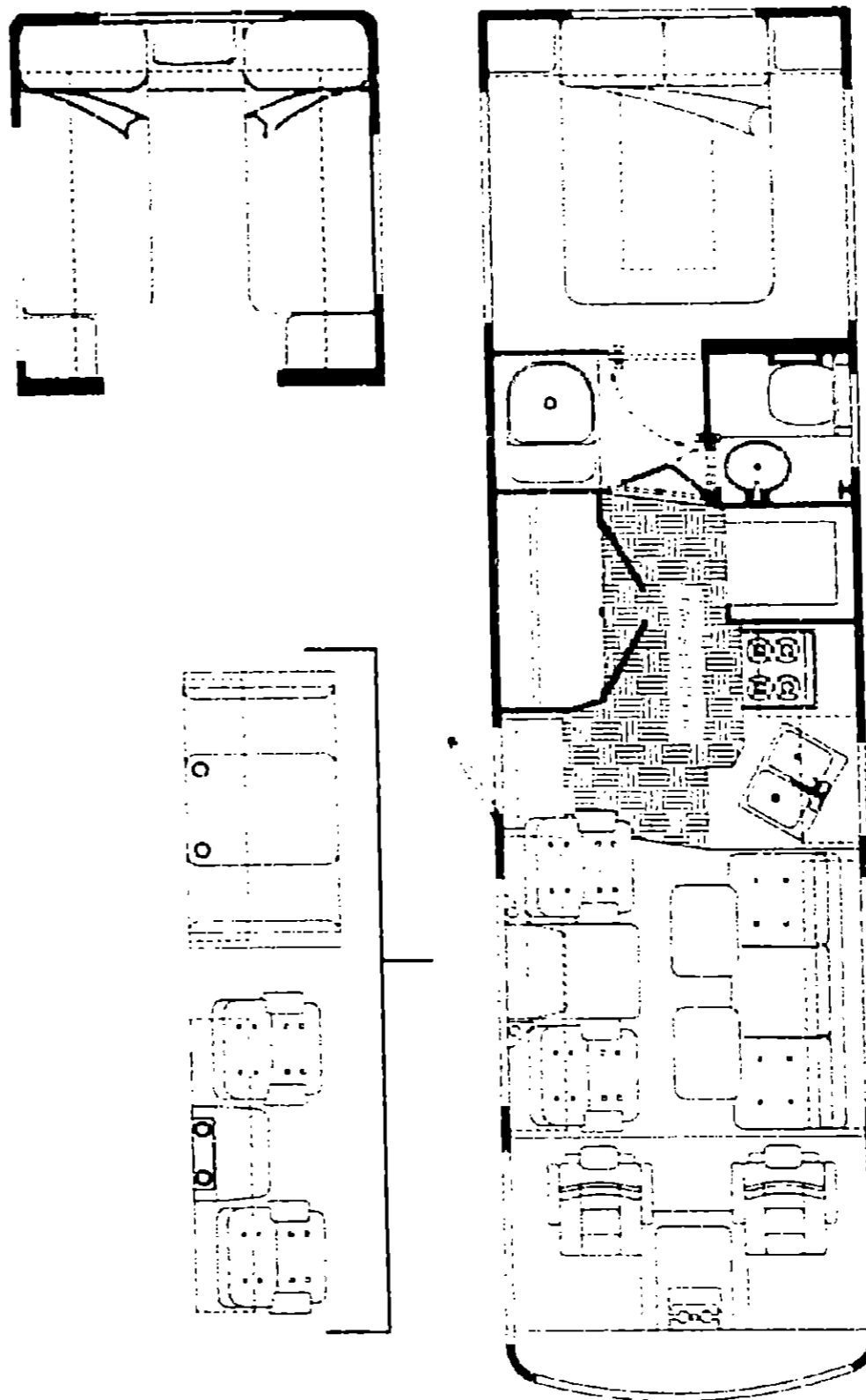


1989 WC/JP32RQ



1989 WINNEBAGO TABLE OF CONTENTS

INTRODUCTION	A-01
ABBREVIATIONS	A-01
ALPHADETICAL INDEX	A-02 - A-04
WCP32DQ	A-05 - C-18
WC/JP32RQ	C-19 - F-20

1989 WC/JP32RQ INDEX

Floor Plan	C-19 - C-20
Accessories Group	C-21 - C-24
Bath Group	D-01 - D-03
Chassis Group	D-04 - D-08
Curtain, Cushion & Pad Group	D-09 - E-02
Dinette Group	E-03 - E-04
Driver's Compartment Group	E-05 - E-09
Electrical Group	E-10 - E-13
Exterior Body Group	E-14 - E-20
Galley Group	E-21 - E-22
Heating & Air Conditioning Group	E-23 - E-24
Interior Finish Group	F-01 - F-03
LP Group	F-04
Lounge Group	F-05 - F-07
Water & Sewage Group	F-08 - F-09
Window, Vent & Exterior Door Group	F-10 - F-20

ACCESSORIES GROUP

RACK & LADDER COMPONENTS

Key	Part Number	U/M	Description
	080997-03-T03	EA	Ladder Asm. - Lower
	080999-03-T03	EA	Ladder Asm. - Upper
	081026-05-T03	EA	Rack Asm. - Right
	081026-06-T03	EA	Rack Asm. - Left
	081055-01-030	EA	Spring Grip - Internal
	081056-01-000	EA	Pin - Quick Release
	081152-01-000	EA	Bumper Plate - Brite Dip - Lower Ladder
	064093-01-000	EA	Luggage Box - 14" x 30" x 60" (Optional)

MICROWAVE/CONVECTION OVEN & COMPONENTS (OPTION 1381A)

Key	Part Number	U/M	Description
	088737-01-000	EA	Microwave/Convection Oven - Magic Chef
	088737-01-700	EA	Control
	088737-01-701	EA	Frame - Panel
	088737-01-702	EA	Touch Panel Asm.
	088737-01-703	EA	Frame - Door
	088737-01-704	EA	Glass - Outside - Door
	088737-01-705	EA	Trim - Upper Frame - Inner
	088737-01-706	EA	Cabinet
	088737-01-707	EA	Fuse
	088737-01-708	EA	Transformer H.V.
	088737-01-709	EA	Trim
	088737-01-710	EA	Lamp - Oven - 30W
	088737-01-711	EA	Relay - Complete
	088737-01-712	EA	Trim
	088737-02-000	EA	Frame Kit - Microwave Oven
	088682-03-000	EA	Bracket Asm. - Microwave - Right
	088682-04-000	EA	Bracket Asm. - Microwave - Left
	088737-02-000	EA	Frame Kit - Microwave Oven

FOG LAMP & COMPONENTS

Key	Part Number	U/M	Description
	088747-01-000	EA	Lamp Asm. - Fog w/Cover - Clear
	088747-01-700	EA	Cover - Fog Light
	088942-01-000	EA	Bracket - Fog Lamp Mounting

CUSTOM STEERING WHEEL

Key	Part Number	U/M	Description
†	080752-05-000	EA	Steering Wheel - Custom
•	080752-17-000	EA	Steering Wheel w/2 Horn Buttons
	080752-06-000	EA	Hub Adapter - Steering Wheel
	080752-07-000	EA	Button - Horn - w/Wire
	080752-08-000	EA	Screw - Custom Steering Wheel
†	Parts used before 4/2/89.		
•	Parts used after 4/3/89.		

GENERATORS & COMPONENTS

Key	Part Number	U/M	Description
	031634-04-000	EA	Generator - Onan - 6.5 Emerald
	079654-05-000	EA	Pipe & Accessories Kit - Emerald
	083151-01-000	EA	Muffler - Generator - 6.5 Emerald (used w/2 Air Conditioners)
	078045-01-000	EA	Support Plate - Generator
	083152-01-000	EA	Exhaust Pipe - Generator
	007067-01-000	EA	Insulation - Fiberglass - 1"
	084365-01-000	EA	Support Plate - Generator
	079654-01-700	EA	Hinge Kit - Emerald Generator

ACCESSORIES GROUP (CONTINUED)

MISCELLANEOUS ACCESSORIES

Key	Part Number	U/M	Description
	054185-31-000	EA	Owners Manual - 1989 - Winnebago & Itasca
	092318-01-000	EA	Binder - 3 Ring - Vendor Manual
	092319-01-000	EA	Page - Plastic Pocket
**	076319-01-000	EA	Antenna - TV - 44.5" Mast
	081072-01-000	EA	Floor Mat - Front - Right - Winnebago
	081074-01-000	EA	Floor Mat - Front - Left - Winnebago
	081075-01-000	EA	Floor Mat - Entrance - Winnebago
	017516-01-000	EA	Mud Flap - 14" x 18" - Rear - Black
	017516-02-000	EA	Mud Flap - 14" x 12" - Front - Black
	090097-03-000	EA	Bracket Asm. - Mud Flap - Passenger
	090097-04-000	EA	Bracket Asm. - Mud Flap - Driver
	041944-04-000	EA	Fire Extinguisher - 5 BC - w/o Mounting Bracket
	084472-01-000	EA	Holder - Fire Extinguisher
	094499-01-000	EA	Fire Extinguisher - IA 10BC w/Bracket
	072852-01-000	EA	Smoke Detector w/9 Volt Battery
	080208-01-000	EA	Lug Wrench
	080208-02-000	EA	Leverage Bar - Lug Wrench
	085113-01-000	EA	Jack - Hydraulic - 6 Ton - w/Handle
	091955-01-000	EA	Squeegee - Extended Handle
	091952-01-000	EA	Clip - 1" Gripper - Squeegee
	093527-01-000	EA	Bracket - Squeegee
	036420-02-000	EA	Defroster Fan - 6" - 2 Speed Fan
	077988-01-000	EA	Bracket - Defroster Fan - Right
	077988-02-000	EA	Bracket - Defroster Fan - Left
	091258-02-000	EA	Television - 13" Digital Color - Sharp
	091258-02-700	EA	Remote Control - Television
	086759-02-000	EA	VCR - VHS - Table Model
	086759-03-000	EA	VCR - VHS
	096757-01-000	EA	Control Center - Channel Master
**	094369-01-000	EA	Speed Control - w/Smart Stick
**	076799-01-000	EA	Ice Maker - Black
	094708-01-01A	EA	Step Asm. - Electric - Single
	037716-01-000	EA	Information Center - Uniforce
	068778-01-000	EA	Vacuum Cleaner - Hand Held

**The illustrated parts breakdown for this item is provided on the Common Items Fiche.

AIR HORNS & COMPONENTS (OPTION 36R)

Key	Part Number	U/M	Description
	077497-01-000	EA	Air Horn Kit - Twin Chromed - w/o Auxiliary Hose Kit
	077497-01-700	EA	Solenoid - Air Tank
	077497-01-701	EA	Switch - Compressor
	077497-01-702	EA	Toggle Switch w/Wire
	077497-01-703	EA	Air Tank
	077497-01-704	EA	Compressor w/Switch
	077497-01-705	EA	Repair Kit - Air Horn
	077497-02-000	EA	Hose Kit - Auxiliary Air
	077497-03-000	EA	Parts Kit - Hose - Auxiliary Air
	078239-01-000	EA	Label Plate - Horn
	063912-02-000	EA	Relay - Canister
	078022-01-000	EA	Wire Asm. - Air Horn
	081404-01-000	EA	Mounting Bracket - Compressor

1989 WINNEBAGO TABLE OF CONTENTS

INTRODUCTION	A-01
ABBREVIATIONS	A-01
ALPHABETICAL INDEX	A-02 - A-04
WCP3200	A-05 - C-18
WC/JP32RQ	C-19 - F-20

1989 WC/JP32RQ INDEX

Floor Plan	C-19 - C-20
Accessories Group	C-21 - C-24
Bath Group	D-01 - D-03
Chassis Group	D-04 - D-05
Curtain, Cushion & Pad Group	D-09 - E-02
Dinette Group	E-03 - E-04
Driver's Compartment Group	E-05 - E-09
Electrical Group	E-10 - E-13
Exterior Body Group	E-14 - E-20
Galley Group	E-21 - E-22
Heating & Air Conditioning Group	E-23 - E-24
Interior Finish Group	F-01 - F-03
LP Group	F-04
Lounge Group	F-05 - F-07
Water & Sewage Group	F-08 - F-09
Window, Vent & Exterior Door Group	F-10 - F-20

ACCESSORIES GROUP (CONTINUED)

WHEEL COVER & MOUNTING HARDWARE

Key	Part Number	U/M	Description
	083181-03-700	EA	Wheel Cover - 19.5" - w/Nut Cover & Cap
†	083181-04-000	EA	Retainer Kit - 19.5" Wheel Cover (Set/4) (Chevrolet)
*	083181-12-000	EA	Retainer Kit - 19.5" Wheel Cover (Set/4) (Chevrolet)
	083181-07-000	EA	Retainer Kit - 19.5" Wheel Cover (Set/4) (John Deere)
	083181-04-700	EA	Retainer Kit - 19.5" Front (1)
	083181-04-701	EA	Retainer Kit - 19.5" Rear (1)
	083181-04-702	EA	Nut Cover - 19.5"
	083181-04-703	EA	Cap - Chrome Center

† Parts used thru 4/2/89.
* Parts used after 4/3/89.

WHEEL LINERS & MOUNTING HARDWARE (OPTION 63K) (CHEVY)

Key	Part Number	U/M	Description
	091209-01-000	EA	Wheel Liner - w/Axle & Lugnut Covers - Chrome - 19.5" (Set/4)
	091209-01-700	EA	Simulator - Front Wheel
	091209-01-701	EA	Simulator - Rear Wheel
	091209-01-702	EA	Cover - Front Axle
	091209-01-703	EA	Cover - Rear Axle
	071209-01-704	EA	Cover - Lug Nut
	095012-01-000	EA	Extension - Valve Stem - Dual - 19.5"

WHEEL LINERS & MOUNTING HARDWARE (OPTION 63K) (JOHN DEERE)

Key	Part Number	U/M	Description
	086271-01-000	EA	Wheel Liner - Chrome - 19.5" (Set/4)
	086271-01-700	EA	Wheel Liner - Chrome - 19.5" - Front (1)
	086271-01-701	EA	Wheel Liner - Chrome - 19.5" Rear (1)
	086271-01-702	EA	Chrome Cover - Front Axle
	086271-01-703	EA	Chrome Cover - Rear Axle
	086271-01-704	EA	Beauty Ring
	086271-01-705	EA	Chrome Cover - Lug Nut
	095012-02-000	EA	Extension - Valve Stem - Dual - 19.5"

STYLIZED ALUMINUM WHEELS & COMPONENTS (OPTION 67D)

Key	Part Number	U/M	Description
	077042-01-000	EA	Wheel - Polished Aluminum - 19.5" x 6" - Front
	077042-02-000	EA	Wheel - Polished Aluminum - 19.5" x 6" - Rear
	077043-01-000	EA	Lug Nut - 2 Pieces - Cone Seat & Flange
	077044-01-000	EA	Chrome Cover - Lug Nut - w/Skirt
	077045-01-000	EA	Chrome Cover - Front Axle - 2 Piece
	077045-02-000	EA	Chrome Cover - Rear Axle - 2 Piece
	078260-02-000	EA	Pouch - Wrench - 11" x 11"
	077030-02-000	EA	Extension - Valve Stem - 1.25"

REAR VIEW TELEVISION (SONY)

Key	Part Number	U/M	Description
	093040-01-000	EA	Camera & Monitor
	093040-01-700	EA	Camera Only
	093040-01-701	EA	Monitor - 6" - w/Bracket & Wire Harness
	093041-01-000	EA	Cable - TV/Monitor
	031170-01-000	EA	Clamp - Cable - 3/16 Dia.
	093221-01-000	EA	Lens - Rear Monitor - Shroud
	093952-01-02A	EA	Shroud - TV - Beige
	080005-01-000	EA	Wire Asm. - Fuse Block
	092881-01-000	EA	Wire Asm. - IP to Rear Monitor
	093040-03-000	EA	Wire Asm. - Monitor

ACCESSORIES GROUP (CONTINUED)

REAR VIEW TELEVISION (TW-620B)

Key	Part Number	U/M	Description
	083207-01-000	EA	Camera & Monitor
	083207-01-701	EA	Monitor Only
	083207-02-000	EA	Cable - Camera/Monitor
	084349-01-U07	EA	Shroud Asm. - Camera - Beige
	084409-01-000	EA	Seal - Camera Mounting
	084408-01-000	EA	Rubber Gasket - Camera
	084264-01-000	EA	Bracket - Mounting Camera
	080005-01-000	EA	Wire Asm. - Fuse Block
	084418-01-000	EA	Spacer - 16 x 6
	084403-01-000	EA	Screw Cap - 5/16" x 18" x 1"
	084428-01-000	EA	Insert - Press In - 5/16" x 18"

EXTERIOR MIRRORS

Key	Part Number	U/M	Description
**	086261-01-000	EA	Mirror Asm. - Electronic Control & Heat - Right
	086236-01-000	EA	Gasket - Exterior Mirror - Right
	086261-02-000	EA	Mirror Asm. - Electronic Control & Heat - Left
	086236-02-000	EA	Gasket - Exterior Mirror - Left

**The illustrated parts breakdown for this item is provided on the common items fiche.

POWER SEARCHLIGHT & COMPONENTS (OPTION 63E)

Key	Part Number	U/M	Description
	051057-02-000	EA	Searchlight - Power Driven - w/o Switch Asm.
	051057-01-700	EA	Switch - Panel Asm. (Aux.)
	051057-01-701	EA	Switch - Panel Asm. (Main)
	051057-01-702	EA	Joy Switch & Housing
	051057-01-703	EA	Toggle Switch - On/Off
	051057-01-704	EA	Micro Switch
	051057-01-705	EA	Bulb
	051057-03-000	EA	Switch Asm. - Searchlight

REAR RADIO & COMPONENTS

Key	Part Number	U/M	Description
	090944-01-000	EA	Antenna - Radio - 16" Rubber
	090262-01-000	EA	Bracket - Hat - Antenna
	089340-01-000	EA	Grille - Speaker - 6.25" Square
	090339-01-000	EA	Radio - AM/FM Stereo - w/Cassette - Electronics Tune
	094097-01-000	EA	Speaker - 5.25" w/o Grille
	074979-01-000	EA	Speaker Cover - Light Oak

FRONT RADIO & COMPONENTS

Key	Part Number	U/M	Description
	077069-01-000	EA	Antenna - Radio
	077448-01-000	EA	Bracket - Radio - Front
	077442-01-000	EA	Bracket - Radio Support - Rear
	077069-02-000	EA	Cable - Antenna Extension - 96"
	070741-04-000	EA	Grille - Speaker - Oval - 4" x 5"
	087706-01-000	EA	Mounting Kit - Radio
	092311-01-000	EA	Radio - AM/FM - w/Cassette
	073741-03-000	EA	Speaker - Oval - 4" x 6"
	074979-01-000	EA	Speaker Cover - Light Oak

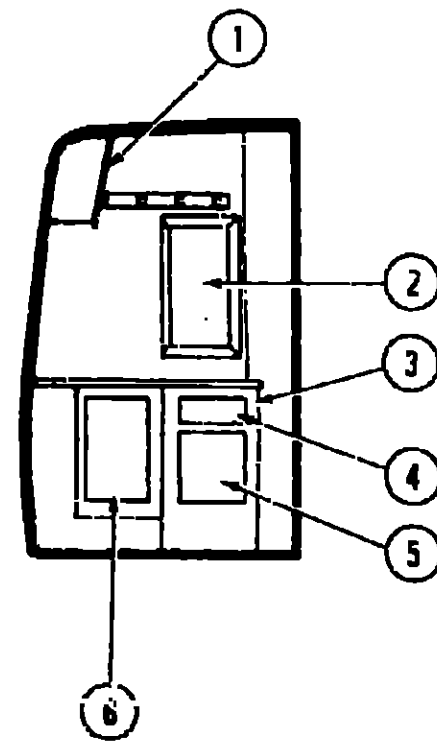
1989 WINNEBAGO TABLE OF CONTENTS

INTRODUCTION	A-01
ABBREVIATIONS	A-01
ALPHABETICAL INDEX	A-02 - A-04
WCP32DO	A-05 - C-18
WC/JP32RO	C-19 - F-20

1989 WC/JP32RQ INDEX

Floor Plan	C-19 - C-20
Accessories Group	C-21 - C-24
Bath Group	D-01 - D-03
Chassis Group	D-04 - D-08
Curtain, Cushion & Pad Group	D-09 - E-02
Dinette Group	E-03 - E-04
Driver's Compartment Group	E-05 - E-09
Electrical Group	E-10 - E-13
Exterior Body Group	E-14 - E-20
Galley Group	E-21 - E-22
Heating & Air Conditioning Group	E-23 - E-24
Interior Finish Group	F-01 - F-03
LP Group	F-04
Lounge Group	F-05 - F-07
Water & Sewage Group	F-08 - F-09
Window Vent & Exterior Door Group	F-10 - F-20

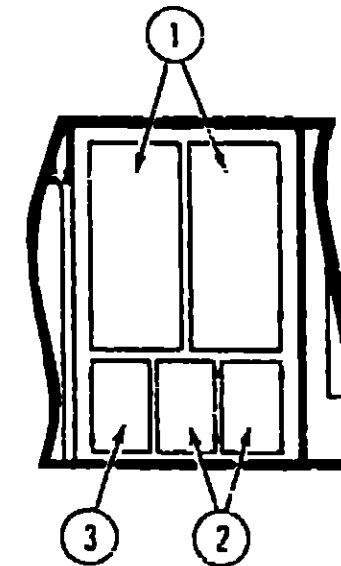
BATH GROUP



BATH CABINETRY

Key	Part Number	U/M	Description
1	088303-52-X08	EA	Door Asm. - Medicine Cabinet - 15.5" x 29.5" - w/o Hardware
	076073-01-000	EA	Cabinet - Medicine - 15.4" x 29.4"
	076073-01-700	EA	Latch - Medicine Cabinet
2	M88304-86-X08	EA	Mirror Asm. - Wall - 15.5" x 29.5" - w/o Hardware
3	M93785-01-Y21	EA	Cabinet Asm. - Lavatory - w/o Countertop, Doors, Drawer or Hardware
	093785-11-Y21	EA	Countertop Asm. - Lavatory Cabinet
4	081893-01-X19	EA	Face Asm. - Drawer - Lavatory
	077251-01-000	EA	Tipout Drawer - Plastic
	047744-01-000	EA	Kit - Drawer Glide
5	M88304-43-Y21	EA	Door Asm. - Lavatory - 16.1" x 11.4" - w/o Hardware
6	M88304-F9-Y21	EA	Door Asm. - Lavatory - Hamper - 19.0" x 10" - w/o Hardware
	089383-15-Y19	EA	Countertop Asm. - Pipe Cover
	M93360-01-Y21	EA	Door Asm. - Bath Cabinet - w/o Hardware
	M93361-01-Y21	EA	Door Asm. - Bi-fold Cabinet - w/o Hardware
	092574-01-01A	EA	Door - Solid - w/Gold Trim - Shower
	091073-03-Y21	EA	Trim - Shower Door

BATH GROUP (CONTINUED)



WARDROBE CABINETRY

Key	Part Number	U/M	Description
1	M88304-B5-Y21	EA	Door Asm. - Wardrobe - w/Mirror - 20.6" x 48" - w/o Hardware
	088742-01-000	EA	Mirror - Beveled - Safety Glass
2	M88304-C1-Y21	EA	Door Asm. - Wardrobe - Lower - 14.3" x 21.8" - w/o Hardware
3	M88304-C2-Y21	EA	Door Asm. - Wardrobe - Lower - 14.3" x 21.8" - w/o Hardware
	M02161-46-X19	EA	Frame Asm. - Stationary Door - w/o Glass
	058331-25-000	EA	Mirror - Safety Glass - 7.8" x 26.77"
	077404-01-000	EA	Drawer - 20" x 12.7" - Plastic
	077409-02-000	EA	Slide - Plastic Drawer - 20.75"

1989 WINNEBAGO TABLE OF CONTENTS

INTRODUCTION	A-01
ABBREVIATIONS	A-01
ALPHABETICAL INDEX	A-02 - A-04
WCP32DQ	A-05 - C-18
WC/JP32RQ	C-19 - F-20

1989 WC/JP32RQ INDEX

Floor Plan	C-19 - C-20
Accessories Group	C-21 - C-24
Bath Group	D-01 - D-03
Chassis Group	D-04 - D-08
Curtain, Cushion & Pad Group	D-09 - E-02
Dinette Group	E-03 - E-04
Driver's Compartment Group	E-05 - E-09
Electrical Group	E-10 - E-13
Exterior Body Group	E-14 - E-20
Galley Group	E-21 - E-22
Heating & Air Conditioning Group	E-23 - E-24
Interior Finish Group	F-01 - F-03
LP Group	F-04
Lounge Group	F-05 - F-07
Water & Sewage Group	F-08 - F-09
Window, Vent & Exterior Door Group	F-10 - F-20

BATH GROUP (CONTINUED)

BATH & WARDROBE HARDWARE

Key	Part Number	U/M	Description
	075240-05-000	EA	Faucet Lavatory - Brass
	011048-01-000	EA	Shower Head - w/60" Hose
	089366-01-000	EA	Gasket - Lavatory Faucet
	075242-03-000	EA	Faucet - Tub & Shower - Brass
	089366-01-000	EA	Sink Oval - Ivory Plastic
	M02630-10-Y12	EA	Shower Pan Asm.
	075606-01-000	EA	Panel - Shower Faucet
	009059-01-000	EA	Hinge - 1" - Brass
	009059-02-000	EA	Hinge - 2" - Brass
	059777-02-000	EA	Hinge - Cabinet Door - Brass
	009021-01-000	EA	Catch - Nylon - Grill
	009021-02-000	EA	Strike - Spring Steel
	092314-01-01A	EA	Shower Head - Guide - Brass
	066729-01-000	EA	Strainer - Shower Pan & Tub
	066436-01-000	EA	Slip Nut - 1.5" Tail Piece - Bathtub
	066435-01-000	EA	Nut - Strainer - Plastic
	085278-01-000	EA	Tissue Holder - Recessed - Brass
	075680-01-000	EA	Clothes Rod - Adjustable
	075453-02-000	EA	Bar - Towel Rack
	075454-02-000	EA	Towel Ring - Brass
	056331-05-000	EA	Mirror - Tempered Glass - 12" x 26"
	056331-10-000	EA	Mirror - Tempered Glass - 14" x 17"
	083204-01-000	EA	Retaining Button - Glass
	085330-04-000	EA	Toilet - Shorty - Bone China - w/Spray
	081614-02-000	EA	Soap Dish - Brass - w/Plastic Cover
	075687-03-000	EA	Lockset - Bath Door - Brown
	071632-01-000	EA	Hamper Bag
	066433-01-000	EA	Hook - Cup - Bright
	009089-01-000	EA	Clip - Mirror
	094485-01-01A	EA	Knob - Door - Polished Brass
	077902-01-000	EA	Collar - Skylite - Inner Panel
	080910-01-000	EA	Skylite Panel - Outer
	081171-01-000	EA	Skylite Trim - Outer - Mill

CHASSIS GROUP

MISCELLANEOUS

Key	Part Number	U/M	Description
	077995-02-000	EA	Baffle - Upper - Radiator
	065450-01-000	EA	Battery Tiedown - Plastic Coated
	088557-01-000	E/A	Box - Power Cord
	062401-01-000	EA	Clamp - Hose - Wormgear - .22 ID - 1" ID
	062401-02-000	EA	Clamp - Hose - Wormgear - 1.56 ID - 2.5" ID
	062401-03-000	EA	Clamp - Hose - Wormgear - .25 ID - 1" ID
	062401-04-000	EA	Clamp - Hose - Wormgear - .69 ID - 1.25" ID
	062401-05-000	EA	Clamp - Hose - Wormgear - 2" ID - 3" ID
	062401-06-000	EA	Clamp - Hose - Wormgear - .22" ID - .62" ID
	007125-03-000	EA	Clamp Asm. - Muffler - 1.50 DIA
	007125-04-000	EA	Clamp Asm. - Muffler - 1.12 DIA
	010497-01-000	EA	Clamp - Closed - 5/8 I.D.
	010499-01-000	EA	Clamp - Closed - 3/8 I.D.
	007131-01-000	EA	Hanger - Tailpipe
	007063-01-000	FT	Hose - Gas - 1/4" I.D. x 1/2 O.D.
	024138-01-000	FT	Hose - Fuel - 5/16 I.D.
	075525-01-000	EA	Radiator Cover - Rear
	017516-01-000	EA	Mud Flap - Black
	017516-02-000	EA	Mud Flap - Black - 14" x 12.5" w/Holes
	090097-03-000	EA	Bracket Asm. - Mud Flap - Passenger
	090097-04-000	EA	Bracket Asm. - Mud Flap - Driver
	094708-01-01A	EA	Step Asm. - Electric - Single
	076281-01-000	EA	Tray - Battery
	075758-01-000	EA	Wheelwell - Plastic - Rear - Dual
	081918-02-000	EA	Exhaust Extension - 7"
	084086-02-000	EA	Airspring Bellows - Rear (Chevrolet)
	088782-01-000	EA	Airspring Bellows - Rear (John Deere)

AIR SUSPENSION

Key	Part Number	U/M	Description
	090436-01-000	EA	Air Suspension Kit
	090436-03-000	EA	Spring - Leaf
	090436-05-000	EA	Valve Asm. - Height - Park/Level
	090436-06-000	EA	Control w/Wiring - Park/Level
	090436-07-000	EA	Compressor Asm. w/Tank & Wiring
	090326-08-000	EA	Upper Mount - Air Spring Asm. - Left
	090436-09-000	EA	Upper Mount - Air Spring Asm. - Right
	090436-10-000	EA	Lower Mount - Spring Axle - Left
	090436-11-000	EA	Lower Mount - Spring Axle - Right
	090436-12-000	EA	U-Bolt - Forward - Straight - 7/8"
	090436-13-000	EA	U-Bolt - Rearward - Bent - 7/8"
	090436-14-000	EA	Bar - Track w/Pivot - Bolt & Bracket
	090436-15-000	EA	Solenoid Asm. - Valve - Park/Level

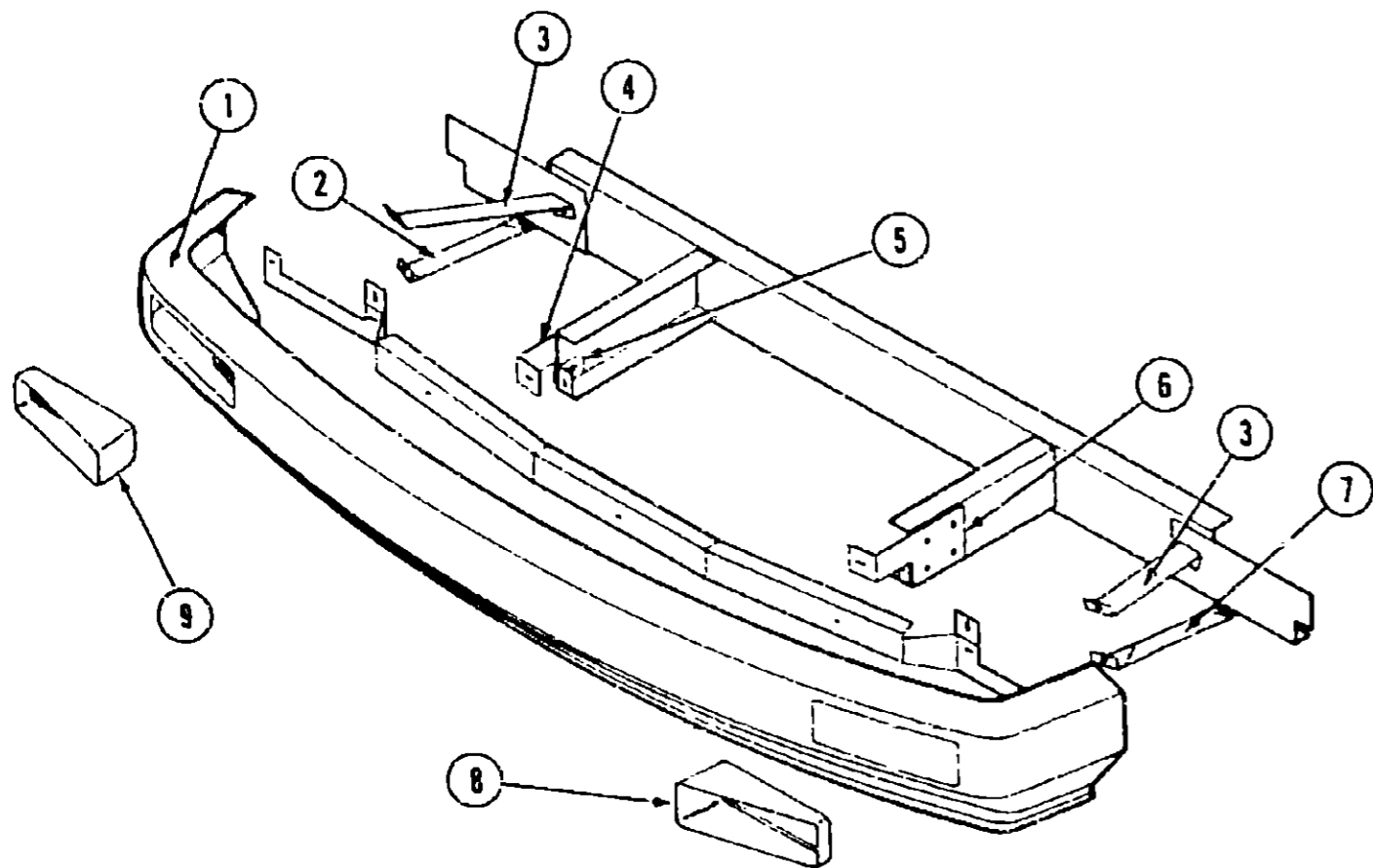
1989 WINNEBAGO TABLE OF CONTENTS

INTRODUCTION	A-01
ABBREVIATIONS	A-01
ALPHABETICAL INDEX	A-02 - A-04
WCP32DQ	A-05 - C-18
WC/JP32RQ	C-19 - F-20

1989 WC/JP32RQ INDEX

Floor Plan	C-19 - C-20
Accessories Group	C-21 - C-24
Bath Group	D-01 - D-03
Chassis Group	D-04 - D-08
Curtain, Cushion & Pad Group	D-09 - E-02
Dinette Group	E-03 - E-04
Driver's Compartment Group	E-05 - E-09
Electrical Group	E-10 - E-13
Exterior Body Group	E-14 - E-20
Galley Group	E-21 - E-22
Heating & Air Conditioning Group	E-23 - E-24
Interior Finish Group	F-01 - F-03
LP Group	F-04
Lounge Group	F-05 - F-07
Water & Sewage Group	F-08 - F-09
Window, Vent & Exterior Door Group	F-10 - F-20

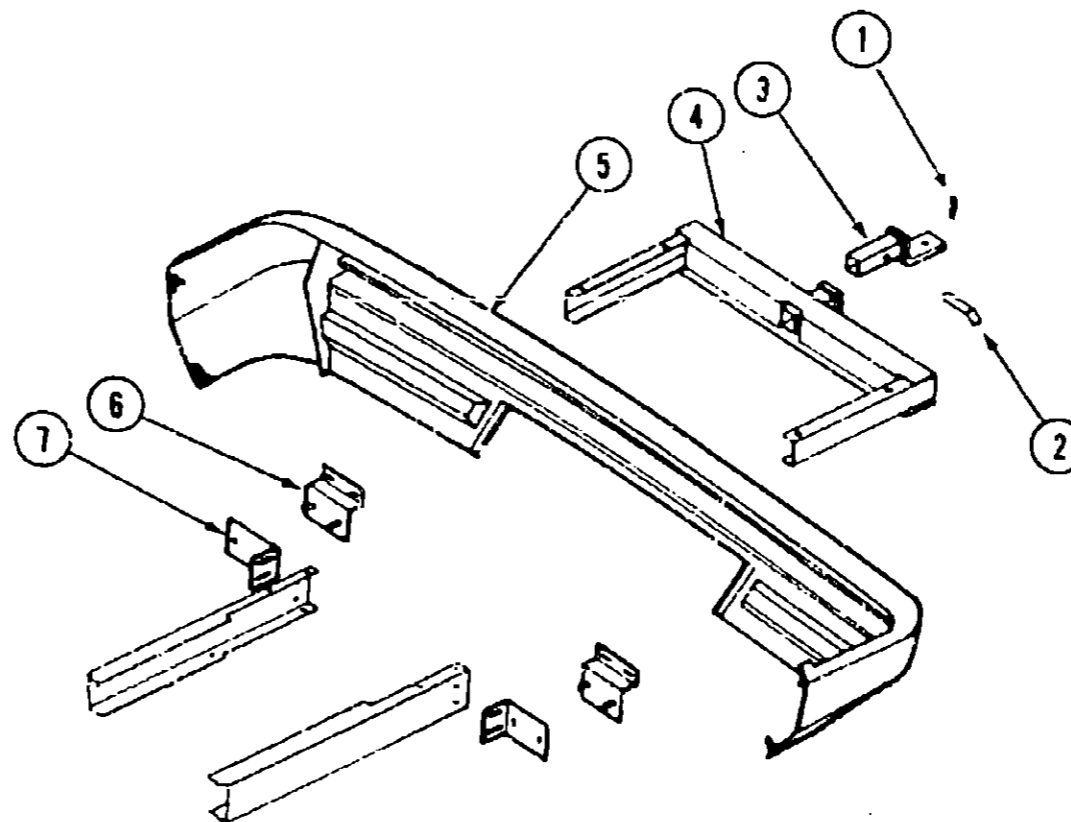
CHASSIS GROUP (CONTINUED)



FRONT BUMPER

Key	Part Number	U/M	Description
1	M88632-01-X19	EA	Bumper Asm. - Front - w/Turn Lamp - Housing
	076345-01-000	EA	Lens Asm. - Park/Turn - Amber (Not included in Bumper Asm.)
	008103-01-000	EA	Bulb - 12V - #53 - 12 Amp (Not included in Bumper Asm.)
	076345-02-000	EA	Socket Asm. - Park/Turn Lamp (Not included in Bumper Asm.)
2	077854-01-000	EA	Brace - Lower - Front Bumper - Passenger
3	089039-01-000	EA	Brace - Upper - Front Bumper
4	086140-01-000	EA	Support Bracket - Bumper - Passenger
5	088942-01-000	EA	Bracket - Fog Lamp - Mounting
6	086140-02-000	EA	Support Bracket - Bumper - Driver
7	077854-02-000	EA	Brace - Lower - Front Bumper - Driver
8	090215-02-000	EA	Bezel - Park/Turn Lamp - Black - Driver's
9	090215-01-000	EA	Bezel - Park/Turn Lamp - Black - Passenger

CHASSIS GROUP (CONTINUED)



REAR BUMPER & HITCH

Key	Part Number	U/M	Description
1	034513-01-000	EA	Spring Pin - Hitch - 3/16" Wire
2	034512-01-000	EA	Locking Pin - Drawbar
3	077613-01-000	EA	Drawbar Asm.
4	077617-01-000	EA	Hitch Asm. - w/o Drawbar
5	M86700-01-W13	EA	Rear Bumper Asm. - Beige
6	086727-02-000	EA	Support Angle (To Bumper)
7	086709-01-000	EA	Support Angle (To Frame)
	064398-01-000	EA	Plug - Trailer Taillight - Female 10"
	064399-01-000	EA	Plug - Trailer Taillight - Male - 60"
	091224-01-000	EA	Label - Trailer Lighting

**1989 WINNEBAGO
TABLE OF CONTENTS**

INTRODUCTION	A-01
ABBREVIATIONS	A-01
ALPHABETICAL INDEX	A-02 - A-04
WCP32DQ	A-05 - C-18
WC/JP32RQ	C-19 - F-20

1989 WC/JP32RQ INDEX

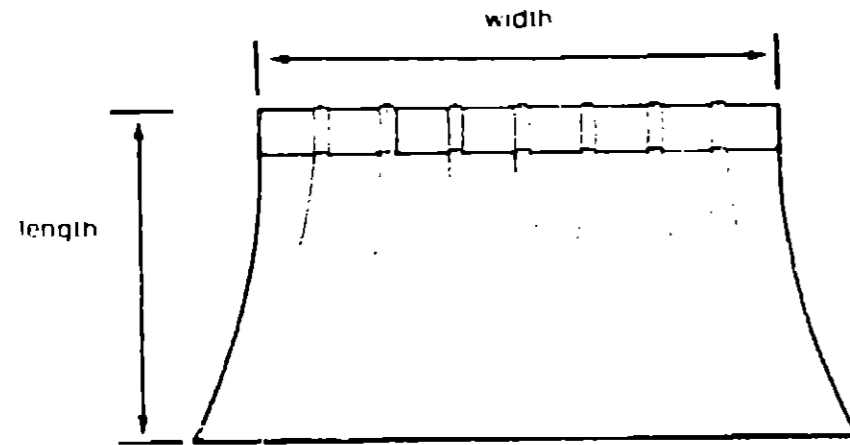
Floor Plan	C-19 - C-20
Accessories Group	C-21 - C-24
Bath Group	D-01 - D-03
Chassis Group	D-04 - D-08
Curtain, Cushion & Pad Group	D-09 - E-02
Dinette Group	E-03 - E-04
Driver's Compartment Group	E-05 - E-09
Electrical Group	E-10 - E-13
Exterior Body Group	E-14 - E-20
Galley Group	E-21 - E-22
Heating & Air Conditioning Group	E-23 - E-24
Interior Finish Group	F-01 - F-03
LP Group	F-04
Lounge Group	F-05 - F-07
Water & Sewage Group	F-08 - F-09
Window, Vent & Exterior Door Group	F-10 - F-20

CURTAIN, CUSHION & PAD GROUP

NOTICE

In order to assist our Part Sales Dept. in providing interior software items, please include the serial number and the color code number from the vehicle certification label when ordering. This label is located on the left sidewall at the end of the dash (A-Body), or on the driver's door latch plate (C-Body).

An example of a color code number is P31, which designates an overall color scheme of a particular unit. The color listed after the item description on the microfiche, indicates the overall unit color. Order the item you desire according to unit color code.



NOTE:

Use this illustration when determining the length and width measurements for curtains. You will note the width measurement is taken on the top of the curtain with the curtain fully extended. The length measurement is taken from top to bottom.

CURTAIN HARDWARE

Key	Part Number	U/M	Description
	048394-02-000	YD	Tape Hook - .75" Wide - Beige
	048395-02-000	YD	Tape Loop - .75" Wide - Beige
	088792-01-000	YD	Tape Hook - .75" Wide - Beige - Non Adhesive
	088792-02-000	YD	Tape Loop - .75" Wide - Beige - Adhesive
	056003-01-000	EA	Bracket - Drapery Retainer - Right
	056003-02-000	EA	Bracket - Drapery Retainer - Left
	081381-01-000	EA	Swivel Snap - Curtain Track
	075943-01-000	EA	Brace - Valance - Beige
	082139-01-000	EA	Bracket - Hold Down - Blinds
	083170-01-000	EA	Bracket - Blind Installation - Right
	083170-02-000	EA	Bracket - Blind Installation - Left
	084434-01-000	EA	Bracket - Roller Shade - 1.3"
	087253-01-000	EA	Pull - Window Shade - Clear Plastic
	089335-01-000	FT	Track - Curtain - Brown Plastic
	089916-01-000	EA	Window Trim
	078394-01-000	FT	Trim - Brass Vinyl - 437" Wide - Window Leg Asm.
	077046-01-000	EA	Curtain Track - Front Wraparound - Passenger
	077046-02-000	EA	Curtain Track - Front Wraparound - Driver
	077046-01-700	EA	Baton Asm. w/Snap
	077046-01-701	EA	Carrier - Swivel
	077046-01-702	EA	Lock Stop
	077046-01-703	EA	Swivel - Snap Pendant
	077046-01-704	EA	End Stop
	077046-01-705	EA	Master Carrier - Left
	077046-01-706	EA	Master Carrier - Right

CURTAIN, CUSHION & PAD GROUP (CONTINUED)



Key	Part Number	U/M	Description
1	029130-01-000	EA	Socket Snap Fastener
2	029155-01-000	EA	Cap - Snap - .156" Dia. x .17" Barrel
3	029156-01-000	EA	Socket - Snap Fastener
4	029092-01-000	EA	Stud - Nickel Finish
5	029093-01-000	EA	Eyelet - Nickel Finish

FRONT BUNK CUSHIONS (OPTION 61H)

Key	Part Number	U/M	Description
	079145-02-000	EA	Cushion Asm. - Front Bunk - 30" x 72" x 4"
	M79145-02-000	EA	Cover Asm. - Front Bunk Cushion

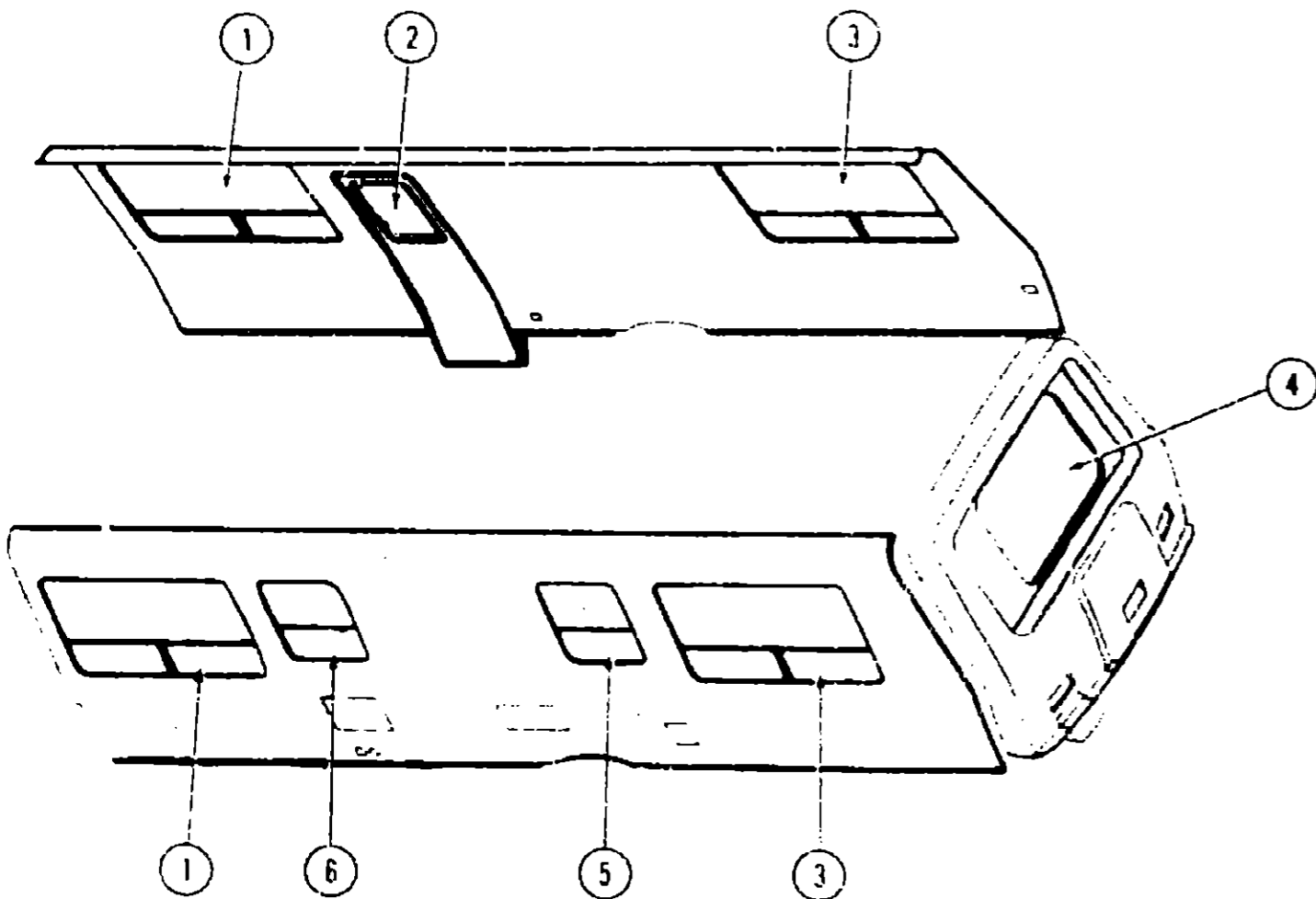
1989 WINNEBAGO TABLE OF CONTENTS

INTRODUCTION	A-01
ABBREVIATIONS	A-01
ALPHABETICAL INDEX	A-02 - A-04
WCP32DQ	A-05 - C-18
WC/JP32RQ	C-19 - F-20

1989 WC/JP32RQ INDEX

Floor Plan	C-19 - C-20
Accessories Group	C-21 - C-24
Bath Group	D-01 - D-03
Chassis Group	D-04 - D-08
Curtain, Cushion & Pad Group	D-09 - E-02
Dinette Group	E-03 - E-04
Driver's Compartment Group	E-05 - E-09
Electrical Group	E-10 - E-13
Exterior Body Group	E-14 - E-20
Galley Group	E-21 - E-22
Heating & Air Conditioning Group	E-23 - E-24
Interior Finish Group	F-01 - F-03
LP Group	F-04
Lounge Group	F-05 - F-07
Water & Sewage Group	F-08 - F-09
Window, Vent & Exterior Door Group	F-10 - F-20

CURTAIN, CUSHION & PAD GROUP (CONTINUED)



(Y21)

CURTAINS, SHADES, VALANCES & TIEBACKS

Key	Part Number	U/M	Description
1	093477-01-01A	EA	Blind - Day/Nighter - 57.5" x 36" Drop
1	089058-07-Y21	EA	Padded - Window Leg - Right
1	089058-08-Y21	EA	Padded - Window Leg - Left
2	093455-14-Y21	EA	Shade Asm. - Pull - 27.25"
3	093477-01-02A	EA	Blind - Day/Nighter - 57.25" x 26" Drop
3	089058-03-Y21	EA	Padded - Window Leg - Right
3	089058-04-Y21	EA	Padded - Window Leg - Left
3	093465-04-Y21	EA	Valance Asm. - Ruffled - 9" x 70.5"
*	093479-01-01A	EA	Shade Asm. - Woven Wood - 57.5" x 36" Drop
4	093477-03-01A	EA	Blind - Day/Nighter - 45" x 33" Drop
4	089058-05-Y21	EA	Padded - Window Leg - Right
4	089058-06-Y21	EA	Padded - Window Leg - Left
4	093464-01-Y21	EA	Valance Asm. - Gathered - Swag
*	093479-02-01A	EA	Shade Asm. - Woven Wood - 43.5" x 35" Drop
5	093477-02-01A	EA	Blind - Day/Nighter - 28" x 28" Drop
5	073304-45-Y21	EA	Curtain Asm. - w/Snap Top - 30" x 9"
**	073304-45-YA4	EA	Curtain Asm. - w/Snap Top - 30" x 9"
†	073304-45-YB4	EA	Curtain Asm. - w/Snap Top - 30" x 9"
6	093477-02-01A	EA	Blind - Day/Nighter - 28" x 28" Drop
*	093452-01-Y21	EA	Curtain Asm. - w/Snap Top - Blackout - 48" x 50" - Right
**	093452-01-YA4	EA	Curtain Asm. - w/Snap Top - Blackout - 48" x 50" - Right
†	093452-01-YB4	EA	Curtain Asm. - w/Snap Top - Blackout - 48" x 50" - Right
*	093452-02-Y21	EA	Curtain Asm. - w/Snap Top - Blackout - 48" x 50" - Left
**	093452-02-YA4	EA	Curtain Asm. - w/Snap Top - Blackout - 48" x 50" - Left
†	093452-02-YB4	EA	Curtain Asm. - w/Snap Top - Blackout - 48" x 50" - Left

CURTAIN, CUSHION & PAD GROUP (CONTINUED)

CURTAINS, SHADES, VALANCES & TIEBACKS (CONT.)

Key	Part Number	U/M	Description
	093487-03-000	EA	Curtain Asm. - Front Wraparound - Pleated - 34" x 102" - Right
	093487-04-000	EA	Curtain Asm. - Front Wraparound - Pleated - 34" x 102" - Left
	057534-08-000	EA	Tieback - 16" - Clear Plastic
	*		Parts used on the Woven Wood Shade Option
	**		Parts used after 9-19-88
	†		Parts used after 10-20-88

(Y22)

CURTAINS, SHADES, VALANCES & TIEBACKS

Key	Part Number	U/M	Description
1	093477-01-03A	EA	Blind - Day/Nighter - 57.5" x 36" Drop
1	089058-01-Y22	EA	Padded - Window Leg - Right
1	089058-02-Y22	EA	Padded - Window Leg - Left
2	093455-14-Y22	EA	Shade Asm. - Pull - 27.25"
3	093477-01-04A	EA	Blind - Day/Nighter - 57.25" x 26" Drop
3	089058-03-Y22	EA	Padded - Window Leg - Right
3	089058-04-Y22	EA	Padded - Window Leg - Left
3	093465-04-Y22	EA	Valance Asm. - Ruffled - 9" x 70.5"
*	093479-01-01A	EA	Shade Asm. - Woven Wood - 57.5" x 36" Drop
4	093477-03-02A	EA	Blind - Day/Nighter - 45" x 33" Drop
4	089058-05-Y22	EA	Padded - Window Leg - Right
4	089058-06-Y22	EA	Padded - Window Leg - Left
4	093464-01-Y22	EA	Valance Asm. - Gathered - Swag
*	093479-02-01A	EA	Shade Asm. - Woven Wood - 43.5" x 35" Drop
5	093477-02-04A	EA	Blind - Day/Nighter - 28" x 28" Drop
5	073304-45-Y22	EA	Curtain Asm. - w/Snap Top - 30" x 9"
6	093477-02-02A	EA	Blind - Day/Nighter - 28" x 28" Drop
	093452-01-Y22	EA	Curtain Asm. - w/Snap Top - Blackout - 48" x 50" - Right
	093452-02-Y22	EA	Curtain Asm. - w/Snap Top - Blackout - 48" x 50" - Left
	093487-03-000	EA	Curtain Asm. - Front Wraparound - Pleated - 34" x 102" - Right
	093487-04-000	EA	Curtain Asm. - Front Wraparound - Pleated - 34" x 102" - Left
	057534-08-000	EA	Tieback - 16" - Clear Plastic
	*		Parts used on the Woven Wood Shade Option

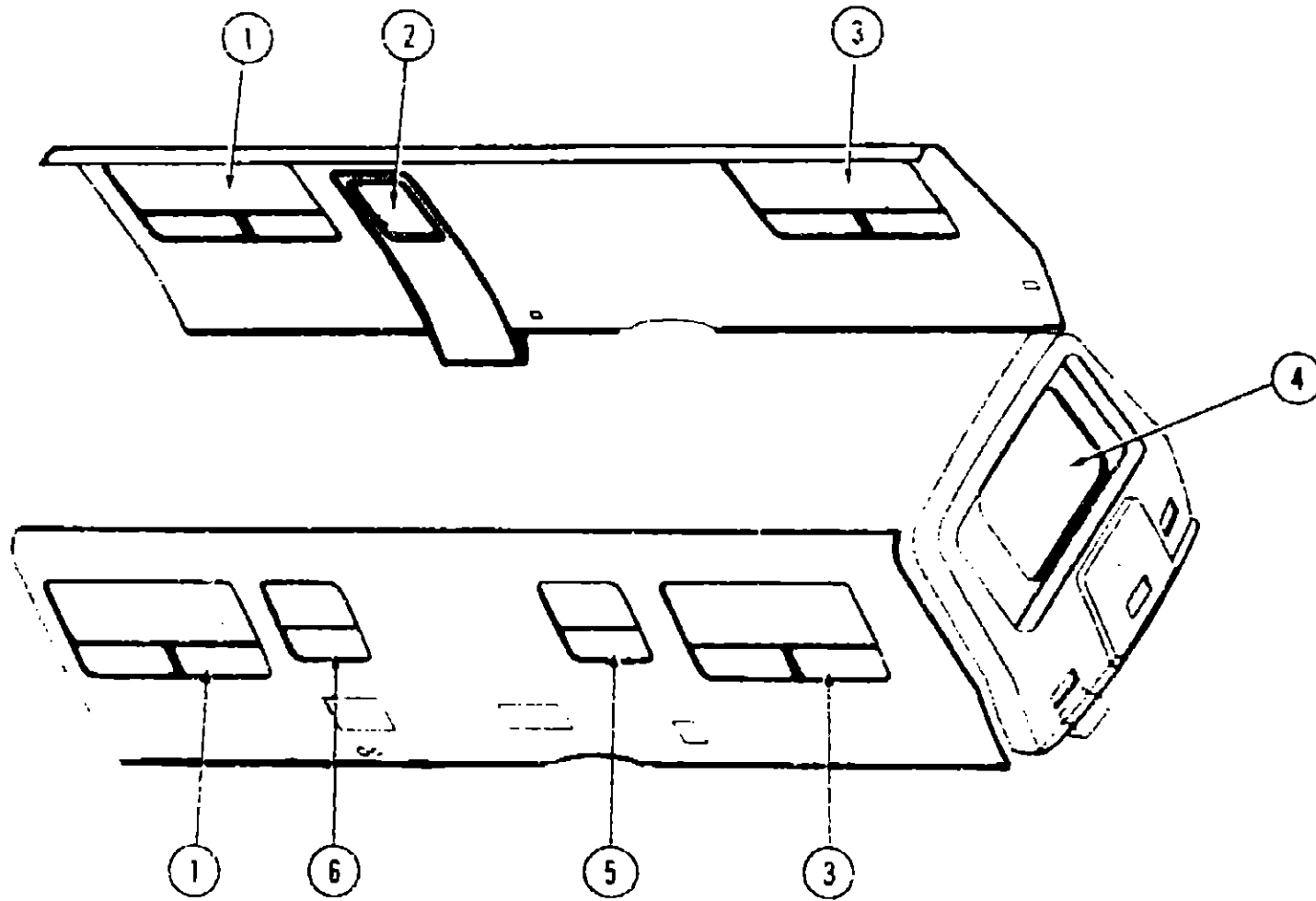
**1989 WINNEBAGO
TABLE OF CONTENTS**

INTRODUCTION	A-01
ABBREVIATIONS	A-01
ALPHABETICAL INDEX	A-02 - A-04
WCP32DO	A-05 - C-18
WC/JP32RQ	C-19 - F-20

1989 WC/JP32RQ INDEX

Floor Plan	C-19 - C-20
Accessories Group	C-21 - C-24
Bath Group	D-01 - D-03
Chassis Group	D-04 - D-08
Curtain, Cushion & Pad Group	D-09 - E-02
Director Group	E-03 - E-04
Driver's Compartment Group	E-05 - E-09
Electrical Group	E-10 - E-13
Exterior Body Group	E-14 - E-20
Galley Group	E-21 - E-22
Heating & Air Conditioning Group	E-23 - E-24
Interior Finish Group	F-01 - F-03
LP Group	F-04
Lounge Group	F-05 - F-07
Water & Sewage Group	F-08 - F-09
Window, Vent & Exterior Door Group	F-10 - F-20

CURTAIN, CUSHION & PAD GROUP (CONTINUED)



(Y23)

CURTAINS, SHADES, VALANCES & TIEBACKS

Key	Part Number	U/M	Description
1	093477-01-05A	EA	Blind - Day/Nighter - 57.5" x 36" Drop
1	089058-07-Y23	EA	Padded - Window Leg - Right
1	089058-08-Y23	EA	Padded - Window Leg - Left
2	093455-14-Y22	EA	Shade Asm. - Pull - 27.25"
3	093477-01-06A	EA	Blind - Day/Nighter - 57.25" x 26" Drop
3	089058-03-Y23	EA	Padded - Window Leg - Right
3	089058-04-Y23	EA	Padded - Window Leg - Left
3	093465-04-Y23	EA	Valance Asm. - Ruffled - 9" x 70.5"
*	093479-01-01A	EA	Shade Asm. - Woven Wood - 57.5" x 36" Drop
4	093477-03-03A	EA	Blind - Day/Nighter - 45" x 33" Drop
4	089058-05-Y23	EA	Padded - Window Leg - Right
4	089058-06-Y23	EA	Padded - Window Leg - Left
4	093464-01-Y23	EA	Valance Asm. - Gathered - Swag
*	093479-02-01A	EA	Shade Asm. - Woven Wood - 43.5" x 35" Drop
5	093477-02-03A	EA	Blind - Day/Nighter - 28" x 28" Drop
5	073304-45-Y23	EA	Curtain Asm. - w/Snap Top - 30" x 9"
6	093477-02-03A	EA	Blind - Day/Nighter - 28" x 28" Drop
	093452-01-Y15	EA	Curtain Asm. - w/Snap Top - Blackout - 48" x 50" - Right
	093452-02-Y15	EA	Curtain Asm. - w/Snap Top - Blackout - 48" x 50" - Left
	093487-03-000	EA	Curtain Asm. - Front Wraparound - Pleated - 34" x 102" - Right
	093487-04-000	EA	Curtain Asm. - Front Wraparound - Pleated - 34" x 102" - Left
	057534-08-000	EA	Tieback - 16" - Clear Plastic

* Parts used on the Woven Wood Shade Option

CURTAIN, CUSHION & PAD GROUP (CONTINUED)

**(Y21)
FABRICS & TRIMS**

Key	Part Number	U/M	Description
	088274-72-000	YD	Fabric - Upholstery - Rose Pearl
	088274-70-000	YD	Fabric - Upholstery - Accent - Rose Panel
	088273-20-000	YD	Fabric - Bedroom - Rose
	084416-20-000	YD	Fabric - Laminate - Pull Shade
	072333-37-000	YD	Fabric - Drapery - Mauve
	072333-69-000	YD	Fabric - Drapery - Penta Mauve
	079680-01-000	YD	Vinyl - Expanded - Buckskin (End Caps)
	089351-01-000	YD	Vinyl - Acoustical Ceiling - Beige (Roof)
	069649-03-000	YD	Vinyl - Expanded - Taupe (Sunvisors)
	078155-01-000	EA	Strap Asm. - Cushion
	070578-02-X19	EA	Button Asm. - Screw Stud - #30 - Vinyl (End Caps)
	070578-11-Y15	EA	Button Asm. - Screw Stud - #30 - Vinyl (Roof)
	070578-02-W13	EA	Button Asm. - Screw Stud - #30 - Vinyl (TV Cabinet)
	053552-02-W24	EA	Assist Handle - Entrance Door - Vinyl
	078394-01-000	EA	Trim - Half Round Vinyl - 7/16"

* Parts used in production between 9-18-88 to 10-19-88.

**(Y22)
FABRICS & TRIMS**

Key	Part Number	U/M	Description
	088274-51-000	YD	Fabric - Upholstery - Heather
	088274-56-000	EA	Fabric - Upholstery - Patterned Accent - Sand
	088274-80-000	YD	Fabric - Upholstery - Accent - Blush
	088273-28-000	YD	Fabric - Bedroom - Mint
	084416-20-000	YD	Fabric - Laminate - Pull Shade
	072333-28-000	YD	Fabric - Drapery - Mint
	079680-01-000	YD	Vinyl - Expanded - Buckskin (End Caps)
	089351-01-000	YD	Vinyl - Acoustical Ceiling - Beige (Roof)
	069649-03-000	YD	Vinyl - Expanded - Taupe (Sunvisors)
	078155-01-000	EA	Strap Asm. - Cushion
	070578-02-X19	EA	Button Asm. - Screw Stud - #30 - Vinyl (End Caps)
	070578-11-Y15	EA	Button Asm. - Screw Stud - #30 - Vinyl (Roof)
	070578-02-W13	EA	Button Asm. - Screw Stud - #30 - Vinyl (TV Cabinet)
	053552-02-W24	EA	Assist Handle - Entrance Door - Vinyl
	078394-01-000	EA	Trim - Half Round Vinyl - 7/16"

**(Y23)
FABRICS & TRIMS**

Key	Part Number	U/M	Description
	088274-73-000	YD	Fabric - Upholstery - Teal
	088274-71-000	YD	Fabric - Upholstery - Accent - Teal
	088273-21-000	YD	Fabric - Bedroom - Stone
	084416-20-000	YD	Fabric - Laminate - Pull Shade
	072333-61-000	YD	Fabric - Drapery - Pacific
	079680-01-000	YD	Vinyl - Expanded - Buckskin (End Caps)
	089351-01-000	YD	Vinyl - Acoustical Ceiling - Beige (Roof)
	069649-03-000	YD	Vinyl - Expanded - Taupe (Sunvisors)
	078155-01-000	EA	Strap Asm. - Cushion
	070578-02-X19	EA	Button Asm. - Screw Stud - #30 - Vinyl (End Caps)
	070578-11-Y15	EA	Button Asm. - Screw Stud - #30 - Vinyl (Roof)
	070578-02-W13	EA	Button Asm. - Screw Stud - #30 - Vinyl (TV Cabinet)
	053552-02-W24	EA	Assist Handle - Entrance Door - Vinyl
	078394-01-000	EA	Trim - Half Round Vinyl - 7/16"

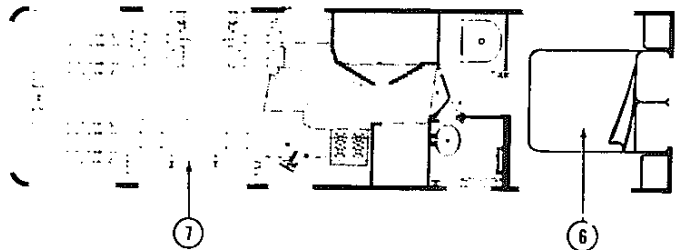
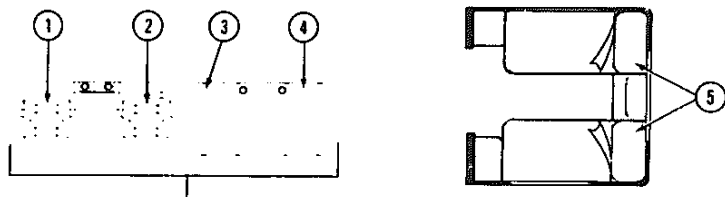
**1989 WINNEBAGO
TABLE OF CONTENTS**

INTRODUCTION	A-01
ABBREVIATIONS	A-01
ALPHABETICAL INDEX	A-02 - A-04
WCP32DQ	A-05 - C-18
WC/JP32RQ	C-19 - F-20

1989 WC/JP32RQ INDEX

Floor Plan	C-19 - C-20
Accessories Group	C-21 - C-24
Bath Group	D-01 - D-03
Chassis Group	D-04 - D-08
Curtain, Cushion & Pad Group	D-09 - E-02
Dinette Group	E-03 - E-04
Driver's Compartment Group	E-05 - E-09
Electrical Group	E-10 - E-13
Exterior Body Group	E-14 - E-20
Galley Group	E-21 - E-22
Heating & Air Conditioning Group	E-23 - E-24
Interior Finish Group	F-01 - F-03
LP Group	F-04
Lounge Group	F-05 - F-07
Water & Sewage Group	F-08 - F-09
Window, Vent & Exterior Door Group	F-10 - F-20

CURTAIN, CUSHION & PAD GROUP (CONTINUED)



**(Y21)
CELEBRITY CHAIR**

Key	Part Number	U/M	Description
1	086516-06-Y21	EA	Chair Asm. - Celebrity - Recliner - w/o Skirt
1	M86516-06-Y21	EA	Cover Asm. - Celebrity Chair - Recliner
1	089032-07-Y21	EA	Skirt Asm. - Celebrity Chair - Recliner
2	093463-01-Y21	EA	Chair Asm. - Celebrity - Recliner w/Footrest - w/o Skirt
2	M93463-01-Y21	EA	Cover Asm. - Celebrity Chair - Recliner w/Footrest
2	089032-11-Y21	EA	Skirt Asm. - Celebrity Chair - 3/4"
2	094599-01-Y21	EA	Footrest Asm. - Celebrity Chair
2	M94599-01-Y21	EA	Cover Asm. - Footrest Asm.

**(Y21)
DINETTE CUSHION (OPTION 30B)**

Key	Part Number	U/M	Description
3	088927-34-Y21	EA	Cushion Asm. - 13" x 36" - Back
	M88927-34-Y21	EA	Cover Asm. - Dinette Cushion - Back
4	088927-35-Y21	EA	Cushion Asm. - 22" x 36" - Seat
	M88927-35-121	EA	Cover Asm. - Dinette Cushion - Seat

**(Y21)
TWIN BED (OPTION 48U)**

Key	Part Number	U/M	Description
5	077478-04-000	EA	Mattress - Inner Spring - 33" x 75"
	033986-14-Y21	EA	Bedsprad Asm. - 33" x 75" - Right
	083986-15-Y21	EA	Bedsprad Asm. - 33" x 75" - Left
	081997-03-Y21	EA	Pillow Sham - Quilted
	093458-03-Y21	EA	Headboard Asm. - 33" - Ruffled

CURTAIN, CUSHION & PAD GROUP (CONTINUED)

**(Y21)
QUEEN BED**

Key	Part Number	U/M	Description
6	077478-05-000	EA	Mattress - Inner Spring - 60" x 75"
	092371-03-Y21	EA	Bedsprad - 60" w/Dust Ruffle
	081997-02-Y21	EA	Pillow Sham w/Ruffle - 30" x 26"
	093458-02-Y21	EA	Headboard Asm. - 54" - Ruffled

**(Y21)
CELESTIAL SOFA BED**

Key	Part Number	U/M	Description
7	093460-01-Y21	EA	Bed Asm. - Celestial Sofa - w/o Cushions & Armrests
	M93460-01-Y21	EA	Cover Asm. - Celestial Bed
	085357-02-Y21	EA	Cushion Asm. - 16" x 23" - Celestial Bed (3 required)
	M85357-02-Y21	EA	Cover Asm. - Cushion Asm. - Celestial Bed
	085358-05-Y21	EA	Removable Asm. - Celestial Bed (2 required)
	M85358-05-Y21	EA	Cover Asm. - Removable Arms
	090406-01-X19	EA	Drawer Asm. - Sofa Bed
	079386-01-000	EA	Frame Asm. - Sofa Bed
	079386-02-000	EA	Hardware Kit
	087204-01-000	EA	Bracket - Removable Arm
	074044-90-000	EA	Oak Trim - Celestial Sofa Bed

**(Y21)
BUCKET SEAT**

Key	Part Number	U/M	Description
	093459-01-Y21	EA	Seat Asm. - Single Bucket w/Remote Control - w/o Skirt
	M03445-07-Y21	EA	Cover Asm. - Bucket - Seat
	M03445-08-Y21	EA	Cover Asm. - Bucket - Back
	071126-24-Y01	EA	Skirt Asm. - Bucket Seat
	080243-36-Y21	EA	Armrest Asm. - Right
	M80243-36-Y21	EA	Cover Asm. - Right Armrest
	080243-38-Y21	EA	Armrest Asm. - Left
	M80243-38-Y21	EA	Cover Asm. - Left Armrest
	093472-01-Y21	EA	Headrest Asm. - Bucket Seat
	M93472-01-Y21	EA	Cover Asm. - Bucket Seat

**(Y21)
POWER BUCKET SEAT (OPTION 63M)**

Key	Part Number	U/M	Description
	093459-03-Y21	EA	Seat Asm. - Power Bucket - Driver - w/o Skirt
	M03445-07-Y21	EA	Cover Asm. - Power Bucket - Seat
	M03445-08-Y21	EA	Cover Asm. - Power Bucket - Back
	071126-26-Y21	EA	Skirt Asm. - Power Seat
	080243-36-Y21	EA	Armrest Asm. - Right
	M80243-36-Y21	EA	Cover Asm. - Right Armrest
	080243-37-Y21	EA	Armrest Asm. - Left
	M80243-37-Y21	EA	Cover Asm. - Left Armrest
	093472-01-Y21	EA	Headrest Asm. - Bucket Seat
	M93472-01-Y21	EA	Cover Asm. - Headrest Bucket

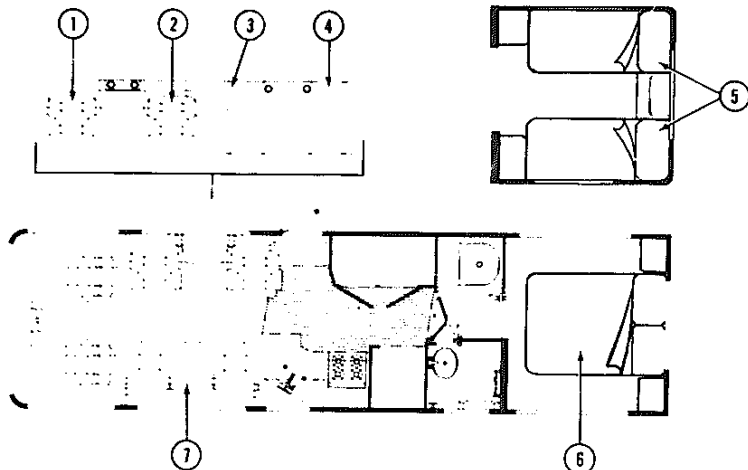
**1989 WINNEBAGO
TABLE OF CONTENTS**

INTRODUCTION	A-01
ABBREVIATIONS	A-01
ALPHABETICAL INDEX	A-02 - A-04
WCP32QO	A-05 - C-18
WC/JP32RQ	C-19 - F-20

1989 WC/JP32RQ INDEX

Floor Plan	C-19 - C-20
Accessories Group	C-21 - C-24
Bath Group	D-01 - D-03
Chassis Group	D-04 - D-08
Curtain, Cushion & Pad Group	D-09 - E-02
Dinette Group	E-03 - E-04
Driver's Compartment Group	E-05 - E-09
Electrical Group	E-10 - E-13
Exterior Body Group	E-14 - E-20
Galley Group	E-21 - E-22
Heating & Air Conditioning Group	E-23 - E-24
Interior Finish Group	F-01 - F-03
LP Group	F-04
Lounge Group	F-05 - F-07
Water & Sewage Group	F-08 - F-09
Window, Vent & Exterior Door Group	F-10 - F-20

CURTAIN, CUSHION & PAD GROUP (CONTINUED)



**(Y22)
CELEBRITY CHAIR**

Key	Part Number	U/M	Description
1	086516-06-Y22	EA	Chair Asm. - Celebrity - Recliner - w/o Skirt
1	M86516-06-Y22	EA	Cover Asm. - Celebrity Chair - Recliner
1	089032-07-Y22	EA	Skirt Asm. - Celebrity Chair - Recliner
2	093463-02-Y22	EA	Chair Asm. - Celebrity - Recliner w/Footrest - w/o Skirt
2	M93463-02-Y22	EA	Cover Asm. - Celebrity Chair - Recliner/Footrest
2	089032-08-Y22	EA	Skirt Asm. - Celebrity Chair - 3/4"
2	094599-01-Y22	EA	Footrest Asm. - Celebrity Chair
2	M94599-01-Y22	EA	Cover Asm. - Footrest Asm.

**(Y22)
DINETTE CUSHION (OPTION)**

Key	Part Number	U/M	Description
3	088927-30-Y22	EA	Cushion Asm. - 13" x 36" - Back
	M88927-30-Y22	EA	Cover Asm. - Dinette Cushion - Back
4	088927-31-Y22	EA	Cushion Asm. - 22" x 36" - Seat
	M88927-31-Y22	EA	Cover Asm. - Dinette Cushion - Seat

**(Y22)
TWIN BED (OPTION)**

Key	Part Number	U/M	Description
5	077478-04-000	EA	Mattress - Inner Spring - 33" x 75"
	083986-14-Y22	EA	Bedsread Asm. - 33" x 75" - Right
	083986-15-Y22	EA	Bedsread Asm. - 33" x 75" - Left
	081997-03-Y22	EA	Pillow Sham - Quilted
	093458-03-Y22	EA	Headboard Asm - 33" - Ruffled

CURTAIN, CUSHION & PAD GROUP (CONTINUED)

**(Y22)
QUEEN BED**

Key	Part Number	U/M	Description
6	077478-05-000	EA	Mattress - Inner Spring- 60" x 75"
	092371-03-Y22	EA	Bedsread - 60" w/Dust Ruffle
	081997-02-Y22	EA	Pillow Sham w/Ruffle - 30" x 26"
	093458-02-Y22	EA	Headboard Asm.- 54" - Ruffled

**(Y22)
CELESTIAL SOFA BED**

Key	Part Number	U/M	Description
7	093460-01-Y22	EA	Bed Asm. - Celestial Sofa - w/o Cushions & Armrests
	M93460-01-Y22	EA	Cover Asm. - Celestial Bed
	085357-02-Y22	EA	Cushion Asm. - 16" x 23" - Celestial Bed (3 required)
	M85357-02-Y22	EA	Cover Asm. - Cushion Asm. - Celestial Bed
	085358-05-Y22	EA	Removable Asm. - Celestial Bed (2 required)
	M85358-05-Y22	EA	Cover Asm. - Removable Arms
	C90406-01-X19	EA	Drawer Asm. - Sofa Bed
	079386-01-000	EA	Frame Asm. - Sofa Bed
	079386-02-000	EA	Hardware Kit
	087204-01-000	EA	Bracket - Removable Arm
	074044-90-000	EA	Oak Trim - Celestial Sofa Bed

**(Y22)
BUCKET SEAT**

Key	Part Number	U/M	Description
	093459-01-Y22	EA	Seat Asm. - Single Bucket w/Remote Control - w/o Skirt
	M03445-09-Y22	EA	Cover Asm. - Bucket - Seat
	M03445-10-Y22	EA	Cover Asm. - Bucket - Back
	071126-24-Y22	EA	Skirt Asm. - Bucket Seat
	080243-36-Y22	EA	Armrest Asm. - Right
	M80243-36-Y22	EA	Cover Asm. - Right Armrest
	080243-38-Y22	EA	Armrest Asm. - Left
	M80243-38-Y22	EA	Cover Asm. - Left Armrest
	093472-01-Y22	EA	Headrest Asm. - Bucket Seat
	M93472-01-Y22	EA	Cover Asm. - Bucket Seat

**(Y22)
POWER BUCKET SEAT (OPTION 63M)**

Key	Part Number	U/M	Description
	093459-04-Y22	EA	Seat Asm. - Power Bucket - Driver - w/o Skirt
	M03445-09-Y22	EA	Cover Asm. - Power Bucket - Seat
	M03445-10-Y22	EA	Cover Asm. - Power Bucket - Back
	071126-26-Y22	EA	Skirt Asm. - Power Seat
	080243-36-Y22	EA	Armrest Asm. - Right
	M80243-36-Y22	EA	Cover Asm. - Right Armrest
	080243-37-Y22	EA	Armrest Asm. - Left
	M80243-37-Y22	EA	Cover Asm. - Left Armrest
	093472-01-Y22	EA	Headrest Asm. - Bucket Seat
	M93472-01-Y22	EA	Cover Asm. - Headrest Bucket

**1989 WINNEBAGO
TABLE OF CONTENTS**

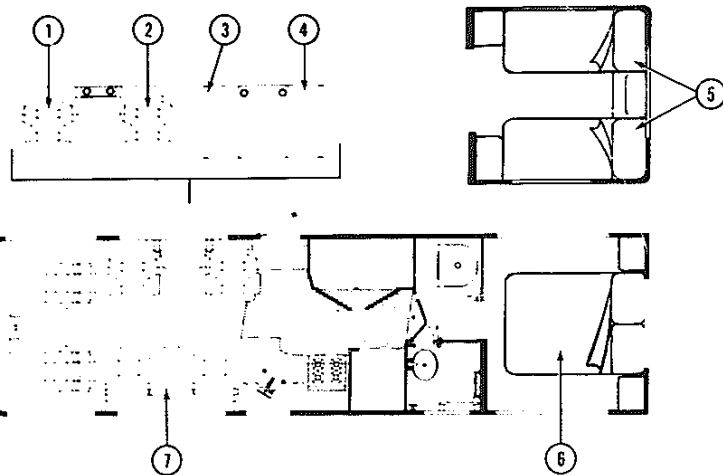
INTRODUCTION	A-01
ABBREVIATIONS	A-01
ALPHABETICAL INDEX	A-02 - A-04
WCP32DO	A-05 - C-18
WC/JP32RQ	C-19 - F-20

1989 WC/JP32RQ INDEX

Floor Plan	C-19 - C-20
Accessories Group	C-21 - C-24
Bath Group	D-01 - D-03
Chassis Group	D-04 - D-08
Curtain, Cushion & Pad Group	D-09 - E-02
Dinette Group	E-03 - E-04
Driver's Compartment Group	E-05 - E-09
Electrical Group	E-10 - E-13
Exterior Body Group	E-14 - E-20
Galley Group	E-21 - E-22
Heating & Air Conditioning Group	E-23 - E-24
Interior Finish Group	F-01 - F-03
LP Group	F-04
Lounge Group	F-05 - F-07
Water & Sewage Group	F-08 - F-09
Window, Vent & Exterior Door Group	F-10 - F-20

CURTAIN, CUSHION & PAD GROUP (CONTINUED)

CURTAIN, CUSHION & PAD GROUP (CONTINUED)



**(Y23)
CELEBRITY CHAIR**

Key	Part Number	U/M	Description
1	086516-06-Y23	EA	Chair Asm. - Celebrity - Recliner - w/o Skirt
1	M86516-06-Y23	EA	Cover Asm. - Celebrity Chair - Recliner
1	089032-07-Y23	EA	Skirt Asm. - Celebrity Chair - Recliner
2	093463-01-Y23	EA	Chair Asm. - Celebrity - Recliner w/Footrest - w/o Skirt
2	M93463-01-Y23	EA	Cover Asm. - Celebrity Chair - Recliner/Footrest
2	094599-01-Y23	EA	Footrest Asm. - Celebrity Chair
2	M94599-01-Y23	EA	Cover Asm. - Footrest Asm.

**(Y23)
DINETTE CUSHION (OPTION)**

Key	Part Number	U/M	Description
3	088927-34-Y23	EA	Cushion Asm. - 13" x 36" - Back
	M88927-34-Y23	EA	Cover Asm. - Dinette Cushion - Back
4	088927-35-Y23	EA	Cushion Asm. - 22" x 36" - Seat
	M88927-35-Y23	EA	Cover Asm. - Dinette Cushion - Seat

**(Y23)
TWIN BED (OPTION)**

Key	Part Number	U/M	Description
5	077478-04-000	EA	Mattress - Inner Spring - 33" x 75"
	083986-14-Y23	EA	Bedsprad Asm. - 33" x 75" - Right
	083986-15-Y23	EA	Bedsprad Asm. - 35" x 75" - Left
	081997-03-Y23	EA	Pillow Sham - Quilted
	093458-03-Y23	EA	Headboard Asm. - 33" - Ruffled

**(Y23)
QUEEN BED**

Key	Part Number	U/M	Description
6	077478-05-000	EA	Mattress - Inner Spring - 60" x 75"
	092371-03-Y23	EA	Bedsprad - 60" w/Dust Ruffle
	081997-02-Y23	EA	Pillow Sham w/Ruffle - 30" x 26"
	093458-02-Y23	EA	Headboard Asm. - 54" - Ruffled

**(Y23)
CELESTIAL SOFA BED**

Key	Part Number	U/M	Description
7	093460-01-Y23	EA	Bed Asm. - Celestial Sofa - w/o Cushions & Armrests
	M93460-01-Y23	EA	Cover Asm. - Celestial Bed
	085357-02-Y23	EA	Cushion Asm. - 16" x 23" - Celestial Bed (3 required)
	M85357-02-Y23	EA	Cover Asm. - Cushion Asm. - Celestial Bed
	085358-05-Y23	EA	Removable Asm. - Celestial Bed (2 required)
	M85358-05-Y23	EA	Cover Asm. - Removable Arms
	090406-01-X19	EA	Drawer Asm. - Sofa Bed
	079386-01-000	EA	Frame Asm. - Sofa Bed
	079386-02-000	EA	Hardware Kit
	087204-01-000	EA	Bracket - Removable Arm
	074044-90-000	EA	Oak Trim - Celestial Sofa Bed

**(Y23)
BUCKET SEAT**

Key	Part Number	U/M	Description
	093459-01-Y23	EA	Seat Asm. - Single Bucket w/Remote Control - w/o Skirt
	M03445-07-Y23	EA	Cover Asm. - Bucket - Seat
	M03445-08-Y23	EA	Cover Asm. - Bucket - Back
	071126-24-Y03	EA	Skirt Asm. - Bucket Seat
	080243-36-Y23	EA	Armrest Asm. - Right
	M80243-38-Y23	EA	Cover Asm. - Left Armrest
	093472-01-Y23	EA	Headrest Asm. - Bucket Seat
	M93472-01-Y23	EA	Cover Asm. - Bucket Seat

**(Y23)
POWER BUCKET SEAT (OPTION 63M)**

Key	Part Number	U/M	Description
	093459-03-Y23	EA	Seat Asm. - Power Bucket - Driver - w/o Skirt
	M03445-07-Y23	EA	Cover Asm. - Power Bucket - Seat
	M03445-08-Y23	EA	Cover Asm. - Power Bucket - Back
	071126-26-Y23	EA	Skirt Asm. - Power Seat
	C80243-36-Y23	EA	Armrest Asm. - Right
	M80243-36-Y23	EA	Cover Asm. - Right Armrest
	080243-37-Y23	EA	Armrest Asm. - Left
	M80243-37-Y23	EA	Cover Asm. - Left Armrest
	093472-01-Y23	EA	Headrest Asm. - Bucket Seat
	M93472-01-Y23	EA	Cover Asm. - Headrest Bucket

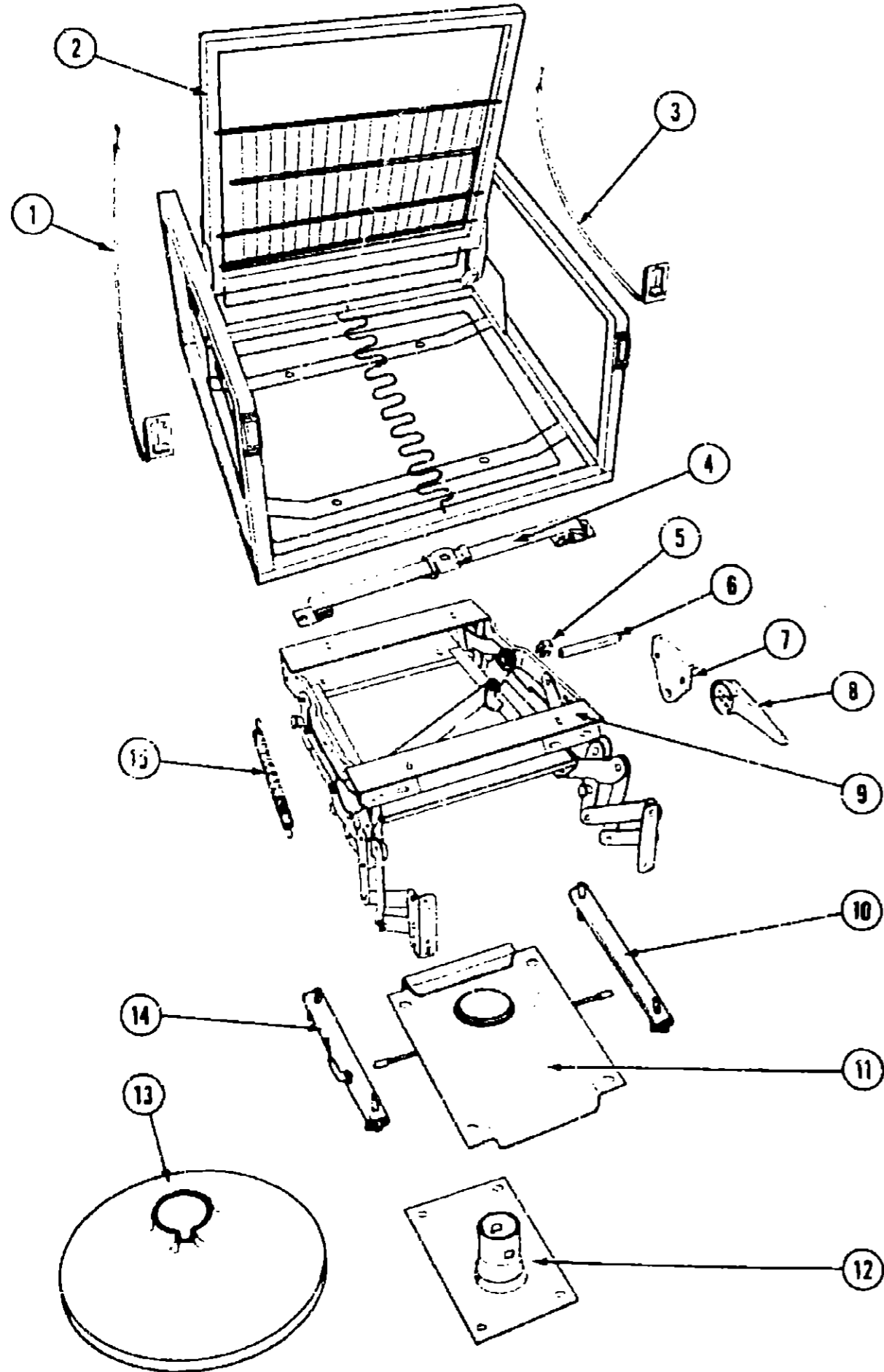
**1989 WINNEBAGO
TABLE OF CONTENTS**

INTRODUCTION	A-01
ABBREVIATIONS	A-01
ALPHABETICAL INDEX	A-02 - A-04
WCP32DQ	A-05 - C-18
WC/JP32RQ	C-19 - F-20

1989 WC/JP32RQ INDEX

Floor Plan	C-19 - C-20
Accessories Group	C-21 - C-24
Bath Group	D-01 - D-03
Chassis Group	D-04 - D-08
Curtain, Cushion & Pad Group	D-09 - E-02
Dinette Group	E-03 - E-04
Driver's Compartment Group	E-05 - E-09
Electrical Group	E-10 - E-13
Exterior Body Group	E-14 - E-20
Galley Group	E-21 - E-22
Heating & Air Conditioning Group	E-23 - E-24
Interior Finish Group	F-01 - F-03
LP Group	F-04
Lounge Group	F-05 - F-07
Water & Sewage Group	F-08 - F-09
Window, Vent & Exterior Door Group	F-10 - F-20

CELEBRITY RECLINER HARDWARE



Key	Part Number	U/M	Description
1	089368-03-000	EA	Remote Asm. - Recliner
2	089368-01-000	EA	Frame Asm. - Celebrity Chair
3	089368-02-000	EA	Remote Asm. - Slider
4	007021-01-000	EA	Seat Belt Asm. - 90" x 2" Black
	057759-01-000	EA	Bracket - Seat Belt Washer
5	093484-02-700	EA	Clamp
6	093484-02-701	EA	Torsion Bar
7	093484-02-702	EA	Support - Torsion Bar
8	093484-02-703	EA	Handle
	093484-02-000	EA	Hardware Kit - Footrest Celebrity Chair
9	093484-01-000	EA	Footrest Pedestal Mechanism
10	069246-02-000	EA	Adjuster Asm. - Celebrity Chair - w/o Lock
11	093481-03-000	EA	Top Plate - Celebrity Chair - w/Lock
12	093481-01-000	EA	Pedestal - 6" - Used w/Footrest Only
12	093481-02-000	EA	Pedestal - 10" Used w/Recliner Only
13	093482-01-000	EA	Pedestal Shroud - 13" Black Plastic
14	069246-05-000	EA	Adjuster Asm. - Celebrity Chair - w/Lock
	087330-01-000	EA	Bracket - Stop - Slide Track
15	093484-02-704	EA	Spring

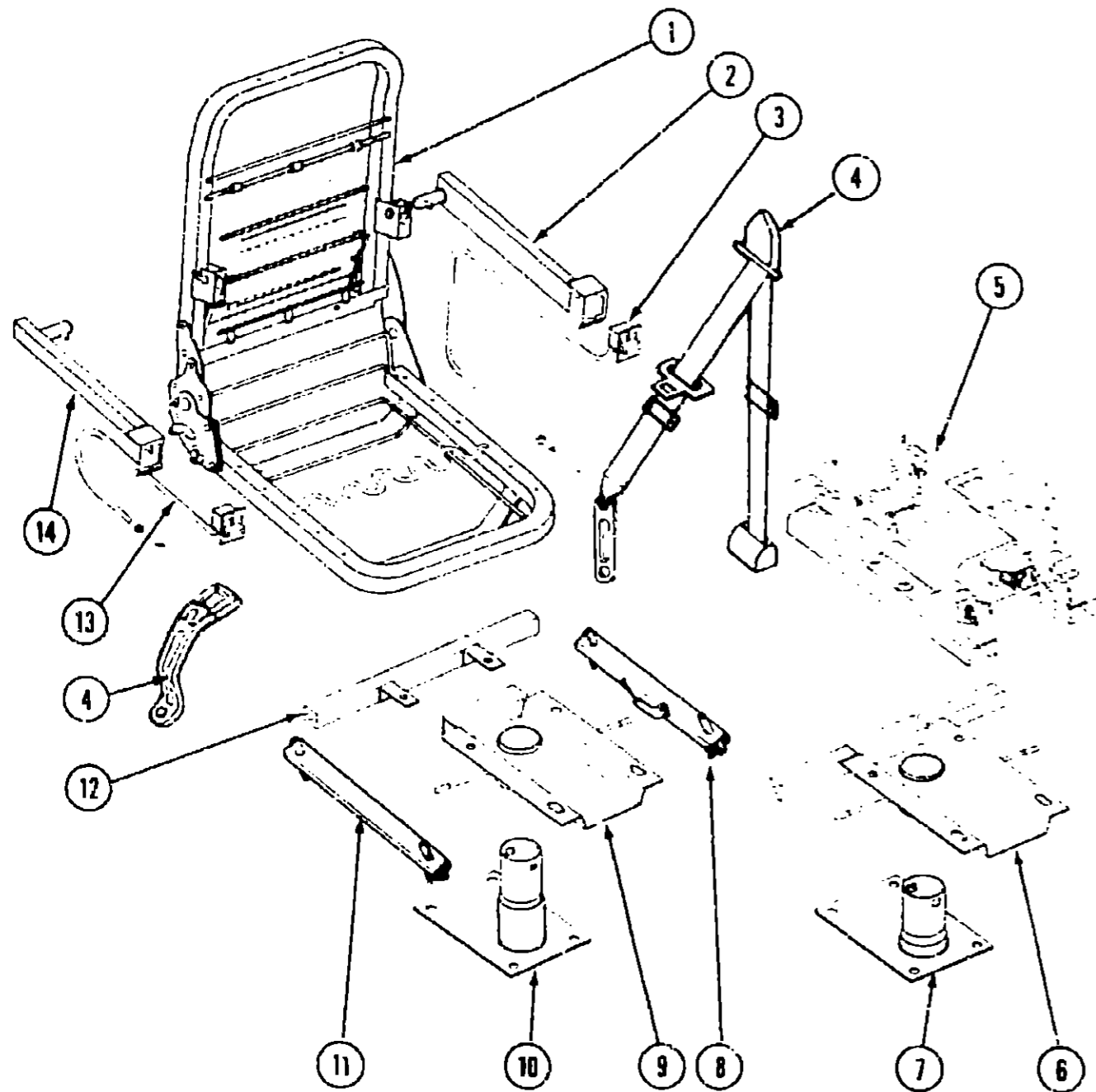
1989 WINNEBAGO
TABLE OF CONTENTS

INTRODUCTION	A-01
ABBREVIATIONS	A-01
ALPHABETICAL INDEX	A-02 - A-04
WCP32DQ	A-05 - C-18
WC/JP32RQ	C-19 - F-20

1989 WC/JP32RQ INDEX

Floor Plan	C-19 - C-20
Accessories Group	C-21 - C-24
Bath Group	D-01 - D-03
Chassis Group	D-04 - D-08
Curtain, Cushion & Pad Group	D-09 - E-02
Dinette Group	E-03 - E-04
Driver's Compartment Group	E-05 - E-09
Electrical Group	E-10 - E-13
Exterior Body Group	E-14 - E-20
Galley Group	E-21 - E-22
Heating & Air Conditioning Group	E-23 - E-24
Interior Finish Group	F-01 - F-03
LP Group	F-04
Lounge Group	F-05 - F-07
Water & Sewage Group	F-08 - F-09
Window, Vent & Exterior Door Group	F-10 - F-20

CURTAIN, CUSHION & PAD GROUP (CONTINUED)



CURTAIN, CUSHION & PAD GROUP (CONTINUED)

BUCKET SEAT HARDWARE

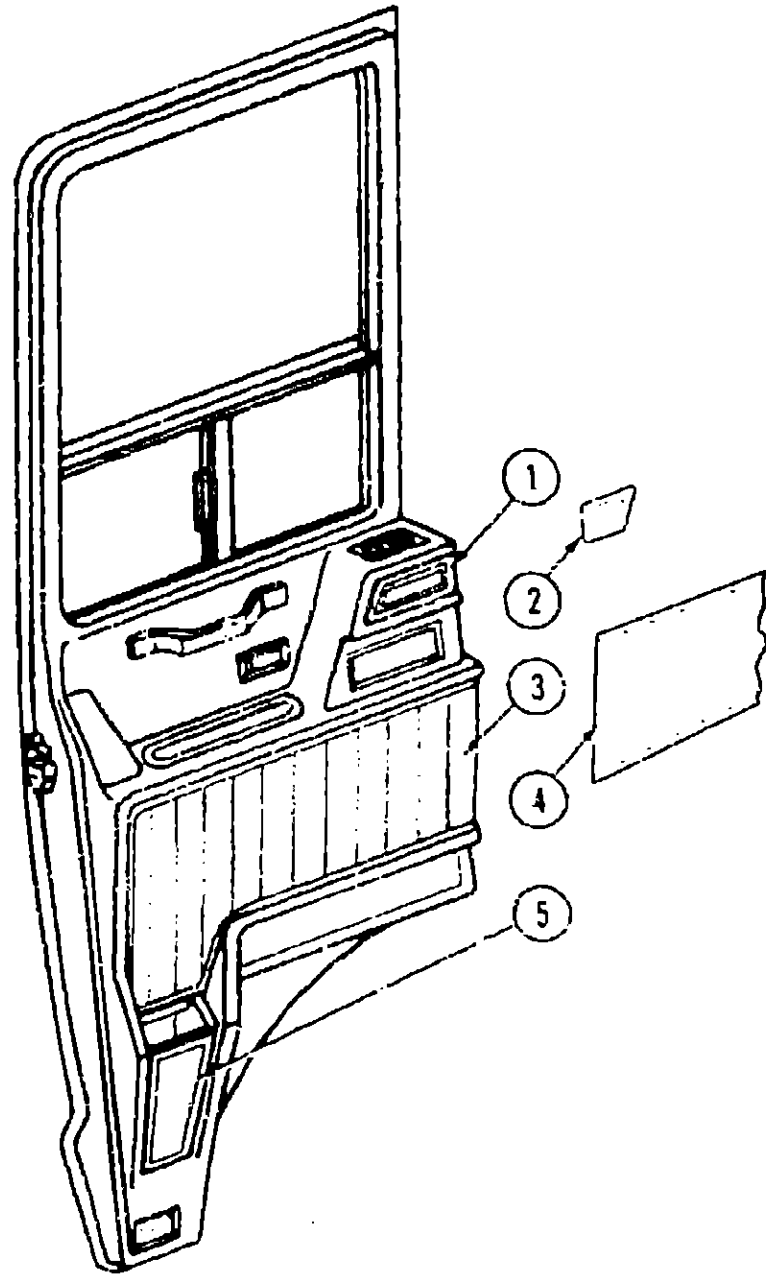
Key	Part Number	U/M	Description
1	089369-01-000	EA	Frame Asm. - Bucket Seat
2	089369-03-000	EA	Frame - Armrest - Left
3	089368-03-000	EA	Cable Asm. - Remote - Slide
4	091990-02-01A	EA	Seat Belt - Drivers - 3 Point
	091990-G1-01A	EA	Seat Belt - Passenger - 3 Point
5	081373-01-000	EA	Power Seat Asm.
	081373-02-700	EA	Switch Asm. - Power Set
	081373-02-701	EA	Wire Harness - Drivers - Power Seat
	081373-02-702	EA	Wire Harness - Passenger - Power Seat
	081373-02-703	EA	Horizontal Adjustment Package
	081373-02-704	EA	Vertical Adjustment Package
6	069585-36-000	EA	Top Plate - Power Seat
7	069585-37-000	EA	Sub Plate - 5" - Use w/ Power Seat
8	069246-05-000	EA	Adjuster Asm. - Seat w/Lock
9	069585-27-000	EA	Top Plate - Non Powered Seat
10	069585-08-000	EA	Sub Plate - 8" - Used w/Non Powered Seat
11	069246-02-000	EA	Adjuster Asm. - Seat - w/o Lock
12	069585-29-000	EA	Seat Belt Bar - 20"
13	089368-02-000	EA	Cable Asm. - Remote - Recliner
14	089369-02-000	EA	Frame - Armrest - Right

**1989 WINNEBAGO
TABLE OF CONTENTS**

INTRODUCTION	A-01
ABBREVIATIONS	A-01
ALPHABETICAL INDEX	A-02 - A-04
WCP32DQ	A-05 - C-18
WC/JP32RQ	C-19 - F-20

1989 WC/JP32RQ INDEX

Floor Plan	C-19 - C-20
Accessories Group	C-21 - C-24
Bath Group	D-01 - D-03
Chassis Group	D-04 - D-08
Curtain, Cushion & Pad Group	D-09 - E-02
Dinette Group	E-03 - E-04
Driver's Compartment Group	E-05 - E-09
Electrical Group	E-10 - E-13
Exterior Body Group	E-14 - E-20
Galley Group	E-21 - E-22
Heating & Air Conditioning Group	E-23 - E-24
Interior Finish Group	F-01 - F-03
LP Group	F-04
Lounge Group	F-05 - F-07
Water & Sewage Group	F-08 - F-09
Window, Vent & Exterior Door Group	F-10 - F-20



PADDED INSERTS

Key	Part Number	U/M	Description
1	089104-04-Y21	EA	Insert - Upper Door Pad - Driver
1	089104-04-Y22	EA	Insert - Upper Door Pad - Driver
1	089104-04-Y23	EA	Insert - Upper Door Pad - Driver
	089104-03-Y21	EA	Insert - Upper Door Pad - Passenger
	089104-03-Y22	EA	Insert - Upper Door Pad - Passenger
	089104-03-Y23	EA	Insert - Upper Door Pad - Passenger
2	089107-02-Y21	EA	Insert - Upper Side Pad - Driver
2	089107-02-Y22	EA	Insert - Upper Side Pad - Driver
2	089107-02-Y23	EA	Insert - Upper Side Pad - Driver
	089109-02-Y21	EA	Insert - Upper Side Pad - Passenger
	089109-02-Y22	EA	Insert - Upper Side Pad - Passenger
	089109-02-Y23	EA	Insert - Upper Side Pad - Passenger
3	089105-04-Y21	EA	Insert - Lower Door Pad - Driver
3	089105-04-Y22	EA	Insert - Lower Door Pad - Driver
3	089105-04-Y23	EA	Insert - Lower Door Pad - Driver
	089105-03-Y21	EA	Insert - Lower Door Pad - Passenger
	089105-03-Y22	EA	Insert - Lower Door Pad - Passenger
	089105-03-Y23	EA	Insert - Lower Door Pad - Passenger
4	089108-02-Y21	EA	Insert - Lower Side Pad - Driver
4	089108-02-Y22	EA	Insert - Lower Side Pad - Driver
4	089108-02-Y23	EA	Insert - Lower Side Pad - Driver
	089110-02-Y21	EA	Insert - Lower Side Pad - Passenger
	089110-02-Y22	EA	Insert - Lower Side Pad - Passenger
	089110-02-Y23	EA	Insert - Lower Side Pad - Passenger
5	089106-04-Y21	EA	Insert - Map Pocket - Driver
5	089106-04-Y22	EA	Insert - Map Pocket - Driver
5	089106-04-Y23	EA	Insert - Map Pocket - Driver
	089106-03-Y21	EA	Insert - Map Pocket - Passenger
	089106-03-Y22	EA	Insert - Map Pocket - Passenger
	089106-03-Y23	EA	Insert - Map Pocket - Passenger
	089112-04-Y21	EA	Insert - Front Overhead (Sunvisor) - Driver
	089112-04-Y22	EA	Insert - Front Overhead (Sunvisor) - Driver
	089112-04-Y23	EA	Insert - Front Overhead (Sunvisor) - Driver
	089112-03-Y21	EA	Insert - Front Overhead (Sunvisor) - Passenger
	089112-03-Y22	EA	Insert - Front Overhead (Sunvisor) - Passenger
	089112-03-Y23	EA	Insert - Front Overhead (Sunvisor) - Passenger
	089045-01-W13	EA	Pad Asm. - T.V. Cabinet
	089113-03-Y21	EA	Wall Pad - TT Chair - 12" x 16"
	089113-03-Y22	EA	Wall Pad - TT Chair - 12" x 16"
	089113-03-Y23	EA	Wall Pad - TT Chair - 12" x 16"
	089519-07-Y21	EA	Pad Asm. - Dinette Back - Right
	089519-07-Y22	EA	Pad Asm. - Dinette Back - Right
	089519-07-Y23	EA	Pad Asm. - Dinette Back - Right
	089519-08-Y21	EA	Pad Asm. - Dinette Back - Left
	089519-04-Y22	EA	Pad Asm. - Dinette Back - Left
	089519-08-Y23	EA	Pad Asm. - Dinette Back - Left
	089111-02-Y21	EA	Insert - Interior Cap - Center
	089111-02-Y22	EA	Insert - Interior Cap - Center
	089111-02-Y23	EA	Insert - Interior Cap - Center

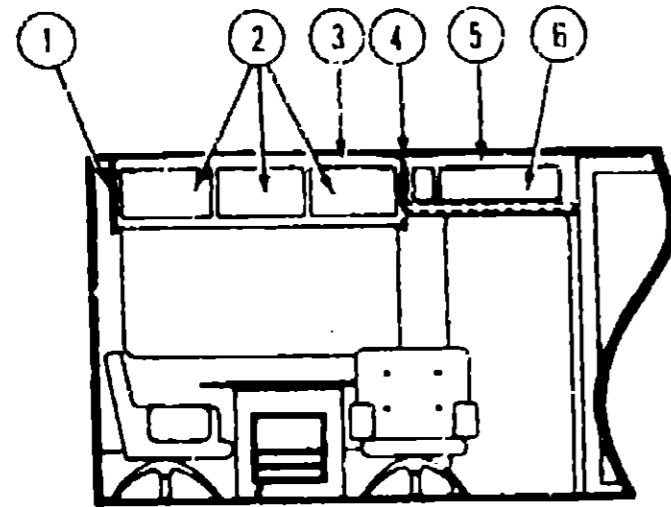
1989 WINNEBAGO
TABLE OF CONTENTS

INTRODUCTION	A-01
ABBREVIATIONS	A-01
ALPHABETICAL INDEX	A-02 - A-04
WCP32DQ	A-05 - C-18
WC/JP32RQ	C-19 - F-20

1989 WC/JP32RQ INDEX

Floor Plan	C-19 - C-20
Accessories Group	C-21 - C-24
Bath Group	D-01 - D-03
Chassis Group	D-04 - D-08
Curtain, Cushion & Pad Group	D-09 - E-02
Dinette Group	E-03 - E-04
Driver's Compartment Group	E-05 - E-09
Electrical Group	E-10 - E-13
Exterior Body Group	E-14 - E-20
Galley Group	E-21 - E-22
Heating & Air Conditioning Group	E-23 - E-24
Interior Finish Group	F-01 - F-03
LP Group	F-04
Lounge Group	F-05 - F-07
Water & Sewage Group	F-08 - F-09
Window, Vent & Exterior Door Group	F-10 - F-20

DINETTE GROUP



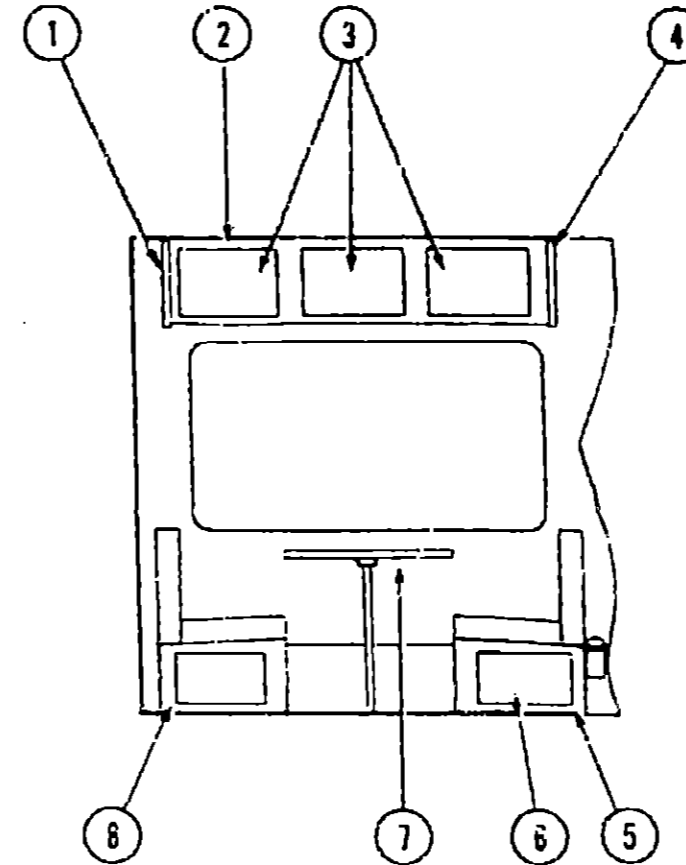
SWIVEL CHAIR DINETTE & OVERHEAD CABINETRY

Key	Part Number	U/M	Description
1	085468-02-X19	EA	Pad Asm. - End Cap - Front Overhead - Left - Vinyl
2	M88304-38-Y21	EA	Door Asm. - Overhead Cabinet - 12" x 18.7" - w/o Hardware
3	M03110-15-Y21	EA	Cabinet Asm. - Front Overhead - Passenger - w/o Doors or Hardware
	M03110-13-Y21	EA	Cabinet Asm. - Front Overhead - Driver - w/o Doors or Hardware
4	085468-01-X19	EA	Pad Asm. - End Cap - Front Overhead - Right - Vinyl
5	M03110-59-Y21	EA	Cabinet Asm. - Entrance Door Overhead
	089381-12-Y21	EA	Speaker Cover - Fabric
6	M88304-45-Y21	EA	Door Asm. - 10" x 29.5" - Entrance Cabinet
	M81727-02-X19	EA	Cabinet Asm. - Pullout Table
	M02415-01-X19	EA	Table Asm. - Pullout
	079921-01-000	EA	Roller - Nylon Shaft
	M02416-01-X19	EA	Countertop Asm. - Pullout Table
	M02414-01-X19	EA	Top - Cupholder - Pullout Table
	M02417-01-X19	EA	Hinged Top - Pullout Table - w/o Hardware
	080728-01-000	EA	Handle - Pullout Table
	079606-01-W13	EA	Magazine Rack
	081298-01-X11	EA	Table Asm. - Pedestal
	009040-03-000	EA	Base - Table - Mounts to Table
	009040-04-000	EA	Leg - Pedestal Table
	062046-01-000	EA	Clip - Pedestal Table
	041194-01-000	EA	Base - Table - Flush Mounts in Floor

SWIVEL CHAIRS & ICE MAKER (OPTION 35J)

Key	Part Number	U/M	Description
	M82887-01-Y21	EA	Cabinet Asm. - Ice Maker
	074489-02-W30	EA	Holder - Beverage Tray
	M02493-01-X19	EA	Countertop Asm. - Ice Maker
	M02494-01-X19	EA	Slice Out Table
**	076799-01-000	EA	Ice Maker - Black Glass
**	The illustrated parts breakdown for this item is provided on the Common Items Fiche		

DINETTE GROUP (CONTINUED)



DINETTE CABINETRY & HARDWARE (OPTION 30B)

Key	Part Number	U/M	Description
1	085468-02-X19	EA	Pad Asm. - End Cap - Front Overhead - Vinyl
2	M03110-17-Y21	EA	Cabinet Asm. - Overhead - Dinette - w/o Doors or Hardware
3	M88304-38-Y21	EA	Door Asm. - Dinette Overhead - 12" x 18.7" - w/o Hardware
4	085468-01-X19	EA	Pad Asm. - End Cap - Front Overhead - Vinyl
5	M03125-01-X19	EA	Cabinet Asm. - Dinette Seat - w/o Door or Hardware
	M03126-01-Y21	EA	Cabinet Asm. - Dinette Back
6	M88304-40-Y21	EA	Door Asm. - Dinette Seat - 10" x 19.9" - w/o Hardware
7	M03475-01-Y21	EA	Table Asm. - Dinette
8	M03127-01-X19	EA	Cabinet Asm. - Dinette Seat - w/o Door or Hardware
	M03128-01-Y21	EA	Cabinet Asm. - Dinette Back
	053200-05-000	EA	Bracket - Upper Wall Mount - 23.5"
	053201-06-000	EA	Bracket - Table Mount - 23"
	024275-05-000	EA	Rod - Table Lift - 8" x 23.5"
	092707-01-01A	EA	Leg Asm. - Table
	024281-07-000	EA	Bracket - Lower Wall Mount
	093550-01-000	EA	Bracket - Folding Leg
	092593-01-02A	EA	Catch - Table Leg
	086410-01-000	EA	Hanger - Table
	064783-05-000	EA	Cup Holder - Two Step

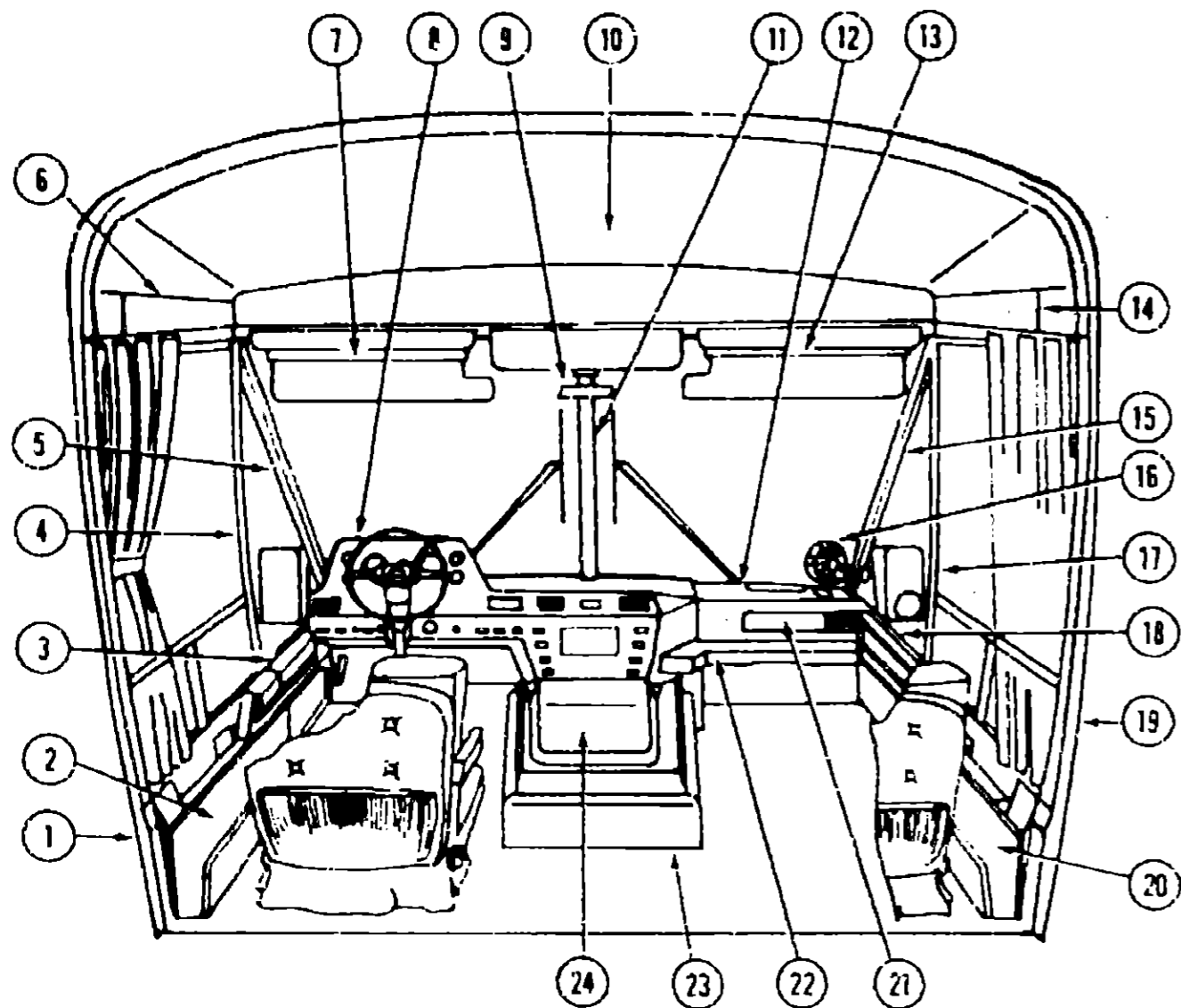
1989 WINNEBAGO TABLE OF CONTENTS

INTRODUCTION	A-01
ABBREVIATIONS	A-01
ALPHABETICAL INDEX	A-02 - A-04
WCP320Q	A-05 - C-18
WC/JP32RQ	C-19 - F-20

1989 WC/JP32RQ INDEX

Floor Plan	C-19 - C-20
Accessories Group	C-21 - C-24
Bath Group	D-01 - D-03
Chassis Group	D-04 - D-06
Curtain, Cushion & Pad Group	D-09 - E-02
Dinette Group	E-03 - E-04
Driver's Compartment Group	E-05 - E-09
Electrical Group	E-10 - E-13
Exterior Body Group	E-14 - E-20
Galley Group	E-21 - E-22
Heating & Air Conditioning Group	E-23 - E-24
Interior Finish Group	F-01 - F-03
LP Group	F-04
Lounge Group	F-05 - F-07
Water & Sewage Group	F-08 - F-09
Window, Vent & Exterior Door Group	F-10 - F-20

DRIVER'S COMPARTMENT GROUP



MISCELLANEOUS DRIVER'S COMPARTMENT COMPONENTS

Key	Part Number	U/M	Description
1	077111-08-000	EA	Panel Trim - Driver's Side
2	077117-06-000	EA	Side Panel Trim - Plastic
3	077116-03-000	EA	Side Panel Trim - Plastic
4	077113-06-000	EA	Trim Panel - Hinge Pillar
5	077112-06-000	EA	Trim - Windshield - Interior - "A" Post - Left
6	077110-10-000	EA	Trim Cover w/Bunk - Left
7	082286-04-X19	EA	Sunvisor Asm. - Driver - Vinyl w/Map Pocket
	007211-01-000	EA	Hinge - Sunvisor
	074012-01-000	EA	Clip - Sunvisor - Square - Pinch On
	M03110-23-Y21	EA	Cabinet Asm. - Front Overhead - Right - w/o Doors or Hardware
	M03110-21-Y21	EA	Cabinet Asm. - Front Overhead - Left - w/o Doors or Hardware
	086714-01-W13	EA	Cabinet Asm. - Television
	089045-01-W13	EA	Pad Asm. - TV Cabinet - Vinyl
	M88304-46-Y21	EA	Door Asm. - Front Overhead Cabinet - 7" x 25 1/2" - w/o Hardware
E	085253-01-W13	EA	Instrument Panel Asm. - Upper - Left
	076808-05-000	EA	Dash Panel - Lower - Left
	076808-07-000	EA	Dash Panel - Lower - Left (w/Electronic Dash)

DRIVER'S COMPARTMENT GROUP (CONTINUED)

MISCELLANEOUS DRIVER'S COMPARTMENT COMPONENTS (CONT.)

Key	Part Number	U/M	Description
9	040714-01-000	EA	Mirror - Inside Rear View
	040714-01-700	EA	Rearview Mirror Kit
	079926-01-000	EA	Lamp - Flex Arm
	079926-01-700	EA	Bulb - Flex Arm Lamp
10	077108-06-000	EA	Trim Panel - Roof Front
11	077114-03-000	EA	Trim Panel - Center - Pillar
	076783-01-000	EA	Louver Asm. - A/C Adjustable
12	085252-01-W13	EA	Instrument Panel Asm. - Upper - Right
13	082286-03-X23	EA	Sunvisor Asm. - w/Mirror - Vinyl
	085709-01-000	EA	Mounting Asm. - Sunvisor Front - Black
	007211-01-000	EA	Hinge - Sunvisor
	074012-01-000	EA	Clip - Sunvisor Square - Pinch On
	083153-01-000	EA	Mirror - Sunvisor - 3.5" x 7"
14	077110-09-000	EA	Trim Cover w/Bunk - Right
15	077112-05-000	EA	Trim - Windshield - Interior - "A" Post - Right
16	036420-02-000	EA	Defroster Fan
	077988-01-000	EA	Bracket - Fan - Right
	077988-02-000	EA	Bracket - Fan - Left
17	077113-05-000	EA	Trim Panel - Hinge Pillar
18	077115-03-000	EA	Side Panel Trim - Front
19	077111-07-000	EA	Trim Panel - Passenger Side
20	077117-05-000	EA	Side Panel Trim - Door
21	076797-01-000	EA	Instrument Panel Asm. - Upper - Right
22	076734-03-000	EA	Tray - Instrument Panel - Plastic
23	075993-01-X22	EA	Motor Cover
	039623-01-000	EA	Seal - Engine Cover
	080544-01-000	EA	Trim - Motor Cover
24	076729-03-000	EA	Beverage Tray (Plastic)
	066752-04-000	EA	Trim Board - Beverage Tray
	077026-01-000	EA	Lens - Courtesy
	036196-01-000	EA	Bulb
	077431-06-000	EA	Beverage Tray - Woodland
	089294-01-000	EA	Cigarette Lighter

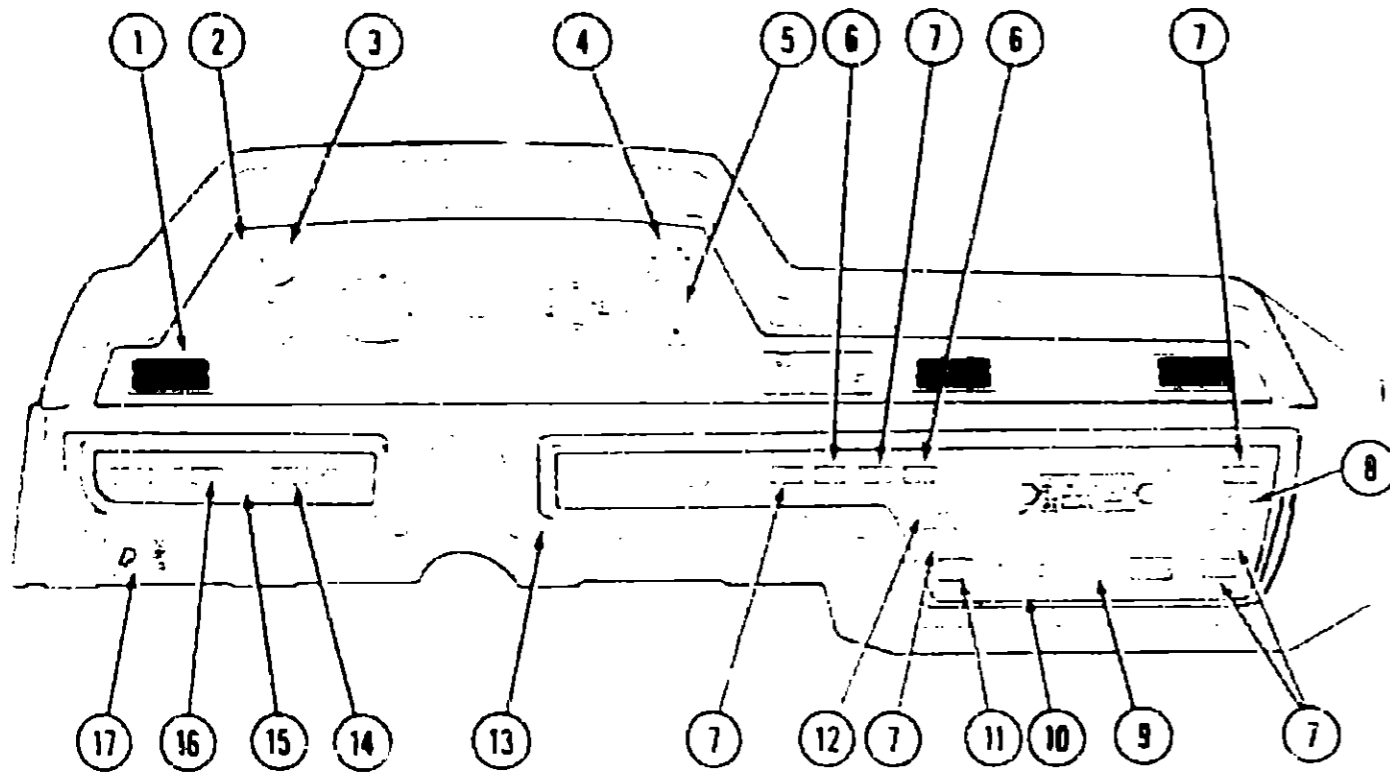
**1989 WINNEBAGO
TABLE OF CONTENTS**

INTRODUCTION	A-01
ABBREVIATIONS	A-01
ALPHABETICAL INDEX	A-02 - A-04
WCP32DO	A-05 - C-18
WC/JP32RQ	C-19 - F-20

1989 WC/JP32RQ INDEX

Floor Plan	C-19 - C-20
Accessories Group	C-21 - C-24
Bath Group	D-01 - D-03
Chassis Group	D-04 - D-08
Curtain, Cushion & Pad Group	D-09 - E-02
Dinette Group	E-03 - E-04
Driver's Compartment Group	E-05 - E-09
Electrical Group	E-10 - E-13
Exterior Body Group	E-14 - E-20
Galley Group	E-21 - E-22
Heating & Air Conditioning Group	E-23 - E-24
Interior Finish Group	F-01 - F-03
LP Group	F-04
Lounge Group	F-05 - F-07
Water & Sewage Group	F-08 - F-09
Window, Vent & Exterior Door Group	F-10 - F-20

DRIVER'S COMPARTMENT GROUP (CONTINUED)

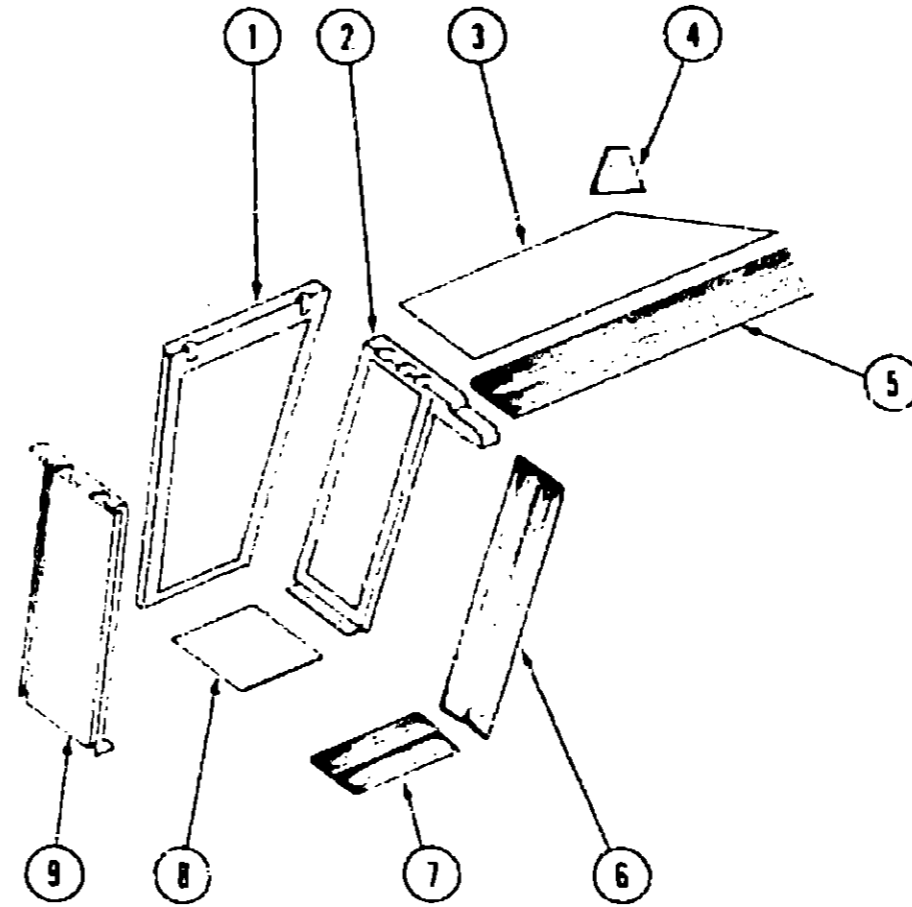


DASH SWITCHES & GAUGES

Key	Part Number	U/M	Description
1	075723-02-000	EA	Louver Asm. - A/C Adjustable
2	076216-07-000	EA	Instrument Panel - Upper - Elandan
3	024460-04-000	EA	Gauge - Vacuum
4	024459-04-000	EA	Gauge - Voltmeter
5	031035-01-000	EA	Gauge - Hourmeter - Generator
6	076759-04-000	EA	Switch - 3 Position
7	076759-01-000	EA	Switch - 2 Position
8	076759-09-000	EA	Switch - 3 Position
9	076217-14-000	EA	Instrument Panel - Lower Right
10	087202-02-000	EA	Switch - 4 Position
	090977-01-000	EA	Switch Knob - Rotary
11	086272-01-000	EA	Switch - 3 Position
12	076759-03-000	EA	Switch - 3 Position
13	076808-05-000	EA	Dash Panel - Lower - Left
	076808-07-000	EA	Dash Panel - Lower - Left
14	076759-07-000	EA	Switch - 2 Position
15	076218-03-000	EA	Instrument Panel - Lower Left
16	076759-05-000	EA	Switch - 3 Position
17	051057-03-000	EA	Switch Asm. - Search Light
	077031-01-000	EA	Film - Black - 1" x 1.75"
	077031-02-000	EA	Film - Red - 1" x 1.75"
	081087-01-000	EA	Light Asm. - Indicator - Generator
	076788-01-000	EA	Socket - Lamp - Mini Bayonet
	076788-03-000	EA	Lamp Plate Asm.
	076788-04-000	EA	Lamp Plate Asm. - Instrument Panel - Turn Signal
	008103-01-000	EA	Bulb - Behind Lamp Plate Asm.
	087715-02-000	EA	Bezel - Electronic Dash
	087713-01-000	EA	Display Panel - w/o Aux. Fuel
	087714-02-000	EA	Computer - w/o Aux. Fuel
	081369-07-000	EA	Sendor Kit - Speed - Electronic Dash

* Parts used with Electronic Dash Option

DRIVER'S COMPARTMENT GROUP (CONTINUED)



STEPWELL TRIMS & PADS

Key	Part Number	U/M	Description
1	086921-01-000	EA	Door - Outer Battery - Black - Passenger
	086921-02-000	EA	Door - Outer Battery - Black - Driver
2	076360-01-000	EA	Panel Trim - Stepwell - Front - Passenger
	076360-02-000	EA	Panel Trim - Stepwell - Front - Driver
3	075969-01-000	EA	Pad - Upper Stepwell - Passenger
	075969-02-000	EA	Pad - Upper Stepwell - Driver
4	092821-01-01A	EA	Trim - Door Threshold - Black
5	077084-01-000	EA	Trim - Door Threshold - Top - Passenger
	077084-02-000	EA	Trim - Door Threshold - Top - Driver
6	077083-01-000	EA	Trim - Door Threshold - Center - Passenger
	077083-02-000	EA	Trim - Door Threshold - Center - Driver
7	077082-01-000	EA	Trim - Door Threshold - Bottom - Passenger
	077082-02-000	EA	Trim - Door Threshold - Bottom - Driver
8	075972-01-000	EA	Pad - Lower Stepwell
9	076359-01-000	EA	Panel Trim - Stepwell - Rear - Passenger
	076359-02-000	EA	Panel Trim - Stepwell - Rear - Driver
	086755-01-000	EA	Latch - 1/4 Turn - Rotary - Plastic

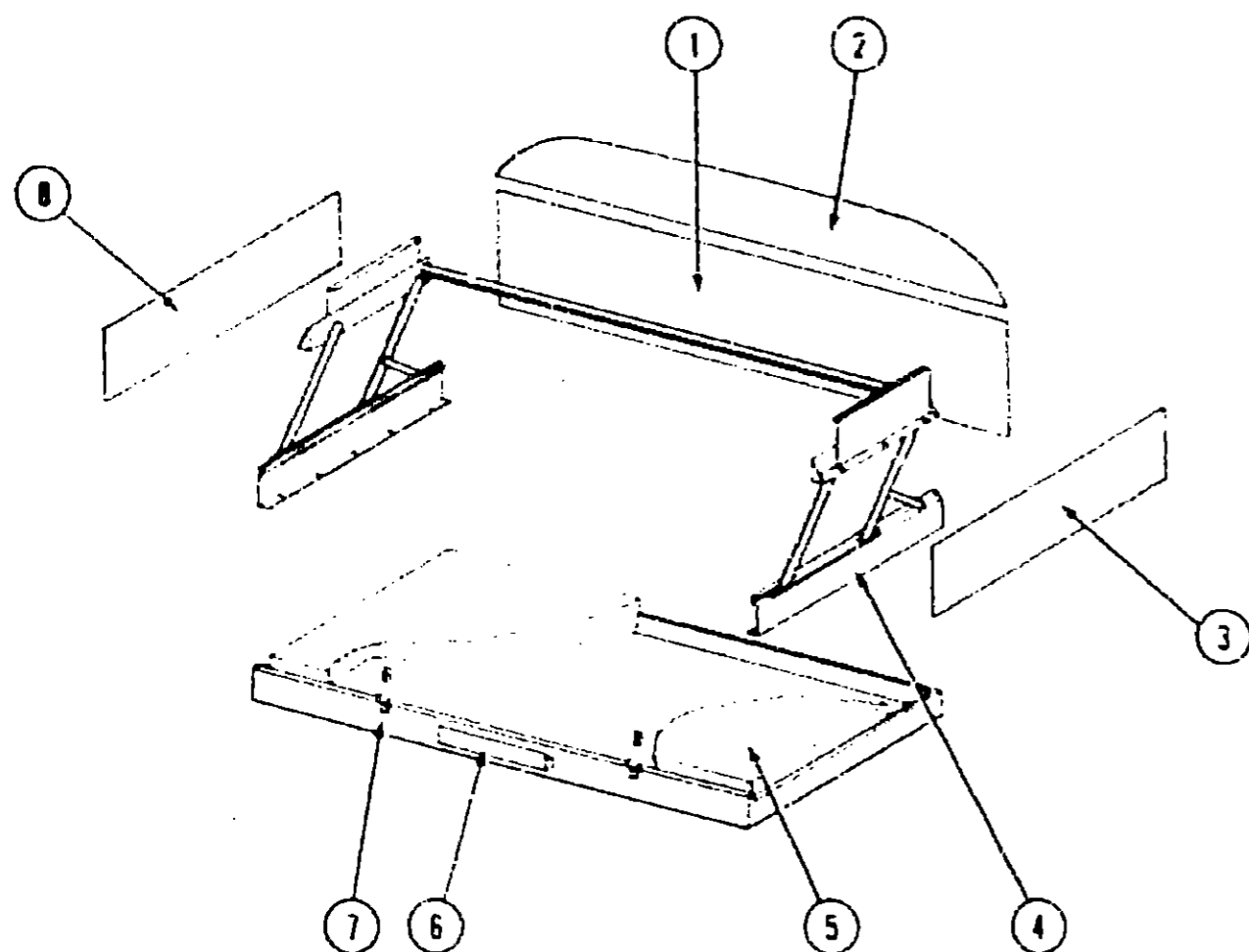
**1989 WINNEBAGO
TABLE OF CONTENTS**

INTRODUCTION	A-01
ABBREVIATIONS	A-01
ALPHABETICAL INDEX	A-02 - A-04
WCP32DQ	A-05 - C-18
WCJP32RQ	C-19 - F-20

1989 WC/JP32RQ INDEX

Floor Plan	C-19 - C-20
Accessories Group	C-21 - C-24
Bath Group	D-01 - D-03
Chassis Group	D-04 - D-08
Curtain, Cushion & Pad Group	D-09 - E-02
Dinette Group	E-03 - E-04
Driver's Compartment Group	E-05 - E-09
Electrical Group	E-10 - E-13
Exterior Body Group	E-14 - E-20
Galley Group	E-21 - E-22
Heating & Air Conditioning Group	E-23 - E-24
Interior Finish Group	F-01 - F-03
LP Group	F-04
Lounge Group	F-05 - F-07
Water & Sewage Group	F-08 - F-09
Window, Vent & Exterior Door Group	F-10 - F-20

DRIVER'S COMPARTMENT GROUP (CONTINUED)



FRONT BUNK & HARDWARE (OPTION 61H)

Key	Part Number	U/M	Description
1	077140-03 X19	EA	Board Asm - Bunk Trim - w/o Velcro
	048394-02-000	YD	Tape Hook - .75" x 50 YD - Beige (Velcro)
	048395-02-000	YD	Tape Loop - .75" x 50 YD - Beige (Velcro)
2	077108-05-000	EA	Panel Trim - Front - Roof
3	077110-09-000	EA	Cover - Bunk Mech - Right
4	076760-02-000	EA	Bunk Hardware - Complete
	076760-02-700	EA	Gas Spring - Bunk Hardware
5	079145-02-000	EA	Cushion Asm - Bunk
	M79145-02-000	EA	Cover - Bunk Cushion Asm
6	094658-01-Y12	EA	Handle Asm - Oak
7	042541-04-700	EA	Latch Asm - w/Strike (2 required)
	000C26-04-10B	EA	Bolt - Hex - Ser Fig - 1/4 - 20 x 5/8"
8	077110-10-000	EA	Cover - Bunk Mech - Left

ELECTRICAL GROUP

BULBS

Key	Part Number	U/M	Description
	008103-01-000	EA	Bulb - 53
	008213-01-000	EA	Bulb - 57
	008214-01-000	EA	Bulb - 67
	006196-01-000	EA	Bulb - 194
	008215-01-000	EA	Bulb - 1003
	067479-01-000	EA	Bulb - 1076
	063914-01-000	EA	Bulb - 1139
	008218-01-000	EA	Bulb - 1141
	057935-01-000	EA	Bulb - 1157
	037936-01-000	EA	Bulb - 1157A
	056288-02-000	EA	Bulb - 9431808
	091633-01-700	EA	Bulb - Make Up Light
	091937-03-000	EA	Bulb - Fluorescent - 12V
	078424-02-700	EA	Bulb - Fluorescent - 18"
	008733-01-700	EA	Bulb - Headlamp Asm

FUSES & CIRCUIT BREAKERS

Key	Part Number	U/M	Description
	008234-01-000	EA	Fuse - 10 Amp - 12 Volt
	008235-01-000	EA	Fuse - 15 Amp - 12 Volt
	062901-02-000	EA	Fuse - 5 Amp - Automotive
	062901-04-000	EA	Fuse - 10 Amp - Automotive
	062901-05-000	EA	Fuse - 15 Amp - Automotive
	062901-06-000	EA	Fuse - 20 Amp - Automotive
	062901-07-000	EA	Fuse - 25 Amp - Automotive
	062901-08-000	EA	Fuse - 30 Amp - Automotive
	008211-01-000	EA	Circuit Breaker - 6 Amp - 12 Volt
	033573-02-000	EA	Circuit Breaker - 15 Amp - 12 Volt - w/Mount
	033573-01-000	EA	Circuit Breaker - 20 Amp - 12 Volt - w/Mount
	044466-03-000	EA	Circuit Breaker - 25 Amp - 12 Volt - w/Mount
	008268-01-000	EA	Circuit Breaker - 30 Amp - 12 Volt - w/Mount
	083209-01-000	EA	Circuit Breaker - 15 Amp - 120 Volt
	083210-02-000	EA	Circuit Breaker - 15 Amp - 120 Volt (Ground Fault Interrupter)
	085720-01-000	EA	Circuit Breaker - 15 Amp
	085720-02-000	EA	Circuit Breaker - 20 Amp - 120 Volt
	085720-03-000	EA	Circuit Breaker - 25 Amp
	085720-04-000	EA	Circuit Breaker - 30 Amp - 120 Volt
	065720-05-000	EA	Circuit Breaker - 40 Amp
	083209-03-000	EA	Circuit Breaker - 15/20 Amp - 120 Volt
	083209-07-000	EA	Circuit Breaker - 20/20 Amp - 120 Volt
	083209-04-000	EA	Circuit Breaker - 30 Amp 120 Volt
	083209-06-000	EA	Circuit Breaker - 30/15 Amp - 120 Volt
	071279-06-000	EA	Circuit Breaker - 30/15 Amp - 120 Volt
	082678-01-000	EA	Circuit Breaker - 40 Amp - 12 Volt
	082678-02-000	EA	Circuit Breaker - 20 Amp - 12 Volt

1989 WINNEBAGO TABLE OF CONTENTS

INTRODUCTION	A-01
ABBREVIATIONS	A-01
ALPHABETICAL INDEX	A-02 - A-04
WCP320Q	A-05 - C-18
WC/JP32RQ	C-19 - F-20

1989 WC/JP32RQ INDEX

Floor Plan	C-19 - C-20
Accessories Group	C-21 - C-24
Bath Group	D-01 - D-03
Chassis Group	D-04 - D-08
Curtain, Cushion & Pad Group	D-09 - E-02
Dinette Group	E-03 - E-04
Driver's Compartment Group	E-05 - E-09
Electrical Group	E-10 - E-13
Exterior Body Group	E-14 - E-20
Galley Group	E-21 - E-22
Heating & Air Conditioning Group	E-23 - E-24
Interior Finish Group	F-01 - F-03
LP Group	F-04
Lounge Group	F-05 - F-07
Water & Sewage Group	F-08 - F-09
Window, Vent & Exterior Door Group	F-10 - F-20

ELECTRICAL GROUP (CONTINUED)

WIRE, SWITCHES & RECEPTACLES

Key	Part Number	U/M	Description
	008288-01-000	EA	Box - Electrical - 3" x 3.5" - Plastic
	008288-02-000	EA	Box - Electrical - 3.94" x 3.13" - Plastic
	008289-01-000	EA	Box - Electrical - 4" x 4" - 1/2 & 3/4 Steel - UL
	058049-01-000	EA	Box - Electrical - 2" x 3" x 2.25" - Steel
	041953-01-000	FT	Conduit - Convolute Slit - 5" I.D.
	041953-03-000	FT	Conduit - Convolute Slit - 1" I.D.
	008353-01-000	EA	Connector - Clamping - 3/8 Cable - UL & CSA
	006356-01-000	EA	Connector - Plastic - 3/8"
	058028-01-000	EA	Connector - Pigtail - Clear Nylon
	008311-01-000	EA	Connector - Wire Nut - Red
	031968-01-000	EA	Contact Plug - Brass - Tin Plated
	031967-01-000	EA	Contact - Receptacle
	006054-01-000	EA	Cord - Power - 10-3 30 Amp. - 25' - UL
	008052-01-000	EA	Cord - Power - 10-3 30 Amp. - 25' - CSA
	069238-01-000	EA	Cover - Electrical Box - 4" x 4"
	008294-01-000	EA	Cover - Flat Blank - 4" x 4" - Steel - US
	064399-01-000	EA	Housing Asm. - Trailer Pin
	064450-01-000	EA	Housing Asm. - Trailer Plug
	064398-01-000	EA	Housing Asm. - Trailer Receptacle
	054532-02-000	EA	Housing Pin - 4 Position
	054532-01-000	EA	Housing Pin - 6 Position
	075736-03-000	EA	Receptacle/Cover Asm. - Beige (Exterior)
	075736-01-000	EA	Receptacle/Cover Asm. - Gray (Exterior)
	084077-01-000	EA	Receptacle Cover - Ivory
	084076-01-000	EA	Receptacle - GFI - 15 Amp 125 Volt - Ivory
	058709-02-000	EA	Receptacle - Duplex - Ivory
	024924-02-000	EA	Receptacle - Power Cord
	058707-01-000	EA	Receptacle - Single - Brown
	086273-01-000	EA	Relay - Battery Disconnect
	063912-01-000	EA	Relay - Canister SPDT w/Ground
	075723-01-000	EA	Switch - Block Spacer - w/o Holes
	075723-02-000	EA	Switch - Block Spacer - w/Holes
	056264-01-000	EA	Switch - Leaf Actuator
	079363-03-000	EA	Switch Plate - Single - w/Switches - Brass
	079362-04-000	EA	Switch Plate - Double - Polished Brass
	079364-01-000	EA	Switch - On/Off Rocker - Brown
	081066-02-000	EA	Switch Plate - Double - Brass
	008195-01-000	EA	Switch - Push Button - 12 Volt
	079364-03-000	EA	Switch - On/Off Rocker
	076759-01-000	EA	Switch - SPST - Lock/Lock
	076759-03-000	EA	Switch - SPST - Lock/Lock/Lock
	076759-04-000	EA	Switch - SPDT - Mom/Lock/Mom
	076759-05-000	EA	Switch - SPDT - Lock/Lock/Mom
	076759-06-000	EA	Switch - Dummy
	076759-07-000	EA	Switch - SPST - Mom Off/Lock (No)
	076759-09-000	EA	Switch - SPDT - Lock/Lock
	047443-02-000	EA	Terminal - 250 Receptacle - 12-10 AWG
	008348-01-000	EA	Terminal Ring - 2 - w/3/8 Stud
	008331-01-000	EA	Terminal Ring - 4 - w/3/8 Stud
	008328-01-000	EA	Terminal Ring - 12/10 Wire
	008028-01-000	FT	Wire - 18.5 Bonded - Blue/Red Yellow/Orange/White
	008024-01-000	FT	Wire - 18.5 Bonded - Orange/White/Yellow/Blue/Brown
	008025-01-000	FT	Wire - 18.5 Bonded - Orange/White/Yellow/Blue/Green
	006026-01-000	FT	Wire w/Ground - Romex - 12/2
	008343-01-000	EA	Wire Tie - 6"

ELECTRICAL GROUP (CONTINUED)

MISCELLANEOUS ELECTRICAL COMPONENTS

Key	Part Number	U/M	Description
	008188-01-000	EA	Solenoid - Dual Battery - Relay
	063208-01-000	EA	Control Center - 32 Amp
	071278-01-700	EA	Door w/Catch - Brown
	071278-01-701	EA	Converter Module - 32 Amp.
	071278-01-702	EA	Catch - Door
	063208-02-000	EA	Control Center - 45 Amp.
	071278-02-700	EA	Converter Module - 45 Amp.
	063739-01-000	EA	Battery - 12 Volt - 80 Amp. - Gould
	036420-02-000	EA	Fan - 6" Defroster - 2 Speed
	089294-01-000	EA	Lighter Asm. - Cigarette
	087716-01-000	EA	Information Center - Uniforce
	077988-01-000	EA	Bracket - Defroster Fan - 6"

INTERIOR LIGHTS

Key	Part Number	U/M	Description
	065202-12-000	EA	Lamp - Wall Decor - Brass & Cream
	065201-05-000	EA	Shade - Wall Lamp - Bone Fabric
	067479-01-000	EA	Bulb - Wall Decor Lamp
	082686-01-000	EA	Lamp Asm. - Table - Wood & Brass
	082686-02-000	EA	Shade - Table Lamp
	082696-06-000	EA	Shade - Table Lamp
	033508-02-000	EA	Dome Light - 1 Bulb - Ivory
	033509-02-000	EA	Dome Light - 2 Bulb - Ivory
	R77013-48-179	EA	Switch - Dome Light
	008218-01-000	EA	Bulb - Dome Light
	091937-01-000	EA	Light - Fluorescent - 12 V. - Recessed
	091937-02-000	EA	Lens - Fluorescent - 12V
	091937-03-000	EA	Bulb - Fluorescent - 12V
	078424-02-000	EA	Light - Fluorescent - 12V - 18" - Almond
	078424-02-700	EA	Bulb - Fluorescent - 12V
	078424-02-701	EA	Lens - Fluorescent - 12V
	061424-01-000	EA	Light - 12V - Rectangular - Aisle
	008103-01-000	EA	Bulb - Aisle
	072353-09-000	EA	Light - Reading - 360° Swivel - Tan
	000215-01-000	EA	Bulb - Reading Light
	082169-01-000	EA	Light - Make-Up - 3 Bulb
	081633-01-700	EA	Bulb - Make-Up Mirror
	087694-02-000	EA	Light - Wardrobe w/Switch
	087694-01-700	EA	Bulb - Wardrobe Light
	079926-01-000	EA	Lamp - Flexible Arm w/Bulb
	079926-01-700	EA	Bulb - Flexible Lamp
	077026-01-000	EA	Lens - Courtesy Light - Clear
	047000-01-000	EA	Socket Asm. w/Pigtails
	036196-01-000	EA	Bulb - Courtesy Light
	075788-01-000	EA	Socket Lamp - Mini Bayonet
	081909-01-000	EA	Light Strip - Clear - 18" w/Mounting

1989 WINNEBAGO TABLE OF CONTENTS

INTRODUCTION	A-01
ABBREVIATIONS	A-01
ALPHABETICAL INDEX	A-02 - A-04
WCP32DQ	A-05 - C-18
WC/JP32RQ	C-19 - F-20

1989 WC/JP32RQ INDEX

Floor Plan	C-19 - C-20
Accessories Group	C-21 - C-24
Bath Group	D-01 - D-03
Chassis Group	D-04 - D-08
Curtain, Cushion & Pad Group	D-09 - E-02
Dinette Group	E-03 - E-04
Driver's Compartment Group	E-05 - E-09
Electrical Group	E-10 - E-13
Exterior Body Group	E-14 - E-20
Galley Group	E-21 - E-22
Heating & Air Conditioning Group	E-23 - E-24
Interior Finish Group	F-01 - F-03
LP Group	F-04
Lounge Group	F-05 - F-07
Water & Sewage Group	F-08 - F-09
Window, Vent & Exterior Door Group	F-10 - F-20

ELECTRICAL GROUP (CONTINUED)

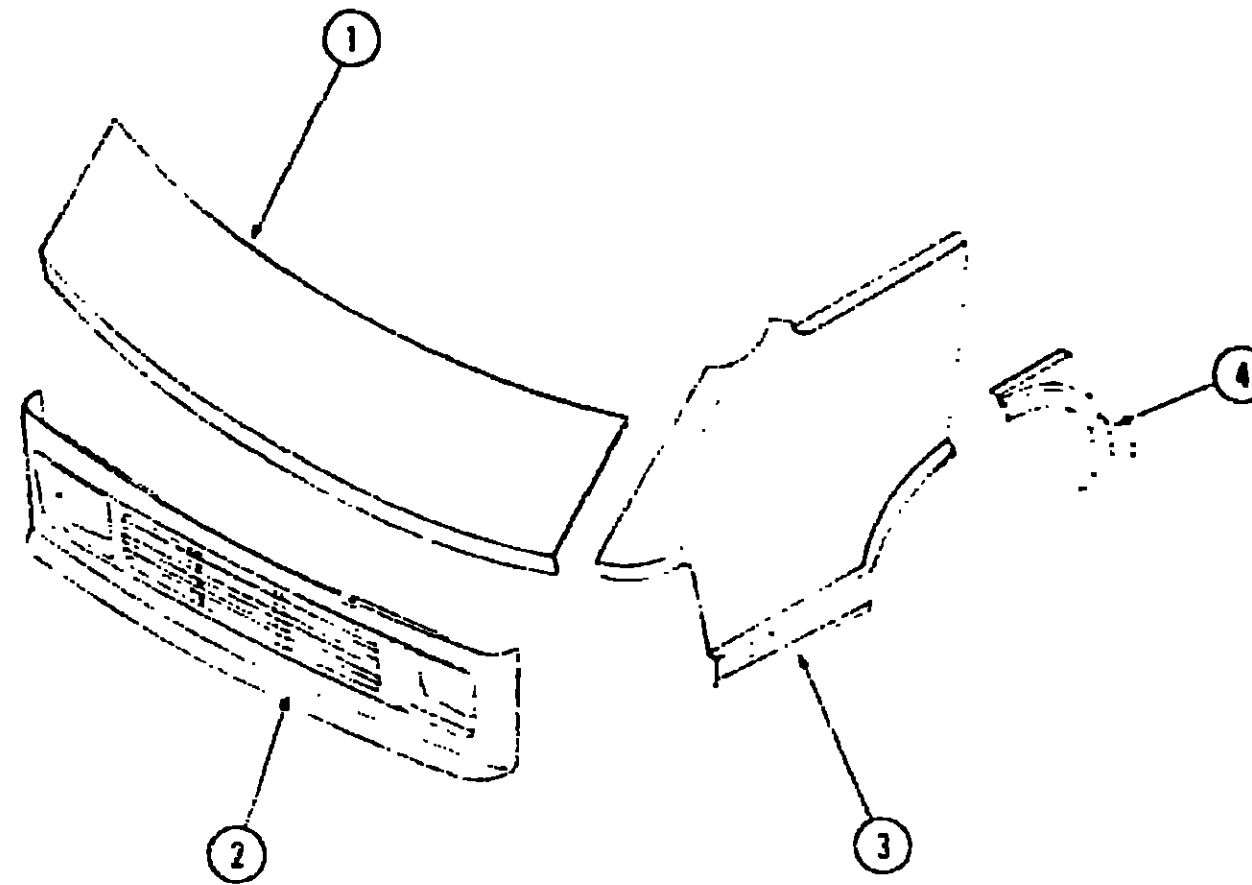
EXTERIOR LIGHTS

Key	Part Number	U/M	Description
	075660-01-000	EA	Lamp Asm. - Side Marker - Amber
	075660-02-000	EA	Lamp Asm. - Side Marker - Red
	067789-03-000	EA	Socket Asm. - Lamp w/6"
	036196-01-000	EA	Bulb - Side Marker Lamp - 194
	076795-01-000	EA	Lamp - License
	067789-02-000	EA	Socket Asm. - Lamp
	036196-01-000	EA	Bulb - License Lamp - 194
	087201-01-000	EA	Light - Dump Valve
	061237-01-000	EA	Lamp Asm. - Cab Marker - Amber
	081237-02-000	EA	Lamp Asm. - Cab Marker - Red
	008214-01-000	EA	Bulb - Cab Marker
	008089-01-000	EA	Porch Light - Recessed
	008215-01-000	EA	Bulb - Porch Light
	008089-01-700	EA	Lens - Recessed Porch Light
	091981-01-000	EA	Gasket - Porch Light
	088747-01-000	EA	Lamp Asm. - Fog w/Clear Lens
	088747-01-700	EA	Cover - Fog Lamp
	077190-01-000	EA	Wire Asm. - Fog Lamp
	088942-01-000	EA	Bracket - Fog Lamp Mounting
	075459-04-000	EA	Lamp Asm. - Tailight - Red
	075459-05-000	EA	Lamp Asm. - Tailight - Amber
	075459-06-000	EA	Lamp Asm. - Back-up - Reflex
	037935-01-000	EA	Bulb - 1157
	076345-01-000	EA	Lens Asm. - Park/Turn - Amber
	076345-02-000	EA	Socket Asm. - Park/Turn Lamp
	036103-01-000	EA	Bulb - Park Lamp
	088733-01-000	EA	Headlamp Asm. - w/Halogen Bulb
	088733-01-700	EA	Bulb - Halogen

WINDSHIELD WIPERS & WASHER

Key	Part Number	U/M	Description
	056000-02-000	EA	Washer Asm. - Windshield
	072472-04-000	EA	Arm - Windshield Wiper - 29" - Black
	049464-03-000	EA	Blade - Windshield Wiper - 20" - Black
	049464-03-700	EA	Blade - Wiper Refill
	067190-04-000	EA	Shaft & Pivot Asm
	067191-02-700	EA	Motor Asm. Wiper
	067192-01-000	EA	Link Asm. Connection 39"
	067193-01-000	EA	Link Asm. - Connection - 7 00"
	067193-02-000	EA	Link Asm. - Connection - 8 10"
	067193-03-000	EA	Link Asm. - Connection - 8 60"
	067188-01-000	EA	Stud - Crank Wiper
	076388-01-000	EA	Bracket - Wiper Motor
	077048-01-000	EA	Adapter - Shaft - Pantograph Arm
	077049-01-000	EA	Acorn Nut - Aluminum

EXTERIOR BODY GROUP



EXTERIOR BODY PANELS HARDWARE (CAB)

Key	Part Number	U/M	Description
1	084759-01-W13	EA	Hood Panel
	058786-02-000	EA	Hood Bolt - Adjusting
	M02680-01-Y25	EA	Hinge Asm. - Hood - Right
	M02680-02-U25	EA	Hinge Asm. - Hood - Left
	076772-01-000	EA	Clip - Prop Rod
	077064-01-000	EA	Cable Asm. - Hood Release
	073335-02-000	EA	Bracket - Mounting Latch
	R77007-01-950	EA	Locking Pin Asm
	073342-01-000	EA	Bracket Asm. - Hood Latch
	076837-01-000	EA	Prop Rod
	R77007-51-429	EA	Latch Asm. - Hood
	R77006-38-499	EA	Spring - Hood Release
	077407-01-000	EA	Bracket - Hood Release Cable (Mounted under the hood)
	077406-01-000	EA	Bracket - Hood Release Cable (Mounted under the dash)
	091955-01-000	EA	Squeegee - Extended Handle
	091952-01-000	EA	Clip - 1" Gripper - Squeegee
	093527-01-000	EA	Bracket - Squeegee
2	M01608-06-X19	EA	Grille - Panel Asm.
	088252-02-000	EA	Chrome Trim - Grille
	076739-01-000	EA	Bracket - Grille Hanger - Inner - Right
	076739-02-000	EA	Bracket - Grille Hanger - Inner - Left
3	064751-04-W13	EA	Fender Panel - Front Left
	084751-03-W13	EA	Fender Panel - Front Right
4	084714-02-000	EA	Fender Panel - Rear Left
	064714-01-000	EA	Fender Panel - Rear Right
	075764-05-000	EA	Roof Cap - Front Cab - Primed

1989 WINNEBAGO TABLE OF CONTENTS

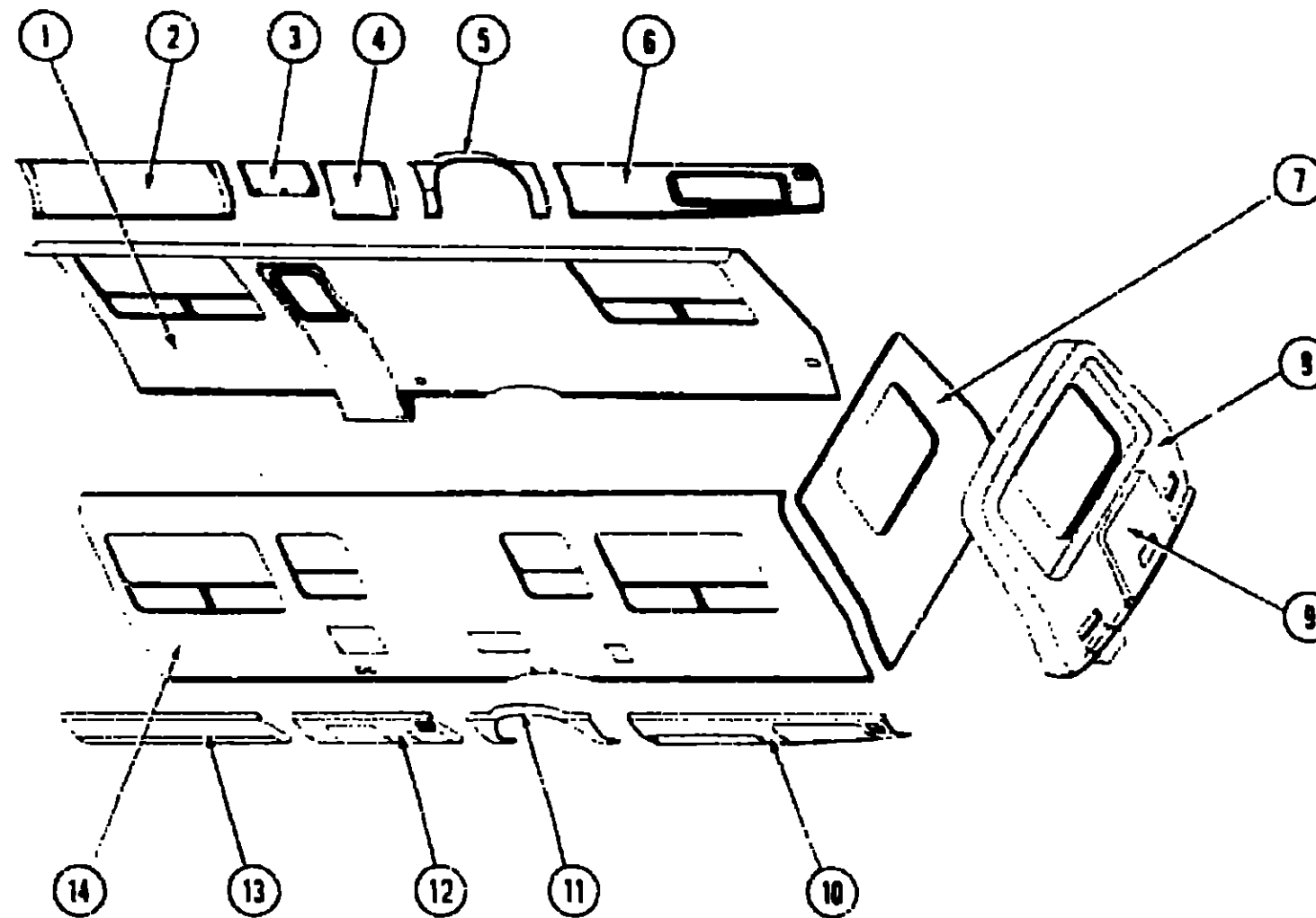
INTRODUCTION	A-01
ABBREVIATIONS	A-01
ALPHABETICAL INDEX	A-02 - A-04
WCP32DQ	A-05 - C-18
WC/JP32RQ	C-19 - F-20

1989 WC/JP32RQ INDEX

Floor Plan	C-19 - C-20
Accessories Group	C-21 - C-24
Bath Group	D-01 - D-03
Chassis Group	D-04 - D-08
Curtain, Cushion & Pad Group	D-09 - E-02
Dinette Group	E-03 - E-04
Driver's Compartment Group	E-05 - E-09
Electrical Group	E-10 - E-13
Exterior Body Group	E-14 - E-20
Galley Group	E-21 - E-22
Heating & Air Conditioning Group	E-23 - E-24
Interior Finish Group	F-01 - F-03
LP Group	F-04
Lounge Group	F-05 - F-07
Water & Sewage Group	F-08 - F-09
Window, Vent & Exterior Door Group	F-10 - F-20

EXTERIOR BODY GROUP (CONTINUED)

EXTERIOR BODY PANELS



1989 WINNEBAGO TABLE OF CONTENTS

INTRODUCTION	A-01
ABBREVIATIONS	A-01
ALPHABETICAL INDEX	A-02 - A-04
WCP32DQ	A-05 - C-18
WC/JP32RQ	C-19 - F-20

Key	Part Number	U/M	Description
1	M92114-01-Y21	EA	Sidewall Asm - Right
1	M92114-01-Y22	EA	Sidewall Asm - Right
1	M92114-01-Y23	EA	Sidewall Asm - Right
2	085037-01-W13	EA	Panel Asm - Front Valance - Right
3	088684-01-X19	EA	Panel Asm - Valance - Entrance Door
4	088362-01-X19	EA	Panel Asm - Center Valance - Right
5	088358-01-X19	EA	Panel Asm - Wheelwell - Right
6	M02586-33-X19	EA	Valance Panel - Rear Right - Beige
7	085182-01-X19	EA	Backwall Asm (Y21)
7	085182-01-Y22	EA	Backwall Asm (Y22)
7	085182-01-X21	EA	Backwall Asm (Y23)
8	M01616-11-W13	EA	Rear Cap Asm - Beige (Chevy)
8	M01616-21-X19	EA	Rear Cap Asm - Beige (John Deere)
9	M01990-04-X19	EA	Spare Tire Cover Asm
10	M02586-34-X19	EA	Valance Panel - Rear Left - Beige

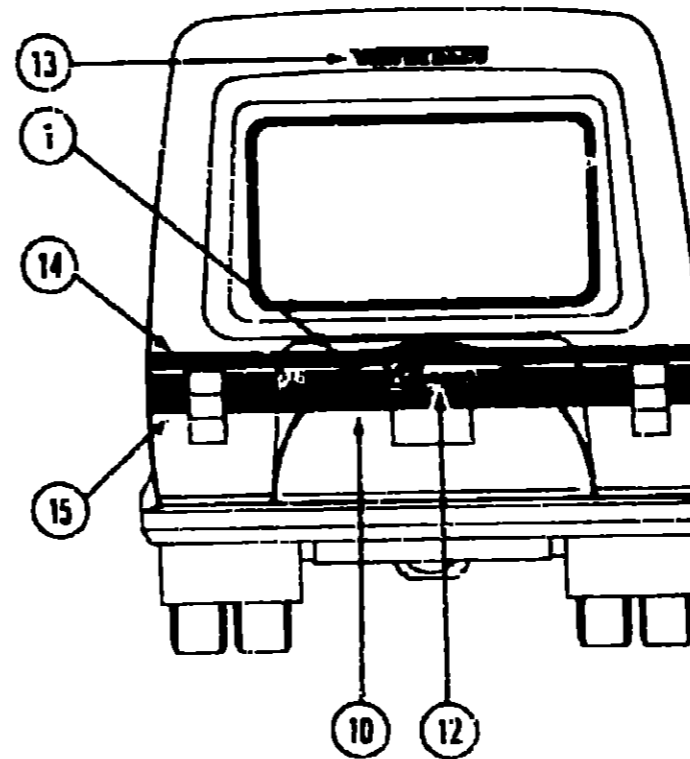
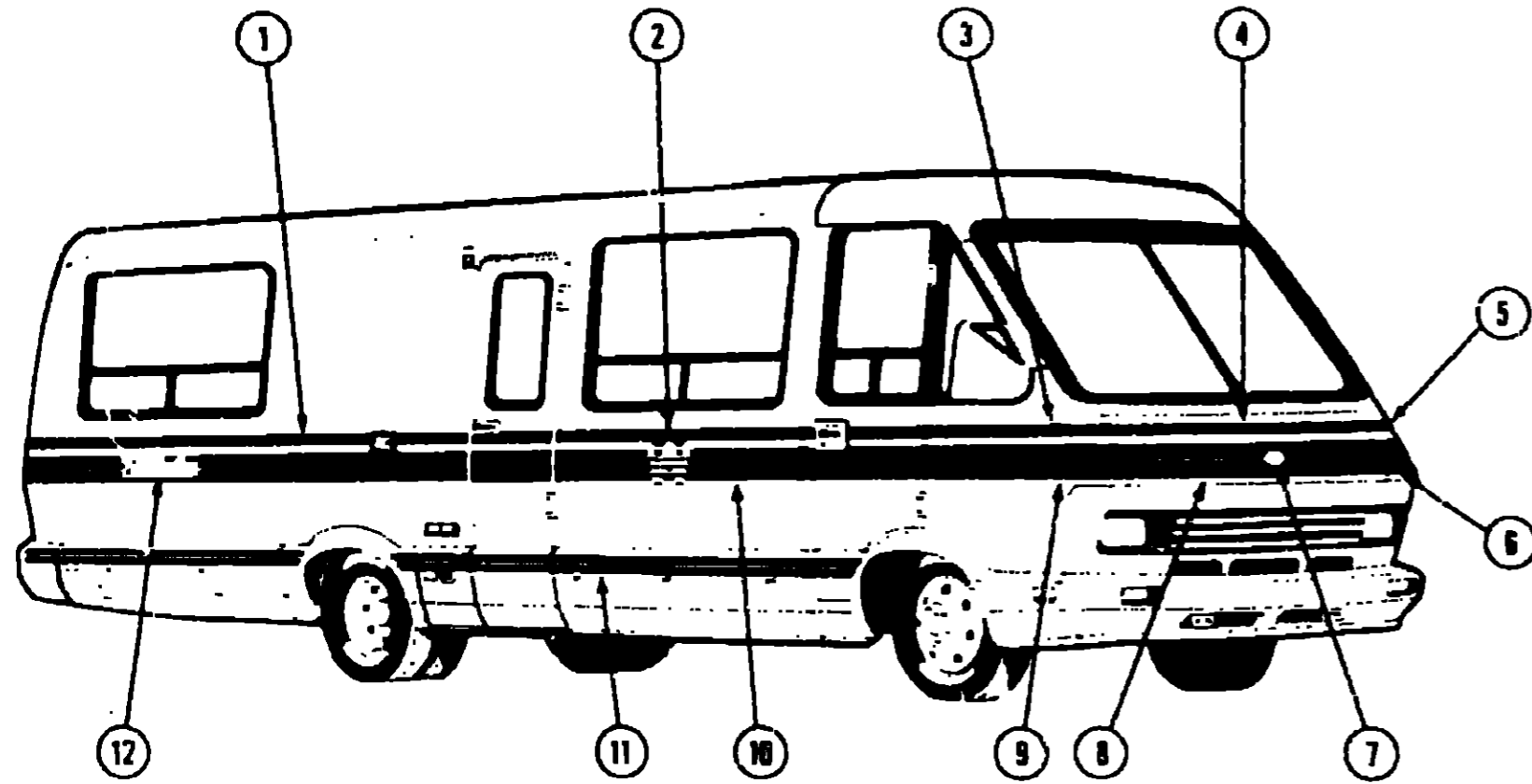
Key	Part Number	U/M	Description
11	088359-02-X19	EA	Panel Asm - Wheelwell - Left
12	M02586-35-X19	EA	Panel Asm - Center Valance - Left
13	085037-02-W13	EA	Panel Asm - Front Valance - Left
14	M92110-01-Y21	EA	Sidewall Asm - Left
14	M92110-01-Y22	EA	Sidewall Asm - Left
14	M92110-01-Y23	EA	Sidewall Asm - Left
	M03892-01-Y21	EA	Roof Asm - 180" - Beige
	073505-06-000	EA	Roof Trim - 180" - Beige
	075764-05-000	EA	Cap Asm - Front - Primed
	076515-01-000	EA	Inside Trim - Wheelwell - Rear - Left/Right - Steel
	056922-01-000	EA	Trim Panel - Rear Right - Beige
	086922-02-000	EA	Trim Panel - Rear Left - Beige
	073050-02-000	EA	Mounting Clip - Valance Panels
	069362-03-000	EA	Brace - Floor to Valance Panel - 13 21"
	084349-01-U07	EA	Shroud - Rearview TV Camera - Beige (Kanematsu Monitor)
	053352-01-02A	EA	Shroud - Rear View TV Camera - Beige (Sony Monitor)

1989 WC/JP32RQ INDEX

Floor Plan	C-19 - C-20
Accessories Group	C-21 - C-24
Bath Group	D-01 - D-03
Chassis Group	D-04 - D-08
Curtain, Cushion & Pad Group	D-09 - E-02
Dinette Group	E-03 - E-04
Driver's Compartment Group	E-05 - E-09
Electrical Group	E-10 - E-13
Exterior Body Group	E-14 - E-20
Galley Group	E-21 - E-22
Heating & Air Conditioning Group	E-23 - E-24
Interior Finish Group	F-01 - F-03
LP Group	F-04
Lounge Group	F-05 - F-07
Water & Sewage Group	F-08 - F-09
Window, Vent & Exterior Door Group	F-10 - F-20

EXTERIOR BODY GROUP (CONTINUED)

LABELS & DECALS



Key	Part Number	U/M	Description
1	093681-01-01A	FT	Film Stripe - 2.5" x 150" - Rose (Y21)
1	093681-01-02A	FT	Film Stripe - 2.5" x 150" - Brown (Y22)
1	093681-01-03A	FT	Film Stripe - 2.5" x 150" - Gray (Y23)
2	093684-01-01A	EA	Decal - "W" Negative - Multi-stripe (Y21)
2	093684-01-02A	EA	Decal - "W" Negative - Multi-stripe (Y22)
2	093684-01-03A	EA	Decal - "W" Negative - Multi-stripe (Y23)
3	093688-01-01A	EA	Decal - Upper Front - Right - Rose (Y21)
3	093688-01-02A	EA	Decal - Upper Front - Right - Brown (Y22)
3	093688-01-03A	EA	Decal - Upper Front - Right - Gray (Y23)
4	093685-01-01A	EA	Decal - Hood Upper - Rose (Y21)
4	093685-01-02A	EA	Decal - Hood Upper - Brown (Y22)
4	093685-01-03A	EA	Decal - Hood Upper - Gray (Y23)
5	093686-02-01A	EA	Decal - Upper Front - Left - Rose (Y21)
5	093686-02-02A	EA	Decal - Upper Front - Left - Brown (Y22)
5	093686-02-03A	EA	Decal - Upper Front - Left - Gray (Y23)
6	093687-02-01A	EA	Decal - Lower Front - Left - Multi-stripe (Y21)
6	093687-02-02A	EA	Decal - Lower Front - Left - Multi-stripe (Y22)
6	093687-02-03A	EA	Decal - Lower Front - Left - Multi-stripe (Y23)
7	088772-01-000	EA	Medallion - Hood - Winnebago
8	093686-01-01A	EA	Decal - Hood Lower - Multi-stripe (Y21)
8	093686-01-02A	EA	Decal - Hood Lower - Multi-stripe (Y22)
8	093686-01-03A	EA	Decal - Hood Lower - Multi-stripe (Y23)

Key	Part Number	U/M	Description
9	093687-01-01A	EA	Decal - Lower Front - Right - Multi-stripe (Y21)
9	093687-01-02A	EA	Decal - Lower Front - Right - Multi-stripe (Y22)
9	093687-01-03A	EA	Decal - Lower Front - Right - Multi-stripe (Y23)
10	093689-01-01A	FT	Film - Multi-stripe - 6.5" x 150" (Y21)
10	093689-01-02A	FT	Film - Multi-stripe - 6.5" x 150" (Y22)
10	093689-01-03A	FT	Film - Multi-stripe - 6.5" x 150" (Y23)
11	093680-02-01A	FT	Film - Multi-stripe - 3.07" x 150" (Y21)
11	093680-02-02A	FT	Film - Multi-stripe - 3.07" x 150" (Y22)
11	093680-02-03A	FT	Film - Multi-stripe - 3.07" x 150" (Y23)
12	076754-01-000	EA	Decal - Logo - "Etandan" - Chrome
13	050313-16-000	EA	Decal - Logo - "Winnebago" - 2.8" - Black
14	093683-02-01A	EA	Decal - Upper Rear Corner - Left - Rose (Y21)
14	093683-02-02A	EA	Decal - Upper Rear Corner - Left - Brown (Y22)
14	093683-02-03A	EA	Decal - Upper Rear Corner - Left - Gray (Y23)
	093683-01-01A	EA	Decal - Upper Rear Corner - Right - Rose (Y21)
	093683-01-02A	EA	Decal - Upper Rear Corner - Right - Brown (Y22)
	093683-01-03A	EA	Decal - Upper Rear Corner - Right - Gray (Y23)
15	093682-02-01A	EA	Decal - Lower Rear Corner - Left - Multi-stripe (Y21)
15	093682-02-02A	EA	Decal - Lower Rear Corner - Left - Multi-stripe (Y22)
	093682-01-01A	EA	Decal - Lower Rear Corner - Right - Multi-stripe (Y21)
	093682-01-02A	EA	Decal - Lower Rear Corner - Right - Multi-stripe (Y22)
	093682-01-03A	EA	Decal - Lower Rear Corner - Right - Multi-stripe (Y23)

NOTE: The following DuPont paint information is provided to help meet the needs of your customers. These DuPont paints are available at your automotive parts stores and may be used to replace exterior graphic tapes.

Brown	DuPont # 58157
Dark Rose	DuPont # N8746
Peach	DuPont # B8227

1989 WINNEBAGO TABLE OF CONTENTS

INTRODUCTION	A-01
ABBREVIATIONS	A-01
ALPHABETICAL INDEX	A-02 - A-04
WCP32DQ	A-05 - C-18
WC/JP32RQ	C-19 - F-20

1989 WC/JP32RQ INDEX

Floor Plan	C-19 - C-20
Accessories Group	C-21 - C-24
Bath Group	D-01 - D-03
Chassis Group	D-04 - D-08
Curtain, Cushion & Pad Group	D-09 - E-02
Dinette Group	E-03 - E-04
Driver's Compartment Group	E-05 - E-09
Electrical Group	E-10 - E-13
Exterior Body Group	E-14 - E-20
Galley Group	E-21 - E-22
Heating & Air Conditioning Group	E-23 - E-24
Interior Finish Group	F-01 - F-03
LP Group	F-04
Lounge Group	F-05 - F-07
Water & Sewage Group	F-08 - F-09
Window, Vent & Exterior Door Group	F-10 - F-20

EXTERIOR BODY GROUP (CONTINUED)

LABELS & EXTERIOR PAINT

Key	Part Number	U/M	Description
	074963-01-000	EA	Label - Air Conditioner Selector
	087236-01-000	EA	Label - Cable - Input
	065748-01-000	EA	Label - Caution - Battery Charging
	087237-01-000	EA	Label - Certification
	068363-01-000	EA	Label - Diesel Fuel
	006195-01-000	EA	Label - Electrical Test
	047731-01-000	EA	Label - Emergency Exit
	006199-01-000	EA	Label - Exit - Escape Window
	051417-01-000	EA	Label - Fuel
	087207-02-000	EA	Label - Fuel Cap Removal
	006196-01-000	EA	Label - Gas Test
	054531-01-000	EA	Label - LP Gas Only
	073999-01-000	EA	Label - LPG Odor Warning
	040944-01-000	EA	Label - Open - Entrance Door
	061606-01-000	EA	Label - Overlay - Vehicle Certification
	088757-01-000	EA	Label - Retail - 8 5/8" x 12 7/8"
	056259-01-000	EA	Label - Safety List
	006064-01-000	EA	Label - Seat - w/o Seat Belts
	006187-01-000	EA	Label - Sewage
	079966-01-000	EA	Label - Warning - Stowed Motion
	077956-01-000	EA	Label - Warning - Smoke Detector
	075221-03-000	EA	Label - Trailer Hitch Capacity
	091224-01-000	EA	Label - Trailer Lighting
	078235-02-000	EA	Label - TV Outlet
	090342-01-000	EA	Label - Vapor Relief
	075220-01-000	EA	Label - Warning - Exterior Load Limit
	050225-01-000	EA	Label - Warning - Stove Vent - US
	006188-01-000	EA	Label - Waste Water
	006197-01-000	EA	Label - Water Test
	077927-01-000	EA	Label - Warning - Wheel Nuts
	006001-01-000	EA	Nameplate - "Winnebago" - Chrome Plastic
	006062-01-000	EA	Tag - Electrical - 110 Volt Connection
	006040-01-000	EA	Tag - Gas - Refueling Warning
	006019-01-000	EA	Tag - RVI Approved - Plastic
	044486-03-000	EA	Paint - Beige Acrylic Enamel - 16 oz Aerosol (DuPont #7633A)
	045681-03-000	EA	Paint - Gloss Black - Acrylic Enamel - 16 oz Aerosol (DuPont #99)
	074559-01-000	EA	Label - "LPG" 3 3/4" x 1 7/8" (Calif Code)

EXTERIOR BODY GROUP (CONTINUED)

SHEET FIBERGLASS, ALUMINUM & STYROFOAM

Key	Part Number	U/M	Description
	044487-01-001	EA	Aluminum - Mill Finish No Design (Roof) - 96" x 360"
	000868-01-000	SF	Styrofoam - 3 1/4" x 24" x 96"
	000870-01-000	SF	Styrofoam - 1 1/2" x 24" x 96"
	000870-03-000	SF	Styrofoam - 1 3/4" x 48" x 96"
	000870-04-000	SF	Styrofoam - 1 3/4" x 24" x 96"
	033574-01-000	SF	Styrofoam - 1 5/8" x 24" x 85 25"
	084692-01-700	EA	Fiberglass/Mende Board Sheet - Beige

MISCELLANEOUS EXTERNALLY MOUNTED PARTS

Key	Part Number	U/M	Description
	093558-01-000	EA	Plumbing Seal - Roof Vent - 1 1/2" - Covered
	087659-02-000	EA	Fill - City Water - Recessed - Beige
	081240-01-000	EA	Water Fill - Lockable - Beige
	073050-02-000	EA	Mounting Clip - Valance Panel
	069382-03-000	EA	Brace - Floor to Valance - 13 2 1/2"
	095747-05-000	EA	Trim - Floor to Sidewall - 81 8"
	069726-02-000	EA	Bumper - Black - 85" x 40"

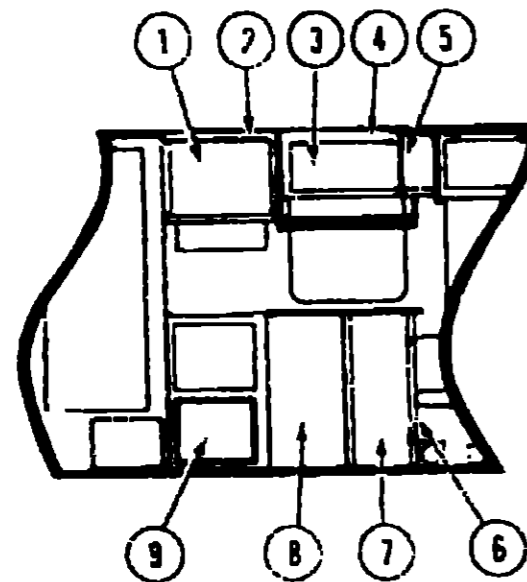
**1989 WINNEBAGO
TABLE OF CONTENTS**

INTRODUCTION	A-01
ABBREVIATIONS	A-01
ALPHABETICAL INDEX	A-02 - A-04
WCP3200	A-05 - C-18
WC/JP32RQ	C-19 - F-20

1989 WC/JP32RQ INDEX

Floor Plan	C-19 - C-20
Accessories Group	C-21 - C-24
Bath Group	D-01 - D-03
Chassis Group	D-04 - D-08
Curtain, Cushion & Pad Group	D-09 - E-02
Dinette Group	E-03 - E-04
Driver's Compartment Group	E-05 - E-09
Electrical Group	E-10 - E-13
Exterior Body Group	E-14 - E-20
Galley Group	E-21 - E-22
Heating & Air Conditioning Group	E-23 - E-24
Interior Finish Group	F-01 - F-03
LP Group	F-04
Lounge Group	F-05 - F-07
Water & Sewage Group	F-08 - F-09
Window, Vent & Exterior Door Group	F-10 - F-20

GALLEY GROUP



GALLEY CABINETRY

Key	Part Number	U/M	Description
1	M88304-80-Y21	EA	Door Asm. - Galley Microwave - 17.7" x 22.8"
2	M03110-47-Y21	EA	Cabinet Asm. - Galley - Microwave - w/o Door or Hardware
3	M88304-D5-Y21	EA	Door Asm. - Galley Overhead - 12" x 25.9" - w/o Hardware
4	M03110-53-Y21	EA	Cabinet Asm. - Galley Overhead - w/o Doors or Hardware
5	085468-02-X19	EA	Pad Asm. - End Cap - Galley Overhead - Vinyl
6	M03479-02-Y21	EA	Cabinet Asm. - Galley - w/o Doors, Countertop, or Hardware
	093624-12-Y21	EA	Countertop Asm. - Galley Cabinet
	M82154-09-Y21	EA	Drawer Asm. - Galley Cabinet
7	M88304-32-Y21	EA	Door Asm. - Galley - 14.3" x 33.4" - w/o Hardware
8	M88304-31-Y21	EA	Door Asm. - Galley - 15.9" x 21.8" - w/o Hardware
9	M92073-01-X11	EA	Door Asm. - Furnace - 15.9" x 21.8" - w/o Hardware
	072369-34-000	EA	Mesh Insert - Furnace Door - 18.3" x 5.8" - Gold
	093605-01-01A	EA	Rack Asm. - Towel - White Wire
	093238-01-Y12	EA	Cover - Knife Rack
	093282-01-000	EA	Knife Rack Asm. - Below Counter
	092487-02-Y12	EA	Spice Rack Asm.

GALLEY GROUP (CONTINUED)

GALLEY APPLIANCES & HARDWARE

Key	Part Number	U/M	Description
	088737-01-000	EA	Microwave Oven - Magic Chef
	088737-02-000	EA	Frame Kit - Microwave Oven
	088682-03-000	EA	Bracket Asm. - Microwave - Right
	088682-04-000	EA	Bracket Asm. - Microwave - Left
	093653-01-Y75	EA	Sink Cover - Large
	093526-01-000	EA	Sink - Stainless Steel - Double
	092303-01-000	EA	Strainer - w/Basket - Sink
	064952-01-000	EA	Faucet - Swing Spout - 8"
	091254-01-000	EA	Gasket - Galley Faucet
	058334-01-000	EA	Wastebasket - 9 3/4" x 7" x 10" - White
	077409-02-000	EA	Drawer Slide - Plastic - 20.75"
	077404-02-000	EA	Drawer Slide - Plastic - 20" x 12.7"
	037688-01-000	EA	Drawer Rail - V-Guide
	093288-03-01A	EA	Tray - Silverware - Plastic
	034067-01-01A	EA	Drawer Divider - Plastic
	081646-01-000	EA	Rack - White Wire - Storage
	075451-02-000	EA	Clip - White Wire Storage Rack
	059777-02-000	EA	Hinge - Antique - Light Brass
	081376-01-000	EA	Back Plate - Door Pull - Polished Brass
	093579-01-000	EA	Full - Door - Polished Brass & Chrome
	093153-01-000	EA	Cutting Board - Maple
	092487-02-Y12	EA	Rack Asm. - Spice
	092488-01-Y12	EA	Towel Holder - Paper
	054450-01-000	EA	Level - Refrigerator
	084466-04-000	EA	Slide Asm. - Galley Cabinet Drawer - Right
	084466-05-000	EA	Slide Asm. - Galley Cabinet Drawer - Left
	094039-02-000	EA	Refrigerator - 3-Way Large Double Door
	089983-02-000	EA	Baffle - Refrigerator - Back
	090195-04-000	EA	Baffle - Refrigerator - Lower
	092696-01-01A	EA	Hood - Range - w/Monitor - Almond
	092698-01-02A	EA	Hood Vent - w/Door
	092696-01-700	EA	Fastener - Plastic
	092696-01-701	EA	Knob - Plastic
	092696-01-702	EA	Register/Wire Asm.
	092696-01-703	EA	Fuse Holder
	092696-01-704	EA	Switch - Lever Asm. Module
	092696-01-705	EA	Actuator - Rod/Turnbuckle
	092696-01-706	EA	Screw Cap
	092696-01-707	EA	Gasket - Vent
	092696-01-708	EA	Mounting Clip - Vent
	092696-01-709	EA	Lamp #912
	092696-01-710	EA	Holder - Lamp
	092696-01-711	EA	Lens - Lamp
	092696-01-712	EA	Filter - Mesh
	092696-01-713	EA	Chassis w/Wiring - Almond
	092696-02-01A	EA	Hood - Range w/Monitor - CSA
	092696-02-700	EA	Chassis w/Wiring - Almond
	065280-03-000	EA	Cover - Burner - Bi-Fold - Almond
	081374-03-000	EA	Range Top - 4 Burner - Almond - w/o Oven
	064782-02-700	EA	Top - Main - 4 Burner - Almond
	081374-03-700	EA	Trim - Cab Top - Left
	081374-03-701	EA	Trim - Cap Top - Right
	091374-03-703	EA	Trim Top Rear
	081374-01-704	EA	Guard - Fabric

1989 WINNEBAGO TABLE OF CONTENTS

INTRODUCTION	A-01
ABBREVIATIONS	A-01
ALPHABETICAL INDEX	A-02 - A-04
WCP32DQ	A-05 - C-18
WC/JP32RQ	C-19 - F-20

1989 WC/JP32RQ INDEX

Floor Plan	C-19 - C-20
Accessories Group	C-21 - C-24
Bath Group	D-01 - D-03
Chassis Group	D-04 - D-05
Curtain, Cushion & Pad Group	D-09 - E-02
Deluxe Group	E-03 - E-04
Driver's Compartment Group	E-05 - E-09
Electrical Group	E-10 - E-13
Exterior Body Group	E-14 - E-20
Galley Group	E-21 - E-22
Heating & Air Conditioning Group	E-23 - E-24
Interior Finish Group	F-01 - F-03
LP Group	F-04
Lounge Group	F-05 - F-07
Water & Sewage Group	F-08 - F-09
Window, Vent & Exterior Door Group	F-10 - F-20

HEATING & AIR CONDITIONING GROUP

FURNACE & ROOF AIR CONDITIONER

Key	Part Number	U/M	Description
	075695-02-000	EA	Furnace - 34,000 BTU - w/Direct Ignition - Suburban
	075695-02-700	EA	Cabinet Asm.
	075696-02-701	EA	U-Clip - Finnerman
	075695-02-702	EA	Cabinet - Front
	075695-02-703	EA	Collar - Duct
	075695-02-704	EA	Thermostat
	075695-02-705	EA	Harness - Power Supply
	075695-02-706	EA	Electrode
	075695-02-707	EA	Burner Access Door
	075695-02-708	EA	Gasket - Electrode
	075695-02-709	EA	Glass Disc
	075696-02-710	EA	Gasket - Burner Access Door
	075696-02-711	EA	Switch - Limit
	075695-02-712	EA	Module Board
	075695-02-713	EA	Relay - Time Delay
	075695-02-714	EA	Vent Cap & Exhaust Tube Asm.
	075695-02-715	EA	Burner Asm.
	075696-02-716	EA	Orifice - Main Burner
	075696-02-717	EA	Gasket - Manifold
	075696-02-718	EA	Manifold Pipe
	075696-02-719	EA	Valve
	075695-02-720	EA	Pipe Asm. - Gas Insert
	075695-02-721	EA	Gasket - Gas Inlet Pipe
	075695-02-722	EA	Elbow - 90°
	075696-02-723	EA	Valve - Manual - Oil
	075696-02-724	EA	Wheel - Room Air
	075695-02-725	EA	Blower - Housing Asm.
	075695-02-726	EA	Microswitch & Fiddle Asm.
	075696-02-727	EA	Bracket - Motor Mount
	075695-02-728	EA	Gasket - Crossover Tube
	075695-02-729	EA	Crossover Tube
	075695-02-730	EA	Motor Asm.
	075695-02-731	EA	Gasket - Motor Mount
	075696-02-732	EA	Housing - Combustion Air Asm.
	075695-02-733	EA	Wheel - Combustion Air
	075695-02-734	EA	Gasket - Combustion Air Housing
	075695-02-735	EA	Housing - Combustion Air - O/S
	094405-01-000	EA	Heater Asm. - Rear - Ducted
	094405-01-700	EA	Heater Core
	094405-01-701	EA	Fan
	094405-01-702	EA	Motor - 12 Volt
	009198-01-000	FT	Duct - Flexible - 4" I.D. x 25'
	056424-02-000	EA	Register - 4" Dia. - Plastic - w/o Dampers
	009200-01-000	EA	Tap - Furnace - 1 1/2"
	093766-01-000	EA	Shroud Asm. - Ceiling - Roof Air - Cool Only
	093765-02-000	EA	Shroud Asm. - Ceiling - Roof Air - Cool Only
	093766-03-000	EA	Thermostat - Air Conditioner & Furnace
	093765-01-03A	EA	Air Conditioner - 110 Volt - Roof Mount - 13,500 - Beige

HEATING & AIR CONDITIONING GROUP (CONTINUED)

AUTOMOTIVE HEATER

Key	Part Number	U/M	Description
	080426-02-000	EA	Heater/Evaporator Asm. - w/Pressure Sensor Switch
	080426-02-701	EA	Hose - Liquid
	080426-02-702	EA	Hose - Suction
	080426-02-703	EA	Switch - Pressure - Fan
	080426-01-700	EA	Evaporator Coil
	072341-01-705	EA	Resistor
	072341-01-701	EA	Heater Core
	075789-01-705	EA	Expansion Valve
	072341-01-707	EA	Thermostat
	072341-01-705	EA	Blower Motor
	072341-01-707	EA	Blower Wheel
	072341-01-706	EA	Vacuum Motor
	072341-01-710	EA	Control Head
	072341-04-702	EA	Relay
	072341-01-714	EA	Heater Control Valve
	007106-01-000	FT	Hose Heater - 5/8" I.D. SAE
	007108-02-000	FT	Hose - Heater - 3/4" I.D. SAE
	031170-01-000	EA	Clamp - Cable - 3/16" Dia
	076252-01-000	EA	Plenum - Floor Heat
	076986-01-000	EA	Door Asm. - Heater Air
	076783-01-000	EA	Louver Bezel - Black - 2 1/2"
	076229-01-000	EA	Duct - Heater

1989 WINNEBAGO TABLE OF CONTENTS

INTRODUCTION	A-01
ABBREVIATIONS	A-01
ALPHABETICAL INDEX	A-02 - A-04
WC/P32DO	A-05 - C-18
WC/JP32RQ	C-19 - F-20

1989 WC/JP32RQ INDEX

Floor Plan	C-19 - C-20
Accessories Group	C-21 - C-24
Bath Group	D-01 - D-03
Chassis Group	D-04 - D-08
Curtain, Cushion & Pad Group	D-09 - E-02
Dinette Group	E-03 - E-04
Driver's Compartment Group	E-05 - E-09
Electrical Group	E-10 - E-13
Exterior Body Group	E-14 - E-20
Galley Group	E-21 - E-22
Heating & Air Conditioning Group	E-23 - E-24
Interior Finish Group	F-01 - F-03
LP Group	F-04
Lounge Group	F-05 - F-07
Water & Sewage Group	F-08 - F-09
Window, Vent & Exterior Door Group	F-10 - F-20

INTERIOR FINISH GROUP

CABINETS & TABLE HARDWARE

Key	Part Number	U/M	Description
	059777-02-000	EA	Hinge - Cabinet Door - Brass
	074493-02-000	EA	Overhead Door - Support - Sprung
	041194-01-000	EA	Base - Pedestal Table - Flush Mounts - Floor
	009040-03-000	EA	Base - Pedestal Table - Raised
	009040-04-000	EA	Leg - Pedestal Table - 27.5" - w/
	064046-01-000	EA	Clip - Pedestal Table Leg
	079789-01-000	EA	Support - Table - Pullout - Beige
	080728-01-000	EA	Handle - Recessed - Brown Plastic
	079921-01-000	EA	Roller - Nylon w/Shaft
	088254-01-000	EA	Catch - Magnetic
	093579-01-000	EA	Pull - Cabinet - Chrome/Brass
	081376-01-000	EA	Back Plate - Door Pull - Polished Brass
	093586-03-000	EA	Catch - Spring Roller
	093586-04-000	EA	Strike - Steel Spring
	074045-01-000	EA	Plug - 1/2" - Regal Oak
	092652-01-000	EA	Guide Wheel - Top Mount - Door
	084465-02-000	EA	Slide Asm. - Drawer - Right
	084466-03-000	EA	Slide Asm. - Drawer - Left
	084466-04-000	EA	Slide Asm. - Cabinet - Right
	084466-05-000	EA	Slide Asm. - Cabinet - Left
	047744-01-000	EA	Kit Drawer Glide
	009089-01-000	EA	Clip - Mirror
	084071-02-000	EA	Decorative Rod - Brass
	084070-01-000	EA	Center Post - Decorative Rod - Brass
	084070-02-000	EA	End Post - Decorative Rod - Brass
	054451-01-000	EA	Catch - TV Shelf - Brass
	058331-10-000	EA	Mirror - Safety Glass - TV Shelf - 14" x 17"
	064781-05-000	EA	Cup Holder - Two Step
	024281-07-000	EA	Bracket - Lower Wall Mount
	053200-05-000	EA	Bracket - Upper Wall Mount
	053201-06-000	EA	Bracket - Table Mount
	024275-05-000	EA	Rod - Table Lift
	092393-01-02A	EA	Catch - Table Leg
	050410-01-000	EA	Hanger - Table

MISCELLANEOUS

Key	Part Number	U/M	Description
	053552-02-W24	EA	Handle Asm. - Assist - Vinyl
	041944-04-000	EA	Fire Extinguisher - 5BC - w/Bracket
	034472-01-000	EA	Holder - Plastic - Fire Extinguisher
	094499-01-000	EA	Fire Extinguisher - 10 BC - w/Bracket
	054165-31-000	EA	Owner's Manual - Winnebago/Itasca - 1989
	031072-01-000	EA	Floor Mat - Front - Right - Winnebago
	031074-01-000	EA	Floor Mat - Front - Left - Winnebago
	031075-01-000	EA	Floor Mat - Entrance - Winnebago

INTERIOR FINISH GROUP (CONTINUED)

CURTAIN HARDWARE

Key	Part Number	U/M	Description
	029094-04-000	YD	Tape - Loop - 1" Wide - Black
	029096-03-000	YD	Tape - Hook - 1" Wide - Black
	048394-02-000	YD	Tape - Hook - .75" Wide - Beige
	068792-02-000	YD	Tape - Loop - .75" Wide - Beige - Adhesive
	048395-02-000	YD	Tape Loop - .75" Wide - Beige
	088792-01-000	YD	Tape Hook - 5/8" Non Adhesive
	055003-01-000	EA	Bracket Drapery Retainer - Right
	056003-02-000	EA	Bracket Drapery Retainer - Left
	081381-01-000	EA	Swivel Snap - Curtain Track
	075943-01-000	EA	Brace - Valance - Beige
	082139-01-000	EA	Bracket - Hold Down - Blinds
	083170-01-000	EA	Bracket - Blind Installation - Right
	083170-02-000	EA	Bracket - Blind Installation - Left
	084434-01-000	EA	Bracket - Roller Shade - 1.375"
	087253-01-000	EA	Pull - Window Shade - Clear Plastic
	089335-01-000	EA	Track - Curtain - Brown Plastic
	085276-01-000	EA	Tape - Double Sided - .5"
	078394-01-000	FT	Trim - Brass Vinyl - .437" Wide - Window Side Panel
	077045-01-000	EA	Track - Curtain - Front Wraparound - Passenger
	077046-02-000	EA	Track - Curtain - Front Wraparound - Drivers
	077046-01-700	EA	Baton Asm. - w/Snap
	077046-01-701	EA	Swivel Carrier
	077046-01-702	EA	Lock Stop
	077046-01-703	EA	Swivel Snap Pendant
	077046-01-704	EA	End Stop
	077046-01-705	EA	Master Carrier - Left
	077046-01-706	EA	Master Carrier - Right

FABRICS & FLOOR COVERINGS

Key	Part Number	U/M	Description
	086274-72-000	YD	Fabric - Upholstery - Rose Pearl (Y21)
	088274-51-000	YD	Fabric - Upholstery - Heather (Y22)
	088274-73-000	YD	Fabric - Upholstery - Teal (Y23)
	086274-56-000	YD	Fabric - Upholstery - Patterned Accent - Sand (Y2?)
	088274-70-000	YD	Fabric - Upholstery - Accent - Rose Pearl (Y21)
	088274-80-000	YD	Fabric - Upholstery - Accent - Blush (Y22)
	035274-71-000	YD	Fabric - Upholstery - Accent - Teal (Y23)
	068273-20-000	YD	Fabric - Bedroom - Rose (Y21)
	089273-28-000	YD	Fabric - Bedroom - Mint (Y22)
	088273-21-000	YD	Fabric - Bedroom - Stone (Y23)
	084416-20-000	YD	Fabric - Laminate - Pulshade
	072333-37-000	YD	Fabric - Drapery - Mauve (Y21)
	072333-69-000	YD	Fabric - Drapery - Penta Mauve (Y21)
	088273-28-000	YD	Fabric - Drapery - Mint (Y22)
	072333-61-000	YD	Fabric - Drapery - Pacific (Y23)
	079660-01-000	EA	Vinyl - Expanded - Buckskin
	089351-01-000	YD	Vinyl - Acoustical Ceiling - Beige (Roof)
	069649-03-000	YD	Vinyl - Expanded - Taupe (Sunvisors)
	093436-01-000	SY	Carpet - Trunk Liner (Outer Compartments)
	032308-01-01A	SY	Parquet Floor - Regal Oak
	072860-69-000	SY	Carpet - Rose Mist (Y21)
	072860-72-000	SY	Carpet - Cool Oasis (Y22)
	072860-82-000	SY	Carpet - Pearl Gray (Y23)

* Parts used between 9-13-83 to 10-19-89.

1989 WINNEBAGO TABLE OF CONTENTS

INTRODUCTION	A-01
ABBREVIATIONS	A-01
ALPHABETICAL INDEX	A-02 - A-04
WCP32DO	A-05 - C-18
WC/JP32RQ	C-19 - F-20

1989 WC/JP32RQ INDEX

Floor Plan	C-19 - C-20
Accessories Group	C-21 - C-24
Bath Group	D-01 - D-03
Chassis Group	D-04 - D-05
Curtain, Cushion & Pad Group	D-09 - E-02
Dinette Group	E-03 - E-04
Driver's Compartment Group	E-05 - E-09
Electrical Group	E-10 - E-13
Exterior Body Group	E-14 - E-20
Galley Group	E-21 - E-22
Heating & Air Conditioning Group	E-23 - E-24
Interior Finish Group	F-01 - F-03
LP Group	F-04
Lounge Group	F-05 - F-07
Water & Sewage Group	F-05 - F-09
Window, Vent & Exterior Door Group	F-10 - F-20

INTERIOR FINISH GROUP (CONTINUED)

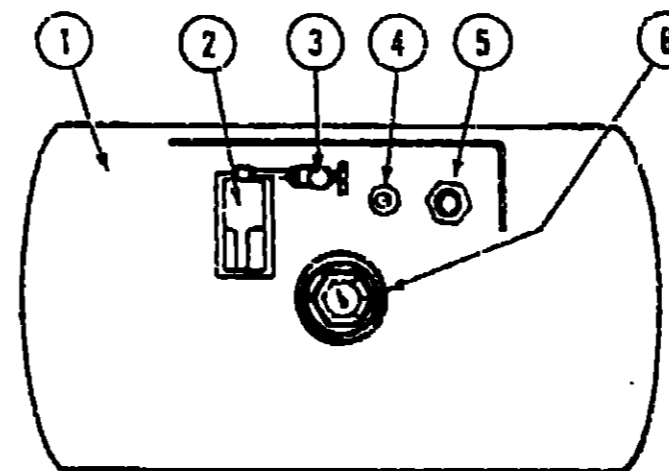
INTERIOR MOLDINGS & TRIM

Key	Part Number	U/M	Description
	088263-02-000	EA	Batt Strip - Marble - 8' (Y21) (Wall/Galley)
	088263-20-000	EA	Batt Strip - Pastel - 8' (Y22) (Wall)
	088263-22-000	EA	Batt Strip - Mushroom - 8' (Y22) (Galley/Bath)
	088263-03-000	EA	Batt Strip - Sky - 8' (Y23) (Wall/Galley)
	085284-07-000	EA	Batt Strip - Marble Adhesive (Y21)
	095284-10-000	EA	Batt Strip - Pastel - Adhesive (Y22)
	085284-09-000	EA	Batt Strip - Sky - Adhesive (Y23)
	059733-70-000	EA	Batt Strip - Regal Oak
	074044-90-000	EA	Molding - Oak Trim w/o Groove (Ceiling)
	078334-01-000	EA	Brass Insert - Oak Molding (Ceiling)
	022992-08-000	FT	Molding - Reverse Cove - Champagne White
	009909-17-000	EA	F-Molding - 1" - Regal Oak
	083620-01-000	EA	T-Molding - w/Edge Lips - Grady Brown
	070504-61-000	EA	U-Channel - .65" - Light Brown
	009775-07-000	EA	U-Channel - 1" - Regal Oak
	009767-06-000	FT	Welting - Beige
	089571-20-Y21	EA	Trim Oak - 59 6" - w/Groove - Regal Oak
	085746-01-000	FT	Trim - J-Molding - Carpet Wall Trim - Beige
	074045-01-000	EA	Plug - 5" Dia - Oak
	076026-31-W13	EA	Trim - Valance - 2.5" x 12.7" - Regal Oak
	077840-14-W24	EA	Molding - Wall Cap - 60" - Regal Oak
	086349-01-W13	EA	Trim - Ceiling Light - Regal Oak
	085738-02-000	EA	Trim - Roof Cove

PANELING & LAMINATE

Key	Part Number	U/M	Description
	074497-10-000	SF	Paneling - Regal Oak - 48" x 84" (Cabinets)
	089272-22-000	SF	Paneling - Decor - Marble - 48" x 84" (Main Wall/Galley) (Y21)
	089272-41-000	SF	Paneling - Decor - Pastel - 48" x 84" (Main Wall) (Y22)
	089272-23-000	SF	Paneling - Decor - Sky - 48" x 84" (Main Wall/Galley) (Y23)
	089272-34-000	SF	Paneling - Decor - Mushroom - 48" x 84" (Galley/Bath) (Y22)
	089272-38-000	SF	Paneling - Bone - Decor (Wet Bath)
	079666-02-000	SF	Paneling - Cedar - Closet
	085217-03-000	SF	Plastic Laminate - Avonite - Almond Parchment (Galley)
	074498-26-000	SF	Plastic Laminate - Sterling - Almond Slate (Dinette)
	074498-24-000	SF	Plastic Laminate - Sterling - Regal Oak (Cabinets)
	076325-19-000	FT	Edge Molding - Almond (Bath)
	076325-16-000	FT	Edge Molding - Regal Oak (Cabinets)
	083520-05-000	FT	T-Molding - 3/4" w/Edge Lips - Designer Beige
	089571-02-Y75	EA	Trim - Oak - 59 6" - w/Groove - Woodland Oak (Ceiling)
	085746-01-000	FT	Trim - J Molding - Carpet Wall Trim - Beige
	074045-06-000	EA	Plug - .5" Dia. - Woodland Oak
	076026-31-Y75	EA	Trim - Valance - 2.5" x 12.7" - Woodland Oak
	077840-14-Y75	EA	Molding - Wallcap - 60" - Woodland Oak
	086349-01-W13	EA	Trim - Ceiling Light - Woodland Oak
	085738-02-000	EA	Trim - Roof Cove

LP GROUP



Key	Part Number	U/M	Description
1	083253-03-000	EA	Tank Asm - LP - Frame Mount - 100 Pound - 16" x 36"
2	081938-01-000	EA	Compartment - LP Regulator
	076301-02-000	EA	Regulator - Two Stage - LP Gas
3	040421-01-703	EA	Valve - Vapor Relief
4	040421-01-700	EA	Gauge - Liquid Level - 20 PSI LP
5	040421-01-701	EA	Valve - Filler - LP
	040421-01-702	EA	Cap - Plastic Fill Valve
6	040421-01-707	EA	Gauge - Float - w/Visible Dial - 80 Pound Tank
	040421-01-705	EA	Dial - Visible Face - Float Gauge (Tank w/o Electric Transmitter)
	045703-01-000	EA	Hose Asm. - LP - 3/8" I.D. x 24" - US
	045703-02-000	EA	Hose Asm. - LP - 3/8" I.D. x 24" - CSA
	045703-03-000	EA	Hose Asm. - LP - 3/8" I.D. x 18" - US
	045703-04-000	EA	Hose Asm. - LP - 3/8" I.D. x 14" - CSA
	085741-01-000	EA	Gauge - Diaphragm Pressure - Test Leak
	095612-01-000	EA	Detector - LP Gas
	090976-02-000	EA	Valve - Safety - Shut Off

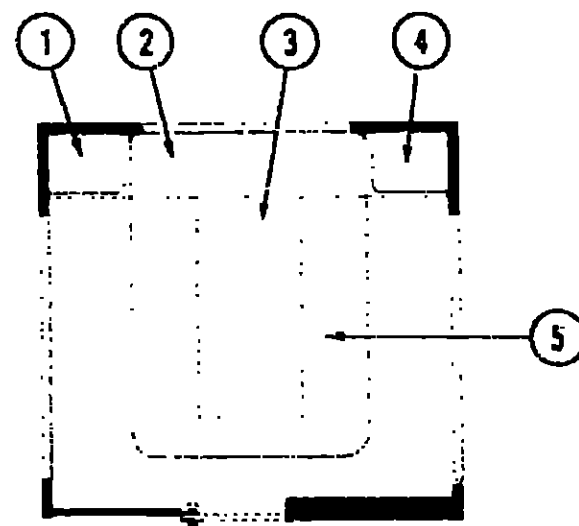
1989 WINNEBAGO TABLE OF CONTENTS

INTRODUCTION	A-01
ABBREVIATIONS	A-01
ALPHABETICAL INDEX	A-02 - A-04
WCP32DQ	A-05 - C-18
WC/JP32RQ	C-19 - F-20

1989 WC/JP32RQ INDEX

Floor Plan	C-19 - C-20
Accessories Group	C-21 - C-24
Bath Group	D-01 - D-03
Chassis Group	D-04 - D-08
Curtain, Cushion & Pad Group	D-09 - E-02
Dinette Group	E-03 - E-04
Driver's Compartment Group	E-05 - E-09
Electrical Group	E-10 - E-13
Exterior Body Group	E-14 - E-20
Galley Group	E-21 - E-22
Heating & Air Conditioning Group	E-23 - E-24
Interior Finish Group	F-01 - F-03
LP Group	F-04
Lounge Group	F-05 - F-07
Water & Sewage Group	F-08 - F-09
Window, Vent & Exterior Door Group	F-10 - F-20

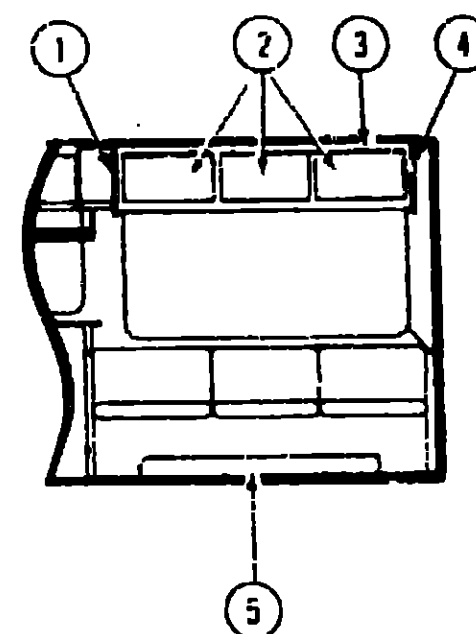
LOUNGE GROUP



QUEEN BED CABINERY

Key	Part Number	U/M	Description
1	M85153-01-Y21	EA	Cabinetry Asm. - Nightstand - w/o Countertop, Drawer or Door
	M03000-05-X19	EA	Countertop Asm. - Nightstand - Lower
	M03000-02-X19	EA	Countertop Asm. - Nightstand - Upper
	084070-01-000	EA	Center Post - Brass
	084070-02-000	EA	End Post - Brass
2	084071-02-000	EA	Rod - Brass - 12.4"
	M03110-90-Y21	EA	Cabinet Asm. - Overhead - w/o Doors
	M88304-E4-Y21	EA	Door Asm. - Rear Overhead Cabinet - w/o Hardware
3	M03110-92-Y21	EA	Cabinet Asm. - Center Overhead - w/o Doors or Hardware
	M88304-36-Y21	EA	Door Asm. - Center Overhead - 12" x 29.1" - w/o Hardware
	091738-01-Y21	EA	Cap Asm. - Center Overhead - w/o Mirror
	058831-18-000	EA	Mirror - Safety Glass - 11.25" x 22.4"
	084357-01-Y21	EA	TV Stand Asm.
4	M89353-01-Y21	EA	Cabinet Asm. - Nightstand - w/o Countertop, Drawers, or Door
	089383-15-X19	EA	Countertop Asm. - Nightstand - Upper
	069383-16-X19	EA	Countertop Asm. - Nightstand - Lower
	M88304-E6-Y21	EA	Door Asm. - Nightstand - Right or Left - w/Birthday Glass - w/o Hardware
	092428-01-000	EA	Glass - Cabinet Door - 7.36" x 20.3"
	093204-02-000	EA	Button - Glass Retaining
	031376-01-000	EA	Backplate - Brass
	M78921-04-W13	EA	Drawer Asm. - Nightstand - Right or Left - w/o Hardware
5	M89070-01-X19	EA	Cabinet Asm. - Queen Bed
	088199-01-X11	EA	Hinge Asm. - Bed
	057460-02-000	EA	Ball - Stud - 10 mm Ball - 5/16" x 18"
	057460-03-000	EA	Safety Clip
	057460-04-000	EA	Gas Spring
088254-01-000	EA	Catch - Magnetic (Drawer)	

LOUNGE GROUP (CONTINUED)



FRONT LOUNGE

Key	Part Number	U/M	Description
1	085468-02-X19	EA	End Cap Asm. - Front Lounge - Vinyl
2	M88304-38-Y21	EA	Door Asm. - Front Overhead - 12" x 18.7" - w/o Hardware
3	M03110-13-Y21	EA	Front Overhead Cabinet - w/o Doors or Hardware
4	085468-01-X19	EA	End Cap Asm. - Front Lounge - Vinyl
5	090406-01-X19	EA	Drawer Asm. - Couch
	093601-01-000	EA	Security Lock - Lock Box
	093660-01-000	EA	Outer Box - Lock Box
	093663-01-000	EA	Drawer - Lock Box

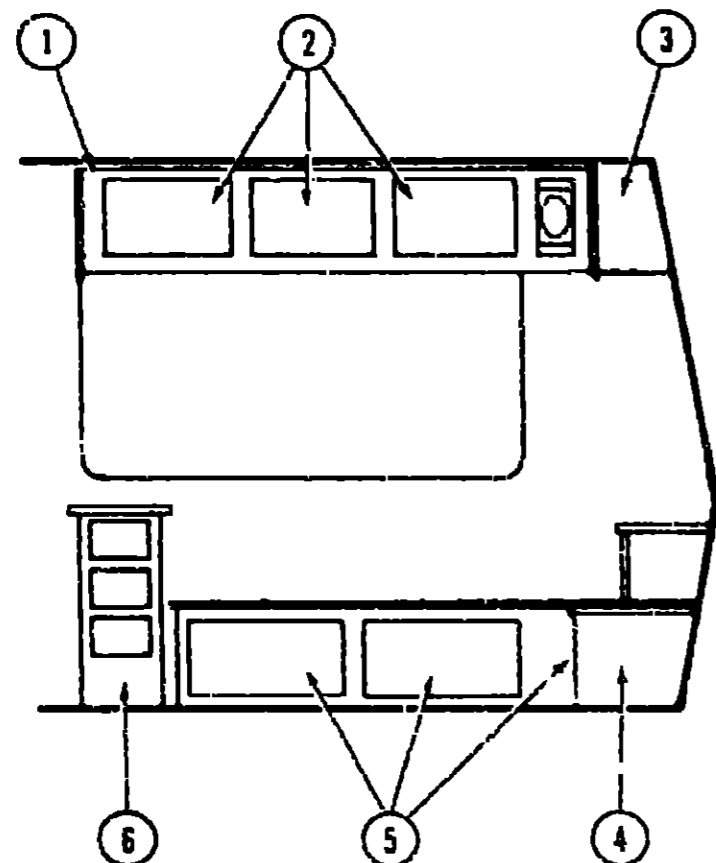
1989 WINNEBAGO TABLE OF CONTENTS

INTRODUCTION	A-01
ABBREVIATIONS	A-01
ALPHABETICAL INDEX	A-02 - A-04
WCP32DC	A-05 - C-18
WC/JP32RQ	C-19 - F-20

1989 WC/JP32RQ INDEX

Floor Plan	C-19 - C-20
Accessories Group	C-21 - C-24
Bath Group	D-01 - D-03
Chassis Group	D-04 - D-08
Curtain, Cushion & Pad Group	D-09 - E-02
Dinette Group	E-03 - E-04
Driver's Compartment Group	E-05 - E-09
Electrical Group	E-10 - E-13
Exterior Body Group	E-14 - E-20
Galley Group	E-21 - E-22
Heating & Air Conditioning Group	E-23 - E-24
Interior Finish Group	F-01 - F-03
LP Group	F-04
Lounge Group	F-05 - F-07
Water & Sewage Group	F-08 - F-09
Window, Vent & Exterior Door Group	F-10 - F-20

LOUNGE GROUP (CONTINUED)



TWIN BED & OVERHEAD CABINERY (OPTION 48U)

Key	Part Number	U/M	Description
1	M03110-55-Y21	EA	Cabinet Asm. - Passenger Overhead - w/o Doors or Hardware
	M03110-57-Y21	EA	Cabinet Asm. - Drivers Overhead - w/o Doors or Hardware
2	M88304-36-Y21	EA	Door Asm. - Side Overhead Cabinet - 12" x 18 7" - w/o Hardware
3	M03110-68-Y21	EA	Cabinet Asm. - Rear Overhead - w/o Doors or Hardware
	M88304-49-Y21	EA	Door Asm. - Rear Overhead Cabinet - 12" x 21 8" - w/o Hardware
4	083441-03-X11	EA	Cabinet Asm. - Nightstand - w/o Countertop, Drawer, Door or Hardware
	M02608-01-X19	EA	Countertop Asm. - Nightstand - Bottom
	M02609-01-X19	EA	Countertop Asm. - Nightstand - Top
	077404-02-000	EA	Drawer - Plastic - 20" x 12 7"
5	M88304-10-Y21	EA	Door Asm. - Nightstand/Bed Base - 11" x 21 8" - w/o Hardware
6	093853-01-Y21	EA	Cabinet Asm. - Nightstand - Passenger - w/o Drawer, Countertop or Hardware
	M78921-02-W13	EA	Drawer Asm. - Cabinet - w/o Hardware
	088959-01-Y21	EA	Cabinet Asm. - Nightstand - Driver - w/o Door, Countertop or Hardware
	M88304-B9-Y21	EA	Door Asm. - Nightstand - 7" x 25 1" - w/o Hardware

WATER & SEWAGE GROUP

PLUMBING & REPAIR PARTS

Key	Part Number	U/M	Description
	044927-01-000	EA	Adapter - Plastic - 1 1/4" MPT x 1 1/4" Bar
	010326-01-000	EA	Adapter - Flare - w/Cone Gasket
	062422-01-000	EA	Adapter - Hose Offset - Reduce - 3" x 1 1/2"
	052954-01-000	EA	Adapter - Hose Cone - 3/8 or 1/2 - Plastic
	089330-01-000	EA	Adapter - Sewer Hose
	079317-01-000	EA	Adapter - Swivel - .5 Tube x .5 FPT
	062415-01-000	EA	Cap - Sewer - 3"
	087200-02-000	EA	Cartridge - Water Filter
	052959-02-000	EA	Connector - Plastic - 1/2" F x 1/2" MPT
	052959-03-000	EA	Connector - 1/2 F x 3/8 MPT - Plastic
	011091-02-000	EA	Continuous Waste - Double Sink - 11 7/8" - US
	078406-01-000	EA	Coupler Rubber - 3" x 3"
	052960-01-000	EA	Drain Valve - 1/2 F x 1/2 F - Plastic
	010006-01-000	EA	Elbow - Plastic - 1/8 BD x 1 1/2 x 45° H x H
	010008-01-000	EA	Elbow - Plastic - 1/4 BD x 1 1/2 x 90° Left
	052957-02-000	EA	Elbow - Plastic - 1/2 F x 1/2 MPT (In Tank Filter)
	035539-01-000	EA	Elbow - Plastic - 3/8" MPT x 3/8 BARB
	033761-01-000	EA	Elbow - Plastic - 1/4" BD x 1 1/2" x 90° LT
	010051-01-000	EA	Elbow - Plastic - ST - 1/8" BD x 1 1/2" x 45
	077954-02-000	EA	Filter/Screen (In Water Tank)
	087200-01-000	EA	Filter - Water Purifier
	053641-01-000	EA	Flange - Closet - Red - 4 F x 3" FPT
	010147-01-000	EA	Flange - Closet - 4" F x 3" FPT - US
	010147-02-000	EA	Flange - Closet - 4" F x 3" FPT - CSA
	079391-01-000	FT	Flexible Tubing - 1 1/4 ID x 10'
	051607-01-000	EA	Grommet - Holding Tank Coupler - 1 1/2"
	051607-02-000	EA	Grommet - Holding Tank Coupler - 3"
	052961-02-000	EA	Header - 1/2 MPT x 1/2 x 1/2 x 1/2 F
	062416-01-000	EA	Hose Adapter - 3"
	052953-01-000	EA	Nut - Faucet - 1/2 Tube x 1/2 FPT
	011066-03-000	EA	P-Trap - 1 1/4" Plastic - US
**	011066-02-000	EA	P-Trap - 1 1/4" Plastic - CSA
	053335-01-000	EA	P-Trap - 1 1/4" Plastic - w/Union
	049032-01-000	EA	Patch - Spinweld - Plastic - 3/8"
	045725-01-000	EA	Pump - Water - 2.8 G P.M. - Direct Drive - Shurflo - US
	045729-02-000	EA	Pump - Water - 2.8 G P.M. - Direct Drive - Shurflo - CSA
	010201-02-000	EA	Sewer Hose - 3" x 20'
	042989-03-000	EA	Spinweld Fittings - Plastic - 1/4 NPT
	042989-04-000	EA	Spinweld Fittings - Plastic - 3/8 FPT
	042989-05-000	EA	Spinweld Fittings - Plastic - 1/2 FPT
	011059-02-000	EA	Tailpiece - 1 1/2 x 1 1/4" x 4" - Brass
**	010079-01-000	EA	Tee - Plastic - 1 1/2 H x 1 1/2 H x 1 1/4 H
	052955-01-000	EA	Tee - Plastic - 1/2 F x 1/2 F x 1/2 MPT
	052958-01-000	EA	Tee - Plastic - 1/2 F x 1/2 F x 1/2 F
	074463-01-000	EA	Tee - 4 Way - 1/2" Flare
	039500-01-000	FT	Tubing - Polybutyl - 1/2 O.D. (Water Line)
	079381-01-000	FT	Tubing - Flexible - Smooth - 1 25 I.D.
	074462-02-000	FT	Tubing - Vinyl - 3/8 I.D.
	062421-01-000	EA	Valve - 1 1/2" - w/Handle
	082695-01-000	EA	Valve - Waste - 3"
	052960-01-000	EA	Valve - Line Drain - 1/2 F x 1/2 F
	010073-01-000	EA	Wye - Plastic - 1 1/2 x 45 H x H x H
	079365-01-000	EA	Vent - Mechanical Trap Arm

** The illustrated parts breakdown for this item is provided on the Common Items Fiche

**1989 WINNEBAGO
TABLE OF CONTENTS**

INTRODUCTION	A-01
ABBREVIATIONS	A-01
ALPHABETICAL INDEX	A-02 - A-04
WCP3200	A-05 - C-18
WC/JP32RQ	C-19 - F-20

1989 WC/JP32RQ INDEX

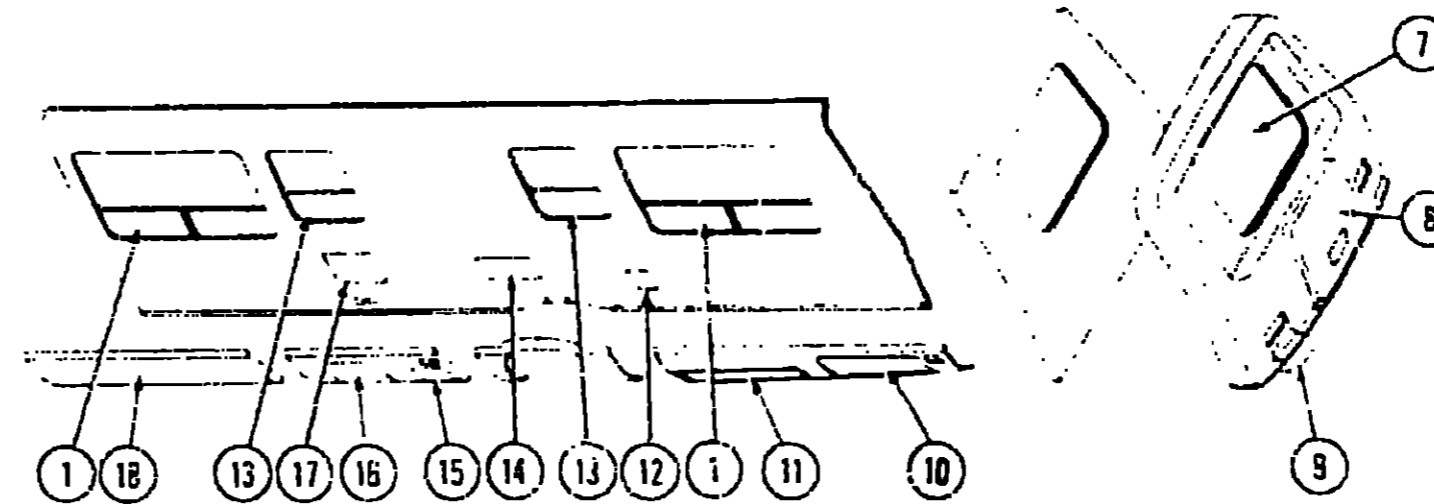
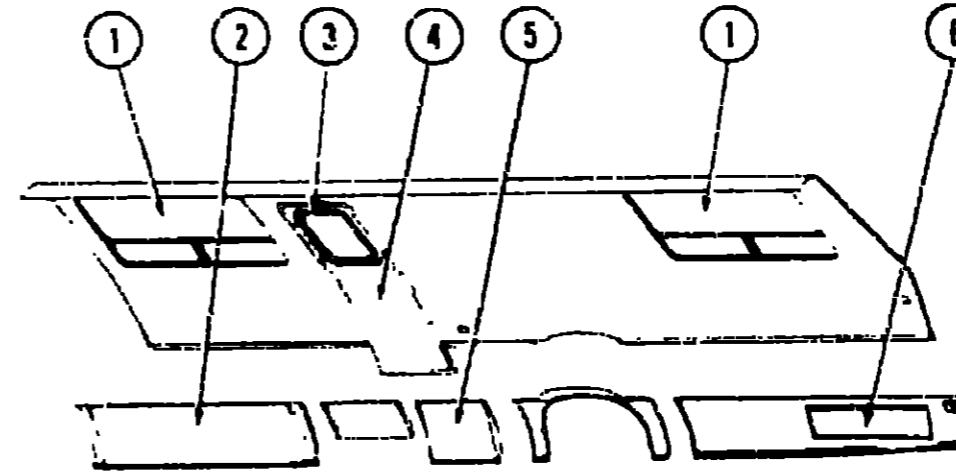
Floor Plan	C-19 - C-20
Accessories Group	C-21 - C-24
Bath Group	D-01 - D-03
Chassis Group	D-04 - D-08
Curtain, Cushion & Pad Group	D-09 - E-02
Dinette Group	E-03 - E-04
Driver's Compartment Group	E-05 - E-09
Electrical Group	E-10 - E-13
Exterior Body Group	E-14 - E-20
Galley Group	E-21 - E-22
Heating & Air Conditioning Group	E-23 - E-24
Interior Finish Group	F-01 - F-03
LP Group	F-04
Lounge Group	F-05 - F-07
Water & Sewage Group	F-08 - F-09
Window, Vent & Exterior Door Group	F-10 - F-20

WATER & SEWAGE GROUP (CONTINUED)

HOLDING TANKS & WATER HEATERS

Key	Part Number	U/M	Description
	081189-02-000	EA	Tank - Water - 48 Gallon
	076574-01-000	EA	Tank - Holding - 28 Gallon - w/o Fitting
	088384-01-000	EA	Tank - Holding - 32 Gallon - w/o Fittings
	088385-01-000	EA	Tank - Holding - 24 Gallon - w/o Fitting
**	051393-01-000	EA	Water Heater - Direct Ignition - Atwood - GM6-3E
**	The illustrated parts breakdown for this item is provided on the Common Items Fiche		

WINDOW, VENT & EXTERIOR DOOR GROUP



WINDOW & ACCESS DOOR

Key	Part Number	U/M	Description
1	085354-04-X11	EA	Window Asm - Double
2	085037-01-Y21	EA	Door Asm - Front Valance
3	079733-04-T03	EA	Window Asm - Picture
4	M184355-02-X19	EA	Door Asm - Entrance
	088654-01-X19	EA	Door Asm - Entrance Door Valance
5	088362-01-X19	EA	Door Asm - Center Valance
6	085034-01-W13	EA	Door Asm - Storage
7	087985-04-Y12	EA	Window Asm - Escape
8	M01930-04-X19	EA	Spare Tire Cover
9	077137-01-000	EA	Door Asm - Sewer Hose Compartment
10	085040-01-W13	EA	Door Asm - Generator
11	088369-01-X19	EA	Door Asm - Access Panel
12	078010-01-000	EA	Door Asm - Fuel Fill
13	085353-07-W07	EA	Window Asm - Vertical Slider
14	084103-01-030	EA	Door Asm - Refrigerator Access
15	089365-01-X19	EA	Door Asm - Power Cord
16	085031-01-X19	EA	Door Asm - LP
17	052009-02-000	EA	Door Asm - Water Heater
18	085037-02-W13	EA	Door Asm - Front Valance
	M01595-11-Y75	EA	Door Asm - Drivers - Beige - w/o Insert
	M178469-02-000	EA	Window Asm - Driver Door
	077209-02-000	EA	Inside Frame - Driver Door - Black
	M01595-11-Y75	EA	Door Asm - Passenger - Beige - w/o Inserts
	M178469-01-000	EA	Window Asm - Passenger Door
	077209-01-000	EA	Inside Frame - Passenger Door - Black

1989 WINNEBAGO TABLE OF CONTENTS

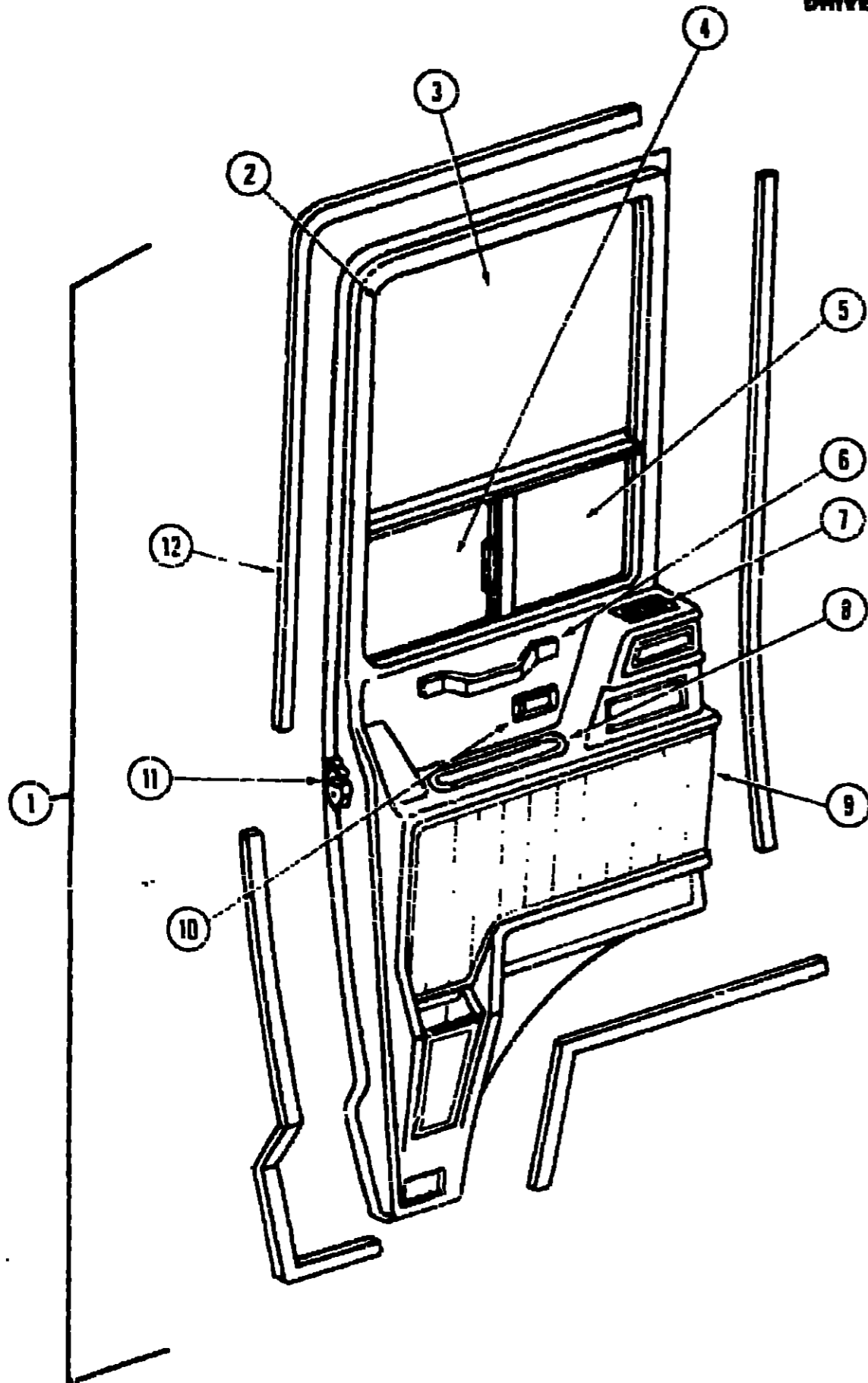
INTRODUCTION	A-01
ABBREVIATIONS	A-01
ALPHABETICAL INDEX	A-02 - A-04
WCP32DQ	A-05 - C-18
WC/JP32RQ	C-19 - F-20

1989 WC/JP32RQ INDEX

Floor Plan	C-19 - C-20
Accessories Group	C-21 - C-24
Bath Group	D-01 - D-03
Chassis Group	D-04 - D-08
Curtain, Cushion & Pad Group	D-09 - E-02
Dinette Group	E-03 - E-04
Driver's Compartment Group	E-05 - E-09
Electrical Group	E-10 - E-13
Exterior Body Group	E-14 - E-20
Galley Group	E-21 - E-22
Heating & Air Conditioning Group	E-23 - E-24
Interior Finish Group	F-01 - F-03
LP Group	F-04
Lounge Group	F-05 - F-07
Water & Sewage Group	F-08 - F-09
Window, Vent & Exterior Door Group	F-10 - F-20

WINDOW, VENT & EXTERIOR DOOR GROUP (CONTINUED)

DRIVERS & PASSENGER CAB DOOR



Key	Part Number	U/M	Description
2	M78463-01-000	EA	Window Asm - Passenger Door - w/Support
	M78469-02-000	EA	Window Asm - Drivers Door - w/Support
	077209-01-000	EA	Inside Frame Asm - Window - Passenger
	077203-02-000	EA	Inside Frame Asm - Window - Driver
3	077036-03-000	EA	Glass - 19" x 28 9" x 22" - Passenger
3	077036-02-000	EA	Glass - 19" x 28 9" x 22" - Driver
4	078379-01-000	EA	Glass - 19" x 15" x 9 3" - w/Hole
5	078378-01-000	EA	Glass - 19" x 15" x 9 3"
	077224-02-000	EA	Window Mullion - Horizontal - Passenger
	077224-04-000	EA	Window Mullion - Horizontal - Driver
	077225-01-000	EA	Window Mullion - Vertical - Driver
	077226-02-000	EA	Window Mullion - Vertical - Passenger
	M02369-53-001	EA	Seal Holder - w/Fin Seal
	042077-01-000	FT	Channel - Weatherstrip - Glass
	024096-02-000	EA	Seal - Window Channel
	050216-02-000	EA	Spine - Vinyl Glass - 19 Blat.A
6	051400-04-000	EA	Assist Strap - 12" - w/Woodgrain
7	076763-01-000	EA	Louver/Bezel Asm - Black - 2"
	075671-01-000	FT	Sponge Seal - Lazy T Shape
	076542-01-000	EA	Control Rod - Right Hand Latch
	076543-01-000	EA	Control Rod - Right Hand Lock
	076542-02-000	EA	Control Rod - Left Hand Latch
	076543-02-000	EA	Control Rod - Left Hand Lock
	077167-01-000	EA	Door Prop Rod - Passenger
	077167-02-000	EA	Door Prop Rod - Drivers
8	077119-03-000	EA	Storage Tray - Door Panel - Beige
	077179-01-000	EA	Hose Adapter - 2" - Snap In
	077000-01-000	EA	Socket Asm - w 8' Pigtail Leads
9	077117-06-000	EA	Door Panel - Front Inner - Driver - Beige
	077117-05-000	EA	Door Panel - Front Inner - Passenger - Beige
	053885-03-000	EA	Assist Handle - Beige Steel Tube
10	R77006-50-261	EA	Door Handle - Interior - Right
10	R77005-50-326	EA	Door Handle - Interior - Left
	R77040-01-53E	EA	Door Handle - Exterior
	R77007-55-374	EA	Gasket - Door Handle - Exterior
11	R77007-56-701	EA	Latch Asm - Right
11	R77007-56-702	EA	Latch Asm - Left
	R77007-52-747	EA	Latch Asm - Inner - Right
	R77007-52-748	EA	Latch Asm - Inner - Left
	081915-01-000	EA	Motor - Electric Door Lock
	080351-01-000	EA	Switch - Door Lock
12	076913-01-000	FT	Seal - Entrance Door (Give On)
	R77007-04-13E	EA	Lock Bracket
	050963-01-000	EA	Arm - Lock Control
	081993-02-000	EA	Rod - Control - Lock Motor
	083678-01-000	EA	Rod - Side Bolt - Passenger
	063678-02-000	EA	Rod - Side Bolt - Driver
	081905-01-000	EA	Knob - Control - Side Bolt - Passenger
	081905-02-000	EA	Knob - Control - Side Bolt - Driver
	R77030-57-257	EA	Spine Pin
	R77007-51-201	EA	Cylinder & Key (Set of 3)
	R77005-65-924	EA	Cylinder & Key (Single)
	R77010-21-758	EA	Key Blank
	R77005-64-355	EA	Control Link
	064580-02-000	EA	Check Strap - Front Door - 7"
	064219-01-000	EA	Retainer - Check Strap - Front Door
	R77013-49-165	EA	Striker - Door - Left
	R77013-48-166	EA	Striker - Door - Right
	075245-03-000	EA	Hinge - Cab Door - Beige

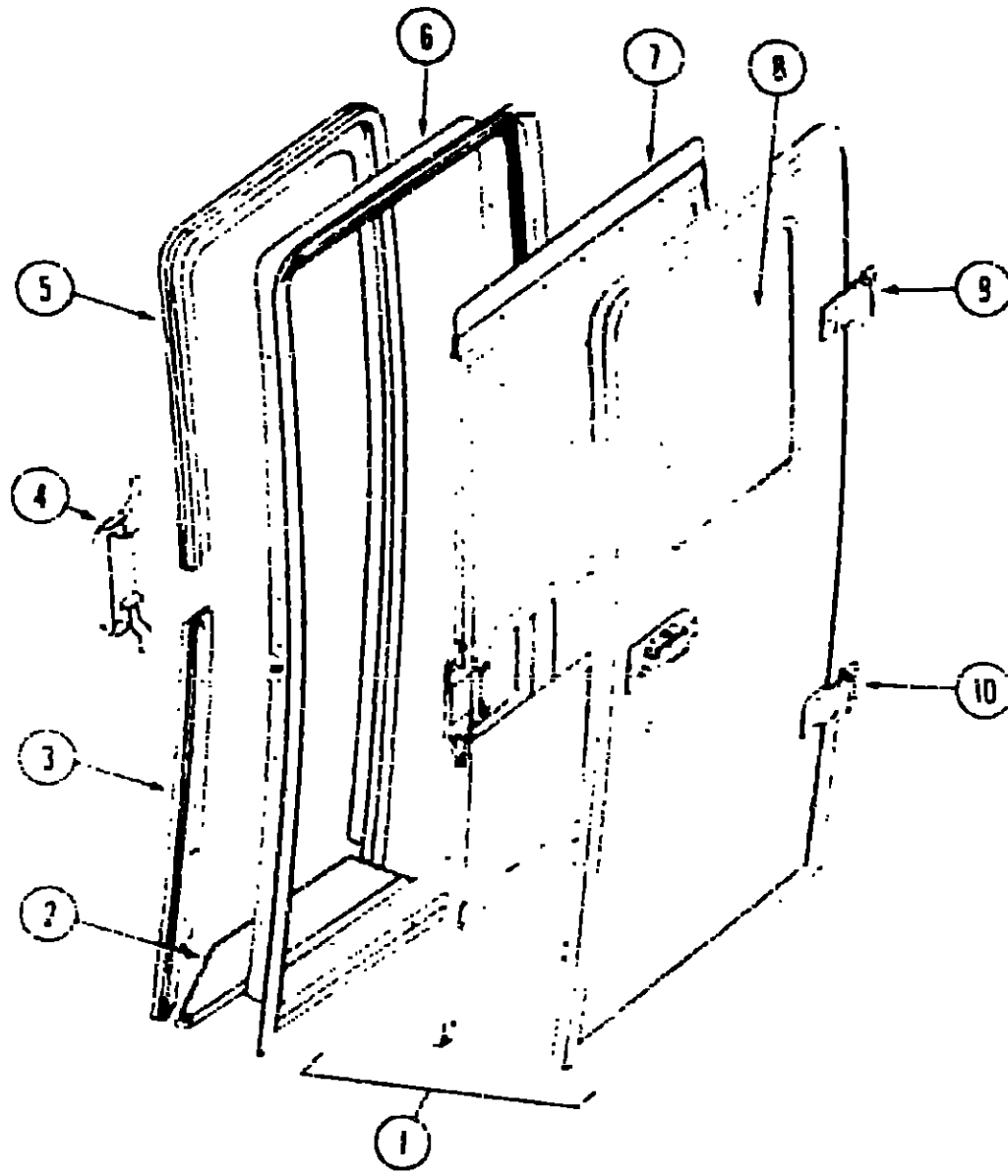
Key	Part Number	U/M	Description
1	M01596-11-Y75	EA	Door Asm - Drivers - Beige - w/o Inserts
	M01595-11-Y75	EA	Door Asm - Passengers - Beige - w/o Inserts

1989 WINNEBAGO TABLE OF CONTENTS

INTRODUCTION	A-01
ABBREVIATIONS	A-01
ALPHABETICAL INDEX	A-02 - A-04
WCP32DO	A-05 - C-18
WCJP32RQ	C-19 - F-20

1989 WC/JP32RQ INDEX

Floor Plan	C-19 - C-20
Accessories Group	C-21 - C-24
Bath Group	D-01 - D-03
Chassis Group	D-04 - D-08
Curtain, Cushion & Pad Group	D-09 - E-02
Dinette Group	E-03 - E-04
Drivers Compartment Group	E-05 - E-09
Electrical Group	E-10 - E-13
Exterior Body Group	E-14 - E-20
Galley Group	E-21 - E-22
Heating & Air Conditioning Group	E-23 - E-24
Interior Finish Group	F-01 - F-03
LP Group	F-04
Lounge Group	F-05 - F-07
Water & Sewage Group	F-08 - F-09
Window Vent & Exterior Door Group	F-10 - F-20



ENTRANCE DOOR W/POWER LOCK

Key	Part Number	U/M	Description
1	M84365-02-Y75	EA	Door Asm - Entrance - w/Power Lock
	091676-01-000	EA	Retainer Door
2	066905-01-000	EA	Trim - Entrance Door - Lower
3	M01670-03-W13	EA	Trim - Entrance Door - Upper - w/Roller Catch - Beige
4	085739-01-000	EA	Cover - Strike - Light Oak
5	M01671-03-W13	EA	Trim - Entrance Door
6	076947-03-060	EA	Jamb Asm - Entrance Door
7	084389-01-W13	EA	Screen Door - Complete
	085276-01-000	EA	Slider - Screen Door - Light Oak Plastic
	002293-02-000	SF	Screen - 26" Charcoal
	076231-01-000	EA	Spacer - Screen Door - Latch
	075556-01-000	EA	Plate - Screen Door
	002294-01-000	FT	Spline - Screen Door - Black
	084098-01-000	EA	Transition Frame - Screen Door - Beige
	009016-01-000	EA	Catch - Elbow - Spring Loaded
	009018-01-000	EA	Catch - Single Roller
	077437-01-000	EA	Strike - Roller Catch - Beige
8	079733-04-T03	EA	Window Asm - Picture (w/o inside frame)
	067609-03-000	EA	Inside Frame - Beige (not included in assembly)
	002181-06-000	EA	Glass - 115" x 16 25" x 24"
	087561-01-000	FT	Spline - Glass - 1 8 Material - Black
	069637-02-000	EA	Sealer - 3M EC5510
9	094097-01-000	EA	Hinge Asm - Upper - Beige
10	084096-01-000	EA	Hinge Asm - Lower - Beige
	076810-01-000	EA	Gasket - Door Hinge
	009126-02-000	EA	Assist Handle - Black
	073303-02-000	EA	Latch Asm - Inner
	076728-01-000	EA	Panel Trim - Light Oak Plastic
	R77007-05-374	EA	Gasket - Exterior Door Handle
	R77040-01-53E	EA	Handle - Exterior Door
	R77006-50-261	EA	Handle - Interior - Right Door
	073104-01-000	EA	Escutcheon - Door Handle
	R77007-56-701	EA	Lock Bolt - Right
	R77007-51-201	EA	Cylinder & Key Set (Set of 3)
	R77006-65-924	EA	Cylinder & Key Set (Single)
	R77010-21-755	EA	Key - Blank
	083205-01-000	EA	Deadbolt - Press Fit - 5"
	045017-01-701	EA	Key - Blank - Deadbolt
	079173-01-000	EA	Gasket - Deadbolt - Exterior
	R77030-67-257	EA	Spline Pin
	080563-01-000	EA	Arm - Lock Control
	073111-01-000	EA	Rod - Latch
	073110-01-000	EA	Rod - Lock
	R77006-64-355	EA	Lock - Control
	073023-01-000	EA	Support Asm - Latch - Beige
	R77007-04-136	EA	Bracket - Lock
	063729-04-000	EA	Rivet - 10-32UNF
	076907-07-000	EA	Trim - Door - Upper
	076908-01-000	EA	Trim - Door - Lower
	R77007-56-701	EA	Plate - Door Lock - Right
	075573-01-000	EA	Seal - Pile - Adhesive Back
	081915-01-000	EA	Motor - Electric - Door Lock
	081915-02-000	EA	Bracket - Mounting - Door Lock Motor
	081993-02-000	EA	Control Rod - Lock Motor

1989 WINNEBAGO
TABLE OF CONTENTS

INTRODUCTION	A-01
ABBREVIATIONS	A-01
ALPHABETICAL INDEX	A-02 - A-04
WCP32DO	A-05 - C-18
WC/JP32RQ	C-19 - F-20

1989 WC/JP32RQ INDEX

Floor Plan	C-19 - C-20
Accessories Group	C-21 - C-24
Bath Group	D-01 - D-03
Chassis Group	D-04 - D-08
Curtain, Cushion & Pad Group	D-09 - E-02
Dinette Group	E-03 - E-04
Driver's Compartment Group	E-05 - E-09
Electrical Group	E-10 - E-13
Exterior Body Group	E-14 - E-20
Galley Group	E-21 - E-22
Heating & Air Conditioning Group	E-23 - E-24
Interior Finish Group	F-01 - F-03
LP Group	F-04
Lounge Group	F-05 - F-07
Water & Sewage Group	F-08 - F-09
Window, Vent & Exterior Door Group	F-10 - F-20

WINDOW, VENT & EXTERIOR DOOR GROUP (CONTINUED)

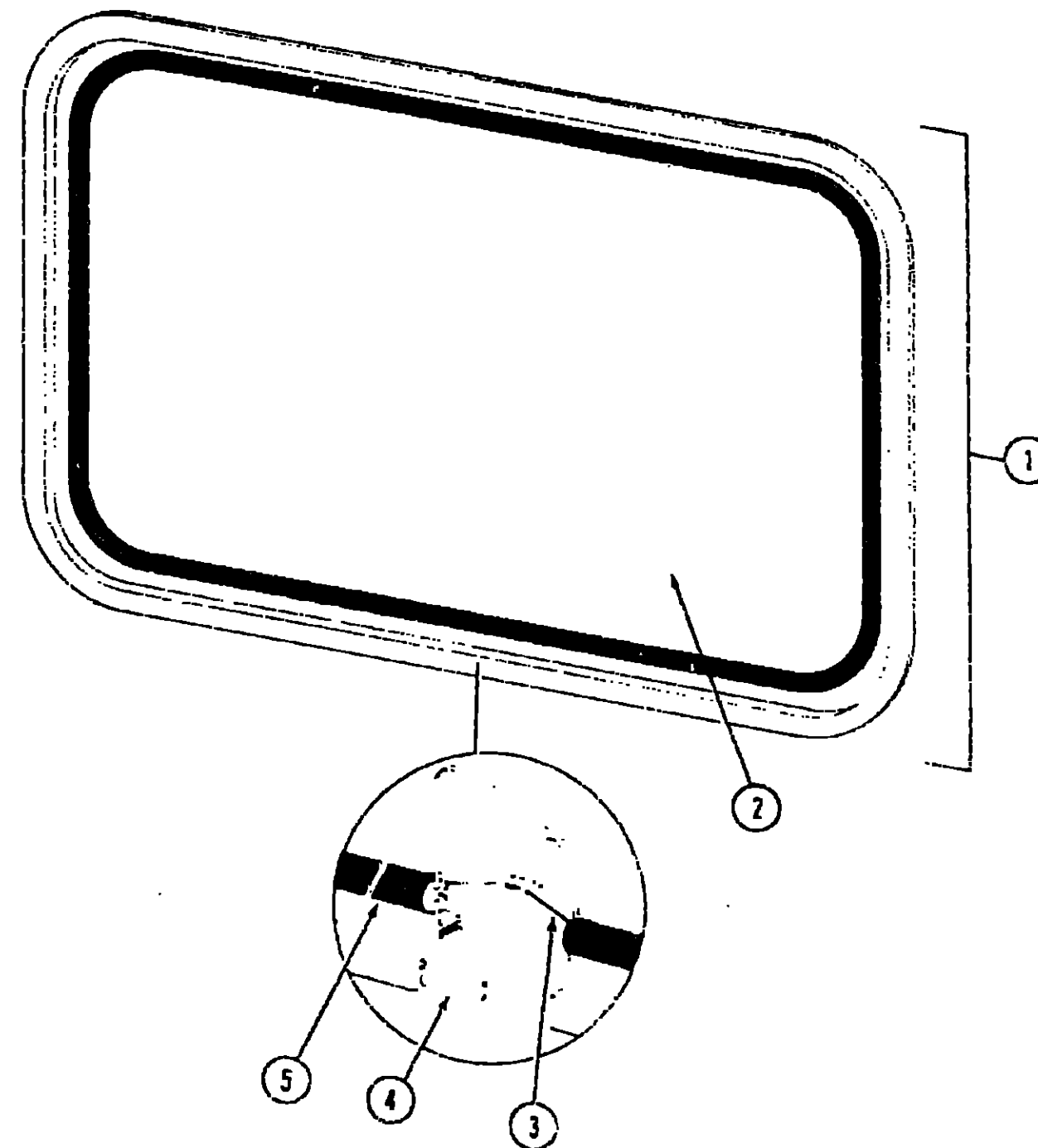
VENTS, ACCESS DOORS AND HARDWARE

Key	Part Number	U/M	Description
	064469-09-000	EA	Vent - Powered - Roof - w.Power Lift (Jensen)
	064469-09-000	EA	Vent - Powered - Roof (Jensen)
	064079-04-000	EA	Vent - Powered - Roof (Fantastic)
	092698-01-02A	EA	Vent - Range Hood w.Door - Beige
	081171-01-000	EA	Trim - Skylight - Outer
	080910-01-000	EA	Panel - Skylight - Outer
	077902-01-000	EA	Panel - Skylight - Inner
	084073-01-000	EA	Vent - Refrigerator - Roof
	084073-04-000	EA	Base - Refrigerator Roof Vent
	084103-01-000	EA	Door - Refrigerator Vent
	084104-01-000	EA	Jamb - Refrigerator - Vent Door
	083558-01-000	EA	Cover - Vent Pipe - Plastic
	076010-01-000	EA	Door Asm - Fuel Fill
	077963-01-000	EA	Gasket Fuel Fill Door
	052009-02-000	EA	Door Asm - Water Heater
	088369-01-X19	EA	Door Asm - Access - Rear - Left
	095010-01-W13	EA	Door Asm - Generator/Luggage
	088366-01-X19	EA	Door Asm - Power Cord
	085331-01-X19	EA	Door Asm - LP
	077137-01-000	EA	Door Asm - Sewer Hose Compartment (Backwall)
	034007-41-000	EA	Hinge - Access Door - 15" x 96"
	076322-02-000	FT	Foam Tape - Double Coated
	082684-01-700	EA	Key - Single
	087281-01-000	EA	Strike - Door - Beige
	085730-01-000	EA	Latch Asm - Access Door - w Lock - Plastic Paddle
	085730-04-000	EA	Latch Asm - Access Door - w/o Lock - Plastic Paddle - Beige
	085910-05-000	EA	Bracket - Paddle Latch Retainer
	090340-01-000	FT	Seal - Foam - Closed Cell - 25" x 5" x 50'
	086727-01-000	EA	Cable Asm - w/Spring - Access Door
	076767-07-000	EA	Cable Asm - 1/16" x 7" - Access Door
	076767-02-000	EA	Cable Asm - 1/16" x 16.5" - Access Door
	077222-01-000	EA	Spring - Cable Guard - Access Door
	042442-02-000	EA	Lock Asm - Twist Type - Access Door
	083615-04-000	EA	Holder - Door - Plastic

WINDSHIELD & VENT WINDOWS

Key	Part Number	U/M	Description
	074857-01-000	EA	Glass - Windshield - Passenger
	074687-02-000	EA	Glass - Windshield - Driver
	076671-01-000	EA	Glass - Front Cover - Driver
	076671-02-000	EA	Glass - Front Cover - Passenger
	083179-01-000	FT	Reveal Molding Windshield - Passenger or Driver
	083178-01-000	FT	Reveal Molding - Center Windshield or Front Corner Glass
	076844-02-000	EA	T-Cap Reveal Molding - Center Windshield
	076841-02-000	EA	Cap - Reveal Molding - Front Corner Glass - Upper
	076842-02-000	EA	Cap - Reveal Molding - Front Corner Glass - Lower

WINDOW, VENT & EXTERIOR DOOR GROUP (CONTINUED)



Key	Part Number	U/M	Description
1	087985-04-Y12	EA	Window Asm - Escape - (w/o inside frame)
	076650-03-000	EA	Inside Frame - Black (not included in assembly)
2	076337-06-000	EA	Glass - 1/8" x 44 8" x 28"
3	002285-01-000	FT	Filler - Weatherstrip - Black
4	059640-07-000	FT	Tape - 2" Bead x 45'
5	002132-01-000	FT	Weatherstrip - Window - 125" Black
	077055-01-701	EA	Tape - Poly - Escape Window - 36"

**1989 WINNEBAGO
TABLE OF CONTENTS**

INTRODUCTION	A-01
ABBREVIATIONS	A-01
ALPHABETICAL INDEX	A-02 - A-04
WCP320Q	A-05 - C-18
WC/JP32RQ	C-19 - F-20

1989 WC/JP32RQ INDEX

Floor Plan	C-19 - C-20
Accessories Group	C-21 - C-24
Bath Group	D-01 - D-03
Chassis Group	D-04 - D-08
Curtain, Cushion & Pad Group	D-09 - E-02
Dinette Group	E-03 - E-04
Driver's Compartment Group	E-05 - E-09
Electrical Group	E-10 - E-13
Exterior Body Group	E-14 - E-20
Galley Group	E-21 - E-22
Heating & Air Conditioning Group	E-23 - E-24
Interior Finish Group	F-01 - F-03
LP Group	F-04
Lounge Group	F-05 - F-07
Water & Sewage Group	F-08 - F-09
Window Vent & Exterior Door Group	F-10 - F-20

WINDOW, VENT & EXTERIOR DOOR GROUP (CONTINUED)

WINDOW, VENT & EXTERIOR DOOR GROUP (CONTINUED)

DOUBLE TIPOUT WINDOW

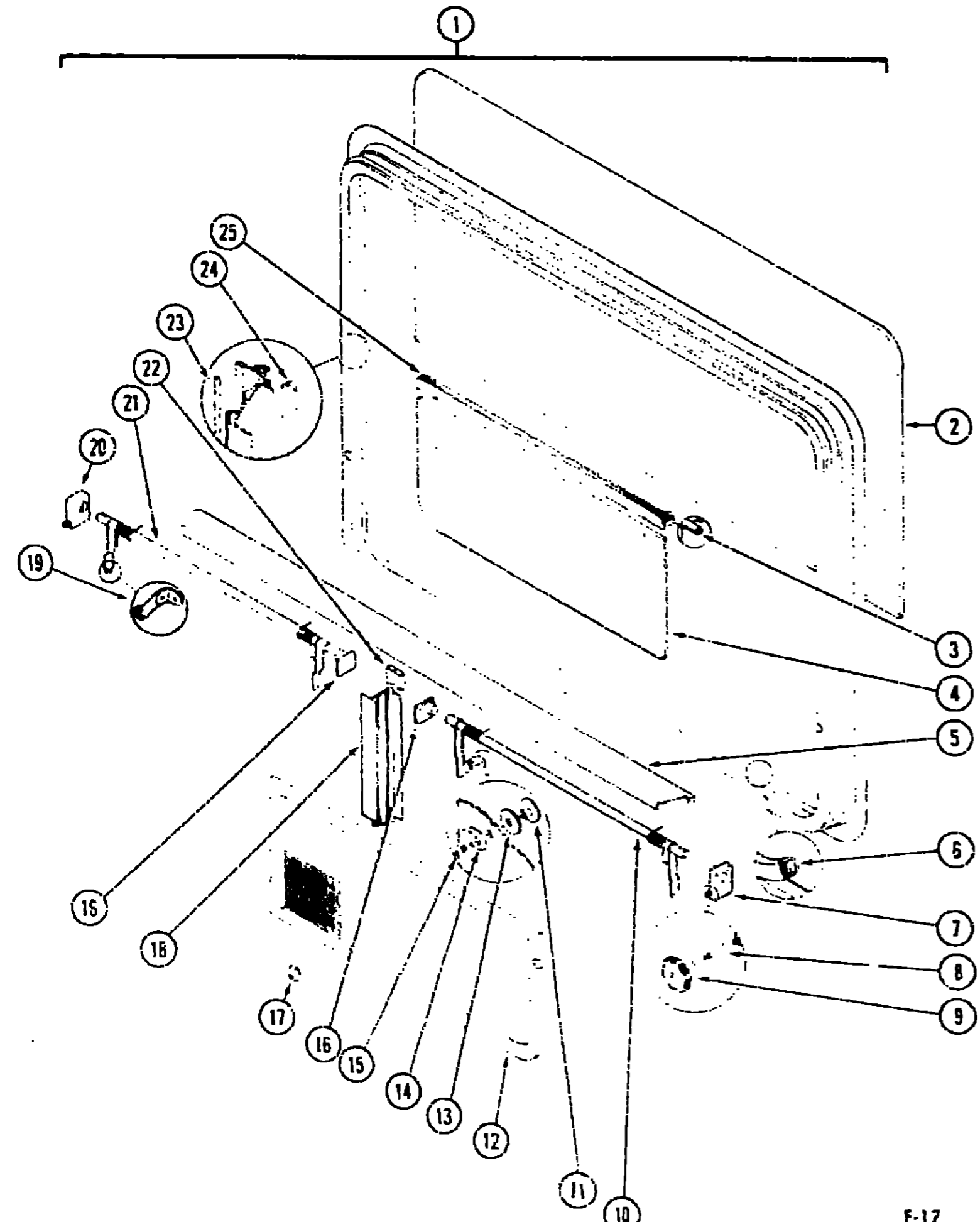
Key	Part Number	U/M	Description
1	085354-04-X11	EA	Window Asm. - Double Tipout - 61.24" (w/o inside frame)
	081822-11-000	EA	Inside Frame - Black (not included in assembly)
2	081239-17-000	EA	Glass - 1/8" x 51.77" x 23" - Stationary
3	081357-01-000	FT	Foam Seal - Vinyl
4	084068-08-000	EA	Glass - 1/8" x 9.24" x 30.39" - Tipout
5	082563-52-001	EA	Mullion - Horizontal - Black
	000G39-06-16T	EA	Screw - SF/DR - 6 - 20 x 1.00 PPH (Mullion - 4 Required)
	076778-03-000	EA	Rivet - Plastic - Pin Drive - Black (2 Required)
6	084057-01-000	FT	Seal - "e" - Sponge Rubber
7	035302-01-000	EA	Operator Drive - Right
8	090025-01-000	EA	Extension - Window Knob (not included in assembly)
9	067052-02-000	EA	Knob - Beige (not included in assembly)
	089371-01-000	EA	Screw - Window Knob (not included in assembly)
10	083228-03-000	EA	Torque Tube Asm. - Right
11	095762-01-000	EA	T-Nut - 10-32
12	084581-01-W07	EA	Screen Asm. - Tipout - Right
	084581-02-W07	EA	Screen Asm. - Tipout - Left
	002293-02-000	SF	Screen - 26" - Window
	002298-02-000	FT	Spine - .130" Dia - Charcoal (Screen)
13	069927-03-000	EA	Seal - Rubber - .12" x 25" I.D. x 80" O.D.
14	084473-01-000	EA	Seal - Rubber - "D" Shaped
15	086763-01-000	EA	Screw - #10 - 32 x 1/4" PTH
16	081354-01-000	EA	Sieve - Window Torque Tube
17	081243-01-000	EA	Clip - Plastic - Screen (4 Required)
	000G12-05-08T	EA	Screw - #6 - 20 x .50" FOH - Black
18	081192-52-001	EA	Mullion - Vertical - Black
	000G39-08-098	EA	Screw - #8 x 18 x 1/2 PPH (Mullion - 4 Required)
19	097578-01-000	EA	Connecting Rod Asm
	095316-01-000	EA	Washer - Wave - .44 O.D. 32 I.D.
	081649-01-000	EA	Snap Ring - 7/32 Shaft
20	035302-02-000	EA	Operator Drive - Left
21	083227-03-000	EA	Torque Tube Asm. - Left
22	084066-01-000	FT	Bulk Seal - Double - Sponge Rubber
23	069540-05-000	FT	Seal - 5/16" x 15" (not included in assembly)
24	083180-91-000	FT	Seal - Vinyl Glazing
25	084155-09-000	EA	Hinge - Tipout Window - Black

1989 WINNEBAGO
TABLE OF CONTENTS

INTRODUCTION	A-01
ABBREVIATIONS	A-01
ALPHABETICAL INDEX	A-02 - A-04
WCP32DO	A-05 - C-18
WC/JP32RQ	C-19 - F-20

1989 WC/JP32RQ INDEX

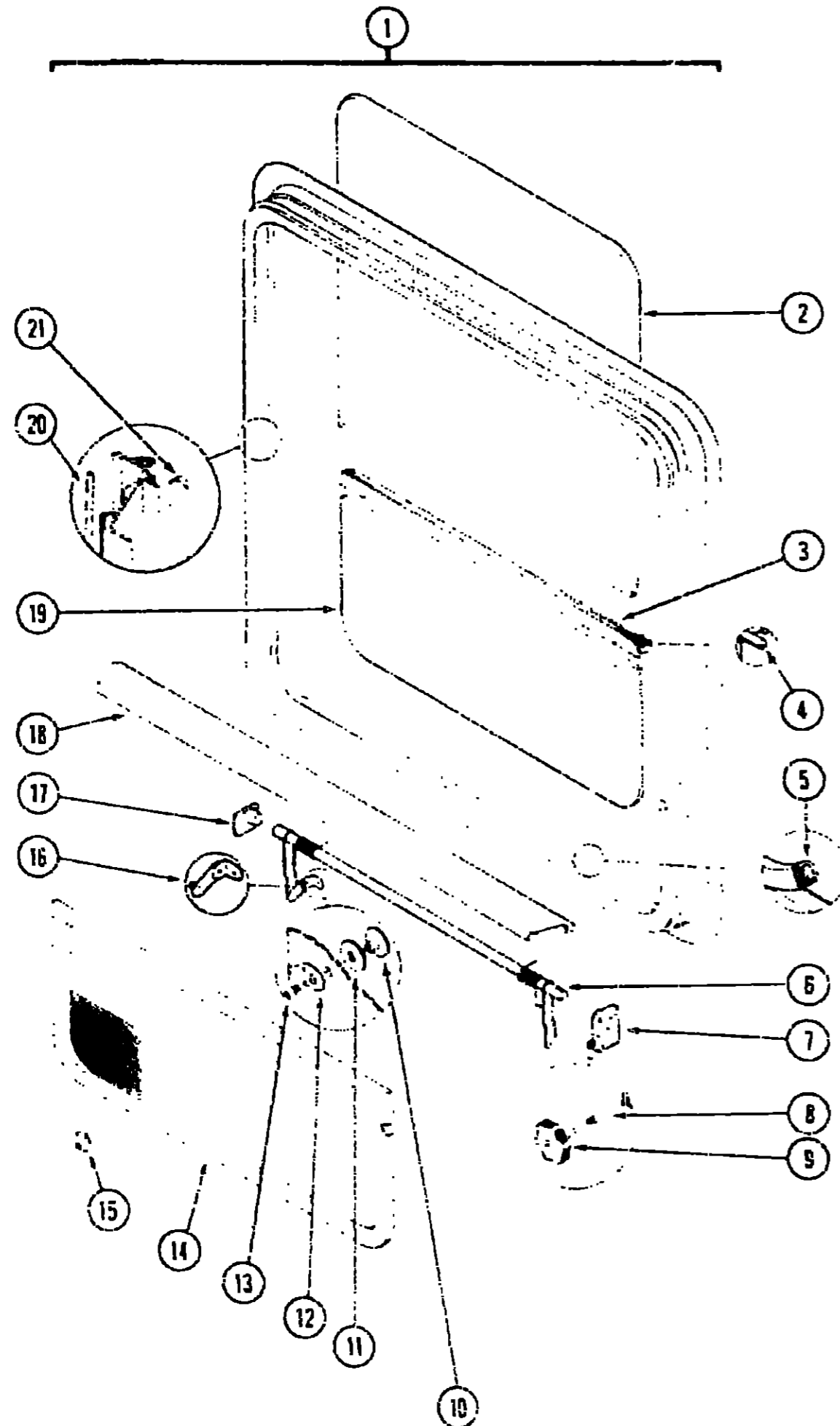
Floor Plan	C-19 - C-20
Accessories Group	C-21 - C-24
Bath Group	D-01 - D-03
Chassis Group	D-04 - D-08
Curtain, Cushion & Pad Group	D-09 - E-02
Dinette Group	E-03 - E-04
Driver's Compartment Group	E-05 - E-09
Electrical Group	E-10 - E-13
Exterior Body Group	E-14 - E-20
Galley Group	E-21 - E-22
Heating & Air Conditioning Group	E-23 - E-24
Interior Finish Group	F-01 - F-03
LP Group	F-04
Lounge Group	F-05 - F-07
Water & Sewage Group	F-08 - F-09
Window, Vent & Exterior Door Group	F-10 - F-20



WINDOW, VENT & EXTERIOR DOOR GROUP (CONTINUED)

WINDOW, VENT & EXTERIOR DOOR GROUP (CONTINUED)

SINGLE TIPOUT WINDOW



Key	Part Number	U/M	Description
1	085353-07-W07	EA	Window Asm - Single Tipout - 24.8" x 24.9" (w/o inside frame)
	081822-04-000	EA	Inside Frame - Black (not included in assembly)
2	081239-05-000	EA	Glass - 14.6" x 24.25" - Stationary
3	089913-01-000	EA	Hinge - Tipout Window - Black
4	081357-01-000	FT	Seal Foam - Vinyl
5	084057-01-000	FT	Seal - "e" - Sponge Rubber
6	083150-05-000	EA	Torque Tube Asm.
7	035307-02-000	EA	Operator Drive - Left
6	009439-06-000	EA	Extension - .500" - Black (not included in assembly)
9	009439-05-000	EA	Knob - Window Crankout - Black (not included in assembly)
	009439-07-000	EA	Screw - 8/32" x 1 1/4" POH - Black (not included in assembly)
10	066762-01-000	EA	T-Nut - 10-32
11	058927-03-000	EA	Seal - Rubber - .12" x 25" I.D. x 80" O.D.
12	084473-01-000	EA	Seal - Rubber - "D" Shaped
13	086763-01-000	EA	Screw - #10 - 32 x 1/4" PTH
14	084580-04-W07	EA	Screw Asm. - Tipout Window - Single
	002293-02-000	SF	Screen - Window - 25" - Charcoal
	002298-02-000	FT	Spline - 1.30" Dia - Charcoal (Screen)
15	031243-01-000	EA	Screen Clip - Plastic - Black
	000612-06-08T	EA	Screw - #6 - 20 x .50" POH - Black
16	097578-01-000	EA	Connecting Rod Asm.
	085716-01-000	EA	Washer - Wave - .44 O.D. 32 I.D.
	081649-01-000	EA	Snap Ring - 7/32 Shaft
17	081754-01-000	EA	Sleeve - Window Torque Tube
18	082563-52-001	EA	Mullion - Horizontal - Black
19	084068-02-000	EA	Glass - 9.24" x 24.13" - Tipout
20	069540-05-000	FT	Seal - 5/16" x 15" (not included in assembly)
21	083180-01-000	FT	Seal - Vinyl Glazing

1989 WINNEBAGO
TABLE OF CONTENTS

INTRODUCTION	A-01
ABBREVIATIONS	A-01
ALPHABETICAL INDEX	A-02 - A-04
WCP32DQ	A-05 - C-18
WC/JP32RQ	C-19 - F-20

1989 WC/JP32RQ INDEX

Floor Plan	C-19 - C-20
Accessories Group	C-21 - C-24
Bath Group	D-01 - D-03
Chassis Group	D-04 - D-08
Curtain, Cushion & Pad Group	D-09 - E-02
Dinette Group	E-03 - E-04
Driver's Compartment Group	E-05 - E-09
Electrical Group	E-10 - E-13
Exterior Body Group	E-14 - E-20
Galley Group	E-21 - E-22
Heating & Air Conditioning Group	E-23 - E-24
Interior Finish Group	F-01 - F-07
LP Group	F-04
Lounge Group	F-05 - F-07
Water & Sewage Group	F-08 - F-09
Window, Vent & Exterior Door Group	F-10 - F-20