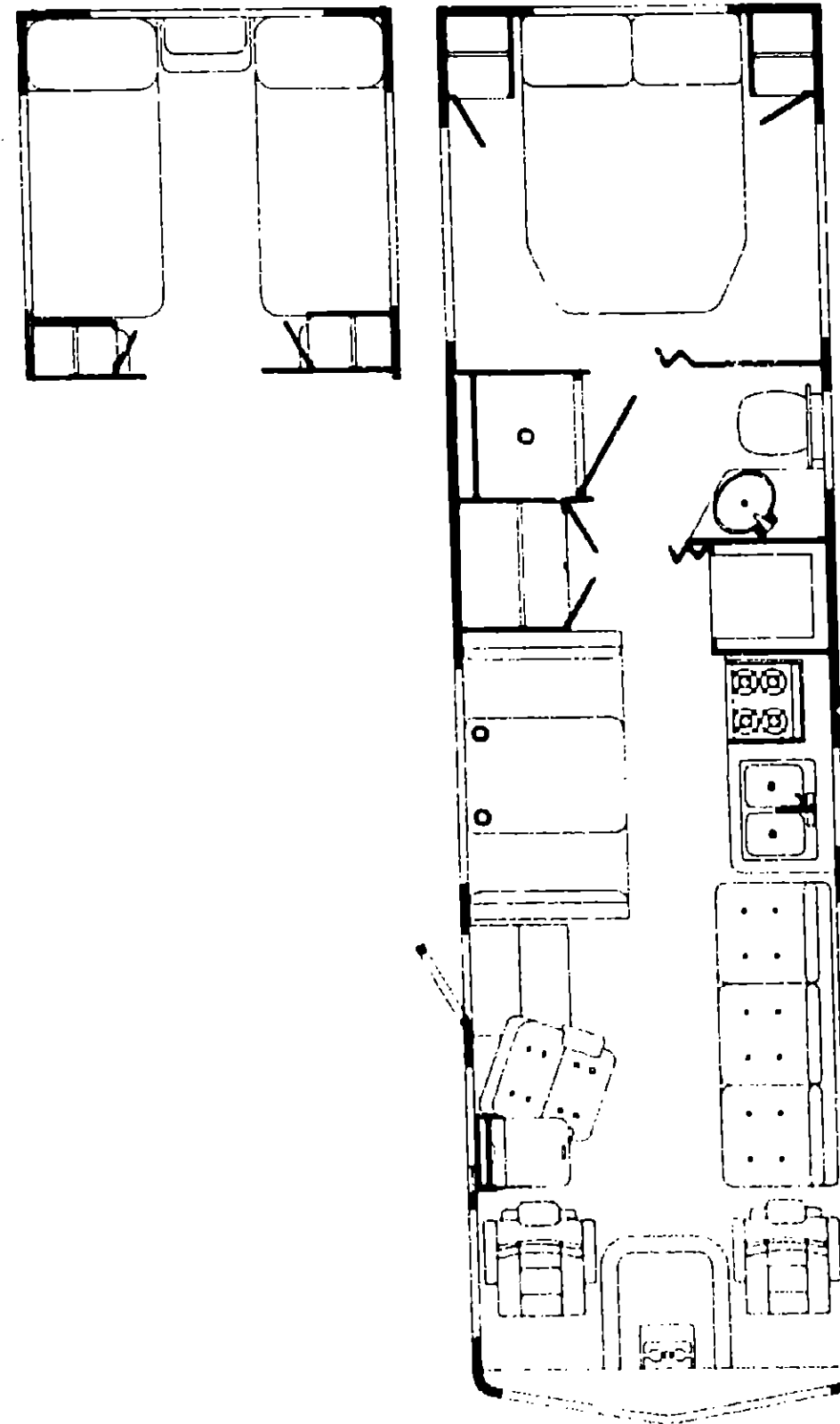


**1989 WINNEBAGO
TABLE OF CONTENTS**

INTRODUCTION	A-01
ABBREVIATIONS	A-01
ALPHABETICAL INDEX	A-02 - A-04
WCM27RQ	A-05 - D-18
WC/JM31RQ	D-19 - H-10

**1989
WC/JM31RQ**



1989 WC/JM31RQ INDEX

Floor Plan	D-19 - D-20
Accessories Group	D-21 - E-03
Bath Group	E-04 - E-07
Chassis Group	E-08 - E-14
Curtain, Cushion & Pad Group	E-15 - F-02
Dinette Group	F-03 - F-04
Driver's Compartment Group	F-05 - F-10
Electrical Group	F-11 - F-14
Exterior Body Group	F-15 - F-20
Galley Group	F-21 - F-24
Heating & Air Conditioning Group	G-01
Interior Finish Group	G-02 - G-03
LP Group	G-04
Lounge Group	G-05 - G-10
Water & Sewage Group	G-11 - G-12
Window, Vent & Exterior Door Group	G-13 - H-10

ACCESSORIES GROUP

RACK & LADDER COMPONENTS

Key	Part Number	U/M	Description
	081026-02-T03	EA	Rack Asm. - Driver
	081026-01-T03	EA	Rack Asm. - Passenger
	080999-02-T03	EA	Ladder Asm. - Upper
	080997-04-X14	EA	Ladder Asm. - Lower
	067165-01-000	EA	Mounting Bracket
	076980-02-000	EA	Step Cap - Black
	080873-01-000	EA	Latch - Lower Ladder - Gray
	081055-01-000	EA	Springgrip - Internal Tooth
	081056-01-000	EA	Pin - Quick Release
	081113-01-000	EA	Bushing - Plastic Flange - White
	081114-01-000	EA	Cap Insert - Round - 1" Dia.
	081115-01-000	EA	Top Cap - 1"
	081116-01-000	EA	Top Slide - 1"
	076986-03-001	EA	Bright Dipped Step
	081107-01-000	EA	Bracket - Bumper Pin
	038327-01-000	EA	Tape - Anti-Slip - 2" x 60'

FOG LAMP & COMPONENTS (OPTION 57M)

Key	Part Number	U/M	Description
	088747-01-000	EA	Lamp Asm. - Fog - Clear Lens
	088747-01-700	EA	Cover - Fog Lamp
	088942-01-000	EA	Mounting Bracket - Fog Lamp
	089305-01-000	EA	Switch - Fog Lamp
	007940-01-000	EA	Receptacle - Slide - 16 to 12 AWG Wire
	007942-01-000	EA	Tab - 18 to 14 AWG Wire
	010499-01-000	EA	Clamp - Closed - 3/8" I.D.
	063910-01-000	EA	Housing - Relay
	063912-02-000	EA	Relay - Canister - SPDT - w/Resistor
	093654-02-000	EA	Circuit Breaker - 15 Amp.

POWER SEARCHLIGHT & COMPONENTS (OPTION 63E)

Key	Part Number	U/M	Description
	051057-02-000	EA	Spotlight - Power Driven - w/o Switch
	051057-03-000	EA	Switch Asm. - Spotlight
	051057-01-700	EA	Switch - Panel Asm. - Auxiliary
	051057-01-701	EA	Switch - Panel Asm. - Main
	051057-01-702	EA	Joy Switch & Housing
	051057-01-703	EA	Toggle Switch - On/Off
	051057-01-704	EA	Micro Switch
	051057-01-705	EA	Bulb - Spotlight
	035416-04-000	EA	Terminal - Ring - #10 Stud Fit
	044466-03-000	EA	Circuit Breaker - w/Mounting Brackets
	077368-03-000	EA	Panel - Instrument Panel Cover - Lower Driver (Chevrolet)
	077368-04-000	EA	Panel - Instrument Panel Cover - Lower Driver (John Deere)
	087949-01-000	EA	Buss Bar - 2 Position

WHEEL COVER & MOUNTING HARDWARE

Key	Part Number	U/M	Description
	083181-03-000	EA	Wheel Cover - 19.5" (Set/4)
	083181-03-700	EA	Wheel Cover - 19.5" (1)
	083181-04-000	EA	Retainer Kit - 19.5" Wheel Cover (Set/4) (Chevrolet)
	083181-04-700	EA	Retainer Kit - 19.5" Wheel Cover - Front (1) (Chevrolet)
	083181-04-701	EA	Retainer Kit - 19.5" Wheel Cover - Rear (1) (Chevrolet)
	083181-07-000	EA	Retainer Kit - 19.5" Wheel Cover (Set/4) (John Deere)
	083181-04-702	EA	Nut Cover - 19.5" Wheel
	083181-04-703	EA	Center Cap - Chrome

ACCESSORIES GROUP (CONTINUED)

CHROME WHEEL LINERS (OPTION 63K)

Key	Part Number	U/M	Description
	091209-01-000	EA	Wheel Liner - Chrome - 19.5" (Set/4) (Chevrolet)
	091209-01-700	EA	Wheel Liner - Chrome - 19.5" - Front
	091209-01-701	EA	Wheel Liner - Chrome - 19.5" - Rear
	091209-01-702	EA	Axle Cover - 10 Lug - 19.5" - Front
	091209-01-703	EA	Axle Cover - 10 Lug - 19.5" - Rear
	091209-01-704	EA	Cover - Lug Nut - 19.5"
	086271-01-000	EA	Wheel Liner - Chrome - 19.5" (Set/4) (John Deere)
	086271-01-700	EA	Wheel Liner - Chrome - 19.5" - Front (1)
	086271-01-701	EA	Wheel Liner - Chrome - 19.5" - Rear (1)
	086271-01-702	EA	Axle Cover - 6 Lug - 19.5" - Front
	086271-01-703	EA	Axle Cover - 6 Lug - 19.5" - Rear
	086271-01-704	EA	Beauty Ring
	086271-01-705	EA	Cover - Lug Nut - 19.5"
	077030-02-000	EA	Valve Stem Extension - 1.25"
	095012-01-000	EA	Valve Stem Extension - Dual Wheel

EXTERIOR MIRRORS

Key	Part Number	U/M	Description
	086260-01-000	EA	Mirror Asm. - w/Convex - Right
	086260-02-000	EA	Mirror Asm. - w/Convex - Left
	086260-03-000	EA	Accessory Kit - Mirror, Ext.

CUSTOM STEERING WHEEL (CHEVROLET - OPTION 36P)

Key	Part Number	U/M	Description
	080752-17-000	EA	Steering Wheel - Custom - w/2 Horn Buttons
	080752-05-000	EA	Steering Wheel - Custom
	080752-06-000	EA	Adapter Hub
	080752-07-000	EA	Horn Button - w/Wire
	080752-08-000	EA	Screw - Custom Steering Wheel

AIR HORNS & COMPONENTS (OPTION 36R)

Key	Part Number	U/M	Description
	077497-01-000	EA	Air Horn Kit - Twin - Chromed
	077497-01-700	EA	Solenoid - Air Tank
	077497-01-701	EA	Switch - Compressor
	077497-01-702	EA	Switch - Toggle w/Wire
	077497-01-703	EA	Air Tank
	077497-01-704	EA	Compressor w/Switch
	077497-01-705	EA	Repair Kit 1/Hadley 120 Compressor
	077497-02-000	EA	Hose Kit - Auxiliary Air
	077497-03-000	EA	Parts Kit - Hose - Auxiliary Air
	081404-01-000	EA	Mounting Bracket - Compressor
	081407-01-000	EA	Mounting Plate - Air Horns
	078239-01-000	EA	Label Plate - Air Horns
	063912-02-000	EA	Relay - Canister - SPDT - w/Resistor
	007940-01-000	EA	Receptacle - Slide - 16 to 12 AWG Wire
	007942-01-000	EA	Tab - 18 to 14 AWG Wire
	041053-01-000	EA	Conduit - Plastic Convolute Slit - .50" I.D.
	063910-01-000	EA	Housing - Relay
	093654-02-000	EA	Circuit Breaker - 15 Amp.
	087949-01-000	EA	Buss Bar - 2 Position

1989 WINNEBAGO TABLE OF CONTENTS

INTRODUCTION	A-01
ABBREVIATIONS	A-01
ALPHABETICAL INDEX	A-02 - A-04
WCM27RQ	A-05 - D-18
WC/JM31RQ	D-19 - H-10

1989 WC/JM31RQ INDEX

Floor Plan	D-19 - D-20
Accessories Group	D-21 - E-03
Bath Group	E-04 - E-07
Chassis Group	E-08 - E-14
Curtain, Cushion & Pad Group	E-15 - F-02
Dinette Group	F-03 - F-04
Driver's Compartment Group	F-05 - F-10
Electrical Group	F-11 - F-14
Exterior Body Group	F-15 - F-20
Galley Group	F-21 - F-24
Heating & Air Conditioning Group	G-01
Interior Finish Group	G-02 - G-03
I.P. Group	G-04
Lounge Group	G-05 - G-10
Water & Sewage Group	G-11 - G-12
Window, Vent & Exterior Door Group	G-13 - H-10

ACCESSORIES GROUP (CONTINUED)

4.0KW & 6.5KW GENERATORS & COMPONENTS (OPTION 39E & 39G)

Key	Part Number	U/M	Description
	093545-01-000	EA	Generator - Onan Emerald - 4.0KW (Option 39E)
	093546-01-000	EA	Generator - Onan Emerald - 6.5KW (Option 39G)
	094657-02-000	EA	Tray Asm. - Generator
	083151-01-000	EA	Muffler
	007125-02-000	EA	Clamp Asm. - Muffler - 1.25" Dia.
	007125-03-000	EA	Clamp Asm. - Muffler - 1.50" Dia.
	083152-08-000	EA	Exhaust Pipe - Generator
	092508-01-000	EA	Exhaust Pipe - Generator
	008054-01-000	EA	Power Cord - 10/3 - 30 Amp. - 25' - USA
	008052-01-000	EA	Power Cord - 10/3 - 30 Amp. 25' - CSA
	024924-02-000	EA	Receptacle - Power Cord
	069238-01-000	EA	Cover - Receptacle Box - Power Cord - 4" x 4"
	008026-01-000	EA	Wire - 12/2 Romex w/Ground
	008289-01-000	EA	Electrical Box - Steel - 4" x 4" - 1/2 & 3/4 - USA
	008294-01-000	EA	Cover Plate - Blank Steel - 4" x 4" - USA
	008289-02-000	EA	Electrical Box - Steel - 4" x 4" - 1/2 & 3/4 - CSA
	008294-02-000	EA	Cover Plate - Blank Steel - 4" x 4" - CSA
	008037-01-000	EA	Battery Cable - 1 AWG Strand
	010495-01-000	EA	Clamp - Cable - 9/16"
	010497-01-000	EA	Clamp - Closed - 5/8"
	062401-03-000	EA	Clamp - Hose - Wormgear - .22" to 1" I.D.
	062401-06-000	EA	Clamp - Hose - Wormgear - .22" to .62" I.D.
	041953-01-000	EA	Conduit - Plastic Convolute Slit - 1/2" I.D.
	008401-01-000	EA	Conduit - Strap - 3/4"
	008311-01-000	EA	Connector - Wire Nut - Red
	008312-01-000	EA	Connector - Wire Nut - Blue
	008314-01-000	EA	Connector - Wire Nut - Gray
	008356-01-000	EA	Connector - Plastic - 3/8"
	008353-01-000	EA	Connector - Cable Clamping - 3/8"
	041480-01-000	EA	Connector - Straight - Flex Conduit
	023942-01-000	EA	Grommet - Rubber - 2" O.D.
	071015-07-000	EA	Grommet - Rubber - 1" I.D.
	071015-08-000	EA	Grommet - Rubber - 1.75" I.D.
	071015-13-000	EA	Grommet - Rubber - .62" I.D.
	007063-01-000	FT	Hose - Gasoline - 1/4" I.D. x 1/2" O.D.
	094059-01-000	EA	Spacer
	008328-01-000	EA	Terminal - Ring - 12/10 Wire
	008348-01-000	EA	Terminal - Ring - 2, 3/8 Stud
	008343-01-000	EA	Wire Tie - 6"
	024978-01-000	EA	Generator Switch - w/o Circuit Board
	031035-01-000	EA	Gauge Asm. - Hourmeter
	076006-24-000	EA	Bezel - Entertainment Center (Chevrolet)
	076006-22-000	EA	Bezel - Entertainment Center (John Deere)

ACCESSORIES GROUP (CONTINUED)

4.5KW & 7.0KW GENERATOR & COMPONENTS (OPTION 350 & 37M)

Key	Part Number	U/M	Description
	093740-01-000	EA	Generator - Kohler - 4.5KW (Option 350)
	093547-01-000	EA	Generator - Kohler - 7.0KW (Option 37M)
	093590-04-000	EA	Muffler
	007125-02-000	EA	Clamp Asm. - Muffler - 1.25" Dia.
	007125-03-000	EA	Clamp Asm. - Muffler - 1.50" Dia.
	093591-01-000	EA	Exhaust Pipe - 4.5KW
	083152-08-000	EA	Exhaust Pipe - 7.0KW
	092508-01-000	EA	Exhaust Pipe - 7.0KW
	008054-01-000	EA	Power Cord - 10/3 - 30 Amp. - 25' - USA
	008052-01-000	EA	Power Cord - 10/3 - 30 Amp. - 25' - CSA
	024924-02-000	EA	Receptacle - Power Cord
	069238-01-000	EA	Cover - Receptacle Box - Power Cord - 4" x 4"
	008026-01-000	EA	Wire - 12/2 Romex w/Ground
	008289-01-000	EA	Electrical Box - Steel - 4" x 4" - 1/2 & 3/4 - USA
	008294-01-000	EA	Cover Plate - Blank Steel - 4" x 4" - USA
	008289-02-000	EA	Electrical Box - Steel - 4" x 4" - 1/2 & 3/4 - CSA
	008294-02-000	EA	Cover Plate - Blank Steel - 4" x 4" - CSA
	008037-01-000	EA	Battery Cable - 1 AWG Strand
	010495-01-000	EA	Clamp - Cable - 9/16"
	010497-01-000	EA	Clamp - Closed - 5/8" I.D.
	062401-03-000	EA	Clamp - Hose - Wormgear - .22" to 1" I.D.
	062401-06-000	EA	Clamp - Hose - Wormgear - .22" to .62" I.D.
	041953-01-000	EA	Conduit - Plastic Convolute Slit - .50" I.D.
	008401-01-000	EA	Conduit - Strap - .75"
	008311-01-000	EA	Connector - Wire Nut - Red
	008312-01-000	EA	Connector - Wire Nut - Blue
	008314-01-000	EA	Connector - Wire Nut - Gray
	008356-01-000	EA	Connector - Plastic - 3/8"
	008353-01-000	EA	Connector - Cable Clamping - 3/8"
	023942-01-000	EA	Grommet - Rubber - 2" O.D.
	071015-07-000	EA	Grommet - Rubber - 1" I.D.
	071015-08-000	EA	Grommet - Rubber - 1.75" I.D.
	071015-13-000	EA	Grommet - Rubber - .62" I.D.
	007063-01-000	FT	Hose - Gasoline - 1/4" I.D. x 1/2" O.D.
	008328-01-000	EA	Terminal - Ring - 12/10 Wire
	008348-01-000	EA	Terminal - Ring - 2, 3/8" Stud
	008343-01-000	EA	Wire Tie - 6"
	024978-01-000	EA	Generator Switch - w/o Circuit Board
	031035-01-000	EA	Gauge Asm. - Hourmeter
	076006-24-000	EA	Bezel - Entertainment Center (Chevrolet)
	076006-22-000	EA	Bezel - Entertainment Center (John Deere)

**1989 WINNEBAGO
TABLE OF CONTENTS**

INTRODUCTION	A-01
ABBREVIATIONS	A-01
ALPHABETICAL INDEX	A-02 A-04
WCM27RQ	A-05 - L-18
WC/JM31RQ	D-19 - H-10

1989 WC/JM31RQ INDEX

Floor Plan	D-19 - D-20
Accessories Group	D-21 - E-03
Bath Group	E-04 - E-07
Chassis Group	E-08 - E-14
Curtain, Cushion & Pad Group	E-15 - F-02
Dinette Group	F-03 - F-04
Driver's Compartment Group	F-05 - F-10
Electrical Group	F-11 - F-14
Exterior Body Group	F-15 - F-20
Galley Group	F-21 - F-24
Heating & Air Conditioning Group	G-01
Interior Finish Group	G-02 - G-03
LP Group	G-04
Lounge Group	G-05 - G-10
Water & Sewage Group	G-11 - G-12
Window, Vent & Exterior Door Group	G-13 - H-10

ACCESSORIES GROUP (CONTINUED)

REAR MONITOR SYSTEM (OPTION 87Z)

Key	Part Number	U/M	Description
	093040-02-000	EA	Television System - Rear View
	083207-02-000	EA	Cable - Television System - Rear View
	080006-01-000	EA	Wire Asm. - Fuse Block
	084428-01-000	EA	Insert - Press-In - 3/16" - 18 Thread
	062037-01-000	EA	Housing - Auto Fuse - Natural
	093040-01-000	EA	Television System - Rear View
	093040-01-700	EA	Camera - Television System - Rear View
	093040-01-701	EA	6" Monitor w/Bracket & Wire Harness
	093221-01-000	EA	Lens - Rear Monitor Shroud
	093957-01-01A	EA	TV Shroud - Beige
	093041-02-000	EA	Cable - Monitor/Camera
	094002-01-000	EA	Bracket Asm. - Camera
	094001-01-000	EA	Clamp - Camera
	031770-01-000	EA	Clamp - Cable - 3/16" Dia.
	080006-01-000	EA	Wire Asm. - Fuse Block
	062037-01-000	EA	Housing - Auto Fuse - Natural
	093040-02-000	EA	Wire Asm. - Monitor

REAR WINDOW WIPER/WASHER (OPTION 59F)

Key	Part Number	U/M	Description
	087249-01-000	EA	Motor Asm. - Wiper - 68° Wipe
	067251-01-000	EA	Wiper Blade - 16" Black
	087252-01-000	EA	Arm Asm. - Wiper - 20" Black
	087967-01-000	EA	Cover - Wiper Motor - Light Oak
	007337-01-000	EA	Bracket - Wiper Motor
	087266-01-000	EA	Switch - Rear Wiper
	056000-03-000	EA	Washer Asm. - Rear Window

FRONT RADIO

Key	Part Number	U/M	Description
	090982-01-000	EA	Radio - AM/FM Stereo/Cassette - Electronic Tune - #HCC1035
	092311-01-000	EA	Radio - AM/FM Stereo/Cassette - Deluxe Tune - Digital Clock - #HCC1170 (Option 57E)
	064791-01-000	EA	Speaker - Recessed - 5.25" Dia. Round
	073741-03-000	EA	Speaker - 4" x 6" Oval - Audiovox 110-2074
	073741-04-000	EA	Grille - Speaker - 4" x 6" Oval - Audiovox 136-1157
	073431-01-000	EA	Speaker - 3 Way w/Cover - 5.25" Dia. (Deluxe Tune)
	094097-01-000	EA	Speaker - 5.25" Dia. w/o Grille (Deluxe Tune)
	089340-01-000	EA	Grille - Speaker - 6 1/2" Square
	074979-01-000	EA	Cover - Speaker - Light Oak
	031105-02-000	EA	Antenna - Side Mount - 12" Ground
	031105-01-700	EA	Antenna Holder - Upper
	087701-01-000	EA	Wire Asm. - 9 Pin Adapter

REAR STEREO (OPTION 26L)

Key	Part Number	U/M	Description
	090339-01-000	EA	Radio - AM/FM Stereo w/Cassette - Magnadyne LS180
	097153-01-000	EA	Radio - AM/FM Stereo w/Cassette - Advantz AE - 9000MD
	064791-01-000	EA	Speaker - 5.25" Dia. - Recessed
	094097-01-000	EA	Speaker - 5.25" Dia. - w/o Grille
	089340-01-000	EA	Grille - Rear Speaker - 6 1/2" Square
	074979-01-000	EA	Cover - Speaker - Light Oak
	090944-01-000	EA	Antenna - Rubber - 16"
	077069-02-000	EA	Cable - Antenna
	090862-01-000	EA	Hat Bracket - Antenna
	010495-01-000	EA	Clamp - Cable - 9/16"
	058028-01-000	EA	Pigtail Connector - Clear Nylon

ACCESSORIES GROUP (CONTINUED)

AUXILIARY BATTERY DISCONNECT (OPTION 29A)

Key	Part Number	U/M	Description
	068343-01-000	EA	Terminal - Ring - 2 - 3/8" Stud
	062901-02-000	EA	Fuse - 5 Amp. - Automotive
	065963-04-000	EA	Switch - Auxiliary Battery - DPDT
	068070-01-000	EA	Terminal - 1/0 AWG - 3/8" Ring
	081087-01-000	EA	Light Asm. - Indicator
	086273-01-000	EA	Relay - Battery Disconnect
	088751-01-000	FT	Cable - Electrical - Stranded

WATER PURIFICATION SYSTEM (OPTION 29B)

Key	Part Number	U/M	Description
	087200-01-000	EA	Filter - Water Purification
	087200-02-000	EA	Cartridge - Water Filter
	039800-01-000	FT	Tubing - Polybutyl - 1/2" O.D. x 20'
	052957-01-000	EA	Elbow - Plastic - 1/2" F x 3/8" MPT
	065120-01-000	EA	Elbow - Plastic - Swivel - 1/2"
	052959-01-000	EA	Connector - Plastic - 1/2" F x 1/4" MPT
	052959-02-000	EA	Connector - Plastic - 1/2" F x 1/2" MPT
	052952-01-000	EA	Nut - Plastic - 1/2" F
	091208-01-000	EA	Washer - Rubber - .06" x .75" x .50"

TV SYSTEM COMPONENTS (OPTION 42C, 42V, 42Y)

Key	Part Number	U/M	Description
	091258-02-000	EA	TV - 13" Color - Remote - Sharp 13NM48
	091258-02-700	EA	Remote Control - Color TV - Sharp
	091907-02-000	EA	VCR - VHS - Sharp VC2208U
	091907-01-700	EA	Remote Control - VCR - Sharp
	086757-01-000	EA	Control Center - Switching - Channel Master
	091996-01-000	EA	Separator - VHF/UHF
	086756-01-000	EA	Splitter - 2 Way - TV
	085774-01-000	FT	Fastener - Dual Lock - 1"
	085774-02-000	FT	Fastener - Dual Lock - 1"
	058708-01-000	EA	Receptacle - Duplex - Brown T & B
	086777-01-000	EA	Wall Plate - Antenna/Cable - Ivory
	086777-03-000	EA	Wall Plate - Antenna/Power - Ivory
	086777-04-000	EA	Wall Plate - Antenna/Cable - Brown
	086778-02-000	EA	Receptacle - Cable Television - Exterior
	086783-02-000	EA	Gasket - Receptacle - Cable Television - Exterior
	090964-01-000	EA	Cover - Receptacle - Cable Television - Exterior
	076319-01-000	EA	Antenna - Roof Mount - 44.5" Mast
	076319-03-000	EA	Coaxial Cable - 1000' 75 Ohm
	076319-06-000	EA	Adaptor - Cable Roof Plate
	076319-08-000	EA	Wallplate/Receptacle - Ivory
	076319-11-000	EA	Adaptor - Coax w/Splitter
	076319-12-000	EA	Connector - Coaxial Cable - 1 PC

AUXILIARY DEFROSTER FANS (OPTION 36N)

Key	Part Number	U/M	Description
	036420-02-000	EA	Defroster Fan - 6" Dia. - 2 Speed
	089306-01-000	EA	Switch - Defroster Fans
	089579-01-000	EA	Wire Asm. - Defroster Fans
	062036-02-000	EA	Terminal - Pack - Con, 16/14 AWG

**1989 WINNEBAGO
TABLE OF CONTENTS**

INTRODUCTION	A-01
ABBREVIATIONS	A-01
ALPHABETICAL INDEX	A-02 - A-04
WCM27RQ	A-05 - D-18
WC/JM31RQ	D-19 - H-10

1989 WC/JM31RQ INDEX

Floor Plan	D-19 - D-20
Accessories Group	D-21 - E-03
Bath Group	E-04 - E-07
Chassis Group	E-08 - E-14
Curtain, Cushion & Pad Group	E-15 - F-02
Dinette Group	F-03 - F-04
Driver's Compartment Group	F-05 - F-10
Electrical Group	F-11 - F-14
Exterior Body Group	F-15 - F-20
Galley Group	F-21 - F-24
Heating & Air Conditioning Group	G-01
Interior Finish Group	G-02 - G-03
LP Group	G-04
Lounge Group	G-05 - G-10
Water & Sewage Group	G-11 - G-12
Window, Vent & Exterior Door Group	G-13 - H-10

ACCESSORIES GROUP (CONTINUED)

MISCELLANEOUS ACCESSORIES

Key	Part Number	U/M	Description
	054185-28-000	EA	Owner's Manual - 1989 - Winnebago
	081202-01-000	EA	Floor Mat - Front - Right - Winnebago
	081201-01-000	EA	Floor Mat - Front - Left - Winnebago
	081075-01-000	EA	Floor Mat - Entrance - Winnebago
	017516-01-000	EA	Mud Flap - 14" x 18" - Rear - Black
	084472-01-000	EA	Holder - Fire Extinguisher - Recessed - Light Brown
	041944-03-000	EA	Fire Extinguisher - 5 B.C. - w/Bracket
	041944-04-000	EA	Fire Extinguisher - 5 B.C. w/o Bracket
	094651-01-01A	EA	Holder - Fire Extinguisher
	094499-01-000	EA	Fire Extinguisher - Dry 1A 10 B.C. - USA
	094499-02-000	EA	Fire Extinguisher - Dry 1A 10 B.C. - CSA
	072852-01-000	EA	Smoke Detector - w/9 Volt Battery
	080208-01-000	EA	Lug Wrench - 1.06 x 1.00 (Chevrolet)
	080208-02-000	EA	Leverage Bar - Lug Wrench
	080208-03-000	EA	Lug Wrench - 1.5 x 8 Sq. (John Deere)
	051377-01-000	EA	Valve Stem Asm. - TR500
	077030-02-000	EA	Valve Stem Extension - 1.25"
	095012-01-000	EA	Valve Stem Extension - Dual Wheel
	085741-01-700	EA	Valve Stem Extension - Stainless Steel (Set/4)
	091955-01-000	EA	Squeegee - Telescoping Handle
	091952-01-000	EA	Clip - 1" Squeegee Retainer
	093527-01-000	EA	Bracket - Squeegee Clip
	082684-01-000	EA	Key Set
	094369-01-000	EA	Speed Control - w/Smart Stick
	094707-01-01A	EA	Step Asm. - Electric (Kwikkee) - Double
	088788-01-000	EA	Vacuum Cleaner - Hand Held (Option 22R)
	088778-01-700	EA	Bag - Disposable - Hand Held Vacuum - 4 Pack)
	093663-01-000	EA	Drawer Asm. - Lockbox
	093666-01-000	EA	Lockbox Asm. - Outer
	023111-01-000	EA	Food Center - Built-In (Option 67F)

BATH GROUP

BATH HARDWARE

Key	Part Number	U/M	Description
	075240-05-000	EA	Lavatory Faucet - Brass - USA
	011056-03-000	EA	Lavatory Faucet - Chrome - CSA
	091253-01-000	EA	Gasket - Lavatory Faucet
	089366-01-000	EA	Sink - Oval - Ivory Plastic
	011069-03-000	EA	Tailpiece - Plastic - USA
	011069-02-000	EA	Tailpiece - Brass - CSA
	075242-03-000	EA	Faucet - Tub & Shower - Brass - USA
	011046-02-000	EA	Shower Head - w/60" Hose - USA
	031558-03-000	EA	Faucet - Tub & Shower - Chrome - CSA
	011048-05-000	EA	Shower Head - w/60" Hose - CSA
	075606-01-000	EA	Faucet Panel - Shower
	M02429-02-000	EA	Shower Pan - w/Strainer
	066436-01-000	EA	Slipnut - Tailpiece
	066440-01-000	EA	Strainer - w/Rubber Washer
	066435-01-000	EA	Nut - Strainer - Plastic
	075452-02-000	EA	Tissue Holder - Brass
	009134-01-000	EA	Tissue Holder - Chrome
	075454-02-000	EA	Towel Ring - Brass - w/Mounting Hardware
	009112-01-000	EA	Flange - 1" Closet Rod - USA
	024676-02-000	EA	Flange - 1" Closet Rod - CSA
	075680-01-000	EA	Clothes Rod - Adjustable - 27" to 36"
	081614-02-000	EA	Soap Dish - Brass w/Plastic Cover
	090027-01-000	EA	Soap Dish - Chrome (CSA)
**	064076-01-000	EA	Toilet - Ivory
**	085330-04-000	EA	Toilet - China - Shorty w/Spray (Option 43E)
**	The illustrated parts breakdown for this item is provided on the Common Items Fiche.		

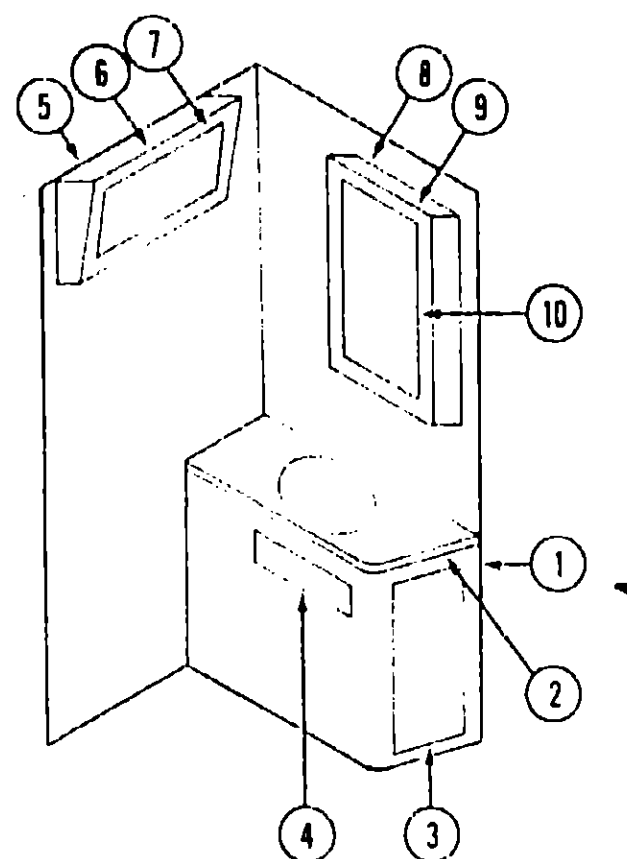
**1989 WINNEBAGO
TABLE OF CONTENTS**

INTRODUCTION	A-01
ABBREVIATIONS	A-01
ALPHABETICAL INDEX	A-02 - A-04
WCM27RQ	A-05 - D-18
WC/JM31RQ	D-19 - H-10

1989 WC/JM31RQ INDEX

Floor Plan	D-19 - D-20
Accessories Group	D-21 - E-03
Bath Group	E-04 - E-07
Chassis Group	E-08 - E-14
Curtain, Cushion & Pad Group	E-15 - F-02
Dinette Group	F-03 - F-04
Driver's Compartment Group	F-05 - F-10
Electrical Group	F-11 - F-14
Exterior Body Group	F-15 - F-20
Galley Group	F-21 - F-24
Heating & Air Conditioning Group	G-01
Interior Finish Group	G-02 - G-03
LP Group	G-04
Lounge Group	G-05 - G-10
Water & Sewage Group	G-11 - G-12
Window, Vent & Exterior Door Group	G-13 - H-10

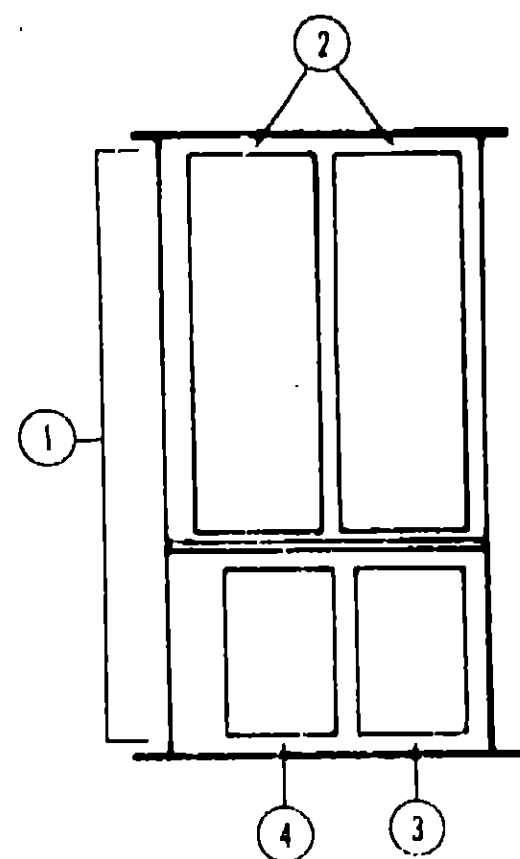
BATH GROUP (CONTINUED)



LAVATORY CABINET

Key	Part Number	U/M	Description
1	M89523-01-Y15	EA	Cabinet Asm. - w/o Countertop, Doors, or Drawers
2	089523-11-Y15	EA	Countertop Asm. - Lavatory - No Cutouts
3	M88304-D6-X11	EA	Door Asm. - Lavatory Cabinet - w/o Hardware
4	081893-02-X11	EA	Face Asm. - Drawer - Tiltout - Plastic - w/o Hardware
	077251-01-000	EA	Drawer - Tiltout - Plastic
5	076073-01-000	EA	Cabinet Asm. - Medicine - Almond - w/o Door
6	088303-52-X08	EA	Door Asm. - Medicine Cabinet - w/Mirror
7	058331-05-000	EA	Mirror - Medicine Cabinet Door - 12" x 26"
8	M89723-01-X14	EA	Cabinet Asm. - Bath Wall - Medicine
9	M88304-E1-W24	EA	Door Asm. - Medicine Cabinet
10	058331-05-000	EA	Mirror - Medicine Cabinet - 12" x 26"
	009059-01-000	EA	Hinge - Brass (Medicine Cabinet)
	000G13-06-10G	EA	Screw - 6 - 20 x 5/8" PFH - Antique Brass
	059777-02-000	EA	Hinge - Antique Light Brass (Cabinet Door)
	088264-01-000	EA	Door Pull - Polished Brass
	000G68-06-10G	EA	Screw - 6 - 18 x 5/8" POH - Antique Brass
	009021-01-000	EA	Catch - Nylon - Grill
	009021-02-000	EA	Strike - Spring Steel
	093586-03-000	EA	Catch - Spring Roller
	093586-04-000	EA	Strike - Spring Steel
	081521-02-007	EA	Molding - 64 Hole Space
	042357-11-000	EA	Corner Molding - Radius Plastic - Light Oak
	070504-01-000	FT	Extrusion - U-Channel - Light Brown
	022992-08-000	FT	Molding - Reverse Cove
	009767-06-000	FT	Welling - Beige

BATH GROUP (CONTINUED)



WARDROBE CABINET

Key	Part Number	U/M	Description
1	M89133-01-Y15	EA	Cabinet Asm. - Wardrobe - w/o Doors
2	M88304-E3-X11	EA	Door Asm. - Upper - w/o Hardware
	058331-27-000	EA	Mirror - Safety Glass - 13 2" x 44.52"
3	M88304-B4-X14	EA	Door Asm. - Lower Right - w/o Hardware
4	M88304-B3-X14	EA	Door Asm. - Lower Left - w/o Hardware
	000G13-06-10G	EA	Screw - 6 - 20 x 5/8" PFH - Antique Brass
	059777-02-000	EA	Hinge - Antique Light Brass
	088264-01-000	EA	Door Pull - Polished Brass
	009021-01-000	EA	Catch - Nylon
	009021-02-000	EA	Strike - Spring Steel
	093586-03-000	EA	Catch - Spring Roller
	093586-04-000	EA	Strike - Spring Steel
	009112-01-000	EA	Flange - 1" Closet Rod
	042438-01-000	EA	Wood Dowel - 1" Dia - 37 4"
	009767-06-000	FT	Welling - Beige
	042357-11-000	EA	Corner Molding - Plastic Radius - Light Oak
	080176-02-000	EA	Corner Cap - Radius - Tall Cabinet
	081521-02-007	EA	Molding - 64 Hole Space
	077409-02-000	EA	Slide - Plastic Drawer
	077404-02-000	EA	Drawer - Plastic - 20" x 12 7"

**1989 WINNEBAGO
TABLE OF CONTENTS**

INTRODUCTION	A-01
ABBREVIATIONS	A-01
ALPHABETICAL INDEX	A-02 - A-04
WCM27RQ	A-05 - D-18
WC/JM31RQ	D-19 - H-10

1989 WC/JM31RQ INDEX

Floor Plan	D-19 - D-20
Accessories Group	D-21 - E-03
Bath Group	E-04 - E-07
Chassis Group	E-08 - E-14
Curtain, Cushion & Pad Group	E-15 - F-02
Dinette Group	F-03 - F-04
Driver's Compartment Group	F-05 - F-10
Electrical Group	F-11 - F-14
Exterior Body Group	F-15 - F-20
Galley Group	F-21 - F-24
Heating & Air Conditioning Group	G-01
Interior Finish Group	G-02 - G-03
LP Group	G-04
Lounge Group	G-05 - G-10
Water & Sewage Group	G-11 - G-12
Window, Vent & Exterior Door Group	G-13 - H-10

BATH GROUP (CONTINUED)

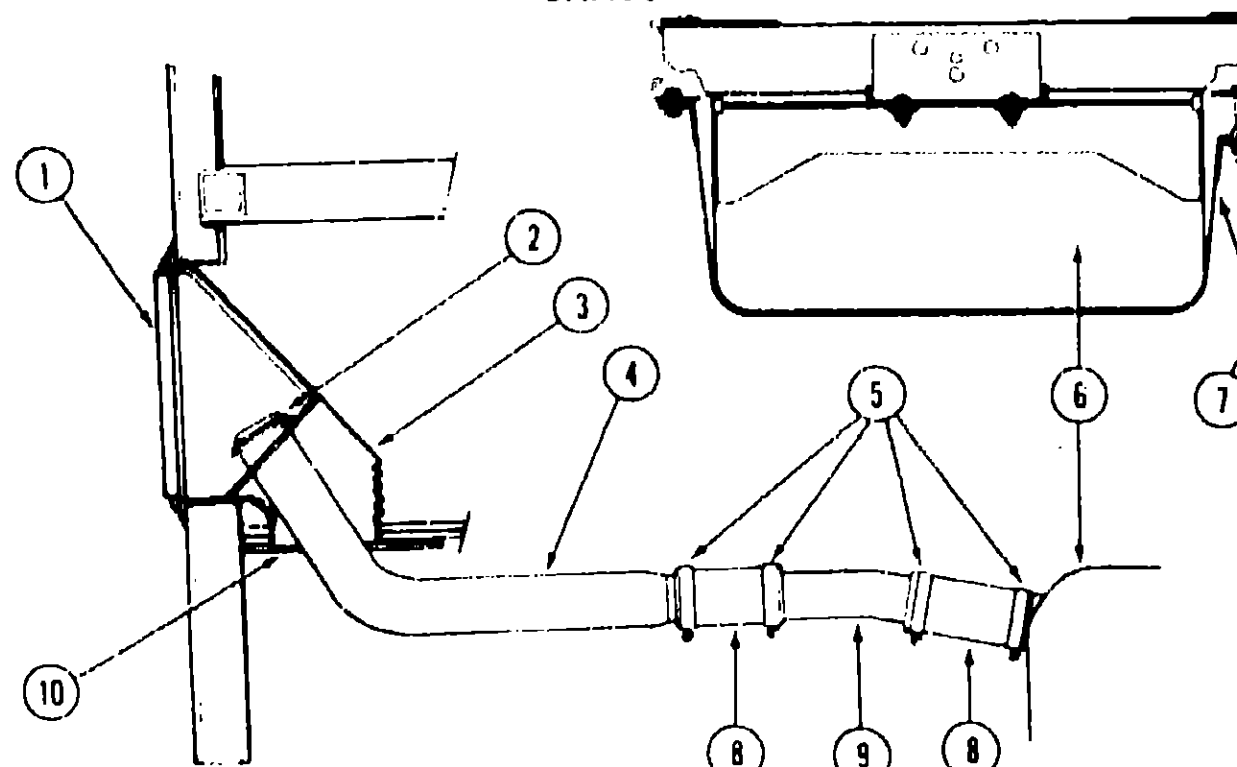
SHOWER CABINET

Key	Part Number	U/M	Description
	089318-02-000	EA	Jamb - Shower Door - Expander
	089318-01-000	EA	Door - Shower - Gold
	089318-01-700	EA	Strap for Shower Door
	089318-01-701	EA	Vinyl Sweep
	042357-11-000	EA	Corner Molding - Radius Plastic - Light Oak
	080176-02-000	EA	Corner Cap - Radius - Light Oak
	081521-02-007	EA	Molding - 64 Hole Space
	078323-06-X14	EA	Cap - Molding - Wall
	009767-06-000	FT	Wetting - Beige
	015604-06-000	EA	Seal Brace - Angle - 2 50" Tan
	000G67-10-08R	EA	Screw - 10 - 12 x 1/2" PPH - Beige
	000G67-10-10R	EA	Screw - 10 - 12 x 5/8" PPH - Beige

MISCELLANEOUS

Key	Part Number	U/M	Description
	080224-28-000	EA	Track - Folding Door - Front - 29 5" - Beige
	080224-30-000	EA	Folding Door - Rear - 36" x 75" - Regal Oak
	080224-07-000	EA	Track - Folding Door - Rear - S Curve - Beige
	080224-29-000	EA	Folding Door - Front - 36" x 75" - Regal Oak
	080224-01-700	EA	Latch & Catch Asm. - Folding Door
	057534-01-000	EA	Tieback - Folding Door - Clear Plastic - 6"

CHASSIS GROUP



FUEL SYSTEM COMPONENTS

Key	Part Number	U/M	Description
1	078010-04-000	EA	Door Asm - Fuel Fill - Beige
2	073220-02-000	EA	Cap Asm - Fuel Fill - Non Locking
3	083578-01-000	EA	Boot - Fuel Fill
4	087256-01-000	EA	Neck Asm - Fuel Fill
5	062401-04-000	EA	Hose Clamp - Wormgear - 1 56" to 2.5" ID
6	090082-01-000	EA	Tank - Fuel - 80 Gallon (Chevrolet)
6	093384-01-000	EA	Tank - Fuel - 90 Gallon (John Deere)
7	086486-02-000	EA	Strap Asm - Fuel Tank (Chevrolet)
7	095648-08-000	EA	Mounting Support - Fuel Tank (John Deere)
7	095648-04-000	EA	Bolt - Hex - 1/2" - 13 x 12" (John Deere)
7	095648-05-000	EA	Bolt - Hex - 1/2" - 13 x 6 1/2" (John Deere)
7	095648-13-000	EA	Washer - Spring 1/2" (John Deere)
7	095648-14-000	EA	Nut - Hex - Locking - 1/2" - 13 (John Deere)
7	095648-09-000	EA	Cushion - Mounting Support - Fuel Tank (John Deere)
8	007111-01-000	EA	Hose - Fuel Fill - 2 1/4" ID x 3'
3	075228-01-000	EA	Pipe - Fuel Fill
10	084235-01-000	EA	Support Flange - Fuel Fill Boot
	079661-01-000	EA	Valve Asm. - Vent - Fuel Tank
	079660-01-000	EA	Grommet Seal - Valve Asm. - Fuel Tank
	079662-01-000	EA	Mounting Flange - Valve Asm. - Fuel Tank
	073223-01-000	EA	Gasket - Valve Asm. - Fuel Tank
	080173-01-000	EA	Extension Tube - Vent - Fuel Tank
	024138-01-000	FT	Fuel Hose - 5/16" ID
	079658-01-000	FT	Fuel Hose - 1/2" ID (SAE-J30RG)
	066732-01-000	FT	Fuel Hose - Vent - 5/8" ID (SAEJ30R7)
	079929-01-000	EA	Canister Asm - Vapor - 1500cc
	088740-01-000	EA	Sending Unit - Fuel Pump (Chevrolet)
	086255-01-000	EA	Gasket - Sending Unit - Fuel Pump (Chevrolet)
	086254-01-000	EA	Retainer - Sending Unit - Fuel Pump (Chevrolet)
	093378-01-000	EA	Sending Unit (John Deere)
	095468-17-000	EA	Gasket - Sending Unit (John Deere)
	062401-03-000	EA	Hose Clamp - Wormgear - 22" to 1" ID
	062401-04-000	EA	Hose Clamp - Wormgear - 65" to 1 25" ID
	010495-01-000	EA	Clamp - Cable - 9/16" ID
	010497-01-000	EA	Clamp - Cable - 5/8" ID
	071015-07-000	EA	Grommet - 1" ID
	008401-01-000	EA	Conduit Strap - 3/4" - 1 Hole

1989 WINNEBAGO TABLE OF CONTENTS

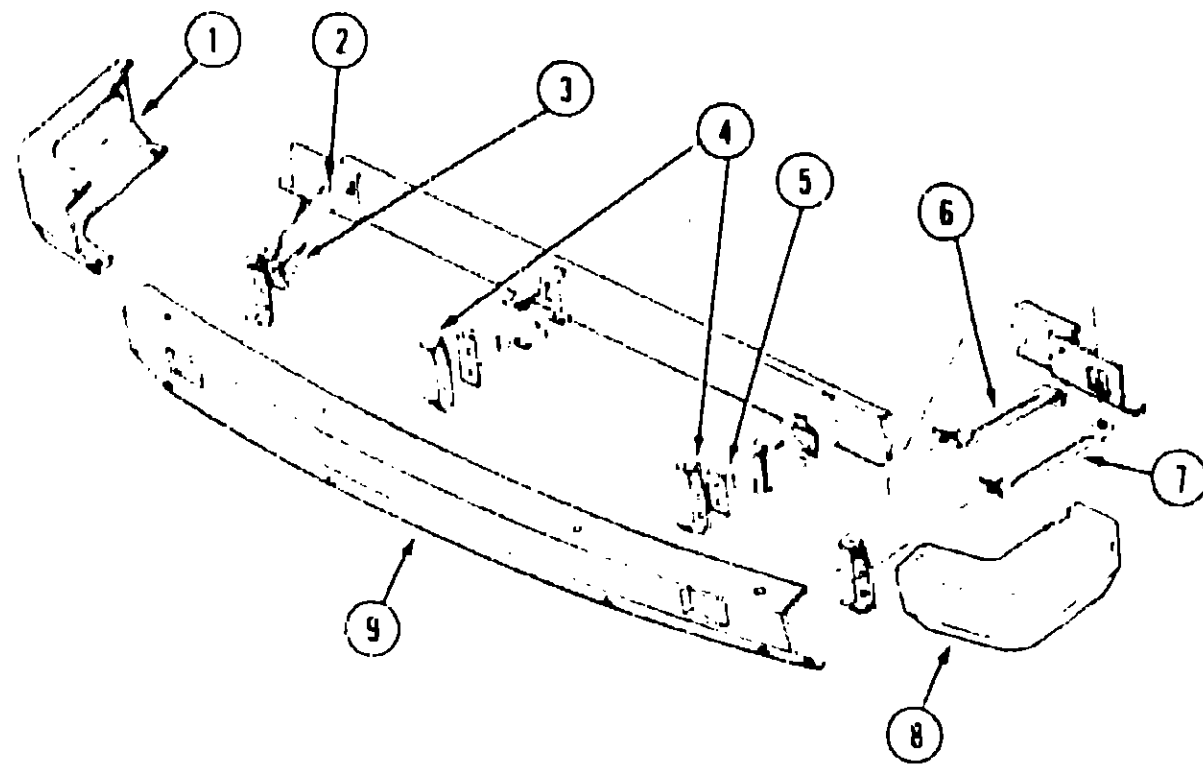
INTRODUCTION
ABBREVIATIONS
ALPHABETICAL INDEX
WCM27RQ
WC/JM31RQ

A-01
A-01
A-02 - A-04
A-05 - D-18
D-19 - H-10

1989 WC/JM31RQ INDEX

Floor Plan	D-19 - D-20
Accessories Group	D-21 - E-03
Bath Group	E-04 - E-07
Chassis Group	E-08 - E-14
Curtain, Cushion & Pad Group	E-15 - F-02
Dinette Group	F-03 - F-04
Driver's Compartment Group	F-05 - F-10
Electrical Group	F-11 - F-14
Exterior Body Group	F-15 - F-20
Galley Group	F-21 - F-24
Heating & Air Conditioning Group	G-01
Interior Finish Group	G-02 - G-03
LP Group	G-04
Lounge Group	G-05 - G-10
Water & Sewage Group	G-11 - G-12
Window Vent & Exterior Door Group	G-13 - H-10

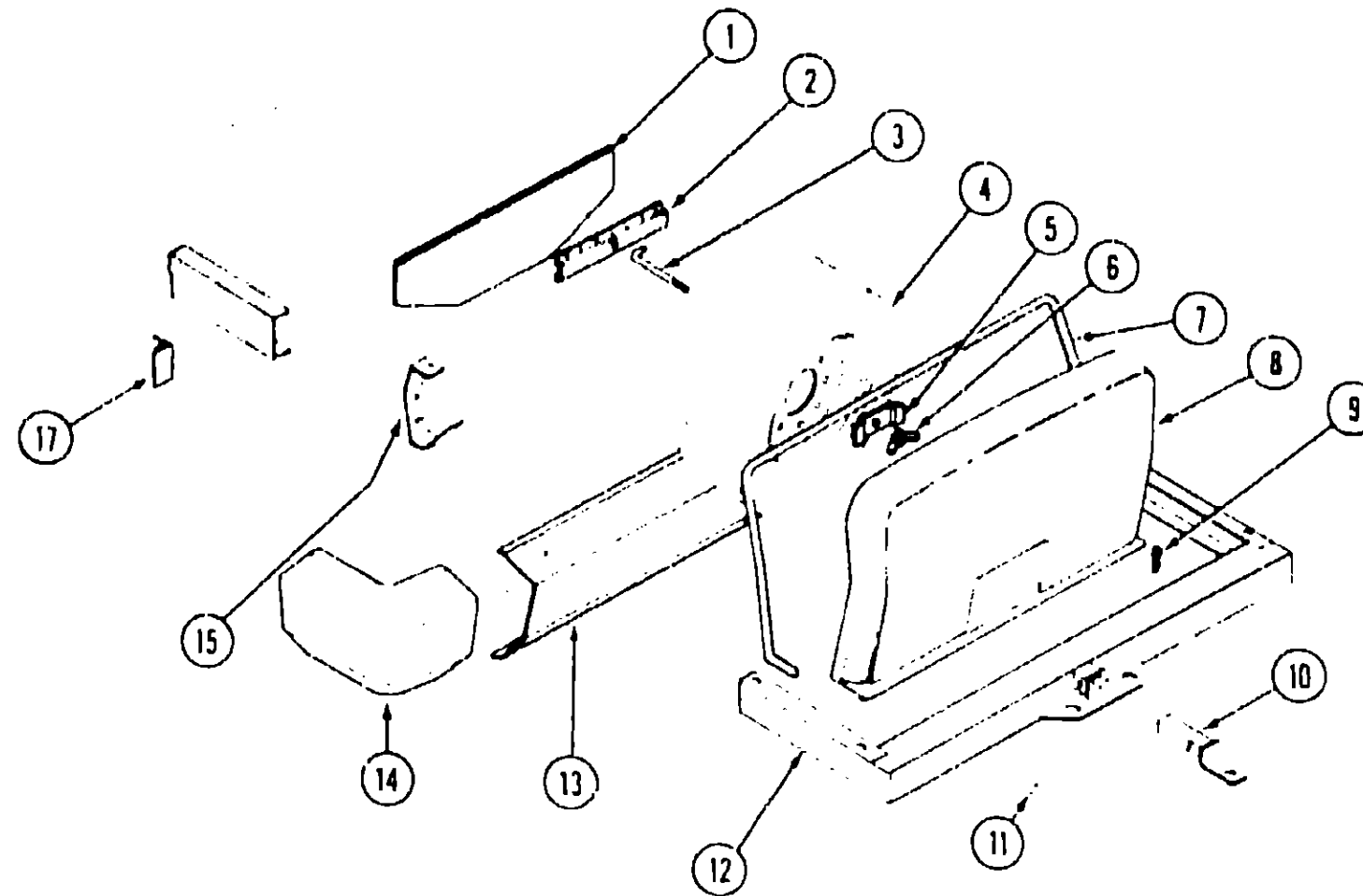
CHASSIS GROUP (CONTINUED)



FRONT BUMPER

Key	Part Number	U/M	Description
1	078577-01-000	EA	Bumper End Cap - Beige - Passenger
2	078002-01-000	EA	Brace - Upper Right - Front Bumper
3	078003-01-000	EA	Brace - Lower Right - Front Bumper
4	077852-01-000	EA	Bracket to Bumper - Front
5	076527-01-000	EA	Bracket to Frame - Front Bumper
6	078002-02-000	EA	Brace - Upper Left - Front Bumper
7	078003-02-000	EA	Brace - Lower Left - Front Bumper
8	078577-02-000	EA	Bumper End Cap - Beige - Driver
9	077850-09-000	EA	Bumper - Front - Chrome
	005200-01-000	EA	Carriage Bolt - 7/16" - 14 x 1 1/4" SST Head

CHASSIS GROUP (CONTINUED)



SPARE TIRE, HITCH & REAR BUMPER

Key	Part Number	U/M	Description
1	077395-01-000	EA	Dust Shield - Spare Tire
2	077403-01-000	EA	Rod Support - Spare Tire
3	077411-01-000	EA	Retaining Rod
4	007324-04-000	EA	Tire - 8.00 x 19.5 - XZA - Tubeless Michelin
	077400-01-000	EA	Support - Spare Tire
5	077399-01-000	EA	Spare Tire Retainer
6	064081-01-000	EA	Wing Nut
7	058027-01-000	FT	Tire Cover Seal
8	088425-01-X14	EA	Tire Cover Asm. - Beige
	077408-01-000	EA	Lock Asm. - Tire Cover
	077392-01-000	EA	Strike - Latch - Tire Cover
	077394-02-000	EA	Support - Strike - Latch - Cover
	080374-01-000	EA	Plate - Tire Cover Holder
	077759-01-000	EA	Support Spacer - Spare Tire
	077400-01-000	EA	Support - Spare Tire
9	034513-01-000	EA	Pin - Hitch - 3/16" Wire
10	077613-01-000	EA	Drawbar - Ball Mount
11	034512-01-000	EA	Locking Pin - Drawbar
12	077617-01-000	EA	Hitch Asm. - w/o Drawbar
13	078584-08-000	EA	Bumper - Rear - Chromed
	078760-02-000	EA	Mounting Plate - Bumper - Right
	078760-03-000	EA	Mounting Plate - Bumper - Left
14	078578-01-000	EA	Bumper End Cap - Beige - Passenger
	078578-02-000	EA	Bumper End Cap - Beige - Driver
15	078670-02-000	EA	Bracket to Bumper - Rear
17	078668-01-000	EA	Support Angle - Bumper Bracket to Frame
	005200-01-000	EA	Carriage Bolt - 7/16" - 14 x 1 1/4" SST Head

**1989 WINNEBAGO
TABLE OF CONTENTS**

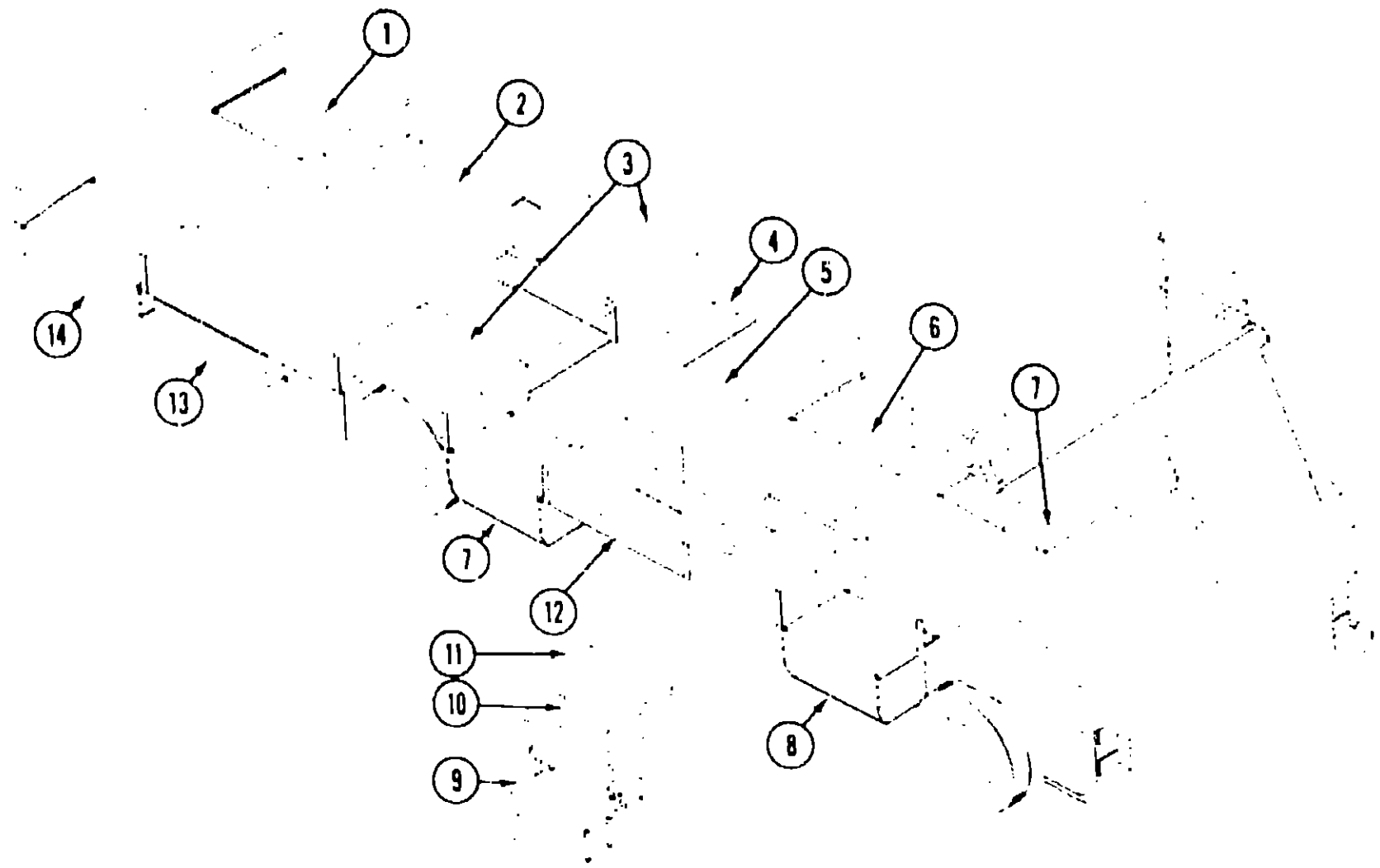
INTRODUCTION
ABBREVIATIONS
ALPHABETICAL INDEX
WCM27RQ
WC/JM31RQ

A-01
A-01
A-02 - A-04
A-05 - D-18
D-19 - H-10

1989 WC/JM31RQ INDEX

Floor Plan	D-19 - D-20
Accessories Group	D-21 - E-03
Bath Group	E-04 - E-07
Chassis Group	E-08 - E-14
Curtain, Cushion & Pad Group	E-15 - F-02
Dinette Group	F-03 - F-04
Driver's Compartment Group	F-05 - F-10
Electrical Group	F-11 - F-14
Exterior Body Group	F-15 - F-20
Galley Group	F-21 - F-24
Heating & Air Conditioning Group	G-01
Interior Finish Group	G-02 - G-03
LP Group	G-04
Lounge Group	G-05 - G-10
Water & Sewage Group	G-11 - G-12
Window, Vent & Exterior Door Group	G-13 - H-10

CHASSIS GROUP (CONTINUED)
WHEELWELLS & LUGGAGE COMPARTMENTS



Key	Part Number	U/M	Description
1	088015-04-000	EA	Compartment Asm
2	089411-01-W81	EA	Compartment Asm. - Sewer Hose
3	087883-01-000	EA	Wheelwell - Plastic
4	085367-01-X14	EA	Compartment Asm. - Power Cord
5	094102-01-000	EA	Compartment Panel
6	094391-02-000	EA	Luggage Tray Asm
7	081252-25-000	EA	Compartment Asm
8	081252-23-000	EA	Compartment Asm
9	081252-30-000	EA	Compartment Asm
10	094707-01-01A	EA	Step Asm. - Electric - Double
11	064693-02-000	EA	Battery Door
12	089103-01-000	EA	Support Asm. - Entrance Step
	M92486-01-000	EA	Compartment - Drawer
	092914-01-000	EA	Drawer Glide
	093065-02-000	EA	Drawer Hinge
	074762-01-000	EA	Drawer Pull
	042442-01-000	EA	Twist Lock Asm
13	089548-01-000	EA	Compartment Asm
14	088015-03-000	EA	Compartment Asm
	079368-01-000	FT	Bulb Seal
	061420-01-000	EA	Plug - Plastic - 1.75" Dia
	033503-02-000	EA	Light - Dome - Ivory - Single - USA
	033503-03-000	EA	Light - Dome - Ivory - Single - CSA
	033508-02-700	EA	Lens - Dome Light
	008218-01-000	EA	Bulb - 12 Volt - #1141 - Dome Light

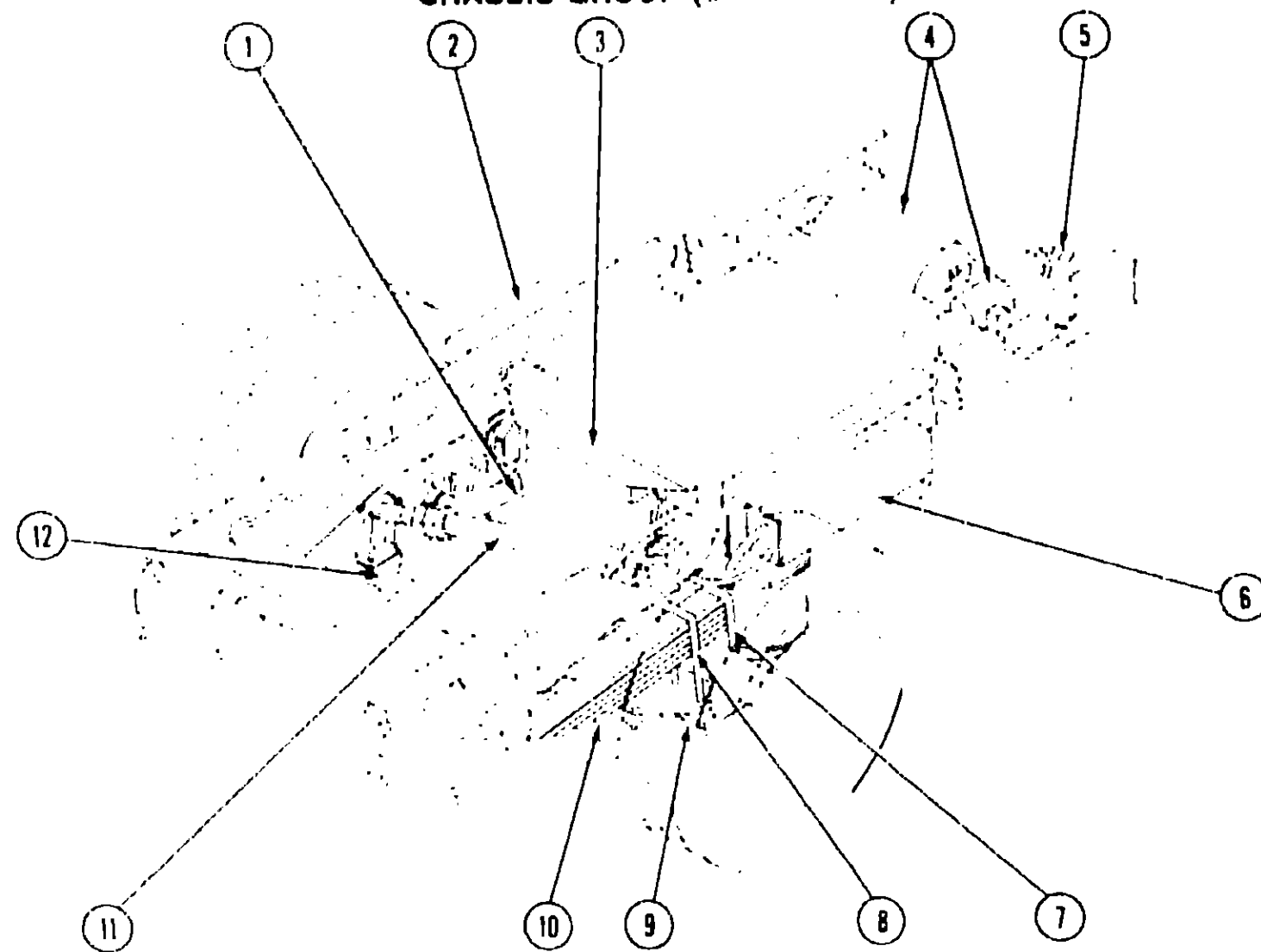
1989 WINNEBAGO
TABLE OF CONTENTS

INTRODUCTION	A-01
ABBREVIATIONS	A-01
ALPHABETICAL INDEX	A-02 - A-04
WCM27RQ	A-05 - D-18
WC/JM31RQ	D-19 - H-10

1989 WC/JM31RQ INDEX

Floor Plan	D-19 - D-20
Accessories Group	D-21 - E-03
Bath Group	E-04 - E-07
Chassis Group	E-08 - E-14
Curtain, Cushion & Pad Group	E-15 - F-02
Dinette Group	F-03 - F-04
Driver's Compartment Group	F-05 - F-10
Electrical Group	F-11 - F-14
Exterior Body Group	F-15 - F-20
Galley Group	F-21 - F-24
Heating & Air Conditioning Group	G-01
Interior Finish Group	G-02 - G-03
LP Group	G-04
Lounge Group	G-05 - G-10
Water & Sewage Group	G-11 - G-12
Window, Vent & Exterior Door Group	G-13 - H-10

CHASSIS GROUP (CONTINUED)



AIR RIDE SUSPENSION (OPTION 64K, 64P)

Key	Part Number	U/M	Description
1	090436-11-000	EA	Spring Mount - Lower Axle - Driver
2	090436-09-000	EA	Mount - Airspring Asm - Upper - Driver
3	090436-04-000	EA	Valve Asm - Height - w/o Park & Level
3	090436-05-000	EA	Valve Asm - Height - w/Park & Level
4	090436-07-000	EA	Compressor Asm - w/Tank & Wiring
5	090436-06-000	EA	Control - Park & Level w/Wiring
6	090436-08-000	EA	Mount - Airspring Asm - Upper - Passenger
7	090436-13-000	EA	U-Bolt - Rearward Bent - 7/8"
8	090436-12-000	EA	U-Bolt - Forward Straight - 7/8"
9	090436-10-000	EA	Spring Mount - Lower Axle - Passenger
10	090436-03-000	EA	Leaf Spring - Semi
11	090436-14-000	EA	Track Bar - w/Pivot Bolt & Brackets
12	091250-03-000	EA	Bushing - Sway Bar - 1.75"
	090436-15-000	EA	Valve - Solenoid Asm - Park & Level
	090436-16-000	EA	Bracket - Brake Hose/Axle
	000C12-05-16B	EA	Hex Bolt - 5/16" - 18 x 1"
	000D14-05-000	EA	Hex Nut - 5/16" - #18
	000D34-06-00B	EA	Hex Nut - Locking - 3/8" - #16
	000E13-17-00B	EA	Washer - Flange - 3/8"
	071374-03-000	EA	Fitting - Bulkhead - 1/4" x 1/4" MNPT
	007125-07-000	EA	Clamp Asm - Muffler
	016379-02-000	EA	Strap - Hanger Extension
	081918-02-000	EA	Extension - Exhaust - 2.25" OD x 7"
	085433-01-000	EA	Shield - Heat Exhaust
	095190-01-000	EA	Hanger - Exhaust
	091250-01-000	EA	Bushing - Sway Bar - 1.25" Cut
	091250-02-000	EA	Bushing - Sway Bar - 1.25" Uncut
	091250-03-000	EA	Bushing - Sway Bar - 1.75" Cut

CHASSIS GROUP (CONTINUED)

MISCELLANEOUS

Key	Part Number	U/M	Description
	062401-01-000	EA	Clamp - Hose - Wormgear - .25" ID to 1" ID
	062401-02-000	EA	Clamp - Hose - Wormgear - 1.56" ID to 2.5" ID
	062401-03-000	EA	Clamp - Hose - Wormgear - .22" ID to 1" ID
	062401-04-000	EA	Clamp - Hose - Wormgear - .69" ID to 1.25" ID
	062401-05-000	EA	Clamp - Hose - Wormgear - 2" ID to 3" ID
	062401-06-000	EA	Clamp - Hose - Wormgear - .22" ID - .62" ID
	010497-01-000	EA	Clamp - Close - 5/8" ID
	010499-01-000	EA	Clamp - Close - 3/8" ID
	007161-01-000	EA	Clamp - Hose - Spring Type 112
	010495-01-000	EA	Clamp - Cable - 9/16" ID
	023146-01-000	EA	Clamp - Screw Type - 4"
	007125-03-000	EA	Clamp Asm - Muffler - 1.5" Dia.
	007125-06-000	EA	Clamp Asm - Muffler - 2.25" Dia.
	007125-07-000	EA	Clamp Asm - Muffler - 2.50" Dia.
	081918-01-000	EA	Exhaust Extension - 2.25" OD - Stainless Steel
	081918-02-000	EA	Exhaust Extension - 2.25" x 7" - Stainless Steel
	081084-03-000	EA	Pipe Asm - Exhaust
	053322-04-000	EA	Heat Shield - Exhaust
	079942-01-000	EA	Shock Absorber - Stabilizer - Front (Chevrolet) (Option 64A)
	084086-01-000	EA	Airspring - Bellows - Rear Axle (Chevrolet)
	084086-01-700	EA	Bellows Only (Air Bag)
	084086-01-701	EA	Tubing - 1/4" x 18"
	084086-01-702	EA	Bolt - Ribbed Neck - 3/8" - 24 x 2 1/2"
	084086-01-703	EA	Inflating Valve - 1/4" Tubing
	084086-01-704	EA	Elbow Connector
	084086-01-705	EA	Tubing Protectors
	088782-01-000	EA	Airspring - Bellows - Rear Axle (John Deere) (Option 71A)
	088782-01-700	EA	Ride - Rite Bellows - (Air Bag)
	088782-01-701	EA	Flexible Tubing
	088782-01-702	EA	Brass Union
	090434-01-000	EA	Speedometer - Mechanical - MPH
	091241-01-000	EA	Speedometer - Mechanical - KM
	071656-01-000	EA	Cover - Radiator - Rear
	080722-01-000	EA	Cover - Radiator - Rear Back (Fan Shroud)
	017516-01-000	EA	Mud Flaps w/Holes - 14" x 18" - Black
	087883-01-000	EA	Wheelwell - Plastic
	094707-01-01A	EA	Step Asm - Entry Door - Electric (Kwikkee) - Double
	063977-08-000	EA	Step Asm - Driver Door
	007324-04-000	EA	Tire - 8.0" x 19.5" - Tubeless - Michelin
	051377-01-000	EA	Valve Stem Asm - TR500
	095012-01-000	EA	Extension - Valve Stem - Dual Wheels
	086273-01-000	EA	Relay - Battery Disconnect
	072342-07-000	EA	Condenser Asm. (John Deere)
	072359-01-000	EA	Bottle - Coolant Expansion
	079929-01-000	EA	Canister Asm - Vapor - 1500cc

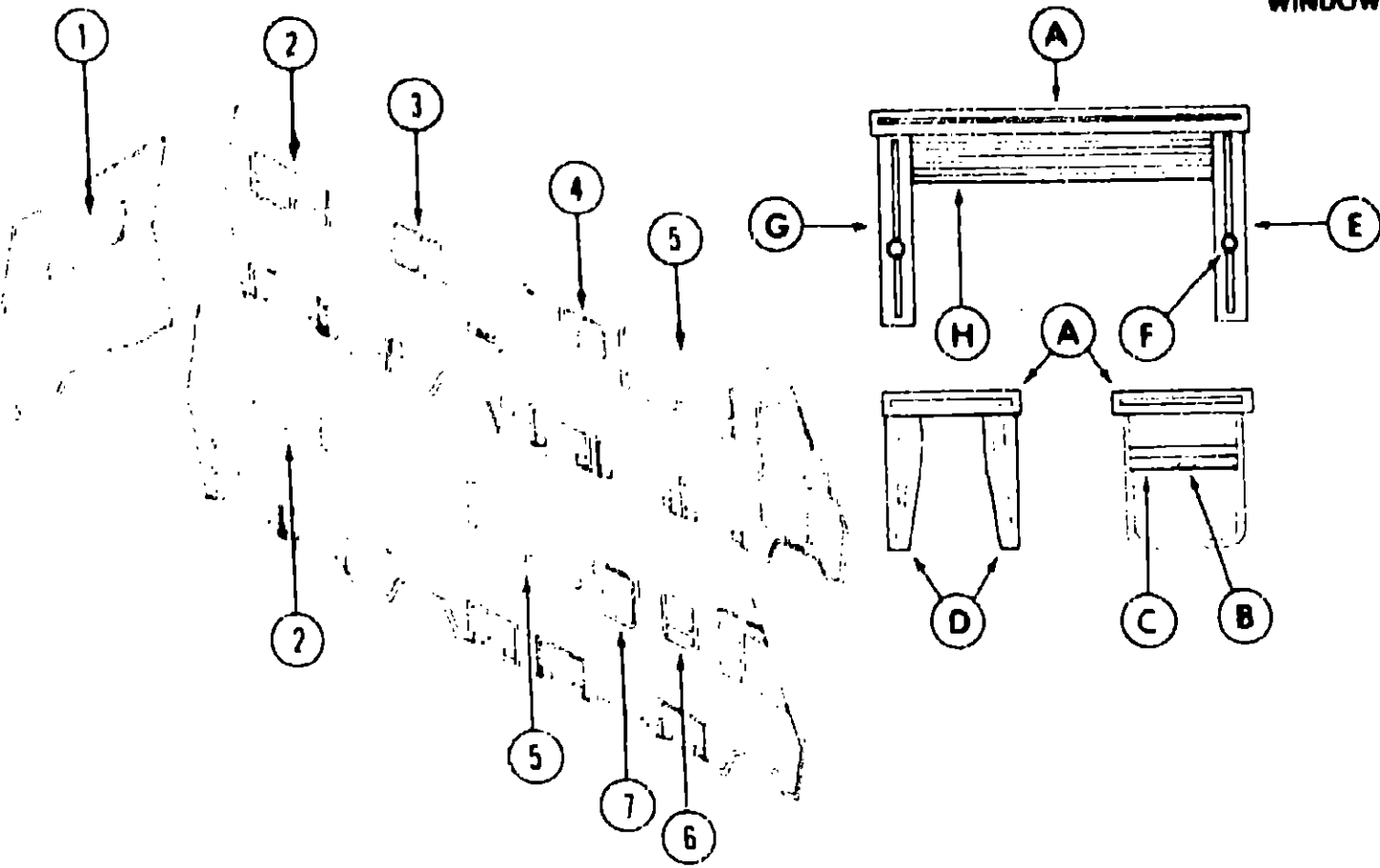
**1989 WINNEBAGO
TABLE OF CONTENTS**

INTRODUCTION	A-01
ABBREVIATIONS	A-01
ALPHABETICAL INDEX	A-02 - A-04
WCM27RQ	A-05 - D-18
WC/JM31RQ	D-19 - H-10

1989 WC/JM31RQ INDEX

Floor Plan	D-19 - D-20
Accessories Group	D-21 - E-03
Bath Group	E-04 - E-07
Chassis Group	E-08 - E-14
Curtain, Cushion & Pad Group	E-15 - F-02
Dinette Group	F-03 - F-04
Driver's Compartment Group	F-05 - F-10
Electrical Group	F-11 - F-14
Exterior Body Group	F-15 - F-20
Galley Group	F-21 - F-24
Heating & Air Conditioning Group	G-01
Interior Finish Group	G-02 - G-03
LP Group	G-04
Lounge Group	G-05 - G-10
Water & Sewage Group	G-11 - G-12
Window, Vent & Exterior Door Group	G-13 - H-10

**CURTAIN, CUSHION & PAD GROUP
WINDOW TREATMENT**



Key	Part Number	U/M	Description
1A	093453-19-Y15	EA	Valance - Gathered - w/Fabric Trim - 53"
1A	093453-19-Y16	EA	Valance - Gathered - w/Fabric Trim - 53"
1A	093453-19-YB4	EA	Valance - Gathered - w/Fabric Trim - 53" (Y17)
1E	089058-17-Y15	EA	Leg - Right - Gathered - w/Fabric Trim - No Hole
1E	089058-17-Y16	EA	Leg - Right - Gathered - w/Fabric Trim - No Hole
1E	089058-17-YB4	EA	Leg - Right - Gathered - w/Fabric Trim - No Hole (Y17)
1G	089058-18-Y15	EA	Leg - Left - Gathered - w/Fabric Trim - No Hole
1G	089058-18-Y16	EA	Leg - Left - Gathered - w/Fabric Trim - No Hole
1G	089058-18-YB4	EA	Leg - Left - Gathered - w/Fabric Trim - No Hole (Y17)
1H	093476-05-01A	EA	Blind - Pleated - 47" x 28.5" Drop (Y15)
1H	093476-05-02A	EA	Blind - Pleated - 47" x 28.5" Drop (Y16)
1H	093476-05-03A	EA	Blind - Pleated - 47" x 28.5" Drop (Y17)
1	082139-01-000	EA	Hold Down Bracket - Blind
2A	091101-03-Y15	EA	Valance - Gathered - w/Fabric Trim - 45"
2A	091101-03-Y16	EA	Valance - Gathered - w/Fabric Trim - 45"
2A	091101-03-YB4	EA	Valance - Gathered - w/Fabric Trim - 45" (Y17)
2E	089058-13-Y15	EA	Leg - Right - Gathered - w/Fabric Trim - Hole
2E	089058-13-Y16	EA	Leg - Right - Gathered - w/Fabric Trim - Hole
2E	089058-13-YB4	EA	Leg - Right - Gathered - w/Fabric Trim - Hole (Y17)
2G	089058-14-Y15	EA	Leg - Left - Gathered - w/Fabric Trim - Hole
2G	089058-14-Y16	EA	Leg - Left - Gathered - w/Fabric Trim - Hole
2G	089058-14-YB4	EA	Leg - Left - Gathered - w/Fabric Trim - Hole (Y17)
2H	093476-06-01A	EA	Blind - Pleated - 50" x 34" Drop (Y15)
2H	093476-06-02A	EA	Blind - Pleated - 50" x 34" Drop (Y16)
2H	093476-06-03A	EA	Blind - Pleated - 50" x 34" Drop (Y17)
2F	067052-02-000	EA	Window Knob - Beige
2	090025-01-000	EA	Extension - Window Knob
2	089371-01-000	EA	Screw - Window Knob
2	082139-01-000	EA	Hold Down Bracket - Blind
3A	093453-15-Y07	EA	Valance - Gathered - w/Wood Trim - 35.2" (Y15)
3A	093453-15-Y16	EA	Valance - Gathered - w/Wood Trim - 35.2"
3A	093453-15-YB4	EA	Valance - Gathered - w/Wood Trim - 35.2" (Y17)
3D	073304-39-Y15	EA	Curtain Asm. - 10" Wide x 27.5" Drop - Snap Top
3D	073304-39-Y16	EA	Curtain Asm. - 10" Wide x 27.5" Drop - Snap Top
3D	073304-39-Y17	EA	Curtain Asm. - 10" Wide x 27.5" Drop - Snap Top

Key	Part Number	U/M	Description
3H	093476-03-01A	EA	Blind - Pleated - 32" x 26" Drop (Y15)
3H	093476-03-02A	EA	Blind - Pleated - 32" x 26" Drop (Y16)
3H	093476-03-03A	EA	Blind - Pleated - 32" x 26" Drop (Y17)
3	082139-01-000	EA	Hold Down Bracket - Blind
3	056003-01-000	EA	Draper Retainer Bracket - Right
3	056003-02-000	EA	Draper Retainer Bracket - Left
3	029092-01-000	EA	Stud - Nickel Finish
3	029093-01-000	EA	Eyelet - Nickel Finish
4A	093453-20-Y07	EA	Valance - Gathered - w/Wood Trim - 29.5" (Y15)
4A	093453-20-Y08	EA	Valance - Gathered - w/Wood Trim - 29.5" (Y16)
4A	093453-20-YB4	EA	Valance - Gathered - w/Wood Trim - 29.5" (Y17)
4H	093476-02-01A	EA	Blind - Pleated - 27" x 24" Drop (Y15)
4H	093476-02-02A	EA	Blind - Pleated - 27" x 24" Drop (Y16)
4H	093476-02-03A	EA	Blind - Pleated - 27" x 24" Drop (Y17)
	082139-01-000	EA	Hold Down Bracket - Blind
5A	093453-12-Y07	EA	Valance - Gathered - w/Wood Trim - 65.5" (Y15)
5A	093453-12-Y08	EA	Valance - Gathered - w/Wood Trim - 65.5" (Y16)
5A	093453-12-YB4	EA	Valance - Gathered - w/Wood Trim - 65.5" (Y17)
5E	089058-09-Y15	EA	Leg - Right - Gathered - w/Wood Trim - Hole
5E	089058-09-Y16	EA	Leg - Right - Gathered - w/Wood Trim - Hole
5E	089058-09-YB4	EA	Leg - Right - Gathered - w/Wood Trim - Hole (Y17)
5G	089058-10-Y15	EA	Leg - Left - Gathered - w/Wood Trim - Hole
5G	089048-10-Y16	EA	Leg - Left - Gathered - w/Wood Trim - Hole
5G	089058-10-YB4	EA	Leg - Left - Gathered - w/Wood Trim - Hole (Y17)
5H	093476-01-01A	EA	Blind - Pleated - 57.5" x 33" Drop (Y15)
5H	093476-01-02A	EA	Blind - Pleated - 57.5" x 33" Drop (Y16)
5H	093476-01-03A	EA	Blind - Pleated - 57.5" x 33" Drop (Y17)
5F	067052-02-000	EA	Window Knob - Beige
5	090025-01-000	EA	Extension - Window Knob
5	089371-01-000	EA	Screw - Window Knob
5	082139-01-000	EA	Hold Down Bracket - Blind
6A	093453-03-Y05	EA	Valance - Gathered w/Wood Trim - 27.4" (Y15)
6A	093453-03-Y19	EA	Valance - Gathered w/Wood Trim - 27.4" (Y16)
6A	093453-03-YB4	EA	Valance - Gathered w/Wood Trim - 27.4" (Y17)
6D	093454-09-Y07	EA	Curtain Asm. - 10" Wide x 34" Drop - Snap Top (Y15)
6D	093454-09-Y19	EA	Curtain Asm. - 10" Wide x 34" Drop - Snap Top (Y16)
6D	093454-09-YB4	EA	Curtain Asm. - 10" Wide x 34" Drop - Snap Top (Y17)
6H	093476-04-01A	EA	Blind - Pleated - 21" x 33" Drop (Y15)
6H	093476-04-02A	EA	Blind - Pleated - 21" x 33" Drop (Y16)
6H	093476-04-03A	EA	Blind - Pleated - 21" x 33" Drop (Y17)
6	082139-01-000	EA	Hold Down Bracket - Blind
6	056003-01-000	EA	Draper Retainer Bracket - Right
6	056003-02-000	EA	Draper Retainer Bracket - Left
6	029092-01-000	EA	Stud - Nickel Finish
6	029092-02-000	EA	Eyelet - Nickel Finish
7A	093453-03-Y05	EA	Valance - Gathered - w/Wood Trim - 27.4" (Y15)
7A	093453-03-Y19	EA	Valance - Gathered - w/Wood Trim - 27.4" (Y16)
7A	093453-03-YB4	EA	Valance - Gathered - w/Wood Trim - 27.4" (Y17)
7B	087253-01-000	EA	Clear Shade Pull - Plastic
7C	093455-11-Y73	EA	Shade Asm. - 24.25" (Y15)
7C	093455-13-Y19	EA	Shade Asm. - 24.25" (Y16)
7C	093455-13-Y09	EA	Shade Asm. - 24.25" (Y17)
7	048394-02-000	YD	Velcro - Hook Tape
7	088792-02-000	YD	Velcro - Loop Tape
7	084434-01-000	EA	Pull Shade Bracket - Left or Right Side
	072333-61-000	YD	Valance & Leg Fabric (Y15) (Windows 3.4.5.6)
	072333-59-000	YD	Valance & Leg Fabric (Y16) (Windows 3.4.5.6)
	072333-37-000	YD	Valance & Leg Fabric (Y17) (Windows 3.4.5.6)
	088273-29-000	YD	Valance & Leg Fabric (Y15) (Windows 1.2)
	088273-22-000	YD	Valance & Leg Fabric (Y16) (Windows 1.2)
	088273-23-000	YD	Valance & Leg Fabric (Y17) (Windows 1.2)
	089522-02-000	EA	Trim - Leg to Window Mount
	089916-01-000	EA	Trim - Window to Leg Mount

**1989 WINNEBAGO
TABLE OF CONTENTS**

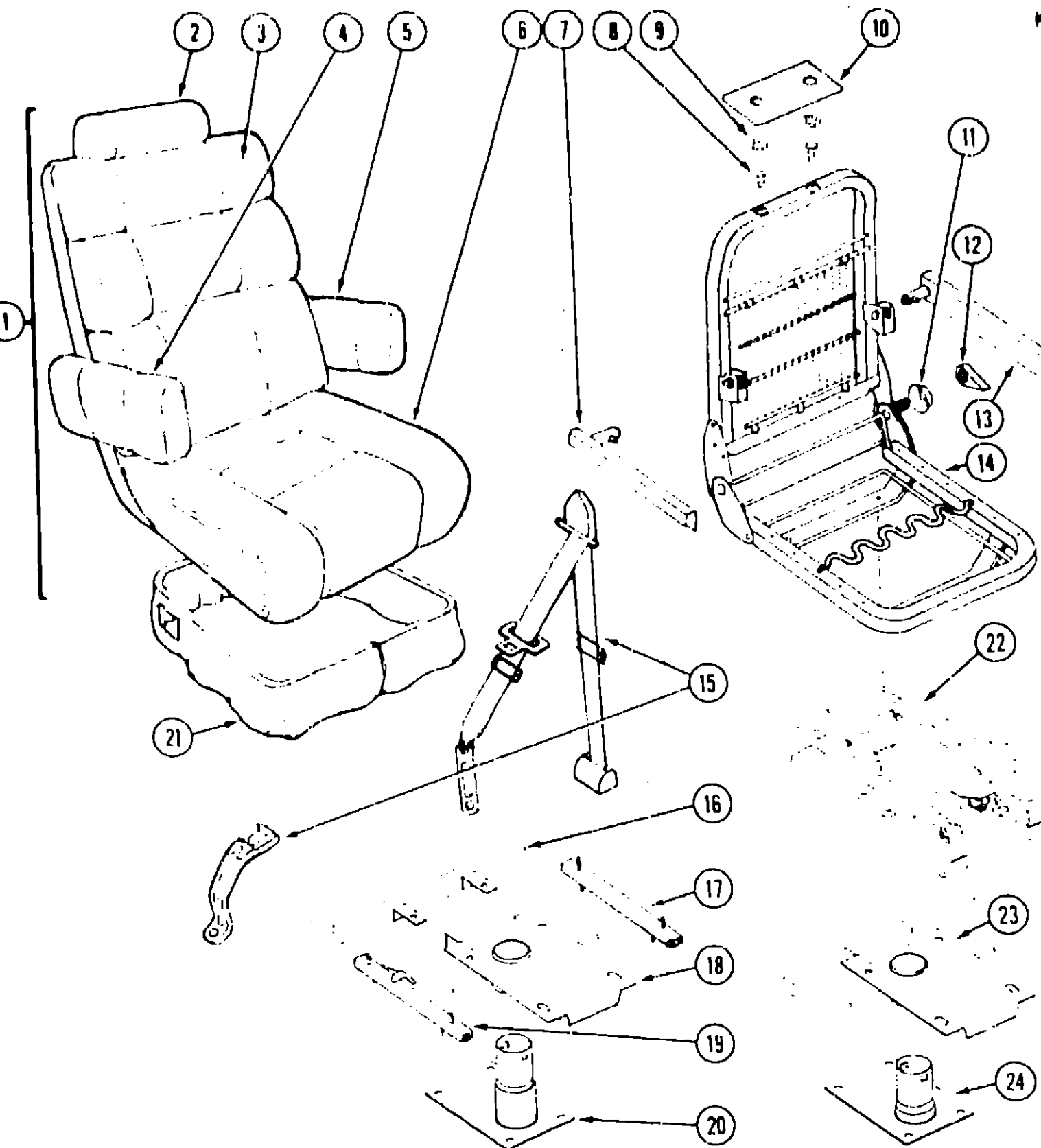
INTRODUCTION	A-01
ABBREVIATIONS	A-01
ALPHABETICAL INDEX	A-02 - A-04
WCM27RQ	A-05 - D-18
WC/JM31RQ	D-19 - H-10

1989 WC/JM31RQ INDEX

Floor Plan	D-19 - D-20
Accessories Group	D-21 - E-03
Bath Group	E-04 - E-07
Chassis Group	E-08 - E-14
Curtain, Cushion & Pad Group	E-15 - F-02
Dinette Group	F-03 - F-04
Driver's Compartment Group	F-05 - F-10
Electrical Group	F-11 - F-14
Exterior Body Group	F-15 - F-20
Galley Group	F-21 - F-24
Heating & Air Conditioning Group	G-01
Interior Finish Group	G-02 - G-03
LP Group	G-04
Lounge Group	G-05 - G-10
Water & Sewage Group	G-11 - G-12
Window, Vent & Exterior Door Group	G-13 - H-10

CURTAIN, CUSHION & PAD GROUP (CONTINUED)

BUCKET SEAT ASM.



Key	Part Number	U/M	Description
1	093461-01-Y15	EA	Seat Asm. - w/Arm & Headrest - w/o Skirt (Driver or Passenger)
1	093461-01-Y16	EA	Seat Asm. - w/Arm & Headrest - w/o Skirt (Driver or Passenger)
1	093461-01-Y17	EA	Seat Asm. - w/Arm & Headrest - w/o Skirt (Driver or Passenger)
2	085268-01-Y15	EA	Headrest Asm.
2	085268-01-Y16	EA	Headrest Asm.
2	085268-01-Y17	EA	Headrest Asm.
2	M85268-01-Y15	EA	Cover Asm. - Headrest
2	M85268-01-Y16	EA	Cover Asm. - Headrest
2	M85268-01-Y17	EA	Cover Asm. - Headrest
3	M03445-12-Y15	EA	Cover Asm. - Seat Back
3	M03445-12-Y16	EA	Cover Asm. - Seat Back
3	M03445-12-Y17	EA	Cover Asm. - Seat Back
4	080243-34-Y15	EA	Armrest Asm. - Right Hand
4	080243-34-Y16	EA	Armrest Asm. - Right Hand
4	080243-34-Y17	EA	Armrest Asm. - Right Hand
4	M08243-34-Y15	EA	Armrest Cover - Right Hand
4	M08243-34-Y16	EA	Armrest Cover - Right Hand
4	M08243-34-Y17	EA	Armrest Cover - Right Hand
5	080243-35-Y15	EA	Armrest Asm. - Left Hand
5	080243-35-Y16	EA	Armrest Asm. - Left Hand
5	080243-35-Y17	EA	Armrest Asm. - Left Hand
5	M80243-35-Y15	EA	Armrest Asm. - Cover - Left Hand
5	M80243-35-Y16	EA	Armrest Asm. - Cover - Left Hand
5	M80243-35-Y17	EA	Armrest Asm. - Cover - Left Hand
6	M03445-11-Y15	EA	Cover Asm. - Seat Bottom
6	M03445-11-Y16	EA	Cover Asm. - Seat Bottom
6	M03445-11-Y17	EA	Cover Asm. - Seat Bottom
7	081268-01-000	EA	Armrest Frame Asm. - Right Hand
8	091313-01-000	EA	Headrest - Bushings
9	083163-01-000	EA	Pushnut - 7/16"
10	081172-01-000	EA	Trim Plate
11	080730-05-000	EA	Shield - Recliner Lever
12	080730-03-000	EA	Recliner Lever
13	081268-02-000	EA	Armrest Frame Asm. - Left Hand
14	M80906-01-000	EA	Seat Frame Asm.
15	091990-01-01A	EA	Seat Belt
16	069525-29-000	EA	Seat Belt Bar
17	069246-02-000	EA	Seat Slide w/o Lock
18	069585-27-000	EA	Top Plate
19	069246-01-000	EA	Seat Slide w/Lock
20	069585-08-000	EA	Seat Base
21	071126-24-Y15	EA	Skirt Asm.
21	071126-24-Y16	EA	Skirt Asm.
21	071126-24-Y25	EA	Skirt Asm. (Y17)
	088274-79-000	YD	Bucket Seat Fabric (Y15)
	077498-86-000	YD	Bucket Seat Fabric (Y16)
	088274-78-000	YD	Bucket Seat Fabric (Y17)

POWER SEAT OPTION (63M)

Key	Part Number	U/M	Description
21	071126-26-Y12	EA	Skirt Asm. - Power Seat (Y15)
21	071126-26-Y13	EA	Skirt Asm. - Power Seat (Y16)
21	071126-26-Y14	EA	Skirt Asm. - Power Seat (Y17)
22	081373-01-000	EA	Power Control - 6 Way
23	069585-36-000	EA	Top Plate (6 Way Power Seat)
24	059585-37-000	EA	Seat Base (6 Way Power Seat)
	081591-04-000	EA	Wire Asm. - 6 Way Power Seat

1989 WINNEBAGO TABLE OF CONTENTS

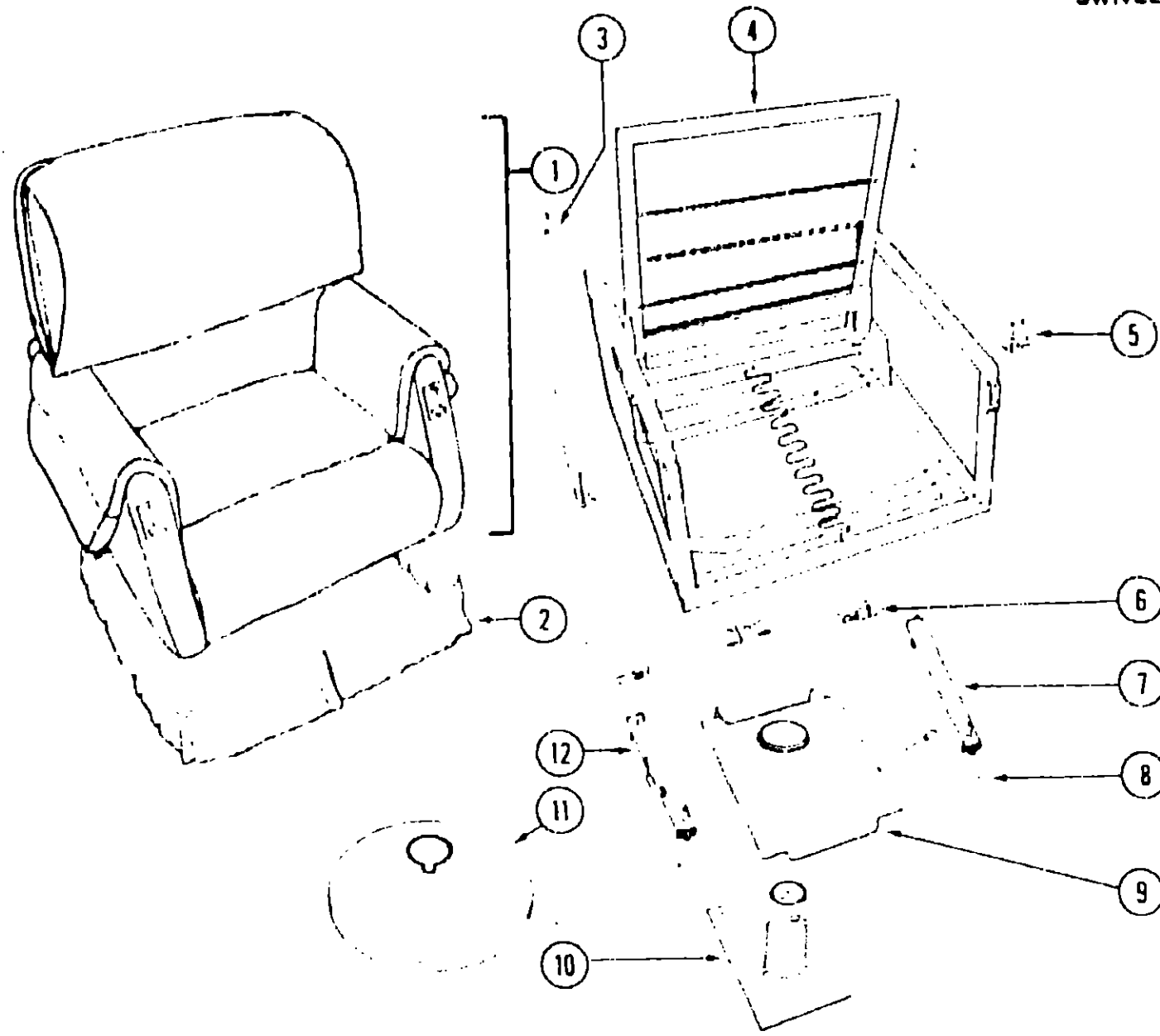
INTRODUCTION	A-01
ABBREVIATIONS	A-01
ALPHABETICAL INDEX	A-02 - A-04
WCM27RQ	A-05 - D-18
WC/JM31RQ	D-19 - H-10

1989 WC/JM31RQ INDEX

Floor Plan	D-19 - D-20
Accessories Group	D-21 - E-03
Bath Group	E-04 - E-07
Chassis Group	E-08 - E-14
Curtain, Cushion & Pad Group	E-15 - F-02
Dinette Group	F-03 - F-04
Driver's Compartment Group	F-05 - F-10
Electrical Group	F-11 - F-14
Exterior Body Group	F-15 - F-20
Galley Group	F-21 - F-24
Heating & Air Conditioning Group	G-01
Interior Finish Group	G-02 - G-03
LP Group	G-04
Lounge Group	G-05 - G-10
Water & Sewage Group	G-11 - G-12
Window, Vent & Exterior Door Group	G-13 - H-10

CURTAIN, CUSHION & PAD GROUP (CONTINUED)

SWIVEL CHAIR



Key	Part Number	U/M	Description
1	086516-03-Y15	EA	Chair Asm - Tear Drop Recliner
1	086516-03-Y16	EA	Chair Asm - Tear Drop Recliner
1	086516-03-Y17	EA	Chair Asm - Tear Drop Recliner
1	M86516-03-Y15	EA	Cover Asm - Tear Drop Recliner
1	M86516-03-Y16	EA	Cover Asm - Tear Drop Recliner
1	M86516-03-Y17	EA	Cover Asm - Tear Drop Recliner
2	089032-02-Y15	EA	Skirt Asm - Tear Drop Recliner
2	089032-02-Y16	EA	Skirt Asm - Tear Drop Recliner
2	089032-02-Y17	EA	Skirt Asm - Tear Drop Recliner
2	M89032-02-Y15	EA	Cover Asm - Tear Drop Skirt
2	M89032-02-Y16	EA	Cover Asm - Tear Drop Skirt
2	M89032-02-Y17	EA	Cover Asm - Tear Drop Skirt
3	089368-02-000	EA	Cable - Remote Recliner
4	089368-01-000	EA	Frame - Tear Drop Recliner
5	089368-03-000	EA	Cable - Remote Slide
6	007021-01-000	EA	Seat Belt Asm
7	069246-02-000	EA	Seat Slide Asm - w/o Lock
8	007221-01-000	EA	Washer - Coned
9	093481-03-000	EA	Seat Top Plate
10	093481-02-000	EA	Seat Base
11	093482-01-000	EA	Seat Base Cover
12	069246-05-000	EA	Seat Slide Asm - w/Lock
	055687-05-000	LB	Film - Cushion - 28" x 18" Bags
	087330-01-000	EA	Stop Bracket - Slide Track
	088274-52-000	YD	Chair Fabric (Y15)
	088274-76-000	YD	Chair Fabric (Y16)
	088274-77-000	YD	Chair Fabric (Y17)

**1989 WINNEBAGO
TABLE OF CONTENTS**

INTRODUCTION	A-01
ABBREVIATIONS	A-01
ALPHABETICAL INDEX	A-02 - A-04
WCM27RQ	A-05 - D-18
WC/JM31RQ	D-19 - H-10

1989 WC/JM31RQ INDEX

Floor Plan	D-19 - D-20
Accessories Group	D-21 - E-03
Bath Group	E-04 - E-07
Chassis Group	E-08 - E-14
Curtain, Cushion & Pad Group	E-15 - F-02
Dinette Group	F-03 - F-04
Driver's Compartment Group	F-05 - F-10
Electrical Group	F-11 - F-14
Exterior Body Group	F-15 - F-20
Galley Group	F-21 - F-24
Heating & Air Conditioning Group	G-01
Interior Finish Group	G-02 - G-03
LP Group	G-04
Lounge Group	G-05 - G-10
Water & Sewage Group	G-11 - G-12
Window, Vent & Exterior Door Group	G-13 - H-10

CURTAIN, CUSHION & PAD GROUP (CONTINUED)

SOFA BED

1989 WINNEBAGO TABLE OF CONTENTS

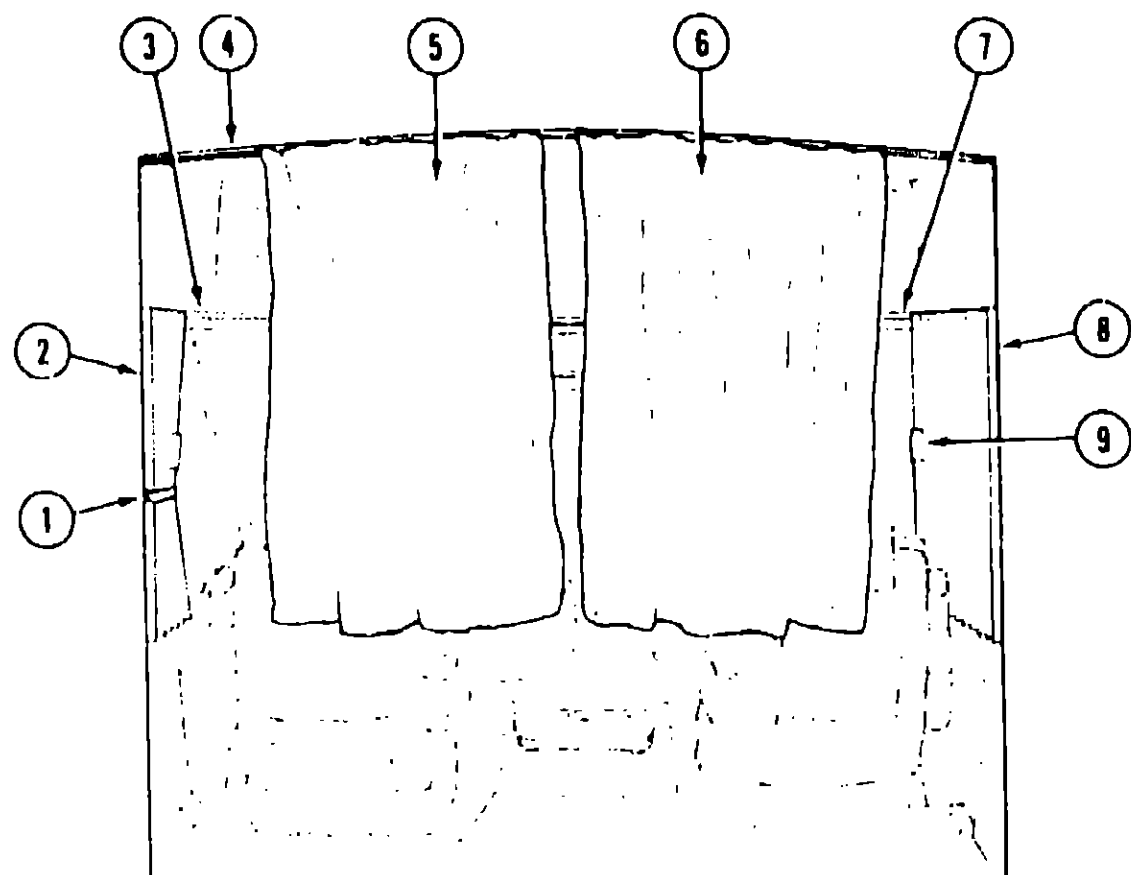
INTRODUCTION	A-01
ABBREVIATIONS	A-01
ALPHABETICAL INDEX	A-02 - A-04
WCM27RQ	A-05 - D-18
WC/JM31RQ	D-19 - H-10

Key	Part Number	U/M	Description
1	085355-03-Y15	EA	Bed - Tear Drop - w/Wood Skirt
1	085355-03-Y16	EA	Bed - Tear Drop - w/Wood Skirt
1	085355-03-Y17	EA	Bed - Tear Drop - w/Wood Skirt
1	M85355-03-Y15	EA	Cover - Tear Drop - w/Wood Skirt
1	M85355-03-Y16	EA	Cover - Tear Drop - w/Wood Skirt
1	M85355-03-Y17	EA	Cover - Tear Drop - w/Wood Skirt
2	086545-02-Y15	EA	Cushion Asm. - Tear Drop Back Pillow
2	086545-02-Y16	EA	Cushion Asm. - Tear Drop Back Pillow
2	086545-02-Y17	EA	Cushion Asm. - Tear Drop Back Pillow
2	M86545-02-Y15	EA	Cover Asm. - Tear Drop Pillow
2	M86545-02-Y16	EA	Cover Asm. - Tear Drop Pillow
2	M86545-02-Y17	EA	Cover Asm. - Tear Drop Pillow
3	085060-03-Y15	EA	Cushion Asm. - Throw Pillow
3	085060-03-Y16	EA	Cushion Asm. - Throw Pillow
3	085060-03-Y17	EA	Cushion Asm. - Throw Pillow
3	M85060-03-Y15	EA	Cover Asm. - Throw Pillow
3	M85060-03-Y16	EA	Cover Asm. - Throw Pillow
3	M85060-03-Y17	EA	Cover Asm. - Throw Pillow
4	079386-01-000	EA	Frame Asm. - Bed - Continental
	079386-02-000	EA	Mounting Hardware - Pullout Bed - Kit
	095567-01-000	EA	Tack Strip - 1/2" x 625' Roll
	007021-01-000	EA	Seat Belt Asm.
	088274-52-000	YD	Sofa Fabric (Y15)
	088274-76-000	YD	Sofa Fabric (Y16)
	088274-77-000	YD	Sofa Fabric (Y17)

1989 WC/JM31RQ INDEX

Floor Plan	D-19 - D-20
Accessories Group	D-21 - E-03
Bath Group	E-04 - E-07
Chassis Group	E-08 - E-14
Curtain, Cushion & Pad Group	E-15 - F-02
Dinette Group	F-03 - F-04
Driver's Compartment Group	F-05 - F-10
Electrical Group	F-11 - F-14
Exterior Body Group	F-15 - F-20
Galley Group	F-21 - F-24
Heating & Air Conditioning Group	G-01
Interior Finish Group	G-02 - G-03
LP Group	G-04
Lounge Group	G-05 - G-10
Water & Sewage Group	G-11 - G-12
Window, Vent & Exterior Door Group	G-13 - H-10

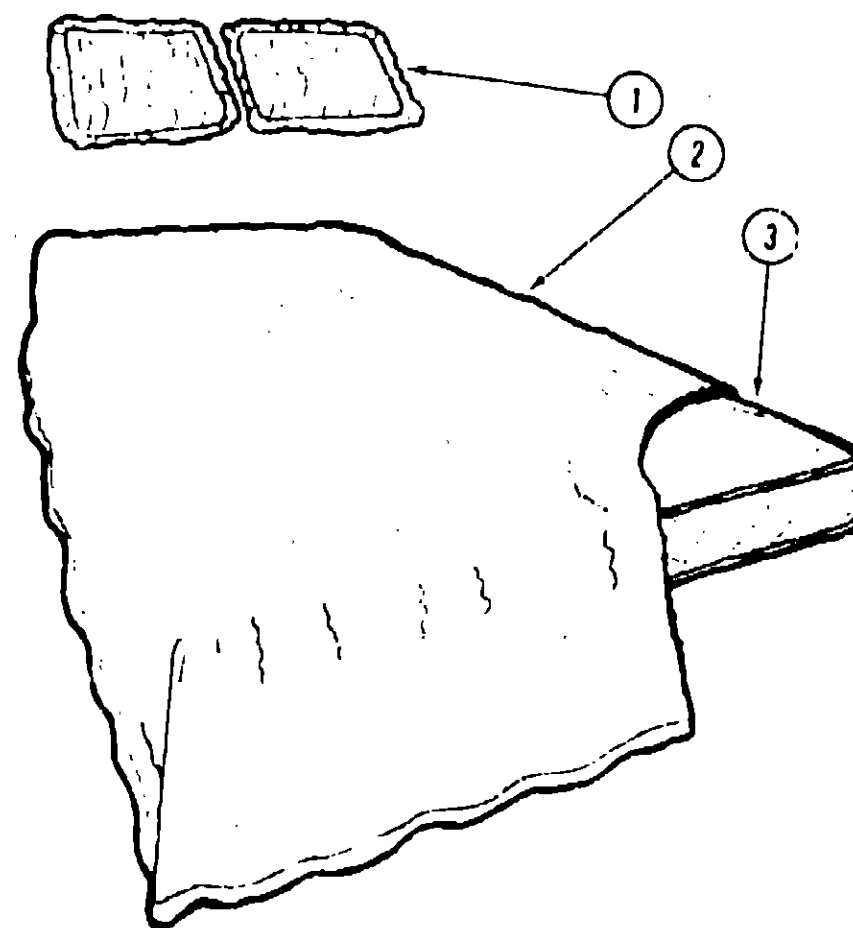
CURTAIN, CUSHION & PAD GROUP (CONTINUED)



FRONT CURTAINS & ACCESSORIES

Key	Part Number	U/M	Description
1	057534-08-000	EA	Tieback - 16" Clear - Left or Right Side
2	093487-02-000	EA	Curtain - Front Wraparound - Driver Side - 36" x 102"
3	079946-02-000	EA	Front Wraparound Track - Driver Side
4	091904-01-000	FT	Track - Blackout Curtain - Light Beige
5	093452-02-Y15	EA	Curtain Asm. - Blackout - Driver Side - 48" x 50"
5	093452-02-Y31	EA	Curtain Asm. - Blackout - Driver Side - 48" x 50" (Y16)
5	093452-02-YB4	EA	Curtain Asm. - Blackout - Driver Side - 48" x 50" (Y17)
6	093452-01-Y15	EA	Curtain Asm. - Blackout - Passenger Side - 48" x 50"
6	093452-01-Y31	EA	Curtain Asm. - Blackout - Passenger Side (Y16)
6	093452-01-YB4	EA	Curtain Asm. - Blackout - Passenger Side (Y17)
7	079946-01-000	EA	Front Wraparound Track - Passenger Side
8	093487-01-000	EA	Curtain - Front Wraparound - Passenger Side - 36" x 102"
9	087253-01-000	EA	Pull - Clear Plastic
	081381-01-000	EA	Curtain Glides - Plastic - Wraparound & Blackout
	088792-01-000	EA	Velcro - 5/8" Hook - Non Adhesive (Blackout Curtain)
	088792-02-000	EA	Velcro - 3/4" Loop - Adhesive (Blackout Curtain)
	072333-61-000	YD	Blackout Curtain Fabric (Y15)
	072333-59-000	YD	Blackout Curtain Fabric (Y16)
	072333-37-000	YD	Blackout Curtain Fabric (Y17)

CURTAIN, CUSHION & PAD GROUP (CONTINUED)



QUEEN BED

Key	Part Number	U/M	Description
1	081997-02-Y15	EA	Pillow Sham - w/Ruffle - Open Back
1	081997-02-Y15	EA	Pillow Sham - w/Ruffle - Open Back
1	081997-02-Y17	EA	Pillow Sham - w/Ruffle - Open Back
2	092371-01-Y15	EA	Bedsread Asm. - Fitted - w/Ruffle - 60" x 75"
2	092371-01-Y16	EA	Bedsread Asm. - Fitted - w/Ruffle - 60" x 75"
2	092371-01-Y17	EA	Bedsread Asm. - Fitted - w/Ruffle - 60" x 75"
3	079369-03-000	EA	Mattress - Innerspring - 60" x 75" x 7.75"
	088273-29-000	YD	Bedsread Fabric (Y15)
	088273-22-000	YD	Bedsread Fabric (Y16)
	088273-23-000	YD	Bedsread Fabric (Y17)

TWIN BED (OPTION 44R)

Key	Part Number	U/M	Description
1	081997-03-Y15	EA	Pillow Sham - w/Ruffle - Open Back
1	081997-03-Y16	EA	Pillow Sham - w/Ruffle - Open Back
1	081997-03-Y17	EA	Pillow Sham - w/Ruffle - Open Back
2	083986-14-Y15	EA	Bedsread Asm. - Fitted - 33" x 75" - Passenger Side
2	083986-14-Y16	EA	Bedsread Asm. - Fitted - 33" x 75" - Passenger Side
2	083986-14-Y17	EA	Bedsread Asm. - Fitted - 33" x 75" - Passenger Side
2	083986-15-Y15	EA	Bedsread Asm. - Fitted - 33" x 75" - Driver Side
2	083986-15-Y16	EA	Bedsread Asm. - Fitted - 33" x 75" - Driver Side
2	083986-15-Y17	EA	Bedsread Asm. - Fitted - 33" x 75" - Driver Side
3	077478-04-000	EA	Mattress - Innerspring - 33" x 75" x 7.75"

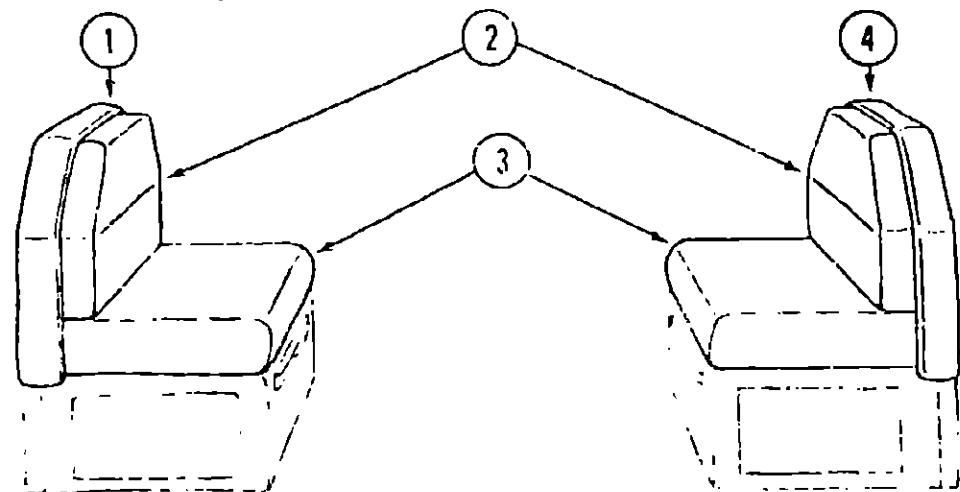
**1989 WINNEBAGO
TABLE OF CONTENTS**

INTRODUCTION	A-01
ABBREVIATIONS	A-01
ALPHABETICAL INDEX	A-02 - A-04
WCM27RQ	A-05 - D-18
WC/JM31RQ	D-19 - H-10

1989 WC/JM31RQ INDEX

Floor Plan	D-19 - D-20
Accessories Group	D-21 - E-03
Bath Group	E-04 - E-07
Chassis Group	E-08 - E-14
Curtain, Cushion & Pad Group	E-15 - F-02
Dinette Group	F-03 - F-04
Driver's Compartment Group	F-05 - F-10
Electrical Group	F-11 - F-14
Exterior Body Group	F-15 - F-20
Galley Group	F-21 - F-24
Heating & Air Conditioning Group	G-01
Interior Finish Group	G-02 - G-03
LP Group	G-04
Lounge Group	G-05 - G-10
Water & Sewage Group	G-11 - G-12
Window, Vent & Exterior Door Group	G-13 - H-10

CURTAIN, CUSHION & PAD GROUP (CONTINUED)



DINETTE

Key	Part Number	U/M	Description
1	081519-02-Y07	EA	Pad Asm. - Dinette - Left (Y15)
1	081519-02-W14	EA	Pad Asm. - Dinette - Left (Y16)
1	081519-02-Y09	EA	Pad Asm. - Dinette - Left (Y17)
2	088927-18-Y15	EA	Cushion Asm. - Dinette - Seat Back
2	088927-18-Y16	EA	Cushion Asm. - Dinette - Seat Back
2	088927-19-Y17	EA	Cushion Asm. - Dinette - Seat Back
2	M88927-18-Y15	EA	Cover Asm. - Dinette Cushion - Seat Back
2	M88927-18-Y16	EA	Cover Asm. - Dinette Cushion - Seat Back
2	M88927-18-Y17	EA	Cover Asm. - Dinette Cushion - Seat Back
3	088927-19-Y15	EA	Cushion Asm. - Dinette - Seat
3	088927-19-Y16	EA	Cushion Asm. - Dinette - Seat
3	088927-19-Y17	EA	Cushion Asm. - Dinette - Seat
3	M88927-19-Y15	EA	Cover Asm. - Dinette Cushion - Seat
3	M88927-19-Y16	EA	Cover Asm. - Dinette Cushion - Seat
3	M88927-19-Y17	EA	Cover Asm. - Dinette Cushion - Seat
4	081519-01-Y07	EA	Pad Asm. - Dinette - Right (Y15)
4	081519-01-W14	EA	Pad Asm. - Dinette - Right (Y16)
4	081519-01-Y09	EA	Pad Asm. - Dinette - Right (Y17)
	088274-52-000	YD	Dinette Fabric (Y15)
	088274-76-000	YD	Dinette Fabric (Y16)
	088274-77-000	YD	Dinette Fabric (Y17)

PADS

Key	Part Number	U/M	Description
	090383-02-Y15	EA	Pad Asm. - End Cap - Driver - w/o Bunk
	090383-01-Y15	EA	Pad Asm. - End Cap - Passenger - w/o Bunk
	090077-02-Y15	EA	Pad Asm. - Lower End Cap - Driver - w/Bunk
	090076-02-Y15	EA	Pad Asm. - Upper End Cap - Driver - w/Bunk
	090077-01-Y15	EA	Pad Asm. - Lower End Cap - Passenger - w/Bunk
	090075-01-Y15	EA	Pad Asm. - Upper End Cap - Passenger - w/Bunk
	089987-01-Y15	EA	Pad Asm. - Trim - Header - Upper
	078811-04-Y15	EA	Pad Asm. - Trim - Header - Lower
	059414-06-000	EA	Pad Asm. - Passenger Sidewall - 3 Button
	081519-02-Y07	EA	Pad Asm. - Dinette - Left (Y15)
	081519-02-W14	EA	Pad Asm. - Dinette - Left (Y16)
	081519-02-Y09	EA	Pad Asm. - Dinette - Left (Y17)
	081519-01-Y07	EA	Pad Asm. - Dinette - Right (Y15)
	081519-01-W14	EA	Pad Asm. - Dinette - Right (Y16)
	081519-01-Y09	EA	Pad Asm. - Dinette - Right (Y17)

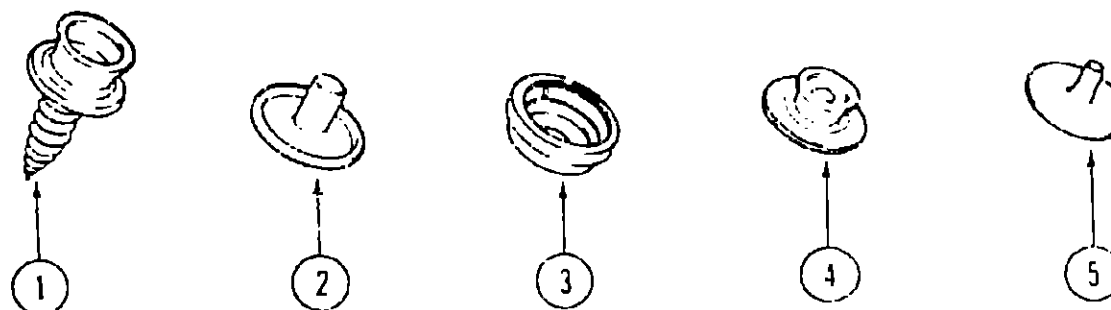
FRONT BUNK CUSHION

Key	Part Number	U/M	Description
	079145-06-000	EA	Cushion Asm. - Front Bunk - 30" x 78"
	M79145-06-000	EA	Cover Asm. - Front Bunk
	079970-01-000	YD	Mattress Tape 5/8"

CURTAIN, CUSHION & PAD GROUP (CONTINUED)

FABRIC

Key	Part Number	U/M	Description
	088274-52-000	YD	Fabric - Upholstery - Main - Blue Haze (Y15)
	088274-76-000	YD	Fabric - Upholstery - Main - Divine (Y16)
	088274-77-000	YD	Fabric - Upholstery - Main - Columbine (Y17)
	088274-79-000	YD	Fabric - Upholstery - Accent - Sky Blue (Y15)
	077498-86-000	YD	Fabric - Upholstery - Accent - Oyster (Y16)
	088274-78-000	YD	Fabric - Upholstery - Accent - Columbine (Y17)
	072333-61-000	YD	Fabric - Padded Valance/Side Legs - Front Windows - Pacific (Y15)
	072333-59-000	YD	Fabric - Padded Valance/Side Legs - Front Windows - Tan (Y16)
	072333-37-000	YD	Fabric - Padded Valance/Side Legs - Front Windows - Mauve (Y17)
	088273-29-000	YD	Fabric - Padded Valance/Side Legs - Bedroom Windows - Nature (Y15)
	088273-22-000	YD	Fabric - Padded Valance/Side Legs - Bedroom Windows - Sandune (Y16)
	088273-23-000	YD	Fabric - Padded Valance/Side Legs - Bedroom Windows - Grey (Y17)
	084416-18-000	YD	Fabric - Laminate - Pull Shade - Entrance Door - Pacific (Y15)
	094416-20-000	YD	Fabric - Laminate - Pull Shade - Entrance Door - Bone (Y16) (Y17)
	084415-23-000	YD	Trim - Braid - Entrance Door - Blue (Y15)
	084415-21-000	YD	Trim - Braid - Entrance Door - Peach/Teal (Y16)
	084415-24-000	YD	Trim - Braid - Entrance Door - Blue/Mauve (Y17)
	072333-61-000	YD	Fabric - Curtain - Blackout - Pacific (Y15)
	072333-59-000	YD	Fabric - Curtain - Blackout - Tan (Y16)
	072333-37-000	YD	Fabric - Curtain - Blackout - Mauve (Y17)
	088273-29-000	YD	Fabric - Bedspread - Natural (Y15)
	088273-22-000	YD	Fabric - Bedspread - Sandune (Y16)
	088273-23-000	YD	Fabric - Bedspread - Grey (Y17)
	072660-84-000	YD	Carpet - Graphite (Y15)
	072660-86-000	YD	Carpet - Sienna Sand (Y16)
	072660-69-000	YD	Carpet - Rose Mist (Y17)
	093486-01-000	YD	Carpet - Outside Storage Compartments - Charcoal
	079680-01-000	YD	Vinyl - Expanded - 26 oz - Buckskin
	089351-01-000	YD	Vinyl - Headliner - Acoustical
	081926-01-000	YD	Quilting Backing



MISCELLANEOUS

Key	Part Number	U/M	Description
1	029130-01-000	EA	Socket - Snap Fastener - 7 x 5/8"
2	029155-01-000	EA	Cap - Snap
3	029156-01-000	EA	Socket - Snap Fastener
4	029092-01-000	EA	Stud - Nickel Finish
5	029093-01-000	EA	Eyelet - Nickel Finish
	071632-01-000	EA	Hamper Bag - w/Elastic - 49"
	075943-01-000	EA	Valance Brace - Beige
	053552-02-W24	EA	Assist Strap - Interior
	078245-01-000	EA	Boot - Steering Column
	029094-04-000	YD	Velcro Tape - Loop - 1" - Black
	029096-03-000	YD	Velcro Tape - Hook - 1" - Black

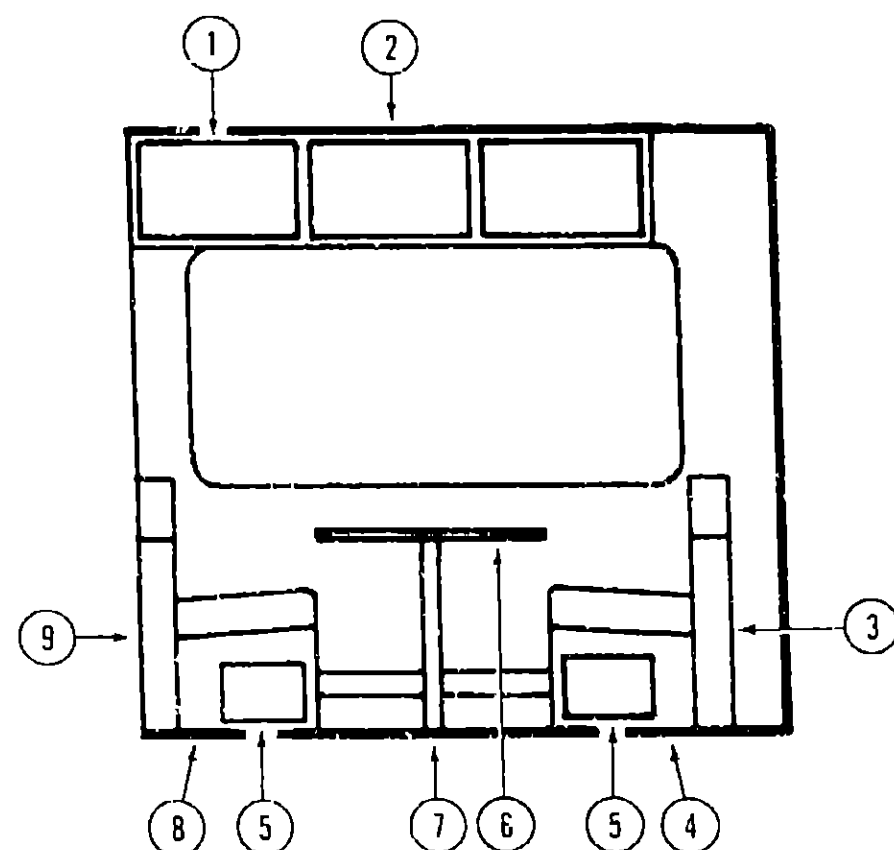
**1989 WINNEBAGO
TABLE OF CONTENTS**

INTRODUCTION	A-01
ABBREVIATIONS	A-01
ALPHABETICAL INDEX	A-02 - A-04
WCM27RQ	A-05 - D-18
WC/JM31RQ	D-19 - H-10

1989 WC/JM31RQ INDEX

Floor Plan	D-19 - D-20
Accessories Group	D-21 - E-03
Bath Group	E-04 - E-07
Chassis Group	E-08 - E-14
Curtain, Cushion & Pad Group	E-15 - F-02
Dinette Group	F-03 - F-04
Driver's Compartment Group	F-05 - F-10
Electrical Group	F-11 - F-14
Exterior Body Group	F-15 - F-20
Galley Group	F-21 - F-24
Heating & Air Conditioning Group	G-01
Interior Finish Group	G-02 - G-03
LP Group	G-04
Lounge Group	G-05 - G-10
Water & Sewage Group	G-11 - G-12
Window, Vent & Exterior Door Group	G-13 - H-10

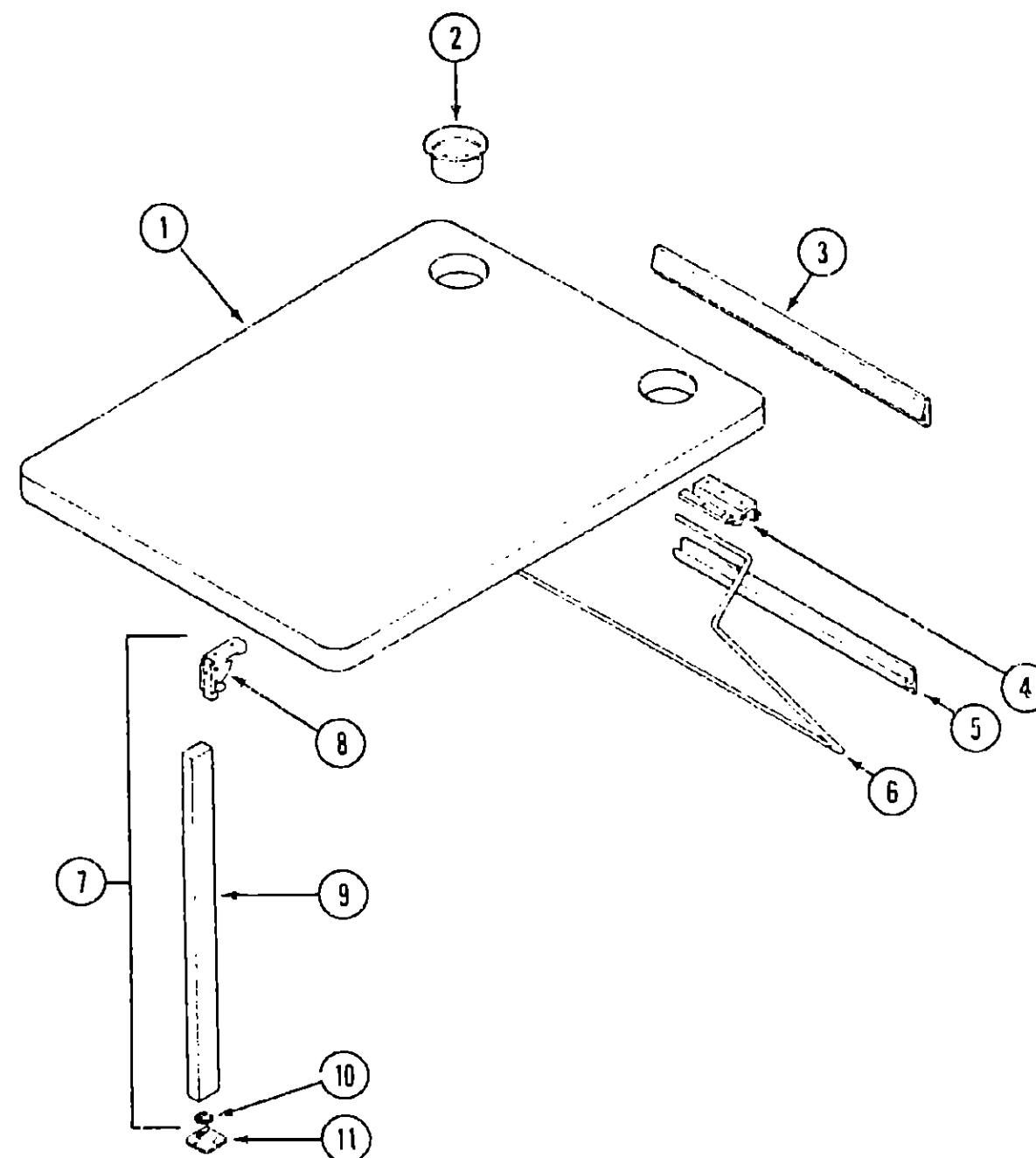
DINETTE GROUP



DINETTE & OVERHEAD CABINETRY

Key	Part Number	U/M	Description
1	M88304-16-X23	EA	Door Asm - Dinette Overhead - w/o Hardware
2	M81550-29-X14	EA	Cabinet Asm. - Dinette Overhead - w/o Doors
3	M02174-01-W30	EA	Cabinet Asm. - Seat Back - Right - w/o Pad
4	M02175-02-W30	EA	Cabinet Asm. - Seat Base - Right - w/o Door
5	M88304-21-X08	EA	Door Asm. - Dinette Seat - w/o Hardware
6	M92743-06-Y12	EA	Table Asm. - Dinette - Complete
7	092708-01-Y15	EA	Leg Asm. - Table
8	M03159-01-X14	EA	Cabinet Asm. - Seat Base - Left - w/o Door
9	M03158-01-Y15	EA	Cabinet Asm. - Seat Back - Left - w/o Pad
	081325-04-W30	EA	End Cap Asm. (Overhead)
	083620-01-000	FT	T-Molding - 3/4" - w/Edge Lips (Overhead)
	000G13-06-10G	EA	Screw - 6 - 20 x 5/8" PFH - Antique Brass (Doors)
	059777-02-000	EA	Hinge - Antique Light Brass (Doors)
	088264-01-000	EA	Door Pull - Polished Brass (Doors)
	074493-02-000	EA	Support - Door, Sprung (Overhead Doors)
	009021-01-000	EA	Catch - Nylon - Grill (Doors)
	009021-02-000	EA	Strike - Spring Steel
	093586-03-000	EA	Catch - Spring, Roller (Doors)
	093586-04-000	EA	Strike - Spring Steel (Doors)
	052859-01-000	FT	Trim Asm. - Accent (Seat Back Cabinets)
	081521-02-007	EA	Molding - 64 Hold Space (Seat & Overhead Cabinets)
	042357-11-001	EA	Corner Molding - Radius Plastic - Light Oak (Seat Base & Overhead Cabinets)
	009767-06-000	EA	Weltung - Beige (Seat Back & Overhead Cabinets)
	070504-01-000	FT	Extrusion - U-Channel - Light Brown (Seat Back Cabinets)
	080176-02-000	EA	Corner Tap - Radius - Light Oak (Seat Base & Overhead Cabinets)

DINETTE GROUP (CONTINUED)



DINETTE TABLE

Key	Part Number	U/M	Description
1	M02115-09-Y30	EA	Table Top - Dinette
	004354-01-000	EA	Bumper - 1/8" x 1/2" - White
	076325-16-000	EA	Molding - Edge Band - Regal Oak
2	064781-05-000	EA	Cup Holder - Beige
3	053200-05-000	EA	Bracket - Upper Wall Mount - 23.5" - Beige
4	088410-01-000	EA	Bracket - Table Mount - 23" - Beige
5	024281-07-000	EA	Bracket - Lower Wall Mount - 22.12" - Beige
6	024275-05-000	EA	Rod - Table Lift - 8" x 23.5" - Beige
7	092708-01-Y15	EA	Leg Asm. - Table
8	093550-01-000	EA	Bracket - Table Leg - Folding
9	092707-01-01A	EA	Table Leg - Regal Oak
10	092593-01-02A	EA	Catch - Table Leg - Tan
11	049493-08-000	EA	Floor Catch - Table Leg - Tan
	000G11-10-12R	EA	Screw - 10 - 16 x 3/4" PPH - Beige

1989 WINNEBAGO TABLE OF CONTENTS

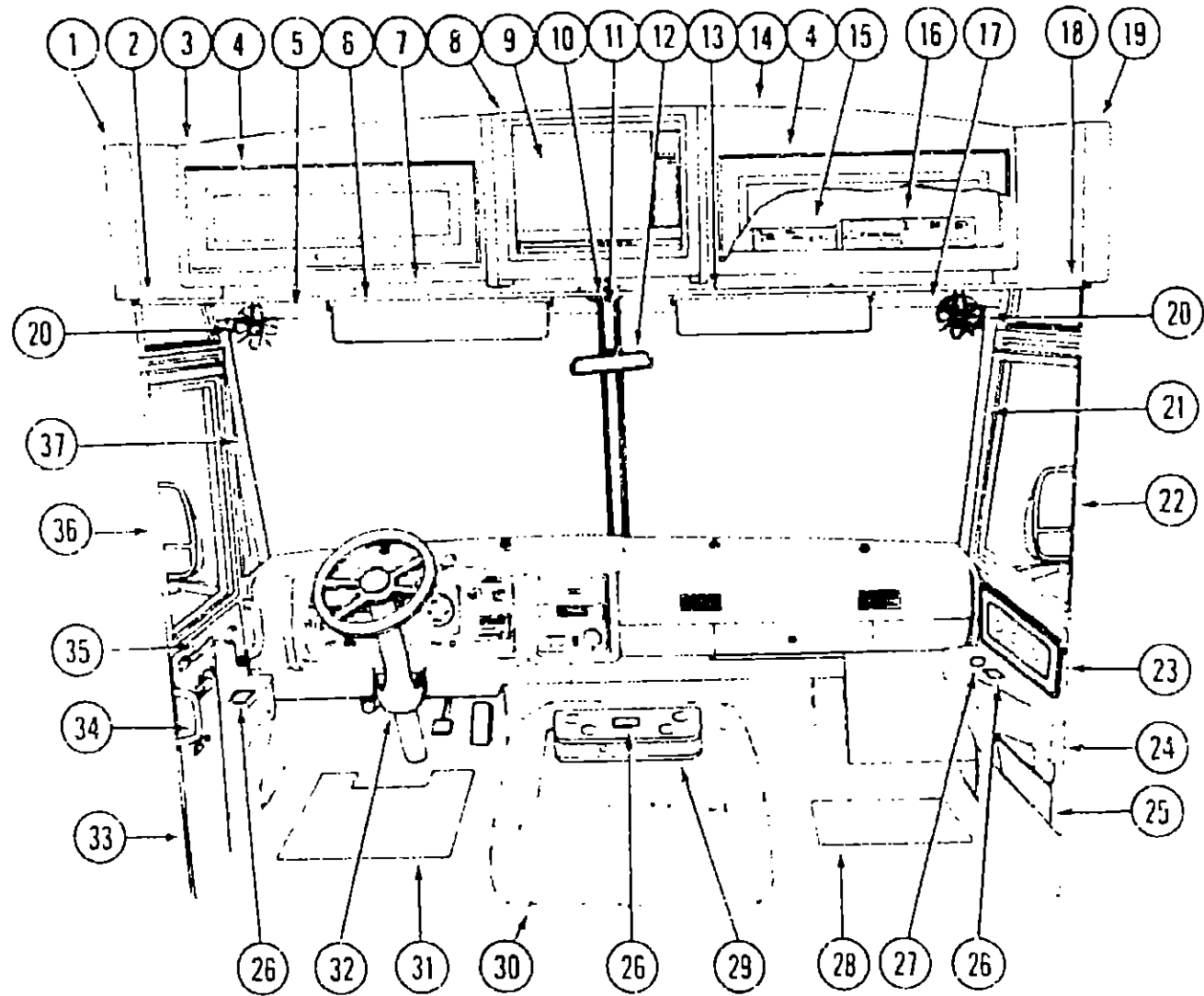
INTRODUCTION	A-01
ABBREVIATIONS	A-01
ALPHABETICAL INDEX	A-02 - A-04
WCM27RQ	A-05 - D-18
WC/JM31RQ	D-19 - H-10

1989 WC/JM31RQ INDEX

Floor Plan	D-19 - D-20
Accessories Group	D-21 - E-03
Bath Group	E-04 - E-07
Chassis Group	E-08 - E-14
Curtain, Cushion & Pad Group	E-15 - F-02
Dinette Group	F-03 - F-04
Driver's Compartment Group	F-05 - F-10
Electrical Group	F-11 - F-14
Exterior Body Group	F-15 - F-20
Galley Group	F-21 - F-24
Heating & Air Conditioning Group	G-01
Interior Finish Group	G-02 - G-03
LP Group	G-04
Lounge Group	G-05 - G-10
Water & Sewage Group	G-11 - G-12
Window, Vent & Exterior Door Group	G-13 - H-10

DRIVER'S COMPARTMENT GROUP

DRIVER'S COMPARTMENT COMPONENTS



Key	Part Number	U/M	Description
1	090383-02-Y15	EA	Pad Asm. - End Cap - Driver - w/o Bunk
2	079946-01-000	EA	Track - Front Wraparound Curtain - Driver
3	M89985-01-X14	EA	Cabinet Asm. - Front Overhead - Driver - w/o Bunk
4	M88304-39-X78	EA	Door Asm. - Front Overhead - Driver & Passenger - w/o Hardware
	000G13-06-10G	EA	Screw - 6 - 20 x .625" PFH - Antique Brass
	000G68-06-10G	EA	Screw - 6 - 18 x .525" POH - Antique Brass
	059777-02-000	EA	Hinge - Antique - Light Brass
	088264-01-000	EA	Door Pull - Polished Brass
	009021-01-000	EA	Catch - Nylon
	009021-02-000	EA	Strike - Spring Steel
	093586-03-000	EA	Catch - Roller - Spring
	093586-04-000	EA	Strike - Spring Steel
	074493-02-000	EA	Support - Sprung - Door
5	078579-02-000	EA	Windshield Trim - Upper Driver - Light Oak - Inner
6	082286-05-X14	EA	Sunvisor Asm. - Driver
	007211-01-000	EA	Hinge - Sunvisor
	074012-01-000	EA	Clip - Sunvisor - Square Pinch On
7	089987-01-Y15	EA	Pad Asm. - Trim - Header - Upper
	078811-04-Y15	EA	Pad Asm. - Trim - Header - Lower
8	M89986-01-X14	EA	Cabinet Asm. - Center Front Overhead - w/o Bunk
	M88304-08-X11	EA	Door Asm. - Center Front Overhead - w/o Hardware
9	091258-03-000	EA	TV - 13" Color Remote - Sharp 13RM59
10	085280-01-000	EA	Light - 12 Volt - Surface Mount
	086280-01-700	EA	Bulb - 12 Volt - 6 Watt
11	079765-02-000	EA	Windshield Trim - Center - Light Oak - Inner
12	040714-01-000	EA	Mirror - Inside Rear View
13	082286-06-X14	EA	Sunvisor Asm. - Passenger - w/Mirror
	083153-01-000	EA	Mirror - Sunvisor - 3 1/2" x 7"
	085709-01-000	EA	Clip Asm. - Sunvisor - Black
14	M89984-01-X14	EA	Cabinet Asm. - Front Overhead - Passenger - w/o Bunk
15	086757-01-000	EA	Control Center - Switch - Channel Master
16	091907-02-000	EA	VCR - VHS - Sharp VC2208U
17	078579-01-000	EA	Windshield Trim - Upper Passenger - Light Oak - Inner
18	079946-01-000	EA	Track - Front Wraparound Curtain - Passenger
19	090383-01-Y15	EA	Pad Asm. - End Cap - Passenger - w/o Bunk
20	036420-02-000	EA	Defroster Fan - 6" Dia. - 2 Speed (Option 36N)
21	079206-03-000	EA	Windshield Trim - Passenger - Beige - Inner
22	086260-01-000	EA	Mirror Asm. - w/Convex - Passenger
23	059414-06-000	EA	Pad Asm. - Passenger Sidewall - 3 Button
24	072811-01-000	EA	Side Panel - Passenger Sidewall - Plastic
25	059467-04-T03	EA	Pad Asm. - Map Pocket - Passenger Sidewall
26	046886-03-000	EA	Ash Tray - Chrome
27	064781-01-000	EA	Cup Holder - Chrome - Plastic
28	081202-01-000	EA	Floor Mat - Passenger - Winnebago
29	080216-01-000	EA	Beverage Tray - Oak - w/Tape Pockets
30	075939-01-000	EA	Motor Cover - w/o Carpet
	075564-01-000	EA	Mounting Bracket - Motor Cover
	039623-01-000	FT	Seal - Motor Cover
31	071201-01-000	EA	Floor Mat - Driver - Winnebago
32	078245-01-000	EA	Boot - Steering Column
33	082471-02-000	EA	Panel - Driver Door - Plastic
34	063886-06-000	EA	Assist Handle - Driver Entrance - Beige
35	061400-06-000	EA	Assist Strap - Driver Door - Sandstone 1600
36	086260-02-000	EA	Mirror Asm. - w/Convex - Left
37	079206-04-000	EA	Windshield Trim - Driver - Beige - Inner

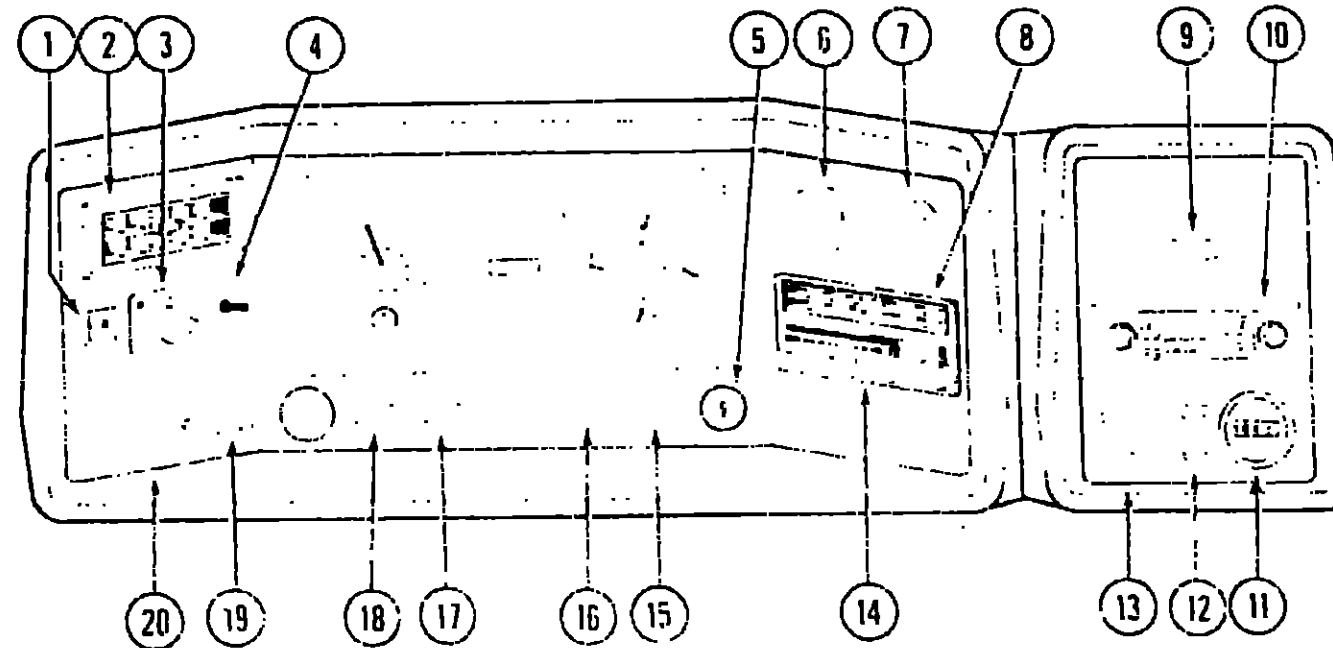
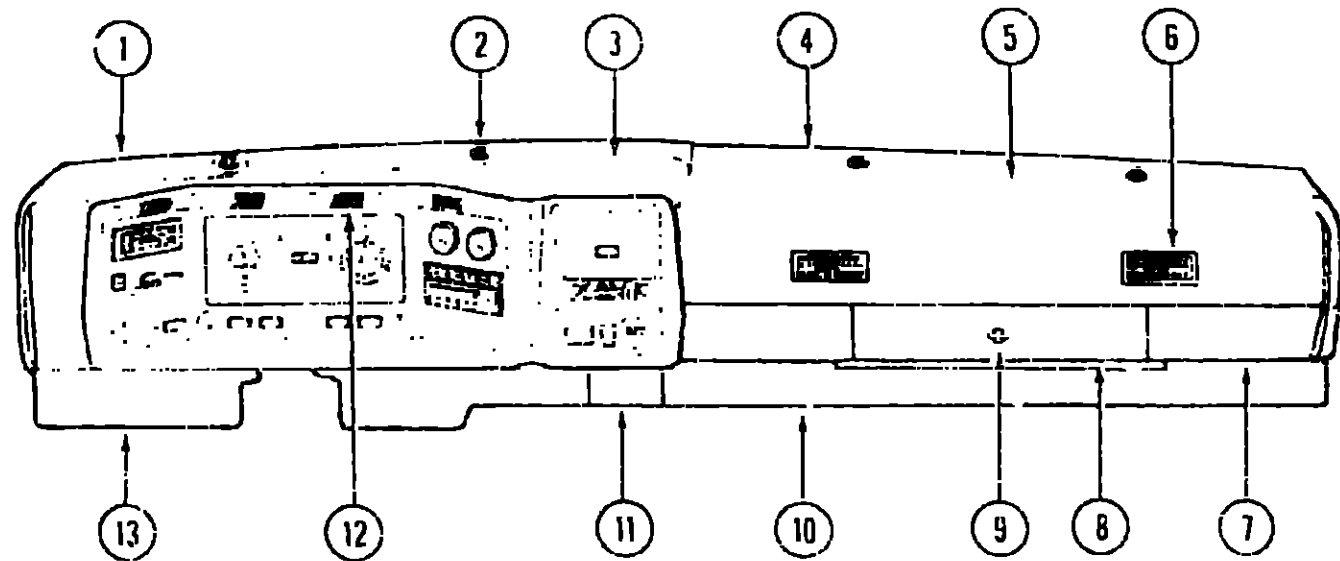
1989 WINNEBAGO TABLE OF CONTENTS

INTRODUCTION	A-01
ABBREVIATIONS	A-01
ALPHABETICAL INDEX	A-02 - A-04
WCM27RQ	A-05 - D-18
WC/JM31RQ	D-19 - H-10

1989 WC/JM31RQ INDEX

Floor Plan	D-19 - D-20
Accessories Group	D-21 - E-03
Bath Group	E-04 - E-07
Chassis Group	E-08 - E-14
Curtain, Cushion & Pad Group	E-15 - F-02
Dinette Group	F-03 - F-04
Driver's Compartment Group	F-05 - F-10
Electrical Group	F-11 - F-14
Exterior Body Group	F-15 - F-20
Galley Group	F-21 - F-24
Heating & Air Conditioning Group	G-01
Interior Finish Group	G-02 - G-03
LP Group	G-04
Lounge Group	G-05 - G-10
Water & Sewage Group	G-11 - G-12
Window, Vent & Exterior Door Group	G-13 - H-10

1989 WINNEBAGO
TABLE OF CONTENTS



INTRODUCTION
ABBREVIATIONS
ALPHABETICAL INDEX
WCM27RQ
WC/JM31RQ

A-01
A-01
A-02 - A-04
A-05 - D-18
D-19 - H-10

DASH PANEL COMPONENTS

Key	Part Number	U/M	Description
1	078582-02-000	EA	Pad Asm. - Dash - Front Driver - w/o Defroster Vent
2	024990-01-000	EA	Defroster Outlet - w/Swivel - 2" Tan
3	079088-01-000	EA	Pad Asm - Dash - Instrument - Panel - Driver
4	078581-02-000	EA	Pad Asm - Dash - Front Passenger - w/o Defroster Vent
5	079089-01-000	EA	Pad Asm - Dash - Instrument Panel - Passenger
6	039044-01-000	EA	Louver Asm - Air Conditioner - Adjustable Vent
7	023834-01-000	EA	Knee Kick
8	022219-01-000	EA	Glove Compartment Door
9	009180-01-000	EA	Twist Lock - Glove Compartment
	023892-01-000	FA	Glove Compartment Box - Black Fiberboard
	024598-01-000	EA	Glove Compartment Hinge
10	077367-02-000	EA	Instrument Panel Cover - Lower Right - Black (Chevrolet)
10	077367-03-000	EA	Instrument Panel Cover - Lower Right - Black (John Deere)
	061211-02-000	EA	Plug - Plastic - 360° Dia - Black
11	077369-01-000	EA	Access Panel - Lower Instrument Panel - Black
12	061424-01-000	EA	Light - 12 Volt - Rectangular
13	077368-01-000	EA	Instrument Panel Cover - Lower Left - Black (Chevrolet)
13	077368-02-000	EA	Instrument Panel Cover - Lower Left - Black (John Deere)
13	077368-03-000	EA	Instrument Panel Cover - Lower Left - Black (Chevrolet w/Searchlight)
13	077368-04-000	EA	Instrument Panel Cover - Lower Left - Black (John Deere w/Searchlight)

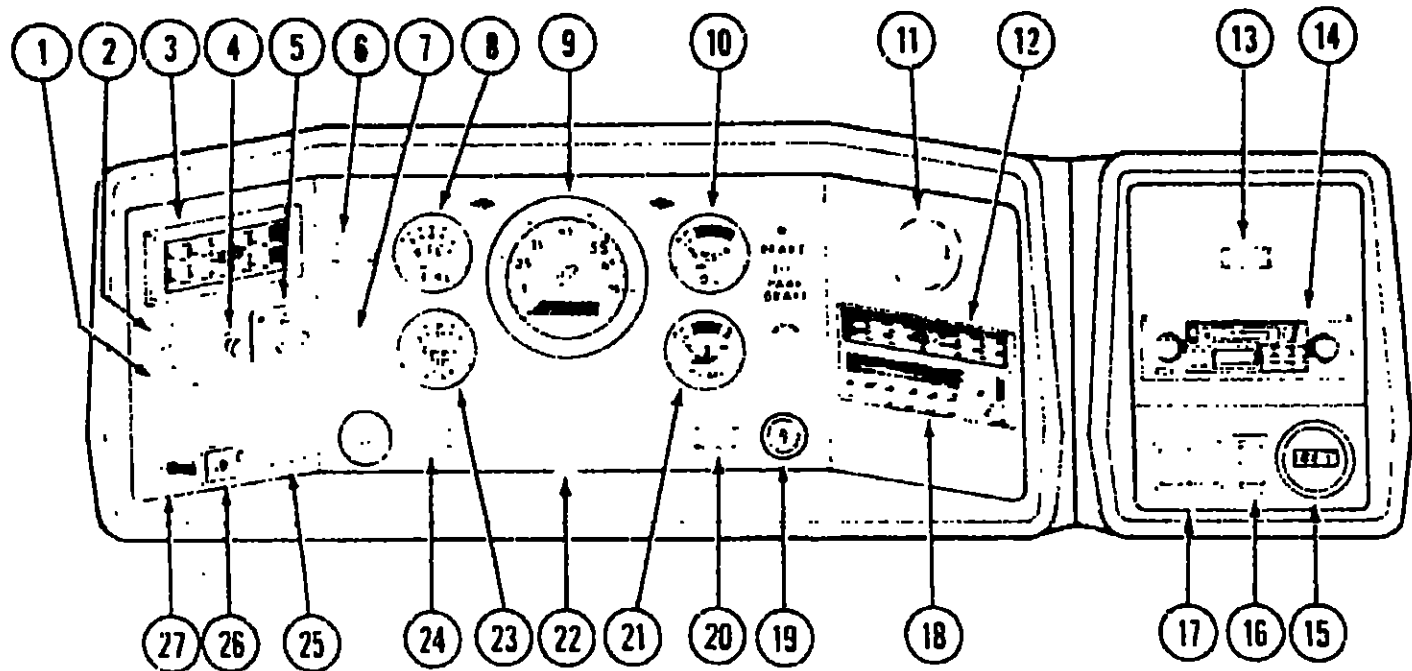
INSTRUMENT CLUSTER (CHEVROLET)

Key	Part Number	U/M	Description
1	089305-01-000	EA	Fog Light Switch (Option 57M)
2	039044-01-000	EA	Vent/Air Conditioner Register
3	087202-02-000	EA	Rear Auto Heater Switch - w/o Knob (Option 611)
	090977-01-000	EA	Knob - Rear Auto Heater Switch - Rotary (Option 611)
4	077497-01-7u2	EA	Air Horn Switch (Option 36R)
5	089294-01-000	EA	Cigarette Lighter
6	021459-04-000	EA	Battery Condition Meter
7	024460-04-000	EA	Vacuum/Fuel Economy Gauge
8	094831-01-741	EA	Dash Louver/Control Panel Trim
9	093381-01-000	EA	Radio Power Source Switch
10	090962-01-000	EA	Audio Entertainment System
11	031035-01-000	EA	Auxiliary Electric Generator Hourmeter (Options 39E, 39G, 37M)
12	024976-01-000	EA	Auxiliary Electric Generator Start/Stop Switch (Options 39E, 39G, 37M)
13	076006-20-000	EA	Bezel - Entertainment Center
14	094381-01-732	EA	Heater/Air Conditioner Controls
15	024461-01-000	EA	Battery Mode Switch
16	024462-01-000	EA	Battery Condition Switch
17	087266-01-000	EA	Rear Wiper Switch (Option 59F)
18	089306-01-000	EA	Switch - Auxiliary Defroster Fans (Option 36M)
19	065963-04-000	EA	Auxiliary Battery Disconnect Switch (Option 29A)
20	086296-13-000	EA	Bezel - Instrument Panel
	088745-01-000	EA	Instrument Cluster - Electronic (Option 42M)

1989 WC/JM31RQ INDEX

Floor Plan	D-19 - D-20
Accessories Group	D-21 - E-02
Bath Group	E-04 - E-07
Chassis Group	E-08 - E-14
Curtain, Cushion & Pad Group	E-15 - F-02
Dinette Group	F-03 - F-04
Driver's Compartment Group	F-05 - F-10
Electrical Group	F-11 - F-14
Exterior Body Group	F-15 - F-20
Galley Group	F-21 - F-24
Heating & Air Conditioning Group	G-01
Interior Finish Group	G-02 - G-03
LP Group	G-04
Lounge Group	G-05 - G-10
Water & Sewage Group	G-11 - G-12
Window, Vent & Exterior Door Group	G-13 - H-10

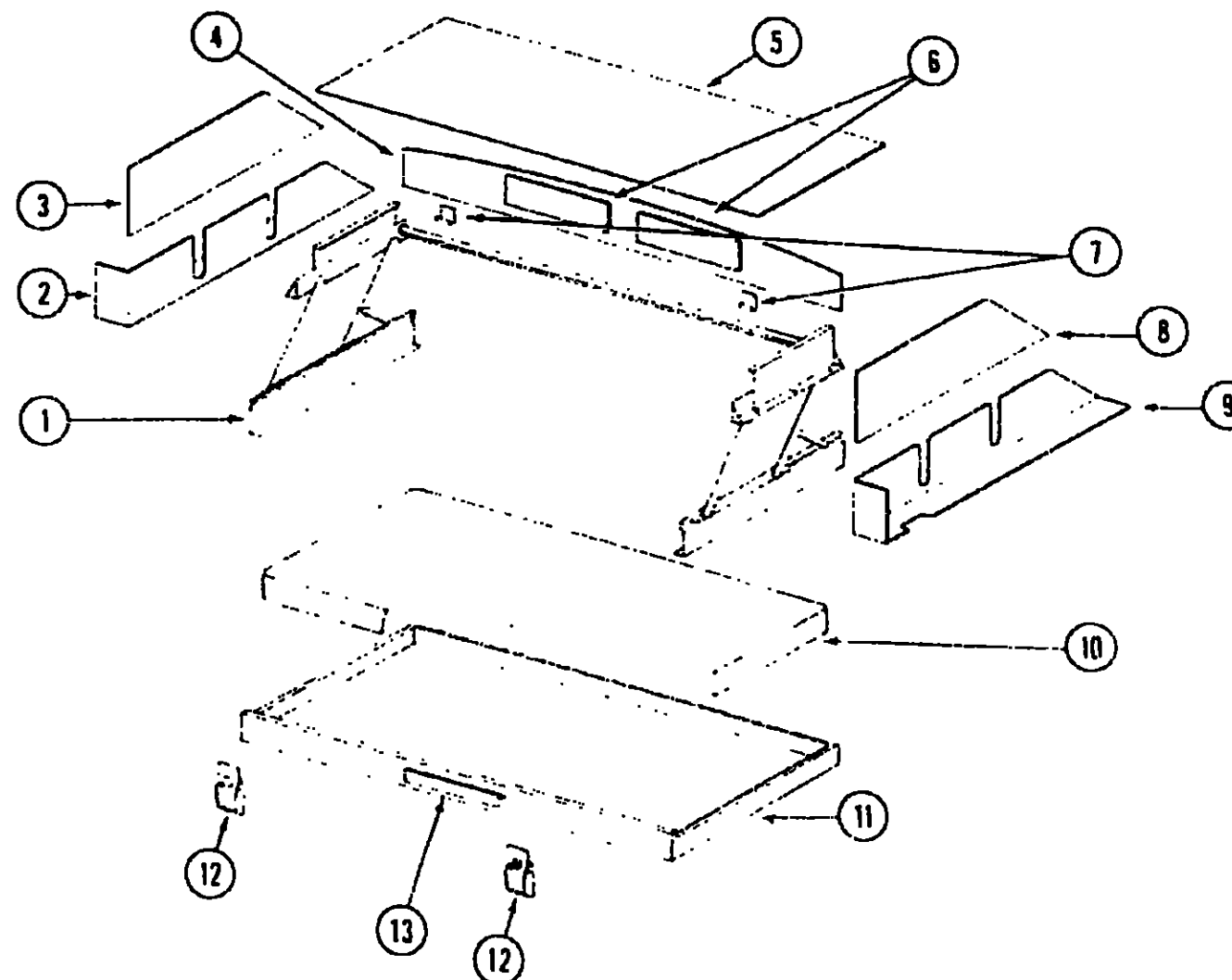
DRIVER'S COMPARTMENT GROUP (CONTINUED)



INSTRUMENT CLUSTER (JOHN DEERE)

Key	Part Number	U/M	Description
1	024464-01-000	EA	Windshield Washer Switch
2	024467-01-000	EA	Windshield Wiper Switch
3	039044-01-000	EA	Vent/Air Conditioner Register
4	074007-02-000	EA	Wiper Delay Control
5	087202-02-000	EA	Rear Auto Heater Switch - w/o Knob (Option 611)
	090977-01-000	EA	Knob - Rear Auto Heater Switch - Rotary (Option 611)
6	024462-01-000	EA	Battery Condition Switch
7	024461-01-000	EA	Battery Mode Switch
8	090431-01-000	EA	Fuel Gauge
9	090434-01-000	EA	Speedometer
10	090433-01-000	EA	Oil Pressure Gauge
11	024460-04-000	EA	Vacuum/Fuel Economy Gauge
12	094831-01-741	EA	Dash Louver/Control Panel Trim
13	093381-01-000	EA	Radio Power Source Switch
14	090982-01-000	EA	Audio Entertainment Center
15	031035-01-000	EA	Auxiliary Electric Generator Hourmeter (Options 39E, 39G, 37M)
16	024976-01-000	EA	Auxiliary Electric Generator Start/Stop Switch (Options 39E, 39G, 37M)
17	076006-21-000	EA	Bezel - Entertainment Center
18	094831-01-732	EA	Heater/Air Conditioner Control
19	089294-01-000	FA	Cigarette Lighter
20	089306-01-000	EA	Switch - Auxiliary Defroster Fans (Option 36N)
21	090432-01-000	EA	Coolant Temperature Gauge
22	086296-12-000	EA	Bezel - Instrument Panel
23	024459-04-000	EA	Gauge - Voltmeter
24	087266-01-000	EA	Switch - Rear Wiper (Option 59F)
25	065963-04-000	EA	Auxiliary Battery Disconnect Switch (Option 29A)
26	089305-01-000	EA	Fog Light Switch (Option 57M)
27	077497-01-702	EA	Air Horn Switch (Option 36R)

DRIVER'S COMPARTMENT GROUP (CONTINUED)



FRONT PULLDOWN BUNK (OPTION 61H)

Key	Part Number	U/M	Description
1	076760-02-000	EA	Hardware Asm - Overhead Bunk
2	090077-02-Y15	EA	Pad Asm - Lower End Cap - Driver
3	090076-02-Y15	EA	Pad Asm - Upper - End Cap - Driver
4	M90075-01-X14	EA	Cabinet Asm - Front Face - Overhead w/Doors
5	090079-01-X14	EA	Cabinet Asm - Lower Base - Overhead
6	M88304-03-X78	EA	Door Asm - w/o Hardware
	000G13-06-10G	EA	Screw - 6 - 20 x 5/8" - PFH - Antique Brass
	059777-02-000	EA	Hinge - Antique Brass
	088264-01-000	EA	Pull Hardware - Polished Brass
	000G68-06-10G	EA	Screw - 6 - 18 x 5/8" PDH - Antique Brass
	074492-02-000	EA	Support - Sprung Door
	009021-01-000	EA	Catch - Nylon
	009021-02-000	EA	Strike - Spring Steel
	093586-03-000	EA	Catch - Roller Spring
	093586-04-000	EA	Strike - Spring Steel
7	042541-05-000	EA	Strike - Brass
8	090076-01-Y15	EA	Pad Asm - Upper End Cap - Passenger
9	090077-01-Y15	EA	Pad Asm - Lower - End Cap - Passenger
10	079145-06-000	EA	Cushion Asm - Bunk
	M79145-06-000	EA	Cover Asm - Bunk - 30" x 78"
	079970-01-000	YD	Mattress Tape - 5/8"
11	081717-03-Y15	EA	Bed Asm - Front Bunk
12	042541-04-000	EA	Latch Asm - w/o Strike - Brass
13	094658-01-Y12	EA	Handle - Front Bunk - Oak
	009767-06-000	FT	Welting - Beige
	089351-01-000	YD	Vinyl - Headliner
	009778-07-000	FI	U Channel - 1" - Light Oak
	016604-03-000	EA	Brace - Seat Angle - 2.5" - Beige
	016604-03-000	EA	Brace - Valance - Beige
	029130-01-000	EA	Socket - Snap Fastener - 7 x 5/8"

**1989 WINNEBAGO
TABLE OF CONTENTS**

INTRODUCTION
ABBREVIATIONS
ALPHABETICAL INDEX
WCM27RQ
WC/JM31RQ

A-01
A-01
A-02 - A-04
A-05 - D-18
D-19 - H-10

1989 WC/JM31RQ INDEX

Floor Plan	D-19 - D-20
Accessories Group	D-21 - E-03
Bath Group	E-04 - E-07
Chassis Group	E-08 - E-14
Curtain, Cushion & Pad Group	E-15 - F-02
Dinette Group	F-03 - F-04
Driver's Compartment Group	F-05 - F-10
Electrical Group	F-11 - F-14
Exterior Body Group	F-15 - F-20
Galley Group	F-21 - F-24
Heating & Air Conditioning Group	G-01
Interior Finish Group	G-02 - G-03
LP Group	G-04
Lounge Group	G-05 - G-10
Water & Sewage Group	G-11 - G-12
Window, Vent & Exterior Door Group	G-13 - H-10

ELECTRICAL GROUP

BULBS

Key	Part Number	U/M	Description
	008218-01-000	EA	Bulb - #1141 - Dome Light
	067479-01-000	EA	Bulb - #1076 - Table & Wall Lamps
	091937-03-000	EA	Bulb - Fluorescent Light - Recessed
	078424-02-700	EA	Bulb - Fluorescent Light - Galley
	081633-01-700	EA	Bulb - Makeup Light
	087694-01-700	EA	Bulb - Wardrobe Light
	053914-01-000	EA	Bulb - Reading Light
	086280-01-700	EA	Bulb - Surface Mount Light (Cab)
	088737-01-710	EA	Bulb - Microwave Oven
	092696-01-709	EA	Bulb - Range Hood
	084880-01-706	EA	Bulb - Refrigerator
	037935-01-000	EA	Bulb - #1157 - Tail Lamp Asm
	036196-01-000	EA	Bulb - #1194 - Clearance & License Plate Light's
	008215-01-000	EA	Bulb - #1003 - Porch Light & Shower Light
	051057-01-705	EA	Bulb - Spotlight (Option 63E)

INTERIOR LIGHTS & BULBS

Key	Part Number	U/M	Description
	033508-02-000	EA	Light - Dome - Ivory - Single - USA
	033508-03-000	EA	Light - Dome - Ivory - Single - CSA
	033509-02-000	EA	Light - Dome - Ivory - Double - USA
	033509-03-000	EA	Light - Dome - Ivory - Double - CSA
	033509-02-700	EA	Lens - Dome Light
	088424-04-000	EA	Shroud - Dome Light - Double - Off White
	008218-01-000	EA	Bulb - 12 Volt - #1141 - Used For All Above
	065202-03-000	EA	Wall Lamp - Bright Brass
	065201-02-000	EA	Lamp Shade - Wall Lamp - Parchment
	082686-01-000	EA	Table Lamp - Brass w/Wood - USA (Option 44W)
	082686-03-000	EA	Table Lamp - Brass w/Wood - CSA (Option 44W)
	082686-02-000	EA	Shade - Table Lamp Thru 11/6/88
	092686-06-000	EA	Shade - Table Lamp From 11/7/88
	067479-01-000	EA	Bulb - 12 Volt - #1076 - Used For Table & Wall Lamps
	091937-01-000	EA	Flourescent Light - 12 Volt - Recessed (Ceiling)
	091937-02-000	EA	Lens - Recessed - Fluorescent Light
	091937-03-000	EA	Bulb - Recessed - Fluorescent Light
	078424-02-000	EA	Flourescent Light - 18" - Almond (Galley)
	078424-02-701	EA	Lens - Fluorescent Light - 18" - Almond
	078424-02-700	EA	Bulb - Fluorescent Light - 18" - Almond
	082169-01-000	EA	Makeup Light - 24"
	081633-01-700	EA	Bulb - Makeup Light
	087694-02-000	EA	Wardrobe Light w/Switch
	087694-01-700	EA	Bulb - Wardrobe Light
	086280-01-000	EA	Surface - Mount Light - 12 Volt - Jensen 1236 (Cab)
	086280-01-700	EA	Bulb - Surface Mount Light
	061424-01-000	EA	Rectangular Light - Aisle & Instrument Panel
	092696-01-709	EA	Bulb - Range Hood
	084880-01-706	EA	Bulb - Refrigerator
	088737-01-710	EA	Bulb - Microwave Oven

ELECTRICAL GROUP (CONTINUED)

EXTERIOR LIGHTS & BULBS

Key	Part Number	U/M	Description
	075459-04-000	EA	Lamp Asm. - Tail/Brake - Red
	075459-05-000	EA	Lamp Asm. - Turn - Amber
	075459-06-000	EA	Lamp Asm. - Backup/Reflector - Clear/Red
	037935-01-000	EA	Bulb - 12 Volt - #1157 - Used For Tail Lamp Asm
	081250-02-000	EA	Light - Clearance - Rear
	081250-02-700	EA	Lens - Clearance Light - Red
	081250-01-000	EA	Light - Clearance - Front
	081250-01-700	EA	Lens - Clearance Light - Amber
	081437-01-000	EA	Bracket - Clearance Light
	076795-01-000	EA	Light Asm. - License Plate
	036196-01-000	EA	Bulb - 12 Volt - #1194 - Used For Clearance & License Plate
	042405-03-000	EA	Base - Side Marker Light - w/Bulb (8GE 1895)
	042405-02-000	EA	Lens - Side Marker Light - Amber
	042405-01-000	EA	Lens - Side Marker Light - Red
	008089-01-000	EA	Porch Light - Recessed - USA
	008089-02-000	EA	Porch Light - Recessed - CSA
	008089-01-700	EA	Lens - Porch Light - Recessed
	008215-01-000	EA	Bulb - 12 Volt - #1003 - Porch Light
	051057-02-000	EA	Spotlight - Power Driven (Option 63E)
	051057-01-705	EA	Bulb - Spotlight (Option 63E)
	084901-01-000	EA	Lamp Asm. - Park/Turn
	049185-01-000	EA	Headlight Capsule Asm - Driver - High/Low Beam
	049186-01-000	EA	Headlight Capsule Asm - Passenger - High/Low Beam
	049187-01-000	EA	Headlight Capsule Asm - Driver - High Beam
	049188-01-000	EA	Headlight Capsule Asm - Passenger - High Beam
	049359-01-000	EA	Spring - Headlight Retainer
	062207-01-000	EA	Headlight Guard
	090202-01-000	EA	Headlight Bezel - Passenger - Black
	090202-02-000	EA	Headlight Bezel - Driver - Black
	088747-01-000	EA	Lamp Asm - Fog - Clear Lens (Option 57M)
	033508-02-000	EA	Light - Dome - Ivory - Storage Compartment - USA
	033508-03-000	EA	Light - Dome - Ivory - Storage Compartment - CSA
	033508-02-700	EA	Lens - Dome Light
	008218-01-000	EA	Bulb - 12 Volt - Dome Light

FUSES & CIRCUIT BREAKERS

Key	Part Number	U/M	Description
	062901-02-000	EA	Fuse - Automotive - 5 Amp
	062901-05-000	EA	Fuse - Automotive - 15 Amp
	083209-01-000	EA	Circuit Breaker - 15 Amp - 120 Volt
	083209-03-000	EA	Circuit Breaker - 15/20 Amp - 120 Volt - w/o Microwave
	083209-04-000	EA	Circuit Breaker - 30 Amp - 120 Volt
	083209-05-000	EA	Circuit Breaker - 20 Amp - 120 Volt
	083209-06-000	EA	Circuit Breaker - 30/15 Amp - 120 Volt - CSA
	083209-07-000	EA	Circuit Breaker - 20/20 Amp - 120 Volt - w/Microwave
	083210-02-000	EA	Circuit Breaker - 15 Amp - 120 Volt - CSA
	082678-01-000	EA	Circuit Breaker - 40 Amp - 12 Volts - CSA
	082678-02-000	EA	Circuit Breaker - 20 Amp - 12 Volt - CSA
	085720-06-000	EA	Circuit Breaker - 6 Amp - 12 Volt
	088079-02-000	EA	Circuit Breaker - 20 Amp - 12 Volt
	088079-04-000	EA	Circuit Breaker - 30 Amp - 12 Volt
	093654-02-000	EA	Circuit Breaker - 15 Amp - 12 Volts
	093655-01-000	EA	Circuit Breaker - 25 Amp - 12 Volt
	093655-03-000	EA	Circuit Breaker - 40 Amp - 12 Volt

1989 WINNEBAGO TABLE OF CONTENTS

INTRODUCTION	A-01
ABBREVIATIONS	A-01
ALPHABETICAL INDEX	A-02 - A-04
WCM27RQ	A-05 - D-18
WC/JM31RQ	D-19 - H-10

1985 WC/JM31RQ INDEX

Floor Plan	D-19 - D-20
Accessories Group	D-21 - E-03
Bath Group	E-04 - E-07
Chassis Group	E-08 - E-14
Curtain, Cushion & Pad Group	E-15 - F-02
Dinette Group	F-03 - F-04
Driver's Compartment Group	F-05 - F-10
Electrical Group	F-11 - F-14
Exterior Body Group	F-15 - F-20
Galley Group	F-21 - F-24
Heating & Air Conditioning Group	G-01
Interior Finish Group	G-02 - G-03
LP Group	G-04
Lounge Group	G-05 - G-10
Water & Sewage Group	G-11 - G-12
Window, Vent & Exterior Door Group	G-13 - H-10

ELECTRICAL GROUP (CONTINUED)

WIRE, SWITCHES, RECEPTACLES

Key	Part Number	U/M	Description
	008288-01-000	EA	Box - Electrical - 3" x 3.5" - Plastic
	008289-01-000	EA	Box - Electrical - 4" x 4" - 1/2 & 3/4 - Steel - USA
	008289-02-000	EA	Box - Electrical - 4" x 4" - 1/2 & 3/4 - Steel - CSA
	058049-01-000	EA	Box - Electrical - 2" x 3" x 2.25" - Steel
	041953-01-000	FT	Conduit - Convolute Slit - .50" I.D.
	041953-02-000	FT	Conduit - Convolute Slit - .625" I.D.
	041953-03-000	FT	Conduit - Convolute Slit - 1" I.D.
	041953-05-000	FT	Conduit - Convolute Slit - .625" I.D.
	041953-06-000	FT	Conduit - Convolute Slit - .375" I.D.
	041953-07-000	FT	Conduit - Convolute Slit - .375" I.D.
	041953-09-000	FT	Conduit - Convolute Slit - .50" I.D.
	041953-10-000	FT	Conduit - Convolute Slit - .75" I.D.
	041953-11-000	FT	Conduit - Convolute Slit - 1.063" I.D.
	008353-01-000	EA	Connector - 3/8" - Cable Clamping
	009355-01-000	EA	Connector - 3/4" - Cable Clamping
	008356-01-000	EA	Connector - 3/8" - Plastic
	008311-01-000	EA	Connector - Wire Nut - Red
	008312-01-000	EA	Connector - Wire Nut - Blue
	008313-01-000	EA	Connector - Wire Nut - Yellow
	008314-01-000	EA	Connector - Wire Nut - Gray
	031968-01-000	EA	Contact Plug - Brass - Tin Plated
	031967-01-000	EA	Contact - Receptacle
	008052-01-000	EA	Cord - Power - 10/3 - 30 Amp - 25' - CSA
	008054-01-000	EA	Cord - Power - 10/3 - 30 Amp - 25' - USA
	008294-01-000	EA	Cover - Electrical Box - Flat Blank - 4" x 4" - Steel - USA
	008294-02-000	EA	Cover - Electrical Box - Flat Blank - 4" x 4" - Steel - CSA
	069238-01-000	EA	Cover - Electrical Box - 4" x 4"
	076319-09-000	EA	Cover - Receptacle - Brown
	084077-01-000	EA	Cover - Receptacle - Ivory - GFI
	084077-03-000	EA	Cover - Blank A/C - Ivory
	090964-01-000	EA	Cover - Exterior Receptacle
	092633-02-02A	EA	Cover - A/C - Plate - Off White
	064399-01-000	EA	Housing Asm. - Trailer Pin
	064398-01-000	EA	Housing Asm. - Trailer Pin - Receptacle
	064450-01-000	EA	Housing Asm. - Trailer Plug
	054532-01-000	EA	Housing Pin - 6 Position
	054532-02-000	EA	Housing Pin - 4 Position
	054532-10-000	EA	Housing Pin - 10 Position
	054532-11-000	EA	Housing Socket - 10 Position
	024924-02-000	EA	Receptacle - Power Cord
	058707-01-000	EA	Receptacle - Single - Brown - T & B
	058708-01-000	EA	Receptacle - Duplex - Brown - T & B
	058708-02-000	EA	Receptacle - Duplex - Ivory - T & B
	084076-01-000	EA	Receptacle - Duplex - Ivory - GFI
	090961-01-000	EA	Receptacle - Duplex - Exterior
	086273-01-000	EA	Relay - Battery Disconnect
	008195-01-000	EA	Switch - Push Button - 12 Volt
	056264-01-000	EA	Switch - Leaf Actuator
	079362-04-000	EA	Switch - Plate - 4 Gang/2 Switch
	079363-01-000	EA	Switch - Plate - Single - w/Switch
	079363-01-700	EA	Switch Only
	079363-03-000	EA	Switch Plate - Single - w/Switch - Polished Brass
	079364-01-000	EA	Switch - On/Off Rocker - Brown
	081066-02-000	EA	Switch Plate - 2 Gang/2 Switch
	008328-01-000	EA	Terminal - Ring - 12/10 Wire
	008331-01-000	EA	Terminal - Ring - 4 - w/3/8" Stud
	008348-01-000	EA	Terminal - Ring - 2 - w/3/8" Stud
	047443-01-000	EA	Terminal - 250 Receptacle 16-14
	047443-02-000	EA	Terminal - 250 Receptacle 12-10
	047443-03-000	EA	Terminal - 187 Receptacle 16-14
	008024-01-000	EA	Wire - 18 5 Bonded - Orange/White/Yellow/Blue/Brown
	008025-01-000	EA	Wire - 18 5 Bonded - Orange/White/Yellow/Blue/Green
	008025-01-000	EA	Wire w/Ground - Romex - 12/2
	008027-01-000	EA	Wire w/Ground - Romex - 14/2
	008343-01-000	EA	Wire Tie - 6"

ELECTRICAL GROUP (CONTINUED)

WINDSHIELD WIPERS & WASHER

Key	Part Number	U/M	Description
	057474-02-000	EA	Windshield Wiper Asm
	067191-02-000	EA	Motor Asm. - w/Lead
	067191-02-701	EA	Pivot - Wiper Motor
	067190-01-700	EA	Shaft & Pivot Asm. - Passenger
	067193-01-000	EA	Link Asm. - Connecting - Passenger - 7"
	057474-02-700	EA	Shaft & Pivot Asm - Driver
	067192-01-000	EA	Link Asm - Connecting - Driver - 39"
	057653-01-000	EA	Arm - Windshield Wiper - 18" - Black
	049464-01-000	EA	Blade Asm - Windshield Wiper - 20"
	049464-03-700	EA	Blade Asm. - Windshield Wiper - 20" - Refill
	063971-01-000	EA	Support - Windshield Wiper Asm
	056000-02-000	EA	Windshield Washer Asm - w/c Nozzles
	067188-01-000	EA	Stud & Crank
	045794-01-000	FT	Hose - 5/32" I.D. - Black

MISCELLANEOUS ELECTRICAL COMPONENTS

Key	Part Number	U/M	Description
	008188-01-000	EA	Solenoid - Dual Battery - Relay
	083208-02-000	EA	Control Center - 45 Amp - BW6345A
	036420-02-700	EA	Fan - 6" Defroster - 2 Speed (Option 36N)
	089294-01-000	EA	Lighter Asm - Cigarette
	072852-01-000	EA	Smoke Detector
	097395-01-000	EA	Leak Detector - LP Gas

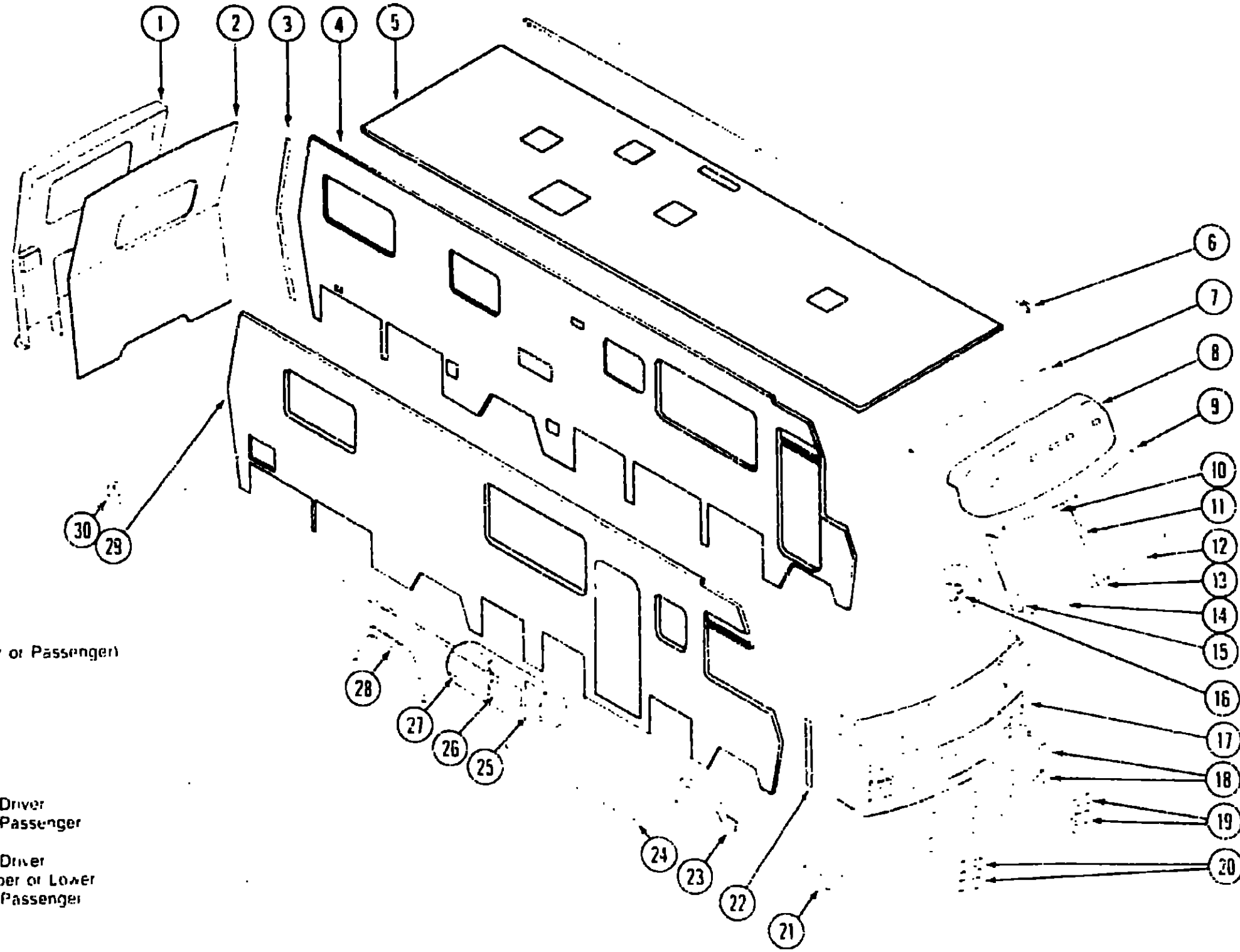
1989 WINNEBAGO TABLE OF CONTENTS

INTRODUCTION	A-01
ABBREVIATIONS	A-01
ALPHABETICAL INDEX	A-02 - A-04
WCM27RQ	A-05 - D-18
WC/JM31RQ	D-19 - H-10

1989 WC/JM31RQ INDEX

Floor Plan	D-19 - D-20
Accessories Group	D-21 - E-03
Bath Group	E-04 - E-07
Chassis Group	E-08 - E-14
Curtain, Cushion & Pad Group	E-15 - F-02
Dinette Group	F-03 - F-04
Driver's Compartment Group	F-05 - F-10
Electrical Group	F-11 - F-14
Exterior Body Group	F-15 - F-20
Galley Group	F-21 - F-24
Heating & Air Conditioning Group	G-01
Interior Finish Group	G-02 - G-03
LP Group	G-04
Lounge Group	G-05 - G-10
Water & Sewage Group	G-11 - G-12
Window, Van't & Exterior Door Group	G-13 - H-10

**EXTERIOR BODY GROUP
EXTERIOR BODY PANELS & TRIM**



Key	Part Number	U/M	Description
1	088402-01-000	EA	Rear Cap Panel
2	089558-01-Y15	EA	Rear Backwall Asm
2	089558-01-Y16	EA	Rear Backwall Asm
2	089558-01-Y17	EA	Rear Backwall Asm
3	073502-25-000	EA	Trim Rear Backwall (Driver or Passenger)
4	M93421-01-Y15	EA	Sidewall Asm - Driver
4	M93421-01-Y16	EA	Sidewall Asm - Driver
4	M93421-01-Y17	EA	Sidewall Asm - Driver
5	092787-01-Y15	EA	Roof Asm
6	078600-13-000	EA	Roof Cover - 158 62"
7	078580-01-000	EA	Roof Trim - Front Cap
8	089923-03-000	EA	Roof Cap - Primed
9	077944-02-000	EA	Reveal Molding - Upper - Driver
10	077944-01-000	EA	Reveal Molding - Upper - Passenger
11	076576-05-000	EA	Reveal Molding - Center
12	077945-02-000	EA	Reveal Molding - Lower - Driver
13	077952-02-000	EA	Reveal Molding Cap - Upper or Lower
14	077945-01-000	EA	Reveal Molding - Lower - Passenger
15	079225-03-000	EA	Trim Post - Passenger
	079225-04-000	EA	Trim Post - Driver
16	034141-02-000	EA	Nylon Hole Plug - 3/8"
17	M01115-17-X14	EA	Front End Asm w/Hood Panel (Chevrolet)
17	M01115-16-X14	EA	Front End Asm w/Hood Panel (John Deere)
18	089821-01-X14	EA	Grille Asm - Upper or Lower
	088252-02-000	FT	Chrome Trim - 1" Plastic
	088252-03-000	FT	Chrome Trim - 2" Plastic
19	090202-02-000	EA	Headlight Bezel - Driver
20	090202-01-000	EA	Headlight Bezel - Passenger
21	078577-01-000	EA	Bumper End Cap - Passenger
	078577-02-000	EA	Bumper End Cap - Driver
22	089922-01-000	EA	Trim - Front End Asm - Driver or Passenger
23	078556-07-000	EA	Trim - Front Wheelwell - Passenger
	078556-08-000	EA	Trim - Front Wheelwell - Driver
	089909-01-000	EA	Trim - Front Wheelwell - U Channel - Driver or Passenger
24	091161-55-003	EA	Rocker Panel

Key	Part Number	U/M	Description
25	009731-01-000	EA	End Cap Feature Strip
26	001030-12-002	EA	Insert Feature Strip - 17"
27	059576-08-000	EA	Feature Strip
28	075070-01-000	EA	Trim - Rear Wheelwell - Passenger
	075070-03-000	EA	Trim - Rear Wheelwell - Driver
	089749-01-000	EA	Trim - Rear Wheelwell - U Channel - Driver or Passenger
29	M93423-01-Y15	EA	Sidewall Asm - Passenger
29	M93423-01-Y16	EA	Sidewall Asm - Passenger
29	M93423-01-Y17	EA	Sidewall Asm - Passenger
30	078578-01-000	EA	Bumper End Cap - Passenger
	078578-02-000	EA	Bumper End Cap - Driver

**1989 WINNEBAGO
TABLE OF CONTENTS**

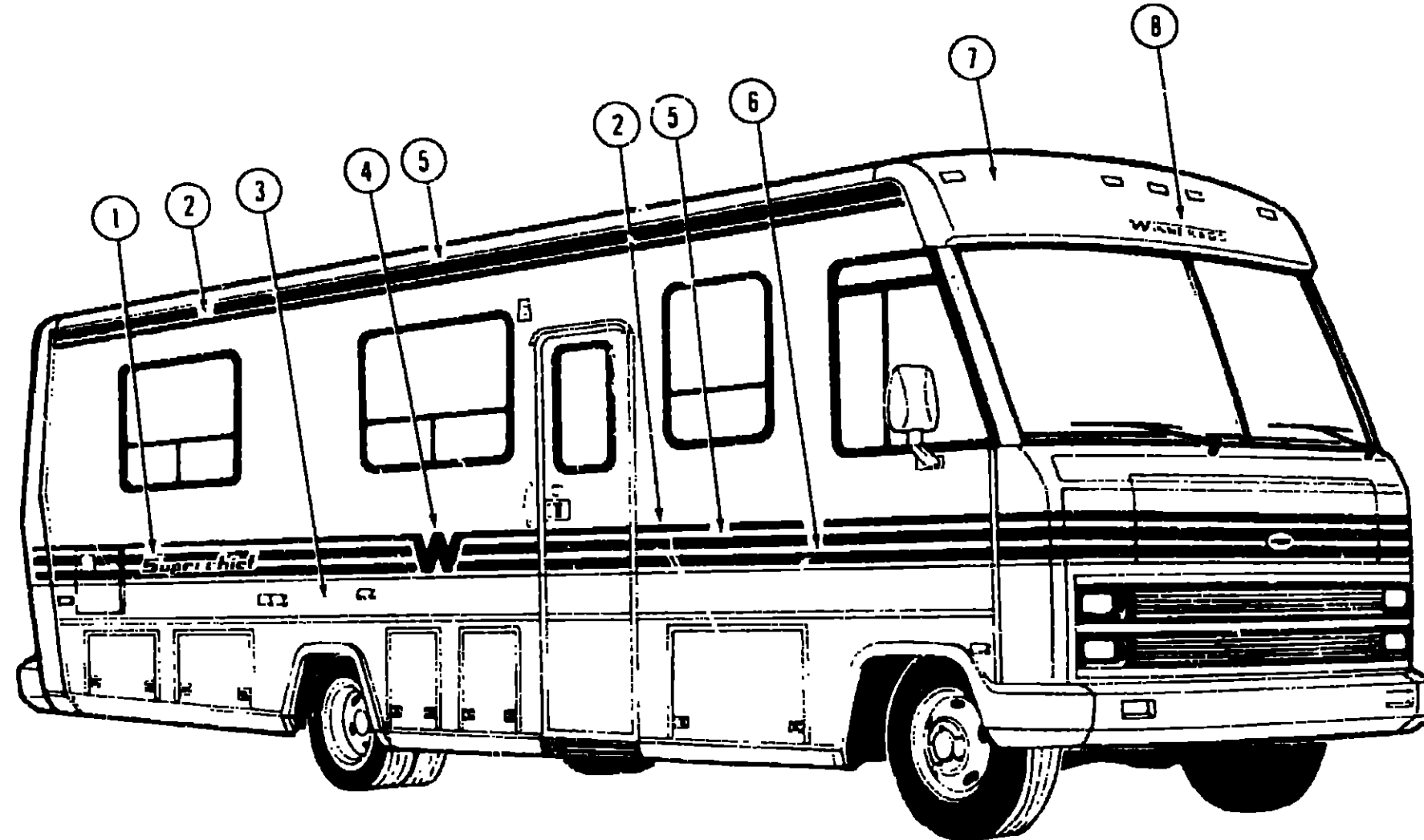
INTRODUCTION	A-01
ABBREVIATIONS	A-01
ALPHABETICAL INDEX	A-02 - A-04
WCM27RO	A-05 - D-18
WC/JM31RQ	D-19 - H 10

1989 WC/JM31RQ INDEX

Floor Plan	D-19 - D-20
Accessories Group	D-21 - E-03
Bath Group	E-04 - E-07
Chassis Group	E-08 - E-14
Curtain, Cushion & Pad Group	E-15 - F-02
Dinette Group	F-03 - F-04
Driver's Compartment Group	F-05 - F-10
Electrical Group	F-11 - F-14
Exterior Body Group	F-15 - F-20
Galley Group	F-21 - F-24
Heating & Air Conditioning Group	G-01
Interior Finish Group	G-02 - G-03
LP Group	G-04
Lounge Group	G-05 - G-10
Water & Sewage Group	G-11 - G-12
Window, Vent & Exterior Door Group	G-13 - H 10

EXTERIOR BODY GROUP (CONTINUED)
DECALS, FILM STRIPE & PAINT

1989 WINNEBAGO
TABLE OF CONTENTS



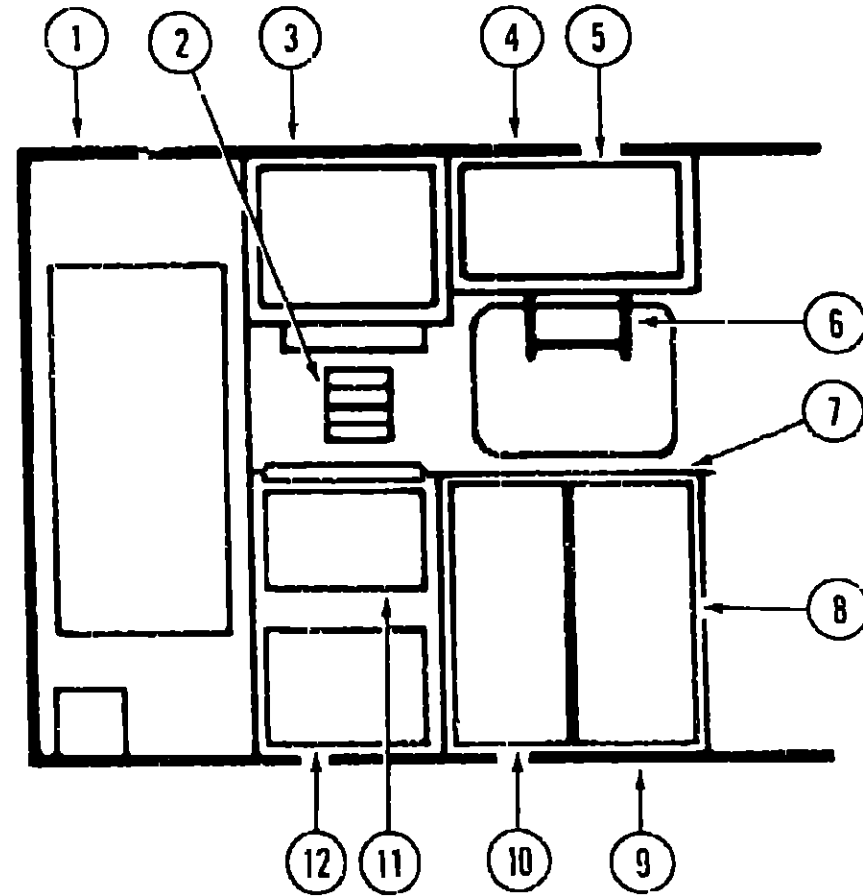
INTRODUCTION	A-01
ABBREVIATIONS	A-01
ALPHABETICAL INDEX	A-02 - A-04
WCM27RO	A-05 - D-18
WC/JM31RO	D-19 - H-10

Key	Part Number	U/M	Description
1	089364-01-000	EA	Decal Logo - "Superchief"
2	078831-58-000	FT	Film Stripe - Blue (Paint - Dupont B8734)
3	089363-06-700	EA	Paint Kit - Taupe (Brown) Metallic (DuPont C8078)
4	079351-26-000	EA	Decal - "W" - Blue (Paint - DuPont B8734)
5	078831-66-000	FT	Film Stripe - Rose (Y15, Y17) (Paint - DuPont 4415AH)
5	078831-67-000	FT	Film Stripe - Light Brown (Y16) (Paint - DuPont B8157)
6	078831-64-000	FT	Film Stripe - Dark Rose (Y15, Y17) (Paint - DuPont N8746)
6	078831-65-000	FT	Film Stripe - Brown (Y16) (Paint - DuPont B8718)
7	044486-03-000	EA	Paint - Beige Acrylic Enamel - 16 oz. Aerosol (DuPont 7633A)
7	044486-03-700	EA	Paint - Beige Acrylic Enamel - 6 oz. Touch-Up (DuPont 7633A)
8	050313-22-000	EA	Decal Logo "Winnebago" - Front & Back

1989 WC/JM31RO INDEX

Floor Plan	D-19 - D-20
Accessories Group	D-21 - E-03
Bath Group	E-04 - E-07
Chassis Group	E-08 - E-14
Curtain, Cushion & Pad Group	E-15 - F-02
Dinette Group	F-03 - F-04
Driver's Compartment Group	F-05 - F-10
Electrical Group	F-11 - F-14
Exterior Body Group	F-15 - F-20
Galley Group	F-21 - F-24
Heating & Air Conditioning Group	G-01
Interior Finish Group	G-02 - G-03
LP Group	G-04
Lounge Group	G-05 - G-10
Water & Sewage Group	G-11 - G-12
Window, Vent & Exterior Door Group	G-13 - H-10

**GALLEY GROUP
GALLEY CABINERY**



Key	Part Number	U/M	Description
1	M89134-02-X14	EA	Cabinet Asm. - Refrigerator
2	074490-01-000	EA	Spice Rack
3	088307-02-X14	EA	Cabinet Asm. - Microwave
4	M81656-03-X11	EA	Cabinet Asm. - Galley Overhead - w/o Door
5	M88304-11-X11	EA	Door Asm. - Galley Overhead - w/o Hardware
6	092488-01-Y12	EA	Paper Towel Holder
7	093617-11-Y15	EA	Countertop Asm. - Galley
8	M88304-96-X11	EA	Door Asm. - Galley Cabinet - w/o Hardware
9	M03456-02-Y15	EA	Cabinet Asm. - Galley
9	M03456-01-Y15	EA	Cabinet Asm. - Galley w/Large Oven
10	M88304-95-X11	EA	Door Asm. - Galley Cabinet - w/o Hardware
11	M88304-90-X08	EA	Drawer Face Asm. - Galley Cabinet - w/o Hardware
12	M92073-01-X11	EA	Door Asm. - Furnace - w/Mesh Insert - w/o Hardware
	000G13-06-10G	EA	Screw - 6 - 20 x 5/8" PFH - Antique Brass (Doors)
	059777-02-000	EA	Hinge - Antique Light Brass (Doors)
	088264-01-000	EA	Door Pull - Polished Brass (Doors)
	009021-01-000	EA	Catch - Nylon - Grill (Doors)
	009021-02-000	EA	Strike - Spring Steel
	092586-03-000	EA	Catch - Spring, Roller (Doors)
	093586-04-000	EA	Strike - Spring Steel (Doors)
	074493-02-000	EA	Support - Door, Sprung (Overhead Door)
	081320-04-W30	EA	End Cap Asm. (Overhead Cabinet)
	009049-01-000	EA	Support - Dropleat Table (Galley Extension)
	009059-01-000	EA	Hinge - Brass (Galley Extension)
	093238-01-Y12	EA	Cover - Knife Holder (Countertop Asm)
	093282-01-000	EA	Bonnet - Knife Holder (Countertop Asm)
	M92183-03-000	EA	Door Rail Asm (Furnace Door)
	072369-34-000	EA	Mesh Insert - Bronze (Furnace Door)
	M82184-11-X36	EA	Drawer Asm. - Galley Cabinet (Pots & Pans Drawer)
	084466-05-000	EA	Slide Asm. - Left (Galley Cabinet)
	084466-03-000	EA	Slide Asm. - Left (Pots & Pans Drawer)
	094466-02-000	EA	Slide Asm. - Right (Pots & Pans Drawer)
	084466-04-000	EA	Slide Asm. - Right - Galley Cabinet
	077409-02-000	EA	Drawer Slide - Plastic - 20 75" (Galley Cabinet)
	009767-06-000	EA	Welding - Beige (Cabinets)
	009767-10-000	EA	Welding - Mahogany (Cabinets)
	083620-01-000	FT	T-Molding - 3/4" w/Edge Lips - Brown (Overhead Cabinet)
	076325-16-000	FT	Edge Band - Regal Oak (Countertop & Galley Extension)
	081521-02-007	EA	Molding - 64 Hole Space (Cabinets)
	042357-11-000	EA	Corner Molding - Radius Plastic - Light Oak
	080176-02-000	EA	Corner Cap - Radius - Light Oak (Overhead & Refrigerator Cabinets)
	022992-08-000	EA	Molding - Reverse Curve (Galley Cabinet)
	023111-01-000	EA	Food Center - Built-In (Option 67F)

**1989 WINNEBAGO
TABLE OF CONTENTS**

INTRODUCTION	A-01
ABBREVIATIONS	A-01
ALPHABETICAL INDEX	A-02 - A-04
WCM27RQ	A-05 - D-18
WC/JM31RQ	D-19 - H-10

1989 WC/JM31RQ INDEX

Floor Plan	D-19 - D-20
Accessories Group	D-21 - E-03
Bath Group	E-04 - E-07
Chassis Group	E-08 - E-14
Curtain, Cushion & Pad Group	E-15 - F-02
Dinette Group	F-03 - F-04
Driver's Compartment Group	F-05 - F-10
Electrical Group	F-11 - F-14
Exterior Body Group	F-15 - F-20
Galley Group	F-21 - F-24
Heating & Air Conditioning Group	G-01
Interior Finish Group	G-02 - G-03
LP Group	G-04
Lounge Group	G-05 - G-10
Water & Sewage Group	G-11 - G-12
Window, Vent & Exterior Door Group	G-13 - H-10

GALLEY GROUP (CONTINUED)
APPLIANCES

Key	Part Number	U/M	Description
	094039-01-000	EA	Refrigerator - w/Large Double Door
	094039-01-700	EA	PC Board Asm - 3-Way
	094039-01-701	EA	Eyebrow Shell - 3-Way
	094039-01-702	EA	Gasket - Upper - Gray
	094039-01-703	EA	Hinge Plate - Left Hand
	094039-01-705	EA	Upper Door Liner - White
	094039-01-708	EA	Upper Door Handle Asm.
	094039-01-709	EA	Hinge Plate - Right Hand (Top) - Left Hand (Bottom)
	094039-01-711	EA	Juice Rack - Gray w/Silver Trim
	094039-01-712	EA	Door Bin - Gray w/Silver Border
	094039-01-713	EA	Door Gasket - Lower - Gray
	094039-01-714	EA	Lower Door Liner - Black/White
	094039-01-717	EA	Lower Door Handle Asm
	094039-01-718	EA	Milk Bin - Gray w/Silver Trim
	094039-01-719	EA	Dairy Keeper - Gray w/Silver Trim
	094039-01-720	EA	Cab Asm. - Brown Frame/White Liner
	084880-01-747	EA	Hole Plug - Hinge Holes
	084880-01-734	EA	Hinge Bracket - Right Hand (Top) - Left Hand (Bottom)
	084880-01-735	EA	Hinge Bracket - Left Hand (Top) - Right Hand (Bottom)
	084880-01-731	EA	Hinge Pin - Male
	094039-01-726	EA	Evaporator Shell
	094039-01-727	EA	Hinge Bracket - Center Hinge
	094039-01-729	EA	Hinge Pin Shaft - Center Hinge
	094039-01-731	EA	Crisper - Gray w/Silver Trim
	094039-01-732	EA	Front Cover - Black Bottom Trim
	094039-01-733	EA	Wire Shelf - Middle
	094039-01-734	EA	Wire Shelf - Top w/Riser
	094039-01-735	EA	Inside Drip Tray - White
	094039-01-736	EA	Light Switch - Black
	094039-01-737	EA	Power Supply - 3-Way
	094039-01-738	EA	Manual Shut-Off - Harper Wyman
	094039-01-739	EA	Shell - Cutout
	089983-02-000	EA	Baffle - Refrigerator - Back
	090195-02-000	EA	Baffle - Refrigerator - Lower
	054450-01-000	EA	Level - Refrigerator
	065225-01-000	EA	Tiedown Plate - Refrigerator
	067544-01-000	EA	Bracket Asm - Tiedown - Refrigerator - Right
	067544-02-000	EA	Bracket Asm - Tiedown - Refrigerator - Left
	081374-01-000	EA	Range Top - 4 Burner - Almond - Magic Chef B7B5NA-4
	081374-01-700	EA	Range Top - Cabinet Trim - Right
	081374-01-701	EA	Range Top - Cabinet Trim - Left
	081374-01-702	EA	Range Top - Manifold Panel - Warm Black
	081374-01-703	EA	Range Top - Trim - Top Rear
	081374-01-704	EA	Range Top - Fabric Guard
	085280-03-000	EA	Cover - Range Top - Bi-Fold - Almond
	081857-01-000	EA	Tiedown Bracket - Range Top - Right
	081857-02-000	EA	Tiedown Bracket - Range Top - Left
	064782-02-000	EA	Range w/Large Oven - 4 Burner - Almond - Magic Chef 8118KS-4Z (Option 139)
	064782-02-700	EA	Range - Main Top - 4 Burner
	064782-02-701	EA	Range - Deflector Plate
	064782-02-702	EA	Range - Cabinet Trim - Right - Black
	064782-02-703	EA	Range - Cabinet Trim - Left - Black
	064782-02-704	EA	Range - Trim Lower Outside Glass - Black
	064782-02-705	EA	Range - Oven Door Handle - Black
	064782-02-706	EA	Range - Vertical Trim - Black
	064782-02-707	EA	Range - Manifold Panel
	064782-02-708	EA	Range - Mercury Valve
	064782-02-709	EA	Range - Oven Door Glass

Key	Part Number	U/M	Description
	064782-02-710	EA	Range - Clip - Glass Holder
	064782-02-711	EA	Range - Main Top - Almond - 4 Burner Square
	064782-02-712	EA	Grate Top - Burner Square
	064782-02-713	EA	Range - Gas Regulator
	064782-02-714	EA	Range - Nipple - 1/8"
	064782-02-715	EA	Range - Grate Clip
	085280-04-000	EA	Cover - Range w/Large Oven - Bi-Fold - Almond
	055516-01-000	EA	Tiedown Bracket - Range w/Large Oven - Left
	055516-02-000	EA	Tiedown Bracket - Range w/Large Oven - Right
	092696-03-01A	EA	Range Hood w/Monitor Panel - Ventline
	092696-03-700	EA	Range Hood - Chassis w/Wiring - Almond
	092696-03-701	EA	Range Hood - Control Panel Asm.
	092696-03-702	EA	Range Hood - Control Panel Face Plate
	092697-01-000	EA	Range Hood - Cable Asm. - 314MM - w/Nut
	091269-03-000	EA	Microwave Oven - Magic Chef - M16-10PB
	094750-01-000	EA	Microwave Oven - Tiedown Bracket
	094774-01-01A	EA	Microwave Oven Trim - Black
	094745-01-01A	EA	Microwave Oven Trim - Black
	088737-01-000	EA	Microwave/Convection Oven - Magic Chef M71C-10
	088737-01-700	EA	Microwave/Convection Oven - Control
	088737-01-701	EA	Microwave/Convection Oven - Frame Panel
	088737-01-702	EA	Microwave/Convection Oven - Touch Panel Asm.
	088737-01-703	EA	Microwave/Convection Oven - Frame Door
	088737-01-704	EA	Microwave/Convection Oven - Glass - Outside Door
	088737-01-705	EA	Microwave/Convection Oven - Trim - Upper Frame - Inner
	088737-01-706	EA	Microwave/Convection Oven - Cabinet
	088737-01-707	EA	Microwave/Convection Oven - Fuse
	088737-01-708	EA	Microwave/Convection Oven - Transformer
	088737-01-709	EA	Microwave/Convection Oven - Trim
	088737-01-710	EA	Microwave Convection Oven - Bulb - Oven - 30 Watt
	088737-01-711	EA	Microwave/Convection Oven - Relay - Complete
	088737-01-712	EA	Microwave/Convection Oven - Trim
	088737-02-000	EA	Microwave/Convection Oven - Frame Kit - Magic Chef BKM71-B
	093256-01-000	EA	Sink - Double Bowl - Stainless Steel - 25" x 19" - Kevco D22519-3
	092303-01-000	EA	Strainer - Sink - Kevco J8866
	064952-01-000	EA	Faucet - Galley - Single Control
	081530-01-000	EA	Cover Asm. - Sink
	093153-01-000	EA	Cutting Board - Maple
	058334-01-000	EA	Wastebasket - White
	093605-01-01A	EA	Towel Rack - Galley Cabinet
	097395-01-000	EA	Leak Detector - LP Gas
	072852-01-000	EA	Smoke Detector

1989 WINNEBAGO
TABLE OF CONTENTS

INTRODUCTION	A-01
ABBREVIATIONS	A-01
ALPHABETICAL INDEX	A-02 - A-04
WCM27RQ	A-05 - D-18
WC/JM31RQ	D-19 - H-10

1989 WC/JM31RQ INDEX

Floor Plan	D-19 - D-20
Accessories Group	D-21 - E-03
Bath Group	E-04 - E-07
Chassis Group	E-08 - E-14
Curtain, Cushion & Pad Group	E-15 - F-02
Dinette Group	F-03 - F-04
Driver's Compartment Group	F-05 - F-10
Electrical Group	F-11 - F-14
Exterior Body Group	F-15 - F-20
Galley Group	F-21 - F-24
Heating & Air Conditioning Group	G-01
Interior Finish Group	G-02 - G-03
LP Group	G-04
Lounge Group	G-05 - G-10
Water & Sewage Group	G-11 - G-12
Window, Vent & Exterior Door Group	G-13 - H-10

INTERIOR FINISH GROUP (CONTINUED)

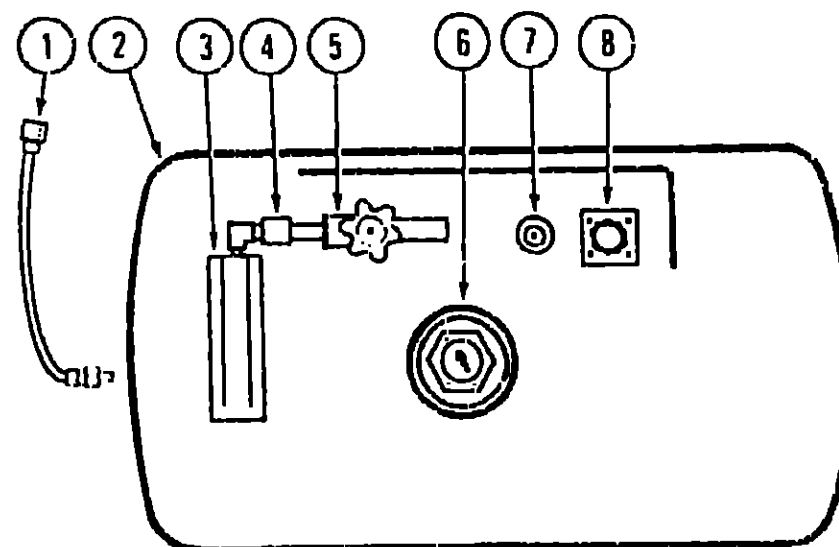
FABRIC & CARPET

Key	Part Number	U/M	Description
	088274-52-000	YD	Fabric - Upholstery - Main - Blue Haze (Y15)
	088274-76-000	YD	Fabric - Upholstery - Main - Divine (Y16)
	088274-77-000	YD	Fabric - Upholstery - Main - Columbine (Y17)
	088274-79-000	YD	Fabric - Upholstery - Accent - Sky Blue (Y15)
	077498-86-000	YD	Fabric - Upholstery - Accent - Oyster (Y16)
	088274-78-000	YD	Fabric - Upholstery - Accent - Columbine (Y17)
	072333-61-000	YD	Fabric - Drapery - Pacific (Y15)
	072333-59-000	YD	Fabric - Drapery - Tan (Y16)
	072333-37-000	YD	Fabric - Drapery - Mauve (Y17)
	088273-29-000	YD	Fabric - Bedspread - Natural (Y15)
	088273-22-000	YD	Fabric - Bedspread - Sanddune (Y16)
	088860-23-000	YD	Fabric - Bedspread - Grey (Y17)
	072860-84-000	SY	Carpet - Graphite (Y15)
	072860-86-000	SY	Carpet - Sienna Sand (Y16)
	072860-89-000	SY	Carpet - Rose Mist (Y17)
	093486-01-000	SY	Carpet - Charcoal - Outside Storage Compartments
	075233-01-000	SY	Pad - Carpet - 3/8"
	038421-05-000	YD	Fabric - Mattress Ticking - Gray/White
	079680-01-000	YD	Vinyl - 26 oz. - Buckskin
	089351-01-000	YD	Vinyl - Headliner - Acoustical - Beige

MISCELLANEOUS

Key	Part Number	U/M	Description
	041944-03-000	EA	Fire Extinguisher - 5 B.C. - w/Bracket
	041944-04-000	EA	Fire Extinguisher - 5 B.C. - w/o Bracket
	084472-01-000	EA	Holder - Fire Extinguisher - Recessed - Light Brown
	094499-01-000	EA	Fire Extinguisher - 1A10 B.C. - USA
	094499-02-000	EA	Fire Extinguisher - 1A10 B.C. - CSA
	094651-01-01A	EA	Holder - Fire Extinguisher - Recessed - Light Oak
	007038-01-000	EA	Floor Mat - Entrance - Black
	081075-01-000	EA	Floor Mat - Entrance - Brown
	081201-01-000	EA	Floor Mat - Driver - Brown
	081202-01-000	EA	Floor Mat - Passenger - Brown
	053552-02-W24	EA	Handle Asm. - Interior Assist - Vinyl - Buckskin
	054185-31-000	EA	Owners Manual - 1989
	065201-02-000	EA	Lamp Shade - Parchment - Wall lamp
	072852-01-000	EA	Smoke Detector - w/9 Volt Battery
	097395-01-000	EA	Leak Detector - LP Gas
	093666-01-000	EA	Lockbox Asm. - Outer
	093663-01-000	EA	Drawer Asm. - Lockbox
	093601-01-000	EA	Lock - Security Lockbox
	M03112-02-000	EA	Door Asm. - Battery - w/o Carpet
	092487-01-Y15	EA	Spice Rack
	079606-03-W30	EA	Magazine Rack
	092488-01-Y12	EA	Paper Towel Holder

LP GROUP



Key	Part Number	U/M	Description
1	045703-01-000	EA	Hose Asm. - LP - 3/8" I.D. x 24" (US)
1	045703-02-000	EA	Hose Asm. - LP - 3/8" I.D. x 24" (CSA)
2	088253-01-000	EA	LP Tank - 80 Pound - 16" Dia. x 30"
3	081938-01-000	EA	Cover - LP Regulator
3	076301-01-000	EA	Regulator - Two Stage
4	090976-02-000	EA	Safety Valve - Electric
5	040421-01-703	EA	Valve - Vapor Relief
6	040421-01-707	EA	Gauge - Float - w/Visible Dial
6	040421-01-706	EA	Dial - Visible Face - Float Gauge
6	040440-01-000	EA	Dial - Visible Face - Float Gauge (w/Electric Transmitter)
7	040421-01-700	EA	Gauge - Liquid Level
8	040421-01-701	EA	Valve - Filler
8	040421-01-702	EA	Cap - Filler Valve
8	040421-01-711	EA	Inner Tank Valve - 80% Fill
	065741-01-000	EA	Gauge - Diaphragm Pressure - Test Leak
	097395-01-000	EA	LP Gas Leak Detector

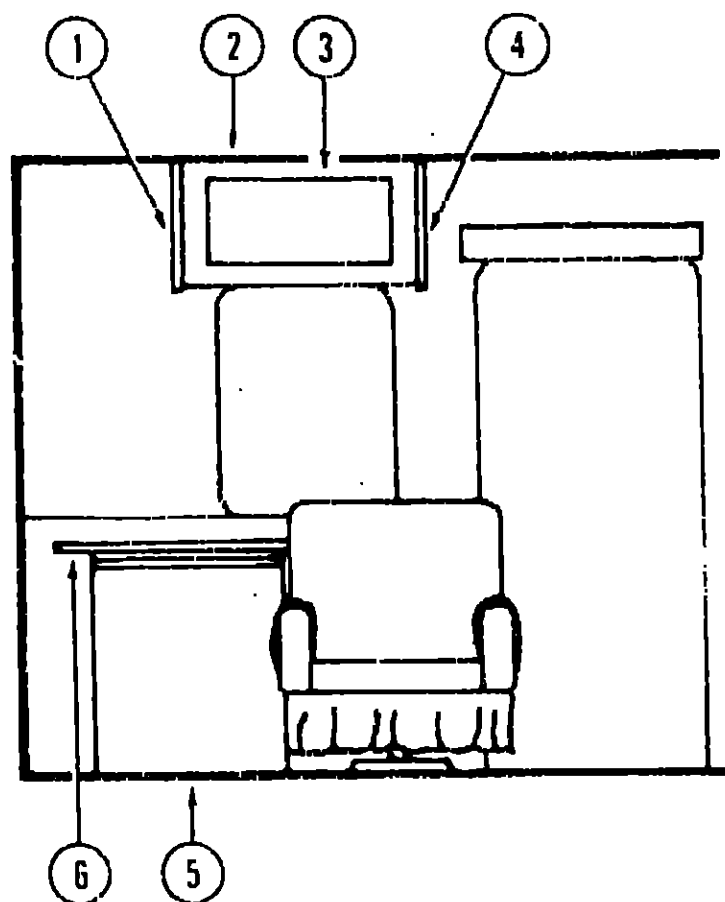
**1989 WINNEBAGO
TABLE OF CONTENTS**

INTRODUCTION	A-01
ABBREVIATIONS	A-01
ALPHABETICAL INDEX	A-02 - A-01
WC/M27RO	A-05 - D-18
WC/JM31RQ	D-19 - H-10

1989 WC/JM31RQ INDEX

Floor Plan	D-19 - D-20
Accessories Group	D-21 - E-03
Bath Group	E-04 - E-07
Cnassis Group	E-08 - E-14
Curtain, Cushion & Pad Group	E-15 - F-02
Dinette Group	F-03 - F-04
Driver's Compartment Group	F-05 - F-10
Electrical Group	F-11 - F-14
Exterior Body Group	F-15 - F-20
Galley Group	F-21 - F-24
Heating & Air Conditioning Group	G-01
Interior Finish Group	G-02 - G-03
LP Group	G-04
Lounge Group	G-05 - G-10
Water & Sewage Group	G-11 - G-12
Window, Vent & Exterior Door Group	G-13 - H-10

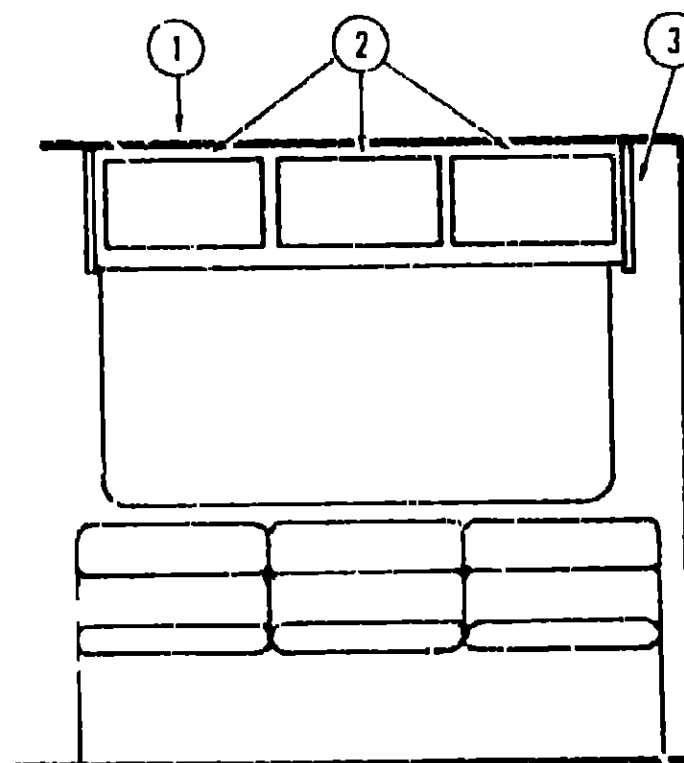
LOUNGE GROUP



OVERHEAD CABINETRY & PULLOUT TABLE - PASSENGER LOUNGE

Key	Part Number	U/M	Description
1	081325-02-X36	EA	End Cap Asm - Overhead Cabinet - Left
2	M89171-01-X14	EA	Cabinet Asm - Overhead - w/o Doors or Hardware
3	M88304-16-X23	EA	Door Asm - Overhead Cabinet - w/o Hardware
4	081325-01-W30	EA	End Cap Asm - Overhead Cabinet - Right
	000G13-06-10G	EA	Screw - 6 - 20 x 5/8" PFH - Antique Brass
	059777-02-000	EA	Hinge - Antique Light Brass
	088264-01-000	EA	Door Pull - Polished Brass
	000G68-06-10G	EA	Screw - 6 - 18 x 5/8" POH - Antique Brass
	074493-02-000	EA	Support - Sprung Door
	009021-01-000	EA	Catch - Nylon - Grill
	009021-02-000	EA	Strike - Spring Steel
	093586-03-000	EA	Catch - Spring Roller
	093586-04-000	EA	Strike - Spring Steel
	009767-06-000	FT	Welting - Beige
	042357-11-000	EA	Corner Molding - Radius Plastic - Light Oak
	083620-01-000	FT	T-Molding - 3/4" w/Edge Lips
	081521-02-007	EA	Molding - 64 Hole Space
5	M91180-01-X14	EA	Cabinet Asm - Pullout Table
	076325-16-000	FT	Molding - Edge Band - Regal Oak
6	091180-16-X14	EA	Pullout Table
	079789-01-000	EA	Support - Pullout Table - Beige
	079921-01-000	EA	Nylon Roller w/Shaft
	080736-01-000	EA	Handle - Plastic - Brown

LOUNGE GROUP (CONTINUED)



OVERHEAD CABINETRY - DRIVER LOUNGE

Key	Part Number	U/M	Description
1	M81550-28-X14	EA	Cabinet Asm - Overhead - w/o Doors or Hardware
2	M88304-16-X23	EA	Door Asm - Overhead Cabinet - w/o Hardware
3	081325-03-W30	EA	End Cap Asm - Overhead Cabinet - Right
	000G13-06-10G	EA	Screw - 6 - 20 x 5/8" PFH - Antique Brass
	059777-02-000	EA	Hinge - Antique Light Brass
	088264-01-000	EA	Door Pull - Polished Brass
	000G68-06-10G	EA	Screw - 6 - 18 x 5/8" POH - Antique Brass
	074493-02-000	EA	Support - Sprung Door
	009021-01-000	EA	Catch - Nylon - Grill
	009021-02-000	EA	Strike - Spring Steel
	093586-03-000	EA	Catch - Spring Roller
	093586-04-000	EA	Strike - Spring Steel
	009767-06-000	FT	Welting - Beige
	009767-10-000	FT	Welting - Mahogany
	042357-11-000	EA	Corner Molding - Radius Plastic - Light Oak
	080176-02-000	EA	Corner Cap - Radius - Light Oak
	083620-01-000	FT	T-Molding - 3/4" w/Edge Lips
	081521-02-000	EA	Molding - 64 Hole Space

1989 WINNEBAGO TABLE OF CONTENTS

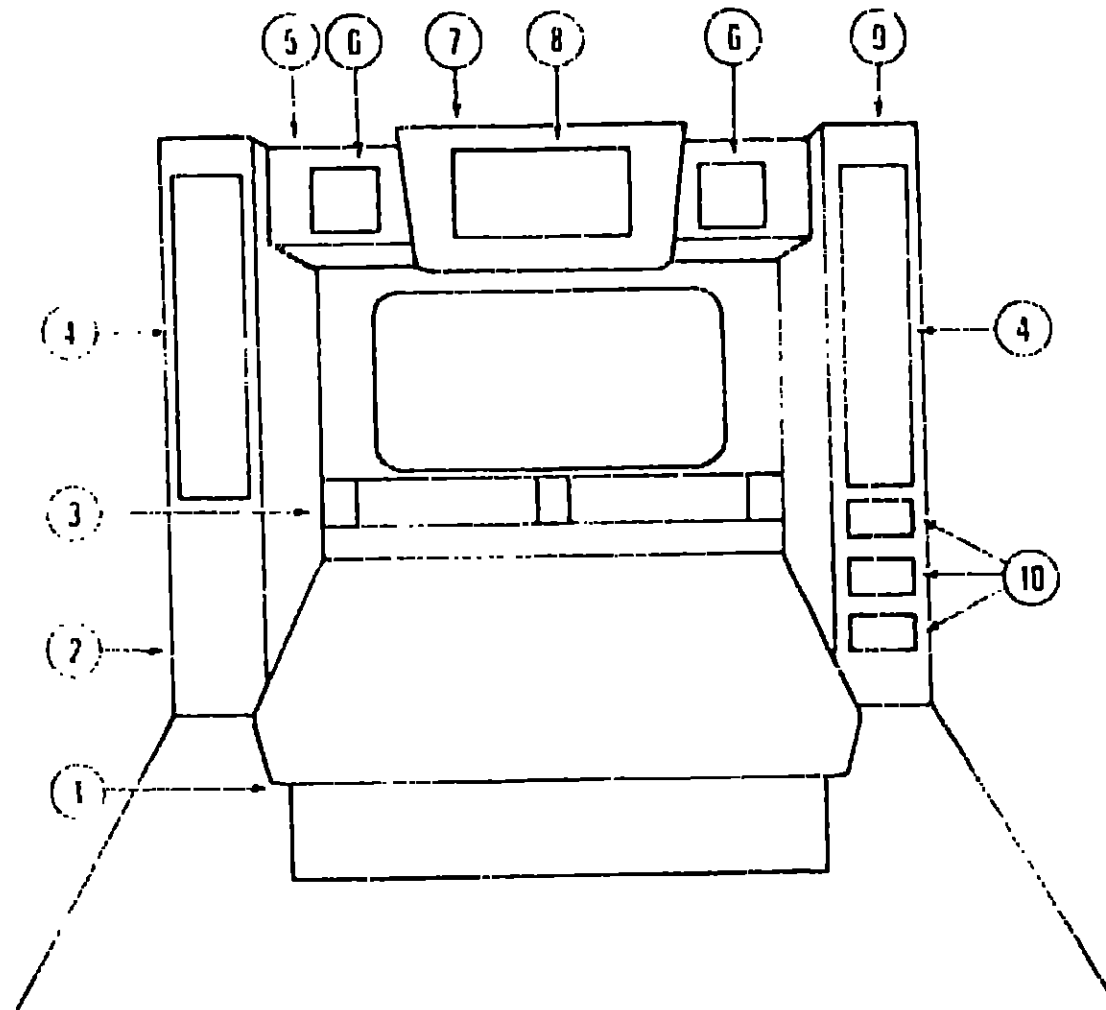
INTRODUCTION	A-01
ABBREVIATIONS	A-01
ALPHABETICAL INDEX	A-02 - A-04
YCM27RO	A-05 - D-18
WC/JM31RO	D-19 - H-10

1989 WC/JM31RO INDEX

Floor Plan	D-19 - D-20
Accessories Group	D-21 - E-03
Bath Group	E-04 - E-07
Chassis Group	E-08 - E-14
Curtain, Cushion & Pad Group	E-15 - F-02
Dinette Group	F-03 - F-04
Driver's Compartment Group	F-05 - F-10
Electrical Group	F-11 - F-14
Exterior Body Group	F-15 - F-20
Galley Group	F-21 - F-24
Heating & Air Conditioning Group	G-01
Interior Finish Group	G-02 - G-03
LP Group	G-04
Lounge Group	G-05 - G-10
Water & Sewage Group	G-11 - G-12
Window, Vent & Exterior Door Group	G-13 - H-10

LOUNGE GROUP (CONTINUED)

QUEEN BED CABINETRY



Key	Part Number	U/M	Description
1	M89164-01-X14	EA	Cabinet Asm. - Queen Bed
2	089170-01-X14	EA	Cabinet Asm - Rear Wardrobe - Passenger - w/o Door
3	089577-01-X14	EA	Headboard Asm - Queen Bed
3	092327-01-X14	EA	Headboard Asm - Queen Bed (Option 26L)
4	M88304-09-X08	EA	Door Asm - Rear Wardrobe - w/o Hardware
5	M89156-01-X14	EA	Cabinet Asm - Rear Overhead - w/o Doors
6	M88304-08-X14	EA	Door Asm - Rear Overhead - w/o Hardware
7	089599-01-X14	EA	Cap Asm - Center Overhead
	M89562-01-X14	EA	Cabinet Asm - Center Overhead - w/o Doors
	M88304-07-X14	EA	Door Asm - Center Overhead - w/o Hardware
8	058331-18-000	EA	Mirror - Safety Glass
9	089169-01-X14	EA	Cabinet Asm - Rear Wardrobe - Driver - w/o Door or Drawers
10	M78921-11-X14	EA	Drawer Asm - Rear Wardrobe - Driver - w/Glides
	078922-08-X14	EA	Drawer Face - Rear Wardrobe - Driver
	000G13-06-10G	EA	Screw - 6 - 20 x 5/8" PFH - Antique Brass
	059777-02-000	EA	Hinge - Antique Light Brass
	088264-01-000	EA	Door Pull - Polished Brass
	000G68-06-10G	EA	Screw - 6 - 18 x 5/8" POH - Antique Brass
	009021-01-000	EA	Catch - Nylon - Grit
	009021-02-000	EA	Strike - Spring Steel
	093586-04-000	EA	Catch - Spring Roller
	093586-04-000	EA	Strike - Spring Steel
	074493-02-000	EA	Support - Spring Door
	084357-01-W13	EA	TV Stand Asm - Foldout
	000G13-06-10G	EA	Screw - 6 - 20 x 5/8" PFH - Antique Brass
	023320-01-000	EA	Felt Pad 3/8" Dia
	058331-10-000	EA	Mirror - TV Stand - Safety Glass - 14" x 17"
	084356-03-000	EA	Insert - TV Stand - Tan
	084412-01-000	EA	Support - TV Stand - Hinged
	084451-01-000	EA	Catch - TV Stand - Brass
	084624-02-000	EA	Hinge - TV Stand - Aluminum w/Holes - Tan
	081521-02-007	EA	Molding - 64 Hole Space
	042357-11-000	EA	Corner Molding - Radius - Plastic - Light Oak
	080176-02-000	EA	Corner Cap - Radius - Light Oak (Overhead Cabinet)
	083620-01-000	FT	T-Molding - 3/4" w/Edge Lips (Overhead Cabinets)
	054856-01-000	EA	Rail - Bed
	009767-06-000	FT	Welting - Beige
	009767-10-000	FT	Welting - Mahogany
	052859-01-000	FT	Trim Asm - Accent (Beds)
	057460-02-000	EA	Gas Spring - Bed
	088199-01-X11	EA	Hinge Asm - Bed
	089076-01-000	EA	H Channel - Bed Support - Beige
	089917-01-000	EA	Bed Rail
	069778-07-000	EA	U Channel - 1" - Light Oak
	016604-03-000	EA	Brace - Seat Angle - 2 5" - Beige
	009812-17-000	EA	Molding - Plastic - 5" - Outside Corner
	077840-01-W30	EA	Molding - Wall Cap
	057460-04-000	EA	Gas Spring Rods
	057460-02-000	EA	Gas Spring - Ball Stud
	057460-03-000	EA	Gas Spring - Safety Clip
	089024-01-000	EA	Gas Spring - Floor Support
	089025-01-000	EA	Gas Spring - Bed Support

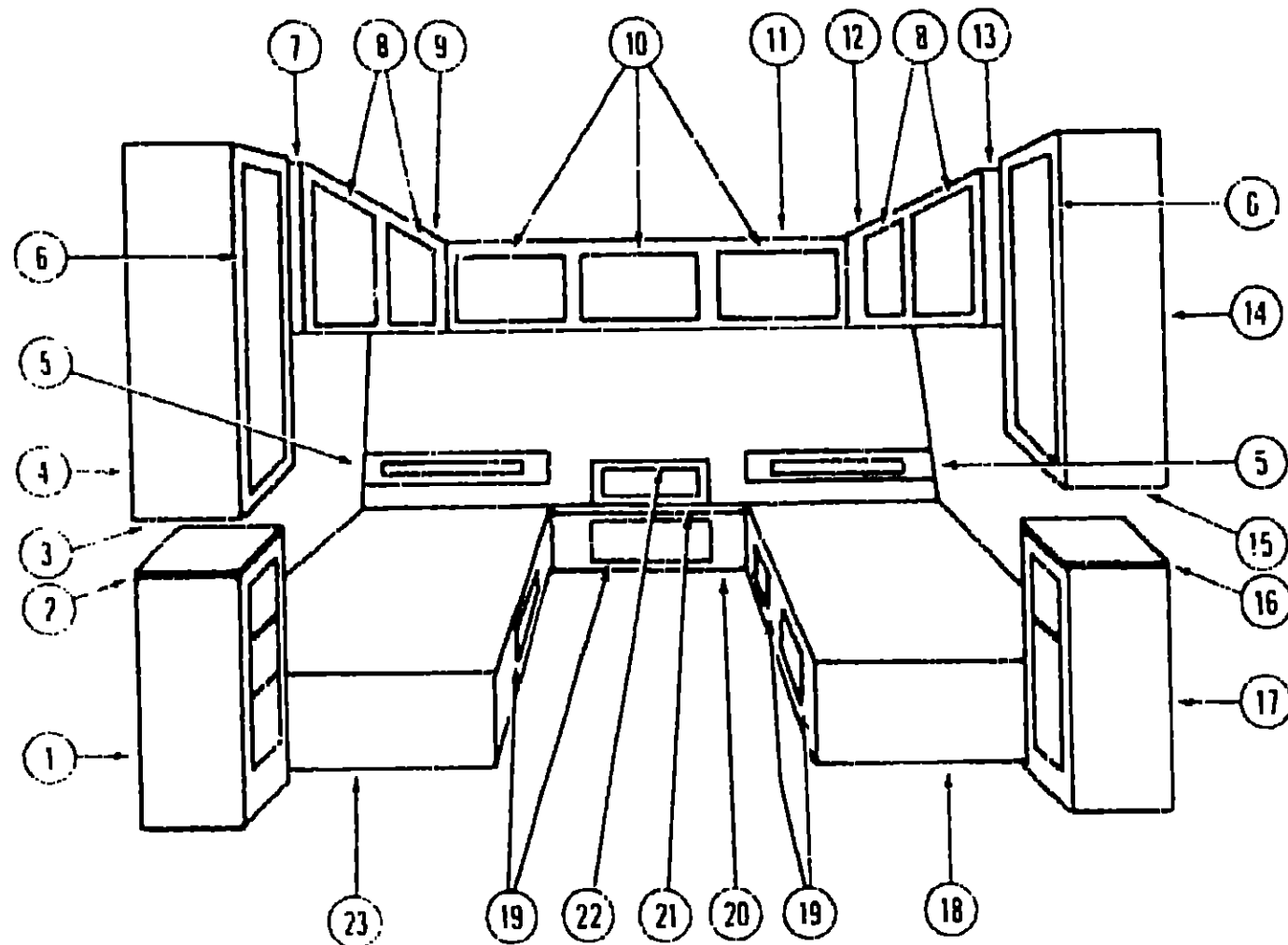
1989 WINNEBAGO TABLE OF CONTENTS

INTRODUCTION	A-01
ABBREVIATIONS	A-01
ALPHABETICAL INDEX	A-02 - A-04
WCM27RQ	A-05 - D-18
WC/JM31RQ	D-19 - H-10

1989 WC/JM31RQ INDEX

Floor Plan	D-19 - D-20
Accessories Group	D-21 - E-03
Bath Group	E-04 - E-07
Chassis Group	E-08 - E-14
Curtain, Cushion & Pad Group	E-15 - F-02
Dinette Group	F-03 - F-04
Driver's Compartment Group	F-05 - F-10
Electrical Group	F-11 - F-14
Exterior Body Group	F-15 - F-20
Galley Group	F-21 - F-24
Heating & Air Conditioning Group	G-01
Interior Finish Group	G-02 - G-03
LP Group	G-04
Lounge Group	G-05 - G-10
Water & Sewage Group	G-11 - G-12
Window Vent & Exterior Door Group	G-13 - H-10

LOUNGE GROUP (CONTINUED)
TWIN BED CABINERY (OPTION 44R)



Key	Part Number	U/M	Description
1	081794-01-X11	EA	Cabinet Asm. - Nightstand - Passenger
2	M02158-01-X11	EA	Countertop Asm. - Nightstand - Passenger
3	081280-13-W24	EA	End Cap Asm. - Shirt Closet - Passenger
4	M89593-01-X14	EA	Cabinet Asm. - Shirt Closet - Passenger - w/o Door
5	090583-01-X14	EA	Headboard Asm. - Twin Bed
5	092326-01-X14	EA	Headboard Asm. - Twin Bed - Driver Only (Option 26L)
6	M88304-02-X08	EA	Door Asm. - Shirt Closet - w/o Hardware
7	081325-04-W30	EA	End Cap Asm. - Overhead Cabinet - Passenger
8	M88304-16-X23	EA	Door Asm. - Overhead Cabinet - w/o Hardware
9	M89600-02-X14	EA	Cabinet Asm. - Overhead - Passenger - w/o Doors
10	M88304-08-X11	EA	Door Asm. - Rear Overhead - w/o Hardware
11	081308-09-X11	EA	Cabinet Asm. - Rear Overhead - w/o Doors
12	M89600-01-X14	EA	Cabinet Asm. - Overhead - Driver - w/o Doors
13	081325-03-W30	EA	End Cap Asm. - Overhead Cabinet - Driver
14	M89594-01-X14	EA	Cabinet Asm. - Shirt Closet - Driver - w/o Door
15	081280-16-W24	EA	End Cap Asm. - Shirt Closet - Driver
16	090682-11-X14	EA	Countertop Asm. - Nightstand - Driver
17	090682-01-X14	EA	Cabinet Asm. - Nightstand - Driver
18	M81896-01-W30	EA	Cabinet Asm. - Twin Bed - Driver - w/o Doors
19	M88304-02-X23	EA	Door Asm. - Twin Beds - w/o Hardware
20	M93441-01-X19	EA	Cabinet Asm. - Nightstand - Center
21	M02608-01-X19	EA	Countertop Asm. - Lower - Nightstand - Center
22	M02609-01-X19	EA	Countertop Asm. - Upper - Nightstand - Center
23	M86648-01-W30	EA	Cabinet Asm. - Twin Bed - Passenger - w/o Door
	000G68-06-10G	EA	Screw - 6 - 18 x 5/8" PH - Antique Brass
	099021-01-000	EA	Catch - Nylon - Grill
	099021-02-000	EA	Strike - Spring Steel
	093586-04-000	EA	Catch - Spring, Roller
	093586-04-000	EA	Strike - Spring Steel
	074493-02-000	EA	Support - Spring Door
	084357-02-W24	EA	TV Stand Asm. - Foldout
	000G13-06-10G	EA	Screw - 6 - 20 x 5/8" PFH - Antique Brass
	023320-01-000	EA	Felt Pad - 3/8" Dia
	058331-14-000	EA	Mirror - TV Stand - Safety Glass - 14" x 12 7/8"
	084356-04-000	EA	Insert - TV Stand - Tan
	084412-01-000	EA	Support - TV Stand - Hinged
	084451-01-000	EA	Catch - TV Stand - Brass
	084624-02-000	EA	Hinge - TV Stand - Aluminum w/Holes - Tan
	081521-02-007	EA	Molding - 64 Hole Space
	042357-11-000	EA	Corner Molding - Radius - Plastic - Light Oak
	080176-02-000	EA	Corner Cap - Radius - Light Oak (Overhead Cabinet)
	083620-01-000	FT	T-Molding - 3/4" w/Edge Lips (Overhead Cabinets)
	054856-01-000	EA	Rail - Bed
	009767-06-000	FT	Welting - Beige
	009767-10-000	FT	Welting - Mahogany
	052859-01-000	FT	Trim Asm. - Accent (Beds)
	076325-16-000	FT	Molding - Edge Band - Regal Oak (Nightstands)
	077840-01-W30	EA	Cap Molding - Wall (Nightstand)
	074498-24-000	SF	Countertop - Plastic (Nightstands)
	016604-03-000	EA	Brace - Seat Angle - 2 5/8" - Beige
	077409-02-000	EA	Slide - Plastic Drawer - 20 7/8"
	077404-02-000	EA	Drawer - Plastic - 20" x 12 7/8"

1989 WINNEBAGO
TABLE OF CONTENTS

INTRODUCTION	A-01
ABBREVIATIONS	A-01
ALPHABETICAL INDEX	A-02 - A-04
WC/M27HQ	A-05 - D-18
WC/JM31RQ	D-19 - H-10

1989 WC/JM31RQ INDEX

Floor Plan	D-19 - D-20
Accessories Group	D-21 - E-03
Bath Group	E-04 - E-07
Chassis Group	E-08 - E-14
Curtain, Cushion & Pad Group	E-15 - F-02
Dinette Group	F-03 - F-04
Driver's Compartment Group	F-05 - F-10
Electrical Group	F-11 - F-14
Exterior Body Group	F-15 - F-20
Galley Group	F-21 - F-24
Heating & Air Conditioning Group	G-01
Interior Finish Group	G-02 - G-03
LP Group	G-04
Lounge Group	G-05 - G-10
Water & Sewage Group	G-11 - G-12
Window Vent & Exterior Door Group	G-13 - H-10

WATER & SEWAGE GROUP

WATER & SEWAGE GROUP (CONTINUED)

DRAINAGE SYSTEM

Key	Part Number	U/M	Description
	062422-01-000	EA	Adapter - Reducer - 3" x 1 1/2"
	010121-01-000	EA	Bushing - 1 1/2" x 1 1/4" H
	024676-01-000	EA	Closet Flange - USA
	024676-02-000	EA	Closet Flange - CSA
	011091-02-000	EA	Continuous Waste - USA
	010115-01-000	EA	Coupler - Plastic - 1 1/2" H x H
	078406-01-000	EA	Coupler - Rubber - 3" x 3"
	010006-01-000	EA	Elbow - 1 1/2" x 45° H x H
	010008-01-000	EA	Elbow - 1 1/2" H x 1 1/2" H x 90°
	010051-01-000	EA	Elbow - Street - 1 1/2" H x 45°
	010061-01-000	EA	Elbow - Street - 3" x 45° S x H
	031111-01-000	EA	Elbow - 1 1/4" x 90° XLT
	031126-01-000	EA	Elbow - 3" x 90° XLT
	033761-01-000	EA	Elbow - Street - 1 1/2" H x 90°
	061607-01-000	EA	Grommet - Holding Tank - 1 1/2" NPS
	061607-02-000	EA	Grommet - Holding Tank - 3" NPS
	011066-03-000	EA	P-Trap - USA
	011066-02-000	EA	P-Trap - CSA
	053335-01-000	EA	P-Trap - CSA (Galley Sink Only)
	010194-01-000	FT	Plastic Pipe - 1 1/4" - USA
	010194-02-000	FT	Plastic Pipe - 1 1/4" - CSA
	010195-01-000	FT	Plastic Pipe - 1 1/2" - USA
	010195-02-000	FT	Plastic Pipe - 1 1/2" - CSA
	010197-01-000	FT	Plastic Pipe - 3" - USA
	010197-02-000	FT	Plastic Pipe - 3" - CSA
	010166-01-000	EA	Plug - Plastic - 1 1/4"
	066729-01-000	EA	Strainer - Shower
	092303-01-000	EA	Strainer - Galley Sink
	011069-03-000	EA	Tailpiece - Plastic - USA
	011069-02-000	EA	Tailpiece - Brass - CSA
	088671-02-000	EA	Tank - Holding
	088672-02-000	EA	Tank - Holding
	010071-01-000	EA	Tee - 1 1/2" H x 1 1/2" H x 1 1/2" H
	010079-01-000	EA	Tee - 1 1/2" H x 1 1/2" H x 1 1/4" H
	070916-01-000	EA	Valve - Dual - 3" x 1 1/2"
	079668-01-000	EA	Vent - Mechanical - Trap Arm
	083559-01-000	EA	Vent - Roof Cap
	010073-01-000	EA	Wye - Plastic - 1 1/2" x 45° - H x H x H
	010201-01-000	EA	Sewer Hose - 3" ID x 8' - w/o Twist Lock Adapter & Hose Clamp
	062416-01-000	EA	Twist Lock Adapter - 3" - Sewer Hose
	062401-09-000	EA	Hose Clamp - Wormgear - 2 5/8" to 3 7/8"
	062415-01-000	EA	Sewer Cap - Twist Lock - 3"

CONTINUOUS WASTE (CANADA)

Key	Part Number	U/M	Description
	033302-02-000	EA	Adapter
	010121-01-000	EA	Bushing - 1 1/2" x 1 1/4" H
	037101-02-000	EA	Elbow - 1 1/2" H x 1 1/2" H x 90°
	010194-02-000	FT	Plastic Pipe - 1 1/4"
	010195-02-000	FT	Plastic Pipe - 1 1/2"
	010071-01-000	EA	Tee - 1 1/2" H x 1 1/2" H x 1 1/2" H

WATER LINES & HARDWARE

Key	Part Number	U/M	Description
	075240-05-000	EA	Lavatory Faucet - Brass - USA
	011056-03-000	EA	Lavatory Faucet - Chrome - CSA
	075242-03-000	EA	Faucet - Shower - Brass - USA
	031558-03-000	EA	Faucet - Shower - Chrome - CSA
	011048-02-000	EA	Shower Head - w/60" Hose - USA
	011048-05-000	EA	Shower Head - w/60" Hose - CSA
	084072-01-000	EA	Faucet - Galley - Single Control
**	051391-03-000	EA	Water Heater - w/Electronic Ignition
**	051393-01-000	EA	Water Heater - w/Direct Ignition - Motor Aid (Option 611)
	045729-01-000	EA	Water Pump - 2 8 GPM Flow - w/1/2" MPT Fitting - USA
	045729-02-000	EA	Water Pump - 2 8 GPM Flow - w/1/2" MPT Fitting - CSA
	045729-01-700	EA	Motor
	045729-01-701	EA	Base Plate Kit
	045729-01-702	EA	Diaphragm
	045729-01-703	EA	Valve Asm
	045729-01-704	EA	Upper Housing
	045729-01-705	EA	Switch Cap Kit - w/Switch
	045729-01-706	EA	Pumphead
	045729-01-707	EA	Lower Housing
	089180-02-000	EA	Water Tank - 60 Gallon
	077954-02-000	EA	Water Filter/Screen - In Tank
	087200-01-000	EA	Filter - Water Purification (Option 29B)
	087200-02-000	EA	Cartridge - Filter - Water Purification (Option 29B)
	081240-01-000	EA	Water Fill - Lockable - Beige
	079381-01-000	EA	Flexible Tubing - Smooth - 1 25" I D
	062401-02-000	EA	Hose Clamp - Wormgear - 1 5/8" to 2 5/8" I D
	087659-02-000	EA	Water Fill - City - Beige
	091246-02-000	EA	Faucet - External Water
	092605-01-000	EA	Bracket - External Water Faucet
	052960-01-000	EA	Valve - Line Drain - 1/2" F x 1/2" F - 2 7/8"
	052960-02-000	EA	Valve - Line Drain - 1/2" F x 1/2" F - 16"
	052954-01-000	EA	Adapter - Nose Cone - 3/8" or 1/2"
	079317-01-000	EA	Adapter - Swivel - 1/2" Tube x 1/2" FPT
	036522-02-000	EA	Cap - Brass - 1/2" Flare
	052959-02-000	EA	Connector - Plastic - 1/2" F x 1/2" MPT
	052957-01-000	EA	Elbow - Plastic - 1/2" F x 3/8" MPT
	035539-01-000	EA	Elbow - Plastic - 3/8" MPT x 3/8" BARB
	052957-02-000	EA	Elbow - Plastic - 1/2" F x 1/2" MPT
	065120-01-000	EA	Elbow - Plastic - Swivel - 1/2" I D
	010219-01-000	EA	Elbow - Plastic - 1 1/4" MPT x 1 1/4" BARB
	052952-01-000	EA	Nut - Plastic - 1/2" F
	052953-01-000	EA	Nut - Faucet - 1/2" Tube x 1/2" FPT
	042989-02-000	EA	Spinweld Fitting - Plastic - 1/2" NPT
	042989-03-000	EA	Spinweld Fitting - Plastic - 1 1/4" NPT
	042989-04-000	EA	Spinweld Fitting - Plastic - 3/8" FPT
	042959-05-000	EA	Spinweld Fitting - Plastic - 1/2" FPT
	052955-01-000	EA	Tee - Plastic - 1/2" F x 1/2" F x 1/2" MPT
	052958-01-000	EA	Tee - Plastic - 1/2" F x 1/2" F x 1/2" F
	074463-01-000	EA	Tee - 4 Way - 1/2" Flare
	039800-01-000	FT	Tubing - Polybutyl - 1/2" O D x 20'
	074462-02-000	FT	Tubing - Vinyl - 3/8" I D
	091208-01-000	EA	Washer - Rubber - 06" x 75" x 50"

** The illustrated parts breakdown for this item is provided on the Common Items Fiche

**1989 WINNEBAGO
TABLE OF CONTENTS**

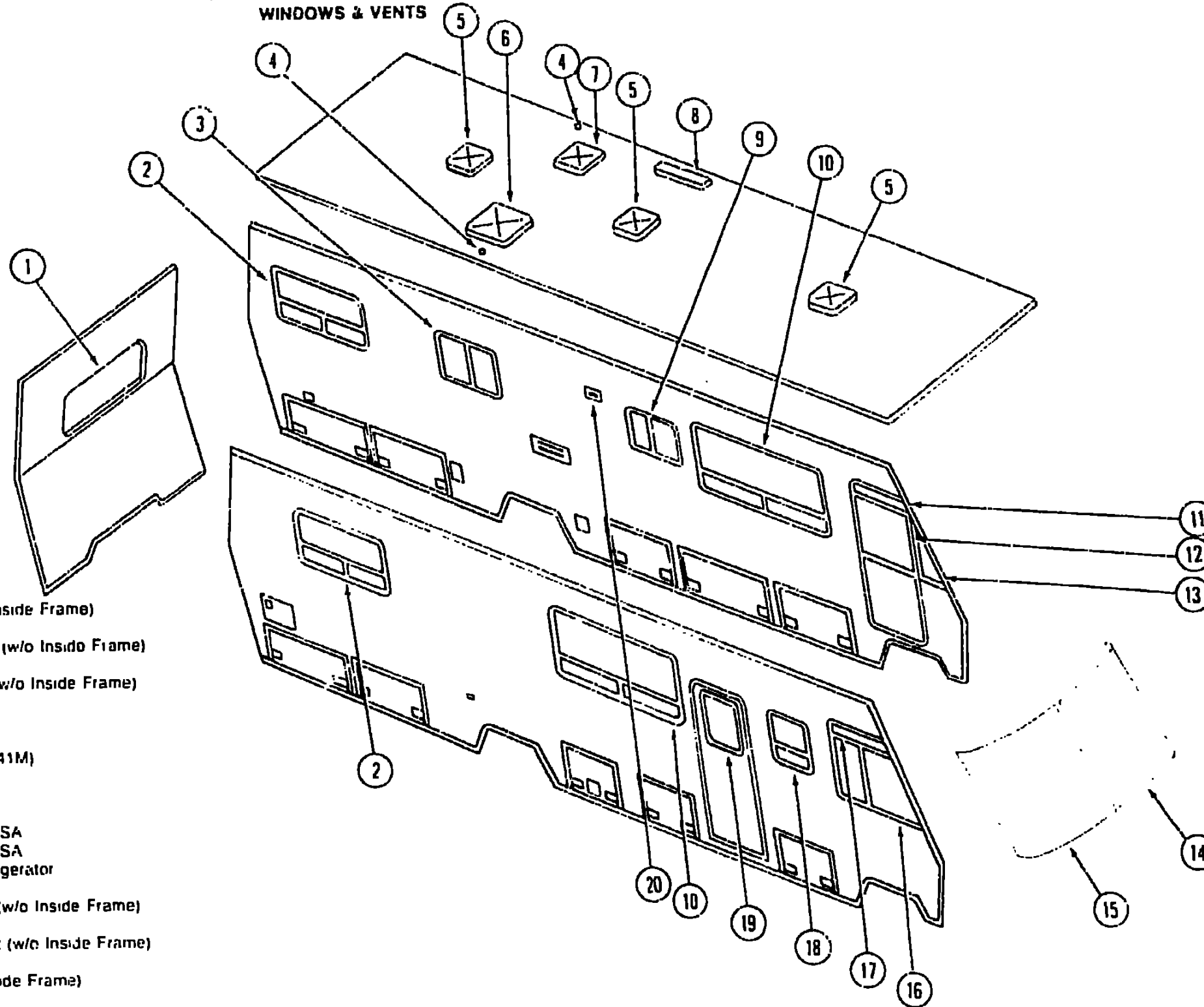
INTRODUCTION	A-01
ABBREVIATIONS	A-01
ALPHABETICAL INDEX	A-02 - A-04
WCM27RQ	A-05 - D-18
WC/JM31RQ	D-19 - H-10

1989 WC/JM31RQ INDEX

Floor Plan	D-19 - D-20
Accessories Group	D-21 - E-03
Bath Group	E-04 - E-07
Chassis Group	E-08 - E-14
Curbin, Cushion & Pad Group	E-15 - F-02
Dinette Group	F-03 - F-04
Driver's Compartment Group	F-05 - F-10
Electrical Group	F-11 - F-14
Exterior Body Group	F-15 - F-20
Galley Group	F-21 - F-24
Heating & Air Conditioning Group	G-01
Interior Finish Group	G-02 - G-03
LP Group	G-04
Lounge Group	G-05 - G-10
Water & Sewage Group	G-11 - G-12
Window, Vent & Exterior Door Group	G-13 - H-10

WINDOW, VENT & EXTERIOR DOOR GROUP

WINDOWS & VENTS



Key	Part Number	U/M	Description
1	078528-01-T03	EA	Window Asm - Escape (w/o Inside Frame)
1	074816-01-000	EA	Inside Frame
2	085354-07-X11	EA	Window Asm - Double Tipout (w/o Inside Frame)
2	084153-12-000	EA	Inside Frame
3	078266-04-T03	EA	Window Asm - Single Slider (w/o Inside Frame)
3	083122-05-000	EA	Inside Frame
4	083558-01-000	EA	Roof Vent Pipe Cap
**5	090392-01-Y12	EA	Roof Vent - Non-Powered
**5	084079-04-000	EA	Roof Vent - Powered (Option 41M)
6	080507-01-000	EA	Skylight Panel - Outer
6	080508-01-000	EA	Skylight Panel - Inner
6	080258-01-000	EA	Skylight Trim
**7	090393-01-Y12	EA	Roof Vent - Powered (Bath) USA
**7	064469-05-000	EA	Roof Vent - Powered (Bath) CSA
8	084073-01-000	EA	Roof Vent Top - Styled - Refrigerator
8	084073-04-000	EA	Roof Vent Base - Refrigerator
9	078266-03-T03	EA	Window Asm - Single Slider (w/o Inside Frame)
9	083122-03-000	EA	Inside Frame
10	085354-05-X11	EA	Window Asm - Double Tipout (w/o Inside Frame)
10	084153-10-000	EA	Inside Frame
11	089619-02-X14	EA	Window Asm - Vista (w/o Inside Frame)
11	089727-02-000	EA	Inside Frame
12	081498-02-000	EA	Door Glass Only - Rollup
13	079421-02-T03	EA	Window Asm - Slant (w/o Inside Frame)
13	079215-03-000	EA	Inside Frame
14	088793-02-000	EA	Glass - Windshield - Driver (Molding Trim - See Exterior Body Group)
15	088793-01-000	EA	Glass - Windshield - Passenger (Molding Trim - See Exterior Body Group)
16	089607-01-X14	EA	Window Asm - Slant Slider (w/o Inside Frame)
16	089747-01-000	EA	Inside Frame
17	089619-01-X14	EA	Window Asm - Vista (w/o Inside Frame)
17	089603-01-X14	EA	Inside Frame
18	085353-12-X11	EA	Window Asm - Single Tipout (w/o Inside Frame)
18	084153-14-000	EA	Inside Frame
19	079733-04-T03	EA	Window Asm - Entrance Door (w/o Inside Frame)
19	057609-03-000	EA	Inside Frame
20	092698-01-02A	EA	Vent w/Door - Range Hood

G-13

1989 WINNEBAGO TABLE OF CONTENTS

INTRODUCTION	A-01
ABBREVIATIONS	A-01
ALPHABETICAL INDEX	A-02 - A-04
WCM27RO	A-05 - D-18
WC/JM31RO	D-19 - H-10

1989 WC/JM31RQ INDEX

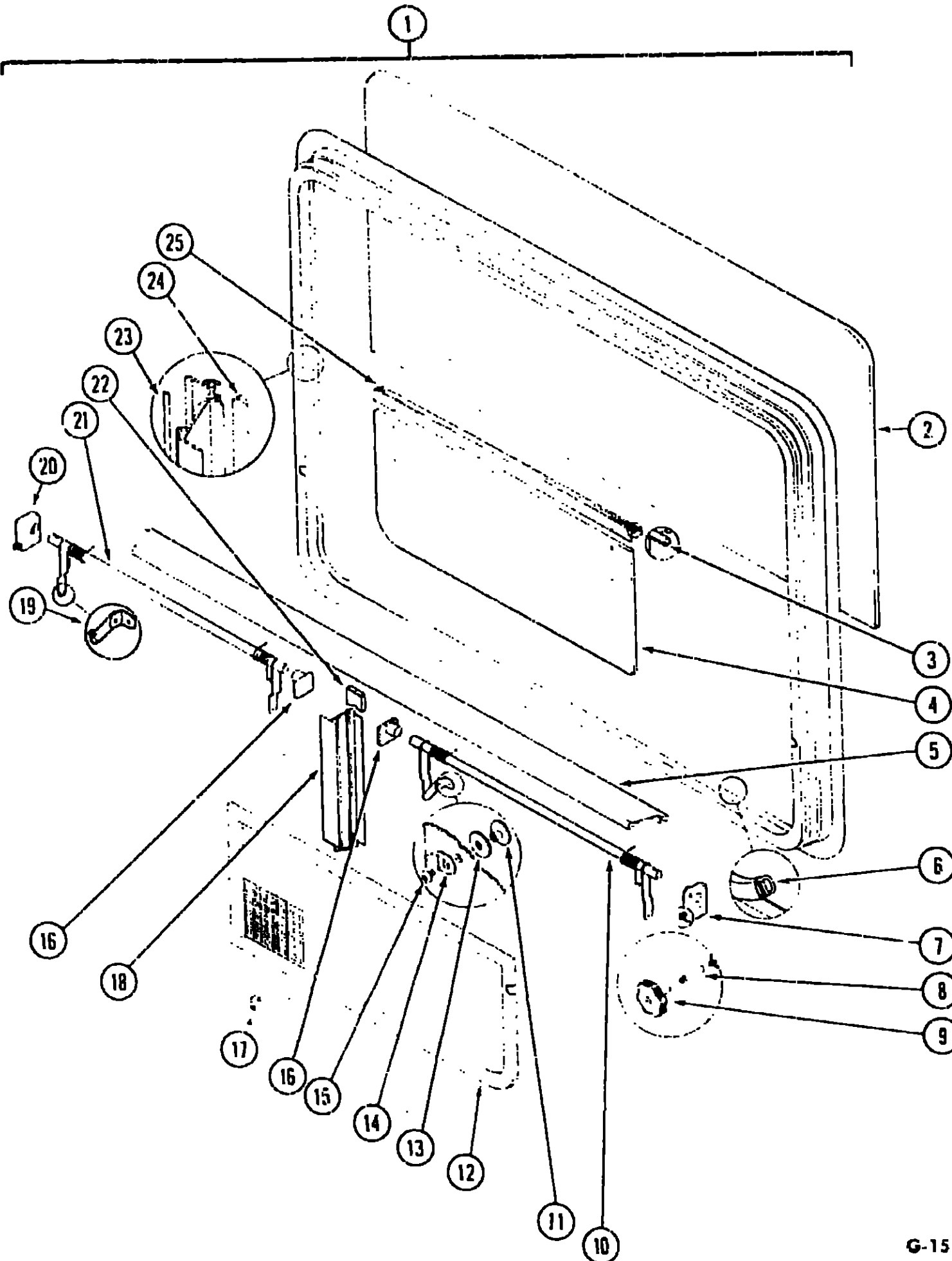
Floor Plan	D-19 - D-20
Accessories Group	D-21 - E-03
Bath Group	E-04 - E-07
Chassis Group	E-08 - E-14
Curtain, Cushion & Pad Group	E-15 - F-02
Dinette Group	F-03 - F-04
Driver's Compartment Group	F-05 - F-10
Electrical Group	F-11 - F-14
Exterior Body Group	F-15 - F-20
Galley Group	F-21 - F-24
Heating & Air Conditioning Group	G-01
Interior Finish Group	G-02 - G-03
LP Group	G-04
Lounge Group	G-05 - G-10
Water & Sewage Group	G-11 - G-12
Window, Vent & Exterior Door Group	G-13 - H-10

G-14

** The illustrated parts breakdown for this item is provided on the Common Items Fiche

WINDOW, VENT & EXTERIOR DOOR GROUP (CONTINUED)
BEDROOM WINDOWS

1989 WINNEBAGO
TABLE OF CONTENTS



Key	Part Number	U/M	Description
1	085354-07-X11	EA	Window Asm. - Double Tipout
	084153-12-000	EA	Inside Frame (not included in assembly)
2	081239-23-000	EA	Glass - 1/8" x 40 3/4" x 20 1/2"
3	081357-01-000	FT	Seal
4	084068-13-000	EA	Glass - 1/8" x 9 1/4" x 20.15" (Left or Right Side)
5	083112-13-000	EA	Mullion - Black
	000G39-06-16T	EA	Screw - Mullion (4)
	076778-03-000	EA	Plastic Rivet - Pin Drive - Black (2)
6	084067-01-000	FT	Seal - Sponge Rubber
7	035302-01-000	EA	Operator Drive - Right Side
8	090025-01-000	EA	Extension - Window Knob (not included w/Window Assembly)
9	067052-02-000	EA	Window Knob - Beige (not included w/Window Assembly)
	089371-01-000	EA	Screw - Window Knob (not included w/Window Assembly)
10	083228-04-000	EA	Torque Tube Asm. - Right Side
11	086762-01-000	EA	Window T Nut
12	084581-09-X11	EA	Screen Asm. - Right Side
	084581-10-X11	EA	Screen Asm. - Left Side
	002293-02-000	SF	Window Screen - 26" - Charcoal
	002298-02-000	FT	Window Screen Splino
13	068927-03-000	EA	Seal - Rubber
14	084473-01-000	EA	Seal - Rubber
15	086763-01-000	EA	Screw - #10 - 32 x 1/4"
16	081354-01-000	EA	Torque Tube Sleeve
17	081243-01-000	EA	Plastic Screen Clip
	000G12-06-08T	EA	Screw - Screen Clip
18	084154-01-000	EA	Mullion - Black
	000G37-08-08B	EA	Screw - Mullion (4)
19	097578-01-000	EA	Connecting Rod Asm.
	085316-01-000	EA	Wave Washer
	081649-01-000	EA	Snap Ring Clip
20	035302-02-000	EA	Operator Drive - Left Side
21	083227-04-000	EA	Torque Tube Asm. - Left Side
22	084066-01-000	FT	Seal - Double Bulb - Sponge Rubber
23	069640-06-000	FT	Seal (not included w/Window Assembly)
24	083180-01-000	FT	Seal - Vinyl
25	084155-09-000	EA	Hinge - Tipout Window - Left or Right Side

INTRODUCTION	A-01
ABBREVIATIONS	A-01
ALPHABETICAL INDEX	A-02 - A-04
WCM27RQ	A-05 - D-18
WC/JM31RQ	D-19 - H-10

1989 WC/JM31RQ INDEX

Floor Plan	D-19 - D-20
Accessories Group	D-21 - E-03
Bath Group	E-04 - E-07
Chassis Group	E-08 - E-14
Curtain, Cushion & Fad Group	E-15 - F-02
Dinette Group	F-03 - F-04
Driver's Compartment Group	F-05 - F-10
Electrical Group	F-11 - F-14
Exterior Body Group	F-15 - F-20
Galley Group	F-21 - F-24
Heating & Air Conditioning Group	G-01
Interior Finish Group	G-02 - G-03
LP Group	G-04
Lounge Group	G-05 - G-10
Water & Sewage Group	G-11 - G-12
Window, Vent & Exterior Door Group	G-13 - H-10

WINDOW, VENT & EXTERIOR DOOR GROUP (CONTINUED)

LOUNGE & DINETTE WINDOWS

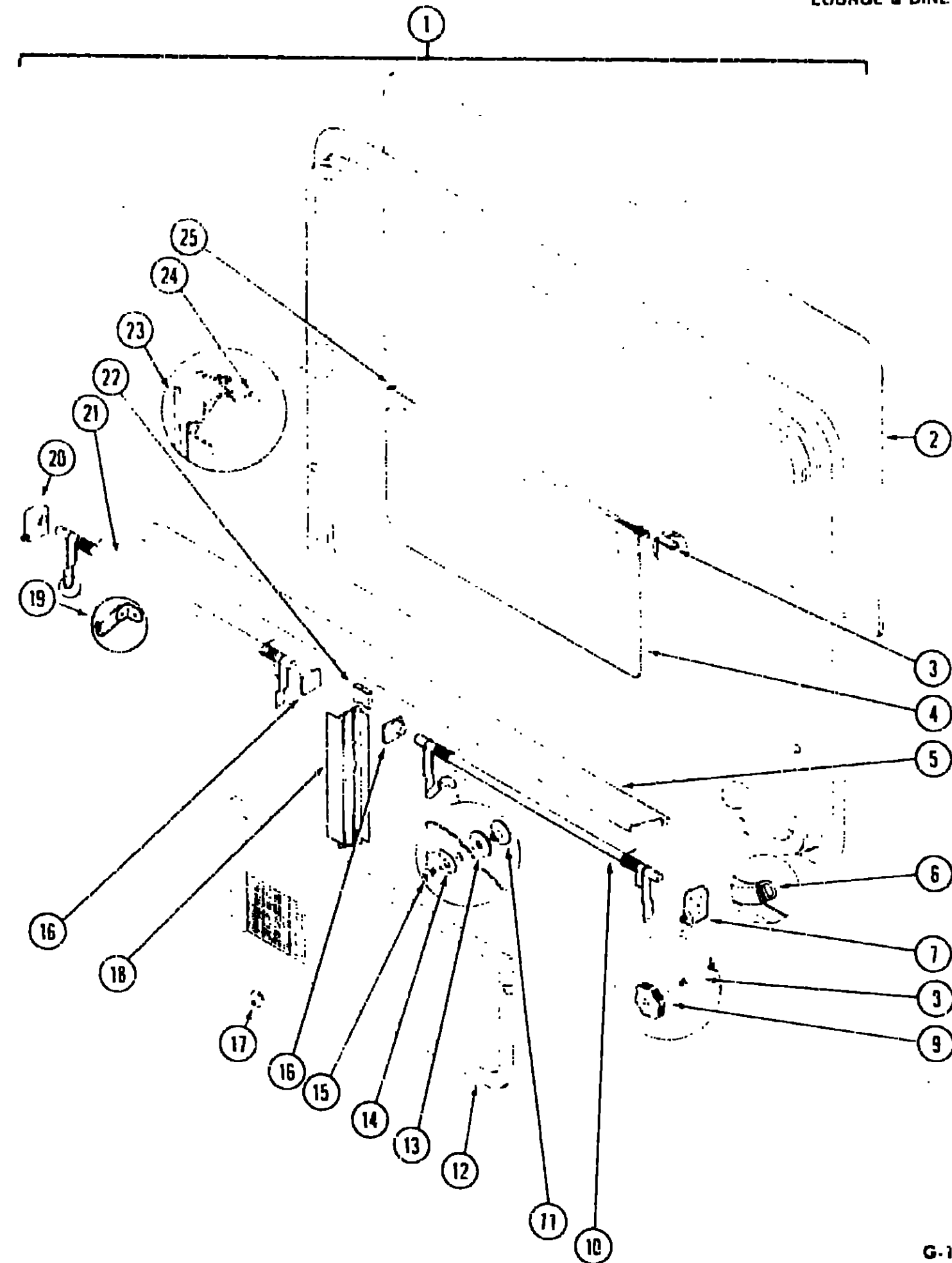
1989 WINNEBAGO TABLE OF CONTENTS

INTRODUCTION	A-01
ABBREVIATIONS	A-01
ALPHABETICAL INDEX	A-02 - A-04
WC/M27RQ	A-05 - D-18
WC/JM31RQ	D-19 - H-10

Key	Part Number	U/M	Description
1	085354-05-X11	EA	Window Asm - Double Tipout
	084153-10-000	EA	Inside Frame (not included w/Window Assembly)
2	081239-18-000	EA	Glass - 1/8" x 60" x 20 1/2"
3	081357-01-000	FT	Seal
4	084068-08-000	EA	Glass - 1/8" x 9 1/4" x 30" (Left or Right Side)
5	083112-09-000	EA	Mullion - Black
	000G39-08-16T	EA	Screw - Mullion (4)
	076778-03-000	EA	Plastic Rivet - Pin Drive - Black (2)
6	064067-01-000	FT	Seal - Sponge Rubber
7	035302-01-000	EA	Operator Drive - Right Side
9	090025-01-000	EA	Extension - Window Knob (not included w/Window Assembly)
9	067052-02-000	EA	Window Knob - Beige (not included w/Window Assembly)
	089371-01-000	EA	Screw - Window Knob (not included w/Window Assembly)
10	083228-03-000	EA	Torque Tube Asm - Right Side
11	086762-01-000	EA	Window T Nut
12	084581-05-X11	EA	Screen Asm - Right Side
	084581-06-X11	EA	Screen Asm - Left Side
	002213-02-000	SF	Window Screen - 26" - Charcoal
	002298-02-000	FT	Window Screen Spine
13	068927-03-000	EA	Seal - Rubber
14	084473-01-000	EA	Seal - Rubber
15	086763-01-000	EA	Screw - #10 - 32 x 1/4"
16	081254-01-000	EA	Torque Tube Sleeve
17	081243-01-000	EA	Plastic Screen Clip
	000G12-06-08T	EA	Screw - Screen Clip
16	084154-01-000	EA	Mullion - Black
	000G37-08-08B	EA	Screw - Mullion (4)
19	097578-01-000	EA	Connecting Rod Asm
	085316-01-000	EA	Wave Washer
	081649-01-000	EA	Snap Ring Clip
20	035302-02-000	EA	Operator Drive - Left Side
21	083227-03-000	EA	Torque Tube Asm - Left Side
22	084066-01-000	FT	Seal - Double Bulb - Sponge Rubber
23	069640-06-000	FT	Seal (not included w/Window Assembly)
24	083190-01-000	EA	Seal - Vinyl
25	084155-09-000	EA	Hinge - Tipout Window - Left or Right Side

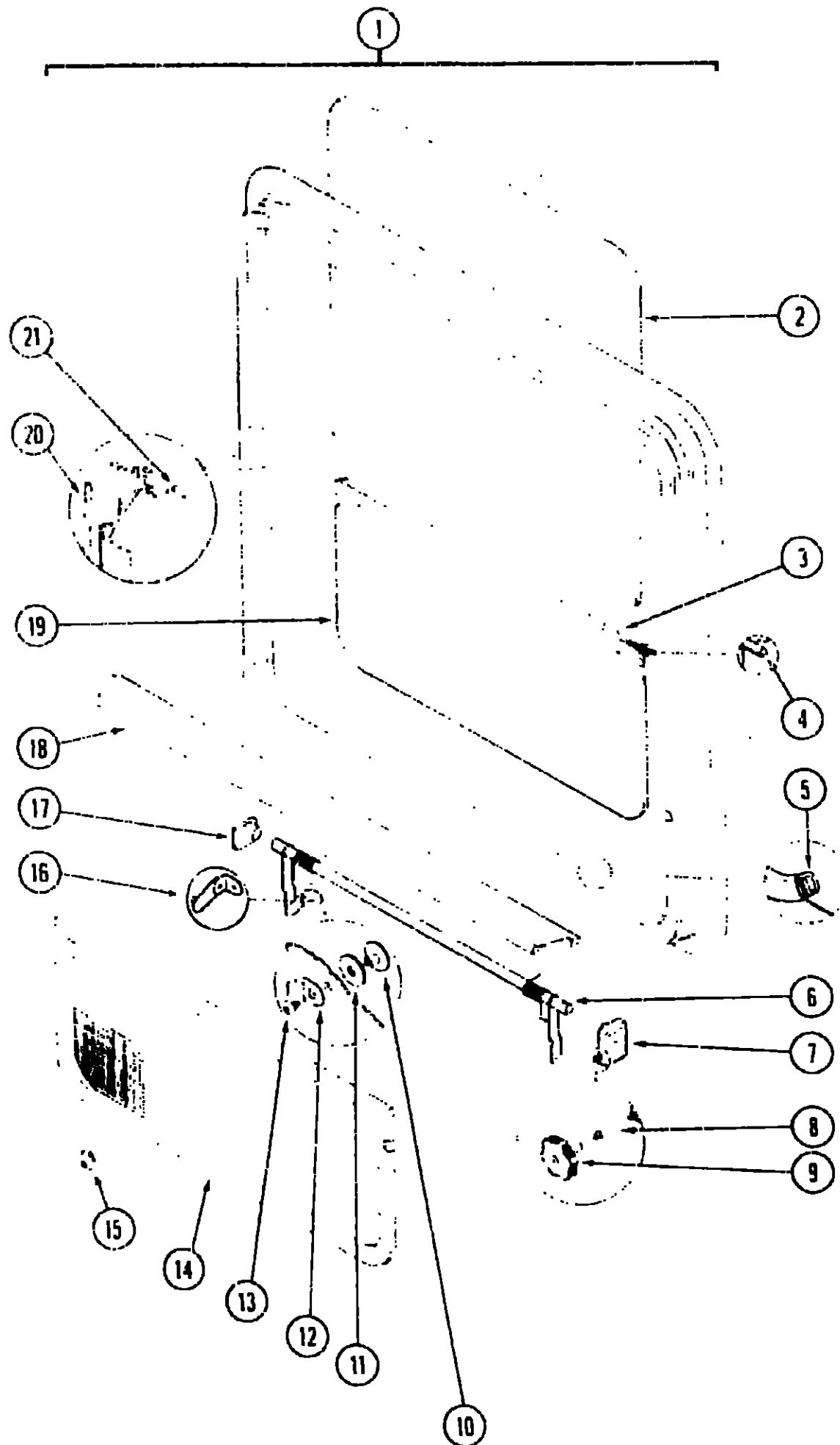
1989 WC/JM31RQ INDEX

Floor Plan	D-19 - D-20
Accessories Group	D-21 - E-03
Bath Group	E-04 - E-07
Chassis Group	E-08 - E-14
Curtain, Cushion & Pad Group	E-15 - F-02
Dinette Group	F-03 - F-04
Driver's Compartment Group	F-05 - F-10
Electrical Group	F-11 - F-14
Exterior Body Group	F-15 - F-20
Galley Group	F-21 - F-24
Heating & Air Conditioning Group	G-01
Interior Finish Group	G-02 - G-03
LP Group	G-04
Lounge Group	G-05 - G-10
Water & Sewage Group	G-11 - G-12
Window, Vent & Exterior Door Group	G-13 - H-10



WINDOW, VENT & EXTERIOR DOOR GROUP (CONTINUED)

LOUNGE WINDOW



Key	Part Number	U/M	Description
1	085353-12-X11	EA	Window Asm - Single Tipout
	094153-14-000	EA	Inside Frame (not included w/Window Assembly)
2	081239-22-000	EA	Glass - 1/8" x 21 3/4" x 20 2/3"
3	089913-01-000	EA	Hinge - Tipout Window - Left or Right Side
4	081357-01-000	FT	Seal
5	084067-01-000	FT	Seal - Sponge Rubber
6	083150-08-000	EA	Torque Tube Asm
	080918-01-000	EA	Spring - Torque Tube Asm - Right
	080918-02-000	EA	Spring Torque Tube Asm - Left
7	035302-02-000	EA	Operator Drive
8	009439-05-000	EA	Extension - Window Knob (not included w/Window Assembly)
9	009439-05-000	EA	Window Knob - Black (not included w/Window Assembly)
	009439-07-000	EA	Screw - Window Knob - Black (not included w/Window Assembly)
10	086762-01-000	EA	T-Nut
11	069927-03-000	EA	Seal - Rubber
12	084473-01-000	EA	Seal - Rubber
13	066763-01-000	EA	Screw - #10 - 32 x 1/4"
14	084580-11-X11	EA	Screen Asm
	002293-02-000	SF	Window Screen - 26" - Charcoal
	002298-02-000	FT	Window Screen Spline
15	081243-01-000	EA	Plastic Screen Clip
	000G12-06-08T	EA	Screw - Screen Clip
16	081426-01-000	EA	Connecting Rod Asm
	065316-01-000	EA	Wave Washer
	081649-01-000	EA	Snap Ring Clip
17	081354-01-000	EA	Torque Tube Sleeve
18	083112-12-000	EA	Mullion - Black
	000G39-06-15T	EA	Screw - Mullion (4)
	076778-03-000	EA	Plastic Rivet - Pin Drive - Black (2)
19	084068-12-000	EA	Glass - 1/8" x 9 1/4" x 21 6/10"
20	069640-06-000	FT	Seal (not included w/Window Assembly)
21	093180-01-000	FT	Seal - Vinyl

1989 WINNEBAGO TABLE OF CONTENTS

INTRODUCTION	A-01
ABBREVIATIONS	A-01
ALPHABETICAL INDEX	A-02 - A-04
WCM27RQ	A-05 - D-18
WC/JM31RQ	D-19 - H-10

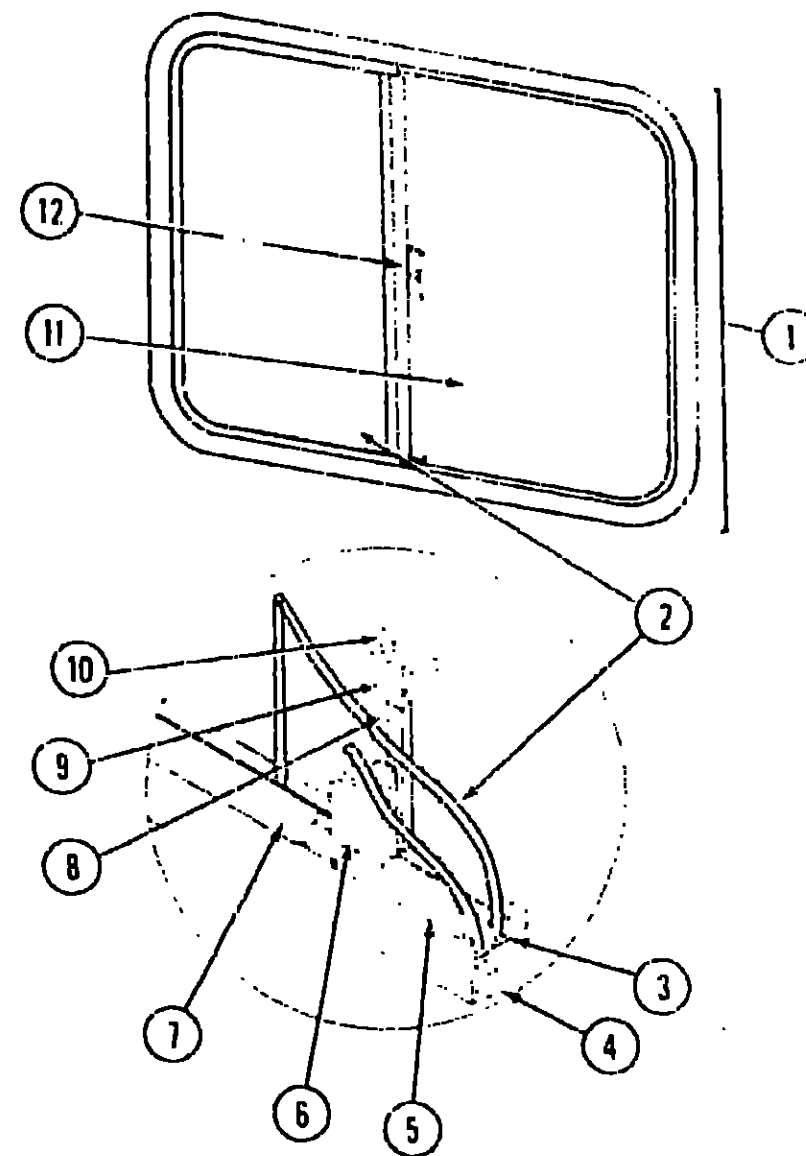
1989 WC/JM31RQ INDEX

Floor Plan	D-19 - D-20
Accessories Group	D-21 - E-03
Bath Group	E-04 - E-07
Chassis Group	E-08 - E-14
Curtain, Cushion & Pad Group	E-15 - F-02
Dinette Group	F-03 - F-04
Driver's Compartment Group	F-05 - F-10
Electrical Group	F-11 - F-14
Exterior Body Group	F-15 - F-20
Galley Group	F-21 - F-24
Heating & Air Conditioning Group	G-01
Interior Finish Group	G-02 - G-03
LP Group	G-04
Lounge Group	G-05 - G-10
Water & Sewage Group	G-11 - G-12
Window, Vent & Exterior Door Group	G-13 - H-10

WINDOW, VENT & EXTERIOR DOOR GROUP (CONTINUED)

1989 WINNEBAGO
TABLE OF CONTENTS

INTRODUCTION	A-01
ABBREVIATIONS	A-01
ALPHABETICAL INDEX	A-02 - A-04
WC/M27RC	A-05 - D-10
WC/M31RQ	D-19 - H-10



GALLEY SLIDER WINDOW

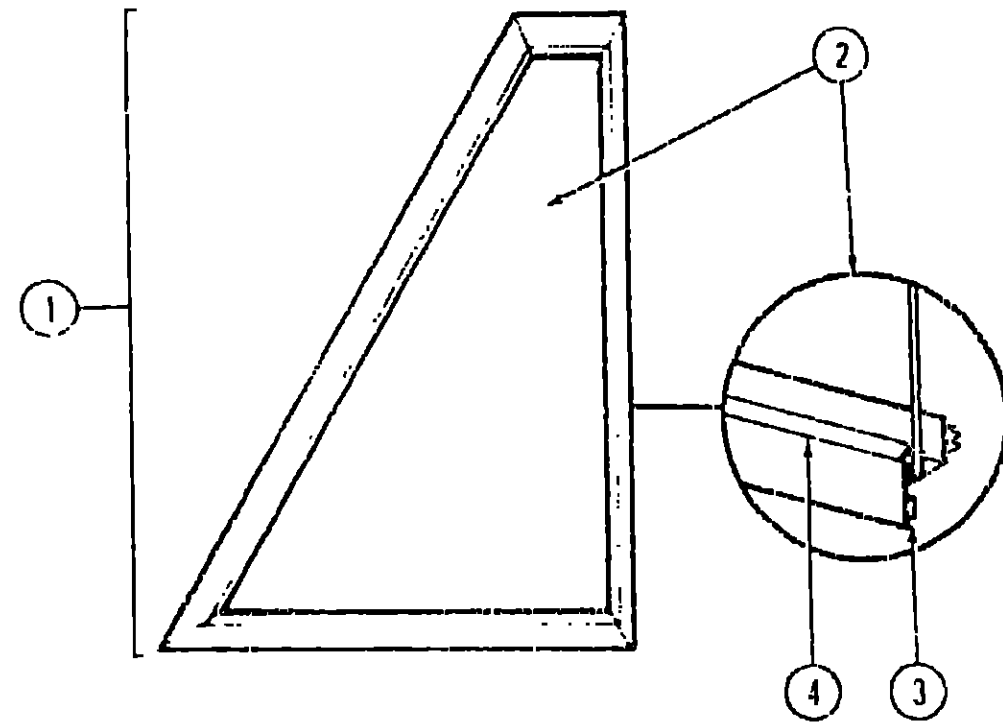
Key	Part Number	U/M	Description
1	078266-03-T03	EA	Window Asm - Single Slider - Black (w/o Inside Frame)
	083122-03-000	EA	Inside Frame - Beige (not included in assembly)
2	081980-05-000	EA	Glass - Sliding - 1/8" x 19" x 13.68"
3	002324-02-000	FT	Channel - Weatherstrip - Glass Run
4	069640-06-000	FT	Ribbon Seal - 5/16" Bead (not included in assembly)
5	002309-02-000	EA	Spline - Glass - 1/8" - Black
6	M69886-03-011	EA	Seal - Holder w/Fin Seal - Black
7	024096-02-000	FT	Seal - Window Channel - Black
8	073740-01-000	FT	Fin Seal - .460 Pile
9	084170-02-000	EA	Mullion - Slider Window - Black
10	002298-02-000	FT	Spline - 130" Dia. - Charcoal (Black)
11	081984-03-000	EA	Glass - Stationary - 1/8" x 19" x 12.3"
12	047369-01-000	EA	Latch Kit - Window - Plastic
	002292-02-000	SF	Screen - Window - 20" Charcoal
	002328-01-000	EA	Window Block - 1/8" x 3/16" x 1"
	023320-01-000	EA	Felt Pad - 3/8" Dia

BATH SLIDER WINDOW

Key	Part Number	U/M	Description
1	078266-04-T03	EA	Window Asm - Single Slider - Black (w/o Inside Frame)
	083122-05-000	EA	Inside Frame - Beige (not included in assembly)
2	081980-02-000	EA	Glass - Sliding - 1/8" x 22" x 13.68"
3	002324-02-000	FT	Channel - Weatherstrip - Glass Run
4	069640-06-000	FT	Ribbon Seal - 5/16" Bead (not included in assembly)
5	002309-02-000	FT	Spline - Glass - 1/8" - Black
6	M18025-03-000	EA	Seal - Holder w/Fin Seal - Black
7	024096-02-000	FT	Seal - Window Channel - Black
8	073740-01-000	EA	Fin Seal - .460 Pile
9	084170-03-000	EA	Mullion - Slider Window - Black
10	002298-02-000	FT	Spline - 130" Dia. - Charcoal (Black)
11	081984-01-000	EA	Glass - Stationary - 1/8" x 22" x 16.53"
12	047369-01-000	EA	Latch Kit - Window - Plastic
	002292-02-000	SF	Screen - Window - 20" Charcoal
	002328-01-000	EA	Window Block - 1/8" x 3/16" x 1"
	023320-01-000	EA	Felt Pad - 3/8" Dia.

1989 WC/JM31RQ INDEX

Floor Plan	D-19 - D-20
Accessories Group	D-21 - E-03
Bath Group	E-04 - E-07
Chassis Group	E-08 - E-14
Curtain, Cushion & Pad Group	E-15 - F-02
Dinette Group	F-03 - F-04
Driver's Compartment Group	F-05 - F-10
Electrical Group	F-11 - F-14
Exterior Body Group	F-15 - F-20
Galley Group	F-21 - F-24
Heating & Air Conditioning Group	G-01
Interior Finish Group	G-02 - G-03
LP Group	G-04
Lounge Group	G-05 - G-10
Water & Sewage Group	G-11 - G-12
Window, Vent & Exterior Door Group	G-13 - H-10



SLANT WINDOW - DRIVER

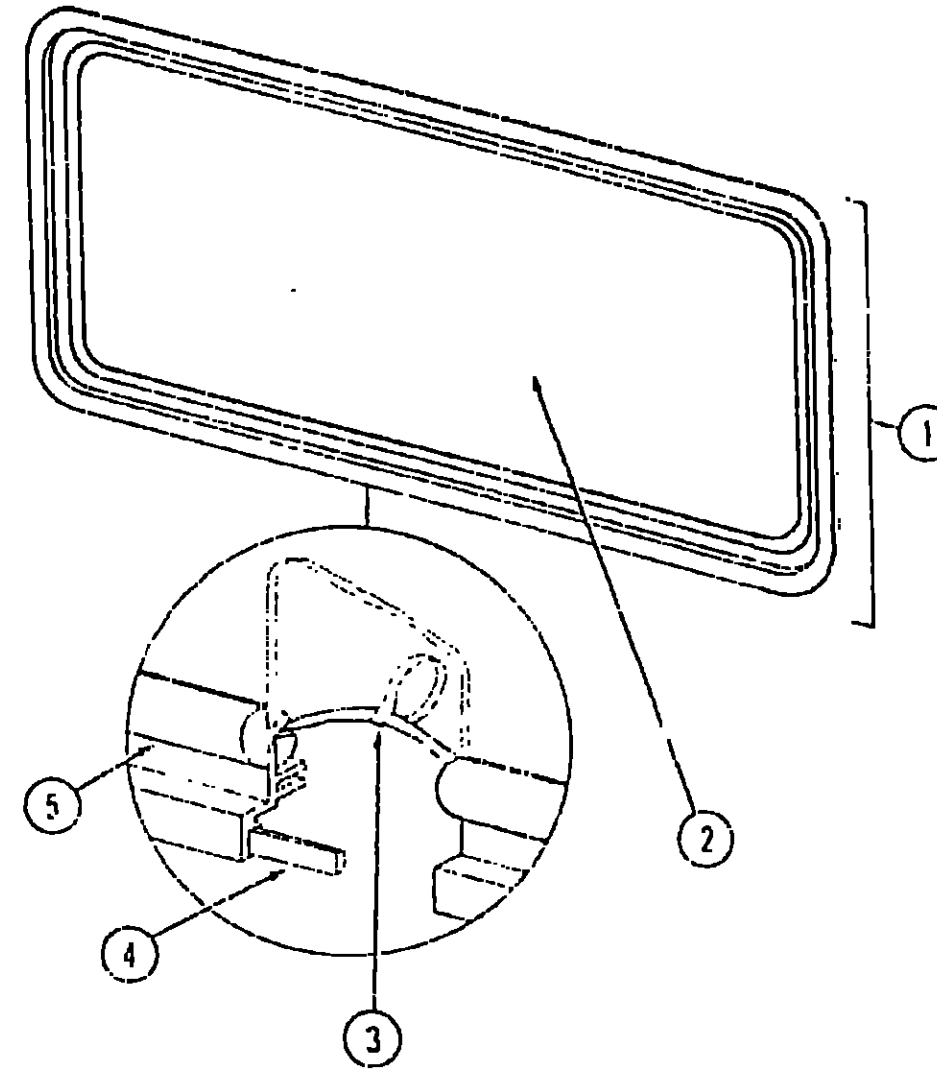
Key	Part Number	U/M	Description
1	079421-02-T03	EA	Window Asm. - Slant (w/o Inside Frame)
	079215-03-000	EA	Inside Frame - Beige (not included in assembly)
2	057656-06-000	EA	Glass - Slant - .19" x 28.11" x 13.98"
3	069640-06-000	FT	Ribbon Seal - 5/16" Bead (not included in assembly)
4	050216-02-000	EA	Spline - Glass - 19" - Black
	002328-01-000	EA	Window Block - 1/8" x 3/16" x 1"

VISTA WINDOW - DRIVER

Key	Part Number	U/M	Description
	089619-02-X14	EA	Window Asm. - Vista (w/o Inside Frame)
	089727-02-000	EA	Inside Frame - Beige (not included in assembly)
	089301-01-000	EA	Glass - Vista Window - Driver Side
	050216-02-000	FT	Spline - Glass - 19" - Black
	002328-01-000	EA	Window Block - 1/8" x 3/16" x 1"
	069640-06-000	FT	Ribbon Seal - 5/16" Bead (not included in assembly)

VISTA WINDOW - PASSENGER

Key	Part Number	U/M	Description
	089619-01-X14	EA	Window Asm. - Vista (w/o Inside Frame)
	089727-01-000	EA	Inside Frame - Beige (not included in assembly)
	089301-01-000	EA	Glass - Vista Window - Passenger Side
	050216-02-000	FT	Spline - Glass - .19" - Black
	002328-01-000	EA	Window Block - 1/8" x 3/16" x 1"
	069640-06-000	FT	Ribbon Seal - 5/16" Bead (not included in assembly)



ESCAPE WINDOW

Key	Part Number	U/M	Description
1	078523-01-T03	EA	Window Asm. - Escape - Black (w/o Inside Frame)
	074816-01-000	EA	Inside Frame - Escape Window - Beige (not included in assembly)
2	002174-02-000	EA	Glass - 1/8" x 19.61" x 44.82"
3	002285-01-000	FT	Filler - Weatherstrip - Black
4	069640-06-000	FT	Sealer Ribbon - 5/16" Bead (not included in assembly)
5	002282-01-000	FT	Weatherstrip - .125" Black
	006199-01-000	EA	Label - Exit - Escape Window

1989 WINNEBAGO
TABLE OF CONTENTS

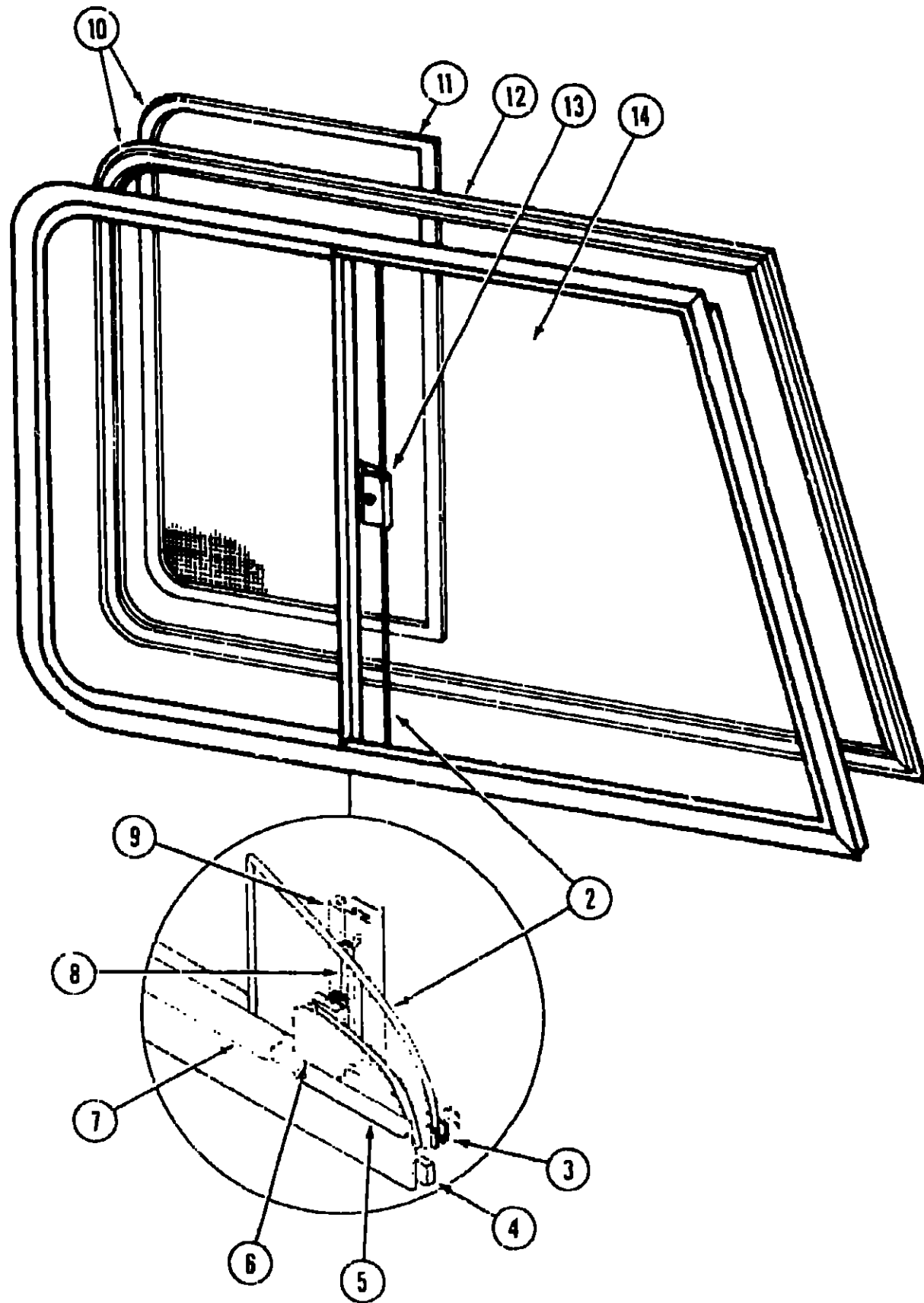
INTRODUCTION	A-01
ABBREVIATIONS	A-01
ALPHABETICAL INDEX	A-02 - A-04
WC/M27RQ	A-05 - D-10
WC/JM31RQ	D-19 - H-10

1989 WC/JM31RQ INDEX

Floor Plan	D-19 - D-20
Accessories Group	D-21 - E-03
Bath Group	E-04 - E-07
Chassis Group	E-08 - E-14
Curtain, Cushion & Pad Group	E-15 - F-02
Dinette Group	F-03 - F-04
Driver's Compartment Group	F-05 - F-10
Electrical Group	F-11 - F-14
Exterior Body Group	F-15 - F-20
Galley Group	F-21 - F-24
Heating & Air Conditioning Group	G-01
Interior Finish Group	G-02 - G-03
LP Group	G-04
Lounge Group	G-05 - G-10
Water & Sewage Group	G-11 - G-12
Window, Vent & Exterior Door Group	G-13 - H-10

WINDOW, VENT & EXTERIOR DOOR GROUP (CONTINUED)

SLANT SLIDER WINDOW - PASSENGER



Key	Part Number	U/M	Description
1	089607-01-X14	EA	Window Asm. - Front Slant (w/o inside frame or screen)
2	089299-01-000	EA	Glass - Slider
3	042077-01-000	FT	Channel - Weatherstrip - Glass Run - 1/8" Glass
4	069640-06-000	FT	Seal (not included in Window Asm.)
5	050216-02-000	FT	Spline - Glass Seal - Black)
6	002389-03-203	EA	Seal Holder - w/Fin Seal
7	041928-02-000	FT	Glass Seal - Black Vinyl
8	073740-01-000	FT	Fin Seal - .46" Pile Height
9	084170-07-000	EA	Inside Mullion - Slider Window - Black - w/Fin Seal
10	089603-01-X14	EA	Inside Frame Asm. - w/Slider Screen
11	089602-01-X14	EA	Slider Screen Asm.
	002291-02-000	SF	Screen - 16" Charcoal
	002298-02-000	FT	Spline - Charcoal
12	089474-01-000	EA	Inside Frame - w/o Slider Screen
13	047369-01-700	EA	Latch Kit - Plastic w/Fastener
14	057656-11-000	EA	Glass - Stationary

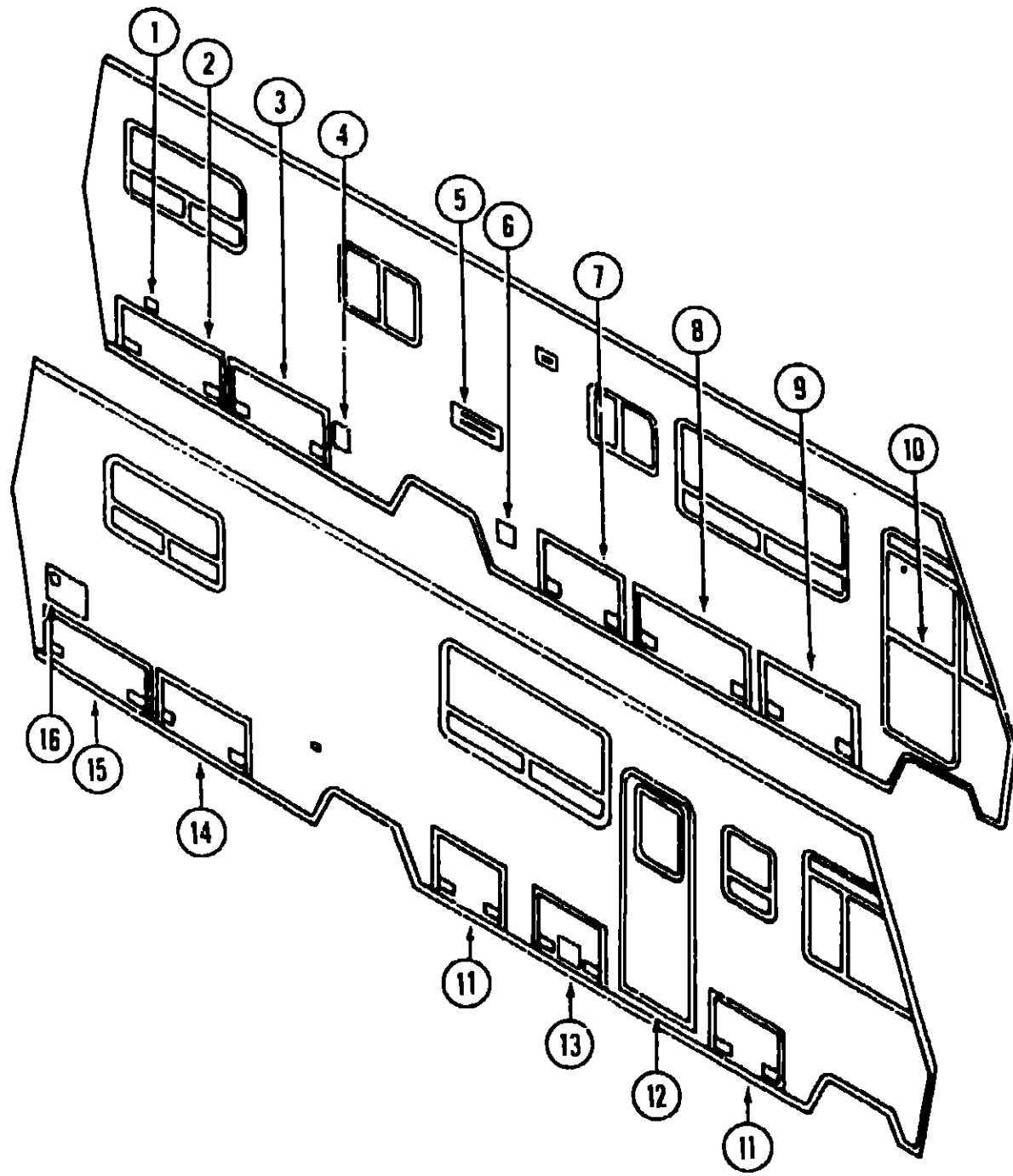
1989 WINNEBAGO TABLE OF CONTENTS

INTRODUCTION	A-01
ABBREVIATIONS	A-01
ALPHABETICAL INDEX	A-02 - A-04
WCM27RQ	A-05 - D-18
WC/JM31RQ	D-19 - H-10

1989 WC/JM31RQ INDEX

Floor Plan	D-19 - D-20
Accessories Group	D-21 - E-03
Bath Group	E-04 - E-07
Chassis Group	E-08 - E-14
Curtain, Cushion & Pad Group	E-15 - F-02
Dinette Group	F-03 - F-04
Driver's Compartment Group	F-05 - F-10
Electrical Group	F-11 - F-14
Exterior Body Group	F-15 - F-20
Galley Group	F-21 - F-24
Heating & Air Conditioning Group	G-01
Interior Finish Group	G-02 - G-03
LP Group	G-04
Lounge Group	G-05 - G-10
Water & Sewage Group	G-11 - G-12
Window, Vent & Exterior Door Group	G-13 - H-10

WINDOW, VENT & EXTERIOR DOOR GROUP (CONTINUED)
EXTERIOR DOORS



Key	Part Number	U/M	Description
1	081240-01-000	EA	Door Asm. - Water Fill
	042441-01-000	EA	Key Lock Asm. (w/o Keys)
	082684-01-000	EA	Key
2	087472-02-W81	EA	Door Asm. - Luggage
3	087472-08-W81	EA	Door Asm. - Sewer
4	078010-04-000	EA	Door Asm. - Fuel Fill
	042441-01-000	EA	Key Lock Asm. (w/o Keys)
	082684-01-000	EA	Key
5	084103-01-000	EA	Door - Vent - Refrigerator
5	084104-01-000	EA	Jamb - Vent - Refrigerator
6	088794-02-000	EA	Door Asm. - Power Cord (w/Hatch)
	042442-01-000	EA	Twist Lock Asm.
7	087448-11-Y15	EA	Door Asm. - Generator
8	087448-03-W81	EA	Door Asm. - Luggage
9	087448-02-W81	EA	Door Asm. - Luggage
10	M89487-02-X14	EA	Door Asm. - Driver
11	087448-01-X14	EA	Door Asm. - Luggage
12	M01870-23-Y15	EA	Door Asm. - Entranco
13	087495-04-X14	EA	Door Asm. - LP
14	087472-10-X14	EA	Door Asm. - Luggage
15	087472-01-W81	EA	Door Asm. - Luggage
16	052009-02-000	EA	Door Asm. - Water Heater

**1989 WINNEBAGO
 TABLE OF CONTENTS**

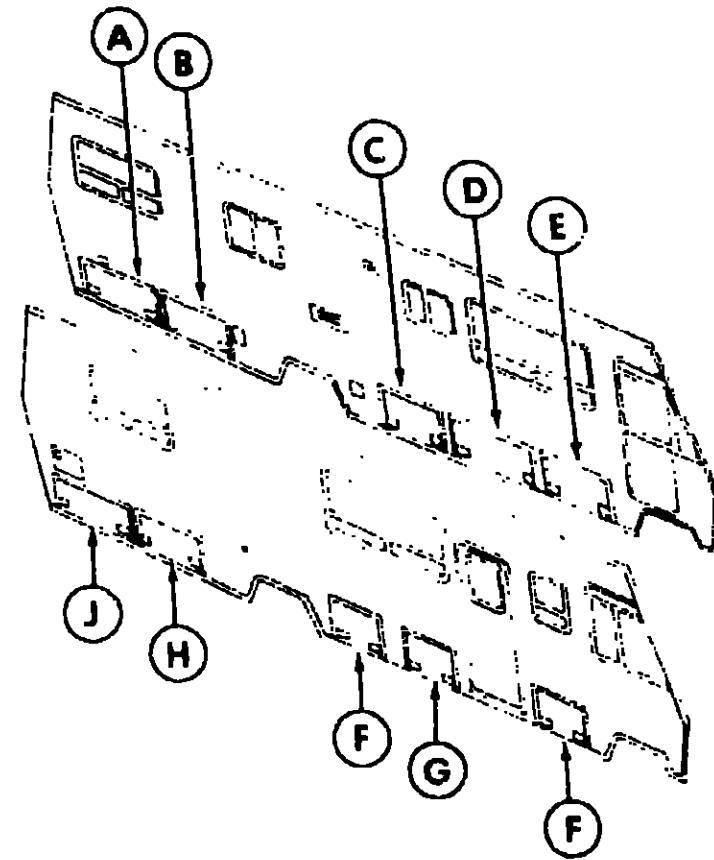
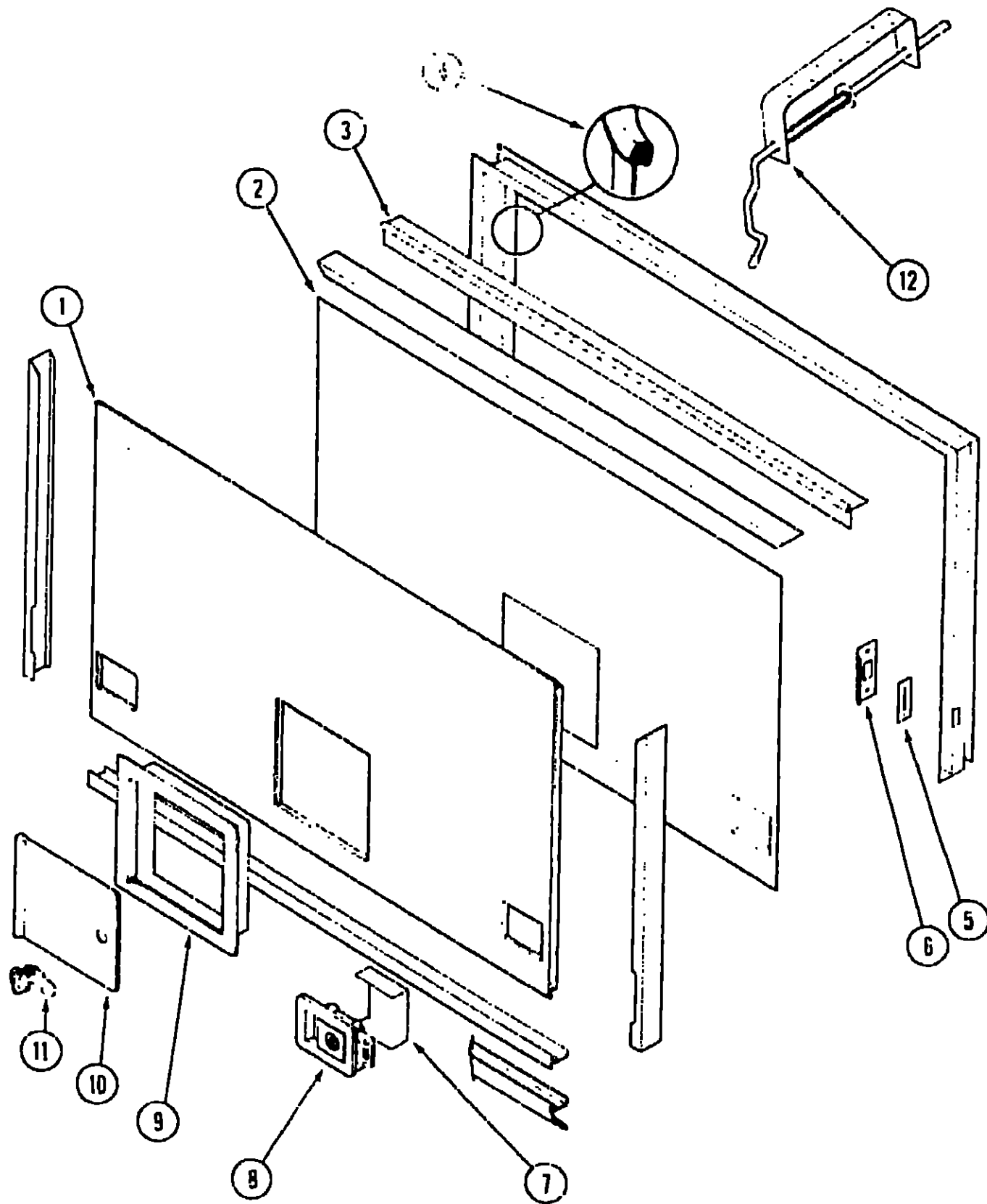
INTRODUCTION	A-01
ABBREVIATIONS	A-01
ALPHABETICAL INDEX	A-02 - A-04
WCM27RQ	A-05 - D-18
WC/JM31RQ	D-19 - H-10

1989 WC/JM31RQ INDEX

Floor Plan	D-19 - D-20
Accessories Group	D-21 - E-03
Bath Group	E-04 - E-07
Chassis Group	E-08 - E-14
Curtain, Cushion & Pad Group	E-15 - F-02
Dinette Group	F-03 - F-04
Driver's Compartment Group	F-05 - F-10
Electrical Group	F-11 - F-14
Exterior Body Group	F-15 - F-20
Galley Group	F-21 - F-24
Heating & Air Conditioning Group	G-01
Interior Finish Group	G-02 - G-03
LP Group	G-04
Lounge Group	G-05 - G-10
Water & Sewage Group	G-11 - G-12
Window, Vent & Exterior Door Group	G-13 - H-10

WINDOW, VENT & EXTERIOR DOOR GROUP (CONTINUED)

LUGGAGE & GENERATOR DOORS



Key	Part Number	U/M	Description
1	081395-07-000	EA	Mende Board - 4' x 8' - Beige
1	083574-01-000	SF	Styrofoam - 1 1/2" x 24" x 85 1/4"
A2	089094-03-000	EA	Door Liner
B2	089094-07-000	EA	Door Liner
C2	072896-02-120	EA	Door Liner - Metal - Generator
D2	089095-05-000	EA	Door Liner
E2	089095-03-000	EA	Door Liner
F2	089095-01-000	EA	Door Liner
G2	089097-03-000	EA	Door Liner - LP
H2	089094-09-000	EA	Door Liner
J2	089094-01-000	EA	Door Liner
3	081801-01-000	EA	Hinge - 2" x 96" - Beige
4	064075-04-000	EA	Bulb Seal
5	081067-02-000	EA	Seal
6	086809-01-000	EA	Strike
7	080810-02-000	EA	Bracket
	000G11-08-12T	EA	Screw - #8 - 18 x 3/4" Black
8	085730-01-000	EA	Paddle Latch Asm. w/Lock
9	052424-02-00	EA	Door Jamb
10	052423-02-000	EA	Door - LP
11	042442-01-000	EA	Lock Asm. - Twist Type
12	092644-01-Y15	EA	Prop Rod Asm.

1989 WINNEBAGO TABLE OF CONTENTS

INTRODUCTION	A-01
ABBREVIATIONS	A-01
ALPHABETICAL INDEX	A-02 - A-04
WCM27RQ	A-05 - D-18
WC/JM31RQ	D-19 - H-10

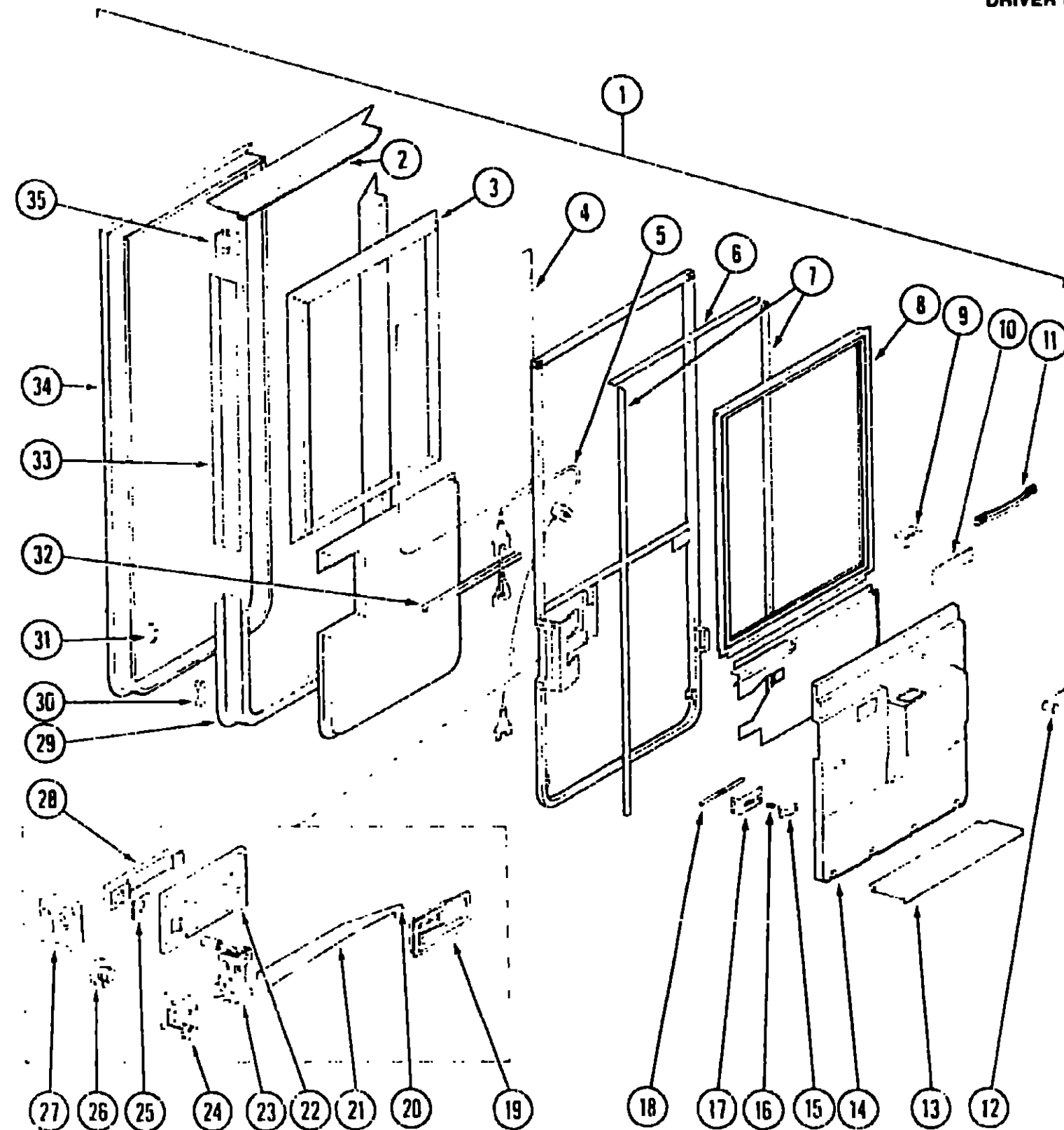
1989 WC/JM31RQ INDEX

Floor Plan	D-19 - D-20
Accessories Group	D-21 - E-03
Bath Group	E-04 - E-07
Chassis Group	E-08 - E-14
Curtain, Cushion & Pad Group	E-15 - F-02
Dinette Group	F-03 - F-04
Driver's Compartment Group	F-05 - F-10
Electrical Group	F-11 - F-14
Exterior Body Group	F-15 - F-20
Galley Group	F-21 - F-24
Heating & Air Conditioning Group	G-01
Interior Finish Group	G-02 - G-03
LP Group	G-04
Lounge Group	G-05 - G-10
Water & Sewage Group	G-11 - G-12
Window, Vent & Exterior Door Group	G-13 - H-10

WINDOW, VENT & EXTERIOR DOOR GROUP (CONTINUED)

DRIVER DOOR

1989 WINNEBAGO TABLE OF CONTENTS



Key	Part Number	U/M	Description
1	M89487-02-X14	EA	Door Asm. - Complete
2	089458-01-000	EA	Door Frame - Upper
3	089459-01-000	EA	Window Frame - Outer
4	081488-02-000	EA	Glass
5	081911-01-000	EA	Glass Setting Tape
6	081907-02-000	EA	Regulator Asm.
7	089454-01-000	EA	Glass Run Channel - Aluminum - Black
8	082240-02-000	EA	Glass Run Channel - Aluminum - Black
9	081910-02-000	EA	Glass Run Channel - Seal - 10'
10	089461-01-000	EA	Window Frame - Inner
11	079370-01-000	FT	Vinyl Screw Cover - Beige
12	046886-03-000	EA	Ashtray
13	064580-03-000	EA	Check Strap
14	061400-06-000	EA	Assist Strap
15	094575-01-000	EA	Window Crank
16	082229-01-000	EA	Door Threshold (not included in Door Asm.)
17	082471-02-000	EA	Trim Panel
18	081905-02-000	EA	Control Knob - Slide Bolt
19	081903-01-000	EA	Knob Shaft
20	081487-01-000	EA	Slide Bolt Housing
21	081906-01-000	EA	Slide Bolt
22	R77006-50-326	EA	Interior Door Handle
23	076542-04-000	EA	Control Rod - Latch
24	073110-03-000	EA	Control Link Rod - Lock
25	082107-02-000	EA	Door Handle Escutcheon
26	073303-03-000	EA	Latch Asm.
27	R77007-56-702	EA	Lock Asm
28	R77007-05-374	EA	Seal
29	083223-01-000	EA	Key Lock Asm.
30	R77013-48-165	EA	Door Lock Catch
31	R77040-01-538	EA	Door Handle
32	095007-08-000	EA	Door Frame - Lower
33	084465-01-000	EA	Door Stop Block - Jamb
34	084465-02-000	EA	Door Stop Block - Door
35	082472-01-000	EA	Glass Retainer Channel
	089455-03-000	EA	Door Frame - Upper Rear
	089463-04-000	EA	Door Jamb Asm
	063993-01-000	EA	Hinge
	082150-02-000	FT	Door Sponge Seal
	083551-01-000	EA	Jamb Sponge Seal - Lazy T Shape

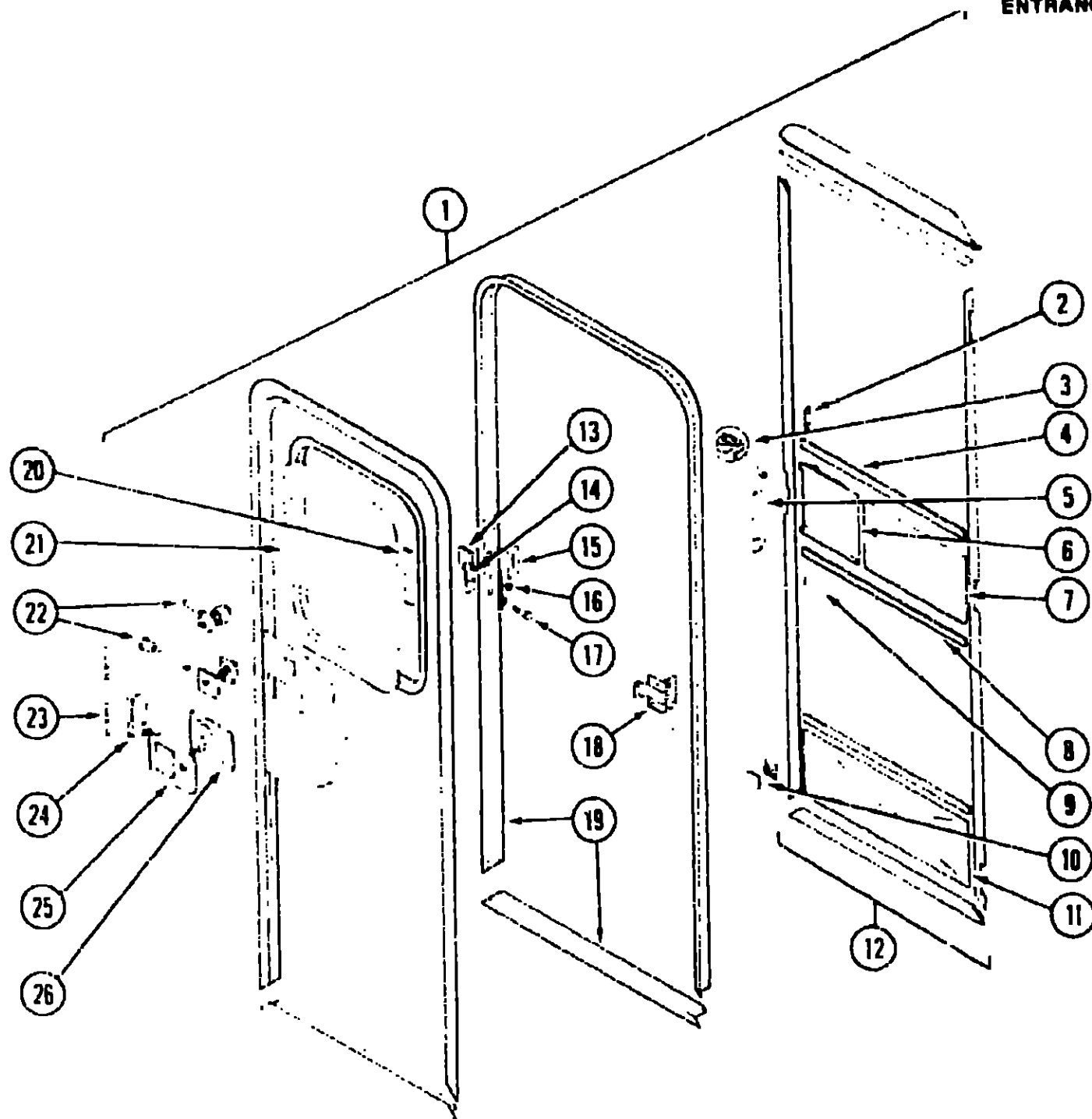
INTRODUCTION	A-01
ABBREVIATIONS	A-01
ALPHABETICAL INDEX	A-02 - A-04
WCM27RQ	A-05 - D-18
WC/JM31RQ	D-19 - H-10

1989 WC/JM31RQ INDEX

Floor Plan	D-19 - D-20
Accessories Group	D-21 - E-03
Bath Group	E-04 - E-07
Chassis Group	E-08 - E-14
Curtain, Cushion & Pad Group	E-15 - F-02
Dinette Group	F-03 - F-04
Driver's Compartment Group	F-05 - F-10
Electrical Group	F-11 - F-14
Exterior Body Group	F-15 - F-20
Galley Group	F-21 - F-24
Heating & Air Conditioning Group	G-01
Interior Finish Group	G-02 - G-03
LP Group	G-04
Lounge Group	G-05 - G-10
Water & Sewage Group	G-11 - G-12
Window, Vent & Exterior Door Group	G-13 - H-10

WINDOW, VENT & EXTERIOR DOOR GROUP (CONTINUED)

ENTRANCE DOOR



Key	Part Number	U/M	Description
1	M01870-18-X14	EA	Door Asm. w/Screen Door
2	050712-05-000	EA	Door Handle - Screen Door
3	009018-01-000	EA	Roller Catch
4	078592-01-000	EA	Screen Door Mullion - Upper & Lower Slider
	078777-01-000	EA	Slider Channel (Mullion Insert)
5	079087-01-000	EA	Screen Door Slider Strike
6	079086-01-000	EA	Screen Door Slider
7	016454-01-000	EA	Screen Door Insert
8	002294-01-000	FT	Spline - Black
9	002293-02-000	SF	Window Screen - 26" Charcoal
10	085774-01-000	FT	Dual Lock Fastener - 1" Wide - Black
10	085774-02-000	FT	Dual Lock Fastener - 1" Wide - Black
11	078552-01-000	EA	Screen Door Insert - Lower
12	079012-01-T03	EA	Screen Door Asm
13	077461-01-000	EA	Strike Cover
14	041546-03-000	EA	Angle Bracket
15	079173-01-000	EA	Deadbolt Gasket
16	058806-01-000	EA	Plug - Tapered Plastic
17	039539-01-000	EA	Strike
18	079361-06-000	EA	Hinge
19	095277-02-02A	EA	Door Jamb
20	087561-01-000	FT	Window Seal
21	002181-06-000	EA	Glass
	079733-04-T03	EA	Window Asm. w/o Inside Frame
	067609-03-000	EA	Inside Frame - Window Asm.
22	039738-01-000	EA	Deadbolt Asm. - Round
22	095229-01-01A	EA	Deadbolt Asm. - Square - Black
23	075739-02-000	EA	Stiffener
24	039540-01-000	EA	Latch Asm. - Hook
25	045017-05-000	EA	Latch Asm. - Plate
25	045017-10-000	EA	Latch Asm. - Plate - Black
26	039979-01-000	EA	Cover Asm. - Latch Plate
26	039979-03-000	EA	Cover Asm. - Latch Plate - Black
	039984-01-000	EA	Cap - Black Vinyl - Lock Grip
	075673-01-000	FT	Seal - Pile - Adhesive Back
	075671-01-000	FT	Seal - Sponge - Lazy T Shape

1989 WINNEBAGO TABLE OF CONTENTS

INTRODUCTION	A-01
ABBREVIATIONS	A-01
ALPHABETICAL INDEX	A-02 - A-04
WCM27RQ	A-05 - D-18
WC/JM31RQ	D-19 - H-10

1989 WC/JM31RQ INDEX

Floor Plan	D-19 - D-20
Accessories Group	D-21 - E-03
Bath Group	E-04 - E-07
Chassis Group	E-08 - E-14
Curtain, Cushion & Pad Group	E-15 - F-02
Dinette Group	F-03 - F-04
Driver's Compartment Group	F-05 - F-10
Electrical Group	F-11 - F-14
Exterior Body Group	F-15 - F-20
Galley Group	F-21 - F-24
Heating & Air Conditioning Group	G-01
Interior Finish Group	G-02 - G-03
LP Group	G-04
Lounge Group	G-05 - G-10
Water & Sewage Group	G-11 - G-12
Window, Vent & Exterior Door Group	G-13 - H-10