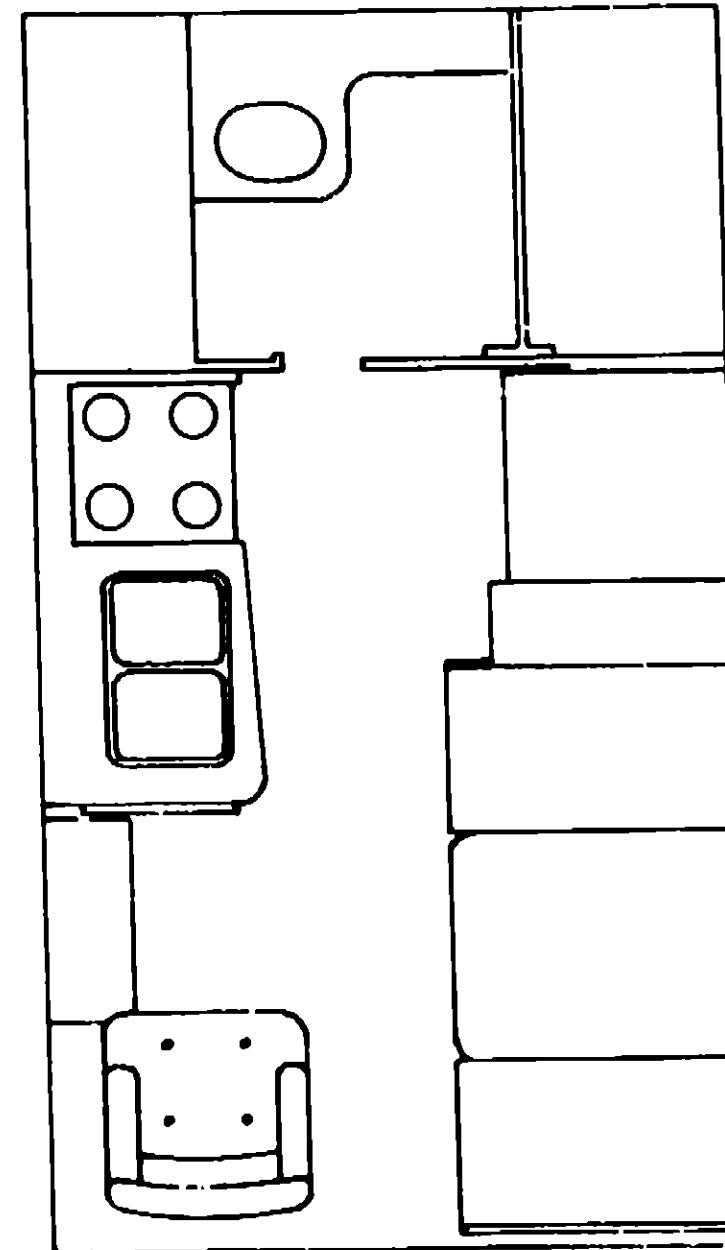


**1989 WINNEBAGO
TABLE OF CONTENTS**

WC/F420RG
WC/F421RB

A-01 - B-22
B-23 - D-15

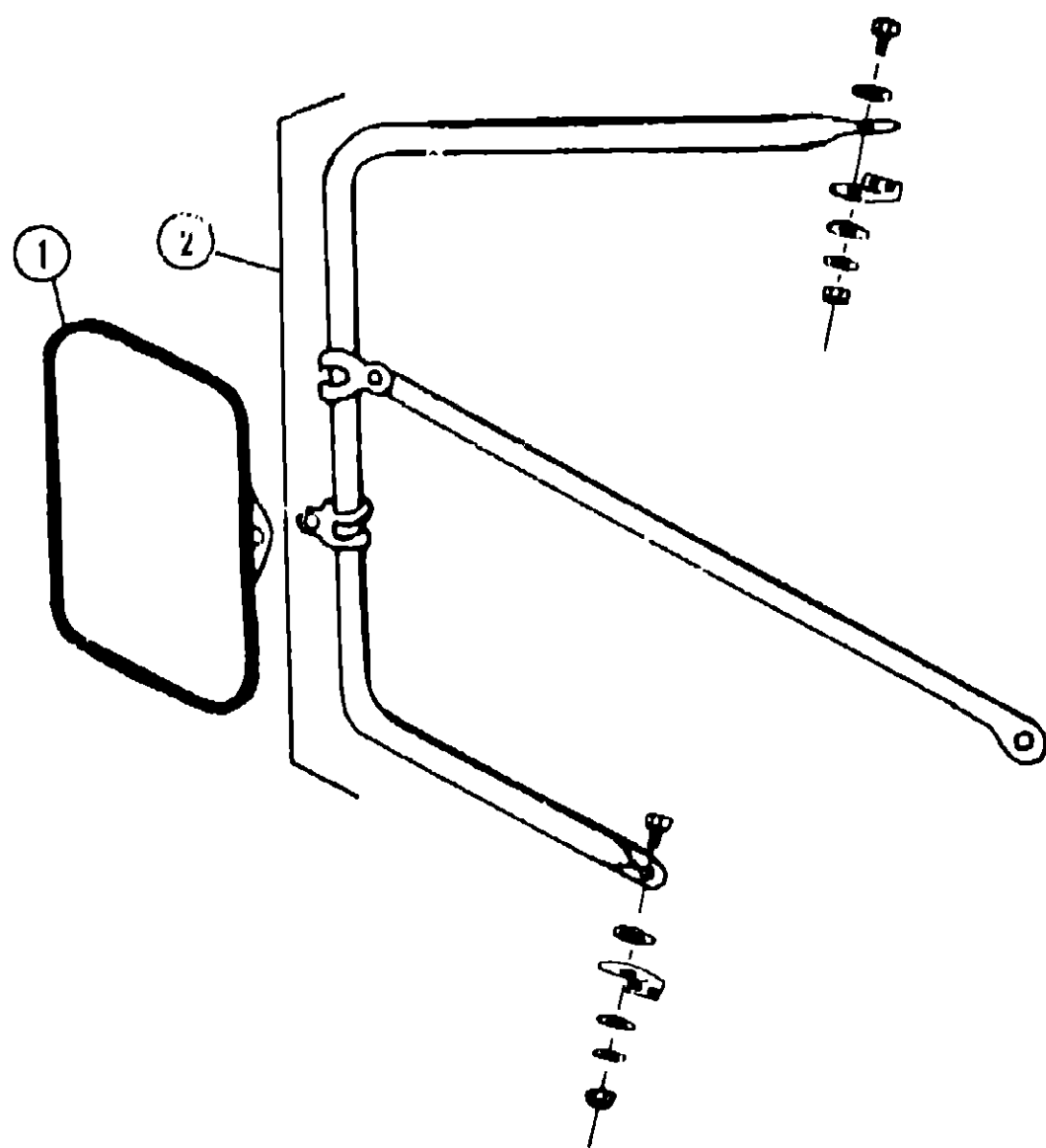
**1989
WC/F421RB**



1989 WC/F421RB INDEX

| | |
|------------------------------------|-------------|
| Floor Plan | E-23 - B-24 |
| Accessories Group | C-01 - C-02 |
| Bath Group | C-03 |
| Chassis Group | C-04 - C-05 |
| Curtain, Cushion & Pad Group | C-06 - C-10 |
| Dinette Group | C-11 - C-12 |
| Driver's Compartment Group | C-13 - C-14 |
| Electrical Group | C-15 - C-16 |
| Exterior Body Group | C-17 - C-22 |
| Galley Group | C-23 |
| Heating & Air Conditioning Group | C-24 |
| Interior Finish Group | D-01 - D-02 |
| LP Group | D-03 |
| Lounge Group | D-04 |
| Water & Sewage Group | D-05 |
| Window, Vent & Exterior Door Group | D-06 - D-15 |

ACCESSORIES GROUP



EXTERIOR MIRRORS

| Key | Part Number | U/M | Description |
|-----|---------------|-----|--|
| 1 | 049347-01-000 | EA | Mirror Head - 7 1/2" x 10 1/2" - Stainless Steel |
| 2 | 062047-01-000 | EA | Arm Asm. - West Coast Mirror - Stainless Steel |
| | 006043-01-000 | EA | Mirror - Convex - Adhesive Back |

WHEEL COVER LINER & MOUNTING HARDWARE

| Key | Part Number | U/M | Description |
|-----|---------------|-----|---------------------------------------|
| | 083181-01-000 | EA | Wheel Cover - 16" (Set/4) (Chevrolet) |
| | 083181-01-700 | EA | Wheel Cover - 16" (1) (Chevrolet) |
| | 083181-02-000 | EA | Wheel Cover - 16.5" (Set/4) (Ford) |
| | 083181-02-700 | EA | Wheel Cover - 16.5" (1) (Ford) |
| | 083181-04-702 | EA | Nut Cover (Wheel Cover) |
| | 083181-04-700 | EA | Retainer (Set/4) (Wheel Cover) |
| | 083181-04-701 | EA | Retainer (1) (Wheel Cover) |

ACCESSORIES GROUP (CONTINUED)

RADIO & RELATED COMPONENTS

| Key | Part Number | U/M | Description |
|-----|---------------|-----|---|
| | 007004-01-000 | EA | Antenna - Radio - Cab Mount |
| | 092311-01-000 | EA | Radio - AM/FM/Stereo - w/Cassette - Audiovox |
| | 090882-01-000 | EA | Radio - AM/FM - w/Cassette - Electronic Tune - Audiovox |
| | 074979-01-000 | EA | Speaker Cover Protector - Plastic |
| | 094097-01-000 | EA | Speaker - Recessed - 5.25" |
| | 079385-02-000 | EA | Radio Mounting Kit - Ford |
| | 091211-01-000 | EA | Radio Mounting Kit - Chevrolet |
| | 073741-03-000 | EA | Speaker - 4" x 6" Oval |
| | 073741-04-000 | EA | Speaker Grill - 4" x 6" Oval |

GENERATORS & COMPONENTS

| Key | Part Number | U/M | Description |
|-----|---------------|-----|---|
| | 100974-03-000 | EA | Generator - Onan - 4,000kw - Emerald |
| | 100974-05-000 | EA | Generator - Onan - 4,000kw - Emerald (Export) |
| | 093591-02-000 | EA | Exhaust Pipe |
| | 081384-02-000 | EA | Muffler |
| | 007125-01-000 | EA | Muffler Clamp - 1.12" |
| | 007067-01-000 | EA | Insulation - 1" Fiberglass |
| | 093591-02-000 | EA | Exhaust Pipe (Curved) |

MISCELLANEOUS ACCESSORIES

| Key | Part Number | U/M | Description |
|-----|---------------|-----|--|
| | 054185-31-000 | EA | Owner's Manual - 1989 - Itasca & Winnebago |
| ** | 076319-01-000 | EA | Antenna - TV Roof Mount - 44.5" Mast |
| | 017516-01-000 | EA | Mud Flap w/Holes - 14" x 18" - Black - Front |
| | 094499-01-000 | EA | Fire Extinguisher - 1A 10BC - UL |
| | 094499-02-000 | EA | Fire Extinguisher - 1A 10BC - ULC |
| | 084472-01-000 | EA | Holder - Fire Extinguisher |
| | 091269-01-000 | EA | Microwave/Convection Oven - Magic Chef |
| | 091269-02-000 | EA | Frame Kit - Microwave Oven |
| | 081016-01-T03 | EA | Ladder Asm. (1 Piece) |
| | 081026-01-T03 | EA | Rack Asm. - Right |
| | 081026-02-T03 | EA | Rack Asm. - Left |
| | 067130-01-000 | EA | Ladder Step |
| | 076980-02-000 | EA | End Cap - Ladder Step |
| | 067125-01-000 | EA | Stand Off - Rack & Ladder Asm. |
| | 081114-01-000 | EA | Cap - Insert - Round 1" - Rack Rail |
| | 067165-01-000 | EA | Bracket - Mounting - Rack & Ladder |
| | 093411-01-Y05 | EA | Mat - Brown - Front Passenger Side (Ford) |
| | 093410-01-Y05 | EA | Mat - Brown - Front Driver Side (Ford) |
| | 092432-01-Y05 | EA | Mat - Brown - Front Passenger Side (Chevrolet) |
| | 092431-01-Y05 | EA | Mat - Brown - Front Driver Side (Chevrolet) |
| | 007038-01-000 | EA | Mat - Entrance Door - "Winnebago" |
| | 072852-01-000 | EA | Smoke Detector w/9 Volt Battery |
| | 038327-01-000 | EA | Anti-Slip Tape - 2" |
| | 076840-01-000 | EA | Hold Down Bungee Cord |
| | 091261-01-000 | FT | Non-Skid Backing |

** The illustrated parts breakdown for this item is provided on the Common Items Fiche.

1989 WINNEBAGO TABLE OF CONTENTS

WC/F420RG
WC/F421RB

A-C - B-22
B-23 - D-15

1989 WC/F421RB INDEX

| | |
|------------------------------------|-------------|
| Floor Plan | B-23 - B-24 |
| Accessories Group | C-01 - C-02 |
| Bath Group | C-03 |
| Chassis Group | C-04 - C-05 |
| Curtain, Cushion & Pad Group | C-06 - C-10 |
| Dinette Group | C-11 - C-12 |
| Driver's Compartment Group | C-13 - C-14 |
| Electrical Group | C-15 - C-16 |
| Exterior Body Group | C-17 - C-22 |
| Galley Group | C-23 |
| Heating & Air Conditioning Group | C-24 |
| Interior Finish Group | D-01 - D-02 |
| LP Group | D-03 |
| Lounge Group | D-04 |
| Water & Sewage Group | D-05 |
| Window, Vent & Exterior Door Group | D-06 - D-15 |

BATH GROUP

BATH CABINETRY

| Key | Part Number | U/M | Description |
|-----|---------------|-----|---|
| | M82428-03-Y05 | EA | Cabinetry Asm. - Lavatory - w/o Doors, Countertop or Hardware |
| | M02555-01-Y30 | EA | Countertop Asm. - Lavatory |
| | 081893-02-X11 | EA | Face Asm. - Lavatory - w/o Hardware |
| | 077251-01-000 | EA | Drawer - Tiltout - Plastic |
| | M88304-06-X11 | EA | Door Asm. - Lavatory Cabinet - 26.7" x 14.3" - w/o Hardware |
| | 076073-01-000 | EA | Cabinet Asm. - Medicine - w/o Doors or Hardware |
| | 093448-06-Y15 | EA | Door Asm. - Medicine Cabinet - w/o Hardware |
| | 080834-01-W24 | EA | Door Asm. - Sliding - w/o Hardware |
| | 058034-02-000 | EA | Door Latch - w/o Lock (Sliding Door) |
| | M88304-A3-X08 | EA | Door Asm. - Wardrobe - 40" x 12" - w/o Hardware |
| | M88304-B2-X08 | EA | Door Asm. - Wardrobe - 48" x 16.7" - w/o Hardware |

BATH HARDWARE

| Key | Part Number | U/M | Description |
|-----|---------------|-----|--|
| | M01817-01-T03 | EA | Bathtub Asm. w/Strainer |
| | 031553-03-000 | EA | Faucet - Tub & Shower - Brass |
| | 011058-03-000 | EA | Faucet - Lavatory |
| .. | 011048-02-000 | EA | Shower Head - w/60" Hose |
| | 075606-01-000 | EA | Shower Panel - Faucet Plastic |
| .. | 066729-01-000 | EA | Strainer - Bathtub Asm. |
| | 080257-01-000 | EA | Shroud - Bathtub Asm. - Off White |
| | 066435-01-000 | EA | Nut Strainer - Plastic - Bathtub Asm. |
| | 066436-01-000 | EA | Slip Nut - 1.5" Tall Piece - Bathtub Asm. |
| | 069735-01-000 | EA | Washer - Tall Piece - 1.5" - Plastic - Bathtub Asm. |
| | 011069-02-000 | EA | Tailpiece - 1.5" x 1.25" x 4" - Brass - Bathtub Asm. |
| | 089366-01-000 | EA | Sink - Oval - Ivory Plastic |
| | 011083-01-000 | EA | Tail Piece w/Stopper - 1.25" x 5" - Plastic - Sink |
| .. | 063740-01-000 | EA | Toilet - Ivory |
| | 009134-01-000 | EA | Tissue Holder |
| | 033580-01-000 | EA | Towel Ring |
| | 058331-05-000 | EA | Mirror - Tempered Glass - 12" x 26" |
| | 058331-04-000 | EA | Mirror - Tempered Glass - 12" x 42" |
| | 009089-01-000 | EA | Clip - Mirror |
| | 057671-01-000 | EA | Screw Cover - #8 - Antique White |
| | 079657-02-000 | EA | Shower Door - Satin Brass |
| | 079234-02-000 | EA | Jam - Shower Door - LH - Beige |
| | 079234-01-000 | EA | Jam - Shower Door - RH - Beige |
| | 079235-01-000 | EA | Door Header - Shower - Beige |
| | 075680-01-000 | EA | Rod - Clothes - Adjustable |
| | 009112-01-000 | EA | Flange - 1" - Closet Rod |
| | 042438-01-000 | EA | Dowel - Wood - 1" Dia. x 4' |
| | 064467-01-000 | EA | Guide - Wall Mount - Sliding Door |
| | 075149-04-000 | EA | Track - 54.2" - Sliding Door |
| | 077409-02-000 | EA | Drawer Slide - Plastic - 20.75" |
| | 057534-04-000 | EA | Tieback - Folding Door - 20" |

.. The illustrated parts breakdown for this item is provided on the Common Items Fiche.

CHASSIS GROUP

| Key | Part Number | U/M | Description |
|-----|---------------|-----|--|
| | 047441-01-000 | EA | Battery Terminal - Horizontal Lug |
| | 059540-01-000 | EA | Bracket - License Plate (Rear) |
| | 010497-01-000 | EA | Clamp - Closed - 5/8" ID |
| | 010499-01-000 | EA | Clamp - Closed - 3/8" ID |
| | 007161-01-000 | EA | Clamp - Hose - Spring Type 112 |
| | 062401-01-000 | EA | Clamp - Hose - Wormgear - .22" ID - 1" ID |
| | 062401-03-000 | EA | Clamp - Hose - Wormgear - .25" ID - 1" ID |
| | 062401-04-000 | EA | Clamp - Hose - Wormgear - .60" ID - 1.25" ID |
| | 062401-09-000 | EA | Clamp - Hose - Wormgear - 2.8" x 3.75" |
| | 023148-01-000 | EA | Clamp - Screw Type 4 |
| | 007131-01-000 | EA | Hanger - Tail Pipe |
| | 024138-01-000 | EA | Hose - Fuel - 5/16" ID SAE 30RI |
| | 060208-02-000 | EA | Leverage Bar - Lug Wrench (Chevrolet) |
| | 080208-01-000 | EA | Lug Wrench - 1.06" x 1" (Chevrolet) |
| | 017516-01-000 | EA | Mud Flap w/Holes - 14" x 18" - Black |
| | 064089-01-000 | EA | Splash Guard - Black Rubber |
| | 083817-01-000 | EA | Rim - Wheel - 6.00 x 16.0 - 8 Hole (Ford) |
| | 077848-01-000 | EA | Step Asm. - Pullout |
| | 037291-03-000 | EA | Tire - 8.00 x 16.5 Ply Poly |
| | 057665-01-000 | EA | Tire - 8.00 x 16.5 - White Sidewall - Radial |
| | 070917-02-000 | EA | Tire - LT215/85R16 LRD |
| | 051377-01-000 | EA | Valve Stem Asm. - TR500 |
| | 077030-02-000 | EA | Extension - Valve Stem |
| | 057724-01-000 | EA | Wheel Well - Plastic |
| | 008343-01-000 | EA | Wire Tie - 6" |
| | 063303-03-000 | EA | Shroud - Fuel Fill - Lower |

NOTE: Remainder of exhaust components available from Chassis Service Center.

1989 WINNEBAGO TABLE OF CONTENTS

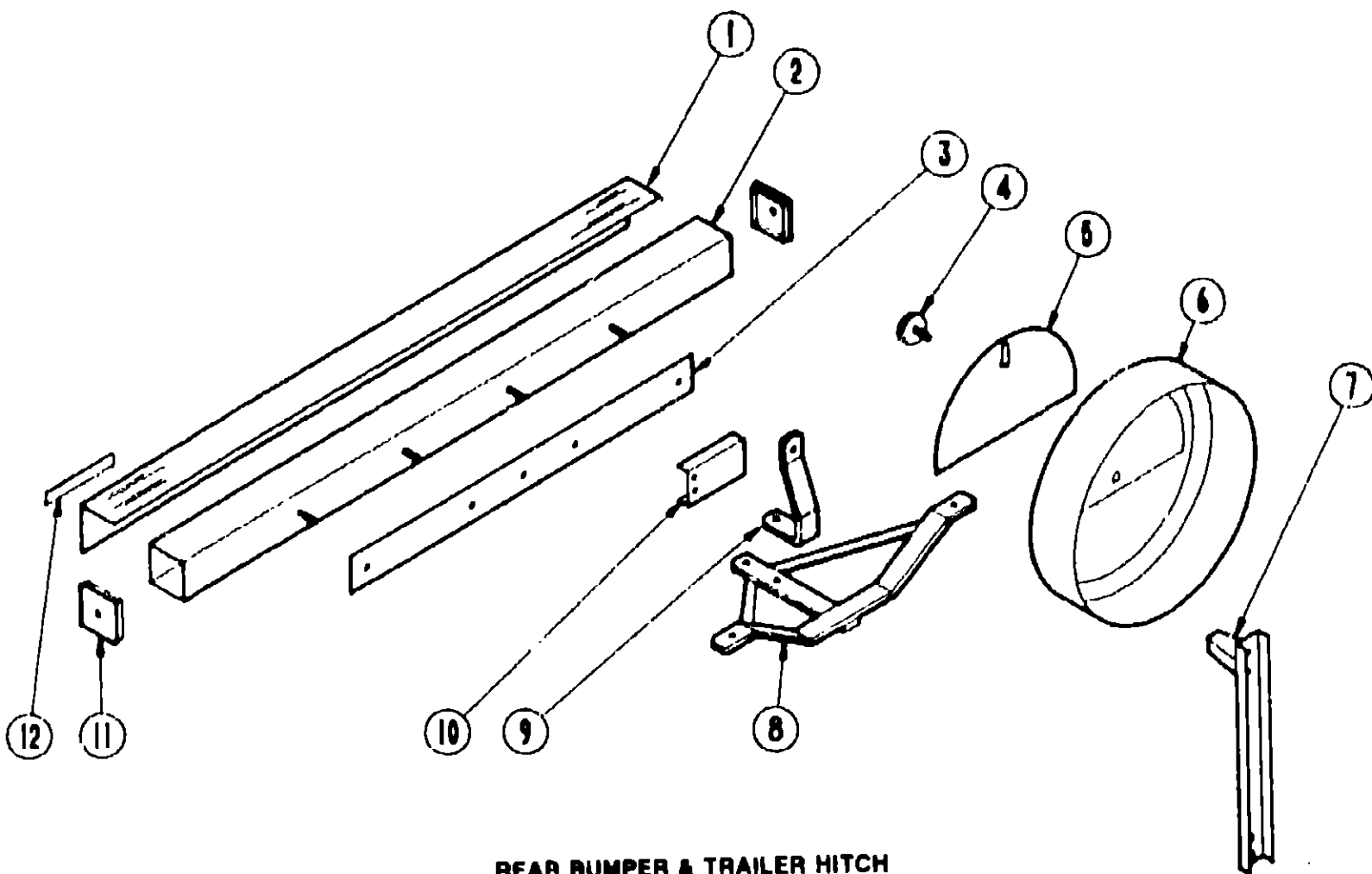
WC/F420RG
WC/F421RB

A-01 - B-22
B-23 - D-15

1989 WC/F421RB INDEX

| | |
|------------------------------------|-------------|
| Floor Plan | B-23 - B-24 |
| Accessories Group | C-01 - C-02 |
| Bath Group | C-03 |
| Chassis Group | C-04 - C-05 |
| Curtain, Cushion & Pad Group | C-06 - C-10 |
| Dinette Group | C-11 - C-12 |
| Driver's Compartment Group | C-13 - C-14 |
| Electrical Group | C-15 - C-16 |
| Exterior Body Group | C-17 - C-22 |
| Galley Group | C-23 |
| Heating & Air Conditioning Group | C-24 |
| Interior Finish Group | D-01 - D-02 |
| LP Group | D-03 |
| Lounge Group | D-04 |
| Water & Sewage Group | D-05 |
| Window, Vent & Exterior Door Group | D-06 - D-15 |

CHASSIS GROUP (CONTINUED)



REAR BUMPER & TRAILER HITCH

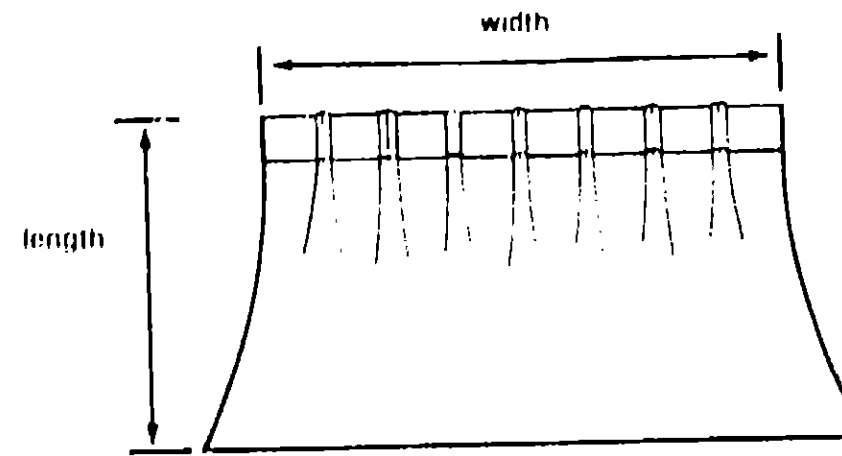
| Key | Part Number | U/M | Description |
|-----|---------------|-----|---|
| 1 | 041332-03-000 | EA | Bumper Cover - Aluminum Fits 4" Square Bumper |
| 2 | 064602-01-000 | EA | Bumper Asm. - Square - 92" - Off White |
| 3 | M22150-01-000 | EA | Bracket - Bumper Mount |
| 4 | 064082-02-000 | EA | Retaining Nut - Tire Cover |
| 5 | M02047-01-T95 | EA | Door Asm. - Tire Cover w/Lock |
| 6 | 079799-01-000 | EA | Tire Cover Asm. - Off White |
| 7 | 079027-01-000 | EA | Bracket Asm. - Spare Tire Cover |
| 8 | 064833-02-000 | EA | Trailer Hitch Asm. |
| 9 | 064824-02-000 | EA | Support - Trailer Hitch |
| 10 | M64600-02-000 | EA | Tire Carrier Support |
| 11 | 039779-01-000 | EA | Cap - Rubber - 4" x 4" - Square Bumper |
| 12 | 041332-02-000 | EA | Reflector - 6.5" x .75" - Bumper Cover |

CURTAIN, CUSHION & PAD GROUP

NOTICE

In order to assist our Part Sales Dept. in providing interior software items, please include the serial number and the color code number from the vehicle certification label when ordering. This label is located on the driver's door latch plate (C-Body).

An example of a color code number is P31, which designates an overall color scheme of a particular unit. The color listed after the item description on the microfiche, indicates the overall unit color. Order the item you desire according to unit color code.



NOTE: Use this illustration when determining length and width measurements for curtains. You will note the width measurement is taken on the top of the curtain with the curtain fully extended. The length measurement is taken from top to bottom.

FABRICS, TRIMS, & PADS

| Key | Part Number | U/M | Description |
|-----|---------------|-----|--|
| | 072333-61-000 | YD | Fabric - Drapery (Y05) |
| | 072333-62-000 | YD | Fabric - Drapery (Y06) |
| | 088274-64-000 | YD | Fabric w/Pattern - Upholstery (Y05) |
| | 088274-65-000 | YD | Fabric w/Pattern - Upholstery (Y06) |
| | 088274-66-000 | YD | Fabric - Upholstery Accent (Y05) |
| | 088274-69-000 | YD | Fabric - Upholstery Accent (Y06) |
| | 052859-01-W30 | FT | Accent Trim (Dinette Seat Back) |
| | 079680-01-000 | YD | Expanded Vinyl - 26 oz. - Buckskin |
| | 078155-01-000 | EA | Strap - Cushion |
| | 079349-01-Y03 | YD | Welt Asm. - Accent (Y05) |
| | 079349-01-Y04 | YD | Welt Asm. - Accent (Y06) |
| | 071127-10-Y05 | EA | Button Asm. - #30 |
| | 071127-10-Y06 | EA | Button Asm. - #30 |
| | 081519-01-Y05 | EA | Pad Asm. - Dinette - Rear |
| | 081519-01-Y06 | EA | Pad Asm. - Dinette - Rear |
| | 081519-02-Y05 | EA | Pad Asm. - Dinette - Front |
| | 081519-02-Y06 | EA | Pad Asm. - Dinette - Front |
| | 059491-01-Y05 | EA | Pad Asm. - Door - Passenger Side (Chevrolet) |
| | 059491-01-Y06 | EA | Pad Asm. - Door - Passenger Side (Chevrolet) |
| | 059492-01-Y05 | EA | Pad Asm. - Door - Driver Side (Chevrolet) |
| | 059492-01-Y06 | EA | Pad Asm. - Door - Driver Side (Chevrolet) |

1989 WINNEBAGO TABLE OF CONTENTS

WC/F420RG
WC/F421RB

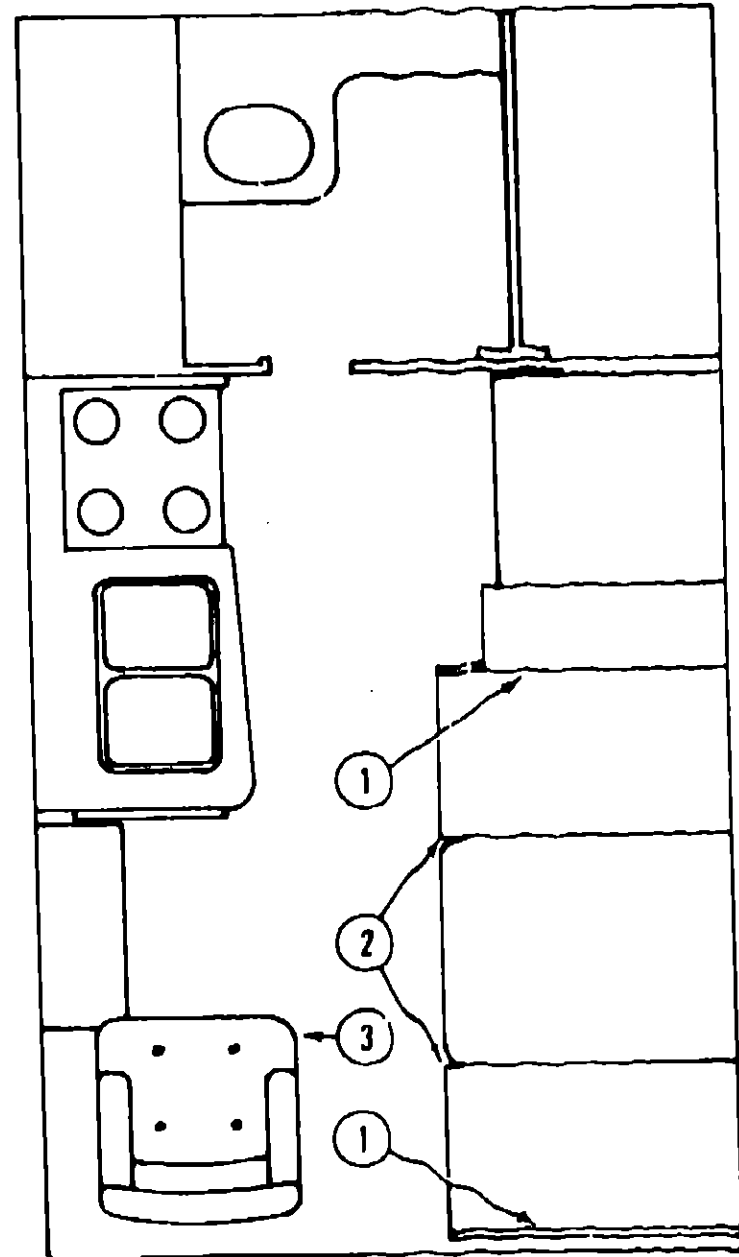
A-01 - B-22
B-23 - D-15

1989 WC/F421RB INDEX

| | |
|------------------------------------|-------------|
| Floor Plan | B-23 - B-24 |
| Accessories Group | C-01 - C-02 |
| Bath Group | C-03 |
| Chassis Group | C-04 - C-05 |
| Curtain, Cushion & Pad Group | C-06 - C-10 |
| Dinette Group | C-11 - C-12 |
| Driver's Compartment Group | C-13 - C-14 |
| Electrical Group | C-15 - C-16 |
| Exterior Body Group | C-17 - C-22 |
| Galley Group | C-23 |
| Heating & Air Conditioning Group | C-24 |
| Interior Finish Group | D-01 - D-02 |
| LP Group | D-03 |
| Lounge Group | D-04 |
| Water & Sewage Group | D-05 |
| Window, Vent & Exterior Door Group | D-06 - D-15 |

CURTAIN, CUSHION & PAD GROUP (CONTINUED)

CURTAIN, CUSHION & PAD GROUP (CONTINUED)



FRONT OVERHEAD BUNK CUSHIONS

| Key | Part Number | U/M | Description |
|-----|---------------|-----|-------------------------------------|
| | 073310-07-Y05 | EA | Cushion Asm. - 22" x 31" x 76" x 4" |
| | 073310-07-Y06 | EA | Cushion Asm. - 22" x 31" x 76" x 4" |
| | M73310-07-Y05 | EA | Cover Asm. - Front Bunk Cushion |
| | M73310-07-Y06 | EA | Cover Asm. - Front Bunk Cushion |

DINETTE CUSHION

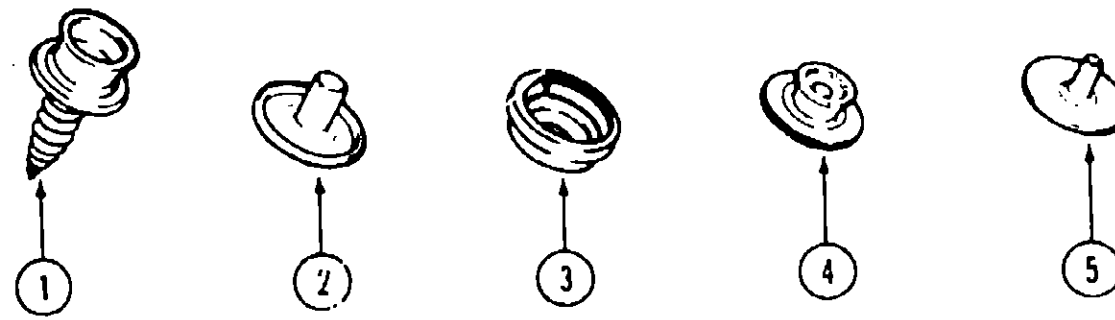
| Key | Part Number | U/M | Description |
|-----|---------------|-----|--|
| 1 | 088927-18-Y05 | EA | Cushion Asm. - Dinette Back - 13" x 38" x 5" |
| 1 | 088927-18-Y06 | EA | Cushion Asm. - Dinette Back - 13" x 38" x 5" |
| | M88927-18-Y05 | EA | Cover Asm. - Dinette Back - 13" x 38" x 5" |
| | M88927-18-Y06 | EA | Cover Asm. - Dinette Back - 13" x 38" x 5" |
| 2 | 088927-19-Y05 | EA | Cushion Asm. - Dinette Bottom - 22" x 38" x 5" |
| 2 | 088927-19-Y06 | EA | Cushion Asm. - Dinette Bottom - 22" x 38" x 5" |
| | M88927-19-Y05 | EA | Cover Asm. - Dinette Bottom - 22" x 38" x 5" |
| | M88927-19-Y06 | EA | Cover Asm. - Dinette Bottom - 22" x 38" x 5" |

SWIVEL CHAIR

| Key | Part Number | U/M | Description |
|-----|---------------|-----|---|
| 3 | 092389-02-Y05 | EA | Swivel Chair Asm. (Starlet II) Used up to 1/22/89 |
| 3 | 092389-02-Y06 | EA | Swivel Chair Asm. (Starlet II) Used up to 1/22/89 |
| 3 | M92389-02-Y05 | EA | Cover Asm. (Starlet II) Used up to 1/22/89 |
| 3 | M92389-02-Y06 | EA | Cover Asm. (Starlet II) Used up to 1/22/89 |
| 3 | 096100-01-Y05 | EA | Swivel Chair (Anthem) Used from 1/23/89 |
| 3 | 096100-01-Y06 | EA | Swivel Chair (Anthem) Used from 1/23/89 |
| 3 | M96100-01-Y05 | EA | Cover Asm. (Anthem) Used from 1/23/89 |
| 3 | M96100-01-Y06 | EA | Cover Asm. (Anthem) Used from 1/23/89 |
| | 088245-01-000 | EA | Base w/Legs |
| | 088245-03-000 | EA | Swivel Plate |
| | 088245-06-000 | EA | Extension - 7" |
| | 093481-03-000 | EA | Top Plate w/Lock - Pedestal |

BUCKET SEATS

| Key | Part Number | U/M | Description |
|-----|---------------|-----|---|
| | 083909-26-Y05 | EA | Seat Asm. - Straton w/Right Armrest (Driver Side) |
| | 083909-26-Y06 | EA | Seat Asm. - Straton w/Right Armrest (Driver Side) |
| | 083909-27-Y05 | EA | Seat Asm. - Straton w/Left Armrest (Passenger Side) |
| | 083909-27-Y06 | EA | Seat Asm. - Straton w/Left Armrest (Passenger Side) |
| | M01864-35-Y05 | EA | Cover Asm. - Bucket Seat Bottom |
| | M01864-35-Y06 | EA | Cover Asm. - Bucket Seat Bottom |
| | M01864-36-Y05 | EA | Cover Asm. - Bucket Seat Back |
| | M01864-36-Y06 | EA | Cover Asm. - Bucket Seat Back |
| | 080243-23-Y05 | EA | Armrest Asm. - Right (Driver Seat) |
| | 080243-23-Y06 | EA | Armrest Asm. - Right (Driver Seat) |
| | 080243-24-Y05 | EA | Armrest Asm. - Left (Passenger Seat) |
| | 080243-24-Y06 | EA | Armrest Asm. - Left (Passenger Seat) |
| | M80243-23-Y05 | EA | Cover Asm. - Armrest - Right (Driver Seat) |
| | M80243-23-Y06 | EA | Cover Asm. - Armrest - Right (Driver Side) |
| | M80243-24-Y05 | EA | Cover Asm. - Armrest - Left (Passenger Side) |
| | M80243-24-Y06 | EA | Cover Asm. - Armrest - Left (Passenger Side) |



| Key | Part Number | U/M | Description |
|-----|---------------|-----|------------------------|
| 1 | 029130-01-000 | EA | Socket - Snap Fastener |
| 2 | 029155-02-000 | EA | Cap - Snap |
| 3 | 029156-02-000 | EA | Socket - Snap Fastener |
| 4 | 029092-01-000 | EA | Stud - Nickel Finish |
| 5 | 029093-01-000 | EA | Eyelet - Nickel Finish |

**1989 WINNEBAGO
TABLE OF CONTENTS**

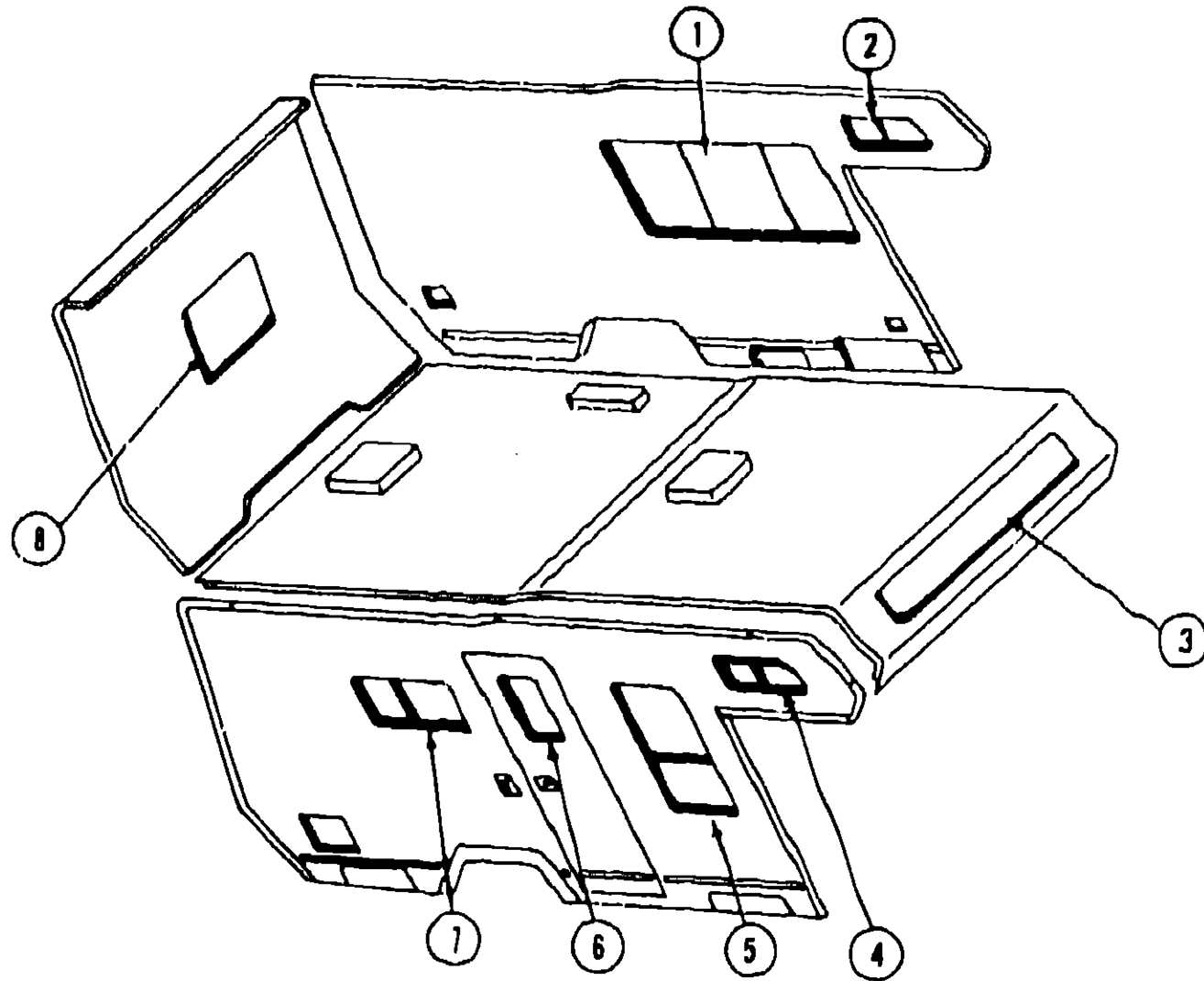
WC/F420RG
WC/F421RB

A-01 - B-22
B-23 - D-15

1989 WC/F421RB INDEX

| | |
|------------------------------------|-------------|
| Floor Plan | B-23 - B-24 |
| Accessories Group | C-01 - C-02 |
| Bath Group | C-03 |
| Chassis Group | C-04 - C-05 |
| Curtain, Cushion & Pad Group | C-06 - C-10 |
| Dinette Group | C-11 - C-12 |
| Driver's Compartment Group | C-13 - C-14 |
| Electrical Group | C-15 - C-16 |
| Exterior Body Group | C-17 - C-22 |
| Galley Group | C-23 |
| Heating & Air Conditioning Group | C-24 |
| Interior Finish Group | D-01 - D-02 |
| LP Group | D-03 |
| Lounge Group | D-04 |
| Water & Sewage Group | D-05 |
| Window, Vent & Exterior Door Group | D-06 - D-15 |

CURTAIN, CUSHION & PAD GROUP (CONTINUED)



CURTAINS, SHADES, VALANCES & TIEBACKS

| Key | Part Number | U/M | Description |
|-----|---------------|-----|---|
| 1 | 093454-01-Y07 | EA | Curtain Asm. w/Snap Top - 33.5" x 15" (Y05) |
| 1 | 093454-01-Y06 | EA | Curtain Asm. w/Snap Top - 33.5" x 15" |
| 1 | M81977-31-Y05 | EA | Valance Asm. w/Snap Top - 67.5" |
| 1 | M81977-31-Y06 | EA | Valance Asm. w/Snap Top - 67.5" |
| 1 | 093455-01-Y05 | EA | Shade Asm. - Double Hem - 65.25" |
| 1 | 093455-01-Y06 | EA | Shade Asm. - Double Hem - 65.25" |
| 2 | 073323-33-Y30 | EA | Curtain Asm. w/Rod Top & Bottom - 17 1/2" x 24" (Y05) |
| 2 | 073323-33-Y06 | EA | Curtain Asm. w/Rod Top & Bottom - 17 1/2" x 24" |
| 3 | 073323-37-Y30 | EA | Curtain Asm. w/Rod Top & Bottom - 21" x 30" (Y05) |
| 3 | 073323-37-Y06 | EA | Curtain Asm. w/Rod Top & Bottom - 21" x 30" |
| 4 | 073323-33-Y30 | EA | Curtain Asm. w/Rod Top & Bottom - 17 1/2" x 24" (Y05) |
| 4 | 073323-33-Y06 | EA | Curtain Asm. w/Rod Top & Bottom - 17 1/2" x 24" |

CURTAIN, CUSHION & PAD GROUP (CONTINUED)

CURTAINS, SHADES, VALANCES & TIEBACKS (CONT.)

| Key | Part Number | U/M | Description |
|-----|---------------|-----|---|
| 5 | 093454-03-Y06 | EA | Curtain Asm. w/Gathered Top - 45.5" x 10" |
| 5 | 093454-03-Y06 | EA | Curtain Asm. w/Gathered Top - 45.5" x 10" |
| 5 | 080824-09-Y07 | EA | Valance Asm. - Entrance/Lounge - 54" (Y05) |
| 5 | 080824-09-Y06 | EA | Valance Asm. - Entrance/Lounge - 54" |
| 5 | 093455-10-Y05 | EA | Shade Asm. - Double Hem - 19.25" |
| 5 | 093455-10-Y06 | EA | Shade Asm. - Double Hem - 19.25" |
| 6 | 093455-11-Y05 | EA | Shade Asm. - Double Hem - 24.25" |
| 6 | 093455-11-Y06 | EA | Shade Asm. - Double Hem - 24.25" |
| 7 | M81977-20-Y05 | EA | Valance Asm. w/Insert - 28" |
| 7 | M81977-20-Y06 | EA | Valance Asm. w/Insert - 28" |
| 7 | 093455-12-Y05 | EA | Shade Asm. - Double Hem - 27.25" |
| 7 | 093455-12-Y06 | EA | Shade Asm. - Double Hem - 27.25" |
| 8 | M81977-24-Y05 | EA | Valance Asm. w/Wood Trim - 35.5" |
| 8 | M81977-24-Y06 | EA | Valance Asm. w/Wood Trim - 35.5" |
| 8 | 093455-02-Y05 | EA | Shade Asm. - Double Hem - 33.25" |
| 8 | 093455-02-Y06 | EA | Shade Asm. - Double Hem - 33.25" |
| | 073295-04-Y30 | EA | Curtain Asm. w/Lining - Front Wraparound - 23" x 64" - Passenger Side (Y05) |
| | 073295-04-Y08 | EA | Curtain Asm. w/Lining - Front Wraparound - 23" x 64" - Passenger Side (Y05) |
| | 073295-08-Y30 | EA | Curtain Asm. w/Lining - Front Wraparound - 23" x 64" - Driver Side (Y05) |
| | 073295-08-Y06 | EA | Curtain Asm. w/Lining - Front Wraparound - 23" x 64" - Driver Side (Y05) |
| | 093452-01-Y15 | EA | Curtain Asm. - Blackout - Snap Top - 48" x 50" - Passenger Side (Y05) |
| | 093452-01-Y06 | EA | Curtain Asm. - Blackout - Snap Top - 48" x 50" - Passenger Side (Y05) |
| | 073304-57-Y15 | EA | Curtain Asm. - Blackout - Snap Top - 48" x 50" - Driver Side (Y05) |
| | 073304-57-Y06 | EA | Curtain Asm. - Blackout - Snap Top - 48" x 50" - Driver Side (Y05) |
| | 073280-23-Y23 | EA | Tieback Asm. - 3" x 18" (Y05) |
| | 073260-23-Y06 | EA | Tieback Asm. - 3" x 18" |
| | 073260-24-Y30 | EA | Tieback Asm. - 2" x 14" (Y05) |
| | 073260-24-Y06 | EA | Tieback Asm. - 2" x 14" |
| | 057534-01-000 | EA | Tieback Asm. - 6" - Clear Plastic |

CURTAIN & CUSHION HARDWARE

| Key | Part Number | U/M | Description |
|-----|---------------|-----|--|
| | 084434-01-000 | EA | Shade Brackets |
| | 087253-01-000 | EA | Shade Pull - Clear Plastic |
| | 039175-02-000 | EA | Bracket - Curtain Rod - Cafe |
| | 039175-05-000 | EA | Bracket - Curtain Rod - Center |
| | 056003-02-000 | EA | Bracket - Drapery Retainer - Left |
| | 056003-01-000 | EA | Bracket - Drapery Retainer - Right |
| | 084434-01-000 | EA | Bracket - Roller Shade - 1 3/8" |
| | 093175-03-000 | EA | Rod - Cafe Curtain - Extension 28" - 48" |
| | 039175-01-000 | EA | Rod - Cafe Curtain - Extension 48" - 64" |
| | 048394-02-000 | YD | Tape Hook - .75" x 50 Yd. - Beige |
| | 048395-02-000 | YD | Tape Loop - .75" x 50 Yd. - Beige |
| | 029090-01-000 | FT | Tie - Drapery - Clear Vinyl |
| | 091904-01-000 | FT | Track - Curtain - Light Beige |
| | 089335-01-000 | FT | Track - Curtain - Brown Plastic |

**1989 WINNEBAGO
TABLE OF CONTENTS**

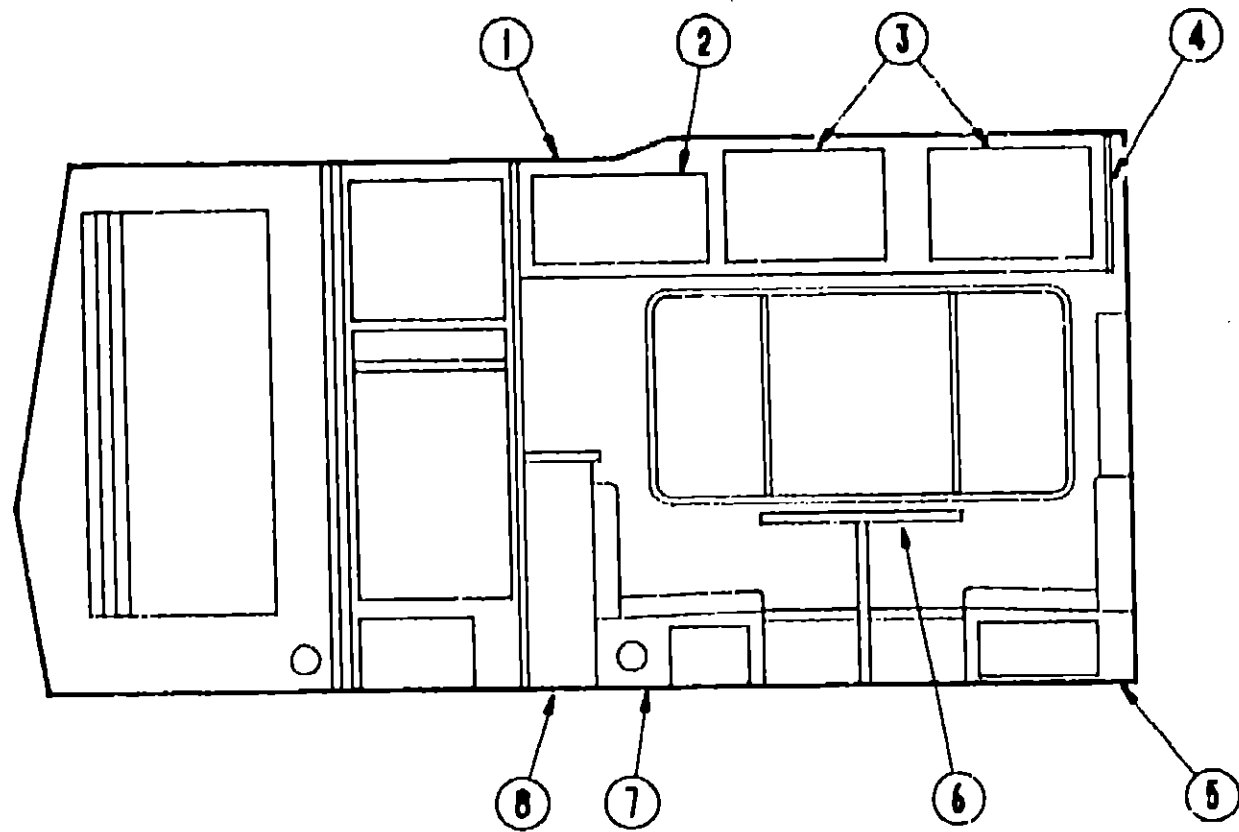
WC/F420RG
WC/F421RB

A-01 - B-22
B-23 - D-15

1989 WC/F421RB INDEX

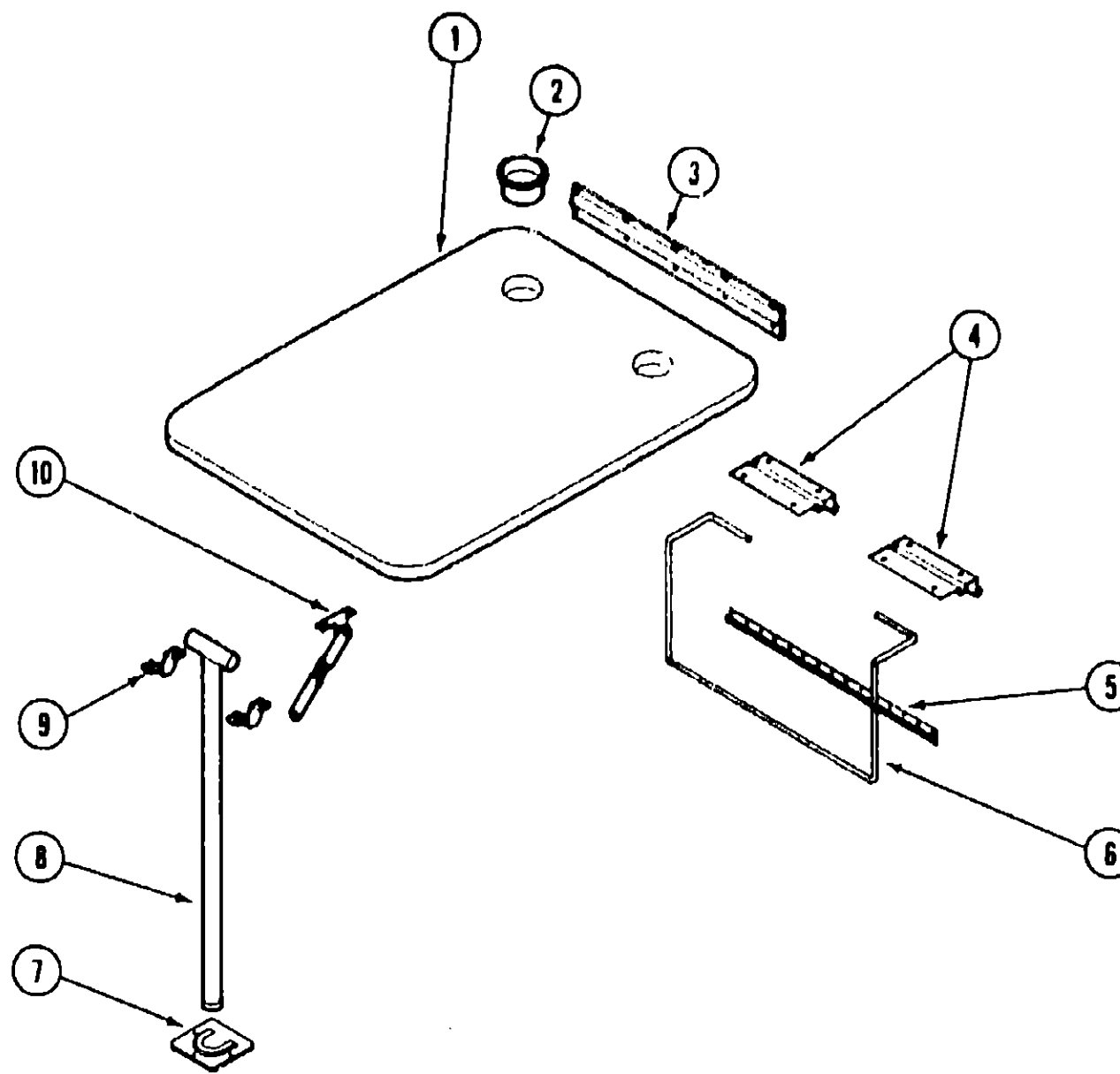
| | |
|------------------------------------|-------------|
| Floor Plan | B-23 - B-24 |
| Accessories Group | C-01 - C-02 |
| Bath Group | C-03 |
| Chassis Group | C-04 - C-05 |
| Curtain, Cushion & Pad Group | C-06 - C-10 |
| Dinette Group | C-11 - C-12 |
| Driver's Compartment Group | C-13 - C-14 |
| Electrical Group | C-15 - C-16 |
| Exterior Body Group | C-17 - C-22 |
| Galley Group | C-23 |
| Heating & Air Conditioning Group | C-24 |
| Interior Finish Group | D-01 - D-02 |
| LP Group | D-03 |
| Lounge Group | D-04 |
| Water & Sewage Group | D-05 |
| Window, Vent & Exterior Door Group | D-06 - D-15 |

DINETTE GROUP



| Key | Part Number | U/M | Description |
|-----|---------------|-----|---|
| 1 | M92455-01-Y05 | EA | Cabinet Asm. - Dinette Overhead - w/o Doors or Hardware |
| 2 | M88304-A2-X08 | EA | Door Asm. - Dinette Overhead - 11" x 22" - w/o Hardware |
| 3 | M88304-88-X08 | EA | Door Asm. - Dinette Overhead - 14.4" x 26.7" - w/o Hardware |
| 4 | 081280-21-W24 | EA | End Cap - Dinette Overhead |
| 5 | M02175-02-W30 | EA | Cabinet Asm. - Dinette Seat - w/o Door or Hardware |
| | M88304-21-X08 | EA | Door Asm. - Dinette Seat - 19" x 10" - w/o Hardware |
| | M02174-01-W30 | EA | Cabinet Asm. - Dinette Back |
| 6 | M81299-01-Y03 | EA | Table Asm. - Dinette - w/o Hardware |
| 7 | M02175-06-X08 | EA | Cabinet Asm. - Dinette Seat |
| | M02174-06-X08 | EA | Cabinet Asm. - Dinette Back |
| 8 | 079676-01-X08 | EA | Cabinet Asm. - Hamper - w/o Countertop |
| | M02068-01-X08 | EA | Countertop Asm. - Hamper - Flip-Up |
| | M02069-01-X08 | EA | Countertop Asm. - Hamper |

DINETTE GROUP (CONTINUED)



DINETTE TABLE & HARDWARE

| Key | Part Number | U/M | Description |
|-----|---------------|-----|-------------------------------------|
| 1 | M02115-09-Y30 | EA | Table - Dinette - w/o Hardware |
| 2 | 064781-05-000 | EA | Cup Holder - Two Step - Beige |
| 3 | 053200-05-000 | EA | Support - Table - 18.5" - Beige |
| 4 | 088410-01-000 | EA | Hanger - Table - Beige |
| 5 | 024281-07-000 | EA | Bracket - Table Lift |
| 6 | 024275-05-000 | EA | Rod - Table Lift - Tan |
| 7 | 049493-01-000 | EA | Catch - Table Leg |
| 8 | 024276-21-000 | EA | Leg Asm. - Table - Beige |
| 9 | 064050-03-000 | EA | Hinge - Table Leg - Tan |
| | 024282-01-000 | EA | Brace - Table Leg |
| 10 | 024283-01-000 | EA | Clip - 1" - 1.25" - OD Tube - Black |
| | 004384-01-000 | EA | Rubber Bumper - Brown |

1989 WINNEBAGO TABLE OF CONTENTS

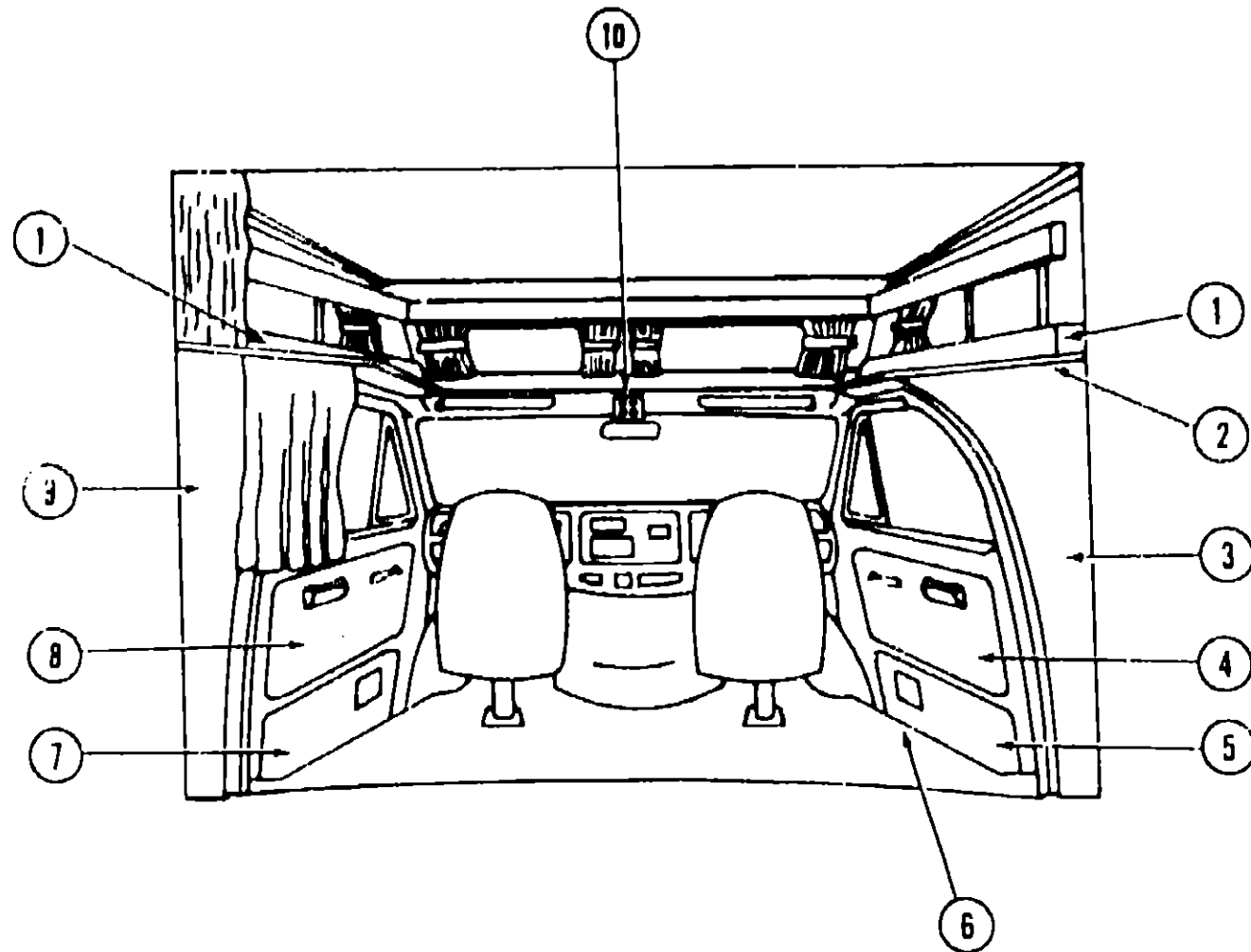
WC/F420RG
WC/F421RB

A-01 - B-22
B-23 - D-15

1989 WC/F421RB INDEX

| | |
|------------------------------------|-------------|
| Floor Plan | B-23 - B-24 |
| Accessories Group | C-01 - C-02 |
| Bath Group | C-03 |
| Chassis Group | C-04 - C-05 |
| Curtain, Cushion & Pad Group | C-06 - C-10 |
| Dinette Group | C-11 - C-12 |
| Driver's Compartment Group | C-13 - C-14 |
| Electrical Group | C-15 - C-16 |
| Exterior Body Group | C-17 - C-22 |
| Galley Group | C-23 |
| Heating & Air Conditioning Group | C-24 |
| Interior Finish Group | D-01 - D-02 |
| LP Group | D-03 |
| Lounge Group | D-04 |
| Water & Sewage Group | D-05 |
| Window, Vent & Exterior Door Group | D-06 - D-15 |

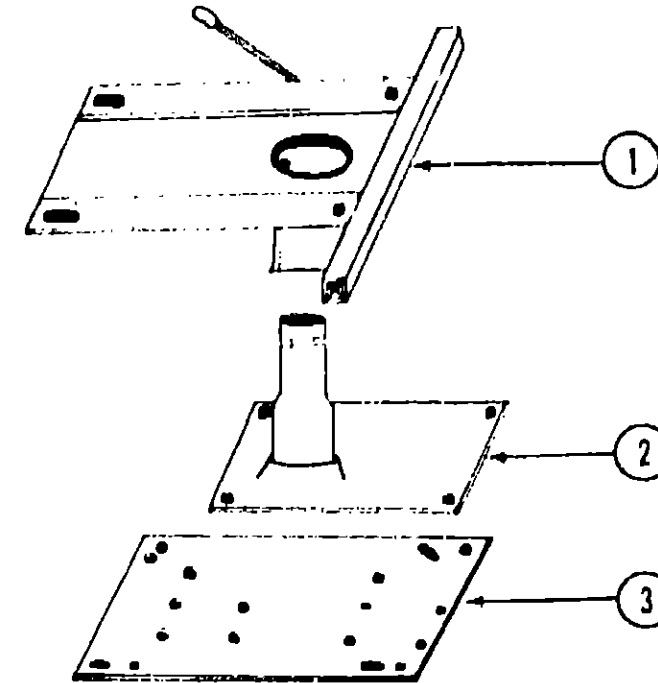
DRIVER'S COMPARTMENT GROUP



MISCELLANEOUS DRIVERS COMPARTMENT COMPONENTS

| Key | Part Number | U/M | Description |
|-----|---------------|-----|---|
| 1 | 087012-01-X08 | EA | Headboard Asm. - Passenger Side |
| 2 | M92068-01-Y05 | EA | Panel Asm. - Sleeper Board - w/o Vinyl |
| | 080742-01-000 | FT | Vinyl Trim - Front Sleeper Board |
| | 079800-03-000 | EA | Inner Trim - Front Sleeper Board - Off White |
| 3 | 092436-01-Y05 | EA | Panel Asm. - Inner Wingwall Transition - Passenger Side (Chevrolet) |
| 3 | 092437-01-X81 | EA | Panel Asm. - Inner Wingwall Transition - Passenger Side (Ford) |
| 4 | 059491-01-Y05 | EA | Side Panel - Cab Door - Passenger Side (Chevrolet) |
| 4 | 059491-01-Y06 | EA | Side Panel - Cab Door - Passenger Side (Chevrolet) |
| 5 | 082552-02-Y07 | EA | Side Panel - Cab Door - Passenger Side (Chevrolet) (Y05) |
| 5 | 082552-02-X10 | EA | Side Panel - Cab Door - Passenger Side (Chevrolet) (Y06) |
| 6 | 044860-02-000 | EA | Door Step Mat - Black Rubber - Passenger Side |
| | 044860-01-000 | EA | Door Step Mat - Black Rubber - Driver Side |
| 7 | 082552-03-Y07 | EA | Side Panel - Cab Door - Driver Side (Chevrolet) (Y05) |
| 7 | 082552-03-X10 | EA | Side Panel - Cab Door - Driver Side (Chevrolet) (Y06) |
| 8 | 059492-01-Y05 | EA | Side Panel - Cab Door - Driver Side (Chevrolet) |
| 8 | 059492-01-Y06 | EA | Side Panel - Cab Door - Driver Side (Chevrolet) |
| 9 | 092436-02-Y05 | EA | Panel Asm. - Inner Wingwall Transition - Driver Side (Chevrolet) |
| 9 | 092437-02-X81 | EA | Panel Asm. - Inner Wingwall Transition - Driver Side (Ford) |
| 10 | 076351-06-000 | EA | Console - Overhead - Chevrolet |
| 10 | 049360-04-000 | EA | Console - Overhead - Ford |
| | 024461-01-000 | EA | Switch - Battery |
| | 024462-01-000 | EA | Switch - Battery Condition |
| | 024976-01-000 | EA | Switch - Generator w/o Circuit Board |
| | 031035-01-000 | EA | Gauge - Generator Hourmeter |
| | 024459-04-000 | EA | Gauge - Voltmeter |

DRIVER'S COMPARTMENT GROUP (CONTINUED)



BUCKET SEAT PEDESTAL & SEAT BELTS

| Key | Part Number | U/M | Description |
|-----|---------------|-----|---|
| 1 | 069585-27-000 | EA | Plate - Top - Pedestal Asm. - Bucket Seat |
| 2 | 069585-03-000 | EA | Plate - Sub - Pedestal Asm. - Bucket Seat |
| 3 | 069585-03-000 | EA | Plate - Base - Pedestal Asm. - Bucket Seat |
| | 069585-05-000 | EA | Hardware Kit - Bolt/Acorn Nut - 4 ea. - Pedestal Asm. |
| | 079467-04-000 | EA | Loose Parts Kit - Bucket Seat |
| | 056271-02-000 | EA | Belt Asm. - Seat - 2" x 72" - Black |
| | 041322-01-000 | EA | Washer - Flat 15/32" ID x 2 3/8" OD - Seat Belt |
| | 057759-01-000 | EA | Bracket - Seat Belt Washer |
| | 069246-01-000 | EA | Adjuster Asm. - Seat - w/Lock |
| | 069246-02-000 | EA | Adjuster Asm. - Seat - w/o Lock |
| | 069585-29-000 | EA | Bar - Seat Belt - 20" |
| | 091871-01-000 | EA | Seat Belt Cover - Light Oak |

**1989 WINNEBAGO
TABLE OF CONTENTS**

WC/F420RG
WC/F421RB

A-01 - B-22
B-23 - D-15

1989 WC/F421RB INDEX

| | |
|------------------------------------|-------------|
| Floor Plan | B-23 - B-24 |
| Accessories Group | C-01 - C-02 |
| Bath Group | C-03 |
| Chassis Group | C-04 - C-05 |
| Curtain, Cushion & Pad Group | C-06 - C-10 |
| Dinette Group | C-11 - C-12 |
| Driver's Compartment Group | C-13 - C-14 |
| Electrical Group | C-15 - C-16 |
| Exterior Body Group | C-17 - C-22 |
| Galley Group | C-23 |
| Heating & Air Conditioning Group | C-24 |
| Interior Finish Group | D-01 - D-02 |
| LP Group | D-03 |
| Lounge Group | D-04 |
| Water & Sewage Group | D-05 |
| Window, Vent & Exterior Door Group | D-06 - D-15 |

ELECTRICAL GROUP

BULBS

| Key | Part Number | U/M | Description |
|-----|---------------|-----|------------------|
| | 008220-01-000 | EA | Bulb - 12V - 25W |
| | 008103-01-000 | EA | Bulb - 53 |
| | 008213-01-000 | EA | Bulb - 57 |
| | 008214-01-000 | EA | Bulb - 67 |
| | 036196-01-000 | EA | Bulb - 194 |
| | 075470-01-707 | EA | Bulb - 912 |
| | 008215-01-000 | EA | Bulb - 1003 |
| | 067479-01-000 | EA | Bulb - 1076 |
| | 063914-01-000 | EA | Bulb - 1139 |
| | 008218-01-000 | EA | Bulb - 1141 |
| | 037935-01-000 | EA | Bulb - 1157 |
| | 056288-02-000 | EA | Bulb - 9431808 |

FUSES & CIRCUIT BREAKER

| Key | Part Number | U/M | Description |
|-----|---------------|-----|---|
| | 008233-01-000 | EA | Fuse - 6 Amp. - 12 Volt |
| | 008234-01-000 | EA | Fuse - 10 Amp. - 12 Volt |
| | 008235-01-000 | EA | Fuse - 15 Amp. - 12 Volt |
| | 008236-01-000 | EA | Fuse - 20 Amp. - 12 Volt |
| | 062901-02-000 | EA | Fuse - 5 Amp. - Automotive |
| | 083209-01-000 | EA | Circuit Breaker - 15 Amp. - 120 Volt |
| | 062901-05-000 | EA | Fuse - 15 Amp. - Automotive |
| | 008211-01-000 | EA | Circuit Breaker - 8 Amp. - 12 Volt |
| | 033573-01-000 | EA | Circuit Breaker - 20 Amp. - 12 Volt - w/Mount |
| | 008268-01-000 | EA | Circuit Breaker - 30 Amp. - 12 Volt - w/Mount |
| | 083209-03-000 | EA | Circuit Breaker - 15/20 Amp. - 120 Volt |
| | 083209-04-000 | EA | Circuit Breaker - 30 Amp. - 120 Volt |
| | 083209-05-000 | EA | Circuit Breaker - 20 Amp. - 120 Volt |
| | 083209-06-000 | EA | Circuit Breaker - 30/15 Amp. - 120 Volt |
| | 083209-07-000 | EA | Circuit Breaker - 20/20 Amp. - 120 Volt |
| | 083209-08-000 | EA | Circuit Breaker Blank |
| | 083210-02-000 | EA | Circuit Breaker - GFI, 15 Amp. 120 Volt |
| | 094810-01-000 | EA | Circuit Breaker - 30/30 |
| | 094811-01-000 | EA | Circuit Breaker - 20/20 |

INTERIOR LIGHTS

| Key | Part Number | U/M | Description |
|-----|---------------|-----|--------------------------------------|
| | 033508-02-000 | EA | Light - Dome - Ivory - 1 Bulb - US |
| | 033509-02-000 | EA | Light - Dome - Ivory - 2 Bulb - US |
| | 061424-01-000 | EA | Light - 12 V Receptacle - Aisle - IP |
| | 007309-01-000 | EA | Light - Step Well |
| | 082169-01-000 | EA | Light - Make-Up - 3 Bulb |
| | 087694-02-000 | EA | Light - Wardrobe w/Switch |

ELECTRICAL GROUP (CONTINUED)

EXTERIOR LIGHTS

| Key | Part Number | U/M | Description |
|-----|---------------|-----|--|
| | 058032-01-000 | EA | Tail Lamp Asm. - 2 Bulb - Chrome - Driver/Passenger |
| | 059540-01-000 | EA | Bracket - License Plate |
| | 062742-04-000 | EA | Wedge - Tail Lamp w/License Plate - Left - Off White |
| | 062740-04-000 | EA | Wedge - Tail Lamp - Right - Off White |
| | 042405-03-000 | EA | Base - Rectangular Clearance Light |
| | 042405-01-000 | EA | Lens - Clearance Light - Red w/Reflex |
| | 042405-02-000 | EA | Lens - Clearance Light - Amber w/Reflex |
| | 048817-01-000 | EA | Asslt Handle Asm. w/Light |
| | 041332-02-000 | EA | Reflector - Red - Rear Bumper |
| | 008089-01-000 | EA | Porch Light - Recessed |

WIRE, SWITCHES & RECEPTACLES

| Key | Part Number | U/M | Description |
|-----|---------------|-----|---|
| | 008289-01-000 | EA | Box - Electrical - 4" x 4" - 1/2 & 3/4 - Steel - UL |
| | 058049-01-000 | EA | Box - Electrical - 2" x 3" x 2.25" - Steel |
| | 041953-01-000 | EA | Conduit - Convolute Silt - .5" ID |
| | 058028-01-000 | EA | Connector - Pigtail - Clear Nylon |
| | 008314-01-000 | EA | Connector - Wire Nut - Gray |
| | 008311-01-000 | EA | Connector - Wire Nut - Red |
| | 031968-01-000 | EA | Contact Plug - Brass - Tin Plated |
| | 071298-01-000 | EA | Control Center - 32 Amp. - 120 Volt/12 Volt |
| | 008054-01-000 | EA | Cord - Power - 10-3 Amp. - 25' - UL |
| | 008052-01-000 | EA | Cord - Power - 10-3 30 Amp. - 25' - CSA |
| | 069238-01-000 | EA | Cover - Electrical Box - 4" x 4" |
| | 008294-02-000 | EA | Cover - Flat Blank - 4" x 4" - Steel - US |
| | 008277-01-000 | EA | Fuse Holder - Panel Mount - Black |
| | 064399-01-000 | EA | Housing Asm. - Trailer Pin |
| | 064398-01-000 | EA | Housing Asm. - Trailer Receptacle |
| | 094809-01-000 | EA | Load Center - 240 Volt 125 Amp. |
| | 058708-01-000 | EA | Receptacle - Duplex - Brown |
| | 024924-02-000 | EA | Receptacle - Power Cord |
| | 058707-01-000 | EA | Receptacle - Single - Brown |
| | 008188-01-000 | EA | Relay Solenoid - 3 Terminal |
| | 024461-01-000 | EA | Switch - Batt - STMP |
| | 056264-01-000 | EA | Switch - Leaf Actuator |
| | 008195-01-000 | EA | Switch - Push Button - 12 Volt |
| | 079362-03-000 | EA | Switch Plate - 3 Gang - 2 Switch |
| | 079363-01-000 | EA | Switch Plate - Single w/Switch |
| | 079364-01-000 | EA | Switch - On/Off - Rocker - Brown |
| | 047443-02-000 | EA | Terminal - .250 Receptacle - 12-10 A/WG |
| | 008348-01-000 | EA | Terminal Ring - 2 - w/3/8 Stud |
| | 008331-01-000 | EA | Terminal Ring - 4 - w/3/8 Stud |
| | 008328-01-000 | EA | Terminal Ring - 12/10 Wire |
| | 008028-01-000 | FT | Wire - 18.5 Bonded - Blue/Red/Yellow/Orange/White |
| | 008024-01-000 | FT | Wire - 18.5 Bonded - Orange/White/Yellow/Blue/Brown |
| | 008025-01-000 | FT | Wire - 18.5 Bonded - Orange/White/Yellow/Blue/Green |
| | 008026-01-000 | FT | Wire w/Ground - Romex - 12/2 |

1989 WINNEBAGO TABLE OF CONTENTS

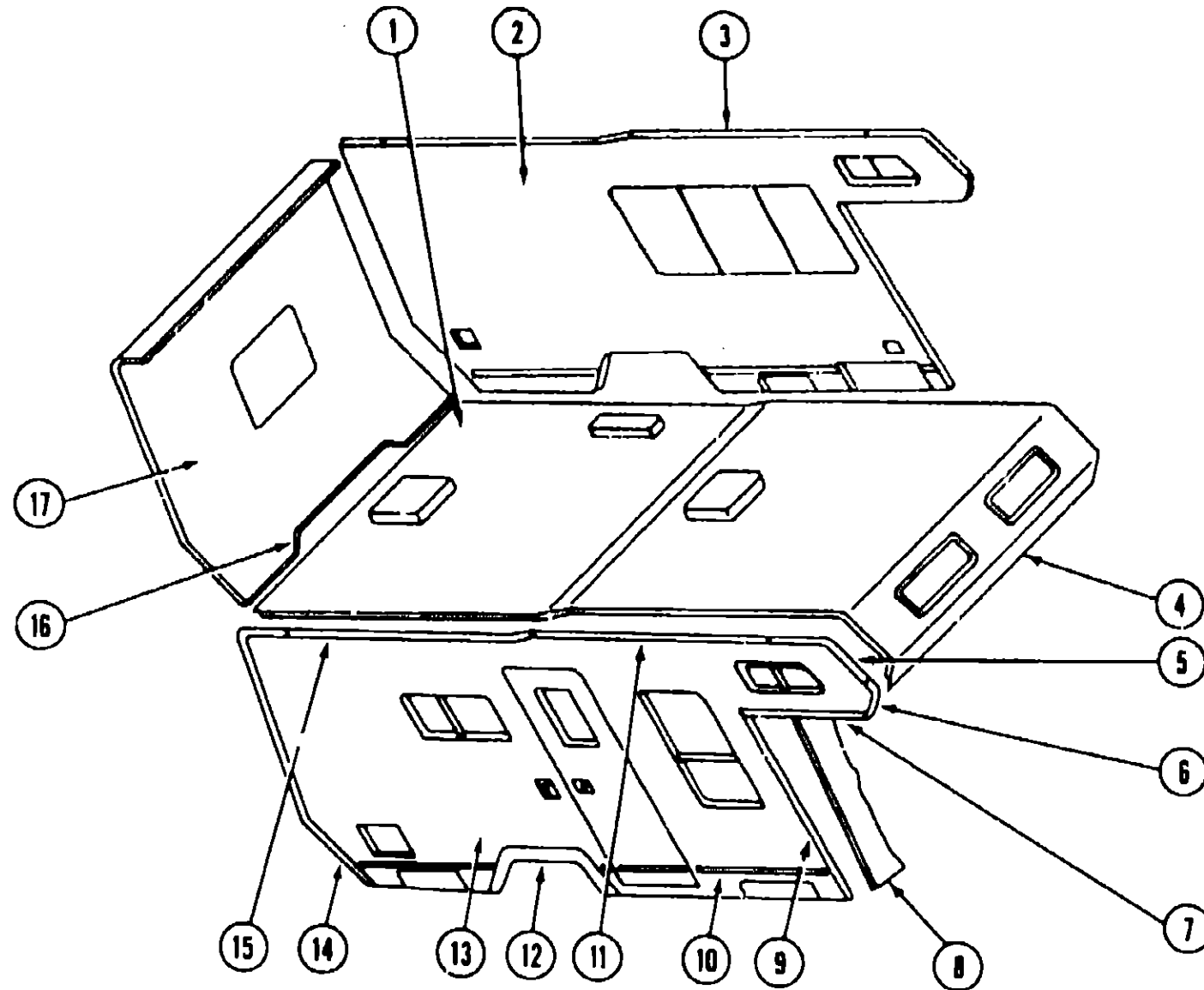
| | |
|-----------|-------------|
| WC/F420RG | A-01 - B-22 |
| WC/F421RB | B-23 - D-15 |

1989 WC/F421RB INDEX

| | |
|------------------------------------|-------------|
| Floor Plan | B-23 - B-24 |
| Accessories Group | C-01 - C-02 |
| Bath Group | C-03 |
| Chassis Group | C-04 - C-05 |
| Curtain, Cushion & Pad Group | C-06 - C-10 |
| Dinette Group | C-11 - C-12 |
| Driver's Compartment Group | C-13 - C-14 |
| Electrical Group | C-15 - C-16 |
| Exterior Body Group | C-17 - C-22 |
| Galley Group | C-23 |
| Heating & Air Conditioning Group | C-24 |
| Interior Finish Group | D-01 - D-02 |
| LP Group | D-03 |
| Lounge Group | D-04 |
| Water & Sewage Group | D-05 |
| Window, Vent & Exterior Door Group | D-06 - D-15 |

EXTERIOR BODY GROUP

EXTERIOR BODY PANELS



1989 WINNEBAGO TABLE OF CONTENTS

WC/F420RG
WC/F421RB

A-01 - B-22
B-23 - D-15

1989 WC/F421RB INDEX

| | |
|------------------------------------|-------------|
| Floor Plan | B-23 - B-24 |
| Accessories Group | C-01 - C-02 |
| Bath Group | C-03 |
| Chassis Group | C-04 - C-05 |
| Curtain, Cushion & Pad Group | C-06 - C-10 |
| Dinette Group | C-11 - C-12 |
| Driver's Compartment Group | C-13 - C-14 |
| Electrical Group | C-15 - C-16 |
| Exterior Body Group | C-17 - C-22 |
| Galley Group | C-23 |
| Henting & Air Conditioning Group | C-24 |
| Interior Finish Group | D-01 - D-02 |
| LP Group | D-03 |
| Lounge Group | D-04 |
| Water & Sewage Group | D-05 |
| Window, Vent & Exterior Door Group | D-06 - D-15 |

| Key | Part Number | U/M | Description |
|-----|---------------|-----|--|
| 1 | M92133-01-Y05 | EA | Sidewall Asm. - Passenger Side |
| 1 | M92133-01-Y06 | EA | Sidewall Asm. - Passenger Side |
| 2 | 077339-11-000 | EA | Contour Trim - Upper Rear Passenger Side - Off White |
| | 077339-12-000 | EA | Contour Trim - Upper Rear Driver Side - Off White |
| 3 | 074966-02-000 | EA | Backwall Trim - Lower - Driver or Passenger Side |
| 4 | 076805-01-000 | EA | Contour Trim - Backwall - Passenger Side - Off White |
| | 076805-02-000 | EA | Contour Trim - Backwall - Driver Side - Off White |
| 5 | M03050-01-Y05 | EA | Backwall Asm. |
| 5 | M03050-01-Y06 | EA | Backwall Asm. |
| 6 | M88630-01-Y05 | EA | Roof Asm. |
| | M88630-01-Y06 | EA | Roof Asm. |
| 7 | M92132-01-Y05 | EA | Sidewall Asm. - Driver Side |
| 7 | M92132-01-Y06 | EA | Sidewall Asm. - Driver Side |
| 8 | 076802-08-000 | EA | Contour Trim - Upper Front Driver Side - Off White |
| | 076802-07-000 | EA | Contour Trim - Upper Front Passenger Side - Off White |
| 9 | 085490-02-000 | EA | Contour Trim - Sleeper - Driver Side - Off White |
| | 085490-01-000 | EA | Contour Trim - Sleeper - Passenger Side - Off White |
| 10 | 086889-02-000 | EA | Trim - Front Radius - Plastic - Driver Side - Off White |
| | 086889-01-000 | EA | Trim - Front Radius - Plastic - Passenger Side - Off White |
| 11 | 076975-06-000 | EA | Trim - Wingwall - 52.7" - Driver Side - Off White |
| | 076975-05-000 | EA | Trim - Wingwall - 52.7" - Passenger Side - Off White |

| Key | Part Number | U/M | Description |
|-----|---------------|-----|---|
| 12 | 039844-08-000 | EA | Trim - Sleeper Board - Front |
| 13 | M92068-01-Y05 | EA | Sleeper Board Asm. |
| 14 | M81653-01-U01 | EA | Wingwall Asm. - Passenger Side (Ford) |
| | M81653-02-U01 | EA | Wingwall Asm. - Driver Side (Ford) |
| 14 | M82343-01-U01 | EA | Wingwall Asm. - Passenger Side (Chevrolet) |
| | M82343-02-U01 | EA | Wingwall Asm. - Driver Side (Chevrolet) |
| 15 | 076975-03-000 | EA | Trim - Wingwall Transition - Passenger Side - Off White |
| | 076975-04-000 | EA | Trim - Wingwall Transition - Driver Side - Off White |
| 16 | 059576-05-000 | EA | Feature Strip - Extr. Aluminum - 14.8" - Autumn White |
| | 001030-02-100 | EA | Insert - Feature Strip - 17" - Stucco - Off White |
| | 009731-01-000 | EA | End Cap - Feature Strip |
| 17 | 080266-10-000 | EA | Rear Trim - Wheel Well - Passenger Side |
| | 080266-02-000 | EA | Rear Trim - Wheel Well - Driver Side |
| | 077517-04-001 | EA | Fiberglass Sheets - 48.08" x 259" - Mesa - Off White |
| | 077517-04-002 | EA | Fiberglass Sheets - 48.08" x 60" - Mesa - Off White |
| | 001054-01-011 | EA | Aluminum - No Design - 48" x 96" - Off White |
| | 000868-01-000 | SF | Styrofoam - .75" x 24" x 96" |
| | 000870-01-000 | SF | Styrofoam - 1.5" x 24" x 96" |
| | 000870-03-000 | SF | Styrofoam - 1.34" x 48" x 96" |

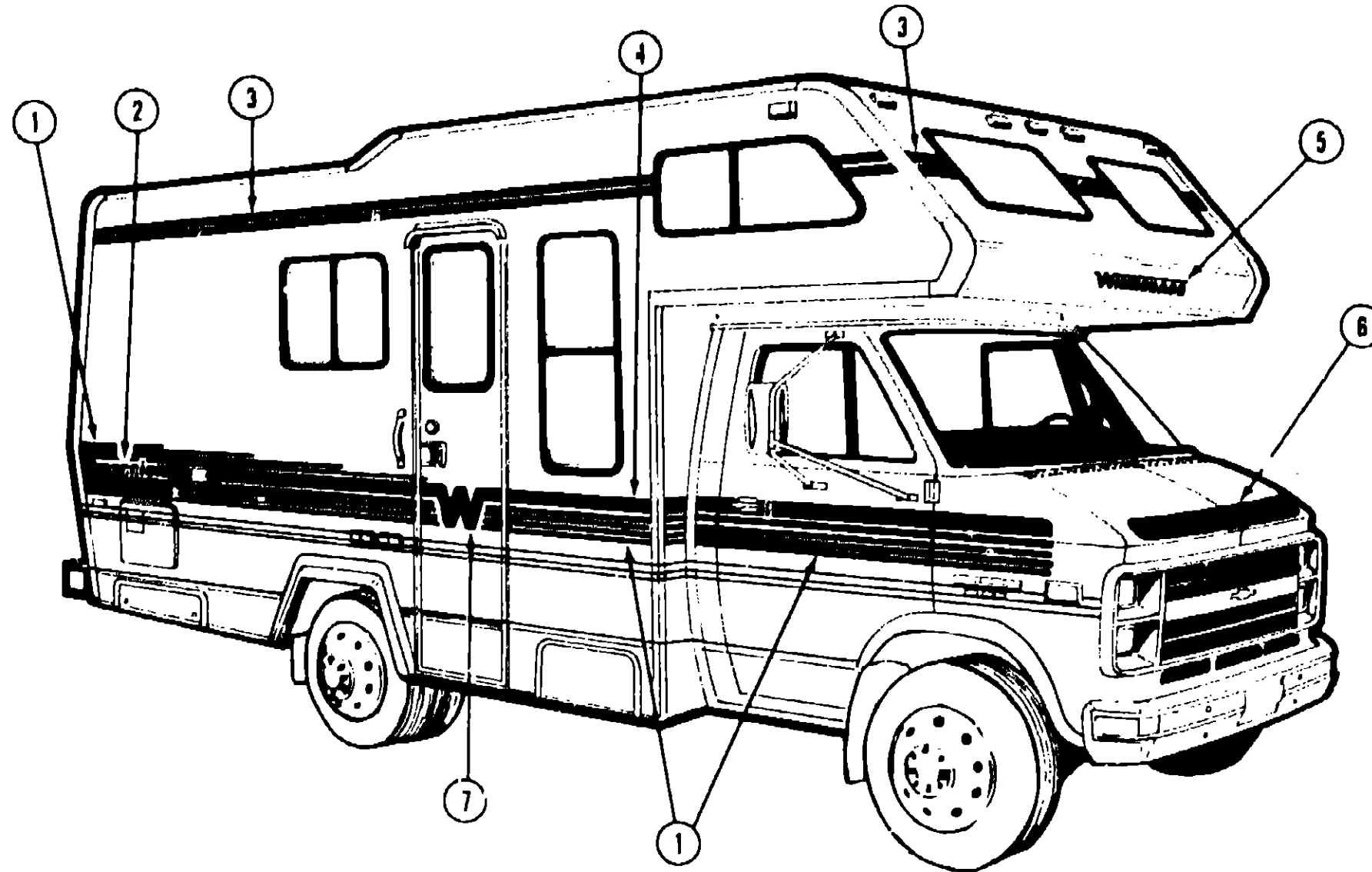
EXTERIOR BODY GROUP (CONTINUED)

DECALS & FILM STRIPE

1989 WINNEBAGO TABLE OF CONTENTS

WC/F420RG
WC/F421RB

A-01 - B-22
B-23 - D-15



| Key | Part Number | U/M | Description |
|-----|---------------|-----|----------------------------|
| 1 | 078196-38-000 | FT | Film - Multi-Stripe - 4.5" |
| 2 | 093569-01-01A | EA | Decal - Logo - "Warrior" |
| 3 | 065217-M4-000 | FT | Film - Multi-Stripe - 2.4" |
| 4 | 078831-47-000 | EA | Decal - Stripping - 1.75" |
| 5 | 050313-22-000 | EA | Decal - Logo - "Winnebago" |
| 6 | 081940-09-000 | EA | Decal - Hood (Ford) |
| 6 | 081944-09-000 | EA | Decal - Hood (Chevrolet) |
| 7 | 079351-26-000 | EA | Decal - Flying "W" |

1989 WC/F421RB INDEX

| | |
|------------------------------------|-------------|
| Floor Plan | B-23 - B-24 |
| Accessories Group | C-01 - C-02 |
| Bath Group | C-03 |
| Chassis Group | C-04 - C-05 |
| Curtain, Cushion & Pad Group | C-06 - C-10 |
| Dinette Group | C-11 - C-12 |
| Driver's Compartment Group | C-13 - C-14 |
| Electrical Group | C-15 - C-16 |
| Exterior Body Group | C-17 - C-22 |
| Galley Group | C-23 |
| Heating & Air Conditioning Group | C-24 |
| Interior Finish Group | D-01 - D-02 |
| LP Group | D-03 |
| Lounge Group | D-04 |
| Water & Sewage Group | D-05 |
| Window, Vent & Exterior Door Group | D-06 - D-15 |

EXTERIOR BODY GROUP (CONTINUED)

MISCELLANEOUS EXTERNALLY MOUNTED PARTS

| Key | Part Number | U/M | Description |
|-----|---------------|-----|--|
| | 063558-01-000 | EA | Plumbing Seal - Roof Vent - 1.5" - w/Cap |
| | 009126-01-000 | EA | Assist Handle |
| | 067659-04-000 | EA | Fill - City Water - Recessed - Off White |
| | 081240-03-000 | EA | Water Fill - Lockable - Off White |

NOTE: See the Common Items Fiche for Screws & Fasteners.

SEALANTS & ADHESIVES

| Key | Part Number | U/M | Description |
|-----|---------------|-----|---|
| | 004020-01-000 | QT | Adhesive - ABS Cement (Plastic Fittings) |
| | 002337-01-000 | EA | Adhesive - 1300 Tube - 3M (Windows) |
| | 004005-02-000 | GL | Adhesive - Swifts - Glue (Sidewalls) |
| | 053766-07-000 | EA | Bedding Compound - Tube - Beige (Exterior) |
| | 053766-06-000 | EA | Bedding Compound - Tube - Clear (Window) |
| | 053766-08-000 | EA | Bedding Compound - Tube - Gray (Exterior) |
| | 053766-05-000 | EA | Bedding Compound - Tube - Gray (Sidewalls to Floor) |
| | 053766-02-000 | EA | Bedding Compound - Tube - Off White (Exterior) |
| | 002328-02-000 | EA | Block - Rubber Spacer (Windshield) |
| | 004336-01-000 | EA | Caulk - Latex - Golden Walnut (Sidewall) |
| | 077967-01-000 | EA | Sealant - Acrylic Latex - Tube - Off White (Interior Sealant) |
| | 034552-04-000 | EA | Sealant - Silicone - Beige |
| | 034552-02-000 | EA | Sealant - Silicone - Clear |
| | 034552-07-000 | EA | Sealant - Silicone - Dark Gray |
| | 034552-08-000 | EA | Sealant - Silicone - Off White |
| | 069837-01-000 | EA | Sealant - Weatherban 404 - Tube - White (Door Caulk) |
| | 072889-01-000 | EA | Sealant - Urethane - Black (Windshield) |
| | 069840-01-000 | FT | Sealer Ribbon - .25" Bead x 20' |
| | 069840-02-000 | FT | Sealer Ribbon - .5" x .125" x 30' |
| | 069840-03-000 | FT | Sealer Ribbon - .75" x .125" x 30' |
| | 069840-04-000 | FT | Sealer Ribbon - .2" x .09" x 45' (P Series) |
| | 069840-05-000 | FT | Sealer Ribbon - 2.5" x .09" x 50' |
| | 069840-06-000 | FT | Sealer Ribbon - 5/16" Bead x 15' |
| | 069840-07-000 | FT | Sealer Ribbon - 2" x 3/32" x 30' |
| | 002316-01-000 | FT | Sealer Tape - 3/32" x 3/8" - White (Window) |
| | 002707-01-000 | FT | Sealer Tape - 5/16" x 3/4" |
| | 002707-02-000 | FT | Sealer Tape - 5/16" x 1/2" |
| | 040545-01-000 | GL | Sealer - Seam Weld |
| | 053752-04-000 | EA | Seam Sealer - Tube - Aluminum (Roof) |
| | 063642-01-000 | FT | Tape - Adhesive - .10mm x 1.5" Wide |
| | 038886-01-000 | EA | Tape - Butyl - .31" x .31" x 148" (Windshield) |
| | 076322-01-000 | FT | Tape - Foam - Double Coated - .025 x 1" (Fiberglass Sidewall Seams) |
| | 076322-02-000 | FT | Tape - Foam - Double Coated - .045 x 1" (Fiberglass Sidewall Seams) |
| | 009200-01-000 | EA | Tape - Furnace - 1.5" |
| | 002825-01-000 | FT | Weather Stripping (Roof Vent) |

EXTERIOR BODY GROUP (CONTINUED)

LABELS & EXTERIOR PAINT

| Key | Part Number | U/M | Description |
|-----|---------------|-----|---|
| | 091243-01-000 | EA | Label - Air Conditioner Cover |
| | 067236-01-000 | EA | Label - Cable - Input |
| | 067236-02-000 | EA | Label - Cable - Output |
| | 065748-01-000 | EA | Label - Caution - Battery Charging |
| | 006195-01-000 | EA | Label - Electrical Test |
| | 047731-01-000 | EA | Label - Emergency Exit |
| | 006199-01-000 | EA | Label - Exit - Escape Window |
| | 044378-01-000 | EA | Label - Flying "W" w/Thermo Panel |
| | 061417-01-000 | EA | Label - Fuel |
| | 067207-02-000 | EA | Label - Fuel Cap Removal |
| | 054531-01-000 | EA | Label - LP Gas Only |
| | 073996-01-000 | EA | Label - LPG Odor Warning |
| | 040944-01-000 | EA | Label - Open - Entrance Door |
| | 061606-01-000 | EA | Label - Overlay - Vehicle Certification |
| | 006015-01-000 | EA | Label - Patent Motor Home |
| | 068757-01-000 | EA | Label - Retail - 8 5/8" x 12 7/8" |
| | 056259-01-000 | EA | Label - Safety Check List |
| | 006064-01-000 | EA | Label - Seat - w/o Seat Belts |
| | 006187-01-000 | EA | Label - Sewage |
| | 006006-01-000 | EA | Label - Thermo Panel - 2 1/4" x 2 1/4" |
| | 075221-01-000 | EA | Label - Trailer Hitch Capacity |
| | 091224-02-000 | EA | Label - Trailer Lighting |
| | 075220-01-000 | EA | Label - Warning - Exterior Load Limit |
| | 050225-01-000 | EA | Label - Warning - Stove Vent - US |
| | 079966-01-000 | EA | Label - Warning - Stowed Motion |
| | 006188-01-000 | EA | Label - Waste Water |
| | 006197-01-000 | EA | Label - Water Test |
| | 006062-01-000 | EA | Tag - Electrical - 110 Volt Connection |
| | 006040-01-000 | EA | Tag - Gas - Refueling Warning (US) |
| | 006040-02-000 | EA | Tag - Gas - Refueling Warning (CSA) |
| | 006019-01-000 | EA | Tag - RVI Approval - Plastic |
| | 045681-03-000 | EA | Paint - Gloss Black - Acrylic Enamel - 16 oz. Aerosol (99 Dupont) |
| | 041561-03-000 | EA | Paint - Off White Acrylic Enamel - 16 oz. Aerosol (45396A Dupont) |
| | 074559-01-000 | EA | Label "LPG" - 3.3" x 1.75" (Calif. Code) |
| | 023789-01-000 | EA | Label - Warning - LPG (CSA) |

**1989 WINNEBAGO
TABLE OF CONTENTS**

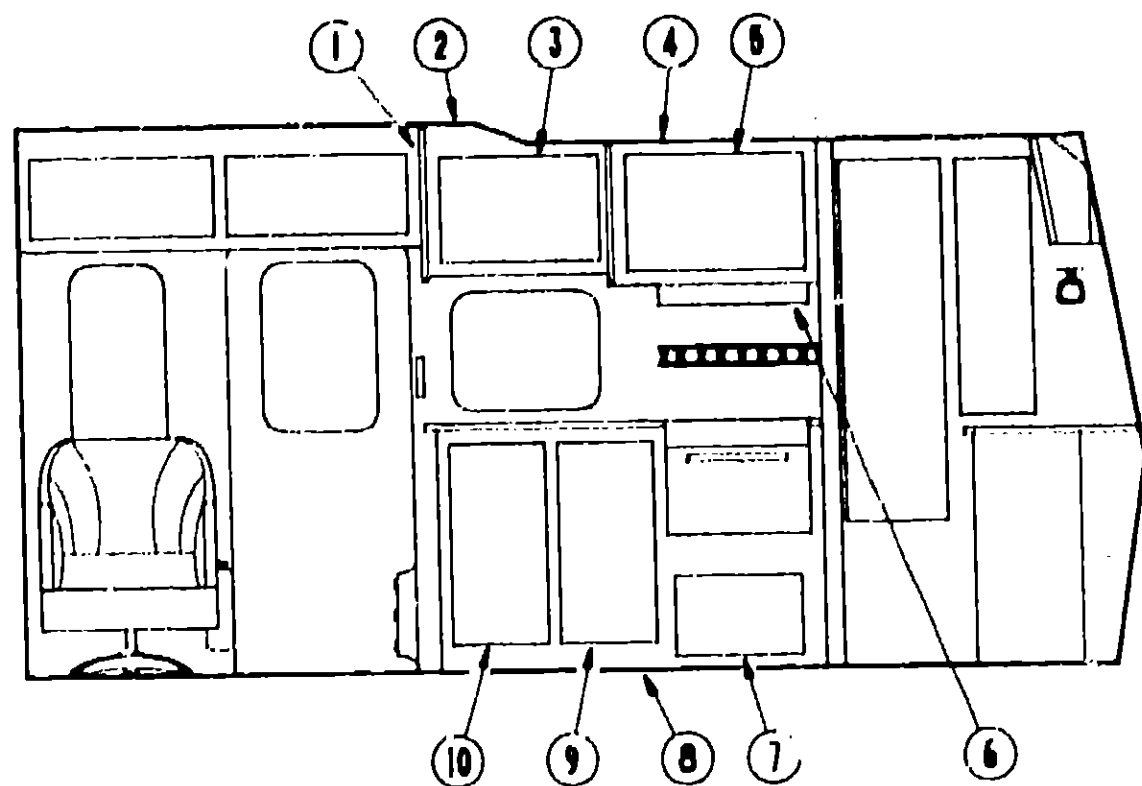
WC/F420RG
WC/F421RB

A-01 - B-22
B-23 - D-15

1989 WC/F421RB INDEX

| | |
|------------------------------------|-------------|
| Floor Plan | B-23 - B-24 |
| Accessories Group | C-01 - C-02 |
| Bath Group | C-03 |
| Chassis Group | C-04 - C-05 |
| Curtain, Cushion & Pad Group | C-06 - C-10 |
| Dinette Group | C-11 - C-12 |
| Driver's Compartment Group | C-13 - C-14 |
| Electrical Group | C-15 - C-16 |
| Exterior Body Group | C-17 - C-22 |
| Galley Group | C-23 |
| Heating & Air Conditioning Group | C-24 |
| Interior Finish Group | D-01 - D-02 |
| LP Group | D-03 |
| Lounge Group | D-04 |
| Water & Sewage Group | D-05 |
| Window, Vent & Exterior Door Group | D-06 - D-15 |

GALLEY GROUP



GALLEY CABINERY

| Key | Part Number | U/M | Description |
|-----|---------------|-----|--|
| 1 | 081280-19-W24 | EA | End Cap - Galley Overhead |
| 2 | M92453-01-Y05 | EA | Cabinet Asm. - Galley Overhead - w/o Doors or Hardware |
| 3 | M88304-84-X08 | EA | Door Asm. - Galley Overhead Cabinet - w/o Hardware |
| 4 | M92036-02-Y05 | EA | Cabinet Asm. - Microwave - w/o Door or Hardware |
| 5 | M83304-01-X08 | EA | Door asm. - Microwave Cabinet - Left - w/o Hardware |
| 6 | 092696-05-01A | EA | Range Hood - Almond - UL |
| 7 | M88304-05-X23 | EA | Door Asm. - Galley Cabinet |
| 8 | M03483-01-Y05 | EA | Cabinet Asm. - Galley - w/o Countertop, Doors, Drawers or Hardware |
| | 032184-01-W04 | EA | Drawer Asm. - Galley Cabinet - w/o Hardware |
| | 088578-11-Y05 | EA | Countertop Asm. - Galley Cabinet |
| 9 | M88304-14-X08 | EA | Door Asm. - Galley Cabinet - w/o Hardware |
| 10 | M88304-13-X08 | EA | Door Asm. - Galley Cabinet - w/o Hardware |
| | 077404-02-000 | EA | Drawer - Galley Cabinet - 20" x 12.7" |
| | 077409-02-000 | EA | Drawer Slide - 20.75" Plastic |

GALLEY APPLIANCES & HARDWARE

| Key | Part Number | U/M | Description |
|-----|---------------|-----|---|
| | 091269-01-000 | EA | Microwave - Magic Chef |
| | 055282-04-000 | EA | Range - 4 Burner - w/Oven - Magic Chef - Almond |
| | 055282-02-700 | EA | Top - Main - Almond |
| | 094038-02-000 | EA | Refrigerator - AC/DC/Gas - Norcold 6' |
| | 054450-01-000 | EA | Level Refrigerator |
| | 081530-01-Y30 | EA | Sink Cover - Large |
| | 098654-01-000 | EA | Sink - Stainless Steel - Double w/Bolts |
| | 011053-03-000 | EA | Faucet - Swing Spout - 8" - US/CSA |
| | 011053-01-700 | EA | Aerator - Swing Spout Faucet |
| | 066437-01-000 | EA | Strainer w/Basket - Sink |
| | 074490-01-000 | EA | Spice Rack - Oak |
| | 074491-01-000 | EA | Magazine Rack - Oak |
| | 059777-02-000 | EA | Hinge - Cabinet Door - Brass |
| | 074493-02-000 | EA | Prop - Overhead Door |
| | 068264-01-000 | EA | Pull - Polished Brass |
| | 093288-03-01A | EA | Silverware Drawer Tray - Beige |

HEATING & AIR CONDITIONING GROUP

FURNACE & ROOF AIR CONDITIONER

| Key | Part Number | U/M | Description |
|-----|---------------|-----|---|
| | 075695-01-000 | EA | Furnace - 24,000 BTU - w/Direct Ignition - NT-24S |
| | 009198-01-000 | FT | Duct - Flexite - 4" ID x 25' |
| | 056484-01-000 | EA | Register - 4" Dia. - Plastic w/Damper |
| | 056484-05-000 | EA | Register - 4" Dia. - Plastic w/o Damper |
| | 009200-01-000 | EA | Tape - Furnace - 1 1/2" |
| | 023146-01-000 | EA | Clamp - Screw Type - 4" |
| | 022756-01-000 | EA | Air Conditioner Wire Cover - Angle - Black |
| | 093764-01-000 | EA | Shroud Asm. - Ceiling - Inside - Roof Air - 13,500 BTU (US/CSA) |
| | 092441-01-000 | EA | Shroud Asm. - Ceiling - Inside - Roof Air - 13,500 BTU (European) |
| | 093763-01-04A | EA | Air Conditioner - Roof Mount - 13,500 BTU (US/CSA) |
| | 092440-01-000 | EA | Air Conditioner - Roof Mount - 13,500 BTU (European) |

AUTOMOTIVE HEATER & AIR CONDITIONER (CHEVROLET)

| Key | Part Number | U/M | Description |
|-----|---------------|-----|--------------------------------------|
| | 073716-01-000 | EA | A/C - Condenser Asm. - "C" - Tube O |
| | 074027-01-000 | EA | A/C - Evaporator Asm. - Cutaway |
| | 074027-01-700 | EA | Motor |
| | 074027-01-701 | EA | Hose - Liquid - #6 |
| | 074027-01-702 | EA | Hose - Suction - #10 |
| | 074027-01-703 | EA | Louver |
| | 074027-01-704 | EA | Escutcheon |
| | 074027-01-705 | EA | Thermostat |
| | 074027-01-708 | EA | Knob - Temperature |
| | 074027-01-707 | EA | Knob - Air |
| | 074027-01-708 | EA | Solenoid - Vacuum Switch |
| | 074027-01-709 | EA | Center - Lower Escutcheon |
| | 074027-01-710 | EA | Coil - Evaporator |
| | 074027-01-711 | EA | Blower - Wheel |
| | 074027-01-712 | EA | Blower - Housing |
| | 007108-01-000 | FT | Hose - Heater - 5/8" ID SAE20R3 |
| | 062401-04-000 | EA | Clamp - Worm Drive - .69" - 1.25" ID |

1989 WINNEBAGO TABLE OF CONTENTS

WC/F420RG
WC/F421RB

A-01 - B-22
B-23 - D-15

1989 WC/F421RB INDEX

| | |
|------------------------------------|-------------|
| Floor Plan | B-23 - B-24 |
| Accessories Group | C-01 - C-02 |
| Bath Group | C-03 |
| Chassis Group | C-04 - C-05 |
| Curtain, Cushion & Pad Group | C-06 - C-10 |
| Dinette Group | C-11 - C-12 |
| Driver's Compartment Group | C-13 - C-14 |
| Electrical Group | C-15 - C-16 |
| Exterior Body Group | C-17 - C-22 |
| Galley Group | C-23 |
| Heating & Air Conditioning Group | C-24 |
| Interior Finish Group | D-01 - D-02 |
| LP Group | D-03 |
| Lounge Group | D-04 |
| Water & Sewage Group | D-05 |
| Window, Vent & Exterior Door Group | D-06 - D-15 |

INTERIOR FINISH GROUP

INTERIOR MOLDING & TRIM

| Key | Part Number | U/M | Description |
|-----|---------------|-----|---|
| | 076325-16-000 | FT | Molding - Edge Band - Regal Oak (Table) |
| | 081521-01-001 | EA | Molding Retainer - Corner - 16' |
| | 009809-22-000 | EA | Molding - Plastic - Outside Corner - 1" |
| | 009812-17-000 | FT | Molding - Plastic - Outside Corner - 1/2" |
| | 042357-11-000 | FT | Molding - Radius Corner - 7' - Light Oak |
| | 022992-08-000 | FT | Molding - Reverse Cover - Champagne White |
| | 085284-03-000 | FT | Batt Strip - Regal Oak - Tape - Adhesive |
| | 086229-04-000 | EA | Batt Strip - Ivory - 8' (Bath) |
| | 088263-08-000 | EA | Batt Strip - Cord (Bath/Galley) |
| | 088263-28-000 | EA | Batt Strip - Rainbow - 8' (Wall) (Y05) |
| | 085284-12-000 | FT | Batt Strip - Rainbow - Tape - Adhesive (Wall) (Y05) |
| | 088263-27-000 | EA | Batt Strip - Sunkist - 8' (Wall) (Y06) |
| | 085284-11-000 | FT | Batt Strip - Sunkist - Tape - Adhesive (Wall) (Y06) |
| | 088263-30-000 | EA | Batt Strip - Crossilk Spatter - 8' (Ceiling) |
| | 070504-01-000 | FT | U-Channel - .065" - Light Brown |
| | 009778-07-000 | FT | U-Channel - 1" - Light Oak |
| | 009767-06-000 | FT | Welling - Beige |

PANELING & COUNTERTOP MATERIAL

| Key | Part Number | U/M | Description |
|-----|---------------|-----|---|
| | 074497-10-000 | SF | Paneling - Regal Oak - 48" x 84" (28 SF) (Cabinets) |
| | 088272-38-000 | SF | Paneling - Decor - Bone - 48" x 84" (28 SF) (Bath) |
| | 088272-29-000 | SF | Paneling - Decor - Rainbow - 48" x 84" (28 SF) (Galley) (Y05) |
| | 088272-30-000 | SF | Paneling - Decor - Haze - 48" x 84" (28 SF) (Galley) (Y06) |
| | 074497-14-000 | SF | Paneling - Crossilk - 48" x 96" (32 SF) (Ceiling) |
| | 088272-40-000 | SF | Paneling - Rainbow - 48" x 84" (28 SF) (Wall) (Y05) |
| | 088272-39-000 | SF | Paneling - Sunkist - 48" x 84" (28 SF) (Wall) (Y06) |
| | 074498-24-000 | SF | Plastic Laminate - Sterling - 48" x 96" (32 SF) (Woodgrain) |
| | 074498-28-000 | SF | Plastic Laminate - Sterling - 48" x 96" (32 SF) (Galley/Bath) |

FABRICS & CARPET

| Key | Part Number | U/M | Description |
|-----|---------------|-----|---------------------------------------|
| | 072333-61-000 | YD | Fabric - Drapery (Y05) |
| | 072333-62-000 | YD | Fabric - Drapery (Y06) |
| | 088274-64-000 | YD | Fabric w/Pattern - Upholstery (Y05) |
| | 088274-65-000 | YD | Fabric w/Pattern - Upholstery (Y06) |
| | 088274-68-000 | YD | Fabric - Upholstery Accent (Y05) |
| | 088274-69-000 | YD | Fabric - Upholstery Accent (Y06) |
| | 052859-07-Y05 | FT | Accent Trim (Dinette Seat Back) (Y05) |
| | 052859-07-Y06 | FT | Accent Trim (Dinette Seat Back) (Y06) |
| | 079680-01-000 | YD | Expanded Vinyl - 28 oz. Buckskin |
| | 072860-84-000 | YD | Carpet - Graphite (Y05) |
| | 072860-89-000 | YD | Carpet - Rose Mist (Y06) |
| | 085746-01-000 | FT | Carpet J-Trim |
| | 075233-01-000 | SY | Carpet Pad |

INTERIOR FINISH GROUP (CONTINUED)

CABINETRY & TABLE HARDWARE

| Key | Part Number | U/M | Description |
|-----|---------------|-----|--------------------------------------|
| | M02946-50-Y03 | EA | Table - Dinette - w/o Hardware |
| | 064781-05-000 | EA | Cup Holder - Two Step - Beige |
| | 053200-05-000 | EA | Support - Table - 18.5" - Beige |
| | 088410-01-000 | EA | Hanger - Table - Beige |
| | 024281-07-000 | EA | Bracket - Table Lift |
| | 024275-05-000 | EA | Rod - Table Lift - Tan |
| | 049493-01-000 | EA | Catch - Table Leg |
| | 024276-21-000 | EA | Leg Asm. - Table - Beige |
| | 064050-03-000 | EA | Hinge - Table Leg - Tan |
| | 024282-01-000 | EA | Brace Table Leg |
| | 024283-01-000 | EA | Clip - 1" - 1.25" - OD Tube - Black |
| | 004354-01-000 | EA | Rubber Bumper - Brown |
| | 009112-01-000 | EA | Flange - 1" - Off White |
| | 077409-01-000 | EA | Slide - Drawer - Plastic - 20.75" |
| | 009021-01-000 | EA | Catch - Nylon - Furnace Door |
| | 009021-02-000 | EA | Strike - Nylon Catch - Furnace Door |
| | 074493-02-000 | EA | Support - Sprung - Door |
| | 058034-02-000 | EA | Latch - Door w/o Lock - Sliding Door |
| | 064467-01-000 | EA | Guide - Wall Mount - Door Pocket |
| | 088264-01-000 | EA | Pull - Brass - Polished |
| | 059777-02-000 | EA | Hinge - Light Brass |
| | 009016-01-000 | EA | Catch - Elbow - Spring Loaded |
| | 093586-03-000 | EA | Catch - Spring Roller |
| | 093586-04-000 | EA | Strike - Spring Steel |

CURTAIN & CUSHION HARDWARE

| Key | Part Number | U/M | Description |
|-----|---------------|-----|--|
| | 039175-02-000 | EA | Bracket - Curtain Rod - Cafe |
| | 039175-05-000 | EA | Bracket - Curtain Rod - Center |
| | 056003-02-000 | EA | Bracket - Drapery Retainer - Left |
| | 056003-01-000 | EA | Bracket - Drapery Retainer - Right |
| | 084434-01-000 | EA | Bracket - Roller Shade - 1 3/8" |
| | 093175-03-000 | EA | Rod - Cafe Curtain - Extension - 28" - 48" |
| | 039175-01-000 | EA | Rod - Cafe Curtain - Extension - 48" - 84" |
| | 048394-02-000 | YD | Tape Hood - .75" x 50 Yd. - Beige |
| | 048395-02-000 | YD | Tape Loop - .75" x 50 YD - Beige |
| | 029090-01-000 | FT | Tie - Drapery - Clear Vinyl |
| | 091904-01-000 | EA | Track - Curtain - Light Beige |
| | 089335-01-000 | FT | Track - Curtain - Brown Plastic |

1989 WINNEBAGO TABLE OF CONTENTS

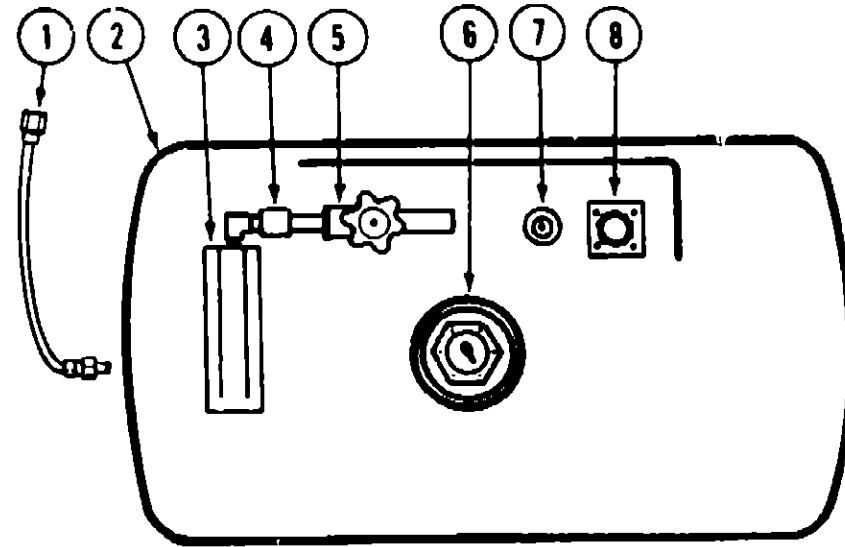
WC/F420RG
WC/F421RB

A-01 - B-22
B-23 - D-15

1989 WC/F421RB INDEX

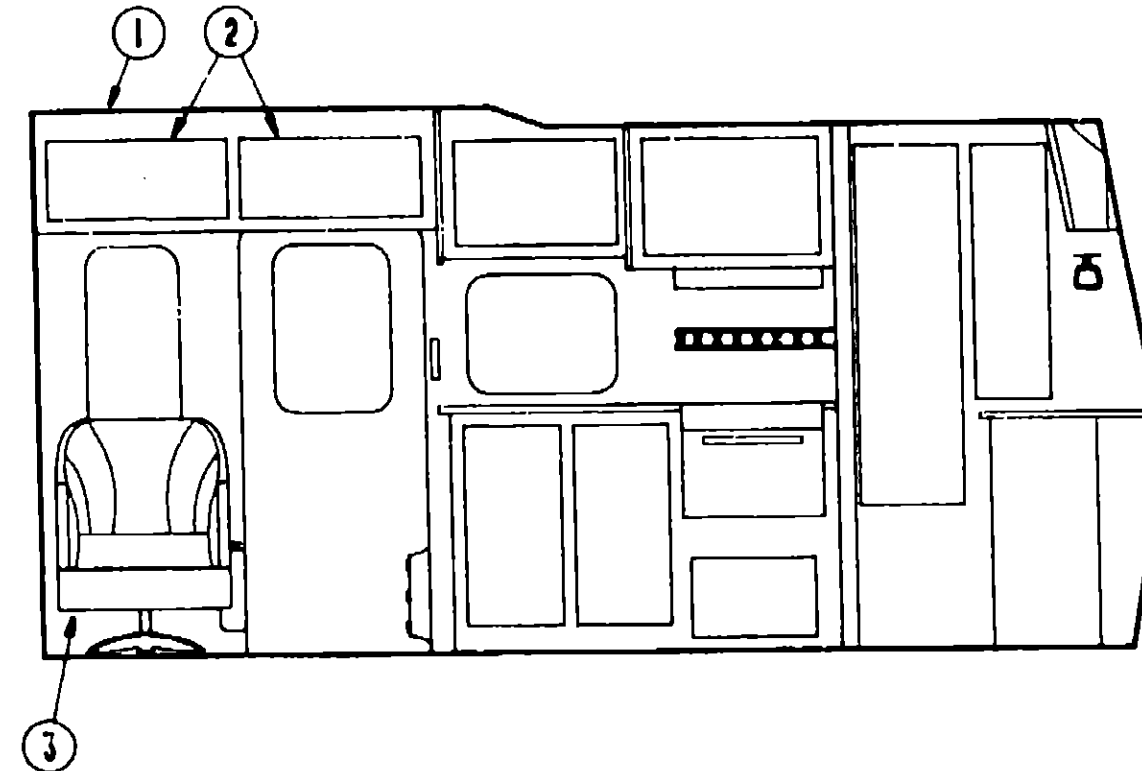
| | |
|------------------------------------|-------------|
| Floor Plan | B-23 - B-24 |
| Accessories Group | C-01 - C-02 |
| Bath Group | C-03 |
| Chassis Group | C-04 - C-05 |
| Curtain, Cushion & Pad Group | C-06 - C-10 |
| Dinette Group | C-11 - C-12 |
| Driver's Compartment Group | C-13 - C-14 |
| Electrical Group | C-15 - C-16 |
| Exterior Body Group | C-17 - C-22 |
| Galley Group | C-23 |
| Heating & Air Conditioning Group | C-24 |
| Interior Finish Group | D-01 - D-02 |
| LP Group | D-03 |
| Lounge Group | D-04 |
| Water & Sewage Group | D-05 |
| Window, Vent & Exterior Door Group | D-06 - D-15 |

LP GROUP



| Key | Part Number | U/M | Description |
|-----|---------------|-----|--|
| 1 | 045703-03-000 | EA | Hose Asm. - LP - 3/8" ID x 18" |
| 2 | 080450-01-000 | EA | LP Tank - 42 Pound - 13" x 24" |
| 3 | 081938-01-000 | EA | Cover - LP Regulator |
| 3 | 076301-01-000 | EA | Regulator - Two Stage |
| 4 | 090976-02-000 | EA | Safety Valve - Electric |
| 5 | 040421-01-703 | EA | Valve - Vapor Relief |
| 6 | 040421-01-707 | EA | Gauge - Float - w/Visible Dial |
| 6 | 040421-01-706 | EA | Dial - Visible Face - Float Gauge |
| 6 | 040440-01-000 | EA | Dial - Visible Face - Float Gauge (w/Electric Transmitter) |
| 7 | 040421-01-700 | EA | Gauge - Liquid Level |
| 8 | 040421-01-701 | EA | Valve - Filler |
| 8 | 040421-01-702 | EA | Cap - Filler Valve |
| 8 | 040421-01-711 | EA | Inner Tank Valve - 80% Fill |
| | 065741-01-000 | EA | Gauge - Diaphragm Pressure - Test Leak |
| | 097395-01-000 | EA | LP Gas Leak Detector |

LOUNGE GROUP



LOUNGE OVERHEAD & CABINERY

| Key | Part Number | U/M | Description |
|-----|---------------|-----|---|
| 1 | M92454-01-Y05 | EA | Cabinet Asm. - Entrance Door Overhead |
| 2 | M88304-51-Y05 | EA | Door Asm. - Side Overhead - w/o Hardware |
| 3 | 092389-02-Y05 | EA | Swivel Chair Asm. (Starlet II) Used up to 1/22/89 |
| 3 | 092389-02-Y06 | EA | Swivel Chair Asm. (Starlet II) Used up to 1/22/89 |
| 3 | M92389-02-Y05 | EA | Cover Asm. (Starlet II) Used up to 1/22/89 |
| 3 | M92389-02-Y06 | EA | Cover Asm. (Starlet II) Used up to 1/22/89 |
| 3 | 096100-01-Y05 | EA | Swivel Chair (Anthem) Used from 1/23/89 |
| 3 | 096100-01-Y06 | EA | Swivel Chair (Anthem) Used from 1/23/89 |
| 3 | M96100-01-Y05 | EA | Cover Asm. (Anthem) Used from 1/23/89 |
| 3 | M96100-01-Y06 | EA | Cover Asm. (Anthem) Used from 1/23/89 |
| | 088245-01-000 | EA | Base w/Legs |
| | 088245-03-000 | EA | Swivel Plate |
| | 088245-06-000 | EA | Extension - 7" |
| | 093481-03-000 | EA | Top Plate w/Lock - Pedestal |

**1989 WINNEBAGO
TABLE OF CONTENTS**

WC/F420RG
WC/F421RB

A-01 - B-22
B-23 - D-15

1989 WC/F421RB INDEX

| | |
|------------------------------------|-------------|
| Floor Plan | B-23 - B-24 |
| Accessories Group | C-01 - C-02 |
| Bath Group | C-03 |
| Chassis Group | C-04 - C-05 |
| Curtain, Cushion & Pad Group | C-06 - C-10 |
| Dinette Group | C-11 - C-12 |
| Driver's Compartment Group | C-13 - C-14 |
| Electrical Group | C-15 - C-16 |
| Exterior Body Group | C-17 - C-22 |
| Galley Group | C-23 |
| Heating & Air Conditioning Group | C-24 |
| Interior Finish Group | D-01 - D-02 |
| LP Group | D-03 |
| Lounge Group | D-04 |
| Water & Sewage Group | D-05 |
| Window, Vent & Exterior Door Group | D-06 - D-15 |

WATER & SEWAGE GROUP

PLUMBING & REPAIR PARTS

| Key | Part Number | U/M | Description |
|-----|---------------|-----|--|
| | 062422-01-000 | EA | Adapter - Hose Offset - Reducer - 3" x 1 1/2" |
| | 052954-01-000 | EA | Adapter - Hose Cone - 3/8 or 1/2 - Plastic |
| | 004020-01-000 | QT | Adhesive - ABS Cement |
| | 010121-01-000 | EA | Bushing - Plastic - 1 1/2 S x 1 1/4 H |
| | 010147-01-000 | EA | Closet Flange - US |
| | 010147-02-000 | EA | Closet Flange - CSA |
| | 011091-02-000 | EA | Continuous Waste - Double Sink - 11 7/8" - US |
| | 078406-01-000 | EA | Coupler Rubber - 3" x 3" |
| | 010006-01-000 | EA | Elbow - Plastic - 1/8 BD x 1 1/2 x 45° H x H |
| | 010008-01-000 | EA | Elbow - Plastic - 1/4 BD x 1 1/2 x 90° Long Turn |
| | 010051-01-000 | EA | Elbow - ST - Plastic - 1/8 BD x 1 1/2 x 45° |
| | 031111-01-000 | EA | Elbow - Plastic - 1/4 BD x 1 1/4 x 90° Long Turn |
| | 052957-01-000 | EA | Elbow - Plastic - 1/2 F x 3/8 MPT |
| | 037101-02-000 | EA | Elbow - Plastic - 1/4 BD Vent 1 1/2" H |
| | 070924-01-000 | EA | Elbow - Plastic - Swivel - 1/2 MPT x 1/2 FP |
| | 077954-02-000 | EA | Filter & Screen (Water Tank) |
| | 079381-01-000 | FT | Flexible Tubing - 1 1/4 ID x 10' |
| | 061607-01-000 | EA | Grommet - Holding Tank Coupler - 1 1/2" |
| | 061607-02-000 | EA | Grommet - Holding Tank Coupler - 3" |
| | 052952-01-000 | EA | Nut - 1/2 F - Plastic |
| | 011066-03-000 | EA | P-Trap - 1 1/4" Plastic - US |
| | 010197-01-000 | FT | Pipe - Plastic - 3" x 240" - Black |
| | 045729-02-000 | EA | Pump - Water - 2.8 G.P.M. - Direct Drive - Shurflo - CSA |
| | 010201-01-000 | EA | Sewer Hose - 3" x 8' w/Clamp |
| | 042989-05-000 | EA | Spinweld Fitting - Plastic - 1/2 FPT |
| | 042989-03-000 | EA | Spinweld Fitting - Plastic - 1/4 NPT |
| | 042989-04-000 | EA | Spinweld Fitting - Plastic - 3/8 FPT |
| | 049032-01-000 | EA | Spinweld Patch - Plastic 3/8" |
| | 011069-03-000 | EA | Tailpiece - 1 1/2" x 1 3/4" x 4" - Plastic |
| | 010071-01-000 | EA | Tee - Plastic - 1 1/2 x H x H x H |
| | 011079-01-000 | EA | Tee - Plastic - 1 1/2 H x 1 1/2 H x 1 1/4 H |
| | 052955-01-000 | EA | Tee - Plastic - 1/2 F x 1/2 F x 1/2 MPT |
| | 052958-01-000 | EA | Tee - Plastic - 1/2 F x 1/2 F x 1/2 F |
| | 039800-01-000 | FT | Tubing - Polybutyl - 1/2 OD (Water Line) |
| | 079381-01-000 | FT | Tubing - Flexible - Smooth - 1.25 ID |
| | 074482-02-000 | FT | Tubing - Vinyl - 3/8 ID |
| | 062421-01-000 | EA | Valve - 1/2" w/Handle - Dump |
| | 052960-01-000 | EA | Valve - Line Drain - 1/2 F x 1/2 F |
| | 079968-01-000 | EA | Vent - Mechanical - Trap Arm |
| | 010073-01-000 | EA | Wye - 45° - 1 1/2 H x 1 1/2 H x 1 1/2 H |

HOLDING TANKS & WATER HEATER

| Key | Part Number | U/M | Description |
|-----|--|-----|--|
| | 077989-03-000 | EA | Tank Asm. - Water - 35 Gallon - w/Fittings |
| | 077989-01-000 | EA | Tank - Water - 35 Gallon - w/o Fittings |
| | 054033-01-000 | EA | Tank - Holding - 32 Gallon - w/o Fittings - Main |
| | 083289-01-000 | EA | Tank - Holding - 25 Gallon - w/o Fittings - Aux. |
| ** | 051391-03-000 | EA | Water Heater - w/Electronic Ignition - G6A-3E |
| ** | The illustrated parts breakdown for this item is provided on the Common Items Fiche. | | |

WINDOW, VENT & EXTERIOR DOOR GROUP

ACCESS DOORS

| Key | Part Number | U/M | Description |
|-----|---------------|-----|---|
| | 079455-03-T95 | EA | Door Asm. - LP |
| | 079455-06-T95 | EA | Door Asm. - Battery |
| | M79321-01-T03 | EA | Door Asm. - Generator - w/o Battle |
| | 079149-01-T03 | EA | Door Asm. - Luggage (Gen) |
| | 084103-03-000 | EA | Door - Refrigerator Access |
| | 084104-03-000 | EA | Door Jamb - Refrigerator Vent |
| | 052009-01-000 | EA | Door Asm. - Water Heater Access |
| | 078010-03-000 | EA | Door Asm. - Fuel Fill - Off White |
| | 088794-01-000 | EA | Door - Power Cord - w/Hatch |
| | 088794-10-000 | EA | Hatch - Power Cord Door |
| | 083815-06-000 | EA | Door Holder - Off White Plastic |
| | 042441-01-000 | EA | Lock Asm. - Key Type (Gas Fill) |
| | 079927-03-000 | EA | Lock Asm. - Twist Type (Battery) |
| | 083223-03-000 | EA | Lock Asm. - Key Type w/Clip (Luggage) |
| | 052950-01-000 | EA | Lock Asm. Kit - Twist Type w/Clip (Generator) |
| | 052951-01-000 | EA | Clip - Twist - Lock Retainer |
| | 079366-04-000 | EA | Lock Asm. - Key Type (Battery) |
| | 077408-02-000 | EA | Lock Asm. - Key Type (Luggage) |
| | 079368-01-000 | FT | Seal - Access Door |
| | 084067-01-000 | FT | Seal - e - Rubber |

VENTS

| Key | Part Number | U/M | Description |
|-----|---------------|-----|---|
| | 065103-02-000 | EA | Cover - Refrigerator Vent - 9.88" x 20.5" - Plastic |
| | 065103-01-000 | EA | Frame Asm. - Refrigerator Vent - 8.17" x 22.94" - Plastic |
| | 055218-01-000 | EA | Cover Asm. - Roof Vent |
| | 084878-01-000 | EA | Vent - Stovehood - Outside - Off White |
| | 052586-01-000 | EA | Ventilator - Round Skylight - Non-Powered |
| | 048835-01-000 | EA | Vent Asm. - Roof - Non-Powered - w/o Screen |
| | 090394-01-Y12 | EA | Vent Asm. - Roof - Powered - w/o Screen |
| | 084079-03-000 | EA | Vent Asm. - Roof - Powered (Fantastic) |
| | 078785-01-Y12 | EA | Screen Asm. - Roof Vent |
| | 078786-01-Y12 | EA | Screen Asm. - Roof Vent - Non-Powered |
| | 083558-01-000 | EA | Roof Vent - Pipe Cover |
| | 084818-01-000 | EA | Shroud Vent - Range Hood |

1989 WINNEBAGO TABLE OF CONTENTS

WC/F420RG
WC/F421RB

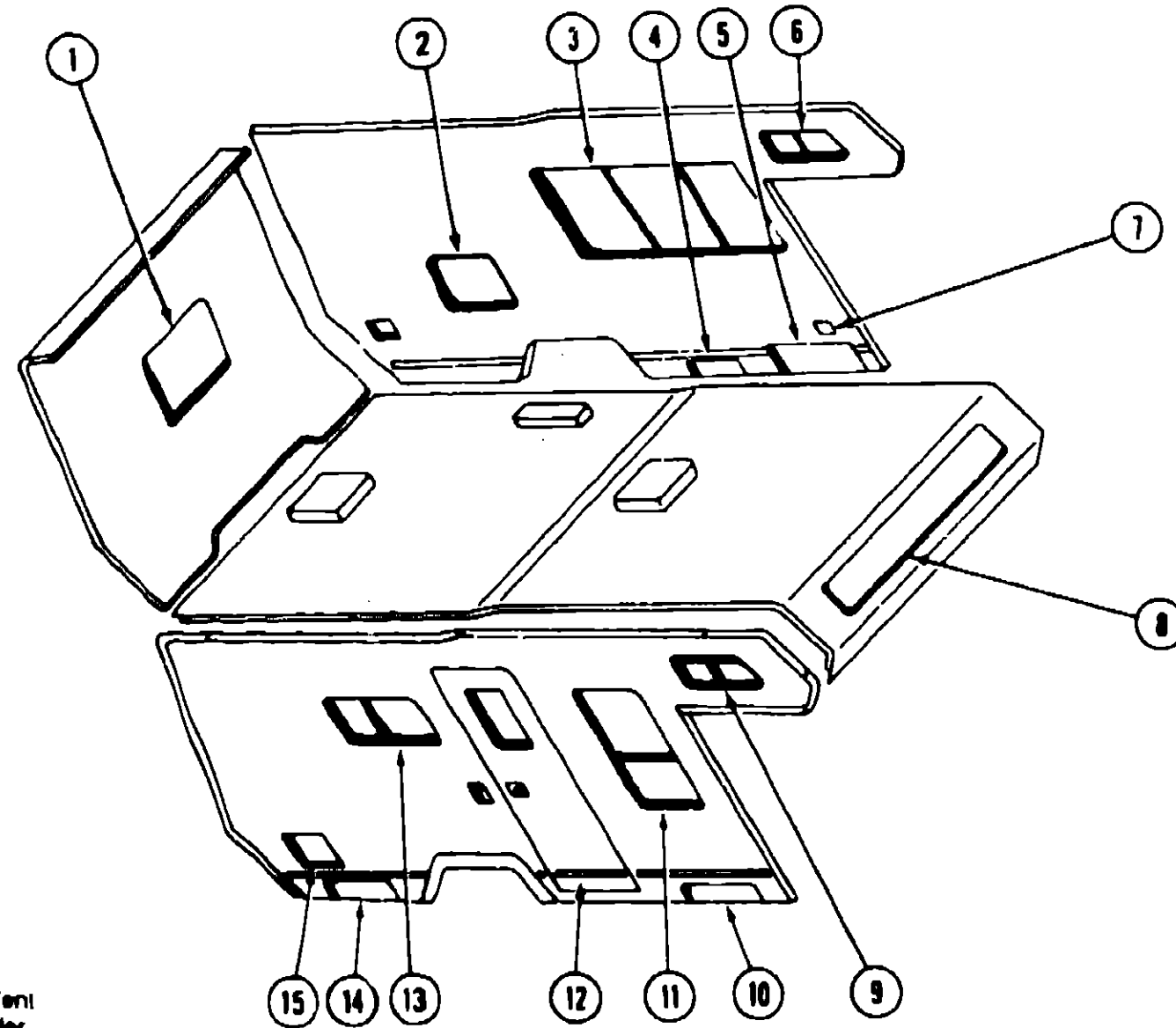
A-01 - B-22
B-23 - D-15

1989 WC/F421RB INDEX

| | |
|------------------------------------|-------------|
| Floor Plan | B-23 - B-24 |
| Accessories Group | C-01 - C-02 |
| Bath Group | C-03 |
| Chassis Group | C-04 - C-05 |
| Curtain, Cushion & Pad Group | C-06 - C-10 |
| Dinette Group | C-11 - C-12 |
| Driver's Compartment Group | C-13 - C-14 |
| Electrical Group | C-15 - C-16 |
| Exterior Body Group | C-17 - C-22 |
| Galley Group | C-23 |
| Heating & Air Conditioning Group | C-24 |
| Interior Finish Group | D-01 - D-02 |
| LP Group | D-03 |
| Lounge Group | D-04 |
| Water & Sewage Group | D-05 |
| Window, Vent & Exterior Door Group | D-06 - D-15 |

WINDOW, VENT & EXTERIOR DOOR GROUP (CONTINUED)

WINDOWS & ACCESS DOORS



| Key | Part Number | U/M | Description |
|-----|---------------|-----|---------------------------------|
| 1 | 079415-01-T03 | EA | Window Asm. - Escape |
| 2 | 084103-03-000 | EA | Door - Refrigerator Access |
| 2 | 084104-03-000 | EA | Door Jamb - Refrigerator Vent |
| 3 | 078269-04-X11 | EA | Window Asm. - Double Slider |
| 4 | 079455-08-T95 | EA | Door Asm. - Storage |
| 5 | M79321-01-T03 | EA | Door Asm. - Generator |
| 5 | 079149-01-T03 | EA | Door Asm. - Luggage |
| 6 | 088227-02-000 | EA | Window Asm. - Bunk Slant Slider |
| | 088228-02-000 | EA | Inside Frame - Bunk - Beige |
| 7 | 088794-01-000 | EA | Door Asm. - Power Cord w/Hatch |
| 8 | 078533-04-X08 | EA | Window Asm. - Front Picture |
| 9 | 088227-01-000 | EA | Window Asm. - Bunk Slant Slider |
| | 088228-05-000 | EA | Inside Frame - Bunk - Beige |
| 10 | 079455-03-T95 | EA | Door Asm. - LP |
| 11 | 078453-01-T03 | EA | Window Asm. - Vertical Slider |
| 12 | M01870-21-Y06 | EA | Door Asm. - Entry w/Screen Door |
| | M01870-21-Y06 | EA | Door Asm. - Entry w/Screen Door |
| | 079733-04-T03 | EA | Window Asm. - Picture |
| 13 | 078266-02-T03 | EA | Window Asm. - Slider |
| 14 | 083264-01-U01 | EA | Door Asm. - Storage |
| 15 | 052009-01-000 | EA | Door Asm. - Water Heater |
| | 078010-03-000 | EA | Door - Fuel Fill - Off White |

1989 WINNEBAGO TABLE OF CONTENTS

WC/F420RG
WC/F421RB

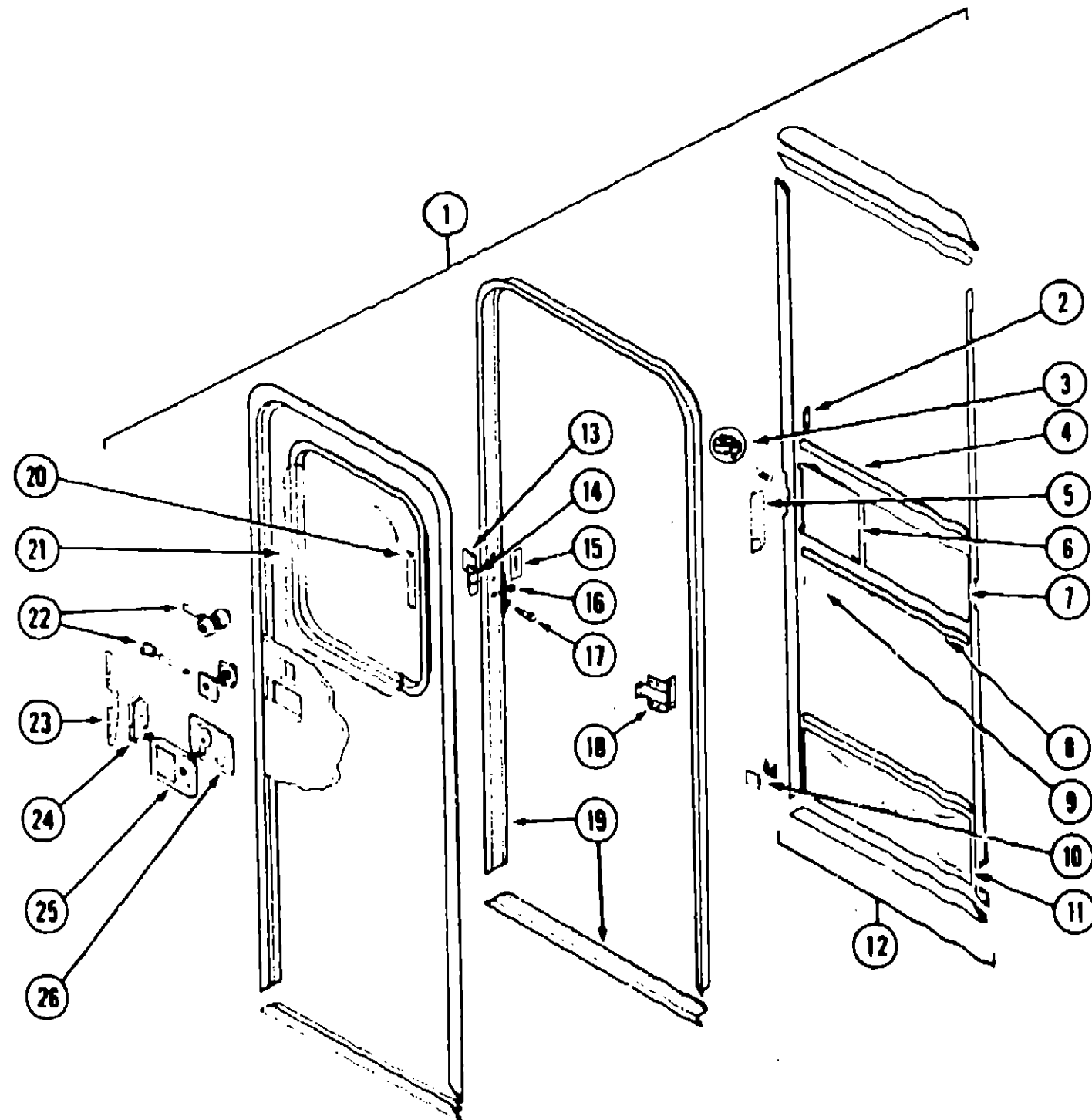
A-01 - B-22
B-23 - D-15

1989 WC/F421RB INDEX

| | |
|------------------------------------|-------------|
| Floor Plan | B-23 - B-24 |
| Accessories Group | C-01 - C-02 |
| Bath Group | C-03 |
| Chassis Group | C-04 - C-05 |
| Curtain, Cushion & Pad Group | C-06 - C-10 |
| Dinette Group | C-11 - C-12 |
| Driver's Compartment Group | C-13 - C-14 |
| Electrical Group | C-15 - C-16 |
| Exterior Body Group | C-17 - C-22 |
| Galley Group | C-23 |
| Heating & Air Conditioning Group | C-24 |
| Interior Finish Group | D-01 - D-02 |
| LP Group | D-03 |
| Lounge Group | D-04 |
| Water & Sewage Group | D-05 |
| Window, Vent & Exterior Door Group | D-06 - D-15 |

WINDOW, VENT & EXTERIOR DOOR GROUP (CONTINUED)

ENTRANCE DOOR



| Key | Part Number | U/M | Description |
|-----|---------------|-----|--|
| 1 | M01870-21-Y05 | EA | Door Asm. - w/Screen Door |
| 1 | M01870-21-Y06 | EA | Door Asm. - w/Screen Door |
| 2 | 050712-05-000 | EA | Door Handle - Screen Door |
| 3 | 009018-01-000 | EA | Roller Catch |
| | 009018-01-000 | EA | Elbow Catch - Spring Loaded |
| 4 | 078592-01-000 | EA | Screen Door Mullion - Upper & Lower Slider |
| | 078777-01-000 | EA | Slider Channel (Mullion Insert) |
| 5 | 079087-02-000 | EA | Screen Door Slider Strike |
| 6 | 079088-02-000 | EA | Screen Door Slider |
| 7 | 018454-01-000 | EA | Screen Door Insert |
| 8 | 002294-01-000 | FT | Spline - Black |
| 9 | 002293-02-000 | SF | Window Screen - 26" Charcoal |
| 10 | 085774-01-000 | FT | Dual Lock Fastener - 1" Wide - Black |
| 10 | 085774-02-000 | FT | Dual Lock Fastener - 1" Wide - Black |
| 11 | 078552-01-000 | EA | Screen Door Insert - Lower |
| 12 | 079012-01-U01 | EA | Screen Door Asm. |
| 13 | 077481-03-000 | EA | Strike Cover |
| 14 | 041546-03-000 | EA | Angle Bracket |
| 15 | 079173-01-000 | EA | Deadbolt Gasket |
| 16 | 058906-01-000 | EA | Plug - Tapered Plastic |
| 17 | 039539-01-000 | EA | Strike |
| 18 | 079361-05-000 | EA | Hinge |
| 19 | 095277-02-01A | EA | Door Jamb |
| 20 | 087581-01-000 | FT | Window Seal |
| 21 | 002181-06-000 | EA | Glass |
| | 079733-04-T03 | EA | Window Asm. w/o Inside Frame |
| | 087809-03-000 | EA | Inside Frame - Window Asm. |
| 22 | 083205-01-000 | EA | Deadbolt Asm. |
| 22 | 095229-01-01A | EA | Deadbolt Asm. - Square - Black |
| 23 | 075739-02-000 | EA | Stiffener |
| 24 | 039540-01-000 | EA | Latch Asm. - Hook |
| 25 | 045017-05-000 | EA | Latch Asm. - Plate |
| 25 | 045017-10-000 | EA | Latch Asm. - Plate - Black |
| 26 | 039979-01-000 | EA | Cover Asm. - Latch Plate |
| 26 | 039979-03-000 | EA | Cover Asm. - Latch Plate - Black |
| | 039984-01-000 | EA | Cap - Black Vinyl - Lock Grip |
| | 075873-01-000 | FT | Seal - Pile - Adhesive Back |
| | 075871-01-000 | FT | Seal - Sponge - Lazy T Shape |
| | 075839-04-000 | EA | Garnish - Radius - Entrance Door |

1989 WINNEBAGO TABLE OF CONTENTS

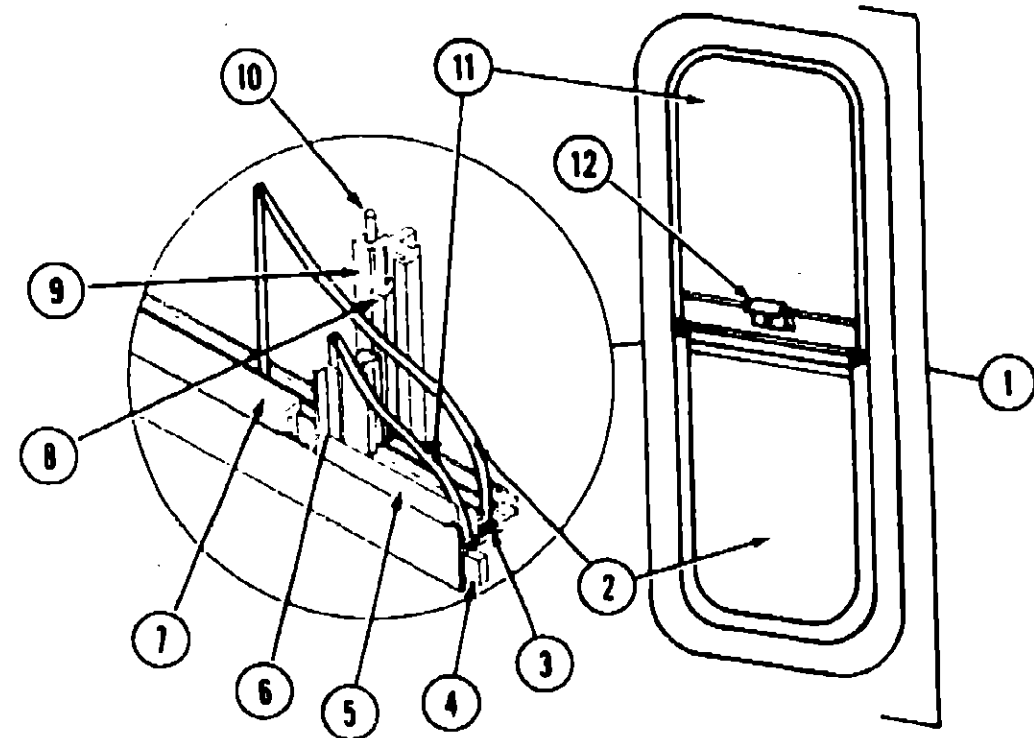
WC/F420RG
WC/F421RB

A-01 - B-22
B-23 - D-15

1989 WC/F421RB INDEX

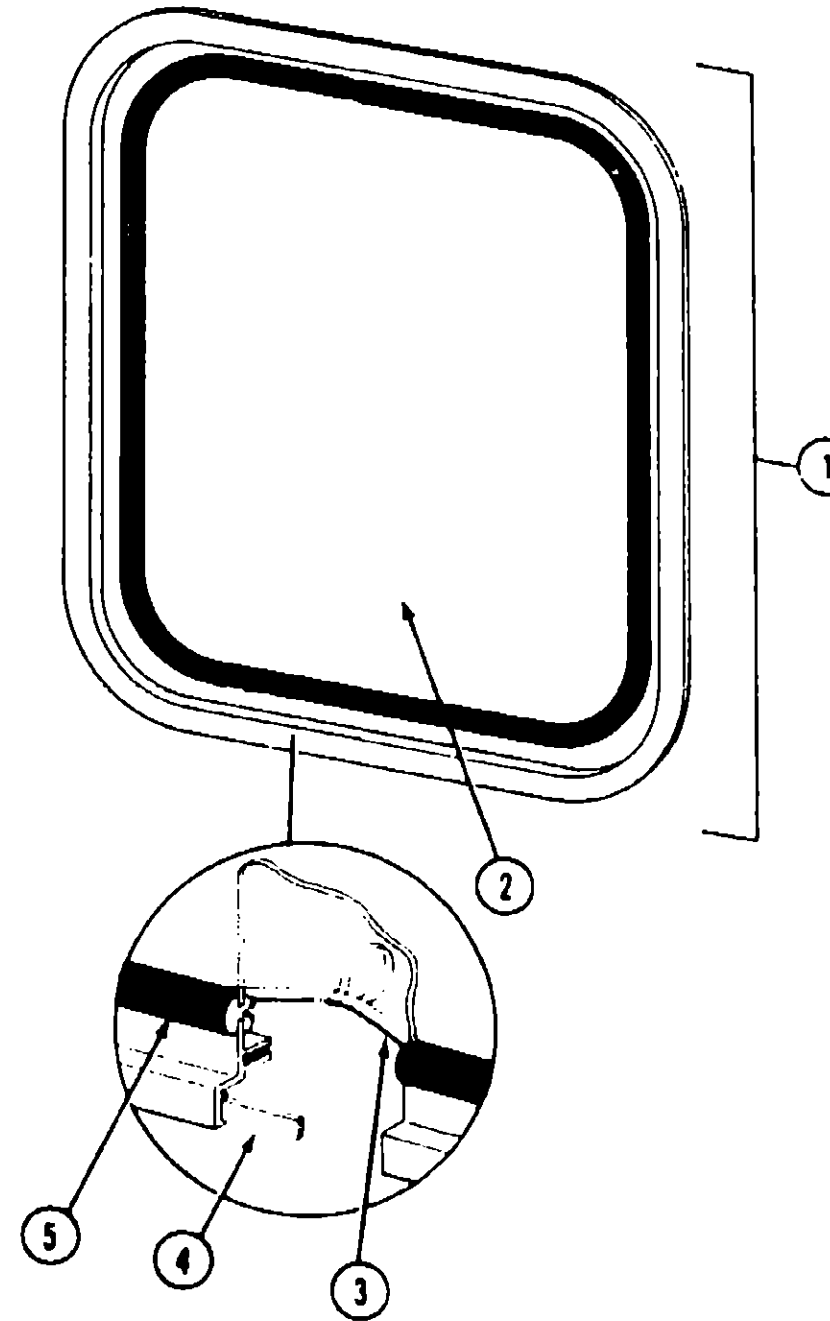
| | |
|------------------------------------|-------------|
| Floor Plan | B-23 - B-24 |
| Accessories Group | C-01 - C-02 |
| Bath Group | C-03 |
| Chassis Group | C-04 - C-05 |
| Curtain, Cushion & Pad Group | C-06 - C-10 |
| Dinette Group | C-11 - C-12 |
| Driver's Compartment Group | C-13 - C-14 |
| Electrical Group | C-15 - C-16 |
| Exterior Body Group | C-17 - C-22 |
| Galley Group | C-23 |
| Heating & Air Conditioning Group | C-24 |
| Interior Finish Group | D-01 - D-02 |
| LP Group | D-03 |
| Lounge Group | D-04 |
| Water & Sewage Group | D-05 |
| Window, Vent & Exterior Door Group | D-06 - D-15 |

WINDOW, VENT & EXTERIOR DOOR GROUP (CONTINUED)



| Key | Part Number | U/M | Description |
|-----|---------------|-----|--|
| 1 | 078453-01-T03 | EA | Window Asm. - Vertical Slider - 37" x 15" - Black (w/o inside frame) |
| | 083122-01-000 | EA | Inside Frame - Beige (not included in assembly) |
| 2 | 081980-03-000 | EA | Glass - Slider - 1/8" x 14.4" x 19" |
| 3 | 002324-02-000 | FT | Channel - Weatherstrip - Glass Run - 1/8" Glass |
| 4 | 089840-06-000 | FT | Ribbon Sealer - 5/16" x 15' |
| 5 | 002309-02-000 | FT | Spline - Glass - 1/8" Material - Black |
| 6 | M69886-03-007 | EA | Seal Holder w/Fin Seal - Black |
| 7 | 057374-02-000 | FT | Extr. Rubber - Window Seal - Black |
| 8 | 073740-01-000 | FT | Seal - Fin - Pile - .460" |
| 9 | 078582-01-000 | EA | Mullion - Slider Window - Black |
| 10 | 002298-02-000 | FT | Spline - .130" Dia. - Charcoal (Screen) |
| 11 | 081984-02-000 | EA | Glass - Stationary - 1/8" x 14.4" x 19" |
| 12 | 047389-01-700 | EA | Latch Kit - Window - Plastic w/Fastener |
| | 079204-01-000 | EA | Bracket - Mullion - Black |
| | 002291-02-000 | SF | Screen - Window 16" - Charcoal |

WINDOW, VENT & EXTERIOR DOOR GROUP (CONTINUED)



| Key | Part Number | U/M | Description |
|-----|---------------|-----|--|
| 1 | 078415-01-T03 | EA | Window Asm. - Rear Escape - 23" x 29" - Black (w/o inside frame) |
| | 020749-05-000 | EA | Inside Frame - Beige (not included in assembly) |
| 2 | 002174-02-000 | EA | Glass - 1/8" x 19.6" x 25.9" |
| 3 | 002285-01-000 | FT | Filler Weatherstrip - Black |
| 4 | 089840-05-000 | FT | Ribbon Sealer - 5/16" Bead x 15' |
| 5 | 002282-01-000 | FT | Weatherstrip - 1.25" Window |
| | 008199-01-000 | EA | Label - Exit - Escape Window |

1989 WINNEBAGO
TABLE OF CONTENTS

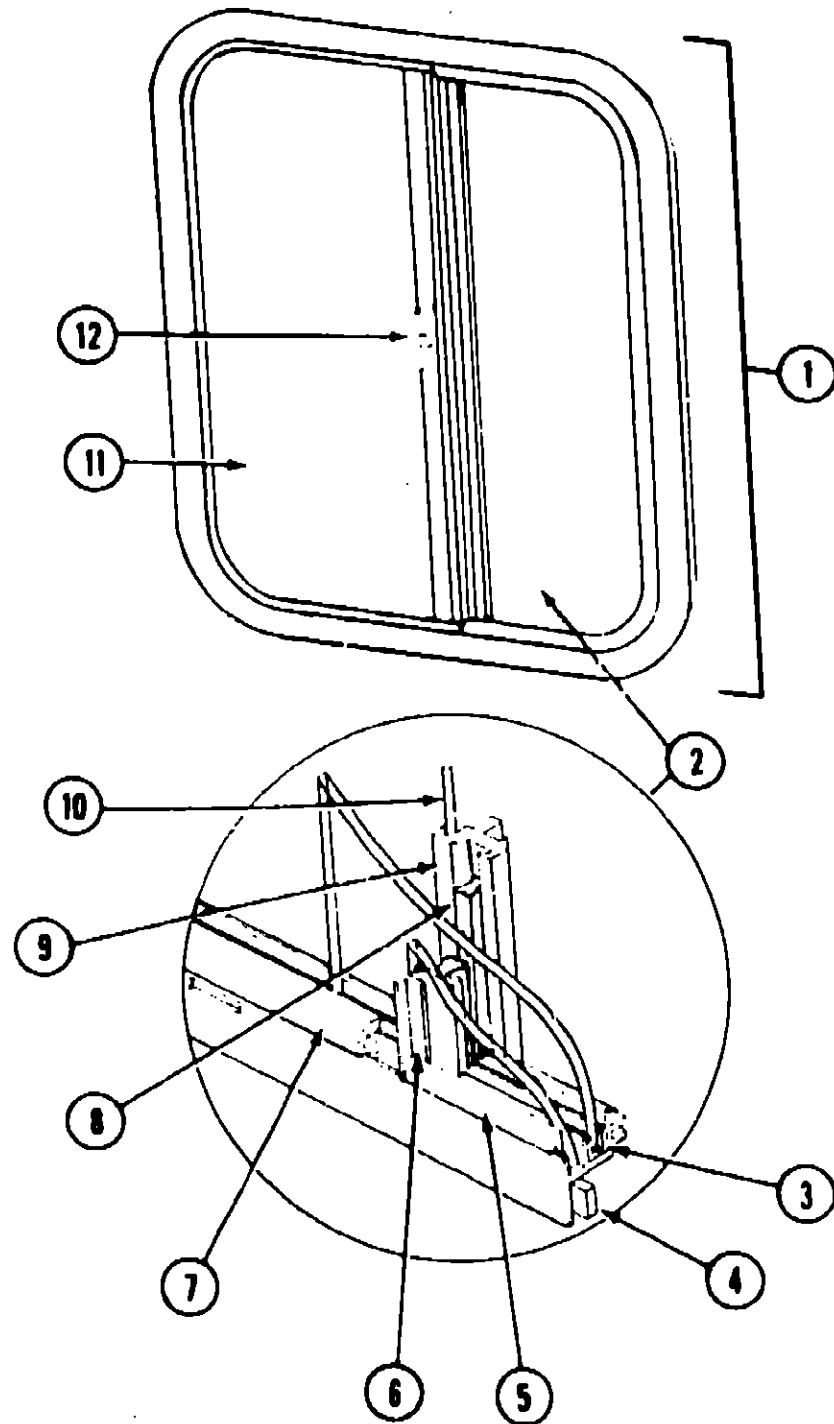
WC/F420RG
WC/F421RB

A-01 - B-22
B-23 - D-15

1989 WC/F421RB INDEX

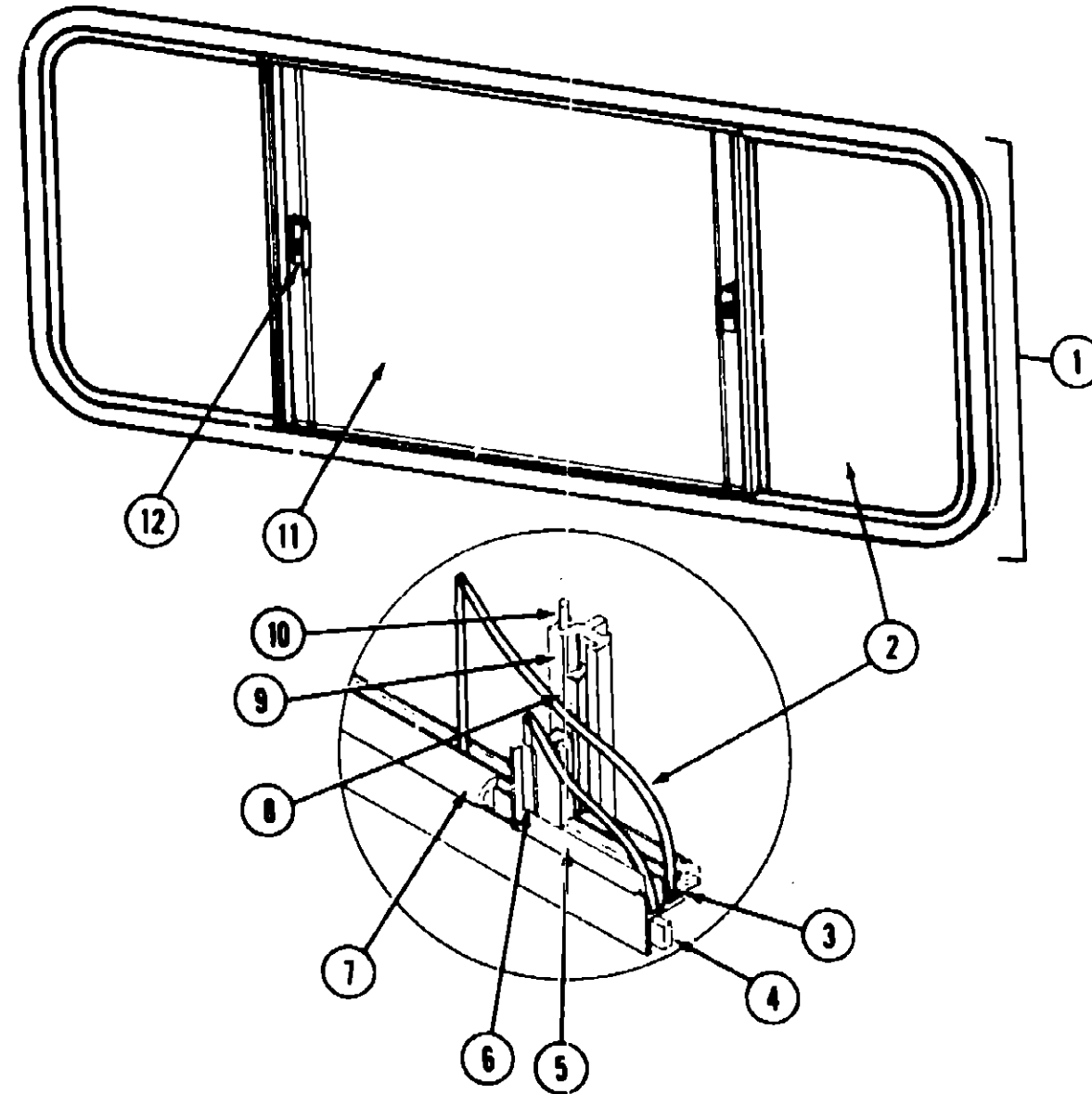
| | |
|------------------------------------|-------------|
| Floor Plan | B-23 - B-24 |
| Accessories Group | C-01 - C-02 |
| Bath Group | C-03 |
| Chassis Group | C-04 - C-05 |
| Curtain, Cushion & Pad Group | C-06 - C-10 |
| Dinette Group | C-11 - C-12 |
| Driver's Compartment Group | C-13 - C-14 |
| Electrical Group | C-15 - C-16 |
| Exterior Body Group | C-17 - C-22 |
| Galley Group | C-23 |
| Heating & Air Conditioning Group | C-24 |
| Interior Finish Group | D-01 - D-02 |
| LP Group | D-03 |
| Lounge Group | D-04 |
| Water & Sewage Group | D-05 |
| Window, Vent & Exterior Door Group | D-06 - D-15 |

WINDOW, VENT & EXTERIOR DOOR GROUP (CONTINUED)



| Key | Part Number | U/M | Description |
|-----|---------------|-----|---|
| 1 | 078268-02-T03 | EA | Window Asm. - Black (w/o inside frame) |
| | 083122-01-000 | EA | Inside Frame - Beige (not included in assembly) |
| 2 | 081980-05-000 | EA | Glass - Sliding - 1/8" x 19" x 13.88" |
| 3 | 002324-02-000 | FT | Channel - Weatherstrip - Glass |
| 4 | 069640-06-000 | FT | Ribbon Sealer - 5/16" Bead x 15' |
| 5 | 002309-02-000 | FT | Spline - Glass - 1/8" Material - Black |
| 6 | M69886-03-011 | EA | Seal - Holder w/Fin Seal - Black |
| 7 | 057374-02-000 | FT | Extr. Vinyl - Window Seal - Black |
| 8 | 073740-01-000 | FT | Seal - Fin - Pile - .480" |
| 9 | 078582-02-000 | EA | Mullion - Slider Window - Black |
| | 002292-02-000 | SF | Screen - Window - 20" - Charcoal |
| 10 | 002298-02-000 | FT | Spline - .130" Dia. - Charcoal (Screen) |
| 11 | 081984-03-000 | EA | Glass - Stationary - 1/8" x 19" x 12.3" |
| 12 | 047369-01-700 | EA | Latch Kit - Window - Plastic w/Fastener |

WINDOW, VENT & EXTERIOR DOOR GROUP (CONTINUED)



DOUBLE SLIDER WINDOW

| Key | Part Number | U/M | Description |
|-----|---------------|-----|---|
| 1 | 078269-04-X11 | EA | Window Asm. - Double Slider (w/o inside frame) |
| | 083122-26-000 | EA | Inside Frame - Double Slider - Beige (not included in assembly) |
| 2 | 081980-10-000 | EA | Glass - Sliding - 1/8" x 30.6" x 19.31" - Gray |
| 3 | 002324-02-000 | FT | Channel - Weatherstrip - Glass |
| 4 | 069640-06-000 | FT | Sealer Ribbon - 5/16" Bead x 15' |
| 5 | 002309-02-000 | FT | Spline - Glass - 1/8" - Black |
| 6 | 069886-03-000 | EA | Seal Holder - 1/8" Glass - Black |
| 7 | 024098-02-000 | FT | Vinyl Window Seal - Black |
| 8 | 073740-01-000 | FT | Fin Seal - .480" Pile |
| 9 | 083926-02-001 | EA | Mullion - Slider Window - Black |
| | 002293-02-000 | SF | Screen - Window - 26" - Charcoal |
| 10 | 002298-02-000 | FT | Spline - .130" Dia. Charcoal (Screen) |
| 11 | 002188-07-000 | EA | Glass - Stationary - 1/8" x 30.7" x 24.75" |
| 12 | 047369-01-700 | EA | Latch Kit - Window - Plastic w/Fastener |

1989 WINNEBAGO
TABLE OF CONTENTS

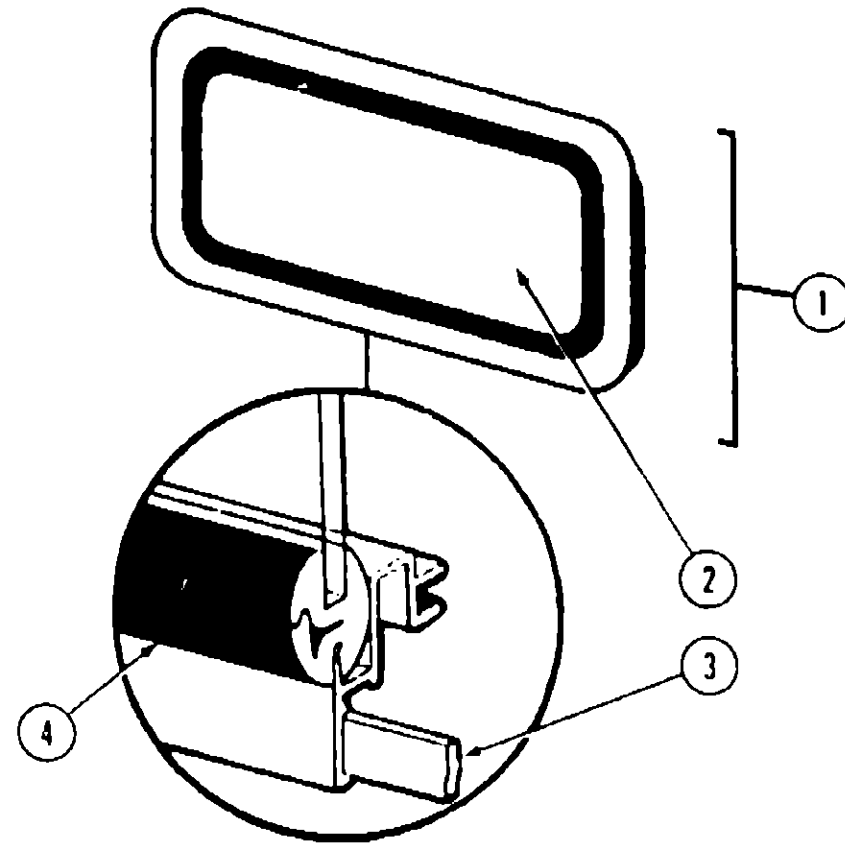
WC/F420RG
WC/F421RB

A-01 - B-22
B-23 - D-15

1989 WC/F421RB INDEX

| | |
|------------------------------------|-------------|
| Floor Plan | B-23 - B-24 |
| Accessories Group | C-01 - C-02 |
| Bath Group | C-03 |
| Chassis Group | C-04 - C-05 |
| Curtain, Cushion & Pad Group | C-06 - C-10 |
| Dinette Group | C-11 - C-12 |
| Driver's Compartment Group | C-13 - C-14 |
| Electrical Group | C-15 - C-16 |
| Exterior Body Group | C-17 - C-22 |
| Galley Group | C-23 |
| Heating & Air Conditioning Group | C-24 |
| Interior Finish Group | D-01 - D-02 |
| LP Group | D-03 |
| Lounge Group | D-04 |
| Water & Sewage Group | D-05 |
| Window, Vent & Exterior Door Group | D-06 - D-15 |

WINDOW, VENT & EXTERIOR DOOR GROUP (CONTINUED)



| Key | Part Number | U/M | Description |
|-----|---------------|-----|--|
| 1 | 078533-04-X08 | EA | Window Asm. - Front Picture - 15" x 30" - Black (w/o inside frame) |
| | 041938-08-000 | EA | Inside Frame - Beige (not included in assembly) |
| 2 | 002200-05-000 | EA | Glass - TP - Picture Window |
| 3 | 089640-06-000 | FT | Ribbon Sealer - 5/16" Bead x 15' |
| 4 | 002281-01-000 | FT | Weatherstrip - Self Seal - .06" Panel x 3/16" - Black |

**1989 WINNEBAGO
TABLE OF CONTENTS**

WC/F420RG
WC/F421RB

A-01 - B-22
B-23 - D-15

1989 WC/F421RB INDEX

| | |
|------------------------------------|-------------|
| Floor Plan | B-23 - B-24 |
| Accessories Group | C-01 - C-02 |
| Bath Group | C-03 |
| Chassis Group | C-04 - C-05 |
| Curtain, Cushion & Pad Group | C-06 - C-10 |
| Dinette Group | C-11 - C-12 |
| Driver's Compartment Group | C-13 - C-14 |
| Electrical Group | C-15 - C-16 |
| Exterior Body Group | C-17 - C-22 |
| Galley Group | C-23 |
| Heating & Air Conditioning Group | C-24 |
| Interior Finish Group | D-01 - D-02 |
| LP Group | D-03 |
| Lounge Group | D-04 |
| Water & Sewage Group | D-05 |
| Window, Vent & Exterior Door Group | D-06 - D-15 |