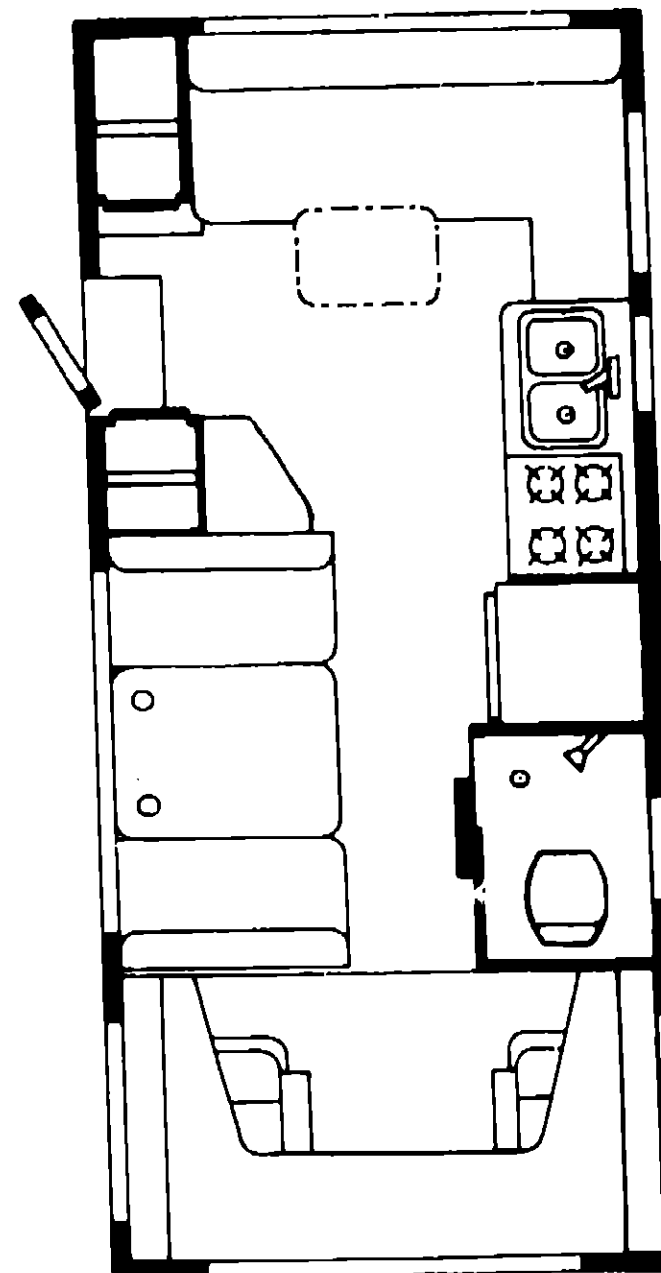


**1989 WINNEBAGO
TABLE OF CONTENTS**

WC/F420RG
WC/F421RB

A-01 - B-22
B-23 - D-15

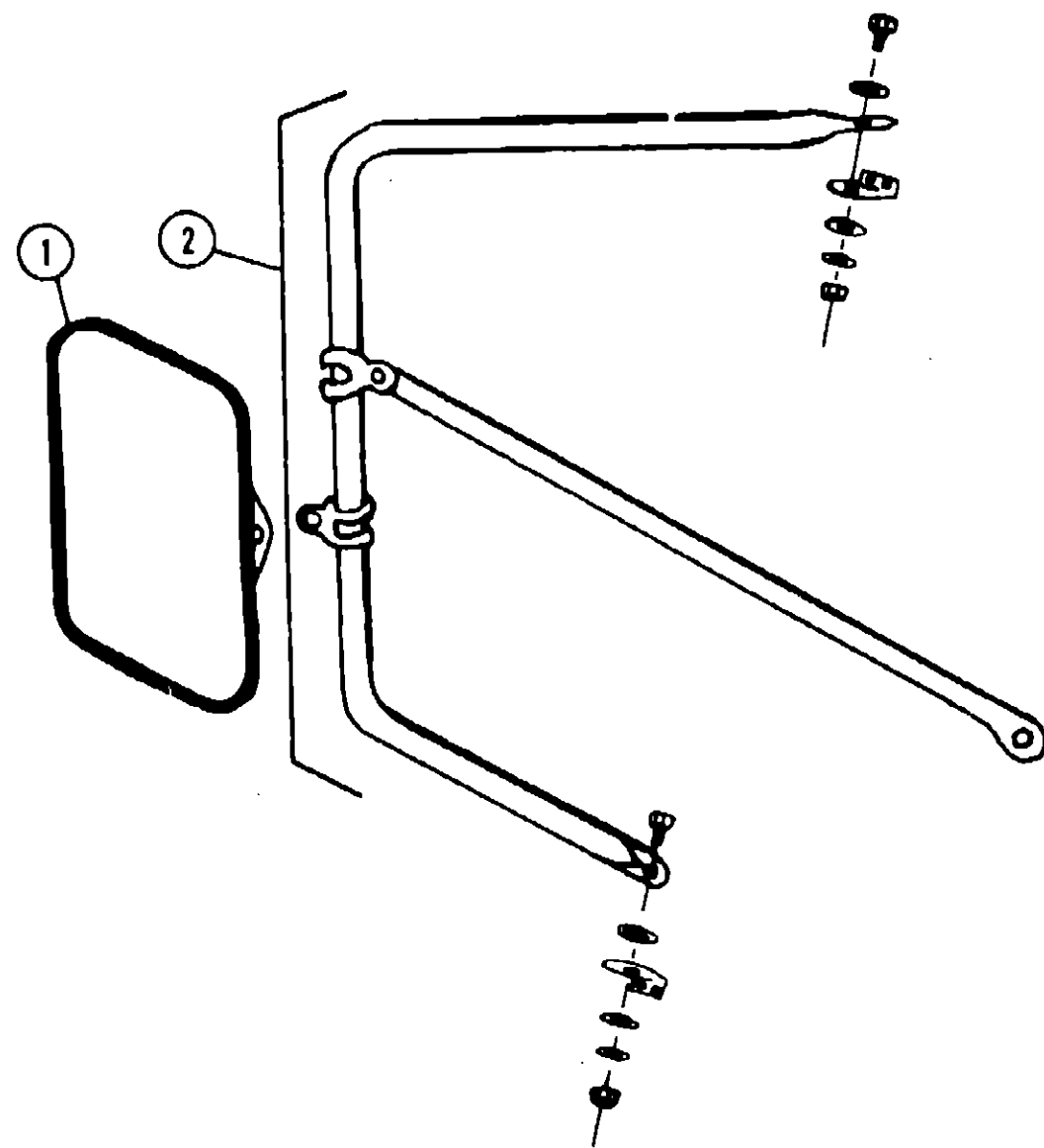
**1989
WC/F420RG**



1989 WC/F420RG INDEX

Floor Plan	A-01 - A-02
Accessories Group	A-03 - A-04
Bath Group	A-05
Chassis Group	A-06 - A-07
Curtain, Cushion & Pad Group	A-08 - A-13
Dinette Group	A-14 - A-15
Driver's Compartment Group	A-16 - A-18
Electrical Group	A-19 - A-20
Exterior Body Group	A-21 - B-02
Galley Group	B-03 - B-04
Heating & Air Conditioning Group	B-05
Interior Finish Group	B-06 - B-07
LP Group	B-08
Lounge Group	B-09
Water & Sewage Group	B-10
Window, Vent & Exterior Door Group	B-11 - B-22

ACCESSORIES GROUP



EXTERIOR MIRRORS

Key	Part Number	U/M	Description
1	049347-01-000	EA	Mirror Head - 7 1/2" x 10 1/2" - Stainless Steel
2	062047-01-000	EA	Arm Asm. - West Coast Mirror - Stainless Steel
	006043-01-000	EA	Mirror - Convex - Adhesive Back

WHEEL COVER LINER & MOUNTING HARDWARE

Key	Part Number	U/M	Description
	083181-01-000	EA	Wheel Cover - 16" (Set/4) (Chevrolet)
	083181-01-700	EA	Wheel Cover - 16" (1) (Chevrolet)
	083181-02-000	EA	Wheel Cover - 16.5" (Set/4) (Ford)
	083181-02-700	EA	Wheel Cover - 16.5" (1) (Ford)
	083181-04-702	EA	Nut Cover (Wheel Cover)
	083181-04-700	EA	Retainer (Set/4) (Wheel Cover)
	083181-04-701	EA	Retaine: (1) (Wheel Cover)

ACCESSORIES GROUP (CONTINUED)

RADIO & RELATED COMPONENTS

Key	Part Number	U/M	Description
	007004-01-000	EA	Antenna - Radio - Cab Mount
	092311-01-000	EA	Radio - AM/FM/Stereo - w/Cassette - Audiovox
	090982-01-000	EA	Radio - AM/FM - w/Cassette - Electronic Tune - Audiovox
	074879-01-000	EA	Speaker Cover Protector - Plastic
	094097-01-000	EA	Speaker - Recessed - 5.25"
	079385-02-000	EA	Radio Mounting Kit - Ford
	091211-01-000	EA	Radio Mounting Kit - Chevrolet
	073741-03-000	EA	Speaker - 4" x 6" Oval
	073741-04-000	EA	Speaker Grill - 4" x 6" Oval

GENERATORS & COMPONENTS

Key	Part Number	U/M	Description
	083581-01-000	EA	Generator - Kohler - 2.5kv
	080862-01-000	EA	Exhaust Pipe - Kohler
	083800-01-000	EA	Baffle Cover - Kohler
	007125-04-000	EA	Muffler Clamp - 1.12"
	078045-01-000	EA	Plate Support - Generator
	007067-01-000	EA	Insulation - 1" Fiberglass

MISCELLANEOUS ACCESSORIES

Key	Part Number	U/M	Description
	054185-31-000	EA	Owner's Manual - 1989 - Itasca & Winnebago
..	078319-01-000	EA	Antenna - TV Roof Mount - 44.5" Mast
	017518-01-000	EA	Mud Flap w/Holes - 14" x 18" - Black - Front
	094499-01-000	EA	Fire Extinguisher - IA 10BC - UL
	094499-02-000	EA	Fire Extinguisher - IA 10BC - ULC
	084472-01-000	EA	Holder - Fire Extinguisher
	091289-01-000	EA	Microwave/Convection Oven - Magic Chef
	091289-02-000	EA	Frame Kit - Microwave Oven
	081016-01-T03	EA	Ladder Asm. (1 Piece)
	081026-01-T03	EA	Rack Asm. - Right
	081026-02-T03	EA	Rack Asm. - Left
	067130-01-000	EA	ladder Step
	076980-02-000	EA	End Cap - Ladder Step
	067125-01-000	EA	Stand Off - Rack & Ladder Asm.
	081114-01-000	EA	Cap - Insert - Round 1" - Rack Rail
	067165-01-000	EA	Bracket - Mounting - Rack & Ladder
	093411-01-Y05	EA	Mat - Brown - Front Passenger Side (Ford)
	093410-01-Y05	EA	Mat - Brown - Front Driver Side (Ford)
	092432-01-Y05	EA	Mat - Brown - Front Passenger Side (Chevrolet)
	092431-01-Y05	EA	Mat - Brown - Front Driver Side (Chevrolet)
	007038-01-000	EA	Mat - Entrance Door - "Winnebago"
	072852-01-000	EA	Smoke Detector w/9 Volt Battery
	038327-01-000	EA	Anti-Slip Tape - 2"
	076840-01-000	EA	Hold Down Bungee Cord
	091261-01-000	FT	Non-Skid Backing

.. The illustrated parts breakdown for this item is provided on the Common Items Fiche.

1989 WINNEBAGO TABLE OF CONTENTS

WC/F420RG
WC/F421RB

A-01 - B-22
B-23 - D-15

1989 WC/F420RG INDEX

Floor Plan	A-01 - A-02
Accessories Group	A-03 - A-04
Bath Group	A-05
Chassis Group	A-06 - A-07
Curtain, Cushion & Pad Group	A-08 - A-13
Dinette Group	A-14 - A-15
Driver's Compartment Group	A-16 - A-18
Electrical Group	A-19 - A-20
Exterior Body Group	A-21 - B-02
Galley Group	B-03 - B-04
Heating & Air Conditioning Group	B-05
Interior Finish Group	B-06 - B-07
LP Group	B-08
Lounge Group	B-09
Water & Sewage Group	B-10
Window, Vent & Exterior Door Group	B-11 - B-22

BATH GROUP

BATH CABINETRY

Key	Part Number	U/M	Description
	083669-01-W24	EA	Door Asm. - Bathroom - w/o Hardware
	080744-01-000	EA	Medicine Cabinet w/Oak Frame
	M02633-01-X08	EA	Cabinet Asm. - Fold-Up Sink - Complete
	083642-01-Y05	EA	Cabinet Asm. - Sink - Fold-Up
	083656-01-X08	EA	Cabinet Asm. - Lavatory
	082169-01-000	EA	Light Asm. - Make-Up - 3 Bulb
	077251-01-000	EA	Drawer - Tipout - Plastic

BATH HARDWARE

Key	Part Number	U/M	Description
	011058-03-000	EA	Faucet - Lavatory - US/CSA
	011059-04-000	EA	Faucet - Shower - US/CSA
	009134-01-000	EA	Holder - Tissue
	059777-02-000	EA	Hinge - Brass
	066435-01-000	EA	Nut - Strainer - Plastic
	057671-01-000	EA	Screw Cover (No. 8)
	011048-02-000	EA	Shower Head w/60" Hose
	M02606-01-000	EA	Shower Pan
	084181-03-000	EA	Curtain Asm. - Shower - 74" x 80"
	083511-01-000	EA	Catch Basin - Lavatory Sink
	066436-01-000	EA	Slip Nut - 1.5" Tailpiece - Bathtub
	066440-01-000	EA	Strainer - Shower Pan - w/Rubber Washer
	011063-01-000	EA	Tail Piece - 1.25" x 5" - Plastic - w/Stopper
	067487-01-000	EA	Toilet - Thetford - Aqua Magic - Ivory
	063801-01-000	EA	Track Asm. - Shower Curtain
	064467-01-000	EA	Door Guide - Wall Mount
	033580-01-000	EA	Towel Ring - Plastic
	050712-05-000	EA	Handle - Shower Door
	069735-01-000	EA	Washer - Tailpiece - 1.5" Plastic
	009156-01-000	EA	Hanger - Sliding Door
	074470-01-000	EA	Pull - Release Pin Hinge - Right
	074470-02-000	EA	Pull - Release Pin Hinge - Left
	009112-01-000	EA	1" Rod Flange - Off White
	063509-01-000	EA	Backsplash - Lavatory

CHASSIS GROUP

Key	Part Number	U/M	Description
	047441-01-000	EA	Battery Terminal - Horizontal Lug
	085450-01-000	EA	Bracket - Battery Tie Down
	059540-01-000	EA	Bracket - License Plate (Rear)
	010497-01-000	EA	Clamp - Closed - 5/8" ID
	010499-01-000	EA	Clamp - Closed - 3/8" ID
	007161-01-000	EA	Clamp - Hose - Spring Type 112
	062401-01-000	EA	Clamp - Hose - Wormgear - .22" ID - 1" ID
	062401-03-000	EA	Clamp - Hose - Wormgear - .25" ID - 1" ID
	062401-04-000	EA	Clamp - Hose - Wormgear - .69" ID - 1.25" ID
	062401-09-000	EA	Clamp - Hose - Wormgear - 2.8" x 3.75"
	023146-01-000	EA	Clamp - Screw Type 4
	073220-02-000	EA	Fuel Cap
	007131-01-000	EA	Hanger - Tall Pipe
	024138-01-000	EA	Hose - Fuel - 5/16" ID SAE 30RI
	080208-02-000	EA	Leverage Bar - Lug Wrench (Chevrolet)
	080208-01-000	EA	Lug Wrench - 1.06" x 1" (Chevrolet)
	017518-01-000	EA	Mud Flap w/Holes - 14" x 18" - Black
	064089-01-000	EA	Splash Guard - Black Rubber
	083617-01-000	EA	Rim - Wheel - 8.00 x 16.0 - 8 Hole (Ford)
	077848-01-000	EA	Step Asm. - Pullout
	037291-03-000	EA	Tire - 8.00 x 16.5 Ply Poly
	057665-01-000	EA	Tire - 8.00 x 16.5 - White Sidewall - Radial
	070917-02-000	EA	Tire - LT215/85R16 LRD
	051377-01-000	EA	Valve Stem Asm. - TR500
	077030-02-000	EA	Extension - Valve Stem
	057724-01-000	EA	Wheel Well - Plastic
	008343-01-000	EA	Wire Tire - 6"
	078040-01-000	EA	Shroud - Fuel Fill - Upper

NOTE: Remainder of exhaust components available from Chassis Service Center.

1989 WINNERAGO TABLE OF CONTENTS

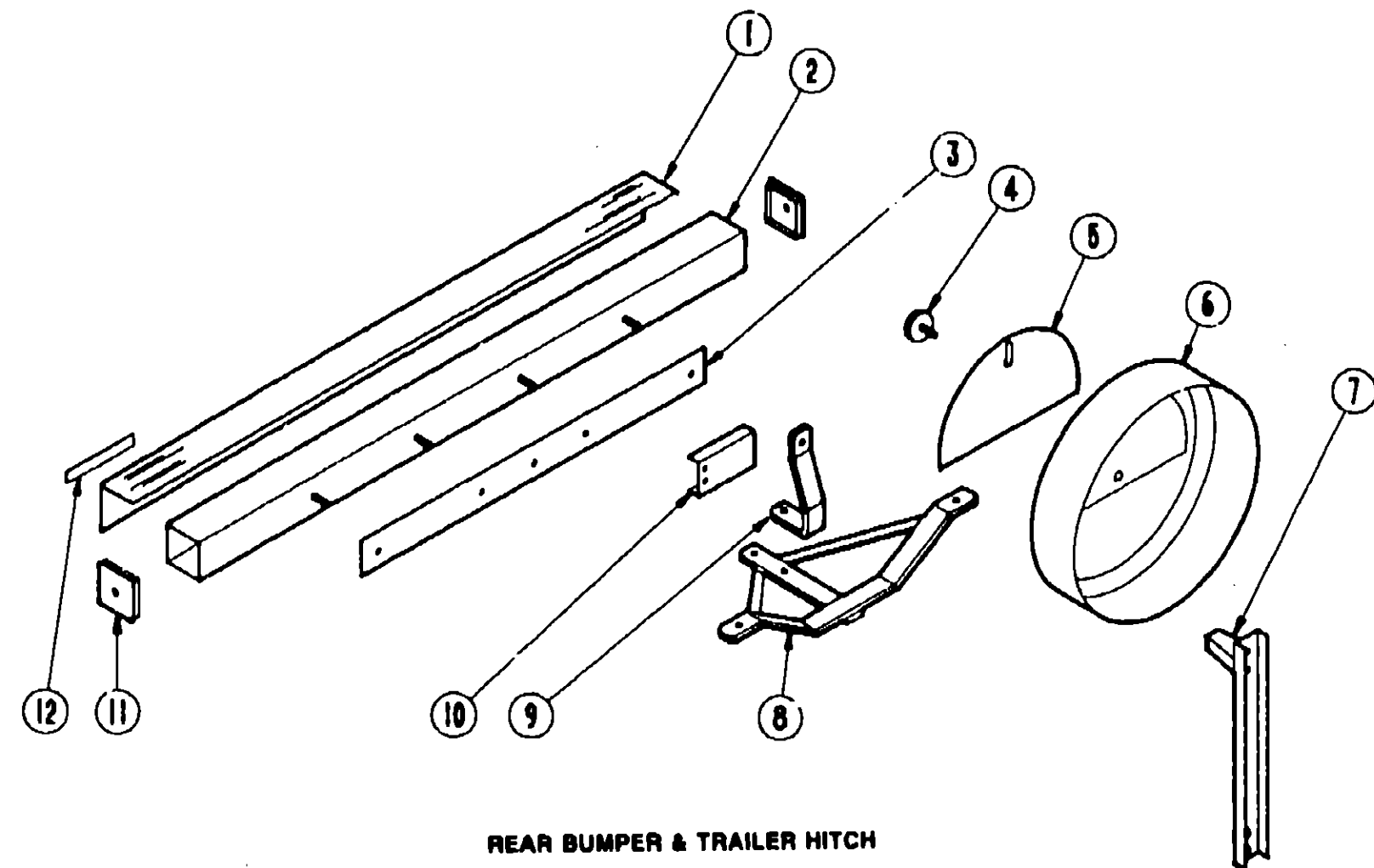
WC/F420RG
WC/F421RB

A-01 - B-22
B-23 - D-16

1989 WC/F420RG INDEX

Floor Plan	A-01 - A-02
Accessories Group	A-03 - A-04
Bath Group	A-05
Chassis Group	A-06 - A-07
Curtain, Cushion & Pad Group	A-08 - A-13
Dinette Group	A-14 - A-15
Driver's Compartment Group	A-16 - A-18
Electrical Group	A-19 - A-20
Exterior Body Group	A-21 - B-02
Galley Group	B-03 - B-04
Heating & Air Conditioning Group	B-05
Interior Finish Group	B-06 - B-07
LP Group	B-08
Lounge Group	B-09
Water & Sewage Group	B-10
Window, Vent & Exterior Door Group	B-11 - B-22

CHASSIS GROUP (CONTINUED)



REAR BUMPER & TRAILER HITCH

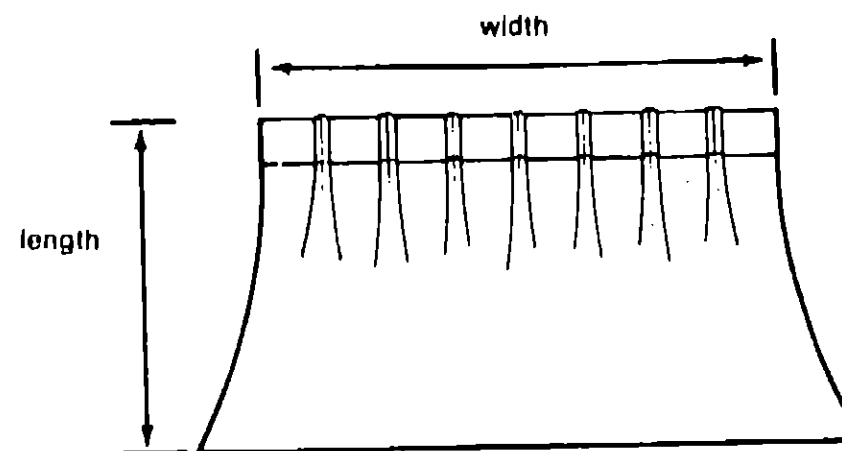
Key	Part Number	U/M	Description
1	041332-03-000	EA	Bumper Cover - Aluminum Fits 4" Square Bumper
2	064602-01-000	EA	Bumper Asm. - Square - 92" - Off White
3	M22150-01-000	EA	Bracket - Bumper Mount
4	064082-02-000	EA	Retaining Nut - Tire Cover
5	M02047-01-T95	EA	Door Asm. - Tire Cover w/Lock
6	079799-01-000	EA	Tire Cover Asm. - Off White
7	079027-01-000	EA	Bracket Asm. - Spare Tire Cover
8	064833-02-000	EA	Trailer Hitch Asm.
9	064824-02-000	EA	Support - Trailer Hitch
10	M64600-02-000	EA	Tire Carrier Support
11	039779-01-000	EA	Cap - Rubber - 4" x 4" - Square Bumper
12	041332-02-000	EA	Reflector - 3.5" x .75" - Bumper Cover

CURTAIN, CUSHION & PAD GROUP

NOTICE

In order to assist our Part Sales Dept. in providing interior software items, please include the serial number and the color code number from the vehicle certification label when ordering. This label is located on the driver's door latch plate (C-Body).

An example of a color code number is P31, which designates an overall color scheme of a particular unit. The color listed after the item description on the microfiche, indicates the overall unit color. Order the item you desire according to unit color code.



NOTE: Use this illustration when determining length and width measurements for curtains. You will note the width measurement is taken on the top of the curtain with the curtain fully extended. The length measurement is taken from top to bottom.

FABRICS, TRIMS, & PADS

Key	Part Number	U/M	Description
	072333-61-000	YD	Fabric - Drapery (Y05)
	072333-62-000	YD	Fabric - Drapery (Y06)
	088274-64-000	YD	Fabric w/Pattern - Upholstery (Y05)
	088274-65-000	YD	Fabric w/Pattern - Upholstery (Y06)
	088274-66-000	YD	Fabric - Upholstery Accent (Y05)
	088274-69-000	YD	Fabric - Upholstery Accent (Y06)
	052859-01-W30	FT	Accent Trim (Dinette Seat Back)
	079680-01-000	YD	Expanded Vinyl - 26 oz. - Buckskin
	078155-01-000	EA	Strap - Cushion
	079349-01-Y03	YD	Welt Asm. - Accent (Y05)
	079349-01-Y04	YD	Welt Asm. - Accent (Y06)
	071127-10-Y05	EA	Button Asm. - #30
	071127-10-Y06	EA	Button Asm. - #30
	081519-01-Y05	EA	Pad Asm. - Dinette - Rear
	081519-01-Y06	EA	Pad Asm. - Dinette - Rear
	081519-02-Y05	EA	Pad Asm. - Dinette - Front
	081519-02-Y06	EA	Pad Asm. - Dinette - Front
	059491-01-Y05	EA	Pad Asm. - Door - Passenger Side (Chevrolet)
	059491-01-Y06	EA	Pad Asm. - Door - Passenger Side (Chevrolet)
	059492-01-Y05	EA	Pad Asm. - Door - Driver Side (Chevrolet)
	059492-01-Y06	EA	Pad Asm. - Door - Driver Side (Chevrolet)

1989 WINNEBAGO TABLE OF CONTENTS

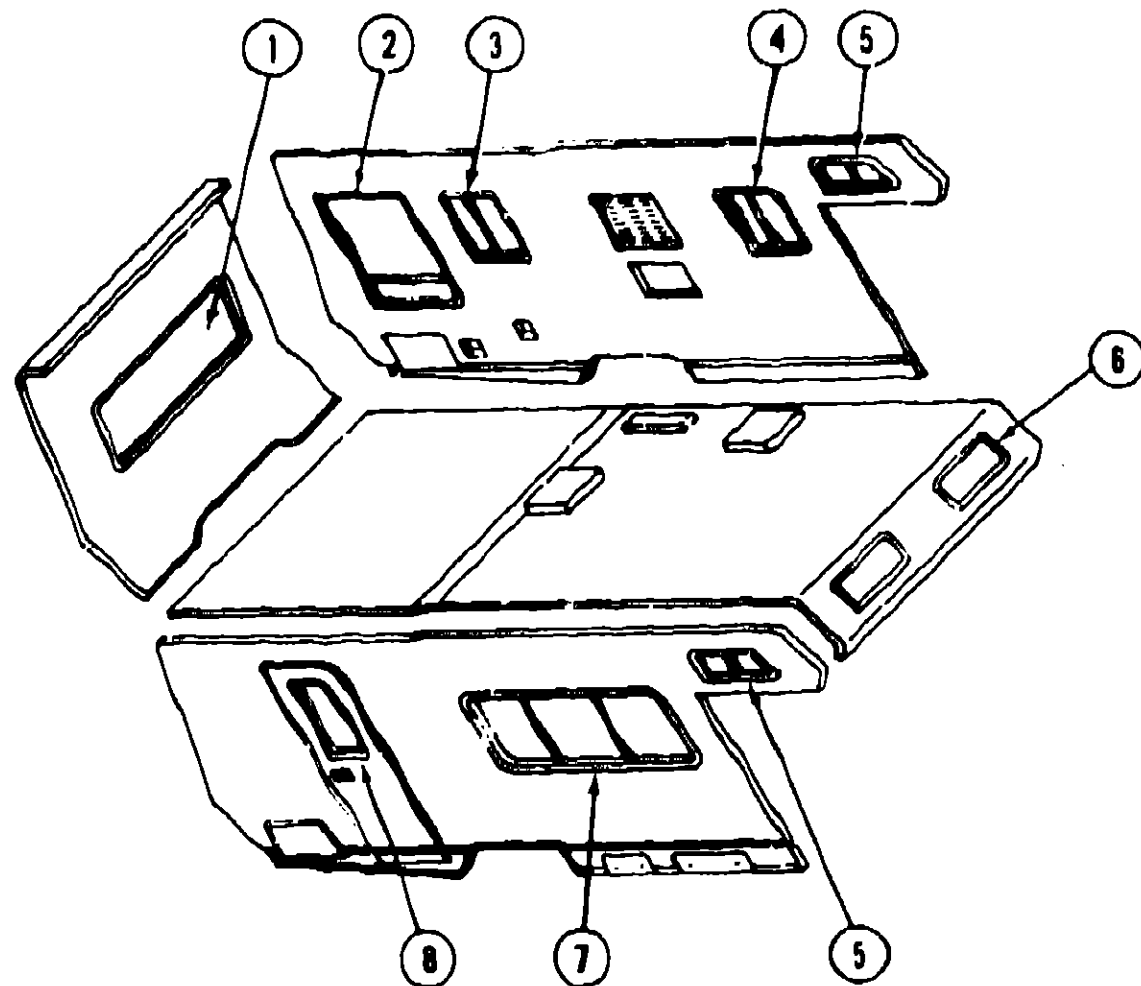
WC/F420RG
WC/F421RB

A-01 - B-22
B-23 - D-16

1989 WC/F420RG INDEX

Floor Plan	A-01 - A-02
Accessories Group	A-03 - A-04
Bath Group	A-05
Chassis Group	A-06 - A-07
Curtain, Cushion & Pad Group	A-08 - A-13
Dinette Group	A-14 - A-15
Driver's Compartment Group	A-16 - A-18
Electrical Group	A-19 - A-20
Exterior Body Group	A-21 - B-02
Galley Group	B-03 - B-04
Heating & Air Conditioning Group	B-05
Interior Finish Group	B-06 - B-07
LP Group	B-08
Lounge Group	B-09
Water & Sewage Group	B-10
Window, Vent & Exterior Door Group	B-11 - B-22

CURTAIN, CUSHION & PAD GROUP (CONTINUED)



CURTAINS, SHADES, VALANCES & TIEBACKS

Key	Part Number	U/M	Description
1	093454-12-Y05	EA	Curtain Asm. w/Snap Top - 37.5" x 10"
1	093454-12-Y06	EA	Curtain Asm. w/Snap Top - 37.5" x 10"
1	M81977-36-Y05	EA	Valance Asm. w/Insert - 73.5"
1	M81977-36-Y06	EA	Valance Asm. w/Insert - 73.5"
1	093455-03-Y05	EA	Shade Asm. - 70.25"
1	093455-03-Y06	EA	Shade Asm. - 70.25"
2	093454-03-Y05	EA	Curtain Asm. w/Snap Top - 45.5" x 10"
2	093454-03-Y06	EA	Curtain Asm. w/Snap Top - 45.5" x 10"
2	M81977-19-Y05	EA	Valance Asm. w/Insert - 59"
2	M81977-19-Y06	EA	Valance Asm. w/Insert - 59"
2	093455-05-Y05	EA	Shade Asm. - 29.25"
2	093455-05-Y06	EA	Shade Asm. - 29.25"
3	093455-04-Y05	EA	Shade Asm. - 28.25"
3	093455-04-Y06	EA	Shade Asm. - 28.25"

CURTAIN, CUSHION & PAD GROUP (CONTINUED)

CURTAINS, SHADES, VALANCES & TIEBACKS (CONT.)

Key	Part Number	U/M	Description
4	069777-05-000	EA	Valance Asm. - Bath
4	093455-02-Y05	EA	Shade Asm. - 33.25"
4	093455-02-Y06	EA	Shade Asm. - 33.25"
5	073323-33-Y30	EA	Curtain Asm. w/Rod Top & Bottom - 17.5" x 24" (Y05)
5	073323-33-Y06	EA	Curtain Asm. w/Rod Top & Bottom - 17.5" x 24"
6	073323-37-Y30	EA	Curtain Asm. w/Rod Top & Bottom - 21" x 30" (Y05)
6	073323-37-Y06	EA	Curtain / m. w/Rod Top & Bottom - 21" x 30"
7	093454-01-Y07	EA	Curtain Asm. w/Snap Top - 33.5" x 15" (Y05)
7	093454-01-Y06	EA	Curtain Asm. w/Snap Top - 33.5" x 15"
7	M81977-31-Y05	EA	Valance Asm. w/Insert - 67.5"
7	M81977-31-Y06	EA	Valance Asm. w/Insert - 67.5"
7	093455-01-Y05	EA	Shade Asm.
7	093455-01-Y06	EA	Shade Asm.
8	073304-42-Y05	EA	Curtain Asm. w/Snap Top - 34" x 37"
8	073304-42-Y06	EA	Curtain Asm. w/Snap Top - 34" x 37"
	073295-04-Y30	EA	Curtain Asm. w/Lining - Front Wraparound - 23" x 84" - Passenger Side (Y05)
	073295-04-Y06	EA	Curtain Asm. w/Lining - Front Wraparound - 23" x 84" - Driver Side
	073295-06-Y30	EA	Curtain Asm. w/Lining - Front Wraparound - 23" x 84" - Passenger Side (Y05)
	073295-06-Y06	EA	Curtain Asm. w/Lining - Front Wraparound - 23" x 84" - Driver Side
	073304-57-Y05	EA	Curtain Asm. - Blackout - Snap Top - 48" x 65"
	073304-57-Y06	EA	Curtain Asm. - Blackout - Snap Top - 48" x 65"
	073260-23-Y23	EA	Tieback Asm. - 3" x 18" (Y05)
	073260-23-Y06	EA	Tieback Asm. - 3" x 18"
	073260-24-Y30	EA	Tieback Asm. - 2" x 14" (Y05)
	073260-24-Y06	EA	Tieback Asm. - 2" x 14"
	057534-01-000	EA	Tieback Asm. - 6" - Clear Plastic

**1989 WINNEBAGO
TABLE OF CONTENTS**

WC/F420RG
WC/F421RB

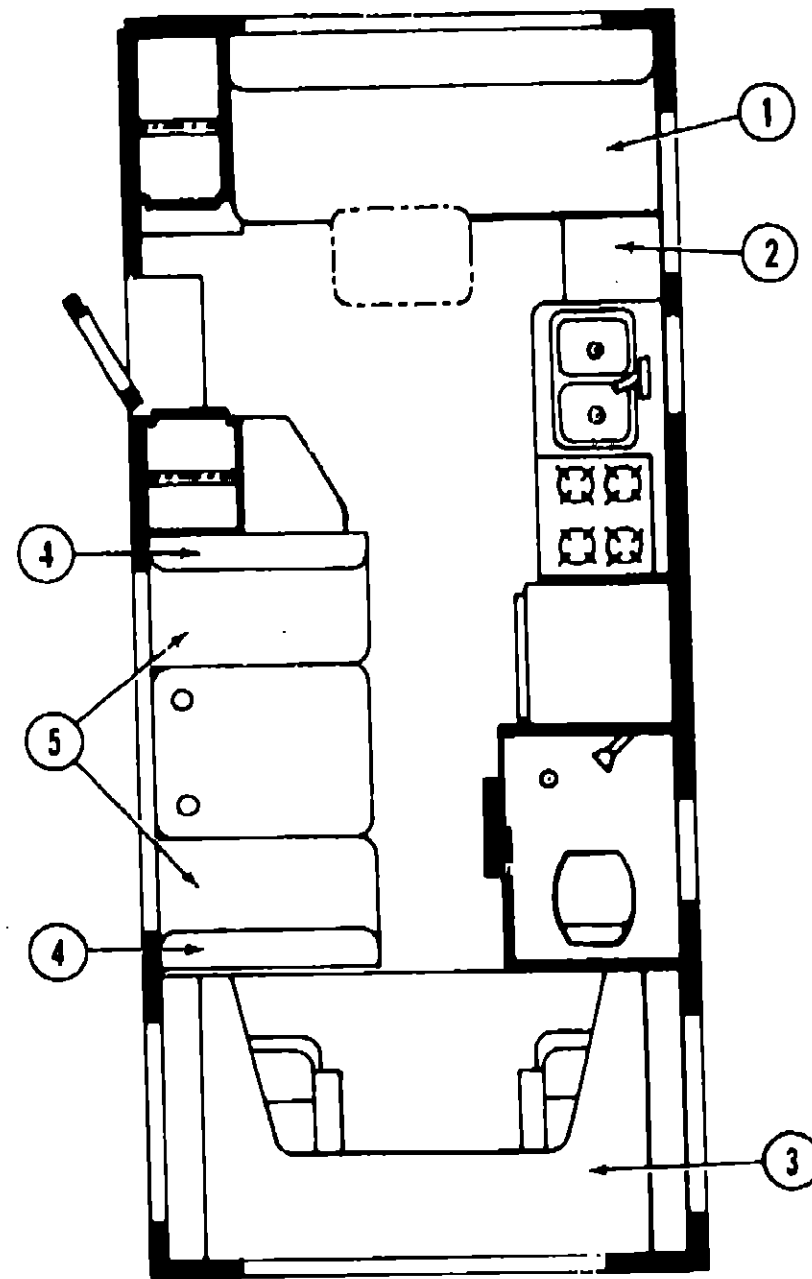
A-01 - B-22
B-23 - D-15

1989 WC/F420RG INDEX

Floor Plan	A-01 - A-02
Accessories Group	A-03 - A-04
Bath Group	A-05
Chassis Group	A-06 - A-07
Curtain, Cushion & Pad Group	A-08 - A-13
Dinette Group	A-14 - A-15
Driver's Compartment Group	A-16 - A-18
Electrical Group	A-19 - A-20
Exterior Body Group	A-21 - B-02
Galley Group	B-03 - B-04
Heating & Air Conditioning Group	B-05
Interior Finish Group	B-06 - B-07
LP Group	B-08
Lounge Group	B-09
Water & Sewage Group	B-10
Window, Vent & Exterior Door Group	B-11 - B-22

CURTAIN, CUSHION & PAD GROUP (CONTINUED)

CURTAIN, CUSHION & PAD GROUP (CONTINUED)



REAR LOUNGE CUSHION

Key	Part Number	U/M	Description
1	073900-15-Y05	EA	Cushion Asm. - Lounge Back & Bottom - 75"
1	073900-15-Y06	EA	Cushion Asm. - Lounge Back & Bottom - 75"
	M73900-15-Y05	EA	Cover Asm. - Lounge Back & Bottom - 75"
	M73900-15-Y06	EA	Cover Asm. - Lounge Back & Bottom - 75"
2	081998-38-Y05	EA	Cushion Asm. - Lounge Bottom - 22.5" x 15" x 5"
2	081998-38-Y06	EA	Cushion Asm. - Lounge Bottom - 22.5" x 15" x 5"
	M81998-38-Y05	EA	Cover Asm. - Lounge Bottom Cushion - 22.5" x 15" x 5"
	M81998-38-Y06	EA	Cover Asm. - Lounge Bottom Cushion - 22.5" x 15" x 5"

FRONT OVERHEAD BUNK CUSHIONS

Key	Part Number	U/M	Description
3	073310-07-Y05	EA	Cushion Asm. - 22" x 31" x 78" x 4"
3	073310-07-Y06	EA	Cushion Asm. - 22" x 31" x 78" x 4"
	M73310-07-Y05	EA	Cover Asm. - Front Bunk Cushion
	M73310-07-Y06	EA	Cover Asm. - Front Bunk Cushion

DINETTE CUSHION

Key	Part Number	U/M	Description
4	088927-18-Y05	EA	Cushion Asm. - Dinette Back - 13" x 38" x 5"
4	088927-18-Y06	EA	Cushion Asm. - Dinette Back - 13" x 38" x 5"
	M88927-18-Y05	EA	Cover Asm. - Dinette Back - 13" x 38" x 5"
	M88927-18-Y06	EA	Cover Asm. - Dinette Back - 13" x 38" x 5"
5	088927-19-Y05	EA	Cushion Asm. - Dinette Bottom - 22" x 38" x 5"
5	088927-19-Y06	EA	Cushion Asm. - Dinette Bottom - 22" x 38" x 5"
	M88927-19-Y05	EA	Cover Asm. - Dinette Bottom - 22" x 38" x 5"
	M88927-19-Y06	EA	Cover Asm. - Dinette Bottom - 22" x 38" x 5"

BUCKET SEATS

Key	Part Number	U/M	Description
	083909-26-Y05	EA	Seat Asm. - Straton w/Right Armrest (Driver Side)
	083909-26-Y06	EA	Seat Asm. - Straton w/Right Armrest (Driver Side)
	083909-27-Y05	EA	Seat Asm. - Straton w/Left Armrest (Passenger Side)
	083909-27-Y06	EA	Seat Asm. - Straton w/Left Armrest (Passenger Side)
	M01864-35-Y05	EA	Cover Asm. - Bucket Seat Bottom
	M01864-35-Y06	EA	Cover Asm. - Bucket Seat Bottom
	M01864-36-Y05	EA	Cover Asm. - Bucket Seat Back
	M01864-36-Y06	EA	Cover Asm. - Bucket Seat Back
	080243-23-Y05	EA	Armrest Asm. - Right (Driver Seat)
	080243-23-Y06	EA	Armrest Asm. - Right (Driver Seat)
	080243-24-Y05	EA	Armrest Asm. - Left (Passenger Seat)
	080243-24-Y06	EA	Armrest Asm. - Left (Passenger Seat)
	M80243-23-Y05	EA	Cover Asm. - Armrest - Right (Driver Seat)
	M80243-23-Y06	EA	Cover Asm. - Armrest - Right (Driver Side)
	M80243-24-Y05	EA	Cover Asm. - Armrest - Left (Passenger Side)
	M80243-24-Y06	EA	Cover Asm. - Armrest - Left (Passenger Side)

**1989 WINNEBAGO
TABLE OF CONTENTS**

WC/F420RG
WC/F421RB

A-01 - B-22
B-23 - D-15

1989 WC/F420RG INDEX

Floor Plan	A-01 - A-02
Accessories Group	A-03 - A-04
Bath Group	A-05
Chassis Group	A-06 - A-07
Curtain, Cushion & Pad Group	A-08 - A-13
Dinette Group	A-14 - A-15
Driver's Compartment Group	A-16 - A-18
Electrical Group	A-19 - A-20
Exterior Body Group	A-21 - B-02
Galley Group	B-03 - B-04
Heating & Air Conditioning Group	B-05
Interior Finish Group	B-06 - B-07
LP Group	B-08
Lounge Group	B-09
Water & Sewage Group	B-10
Window, Vent & Exterior Door Group	B-11 - B-22

CURTAIN, CUSHION & PAD GROUP (CONTINUED)

CURTAIN & CUSHION HARDWARE

Key	Part Number	U/M	Description
	009701-01-000	EA	Curtain L Rod Carrier
	009702-01-000	EA	Curtain L Rod End Stop
	053183-01-000	EA	Bracket - Couch Slide
	051388-01-000	EA	Bracket - Couch - Brown
	039175-02-000	EA	Bracket - Curtain Rod - Cafe
	039175-05-000	EA	Bracket - Curtain Rod - Center
	056003-02-000	EA	Bracket - Drapery Retainer - Left
	056003-01-000	EA	Bracket - Drapery Retainer - Right
	064434-01-000	EA	Bracket - Roller Shade - 1 3/8"
	093175-03-000	EA	Rod - Cafe Curtain - Extension 28" - 48"
	039175-01-000	EA	Rod - Cafe Curtain - Extension 48" - 84"
	048394-02-000	YD	Tape Hook - .75" x 50 Yd. - Beige
	048395-02-000	YD	Tape Loop - .75" x 50 Yd. - Beige
	029090-01-000	FT	Tie - Drapery - Clear Vinyl
	091904-01-000	FT	Track - Curtain - Light Beige
	089335-01-000	FT	Track - Curtain - Brown Plastic



1



2



3



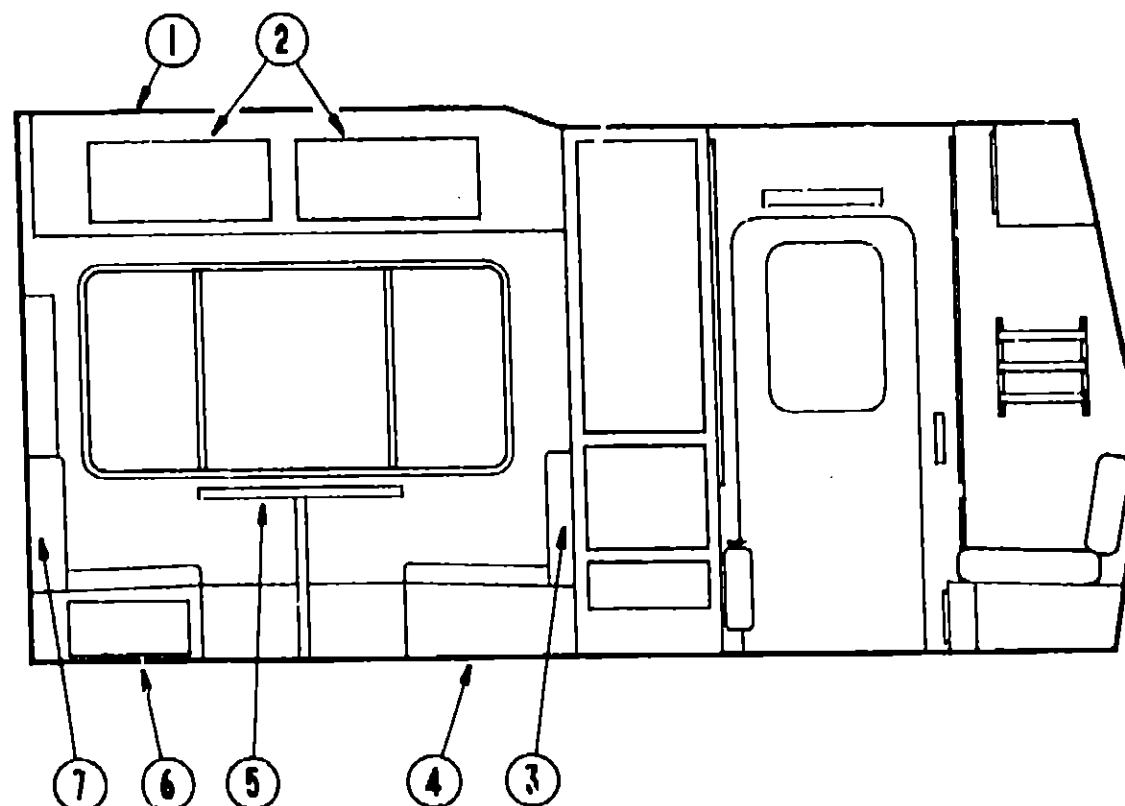
4



5

Key	Part Number	U/M	Description
1	029130-01-000	EA	Socket - Snap Fastener
2	029155-02-000	EA	Cap - Snap
3	029156-02-000	EA	Socket - Snap Fastener
4	029092-01-000	EA	Stud - Nickel Finish
5	029093-01-000	EA	Eyelet - Nickel Finish

DINETTE GROUP



1989 WINNEBAGO TABLE OF CONTENTS

WC/F420RG
WC/F421RB

A-01 - B-22
B-23 - D-16

CONVENTIONAL DINETTE & OVERHEAD CABINETRY

Key	Part Number	U/M	Description
1	M82401-01-Y05	EA	Cabinet Asm. - Dinette Overhead - w/o Doors or Hardware
2	M88304-84-X08	EA	Door Asm. - Dinette Overhead Cabinet - w/o Hardware
3	M02589-01-W24	EA	Cabinet Asm. - Dinette Back - Right
4	M02590-01-W24	EA	Cabinet Asm. - Dinette Seat - Right
5	M02115-09-U17	EA	Table Asm. - Dinette - w/o Hardware
6	M02175-04-W24	EA	Cabinet Asm. - Dinette Seat - Left - w/o Door or Hardware
	M88304-21-X08	EA	Door Asm. - Dinette Seat - w/o Hardware
7	M02174-03-W30	EA	Cabinet Asm. - Dinette Back

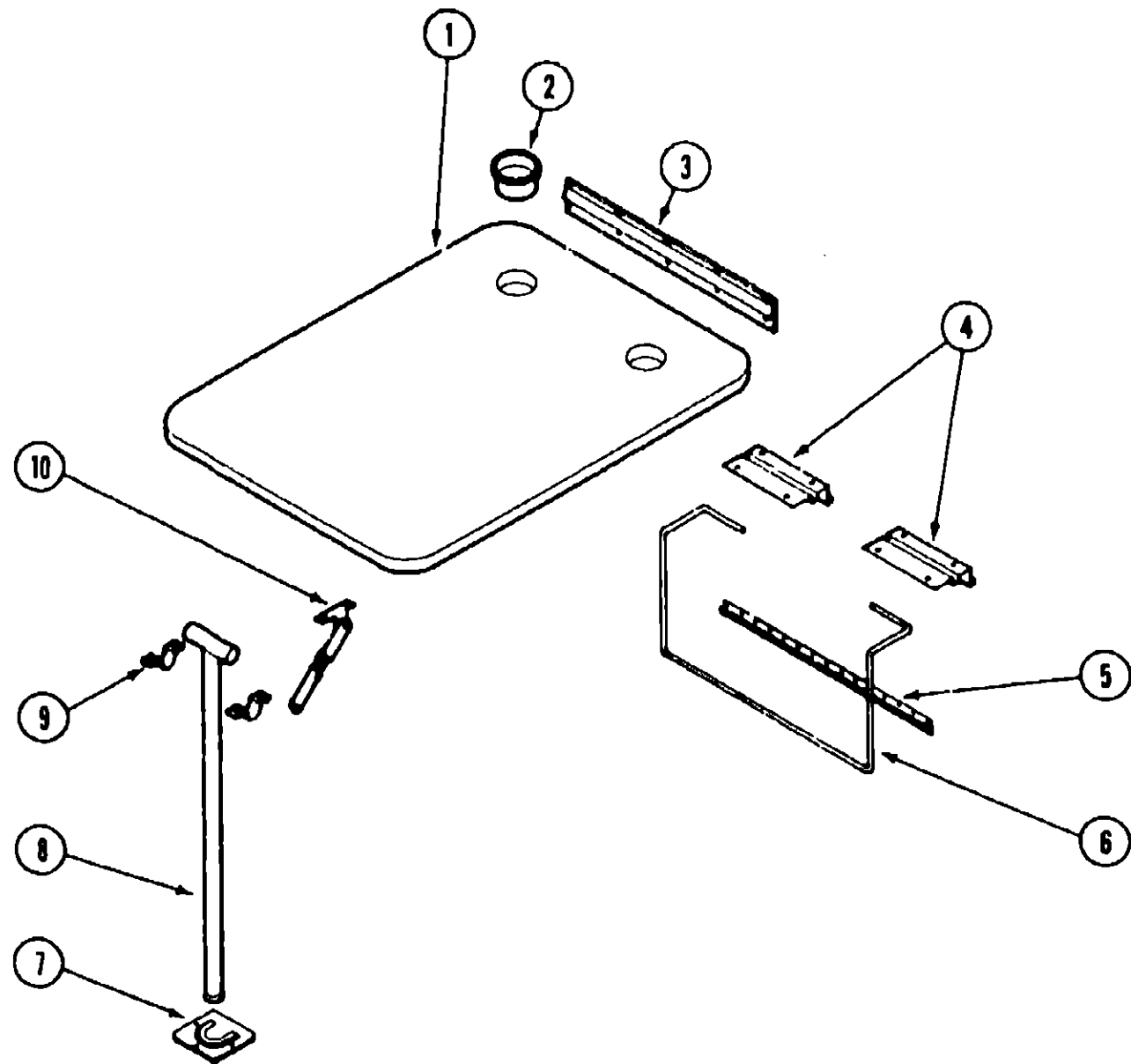
REAR DINETTE TABLE (OPTION 48W)

Key	Part Number	U/M	Description
	081298-01-X11	EA	Table Asm. - Pedestal
	009040-06-000	EA	Leg - Pedestal Table
	041194-01-000	EA	Base - Floor Flush Mount
	062046-01-000	EA	Leg Clip (Storage)
	009040-03-000	EA	Base - Raised (On Table)

1989 WC/F420RG INDEX

Floor Plan	A-01 - A-02
Accessories Group	A-03 - A-04
Bath Group	A-05
Chassis Group	A-06 - A-07
Curtain, Cushion & Pad Group	A-08 - A-13
Dinette Group	A-14 - A-15
Driver's Compartment Group	A-16 - A-18
Electrical Group	A-19 - A-20
Exterior Body Group	A-21 - B-02
Galley Group	B-03 - B-04
Heating & Air Conditioning Group	B-05
Interior Finish Group	B-06 - B-07
LP Group	B-08
Lounge Group	B-09
Water & Sewage Group	B-10
Window, Vent & Exterior Door Group	B-11 - B-22

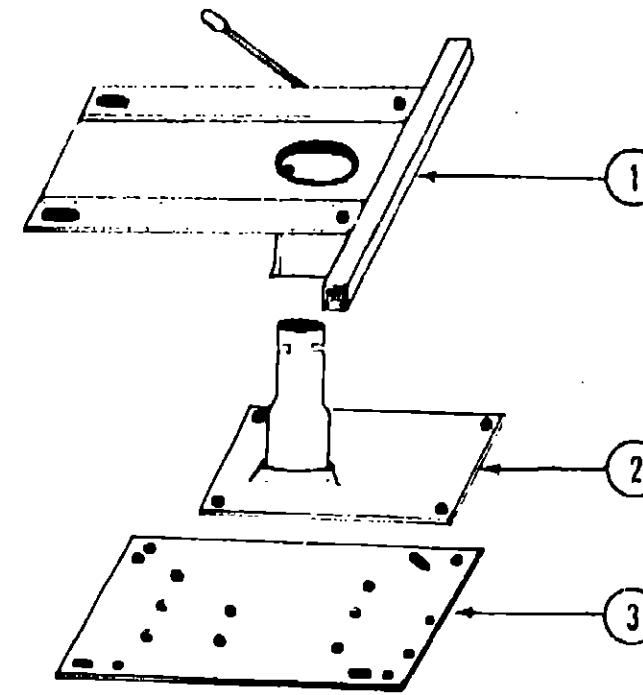
DINETTE GROUP (CONTINUED)



DINETTE TABLE & HARDWARE

Key	Part Number	U/M	Description
1	M02115-09-Y30	EA	Table - Dinette - w/o Hardware
2	064781-05-000	EA	Cup Holder - Two Step - Beige
3	053200-05-000	EA	Support - Table - 18.5" - Beige
4	088410-01-000	EA	Hanger - Table - Beige
5	024281-07-000	EA	Bracket - Table Lift
6	024275-05-000	EA	Rod - Table Lift - Tan
7	049493-01-000	EA	Catch - Table Leg
8	024276-21-000	EA	Leg Asm. - Table - Beige
9	064050-03-000	EA	Hinge - Table Leg - Tan
10	024282-01-000	EA	Brace - Table Leg
	024283-01-000	EA	Clip - 1" - 1.25" - OD Tube - Black
	004384-01-000	EA	Rubber Bumper - Brown

DRIVERS COMPARTMENT GROUP



BUCKET SEAT PEDESTAL & SEAT BELTS

Key	Part Number	U/M	Description
1	069585-27-000	EA	Plate - Top - Pedestal Asm. - Bucket Seat
2	069585-03-000	EA	Plate - Sub - Pedestal Asm. - Bucket Seat
3	069585-03-000	EA	Plate - Base - Pedestal Asm. - Bucket Seat
	069585-05-000	EA	Hardware Kit - Bolt/Acorn Nut - 4 ea. - Pedestal Asm.
	079467-04-000	EA	Loose Parts Kit - Bucket Seat
	056271-02-000	EA	Belt Asm. - Seat - 2" x 72" - Black
	041322-01-000	EA	Washer - Flat 15/32" ID x 2 3/8" OD - Seat Belt
	057759-01-000	EA	Bracket - Seat Belt Washer
	069246-01-000	EA	Adjuster Asm. - Seat - w/Lock
	069246-02-000	EA	Adjuster Asm. - Seat - w/o Lock
	069585-29-000	EA	Bar - Seat Belt - 20"
	091871-01-000	EA	Seat Belt Cover - Light Oak

1989 WINNEBAGO TABLE OF CONTENTS

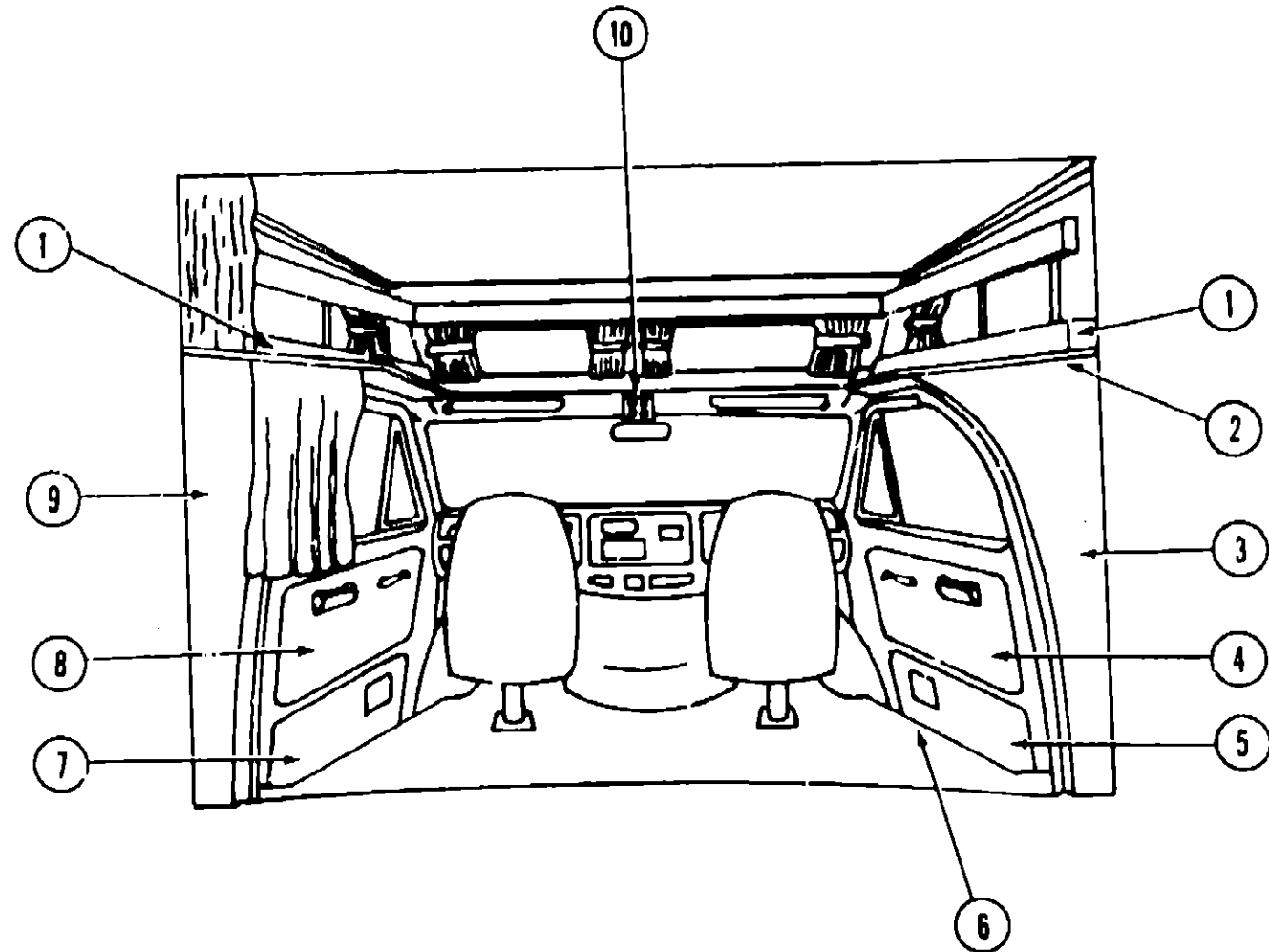
WC/F420RG
WC/F421RB

A-01 - B-22
B-23 - D-15

1989 WC/F420RG INDEX

Floor Plan	A-01 - A-02
Accessories Group	A-03 - A-04
Bath Group	A-05
Chassis Group	A-06 - A-07
Curtain, Cushion & Pad Group	A-08 - A-13
Dinette Group	A-14 - A-15
Driver's Compartment Group	A-16 - A-18
Electrical Group	A-19 - A-20
Exterior Body Group	A-21 - B-02
Galley Group	B-03 - B-04
Heating & Air Conditioning Group	B-05
Interior Finish Group	B-06 - B-07
LP Group	B-08
Lounge Group	B-09
Water & Sewage Group	B-10
Window, Vent & Exterior Door Group	B-11 - B-22

DRIVER'S COMPARTMENT GROUP (CONTINUED)



DRIVER'S COMPARTMENT GROUP (CONTINUED)

MISCELLANEOUS DRIVERS COMPARTMENT COMPONENTS (CONT.)

Key	Part Number	U/M	Description
10	078351-08-000	EA	Console - Overhead - Chevrolet
10	049360-11-000	EA	Console - Overhead - Ford
	024481-01-000	EA	Switch - Battery
	024482-01-000	EA	Switch - Battery Condition
	024976-01-000	EA	Switch - Generator w/o Circuit Board
	031035-01-000	EA	Gauge - Generator Hourmeter
	024459-04-000	EA	Gauge - Voltmeter

**1989 WINNEBAGO
TABLE OF CONTENTS**

WC/F420RG
WC/F421RB

A-01 - B-22
B-23 - D-15

MISCELLANEOUS DRIVERS COMPARTMENT COMPONENTS

Key	Part Number	U/M	Description
1	087012-01-X08	EA	Headboard Asm. - Passenger Side
2	M92068-01-Y05	EA	Panel Asm. - Sleeper Board - w/o Vinyl
	080742-01-000	FT	Vinyl Trim - Front Sleeper Board
	079900-03-000	EA	Inner Trim - Front Sleeper Board - Off White
3	092436-01-Y05	EA	Panel Asm. - Inner Wingwall Transition - Passenger Side (Chevrolet)
3	092437-01-X81	EA	Panel Asm. - Inner Wingwall Transition - Passenger Side (Ford)
4	059491-01-Y05	EA	Side Panel - Cab Door - Passenger Side (Chevrolet)
4	059491-01-Y06	EA	Side Panel - Cab Door - Passenger Side (Chevrolet)
5	082552-02-Y07	EA	Side Panel - Cab Door - Passenger Side (Chevrolet) (Y05)
5	082552-02-X10	EA	Side Panel - Cab Door - Passenger Side (Chevrolet) (Y06)
6	044860-02-000	EA	Door Step Mat - Black Rubber - Passenger Side
	044860-01-000	EA	Door Step Mat - Black Rubber - Driver Side
7	082552-03-Y07	EA	Side Panel - Cab Door - Driver Side (Chevrolet) (Y05)
7	082552-03-X10	EA	Side Panel - Cab Door - Driver Side (Chevrolet) (Y06)
8	059492-01-Y05	EA	Side Panel - Cab Door - Driver Side (Chevrolet)
8	059492-01-Y06	EA	Side Panel - Cab Door - Driver Side (Chevrolet)
9	092436-02-Y05	EA	Panel Asm. - Inner Wingwall Transition - Driver Side (Chevrolet)
9	092437-02-X81	EA	Panel Asm. - Inner Wingwall Transition - Driver Side (Ford)

1989 WC/F420RG INDEX

Floor Plan	A-01 - A-02
Accessories Group	A-03 - A-04
Bath Group	A-05
Chassis Group	A-06 - A-07
Curtain, Cushion & Pad Group	A-08 - A-13
Dinette Group	A-14 - A-15
Driver's Compartment Group	A-16 - A-18
Electrical Group	A-19 - A-20
Exterior Body Group	A-21 - B-02
Galley Group	B-03 - B-04
Heating & Air Conditioning Group	B-05
Interior Finish Group	B-06 - B-07
LP Group	B-08
Lounge Group	B-09
Water & Sewage Group	B-10
Window, Vent & Exterior Door Group	B-11 - B-22

ELECTRICAL GROUP

BULBS

Key	Part Number	U/M	Description
	008220-01-000	EA	Bulb - 12V - 25W
	008103-01-000	EA	Bulb - 53
	008213-01-000	EA	Bulb - 57
	008214-01-000	EA	Bulb - 67
	030198-01-000	EA	Bulb - 194
	075470-01-707	EA	Bulb - 912
	008215-01-000	EA	Bulb - 1003
	067479-01-000	EA	Bulb - 1078
	063914-01-000	EA	Bulb - 1139
	008218-01-000	EA	Bulb - 1141
	037935-01-000	EA	Bulb - 1157
	058288-02-000	EA	Bulb - 9431808

FUSES & CIRCUIT BREAKER

Key	Part Number	U/M	Description
	008233-01-000	EA	Fuse - 6 Amp. - 12 Volt
	008234-01-000	EA	Fuse - 10 Amp. - 12 Volt
	008235-01-000	EA	Fuse - 15 Amp. - 12 Volt
	008236-01-000	EA	Fuse - 20 Amp. - 12 Volt
	062901-02-000	EA	Fuse - 5 Amp. - Automotive
	063209-01-000	EA	Circuit Breaker - 15 Amp. - 120 Volt
	062901-05-000	EA	Fuse - 15 Amp. - Automotive
	008211-01-000	EA	Circuit Breaker - 6 Amp. - 12 Volt
	033573-01-000	EA	Circuit Breaker - 20 Amp. - 12 Volt - w/Mount
	008263-01-000	EA	Circuit Breaker - 30 Amp. - 12 Volt - w/Mount
	083209-03-000	EA	Circuit Breaker - 15/20 Amp. - 120 Volt
	083209-04-000	EA	Circuit Breaker - 30 Amp. - 120 Volt
	083209-05-000	EA	Circuit Breaker - 20 Amp. - 120 Volt
	083209-06-000	EA	Circuit Breaker - 30/15 Amp. - 120 Volt
	083209-07-000	EA	Circuit Breaker - 20/20 Amp. - 120 Volt
	083209-08-000	EA	Circuit Breaker Blank
	083210-02-000	EA	Circuit Breaker - GRI, 15 Amp. 120 Volt
	094810-01-000	EA	Circuit Breaker - 30/30
	094811-01-000	EA	Circuit Breaker - 20/20

INTERIOR LIGHTS

Key	Part Number	U/M	Description
	033508-02-000	EA	Light - Dome - Ivory - 1 Bulb - US
	033509-02-000	EA	Light - Dome - Ivory - 2 Bulb - US
	061424-01-000	EA	Light - 12 V Receptacle - Aisle - IP
	007309-01-000	EA	Light - Step Well
	062169-01-000	EA	Light - Make-Up - 3 Bulb
	087694-01-000	EA	Light - Wardrobe w/Switch

EXTERIOR LIGHTS

Key	Part Number	U/M	Description
	058032-01-000	EA	Tail Lamp Asm. - 2 Bulb - Chrome - Driver/Passenger
	059540-01-000	EA	Bracket - License Plate
	062742-04-000	EA	Wedge - Tail Lamp w/License Plate - Left - Off White
	062740-04-000	EA	Wedge - Tail Lamp - Right - Off White
	042405-03-000	EA	Base - Rectangular Clearance Light
	042405-01-000	EA	Lens - Clearance Light - Red w/Reflex
	042405-02-000	EA	Lens - Clearance Light - Amber w/Reflex
	048817-01-000	EA	Assit Handle Asm. w/Light
	041332-02-000	EA	Reflector - Red - Rear Bumper
	008089-01-000	EA	Porch Light - Recessed

ELECTRICAL GROUP (CONTINUED)

WIRE, SWITCHES & RECEPTACLES

Key	Part Number	U/M	Description
	008289-01-000	EA	Box - Electrical - 4" x 4" - 1/2 & 3/4 - Steel - UL
	058049-01-000	EA	Box - Electrical - 2" x 3" x 2.25" - Steel
	041953-01-000	EA	Conduit - Convolute Silt - .5" ID
	058028-01-000	EA	Connector - Pigtail - Clear Nylon
	008314-01-000	EA	Connector - Wire Nut - Gray
	008311-01-000	EA	Connector - Wire Nut - Red
	031966-01-000	EA	Contact Plug - Brass - Tin Plated
	083208-01-000	EA	Control Center - 32 Amp. - 120 Volt/12 Volt
	008054-01-000	EA	Cord - Power - 10-3 Amp. - 25' - UL
	008052-01-000	EA	Cord - Power - 10-3 30 Amp. - 25' - CSA
	069238-01-000	EA	Cover - Electrical Box - 4" x 4"
	008294-02-000	EA	Cover - Flat Blank - 4" x 4" - Steel - US
	008277-01-000	EA	Fuse Holder - Panel Mount - Black
	064399-01-000	EA	Housing Asm. - Trailer Pin
	064398-01-000	EA	Housing Asm. - Trailer Receptacle
	084809-01-000	EA	Load Center - 240 Volt 125 Amp.
	058708-01-000	EA	Receptacle - Duplex - Brown
	024924-02-000	EA	Receptacle - Power Cord
	058707-01-000	EA	Receptacle - Single - Brown
	008188-01-000	EA	Relay Solenoid - 3 Terminal
	024481-01-000	EA	Switch - Batt - STMP
	058284-01-000	EA	Switch - Leaf Actuator
	008195-01-000	EA	Switch - Push Button - 12 Volt
	079362-03-000	EA	Switch Plate - 3 Gang - 2 Switch
	079363-01-000	EA	Switch Plate - Single w/Switch
	079364-01-000	EA	Switch - On/Off - Rocker - Brown
	047443-02-000	EA	Terminal - .250 Receptacle - 12-10 AWG
	008348-01-000	EA	Terminal Ring - 2 - w/3/8 Stud
	008331-01-000	EA	Terminal Ring - 4 - w/3/8 Stud
	008328-01-000	EA	Terminal Ring - 12/10 Wire
	008028-01-000	FT	Wire - 18.5 Bonded - Blue/Red/Yellow/Orange/White
	008024-01-000	FT	Wire - 18.5 Bonded - Orange/White/Yellow/Blue/Brown
	008025-01-000	FT	Wire - 18.5 Bonded - Orange/White/Yellow/Blue/Green
	008026-01-000	FT	Wire w/Ground - Romex - 12/2

1989 WINNEBAGO TABLE OF CONTENTS

WC/F420RG
WC/F421RB

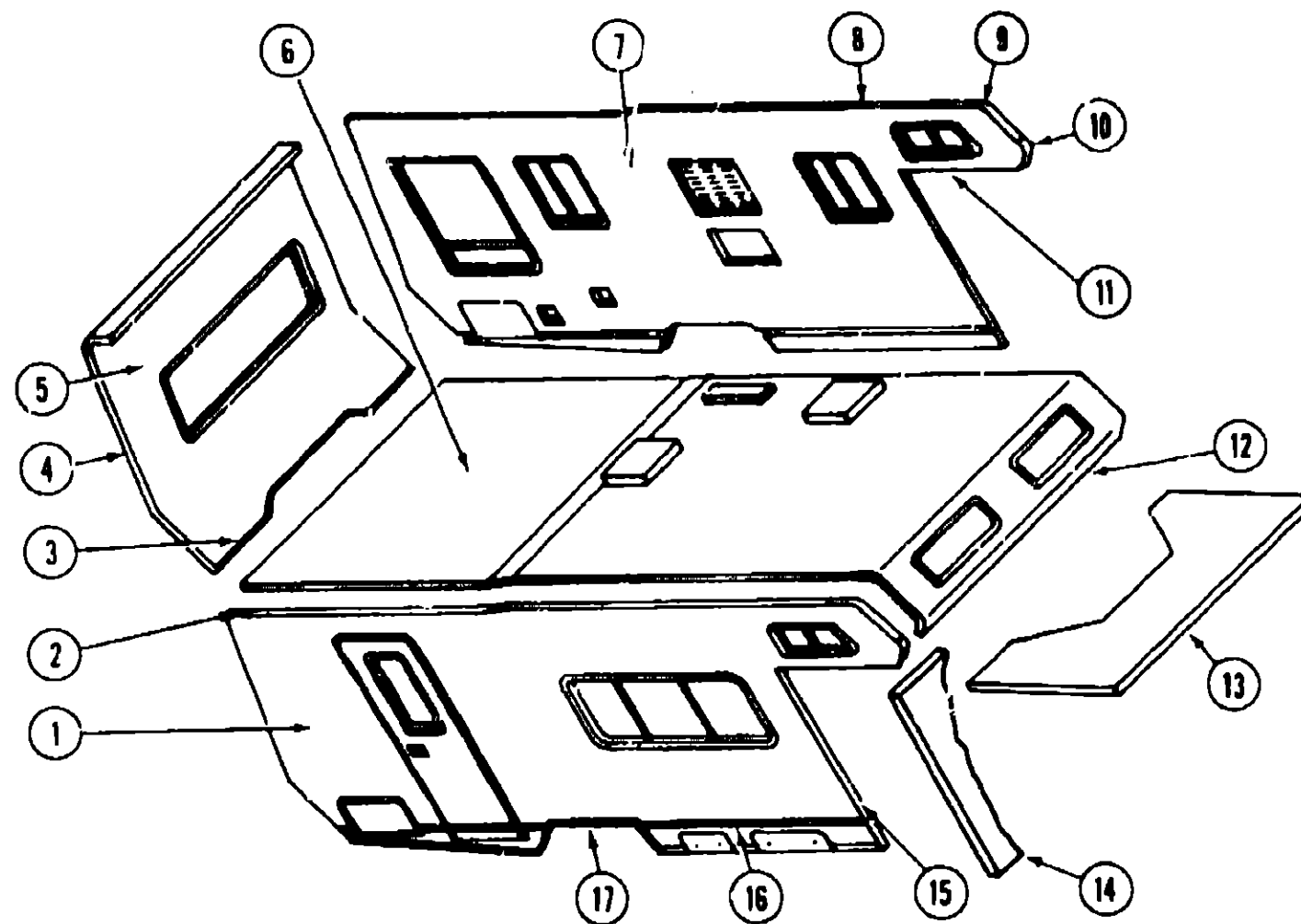
A-01 - B-22
B-23 - D-15

1989 WC/F420RG INDEX

Floor Plan	A-01 - A-02
Accessories Group	A-03 - A-04
Bath Group	A-05
Chassis Group	A-06 - A-07
Curtain, Cushion & Pad Group	A-08 - A-13
Dinette Group	A-14 - A-15
Driver's Compartment Group	A-16 - A-18
Electrical Group	A-19 - A-20
Exterior Body Group	A-21 - B-02
Galley Group	B-03 - B-04
Heating & Air Conditioning Group	B-05
Interior Finish Group	B-06 - B-07
LP Group	B-08
Lounge Group	B-09
Water & Sewage Group	B-10
Window, Vent & Exterior Door Group	B-11 - B-22

EXTERIOR BODY GROUP

EXTERIOR BODY PANELS



1989 WINNEBAGO TABLE OF CONTENTS

WC/F420PG
WC/F421RB

A-01 - B-22
B-23 - D-15

1989 WC/F420RG INDEX

Floor Plan	A-01 - A-02
Accessories Group	A-03 - A-04
Bath Group	A-05
Chassis Group	A-06 - A-07
Curtain, Cushion & Pad Group	A-08 - A-13
Dinette Group	A-14 - A-15
Driver's Compartment Group	A-16 - A-18
Electrical Group	A-19 - A-20
Exterior Body Group	A-21 - B-02
Galley Group	B-03 - E-04
Heating & Air Conditioning Group	B-05
Interior Finish Group	B-06 - B-07
LP Group	B-08
Lounge Group	B-09
Water & Sewage Group	B-10
Window, Vent & Exterior Door Group	B-11 - B-22

Key	Part Number
1	M92129-01-Y05
1	M92129-01-Y06
2	077339-11-000
2	077339-12-000
3	074966-02-000
4	076805-01-000
4	076805-02-000
5	M90099-01-Y05
5	M90099-01-Y06
6	M88631-01-Y05
6	M79589-01-700
7	M88977-01-Y05
7	M88977-01-Y06
8	076802-06-000
8	076802-07-000
9	085490-02-000
9	085490-01-000
10	066889-02-000
10	066889-01-000
11	076975-06-000
11	076975-05-000

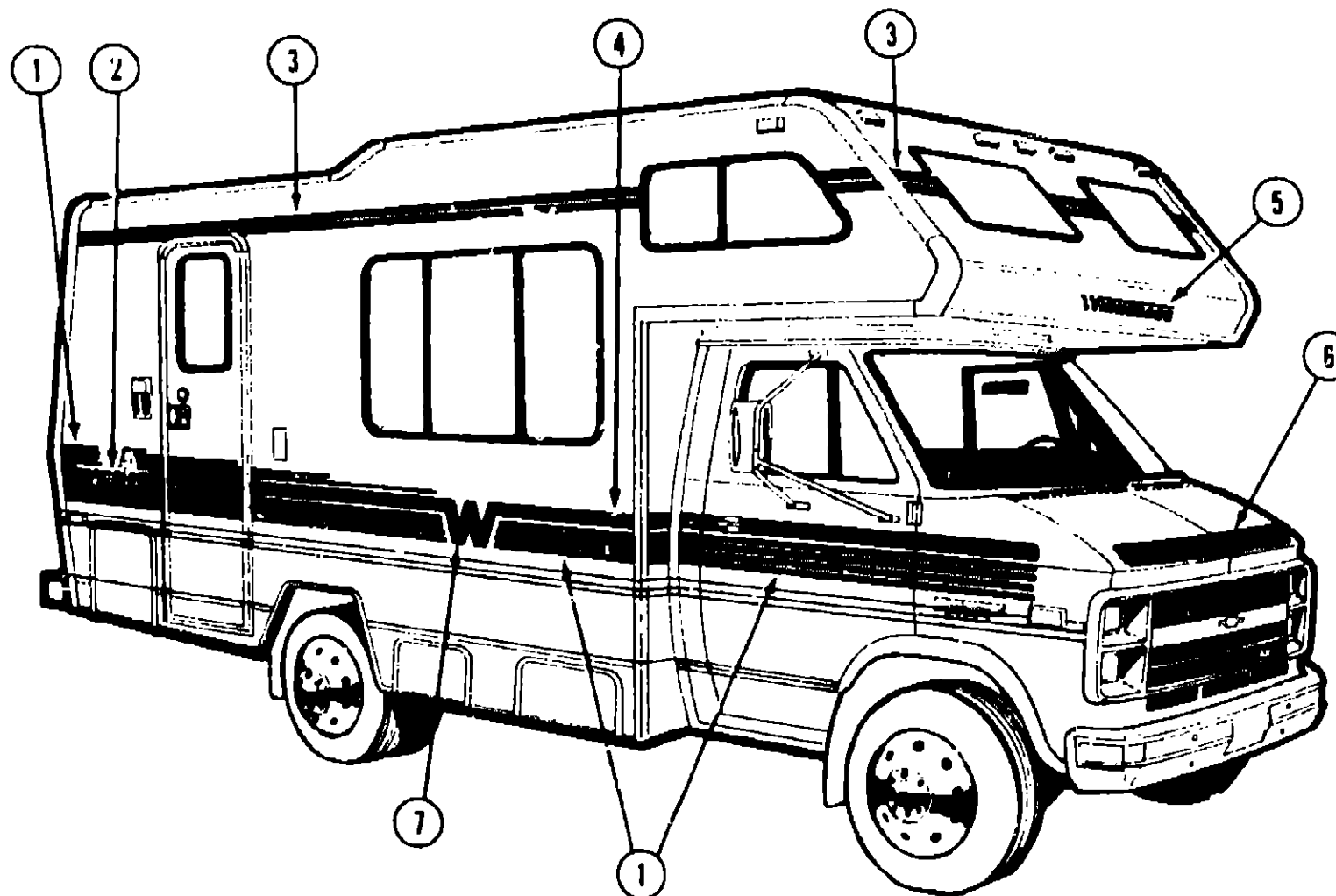
U/M	Description
EA	Sidewall Asm. - Passenger Side
EA	Sidewall Asm. - Passenger Side
EA	Contour Trim - Upper Rear Passenger Side - Off White
EA	Contour Trim - Upper Rear Driver Side - Off White
EA	Backwall Trim - Lower - Driver or Passenger Side
EA	Contour Trim - Backwall - Passenger Side - Off White
EA	Contour Trim - Backwall - Driver Side - Off White
EA	Backwall Asm.
EA	Backwall Asm.
EA	Roof Asm.
EA	Roof Section - Cab Over to First Seam
EA	Sidewall Asm. - Driver Side
EA	Sidewall Asm. - Driver Side
EA	Contour Trim - Upper Front Driver Side - Off White
EA	Contour Trim - Upper Front Passenger Side - Off White
EA	Contour Trim - Sleeper - Driver Side - Off White
EA	Contour Trim - Sleeper - Passenger Side - Off White
EA	Trim - Front Radius - Plastic - Driver Side - Off White
EA	Trim - Front Radius - Plastic - Passenger Side - Off White
EA	Trim - Wingwall - 52.7" - Driver Side - Off White
EA	Trim - Wingwall - 52.7" - Passenger Side - Off White

Key	Part Number
12	039844-08-000
13	M92068-01-Y05
14	M81653-01-U01
14	M81653-02-U01
14	M82343-01-U01
14	M82343-02-U01
15	076975-03-000
15	076975-04-000
16	059576-05-000
16	001030-02-100
16	009731-01-000
17	080266-10-000
17	080266-02-000
17	077517-04-001
17	077517-04-002
17	001054-01-011
17	000868-01-000
17	000870-01-000
17	000870-03-000

U/M	Description
EA	Trim - Sleeper Board - Front
EA	Sleeper Board Asm.
EA	Wingwall Asm. - Passenger Side (Ford)
EA	Wingwall Asm. - Driver Side (Ford)
EA	Wingwall Asm. - Passenger Side (Chevrolet)
EA	Wingwall Asm. - Driver Side (Chevrolet)
EA	Trim - Wingwall Transition - Passenger Side - Off White
EA	Trim - Wingwall Transition - Driver Side - Off White
EA	Feature Strip - Extr. Aluminum - 14.8" - Autumn White
EA	Insert - Feature Strip - 17" - Stucco - Off White
EA	End Cap - Feature Strip
EA	Rear Trim - Wheel Well - Passenger Side
EA	Rear Trim - Wheel Well - Driver Side
EA	Fiberglass Sheets - 48.08" x 259" - Mesa - Off White
EA	Fiberglass Sheets - 48.08" x 60" - Mesa - Off White
EA	Aluminum - No Design - 48" x 96" - Off White
SF	Styrofoam - .75" x 24" x 96"
SF	Styrofoam - 1.5" x 24" x 96"
SF	Styrofoam - 1.34" x 48" x 96"

EXTERIOR BODY GROUP (CONTINUED)

DECALS & FILM STRIPE



Key	Part Number	U/M	Description
1	078196-39-000	FT	Film - Multi-Stripe - 4.5"
2	093589-01-01A	EA	Decal - Logo - "Warrior"
3	085217-M4-000	FT	Film - Multi-Stripe - 2.4"
4	078831-47-3r0	EA	Decal - Stripping - 1.75"
5	050313-22-000	EA	Decal - Logo - "Winnebago"
6	081940-09-000	EA	Decal - Hood (Ford)
6	081944-09-000	EA	Decal - Hood (Chevrolet)
7	079351-26-000	EA	Decal - Flying "W"

1989 WINNEBAGO
TABLE OF CONTENTS

WC/F420RG
WC/F421RB

A-01 - B-22
B-23 - D-15

1989 WC/F421RB INDEX

Floor Plan	B-21 - B-24
Accessories Group	C-01 - C-02
Bath Group	C-03
Chassis Group	C-04 - C-05
Curtain, Cushion & Pad Group	C-06 - C-10
Dinette Group	C-11 - C-12
Driver's Compartment Group	C-13 - C-14
Electrical Group	C-15 - C-16
Exterior Body Group	C-17 - C-22
Galley Group	C-23
Heating & Air Conditioning Group	C-24
Interior Finish Group	D-01 - D-02
LP Group	D-03
Lounge Group	D-04
Water & Sewage Group	D-05
Window, Vent & Exterior Door Group	D-06 - D-15

EXTERIOR BODY GROUP (CONTINUED)

MISCELLANEOUS EXTERNALLY MOUNTED PARTS

Key	Part Number	U/M	Description
	083558-01-000	EA	Plumbing Seal - Roof Vent - 1.5" - w/Cap
	009126-01-000	EA	Assist Handle
	067659-04-000	EA	Fill - City Water - Recessed - Off White
	061240-03-000	EA	Water Fill - Lockable - Off White

NOTE: See the Common Items Fiche for Screws & Fasteners.

SEALANTS & ADHESIVES

Key	Part Number	U/M	Description
	004020-01-000	QT	Adhesive - ABS Cement (Plastic Fittings)
	002337-01-000	EA	Adhesive - 1300 Tube - 3M (Windows)
	004005-02-000	GL	Adhesive - Swifts - Glue (Sidewalls)
	053766-07-000	EA	Bedding Compound - Tube - Beige (Exterior)
	053766-06-000	EA	Bedding Compound - Tube - Clear (Window)
	053766-08-000	EA	Bedding Compound - Tube - Gray (Exterior)
	053766-05-000	EA	Bedding Compound - Tube - Gray (Sidewalls to Floor)
	053766-02-000	EA	Bedding Compound - Tube - Off White (Exterior)
	002328-02-000	EA	Block - Rubber Spacer (Windshield)
	004336-01-000	EA	Caulk - Latex - Golden Walnut (Sidewalls)
	077967-01-000	EA	Sealant - Acrylic Latex - Tube - Off White (Interior Sealant)
	034552-04-000	EA	Sealant - Silicone - Beige
	034552-02-000	EA	Sealant Silicone - Clear
	034552-07-000	EA	Sealant - Silicone - Dark Gray
	034552-06-000	EA	Sealant - Silicone - Off White
	069637-01-000	EA	Sealant - Weatherban 404 - Tube - White (Door Caulk)
	072889-01-000	EA	Sealant - Urethane - Black (Windshield)
	069640-01-000	FT	Sealer Ribbon - .25" Bead x 20'
	069640-02-000	FT	Sealer Ribbon - .5" x .125" x 30'
	069640-03-000	FT	Sealer Ribbon - .75" x .125" x 30'
	069640-04-000	FT	Sealer Ribbon - .2" x .09" x 45' (P Series)
	069640-05-000	FT	Sealer Ribbon - 2.5" x .09" x 50'
	069640-06-000	FT	Sealer Ribbon - 5/16" Bead x 15'
	069640-07-000	FT	Sealer Ribbon - 2" x 3/32" x 30'
	002316-01-000	FT	Sealer Tape - 3/32" x 3/8" - White (Window)
	002707-01-000	FT	Sealer Tape - 5/16" x 3/4"
	002707-02-000	FT	Sealer Tape - 5/16" x 1/2"
	040545-01-000	GL	Sealer - Seam Weld
	053752-04-000	EA	Seam Sealer - Tube - Aluminum (Roof)
	063642-01-000	FT	Tape - Adhesive - .10mm x 1.5" Wide
	038886-01-000	EA	Tape - Butyl - .31" x .31" x 148" (Windshield)
	076322-01-000	FT	Tape - Foam - Double Coated - .025 x 1" (Fiberglass Sidewall Seams)
	076322-02-000	FT	Tape - Foam - Double Coated - .045 x 1" (Fiberglass Sidewall Seams)
	009200-01-000	EA	Tape - Furnace - 1.5"
	002825-01-000	FT	Weather Stripping (Roof Vent)

EXTERIOR BODY GROUP (CONTINUED)

LABELS & EXTERIOR PAINT

Key	Part Number	U/M	Description
	091243-01-000	EA	Label - Air Conditioner Cover
	087236-01-000	EA	Label - Cable - Input
	087236-02-000	EA	Label - Cable - Output
	065748-01-000	EA	Label - Caution - Battery Charging
	006195-01-000	EA	Label - Electrical Test
	047731-01-000	EA	Label - Emergency Exit
	006199-01-000	EA	Label - Exit - Escape Window
	064378-01-000	EA	Label - Flying "W" w/Thermo Panel
	061417-01-000	EA	Label - Fuel
	087207-02-000	EA	Label - Fuel Cap Removal
	054531-01-000	EA	Label - LP Gas Only
	073998-01-000	EA	Label - LPG Odor Warning
	040944-01-000	EA	Label - Open - Entrance Door
	061606-01-000	EA	Label - Overlay - Vehicle Certification
	006015-01-000	EA	Label - Patent Motor Home
	088757-01-000	EA	Label - Retail - 8 5/8" x 12 7/8"
	058259-01-000	EA	Label - Safety Check List
	006064-01-000	EA	Label - Seat - w/o Seat Belts
	006187-01-000	EA	Label - Sewage
	006006-01-000	EA	Label - Thermo Panel - 2 1/4" x 2 1/4"
	075221-01-000	EA	Label - Trailer Hitch Capacity
	091224-02-000	EA	Label - Trailer Lighting
	075220-01-000	EA	Label - Warning - Exterior Load Limit
	050225-01-000	EA	Label - Warning - Stove Vent - US
	079966-01-000	EA	Label - Warning - Stowed Motion
	006188-01-000	EA	Label - Waste Water
	006197-01-000	EA	Label - Water Test
	006062-01-000	EA	Tag - Electrical - 110 Volt Connection
	006040-01-000	EA	Tag - Gas - Refueling Warning (US)
	006040-02-000	EA	Tag - Gas - Refueling Warning (CSA)
	006019-01-000	EA	Tag - RVI Approval - Plastic
	045681-03-000	EA	Paint - Gloss Black - Acrylic Enamel - 16 oz. Aerosol (99 Dupont)
	041561-03-000	EA	Paint - Off White Acrylic Enamel - 16 oz. Aerosol (45396A Dupont)
	074559-01-000	EA	Label "LPG" - 3.3" x 1.75" (Calif. Code)
	023769-01-000	EA	Label - Warning - LPG (CSA)

**1989 WINNEBAGO
TABLE OF CONTENTS**

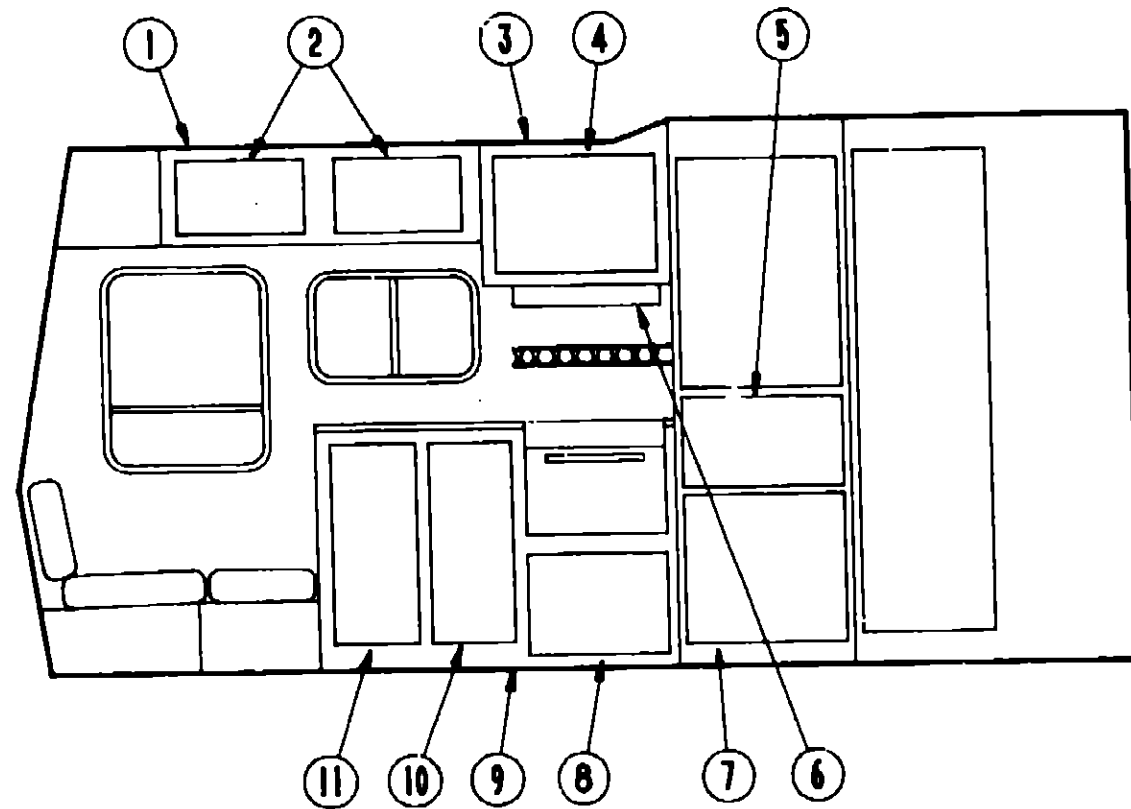
WC/F420RG
WC/F421RB

A-01 - B-22
B-23 - D-15

1989 WC/F420RG INDEX

Floor Plan	A-01 - A-02
Accessories Group	A-03 - A-04
Bath Group	A-05
Chassis Group	A-06 - A-07
Curtain, Cushion & Pad Group	A-08 - A-13
Dinette Group	A-14 - A-15
Driver's Compartment Group	A-16 - A-18
Electrical Group	A-19 - A-20
Exterior Body Group	A-21 - B-02
Galley Group	B-03 - B-04
Heating & Air Conditioning Group	B-05
Interior Finish Group	B-06 - B-07
LP Group	B-08
Lounge Group	B-09
Water & Sewage Group	B-10
Window, Vent & Exterior Door Group	B-11 - B-22

GALLEY GROUP



GALLEY CABINETRY

Key	Part Number	U/M	Description
1	M92403-01-Y05	EA	Cabinet Asm. - Galley Overhead - w/o Doors or Hardware
	082825-03-Y05	EA	End Cap - Galley Overhead
2	M88304-A2-X08	EA	Door Asm. - Galley Overhead Cabinet - w/o Hardware
3	M92338-01-Y05	EA	Cabinet Asm. - Microwave - w/o Door or Hardware
4	M68304-01-X08	EA	Door asm. - Microwave Cabinet - Left - w/o Hardware
5	M88304-94-X11	EA	Door Asm. - Refrigerator Cabinet - w/o Hardware
6	092896-05-01A	EA	Range Hood - Almond - UL
6	092896-06-01A	EA	Range Hood - Almond - CSA
7	M88304-A1-W24	EA	Access Panel - Refrigerator Cabinet - w/o Hardware
8	M88304-05-X23	EA	Door Asm. - Galley Cabinet
9	M83663-01-Y05	EA	Cabinet Asm. - Galley - w/o Countertop, Doors, Drawers or Hardware
	082184-01-W04	EA	Drawer Asm. - Galley Cabinet - w/o Hardware
	M02607-01-Y05	EA	Countertop Asm. - Galley Cabinet
10	M88304-A4-X08	EA	Door Asm. - Galley Cabinet - w/o Hardware
11	M88304-13-X08	EA	Door Asm. - Galley Cabinet - w/o Hardware
	077404-02-000	EA	Drawer - Galley Cabinet - 20" x 12.7"
	077408-01-000	EA	Drawer Slide - 20.75" Plastic
	081710-01-000	EA	Drawer Slide - Plastic

GALLEY GROUP (CONTINUED)

GALLEY APPLIANCES & HARDWARE

Key	Part Number	U/M	Description
	091269-01-000	EA	Microwave - Magic Chef
	055282-04-000	EA	Range - 4 Burner - w/Oven - Magic Chef - Almond
	055282-02-700	EA	Top - Main - Almond
**	064473-04-000	EA	Refrigerator - AC/DC/Gas - Norcold 6'
	054450-01-000	EA	Level Refrigerator
	081530-01-Y30	EA	Sink Cover - Large
	098654-01-000	EA	Sink - Stainless Steel - Double w/Bolts
	011053-03-000	EA	Faucet - Swing Spout - 8" - US/CSA
	011053-01-700	EA	Aerator - Swing Spout Faucet
	066437-01-000	EA	Strainer w/Basket - Sink
	074490-01-000	EA	Spice Rack - Oak
	074491-01-000	EA	Magazine Rack - Oak
	059777-02-000	EA	Hinge - Cabinet Door - Brass
	074493-02-000	EA	Prop - Overhead Door
	088264-01-000	EA	Pull - Polished Brass
	093288-03-01A	EA	Silverware Drawer Tray - Beige
**	The illustrated parts breakdown for this item is provided on the Common Items Fiche.		

1989 WINNEBAGO TABLE OF CONTENTS

WC/F420RG
WC/F421RB

A-01 - B-22
B-23 - D-15

1989 WC/F420RG INDEX

Floor Plan	A-01 - A-02
Accessories Group	A-03 - A-04
Bath Group	A-05
Chassis Group	A-06 - A-07
Curtain, Cushion & Pad Group	A-08 - A-13
Dinette Group	A-14 - A-15
Driver's Compartment Group	A-16 - A-18
Electrical Group	A-19 - A-20
Exterior Body Group	A-21 - B-02
Galley Group	B-03 - B-04
Heating & Air Conditioning Group	B-05
Interior Finish Group	B-06 - B-07
LP Group	B-08
Lounge Group	B-09
Water & Sewage Group	B-10
Window, Vent & Exterior Door Group	B-11 - B-22

HEATING & AIR CONDITIONING GROUP

FURNACE & ROOF AIR CONDITIONER

Key	Part Number	U/M	Description
	075895-01-000	EA	Furnace - 24,000 BTU - w/Direct Ignition - NT-24S
	009198-01-000	FT	Duct - Flexible - 4" ID x 25'
	056464-01-000	EA	Register - 4" Dia. - Plastic w/Damper
	056464-05-000	EA	Register - 4" Dia. - Plastic w/o Damper
	009200-01-000	EA	Tape - Furnace - 1 1/2"
	023148-01-000	EA	Clamp - Screw Type - 4"
	022756-01-000	EA	Air Conditioner Wire Cover - Angle - Black
	093784-01-000	EA	Shroud Asm. - Ceiling - Inside - Roof Air - 13,500 BTU (US/CSA)
	092441-01-000	EA	Shroud Asm. - Ceiling - Inside - Roof Air - 13,500 BTU (European)
	093783-01-04A	EA	Air Conditioner - Roof Mount - 13,500 BTU (US/CSA)
	092440-01-000	EA	Air Conditioner - Roof Mount - 13,500 BTU (European)

AUTOMOTIVE HEATER & AIR CONDITIONER

Key	Part Number	U/M	Description
	073716-01-000	EA	A/C - Condenser Asm. - "C" - Tube O
	074027-01-000	EA	A/C - Evaporator Asm. - Cutaway
	074027-01-700	EA	Motor
	074027-01-701	EA	Hose - Liquid - #6
	074027-01-702	EA	Hose - Suction - #10
	074027-01-703	EA	Louver
	074027-01-704	EA	Escutcheon
	074027-01-705	EA	Thermostat
	074027-01-706	EA	Knob - Temperature
	074027-01-707	EA	Knob - Air
	074027-01-708	EA	Solenoid - Vacuum Switch
	074027-01-709	EA	Center - Lower Escutcheon
	074027-01-710	EA	Coil - Evaporator
	074027-01-711	EA	Blower - Wheel
	074027-01-712	EA	Blower - Housing
	007108-01-000	FT	Hose - Heater - 5/8" ID SAE20R3
	062401-04-000	EA	Clamp - Worm Drive - .89" - 1.25" ID

INTERIOR FINISH GROUP

INTERIOR MOLDING & TRIM

Key	Part Number	U/M	Description
	078325-16-000	FT	Molding - Edge Band - Regal Oak (Table)
	081521-01-001	EA	Molding Retainer - Corner - 16'
	009809-22-000	EA	Molding - Plastic - Outside Corner - 1"
	009812-17-000	FT	Molding - Plastic - Outside Corner - 1/2"
	042357-11-000	FT	Molding - Radius Corner - 7' - Light Oak
	022992-08-000	FT	Molding - Reverse Cover - Champagne White
	085284-03-000	FT	Batt Strip - Regal Oak - Tape - Adhesive
	088229-04-000	EA	Batt Strip - Ivory - 8' (Bath)
	088263-19-000	EA	Batt Strip - Travertine - 8' (Wet Bath)
	088263-09-000	EA	Batt Strip - Cord (Bath/Galley)
	088263-28-000	EA	Batt Strip - Rainbow - 8' (Wall) (Y05)
	085284-12-000	FT	Batt Strip - Rainbow - Tape - Adhesive (Wall) (Y05)
	088263-27-000	EA	Batt Strip - Sunkist - 8' (Wall) (Y06)
	085284-11-000	FT	Batt Strip - Sunkist - Tape - Adhesive (Wall) (Y06)
	088263-30-000	EA	Batt Strip - Crossilk Spatter - 8' (Ceiling)
	070504-01-000	FT	U-Channel - .065" - Light Brown
	009778-07-000	FT	U-Channel - 1" - Light Oak
	009787-06-000	FT	Wetling - Beige

PANELING & COUNTERTOP MATERIAL

Key	Part Number	U/M	Description
	074497-10-000	SF	Paneling - Regal Oak - 48" x 84" (28 SF) (Cabinets)
	088272-38-000	SF	Paneling - Decor - Bone - 48" x 84" (28 SF) (Bath)
	088272-72-000	SF	Paneling - Travertine White (Wet Bath)
	088272-29-000	SF	Paneling - Decor - Rainbow - 48" x 84" (28 SF) (Galley) (Y05)
	088272-30-000	SF	Paneling - Decor - Haze - 48" x 84" (28 SF) (Galley) (Y06)
	074497-14-000	SF	Paneling - Crossilk - 48" x 96" (32 SF) (Ceiling)
	088272-40-000	SF	Paneling - Rainbow - 48" x 84" (28 SF) (Wall) (Y05)
	088272-39-000	SF	Paneling - Sunkist - 48" x 84" (28 SF) (Wall) (Y06)
	074498-24-000	SF	Plastic Laminate - Sterling - 48" x 96" (32 SF) (Woodgrain)
	074498-28-000	SF	Plastic Laminate - Sterling - 48" x 96" (32 SF) (Galley/Bath)

FABRICS & CARPET

Key	Part Number	U/M	Description
	072333-81-000	YD	Fabric - Drapery (Y05)
	072333-82-000	YD	Fabric - Drapery (Y06)
	088274-84-000	YD	Fabric w/Pattern - Upholstery (Y05)
	088274-85-000	YD	Fabric w/Pattern - Upholstery (Y06)
	088274-88-000	YD	Fabric - Upholstery Accent (Y05)
	088274-89-000	YD	Fabric - Upholstery Accent (Y06)
	052859-07-Y05	FT	Accent Trim (Dinette Seat Back) (Y05)
	052859-07-Y06	FT	Accent Trim (Dinette Seat Back) (Y06)
	079680-01-000	YD	Expanded Vinyl - 26 oz. Buckskin
	072880-84-000	YD	Carpet - Graphite (Y05)
	072880-89-000	YD	Carpet - Rose Mist (Y06)
	085746-01-000	FT	Carpet J-Trim
	075233-01-000	SY	Carpet Pad

1989 WINNEBAGO TABLE OF CONTENTS

WC/F420RG
WC/F421RB

A-01 - B-22
B-23 - D-15

1989 WC/F420RG INDEX

Floor Plan	A-01 - A-02
Accessories Group	A-03 - A-04
Bath Group	A-05
Chassis Group	A-06 - A-07
Curtain, Cushion & Pad Group	A-08 - A-13
Dinette Group	A-14 - A-15
Driver's Compartment Group	A-16 - A-18
Electrical Group	A-19 - A-20
Exterior Body Group	A-21 - B-02
Galley Group	B-03 - B-04
Heating & Air Conditioning Group	B-05
Interior Finish Group	B-06 - B-07
LP Group	B-08
Lounge Group	B-09
Water & Sewage Group	B-10
Window, Vent & Exterior Door Group	B-11 - B-22

INTERIOR FINISH GROUP (CONTINUED)

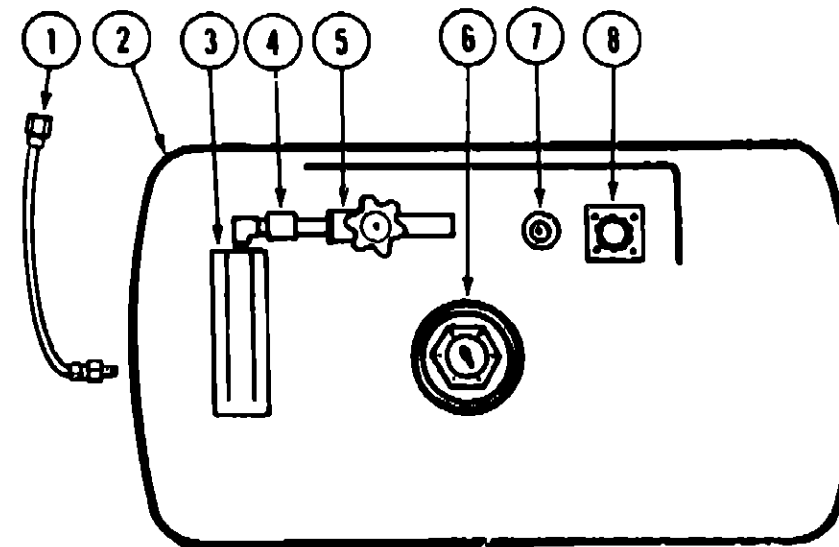
CABINETS & TABLE HARDWARE

Key	Part Number	U/M	Description
	M02946-50-Y03	EA	Table - Dinette - w/u Hardware
	064781-05-000	EA	Cup Holder - Two Step - Beige
	053200-05-000	EA	Support - Table - 13.5" - Beige
	088410-01-000	EA	Hanger - Table - Beige
	024281-07-000	EA	Bracket - Table Lift
	024275-05-000	EA	Rod - Table Lift - Tan
	049493-01-000	EA	Catch - Table Leg
	024276-21-000	EA	Leg Asm. - Table - Beige
	064050-03-000	EA	Hinge - Table Leg - Tan
	024282-01-000	EA	Brace Table Leg
	024283-01-000	EA	Clip - 1" - 1.25" - OD Tube - Black
	004354-01-000	EA	Rubber Bumper - Brown
	009112-01-000	EA	Flange - 1" - Off White
	077409-01-000	EA	Slide - Drawer - Plastic - 20.75"
	072369-28-000	EA	Mesh - Grille - Bronze
	009021-01-000	EA	Catch - Nylon - Furnace Door
	009021-02-000	EA	Strike - Nylon Catch - Furnace Door
	074493-02-000	EA	Support - Sprung - Door
	058034-02-000	EA	Latch - Door w/o Lock - Sliding Door
	064467-01-000	EA	Guide - Wall Mount - Door Pocket
	068264-01-000	EA	Pull - Brass - Polished
	059777-02-000	EA	Hinge - Light Brass
	009016-01-000	EA	Catch - Elbow - Spring Loaded
	093566-03-000	EA	Catch - Spring Roller
	093566-04-000	EA	Strike - Spring Steel

CURTAIN & CUSHION HARDWARE

Key	Part Number	U/M	Description
	009701-01-000	EA	Curtain L Rod Carrier
	009702-01-000	EA	Curtain L Rod End Stop
	053163-01-000	EA	Bracket - Couch Slide
	054398-01-000	EA	Bracket - Couch - Brown
	039175-02-000	EA	Bracket - Curtain Rod - Cafe
	039175-05-000	EA	Bracket - Curtain Rod - Center
	056003-02-000	EA	Bracket - Drapery Retainer - Left
	056003-01-000	EA	Bracket - Drapery Retainer - Right
	064434-01-000	EA	Bracket - Roller Shade - 1 3/8"
	093175-03-000	EA	Rod - Cafe Curtain - Extension - 28" - 48"
	039175-01-000	EA	Rod - Cafe Curtain - Extension - 48" - 84"
	048394-02-000	YD	Tape Hood - .75" x 50 Yd. - Beige
	048395-02-000	YD	Tape Loop - .75" x 50 YD - Beige
	029090-01-000	FT	Tie - Drapery - Clear Vinyl
	091904-01-000	EA	Track - Curtain - Light Beige
	069335-01-000	FT	Track - Curtain - Brown Plastic

LP GROUP



Key	Part Number	U/M	Description
	045703-01-000	EA	Hose Asm. - LP - 3/8" ID x 24" (US)
	045703-02-000	EA	Hose Asm. - LP - 3/8" ID x 24" (CSA)
	060450-01-000	EA	LP Tank - 42 Pound - 13" x 24"
	061938-01-000	EA	Cover - LP Regulator
	078301-01-000	EA	Regulator - Two Stage
	060976-02-000	EA	Safety Valve - Electric
	040421-01-703	EA	Valve - Vapor Relief
	040421-01-707	EA	Gauge - Float - w/Visible Dial
	040421-01-706	EA	Dial - Visible Face - Float Gauge
	040440-01-000	EA	Dial - Visible Face - Float Gauge (w/Electric Transmitter)
	040421-01-700	EA	Gauge - Liquid Level
	040421-01-701	EA	Valve - Filler
	040421-01-702	EA	Cap - Filler Valve
	040421-01-711	EA	Inner Tank Valve - 80% Fill
	065741-01-000	EA	Gauge - Diaphragm Pressure - Test Leak
	097395-01-000	EA	LP Gas Leak Detector

1989 WINNEBAGO TABLE OF CONTENTS

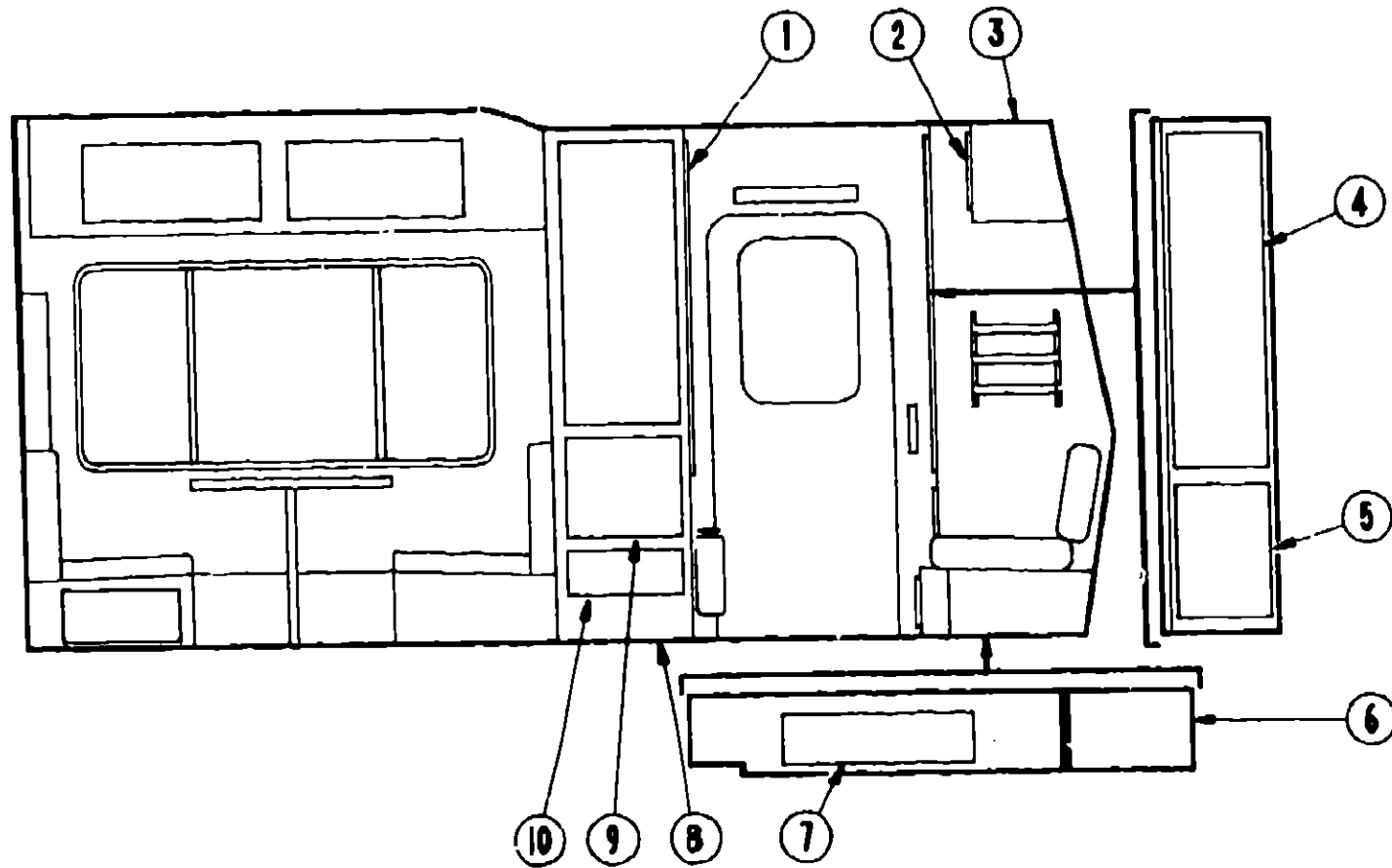
WC/F420RG
WC/F421RB

A-01 - B-22
B-23 - D-15

1989 WC/F420RG INDEX

Floor Plan	A-01 - A-02
Accessories Group	A-03 - A-04
Bath Group	A-05
Chassis Group	A-06 - A-07
Curtain, Cushion & Pad Group	A-08 - A-13
Dinette Group	A-14 - A-15
Driver's Compartment Group	A-16 - A-18
Electrical Group	A-19 - A-20
Exterior Body Group	A-21 - B-02
Galley Group	B-03 - B-04
Heating & Air Conditioning Group	B-05
Interior Finish Group	B-06 - B-07
LP Group	B-08
Lounge Group	B-09
Water & Sewage Group	B-10
Window, Vent & Exterior Door Group	B-11 - B-22

LOUNGE GROUP



LOUNGE OVERHEAD & WARDROBE CABINERY

Key	Part Number	U/M	Description
1	M88304-A3-X08	EA	Door Asm. - Wardrobe Cabinet - w/o Hardware
2	M88304-B6-X08	EA	Door Asm. - Rear Overhead Cabinet - w/o Hardware
3	M92402-01-Y05	EA	Cabinet Asm. - Rear Overhead - w/o Doors or Hardware
4	M88304-A3-X08	EA	Door Asm. - Wardrobe Cabinet - w/o Hardware
5	M88304-A5-X08	EA	Door Asm. - Wardrobe Cabinet - Lower - w/o Hardware
6	089609-01-X08	EA	Cabinet Asm. - Couch - w/o Door or Hardware
7	M88304-04-X08	EA	Door Asm. - w/o Hardware
	081298-01-X11	EA	Table Asm. - Pedestal
8	088563-01-X08	EA	Cabinet Asm. - Furnace - w/o Countertop Door or Hardware
	088563-12-X08	EA	Countertop Asm. - Furnace Cabinet - Sunset Oak
9	M92073-02-X11	EA	Door Asm. - Furnace w/Mesh Insert - 15.1" x 22.6" - w/o Hardware
	074491-01-000	EA	Magnetic Rack - Oak
10	081893-02-X11	EA	Drawer Face
10	077251-01-000	EA	Drawer - Tipout - Plastic

WATER & SEWAGE GROUP

PLUMBING & REPAIR PARTS

Key	Part Number	U/M	Description
	062416-01-000	EA	Adapter - Hose - 3"
	062422-01-000	EA	Adapter - Hose Offset - Reducer - 3" x 1 1/2"
	052954-01-000	EA	Adapter - Hose Cone - 3/8 or 1/2 - Plastic
	004020-01-000	QT	Adhesive - ABS Cement
	010121-01-000	EA	Bushing - Plastic - 1 1/2 S x 1 1/4 H
	010147-01-000	EA	Closet Flange - US
	010147-02-000	EA	Closet Flange - CSA
	011091-02-000	EA	Continuous Waste - Double Sink - 11 7/8" - US
	078406-01-000	EA	Coupler Rubber - 3" x 3"
	010006-01-000	EA	Elbow - Plastic - 1/8 BD x 1 1/2 x 45° H x H
	010006-01-000	EA	Elbow - Plastic - 1/4 BD x 1 1/2 x 90° Long Turn
	010051-01-000	EA	Elbow - ST - Plastic - 1/8 BD x 1 1/2 x 45°
	031111-01-000	EA	Elbow - Plastic - 1/4 BD x 1 1/4 x 90° Long Turn
	052957-02-000	EA	Elbow - Plastic - 1/2 F x 1/2 MPT (In Tank Filter)
	037101-02-000	EA	Elbow - Plastic - 1/4 BD Vent 1 1/2" H
	070924-01-000	EA	Elbow - Plastic - Swivel - 1/2 MPT x 1/2 FP
	077954-02-000	EA	Filter & Screen (Water Tank)
	079381-01-000	FT	Flexible Tubing - 1 1/4 ID x 10'
	061807-01-000	EA	Grommet - Holding Tank Coupler - 1 1/2"
	061807-02-000	EA	Grommet - Holding Tank Coupler - 3"
	052952-01-000	EA	Nut - 1/2 F - Plastic
	011088-03-000	EA	P-Trap - 1 1/4" Plastic - US
	010197-01-000	FT	Pipe - Plastic - 3" x 240" - Black
	045729-02-000	EA	Pump - Water - 2.8 G.P.M. - Direct Drive - Shurflo - CSA
	010201-01-000	EA	Sewer Hose - 3" x 8' w/Clamp
	042989-05-000	EA	Spinweld Fitting - Plastic - 1/2 FPT
	042989-03-000	EA	Spinweld Fitting - Plastic - 1/4 NPT
	042989-04-000	EA	Spinweld Fitting - Plastic - 3/8 FPT
	049032-01-000	EA	Spinweld Patch - Plastic 3/8"
	011089-03-000	EA	Tailpiece - 1 1/2" x 1 3/4" x 4" - Plastic
	010071-01-000	EA	Tee - Plastic - 1 1/2 x H x H x H
	011079-01-000	EA	Tee - Plastic - 1 1/2 H x 1 1/2 H x 1 1/4 H
	052955-01-000	EA	Tee - Plastic - 1/2 F x 1/2 F x 1/2 MPT
	052958-01-000	EA	Tee - Plastic - 1/2 F x 1/2 F x 1/2 F
	039600-01-000	FT	Tubing - Polybutyl - 1/2 OD (Water Line)
	079381-01-000	FT	Tubing - Flexible - Smooth - 1.25 ID
	074462-02-000	FT	Tubing - Vinyl - 3/8 ID
	070916-01-000	EA	Valve - Dual - 3" & 1.5" Dump
	052960-01-000	EA	Valve - Line Drain - 1/2 F x 1/2 F
	079968-01-000	EA	Vent - Mechanical - Trap Arm

HOLDING TANKS & WATER HEATER

Key	Part Number	U/M	Description
	057063-02-000	EA	Tank Asm. - Water - 28 Gallon - w/Fittings
	057063-01-000	EA	Tank - Water - 28 Gallon - w/o Fittings
	083288-01-000	EA	Tank - Holding - 25 Gallon - w/o Fittings - Main
	083289-01-000	EA	Tank - Holding - 25 Gallon - w/o Fittings - Aux.
**	051391-03-000	EA	Water Heater - w/Electronic Ignition - G6A-3E
**	The illustrated parts breakdown for this item is provided on the Common Items Fiche.		

1989 WINNEBAGO TABLE OF CONTENTS

WC/F420RG
WC/F421RB

A-01 - B-22
B-23 - D-15

1989 WC/F420RG INDEX

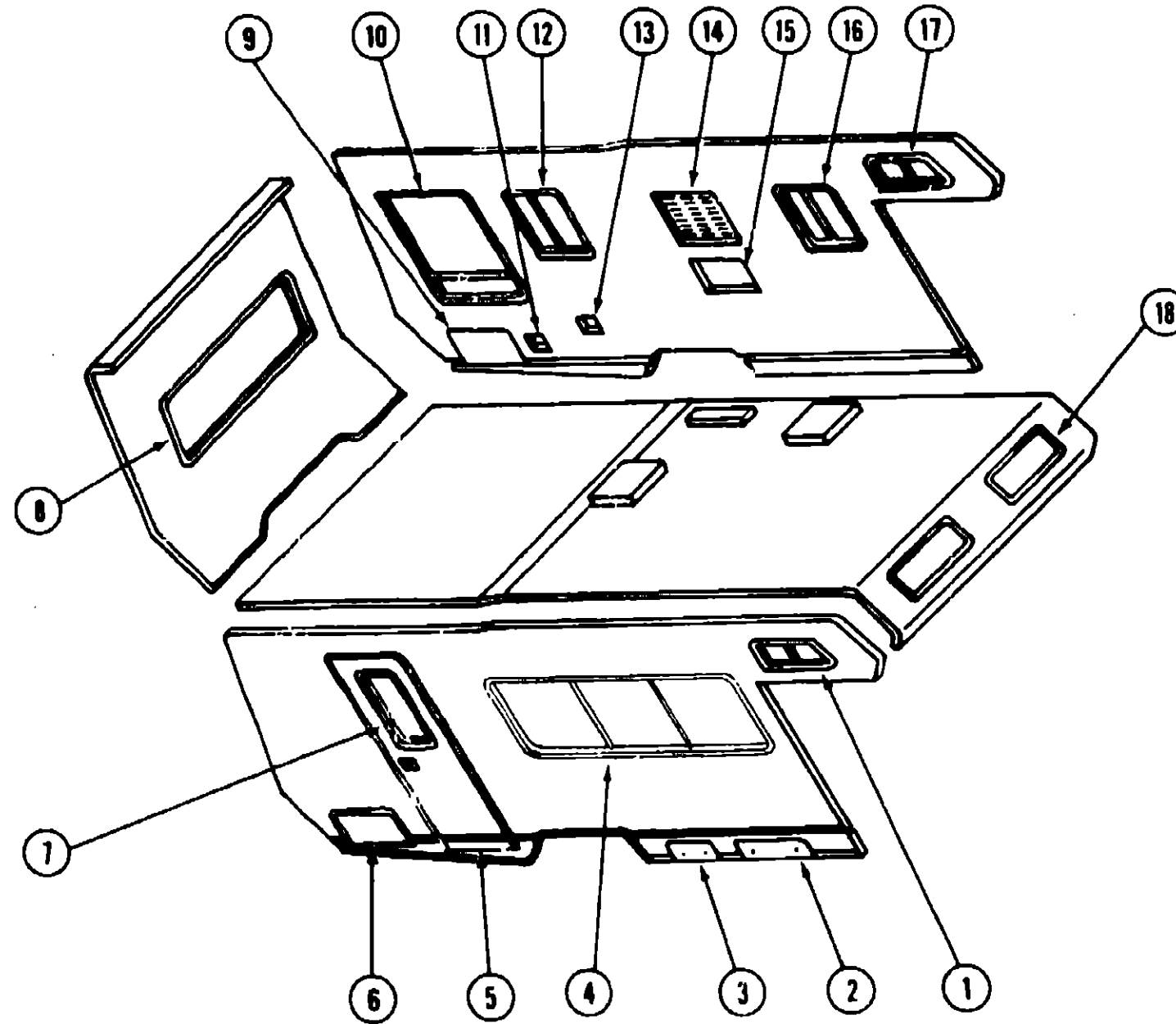
Floor Plan	A-01 - A-02
Accessories Group	A-03 - A-04
Bath Group	A-05
Chassis Group	A-06 - A-07
Curtain, Cushion & Pad Group	A-08 - A-13
Dinette Group	A-14 - A-15
Driver's Compartment Group	A-16 - A-18
Electrical Group	A-19 - A-20
Exterior Body Group	A-21 - B-02
Galley Group	B-03 - B-04
Heating & Air Conditioning Group	B-05
Interior Finish Group	B-06 - B-07
LP Group	B-08
Lounge Group	B-09
Water & Sewage Group	B-10
Window, Vent & Exterior Door Group	B-11 - B-22

WINDOW, VENT & EXTERIOR DOOR GROUP

1989 WINNEBAGO TABLE OF CONTENTS

WC/F420RG
WC/F421RB

A-01 - B-22
B-23 - D-15



1989 WC/F420RG INDEX

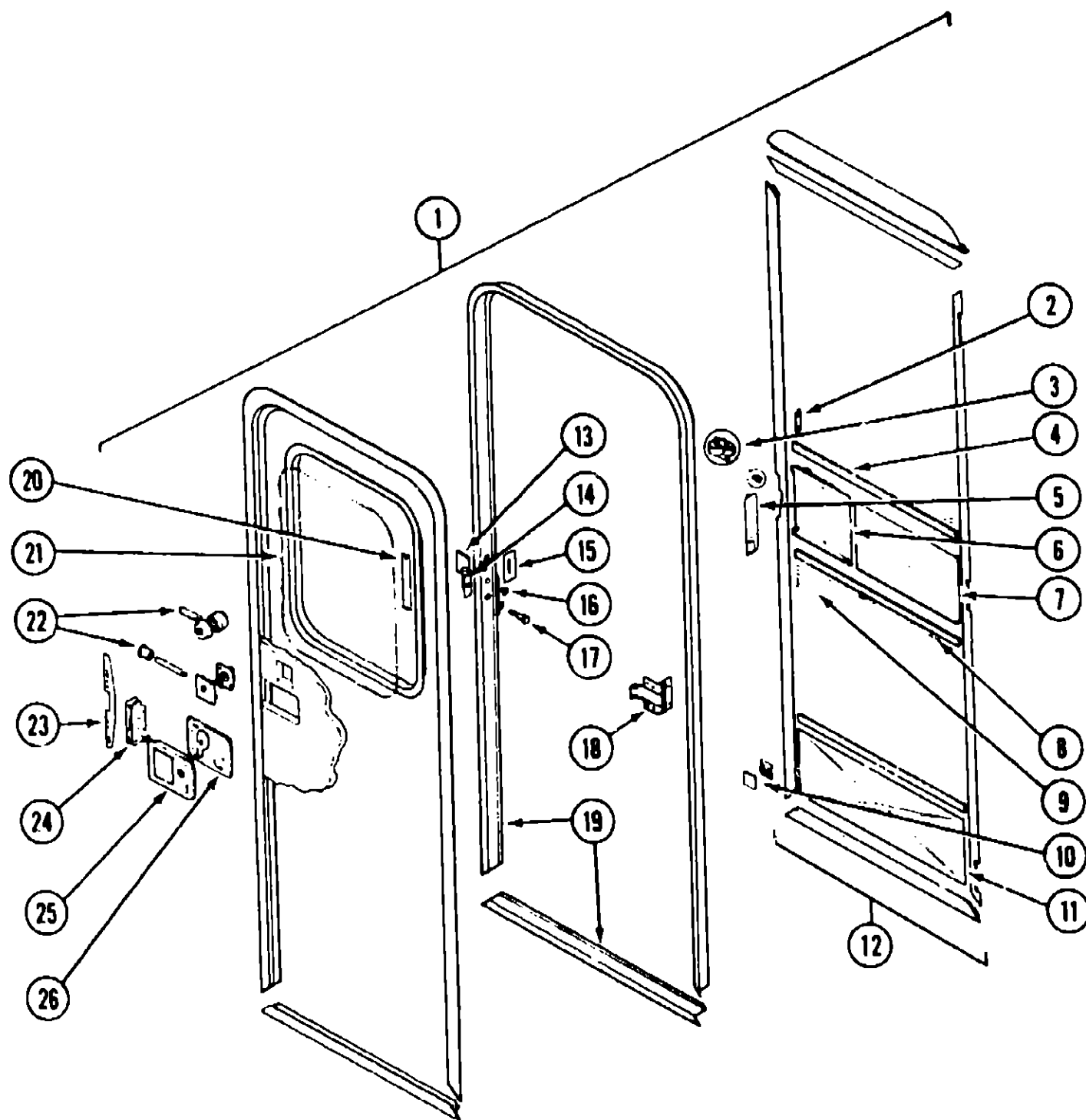
Floor Plan	A-01 - A-02
Accessories Group	A-03 - A-04
Bath Group	A-05
Chassis Group	A-06 - A-07
Curtain, Cushion & Pad Group	A-08 - A-13
Dinette Group	A-14 - A-15
Driver's Compartment Group	A-16 - A-18
Electrical Group	A-19 - A-20
Exterior Body Group	A-21 - B-02
Galley Group	B-03 - B-04
Heating & Air Conditioning Group	B-05
Interior Finish Group	B-06 - B-07
LP Group	B-08
Lounge Group	B-09
Water & Sewage Group	B-10
Window, Vent & Exterior Door Group	B-11 - B-22

Key	Part Number	U/M	Description
1	086227-01-000	EA	Window Asm. - Bunk Slant Slider
	086228-05-000	EA	Inside Frame - Bunk - Beige
2	079455-03-T95	EA	Door Asm. - Storage
3	079455-06-T95	EA	Door Asm. - Battery
4	078269-04-X11	EA	Window Asm. - Double Slider
5	M01870-01-Y05	EA	Door Asm. - Radius Entry w/Screen Door
5	M01870-23-Y06	EA	Door Asm. - Radius Entry w/Screen Door
6	083439-01-X08	EA	Door Asm. - Luggage
7	078733-04-T03	EA	Window Asm. - Picture
8	078536-01-T03	EA	Window Asm. - Escape

Key	Part Number	U/M	Description
9	083840-01-W04	EA	Door Asm. - Generator
9	083839-01-W87	EA	Door Asm. - Luggage
10	085353-06-W07	EA	Window Asm. - Single Tipout
11	088794-01-000	EA	Door Asm. - Power Cord w/Hatch
12	078266-03-T03	EA	Window Asm. - Single Slider
13	078010-03-000	EA	Door Asm. - Fuel Fill
14	084103-03-000	EA	Door - Refrigerator Access
14	084104-03-000	EA	Door Jamb - Refrigerator Vent
15	052009-01-000	EA	Door Asm. - Water Heater Access
16	078266-04-T03	EA	Window asm. - Single Slider
17	086227-02-000	EA	Window Asm. - Bunk Slant Slider
	086228-02-000	EA	Inside Frame - Bunk - Beige
18	078533-04-X08	EA	Window Asm. - Front Picture

WINDOW, VENT & EXTERIOR DOOR GROUP (CONTINUED)

ENTRANCE DOOR



Key	Part Number	U/M	Description
1	M01870-21-Y05	EA	Door Asm. - w/Screen Door
1	M01870-23-Y06	EA	Door Asm. - w/Screen Door
2	050712-05-000	EA	Door Handle - Screen Door
3	009018-01-000	EA	Roller Catch
	009016-01-000	EA	Elbow Catch - Spring Loaded
4	078592-01-000	EA	Screen Door Mullion - Upper & Lower Slider
	078777-01-000	EA	Slider Channel (Mullion Insert)
5	079087-02-000	EA	Screen Door Slider Strike
6	079088-02-000	EA	Screen Door Slider
7	018454-01-000	EA	Screen Door Insert
8	002294-01-000	FT	Spline - Black
9	002293-02-000	SF	Window Screen - 26" Charcoal
10	085774-01-000	FT	Dual Lock Fastener - 1" Wide - Black
10	085774-02-000	FT	Dual Lock Fastener - 1" Wide - Black
11	078552-01-000	EA	Screen Door Insert - Lower
12	079012-01-U01	EA	Screen Door Asm.
13	077481-03-000	EA	Strike Cover
14	041548-03-000	EA	Angle Bracket
15	079173-01-000	EA	Deadbolt Gasket
16	058906-01-000	EA	Plug - Tapered Plastic
17	039539-01-000	EA	Strike
18	079361-05-000	EA	Hinge
19	095277-02-01A	EA	Door Jamb
20	087581-01-000	FT	Window Seal
21	002181-06-000	EA	Glass
	079733-04-T03	EA	Window Asm. w/o Inside Frame
	067609-03-000	EA	Inside Frame - Window Asm.
22	083205-01-000	EA	Deadbolt Asm.
22	095229-01-01A	EA	Deadbolt Asm. - Square - Black
23	075739-02-000	EA	Stiffener
24	039540-01-000	EA	Latch Asm. - Hook
25	045017-05-000	EA	Latch Asm. - Plate
25	045017-10-000	EA	Latch Asm. - Plate - Black
26	039979-01-000	EA	Cover Asm. - Latch Plate
26	039979-03-000	EA	Cover Asm. - Latch Plate - Black
	039984-01-000	EA	Cap - Black Vinyl - Lock Grip
	075673-01-000	FT	Seal - Pile - Adhesive Back
	075671-01-000	FT	Seal - Sponge - Lazy T Shape
	075639-08-000	EA	Garnish - Radius - Entrance Door

1989 WINNEBAGO TABLE OF CONTENTS

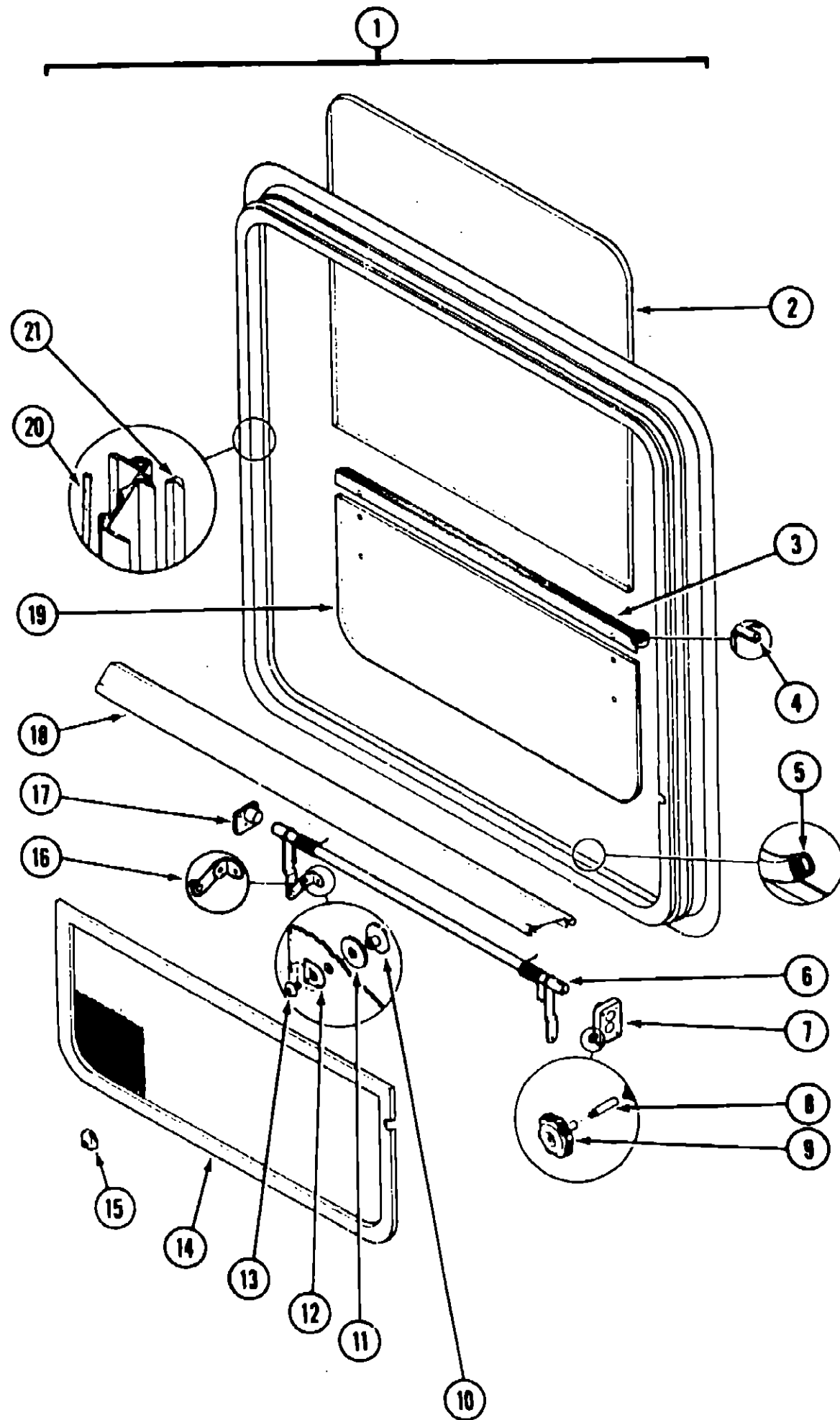
WC/F420G3
WC/F421RB

A-01 - B-22
B-23 - D-15

1989 WC/F420RG INDEX

Floor Plan	A-01 - A-02
Accessories Group	A-03 - A-04
Bath Group	A-05
Chassis Group	A-06 - A-07
Curtain, Cushion & Pad Group	A-08 - A-13
Dinette Group	A-14 - A-15
Driver's Compartment Group	A-16 - A-18
Electrical Group	A-19 - A-20
Exterior Body Group	A-21 - B-02
Galley Group	B-03 - B-04
Heating & Air Conditioning Group	B-05
Interior Finish Group	B-06 - B-07
LP Group	B-08
Lounge Group	B-09
Water & Sewage Group	B-10
Window, Vent & Exterior Door Group	B-11 - B-22

WINDOW, VENT & EXTERIOR DOOR GROUP (CONTINUED)



Key	Part Number	U/M	Description
1	085353-08-W07	EA	Window Asm. - Single Tipout
	081822-07-000	EA	Inside Frame (not included w/Window Assembly)
2	081239-12-000	EA	Glass - 1/8" x 25.5" x 25"
3	089913-01-000	EA	Hinge - Tipout Window
4	081357-01-000	FT	Seal
5	084067-01-000	FT	Seal - Sponge Rubber
6	083150-03-000	EA	Torque Tube Asm.
	080918-01-000	EA	Spring - Torque Tube Asm. - Right
	080918-02-000	EA	Spring - Torque Tube Asm. - Left
7	035302-02-000	EA	Operator Drive
8	009439-06-000	EA	Extension - Window Knob (not included w/Window Assembly)
9	009439-05-000	EA	Window Knob - Black (not included w/Window Assembly)
	009439-07-000	EA	Screw - Window Knob - Black (not included w/Window Assembly)
10	086762-01-000	EA	T-Nut
11	068927-03-000	EA	Seal - Rubber
12	084473-01-000	EA	Seal - Rubber
13	086763-01-000	EA	Screw - #10 - 32 x 14"
14	084580-01-W07	EA	Screen Asm.
	002293-02-000	SF	Window Screen - 26" - Charcoal
	002298-02-000	FT	Window Screen Spline
15	081243-01-000	EA	Plastic Screen Clip
	000G12-06-08T	EA	Screw - Screen Clip
16	081426-01-000	EA	Connecting Rod Asm.
	085316-01-000	EA	Wave Washer
	081649-01-000	EA	Snap Ring Clip
17	081354-01-000	EA	Torque Tube Sleeve
18	083112-11-000	EA	Mullion - Black
	000G39-06-16T	EA	Screw - Mullion (4)
	076778-03-000	EA	Plastic Rivet - Pin Drive - Black (2)
19	084068-03-000	EA	Glass - 1/8" x 9 1/4" x 25.5"
20	089840-06-000	FT	Seal (not included w/Window Assembly)
21	083180-01-000	FT	Seal - Vinyl

1989 WINNEBAGO TABLE OF CONTENTS

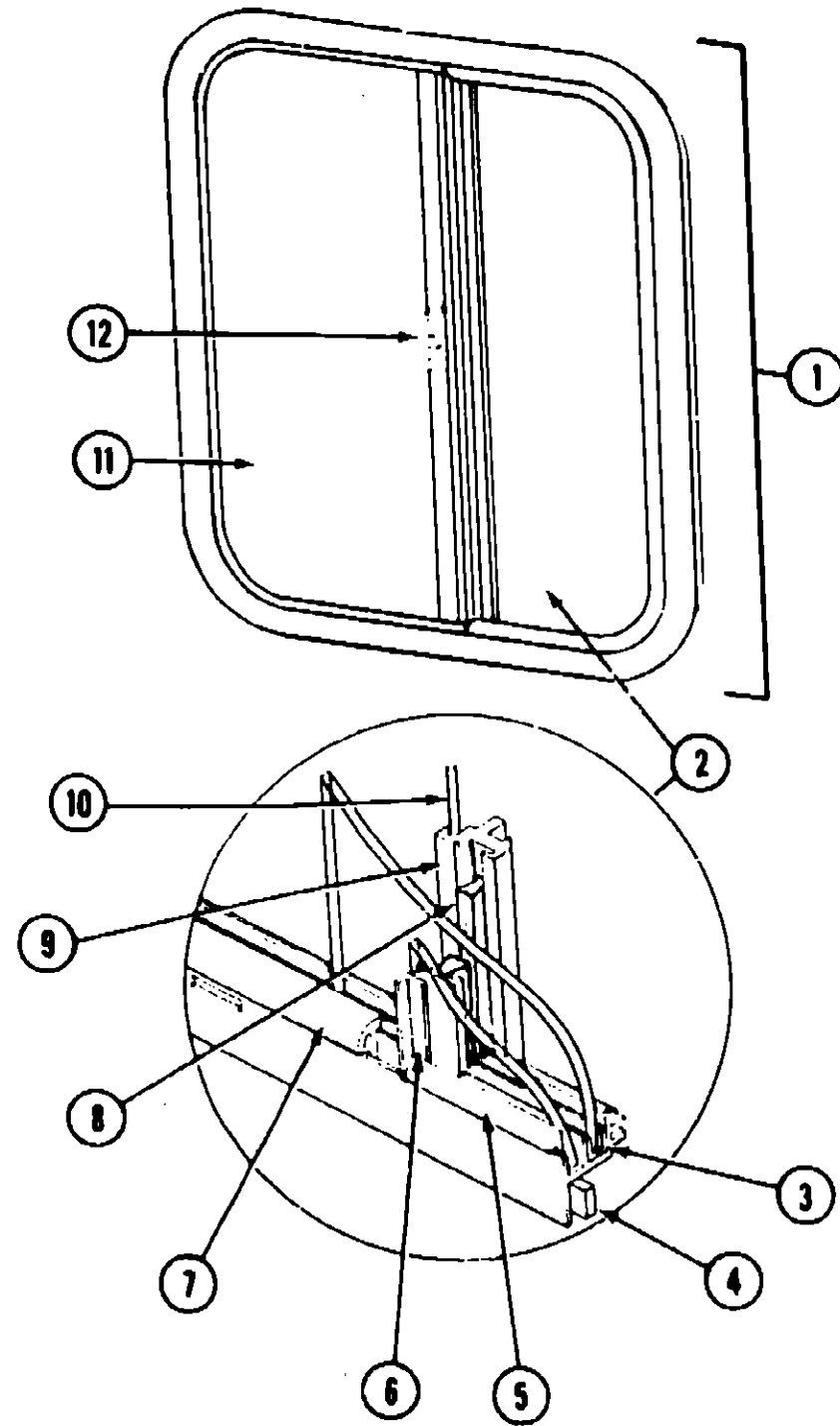
WC/F420RG
WC/F421RB

A-01 - B-22
B-23 - D-15

1989 WC/F420RG INDEX

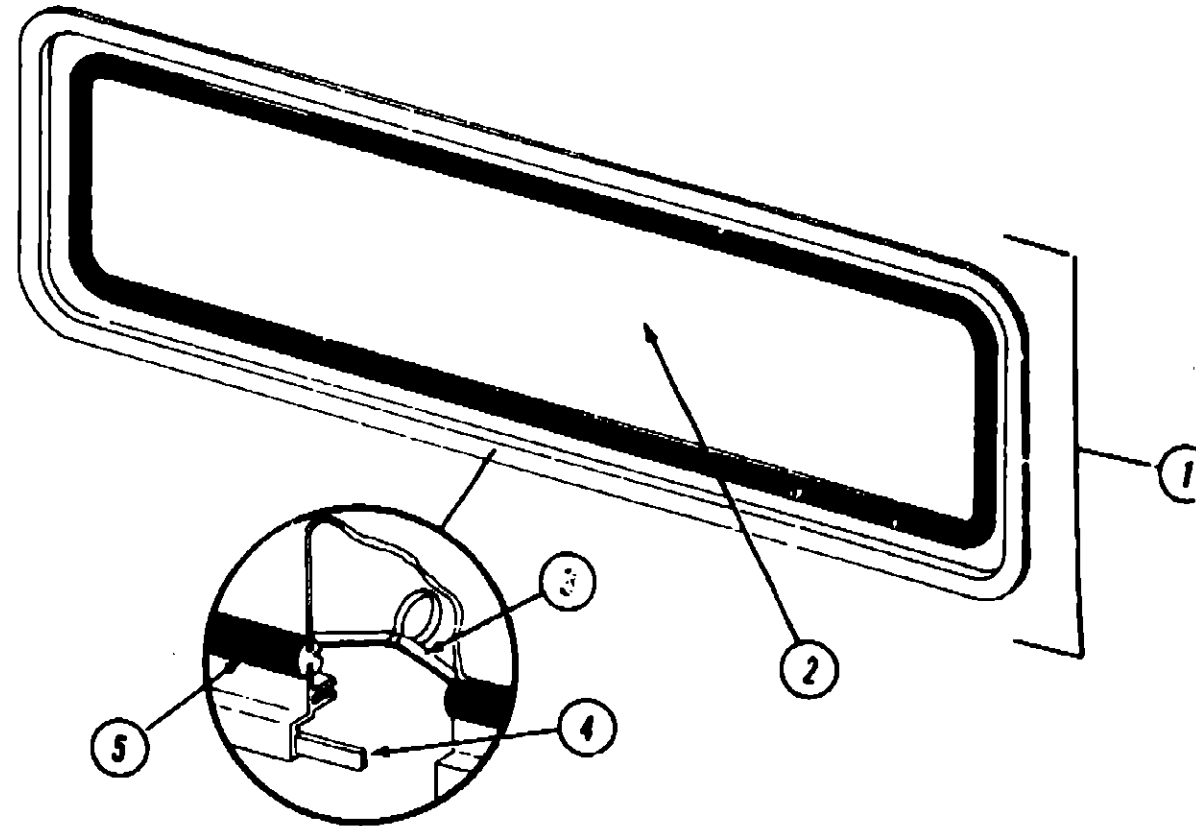
Floor Plan	A-01 - A-02
Accessories Group	A-03 - A-04
Bath Group	A-05
Chassis Group	A-06 - A-07
Curtain, Cushion & Pad Group	A-08 - A-13
Dinette Group	A-14 - A-15
Driver's Compartment Group	A-16 - A-18
Electrical Group	A-19 - A-20
Exterior Body Group	A-21 - B-02
Galley Group	B-03 - B-04
Heating & Air Conditioning Group	B-05
Interior Finish Group	B-06 - B-07
LP Group	B-08
Lounge Group	B-09
Water & Sewage Group	B-10
Window, Vent & Exterior Door Group	B-11 - B-22

WINDOW, VENT & EXTERIOR DOOR GROUP (CONTINUED)



Key	Part Number	U/M	Description
1	078266-04-T03	EA	Window Asm. - Black (w/o inside frame)
	083122-05-000	EA	Inside Frame - Beige (not included in assembly)
2	061980-02-000	EA	Glass - Sliding - 1/8" x 22" x 13.68"
3	002324-02-000	FT	Channel - Weatherstrip - Glass
4	069840-06-000	FT	Ribbon Sealer - 5/16" Bead x 15'
5	002309-02-000	FT	Spline - Glass - 1/8" Material - Black
6	M18025-03-000	EA	Seal - Holder w/Fin Seal - Black
7	057374-02-000	FT	Extr. Vinyl - Window Seal - Black
8	073740-01-000	FT	Seal - Fin - Pile - .460"
9	078562-03-000	EA	Mullion - Slider Window - Black
	002293-02-000	SF	Screen - Window - 26" - Charcoal
10	002298-02-000	FT	Spline - .130" Dia. - Charcoal (Screen)
11	061984-01-000	EA	Glass - Stationary - 1/8" x 22" x 18.53"
12	047369-01-700	EA	Latch Kit - Window - Plastic w/Fastener

WINDOW, VENT & EXTERIOR DOOR GROUP (CONTINUED)



Key	Part Number	U/M	Description
1	078536-01-T03	EA	Window Asm. - Rear Escape - 23" x 68" - Black (w/c inside frame)
	042027-05-000	EA	Inside Frame (not included in assembly)
2	002178-01-000	EA	Glass - 1/8" x 19.61" x 64.60"
3	002285-01-000	FT	Filler - Weatherstrip - Black
4	069840-06-000	FT	Ribbon Sealer - 5/16" Bead x 15'
5	002282-01-000	FT	Weatherstrip - .125" Window
	006199-01-000	EA	Label - Exit - Escape Window

1989 WINNEBAGO
TABLE OF CONTENTS

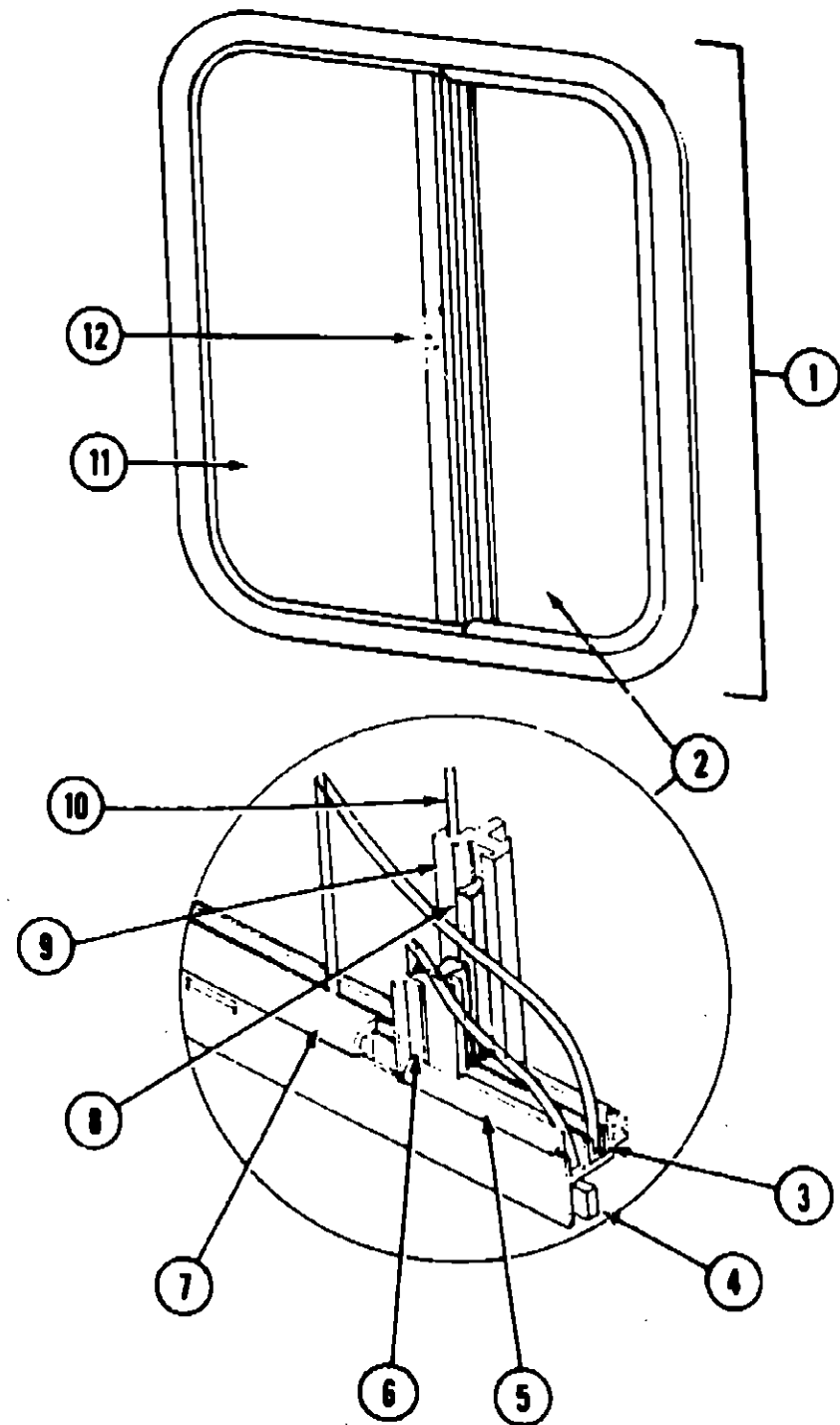
WC/F420RG
WC/F421RB

A-01 - B-22
B-23 - D-15

1989 WC/F420RG INDEX

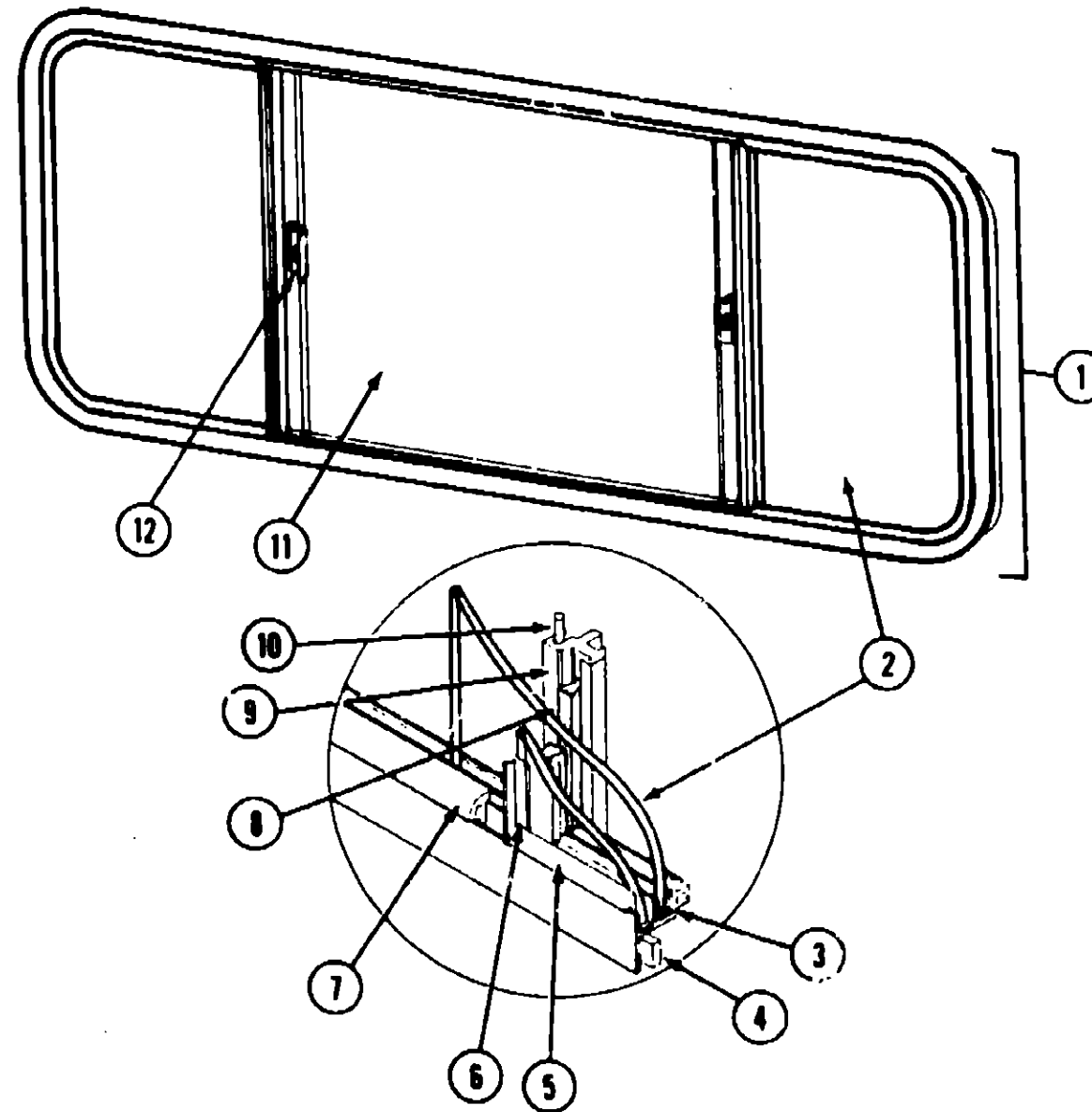
Floor Plan	A-01 - A-02
Accessories Group	A-03 - A-04
Bath Group	A-05
Chassis Group	A-06 - A-07
Curtain, Cushion & Pad Group	A-08 - A-13
Dinette Group	A-14 - A-15
Driver's Compartment Group	A-16 - A-18
Electrical Group	A-19 - A-20
Exterior Body Group	A-21 - B-02
Galley Group	B-03 - B-04
Heating & Air Conditioning Group	B-05
Interior Finish Group	B-06 - B-07
LP Group	B-08
Lounge Group	B-09
Water & Sewage Group	B-10
Window, Vent & Exterior Door Group	B-11 - B-22

WINDOW, VENT & EXTERIOR DOOR GROUP (CONTINUED)



Key	Part Number	U/M	Description
1	078266-03-T03	EA	Window Asm. - Black (w/o inside frame)
	083122-03-000	EA	Inside Frame - Beige (not included in assembly)
2	081980-05-000	EA	Glass - Sliding - 1/8" x 19" x 13.68"
3	002324-02-000	FT	Channel - Weatherstrip - Glass
4	069640-06-000	FT	Ribbon Sealer - 5/16" Bead x 15'
5	002309-02-000	FT	Spline - Glass - 1/8" Material - Black
6	M69886-03-011	EA	Seal - Holder w/Fin Seal - Black
7	057374-02-000	FT	Extr. Vinyl - Window Seal - Black
8	073740-01-000	FT	Seal - Fin - Pile - .460"
9	078562-02-000	EA	Mullion - Slider Window - Black
	002292-02-000	SF	Screen - Window - 20" - Charcoal
10	002298-02-000	FT	Spline - .130" Dia. - Charcoal (Screen)
11	081984-03-000	EA	Glass - Stationary - 1/8" x 19" x 12.3"
12	047369-01-700	CA	Latch Kit - Window - Plastic w/Fastener

WINDOW, VENT & EXTERIOR DOOR GROUP (CONTINUED)



DOUBLE SLIDER WINDOW

Key	Part Number	U/M	Description
1	078269-04-X11	EA	Window Asm. - Double Slider (w/o inside frame)
	083122-28-000	EA	Inside Frame - Double Slider - Beige (not included in assembly)
2	081980-10-000	EA	Glass - Sliding - 1/8" x 30.6" x 19.31" - Gray
3	002324-02-000	FT	Channel - Weatherstrip - Glass
4	069640-06-000	FT	Sealer Ribbon - 5/16" Bead x 15'
5	002309-02-000	FT	Spline - Glass - 1/8" - Black
6	069886-03-000	EA	Seal Holder - 1/8" Glass - Black
7	024098-02-000	FT	Vinyl Window Seal - Black
8	073740-01-000	FT	Fin Seal - .460" Pile
9	083926-02-001	EA	Mullion - Slider Window - Black
	002293-02-000	SF	Screen - Window - 26" - Charcoal
10	002298-02-000	FT	Spline - .130" Dia. Charcoal (Screen)
11	002188-07-000	EA	Glass - Stationary - 1/8" x 30.7" x 24.75"
12	047369-01-700	EA	Latch Kit - Window - Plastic w/Fastener

1989 WINNEBAGO
TABLE OF CONTENTS

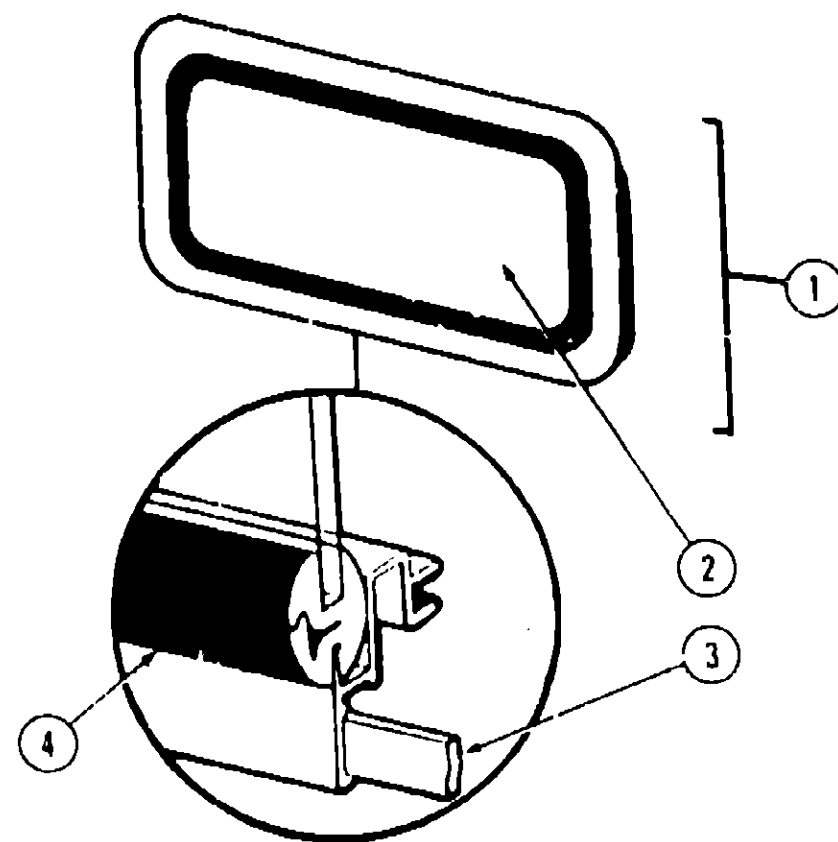
WC/F420RG
WC/F421RB

A-01 - B-22
B-23 - D-15

1989 WC/F420RG INDEX

Floor Plan	A-01 - A-02
Accessories Group	A-03 - A-04
Bath Group	A-05
Chassis Group	A-06 - A-07
Curtain, Cushion & Pad Group	A-08 - A-13
Dinette Group	A-14 - A-15
Driver's Compartment Group	A-16 - A-18
Electrical Group	A-19 - A-20
Exterior Body Group	A-21 - B-02
Galley Group	B-03 - B-04
Heating & Air Conditioning Group	B-05
Interior Finish Group	B-06 - B-07
LP Group	B-08
Lounge Group	B-09
Water & Sewage Group	B-10
Window, Vent & Exterior Door Group	B-11 - B-22

WINDOW, VENT & EXTERIOR DOOR GROUP (CONTINUED)



Key	Part Number	U/M	Description
1	078533-04-X08 041938-06-000	EA	Window Asm. - Front Picture - 15" x 30" - Black (w/o inside frame)
2	002200-05-000	EA	Inside Frame - Beige (not included in assembly)
3	069640-06-000	FT	Ribbon Sealer - 5/16" Bead x 15'
4	002281-01-000	FT	Weatherstrip - Self Seal - .06" Panel x 3/16" - Black

WINDOW, VENT & EXTERIOR DOOR GROUP (CONTINUED)

ACCESS DOORS

Key	Part Number	U/M	Description
	079455-03-T95	EA	Door Asm. - LP
	079455-06-T95	EA	Door Asm. - Battery
	083840-01-W04	EA	Door Asm. - Generator - w/o Baffle
	083839-01-W87	EA	Door Asm. - Luggage
	086439-01-X08	EA	Door Asm. - Luggage
	004103-03-000	EA	Door - Refrigerator Access
	084104-03-000	EA	Door Jamb - Refrigerator Vent
	052009-01-000	EA	Door Asm. - Water Heater Access
	078010-03-000	EA	Door Asm. - Fuel Fill - Off White
	088794-01-000	EA	Door - Power Cord - w/Hatch
	088794-10-000	EA	Hatch - Power Cord Door
	083815-06-000	EA	Door Holder - Off White Plastic
	042441-01-000	EA	Lock Asm. - Key Type (Gas Fill)
	079927-03-000	EA	Lock Asm. - Twist Type (Battery)
	083223-03-000	EA	Lock Asm. - Key Type w/Clip (Luggage)
	052950-01-000	EA	Lock Asm. Kit - Twist Type w/Clip (Generator)
	052951-01-000	EA	Clip - Twist - Lock Retainer
	079386-04-000	EA	Lock Asm. - Key Type (Battery)
	077408-02-000	EA	Lock Asm. - Key Type (Luggage)
	079386-01-000	FT	Seal - Access Door
	084067-01-000	FT	Seal - e - Rubber

VENTS

Key	Part Number	U/M	Description
	085103-02-000	EA	Cover - Refrigerator Vent - 9.88" x 20.5" - Plastic
	085103-01-000	EA	Frame Asm. - Refrigerator Vent - 8.17" x 22.94" - Plastic
	055218-01-000	EA	Cover Asm. - Roof Vent
	084878-01-000	EA	Vent - Stovehood - Outside - Off White
	052586-01-000	EA	Ventilator - Round Skylight - Non-Powered
	090395-01-Y12	EA	Vent Asm. - Roof - Non-Powered - w/o Screen
	090394-01-Y12	EA	Vent Asm. - Roof - Powered - w/o Screen
	084079-03-000	EA	Vent Asm. - Roof - Powered (Fantastic)
	078785-01-Y12	EA	Screen Asm. - Roof Vent
	078786-01-Y12	EA	Screen Asm. - Roof Vent - Non-Powered
	083558-01-000	EA	Roof Vent - Pipe Cover
	084816-01-000	EA	Shroud Vent - Range Hood

**1989 WINNEBAGO
TABLE OF CONTENTS**

WC/F420RG
WC/F421RB

A-01 - B-22
B-23 - D-15

1989 WC/F420RG INDEX

Floor Plan	A-01 - A-02
Accessories Group	A-03 - A-04
Bath Group	A-05
Chassis Group	A-06 - A-07
Curtain, Cushion & Pad Group	A-08 - A-13
Dinette Group	A-14 - A-15
Driver's Compartment Group	A-16 - A-18
Electrical Group	A-19 - A-20
Exterior Body Group	A-21 - B-02
Galley Group	B-03 - B-04
Heating & Air Conditioning Group	B-05
Interior Finish Group	B-06 - B-07
LP Group	B-08
Lounge Group	B-09
Water & Sewage Group	B-10
Window, Vent & Exterior Door Group	B-11 - B-22