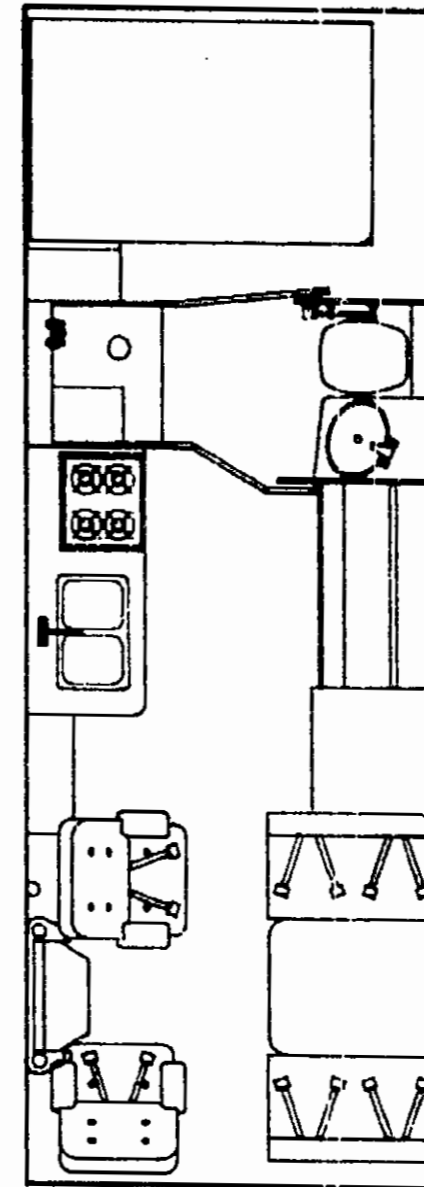


**1989 V/INNEBAGO
TABLE OF CONTENTS**

WFC22EC
WFC27EU

A-01 - C-06
C-07 - E-17

**1989
WCF27EU**



1989 WCF27EU INDEX

Floor Plan	C-07 - C-09
Accessories Group	C-09 - C-10
Bath Group	C-11
Chassis Group	C-12 - C-14
Curtain, Cushion & Pad Group	C-15 - C-22
Dinette Group	C-23 - C-24
Driver's Compartment Group	D-01 - D-03
Electrical Group	D-04 - D-07
Exterior Body Group	D-08 - D-16
Galley Group	D-17
Heating & Air Conditioning Group	D-18 - D-19
Interior Finish Group	D-20 - D-22
LP Group	D-23
Lounge Group	E-24 - E-01
Water & Sewage Group	E-02 - E-04
Window, Vent & Exterior Door Group	E-05 - E-17

ACCESSORIES GROUP

MISCELLANEOUS ACCESSORIES

Key	Part Number	U/M	Description
	054185-31-000	EA	Owner's Manual - 1989 Winnebago & Itasca
	017516-01-000	EA	Mud Flap
	083181-03-700	EA	Wheel Cover - 19.5" (1)
	079942-01-000	EA	Stabilizer Shock Absorber - Front
	094499-01-000	EA	Fire Extinguisher - Dry IA 10BC
	094651-01-01A	EA	Recessed Holder - Fire Extinguisher - Light Oak Plastic
	072852-01-000	EA	Smoke Detector - w/9 Volt Battery
	007038-01-000	EA	Floor Mat - Entrance Door - Black
	081075-01-000	EA	Floor Mat - Entrance Door - Brown "Winnebago"
	081201-01-000	EA	Floor Mat - Drivers Stepwell - Brown
	081202-01-000	EA	Floor Mat - Passenger Step Well - Brown
	080208-01-000	EA	Lug Wrench
	080208-02-000	EA	Leverage Bar - Lug Wrench
	006113-01-000	EA	Jack - Hydraulic - 6 Ton - w/Handle

AUXILIARY BATTERY DISCONNECT (OPTION 29A)

Key	Part Number	U/M	Description
	008037-01-000	FT	Battery Cable - 1 AWG
	008348-01-000	EA	Terminal Ring - 2 - 3/8 Stud
	081087-01-000	EA	Indicator Light
	086272-01-000	EA	Rocker Switch - 3 Position
	086273-01-000	EA	Battery Disconnect Relay
	089445-01-000	EA	Bracket - Battery Disconnect Relay

TV ANTENNA (OPTION 193)

Key	Part Number	U/M	Description
	076319-13-000	EA	TV Antenna - 44.5" Roof Mount
	087236-01-000	EA	Label - Cable Input
	087236-02-000	EA	Label - TV Outlet
	093252-01-01A	EA	Wall Plate - Cable TV
	080734-02-000	EA	Clip - Wire - Nylon
	082134-01-000	EA	Adapter - Cable to Cable

FRONT BUNK

Key	Part Number	U/M	Description
	M81715-01-Y70	EA	Bunk Board Trim - w/o Angle
	029012-01-000	BF	Rolled Foam - 3/8"
	048394-02-000	YD	Velcro - Hook - .75" x 50 Yd. - Beige
	088792-02-000	YD	Velcro - Loop - .75" Adhesive Back
	079680-09-000	YD	Vinyl - Off White
	080855-05-000	EA	Trim - Bunk - Side - Upper Passenger - Light Oak
	080855-06-000	EA	Trim - Bunk - Side - Upper Drivers - Light Oak
	080856-05-000	EA	Trim - Bunk - Side - Lower Passenger - Light Oak
	080856-06-000	EA	Trim - Bunk - Side - Lower Drivers - Light Oak
	016604-03-000	EA	Face - Seat Angle - 2" Beige
	042541-04-000	EA	Latch Asm. - w/o Strike - Brass
	042541-05-000	EA	Strike - Brass
	064219-01-000	EA	Strap Retainer
	070578-06-T03	EA	Button Asm. - #30
	075943-02-000	EA	Brace - 14" - Beige
	076760-03-000	EA	Hardware - Front Overhead Bunk
	079144-02-Y10	EA	Bunk Strap
	081717-01-Y10	EA	Bed Asm. - Front Bunk
	094658-01-Y12	EA	Oak Handle

ACCESSORIES GROUP (CONTINUED)

MICROWAVE/BROWNING OVEN (OPTION 138)

Key	Part Number	U/M	Description
	091289-01-000	EA	Microwave Browning Oven - Magic Chef
	M94519-01-Y10	EA	Cabinet Asm. - Microwave - Overhead w/o Hardware
	094750-01-000	EA	Microwave Bracket - 90° (2 Required)
	091289-02-000	EA	Frame Kit - Microwave
	088682-10-000	EA	Bracket - Microwave - Left
	088682-12-000	EA	Bracket - Microwave - Right

HITCH ASSEMBLY

Key	Part Number	U/M	Description
	075221-01-000	EA	Label - Trailer Hitch Capacity
	091224-02-000	EA	Label - Trailer Lighting
	097745-02-000	EA	Receptacle - Trailer Housing - 48"
	034512-01-000	EA	Locking Pin - Drawbar
	034513-01-000	EA	Hitch Pin - 3/16" Wire
	077613-01-000	EA	Drawbar Asm.
	077617-04-000	EA	Hitch Asm. - w/o Drawbar
	093048-01-000	EA	Skid Plate

GENERATOR & COMPONENTS (ONAN) (OPTION 39E)

Key	Part Number	U/M	Description
	093545-01-000	EA	Generator - Onan - 4.0 KW
	081364-03-000	EA	Muffler - Onan Generator - 4.0 KW
	083152-06-000	EA	Exhaust Pipe - Onan Generator - 4.0 KW
	093995-01-000	EA	Generator Tray
	007131-01-000	EA	Tailpipe Hanger

GENERATOR & COMPONENTS (KOHLER) (OPTION 350)

Key	Part Number	U/M	Description
	093740-01-000	EA	Generator - Kohler - 4.5 KW
	093590-02-000	EA	Muffler - Kohler Generator - 4.5 KW
	083152-05-000	EA	Exhaust Pipe - Kohler Generator - 4.5 KW
	007125-03-000	EA	Clamp - Muffler - 1.5"
	007125-04-000	EA	Clamp - Muffler - 1.12"

SPEED CONTROL

Key	Part Number	U/M	Description
	094369-01-000	EA	Speed Control - Smart Stick - Dana 59L - 11128B
	094369-01-700	EA	Servo & Cable Asm.
	094369-01-701	EA	Switch & Lever Asm.
	094369-01-702	EA	Electronic Regulator Asm.
	094369-01-703	EA	Wiper Control Module
	094369-01-704	EA	Headlight Dimmer Module
	094369-01-705	EA	Vacuum Reservoir
	094369-01-706	EA	Servo
	094369-03-000	EA	Speed Control - Smart Stick - Dana 59L - 11129B
	083212-06-000	EA	Speed Control - A-Body Smart Stick - Dana 59L - 1126B
	083212-06-700	EA	Switch Asm.
	083212-06-701	EA	Wiper Module
	083212-06-702	EA	Wire Harness - Wiper Control Output
	083212-06-703	EA	Light Relay
	094369-02-000	EA	Speed Control - Smart Stick - Diesel - Dana 59L - 11168B

EXTERIOR MIRRORS

Key	Part Number	U/M	Description
	086260-01-000	EA	Mirror Asm. - Exterior - w/Convex - Passenger
	086260-02-000	EA	Mirror Asm. - Exterior - w/Convex - Drivers
	086260-03-000	EA	Accessory Kit - Exterior Mirror

1989 WINNEBAGO TABLE OF CONTENTS

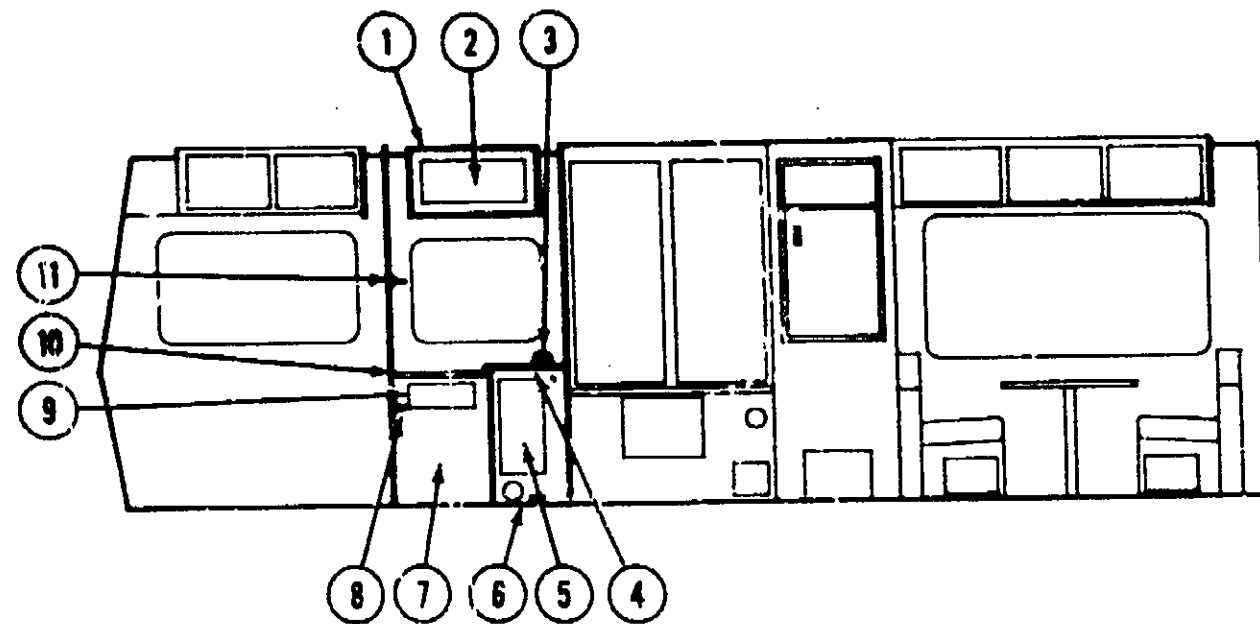
WFC22EC
WFC27EU

A-01 - C-06
C-07 - E-17

1989 WCF27EU INDEX

Floor Plan	C-07 - C-08
Accessories Group	C-09 - C-10
Bath Group	C-11
Chassis Group	C-12 - C-14
Curtain, Cushion & Pad Group	C-15 - C-22
Dinette Group	C-23 - C-24
Driver's Compartment Group	D-01 - D-03
Electrical Group	D-04 - D-07
Exterior Body Group	D-08 - D-16
Galley Group	D-17
Heating & Air Conditioning Group	D-18 - D-19
Interior Finish Group	D-20 - D-22
LP Group	D-23
Lounge Group	D-24 - E-01
Water & Sewage Group	E-02 - E-04
Window, Vent & Exterior Door Group	E-05 - E-17

BATH GROUP



BATH CABINETRY & RELATED ITEMS

Key	Part Number	U/M	Description
1	M88174-01-X73	EA	Cabinet Asm. - Medicine - Overhead - w/o Door or Hardware
2	M98304-18-W24	EA	Door Asm. - Medicine Cabinet - 15.5" x 29.5" - w/o Hardware
	058331-05-000	EA	Mirror - Safety Glass - 12" x 26"
3	01105G-03-000	EA	Faucet - Lavatory - US/CSA
4	094368-11-Y10	EA	Countertop Asm. - Lavatory Cabinet
5	M83304-D6-X11	EA	Door Asm. - Lavatory Cabinet - 11" x 21.8" - w/o Hardware
6	M94368-01-Y10	EA	Lavatory Cabinet - w/o Door, Hardware or Countertop
7	M88949-01-X11	EA	Cabinet Asm. - Pipe Cover
8	009134-01-000	EA	Toilet Tissue Holder
9	081893-02-X11	EA	Drawer Face
	077251-01-000	EA	Drawer - Tilt-out - Plastic
10	088949-11-X11	EA	Countertop Asm. - Pipe Cover
11	009133-01-000	EA	Towel Bar - 12" - Plastic
	042498-03-000	EA	Door Asm. - Folding - Walnut - Bath Front & Rear
	094852-01-01A	EA	Track - Folding Door - Bath Front - Off White
	094856-01-01A	EA	Track - Folding Door - Bath Rear - Off White - Straight
	057534-01-000	EA	Tieback - 6" - Clear Plastic
	M02673-02-X11	EA	Shower Pan Asm. - Off White
	011059-04-000	EA	Faucet - Shower - USA/CSA
	075605-01-000	EA	Panel - Shower Faucet
	063740-01-000	EA	Toilet - Aqua Magic IV - High - Thetford
	089366-01-000	EA	Sink - Oval - Ivory Plastic
	091253-01-000	EA	Gasket - Lavatory Faucet
	009112-01-000	EA	Flange - 1" - Off White - Plastic
	075680-02-000	EA	Clothes Rod - Adjustable - 27" - 39"
	010147-01-000	EA	Flange - Closet - Red - 4 x 3 FPT
	089318-01-000	EA	Shower Door - Gold - 29.8"
	089318-03-000	EA	Shower Door - Chrome - 29.8"
	090397-01-Y10	EA	Panel - Shower
	090027-01-000	EA	Soap Dish

CHASSIS GROUP

MISCELLANEOUS CHASSIS

Key	Part Number	U/M	Description
	084086-01-000	EA	Airspring Bellows - Rear Axle
	072359-01-000	EA	Bottle Coolant - Expansion
	010497-01-000	EA	Clamp - Closed - 5/8" ID
	010497-03-000	EA	Clamp - Closed - 1" ID - Cushioned
	062401-01-000	EA	Clamp - Hose - Wormgear - .22" ID - 1" ID
	062401-03-000	EA	Clamp - Hose - Wormgear - .25" ID - 1" ID
	062401-02-000	EA	Clamp - Hose - Wormgear - 1.58" ID - 2.5" ID
	062401-04-000	EA	Clamp - Hose - Wormgear - .89" ID - 1.25" ID
	062401-05-000	EA	Clamp - Hose - Wormgear - 2" ID - 3" ID
	062401-06-000	EA	Clamp - Hose - Wormgear - .22" ID - .62" ID
	062401-08-000	EA	Clamp - Hose - Wormgear - 4.06" ID - 5" ID
	023149-01-000	EA	Clamp - Screw Type - 4"
	062628-01-000	EA	Clip - Prop Rod - Hood
	041953-09-000	FT	Conduit - Convuluted w/Slit - .5" ID
	041953-10-000	FT	Conduit - Convuluted w/Slit - .75" ID
	071656-01-000	EA	Cover - Radiator - Rear
	020167-03-000	EA	Dirt Guard - Rear Wheel
	024138-01-000	FT	Hose - Fuel - 5/16" ID SAE 30R1
	066732-01-000	FT	Hose - Fuel Fill - .62" ID
	007111-02-000	EA	Hose - Fuel Fill - 2.0" ID
	007111-01-000	EA	Hose - Fuel Fill - 2.25" ID
	007108-01-000	FT	Hose - Heater - 5/8" ID SAE 20R3
	007108-02-000	FT	Hose - Heater - .75" ID SAE 20R3
	093719-01-000	EA	Hose - Oil Fill - Preformed - Diesel
	079059-02-000	EA	Hose - 90° - .61" x 4" x 6" - Preformed
	017516-01-000	EA	Mud Flap w/Holes - 14" x 18" - Black
	086273-01-000	EA	Relay - Battery Disconnect
	081264-01-000	EA	Heat Shield - Deflector
	079942-01-000	EA	Shock Absorber - Stabilizer - Front
	063977-08-000	EA	Step Asm. - Drivers Door
	040546-03-000	EA	Tire - 7.5" x 16" - 8 Ply - Tube - Polyester
	055374-01-000	EA	Wheelwell - Plastic
	008343-01-000	EA	Wire Tie - 6"
	008343-02-000	EA	Wire Tie - 14"
**	007125-06-000	EA	Clamp Asm. - Muffler - 2.25"
**	007125-07-000	EA	Clamp Asm. - Muffler - 2.5"
**	095222-02-000	EA	Bracket - Exhaust - Upper
**	095223-01-000	EA	Bracket - Exhaust - Lower
**	095523-01-000	EA	Bracket - Exhaust - Upper
**	095523-02-000	EA	Bracket - Exhaust - Upper
**	095189-01-000	EA	Exhaust Pipe Asm. - Right
**	095189-02-000	EA	Exhaust Pipe Asm. - Left
**	Remainder of exhaust components available from chassis service center.		

CHEVROLET EXHAUST COMPONENTS

Key	Part Number	U/M	Description
	095189-02-000	EA	Pipe - Exhaust - Passengers
	007125-06-000	EA	Clamp Asm. - Muffler - 2.25"
	095523-02-000	EA	Exhaust Bracket - Upper
	095190-01-000	EA	Exhaust Hanger
	095223-01-000	EA	Exhaust Bracket - Lower
	081084-06-000	EA	Exhaust Pipe - Straight
**	Remainder of exhaust components are available from chassis service center.		

1989 WINNEBAGO TABLE OF CONTENTS

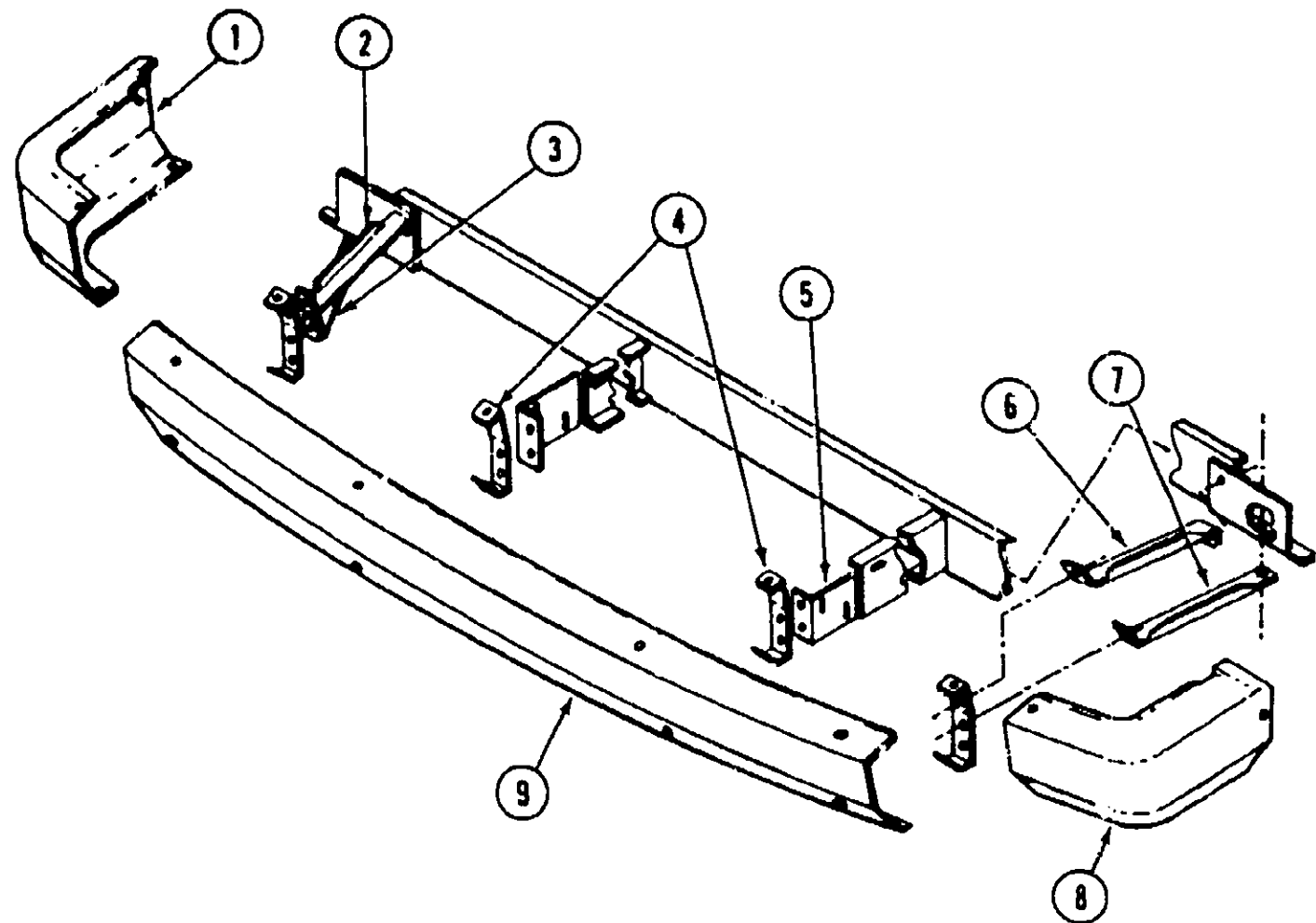
WFC22EC
WFC27EU

A-01 - C-06
C-07 - E-17

1989 WCF27EU INDEX

Floor Plan	C-07 - C-08
Accessories Group	C-09 - C-10
Bath Group	C-11
Chassis Group	C-12 - C-14
Curtain, Cushion & Pad Group	C-15 - C-22
Dinette Group	C-23 - C-24
Driver's Compartment Group	D-01 - D-03
Electrical Group	D-04 - D-07
Exterior Body Group	D-08 - D-16
Galley Group	D-17
Heating & Air Conditioning Group	D-18 - D-19
Interior Finish Group	D-20 - D-22
LP Group	D-23
Lounge Group	D-24 - E-01
Water & Sewage Group	E-02 - E-04
Window, Vent & Exterior Door Group	E-05 - E-17

CHASSIS GROUP (CONTINUED)



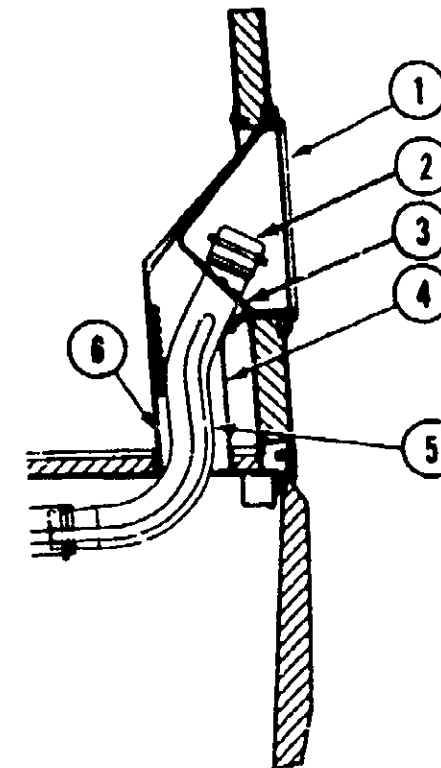
FRONT BUMPER

Key	Part Number	U/M	Description
1	091840-01-01A	EA	Bumper End - Beige - Right Front
2	092808-01-000	EA	Brace - Upper Right - Front Bumper
3	092809-01-000	EA	Brace - Lower Right - Front Bumper
4	077852-01-000	EA	Bracket to Bumper - Front
5	093514-01-000	EA	Bracket to Frame - Front Bumper
6	092808-02-000	EA	Brace - Upper Left - Front Bumper
7	092809-02-000	EA	Brace - Lower Left - Front Bumper
8	091840-02-01A	EA	Bumper End - Beige - Left Front
9	077850-01-000	EA	Bumper - Front - Primed
9	091994-01-02A	EA	Bumper - Front - Beige
	005200-01-000	EA	Carriage Bolt - Chrome - 7/16" x 14 x 1 1/4
	000D39-07-00B	EA	Nut - Hex - 7/16" - 14

BUMPER & TRAILER HITCH

Key	Part Number	U/M	Description
	064602-04-000	EA	Bumper Asm. - Square - 92" - Beige
	064601-02-000	EA	Bracket Asm. - Bumper
	079027-01-000	EA	Bracket Asm. - Tire Carrier
	064833-01-000	EA	Trailer Hitch Asm.
	064824-02-000	EA	Support - Trailer Hitch
	039779-01-000	EA	Cap - Rubber - Fits 4" x 4" Square Bumper
	073322-04-X17	EA	Cover - Tire - 32" Plain

CHASSIS GROUP (CONTINUED)



FUEL SYSTEMS COMPONENTS (CHEVROLET)

Key	Part Number	U/M	Description
1	078010-04-000	EA	Door Asm. - Fuel Fill - Beige
2	073220-02-000	EA	Cap - Fuel Fill (Gas)
3	078200-01-000	EA	Gasket - Fuel Fill
4	083578-01-000	EA	Boot - Fuel Fill
5	075228-01-000	EA	Neck Asm. - Fuel Fill - Lower
	062401-05-000	EA	Clamp - Hose - Wormgear - 2" - 3" (Fuel Hose)
	075229-01-000	EA	Strap Asm.
6	072447-04-000	EA	Shroud - Fuel Fill - Inside
	088740-01-000	EA	Sending Unit
	086255-01-000	EA	Gasket - Sending Unit
	079611-01-000	EA	Valve Asm. - Vent - Fuel Tank
	066732-01-000	FT	Hose - Fuel - .62 ID (Vent Hose)
	062401-10-000	EA	Clamp - Hose - Wormgear - 1" - 2" (Vent Hose)
	007111-03-000	EA	Hose - Fuel - 1.75" - 3' (Tank To Neck)

1989 WINNEBAGO TABLE OF CONTENTS

WFC22EC
WFC27EU

A-01 - C-08
C-07 - E-17

1989 WCF27EU INDEX

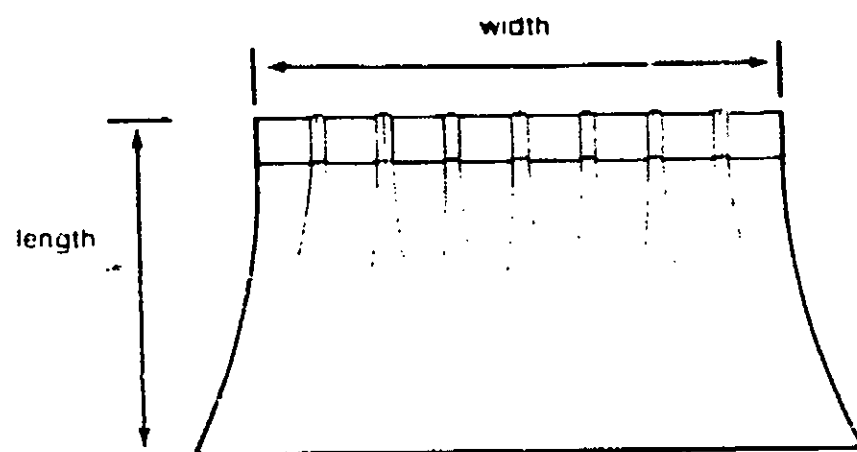
Floor Plan	C-07 - C-08
Accessories Group	C-09 - C-10
Bath Group	C-11
Chassis Group	C-12 - C-14
Curtain, Cushion & Pad Group	C-15 - C-22
Dinette Group	C-23 - C-24
Driver's Compartment Group	D-01 - D-03
Electrical Group	D-04 - D-07
Exterior Body Group	D-08 - D-16
Galley Group	D-17
Heating & Air Conditioning Group	D-18 - D-19
Interior Finish Group	D-20 - D-22
LP Group	D-23
Lounge Group	D-24 - E-01
Water & Sewage Group	E-02 - E-04
Window, Vent & Exterior Door Group	E-05 - E-17

CURTAIN, CUSHION & PAD GROUP

NOTICE

In order to assist our Part Sales Dept. in providing interior software items, please include the serial number and the color code number from the vehicle certification label when ordering. This label is located on the left sidewall at the end of the dash (A-Body), or on the driver's door latch plate (C-1).

An example of a color code number is P31, which designates an overall color scheme of a particular unit. The color listed after the item description on the microfiche, indicates the overall unit color. Order the item you desire according to unit color code.



NOTE: Use this illustration when determining length and width measurements for curtains. You will note the width measurement is taken on the top of the curtain with the curtain fully extended. The length measurement is taken from top to bottom.

CURTAIN & BLIND HARDWARE

Key	Part Number	U/M	Description
	029094-04-000	EA	Tape - Loop - 1" Wide - Black
	029096-03-000	EA	Tape - Hook - 1" Wide - Black
	048394-02-000	EA	Tape - Hook - .75" Wide - Beige
	048395-02-000	EA	Tape - Loop - .75" Wide - Beige
	088792-01-000	EA	Tape - Hook - 5/8" - Non-Adhesive
	088792-02-000	EA	Tape - Loop - .75" - Adhesive - Beige
	056003-01-000	EA	Bracket - Drapery Retainer - Right
	056003-02-000	EA	Bracket - Drapery Retainer - Left
	081381-01-000	EA	Swivel Snap - Curtain Track
	087253-01-000	EA	Pull - Window Shade - Clear Plastic
	086276-01-000	EA	Tape - Double Sided - .5"
	091313-01-000	EA	Grommet - Headrest
	052859-01-W30	EA	Trim Asm. - Accent - Vinyl Welting

CURTAIN, CUSHION & PAD GROUP (CONTINUED)

FABRIC & TRIM

Key	Part Number	U/M	Description
	088274-11-000	YD	Fabric - Upholstery - Main - Tweed (Y82)
	088274-84-000	YD	Fabric - Upholstery - Main - Slate (Y10)
	088274-85-000	YD	Fabric - Upholstery - Main - Antelope (Y11)
	088274-81-000	YD	Fabric - Upholstery - Accent - Old Rose (Y82)
	088274-88-000	YD	Fabric - Upholstery - Accent - Slate (Y10)
	088274-89-000	YD	Fabric - Upholstery - Accent - Antelope (Y11)
	088273-23-000	YD	Fabric - Bedspread - Gray (Y14)
	088273-29-000	YD	Fabric - Bedspread - Natural (Y10)
	088273-22-000	YD	Fabric - Bedspread - Sandune (Y11)
	072333-49-000	YD	Fabric - Drapery Wraparound/Blackout - Carnival (Y82)
	072333-61-000	YD	Fabric - Drapery Wraparound/Blackout - Pacific (Y10)
	072333-62-000	YD	Fabric - Drapery Wraparound/Blackout - Rose Beige (Y11)
	088273-03-000	YD	Fabric - Drapery - Plum (Y82)
	072333-61-000	YD	Fabric - Drapery - Pacific (Y10)
	072333-62-000	YD	Fabric - Drapery - Rose Beige (Y11)
	081926-01-000	YD	Backing - Quilting - Celestra
	029103-01-000	YD	Buckram - Non-Woven - 2
	079680-09-000	YD	Vinyl - Off White
	075244-02-000	YD	Vinyl - Shower Curtain - 72" Wide
	079660-01-000	YD	Vinyl - Expanded - 26 oz. Buckskin (End Caps)
	072860-58-000	YD	Carpet - Champagne (Y82)
	072860-84-000	YD	Carpet - Graphite (Y10)
	072860-69-000	YD	Carpet - Rose Mist (Y11)
	078245-01-000	EA	Boot - Steering Column
	053552-02-W24	EA	Assist Strap - Interior

1989 WINNEBAGO TABLE OF CONTENTS

WFC22EC
WFC27EU

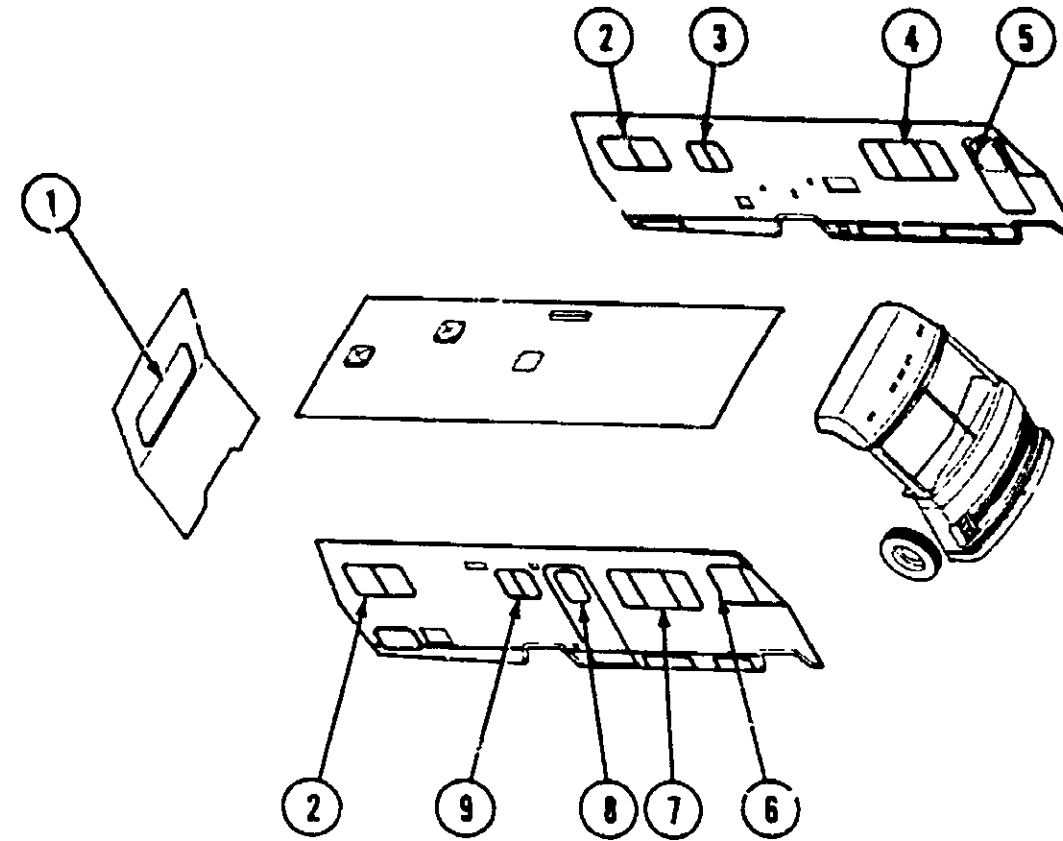
A-01 - C-08
C-07 - E-17

1989 WCF27EU INDEX

Floor Plan	C-07 - C-08
Accessories Group	C-09 - C-10
Bath Group	C-11
Chassis Group	C-12 - C-14
Curtain, Cushion & Pad Group	C-15 - C-22
Dinette Group	C-23 - C-24
Driver's Compartment Group	D-01 - D-03
Electrical Group	D-04 - D-07
Exterior Body Group	D-08 - D-16
Galley Group	D-17
Heating & Air Conditioning Group	D-18 - D-19
Interior Finish Group	D-20 - D-22
LP Group	D-23
Lounge Group	D-24 - E-01
Water & Sewage Group	E-02 - E-04
Window, Vent & Exterior Door Group	E-05 - E-17

CURTAIN, CUSHION & PAD GROUP (CONTINUED)

CURTAINS, SHADES, VALANCES & TIEBACKS



1989 WINNEBAGO TABLE OF CONTENTS

WFC22EC
WFC27EU

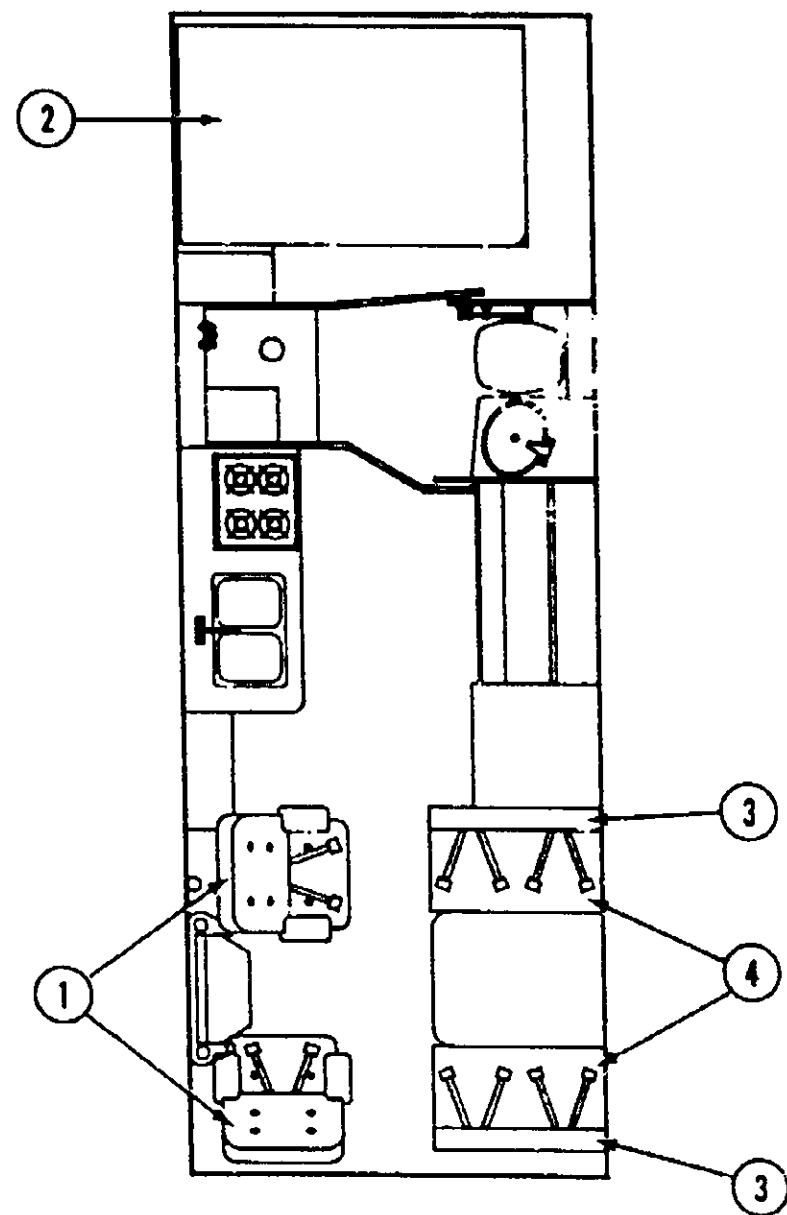
A-01 - C-08
C-07 - E-17

Key	Part Number	U/M	Description
1	M81977-44-Y10	EA	Valance Asm. - Padded w/Oak Trim - 74.5"
1	M81977-44-Y11	EA	Valance Asm. - Padded w/Oak Trim - 74.5"
1	093454-06-Y07	EA	Curtain Asm. - Gathered w/Snap Top - 29.5" x 15" (Y10)
1	093454-06-Y06	EA	Curtain Asm. - Gathered w/Snap Top - 29.5" x 15" (Y11)
1	093455-30-Y10	EA	Shade Asm. - Double Hem - 71.25"
1	093455-30-Y11	EA	Shade Asm. - Double Hem - 71.25"
2	M81977-45-Y10	EA	Valance Asm. - Padded w/Oak Trim - 50"
2	M81977-45-Y11	EA	Valance Asm. - Padded w/Oak Trim - 50"
2	093455-06-Y07	EA	Curtain Asm. - Gathered w/Snaps Top - 29.5" x 15" (Y10)
2	093455-06-Y06	EA	Curtain Asm. - Gathered w/Snaps Top - 29.5" x 15" (Y11)
2	093455-18-Y30	EA	Shade Asm. - Double Hem - 47.25" (Y10)
2	093455-18-Y11	EA	Shade Asm. - Double Hem - 47.25" (Y11)
3	M81977-24-Y05	EA	Valance Asm. - Padded w/Oak Trim - 35.5" (Y10)
3	M81977-24-Y06	EA	Valance Asm. - Padded w/Oak Trim - 35.5" (Y11)
3	073304-43-Y05	EA	Curtain Asm. - Snaps Top - 25.5" x 10" (Y10)
3	073304-43-Y11	EA	Curtain Asm. - Snaps Top - 25.5" x 10" (Y11)
3	093455-34-Y10	EA	Shade Asm. - Double Hem - 32.25"
3	093455-34-Y11	EA	Shade Asm. - Double Hem - 32.25"
4	M81977-43-Y10	EA	Valance Asm. - Padded w/Oak Trim - 67.5"
4	M81977-43-Y11	EA	Valance Asm. - Padded w/Oak Trim - 67.5"
4	093454-01-Y07	EA	Curtain Asm. - Gathered w/Snaps Top - 33.4" x 15" (Y10)
4	093454-01-Y06	EA	Curtain Asm. - Gathered w/Snaps Top - 33.5" x 15" (Y11)
4	093455-36-Y10	EA	Shade Asm. - Double Hem - 64.25"
4	093455-36-Y11	EA	Shade Asm. - Double Hem - 64.25"

Key	Part Number	U/M	Description
5	077591-08-Y10	EA	Curtain Asm. - Wraparound - 32.5" x 86" - Drivers
5	077591-08-Y11	EA	Curtain Asm. - Wraparound - 32.5" x 86" - Drivers
6	077591-07-Y10	EA	Curtain Asm. - Wraparound - 32.5" x 86" - Passengers
6	077591-07-Y11	EA	Curtain Asm. - Wraparound - 32.5" x 86" - Passengers
7	M81977-29-Y05	EA	Valance Asm. - Padded w/Oak Trim - 61"
7	M81977-29-Y06	EA	Valance Asm. - Padded w/Oak Trim - 61"
7	093454-01-Y07	EA	Curtain Asm. - Gathered w/Snap Top - 33.5" x 15" (Y10)
7	093454-01-Y06	EA	Curtain Asm. - Gathered w/Snap Top - 33.5" x 15" (Y11)
7	093455-29-Y10	EA	Shade Asm. - Double Hem - 57.25"
7	093455-29-Y11	EA	Shade Asm. - Double Hem - 57.25"
8	M81977-26-Y10	EA	Valance Asm. - Padded w/Oak Trim - 27.4"
8	M81977-26-Y06	EA	Valance Asm. - Padded w/Oak Trim - 27.4" (Y11)
8	093455-13-Y10	EA	Shade Asm. - Double Hem - 24.25" (Y10)
8	093455-13-Y11	EA	Shade Asm. - Double Hem - 24.25" (Y11)
9	M81977-35-Y05	EA	Valance Asm. - Padded w/Oak Trim (Y10)
9	M81977-35-Y06	EA	Valance Asm. - Padded w/Oak Trim (Y11)
9	093454-13-Y10	EA	Curtain Asm. - Gathered w/Snaps Top - 22.5" x 10"
9	093454-13-Y11	EA	Curtain Asm. - Gathered w/Snaps Top - 22.5" x 10"
9	093455-17-Y10	EA	Shade Asm. - Double Hem - 26.25"
9	093455-17-Y11	EA	Shade Asm. - Double Hem - 26.25"
	057534-01-000	EA	Tieback Asm. - Clear Plastic - 6"
	057534-04-000	EA	Tieback Asm. - Clear Plastic - 20"

1989 WFC27EU INDEX

Floor Plan	C-07 - C-08
Accessories Group	C-09 - C-10
Bath Group	C-11
Chassis Group	C-12 - C-14
Curtain, Cushion & Pad Group	C-15 - C-22
Dinette Group	C-23 - C-24
Driver's Compartment Group	D-01 - D-03
Electrical Group	D-04 - D-07
Exterior Body Group	D-08 - D-16
Galley Group	D-17
Heating & Air Conditioning Group	D-18 - D-19
Interior Finish Group	D-20 - D-22
LP Group	D-23
Lounge Group	D-24 - E-01
Water & Sewage Group	E-02 - E-04
Window, Vent & Exterior Door Group	E-05 - E-17



Key	Part Number
1	082389-02-Y05
1	082389-02-Y06
	M92389-02-Y05
	M92389-02-Y06
2	083462-04-000
2	081997-03-Y15
2	081997-03-Y06
2	083986-13-Y10
2	083986-13-Y11
3	088927-18-Y05
3	088927-18-Y06
	M88927-18-Y05
	M88927-18-Y06
4	088927-19-Y05
4	088927-19-Y06
	M88927-19-Y05
	M88927-19-Y06
5	091826-04-Y05
5	091826-04-Y06
	M91826-04-Y05
	M91826-04-Y06
	079145-04-000
	M79145-04-000
	057470-01-000
	081923-01-000
	071127-11-Y05
	071127-11-Y06

Key	Part Number
	081519-01-Y05
	081519-01-Y06
	081519-02-Y05
	081519-02-Y06

CUSHIONS & PADS

U/M	Description
EA	Chair Asm. - Startlet II (Y10)
EA	Chair Asm. - Startlet II (Y11)
EA	Cover Asm. - Startlet II Chair (Y10)
EA	Cover Asm. - Startlet II Chair (Y11)
EA	Mattress - Foam - 48" x 75"
EA	Pillow Sham - Quilted - Open Back (Y10)
EA	Pillow Sham - Quilted - Open Back (Y11)
EA	Bedspread - Fitted - 48" x 75"
EA	Bedspread - Fitted - 48" x 75"
EA	Cushion Asm. - Angled Back - 13" x 38" x 5" (Y10)
EA	Cushion Asm. - Angled Back - 13" x 38" x 5" (Y11)
EA	Cover Asm. - Angled Cushion Back - 13" x 38" x 5" (Y10)
EA	Cover Asm. - Angled Cushion Back - 13" x 38" x 5" (Y11)
EA	Cushion Asm. - Seat Bottom - 22" x 38" x 5" (Y10)
EA	Cushion Asm. - Seat Bottom - 22" x 38" x 5" (Y11)
EA	Cover Asm. - Seat Bottom - 22" x 38" x 5" (Y10)
EA	Cover Asm. - Seat Bottom - 22" x 38" x 5" (Y11)
EA	Presto Bed Asm. (Y10)
EA	Presto Bed Asm. (Y11)
EA	Cover Asm. - Presto Bed (Y10)
EA	Cover Asm. - Presto Bed (Y11)
EA	Cushion Asm. - Bunk Bed
EA	Cover Asm. - Bunk Cushion
EA	Frame Asm. - Back - Presto Bed
EA	Frame Asm. - Seat - Presto Bed
EA	Button Asm. - #30 Round - Hook Back (Y10)
EA	Button Asm. - #30 Round - Hook Back (Y11)

PADS & TRIM

U/M	Description
EA	Pad Asm. - Dinette - Back (Y10)
EA	Pad Asm. - Dinette - Back (Y11)
EA	Pad Asm. - Dinette - Front (Y10)
EA	Pad Asm. - Dinette - Front (Y11)

1989 WINNEBAGO
TABLE OF CONTENTS

WFC22EC
WFC27EU

A-01 - C-06
C-07 - E-17

1989 WCF27EU INDEX

Floor Plan	C-07 - C-08
Accessories Group	C-09 - C-10
Bath Group	C-11
Chassis Group	C-12 - C-14
Curtain, Cushion & Pad Group	C-15 - C-22
Dinette Group	C-23 - C-24
Driver's Compartment Group	D-01 - D-03
Electrical Group	D-04 - D-07
Exterior Body Group	D-08 - D-16
Galley Group	D-17
Heating & Air Conditioning Group	D-18 - D-19
Interior Finish Group	D-20 - D-22
LP Group	D-23
Lounge Group	D-24 - E-01
Water & Sewage Group	E-02 - E-04
Window, Vert. & Exterior Door Group	E-05 - E-17

CURTAIN, CUSHION & PAD GROUP (CONTINUED)

BUCKET SEAT ASM.

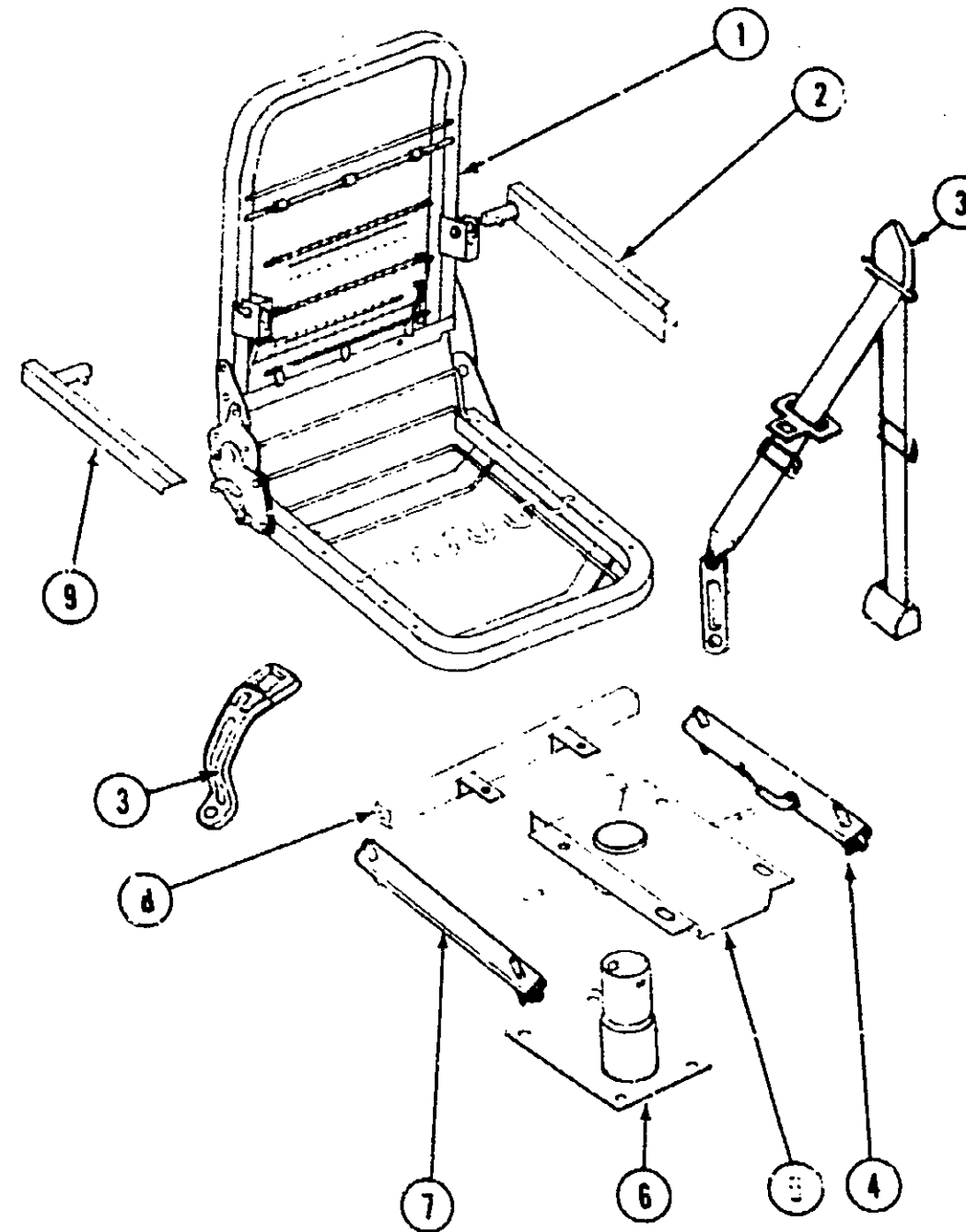
Key	Part Number	U/M	Description
	083909-17-Y10	EA	Seat Asm. - w/Armrest - w/o Skirt (Driver or Passenger)
	083909-17-Y11	EA	Seat Asm. - w/Armrest - w/o Skirt (Driver or Passenger)
	M01864-35-Y05	EA	Cover Asm. - Straton Seat Bottom (Y10)
	M01864-35-Y06	EA	Cover Asm. - Straton Seat Bottom (Y11)
	M01864-36-Y05	EA	Cover Asm. - Straton Seat Back (Y10)
	M01864-36-Y06	EA	Cover Asm. - Straton Seat Back (Y11)
	080243-23-Y05	EA	Armrest Asm. - Right - Straton Seat (Y10)
	080243-23-Y06	EA	Armrest Asm. - Right - Straton Seat (Y11)
	M80243-23-Y05	EA	Cover Asm. - Right Straton Seat Armrest (Y10)
	M80243-23-Y06	EA	Cover Asm. - Right Straton Seat Armrest (Y11)
	080243-24-Y10	EA	Armrest Asm. - Left - Straton Seat (Y10)
	080243-24-Y11	EA	Armrest Asm. - Left - Straton Seat (Y11)
	M80243-24-Y10	EA	Cover Asm. - Right Straton Seat Armrest (Y10)
	M80243-24-Y11	EA	Cover Asm. - Right Straton Seat Armrest (Y11)
	081268-01-000	EA	Armrest Frame Asm. - Right Hand
	080730-05-000	EA	Shield - Recliner Lever
	080730-03-000	EA	Recliner Lever
	081268-02-000	EA	Armrest Frame Asm. - Left Hand
	M80906-01-000	EA	Seat Frame Asm.
	091990-01-01A	EA	Seat Belt
	069525-29-000	EA	Seat Belt Bar
	069246-02-000	EA	Seat Slide w/o Lock
	069585-27-000	EA	Top Plate
	069246-01-000	EA	Seat Slide w/Lock
	069585-08-000	EA	Seat Base
	071126-24-Y10	EA	Skirt Asm.
	071126-24-Y11	EA	Skirt Asm.

CURTAIN, CUSHION & PAD GROUP (CONTINUED)

**1989 WINNEBAGO
TABLE OF CONTENTS**

WFC22EC
WFC27EU

A-01 - C-06
C-07 - E-17



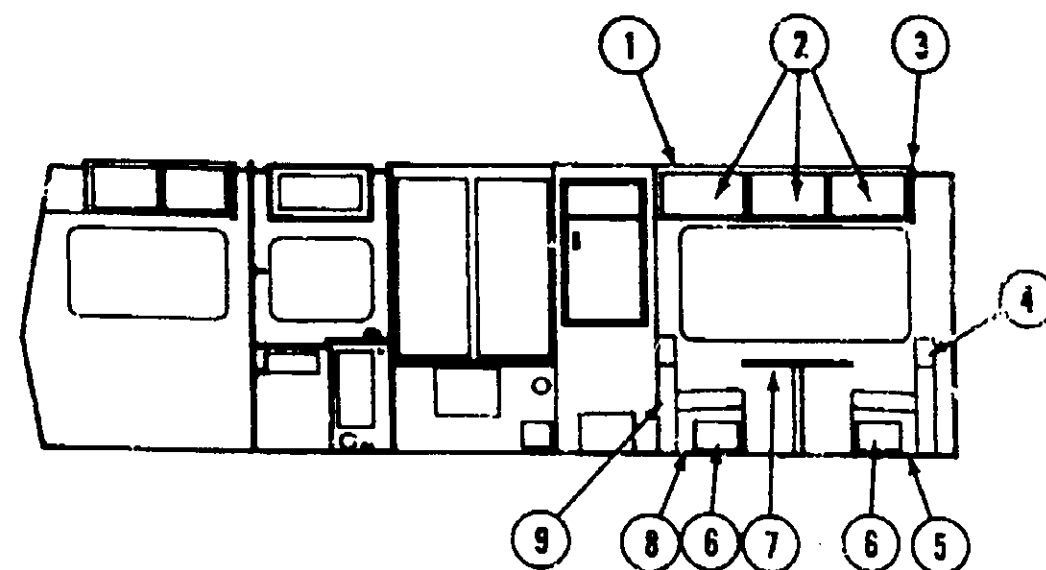
BUCKET SEAT HARDWARE

Key	Part Number	U/M	Description
1	M80906-01-000	EA	Frame Asm. - Bucket Seat
2	081268-02-000	EA	Frame - Armrest - Left
3	091990-C2-01A	EA	Seat Belt - Drivers - 3 Point
	091990-01-01A	EA	Seat Belt - Passenger - 3 Point
4	069246-01-000	EA	Adjuster Asm. - Seat - w/Lock
5	069585-27-000	EA	Top Plate - Non-Powered Seat
6	069585-03-000	EA	Sub Plate - 8" - Used w/Non-Powered Seat
7	069246-02-000	EA	Adjuster Asm. - Seat w/o Lock
8	065485-29-000	EA	Seat Belt Bar - 20"
8	092760-01-000	EA	Seat Belt Bar - 18" (Used w/Telescoping Seat)
9	081268-01-000	EA	Frame - Armrest - Right
	092759-01-000	EA	Pedestal Asm. - Telescoping (Passenger Seat)
	080730-03-700	EA	Kit - Recliner Handle
	080730-05-000	EA	Shield - Recliner

1989 WCF27EU INDEX

Floor Plan	C-07 - C-08
Accessories Group	C-09 - C-10
Bath Group	C-11
Chassis Group	C-12 - C-14
Curtain, Cushion & Pad Group	C-15 - C-22
Dinette Group	C-23 - C-24
Driver's Compartment Group	D-01 - D-03
Electrical Group	D-04 - D-07
Exterior Body Group	D-08 - D-16
Galley Group	D-17
Heating & Air Conditioning Group	D-18 - D-19
Interior Finish Group	D-20 - D-22
LP Group	D-23
Lounge Group	D-24 - E-01
Water & Sewage Group	E-02 - E-04
Window, Vent & Exterior Door Group	E-05 - E-17

DINETTE GROUP



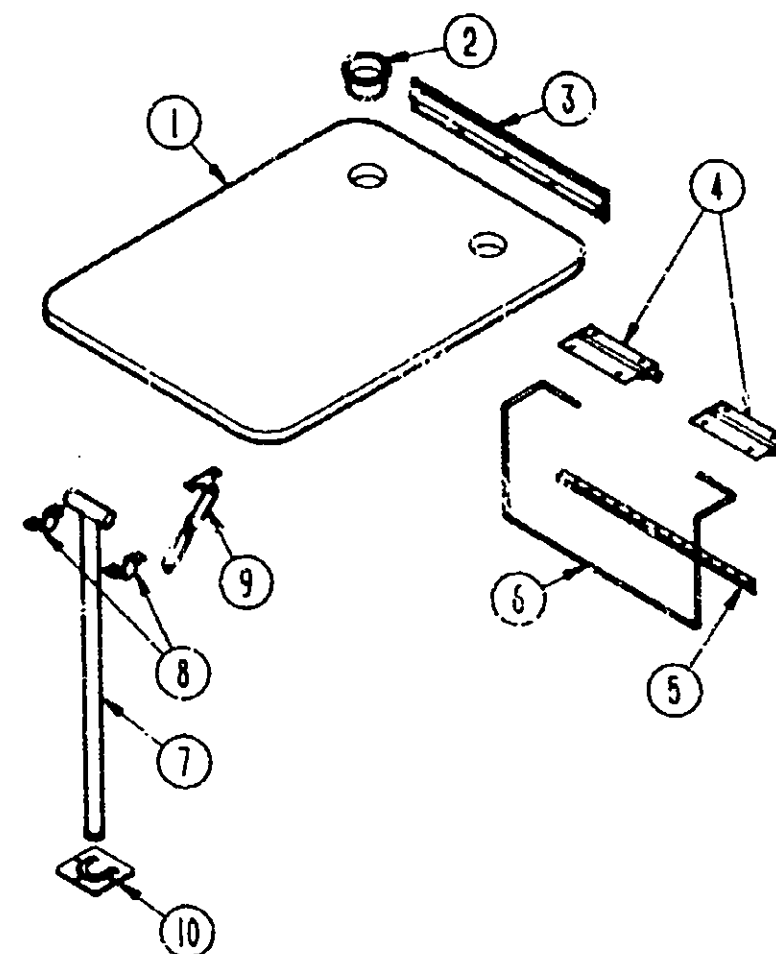
DINETTE OVERHEAD & CABINETRY

Key	Part Number	U/M	Description
1	M94604-02-Y10	EA	Dinette Overhead Asm. - w/Doors or Hardware
2	M88304-02-Y03	EA	Door Asm. - Dinette Overhead - w/o Hardware - 11" x 21.85"
3	094590-01-Y10	EA	End Cap Asm.
4	M03079-03-Y10	EA	Dinette Cabinet Back - Forward Seat
4	081519-01-Y05	EA	Pad Asm. - Dinette Seat Back - Forward Seat (Y10)
4	081519-01-Y06	EA	Pad Asm. - Dinette Seat Back - Forward Seat (Y11)
5	M03078-03-W89	EA	Dinette Cabinet Seat - Forward Seat - w/o Door or Hardware
6	M38304-21-X08	EA	Door Asm. - Dinette Seat
7	M81299-06-Y10	EA	Table Asm. - Dinette - w/o Hardware
8	M03078-02-W89	EA	Dinette Cabinet Seat - Rearward Seat - w/o Door or Hardware
9	M03079-02-W89	EA	Dinette Cabinet Back - Rearward Seat
9	081519-02-Y05	EA	Pad Asm. - Dinette Seat Back - Rearward Seat (Y10)
9	081519-02-Y06	EA	Pad Asm. - Dinette Seat Back - Rearward Seat (Y11)

PEDESTAL TABLE - CONTINENTAL COUCH

Key	Part Number	U/M	Description
	081298-01-X11	EA	Table Asm. - Pedestal
	009040-04-000	EA	Leg - Pedestal - 27.5" - Brown
	041194-01-000	EA	Base - Flush Mount - Floor
	009040-03-000	EA	Base - Raised - Table

DINETTE GROUP (CONTINUED)



DINETTE TABLE ASM.

Key	Part Number	U/M	Description
1	M81299-06-Y10	EA	Table Asm. - Dinette - w/o Hardware
2	064781-05-000	EA	Cup Holder - Two Step - Beige
3	053200-05-000	EA	Bracket - Upper Wall Mount - 23" - Beige
4	088410-01-000	EA	Bracket - Table Mount Hanger
5	024281-07-000	EA	Bracket - Lower Wall Mount - 22.12" - Beige
6	024275-05-000	EA	Rod - Table Lift - Beige
7	024276-17-000	EA	Leg Asm. - Dinette Table - Tan
7	024276-21-000	EA	Leg Asm. - Dinette Table - Beige
8	064050-02-000	EA	Hinge - Table Leg - Tan
8	054050-03-000	EA	Hinge - Table Leg - Beige
9	024282-01-000	EA	Brace - Table Leg
	024283-01-000	EA	Clip - 1" x 1.25" - Table Leg
	092593-01-01A	EA	Catch - Table Leg
10	049493-08-000	EA	Floor Catch - Table Leg
	004354-01-000	EA	Rubber Bumper - Brown
	076325-16-000	FT	Molding - Edge Band - Regal Oak

1989 WINNEBAGO TABLE OF CONTENTS

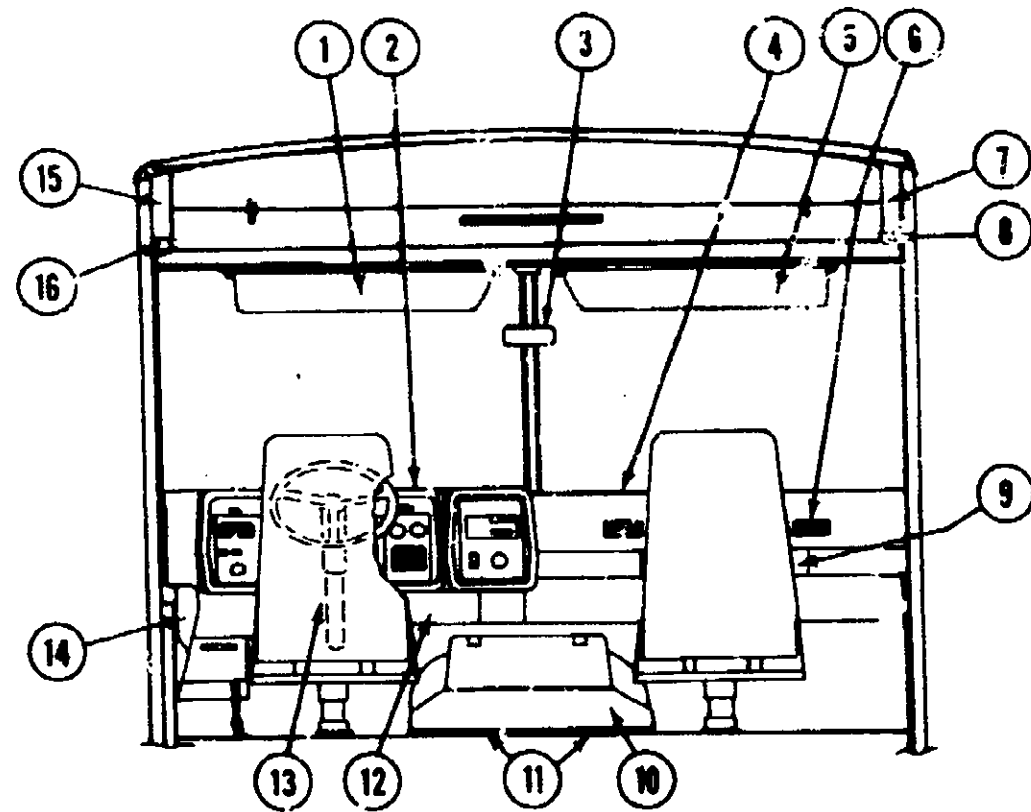
WFC22EC
WFC27EU

A-01 - C-06
C-07 - E-17

1989 WCF27EU INDEX

Floor Plan	C-07 - C-08
Accessories Group	C-09 - C-10
Bath Group	C-11
Chassis Group	C-12 - C-14
Curtain, Cushion & Pad Group	C-15 - C-22
Dinette Group	C-23 - C-24
Driver's Compartment Group	D-01 - D-03
Electrical Group	D-04 - D-07
Exterior Body Group	D-08 - D-16
Galley Group	D-17
Heating & Air Conditioning Group	D-18 - D-19
Interior Finish Group	D-20 - D-22
LP Group	D-23
Lounge Group	D-24 - E-01
Water & Sewage Group	E-02 - E-04
Window, Vent & Exterior Door Group	E-05 - E-17

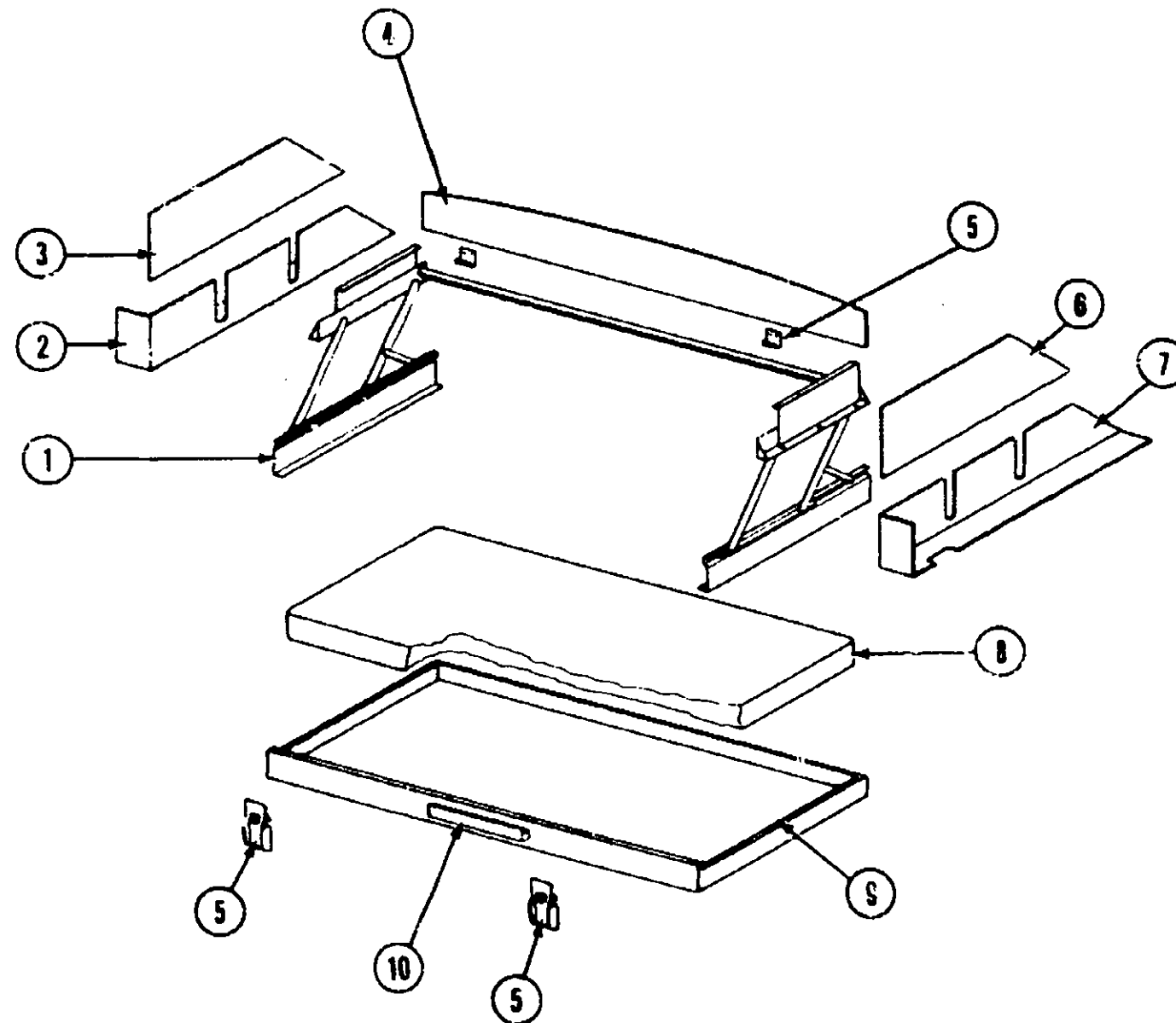
DRIVER'S COMPARTMENT GROUP



MISCELLANEOUS DRIVER'S COMPARTMENT COMPONENTS

Key	Part Number	U/M	Description
1	082286-01-U04	EA	Sunvisor Asm. - Drivers
2	075028-01-000	EA	Dash Pad - Instrument Panel - Drivers
2	076332-02-000	EA	Dash Panel - Front Drivers - w/o Defroster Vents
3	040714-01-700	EA	Mirror - Inside Rear View - w/Button Support
	086413-01-000	EA	Headliner - Front - Light Oak Plastic
	081105-01-W30	EA	Trim - Headliner Pad - Regal Oak - 84.75"
4	079089-01-000	EA	Dash Pad - Instrument Panel - Passenger
5	082286-03-U04	EA	Sunvisor Asm. - Passenger - w/Mirror
6	039044-01-000	EA	Louver Asm. - Air Conditioner - Adjustable Vent
7	080855-05-000	EA	Side Trim - Passengers Front Upper - w/Bunk
8	080856-05-000	EA	Side Trim - Passenger Front Lower - w/Bunk
	059467-04-T03	EA	Pad - Map Pocket - Passenger - Vinyl
9	022219-01-000	EA	Glove Compartment Door
	023892-01-000	EA	Glove Compartment Box - Black Fiberboard
	009118-01-000	EA	Glove Compartment Twist Lock
	024598-01-000	EA	Hinge - Glove Compartment
10	075939-01-000	EA	Motor Cover - Fiberglass
	075564-01-000	EA	Mounting Bracket - Motor Cover
11	039623-01-000	FT	Seal - Engine Cover - Neoprene
12	023834-01-000	EA	Panel - Knee Kick - Bottom of Dash
	078245-01-000	EA	Steering Column Boot - Vinyl
13	040594-01-000	EA	Cover - Steering Column - Black Plastic
14	082471-02-000	EA	Panel - Drivers Door - Inner - Plastic
	046886-03-000	EA	Ash Tray - Chrome
	089294-01-000	EA	Cigarette Lighter Asm. - 12 Volt
	061424-01-000	EA	Lamp Asm. - Map/Gauge
	061400-06-000	EA	Assist Strap - 12" - Sandstone
15	080856-06-000	EA	Side Trim - Drivers Front Upper - w/Bunk
16	080856-06-000	EA	Side Trim - Drivers Front Lower - w/Bunk
	054250-01-030	EA	Support - Dimmer Switch - w/o Hole

DRIVER'S COMPARTMENT GROUP (CONTINUED)



FRONT OVERHEAD BUNK & HARDWARE (OPTION 61H)

Key	Part Number	U/M	Description
1	076763-03-000	EA	Hardware Asm. - Overhead Bunk
2	080856-06-000	EA	Trim - Lower Side - Bunk - Drivers
3	080855-06-000	EA	Trim - Upper Side - Bunk - Drivers
4	M81715-01-Y70	EA	Board Asm. - Bunk Trim w/Vinyl
5	042541-04-700	EA	Latch Asm. w/Strike (2 ea.)
6	080855-05-000	EA	Trim - Upper Side - Bunk - Passengers
7	080856-05-000	EA	Trim - Lower Side - Bunk - Passenger
8	079145-04-000	EA	Cushion Asm. - 34" x 78"
9	081717-01-Y10	EA	Box Asm. - Front Bunk
10	094638-01-Y12	EA	Handle - Oak

1989 WINNEBAGO TABLE OF CONTENTS

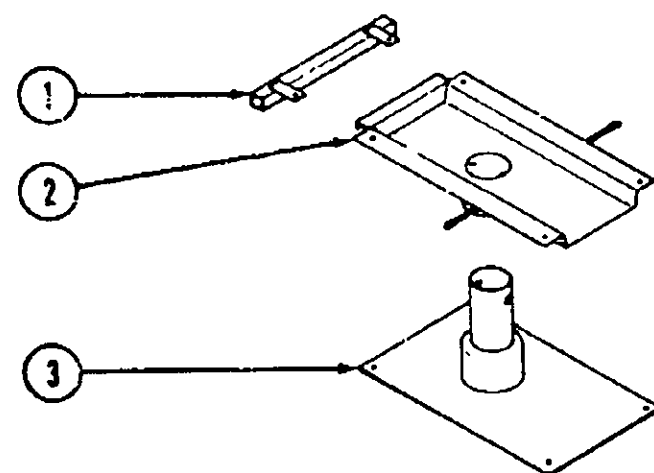
WFC22EC
WFC27EU

A-01 - C-06
C-07 - E-17

1989 WCF27EU INDEX

Floor Plan	C-07 - C-08
Accessories Group	C-09 - C-10
Bath Group	C-11
Chassis Group	C-12 - C-14
Curtain, Cushion & Pad Group	C-15 - C-22
Dinette Group	C-23 - C-24
Driver's Compartment Group	D-01 - D-03
Electrical Group	D-04 - D-07
Exterior Body Group	D-08 - D-16
Galley Group	D-17
Heating & Air Conditioning Group	D-18 - D-19
Interior Finish Group	D-20 - D-21
LP Group	D-23
Lounge Group	D-24 - E-01
Water & Sewage Group	E-02 - E-04
Window, Vent & Exterior Door Group	E-05 - E-17

DRIVER'S COMPARTMENT GROUP (CONTINUED)



BUCKET SEAT PEDESTAL & SEAT BELTS

Key	Part Number	U/M	Description
1	069585-29-000	EA	Bar - Seat Belt - 20"
2	069585-27-000	EA	Plate - Top - Pedestal Asm. - Single Bucket Seat
3	069585-08-000	EA	Plate - Sub - Pedestal Asm. - Bucket Seat
	007019-01-000	EA	Belt Asm. - Seat - 2" x 84" - Black
	007021-01-000	EA	Belt Asm. - Seat - 2" x 90" - Black
	056271-02-000	EA	Belt Asm. - Seat - 2" x 72" - Black
	057759-01-000	EA	Bracket - Seat Belt Washer
	069246-01-000	EA	Adjuster Asm. - Seat - w/ Lock
	069246-02-000	EA	Adjuster Asm. - Seat - w/o Lock

FRONT BUNK

Key	Part Number	U/M	Description
	075760-03-000	EA	Overhead Bunk Hardware (Chieftain & Sunflyer)
	081717-01-Y10	EA	Bed Asm. - Front Bunk
	079144-02-T03	EA	Bunk Strap
	042541-04-000	EA	Latch Asm. - w/o Strike - Brass
	042541-03-000	EA	Latch Strike - Brass
	060855-05-000	EA	Side Trim - Passengers Front Upper
	060856-05-000	EA	Side Trim - Passengers Front Lower
	060855-06-000	EA	Side Trim - Drivers Front Upper
	060856-06-000	EA	Side Trim - Drivers - Front Lower

DASH SWITCHES & GAUGES

Key	Part Number	U/M	Description
	024461-01-000	EA	Switch - Battery
	024462-01-000	A	Switch - Battery Condition
	065963-04-000	EA	Switch - Battery - Dual Boost
	024976-01-000	EA	Switch - Generator w/o Circuit Board
	024459-04-000	EA	Gauge - Voltmeter
	024460-04-000	EA	Gauge - Vacuum
	031035-01-000	EA	Gauge - Generator Hourmeter
	065963-04-000	EA	Switch - Aux. Battery - DPDT

ELECTRICAL GROUP

WIRE SWITCHES & RECEPTACLES

Key	Part Number	U/M	Description
	008288-01-000	EA	Box - Electrical - 3" x 3.5" - Plastic
	008289-01-000	EA	Box - Electrical - 4" x 4" - 1/2 & 3/4 Steel
	008289-02-000	EA	Box - Electrical - 4" x 4" - 1/2 & 3/4 Steel (CSA)
	058049-01-000	EA	Box - Electrical - 2" x 3" x 2.25" - Steel (CSA)
	041953-01-000	FT	Conduit - Convolute Slit - .5" ID
	041953-03-000	FT	Conduit - Convolute Slit - 1" ID
	041953-06-000	FT	Conduit - Convolute Slit - .375" ID
	008353-01-000	EA	Connector - Clamping - 3/8 Cable
	008356-01-000	EA	Connector - Plastic - 3/8" Avg.
	058028-01-000	EA	Connector - Pigtail - Clear Nylon
	008311-01-000	EA	Connector - Wire Nut - Red
	008314-01-000	EA	Connector - Wire Nut - Gray
	008054-01-000	EA	Cord - Power - 10-3 30 Amp. - 25'
	008054-02-000	EA	Cord - Power - 10-3 30 Amp. - 33'
	008052-01-000	EA	Cord - Power - 10-3 30 Amp. - 25' (CSA)
	009426-01-000	EA	Hatch - Power Cord - White
	008294-01-000	EA	Cover Plate - Blank - Steel 4 x 4 (USA)
	008294-02-000	EA	Cover Plate - Blank - Steel 4 x 4 (CSA)
	074890-01-000	EA	Extension Ring - Electrical Box - 1 1/2
	074017-02-000	EA	Housing Asm. - 5 Position
	097744-02-000	EA	Housing Asm. - Trailer Pin - 48"
	097746-01-000	EA	Housing Asm. - Trailer Cap
	097745-02-000	EA	Housing Asm. - Trailer Receptacle - 48"
	082109-01-000	EA	Housing - Connector
	088473-01-000	EA	Housing Pin
	088473-02-000	EA	Housing Pin - 15 Position
	088473-03-000	EA	Housing Pin - 9 Position
	088473-05-000	EA	Housing Pin - 6 Position In Line
	088473-06-000	EA	Housing Pin - 6 Position
	088473-08-000	EA	Housing Pin - 4 Position
	088473-09-000	EA	Housing Pin - 3 Position
	088473-10-000	EA	Housing Pin - 2 Position
	088474-01-000	EA	Housing Socket
	088474-02-000	EA	Housing Socket - 15 Position
	088474-03-000	EA	Housing Socket - 9 Position
	088474-06-000	EA	Housing Socket - 6 Position
	088474-08-000	EA	Housing Socket - 4 Position
	088474-09-000	EA	Housing Socket - 3 Position
	063910-01-000	EA	Housing - Relay
	088475-01-000	EA	Pin - Connector
	075736-03-000	EA	Receptacle/Cover Asm. - Beige (Exterior)
	084077-01-000	EA	Receptacle Cover - Ivory (Ground Fault Interrupter)
	084077-02-000	EA	Receptacle Cover - Brown (Ground Fault Interrupter)
	084076-01-000	EA	Receptacle - 15 Amp - 125 Volt - Ivory (Ground Fault Interrupter)
	058708-02-000	EA	Receptacle - Duplex - Ivory
	024924-02-000	EA	Receptacle - Power Cord
	058707-01-000	EA	Receptacle - Single - Brown
	007940-01-000	EA	Receptacle - Slide - 16 to 12 A.wg.
	086273-01-000	EA	Relay - Battery Disconnect
	067789-02-000	EA	Socket Asm. - Lamp
	088476-01-000	EA	Socket - Connector
	094086-01-01A	EA	Switch Plate - Single Gang - Black
	081066-02-000	EA	Switch Plate - 2 Gang - 2 Switch
	079362-04-000	EA	Switch Plate - 4 Gang - 2 Switch
	079363-03-000	EA	Switch Plate - Single w/Switch - Polished Brass
	079364-01-000	EA	Switch - ON/OFF Rocker - Brown
	079364-03-000	EA	Switch - ON/OFF - Rocker
	008195-01-000	EA	Switch - Push Button - 12 Volt
	076759-01-000	EA	Switch - SPST - Lock/Lock
	076759-02-000	EA	Switch - SPST - Lock/Lock/Lock
	076759-04-000	EA	Switch - SPDT - Mom/Lock/Mom
	076759-05-000	EA	Switch - SPDT - Lock/Lock/Mom

**1989 WINNEBAGO
TABLE OF CONTENTS**

WFC22EC
WFC27EU

A-01 - C-08
C-07 - E-17

1989 WCF27EU INDEX

Floor Plan	C-07 - C-08
Accessories Group	C-09 - C-10
Bath Group	C-11
Chassis Group	C-12 - C-14
Curtain, Cushion & Pad Group	C-15 - C-22
Dinette Group	C-23 - C-24
Driver's Compartment Group	D-01 - D-03
Electrical Group	D-04 - D-07
Exterior Body Group	D-08 - D-16
Galley Group	D-17
Heating & Air Conditioning Group	D-18 - D-19
Interior Finish Group	D-20 - D-22
LP Group	D-23
Lounge Group	D-24 - E-01
Water & Sewage Group	E-02 - E-04
Window, Vent & Exterior Door Group	E-05 - E-17

ELECTRICAL GROUP (CONTINUED)

INTERIOR LIGHTS & BULBS

Key	Part Number	U/M	Description
	098024-01-01A	EA	Dome Light - 1 Bulb - Ivory (US)
	098024-02-01A	EA	Dome Light - 1 Bulb - Ivory (CSA)
	033508-02-000	EA	Dome Light - 1 Bulb - Ivory (US)
	033508-03-000	EA	Dome Light - 1 Bulb - Ivory (CSA)
	033509-02-000	EA	Dome Light - 2 Bulb - Ivory (US)
	033509-03-000	EA	Dome Light - 2 Bulb - Ivory (CSA)
	086280-01-000	EA	Surface Mount - 12 V - Jensen
	R77013-48-179	EA	Switch - Dome Light
	008218-01-000	EA	Bulb - Dome Light
	078424-02-000	EA	Light Asm. - Fluorescent - 12V - 18" - Almond (Galley)
	078424-02-701	EA	Lens - Fluorescent Light - 18"
	078424-02-700	EA	Bulb - Fluorescent Light - 12V - 18"
	091937-01-000	EA	Light Asm. - Fluorescent - 12V - 18" - Almond (Ceiling)
	091937-02-000	EA	Lens - Fluorescent Light - 18"
	091937-03-000	EA	Bulb - Fluorescent Light - 18"
	072353-08-000	EA	Light Asm. - Reading - 360° Swivel - Tan
	063914-01-000	EA	Bulb - Reading Light
	061424-01-000	EA	Light Asm. - 12V - Rectangular - Aisle
	008103-01-000	EA	Bulb - Aisle Light
	068937-04-000	EA	Light Asm. - Surface - No Switch (Shower)
	008215-01-000	EA	Bulb - Light - #1003
	081633-01-000	EA	Light Asm. - Make-Up (US)
	081633-02-000	EA	Light Asm. - Make-Up (CSA)
	081633-01-700	EA	Bulb - Make-Up Light
	087894-01-000	EA	Light Asm. - Wardrobe w/Switch
	087894-01-700	EA	Bulb - Wardrobe - Light
	090353-05-000	EA	Light Asm. - Map - Double
	077026-01-000	EA	Lens - Courtesy Light (Beverage Tray)
	077000-01-000	EA	Socket Asm. w/Pigtail
	036196-01-000	EA	Bulb - Courtesy Light
	076788-01-000	EA	Socket - Lamp - Mini - Bayonet (Dash)
	042405-03-000	EA	Base - Clearance Light/Side Marker
	042405-01-000	EA	Red w/Reflex
	042405-02-000	EA	Lens - Amber - w/Reflex
	007309-01-000	EA	Light - Stepwell

ELECTRICAL GROUP (CONTINUED)

EXTERIOR LIGHTS & BULBS

Key	Part Number	U/M	Description
	081250-01-000	EA	Light Asm. - Clearance - Amber
	081250-01-700	EA	Lens - Clearance - Amber
	081250-02-000	EA	Light Asm. - Clearance - Red
	081250-02-700	EA	Lens - Clearance - Red
	036196-01-000	EA	Bulb - Clearance Lights
	081437-01-000	EA	Bracket - Clearance Lights
	058032-02-000	EA	Light Asm. - Taillight
	062740-08-000	EA	Wedge - Taillight - Passengers
	062742-06-000	EA	Wedge - Taillight - Drivers
	037934-01-000	EA	Bulb - Back-Up Light
	007309-01-000	EA	Light Asm. - License
	070907-01-000	EA	Headlamp Capsule Asm. - Rectangular
	091838-01-01A	EA	Bezel - Headlamp - Right
	091838-02-01A	EA	Bezel - Headlamp - Left
	033508-02-000	EA	Lamp Asm. - Storage Compartment - Ivory (US)
	033508-03-000	EA	Lamp Asm. - Storage Compartment - Ivory (CSA)
	008089-01-000	EA	Porch Light - Recessed (US)
	008089-02-000	EA	Porch Light - Recessed (CSA)
	008089-01-700	EA	Lens - Porch Light
	091981-01-000	EA	Gasket - Porch Light
	008215-01-000	EA	Bulb - Porch Light
	088747-01-000	EA	Light Asm. - Fog Light - Clear Lens (Option 57M)
	088747-01-700	EA	Lens - Fog Light
	070907-01-000	EA	Headlamp Capsule Asm. - Rectangular
	042405-03-000	EA	Rectangular - Light

WINDSHIELD WIPER & WASHER

Key	Part Number	U/M	Description
	056000-02-000	EA	Washer Asm. - Windshield
	057653-01-000	EA	Arm - Windshield Wiper - 18" - Black
	049464-03-000	EA	Blade Asm. - Windshield Wiper - 20" - Black
	049464-03-700	EA	Blade - Wiper Refill
	067190-04-000	EA	Shaft & Pivot Asm.
	077048-01-000	EA	Shaft Adapter - Pantograph Arm
	067191-02-700	EA	Drive Motor Asm. - Wiper
	067192-01-000	EA	Link Asm. - Connection - 39"
	067193-02-000	EA	Link Asm. - Connection - 8.10"
	067188-01-000	EA	Stud - Crank Wiper
	091206-02-000	EA	Control - Wiper
	045794-01-000	FT	Hose - 5/32" ID - Black

**1989 WINNEBAGO
TABLE OF CONTENTS**

WFC22EC
WFC27EU

A-01 - C-06
C-07 - E-17

1989 WCF27EU INDEX

Floor Plan	C-07 - C-08
Accessories Group	C-05 - C-10
Bath Group	C-11
Chassis Group	C-12 - C-14
Curtain, Cushion & Pad Group	C-15 - C-22
Dinette Group	C-23 - C-24
Driver's Compartment Group	D-01 - D-03
Electrical Group	D-04 - D-07
Exterior Body Group	D-08 - D-16
Galley Group	D-17
Heating & Air Conditioning Group	D-18 - D-19
Interior Finish Group	D-20 - D-22
LP Group	D-23
Lounge Group	D-24 - E-01
Water & Sewage Group	E-02 - E-04
Window, Vent & Exterior Door Group	E-05 - E-17

ELECTRICAL GROUP (CONTINUED)

WIRE, SWITCHES & RECEPTACLES (CONT.)

Key	Part Number	U/M	Description
	076759-06-000	EA	Switch - Dummy
	076759-07-000	EA	Switch - SPST - Mom/Off/Lock
	076759-09-000	EA	Switch - SPDT - Lock/Lock
	073937-03-000	EA	Switch - Rotary - 3 Deck - A/C Select
	035416-04-000	EA	Terminal Ring - #10 Stud Fit
	008328-01-000	EA	Terminal Ring - 12/10 Wire
	008348-01-000	EA	Terminal Ring - 2 - 3/8 Stud
	008331-01-000	EA	Terminal Ring - 4 - 3/8 Stud
	062036-02-000	EA	Terminal - Pack - Con - 16/14 ANG
	008026-01-000	FT	Wire w/Ground - Romex - 12/2
	008343-01-000	EA	Wire Tie - 6"
	008343-02-000	EA	Wire Tie - 14"

FUSES & CIRCUIT BREAKERS

Key	Part Number	U/M	Description
	062901-02-000	EA	Fuse - 5 Amp. - Automotive
	062901-05-000	EA	Fuse - 15 Amp. - Automotive
	008211-01-000	EA	Circuit Breaker - 6 Amp. - 12 Volt
	093654-01-000	EA	Circuit Breaker - 6 Amp. - 12 Volt
	093654-02-000	EA	Circuit Breaker - 15 Amp. - 12 Volt
	083210-02-000	EA	Circuit Breaker - 15 Amp. - 120 Volt (Ground Fault Interrupter)
	083209-02-000	EA	Circuit Breaker - 15/15 Amp. - 120 Volt
	083209-03-000	EA	Circuit Breaker - 15/20 Amp. - 120 Volt
	093654-03-000	EA	Circuit Breaker - 20 Amp. - 12 Volt
	083209-05-000	EA	Circuit Breaker - 20 Amp. - 120 Volt
	093655-01-000	EA	Circuit Breaker - 25 Amp. - 12 Volt
	093655-02-000	EA	Circuit Breaker - 30 Amp. - 12 Volt
	083209-06-000	EA	Circuit Breaker - 30/15 Amp. - 120 Volt
	093655-03-000	EA	Circuit Breaker - 40 Amp. - 12 Volt

MISCELLANEOUS ELECTRICAL COMPONENTS

Key	Part Number	U/M	Description
	063739-01-000	EA	Battery - 12 Volt - 80 Amp. - Gould
	069294-01-000	EA	Lighter Asm. - Cigarette
	072852-01-000	EA	Smoke Detector w/9 Volt Battery
	083208-01-000	EA	Control Center - 32A - 120 V/12 V
	094809-01-000	EA	Load Center - 240 V - 125 Amp. (Export)
	051912-01-000	EA	Transformer - Dry Control (Export)

BULBS

Key	Part Number	U/M	Description
	006103-01-000	EA	Bulb - 53 (Aisle Light)
	036196-01-000	EA	Bulb - 194 (Courtesy & Clearance Lights)
	072696-01-709	EA	Bulb - 912 (Stove Hood)
	008215-01-000	EA	Bulb - 1003 (Shower Light)
	067479-01-000	EA	Bulb - 1076 (Wall Lamp)
	063914-01-000	EA	Bulb - 1139 (Reading Light)
	008218-01-000	EA	Bulb - 1141 (Dome Light)
	037934-01-000	EA	Bulb - 1156 (Back-Up Light)
	081633-01-700	EA	Bulb - Make-Up Light
	084880-01-706	EA	Bulb - DC Light (Refrigerator)
	088737-01-710	EA	Bulb - 30W (Microwave Oven)
	078424-02-700	EA	Bulb - Fluorescent - 18" (Galley)
	091937-03-000	EA	Bulb - Fluorescent - 18" (Ceiling)

EXTERIOR BODY GROUP

LABELS & TAGS

Key	Part Number	U/M	Description
	091243-01-000	EA	Label - Air Conditioner Cover
	074983-01-000	EA	Label - Air Conditioner Selector Switch
	087236-01-000	EA	Label - TV Cable Input
	095721-06-000	EA	Label - Control Center - w/o Microwave
	093236-01-000	EA	Label - Circuit Breaker Main
	093237-01-000	EA	Label - Circuit Breaker - Front - Battery Condition/Radio
	093237-02-000	EA	Label - Circuit Breaker - Front - Power Seat
	092547-01-000	EA	Label - Circuit Breaker
	096506-01-000	EA	Label - Compartment Not Sealed
	065748-01-000	EA	Label - Caution - Battery Charging
	068383-01-000	EA	Label - Diesel Fuel
	006195-01-000	EA	Label - Electrical Test
	047731-01-000	EA	Label - Emergency Exit
	006199-01-000	EA	Label - Exit - Escape Window
	094675-01-000	EA	Label - Exterior Light Service
	061417-01-000	EA	Label - Fuel
	087207-02-000	EA	Label - Fuel Cap Removal
	094622-01-000	EA	Label - Fuel Pump - Power
	036641-01-000	EA	Label - Fuel - Unleaded - I.P.
	006196-01-000	EA	Label - Gas Test
	077510-01-000	EA	Label - Generator Prep
	054531-01-000	EA	Label - LP Gas Only
	073998-01-000	EA	Label - LP Odor Warning
	040944-01-000	EA	Label - Open Entrance Door
	061606-01-000	EA	Label - Overlay, Vehicle Certification
	088757-01-000	EA	Label - Retail - 8 5/8" x 12 7/8"
	056259-01-000	EA	Label - Safety Check List
	006064-01-000	EA	Label - Seat - w/o Seatbelts - USA
	006064-02-000	EA	Label - Seat - w/o Seatbelts - CSA
	006187-01-000	EA	Label - Sewage
	091224-02-000	EA	Label - Trailer Lighting
	075221-01-000	EA	Label - Trailer Hitch Capacity
	075221-03-000	EA	Label - Trailer Hitch
	090342-01-000	EA	Label - Vapor Relief
	050225-01-000	EA	Label - Warning - Stove Vent - US
	075220-01-000	EA	Label - Warning - Exterior Load
	077956-01-000	EA	Label - Warning - Smoke Detector
	079966-01-000	EA	Label - Warning - Slowed Motion
	006188-01-000	EA	Label - Waste Water
	006197-01-000	EA	Label - Water Test
	006062-01-000	EA	Tag - Electrical - 110 Volt Connection
	006040-01-000	EA	Tag - Refueling Warning
	006040-02-000	EA	Tag - Refueling Warning - CSA
	006019-01-000	EA	Tag - RVI Approved - Plastic
	088410-02-000	EA	Decal - Rear Auto Heater

1989 WINNEBAGO TABLE OF CONTENTS

WFC22EC
WFC27EU

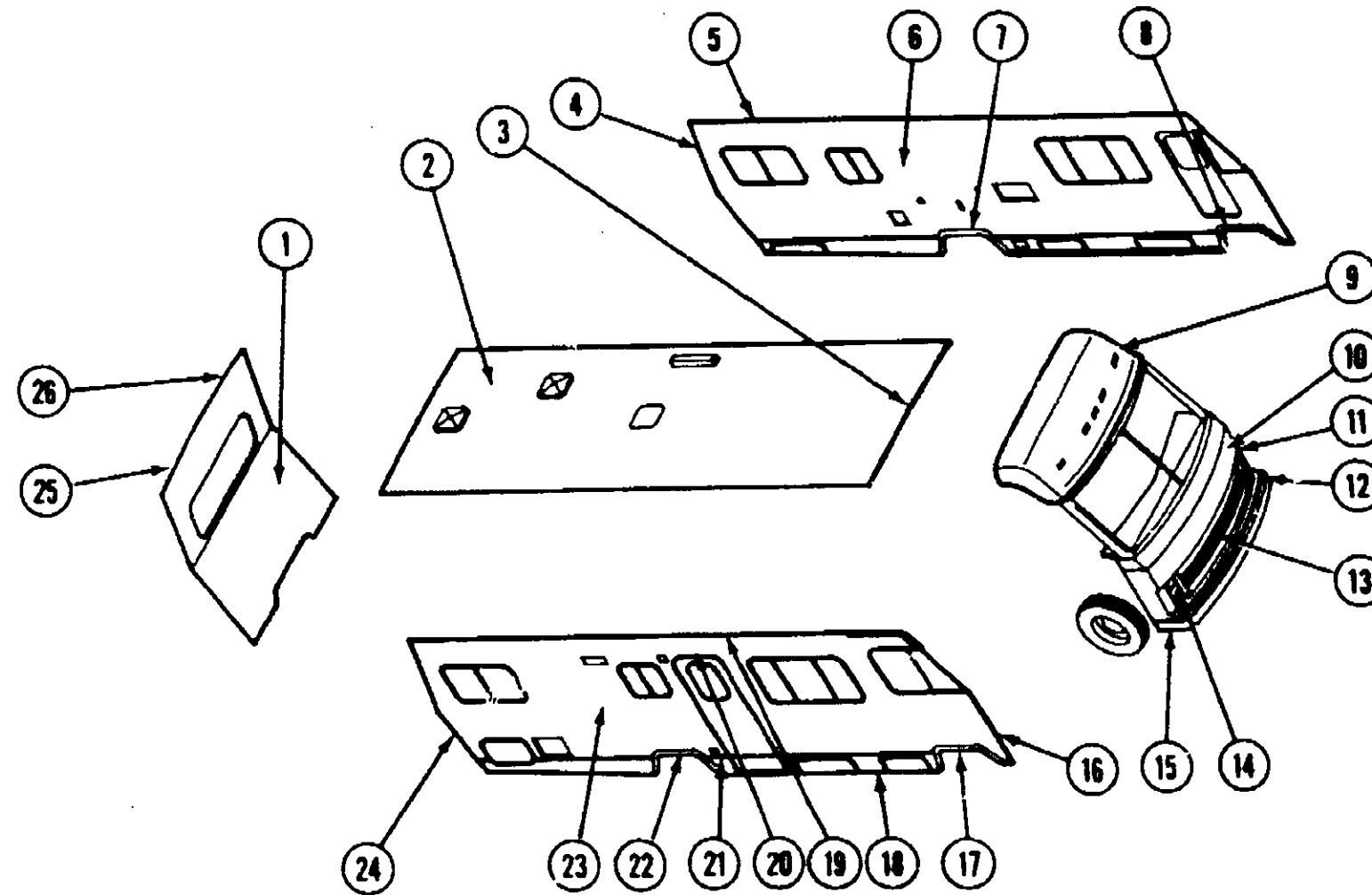
A-01 - C-06
C-07 - E-17

1989 WCF27EU INDEX

Floor Plan	C-07 - C-08
Accessories Group	C-09 - C-10
Bath Group	C-11
Chassis Group	C-12 - C-14
Curtain, Cushion & Pad Group	C-15 - C-22
Dinette Group	C-23 - C-24
Driver's Compartment Group	D-01 - D-03
Electrical Group	D-04 - D-07
Exterior Body Group	D-08 - D-16
Galley Group	D-17
Heating & Air Conditioning Group	D-18 - D-19
Interior Finish Group	D-20 - D-22
LP Group	D-23
Lounge Group	D-24 - E-01
Water & Sewage Group	E-02 - E-04
Window, Vent & Exterior Door Group	E-05 - E-17

EXTERIOR BODY GROUP (CONTINUED)

EXTERIOR BODY PANELS & TRIM



Key	Part Number	U/M	Description
1	M94509-01-Y10	EA	Backwall Asm.
1	M94509-01-Y11	EA	Backwall Asm.
2	094505-01-Y10	EA	Roof Asm.
3	078580-01-000	EA	Trim - Front Cap to Roof
4	090203-03-000	EA	Trim - Backwall to Sidewall - Drivers - Beige
5	078600-04-000	EA	Trim - Sidewall to Roof - Cove - 134" - Beige
5	078967-04-000	EA	Joint Angle - Roof to Sidewall - 134"
6	M94504-01-Y10	EA	Sidewall Asm. - Passengers
6	M94504-01-Y11	EA	Sidewall Asm. - Passengers
7	058487-07-000	EA	Trim - Wheel Well - Rear - Plain - Drivers & Passengers
8	089909-01-000	EA	Trim - Wheel Well - Front - Plain - Drivers & Passengers
9	M01899-01-T03	EA	Front Cap - Over Windshield
10	089821-01-X14	EA	Hood Asm. - Beige
	089926-01-000	EA	Hinge Asm. - Hood - Passenger
	089926-02-000	EA	Hinge Asm. - Hood - Drivers
11	M01115-17-X14	EA	Front Shroud Panel
12	078577-08-000	EA	Bumper End Caps - Front - Drivers - Beige
13	089821-01-X14	EA	Grille Asm. - 5 Bar
14	090202-01-000	EA	Headlamp Bezel - Passengers - Black
	090202-02-000	EA	Headlamp Bezel - Drivers - Black
15	078577-07-000	EA	Bumper End Cap - Front Passengers - Beige
16	089922-01-000	EA	J-Trim - Shroud to Sidewall - Beige
17	078556-07-000	EA	Wheel Well Panel - Front - Passengers
	078556-08-000	EA	Wheel Well Panel - Front Drivers
18	086526-55-001	EA	Rocker Panel - Beige - 16'

Key	Part Number	U/M	Description
19	078600-04-000	EA	Trim - Sidewall to Roof - Cove - 134" - Beige
20	044582-01-000	EA	Drip - Molding - Entrance Door - Beige
21	059576-08-000	EA	Feature Strip
	009731-01-000	EA	Cap Feature Strip
22	075070-01-000	EA	Wheel Well - Trim - Rear Passengers - Beige Plastic
	075070-03-000	EA	Wheel Well - Trim - Rear Drivers - Beige Plastic
23	M94521-01-Y10	EA	Sidewall Asm. - Passengers
23	M94521-01-Y11	EA	Sidewall Asm. - Passengers
24	090203-01-000	EA	Trim - Backwall to Sidewall
25	086906-07-000	EA	Trim - Backwall to Roof - Upper Passenger - Beige Plastic
26	086906-08-000	EA	Trim - Backwall to Roof - Upper Drivers - Beige Plastic
	076322-02-000	FT	Tape - Double Coated Foam - .045" x 1"
	076322-03-000	FT	Tape - Double Coated Foam - .045" x .5"
	079368-01-000	FT	Bulb Seal - Drivers & Access Doors
	090340-01-000	FT	Seal - Closed Cell Foam - .25" x .5" x 50'
	090340-02-000	FT	Seal - Closed Cell Foam - .38" x .5"

1989 WINNEBAGO TABLE OF CONTENTS

WFC22EC
WFC27EU

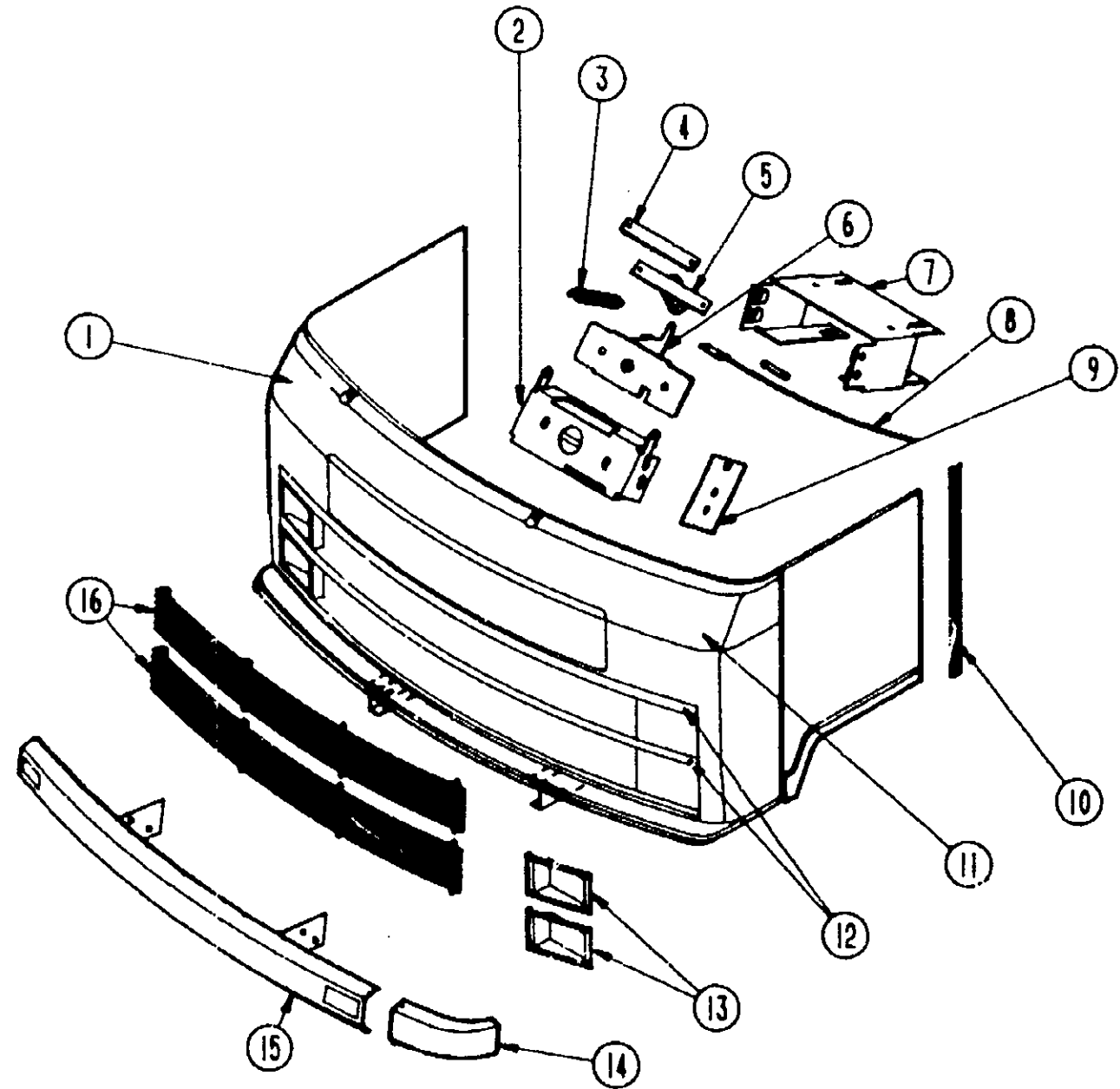
A-01 - C-06
C-07 - E-17

1989 WCF27EU INDEX

Floor Plan	C-07 - C-08
Accessories Group	C-09 - C-10
Bath Group	C-11
Chassis Group	C-12 - C-14
Curtain, Cushion & Pad Group	C-15 - C-22
Dinette Group	C-23 - C-24
Driver's Compartment Group	D-01 - D-03
Electrical Group	D-04 - D-07
Exterior Body Group	D-08 - D-16
Galley Group	D-17
Heating & Air Conditioning Group	D-18 - D-19
Interior Finish Group	D-20 - D-22
LP Group	D-23
Lounge Group	D-24 - E-01
Water & Sewage Group	E-02 - E-04
Window, Vent & Exterior Door Group	E-05 - E-17

EXTERIOR BODY GROUP (CONTINUED)

EXTERIOR BODY PANELS & HARDWARE



Key	Part Number	U/M	Description
1	M01115-17-X14	EA	Panel Asm. - Front Shroud (includes access panel)
2	073336-01-000	EA	Bracket - Mounting Latch
3	072013-01-000	EA	Spring - Hood Release
4	R77006-68-172	EA	Shim - Spacer Plate - 1 mm
4	R77006-68-171	EA	Shim - Spacer Plate - 2 mm
5	R77007-01-950	EA	Striker & Spring - Hood Latch
6	R77007-51-429	EA	Latch Asm. - Hood
7	073342-01-000	EA	Bracket Asm. - Hood Latch
	090066-01-000	EA	Crossmember - Hood Latch
8	072010-01-000	EA	Cable - Hood Release - w/Clamp
	072011-01-000	EA	Sheath - Cable End - Hood Release
9	077407-01-000	EA	Bracket - Hood Cable Release (mounts under the hood)
	074178-01-000	EA	Bracket - Hood Cable Release (mounts under the dash)
10	069922-01-000	EA	Trim - Fiberglass Panel
11	039768-01-X14	EA	Access Panel Asm. - Hood
	058786-02-000	EA	Hood Bolt Adjusting
	076716-01-000	EA	Bracket Asm. - Striker Latch
	069926-01-000	EA	Hinge Asm. - Hood - Passenger
	069926-02-000	EA	Hinge Asm. - Hood - Driver
12	068252-02-000	FT	Trim - Chrome - 1"
12	068252-03-000	FT	Trim - Chrome - 2"
13	090202-02-000	EA	Bezel - Headlamp - Driver
	090202-01-000	EA	Bezel - Headlamp - Passenger
	049185-01-000	EA	Headlamp Capsule - High Low/Driver
	049186-01-000	EA	Headlamp Capsule - High Low/Passenger
	049187-01-000	EA	Headlamp Capsule - High/Driver
	049188-01-000	EA	Headlamp Capsule - High/Passenger
	049359-01-000	EA	Headlamp Retainer
	073308-01-000	EA	Screw - Headlamp Adjusting
	091230-02-000	EA	Screw - Headlamp Bezel - 8.32 x 3/4 POH
14	078577-08-000	EA	End Cap - Bumper - Drivers
	078577-07-000	EA	End Cap - Bumper - Passengers
15	077850-06-000	EA	Bumper Asm. - Beige
16	069821-01-X14	EA	Grille Asm. - 5 Bar
	090119-01-000	EA	Bracket - Grille

1989 WINNEBAGO TABLE OF CONTENTS

WFC22EC
WFC27EU

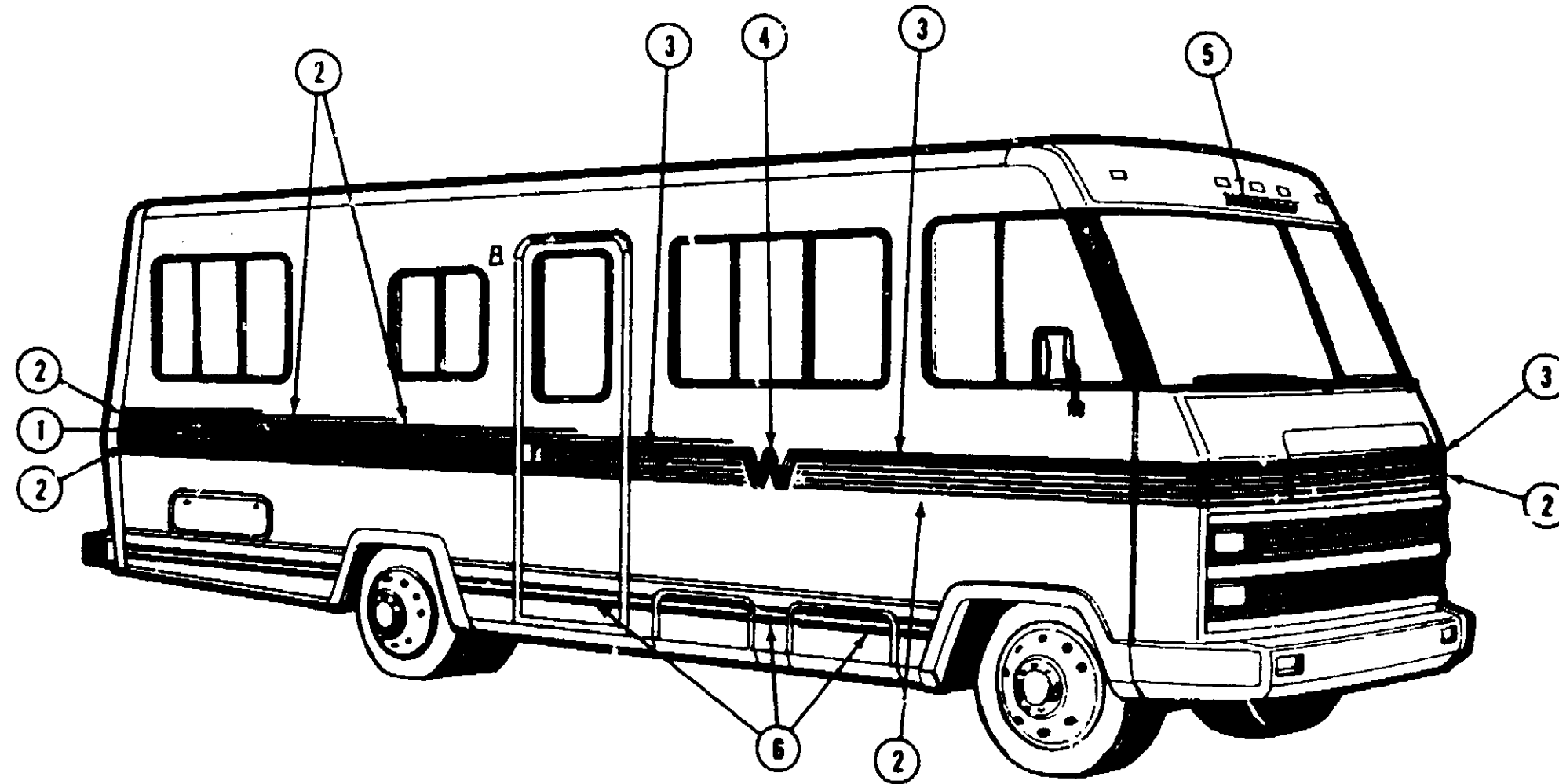
A-01 - C-06
C-07 - E-17

1989 WCF27EU INDEX

Floor Plan	C-07 - C-08
Accessories Group	C-09 - C-10
Bath Group	C-11
Chassis Group	C-12 - C-14
Curtain, Cushion & Pad Group	C-15 - C-22
Dinette Group	C-23 - C-24
Driver's Compartment Group	D-01 - D-03
Electrical Group	D-04 - D-07
Exterior Body Group	D-08 - D-16
Galley Group	D-17
Heating & Air Conditioning Group	D-18 - D-19
Interior Finish Group	D-20 - D-22
LP Group	D-23
Lounge Group	D-24 - E-01
Water & Sewage Group	E-02 - E-04
Window, Vent & Exterior Door Group	E-05 - E-17

EXTERIOR BODY GROUP (CONTINUED)

DECALS & FILLS' STRIPE



1989 WINNEBAGO
TABLE OF CONTENTS

WFC22EC
WFC27EU

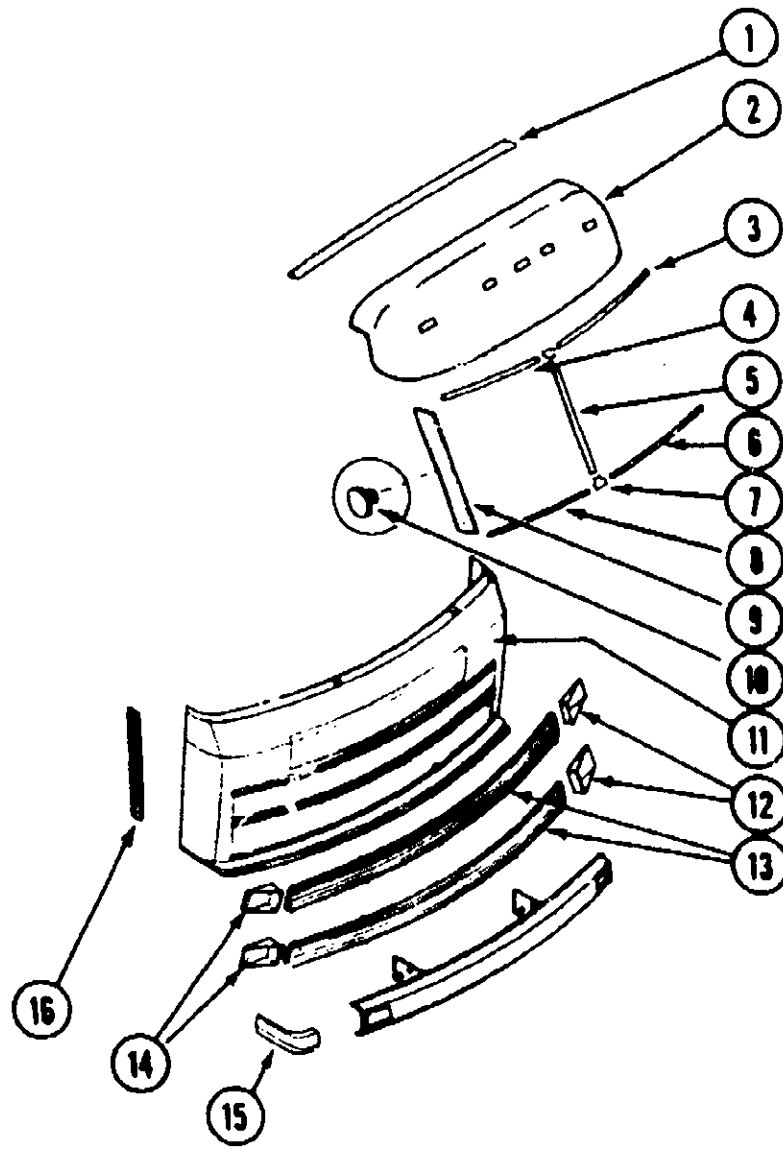
A-01 - C-06
C-07 - E-17

Key	Part Number	U/M	Description
1	093569-01-02A	EA	Decal - Logo "Warrior" - Black/Beige
2	078196-38-000	FT	Film - Multistripe - 4.5" x 150' - Dark Rose
3	078831-47-000	F1	Decal - Striping - 1.75" x 150' - Blue
4	079351-2E-000	EA	Decal - Flying "W" - 7.35" - Blue
5	050313-22-000	EA	Decal - Logo "Winnebago" - 2.8" - Chrome
6	065217-M4-000	FT	Film - Multistripe - 2.4" x 150' - Blue/Dark Rose

1989 WCF27EU INDEX

Floor Plan	C-07 - C-08
Accessories Group	C-09 - C-10
Bath Group	C-11
Chassis Group	C-12 - C-14
Curtain, Cushion & Pad Group	C-15 - C-22
Dinette Group	C-23 - C-24
Driver's Compartment Group	D-01 - D-03
Electrical Group	D-04 - D-07
Exterior Body Group	D-08 - D-16
Galley Group	D-17
Heating & Air Conditioning Group	D-18 - D-19
Interior Finish Group	D-20 - D-22
LP Group	D-23
Lounge Group	D-24 - E-01
Water & Sewage Group	E-02 - E-04
Window, Vent & Exterior Door Group	E-05 - E-17

EXTERIOR BODY GROUP (CONTINUED)



FRONT BODY PANELS & TRIM

Key	Part Number	U/M	Description
1	078580-01-000	EA	Roof Trim - Front Cap
2	078572-03-000	EA	Roof Cap - Primed
3	077944-02-000	EA	Reveal Molding - Upper - Driver
4	077944-01-000	EA	Reveal Molding - Upper - Passenger
5	076676-02-000	EA	Reveal Molding - Center
6	077945-02-000	EA	Reveal Molding - Lower - Driver
7	077952-02-000	EA	Reveal Molding Cap - Upper or Lower
8	077945-01-000	EA	Reveal Molding - Lower - Passenger
9	079225-01-000	EA	Trim Post - Passenger
	079225-02-000	EA	Trim Post - Driver
10	034141-02-000	EA	Nylon Hole Plug - 3/8"
11	M01115-17-X14	EA	Front End Asm. - w/Hood Panel (Chevrolet)
12	089821-01-X14	EA	Grille Asm. - Upper or Lower
	088252-02-000	FT	Chrome Trim - 1" Plastic
	088252-03-000	FT	Chrome Trim - 2" Plastic
13	090202-02-000	EA	Headlight Bezel - Driver
14	090202-01-000	EA	Headlight Bezel - Passenger
15	078577-07-000	EA	Bumper End Cap - Passenger
	078577-08-000	EA	Bumper End Cap - Driver
16	069922-01-000	EA	Trim - Front End Asm. - Driver or Passenger

EXTERIOR BODY GROUP (CONTINUED)

FIBERGLASS, ALUMINUM & STYROFOAM

Key	Part Number	U/M	Description
	076054-69-000	EA	Fiberglass - Sheet - 46.12" x 21.3'
	001018-01-024	EA	Aluminum - Beige - 48" x 96"
	001018-01-007	EA	Aluminum - Beige - 48" x 30'
	001054-01-011	EA	Aluminum - Off White - 48" x 96"
	001054-01-041	EA	Aluminum - Off White - 48" x 30'
	044487-01-001	EA	Aluminum - Mill Finish - No Design (Roof) - 96" x 30'
	000868-01-000	SF	Styrofoam - 3/4" x 24" x 96"
	000870-02-000	SF	Styrofoam - 1.5" x 48" x 96"
	000870-03-000	SF	Styrofoam - 1.34" x 48" x 96"
	083574-01-000	SF	Styrofoam - 1.5" x 24" x 85.25"

MISCELLANEOUS EXTERNALLY MOUNTED PARTS

Key	Part Number	U/M	Description
	083558-01-000	EA	Plumbing Seal - Roof Vent - 1.5" - Covered
	081240-01-000	EA	Water Fill - Lockabel - Beige
	090944-01-000	EA	Antenna - Radio - 16" Rubber
	092698-01-02A	EA	Vent w/Door - Range Hood
	083615-04-000	EA	Door Holder - Beige Plastic
	063977-08-000	EA	Step Asm. - Drivers Door - Black
	084073-01-000	EA	Roof Vent Refrigerator - Beige
	084073-04-000	EA	Base - Roof Vent Refrigerator
	067726-02-000	EA	Bumper - Entrance Door - Black

SEALANTS & ADHESIVES

Key	Part Number	U/M	Description
	002337-01-000	EA	Adhesive - 1300 Tube - 3M (Window)
	004005-02-000	EA	Adhesive - Swifts - 1 Gallon (Sidewall)
	004005-04-700	EA	Adhesive - Pierce - 1 Gallon (Sidewall)
	075672-02-000	EA	Adhesive - Scotch Rubber Gripper (Rear Cap)
	081377-01-000	EA	Adhesive - Cyanoacrylate (Window & Door)
	053766-02-000	EA	Bedding Compound - Tube - White (Exterior)
	053766-07-000	EA	Bedding Compound - Tube - Clear (Window)
	053766-07-000	EA	Bedding Compound - Tube - Beige (Exterior)
	011129-01-000	EA	Seal - Plumbing Pipe - Roof - For 1 1/2" OD Pipe
	077967-01-000	EA	Sealant - Acrylic Latex - Tube (Interior)
	034552-02-000	EA	Sealant - Silicone - Clear (Exterior)
	034552-04-000	EA	Sealant - Silicone - Beige (Exterior)
	053752-04-000	EA	Sealer - Seam - Tube - Aluminum (Roof)
	069637-01-000	EA	Sealer - 3M EC5510 - White (Door)
	069640-01-000	FT	Sealer - Ribbon - 1/4" Dia. x 20' (Cabinet)
	069640-02-000	FT	Sealer - Ribbon - 1/2" x 1/8" x 30' (Sidewalls)
	069640-03-000	FT	Sealer - Ribbon - 3/4" x 1/8" x 30' (Body Panels)
	069640-05-000	FT	Sealer - Ribbon - 2 1/2" x 3/32" x 30' (Body Panels)
	069640-06-000	FT	Sealer - Ribbon - 5/16" Dia. x 15' (Window)
	069640-07-000	FT	Sealer - Ribbon - 2" x 3/32" x 30' (Interior)
	081359-01-000	FT	Sealer - Vinyl Glazing (Window)
	081380-01-000	FT	Sealer - Vinyl Glazing - Black (Window)
	089363-01-701	EA	Sealer - Body Seam - Flexible - Fawn (Exterior)
	090340-01-000	FT	Sealer - Foam Seal - Closed Cell - 1/4" x 1/2" (Exterior)
	090340-02-000	FT	Sealer - Foam Seal - Closed Cell - 3/8" x 1/2" (Exterior)
	701674-05-000	EA	Service Manual - Sealants
	004363-01-000	FT	Tape - Foam - 3/16" x 1/2" - Gray - 1 Side (Sidewall)
	009200-01-000	EA	Tape - Furnace - 1 1/2"
	083642-01-000	FT	Tape - Adhesive - 10 Mil x 1.5" (Exterior)
	076322-02-000	FT	Tape - Foam - Double Coated - .45" x 1" (Fiberglass Seams)
	076322-03-000	FT	Tape - Foam - Double Coated - .045" x .5" (Fiberglass Seams)
	076322-04-000	FT	Tape - Foam - Double Coated - .045" x .75" (Fiberglass Seams)
	077959-01-000	FT	Tape - Foam - 1/2" Black - 2 Sided (Interior)
	079967-02-000	FT	Tape - Plastic Film - .375" (Window)
	088244-01-000	FT	Tape - Foam - Vinyl Coated - 2" (Chassis)
	091968-03-000	FT	Tape - Adhesive - .04" x 1" (Entrance Door)
	002281-01-000	FT	Weatherstrip - Self-Seal - .06" Panel x 3/16" (Window)
	056803-01-000	FT	Weatherseal - Upper Front Cap

**1989 WINNEBAGO
TABLE OF CONTENTS**

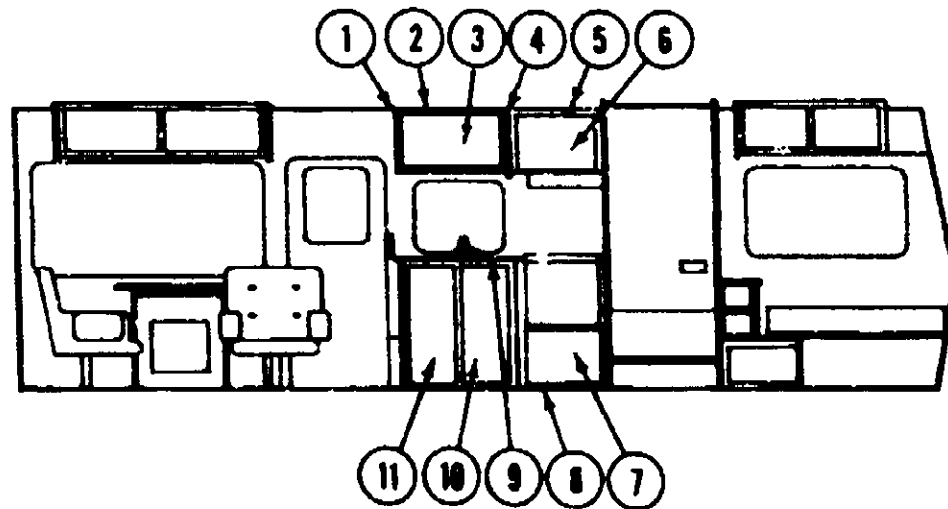
WFC22EC
WFC27EU

A-01 - C-06
C-07 - E-17

1989 WCF27EU INDEX

Floor Plan	C-07 - C-08
Accessories Group	C-09 - C-10
Bath Group	C-11
Chassis Group	C-12 - C-14
Curtain, Cushion & Pad Group	C-15 - C-22
Dinette Group	C-23 - C-24
Driver's Compartment Group	D-01 - D-03
Electrical Group	D-04 - D-07
Exterior Body Group	D-08 - D-18
Galley Group	D-17
Heating & Air Conditioning Group	D-18 - D-19
Interior Finish Group	D-20 - D-22
LP Group	D-23
Lounge Group	D-24 - E-01
Water & Sewage Group	E-02 - E-04
Window, Vent & Exterior Door Group	E-05 - E-17

GALLEY GROUP



GALLEY CABINETRY & RELATED ITEMS

Key	Part Number	U/M	Description
1	08132-02-W30	EA	End Cap Asm. - Galley Overhead
2	M94589-02-Y10	EA	Cabinet Asm. - Galley Overhead - w/o Door or Hardware
3	M88304-62-X23	EA	Door Asm. - Galley Overhead - w/o Hardware - 14.37" x 26.77"
4	081320-11-Y10	EA	End Cap Asm. - Range Overhead
5	M94519-01-Y10	EA	Cabinet Asm. - Range Overhead - w/o Door or Hardware
6	M88304-01-X08	EA	Door Asm. - Range Overhead - w/o Hardware - 17.71" x 22.83"
7	M88304-05-W24	EA	Door Asm. - Galley Cabinet - w/o Hardware - 22.85" x 15.94"
8	M88163-01-Y10	EA	Cabinet Asm. - Galley - w/o Doors, Drawers, Countertop or Hardware
9	M03000-16-Y10	EA	Countertop Asm. - Galley Cabinet
10	M88304-14-X08	EA	Door Asm. - Galley Cabinet - w/o Hardware - 14.37" x 33.46"
11	M88304-13-X08	EA	Door Asm. - Galley Cabinet - w/o Hardware - 14.37" x 33.46"
	M88304-15-X73	EA	Door Asm. - Refrigerator Cabinet - w/o Hardware - 18.7" x 12"
	074981-01-000	EA	Cutting Board - Maple
	081530-01-Y30	EA	Sink Cover
	093288-03-01A	EA	Silverware Tray - Drawer
	094067-01-01A	EA	Drawer Dividers - Light Oak
	077409-02-000	EA	Drawer Slide - 20.75" Plastic
	011053-03-000	EA	Faucet - Galley - Single Control
	091253-01-000	EA	Gasket - Galley Faucet
	098654-01-000	EA	Sink - Stainless Steel - Double Sink - 25" x 19"
	M81520-01-W30	EA	Pantry Asm. - Pullout
	081604-01-000	EA	Slide Bolt - Antique Brass
	075451-01-00	EA	Rack - Storage - Canned Goods - White
	075451-02-000	EA	Clip - Storage Rack - White
	082129-01-000	EA	Slide Asm. - Pantry - w/Z Bracket Top
	082129-02-000	EA	Slide Asm. - Pantry - w/Z Bracket Bottom

GALLEY APPLIANCES

Key	Part Number	U/M	Description
	091289-01-000	EA	Microwave Oven - Magic Chef
	055282-04-000	EA	Range - 4 Burner - Almond Top - w/Oven - Small
	088248-01-000	EA	Refrigerator - 6' - Norcold 876EG3
	092898-05-01A	EA	Range Hood - w/Monitor Panel - Almond
	087200-01-000	EA	Filter - Water Purification
	087200-02-000	EA	Cartridge - Water Filter

HEATING & AIR CONDITIONING GROUP

FURNACE

Key	Part Number	U/M	Description
	075695-01-000	EA	Furnace - 24,000 BTU - Suburban NT 24S
	009200-01-000	EA	Tape - Furnace - 1.5"
	091961-01-000	EA	Heat Register - w/o Damper - 4" x 8" - Brown Steel
	091961-02-000	EA	Heat Register - w/Damper - 4" x 8" - Brown Steel
	094800-01-02A	EA	Heat Register - w/o Damper - 3.6" x 11.2" - Brown Steel
	094800-02-02A	EA	Heat Register - w/Damper - 3.6" x 11.2" - Brown Steel
	063614-01-01A	EA	Grill - Return Air - Brown
	092321-01-000	FT	Insulation - Fiberglass w/Foil - Heat Runs
	009198-01-000	FT	Duct - Flexible - 4" ID x 25'
	023146-01-000	EA	Clamp - Screw Type - 4"
	075696-02-000	EA	Furnace - 34,000 BTU Suburban NT-34SP

ROOF AIR CONDITIONER

Key	Part Number	U/M	Description
	093764-01-000	EA	Ceiling Asm. - A/C Cool - w/Controls - TSR - Coleman 6759D714
	093763-01-03A	EA	Air Conditioner - 110 Volt - Roof Mount - TSR - 13,500 BTU Coleman 6759D708
	093763-03-700	EA	Shroud - Beige/Charcoal
	093763-01-701	EA	Overload
	093763-01-702	EA	Overload
	093763-01-703	EA	Impellor - 7" Dia. x 2.80" Wide
	093763-01-704	EA	Fan Capacitor
	093763-01-705	EA	Decal - HT/Cool Thermostat
	093763-01-706	EA	Heat Element
	093763-01-708	EA	Condenser Coil
	093763-01-709	EA	Compressor
	093763-01-710	EA	Single Parts Package

1989 WINNEBAGO TABLE OF CONTENTS

WFC22EC
WFC27EU

A-01 - C-08
C-07 - E-17

1989 WCF27EU INDEX

Floor Plan	C-07 - C-08
Accessories Group	C-09 - C-10
Bath Group	C-11
Chassis Group	C-12 - C-14
Curtain, Cushion & Pad Group	C-15 - C-22
Dinette Group	C-23 - C-24
Driver's Compartment Group	D-01 - D-03
Electrical Group	D-04 - D-07
Exterior Body Group	D-08 - D-16
Galley Group	D-17
Heating & Air Conditioning Group	D-18 - D-19
Interior Finish Group	D-20 - D-22
LP Group	D-23
Lounge Group	D-24 - E-01
Water & Sewage Group	E-02 - E-04
Window, Vent & Exterior Door Group	E-05 - E-17

HEATING & AIR CONDITIONING GROUP (CONTINUED)

AUTOMOTIVE HEATER & A/C

Key	Part Number	U/M	Description
	094831-01-000	EA	Heater/Evaporator Asm.
	094831-01-700	EA	Door - Fresh Air
	094831-01-701	EA	Rod - Fresh Air Door
	094831-01-702	EA	Drain Pan - Plastic
	094831-01-703	EA	Motor - Blower
	094831-01-704	EA	Wheel - Blower
	094831-01-705	EA	Motor - Vacuum - 2" OD
	094831-01-706	EA	Resistor - 4 Speed
	094831-01-707	EA	Wiring Harness - Unit
	094831-01-708	EA	Vacuum Harness - Unit
	094831-01-709	EA	Rod Clamps - 3/16"
	094831-01-710	EA	Rings - Rod Retainers
	094831-01-711	EA	Keeps Nut - #10 - 32
	094831-01-712	EA	"J" Nut - Timmerman - #10 - 24
	094831-01-713	EA	Evaporator Coil
	094831-01-714	EA	Expansion Valve
	094831-01-715	EA	Thermostat
	094831-01-716	EA	Trinary Switch
	094831-01-717	EA	Hose Asm. - #6
	094831-01-718	EA	Hose Asm. - #10
	094831-01-719	EA	Coupling - w/o Ring - Self-Sealing - #4
	094831-01-720	EA	Service Valve - #10
	094831-01-721	EA	O'Ring - #10
	094831-01-722	EA	O'Ring - #8
	094831-01-723	EA	O'Ring - #6
	094831-01-724	EA	O'Ring - #4
	094831-01-725	EA	Door - Air Blend
	094831-01-726	EA	Rod - Door - Air Blend
	094831-01-727	EA	Heat Coil
	094831-01-728	EA	Door - Damper
	094831-01-729	EA	Rod - Damper Door
	094831-01-730	EA	Motor - Vacuum
	094831-01-731	EA	Hose Adapters - 2"
	094831-01-732	EA	Housing - Control
	094831-01-733	EA	Wiring Harness - Control
	094831-01-734	EA	Wiring Harness - Light
	094831-01-735	EA	Control - Vacuum - Harness
	094831-01-736	EA	Switch - Vacuum
	094831-01-737	EA	Cable - 62" - Air Blend
	094831-01-738	EA	Clip - Cable
	094831-01-739	EA	Clip - Cable Unit
	094831-01-740	EA	Relay - Auto
	094831-01-741	EA	Dash Lower/Control Panel Trim
	094831-01-742	EA	Condenser - Wiring Harness
	094831-01-743	EA	Vacuum Canister
	094831-01-744	EA	Water Valve
	094831-01-745	EA	Kazoo Drain Tube
	094831-01-746	EA	Clamp - Blend Cable
	094831-01-747	EA	Fix Kit - Door - Air Blend
	072341-07-000	EA	Heater/Evaporator - w/o Duct Control
	072341-07-700	EA	Resistor - Jumper Harness
	072341-07-701	EA	Thermostat
	072341-07-702	EA	Liquid Hose - w/Special Tap
	072341-07-703	EA	Suction Hose
	072341-08-000	EA	Duct & Control Kit
	072341-08-700	EA	Reservoir Vacuum
	072341-08-701	EA	Passenger Heat Plenum

INTERIOR FINISH GROUP

PANELING & COUNTERTOP

Key	Part Number	U/M	Description
	074497-10-000	SF	Paneling - Regal Oak - 48" x 84" (Cabineis)
	088272-40-000	SF	Paneling - Decor - Rainbow - 48" x 84" (Main Wall) (Y10)
	088272-39-000	SF	Paneling - Decor - Sunkist - 48" x 84" (Main Wall) (Y11)
	088272-29-000	SF	Paneling - Decor - Rainbow - 48" x 84" (Galley/Bath) (Y10)
	088272-30-000	SF	Paneling - Decor - Haze - 48" x 84" (Galley/Bath) (Y11)
	088272-38-000	SF	Paneling - Decor - Bone - 48" x 84" (Wet Bath)
	074498-28-000	SF	Plastic Laminate - Tan (Galley/Dinette)
	074498-24-000	SF	Plastic Laminate - Regal Oak (Nightstand)
	076325-16-000	FT	Edge Molding - Regal Oak
	074497-14-000	SF	Paneling - Decor - Beige (Ceiling) (Y10, Y11)
	000885-34-000	SF	Particle Board - 3/8" x 49" x 97" - Light Oak - Vinyl 1 Side
	000885-36-000	SF	Particle Board - 3/4" x 60" x 96" - Light Oak - Vinyl 2 Sides
	000621-01-000	SF	Veneer - Flat Luan - 43" x 96"

INTERIOR MOLD & TRIMS

Key	Part Number	U/M	Description
	088263-30-000	EA	Batt Strip - Beige - 8' (Ceiling)
	069733-70-000	EA	Batt Strip - Regal Oak - 8' (Woodgrain)
	088263-28-000	EA	Batt Strip - Rainbow - 8' (Main Wall) (Y14)
	088263-27-000	EA	Batt Strip - Sunkist - 8' (Main Wall) (Y13)
	085284-10-000	EA	Batt Strip - Rainbow - Tape Adhesive (Main Wall) (Y10)
	085284-11-000	FT	Batt Strip - Sunkist - Tape Adhesive (Main Wall) (Y11)
	085284-03-000	EA	Batt Strip - Regal Oak - Tape Adhesive
	088263-05-000	EA	Batt Strip - Bone (Galley/Bath)
	088263-09-000	EA	Batt Strip - Bone (Wet Bath)
	083820-01-000	FT	Molding - T - 3/4" - Brown
	083820-04-000	FT	Molding - T - 3/4" - Light Oak
	009809-17-000	EA	F-Molding - 1" - Regal Oak
	009812-17-000	EA	F-Molding - 1/2" - Regal Oak
	033620-01-000	FT	T-Molding - w/Edge Lips - Grady Brown
	070504-01-000	FT	U-Channel - .65" - Light Brown
	070504-06-000	FT	U-Channel - .815" - Regal Oak
	009778-07-000	FT	U-Channel - 1" - Regal Oak
	009767-06-000	FT	Wetling - Beige
	009767-10-000	FT	Wetling - Mahogany
	085746-01-000	FT	J-Molding - .75" w/Lips - Beige
	024700-17-000	EA	Cover - Sidewall Roll Bar - Beige (Wall/Ceiling)
	022992-08-000	FT	Molding - Reverse Cover - Champagne White
	042357-11-000	FT	Molding - Outside Corner - Light Oak
	077840-01-W30	FT	Molding - Wall Cap
	080176-02-000	EA	Corner Cap - Radius Plastic - Light Oak
	081521-02-007	EA	Molding Retainer - 64 Hole Space
	092041-01-01A	EA	Trim - Rear Cap to Sidewall - Beige
	M01667-01-000	EA	Trim - Valance - 8' - Oak
	029012-01-000	BF	Foam - 3/8" Rolled

1989 WINNEBAGO TABLE OF CONTENTS

WFC22EC
WFC27EU

A-01 - C-08
C-07 - E-17

1989 WCF27EU INDEX

Floor Plan	C-07 - C-08
Accessories Group	C-09 - C-10
Bzin Group	C-11
Chassis Group	C-12 - C-14
Curtain, Cushion & Pad Group	C-15 - C-22
Dinette Group	C-23 - C-24
Driver's Compartment Group	D-01 - D-03
Electrical Group	D-04 - D-07
Exterior Body Group	D-08 - D-16
Galley Group	D-17
Heating & Air Conditioning Group	D-18 - D-19
Interior Finish Group	D-20 - D-22
LP Group	D-23
Lounge Group	D-24 - E-01
Water & Sewage Group	E-02 - E-04
Window, Vent & Exterior Door Group	E-05 - E-17

INTERIOR FINISH GROUP (CONTINUED)

CABINERY & TABLE HARDWARE

Key	Part Number	U/M	Description
	059777-02-000	EA	Hinge - Cabinet Door - Brass
	074493-02-000	EA	Overhead Door - Support - Sprung
	079789-01-000	EA	Support - Table - Pullout - Beige
	080728-01-000	EA	Handle - Recessed - Brown Plastic
	079921-01-000	EA	Roller - Nylon w/Shaft
	088264-01-000	EA	Pull - Cabinet - Polished Brass
	081376-01-000	EA	Back Plate - Door Pull - Polished Brass
	084466-02-000	EA	Slide Asm. - Drawer - Right
	084466-03-000	EA	Slide Asm. - Drawer - Left
	084466-04-000	EA	Slide Asm. - Cabinet - Right
	084466-05-000	EA	Slide Asm. - Cabinet - Left
	047744-01-000	EA	Kit - Drawer Glide
	009089-01-000	EA	Clip - Mirror
	084451-01-000	EA	Catch - TV Shelf - Brass
	009059-01-000	EA	Hinge - 2" - Brass - TV Shelf
	009049-01-000	EA	Support - Drop Leaf Table
	009133-01-000	EA	Towel Bar - 12" Chrome - CSA
	023449-01-000	EA	Brackets - Towel Bar - Chrome - CSA
	033580-01-000	EA	Towel Ring - Plastic - CSA
	009134-01-000	EA	Tissue Holder - Chrome - CSA
	077409-02-000	EA	Slide - Drawer - 20.75"
	065740-01-000	EA	Brace - Corner - Brown Plastic
	058331-05-000	EA	Mirror - 12" x 26"
	058331-22-000	EA	Mirror - 17.16" x 45.5"
	058331-10-000	EA	Mirror - Safety Glass - TV Shelf - 14" x 17"
	064781-05-000	EA	Cup Holder - Two Step
	024281-11-000	EA	Bracket - Lower Wall Mount
	053200-09-000	EA	Bracket - Upper Wall Mount
	024275-05-000	EA	Rod - Table Lift - Beige
	092583-01-02A	EA	Catch - Table Leg
	049493-10-000	EA	Catch - Table Leg - Mounts on Floor
	049493-06-000	EA	Catch - Table Leg - Mounts on Floor - Tan
	064050-03-000	EA	Hinge - Bracket - Leg Folding - Beige
	024276-21-000	EA	Leg Asm. - Table - Beige
	088410-01-000	EA	Hanger - Table
	093212-01-01A	EA	Door Bolt - Mortise - Bi-Fold Door
	092652-01-000	EA	Guide Wheel - Top Mount - Bi-Fold Door
	093832-01-01A	EA	Knob - Bright Brass - Bi-Fold Door
	009059-02-000	EA	Hinge - 2" - Brass - Bi-Fold Door
	061604-01-000	EA	Slide Bolt - Antique Brass - Bath Door
	094485-01-01A	EA	Knob - Polished Brass - Bath Door
	093586-01-000	EA	Catch - Used w/093586-02-000
	093586-02-000	EA	Strike - Has Screw Hole - Used w/093586-01-000
	093586-03-000	EA	Catch - Used w/093586-04-000
	093586-04-000	EA	Strike - Has Screw Slot - Used w/093586-03-000

INTERIOR FINISH GROUP (CONTINUED)

FABRIC & FLOOR COVERINGS

Key	Part Number	U/M	Description
	088274-64-000	YD	Fabric - Upholstery - Main - Blue/Gray (Y10)
	088274-65-000	YD	Fabric - Upholstery - Main - Rose/Beige (Y11)
	088274-66-000	YD	Fabric - Upholstery - Accent - Blue/Gray (Y10)
	088274-69-000	YD	Fabric - Upholstery - Accent - Rose/Beige (Y11)
	072333-61-000	YD	Fabric - Drapery - Blackout/Wraparound - Pacific (Y10)
	072333-62-000	YD	Fabric - Drapery - Blackout/Wraparound - Rose/Beige (Y11)
	088273-29-000	YD	Fabric - Bedspread - Natural (Y10)
	088273-22-000	YD	Fabric - Bedspread - Sandune (Y11)
	075244-02-000	YD	Vinyl - Shower Curtain
	009136-01-000	EA	Pin - Shower Curtain
	079680-01-000	YD	Vinyl - Expanded - 26 oz. Buckskin (End Cap)
	029219-01-000	SY	Vinyl - White - 14.6 Oz.
	093486-01-000	SY	Carpet - Outside Storage Compartment
	093486-01-001	EA	Carpet - Outside Storage Compartment (1SY)
	072860-84-000	SY	Carpet - Graphite (Y10)
	072860-69-000	SY	Carpet - Rose Mist (Y11)
	075233-01-000	EA	Pad - Carpet - 3/8" Thick

MISCELLANEOUS

Key	Part Number	U/M	Description
	053552-02-W24	EA	Handle Asm. - Assist - Vinyl
	094658-01-Y12	EA	Handle Asm. - Oak - Front Bunk
	041944-03-000	EA	Fire Extinguisher - 5BC - w/o Bracket
	064472-01-000	EA	Holder - Plastic - Fire Extinguisher
	094499-01-000	EA	Fire Extinguisher - 10BC - w/Bracket
	094499-02-000	EA	Fire Extinguisher - 1A - 10BC (CSA)
	094851-01-01A	EA	Holder - Recessed - Fire Extinguisher
	072852-01-000	EA	Smoke Detector w/9 Volt Battery
	054185-31-000	EA	Owner's Manual - Winnebago/Itasca - 1989
	081072-01-000	EA	Floor Mat - Front - Right - Winnebago
	081074-01-000	EA	Floor Mat - Front - Left - Winnebago
	081075-01-000	EA	Floor Mat - Front - Entrance - Winnebago
	004354-01-000	EA	Bumper - Rubber - Brown
	029012-01-000	BF	Foam - Rolled - 3/8"
	042438-01-000	EA	Dowel - Wood - 1" x 4"
	081530-01-Y30	EA	Sink Cover (Y10, Y11)

**1989 WINNEBAGO
TABLE OF CONTENTS**

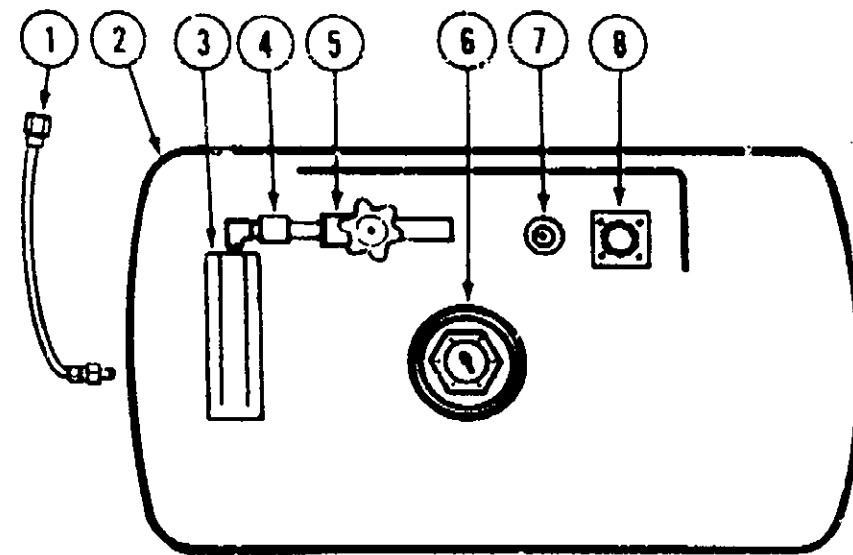
WFC22EC
WFC27EU

A-01 - C-08
C-07 - E-17

1989 WCF27EU INDEX

Floor Plan	C-07 - C-08
Accessories Group	C-08 - C-10
Bath Group	C-11
Chassis Group	C-12 - C-14
Curtain, Cushion & Pad Group	C-15 - C-22
Dinette Group	C-23 - C-24
Driver's Compartment Group	D-01 - D-03
Electrical Group	D-04 - D-07
Exterior Body Group	D-08 - D-16
Galley Group	D-17
Heating & Air Conditioning Group	D-18 - D-19
Interior Finish Group	D-20 - D-22
LP Group	D-23
Lounge Group	D-24 - E-01
Water & Sewage Group	E-02 - E-04
Window, Vent & Exterior Door Group	E-05 - E-17

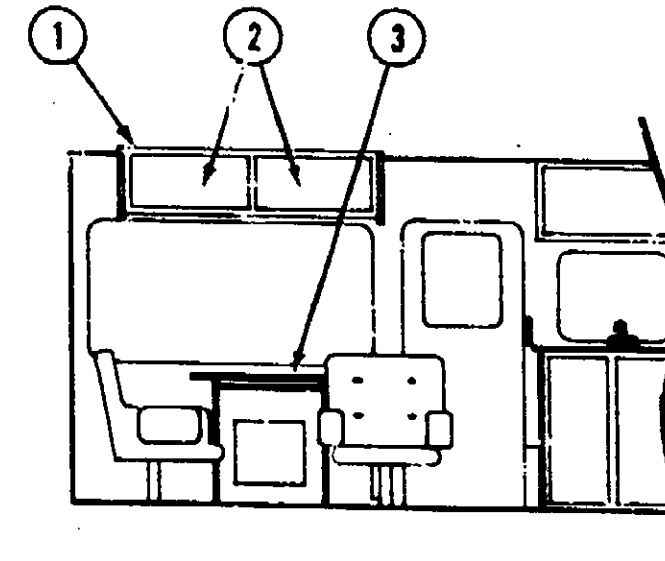
LP GROUP



LP TANK & HARDWARE

Key	Part Number	U/M	Description
1	045703-01-000	EA	Hose Asm. - LP - 3/8 x 24 (US)
1	045703-02-000	EA	Hose Asm. - LP - 3/8 x 24 (CSA)
2	091970-01-000	EA	Tank Asm. - LP - Frame Mount - 80 Pound - 20" x 24"
3	081938-01-000	EA	Cover - LP Regulator
3	076301-02-000	EA	Regulator - LP - Two-Stage
4	090976-02-000	EA	Safety Valve - LP - Electric
5	040421-01-703	EA	Valve - Vapor Relief
6	040421-01-707	EA	Gauge - Float - w/Visible Dial
6	040421-01-706	EA	Dial - Visible Face - Float Gauge
6	040440-01-000	EA	Dial - Visible Face - Float Gauge (w/Electric Transmitter)
7	040421-01-700	EA	Gauge - Liquid Level
8	040421-01-701	EA	Valve - Filler
8	040421-01-702	EA	Cap - Filler Valve
8	040421-01-711	EA	Inner Tank Valve - 80% Fill
	085741-01-000	EA	Gauge - Diaphragm Pressure - Test Leak
	097395-01-000	EA	LP Leak Detector

LOUNGE GROUP



LOUNGE CHAIR CABINETRY

Key	Part Number	U/M	Description
1	M94373-01-Y10	EA	Cabinet Asm. - Chair Overhead - w/o Door or Hardware
2	M88304-50-X23	EA	Door Asm. - Chair Overhead - w/o Hardware - 12" x 26"
3	M90095-01-X11	EA	Table Asm. - Pullout
	090095-11-X11	EA	Pullout Table - TV Top Asm.
	090095-12-X11	EA	Pullout Table - Cupholder Top Asm.
	090095-14-X14	EA	Pullout Table - Table Cover Asm.
	090095-18-X11	EA	Pullout Table - Top - Pullout Asm.

1989 WINNEBAGO TABLE OF CONTENTS

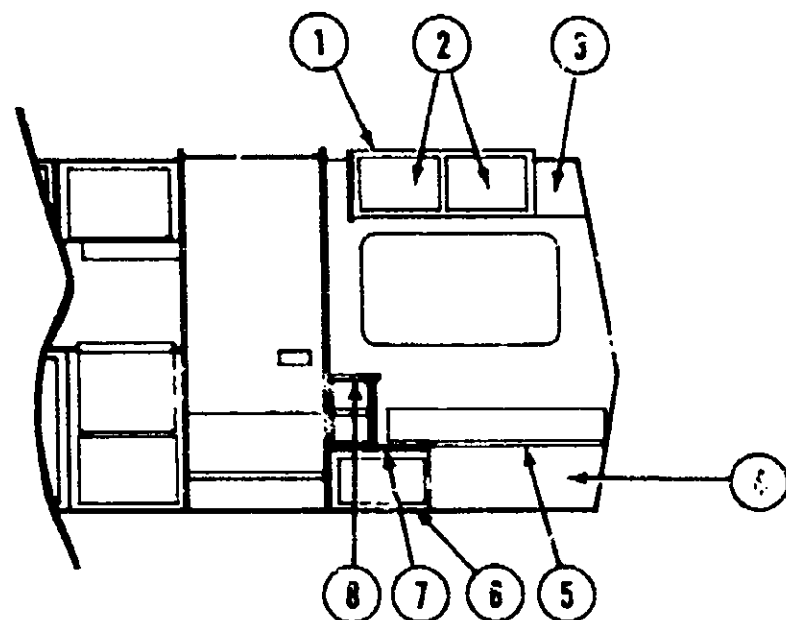
WFC22EC
WFC27EU

A-01 - C-06
C-07 - E-17

1989 WCF27EU INDEX

Floor Plan	C-07 - C-08
Accessories Group	C-09 - C-10
Bath Group	C-11
Chassis Group	C-12 - C-14
Curtain, Cushion & Pad Group	C-15 - C-22
Dinette Group	C-23 - C-24
Driver's Compartment Group	D-01 - D-03
Electrical Group	D-04 - D-07
Exterior Body Group	D-08 - D-16
Galley Group	D-17
Heating & Air Conditioning Group	D-18 - D-19
Interior Finish Group	D-20 - D-22
LP Group	D-23
Lounge Group	D-24 - E-01
Water & Sewage Group	E-02 - E-04
Window, Vent & Exterior Door Group	E-05 - E-17

LOUNGE GROUP (CONTINUED)



DOUBLE BED CABINERY

Key	Part Number	U/M	Description
1	M94389-01-Y10	EA	Cabinet Asm. - Overhead - Rear Passenger - w/o Doors or Hardware
2	M88304-08-X11	EA	Door Asm. - Rear Overheads - w/o Hardware - 12" x 18.7"
3	M94374-01-Y10	EA	Cabinet Asm. - Backwall Overhead - w/o Doors or Hardware
	M88304-H7-Y10	EA	Door Asm. - Backwall Overhead - w/o Hardware
4	M94366-01-Y10	EA	Cabinet Asm. - Double Bed
5	M03891-01-Y10	EA	Cabinet Asm. - Double Bed Top
	057460-04-000	EA	Gas Spring - Double Bed
	057460-03-000	EA	Safety Clip - Gas Spring
	057460-02-000	EA	Ball Stud - 10 MIA Ball - Gas Spring
	088199-01-X11	EA	Hinge Asm. - Double Bed
6	M94367-01-Y10	EA	Cabinet Asm. - Nightstand
7	094367-11-Y10	EA	Countertop Asm. - Bottom - Nightstand
8	094367-12-Y10	EA	Countertop Asm. - Top - Nightstand
	M94377-01-Y10	EA	Cabinet Asm. - Overhead - Rear Drivers - w/o Doors or Hardware
	M88304-08-X11	EA	Door Asm. - Rear Drivers Overhead - w/o Hardware - 12" x 18.7"

WATER & SEWAGE GROUP

DRAINAGE SYSTEM

Key	Part Number	U/M	Description
	098654-01-000	EA	Sink - SST - Double - 25" x 19"
	011091-02-000	EA	Continuous Waste - Double Sink
	053874-01-000	EA	Continuous Waste - Double Sink - CSA
	011066-01-000	EA	P-Trap - 1 1/4"
	053335-01-000	EA	P-Trap - 1 1/4" - CSA
	010073-01-000	EA	Wye - Plastic - 1 1/2" x 45° H x H x H
	034250-01-000	EA	Elbow - Plastic - 1 1/2" x 90° H x H
	083558-01-000	EA	Roof Vent - Covered - Plastic
	010006-01-000	EA	Elbow - Plastic - 1 1/2" x 45° H x H
	089386-01-000	EA	Sink - Oval - Plastic - Ivory
	079968-01-000	EA	Vent - Mechanical Trap Arm
	M02673-02-X11	EA	Shower Pan - Off White
	066729-01-000	EA	Strainer - Shower Drain
	066435-01-000	EA	Nut - Strainer
	069735-01-000	EA	Washer - Tailpiece - 1.5" Plastic
	011069-02-000	EA	Tailpiece - 1.5" x 1.25" x 4" Brass
	066435-01-000	EA	Nut - Slip - 1.5" Tailpiece
	011069-03-000	EA	P-Trap - Plastic - 1.25" x 1.5" (US)
	053335-01-000	EA	P-Trap - Plastic - 1.25" - H x H (CSA)
	010072-01-000	EA	Tee - Plastic - 1.5" x 1.25" x 1.5" - H x H x H
	010121-01-000	EA	Bushing
	010008-01-000	EA	Elbow - Plastic - 1.25" BD 1.5" x 90° XLT
	010115-01-000	EA	Coupling - Plastic - 1.5" H x H
	061607-01-000	EA	Grommet - Holding Tank - 1.5" NPS
	024676-01-000	EA	Flange
	024676-02-000	EA	Flange
	010071-01-000	EA	Tee
	010006-01-000	EA	Elbow
	010073-01-000	EA	Wye
	010166-01-000	EA	Bushing
	010166-02-000	EA	Bushing
	010122-01-000	EA	Adapter
	010166-01-000	EA	Bushing
	010166-02-000	EA	Bushing

HOLDING TANKS

Key	Part Number	U/M	Description
	061805-01-000	EA	Holding Tank - Aux. - 40 Gal.
	074175-01-000	EA	Holding Tank - Main - 44 Gal.
	078406-01-000	EA	Rubber Coupler - 3" x 3"
	070916-01-000	EA	Dual Dump Valve - 3" & 1.5"
	033761-01-000	EA	Elbow - Plastic - 1.5" x 90° XLT
	062422-01-000	EA	Adapter - Offset Reducer - 3" x 1.5"

**1989 WINNEBAGO
TABLE OF CONTENTS**

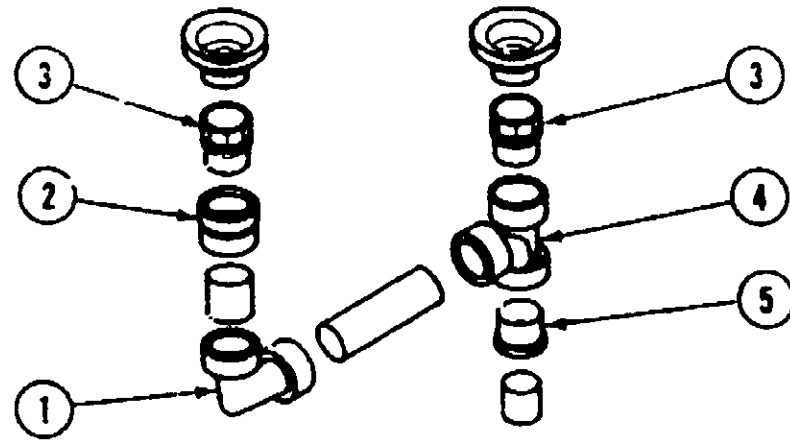
WFC22EC
WFC27EU

A-01 - C-06
C-07 - E-17

1989 WCF27EU INDEX

Floor Plan	C-07 - C-08
Accessories Group	C-09 - C-10
Bath Group	C-11
Chassis Group	C-12 - C-14
Curtain, Cushion & Pad Group	C-15 - C-22
Dinette Group	C-23 - C-24
Driver's Compartment Group	D-01 - D-03
Electrical Group	D-04 - D-07
Exterior Body Group	D-08 - D-16
Galley Group	D-17
Heating & Air Conditioning Group	D-18 - D-19
Interior Finish Group	D-20 - D-22
LP Group	D-23
Lounge Group	D-24 - E-01
Water & Sewage Group	E-02 - E-04
Window, Vent & Exterior Door Group	E-05 - E-17

WATER & SEWAGE GROUP (CONTINUED)



CONTINUOUS WASTE (CANADA)

Key	Part Number	U/M	Description
1	037101-02-000	EA	Elbow - 1.5" H x 1.5" H x 90°
2	010115-01-000	EA	Coupling - 1.5" H x 1.5" H
3	033302-02-000	EA	Adapter
4	010071-01-000	EA	Tee - 1.5" H x 1.5" H x 1.5" H
5	010121-01-000	EA	Bushing Adapter - 1.5" x 1.25" H x H

WATER & SEWAGE GROUP (CONTINUED)

WATER SYSTEM

Key	Part Number	U/M	Description
	061240-01-000	EA	Water Fill - Lockable - Beige
	069637-01-000	EA	Sealer - 3M
	079381-01-000	FT	Tubing - Flex/Smooth - 1.25" ID
	062401-01-000	EA	Clamp - Wormgear - .81" x 1.75"
	074482-02-000	FT	Tubing - Vinyl - 3/8" ID
	007161-01-000	EA	Clamp - Hose - Spring Type
	054250-02-000	EA	Support - Water Fill
	010224-01-000	EA	Adapter - Plastic - 3/8" MPT x 3/8" BARB - Fill to Tank
	044927-01-000	EA	Adapter - Plastic - 1.25" MPT x 1.25" BARB - Fill to Tank
	052956-01-000	EA	Tee - Plastic - .5" F x .5" MPT x .5" F
	077954-02-000	EA	Water Filter/Screen - In Tank
	075186-04-000	EA	Water Tank - 45 Gal. w/Fittings
	042989-03-000	EA	Fitting - Spinweld Plastic - 1.25" NPT
	042989-04-000	EA	Fitting - Spinweld Plastic - 3/8" FPT
	049032-01-000	EA	Patch - Spinweld Plastic - 3/8"
	075186-01-000	EA	Water Tank - 45 Gal. - w/o Fittings
	035416-04-000	EA	Terminal Ring - #10 Stud Fit
	068474-06-000	EA	Socket Housing)
	068476-01-000	EA	Socket Connector
	045729-01-000	EA	Water Pump - 2.8 GPM Shur Flow
	045729-02-000	EA	Water - Pump - 2.8 GPM Shur Flow - CSA
	065120-01-000	EA	Elbow - Plastic - Swivel - .5"
	052952-01-000	EA	Nut - Plastic - .5" F
	039800-01-000	EA	Tubing - .5" OD x 20'
	052960-01-000	EA	Drain Valve - In Line - .5" F x .5" F
	036522-02-000	EA	Cap - Brass - .5" Flare
	011053-03-000	EA	Faucet - 8" w/Swing Spout
	064952-01-000	EA	Faucet - 8" w/Swing Spout - CSA
	091253-01-000	EA	Gasket - Faucet
	079317-01-000	EA	Adapter - Swivel - .5" Tube x .5" FPT
	011056-03-000	EA	Faucet - Lavatory - Chrome - CSA
	091253-01-000	EA	Gasket - Faucet
	052954-01-000	EA	Adapter - Nose Cone - 3/8" or 1/2"
	091208-01-000	EA	Washer - Rubber - .75" x .50"
	052955-01-000	EA	Tee - Plastic - .5" F x .5" F x .5" MPT
	052959-03-000	EA	Connector - Plastic - .5" F x 3/8" MPT - Toilet to Water
	052953-01-000	EA	Nut - Faucet - .5" Tube x .5" FPT
	052958-01-000	EA	Tee - Plastic - .5" F x .5" F x .5" F
	052957-02-000	EA	Elbow - Plastic - .5" F x .5" MPT
	075606-01-000	EA	Faucet Panel - Plastic
	011059-04-000	EA	Faucet - Shower - Chrome - CSA
	011048-02-000	EA	Shower Head - w/60" Hose
	010048-05-000	EA	Shower Head - w/60" - CSA
	051391-02-000	EA	Water Heater - w/o Motor Aid - 4 Gal. - Atwood
	051393-01-000	EA	Water Heater - w/Motor Aid
	052009-02-000	EA	Door - Water Heater - Beige
	063740-01-000	EA	Toilet - Aqua Magic - IV - High - Tretford
	078406-01-000	EA	Coupler - Rubber - 3"

**1989 WINNEBAGO
TABLE OF CONTENTS**

WFC22EC
WFC27EU

A-01 - C-06
C-07 - E-17

1989 WCF27EU INDEX

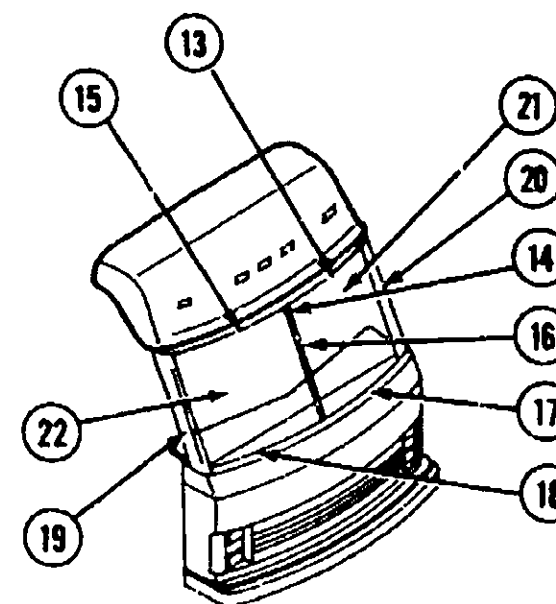
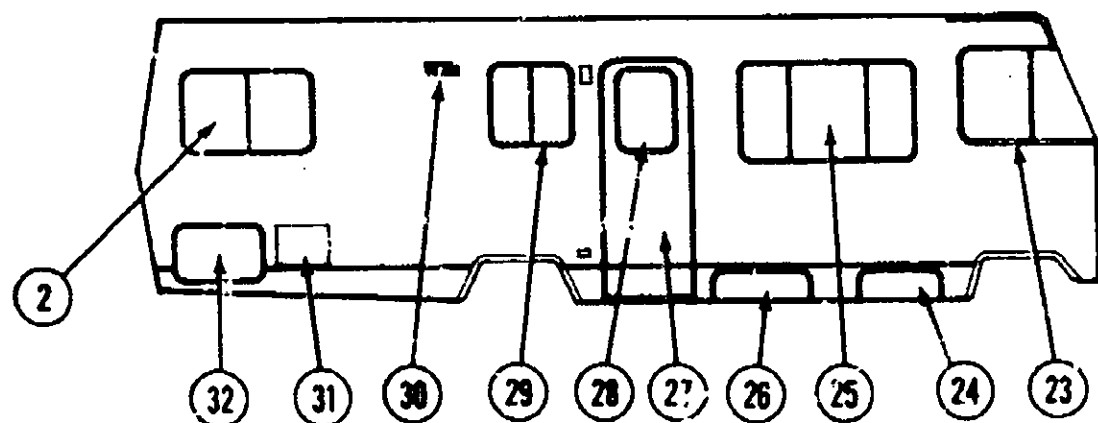
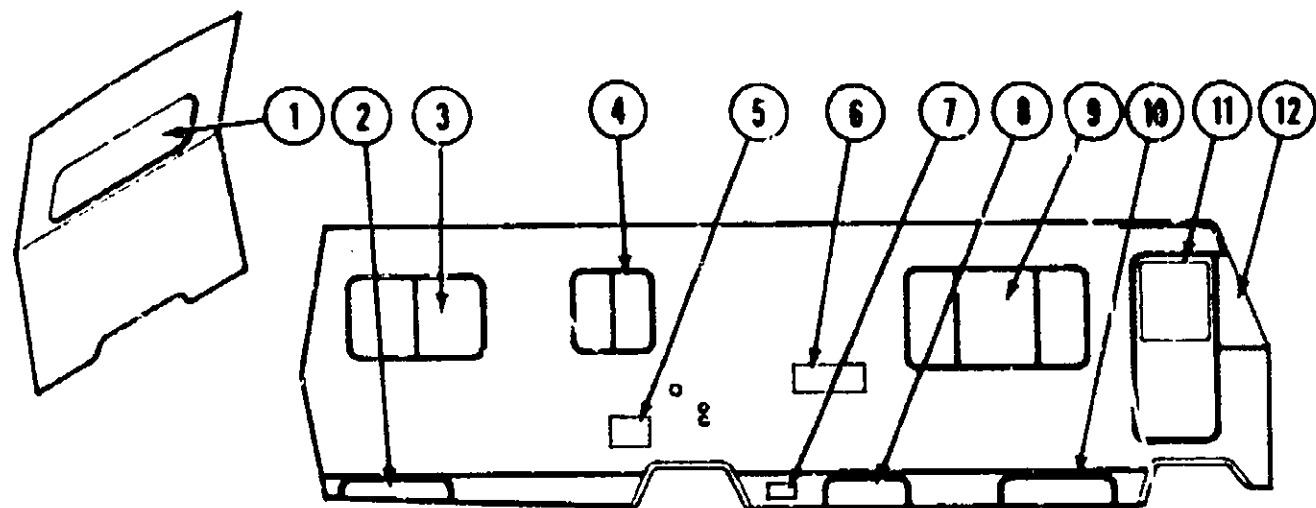
Floor Plan	C-07 - C-08
Accessories Group	C-09 - C-10
Bath Group	C-11
Chassis Group	C-12 - C-14
Curtain, Cushion & Pad Group	C-15 - C-22
Dinette Group	C-23 - C-24
Driver's Compartment Group	D-01 - D-03
Electrical Group	D-04 - D-07
Exterior Body Group	D-08 - D-16
Galley Group	D-17
Heating & Air Conditioning Group	D-18 - D-19
Interior Finish Group	D-20 - D-22
LP Group	D-23
Lounge Group	D-24 - E-01
Water & Sewage Group	E-02 - E-04
Window, Vent & Exterior Door Group	E-05 - E-17

WINDOW GROUP
WINDOWS & ACCESS DOOR

1989 WINNEBAGO
TABLE OF CONTENTS

WFC22EC
WFC27EU

A-01 - C-05
C-07 - E-17



Key	Part Number	U/M	Description
1	078536-01-T03	EA	Window Asm. - Escape - 23" x 68" - w/o Inside Frame
	042027-05-000	EA	Inside Frame - Escape Window - Beige
2	086552-10-X11	EA	Door Asm. - Storage - Drivers - Rear
3	078266-10-X11	EA	Window Asm. - Single Slider - w/o Inside Frame
	083122-24-000	EA	Inside Frame - Single Slider - Beige
4	078266-04-T03	EA	Window Asm. - Single Slider - w/o Inside Frame
	083122-05-000	EA	Inside Frame - Single Slider - Beige
5	078010-04-000	EA	Door Asm. - Fuel Fill - Beige
6	084104-01-000	EA	Jamb - Refrigerator Vent Door - Beige
6	084103-01-000	EA	Door - Refrigerator Vent - Beige
	084104-01-700	EA	Lock - Refrigerator Door - Male
	084104-01-701	EA	Lock - Refrigerator Door - Female
7	088794-02-000	EA	Door Asm. - Power Cord - w/Hatch - Beige
8	086553-02-X11	EA	Door Asm. - Generator
9	078269-04-X11	EA	Window Asm. - Double Slider - w/o Inside Frame
	083122-26-000	EA	Inside Frame - Double Slider - Beige
10	086531-04-X11	EA	Door Asm. - Storage - Front Drivers
11	M82202-02-U04	EA	Door Asm. - Drivers Door - w/Crank Window
12	079421-02-T03	EA	Window Asm. - Front Slant - w/o Inside Frame
	079215-02-000	EA	Inside Frame - Front Drivers Slant

Key	Part Number
13	077944-02-000
14	077952-02-000
15	077944-01-000
16	076676-02-000
17	077945-02-000
18	077945-01-000
19	079225-01-000
20	079225-02-000
21	077675-02-000
22	077675-01-000
23	062057-01-U04
	082056-01-U04
	082467-01-000
	078364-01-000
	078365-01-000
	079574-01-T03
24	086517-08-X11
25	078271-03-X11
	083122-28-000
26	086517-05-X11
27	M01870-15-Y10
28	079733-04-T03
	067609-03-000
29	078266-12-T03
	083122-13-000
30	092698-01-C2A
31	052009-01-000
32	079578-06-X11

U/M	Description
EA	Reveal Molding - Upper - Drivers
EA	Reveal Molding Cap - Upper & Lower
EA	Reveal Molding - Upper - Passengers
EA	Reveal Molding - Center
EA	Reveal Molding - Lower - Drivers
EA	Reveal Molding - Lower - Passengers
EA	Trim - Windshield Post - Passengers
EA	Trim - Windshield Post - Drivers
EA	Windshield - Drivers
EA	Windshield - Passengers
EA	Window Asm. - Slant Slider - Passengers
EA	Frame Asm. - Slant Slider Window - w/Screen - Passengers - Beige
EA	Frame - Slant Slider Window - Beige - Passenger
EA	Trim - Screen Slider - Top
EA	Trim - Screen Slider - Bottom
EA	Frame Asm. - Screen
EA	Door Asm. - Storage - Beige
EA	Window Asm. - Center Slider - w/o Inside Frame
EA	Inside Frame - Center Slider - Beige
EA	Door Asm. - Storage
EA	Door Asm. - Entrance - Beige
EA	Window Asm. - Picture - Entrance Door - 17" x 25" - w/o Inside Frame
EA	Inside Frame - Entrance Door Window - Beige
EA	Window Asm. - Single Slider - w/o Inside Frame
EA	Inside Frame - Single Slider - Beige
EA	Vent w/Door - Range Hood
EA	Door Asm. - Water Heater - Beige
EA	Door Asm. - Storage - 16.9" x 27.5"

1989 WCF27EU INDEX

Floor Plan	C-07 - C-08
Accessories Group	C-09 - C-10
Bath Group	C-11
Chassis Group	C-12 - C-14
Curtain, Cushion & Pad Group	C-15 - C-22
Dinette Group	C-23 - C-24
Driver's Compartment Group	D-01 - D-03
Electrical Group	D-04 - D-07
Exterior Body Group	D-08 - D-16
Galley Group	D-17
Heating & Air Conditioning Group	D-18 - D-19
Interior Finish Group	D-20 - D-22
LP Group	D-23
Lounge Group	D-24 - E-01
Water & Sewage Group	E-02 - E-04
Window, Vent & Exterior Door Group	E-05 - E-17

WINDOW, VENT & EXTERIOR DOOR GROUP (CONTINUED)

WINDOW, VENT & EXTERIOR DOOR GROUP (CONTINUED)

VENTS, ACCESS DOOR HARDWARE

Key	Part Number	U/M	Description
	009439-01-000	EA	Crank - Roof Vent
	009439-03-000	EA	Extension - .9" - Roof Vent
	009439-05-000	EA	Knob - Roof Vent - Black
	009439-06-000	EA	Extension - Roof Vent - Black
	009439-07-000	EA	Screw - Roof Vent Crank
	090392-01-Y12	EA	Vent - Non-Powered - Roof - Beige
	078786-01-Y12	EA	Screen Asm. - Non-Powered - Roof Vent
	090393-01-Y12	EA	Vent - Powered - Roof
	078785-01-Y12	EA	Screen Asm. - Powered Roof Vent
	092698-01-02A	EA	Vent - Range - w/Door - Outside
	092731-01-000	EA	Extension - Duct - Range Hood
	084073-01-000	EA	Vent - Refrigerator Roof Vent
	084073-04-000	EA	Base - Refrigerator Roof Vent
	084103-01-000	EA	Door - Refrigerator Vent - Sidewall
	084104-01-000	EA	Jamb - Refrigerator Vent - Sidewall
	084104-01-700	EA	Lock - Male - Refrigerator Door - Exterior
	084104-01-701	EA	Lock - Female - Refrigerator Door - Exterior
	083558-01-000	EA	Cover - Vent Pipe - Plastic
	078010-04-000	EA	Door Asm. - Fuel Fill - Beige
	077963-01-000	EA	Gasket - Gas Fill Door
	078200-01-000	EA	Gasket - Fuel Fill
	052009-02-000	EA	Door Asm. - Water Heater - Beige
	079366-01-000	EA	Seal - Access Door
	083615-01-000	EA	Door Stop - Beige Plastic
	004363-01-000	FT	Tape - Foam - 3/16" x 1/2"

DOOR ASM. - 086531-04-X11 - PARTS

Key	Part Number	U/M	Description
	002748-01-000	EA	Corner Key
	075767-05-000	EA	Cable Asm. - 15.5" - SST
	081067-02-000	EA	Seal - Lock - Flat w/Slit
	085730-04-000	EA	Latch Asm. - Paddle - Beige Plastic - w/o Key Lock
	085730-01-000	EA	Latch Asm. - Paddle - Beige Plastic - w/Key Lock
	086551-55-003	EA	Rocker Panel - Door Bottom - 16"
	086309-01-000	EA	Striker - Door Latch - Beige Plastic
	086810-02-000	EA	Bracket - Lock - Primed

DOOR ASM. - 079578-06-X11 - PARTS

Key	Part Number	U/M	Description
	064075-04-000	FT	Bulb Seal - Door
	079366-04-000	EA	Lock Asm. - Key Type - w/o Keys
	081801-01-000	EA	Hinge - 2" x 96" - Beige

DOOR ASM. - 086552-10-X11 - PARTS

Key	Part Number	U/M	Description
	002748-01-000	EA	Corner Key
	053752-01-000	EA	Seam Sealer - 5 Gal. - Aluminum
	079927-03-000	EA	Lock Asm. - Twist Type - Double Cam
	081801-01-000	EA	Hinge - 2" x 96" - Beige
	086551-55-003	EA	Rocker Panel - Door - 16"

WINDSHIELD & CORNER GLASS

Key	Part Number	U/M	Description
	057656-06-000	EA	Glass - Corner Vent - Drivers
	077675-02-000	EA	Glass - Windshield - Drivers
	077675-01-000	EA	Glass - Windshield - Passengers

DRIVERS DOOR

Key	Part Number	U/M	Description
	M82202-02-U04	EA	Door Asm. - Drivers Door - w/Crank Window
	061400-06-000	EA	Assist Strap - Sandstone
	063993-01-000	EA	Hinge Asm. - Drivers Door - Beige
	063731-01-000	EA	Cap - Push On
	063732-02-000	EA	Hinge Pin
	086235-03-000	EA	Bearing - Snap In - 5/16 ID x 5/16
	064219-01-000	EA	Retainer - Strap - Drivers Door
	064580-03-000	EA	Check Strap - Drivers Door
	068938-03-000	EA	Bearing - .38 ID - Snap In
	073110-03-000	EA	Rod - Lock - Drivers Door
	073303-03-000	EA	Latch Asm. - Inner - Drivers Door
	076322-02-000	FT	Tape - Double Sided Foam - .C45 x 1
	076542-04-000	EA	Rod - Latch Control - Drivers Door
	079370-01-000	FT	Vinyl - Screw Cover - Beige
	081487-01-000	EA	Housing - Slide Bolt
	081488-01-000	EA	Glass - Roll-Up - Drivers Door
	081500-02-000	EA	Frame Asm. - Front - Drivers Door
	081903-01-000	EA	Shaft - Knob Mounting
	081905-02-000	EA	Knob - Control - Slide Bolt - Drivers Door
	081906-01-000	EA	Bolt - Slide
	081907-02-000	EA	Regulator Asm. - Window - Drivers Door
	081908-01-000	EA	Screw - Mach - 6 - 32 x .62 - w/Nylon Lock
	081910-01-000	EA	Channel - Window Slide
	081911-01-000	EA	Tape - Glass Setting .06
	081912-01-000	EA	Weatherstrip - Rigid
	082107-02-000	EA	Handle - Door - Beige
	082107-01-000	EA	Handle - Door - Plain
	082150-02-000	EA	Seal - Sponge - EA = 15 Ft.
	082234-02-000	EA	Inside Frame - Drivers Door Window - Beige
	092243-02-000	EA	Frame - Upper Rear - Drivers Door - Beige
	082471-02-000	EA	Trim Panel - Inner Drivers Door - Light Oak
	082472-01-000	EA	Channel - Glass Retainer - Mill
	083223-01-000	EA	Lock Asm. - Key Type
	083911-01-000	EA	Cam Lock - Drivers Side
	084162-01-000	EA	Bracket - Door Stop - Beige
	084465-01-000	EA	Block - Door Stop - Jamb
	085007-03-000	EA	Frame - Front Lower - Drivers Door - Beige
	086284-01-000	EA	Spring - .44 x .36 OD
	091968-03-000	FT	Tape - Adhesive - .04" x 1"
	094575-01-000	EA	Hand Crank - Glass Lift
	097064-01-000	EA	Screw - SF/DR 9 18 x 1/2 PPH ZN
	098030-01-000	EA	Check Strap - Cab Door
	M02684-02-000	EA	Jamb - Drivers Door
	063993-01-000	EA	Hinge Asm. - Drivers Door
	064075-07-000	FT	Seal - Bulb - Door
	072019-02-000	EA	Strike - Drivers Door
	082229-01-000	EA	Threshold - Drivers Door - Beige

**1989 WINNEBAGO
TABLE OF CONTENTS**

WFC22EC
WFC27EU

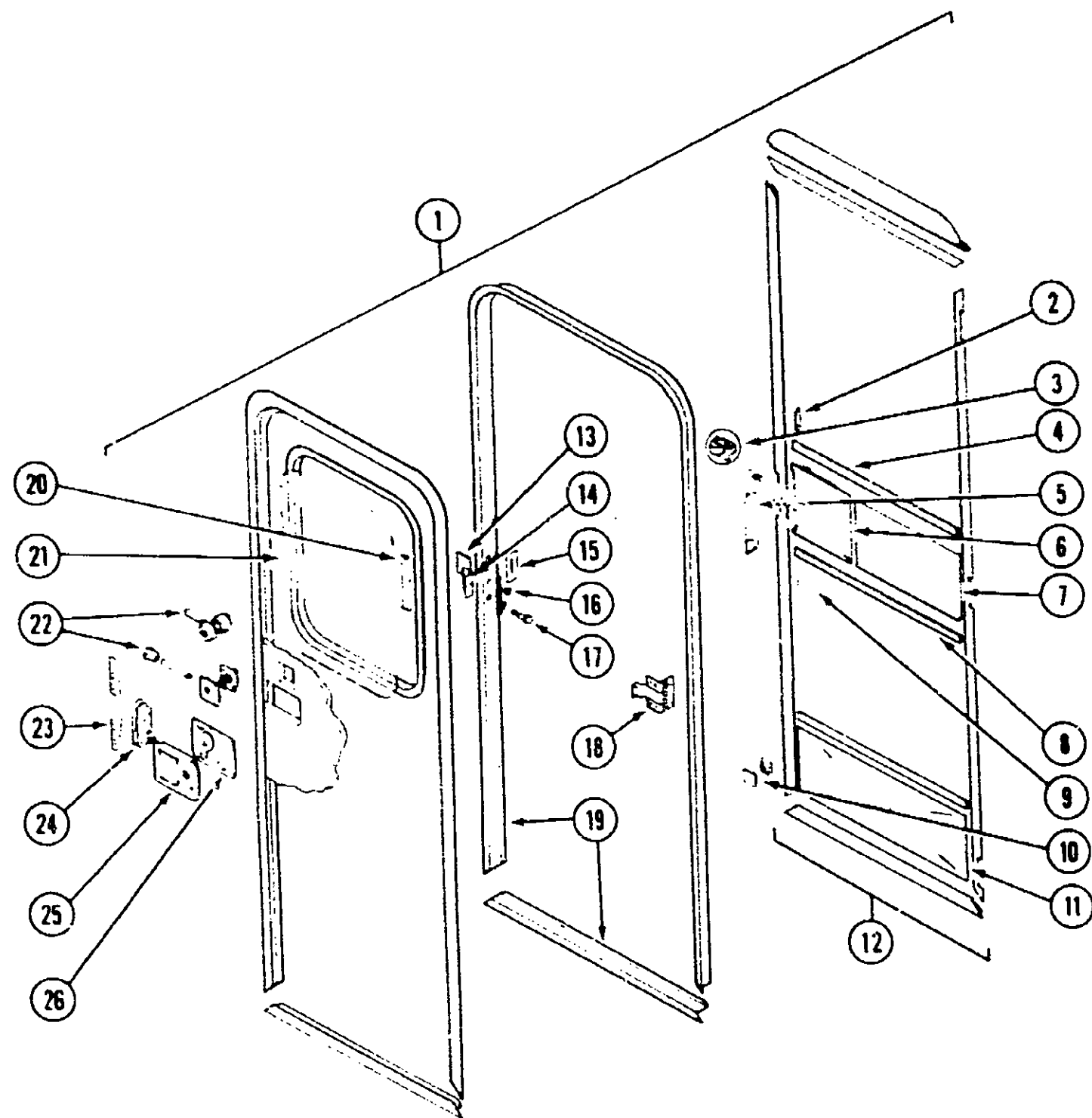
A-01 - C-08
C-07 - E-17

1989 WCF27EU INDEX

Floor Plan	C-07 - C-08
Accessories Group	C-09 - C-10
Bath Group	C-11
Chassis Group	C-12 - C-14
Curtain, Cushion & Pad Group	C-15 - C-22
Dinette Group	C-23 - C-24
Driver's Compartment Group	D-01 - D-03
Electrical Group	D-04 - D-07
Exterior Body Group	D-08 - D-16
Galley Group	D-17
Heating & Air Conditioning Group	D-18 - D-19
Interior Finish Group	D-20 - D-22
LP Group	D-23
Lounge Group	D-24 - E-01
Water & Sewage Group	E-02 - E-04
Window, Vent & Exterior Door Group	E-05 - E-17

WINDOW, VENT & EXTERIOR DOOR GROUP (CONTINUED)

ENTRANCE & SCREEN DOOR



Key	Part Number	U/M	Description
1	M01870-15-Y10	EA	Door Asm. - Entrance w/Screen Door
	095278-01-02A	EA	Frame Asm. - Entrance Door - Beige
	089748-02-000	EA	Frame - Entrance Door - Bottom Portion
2	050712-05-000	EA	Door Handle - Screen Door
3	009018-01-000	EA	Roller Catch - Screen Door
	058025-01-000	EA	Clip - Roller Latch Catch
	009016-01-000	EA	Catch - Elbow - Spring Loaded - Screen Door
4	078582-01-000	EA	Screen Door Mullion - Upper & Lower - Slider
	078777-01-000	EA	Slider Channel (Mullion Insert)
5	079087-01-000	EA	Strike - Slider - Screen Door
6	079086-01-000	EA	Slider - Screen Door
7	016454-01-000	EA	Insert - Screen Door
8	002294-01-000	FT	Spline - Black
9	002193-02-000	SF	Screen - Window - 26" Charcoal
10	085774-01-000	FT	Fastener - Dual Lock - 1" Wide
10	085774-02-000	FT	Fastener - Dual Lock - 1" Wide
11	078552-03-000	EA	Insert - Screen Door - Lower
12	079012-01-T03	EA	Screen Door Asm.
	078595-01-000	EA	Plate - Screen Door
13	077461-01-000	EA	Strike Cover
14	041546-03-000	EA	Angle Bracket
15	079173-01-000	EA	Deadbolt - Gasket
16	058806-01-000	EA	Plug - Tapered Plastic
17	039539-01-000	EA	Strike
18	079361-06-000	EA	Hinge
19	095277-02-02A	EA	Door Jamb - Entrance Door
20	087561-01-000	FT	Window Seal
21	002181-06-000	EA	Glass - Picture Window
	079733-04-T03	EA	Window Asm. - Picture - 17" x 22" (w/o inside frame)
	069609-03-000	EA	Inside Frame - Beige (not included in assembly)
22	039738-01-000	EA	Dead Bolt Asm. - Round
22	095229-01-01A	EA	Dead Bolt Asm. - Square - Black
23	098173-01-01A	EA	Stiffener - Entrance Door
24	039540-01-000	EA	Latch Asm. - Entrance Door
25	045017-10-000	EA	Latch Asm. - Plate - Black
26	039979-03-000	EA	Cover Asm. - Latch Plate - Black
	039984-01-000	EA	Cap - Black Vinyl - Lock Grip
	075673-01-000	FT	Seal - Pile - Adhesive Back
	075671-01-000	FT	Seal - Sponge - Lazy T Shaped
	002748-01-000	EA	Cover - Key
	081067-01-000	EA	Seal - Lock - Flat w/Slit

1989 WINNEBAGO TABLE OF CONTENTS

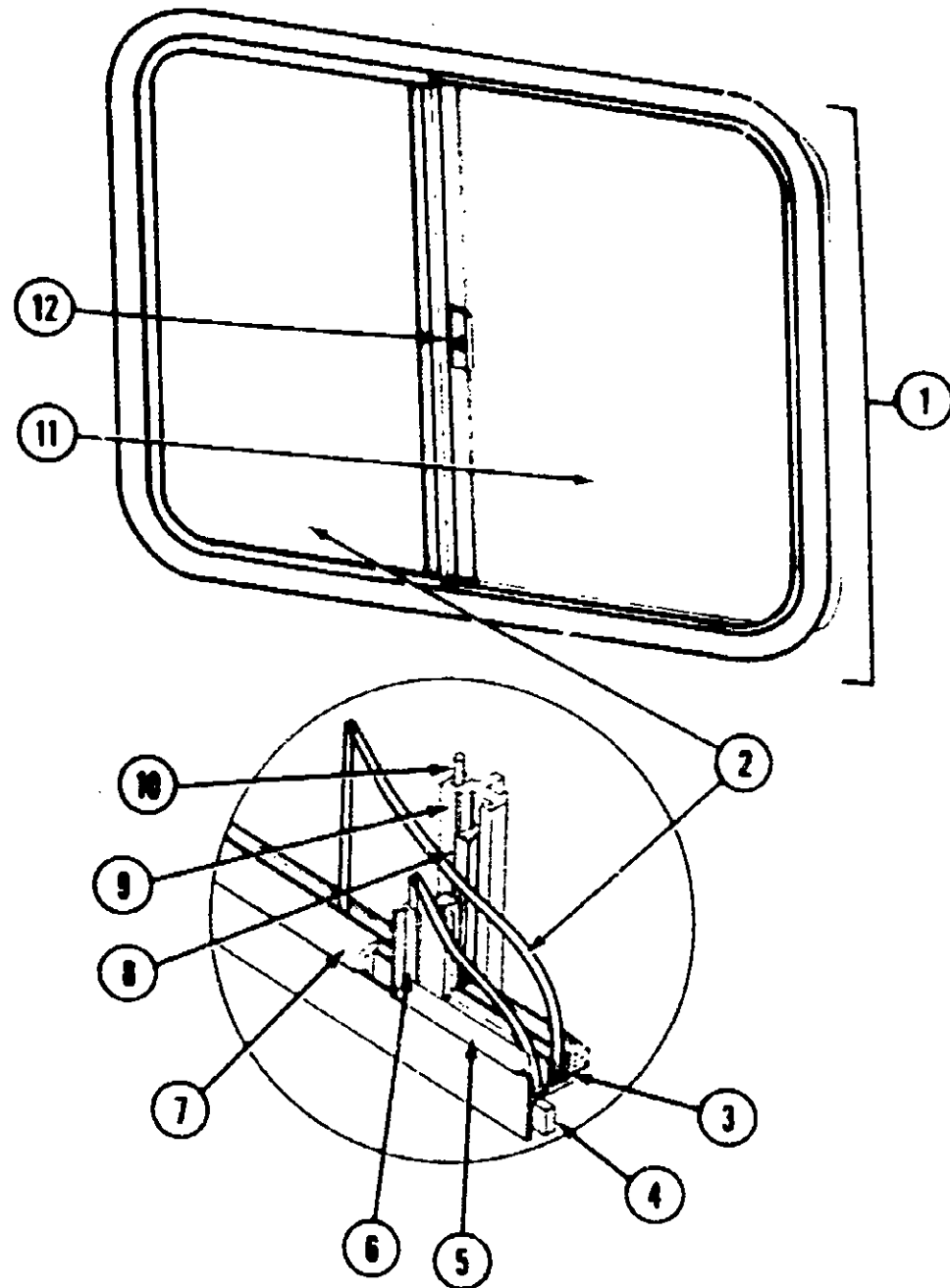
WFC22EC
WFC27EU

A-01 - C-06
C-07 - E-17

1989 WCF27EU INDEX

Floor Plan	C-07 - C-08
Accessories Group	C-09 - C-10
Bath Group	C-11
Chassis Group	C-12 - C-14
Curtain, Cushion & Pad Group	C-15 - C-22
Dinette Group	C-23 - C-24
Driver's Compartment Group	D-01 - D-03
Electrical Group	D-04 - D-07
Exterior Body Group	D-08 - D-16
Galley Group	D-17
Heating & Air Conditioning Group	D-18 - D-19
Interior Finish Group	D-20 - D-22
LP Group	D-23
Lounge Group	D-24 - E-01
Water & Sewage Group	E-02 - E-04
Window, Vent & Exterior Door Group	E-05 - E-17

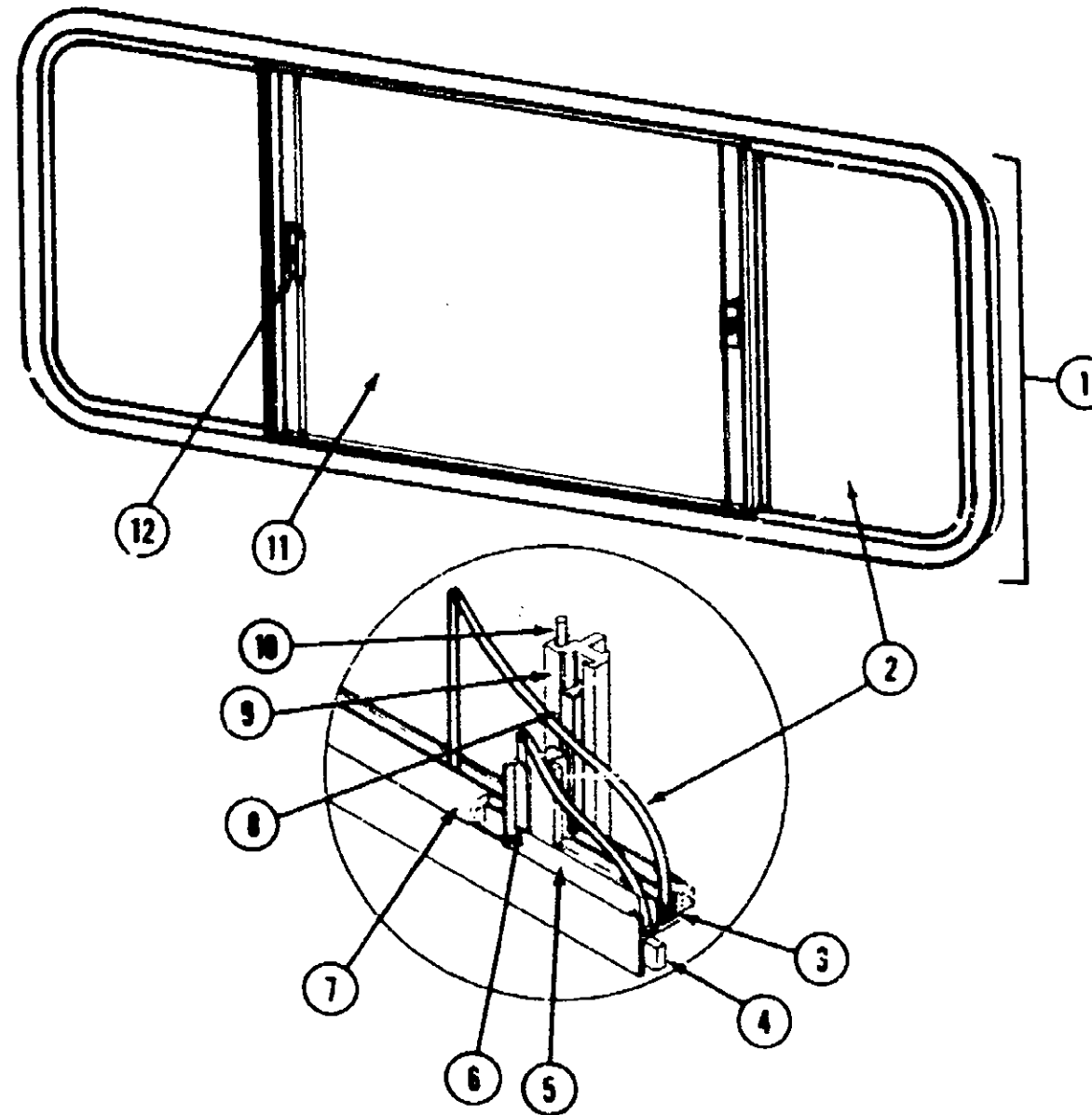
WINDOW, VENT & EXTERIOR DOOR GROUP (CONTINUED)



SINGLE SLIDER WINDOW

Key	Part Number	U/M	Description
1	078266-02-T03	EA	Window Asm. - Single Slider (w/o inside frame)
	083122-03-000	EA	Inside Frame - Beige (not included in assembly)
2	061980-05-000	EA	Glass - Sliding - 1/8" x 19" x 13.68"
3	002324-02-000	FT	Channel - Weatherstrip - Glass Run - 1/8" Glass
4	069640-06-000	FT	Ribbon Sealer - 5/16" Bead x 15'
5	002309-02-000	FT	Spline - Glass - 1/8" Material - Black
6	069886-03-001	EA	Seal Holder w/Fin Seal - Black
7	024096-02-000	FT	Extr. Rubber - Window Seal - Black
8	073740-01-000	FT	Seal - Fin - Pile - .460"
9	083926-02-001	EA	Mullion - Slider Window - Black
10	002298-02-000	FT	Spline - .130" Dia. - Charcoal (Screen)
11	061984-03-000	EA	Glass - Stationary - 1/8" x 19" x 13.68"
12	047369-01-700	EA	Latch Kit - Window - Plastic w/Fastener
	002292-02-000	SF	Screen - Window - 20" - Charcoal (Screen)

WINDOW, VENT & EXTERIOR DOOR GROUP (CONTINUED)



DOUBLE SLIDER WINDOW

Key	Part Number	U/M	Description
1	078269-04-X11	EA	Window Asm. - Double Slider (w/o inside frame)
	083122-26-000	EA	Inside Frame - Double Slider - Beige
2	061980-10-000	EA	Glass - Sliding - 1/8" x 30.5" x 19.31" - Gray
3	002324-02-000	FT	Channel - Weatherstrip - Glass
4	069640-06-000	FT	Sealer Ribbon - 5/16" Bead x 15'
5	002309-02-000	FT	Spline - Glass - 1/8" - Black
6	069886-03-001	EA	Seal Holder - 1/8" Glass - Black
7	024096-02-000	FT	Vinyl Window Seal - Black
8	073740-01-000	FT	Fin Seal - .460" Pile
9	083926-02-001	EA	Mullion - Slider Window - Black
	002292-02-000	SF	Screen - Window - 20" - Charcoal
10	002298-02-000	FT	Spline - .130" Dia. - Charcoal (Screen)
11	002188-07-000	EA	Glass - Stationary - 1/8" x 30.7" x 24.75"
12	047369-01-700	EA	Latch Kit - Window - Plastic w/Fastener

1989 WINNEBAGO
TABLE OF CONTENTS

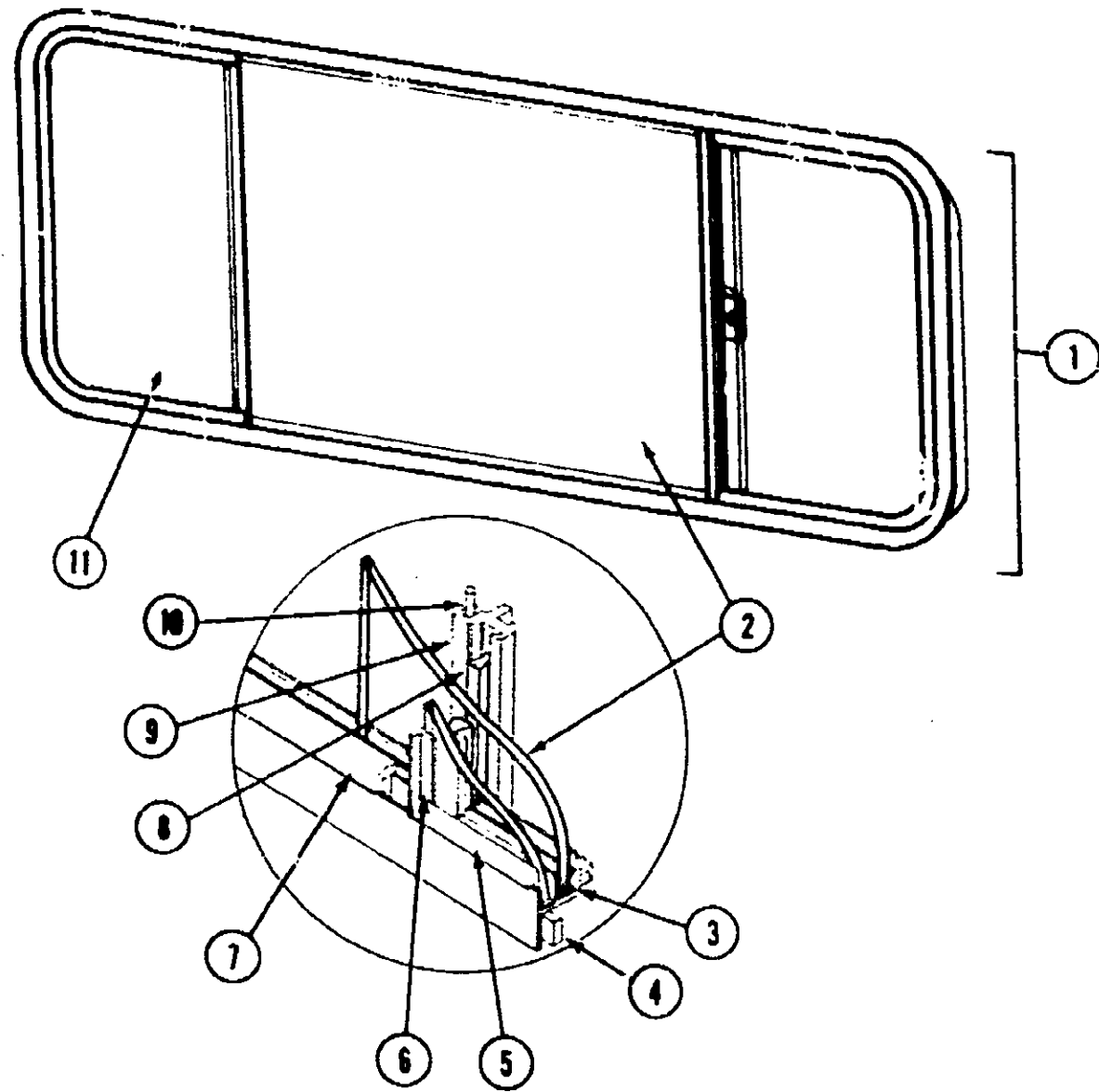
WFC22EC
WFC27EU

A-01 - C-08
C-07 - E-17

1989 WCF27EU INDEX

Floor Plan	C-07 - C-08
Accessories Group	C-09 - C-10
Bath Group	C-11
Chassis Group	C-12 - C-14
Curtain, Cushion & Pad Group	C-15 - C-22
Dinette Group	C-23 - C-24
Driver's Compartment Group	D-01 - D-03
Electrical Group	D-04 - D-07
Exterior Body Group	D-08 - D-16
Galley Group	D-17
Heating & Air Conditioning Group	D-18 - D-19
Interior Finish Group	D-20 - D-22
LP Group	D-23
Lounge Group	D-24 - E-01
Water & Sewage Group	E-02 - E-04
Window, Vent & Exterior Door Group	E-05 - E-17

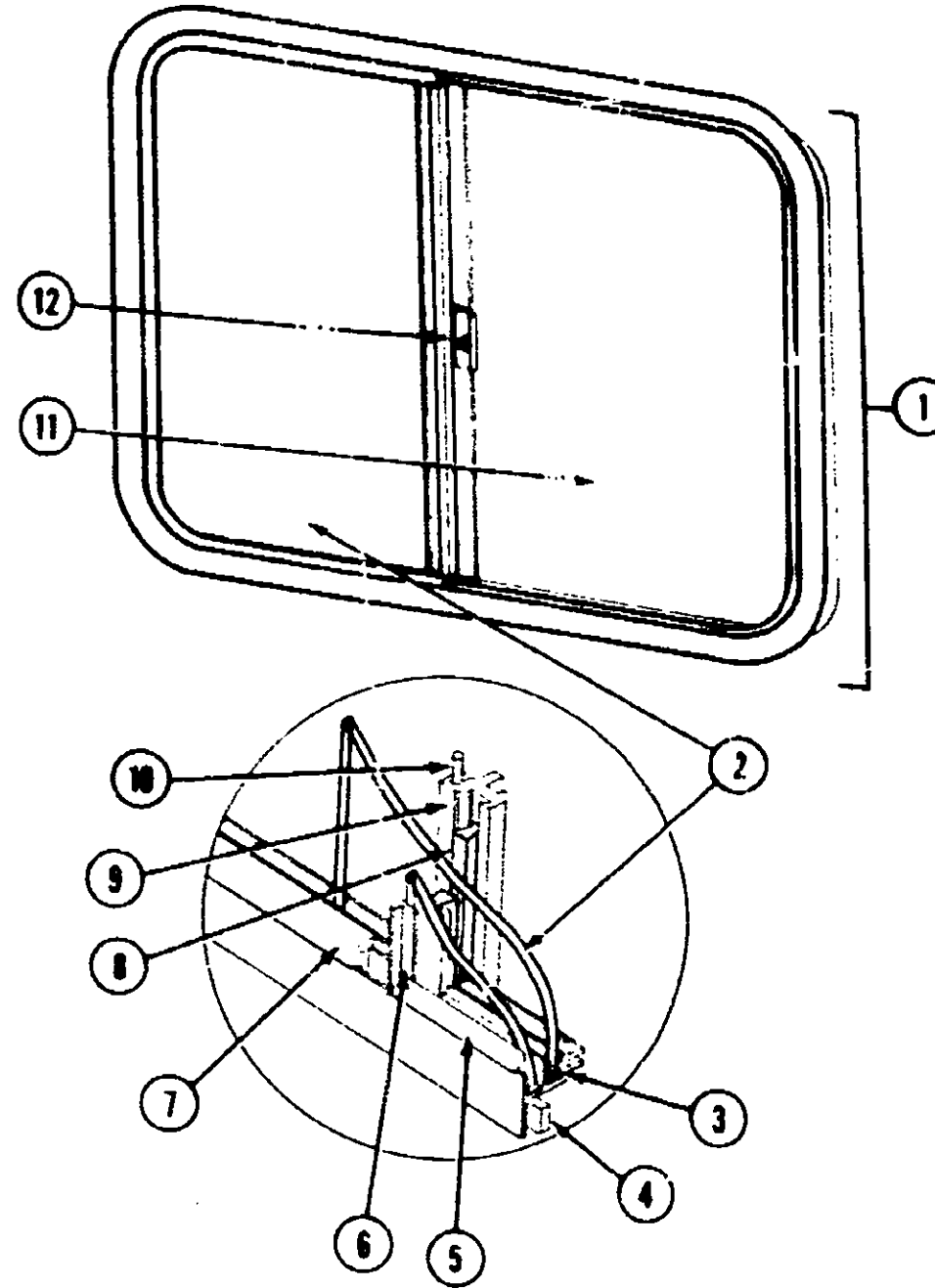
WINDOW, VENT & EXTERIOR DOOR GROUP (CONTINUED)



CENTER SLIDER WINDOW

Key	Part Number	U/M	Description
1	078271-03-X11 083122-28-000	EA	Window Asm. - Center Slider - Black (w/o inside frame)
2	066727-04-000	EA	Inside Frame - Tan (not included in assembly)
3	002324-02-000	EA	Glass - Sliding - 1/8" x 23.5" x 30.7"
4	069640-06-000	FT	Channel - Weatherstrip - Glass
5	002309-02-000	FT	Tape - 1/4" Bead x 15'
6	069686-03-001	EA	Spline - Glass - 1/8" Material - Black
7	024096-02-000	EA	Seal Holder w/Fin Seal - Fin Pile - 23.19"
8	073740-01-000	FT	Extr. Vinyl - Window Seal - Black
9	063926-02-000	EA	Fin Seal - .460" Pile
10	002298-02-000	EA	Mullion - Slider Window - Black
11	002298-02-000	FT	Spline - .130" Dia. - Charcoal (Screen)
	081984-11-000	EA	Glass - Stationary - 1/8" x 30.7" x 16.53"
	002293-02-000	SF	Screen - Window - 26" - Charcoal
	047369-01-700	EA	Latch Kit - Window - 26" - Charcoal

WINDOW, VENT & EXTERIOR DOOR GROUP (CONTINUED)



SINGLE SLIDER WINDOW

Key	Part Number	U/M	Description
1	078266-10-X11 083122-24-000	EA	Window Asm. - Single Slider - Black (w/o inside frame)
2	001980-09-000	EA	Inside Frame - Beige (not included in assembly)
3	002324-02-000	EA	Glass - Sliding - 1/8" x 24" x 20"
4	069640-06-000	FT	Channel - Weatherstrip - Glass Run - 1/8" Glass
5	002309-02-000	FT	Ribbon Sealer - 5/16" Bead x 15'
6	069686-03-001	EA	Spline - Glass - 1/8" - Black
7	024096-02-000	EA	Seal Holder w/Fin Seal - 1/8" - Black
8	073740-01-000	FT	Extr. Vinyl - Window Seal - Black
9	063926-02-001	EA	Fin Seal - Pile - .460"
10	002298-02-000	EA	Inside Mullion - Slider Window - Black
11	002298-02-000	FT	Spline - .130" Dia. - Charcoal (Screen)
12	081984-09-000	EA	Glass - Stationary - 24" x 22.5"
	047369-01-700	EA	Latch Kit - Window - Plastic w/Fastener
	002292-02-000	SF	Screen - Window - 20" - Charcoal

1989 WINNEBAGO
TABLE OF CONTENTS

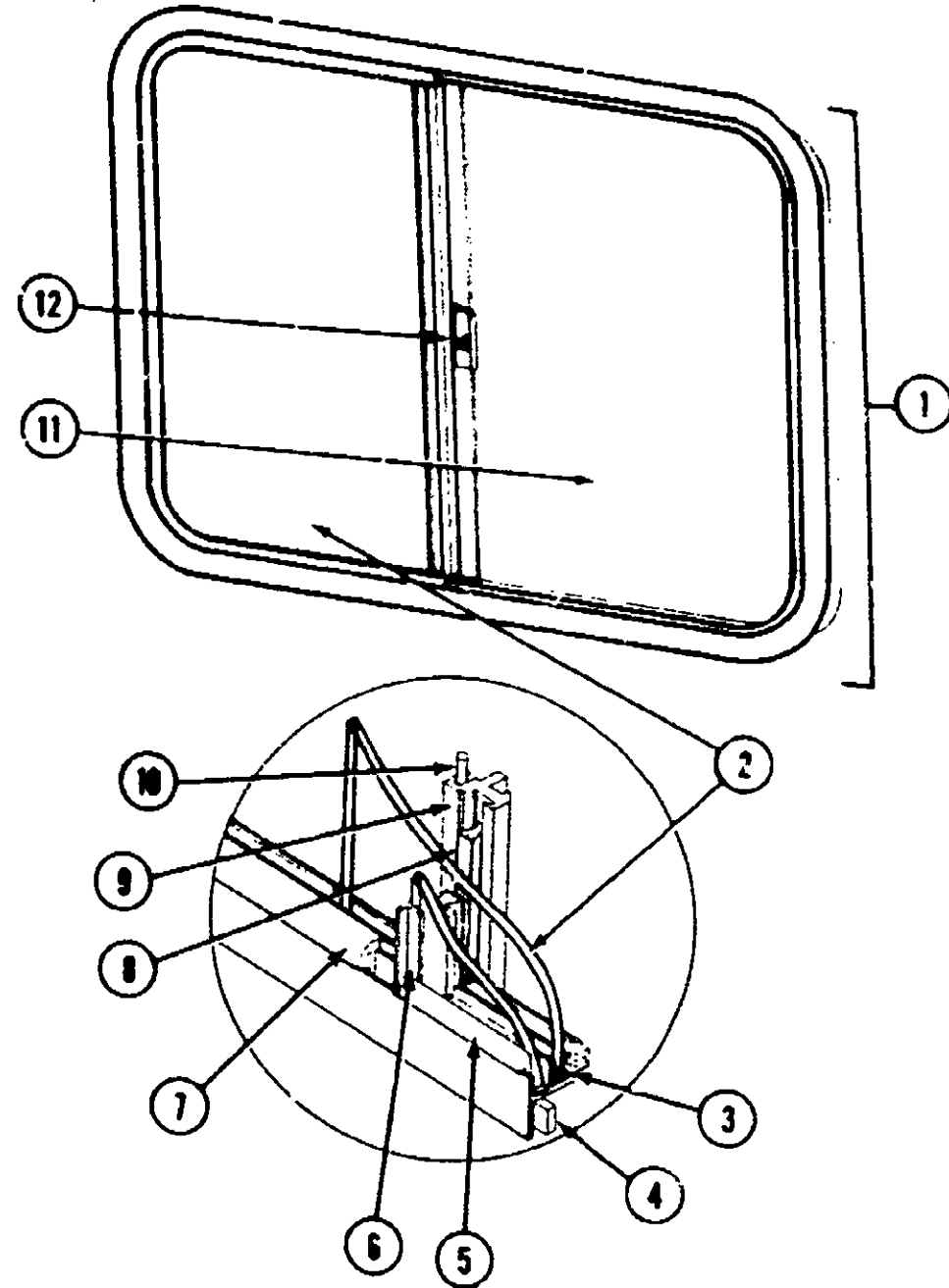
WFC22EC
WFC27EU

A-01 - C-06
C-07 - E-17

1989 WCF27EU INDEX

Floor Plan	C-07 - C-08
Accessories Group	C-09 - C-10
Bath Group	C-11
Chassis Group	C-12 - C-14
Curtain, Cushion & Pad Group	C-15 - C-22
Dinette Group	C-23 - C-24
Driver's Compartment Group	D-01 - D-03
Electrical Group	D-04 - D-07
Exterior Body Group	D-08 - D-16
Galley Group	D-17
Heating & Air Conditioning Group	D-18 - D-19
Interior Finish Group	D-20 - D-22
LP Group	D-23
Lounge Group	D-24 - E-01
Water & Sewage Group	E-02 - E-04
Window, Vent & Exterior Door Group	E-05 - E-17

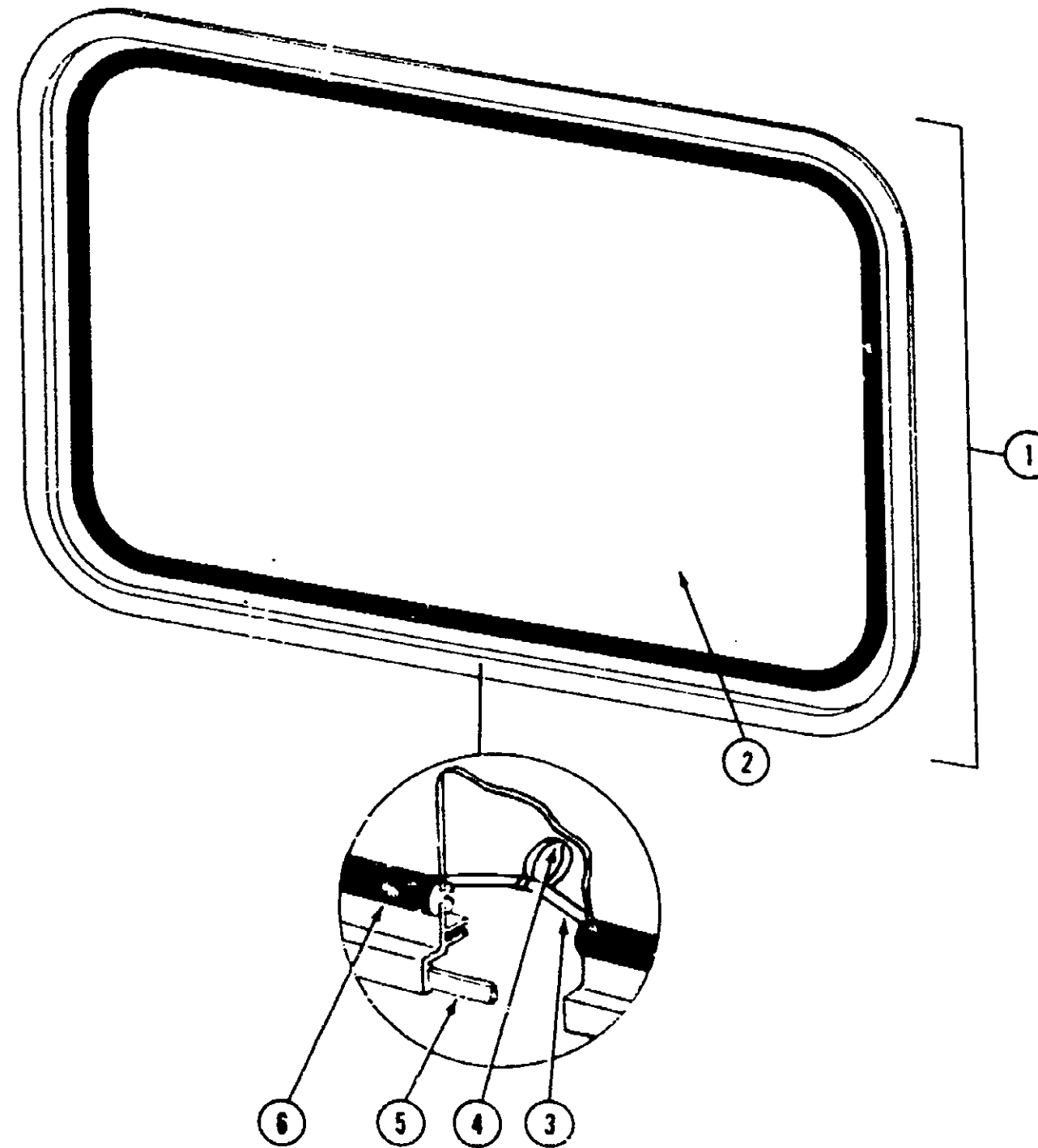
WINDOW, VENT & EXTERIOR DOOR GROUP (CONTINUED)



SINGLE SLIDER WINDOW

Key	Part Number	U/M	Description
1	078266-04-T03	EA	Window Asm. - Left Single Slider - 23" x 29" - Black (w/o inside frame)
	083122-05-000	EA	Inside Frame - Beige (not included in assembly)
2	081980-02-000	EA	Glass - Sliding - 1/8" x 22" x 13.68"
3	002324-02-000	FT	Channel - Weatherstrip - Glass Run - 1/8" Glass
4	069640-06-000	FT	Ribbon Sealer - 5/16" Bead x 13'
5	002309-02-000	FT	Spline - Glass - 1/8" - Black
6	069666-03-001	EA	Seal Holder w/Fin Seal - 1/8" - Black
	024096-02-000	FT	Extr. Vinyl - Window Seal - Black
8	073740-01-000	FT	Seal - Fin - Pile - .460"
9	083926-02-001	EA	Inside Mullion - Slider Window - Black
10	002296-02-000	FT	Spline - .130" Dia. - Charcoal (Screen)
11	081984-01-000	EA	Glass - Stationary
12	047369-01-700	EA	Latch Kit - Window - Plastic w/Fastener
	002292-02-000	SF	Screen - Window - 20" - Charcoal

WINDOW, VENT & EXTERIOR DOOR GROUP (CONTINUED)



ESCAPE WINDOW

Key	Part Number	U/M	Description
1	078536-01-T03	EA	Window Asm. - Escape - 23" x 63" - Black (w/o inside frame)
	042027-05-000	EA	Inside Frame - Escape Window - Beige (not included in assembly)
2	002178-01-000	EA	Glass - 1/8" x 19.61" x 64.80"
3	002285-01-000	FT	Filler - Weatherstrip - Black
4	069640-01-000	FT	Tape - 1/4" Bead x 20'
5	002282-01-000	FT	Weatherstrip - Window - .125" Black
	006199-01-000	EA	Label - Exit - Escape Window
6	069640-07-000	EA	Tape - 2" Bead x 3/32" x 30'

WFC22EC
WFC27EU

A-01 - C-01
C-07 - E-17

1989 WINNEBAGO
TABLE OF CONTENTS

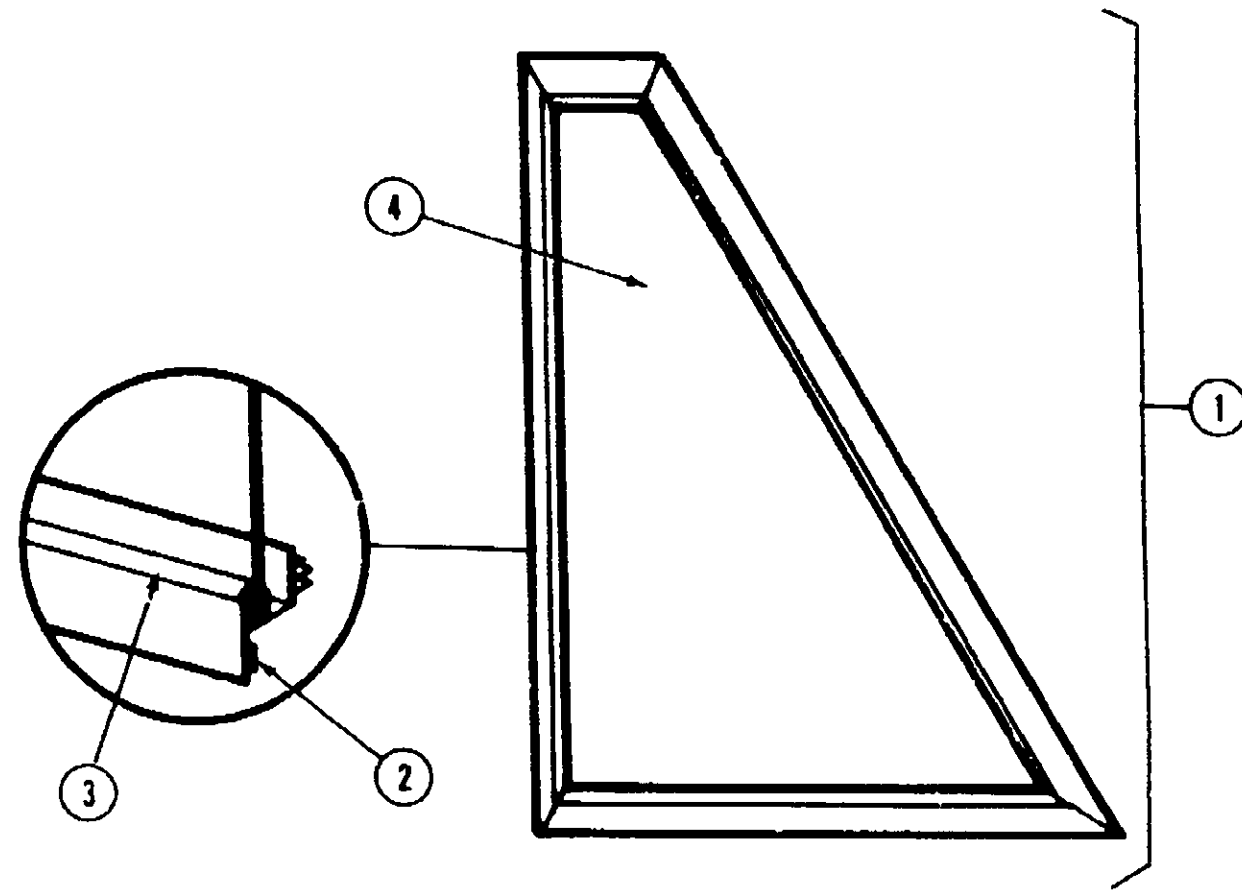
1989 WCF27EU INDEX

Floor Plan	C-07 - C-08
Accessories Group	C-09 - C-10
Bath Group	C-11
Chassis Group	C-12 - C-14
Curtain, Cushion & Pad Group	C-15 - C-22
Dinette Group	C-23 - C-24
Driver's Compartment Group	D-01 - D-03
Electrical Group	D-04 - D-07
Exterior Body Group	D-08 - D-16
Galley Group	D-17
Heating & Air Conditioning Group	D-18 - D-19
Interior Finish Group	D-20 - D-22
LP Group	D-23
Lounge Group	D-24 - E-01
Water & Sewage Group	E-02 - E-04
Window, Vent & Exterior Door Group	E-05 - E-17

1989 WINNEBAGO
TABLE OF CONTENTS

WFC27EC
WFC27EU

A-01 - C-06
C-07 - E-17



FRONT SLANT

Key	Part Number	U/M	Description
1	079421-02-T03 079215-02-000	EA	Window Asm. - Front Slant - Drivers (w/o inside frame) Inside Frame - Front Slant - Drivers - Beige (not included in assembly)
2	069640-01-000	FT	Tape - 1/4" Bead x 20'
3	002309-02-000	FT	Spline - Glass - 1/8" - Black
4	057656-04-000	EA	Glass - 19" x 28.11" x 13.98"

1989 WCF27EU INDEX

Floor Plan	C-07 - C-08
Accessories Group	C-09 - C-10
Bath Group	C-11
Chassis Group	C-12 - C-14
Curtain, Cushion & Pad Group	C-15 - C-22
Dinette Group	C-23 - C-24
Driver's Compartment Group	D-01 - D-03
Electrical Group	D-04 - D-07
Exterior Body Group	D-08 - D-16
Galley Group	D-17
Heating & Air Conditioning Group	D-18 - D-19
Interior Finish Group	D-20 - D-22
LP Group	D-23
Lounge Group	D-24 - E-01
Water & Sewage Group	E-02 - E-04
Window, Vent & Exterior Door Group	E-05 - E-17