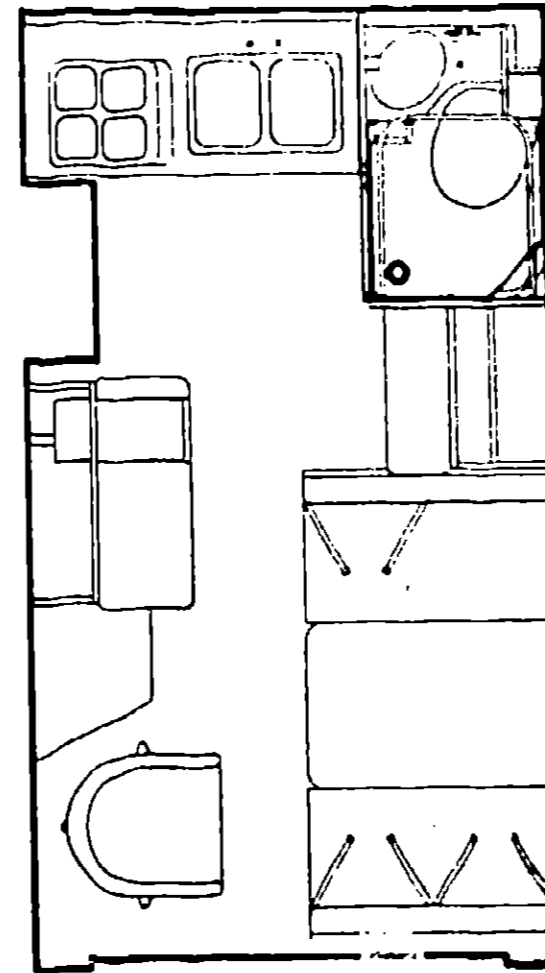


1989 ITASCA
TABLE OF CONTENTS

IT319RK
IT319RD

A-01 - D-16
B-17 - D-08

1989
IT319RK



1989 IT319RK INDEX

Floor Plan	A-01 - A-02
Accessories Group	A-03
Bath Group	A-04
Chassis Group	A-05
Curtain, Cushion & Pad Group	A-06 - A-09
Dinette Group	A-10 - A-11
Driver's Compartment Group	A-12
Electrical Group	A-13 - A-15
Exterior Body Group	A-16 - A-21
Galley Group	A-22 - A-23
Heating & Air Conditioning Group	A-24
Interior Finish Group	B-01 - B-02
LP Group	B-03
Lounge Group	B-04
Water & Sewage Group	B-05 - B-06
Window, Vent & Exterior Door Group	B-07 - B-16

ACCESSORIES GROUP

MISCELLANEOUS ACCESSORIES

Key	Part Number	U/M	Description
	054185-31-000	EA	Owner's Manual - 1989 - Itasca & Winnebago
	084438-03-000	EA	Speed Control Package - Electric Dana
	084438-03-701	EA	Regulator Asm.
	084438-03-702	EA	Neutral Safety Pigtail
	084438-03-703	EA	Wire Asm. - Neutral Safety Switch
	094499-01-000	EA	Fire Extinguisher - Dry 1A 10BC
	084472-01-000	EA	Recessed Holder - Fire Extinguisher
	072852-01-000	EA	Smoke Detector w/9 Volt Battery
	006069-01-000	EA	Key Case - Leather
	084445-01-000	EA	Mirror Asm. - Exterior - Passenger Side
	084445-02-000	EA	Mirror Asm. - Exterior - Driver Side
	086780-01-000	EA	Mud Flaps - Toyota (Set of 2) - Rubber - Black
	084774-01-000	EA	Bracket - Antenna - Radio
	084424-01-000	EA	Plug - Rubber - Antenna Hole

BATH GROUP

Key	Part Number	U/M	Description
	M88646-01-Y03	EA	Cabinet Asm. - Lavatory - w/o Countertop or Door
	M03105-01-Y03	EA	Countertop Asm. - Lavatory Cabinet
	M94598-01-Y03	EA	Door Asm. - Lavatory - w/o Hardware
	M94598-22-Y03	EA	Door Asm. - Medicine Cabinet - w/Mirror - w/o Hardware
	M82429-03-W17	EA	Door Asm. - Bath - w/o Latch

BATH HARDWARE

Key	Part Number	U/M	Description
	M02630-06-W17	EA	Shower Pan
	011056-03-000	EA	Faucet - Lavatory
	011059-04-000	EA	Faucet - Shower
	009112-01-000	EA	Flange - 1" Closet Rod
	011048-02-000	EA	Shower Head - w/60" Hose
	088401-01-000	EA	Shower Panel - Faucet Plastic
	066440-01-000	EA	Strainer - Shower
	066436-01-000	EA	Slip Nut - 1.5" Tail Piece
	069735-01-000	EA	Washer - Tail Piece - 1.5" - Plastic
	011069-03-000	EA	Tailpiece - 1.5" x 1.25" x 4" - Brass
	090029-01-000	EA	Sink - Oval - Beige Plastic
	011083-01-000	EA	Tail Piece w/Stopper - 1.25" x 5" - Plastic - Sink
	063740-01-000	EA	Toilet - Thetford - Aqua Magic IV - Ivory
	009134-01-000	EA	Tissue Holder
	009133-01-000	EA	Towel Bar - 12" Plastic
	058331-19-000	EA	Mirror - Tempered Glass - 10.86" x 14.4"
	057671-02-000	EA	Screw Cover - #8 - Off White
	058335-02-000	EA	Latch - Bath Door
	085279-02-000	EA	Holder - Toothbrush/Tumbler

1989 ITASCA TABLE OF CONTENTS

IT319RK
IT319RB

A-01 - E-16
B-17 - D-08

1989 IT319RK INDEX

Floor Plan	A-01 - A-02
Accessories Group	A-03
Bath Group	A-04
Chairs Group	A-05
Curtain, Cushion & Pad Group	A-06 - A-09
Dinette Group	A-10 - A-11
Driver's Compartment Group	A-12
Electrical Group	A-13 - A-15
Exterior Body Group	A-16 - A-21
Galley Group	A-22 - A-23
Heating & Air Conditioning Group	A-24
Interior Finish Group	B-01 - B-02
LP Group	B-03
Lounge Group	B-04
Water & Sewage Group	B-05 - B-06
Window, Vent. & Exterior Door Group	B-07 - B-16

CHASSIS GROUP

Key	Part Number	U/M	Description
	084696-01-000	EA	Tailpipe Extension - 2"
	007181-01-000	EA	Clamp - Hose - Spring Type 112
	062401-01-000	EA	Clamp - Hose - Wormgear - .22" ID - 1" ID
	062401-02-000	EA	Clamp - Hose - Wormgear - 1.56" ID - 2.5" ID
	062401-03-000	EA	Clamp - Hose - Wormgear - .25" ID - 1" ID
	062401-04-000	EA	Clamp - Hose - Wormgear - .69" ID - 1.25" ID
	062401-05-000	EA	Clamp - Hose - Wormgear - 2" ID - 3" ID
	062401-06-000	EA	Clamp - Hose - Wormgear - .22" ID - C2" ID
	084622-01-000	EA	Bumper Asm. - Rear - Black
	084773-01-000	EA	Bracket - Spare Tire Mounting
	089423-01-000	EA	Filler Neck - Main Fuel Tank

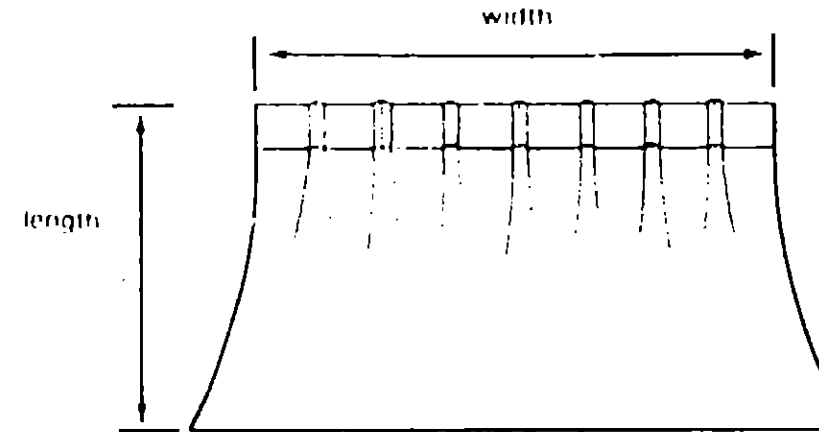
NOTE: Remainder of exhaust components available from chassis service center.

CURTAIN, CUSHION & PAD GROUP

NOTICE

In order to assist our Part Sales Dept. in providing interior software items, please include the serial number and the color code number from the vehicle certification label when ordering. This label is located on the left sidewall at the end of the dash (A-Body), or on the driver's door (C-Body).

An example of a color code number is P31, which designates an overall color scheme of a particular unit. The color listed after the item description on the microfiche, indicates the overall unit color. Order the item you desire according to unit color code.



NOTE: Use this illustration when determining length and width measurements for curtains. You will note the width measurement is taken on the top of the curtain with the curtain fully extended. The length measurement is taken from top to bottom.

CURTAIN & CUSHION HARDWARE

Key	Part Number	U/M	Description
	039175-02-000	EA	Bracket - Curtain Rod
	039175-05-000	EA	Bracket - Curtain Rod - Center
	039175-03-000	EA	Curtain Rod - Extension - 28" x 48"
	039175-01-000	EA	Curtain Rod - Extension - 48" x 84"
	087253-01-000	EA	Pull - Window Shade - Clear Plastic
	078155-01-000	EA	Strap Asm. - Cushion Snup
	009701-01-000	EA	Carrier - Curtain L Rod
	009702-01-000	EA	End Stop - Curtain L Rod
	056003-01-000	EA	Bracket - Drapery Retainer - Right
	056003-02-000	EA	Bracket - Drapery Retainer - Left



Key	Part Number	U/M	Description
1	029130-01-000	EA	Socket - Snap Fastener
2	029155-01-000	EA	Cap - Snap - .156" Dia. x 17" Barrel
3	029156-01-000	EA	Socket - Snap Fastener
4	029092-01-000	EA	Stud - Nickel Finish
5	029093-01-000	EA	Eyelet - Nickel Finish

1989 ITASCA TABLE OF CONTENTS

IT319RK
IT319RB

A-01 - B-16
B-17 - D-08

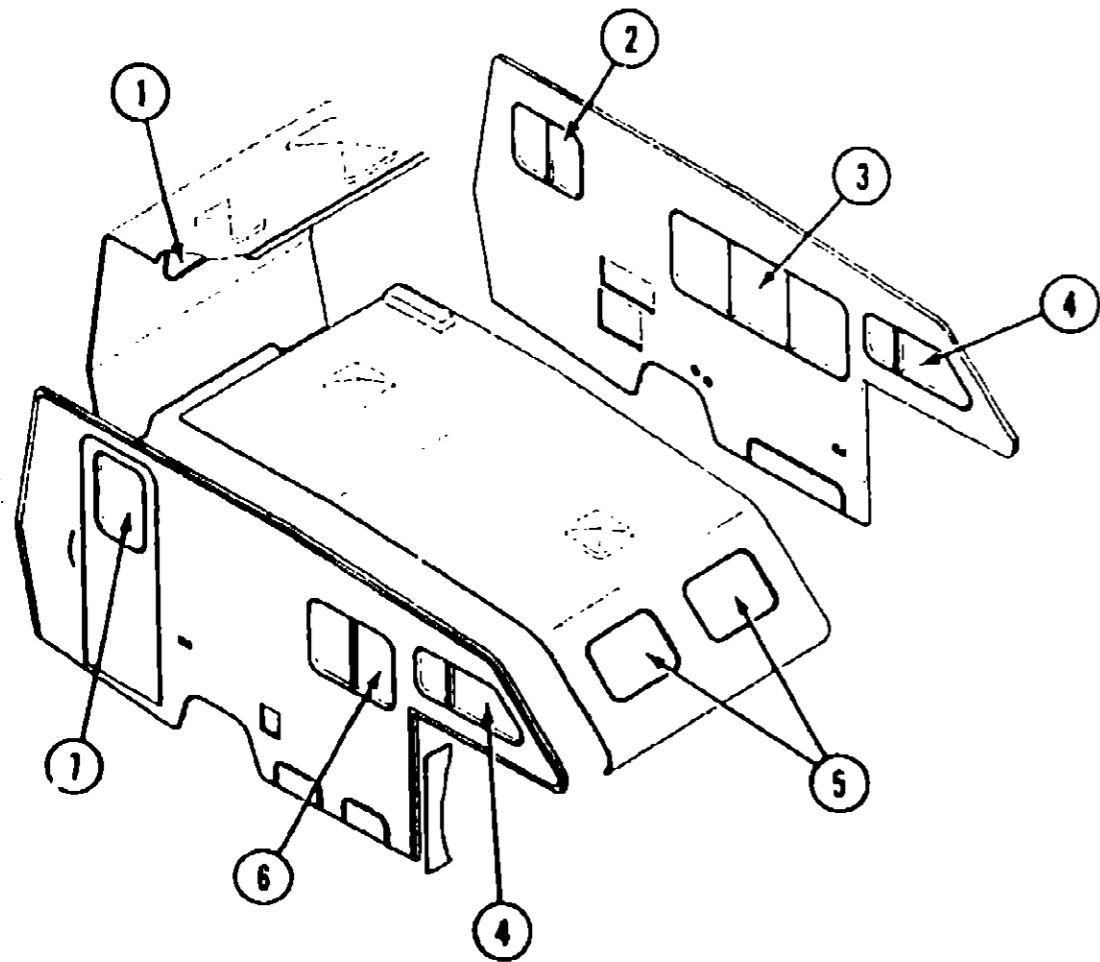
1989 IT319RK INDEX

Floor Plan	A-01 - A-02
Accessories Group	A-03
Bath Group	A-04
Chassis Group	A-05
Curtain, Cushion & Pad Group	A-06 - A-09
Dinette Group	A-10 - A-11
Driver's Compartment Group	A-12
Electrical Group	A-13 - A-15
Exterior Body Group	A-16 - A-21
Galley Group	A-22 - A-23
Heating & Air Conditioning Group	A-24
Interior Finish Group	B-01 - B-02
LP Group	B-03
Lounge Group	B-04
Water & Sewage Group	B-05 - B-06
Window, Vent & Exterior Door Group	B-07 - B-16

CURTAIN, CUSHION & PAD GROUP (CONTINUED)

FABRICS, TRIMS & PADS

Key	Part Number	U/M	Description
	072333-61-000	YD	Fabric - Drapery (Y26)
	072333-62-000	YD	Fabric - Drapery (Y27)
	088274-52-000	YD	Fabric w/Pattern - Upholstery (Y26)
	088274-53-000	YD	Fabric w/Pattern - Upholstery (Y27)
	088274-66-000	YD	Fabric - Upholstery Accent (Y26)
	088274-67-000	YD	Fabric - Upholstery Accent (Y27)
	052859-07-Y26	FT	Accent Trim (Dinette Seat Back)
	052859-07-Y27	FT	Accent Trim (Dinette Seat Back)
	079680-01-000	YD	Expanded Vinyl - 26 oz. - Buckskin
	078155-01-000	EA	Strap - Cushion
	079349-01-Y26	EA	Welt Asm. - Accent
	079349-01-Y27	EA	Welt Asm. - Accent
	086120-01-Y26	EA	Pad Asm. - Map Pocket - 12" x 16"
	086120-01-Y27	EA	Pad Asm. - Map Pocket - 12" x 16"



CURTAIN, CUSHION & PAD GROUP (CONTINUED)

CURTAINS, VALANCES, SHADES & TIEBACKS

Key	Part Number	U/M	Description
1	068226-45-Y26	EA	Curtain Asm. - 25" x 10"
1	068226-45-Y04	EA	Curtain Asm. - 25" x 10" (Y27)
1	068226-44-Y26	EA	Curtain Valance Asm. - 5" x 60"
1	068226-44-Y04	EA	Curtain Valance Asm. - 5" x 60" (Y27)
1	084755-25-Y26	EA	Shade Asm. - 27.25"
1	084755-25-Y27	EA	Shade Asm. - 27.25"
2	069777-04-000	EA	Valance Asm. - Plastic
2	084755-01-Y26	EA	Shade Asm. - 28.25"
2	084755-01-Y27	EA	Shade Asm. - 28.25"
3	093434-01-Y26	EA	Curtain Asm. - 30" x 40"
3	093434-01-Y04	EA	Curtain Asm. - 30" x 40" (Y27)
3	066226-43-Y26	EA	Curtain Valance Asm. - 5" x 90"
3	066226-43-Y04	EA	Curtain Valance Asm. - 5" x 90" (Y27)
3	084755-02-Y26	EA	Shade Asm. - 67.25"
3	084755-02-Y27	EA	Shade Asm. - 67.25"
4	073323-33-Y26	EA	Curtain Asm. - 17.5" x 24"
4	073323-33-Y06	EA	Curtain Asm. - 17.5" x 24" (Y27)
5	073323-37-Y26	EA	Curtain Asm. - 21" x 30"
5	073323-37-Y06	EA	Curtain Asm. - 21" x 30" (Y27)
6	066226-44-Y26	EA	Curtain Valance Asm. - 5" x 60"
6	066226-44-Y04	EA	Curtain Valance Asm. - 5" x 60" (Y27)
6	066226-41-Y26	EA	Curtain Asm. - 27" x 20"
6	066226-41-Y04	EA	Curtain Asm. - 27" x 20" (Y27)
6	084755-06-Y26	EA	Shade Asm. - 33.25"
6	084755-06-Y27	EA	Shade Asm. - 33.25"
7	073304-46-Y03	EA	Curtain Asm. - 34" x 33" (Y26)
7	073304-46-Y04	EA	Curtain Asm. - 34" x 33" (Y27)
	076892-03-Y03	EA	Curtain Asm. - Blackout - 35" x 55" (Y26)
	076892-03-Y04	EA	Curtain Asm. - Blackout - 35" x 55" (Y27)
	084401-04-000	EA	Curtain Asm. - Shower - 65" x 60"
	073260-24-Y26	EA	Tieback Asm. - 2" x 14" (Front Bunk)
	073260-24-Y06	EA	Tieback Asm. - 2" x 14" (Front Bunk) (Y27)
	073260-26-Y03	EA	Tieback Asm. - 3" x 16" (Dinette) (Y26)
	073260-26-Y04	EA	Tieback Asm. - 3" x 16" (Dinette) (Y27)
	073260-23-Y26	EA	Tieback Asm. - 3" x 18" (Entrance Door)
	073260-23-Y06	EA	Tieback Asm. - 3" x 18" (Entrance Door) (Y27)
	057534-07-000	EA	Tieback Asm. - 10" - Clear

BUCKET SEAT COVERS

Key	Part Number	U/M	Description
	086740-01-Y26	EA	Seat Cover Asm. - Bucket
	086740-01-Y27	EA	Seat Cover Asm. - Bucket

FRONT OVERHEAD BUNK CUSHIONS

Key	Part Number	U/M	Description
	084753-03-Y26	EA	Cushion Asm. - Front Bunk - 52" x 81" x 4" - U-Shaped
	084753-03-Y27	EA	Cushion Asm. - Front Bunk - 52" x 81" x 4" - U-Shaped
	084753-03-Y26	EA	Cover Asm. - Front Bunk - 52" x 81" x 4" - U-Shaped
	084753-03-Y27	EA	Cover Asm. - Front Bunk - 52" x 81" x 4" - U-Shaped
	084753-04-Y26	EA	Cushion Asm. - Front Bunk - 24" x 41" x 4"
	084753-04-Y27	EA	Cushion Asm. - Front Bunk - 24" x 41" x 4"
	084753-04-Y26	EA	Cover Asm. - Front Bunk - 24" x 41" x 4"
	084753-04-Y27	EA	Cover Asm. - Front Bunk - 24" x 41" x 4"

**1989 ITASCA
TABLE OF CONTENTS**

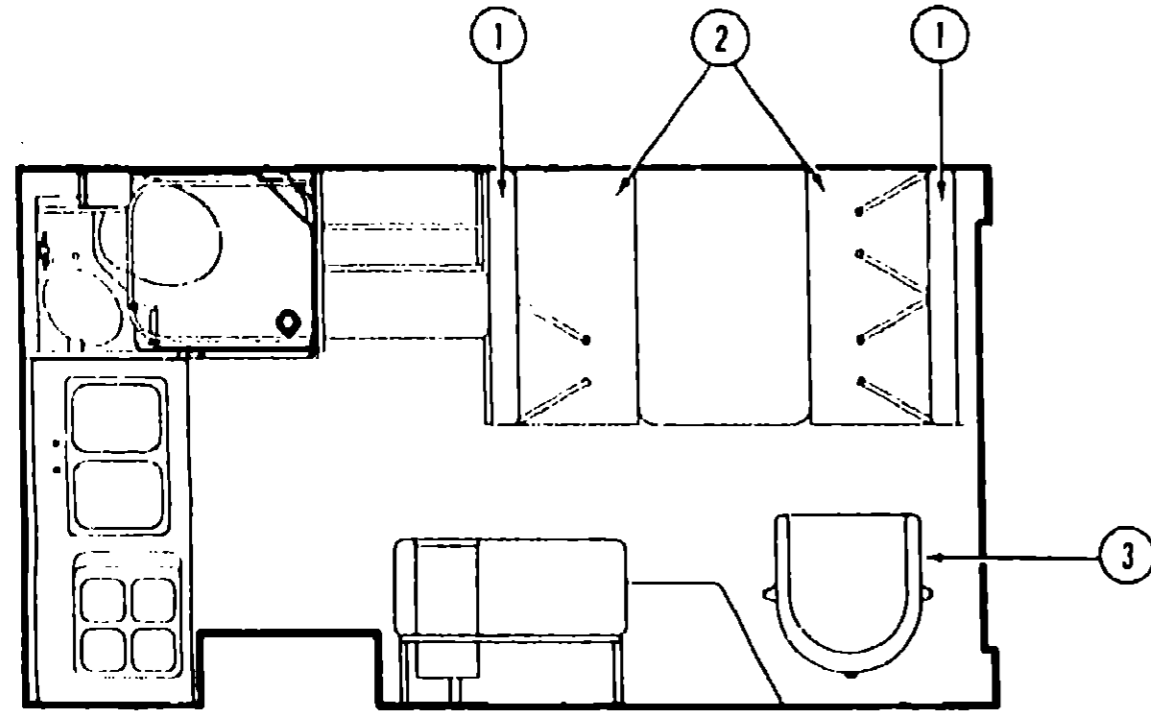
IT319RK
IT319RB

A-01 - B-16
B-17 - D-08

1989 IT319RK INDEX

Floor Plan	A-01 - A-02
Accessories Group	A-03
Bath Group	A-04
Chassis Group	A-05
Curtain, Cushion & Pad Group	A-06 - A-09
Dinette Group	A-10 - A-11
Driver's Compartment Group	A-12
Electrical Group	A-13 - A-15
Exterior Body Group	A-16 - A-21
Galley Group	A-22 - A-23
Heating & Air Conditioning Group	A-24
Interior Finish Group	B-01 - B-02
LP Group	B-03
Lounge Group	B-04
Water & Sewage Group	B-05 - B-06
Window, Vent & Exterior Door Group	B-07 - B-16

CURTAIN, CUSHION & PAD GROUP (CONTINUED)



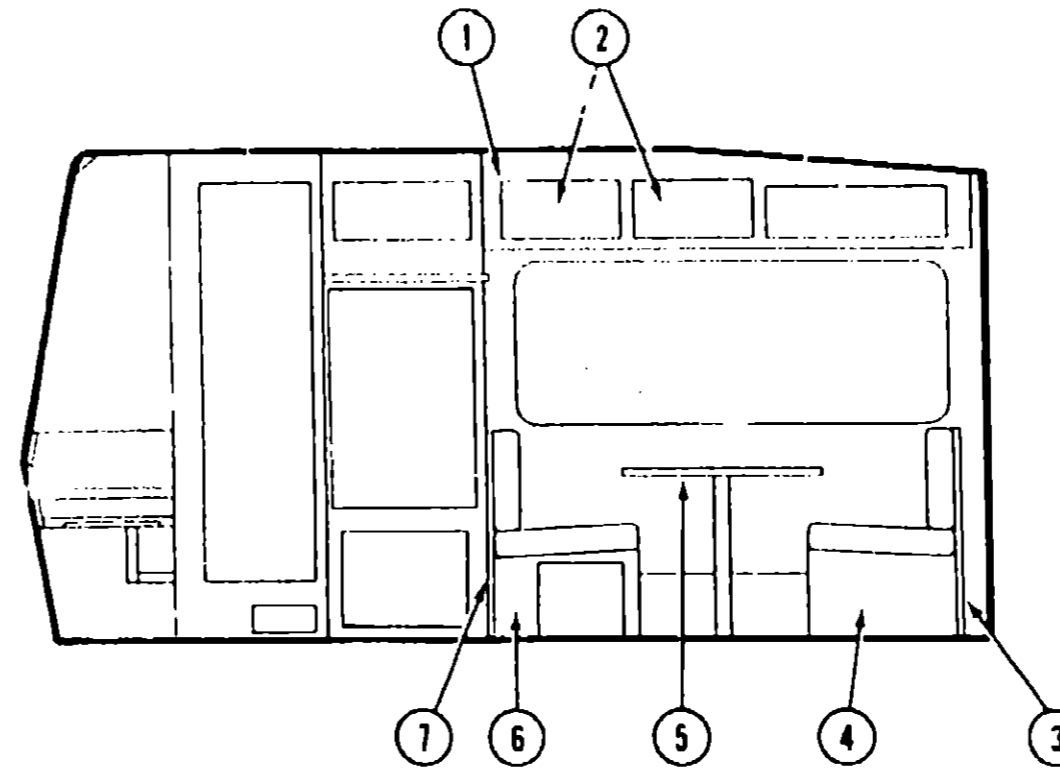
DINETTE CUSHION

Key	Part Number	U/M	Description
1	068927-38-Y26	EA	Cushion Asm. - Dinette Back - 13.5" x 38" x 6"
1	068927-38-Y27	EA	Cushion Asm. - Dinette Back - 13.5" x 38" x 6"
	M88927-38-Y26	EA	Cover Asm. - Dinette Back Cushion - 13.5" x 38" x 6"
	M88927-38-Y27	EA	Cover Asm. - Dinette Back Cushion - 13.5" x 38" x 6"
2	068927-39-Y26	EA	Cushion Asm. - Dinette Bottom - 21.5" x 38" x 6"
2	068927-39-Y27	EA	Cushion Asm. - Dinette Bottom - 21.5" x 38" x 6"
	M88927-39-Y26	EA	Cover Asm. - Dinette Bottom Cushion - 21.5" x 38" x 6"
	M88927-39-Y27	EA	Cover Asm. - Dinette Bottom Cushion - 21.5" x 38" x 6"

SWIVEL CHAIR

Key	Part Number	U/M	Description
3	092389-02-Y26	EA	Swivel Chair Asm. (Starlet II) Used up to 1/22/89
3	092389-02-Y27	EA	Swivel Chair Asm. (Starlet II) Used up to 1/22/89
3	M92389-02-Y26	EA	Cover Asm. (Starlet II) Used up to 1/22/89
3	M92389-02-Y27	EA	Cover Asm. (Starlet II) Used up to 1/22/89
3	096100-01-Y26	EA	Swivel Chair (Anthem) Used from 1/23/89
3	096100-01-Y27	EA	Swivel Chair (Anthem) Used from 1/23/89
3	M96100-01-Y26	EA	Cover Asm. (Anthem) Used from 1/23/89
3	M96100-01-Y27	EA	Cover Asm. (Anthem) Used from 1/23/89
	088245-01-000	EA	Base w/Legs
	088245-03-000	EA	Swivel Plate
	088245-06-000	EA	Extension - 7"

DINETTE GROUP



CONVENTIONAL DINETTE & OVERHEAD CABINERY

Key	Part Number	U/M	Description
1	M92448-01-Y03	EA	Cabinet Asm. - Dinette Overhead - w/o Doors or Hardware
2	M94598-03-Y03	EA	Door Asm. - Dinette Overhead - w/o Hardware
3	M02913-03-Y26	EA	Cabinet Asm. - Dinette Back
4	M02914-01-W17	EA	Cabinet Asm. - Dinette Seat
5	M02946-50-Y03	EA	Table Asm. - Dinette - w/o Hardware
6	M02914-03-W17	EA	Cabinet Asm. - Dinette Seat
7	M02913-04-Y26	EA	Cabinet Asm. - Dinette Back
	081518-01-W24	EA	Dinette Seat Board
	093586-03-000	EA	Roller Spring Catch
	093586-04-000	EA	Spring Steel Strike
	059777-02-000	EA	Hinge - Burnished Brass
	088264-01-000	EA	Door Pull - Polished Brass

**1989 ITASCA
TABLE OF CONTENTS**

IT319RK
IT319RB

A-01 - B-16
B-17 - D-08

1989 IT319RK INDEX

Floor Plan	A-01 - A-02
Accessories Group	A-03
Bath Group	A-04
Chassis Group	A-05
Curtain, Cushion & Pad Group	A-06 - A-09
Dinette Group	A-10 - A-11
Driver's Compartment Group	A-12
Electrical Group	A-13 - A-15
Exterior Body Group	A-16 - A-21
Galley Group	A-22 - A-23
Heating & Air Conditioning Group	A-24
Interior Finish Group	B-01 - B-02
LP Group	B-03
Lounge Group	B-04
Water & Sewage Group	B-05 - B-06
Window, Vent & Exterior Door Group	B-07 - B-16

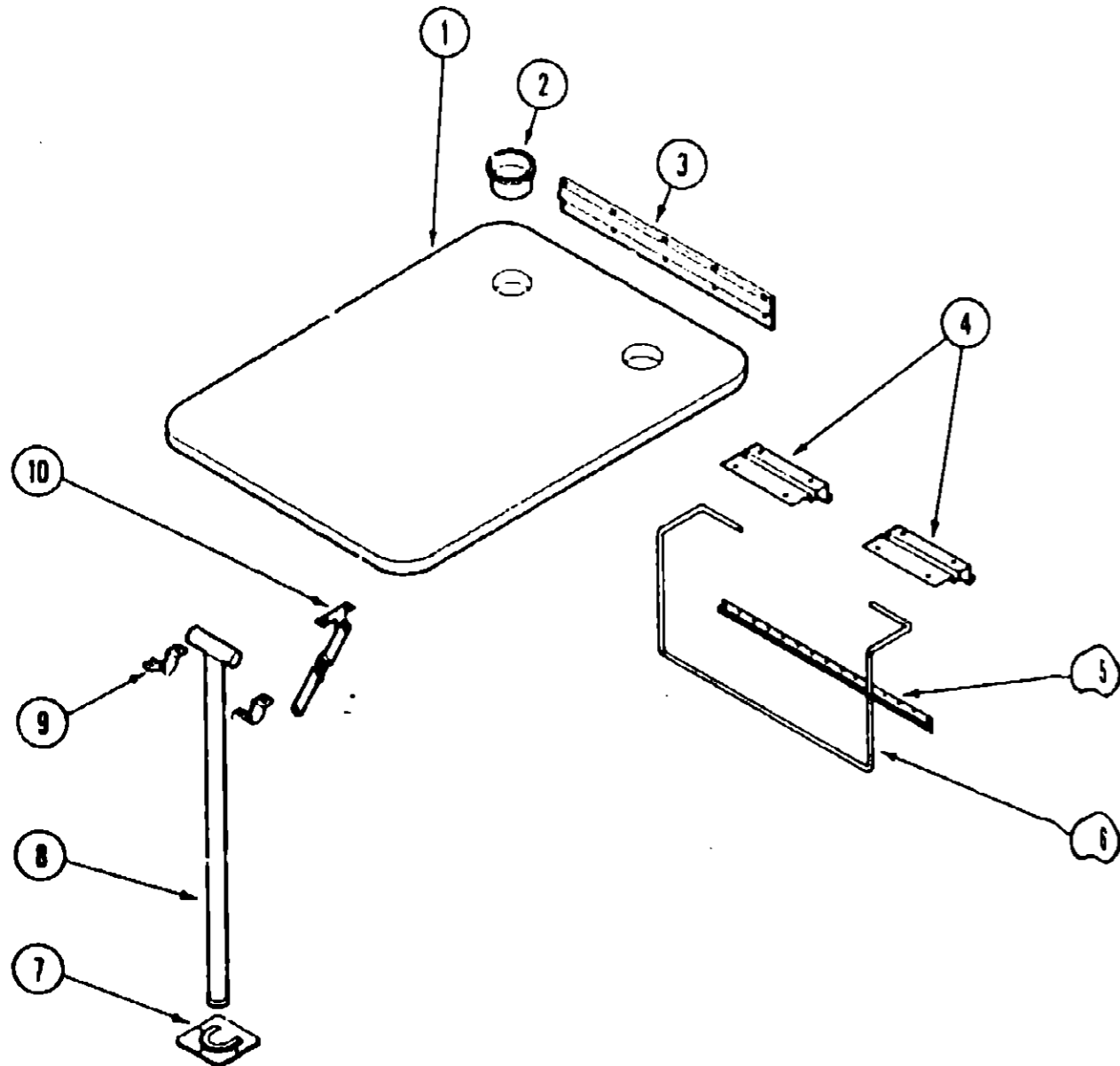
DINETTE GROUP (CONTINUED)

DRIVER'S COMPARTMENT GROUP

1989 ITASCA
TABLE OF CONTENTS

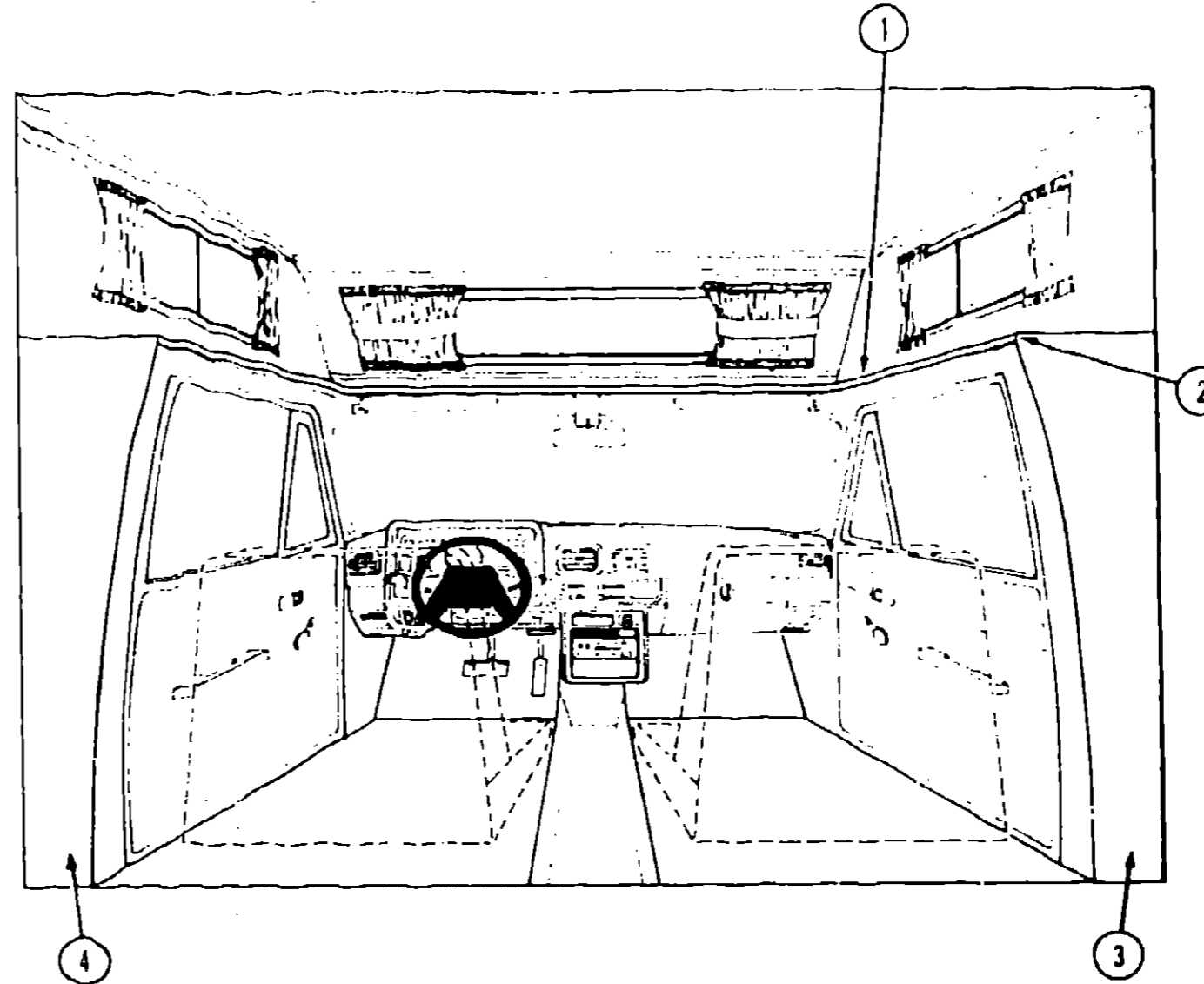
IT319RK
IT319RB

A-01 - B-16
B-17 - D-08



DINETTE TABLE & HARDWARE

Key	Part Number	U/M	Description
1	M02946-50-Y03	EA	Table - Dinette - w/o Hardware
2	064761-05-000	EA	Cup Holder - Two Step - Beige
3	053200-09-000	EA	Support - Table - 18.5" - Beige
4	068410-01-000	EA	Hanger - Table - Beige
5	024281-08-000	EA	Bracket - Table Lift
6	024275-10-000	EA	Rod - Table Lift - Tan
7	048493-01-000	EA	Catch - Table Leg
8	024276-21-000	EA	Leg Asm. - Table - Tan
9	064050-03-000	EA	Hinge - Table Leg - Tan
10	024282-01-000	EA	Brace Table Leg
	024283-01-000	EA	Clip - 1" - 1.25" - OD Tube - Black



MISCELLANEOUS DRIVER'S COMPARTMENT COMPONENTS

Key	Part Number	U/M	Description
1	M84656-01-Y03	EA	Panel Asm. - Sleeper Board w/o Vinyl
2	079800-02-000	EA	Trim - Front - Sleeper Board
	060742-01-000	FT	Insert - Trim - Sleeper Board - Vinyl
3	M84568-01-Y03	EA	Panel Asm. - Wingwall Transition - Inner - Passenger Side
3	M84568-01-X27	EA	Panel Asm. - Wingwall Transition - Inner - Passenger Side (Y27)
4	M84568-02-Y03	EA	Panel Asm. - Wingwall Transition - Inner - Drivers Side
4	M84568-02-X27	EA	Panel Asm. - Wingwall Transition - Inner - Driver Side (Y27)

1989 IT319RK INDEX

Floor Plan	A-01 - A-02
Accessories Group	A-03
Bath Group	A-04
Chassis Group	A-05
Curtain, Cushion & Pad Group	A-06 - A-09
Dinette Group	A-10 - A-11
Driver's Compartment Group	A-12
Electrical Group	A-13 - A-15
Exterior Body Group	A-16 - A-21
Galley Group	A-22 - A-23
Heating & Air Conditioning Group	A-24
Interior Finish Group	B-01 - B-02
LP Group	B-03
Lounge Group	B-04
Water & Sewage Group	B-05 - B-06
Window, Vent & Exterior Door Group	B-07 - B-16

ELECTRICAL GROUP

WIRE, SWITCHES & RECEPTACLES

Key	Part Number	U/M	Description
	008058-01-000	EA	Adapter - Power Cord
	008288-01-000	EA	Box - Electrical - 3" x 3.5" - Plastic
	008289-01-000	EA	Box - Electrical - 4" x 4" - 1/2 & 3/4 Steel - UL
	008289-02-000	EA	Box - Electrical - 4" x 4" - 1/2 & 3/4 Steel - CSA
	058049-01-000	EA	Box - Electrical - 2" x 3" x 2.25" - Steel
	093603-01-000	EA	Box - Electrical - 4" x 2" - 1/8" x 2 1/8" - Steel
	008353-01-000	EA	Connector - Clamping - 3/8 Cable - UL & CSA
	058028-01-000	EA	Connector - Pigtail - Clear Nylon
	008314-01-000	EA	Connector - Wire Nut - Gray
	008313-01-000	EA	Connector - Wire Nut - Insulated - Yellow
	008356-01-000	EA	Connector Clamp - Plastic - 3/8" AVG Wire
	008311-01-000	EA	Connector - Wire Nut - Red
	031968-01-000	EA	Contact Plug - Brass - Tin Plated
	031967-01-000	EA	Contact - Receptacle
	008054-01-000	EA	Cord - Power - 10-3 30 Amp. - 25' - UL
	069238-02-000	EA	Cover - Electrical Box - 4" x 4"
	058048-01-000	EA	Cover - Electrical Box - 4.5" x 2.75" - Rain Tight (Exterior)
	024571-03-000	EA	Cover Plate - Receptacle - Jumbo - Brown Plastic
	024571-04-000	EA	Cover Plate - Receptacle - Jumbo - Ivory Plastic
	008164-01-000	EA	Cover Plate - Switch - Brown
	053337-01-000	EA	Cover Plate Blank - Ivory Plastic - Single
	084077-02-000	EA	Cover - Receptacle - Ground Fault Interrupter - Brown
	008294-01-000	EA	Cover - Flat Blank - 4" x 4" - Steel - US
	008250-01-000	EA	Fuse Holder - In Line - 10 Amp.
	008250-02-000	EA	Fuse Holder - In Line - 15 Amp.
	008277-01-000	EA	Fuse Holder - Panel Mount - Black
	054532-01-000	EA	Housing Pin - 6 Position
	046885-01-000	EA	Plaque - Mounting Switch
	084077-02-000	EA	Receptacle Cover - GFI - Brown
	008157-01-000	EA	Receptacle - Duplex - Brown (Exterior Backwall)
	058708-01-000	EA	Receptacle - Duplex - Brown
	084076-02-000	EA	Receptacle - Ground Fault Interrupter - 125 Volt - Ivory
	024924-02-000	EA	Receptacle - Power Cord
	058707-01-000	EA	Receptacle - Single - Brown
	063912-01-000	EA	Relay - Canister SPDT w/Ground
	008188-01-000	EA	Solenoid Relay - 3 Terminal
	075723-01-000	EA	Switch - Block Spacer - w/o Holes
	075723-02-000	EA	Switch - Block Spacer - w/Holes
	008162-01-000	EA	Switch - C, b, le Toggle - Brown
	077942-02-000	EA	Switch - Dummy - Brown
	056264-01-000	EA	Switch - Leaf Actuator
	079363-05-000	EA	Switch Plate - Single - Polish Chrome
	079363-03-000	EA	Switch Plate - Single w/Switch - Polish Brass
	081066-01-000	EA	Switch Plate 2 Gang - 2 Switches
	079363-01-000	EA	Switch Plate - Single - w/Switch
	079364-01-000	EA	Switch - On/Off Rocker - Brown
	008195-01-000	EA	Switch - Push Button - 12 Volt
	008163-01-000	EA	Switch - Toggle - Brown
	047443-02-000	EA	Terminal - .250 Receptacle - 12 - 10 AWG
	035417-01-000	EA	Terminal - Pin Receptacle - .125 Dia.
	035416-04-000	EA	Terminal Ring #10 Stud Fit
	008348-01-000	EA	Terminal Ring - 2 - w/3/8 Stud
	008331-01-000	EA	Terminal Ring - 4 - w/3/8 Stud
	008328-01-000	EA	Terminal Ring - 12/10 Wire
	008028-01-000	FT	Wire - 18.5 Bonded - Blue/Red/Yellow/Orange/White
	008024-01-000	FT	Wire - 18.5 Bonded - Orange/White/Yellow/Blue/Brown
	008025-01-000	FT	Wire - 18.5 Bonded - Orange/White/Yellow/Blue/Green
	008026-01-000	FT	Wire w/Ground - Romex - 12/2

ELECTRICAL GROUP (CONTINUED)

EXTERIOR LIGHTS

Key	Part Number	U/M	Description
	081638-02-000	EA	Tail Lamp Asm. - 2 Bulb - Chrome - Driver/Passenger
	081638-03-000	EA	Bezel - Tail Lamp - Driver/Passenger
	066432-01-000	EA	Light Bracket - License Plate
	042405-03-000	EA	Base - Rectangular Clearance Light
	042405-01-000	EA	Lens - Clearance Light - Red w/Rellex
	042405-02-000	EA	Lens - Clearance Light - Amber w/Rellex
	008089-01-000	EA	Porch Light - Recessed
	008089-01-700	EA	Lens - Porch Light

INTERIOR LIGHT

Key	Part Number	U/M	Description
	098024-01-01A	EA	Light - Dome - Ivory - 1 Bulb - US
	061424-01-000	EA	Light - 12V Receptacle - Aisle - IP

FUSES & CIRCUIT BREAKERS

Key	Part Number	U/M	Description
	008233-01-000	EA	Fuse - 6 Amp - 12 Volt
	008234-01-000	EA	Fuse - 10 Amp. - 12 Volt
	046893-01-000	EA	Fuse - 13 Amp - 12 Volt
	008235-01-000	EA	Fuse - 15 Amp. - 12 Volt
	008236-01-000	EA	Fuse - 20 Amp. - 12 Volt
	008248-01-000	EA	Fuse - 30 Amp. - 110 Volt - AGU
	008252-01-000	EA	Fuse - 50 Amp. - 110 Volt
	056473-02-000	EA	Fuse - 5 Amp. - Slow Blow
	056473-01-000	EA	Fuse - 6 1/4 Amp. - Slow Blow
	062901-02-000	EA	Fuse - 5 Amp. - Automotive
	062901-05-000	EA	Fuse - 15 Amp. - Automotive
	008211-01-000	EA	Circuit Breaker - 6 Amp. - 12 Volt
	008208-01-000	EA	Circuit Breaker - 40 Amp. - 12 Volt
	033573-02-000	EA	Circuit Breaker - 15 Amp. - 12 Volt - w/Mount
	033573-01-000	EA	Circuit Breaker - 20 Amp. - 12 Volt - w/Mount
	044466-03-000	EA	Circuit Breaker - 25 Amp. - 12 Volt - w/Mount
	008268-01-000	EA	Circuit Breaker - 30 Amp. - 12 Volt - w/Mount
	040051-01-000	EA	Circuit Breaker - 20 Amp. - 110 Volt - TQL
	008297-01-000	EA	Circuit Breaker - 120 Amp. - TQL
	008293-01-000	EA	Circuit Breaker - 130 Amp. - TQL
	083209-01-000	EA	Circuit Breaker - 15 Amp. - 120 Volt
	083209-05-000	EA	Circuit Breaker - 20 Amp. - 120 Volt
	071279-04-000	EA	Circuit Breaker - 30 Amp. - 120 Volt
	071279-02-000	EA	Circuit Breaker - 15/15 Amp. - 120 Volt
	071279-03-000	EA	Circuit Breaker - 15/20 Amp. - 120 Volt
	071279-01-000	EA	Circuit Breaker - 15/30 Amp. - 120 Volt
	071279-06-000	EA	Circuit Breaker - 30/15 Amp. - 120 Volt
	050283-02-000	EA	Circuit Breaker - Buss Bar
	083209-08-000	EA	Circuit Breaker - Blank
	084810-01-000	EA	Circuit Breaker - 30/30 (Export Option)
	094811-01-000	EA	Circuit Breaker - 20/20 (Export Option)

1989 ITASCA TABLE OF CONTENTS

IT319RK	A-01 - B-16
IT319RB	B-17 - D-08

1989 IT319RK INDEX

Floor Plan	A-01 - A-02
Accessories Group	A-03
Bath Group	A-04
Chassis Group	A-05
Curtain, Cushion & Pad Group	A-06 - A-09
Driver's Group	A-10 - A-11
Driver's Compartment Group	A-12
Electrical Group	A-13 - A-15
Exterior Body Group	A-16 - A-21
Galley Group	A-22 - A-23
Heating & Air Conditioning Group	A-24
Interior Finish Group	B-01 - B-02
LP Group	B-03
Lounge Group	B-04
Water & Sewage Group	B-05 - B-06
Window, Vent & Exterior Door Group	B-07 - B-16

ELECTRICAL GROUP (CONTINUED)

BULBS

Key	Part Number	U/M	Description
	008220-01-000	EA	Bulb - 12V - 25W
	008103-01-000	EA	Bulb - 53
	008213-01-000	EA	Bulb - 57
	008214-01-000	EA	Bulb - 67
	036198-01-000	EA	Bulb - 194
	008215-01-000	EA	Bulb - 1003
	067479-01-000	EA	Bulb - 1076
	063914-01-000	EA	Bulb - 1139
	008218-01-000	EA	Bulb - 1141
	037935-01-000	EA	Bulb - 1157
	037936-01-000	EA	Bulb - 1157A
	056288-02-000	EA	Bulb - 9431808

MISCELLANEOUS ELECTRICAL COMPONENTS

Key	Part Number	U/M	Description
	008188-01-000	EA	Solenoid - Dual Battery - Relay
	064454-01-000	EA	Control Center - 25 Amp. - 120 Volt/12 Volt
	072852-01-000	EA	Smoke Detector
	094809-01-000	EA	Load Center - 240 Volt/124 Amp. (Export Option)
	094810-01-000	EA	Circuit Breaker - 30/30 (Export Option)
	094811-01-000	EA	Circuit Breaker - 20/20 (Export Option)

EXTERIOR BODY GROUP

MISCELLANEOUS EXTERNALLY MOUNTED PARTS

Key	Part Number	U/M	Description
	083558-01-000	EA	Plumbing Seal - Roof Vent - 1.5" - Covered
	009126-01-000	EA	Assist Handle - Chromed
	081240-03-000	EA	Fill - City Water - Lockable - Off White
	078200-01-000	EA	Gasket - Fuel Fill
	083615-06-000	EA	Door Stop - Plastic - Off White
	084104-03-000	EA	Jamb - Refrigerator Door
	081638-03-000	EA	Bezel - Tail Light Mount - Angled

LABELS & EXTERIOR PAINT

Key	Part Number	U/M	Description
	065748-01-000	EA	Label - Caution - Battery Charging
	006195-01-000	EA	Label - Electrical Test
	047731-01-000	EA	Label - Emergency Exit
	006199-01-000	EA	Label - Exit - Escape Window
	057467-04-000	EA	Label - Exterior Loading Limit
	064378-01-000	EA	Label - Flying "W" w/Thermo Panel
	081417-01-000	EA	Label - Fuel
	087207-02-000	EA	Label - Fuel Cap Removal
	006196-01-000	EA	Label - Gas Test
	054531-01-000	EA	Label - LP Gas Only
	073998-01-000	EA	Label - LPG Odor Warning
	040944-01-000	EA	Label - Open - Entrance Door
	008015-01-000	EA	Label - Patent Motor Home
	056259-01-000	EA	Label - Safety Check List
	006064-01-000	EA	Label - Seat - w/o Seat Belts
	006187-01-000	EA	Label - Sewage
	006006-01-000	EA	Label - Thermo Panel - 2 1/4" x 2 1/4"
	075220-01-000	EA	Label - Warning - Exterior Load Limit
	050225-01-000	EA	Label - Warning Stove Vent - US
	079966-01-000	EA	Label - Warning - Stowed Motion
	006188-01-000	EA	Label - Waste Water
	006197-01-000	EA	Label - Water Test
	006062-01-000	EA	Tag - Electrical - 110 Volt Connection
	006040-01-000	EA	Tag - Gas - Refueling Warning
	044486-03-000	EA	Paint - Beige Acrylic Enamel - 16 oz. Aerosol (7633A Dupont)
	045681-03-000	EA	Paint - Gloss Black - Acrylic Enamel - 16 oz. Aerosol (99 Dupont)
	058637-05-000	EA	Paint - Gray Acrylic Enamel - 16 oz. Aerosol (71537 Dupont)
	041561-03-000	EA	Paint - Off White Acrylic Enamel - 16 oz. Aerosol (45396A Dupont)
	074559-01-000	EA	Label "LPG" - 3.3" x 1.75" (Calif. Code)

1989 ITASCA TABLE OF CONTENTS

IT319RK
11519RB

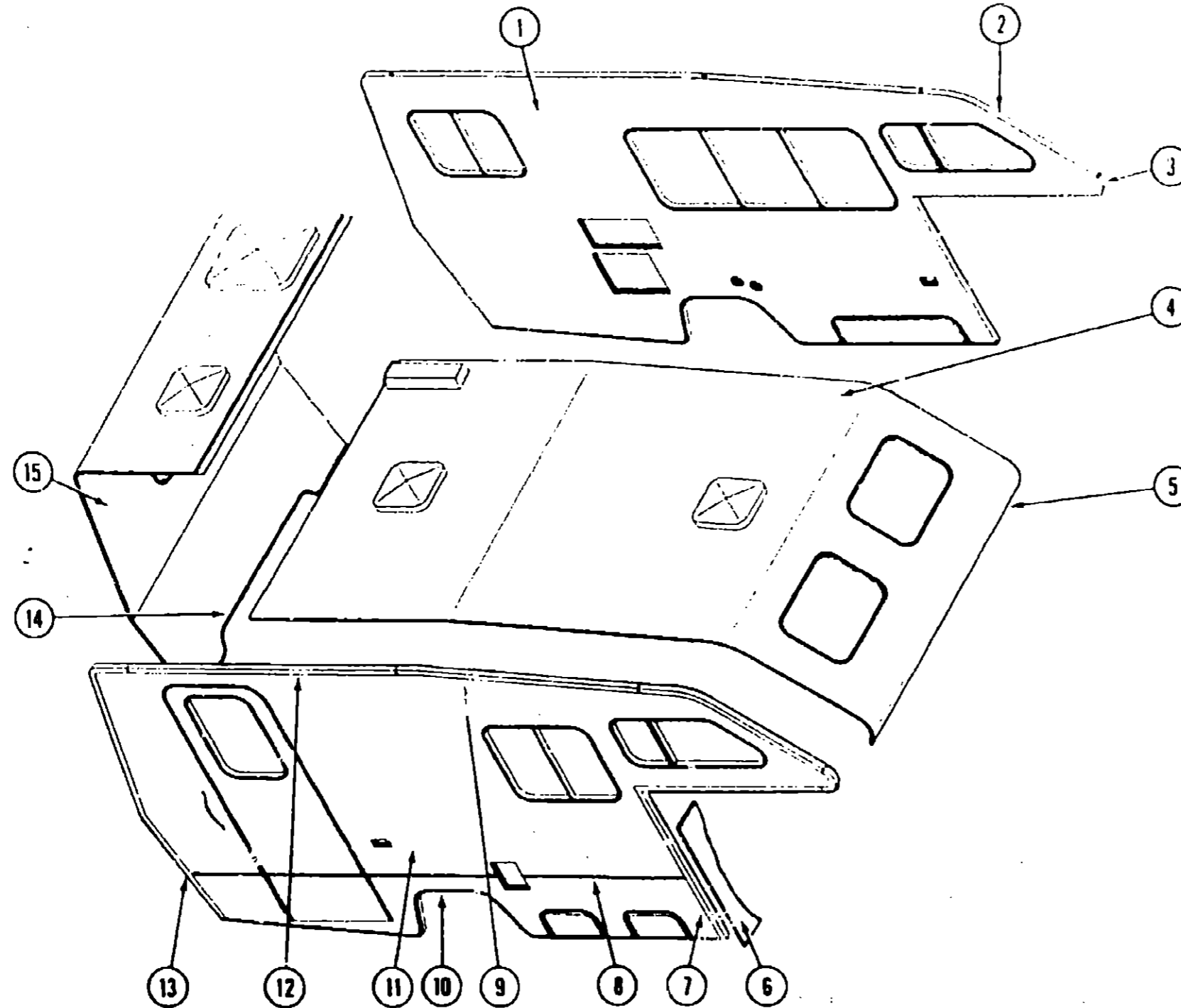
A-01 - B-16
B-17 - D-08

1989 IT319RK INDEX

Floor Plan	A-01 - A-02
Accessories Group	A-03
Bath Group	A-04
Chassis Group	A-05
Curtain, Cushion & Pad Group	A-06 - A-09
Dinette Group	A-10 - A-11
Driver's Compartment Group	A-12
Electrical Group	A-13 - A-15
Exterior Body Group	A-16 - A-21
Galley Group	A-22 - A-23
Heating & Air Conditioning Group	A-24
Interior Finish Group	B-01 - B-02
LP Group	B-03
Lounge Group	B-04
Water & Sewage Group	B-05 - B-06
Window, Vent & Exterior Door Group	B-07 - B-16

EXTERIOR BODY GROUP (CONTINUED)

EXTERIOR BODY PANELS & TRIM



Key	Part Number	U/M	Description
1	M92159-01-Y26	EA	Sidewall Asm. - Driver Side (Y27)
2	085490-04-000	EA	Trim - Contour - Upper Front - Driver Side - Off White
	085490-03-000	EA	Trim - Contour - Upper Front - Passenger Side - Off White
3	086889-02-000	EA	Trim - Contour - Front - Driver Side - Off White
	086889-01-000	EA	Trim - Contour - Front - Passenger Side - Off White
4	M88394-01-Y26	EA	Roof Asm. (Y27)
5	039644-07-000	EA	Trim - Sleeper Board - Front - Off White
6	M84655-01-W17	EA	Wingwall Asm. - Passenger Side
	M84655-02-W17	EA	Wingwall Asm. - Driver Side
7	076975-07-000	EA	Trim - Wingwall Transition - Passenger Side - Off White
	076975-08-000	EA	Trim - Wingwall Transition - Driver Side - Off White
8	059576-05-000	EA	Feature Strip - w/o Insert - Extr. - 14' - Off White
	001030-02-100	EA	Insert - Feature Strip - 17' - Off White
	009731-01-000	EA	End Cap - Feature Strip
9	076975-09-000	EA	Trim - Contour - Upper - Right or Left Side
10	084440-07-000	EA	Trim - Wheel Well - Rear Passenger Side - Off White
	084440-06-000	EA	Trim - Wheel Well - Rear Driver Side - Off White

Key	Part Number	U/M	Description
11	M88392-01-Y26	EA	Sidewall Asm. - Passenger Side
11	M88392-01-Y27	EA	Sidewall Asm. - Passenger Side
12	087965-01-000	EA	Trim - Contour - Upper - Passenger Side Rear
	087965-02-000	EA	Trim - Contour - Upper - Driver Side Rear
13	076805-05-000	EA	Trim - Contour - Rear Passenger Side - Off White
	076805-06-000	EA	Trim - Contour - Rear Driver Side - Off White
14	085004-01-000	EA	Trim - Backwall - Lower - Passenger or Driver Side
15	M88442-01-Y26	EA	Backwall Asm.
15	M88442-01-Y27	EA	Backwall Asm.
	002365-01-001	EA	U-Channel - Extrusion - 1" x 18'
	009717-01-002	EA	Drip Rail - 19'
	039155-28-006	EA	Alum. - Mesa II - .024" x 48" x 360" - Off White
	039155-28-003	EA	Alum. - Mesa II - .024" x 36" x 360" - Off White
	039155-28-007	EA	Alum. - Mesa II - .024" x 12" x 360" - Off White
	001054-01-011	EA	Alum. - No Design - 48" x 96" - Off White
	000668-01-000	SF	Styrofoam - .75" x 24" x 96"
	000870-01-000	SF	Styrofoam - 1.5" x 24" x 96"
	000870-03-000	SF	Styrofoam - 1.34" x 48" x 96"

A-17

1989 ITASCA TABLE OF CONTENTS

IT319RK
IT319RB

A-01 - B-16
B-17 - D-08

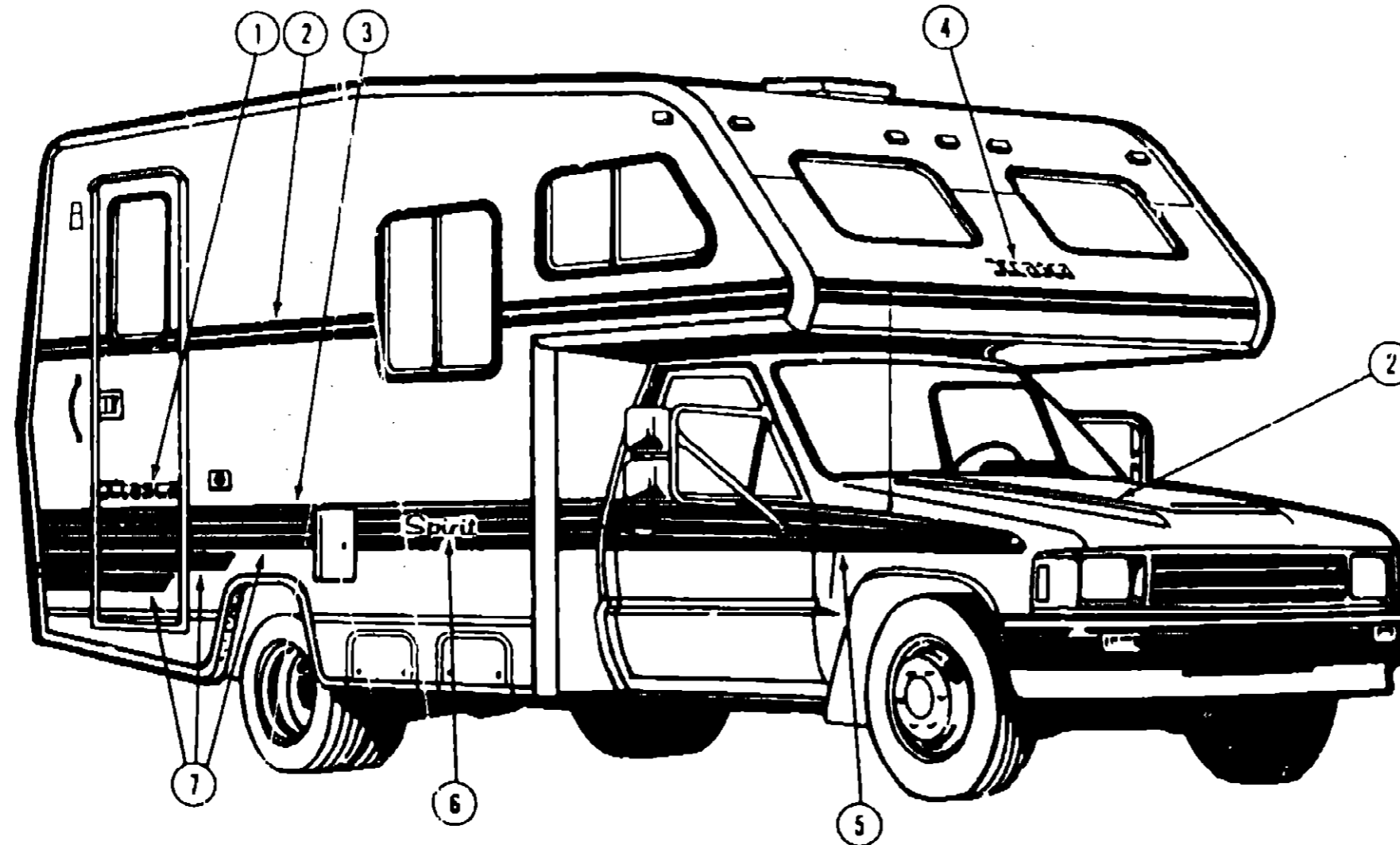
1989 IT319RK INDEX

Floor Plan	A-01 - A-02
Accessories Group	A-03
Bath Group	A-04
Chassis Group	A-05
Curtain, Cushion & Pad Group	A-06 - A-09
Dinette Group	A-10 - A-11
Driver's Compartment Group	A-12
Electrical Group	A-13 - A-15
Exterior Body Group	A-16 - A-21
Galley Group	A-22 - A-23
Heating & Air Conditioning Group	A-24
Interior Finish Group	B-01 - B-02
LP Group	B-03
Lounge Group	B-04
Water & Sewage Group	B-05 - B-06
Window, Vent & Exterior Door Group	B-07 - B-16

A-18

EXTERIOR BODY GROUP (CONTINUED)

DECALS & FILM STRIPE



Key	Part Number	U/M	Description
1	078852-08-000	EA	Decal - Logo - "Itasca" - Black
2	065217-M5-000	FT	Film - Multistripe - 3.3" - Blue/Dark Rose
3	069245-F5-000	FT	Film - Multistripe - 4.21" - Dark Rose/Rose
4	078191-01-000	EA	Decal - Logo - "Itasca" - Black
5	094779-01-01A	EA	Decal - Stripping - Door/Fender - Rose/Dark Rose/Blue (Passenger Side)
5	094779-02-01A	EA	Decal - Stripping - Door/Fender - Rose/Dark Rose/Blue (Driver Side)
6	093856-01-01A	EA	Decal - Logo - "Spirit" - Black/White
7	078831-34-000	FT	Decal - Stripping - 2.75" - Blue Metallic

1989 ITASCA TABLE OF CONTENTS

IT319RK
IT319RB

A-01 - B-16
B-17 - D-08

1989 IT319RK INDEX

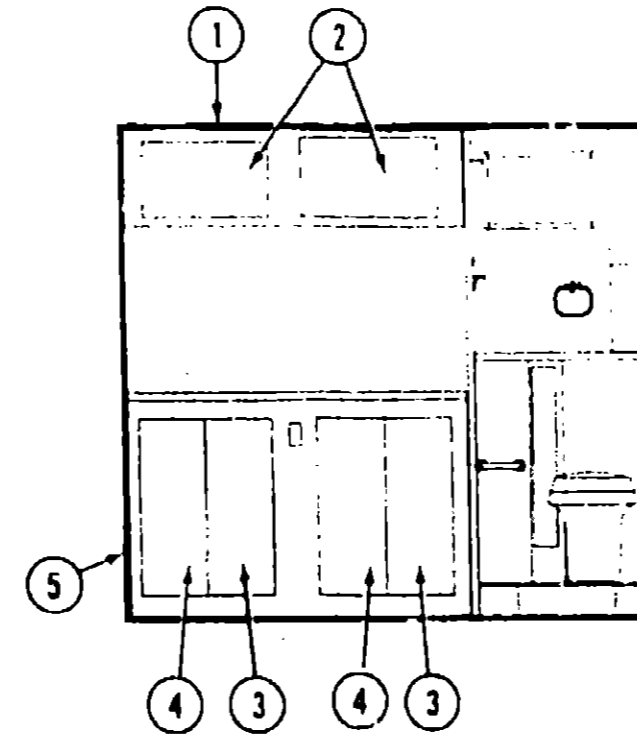
Floor Plan	A-01 - A-02
Accessories Group	A-03
Bath Group	A-04
Chassis Group	A-05
Curtain, Cushion & Pad Group	A-06 - A-09
Dinette Group	A-10 - A-11
Driver's Compartment Group	A-12
Electrical Group	A-13 - A-15
Exterior Body Group	A-16 - A-21
Galley Group	A-22 - A-23
Heating & Air Conditioning Group	A-24
Interior Finish Group	B-01 - B-02
LP Group	B-03
Lounge Group	B-04
Water & Sewage Group	B-05 - B-06
Window, Vent & Exterior Door Group	B-07 - B-16

EXTERIOR BODY GROUP (CONTINUED)

SEALANTS & ADHESIVES

Key	Part Number	U/M	Description
	004020-01-000	QT	Adhesive - ABS Cement (Plastic Fittings)
	002337-01-000	EA	Adhesive - 1300 Tube - 3M (Windows)
	004005-02-000	GL	Adhesive - Swifts - Glue (Sidewalls)
	053766-07-000	EA	Bedding Compound - Tube - Beige (Exterior)
	053776-06-000	EA	Bedding Compound - Tube - Clear (Window)
	053766-08-000	EA	Bedding Compound - Tube - Gray (Exterior)
	053766-05-000	EA	Bedding Compound - Tube - Gray (Sidewalls to Floor)
	053766-02-000	EA	Bedding Compound - Tube - Off White (Exterior)
	002328-02-000	EA	Block - Rubber Spacer (Windshield)
	004336-01-000	EA	Caulk - Latex - Golden Walnut (Sidewalls)
	077967-01-000	EA	Sealant - Acrylic Latex - Tube - Off White (Interior Sealant)
	034552-04-000	EA	Sealant - Silicone - Beige
	034552-02-000	EA	Sealant - Silicone - Clear
	034552-07-000	EA	Sealant - Silicone - Dark Gray
	034552-06-000	EA	Sealant - Silicone - Off White
	069637-01-000	EA	Sealant - Weatherban 404 - Tube - White (Door Caulk)
	072889-01-000	EA	Sealant - Urethane - Black (Windshield)
	069640-01-000	FT	Sealer Ribbon - .25" Bead x 20'
	069640-02-000	FT	Sealer Ribbon - .5" x .125" x 30'
	069640-03-000	FT	Sealer Ribbon - .75" x .125" x 30'
	069640-04-000	FT	Sealer Ribbon - 2" x .09" x 45' (P-Series)
	069640-05-000	FT	Sealer Ribbon - 2.5" x .09" x 50'
	069640-06-000	FT	Sealer Ribbon - 5/16" Bead x 15'
	069640-07-000	FT	Sealer Ribbon - 2" x 3/32" x 30'
	002316-01-000	FT	Sealer Tape - 3/32" x 3/8" - White (Window)
	002707-01-000	FT	Sealer Tape - 5/16" x 3/4"
	002707-02-000	FT	Sealer Tape - 5/16" x 1/2"
	040545-01-000	GL	Sealer - Seam Weld
	053752-04-000	EA	Seam Sealer - Tube - Aluminum (Roof)
	063642-01-000	FT	Tape - Adhesive - .10mm x 1.5" Wide
	038886-01-000	EA	Tape - Butyl - .31" x .31" x 148" (Windshield)
	076322-01-000	FT	Tape - Foam - Double Coated - .025 x 1" (Fiberglass Sidewall Seams)
	076322-02-000	FT	Tape - Foam - Double Coated - .045 x 1" (Fiberglass Sidewall Seams)
	009200-01-000	EA	Tape - Furnace - 1.5"
	002825-01-000	FT	Weather Stripping (Roof Vent)

GALLEY GROUP



GALLEY CABINETRY

Key	Part Number	U/M	Description
1	M92449-01-Y03	EA	Cabinet Asm. Galley Overhead - w/o Doors or Hardware
2	M94598-11-Y03	EA	Door Asm. - Galley Overhead - w/o Hardware
3	M94598-04-Y03	EA	Door Asm. - Galley - Right - w/o Hardware
4	M94598-05-Y03	EA	Door Asm. - Galley - Left - w/o Hardware
5	M88553-01-Y03	EA	Cabinet Asm. - Galley - w/o Countertop, Doors, Drawers or Hardware
	M03104-01-Y03	EA	Countertop Asm. - Galley
	077404-02-000	EA	Drawer - Plastic - 20" x 12.7"
	077409-02-000	EA	Slide - Drawer - Plastic

1989 ITASCA TABLE OF CONTENTS

IT319RK
IT319PE

A-01 - B-16
B-17 - D-08

1989 IT319RK INDEX

Floor Plan	A-01 - A-02
Accessories Group	A-03
Bath Group	A-04
Chassis Group	A-05
Curtain, Cushion & Pad Group	A-06 - A-09
Dinette Group	A-10 - A-11
Driver's Compartment Group	A-12
Electrical Group	A-13 - A-15
Exterior Body Group	A-16 - A-21
Galley Group	A-22 - A-23
Heating & Air Conditioning Group	A-24
Interior Finish Group	B-01 - B-02
LP Group	B-03
Lounge Group	B-04
Water & Sewage Group	B-05 - B-06
Window, Vent & Exterior Door Group	B-07 - B-16

GALLEY GROUP (CONTINUED)

GALLEY HARDWARE & APPLIANCES

Key	Part Number	U/M	Description
	054150-01-000	EA	Level - Refrigerator
	098654-01-000	EA	Sink - Stainless Steel - Double w/Bolts
	011053-03-000	EA	Faucet - Swing Spout - 8" - US
	011053-01-700	EA	Aerator - Swing Spout Faucet
	066432-01-000	EA	Strainer w/Basket - Sink
	088264-01-000	EA	Pull - Cabinet - Polished Brass
	059777-02-000	EA	Hinge - Cabinet Door - Antique Light Brass
	009021-01-000	EA	Catch - Nylon Grill
	009021-02-000	EA	Strike - Spring Steel
	047744-01-000	EA	Kit - Drawer Guide - Plastic
	077409-02-000	EA	Slide - Drawer - 20 75" - Plastic
	077404-02-000	EA	Drawer - 20" x 12 70" - Plastic
	066435-01-000	EA	Nut Strainer
	088777-01-000	EA	Panel - Monitor - Jensen
	084426-01-000	EA	Range Top - 4 Burner
	064473-03-000	EA	Refrigerator - 2 Way - 6' 875EG2
	064473-03-701	EA	Heater
	064473-03-719	EA	Flue
	064473-03-720	EA	Ignitor Control Module
	064473-03-721	EA	Power Supply Board
	064472-01-700	EA	Thermocouple
	064473-03-722	EA	Control Panel Insert
	064473-03-715	EA	Thermostat Knob
	064473-03-714	EA	Mode Selector Knob
	064473-03-716	EA	Selector Switch
	084860-01-715	EA	Manual Shut-Off Valve
	084880-01-713	EA	Male Connector (Inlet Fitting)
	064473-03-703	EA	Burner Tube
	064473-01-702	EA	Orifice
	088248-01-706	EA	Burner
	064473-03-700	EA	Spark Electrode
	064473-01-725	EA	Single Door Asm.
	064473-03-704	EA	Single Door Gasket
	064473-03-705	EA	Single Foamed Door Liner
	046955-01-702	EA	Top or Bottom Hinge Bushing
	064472-01-728	EA	Hinge Bracket - Top Left or Bottom Right
	064472-01-727	EA	Hinge Bracket - Bottom Left or Top Right
	046955-01-713	EA	Hinge Pin Top Right
	064472-03-700	EA	Hinge Pin Bottom Right
	064473-03-706	EA	Door Frame (Sides & Bottom)
	064473-03-723	EA	Door Frame (Top)
	064473-03-707	EA	Door Shell Trim Asm.
	064473-03-708	EA	Connector Rod
	064473-01-720	EA	Dairy Door
	064473-03-709	FA	Pin & Chain Travel Lock
	064473-01-708	EA	Top Cabinet Trim
	064473-01-711	EA	Cabinet Trim - Right
	064473-01-712	EA	Cabinet Trim - Left
	064473-03-711	EA	Freezer Door Handle
	064473-03-712	EA	Freezer Door
	054473-03-713	EA	Drip Tray
	064473-01-714	EA	Crisper Cover
	064472-01-716	EA	Crisper
	064472-02-728	EA	Nameplate Decal
	064473-03-727	EA	Travel Latch
	064473-03-728	EA	Travel Latch Decorative Trim

HEATING & AIR CONDITIONING GROUP

FURNACES & ROOF AIR CONDITIONER

Key	Part Number	U/M	Description
	084444-01-000	EA	Furnace 12,000 BTU
	069634-01-723	EA	Thermostat - Wall Mount
	009198-01-000	FT	Duct - Flexible - 4" ID x 25'
	009200-01-000	EA	Tap - Furnace - 1 1/2"
	076304-01-000	EA	Shroud Asm. Ceiling - Inside - Roof Air Cool Only
**	076303-01-000	EA	Air Conditioner - 110 Volt & Roof Mount - 7,100 BTU Rotary
**	The illustrated parts breakdown for this item is provided on the Common Items Fiche.		

1989 ITASCA TABLE OF CONTENTS

IT319RK	A-01 - B-16
IT319RB	B-17 - D-08

1989 IT319RK INDEX

Floor Plan	A-01 - A-02
Accessories Group	A-03
Bath Group	A-04
Chassis Group	A-05
Curtain, Cushion & Pad Group	A-06 - A-09
Dinette Group	A-10 - A-11
Driver's Compartment Group	A-12
Electrical Group	A-13 - A-15
Exterior Body Group	A-16 - A-21
Galley Group	A-22 - A-23
Heating & Air Conditioning Group	A-24
Interior Finish Group	B-01 - B-02
LP Group	B-03
Lounge Group	B-04
Water & Sewage Group	B-05 - B-06
Window, Vent & Exterior Door Group	B-07 - B-16

INTERIOR FINISH GROUP

INTERIOR MOLDING & TRIM

Key	Part Number	U/M	Description
	081521-01-001	EA	Molding Retainer - Corner - 16'
	009809-17-000	EA	Molding - Plastic - Outside Corner - 1"
	009812-17-000	FT	Molding - Plastic - Outside Corner - 1/2"
	042357-11-000	FT	Molding - Radius Corner - 7' - Light Oak
	022992-08-000	FT	Molding - Reverse Cover - Champagne White
	088263-19-000	EA	Batt Strip - Travertine - 8' (Wet Bath)
	088263-21-000	EA	Batt Strip - Charcoal - 8' (Wall)
	085284-13-000	FT	Batt Strip - Charcoal - Tape - Adhesive (Wall)
	088263-30-000	EA	Batt Strip - Crossilk Spatter - 8' (Ceiling)
	070504-01-000	FT	U-Channel - .065" - Light Brown
	009778-07-000	FT	U-Channel - 1" - Light Oak
	009767-06-000	FT	Welting - Beige

PANELING & COUNTERTOP MATERIAL

Key	Part Number	U/M	Description
	074497-10-000	SF	Paneling - Regal Oak - 48" x 84" (28 SF) (Cabinets)
	088272-38-000	SF	Paneling - Decor - Bone - 48" x 84" (28 SF) (Bath)
	088272-35-000	SF	Paneling - Decor - Slate - 48" x 84" (28 SF) (Galley) (Y26)
	088272-36-000	SF	Paneling - Decor - Graysalmon - 48" x 84" (28 SF) (Galley) (Y27)
	074497-14-000	SF	Paneling - Crossilk - 48" x 96" (32 SF) (Ceiling)
	088272-44-000	SF	Paneling - Charcoal - 48" x 84" (28 SF) (Wall)
	074498-28-000	SF	Plastic Laminate - Sterling - 48" x 96" (32 SF) (Galley/Bath)
	076325-16-000	FT	Molding - Edge Band - Regal Oak (Table)

FABRICS & CARPET

Key	Part Number	U/M	Description
	072333-61-000	YD	Fabric - Drapery (Y26)
	072333-62-000	YD	Fabric - Drapery (Y27)
	088274-52-000	YD	Fabric w/Pattern - Upholstery (Y26)
	088274-53-000	YD	Fabric w/Pattern - Upholstery (Y27)
	088274-66-000	YD	Fabric - Upholstery Accent (Y26)
	088274-67-000	YD	Fabric - Upholstery Accent (Y27)
	052859-07-Y26	FT	Accent Trim (Dinette Seat Back)
	052859-07-Y27	FT	Accent Trim (Dinette Seat Back)
	079680-01-000	YD	Expanded Vinyl - 26 oz. Buckskin
	072860-84-000	YD	Carpet - Graphite (Y26)
	072860-69-000	YD	Carpet - Rose Mist (Y27)

INTERIOR FINISH GROUP (CONTINUED)

CABINETS & TABLE HARDWARE

Key	Part Number	U/M	Description
	053200-09-000	EA	Bracket - Upper Wall Mount - 18 5" - Beige
	024275-10-000	EA	Rod - Table Lift - Tan
	024281-08-000	EA	Bracket - Lower Wall Mount
	024276-21-000	EA	Leg Asm. - Table - 26 5" - Tan
	064050-03-000	EA	Hinge - Table Leg - Tan
"	024282-01-000	EA	Brace - Table Leg
"	024283-01-000	EA	Clip - 1" OD Tube
	049493-01-000	EA	Catch - Table Leg - Mounts on Floor
	077409-02-000	EA	Slide - Drawer - Plastic - 20 75"
	059777-02-000	EA	Hinge - Antique Light Brass
"	047744-01-000	EA	Kit - Drawer Glide
	057671-01-000	EA	Screw Cover - #8 - Off White
	009021-01-000	EA	Catch - Nylon
	009021-02-000	EA	Strike - Nylon Catch
"	The illustrated parts breakdown for this item is provided on the Common Items Fiche		

CURTAIN & CUSHION HARDWARE

Key	Part Number	U/M	Description
	039175-02-000	EA	Bracket - Curtain Rod
	039175-05-000	EA	Bracket - Curtain Rod - Center
	039175-03-000	EA	Curtain Rod - Extension - 28" x 48"
	009701-01-000	EA	Carrier - Curtain L Rod
	009702-01-000	EA	End Stop - Curtain L Rod
	039175-01-000	EA	Curtain Rod - Extension - 48" x 84"
	087253-01-000	EA	Pull - Window Shade - Clear Plastic
	078155-01-000	EA	Strap Asm. - Cushion Snap

MISCELLANEOUS PARTS

Key	Part Number	U/M	Description
	053552-02-W24	EA	Handle Asm. - Interior Assist - Medium Almond Vinyl
	094499-01-000	EA	Fire Extinguisher - Dry - IA 10BC
	054185-31-000	EA	Owner's Manual - 1989 Itasca & Winnebago
	057671-02-000	EA	Cover - #8 Screw - Off White
	086120-01-Y26	EA	Map Pocket - 12" x 16"
	086120-01-Y27	EA	Map Pocket - 12" x 16"

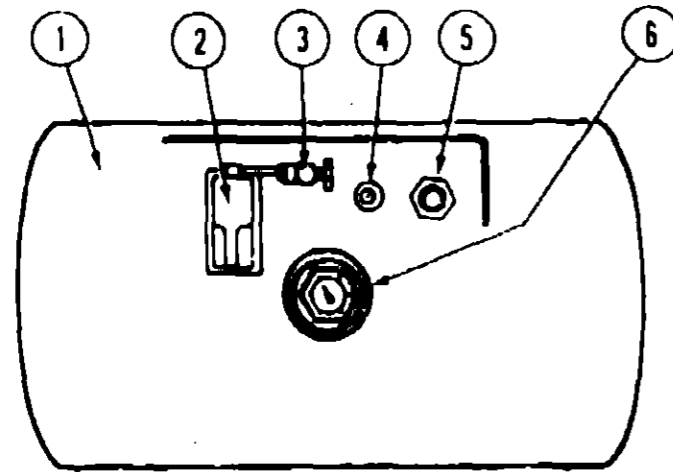
1989 ITASCA TABLE OF CONTENTS

IT319RK	A-01 - B-16
IT319RB	B-17 - D-08

1989 IT319RK INDEX

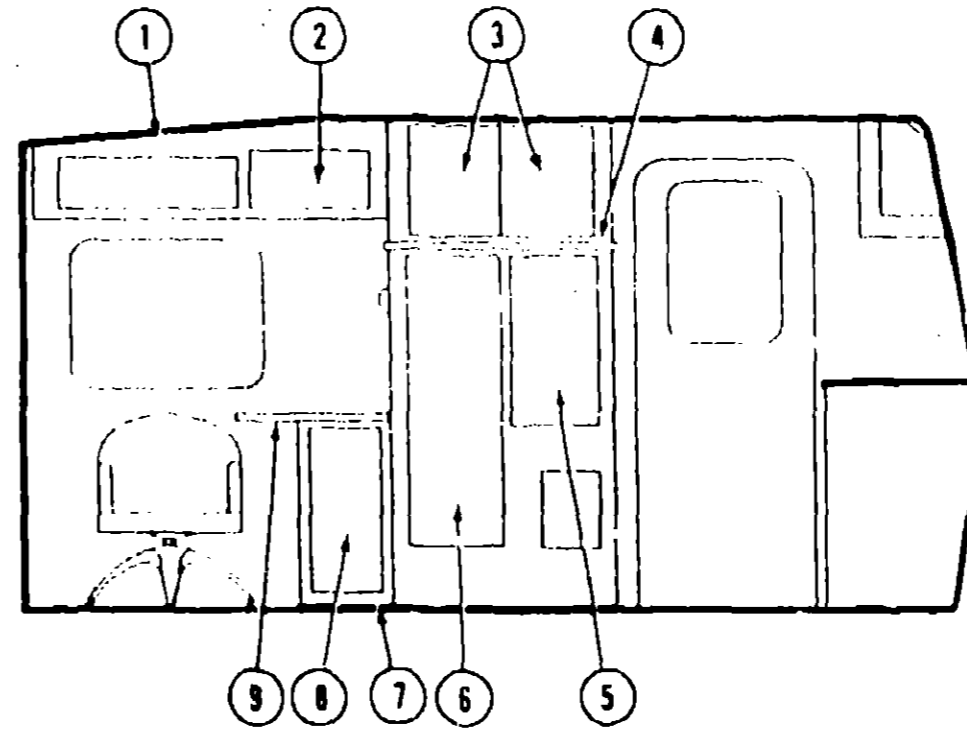
Floor Plan	A-01 - A-02
Accessories Group	A-03
Bath Group	A-04
Chassis Group	A-05
Curtain, Cushion & Pad Group	A-06 - A-09
Dinette Group	A-10 - A-11
Driver's Compartment Group	A-12
Electrical Group	A-13 - A-15
Exterior Body Group	A-16 - A-21
Galley Group	A-22 - A-23
Heating & Air Conditioning Group	A-24
Interior Finish Group	B-01 - B-02
LP Group	B-03
Lounge Group	B-04
Water & Sewage Group	B-05 - B-06
Window, Vent & Exterior Door Group	B-07 - B-18

LP GROUP



Key	Part Number	U/M	Description
1	074140-01-000	EA	Tank Asm. - LP - Frame Mount - 28 Pound - 10" x 23"
	065741-01-000	EA	Detector - LP Gas Leak - Marshalltown Instruments
2	081938-01-000	EA	Cover - LP Regulator
	076301-01-000	EA	Regulator - Two Stage - US (Dual)
3	040421-01-703	EA	Valve - Vapor Relief
4	040421-01-700	EA	Gauge - Liquid Level - 20% LP
5	040421-01-701	EA	Valve - Filter - LP
	040421-01-702	EA	Cap - Plastic Fill Valve
6	040421-01-707	EA	Gauge - Float - w/Visible Dial
	040421-01-706	EA	Dial - Visible Face - Float Gauge (Tank w/o Electric Transmitter)
	040440-01-000	EA	Dial - Transmitter - 0 - 90 Ohm (Float Gauge)
	045703-01-000	EA	Hose Asm. - LP - 3/8" ID x 24"
	065742-01-000	EA	Tee - .38 F x .38 F x .25 FPT

LOUNGE GROUP



STORAGE & WARDROBE CABINETS

Key	Part Number	U/M	Description
1	M92447-01-Y03	EA	Cabinet Asm. - Swivel Chair Overhead - w/o Door or Hardware
2	M94598-02-Y03	EA	Door Asm. - Swivel Chair Overhead - w/o Hardware
3	M94598-12-Y03	EA	Door Asm. - Wardrobe - Upper - w/o Hardware
4	088542-11-W17	EA	Countertop Asm. - Wardrobe
5	M94598-15-Y03	EA	Door Asm. - Wardrobe - Lower Right - w/o Hardware
6	M94598-17-Y03	EA	Door Asm. - Wardrobe - Lower Left - w/o Hardware
7	088647-01-W17	EA	Cabinet Asm. - Nightstand - w/o Countertop or Door
8	M94598-10-Y03	EA	Door Asm. - Nightstand - w/o Hardware
9	M03109-01-W17	EA	Countertop Asm. - Nightstand

SWIVEL CHAIR

Key	Part Number	U/M	Description
	092389-02-Y26	EA	Swivel Chair Asm. (Starlet II) (Used up to 1/22/89)
	092389-02-Y27	EA	Swivel Chair Asm. (Starlet II) (Used up to 1/22/89)
	088100-01-Y26	EA	Swivel Chair (Anthem) (Used from 1/23/89)
	088100-01-Y27	EA	Swivel Chair (Anthem) (Used from 1/23/89)
	088245-01-000	EA	Base w/Legs
	088245-03-000	EA	Swivel Plate
	088245-06-000	EA	Extention - 7"

**1989 ITASCA
TABLE OF CONTENTS**

IT319RK
IT319RB

A-01 - B-16
B-17 - D-08

1989 IT319RK INDEX

Floor Plan	A-01 - A-02
Accessories Group	A-03
Bath Group	A-04
Chassis Group	A-05
Curtain, Cushion & Pad Group	A-06 - A-09
Dinette Group	A-10 - A-11
Driver's Compartment Group	A-12
Electrical Group	A-13 - A-15
Exterior Body Group	A-16 - A-21
Galley Group	A-22 - A-23
Heating & Air Conditioning Group	A-24
Interior Finish Group	B-01 - B-02
LP Group	B-03
Lounge Group	B-04
Water & Sewage Group	B-05 - B-06
Window, Vent & Exterior Door Group	B-07 - B-16

WATER & SEWAGE GROUP

PLUMBING & REPAIR PARTS

Key	Part Number	U/M	Description
	033302-02-000	EA	Adapter Asm. - SWVC Strain - 1 1/2"
	010328-01-000	EA	Adapter - Flare - w/Cone Gasket
	062422-01-000	EA	Adapter - Hose Offset - Reducer - 3" x 1 1/2"
	052954-01-000	EA	Adapter - Hose Cone - 3/8 x 1/2 - Plastic
	010224-01-000	EA	Adapter - Plastic - 3/8 MPT x 3/8 Barb
	044927-01-000	EA	Adapter - Plastic - 1 1/4 MPT x 1 1/4 Barb
	031602-02-000	EA	Adapter - Plastic - 1 1/2 H x FPT
	062416-01-000	EA	Adapter - Termination - 3"
	004020-01-000	QT	Adhesive - ABS Cement
	011048-04-000	EA	Breaker - Vacuum - 1/8 MPT - Nylon
	010121-01-000	EA	Bushing - Plastic - 1 1/2 S x 1 1/4 H
	010122-01-000	EA	Bushing - Plastic - 1 1/2 S x 1 1/4 T
	010123-01-000	EA	Bushing - Plastic 2 S x 1 1/2 H
	036522-02-000	EA	Cap - Brass - 1/2 Flare
	062415-01-000	EA	Cap - Sewer - 3"
	052959-02-000	EA	Connector - 1/2 F x 1/2 MPT - Plastic
	052959-03-000	EA	Connector - 1/2 F x 3/8 MPT - Plastic
	011091-02-000	EA	Continuous Waste - Double Sink - 11 7/8 - US
	078406-01-000	EA	Coupler Rubber - 3" x 3"
	052980-01-000	EA	Drain Valve - 1/2 F x 1/2 F - Plastic
	010009-01-000	EA	Elbow - ST - Plastic - 1/4 BD x 1 1/2 x 90°
	010000-01-000	EA	Elbow - Plastic - 1/8 BD x 1 1/4 x 45° H x H
	010005-01-000	EA	Elbow - Plastic - 1/16 BD x 1 1/2
	010006-01-000	EA	Elbow - Plastic - 1/8 BD x 1 1/2 x 45° H x H
	010008-01-000	EA	Elbow - Plastic - 1/4 BD x 1 1/2 x 90° Left
	010051-01-000	EA	Elbow - ST - Plastic - 1/8 BD x 1 1/2 x 45°
	010219-01-000	EA	Elbow - 1 1/4 Barb x 1 1/4 MPT x 90°
	031111-01-000	EA	Elbow - Plastic - 1/4 BD x 1 1/4 x 90° Left
	034250-01-000	EA	Elbow - Plastic - 1/4 BD x 1 1/2 x 90° x H x H
	035539-01-000	EA	Elbow - Plastic - 3/8 MPT x 3/8 Barb
	052957-01-000	EA	Elbow - Plastic - 1/2 F x 3/8 MPT
	052957-02-000	EA	Elbow - 1/2 F x 1/2 MPT (In Tank Fitter)
	058536-01-000	EA	Elbow - 1 1/4 - Slip Joint Ends
	085120-01-000	EA	Elbow - Plastic - Swivel - .50
	070924-01-000	EA	Elbow - Plastic - Swivel - 1/2 MPT x 1/2 FP
	010377-01-000	EA	Nut - Brass - 3/8 F
	010377-02-000	EA	Nut - Brass - 3/8 F (CSA Only)
	010380-02-000	EA	Nut - Brass - 1/2 F (CSA Only)
	010497-05-000	EA	Clamp - Closed - .50" ID
	010499-01-000	EA	Clamp - Closed - .3/8" ID
	082401-02-000	EA	Clamp - Hose - Wormgear - 1.56" - 2.5"

WATER & SEWAGE GROUP (CONTINUED)

PLUMBING & REPAIR PARTS (CONT.)

Key	Part Number	U/M	Description
	077954-02-000	EA	Filter/Screen (In Water Tank)
	039647-02-000	EA	Filter - Water Pump - 1/2" MPT
	039647-03-000	EA	Filter - Water Pump - 1/2" Flare
	063641-01-000	EA	Flange - Closet - 4" F x 4" FPT - US
	079381-01-000	FT	Flexible Tubing - 1 1/4 ID x 10'
	061607-01-000	EA	Grommet - Holding Tank Coupler - 1 1/2"
	061607-02-000	EA	Grommet - Holding Tank Coupler - 3"
	052961-01-000	EA	Header - 1/2 F x 1/2 F x 1/2 F x 1/2 F
	046524-01-000	EA	Kit - Holding Tank Fittings - Blank Tank
	046524-02-000	EA	Kit - Water Tank Fittings - Blank Tank
	052953-01-000	EA	Nut - Faucet - 1/2 Tube x 1/2 FPT
	052952-01-000	EA	Nut - 1/2 F - Plastic
	011066-03-000	EA	P-Trap - 1 1/4" Plastic - US
	010197-01-000	FT	Pipe - Plastic - 3" x 240" - Black
	045729-01-000	EA	Pump - Water - 2.8 G.P.M. - Direct Drive - Shurflo - US
	010201-01-000	EA	Sewer Hose - 3" x 8" w/Clamp
	042989-05-000	EA	Spinweld Fittings - Plastic - 1/2 FPT (In Tank Filter)
	042989-03-000	EA	Spinweld Fittings - Plastic - 1/4 NPT
	042989-04-000	EA	Spinweld Fittings - Plastic 3/8 FPT
	011069-03-000	EA	Tailpiece - 1/2" x 1 3/4" - Plastic
	010071-01-000	EA	Tee - Plastic - 1 1/2 x H x H x H
	010072-01-000	EA	Tee - Plastic - 1 1/2 H x 1 1/4 H x 1 1/2 H
	010079-01-000	EA	Tee - Plastic - 1 1/2 H x 1 1/2 H x 1 1/4 H
	046172-01-000	EA	Tee - Plastic - 3/8 B x 3/8 B x 3/8 MPT
	052955-01-000	EA	Tee - Plastic - 1/2 F x 1/2 F x 1/2 MPT
	052956-01-000	EA	Tee - Plastic - 1/2 F x 1/2 MPT x 1/2 F
	052958-01-000	EA	Tee - Plastic - 1/2 F x 1/2 F x 1/2 F
	010133-01-000	EA	Trap Adapter - Plastic - 1 1/2 H x MPT
	039800-01-000	FT	Tubing - Polybutyl - 1/2 OD (Water Line)
	079381-01-000	FT	Tubing - Flexible - Smooth - 1.25" ID
	074462-02-000	FT	Tubing - Vinyl - 3/8 ID
	062421-01-000	EA	Valve - 1 1/2" - w/Handle
	062418-02-000	EA	Valve - 3" - w/o Handle
	052960-01-000	EA	Valve - Line Drain - 1/2 F x 1/2 F
	052962-01-000	EA	Valve - Stool - 90° - 1/2 F x 3/8 MPT
	010073-01-000	EA	Wye - Plastic - 1 1/2 x 45 H x H
	078842-01-000	EA	Valve - 3" x 1.5" Tee - w/Handle
	072346-01-000	EA	Valve Asm. - 3" E11 w/2" Socket
	079968-01-000	EA	Vent - Mechanical Trap Arm
**	The illustrated parts breakdown for this item is provided on the Common Items Fiche.		

HOLDING TANKS & WATER HEATER

Key	Part Number	U/M	Description
	074300-01-000	EA	Tank - Holding - 13 Gallon - w/o Fittings - Waste Water
	084679-01-000	EA	Tank - Holding - 11.5 Gallon - w/o Fittings - Sewage
	051391-02-000	EA	Water Heater - w/o Motor Aid - Atwood - G4-SM
	084677-01-000	EA	Tank Asm. - Water - 14 Gallon - Used Thru 6/9/88.
	084677-02-000	EA	Tank Asm. - Water - 14 Gallon - Used From 6/10/88.

**1989 ITASCA
TABLE OF CONTENTS**

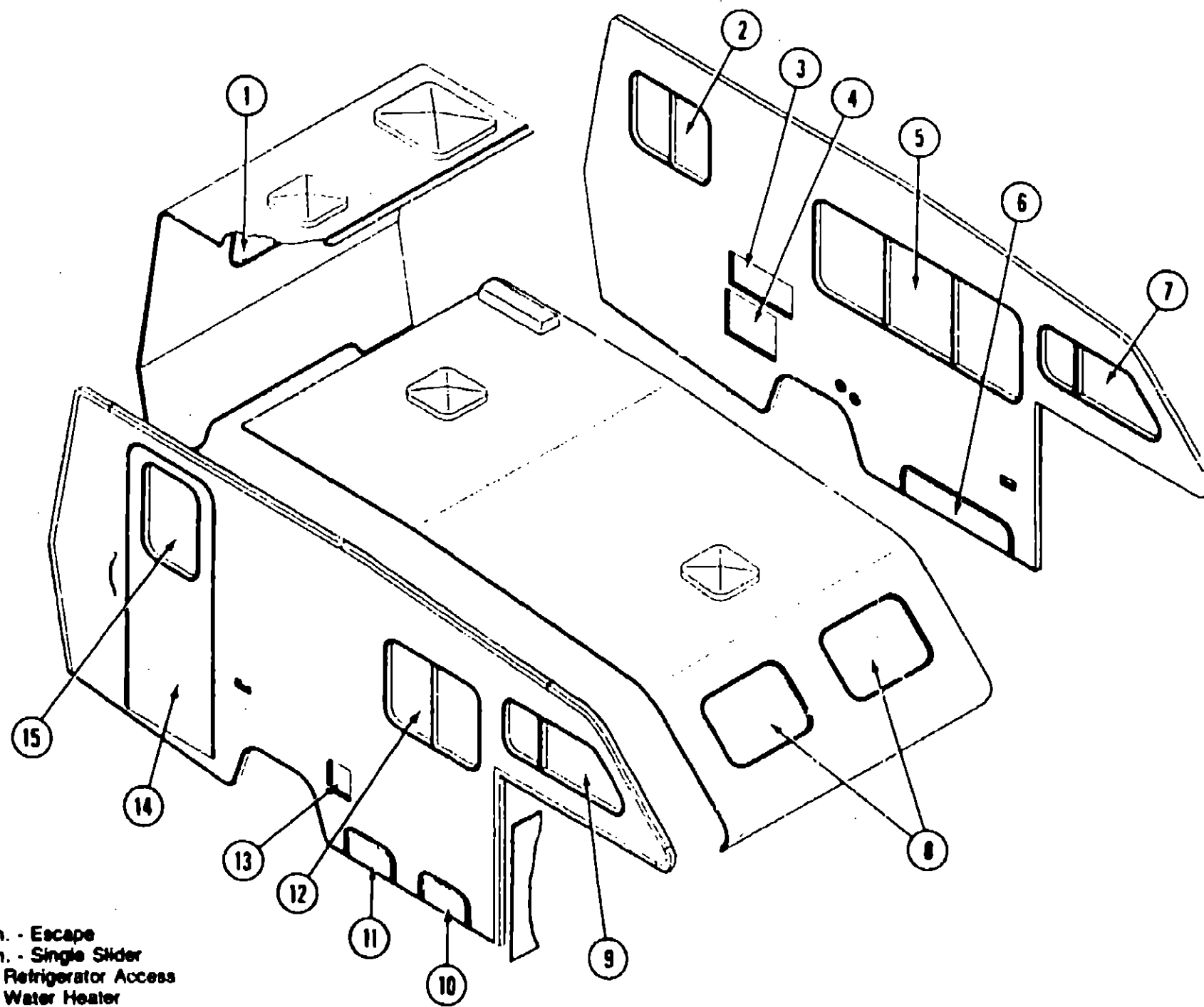
IT319RK	A-01 - B-16
IT319R8	B-17 - D-08

1989 IT319RK INDEX

Floor Plan	A-01 - A-02
Accessories Group	A-03
Bath Group	A-04
Chassis Group	A-05
Curtain, Cushion & Pad Group	A-06 - A-09
Dinette Group	A-10 - A-11
Driver's Compartment Group	A-12
Electrical Group	A-13 - A-15
Exterior Body Group	A-16 - A-21
Galley Group	A-22 - A-23
Heating & Air Conditioning Group	A-24
Interior Finish Group	B-01 - B-02
LP Group	B-03
Lounge Group	B-04
Water & Sewage Group	B-05 - B-06
Window, Vent & Exterior Door Group	B-07 - B-16

WINDOW, VENT & EXTERIOR DOOR GROUP

WINDOWS & ACCESS DOORS



Key	Part Number	U/M	Description
1	079729-03-W17	EA	Window Asm. - Escape
2	078266-03-T03	EA	Window Asm. - Single Slider
3	084103-03-000	EA	Door Asm. - Refrigerator Access
4	052008-01-000	EA	Door Asm. - Water Heater
5	078266-03-X11	EA	Window Asm. - Double Slider
6	084574-04-X01	EA	Door Asm. - Storage
7	086227-02-000	EA	Window Asm. - Bunk Slant Slider - Driver Side
	086226-06-000	EA	Inside Frame - Bunk Left (not included in assembly)
8	078533-03-W17	EA	Window Asm. - Front Picture - 14" x 24"
9	086227-01-000	EA	Window Asm. - Bunk Slant Slider - Passenger Side
	086226-05-000	EA	Inside Frame - Bunk Right (not included in assembly)
10	084574-01-U28	EA	Door Asm. - Storage - Right Front
11	084574-03-W17	EA	Door Asm. - Storage - Right Rear
12	078266-06-W17	EA	Window Asm. - Single Slider
13	078010-03-000	EA	Door Asm. - Fuel Fill - Off White
14	M01870-17-Y28	EA	Door Asm. - Entrance - w/Screen Door & Window (Y27)
15	079733-04-T03	EA	Window Asm. - Picture - 17" x 25"

1989 ITASCA TABLE OF CONTENTS

IT319RK
IT319RB

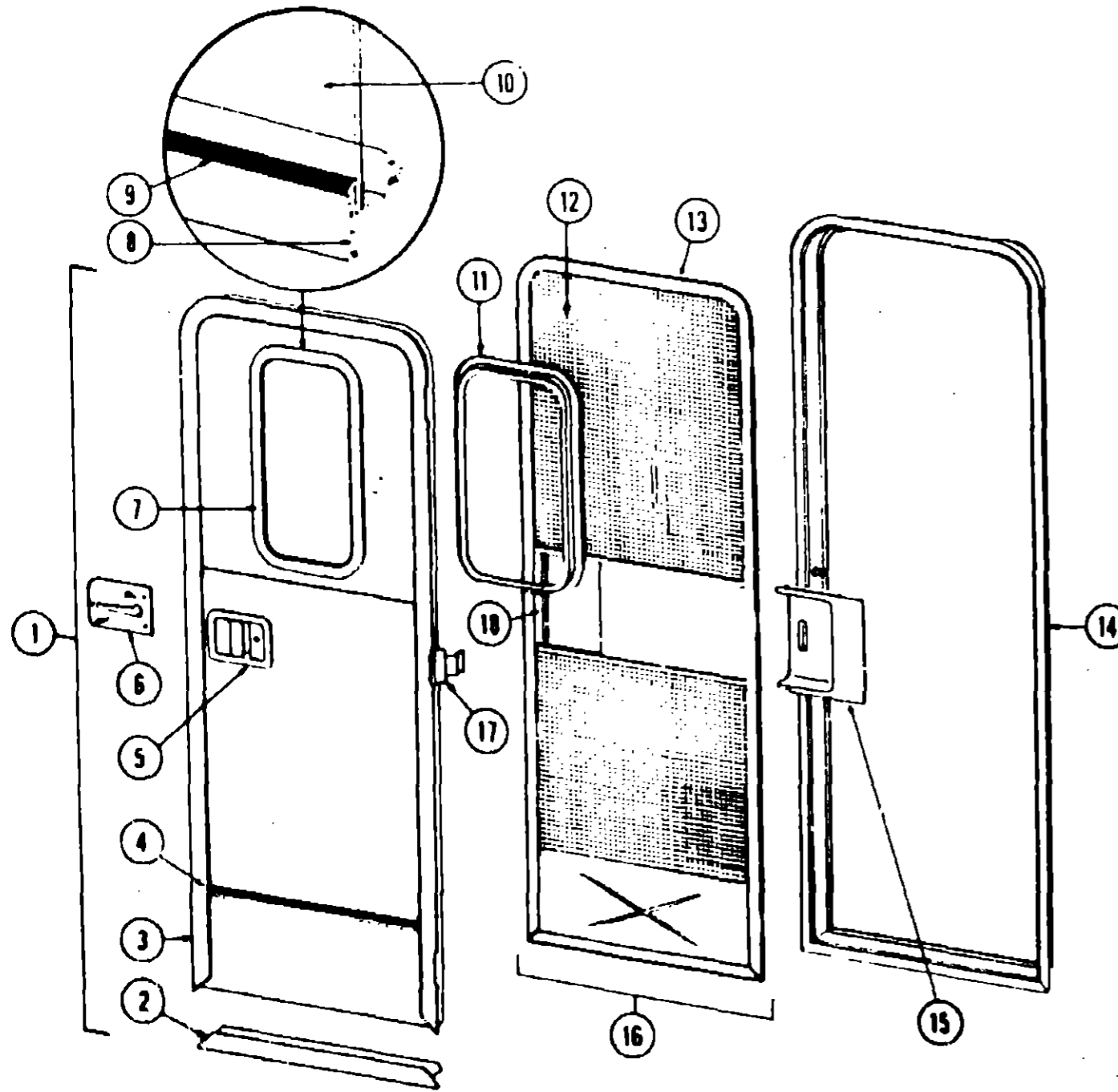
A-01 - B-16
B-17 - D-08

1989 IT319RK INDEX

Floor Plan	A-01 - A-02
Accessories Group	A-03
Bath Group	A-04
Chassis Group	A-05
Curtain, Cushion & Pad Group	A-06 - A-09
Dinette Group	A-10 - A-11
Driver's Compartment Group	A-12
Electrical Group	A-13 - A-15
Exterior Body Group	A-16 - A-21
Galley Group	A-22 - A-23
Heating & Air Conditioning Group	A-24
Interior Finish Group	B-01 - B-02
LP Group	B-03
Lounge Group	B-04
Water & Sewage Group	B-05 - B-06
Window, Vent & Exterior Door Group	B-07 - B-16

WINDOW, VENT & EXTERIOR DOOR GROUP (CONTINUED)

ENTRANCE & SCREEN DOOR



Key	Part Number	U/M	Description
1	M01870-17-Y26	EA	Door Asm. - Radius Entry - w/Window - w/Screen Door
2	077999-04-000	EA	Frame - Entry Door (Bottom Portion Only)
	076863-01-000	EA	Frame - Entry Door (Except Bottom Portion)
4	059576-05-000	EA	Feature Strip w/o Insert - Extr. - 14" - Off White
	001030-02-100	EA	Insert - Feature Strip - 17" - Off White
	009731-01-000	EA	End Cap - Feature Strip
5	045017-10-000	EA	Paddle Asm. - Door Lock - Exterior
	045017-05-700	EA	Lock Cylinder w/Keys - Lyncor
	039539-01-000	EA	Striker Bolt - Entry Door
	039540-01-000	EA	Latch Claw - Entry Door
6	039979-03-000	EA	Plate - Inside Lock - Includes Inside Handle
7	079733-04-T03	EA	Window Asm. - Picture - Black (w/o inside frame)
8	069640-06-000	FT	Ribbon Sealer - 5/16" Bead x 15'
9	002309-02-000	FT	Spline - Glass - 1/8" Black
10	002181-06-000	EA	Glass - Picture Window - 1/8" x 16.25" x 24" - Gray
11	067609-03-000	EA	Inside Frame - Beige (not included in assembly)
12	002293-02-000	SF	Screen - Window - 26" - Charcoal
13	056795-01-000	FT	Seal Tape - 1/8" x 3/8" - Press On
14	078591-05-000	EA	Jamb Asm. - Entrance Door
15	079086-02-000	EA	Slider - Screen Door - Plastic
16	079012-01-U01	EA	Door Asm. - Screen
17	079241-05-000	EA	Hinge - Entrance Door (3 used per door)
18	015581-02-000	EA	Cap - Screen Door - Plastic
	009016-01-000	EA	Catch - Elbow - Spring Loaded - Screen Door
	039863-01-000	EA	Catch Asm. - Single Roller w/Striker - Screen Door
	076231-01-000	EA	Spacer - Latch - Screen Door
	077437-02-000	EA	Strike - Roller Catch
	058025-02-000	EA	Clip - Roller Latch Catch
	044582-02-000	EA	Drip Cap - Off White
	079278-01-000	EA	Seal - Mocket - Entrance Door
	073090-01-000	FT	Seal - Entrance Door
	075739-01-000	EA	Stiffener - Entrance Door - Off White
	075673-01-000	FT	Seal - Pile - Adhesive Back
	075871-01-000	FT	Seal - Sponge - Lazy "T" Shaped
	002294-01-000	FT	Spline - Black - .135" x .138" (Screen Door)
	063638-02-000	EA	Strike - Screen Door
	063729-04-000	EA	Rivnut - 10-32 UNF - .010 - .060
	075639-01-000	EA	Garnish - Radius - Entrance Door

1989 ITASCA TABLE OF CONTENTS

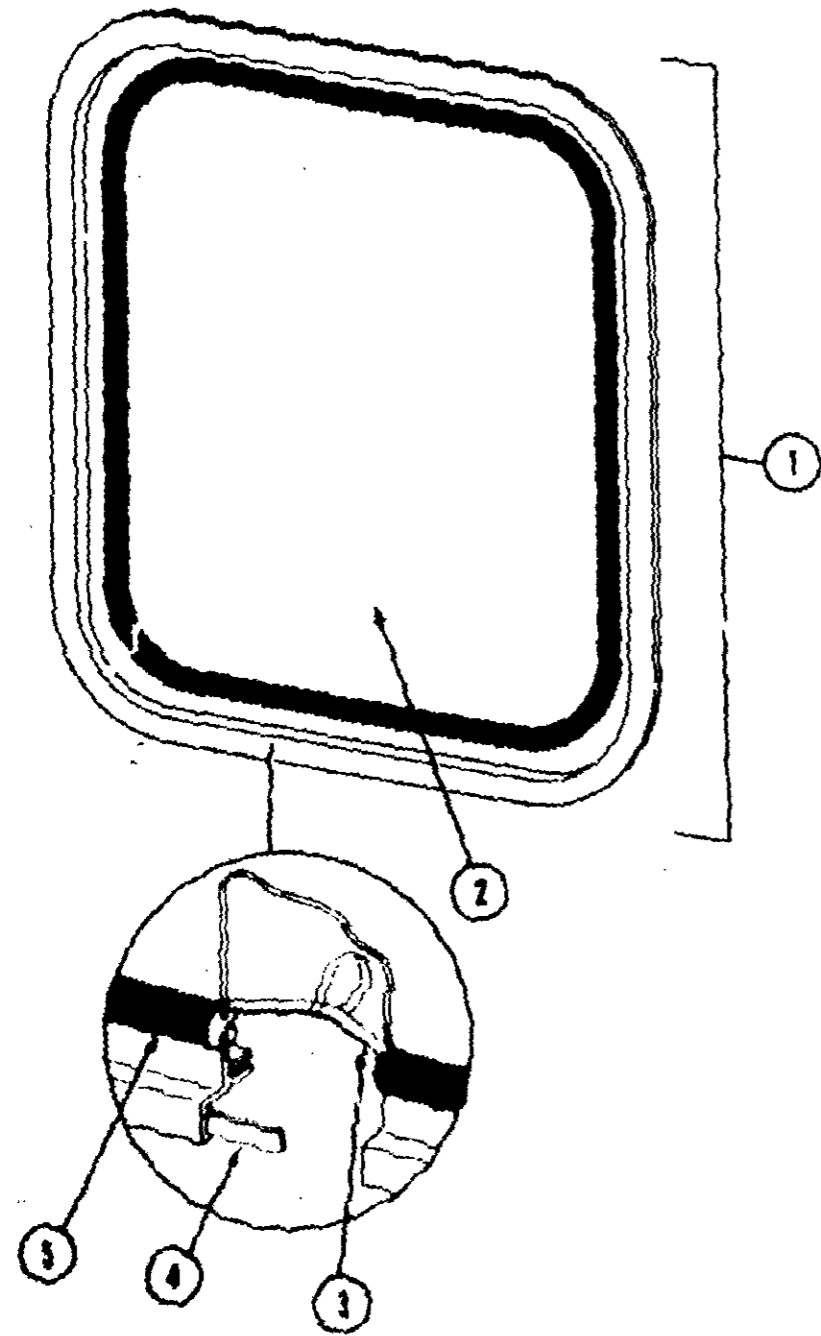
IT319RK
IT319RB

A-01 - B-16
B-17 - D-09

1989 IT319RK INDEX

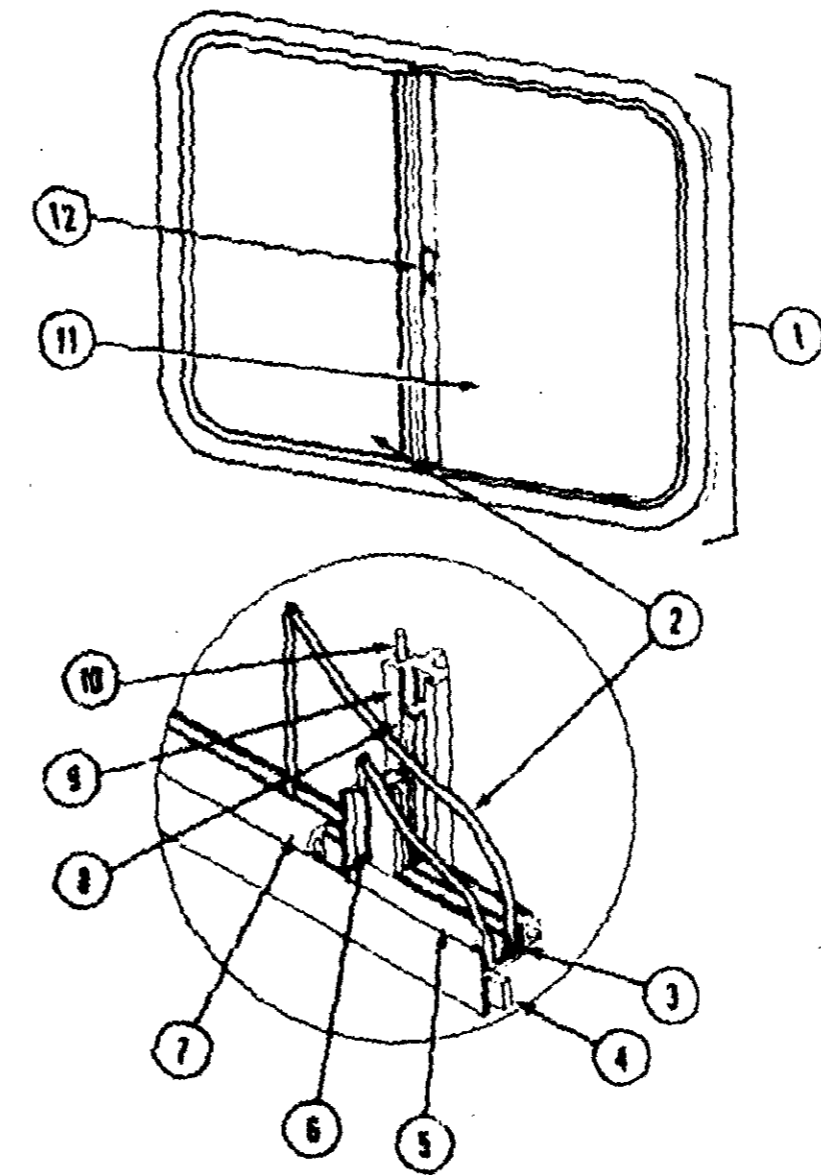
Floor Plan	A-01 - A-02
Accessories Group	A-03
Bath Group	A-04
Chassis Group	A-05
Curtain, Cushion & Pad Group	A-06 - A-09
Dinette Group	A-10 - A-11
Driver's Compartment Group	A-12
Electrical Group	A-13 - A-15
Exterior Body Group	A-16 - A-21
Galley Group	A-22 - A-23
Heating & Air Conditioning Group	A-24
Interior Finish Group	B-01 - B-02
LP Group	B-03
Lounge Group	B-04
Water & Sewage Group	B-05 - B-06
Window, Vent & Exterior Door Group	B-07 - B-16

WINDOW, VENT & EXTERIOR DOOR GROUP (CONTINUED)



Key	Part Number	U/M	Description
1	079729-03-W17 020749-07-000	EA	Window Asm. - Rear Escape - 22.5" x 24.5" - Black (w/o make for use)
2	041382-03-000	EA	Inside Frame (not included in assembly)
3	002285-01-000	FT	Glass - 1/8" x 21.6" x 19.6"
4	089640-05-000	FT	Filler - Weatherstrip - Black
5	002282-01-000 008199-01-000	FT EA	Ribbon Sealer - 5/16" Bead x 15" Weatherstrip - .125" Window Label - Exit - Escape Window

WINDOW, VENT & EXTERIOR DOOR GROUP (CONTINUED)



Key	Part Number	U/M	Description
1	078288-03-T03	EA	Window Asm. - Single Slider (w/o inside frame)
2	083122-03-000 081980-03-000	EA	Inside Frame - Beige (not included in assembly) Glass - Sliding - 1/8" x 19" x 13.68"
3	002324-01-000	FT	Channel - Weatherstrip - Glass Run - 1/8" Glass
4	089640-05-000	FT	Ribbon Sealer - 5/16" Bead x 15"
5	002309-02-000	FT	Spline - Glass - 1/8" Material - Black
6	M08888-03-011	EA	Seal Holder w/Fin Seal - Black
7	057374-02-000	FT	Extr. Rubber - Window Seal - Black
8	073740-01-000	FT	Seal - Fin - Pile - .480"
9	084170-02-000	EA	Mullion - Slider Window - Black
10	002298-02-000	SF	Spline - .130" Dia. - Charcoal (Screen)
11	081984-03-000	EA	Glass - Stationary - 1/8" x 19" x 12.30"
12	047385-01-700 079204-01-000 002292-02-000	EA EA SF	Latch Kit - Window - Plastic w/Fastener Bracket - Mullion - Black Screen - Window - 20" - Charcoal

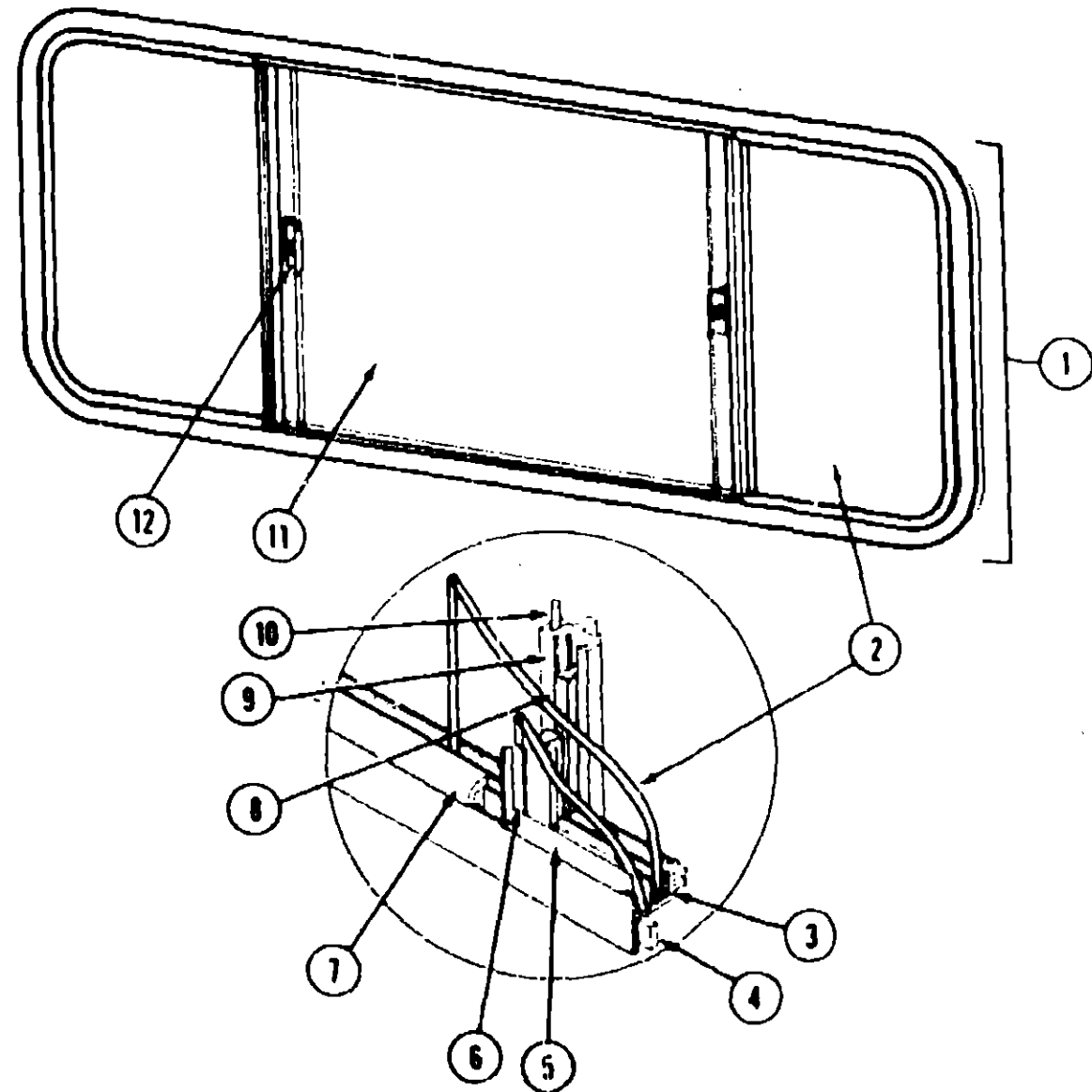
1989 ITASCA
TABLE OF CONTENTS

IT319RK	A-01 - B-16
IT319RB	B-17 - D-08

1989 IT319RK INDEX

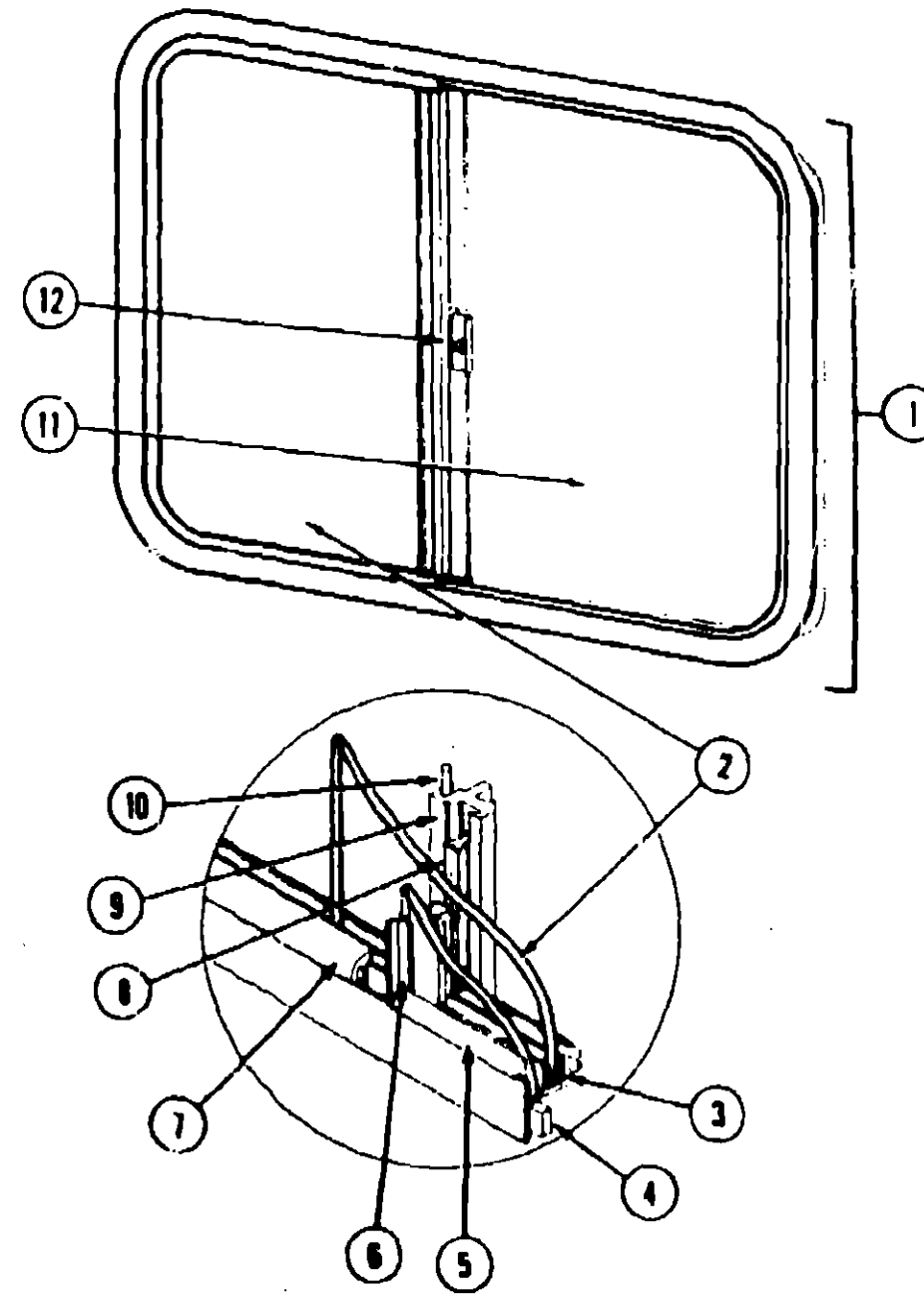
Floor Plan	A-01 - A-02
Accessories Group	A-03
Bath Group	A-04
Chassis Group	A-05
Curtain, Cushion & Pad Group	A-06 - A-09
Dinette Group	A-10 - A-11
Driver's Compartment Group	A-12
Electrical Group	A-13 - A-15
Exterior Body Group	A-16 - A-21
Gallery Group	A-22 - A-23
Heating & Air Conditioning Group	A-24
Interior Finish Group	B-01 - B-02
LP Group	B-03
Louge Group	B-04
Water & Sewage Group	B-05 - B-08
Window, Vent & Exterior Door Group	B-07 - B-16

WINDOW, VENT & EXTERIOR DOOR GROUP (CONTINUED)



Key	Part Number	U/M	Description
1	078268-03-X11	EA	Window Asm. - Double Slider - 25" x 65" - Black (w/o inside frame)
	083122-25-000	EA	Inside Frame - Beige (not included in assembly)
3	081980-08-000	EA	Glass - Sliding - 1/8" x 24" x 20.3"
3	002324-02-000	FT	Channel - Weatherstrip - Glass Run - 1/8" Glass
4	089840-08-000	FT	Ribbon Sealer - 5/16" x 15'
5	002309-02-000	FT	Spline - Glass - 1/8" - Black
6	M09886-03-003	EA	Seal Holder w/Fin Seal - 23.19" - Black
7	057374-02-000	FT	Extr. Vinyl - Window Seal - Black
8	073740-01-000	FT	Seal - Fin - Pile - .460"
9	084170-04-000	EA	Mullion - Slider Window - Black
10	002298-02-000	FT	Spline - .130" Dia. - Charcoal (Screen)
11	002128-05-000	EA	Glass - Stationary - 1/8" x 24" x 25.5"
12	047389-01-700	EA	Latch Kit - Window - Plastic w/Fastener
	079204-01-000	EA	Bracket - Mullion - Black
	002293-02-000	SF	Screen - Window - 26" - Charcoal

WINDOW, VENT & EXTERIOR DOOR GROUP (CONTINUED)



Key	Part Number	U/M	Description
1	078268-08-W17	EA	Window Asm. - Single Slider (w/o inside frame)
	083122-05-000	EA	Inside Frame - Beige (not included in assembly)
2	081980-02-000	EA	Glass - Sliding - 1/8" x 22" x 13.88"
3	002324-02-000	FT	Channel - Weatherstrip - Glass Run - 1/8" Glass
4	089840-08-000	FT	Ribbon Sealer - 5/16" Bead x 15'
5	002309-02-000	FT	Spline - Glass - 1/8" Material - Black
6	M18025-03-000	EA	Seal Holder w/Fin Seal - Black
7	057374-02-000	FT	Extr. Rubber - Window Seal - Black
8	073740-01-000	FT	Seal - Fin - Pile - .460"
9	084170-03-000	EA	Mullion - Slider Window - Black
10	002298-02-000	SF	Spline - .130" Dia. - Charcoal (Screen)
11	081984-01-000	EA	Glass - Stationary - 1/8" x 22" x 16.53"
12	047389-01-700	EA	Latch Kit - Window - Plastic w/Fastener
	079204-01-000	EA	Bracket - Mullion - Black
	002293-02-000	SF	Screen - Window - 26" - Charcoal

1989 ITASCA
TABLE OF CONTENTS

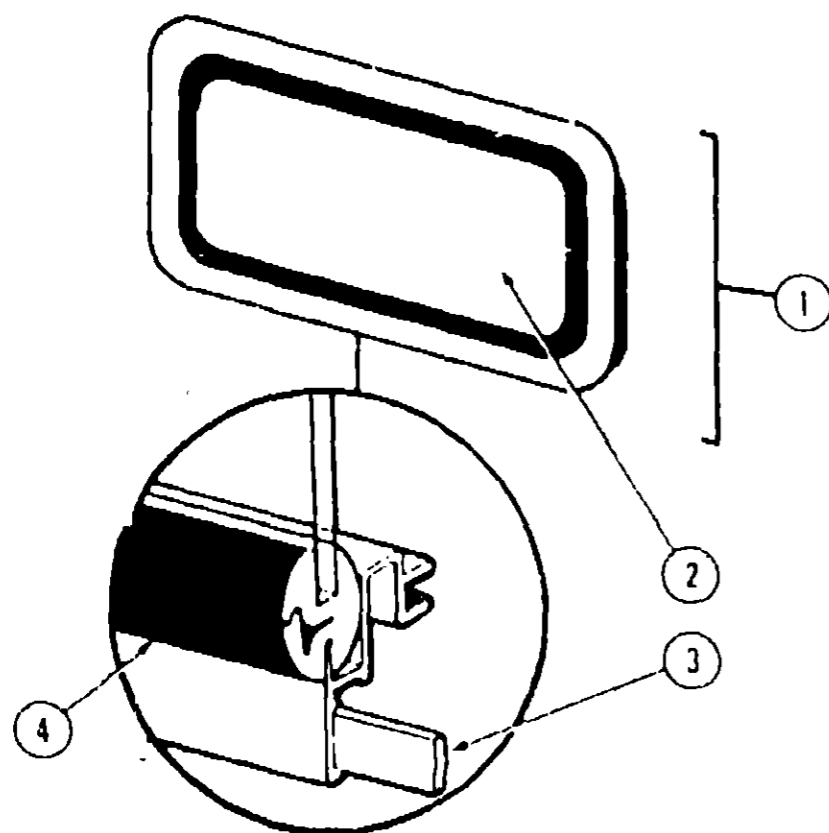
IT319RK
IT319RB

A-01 - B-16
B-17 - D-08

1989 IT319RK INDEX

Floor Plan	A-01 - A-02
Accessories Group	A-03
Bath Group	A-04
Chassis Group	A-05
Curtain, Cushion & Pad Group	A-06 - A-09
Dinette Group	A-10 - A-11
Driver's Compartment Group	A-12
Electrical Group	A-13 - A-15
Exterior Body Group	A-16 - A-21
Galley Group	A-22 - A-23
Heating & Air Conditioning Group	A-24
Interior Finish Group	B-01 - B-02
LP Group	B-03
Lounge Group	B-04
Water & Sewage Group	B-05 - B-08
Window, Vent & Exterior Door Group	B-07 - B-16

WINDOW, VENT & EXTERIOR DOOR GROUP (CONTINUED)



Key	Part Number	U/M	Description
1	078533-03-W17 041938-05-000	EA	Window Asm. - Front Picture - 14" x 69" - Black (w/o inside frame)
2	002200-04-000	EA	Glass - TP - Picture Window
3	088840-06-000	FT	Ribbon Sealer - 5/16" Bead x 15'
4	0022B1-01-000	FT	Weatherstrip - Self Seal - .06" Panel x 3/16" - Black

WINDOW, VENT & EXTERIOR DOOR GROUP (CONTINUED)

ACCESS DOORS & HARDWARE

Key	Part Number	U/M	Description
	084574-01-U28	EA	Door Asm. - Storage (Passenger Side Front)
	084574-03-X01	EA	Door Asm. - Storage (Passenger Side Rear)
	084574-04-X01	EA	Door Asm. (Drivers Side)
	084103-03-000	EA	Door Asm. - Refrigerator Access - Off White
	084104-03-000	EA	Door Jamb - Refrigerator Vent
	052009-01-000	EA	Door Asm. - Water Heater - Off White
	052423-01-000	EA	Door - Sewage Hose - Off White
	085969-01-000	EA	Outlet Extension - Sewage
	075730-01-000	EA	End Cap - Sewage Hose
	078010-03-000	EA	Door Asm. - Fuel Fill - Off White
	052424-01-000	EA	Jamb - Power Cord Door - Off White
	009426-02-000	EA	Hatch - Power Cord Door
	083615-06-000	EA	Door Holder
	041312-01-000	EA	Seal - Bulb - 'a' Section
	083223-03-000	EA	Lock Asm. - Key Type (Storage Door)
	052951-01-000	EA	Chp - Twist Lock - Retainer
	042441-01-000	EA	Lock Asm. - Key Type (Fuel Fill)
	052950-01-700	EA	Lock Asm. - Twist Type - White (Storage Door)

VENTS & DOMES

Key	Part Number	U/M	Description
	090395-01-Y12	EA	Vent Asm. - Roof - Non-Powered - w/o Screen - Aluminum
	078786-01-Y12	EA	Screen Asm. - Roof Vent - Non-Powered
	048789-01-Y12	EA	Vent Asm. - Roof - Powered - w/o Screen - Aluminum
	078785-01-Y12	EA	Screen Asm. - Roof Vent - Powered
	065103-01-000	EA	Roof Base - Refrigerator
	065103-02-000	EA	Roof Cap - Refrigerator
	084079-03-000	EA	Vent Asm. - Roof - Powered - 12" Fan (Fantastic)
	080507-01-000	EA	Skylight Panel - Outer
	080508-01-000	EA	Skylight Panel - Inner
	080258-01-000	EA	Trim - Skylight Panel - Outer
	080508-01-000	EA	Trim - Skylight Panel - Inner

**1989 ITASCA
TABLE OF CONTENTS**

IT319RK
IT319RB

A-01 - B-16
B-17 - D-08

1989 IT319RK INDEX

Floor Plan	A-01 - A-02
Accessories Group	A-03
Bath Group	A-04
Chassis Group	A-05
Curtain, Cushion & Pad Group	A-06 - A-09
Dinette Group	A-10 - A-11
Driver's Compartment Group	A-12
Electrical Group	A-13 - A-15
Exterior Body Group	A-16 - A-21
Galley Group	A-22 - A-23
Heating & Air Conditioning Group	A-24
Interior Finish Group	B-01 - B-02
LP Group	B-03
Lounge Group	B-04
Water & Sewage Group	B-05 - B-08
Window, Vent & Exterior Door Group	B-07 - B-16