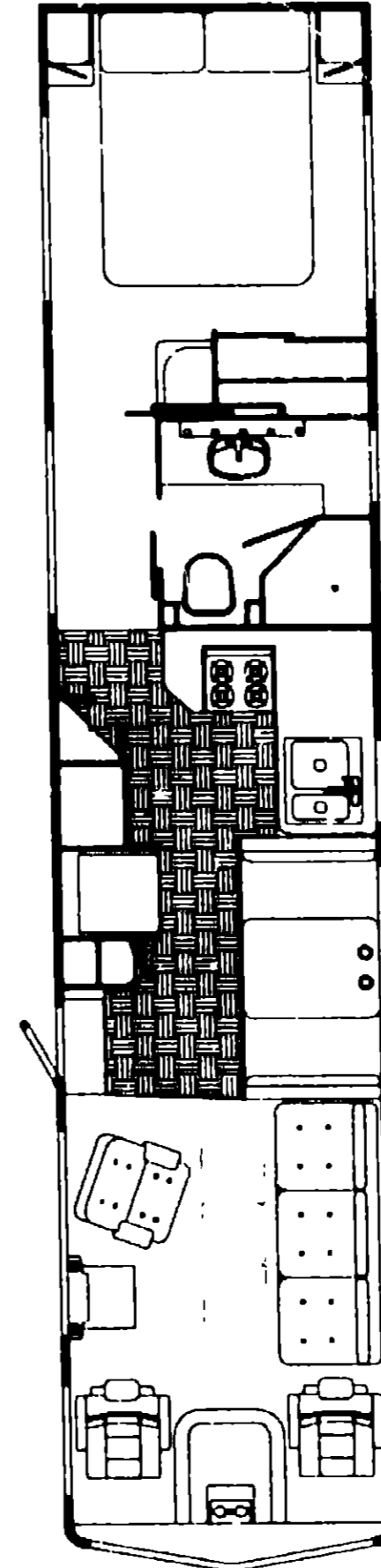


1989 IJM40RQ



1989 ITASCA TABLE OF CONTENTS

INTRODUCTION	A-01
ABBREVIATIONS	A-01
ALPHABETICAL INDEX	A-02 - A-04
WC/JM34RQ	A-05 D 18
WJM40RQ	D 19 - G 24

1989 IJM40RQ INDEX

Floor Plan	D-19 - D-20
Accessories Group	D 2' - E-02
Bath Group	F-03 - E-04
Chassis Group	E-05 - E-12
Curtain, Cushion & Pad Group	E-13 - E-23
Dinette Group	E-24 - F-01
Driver's Compartment Group	F-02 - F-05
Electrical Group	F-06 - F-09
Exterior Body Group	F-10 - F-15
Galley Group	F-16 - F-18
Heating & Air Conditioning Group	F-19 - F-20
Interior Finish Group	F-21 - F-22
LP Group	F-23
Lounge Group	F-24 - G-03
Water & Sewage Group	G-04 - G-06
Window, Vent & Exterior Door Group	G-07 - G 24

ACCESSORIES GROUP

RACK & LADDER COMPONENTS

Key	Part Number	U/M	Description
	061026-02-T03	EA	Rack Arm - Driver
	061026-01-T03	EA	Rack Arm - Passenger
	060999-02-T03	EA	Ladder Arm - Upper
	060997-04-X14	EA	Ladder Arm - Lower
	067165-01-000	EA	Mounting Bracket
	076990-02-000	EA	Step Cap - Black
	076998-03-001	EA	Ladder Step
	060673-01-000	EA	Latch - Lower Ladder - Gray
	061055-01-000	EA	Springclip - Internal Tooth
	061056-01-000	EA	Pin - Quick Release
	061113-01-000	EA	Bushing - Plastic Flange - White
	061114-01-000	EA	Cap Insert - Round - 1" Dia
	061115-01-000	EA	Top Cap - 1"
	061116-01-000	EA	Top Slide - 1"
	061152-01-000	EA	Bumper Plate - Brte

FOG LAMP & COMPONENTS (OPTION 57M)

Key	Part Number	U/M	Description
	066747-01-000	EA	Lamp Asm - Fog - Clear Lens
	066747-01-700	EA	Cover - Fog Lamp
	066942-01-000	EA	Mounting Bracket - Fog Lamp
	069305-01-000	EA	Switch - Fog Lamp
	007940-01-000	EA	Receptacle - Slide - 18 to 12 AWG Wire
	007942-01-000	EA	Tab - 18 to 14 AWG Wire
	010499-01-000	EA	Clamp - Closed - 3/8" I D
	063910-01-000	EA	Housing - Relay
	063912-02-000	EA	Relay - Canister - SPDT - w/Resistor
	093654-02-000	EA	Circuit Breaker - 15 Amp

POWER SEARCHLIGHT & COMPONENTS (OPTION 63E)

Key	Part Number	U/M	Description
	051057-02-000	EA	Spotlight - Power Driven - w/o Switch
	051057-03-000	EA	Switch Asm - Spotlight
	051057-01-700	EA	Switch - Panel Asm - Auxiliary
	051057-01-701	EA	Switch - Panel Asm - Main
	051057-01-702	EA	Joy Switch & Housing
	051057-01-703	EA	Toggle Switch - On/Off
	051057-01-704	EA	Micro Switch
	051057-01-705	EA	Bulb - Spotlight
	035416-04-000	EA	Terminal - Ring - #10 Stud Fit
	044466-03-000	EA	Circuit Breaker - w/Mounting Brackets
	077368-04-000	EA	Panel - Instrument Panel Cover - Lower Driver

WHEEL COVER & MOUNTING HARDWARE

Key	Part Number	U/M	Description
	063181-03-000	EA	Wheel Cover - 19.5" (Set/4)
	063181-05-000	EA	Wheel Cover - 19.5" (Set/4)
	063181-03-700	EA	Wheel Cover - 19.5" (1)
	063181-07-000	EA	Retainer Kit - 19.5" Wheel Cover (Set/4)
	063181-04-702	EA	Nut Cover - 19.5" Wheel
	063181-04-703	EA	Center Cap - Chrome

ACCESSORIES GROUP (CONTINUED)

CHROME WHEEL LINERS (OPTION 64B)

Key	Part Number	U/M	Description
	066271-01-000	EA	Wheel Liner - Chrome - 19.5" (Set/4)
	066271-06-000	EA	Wheel Liner - Chrome - 19.5" (Set/2)
	066271-01-700	EA	Wheel Liner - Chrome - 19.5" - Front (1)
	066271-01-701	EA	Wheel Liner - Chrome - 19.5" - Rear (1)
	066271-01-702	EA	Axle Cover - 6 Lug - 19.5" - Front
	066271-01-703	EA	Axle Cover - 6 Lug - 19.5" - Rear
	066271-01-704	EA	Beauty Ring
	066271-01-705	EA	Cover - Lug Nut - 19.5"
	077030-02-000	EA	Valve Stem Extension - 1.25"
	095012-01-000	EA	Valve Stem Extension - Dual Wheel

EXTERIOR MIRRORS

Key	Part Number	U/M	Description
	066260-01-000	EA	Mirror Asm - w/Convex - Right
	066260-02-000	EA	Mirror Asm - w/Convex - Left
	066260-03-000	EA	Accessory Kit - Mirror, Ext

AIR HORNS & COMPONENTS (OPTION 36R)

Key	Part Number	U/M	Description
	077497-01-000	EA	Air Horn Kit - Twin - Chromed
	077497-01-700	EA	Solenoid - Air Tank
	077497-01-701	EA	Switch - Compressor
	077497-01-702	EA	Switch - Toggle w/Wire
	077497-01-703	EA	Air Tank
	077497-01-704	EA	Compressor w/Switch
	077497-01-705	EA	Repair Kit I/Hadley 120 Compressor
	077497-02-000	EA	Hose Kit - Auxiliary Air
	077497-03-000	EA	Parts Kit - Hose - Auxiliary Air
	061404-01-000	EA	Mounting Bracket - Compressor
	061407-01-000	EA	Mounting Plate - Air Horns
	078239-01-000	EA	Label Plate - Air Horns
	063912-02-000	EA	Relay - Canister - SPDT - w/Resistor
	007940-01-000	EA	Receptacle - Slide - 18 to 12 AWG Wire
	007942-01-000	EA	Tab - 18 to 14 AWG Wire
	041953-01-000	EA	Conduit - Plastic Convolute Sirt - 50" I D
	063910-01-000	EA	Housing - Relay
	093654-02-000	EA	Circuit Breaker - 15 Amp

REAR MONITOR SYSTEM (OPTION 67Z)

Key	Part Number	U/M	Description
	093040-02-000	EA	Television System - Rear View
	063207-02-000	EA	Cable - Television System - Rear View
	060006-01-000	EA	Wire Asm - Fuse Block
	064426-01-000	EA	Insert - Press-In - 3/16" - 18 Thread
	062037-01-000	EA	Housing - Auto Fuse - Natural
	093040-01-000	EA	Television System - Rear View
	093040-01-700	EA	Camera - Television System - Rear View
	093040-01-701	EA	6" Monitor w/Bracket & Wire Harness
	093221-01-000	EA	Lens - Rear Monitor Shroud
	093957-01-01A	EA	TV Shroud - Beige
	063041-02-000	EA	Cable - Monitor/Camera
	094002-01-000	EA	Bracket Asm. - Camera
	094001-01-000	EA	Clamp - Camera
	031770-01-000	EA	Clamp - Cable - 3/16" Dia
	060006-01-000	EA	Wire Asm. - Fuse Block
	062037-01-000	EA	Housing - Auto Fuse - Natural
	093040-03-000	EA	Wire Asm - Monitor

1989 ITASCA TABLE OF CONTENTS

INTRODUCTION	A-01
ABBREVIATIONS	A-01
ALPHABETICAL INDEX	A-02 - A-04
WC/JM34RQ	A-05 - D-18
WJM40RQ	D-19 - G-24

1989 JM40RQ INDEX

Floor Plan	D-19 - D-20
Accessories Group	D-21 - E-02
Bath Group	E-03 - E-04
Chassis Group	E-05 - E-12
Curtain, Cushion & Pad Group	E-13 - E-23
Dinette Group	E-24 - F-01
Driver's Compartment Group	F-02 - F-05
Electrical Group	F-06 - F-09
Exterior Body Group	F-10 - F-15
Galley Group	F-16 - F-18
Heating & Air Conditioning Group	F-19 - F-20
Interior Finish Group	F-21 - F-22
LP Group	F-23
Lounge Group	F-24 - G-03
Water & Sewage Group	G-04 - G-06
Window, Vent & Exterior Door Group	G-07 - G-24

ACCESSORIES GROUP (CONTINUED)

6.5KW GENERATOR & COMPONENTS (OPTION 39Q)

Key	Part Number	U/M	Description
	093546-01-000	EA	Generator - Onan Emerald - 6.5KW (Option 39Q)
	094657-02-000	EA	Tray Asm - Generator
	083151-01-000	EA	Muffler
	007125-03-000	EA	Clamp Asm - Muffler - 1.50" Dia
	083152-06-000	EA	Exhaust Pipe - Generator - 90° Turn
	077476-03-000	EA	Exhaust Pipe - Generator - 47.5"
	008054-01-000	EA	Power Cord - 10/3 - 30 Amp - 25' - USA
	008052-01-000	EA	Power Cord - 10/3 - 30 Amp 25' - CSA
	024924-02-000	EA	Receptacle - Power Cord
	089238-01-000	EA	Cover - Receptacle Box - Power Cord - 4" x 4"
	008026-01-000	EA	Wire - 12/2 Romex w/Ground
	008289-01-000	EA	Electrical Box - Steel - 4" x 4" - 1/2 & 3/4 - USA
	008294-01-000	EA	Cover Plate - Blank Steel - 4" x 4" - USA
	008289-02-000	EA	Electrical Box - Steel - 4" x 4" - 1/2 & 3/4 - CSA
	008294-02-000	EA	Cover Plate - Blank Steel - 4" x 4" - CSA
	008037-01-000	EA	Battery Cable - 1 AWG Strand
	010495-01-000	EA	Clamp - Cable - 9/16"
	010497-01-000	EA	Clamp - Closed - 5/8"
	082401-03-000	EA	Clamp - Hose - Wormgear - 22" to 1" I.D.
	082401-06-000	EA	Clamp - Hose - Wormgear - 22" to 62" I.D.
	041953-01-000	EA	Conduit - Plastic Convolute Slit - 1/2" I.D.
	008401-01-000	EA	Conduit - Strap - 3/4"
	008311-01-000	EA	Connector - Wire Nut - Red
	008312-01-000	EA	Connector - Wire Nut - Blue
	008314-01-000	EA	Connector - Wire Nut - Gray
	008356-01-000	EA	Connector - Plastic - 3/8"
	008353-01-000	EA	Connector - Cable Clamping - 3/8"
	041480-01-000	EA	Connector - Straight - Flex Conduit
	023942-01-000	EA	Grommet - Rubber - 2" O.D.
	071015-07-000	EA	Grommet - Rubber - 1" I.D.
	071015-08-000	EA	Grommet - Rubber - 1.75" I.D.
	071015-13-000	EA	Grommet - Rubber - .62" I.D.
	007063-01-000	FT	Hose - Gasoline - 1/4" I.D. x 1/2" O.D.
	094059-01-000	EA	Spacer
	008326-01-000	EA	Terminal - Ring - 12/10 Wire
	008348-01-000	EA	Terminal - Ring - 2, 3/8" Stud
	008343-01-000	EA	Wire Tie - 6"
	024976-01-000	EA	Generator Switch - w/o Circuit Board
	031035-01-000	EA	Gauge Asm - Hourmeter
	076006-22-000	EA	Bezel - Entertainment Center

ACCESSORIES GROUP (CONTINUED)

7.0KW GENERATOR & COMPONENTS (OPTION 37M)

Key	Part Number	U/M	Description
	093547-01-000	EA	Generator - Kohler - 7.0KW (Option 37M)
	093590-04-000	EA	Muffler
	007125-02-000	EA	Clamp Asm - Muffler - 1.25" Dia
	007125-03-000	EA	Clamp Asm - Muffler - 1.50" Dia
	083152-08-000	EA	Exhaust Pipe - 90° Turn
	077476-03-000	EA	Exhaust Pipe - 47.5"
	007131-01-000	EA	Tailpipe Hanger
	008054-01-000	EA	Power Cord - 10/3 - 30 Amp - 25' - USA
	008052-01-000	EA	Power Cord - 10/3 - 30 Amp. - 25' - CSA
	024924-02-000	EA	Receptacle - Power Cord
	089238-01-000	EA	Cover - Receptacle Box - Power Cord - 4" x 4"
	008026-01-000	EA	Wire - 12/2 Romex w/Ground
	008289-01-000	EA	Electrical Box - Steel - 4" x 4" - 1/2 & 3/4 - USA
	008294-01-000	EA	Cover Plate - Blank Steel - 4" x 4" - USA
	008289-02-000	EA	Electrical Box - Steel - 4" x 4" - 1/2 & 3/4 - CSA
	008294-02-000	EA	Cover Plate - Blank Steel - 4" x 4" - CSA
	008037-01-000	EA	Battery Cable - 1 AWG Strand
	010495-01-000	EA	Clamp - Cable - 9/16"
	010497-01-000	EA	Clamp - Closed - 5/8" I.D.
	082401-03-000	EA	Clamp - Hose - Wormgear - .22" to 1" I.D.
	082401-06-000	EA	Clamp - Hose - Wormgear - 22" to 62" I.D.
	041953-01-000	EA	Conduit - Plastic Convolute Slit - 50" I.D.
	008401-01-000	EA	Conduit Strap - .75"
	008311-01-000	EA	Connector - Wire Nut - Red
	008312-01-000	EA	Connector - Wire Nut - Blue
	008314-01-000	EA	Connector - Wire Nut - Gray
	008356-01-000	EA	Connector - Plastic - 3/8"
	008353-01-000	EA	Connector - Cable Clamping - 3/8"
	023942-01-000	EA	Grommet - Rubber - 2" O.D.
	071015-07-000	EA	Grommet - Rubber - 1" I.D.
	071015-08-000	EA	Grommet - Rubber - 1.75" I.D.
	071015-13-000	EA	Grommet - Rubber - .62" I.D.
	007063-01-000	FT	Hose - Gasoline - 1/4" I.D. x 1/2" O.D.
	008326-01-000	EA	Terminal - Ring - 12/10 Wire
	008348-01-000	EA	Terminal - Ring - 2, 3/8" Stud
	008343-01-000	EA	Wire Tie - 6"
	024976-01-000	EA	Generator Switch - w/o Circuit Board
	031035-01-000	EA	Gauge Asm - Hourmeter
	076006-22-000	EA	Bezel - Entertainment Center

FRONT RADIO

Key	Part Number	U/M	Description
	092311-01-000	EA	Radio - AM/FM Stereo/Cassette - Deluxe Tune - Digital Clock - #HCC1170
	084791-01-000	EA	Speaker - Recessed - 5.25" Dia Round
	073741-03-000	EA	Speaker - 4" x 6" Oval - Audiovox 110-2074
	073741-04-000	EA	Grille - Speaker - 4" x 6" Oval - Audiovox 136-1157
	073431-01-000	EA	Speaker - 3 Way w/Cover - 5.25" Dia (Deluxe Tune)
	094097-01-000	EA	Speaker - 5.25" Dia. w/o Grille (Deluxe Tune)
	089340-01-000	EA	Grille - Speaker - 6 1/2" Square
	074979-01-000	EA	Cover - Speaker - Light Oak
	031105-02-000	EA	Antenna - Side Mount - 12" Ground
	031105-01-700	EA	Antenna Holder - Upper
	087701-01-000	EA	Wire Asm - 9 Pin Adapter

1989 ITASCA TABLE OF CONTENTS

INTRODUCTION	A-01
ABBREVIATIONS	A-01
ALPHABETICAL INDEX	A-02 - A-04
WCJM34RQ	A-05 - D-18
WJM40RQ	D-19 - G-24

1989 IJM40RQ INDEX

Floor Plan	D-19 - D-20
Accessories Ctr. 7	D-21 - E-02
Bath Group	E-03 - E-04
Chassis Group	E-05 - E-12
Curtain, Cushion & Pad Group	E-13 - E-23
Dinette Group	E-24 - F-01
Driver's Compartment Group	F-02 - F-05
Electrical Group	F-06 - F-09
Exterior Body Group	F-10 - F-15
Galley Group	F-16 - F-18
Heating & Air Conditioning Group	F-19 - F-20
Interior Finish Group	F-21 - F-22
LP Group	F-23
Lounge Group	F-24 - G-03
Water & Sewage Group	G-04 - G-06
Window, Vent & Exterior Door Group	G-07 - G-24

ACCESSORIES GROUP (CONTINUED)

REAR STEREO

Key	Part Number	U/M	Description
	090339-01-000	EA	Radio - AM/FM Stereo w/Cassette - Magnadyne LS180
	097153-01-000	EA	Radio - AM/FM Stereo w/Cassette - Advantz AE - 9000MD
	084791-01-000	EA	Speaker - 5.25" Dia - Recessed
	094097-01-000	EA	Speaker - 5.25" Dia - w/o Grille
	089340-01-000	EA	Grille - Rear Speaker - 6 1/2" Square
	074979-01-000	EA	Cover - Speaker - Light Oak
	090944-01-000	EA	Antenna - Rubber - 16"
	077089-02-000	EA	Cable - Antenna
	090862-01-000	EA	Hat Bracket - Antenna
	010495-01-000	EA	Clamp - Cable - 9/16"
	058028-01-000	EA	Pigtail Connector - Clear Nylon

WATER PURIFICATION SYSTEM (OPTION 29B)

Key	Part Number	U/M	Description
	097200-01-000	EA	Filter - Water Purification
	087200-02-000	EA	Cartridge - Water Purification
	039800-01-000	FT	Tubing - Polyethylene - 1/2" O.D. x 20'
	052957-01-000	EA	Elbow - Plastic - 1/2" F x 3/8" MPT
	085120-01-000	EA	Elbow - Plastic - Sw. rex - 1/2"
	052959-01-000	EA	Connector - Plastic - 1/2" F x 1/4" MPT
	052959-02-000	EA	Connector - Plastic - 1/2" F x 1/2" MPT
	052952-01-000	EA	Nut - Plastic - 1/2" F
	091208-01-000	EA	Washer - Rubber - 06" x 75" x 50"

TV SYSTEM COMPONENTS

Key	Part Number	U/M	Description
	091258-02-000	EA	TV - 13" Color - Remote - Sharp 13NM48
	091258-02-700	EA	Remote Control - Color TV - Sharp
	091907-02-000	EA	VCR - VHS - Sharp VC2208U
	091907-01-700	EA	Remote Control - VCR - Sharp (Option 42V)
	088757-01-000	EA	Control Center - Switching - Channel Master (Option 42V)
	091996-01-000	EA	Separator - VHF/UHF
	088756-01-000	EA	Splitter - 2 Way - TV
	085774-01-000	FT	Fastener - Dual Lock - 1" (Option 42V)
	085774-02-000	FT	Fastener - Dual Lock - 1" (Option 42V)
	058708-01-000	EA	Receptacle - Duplex - Brown T & B (Option 42V)
	086777-01-000	EA	Wall Plate - Antenna/Cable - Ivory (Option 42V)
	086777-03-000	EA	Wall Plate - Antenna/Power - Ivory (Option 42V)
	086777-04-000	EA	Wall Plate - Antenna/Cable - Brown
	086780-01-000	EA	Receptacle - Cable Television - Exterior
	086783-02-000	EA	Gasket - Receptacle - Cable Television - Exterior
	090964-01-000	EA	Cover - Receptacle - Cable Television - Exterior
	076319-12-000	EA	Connector - Coaxial Cable - 1 PC
	076319-03-000	FT	Coaxial Cable - 1000' 75 Ohm

AUXILIARY DEFROSTER FANS (OPTION 38N)

Key	Part Number	U/M	Description
	036420-02-000	EA	Defroster Fan - 6" Dia - 2 Speed
	089306-01-000	EA	Switch - Defroster Fans
	089579-01-000	EA	Wire Asm - Defroster Fans
	062036-02-000	EA	Terminal - Pack - Con, 16/14 AWG

ACCESSORIES GROUP (CONTINUED)

MISCELLANEOUS ACCESSORIES

Key	Part Number	U/M	Description
	054185-31-000	EA	Owner's Manual - 1989 - Itasca
	088289-01-000	EA	Picture - Decor (Option 33Z)
	093552-01-01A	EA	Clock - 10" x 10" (Option 33Z)
	081202-01-000	EA	Floor Mat - Front - Right - Itasca
	081201-01-000	EA	Floor Mat - Front - Left - Itasca
	081075-01-000	EA	Door Mat - Entrance - Itasca
	040089-01-000	EA	Door Mat - Entrance - Black
	017516-01-000	EA	Mud Flap - 14" x 18" - Rear - Black
	084472-01-000	EA	Holder - Fire Extinguisher - Recessed - Light Brown
	041944-03-000	EA	Fire Extinguisher - 5 B C - w/Bracket
	041944-04-000	EA	Fire Extinguisher - 5 B C, w/o Bracket
	094851-01-01A	EA	Holder - Fire Extinguisher
	094499-01-000	EA	Fire Extinguisher - Dry 1A 10 B C - USA
	094499-02-000	EA	Fire Extinguisher - Dry 1A 10 B C - CSA
	072852-01-000	EA	Smoke Detector - w/9 Volt Battery
	080208-02-000	EA	Leverage Bar - Lug Wrench
	080208-03-000	EA	Lug Wrench - 1.5 x 8 Sq
	051377-01-000	EA	Valve Stem Asm - TR500
	077030-02-000	EA	Valve Stem Extension - 1.25"
	095012-01-000	EA	Valve Stem Extension - Dual Wheel
	085741-01-700	EA	Valve Stem Extension - Stainless Steel (Set/4)
	091955-01-000	EA	Squeeze - Telescoping Handle
	091952-01-000	EA	Clip - 1" Squeeze Retainer
	093527-01-000	EA	Bracket - Squeeze Clip
	082684-01-700	EA	Key - Precut (Luggage, Gas Fill, Water Fill & Trunk Doors)
	094707-01-01A	EA	Step Asm - Electric (Kwikkee) - Double
	093663-01-000	EA	Drawer Asm - Lockbox
	093666-01-000	EA	Lockbox Asm - Outer

VACUUM CLEANER (OPTION 22T)

Key	Part Number	U/M	Description
	092304-01-000	EA	Vacuum Cleaner Asm - w/o Tools
	092304-02-000	EA	Vacuum Cleaner Tool Set
	092304-01-700	EA	Replacement Bags
	092304-02-700	EA	Hand Power Brush
	092304-02-701	EA	Dusting Tool
	092304-02-702	EA	Rug Tool
	092304-02-703	EA	Crevice Tool
	092304-02-704	EA	Motor/Blay
	092304-03-000	EA	Vacuum Cleaner Hatch Door Asm
	010194-01-000	FT	Plastic Pipe - 1 1/4" x 240"
	010001-01-000	EA	Plastic Elbow - 1 1/4" H x 1 1/4" H - 90°
	049910-01-000	EA	Plastic Tee - 1 1/4" H x 1 1/4" H x 1 1/4" H
	008408-01-000	EA	Strap Pipe Support

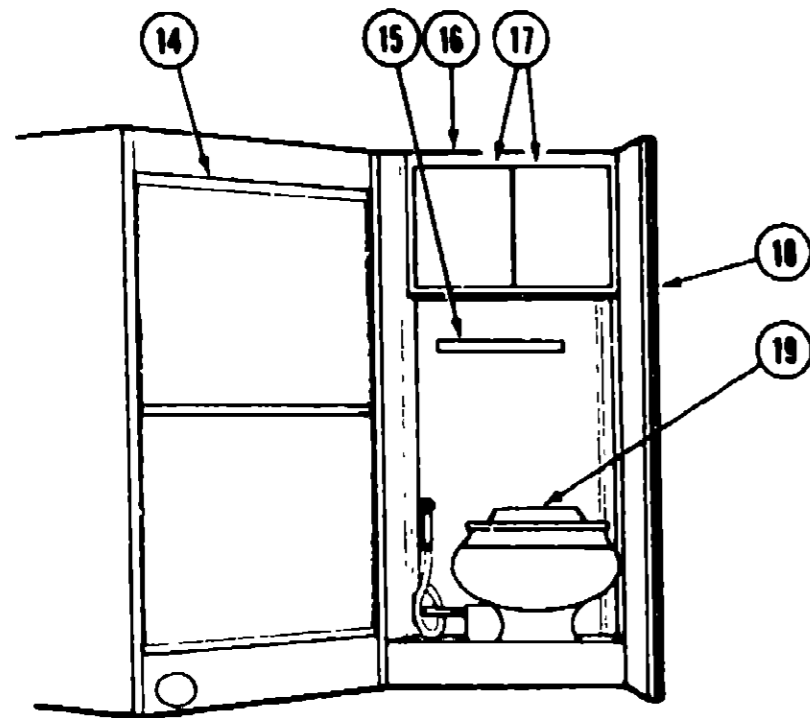
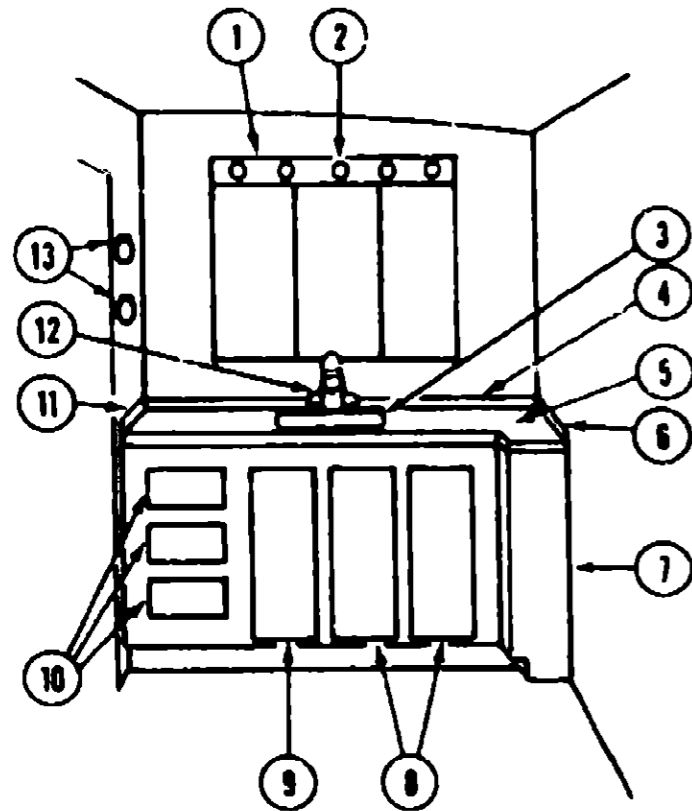
1989 ITASCA TABLE OF CONTENTS

INTRODUCTION	A-01
ABBREVIATIONS	A-01
ALPHABETICAL INDEX	A-02 - A-04
WC/JM34RQ	A-05 - U 18
WJM40RQ	D-19 - G 24

1989 IJM40RQ INDEX

Floor Plan	D-19 - D-20
Accessories Group	D-21 - E-02
Bath Group	E-03 - E-04
Chassis Group	E-05 - E-12
Curtain, Cushion & Pad Group	E-13 - E-23
Dinette Group	E-24 - F-01
Driver's Compartment Group	F-02 - F-05
Electrical Group	F-06 - F-09
Exterior Body Group	F-10 - F-15
Galley Group	F-16 - F-18
Heating & Air Conditioning Group	F-19 - F-20
Interior Finish Group	F-21 - F-22
LP Group	F 23
Lounge Group	F-24 - G-03
Water & Sewage Group	G-04 - G-06
Window, Vent & Exterior Door Group	G-07 - G 24

BATH GROUP



Key	Part Number	U/M	Description
1	096880-01-01A	EA	Medicine Cabinet Asm
2	081863-01-700	EA	Bulb
3	092312-01-01A	EA	Oval Sink
	092313-01-000	EA	Sink Stopper Asm. - Rnd Controlled (US)
	011083-01-000	EA	Plug - w/Sprayer (CSA)
4	088090-06-Y15	EA	Backplash - Countertop
5	094361-14-Y15	EA	Countertop Asm.
6	088090-07-Y15	EA	Backplash - Countertop
	088090-08-Y15	EA	Backplash - Countertop - Shower Wall
7	M94361-01-Y70	EA	Vanity Cabinet Asm.
7	M94361-01-Y71	EA	Vanity Cabinet Asm
7	M94361-01-Y72	EA	Vanity Cabinet Asm
8	M88304-J3-Y15	EA	Door Asm - w/o Hardware
9	M88304-J2-Y15	EA	Door Asm - w/o Hardware
10	094192-02-Y15	EA	Drawer Asm - w/o Hardware
11	088090-05-Y15	EA	Backplash - Countertop
12	093999-01-01A	EA	Faucet - Brass (US)
12	011058-03-000	EA	Faucet (CSA)
13	075454-02-000	EA	Towel Ring - Brass (US)
13	033580-01-000	EA	Towel Ring (CSA)
14	089318-01-000	EA	Shower Door - Gold (US)
14	089318-02-000	EA	Shower Door Jamb Expander - Gold (US)
14	089318-03-000	EA	Shower Door (CSA)
14	089318-04-000	EA	Shower Door Jamb Expander (CSA)
15	075453-02-000	EA	Towel Bar - 18" Brass (US)
15	009133-01-000	EA	Towel Bar - 12" Plastic (CSA)
15	023449-01-000	EA	Towel Bar Support (CSA)
16	094344-01-Y15	EA	Medicine Cabinet Asm - w/o Doors or Hardware
17	M88304-40-Y15	EA	Door Asm - w/o Hardware
18	094083-01-Y70	EA	Sliding Bath Door Asm
18	094083-01-Y71	EA	Sliding Bath Door Asm
18	094083-01-Y72	EA	Sliding Bath Door Asm.
	071817-06-000	EA	Sliding Door Track
19	085330-04-000	EA	Toilet - Shorty - China - w/Spray

MISCELLANEOUS HARDWARE

Key	Part Number	U/M	Description
	075452-02-000	EA	Toilet Tissue Holder (US)
	009134-01-000	EA	Toilet Tissue Holder (CSA)
	093608-01-01A	EA	Handrail - Towel Bar - Shower Stall - Brass (US)
	093608-01-02A	EA	Handrail - Towel Bar - Shower Stall (CSA)
	081614-02-000	EA	Soap Dish - Shower Stall - Brass (US)
	090027-01-000	EA	Soap Dish - Shower Stall (CSA)
	096896-01-01A	EA	Hair Dryer - Wall Mount
	084466-04-000	EA	Drawer Slide (Driver Side)
	084466-05-000	EA	Drawer Slide (Passenger Side)
	093586-03-000	EA	Spring Catch - Double Roller
	093586-04-000	EA	Steel Strike
	072369-37-000	EA	Aluminum Mesh - Expanded - Bronze
	059777-02-000	EA	Door Hinge - Antique Light Brass
	000G13-06-10G	EA	Screw - PFH Antique Light Brass
	093579-01-000	EA	Pull - Cabinet - Chrome/Brass
	081376-01-000	EA	Back Plate - Brass - Pull

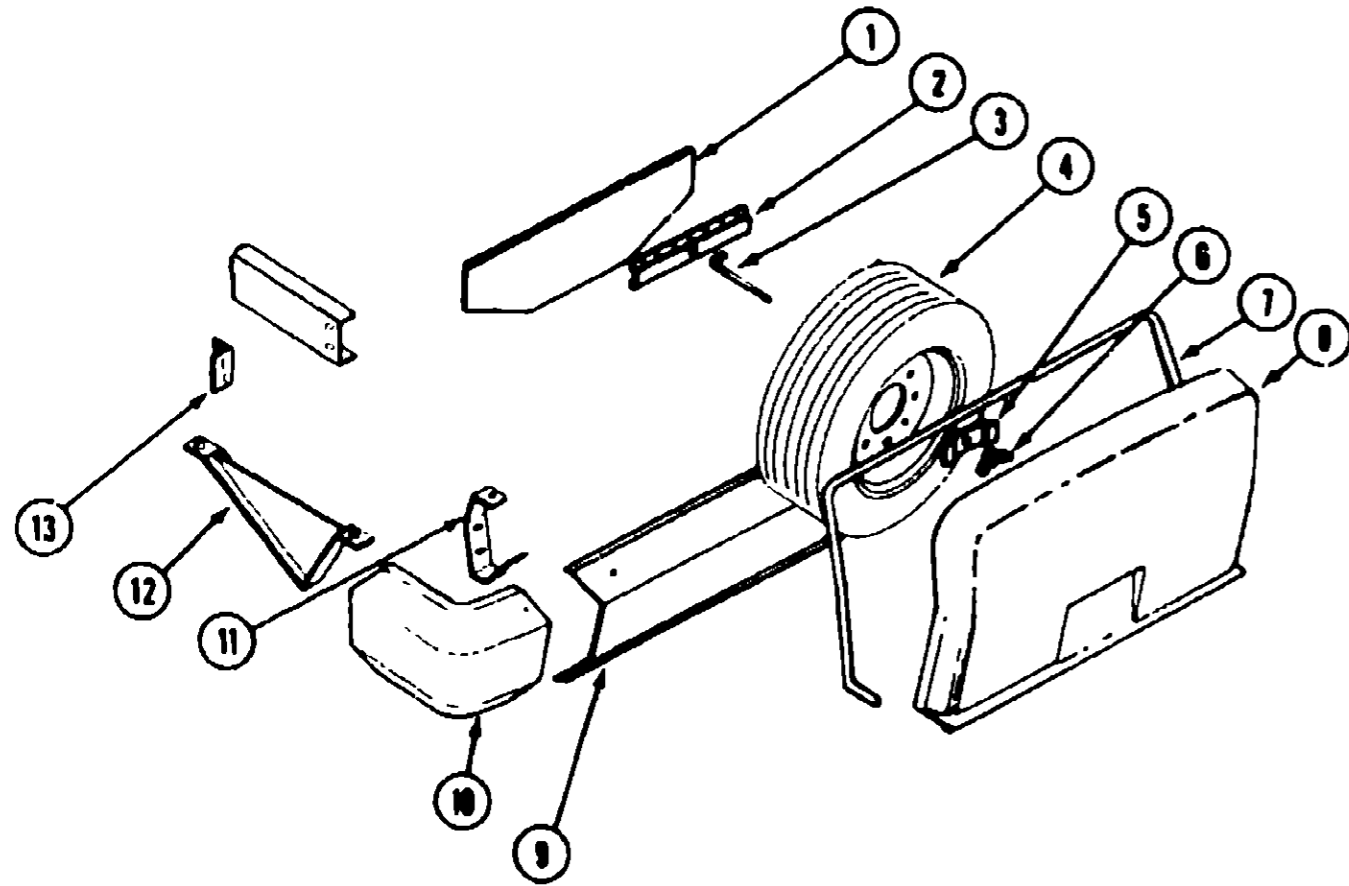
1989 ITASCA TABLE OF CONTENTS

INTRODUCTION	A-01
ABBREVIATIONS	A-01
ALPHABETICAL INDEX	A-02 - A-04
WC/JM34RQ	A-05 - D-18
WJM40RQ	D-19 - G-24

1989 JM40RQ INDEX

Floor Plan	D-19 - D-20
Accessories Group	D-21 - E-02
Bath Group	E-03 - E-04
Chassis Group	E-05 - E-12
Curtain, Cushion & Pad Group	E-13 - E-23
Dinette Group	E-24 - F-01
Driver's Compartment Group	F-02 - F-05
Electrical Group	F-06 - F-09
Exterior Body Group	F-10 - F-15
Galley Group	F-16 - F-18
Heating & Air Conditioning Group	F-19 - F-20
Interior Finish Group	F-21 - F-22
LP Group	F-23
Lounge Group	F-24 - G-03
Water & Sewage Group	G-04 - G-06
Window, Vent & Exterior Door Group	G-07 - G-24

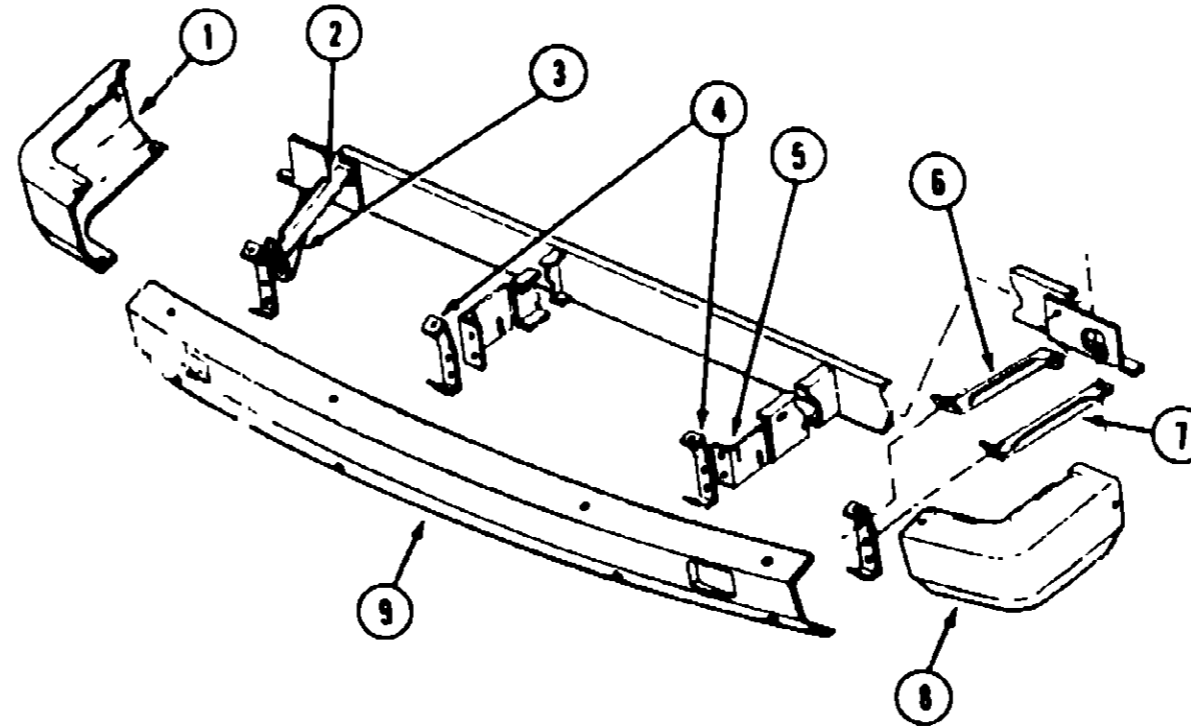
CHASSIS GROUP



SPARE TIRE & REAR BUMPER

Key	Part Number	U/M	Description
1	077395-01-000	EA	Dust Shield - Spare Tire
2	077403-01-000	EA	Rod Support - Spare Tire
3	077411-01-000	EA	Retaining Rod
4	007324-03-000	EA	Tire - 8 00 x 19 5 - LRF - Tubeless Michelin
	086281-01-000	EA	Steel Wheel
5	077399-01-000	EA	Spare Tire Retainer
6	064081-01-000	EA	Wing Nut
7	058027-01-000	FT	Tire Cover Seal
8	068425-01-X70	EA	Tire Cover Asm - Gray
	077408-01-000	EA	Lock Asm - Tire Cover
	077392-01-000	EA	Strike - Latch - Tire Cover
	080374-01-000	EA	Plate - Tire Cover Holder
	077759-01-000	EA	Support Spacer - Spare Tire
	077400-01-000	EA	Support - Spare Tire
9	078584-08-000	EA	Bumper - Rear - Chromed
10	078578-07-000	EA	Bumper End Cap - Gray - Passenger
	078578-08-000	EA	Bumper End Cap - Gray - Driver
11	078670-02-000	EA	Bracket to Bumper - Rear
12	083376-01-000	EA	Skid Plate Asm
13	078668-01-000	EA	Support Angle - Bumper Bracket to Frame
	005200-01-000	EA	Carriage Bolt - 7/16" - 14 x 1 1/4" SST Head

CHASSIS GROUP (CONTINUED)



FRONT BUMPER

Key	Part Number	U/M	Description
1	078577-09-000	EA	Bumper End Cap - Gray - Passenger
2	098401-01-000	EA	Brace - Upper Right - Front Bumper
3	098346-01-000	EA	Brace - Lower Right - Front Bumper
4	077852-01-000	EA	Bracket to Bumper - Front
5	098339-01-000	EA	Bracket to Frame - Front Bumper
6	098401-02-000	EA	Brace - Upper Left - Front Bumper
7	098346-02-000	EA	Brace - Lower Left - Front Bumper
8	078577-10-000	EA	Bumper End Cap - Gray - Driver
9	077850-09-000	EA	Bumper - Front - Chrome
	005200-01-000	EA	Carriage Bolt - 7/16" - 14 x 1 1/4" SST Head

1989 ITASCA TABLE OF CONTENTS

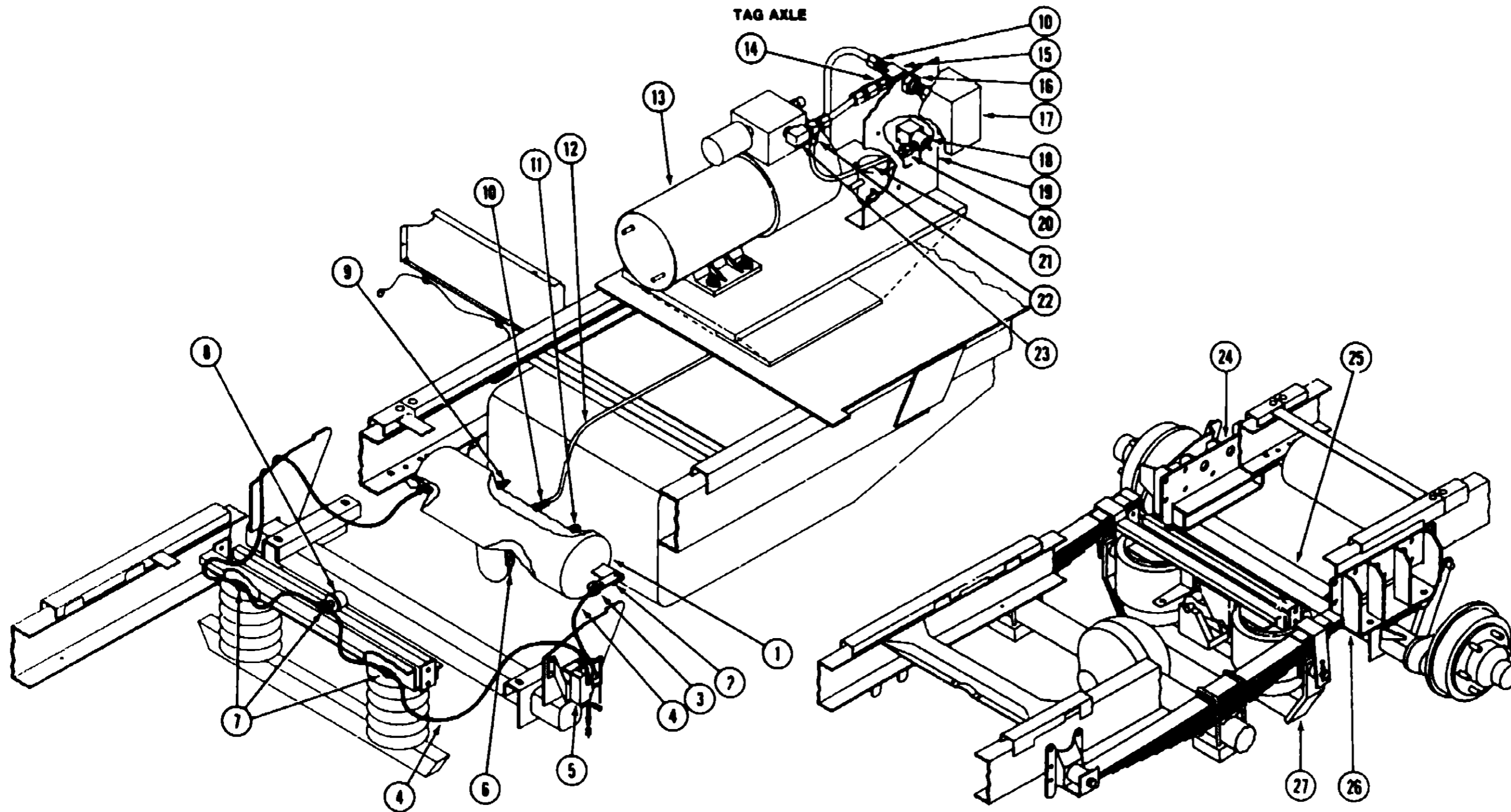
INTRODUCTION
ABBREVIATIONS
ALPHABETICAL INDEX
WC/JM34RQ
WJM40RQ

A-0:
A-01
A-02 - A-04
A-05 - D-18
D-19 - G-24

1989 JM40RQ INDEX

Floor Plan	D-19 - D-20
Accessories Group	D-21 - E-02
Bath Group	E-03 - E-04
Chassis Group	E-05 - E-12
Curtain, Cushion & Pad Group	E-13 - E-23
Dinette Group	E-24 - F-01
Driver's Compartment Group	F-02 - F-05
Electrical Group	F-06 - F-09
Exterior Body Group	F-10 - F-15
Galley Group	F-16 - F-18
Heating & Air Conditioning Group	F-19 - F-20
Interior Finish Group	F-21 - F-22
LP Group	F-23
Lounge Group	F-24 - G-03
Water & Sewage Group	G-04 - G-06
Window, Vent & Exterior Door Group	G-07 - G-24

CHASSIS GROUP (CONTINUED)



Key	Part Number	U/M	Description
1	071375-02-000	EA	Air Tank
2	071375-03-000	EA	Air Tank Mount Isolator
3	071387-05-000	EA	Elbow - Male
4	071390-04-000	FT	Air Brake Tubing - 1/4" OD - Black
5	094558-07-000	EA	Valve Asm - Height Control (Driver Side)
6	094558-08-000	EA	Valve Asm - Height Control (Passenger Side)
7	085773-01-000	EA	Drain Valve - Air Tank
8	071389-02-000	EA	Tee - Male
9	085758-02-000	EA	Switch Asm (Low Air)
10	086241-01-000	EA	Air Valve
11	071386-04-000	EA	Connector - Male
12	071392-03-000	EA	Hex Head Plug
13	071390-03-000	FT	Air Brake Tubing - 3/8" OD - Red
14	085761-02-000	EA	Air Compressor - 12V

Key	Part Number	U/M	Description
14	085758-01-000	EA	Check Valve
15	085765-01-000	EA	Tee - Street
16	071374-03-000	EA	Bulkhead Fitting
17	085757-01-000	EA	Pressure Control Switch
18	085755-01-000	EA	Air Solenoid Valve
19	085375-01-000	EA	Mounting Bracket
20	071386-03-000	EA	Connector - Male
21	071390-03-000	FT	Air Brake Tubing - 3/8"
22	085763-01-000	EA	Tee - Male
23	095624-01-000	EA	Elbow - 90°
24	094558-03-000	EA	Axle Mount - Passenger Side
25	094558-02-000	EA	Tag Axle - Torsion
26	094558-04-000	EA	Axle Mount - Driver Side
27	094558-05-000	EA	Air Suspension Asm

1989 ITASCA TABLE OF CONTENTS

INTRODUCTION	A-01
ABBREVIATIONS	A-01
ALPHABETICAL INDEX	A-02 - A-04
WC/JM34RQ	A-05 - D-18
WJM40RQ	D-19 - G-24

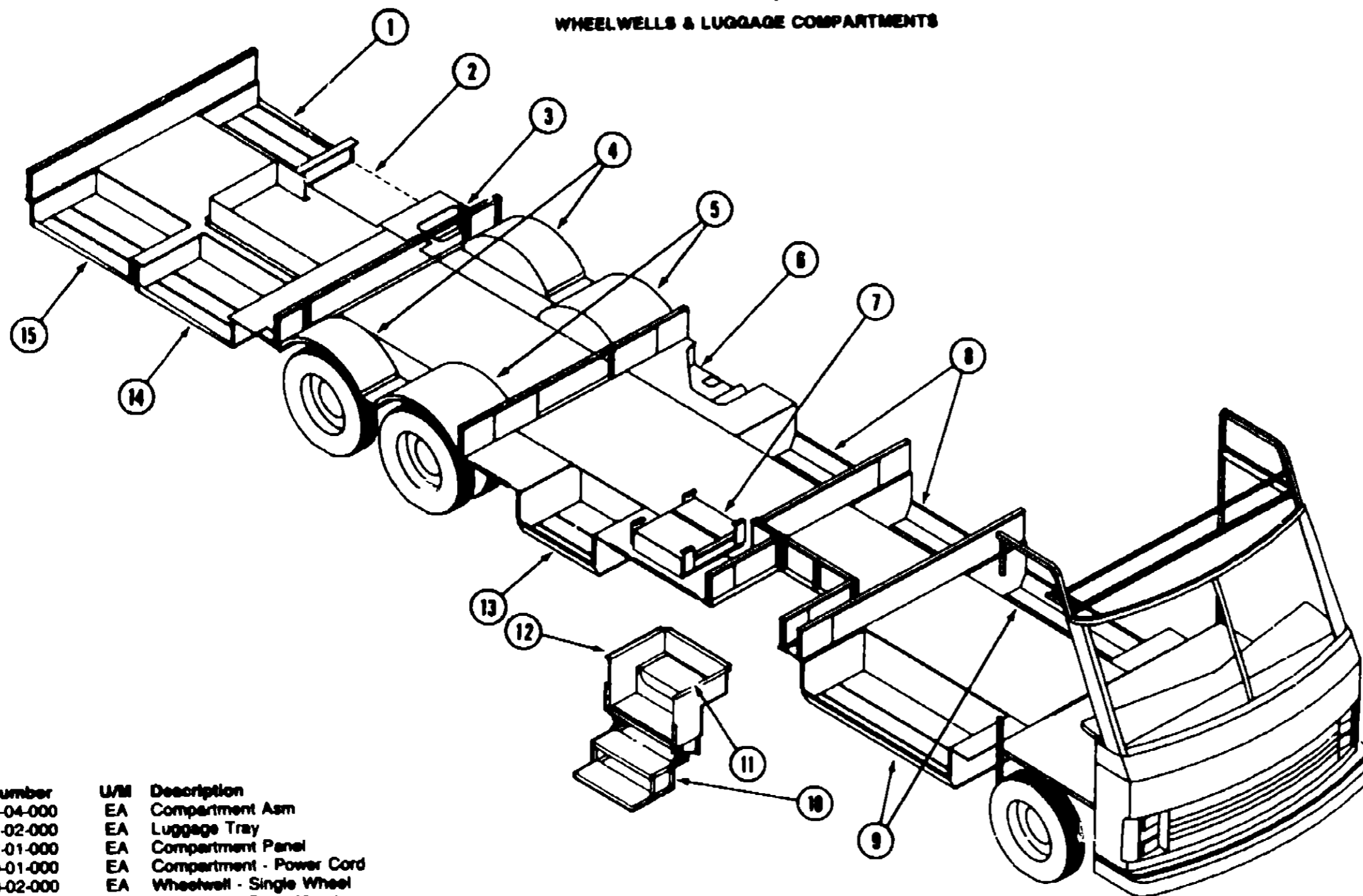
1989 IJM40RQ INDEX

Floor Plan	D-19 - D-20
Accessories Group	D-21 - E-02
Bath Group	E-03 - E-04
Chassis Group	E-05 - E-12
Curtain, Cushion & Pad Group	E-13 - E-23
Dinette Group	E-24 - F-01
Driver's Compartment Group	F-02 - F-05
Electrical Group	F-06 - F-09
Exterior Body Group	F-10 - F-15
Galley Group	F-16 - F-18
Heating & Air Conditioning Group	F-19 - F-20
Interior Finish Group	F-21 - F-22
LP Group	F-23
Lounge Group	F-24 - G-03
Water & Sewage Group	G-04 - G-06
Window, Vent & Exterior Door Group	G-07 - G-24

CHASSIS GROUP (CONTINUED)
WHEELWELLS & LUGGAGE COMPARTMENTS

1989 ITASCA
TABLE OF CONTENTS

INTRODUCTION	A-01
ABBREVIATIONS	A-01
ALPHABETICAL INDEX	A-02 - A-04
WC/JM34RQ	A-05 - D-18
WJM40RQ	D-19 - G-24

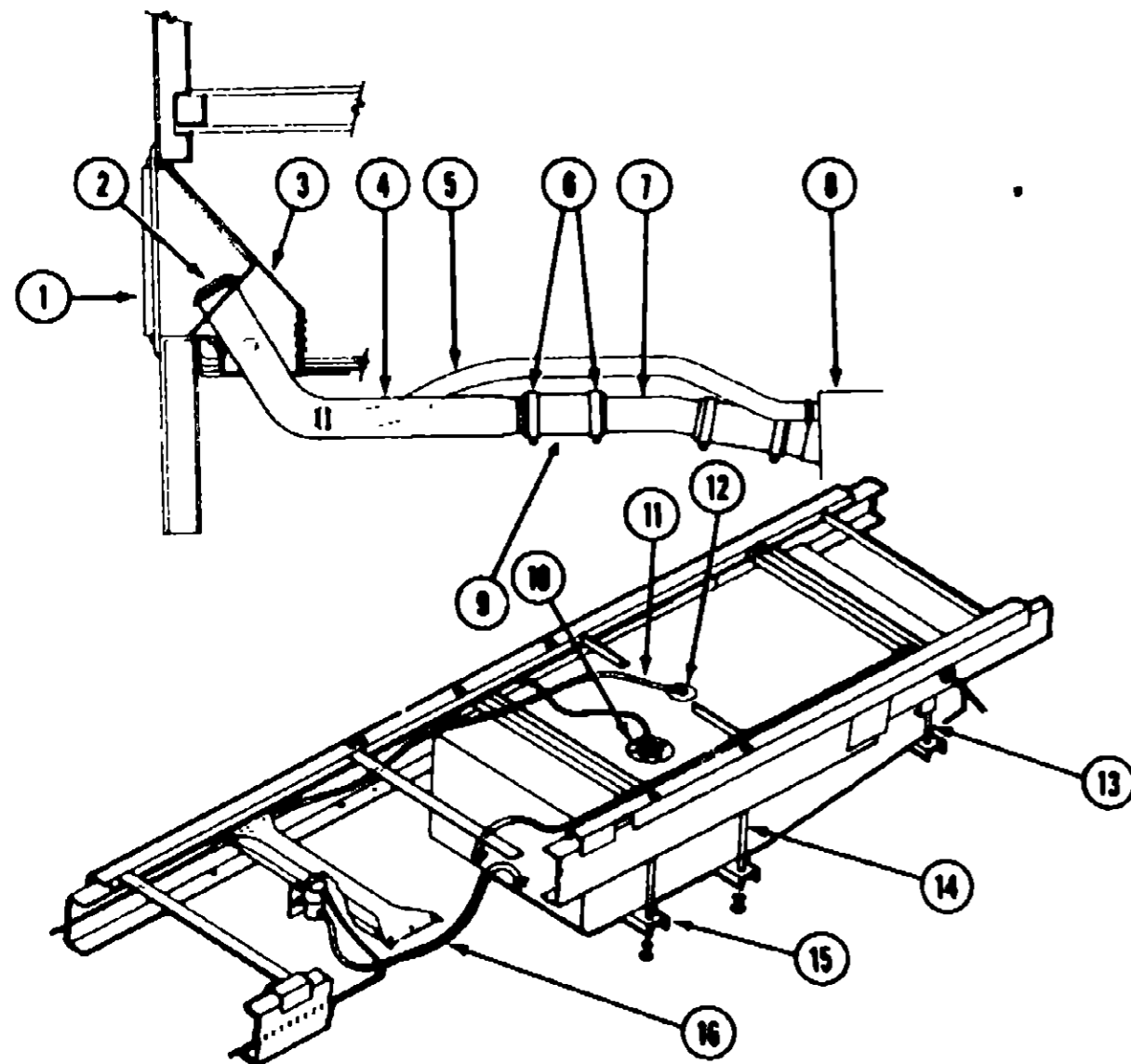


Key	Part Number	U/M	Description
1	088015-04-000	EA	Compartment Asm
2	094391-02-000	EA	Luggage Tray
2	094102-01-000	EA	Compartment Panel
3	088580-01-000	EA	Compartment - Power Cord
4	087883-02-000	EA	Wheelwell - Single Wheel
5	087883-01-000	EA	Wheelwell - Dual Wheel
6	090592-02-Y15	EA	Sewer Hose Compartment Asm
7	M92486-01-000	EA	Compartment Drawer
	092914-01-000	EA	Drawer Glide - Left or Right
	093065-02-000	EA	Drawer Hinge
	074782-01-000	EA	Drawer Pull
	042442-01-000	EA	Twist Lock Asm
8	081252-19-000	EA	Compartment Asm
9	081252-27-000	EA	Compartment Asm
10	094707-01-01A	EA	Step Asm - Electric
11	064693-02-000	EA	Battery Door
12	089103-01-000	EA	Step Support Asm
13	081252-26-000	EA	Compartment Asm
14	088015-05-000	EA	Compartment Asm
15	088015-03-000	EA	Compartment Asm
	093486-01-000	SY	Carpet - Luggage Compartment
	079368-01-000	FT	Bulb Seal

1989 JM40RQ INDEX

Floor Plan	D-19 - D-20
Accessories Group	D-21 - E-02
Bath Group	E-03 - E-04
Chassis Group	E-05 - E-12
Curtain, Cushion & Pad Group	E-13 - E-23
Dinette Group	E-24 - F-01
Driver's Compartment Group	F-02 - F-05
Electrical Group	F-06 - F-09
Exterior Body Group	F-10 - F-15
Galley Group	F-16 - F-18
Heating & Air Conditioning Group	F-19 - F-20
Interior Finish Group	F-21 - F-22
LP Group	F-23
Lounge Group	F-24 - G-03
Water & Sewage Group	G-04 - G-06
Window, Vent & Exterior Door Group	G-07 - G-24

CHASSIS GROUP (CONTINUED)



FUEL SYSTEM COMPONENTS

Key	Part Number	U/M	Description
1	078010-04-000	EA	Door Asm - Fuel Fill - Beige
2	095468-03-000	EA	Cap Asm - Fuel Fill - Non Locking
3	083578-01-000	EA	Boot - Fuel Fill
4	087256-01-000	EA	Neck Asm - Fuel Fill
5	066732-01-000	FT	Hose - Vent Line
6	062401-01-000	EA	Hose Clamp - Wormgear - 25" to 1" ID
7	062401-04-000	EA	Hose Clamp - Wormgear - 1.56" to 2.5" ID
8	075228-01-000	EA	Pipe - Fuel Fill
9	093384-02-000	EA	Fuel Tank - 90 Gallon
10	007111-01-000	EA	Hose - 2 1/4" x 3'
11	093378-01-000	EA	Sending Unit
12	095468-17-000	EA	Gasket - Sending Unit
13	007063-01-000	EA	Hose - 1/4" ID
14	079681-01-000	EA	Valve Asm
15	095468-19-000	EA	Grommet
16	095468-05-000	EA	Bolt
17	095468-04-000	EA	Bolt
18	095468-08-000	EA	Support
19	079658-01-000	FT	Fuel Hose - 1/2" ID

CHASSIS GROUP (CONTINUED)

MISCELLANEOUS

Key	Part Number	U/M	Description
	062401-01-000	EA	Clamp - Hose - Wormgear - 25" ID to 1" ID
	062401-02-000	EA	Clamp - Hose - Wormgear - 1.56" ID to 2.5" ID
	062401-03-000	EA	Clamp - Hose - Wormgear - 22" ID to 1" ID
	062401-04-000	EA	Clamp - Hose - Wormgear - .69" ID to 1.25" ID
	062401-05-000	EA	Clamp - Hose - Wormgear - 2" ID to 3" ID
	062401-08-000	EA	Clamp - Hose - Wormgear - .22" ID - .82" ID
	010497-01-000	EA	Clamp - Close - 5/8" ID
	010499-01-000	EA	Clamp - Close - 3/8" ID
	007181-01-000	EA	Clamp - Hose - Spring Type 112
	010485-01-000	EA	Clamp - Cable - 9/16" ID
	023148-01-000	EA	Clamp - Screw Type - 4"
	007125-03-000	EA	Clamp Asm - Muffler - 1.5" Dia
	007125-06-000	EA	Clamp Asm - Muffler - 2.25" Dia
	007125-07-000	EA	Clamp Asm - Muffler - 2.50" Dia
	053322-04-000	EA	Heat Shield - Exhaust
	071858-01-000	EA	Cover - Radiator - Rear
	080722-01-000	EA	Cover - Radiator - Rear Back (Fan Shroud)
	017518-01-000	EA	Mud Flaps w/Holes - 14" x 18" - Back
	063977-08-000	EA	Step Asm - Driver Door
	051377-01-000	EA	Valve Stem Asm - TR500
	095012-01-000	EA	Extension - Valve Stem - Dual Wheels
	088273-01-000	EA	Relay - Battery Disconnect
	072342-07-000	EA	Condenser Asm (John Deere)
	089339-01-700	EA	Jack - Hydraulic
	089339-02-000	EA	Leveling System - Hydraulic

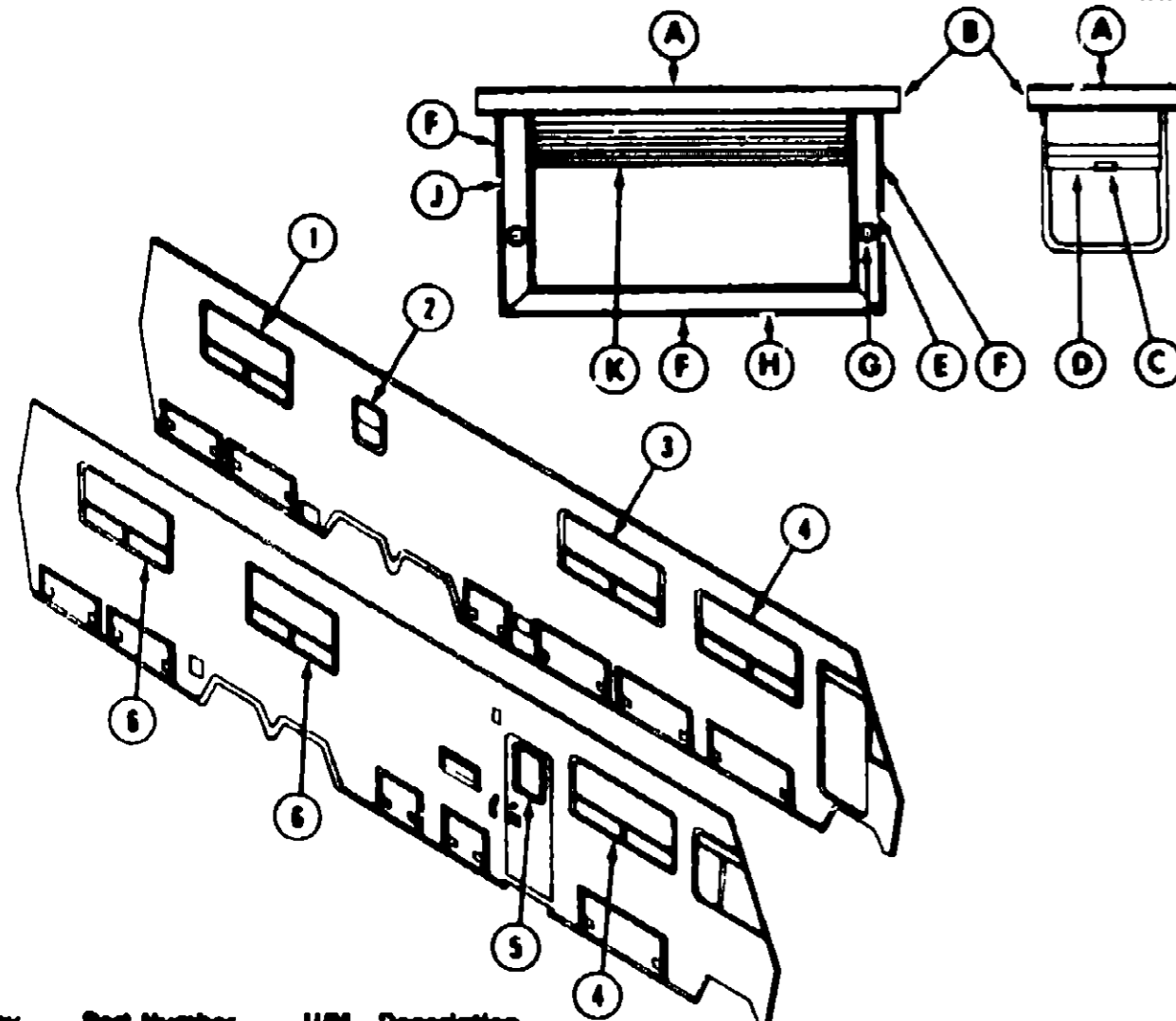
1989 ITASCA TABLE OF CONTENTS

INTRODUCTION	A-01
ABBREVIATIONS	A-01
ALPHABETICAL INDEX	A-02 - A-04
WC/JM34RQ	A-05 - D-18
WJM40RQ	D-19 - G-24

1989 JM40RQ INDEX

Floor Plan	D-19 - D-20
Accessories Group	D-21 - E-02
Bath Group	E-03 - E-04
Chassis Group	E-05 - E-12
Curtain, Cushion & Pad Group	E-13 - E-23
Dnette Group	E-24 - F-01
Driver's Compartment Group	F-02 - F-05
Electrical Group	F-06 - F-09
Exterior Body Group	F-10 - F-15
Galley Group	F-16 - F-18
Heating & Air Conditioning Group	F-19 - F-20
Interior Finish Group	F-21 - F-22
LP Group	F-23
Lounge Group	F-24 - G-03
Water & Sewage Group	G-04 - G-06
Window, Vent & Exterior Door Group	G-07 - G-24

WINDOW TREATMENT



Key	Part Number	U/M	Description
1A	M03947-05-Y15	EA	Valance Cabinet Asm - Window Top
1B	094328-04-Y70	EA	Valance Pad - Top
1B	094328-04-Y16	EA	Valance Pad - Top (Y71)
1B	094328-04-Y72	EA	Valance Pad - Top
1F	M03947-06-Y15	EA	Window Cabinet - Bottom & Sides
1E	094327-11-Y70	EA	Window Pad - Right Side
1E	094327-11-Y71	EA	Window Pad - Right Side
1E	094327-11-Y72	EA	Window Pad - Right Side
1H	094327-06-Y70	EA	Window Pad - Bottom
1H	094327-06-Y16	EA	Window Pad - Bottom (Y71)
1H	094327-06-Y72	EA	Window Pad - Bottom
1J	094327-12-Y70	EA	Window Pad - Left Side
1J	094327-12-Y16	EA	Window Pad - Left Side (Y71)
1J	094327-12-Y72	EA	Window Pad - Left Side
1K	093475-25-01A	EA	Mini Blind - 49 5" x 33" Drop (Y70, Y72)
1K	093475-25-02A	EA	Mini Blind - 49 5" x 33" Drop (Y71)
	083170-01-000	EA	Bracket - Mini Blind - Upper Right
	083170-02-000	EA	Bracket - Mini Blind - Upper Left
2A	094982-01-Y15	EA	Valance Cabinet Asm - Window Top
2B	094328-03-Y70	EA	Valance Pad
2B	094328-03-Y71	EA	Valance Pad
2B	094328-03-Y72	EA	Valance Pad
2K	093475-24-01A	EA	Mini Blind - 19" x 27" Drop (Y70, Y72)
2K	093475-24-02A	EA	Mini Blind - 19" x 27" Drop (Y71)
	083170-01-000	EA	Bracket - Mini Blind - Upper Right
	083170-02-000	EA	Bracket - Mini Blind - Upper Left
2	082139-01-000	EA	Hold Down Brackets - Blind
3F	094319-01-Y15	EA	Window Cabinet Asm - Left & Right Side
3EJ	094327-10-Y70	EA	Window Pad - Left or Right Side
3EJ	094327-10-Y71	EA	Window Pad - Left or Right Side

Key	Part Number	U/M	Description
3EJ	094327-10-Y72	EA	Window Pad - Left or Right Side
3K	093475-19-03A	EA	Mini Blind - 57" x 36" Drop (Y70, Y72)
3K	093475-19-04A	EA	Mini Blind - 57" x 36" Drop (Y71)
	083170-01-000	EA	Bracket - Mini Blind - Upper Right
	083170-02-000	EA	Bracket - Mini Blind - Upper Left
3G	067052-02-000	EA	Window Knob - Beige
3	090025-01-000	EA	Extension - Window Knob
3	089371-01-000	EA	Screw - Window Knob
3	082139-01-000	EA	Hold Down Brackets - Blind
4A	M03947-01-Y15	EA	Valance Cabinet Asm - Window Top
4B	094328-05-Y70	EA	Valance Pad - Top
4B	094328-05-Y71	EA	Valance Pad - Top
4B	094328-05-Y72	EA	Valance Pad - Top
4F	M03947-02-Y15	EA	Window Cabinet - Bottom & Sides
4E	094327-07-Y70	EA	Window Pad - Right Side
4E	094327-07-Y71	EA	Window Pad - Right Side
4E	094327-07-Y72	EA	Window Pad - Right Side
4H	094327-08-Y70	EA	Window Pad - Bottom
4H	094327-08-Y71	EA	Window Pad - Bottom
4H	094327-08-Y72	EA	Window Pad - Bottom
4J	094327-15-Y70	EA	Window Pad - Left Side
4J	094327-15-Y71	EA	Window Pad - Left Side
4J	094327-15-Y72	EA	Window Pad - Left Side
4K	093475-21-01A	EA	Mini Blind - 57 5" x 32" Drop (Y70, Y72)
4K	093475-21-02A	EA	Mini Blind - 57.5" x 32" Drop (Y71)
	083170-01-000	EA	Bracket - Mini Blind - Upper Right
	083170-02-000	EA	Bracket - Mini Blind - Upper Left
4G	067052-02-000	EA	Window Knob - Beige
4	090025-01-000	EA	Extension - Window Knob
4	089371-01-000	EA	Screw - Window Knob
5B	094327-16-Y70	EA	Valance Pad - Top
5B	094327-16-Y71	EA	Valance Pad - Top
5B	094327-16-Y72	EA	Valance Pad - Top
5C	087253-01-000	EA	Clear Shade Pull - Plastic
5D	093455-14-Y70	EA	Shade Asm - 27 25"
5D	093455-14-Y31	EA	Shade Asm - 27 25" (Y71)
5D	093455-14-Y32	EA	Shade Asm - 27 25" (Y72)
5	048394-02-000	YD	Velcro - Hook Tape
5	088792-02-000	YD	Velcro - Loop Tape
5	084434-01-000	EA	Pull Shade Bracket - Left or Right Side
6A	M03947-03-Y15	EA	Valance Cabinet Asm - Window Top
6B	094328-04-Y70	EA	Valance Pad - Top
6B	094328-04-Y16	EA	Valance Pad - Top (Y71)
6B	094328-04-Y72	EA	Valance Pad - Top
6F	M03947-04-Y15	EA	Window Cabinet - Bottom & Sides
6E	094327-05-Y70	EA	Window Pad - Right Side
6E	094327-05-Y16	EA	Window Pad - Right Side (Y71)
6E	094327-05-Y72	EA	Window Pad - Right Side
6H	094327-06-Y70	EA	Window Pad - Bottom
6H	094327-06-Y16	EA	Window Pad - Bottom (Y71)
6H	094327-06-Y72	EA	Window Pad - Bottom
6J	094327-14-Y70	EA	Window Pad - Left Side
6J	094327-14-Y16	EA	Window Pad - Left Side (Y71)
6J	094327-14-Y72	EA	Window Pad - Left Side
6K	093475-23-01A	EA	Mini Blind - 51" x 32" Drop (Y70, Y72)
6K	093475-23-02A	EA	Mini Blind - 51" x 32" Drop (Y71)
	083170-01-000	EA	Bracket - Mini Blind - Upper Right
	083170-02-000	EA	Bracket - Mini Blind - Upper Left
6G	067052-02-000	EA	Window Knob - Beige
6	090025-01-000	EA	Extension - Window Knob
6	089371-01-000	EA	Screw - Window Knob
	072333-55-000	EA	Curtain Fabric (Y70)
	072333-59-000	EA	Curtain Fabric (Y71)
	072333-60-000	EA	Curtain Fabric (Y72)

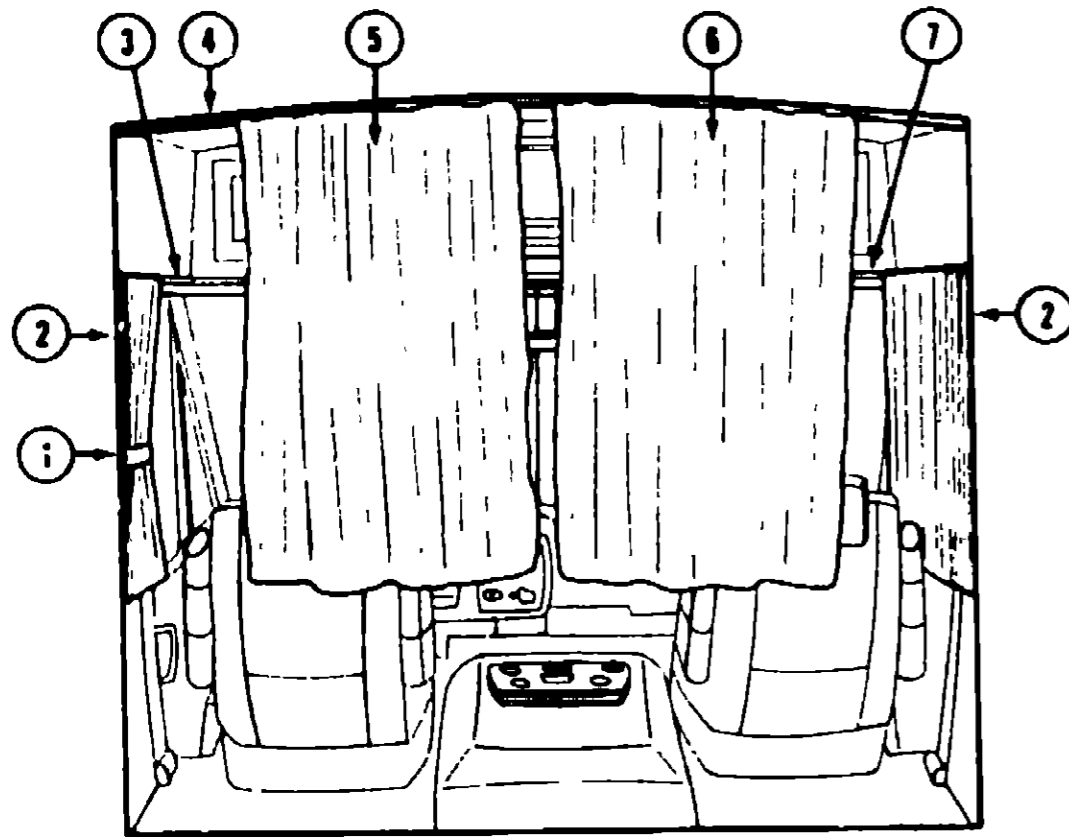
1989 ITASCA
TABLE OF CONTENTS

INTRODUCTION	A-01
ABBREVIATIONS	A-01
ALPHABETICAL INDEX	A-02 - A-04
WCJM34RQ	A-05 - D-18
WJM40RQ	D-19 - G-24

1989 IJM40RQ INDEX

Floor Plan	D-19 - D-20
Accessories Group	D-21 - E-02
Bath Group	E-03 - E-04
Chassis Group	E-05 - E-12
Curtain, Cushion & Pad Group	E-13 - E-23
Dinette Group	E-24 - F-01
Driver's Compartment Group	F-02 - F-05
Electrical Group	F-06 - F-09
Exterior Body Group	F-10 - F-15
Galley Group	F-16 - F-18
Heating & Air Conditioning Group	F-19 - F-20
Interior Finish Group	F-21 - F-22
LP Group	F-23
Lounge Group	F-24 - G-03
Water & Sewage Group	G-04 - G-06
Window, Vent & Exterior Door Group	G-07 - G-24

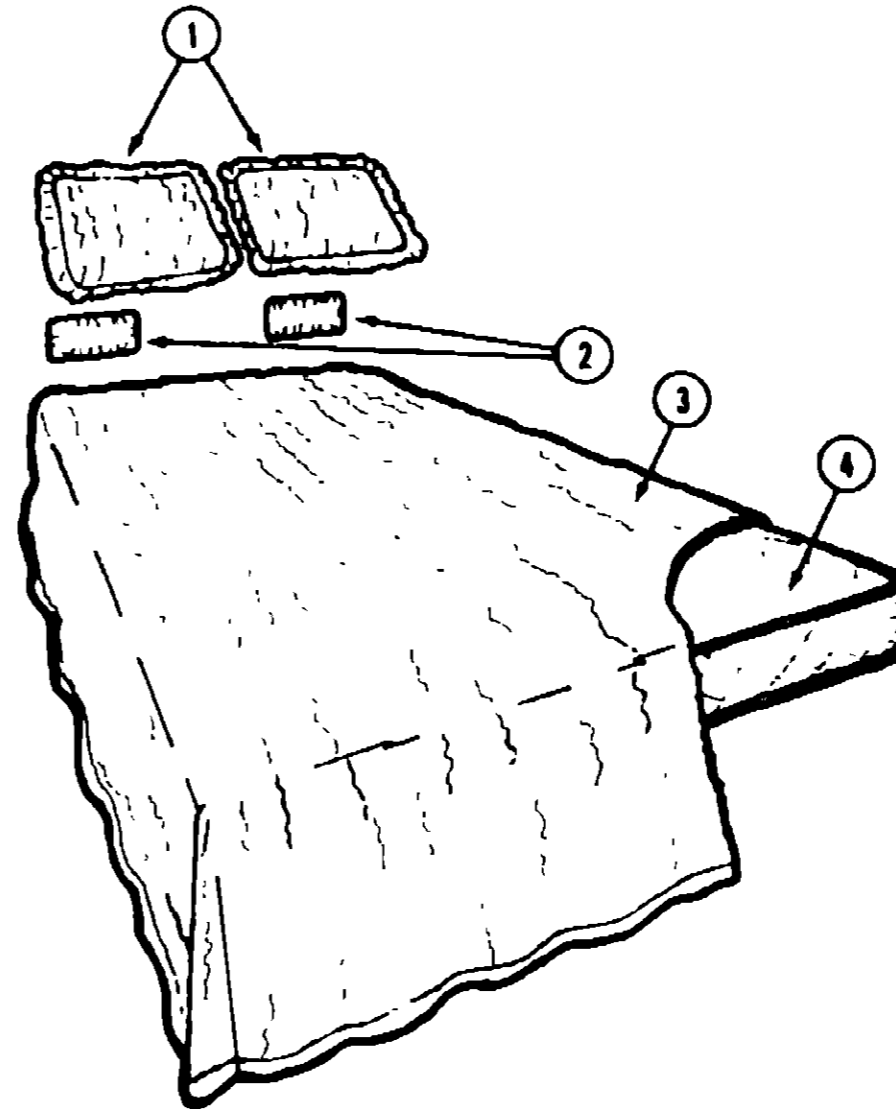
CURTAIN, CUSHION & PAD GROUP (CONTINUED)



FRONT CAB CURTAIN TREATMENT

Key	Part Number	U/M	Description
1	073260-23-XA4	EA	Tieback - 3" x 18" - Left or Right Side (Y70)
1	073260-23-Y16	EA	Tieback - 3" x 18" - Left or Right Side (Y71)
1	073260-23-Y72	EA	Tieback - 3" x 18" - Left or Right Side
2	073304-51-XA4	EA	Curtain Asm. - Front Wraparound - 36" x 86" (Y70)
2	073304-51-Y16	EA	Curtain Asm. - Front Wraparound - 36" x 86" (Y71)
2	073304-51-Y72	EA	Curtain Asm. - Front Wraparound - 36" x 86"
3	079946-02-000	EA	Front Wraparound Track - Driver Side
4	091904-01-000	FI	Track - Blackout Curtain
5	093452-02-Y30	EA	Blackout Curtain - Driver Side - 48" x 50" (Y70)
5	093452-02-Y31	EA	Blackout Curtain - Driver Side - 48" x 50" (Y71)
5	093452-02-Y32	EA	Blackout Curtain - Driver Side - 48" x 50" (Y72)
6	093452-01-Y30	EA	Blackout Curtain - Passenger Side - 48" x 50" (Y70)
6	093452-01-Y31	EA	Blackout Curtain - Passenger Side - 48" x 50" (Y71)
6	093452-01-Y32	EA	Blackout Curtain - Passenger Side - 48" x 50" (Y72)
7	079946-01-000	EA	Front Wraparound Track - Passenger Side
	068792-02-000	YD	Velcro 3/4" Loop - Adhesive Back
	048394-02-000	YD	Velcro 3/4" Hook - Adhesive Back
	072333-55-000	YD	Blackout Curtain Fabric (Y70)
	072333-59-000	YD	Blackout Curtain Fabric (Y71)
	072333-60-000	YD	Blackout Curtain Fabric (Y72)

CURTAIN, CUSHION & PAD GROUP (CONTINUED)



QUEEN BED

Key	Part Number	U/M	Description
1	081997-02-Y70	EA	Pillow Shams w/Ruffle
1	081997-02-Y71	EA	Pillow Shams w/Ruffle
1	081997-02-Y72	EA	Pillow Shams w/Ruffle
2	095056-01-Y70	EA	Headboard Trim Insert
2	095056-01-Y71	EA	Headboard Trim Insert
2	095056-01-Y72	EA	Headboard Trim Insert
3	092371-04-Y70	EA	Fitted Bedspread w/Dust Ruffle
3	092371-04-Y71	EA	Fitted Bedspread w/Dust Ruffle
3	092371-04-Y72	EA	Fitted Bedspread w/Dust Ruffle
4	077478-06-000	EA	Queen Posturepedic Mattress - 60" x 80"
	088273-25-000	YD	Bedspread Fabric (Y70)
	088273-26-000	YD	Bedspread Fabric (Y71)
	088274-27-000	YC	Bedspread Fabric (Y72)

**1989 ITASCA
TABLE OF CONTENTS**

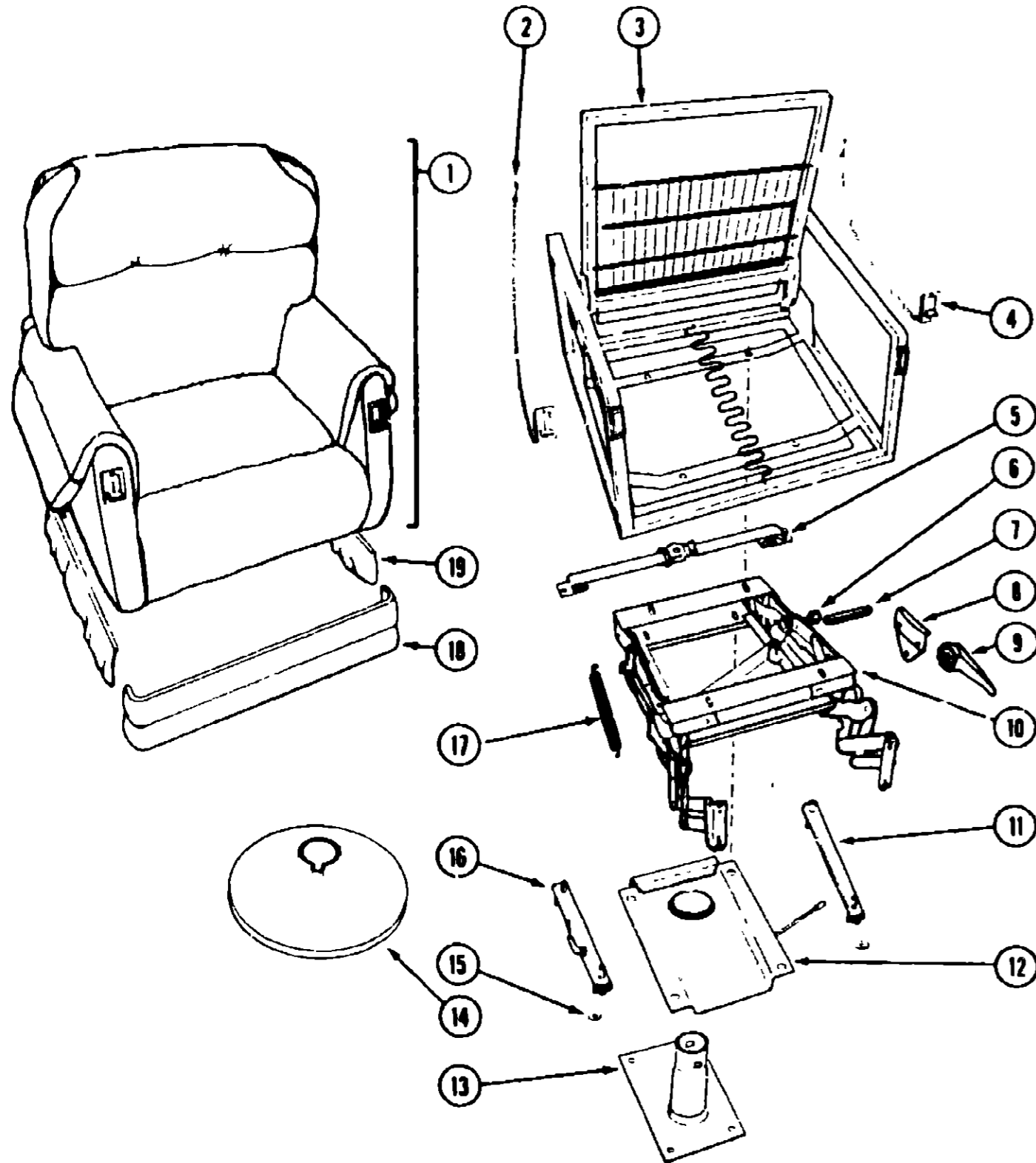
INTRODUCTION	A-01
ABBREVIATIONS	A-01
ALPHABETICAL INDEX	A-02 - A-04
WC/JM34RQ	A-05 - D-18
WJM40RQ	D-19 - G-24

1989 JM40RQ INDEX

Floor Plan	D-19 - D-20
Accessories Group	D-21 - E-02
Bath Group	E-03 - E-04
Chassis Group	E-05 - E-12
Curtain, Cushion & Pad Group	E-13 - E-23
Dinette Group	E-24 - F-01
Driver's Compartment Group	F-02 - F-05
Electrical Group	F-06 - F-09
Exterior Body Group	F-10 - F-15
Galley Group	F-16 - F-18
Heating & Air Conditioning Group	F-19 - F-20
Interior Finish Group	F-21 - F-22
LP Group	F-23
Lounge Group	F-24 - G-03
Water & Sewage Group	G-04 - G-06
Window, Vent & Exterior Door Group	G-07 - G-24

CURTAIN, CUSHION & PAD GROUP (CONTINUED)

SWIVEL CHAIR



Key	Part Number	U/M	Description
1	083483-02-Y70	EA	Swivel Chair Asm w/Footrest - w/o Skirt
1	083483-02-Y71	EA	Swivel Chair Asm. w/Footrest - w/o Skirt
1	083483-02-Y72	EA	Swivel Chair Asm. w/Footrest - w/o Skirt
1	M83483-02-Y70	EA	Cover - Swivel Chair
1	M83483-02-Y71	EA	Cover - Swivel Chair
1	M83483-02-Y72	EA	Cover - Swivel Chair
2	088388-02-000	EA	Remote Cable Asm. - Recline
3	088388-01-000	EA	Frame Asm
4	088388-03-000	EA	Remote Cable Asm - Slide Control
5	007021-01-000	EA	Seat Belt Asm
6	083484-02-700	EA	Clamp - Torsion Bar
7	083484-02-701	EA	Torsion Bar
8	083484-02-702	EA	Torsion Bar Support
9	083484-02-703	EA	Handle - Footrest
10	083484-01-000	EA	Footrest Recliner Asm
11	088246-02-000	EA	Seat Slide Asm w/o Lock
12	083481-03-000	EA	Seat Top Plate
13	083481-01-000	EA	Seat Base
14	083482-01-000	EA	Seat Base Cover
15	007221-01-000	EA	Washer - Coned
16	088246-05-000	EA	Seat Slide Asm - w/Lock
17	083484-02-704	EA	Spring
18	M94589-01-Y70	EA	Footrest Cover
18	M94589-01-Y71	EA	Footrest Cover
18	M94589-01-Y72	EA	Footrest Cover
19	088032-08-Y70	EA	Skirt Asm
19	088032-08-Y71	EA	Skirt Asm
19	088032-08-Y72	EA	Skirt Asm
	088274-63-000	YD	Chair Fabric (Y70)
	088274-61-000	YD	Chair Fabric (Y71)
	088274-62-000	YD	Chair Fabric (Y72)

1989 ITASCA TABLE OF CONTENTS

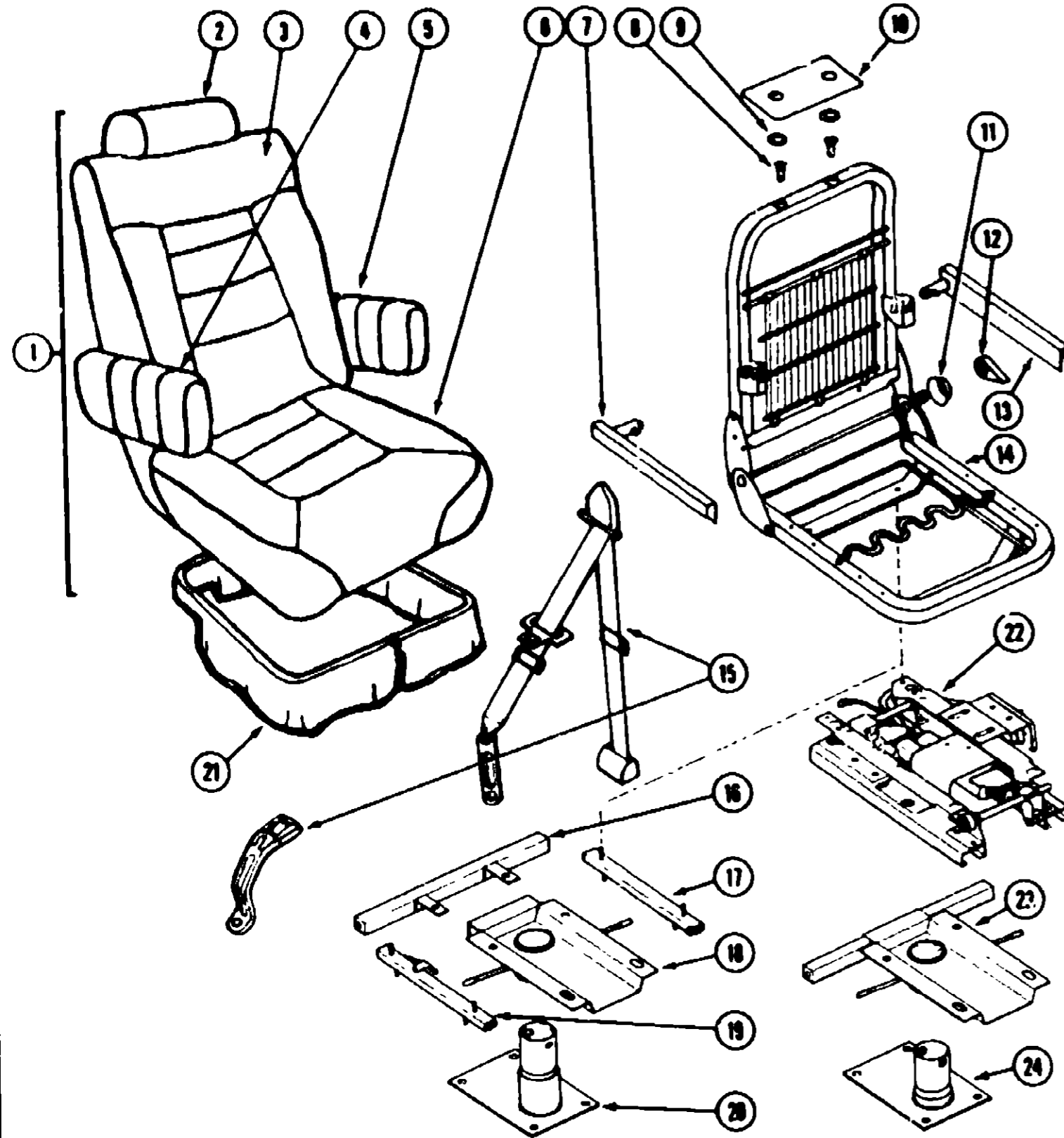
INTRODUCTION	A-01
ABBREVIATIONS	A-01
ALPHABETICAL INDEX	A-02 - A-04
WC/JM34RQ	A-05 - D-18
WJM40RQ	D-19 - G-24

1989 JM40RQ INDEX

Floor Plan	D-19 - D-20
Accessories Group	D-21 - E-02
Bath Group	E-03 - E-04
Chassis Group	E-05 - E-12
Curtain, Cushion & Pad Group	E-13 - E-23
Dinette Group	E-24 - F-01
Driver's Compartment Group	F-02 - F-05
Electrical Group	F-06 - F-09
Exterior Body Group	F-10 - F-15
Galley Group	F-16 - F-18
Heating & Air Conditioning Group	F-19 - F-20
Interior Finish Group	F-21 - F-22
LP Group	F-23
Lounge Group	F-24 - G-03
Water & Sewage Group	G-04 - G-08
Window, Vent & Exterior Door Group	G-07 - G-24

CURTAIN, CUSHION & PAD GROUP (CONTINUED)

BUCKET SEAT ASM.



Key	Part Number	U/M	Description
1	083458-03-Y70	EA	Seat Arm. w/Arm & Headrest - w/o Skirt (Driver or Passenger)
1	083458-03-Y71	EA	Seat Arm w/Arm & Headrest - w/o Skirt (Driver or Passenger)
1	083458-03-Y72	EA	Seat Arm. w/Arm & Headrest - w/o Skirt (Driver or Passenger)
2	085288-01-Y24	EA	Headrest Arm. (Y70)
2	085288-01-Y71	EA	Headrest Arm
2	085288-01-Y72	EA	Headrest Arm
2	M85288-01-Y24	EA	Headrest Cover (Y70)
2	M85288-01-Y71	EA	Headrest Cover
2	M85288-01-Y72	EA	Headrest Cover
3	M03445-06-Y30	EA	Cover Arm - Seat Back (Y70)
3	M03445-06-Y31	EA	Cover Arm - Seat Back (Y71)
3	M03445-06-Y32	EA	Cover Arm - Seat Back (Y72)
4	M80243-32-Y30	EA	Armrest Arm. - Right Hand (Y70)
4	M80243-32-Y31	EA	Armrest Arm - Right Hand (Y71)
4	M80243-32-Y32	EA	Armrest Arm - Right Hand (Y72)
4	M80243-32-Y30	EA	Armrest Cover - Right Hand (Y70)
4	M80243-32-Y31	EA	Armrest Cover - Right Hand (Y71)
4	M80243-32-Y32	EA	Armrest Cover - Right Hand (Y72)
5	M80243-33-Y30	EA	Armrest Arm. - Left Hand (Y70)
5	M80243-33-Y31	EA	Armrest Arm. - Left Hand (Y71)
5	M80243-33-Y32	EA	Armrest Arm - Left Hand (Y72)
5	M80243-33-Y30	EA	Armrest Cover - Left Hand (Y70)
5	M80243-33-Y31	EA	Armrest Cover - Left Hand (Y71)
5	M80243-33-Y32	EA	Armrest Cover - Left Hand (Y72)
6	M03445-06-Y30	EA	Cover Arm - Seat Bottom (Y70)
6	M03445-06-Y31	EA	Cover Arm - Seat Bottom (Y71)
6	M03445-06-Y32	EA	Cover Arm. - Seat Bottom (Y72)
7	081288-01-000	EA	Armrest Frame Arm - Right Hand
8	091313-01-000	EA	Headrest Bushing
9	083163-01-000	EA	Push Nut - 7/16"
10	081172-01-000	EA	Trim Plate
11	080730-05-000	EA	Shield - Recliner Lever
12	080730-03-000	EA	Recliner Lever
13	081288-02-000	EA	Armrest Frame Arm - Left Hand
14	M80808-01-000	EA	Seat Frame Arm
15	091990-01-01A	EA	Seat Belt
16	089525-29-000	EA	Seat Belt Bar
17	088248-02-000	EA	Seat Slide w/o Lock
18	089585-27-000	EA	Top Plate
19	088248-01-000	EA	Seat Slide w/Lock
20	089585-08-000	EA	Seat Base
21	071126-24-X75	EA	Skirt Arm. (Y70)
21	071126-24-Y71	EA	Skirt Arm
21	071126-24-Y72	EA	Skirt Arm
	088274-33-000	YD	Bucket Seat Fabric (Y70)
	088274-59-000	YD	Bucket Seat Fabric (Y71)
	088274-80-000	YD	Bucket Seat Fabric (Y72)

POWER SEAT OPTION (63MF)

Key	Part Number	U/M	Description
21	071126-26-X75	EA	Skirt Arm - Power Seat (Y70)
21	071126-26-Y36	EA	Skirt Arm - Power Seat (Y71)
21	071126-26-Y37	EA	Skirt Arm - Power Seat (Y72)
22	081373-01-000	EA	Power Control - 6 Way
23	089585-36-000	EA	Top Plate (6 Way Power Seat)
24	089585-37-000	EA	Seat Base
	081591-04-000	EA	Wire Arm. (6 Way Power Seat)

1989 ITASCA TABLE OF CONTENTS

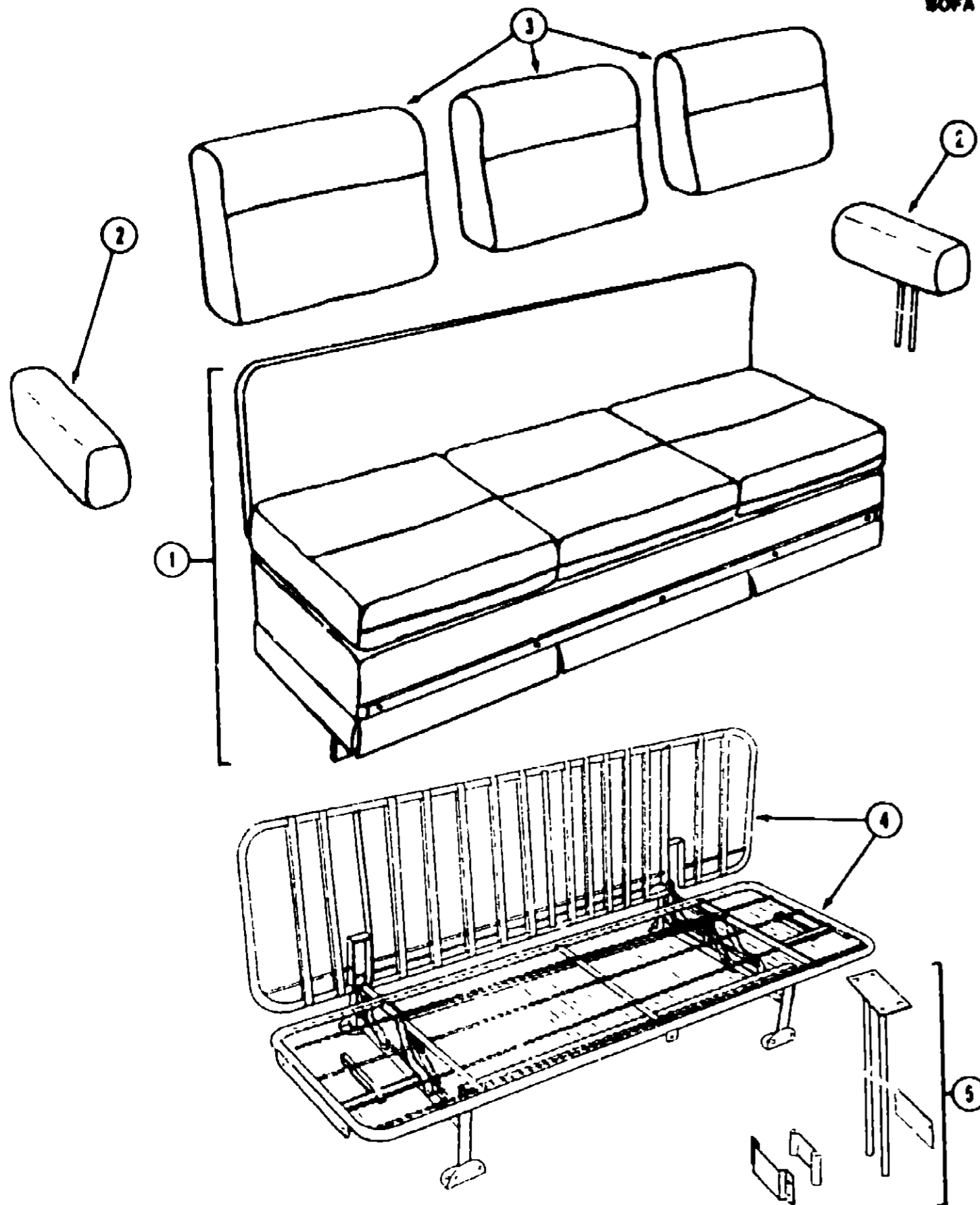
INTRODUCTION	A-01
ABBREVIATIONS	A-01
ALPHABETICAL INDEX	A-02 - A-04
WC/JM34RQ	A-05 - D-18
WJM40RQ	D-19 - G-24

1989 JM40RQ INDEX

Floor Plan	D-19 - D-20
Accessories Group	D-21 - E-02
Bath Group	E-03 - E-04
Chassis Group	E-05 - E-12
Curtain, Cushion & Pad Group	E-13 - E-23
Dinette Group	E-24 - F-01
Driver's Compartment Group	F-02 - F-05
Electrical Group	F-06 - F-09
Exterior Body Group	F-10 - F-15
Galley Group	F-16 - F-18
Heating & Air Conditioning Group	F-19 - F-20
Interior Finish Group	F-21 - F-22
LP Group	F-23
Lounge Group	F-24 - G-03
Water & Sewage Group	G-04 - G-06
Window, Vent & Exterior Door Group	G-07 - G-24

CURTAIN, CUSHION & PAD GROUP (CONTINUED)

SOFA BED



Key	Part Number	U/M	Description
1	083461-01-Y70	EA	Sofa Bed - Celestial
1	083461-01-Y71	EA	Sofa Bed - Celestial
1	083461-01-Y72	EA	Sofa Bed - Celestial
1	M83460-01-Y70	EA	Cover - Sofa Bed - Celestial
1	M83460-01-Y71	EA	Cover - Sofa Bed - Celestial
1	M83460-01-Y72	EA	Cover - Sofa Bed - Celestial
2	085358-05-Y70	EA	Armrest w/Slide Rods
2	085358-05-Y71	EA	Armrest w/Slide Rods
2	085358-05-Y72	EA	Armrest w/Slide Rods
2	M85358-05-Y70	EA	Cover - Armrest
2	M85358-05-Y71	EA	Cover - Armrest
2	M85358-05-Y72	EA	Cover - Armrest
3	085357-02-Y70	EA	Pillow Cushion - Back
3	085357-02-Y71	EA	Pillow Cushion - Back
3	085357-02-Y72	EA	Pillow Cushion - Back
3	M85357-02-Y70	EA	Cover - Pillow Cushion
3	M85357-02-Y71	EA	Cover - Pillow Cushion
3	M85357-02-Y72	EA	Cover - Pillow Cushion
4	079386-01-000	EA	Frame Arm - Sofa Bed
5	087204-01-000	EA	Hardware Brackets - Armrest
	074044-80-000	EA	Oak Trim
	074045-01-000	EA	Oak Plug - 1/2" Dia
	079386-02-000	EA	Mounting Hardware - Sofa Bed
	088274-83-000	YD	Sofa Fabric (Y70)
	088274-81-000	YD	Sofa Fabric (Y71)
	088274-82-000	YD	Sofa Fabric (Y72)

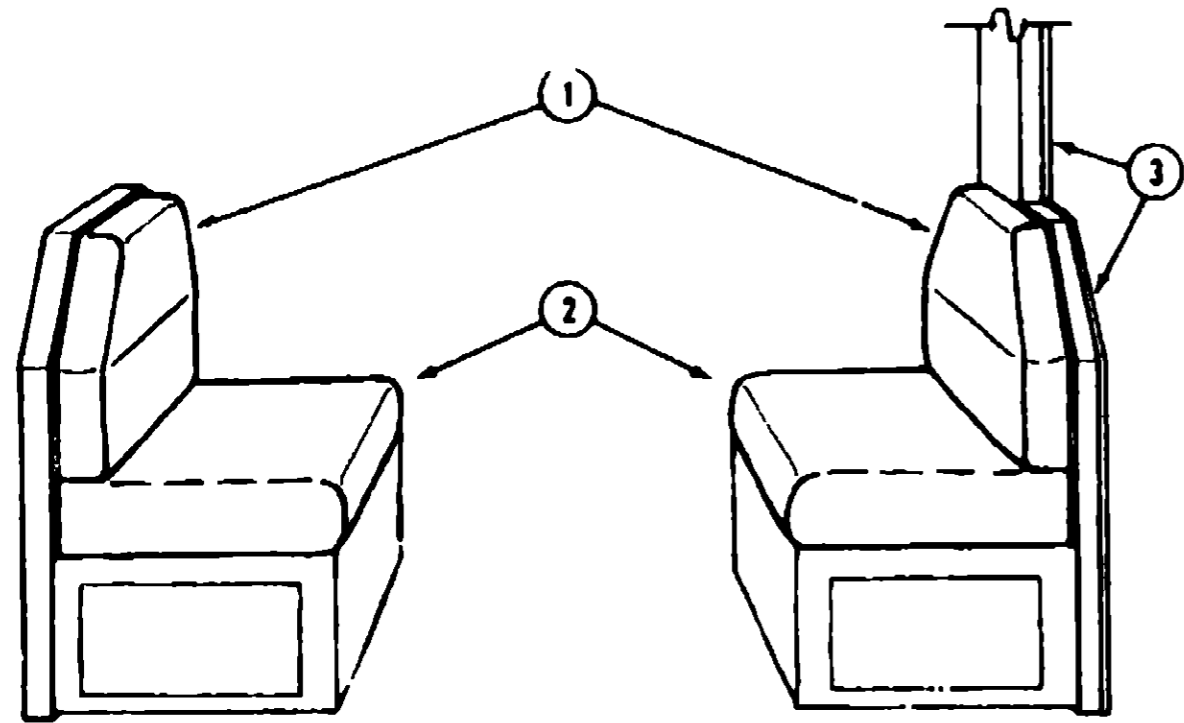
1989 ITASCA TABLE OF CONTENTS

INTRODUCTION	A-01
ABBREVIATIONS	A-01
ALPHABETICAL INDEX	A-02 - A-04
WC/JM34RQ	A-05 - D-18
WJM40RQ	D-19 - G 24

1989 IJM40RQ INDEX

Floor Plan	D-19 - D-20
Accessories Group	D-21 - E-02
Bath Group	E-03 - E-04
Chassis Group	E-05 - E-12
Curtain, Cushion & Pad Group	E-13 - E-23
Dinette Group	E-24 - F-01
Driver's Compartment Group	F-02 - F-05
Electrical Group	F-06 - F-09
Exterior Body Group	F-10 - F-15
Galley Group	F-16 - F-18
Heating & Air Conditioning Group	F-19 - F-20
Interior Finish Group	F-21 - F-22
LP Group	F-23
Lounge Group	F-24 - G-03
Water & Sewage Group	G-04 - G-07
Window, Vent & Exterior Door Group	G-07 - G 21

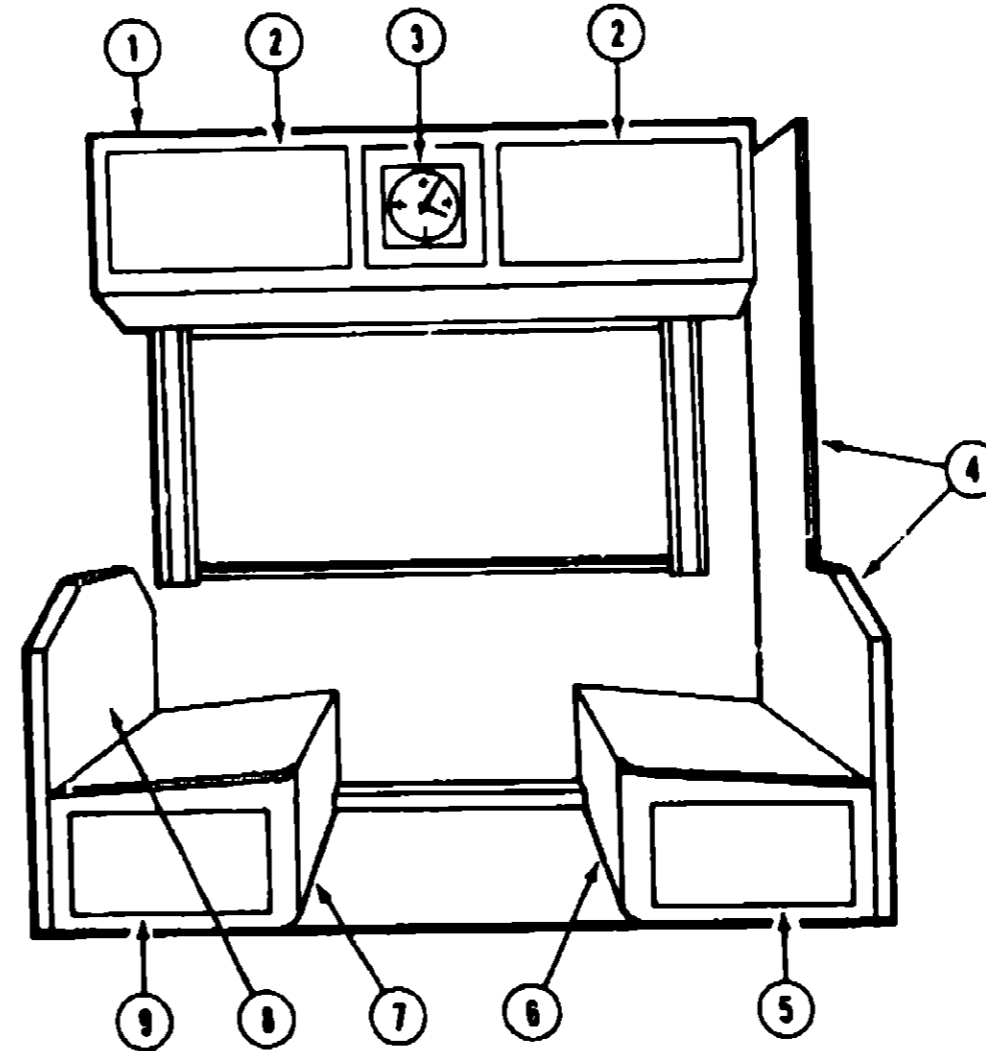
CURTAIN, CUSHION & PAD GROUP (CONTINUED)



DINETTE CUSHION

Key	Part Number	U/M	Description
1	088927-20-Y30	EA	Cushion Asm. - Dinette Back (Y70)
1	088927-20-Y31	EA	Cushion Asm. - Dinette Back (Y71)
1	088927-20-Y32	EA	Cushion Asm. - Dinette Back (Y72)
1	M88927-20-Y30	EA	Cushion Cover Asm - Dinette Back (Y70)
1	M88927-20-Y31	EA	Cushion Cover Asm - Dinette Back (Y71)
1	M88927-20-Y32	EA	Cushion Cover Asm - Dinette Back (Y72)
2	088927-21-Y30	EA	Cushion Asm - Dinette Bottom (Y70)
2	088927-21-Y31	EA	Cushion Asm - Dinette Bottom (Y71)
2	088927-21-Y32	EA	Cushion Asm - Dinette Bottom (Y72)
2	M88927-21-Y30	EA	Cushion Cover Asm - Dinette Bottom (Y70)
2	M88927-21-Y31	EA	Cushion Cover Asm - Dinette Bottom (Y71)
2	M88927-21-Y32	EA	Cushion Cover Asm - Dinette Bottom (Y72)
3	094323-01-Y70	EA	Pad Asm - Dinette Back Wall
3	094323-01-Y71	EA	Pad Asm - Dinette Back Wall
3	094323-01-Y72	EA	Pad Asm - Dinette Back Wall
	088274-33-000	YD	Fabric - Back Wall (Y70)
	088274-59-000	YD	Fabric - Back Wall (Y71)
	088274-60-000	YD	Fabric - Back Wall (Y72)
	088274-63-000	YD	Dinette Fabric (Y70)
	088274-61-000	YD	Dinette Fabric (Y71)
	088274-62-000	YD	Dinette Fabric (Y72)

DINETTE GROUP



DINETTE CABINETRY

Key	Part Number	U/M	Description
1	M84186-01-Y15	EA	Cabinet Asm - Overhead w/o Doors
2	M88304-J1-Y15	EA	Door Asm - w/o Hardware
3	093552-01-01A	EA	Clock - 10" x 10"
4	M03907-01-Y15	EA	Dinette Seat Back Asm.
5	M88304-40-Y15	EA	Door Asm - w/o Hardware
6	M03906-01-Y15	EA	Dinette Seat Bottom Asm
7	M03908-01-Y15	EA	Dinette Seat Bottom Asm
8	M03909-01-Y15	EA	Dinette Seat Back Asm
9	M88304-26-X19	EA	Door Asm - w/Mesh Screen
	093579-01-000	EA	Pull - Cabinet - Chrome/Brass
	081378-01-000	EA	Back Plate - Brass - Pull
	059777-02-000	EA	Hinge - Antique Light Brass
	000G13-06-10G	EA	Screw (Hingr.)
	074493-02-000	EA	Sprung Door Support
	093586-03-000	EA	Roller Catch
	093586-04-000	EA	Steel Strike

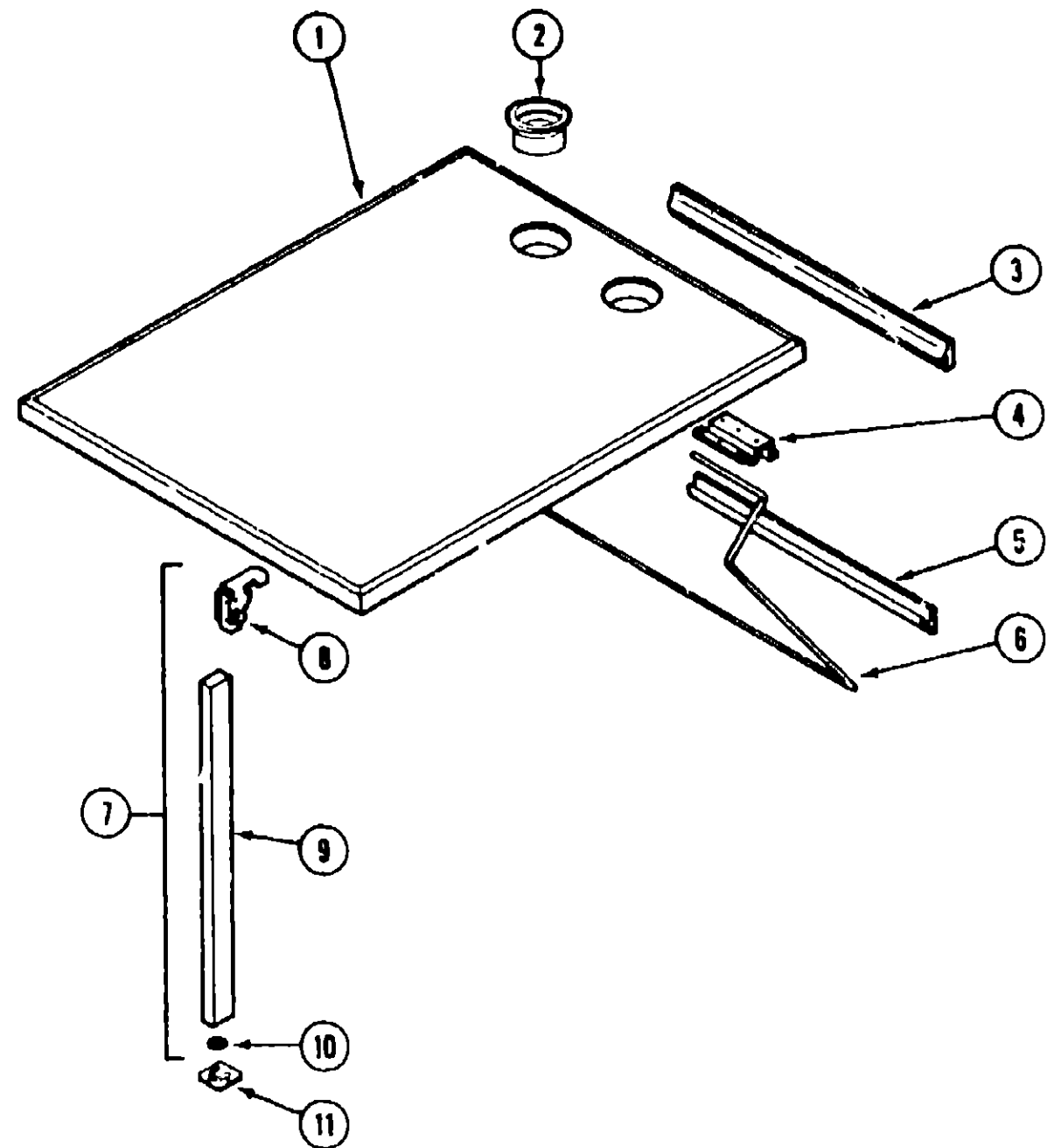
**1999 ITASCA
TABLE OF CONTENTS**

INTRODUCTION	A-01
ABBREVIATIONS	A-01
ALPHABETICAL INDEX	A-02 - A-04
WC/JM34RQ	A-05 - D-18
WJM40RQ	D-19 - G 24

1999 JM40RQ INDEX

Floor Plan	D-19 - D-20
Accessories Group	D-21 - E-02
Bath Group	E-03 - E-04
Chassis Group	E-05 - E-12
Curtain, Cushion & Pad Group	E-13 - E-23
Dinette Group	E-24 - F-01
Driver's Compartment Group	F-02 - F-05
Electrical Group	F-06 - F-09
Exterior Body Group	F-10 - F-15
Galley Group	F-16 - F-18
Heating & Air Conditioning Group	F-19 - F-20
Interior Finish Group	F-21 - F-22
LP Group	F-23
Lounge Group	F-24 - G-03
Water & Sewage Group	G-04 - G-06
Window, Vent & Exterior Door Group	G-07 - G 24

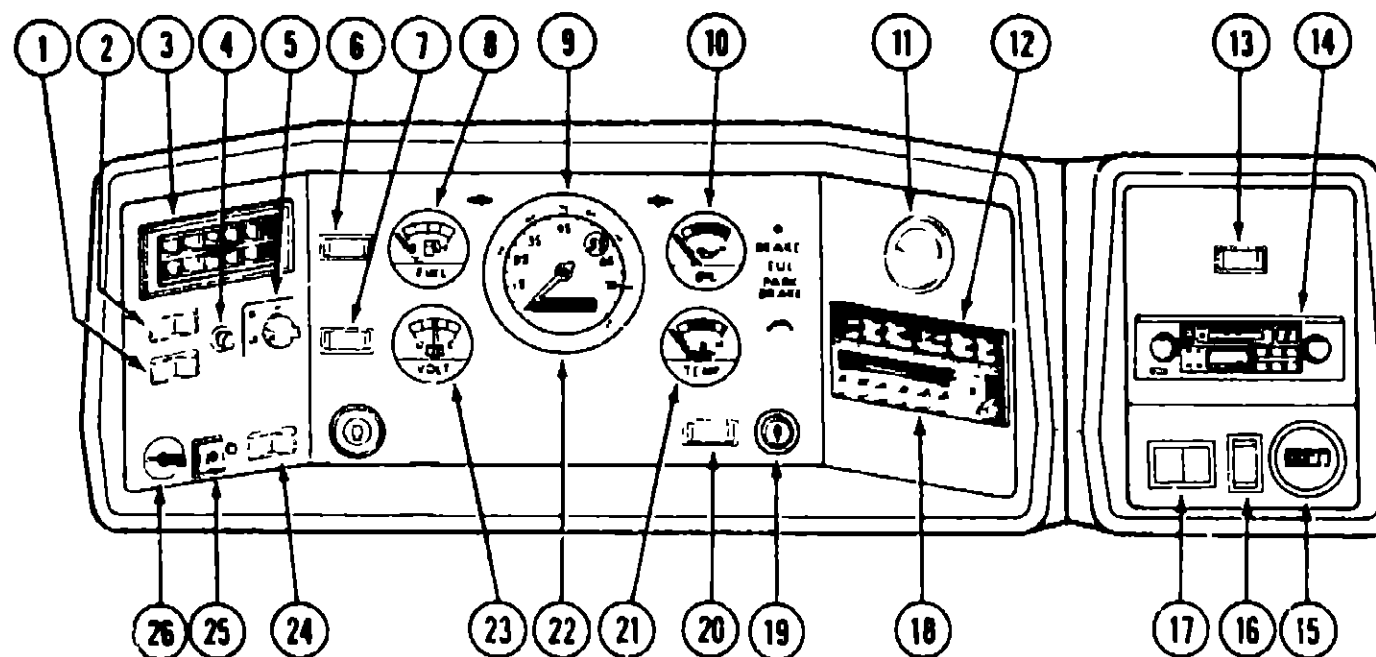
DINETTE GROUP (CONTINUED)



DINETTE TABLE

Key	Part Number	U/M	Description
1	M92743-01-Y15	EA	Table Top Asm. - Dinette - w/o Hardware
	076325 16 060	EA	Molding - Edge Band - Regal Oak
2	064781-05-000	EA	Cup Holder - Beige
3	053200 05-000	EA	Bracket - Upper Wall Mount - 23 5" - Beige
4	088410 01-000	EA	Bracket - Table Mount - Beige
5	024281-07-000	EA	Bracket - Lower Wall Mount - 22 12" - Beige
6	024275 05-000	EA	Rod - Table Lift - 8" x 23.5" - Beige
7	092708 03 Y15	EA	Leg Asm - Table
8	093550 01-000	EA	Bracket - Table Leg - Folding
9	092707-01-01A	EA	Table Leg - Regal Oak
10	092593-01-02A	EA	Catch - Table Leg - Tan
11	049493-08-000	EA	Floor Catch - Table Leg - Tan
	000G11-10-12R	EA	Screw - 10 - 18 x 3/4" PPH - Beige

DRIVER'S COMPARTMENT GROUP



INSTRUMENT CLUSTER (JOHN DEERE)

Key	Part Number	U/M	Description
1	024464-01-000	EA	Windshield Washer Switch
2	024467-01-000	EA	Windshield Wiper Switch
3	039044-01-000	EA	Vent/Air Conditioner Register
4	074007-02-000	EA	Wiper Delay Control
5	087202-02-000	EA	Rear Auto Heater Switch - w/o Knob
	09C377-01-000	EA	Knob - Rear Auto Heater Switch - Rotary
6	024462-01-000	EA	Battery Condition Switch
7	024481-01-000	EA	Battery Mode Switch
8	090431-01-000	EA	Fuel Gauge
9	090434-01-000	EA	Speedometer
10	090433-01 000	EA	Oil Pressure Gauge
11	024460-04-000	EA	Vacuum/Fuel Economy Gauge
12	094831-01-741	EA	Dash Louver/Control Panel Trim
13	093381-01-000	EA	Radio Power Source Switch
14	090982-01-000	EA	Audio Entertainment Center
15	031035-01-000	EA	Auxiliary Electric Generator Hourmeter
16	024978-01-000	EA	Auxiliary Electric Generator Start/Stop Switch
17	076008-21-000	EA	Bezel - Entertainment Center
18	094831-01-732	EA	Heater/Air Conditioner Control
19	089294-01-000	EA	Cigarette Lighter
20	089306-01-000	EA	Switch - Auxiliary Defroster Fans (Option 36N)
21	090432-01-000	EA	Coolant Temperature Gauge
22	086296-12-000	EA	Bezel - Instrument Panel
23	024459-04-000	EA	Gauge - Voltmeter
24	065963-04-000	EA	Auxiliary Battery Disconnect Switch
25	089305-01-000	EA	Fog Light Switch (Option 57M)
28	077497-01-702	EA	Air Horn Switch (Option 36R)

**1989 ITASCA
TABLE OF CONTENTS**

INTRODUCTION
ABBREVIATIONS
ALPHABETICAL INDEX
WC/JM34RQ
WJM40RQ

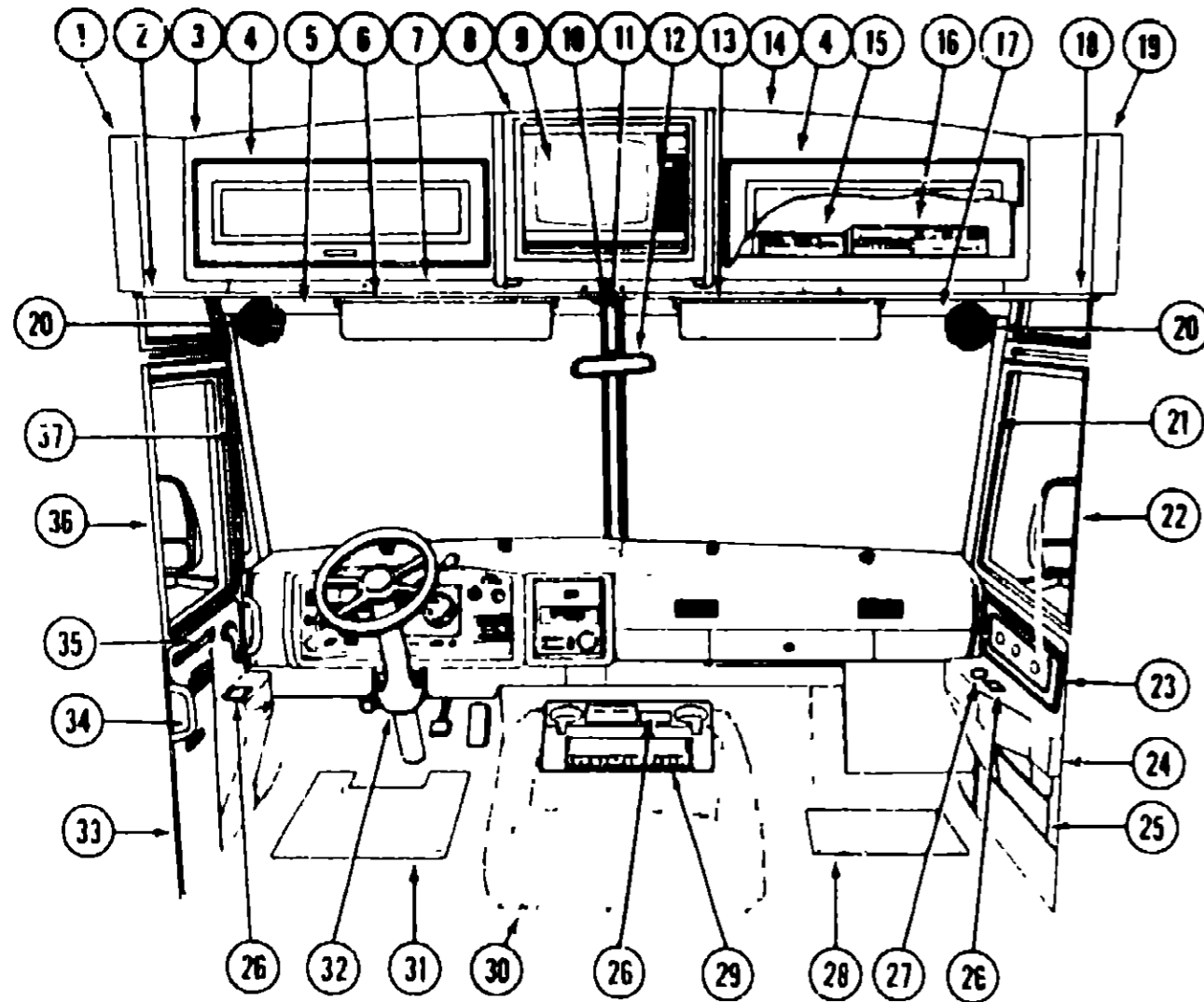
A-01
A-01
A-02 - A-04
A-05 - D-18
D-19 - G 24

1989 IJM40RQ INDEX

Floor Plan	D-19 - D 20
Accessories Group	D 21 - E 02
Bath Group	E 03 - E-04
Chassis Group	E-05 - E-12
Curtain, Cushion & Pad Group	E-13 - E-23
Dinette Group	E-24 - F-01
Driver's Compartment Group	F-02 - F-05
Electrical Group	F-06 - F-09
Exterior Body Group	F-10 - F-15
Galley Group	F-16 - F-18
Heating & Air Conditioning Group	F-19 - F 20
Interior Finish Group	F-21 - F-22
LP Group	F-23
Lounge Group	F-24 - G-03
Water & Sewage Group	G 04 - G 06
Window, Vent & Exterior Door Group	G-07 - G 24

DRIVER'S COMPARTMENT GROUP (CONTINUED)

DRIVER'S COMPARTMENT COMPONENTS



Key	Part Number	U/M	Description
1	090383-02-Y70	EA	Pad Asm - End Cap - Driver Side
2	079946-01-000	EA	Track - Front Wraparound Curtain - Driver Side
3	M89985-01-X14	EA	Cabinet Asm - Front Overhead - Driver Side
4	M88304-30-X78	EA	Door Asm - Front Overhead - Driver or Passenger Side - w/o Hardware
	000G13-06-10G	FA	Screw - 6 - 20 x .625" PFH - Antique Brass
	000G68-06-10G	EA	Screw - 6 - 20 x .625" POH - Antique Brass
	059777-02-000	EA	Hinge - Antique - Light Brass
	093579-01-000	EA	Pull Cabinet - Chrome/Brass
	081376-01-000	EA	Backplate - Brass - Pull
	093586-03-000	EA	Roller Catch
	093586-04-000	EA	Steel Striker
	074493-02-000	EA	Sprung Door Support
5	078579-02-000	EA	Windshield Trim - Upper Driver Side - Light Oak - Inner
6	082288-05-X14	EA	Sunvisor Asm - Driver Side
	07211-01-000	EA	Hinge - Sunvisor
	074012-01-000	EA	Clip - Sunvisor - Square Pinch On
7	089987-01-Y70	EA	Pad Asm - Trim - Header - Upper
	078811-04-Y15	EA	Pad Asm - Trim - Header - Lower (Sunvisor)
8	M89986-01-X14	EA	Cabinet Asm - Center Front Overhead
	M88304-08-X11	EA	Door Asm - Center Front Overhead - w/o Hardware
9	091258-02-000	EA	TV - 13" Color - Remote - Sharp 13NM48
10	086280-01-000	EA	Light - 12 Volt - Surface Mount
	086280-01-700	EA	Bulb - 12 Volt - 8 Watt
11	079765-02-000	EA	Windshield Trim - Center - Light Oak - Inner
12	040714-01-000	EA	Mirror - Inside Rear View
13	082288-08-X14	EA	Sunvisor Asm - Passenger - w/Mirror
	083153-01-000	EA	Mirror - Sunvisor - 3 1/2" x 7"
	085709-01-000	EA	Clip Asm - Sunvisor - Black
14	M89984-01-X14	EA	Cabinet Asm - Front Overhead - Passenger Side
15	086757-01-000	EA	Control Center - Switch - Channel Master
16	091907-01-000	EA	VCR - VHS - Sharp VC2200
17	078579-01-000	EA	Windshield Trim - Upper Passenger Side - Light Oak - Inner
18	079946-01-000	EA	Track - Front Wraparound Curtain - Passenger
19	090383-01-Y15	EA	Pad Asm - End Cap - Passenger Side
20	036420-02-000	EA	Defroster Fan - 6" Dia - 2 Speed (Option 36N)
21	079206-03-000	EA	Windshield Trim - Passenger Side - Beige - Inner
22	086280-01-000	EA	Mirror Asm - w/Convex - Passenger Side
23	059414-06-000	EA	Pad Asm - Passenger Sidewall - 3 Button
24	072811-01-000	EA	Side Panel - Passenger Sidewall - Plastic
25	059487-04-T03	EA	Pad Asm - Map Pocket - Passenger Sidewall
26	046886-03-000	EA	Ash Tray - Chrome
27	064781-01-000	EA	Cup Holder - Chrome - Plastic
28	081202-02-000	EA	Passenger Floor Mat - "Itasca"
29	080216-01-000	EA	Beverage Tray - Oak - w/Tape Pockets
30	075939-01-000	EA	Motor Cover - w/o Carpet
	075564-01-000	EA	Mounting Bracket - Motor Cover
	039623-01-000	FT	Seal - Motor Cover
31	081201-02-000	EA	Driver Floor Mat - "Itasca"
32	078245-01-000	EA	Boot - Steering Column
33	082471-02-000	EA	Panel - Driver Door - Plastic
34	063886-07-000	EA	Assist Handle - Driver Entrance - Gray
35	081400-06-000	EA	Assist Strap - Driver Door - Sandstone 1600
36	086280-02-000	EA	Mirror Asm - w/Convex - Left
37	079206-04-000	EA	Windshield Trim - Driver Side - Beige - Inner

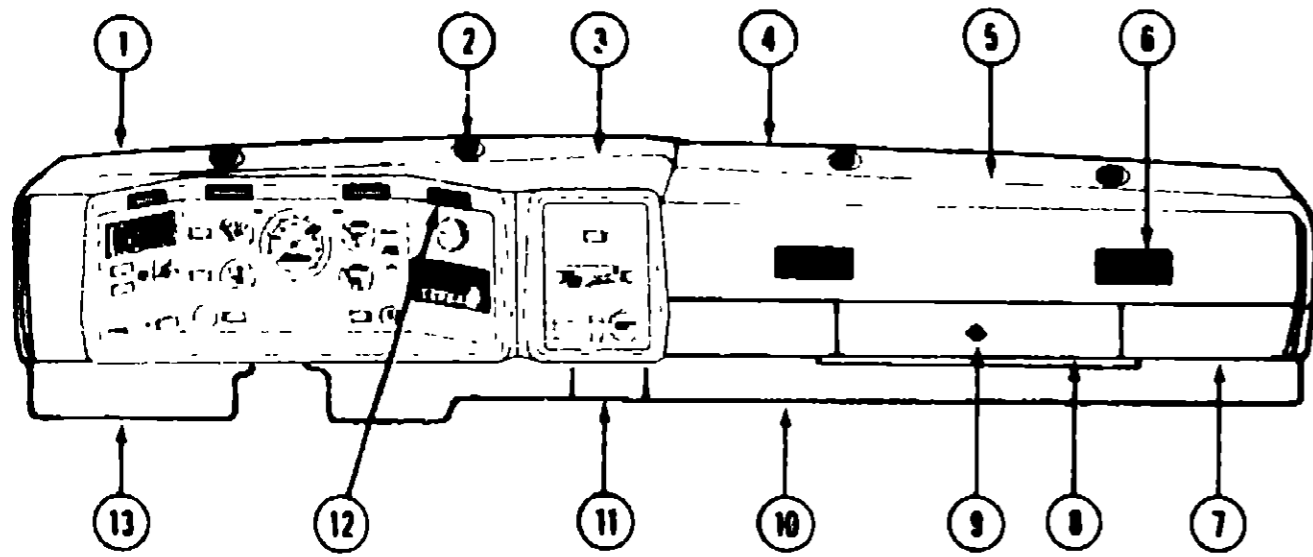
1989 ITASCA TABLE OF CONTENTS

INTRODUCTION	A-01
ABBREVIATIONS	A-01
ALPHABETICAL INDEX	A-02 - A-04
WC/JM34RQ	A-05 - D-18
WJM40RQ	D-19 - G-24

1989 IJM40RQ INDEX

Floor Plan	D-19 - D-20
Accessories Group	D-21 - E-02
Bath Group	E-03 - E-04
Chassis Group	E-05 - E-12
Curtain, Cushion & Pad Group	E-13 - E-23
Dinette Group	E-24 - F-01
Driver's Compartment Group	F-02 - F-05
Electrical Group	F-06 - F-09
Exterior Body Group	F-10 - F-15
Galley Group	F-16 - F-18
Heating & Air Conditioning Group	F-19 - F-20
Interior Finish Group	F-21 - F-22
LP Group	F-23
Lounge Group	F-24 - G-03
Water & Sewage Group	G-04 - G-06
Window, Vent & Exterior Door Group	G-07 - G-24

DRIVER'S COMPARTMENT GROUP (CONTINUED)



DASH PANEL COMPONENTS

Key	Part Number	U/M	Description
1	079582-02-000	EA	Pad Asm - Dash - Front Driver Side - w/o Defroster Vent
2	02499C-01-000	EA	Defroster Outlet - w/Swivel - 2" Tan
3	079088-01-000	EA	Pad Asm - Dash - Instrument - Panel - Driver Side
4	078581-02-000	EA	Pad Asm - Dash - Front Passenger Side - w/o Defroster Vent
5	079089-01-000	EA	Pad Asm - Dash - Instrument Panel - Passenger Side
6	038044-01-000	EA	Louver Asm - Air Conditioner - Adjustable Vent
7	023834-01-000	EA	Knee Kick
8	022219-01-000	EA	Glove Compartment Door
9	009185-01-000	EA	Twist Lock - Glove Compartment
	023892-01-000	EA	Glove Compartment Box - Black Fiberboard
	024598-01-000	EA	Glove Compartment Hinge
10	077387-03-000	EA	Instrument Panel Cover - Lower Right - Black
	081211-02-000	EA	Plug - Plastic - 3/8" Dia - Black
11	077369-01-000	EA	Access Panel - Lower Instrument Panel - Black
12	061424-01-000	EA	Light - 12 Volt - Rectangular
13	077368-02-000	EA	Instrument Panel Cover - Lower Left - Black
13	077368-04-000	EA	Instrument Panel Cover - Lower Left - Black (w/Searchlight)

ELECTRICAL GROUP

BULBS

Key	Part Number	U/M	Description
	008218-01-000	EA	Bulb - #1141 - Dome Light
	067479-01-000	EA	Bulb - #1076 - Table & Wall Lamp
	091937-03-000	EA	Bulb - Fluorescent Light - Recessed
	078424-02-700	EA	Bulb - Fluorescent Light - Galley
	081833-01-700	EA	Bulb - Makeup Light
	087894-01-700	EA	Bulb - Wardrobe Light
	083914-01-000	EA	Bulb - Reading Light
	086280-01-700	EA	Bulb - Surface Mount Light (Cab)
	059737-01-710	EA	Bulb - Microwave Oven
	082888-01-708	EA	Bulb - Range Hood
	084880-01-708	EA	Bulb - Refrigerator
	037935-01-000	EA	Bulb - #1157 - Tail Lamp Asm
	038198-01-000	EA	Bulb - #1194 - Clearance & License Plate Lights
	008215-01-000	EA	Bulb - #1003 - Porch Light & Shower Light
	051057-01-705	EA	Bulb - Spotlight (Option 83E)

FUSES & CIRCUIT BREAKERS

Key	Part Number	U/M	Description
	082901-02-000	EA	Fuse - Automotive - 5 Amp
	082301-05-000	EA	Fuse - Automotive - 15 Amp
	083209-01-000	EA	Circuit Breaker - 15 Amp - 120 Volt
	083209-03-000	EA	Circuit Breaker - 15/20 Amp - 120 Volt - w/o Microwave
	083209-04-000	EA	Circuit Breaker - 30 Amp - 120 Volt
	083209-05-000	EA	Circuit Breaker - 20 Amp - 120 Volt
	083209-06-000	EA	Circuit Breaker - 30/15 Amp - 120 Volt - CSA
	083209-07-000	EA	Circuit Breaker - 20/20 Amp - 120 Volt - w/Microwave
	083210-02-000	EA	Circuit Breaker - 15 Amp - 120 Volt - CSA
	082878-01-000	EA	Circuit Breaker - 40 Amp - 12 Volts - CSA
	082878-02-000	EA	Circuit Breaker - 20 Amp - 12 Volt - CSA
	085720-06-000	EA	Circuit Breaker - 8 Amp - 12 Volt
	088078-02-000	EA	Circuit Breaker - 20 Amp - 12 Volt
	088079-04-000	EA	Circuit Breaker - 30 Amp - 12 Volt
	093654-02-000	EA	Circuit Breaker - 15 Amp - 12 Volts
	093655-01-000	EA	Circuit Breaker - 25 Amp - 12 Volt
	093655-03-000	EA	Circuit Breaker - 40 Amp - 12 Volt

1989 ITASCA TABLE OF CONTENTS

INTRODUCTION	A-01
ABBREVIATIONS	A-01
ALPHABETICAL INDEX	A-02 - A-04
WC/JM34RQ	A-05 - D-18
WJM40RQ	D-19 - G-24

1989 JM40RQ INDEX

Floor Plan	D-19 - D-20
Accessories Group	D-21 - E-02
Bath Group	E-03 - E-04
Chassis Group	E-05 - E-12
Curtain, Cushion & Pad Group	E-13 - E-23
Dinette Group	E-24 - F-01
Driver's Compartment Group	F-02 - F-05
Electrical Group	F-06 - F-09
Exterior Body Group	F-10 - F-15
Galley Group	F-16 - F-18
Heating & Air Conditioning Group	F-19 - F-20
Interior Finish Group	F-21 - F-22
LP Group	F-23
Lounge Group	F-24 - G-03
Water & Sewage Group	G-04 - G-06
Window, Vent & Exterior Door Group	G-07 - G-24

ELECTRICAL GROUP (CONTINUED)

WIRE, SWITCHES, RECEPTACLES

Key	Part Number	U/M	Description
	008288-01-000	EA	Box - Electrical - 3" x 3 5/8" - Plastic
	008288-01-000	EA	Box - Electrical - 4" x 4" - 1/2 & 3/4 - Steel - USA
	008289-02-000	EA	Box - Electrical - 4" x 4" - 1/2 & 3/4 - Steel - CSA
	058049-01-000	EA	Box - Electrical - 2" x 3" x 2 25" - Steel
	041953-01-000	FT	Conduit - Convolute Slt - 50" I.D.
	041953-02-000	FT	Conduit - Convolute Slt - .625" I.D.
	041953-03-000	FT	Conduit - Convolute Slt - 1" I.D.
	041953-05-000	FT	Conduit - Convolute Solid - .625" I.D.
	041953-08-000	FT	Conduit - Convolute Slt - 3/8" I.D.
	041953-07-000	FT	Conduit - Convolute Slt - 3/8" I.D.
	041953-09-000	FT	Conduit - Convolute Slt - .60" I.D.
	041953-10-000	FT	Conduit - Convolute Slt - .75" I.D.
	041953-11-000	FT	Conduit - Convolute Slt - 1 063" I.D.
	008353-01-000	EA	Connector - 3/8" - Cable Clamping
	008355-01-000	EA	Connector - 3/4" - Cable Clamping
	008356-01-000	EA	Connector - 3/8" - Plastic
	008311-01-000	EA	Connector - Wire Nut - Red
	008312-01-000	EA	Connector - Wire Nut - Blue
	008313-01-000	EA	Connector - Wire Nut - Yellow
	008314-01-000	EA	Connector - Wire Nut - Gray
	031968-01-000	EA	Contact Plug - Brass - Tin Plated
	031967-01-000	EA	Contact - Receptacle
	008052-01-000	EA	Cord - Power - 10/3 - 30 Amp - 25' - CSA
	008054-01-000	EA	Cord - Power - 10/3 - 30 Amp - 25' - USA
	008294-01-000	EA	Cover - Electrical Box - Flat Blank - 4" x 4" - Steel - USA
	008294-02-000	EA	Cover - Electrical Box - Flat Blank - 4" x 4" - Steel - CSA
	069238-01-000	EA	Cover - Electrical Box - 4" x 4"
	078319-09-000	EA	Cover - Receptacle - Brown
	084077-01-000	EA	Cover - Receptacle - Ivory - GFI
	084077-03-000	EA	Cover - Blank A/C - Ivory
	090964-01-000	EA	Cover - Exterior Receptacle
	092633-02-02A	EA	Cover - A/C - Plate - Off White
	064399-01-000	EA	Housing Asm - Trailer Pin
	064398-01-000	EA	Housing Asm - Trailer Pin - Receptacle
	064450-01-000	EA	Housing Asm - Trailer Plug
	054532-01-000	EA	Housing Pin - 6 Position
	054532-02-000	EA	Housing Pin - 4 Position
	054532-10-000	EA	Housing Pin - 10 Position
	054532-11-000	EA	Housing Socket - 10 Position
	024924-02-000	EA	Receptacle - Power Cord
	058707-01-000	EA	Receptacle - Single - Brown - T & B
	058708-01-000	EA	Receptacle - Duplex - Brown - T & B
	058708-02-000	EA	Receptacle - Duplex - Ivory - T & B
	084076-01-000	EA	Receptacle - Duplex - Ivory - GFI
	090961-01-000	EA	Receptacle - Duplex - Exterior
	066273-01-000	EA	Relay - Battery Disconnect
	008195-01-000	EA	Switch - Push Button - 12 Volt
	056264-01-000	EA	Switch - Leaf Actuator
	079362-04-000	EA	Switch - Plate - 4 Gang/2 Switch
	079363-01-000	EA	Switch - Plate - Single - w/Switch
	079363-01-700	EA	Switch Only
	079363-03-000	EA	Switch Plate - Single - w/Switch - Polished Brass
	079364-01-000	EA	Switch - On/Off Rocker - Brown
	081066-02-000	EA	Switch Plate - 2 Gang/2 Switch
	008328-01-000	EA	Terminal - Ring - 12/10 Wire
	008331-01-000	EA	Terminal - Ring - 4 - w/3/8" Stud
	008348-01-000	EA	Terminal - Ring - 2 - w/3/8" Stud
	047443-01-000	EA	Terminal - 250 Receptacle 18-14
	047443-03-000	EA	Terminal - 187 Receptacle 18-14
	008024-01-000	EA	Wire - 18 5 Bonded - Orange/White/Yellow/Blue/Brown
	009025-01-000	EA	Wire - 18 5 Bonded - Orange/White/Yellow/Blue/Green
	008026-01-000	EA	Wire w/Ground - Romex - 12/2
	008027-01-000	EA	Wire w/Ground - Romex - 14/2
	008343-01-000	EA	Wire Tie - 6"

ELECTRICAL GROUP (CONTINUED)

EXTERIOR LIGHTS & BULBS

Key	Part Number	U/M	Description
	075459-04-000	EA	Lamp Asm - Tail/Brake - Red
	075459-05-000	EA	Lamp Asm - Turn - Amber
	075459-06-000	EA	Lamp Asm - Backup/Reflector - Clear/Red
	037935-01-000	EA	Bulb - 12 Volt - #1157 - Used For Tail Lamp Asm
	081250-02-000	EA	Light - Clearance - Rear
	081250-02-700	EA	Lens - Clearance Light - Red
	081250-01-000	EA	Light - Clearance - Front
	081250-01-700	EA	Lens - Clearance Light - Amber
	081437-01-000	EA	Bracket - Clearance Light
	078795-01-000	EA	Light Asm - License Plate
	036196-01-000	EA	Bulb - 12 Volt - #194 - Used For Clearance & License Plate
	042405-03-000	EA	Base - Side Marker Light - w/Bulb (8GE 1895)
	042405-02-000	EA	Lens - Side Marker Light - Amber
	042406-01-000	EA	Lens - Side Marker Light - Red
	008089-01-000	EA	Porch Light - Recessed - USA
	008089-02-000	EA	Porch Light - Recessed - CSA
	008089-01-700	EA	Lens - Porch Light - Recessed
	008215-01-000	EA	Bulb - 12 Volt - #1003 - Porch Light
	051057-02-000	EA	Spotlight - Power Driven (Option 83E)
	051057-01-705	EA	Bulb - Spotlight (Option 83E)
	084901-01-000	EA	Lamp Asm. - Park/Turn
	049185-01-000	EA	Headlight Capsule Asm - Driver - High/Low Beam
	049186-01-000	EA	Headlight Capsule Asm. - Passenger - High/Low Beam
	049187-01-000	EA	Headlight Capsule Asm - Driver - High Beam
	049188-01-000	EA	Headlight Capsule Asm - Passenger - High Beam
	049359-01-000	EA	Spring - Headlight Retainer
	082207-01-000	EA	Headlight Guard
	090202-01-000	EA	Headlight Bezel - Passenger - Black
	090202-02-000	EA	Headlight Bezel - Driver - Black
	088747-01-000	EA	Lamp Asm. - Fog - Clear Lens (Option 57M)
	033508-02-000	EA	Light - Dome - Ivory - Storage Compartment - USA
	033508-03-000	EA	Light - Dome - Ivory - Storage Compartment - CSA
	033508-02-700	EA	Lens - Dome Light
	008218-01-000	EA	Bulb - 12 Volt - Dome Light

WINDSHIELD WIPERS & WASHER

Key	Part Number	U/M	Description
	087191-02-000	EA	Motor Asm - w/Lead
	087191-02-701	EA	Pivot - Wiper Motor
	087190-01-700	EA	Shaft & Pivot Asm - Passenger Side
	087193-01-000	EA	Link Asm. - Connecting - Passenger Side - 7"
	057474-02-700	EA	Shaft & Pivot Asm. - Driver
	067192-01-000	EA	Link Asm. - Connecting - Driver - 39"
	057653-01-000	EA	Arm - Windshield Wiper - 18" - Black
	049464-01-000	EA	Blade Asm - Windshield Wiper - 20"
	049464-03-700	EA	Wiper Refill - 20"
	083971-01-000	EA	Support - Windshield Wiper Asm
	058000-02-000	EA	Windshield Washer Asm - w/o Nozzles
	067188-01-000	EA	Stud & Crank
	045764-01-000	FT	Hose - 5/32" I.D. - Black

**1989 ITASCA
TABLE OF CONTENTS**

INTRODUCTION	A-01
ABBREVIATIONS	A-01
ALPHABETICAL INDEX	A-02 - A-04
WC/JM34RQ	A-05 - D-18
WJM40RQ	D-19 - G-24

1989 IJM40RQ INDEX

Floor Plan	D-19 - D-20
Accessories Group	D-21 - E-02
Bath Group	E-03 - E-04
Chassis Group	E-05 - E-12
Curtain, Cushion & Pad Group	E-13 - E-23
Dinette Group	E-24 - F-01
Driver's Compartment Group	F-02 - F-05
Electrical Group	F-06 - F-09
Exterior Body Group	F-10 - F-15
Galley Group	F-16 - F-18
Heating & Air Conditioning Group	F-19 - F-20
Interior Finish Group	F-21 - F-22
LP Group	F-23
Lounge Group	F-24 - G-03
Water & Sewage Group	G-04 - G-06
Window, Vent & Exterior Door Group	G-07 - G-24

ELECTRICAL GROUP (CONTINUED)

INTERIOR LIGHTS & BULBS

Key	Part Number	U/M	Description
	033508-02-000	EA	Light - Dome - Ivory - Single - USA
	033508-03-000	EA	Light - Dome - Ivory - Single - CSA
	033509-02-000	EA	Light - Dome - Ivory - Double - USA
	033509-03-000	EA	Light - Dome - Ivory - Double - CSA
	033508-02-700	EA	Lens - Dome Light
	088424-04-000	EA	Shroud - Dome Light - Double - Off White
	008218-01-000	EA	Bulb - 12 Volt - #1141 - Used For All Above
	085202-11-000	EA	Wall Lamp - Bright Brass
	085201-05-000	EA	Lamp Shade - Wall Lamp
	082886-01-000	EA	Table Lamp - Brass w/Wood - USA
	082886-03-000	EA	Table Lamp - Brass w/Wood - CSA
	082886-06-000	EA	Shade - Table Lamp
	067479-01-000	EA	Bulb - 12 Volt - #1076 - Used For Table & Vail Lamps
	088937-04-000	EA	Dome Light - Shower
	088937-01-700	EA	Lens - Dome Light - Shower
	008215-01-000	EA	Bulb - Dome Light - Shower - #1008
	091937-01-000	EA	Flourescent Light - 12 Volt - Recessed (Ceiling)
	091937-02-000	EA	Lens - Recessed - Flourescent Light
	091937-03-000	EA	Bulb - Recessed - Flourescent Light
	081833-01-700	EA	Bulb - Makeup Light
	087894-02-000	EA	Wardrobe Light - w/Switch
	087894-01-700	EA	Bulb - Wardrobe Light
	072353-08-000	EA	Reading Light - 360° Swivel - Brass
	083914-01-000	EA	Bulb - Reading Light
	086280-01-000	EA	Surface - Mount Light - 12 Volt - Jensen 1236 (Cab)
	086280-01-700	EA	Bulb - Surface Mount Light
	081424-01-000	EA	Rectangular Light - Aisle & Instrument Panel
	084880-01-708	EA	Bulb - Refrigerator
	088737-01-710	EA	Bulb - Microwave Oven
	094488-03-000	EA	Window Valance Strip Lights - 4'
	094488-04-000	EA	Window Cabinet Strip Lights - 18"
	093575-01-01A	EA	Ceiling Light - Dinette

MISCELLANEOUS ELECTRICAL COMPONENTS

Key	Part Number	U/M	Description
	008188-01-000	EA	Solenoid - Dual Battery - Relay
	036420-02-000	EA	Fan - 6" Defroster - 2 Speed (Option 36N)
	089294-01-000	EA	Lighter Asm - Cigarette
	072852-01-000	EA	Smoke Detector
	091942-01-000	EA	Converter - 50 Amp w/Charger
	095187-01-000	EA	Door Bell Switch

EXTERIOR BODY GROUP

SHEET FIBERGLASS PANEL, ALUMINUM & STYROFOAM

Key	Part Number	U/M	Description
	000888-01-000	SF	Styrofoam - 75" x 24" x 96"
	000870-03-000	SF	Styrofoam - 1.34" x 48" x 96"
	000870-05-000	SF	Styrofoam - .50" x 24" x 96"
	083574-01-000	SF	Styrofoam - 1.50" x 24" x 65.25"
	081385-28-000	EA	Panel - Fiberglass - Mende Board - Gray - 78 75" x 38"
	081385-24-000	EA	Panel - Fiberglass - Mende Board - Gray - 23 62" x 120"
	081385-08-000	EA	Panel - Fiberglass - Mende Board - Gray - 48" x 96"
	044487-01-001	EA	Aluminum - Mill Finish - Roof - 96" x 360"

MISCELLANEOUS EXTERNALLY MOUNTED PARTS

Key	Part Number	U/M	Description
	002126-01-000	EA	Assmt Handle - Chrome
	088290-01-000	EA	Mirror Asm - Rear View - Exterior - w/Convex - Passenger
	088282-02-000	EA	Mirror Asm - Rear View - Exterior - w/Convex - Driver
	088280-03-000	EA	Accessory Kit - Rear View Mirror - Exterior
	083815-03-000	EA	Door Stop - Plastic - Gray

SEALANTS & ADHESIVES

Key	Part Number	U/M	Description
	002337-01-000	EA	Adhesive - 1300 Tube - 3M (Window)
	004005-02-000	EA	Adhesive - Swifts - 1 Gallon (Sidewall)
	004006-04-700	EA	Adhesive - Pierce - 1 Gallon (Sidewall)
	075872-02-000	EA	Adhesive - Scotch Rubber Gripper (Rear Cap)
	081377-01-000	EA	Adhesive - Cyanoacrylate (Window & Door)
	053788-02-000	EA	Bedding Compound - Tube - White (Exterior)
	053788-08-000	EA	Bedding Compound - Tube - Clear (Window)
	053788-08-000	EA	Bedding Compound - Tube - Gray (Exterior)
	011129-01-000	EA	Seal - Plumbing Pipe - Roof - For 1 1/2" O D Pipe
	077887-01-000	EA	Sealant - Acrylic Latex - Tube (Interior)
	034552-02-000	EA	Sealant - Silicone - Clear (Exterior)
	034552-07-000	EA	Sealant - Silicone - Gray (Exterior)
	034552-09-000	EA	Sealant - Silicone - Smoke Gray (Exterior)
	053752-04-000	EA	Sealer - Seam Tube - Aluminum (Roof)
	088837-01-000	EA	Sealer - 3M EC5510 - White (Door)
	088840-01-000	FT	Sealer - Ribbon - 1/4" Dia x 20' (Cabinet)
	088840-02-000	FT	Sealer - Ribbon - 1/2" x 1/8" x 30' (Sidewall)
	088840-03-000	FT	Sealer - Ribbon - 3/4" x 1/8" x 30' (Body Panels)
	088840-05-000	FT	Sealer - Ribbon - 2 1/2" x 3/32" x 30' (Body Panels)
	088840-06-000	FT	Sealer - Ribbon - 5/16" Dia x 15' (Window)
	088840-07-000	FT	Sealer - Ribbon - 2" x 3/32" x 30' (Interior)
	081359-01-000	FT	Sealer - Vinyl Glazing (Window)
	081380-01-000	FT	Sealer - Vinyl Glazing - Black (Window)
	089363-01-701	EA	Sealer - Body Seam - Flexible Gray (Exterior)
	090340-01-000	FT	Sealer - Foam Seal - Closed Cell - 1/4" x 1/2" (Exterior)
	090340-02-000	FT	Sealer - Foam Seal - Closed Cell - 3/8" x 1/2" (Exterior)
	701874-05-000	EA	Service Manual - Sealants
	004383-01-000	FT	Tape - Foam - 3/16" x 1/2" - Gray - 1 Side (Sidewall)
	009200-01-000	EA	Tape - Furnace - 1 1/2"
	083842-01-000	FT	Tape - Adhesive - 10 Mil x 1.5" (Exterior)
	078322-02-000	FT	Tape - Foam - Double Coated - .045" x 1" (Fiberglass Seams)
	078322-03-000	FT	Tape - Foam - Double Coated - .045" x 5" (Fiberglass Seams)
	078322-04-000	FT	Tape - Foam - Double Coated - .045" x 75" (Fiberglass Seams)
	077959-01-000	FT	Tape - Foam - 1/2" Black - 2 Sided (Interior)
	079987-02-000	FT	Tape - Plastic Film - .375" (Window)
	088244-01-000	FT	Tape - Foam - Vinyl Coated - 2" (Chassis)
	091988-03-000	FT	Tape - Adhesive - .04" x 1" (Entrance Door)
	002281-01-000	FT	Weatherstrip - Self-Seal - .08" Panel x 3/16" (Window)
	058903-01-000	FT	Weatherseal - Upper Front Cap

1989 ITASCA TABLE OF CONTENTS

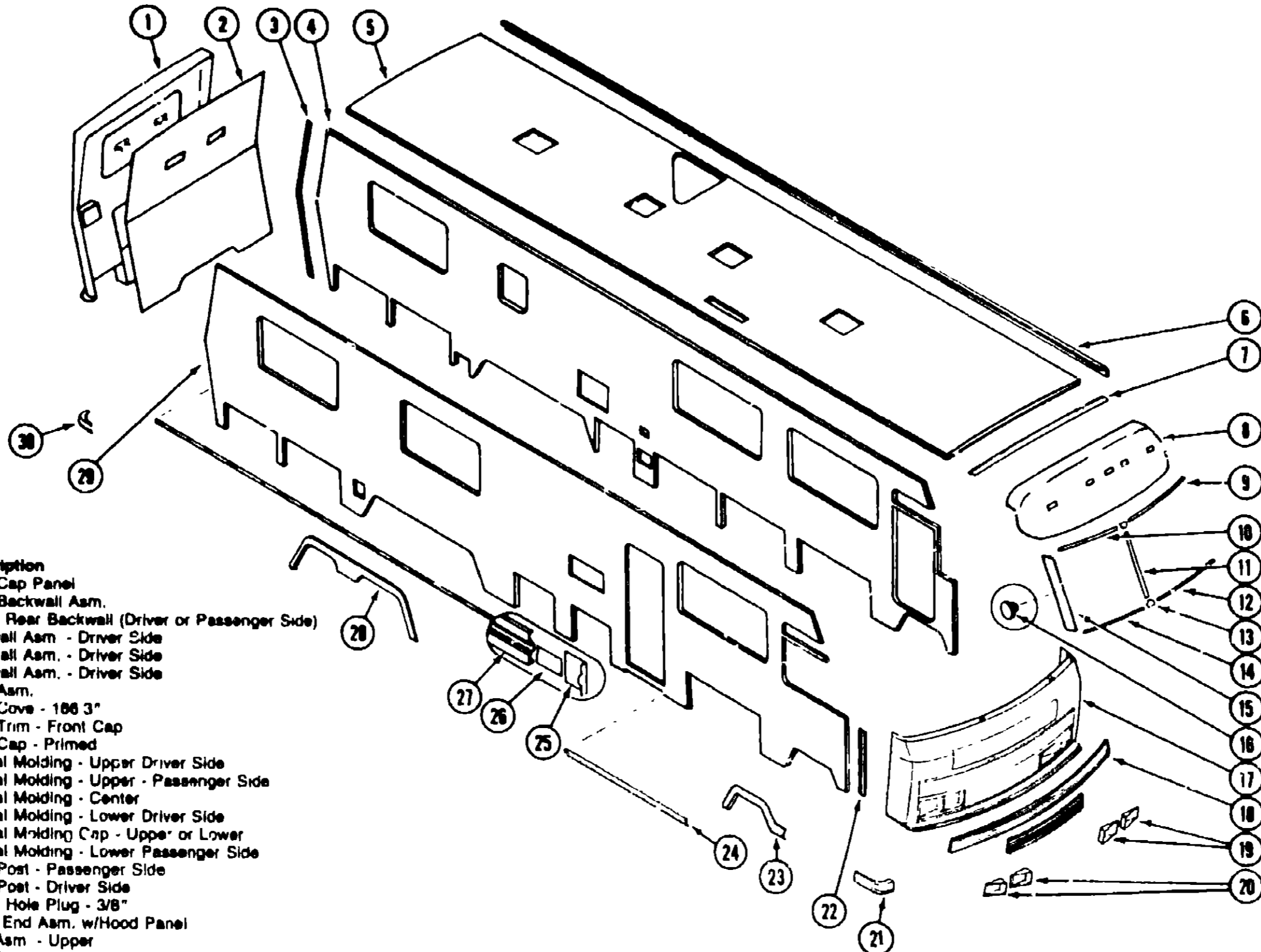
INTRODUCTION	A-01
ABBREVIATIONS	A-01
ALPHABETICAL INDEX	A-02 - A-04
WC/JM34RQ	A-05 - D-18
WJM40RQ	D-19 - G-24

1989 IJM40RQ INDEX

Floor Plan	D-19 - D-20
Accessories Group	D-21 - E-02
Bath Group	E-03 - E-04
Chassis Group	E-05 - E-12
Curtain, Cushion & Pad Group	E-13 - E-23
Dinette Group	E-24 - F-01
Driver's Compartment Group	F-02 - F-05
Electrical Group	F-06 - F-09
Exterior Body Group	F-10 - F-15
Galley Group	F-16 - F-18
Heating & Air Conditioning Group	F-19 - F-20
Interior Finish Group	F-21 - F-22
LP Group	F-23
Lounge Group	F-24 - G-03
Water & Sewage Group	G-04 - G-06
Window, Vent & Exterior Door Group	G-07 - G-24

EXTERIOR BODY GROUP (CONTINUED)

EXTERIOR BODY PANELS & TRIM



Key	Part Number	U/M	Description
1	088402-02-000	EA	Rear Cap Panel
2	091738-01-Y70	EA	Rear Backwall Asm.
3	073502-28-000	EA	Trim - Rear Backwall (Driver or Passenger Side)
4	M91733-01-Y70	EA	Sidewall Asm. - Driver Side
4	M91733-01-Y71	EA	Sidewall Asm. - Driver Side
4	M91733-01-Y72	EA	Sidewall Asm. - Driver Side
5	091735-12-Y15	EA	Roof Asm.
6	078800-12-000	EA	Roof Cove - 186 3"
7	078560-01-000	EA	Roof Trim - Front Cap
8	089923-03-000	EA	Roof Cap - Primed
9	077944-02-000	EA	Reveal Molding - Upper Driver Side
10	077944-01-000	EA	Reveal Molding - Upper - Passenger Side
11	078678-05-000	EA	Reveal Molding - Center
12	077945-02-000	EA	Reveal Molding - Lower Driver Side
13	077952-02-000	EA	Reveal Molding Cap - Upper or Lower
14	077945-01-000	EA	Reveal Molding - Lower Passenger Side
15	079225-03-000	EA	Trim Post - Passenger Side
15	079225-04-000	EA	Trim Post - Driver Side
16	034141-02-000	EA	Nylon Hole Plug - 3/8"
17	M01115 18 X70	EA	Front End Asm. w/Hood Panel
18	090411-01-X70	EA	Grill Asm. - Upper
18	090412-01-X70	EA	Grill Asm. - Lower
19	088252-02-000	FT	Chrome Trim - 1" Plastic
19	088252-03-000	FT	Chrome Trim - 2" Plastic
19	090202-02-000	EA	Headlight Bezel - Driver Side
20	090202-01-000	EA	Headlight Bezel - Passenger Side
21	078577-09-000	EA	Bumper End Cap - Passenger Side
21	078577-10-000	EA	Bumper End Cap - Driver Side
22	089922-02-000	EA	Trim - Front End Asm (Driver or Passenger Side)
23	078556-13-000	EA	Trim - Front Wheelwell - Passenger Side
23	078556-14-000	EA	Trim - Front Wheelwell - Driver Side
24	089909-01-000	EA	Trim - Front Wheelwell - U Channel - Driver or Passenger Side
24	091181-55-004	EA	Rocker Panel

Key	Part Number	U/M	Description
25	009731-01-000	EA	End Cap - Feature Strip
26	001030 11-100	EA	Insert - Feature Strip - 17'
27	059578-11-000	EA	Feature Strip
28	093308-01-01A	EA	Trim - Wheelwell - Passenger Side
28	093308-02-01A	EA	Trim - Wheelwell - Driver Side
28	089749-02-000	EA	Rear Trim - Rear Wheelwell - U Channel - Driver or Passenger
28	089749-03-000	EA	Front Trim - Rear Wheelwell - U Channel - Driver or Passenger
29	M91731-01-Y70	EA	Sidewall Asm. - Passenger Side
30	078578-07-000	EA	Bumper End Cap - Passenger Side
30	078578-08-000	EA	Bumper End Cap - Driver Side

1989 ITASCA TABLE OF CONTENTS

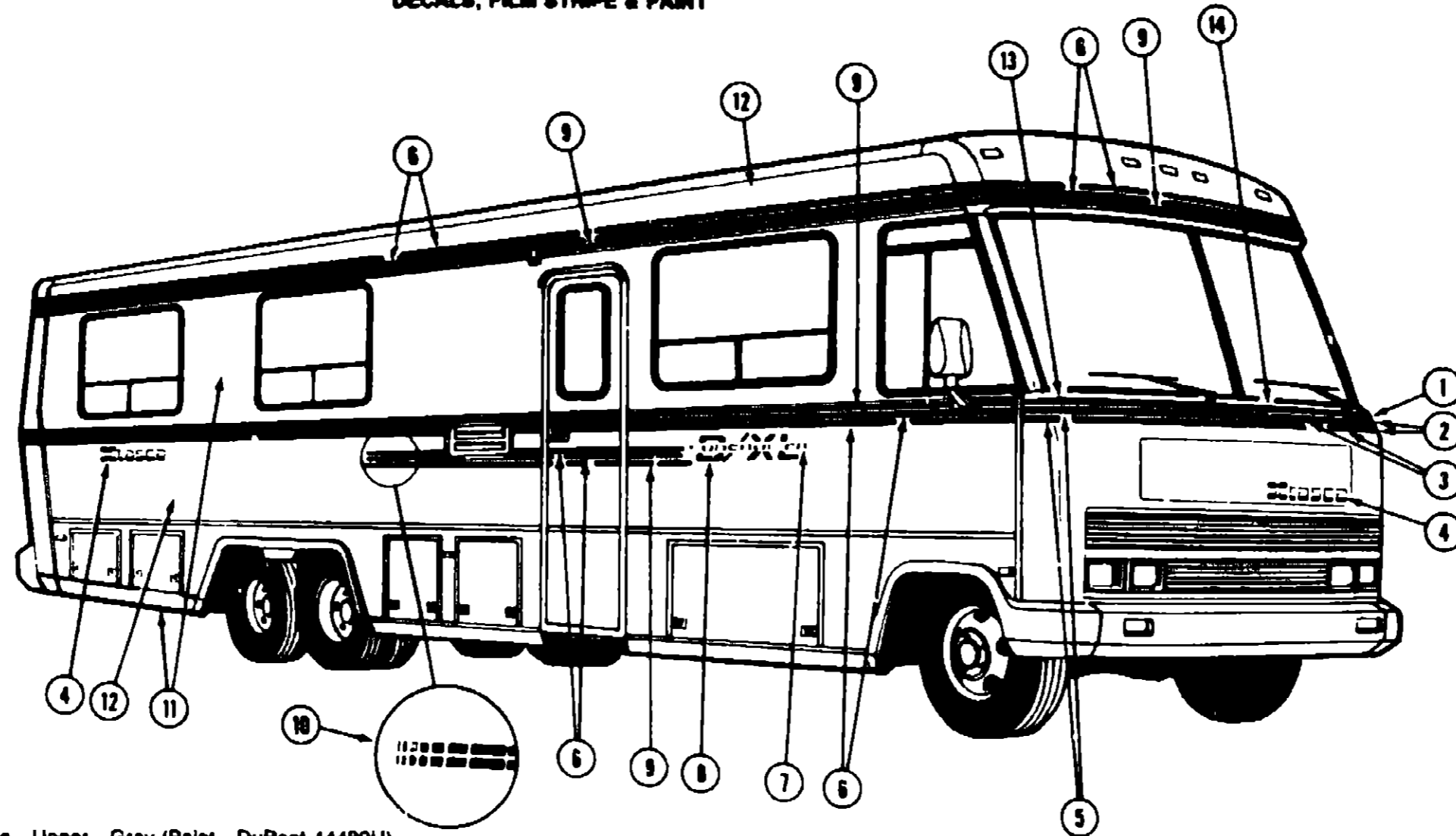
INTRODUCTION	A-01
ABBREVIATIONS	A-01
ALPHABETICAL INDEX	A-02 - A-04
WC/JM34RQ	A-05 - D-18
WJM40RQ	D-19 - G-24

1989 JM40RQ INDEX

Floor Plan	D-19 - D-20
Accessories Group	D-21 - E-02
Bath Group	E-03 - E-04
Chassis Group	E-05 - E-12
Curtain, Cushion & Pad Group	E-13 - E-23
Dinette Group	E-24 - F-01
Driver's Compartment Group	F-02 - F-05
Electrical Group	F-06 - F-09
Exterior Body Group	F-10 - F-15
Galley Group	F-16 - F-18
Heating & Air Conditioning Group	F-19 - F-20
Interior Finish Group	F-21 - F-22
LP Group	F-23
Lounge Group	F-24 - G-03
Water & Sewage Group	G-04 - G-08
Window, Vent & Exterior Door Group	G-07 - G-24

EXTERIOR BODY GROUP (CONTINUED)

DECALS, FILM STRIPE & PAINT



**1989 ITASCA
TABLE OF CONTENTS**

INTRODUCTION	A-01
ABBREVIATIONS	A-01
ALPHABETICAL INDEX	A-02 - A-04
WC/JM34RQ	A-05 - D-18
WJM40RQ	D-19 - G-24

Key	Part Number	U/M	Description
1	090984-02-000	EA	Decal - Driver Side - Upper - Gray (Paint - DuPont 44489U)
2	090985-09-000	EA	Decal - Driver Side - Lower - Blue/Peach (Paint - DuPont B8734/B8227) (Y70)
2	090985-10-000	EA	Decal - Driver Side - Lower - Green/Peach (Paint - DuPont B8221/B8227) (Y71, Y72)
3	065217-M1-000	FT	Film Stripe - Blue/Peach (Paint - DuPont B8734/B8227) (Y70)
3	065217-M2-000	FT	Film Stripe - Green/Peach (Paint - DuPont B8221/B8227) (Y71, Y72)
4	078191-01-000	EA	Decal Logo "Itasca"
5	090985-07-000	EA	Decal - Passenger Side - Lower - Blue/Peach (Paint - DuPont B8734/B8227) (Y70)
5	090985-08-000	EA	Decal - Passenger Side - Lower - Green/Peach (Paint - DuPont B8221/B8227) (Y71, Y72)
6	065217-M3-000	FT	Film Stripe - Blue/Peach (Paint - DuPont B8734/B8227) (Y70)
6	065217-K8-000	FT	Film Stripe - Green/Peach (Paint - DuPont B8221/B8227) (Y71, Y72)
7	073705-01-000	EA	Decal Logo "Suncruiser"
8	095136-02-01A	EA	Decal Logo "D/XL" - Black/Blue (Y70)
8	095136-02-02A	EA	Decal Logo "D/XL" - Black/Green (Y71, Y72)
9	078831-82-000	FT	Film Stripe - Gray (Paint - DuPont 44489U)
10	095137-01-01A	EA	Decal End - Blue/Peach - Passenger Side (Paint - DuPont B8734/B8227) (Y70)
10	095137-01-02A	EA	Decal End - Green/Peach - Passenger Side (Paint - DuPont B8221/B8227) (Y71, Y72)
10	095137-02-01A	EA	Decal End - Blue/Peach - Driver Side (Paint - DuPont B8734/B8227) (Y70)
10	095137-02-02A	EA	Decal End - Green/Peach - Driver Side (Paint - DuPont B8221/B8227) (Y71, Y72)
11	089363-01-700	EA	Paint Kit - Aegean Poly (Gray) (Paint - DuPont 44489U)
12	058637-05-000	EA	Paint - Gray Acrylic Enamel - 16 Oz. Aerosol (Paint - DuPont 81537)
12	058637-05-700	EA	Paint - Gray Acrylic Enamel - 8 Oz. Touch Up
13	090984-01-000	EA	Decal - Passenger Side - Upper - Gray (Paint - DuPont 44489U)
14	078831-81-000	FT	Film Stripe - Gray (Paint - DuPont 44489U)

F-13

1989 JM40RQ INDEX

Floor Plan	D-19 - D-20
Accessories Group	D-21 - E-02
Bath Group	E-03 - E-04
Chassis Group	E-05 - E-12
Curtain, Cushion & Pad Group	E-13 - E-23
Dinette Group	E-24 - F-01
Driver's Compartment Group	F-02 - F-05
Electrical Group	F-06 - F-09
Exterior Body Group	F-10 - F-15
Galley Group	F-16 - F-18
Heating & Air Conditioning Group	F-19 - F-20
Interior Finish Group	F-21 - F-22
LP Group	F-23
Lounge Group	F-24 - G-03
Water & Sewage Group	G-04 - G-06
Window, Vent & Exterior Door Group	G-07 - G-24

F-14

EXTERIOR BODY GROUP (CONTINUED)

FRONT HOOD PANEL & HARDWARE

Key	Part Number	U/M	Description
	069768-01-X70	EA	Panel Asm - Hood
	073336-01-000	EA	Bracket - Striker Latch
	073611-01-000	EA	Striker Pin Asm
	073910-01-000	EA	Spring - Striker Pin
	R77008-68-172	EA	Shim Plate
	058753-01-000	EA	Bracket - Hinge Pivot - Left or Right Side
	073339-02-000	EA	Hood Arm - Left or Right Side
	R77008-68-721	EA	Hood Release Cable
	R77008-19-765	EA	Hood Release Sleeve
	R77008-38-499	EA	Spring
	072917-03-000	EA	Prop Rod

LABELS & TAGS

Key	Part Number	U/M	Description
	091243-01-000	EA	Label - Air Conditioner Cover
	074983-01-000	EA	Label - Air Conditioner Selector Switch
	067236-01-000	EA	Label - Cable Input
	006195-01-000	EA	Label - Electrical Test
	047731-01-000	EA	Label - Emergency Exit
	006199-01-000	EA	Label - Exit - Escape Window
	061417-01-000	EA	Label - Fuel
	067207-02-000	EA	Label - Fuel Cap Removal
	006196-01-000	EA	Label - Gas Test
	077510-01-000	EA	Label - Generator Prep
	054531-01-000	EA	Label - LP Gas Ont.
	061606-01-000	EA	Label - Overlay, Vehicle Certification
	056259-01-000	EA	Label - Safety Check List
	008064-01-000	EA	Label - Seat - w/o Seatbelts - USA
	008064-02-000	EA	Label - Seat w/o Seatbelts - CSA
	006187-01-000	EA	Label - Sewage
	091224-01-000	EA	Label - Trailer Lighting
	067236-02-000	EA	Label - TV Outlet
	090342-01-000	EA	Label - Vapor Relief
	035709-01-000	EA	Label - Warning - No Storage
	050225-01-000	EA	Label - Warning - Stove Vent - US
	075220-01-000	EA	Label - Warning - Exterior Load
	077956-01-000	EA	Label - Warning - Smoke Detector
	006186-01-000	EA	Label - Waste Water
	006197-01-000	EA	Label - Water Test
	006062-01-000	EA	Tag - Electrical - 110 Volt Connection
	006040-01-000	EA	Tag - Refueling Warning
	006040-02-000	EA	Tag - Refueling Warning - CSA
	006117-01-000	EA	Tag - RVI Approved - Plastic
	006117-01-000	EA	Hood Medallion - "WINNEBAGO"

GALLEY GROUP

APPLIANCES

Key	Part Number	U/M	Description
	064782-02-000	EA	Range w/Large Oven - 4 Burner - Almond
	064782-02-700	EA	Range - Main Top - 4 Burner
	064782-02-701	EA	Range - Deflector Plate
	064782-02-702	EA	Range - Cabinet Trim - Right - Black
	064782-02-703	EA	Range - Cabinet Trim - Left - Black
	064782-02-704	EA	Range - Trim Lower Outside Glass - Black
	064782-02-705	EA	Range - Oven Door Handle - Black
	064782-02-706	EA	Range - Vertical Trim - Black
	064782-02-707	EA	Range - Manifold Panel
	064782-02-708	EA	Range - Mercury Valve
	064782-02-709	EA	Range - Oven Door Glass
	064782-02-710	EA	Range - Clip - Glass Holder
	064782-02-711	EA	Range - Main Top - Almond - 4 Burner Square
	064782-02-712	EA	Grate Top - Burner Square
	064782-02-713	EA	Range - Gas Regular
	064782-02-714	EA	Range - Nipple - 1/8"
	064782-02-715	EA	Range - Grate Clip
	065280-04-000	EA	Cover - Range w/Large Oven - Bi-Fold - Almond
	094039-03-000	EA	Refrigerator - w/Large Double Door
	094039-01-700	EA	PC Board Asm. - 3-Way
	094039-01-701	EA	Eyebrow Shell - 3-Way
	094039-01-702	EA	Gasket - Upper - Gray
	094039-01-704	EA	Hinge Plate - Left Hand
	094039-01-706	EA	Upper Door Liner - White
	094039-01-708	EA	Upper Door Handle Asm
	094039-01-709	EA	Hinge Plate - Right Hand (Top) - Left Hand (Bottom)
	094039-01-711	EA	Juice Rack - Gray w/Silver Trim
	094039-01-712	EA	Door Bin - Gray w/Silver Border
	094039-01-713	EA	Door Gasket - Lower - Gray
	094039-01-715	EA	Lower Door Liner - Black/White
	094039-01-717	EA	Lower Door Handle Asm
	094039-01-718	EA	Milk Bin - Gray w/Silver Trim
	094039-01-719	EA	Dairy Keeper - Gray w/Silver Trim
	094039-01-721	EA	Cab Asm. - Black Frame/White Liner
	094039-01-722	EA	Hole Plug - Hinge Holes
	094039-01-723	EA	Hinge Bracket - Right Hand (Top) - Left Hand (Bottom)
	094039-01-724	EA	Hinge Bracket - Left Hand (Top) - Right Hand (Bottom)
	094039-01-725	EA	Hinge Pin - Male
	094039-01-726	EA	Evaporator Shelf
	094039-01-728	EA	Hinge Bracket - Center Hinge
	094039-01-730	EA	Hinge Pin Shaft - Center Hinge
	094039-01-731	EA	Crisper - Gray w/Silver Trim
	094039-01-732	EA	Front Cover - Black Bottom Trim
	094039-01-733	EA	Wire Shelf - Middle
	094039-01-734	EA	Wire Shelf - Top w/Riser
	094039-01-735	EA	Inside Drip Tray - White
	094039-01-736	EA	Light Switch - Black
	094039-01-737	EA	Power Supply - 3-Way
	094039-01-738	EA	Manual Shut-Off - Harper Wyman
	094039-01-739	EA	Shelf - Cutout
	092315-01-01A	EA	Door Asm - Wardrobe - Mirrored (Set/2)

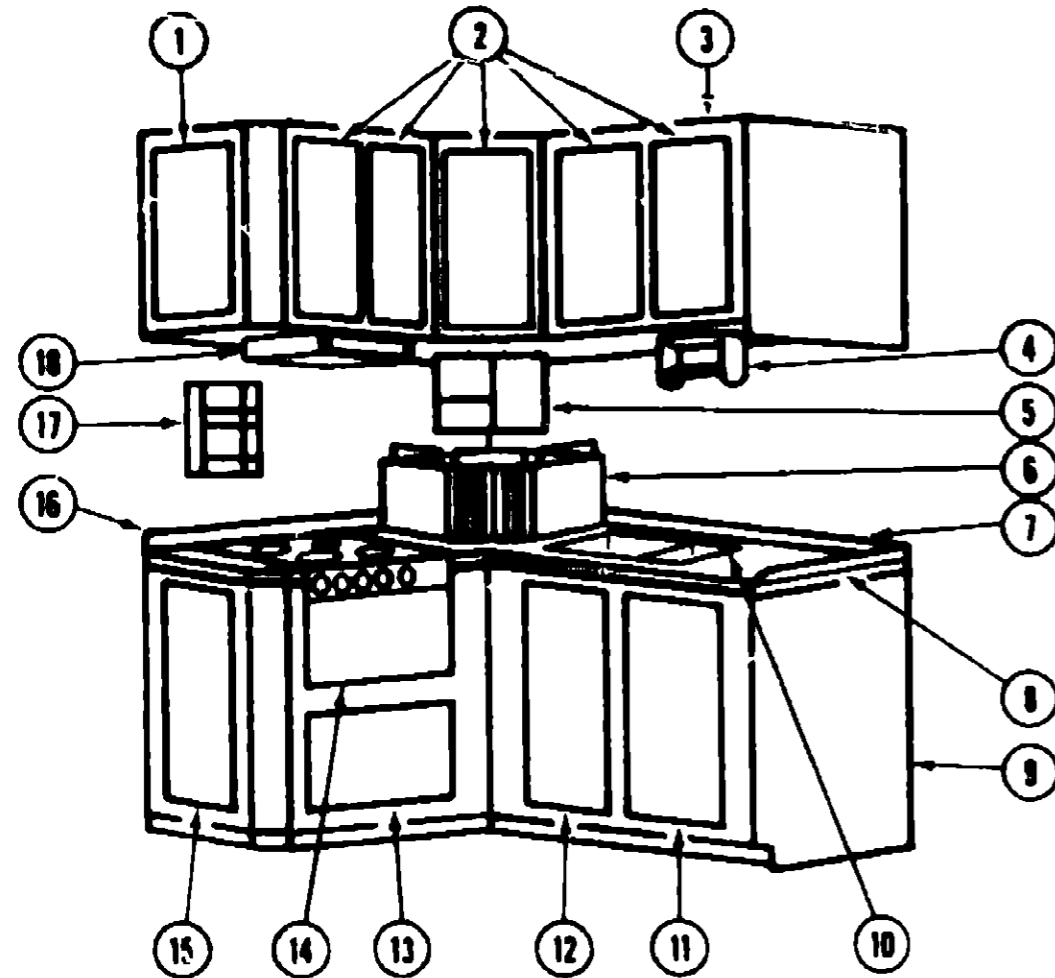
1989 ITA5CA TABLE OF CONTENTS

INTRODUCTION	A-01
ABBREVIATIONS	A-01
ALPHABETICAL INDEX	A-02 - A-04
WC/JM34RQ	A-05 - D-18
WJM40RQ	D-19 - G-24

1989 JM40RQ INDEX

Floor Plan	D-19 - D-20
Accessories Group	D-21 - E-02
Bath Group	E-03 - E-04
Chassis Group	E-05 - E-12
Curtain, Cushion & Pad Group	E-13 - E-23
Dirette Group	E-24 - F-01
Driver's Compartment Group	F-02 - F-05
Electrical Group	F-06 - F-09
Exterior Body Group	F-10 - F-15
Galley Group	F-16 - F-18
Heating & Air Conditioning Group	F-19 - F-20
Interior Finish Group	F-21 - F-22
LP Group	F-23
Lounge Group	F-24 - G-03
Water & Sewage Group	G-04 - G-06
Window, Vent & Exterior Door Group	G-07 - G-24

GALLEY GROUP (CONTINUED)



Key	Part Number	U/M	Description
1	M88304-H6-Y15	EA	Door Asm - w/o Hardware
2	M88304-J7-Y15	EA	Door Asm - w/o Hardware
3	M14380-01-Y15	EA	Cabinet Asm - Overhead - w/o Doors
4	092488-01-Y12	EA	Paper Towel Holder
5	092308-01-000	EA	Coffee Maker
6	094358-01-Y15	EA	Cabinet Asm - Bread Box
7	088090-03-Y15	EA	Backplash - Countertop
8	095090-01-000	EA	Backplash - Countertop
9	094388-16-Y15	EA	Countertop Asm
10	M84388-01-Y15	EA	Cabinet Asm - Galley - w/o Doors or Hardware
11	091244-01-000	EA	Sink
12	M88304-G7-Y15	EA	Door Asm - w/o Hardware
13	M88304-G8-Y18	EA	Door Asm - w/o Hardware
14	M82184-09-Y21	EA	Drawer Asm - w/o Hardware
15	084782-02-000	EA	Range - 4 Burner
16	M88304-G8-Y15	EA	Door Asm - w/o Hardware
17	088090-04-Y15	EA	Backplash - Countertop
18	092487-01-Y15	EA	Spice Rack
19	092898-07-01A	EA	Range Hood w/Monitor Panel (US)
20	092898-08-01A	EA	Range Hood w/Monitor Panel (CSA)
21	M88304-J6-Y15	EA	Door Asm - w/o Hardware
22	094039-03-000	EA	Refrigerator - 10' Norcold
23	091289-03-000	EA	Microwave Oven
24	M88304-40-Y15	EA	Door Asm - w/o Hardware
25	M88304-H5-Y15	EA	Door Asm - w/o Hardware
26	M88304-G6-Y15	EA	Door Asm - w/o Hardware
27	M88304-G5-Y15	EA	Door Asm - w/o Hardware
28	M88304-H8-Y15	EA	Door Asm - w/o Hardware
29	M88304-H8-Y15	EA	Door Asm - w/o Hardware
30	094192-01-Y15	EA	Drawer Asm - w/o Hardware
	M88304-10-Y15	EA	Door Asm - w/o Hardware
	M88304-36-Y15	EA	Door Asm - w/o Hardware
	093805-01-01A	EA	Wire Towel Rack
	093015-01-000	EA	Cutting Board - Sink
	077409-02-000	EA	Drawer Slider - Plastic
	093288-01-01A	EA	Silverware Drawer Tray
	093552-01-01A	EA	Clock - 10" x 10"
	093586-03-000	EA	Roller Catch
	093586-04-000	EA	Steel Strike (Roller Catch)
	095417-01-01A	EA	Lazy Susan Shelf - 24"
	095417-02-01A	EA	Lazy Susan Shelf Pivot - Top & Bottom
	095417-03-01A	EA	Lazy Susan Shelf Adjustable Rod
	093579-01-000	EA	Pull - Cabinet - Chrome/Brass
	081376-01-000	EA	Backplate - Brass - Pull
	084486-02-000	EA	Drawer Slide - RH Side
	084486-03-000	EA	Drawer Slide - LH Side
	093278-01-Y12	EA	Knife Holder Cover
	042438-01-000	EA	Wood Dowel - 1" x 4
	091112-01-000	EA	Flange - 1" ABS Cl. White
	021267-01-000	EA	Faucet - Galley - Single Control w/Spray

1989 ITASCA TABLE OF CONTENTS

INTRODUCTION	A-01
ABBREVIATIONS	A-01
ALPHABETICAL INDEX	A-02 - A-04
WC/JM34RQ	A-05 - D-18
WJM40RQ	D-19 - G-24

1989 IJM40RQ INDEX

Floor Plan	D-19 - D-20
Accessories Group	D-21 - E-02
Bath Group	E-03 - E-04
Chassis Group	E-05 - E-12
Curtain, Cushion & Pad Group	E-13 - E-23
Dinette Group	E-24 - F-01
Driver's Compartment Group	F-02 - F-05
Electrical Group	F-06 - F-09
Exterior Body Group	F-10 - F-15
Galley Group	F-16 - F-18
Heating & Air Conditioning Group	F-19 - F-20
Interior Finish Group	F-21 - F-22
LP Group	F-23
Lounge Group	F-24 - G-03
Water & Sewage Group	G-04 - G-08
Window, Vent & Exterior Door Group	G-07 - G-24

HEATING & AIR CONDITIONING GROUP

FURNACE & ROOF AIR CONDITIONING

Key	Part Number	U/M	Description
	090039-05-000	EA	Furnace - 30,000 BTU - Suburban
	090039-05-700	EA	Thermostat
	090039-05-701	EA	Combustion Chamber
	090039-05-702	EA	Gasket - Manifold
	090039-05-703	EA	Manifold Pipe Asm
	090039-05-704	EA	Combustion Chamber Asm
	090039-05-705	EA	Wheel - Combustion Air
	090039-05-706	EA	Combustion Air Housing Asm.
	090039-05-707	EA	Gasket - Motor
	090039-05-708	EA	Gasket - Crossover Tube
	090039-05-709	EA	Crossover Tube Asm
	090039-05-710	EA	Gasket - Crossover Tube
	090039-05-711	EA	Blower Housing Asm.
	009198-01-000	FT	Duct - Flexible - 4" ID x 25'
	056464-02-000	EA	Register - 4" Dia - Plastic - w/o Damper
	063741-01-000	EA	Box - Boot Floor Register
	009200-01-000	EA	Tape - Furnace - 1 1/2"
	091225-02-000	EA	A/C - Roof - 13,500 BTU - Super Mac
	091225-01-701	EA	Shroud - Beige - Less Logos
	091225-01-703	EA	Decal Package (Super Mach) L&R
	091225-01-704	EA	Condenser Coil
	091225-01-705	EA	Condenser Blower Wheel
	091225-01-706	EA	Compressor
	091225-01-707	EA	Motor
	091225-01-708	EA	Evaporator Blower Wheel
	091225-01-709	EA	Start Relay
	091225-01-710	EA	Start Capacitor
	091225-01-711	EA	Run Capacitor (Comp)
	091225-01-712	EA	Run Capacitor (Fan)
	091225-01-713	EA	Knob
	091225-01-714	EA	Decal (Selector Switch) Cool
	091225-01-715	EA	Decal (Selector Switch) Heat & Cool
	091225-01-716	EA	Selector Switch
	091225-01-717	EA	Decal (Thermostat) Cool Only
	091225-01-718	EA	Decal (Thermostat) Heat & Cool
	091225-01-719	EA	Single Parts Package
	091225-01-720	EA	Overload
	091225-01-721	EA	Evaporator
	091225-01-722	EA	Filter
	091227-01-000	EA	Shroud Asm. - Ceiling - Cool Only

HEATING & AIR CONDITIONING GROUP (CONTINUED)

AUTOMOTIVE HEATER/AIR CONDITIONER

Key	Part Number	U/M	Description
	039044-01-000	EA	Louver Asm - A/C - Adjustable
	007108-01-000	FT	Hose - Heater - 5/8" I D - SAE 20R3
	007261-01-000	EA	Hose - Flexible - 2 1/2" I D
	009200-01-000	EA	Tape - Furnace - 1 1/2"
	024990-01-000	EA	Outlet - Defroster - w/Servel - 2" Tan
	095000-01-000	EA	Air Conditioner - Shield
	084405-01-000	EA	Rear Heater Asm - Evens
	084405-01-700	EA	Heater Core
	084405-01-701	EA	Fan
	084405-01-702	EA	Motor - 12 Volt
	094831-01-000	EA	Heater/Evaporator Asm - Complete

WATER HEATER W/MOTOR/ID

Key	Part Number	U/M	Description
**	051393-01-000	EA	Water Heater - w/Motor/Id - Direct Ignition
	051393-01-700	EA	Tank - Inner (GH6-E Only)
	051393-01-701	EA	Switch Package
	051393-01-702	EA	Switch - Energy Cut-Off
	051393-01-703	EA	Thermostat
	051393-01-704	EA	Circuit w/Black Box
	051393-01-705	EA	Orifice Holder
	051393-01-707	EA	Burner - 1Aain
	051393-01-708	EA	Valve - Dual Solenoid
	051393-01-713	EA	Bracket - Corner (Pkg /4)
	051393-01-714	EA	Tank - Inner (GH6-3E) Rear Mount
	051393-01-716	EA	Spark & Probe Asm
	051393-01-718	EA	Gas Valve (Only)
	051393-01-719	EA	Circuit Board
	051393-01-720	EA	Knob - Temperature
	051393-01-721	EA	Thermostat Asm - Front Mount
	051393-01-722	EA	Gas Ignition Field Tester
	051393-03-700	EA	Tank - Inner (G6A-3E) Rear Mount
	007108-01-000	FT	Heater Hose - 5/8" I D - SAE 20R3
	081673-01-000	EA	Clamp - Motoraid
	062401-04-000	EA	Hose Clamp - Wormgear - 69" to 1 25"

** The illustrated parts breakdown for this item is provided on the Common Items Fiche

1989 ITASCA TABLE OF CONTENTS

INTRODUCTION	A-01
ABBREVIATIONS	A-01
ALPHABETICAL INDEX	A-02 - A-04
WC/JM34RQ	A-05 - D-18
WJM40RQ	D-19 - G-24

1989 IJM40RQ INDEX

Floor Plan	D 19 - D-20
Accessories Group	D-21 - E-02
Bath Group	E-03 - E-04
Chassis Group	E-05 - E-12
Curtain, Cushion & Pad Group	E 13 - E 23
Dinette Group	E-24 - F-01
Driver's Compartment Group	F-02 - F-05
Electrical Group	F-06 - F-09
Exterior Body Group	F-10 - F-15
Galley Group	F 16 - F-18
Heating & Air Conditioning Group	F-19 - F-20
Interior Finish Group	F 21 - F-22
LP Group	F 23
Lounge Group	F 24 - G-03
Water & Sewage Group	G-04 - G-06
Window, Vent & Exterior Door Group	G-07 - G 24

INTERIOR FINISH GROUP

MOLDINGS & TRIMS

Key	Part Number	U/M	Description
	089733-70-000	EA	Batt Strip - Regal Oak
	085284-03-000	FT	Batt Strip - Regal Oak - Tape Adhesive
	085284-13-000	FT	Batt Strip - Charcoal - Tape Adhesive (Main Wall)
	082283-08-000	EA	Batt Strip - Bone - Folding Corner (Bath)
	082283-23-000	EA	Batt Strip - Kent/State (Galley & Bath) (Y70)
	082283-21-000	EA	Batt Strip - Charcoal (Galley & Bath) (Y71) (Y72)
	009787-06-000	FT	Wetling - Beige
	009787-10-000	FT	Wetling - Mahogany
	024700-22-000	EA	Cover - Sidewall Roll Bar - Beige - 15 25"
	024700-24-000	EA	Cover - Sidewall Roll Bar - Beige - 63 6"
	024700-26-000	EA	Cover - Sidewall Roll Bar - Beige - 40"
	009778-07-000	FT	U-Channel - Light Oak - 1"
	070504-01-000	FT	U-Channel - Light Brown - 65"
	070504-06-000	FT	U-Channel - Light Oak - 815"
	009089-17-000	EA	F Molding - Plastic Corner - Outside - 1" - Light Oak
	009012-17-000	EA	F Molding - Plastic Corner - Outside - .5" - Light Oak
	022982-06-000	FT	Molding - Reverse Cove - Champagne White
	042357-11-000	FT	Corner Molding - Radius Plastic - Light Oak
	076325-16-000	FT	Molding - Edge Band - Regal Oak
	078323-06-X14	FT	Cap Molding - Wall
	081076-02-000	FT	Corner Cap - Radius Plastic - Light Oak
	081521-02-007	FT	Molding - 64 Hole Space
	083620-01-000	FT	T Molding - 75" w/Lips - Brown
	092707-01-01A	EA	Molding - Regal Oak - Table Leg
	085748-01-000	FT	J Trim - Carpet - Beige - PVC
	093998-01-Y15	EA	Oak Trim - Roof to Sidewall
	093881-01-Y15	EA	Oak Trim - Floor to Sidewall

PANELING & COUNTERTOP

Key	Part Number	U/M	Description
	074497-10-000	SF	Paneling - Regal Oak - Wall & Cabinets - 48" x 84"
	079863-02-000	SF	Paneling - Cedar (Closet)
	088272-44-000	SF	Paneling - Charcoal (Main Wall) - 48" x 84"
	088272-35-000	SF	Paneling - Slate (Galley & Dry Bath) - 48" x 84" (Y70)
	088272-27-000	ST	Paneling - Cocoa (Galley & Dry Bath) - 48" x 84" (Y71)
	088272-26-000	SF	Paneling - Miami (Galley & Dry Bath) - 48" x 84" (Y72)
	088272-36-000	SF	Paneling - Bone (Wet Bath) - 48" x 84"
	074498-24-000	SF	Laminate - Plastic - Regal Oak (Nightstand)
	074498-27-000	SF	Laminate - Plastic (Dinette Table)
	085217-03-000	EA	Countertop - Avonite - Almond (Galley)
	094361-14-Y15	EA	Countertop - Avonite - Almond (Vanity)
	094088-11-Y15	EA	Countertop - Avonite - Almond (Make Up)
	00621-01-000	SF	Veneer - Flat Luana - 48" x 96"
	089297-01-000	SF	Plywood - Luana - Overlay Grade - 48" x 96"
	000885-34-000	SF	Particle Board - 3/8" One Sided - Regal Oak - 49" x 97"
	000885-35-000	SF	Particle Board - 3/4" One Sided - Regal Oak - 49" x 97"
	000885-36-000	SF	Particle Board - 3/4" Two Sided - Regal Oak - 49" x 97"

INTERIOR FINISH GROUP (CONTINUED)

FABRIC & CARPET

Key	Part Number	U/M	Description
	088274-63-000	YD	Fabric - Upholstery - Main - Blue (Y70)
	088274-61-000	YD	Fabric - Upholstery - Main - Oakwood (Y71)
	088274-62-000	YD	Fabric - Upholstery - Main - Starburst (Y72)
	088274-33-000	YD	Fabric - Upholstery - Accent - Blue (Y70)
	088274-54-000	YD	Fabric - Upholstery - Accent - Umber (Y71)
	088274-60-000	YD	Fabric - Upholstery - Accent - Eggshell (Y72)
	072333-61-000	YD	Fabric - Drapes - Pacific (Y70)
	072333-59-000	YD	Fabric - Drapes - Tan (Y71)
	072333-60-000	YD	Fabric - Drapes - Wistana (Y72)
	088273-25-000	YD	Fabric - Bedspread - Florida (Y70)
	088273-26-000	YD	Fabric - Bedspread - March (Y71)
	088860-27-000	YD	Fabric - Bedspread - Pirella (Y72)
	072860-70-000	SY	Carpet - Glacier Blue (Y70)
	072860-71-000	SY	Carpet - Pirates Alley (Y71)
	072860-65-000	SY	Carpet - Amethyst (Y72)
	083486-01-000	SY	Carpet - Charcoal - Outside Storage Compartments
	075233-01-000	SY	Pad - Carpet - 3/8"
	079880-01-000	YD	Vinyl - 26 oz - Buckskin
	089351-01-000	YD	Vinyl - Headliner - Acoustical - Beige

MISCELLANEOUS

Key	Part Number	U/M	Description
	094499-01-000	EA	Fire Extinguisher - 1A10 B C - USA
	094499-02-000	EA	Fire Extinguisher - 1A10 B C - CSA
	094851-01-01A	EA	Holder - Fire Extinguisher - Recessed - Light Oak
	040089-01-000	EA	Door Mat - Entrance - Black
	081075-02-000	EA	Door Mat - Entrance - Brown
	081201-02-000	EA	Floor Mat - Driver - Brown
	081202-02-000	EA	Floor Mat - Passenger - Brown
	054185-31-000	EA	Owners Manual - 1989
	072852-01-000	EA	Smoke Detector - w/9 Volt Battery
	093886-01-000	EA	Lockbox Asm - Outer
	093863-01-000	EA	Drawer Asm - Lockbox
	093801-01-000	EA	Lock - Security Lockbox
	M03112-02-000	EA	Door Asm - Battery - w/o Carpet
	092488-01-Y12	EA	Paper Towel Holder

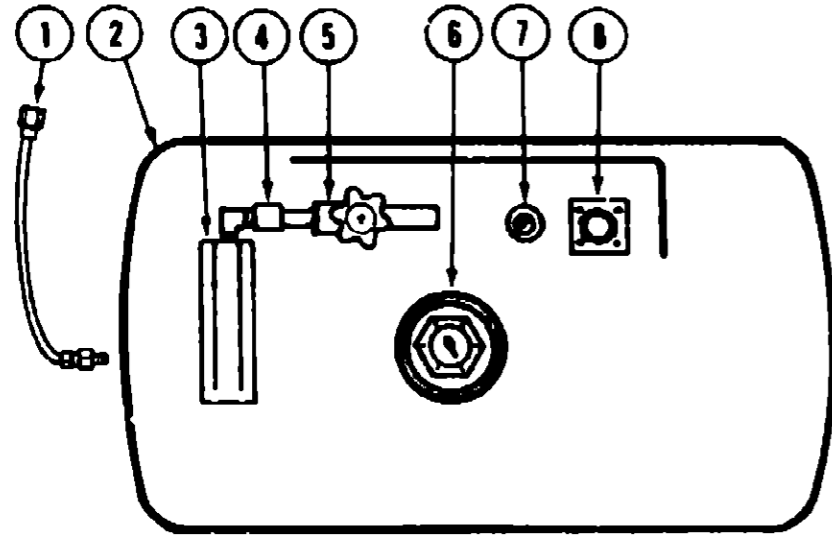
**1989 ITASCA
TABLE OF CONTENTS**

INTRODUCTION	A-01
ABBREVIATIONS	A-01
ALPHABETICAL INDEX	A-02 - A-04
WC/JM34RQ	A-05 - D-18
WJM40RQ	D-19 - G-24

1989 IJM40RQ INDEX

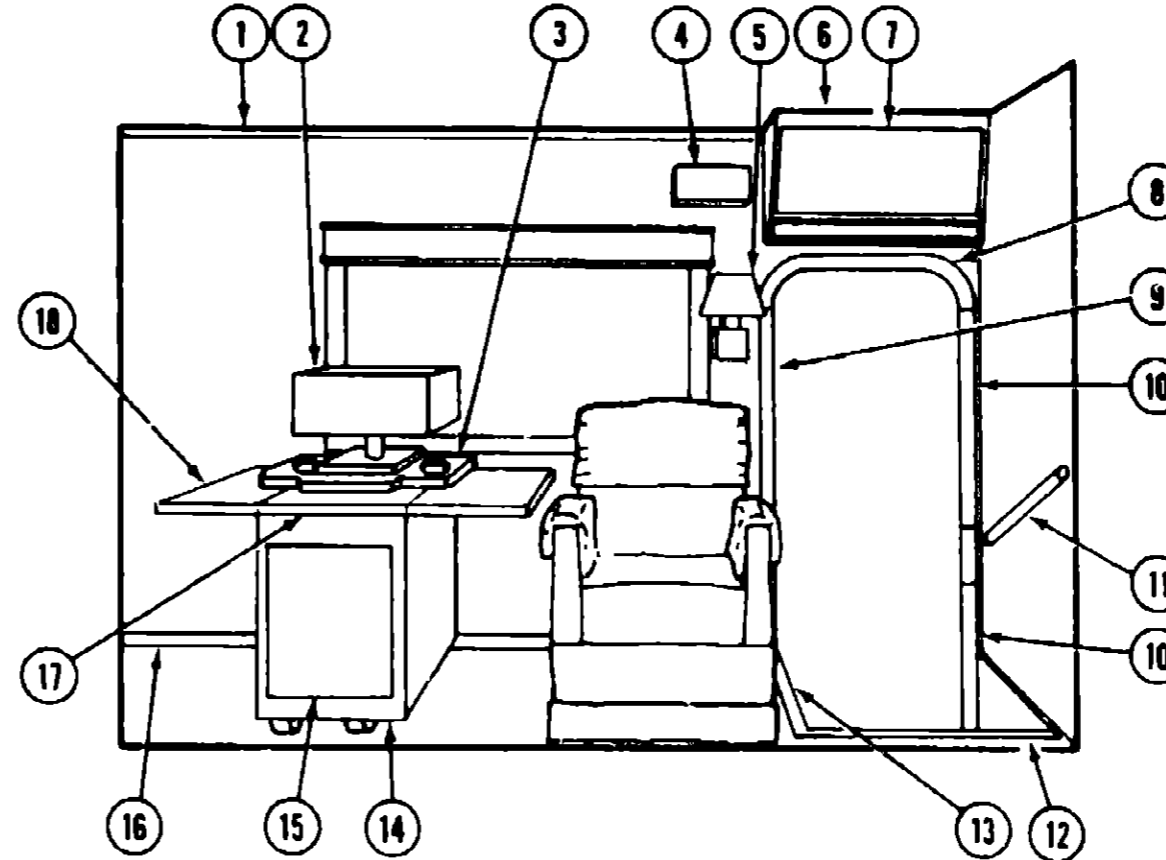
Floor Plan	D-19 - D-20
Accessories Group	D-21 - E-02
Bath Group	E-03 - E-04
Chassis Group	E-05 - E-12
Curtain, Cushion & Pad Group	E-13 - E-23
Dinette Group	E-24 - F-01
Driver's Compartment Group	F-02 - F-05
Electrical Group	F-06 - F-09
Exterior Body Group	F-10 - F-15
Galley Group	F-16 - F-18
Heating & Air Conditioning Group	F-19 - F-20
Interior Finish Group	F-21 - F-22
LP Group	F-23
Lounge Group	F-24 - G-03
Water & Sewage Group	G-04 - G-06
Window, Vent & Exterior Door Group	G-07 - G-24

LP GROUP



Key	Part Number	U/M	Description
1	045703-01-000	EA	Hose Asm - LP - 3/8" I.D. x 24" (US)
1	045703-02-000	EA	Hose Asm - LP - 3/8" I.D. x 24" (CSA)
2	088253-03-000	EA	LP Tank - 100 Pound - 16" x 36"
3	081938-01-000	EA	Cover - LP Regulator
3	076301-01-000	EA	Regulator - Two Stage
4	090976-02-000	EA	Safety Valve - Electric
5	040421-01-703	EA	Valve - Vapor Relief
6	040421-01-707	EA	Gauge - Float - w/Visible Dial
6	040421-01-706	EA	Dial - Visible Face - Float Gauge
6	040440-01-000	EA	Dial - Visible Face - Float Gauge (w/Electric Transmitter)
7	040421-01-700	EA	Gauge - Liquid Level
8	040421-01-701	EA	Valve - Filler
8	040421-01-702	EA	Cap - Filter Valve
8	040421-01-711	EA	Inner Tank Valve - 80% Fill
	065741-01-000	EA	Gauge - Diaphragm Pressure - Test Leak
	097395-01-000	EA	LP Gas Leak Detector

LOUNGE GROUP



FRONT LOUNGE

Key	Part Number	U/M	Description
1	093998-01-Y15	EA	Roof Trim Molding - 94"
2	082686-01-000	EA	Table Lamp
2	082686-06-000	EA	Lamp Shade
3	094837-01-Y15	EA	Cabinet Shelf
4	095186-01-000	EA	Door Bell Alarm
	095187-01-000	EA	Door Bell Switch
5	065202-11-000	EA	Lamp Asm
5	065201-05-000	EA	Lamp Shade
6	M94343-01-Y15	EA	Cabinet Asm
7	M88304-G3-Y15	EA	Door Asm - w/o Hardware
8	094744-01-Y15	EA	Entrance Door Molding - Top
9	094743-01-Y15	EA	Entrance Door Molding - Forward
10	094743-02-Y15	EA	Entrance Door Molding - Rear Upper or Lower
11	094772-01-Y15	EA	Handrail
	092309-03-01A	EA	Handrail Wall Bracket
12	091073-04-Y15	EA	Step Trim
13	091073-05-Y15	EA	Step Trim
14	094799-01-Y15	EA	Cabinet Asm
15	M88304-76-Y15	EA	Door Asm. - w/o Hardware
16	093681-03-Y15	EA	Floor Molding
17	094799-13-Y15	EA	Table Top
18	094799-12-Y15	EA	Table Top Extension - Left or Right Side
	005019-01-000	EA	Support Bracket - Dropleaf Table
	08360d 01-000	EA	Caster
	095084 01-000	EA	Caster Base
	093579-01-000	EA	Pull - Cabinet - Chrome/Brass
	081376-01-000	EA	Backplate - Brass - Pull
	095902-01-01A	EA	Gate Latch Asm - Bronze (Cabinet to Wall)
	058777-02-000	EA	Hinge - Antique Light Brass
	000G13 06-10G	EA	Screw (Hinge)
	074777-02-000	EA	Sprung Door Support
	093586 03-000	EA	Roller Catch
	093586-04 000	EA	Steel Strike

**1989 ITASCA
TABLE OF CONTENTS**

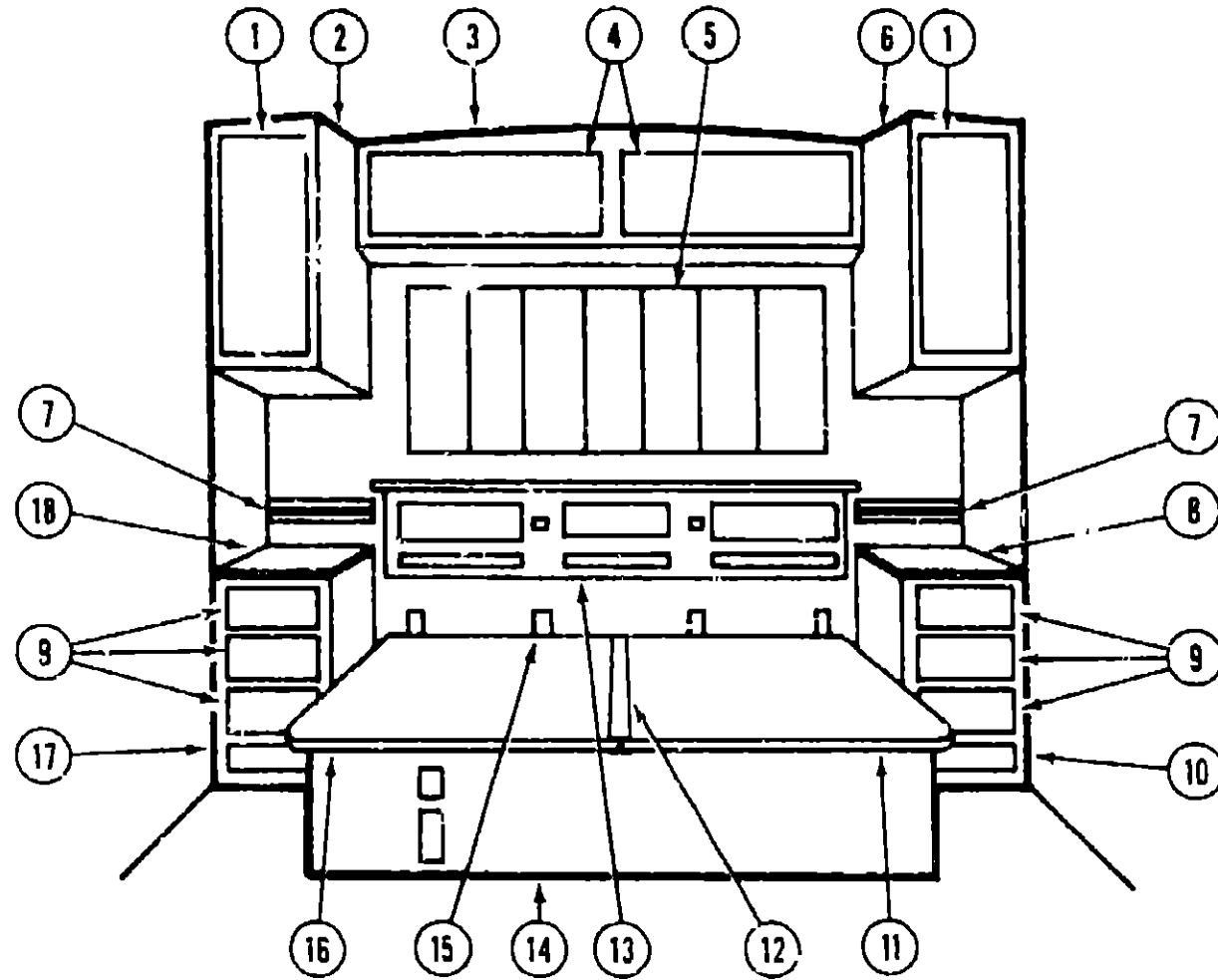
INTRODUCTION	A-01
ABBREVIATIONS	A-01
ALPHABETICAL INDEX	A-02 - A-04
WC/JM34RQ	A-05 D-18
WJM40RQ	D 19 - G-24

1989 IJM40RQ INDEX

Floor Plan	D-19 - D 20
Accessories Group	D 21 - E-02
Bath Group	E 03 - E-04
Chassis Group	E-05 - E-12
Curtain, Cushion & Pad Group	E-13 - E-23
Dinette Group	E-24 F-01
Driver's Compartment Group	F 02 - F-05
Electrical Group	F-06 - F-09
Exterior Body Group	F 10 F-15
Galley Group	F-16 F-18
Heating & Air Conditioning Group	F-19 - F-20
Interior Finish Group	F-21 - F-22
LP Group	F-23
Lounge Group	F-24 - G-03
Water & Sewage Group	G 04 - G 06
Window, Vent & Exterior Door Group	G-07 G 24

LOUNGE GROUP (CONTINUED)

REAR LOUNGE BED & CABINETS



Key	Part Number	U/M	Description
1	M88304-J5-Y15	EA	Door Asm - Wardrobe - w/o Hardware
2	M94817-01-Y15	EA	Cabinet Asm - Shirt Closet
3	M94573-01-Y15	EA	Cabinet Asm - Rear Overhead
4	M88304-J4-Y15	EA	Door Asm - Rear Overhead - w/o Hardware
5	M94842-01-Y15	EA	Cabinet Asm - w/o Mirrors
	093606-01-000	EA	Mirror - Beveled
6	M94931-01-Y15	EA	Cabinet Asm - Shirt Closet
7	089571-22-Y15	EA	Oak Trim - 90"
	078394-01-000	FT	Vinyl Gold Trim - 7/ 3"
8	094848-11-Y15	EA	Countertop Asm
9	094192-15-Y15	EA	Drawer Asm - w/o Hardware
10	M94848-01-Y15	EA	Cabinet Asm - Nightstand
11	M03924-02-Y15	EA	Cabinet Asm - Top - Driver Side
12	089076-02-000	EA	H Channel
13	094844-01-Y15	EA	Headboard Asm
14	M94568-01-Y15	EA	Cabinet Asm. - Queen Bed
15	088199-01-X11	EA	Hinge Asm
16	M03924-01-Y15	EA	Cabinet Asm - Top - Passenger Side
17	M94847-01-Y15	EA	Cabinet Asm. - Nightstand
18	094847-01-Y15	EA	Countertop Asm
	057460-04-000	EA	Gas Spring Rods
	057460-02-000	EA	Gas Spring Ball Stud
	057460-03-000	EA	Gas Spring Safety Clip
	089024-01-000	EA	Gas Spring Support - Floor
	089025-01-000	EA	Gas Spring Support - Bed
	042438-01-000	EA	Wood Dowel - 1" x 4'
	009112-01-000	EA	Flange - 1" ABS Off White
	084466-04-000	EA	Drawer Slide - Driver Side
	084466-05-000	EA	Drawer Slide - Passenger Side
	093579-01-000	EA	Pull - Cabinet - Chrome/Brass
	081376-01-000	EA	Backplate - Brass - Pull
	093576-01-01A	EA	Wall Swing Lamp
	065201-05-000	EA	Lamp Shade
	074493-02-000	EA	Sprung Door Support
	093586-03-000	EA	Roller Catch
	093586-04-000	EA	Steel Strike
	000G13-06-10G	EA	Screw (Hinge)
	059777 02-000	EA	Hinge - Antique Light Brass

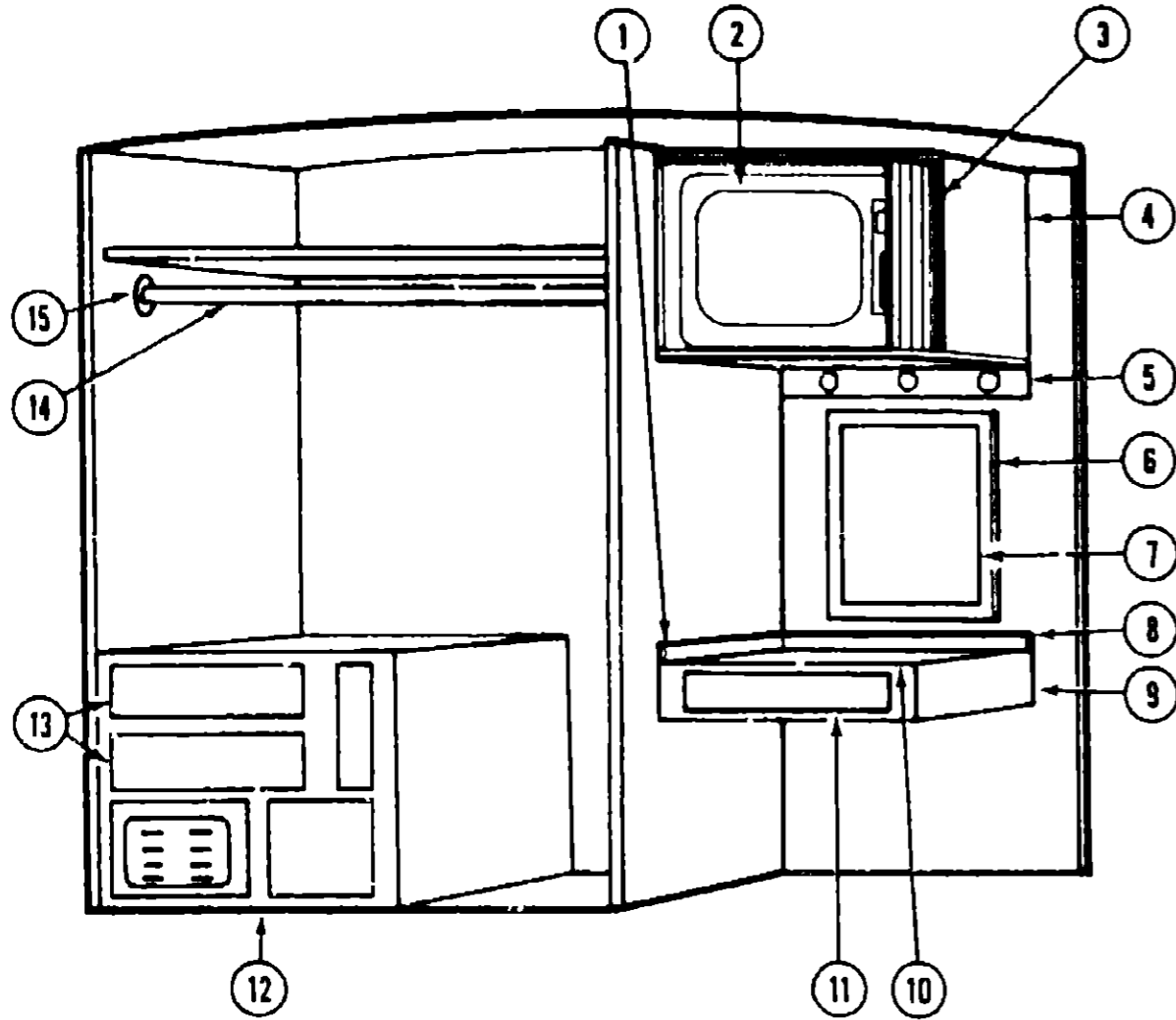
1989 ITASCA TABLE OF CONTENTS

INTRODUCTION	A-01
ABBREVIATIONS	A-01
ALPHABETICAL INDEX	A-02 - A-04
WC/JM34RQ	A-05 - D-18
WJM40RQ	D-19 - G-24

1989 IJM40RQ INDEX

Floor Plan	D-19 - D-20
Accessories Group	D-21 - E-02
Bath Group	F-03 - E-04
Chassis Group	E-05 - E-12
Curtain, Cushion & Pad Group	E-13 - E-23
Dinette Group	E-24 - F-01
Driver's Compartment Group	F-02 - F-05
Electrical Group	F-06 - F-09
Exterior Body Group	F-10 - F-15
Galley Group	F-16 - F-18
Heating & Air Conditioning Group	F-19 - F-20
Interior Finish Group	F-21 - F-22
LP Group	F-23
Lounge Group	F-24 - G-03
Water & Sewage Group	G-04 - G-06
Window, Vent & Exterior Door Group	G-07 - G-24

LOUNGE GROUP (CONTINUED)



REAR LOUNGE WARDROBE & VANITY

Key	Part Number	U/M	Description
1	088090-10-Y15	EA	Backsplash - Countertop
2	092310-01-000	EA	TV - 9" AC/DC
3	M03945-01-Y15	EA	Tambour Door
4	094357-01-Y15	EA	TV Cabinet Asm
5	082169-01-000	EA	Make Up Light
6	093446-01-X81	EA	Mirror Asm
7	058331-20-000	EA	Mirror Asm
8	088090-19-Y15	EA	Backsplash - Countertop
9	M94068-01-Y15	EA	Cabinet Asm
10	094068-11-Y15	EA	Countertop Asm
11	094192-03-Y15	EA	Drawer Asm
12	094070-01-Y15	EA	Cabinet Asm (US)
12	094070-02-Y15	EA	Cabinet Asm (CSA)
13	094192-04-Y15	EA	Drawer Asm
14	042438-01-000	EA	Wood Dowel - 1" x 4"
15	009112-01-000	EA	Flange - 1" ABS Off White
	084466-09-000	EA	Drawer Slide - Passenger Side
	084466-10-000	EA	Drawer Slide - Driver Side
	091221-02-000	EA	Tissue Holder - Brass
	093579-01-000	EA	Pull Cabinet - Chrome/Brass
	081376-01-000	EA	Backplate - Brass - Pull
	059777-02-000	EA	Hinge - Antique Light Brass
	000G13-06-10G	EA	Screw (Hinge)
	093586-03-000	EA	Roller Catch
	093586-04-000	EA	Steel Strike

WATER & SEWAGE GROUP

WATER LINES & HARDWARE

Key	Part Number	U/M	Description
	091246-02-000	EA	External Faucet
	091267-01-000	EA	Galley Faucet - Single Control w/Spray
	087659-02-000	EA	City Water Fill
	081240-01-000	EA	Water Fill - Lockable
	011058-04-000	EA	Shower Faucet (CSA)
	075241-04-000	EA	Shower Faucet (US)
	011048-05-000	EA	Shower Head - w/60" Hose (CSA)
	092314-01-01A	EA	Shower Head Asm - w/Glide Post - Brass (US)
	011058-03-000	EA	Lavatory Faucet (CSA)
	093999-01-01A	EA	Lavatory Faucet (US)
	039800-01-000	FT	Water Line - Plastic - 1/2" OD x 20'
	039800-03-000	FT	Water Line - Plastic - 3/8" OD x 250'
	051393-01-000	EA	Water Heater - Motor Aid - Atwood
	046128-01-000	EA	Plastic Valve Drain - 1/2" FPT
	052952-01-000	EA	Plastic Nut - 1/2" F
	052957-01-000	EA	Plastic Elbow - 1/2" F x 3/8" MPT
	052959-01-000	EA	Plastic Connector - 1/2" F x 1/4" MPT
	052953-01-000	EA	Plastic Nut - Faucet - 1/2" Tube x 1/2" FPT
	052954-01-000	EA	Plastic Nose Cone Adapter - 3/8" or 1/2"
	052956-01-000	EA	Plastic Tee - 1/2" F x 1/2" MPT x 1/2" F
	052958-01-000	EA	Plastic Tee - 1/2" F x 1/2" F x 1/2" F
	052960-01-000	EA	Plastic Valve - Line Drain
	093193-01-000	EA	Plastic Header - 1/2" F x 1/2" F x 1/2" F x 1/2" MPT
	045729-01-000	EA	Water Pump (US)
	045729-02-000	EA	Water Pump (CSA)
	045729-01-700	EA	Water Pump Motor
	045729-01-701	EA	Water Pump Baseplate Kit
	045729-01-702	EA	Water Pump Diaphragm Kit
	045729-01-703	EA	Water Pump Valve Asm Kit
	045729-01-704	EA	Water Pump Upper Housing
	045729-01-705	EA	Water Pump Switch Cap Kit w/Switch
	045729-01-706	EA	Water Pump Pumphead
	045729-01-707	EA	Water Pump Lower Housing

1989 ITASCA TABLE OF CONTENTS

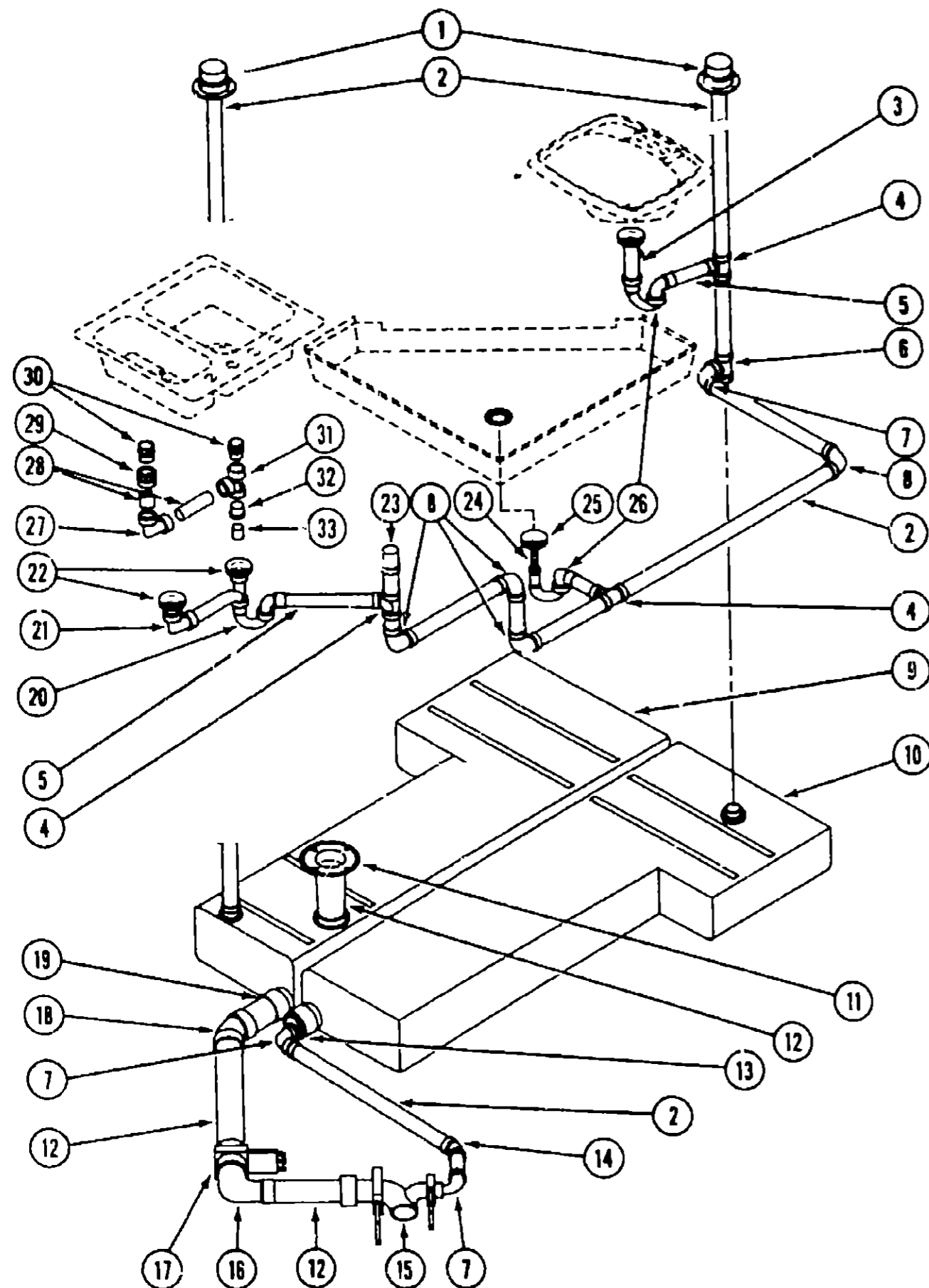
INTRODUCTION	A-01
ABBREVIATIONS	A-01
ALPHABETICAL INDEX	A-02 - A-04
WC/JM34RQ	A-05 - D-18
WJM40RQ	D-19 - G-24

1989 IJM40RQ INDEX

Floor Plan	D-19 - D-20
Accessories Group	D-21 - E-02
Bath Group	E-03 - E-04
Chassis Group	E-05 - E-12
Curtain, Cushion & Pad Group	E-13 - E-23
Dinetis Group	E-24 - F-01
Driver's Compartment Group	F-02 - F-05
Electrical Group	F-06 - F-09
Exterior Body Group	F-10 - F-15
Galley Group	F-16 - F-18
Heating & Air Conditioning Group	F-19 - F-20
Interior Finish Group	F-21 - F-22
LP Group	F-23
Lounge Group	F-24 - G-03
Water & Sewage Group	G-04 - G-06
Window, Vent & Exterior Door Group	G-07 - G-24

WATER & SEWAGE GROUP (CONTINUED)

DRAINAGE SYSTEM



Key	Part Number	U/M	Description
1	083558-01-000	EA	Vent Cap
2	010195-01-000	FT	Plastic Pipe - 1 1/2" (US)
2	010195-02-000	FT	Plastic Pipe - 1 1/2" (CSA)
3	092313-01-000	EA	Drain Pipe - Rod Controlled Stopper (US)
3	011083-01-000	EA	Drain Pipe - Rod Controlled Stopper (CSA)
4	010078-01-000	EA	Tee - 1 1/2" H x 1 1/2" H x 1 1/4" H
5	010194-01-000	FT	Plastic Pipe - 1 1/4" (US)
5	010194-02-000	FT	Plastic Pipe - 1 1/4" (CSA)
6	010071-01-000	EA	Tee - 1 1/2" H x 1 1/2" H x 1 1/2" H
7	033761-01-000	EA	Street Elbow - 1 1/2" H x 90°
8	010006-01-000	EA	Elbow - 1 1/2" H x 1 1/2" H x 90°
9	092444-02-000	EA	Holding Tank
10	092478-02-000	EA	Holding Tank
11	024876-01-000	EA	Closet Flange (US)
11	024876-02-000	EA	Closet Flange (CSA)
12	010197-01-000	FT	Plastic Pipe - 3" (US)
12	010197-02-000	FT	Plastic Pipe - 3" (CSA)
13	062422-01-000	EA	Reducer Adapter - 3" x 1 1/2"
14	010006-01-000	EA	Elbow - 1 1/2" H x 1 1/2" H x 45°
15	070916-01-000	EA	Dual Valve - 3" & 1 1/2"
16	031126-01-000	EA	Elbow - 3" H x 3" H x 90°
17	062418-01-000	EA	Valve - 3"
18	010024-01-000	EA	Elbow - 3" H x 3" H x 45°
19	078406-01-000	EA	Coupling - 3" - Rubber
20	011066-03-000	EA	P-Trap (US)
20	053335-01-000	EA	P-Trap (CSA)
21	091980-01-000	EA	Continuous Waste Asm (US)
22	032303-01-000	EA	Sink Strainer
23	079968-01-000	EA	Vent
24	011069-02-000	EA	Brass Tailpiece - 1 1/2" x 1 1/4" x 4"
	069735-01-000	EA	Seal
25	066729-01-000	EA	Shower Strainer
26	011066-02-000	EA	P-Trap (CSA)
26	011066-03-000	EA	P-Trap (US)
	010201-01-000	EA	Sewer Hose - 3" x 8' - w/o Twist Lock Adapter & Hose Clamp
	062416-01-000	EA	Twist Lock Adapter - 3" - Sewer Hose
	062401-09-000	EA	Hose Clamp - Worm Gear (2 8" - 3 7/8")
	062415-01-000	EA	Sewer Cap - 3"

CONTINUOUS WASTE (CANADA)

Key	Part Number	U/M	Description
27	037101-02-000	EA	Elbow - 1 1/2" H x 1 1/2" H x 90°
28	010195-02-000	FT	Plastic Pipe - 1 1/2"
29	010115-01-000	EA	Coupling - 1 1/2" H x 1 1/2" H
30	033302-02-000	EA	Adapter
31	010071-01-000	EA	Tee - 1 1/2" H x 1 1/2" H x 1 1/2" H
32	010121-01-000	EA	Bushing Adapter - 1 1/2" x 1 1/4" H
33	010194-02-000	FT	Plastic Pipe - 1 1/4"

1989 ITASCA TABLE OF CONTENTS

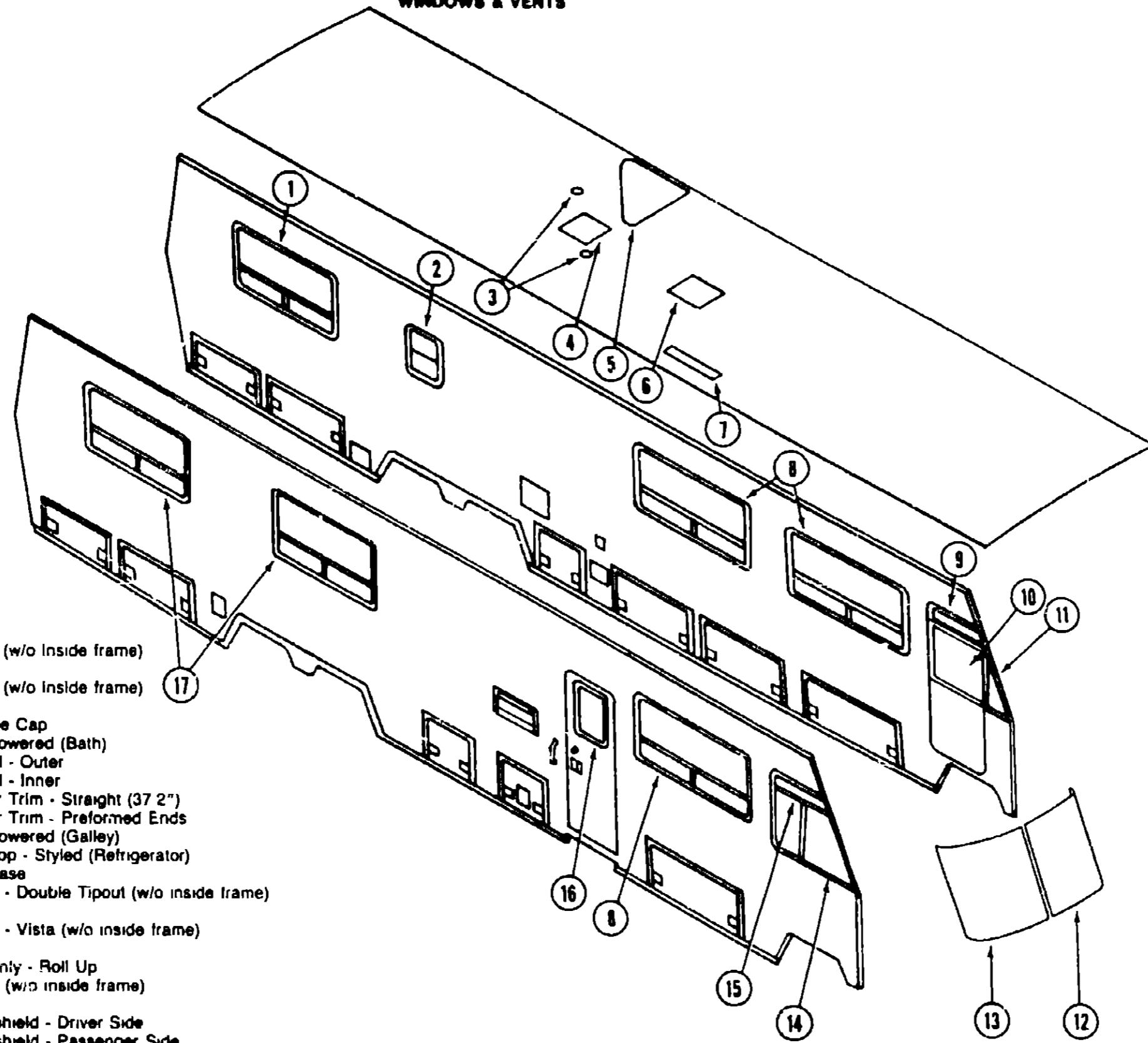
INTRODUCTION	A-01
ABBREVIATIONS	A-01
ALPHABETICAL INDEX	A-02 - A-04
WC/JM34RQ	A-05 - D-18
WJM40RQ	D-19 - G-24

1989 IJM40RQ INDEX

Floor Plan	D-19 - D-20
Accessories Group	D-21 - E-02
Bath Group	E-03 - E-04
Chassis Group	E-05 - E-12
Curtain, Cushion & Pad Group	E-13 - E-23
Dinette Group	E-24 - F-01
Driver's Compartment Group	F-02 - F-05
Electrical Group	F-06 - F-09
Exterior Body Group	F-10 - F-15
Galley Group	F-16 - F-18
Heating & Air Conditioning Group	F-19 - F-20
Interior Finish Group	F-21 - F-22
LP Group	F-23
Lounge Group	F-24 - G-03
Water & Sewage Group	G-04 - G-06
Window, Vent & Exterior Door Group	G-07 - G-24

WINDOW, VENT & EXTERIOR DOOR GROUP

WINDOWS & VENTS



Key	Part Number	U/M	Description
1	095160-01-01A	EA	Window Asm (w/o inside frame)
1	095160-02-01A	EA	Inside Frame
2	079453-02 U25	EA	Window Asm (w/o inside frame)
2	083122-13-000	EA	Inside Frame
3	083558-01-000	EA	Roof Vent Pipe Cap
4	064469-09-000	EA	Roof Vent - Powered (Bath)
5	092475-01-000	EA	Skylight Panel - Outer
5	092476-01-000	EA	Skylight Panel - Inner
5	093160-01-01A	EA	Skylight Outer Trim - Straight (37 2")
5	092579-01-01A	EA	Skylight Outer Trim - Preformed Ends
6	084079-05-000	EA	Roof Vent - Powered (Galley)
7	084073-01-000	EA	Roof Vent - Top - Styled (Refrigerator)
7	084073-04-000	EA	Roof Vent - Base
8	085354-05-X11	EA	Window Asm. - Double Tipout (w/o inside frame)
8	084153 10-000	EA	Inside Frame
9	089619-02-X14	EA	Window Asm - Vista (w/o inside frame)
9	089727-02-000	EA	Inside Frame
10	081488-02-000	EA	Door Glass Only - Roll Up
11	079421 02-T03	EA	Window Asm (w/o inside frame)
11	079215-03-000	EA	Inside Frame
12	088793-02-000	EA	Glass - Windshield - Driver Side
13	088793-01-000	EA	Glass - Windshield - Passenger Side
14	089607-01-X14	EA	Window Asm. (w/o inside frame)
14	089474-01-000	EA	Inside Frame
15	089619-01-X14	EA	Window Asm - Vista (w/o inside frame)
15	089727-01-000	EA	Inside Frame
16	079733-04-T03	EA	Window Asm. - Picture (w/o inside frame)
16	087609-03-000	EA	Inside Frame
17	085354-06-X11	EA	Window Asm (w/o inside frame)
17	084153-11-000	EA	Inside Frame

1989 ITASCA TABLE OF CONTENTS

INTRODUCTION	A-01
ABBREVIATIONS	A-01
ALPHABETICAL INDEX	A-02 - A-04
WC/JM34RQ	A-05 - D-18
WJM40RQ	D-19 - G-24

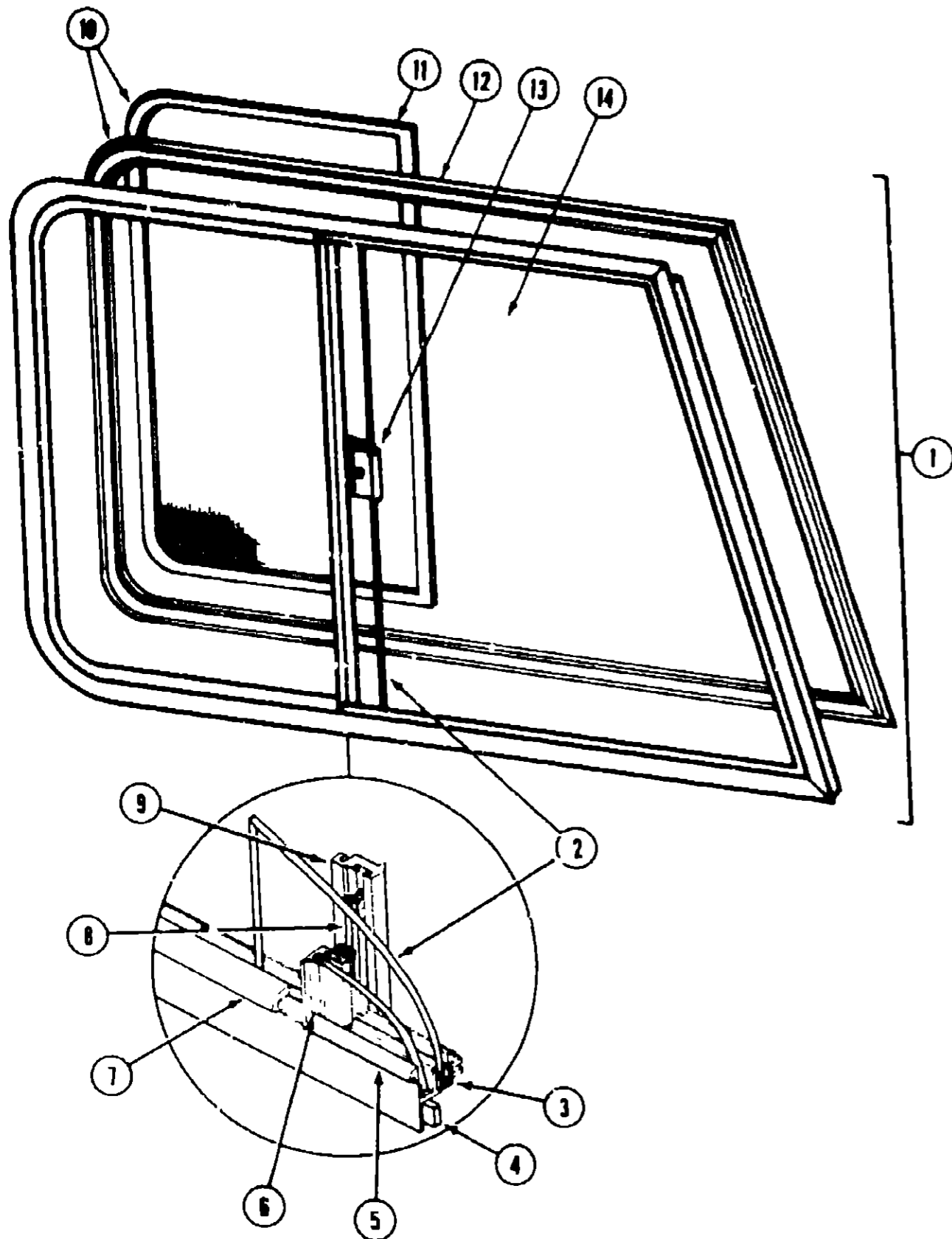
1989 IJM40RQ INDEX

Floor Plan	D-19 - D-20
Accessories Group	D-21 - E-02
Bath Group	E-03 - E-04
Chassis Group	E-05 - E-12
Curtain, Cushion & Pad Group	E-13 - E-23
Dinette Group	E-24 - F-01
Driver's Compartment Group	F-02 - F-05
Electrical Group	F-06 - F-09
Exterior Body Group	F-10 - F-15
Galley Group	F-16 - F-18
Heating & Air Conditioning Group	F-19 - F-20
Interior Finish Group	F-21 - F-22
LP Group	F-23
Lounge Group	F-24 - G-03
Water & Sewage Group	G-04 - G-06
Window, Vent & Exterior Door Group	G-07 - G-24

WINDOW, VENT & EXTERIOR DOOR GROUP (CONTINUED)

FRONT SLANT WINDOW (PASSENGER SIDE)

Key	Part Number	U/M	Description
1	089807-01-X14	EA	Window Asm - Front Slant (w/o inside frame or screen)
2	089298-01-000	EA	Glass - Slider
3	042077-01-000	FT	Channel - Weatherstrip - Glass Run - 1/8" Glass
4	069640-06-000	FT	Seal (not included in Window Asm)
5	050216-02-000	FT	Spline - Glass Seal - Black
6	002389 03-203	EA	Seal Holder - w/Fin Seal
7	041928-02-000	FT	Glass Seal - Black Vinyl
8	073740-01-000	FT	Fin Seal - .46" Pile Height
9	084170-07-000	EA	Inside Mullion - Slider Window - Black - w/Fin Seal
10	089803-01-X14	EA	Inside Frame Asm - w/Slider Screen
11	089802-01-X14	EA	Slider Screen Asm
	002291-02-000	SF	Screen - 16" Charcoal
	002298-02-000	FT	Spline - Charcoal
12	089474-01-000	EA	Inside Frame - w/o Slider Screen
13	047389-01-700	EA	Latch Kit - Plastic w/Fastener
14	057656-11-000	EA	Glass - Stationary



1989 ITASCA TABLE OF CONTENTS

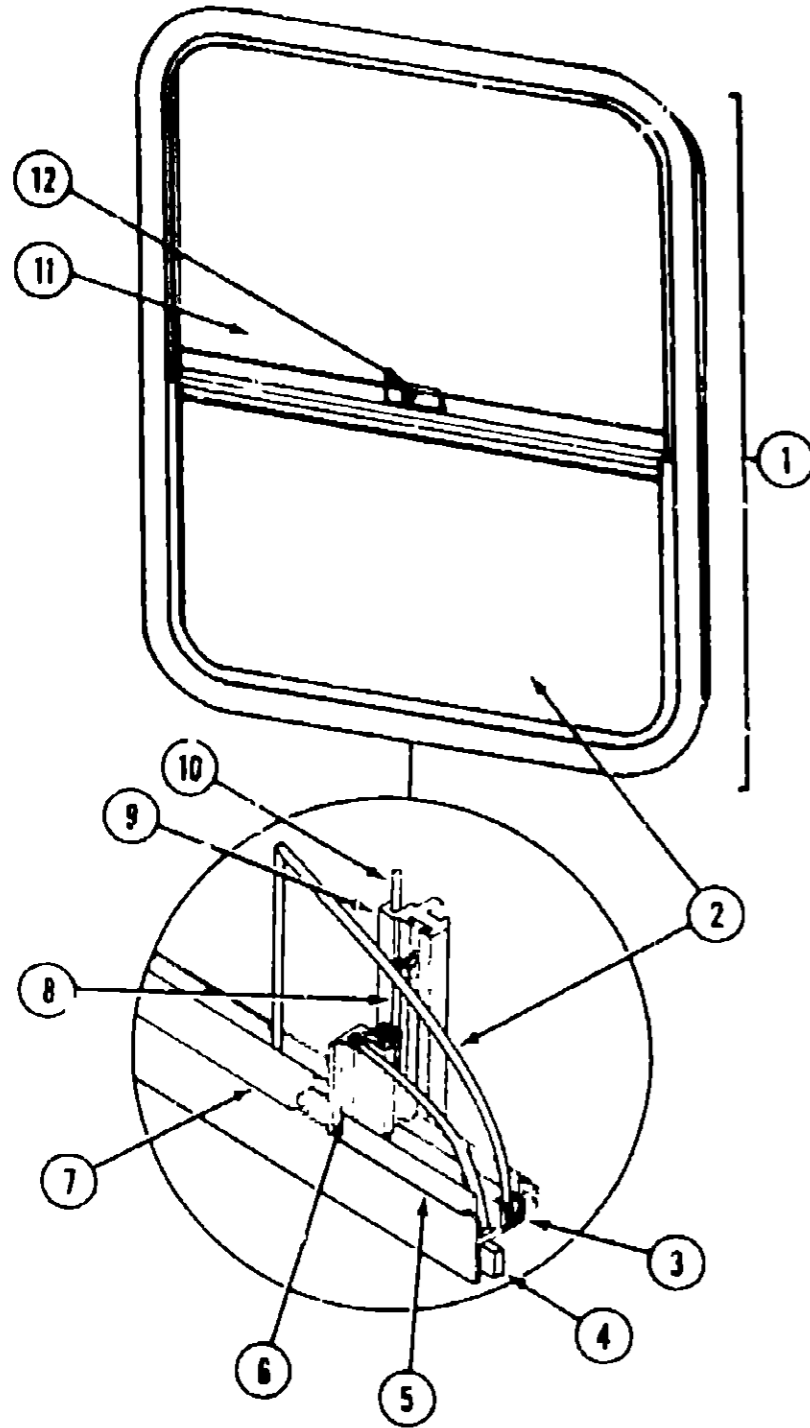
INTRODUCTION	A-01
ABBREVIATIONS	A-01
ALPHABETICAL INDEX	A-02 - A-04
WC/JM34RQ	A-05 - D-18
WJM40RQ	D-19 - G-24

1989 IJM40RQ INDEX

Floor Plan	D-19 - D-20
Accessories Group	D-21 - E-02
Bath Group	E-03 - E-04
Chassis Group	E-05 - E-12
Curtain, Cushion & Fad Group	E-13 - E-23
Dinette Group	E-24 - F-01
Driver's Compartment Group	F-02 - F-05
Electrical Group	F-06 - F-09
Exterior Body Group	F-10 - F-15
Galley Group	F-16 - F-18
Heating & Air Conditioning Group	F-19 - F-20
Interior Finish Group	F-21 - F-22
LP Group	F-23
Lounge Group	F-24 - G-03
Water & Sewage Group	G-04 - G-06
Window, Vent & Exterior Door Group	G-07 - G-24

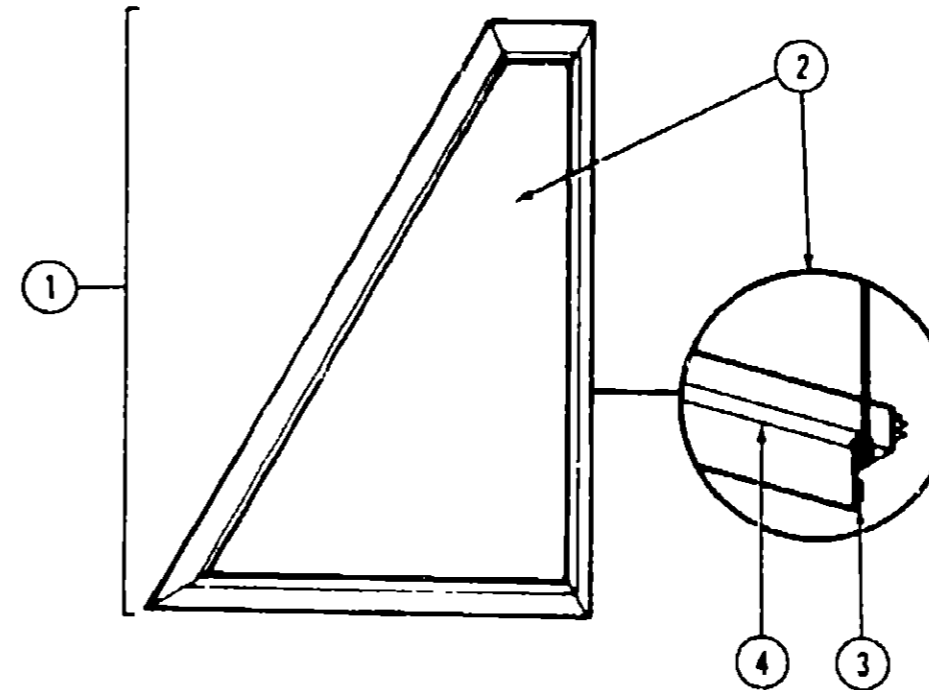
1989 ITASCA
TABLE OF CONTENTS

INTRODUCTION	A-01
ABBREVIATIONS	A-01
ALPHABETICAL INDEX	A-02 - A-04
WC/JM34RQ	A-05 - D-18
WJM40RQ	D-19 - G-24



VERTICAL SLIDER

Key	Part Number	U/M	Description
1	078453-02-U25	EA	Window Asm (w/o Inside Screen)
2	081981-01-000	EA	Glass - Slider
3	002324-02-000	FT	Channel - Weatherstrip - Glass Run - 1/8" Glass
4	069640-06-000	FT	Seal (Not Included in Window Assembly)
5	002309-02-000	FT	Spline - Glass Seal - Black
6	M69886-03-010	EA	Seal - w/Fin Seal
7	002309-02-000	FT	Glass Seal - Black Vinyl
8	073740-01-000	FT	Fin Seal - 46" Pile Height
9	084170-06-000	EA	Inside Mullion - Slider Window - Black
10	002299-02-000	FT	Spline - Charcoal
11	081984-04-000	EA	Glass - Stationary - 1/8" x 17 5" x 11 5"
12	047369-01-700	EA	Latch Kit - Plastic w/Fastener



SLANT WINDOW - DRIVER

Key	Part Number	U/M	Description
1	079421-02-T03	EA	Window Asm - Slant (w/o Inside Frame)
	079215-03-000	EA	Inside Frame - Beige (Not Included in Assembly)
2	057656-06-000	EA	Glass - Slant - 19" x 28 11" x 13 98"
3	069640-06-000	FT	Ribbon Seal - 5/16" Bead (Not Included in Assembly)
4	050216-02-000	EA	Spline - Glass - 19" - Black
	002328-01-000	EA	Window Block - 1/8" x 3/16" x 1"

VISTA WINDOW - DRIVER

Key	Part Number	U/M	Description
	089619-02-X14	EA	Window Asm - Vista (w/o Inside Frame)
	089727-02-000	EA	Inside Frame - Beige (Not Included in Assembly)
	089301-01-000	EA	Glass - Vista Window - Driver Side
	050216-02-000	FT	Spline - Glass - 19" - Black
	002328-01-000	EA	Window Block - 1/8" x 3/16" x 1"
	069640-06-000	FT	Ribbon Seal - 5/16" Bead (Not Included in Assembly)

VISTA WINDOW - PASSENGER

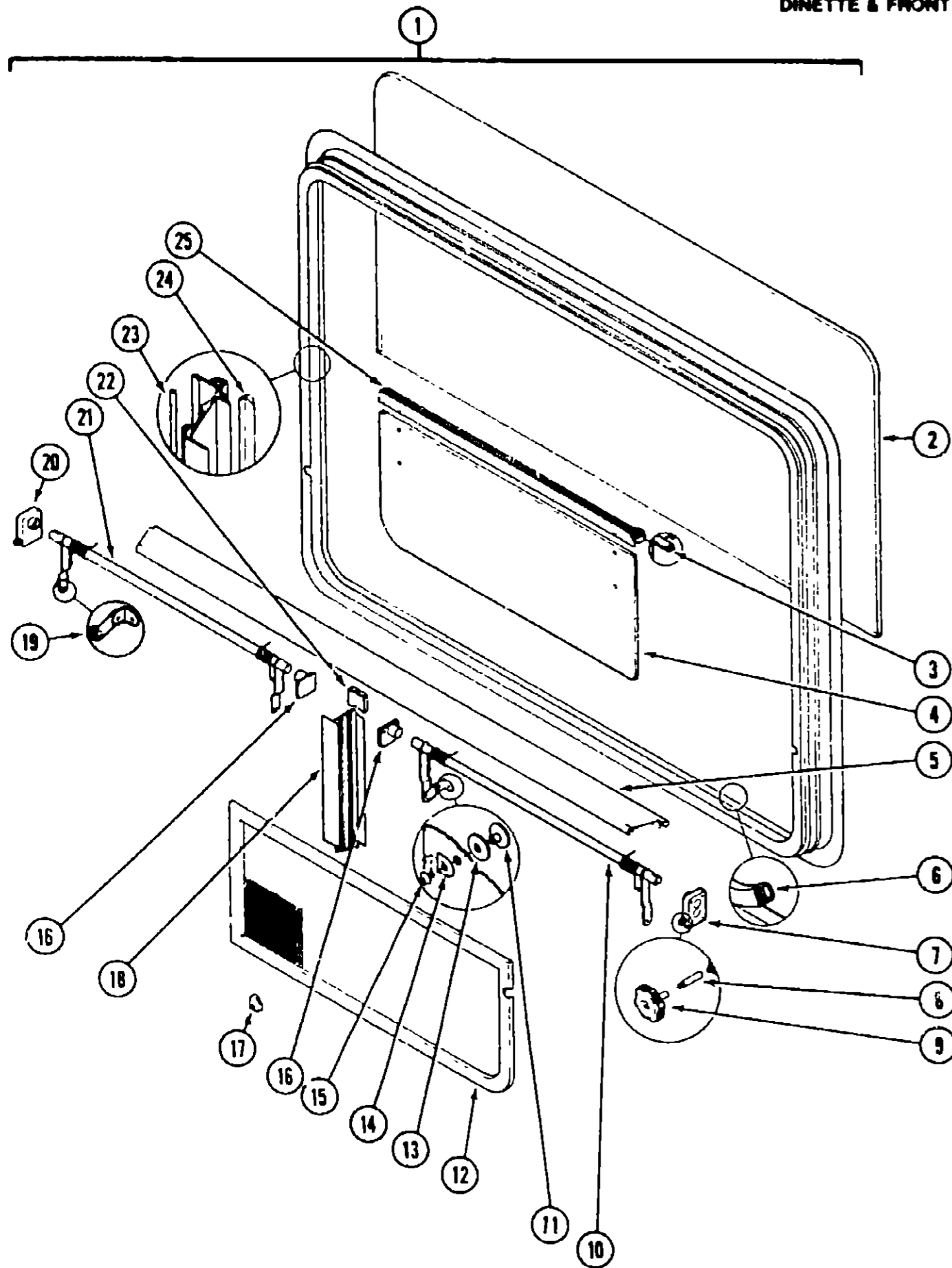
Key	Part Number	U/M	Description
	089619-01-X14	EA	Window Asm - Vista (w/o Inside Frame)
	089727-01-000	EA	Inside Frame - Beige (Not Included in Assembly)
	089301-01-000	EA	Glass - Vista Window - Passenger Side
	050216-02-000	FT	Spline - Glass - 19" - Black
	002328-01-000	EA	Window Block - 1/8" x 3/16" x 1"
	069640-06-000	FT	Ribbon Seal - 5/16" Bead (Not Included in Assembly)

1989 IJM40RQ INDEX

Floor Plan	D-19 - D-20
Accessories Group	D-21 - E-02
Bath Group	E-03 - E-04
Chassis Group	E-05 - E-12
Curtain, Cushion & Pad Group	E-13 - E-23
Dinette Group	E-24 - F-01
Driver's Compartment Group	F-02 - F-05
Electrical Group	F-06 - F-09
Exterior Body Group	F-10 - F-15
Galley Group	F-16 - F-18
Heating & Air Conditioning Group	F-19 - F-20
Interior Finish Group	F-21 - F-22
LP Group	F-23
Lounge Group	F-24 - G-03
Water & Sewage Group	G-04 - G-06
Window, Vent & Exterior Door Group	G-07 - G-24

WINDOW, VENT & EXTERIOR DOOR GROUP (CONTINUED)

DINETTE & FRONT LOUNGE WINDOW



Key	Part Number	U/M	Description
1	085354-05-X11	EA	Window Asm - Double Tipout
	084153-10-000	EA	Inside Frame (not included w/Window Assembly)
2	081239-18-000	EA	Glass - 1/8" x 60" x 20 1/2"
3	081357-01-000	FT	Seal
4	084068-08-000	EA	Glass - 1/8" x 9 1/4" x 30" (Left or Right Side)
5	083112-09-000	EA	Mullion - Black
	000G39-06-16T	EA	Screw - Mullion (4)
	076778-03-000	EA	Plastic Rivet - Pin Drive - Black (2)
6	084067-01-000	FT	Seal - Sponge Rubber
7	035302-01-000	EA	Operator Drive - Right Side
8	090025-01-000	EA	Extention - Window Knob (not included w/Window Assembly)
9	067052-02-000	EA	Window Knob - Beige (not included w/Window Assembly)
	089371-01-000	EA	Screw - Window Knob (not included w/Window Assembly)
10	083228-03-000	EA	Torque Tube Asm - Right Side
11	086762-01-000	EA	Window T Nut
12	084581-05-X11	EA	Screen Asm - Right Side
	084581-06-X11	EA	Screen Asm - Left Side
	002293-02-000	SF	Window Screen - 26" - Charcoal
	002298-02-000	FT	Window Screen Spline
13	068927-02-000	EA	Seal - Rubber
14	084473-01-000	EA	Seal - Rubber
15	086763-01-000	EA	Screw - #10 - 32 x 1/4"
16	081354-01-000	EA	Torque Tube Sleeve
17	081243-01-000	EA	Plastic Screen Clip
	000G12-06-08T	EA	Screw - Screen Clip
18	084154-01-000	EA	Mullion - Black
	000G37-08-08B	EA	Screw - Mullion (4)
19	097578-01-000	EA	Connecting Rod Asm
	085316-01-000	EA	Wave Washer
	081649-01-000	EA	Snap Ring Clip
20	035302-02-000	EA	Operator Drive - Left Side
21	083227-03-000	EA	Torque Tube Asm - Left Side
22	084066-01-000	FT	Seal - Double Bulb - Sponge Rubber
23	069640-06-000	FT	Seal (not included w/Window Assembly)
24	083180-01-000	FT	Seal - Vinyl
25	084155-09-000	EA	Hinge - Tipout Window - Left or Right Side

1989 ITASCA TABLE OF CONTENTS

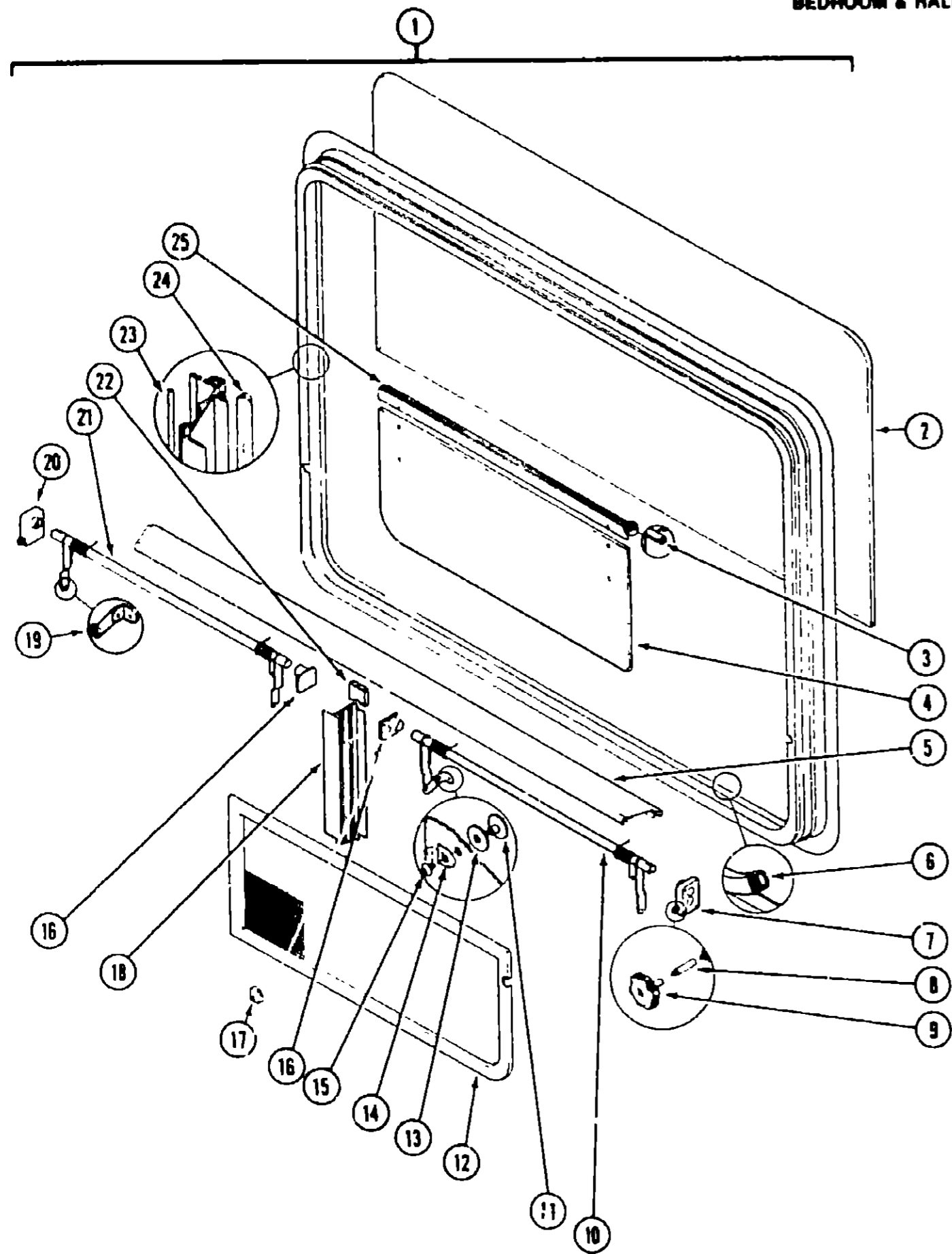
INTRODUCTION	A-01
ABBREVIATIONS	A-01
ALPHABETICAL INDEX	A-02 - A-04
WC/JM34RQ	A-05 - D-18
WJM40RQ	D-19 - G-24

1989 IJM40RQ INDEX

Floor Plan	D-19 - D-20
Accessories Group	D-21 - E-02
Bath Group	E-03 - E-04
Chassis Group	E-05 - E-12
Curtain, Cushion & Pad Group	E-13 - E-23
Dinette Group	E-24 - F-01
Driver's Compartment Group	F-02 - F-05
Electrical Group	F-06 - F-09
Exterior Body Group	F-10 - F-15
Galley Group	F-16 - F-18
Heating & Air Conditioning Group	F-19 - F-20
Interior Finish Group	F-21 - F-22
LP Group	F-23
Lounge Group	F-24 - G-03
Water & Sewage Group	G-04 - G-06
Window, Vent & Exterior Door Group	G-07 - G-24

WINDOW, VENT & EXTERIOR DOOR GROUP (CONTINUED)

BEDROOM & HALLWAY WINDOW



Key	Part Number	U/M	Description
1	085354-06-X11 084153-11-000	EA	Window Asm - Double Trout
2	081239-19-000	EA	Inside Frame (not included in assembly)
3	081357-01-000	EA	Glass - 1/8" x 53" x 12 1/2"
4	084068-09-000	EA	Glass - 1/8" x 9 1/4" x 26 1/4" (Left or Right Side)
5	083112-08-000	EA	Mullion - Black
	000G39-06-16T	EA	Screw - Mullion (4)
	076778-03-000	EA	Plastic Rivet - Pin Drive - Black (2)
6	084067-01-000	FT	Seal - Sponge Rubber
7	035302-01-000	EA	Operator Drive - Right Side
8	090025-01-000	EA	Extension - Window Knob (not included w/Window Assembly)
9	067052-02-000	EA	Window Knob - Beige (not included w/Window Assembly)
	089371-01-000	EA	Screw - Window Knob (not included w/Window Assembly)
10	083228-04-000	EA	Torque Tube Asm - Right Side
11	086762-01-000	EA	Window T Nut
12	084581-07-X11 084581-08-X11	EA	Screen Asm - Right Side Screen Asm - Left Side
	002293-02-000	SF	Window Screen - 26" - Charcoal
	002298-02-000	FT	Window Screen Spline
13	068927-03-000	EA	Seal - Rubber
14	084473-01-000	EA	Seal - Rubber
15	086763-01-000	EA	Screw - #10 - 32 x 1/4"
16	081354-01-000	EA	Torque Tube Sleeve
17	081243-01-000	EA	Plastic Screen Clip
	000G12-06-08T	EA	Screw - Screen Clip
18	084154-01-000	EA	Mullion - Black
	000G37-08-08B	EA	Screw - Mullion (4)
19	097578-01-000	EA	Connecting Rod Asm
	085316-01-000	EA	Wave Washer
	081649-01-000	EA	Snap Ring Clip
20	035302-02-000	EA	Operator Drive - Left Side
21	083227-04-000	EA	Torque Tube Asm - Left Side
22	094066-01-000	FT	Seal - Double Bulb - Sponge Rubber
23	069640-06-000	FT	Seal (not included w/Window Assembly)
24	083180-01-000	FT	Seal - Vinyl
25	084155-09-000	EA	Hinge - Tipout Window - Left or Right Side

1989 ITASCA TABLE OF CONTENTS

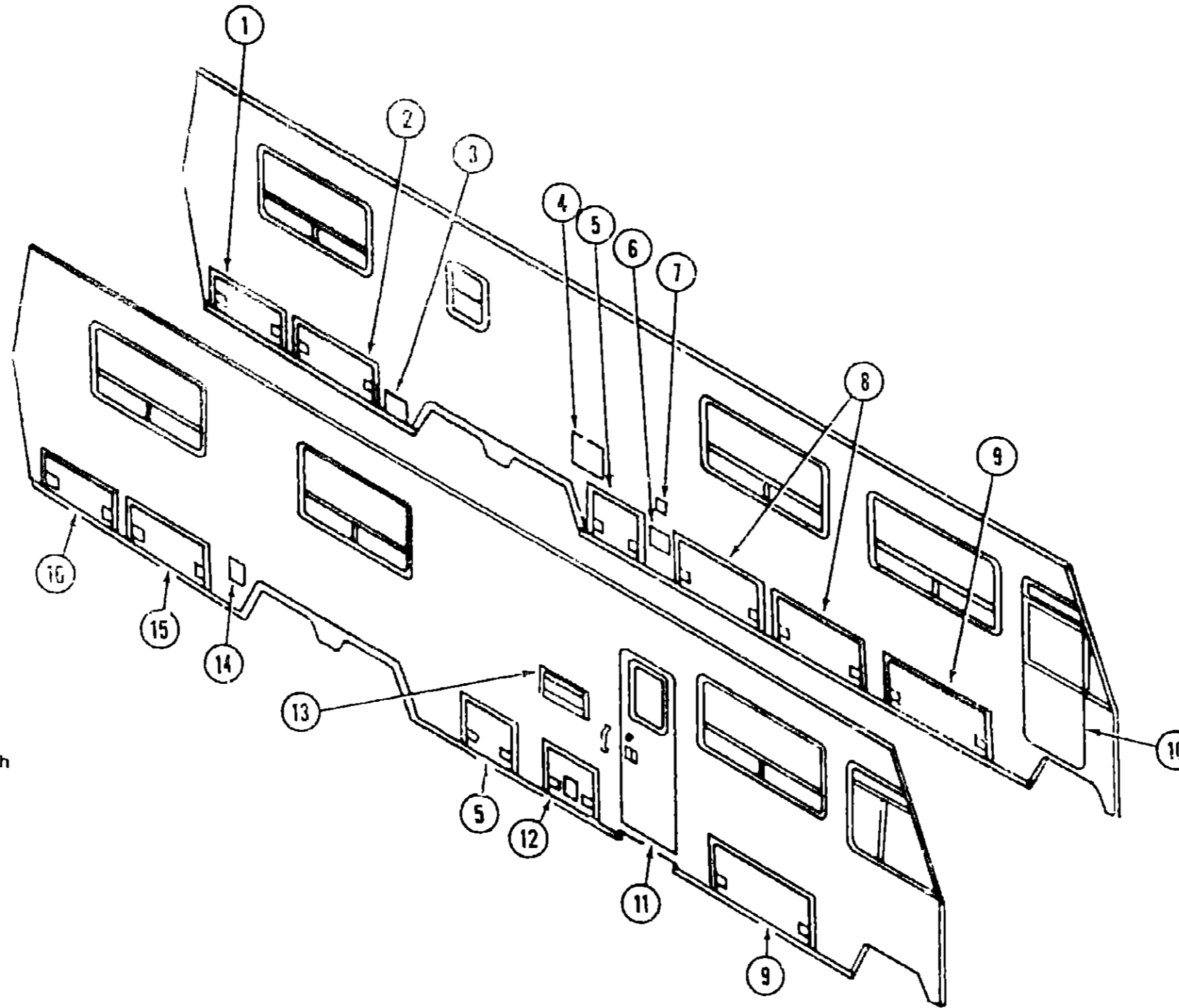
INTRODUCTION	A 01
ABBREVIATIONS	A 01
ALPHABETICAL INDEX	A 02 - A 11
W/JM34RQ	A 05 - E 18
WJM40RQ	D 19 - G 24

1989 IJM40RQ INDEX

Floor Plan	D-19 - D 20
Accessories Group	D 21 - E 02
Bath Group	E-03 - E 04
Chassis Group	E 05 - E-12
Curtain Cushion & Pad Group	E 13 - E 23
Dinette Group	E-24 - F 01
Driver Compartment Group	F-02 - F 05
Electrical Group	F-06 - F-09
Exterior Body Group	F 10 - F-15
Galley Group	F-16 - F-18
Heating & Air Conditioning Group	F 19 - F 20
Interior Finish Group	F 21 - F-22
LP Group	F 23
Lounge Group	F 24 - G-03
Water & Sewage Group	G 04 - G-06
Window Vent & Exterior Door Group	G 07 - G-24

WINDOW, VENT & EXTERIOR DOOR GROUP (CONTINUED)

ACCESS DOORS



Key	Part Number	U/M	Description
1	087472-13-Y70	EA	Door Asm - Luggage
2	087472-18-Y70	EA	Door Asm - Generator
3	086794-03-000 042442-01-000	EA	Door Asm - Power Cord w/Hatch Twist Lock Asm
4	052009-03-000	EA	Door Asm - Water Heater
5	087448-01-W84	EA	Door Asm - Sewage
6	088794-03-000 042442-01-000	EA	Door Asm - Water Fill w/Hatch Twist Lock Asm
7	081240-02-000 042441-01-000 082684-01-000	EA	Door Asm - Water Fill Key Lock Asm (w/o Keys) Key
8	087448-03-W84	EA	Door Asm - Luggage
9	087448-04-X70	EA	Door Asm - Luggage
10	M89487-02-X70	EA	Door Asm - Driver
11	M01870-23-Y70	EA	Door Asm - Entrance
12	087495-04-X70	EA	Door Asm - LP
13	084103-02-000	EA	Door Vent
13	084104-02-000	EA	Door Vent Jamb
14	078010-05-000	EA	Door Asm - Fuel Fill
15	087472-16-Y70	EA	Door Asm - Luggage
16	087472-12-Y70	EA	Door Asm - Luggage

1989 ITASCA TABLE OF CONTENTS

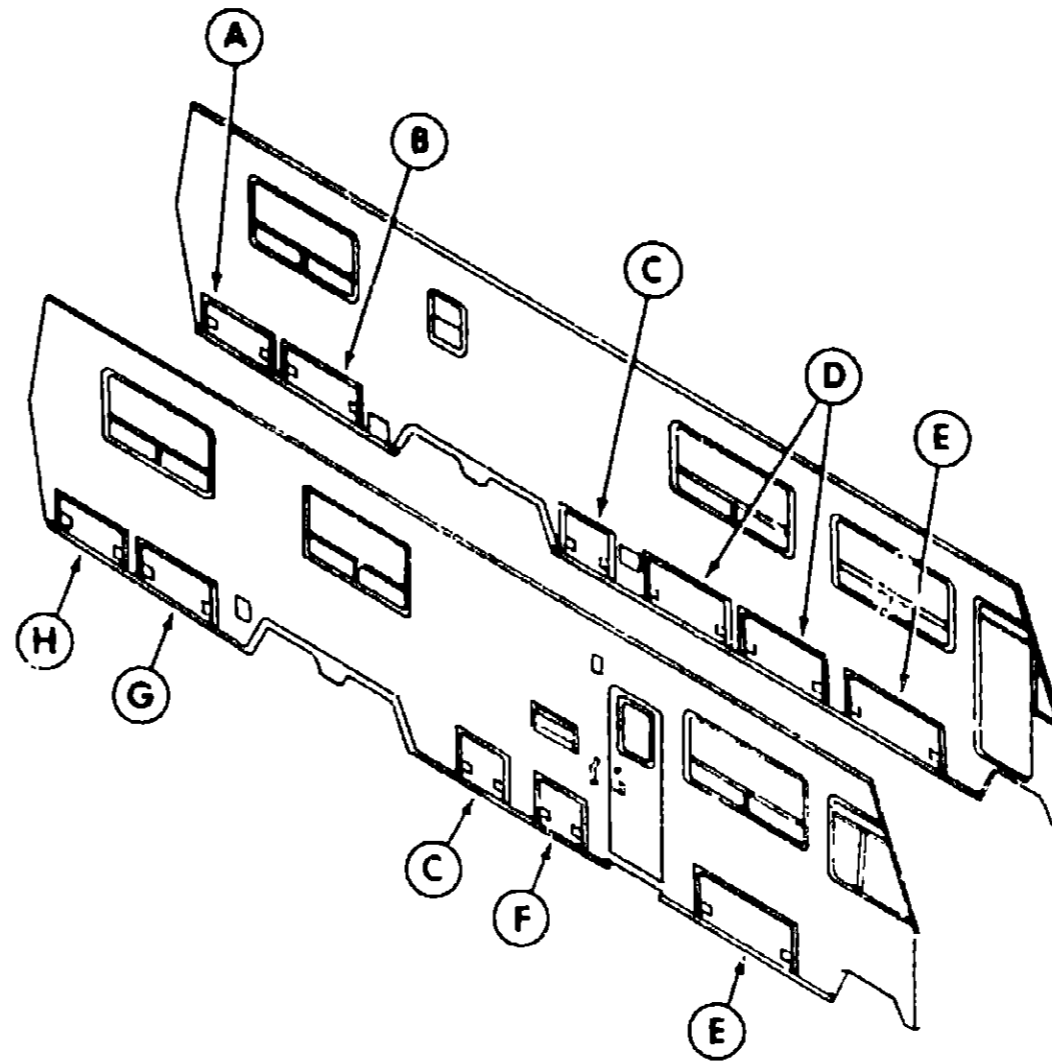
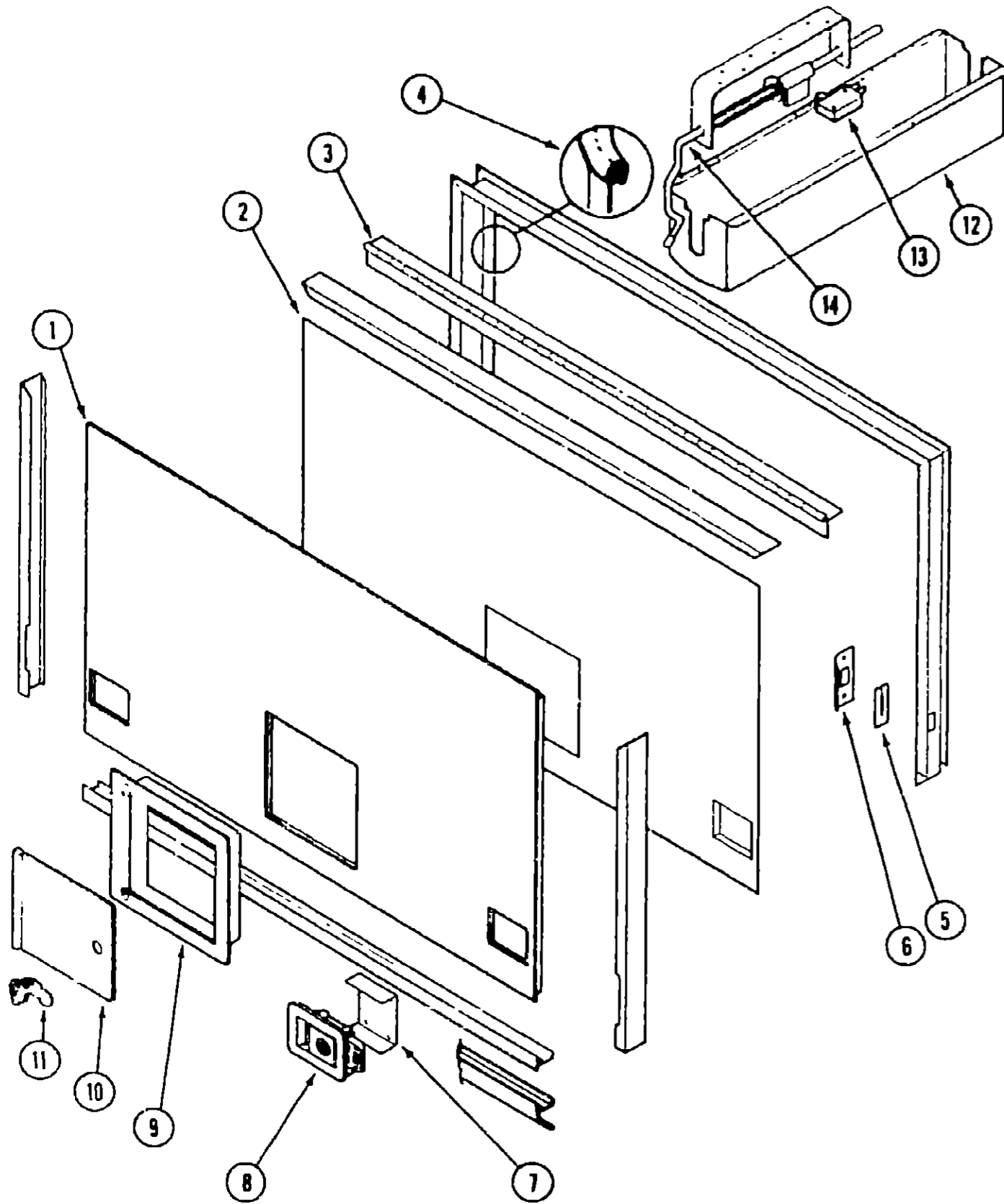
INTRODUCTION	A 01
ABBREVIATIONS	A 01
ALPHABETICAL INDEX	A 02 - A-04
WC/JM34RQ	A-05 - D-18
WJM40PQ	D 19 - G 24

1989 IJM40RQ INDEX

Floor Plan	D 19 - D 20
Accessories Group	D-21 - E-02
Bath Group	E-03 - E-04
Chassis Group	E-05 - E 12
Curtain, Cushion & Pad Group	E-13 - E 23
Dinette Group	E-24 - F-01
Driver's Compartment Group	F-02 - F-05
Electrical Group	F 06 - F-09
Exterior Body Group	F-10 - F-15
Galley Group	F-16 - F 18
Heating & Air Conditioning Group	F-19 - F-20
Interior Finish Group	F 21 - F-22
LP Group	F-23
Lounge Group	F 24 - G-03
Water & Sewage Group	G-04 - G-06
Window Vent & Exterior Door Group	G-07 - G 24

WINDOW, VENT & EXTERIOR DOOR GROUP (CONTINUED)

LUGGAGE & GENERATOR DOORS



Key	Part Number	U/M	Description
1	081395-08-000	EA	Mend Board - 4' x 8' - Gray
1	083574-01-000	SF	Styrofoam - 1 1/2" x 24" x 85 1/4"
A2	089094-18-000	EA	Door Liner
B2	096782-01-01A	EA	Door Liner - Metal - Generator
C2	089095-02-000	EA	Door Liner
D2	089095-06-000	EA	Door Liner
E2	089095-08-000	EA	Door Liner
F2	089097-04-000	EA	Door Liner - LP
G2	089094-20-000	EA	Door Liner
H2	089094-16-000	EA	Door Liner
3	081801-03-000	EA	Hinge - 2" x 96" - Gray
4	064075-04-000	EA	Bulb Seal
5	081067-02-000	EA	Seal
6	086809-02-000	EA	Strike
7	086810-02-000	EA	Bracket
	000G11-08-12T	EA	Screw - #8 - 18 x 3/4" Black
8	085730-01-000	EA	Paddle Latch Asm w/Lock
9	052424-03-000	EA	Door Jamb
10	052423-03-000	EA	Door
11	042442-01-000	EA	Lock Asm - Twist Type
12	093278-01-01A	EA	Prop Rod Cover - Black
13	056264-01-000	EA	Switch
14	092644-01-Y15	EA	Prop Rod Asm

1989 ITASCA TABLE OF CONTENTS

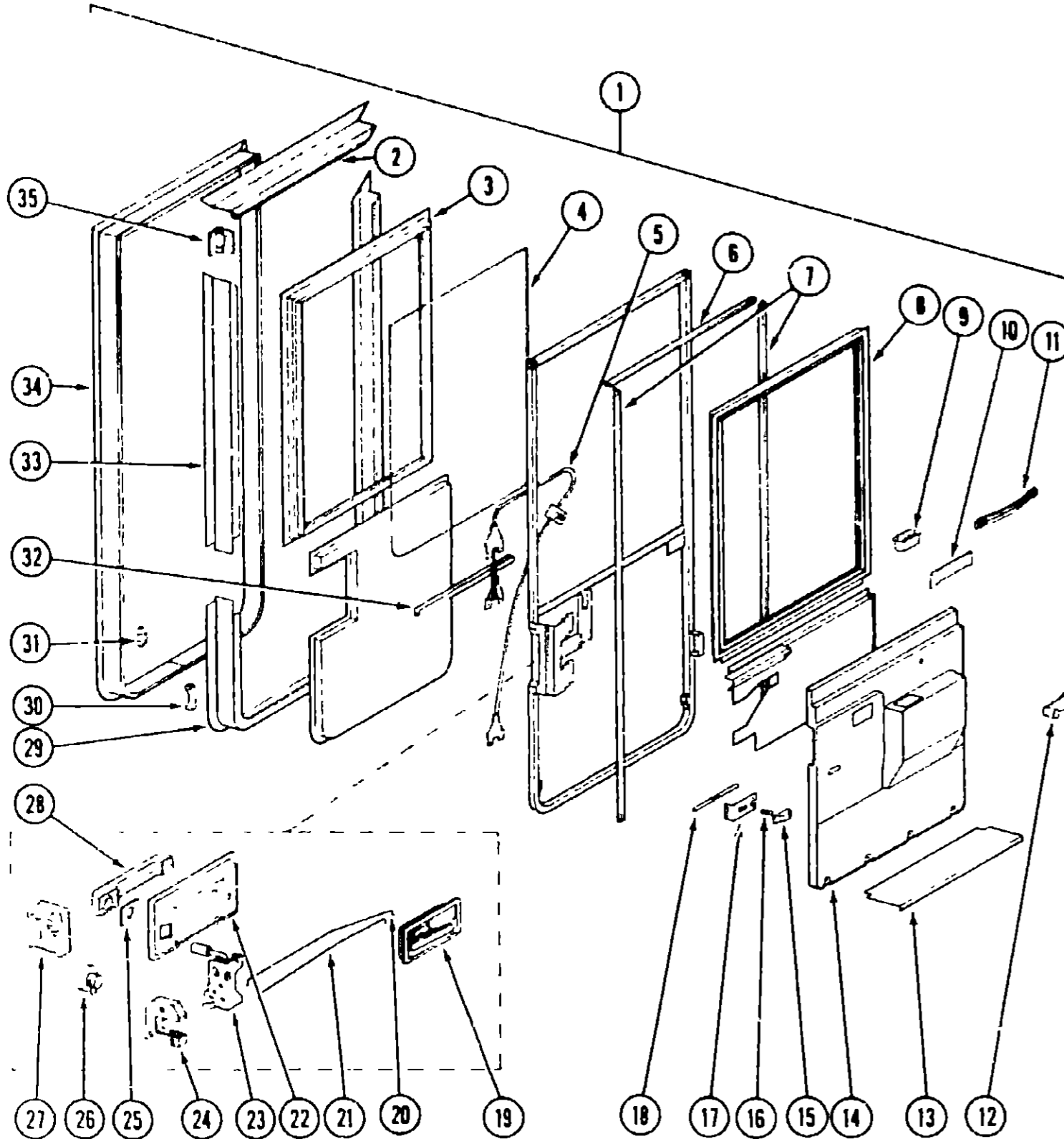
INTRODUCTION	A-01
ABBREVIATIONS	A-01
ALPHABETICAL INDEX	A-02 - A-04
WC/JM34RQ	A-05 - D-18
WJM40RQ	D-19 - G-24

1989 IJM40RQ INDEX

Floor Plan	D-19 - D-20
Accessories Group	D-21 - E-02
Bath Group	E-03 - E-04
Chassis Group	E-05 - E-12
Curtain, Cushion & Pad Group	E-13 - E-23
Dinette Group	E-24 - F-01
Driver's Compartment Group	F-02 - F-05
Electrical Group	F-06 - F-09
Exterior Body Group	F-10 - F-15
Galley Group	F-16 - F-18
Heating & Air Conditioning Group	F-19 - F-20
Interior Finish Group	F-21 - F-22
LP Group	F-23
Lounge Group	F-24 - G-03
Water & Sewage Group	G-04 - G-06
Window, Vent & Exterior Door Group	G-07 - G-24

WINDOW, VENT & EXTERIOR DOOR GROUP (CONTINUED)

DRIVER DOOR



Key	Part Number	U/M	Description
1	M89487-02 X70	EA	Door Asm - Complete
2	089458-02-000	EA	Door Frame - Upper
3	089459-01-000	EA	Window Frame - Outer
4	081488-02-000	EA	Glass
	081911-01-000	EA	Glass Setting Tape
5	081907-02-000	EA	Regulator Asm
6	009454-01-000	EA	Glass Run Channel - Aluminum - Black
7	082240 02-000	EA	Glass Run Channel - Aluminum - Black
	081910-02-000	EA	Glass Run Channel Seal - 10'
8	089461-01-000	EA	Window Frame - Inner
	079370-01-000	FI	Vinyl Screw Cover - Edge
9	048886-03-000	EA	Ashtray
10	064580-03-000	EA	Check Strap
11	061400-06-000	EA	Assist Strap
12	094575-01-000	EA	Window Crank
13	082229-02-000	EA	Door Threshold (not included in Door Asm)
14	082471-02-000	EA	Trim Panel
15	081905-02-000	EA	Control Knob - Slide Bolt
16	081903-01-000	EA	Knob Shaft
17	081487-01-000	EA	Slide Bolt Housing
18	081906-01-000	EA	Slide Bolt
19	R77006-50-326	EA	Interior Door Handle
20	076542-04-000	EA	Control Rod - Latch
21	073110-03-000	EA	Control Link Rod - Lock
22	082107-03-000	EA	Door Handle Escutcheon
23	R77007-62-746	EA	Latch Asm
24	R77007-56-702	EA	Lock Asm
25	R77007-05-374	EA	Seal
26	083223-01-000	EA	Key Lock Asm
27	R77013-48-165	EA	Door Lock Catch
28	R77040-01-538	EA	Door Handle
29	085007-10-000	EA	Door Frame - Lower
30	084465-01-000	EA	Door Stop Block - Jamb
31	084465-02-000	EA	Door Stop Block - Door
32	082472-01-000	EA	Glass Retainer Channel
33	089455-04-000	EA	Door Frame - Upper Rear
34	089463-02-000	EA	Door Jamb Asm
35	063993-03-000	EA	Hinge
	082150-02-000	FT	Door Sponge Seal
	083551-01-000	EA	Jamb Sponge Seal - Lazy T Shape

1989 ITASCA TABLE OF CONTENTS

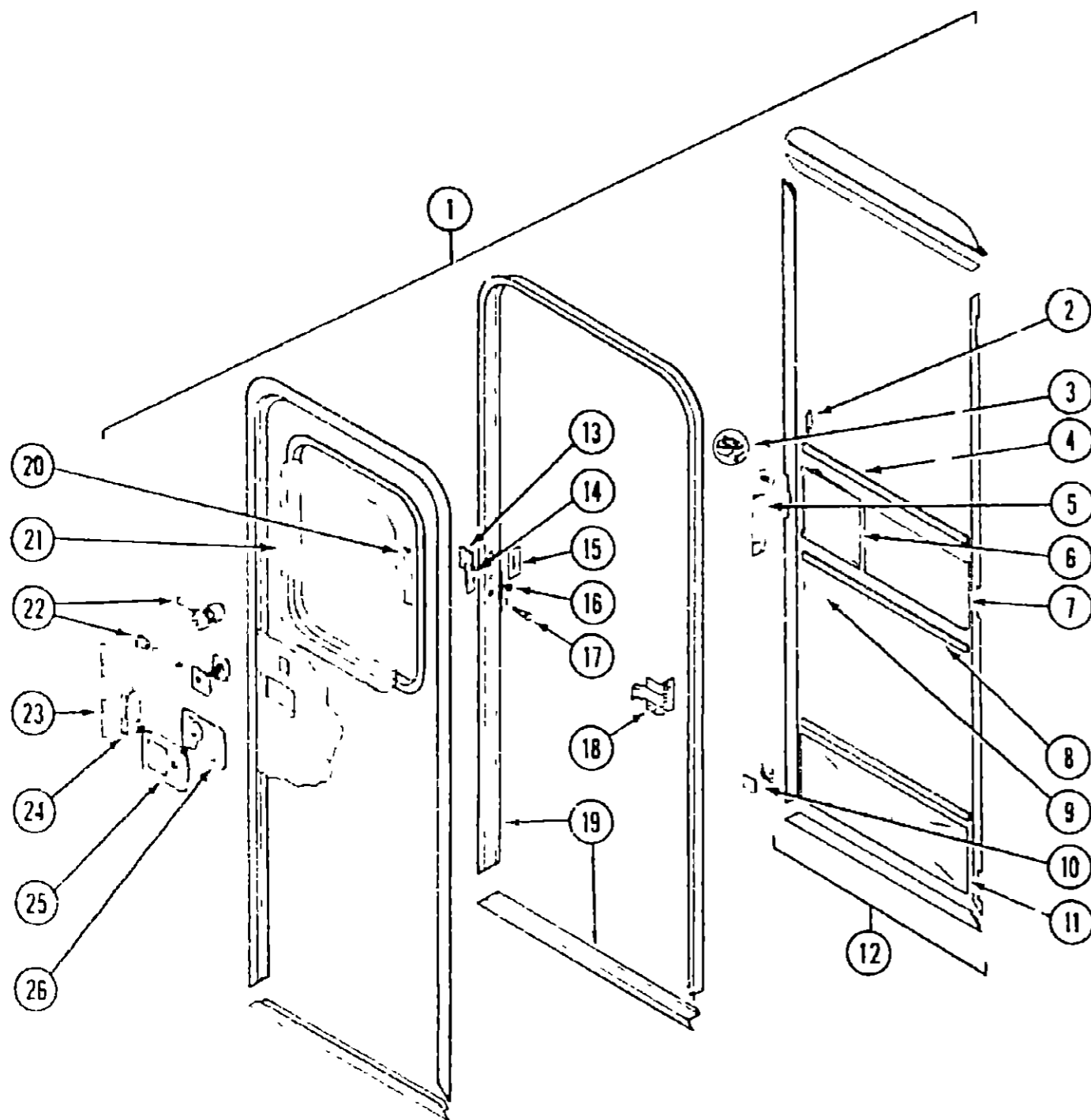
INTRODUCTION	A 01
ABBREVIATIONS	A-01
ALPHABETICAL INDEX	A-02 A-04
WC/JM34RQ	A 05 - D 18
WJM40RQ	D 19 G 24

1989 IJM40RQ INDEX

Floor Plan	D 19 - D 20
Accessories Group	D 21 - E 02
Bath Group	E-03 - E-04
Chassis Group	E-05 - E-12
Curtain, Cushion & Pad Group	E 13 - E-23
Dinette Group	E-24 - F-01
Driver's Compartment Group	F-02 - F-05
Electrical Group	F-06 - F-09
Exterior Body Group	F-10 - F-15
Galley Group	F-16 - F-18
Heating & Air Conditioning Group	F 19 - F-20
Interior Finish Group	F-21 - F-22
LP Group	F-23
Lounge Group	F 24 - G-03
Water & Sewage Group	G-04 - G 06
Window, Vent & Exterior Door Group	G-07 - G 24

WINDOW, VENT & EXTERIOR DOOR GROUP (CONTINUED)

ENTRANCE DOOR



Key	Part Number	U/M	Description
1	M01870 23-Y70	EA	Door Asm w/Screen Door
2	050712-05-000	EA	Door Handle - Screen Door
3	009018-01-000	EA	Roller Catch
4	078592-01-000	EA	Screen Door Mullion - Upper & Lower Slider
	078777-01-000	EA	Slider Channel (Mullion Insert)
5	079087-01-000	EA	Screen Door Slider Strike
6	079086-01-000	EA	Screen Door Slider
7	016454-01-000	EA	Screen Door Insert
8	002294-01-000	FT	Spline - Black
9	002293-02-000	SF	Window Screen - 26" Charcoal
10	085774-01-000	FT	Dual Lock Fastener - 1" Wide - Black
10	085774-02-000	FT	Dual Lock Fastener - 1" Wide - Black
11	078552-01-000	EA	Screen Door Insert - Lower
12	079012-01-T03	EA	Screen Door Asm
13	077461-01-000	EA	Strike Cover
14	041546-03-000	EA	Angle Bracket
15	079173-01-000	EA	Deadbolt Gasket
16	058806-01-000	EA	Plug - Tapered Plastic
17	039539-01-000	EA	Strike
18	079361-07-000	EA	Hinge
19	095277-02-03A	EA	Door Jamb
20	087561-01-000	FT	Window Seal
21	002181-06-000	EA	Glass
	079733-04-T03	EA	Window Asm w/o Inside Frame
	067609-03-000	EA	Inside Frame - Window Asm
22	039738-01-000	EA	Deadbolt Asm - Round
22	095229-01-01A	EA	Deadbolt Asm - Square - Black
23	075739-02-000	EA	Stiffener
24	039540-01-000	EA	Latch Asm - Hook
25	045017-05-000	EA	Latch Asm - Plate
25	045017-10-000	EA	Latch Asm - Plate - Black
26	039979-01-000	EA	Cover Asm - Latch Plate
26	039979-03-000	EA	Cover Asm - Latch Plate - Black
	039984-01-000	EA	Cap - Black Vinyl - Lock Grip
	075673-01-000	FT	Seal - Pile - Adhesive Back
	075671-01-000	FT	Seal - Sponge - Lazy T Shape

1989 ITASCA TABLE OF CONTENTS

INTRODUCTION	A 01
ABBREVIATIONS	A-01
ALPHABETICAL INDEX	A 02 - A 04
WC/JM34RO	A 05 D 18
WJM40RO	D 19 - G-24

1989 IJM40RQ INDEX

Floor Plan	D 19 - D 20
Accessories Group	D 21 - E 02
Bath Group	E-03 - E-04
Chassis Group	E-05 - E-12
Curtain, Cushion & Fr., Group	E-13 - E 23
Dinette Group	E-24 - F 01
Driver's Compartment Group	F 02 - F 05
Electrical Group	F-06 - F-09
Exterior Body Group	F 10 - F-15
Galley Group	F 16 - F-18
Heating & Air Conditioning Group	F-19 - F-20
Interior Finish Group	F 21 - F 22
LP Group	F 23
Lounge Group	F-24 - G 03
Water & Sewage Group	G-04 - G-06
Window, Vent & Exterior Door Group	G-07 - G 24