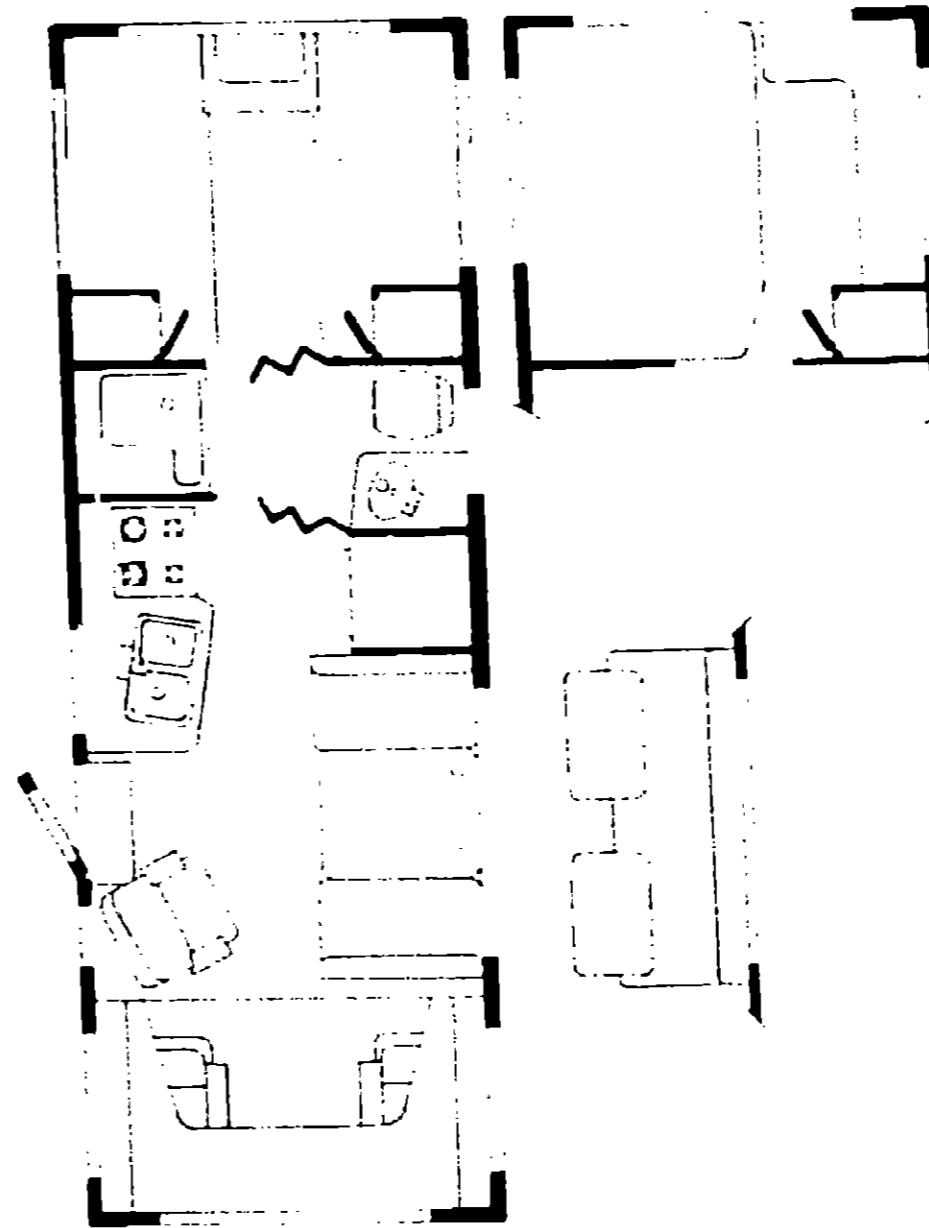


**1989 ITASCA
TABLE OF CONTENTS**

IC/F424RB
IC/F424RC
IF426RT

A-01 - C-06
C-07 - E-14
E-15 - G-17

**1989
IF426RT**



1989 IF426RT INDEX

Floor Plan	E-15 - E-16
Accessories Group	E-17 - E-18
Bath Group	E-19 - E-20
Chassis Group	E-21
Curtain, Cushion & Pad Group	E-22 - F-06
Dinette Group	F-07
Driver's Compartment Group	F-08 - F-10
Electrical Group	F-11 - F-13
Exterior Body Group	F-14 - F-19
Galley Group	F-20 - F-21
Heating & Air Conditioning Group	F-22
Interior Finish Group	F-23 - F-24
LP Group	G-01
Lounge Group	G-02 - G-03
Water & Sewage Group	G-04 - G-05
Window, Vent & Exterior Door Group	G-06 - G-17

ACCESSORIES GROUP

EXTERIOR MIRRORS

Key	Part Number	U/M	Description
1	049347-01-000	EA	Mirror Head - 7 1/2 x 10 1/2 - Stainless Steel
2	052047-01-000	EA	Arm - West Coast Mirror - Stainless Steel
2	052047-02-000	EA	Arm - West Coast Mirror - Off White
	050543-01-000	EA	Mirror - Convex - Adhesive Back

WHEEL COVER & MOUNTING HARDWARE

Key	Part Number	U/M	Description
	083181-01-000	EA	Wheel Cover - 16" (Set/4)
	083181-01-700	EA	Wheel Cover - 16" (1)
	083181-04-707	EA	Nut - Cover - 16.5"
	091203-01-000	EA	Wheel Liner - 16" Dia - Ford (Set/4)
	091203-05-701	EA	Liner - Rear Only
	091203-05-700	EA	Liner - Front Only

MISCELLANEOUS ACCESSORIES

Key	Part Number	U/M	Description
	054165-31-000	EA	Owner's Manual - 1989 - Itasca & Winnebago
	706053-02-000	EA	Antenna - TV Skyliner w/6" Sraft - Braund Delux
**	076319-01-000	EA	Antenna - TV Roof Mount - 44.5" Mast
	017516-01-000	EA	Mud Flap w/Holes - 14" x 18" - Black - Front
	064089-01-000	EA	Splash Guard - Black Rubber - Rear
	054499-01-000	EA	Fire Extinguisher - Dry 1A 10BC
	041944-03-000	EA	Fire Extinguisher - w/Bracket - 5BC
	084472-01-000	EA	Holder - Fire Extinguisher
	091269-03-000	EA	Microwave Oven - Magic Chef
	094750-01-000	EA	Bracket Asm - Microwave
	084745-01-01A	EA	Trim - Microwave - Top - Black
	094774-03-01A	EA	Trim - Microwave - Side - Black
	080999-01-T03	EA	Ladder Asm - Upper
	080997-01-T03	EA	Ladder Asm - Lower
	081026-01-T03	EA	Rack Asm - Right
	081026-02-T03	EA	Rack Asm - Left
	081055-01-000	EA	Spring Grip - Internal Tooth
	081056-01-000	EA	Quick Pin - Release
	083219-01-000	EA	Floor Mat - Black - Right
	083219-02-000	EA	Floor Mat - Black - Left
	081075-01-000	EA	Mat - Entrance - "Winnebago"
	072552-01-000	EA	Smoke Detector w/9 Volt Battery
	093552-01-01A	EA	Clock - 10" x 10"
	086769-01-000	EA	Picture - Decorative
	066059-01-000	EA	Key Case - Leather
	069550-01-000	EA	Lug Wrench - 1" x 1.25" x 16.3"
	069550-02-000	EA	Leverage Bar - 22" - Lug Wrench
	006113-01-000	EA	Jack - Hydraulic - 6 Ton - w/Handle
	022755-01-000	EA	Cover - Roof Air Conditioner - Plastic
	079942-05-000	EA	Shock Absorber - Stabilizer - Front
	079942-06-000	EA	Shock Absorber - Stabilizer - Rear
	077848-01-000	EA	Step Asm - Pullout
	076319-09-000	EA	Wall Plate/Receptacle - Brown
	076319-06-000	EA	Adaptor - Cable Roof Plate
	086778-01-000	EA	Outside Receptacle - Cable TV
	086778-04-000	EA	Gasket
	087236-01-000	EA	Label - Cable TV Input
	087236-02-000	EA	Label - Cable TV Output

** The illustrated parts breakdown for this item is provided on the Common Items Fiche.

ACCESSORIES GROUP (CONTINUED)

RADIO & RELATED COMPONENTS

Key	Part Number	U/M	Description
	007004-01-000	EA	Antenna - Radio - Cab Mount
	089340-01-000	EA	Grille - Speaker - 6.5" Square
	092311-01-000	EA	Radio - AM/FM - w/Cassette
	090982-01-000	EA	Radio - AM/FM - w/Cassette - Electronic Tune
	074979-01-000	EA	Speaker Cover Protector - Plastic
	094097-01-000	EA	Speaker - 5.25" - w/o Grille
	064791-01-000	EA	Speaker - Recessed - 5.25"
	079385-02-000	EA	Radio - Mounting Kit - Ford

GENERATORS & COMPONENTS

Key	Part Number	U/M	Description
	100974-03-000	EA	Generator - 4.0 kw - Emerald Plus - FAJ2601
	100974-05-000	EA	Generator - 4.0 kw - Emerald Plus - FN29237
	079654-05-000	EA	Pipe & Accessories - 4.0 kw - Emerald
	701629-04-000	EA	Installation Package
	081364-01-000	EA	Muffler - Generator - 4.0 Emerald
	078045-01-000	EA	Plate Support - Generator

REAR WINDOW WIPER/WASHER OPTION

Key	Part Number	U/M	Description
	049360-18-000	EA	Overhead Console - Lt. Oak
	087249-01-000	EA	Motor Asm - Wiper
	087251-01-000	EA	Blade - Wiper - 16" - Black
	087266-01-000	EA	Switch - Rear Wiper
	087252-01-000	EA	Arm Asm - Wiper - Black
	087967-01-000	EA	Cover - Wiper Motor - Lt. Oak
	024459-04-000	EA	Gauge Asm - Voltmeter
	056000-03-000	EA	Washer Asm - Rear Window

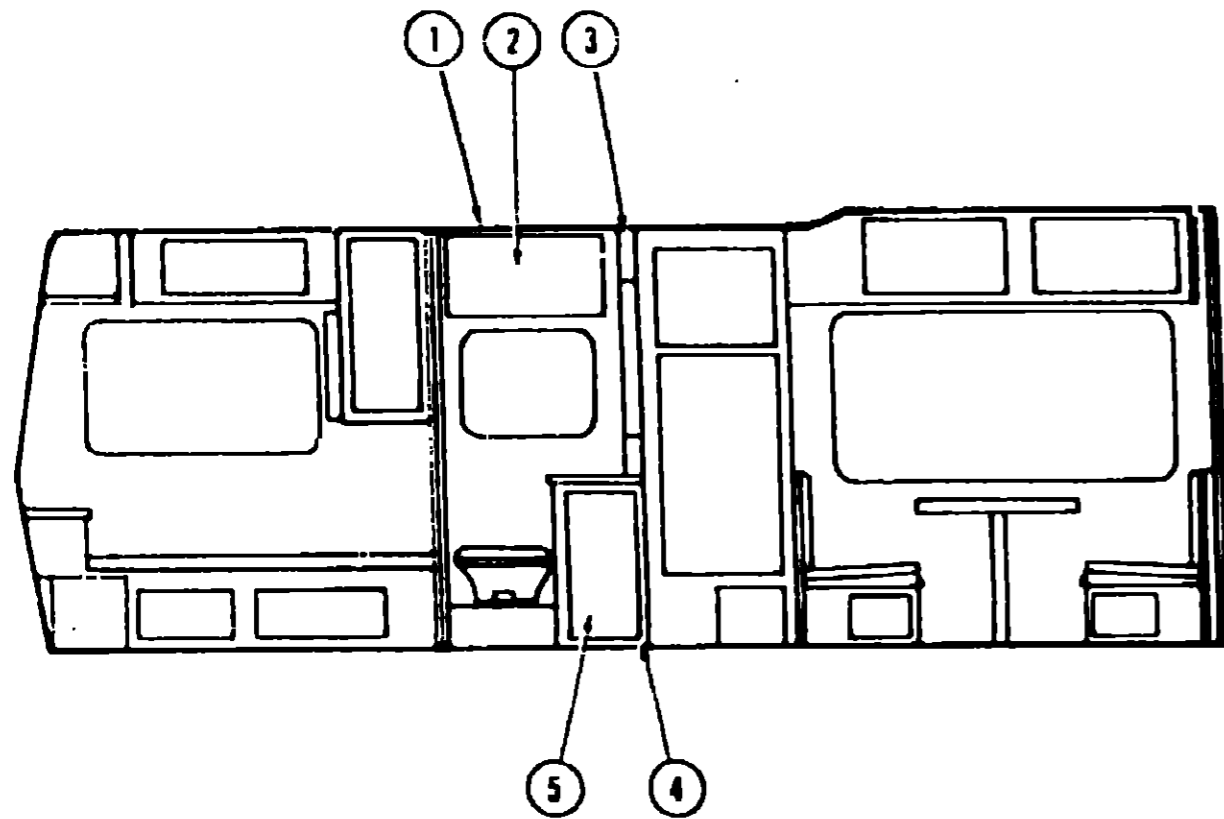
1989 ITASCA TABLE OF CONTENTS

IC/F424RB	A-01 - C-06
IC/F424RC	C-07 - E-14
IF42ERT	E-15 - G-17

1989 IF426RT INDEX

Floor Plan	E-15 - E-16
Accessories Group	E-17 - E-18
Bath Group	E-19 - E-20
Chassis Group	E-21
Curtain, Cushion & Pad Group	E-22 - F-06
Dinette Group	F-07
Driver's Compartment Group	F-08 - F-10
Electrical Group	F-11 - F-13
Exterior Body Group	F-14 - F-19
Galley Group	F-20 - F-21
Heating & Air Conditioning Group	F-22
Interior Finish Group	F-23 - F-24
LP Group	G-01
Lounge Group	G-02 - G-03
Water & Sewage Group	G-04 - G-05
Window, Vent & Exterior Door Group	G-06 - G-17

BATH GROUP



BATH CABINETRY

Key	Part Number	U/M	Description
1	076073-01-000	EA	Cabinet Asm. - Medicine - Almond
2	033446-05-Y15	EA	Door Asm. - Medicine Cabinet - Mirror
	076387-01-000	EA	Bracket - Medicine Cabinet
3	083894-01-Y30	EA	Cabinet Asm. - Bath Wall
	M88304-86-X08	EA	Door Asm. - Bath Wall Cabinet - 15.5" x 29.5" - w/o Hardware
4	M85934-01-Y30	EA	Cabinet Asm. - Lavatory - w/o Door, Drawer or Hardware
	M02666-01-Y30	EA	Countertop Asm. - Lavatory Cabinet
	077251-01-000	EA	Drawer Asm. - Plastic - Tiltout
	081893-02-X11	EA	Drawer Face - Tiltout
5	M88304-97-X08	EA	Door Asm. - Lavatory Cabinet
	080224-18-000	EA	Door Asm. - w/Latch - Folding - 36" x 72"
	080244-14-000	EA	Track - Folding Door - Curved
	080244-15-000	EA	Track - Folding Door - Straight

BATH GROUP (CONTINUED)

BATH HARDWARE

Key	Part Number	U/M	Description
	M02673-02-X11	EA	Shower Pan Asm. - Off White
	075241-04-000	EA	Faucet - Tub & Shower - Brass
	075240-05-000	EA	Faucet - Lavatory - Brass
**	011048-02-000	EA	Shower Head - w/60" Hose
	011048-04-000	EA	Vacuum Breaker - 1/8 MPT - Nylon - Shower Head
	075606-01-000	EA	Shower Panel - Faucet Plastic
	069735-01-000	EA	Washer - Tail Piece - 1.5" - Plastic - Bathtub Asm
	011069-02-000	EA	Tailpiece - 1.5" x 1.25" x .4" - Brass - Bathtub Asm
	089366-01-000	EA	Sink - Oval - Ivory Plastic
	011083-01-000	EA	Tail Piece w/Stopper - 1.25" x .5" - Plastic - Sink
	067487-01-000	EA	Toilet - Ivory - Aqua Magic IV - Low
	075452-02-000	EA	Tissue Holder
	075453-02-000	EA	Towel Rack Bar - 18" - Brass
	075454-02-000	EA	Towel Ring
	058331-01-000	EA	Mirror - Tempered Glass - 19" x 26"
	058331-05-000	EA	Mirror - Tempered Glass - 12" x 26"
	058331-14-000	EA	Mirror - Tempered Glass - 14" x 12.7"
	058331-32-000	EA	Mirror - Tempered Glass - 13.6" x 27.6"
	009089-01-000	EA	Clip - Mirror
	057671-01-000	EA	Screw Cover - #8 - Antique White
	059777-02-000	EA	Hinge - Antique Light Brass
	088264-01-000	EA	Door Pull - Polish Brass
	080258-01-000	EA	Trim - Skylight
	080508-01-000	EA	Panel - Skylight - Inner
	080507-01-000	EA	Panel - Skylight - Outer
	050712-04-000	EA	Handle - Door Shower - Off White
	080224-14-000	EA	Track - Folding Door - "S" Curve - Front
	080224-15-000	EA	Track - Folding Door - Rear
	080224-18-000	EA	Door - Folding - Front & Rear - 36" x 72"
	091253-01-000	EA	Gasket - Lavatory Faucet
	075680-02-000	EA	Clothes Rod - Adjustable - 27" - 36"

** The illustrated parts breakdown for this item is provided on the common Items Fiche.

**1989 ITASCA
TABLE OF CONTENTS**

IC/F424RB
IC/F424RC
IF426RT

A-01 - C-06
C-07 - E-18
E-19 - G-17

1989 IF426RT INDEX

Floor Plan	E-15 - F-16
Accessories Group	E-17 - E-18
Bath Group	E-19 - E-20
Chassis Group	E-21
Curtain, Cushion & Pad Group	E-22 - F-06
Dinette Group	F-07
Driver's Compartment Group	F-08 - F-10
Electrical Group	F-11 - F-13
Exterior Body Group	F-14 - F-19
Galley Group	F-20 - F-21
Heating & Air Conditioning Group	F-22
Interior Finish Group	F-23 - F-24
LP Group	G-01
Lounge Group	G-02 - G-03
Water & Sewage Group	G-04 - G-05
Window, Vent & Exterior Door Group	G-06 - G-17

CHASSIS GROUP

SPARE TIRE & REAR BUMPER

Key	Part Number	U/M	Description
	079027-01-000	EA	Bracket Asm - Tire Carrier
	070917-02-000	EA	Tire - Radial - Michelin
	070917-01-000	EA	Tire - Radial - Michelin
	053017-01-000	EA	Rim - Wheel - 16 00" x 6 00" - 8 Hole - Ford
	063017-02-000	EA	Rim - Wheel - 16" x 6" - 8 Hole - WSW - Ford
	051307-01-000	EA	Valve Stem Asm - TR500
	070749-01-000	EA	Tire Cover - Off White - Plastic
	063017-02-000	EA	Nut - Retaining - Wheel Cover
	061447-01-000	EA	Door Panel - Tire Cover - Off White
	061406-02-000	EA	Lock Asm - Key Type
	064474-01-000	EA	Bumper - Rear - Chrome
	064601-03-000	EA	Bracket - Bumper Mount

MISCELLANEOUS

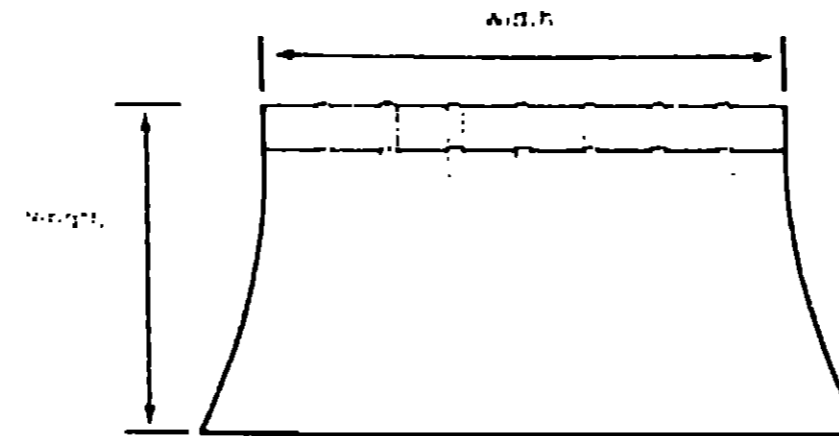
Key	Part Number	U/M	Description
	067130-01-000	EA	Clamp Asm - Muller - 2 50"
	060447-01-000	EA	Clamp - Closed - 5/8" ID
	067161-01-000	EA	Clamp - Hose - Spring Type 112
	062401-01-000	EA	Clamp - Hose - Wormgear - 22" ID - 1" ID
	062401-02-000	EA	Clamp - Hose - Wormgear - 1 56" ID - 2 5" ID
	062401-03-000	EA	Clamp - Hose - Wormgear - 25" ID - 1" ID
	062401-04-000	EA	Clamp - Hose - Wormgear - 69" ID - 1 25" ID
	062401-05-000	EA	Clamp - Hose - Wormgear - 2" ID - 3" ID
	062401-06-000	EA	Clamp - Hose - Wormgear - 22" ID - 62" ID
	063146-01-000	EA	Clamp - Screw Type - 4"
	066580-08-000	EA	Compartment - Power Cord - Black - Plastic
	067063-01-000	FT	Hose - Fuel - 1/4" ID x 1/2" OD
	064113-01-000	EA	Jack - Hydraulic - 6 Ton - w/Handle
	063590-02-000	EA	Leverage Bar - 22" - Lug Wrench
	063589-01-000	EA	Lug Wrench - 1" x 1 25" x 16.3"
	067516-01-000	EA	Mud Flap w/Holes - 14" x 18" - Black
	073942-01-000	EA	Shock Absorber - Stabilizer - Front
	073942-02-000	EA	Shock Absorber - Stabilizer - Rear
	064050-01-000	EA	Splash Guard - Black Rubber
	076041-01-000	EA	Support Asm - Step
	077848-01-000	EA	Step Asm - Entry
	077471-01-000	EA	Tray - Aux. Battery
	068137-02-000	EA	Tray - Luggage
	067724-01-000	EA	Wheelwell - Plastic
	065543-01-000	EA	Wire Tie - 5'
	063359-02-000	EA	Step Weib Plate - Ford

CURTAIN, CUSHION & PAD GROUP

NOTICE

In order to assist our Part Sales Dept. in providing interior software items, please include the serial number and the color code number from the vehicle certification label when ordering. This label is located on the left sidewall at the end of the dash (A-Body), or on the driver's door latch plate (C-Body).

An example of a color code number is P31, which designates an overall color scheme of a particular unit. The color listed after the item description on the microfiche, indicates the overall unit color. Order the item you desire according to unit color code.



NOTE: Use this illustration when determining length and width measurements for curtains. You will note the width measurement is taken on the top of the curtain with the curtain fully extended. The length measurement is taken from top to bottom.



Key	Part Number	U/M	Description
1	029130-01-000	EA	Socket - Snap Fastener
2	029155-01-000	EA	Cap - Snap - .156" Dia x 17" Barrel
3	029156-01-000	EA	Socket - Snap Fastener
4	029092-01-000	EA	Stud - Nickel Finish
5	029093-01-000	EA	Eyelet - Nickel Finish

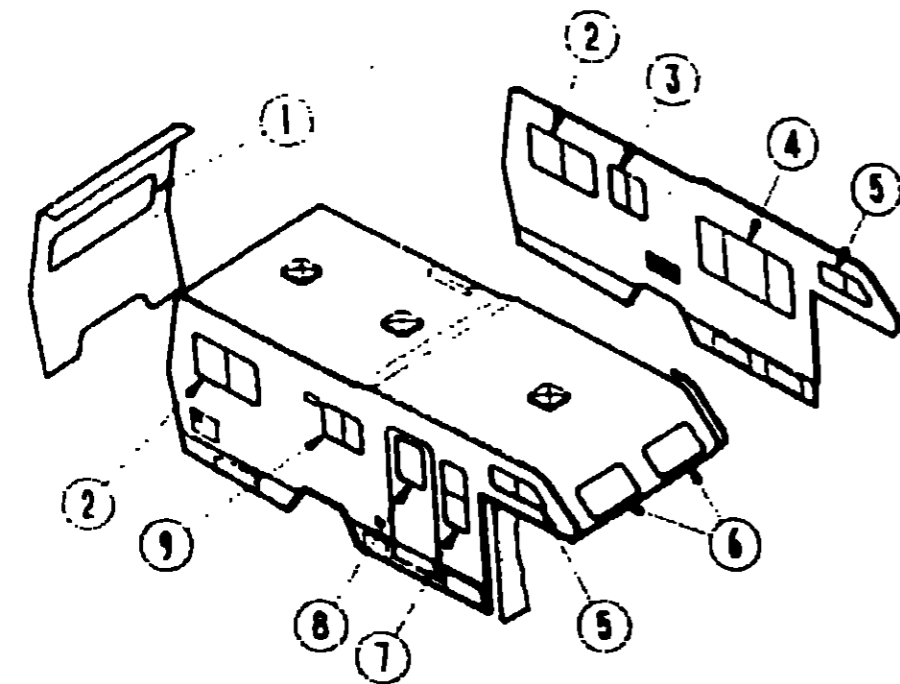
1989 ITASCA TABLE OF CONTENTS

IC/F424PB	A-01 - C-06
IC/F424PC	C-07 - E-14
IF426RT	E-15 - G-17

1989 IF426RT INDEX

Floor Plan	E-15 - E-16
Accessories Group	E-17 - E-18
Bath Group	E-19 - E-20
Chassis Group	E-21
Curtain, Cushion & Pad Group	E-22 - F-06
Dinette Group	F-07
Driver's Compartment Group	F-08 - F-10
Electrical Group	F-11 - F-13
Exterior Body Group	F-14 - F-19
Galley Group	F-20 - F-21
Heating & Air Conditioning Group	F-22
Interior Finish Group	F-23 - F-24
LP Group	G-01
Lounge Group	G-02 - G-03
Water & Sewage Group	G-04 - G-05
Window, Vent & Exterior Door Group	G-06 - G-17

CURTAIN, CUSHION & PAD GROUP (CONTINUED)



CURTAINS, SHADES, VALANCES & TIEBACKS

Key	Part Number	U/M	Description
1	079542-18-Y30	EA	Curtain Asm. - 29.5" x 15" - Flat Dart Top w/Snap
1	079542-18-Y31	EA	Curtain Asm. - 29.5" x 15" - Flat Dart Top w/Snap
1	079542-18-Y32	EA	Curtain Asm. - 29.5" x 15" - Flat Dart Top w/Snap
1	094552-14-Y70	EA	Valance Asm. - w/Ruffle w/Wood - 74" (Y30)
1	094552-14-Y71	EA	Valance Asm. - w/Ruffle w/Wood - 74" (Y31)
1	094552-14-Y72	EA	Valance Asm. - w/Ruffle w/Wood - 74" (Y32)
1	093455-30-Y30	EA	Shade Asm. - Pull - Double Hem - 71.25"
1	093455-30-Y31	EA	Shade Asm. - Pull - Double Hem - 71.25"
1	093455-30-Y32	EA	Shade Asm. - Pull - Double Hem - 71.25"
2	079542-18-Y30	EA	Curtain Asm. - 29.5" x 15" - Flat Dart Top w/Snap
2	079542-18-Y31	EA	Curtain Asm. - 29.5" x 15" - Flat Dart Top w/Snap
2	079542-18-Y32	EA	Curtain Asm. - 29.5" x 15" - Flat Dart Top w/Snap
2	094552-07-Y70	EA	Valance Asm. - Ruffled w/Wood - 48.5" (Y30)
2	094552-07-Y71	EA	Valance Asm. - Ruffled w/Wood - 48.5" (Y31)
2	094552-07-Y72	EA	Valance Asm. - Ruffled w/Wood - 48.5" (Y32)
2	093455-21-Y30	EA	Shade Asm. - Pull - Double Hem - 45.25"
2	093455-21-Y31	EA	Shade Asm. - Pull - Double Hem - 45.25"
2	093455-21-Y32	EA	Shade Asm. - Pull - Double Hem - 45.25"
3	073304-54-Y30	EA	Curtain Asm. - 24.5" x 10" - Snap Top
3	073304-54-Y31	EA	Curtain Asm. - 24.5" x 10" - Snap Top
3	073304-54-Y32	EA	Curtain Asm. - 24.5" x 10" - Snap Top
3	094552-13-Y70	EA	Valance Asm. - Ruffled - w/Wood - 29.5" (Y30)
3	094552-13-Y71	EA	Valance Asm. - Ruffled - w/Wood - 29.5" (Y31)
3	094552-13-Y72	EA	Valance Asm. - Ruffled - w/Wood - 29.5" (Y32)
3	093455-17-Y30	EA	Shade Asm. - Pull - Double Hem - 28.25" (Y30)
3	093455-17-Y19	EA	Shade Asm. - Pull - Double Hem - 28.25" (Y31)
3	093455-17-Y32	EA	Shade Asm. - Pull - Double Hem - 28.25" (Y32)

CURTAIN, CUSHION & PAD GROUP (CONTINUED)

CURTAINS, SHADES, VALANCES & TIEBACK (CONT.)

Key	Part Number	U/M	Description
4	079542-16-Y30	EA	Curtain Asm. - 34" x 12" - Flat Dart Top w/Snaps
4	079542-16-Y31	EA	Curtain Asm. - 34" x 12" - Flat Dart Top w/Snaps
4	079542-16-Y32	EA	Curtain Asm. - 34" x 12" - Flat Dart Top w/Snaps
4	M81977-31-Y07	EA	Valance Asm. - w/o Curtain - 67.5" (Y30)
4	M81977-31-Y31	EA	Valance Asm. - w/o Curtain - 67.5"
4	M81977-31-Y32	EA	Valance Asm. - w/o Curtain - 67.5"
4	093476-15-01A	EA	Blind - Pleated - 53" W x 33" Drop (Y30)
4	093476-15-02A	EA	Blind - Pleated - 63" W x 33" Drop (Y31)
4	093476-15-03A	EA	Blind - Pleated - 63" W x 33" Drop (Y32)
5	073323-33-Y30	EA	Curtain Asm. - 17.5" x 24" - Rod T&B
5	073323-33-Y31	EA	Curtain Asm. - 17.5" x 24" - Rod T&B
5	073323-33-Y32	EA	Curtain Asm. - 17.5" x 24" - Rod T&B
5	073260-24-XA4	EA	Tieback Asm. - 2" x 14" (Y30)
5	073260-24-Y31	EA	Tieback Asm. - 2" x 14"
5	073260-24-Y32	EA	Tieback Asm. - 2" x 14"
6	073323-37-Y30	EA	Curtain Asm. - 21" x 30" - Rod T&B
6	073323-37-Y31	EA	Curtain Asm. - 21" x 30" - Rod T&B
6	073323-37-Y32	EA	Curtain Asm. - 21" x 30" - Rod T&B
6	073260-24-XA4	EA	Tieback Asm. - 2" x 14" (Y30)
6	073260-24-Y31	EA	Tieback Asm. - 2" x 14"
6	073260-24-Y32	EA	Tieback Asm. - 2" x 14"
7	079542-17-Y30	EA	Curtain Asm. - 44.5" x 10" - Flat Danted w/Snaps
7	079542-17-Y31	EA	Curtain Asm. - 44.5" x 10" - Flat Danted w/Snaps
7	079542-17-Y32	EA	Curtain Asm. - 44.5" x 10" - Flat Danted w/Snaps
7	080824-06-Y30	EA	Valance Asm. - Entrance Door
7	080824-06-Y31	EA	Valance Asm. - Entrance Door
7	080824-06-Y32	EA	Valance Asm. - Entrance Door
8	093455-13-Y30	EA	Shade Asm. - Double Hem - 24.25"
8	093455-13-Y19	EA	Shade Asm. - Double Hem - 24.25" (Y31)
8	093455-13-Y32	EA	Shade Asm. - Double Hem - 24.25"
9	073304-55-Y30	EA	Curtain Asm. - 21" x 8" - Snap Top
9	073304-55-Y31	EA	Curtain Asm. - 21" x 8" - Snap Top
9	073304-55-Y32	EA	Curtain Asm. - 21" x 8" - Snap Top
9	M81977-38-Y73	EA	Valance Asm. - w/o Curtain - 29.5" (Y30)
9	M81977-38-Y74	EA	Valance Asm. - w/o Curtain - 29.5" (Y31)
9	M81977-38-Y76	EA	Valance Asm. - w/o Curtain - 29.5" (Y32)
	073295-04-Y30	EA	Curtain - 23" x 64" - Screw Stud w/Lining - Passenger
	073295-04-Y31	EA	Curtain - 23" x 64" - Screw Stud w/Lining - Passenger
	073295-04-Y32	EA	Curtain - 23" x 64" - Screw Stud w/Lining - Passenger
	073295-06-Y30	EA	Curtain - 23" x 64" - Screw Stud w/Lining - Drivers
	073295-06-Y31	EA	Curtain - 23" x 64" - Screw Stud w/Lining - Drivers
	073295-06-Y32	EA	Curtain - 23" x 64" - Screw Stud w/Lining - Drivers
	093452-01-Y30	EA	Curtain Asm. - Snap Top - Passengers - 48" x 50" - Blackout
	093452-01-Y31	EA	Curtain Asm. - Snap Top - Passengers - 48" x 50" - Blackout
	093452-01-Y32	EA	Curtain Asm. - Snap Top - Passengers - 48" x 50" - Blackout
	093452-02-Y30	EA	Curtain Asm. - Snap Top - Drivers - 48" x 50" - Blackout
	093452-02-Y31	EA	Curtain Asm. - Snap Top - Drivers - 48" x 50" - Blackout
	093452-02-Y32	EA	Curtain Asm. - Snap Top - Drivers - 48" x 50" - Blackout
	073260-23-XA4	EA	Tieback Asm. - 3" x 18" - Blackout (Y30)
	073260-23-Y16	EA	Tieback Asm. - 3" x 18" - Blackout (Y31)
	073260-23-Y72	EA	Tieback Asm. - 3" x 18" - Blackout (Y32)

IC/F424RB
IC/F424RC
IF426RT

A-01 - C-06
C-07 - E-14
E-15 - G-17

**1989 ITASCA
TABLE OF CONTENTS**

1989 IF426RT INDEX

Floor Plan	E-15 - E-16
Accessories Group	E-17 - E-18
Bath Group	E-19 - E-20
Chassis Group	E-21
Curtain, Cushion & Pad Group	E-22 - F-06
Dinette Group	F-07
Driver's Compartment Group	F-08 - F-10
Electrical Group	F-11 - F-13
Exterior Body Group	F-14 - F-19
Galley Group	F-20 - F-21
Heating & Air Conditioning Group	F-22
Interior Finish Group	F-23 - F-24
LP Group	G-01
Lounge Group	G-02 - G-03
Water & Sewage Group	G-04 - G-05
Window, Vent & Exterior Door Group	G-06 - G-17

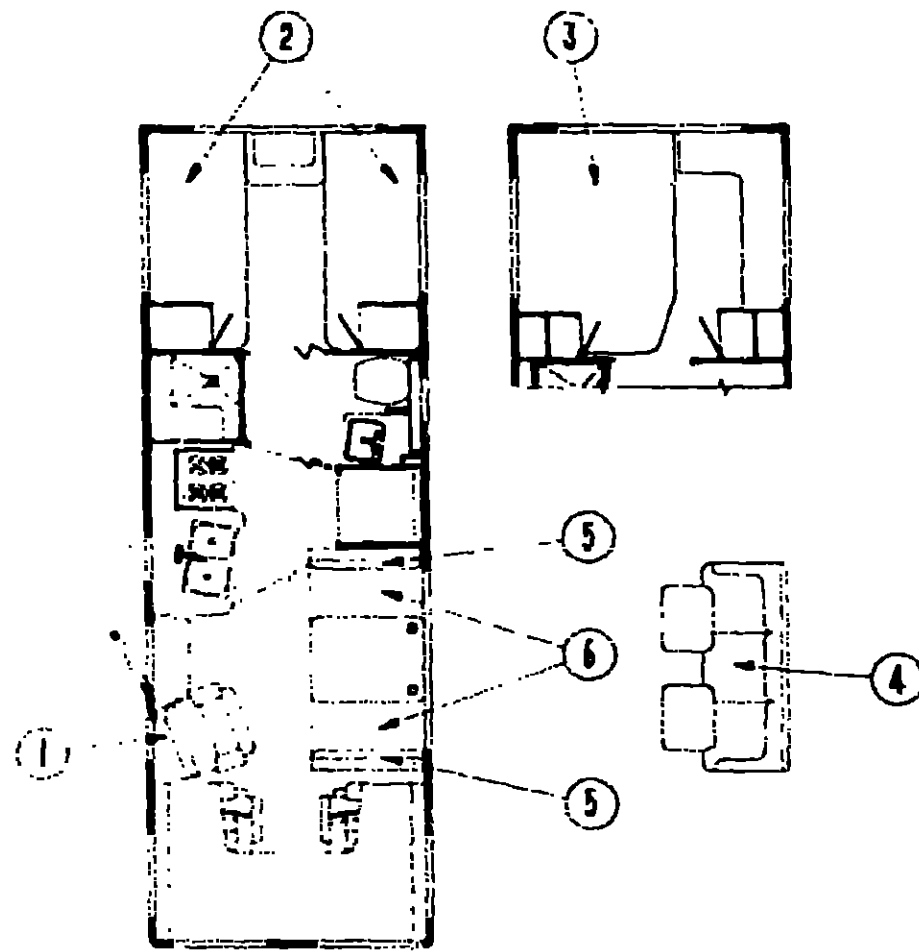
CURTAIN, CUSHION & PAD GROUP (CONTINUED)

CURTAIN, CUSHION & PAD GROUP (CONTINUED)

**1989 ITASCA
TABLE OF CONTENTS**

IC/F424RB
IC/F424FIC
IF426RT

A-01 - C-06
C-07 - E-14
E-15 - G-17



CELEBRITY CHAIR

Key	Part Number	U/M	Description
1	065059-02-Y30	EA	Chair Asm. w/Pillow Back - Swivel
1	065059-02-Y31	EA	Chair Asm. w/Pillow Back - Swivel
1	065059-02-Y32	EA	Chair Asm. w/Pillow Back - Swivel (W26)
1	M85059-02-Y30	EA	Cover Asm. - Celebrity Chair
1	M85059-02-Y31	EA	Cover Asm. - Celebrity Chair
1	M85059-02-Y32	EA	Cover Asm. - Celebrity Chair
1	065167-02-Y30	EA	Skirt Asm. - Swivel Chair
1	065167-02-Y31	EA	Skirt Asm. - Swivel Chair
1	065167-02-Y32	EA	Skirt Asm. - Swivel Chair (W26)
1	065145-03-000	EA	Plate - Non-Tilt & Swivel - Swivel Chair - w/Lock
1	065145-01-000	EA	Base w/Legs - Swivel Chair
1	065245-06-000	EA	Extension - 7" - Swivel Chair

TWIN BED MATTRESS

Key	Part Number	U/M	Description
1	093595-01-000	EA	Mattress - Innerspring - 33" x 75" - Sealy
1	081969-04-Y28	EA	Bedsprad - Twin Bed (Y30)
1	081969-04-Y29	EA	Bedsprad - Twin Bed (Y31)
1	081969-04-Y72	EA	Bedsprad - Twin Bed (Y32)
1	081997-03-Y70	EA	Pillow Sham - 30" x 26" (Y30)
1	081997-03-Y71	EA	Pillow Sham - 30" x 26" (Y31)
1	081997-03-Y72	EA	Pillow Sham - 30" x 26" (Y32)

DOUBLE BED

Key	Part Number	U/M	Description
3	093595-03-000	EA	Mattress - Innerspring - 54" x 75"
3	081969-16-Y30	EA	Bedsprad Asm. - 48" w/10" Ruffle
3	081969-16-Y31	EA	Bedsprad Asm. - 48" w/10" Ruffle
3	081969-16-Y32	EA	Bedsprad Asm. - 48" w/10" Ruffle
3	081997-03-Y70	EA	Pillow Sham - 30" x 26" (Y30)
3	081997-03-Y71	EA	Pillow Sham - 30" x 26" (Y31)
3	081997-03-Y72	EA	Pillow Sham - 30" x 26" (Y32)

CONTINENTAL BED OPTION

Key	Part Number	U/M	Description
4	089007-03-Y70	EA	Bed Asm. - 3 Pillow (Y30)
4	089007-03-Y71	EA	Bed Asm. - 3 Pillow (Y31)
4	089007-03-Y72	EA	Bed Asm. - 3 Pillow (Y32)
4	M29007-03-Y70	EA	Cover Asm. - 3 Pillow Bed (Y30)
4	M89007-03-Y71	EA	Cover Asm. - 3 Pillow Bed (Y31)
4	M89007-03-Y72	EA	Cover Asm. - 3 Pillow Bed (Y32)
4	085357-01-Y70	EA	Pillow Asm. - Single Gathered (Y30)
4	085357-01-Y71	EA	Pillow Asm. - Single Gathered (Y31)
4	085357-01-Y72	EA	Pillow Asm. - Single Gathered (Y32)
4	M85357-01-Y70	EA	Cover Asm. - Pillow (Y30)
4	M85357-01-Y71	EA	Cover Asm. - Pillow (Y31)
4	M85357-01-Y72	EA	Cover Asm. - Pillow (Y32)
4	085060-02-Y30	EA	Cushion Asm. - Arm Pillow
4	085060-02-Y31	EA	Cushion Asm. - Arm Pillow
4	085060-02-Y32	EA	Cushion Asm. - Arm Pillow
4	M85060-02-Y30	EA	Cover Asm. - Arm Pillow
4	M85060-02-Y31	EA	Cover Asm. - Arm Pillow
4	M85060-02-Y32	EA	Cover Asm. - Arm Pillow

DINETTE CUSHION

Key	Part Number	U/M	Description
5	088927-20-Y30	EA	Cushion Asm. - 13" x 38" x 5" - Back
5	088927-20-Y31	EA	Cushion Asm. - 13" x 38" x 5" - Back
5	088927-20-Y32	EA	Cushion Asm. - 13" x 38" x 5" - Back
5	M88927-20-Y30	EA	Cover Asm. - Back - Dinette Cushion
5	M88927-20-Y31	EA	Cover Asm. - Back - Dinette Cushion
5	M88927-20-Y32	EA	Cover Asm. - Back - Dinette Cushion
6	088927-21-Y30	EA	Cushion Asm. - 22" x 38" x 5" - Seat
6	088927-21-Y31	EA	Cushion Asm. - 22" x 38" x 5" - Seat
6	088927-21-Y32	EA	Cushion Asm. - 22" x 38" x 5" - Seat
6	M88927-21-Y30	EA	Cover Asm. - Seat - Dinette Cushion
6	M88927-21-Y31	EA	Cover Asm. - Seat - Dinette Cushion
6	M88927-21-Y32	EA	Cover Asm. - Seat - Dinette Cushion
6	078155-01-000	EA	Strap Asm. - Cushion Snap
6	088274-52-000	YD	Fabric - Dinette Cushion
6	088274-76-000	YD	Fabric - Dinette Cushion
6	088274-77-000	YD	Fabric - Dinette Cushion

1989 IF426RT INDEX

Floor Plan	E-15 - E-16
Accessories Group	E-17 - E-18
Bath Group	E-19 - E-20
Chassis Group	E-21
Curtain, Cushion & Pad Group	E-22 - F-06
Dinette Group	F-07
Driver's Compartment Group	F-08 - F-10
Electrical Group	F-11 - F-13
Exterior Body Group	F-14 - F-19
Galley Group	F-20 - F-21
Heating & Air Conditioning Group	F-22
Interior Finish Group	F-23 - F-24
LP Group	G-01
Lounge Group	G-02 - G-03
Water & Sewage Group	G-04 - G-05
Window, Vent & Exterior Door Group	G-05 - G-17

CURTAIN, CUSHION & PAD GROUP (CONTINUED)

ROYALE II BUCKET SEAT

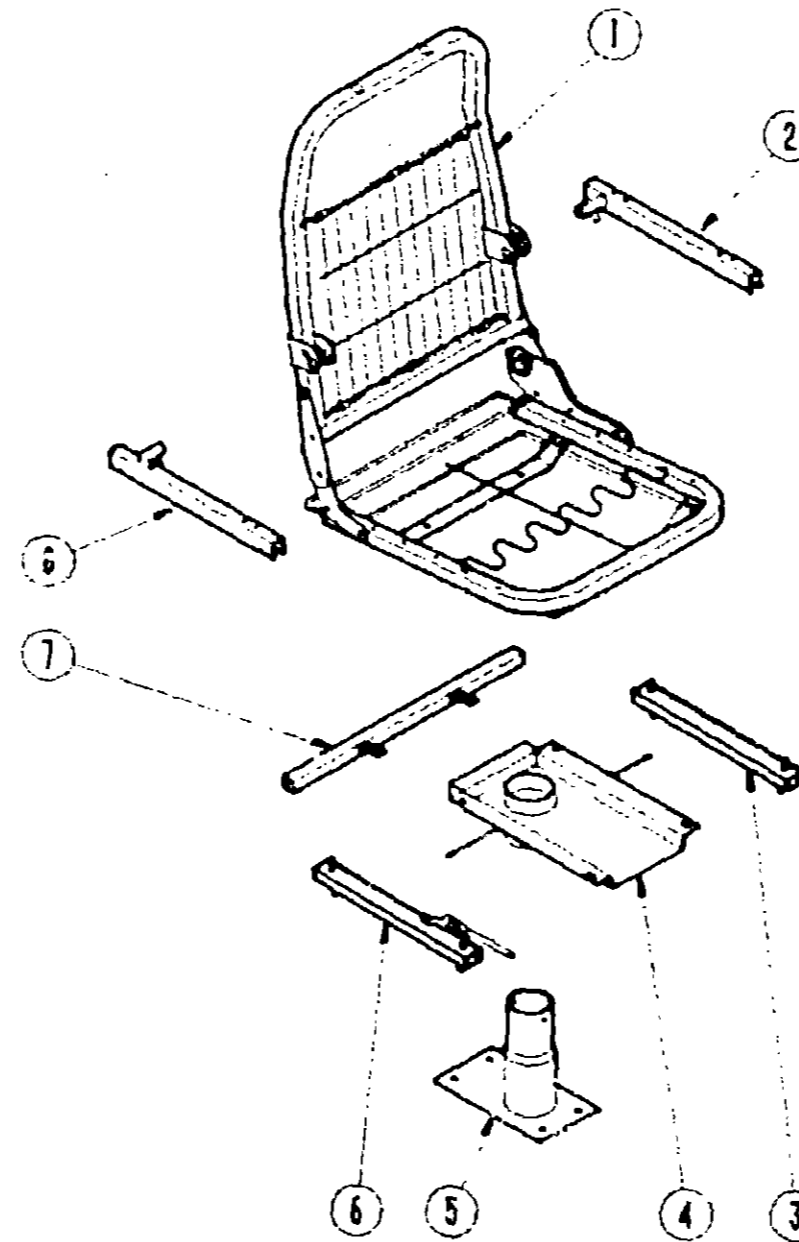
Key	Part Number	U/M	Description
	093456-01-Y30	EA	Seat Asm. - Royale II w/Right Armrest
	093456-01-Y31	EA	Seat Asm. - Royale II w/Right Armrest
	093456-01-Y32	EA	Seat Asm. - Royale II w/Right Armrest
	M03445-05-Y30	EA	Cover Asm. - Seat Cushion
	M03445-05-Y31	EA	Cover Asm. - Seat Cushion
	M03445-05-Y32	EA	Cover Asm. - Seat Cushion
	M03445-06-Y30	EA	Cover Asm. - Back Cushion
	M03445-06-Y31	EA	Cover Asm. - Back Cushion
	M03445-06-Y32	EA	Cover Asm. - Back Cushion
	080243-32-Y30	EA	Armrest Asm. - Right
	080243-32-Y31	EA	Armrest Asm. - Right
	080243-32-Y32	EA	Armrest Asm. - Right
	M60243-32-Y30	EA	Cover Asm. - Armrest
	M60243-32-Y31	EA	Cover Asm. - Armrest
	M60243-32-Y32	EA	Cover Asm. - Armrest
	093456-02-Y30	EA	Seat Asm. - Royale II w/Left Armrest
	093456-02-Y31	EA	Seat Asm. - Royale II w/Left Armrest
	093456-02-Y32	EA	Seat Asm. - Royale II w/Left Armrest
	M03445-05-Y30	EA	Cover Asm. - Seat Cushion
	M03445-05-Y31	EA	Cover Asm. - Seat Cushion
	M03445-05-Y32	EA	Cover Asm. - Seat Cushion
	M03445-06-Y30	EA	Cover Asm. - Back Cushion
	M03445-06-Y31	EA	Cover Asm. - Back Cushion
	M03445-06-Y32	EA	Cover Asm. - Back Cushion
	080243-33-Y30	EA	Armrest Asm. - Left
	080243-33-Y31	EA	Armrest Asm. - Left
	080243-33-Y32	EA	Armrest Asm. - Left
	M60243-33-Y30	EA	Cover Asm. - Armrest
	M60243-33-Y31	EA	Cover Asm. - Armrest
	M60243-33-Y32	EA	Cover Asm. - Armrest

CURTAIN, CUSHION & PAD GROUP (CONTINUED)

**1989 ITASCA
TABLE OF CONTENTS**

IC/F424RB
IC/F424RC
IF426RT

A-01 - C-06
C-07 - E-14
E-15 - G-17



BUCKET SEAT HARDWARE

Key	Part Number	U/M	Description
1	M80906-01-000	EA	Frame Asm. - Bucket Seat
2	081268-02-000	EA	Frame - Armrest - Left
3	069246-01-000	EA	Adjuster Asm. - Seat - w/Lock
4	069385-27-000	EA	Top Plate - Non-Powered Seat
5	069585-08-000	EA	Sub Plate - 6\"
6	059246-02-000	EA	Adjuster Asm. - Seat w/o Lock
7	065485-29-000	EA	Seat Belt Bar - 20\"
8	081268-01-000	EA	Frame - Armrest - Right
	080730-25-000	EA	Shield - Recliner

1989 IF426RT INDEX

Floor Plan	E-15 - E-16
Accessories Group	E-17 - E-18
Bath Group	E-19 - E-20
Chassis Group	E-21
Curtain, Cushion & Pad Group	E-22 - F-06
Dinette Group	F-07
Driver's Compartment Group	F-08 - F-10
Electrical Group	F-11 - F-13
Exterior Body Group	F-14 - F-19
Galley Group	F-20 - F-21
Heating & Air Conditioning Group	F-22
Interior Finish Group	F-23 - F-24
LP Group	G-01
Lounge Group	G-02 - G-03
Water & Sewage Group	G-04 - G-05
Window, Vent & Exterior Door Group	G-06 - G-17

CURTAIN, CUSHION & PAD GROUP (CONTINUED)

FRONT OVERHEAD BUNK

Key	Part Number	U/M	Description
	073310-07-Y30	EA	Cushion Asm. - Front Bunk - 54" x 76" x 4"
	073310-06-Y31	EA	Cushion Asm. - Front Bunk - 54" x 76" x 4"
	073310-06-Y32	EA	Cushion Asm. - Front Bunk - 54" x 76" x 4"
	M73310-07-Y30	EA	Cover Asm. - Front Bunk Cushion
	M73310-06-Y31	EA	Cover Asm. - Front Bunk Cushion
	M73310-06-Y32	EA	Cover Asm. - Front Bunk Cushion
	056532-01-X08	EA	Pull Strap - 1 1/2" x 25 1/2" - Vinyl

FABRIC & TRIMS

Key	Part Number	U/M	Description
	088274-63-000	YD	Fabric - Upholstery - Main - Blue (Y30)
	088274-61-000	YD	Fabric - Upholstery - Main - Tiffany (Y31)
	088274-62-000	YD	Fabric - Upholstery - Main - Starburst (Y32)
	088274-33-000	YD	Fabric - Upholstery - Accent - Blue (Y30)
	088274-59-000	YD	Fabric - Upholstery - Accent - Umber (Y31)
	088274-60-000	YD	Fabric - Upholstery - Accent - Eggshell (Y32)
	088273-25-000	YD	Fabric - Bedspread/Draperly - Ecti (Y30)
	088273-26-000	YD	Fabric - Bedspread/Draperly - Peach (Y31)
	088273-27-000	YD	Fabric - Bedspread/Draperly - Pastel (Y32)
	072333-55-000	YD	Fabric - Draperly - Blackout/Wraparound - Silver (Y30)
	072333-59-000	YD	Fabric - Draperly - Blackout/Wraparound - Tan (Y31)
	072333-60-000	YD	Fabric - Draperly - Blackout/Wraparound - Wisteria (Y32)
	097272-01-000	YD	Lining - Draperly - 49" - Ivory
	079680-01-000	EA	Vinyl - Expanded - 26 oz. Buckskin (Headliner)
	072333-63-000	YD	Fabric - Pull Shade - Entrance Door - Bone

CURTAIN & BLIND HARDWARE

Key	Part Number	U/M	Description
	029094-04-000	EA	Tape - Loop - 1" Wide - Black
	029096-03-000	EA	Tape - Hook - 1" Wide - Black
	048394-02-000	EA	Tape - Hook - .75" Wide - Beige
	048395-02-000	EA	Tape - Loop - .75" Wide - Beige
	086752-01-000	EA	Tape - Hook - 5/8" - Non-Adhesive
	088792-02-000	EA	Tape - Loop - .75" - Adhesive - Beige
	056003-01-000	EA	Bracket - Draperly Retainer - Right
	056003-02-000	EA	Bracket - Draperly Retainer - Left
	039175-01-000	EA	Rod - Cafe Curtain - 48" x 84"
	039175-02-000	EA	Bracket - Cafe Curtain
	039175-03-000	EA	Rod - Cafe Curtain - 28" x 48"
	039175-05-000	EA	Bracket - Cafe Curtain - Center
	082139-01-000	EA	Bracket - Hold Down - Blind
	091904-01-000	FT	Track - Curtain - Beige
	089335-01-000	FT	Track - Curtain - Brown (Valances)
	087253-01-000	EA	Pull - Shade - Clear Plastic
	054434-01-000	EA	Bracket - Roller Shade - 1 3/8"
	094907-01-000	EA	Hardware - End Cap - Pleated Blinds
	094900-02-000	EA	Hardware - Stop Ball - White - Pleated Blinds
	094903-03-000	EA	Hardware - Nylon Washer - Pleated Blinds
	094897-05-000	FT	Hardware - Lift Cord - Pleated Blinds

CURTAIN, CUSHION & PAD GROUP (CONTINUED)

TRIMS & PADS

Key	Part Number	U/M	Description
	084115-23-000	YD	Trim Braid - Pull Shade
	084115-20-000	YD	Trim Braid - Pull Shade
	070578-06-T03	EA	Button Asm. - #30 - Vinyl
	057150-03-T03	EA	Button Asm. - Nail - Vinyl
	070578-10-Y30	EA	Button Asm. - #30 - Screw Stud (Motor Cover)
	070578-10-Y31	EA	Button Asm. - #30 - Screw Stud (Motor Cover)
	070578-10-Y32	EA	Button Asm. - #30 - Screw Stud (Motor Cover)
	078155-01-000	EA	Strap Asm. - Cushion (Ninette Cushion)
	056032-01-X08	EA	Strap Asm. - Bunk (Front Overhead)
	081519-01-X75	EA	Pad Asm. - Dinette - Front
	091519-03-Y31	EA	Pad Asm. - Dinette - Front
	081519-03-Y32	EA	Pad Asm. - Dinette - Front
	081519-02-X75	EA	Pad Asm. - Dinette - Rear
	081519-04-Y31	EA	Pad Asm. - Dinette - Rear
	081519-04-Y32	EA	Pad Asm. - Dinette - Rear
	069885-15-Y30	EA	Motor Cover w/Pocket (Ford)
	069885-15-Y31	EA	Motor Cover w/Pocket (Ford)
	069885-15-Y32	EA	Motor Cover w/Pocket (Ford)

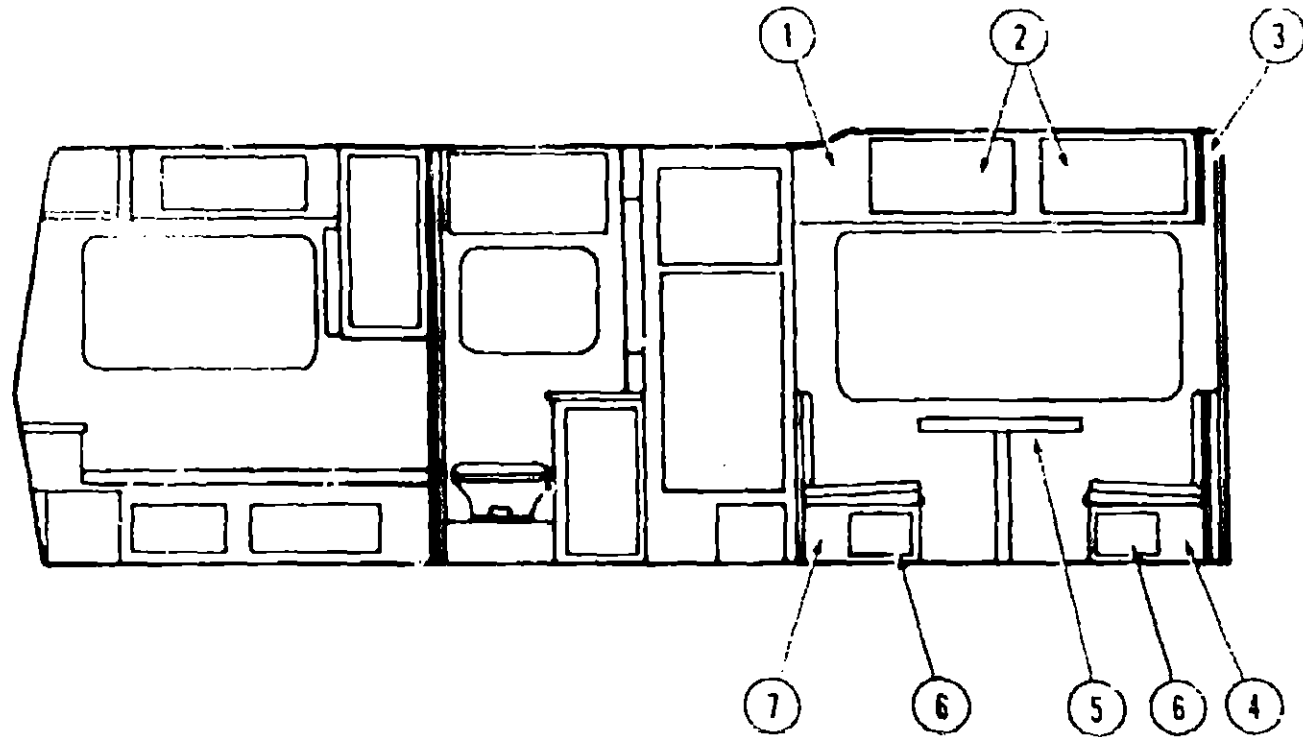
**1989 ITASCA
TABLE OF CONTENTS**

IC/F424RB	A-01 - C-05
IC/F424RC	C-07 - E-14
IF426RT	E-15 - G-17

1989 IF426RT INDEX

Floor Plan	E-15 - E-16
Accessories Group	E-17 - E-18
Bath Group	E-19 - E-20
Chassis Group	E-21
Curtain, Cushion & Pad Group	E-22 - F-06
Dinette Group	F-07
Driver's Compartment Group	F-08 - F-10
Electrical Group	F-11 - F-13
Exterior Body Group	F-14 - F-19
Galley Group	F-20 - F-21
Heating & Air Conditioning Group	F-22
Interior Finish Group	F-23 - F-24
LP Group	G-01
Lounge Group	G-02 - G-05
Water & Sewage Group	G-04 - G-05
Window, Vent & Exterior Door Group	G-06 - G-17

DINETTE GROUP

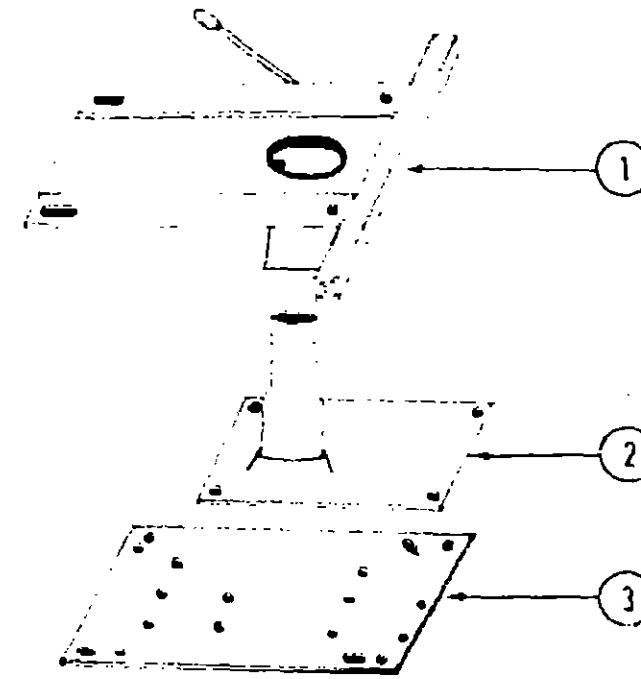


Key	Part Number	U/M	Description
1	M68304-03-X33	EA	Cabinet Asm. - Dinette Overhead - w/o Doors or Hardware
2	M68304-04-X08	EA	Door Asm. - Dinette Overhead - w/o Hardware - 14.4" x 26.77"
3	Q81260-21-W24	EA	Pad Asm. - End Cap - Dinette Overhead - Vinyl
4	M02175-02-W30	EA	Cabinet Asm. - Dinette Seat - w/o Door or Hardware
	M02174-01-W30	EA	Cabinet Asm. - Dinette Back
5	M81299-01-Y30	EA	Table Asm. - Dinette - w/o Hardware
6	M68304-21-X08	EA	Door Asm. - Dinette Seat - Front & Rear - 10" x 19.09" - w/o Hardware
	M02174-03-W30	EA	Cabinet Asm. - Dinette Back
7	M02175-04-W24	EA	Cabinet Asm. - Dinette Seat - w/o Door or Hardware
	074493-05-000	EA	Support - Sprung Door Asm. - Overhead Cabinet
	053200-05-000	EA	Bracket - Upper Wall Mount - 23.5" - Beige
	058410-01-000	EA	Bracket - Table Mount - Beige
	024275-05-000	EA	Rod - Table Lift - 8" x 23.5" - Beige
	024291-07-000	EA	Bracket - Lower Wall Mount - Table Lift - Tan
	024276-17-000	EA	Leg Asm. - Table - 26.75" - Brown
	024276-21-000	EA	Leg Asm. - Table - 26.75" - Beige
	054050-02-000	EA	Hinge - Table Leg
	024282-01-000	EA	Brace - Table Leg
	024283-01-000	EA	Clip - 1" OD Tube
	064781-05-000	EA	Cup Holder - 3.47" OD x 2.75" ID x 1.5" - Beige

BENCH SEAT CUSHIONS W/TABLE OPTION

Key	Part Number	U/M	Description
**	NOTE	EA	Bench Seat Cushions
	081798-02-X11	EA	Table Asm. - Pedestal
	009040-06-000	EA	Leg - Pedestal Table - 27.50" - Tan
	009040-03-000	EA	Base - Table - Raised
	041194-01-000	EA	Base - Table - Flush Mount
	052046-01-000	EA	Clip - Pedestal Table
**	See Curtain, Cushion & Pad Group		

DRIVER'S COMPARTMENT GROUP



BUCKET SEAT PEDESTAL & SEAT BELTS

Key	Part Number	U/M	Description
1	069585-29-000	EA	Bar - Seat Belt - 20"
2	059585-27-000	EA	Plate - Top - Pedestal Asm.
3	069585-03-000	EA	Plate - Sub - Pedestal Asm.
	069585-02-000	EA	Plate - Base - Pedestal Asm. - Bucket Seat
	056271-02-000	EA	Belt Asm. - Seat - 2" x 72" - Black
	007021-01-000	EA	Belt Asm. - Seat - 2" x 90" - Black
	041322-01-000	EA	Washer - Flat 15/32" ID x 2 3/8" OD - Seat Belt
	057759-01-000	EA	Bracket - Seat Belt Washer
	069246-01-000	EA	Adjuster Asm. - Seat - w/Lock
	069246-02-000	EA	Adjuster Asm. - Seat - w/o Lock
	030730-02-000	EA	Recliner Drive - Driver
	030730-01-000	EA	Recliner Drive - Passenger

1989 ITASCA TABLE OF CONTENTS

IC/F424RB
IC/F424RC
IF426RT

A-01 - C-06
C-07 - E-14
E-15 - G-17

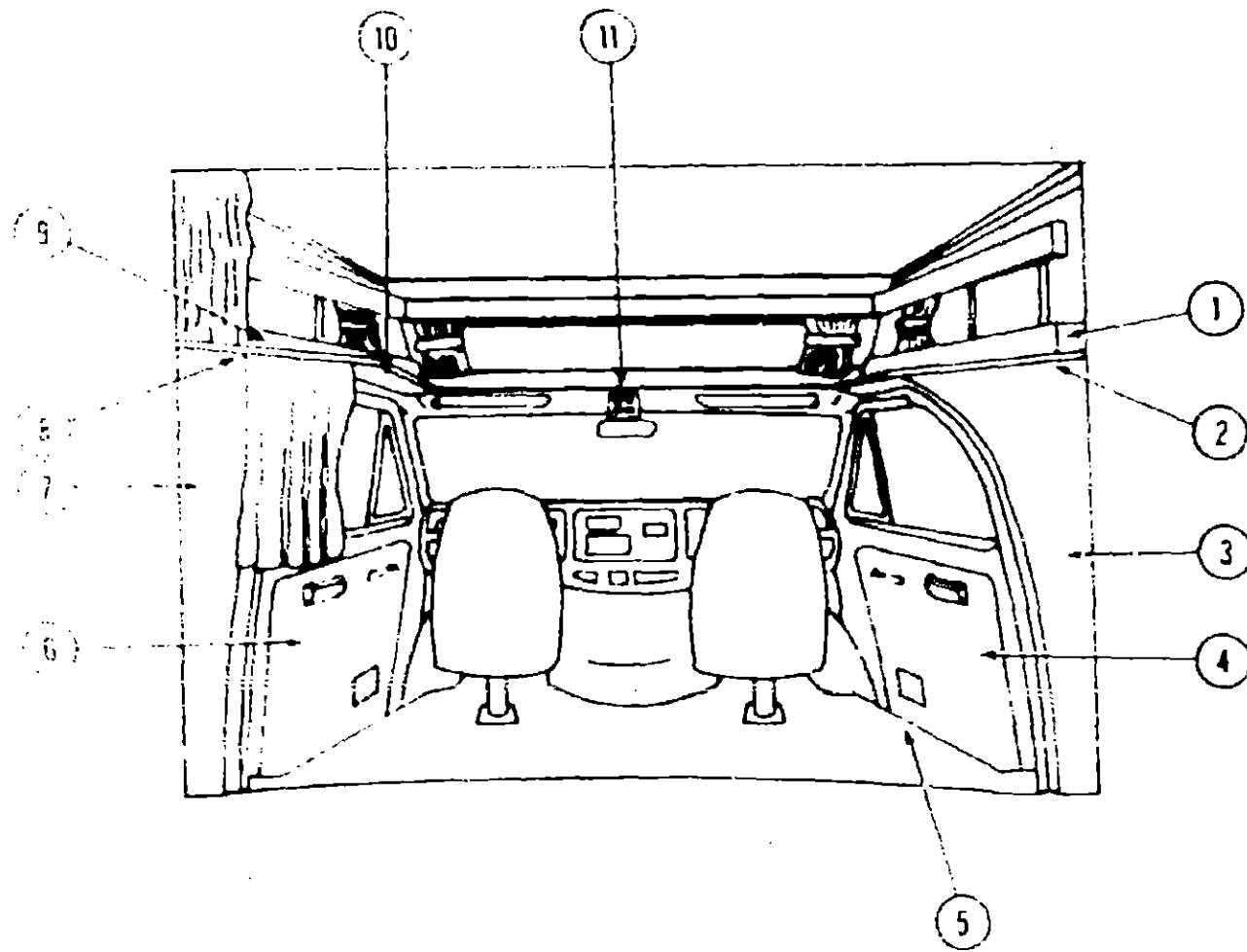
1989 IF426RT INDEX

Floor Plan	E-15 - E-16
Accessories Group	E-17 - E-18
Bath Group	E-19 - E-20
Chassis Group	E-21
Curtain, Cushion & Pad Group	F-22 - F-06
Dinette Group	F-07
Driver's Compartment Group	F-08 - F-10
Electrical Group	F-11 - F-13
Exterior Body Group	F-14 - F-19
Galley Group	F-20 - F-21
Heating & Air Conditioning Group	F-22
Interior Finish Group	F-23 - F-24
LP Group	G-01
Lounge Group	G-02 - G-03
Water & Sewage Group	G-04 - G-05
Window, Vent & Exterior Door Group	G-06 - G-17

DRIVER'S COMPARTMENT GROUP (CONTINUED)

MISCELLANEOUS DRIVER'S COMPARTMENT COMPONENTS (FORD)

Key	Part Number	U/M	Description
1	057012-01-X08	EA	Cabinet Asm - Headboard
2	M92068-01-Y30	EA	Sleeper Board Asm
	079800-03-000	EA	Trim - Front Sleeper Board
3	092037-01-X81	EA	Wingwall Asm. - Inner - Passenger
**4	NOTE	EA	Side Panel - Cab Door - Passenger
5	083219-03-000	EA	Floor Mat - Passenger
	083219-04-000	EA	Floor Mat - Driver
	080359-02-000	EA	Step Well Plate
**6	NOTE	EA	Panel Asm. - Cab Door - Driver - Beige
7	092037-02-X81	EA	Wingwall Asm. - Inner - Driver
8	080742-01-000	FT	Accent Trim - Vinyl
9	087012-01-X08	EA	Cabinet Asm. - Headboard
10	091831-01-X08	EA	Headliner Asm
11	M01298-01-000	EA	Console - Overhead - 7.5" x 6.14" - Black
	024461-01-000	EA	Switch - Battery
	024462-01-000	EA	Switch - Battery Condition
	024976-01-000	EA	Switch - Generator w/o Circuit Board
	031035-01-000	EA	Gauge - Generator Hourmeter
	024459-04-000	EA	Gauge - Voltmeter
	024459-02-000	EA	Bracket - Mounting - Voltmeter Gauge
	069885-15-Y30	EA	Motor Cover w/Pocket
	069885-15-Y31	EA	Motor Cover w/Map Pocket
	069885-15-Y32	EA	Motor Cover w/Map Pocket
**	This part is supplied by your Ford dealer.		



1989 ITASCA TABLE OF CONTENTS

IC/F424RB
IC/F424RC
IF426RT

A-01 - C-06
C-07 - E-14
E-15 - G-17

1989 IF426RT INDEX

Floor Plan	E-15 - E-16
Accessories Group	E-17 - E-18
Bath Group	F-19 - E-20
Chassis Group	E-21
Curtain, Cushion & Pad Group	E-22 - F-06
Dinette Group	F-07
Driver's Compartment Group	F-08 - F-10
Electrical Group	F-11 - F-13
Exterior Body Group	F-14 - F-19
Galley Group	F-20 - F-21
Heating & Air Conditioning Group	F-22
Interior Finish Group	F-23 - F-24
LP Group	G-01
Lounge Group	G-02 - G-03
Water & Sewage Group	G-04 - G-05
Window, Vent & Exterior Door Group	G-06 - G-17

ELECTRICAL GROUP

BULBS

Key	Part Number	U/M	Description
	008103-01-000	EA	Bulb - 53 (Aisle Light)
	072696-01-709	EA	Bulb - 912 (Stove Hood)
	008215-01-000	EA	Bulb - 1003 (Shower Light)
	067479-01-000	EA	Bulb - 1076 (Wall Lamp)
	063914-01-000	EA	Bulb - 1139 (Reading Light)
	008218-01-000	EA	Bulb - 1141 (Dome Light)
	037934-01-000	EA	Bulb - 1156 (Back-Up Light)
	037935-01-000	EA	Bulb - 1157 (Tail Lamp)
	064889-01-706	EA	Bulb - DC Light (Refrigerator)
	086737-01-710	EA	Bulb - 30W (Microwave Oven)
	070424-02-700	EA	Bulb - Fluorescent - 18" (Galley)
	087094-01-700	EA	Bulb - GE561 (Wardrobe Light)

FUSES & CIRCUIT BREAKERS

Key	Part Number	U/M	Description
	062901-02-000	EA	Fuse - 5 Amp. - Automotive
	062901-05-000	EA	Fuse - 15 Amp. - Automotive
	008211-01-000	EA	Circuit Breaker - 6 Amp. - 12 Volt
	008254-01-000	EA	Circuit Breaker - 6 Amp. - 12 Volt
	008254-02-000	EA	Circuit Breaker - 15 Amp. - 12 Volt
	058779-01-000	EA	Circuit Breaker - 15 Amp.
	053210-02-000	EA	Circuit Breaker - 15 Amp. - 120 Volt (Ground Fault Interrupter)
	083209-02-000	EA	Circuit Breaker - 15/15 Amp. - 120 Volt
	083209-03-000	EA	Circuit Breaker - 15/20 Amp. - 120 Volt
	033573-01-000	EA	Circuit Breaker - 20 Amp. - 12 Volt
	083209-05-000	EA	Circuit Breaker - 20 Amp. - 120 Volt
	004811-01-000	EA	Circuit Breaker - 20/20 Amp. - 120 Volt
	083655-01-000	EA	Circuit Breaker - 25 Amp. - 12 Volt
	008268-01-000	EA	Circuit Breaker - 30 Amp. - 12 Volt
	083209-04-000	EA	Circuit Breaker - 20 Amp. - 120 Volt
	004810-01-000	EA	Circuit Breaker - 30/30 Amp. - 120 Volt (Export)
	052654-03-000	EA	Circuit Breaker - 40 Amp. - 12 Volt
	083209-08-000	EA	Circuit Breaker Blank
	008277-01-000	EA	Fuse Holder - Black - Panel Mount

MISCELLANEOUS ELECTRICAL COMPONENTS

Key	Part Number	U/M	Description
	063739-01-000	EA	Battery - 12 Volt - 60 Amp. - Gould
	072852-01-000	EA	Smoke Detector w/9 Volt Battery
	083208-01-000	EA	Converter - 32 Amp. w/Charger
	004809-01-000	EA	Load Center - 240 Volt - 125 Amp. (Export)

ELECTRICAL GROUP (CONTINUED)

WIRES, SWITCHES, & RECEPTACLES

Key	Part Number	U/M	Description
	009288-01-000	EA	Box - Electrical - 3" x 3.5" - Plastic
	093603-01-000	EA	Box - Electrical - 4" x 2 1/8" x 2 1/8"
	008289-01-000	EA	Box - Electrical - 4" x 4" - 1/2 & 3/4 Steel
	058049-01-000	EA	Box - Electrical - 2" x 3" x 2.25" - Steel
	041953-01-000	FT	Conduit - Convolute Slit - .5" ID
	041953-09-000	FT	Conduit - Convolute Slit - .50" ID
	041953-10-000	FT	Conduit - Convolute Slit - .75" ID
	008356-01-000	EA	Connector - Plastic - 3/8" Avg.
	058028-01-000	EA	Connector - Pigtail - Clear Nylon
	008311-01-000	EA	Connector - Wire Nut - Red
	008314-01-000	EA	Connector - Wire Nut - Gray
	079090-01-000	EA	Connector - Molded - 12/2 Lead
	031957-01-000	EA	Contact - Receptacle
	068054-01-000	EA	Cord - Power - 10-3 30 Amp. - 25'
	008294-01-000	EA	Cover Plate - Blank - Steel 4 x 4 (USA)
	064450-01-000	EA	Housing - Trailer Plug
	097746-01-000	EA	Housing Asm. - Trailer Cap
	097745-02-000	EA	Housing Asm. - Trailer Receptacle - 48"
	088473-05-000	EA	Housing Pin - 6 Position In Line
	054532-01-000	EA	Housing Pin - 6 Position
	054532-02-000	EA	Housing Pin - 4 Position
	088473-08-000	EA	Housing Pin - 4 Position
	088475-01-000	EA	Pin - Connector
	075736-02-000	EA	Receptacle/Cover Asm. - Off White (Exterior)
	084077-02-000	EA	Receptacle Cover - Brown (Ground Fault Interrupter)
	084076-02-000	EA	Receptacle - 15 Amp. - 125 Volt - Brown (Ground Fault Interrupter)
	024924-02-000	EA	Receptacle - Power Cord
	058707-01-000	EA	Receptacle - Single - Brown
	007940-01-000	EA	Receptacle - Slide - 16 to 12 Awg.
	024461-01-000	EA	Switch - Battery
	024462-01-000	EA	Switch - Battery Condition
	024776-01-000	EA	Switch - Generator w/o Circuit Board
	077942-01-000	EA	Switch - Dummy - Black
	008195-01-000	EA	Switch - Push Button - 12 Volt
	079362-03-000	EA	Switch Plate - 3 Gang - 2 Switch
	007942-01-000	EA	T3b - 10 to 14 Awg. Wire
	007949-01-000	EA	Tab - 14 to 10 Awg. Wire
	007955-01-000	EA	Tab - HSG - 6 Position
	035416-04-000	EA	Terminal Ring - #10 Stud Fit
	008328-01-000	EA	Terminal Ring - 12/10 Wire
	008348-01-000	EA	Terminal Ring - 2 - 3/8 Stud
	008331-01-000	EA	Terminal Ring - 4 - 3/8 Stud
	062036-02-000	EA	Terminal - Pack - Con - 16/14 AWG
	086777-02-000	EA	Wallplate - Antenna Power
	008026-01-000	FT	Wire - 12/2 Romex w/Ground
	008028-01-000	FT	Wire - 18.5 Bonded - Blue/Red/Yellow/Orange/White
	008024-01-000	FT	Wire - 18.5 Bonded - Orange/White/Yellow/Blue/Brown
	008025-01-000	FT	Wire - 18.5 Bonded - Orange/White/Yellow/Blue/Green
	008343-01-000	EA	Wire Tie - 6"
	008343-02-000	EA	Wire Tie - 14"

1989 ITASCA TABLE OF CONTENTS

IC/F424RB	A-01 - C-06
IC/F424RC	C-07 - E-14
IF426RT	E-15 - G-17

1989 IF426RT INDEX

Floor Plan	E-15 - E-16
Accessories Group	E-17 - E-18
Bath Group	E-19 - E-20
Chassis Group	E-21
Curtain, Cushion & Pad Group	E-22 - F-06
Dinette Group	F-07
Driver's Compartment Group	F-08 - F-10
Electrical Group	F-11 - F-13
Exterior Body Group	F-14 - F-19
Galley Group	F-20 - F-21
Heating & Air Conditioning Group	F-22
Interior Finish Group	F-23 - F-24
LP Group	G-01
Lounge Group	G-02 - G-03
Water & Sewage Group	G-04 - G-05
Window, Vent & Exterior Door Group	G-06 - G-17

ELECTRICAL GROUP (CONTINUED)

EXTERIOR LIGHTS

Key	Part Number	U/M	Description
	042405-01-000	EA	Lens - Clearance Light - Red w/Reflex
	042405-02-000	EA	Lens - Clearance Light - Amber w/Reflex
	042405-03-000	EA	Base - Rectangular Clearance Light
	091983-01-000	EA	Gasket - Light - Side Marker
	062742-04-000	EA	Wedge Asm. - Tail Light - Off White
	058032-02-000	EA	Tail Light - 2 Bulb - Black
	007309-01-000	EA	Light - License Plate
	059540-01-000	EA	Bracket - License Plate
	008089-01-000	EA	Porch Light - Recessed (US)
	008089-01-700	EA	Lens - Porch Light
	031981-01-000	EA	Gasket - Porch Light
	008215-01-000	EA	Bulb - Porch Light

INTERIOR LIGHTS

Key	Part Number	U/M	Description
	072353-08-000	EA	Reading Light - Single - Brass w/Tan Switch
	063914-01-000	EA	Bulb - 1139 (Reading Light)
	087694-02-000	EA	Light Asm. - Wardrobe w/Switch
	087694-01-700	EA	Bulb - Wardrobe - Light
	078424-02-000	EA	Light Asm. - Fluorescent - 12V - 18" - Almond (Galley)
	078424-02-701	EA	Lens - Fluorescent Light - 18"
	078424-02-700	EA	Bulb - Fluorescent Light - 12V - 18"
	007309-01-000	EA	Light - Step Well - Round - 12V
	098924-01-01A	EA	Dome Light - 1 Bulb - Ivory
	098924-03-01A	EA	Dome Light - 2 Bulb - Ivory

EXTERIOR BODY GROUP

SEALANTS & ADHESIVES

Key	Part Number	U/M	Description
	004020-01-000	QT	Adhesive - ABS Cement (Plastic Fittings)
	022337-01-000	EA	Adhesive - 1300 Tube - 3M (Windows)
	004005-02-000	GL	Adhesive - Swifts - Glue (Sidewalls)
	053766-07-000	EA	Bedding Compound - Tube - Beige (Exterior)
	053766-06-000	EA	Bedding Compound - Tube - Clear (Window)
	053766-08-000	EA	Bedding Compound - Tube - Gray (Exterior)
	053766-05-000	EA	Bedding Compound - Tube - Gray (Sidewalls to Floor)
	053766-02-000	EA	Bedding Compound - Tube - Off White (Exterior)
	002328-02-000	EA	Block - Rubber Spacer (Windshield)
	004336-01-000	EA	Caulk - Latex - Golden Walnut (Sidewalls)
	077967-01-000	EA	Sealant - Acrylic Latex - Tube - Off White (Interior Sealant)
	034552-04-000	EA	Sealant - Silicone - Beige
	034552-02-000	EA	Sealant - Silicone - Clear
	034552-07-000	EA	Sealant - Silicone - Dark Gray
	034552-06-000	EA	Sealant - Silicone - Off White
	069637-01-000	EA	Sealant - Weatherban 404 - Tube - White (Door Caulk)
	072889-01-000	EA	Sealant - Urethane - Black (Windshield)
	069640-01-000	FT	Sealer Ribbon - .25" Bead x 20'
	069640-02-000	FT	Sealer Ribbon - 5" x .125" x 30'
	069640-03-000	FT	Sealer Ribbon - .75" x .125" x 30'
	069640-04-000	FT	Sealer Ribbon - 2" x .09" x 45'
	069640-05-000	FT	Sealer Ribbon - 2.5" x .09" x 50'
	069640-06-000	FT	Sealer Ribbon - 5/16" Bead x 15'
	069640-07-000	FT	Sealer Ribbon - 2" x 3/32" x 30'
	002316-01-000	FT	Sealer Tape - 3/32" x 3/8" - White (Window)
	002707-01-000	FT	Sealer Tape - 5/16" x 3/4"
	002707-02-000	FT	Sealer Tape - 5/16" x 1/2"
	040545-01-000	GL	Sealer - Seam Weld
	053752-04-000	EA	Seam Sealer - Tube - Aluminum (Roof)
	063642-01-000	FT	Tape - Adhesive - .10mm x 1.5" Wide
	038885-01-000	EA	Tape - Butyl - .31" x .31" x 148" (Windshield)
	076322-01-000	FT	Tape - Foam - Double Coated - .025 x 1" (Fiberglass Sidewall Seams)
	076322-02-000	FT	Tape - Foam - Double Coated - .045 x 1" (Fiberglass Sidewall Seams)
	009200-01-000	EA	Tape - Furnace - 1.5"
	002825-01-000	FT	Weather Stripping (Roof Vent)

MISCELLANEOUS EXTERNALLY MOUNTED PARTS

Key	Part Number	U/M	Description
	083558-01-000	EA	Plumbing Seal - Roof Vent - 1.5
	009126-01-000	EA	Assist Handle - Chrome
	010230-02-000	EA	Fill - City Water - Recessed - Off White
	087559-04-000	EA	Fill - City Water - Off White
	081240-03-000	EA	Fill - City Water - Lockable - Off White

SHEET FIBERGLASS, ALUMINUM & STYROFOAM

Key	Part Number	U/M	Description
	044487-01-000	EA	Aluminum - Mill Finish - No Design - 96" x 360" (Roof)
	000868-01-000	SF	Styrofoam - 3/4" x 24" x 96"
	000870-01-000	SF	Styrofoam - 1 1/2" x 24" x 96"
	000870-03-000	SF	Styrofoam - 1.34" x 48" x 96"
	000870-05-000	SF	Styrofoam - .50" x 24" x 96"
	083574-01-000	SF	Styrofoam - 1.5" x 24" x 85.25"
	076054-46-000	EA	Fiberglass Sheet - 48" x 205" - Off White
	076054-47-000	EA	Fiberglass Sheet - 48" x 252" - Off White

1989 ITASCA TABLE OF CONTENTS

IC/F424PB	A-01 - C-06
IC/F424RC	C-07 - E-14
IF426RT	E-15 - G-17

1989 IF426RT INDEX

Floor Plan	E-15 - E-16
Accessories Group	E-17 - E-18
Bath Group	E-19 - E-20
Chassis Group	E-21
Curtain, Cushion & Pad Group	E-22 - F-06
Dinette Group	F-07
Driver's Compartment Group	F-08 - F-10
Electrical Group	F-11 - F-13
Exterior Body Group	F-14 - F-19
Galley Group	F-20 - F-21
Heating & Air Conditioning Group	F-22
Interior Finish Group	F-23 - F-24
LP Group	G-01
Lounge Group	G-02 - G-03
Water & Sewage Group	G-04 - G-05
Window, Vent & Exterior Door Group	G-06 - G-17

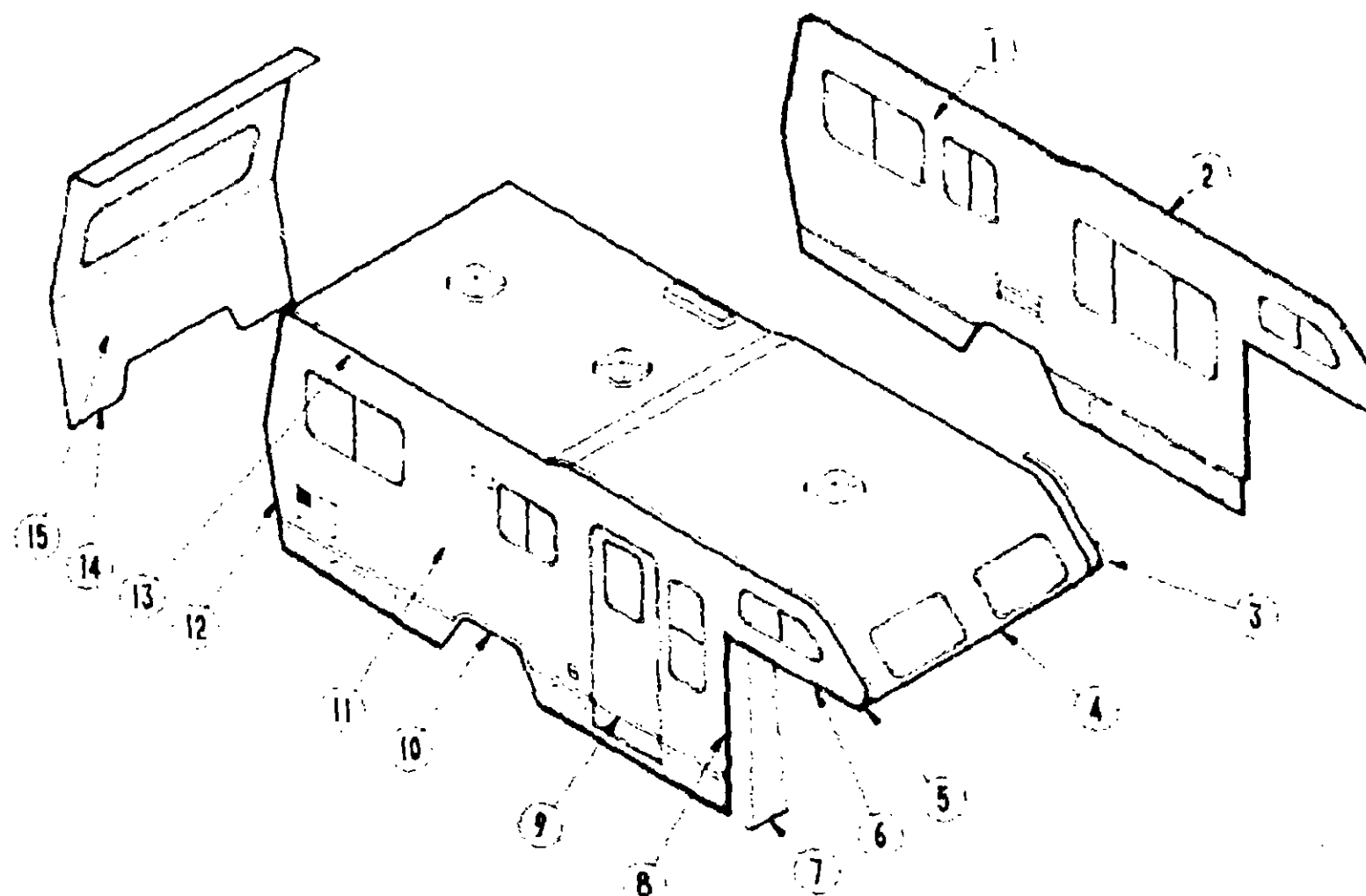
EXTERIOR BODY GROUP (CONTINUED)

EXTERIOR BODY PANELS

1989 ITASCA TABLE OF CONTENTS

IC/F424RB
IC/F424RC
IF426RT

A-01 - C-06
C-07 - E-14
E-15 - G-17



1989 IF426RT INDEX

Floor Plan	E-15 - E-16
Accessories Group	E-17 - E-18
Bath Group	E-19 - E-20
Chassis Group	E-21
Curtain, Cushion & Pad Group	E-22 - F-06
Dinette Group	F-07
Driver's Compartment Group	F-08 - F-10
Electrical Group	F-11 - F-13
Exterior Body Group	F-14 - F-19
Galley Group	F-20 - F-21
Heating & Air Conditioning Group	F-22
Interior Finish Group	F-23 - F-24
LP Group	G-01
Lounge Group	G-02 - G-03
Water & Sewage Group	G-04 - G-05
Window, Vent & Exterior Door Group	G-06 - G-17

Key	Part Number	U/M	Description
1	M92144-01-Y30	EA	Sidewall Asm. - Drivers
2	M92144-01-Y31	EA	Sidewall Asm. - Drivers
3	M92144-01-Y32	EA	Sidewall Asm. - Drivers
4	M56408-01-Y30	EA	Roof Asm.
5	M79177-01-700	EA	Roof Section - Cab Over To First Seam
6	076975-08-000	EA	Trim - Contour - Upper Front - Driver
7	076975-07-000	EA	Trim - Contour - Upper Front - Passenger
8	033644-08-000	EA	Trim - Sleeper Board Front
9	066490-01-000	EA	Trim - Contour Point - Sleeper - Passenger
10	066490-02-000	EA	Trim - Contour Point - Sleeper - Driver
11	066889-01-000	EA	Trim - Contour - Sleeper - Passenger
12	066889-02-000	EA	Trim - Contour - Sleeper - Driver
13	076975-05-000	EA	Trim - Wingwall - Passenger
14	076975-06-000	EA	Trim - Wingwall - Driver
15	M51653-02-U01	EA	Wingwall Asm. - Passenger (Ford)
16	M51653-01-U01	EA	Wingwall Asm. - Driver (Ford)

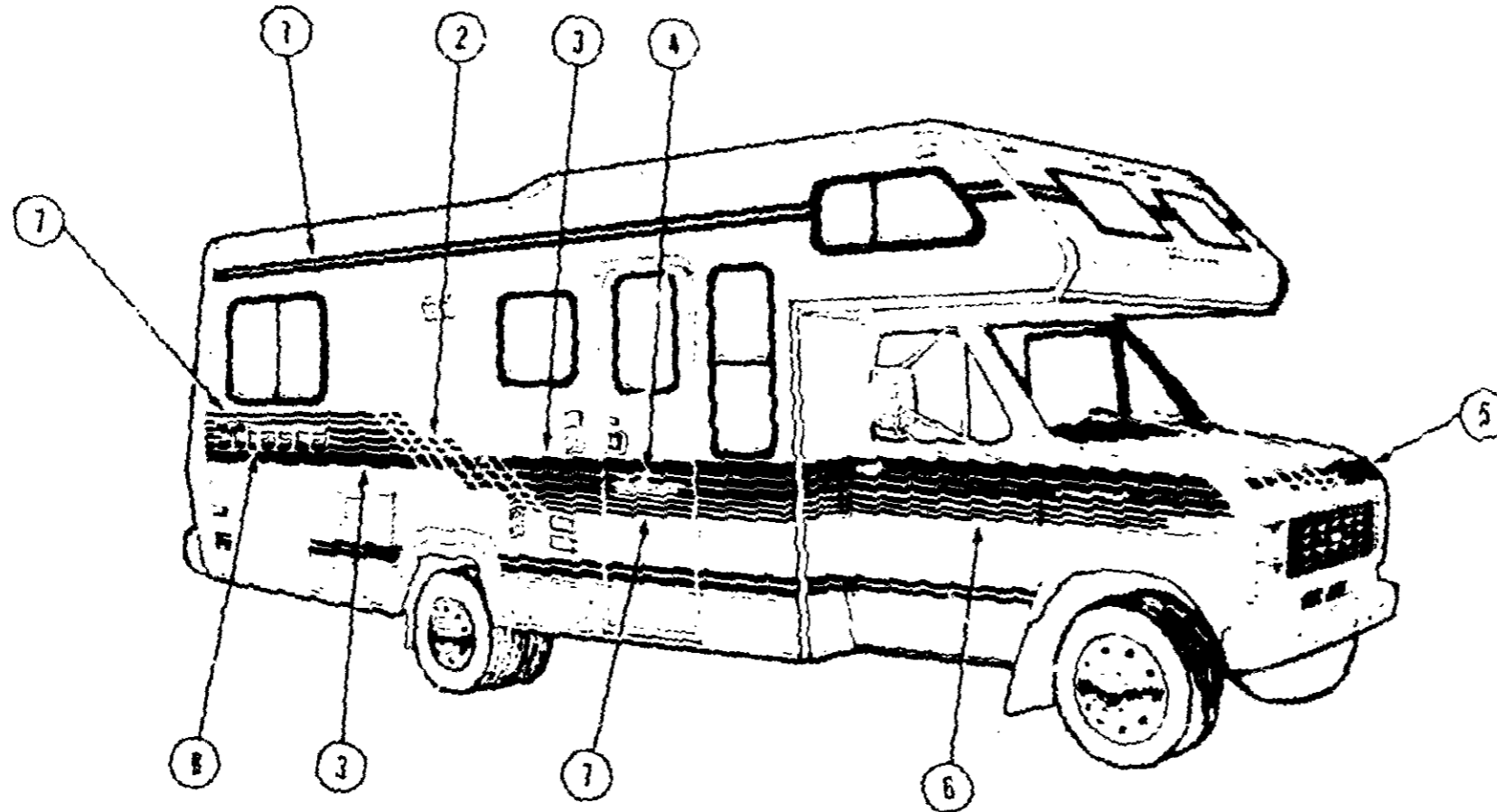
F-15

Key	Part Number	U/M	Description
8	076975-03-000	EA	Trim - Wingwall Transition - Passenger
9	076975-04-000	EA	Trim - Wingwall Transition - Driver
10	059576-05-000	EA	Feature Strip w/o Insert - 14 8"
11	001030-02-100	EA	Insert - Feature Strip - 17" - Stucco
12	009731-01-000	EA	Cap - Feature Strip Trim
13	075189-01-000	EA	Trim - Wheelwell - Rear Passenger
14	075189-02-000	EA	Trim - Wheelwell - Rear Driver
15	M92145-01-Y30	EA	Sidewall Asm. - Passenger (Y30)
16	M92145-01-Y31	EA	Sidewall Asm. - Passenger (Y31)
17	M92145-01-Y32	EA	Sidewall Asm. - Passenger (Y32)
18	076805-01-000	EA	Trim - Contour - Rear Passenger
19	076805-02-000	EA	Trim - Contour - Rear Driver
20	077339-07-000	EA	Trim - Contour - Upper Rear Passenger
21	077339-08-000	EA	Trim - Contour - Upper Rear Driver
22	074956-02-000	EA	Trim - Backwall - Lower
23	M01600-01-Y30	EA	Backwall Asm.
24	086180-55-001	EA	U-Channel - Extrusion - 192" - Off White

F-16

EXTERIOR BODY GROUP (CONTINUED)

LABELS & DECALS



1989 ITASCA
TABLE OF CONTENTS

IC/F424RB
IC/F424RC
IF426RT

A-01 - C-06
C-07 - E-14
E-15 - G-17

1989 IF426RT INDEX

Key	Part Number	U/M	Description
1	093680-01-01A	FT	Film - Multi-Stripe - 2.9" x 150' - Blue/Dark Blue (Y30)
1	093680-01-02A	FT	Film - Multi-Stripe - 2.9" x 150' - Peach/Green (Y31, Y32)
2	093675-01-01A	EA	Decal - Side Step - Passenger - Peach/Blue/Dark Blue (Y30)
2	093675-01-02A	EA	Decal - Side Step - Passenger - Rose/Peach/Green (Y31, Y32)
	093675-02-01A	EA	Decal - Side Step - Driver - Peach/Blue/Dark Blue (Y30)
	093675-02-02A	EA	Decal - Side Step - Driver - Rose/Peach/Green (Y31, Y32)
3	092322-03-01A	FT	Film - Multi-Stripe - 6.1" x 150' - Peach/Blue/Blue (Y30)
3	092322-03-02A	FT	Film - Multi-Stripe - 6.1" x 150' - Rose/Peach/Peach (Y31, Y32)
4	078851-04-000	EA	Decal - Logo - "Sundancer"
5	093676-01-01A	EA	Decal - Hood - Peach/Blue/Dark Blue (Ford) (Y30)
5	093676-01-02A	EA	Decal - Hood - Rose/Peach/Green (Ford) (Y31, Y32)
6	093678-01-01A	EA	Decal - Fender/Door - Passenger - Peach/Blue/Dark Blue (Ford) (Y30)
6	093678-01-02A	EA	Decal - Fender/Door - Passenger - Rose/Peach/Green (Ford) (Y31, Y32)
	093678-02-01A	EA	Decal - Fender/Door - Driver - Peach/Blue/Dark Blue (Ford) (Y30)
	093678-02-02A	EA	Decal - Fender/Door - Driver - Rose/Peach/Green (Ford) (Y31, Y32)
7	092322-04-01A	FT	Film - Multi-Stripe - 2.9" x 150' - Dark Blue (Y30)
7	092322-04-02A	FT	Film - Multi-Stripe - 2.9" x 150' - Green (Y31, Y32)
8	078852-10-000	EA	Decal - Logo - "Itasca" - 6.5"
	078191-01-000	EA	Decal - Logo - "Itasca" (Front - Rear Cap)
	084075-01-000	EA	Decal - "By Winnebago Inc" (Backwall)

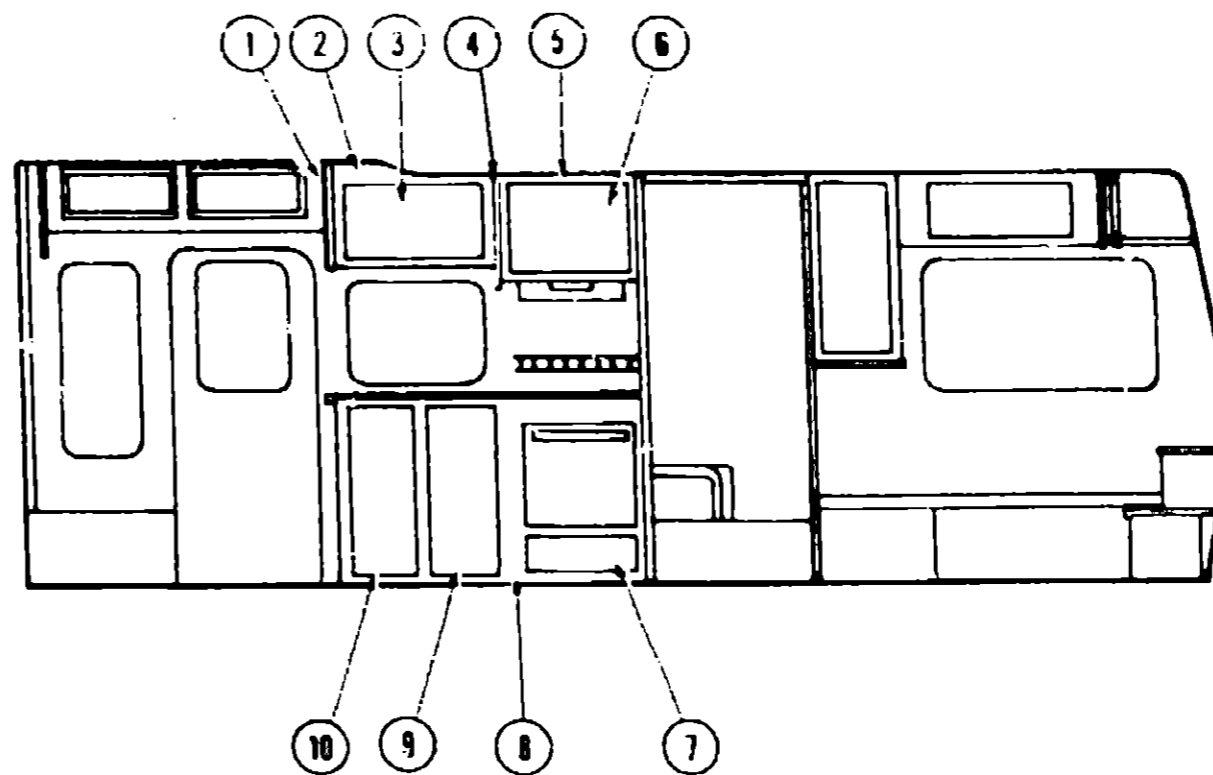
Floor Plan	E-15 - E-16
Accessories Group	E-17 - E-19
Bath Group	F-19 - E-20
Chassis Group	E-21
Curtain, Cushion & Pad Group	E-22 - F-05
Dinette Group	F-07
Driver's Compartment Group	F-08 - F-10
Electrical Group	F-11 - F-13
Exterior Body Group	F-14 - F-19
Galley Group	F-20 - F-21
Heating & Air Conditioning Group	F-22
Interior Finish Group	F-23 - F-24
LP Group	G-01
Lounge Group	G-02 - G-03
Water & Sewage Group	G-04 - G-05
Window, Vent & Exterior Door Group	G-06 - G-17

EXTERIOR BODY GROUP (CONTINUED)

LABELS & EXTERIOR PAINT

Key	Part Number	U/M	Description
	091243-01-000	EA	Label - Air Conditioner Cover
	087236-01-000	EA	Label - Cable - Input
	087236-02-000	EA	Label - Cable - Output
	065748-01-000	EA	Label - Caution - Battery Charging
	005195-01-000	EA	Label - Electrical Test
	047731-01-000	EA	Label - Emergency Exit
	005199-01-000	EA	Label - Exit - Escape Window
	064378-01-000	EA	Label - Flying "W" w/Thermo Panel
	061417-01-000	EA	Label - Fuel
	087207-02-000	EA	Label - Fuel Cap Removal
	005196-01-000	EA	Label - Gas Test
	054531-01-000	EA	Label - LP Gas Only
	073998-01-000	EA	Label - LPG Odor Warning
	040944-01-000	EA	Label - Open - Entrance Door
	061606-01-000	EA	Label - Overlay - Vehicle Certification
	006015-01-000	EA	Label - Patent Motor Home
	088757-01-000	EA	Label - Retail - 8 5/8" x 12 7/8"
	055259-01-000	EA	Label - Safety Check List
	006054-01-000	EA	Label - Seat - w/o Seat Belts
	006187-01-000	EA	Label - Sewage
	006006-01-000	EA	Label - Thermo Panel - 2 1/4" x 2 1/4"
	075221-01-000	EA	Label - Trailer Hitch Capacity
	091224-01-000	EA	Label - Trailer Lighting
	055220-01-000	EA	Label - Warning - Exterior Load Limit
	050225-01-000	EA	Label - Warning - Stove Vent - US
	079966-01-000	EA	Label - Warning - Stowed Motion
	006188-01-000	EA	Label - Waste Water
	006197-01-000	EA	Label - Water Test
	006062-01-000	EA	Tag - Electrical - 110 Volt Connection
	006040-01-000	EA	Tag - Gas - Refueling Warning
	006019-01-000	EA	Tag - RVI Approval - Plastic
	045681-03-000	EA	Paint - Gloss Black - Acrylic Enamel - 16 oz. Aerosol (99 Dupont)
	045661-03-000	EA	Paint - Off White Acrylic Enamel - 16 oz. Aerosol (45396A Dupont)
	074559-01-000	EA	Label "LPG" - 3 3/4" x 1.75" (Calif. Code)

GALLEY GROUP



GALLEY CABINETRY

Key	Part Number	U/M	Description
1	081280-19-W24	EA	Pad Asm. - End Cap - Galley Overhead - Vinyl
2	M83916-03-X33	EA	Cabinet Asm. - Galley Overhead - w/o Doors or Hardware
3	M88304-84-X08	EA	Door Asm. - Galley Overhead - w/o Hardware - 14.37" x 26.77"
4	081280-29-Y07	EA	Pad Asm. - End Cap - Microwave Overhead - Vinyl
5	M94767-08-Y07	EA	Cabinet Asm. - Galley Overhead - w/o Door or Hardware
6	M88304-A9-X08	EA	Door Asm. - Galley Overhead - w/o Hardware - 14.37" x 21.85"
7	M92073-04-X11	EA	Door Asm. - Galley Cabinet - Furnace - w/o Hardware - 13.38" x 21.85"
8	M03401-01-Y30	EA	Cabinet Asm. - Galley - w/o Countertop, Doors, Drawers or Hardware
**	M83886-06-W24	EA	Cabinet Asm. - Galley - w/o Countertop, Doors, Drawers or Hardware
**	M82184-11-X36	EA	Drawer Asm. - Galley Cabinet - w/o Hardware
	086611-12-Y30	EA	Countertop Asm. - Galley
9	M88304-14-X08	EA	Door Asm. - Galley Cabinet - w/o Hardware - 14.37" x 33.46"
10	M88304-13-X08	EA	Door Asm. - Galley Cabinet - w/o Hardware - 14.37" x 33.46"
	077404-02-000	EA	Drawer - Plastic - 20" x 12.7"
	077409-02-000	EA	Drawer Slides
	050812-03-Y20	EA	Extension Asm. - Galley Cabinet
**	Parts used with Microwave Option.		

**1989 ITASCA
TABLE OF CONTENTS**

IC/F424RB
IC/F424RC
IF426RT

A-01 - C-06
C-07 - E-14
E-15 - G-17

1989 IF426RT INDEX

Floor Plan	E-15 - E-16
Accessories Group	E-17 - E-18
Bath Group	E-19 - E-20
Chassis Group	E-21
Curtain, Cushion & Pad Group	E-22 - F-06
Dinette Group	F-07
Driver's Compartment Group	F-08 - F-10
Electrical Group	F-11 - F-13
Exterior Body Group	F-14 - F-19
Galley Group	F-20 - F-21
Heating & Air Conditioning Group	F-22
Interior Finish Group	F-23 - F-24
LP Group	G-01
Lounge Group	G-02 - G-03
Water & Sewage Group	G-04 - G-05
Window, Vent & Exterior Door Group	G-06 - G-17

GALLEY GROUP (CONTINUED)

GALLEY HARDWARE & APPLIANCES

Key	Part Number	U/M	Description
	032696-05-01A	EA	Hood - Range - Powered w/Monitor - Almond - US
	075470-04-000	EA	Duct Extension - Hood Range
	055282-04-000	EA	Range w/Small Oven - 4 Burner - Almond - Magic Chef
	102019-01-01A	EA	Range Top - 4 Burner - Almond
	094038-02-000	EA	Refrigerator - AC/LC/Gas - Norcold 6' - 663
	054450-01-000	EA	Level - Refrigerator
	091269-03-000	EA	Microwave Oven - Magic Chef
	094745-01-01A	EA	Trim - Microwave - Top - Black
	094774-03-01A	EA	Trim - Microwave - Sides - Black
	094750-01-000	EA	Angle Asm - Microwave Bracket
	096654-01-000	EA	Sink - Stainless Steel - Double w/Bolts
	011053-04-000	EA	Faucet - Swing Spout - 8" - US
	091253-01-000	EA	Gasket - Galley Faucet
**	011053-01-700	EA	Aerator - Swing Spout Faucet
	060437-01-000	EA	Strainer w/Basket - Sink
	081530-01-Y30	EA	Sink Cover - Large
	009049-01-000	EA	Support - Drop Leaf Table
	009059-01-000	EA	Hinge - 2" - Gold - Drop Leaf Table
	074490-02-W24	EA	Spice Rack - Oak
	074491-02-W24	EA	Magazine Rack - Oak
	056334-01-000	EA	Wastebasket - 9 3/4" x 7" x 10" - White
	059777-02-000	EA	Hinge - Cabinet Door - Brass
	077409-01-000	EA	Slide - Drawer - 20 7/8" - Plastic
	077404-01-000	EA	Drawer - 20" x 12 7/8" - Plastic
	066435-01-000	EA	Nut Strainer
	011083-01-000	EA	Plug - 1 1/4" x 5" - w/Stopper

** The illustrated parts breakdown for this item is provided on the Common Items Fiche

HEATING & AIR CONDITIONING GROUP

FURNACES & ROOF AIR CONDITIONER

Key	Part Number	U/M	Description
	009198-01-000	FT	Duct - Flexible - 4" ID x 25'
	056454-01-000	EA	Register - 4" Dia - Plastic - w/Damper
	056462-02-000	EA	Register - 4" Dia - Plastic - w/o Damper
	009200-01-000	EA	Tape - Furnace - 1 1/2"
	010326-01-700	EA	Adapter - Flare - w/Cone Gasket
	023146-01-000	EA	Clamp - Screw Type - 4"
	093764-01-000	EA	Shroud Asm. - Ceiling - Inside - Roof Air Cool Only - 13,500 BTU - TSR
	093763-01-04A	EA	Air Conditioner - 110 Volt & Roof Mount - 13,500 BTU - TSR - Off White
	093763-01-700	EA	Shroud - Ivory/Charcoal
	093763-01-701	EA	Overload
	093763-01-702	EA	Overload
	093763-01-703	EA	Impellor - 7" Dia x 2 80" Wide
	093763-01-704	EA	Fan Capacitor
	093763-01-705	EA	Decal - Heat/Cool Thermostat
	093763-01-706	EA	Heat Element
	093763-01-707	EA	Evaporator Coil
	093763-01-708	EA	Condenser Coil
	053763-01-709	EA	Compressor
	093763-01-710	EA	Single Parts Package
	093763-01-711	EA	Gasket Package
	093763-01-712	EA	Fan Blade - Condenser
	093763-01-713	EA	Compressor - E Series
	093763-01-714	EA	Compressor - Tecumseh 6759
	093763-01-715	EA	Compressor - Tecumseh 6799
	090039-05-000	EA	Furnace - 30,000 BTU - Suburban
	090039-05-700	EA	Combustion Chamber Asm
	090039-05-702	EA	Gasket - Manifold
	090039-05-703	EA	Combustion Chamber Asm.
	090039-05-705	EA	Combustion Air Housing Asm.
	090039-05-707	EA	Gasket - Motor
	090039-05-708	EA	Crossover Tube Asm.
	090039-05-710	EA	Blower Housing Asm.
	090156-01-000	EA	Platform - Furnace

1989 ITASCA TABLE OF CONTENTS

IC:F424RB	A-01 - C-06
IC:F424RC	C-07 - E-14
IF426RT	E-15 - G-17

1989 IF426RT INDEX

Floor Plan	E-15 - E-16
Accessories Group	E-17 - E-18
Bath Group	E-19 - E-20
Chassis Group	E-21
Curtain, Cushion & Pad Group	E-22 - F-06
Dinette Group	F-07
Driver's Compartment Group	F-08 - F-10
Electrical Group	F-11 - F-13
Exterior Body Group	F-14 - F-19
Galley Group	F-20 - F-21
Heating & Air Conditioning Group	F-22
Interior Finish Group	F-23 - F-24
LP Group	G-01
Lounge Group	G-02 - G-03
Water & Sewage Group	G-04 - G-05
Window, Vent & Exterior Door Group	G-06 - G-17

INTERIOR FINISH GROUP

PANELING & COUNTERTOP

Key	Part Number	U/M	Description
	074497-10-000	SF	Paneling - Regal Oak - 48" x 84" (Cabinets)
	074497-14-000	SF	Paneling - Cross - Silk - 48" x 84" (Ceiling)
	068272-44-000	SF	Paneling - Decor - Charcoal - 48" x 84" (Main Wall)
	068272-35-000	SF	Paneling - Decor - Slate - 48" x 84" (Galley & Bath) (Y30)
	068272-27-000	SF	Paneling - Decor - Cocoa - 48" x 84" (Galley & Bath) (Y31)
	068272-28-000	SF	Paneling - Decor - Miami - 48" x 84" (Galley/Bath) (Y32)
	074498-28-000	SF	Plastic Laminate - Tan (Lavatory)
	074498-24-000	SF	Plastic Laminate - Regal Oak (Woodgrain)
	075325-16-000	FT	Edge Molding - Regal Oak

INTERIOR MOLD & TRIMS

Key	Part Number	U/M	Description
	088263-03-000	EA	Batt Strip - Kent
	069733-70-000	EA	Batt Strip - Regal Oak - 8" (Woodgrain)
	088284-03-000	EA	Batt Strip - Regal Oak - Tape Adhesive
	088263-30-000	EA	Batt Strip - Cross - Silk Splatter (Ceiling)
	088263-21-000	EA	Batt Strip - Charcoal - 8" (Main Wall)
	085284-13-000	FT	Batt Strip - Charcoal - Tape Adhesive
	085284-03-000	FT	Batt Strip - Regal Oak - Tape Adhesive
	088263-23-000	EA	Batt Strip - Slate (Galley/Bath) (Y30)
	088263-21-000	EA	Batt Strip - Charcoal (Galley/Bath) (Y31, Y32)
	086229-04-000	EA	Batten - 1" - Ceiling Molding - Ivory
	005909-17-000	EA	F-Molding - 1" - Regal Oak
	009812-17-000	EA	F-Molding - 1/2" - Regal Oak
	083620-01-000	FT	T-Molding - w/Edge Lips - Grady Brown
	083620-04-000	FT	T-Molding - w/Edge Lips - Light Oak
	070504-01-000	FT	U-Channel - .65" - Light Brown
	070504-06-000	FT	U-Channel - .815" - Regal Oak
	009778-07-000	FT	U-Channel - 1" - Regal Oak
	009767-06-000	FT	Welling - Beige
	085746-01-000	FT	J-Molding - .75" w/Lips - Grady Brown
	024700-17-000	EA	Cover - Sidewall Roll Bar - Beige (Wall/Ceiling)
	022992-08-000	FT	Molding - Reverse Cover - Champagne White
	022992-01-000	FT	Molding - Reverse Cover - T-Shaped - Vinyl
	042357-11-000	FT	Molding - Outside Corner - Light Oak
	077840-01-W30	FT	Molding - Wall Cap
	060176-02-000	EA	Corner Cap - Radius Plastic - Light Oak
	060521-02-007	EA	Molding - 64 Hole Space

MISCELLANEOUS

Key	Part Number	U/M	Description
	053552-02-W24	EA	Handle Asm - Assist - Vinyl
	041344-03-000	EA	Fire Extinguisher - 5BC - w/o Bracket
	094499-01-000	EA	Fire Extinguisher - 10BC - w/Bracket
	044651-01-01A	EA	Holder - Recessed - Fire Extinguisher
	072852-01-000	EA	Smoke Detector w/9 Volt Battery
	054155-31-000	EA	Owner's Manual - Winnebago/Itasca - 1989

INTERIOR FINISH GROUP (CONTINUED)

FABRIC & FLOOR COVERINGS

Key	Part Number	U/M	Description
	088274-63-000	YD	Fabric - Upholstery - Main - Blue (Y30)
	088274-61-000	YD	Fabric - Upholstery - Main - Tiffany (Y31)
	088274-62-000	YD	Fabric - Upholstery - Main - Starburst (Y32)
	088274-33-000	YD	Fabric - Upholstery - Accent - Blue (Y30)
	088274-59-000	YD	Fabric - Upholstery - Accent - Umber (Y31)
	068274-60-000	YD	Fabric - Upholstery - Accent - Eggshell (Y32)
	072333-55-000	YD	Fabric - Drapery - Blackout/Wraparound - Silver (Y30)
	072333-59-000	YD	Fabric - Drapery - Blackout/Wraparound - Tan (Y31)
	072333-60-000	YD	Fabric - Drapery - Blackout/Wraparound - Wisteria (Y32)
	087272-01-000	YD	Lining - Drapery - 48" - Ivory
	088273-25-000	YD	Fabric - Bedspread - Ecru (Y30)
	088273-26-000	YD	Fabric - Bedspread - Peaph (Y31)
	088273-27-000	YD	Fabric - Bedspread - Pastel (Y32)
	079680-01-000	YD	Vinyl - Expanded - 26 oz. Buckskin (Headliner)
	072333-63-000	YD	Fabric - Pull Shade - Entrance Door - Bone
	093486-01-000	SY	Carpet - Outside Storage Compartment
	093486-01-001	EA	Carpet - Outside Storage Compartment (ISY)
	072860-70-000	SY	Carpet - Glacier Blue (Y30)
	072860-71-000	SY	Carpet - Pirates Alley (Y31)
	072860-85-000	SY	Carpet - Amethyst (Y32)

CABINETS & TABLE HARDWARE

Key	Part Number	U/M	Description
	059777-02-000	EA	Hinge - Cabinet Door - Brass
	074493-02-000	EA	Overhead Door - Support - Sprung
	088264-01-000	EA	Pull - Cabinet - Polished Brass
	081376-01-000	EA	Back Plate - Door Pull - Polished Brass
	093586-03-000	EA	Catch - Spring Roller
	093586-04-000	EA	Strike - Steel Spring
	074045-06-000	EA	Plug - 1/2" - Oak
	084466-04-000	EA	Slide Asm. - Cabinet - Right
	084466-05-000	EA	Slide Asm. - Cabinet - Left
	077409-02-000	EA	Slide - Plastic Drawers
	084451-01-000	EA	Catch - TV Shelf - Brass
	009059-01-000	EA	Hinge - 2" - Brass - TV Shelf
	055034-02-000	EA	Latch - Sliding Door - w/o Lock
	009156-01-000	EA	Hanger - Sliding Door
	064781-05-000	EA	Cup Holder - Two Step
	024281-07-000	EA	Bracket - Lower Wall Mount
	053200-05-000	EA	Bracket - Upper Wall Mount
	024275-05-000	EA	Rod - Table Lift
	049493-01-000	EA	Catch - Table Leg - Mounts on Floor
	064050-02-000	EA	Hinge - Bracket - Leg Folding
	024276-17-000	EA	Leg Asm. - Table - Regal Oak
	068410-01-000	EA	Hanger - Table
	024282-01-000	EA	Brace - Table Leg
	024283-01-000	EA	Cap - 1" x 1.25" - OD Tube - Black

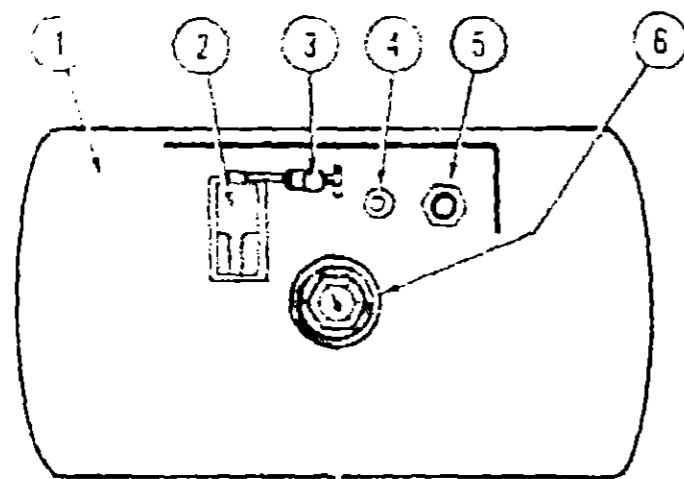
**1989 ITASCA
TABLE OF CONTENTS**

IC/F424RB	A-01 - C-06
IC/F424RC	C-07 - E-14
IF426RT	E-15 - G-17

1989 IF426RT INDEX

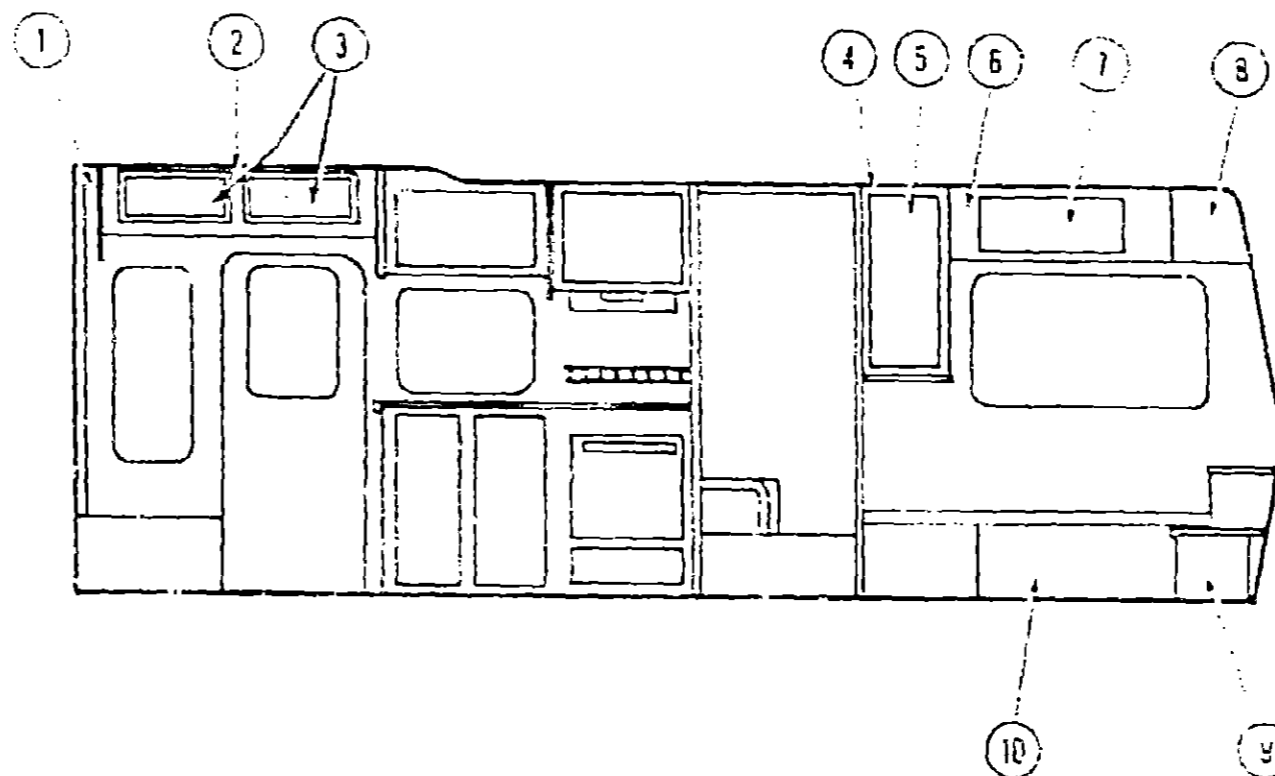
Floor Plan	E-15 - E-16
Accessories Group	E-17 - E-18
Bath Group	E-19 - E-20
Chassis Group	E-21
Curtain, Cushion & Pad Group	E-22 - E-26
Dinette Group	E-27
Driver's Compartment Group	E-28 - E-30
Electrical Group	E-31 - E-33
Exterior Body Group	E-34 - E-39
Galley Group	E-40 - E-41
Heating & Air Conditioning Group	E-42
Interior Finish Group	E-43 - E-44
LP Group	G-01
Lounge Group	G-02 - G-05
Water & Sewage Group	G-06 - G-07
Window, Vent & Exterior Door Group	G-08 - G-17

LP GROUP



Key	Part Number	U:M	Description
1	061250-22-W24	EA	Tank Asm - LP - 65 Pound - 14" x 22"
2	M86603-02-X08	EA	Detector - LP Gas Leak - Marshalltown Instruments
3	M86603-99-X08	EA	Compartment - LP Regulator
4	053948-01-W24	EA	Regulator - Two Stage - US
5	053949-01-X08	EA	Regulator - Two Stage - CSA
6	M86304-82-X08	EA	Valve - Vapor Relief
7	M86304-65-X08	EA	Gauge - Liquid Level - 20 PSI LP
8	M86304-65-X08	EA	Valve - Filler - LP
9	M86304-01-X08	EA	Cap - Plastic Fill Valve
10	M86304-01-X08	EA	Gauge - Float - w/Visible Dial
	M86304-01-X08	EA	Dial - Visible Face - Float Gauge (Tank w/ Electric Transmitter)
	M86304-01-X08	EA	Dial - Transmitter - 0 - 90 Ohm (Float Gauge)
	M86304-01-X08	EA	Hose Asm - LP - 3/8" ID x 24" - US
	M86304-01-X08	EA	Hose Asm - LP - 3/8" ID x 24" - CSA
	M86304-01-X08	EA	Hose Asm - LP - 3/8" ID x 18" - US
	M86304-01-X08	EA	Hose Asm - LP - 3/8" ID x 14" - CSA
	M86304-01-X08	EA	Housing - LP Gauge
	M86304-01-X08	EA	Tee - 3/8 F x 3/8 F x 25 FPT

LOUNGE GROUP



LOUNGE CABINETRY WITHIN BED

Key	Part Number	U:M	Description
1	061250-22-W24	EA	Pad Asm - End Cap - Entrance Overhead - Vinyl
2	M86603-02-X08	EA	Cabinet Asm - Entrance
3	M86603-99-X08	EA	Door Asm - Entrance Overhead - 107" x 19 1/2" - w/o Hardware
4	053948-01-W24	EA	Cabinet Asm - Right Shirt Closet - w/o Door or Hardware
	053949-01-X08	EA	Cabinet Asm - Left Shirt Closet - w/o Door or Hardware
5	M86304-82-X08	EA	Door Asm - Shirt Closet - w/o hardware
	061250-13-W24	EA	Pad Asm - End Cap - Right Shirt Closet - Vinyl
	061250-16-W24	EA	Pad Asm - End Cap - Left Shirt Closet - Vinyl
6	M86304-01-X08	EA	Cabinet Asm - Right Rear Overhead - w/o Door or Hardware
	M86304-01-X08	EA	Cabinet Asm - Left Rear Overhead - w/o Door or Hardware
7	M86304-65-X08	EA	Door Asm - Rear Overheads - w/o Hardware
8	M86304-01-X08	EA	Cabinet Asm - Rear Overhead - w/o Door or Hardware
9	M86303-01-X08	EA	Cabinet Asm - Nightstand - w/o Doors, Countertop or Hardware
	M86304-02-X23	EA	Door Asm - Nightstand - w/o Hardware - 11" x 21 85"
	M02670-01-X08	EA	Countertop Asm - Nightstand - Top
	M02671-01-X08	EA	Countertop Asm - Nightstand - Bottom
10	M86609-01-X08	EA	Cabinet Asm - Twin Bed - Right
	090125-01-X08	EA	Cabinet Asm - Twin Bed - Left
	M86304-21-X08	EA	Door Asm - Twin Bed Cabinet - 10" x 19 1/2" - w/o Hardware

**1989 ITASCA
TABLE OF CONTENTS**

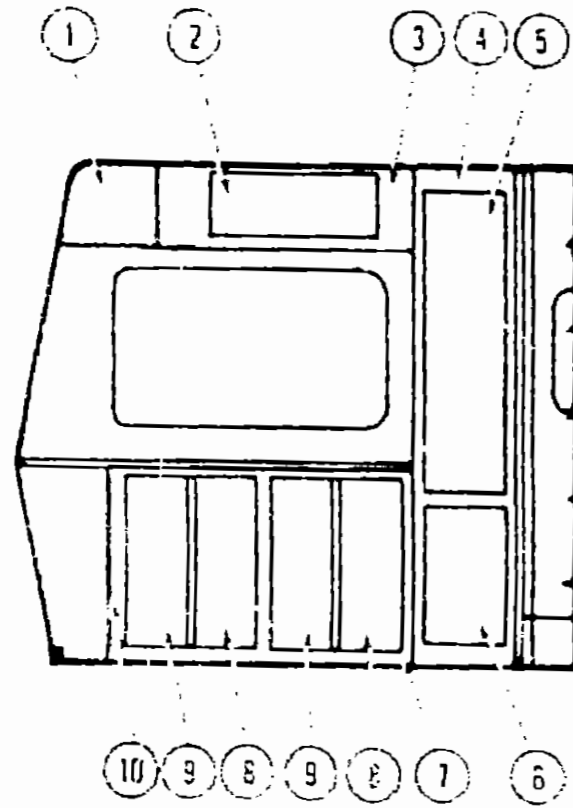
IC F424RB
IC F424PC
IF426RT

A-01 - C-06
C-07 - E-14
E-15 - G-17

1989 IF426RT INDEX

Floor Plan	E-15 - E-16
Accessories Group	E-17 - E-18
Bath Group	E-19 - E-20
Chassis Group	E-21
Curtain, Cushion & Pad Group	E-22 - E-26
Dinette Group	F-07
Driver's Compartment Group	F-08 - F-10
Electrical Group	F-11 - F-13
Exterior Body Group	F-14 - F-19
Galley Group	F-20 - F-21
Heating & Air Conditioning Group	F-22
Interior Finish Group	F-23 - F-24
LP Group	G-01
Lounge Group	G-02 - G-04
Water & Sewage Group	G-05 - G-06
Window, Vent & Exterior Door Group	G-06 - G-17

LOUNGE GROUP (CONTINUED)



DOUBLE BED OPTION

Key	Part Number	U/M	Description
1	M89430-01-008	EA	Cabinet Asm - Rear Overhead - w/o Door or Hardware
2	M89344-01-008	EA	Door Asm - Rear Overheads - w/o Hardware
3	M89341-01-008	EA	Cabinet Asm - Left Rear Overhead - w/o Doors or Hardware
4	M89342-01-008	EA	Cabinet Asm - Right Rear Overhead - w/o Doors or Hardware
5	M89377-01-008	EA	Cabinet Asm - Wardrobe - w/o Door or Hardware
6	M89344-01-008	EA	Door Asm - Wardrobe Cabinet - w/o Hardware
7	M89448-01-008	EA	Cabinet Asm - Vanity - w/o Doors or Hardware
8	M89347-01-008	EA	Countertop Asm - Vanity
9	M89344-02-008	EA	Door Asm - Vanity Cabinet - w/o Hardware
10	M89344-03-008	EA	Door Asm - Vanity Cabinet - w/o Hardware
	M89344-04-008	EA	Door Asm - Double Bed Cabinet - w/o Hardware

WATER & SEWAGE GROUP

HOLDING TANKS & WATER HEATER

Key	Part Number	U/M	Description
	045195-02-000	EA	Tank Asm - Water - 35 Gallon - w Fittings
	059341-01-000	EA	Tank - Holding - 30 Gallon - w/o Fittings - Waste Water
	075298-01-000	EA	Tank - Holding - 37 Gallon - w/o Fittings - Sewage
**	051391-01-000	EA	Water Heater - w/o Motor Aid - Atwood - G8A-3
**	051391-03-000	EA	Water Heater - w Motor Aid - Atwood - GH6-3E
**	051393-01-000	EA	Water Heater - w Motor Aid - Direct Ignition - Atwood - GH6-3E

The illustrated parts breakdown for this item is provided on the Common Items Fiche.

**1989 ITASCA
TABLE OF CONTENTS**

IC424RB	A-01 - C-06
IC424RC	C-07 - E-14
IF426RT	E-15 - G-17

PLUMBING & REPAIR PARTS

Key	Part Number	U/M	Description
	033302-02-000	EA	Adapter Asm - SWWC Strain - 1 1/2"
	010326-01-000	EA	Adapter - Flare - w/Cone Gasket
	062422-01-000	EA	Adapter - Hose Offset - Reducer - 3" x 1 1/2"
	052954-01-000	EA	Adapter - Hose Cone - 3/8 or 1/2 - Plastic
	010224-01-000	EA	Adapter - Plastic - 3/8 MPT x 3/8 BARB
	044927-01-000	EA	Adapter - Plastic - 1 1/4" MPT x 1 1/4 BARB
	031602-02-000	EA	Adapter - Plastic - 1 1/2 H x FPT
	062417-01-000	EA	Adapter - Termination - 3"
	034020-01-000	OT	Adhesive - ABS Cement
	011048-04-000	EA	Breaker - Vacuum - 1/8 MPT - Nylon
**	010121-01-000	EA	Bushing - Plastic - 1 1/2 S x 1 1/4 H
	010122-01-000	EA	Bushing - Plastic - 1 1/2 S x 1 1/4 T
	010123-01-000	EA	Bushing - Plastic - 2S x 1 1/2 H
	036522-02-000	EA	Cap - Brass - 1/2 Flare
	062415-01-000	EA	Cap - Sewer - 3"
	052959-02-000	EA	Connector - 1/2 F x 1/2 MPT - Plastic
	052959-03-000	EA	Connector - 1/2 F x 3/8 MPT - Plastic
	011091-02-000	EA	Continuous Waste - Double Sink - 11 7/8" - US
	053874-01-000	EA	Continuous Waste Asm - Double Sink - CSA
	078406-01-000	EA	Coupler Rubber - 3" x 3"
	052950-01-000	EA	Drain Valve - 1/2 F x 1/2 F - Plastic
	010000-01-000	EA	Elbow - Plastic - 1/8 BD x 1 1/4 x 45° H x H
	010005-01-000	EA	Elbow - Plastic - 1/16 BD x 1 1/2
	010006-01-000	EA	Elbow - Plastic - 1/8 BD x 1 1/2 x 45° H x H
	010008-01-000	EA	Elbow - Plastic - 1/4 BD x 1 1/2 x 90° Left
	010051-01-000	EA	Elbow - ST - Plastic - 1/8 BD x 1 1/2 x 45°
	010219-01-000	EA	Elbow - 1 1/4 Barb x 1 1/4 MPT x 90°
	031111-01-000	EA	Elbow - Plastic - 1/4 BD x 1 1/4 x 90° Left
	034250-01-000	EA	Elbow - Plastic - 1/4 BD x 1 1/2 x 90° x H x H
	035539-01-000	EA	Elbow - Plastic - 3/8 MPT x 3/8 Barb
	052957-01-000	EA	Elbow - Plastic - 1/2 F x 3/8 MPT
	052957-02-000	EA	Elbow - Plastic - 1/2 F x 1/2 MPT (In Tank Filter)
	059536-01-000	EA	Elbow - 1 1/4 - Slip Joint Ends
	065120-01-000	EA	Elbow - Plastic - Swivel - 50
	070924-01-000	EA	Elbow - Plastic - Swivel - 1/2 MPT x 1/2 FP
	077954-02-000	EA	Filter/Screen (In Water Tank)
	039547-02-000	EA	Filter - Water Pump - 1/2" MPT
	087200-01-000	EA	Filter - Water Purification
	037200-02-000	EA	Cartridge - Water Purification
	039547-03-000	EA	Filter - Water Pump - 1/2" Flare
	010147-01-000	EA	Flange - Closet - 4" F x 3" FPT - US
	010147-02-000	EA	Flange - Closet - 4" F x 3" FPT - CSA
	079391-01-000	FT	Flexible Tubing - 1 1/4 ID x 10'
	051607-01-000	EA	Grommet - Holding Tank Coupler - 1 1/2"
	051607-02-000	EA	Grommet - Holding Tank Coupler - 3"
	062419-02-000	EA	Handle - Extension - w/6" Adapter
	052951-01-000	EA	Header - 1/2 F x 1/2 F x 1/2 F x 1/2 F
**	046524-01-000	EA	Kit - Holding Tank Fittings - Blank Tank
**	046524-02-000	EA	Kit - Water Tank Fittings - Blank Tank
	052953-01-000	EA	Nut - Faucet - 1/2 Tube x 1/2 FPT
	052952-01-000	EA	Nut - 1/2 F - Plastic

The illustrated parts breakdown for this item is provided on the Common Items Fiche.

1989 IF426RT INDEX

Floor Plan	E-15 - E-16
Accessories Group	E-17 - E-18
Bath Group	E-19 - E-20
Chassis Group	E-21
Curtain, Cushion & Pad Group	E-22 - F-06
Dinette Group	F-07
Driver's Compartment Group	F-08 - F-10
Electrical Group	F-11 - F-13
Exterior Body Group	F-14 - F-19
Galley Group	F-20 - F-21
Heating & Air Conditioning Group	F-22
Interior Finish Group	F-23 - F-24
LP Group	G-01
Lounge Group	G-02 - G-03
Water & Sewage Group	G-04 - G-05
Window, Vent & Exterior Door Group	G-06 - G-17

WATER & SEWAGE GROUP (CONTINUED)

PLUMBING & REPAIR PARTS (CONT)

Key	Part Number	U/M	Description
**	011055-03-000	EA	P-Trap - 1 1/4" Plastic - US
**	011055-02-000	EA	P-Trap - 1 1/4" Plastic - CSA
	053335-01-000	EA	P-Trap - Plastic - 1 1/4 H x H w/Union - CSA
	010197-01-000	FT	Pipe - Plastic - 3" x 240" - Black
	045729-01-000	EA	Pump - Water - 2.6 G.P.M. - Direct Drive - Shuttle - US
	045729-02-000	EA	Pump - Water - 2.6 G.P.M. - Direct Drive - Shuttle - CSA
	010251-01-000	EA	Sewer Hose - 3" x 8' w/Clamp
	042454-02-000	EA	Sprinkled Fittings - Plastic - 1/2 FPT (In Tank Filter)
	042089-03-000	EA	Sprinkled Fittings - Plastic - 1/4 NPT
	042089-04-000	EA	Sprinkled Fittings - Plastic - 3/8 FPT
	011059-02-000	EA	Tailpiece - 1 1/2" x 1 1/4" x 4" - Brass
	010071-01-000	EA	Tee - Plastic - 1 1/2 x H x H x H
	010072-01-000	EA	Tee - Plastic - 1 1/2 H x 1 1/4 H x 1 1/2 H
	010073-01-000	EA	Tee - Plastic - 1 1/2 H x 1 1/2 H x 1 1/4 H
	040172-01-000	EA	Tee - Plastic - 3/8 B x 3/8 B x 3/8 MPT
	050355-01-000	EA	Tee - Plastic - 1/2 F x 1/2 F x 1/2 MPT
	052255-01-000	EA	Tee - Plastic - 1/2 F x 1/2 MPT x 1/2 F
	051958-01-000	EA	Tee - Plastic - 1/2 F x 1/2 F x 1/2 F
**	010133-01-000	EA	Trap Adapter - Plastic - 1 1/2 H x MPT
	023600-01-000	FT	Tubing - Polybutyl - 1/2 OD (Water Line)
	071346-02-000	FT	Tubing - Vinyl - 1/2 OD (Water Line)
	072345-01-000	EA	Valve Asm - 3" Ell - w/2" Socket
	052416-01-000	EA	Valve - 3" - w/Handle
	052416-02-000	EA	Valve - 3" - w/o Handle
	052260-01-000	EA	Valve - Line Drain - 1/2 F x 1/2 F
	052262-01-000	EA	Valve - Stop - 90° - 1/2 F x 3/8 MPT
**	010073-01-000	EA	Wye - Plastic - 1 1/2 x 45 H x H

** The illustrated parts breakdown for this item is provided on the Common Items Fiche

WINDOW, VENT & EXTERIOR DOOR GROUP

ACCESS DOORS

Key	Part Number	U/M	Description
	079455-07-U01	EA	Door Asm - Storage - 9 5' x 30'
	079455-01-T95	EA	Door Asm - Storage - 9 5' x 17'
	081787-01-U01	EA	Door Asm - Storage
	M79321-01-T03	EA	Door Asm - Generator
	079455-03-U01	EA	Door Asm - LP - 9 5' x 21 7"
	M02047-01-T95	EA	Door Panel Asm - Tire Cover
	079149-01-T03	EA	Door Asm - Luggage - Off White
	078965-02-T95	EA	Door Asm - Refrigerator Access - w/Twist Lock - Off White
	084104-03-000	EA	Door Asm - Refrigerator Access - Off White
	052009-01-000	EA	Door Asm - Water Heater - Off White
	052423-01-000	EA	Door Asm - Sewage
	078910-03-000	EA	Door - Fuel Fill - Off White
	052704-01-000	EA	Door - Power Cord w/Handle - Off White
	052704-01-000	EA	Jamb - Power Cord/Fuel Fill Door - Off White
	052181-01-000	EA	Handle - Generator Door
	M02054-01-T03	EA	Jamb Asm - Generator Door - Off White
	054530-01-000	EA	Door Holder
	079355-01-000	FT	Seal - Access Door
	041312-01-000	EA	Seal - Bulb - E' Section
	042442-01-000	EA	Lock Asm - Twist Type
	047305-01-000	EA	Lock Asm - Key Type w/Clip - Metal (LP)
	077408-01-000	EA	Lock Asm - Key Type
	079355-01-000	EA	Lock Asm - Key Type
	079927-03-000	EA	Lock Asm - Twist Type - Double Cam
	052951-01-000	EA	Clip - Twist Lock - Retainer
	042441-01-000	EA	Lock Asm - Key Type
	052950-01-700	EA	Lock Asm - Twist Type - White

**1989 ITASCA
TABLE OF CONTENTS**

IC/F424RB	A-01 - C-05
IC/F424RC	C-07 - E-13
IF426RT	E-15 - G-17

VENTS

Key	Part Number	U/M	Description
	033558-01-000	EA	Vent Pipe Cover - 1 5"
	084073-03-000	EA	Roof Vent - Refrigerator - Off White
	084073-04-000	EA	Base - Roof Vent - Refrigerator
	090039-02-000	EA	Vent Kit - Furnace - Standard
	090391-01-Y12	EA	Vent Asm - Roof - Powered
	090395-01-Y12	EA	Vent Asm - Roof - Non-Powered
	078785-01-Y12	EA	Screen Asm - Roof Vent - Powered
	078785-01-Y12	EA	Screen Asm - Roof Vent - Non-Powered
	034079-03-000	EA	Vent - Ceiling - Exhaust - Powered - Fantastic Vent
	050258-01-000	EA	Trim - Skylight - Outer
	050508-01-000	EA	Panel - Skylight - Inner
	050507-01-000	EA	Panel - Skylight - Outer
	022698-01-01A	EA	Vent - Hood Range - Sidewall

1989 IF426RT INDEX

Floor Plan	E-15 - E-16
Accessories Group	E-17 - E-19
Bath Group	E-19 - E-20
Chassis Group	E-21
Curtain, Cushion & Pad Group	E-22 - F-05
Dinette Group	F-07
Driver's Compartment Group	F-08 - F-10
Electrical Group	F-11 - F-13
Exterior Body Group	F-14 - F-19
Galley Group	F-20 - F-21
Heating & Air Conditioning Group	F-22
Interior Finish Group	F-23 - F-24
LP Group	G-01
Lounge Group	G-02 - G-03
Water & Sewage Group	G-04 - G-05
Window, Vent & Exterior Door Group	G-06 - G-17

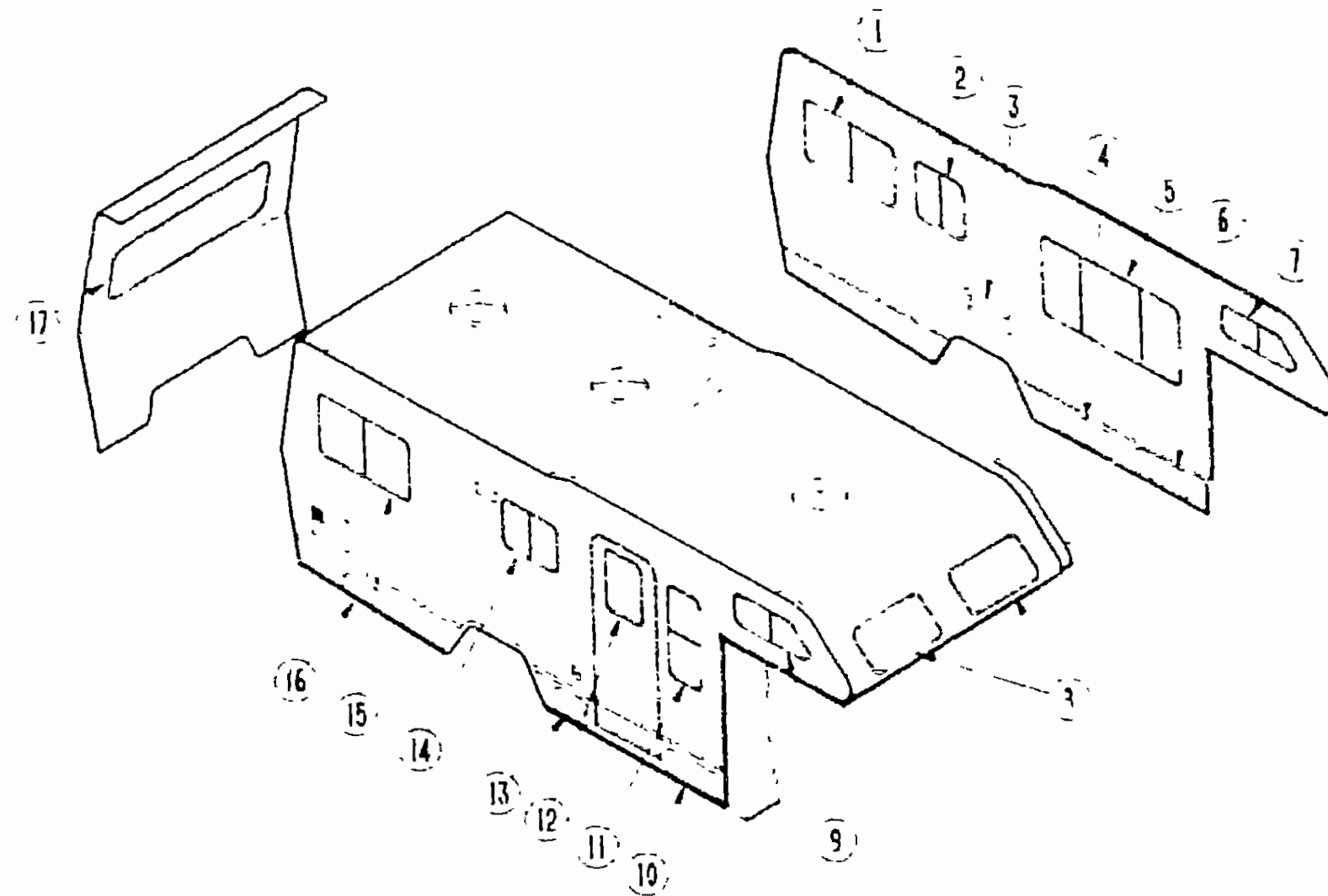
WINDOW, VENT & EXTERIOR DOOR GROUP (CONTINUED)

WINDOWS & ACCESS DOORS

1989 ITASCA TABLE OF CONTENTS

IC.F424RB
IC.F424RC
IF426RT

A-01 - C-06
C-07 - E-14
E-15 - G-17



1989 IF426RT INDEX

Floor Plan	E-15 - E-16
Accessories Group	E-17 - E-18
Bath Group	E-19 - E-20
Chassis Group	E-21
Curtain, Cushion & Pad Group	E-22 - F-06
Dinette Group	F-07
Driver's Compartment Group	F-08 - F-10
Electrical Group	F-11 - F-13
Exterior Body Group	F-14 - F-19
Galley Group	F-20 - F-21
Heating & Air Conditioning Group	F-22
Interior Finish Group	F-23 - F-24
LP Group	G-01
Lounge Group	G-02 - G-03
Water & Sewage Group	G-04 - G-05
Window, Vent & Exterior Door Group	G-06 - G-17

Key	Part Number	U/M	Description
1	078266-10-X11	EA	Window Asm - Single Slider - Left
2	078266-03-T03	EA	Window Asm - Single Slider
3	034103-03-000	EA	Door Asm - Refrigerator Access - Off White
4	084104-03-000	EA	Jamb - Refrigerator Access
5	079455-07-X08	EA	Door Asm - Storage
6	078269-04-X11	EA	Window Asm - Double
7	079149-01-T03	EA	Door Asm - Luggage
8	080284-01-000	EA	Door Asm - Generator
9	086227-02-000	EA	Window Asm - Bunk - Slant Slider - Left
10	086228-05-000	EA	Inside Frame - Beige (not included in assembly)
11	078533-04-X08	EA	Window Asm - Front Picture

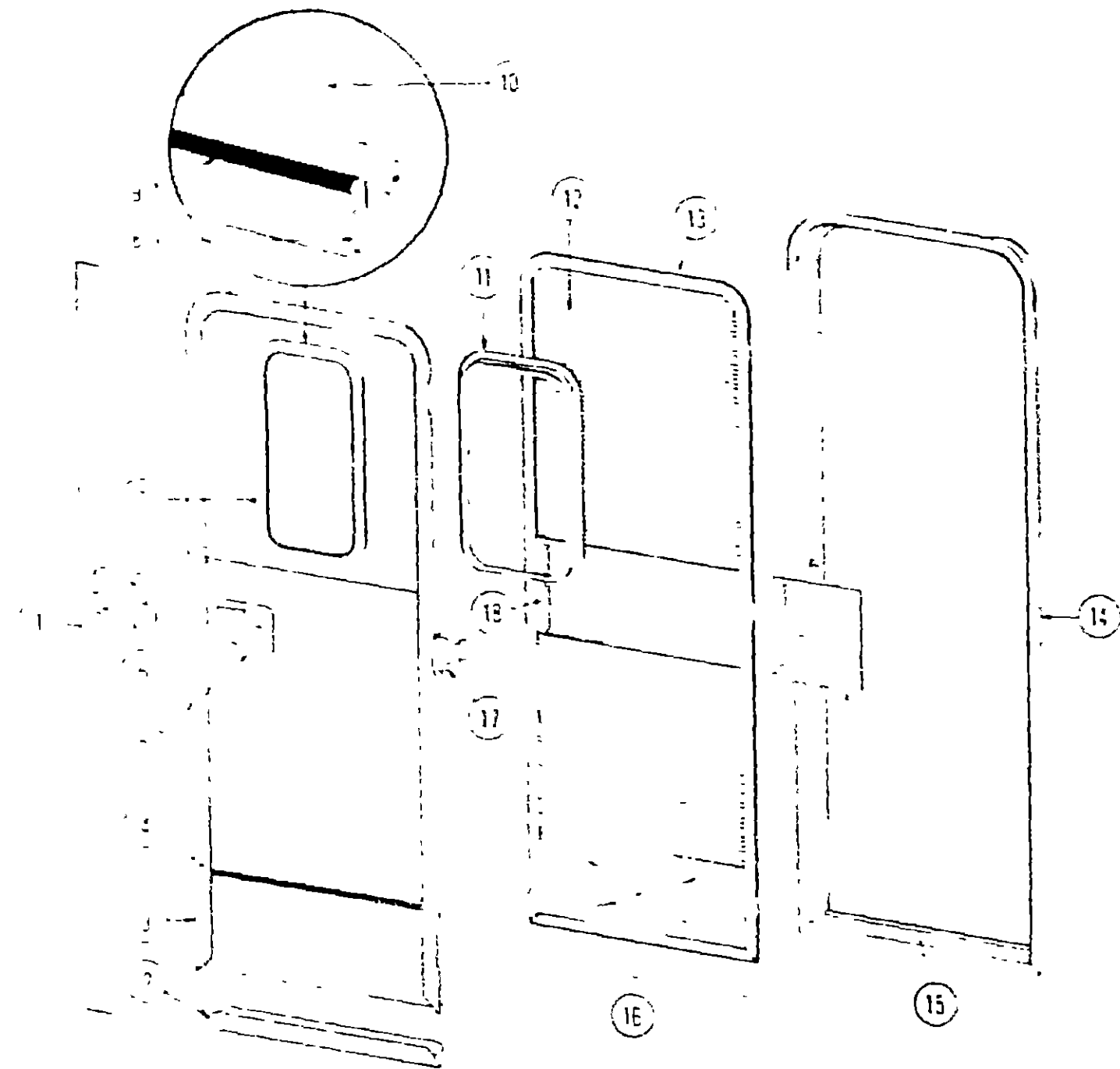
G-7

Key	Part Number	U/M	Description
9	086227-01-000	EA	Window Asm - Bunk - Slant Slider - Right
10	086228-05-000	EA	Inside Frame - Beige (not included in assembly)
11	079455-01-T95	EA	Door Asm - Storage
12	078453-01-T03	EA	Window Asm - Vertical Slider
13	079733-04-T03	EA	Window Asm - Picture
14	079455-03-T95	EA	Door Asm - LP
15	078266-02-T03	EA	Window Asm - Single Slider
16	078266-09-X11	EA	Window Asm - Single Slider - Right
17	083264-05-X08	EA	Door Asm - Storage
18	078535-01-T03	EA	Window Asm - Rear Escape

G-8

WINDOW, VENT & EXTERIOR DOOR GROUP (CONTINUED)

ENTRANCE & SCREEN DOOR



Key	Part Number	U M	Description
1	001870-01-000	EA	Door Asm - Radius Entry w/ Screen Door
2	039745-01-000	EA	Frame - Entry Door (Bottom Portion Only)
3	039747-01-000	EA	Frame - Entry Door (Except Bottom Portion)
4	049575-05-000	EA	Feature Strip w/ Inset - Extr. Off White
	001030-02-000	EA	Inset - Feature Strip - 17 - Stucco - Off White
	003731-01-000	EA	End Cap - Feature Strip
	045017-05-000	EA	Padde Asm - Door Lock - Exterior
	045017-05-700	EA	Lock Cylinder w/ Keys - Lynor
	039539-01-000	EA	Strike Bolt - Entry Door
	039540-01-000	EA	Latch Claw - Entry Door
	035229-01-01A	EA	Dead Bolt - Entry Door
	033205-01-000	EA	Dead Bolt - Press Fit
6	039979-03-000	EA	Plate - Inside Lock - Includes Inside Handle
	052186-01-000	EA	Lock Asm - Complete - Lynor
7	079733-04-703	EA	Window Asm - Picture - 17" x 25" - Back (w/o ins do frame)
8	069646-05-000	FT	Rubber Seal - 3.16" Bead x 15
9	002302-02-000	FT	Spine - Glass - 1.6" Back
10	073113-01-000	EA	Glass - Picture Window - 16" x 16.25" x 24" - Gray
11	069609-03-000	EA	Inside Frame - Beige (not included in assembly)
12	002293-02-000	SF	Screen - Window - 26" - Charcoal
13	056795-02-000	FT	Sea Tape - 1/8" x 3/8" - Press On
14	078591-07-000	EA	Jamb Asm - Entrance Door
	051049-01-000	EA	Jamb - Entrance Door - Bottom
15	079386-02-000	EA	Sl. Jamb - Screen Door - Light Oak Plastic
16	079312-01-U01	EA	Door Asm - Screen
17	079351-08-000	EA	Hinge - Entrance Door (3 used per door)
18	079031-01-000	EA	Cap - Screen Door - Light Oak Plastic
	009016-01-000	EA	Catch - Elbow - Spring Loaded - Screen Door
	039553-01-000	EA	Catch Asm - Single Roller w/ Strike - Screen Door
	075231-01-000	EA	Spacer - Latch - Screen Door
	077437-02-000	EA	Strike - Roller Catch
	055025-02-000	EA	Clip - Roller Latch Catch
	044582-02-000	EA	Drip Cap - Off White
	079278-01-000	EA	Seal - Mocket - Entrance Door
	072090-01-000	FT	Seal - Entrance Door
	071739-01-000	EA	Stiffener - Entrance Door - Off White
	075573-01-000	FT	Seal - Pile - Adhesive Back
	075571-01-000	FT	Seal - Sponge - Lazy T Shaped
	002294-01-000	FT	Spine - Back - 135 x 136 (Screen Door)
	079087-02-010	EA	Strike - Screen Door
	063729-04-000	EA	Pinout - 10-32 UNF - 010 - 080
	075639-04-000	EA	Garnish - Radius - Entrance Door

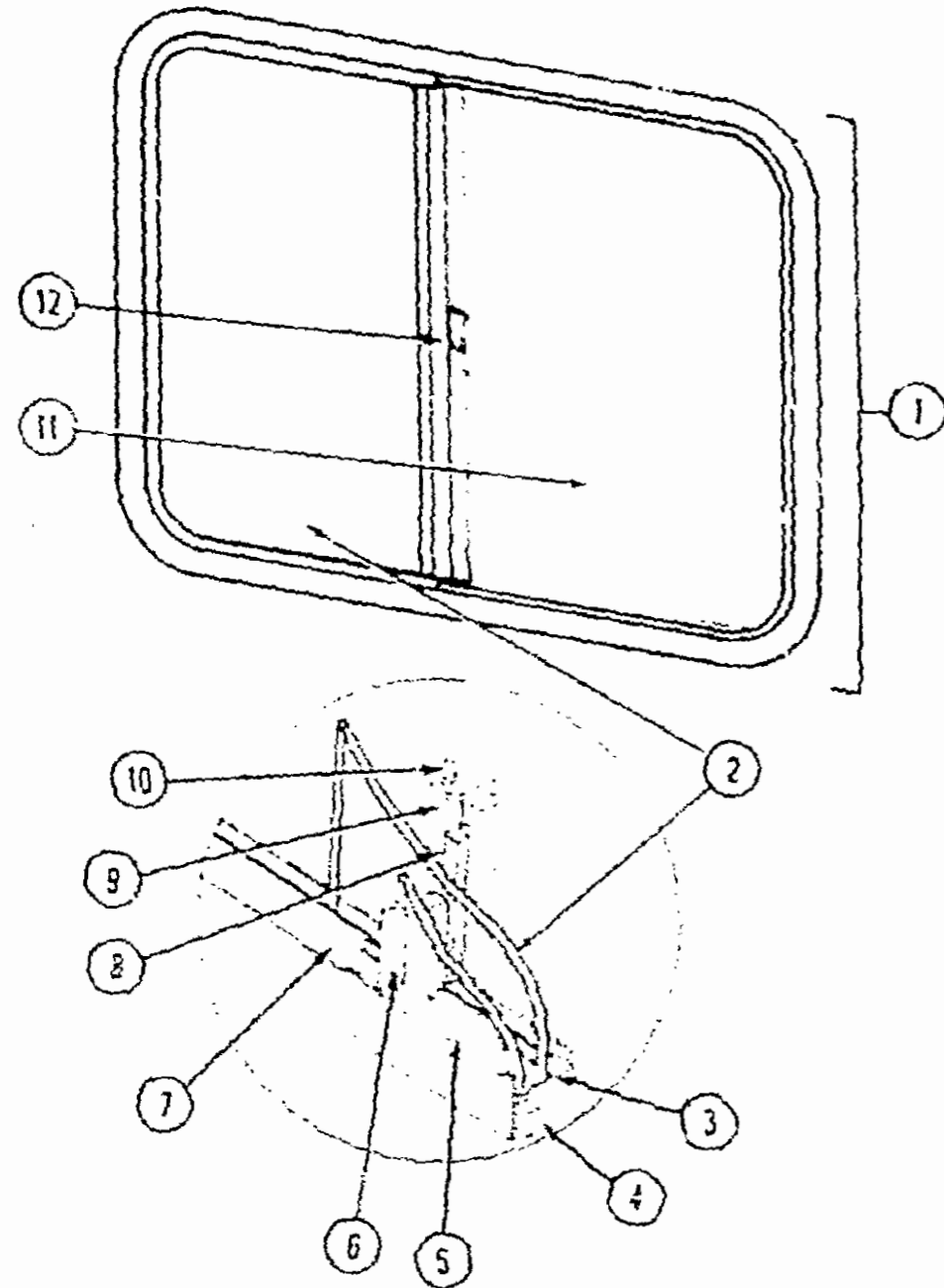
1989 ITASCA TABLE OF CONTENTS

ICF424RB	A-01 - C-06
ICF424RC	C-07 - E-14
IF426RT	E-15 - G-17

1989 IF426RT INDEX

Floor Plan	E-15 - E-16
Accessories Group	E-17 - E-18
Bath Group	E-19 - E-20
Chassis Group	E-21
Cabinet Cushion & Pad Group	E-22 - F-06
Drivette Group	F-07
Driver's Compartment Group	F-08 - F-10
Electrical Group	F-11 - F-13
Exterior Body Group	F-14 - F-19
Galley Group	F-20 - F-21
Heating & Air Conditioning Group	F-22
Interior Finish Group	F-23 - F-24
LP Group	G-01
Lounge Group	G-02 - G-03
Water & Sewage Group	G-04 - G-05
Window, Vent & Exterior Door Group	G-06 - G-17

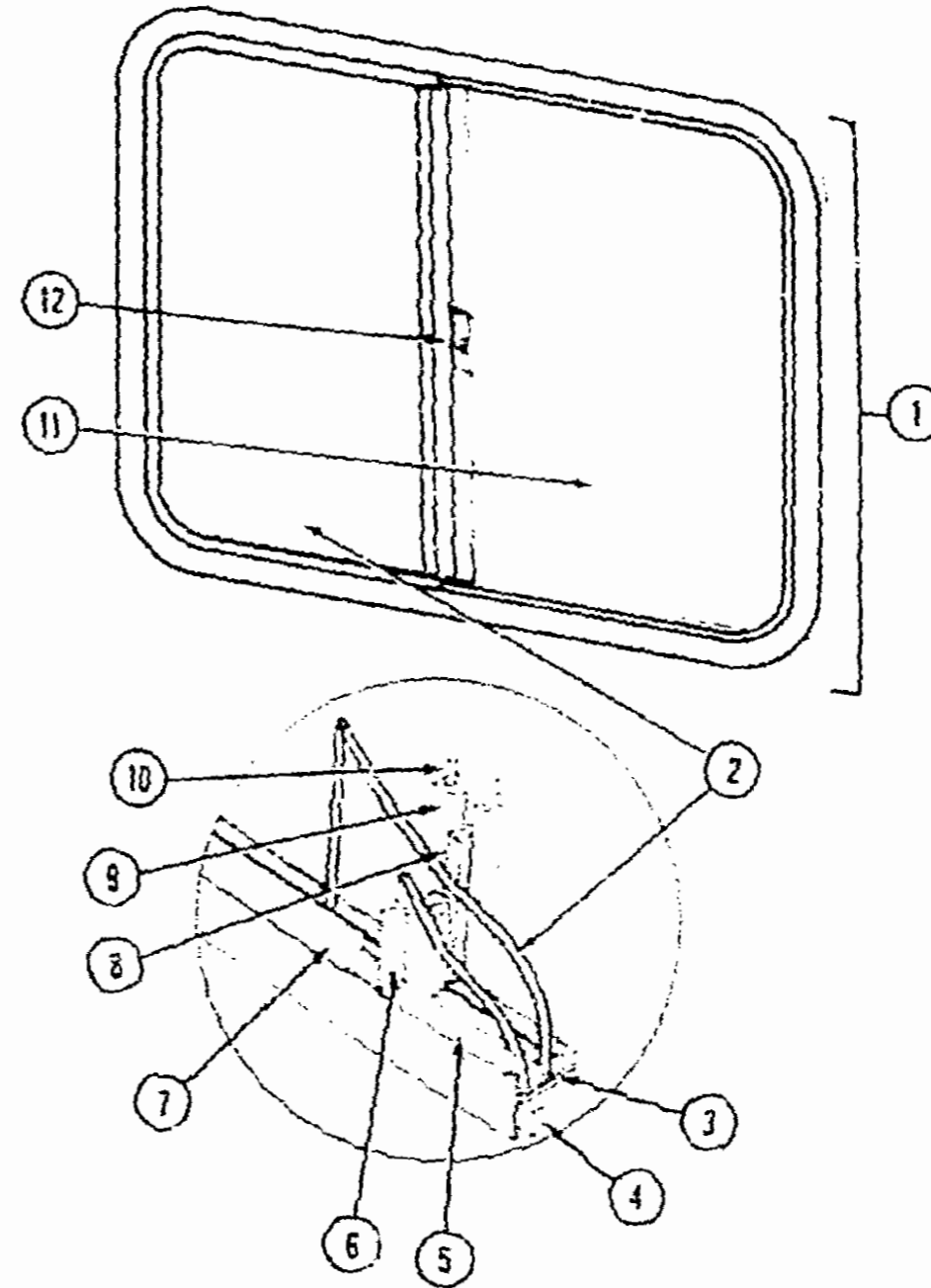
WINDOW, VENT & EXTERIOR DOOR GROUP (CONTINUED)



SINGLE SLIDER

Key	Part Number	U/M	Description
1	078266-10-X11	EA	Window Asm. - Single Slider - Left (w/o inside frame)
1	078266-09-X11	EA	Window Asm. - Single Slider - Right (w/o inside frame)
	083122-24-000	EA	Inside Frame - Beige (not included in assembly)
2	081980-09-000	EA	Glass - Sliding - 1/8" x 24" x 20.03"
3	002324-02-000	FT	Channel - Weatherstrip - Glass Run - 1/8" Glass
4	069640-06-000	FT	Ribbon Sealer - 5/16" Bead x 15"
5	002309-02-000	FT	Spline - Glass - 1/8" Material - Black
6	069566-03-001	EA	Seal Holder w/Fin Seal - Black
7	024096-02-000	FT	Extr. Rubber - Window Seal - Black
8	073740-01-000	FT	Seal - Fin - Pile - .460"
9	083926-02-001	EA	Mullion - Slider Window - Black
10	002298-02-000	FT	Spline - 130" Dia. - Charcoal (Screen)
11	081984-09-000	EA	Glass - Stationary - 1/8" x 24" x 22.49"
12	047369-01-700	EA	Latch Kit - Window - Plastic w/Fastener
	002292-02-000	SF	Screen - Window - 20" - Charcoal (Screen)

WINDOW, VENT & EXTERIOR DOOR GROUP (CONTINUED)



SINGLE SLIDER

Key	Part Number	U/M	Description
1	078266-02-T03	EA	Window Asm. - Single Slider (w/o inside frame)
	083122-03-000	EA	Inside Frame - Beige (not included in assembly)
2	081980-05-000	EA	Glass - Sliding - 1/8" x 19" x 13.65"
3	002324-02-000	FT	Channel - Weatherstrip - Glass Run - 1/8" Glass
4	069640-06-000	FT	Ribbon Sealer - 5/16" Bead x 15"
5	002309-02-000	FT	Spline - Glass - 1/8" Material - Black
6	069566-03-001	EA	Seal Holder w/Fin Seal - Black
7	024096-02-000	FT	Extr. Rubber - Window Seal - Black
8	073740-01-000	FT	Seal - Fin - Pile - .460"
9	083926-02-001	EA	Mullion - Slider Window - Black
10	002298-02-000	SF	Spline - 130" Dia. - Charcoal (Screen)
11	081984-03-000	EA	Glass - Stationary - 1/8" x 19" x 12.33"
12	047369-01-700	EA	Latch Kit - Window - Plastic w/Fastener
	002292-02-000	SF	Screen - Window - 16" - Charcoal

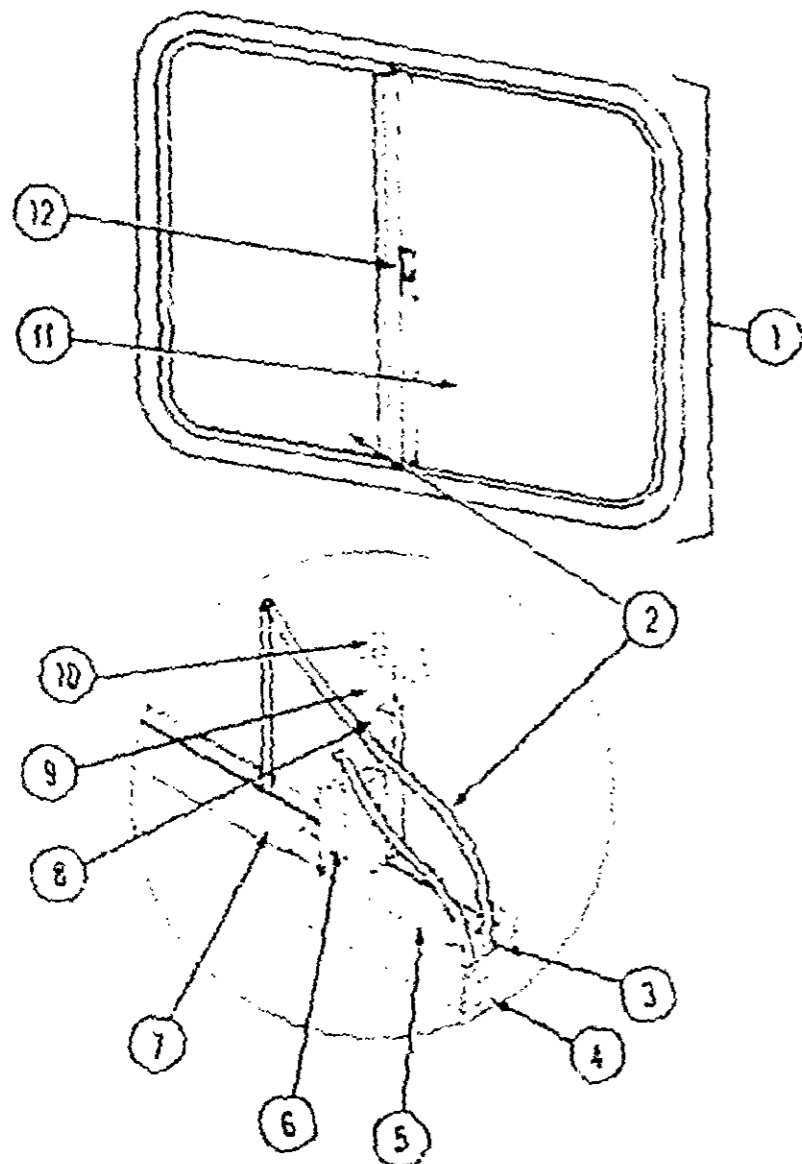
1989 ITASCA
TABLE OF CONTENTS

IC F42-RB
IC F42-RC
IF426RT

A-01 - C-06
C-07 - E-14
E-15 - G-17

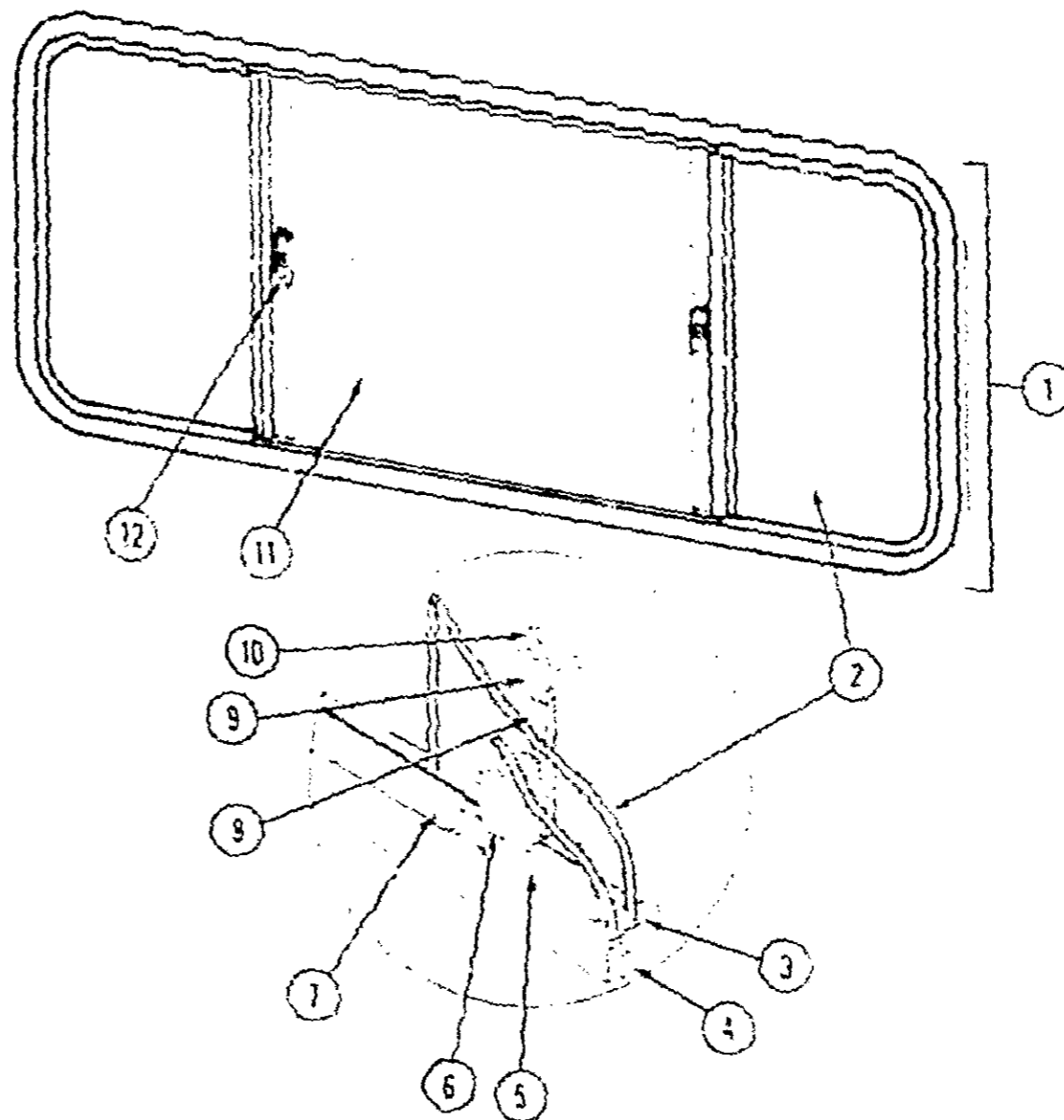
1989 IF426RT INDEX

Floor Plan	E-15 - E-16
Accessories Group	E-17 - E-18
Bath Group	E-19 - E-20
Chassis Group	E-21
Curtain, Cushion & Pad Group	E-22 - F-05
Dinette Group	F-07
Driver's Compartment Group	F-08 - F-10
Electrical Group	F-11 - F-13
Exterior Body Group	F-14 - F-19
Galley Group	F-20 - F-21
Heating & Air Conditioning Group	F-22
Interior Finish Group	F-23 - F-24
LP Group	G-01
Lounge Group	G-02 - G-03
Water & Sewage Group	G-04 - G-05
Window, Vent & Exterior Door Group	G-06 - G-17



SINGLE SLIDER

Key	Part Number	U/M	Description
1	078266-03-703	EA	Window Asm. - Single Slider - Black (w/o inside frame)
2	083122-03-033	EA	Inside Frame - Beige (not included in assembly)
3	081984-03-000	EA	Glass - Slider - 1/8" x 19" x 13.65"
4	002324-02-000	FT	Channel - Weatherstrip - Glass Run - 1/8" Glass
5	069540-06-000	FT	Ribbon Seal - 5/16" Bead x 15'
6	002309-02-000	FT	Spline - Glass - 1/8" Material - Black
7	069556-03-000	EA	Seal Holder w/Fin Seal - Black
8	024096-02-000	FT	Extr. Rubber - Window Seal - Black
9	073740-01-000	FT	Seal - Fin - Pile - .460"
10	063926-02-001	EA	Mullion - Slider Window - Black
11	002298-02-000	FT	Spline - .130" Dia - Charcoal (Screen)
12	081984-03-000	EA	Glass - Stationary - 1/8" x 19" x 12.5"
	047359-01-703	EA	Latch Kit - Window - Plastic w/Fastener
	002292-02-000	SF	Screen - Window - 20" - Charcoal
	072204-01-000	EA	Bracket - Mullion - Black



Key	Part Number	U/M	Description
1	078266-03-703	EA	Window Asm. - Double Slider (w/o inside frame)
2	083122-03-033	EA	Inside Frame - Beige (not included in assembly)
3	002324-02-000	FT	Channel - Weatherstrip - Glass
4	069540-06-000	FT	Ribbon Seal - 5/16" Bead x 15'
5	002309-02-000	FT	Spline - Glass - 1/8" Material - Black
6	069556-03-001	EA	Seal Holder - 1/8" Glass - Black
7	024096-02-000	FT	Extr. Vinyl - Window Seal - Black
8	073740-01-000	FT	Seal - Fin - Pile - .460"
9	083926-02-001	EA	Mullion - Slider Window - Black
10	002293-02-000	SF	Screen - Window - 26" - Charcoal
11	002298-02-000	FT	Spline - .130" Dia - Charcoal (Screen)
12	002188-07-000	EA	Glass - Stationary - 1/8" x 30.7" x 24.5"
	047359-01-703	EA	Latch Kit - Window - Plastic w/Fastener

1989 ITASCA
TABLE OF CONTENTS

10-242-AB
10-242-AC
1F426RT

A-01 - C-06
D-07 - E-11
F-15 - G-17

1989 IF426RT INDEX

Floor Plan	E-05 - E-10
Accessories Group	E-11 - E-15
Bath Group	E-16 - E-20
Chassis Group	E-01
Curtain, Cushion & Pad Group	E-21 - F-05
Dinette Group	F-06
Driver's Compartment Group	F-06 - F-10
Electrical Group	F-11 - F-13
Exterior Body Group	F-14 - F-19
Galley Group	F-20 - F-21
Heating & Air Conditioning Group	F-22
Interior Finish Group	F-23 - F-24
LP Group	G-01
Lounge Group	G-02 - G-03
Water & Sewage Group	G-04 - G-05
Window, Vent & Exterior Door Group	G-06 - G-17

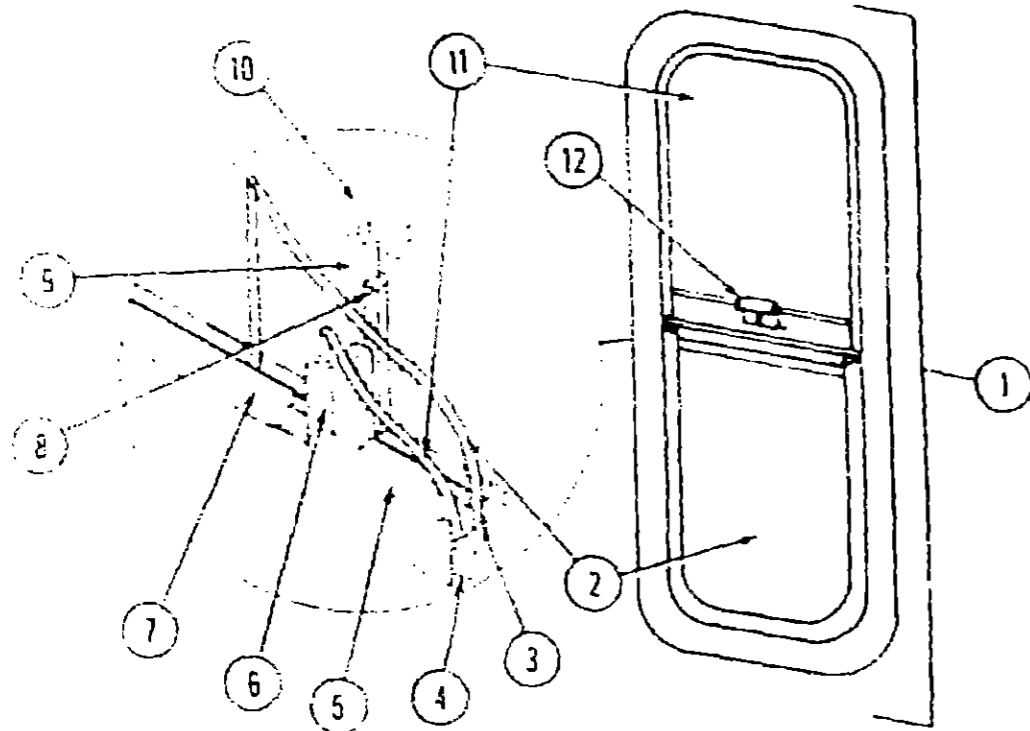
WINDOW, VENT & EXTERIOR DOOR GROUP (CONTINUED)

WINDOW, VENT & EXTERIOR DOOR GROUP (CONTINUED)

1989 ITASCA
TABLE OF CONTENTS

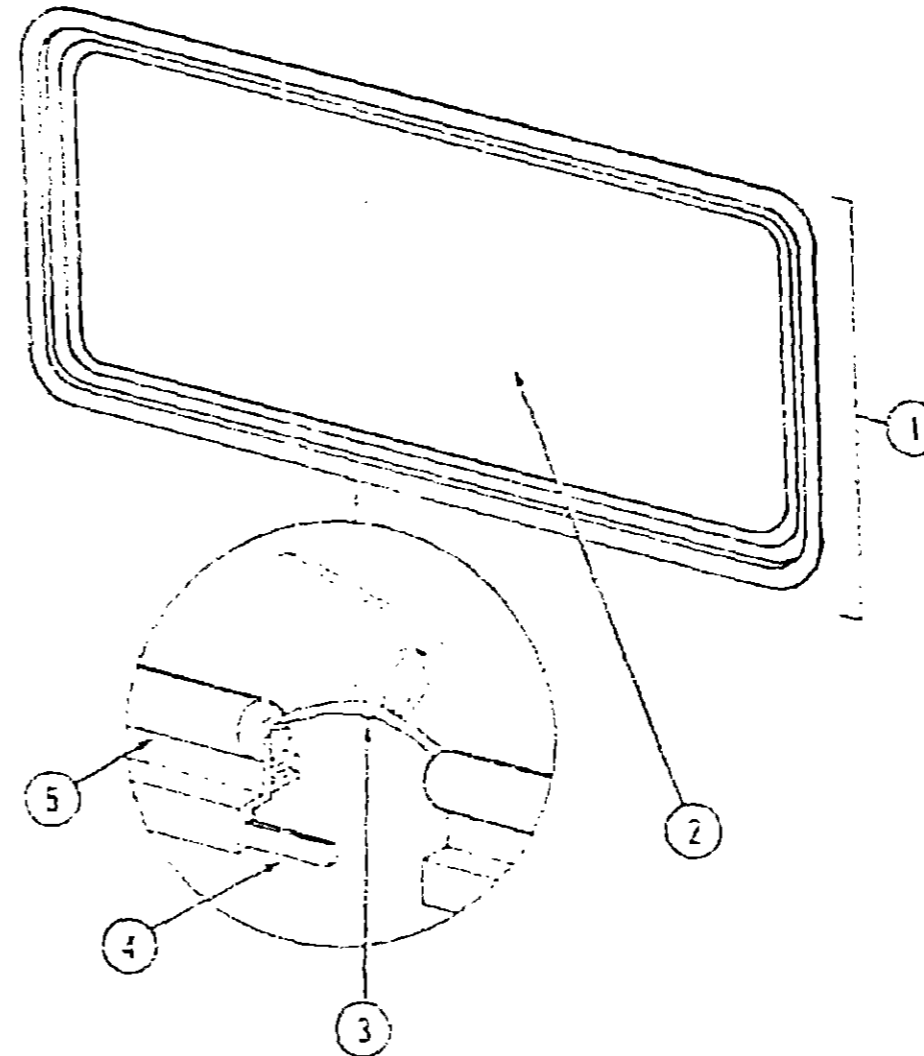
IC.F424RB
IC.F424RC
IF426RT

A-01 - C-06
C-07 - E-14
E-15 - G-17



VERTICAL SLIDER

Key	Part Number	U/M	Description
1	07648-01-700	EA	Window Asm - Vertical Slider - 37" x 15" - Black (w/o inside frame)
2	042027-05-000	EA	Inside Frame - Beige (not included in assembly)
3	002175-01-000	EA	Glass - Slider - 1/8" x 14 4" x 19"
4	002285-01-000	FT	Channel - Weatherstrip - Glass Run - 1/8" Glass
5	002285-01-000	FT	Ribbon Sealer - 5/16" Bead x 15'
6	002298-02-000	FT	Spline - Glass - 1/8" Material - Black
7	002286-03-001	EA	Seal Holder w/Fin Seal - Black
8	002096-02-000	FT	Extr. Ribbon - Window Seal - Black
9	002240-01-000	FT	Seal - Fin - Pile - 460'
10	002298-02-000	EA	Mullion - Slider Window - Black
11	002298-02-000	FT	Spline - .130" Dia - Charcoal (Screen)
12	001984-02-000	EA	Glass - Stationary - 1/8" x 14 4" x 19"
	047369-01-700	EA	Latch Kit - Window - Plastic w/Fastener
	002291-02-000	SF	Screen - Window - 16" - Charcoal



REAR ESCAPE WINDOW

Key	Part Number	U/M	Description
1	076536-01-T03	EA	Window Asm - Rear Escape - 23" x 66" - Black (w/o inside frame)
	042027-05-000	EA	Inside Frame - Beige (not included in assembly)
2	002175-01-000	EA	Glass - 1/8" x 19 6 1" x 64 6 0"
3	002285-01-000	FT	Filler - Weatherstrip - Black
4	002285-01-000	FT	Ribbon Sealer - 2" x 3/32" x 45'
5	002282-01-000	FT	Weatherstrip - 125" Window
	006199-01-000	EA	Label - Ext - Escape Window

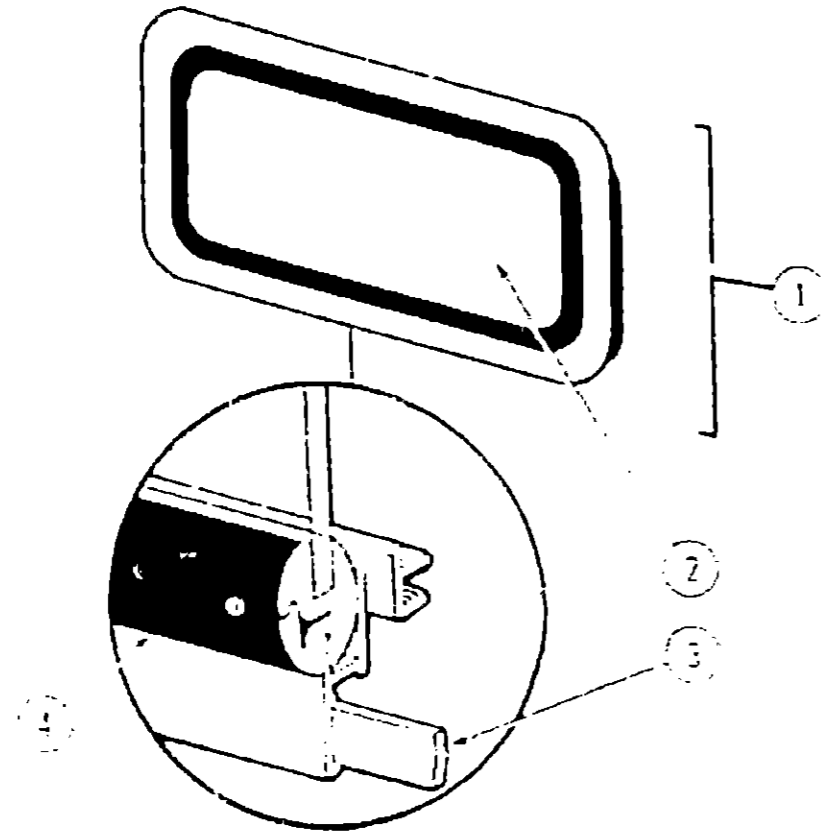
1989 IF426RT INDEX

Floor Plan	E-16 - E-16
Accessories Group	E-17 - E-18
Bath Group	E-19 - E-20
Chassis Group	E-21
Curtain, Cushion & Pad Group	E-22 - E-25
Dinette Group	F-07
Driver's Compartment Group	F-06 - F-10
Electrical Group	F-11 - F-13
Exterior Body Group	F-14 - F-19
Galley Group	F-20 - F-21
Heating & Air Conditioning Group	F-22
Interior Finish Group	F-23 - F-24
LP Group	G-01
Lounge Group	G-02 - G-03
Water & Sewage Group	G-04 - G-05
Window, Vent & Exterior Door Group	G-06 - G-17

1989 ITASCA
TABLE OF CONTENTS

IC F424RB
IC F424RC
IF426RT

A-01 - C-06
C-07 - E-14
E-15 - G-17



FRONT PICTURE WINDOW

Key	Part Number	U/M	Description
-	076533-04-X08	EA	Window Asm - Front Picture - 15" x 30" - Black (w/o inside frame)
-	041939-05-000	EA	Inside Frame - Beige (not included in assembly)
2	002200-05-000	EA	Glass - TP - Picture Window - 15.3" x 30"
3	066640-06-000	FT	Ribbon Sealer - 5/16" Bead x 15'
4	002261-01-000	EA	Weatherstrip - Self Seal - .03" Panel x 3/16" - Black

1989 IF426RT INDEX

Floor Plan	E-15 - E-16
Accessories Group	E-17 - E-19
Bath Group	E-19 - E-20
Chassis Group	E-21
Curtain, Cushion & Pad Group	E-22 - F-05
Dinette Group	F-07
Driver's Compartment Group	F-08 - F-10
Electrical Group	F-11 - F-13
Exterior Body Group	F-14 - F-19
Galley Group	F-20 - F-21
Heating & Air Conditioning Group	F-22
Interior Finish Group	F-23 - F-24
LP Group	G-01
Lounge Group	G-02 - G-03
Water & Sewage Group	G-04 - G-05
Window, Vent & Exterior Door Group	G-06 - G-17