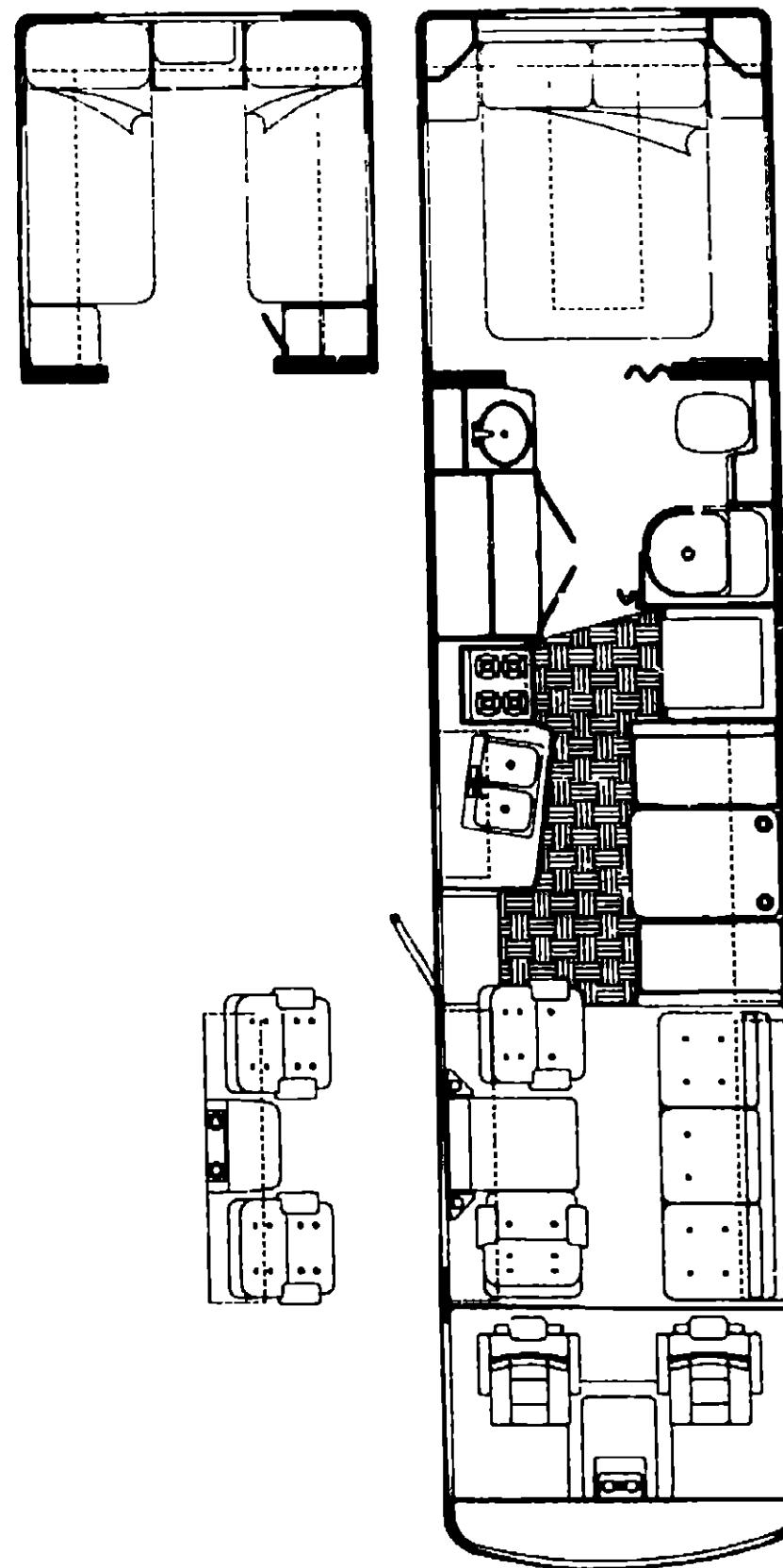


1989 ICP37RQ



1989 ITASCA TABLE OF CONTENTS

IC/JP34RU
ICP37RQ

A-01 - D-06
D-07 - G-20

1989 ICP37RQ INDEX

| | |
|------------------------------------|-------------|
| Floor Plan | D-07 - D-08 |
| Accessories Group | D-09 - D-12 |
| Bath Group | D-13 - D-14 |
| Chassis Group | D-15 - D-19 |
| Curtain, Cushion & Pad Group | D-20 - E-18 |
| Dinette Group | E-19 - E-21 |
| Driver's Compartment Group | E-22 - F-02 |
| Electrical Group | F-03 - F-06 |
| Exterior Body Group | F-07 - F-14 |
| Galley Group | F-15 - F-19 |
| Heating & Air Conditioning Group | F-20 |
| Interior Finish Group | F-21 - F-23 |
| LP Group | F-24 |
| Lounge Group | G-01 - G-03 |
| Water & Sewage Group | G-04 - G-05 |
| Window, Vent & Exterior Door Group | G-06 - G-20 |

ACCESSORIES GROUP

RACK & LADDER COMPONENTS

| Key | Part Number | U/M | Description |
|-----|---------------|-----|--|
| | 080997-03-T03 | EA | Ladder Asm - Lower |
| | 080999-03-T03 | EA | Ladder Asm - Upper |
| | 081026-05-T03 | EA | Rack Arm - Right |
| | 081026-06-T03 | EA | Rack Arm - Left |
| | 081055-01-000 | EA | Spring Grip - Internal |
| | 081056-01-000 | EA | Pin - Quick Release |
| | 081152-01-000 | EA | Bumper Plate - Brte Dip |
| | 064093-01-000 | EA | Luggage Box - 14" x 30" x 60" (Optional) |

MICROWAVE/CONVECTION OVEN & COMPONENTS

| Key | Part Number | U/M | Description |
|-----|---------------|-----|--|
| | 088737-01-000 | EA | Microwave/Convection Oven - Magic Chef |
| | 088682-03-000 | EA | Bracket Asm - Microwave - Right |
| | 088682-04-000 | EA | Bracket Asm. - Microwave - Left |
| | 088737-02-000 | EA | Frame Kit - Microwave Oven |

FOG LAMP & COMPONENTS

| Key | Part Number | U/M | Description |
|-----|---------------|-----|-----------------------------|
| | 088747-01-000 | EA | Lamp Asm - Fog w/Clear Lens |
| | 088942-01-000 | EA | Mounting Bracket - Fog Lamp |
| | 088747-01-700 | EA | Cover Only |

CUSTOM STEERING WHEEL

| Key | Part Number | U/M | Description |
|-----|---------------|-----|-------------------------------|
| | 080752-02-000 | EA | Steering Wheel - Custom |
| | 080752-06-000 | EA | Hub Adapter - Steering Wheel |
| | 080752-07-000 | EA | Button - Horn - w/Wire |
| | 080752-08-000 | EA | Screw - Custom Steering Wheel |

POWER SEARCHLIGHT & COMPONENTS (OPT. 63E)

| Key | Part Number | U/M | Description |
|-----|---------------|-----|--|
| | 051057-02-000 | EA | Searchlight - Power - Less Switch Asm. |
| | 051057-01-700 | EA | Switch - Panel Asm. (Aux.) |
| | 051057-01-701 | EA | Switch - Panel Asm (Main) |
| | 051057-01-702 | EA | Joy Switch & Housing |
| | 051057-01-703 | EA | Toggle Switch - On/Off |
| | 051057-01-704 | EA | Micro Switch |
| | 051057-01-705 | EA | Bulb |
| | 051057-03-000 | EA | Switch Asm - Searchlight |

EXTERIOR MIRRORS

| Key | Part Number | U/M | Description |
|-----|--|-----|---|
| .. | 077051-03-000 | EA | Mirror Asm - Exterior - Right |
| .. | 077051-04-000 | EA | Mirror Asm - Exterior - Left |
| .. | 088261-01-000 | EA | Mirror Asm - Electronic Control & Heat - Right (Opt. 81Y) |
| .. | 088261-02-000 | EA | Mirror Asm - Electronic Control & Heat - Left (Opt. 81Y) |
| | 087885-01-000 | EA | Switch - Heater |
| | 088248-01-000 | EA | Switch - Remote |
| | 080243-01-000 | EA | Wire Asm - Remote Mirror - Door |
| | 080244-01-000 | EA | Wire Asm - Remote Mirror - Cab |
| .. | The illustrated parts breakdown for this item is provided on the Common Name Fiche | | |

ACCESSORIES GF OUT (CONTINUED)

WHEEL COVER & MOUNTING HARDWARE

| Key | Part Number | U/M | Description |
|-----|---------------|-----|--|
| | 083181-03-700 | EA | Wheel Cover - 19.5" - w/Nut Cover & Cap |
| | 083181-04-000 | EA | Retainer Kit - 19.5" Wheel Cover (Set/4) |
| | 083181-04-700 | EA | Retainer Kit - 19.5" Front (1) |
| | 083181-04-701 | EA | Retainer Kit - 19.5" Rear (1) |
| | 083181-04-702 | EA | Nut Cover - 19.6" |
| | 083181-04-703 | EA | Cap - Chrome Center |

STYLIZED ALUMINUM WHEELS & COMPONENTS (OPT. 66Y)

| Key | Part Number | U/M | Description |
|-----|---------------|-----|--|
| | 077042-01-000 | EA | Wheel - Polished Aluminum - 19.5" x 6" - Front |
| | 077042-02-000 | EA | Wheel - Polished Aluminum - 19.5" x 6" - Rear |
| | 077043-01-000 | EA | Lug Nut - 2 Pieces - Cone Seat & Flange |
| | 077044-01-000 | EA | Chrome Cover - Lug Nut - w/Skirt |
| | 077045-01-000 | EA | Chrome Cover - Front - Axle - 2 Piece |
| | 077045-02-000 | EA | Chrome Cover - Rear Axle - 2 Piece |
| | 078280-02-000 | EA | Pouch - Wrench - 11" x 11" |
| | 077927-01-000 | EA | Label - Warning - Wheel Nuts |
| | 007321-01-000 | EA | Tire - 8.00 x 19.5 - 8 Ply Poly - Goodyear |

CHROME WHEEL LINERS (OPT. 64B)

| Key | Part Number | U/M | Description |
|-----|---------------|-----|---|
| | 091209-01-000 | EA | Wheel Liner - Chrome - 19.5" (Set/4) w/Axle & Lugnut Covers |
| | 091209-02-000 | EA | Wheel Liner - Chrome - 19.5" (Set/2) w/Axle & Lugnut Covers |
| | 091209-01-700 | EA | Wheel Liner - Chrome - 19.5" Front (1) Only |
| | 091209-01-701 | EA | Wheel Liner - Chrome - 19.5" Rear (1) |
| | 091209-01-702 | EA | Chrome Cover - Front Axle |
| | 091209-01-703 | EA | Chrome Cover - Rear Axle |
| | 091209-01-704 | EA | Chrome Cover - Lug Nut |
| | 085012-01-000 | EA | Valve Stem Extension - Dual Wheel |

REAR VIEW TELEVISIONS (TWS26B) (OPT. 67W) BEFORE 10/30/88

| Key | Part Number | U/M | Description |
|-----|---------------|-----|-------------------------------|
| | 083207-01-000 | EA | Television System - Rear View |
| | 083207-02-000 | EA | Cable - Rear View TV System |
| | 084349-01-U18 | EA | Shroud Asm. - Camera - Gray |
| | 084408-01-000 | EA | Seal - Camera Mounting |
| | 084264-01-000 | EA | Bracket - Mounting Camera |

REAR VIEW TELEVISION OPTION (SONY) (OPT. 67Z) AFTER 10/31/88

| Key | Part Number | U/M | Description |
|-----|---------------|-----|-------------------------------|
| | 083040-01-000 | EA | TV & Monitor Only |
| | 083041-01-000 | EA | Cable |
| | 083852-01-03A | EA | Shroud - TV Camera - Gray |
| | 083221-01-000 | EA | Lens - Monitor Shroud - Rear |
| | 084285-01-000 | EA | Wire Asm - Monitor - Modified |
| | 082881-01-000 | EA | Wire Asm. - IP Rear Monitor |
| | 084001-01-000 | EA | Clamp - Camera |
| | 084003-01-000 | EA | Bracket Asm - Camera |

1989 ITASCA TABLE OF CONTENTS

IC/JP34RU
ICP37RQ

A-01 - D-06
D-07 - G-20

1989 ICP37RQ INDEX

| | |
|------------------------------------|-------------|
| Floor Plan | D-07 - D-08 |
| Accessories Group | D-09 - D-12 |
| Bath Group | D-13 - D-14 |
| Chassis Group | D-15 - D-19 |
| Curtain, Cushion & Pad Group | D-20 - E-18 |
| Dinette Group | E-19 - E-21 |
| Driver's Compartment Group | E-22 - F-02 |
| Electrical Group | F-03 - F-06 |
| Exterior Body Group | F-07 - F-14 |
| Galley Group | F-15 - F-19 |
| Heating & Air Conditioning Group | F-20 |
| Interior Finish Group | F-21 - F-23 |
| LP Group | F-24 |
| Lounge Group | G-01 - G-03 |
| Water & Sewage Group | G-04 - G-05 |
| Window, Vent & Exterior Door Group | G-06 - G-20 |

ACCESSORIES GROUP (CONTINUED)

GENERATORS & COMPONENTS (OPT. 38E&G)

| Key | Part Number | U/M | Description |
|-----|---------------|-----|------------------------------------|
| | 081634-04-000 | EA | Generator - Onan - 6.5 - Emerald |
| | 079854-07-000 | EA | Generator - Onan - 4.0 - Emerald |
| | 083151-01-000 | EA | Muffler - Onan - Emerald Generator |
| | 083152-01-000 | EA | Pipe - Exhaust - Generator |
| | 079854-05-000 | EA | Pipe - Exhaust - Generator |
| | 078045-01-000 | EA | Plate - Generator Support |
| | 084385-01-000 | EA | Plate Support - Generator |
| | 023842-01-000 | EA | Grommet - Rubber - 2" O.D. |
| | 007067-01-000 | SF | Insulation - Fiberglass - 1" |
| | 079854-01-700 | EA | Hinge Kit |

AIR HORNS & COMPONENTS (OPT. 38F)

| Key | Part Number | U/M | Description |
|-----|---------------|-----|---|
| | 077497-01-000 | EA | Air Horn Kit - w/o Auxiliary Hose Kit (Below) |
| | 077497-01-700 | EA | Solenoid - Air Tank |
| | 077497-01-701 | EA | Switch - Compressor |
| | 077497-01-702 | EA | Toggle Switch w/Wire |
| | 077497-01-703 | EA | Air Tank |
| | 077497-01-704 | EA | Compressor w/Switch |
| | 077497-02-000 | EA | Hose Kit - Auxiliary Air |
| | 077497-03-000 | EA | Parts Kit - Hose - Auxiliary Air |
| | 078238-01-000 | EA | Label Plate - Horn |
| | 083912-02-000 | EA | Relay - Converter 332-20-158 |
| | 078022-01-000 | EA | Wire Ass. - Air Horn |
| | 081404-01-000 | EA | Bracket - Mounting Compressor |

REAR RADIO & COMPONENTS (OPT. 28L)

| Key | Part Number | U/M | Description |
|-----|---------------|-----|---|
| | 080338-01-000 | EA | Radio - AM/FM Stereo - w/Cassette - Magnadyne LS1800 |
| | 073431-01-000 | EA | Speaker - 5.25" Dia - 3 Way (Pair) - 110-2071 w/Grilles |
| | 080844-01-000 | EA | Antenna - Radio - 16" Rubber |
| | 080862-01-000 | EA | Antenna Bracket - Hat |
| | 074979-01-000 | EA | Speaker Cover - Light Oak Plastic |
| | 089340-01-000 | EA | Grille - Speaker - 6.5" Square |

FRONT RADIO & COMPONENTS

| Key | Part Number | U/M | Description |
|-----|---------------|-----|---|
| | 082311-01-000 | EA | Radio - AM/FM Stereo w/Cassette - Auxvox HCC 1170 |
| | 073741-03-000 | EA | Speaker - 4" x 6" Oval |
| | 073741-04-000 | EA | Grille - 4" x 6" - Oval Speaker |
| | 077089-01-000 | EA | Antenna Arm - Radio |
| | 077089-02-000 | EA | Cable - Antenna Extension - 98" |
| | 074979-07-000 | EA | Speaker Cover - Light Oak Plastic |

ICE MAKER (OPT. 36J)

| Key | Part Number | U/M | Description |
|-----|---------------|-----|---|
| ** | 076799-01-000 | EA | Ice Maker - Black |
| | 038800-01-000 | FT | Tubing - Plastic - 1/2" DD x 20' |
| | 052852-01-000 | EA | Nut - Plastic - 1/2 F |
| | 052880-01-000 | EA | Valve - Line Drain - 1/2" F x 1/2 F |
| | 077054-01-000 | EA | Valve - Plastic - 1/2" M x 1/2" M x 1/4" COMP |
| | 082144-02-000 | EA | Cap - Pipe - Brass Hex - 1/2" FPT |
| | 077841-01-000 | EA | Bracket - Tiedown - Right |
| | 077841-02-000 | EA | Bracket - Tie Down - Left |

** The illustrated parts breakdown for this item is provided on the Common Items Fiche

ACCESSORIES GROUP (CONTINUED)

TV, VCR & COMPONENTS (OPT. 42R, 42U, 42Z)

| Key | Part Number | U/M | Description |
|-----|---------------|-----|---|
| | 091258-02-000 | EA | Television - 13" Color - w/Remote - Sharp |
| | 091258-02-700 | EA | Remote - 13" Color TV - Sharp |
| | 085774-01-000 | F1 | Fastener - Dual Lock - 1" Wide |
| | 085774-02-000 | F1 | Fastener - Dual Lock - 1" Wide |
| | 085758-03-000 | EA | VCR-VHS - GE VG7520 HQ |
| | 088757-01-000 | EA | Control Center - Switching - Channel Master |
| | 091988-01-000 | EA | Separator - Band - VHF/UHF |
| | 078319-12-000 | EA | Connector - Coaxial Cable Ends - 1 PC |
| ** | 078319-01-000 | EA | Antenna - TV - 44.5" Mast |
| ** | 088758-01-000 | EA | Splitter - TV - 2-Way |
| ** | 088777-03-000 | EA | Wall Plate - Antenna/Power - Ivory |
| ** | 078319-03-000 | FT | Coaxial Cable |
| | 088778-01-000 | EA | Receptacle - Outside - Cable TV |
| | 087238-01-000 | EA | Label - Cable Input |
| | 087238-02-000 | EA | Label - TV Outlet |

** The illustrated parts breakdown for this item is provided on the Common Items Fiche

MISCELLANEOUS ACCESSORIES

| Key | Part Number | U/M | Description |
|-----|---------------|-----|---|
| | 054185-31-000 | EA | Owners Manual - 1989 - Winnebago & Itasca |
| | 083552-01-01A | EA | Clock - 10" x 10" |
| | 091072-02-000 | EA | Floor Mat - Front - Right - Itasca |
| | 081074-02-000 | EA | Floor Mat - Front - Left - Itasca |
| | 081075-02-000 | EA | Floor Mat - Entrance - Itasca |
| | 017518-01-000 | EA | Mud Flap - 14" x 18" - Rear - Black |
| | 017518-02-000 | EA | Mud Flap - 14" x 12" - Front - Black |
| | 080087-03-000 | EA | Bracket - Mudflap Hanger - Rear Passenger |
| | 080087-04-000 | EA | Bracket - Mudflap Hanger - Rear Drivers |
| | 041844-04-000 | EA | Fire Extinguisher - 5 BC - w/o Mounting Bracket |
| | 084472-01-000 | EA | Holder - Fire Extinguisher |
| | 084488-01-000 | EA | Fire Extinguisher - Dry 10BC |
| | 084851-01-01A | EA | Holder - Fire Extinguisher - Light Oak |
| | 072852-01-000 | EA | Smoke Detector w/9 Volt Battery |
| | 080208-01-000 | EA | Lug Wrench |
| | 080208-02-000 | EA | Leverage Bar - Lug Wrench |
| | 078280-02-000 | EA | Pouch - Wrench - 11" x 11" |
| | 008113-01-000 | EA | Jack - Hydraulic - 6 Ton - w/Handle |
| | 038420-02-000 | EA | Defroster Fan - 6" - 2 Speed Fan |
| | 077888-01-000 | EA | Bracket - Defroster Fan |
| | 084083-01-000 | EA | Luggage Box - 14" x 30" x 60" |
| | 085741-01-700 | EA | Valve Stem Extension - (F&U4) Stainless Steel |
| | 077030-02-000 | EA | Valve Stem Extension - 1.25" |
| | 061377-01-000 | EA | Valve Stem Ass. - TR500 |
| | 081855-01-000 | EA | Squeeze - Extended Handle |
| | 081852-01-000 | EA | Clip - 1" Squeeze Retainer |
| | 083527-01-000 | EA | Bracket - Squeeze Clip |
| | 082884-01-000 | EA | Key Set |
| | 084388-01-000 | EA | Speed Control - w/Smart Stick |
| | 084708-01-01A | EA | Step Arm - Electric (Kwikkee) |
| | 088778-01-000 | EA | Vacuum Cleaner - Hand Held |
| | 088778-01-700 | EA | Bag - Disposable - Hand Held Vacuum - 4 Pak |
| | 083801-01-000 | EA | Lock - Lock Box |
| | 083883-01-000 | EA | Drawer Lock Box |
| | 083888-01-700 | EA | Lock Box Arm - w/Lock & Drawer |
| | 087716-01-000 | EA | Information Center - UniForce (OPT. 43T) |
| | 088338-01-000 | EA | Leveling System - Hydraulic (OPT. 64H) |
| | 088338-01-700 | EA | Hydraulic Jack - Leveling System |

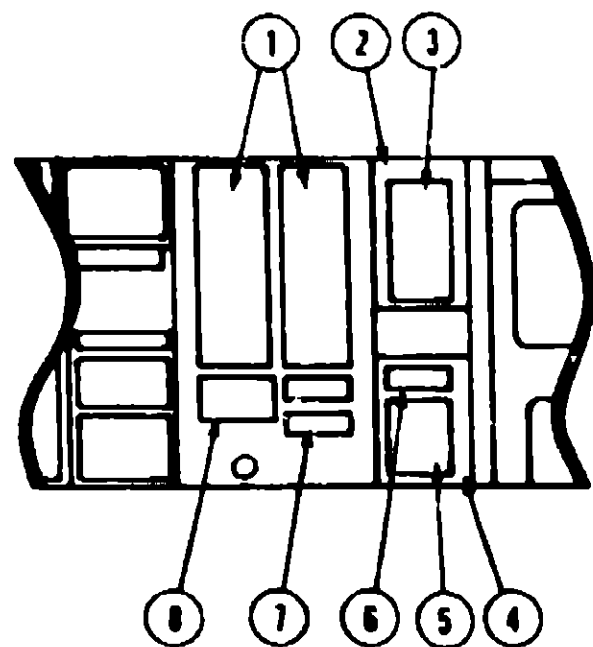
**1989 ITASCA
TABLE OF CONTENTS**

| | |
|-----------|-------------|
| IC/JP34RU | A-01 - D-08 |
| ICP37RQ | D-07 - G-20 |

**1989 ICP37RQ
INDEX**

| | |
|------------------------------------|-------------|
| Floor Plan | D-07 - D-08 |
| Accessories Group | D-09 - D-12 |
| Bath Group | D-13 - D-14 |
| Chassis Group | D-15 - D-18 |
| Curtain, Cushion & Pad Group | D-20 - E-18 |
| Dinette Group | E-19 - E-21 |
| Driver's Compartment Group | E-22 - F-02 |
| Electrical Group | F-03 - F-08 |
| Exterior Body Group | F-07 - F-14 |
| Galley Group | F-15 - F-18 |
| Heating & Air Conditioning Group | F-20 |
| Interior Finish Group | F-21 - F-23 |
| LP Group | F-24 |
| Lounge Group | G-01 - G-03 |
| Water & Sewage Group | G-04 - G-05 |
| Window, Vent & Exterior Door Group | G-06 - G-20 |

BATH GROUP



BATH & HARDWARE CABINETRY

| Key | Part Number | U/M | Description |
|--------------|---------------|-----|---|
| 1 | M88304-87-Y77 | EA | Door Asm - Mirror - 48" x 16 7" - w/o Hardware |
| 2 | 088023-01-X75 | EA | Cabinet Asm - Medicine - w/o Doors or Hardware |
| 3 | M88304-41-Y77 | EA | Door Asm - Mirror - Medicine Cabinet - 29 5" x 15 5" - w/o Hardware |
| 4 | M88116-01-Y77 | EA | Cabinet Asm - Lavatory - Wall |
| | M03000-01-X18 | EA | Countertop Asm. - Lavatory Cabinet |
| 5 | M88304-76-Y77 | EA | Door Asm - Lavatory Cabinet - 14 4" x 17 9" - w/o Hardware |
| 6 | 081893-01-Y21 | EA | Face Asm. - Lavatory Drawer |
| 7 | M78021-06-W38 | EA | Drawer Asm. - Wardrobe Cabinet - w/o Hardware |
| | 037888-03-000 | EA | Guide - Drawer Center |
| 8 | M82073-02-Y77 | EA | Door Asm - Furnace - w/o Hardware - 14 37" x 17 91" |
| | 082884-11-Y21 | EA | Countertop Asm - Bath Storage Cabinet |
| | M88304-D4-Y77 | EA | Door Asm. - Bath Storage Cabinet - 8 29" x 16 14" - w/o Hardware |
| | 080224-17-000 | EA | Folding Door - Front - w/o Latch |
| | 080224-20-000 | EA | Folding Door - Rear - w/o Latch |
| | 077251-01-000 | EA | Drawer - Plastic Tipout |
| | 077902-01-000 | EA | Skylight Collor - Inner Panel |
| | 080910-01-000 | EA | Skylight Panel - Outer |
| | 081171-01-000 | EA | Skylight Trim - Outer - Mill |
| Thru 4/25/89 | 088303-E2-X75 | EA | Door Asm - Mirror - Metal Medicine Cabinet - 29 5" x 15 5" - w/o Hardware |
| From 4/26/89 | 083446-08-Y82 | EA | Door Asm - Mirror - Metal Medicine Cabinet - 29 5" x 15 5" - w/o Hardware |

BATH GROUP (CONTINUED)

BATH & WARDROBE HARDWARE

| Key | Part Number | U/M | Description |
|--------------|---|-----|---|
| | 075240-05-000 | EA | Faucet Lavatory - Brass |
| | 075242-03-000 | EA | Faucet - Tub & Shower - Brass |
| | 089386-01-000 | EA | Sink Oval - Ivory Plastic |
| | M02630-08-Y21 | EA | Shower Pan Asm. |
| | 372850-01-000 | EA | Shower Panel - Faucet & Shower Head Insert |
| | 083070-01-01A | FT | Molding - Corner - Bathtub - Off White |
| | 083088-01-01A | EA | Molding - Bathtub - Off White - 36 2" |
| | 083089-02-01A | EA | Molding - Bathtub - Off White - 26 57" |
| | 009059-01-000 | EA | Hinge - 2" - Gold |
| | 059777-02-000 | EA | Hinge - Cabinet Door - Brass & Chrome |
| | 093579-01-000 | EA | Pull - Polished |
| | 081378-01-000 | EA | Backplate - Door Pulls |
| | 009021-01-000 | EA | Catch - Nylon - Grill |
| | 009021-02-000 | EA | Strike - Spring Steel |
| | 093585-01-000 | EA | Catch - Friction |
| | 093588-02-000 | EA | Strike - Friction Catch |
| | 011048-02-000 | EA | Shower Head - w/80" Hose |
| | 086729-01-000 | EA | Strainer - Shower Pan & Tub |
| | 089735-01-000 | EA | Washer - Tailpiece - 1 5" Pl. Ac |
| | 088435-01-000 | EA | Nut - Strainer - Plastic |
| | 085278-01-000 | EA | Tissue Holder - Recessed - Brass |
| | 085279-01-000 | EA | Toothbrush Holder/Tumbler - Brass |
| | 075452-02-000 | EA | Tissue Holder - Brass |
| | 042438-01-000 | EA | Clothes Rod - Wood - 1" x 4' |
| | 009112-01-000 | EA | Flange - 1" Closet Rod |
| | 075453-02-000 | EA | Box - Towel Rack |
| | 093905-01-01A | EA | Rack - Towel - White Wire |
| | 080224-01-701 | EA | Catch Only - Mounts on Door Jamb |
| | 075454-02-000 | EA | Towel Ring - Brass |
| | 080224-07-000 | EA | Track - Folding Door - "S" Curve - Brown (Front) |
| | 080224-23-000 | EA | Track - Folding Door - Straight - 44.5" (Rear) |
| | 080224-01-700 | EA | Latch & Catch Asm - Folding Door |
| | 058331-05-000 | EA | Mirror - Tempered Glass - 12" x 26" - Medicine Cabinet |
| | 058331-10-000 | EA | Mirror - Tempered Glass - 14" x 17" - TV Cabinet |
| | 088742-02-000 | EA | Mirror - Tempered Glass - 13.2" x 44 5" - Wardrobe Door |
| ** | 085330-04-000 | EA | Toilet - Shorty - Bone China - w/Spray |
| | 081814-02-000 | EA | Soap Dish - Brass w/Plastic Cover |
| | 078073-01-000 | EA | Medicine Cabinet - Almond |
| | 078857-04-000 | EA | Door Asm. - Shower - Satin Brass |
| | 091204-03-000 | EA | Threshold - Shower Door - Off White |
| | 091205-03-000 | EA | Header - Shower Door - Off White |
| | 082157-01-01A | EA | Header - Shower - Off White |
| Thru 9/20/88 | 082748-01-01A | EA | Jamb - Bath Door - Right - Off White |
| Thru 9/20/88 | 082748-02-01A | EA | Jamb - Bath Door - Left - Off White |
| From 9/21/88 | 084781-01-01A | EA | Jamb - Bath Door - Right - Off White |
| From 9/21/88 | 084781-02-01A | EA | Jamb - Bath Door - Left - Off White |
| | 091073-03-Y77 | EA | Trim - Shower Door |
| ** | The illustrated parts breakdown for this item is provided on the Common Items Fiche | | |

**1989 ITASCA
TABLE OF CONTENTS**

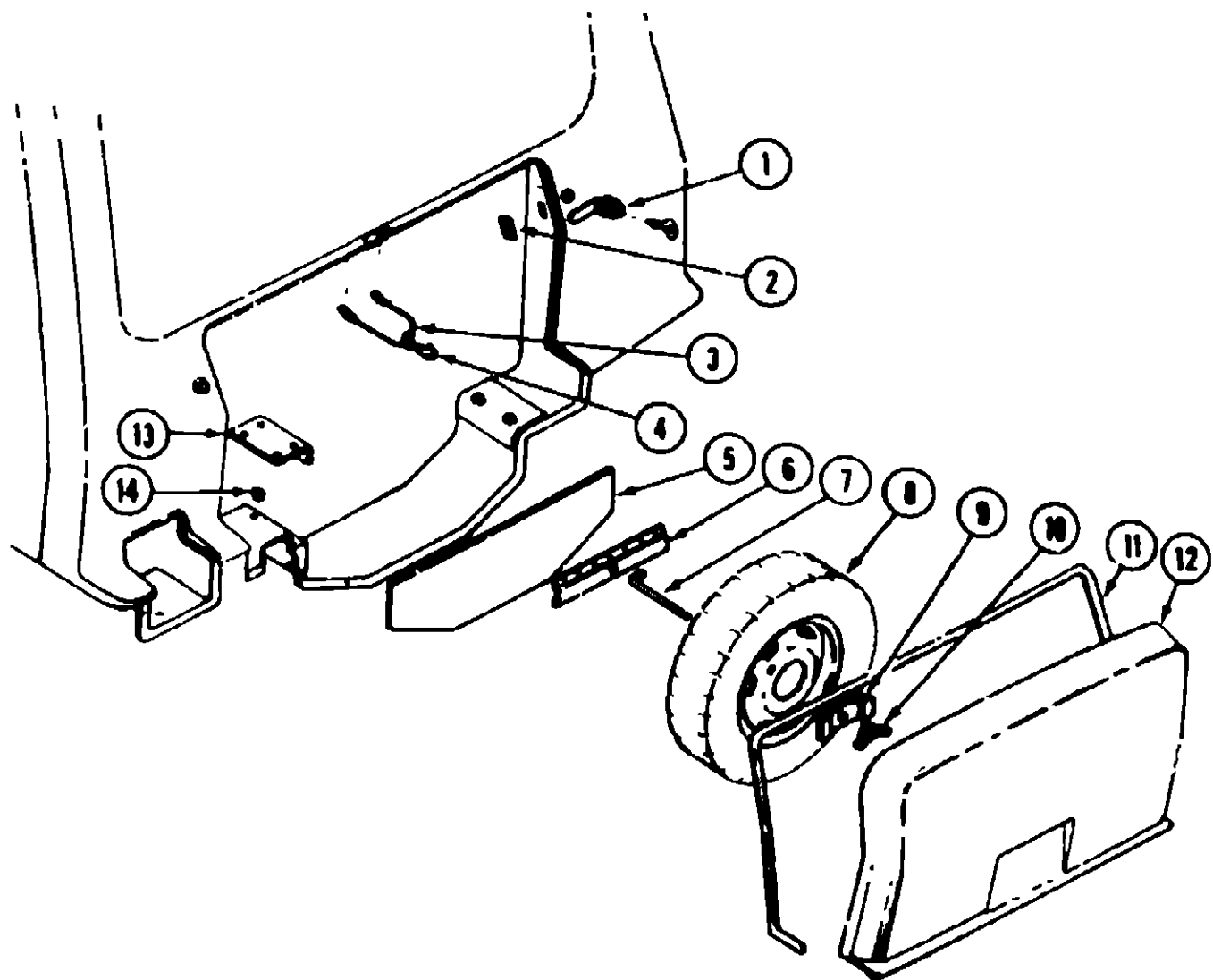
IC/JP34RU
ICP37RQ

A-01 - D-06
D-07 - G-20

**1989 ICP37RQ
INDEX**

| | |
|------------------------------------|-------------|
| Floor Plan | D-07 - D-08 |
| Accessories Group | D-09 - D-12 |
| Bath Group | D-13 - D-14 |
| Chassis Group | D-15 - D-18 |
| Curtain, Cushion, & Pad Group | D-20 - E-18 |
| Dalette Group | E-19 - E-21 |
| Driver's Compartment Group | E-22 - F-02 |
| Electrical Group | F-03 - F-06 |
| Exterior Body Group | F-07 - F-14 |
| Galley Group | F-15 - F-19 |
| Heating & Air Conditioning Group | F-20 |
| Interior Finish Group | F-21 - F-23 |
| LP Group | F-24 |
| Lounge Group | G-01 - G-03 |
| Water & Sewage Group | G-04 - G-05 |
| Window, Vent & Exterior Door Group | G-06 - G-20 |

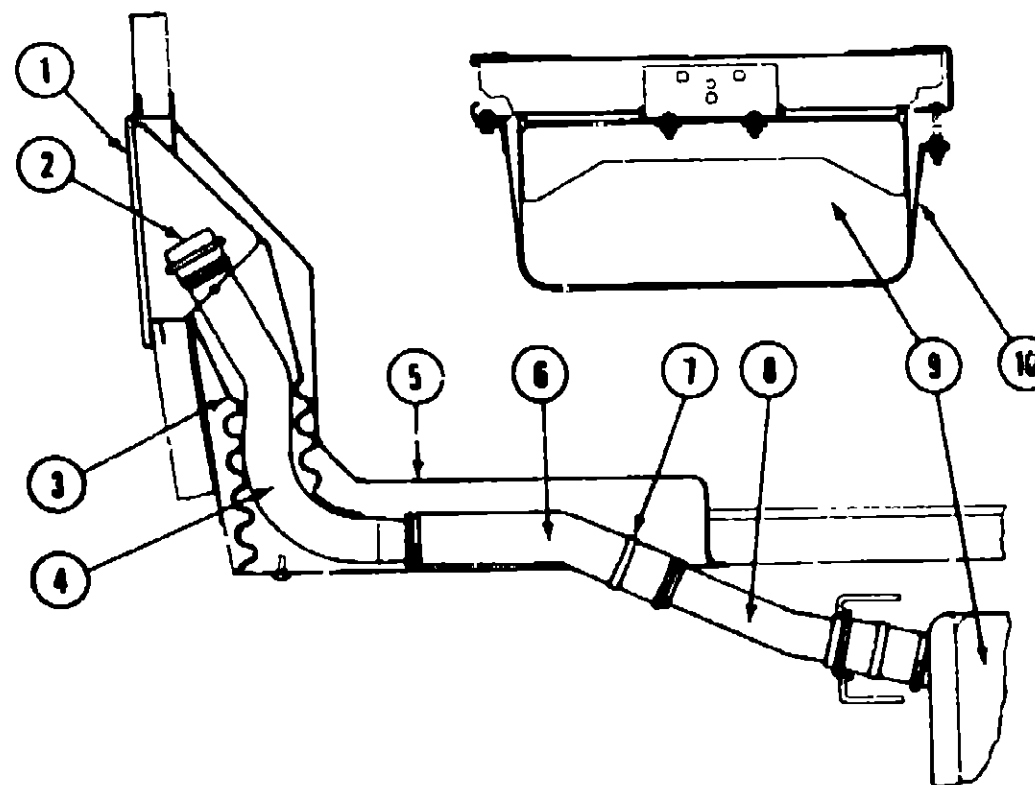
CHASSIS GROUP



SPARE TIRE & COMPARTMENT

| Key | Part Number | U/M | Description |
|-----|---------------|-----|---------------------------------------|
| 1 | 077048-01-000 | EA | Lock Arm - Key Type |
| 2 | 077941-01-000 | EA | Rubber Seal - Flat w/Slit |
| 3 | 076787-02-000 | EA | Cable Arm |
| 4 | 072463-02-000 | EA | Spring Hook - 5/8" Eye |
| 5 | 077395-01-000 | EA | Shield - Spare Tire |
| 6 | 077403-01-000 | EA | Support Bracket - Spare Tire |
| 7 | 077411-01-000 | EA | Retaining Rod - Spare Tire |
| 8 | 007324-04-000 | EA | Tire - 8" x 19.5" - Radial - Michelin |
| | 064963-01-000 | EA | Rim - Wheel - 19.5" x 6.75" |
| | 051377-01-000 | EA | Valve Stem |
| 9 | 077389-01-000 | EA | Retainer - Spare Tire |
| 10 | 064081-01-000 | EA | Wing Nut - 3/8" - Spare Tire |
| 11 | 053027-01-000 | FT | Weather Seal |
| 12 | M01990-03-X75 | EA | Cover - Spare Tire |
| | 077392-01-000 | EA | Strike - Latch |
| | 077080-01-000 | EA | Angle Support - Pivot |
| | 077381-01-000 | EA | Plate - Pivot |
| | 077385-01-000 | EA | Pin Arm - Pivot |
| | 077384-01-000 | EA | Plate - Pin |
| 13 | 077400-01-000 | EA | Support - Spare Tire |
| | 077383-01-000 | EA | Support Arm - Strike |
| 14 | 077759-01-000 | EA | Spacer - Spare Tire Support |
| | 077384-01-000 | EA | Plate - Hinge Pin |
| | 077385-01-000 | EA | Pin Arm - Pivot |

CHASSIS GROUP (CONTINUED)



FUEL SYSTEM COMPONENTS

| Key | Part Number | U/M | Description |
|-----|---------------|-----|--|
| 1 | 078010-02-000 | EA | Door Arm - Fuel Fill |
| 2 | 073220-02-000 | EA | Cap - Fuel Fill |
| 3 | 083578-01-000 | EA | Boot - Fuel Fill |
| 4 | 075227-03-000 | EA | Neck Arm - Fuel Fill (GM 15505635 Calif) |
| 4 | 075227-01-000 | EA | Neck Arm - Fuel Fill (GM 140420436 Federal) |
| 5 | 082788-01-000 | EA | Shroud - Fuel Fill - Inside |
| 6 | 081245-01-000 | EA | Hose - Fuel Fill - Formed |
| 7 | 075229-01-000 | EA | Strap - Fuel Fill (GM 482338) |
| 8 | 075228-01-000 | EA | Neck - Fuel Fill - Lower |
| | 007111-03-000 | EA | Hose - Fuel Tank (i) Neck - 1.75" x 3' |
| 9 | 080082-01-000 | EA | Tank - Fuel - 80 Gallon |
| 10 | 088486-02-000 | EA | Strap Arm - Fuel Tank |
| | 088732-02-000 | FT | Hose - Fuel .62" I.D. - Vent Hose |
| | 080173-01-000 | EA | Tube Extension - Fuel - 29.25" - Formed Steel Tube |
| | 079881-01-000 | EA | Valve Arm - Vent - Fuel Tank |
| | 073221-01-000 | EA | Gasket - Vent Valve Arm - Fuel Tank |
| | 088740-01-000 | EA | Sending Unit/Pump |
| | 088255-01-000 | EA | Gasket - Sending Unit |
| | 080578-01-000 | EA | Cover - Relief Valve - Bottom |
| | 088640-03-000 | FT | Sealer Ribbon - 3/4" x 30' |
| | 082401-05-000 | EA | Clamp - Worm Gear - 2" to 3" |
| | 082401-10-000 | EA | Clamp - Worm Gear - 1" to 2" |

1989 ITASCA TABLE OF CONTENTS

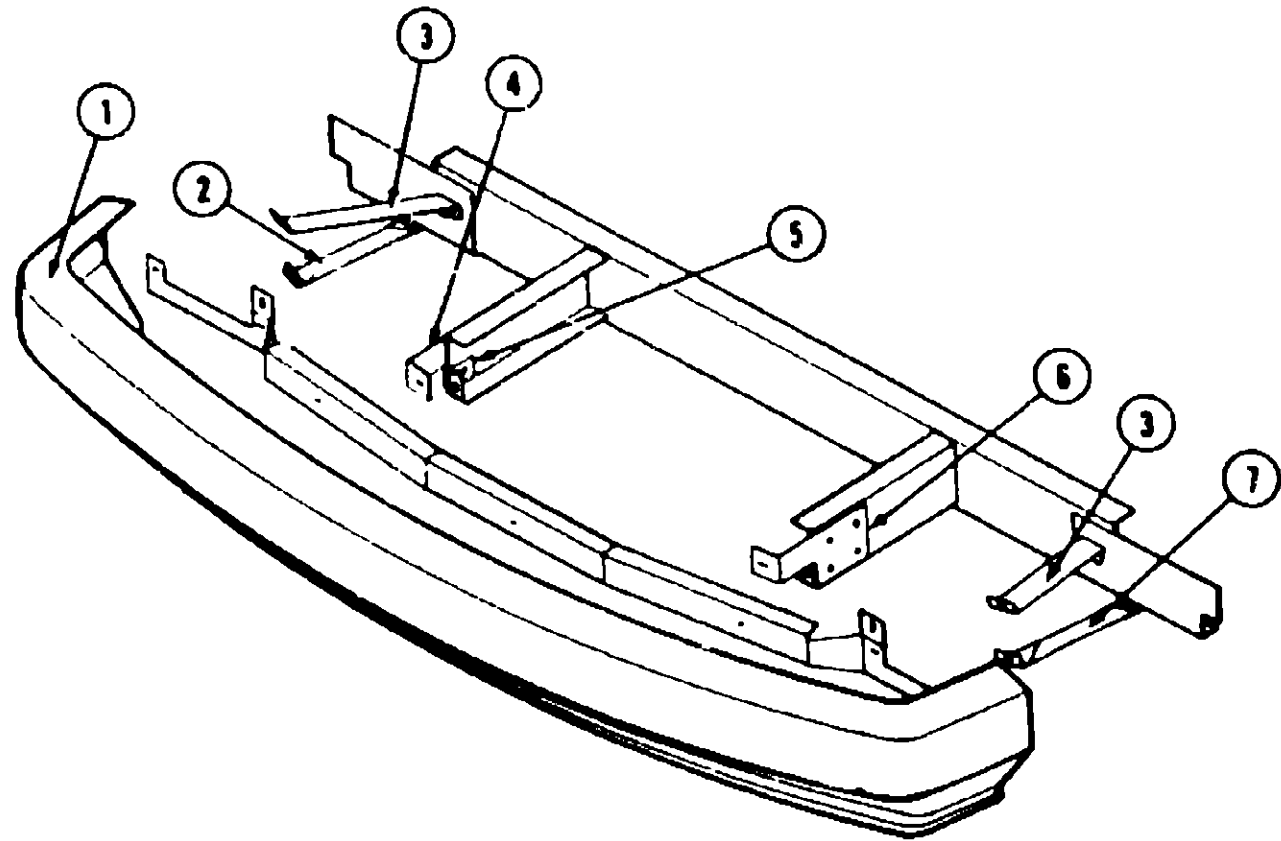
IC/JP34RU
ICP37RQ

A-G1 - D-06
D-07 - G-20

1989 ICP37RQ INDEX

| | |
|------------------------------------|-------------|
| Floor Plan | D-07 - D-08 |
| Accessories Group | D-08 - D-12 |
| Bath Group | D-13 - D-14 |
| Chassis Group | D-15 - D-19 |
| Curtain, Cushion & Pad Group | D-20 - E-18 |
| Dinette Group | E-19 - E-21 |
| Driver's Compartment Group | E-22 - F-02 |
| Electrical Group | F-03 - F-06 |
| Exterior Body Group | F-07 - F-14 |
| Galley Group | F-15 - F-19 |
| Heating & Air Conditioning Group | F-20 |
| Interior Finish Group | F-21 - F-23 |
| LP Group | F-24 |
| Lounge Group | G-01 - G-03 |
| Water & Sewage Group | G-04 - G-06 |
| Window, Vent & Exterior Door Group | G-06 - G-20 |

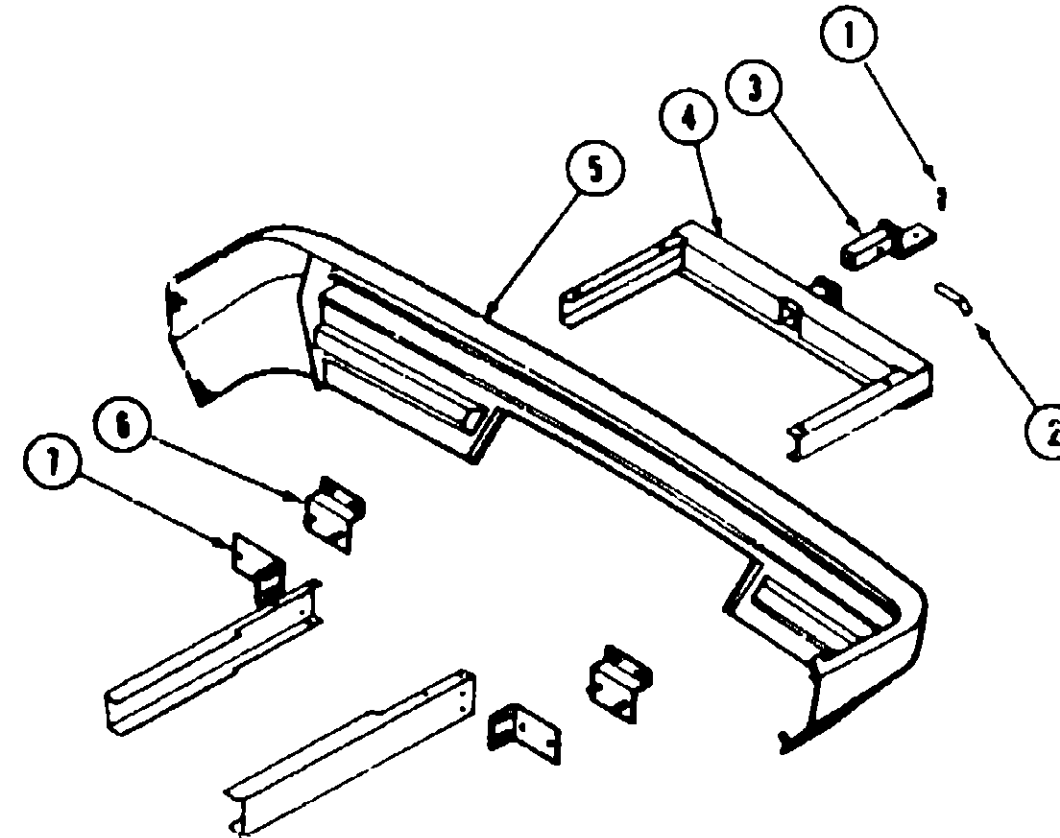
CHASSIS GROUP (CONTINUED)



FRONT BUMPER

| Key | Part Number | U/M | Description |
|-----|---------------|-----|--------------------------------------|
| 1 | M88632-02-X75 | EA | Bumper Asm. - Front |
| 2 | 077854-01-000 | EA | Bumper Brace - Lower Passengers Side |
| 3 | 089038-01-000 | EA | Bumper Brace - Upper - Chevy |
| 4 | 086140-01-000 | EA | Bumper Support - Passengers Side |
| 5 | 088942-02-000 | EA | Fog Lamp Bracket |
| 6 | 086140-02-000 | EA | Bumper Support - Drivers Side |
| 7 | 077854-02-000 | EA | Bumper Brace - Lower Drivers Side |

CHASSIS GROUP (CONTINUED)



REAR BUMPER & HITCH (OPT. 248)

| Key | Part Number | U/M | Description |
|-----|---------------|-----|--|
| 1 | 034513-01-000 | EA | Pin - Wire - Hitch - 3/16" |
| 2 | 034512-01-000 | EA | Pin - Locking - Drawbar |
| 3 | 077617-01-000 | EA | Drawbar |
| 4 | 077617-01-000 | EA | Hitch Arm - w/o Drawbar |
| 5 | M88700-01-W38 | EA | Rear Bumper Asm - Gray |
| | M88700-02-X75 | EA | Rear Bumper Asm. - Gray |
| 6 | 086727-02-000 | EA | Support Angle-To-Bumper |
| 7 | 086709-01-000 | EA | Support Angle-To-Frame |
| | 084388-01-000 | EA | Plug - Trailer Taillights - Male - 80" |
| | 084388-01-000 | EA | Plug - Trailer Taillights - Female - 10" |
| | 091224-01-000 | EA | Label - Trailer Lighting |

Thru 7/2/88
From 9/2/88

**1989 ITASCA
TABLE OF CONTENTS**

IC/JP34RU
ICP37RO

A-01 - D-08
D-07 - G-20

**1989 ICP37RO
INDEX**

| | |
|------------------------------------|-------------|
| Floor Plan | D-07 - D-08 |
| Accessories Group | D-08 - D-12 |
| Bath Group | D-13 - D-14 |
| Chassis Group | D-15 - D-18 |
| Curtain, Cushion & Pad Group | D-20 - E-18 |
| Dinette Group | E-18 - E-21 |
| Driver's Compartment Group | E-22 - F-02 |
| Electrical Group | F-03 - F-08 |
| Exterior Body Group | F-07 - F-14 |
| Galley Group | F-15 - F-18 |
| Heating & Air Conditioning Group | F-20 |
| Interior Finish Group | F-21 - F-23 |
| LP Group | F-24 |
| Lounge Group | G-01 - G-03 |
| Water & Sewage Group | G-04 - G-05 |
| Window, Vent & Exterior Door Group | G-06 - G-20 |

CHASSIS GROUP (CONTINUED)

MISCELLANEOUS

| Key | Part Number | U/M | Description |
|-----|---------------|-----|---|
| | 077995-02-000 | EA | Baffle - Upper - Radiator |
| | 085450-01-000 | EA | Battery Tie-down - Plastic Coated |
| | 085611-01-000 | EA | Box - Power Cord |
| | 089310-01-000 | EA | Cap - Fuel Fill - Non-Locking - Gas |
| | 082401-01-000 | EA | Clamp - Hose - Wormgear - .22 ID - 1" ID |
| | 082401-02-000 | EA | Clamp - Hose - Wormgear - 1.56 ID - 2.5" ID |
| | 082401-03-000 | EA | Clamp - Hose - Wormgear - .25 ID - 1" ID |
| | 082401-04-000 | EA | Clamp - Hose - Wormgear - .89 ID - 1.25" ID |
| | 082401-05-000 | EA | Clamp - Hose - Wormgear - 2" ID - 3" ID |
| | 082401-06-000 | EA | Clamp - Hose - Wormgear - .22" ID - .62" ID |
| | 007125-08-000 | EA | Clamp - Muffler - 2.25" |
| | 007125-11-000 | EA | Clamp - Muffler - 2.75" |
| | 007063-01-000 | FT | Hairs - Gas - 1/4 ID x 1/2 OD |
| | 017516-01-000 | EA | Mud Flap - Black |
| | 017516-02-000 | EA | Mud Flap - Black - 14" x 12.5" white |
| | 075526-01-000 | EA | Radiator Cover - Rear |
| | 076281-01-000 | EA | Tray - Battery |
| | 075758-01-000 | EA | Wheelwell - Plastic - Rear - Dual |
| | 084488-01-000 | EA | Wheelwell - Plastic - Single - Rear |
| | 079942-01-000 | EA | Shock Absorber - Front Stabilizer |

The remainder of exhaust components are available from chassis dealer

TAG AXLE

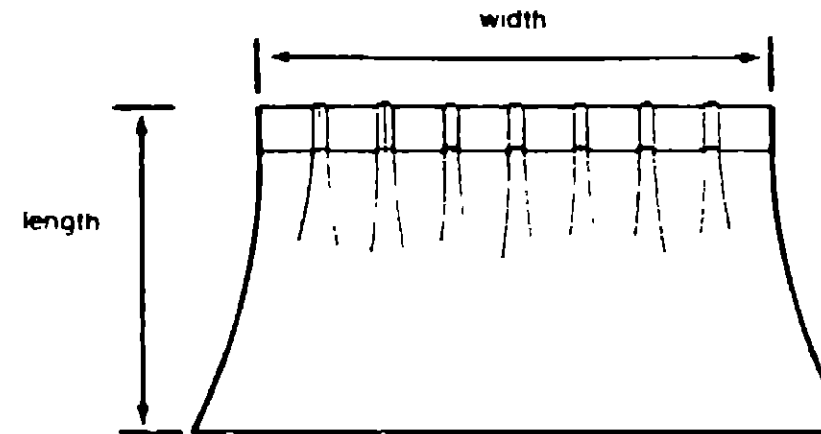
| Key | Part Number | U/M | Description |
|-----|---------------|-----|---|
| | 071375-02-000 | EA | Tank - Air Reservoir - 37 Tag |
| | 071375-03-000 | EA | Isolator - Tank Mount |
| | 071387-04-000 | EA | Elbow - Male - Bk Tube - 3/8 x 1/4 |
| | 071387-05-000 | EA | Elbow - Male - Bk Tube - 1/4 x 1/4 |
| | 071389-02-000 | EA | Tee - Male Branch - 1/4 x 1/4 |
| | 071392-03-000 | EA | Plug - Hex Head - Brass - 1/4 NPT |
| | 085750-02-000 | EA | Tag Axle - Torque/Rubber Suspension - Sure Lube |
| | 085751-01-000 | EA | Shock Absorber - Tag Axle |
| | 085752-01-000 | EA | Suspension - Air - P30 Supperide |
| | 085754-01-000 | EA | Valve Arm - Right Height Control |
| | 085754-02-000 | EA | Valve Arm - Left Height Control |
| | 085758-01-000 | EA | Switch Arm - Low Air |
| | 085766-01-000 | EA | Adapter - 1/4 FP x 1/4 MPT - Brass |
| | 085771-01-000 | EA | Nut - Hex Flange - 5/8 18 UNF |
| | 085772-01-000 | EA | Washer - Conical Spring- 5/8 |
| | 085773-01-000 | EA | Drain Valve - Air tank - 1/4 MPT |
| | 086241-01-000 | EA | Valve - Air - 1/4 MPT x Tire Stem |

CURTAIN, CUSHION & PAD GROUP

NOTICE

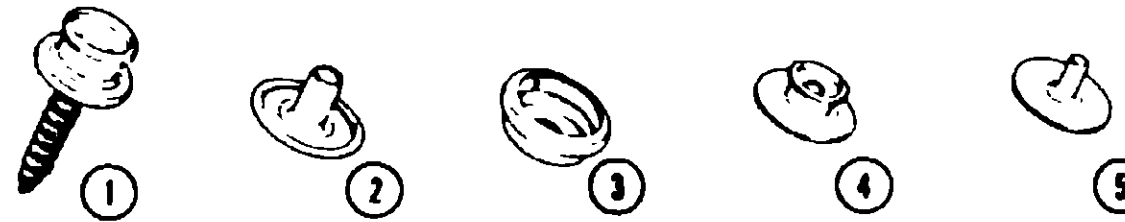
In order to assist our Part Sales Dept. in providing interior software items, please include the serial number and the color code number from the vehicle certification label when ordering. This label is located on the left sidewall at the end of the dash (A-Body), or on the driver's door latch plate (C-Body).

An example of a color code number is P31, which designates a:1 overall color scheme of a particular unit. The color listed after the item description on this microfiche indicates the overall unit color. Order the item you desire according to unit color code.



NOTE

Use this illustration when determining length and width measurements for curtains. You will note the width measurement is taken on the top of the curtain with the curtain fully extended. The length measurement is taken from top to bottom.



| Key | Part Number | U/M | Description |
|-----|---------------|-----|---------------------------------------|
| 1 | 029130-01-000 | EA | Socket - Snap Fastener |
| 2 | 029155-01-000 | EA | Cap - Snap - 15/16" Dia. x 17" Barrel |
| 3 | 026156-01-000 | EA | Socket - Snap Fastener |
| 4 | 029082-01-000 | EA | Stud - Nickel Finish |
| 5 | 029093-01-000 | EA | Eyebolt - Nickel Finish |

1989 ITASCA TABLE OF CONTENTS

IC/JP34RU
ICP37RQ

A-01 - D-08
D-07 - G-20

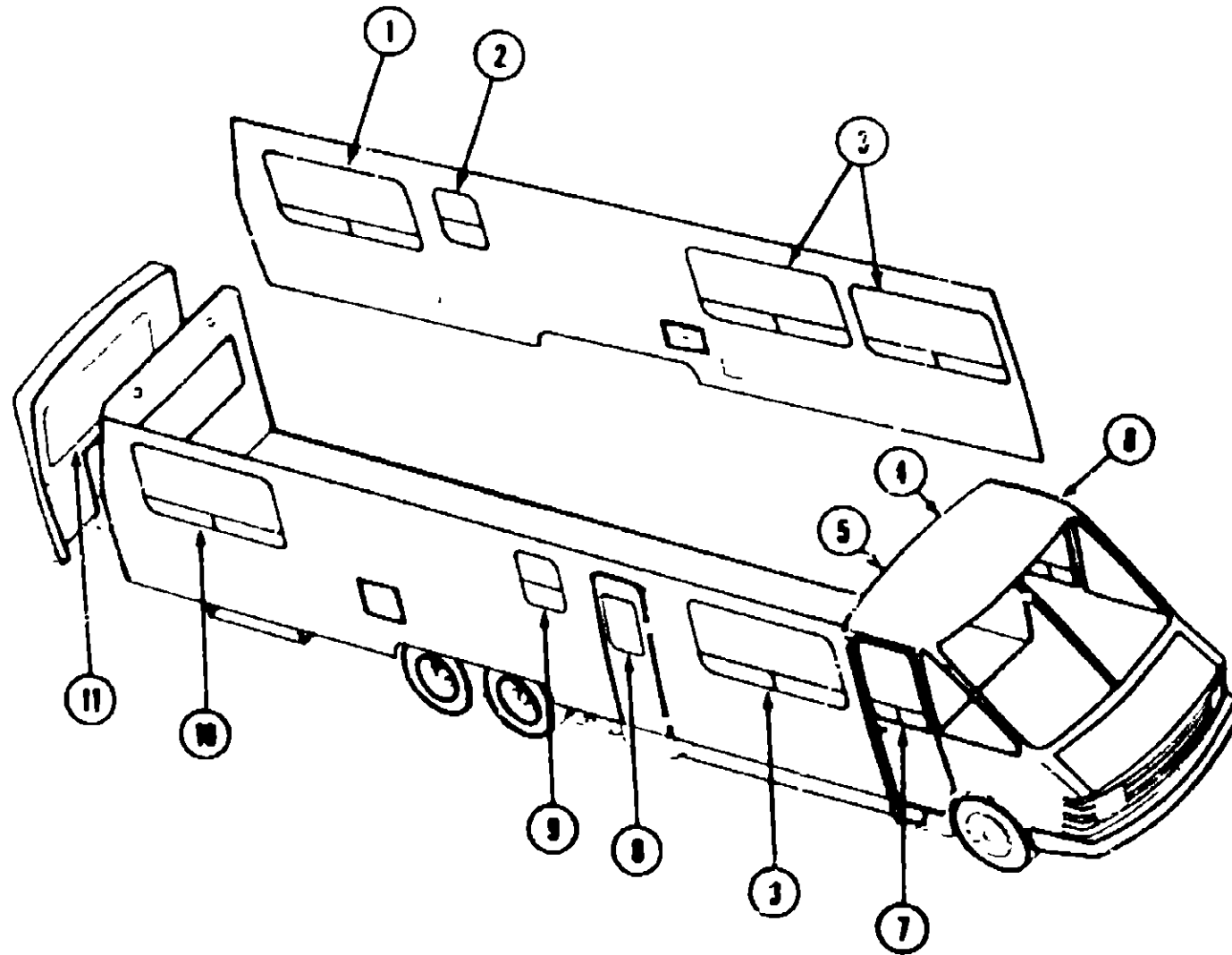
1989 ICP37RQ INDEX

| | |
|------------------------------------|-------------|
| Floor Plan | D-07 - D-08 |
| Accessories Group | D-08 - D-12 |
| Bath Group | D-13 - D-14 |
| Chassis Group | D-15 - D-19 |
| Curtain, Cushion & Pad Group | D-20 - E-18 |
| Dinette Group | E-19 - E-21 |
| Driver's Compartment Group | E-22 - F-02 |
| Electrical Group | F-03 - F-08 |
| Exterior Body Group | F-07 - F-14 |
| Galley Group | F-15 - F-19 |
| Heating & Air Conditioning Group | F-20 |
| Interior Finish Group | F-21 - F-23 |
| LP Group | F-24 |
| Lounge Group | G-01 - G-03 |
| Water & Sewage Group | G-04 - G-05 |
| Window, Vent & Exterior Door Group | G-06 - G-20 |

CURTAIN, CUSHION & PAD GROUP (CONTINUED)

(Y77)
CURTAINS, VALANCES & BLINDS

**1989 ITASCA
TABLE OF CONTENTS**



| Key | Part Number | U/M | Description |
|-----|---------------|-----|--|
| 1 | 083454-08-Y77 | EA | Curtain - Gathered w/Snap Top - 37 5" x 15" |
| 1 | 094552-04-Y77 | EA | Valance - Ruffled - 62 5" |
| *1 | 094552-03-Y77 | EA | Valance - Ruffled - 51 5" |
| 1 | 083477-01-03A | EA | Blind - Day/Nighter - 57.5" x 36" Drop (Y77) |
| *1 | 083477-04-04A | EA | Blind - Day/Nighter - 38 5" x 36" Drop (Y77) |
| 1 | 083479-01-01A | EA | Shade - Woven Wood - 57.5" x 36" Drop |
| *1 | 083479-03-01A | EA | Shade - Woven Wood - 38 5" x 36" Drop |
| 2 | 073304-15-Y23 | EA | Curtain Asm. - w/Snap Top - 30" x 9" (Y77) |
| 2 | 083478-02-01A | EA | Blind - Day/Nighter - 28" x 28" Drop (Y77) |
| 3 | 080058-02-Y77 | EA | Padded Window Leg - Left |
| 3 | 083058-01-Y77 | EA | Padded Window Leg - Right |
| 3 | 083478-01-01A | EA | Blind - Micro Mini - 57 5" x 35" Drop (Y77) |
| 4 | 083452-02-Y15 | EA | Curtain - Blackout - Drivers - 48" x 50" (Y77) |
| 4 | 077581-02-Y23 | EA | Curtain - Blackout - Drivers - 52" x 40" (Y77) (Used w/Front Bunk - Velcro Top) |
| 5 | 083452-01-Y15 | EA | Curtain - Blackout - Passengers - 48" x 50" (Y77) |
| 5 | 077581-01-Y23 | EA | Curtain - Blackout - Passengers - 52" x 40" (Y77) (Used w/Front Bunk - Velcro Top) |
| 6 | 083487-04-000 | EA | Curtain - Front Wraparound - Drivers - 34" x 102" |
| 7 | 083487-03-000 | EA | Curtain - Front Wraparound - Passengers - 34" x 102" |
| 8 | 083455-14-Y77 | EA | Shade - Fabric - 27.25" |
| 9 | 083478-04-02A | EA | Blind - Micro Mini - 28" x 27 5" Drop (Y77) |
| 10 | 083454-08-Y77 | EA | Curtain - Gathered w/Snap Top - 37 5" x 15" |
| 10 | 094552-04-Y77 | EA | Valance - Ruffled - 62 5" |
| 10 | 083477-01-03A | EA | Blind - Day/Nighter - 57.5" x 36" Drop (Y77) |
| 10 | 083479-01-01A | EA | Shade - Woven Wood - 57.5" x 36" Drop (Y77) |
| 11 | 083454-07-Y77 | EA | Curtain - Gathered w/Snap Top - 34 5" x 15" |
| 11 | 094552-03-Y77 | EA | Valance - Ruffled - 51 5" |
| 11 | 083477-08-01A | EA | Blind - Day/Nighter - 50" x 34" Drop (Y77) |
| 11 | 083479-05-01A | EA | Shade - Woven Wood - 50" x 34" Drop (Y77) |
| | 057534-03-000 | EA | Tieback - Clear Plastic - 7 5" |
| | 057534-04-000 | EA | Tieback - Clear Plastic - 20" |
| | 057534-05-000 | EA | Tieback - Chestnut Vinyl - 6" |
| | 057534-08-000 | EA | Tieback - Clear Plastic - 18" |

* Parts used with Twin Bed Option

IC/JP34RU
ICP37RQ

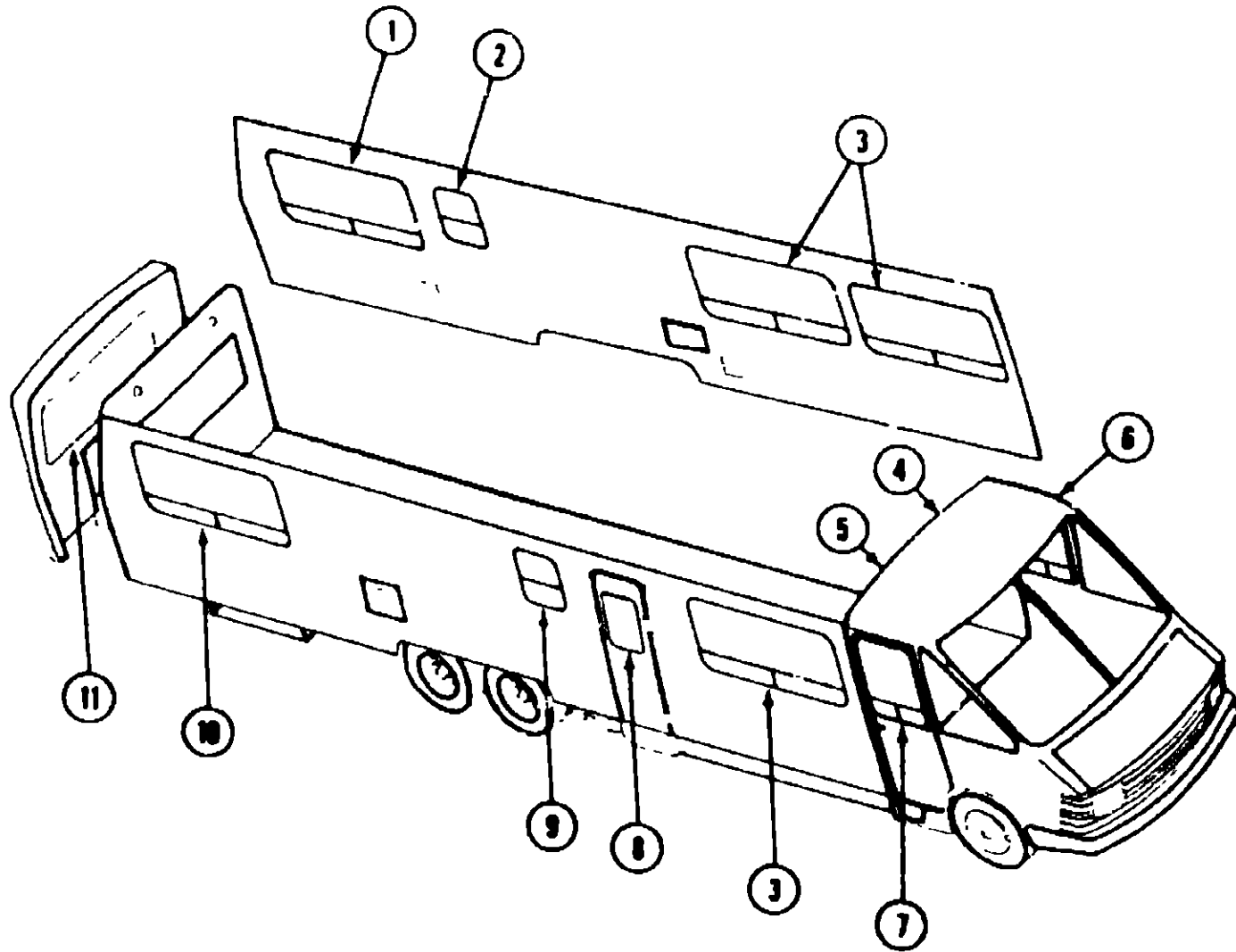
A-01 - D-08
D-07 - G-20

**1989 ICP37RQ
INDEX**

| | |
|------------------------------------|-------------|
| Floor Plan | D-07 - D-08 |
| Accessories Group | D-09 - D-12 |
| Bath Group | D-13 - D-14 |
| Chassis Group | D-15 - D-19 |
| Curtain, Cushion & Pad Group | D-20 - E-18 |
| Dinette Group | E-19 - E-21 |
| Driver's Compartment Group | E-22 - F-02 |
| Electrical Group | F-03 - F-08 |
| Exterior Body Group | F-07 - F-14 |
| Galley Group | F-15 - F-19 |
| Heating & Air Conditioning Group | F-20 |
| Interior Finish Group | F-21 - F-23 |
| LP Group | F-24 |
| Lounge Group | G-01 - G-03 |
| Water & Sewage Group | G-04 - G-05 |
| Window, Vent & Exterior Door Group | G-06 - G-20 |

CURTAIN, CUSHION & PAD GROUP (CONTINUED)

(Y78)
CURTAINS, VALANCES & BLINDS



| Key | Part Number | U/M | Description |
|-----|---------------|-----|--|
| 1 | 093454-08-Y78 | EA | Curtain - Gathered w/Snap Top - 37.5" x 15" |
| 1 | 094552-04-Y78 | EA | Valance - Ruffled - 62.5" |
| *1 | 094552-03-Y78 | EA | Valance - Ruffled - 51.5" |
| 1 | 093477-01-02A | EA | Blind - Day/Nighter - 57.5" x 36" Drop (Y78) |
| *1 | 093477-04-01A | EA | Blind - Day/Nighter - 38.5" x 36" Drop (Y78) |
| 1 | 093479-01-01A | EA | Shade - Woven Wood - 57.5" x 36" Drop |
| *1 | 093479-03-01A | EA | Shade - Woven Wood - 38.5" x 36" Drop |
| 2 | 073304-45-YA4 | EA | Curtain Asm - w/Snap Top - 30" x 9" (Y78) |
| 2 | 093478-02-02A | EA | Blind - Day/Nighter - 28" x 28" Drop (Y78) |
| 3 | 089058-02-Y78 | EA | Padded Window Leg - Left |
| 3 | 093058-01-Y78 | EA | Padded Window Leg - Right |
| 3 | 093478-01-02A | EA | Blind - Micro Mini - 57.5" x 35" Drop (Y78) |
| 4 | 093452-02-YB4 | EA | Curtain - Blackout - Drivers - 48" x 50" (Y78) |
| 4 | 077591-02-Y21 | EA | Curtain - Blackout - Drivers - 52" x 40" (Y78) (Used w/Front Bunk - Velcro Top) |
| 5 | 093452-01-YA4 | EA | Curtain - Blackout - Passengers - 48" x 50" (Y78) |
| 5 | 077591-01-Y21 | EA | Curtain - Blackout - Passengers - 52" x 40" (Y78) (Used w/Front Bunk - Velcro Top) |
| 6 | 093487-04-000 | EA | Curtain - Front Wraparound - Drivers - 34" x 102" |
| 7 | 093487-03-000 | EA | Curtain - Front Wraparound - Passengers - 34" x 102" |
| 8 | 093455-14-Y77 | EA | Shade - Fabric - 27.25" |
| 9 | 093478-04-03A | EA | Blind - Micro Mini - 28" x 27.5" Drop (Y78) |
| 10 | 093454-08-Y78 | EA | Curtain - Gathered w/Snap Top - 37.5" x 15" |
| 10 | 094552-04-Y78 | EA | Valance - Ruffled - 62.5" |
| 10 | 093477-01-02A | EA | Blind - Day/Nighter - 57.5" x 36" Drop (Y78) |
| 10 | 093479-01-01A | EA | Shade - Woven Wood - 57.5" x 36" Drop |
| 11 | 093454-07-Y78 | EA | Curtain - Gathered w/Snap Top - 34.5" x 15" |
| 11 | 094552-03-Y78 | EA | Valance - Ruffled - 51.5" |
| 11 | 093477-06-02A | EA | Blind - Day/Nighter - 50" x 34" Drop (Y78) |
| 11 | 093479-05-01A | EA | Shade - Woven Wood - 50" x 34" Drop |
| | 057534-03-000 | EA | Tieback - Clear Plastic - 7.5" |
| | 057534-04-000 | EA | Tieback - Clear Plastic - 20" |
| | 057534-05-000 | EA | Tieback - Chestnut Vinyl - 6" |
| | 057534-08-000 | EA | Tieback - Clear Plastic - 16" |

* Parts used with Twin Bed Option

**1989 ITASCA
TABLE OF CONTENTS**

IC/JP34RU
ICP37RQ

A-01 - D-06
D-07 - G-20

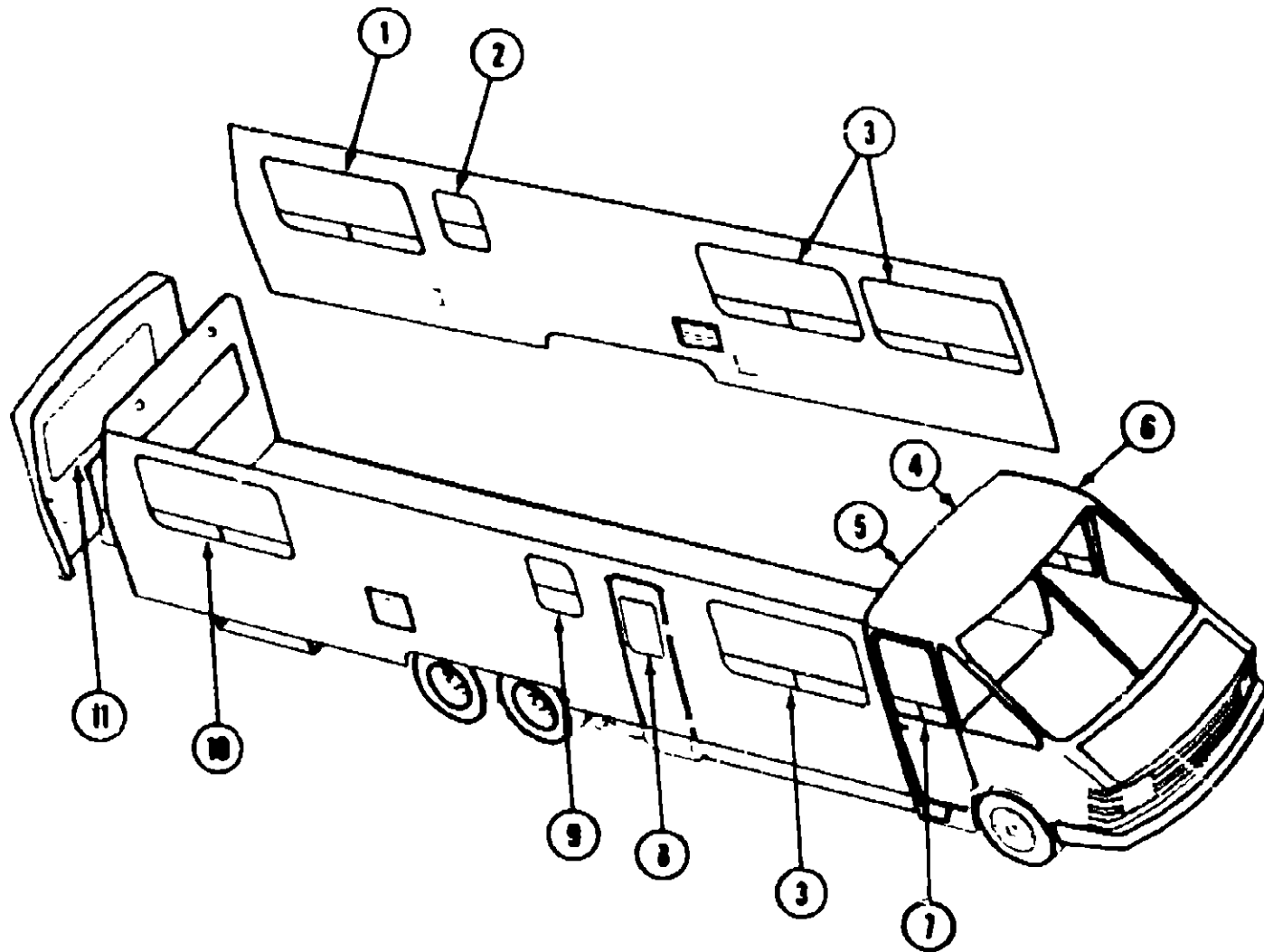
**1989 ICP37RQ
INDEX**

| | |
|------------------------------------|-------------|
| Floor Plan | D-07 - D-08 |
| Accessories Group | D-09 - D-12 |
| Bath Group | D-13 - D-14 |
| Chassis Group | D-15 - D-19 |
| Curtain, Cushion & Pad Group | D-20 - E-18 |
| Dinette Group | E-19 - E-21 |
| Driver's Compartment Group | E-22 - F-02 |
| Electrical Group | F-03 - F-06 |
| Exterior Body Group | F-07 - F-14 |
| Galley Group | F-15 - F-19 |
| Heating & Air Conditioning Group | F-20 |
| Interior Finish Group | F-21 - F-23 |
| LP Group | F-24 |
| Lounge Group | G-01 - G-03 |
| Water & Sewage Group | G-04 - G-05 |
| Window, Vent & Exterior Door Group | G-06 - G-20 |

CURTAIN, CUSHION & PAD GROUP (CONTINUED)

(Y79)
CURTAINS, VALANCES & BLINDS

1999 ITASCA TABLE OF CONTENTS



| Key | Part Number | U/M | Description |
|-----|---------------|-----|--|
| 1 | 083454-08-Y79 | EA | Curtain - Gathered w/Snap Top - 37.5" x 15" |
| 1 | 084552-04-Y79 | EA | Valance - Ruffled - 62.5" |
| *1 | 084552-03-Y79 | EA | Valance - Ruffled - 51.5" |
| 1 | 083477-01-08A | EA | Blind - Day/Nighter - 57.5" x 36" Drop (Y79) |
| *1 | 083477-04-03A | EA | Blind - Day/Nighter - 38.5" x 36" Drop (Y79) |
| 1 | 083479-01-01A | EA | Shade - Woven Wood - 57.5" x 36" Drop |
| *1 | 083479-03-01A | EA | Shade - Woven Wood - 38.5" x 36" Drop |
| 2 | 073304-45-XA4 | EA | Curtain Asm. - w/Snap Top - 30" x 9" (Y79) |
| 2 | 083478-02-03A | EA | Blind - Day/Nighter - 28" x 28" Drop (Y79) |
| 3 | 088058-02-Y79 | EA | Padded Window Leg - Left |
| 3 | 088058-01-Y79 | EA | Padded Window Leg - Right |
| 3 | 083478-01-03A | EA | Blind - Micro Mini - 57.5" x 35" Drop (Y79) |
| 4 | 083452-02-Y30 | EA | Curtain - Blackout - Drivers - 48" x 50" (Y79) |
| 4 | 077591-02-Y79 | EA | Curtain - Blackout - Drivers - 52" x 40" (Y79) (Used w/Front Bunk - Velcro Top) |
| 5 | 083452-01-Y30 | EA | Curtain - Blackout - Passengers - 48" x 50" (Y79) |
| 5 | 077591-01-Y79 | EA | Curtain - Blackout - Passengers - 52" x 40" (Y79) (Used w/Front Bunk - Velcro Top) |
| 6 | 083487-04-000 | EA | Curtain - Front Wraparound - Drivers - 34" x 102" |
| 7 | 083487-03-000 | EA | Curtain - Front Wraparound - Passengers - 34" x 102" |
| 8 | 083455-14-Y77 | EA | Shade - Fabric - 27.25" |
| 9 | 083478-04-04A | EA | Blind - Micro Mini - 28" x 27.5" Drop (Y79) |
| 10 | 083454-08-Y79 | EA | Curtain - Gathered w/Snap Top - 37.5" x 15" |
| 10 | 084552-04-Y79 | EA | Valance - Ruffled - 62.5" |
| 10 | 083477-01-08A | EA | Blind - Day/Nighter - 57.5" x 36" Drop (Y79) |
| 10 | 083479-01-01A | EA | Shade - Woven Wood - 57.5" x 36" Drop |
| 11 | 083454-07-Y79 | EA | Curtain - Gathered w/Snap Top - 34.5" x 15" |
| 11 | 084552-03-Y79 | EA | Valance - Ruffled - 51.5" |
| 11 | 083477-06-03A | EA | Blind - Day/Nighter - 50" x 34" Drop (Y79) |
| 11 | 083479-05-01A | EA | Shade - Woven Wood - 50" x 34" Drop |
| | 057534-03-000 | EA | Tieback - Clear Plastic - 7.5" |
| | 057534-04-000 | EA | Tieback - Clear Plastic - 20" |
| | 057534-05-000 | EA | Tieback - Chestnut Vinyl - 6" |
| | 057534-08-000 | EA | Tieback - Clear Plastic - 18" |

* Parts used with Twin Bed Option

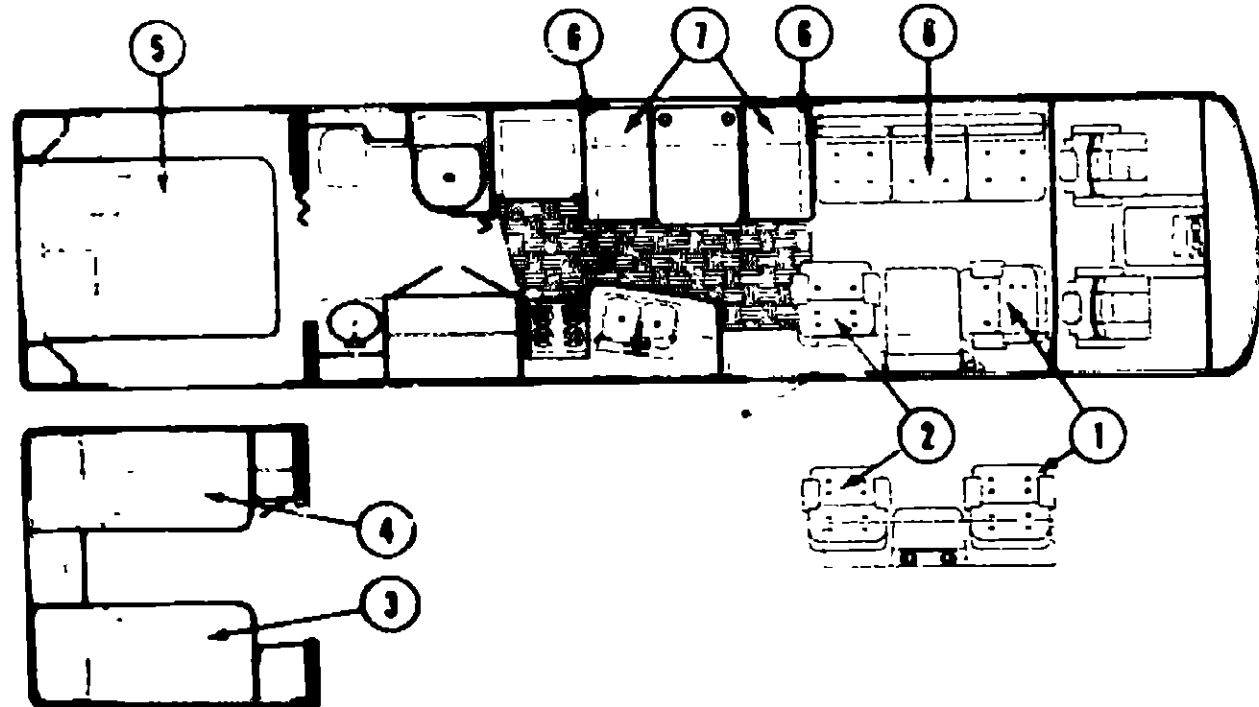
IC/JP34RU
ICP37RQ

A-01 - D-08
D-07 - G-20

1999 ICP37RQ INDEX

| | |
|------------------------------------|-------------|
| Floor Plan | D-07 - D-08 |
| Accessories Group | D-09 - D-12 |
| Bath Group | D-13 - D-14 |
| Cheese Group | D-15 - D-19 |
| Curtain, Cushion & Pad Group | D-20 - E-18 |
| Dinette Group | E-19 - E-21 |
| Driver's Compartment Group | E-22 - F-02 |
| Electrical Group | F-03 - F-08 |
| Exterior Body Group | F-07 - F-14 |
| Galley Group | F-15 - F-19 |
| Heating & Air Conditioning Group | F-20 |
| Interior Finish Group | F-21 - F-23 |
| LP Group | F-24 |
| Lounge Group | G-01 - G-03 |
| Water & Sewage Group | G-04 - G-05 |
| Window, Vent & Exterior Door Group | G-06 - G-20 |

CURTAIN, CUSHION & PAD GROUP (CONTINUED)



(Y77)
DINETTE CUSHIONS & PADS

| Key | Part Number | U/M | Description |
|-----|---------------|-----|--|
| 6 | 088027-22-Y77 | EA | Cushion - 13" x 38" x 5" - Angled Dinette Back |
| | M88027-22-Y77 | EA | Cover - Dinette Back Cushion |
| 7 | 088027-23-Y77 | EA | Cushion - 22" x 38" x 5" - Dinette Seat |
| | M88027-23-Y77 | EA | Cover - Dinette Seat Cushion |
| | 081519-03-Y78 | EA | Pad - Dinette Back - Front |
| | 081519-04-Y78 | EA | Pad - Dinette Back - Rear |

(Y77)
CELESTIAL COUCH/BED

| Key | Part Number | U/M | Description |
|-----|---------------|-----|--|
| 8 | 083480-01-Y77 | EA | Couch/Bed Arm - Celestial - w/o Back Cushions |
| | M83480-01-Y77 | EA | Cover - Celestial Couch/Bed |
| 8 | 085358-05-Y77 | EA | Armrest Cushion - Removable |
| | M85358-05-Y77 | EA | Cover - Armrest Cushion |
| 8 | 085357-02-Y77 | EA | Cushion - Celestial Couch/Bed Back (3 per couch) |
| | M85357-02-Y77 | EA | Cover - Celestial Cushion Back |

(Y77)
CELEBRITY CHAIRS

| Key | Part Number | U/M | Description |
|-----|---------------|-----|---|
| 1 | 088516-02-Y77 | EA | Chair Arm - Celebrity Recliner - w/o Sturt |
| 1 | M88516-02-Y77 | EA | Cover Arm - Celebrity Recliner |
| 1 | 089032-01-Y77 | EA | Sturt Arm - Celebrity |
| 2 | 093463-02-Y77 | EA | Chair Arm - Celebrity Recliner w/Footrest |
| 2 | M93463-02-Y77 | EA | Cover Arm - Celebrity Recliner w/Footrest |
| 2 | 094599-01-Y77 | EA | Footrest |
| 2 | M94599-01-Y77 | EA | Cover - Footrest |
| 2 | 089032-02-Y77 | EA | Sturt Arm - 3/4 - Celebrity Recliner w/Footrest |

(Y77)
TWIN BED OPTION

| Key | Part Number | U/M | Description |
|-----|---------------|-----|--|
| 3 | 077478-04-000 | EA | Mattress - Inner Spring - 33" x 75" x 7.5" - Sealy |
| 3 | 083988-14-Y77 | EA | Bedspread - Fitted w/8" Drop - 33" x 75" - Passenger |
| 4 | 083988-15-Y77 | EA | Bedspread - Fitted w/8" Drop - 33" x 75" - Drivers |
| 4 | 081997-03-Y77 | EA | Pillow Sham - Quilted |
| 4 | 093458-03-Y77 | EA | Headboard Arm - Ruffled - 33" |

(Y77)
QUEEN BED

| Key | Part Number | U/M | Description |
|-----|---------------|-----|---|
| 5 | 077478-06-000 | EA | Mattress - Inner Spring - 80" x 80" x 7.75" - Sealy |
| 5 | 082371-04-Y77 | EA | Bedspread - Fitted w/Ruffle - 80" x 80" |
| 5 | 081997-02-Y77 | EA | Pillow Sham - w/Ruffle - 30" x 26" |
| 5 | 093458-02-Y77 | EA | Headboard Arm - Ruffled - 54" |

**1988 ITASCA
TABLE OF CONTENTS**

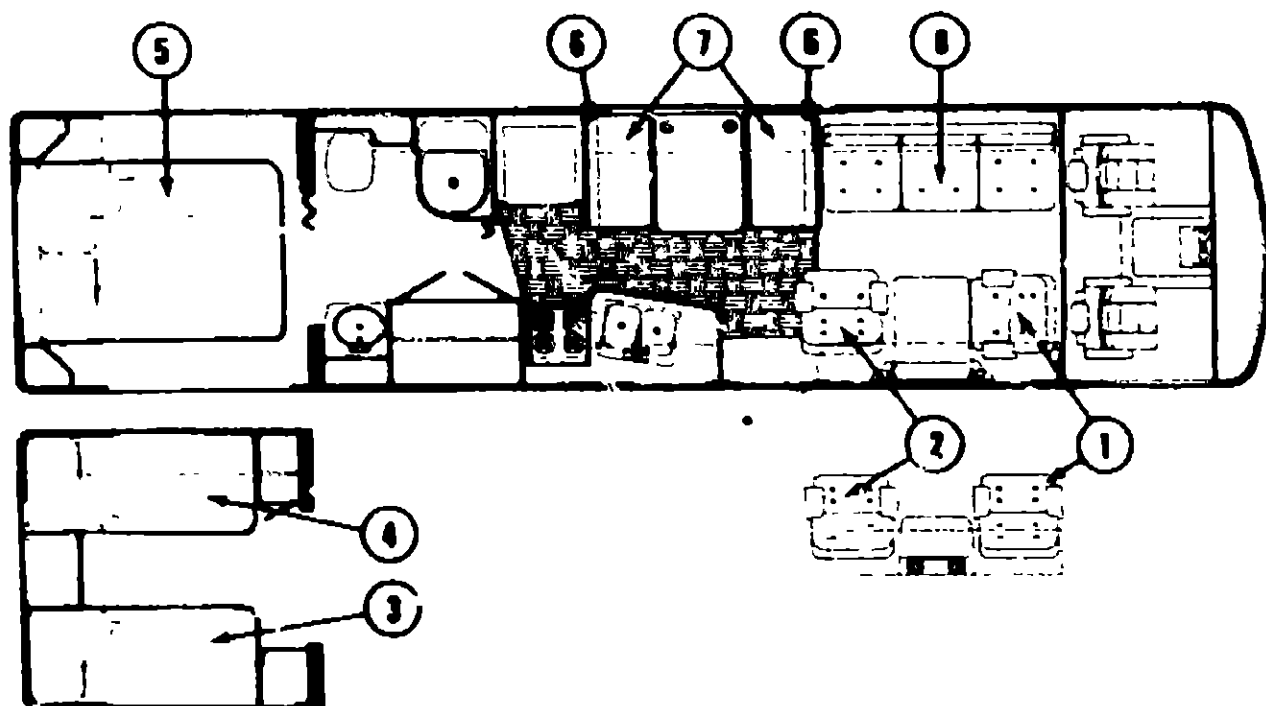
IC/JP34RU
ICP37RQ

A-01 - D-08
D-07 - G-20

**1988 ICP37RQ
INDEX**

| | |
|------------------------------------|-------------|
| Floor Plan | D-07 - D-08 |
| Accessories Group | D-09 - D-12 |
| Bath Group | D-13 - D-14 |
| Chassis Group | D-15 - D-19 |
| Curtain, Cushion & Pad Group | D-20 - E-18 |
| Dinette Group | E-19 - E-21 |
| Driver's Compartment Group | E-22 - F-02 |
| Electrical Group | F-03 - F-08 |
| Exterior Body Group | F-07 - F-14 |
| Galley Group | F-15 - F-19 |
| Heating & Air Conditioning Group | F-20 |
| Interior Finish Group | F-21 - F-23 |
| LP Group | F-24 |
| Lounge Group | G-01 - G-03 |
| Water & Sewage Group | G-04 - G-05 |
| Window, Vent & Exterior Door Group | G-06 - G-20 |

CURTAIN, CUSHION & PAD GROUP (CONTINUED)



**(Y78)
DINETTE CUSHIONS & PADS**

| Key | Part Number | U/M | Description |
|-----|---------------|-----|--|
| 6 | 080027-22-Y78 | EA | Cushion - 13" x 38" x 5" - Angled Dinette Back |
| | M80027-22-Y78 | EA | Cover - Dinette Back Cushion |
| 7 | 080027-23-Y78 | EA | Cushion - 22" x 38" x 5" Dinette Seat |
| | M80027-23-Y78 | EA | Cover - Dinette Seat Cushion |
| | 081518-02-Y78 | EA | Pad - Dinette Back - Front |
| | 081518-04-Y78 | EA | Pad - Dinette Back - Rear |

**(Y78)
CELESTIAL COUCH/BED**

| Key | Part Number | U/M | Description |
|-----|---------------|-----|--|
| 8 | 083480-01-Y78 | EA | Couch/Bed Arm. - Celestial - w/o Back Cushions |
| | M83480-01-Y78 | EA | Cover - Celestial Couch/Bed |
| 8 | 085358-05-Y78 | EA | Armrest Cushion - Removable |
| | M85358-05-Y78 | EA | Cover - Armrest Cushion |
| 8 | 085357-02-Y78 | EA | Cushion - Celestial Couch/Bed Back (3 per couch) |
| | M85357-02-Y78 | EA | Cover - Celestial Cushion Back |

**(Y78)
CELEBRITY CHAIRS**

| Key | Part Number | U/M | Description |
|-----|---------------|-----|--|
| 1 | 080516-02-Y78 | EA | Chair Arm - Celebrity Recliner - w/o Skirt |
| 1 | M80516-02-Y78 | EA | Cover Arm. - Celebrity Recliner |
| 1 | 080032-01-Y78 | EA | Skirt Arm - Celebrity |
| 2 | 083463-02-Y78 | EA | Chair Arm - Celebrity Recliner w/Footrest |
| 2 | M83463-02-Y78 | EA | Cover Arm - Celebrity Recliner w/Footrest |
| 2 | 080032-08-Y78 | EA | Skirt Arm - 3/4 Celebrity |
| 2 | 084500-01-Y78 | EA | Footrest |
| 2 | M84500-01-Y78 | EA | Cover - Footrest |

**(Y78)
TWIN BED OPTION**

| Key | Part Number | U/M | Description |
|-----|---------------|-----|--|
| 3 | 077478-04-000 | EA | Mattress - Inner Spring - 33" x 75" x 7.5" - Sealy |
| 3 | 083988-14-Y78 | EA | Bedspread - Fitted w/8" Drop - 33" x 75" - Passenger |
| 4 | 083988-15-Y78 | EA | Bedspread - Fitted w/8" Drop - 33" x 75" - Drivers |
| 4 | 081997-03-Y78 | EA | Pillow Sham - Quilted |
| 4 | 083458-03-Y78 | EA | Headboard Arm - Ruffled - 33" |

**(Y78)
QUEEN BED**

| Key | Part Number | U/M | Description |
|-----|---------------|-----|---|
| 5 | 077478-06-000 | EA | Mattress - Inner Spring - 60" x 80" x 7.75" - Sealy |
| 5 | 082371-04-Y78 | EA | Bedspread - Fitted w/Ruffle - 60" x 80" |
| 5 | 081997-02-Y78 | EA | Pillow Sham - w/Ruffle - 30" x 38" |
| 5 | 083458-02-Y78 | EA | Headboard Arm - Ruffled - 64" |

**1988 ITASCA
TABLE OF CONTENTS**

ICJP34RU
ICP37RQ

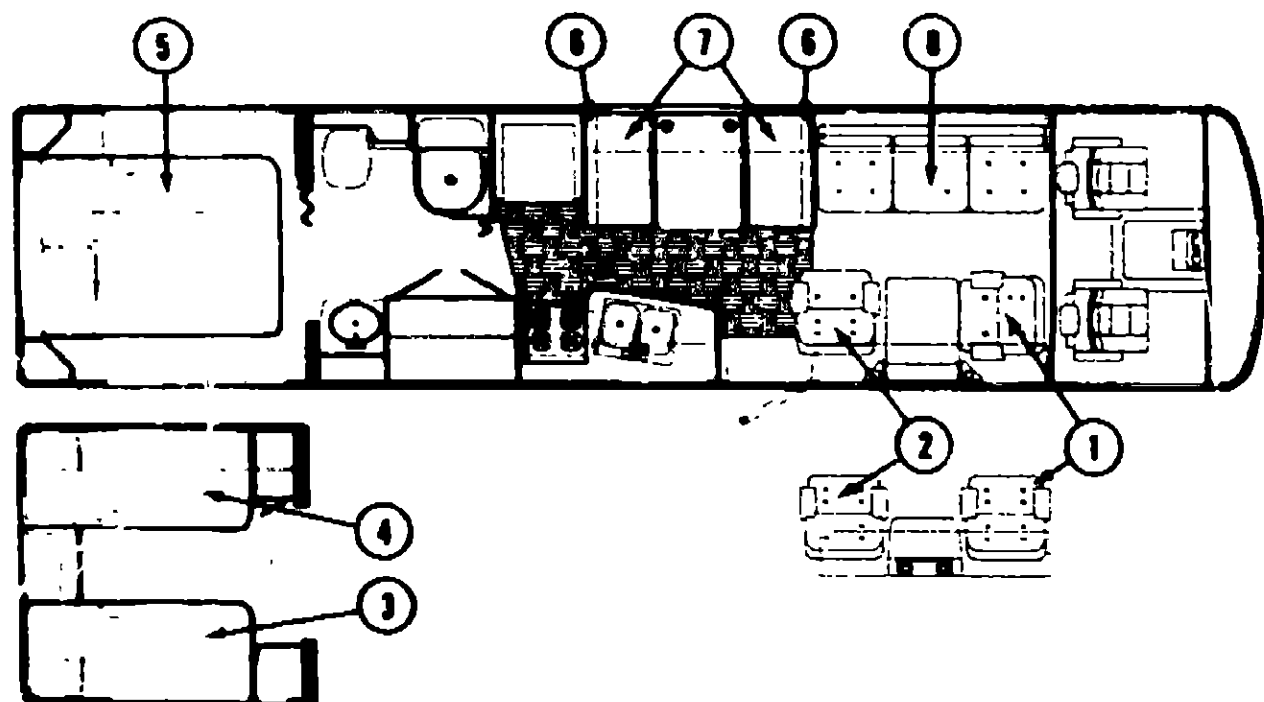
A-01 - D-08
D-07 - G-20

**1988 ICP37RQ
INDEX**

| | |
|------------------------------------|-------------|
| Floor Plan | D-07 - D-08 |
| Accessories Group | D-09 - D-12 |
| Bath Group | D-13 - D-14 |
| Cheese Group | D-15 - D-19 |
| Curtain, Cushion & Pad Group | D-20 - E-10 |
| Dinette Group | E-19 - E-21 |
| Driver's Compartment Group | E-22 - F-02 |
| Electrical Group | F-03 - F-08 |
| Exterior Body Group | F-07 - F-14 |
| Galley Group | F-15 - F-19 |
| Heating & Air Conditioning Group | F-20 |
| Interior Finish Group | F-21 - F-23 |
| LP Group | F-24 |
| Lounge Group | G-01 - G-03 |
| Water & Sewage Group | G-04 - G-05 |
| Window, Vent & Exterior Door Group | G-06 - G-20 |

CURTAIN, CUSHION & PAD GROUP (CONTINUED)

**1989 ITASCA
TABLE OF CONTENTS**



**(Y79)
DINETTE CUSHIONS & PADS**

| Key | Part Number | U/M | Description |
|-----|---------------|-----|--|
| 6 | 088827-27-Y79 | EA | Cushion - 13" x 38" x 5" - Angled Dinette Back |
| | M88827-27-Y79 | EA | Cover - Dinette Back Cushion |
| 7 | 088327-28-Y79 | EA | Cushion - 22" x 38" x 5" - Dinette Seat |
| | M88327-28-Y79 | EA | Cover - Dinette Seat Cushion |
| | 081518-01-Y79 | EA | Pad - Dinette Back - Front |
| | 081518-02-Y79 | EA | Pad - Dinette Back - Rear |

**(Y79)
CELESTIAL COUCH/BED**

| Key | Part Number | U/M | Description |
|-----|---------------|-----|--|
| 8 | 088058-01-Y79 | EA | Couch/Bed Arm - Celestial - w/o Back Cushions |
| | M88058-01-Y79 | EA | Cover - Celestial Couch/Bed |
| 8 | 085358-03-Y79 | EA | Armrest Cushion - Removable |
| | M85358-03-Y79 | EA | Cover - Armrest Cushion |
| 8 | 088827-07-Y79 | EA | Cushion - Celestial Couch/Bed Back (3 per couch) |
| | M88827-07-Y79 | EA | Cover - Celestial Cushion Back |

**(Y79)
CELEBRITY CHAIRS**

| Key | Part Number | U/M | Description |
|-----|---------------|-----|---|
| 1 | 088518-05-Y79 | EA | Chair Arm - Celebrity Recliner |
| | M88518-05-Y79 | EA | Cover Arm - Celebrity Recliner |
| 1 | 088032-10-Y79 | EA | Skirt Arm - Celebrity |
| 2 | 083463-03-Y79 | EA | Chair Arm - Celebrity Recliner w/Footrest |
| | M83463-03-Y79 | EA | Cover Arm - Celebrity Recliner w/Footrest |
| 2 | 088032-08-Y79 | EA | Skirt Arm - 3/4 - Celebrity |
| 2 | 084588-01-Y79 | EA | Footrest |
| 2 | M84588-01-Y79 | EA | Cover - Footrest |

**(Y79)
TWIN BED OPTION**

| Key | Part Number | U/M | Description |
|-----|---------------|-----|--|
| 3 | 077478-04-000 | EA | Mattress - Inner Spring - 33" x 75" x 7.5" - Seely |
| 3 | 083888-14-Y79 | EA | Bedspread - Fitted w/8" Drop - 33" x 75" - Passenger |
| 4 | 083888-15-Y79 | EA | Bedspread - Fitted w/8" Drop - 33" x 75" - Drivers |
| 4 | 081887-03-Y79 | EA | Pillow Sham - Quilted |
| 4 | 083458-03-Y79 | EA | Headboard Arm - Ruffled - 33" |

**(Y79)
QUEEN BED**

| Key | Part Number | U/M | Description |
|-----|---------------|-----|---|
| 5 | 077478-08-000 | EA | Mattress - Inner Spring - 60" x 80" x 7.75" - Seely |
| 5 | 082371-04-Y79 | EA | Bedspread - Fitted w/Ruffle - 60" x 80" |
| 5 | 081887-02-Y79 | EA | Pillow Sham - w/Ruffle - 30" x 28" |
| 5 | 083458-02-Y79 | EA | Headboard Arm - Ruffled - 54" |

ICJP34RU
ICP37RQ

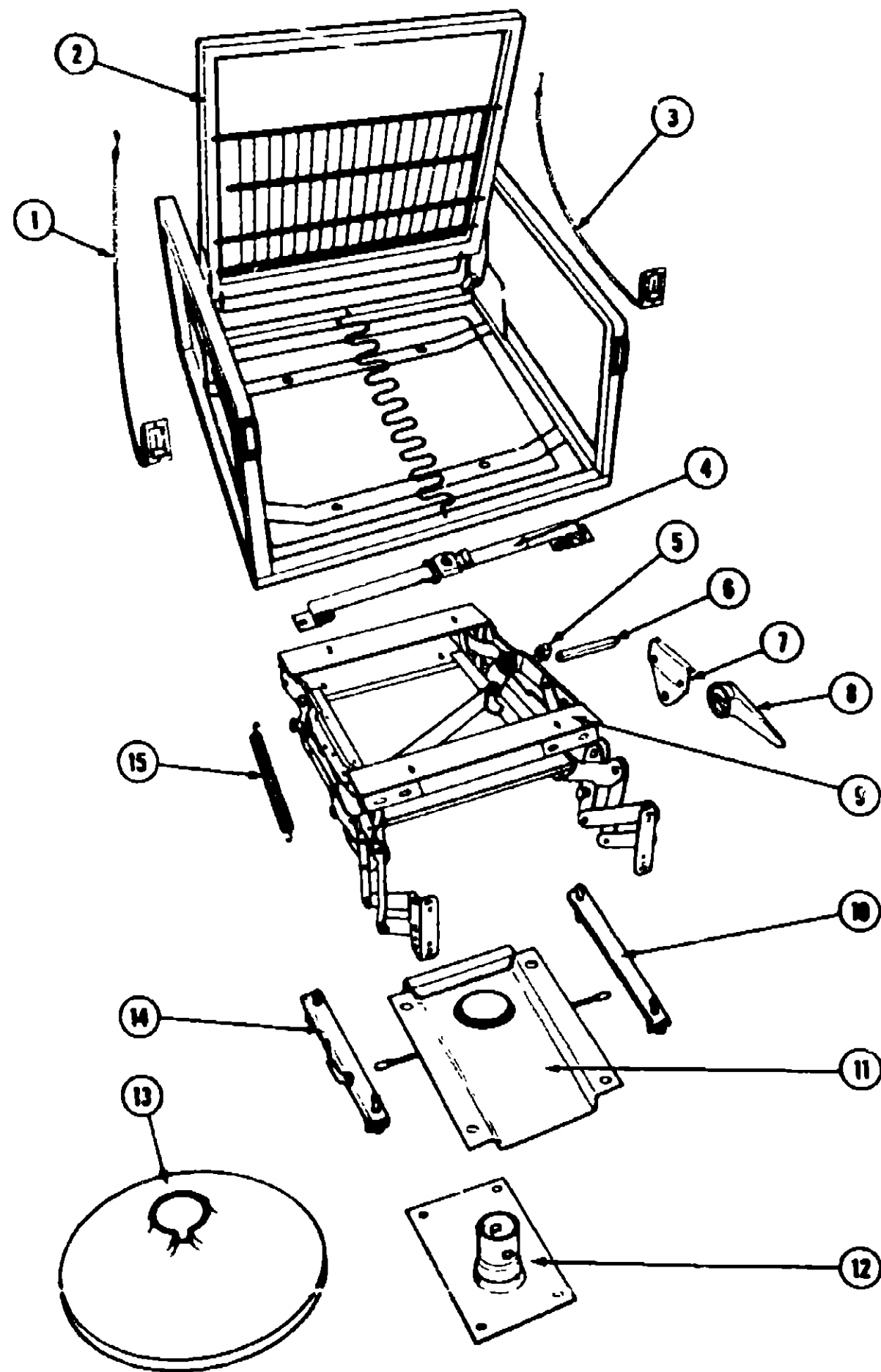
A-01 - D-08
D-07 - G-20

**1989 ICP37RQ
INDEX**

| | |
|------------------------------------|-------------|
| Floor Plan | D-07 - D-08 |
| Accessories Group | D-09 - D-12 |
| Bath Group | D-13 - D-14 |
| Chassis Group | D-15 - D-19 |
| Curtain, Cushion & Pad Group | D-20 - E-18 |
| Dinette Group | E-19 - E-21 |
| Driver's Compartment Group | E-22 - F-02 |
| Electrical Group | F-03 - F-08 |
| Exterior Body Group | F-07 - F-14 |
| Galley Group | F-15 - F-19 |
| Heating & Air Conditioning Group | F-20 |
| Interior Finish Group | F-21 - F-23 |
| LP Group | F-24 |
| Lounge Group | G-01 - G-03 |
| Water & Sewage Group | G-04 - G-05 |
| Window, Vent & Exterior Door Group | G-06 - G-20 |

CURTAIN, CUSHION & PAD GROUP (CONTINUED)

CELEBRITY RECLINER HARDWARE



| Key | Part Number | U/M | Description |
|-----|---------------|-----|---|
| 1 | 089368-03-000 | EA | Remote Arm - Recliner |
| 2 | 089368-01-000 | EA | Frame Arm - Celebrity Chair |
| 3 | 089368-02-000 | EA | Remote Arm - Slider |
| 4 | 007021-01-000 | EA | Seat Belt Arm - 90" x 2" - Black |
| | 057759-01-000 | EA | Bracket - Seat Belt Washer |
| 5 | 083484-02-700 | EA | Clamp |
| 6 | 083484-02-701 | EA | Torsion Bar |
| 7 | 083484-02-702 | EA | Support - Torsion Bar |
| 8 | 083484-02-703 | EA | Handle |
| | 083484-02-000 | EA | Hardware Kit - Footrest - Includes Keys 5,6,7,8, & 15 |
| 9 | 083484-01-000 | EA | Footrest Pedestal Mechanism |
| 10 | 088248-02-000 | EA | Adjuster Arm - Celebrity Chair - w/o Lock |
| 11 | 083481-03-000 | EA | Top Plate - Celebrity Chair - w/Lock |
| 12 | 083481-01-000 | EA | Pedestal - 6" - Used with Footrest Only |
| 12 | 083481-02-000 | EA | Pedestal - 10" - Used with Recliner Only |
| 13 | 083482-01-000 | EA | Pedestal Shroud - 13" - Black Plastic |
| 14 | 088248-05-000 | EA | Adjuster Arm - Celebrity Chair - w/Lock |
| | 087330-01-000 | EA | Bracket - Stop - Slide Track |
| 15 | 083484-02-704 | EA | Spring |

**1988 ITASCA
TABLE OF CONTENTS**

ICJP34RU
ICP37RQ

A-01 - D-08
D-07 - G-20

**1988 ICP37RQ
INDEX**

| | |
|------------------------------------|-------------|
| Floor Plan | D-07 - D-08 |
| Accessories Group | D-08 - D-12 |
| Bath Group | D-13 - D-14 |
| Chassis Group | D-15 - D-19 |
| Curtain, Cushion & Pad Group | D-20 - E-18 |
| Dinette Group | E-19 - E-21 |
| Driver's Compartment Group | E-22 - F-02 |
| Electrical Group | F-03 - F-06 |
| Exterior Body Group | F-07 - F-14 |
| Galley Group | F-15 - F-19 |
| Heating & Air Conditioning Group | F-20 |
| Interior Finish Group | F-21 - F-23 |
| LP Group | F-24 |
| Lounge Group | G-01 - G-03 |
| Water & Sewage Group | G-04 - G-05 |
| Window, Vent & Exterior Door Group | G-06 - G-20 |

CURTAIN, CUSHION & PAD GROUP (CONTINUED)

**(Y77)
BUCKET SEATS**

| Key | Part Number | U/M | Description |
|-----|---------------|-----|--|
| | 003471-01-Y77 | EA | Seat Asm. - Single Bucket - w/Armrests & Headrests w/o Skirt |
| | M03445-10-Y77 | EA | Cover - Back - Single Bucket |
| | M03445-08-Y77 | EA | Cover - Bottom - Single Bucket |
| | 071128-24-Y75 | EA | Skirt - Single Bucket |
| | 080243-36-Y77 | EA | Armrest Asm. - Right |
| | M80243-36-Y77 | EA | Cover - Armrest - Right |
| | 080243-37-Y77 | EA | Armrest Asm. - Left |
| | M80243-37-Y77 | EA | Cover - Armrest - Left |

**(Y78)
BUCKET SEATS**

| Key | Part Number | U/M | Description |
|-----|---------------|-----|--|
| | 003471-01-Y78 | EA | Seat Asm. - Single Bucket - w/Armrests & Headrests w/o Skirt |
| | M03445-10-Y78 | EA | Cover - Back - Single Bucket |
| | M03445-08-Y78 | EA | Cover - Bottom - Single Bucket |
| | 071128-24-Y25 | EA | Skirt - Single Bucket |
| | 080243-36-Y78 | EA | Armrest Asm. - Right |
| | M80243-36-Y78 | EA | Cover - Armrest - Right |
| | 080243-37-Y78 | EA | Armrest Asm. - Left |
| | M80243-37-Y78 | EA | Cover - Armrest - Left |

**(Y79)
BUCKET SEATS**

| Key | Part Number | U/M | Description |
|-----|---------------|-----|--|
| | 003471-03-Y79 | EA | Seat Asm. - Single Bucket - w/Armrests & Headrests w/o Skirt |
| | M03445-14-Y79 | EA | Cover - Back - Single Bucket |
| | M03445-13-Y79 | EA | Cover - Bottom - Single Bucket |
| | 071128-24-Y79 | EA | Skirt - Single Bucket |
| | 080243-36-Y79 | EA | Armrest Asm. - Right |
| | M80243-36-Y79 | EA | Cover - Armrest - Right |
| | 080243-37-Y79 | EA | Armrest Asm. - Left |
| | M80243-37-Y79 | EA | Cover - Armrest - Left |

CURTAIN, CUSHION & PAD GROUP (CONTINUED)

**(Y77)
POWER BUCKET SEAT OPTION**

| Key | Part Number | U/M | Description |
|-----|---------------|-----|---|
| | 003471-02-Y77 | EA | Seat Asm. - Single Bucket - Drivers w/Armrest w/o Skirt |
| | M03445-08-Y77 | EA | Cover - Bottom - Drivers Bucket |
| | M03445-10-Y77 | EA | Cover - Back - Drivers Bucket |
| | 071128-26-Y77 | EA | Skirt - Power Seat Bucket |
| | 080243-36-Y77 | EA | Armrest Asm. - Right w/Remote |
| | M80243-36-Y77 | EA | Cover - Right Armrest |
| | 080243-38-Y77 | EA | Armrest Asm. - Left Drivers - Used w/Power Seat |
| | M80243-38-Y77 | EA | Cover - Left Armrest - Used w/Power Seat |

**(Y78)
POWER BUCKET SEAT OPTION**

| Key | Part Number | U/M | Description |
|-----|---------------|-----|---|
| | 003471-02-Y78 | EA | Seat Asm. - Single Bucket - Drivers w/Armrest w/o Skirt |
| | M03445-08-Y78 | EA | Cover - Bottom - Drivers Bucket |
| | M03445-10-Y78 | EA | Cover - Back - Drivers Bucket |
| | 071128-26-Y14 | EA | Skirt - Power Seat Bucket |
| | 080243-36-Y78 | EA | Armrest Asm. - Right w/Remote |
| | M80243-36-Y78 | EA | Cover - Right Armrest |
| | 080243-38-Y78 | EA | Armrest Asm. - Left Drivers - Used w/Power Seat |
| | M80243-38-Y78 | EA | Cover - Left Armrest - Used w/Power Seat |

**(Y79)
POWER BUCKET SEAT OPTION**

| Key | Part Number | U/M | Description |
|-----|---------------|-----|---|
| | 003471-03-Y79 | EA | Seat Asm. - Single Bucket - Drivers w/Armrest w/o Skirt |
| | M03445-13-Y79 | EA | Cover - Bottom - Drivers Bucket |
| | M03445-14-Y79 | EA | Cover - Back - Drivers Bucket |
| | 071128-26-Y79 | EA | Skirt - Power Seat Bucket |
| | 080243-36-Y79 | EA | Armrest Asm. - Right w/Remote |
| | M80243-36-Y79 | EA | Cover - Right Armrest |
| | 080243-37-Y79 | EA | Armrest Asm. - Left Drivers - Used w/Power Seat |
| | M80243-37-Y79 | EA | Cover - Left Armrest - Used w/Power Seat |

**1999 ITASCA
TABLE OF CONTENTS**

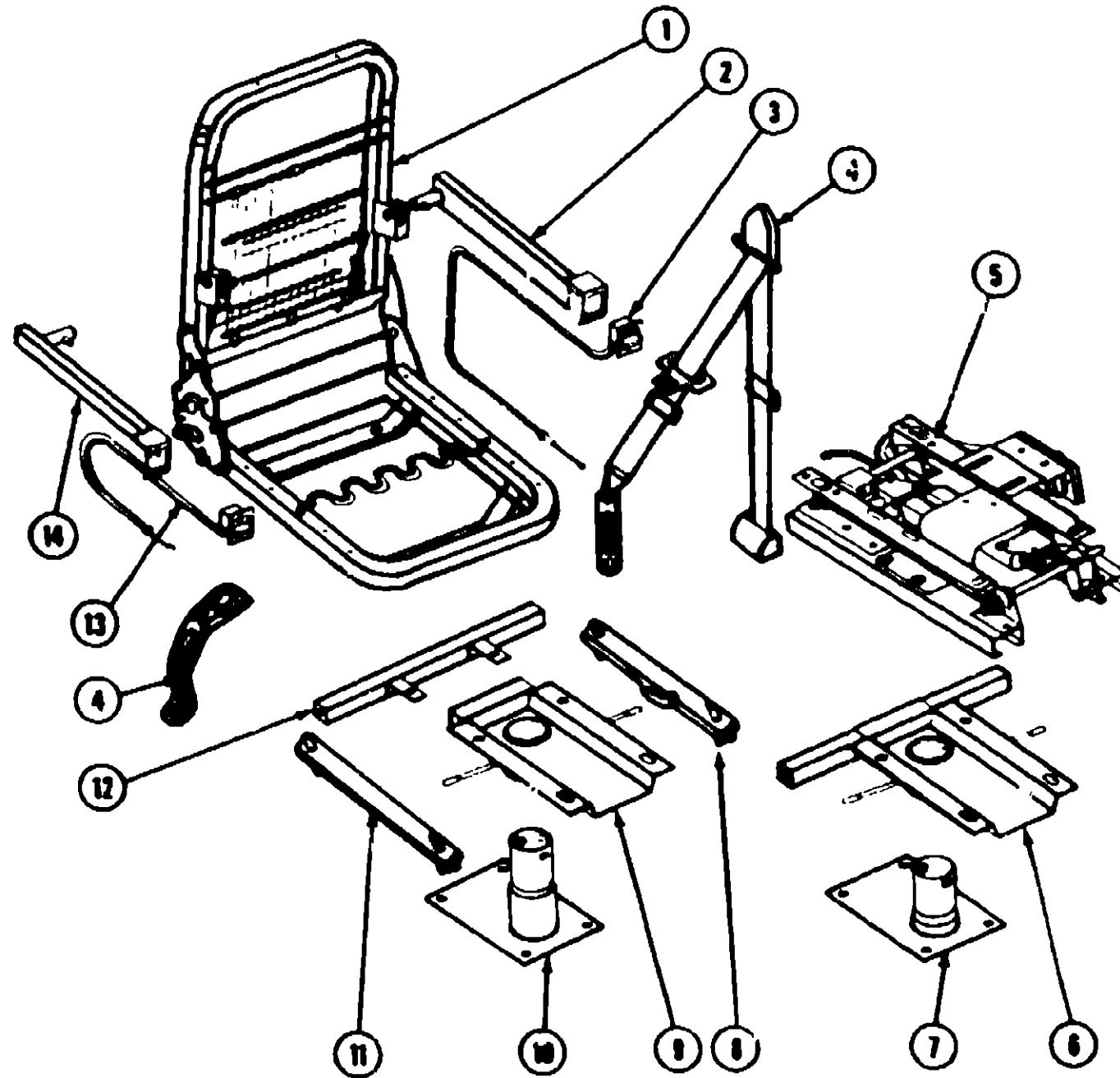
| | |
|----------|-------------|
| ICUP34RU | A-01 - D-08 |
| ICP37RQ | D-07 - G-20 |

**1999 ICP37RQ
INDEX**

| | |
|------------------------------------|-------------|
| Floor Plan | D-07 - D-08 |
| Accessories Group | D-08 - D-12 |
| Bath Group | D-13 - D-14 |
| Chassis Group | D-15 - D-19 |
| Curtain, Cushion & Pad Group | D-20 - E-18 |
| Dinette Group | E-19 - E-21 |
| Driver's Compartment Group | E-22 - F-02 |
| Electrical Group | F-03 - F-06 |
| Exterior Body Group | F-07 - F-14 |
| Galley Group | F-15 - F-19 |
| Heating & Air Conditioning Group | F-20 |
| Interior Finish Group | F-21 - F-23 |
| LP Group | F-24 |
| Lounge Group | G-01 - G-03 |
| Water & Sewage Group | G-04 - G-05 |
| Window, Vent & Exterior Door Group | G-06 - G-20 |

CURTAIN, CUSHION & PAD GROUP (CONTINUED)

BUCKET SEAT HARDWARE



| Key | Part Number | UOM | Description |
|-----|---------------|-----|--|
| 1 | 089389-01-000 | EA | Frame Arm - Bucket Seat |
| 2 | 089389-03-000 | EA | Frame - Armrest - Left |
| 3 | 089389-03-000 | EA | Cable Arm - Remote - Side |
| 4 | 081980-02-01A | EA | Seat Belt - Driver - 3 Point |
| | 081980-01-01A | EA | Seat Belt - Passenger - 3 Point |
| 5 | 081373-01-000 | EA | Power Seat Arm |
| | 081373-02-700 | EA | Switch Arm. - Power Seat |
| | 081373-02-701 | EA | Wire Harness - Drivers - Power Seat |
| | 081373-02-702 | EA | Wire Harness - Passenger - Power Seat |
| | 081373-02-703 | EA | Horizontal Adjustment Package |
| | 081373-02-704 | EA | Vertical Adjustment Package |
| 6 | 089585-38-000 | EA | Top Plate - Power Seat |
| 7 | 089585-37-000 | EA | Sub Plate - 5" - Used w/Power Seat |
| 8 | 089246-05-000 | EA | Adjuster Arm. - Seat - w/o Lock |
| 9 | 089585-27-000 | EA | Top Plate - Non Powered Seat |
| 10 | 089585-08-000 | EA | Sub Plate - 8" - Used w/Non Powered Seat |
| 11 | 089246-02-000 | EA | Adjuster Arm. - Seat - w/Lock |
| 12 | 089585-28-000 | EA | Seat Belt Bar - 20" |
| 13 | 089389-02-000 | EA | Cable Arm - Remote - Recliner |
| 14 | 089389-02-000 | EA | Frame - Armrest - Right |

**1999 ITASCA
TABLE OF CONTENTS**

IC/JP34RU
ICP37RQ

A-01 - D-08
D-07 - G-20

**1999 ICP37RQ
INDEX**

| | |
|------------------------------------|-------------|
| Floor Plan | D-07 - D-08 |
| Accessories Group | D-09 - D-12 |
| Bath Group | D-13 - D-14 |
| Chassis Group | D-15 - D-19 |
| Curtain, Cushion & Pad Group | D-20 - E-18 |
| Dinette Group | E-19 - E-21 |
| Driver's Compartment Group | E-22 - F-02 |
| Electrical Group | F-03 - F-08 |
| Exterior Body Group | F-07 - F-14 |
| Galley Group | F-15 - F-19 |
| Heating & Air Conditioning Group | F-20 |
| Interior Finish Group | F-21 - F-23 |
| LP Group | F-24 |
| Lounge Group | G-01 - G-03 |
| Water & Sewage Group | G-04 - G-05 |
| Window, Vent & Exterior Door Group | G-06 - G-20 |

CURTAIN, CUSHION & PAD GROUP (CONTINUED)

CELESTIAL COUCHBED HARDWARE

| Key | Part Number | U/M | Description |
|-----|---------------|-----|---------------------------------|
| | 074044-01-000 | EA | Dist Trm - Celestial Couch/Bed |
| | 079398-01-000 | EA | Frame Asm - Celestial Couch/Bed |
| | 079398-02-000 | EA | Kit - Hardware |

CURTAIN HARDWARE

| Key | Part Number | U/M | Description |
|-----|---------------|-----|--|
| | 056116-01-000 | EA | Track - Curtain - Brown - Plastic |
| | 077046-01-000 | EA | Track - Curtain - Front Wraparound - Passenger |
| | 077046-02-000 | EA | Track - Curtain - Front Wraparound - Driver |
| | 081804-01-000 | FT | Track - Curtain - Light Beige |
| | 077046-01-000 | EA | Bezel Asm - w/Strap - Wraparound |
| | 077046-01-701 | EA | Swivel Corner - Wraparound |
| | 077046-01-702 | EA | Lock Stop - Wraparound |
| | 077046-01-704 | EA | End Stop - Wraparound |
| | 077046-01-705 | EA | Master Carrier - Left Wraparound |
| | 077046-01-706 | EA | Master Carrier - Right Wraparound |
| | 081381-01-000 | EA | Swivel - Snap - Curtain Track |
| | 056003-01-000 | EA | Bracket - Drapery Retainer - Right |
| | 056003-02-000 | EA | Bracket - Drapery Retainer - Left |
| | 056784-02-000 | EA | Pull - Window Shade - Brass |
| | 039175-02-000 | EA | Bracket - Curtain Rod |
| | 046384-01-000 | YD | Tape Hook - 1" x 50 YD - Beige (Velcro) |
| | 046385-01-000 | YD | Tape Loop - 1" x 50 YD - Beige (Velcro) |
| | 082138-01-000 | EA | Bracket - Hold Down - Blind |
| | 016804-02-000 | EA | Brace - Seat - Angle - 2.50" Brown |
| | 084434-01-000 | EA | Bracket - Roller Shade |
| | 087253-01-000 | EA | Shade Pull - Clear Plastic |
| | 075843-01-000 | EA | Brace - Valance - Beige |
| | 088782-01-000 | YD | Velcro - 5/8" Hook - Non Adhesive |
| | 088782-02-000 | YD | Velcro - 3/4" Loop - Adhesive |
| | 088916-01-000 | EA | Trim - Window - Mounting for Leg Asm |
| | 089522-01-000 | EA | Panel - Trim - Mounting Leg to Window Trim |

CURTAIN, CUSHION & PAD GROUP (CONTINUED)

FRONT OVERHEAD BUNK CUSHIONS

| Key | Part Number | U/M | Description |
|-----|---------------|-----|---|
| | 079145-02-000 | EA | Cushion Asm - Front Bunk - 30" x 72" x 4" |
| | M79145-02-000 | EA | Cover Asm - Front Bunk Cushion |

FABRICS

| Key | Part Number | U/M | Description |
|-----|---------------|-----|--|
| | 088274-74-000 | YD | Fabric - Upholstery (Y77) |
| | 088274-75-000 | YD | Fabric - Upholstery (Y78) |
| | 088274-58-000 | YD | Fabric - Upholstery (Y79) |
| | 088274-54-000 | YD | Fabric - Upholstery/Accent (Y77) |
| | 088274-55-000 | YD | Fabric - Upholstery/Accent (Y78) |
| | 088274-33-000 | YD | Fabric - Upholstery/Plain Accent (Y77) |
| | 088274-76-000 | YD | Fabric - Upholstery/Plain Accent (Y78) |
| | 088274-57-000 | YD | Fabric - Upholstery/Plain Accent (Y79) |
| | 088273-18-000 | YD | Fabric - Bedspread (Y77) |
| | 088273-19-000 | YD | Fabric - Bedspread (Y78) |
| | 088273-24-000 | YD | Fabric - Bedspread (Y79) |
| | 072333-61-000 | YD | Fabric - Drapery (Y77) |
| | 072333-37-000 | YD | Fabric - Drapery (Y78) |
| | 088273-55-000 | YD | Fabric - Drapery (Y79) |
| | 088274-54-000 | YD | Fabric - Dinette Pad (Y77) |
| | 088274-55-000 | YD | Fabric - Dinette Pad (Y78) |
| | 088274-57-000 | YD | Fabric - Dinette Pad (Y79) |
| | 078880-01-000 | YD | Vinyl - Expanded - Buckskin |
| | 088351-01-000 | YD | Vinyl - Headliner - Beige |
| | 078384-01-000 | FT | Trim - Half Round Vinyl - 7/16" |
| | 038421-05-000 | YD | Fabric - Mattress - Ticking - Gray/White |

**1989 ITASCA
TABLE OF CONTENTS**

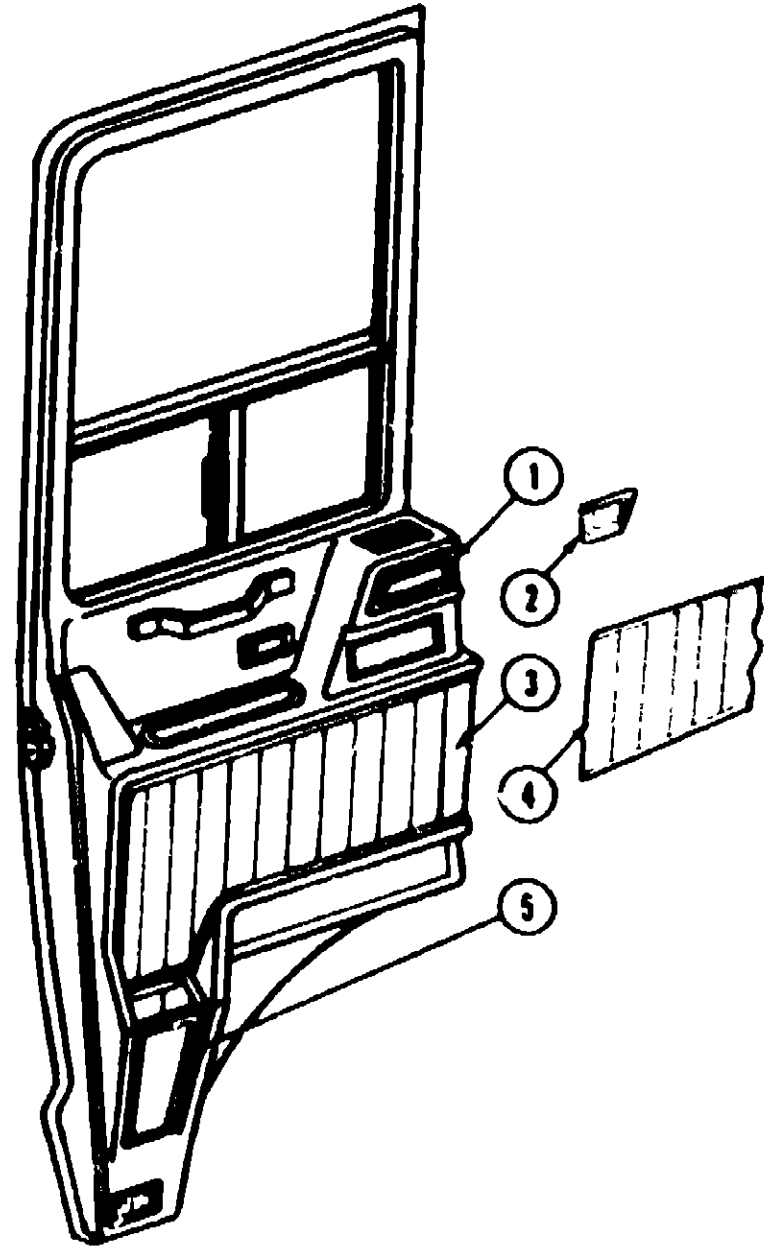
IC/JP34RU
ICP37RQ

A-01 - D-08
D-07 - G-20

**1989 ICP37RQ
INDEX**

| | |
|------------------------------------|-------------|
| Floor Plan | D-07 - D-08 |
| Accessories Group | D-09 - D-12 |
| Bath Group | D-13 - D-14 |
| Chassis Group | D-15 - D-19 |
| Curtain, Cushion & Pad Group | D-20 - E-18 |
| Dinette Group | E-19 - E-21 |
| Driver's Compartment Group | E-22 - F-02 |
| Electrical Group | F-03 - F-08 |
| Exterior Body Group | F-07 - F-14 |
| Galley Group | F-15 - F-18 |
| Heating & Air Conditioning Group | F-20 |
| Interior Finish Group | F-21 - F-23 |
| LP Group | F-24 |
| Lounge Group | G-01 - G-03 |
| Water & Sewage Group | G-04 - G-05 |
| Window, Vent & Exterior Door Group | G-06 - G-20 |

CURTAIN, CUSHION & PAD GROUP (CONTINUED)



**(Y77)
TRIM PADS & INSERTS**

| Key | Part Number | U/M | Description |
|-----|---------------|-----|--|
| 1 | 089104-03-X75 | EA | Insert - Upper Passenger Door - 2.5" x 6.25" |
| 1 | 089104-04-X75 | EA | Insert - Upper Drivers Door - 2.5" x 6.25" |
| 2 | 089107-02-X75 | EA | Insert - Side Upper - Drivers - 2.6" x 14" |
| 2 | 089109-02-X75 | EA | Insert - Side Upper - Passenger - 2.6" x 17.1" |
| 3 | 089105-03-X75 | EA | Insert - Lower Passenger Door - 14.2" x 28.25" |
| 3 | 089105-04-X75 | EA | Insert - Lower Drivers Door - 14.2" x 28.25" |
| 4 | 089108-02-X75 | EA | Insert - Side Lower - Driver - 9.3" x 21.3" |
| 4 | 089110-02-X75 | EA | Insert - Side Lower - Passenger - 9.2" x 28" |
| 5 | 089108-03-X75 | EA | Insert - Map Pocket - Passenger Door - 5.75" x 7.6" |
| 5 | 089108-04-X75 | EA | Insert - Map Pocket - Driver Door - 5.75" x 7.6" |
| | 089111-02-X75 | EA | Insert - Front Center Overhead - 19.5" x 4" |
| | 089112-03-X75 | EA | Insert - Front Overhead (Survivor) Passenger - 28" x 23.2" |
| | 089112-04-X75 | EA | Insert - Front Overhead (Survivor) Driver - 28" x 23.2" |
| | 089113-02-X75 | EA | Insert - TT Chair Lounge - 12" x 16" |

**(Y78)
TRIM PADS & INSERTS**

| Key | Part Number | U/M | Description |
|-----|---------------|-----|--|
| 1 | 089104-03-Y20 | EA | Insert - Upper Passenger Door - 2.5" x 6.25" |
| 1 | 089104-04-Y20 | EA | Insert - Upper Drivers Door - 2.5" x 6.25" |
| 2 | 089107-02-Y78 | EA | Insert - Side Upper - Drivers - 2.6" x 3.14" |
| 2 | 089109-02-Y78 | EA | Insert - Side Upper - Passenger - 2.6" x 17.1" |
| 3 | 089105-03-Y20 | EA | Insert - Lower Passenger Door - 14.2" x 28.25" |
| 3 | 089105-04-Y20 | EA | Insert - Lower Drivers Door - 14.2" x 28.25" |
| 4 | 089108-02-Y78 | EA | Insert - Side Lower - Driver - 9.3" x 21.3" |
| 4 | 089110-02-Y78 | EA | Insert - Side Lower - Passenger - 9.2" x 28" |
| 5 | 089108-03-Y20 | EA | Insert - Map Pocket - Passenger Door - 5.75" x 7.6" |
| 5 | 089108-04-Y20 | EA | Insert - Map Pocket - Driver Door - 5.75" x 7.6" |
| | 089111-02-Y20 | EA | Insert - Front Center Overhead - 19.5" x 4" |
| | 089112-03-Y78 | EA | Insert - Front Overhead (Survivor) Passenger - 28" x 23.2" |
| | 089112-04-Y20 | EA | Insert - Front Overhead (Survivor) Driver - 28" x 23.2" |
| | 089113-02-Y78 | EA | Insert - TT Chair Lounge - 12" x 16" |

**(Y79)
TRIM PADS & INSERTS**

| Key | Part Number | U/M | Description |
|-----|---------------|-----|--|
| 1 | 089104-03-Y79 | EA | Insert - Upper Passenger Door - 2.5" x 6.25" |
| 1 | 089104-04-Y79 | EA | Insert - Upper Drivers Door - 2.5" x 6.25" |
| 2 | 089107-02-Y79 | EA | Insert - Side Upper - Drivers - 2.6" x 17.1" |
| 2 | 089109-02-Y79 | EA | Insert - Side Upper - Passenger - 2.6" x 3.14" |
| 3 | 089105-03-Y79 | EA | Insert - Lower Passenger Door - 14.2" x 28.25" |
| 3 | 089105-04-Y79 | EA | Insert - Lower Drivers Door - 14.2" x 28.25" |
| 4 | 089108-02-Y79 | EA | Insert - Side Lower - Driver - 9.3" x 21.3" |
| 4 | 089110-02-Y79 | EA | Insert - Side Lower - Passenger - 9.2" x 28" |
| 5 | 089108-03-Y79 | EA | Insert - Map Pocket - Passenger Door - 5.75" x 7.6" |
| 5 | 089108-04-Y79 | EA | Insert - Map Pocket - Driver Door - 5.75" x 7.6" |
| | 089107-02-Y79 | EA | Insert - Side Upper - Drivers - 2.6" x 3.14" |
| | 089109-02-Y79 | EA | Insert - Side Upper - Passenger - 2.6" x 17.1" |
| | 089111-02-Y79 | EA | Insert - Front Center Overhead - 19.5" x 4" |
| | 089112-03-Y79 | EA | Insert - Front Overhead (Survivor) Passenger - 28" x 23.2" |
| | 089112-04-Y79 | EA | Insert - Front Overhead (Survivor) Driver - 28" x 23.2" |
| | 089113-02-Y79 | EA | Insert - TT Chair Lounge - 12" x 16" |

**1989 ITASCA
TABLE OF CONTENTS**

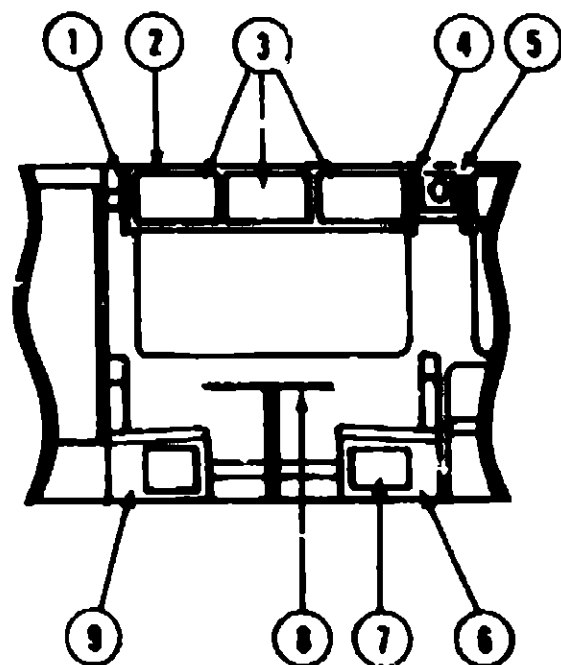
ICJP34RU
ICP37RQ

A-01 - D-08
D-07 - G-20

**1989 ICP37RQ
INDEX**

| | |
|------------------------------------|-------------|
| Floor Plan | D-07 - D-08 |
| Accessories Group | D-09 - D-12 |
| Bath Group | D-13 - D-14 |
| Chassis Group | D-15 - D-19 |
| Curtain, Cushion & Pad Group | D-20 - E-18 |
| Denette Group | E-19 - E-21 |
| Driver's Compartment Group | E-22 - F-02 |
| Electrical Group | F-03 - F-08 |
| Exterior Body Group | F-07 - F-14 |
| Galley Group | F-15 - F-19 |
| Heating & Air Conditioning, Group | F-20 |
| Interior Finish Group | F-21 - F-23 |
| LP Group | F-24 |
| Lounge Group | G-01 - G-03 |
| Water & Sewage Group | G-04 - G-05 |
| Window, Vent & Exterior Door Group | G-06 - G-20 |

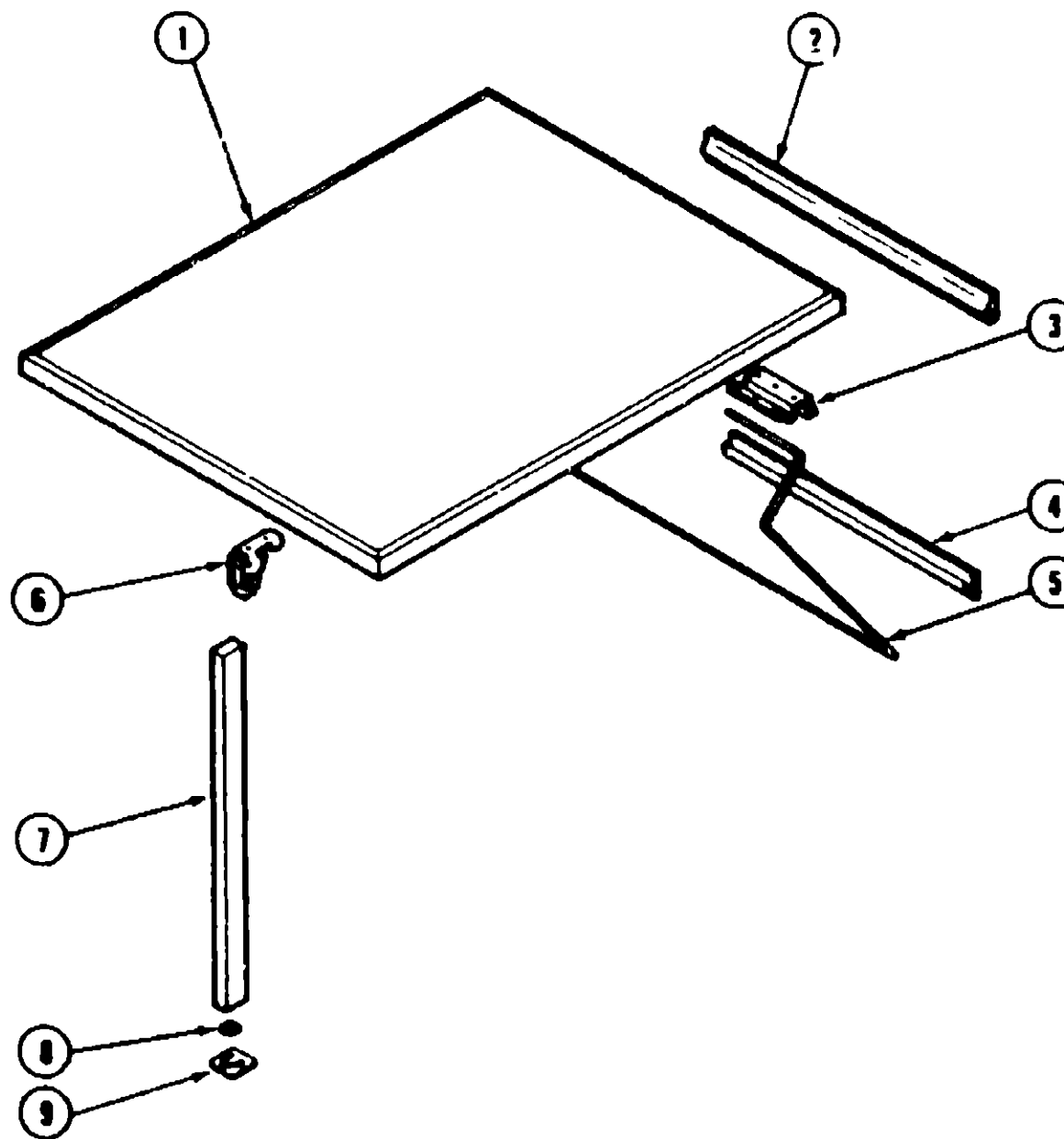
DINETTE GROUP



CONVENTIONAL DINETTE & COMPONENTS

| Key | Part Number | U/M | Description |
|-----|---------------|-----|--|
| 1 | 085488-02-W36 | EA | End Cap Asm. - Dinette Overhead - Vinyl |
| 2 | M03110-17-Y77 | EA | Cabinet Arm - Dinette Overhead - w/o Doors or Hardware |
| | 078376-01-000 | EA | Bottom Panel - Overhead - Light Oak Plastic |
| | 078583-08-000 | EA | Shell - Overhead - Tan Aluminum |
| 3 | M88304-38-Y77 | EA | Door Asm. - Dinette Overhead - 12" x 18 7" - w/o Hardware |
| 4 | 085488-01-W36 | EA | End Cap Asm. - Dinette Overhead - Vinyl |
| 5 | 086384-01-W36 | EA | Cabinet Arm - Speaker - Left |
| 6 | M02984-01-W36 | EA | Cabinet Arm - Dinette Seat - w/o Doors or Hardware |
| | M02963-01-W36 | EA | Cabinet Arm - Dinette Back |
| 7 | M88304-40-Y77 | EA | Door Asm - Dinette Seat - 18" x 10" - w/o Hardware |
| 7 | M88304-26-X75 | EA | Door Asm - Dinette Seat - w/Auxiliary Furnace - w/o Hardware |
| | 072389-19-000 | EA | Mesh - Expanded Aluminum - Bronze |
| | 080178-02-000 | EA | Corner Cap - Light Oak Plastic (Dinette) |
| | 004354-01-000 | EA | Bumper - 1/2" Dia - White |
| 8 | M03084-13-Y21 | EA | Table Arm - Dinette - w/o Hardware & Leg |
| 9 | M02984-02-W36 | EA | Cabinet Arm - Dinette Seat - w/o Door or Hardware |
| | M02963-02-W36 | EA | Cabinet Arm - Dinette Back |
| | 053200-05-000 | EA | Bracket - Upper Wall Mount - 23 5" - Beige |
| | 088410-01-000 | EA | Bracket - Table Mount - 5 18" - Beige |
| | 024275-05-000 | EA | Rod - Table Lift - 8" x 23 5" - Beige |
| | 082707-01-02A | EA | Leg Arm - Table - Oak - Driftwood |
| | 024281-07-000 | EA | Bracket - Lower Wall Mount - 22 12" - Beige |
| | 082583-01-02A | EA | Clip - Table Leg |
| | 049483-08-000 | EA | Catch - Table Leg - Mounts on Floor - Tan |
| | 083550-01-000 | EA | Bracket - Leg - Folding |

DINETTE GROUP (CONTINUED)



DINETTE TABLE & HARDWARE

| Key | Part Number | U/M | Description |
|-----|---------------|-----|---|
| 1 | M03084-13-Y21 | EA | Table Arm. - Dinette - w/o Hardware & Leg |
| 2 | 053200-05-000 | EA | Bracket - Upper Wall Mount - 23 5" - Beige |
| 3 | 088410-01-000 | EA | Bracket - Table Mount - 5 18" - Beige |
| 4 | 024281-07-000 | EA | Bracket - Lower Wall Mount - 22 12" - Beige |
| 5 | 024275-05-000 | EA | Rod - Table Lift - 8" x 23 5" - Beige |
| 6 | 083550-01-000 | EA | Hinge - Bracket - Leg Folding |
| 7 | 082707-01-02A | EA | Leg Arm - Table - Driftwood Oak |
| 8 | 082583-01-02A | EA | Catch - Table Leg |
| 9 | 049483-08-000 | EA | Catch - Table Leg - Mounts on Floor |
| | 082583-01-02A | EA | Clip - Table Leg |
| | 004354-01-000 | EA | Bumper - 1/2" Dia - White |

**1988 ITASCA
TABLE OF CONTENTS**

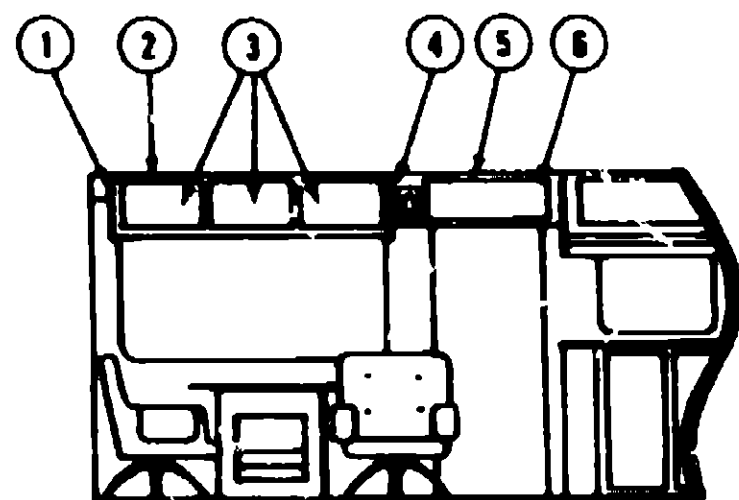
ICJP34RU
ICP37RQ

A-01 - D-06
D-07 - G-20

**1988 ICP37RQ
INDEX**

| | |
|------------------------------------|-------------|
| Floor Plan | D-07 - D-08 |
| Accessories Group | D-08 - D-12 |
| Bath Group | D-13 - D-14 |
| Chassis Group | D-15 - D-19 |
| Curtain, Cushion & Pad Group | D-20 - E-18 |
| Dinette Group | E-19 - E-21 |
| Driver's Compartment Group | E-22 - F-02 |
| Electrical Group | F-03 - F-08 |
| Exterior Body Group | F-07 - F-14 |
| Galley Group | F-15 - F-18 |
| Heating & Air Conditioning Group | F-20 |
| Interior Finish Group | F-21 - F-23 |
| LP Group | F-24 |
| Lounge Group | G-01 - G-03 |
| Water & Sewage Group | G-04 - G-05 |
| Window, Vent & Exterior Door Group | G-06 - G-20 |

DINETTE GROUP (CONTINUED)



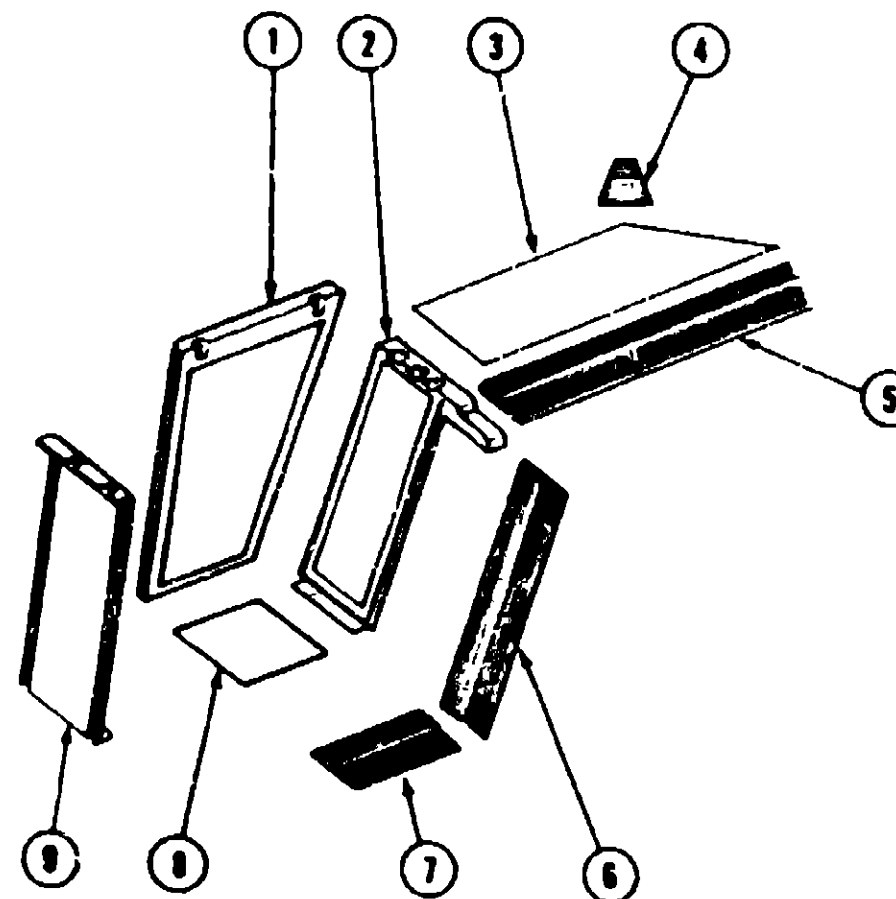
SWIVEL CHAIR W/PULLOUT TABLE

| Key | Part Number | U/M | Description |
|-----|---------------|-----|---|
| 1 | 085488-02-W38 | EA | End Cap Arm - Swivel Chair Overhead - Vinyl |
| 2 | M03110-15-Y77 | EA | Cabinet Arm - Swivel Chair Overhead - w/o Doors or Hardware |
| | 076376-02-000 | EA | Panel - Bottom - Overhead |
| | 076583-02-000 | EA | Shell - Overhead - Tan Aluminum |
| 3 | M88304-38-Y77 | EA | Door Arm - Swivel Chair Overhead - 12" x 18 7" - w/o Hardware |
| 4 | 085488-01-W38 | EA | End Cap Arm - Swivel Chair Overhead - Vinyl |
| 5 | M03110-18-Y77 | EA | Cabinet Arm - Entrance Door - w/o Doors & Hardware |
| 6 | M88304-45-Y77 | EA | Door Arm - Entrance Door Overhead - w/o Hardware |
| | M02414-01-X75 | EA | Countertop Arm - Cup Holder - w/o Hardware |
| | M02417-01-X75 | EA | Cover - Pullout Table |
| | M02415-01-X75 | EA | Table Arm - Pullout - w/o Handle |
| | M02416-01-X75 | EA | Top - T.V. - Pullout Table |
| | 079806-01-W38 | EA | Magazine Rack Arm |
| | 079821-01-000 | EA | Nylon Roller w/Shell |
| | 080728-01-000 | EA | Handle - Recessed - Brown Plastic |

SWIVEL CHAIR W/ICEMAKER (OPT. 35J)

| Key | Part Number | U/M | Description |
|-----|---|-----|---|
| | M8288-F-01-X19 | EA | Cabinet Arm - IceMaker |
| | M02493-01-X75 | EA | Countertop Arm - IceMaker |
| | M02494-01-X75 | EA | Table Arm - Side Cut - IceMaker |
| | 074489-01-000 | EA | Holder - Beverage - Oak - w/Tray |
| | 007108-01-000 | FT | Hose - Heater - 5/8" I.D. |
| | 039800-01-000 | FT | Tubing - 1/2" O.D. x 20' |
| | 052952-01-000 | EA | Nut - Plastic - 1/2" F |
| | 052980-01-000 | EA | Valve - Line Drain - 1/2" F x 1/2" F |
| | 077054-01-000 | EA | Valve - Plastic - 1/2" M x 1/2" M x 1/4" Comp |
| ** | 076799-01-000 | EA | IceMaker - Black Glass |
| ** | The illustrated breakdown for this item is provided on the Common Items Fiche | | |

DRIVER COMPARTMENT GROUP



STEPWELL TRIMS & PADS

| Key | Part Number | U/M | Description |
|-----|----------------|-----|--|
| 1 | 088821-01-000 | EA | Door - Outer Battery - Black - Passenger |
| | 088821-02-000 | EA | Door - Outer Battery - Black - Driver |
| 2 | 076360-01-000 | EA | Panel Trim - Stepwell - Front - Passenger |
| | 076360-02-000 | EA | Panel Trim - Stepwell - Front - Driver |
| 3 | 075868-01-000 | EA | Part - Upper Stepwell - Passenger |
| | 0075868-02-000 | EA | Pad - Upper Stepwell - Driver |
| 4 | 082821-01-01A | EA | Trim - Door Threshold - Black |
| 5 | 077084-01-000 | EA | Trim - Door Threshold - Top - Passenger |
| | 077084-02-000 | EA | Trim - Door Threshold - Top - Driver |
| 6 | 077083-01-000 | EA | Trim - Door Threshold - Center - Passenger |
| | 077083-02-000 | EA | Trim - Door Threshold - Center - Driver |
| 7 | 077082-01-000 | EA | Trim - Door Threshold - Bottom - Passenger |
| | 077082-02-000 | EA | Trim - Door Threshold - Bottom - Driver |
| 8 | 075872-01-000 | EA | Pad - Lower Stepwell |
| 9 | 076359-01-000 | EA | Panel Trim - Stepwell - Rear - Passenger |
| | 076359-02-000 | EA | Panel Trim - Stepwell - Rear - Driver |
| | 086755-01-000 | EA | Latch - 1/4 Turn - Rotary - Plastic |

**1989 ITASCA
TABLE OF CONTENTS**

IC/JP34RU
ICP37RQ

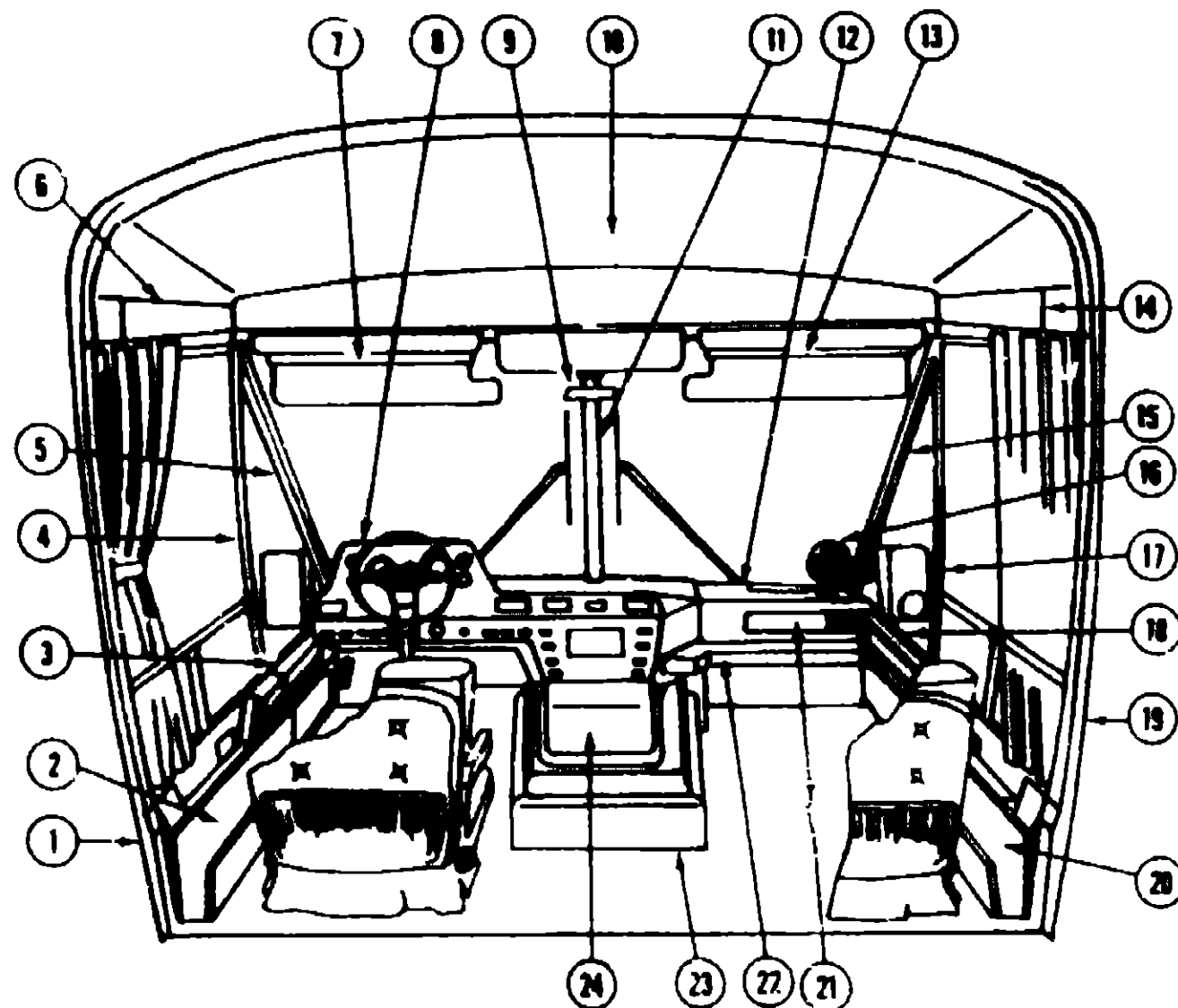
A-01 - D-08
D-07 - G-20

**1989 ICP37RQ
INDEX**

| | |
|------------------------------------|-------------|
| Floor Plan | D-07 - D-08 |
| Accessories Group | D-09 - D-12 |
| Bath Group | D-13 - D-14 |
| Chassis Group | D-15 - D-19 |
| Curtain, Cushion & Pad Group | D-20 - E-18 |
| Dinette Group | E-19 - E-21 |
| Driver's Compartment Group | E-22 - F-02 |
| Electrical Group | F-03 - F-06 |
| Exterior Body Group | F-07 - F-14 |
| Galley Group | F-15 - F-19 |
| Heating & Air Conditioning Group | F-20 |
| Interior Finish Group | F-21 - F-23 |
| LP Group | F-24 |
| Lounge Group | G-01 - G-03 |
| Water & Sewage Group | G-04 - G-05 |
| Window, Vent & Exterior Door Group | G-06 - G-20 |

DRIVER'S COMPARTMENT GROUP (CONTINUED)

MISCELLANEOUS DRIVER'S COMPARTMENT COMPONENTS



| Key | Part Number | U/M | Description |
|-----|---------------------------------------|-----|--|
| 1 | 077111-10-000 | EA | Panel Trim - Driver's Side |
| 2 | 077117-04-000 | EA | Side Panel Trim - Door |
| 3 | 077116-02-000 | EA | Side Panel Trim - Front |
| 4 | 077113-04-000 | EA | Trim Panel - Hinge Pillar |
| 5 | 077112-04-000 | EA | Trim - Windshield - Interior - "A" Post - Left |
| 6 | 077110-04-000 | EA | Trim Cover - w/Bunk - Left |
| 7 | 082286-04-W33 | EA | Sunvisor Asm - Driver - Vinyl - w/Pocket |
| | 087716-01-000 | EA | Information Center - Uniforce |
| | 083919-01-W36 | EA | Cabinet Asm - Front Overhead (w/o Front Bunk) |
| ** | M03110-21-Y77 | EA | Cabinet Asm - Front Overhead - Right - w/o Doors or Hardware |
| ** | M03110-23-Y77 | EA | Cabinet Asm - Front Overhead - Left - w/o Doors or Hardware |
| ** | 086714-01-W36 | EA | Cabinet Asm - Television |
| ** | 086725-01-000 | EA | Shelf Asm - TV |
| ** | 089045-01-W36 | EA | Pad Asm - Bottom - TV Cabinet |
| ** | 070578-02-X19 | EA | Button Screw Stud - #30 - Vinyl |
| ** | 070578-11-Y13 | EA | Button Asm - #30 - Vinyl |
| ** | M88304-46-Y77 | EA | Door Asm - Front Overhead Cabinet - w/o Hardware |
| 8 | 085253-01-W36 | EA | Instrument Panel Asm - upper - Left |
| | 079826-02-000 | EA | Dash Panel - Lower - Left |
| | 076808-06-000 | EA | Dash Panel - Lower - Left (w/Electronic Dash) |
| ** | Parts used with the Television Option | | |

| Key | Part Number | U/M | Description |
|-----|---------------|-----|---|
| 9 | 040714-01-700 | EA | Rear View Mirror Kit |
| | 040714-01-000 | EA | Rear View Mirror |
| | 067480-01-000 | EA | Button - Rear View Mirror |
| | 079826-01-000 | EA | Lamp - Flex Arm |
| | 079826-01-700 | EA | Bulb - Flex Arm Lamp |
| 10 | 077108-04-000 | EA | Trim Panel - Front Roof Headliner - Light Fawn - w/o Bunk & T.V |
| 11 | 077114-02-000 | EA | Trim Panel - Center - Pillar |
| | 076783-01-000 | EA | Louver Asm - A/C Adjustable |
| 12 | 085252-01-W36 | EA | Instrument Panel Asm - Upper - Right |
| 13 | 082286-03-U16 | EA | Sunvisor Asm - w/Mirror - Vinyl |
| | 007211-01-000 | EA | Hinge Asm - Sunvisor |
| | 039984-01-000 | EA | Cap - Black Vinyl - .28 I D |
| | 074012-01-000 | EA | Clip - Sunvisor - Frinch On |
| | 085709-01-000 | EA | Mounting Asm - Sunvisor Pivot - Drack |
| | 083153-01-000 | EA | Mirror - Sunvisor - 3 5" x 7" |
| | 000C12-04-080 | EA | Hex Bolt - 1/4" x 20" x 5" - Sunvisor |
| 14 | 077110-03-000 | EA | Trim Cover - w/Bunk - Right |
| 15 | 077112-03-000 | EA | Trim - Windshield - Interior - "A" Post - Right |
| 16 | 036420-02-000 | EA | Defroster Fan |
| | 077988-01-000 | EA | Bracket - Fan |
| 17 | 077113-03-000 | EA | Trim Panel - Hinge Pillar |
| 18 | 077115-02-000 | EA | Side Panel Trim - Front |
| 19 | 077111-08-000 | EA | Trim Panel - Passenger Side |
| 20 | 077117-03-000 | EA | Side Panel Trim - Door |
| 21 | 076797-01-000 | EA | Panel - Dash - Passengers |
| | 077072-01-000 | EA | Name Plate - Windcruiser |
| 22 | 076734-02-000 | EA | Tray - Dash - Passengers |
| 23 | 075939-01-000 | EA | Motor Cover - w/o Carpet |
| | 039623-01-000 | EA | Seal - Engine Cover |
| | 075564-01-000 | EA | Bracket - Motor Cover Mounting |
| 24 | 076729-02-000 | EA | Beverage Tray (Plastic) |
| | 077431-05-000 | EA | Beverage Tray - Driftwood |
| | 086752-01-000 | EA | Board - Trim - Beverage Tray - Driftwood |
| | 077026-01-000 | EA | Lens - Courtesy Light |
| | 036196-01-000 | EA | Bulb - Courtesy Light |
| | 089294-01-000 | EA | Cigarette Lighter |
| | 079130-01-000 | EA | Board - Trim - Bunk |

1989 ITASCA TABLE OF CONTENTS

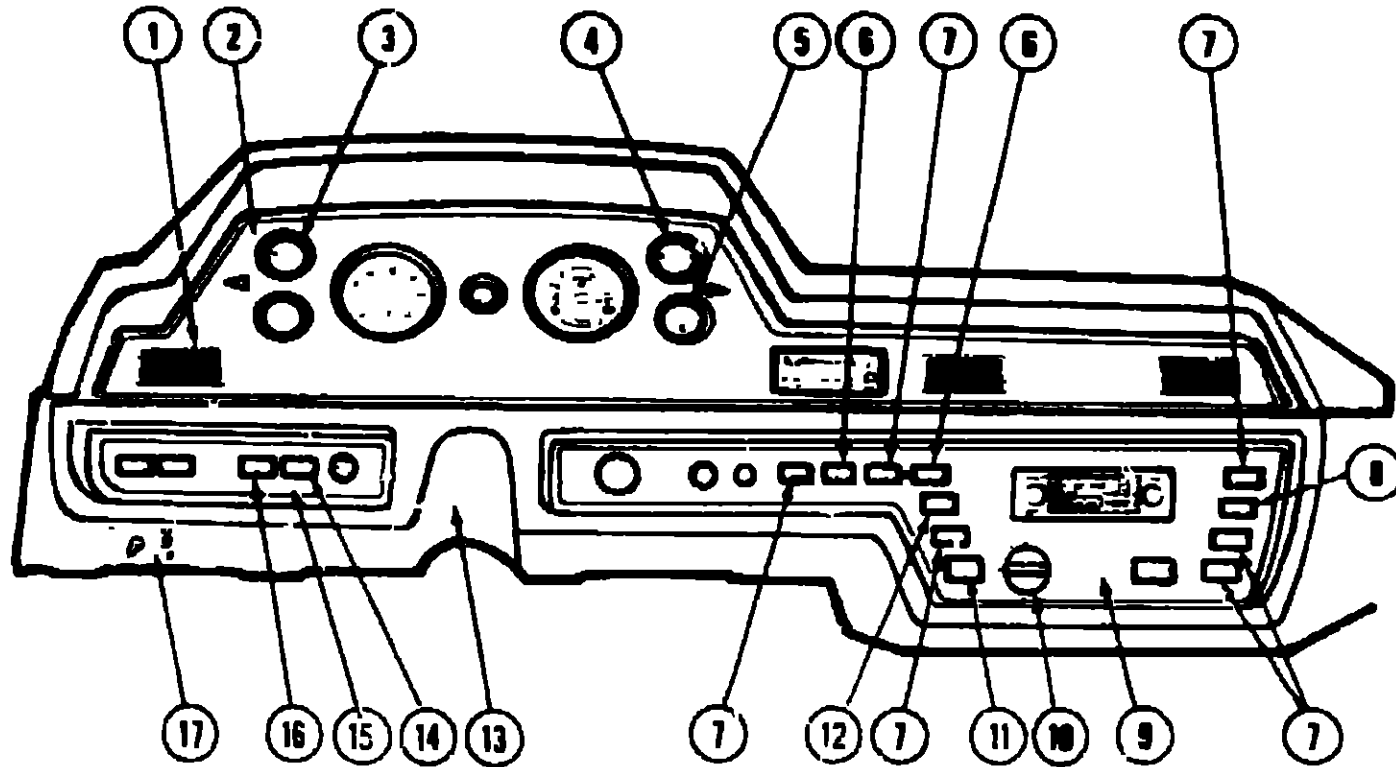
IC/JP34RU
ICP37RQ

A-01 - D-06
D-07 - G-20

1989 ICP37RQ INDEX

| | |
|------------------------------------|-------------|
| Floor Plan | D-07 - D-08 |
| Accessories Group | D-09 - D-12 |
| Bath Group | D-13 - D-14 |
| Chassis Group | D-15 - D-18 |
| Curtain, Cushion & Pad Group | D-20 - E-18 |
| Drivots Group | E-19 - E-21 |
| Driver's Compartment Group | E-22 - F-02 |
| Electrical Group | F-03 - F-06 |
| Exterior Body Group | F-07 - F-14 |
| Galley Group | F-15 - F-19 |
| Heating & Air Conditioning Group | F-20 |
| Interior Finish Group | F-21 - F-23 |
| LP Group | F-24 |
| Lounge Group | G-01 - G-03 |
| Water & Sewage Group | G-04 - G-05 |
| Window, Vent & Exterior Door Group | G-06 - G-20 |

DRIVER'S COMPARTMENT GROUP (CONTINUED)

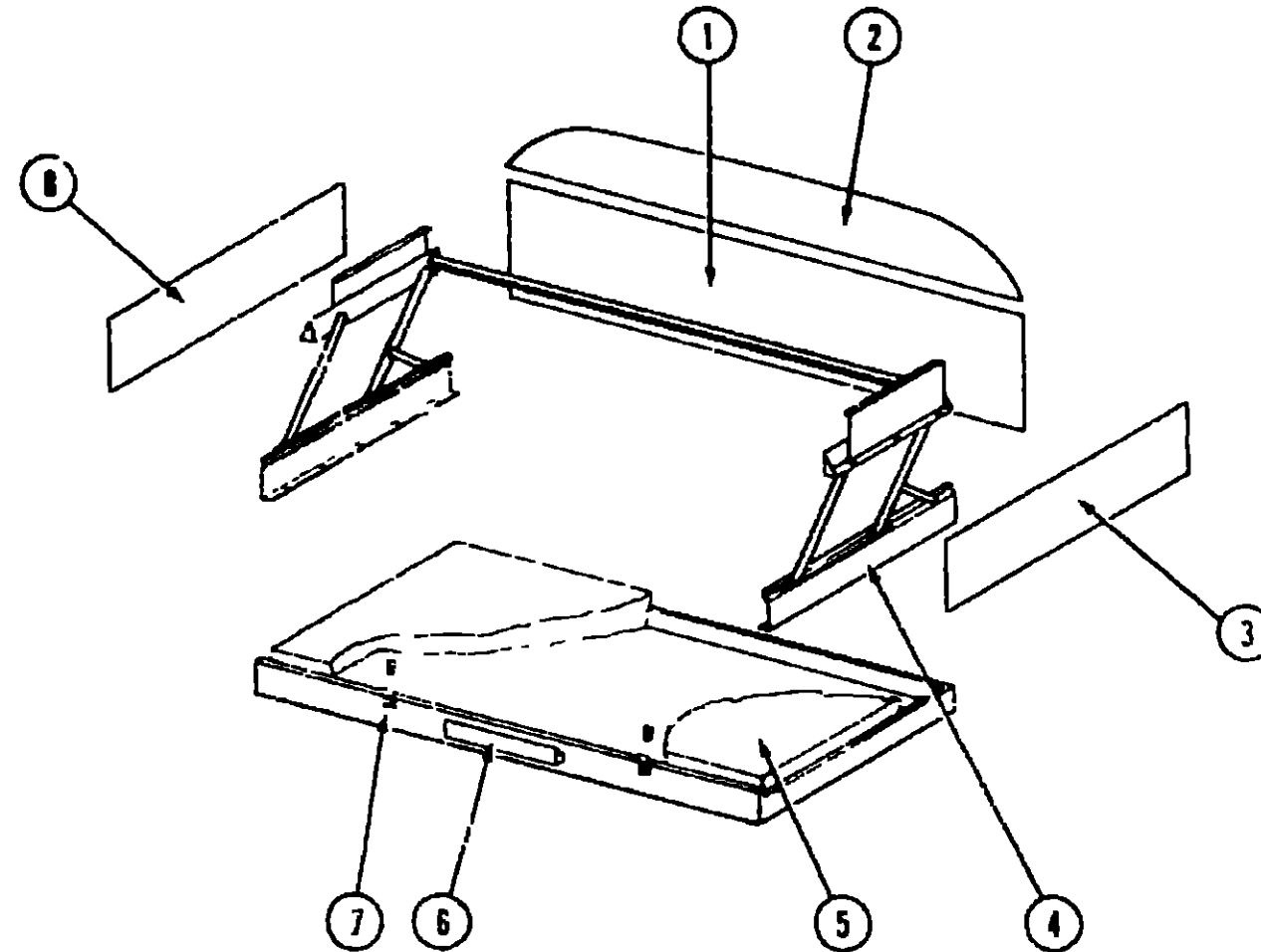


DASH SWITCHES & GAUGES

| Key | Part Number | U/M | Description |
|-----|---------------|-----|--|
| 1 | 076783-02-000 | EA | Louver Asm - A/C Adjustable |
| 2 | 076216-05-000 | EA | Instrument Panel - Upper - Flange |
| 3 | 024460-04-000 | EA | Gauge - Vacuum |
| 4 | 092559-01-000 | EA | Computer - Electronic Instrument Panel |
| 5 | 024460-04-000 | EA | Gauge - Voltmeter |
| 6 | 031000-01-000 | EA | Gauge - Hourmeter - Generator |
| 7 | 076759-04-000 | EA | Switch - 3 Position |
| 8 | 076759-01-000 | EA | Switch - 2 Position |
| 9 | 076759-09-000 | EA | Switch - 3 Position |
| 10 | 076217-15-000 | EA | Instrument Panel - Lower Right |
| 11 | 087202-02-000 | EA | Switch - 4 Position |
| 12 | 090977-01-000 | EA | Switch Knob - Rotary |
| 13 | 095272-01-000 | EA | Switch - 3 Position |
| 14 | 076759-03-000 | EA | Switch - 3 Position |
| 15 | 075806-02-000 | EA | Dash Panel - Lower Drivers - Gray |
| 16 | 075808-06-000 | EA | Dash Panel - Lower Drivers - Gray - Electronic Dash - Uniforce |
| 17 | 076759-07-000 | EA | Switch - 2 Position |
| 18 | 076218-03-000 | EA | Instrument Panel - Lower Left |
| 19 | 076759-05-000 | EA | Switch - 3 Position |
| 20 | 051057-00-000 | EA | Switch Asm. - Search Light |
| 21 | 031087-01-000 | EA | Lamp Asm. - Indication (Generator) |
| 22 | 097715-01-000 | EA | Bezel - Electronic Dash |
| 23 | 087713-02-000 | EA | Display Panel - w/o Aux Fuel |
| 24 | 087714-02-000 | EA | Computer - w/o Aux Fuel |
| 25 | 091359-07-000 | EA | Sensor Kit - Speed - Electronic Dash |
| 26 | 097712-01-000 | EA | Wiper Asm. - Electronic Dash - Uniforce |
| 27 | 076788-01-000 | EA | Lamp Socket - Mini Bayonet |
| 28 | 076789-03-000 | EA | Lamp Base Asm. |
| 29 | 076788-04-000 | EA | Lamp Base Asm. - Turn Signal |
| 30 | 077031-01-000 | EA | Flt - Black - 1" x 1.75" - Dash Bezel |
| 31 | 077031-02-000 | EA | Flt - Amber - 1" x 1.75" - Dash Bezel |
| 32 | 008103-01-000 | EA | Bulb - 12 V - #53 |
| 33 | 089234-01-000 | EA | Cigarette Lighter Asm. |
| 34 | 095272-01-000 | EA | Switch - Rocker - DPDT - 3 Position |

* Parts used w/Ine Electronic Dash Option

DRIVER'S COMPARTMENT GROUP (CONTINUED)



FRONT BUNK & HARDWARE (OPT 61H)

| Key | Part Number | U/M | Description |
|-----|---------------|-----|---|
| 1 | 077140-03-X19 | EA | Board Asm - Bunk Trim - w/o Velcro |
| 2 | 018394-02-000 | YD | Tape Hood - .75" x 50 YD - Beige (Velcro) |
| 3 | 048395-02-000 | YD | Tape Loop - .75" x 50 YD - Beige (Velcro) |
| 4 | 077108-C4-000 | EA | Panel Trim - Front - Roof |
| 5 | 077110-07-000 | EA | Cover - Bunk Mech - Right |
| 6 | 076760-02-000 | EA | Bunk Hardware - Complete |
| 7 | 076760-02-700 | EA | Gas Spring - Bunk Hardware |
| 8 | 079145-02-000 | EA | Cushion Asm - Bunk |
| 9 | M79145-02-000 | EA | Cover - Bunk Cush on Asm |
| 10 | 090558-01 Y12 | EA | Handle Asm. - Onk |
| 11 | 042541-04-700 | EA | Latch Asm - w/Sinke (2 required) |
| 12 | 003026-C4-10B | EA | Bolt Hex - Ser. Fig 1/4 - 20 x 5/8" |
| 13 | 077110-08-000 | EA | Cover - Bunk Mech - Left |

**1989 ITASCA
TABLE OF CONTENTS**

IC/JP34RU
ICP37RQ

A-01 - D-06
D-07 - G-20

**1989 ICP37RQ
INDEX**

| | |
|------------------------------------|-------------|
| Floor Plan | D-07 - D-08 |
| Accessories Group | D-09 - D-12 |
| Bath Group | D-13 - D-14 |
| Chassis Group | D-15 - D-19 |
| Curtain, Cushion & Pad Group | D-20 - E-18 |
| Dinette Group | E-19 - E-21 |
| Driver's Compartment Group | E-22 - F-02 |
| Electrical Group | F-03 - F-06 |
| Exterior Body Group | F-07 - F-14 |
| Galley Group | F-15 - F-19 |
| Heating & Air Conditioning Group | F-20 |
| Interior Finish Group | F-21 - F-23 |
| LP Group | F-24 |
| Lounge Group | G-01 - G-03 |
| Water & Sewage Group | G-04 - G-05 |
| Window, Vent & Exterior Door Group | G-06 - G-20 |

ELECTRICAL GROUP

BULBS

| Key | Part Number | U/M | Description |
|-----|---------------|-----|----------------------------------|
| | 008103-01-000 | EA | Bulb - 53 |
| | 006213-01-000 | EA | Bulb - 57 |
| | 008214-01-000 | EA | Bulb - 87 |
| | 038198-01-000 | EA | Bulb - 194 |
| | 008215-01-000 | EA | Bulb - 1003 |
| | 067479-01-000 | EA | Bulb - 1076 |
| | 063914-01-000 | EA | Bulb - 1139 |
| | 008218-01-000 | EA | Bulb - 1141 |
| | 037935-01-000 | EA | Bulb - 1157 |
| | 037936-01-000 | EA | Bulb - 1157A |
| | 056288-02-000 | EA | Bulb - 9431808 |
| | 081633-01-700 | EA | Bulb - Make Up Light |
| | 081087-01-000 | EA | Light Asm - Indicator - LVS #436 |

FUSES & CIRCUIT BREAKERS

| Key | Part Number | U/M | Description |
|-----|---------------|-----|--|
| | 008234-01-000 | EA | Fuse - 10 Amp - 12 Volt |
| | 008235-01-000 | EA | Fuse - 15 Amp - 12 Volt |
| | 062901-02-000 | EA | Fuse - 5 Amp - Automotive |
| | 062901-05-000 | EA | Fuse - 15 Amp - Automotive |
| | 062901-05-000 | EA | Fuse - 15 Amp - Automotive |
| | 008211-01-000 | EA | Circuit Breaker - 6 Amp - 12 Volt |
| | 082678-01-000 | EA | Circuit Breaker - 40 Amp - 12 Volt |
| | 082678-02-000 | EA | Circuit Breaker - 20 Amp - 12 Volt - w/Mount |
| | 044466-03-000 | EA | Circuit Breaker - 25 Amp - 12 Volt - w/Mount |
| | 083209-01-000 | EA | Circuit Breaker - 15 Amp - 120 Volt |
| | 083209-02-000 | EA | Circuit Breaker - 15/15 Amp - 120 Volt |
| | 083210-02-000 | EA | Circuit Breaker - 15 Amp - 120 Volt (Ground Fault Interrupter) |
| | 085720-01-000 | EA | Circuit Breaker - 15 Amp - 12 Volt |
| | 085720-02-000 | EA | Circuit Breaker - 20 Amp - 12 Volt |
| | 085720-03-000 | EA | Circuit Breaker - 25 Amp - 12 Volt |
| | 085720-04-000 | EA | Circuit Breaker - 30 Amp - 12 Volt |
| | 085720-05-000 | EA | Circuit Breaker - 40 Amp - 12 Volt |
| | 083209-03-000 | EA | Circuit Breaker - 15/20 Amp - 120 Volt |
| | 083209-05-000 | EA | Circuit Breaker - 20 Amp - 120 Volt |
| | 083209-07-000 | EA | Circuit Breaker - 20/20 - 120 Volt |
| | 083209-04-000 | EA | Circuit Breaker - 30 Amp - 120 Volt |
| | 083209-06-000 | EA | Circuit Breaker - 30/15 Amp - 120 Volt |

MISCELLANEOUS

| Key | Part Number | U/M | Description |
|-----|---------------|-----|------------------------------------|
| | 008188-01-000 | EA | Solenoid - Dual Battery - Relay |
| | 083208-02-000 | EA | Control Center - 45 Amp |
| | 071278-01-703 | EA | Catch - Control Center Door |
| | 071278-01-700 | EA | Door w/Catch - Control Center |
| | 063739-01-000 | EA | Battery - 12 Volt - 80 Amp - Gould |
| | 036420-02-000 | EA | Fan - 6" Defroster - 2 Speed |
| | 077988-01-000 | EA | Bracket - 6" Fan |
| | 089294-01-000 | EA | Lighter Asm - Cigarette |
| | 087716-01-000 | EA | Information Center - Uniforce |

ELECTRICAL GROUP (CONTINUED)

WIRE, SWITCHES & RECEPTACLES

| Key | Part Number | U/M | Description |
|-----|---------------|-----|---|
| | 008288-01-000 | EA | Box - Electrical - 3" x 3 5/8" - Plastic |
| | 008289-01-000 | EA | Box - Electrical - 4" x 4" - 1/2 & 3/4 Steel - UL |
| | 058044-01-000 | EA | Box - Electrical - 2" x 3" x 2.25" - Steel |
| | 008288-02-000 | EA | Box - Electrical - 3 9/16" x 3 13/16" x 1.81" - Plastic |
| | 041953-01-000 | FT | Conduit - Convolute Slit - .5" I.D. |
| | 041953-03-000 | FT | Conduit - Convolute Slit - 1" I.D. |
| | 008353-01-000 | EA | Connector - Clamping - 3/8 Cable - UL & CSA |
| | 058028-01-000 | EA | Connector - Pigtail - Clear Nylon |
| | 008311-01-000 | EA | Connector - Wire Nut - Red |
| | 008305-01-000 | EA | Connector - Butt - Blue - 16/14 |
| | 008358-01-000 | EA | Connector - Plastic - 3/8" |
| | 008314-01-000 | EA | Connector - Wire Nut - Gray |
| | 031963-01-000 | EA | Contact Plug - Brass - Tin Plated |
| | 031967-01-000 | EA | Contact Receptacle |
| | 008054-01-000 | EA | Cord - Power - 10-3 30 Amp. - 25' - UL |
| | 008052-01-000 | EA | Cord - Power - 10-3 30 Amp. - 25' - CSA |
| | 089238-01-000 | EA | Cover - Electrical Box - 4" x 4" |
| | 008294-01-000 | EA | Cover - Flat Blank - 4" x 4" - Steel - US |
| | 064399-01-000 | EA | Housing Asm - Trailer Pin |
| | 064450-01-000 | EA | Housing Asm - Trailer Plug |
| | 064398-01-000 | EA | Housing Asm - Trailer Receptacle |
| | 054532-02-000 | EA | Housing Pin - 4 Position |
| | 054532-01-000 | EA | Housing Pin - 6 Position |
| | 075736-01-000 | EA | Receptacle/Cover Asm - Gray (Exterior) |
| | 058708-01-000 | EA | Receptacle - Duplex - Brown |
| | 024824-02-000 | EA | Receptacle - Power Cord |
| | 058707-01-000 | EA | Receptacle - Single - Brown |
| | 084076-01-000 | EA | Receptacle - GFI - 15A - 125 V - Ivory |
| | 086273-01-000 | EA | Relay - Battery Disconnect |
| | 063912-01-000 | EA | Relay - Canister SPDT w/Ground |
| | 075723-01-000 | EA | Switch - Block Spacer - w/ Holes |
| | 075723-02-000 | EA | Switch - Block Spacer - w/ Holes |
| | 056264-01-000 | EA | Switch - Leaf Actuator |
| | 079363-01-000 | EA | Switch Plate - Single - w/Switches |
| | 079364-01-000 | EA | Switch - On/Off Rocker - Brown |
| | 076759-01-000 | EA | Switch - SPST - Lock/Lock |
| | 076759-03-000 | EA | Switch - SPST - Lock/Lock/Lock |
| | 076759-04-000 | EA | Switch - SPDT - Mom/Lock/Mom |
| | 076759-05-000 | EA | Switch - SPDT - Lock/Lock/Mom |
| | 076759-06-000 | EA | Switch - Dummy |
| | 076759-07-000 | EA | Switch - SPST - Mom/Off/Lock (NC) |
| | 077942-02-000 | EA | Switch - Dummy - Brown |
| | 079362-04-000 | EA | Switch Plate - 4 Gang - 2 Switch |
| | 081066-02-000 | EA | Switch Plate - 2 Gang - 2 Switch |
| | 090351-01-000 | EA | Switch - Door Lock |
| | 072153-01-000 | EA | Switch - Cab Door |
| | 047443-02-000 | EA | Terminal - 250 Receptacle - 12/10 AWG |
| | 008348-01-000 | EA | Terminal Ring - 2 - w/ 3/8 Stud |
| | 008331-01-000 | EA | Terminal Ring - 4 - w/ 3/8 Stud |
| | 008328-01-000 | EA | Terminal Ring - 12/10 Wire |
| | 008028-01-000 | FT | Wire - 18.5 Bonded - Blue/Red/Yellow/Orange/White |
| | 008024-01-000 | FT | Wire - 18.5 Bonded - Orange/White/Yellow/Blue/Brown |
| | 008025-01-000 | FT | Wire - 18.5 Bonded - Orange/White/Yellow/Blue/Green |
| | 008026-01-000 | FT | Wire w/Ground - Romex - 12/2 |
| | 008343-01-000 | EA | Wire Tie - 6" |

1989 ITASCA TABLE OF CONTENTS

IC/JP34RU
ICP37RQ

A-01 - D-06
D-07 - G-20

1989 ICP37RQ INDEX

| | |
|-----------------------------------|-------------|
| Floor Plan | D-07 - D-06 |
| Accessories Group | D-03 - D-12 |
| Bath Group | D-13 - D-14 |
| Chassis Group | D-15 - D-19 |
| Curtain, Cushion & Pad Group | D-20 - E-18 |
| Dinette Group | E-19 - E-21 |
| Driver's Compartment Group | E-22 - F-02 |
| Electrical Group | F-03 - F-06 |
| Exterior Body Group | F-07 - F-14 |
| Galley Group | F-15 - F-19 |
| Heating & Air Conditioning Group | F-20 |
| Interior Finish Group | F-21 - F-23 |
| LP Group | F-24 |
| Lounge Group | G-01 - G-03 |
| Water & Sewage Group | G-04 - G-05 |
| Window Vent & Exterior Door Group | G-06 - G-20 |

ELECTRICAL GROUP (CONTINUED)

EXTERIOR LIGHTS

| Key | Part Number | U/M | Description |
|-----|---------------|-----|---|
| | 008289-01-000 | EA | Porch Light - Recessed |
| | 078215-01-000 | EA | Bulb - 12V - #1003 |
| | 091991-01-000 | EA | Gasket - Porch Light |
| | 008088-01-700 | EA | Lens - Recessed Porch Light |
| | 061424-01-000 | EA | Aside Light - 12V |
| | 008103-01-000 | EA | Bulb - 12V - #53 |
| | 087201-01-000 | EA | Light - Dump Valve |
| | 076795-01-000 | EA | Light - License Plate |
| | 077190-01-000 | EA | Wire Arm - License Plate Light |
| | 088747-01-000 | EA | Fog Lamp Asm - Clear Lens |
| | 088747-01-700 | EA | Cover - Fog Light |
| | 076343-01-000 | EA | Lamp Asm - Park/Turn - Clear - Front Passengers |
| | 076343-02-000 | EA | Lamp Asm - Park/Turn - Clear - Front Drivers |
| | 076345-02-000 | EA | Socket Asm - Park/Turn Lamp |
| | 008103-01-000 | EA | Bulb - 12V - #53 |
| | 075459-04-000 | EA | Lamp Asm - Tail Light - Red |
| | 075459-05-000 | EA | Lamp Asm - Turn Light - Amber |
| | 075459-06-000 | EA | Lamp Asm - Backup Light - Reflex |
| | 037935-01-000 | EA | Bulb - 12V - #1157 |
| | 081237-01-000 | EA | Light Asm - Cab Marker Light - Amber |
| | 081237-02-000 | EA | Light Asm - Cab Marker Light - Red |
| | 008214-01-000 | EA | Bulb - 12V - #67 |
| | 049185-01-000 | EA | Headlamp Capsule - Drivers - Low Beam |
| | 049186-01-000 | EA | Headlamp Capsule - Passengers - Low Beam |
| | 049187-01-000 | EA | Headlamp Capsule - Drivers - High Beam |
| | 049188-01-000 | EA | Headlamp Capsule - Passengers - High Beam |
| | 088735-01-700 | EA | Bulb - Headlamp Asm. - Halogen |
| | 075660-01-000 | EA | Lens Asm - Sidemarker - Amber |
| | 075660-02-000 | EA | Lens Asm - Sidemarker - Red |
| | 067789-03-000 | EA | Socket Asm. - Sidemarker Light |
| | 036196-01-000 | EA | Bulb - 12V - #194 |

WINDSHIELD WIPERS & WASHERS

| Key | Part Number | U/M | Description |
|-----|--|-----|--|
| ** | 056000-02-000 | EA | Washer Asm - Windshield |
| | 067191-02-700 | EA | Wiper Motor Asm |
| | 067192-01-000 | EA | Link Asm - Connecting - Left - 39" |
| | 067193-01-000 | EA | Link Asm - Short Connecting - 7" |
| | 067193-02-000 | EA | Link Asm - Short Connecting - 8 1/2" |
| | 067193-03-000 | EA | Link Asm - Short Connecting - 8 6/8" |
| | 067190-04-000 | EA | Shaft & Pivot |
| | 067108-01-000 | EA | Stud - Crank - Wiper |
| ** | 072472-04-000 | EA | Arm - Windshield Wiper - 29" - Black |
| ** | 049464-03-000 | EA | Blade - Windshield Wiper - 20" - Black |
| ** | 049464-03-700 | EA | Blade Refill - Wiper |
| ** | The illustrated parts breakdown for this item is provided on the Common Items Form | | |

ELECTRICAL GROUP (CONTINUED)

INTERIOR LIGHTS

| Key | Part Number | U/M | Description |
|-----|---------------|-----|---|
| | 085202-12-000 | EA | Wall Lamp - Brass/Cream - 6" |
| | 085201-05-000 | EA | Shade - Lamp - Fabric - Bone/Brass |
| | 067479-01-000 | EA | Bulb - 12V - #1076 |
| | 082886-01-000 | EA | Table Lamp - Brass & Wood (Household bulb) |
| | 082886-02-000 | EA | Shade - Table Lamp |
| | 082886-06-000 | EA | Shade - Table Lamp |
| | 033509-02-000 | EA | Light - Dome - Ivory - 1 Bulb |
| | 033509-02-000 | EA | Light - Dome - Ivory - 2 Bulb |
| | 008218-01-000 | EA | Bulb - 12V - #1141 |
| | 086349-02-W13 | EA | Trim - Dome Light - 2 Bulb - Oak |
| | 086349-01-W13 | EA | Trim - Dome Light - 1 Bulb - Oak |
| | 061424-01-000 | EA | Light - 12V - Aside |
| | 008103-01-000 | EA | Bulb - 12V - #53 |
| | 078424-02-000 | EA | Fluorescent Light - 12V DC - 18" |
| | 078424-02-700 | EA | Bulb - Fluorescent |
| | 078424-02-701 | EA | Lens - Fluorescent Light - 18" |
| | 079926-01-000 | EA | Lamp - Flex Arm (w/Bulb #6411 NA Separately) |
| | 082189-01-000 | EA | Light - Make-up - 3 Bulb |
| | 081633-01-700 | EA | Bulb - Make-up |
| | 091937-01-000 | EA | Light - Fluorescent - 12V Recessed |
| | 091937-02-000 | EA | Lens - Recessed Fluorescent Light - 12V |
| | 091937-03-000 | EA | Bulb - Fluorescent Light |
| | 087894-02-000 | EA | Light - Wardrobe w/Switch |
| | 087894-01-700 | EA | Bulb - #GE561 |
| | 068937-04-000 | EA | Light - Dome - Surface - No Switch |
| | 068937-01-700 | EA | Lens - Dome Light - Surface |
| | 008215-01-000 | EA | Bulb - 12V - #1003 |
| | 072353-08-000 | EA | Light - Reading - 360° Swivel - Brass |
| | 008215-01-000 | EA | Bulb - 12V - #1003 |
| | 081909-01-000 | EA | Light Strip - 18" Clean |
| | 086280-01-000 | EA | Light - Surface Mount - 12V |
| | 086280-01-700 | EA | Bulb - 12V - #Apr 1089 |
| | 077026-01-000 | EA | Lens - Courtesy - Clear (Front Doors & Beverage Tray) |
| | 077000-01-000 | EA | Socket Asm - w/8" Leads - Courtesy Light |
| | 036196-01-000 | EA | Bulb - 12V - #194 |

**1989 ITASCA
TABLE OF CONTENTS**

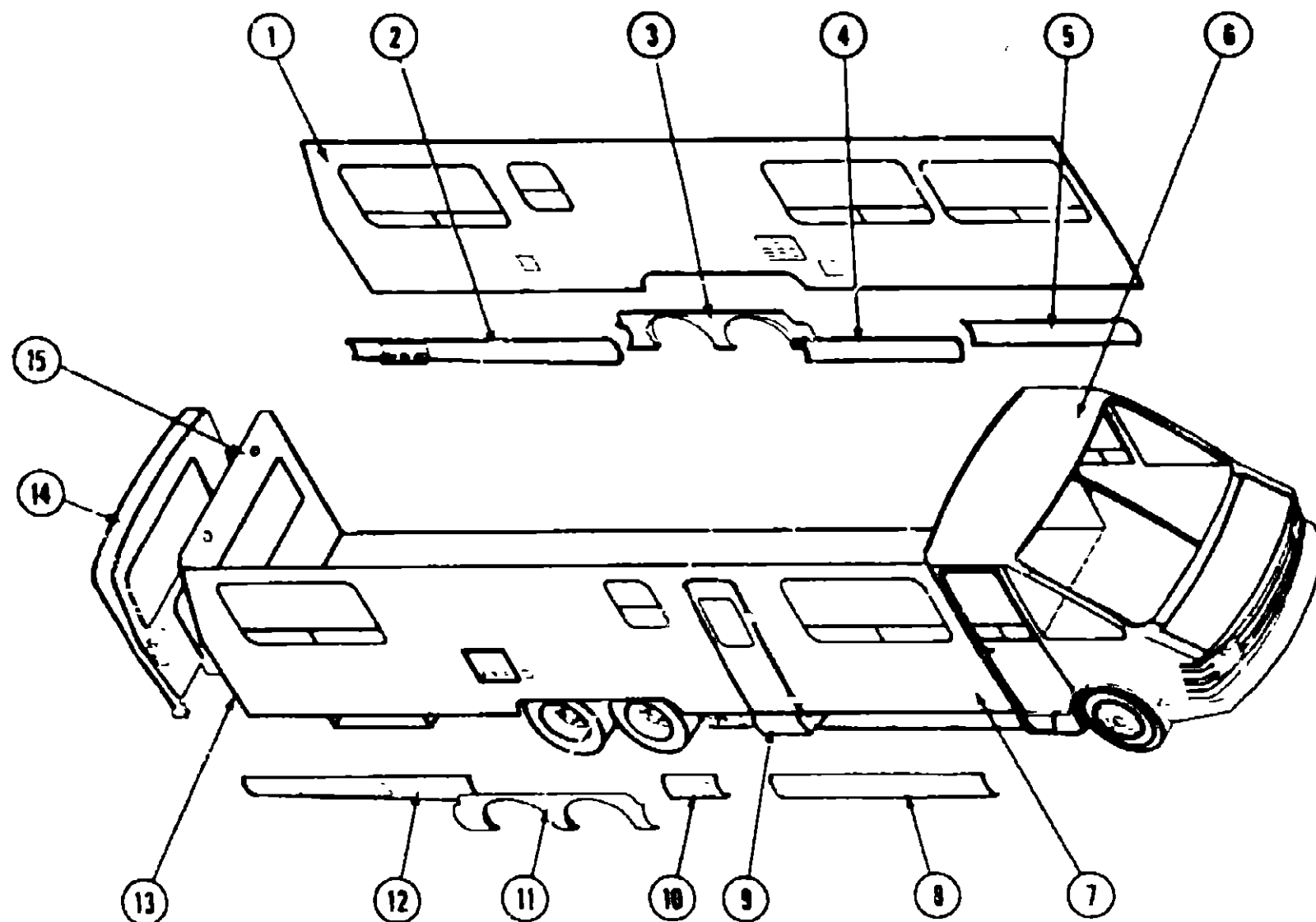
| | |
|-----------|-------------|
| IC/JP34RU | A-01 - D-06 |
| ICP37RQ | D-07 - G-20 |

**1989 ICP37RQ
INDEX**

| | |
|------------------------------------|-------------|
| Floor Plan | D-07 - D-08 |
| Accessories Group | D-09 - D-12 |
| Bath Group | D-13 - D-14 |
| Chassis Group | D-15 - D-19 |
| Curtain, Cushion & Pad Group | D-20 - E-18 |
| DINETTE Group | E-19 - E-21 |
| Driver's Compartment Group | E-22 - F-02 |
| Electrical Group | F-03 - F-06 |
| Exterior Body Group | F-07 - F-14 |
| Galley Group | F-15 - F-19 |
| Heating & Air Conditioning Group | F-20 |
| Interior Finish Group | F-21 - F-23 |
| LP Group | F-24 |
| Lounge Group | G-01 - G-03 |
| Water & Sewage Group | G-04 - G-05 |
| Window, Vent & Exterior Door Group | G-06 - G-20 |

EXTERIOR BODY GROUP

EXTERIOR BODY PANELS



1988 ITASCA TABLE OF CONTENTS

ICJP34RU
ICP37RQ

A-01 - D-08
D-07 - G-20

1988 ICP37RQ INDEX

| | |
|------------------------------------|-------------|
| Floor Plan | D-07 - D-08 |
| Accessories Group | D-09 - D-12 |
| Bath Group | D-13 - D-14 |
| Chassis Group | D-15 - D-19 |
| Curtain, Cushion & Pad Group | D-20 - E-18 |
| Dinette Group | E-19 - E-21 |
| Driver's Compartment Group | E-22 - F-02 |
| Electrical Group | F-03 - F-06 |
| Exterior Body Group | F-07 - F-14 |
| Galley Group | F-15 - F-19 |
| Heating & Air Conditioning Group | F-20 |
| Interior Finish Group | F-21 - F-23 |
| LP Group | F-24 |
| Lounge Group | G-01 - G-03 |
| Water & Sewage Group | G-04 - G-05 |
| Window, Vent & Exterior Door Group | G-06 - G-20 |

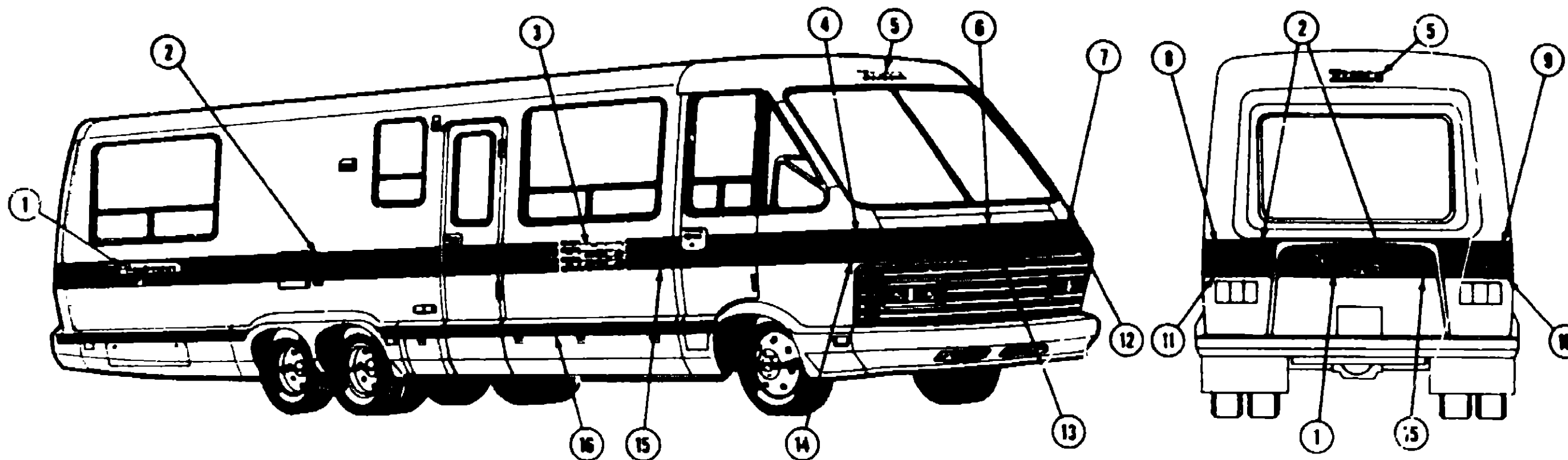
| Key | Part Number | U/M | Description |
|-----|---------------|-----|--|
| 1 | M92112-01-Y77 | EA | Sidewall Asm - Left |
| 1 | M92112-01-Y78 | EA | Sidewall Asm - Left |
| 1 | M92112-01-Y79 | EA | Sidewall Asm - Left |
| 2 | M02586-44-X75 | EA | Valance Panel Asm - Rear - Left |
| 3 | 086653-02-W36 | EA | Valance Panel Asm - Wheelwell - Left |
| | 076515-01-000 | EA | Trim - Rear - Wheelwell |
| 4 | 085037-03-W36 | EA | Valance Panel Asm - Center - Left (Door) |
| 5 | 085037-02-X75 | EA | Valance Panel Asm - Front - Left |
| 6 | 075764-05-000 | EA | Front Cap Asm - Primed |
| 7 | M92116-01-Y77 | EA | Sidewall Asm. - Right |
| 7 | M92116-01-Y78 | EA | Sidewall Asm - Right |
| 7 | M92116-01-Y79 | EA | Sidewall Asm - Right |
| 8 | 085037-01-X75 | EA | Valance Panel Asm - Front - Right (Door) |
| 9 | 086664-01-X75 | EA | Valance Panel Asm - Entrance Door |

| Key | Part Number | U/M | Description |
|-----|---------------|-----|---|
| 10 | M02586-27-W36 | EA | Valance Panel Asm - Center - Right |
| 11 | 086653-01-W36 | EA | Valance Panel Asm - Wheelwell - Right |
| 12 | M02586-28-W36 | EA | Valance Panel Asm - Rear - Right |
| 13 | 086922-03-000 | EA | Fiberglass Trim - Rear - Right |
| | 086922-04-000 | EA | Fiberglass Trim - Rear - Left |
| 14 | M01616-12-W36 | EA | Rear Cap Asm. - Gray |
| | 077395-01-000 | EA | Spare Tire Shield |
| 15 | 085182-01-Y77 | EA | Backwall Asm |
| | M01990-03-X75 | EA | Access Door - Spare Tire - Gray |
| | M93840-01-Y21 | EA | Roof Asm |
| | 073050-02-000 | EA | Mounting Clip - Valance Panel |
| | 093952-01-03A | EA | Shroud - Rear View TV - Gray (Sony Monitor) |
| | 093221-01-000 | EA | Lens - For Shroud 093952-01-03A |
| | 084349-01-U16 | EA | Shroud - Rear View TV (Kanematsu Monitor) |
| | 089362-04-000 | EA | Brace Tube - Floor to Valance - 13 21" |
| | 089362-08-000 | EA | Brace Tube - Floor to Valance - 17" |
| | 069728-02-000 | EA | Bumper - .88" Dia x .40" - Black |
| | 085747-10-000 | EA | Trim - Floor to Sidewall - 151.5" - Gray |
| | 087287-10-000 | EA | Trim - Valance to Sidewall - 150" - Gray |

* Specify Queen or Twin Bed Unit

EXTERIOR BODY GROUP (CONTINUED)

DECALS & FILMSTRIPES



1988 ITASCA
TABLE OF CONTENTS

IC/JP34RL
ICP37RO

A-01 - D-08
D-07 - G-20

| Key | Part Number | U/M | Description |
|-----|---------------|-----|--|
| 1 | 076336-03-000 | EA | Decal "Windcruiser" |
| 2 | 093680-11-01A | FT | Film - Multistripe - 4 6" x 150' - Blue/Rose (Y77, Y79) |
| 2 | 093680-11-02A | FT | Film - Multistripe - 4 6" x 150' - Dark Rose/Rose (Y78) |
| 3 | 093715-01-01A | EA | Decal "Itasca" Layered - Rose/Blue/Gray (Y77, Y79) |
| 3 | 093715-01-02A | EA | Decal "Itasca" Layered - Rose/Dark Rose/Burgundy (Y78) |
| 4 | 093709-01-01A | EA | Decal - Front Corner - Upper Passengers - Blue/Rose (Y77, Y79) |
| 4 | 093709-01-02A | EA | Decal - Front Corner - Upper Passengers - Dark Rose/Rose (Y78) |
| 5 | 069227-08-000 | EA | Decal "Itasca" 3 7" x 15 82" - Black |
| 6 | 093714-01-01A | EA | Decal - Hood - Upper - Blue/Rose (Y77, Y79) |
| 6 | 093714-01-02A | EA | Decal - Hood - Upper - Dark Rose/Rose (Y78) |
| 7 | 093709-02-01A | EA | Decal - Front Corner - Upper Drivers - Blue/Rose (Y77, Y79) |
| 7 | 093709-02-02A | EA | Decal - Front Corner - Upper Drivers - Dark Rose/Rose (Y78) |
| 8 | 093711-02-01A | EA | Decal - Rear Corner - Upper Drivers - Blue/Rose (Y77, Y79) |
| 8 | 093711-02-02A | EA | Decal - Rear Corner - Upper Drivers - Dark Rose/Rose (Y78) |
| 9 | 093711-01-01A | EA | Decal - Rear Corner - Upper Passengers - Blue/Rose (Y77, Y79) |
| 9 | 093711-01-02A | EA | Decal - Rear Corner - Upper Passengers - Dark Rose/Rose (Y78) |
| 10 | 093712-01-01A | EA | Decal - Rear Corner - Lower Passengers - Gray (Y77, Y79) |
| 10 | 093712-01-02A | EA | Decal - Rear Corner - Lower Passengers - Burgundy (Y78) |
| 11 | 093712-02-01A | EA | Decal - Rear Corner - Lower Drivers - Gray (Y77, Y79) |
| 11 | 093712-02-02A | EA | Decal - Rear Corner - Lower Drivers - Burgundy (Y78) |
| 12 | 093710-02-01A | EA | Decal - Front Corner - Lower Drivers - Gray (Y77, Y79) |
| 12 | 093710-02-02A | EA | Decal - Front Corner - Lower Drivers - Burgundy (Y78) |
| 13 | 093713-01-01A | EA | Decal - Hood - Lower - Gray (Y77, Y79) |
| 13 | 093713-01-02A | EA | Decal - Hood - Lower - Burgundy (Y78) |
| 14 | 093710-01-01A | EA | Decal - Front Corner - Lower Passengers - Gray (Y77, Y79) |
| 14 | 093710-01-02A | EA | Decal - Front Corner - Lower Passengers - Burgundy (Y78) |
| 15 | 093681-04-01A | FT | Film - Multistripe - 4" x 150' - Gray (Y77, Y79) |
| 15 | 093681-04-02A | FT | Film - Multistripe - 4" x 150' - Burgundy (Y78) |
| 16 | 093680-01-03A | FT | Film - Multistripe - 2 9" x 150' - Blue/Rose (Y77, Y79) |
| 16 | 093680-01-04A | FT | Film - Multistripe - 2 9" x 150' - Dark Rose/Rose (Y78) |

1988 ICP37RO
INDEX

| | |
|------------------------------------|-------------|
| Floor Plan | D-07 - D-08 |
| Accessories Group | D-09 - D-12 |
| Bath Group | D-13 - D-14 |
| Chassis Group | D-15 - D-19 |
| Curtain, Cushion & Pad Group | D-20 - E-18 |
| Dinette Group | E-19 - E-21 |
| Driver's Compartment Group | E-22 - F-02 |
| Electrical Group | F-03 - F-06 |
| Exterior Body Group | F-07 - F-14 |
| Galley Group | F-15 - F-19 |
| Heating & Air Conditioning Group | F-20 |
| Interior Finish Group | F-21 - F-23 |
| LP Group | F-24 |
| Lounge Group | G-01 - G-03 |
| Water & Sewage Group | G-04 - G-05 |
| Window, Vent & Exterior Door Group | G-06 - G-20 |

EXTERIOR BODY GROUP (CONTINUED)

LABELS, TAGS & NAMEPLATES

| Key | Part Number | U/M | Description |
|-----|---------------|-----|---|
| | 061243-01-000 | EA | Label - A/C Cover |
| | 074883-01-000 | EA | Label - Air Conditioner Selector |
| | 087238-01-000 | EA | Label - Cable Input |
| | 088383-01-000 | EA | Label - Diesel Fuel |
| | 008195-01-000 | EA | Label - Electrical Test |
| | 047731-01-000 | EA | Label - Emergency Exit |
| | 008198-01-000 | EA | Label - Exit - Escape Window |
| | 084378-01-000 | EA | Label - Flying "W" w/Thermal Panel |
| | 081417-01-000 | EA | Label - Fuel |
| | 087207-02-000 | EA | Label - Fuel Cap Removal |
| | 008198-01-000 | EA | Label - Gas Test |
| | 054531-01-000 | EA | Label - LP Gas Only |
| | 073898-01-000 | EA | Label - LPG Odor Warning |
| | 040944-01-000 | EA | Label - Open - Entrance Door |
| | 008015-01-000 | EA | Label - Patent Motor Home |
| | 054258-01-000 | EA | Label - Safety Check List |
| | 008084-01-000 | EA | Label - Seat - w/o Seat Belts |
| | 008187-01-000 | EA | Label - Sewage |
| | 087236-02-000 | EA | Label - TV Outlet |
| | 008006-01-000 | EA | Label - Thermo Panel - 2 1/4" x 2 1/4" |
| | 075221-01-000 | EA | Label - Trailer Hitch Capacity |
| | 075220-01-000 | EA | Label - Warning - Exterior Load Limit |
| | 077956-01-000 | EA | Label - Warning - Smoke Detector |
| | 050225-01-000 | EA | Label - Warning - Stove Vent - US |
| | 008162-01-000 | EA | Label - Waste Water |
| | 006197-01-000 | EA | Label - Water Test |
| | 077927-01-000 | EA | Label - Warning - Wheel Nuts |
| | 090342-01-000 | EA | Label - Vapor Relief |
| | 072883-01-000 | EA | Nameplate - Diesel - 6.2L |
| | 006062-01-000 | EA | Tag - Electrical - 110 Volt Connection |
| | 008040-01-000 | EA | Tag - Gas - Refueling Warning |
| | 074558-01-000 | EA | Label "LPG" - 3 3/4" x 1 7/8" - (Calif. Code) |
| | 006019-01-000 | EA | Tag - RV Approved - Plastic |
| | 085748-01-000 | EA | Label - Caution - Battery Charging |
| | 077510-01-000 | EA | Label - Generator Prep |
| | 061606-01-000 | EA | Label - Overlay - Vehicle Certificate |
| | 079966-01-000 | EA | Label - Warning - Stowed-In Motion |
| | 087237-01-000 | EA | Label - Certification |
| | 088757-01-000 | EA | Label - Retail - 8 5/8" x 12 7/8" |
| | 090424-01-000 | EA | Label - No Smoking |

EXTERIOR BODY GROUP (CONTINUED)

SHEET FIBERGLASS, ALUMINUM & STYROFOAM

| Key | Part Number | U/M | Description |
|-----|---------------|-----|--|
| | 084882-02-000 | EA | Panel - Mandiboard - Gray |
| | 044487-01-001 | EA | Aluminum - Mill Finish - No Design (Roof) - 96" x 300" |
| | 000888-01-000 | SF | Styrofoam - 3/4" x 24" x 96" |
| | 000870-01-000 | SF | Styrofoam - 1 1/2" x 48" x 96" |
| | 000870-03-000 | SF | Styrofoam - 1 3/4" x 48" x 96" |
| | 000870-04-000 | SF | Styrofoam - 1 3/4" x 24" x 96" |
| | 083574-01-000 | SF | Styrofoam - 1.5" x 24" x 85.25" |

MISCELLANEOUS EXTERNALLY MOUNTED PARTS

| Key | Part Number | U/M | Description |
|-----|---------------|-----|--|
| | 083558-01-000 | EA | Plumbing Seal - Roof Vent - 1 1/2" - Covered |
| | 087858-03-000 | EA | Fit - City Water - Recessed - Gray |
| | 081247-02-000 | EA | Water Fill - Lockable - Gray |
| | 073050-02-000 | EA | Mounting Clip - Valance Panel |
| | 088362-04-000 | EA | Brace Tube - Floor to Valance - 13.21" |
| | 088362-06-000 | EA | Brace Tube - Floor to Valance - 17" |

**1989 ITASCA
TABLE OF CONTENTS**

| | |
|----------|-------------|
| ICJP34RU | A-01 - D-08 |
| ICP37RO | D-07 - G-20 |

**1989 ICP37RO
INDEX**

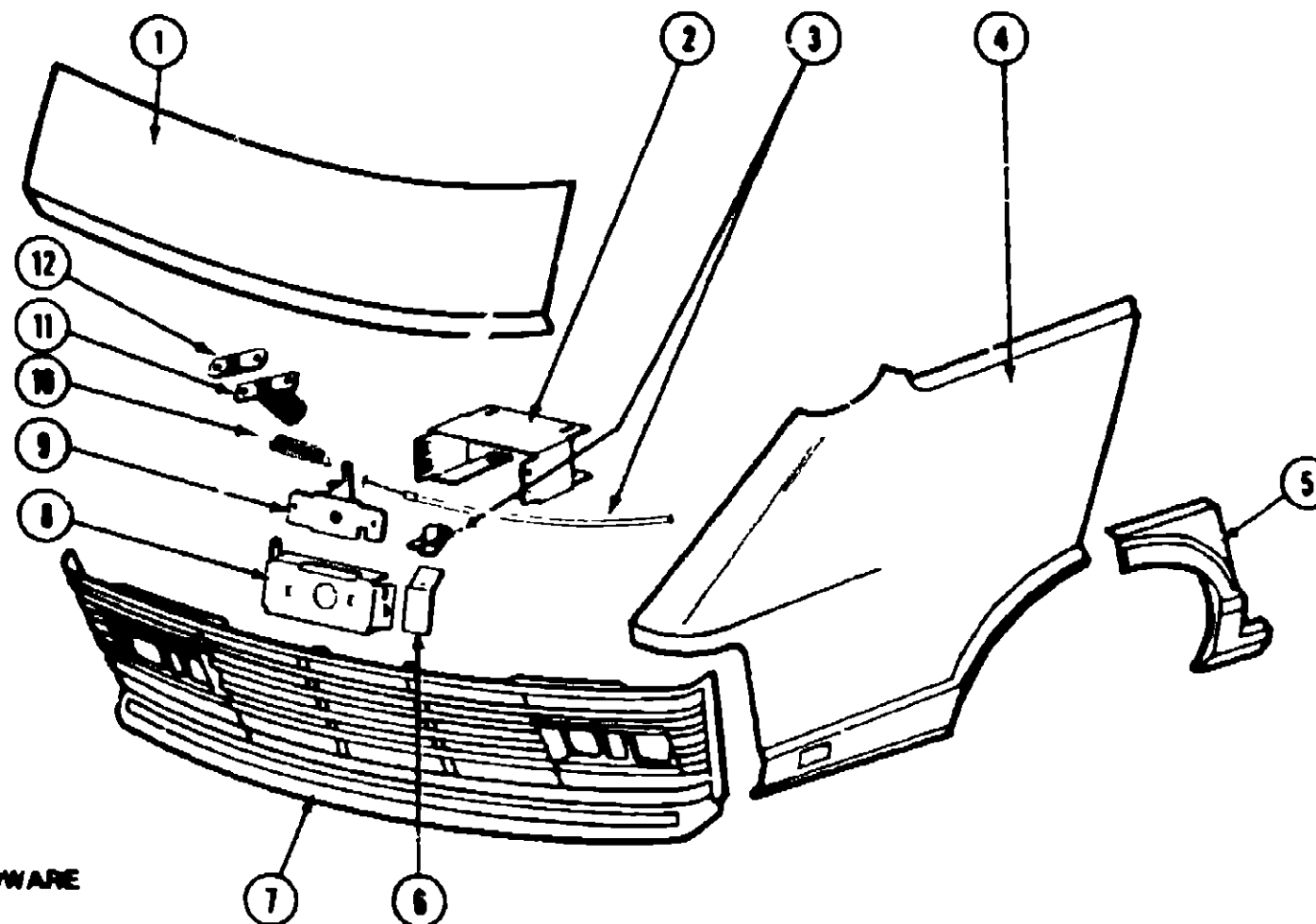
| | |
|------------------------------------|-------------|
| Floor Finish | D-07 - D-08 |
| Accessories Group | D-09 - D-12 |
| Bath Group | D-13 - D-14 |
| Chassis Group | D-15 - D-19 |
| Curtain, Cushion & Pad Group | D-20 - E-18 |
| Dinette Group | E-19 - E-21 |
| Driver's Compartment Group | E-22 - F-02 |
| Electrical Group | F-03 - F-06 |
| Exterior Body Group | F-07 - F-14 |
| Galley Group | F-15 - F-19 |
| Heating & Air Conditioning Group | F-20 |
| Interior Finish Group | F-21 - F-23 |
| LP Group | F-24 |
| Lounge Group | G-01 - G-03 |
| Water & Sewage Group | G-04 - G-05 |
| Window, Vent & Exterior Door Group | G-06 - G-20 |

EXTERIOR BODY GROUP (CONTINUED)

1988 ITASCA
TABLE OF CONTENTS

IC/JP34RU
ICP37RQ

A-01 - D-08
D-07 - G-20



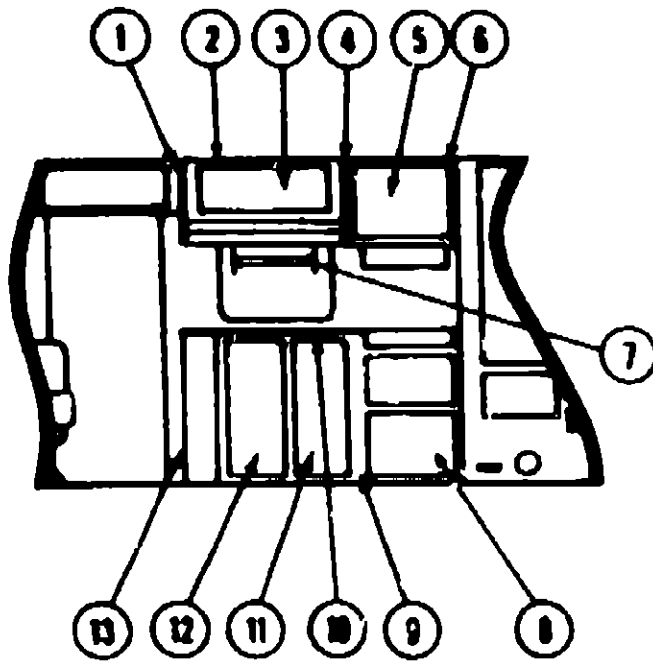
EXTERIOR BODY PANELS & HARDWARE

| Key | Part Number | U/M | Description |
|-----|---------------|-----|--|
| 1 | 084758-01-W36 | EA | Hood Panel |
| | 076716-02-000 | EA | Bracket Arm - Striker - Latch |
| | 058786-02-000 | EA | Hood Bolt - Adjusting |
| | M02680-01-U16 | EA | Hinge Arm - Hood - Passenger |
| | M02680-02-U16 | EA | Hinge Arm - Hood - Driver |
| | 076767-02-000 | EA | Cable Arm - 1/16" x 16.5" - Stainless Steel |
| | 091955-01-000 | EA | Squeegee - Extended Handle |
| | 091952-01-000 | EA | Clip - 1" Gripper - Squeegee |
| | 093527-01-000 | EA | Bracket - Squeegee |
| 2 | 073342-01-000 | EA | Bracket Arm - Hood Latch |
| 3 | 077064-01-000 | EA | Cable - Hood Release - w/Clamp |
| 4 | 084751-04-W36 | EA | Fender Panel - Front - Driver |
| | 084751-03-W36 | EA | Fender Panel - Front - Passenger |
| 5 | 084714-04-000 | EA | Fender Panel - Rear - Driver |
| | 084714-05-000 | EA | Fender Panel - Rear - Passenger |
| 6 | 077407-01-000 | EA | Bracket - Hood Cable Release (Mounts under the hood) |
| | 077406-01-000 | EA | Bracket - Hood Cable Release (Mounts under the dash) |
| 7 | 088440-01-700 | EA | Grille - Panel Arm - Lower |
| | 088252-01-000 | FT | Chrome Trim - 5/8" - Adhesive Back |
| | 076739-01-000 | EA | Bracket - Grille Hanger - Inner - Passenger |
| | 076739-02-000 | EA | Bracket - Grille Hanger - Inner - Driver |
| 8 | 073336-02-000 | EA | Bracket - Mounting - Latch |
| 9 | R77007 51-429 | EA | Latch Arm - Hood |
| 10 | R77006-38-499 | EA | Spring - Hood Release |
| 11 | R77007-01-950 | EA | Striker & Spring - Hood Latch |
| 12 | R77006-68-172 | EA | Shim - Spacer Plate |
| | 076772-01-000 | EA | Clip - Prop Rod |
| | 076837-01-000 | EA | Prop Rod |
| | 075764-05-000 | EA | Roof Cap - Front Cab - Primed |

1988 ICP37RQ
INDEX

| | |
|------------------------------------|-------------|
| Floor Plan | D-07 - D-08 |
| Accessories Group | D-09 - D-12 |
| Bath Group | D-13 - D-14 |
| Chassis Group | D-15 - D-19 |
| Curtain, Cushion & Pad Group | D-20 - E-18 |
| Dinette Group | E-19 - E-21 |
| Driver's Compartment Group | E-22 - F-02 |
| Electrical Group | F-03 - F-06 |
| Exterior Body Group | F-07 - F-14 |
| Galley Group | F-15 - F-19 |
| Heating & Air Conditioning Group | F-20 |
| Interior Finish Group | F-21 - F-23 |
| LP Group | F-24 |
| Lounge Group | G-01 - G-03 |
| Water & Sewage Group | G-04 - G-05 |
| Window, Vent & Exterior Door Group | G-06 - G-20 |

GALLEY GROUP



GALLEY CABINETRY

| Key | Part Number | U/M | Description |
|-----|---------------|-----|--|
| 1 | 085468-02-W36 | EA | End Cap - Galley Overhead - Vinyl |
| 2 | M03110-09-Y77 | EA | Cabinet Asm - Galley Overhead - w/o Doors or Hardware |
| 3 | M88304-36-Y77 | EA | Door Asm - Galley Overhead - 12" x 29 1" - w/o Hardware |
| 4 | 085471-01-W36 | EA | End Cap - Galley Overhead - Microwave |
| 5 | M88304-80-Y77 | EA | Door Asm - Overhead - 17.7" x 22 8" - w/o Hardware |
| 6 | M03110-07-Y77 | EA | Cabinet Asm - Overhead - w/o Doors or Hardware |
| 7 | 082488-01-Y77 | EA | Paper Towel Holder - Regal Oak |
| 8 | M88304-33-Y77 | EA | Door Asm - Galley Cabinet - 15 9" x 21.8" - w/o Hardware |
| 9 | M93612-01-Y77 | EA | Cabinet Asm - Galley - w/o Doors, Drawers, Countertop or Hardware |
| 9 | M03914-01-Y77 | EA | Cabinet Asm - Galley - w/Oven Opening - w/o Doors, Drawers, Countertop or Hardware |
| 10 | 093612-16-Y21 | EA | Countertop Asm - Galley Cabinet |
| 11 | M88304-32-Y77 | EA | Door Asm - Galley Cabinet - 14 3" x 33 5" - w/o Hardware |
| 12 | M88304-31-Y77 | EA | Door Asm - Galley Cabinet - 14 3" x 33 5" - w/o Hardware |
| ** | M82184-09-Y77 | EA | Drawer Asm - Galley Cabinet |
| 13 | M88304-F1-Y77 | EA | Door Asm - Mirror - 15 4" x 25 6" - w/o Hardware |
| | 092487-02-Y77 | EA | Spice Rack Asm |
| | 093238-01-Y77 | EA | Cover - Knife Holder |
| | 093282-01-000 | EA | Knife Holder Asm. - Below Counter |

** These parts used in the Microwave Option

GALLEY GROUP (CONTINUED)

GALLEY HARDWARE

| Key | Part Number | U/M | Description |
|-----|---------------|-----|--|
| | 083528-01-000 | EA | Sink - Stainless Steel - Double - 25" x 19" |
| | 082303-01-000 | EA | Strainer - w/Basket - Sink |
| | 081254-01-000 | EA | Gasket - Galley Faucet - Thru B/18/88 |
| | 084072-01-000 | EA | Faucet - Swing Spout - 8" - Double Control |
| | 084952-01-000 | EA | Faucet - Swing Spout - Single Control |
| | 058334-01-000 | EA | Wastebasket - 9 3/4" x 7" x 10" - White |
| | 058478-01-000 | EA | Support - Waste Basket |
| | 077408-02-000 | EA | Drawer Slide - Plastic - 20 7/8" |
| | 077404-02-000 | EA | Drawer - Plastic - 20" x 12 7/8" |
| | 037888-01-000 | EA | Drawer Rail - V-Guide |
| | 058777-02-000 | EA | Hinge - Antique - Light Brass |
| | 083153-01-000 | EA | Cutting Board - Maple |
| | 054450-01-000 | EA | Level - Refrigerator |
| | 083551-01-000 | EA | Door Pull - Polished Brass |
| | 083579-01-000 | EA | Door Pull - Polished Chrome & Brass |
| | 081376-01-000 | EA | Back Plate - Door Pull - Polished Brass |
| | 083238-01-Y77 | EA | Cover - Oak Knife Holder - Above Countertop |
| | 083282-01-000 | EA | Bonnet Asm - Knife Holder - Below Countertop |
| | 084468-04-000 | EA | Slide Asm. - Cabinet - Right |
| | 084468-05-000 | EA | Slide Asm. - Cabinet - Left |
| | 084468-02-000 | EA | Slide Asm. - Drawer - Right |
| | 084468-03-000 | EA | Slide Asm. - Drawer - Left |
| | 092428-02-000 | EA | Glass - Cabinet Door - 11 9/16" x 22 20" |

1988 ITASCA TABLE OF CONTENTS

ICUP34RU
ICP37RQ

A-01 - D-08
D-07 - G-20

1988 ICP37RQ INDEX

| | |
|------------------------------------|-------------|
| Floor Plan | D-07 - D-08 |
| Accessories Group | D-09 - D-12 |
| Bath Group | D-13 - D-14 |
| Chassis Group | D-15 - D-19 |
| Curtain, Cushion & Pad Group | D-20 - E-18 |
| Dinette Group | E-19 - E-21 |
| Driver's Compartment Group | E-22 - F-02 |
| Electrical Group | F-03 - F-06 |
| Exterior Body Group | F-07 - F-14 |
| Galley Group | F-15 - F-19 |
| Heating & Air Conditioning Group | F-20 |
| Interior Finish Group | F-21 - F-23 |
| LP Group | F-24 |
| Lounge Group | G-01 - G-03 |
| Water & Sewage Group | G-04 - G-05 |
| Window, Vent & Exterior Door Group | G-06 - G-20 |

GALLEY GROUP (CONTINUED)

GALLEY APPLIANCES

| Key | Part Number | U/M | Description |
|--------------|---------------|-----|---|
| Thru 7/24/88 | 084880-02-000 | EA | Refrigerator - 3-Way - Large Double Door - Norcold 8883 |
| | 084880-01-700 | EA | Cooling Unit |
| | 084880-01-701 | EA | Lower Door Handle |
| | 084880-01-702 | EA | Cabinet Asm - Foamed |
| | 084880-01-703 | EA | Liner - Lower Door - Foamed w/Frame |
| | 084880-01-704 | EA | Panel Holder - Lower Door |
| | 084880-01-705 | EA | Orifice |
| | 084880-01-706 | EA | DC Light Bulb |
| | 084880-01-707 | EA | Heater (3 Way) |
| | 084880-01-708 | EA | Baffle Asm |
| | 084880-01-709 | EA | Lamp Socket |
| | 084880-01-710 | EA | Ignition Electrode |
| | 084880-01-711 | EA | Sensor Electrode |
| | 084880-01-712 | EA | Control Module - Fernal |
| | 084880-01-713 | EA | Male Connector - Inlet Fitting |
| | 084880-01-714 | EA | Burner |
| | 084880-01-715 | EA | Valve - Manual Shut Off |
| | 084880-01-716 | EA | Burner Tube |
| | 084880-01-717 | EA | Control Module |
| | 084880-01-718 | EA | Gas Valve |
| | 084880-01-719 | EA | Brass Elbow |
| | 084880-01-720 | EA | Spring (For Door Handle) |
| | 084880-01-721 | EA | Cover - Power Supply |
| | 084880-01-722 | EA | Cover - Crisper |
| | 084880-01-723 | EA | Board - Power Supply (3 Way) |
| | 084880-01-724 | EA | Hinge Plate - Bottom |
| | 084880-01-725 | EA | Hinge Plate - Top |
| | 084880-01-726 | EA | Hinge Bracket - Center |
| | 084880-01-727 | EA | Upper Door - Gasket |
| | 084880-01-728 | EA | Lower Door - Gasket |
| | 084880-01-729 | EA | Eyebrow (3 Way) |
| | 084880-01-730 | EA | Crisper |
| | 084880-01-731 | EA | Hinge Pin |
| | 084880-01-732 | EA | Latch |
| | 084880-01-733 | EA | Dairy Keeper |
| | 084880-01-734 | EA | Bracket - Hinge - Right |
| | 084880-01-735 | EA | Bracket - Hinge - Left |
| | 084880-01-736 | EA | Light Switch (Brown) |
| | 084880-01-737 | EA | Liner - Upper Door - Foamed w/Frame |
| | 084880-01-738 | EA | Bracket - Control Asm - (3 Way) |
| | 084880-01-739 | EA | End Cap - Spring Catch |
| | 084880-01-740 | EA | End Cap - Stop Catch |
| | 084880-01-741 | EA | Humidity Switch |
| | 084880-01-742 | EA | Trim - Lower Seal |
| | 084880-01-743 | EA | P/C Board (3 Way) |
| | 084880-01-744 | EA | Shaft - Hinge Pin - Center |
| | 084880-01-745 | EA | Bushing - Hinge |
| | 084880-01-746 | EA | Cable |
| | 084880-01-747 | EA | Hole Plug |
| | 084880-01-748 | EA | Bushing - Hinge |
| | 084880-01-749 | EA | Bushing - Hinge |

GALLEY GROUP (CONTINUED)

GALLEY APPLIANCES (CONT.)

| Key | Part Number | U/M | Description |
|--------------|---------------|-----|--|
| From 7/25/88 | 084039-02-000 | EA | Refrigerator - 3 Way - Large Double Door - Norcold 883 |
| | 084039-01-700 | EA | PC Board (3-Way) |
| | 084039-01-701 | EA | Eyebrow (3-Way) Shell |
| | 084039-01-702 | EA | Upper Gasket - Gauge |
| | 084039-01-703 | EA | Hinge Plate (Brown) Left |
| | 084039-01-705 | EA | Upper Door Liner - White (Brown Frame) |
| | 084039-01-707 | EA | Upper Door Handle (Brown Frame) |
| | 084039-01-708 | EA | Hinge Plate - Right Top/Bottom Left (Brown Frame) |
| | 084039-01-711 | EA | Juice Rack - Gray w/Silver Trim (Freezer) |
| | 084039-01-712 | EA | Door Bin - Gray w/Silver Border |
| | 084039-01-713 | EA | Door Gasket - Lower - Gray |
| | 084039-01-714 | EA | Lower Door Liner - White |
| | 084039-01-716 | EA | Lower Door Asm. - Brown Frame |
| | 084039-01-718 | EA | Milk Bin - Gray w/Silver Trim |
| | 084039-01-719 | EA | Dairy Keeper - Gray w/Silver Trim |
| | 084039-01-720 | EA | Cabinet Asm. - Brown Frame w/White Liner |
| | 084039-01-722 | EA | Hole Plug - Black - Hinge Holes |
| | 084039-01-723 | EA | Hinge Bracket - Black - Left Top/Right Bottom |
| | 084039-01-724 | EA | Hinge Bracket - Black - Right Top/Left Bottom |
| | 084039-01-725 | EA | Hinge Pin - Black - Male |
| | 084039-01-726 | EA | Evaporator Shell |
| | 084039-01-727 | EA | Hinge Bracket - Brown - Center Hinge |
| | 084039-01-729 | EA | Hinge Pin Shaft - Brown - Center Hinge |
| | 084039-01-731 | EA | Crisper - Gray w/Silver Trim |
| | 084039-01-732 | EA | Front Cover - Black Bottom Trim |
| | 084039-01-733 | EA | Wire Shelf - Middle |
| | 084039-01-734 | EA | Wire Shelf - Top w/Riser |
| | 084039-01-735 | EA | Inside Drip Tray - White |
| | 084039-01-736 | EA | Light Switch - Black |
| | 084039-01-737 | EA | Power Supply - 3 Way |
| | 084039-01-738 | EA | Shut Off - Manual - Harper Wyman |

**1988 ITASCA
TABLE OF CONTENTS**

ICJP34RU
ICP37RQ

A-01 - D-08
D-07 - G-20

**1988 ICP37RQ
INDEX**

| | |
|------------------------------------|-------------|
| Floor Plan | D-07 - D-08 |
| Accessories Group | D-09 - D-12 |
| Bath Group | D-13 - D-14 |
| Chassis Group | D-15 - D-19 |
| Curtain, Cushion & Pad Group | D-20 - E-18 |
| Dinette Group | E-19 - E-21 |
| Driver's Compartment Group | E-22 - F-02 |
| Electrical Group | F-03 - F-06 |
| Exterior Body Group | F-07 - F-14 |
| Galley Group | F-15 - F-19 |
| Heating & Air Conditioning Group | F-20 |
| Interior Finish Group | F-21 - F-23 |
| LP Group | F-24 |
| Lounge Group | G-01 - G-03 |
| Water & Sewage Group | G-04 - G-05 |
| Window, Vent & Exterior Door Group | G-06 - G-20 |

GALLEY GROUP (CONTINUED)

GALLEY APPLIANCES (CONT.)

| Key | Part Number | U/M | Description |
|-----|---------------|-----|---|
| | 082898-01-01A | EA | Range Hood - w/Monitor Panel - Almond |
| | 082898-01-03A | EA | Vent - w/Door |
| | 082898-01-700 | EA | Plastic Fastener - F/Cable |
| | 082898-01-701 | EA | Plastic Knob - F/Cable |
| | 082898-01-702 | EA | Resistor/Wire Asm |
| | 082898-01-703 | EA | Fuse Holder |
| | 082898-01-704 | EA | Switch Lever Asm - Module |
| | 082898-01-705 | EA | Actuator Rod/Turn Buckle |
| | 082898-01-706 | EA | Screw Cap |
| | 082898-01-707 | EA | Gasket - Vent |
| | 082898-01-708 | EA | Clip - Vent Mounting |
| | 082898-01-709 | EA | Lamp - #912 |
| | 082898-01-710 | EA | Lamp Holder |
| | 082898-01-711 | EA | Lamp Lens |
| | 082898-01-712 | EA | Mesh Filter |
| | 082898-01-713 | EA | Chassis - w/Wiring |
| | 082898-01-714 | EA | Control Panel Asm |
| | 082898-01-715 | EA | Face Plate - Control Panel |
| | 082898-01-718 | EA | Lamp Holder |
| | 082898-01-717 | EA | Mesh Filter |
| | 064782-02-000 | EA | Range - 4 Burner - Almond Top |
| | 064782-02-700 | EA | Top - Main - 4 Burner - Almond |
| | 064782-02-701 | EA | Deflector Plate - Black |
| | 064782-02-702 | EA | Trim - Cabl - Right - Black |
| | 064782-02-703 | EA | Trim - Cab - Left - Black |
| | 064782-02-704 | EA | Trim - Lower Outside Glass - Black |
| | 064782-02-705 | EA | Handle - Oven Door - Black |
| | 064782-02-706 | EA | Trim - Vertical - Black |
| | 064782-02-707 | EA | Panel - Manifold |
| | 064782-02-708 | EA | Valve - Mercury |
| | 064782-02-709 | EA | Glass - Oven Door |
| | 064782-02-710 | EA | Clip - Glass Holder |
| | 064782-02-711 | EA | Main Top - 4 Burner - Square - Almond |
| | 064782-02-712 | EA | Grate - Top Burner Square |
| | 064782-02-713 | EA | Gas Regulator |
| | 064782-02-714 | EA | Nipple - 1/8" |
| | 064782-02-715 | EA | Grate Clip |
| | 085280-04-000 | EA | Burner Cover - Bi-Fold - Almond |
| | 085280-03-000 | EA | Burner Cover - Bi-Fold - Almond - Range Top |
| | 088737-01-000 | EA | Microwave Oven - Convection - Magic Chef |
| | 081374-03-000 | EA | Range Top - 4 Burner Almond |
| | 081374-03-700 | EA | Trim - Cab - Left |
| | 081374-03-701 | EA | Trim - Cab - Right |
| | 081374-03-703 | EA | Trim Top Rear |
| | 088737-01-700 | EA | Control |
| | 088737-01-701 | EA | Frame Panel |
| | 088737-01-702 | EA | Touch Panel Asm. |
| | 088737-01-703 | EA | Door Frame |
| | 088737-01-704 | EA | Glass - Outside Door |
| | 088737-01-705 | EA | Trim - Upper Frame Inner |
| | 088737-01-706 | EA | Cabinet |
| | 088737-01-707 | EA | Fuse |
| | 088737-01-708 | EA | Transformer - H.V. |
| | 088737-01-709 | EA | Trim |
| | 088737-01-710 | EA | Lamp - 30 Watt Oven |
| | 088737-01-711 | EA | Relay - Complete |
| | 088737-01-712 | EA | Trim |
| | 088737-02-000 | EA | Frame Kit - Microwave Oven |

HEATING & AIR CONDITIONING GROUP

FURNACE

| Key | Part Number | U/M | Description |
|-----|---------------|-----|-----------------------------------|
| | 080039-05-000 | EA | Furnace - 30,000 BTU - Suburban |
| | 080039-01-000 | EA | Thermostat (Wall Mount) |
| | 080039-05-700 | EA | Thermostat |
| | 080039-05-701 | EA | Combustion Chamber #X020088 |
| | 080039-05-702 | EA | Manifold Gasket |
| | 080039-05-703 | EA | Manifold Pipe Asm. |
| | 080039-05-704 | EA | Combustion Chamber #0380365 |
| | 080039-05-705 | EA | Wheel - Combustion Air |
| | 080039-05-706 | EA | Combustion Air Housing |
| | 080039-05-707 | EA | Gasket Motor |
| | 080039-05-708 | EA | Gasket - Crossover Tube (Housing) |
| | 080039-05-709 | EA | Crossover Tube Asm |
| | 080039-05-710 | EA | Gasket - Crossover Tube (Chamber) |
| | 080039-05-711 | EA | Blower Housing Asm |

REAR AUX. HEATER

| Key | Part Number | U/M | Description |
|-----|---------------|-----|---|
| | 084405-01-000 | EA | Heater Asm - Rear - Ducted |
| | 084405-01-700 | EA | Heater Core |
| | 084405-01-701 | EA | Fan |
| | 084405-01-702 | EA | Motor - 12 Volt |
| | 009198-01-000 | FT | Duct - Flexible - 4" I.D. x 25' |
| | 056464-01-000 | EA | Register - 4" Dia. - Plastic - w/Damper |
| | 056464-02-000 | EA | Register - 4" Dia. - Plastic - w/o Damper |
| | 009200-01-000 | EA | Tape - Furnace - 1 1/2" |

ROOF AIR CONDITIONER

| Key | Part Number | U/M | Description |
|-----|---------------|-----|--|
| | 093786-01-000 | EA | Ceiling Asm - A/C Cool - w/Controls - Coleman 6798A714 |
| | 093786-02-000 | EA | Ceiling Asm - A/C Cool - w/o Controls - Thermostat Separate - Coleman 6798-720 |
| | 093786-03-000 | EA | Thermostat - A/C and Furnace - Coleman 6798-8951 |
| | 093786-01-03A | EA | Air Conditioner - 110 Volt - Roof Mount - 13,500 BTU Coleman 6798A708 |

AUTOMOTIVE HEATER & AIR CONDITIONER

| Key | Part Number | U/M | Description |
|-----|---------------|-----|---|
| | 080426-02-000 | EA | Heater/Evaporator Asm. - w/Pressure Sensor Switch |
| | 080426-02-701 | EA | Hose - Liquid |
| | 080426-02-702 | EA | Hose - Suction |
| | 080426-02-703 | EA | Pressure Switch - Fan |
| | 007108-01-000 | EA | Hose - Heater - 5/8 I.D. SAE |
| | 031170-01-000 | EA | Clamp - Cable - 3/16" Dia |
| | 072341-01-706 | EA | Resistor |
| | 072341-01-701 | EA | Heater Core |
| | 080426-01-700 | EA | Evaporator Coil |
| | 075789-01-705 | EA | Expansion Valve |
| | 072341-01-707 | EA | Thermostat |
| | 072341-04-706 | EA | Blower Motor |
| | 072341-04-707 | EA | Blower Wheel |
| | 072341-04-709 | EA | Vacuum Motor #1120142 |
| | 072341-04-702 | EA | Relay |
| | 072341-01-710 | EA | Control Head Asm - w/o Decal |
| | 072341-01-714 | EA | Heater Control Valve |

**1989 ITASCA
TABLE OF CONTENTS**

| | |
|-----------|-------------|
| IC/JP34RU | A-01 - D-08 |
| ICP37RQ | D-07 - G-20 |

**1989 ICP37RQ
INDEX**

| | |
|------------------------------------|-------------|
| Floor Plan | D-07 - D-08 |
| Accessories Group | D-09 - D-12 |
| Bath Group | D-13 - D-14 |
| Chassis Group | D-15 - D-19 |
| Curtain, Cushion & Pad Group | D-20 - E-18 |
| Dinette Group | E-19 - E-21 |
| Driver's Compartment Group | E-22 - F-02 |
| Electrical Group | F-03 - F-06 |
| Exterior Body Group | F-07 - F-14 |
| Galley Group | F-15 - F-19 |
| Heating & Air Conditioning Group | F-20 |
| Interior Finish Group | F-21 - F-23 |
| LP Group | F-24 |
| Lounge Group | G-01 - G-03 |
| Water & Sewage Group | G-04 - G-06 |
| Window, Vent & Exterior Door Group | G-06 - G-20 |

INTERIOR FINISH GROUP

CABINETS & TABLE HARDWARE

| Key | Part Number | U/M | Description |
|-----|---------------|-----|--|
| | 059777-02-000 | EA | Hinge - Cabinet Door - Brass |
| | 074483-02-000 | EA | Overhead Door - Support - Sprung |
| | 041194-01-000 | EA | Base - Pedestal Table - Flush Mounts - Floor |
| | 009040-03-000 | EA | Base - Pedestal Table - Raised |
| | 009040-04-000 | EA | Leg - Pedestal Table - 27 5" - Brown |
| | 064046-01-000 | EA | Clip - Pedestal Table Leg |
| | 079789-01-000 | EA | Support - Table - Pullout - Beige |
| | 080728-01-000 | EA | Handle - Recessed - Brown Plastic |
| | 079921-01-000 | EA | Roller - Nylon w/Shaft |
| | 088254-01-000 | EA | Catch - Magnetic |
| | 093579-01-000 | EA | Pull - Cabinet - Chrome/Brass |
| | 081376-01-000 | EA | Back Plate - Door Pull - Polished Brass |
| | 083586-03-000 | EA | Catch - Spring Roller |
| | 083586-04-000 | EA | Strike - Steel Spring |
| | 074045-04-000 | EA | Plug - 1/2" - Driftwood |
| | 082852-01-000 | EA | Guide Wheel - Top Mount - Door |
| | 084486-02-000 | EA | Slide Arm - Drawer - Right |
| | 084486-03-000 | EA | Slide Arm - Drawer - Left |
| | 084486-04-000 | EA | Slide Arm - Cabinet - Right |
| | 084486-05-000 | EA | Slide Arm - Cabinet - Left |
| | 047744-01-000 | EA | Kit Drawer Glide |
| | 009089-01-000 | EA | Clip - Mirror |
| | 084451-01-000 | EA | Catch - TV Shelf - Brass |
| | 058331-10-000 | EA | Mirror - Safety Glass - TV Shelf - 14" x 17" |
| | 064781-05-000 | EA | Cup Holder - Two Step |
| | 024281-07-000 | EA | Bracket - Lower Wall Mount |
| | 053200-05-000 | EA | Bracket - Upper Wall Mount |
| | 024275-05-000 | EA | Rod - Table Lft |
| | 082593-01-02A | EA | Catch - Table Leg |
| | 088410-01-000 | EA | Hanger - Table |

CURTAIN HARDWARE

| Key | Part Number | U/M | Description |
|-----|---------------|-----|--|
| | 029094-04-000 | YD | Tape - Loop - 1" Wide - Black |
| | 029096-03-000 | YD | Tape - Hook - 1" Wide - Black |
| | 048394-02-000 | YD | Tape - Hook - 75" Wide - Beige |
| | 088792-02-000 | YD | Tape - Loop - 75" Wide - Beige - Adhesive |
| | 048395-02-000 | YD | Tape Loop - .75" Wide - Beige |
| | 088792-01-000 | YD | Tape Hook - 5/8" Non Adhesive |
| | 056003-01-000 | EA | Bracket Drapery Retainer - Right |
| | 056003-02-000 | EA | Bracket Drapery Retainer - Left |
| | 081361-01-000 | EA | Servel Snap - Curtain Track |
| | 075943-01-000 | EA | Brace - Valance - Beige |
| | 075477-20-000 | EA | Bracket - Center Support - Blind |
| | 082139-01-000 | EA | Bracket - Hold Down - Blinds |
| | 083170-01-000 | EA | Bracket - Blind Installation - Right |
| | 083170-02-000 | EA | Bracket - Blind Installation - Left |
| | 084434-01-000 | EA | Bracket - Roller Shade - 1 3/5" |
| | 087253-01-000 | EA | Pull - Window Shade - Clear Plastic |
| | 089335-01-000 | EA | Track - Curtain - Brown Plastic |
| | 086276-01-000 | EA | Tape - Double Sided - 5" |
| | 078394-01-000 | FT | Trim - Brass Vinyl - 437" Wide - Window Side Panel |
| | 077046-01-000 | EA | Track - Curtain - Front Wraparound - Passenger |
| | 077046-02-000 | EA | Track - Curtain - Front Wraparound - Drivers |
| | 077046-01-700 | EA | Baton Arm - w/Snap |
| | 077046-01-701 | EA | Servel Corner |
| | 077046-01-702 | EA | Lock Stop |
| | 077046-01-703 | EA | Servel Snap Pendant |
| | 077046-01-704 | EA | End Stop |
| | 077046-01-705 | EA | Master Corner - Left |
| | 077046-01-706 | EA | Master Corner - Right |
| | 091313-01-000 | EA | Grommet - Headrest |

INTERIOR FINISH GROUP (CONTINUED)

MISCELLANEOUS

| Key | Part Number | U/M | Description |
|-----|---------------|-----|--|
| | 053552-02-W24 | EA | Handle Arm - Assmt - Vinyl |
| | 041844-04-000 | EA | Fire Extinguisher - SBC - w/o Bracket |
| | 084472-01-000 | EA | Holder - Plastic - Fire Extinguisher |
| | 084499-01-000 | EA | Fire Extinguisher - 10 BC |
| | 094651-01-000 | EA | Holder - 10 BC Fire Extinguisher |
| | 054185-31-000 | EA | Owner's Manual - Winnebago/Itasca |
| | 081072-02-000 | EA | Floor Mat - Front - Right - Brown - Itasca |
| | 081074-02-000 | EA | Floor Mat - Front - Left - Brown - Itasca |
| | 081075-02-000 | EA | Floor Mat - Entrance - Brown - Itasca |
| | 085201-05-000 | EA | Lamp Shade - Fabric - Bone/Brass - Wall Lamp |
| | 082888-06-000 | EA | Lamp Shade - Table Lamp |
| | 082888-02-000 | EA | Lamp Shade - Fabric - Table Lamp |

PANELING & COUNTERTOP

| Key | Part Number | U/M | Description |
|-----|---------------|-----|--|
| | 074497-11-000 | SF | Paneling - Driftwood - 48" x 84" (Cabinets) |
| | 088272-42-000 | SF | Paneling - Decor - Aqua - 48" x 84" (Main Wall/Galley) (Y77) |
| | 088272-43-000 | SF | Paneling - Decor - Plum - 48" x 84" (Main Wall) (Y78, Y79) |
| | 088272-37-000 | SF | Paneling - Decor - Slate - 48" x 84" (Galley) (Y79) |
| | 088283-19-000 | SF | Paneling - Bone - Decor (Wet Bath) |
| | 079886-01-000 | SF | Paneling - Cedar - Closet |
| | 085217-03-000 | SF | Countertop - Avonite - Almond Parchment (Galley) |
| | 074498-26-000 | SF | Plastic Laminat - Sterling - Almond Slate (Dinette) |
| | 074498-25-000 | SF | Plastic Laminat - Sterling - Driftwood (Cabinets) |
| | 076325-19-000 | FT | Edge Molding - Almond (Bath) |
| | 076325-17-000 | FT | Edge Molding - Driftwood (Cabinets) |

FABRICS & FLOOR COVERINGS

| Key | Part Number | U/M | Description |
|-----|---------------|-----|--|
| | 088274-74-000 | YD | Fabric - Upholstery - Beach (Y77) |
| | 088274-75-000 | YD | Fabric - Upholstery - Mulberry (Y78) |
| | 088274-58-000 | YD | Fabric - Upholstery - Gray (Y79) |
| | 088274-54-000 | YD | Fabric - Upholstery - Patterned Accent - Blue (Y77) |
| | 088274-33-000 | YD | Fabric - Upholstery - Patterned Accent - Mauve (Y78) |
| | 088274-85-000 | YD | Fabric - Upholstery - Accent - Blue (Y77) |
| | 088274-78-000 | YD | Fabric - Upholstery - Accent - Columbine (Y78) |
| | 088274-57-000 | YD | Fabric - Upholstery - Accent - Gray (Y79) |
| | 088273-18-000 | YD | Fabric - Bedroom - Neutral (Y77) |
| | 088273-19-000 | YD | Fabric - Bedroom - Mauve (Y78) |
| | 088273-24-000 | YD | Fabric - Bedroom - Blue (Y79) |
| | 084416-20-000 | YD | Fabric - Laminate - Pullshade |
| | 072333-81-000 | YD | Fabric - Drapery - Pacific (Y77) |
| | 072333-37-000 | YD | Fabric - Drapery - Mauve (Y78) |
| | 072333-55-000 | YD | Fabric - Drapery - Silver (Y79) |
| | 079880-01-000 | EA | Vinyl - Expanded - Buckskin (End Cap) |
| | 089351-01-000 | YD | Vinyl - Acoustical Ceiling - Beige (Roof) |
| | 077484-01-000 | YD | Vinyl - Expanded - Smoke (Sunvisors) |
| | 093486-01-000 | SY | Carpet - Trunk Lner (Outer Compartments) |
| | 092308-01-01A | SY | Parquet Floor |
| | 072880-70-000 | SY | Carpet - Glacier Blue (Y77) |
| | 072880-89-000 | SY | Carpet - Rose Mist (Y78) |
| | 072880-85-000 | SY | Carpet - Amethyst (Y79) |

**1989 ITASCA
TABLE OF CONTENTS**

| | |
|-----------|-------------|
| IC/JP34RU | A-01 - D-08 |
| ICP37RQ | D-07 - G-20 |

**1989 ICP37RQ
INDEX**

| | |
|------------------------------------|-------------|
| Floor Plan | D-07 - D-08 |
| Accessories Group | D-09 - D-12 |
| Bath Group | D-13 - D-14 |
| Chassis Group | D-15 - D-19 |
| Curtain, Cushion & Pad Group | D-20 - E-18 |
| Dinette Group | E-19 - E-21 |
| Driver's Compartment Group | E-22 - F-02 |
| Electrical Group | F-03 - F-06 |
| Exterior Body Group | F-07 - F-14 |
| Galley Group | F-15 - F-19 |
| Heating & Air Conditioning Group | F-20 |
| Interior Finish Group | F-21 - F-24 |
| LP Group | F-24 |
| Lounge Group | G-01 - G-03 |
| Water & Sewage Group | G-04 - G-05 |
| Window, Vent & Exterior Door Group | G-06 - G-20 |

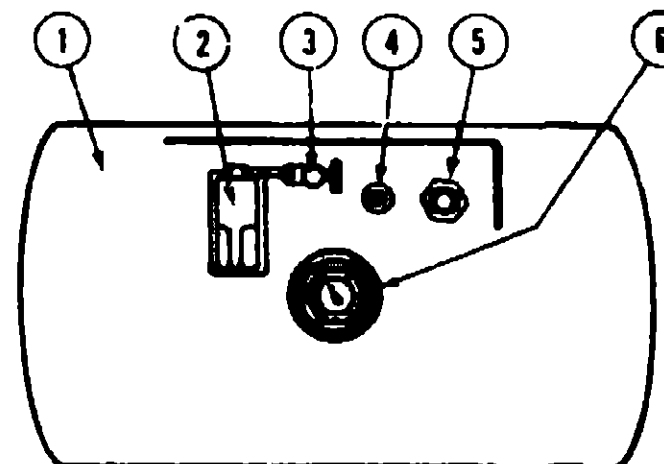
INTERIOR FINISH GROUP (CONTINUED)

INTERIOR MOLDINGS & TRIM

| Key | Part Number | U/M | Description |
|-----|---------------|-----|---|
| | 088263-25-000 | EA | Batt Strip - Aqua - 8' (Y77) (Wall/Galley) |
| | 088263-26-000 | EA | Batt Strip - Plum - 8' (Y78, Y79) (Wall) |
| | 088263-08-000 | EA | Batt Strip - Bone - 8' (Y79) (Galley/Bath) |
| | 085284-14-000 | EA | Batt Strip - Aqua - Adhesive (Y77) |
| | 085284-15-000 | EA | Batt Strip - Plum - Adhesive (Y78, Y79) |
| | 088733-70-020 | EA | Batt Strip - Driftwood |
| | 079853-05-000 | EA | Molding - Batt Strip - Kerted - Driftwood |
| | 074044-91-000 | EA | Molding - Oak Trim w/o Groove (Ceiling) |
| | 078384-04-000 | EA | Chrome Insert - Oak Molding (Ceiling) |
| | 022982-08-000 | FT | Molding - Reverse Cove - Champagne White |
| | 009809-18-000 | EA | F-Molding - 1" - Driftwood |
| | 009812-18-000 | EA | F-Molding - 1/2" - Driftwood |
| | 083620-05-000 | EA | T-Molding - w/Edge Lips - Designer Beige |
| | 070504-01-000 | EA | U-Channel - 65" - Light Brown |
| | 009778-07-000 | EA | U-Channel - 1" - Driftwood |
| | 009757-06-000 | FT | Wetling - Beige |
| | 009757-11-000 | FT | Wetling - Driftwood |
| | 089571-17-Y77 | EA | Trim Oak - 59 6" - w/Groove - Driftwood |
| | 085746-01-000 | FT | Trim - J-Molding - Carpet Wall Trim - Beige |
| | 074045-04-000 | EA | Plug - 5" Dia. - Driftwood |
| | 078026-31-W35 | EA | Trim - Valance - 2.5" x 12.7" - Driftwood |
| | 077840-14-W36 | EA | Molding - Wall Cap - 80" - Driftwood |
| | 042357-12-000 | EA | Molding - Corner Radius - 7" |
| | 086349-01 W36 | EA | Trim - Ceiling Light Driftwood |
| | 085738-02-000 | EA | Trim - Roof Cove |

LP GROUP

LP TANK & COMPONENTS



| Date | Key | Part Number | U/M | Description |
|--------------|-----|---------------|-----|---|
| From 8/9/88 | 1 | 088253-03-000 | EA | Tank Asm - LP - Frame Mount - 100 Pound - 16" x 36" |
| Thru 8/10/88 | 1 | 088253-02-000 | EA | Tank Asm - LP - Frame Mount - 100 Pound - 16" x 36" |
| | 2 | 081938-01-000 | EA | Compartment - LP Regulator |
| | | 076301-02-000 | EA | Regulator - Two Stage - LP Gas |
| | 3 | 040421-01-703 | EA | Valve - Vapor Relief |
| | 4 | 040421-01-700 | EA | Gauge - Liquid Level - 20% LP |
| | 5 | 040421-01-701 | EA | Valve - Filter - LP |
| | | 040421-01-702 | EA | Cap - Plastic Fill Valve |
| | 6 | 040421-01-707 | EA | Gauge - Float - w/Visible Dial |
| | | 040421-01-706 | EA | Dial - Visible Face - Float Gauge (Tank w/o Electric Transmitter) |
| | | 045703-01-000 | EA | Hose Asm - LP - 3/8" I D x 24" - US |
| | | 045703-02-000 | EA | Hose Asm - LP - 3/8" I D x 24" - CSA |
| | | 055741-01-000 | EA | Gauge - Diaphragm Pressure - Test Leak |
| Thru 1/1/89 | | 090939-01-000 | EA | LP Leak Detector |
| From 1/2/89 | | 095612-01-000 | EA | LP Leak Detector |
| Thru 1/2/89 | | 090976-01-000 | EA | Valve - LP Safety - Between Regulator & Tank |
| From 1/3/89 | | 090976-02-000 | EA | Valve - LP Safety - Between Regulator & Tank |

**1989 ITASCA
TABLE OF CONTENTS**

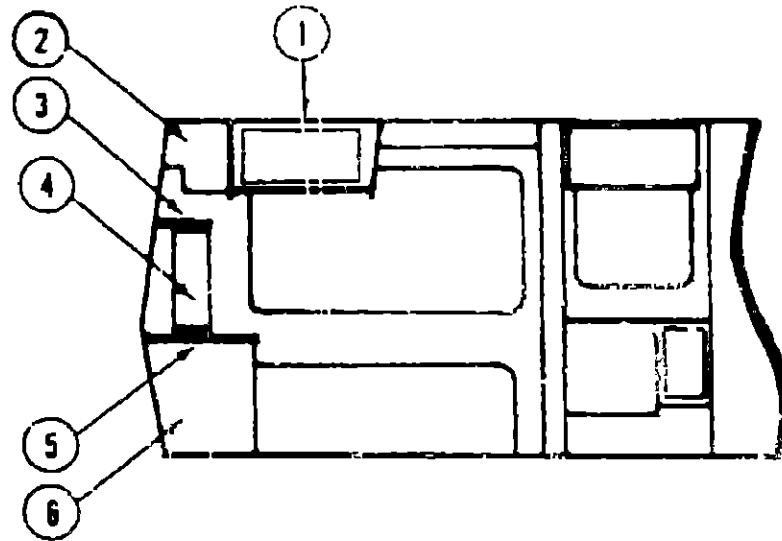
IC/JP34RU
ICP37RQ

A-01 - D-08
D-07 - G-20

**1989 ICP37RQ
INDEX**

| | |
|------------------------------------|-------------|
| Floor Plan | D-07 - D-08 |
| Accessories Group | D-09 - D-12 |
| Bath Group | D-13 - D-14 |
| Chassis Group | D-15 - D-19 |
| Curtain, Cushion & Pad Group | D-20 - E-18 |
| Dinette Group | E-19 - E-21 |
| Driver's Compartment Group | E-22 - F-02 |
| Electrical Group | F-03 - F-06 |
| Exterior Body Group | F-07 - F-14 |
| Galley Group | F-15 - F-19 |
| Heating & Air Conditioning Group | F-20 |
| Interior Finish Group | F-21 - F-23 |
| LP Group | F-24 |
| Lounge Group | G-01 - G-03 |
| Water & Sewage Group | G-04 - G-05 |
| Window, Vent & Exterior Door Group | G-06 - G-20 |

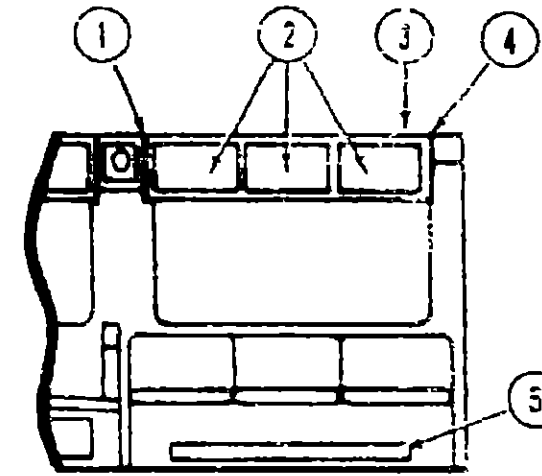
LOUNGE GROUP



QUEEN BED

| Key | Part Number | U/M | Description |
|-----|---------------|-----|---|
| 1 | M03110-92-Y77 | EA | Cabinet Asm. - Rear Ceiling Overhead - w/o Doors or Hardware |
| | M88304-3E-Y77 | EA | Door Asm - Rear Overhead - 12" x 29.1" - w/o Hardware |
| | 058331-18-000 | EA | Mirror - Safety Glass - 11.25" x 22.4" |
| 2 | M03110-30-Y77 | EA | Cabinet Asm. - Backwall Overhead - w/o Doors or Hardware |
| | M88304-E4-Y77 | EA | Door Asm - Backwall Overhead - w/o Hardware |
| 3 | M03000-02-X75 | EA | Countertop Asm. - Nightstand Cabinet - Upper Passenger |
| | M03000-04-X75 | EA | Countertop Asm. - Nightstand Cabinet - Upper Drivers |
| 4 | M88304-E6-Y77 | EA | Door Asm - Nightstand Cabinet - 10.8" x 23.8" - w/o Hardware |
| 5 | M03000-05-X75 | EA | Countertop Asm. - Nightstand - Lower Passengers |
| | M03000-07-X75 | EA | Countertop Asm. - Nightstand - Lower Drivers |
| 6 | M65153-01-X75 | EA | Cabinet Asm. - Nightstand - Passengers - w/o Countertop, Door, Drawer or Hardware |
| | M65108-01-Y77 | EA | Cabinet Asm. - Nightstand - Drivers - w/o Countertop, Door, Drawer or Hardware |
| | M78921-04-W36 | EA | Drawer Asm. - Nightstand Cabinet - w/o Hardware |
| | 080254-01-070 | EA | Catch - Magnetic |
| | 057460-02-000 | EA | Ball Stud - Gas Spring |
| | 057460-03-000 | EA | Safety Clip - Gas Spring |
| | 057460-04-000 | EA | Gas Spring |
| | 058199-01-000 | EA | Hinge Asm. - Bed |
| | 054070-01-000 | EA | Post - Center - Brass |
| | 054070-02-000 | EA | Post - End - Brass |
| | 054071-02-000 | EA | Rod - Brass - 12.4" |
| | 037688-03-000 | EA | Center Glide - Drawer |
| | 054856-01-000 | EA | Rail - Bed |
| | 094357-01-W36 | EA | T.V. Stand Asm. - Fold Up |
| | 058331-10-000 | EA | Mirror - T.V. Stand - 14" x 17" |
| | 054451-01-000 | EA | Catch - Brass - T.V. Stand |
| | 054625-02-000 | EA | Hinge - T.V. Stand |

LOUNGE GROUP (CONTINUED)



FRONT LOUNGE

| Key | Part Number | U/M | Description |
|-----|----------------|-----|--|
| 1 | 090405-02-W36 | EA | End Cap Asm. - Front Lounge - Vinyl |
| 2 | M88304-3B-Y77 | EA | Door Asm. - Left Front Overhead - 12" x 18.7" - w/o Hardware |
| 3 | M03110-13-Y77 | EA | Front Overhead Cabinet - w/o Doors or Hardware |
| 4 | 085468-01-Y730 | EA | End Cap Asm. - Front Lounge Overhead - Vinyl |
| 5 | 090405-01-X75 | EA | Drawer Asm. - Couch |
| | 034456-02-000 | EA | Slide Asm. - Couch Drawer - Right |
| | 034456-03-000 | EA | Slide Asm. - Couch Drawer - Left |
| | 034456-04-000 | EA | Slide Asm. - Cabinet - Right |
| | 084466-05-000 | EA | Slide Asm. - Cabinet - Left |
| | 076583-08-000 | EA | Shelf - Overhead - Tan |

**1989 ITASCA
TABLE OF CONTENTS**

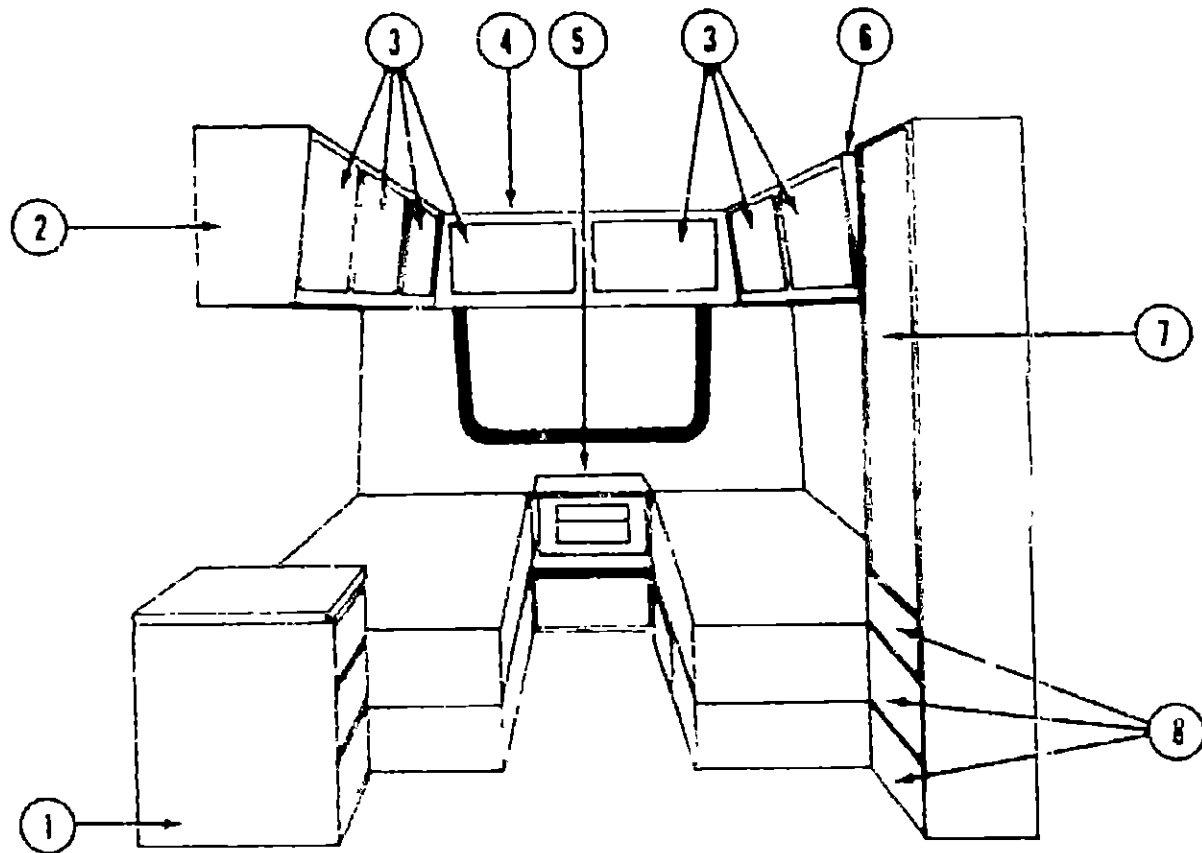
ICJP34RU
ICP37RQ

A-01 - D-06
D-07 - G-20

**1989 ICP37RQ
INDEX**

| | |
|------------------------------------|-------------|
| Floor Plan | D-07 - D-08 |
| Accessories Group | D-09 - D-12 |
| Bath Group | D-13 - D-14 |
| Chassis Group | D-15 - D-19 |
| Curtain, Cushion & Pad Group | D-20 - E-18 |
| Dinette Group | E-19 - E-21 |
| Driver's Compartment Group | E-22 - F-02 |
| Electrical Group | F-03 - F-06 |
| Exterior Body Group | F-07 - F-14 |
| Galley Group | F-15 - F-19 |
| Heating & Air Conditioning Group | F-20 |
| Interior Finish Group | F-21 - F-25 |
| LP Group | F-26 |
| Lounge Group | G-01 - G-03 |
| Water & Sewage Group | G-04 - G-05 |
| Window, Vent & Exterior Door Group | G-06 - G-20 |

LOUNGE GROUP (CONTINUED)



TWIN BED OPTIONS

| Key | Part Number | U/M | Description |
|-----|---------------|-----|---|
| 1 | M87831-01-Y77 | EA | Cabinet Asm - Nightstand - w/o Countertop, Drawer, Door or Hardware |
| | M03000-14-X75 | EA | Countertop Asm - Nightstand Cabinet |
| | M78921-09-W36 | EA | Drawer Asm - Nightstand Cabinet - w/o Hardware |
| 2 | M03110-03-Y77 | EA | Cabinet Asm - Sidewall Overhead - w/o Doors or Hardware |
| | 085468-03-W36 | EA | Cap Asm - Rear Passengers Overhead |
| 3 | M88304-48-Y77 | EA | Door Asm - Overhead - 12" x 21.9" - w/o Hardware |
| 4 | M03110-01-Y77 | EA | Cabinet Asm - Rear Overhead - w/o Doors or Hardware |
| 5 | M83441-01-X75 | EA | Cabinet Asm - Nightstand - w/o Countertop, Door or Hardware |
| | M02608-01-X75 | EA | Countertop Asm - Nightstand Cabinet - Bottom |
| | M02609-01-X75 | EA | Countertop Asm - Nightstand Cabinet - Top |
| | M88304-10-Y77 | EA | Door Asm - Nightstand Cabinet - 11.10" x 21.9" - w/o Hardware |
| 6 | M03110-05-Y77 | EA | Cabinet Asm - Overhead Cabinet - w/o Doors or Hardware |
| | 085468-03-W36 | EA | Cap Asm - Rear Drivers Overhead |
| | M88304-47-Y77 | EA | Door Asm - Twin Bed Cabinet - 12" x 29.1" - w/o Hardware |
| 7 | M88304-48-Y77 | EA | Door Asm - Wardrobe - 12" x 48.3" - w/o Hardware |
| 8 | M78921-12-X75 | EA | Drawer Asm - Wardrobe Cabinet - w/o Hardware |
| | 077404-02-000 | EA | Drawer - Plastic - 20" x 12.7" |
| | 037688-03-000 | EA | Slide - Center - Drawer |
| | 047744-01-000 | EA | Kit - Drawer Slides |
| | 061710-01-000 | EA | Slide - Plastic Drawer |
| | 054856-01-000 | EA | Rail - Bed |

WATER & SEWAGE GROUP

HOLDING TANKS & WATER HEATERS

| Key | Part Number | U/M | Description |
|-----|--|-----|--|
| | 085189-02-000 | EA | Tank Asm - Water - 70 Gallon - w/Fittings (Queen Bed) |
| | 085189-03-000 | EA | Tank Asm - 70 Gallon - w/Fittings (Twin Bed) |
| | 085189-01-000 | EA | Tank Asm - Water - 70 Gallon - w/o Fittings |
| | 089992-01-000 | EA | Tank - Holding - 21 Gallon - w/o Fittings - Main |
| | 089993-01-000 | EA | Tank - Holding - 31 Gallon - w/o Fittings - Auxiliary #1 |
| | 089994-01-000 | EA | Tank - Holding - 33 Gallon - w/o Fittings - Auxiliary #2 |
| | 081240-02-000 | EA | Water Fill - Lockable - Gray |
| | 087658-03-000 | EA | Water Fill - City - Gray |
| ** | 051393-01-000 | EA | Water Heater - Direct Ignition - Atwood - GH5-3E |
| ** | The illustrated parts breakdown for this item is provided on the Common Items Fiche. | | |

PLUMBING & REPAIR PARTS

| Key | Part Number | U/M | Description |
|-----|--|-----|--|
| | 044927-01-000 | EA | Adapter - Plastic - 1 1/4" MPT x 1 1/4" Bar |
| | 010326-01-000 | EA | Adapter - Flare - w/Cone Gasket |
| | 062422-01-000 | EA | Adapter - Hose Offset - Reducer - 3" x 1 1/2" |
| | 052954-01-000 | EA | Adapter - Hose Cone - 3/8 or 1/2 - Plastic |
| | 089030-01-000 | EA | Adapter - Sewer Hose |
| | 079317-01-000 | EA | Adapter - Swivel - .5" Tube x 5" FPT |
| | 062415-01-000 | EA | Cap - Sewer - 3" |
| | 082144-02-000 | EA | Cap - Pipe 1/2" FPT - Brass - Hex |
| | 052959-02-000 | EA | Connector - Plastic - 1/2" F x 1/2" MPT |
| | 052959-03-000 | EA | Connector - 1/2" F x 3/8" MPT - Plastic |
| | 011091-02-000 | EA | Continuous Waste - Double Sink - 11 7/8" - US |
| | 078406-01-000 | EA | Coupler Rubber - 3" x 3" |
| | 052960-01-000 | EA | Drain Valve - 1/2 F x 1/2 F - Plastic |
| | 037101-02-000 | EA | Elbow Plastic - 1/4" BD Vent 1 1/2" H |
| | 010000-01-000 | EA | Elbow - Plastic - 1/8 BD x 1 1/4 x 45° H x H |
| | 010005-01-000 | EA | Elbow - Plastic - 1/16 BD x 1 1/2" x 2 1/2" |
| | 010006-01-000 | EA | Elbow - Plastic - 1/8 BD x 1 1/2 x 45° H x H |
| | 070924-01-000 | EA | Elbow - Plastic - Swivel - 1/2" x 1/2" |
| | 052957-01-000 | EA | Elbow - Plastic - 1/2 F x 3/8 MPT |
| | 052957-02-000 | EA | Elbow - Plastic - 1/2 F x 1/2 MPT (In Tank Filter) |
| | 035539-01-000 | EA | Elbow - Plastic - 3/8" MPT x 3/8 BARB |
| | 065120-01-000 | EA | Elbow - Plastic - Swivel - 50 |
| | 033761-01-000 | EA | Elbow - Plastic - 1/4" BD 1 1/2" x 90 x LT |
| | 010051-01-000 | EA | Elbow - Plastic - S1 - 1/8" BD 1 1/2" x 45 |
| | 077954-01-000 | EA | Filter/Screen (In Water Tank) |
| | 063641-01-000 | EA | Flange - Closet - Red - 4 F x 3" FPT |
| | 010147-01-000 | EA | Flange - Closet - 4" F x 3" FPT - US |
| | 010147-02-000 | EA | Flange - Closet - 4" F x 3" FPT - CSA |
| | 079381-01-000 | FT | Flexible Tubing - 1 1/4 ID x 10' |
| | 061607-01-000 | EA | Grommet - Holding Tank Coupler - 1 1/2" |
| | 061607-02-000 | EA | Grommet - Holding Tank Coupler - 3" |
| | 052961-01-000 | EA | Header - 1/2 F x 1/2 F x 1/2 F x 1/2 F |
| | 052961-02-000 | EA | Header - 1/2 MPT x 1/2 F x 1/2 F - Plastic |
| | 062415-01-000 | EA | Hose Adapter - 3" |
| | 052952-01-000 | EA | Nut - Faucet 1/2 F - Plastic |
| | 052953-01-000 | EA | Nut - Faucet - 1/2 Tube x 1/2 FPT - Plastic |
| | 011066-03-000 | EA | P-Trap - 1 1/4" Plastic - US |
| ** | 011066-02-000 | EA | P-Trap - 1 1/4" Plastic - CSA |
| | 053335-01-000 | EA | P-Trap - 1 1/4" Plastic - w/Union |
| | 049032-01-000 | EA | Patch - Spinweld - Plastic - 3/8" |
| | 010197-01-000 | EA | Pipe - Plastic - 3" x 240" - Black |
| ** | The illustrated parts breakdown for this item is provided on the Common Items Fiche. | | |

1989 ITASCA TABLE OF CONTENTS

ICJP34RU
ICP37RQ

A-31 - D-35
D-37 - G-20

1989 ICP37RQ INDEX

| | |
|------------------------------------|-------------|
| Floor Plan | D-07 - D-06 |
| Accessories Group | D-09 - D-12 |
| Bath Group | D-13 - D-14 |
| Chassis Group | D-15 - D-19 |
| Curtain, Cushion & Pad Group | D-20 - E-18 |
| Dnette Group | E-19 - E-21 |
| Driver's Compartment Group | E-22 - F-02 |
| Electrical Group | F-03 - F-06 |
| Exterior Body Group | F-07 - F-14 |
| Galley Group | F-15 - F-19 |
| Heating & Air Conditioning Group | F-20 |
| Interior Finish Group | F-21 - F-23 |
| LP Group | F-24 |
| Lounge Group | G-01 - G-03 |
| Water & Sewage Group | G-04 - G-05 |
| Window, Vent & Exterior Door Group | G-06 - G-20 |

WATER & SEWAGE GROUP (CONTINUED)

PLUMBING & REPAIR PARTS (CONT.)

| Key | Part Number | U/M | Description |
|-----|---------------|-----|--|
| | 045729-01-000 | EA | Pump - Water - 2.8 G.P.M. - Direct Drive - Shurflo - US |
| | 045729-02-000 | EA | Pump - Water - 2.8 G.P.M. - Direct Drive - Shurflo - CSA |
| ** | 010201-01-000 | EA | Sewer Hose - 3" x 8' w/Clamp |
| | 010201-02-000 | EA | Sewer Hose - 3" x 20' |
| | 042989-02-000 | EA | Spinweld Fittings - Plastic - 1/2 FPT (in Tank Filter) |
| | 042989-03-000 | EA | Spinweld Fittings - Plastic - 1/4 NPT |
| | 042989-04-000 | EA | Spinweld Fittings - Plastic - 3/8 FPT |
| | 042989-05-000 | EA | Spinweld Fittings - Plastic - 1/2 FPT |
| | 011069-02-000 | EA | Yelpiece - 1 1/2" x 1 1/4" x 4" - Brass |
| | 010071-01-000 | EA | Tee - Plastic - 1 1/2 H x H x H |
| ** | 010079-01-000 | EA | Tee - Plastic - 1 1/2 H x 1 1/2 H x 1 1/4 H |
| | 052955-01-000 | EA | Tee - Plastic - 1/2 F x 1/2 F x 1/2 MPT |
| | 052956-01-000 | EA | Tee - Plastic - 1/2 F x 1/2 MPT x 1/2 F |
| | 052958-01-000 | EA | Tee - Plastic - 1/2 F x 1/2 F x 1/2 F |
| | 074463-01-000 | EA | Tee - 4 Way - 1/2" Flare |
| | 039800-01-000 | FT | Tubing - Polybutyl - 1/2 O.D. (Water Line) |
| | 079381-01-000 | FT | Tubing - Flexible - Smooth - 1.25 I.D. |
| | 074462-02-000 | FT | Tubing - Vinyl - 3/8 I.D. |
| | 062421-01-000 | EA | Valve - 1 1/2" - w/Handle |
| | 062696-01-000 | EA | Valve - Waste - 3" |
| | 052960-01-000 | EA | Valve - Line Drain - 1/2 F x 1/2 F |
| | 010073-01-000 | EA | Wye - Plastic - 1 1/2 x 45 H x H |
| | 079968-01-000 | EA | Vent - Mechanical Trap Arm |

** The illustrated parts breakdown for this item is provided on the Common Items Fiche

WINDOW, VENT & EXTERIOR DOOR GROUP

VENTS, ACCESS DOOR HARDWARE

| Key | Part Number | U/M | Description |
|-----|---------------|-----|---|
| | 009439-01-000 | EA | Crack - Roof Vent |
| | 009439-03-000 | EA | Extension - .900" - Roof Vent |
| | 009439-05-000 | EA | Knob - Roof Vent - Black |
| | 009439-06-000 | EA | Extension - Roof Vent - Black |
| | 009439-07-000 | EA | Screw - Roof Vent Crack |
| | 090392-01-Y12 | EA | Vent - Non Powered - Roof - Beige |
| ** | 078786-01-Y12 | EA | Screen Asm. - Non Powered - Roof |
| ** | 064469-08-000 | EA | Vent - Powered - Roof - w/Power Lift (Jensen) |
| ** | 084079-04-000 | EA | Vent - Powered - Roof (Fantastic) Beige |
| | 081171-01-000 | EA | Trim - Skylight - Outer |
| | 080910-01-000 | EA | Panel - Skylight - Outer |
| | 077902-01-000 | EA | Collar - Skylight |
| | 084073-02-000 | EA | Vent - Refrigerator - Roof - Gray Plastic |
| | 084073-04-000 | EA | Base - Refrigerator Roof Vent |
| | 084103-01-000 | EA | Door - Refrigerator Vent |
| | 084104-02-000 | EA | Jamb - Refrigerator - Vent Door - Gray |
| | 083558-01-000 | EA | Cover - Vent Pipe - Plastic |
| | 090039-03-000 | EA | Vent Kit - Furnace - 30,000 BTU - Curved Sidewall |
| | 078010-02-000 | EA | Door Asm. - Fuel Fill - Gray |
| | 052009-03-000 | EA | Door Asm. - Water Heater Gray |
| | 088794-03-000 | EA | Door Asm. - Power Cord - w/Hatch - Gray |
| | 077137-02-000 | EA | Door Asm. - Sewer Hose Compartment - Gray (Backwall) |
| | 086234-01-000 | EA | Pin - Hinge |
| | 086235-01-000 | EA | Bearing - Snap In - 3/8" ID x 1 1/16" |
| | 086776-01-000 | EA | Spring - Compression |
| | 076767-01-000 | EA | Cable Asm. - 1/16 x 12" |
| | 087473-03-000 | EA | Seal - Valance Door - 57 7" x 5 1" |
| | 087473-02-000 | EA | Seal - Valance Door - 73 3" x 5 1" |
| | 087473-01-000 | EA | Seal - Valance Door - 71 3" x 3 9" |
| | 077486-02-000 | EA | Lock Asm. - Key Type |
| | 062884-01-000 | EA | Key Set |
| | 009065-01-000 | EA | Hinge - Access Door - 1.5" x 96" - Plain |
| | 009064-01-000 | EA | Hinge - Continuous - 2" x 96" - Plain |
| | 085730-02-000 | EA | Latch Asm. - Access Door - w/Lock - Plastic Paddle - Gray |
| | 085730-05-000 | EA | Latch Asm. - Access Door - w/o Lock - Plastic Paddle - Gray |
| | 086810-06-000 | EA | Bracket - Paddle Latch Retainer - Gray |
| | 088727-01-000 | EA | Cable Asm. - w/Spring - Access Door |
| | 076767-02-000 | EA | Cable Asm. - 1/16" x 16 5" - Access Door |
| | 077222-01-000 | EA | Spring - Cable Guard - Access Door |
| | 042442-02-000 | EA | Lock Asm. - Twist Type - Access Door |
| | 083615-05-000 | EA | Holder - Door - Beige Plastic |
| | 092698-01-03A | EA | Vent - Range Hood w/Door - Gray Plastic |
| | 090340-01-000 | FT | Seal - Foam - Closed Cell - 25" x 5" x 50' |

** The illustrated parts breakdown for this item is provided on the Common Items Fiche

WINDSHIELD & VENT WINDOWS

| Key | Part Number | U/M | Description |
|-----|---------------|-----|--|
| | 074887-01-000 | EA | Glass - Windshield - Passenger |
| | 074887-02-000 | EA | Glass - Windshield - Driver |
| | 076671-01-000 | EA | Glass - Front Corner - Driver |
| | 076671-02-000 | EA | Glass - Front Corner - Passenger |
| | 083179-01-000 | FI | Reveal Molding - Windshield - Passenger or Driver |
| | 083178-01-000 | FI | Reveal Molding - Center Windshield or Front Corner Glass |
| | 076841-02-000 | EA | T-Cap Reveal Molding - Center Windshield |
| | 076841-02-000 | EA | Cap - Reveal Molding - Front Corner Glass - Upper |
| | 076842-02-000 | EA | Cap - Reveal Molding - Front Corner Glass - Lower |

**1989 ITASCA
TABLE OF CONTENTS**

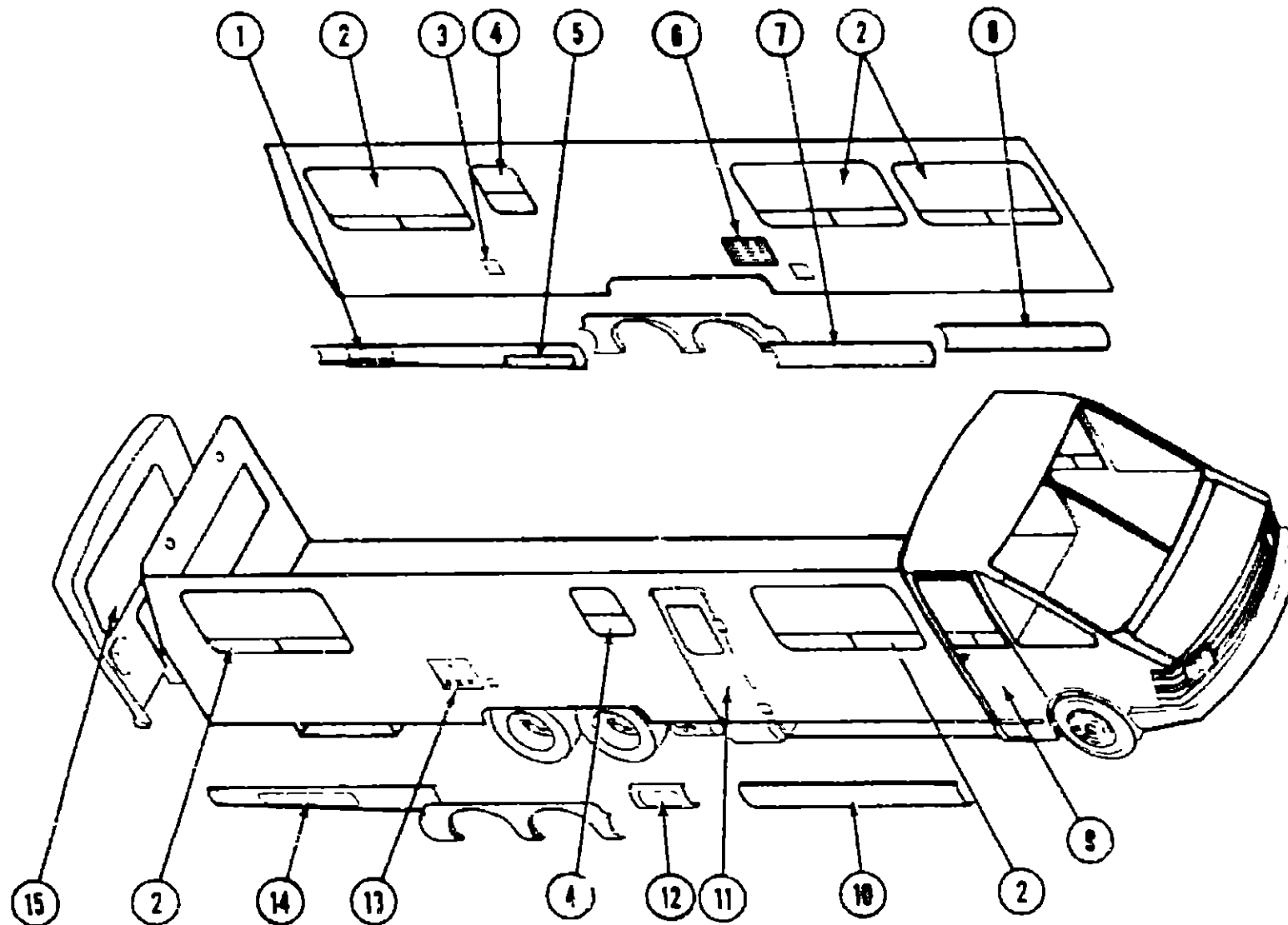
| | |
|-----------|-------------|
| IC/JP34RU | A-01 - D-06 |
| ICP37RQ | D-07 - G-20 |

**1989 ICP37RQ
INDEX**

| | |
|------------------------------------|-------------|
| Floor Plan | D-07 - D-08 |
| Accessories Group | D-09 - D-12 |
| Bath Group | D-13 - D-14 |
| Chassis Group | D-15 - D-19 |
| Curtain, Cushion & Pad Group | D-20 - E-18 |
| Domette Group | E-19 - E-21 |
| Driver's Compartment Group | E-22 - F-02 |
| Electrical Group | F-03 - F-06 |
| Exterior Body Group | F-07 - F-14 |
| Galley Group | F-15 - F-19 |
| Heating & Air Conditioning Group | F-20 |
| Interior Finish Group | F-21 - F-23 |
| LP Group | F-24 |
| Lounge Group | G-01 - G-03 |
| Water & Sewage Group | G-04 - G-05 |
| Window, Vent & Exterior Door Group | G-06 - G-20 |

WINDOW, VENT & EXTERIOR DOOR GROUP (CONTINUED)

WINDOW & ACCESS DOORS



1989 ITASCA TABLE OF CONTENTS

IC/JP34RU
ICP37RQ

A-01 - D-06
D-07 - G-20

1989 ICP37RQ INDEX

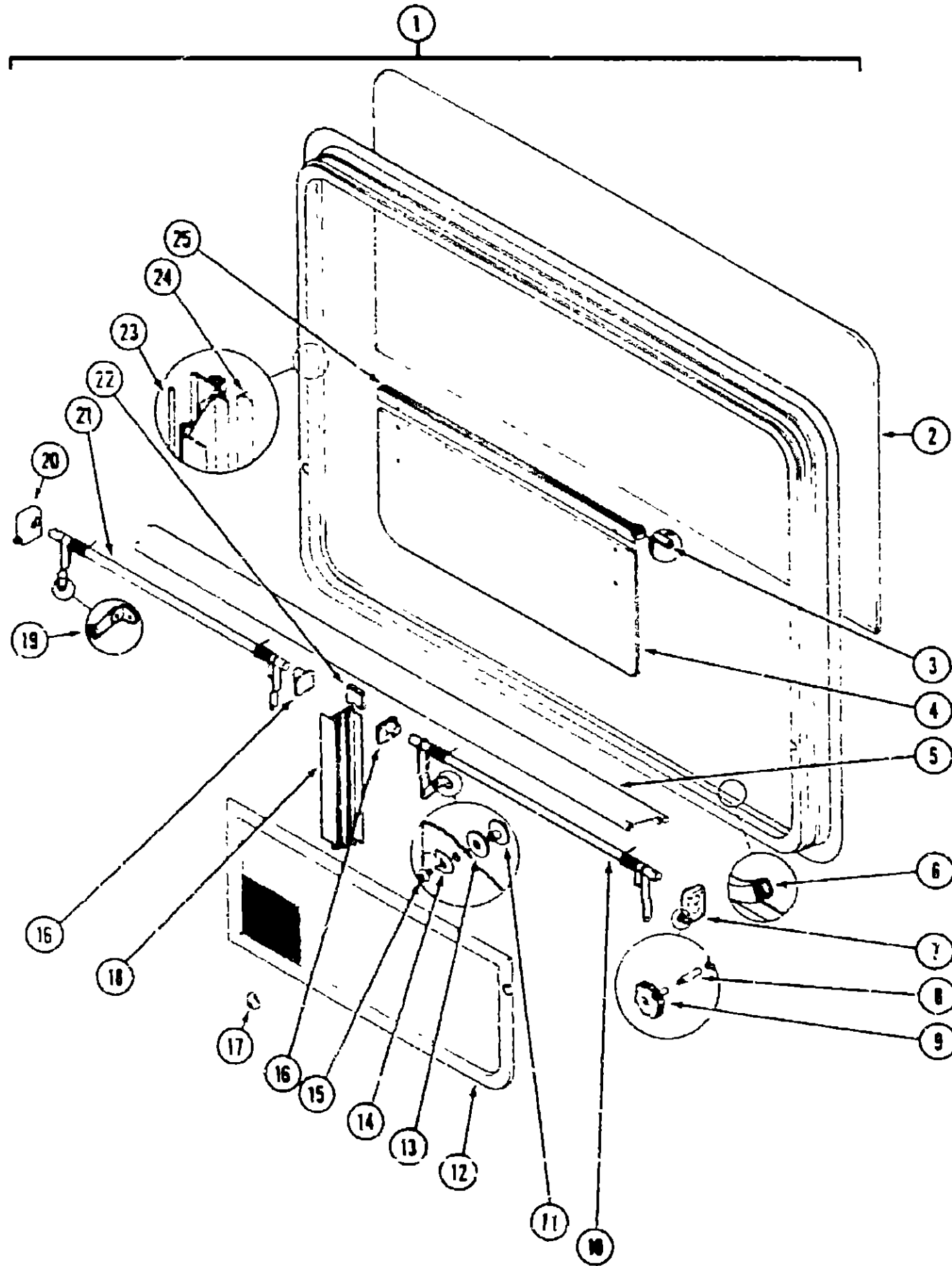
| | |
|------------------------------------|-------------|
| Floor Plan | D-07 - D-08 |
| Accessories Group | D-09 - D-12 |
| Bath Group | D-13 - D-14 |
| Chassis Group | D-15 - D-19 |
| Curtain, Cushion & Pad Group | D-20 - E-18 |
| Dinette Group | E-19 - E-21 |
| Driver's Compartment Group | E-22 - F-02 |
| Electrical Group | F-03 - F-06 |
| Exterior Body Group | F-07 - F-14 |
| Galley Group | F-15 - F-19 |
| Heating & Air Conditioning Group | F-20 |
| Interior Finish Group | F-21 - F-23 |
| LP Group | F-24 |
| Lounge Group | G-01 - G-03 |
| Water & Sewage Group | G-04 - G-05 |
| Window, Vent & Exterior Door Group | G-06 - G-20 |

| Key | Part Number | U/M | Description |
|-----|---------------|-----|--|
| 1 | 085040-01-W36 | EA | Door Asm - Generator |
| 2 | 085354-04-X11 | EA | Window Asm - Double |
| * | 085353-10-X11 | EA | Window Asm - Single (Used w/Twin Bed Option) |
| 3 | 078010-02-000 | EA | Door Asm - Fuel Fill |
| 4 | 085353-07-W07 | EA | Window Asm - Single |
| 5 | 089079-04-000 | EA | Door Panel - Sewage Dump Compartment |
| 6 | 084103-02-000 | EA | Door - Vent - Refrigerator |
| | 084104-02-000 | EA | Jamb - Vent Door - Refrigerator |
| | 068764-03-000 | EA | Door Asm - Power Cord - w/Hatch |
| 7 | 085037-03-W36 | EA | Door Asm - Valance - Left Center |
| 8 | 085037-02-X75 | EA | Door Asm. - Valance - Left Front |
| 9 | M01595-10-Y77 | EA | Door Asm - Passengers - Gray |
| | M01596-10-Y77 | EA | Door Asm - Drivers - Gray |
| 10 | 085037-01-X75 | EA | Door Asm - Valance - Right Front |
| 11 | M84385-02-Y77 | EA | Door Asm. - Entrance - w/Power Lock |
| 12 | 085031-01-X75 | EA | Door Asm. - LP Access - Right Center |
| 13 | 052009-03-000 | EA | Door Asm - Water Heater |
| 14 | 085034-01-W36 | EA | Door Asm - Valance - Right Rear |
| 15 | 087985-03-W13 | EA | Window Asm - Escape - Rear |
| 15 | 087985-04-Y12 | EA | Window Asm - Escape - Rear |
| * | | | Use in Twin Bed Option, Left Sidewall |

Thru 10/31/88
From 11/1/88

WINDOW, VENT & EXTERIOR DOOR GROUP (CONTINUED)

DOUBLE TIPOUT WINDOW



| Key | Part Number | U/M | Description |
|-----|---------------|-----|--|
| 1 | 085354-04-X11 | EA | Window Asm - Double Tipout - 61 24" (w/o Inside Frame) |
| | 081822-11-000 | EA | Inside Frame - Black (not included in assembly) |
| 2 | 081238-17-000 | EA | Glass - 1/8" x 61.77" x 23" - Stationary |
| 3 | 081357-01-000 | FT | Foam Seal - Vinyl |
| 4 | 084068-08-000 | EA | Glass - 1/8" x 9.24" x 30.39" - Tipout |
| 5 | 082563-52-001 | EA | Mullion - Horizontal - Black |
| | 000G39-06-16T | EA | Screw - SF/DR - 6 - 20 x 1.00 PPH (Mullion - 4 Required) |
| | 076778-03-000 | EA | Rvrt - Plastic - Pin Drive - Black (2 Required) |
| 6 | 084067-01-000 | FT | Seal - "e" - Sponge Rubber |
| 7 | 035302-01-000 | EA | Operator Drive - Right |
| 8 | 080025-01-000 | EA | Extension - Window Knob (not included in assembly) |
| 9 | 067052-02-000 | EA | Knob - Beige (not included in assembly) |
| | 089371-01-000 | EA | Screw - Window Knob (not included in assembly) |
| 10 | 083228-03-000 | EA | Torque Tube Asm - Right |
| 11 | 086762-01-000 | EA | T-Nut - 10-32 |
| 12 | 084581-01-W07 | EA | Screen Asm - Tipout - Right |
| | 084581-02-W07 | EA | Screen Asm - Tipout - Left |
| | 002293-02-000 | SF | Screen - 26" - Window |
| | 002298-02-000 | FT | Spline - 130" Dia - Charcoal (Screen) |
| 13 | 068927-03-000 | EA | Seal - Rubber - 12" x 25" I D x 80" O D |
| 14 | 084473-01-000 | EA | Seal - Rubber - "D" Shaped |
| 15 | 086763-01-000 | EA | Screw - #10 - 32 x 1/4" PTH |
| 16 | 081354-01-000 | EA | Sleeve - Window Torque Tube |
| 17 | 081243-01-000 | EA | Clip - Plastic - Screen (4 Required) |
| | 000G12-06-08T | EA | Screw - #6 - 20 x .50" POH - Black |
| 18 | 084192-52-001 | EA | Mullion - Vertical - Black |
| | 000G39-08-08B | EA | Screw - #8 x 18 x 1/2 PPH (Mullion - 4 Required) |
| 19 | 097578-01-000 | EA | Connecting Rod Asm |
| | 005316-01-000 | EA | Washer - Wave - .44 O D 32 I D |
| | 081649-01-000 | EA | Snap Ring - 7/32 Shaft |
| 20 | 035302-02-000 | EA | Operator Drive - Left |
| 21 | 083227-03-000 | EA | Torque Tube Asm - Left |
| 22 | 084066-01-000 | FT | Bulb Seal - Double - Sponge Rubber |
| 23 | 069640-06-000 | FT | Seal - 5/16" x 15" (not included in assembly) |
| 24 | 063180-01-000 | FT | Seal - Vinyl Glazing |
| 25 | 084155-09-000 | EA | Hinge - Tipout Window - Black |

1989 ITASCA TABLE OF CONTENTS

IC/JP34RU
ICP37RQ

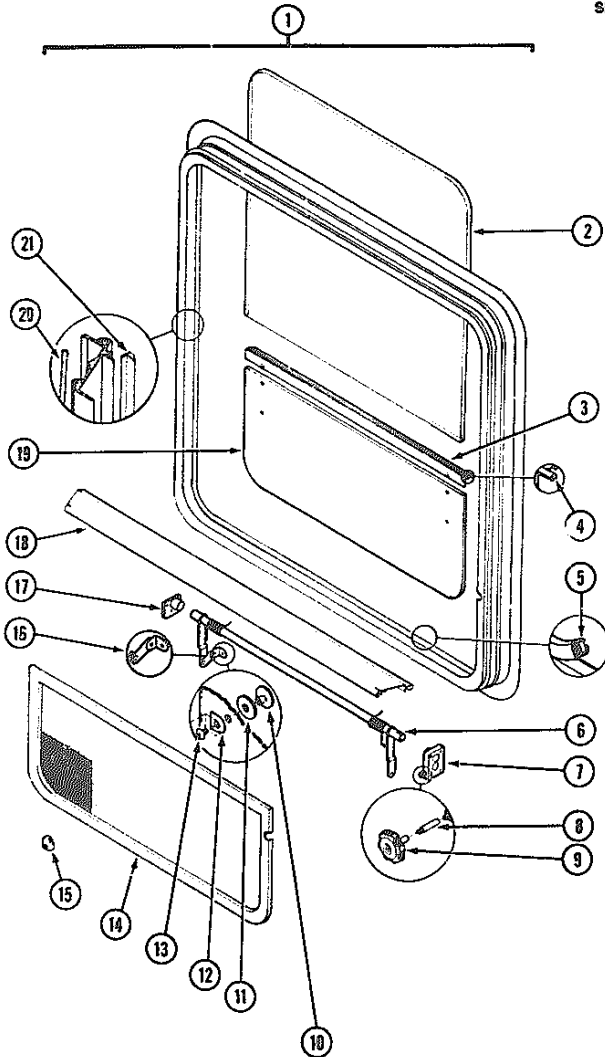
A-01 - D-06
D-07 - G-20

1989 ICP37RQ INDEX

| | |
|------------------------------------|-------------|
| Floor Plan | D-07 - D-08 |
| Accessories Group | D-09 - D-12 |
| Bath Group | D-13 - D-14 |
| Chassis Group | D-15 - D-19 |
| Curtain, Cushion & Pad Group | D-20 - E-18 |
| Dinette Group | E-19 - F-21 |
| Driver's Compartment Group | E-22 - F-02 |
| Electrical Group | F-03 - F-06 |
| Exterior Body Group | F-07 - F-14 |
| Galley Group | F-15 - F-19 |
| Heating & Air Conditioning Group | F-20 |
| Interior Finish Group | F-21 - F-23 |
| LP Group | F-24 |
| Lounge Group | G-01 - G-03 |
| Water & Sewage Group | G-04 - G-05 |
| Window, Vent & Exterior Door Group | G-06 - G-20 |

WINDOW, VENT & EXTERIOR DOOR GROUP (CONTINUED)

SINGLE TIPOUT WINDOW



| Key | Part Number | U/M | Description |
|-----|---------------|-----|--|
| 1 | 085353-07-W07 | EA | Window Asm. - Single Tipout - 24.8" x 24.9" (w/o inside frame) |
| | 081822-04-000 | EA | Inside Frame - Black (not included in assembly) |
| 2 | 081239-05-000 | EA | Glass - 14.6" x 24.25" - Stationary |
| 3 | 089913-01-000 | EA | Hinge - Tipout Window - Black |
| 4 | 081357-01-000 | FT | Seal Foam - Vinyl |
| 5 | 084067-01-000 | FT | Seal - "e" - Sponge Rubber |
| 6 | 083150-05-000 | EA | Torque Tube Asm. |
| 7 | 035302-02-000 | EA | Operator Drive - Left |
| 8 | 009439-06-000 | EA | Extension - .900" - Black (not included in assembly) |
| 9 | 009439-05-000 | EA | Knob - Window Crankout - Black (not included in assembly) |
| | 009439-07-000 | EA | Screw - 8/32" x 1 1/4" POH - Black (not included in assembly) |
| 10 | 086762-11-000 | EA | T-Nut - 10-32 |
| 11 | 086927-03-000 | EA | Seal - Rubber - .12" x 25" I.D. x .80" O.D. |
| 12 | 084473-01-000 | EA | Seal - Rubber - "D" Shaped |
| 13 | 086763-01-000 | EA | Screw - #10 - 32 x 1/4" PTH |
| 14 | 084580-04-W07 | EA | Screen Asm. - Tipout Window - Single |
| | 002293-02-000 | SF | Screen - Window - 26" - Charcoal |
| | 002298-02-000 | FT | Spline - .130" Dia. - Charcoal (Screen) |
| 15 | 081243-01-000 | EA | Screen Clip - Plastic - Black |
| | 000G12-08-08T | EA | Screw - #8 - 20 x .50" POH - Black |
| 16 | 097578-01-000 | EA | Connecting Rod Asm. |
| | 085316-01-000 | EA | Washer - Wave - .44 O.D. 32 I.D. |
| | 081649-01-000 | EA | Snap Ring - 7/32 Shaft |
| 17 | 081354-01-000 | EA | Sleeve - Window Torque Tube |
| 18 | 082563-52-001 | EA | Mullion - Horizontal - Black |
| 19 | 084068-02-000 | EA | Glass - 9.24" x 24.13" - Tipout |
| 20 | 069640-06-000 | FT | Seal - 5/16" x 15" (not included in assembly) |
| 21 | 083180-01-000 | FT | Seal - Vinyl Glazing |

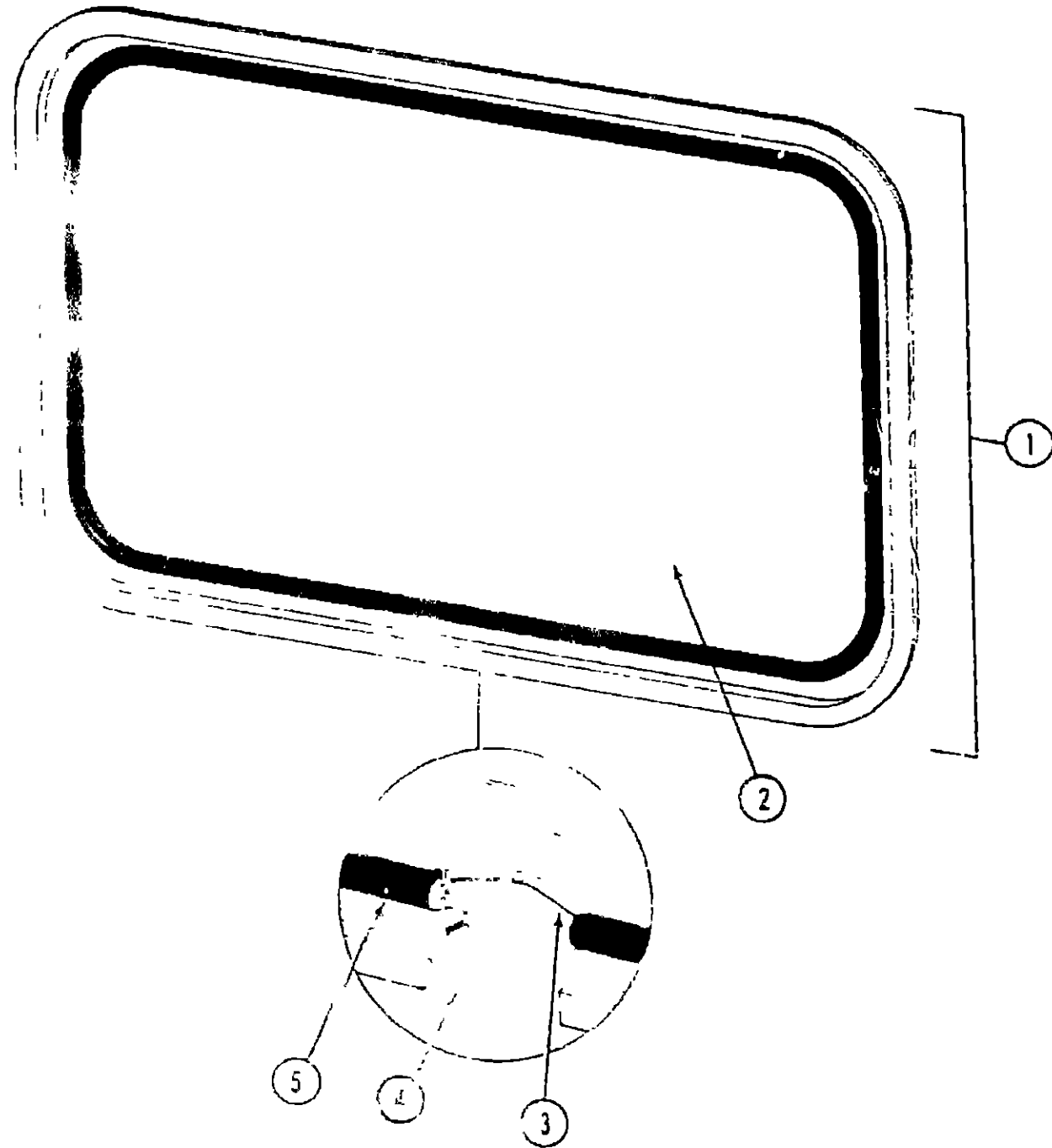
1989 ITASCA TABLE OF CONTENTS

| | |
|-----------|-------------|
| IC/JP34RU | A-01 - D-08 |
| ICP37RQ | D-07 - G-20 |

1989 ICP37RQ INDEX

| | |
|------------------------------------|-------------|
| Floor Plan | D-07 - D-08 |
| Accessories Group | D-09 - D-12 |
| Bath Group | D-13 - D-14 |
| Chassis Group | D-15 - D-19 |
| Curtain, Cushion & Pad Group | D-20 - E-18 |
| Dinette Group | E-19 - E-21 |
| Driver's Compartment Group | E-22 - F-02 |
| Electrical Group | F-03 - F-08 |
| Exterior Body Group | F-07 - F-14 |
| Galley Group | F-15 - F-19 |
| Heating & Air Conditioning Group | F-20 |
| Interior Finish Group | F-21 - F-23 |
| LP Group | F-24 |
| Lounge Group | G-01 - G-03 |
| Water & Sewage Group | G-04 - G-05 |
| Window, Vent & Exterior Door Group | G-06 - G-20 |

WINDOW, VENT & EXTERIOR DOOR GROUP (CONTINUED)



| Key | Part Number |
|-----------------|-----------------|
| Thru 10/31/88 | 1 087985-03-W13 |
| | 076650-03-000 |
| | 2 076337-03-300 |
| | 3 002285-01-000 |
| | 4 069640-07-000 |
| | 5 002282-01-000 |
| 6 077066-01-701 | |

| U/M | Description |
|-----|---|
| EA | Window Asm. - Escape (w/o inside frame) |
| EA | Inside Frame - Black (not included in assembly) |
| EA | Glass - 1/8" x 44.8" x 28.7" |
| FT | Filter - Weatherstrip - Black |
| FT | Tape - 2" Bead x 3/32" x 30' |
| FT | Weatherstrip - Window - 125" Black |
| EA | Tape - Poly - Red - 36" |

| Key | Part Number |
|-----------------|-----------------|
| From 11/1/88 | 1 087985-04-Y12 |
| | 076650-04-000 |
| | 2 076337-06-000 |
| | 3 002285-01-000 |
| | 4 069640-07-000 |
| | 5 002282-01-000 |
| 6 077066-01-701 | |

| U/M | Description |
|-----|---|
| EA | Window Asm. - Escape (w/o inside frame) |
| EA | Inside Frame - Black (not included in assembly) |
| EA | Glass - 1/8" x 44.8" x 28.1" |
| FT | Filter - Weatherstrip - Black |
| FT | Tape - 2" Bead x 3/32" x 30' |
| FT | Weatherstrip - Window - .125" Black |
| EA | Tape - Poly Red - 36" |

1989 ITASCA TABLE OF CONTENTS

IC/JP34RU
ICP37RQ

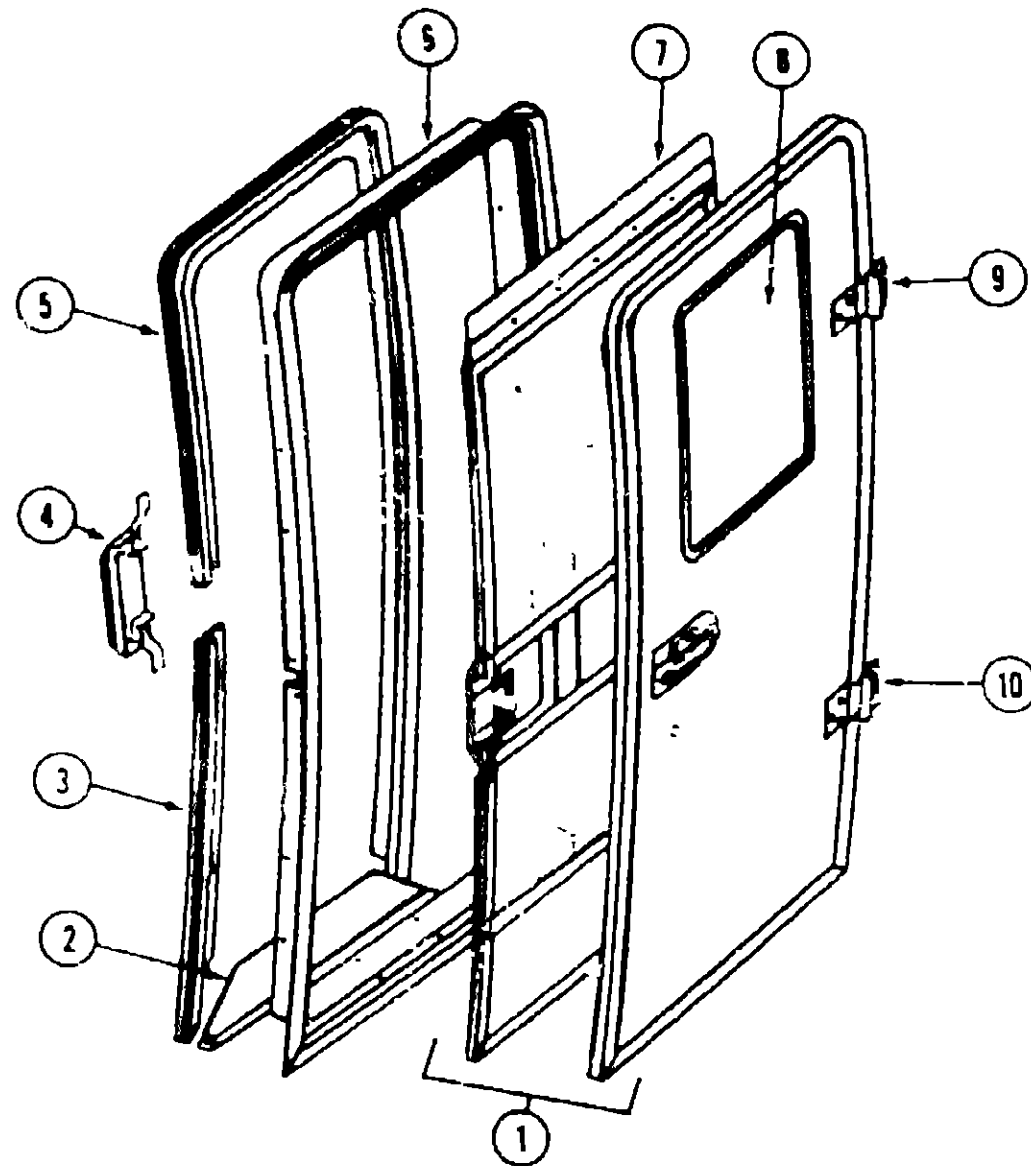
A-01 - D-06
D-07 - G-20

1989 ICP37RQ INDEX

| | |
|------------------------------------|-------------|
| Floor Plan | D-07 - D-08 |
| Accessories Group | D-09 - D-12 |
| Bath Group | D-13 - D-14 |
| Chassis Group | D-15 - D-19 |
| Curtain, Cushion & Pad Group | D-20 - E-18 |
| Dinette Group | E-19 - E-21 |
| Driver's Compartment Group | E-22 - F-02 |
| Electrical Group | F-03 - F-06 |
| Exterior Body Group | F-07 - F-14 |
| Galley Group | F-15 - F-19 |
| Heating & Air Conditioning Group | F-20 |
| Interior Finish Group | F-21 - F-23 |
| LP Group | F-24 |
| Lounge Group | G-01 - G-03 |
| Water & Sewage Group | G-04 - G-05 |
| Window, Vent & Exterior Door Group | G-06 - G-20 |

WINDOW, VENT & EXTERIOR DOOR GROUP (CONTINUED)

ENTRANCE DOOR



| Key | Part Number | U/M | Description |
|-----|---------------|-----|---|
| 1 | M84385-02-Y77 | EA | Door Asm - Entrance - w/Power Lock |
| 2 | 086305-01-000 | EA | Trim - Entrance Door - Lower |
| 3 | M01670-03-W13 | EA | Trim - Entrance Door - Upper - Beige - w/Roller Catch |
| 4 | 085739-01-000 | EA | Cover - Strike - Light Oak |
| 5 | M01671-03-W13 | EA | Trim - Entrance Door |
| 6 | 076947-04-000 | EA | Jamb Asm - Entrance Door |
| 7 | 084389-01-W13 | EA | Screen Door - Complete |
| | 085276-01-000 | EA | Slider - Screen Door - Light Oak Plastic |
| | 002293-02-000 | SF | Screen - 26" Charcoal |
| | 076912-03-000 | EA | Insert - Screen Door - Lower |
| | 076914-06-000 | EA | Insert - Screen Door - Center |
| | 009016-01-000 | EA | Catch - Elbow - Spring Loaded |
| | 009018-01-000 | EA | Catch - Single Roller |
| | 077437-01-000 | EA | Strike - Screen Door |
| | 076231-01-000 | EA | Spacer - Screen Door - Latch |
| | 076856-01-000 | EA | Plate - Screen Door |
| | 002294-01-000 | FT | Spine - Screen Door - Black |
| | 084088-01-000 | EA | Transition Frame - Screen Door - Beige |
| 8 | 076735-04-T03 | EA | Window Asm. - Picture (w/o inside frame) |
| | 067609-03-000 | EA | Inside Frame - Beige (not included in assembly) |

| Key | Part Number | U/M | Description |
|-----|---------------|-----|---------------------------------------|
| | 002181-08-000 | EA | Glass - .115" x 16.25" x 24" |
| | 087561-01-000 | FT | Spine - Glass - 1/8 Material - Black |
| | 088637-02-000 | EA | Sealer - 3M EC5510 |
| 9 | 084097-02-000 | EA | Hinge Asm - Upper - Gray |
| 10 | 084096-02-000 | EA | Hinge Asm. - Lower - Gray |
| | 073090-03-000 | FT | Seal - Entrance Door |
| | 076725-01-000 | EA | Cover - Access - Door Handle |
| | 076808-01-000 | EA | Gasket - Hinge - Jamb |
| | 085739-01-000 | EA | Cover - Strike - Beige |
| | 089450-01-000 | EA | Cover - Hinge - Entrance Door |
| | 076810-01-000 | EA | Gasket - Door Hinge |
| | 009126-02-000 | EA | Assist Handle - Black |
| | 073303-01-000 | EA | Latch Asm - Inner |
| | 076728-01-000 | EA | Panel Trim - Light Oak Plastic |
| | R77007-05-374 | EA | Gasket - Exterior Door Handle |
| | R77040-01-538 | EA | Handle - Exterior Door |
| | R77006-50-261 | EA | Handle - Interior - Right Door |
| | 073104-01-000 | EA | Escutcheon - Door Handle |
| | R77013-48-168 | EA | Lock Bolt - Right |
| | R77007-51-201 | EA | Cylinder & Key Set |
| | R77010-21-758 | EA | Key Blank |
| | R77007-56-701 | EA | Plate - Door Lock |
| | R77006-65-924 | EA | Key & Tumbler (1 only) |
| | 045017-01-701 | EA | Key Blank (Deadbolt) |
| | 083205-01-000 | EA | Deadbolt - Press Fit - 5" |
| | 079173-01-000 | EA | Gasket - Deadbolt - Exterior |
| | R77030-67-257 | EA | Spine Pin |
| | 080963-01-000 | EA | Arm - Lock Control |
| | 073111-01-000 | EA | Rod - Latch |
| | 073110-01-000 | EA | Rod - Lock |
| | R77006-64-355 | EA | Link - Control |
| | 073303-02-000 | EA | Latch Asm. - Inner - Right |
| | 073082-03-000 | EA | Support Asm - Latch - Gray |
| | R77007-04-136 | EA | Bracket - Lock |
| | 063729-04-000 | EA | Rivnut - 10-32 UNF |
| | 076907-08-000 | EA | Trim - Door - Upper - Gray |
| | 076908-02-000 | EA | Trim - Door - Lower - Gray |
| | 076231-01-000 | EA | Spacer - Latch - Screen Door |
| | 075673-01-000 | FT | Seal - Pile - A.D.H. Back |
| | 077222-01-000 | EA | Spring - Wire Guard - Door |
| | 081915-01-000 | EA | Motor - Electric Door Lock |
| | 081915-02-000 | EA | Bracket - Motor - Electric Door Lock |
| | 081993-02-000 | EA | Rod - Motor Control - Electric Lock |
| | 083551-01-000 | EA | Seal - Sponge - Lazy T Shape |
| | 084406-01-000 | EA | Nut - Capped - Cross Recessed - Black |
| | 090340-01-000 | FT | Seal - Closed Cell Foam |
| | 091968-01-000 | FT | Adhesive - Tape - .04" x 50" |
| | 091966-02-000 | FT | Adhesive - Tape - .04" x 15" |
| | 091876-01-000 | EA | Retainer - Door |
| | 053552-02-W24 | EA | Handle - Assist Interior |

1989 ITASCA TABLE OF CONTENTS

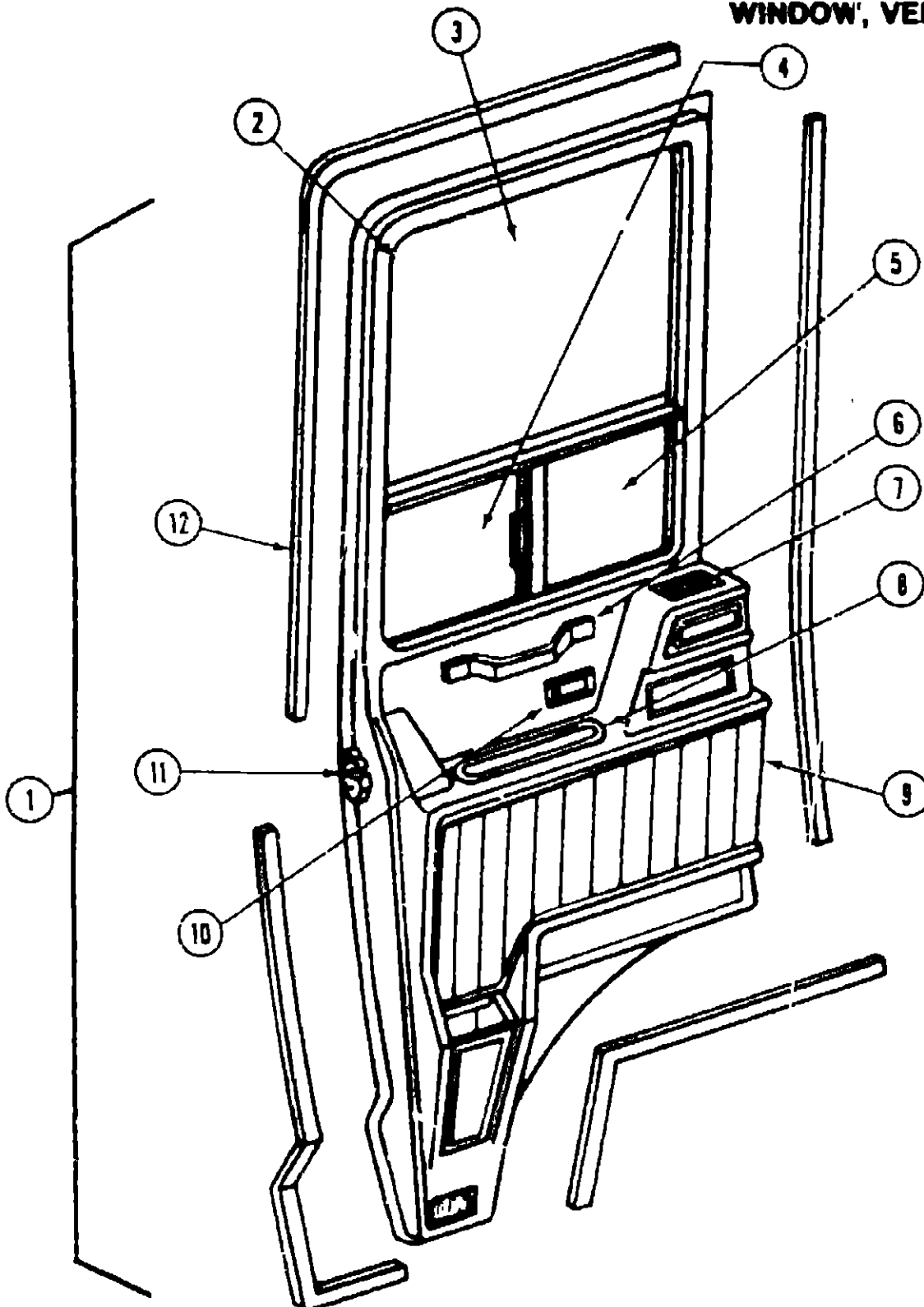
ICJP34RU
ICP37RQ

A-01 - D-08
D-07 - G-20

1989 ICP37RQ INDEX

| | |
|------------------------------------|-------------|
| Floor Plan | D-07 - D-08 |
| Accessories Group | D-09 - D-12 |
| Bath Group | D-13 - D-14 |
| Chassis Group | D-15 - D-19 |
| Curtain, Cushion & Pad Group | D-20 - E-18 |
| Dinette Group | E-19 - E-21 |
| Driver's Compartment Group | E-22 - F-02 |
| Electrical Group | F-03 - F-06 |
| Exterior Body Group | F-07 - F-14 |
| Caley Group | F-15 - F-19 |
| Heating & Air Conditioning Group | F-20 |
| Interior Finish Group | F-21 - F-23 |
| LP Group | F-24 |
| Lounge Group | G-01 - G-03 |
| Water & Sewage Group | G-04 - G-05 |
| Window, Vent & Exterior Door Group | G-06 - G-20 |

WINDOW, VENT & EXTERIOR DOOR GROUP (CONTINUED)



DRIVER & PASSENGER CAB DOOR

| Key | Part Number | U/M | Description |
|-----|---------------|-----|---|
| 1 | M01536-10-Y77 | EA | Door Asm - Drivers |
| | M01595-10-Y77 | EA | Door Asm - Passengers |
| 2 | M78469-01-000 | EA | Window Asm. - Passengers Door - w/Support |
| | M78469-02-000 | EA | Window Asm. - Drivers Door - w/Support |
| | 077209-01-000 | EA | Inside Frame Asm. - Window - Passenger |
| | 077209-02-000 | EA | Inside Frame Asm. - Window - Driver |
| 3 | 077036-03-000 | EA | Glass - .19" x 28 9" x 22" - Passenger |
| | 077036-02-000 | EA | Glass - .19" x 28 9" x 22" - Driver |
| 4 | 078375-01-000 | EA | Glass - .19" x 15" x 9 3" - w/Hole |
| 5 | 078378-01-000 | EA | Glass - .19" x 15" x 9 3" |

| Key | Part Number | U/M | Description |
|-----|---------------|-----|--|
| | 077224-03-000 | EA | Window Mullion - Horizontal - Passenger |
| | 077224-04-000 | EA | Window Mullion - Horizontal - Driver |
| | 077226-02-000 | EA | Window Mullion - Vertical - Passenger Door |
| | 077226-01-000 | EA | Window Mullion - Vertical - Driver Door |
| | M02389-53-001 | EA | Seal Holder - w/Fin Seal |
| | 042077-01-000 | FT | Channel - Weatherstrip - Glass |
| | 024096-02-000 | EA | Seal - Window Channel |
| | 050216-02-000 | EA | Spline - Vinyl Glass - 19 Black |
| 6 | 061401-04-000 | EA | Assist Strap - 12" - Black w/Woodgrain |
| 7 | 078783-01-000 | EA | Louver/Bezel Asm - Black - 2" |
| | 075671-01-000 | FT | Spring Seal - Lazy T Shape |
| | 076542-01-000 | EA | Control Rod - Right Hand Latch |
| | 076543-01-000 | EA | Control Rod - Right Hand Lock |
| | 076542-02-000 | EA | Control Rod - Left Hand Latch |
| | 076543-02-000 | EA | Control Rod - Left Hand Lock |
| | 077167-01-000 | EA | Door Prop Rod - Passenger |
| | 077167-02-000 | EA | Door Prop Rod - Drivers |
| 8 | 077118-03-000 | EA | Storage Tray - Door Panel - Beige |
| | 077179-01-000 | EA | Hose Adapter - 2" - Snap In |
| | 077000-01-000 | EA | Socket Asm - w/8" Pigtail Leads |
| 9 | 077117-04-000 | EA | Door Panel - Front Inner - Driver |
| | 077117-03-000 | EA | Door Panel - Front Inner - Passenger |
| | 063886-04-000 | EA | Assist Handle - Gray Steel Tube |
| 10 | R77006-50-261 | EA | Door Handle - Interior - Right |
| 10 | R77006-50-326 | EA | Door Handle - Interior - Left |
| | R77040-01-538 | EA | Door Handle - Exterior |
| | R77007-05-374 | EA | Gasket - Door Handle - Exterior |
| 11 | R77007-56-701 | EA | Latch Asm - Right |
| 11 | R77007-56-702 | EA | Latch Asm - Left |
| | R77007-62-747 | EA | Latch Asm - Inner - Right |
| | R77007-62-746 | EA | Latch Asm. - Inner - Left |
| 12 | 076813-01-000 | FT | Seal - Entrance Door (Glue On) |
| | R77007-04-136 | EA | Lock Bracket |
| | 080963-01-000 | EA | Arm - Lock Control |
| | R77030-67-257 | EA | Spline Pin |
| | R77007-51-201 | EA | Cylinder & Key (Set of 3) |
| | R77006-65-924 | EA | Cylinder & Key (Set of 1) |
| | R77010-21-758 | EA | Key Blank |
| | R77013-48-179 | EA | Switch - Dome Light - Door Jamb |
| | R77006-64-355 | EA | Control Link |
| | 077429-01-000 | EA | Bracket Asm. - Door Catch - Passengers |
| | 077429-02-000 | EA | Bracket Asm. - Door Catch - Drivers |
| | 064580-02-000 | EA | Check Strap - Front Door - 7" |
| | 064219-01-000 | EA | Retainer - Check Strap - Front Door |
| | R77013-48-165 | EA | Striker - Door - Left |
| | R77013-48-166 | EA | Striker - Door - Right |
| | 081632-01-000 | FT | Bulb Seal - Cab Door - w/Wire Channel |
| | 075245-03-000 | EA | Hinge - Cab Door |
| | 081905-01-000 | EA | Control Knob (Lock/Unlock) Right |
| | 081905-02-000 | EA | Control Knob (Lock/Unlock) Left |
| | R77007-56-702 | EA | Lock Bolt - Drivers |
| | R77007-56-701 | EA | Lock Bolt - Passengers |
| | 090351-01-000 | EA | Switch - Door Lock |
| | 083678-01-000 | EA | Rod - Slide Bolt - Passengers |
| | 083678-02-000 | EA | Rod - Slide Bolt - Drivers |
| | 083677-01-000 | EA | Control Rod - Motor |
| | 081993-02-000 | EA | Control Rod - Motor - Lock - 2 1" |
| | 081915-01-000 | EA | Motor - Electric Door Lock |

1989 ITASCA TABLE OF CONTENTS

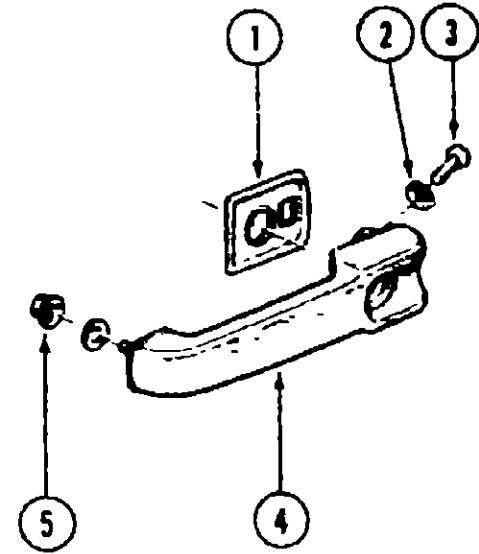
IC/JP34RU
ICP37RQ

A-01 - D-06
D-07 - G-20

1989 ICP37RQ INDEX

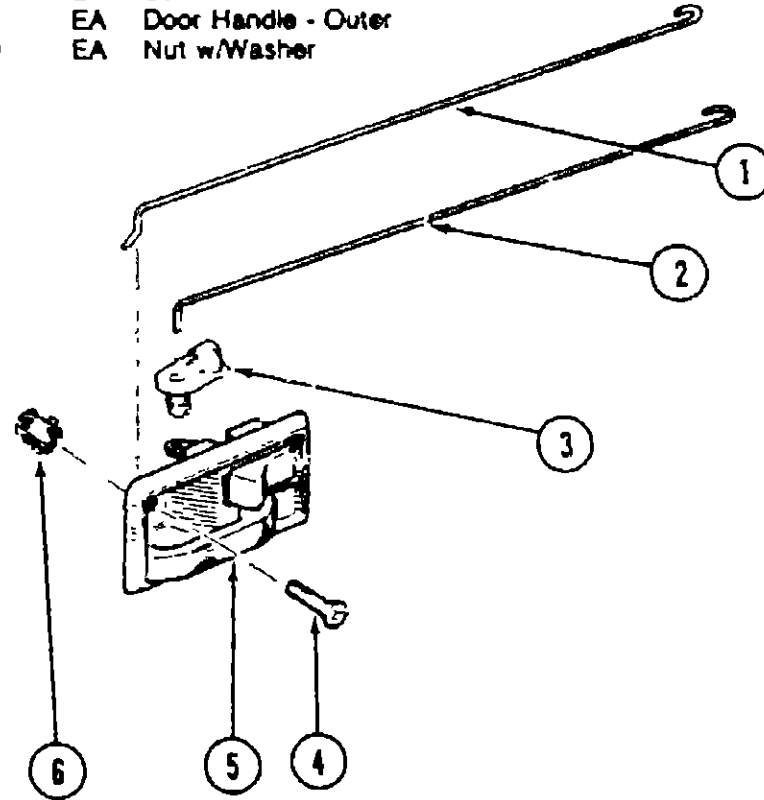
| | |
|------------------------------------|-------------|
| Floor Plan | D-07 - D-08 |
| Accessories Group | D-09 - D-12 |
| Bath Group | D-13 - D-14 |
| Chassis Group | D-15 - D-19 |
| Curtain, Cushion & Pad Group | D-20 - E-18 |
| Dinette Group | E-19 - E-21 |
| Driver's Compartment Group | E-22 - F-02 |
| Electrical Group | F-03 - F-06 |
| Exterior Body Group | F-07 - F-14 |
| Galley Group | F-15 - F-19 |
| Heating & Air Conditioning Group | F-20 |
| Interior Finish Group | F-21 - F-23 |
| LP Group | F-24 |
| Lounge Group | G-01 - G-03 |
| Water & Sewage Group | G-04 - G-05 |
| Window, Vent & Exterior Door Group | G-06 - G-20 |

WINDOW, VENT & EXTERIOR DOOR GROUP (CONTINUED)



OUTER DOOR HANDLE PARTS

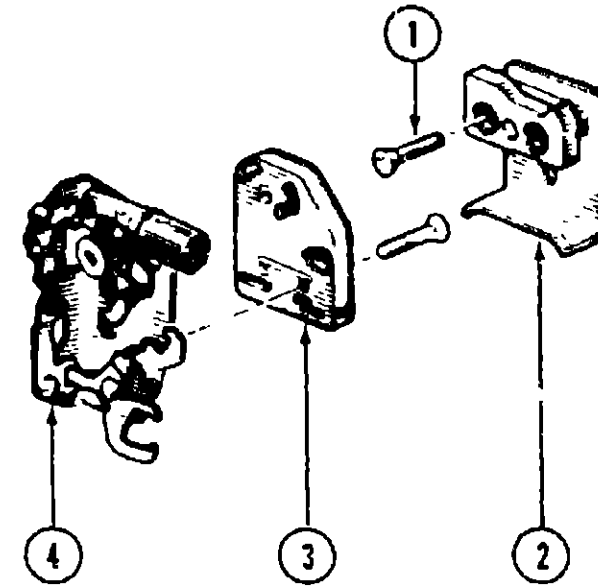
| Key | Part Number | U/M | Description |
|-----|---------------|-----|----------------------------|
| 1 | R77007-05-374 | EA | Plate - Door Handle Spacer |
| 2 | R77030-58-048 | EA | Washer |
| 3 | R77030-01-855 | EA | Screw - Machine |
| 4 | R77040-01-538 | EA | Door Handle - Outer |
| 5 | R77030-33-009 | EA | Nut w/Washer |



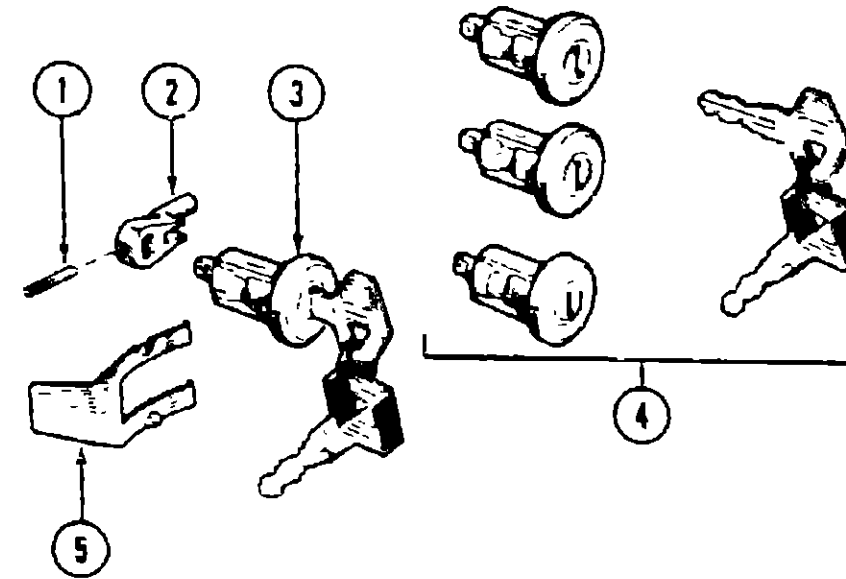
INNER DOOR HANDLE PARTS

| Key | Part Number | U/M | Description |
|-----|---------------|-----|------------------------------------|
| 1 | 076542-01-000 | EA | Rod - Latch Control - Passenger |
| | 076542-02-000 | EA | Rod - Latch Control - Driver |
| 2 | 076543-01-000 | EA | Rod - Lock Control - Passenger |
| | 076543-02-000 | EA | Rod - Lock Control - Driver |
| 3 | R77006-64-355 | EA | Control Link - Door Handle |
| 4 | 000G39-10-12D | EA | Screw - SF/DP - #10 - 16 x .75 PFH |
| 5 | R77006-50-261 | EA | Door Handle - Inner - Passenger |
| | R77006-50-326 | EA | Door Handle - Inner - Driver |
| 6 | 076327-01-000 | EA | Hex Nut w/Washer - 1/4 ZN |

WINDOW, VENT & EXTERIOR DOOR GROUP (CONTINUED)



| Key | Part Number | U/M | Description |
|-----|---------------|-----|-------------------------------------|
| 1 | R77030-04-082 | EA | Bolt |
| 2 | R77013-48-165 | EA | Strike - Driver |
| | R77013-48-166 | EA | Strike - Passenger |
| 3 | R77007-56-702 | EA | Plate - Door Lock - Driver |
| | R77007-56-701 | EA | Plate - Door Lock - Passenger |
| 4 | R77007-62-746 | EA | Tumbler & Backing Plate - Driver |
| | R77007-62-747 | EA | Tumbler & Backing Plate - Passenger |



| Key | Part Number | U/M | Description |
|-----|---------------|-----|---------------------------------------|
| 1 | R77030-67-257 | EA | Pin - Door Lock |
| 2 | 060963-01-000 | EA | Arm - Lock Control |
| 3 | R77006-65-924 | EA | Key & Tumbler - w/Key Number (Single) |
| 4 | R77007-51-201 | EA | Key & Tumbler (Set of 3) |
| 5 | R77007-04-136 | EA | Chc - Door Lock |
| | R77010-21-756 | EA | Key Blank |

**1989 ITASCA
TABLE OF CONTENTS**

ICJP34RU
ICP37RQ

A-01 - D-06
D-07 - G-20

**1989 ICP37RQ
INDEX**

| | |
|------------------------------------|-------------|
| Floor Plan | D-07 - D-08 |
| Accessories Group | D-09 - D-12 |
| Bath Group | D-13 - D-14 |
| Chassis Group | D-15 - D-19 |
| Curtain, Cushion & Pad Group | D-20 - E-18 |
| Dinette Group | E-19 - E-21 |
| Driver's Compartment Group | E-22 - F-02 |
| Electrical Group | F-03 - F-06 |
| Exterior Body Group | F-07 - F-14 |
| Galley Group | F-15 - F-19 |
| Heating & Air Conditioning Group | F-20 |
| Interior Finish Group | F-21 - F-23 |
| LP Group | F-24 |
| Lounge Group | G-01 - G-03 |
| Water & Sewage Group | G-04 - G-05 |
| Window, Vent & Exterior Door Group | G-06 - G-20 |