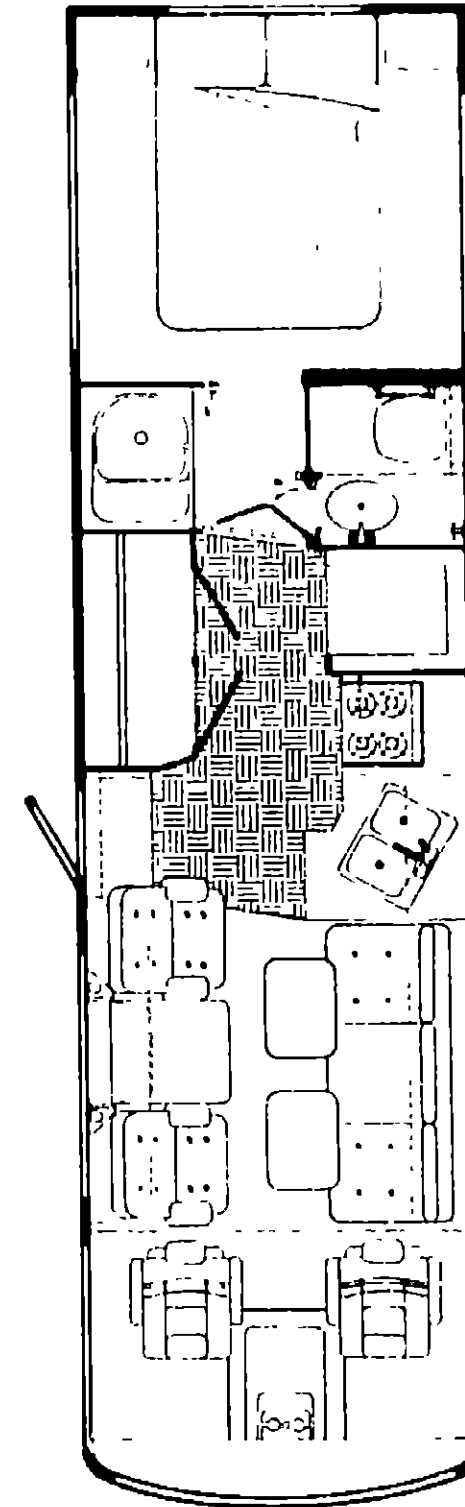


1989 ICP32DQ



1989 ITASCA TABLE OF CONTENTS

INTRODUCTION	A-01
ABBREVIATIONS	A 01
ALPHABETICAL INDEX	A 02 - A 04
ICF32DQ	A 05 C-20
IC/JP32RO	C 21 F-20

1989 ICP32DQ INDEX

Floor Plan	A-05 - A-06
Accessories Group	A 07 - A-10
Bath Group	A-11 A-13
Chassis Group	A-14 - A 20
Curtain, Cushion & Pad Group	A 21 - B-04
Dinette Group	B-05
Driver's Compartment Group	B-06 - B-09
Electrical Group	B-10 - B-13
Exterior Body Group	B 14 - B 19
Galley Group	B-20 - B 22
Heating & Air Conditioning Group	B 23 B-24
Interior Finish Group	C-01 C 02
LP Group	C-03
Lounge Group	C-04 - C-05
Water & Sewage Group	C-06
Window, Vent & Exterior Door Group	C-07 - C-20

ACCESSORIES GROUP

RACK & LADDER COMPONENTS

Key	Part Number	U/M	Description
	080997 03 T03	EA	Ladder Asm Lower
	080999 03 T03	EA	Ladder Asm Upper
	011026-05 T03	EA	Rack Asm Right
	081026-06-T03	EA	Rack Asm Left
	041055-01-000	EA	Spring Grip - Internal
	081056 01 000	EA	Pin Quick Release
	081152-01 000	EA	Bumper Plate Brite Dip - Lower Ladder
	064093 01 000	EA	Luggage Box - 14" x 30" x 60" (Optional)

MICROWAVE/CONVECTION OVEN & COMPONENTS

Key	Part Number	U/M	Description
	088737-01-000	EA	Microwave/Convection Oven Magic Chef
	088737 01-700	EA	Control
	088737-01-701	EA	Frame - Panel
	088737 01 702	EA	Touch Panel Asm
	088737 01-703	EA	Frame - Door
	088737 01-704	EA	Glass - Outside - Door
	088737 01-705	EA	Trim - Upper Frame - Inner
	088737 01 706	EA	Cabinet
	088737 01-707	EA	Fuse
	088737 01-708	EA	Transformer H V
	088737-01 709	EA	Trim
	088737-01 710	EA	Lamp - Oven - 30W
	088737 01-711	EA	Relay - Completed
	088737 01 712	EA	Trim
	088737-02-000	EA	Frame Kit - Microwave Oven
	088682-03-000	EA	Bracket Asm - Microwave - Right
	088682 04 000	EA	Bracket Asm Microwave - Left
	088737 02 000	EA	Frame Kit - Microwave Oven

FOG LAMP & COMPONENTS

Key	Part Number	U/M	Description
	088747 01 000	EA	Lamp Asm - Fog w/Cover - Clear
	088747 01-700	EA	Cover - Fog Light
	088942 01-000	EA	Bracket - Fog Lamp Mounting

CUSTOM STEERING WHEEL

Key	Part Number	U/M	Description
	080752-16 000	EA	Steering Wheel - Custom - Mahogany
	080752 06-000	EA	Hub Adapter - Steering Wheel
	080752 07-000	EA	Button - Horn - w/Wire
	080752 08 000	EA	Screw - Custom Steering Wheel

STYLIZED ALUMINUM WHEELS & COMPONENTS (OPTION 66L)

Key	Part Number	U/M	Description
	077042-01-000	EA	Wheel - Polished Aluminum - 19 5" x 6" - Front
	077042-02-000	EA	Wheel - Polished Aluminum - 19 5" x 6" - Rear
	077043 01-000	EA	Lug Nut - 2 Pieces - Cone Seat & Flange
	077044-01-000	EA	Chrome Cover - Lug Nut - w/Skirt
	077045 01-000	EA	Chrome Cover - Front Axle - 2 Piece
	077045 02-000	EA	Chrome Cover - Rear Axle - 2 Piece
	078260-02-000	EA	Pouch Wrench - 11" x 11"

ACCESSORIES GROUP (CONTINUED)

WHEEL LINERS & MOUNTING HARDWARE

Key	Part Number	U/M	Description
	091209 01-000	EA	Wheel Liner w/Axle & Lugnut Covers Chrome - 19 5" (Sul/4)
	091209 01-700	EA	Simulator Front Wheel
	091209 01-701	EA	Simulator - Rear Wheel
	091209-01-702	EA	Cover Front Axle
	091209 01 703	EA	Cover Rear Axle
	071209 01 704	EA	Cover Lug Nut
	095012 01 000	EA	Extension - Valve Stem Dual

GENERATORS & COMPONENTS

Key	Part Number	U/M	Description
	081634-04 000	EA	Generator - Onan - 6 5 Emerald
	079654 05-000	EA	Pipe & Accessories Kit - Emerald
	083151 01 000	EA	Muffler - Generator - 6 5 Emerald (used w/2 Air Conditioners)
	078045 01-000	EA	Support Plate - Generator
	083152 01-000	EA	Exhaust Pipe - Generator
	007067-01 000	EA	Insulation - Fiberglass - 1"
	084365 01-000	EA	Support Plate Generator
	079654 01-700	EA	Hinge Kit - Emerald Generator

REAR RADIO & COMPONENTS

Key	Part Number	U/M	Description
	090944-01 000	EA	Antenna - Radio - 16" Rubber
	090862-01-000	EA	Bracket - Hat - Antenna
	089340-01-000	EA	Grille - Speaker - 6 25" Square
	090339-01 000	EA	Radio - AM/FM Stereo - w/Cassette Electronics Tune
	094097-01 000	EA	Speaker - 5 25" w/o Grille
	074979-01-000	EA	Speaker Cover - Light Oak

FRONT RADIO & COMPONENTS

Key	Part Number	U/M	Description
	077069-01-000	EA	Antenna - Radio
	077448-01-000	EA	Bracket - Radio - Front
	077442-01-000	EA	Bracket - Radio Support - Rear
	077069-02-000	EA	Cable - Antenna Extension - 96"
	073741-04-000	EA	Grille - Speaker - Oval - 4" x 6"
	087706-01-000	EA	Mounting Kit Radio
	092311-01-000	EA	Radio - AM/FM - w/Cassette
	073741-03-000	EA	Speaker - Oval - 4" x 6"
	074979-01-000	EA	Speaker Cover - Light Oak

1989 ITASCA TABLE OF CONTENTS

INTRODUCTION	A 01
ABBREVIATIONS	A 01
ALPHABETICAL INDEX	A 02 - A 04
ICP32DQ	A 05 - C 20
IC/JP32RQ	C 21 - F-20

1989 ICP32DQ INDEX

Floor Plan	A-05 - A-06
Accessories Group	A-07 - A-10
Bath Group	A-11 - A 13
Chassis Group	A-14 - A-20
Curtain, Cushion & Pad Group	A-21 - B-04
Dinette Group	B-05
Driver's Compartment Group	B-06 - B-09
Electrical Group	B-10 - B-13
Exterior Body Group	B-14 - B-19
Galley Group	B-20 - B-22
Heating & Air Conditioning Group	B 23 - B-24
Interior Finish Group	C-01 - C-02
LP Group	C-03
Lounge Group	C-04 - C-05
Water & Sewage Group	C-06
Window, Vent & Exterior Door Group	C-07 - C-20

ACCESSORIES GROUP (CONTINUED)

MISCELLANEOUS ACCESSORIES

Key	Part Number	U/M	Description
	054185 31 000	EA	Owners Manual - 1989 - Winnebago & Itasca
	092318 01 000	EA	Binder - 3 Ring - Vendor Manual
	092319 01 000	EA	Page - Plastic Pocket
**	076319 01 000	EA	Antenna - TV - 44 5" Mast
	081072 02 000	EA	Floor Mat - Front - Right - Itasca
	081074 02 000	EA	Floor Mat - Front - Left - Itasca
	081075 02 000	EA	Floor Mat - Entrance - Itasca
	017516 01-000	EA	Mud Flap - 14" x 18" - Rear - Black
	017516 02 000	EA	Mud Flap - 14" x 12" - Front - Black
	090097 03 000	EA	Bracket Asm - Mud Flap - Passenger
	090097 04 000	EA	Bracket Asm - Mud Flap - Driver
	041944 04 000	EA	Fire Extinguisher - 5 BC w/o Mounting Bracket
	084472 01 000	EA	Holder - Fire Extinguisher
	094499 01 000	EA	Fire Extinguisher - 1A 10BC w/Bracket
	072852-01-000	EA	Smoke Detector w/9 Volt Battery
	080208 01 000	EA	Lug Wrench
	080208-02-000	EA	Leverage Bar - Lug Wrench
	066113-01 000	EA	Jack - Hydraulic - 6 Ton - w/Handle
	091955 01-000	EA	Squeegee - Extended Handle
	091952 01 000	EA	Clip - 1" Gripper - Squeegee
	093527-01-000	EA	Bracket - Squeegee
	036420 02 000	EA	Defroster Fan - 8" - 2 Speed Fan
	077998-01-000	EA	Bracket - Defroster Fan - Right
	077998 02-000	EA	Bracket - Defroster Fan - Left
	091258-02-000	EA	Television - 13' Digital Color - Sharp
	091258-02 700	EA	Remote Control - Television
	088759-02-000	EA	VCR - VHS - Table Model
	088759 03-000	EA	VCR - VHS
**	088757-01-000	EA	Control Center - Channel Master
**	094369-01-000	EA	Speed Control - w/Smart Stick
**	076799-01-000	EA	Ice Maker - Black
	094708-01-01A	EA	Step Asm - Electric - Single
	087716 01-000	EA	Information Center - Unitorce
**	The illustrated parts breakdown for this item is provided on the Common Items Fiche		

AIRHORNS & COMPONENTS

Key	Part Number	U/M	Description
	077497-01 000	EA	Air Horn Kit - Twin Chromed - w/o Auxiliary Hose Kit
	077497 01-700	EA	Solenoid - Air Tank
	077497-01-701	EA	Switch - Compressor
	077497-01-702	EA	Toggle Switch w/Wire
	077497-01-703	EA	Air Tank
	077497-01-704	EA	Compressor w/Switch
	077497-01-705	EA	Repair Kit - Air Horn
	077497 02-000	EA	Hose Kit - Auxiliary Air
	077497-03-000	EA	Parts Kit - Hose - Auxiliary Air
	078239-01-000	EA	Label Plate - Horn
	063912-02 000	EA	Relay - Canister
	078022 01 000	EA	Wire Asm - Air Horn
	081404-01 000	EA	Mounting Bracket - Compressor

EXTERIOR MIRRORS

Key	Part Number	U/M	Description
**	086261-01 000	EA	Mirror Asm - Electronic Control & Heat - Right
**	086236-01 000	EA	Gasket - Exterior Mirror - Right
**	086261-02-000	EA	Mirror Asm - Electronic Control & Heat - Left
**	086236-02-000	EA	Gasket - Exterior Mirror - Left
**	The illustrated parts breakdown for this item is provided on the common items fiche		

ACCESSORIES GROUP (CONTINUED)

REAR VIEW TELEVISION (SONY)

Key	Part Number	U/M	Description
	093040 01-000	EA	Camera & Monitor
	093040-01-700	EA	Camera Only
	093040 01 701	EA	Monitor - 6" - w/Bracket & Wire Harness
	093041-01 000	EA	Cable - TV/Monitor
	031170 01-000	EA	Clamp - Cable - 3/16 Dia
	093221 01-000	EA	Lens - Rear Monitor - Shroud
	093952 01-03A	EA	Shroud - TV - Gray
	030006 01-000	EA	Wire Asm - Fuse Block
	092281-01-000	EA	Wire Asm - IP to Rear Monitor
	093040 03 000	EA	Wire Asm - Monitor

REAR VIEW TELEVISION (TW-620B)

Key	Part Number	U/M	Description
	083207 01 000	EA	Camera & Monitor
	083207-01-701	EA	Monitor Only
	083207-02-000	EA	Cable - Camera/Monitor
	084349-01-U16	EA	Shroud Asm - Camera - Gray
	084409-01-000	EA	Seal - Camera Mounting
	084408-01-000	EA	Rubber Gasket - Camera
	084264-01-000	EA	Bracket - Mounting Camera
	080006 01-000	EA	Wire Asm - Fuse Block
	084418-01 000	EA	Spacer - 16 x 6
	084403 01-000	EA	Screw Cap - 5/16" x 18" x 1"
	084428-01-000	EA	Insert - Press In - 5/16" x 18"

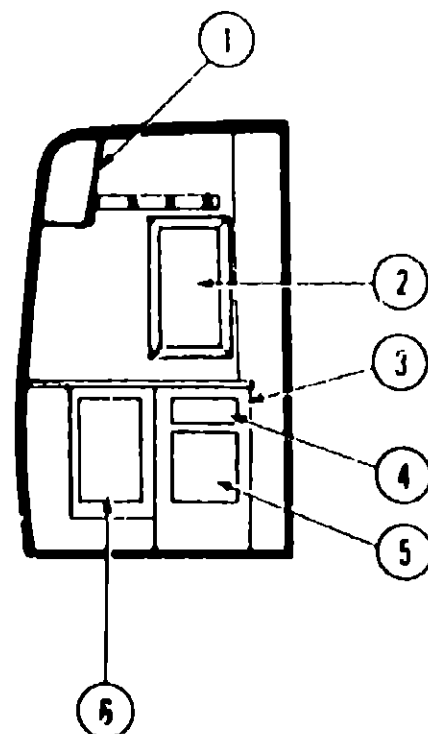
**1989 ITASCA
TABLE OF CONTENTS**

INTRODUCTION	A 01
ABBREVIATIONS	A-01
ALPHABETICAL INDEX	A 02 - A 04
ICP32DQ	A 05 - C-20
IC/JF32RQ	C 21 - F 20

**1989 ICP32DQ
INDEX**

Floor Plan	A-05 - A 08
Accessories Group	A-07 - A-10
Bath Group	A-11 - A-13
Chassis Group	A-14 - A-20
Curtain, Cushion & Pad Group	A-21 - B-04
Dinette Group	B-05
Driver's Compartment Group	B-06 - B-09
Electrical Group	B-10 - B-13
Exterior Body Group	B 14 - B 19
Galley Group	B-20 - B-22
Heating & Air Conditioning Group	B-23 - B-24
Interior Finish Group	C-01 - C-02
LP Group	C-03
Lounge Group	C-04 - C-05
Water & Sewage Group	C-06
Window, Vent & Exterior Door Group	C-07 - C-20

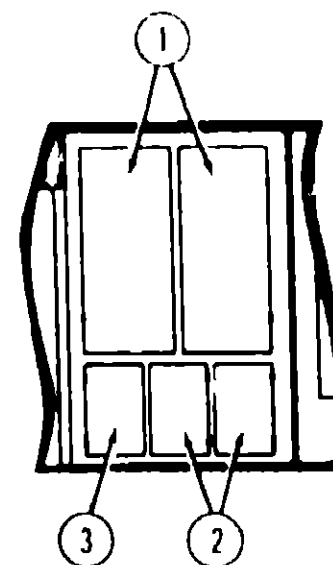
BATH GROUP



BATH CABINETRY

Key	Part Number	U/M	Description
1	088303 52-Y75	EA	Door Asm - Medicine Cabinet - 15 5" x 29 5" w/o Hardware
	076073-01 000	EA	Cabinet - Medicine - 15 4" x 29 4"
	076073-01-700	EA	Latch - Medicine Cabinet
2	M88304 86-Y75	EA	Mirror Asm - Wall - 15 5" x 29 5" - w/o Hardware
3	M94085-01-Y75	EA	Cabinet Asm - Lavatory - w/o Countertop, Doors, Drawer or Hardware
	094085-11-Y75	EA	Countertop Asm - Lavatory Cabinet
4	C81893-01-Y75	EA	Face Asm - Drawer Lavatory
	077251-01-000	EA	Tipout Drawer - Plastic
	047744-01-000	EA	Kit - Drawer Glide
5	M88304-43-Y75	EA	Door / Asm - Lavatory - 16 1" x 11.4" - w/o Hardware
6	M88304 F9 Y75	EA	Door Asm - Lavatory - Hamper - 19 0" x 10" - w/o Hardware
	089383 15-Y75	EA	Countertop Asm - Pipe Cover
	M93360 01-Y75	EA	Door Asm - Bath Cabinet - w/o Hardware
	M93361-01-Y75	EA	Door Asm. - Bi-fold Cabinet - w/o Hardware
	092574 01-01A	EA	Door - Solid - w/Gold Trim - Shower
	091073 03 Y75	EA	Trim - Shower Door

BATH GROUP (CONTINUED)



WARDROBE CABINETRY

Key	Part Number	U/M	Description
1	M8P304 B5-Y75	EA	Door Asm - Wardrobe - w/Mirror - 20 6" x 48" w/o Hardware
	08E742 01 000	EA	Mirror - Beveled - Safety Glass
2	M86304 C1-Y75	EA	Door Asm - Wardrobe - Lower - 14 3" x 21 8" - w/o Hardware
3	M88304 C2 Y75	EA	Door Asm - Wardrobe - Lower - 14 3" x 21 8" - w/o Hardware
	M02161-92-Y75	EA	Frame Asm - Stationary Door - w/o Glass
	093580-01-000	EA	Glass - 75th Birthday
	077404 01 000	EA	Drawer - 20" x 12 7" Plastic
	077409 02-000	EA	Slide Plastic Drawer - 20 75"

**1989 ITASCA
TABLE OF CONTENTS**

INTRODUCTION	A 01
ABBREVIATIONS	A 01
ALPHABETICAL INDEX	A 02 A 04
ICP32DQ	A 05 C 20
IC/JP32RQ	C 21 F 20

**1989 ICP32DQ
INDEX**

Floor Plan	A-05 - A-06
Accessories Group	A-07 - A-10
Bath Group	A 11 - A 13
Chassis Group	A-14 - A 20
Curtain, Cushion & Pad Group	A 21 - B-04
Dinette Group	B-05
Driver's Compartment Group	B-06 - B-09
Electrical Group	B 10 - B-13
Exterior Body Group	B 14 - B 19
Galley Group	B 20 - B 22
Heating & Air Conditioning Group	B 23 - B-24
Interior Finish Group	C 01 - C-02
LP Group	C-03
Lounge Group	C-04 C-05
Water & Sewage Group	C-06
Window, Vent & Exterior Door Group	C-07 - C-20

BATH GROUP (CONTINUED)

BATH & WARDROBE HARDWARE

Key	Part Number	U/M	Description
	093999 01 01A	EA	Faucet Lavatory Brass
	091253 01 000	EA	Gasket Lavatory Faucet
	075242 03 000	EA	Faucet - Tub & Shower - Brass
	011048 01 000	EA	Shower Head - w/60" Hose
	089366 01-000	EA	Sink Oval - Ivory Plastic
	M02630 10 Y12	EA	Shower Pan Asm
	075606 01 000	EA	Panel - Shower Faucet
	009059-01 000	EA	Hinge - 1" - Brass
	009059 02 000	EA	Hinge - 2" - Brass
	059777 02 000	EA	Hinge - Cabinet Door Brass
	009021 01 000	EA	Catch Nylon - Grill
	009021-02 000	EA	Strike - Spring Steel
	092314 01 01A	EA	Shower Head - Guide - Brass
	066729 01-000	EA	Strainer Shower Pan & Tub
	066436 01-000	EA	Slip Nut - 1 5" Tail Piece Bathtub
	066435 01 000	EA	Nut - Strainer - Plastic
	085278 01 000	EA	Tissue Holder Recessed - Brass
	075680 01 000	EA	Clothes Rod Adjustable
	075453-02-000	EA	Bar - Towel Rack
	075454 02 000	EA	Towel Ring - Brass
	058331-05 000	EA	Mirror - Tempered Glass - 12" x 26"
	058331-10 000	EA	Mirror - Tempered Glass - 14" x 17"
	083204-01 000	EA	Retaining Button - Glass
	085330-04 000	EA	Toilet - Shorty - Bone China w/Spray
	081614 02 000	EA	Soap Dish - Brass w/Plastic Cover
	075687 03 000	EA	Lockset - Bath Door - Brown
	071632 01-000	EA	Hamper Bag
	066433-01 000	EA	Hook - Cup - Bright
	009089 01-000	EA	Clip - Mirror
	C94485 01 01A	EA	Knob - Door - Polished Brass
	077902 01-000	EA	Collar - Skylite - Inner Panel
	080910 01 000	EA	Skylite Panel Outer
	081171 01 000	EA	Skylite Trim - Outer - Mill

CHASSIS GROUP

MISCELLANEOUS

Key	Part Number	U/M	Description
	077995 02-000	EA	Baffle Upper Radiator
	065450 01-000	EA	Battery Tie-down Plastic Coated
	088557-01-000	EA	Box Power Cord
	062401-01 000	EA	Clamp - Hose - Wormgear 22 ID 1" ID
	062401-02-000	EA	Clamp Hose - Wormgear - 1 56 ID - 2 5" ID
	062401 03-000	EA	Clamp - Hose - Wormgear - 25 ID 1" ID
	062401-04-000	EA	Clamp Hose - Wormgear - 69 ID 1 25" ID
	062401 05 000	EA	Clamp Hose - Wormgear 2" ID - 3" ID
	062401-06-000	EA	Clamp Hose - Wormgear - 22" ID 62' ID
	007125-03 000	EA	Clamp Asm - Muffler - 1 50 DIA
	007125-04-000	EA	Clamp Asm - Muffler - 1 12 DIA
	010497-01-000	EA	Clamp - Closed - 5/8 ID
	010499-01-000	EA	Clamp - Closed 3/8 ID
	007131-01-000	EA	Hangar - Tailpipe
	007063-01-000	FT	Hose - Gas 1/4" ID x 1/2 O D
	024138-01-000	FT	Hose - Fuel - 5/16 ID
	075528-01-000	EA	Radiator Cover Rear
	017516-01-000	EA	Mud Flap - Black
	017516-02-000	EA	Mud Flap - Black - 14" x 12 5" w/Holes
	090097-03-000	EA	Bracket Asm - Mud Flap Passenger
	090097-04-000	EA	Bracket Asm. - Mud Flap - Driver
	086010-01-000	EA	Step Asm Entrance - Pullout
	094708-01-01A	EA	Step Asm - Electric Single
	076281-01 000	EA	Tray - Battery
	075758-01-000	EA	Wheelwell - Plastic - Rear - Dual
	081918-02-000	EA	Exhaust Extension 7"

**1989 ITASCA
TABLE OF CONTENTS**

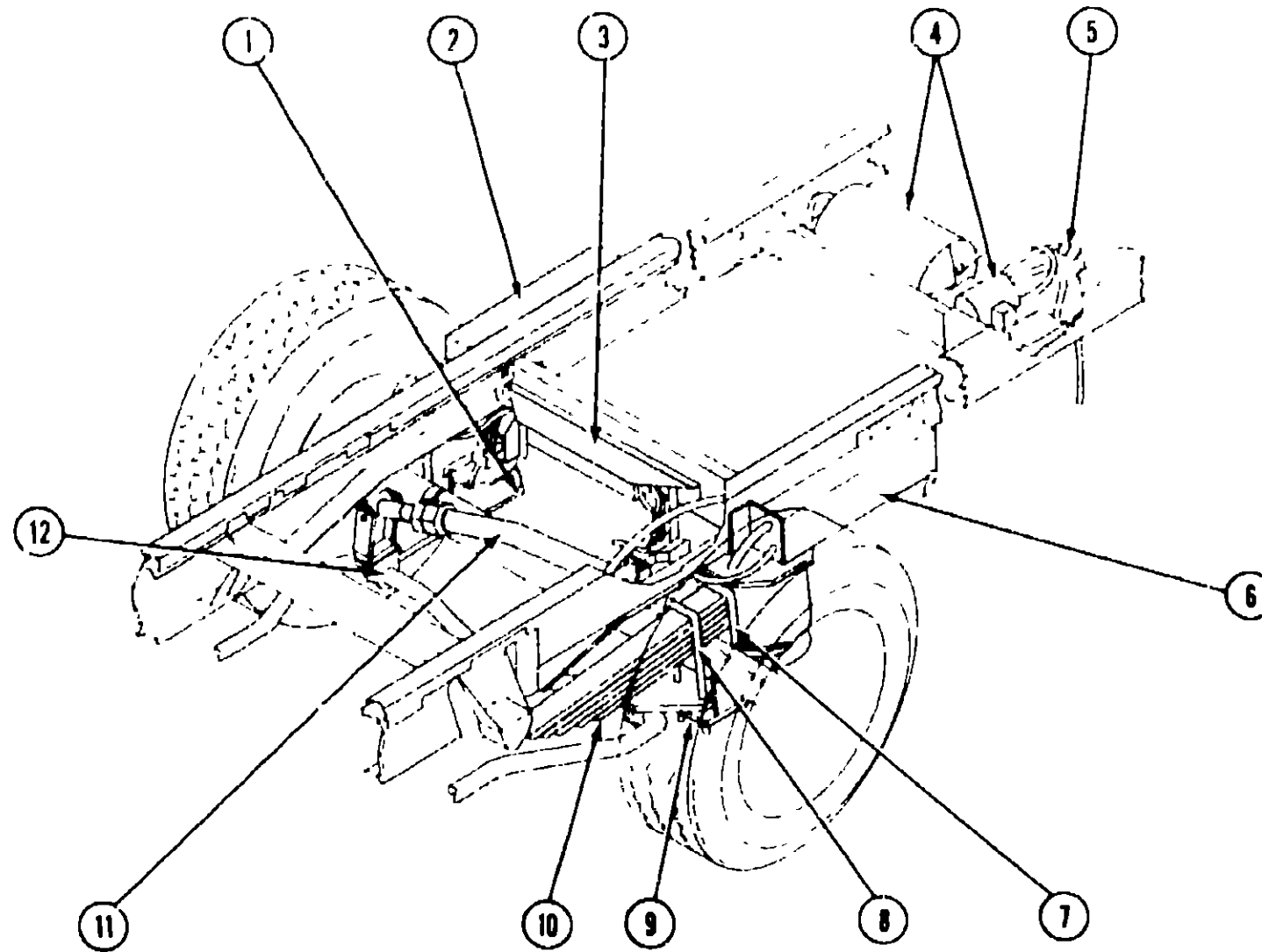
INTRODUCTION	A 01
ABBREVIATIONS	A-01
ALPHABETICAL INDEX	A 02 A 04
ICP32DQ	A 05 C 20
ICJP32RQ	C 21 F 20

**1989 ICP32DQ
INDEX**

Floor Plan	A 05 - A-06
Accessories Group	A 07 - A-10
Bath Group	A-11 - A-13
Chassis Group	A-14 - A-20
Curtain, Cushion & Pad Group	A-21 - B-04
Dinette Group	B-05
Driver's Compartment Group	B-06 - B-09
Electrical Group	B-10 - B-13
Exterior Body Group	B 14 - B-19
Galley Group	B-20 - B-22
Heating & Air Conditioning Group	B 23 - B-24
Interior Finish Group	C-01 - C-02
LP Group	C-03
Lounge Group	C-04 C-05
Water & Sewage Group	C-06
Window, Vent & Exterior Door Group	C-07 - C-20

CHASSIS GROUP (CONTINUED)

AIR RIDE SUSPENSION



Key	Part Number	U/M	Description
1	090436-11-000	EA	Spring Mount - Lower Axle - Driver
2	090436-09-000	EA	Mount - Airspring Asm. - Upper Driver
3	090436-04-000	EA	Valve Asm. - Height - w/o Park & Level
3	090436-05-000	EA	Valve Asm. - Height - w/Park & Level
4	090436-07-000	EA	Compressor Asm. - w/Tank & Wiring
5	090436-06-000	EA	Control - Park Level w/Wiring
6	090436-08-000	EA	Mount - Airspring Asm. - Upper Passenger
7	090436-13-000	EA	U Bolt - Rearward Bent - 7/8"
8	090436-12-000	EA	U Bolt - Straight - 7/8"
9	090436-10-000	EA	Spring Mount - Lower Axle - Passenger
10	090436-03-000	EA	Leaf Spring - Semi
11	090436-14-000	EA	Track Bar - w/Pivot Bolt & Brackets
12	091250-03-000	EA	Bushing - Sway Bar - 1.75"
	090436-15-000	EA	Valve - Solenoid Asm. - Park Level
	090436-16-000	EA	Bracket - Brake Hose/Axle
	000C12-05-16B	EA	Hex Bolt 5/16 - 18 x 1
	000D14-05-00B	EA	Hex Nut - 5/16 - #18

Key	Part Number	U/M	Description
	000D34-06-00B	EA	Hex Nut - Locking - 3/8 - #16
	00E13-17-00B	EA	Washer - Flange - 3/8
	071374-03-000	EA	Fitting - Bulkhead - 1/4 x 1/4 MNPT
	007125-11-000	EA	Clamp Asm. - Muffler
	016379-02-000	EA	Strap - Hanger Extension
	081918-02-000	EA	Extension - Exhaust - 2.25 O.D. x 7
	085433-01-000	EA	Shield - Heat Exhaust
	095190-01-000	EA	Hanger - Exhaust
	096199-01-000	EA	Exhaust Pipe - Driver
	096199-02-000	EA	Exhaust Pipe - Driver
	096200-01-000	EA	Exhaust Pipe - Passenger
	096200-02-000	EA	Exhaust Pipe - Passenger
	091250-01-000	EA	Bushing - Sway Bar - 1.25 (Inboard)
	091250-02-000	EA	Bushing - Sway Bar - 1.25 (Outboard)
	* Parts used before 3/12/89		
	† Parts used after 3/13/89		

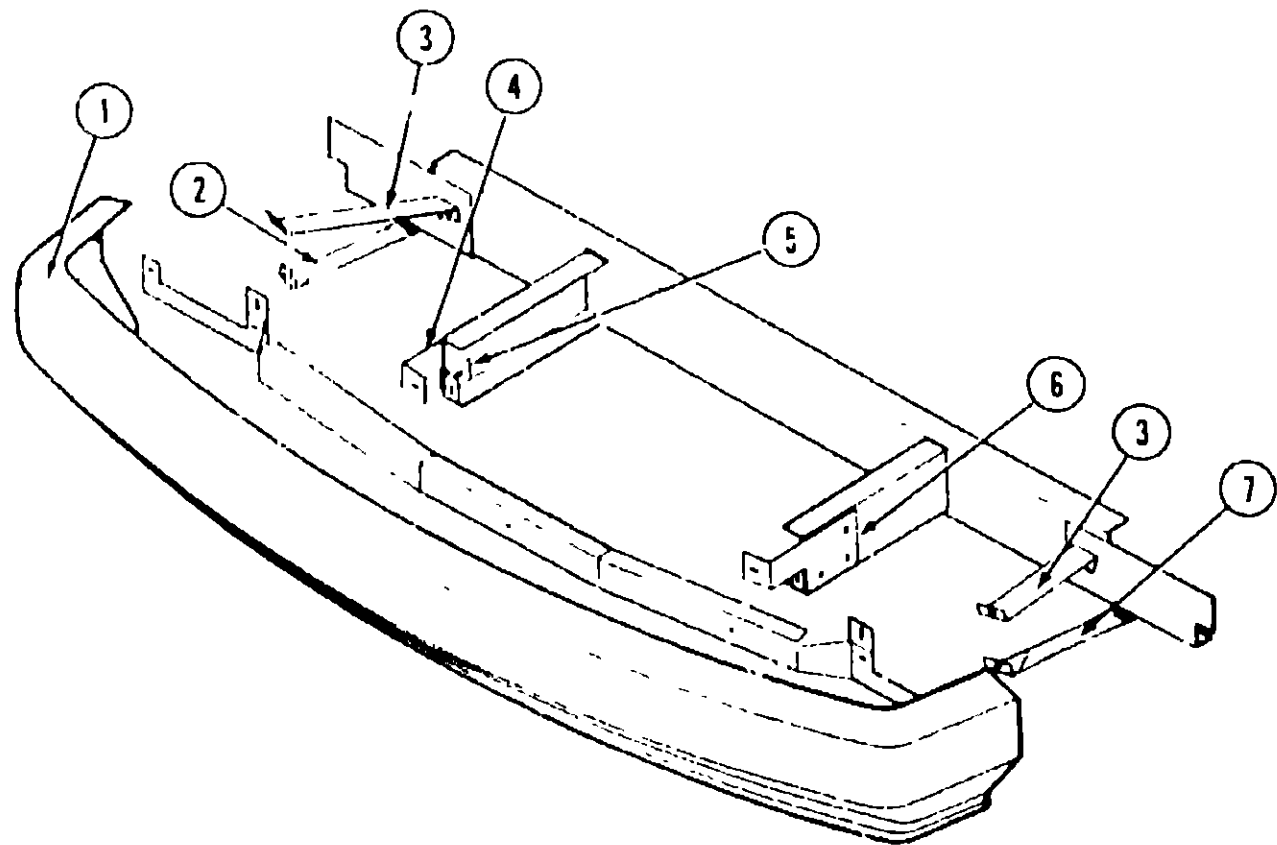
1989 ITASCA TABLE OF CONTENTS

INTRODUCTION	A 01
ABBREVIATIONS	A-01
ALPHABETICAL INDEX	A 02 - A-04
ICP32DO	A 05 - C 20
IC/JP32RD	C 21 - F 20

1989 ICP32DO INDEX

Floor Plan	A-05 - A-06
Accessories Group	A 07 - A-10
Bath Group	A-11 - A-13
Chassis Group	A-14 - A-20
Curtain, Cushion & Pad Group	A 21 - B-04
Dinette Group	B-05
Driver's Compartment Group	B-06 - B-09
Electrical Group	B 10 - B-13
Exterior Body Group	B-14 - B-19
Galley Group	B 20 - B 22
Heating & Air Conditioning Group	B-23 - B-24
Interior Finish Group	C-01 - C-02
LP Group	C-03
Lounge Group	C-04 - C-05
Water & Sewage Group	C-06
Window, Vent & Exterior Door Group	C-07 - C 20

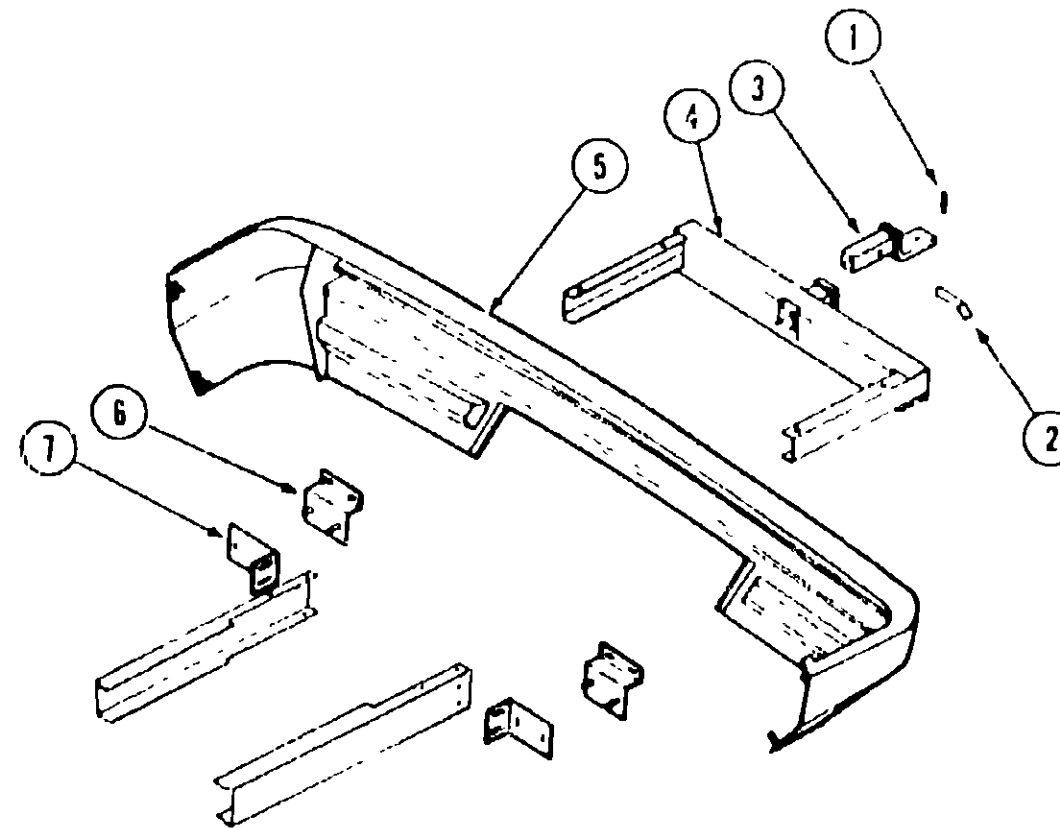
CHASSIS GROUP (CONTINUED)



FRONT BUMPER

Key	Part Number	U/M	Description
1	M88632-02-X75	EA	Bumper Asm - Front
2	077854-01-000	EA	Brace - Lower - Front Bumper - Passenger
3	089039-01-000	EA	Brace - Upper - Front Bumper
4	096140-01-000	EA	Support Bracket - Bumper - Passenger
5	087942-01-000	EA	Bracket - Fog Lamp - Mounting
6	086140-02-000	EA	Support Bracket - Bumper - Driver
7	077854-02-000	EA	Brace - Lower - Front Bumper - Driver

CHASSIS GROUP (CONTINUED)



REAR BUMPER & HITCH

Key	Part Number	U/M	Description
1	034513-01-000	EA	Spring Pin - Hitch - 3/16" Wire
2	034512-01-000	EA	Locking Pin - Drawbar
3	077613-01-000	EA	Drawbar Asm
4	077617-01-000	EA	Hitch Asm - w/o Drawbar
5	M86700-02-X75	EA	Rear Bumper Asm - Gray
15	M86700-01-W36	EA	Rear Bumper Asm - Gray
6	086727-02-000	EA	Support Angle (To Bumper)
7	086709-01-000	EA	Support Angle (To Frame)
	064398-01-000	EA	Plug - Trailer Taillight - Female 10"
	064399-01-000	EA	Plug - Trailer Taillight - Male - 60"
	091224-01-000	EA	Label - Trailer Lighting
*			Parts used before 9/1/88
†			Parts used after 9/2/89

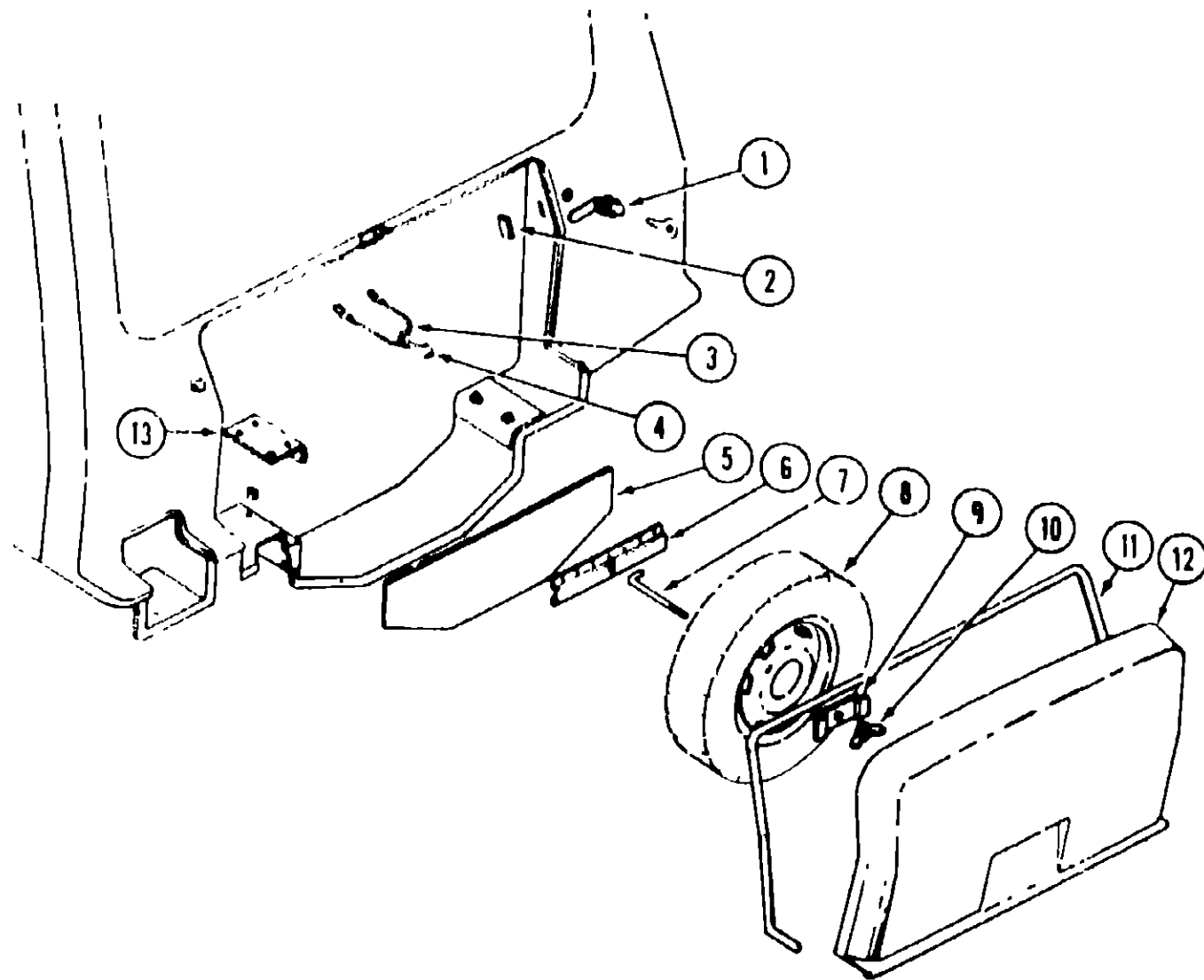
**1989 ITASCA
TABLE OF CONTENTS**

INTRODUCTION	A 01
ABBREVIATIONS	A 01
ALPHABETICAL INDEX	A 02 - A 04
ICP32DQ	A 05 - C-20
IC/JP32RQ	C 21 - F-20

**1989 ICP32DQ
INDEX**

Floor Plan	A-05 - A-06
Accessories Group	A 07 - A-10
Bath Group	A-11 - A-13
Chassis Group	A-14 - A 20
Curtain, Cushion & Pad Group	A-21 - B-04
Dinette Group	B-05
Driver's Compartment Group	B-06 - B-09
Electrical Group	B-10 - B-13
Exterior Body Group	B-14 - B-19
Galley Group	B 20 - B-22
Heating & Air Conditioning Group	B-23 - B-24
Interior Finish Group	C-01 - C-02
LP Group	C-03
Lounge Group	C-04 - C-05
Water & Sewage Group	C-06
Window, Vent & Exterior Door Group	C-07 - C 20

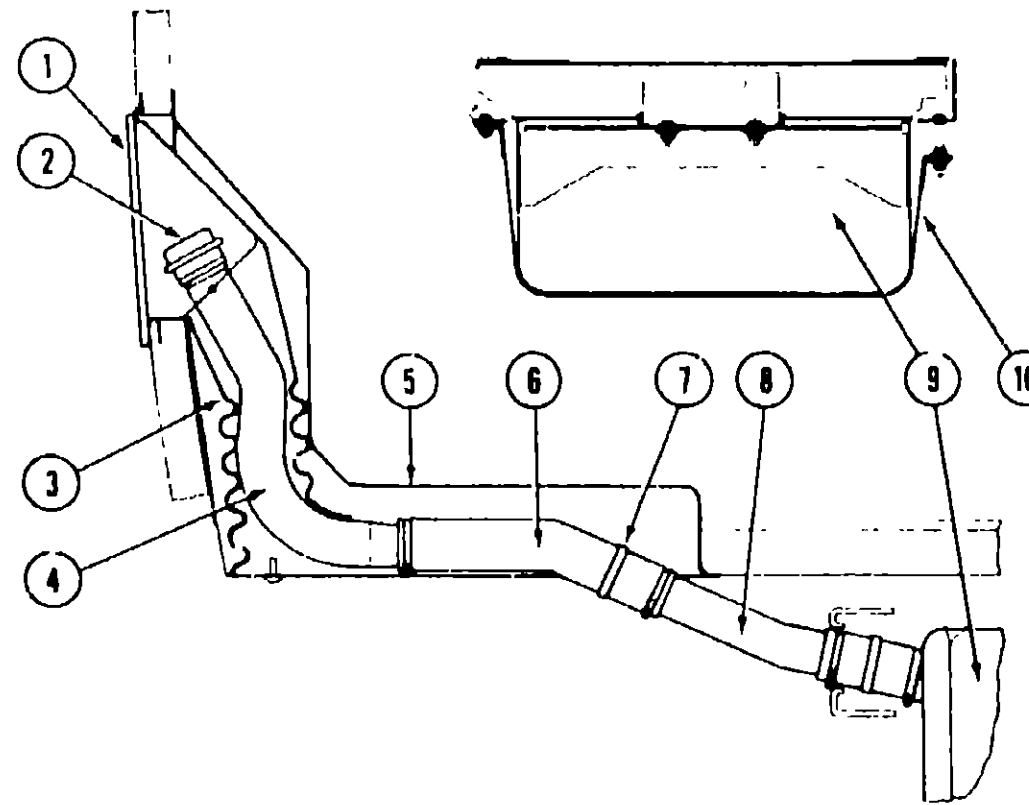
CHASSIS GROUP (CONTINUED)



SPARE TIRE & COMPARTMENT

Key	Part Number	U/M	Description
1	077408-01-000	EA	Lock Asm - Key Type
2	077941-01-000	EA	Rubber Seal - Flat/Slit
3	076767-02-000	EA	Cable Asm
4	072463-02-000	EA	Spring Hook - 5/8"
5	077395-01-007	EA	Shield - Spare Tire
6	077403-01-000	EA	Support Bracket - Spare Tire
7	077411-01-000	EA	Retaining Rod - Spare Tire
8	007324-04-000	EA	Tire - 8" x 19.5" - Radial - Michelin
	064063-01-000	EA	Rim - Wheel - 19.5" x 6.75"
	077030-02-000	EA	Extension - Valve Stem - 1.25"
	095012-01-000	EA	Extension - Valve Stem - Dual
9	077399-01-000	EA	Retainer - Spare Tire
10	064081-01-000	EA	Wing Nut - 3/8" - Spare Tire
11	073090-01-000	FT	Weather Seal
12	M01990-04-X75	EA	Cover - Spare Tire Gray
	077392-01-000	EA	Strike - Latch
	077080-01-000	EA	Angle Support - Pivot
	077381-01-000	EA	Plate - Pivot
	077385-01-000	EA	Pin Asm - Pivot
	077384-01-000	EA	Plate - Pin
13	077400-01-000	EA	Support - Spare Tire
	077393-01-000	EA	Support Asm - Strike
	077750-01-000	EA	Spacer - Spare Tire Support

CHASSIS GROUP (CONTINUED)



FUEL SYSTEMS COMPONENTS

Key	Part Number	U/M	Description
1	078010-02-000	EA	Door Asm - Fuel Fill - Gray
2	073220-02-000	EA	Cap - Fuel Fill
	078200-01-000	EA	Gasket - Fuel Fill
3	083578-01-000	EA	Boot - Fuel Fill
4	075227-01-000	EA	Neck Asm. - Upper Fuel Fill - Gas (Federal)
	075227-03-000	EA	Neck Asm. - Upper Fuel Fill - Gas (California)
5	082768-01-000	EA	Shroud - Fuel Fill - Inside
6	081245-01-000	EA	Hose - Fuel Fill - Formed
	082401-05-000	EA	Clamp - Hose - Wormgear - 2" - 3" (Fuel Hose)
7	075229-01-000	EA	Strap Asm
8	075228-01-000	EA	Neck - Fuel Fill - Lower
9	0900P2-01-000	EA	Tank - Fuel - 80 Gallon
10	086486-02-000	EA	Strap Asm - Fuel Tank
	086732-01-000	FT	Hose - Fuel - 62 I.D (Vent Hose)
	082401-10-000	EA	Clamp - Hose - Wormgear - 1" - 2" (Vent Hose)
	079661-01-000	EA	Valve Asm - Vent - Fuel Tank
	007111-03-000	EA	Hose - Fuel - 1.75" x 3' (Tank to Neck)
	088740-01-000	EA	Sending Unit/Pump
	066255-01-000	EA	Gasket - Sending Unit

**1989 ITASCA
TABLE OF CONTENTS**

INTRODUCTION	A 01
ABBREVIATIONS	A 01
ALPHABETICAL INDEX	A-02 - A-04
ICP32DQ	A-05 - C-20
IC/JP32RQ	C-21 - F-20

**1989 ICP32DQ
INDEX**

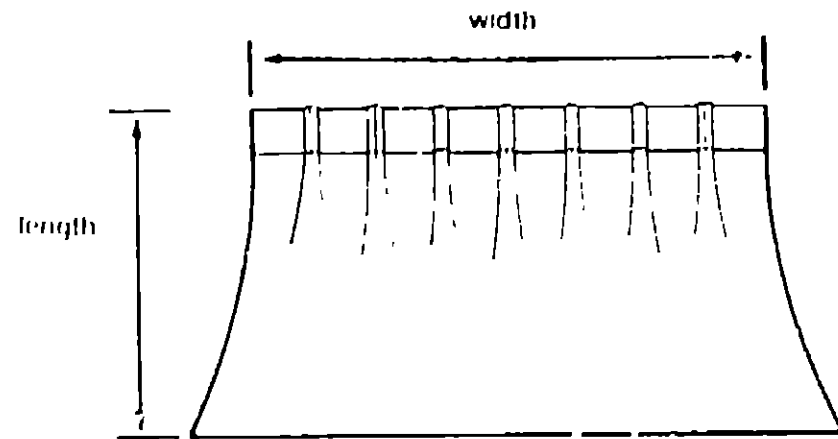
Floor Plan	A-05 - A-08
Accessories Group	A-07 - A-10
Bath Group	A-11 - A-13
Chassis Group	A-14 - A-20
Curtain, Cushion & Pad Group	A-21 - B-04
Dinette Group	B-05
Driver's Compartment Group	B-06 - B-09
Electrical Group	B-10 - B-13
Exterior Body Group	B-14 - B-19
Galley Group	B-20 - B-22
Heating & Air Conditioning Group	B-23 - B-24
Interior Finish Group	C-01 - C-02
LP Group	C-03
Lounge Group	C-04 - C-05
Water & Sewage Group	C-06
Window, Vent & Exterior Door Group	C-07 - C-20

CURTAIN, CUSHION & PAD GROUP

NOTICE

In order to assist our Part Sales Dept. in providing Interior software items, please include the serial number and the color code number from the vehicle certification label when ordering. This label is located on the left side wall at the end of the dash (A-Body), or on the driver's door latch plate (C-Body).

An example of a color code number is P31, which designates an overall color scheme of a particular unit. The color listed after the item description on the microfilm, indicates the overall unit color. Order the item you desire according to unit color code.



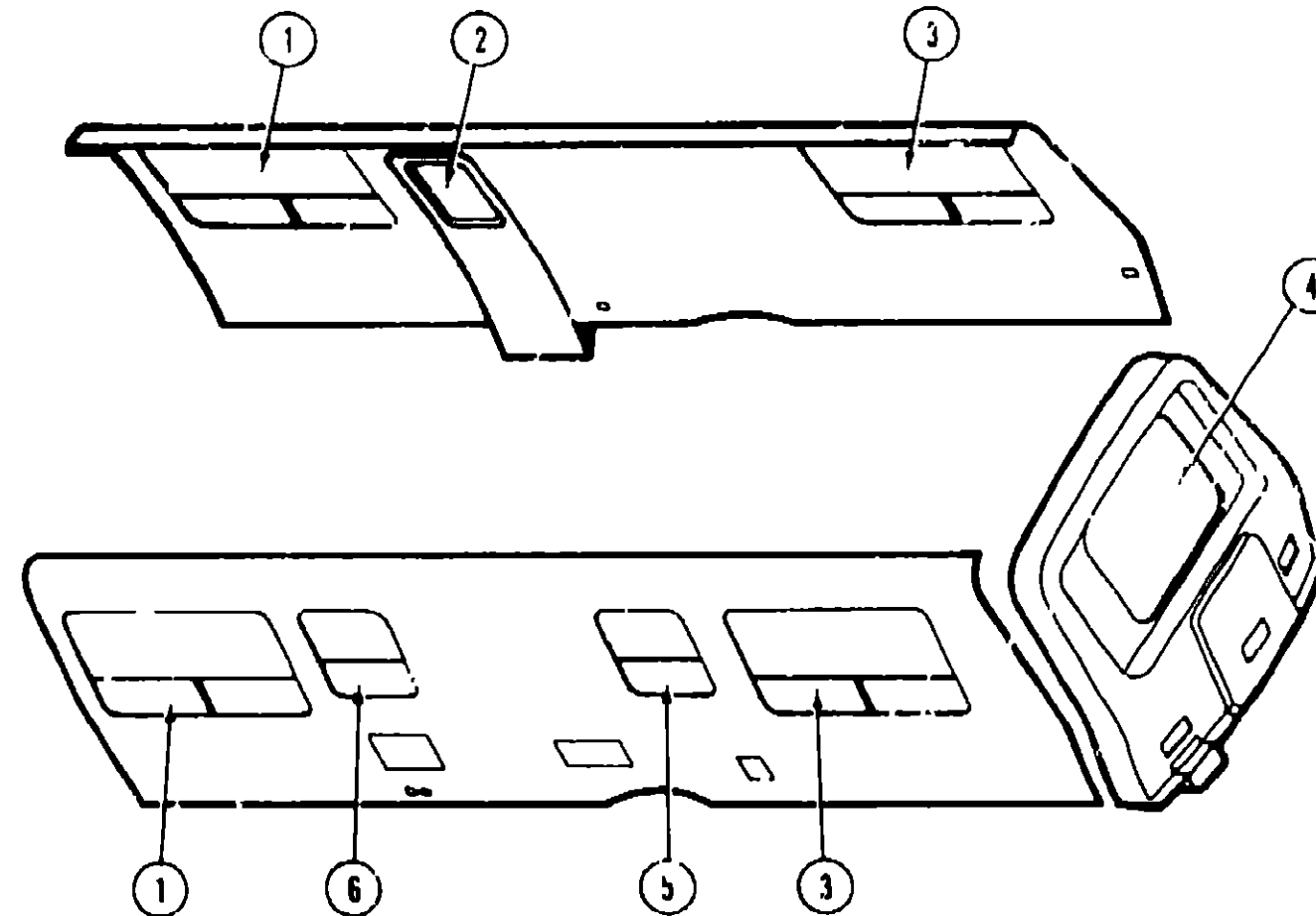
NOTE

Use this illustration when determining length and width measurements for curtains. You will note the width measurement is taken on the top of the curtain with the curtain fully extended. The length measurement is taken from top to bottom.

CURTAIN HARDWARE

Key	Part Number	U/M	Description
	029094-04-000	YD	Tape - Loop - 1" Wide - Black
	029096-03-000	YD	Tape - Hook - 1" Wide - Black
	048394-02-000	YD	Tape - Hook - 75" Wide - Beige
	047395-02-000	YD	Tape - Loop - 75" Wide - Beige
	088792-01-000	YD	Tape - Hook - 5/8" - Non-Adhesive
	088792-02-000	YD	Tape - Loop - .75" Wide - Beige - Adhesive
	056003-01-000	EA	Bracket - Drapery Retainer - Right
	056003-02-000	EA	Bracket - Drapery Retainer - Left
	081381-01-000	EA	Swivel Snap - Curtain Track
	075943-01-000	EA	Brace - Valance - Beige
	082139-01-000	EA	Bracket - Hold Down - Blinds
	083170-01-000	EA	Bracket - Blind Installation - Right
	083170-02-000	EA	Bracket - Blind Installation - Left
	084434-01-000	EA	Bracket - Roller Shade - 1.375"
	087253-01-000	EA	Pull - Window Shade - Clear Plastic
	089335-01-000	EA	Track - Curtain - Brown Plastic
	089916-01-000	EA	Window - Trim
	086276-01-000	EA	Tape - Double Sided - 5"
	078394-01-000	FT	Trim - Brass Vinyl - 437" Wide - Window Side Panel
	077046-01-000	EA	Track - Curtain - Front Wraparound - Passenger
	077046-02-000	EA	Track - Curtain - Front Wraparound - Driver
	077046-01-700	EA	Baton Asm - w/Snap
	077046-01-701	EA	Carrier - Swivel
	077046-01-702	EA	Lock Stop
	077046-01-703	EA	Swivel - Snap Pendant
	077046-01-704	EA	End Stop
	077046-01-705	EA	Master Carrier - Left
	077046-01-706	EA	Master Carrier - Right
	091313-01-000	EA	Grommet - Headrest

CURTAIN, CUSHION & PAD GROUP (CONTINUED)



CURTAIN, SHADES, VALANCES & TIEBACKS

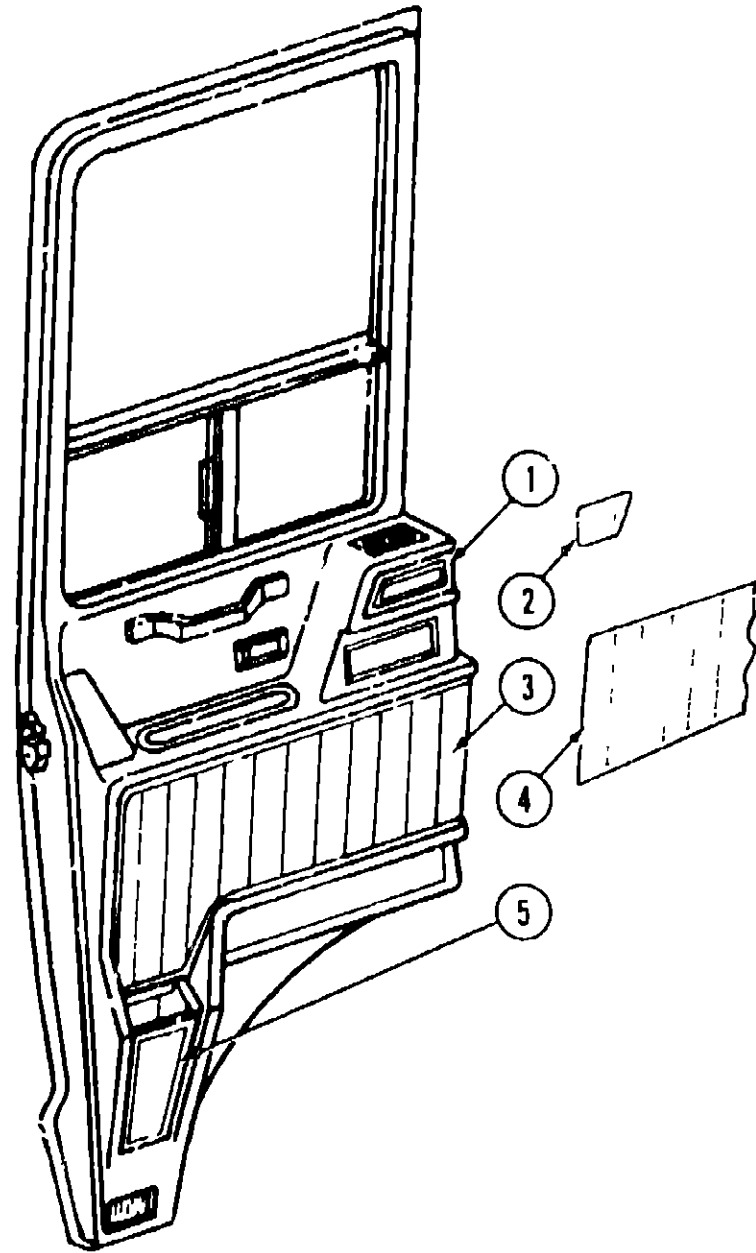
Key	Part Number	U/M	Description
1	089058-11-Y75	EA	Padded - Window Leg - Right
1	089058-12-Y75	EA	Padded - Window Leg - Left
1	093478-11-04A	EA	Blind - Micro Mini - 57.5" x 35" Drop
2	093455-33-Y75	EA	Shade Asm - Pull - 27.25"
3	089058-03-Y75	EA	Padded - Window Leg - Right
3	089058-04-Y75	EA	Padded - Window Leg - Left
3	093478-01-04A	EA	Blind - Micro-Mini - 57.5" x 35" Drop
3	094552-04-Y75	EA	Valance Asm - Ruffled w/Wood - 62.5"
4	089058-05-Y75	EA	Padded - Window Leg - Right
4	089058-06-Y75	EA	Padded - Window Leg - Left
4	093478-03-01A	EA	Blind - Micro-Mini - 45" x 34" Drop
4	093484-01-Y75	EA	Valance Asm - Gathered - Swag
5	093478-02-04A	EA	Blind - Micro-Mini - 28" x 28" Drop
5	073304-45-Y75	EA	Curtain Asm - 30" x 9" - w/Snap Top
6	093478-04-01A	EA	Blind - Micro-Mini - 28" x 27.5" Drop
	093452-01-Y75	EA	Curtain Asm. w/Snap Top - Blackout - 48" x 50" - Passenger
	093452-02-Y75	EA	Curtain Asm. w/Snap Top - Blackout - 48" x 50" - Driver
	093487-03-000	EA	Curtain Asm - Pleated - Front Wraparound - Right
	093487-04-000	EA	Curtain Asm - Pleated - Front Wraparound - Left
	073260-23-Y75	EA	Tieback Asm - 3" x 18" - Drapery
	057534-06-000	EA	Tieback Asm - Taupe - Vinyl
	057534-08-000	EA	Tieback Asm - Clear - 6"

1989 ITASCA TABLE OF CONTENTS

INTRODUCTION	A-01
ABBREVIATIONS	A-01
ALPHABETICAL INDEX	A-02 - A-04
ICP32DQ	A-05 - C-20
IC/JF32RQ	C-21 - F-20

1989 ICP32DQ INDEX

Floor Plan	A-05 - A-06
Accessories Group	A-07 - A-10
Bath Group	A-11 - A-13
Chassis Group	A-14 - A-20
Curtain, Cushion & Pad Group	A-21 - B-04
Dinette Group	B-05
Driver's Compartment Group	B-06 - B-09
Electrical Group	B-10 - B-13
Exterior Body Group	B-14 - B-19
Galley Group	B-20 - B-22
Heating & Air Conditioning Group	B-23 - B-24
Interior Finish Group	C-01 - C-02
LP Group	C-03
Lounge Group	C-04 - C-05
Water & Sewage Group	C-06
Window, Vent & Exterior Door Group	C-07 - C-20



TRIM PADS

Key	Part Number	U/M	Description
1	089104-04-Y75	EA	Insert Pad - Upper Door - Driver
	089104-03-Y75	EA	Insert Pad - Upper Door - Passenger
2	089107-02-Y75	EA	Insert Pad - Upper Sidewall - Driver
	089109-02-Y75	EA	Insert Pad - Upper Sidewall - Passenger
3	089105-04-Y75	EA	Insert Pad - Lower Door - Driver
	089105-03-Y75	EA	Insert Pad - Lower Door - Passenger
4	089108-02-Y75	EA	Insert Pad - Lower Sidewall - Driver
	089110-02-Y75	EA	Insert Pad - Lower Sidewall - Passenger
5	089106-04-Y75	EA	Insert Pad - Map Pocket - Driver
	089106-03-Y75	EA	Insert Pad - Map Pocket - Passenger
	089112-04-Y75	EA	Insert Pad - Front Overhead (Sunvisor) - Driver
	089112-03-Y75	EA	Insert Pad - Front Overhead (Sunvisor) - Passenger
	089045-01-W13	EA	Pad Asm - TV Cabinet - Vinyl
	089113-02-Y75	EA	Wall Pad - TT Chairs - 12" x 16"

FABRICS & TRIMS

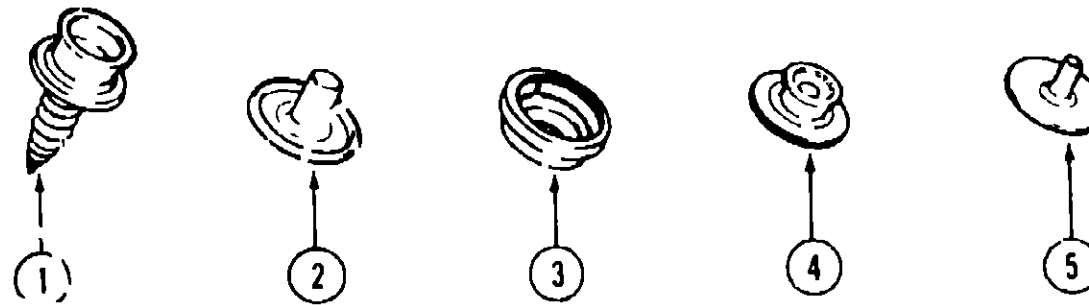
Key	Part Number	U/M	Description
	088274-83-000	YD	Fabric - Upholstery - Cream (Sofa)
	088274-85-000	YD	Fabric - Upholstery - Dazzle (Bucket Seats)
	088273-30-000	YD	Fabric - Bedroom - Ravel (Headboard)
	088273-31-000	YD	Fabric - Bedroom - Alabaster (Valance)
	072333-64-000	YD	Fabric - Drapery - Ivory (Blackout)
	072333-67-000	YD	Fabric - Drapery - Light Brown (Speaker Cover)
	072333-63-000	YD	Fabric - Drapery - Bone (Shades)
	089351-01-000	YD	Vinyl - Headliner (Roof)
	077484-01-000	YD	Vinyl - Smoke (Sunvisor)
	070578-11-115	EA	Button Asm - #30 - Vinyl (Floor)
	070578-02-X19	EA	Button Asm - #30 - Vinyl (T / Cabinet)

QUEEN BED

Key	Part Number	U/M	Description
	077478-05-000	EA	Mattress - Inner Spring - 60" x 75"
	094560-01-000	EA	Bedspread - 50" w/Dust Ruffle
	094560-02-000	EA	Pillow Sham /w Ruffle
	093458-02-Y75	EA	Headboard Asm - 54" Ruffled

CELESTIAL SOFA BED

Key	Part Number	U/M	Description
	093460-01-Y75	EA	Bed Asm - Celestial Sofa - w/o Cushions & Armrests
	M93460-01-Y75	EA	Cover Asm - Celestial Sofa Bed
	085357-02-Y75	EA	Cushion Asm - 16" x 23" - Celestial Bed (3 required)
	M85357-02-Y75	EA	Cover Asm - Cushion
	085358-05-Y75	EA	Removable Arms - Sofa Bed (2 required)
	M85358-05-Y75	EA	Cover Asm - Removable Arms
	090406-01-Y75	EA	Drawer Asm - Sofa
	074044-00-000	EA	Oak Trim - Celestial Sofa Bed
	079386-01-000	EA	Frame Asm - Continental Bed
	079386-02-000	EA	Hardware Kit
	016604-06-000	EA	Brace - Seat Angle - Drawer
	084466-02-000	EA	Slide Asm - Drawer - Right
	084466-03-000	EA	Slide Asm - Drawer - Left
	084466-04-000	EA	Slide Asm - Cabinet - Right
	084466-05-000	EA	Slide Asm - Cabinet - Left



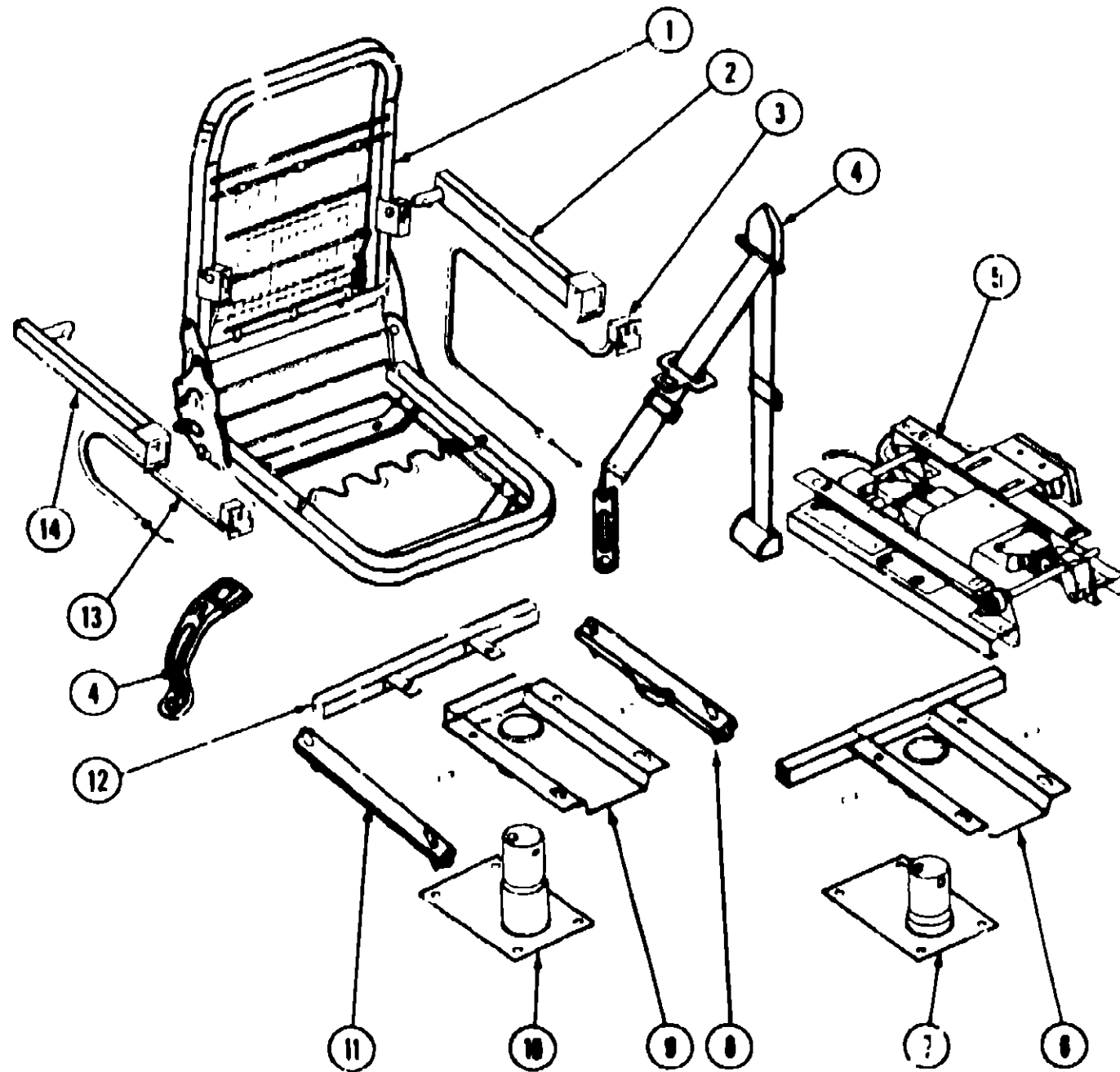
Key	Part Number	U/M	Description
1	029130-1-000	EA	Socket - Strap Fastener
2	029155-J1-000	EA	Cap - Strap - 156" Dia x 17" Barrel
3	02915f-01-000	EA	Stud - Strap Fastener
4	029093-01-000	EA	Stud - Nickel Finish
5	029093-01-000	EA	Eyelet - Nickel Finish

1989 ITASCA
TABLE OF CONTENTS

INTRODUCTION	A 01
ABBREVIATIONS	A 01
ALPHABETICAL INDEX	A 02 - A 04
ICP32DQ	A 05 - C 20
IC/JP32RQ	C 21 - F 20

1989 ICP32DQ
INDEX

Floor Plan	A-05 - A-06
Accessories Group	A-07 - A-10
Bath Group	A-11 - A-13
Chassis Group	A-14 - A-20
Curtain, Cushion & Pad Group	A-21 - B-04
Dinette Group	B-05
Driver's Compartment Group	B-06 - B-09
Electrical Group	B-10 - B-13
Exterior Body Group	B-14 - B-19
Galley Group	B-20 - B-22
Heating & Air Conditioning Group	B-23 - B-24
Interior Finish Group	C-01 - C-02
LP Group	C-03
Lounge Group	C-04 - C-05
Water & Sewage Group	C-06
Window, Vent & Exterior Door Group	C-07 - C-20



Key	Part Number	U/M	Description
1	089369-01-000	EA	Frame Asm. - Bucket Seat
2	089369-03-000	EA	Frame - Armrest - Left
3	089369-03-000	EA	Cable Asm - Remote - Slide
4	091990-02-01A	EA	Seat Belt - Drivers - 3 Point
	091990-01-01A	EA	Seat Belt - Passenger - 3 Point
5	081373-01-000	EA	Power Seat Asm.
	081373-02-700	EA	Switch Asm - Power Set
	081373-02-701	EA	Wire Harness - Drivers - Power Seat
	081373-02-702	EA	Horizontal Adjustment Package
	081373-02-703	EA	Horizontal Adjustment Package
	081373-02-704	EA	Vertical Adjustment Package
6	089585-36-000	EA	Top Plate - Power Seat
7	089585-37-000	EA	Sub Plate - 5" - Used w/Power Seat
8	089248-05-000	EA	Adjuster Asm - Seat - w/Lock
9	089585-27-000	EA	Top Plate - Non Powered Seat
10	089585-08-000	EA	Sub Plate - 8" - Used w/Non Powered Seat
11	089248-02-000	EA	Adjuster Asm. - Seat w/o Lock
12	085485-29-000	EA	Seat Belt Bar - 20"
13	089368-02-000	EA	Cable Asm Remote - Recliner
14	089369-02-000	EA	Frame - Armrest - Right

DRIVER POWER BUCKET SEAT

Key	Part Number	U/M	Description
	093469-02-Y75	EA	Seat Asm - Power Bucket Driver - w/o Skirt
	M03445-15-Y75	EA	Cover Asm - Power Bucket - Seat
	M03445-16-Y75	EA	Cover Asm - Power Bucket - Back
	071126-26-Y75	EA	Skirt Asm. - Power Bucket Seat
	080243-36-Y75	EA	Armrest Asm - Right
	M80243-36-Y75	EA	Cover Asm. - Right Armrest
	080243-38-Y75	EA	Armrest Asm. - Left
	M80243-38-Y75	EA	Cover Asm. - Left Armrest
	093472-01-Y75	EA	Headrest Asm. - Bucket Seat
	M93472-01-Y75	EA	Cover Asm - Headrest Bucket

PASSENGER BUCKET SEAT

Key	Part Number	U/M	Description
	093469-01-Y75	EA	Seat Asm - Bucket w/Remote - Passenger - w/o Skirt
	M03445-15-Y75	EA	Cover Asm - Bucket - Seat
	M03445-16-Y75	EA	Cover Asm. - Bucket - Back
	071126-24-Y75	EA	Skirt Asm. - Bucket Seat
	080243-36-Y75	EA	Armrest Asm - Right
	M80243-36-Y75	EA	Cover Asm. - Right Armrest
	080243-37-Y75	EA	Armrest Asm. Left
	M80243-37-Y75	EA	Cover Asm - Left Armrest
	093472-01-Y75	EA	Headrest Asm. - Bucket Seat
	M93472-01-Y75	EA	Cover Asm. - Headrest

**1989 ITASCA
TABLE OF CONTENTS**

INTRODUCTION	A-01
ABBREVIATIONS	A-01
ALPHABETICAL INDEX	A-02 - A-04
ICP32DQ	A-05 - C-20
IC/JP32RQ	C-21 - F-20

**1989 ICP32DQ
INDEX**

Floor Plan	A-05 - A-06
Accessories Group	A-07 - A-10
Bath Group	A-11 - A-13
Chassis Group	A-14 - A-20
Curtain, Cushion & Pad Group	A-21 - B-04
Dinette Group	B-05
Driver's Compartment Group	B-06 - B-09
Electrical Group	B-10 - B-13
Exterior Body Group	B-14 - B-19
Galley Group	B-20 - B-22
Heating & Air Conditioning Group	B-23 - B-24
Interior Finish Group	C-01 - C-02
LP Group	C-03
Lounge Group	C-04 - C-06
Water & Sewage Group	C-06
Window, Vent & Exterior Door Group	C-07 - C-20

CELEBRITY RECLINER HARDWARE

Key	Part Number	U/M	Description
1	089368-03-000	EA	Remote Asm - Recliner
2	089368-01-000	EA	Frame Asm - Celebrity Chair
3	089368-02-000	EA	Remote Asm - Slider
4	007021-01-000	EA	Seat Belt Asm - 90" x 2" Black
	057759-01-000	EA	Bracket - Seat Belt Washer
5	093484-02-700	EA	Clamp - Torsion Rod
6	093484-02-701	EA	Torsion Bar
7	093484-02-702	EA	Support - Torsion Bar
8	093484-02-703	EA	Handle
	093484-02-000	EA	Hardware Kit - Footrest (Includes Keys 5,6,7,8, & 15)
9	093484-01-000	EA	Footrest Mechanism
10	069248-02-000	EA	Adjuster Asm - Celebrity Chair - w/o Lock
11	093481-03-000	EA	Top Plate - Celebrity Chair - w/Lock
12	093481-01-000	EA	Pedestal - 6" - Used with Footrest Only
12	093481-02-000	EA	Pedestal - 10" - Used with Recliner Only
13	093482-01-000	EA	Pedestal Shroud - 13" Black Plastic
14	069248-05-000	EA	Adjuster Asm - Celebrity Chair - w/Lock
	087330-01-000	EA	Bracket - Stop - Slide Track
15	093484-02-704	EA	Spring

SWIVEL CHAIR

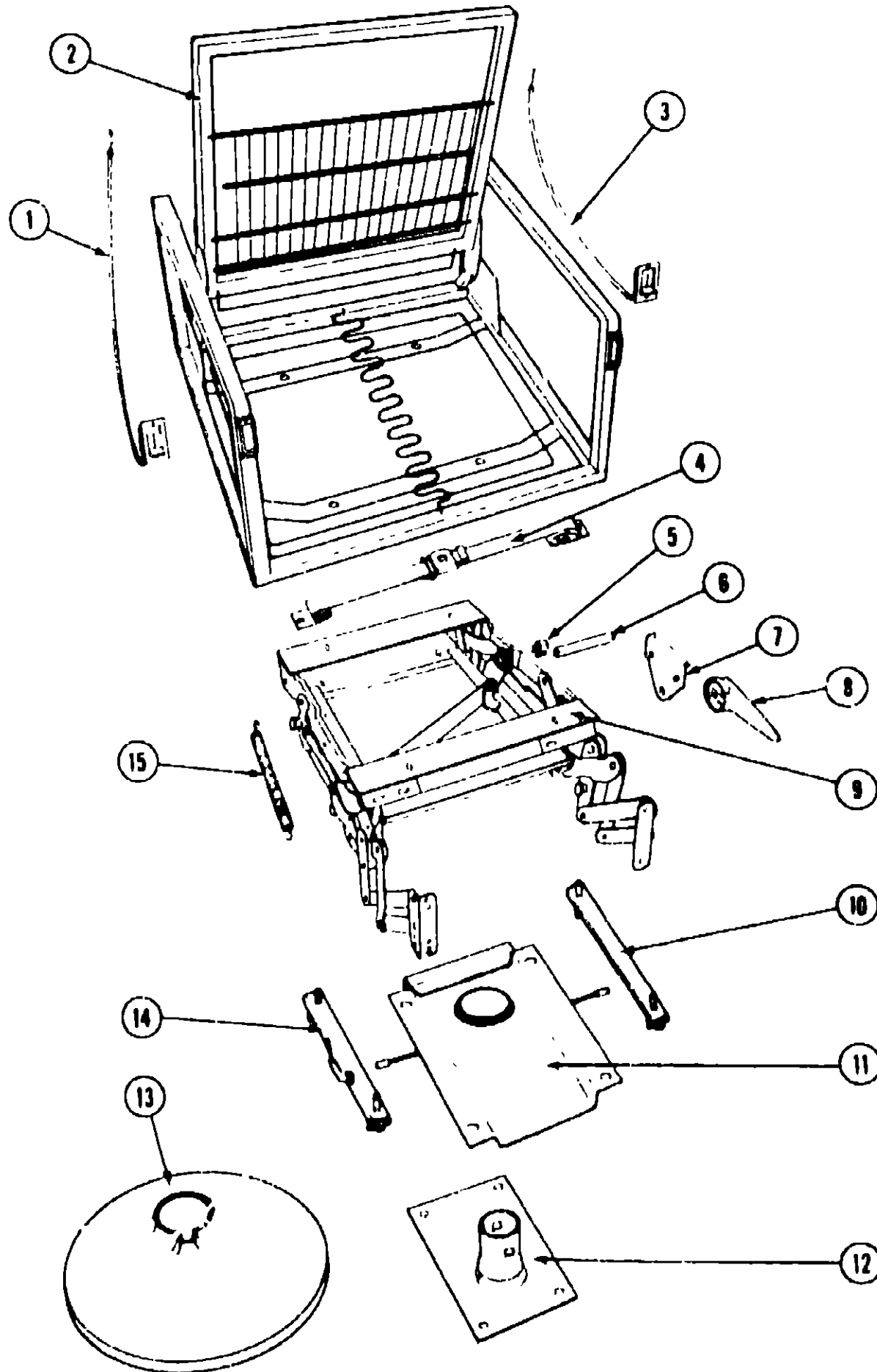
Key	Part Number	U/M	Description
	088518-02-Y75	EA	Chair Asm - Celebrity - Recliner
	089032-01-Y75	EA	Skirt Asm - Celebrity - Recliner
	093483-02-Y75	EA	Chair Asm - Celebrity - Recliner w/Foot Rest
	089032-08-Y75	EA	Skirt Asm - Celebrity - 3/4"
	094599-01-Y75	EA	Foot Rest Asm - Swivel Chair

1989 ITASCA
TABLE OF CONTENTS

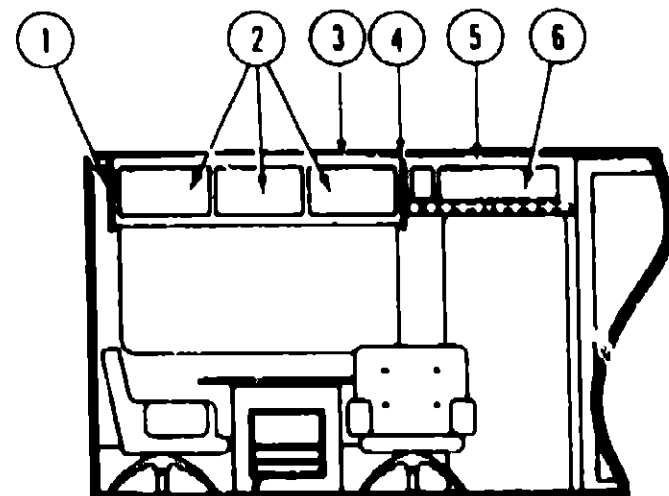
INTRODUCTION	A-01
ABBREVIATIONS	A-01
ALPHABETICAL INDEX	A-02 - A-04
ICP32DQ	A-05 - C-20
IC/JP32RQ	C-21 - F-20

1989 ICP32DQ
INDEX

Floor Plan	A-05 - A-06
Accessories Group	A-07 - A-10
Bath Group	A-11 - A-13
Chassis Group	A-14 - A-20
Curtain, Cushion & Pad Group	A-21 - B-04
Dinette Group	B-05
Driver's Compartment Group	B-06 - B-09
Electrical Group	B-10 - B-13
Exterior Body Group	B-14 - B-19
Galley Group	B-20 - B-22
Heating & Air Conditioning Group	B-23 - B-24
Interior Finish Group	C-01 - C-02
LP Group	C-03
Lounge Group	C-04 - C-05
Water & Sewage Group	C-06
Window, Vent & Exterior Door Group	C-07 - C-20



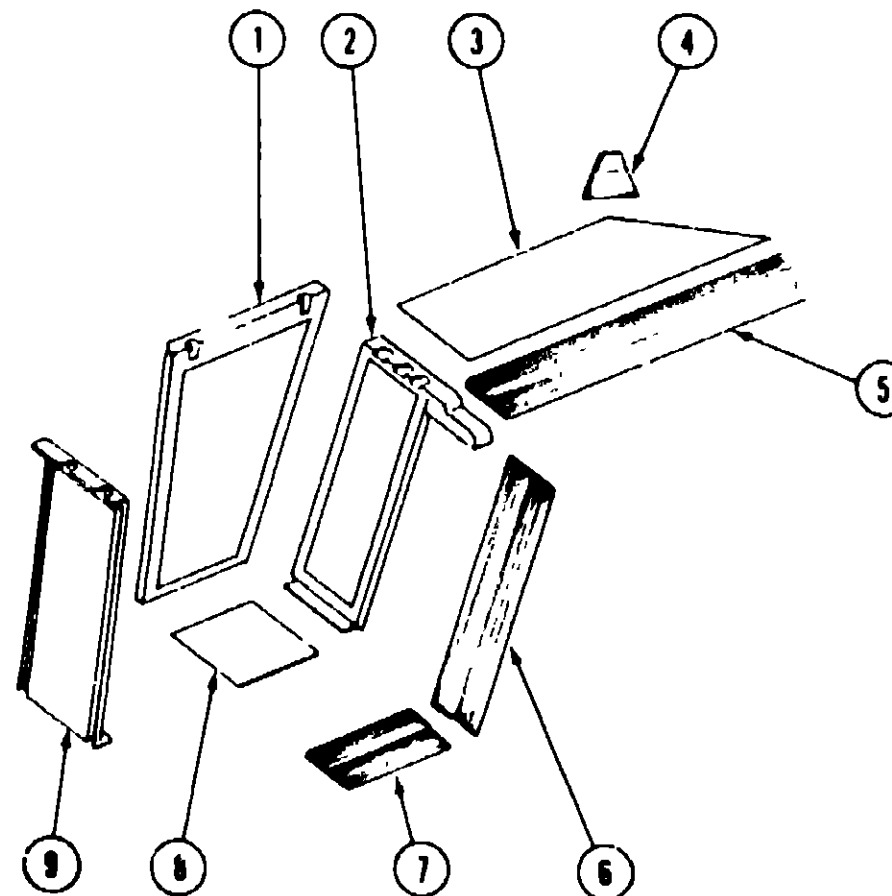
DINETTE GROUP



SWIVEL CHAIR DINETTE & OVERHEAD CABINERY

Key	Part Number	U/M	Description
1	085468-02 Y75	EA	Pad Asm. - End Cap - Front Overhead - Left - Vinyl
2	M88304-38 Y75	EA	Door Asm. - Overhead Cabinet - 12" x 18 7" - w/o Hardware
3	M03110-15 Y75	EA	Cabinet Asm. - Front Overhead - Passenger - w/o Doors or Hardware
	M03110-13-Y75	EA	Cabinet Asm. - Front Overhead - Driver - w/o Doors or Hardware
4	085468-01-Y75	EA	Pad Asm. - End Cap - Front Overhead - Right - Vinyl
5	M03110-59-Y78	EA	Cabinet Asm. - Entrance Door Overhead
	089381-12-Y21	EA	Speaker Cover - Fabric
6	M88304-45-Y75	EA	Door Asm. - 10" x 29 5" - Entrance Cabinet
	M81727 02-Y76	EA	Cabinet Asm. - Pullout Table
	M02415 01-Y75	EA	Table Asm. - Pullout
	079921-01-000	EA	Roller - Nylon Shaft
	M02416-01-Y75	EA	Countertop Asm. - Pullout Table
	M02414-01-Y75	EA	Top - Cupholder - Pullout Table
	M02417-01-Y75	EA	Hinged Top - Pullout Table - w/o Hardware
	080728-01 000	EA	Handle - Pullout Table
	079806-01-Y75	EA	Magazine Rack
	081298 01-Y75	EA	Table Asm. - Pedestal
	009040-03 000	EA	Base - Table - Mounts to Table
	009740 04-000	EA	Leg - Pedestal Table
	062048 01 000	EA	Clip - Pedestal Table
	041194 01 000	EA	Base - Table - Flush Mounts in Floor

DRIVER'S COMPARTMENT GROUP



STEPWELL TRIMS & PADS

Key	Part Number	U/M	Description
1	088921-01-000	EA	Door - Outer Battery Black - Passenger
	088921-02-000	EA	Door - Outer Battery Black - Driver
2	076360-01-000	EA	Panel Trim - Stepwell - Front - Passenger
	076360 02-000	EA	Panel Trim - Stepwell - Front - Driver
3	075989-01-000	EA	Pad - Upper Stepwell - Passenger
	075989-02-000	EA	Pad - Upper Stepwell - Driver
4	092821-01-01A	EA	Trim - Door Threshold - Black
5	077084 01-000	EA	Trim - Door Threshold - Top - Passenger
	077084-02-000	EA	Trim - Door Threshold - Top - Driver
6	077083-01-000	EA	Trim - Door Threshold - Center - Passenger
	077083-02-000	EA	Trim - Door Threshold - Center - Driver
7	077082-01-000	EA	Trim - Door Threshold - Bottom - Passenger
	077082-02-000	EA	Trim - Door Threshold - Bottom - Driver
8	075972-01 000	EA	Pad - Lower Stepwell
9	076359 01-000	EA	Panel Trim - Stepwell - Rear - Passenger
	076359-02 000	EA	Panel Trim - Stepwell - Rear - Driver
	086755-01-000	EA	Latch - 1/4 Turn - Rotary - Plastic

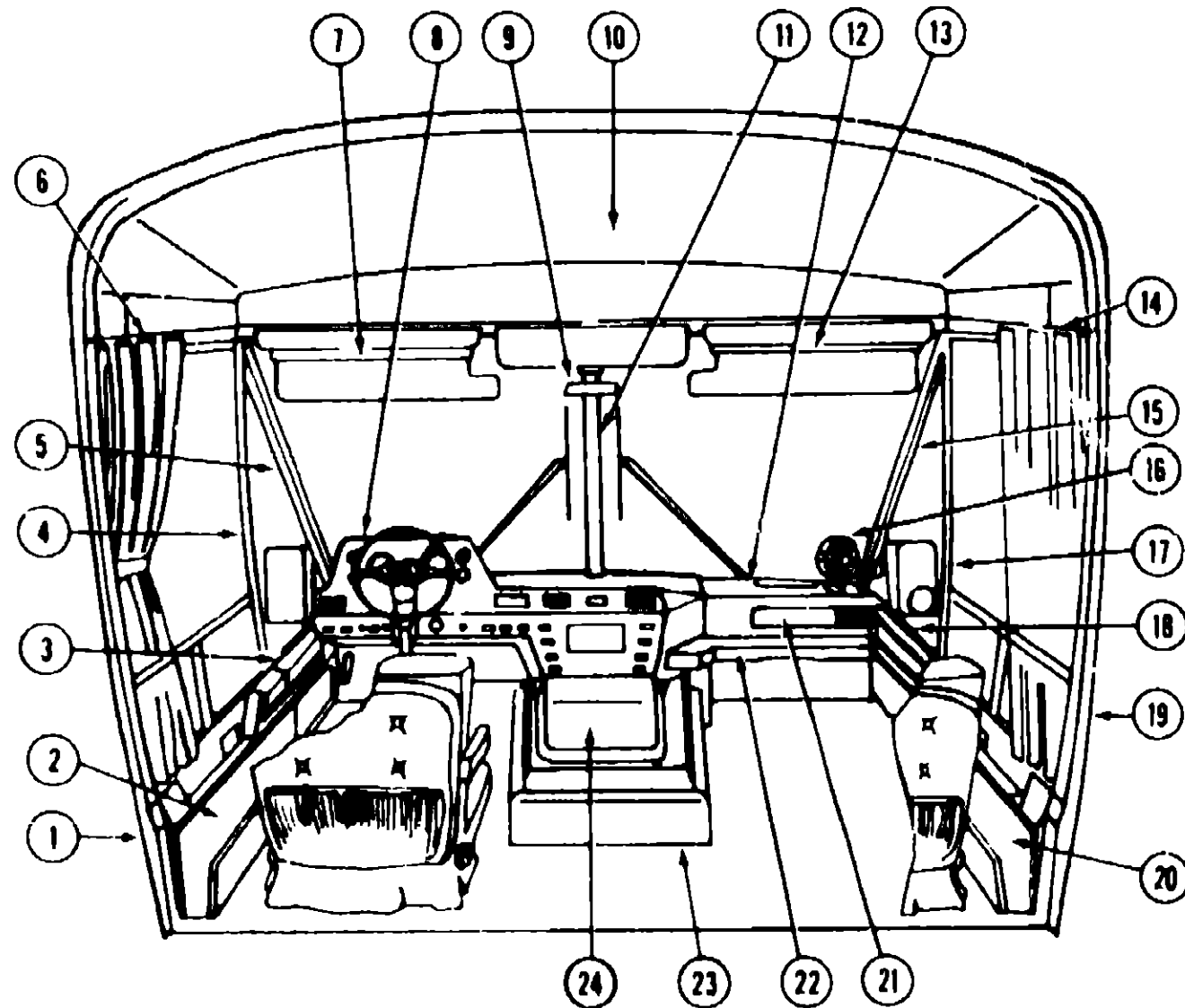
1989 ITASCA TABLE OF CONTENTS

INTRODUCTION	A-01
ABBREVIATIONS	A-01
ALPHABETICAL INDEX	A-02 - A-04
ICP32DQ	A-05 - C-20
IC/JP32RQ	C-21 - F-20

1989 ICP32DQ INDEX

Floor Plan	A-05 - A-06
Accessories Group	A-07 - A-10
Bath Group	A-11 - A-13
Chassis Group	A-14 - A-20
Curtain, Cushion & Pad Group	A-21 - B-04
Dinette Group	B-05
Driver's Compartment Group	B-06 - B-09
Electrical Group	B-10 - B-13
Exterior Body Group	B-14 - B-19
Galley Group	B-20 - B-22
Heating & Air Conditioning Group	B-23 - B-24
Interior Finish Group	C-01 - C-02
LP Group	C-03
Lounge Group	C-04 - C-05
Water & Sewage Group	C-06
Window, Vent & Exterior Door Group	C-07 - C-20

DRIVER'S COMPARTMENT GROUP (CONTINUED)



MISCELLANEOUS DRIVER'S COMPARTMENT COMPONENTS

Key	Part Number	U/M	Description
1	077111-10-000	EA	Panel Trim - Driver's Side
2	077117-04-000	EA	Side Panel Trim - Plastic
3	077116-02-000	EA	Side Panel Trim - Plastic
4	077113-04-000	EA	Trim Panel - Hinge Pillar
5	077112-04-000	EA	Trim - Windshield - Interior - "A" Post - Left
6	093452-02-Y75	EA	Curtain Asm. w/Snap Top - Blackout - 48" x 50"
7	082286-04-W33	EA	Sunvisor Asm. - Driver - Vinyl w/Map Pocket
	007211-01-000	EA	Hinge - Sunvisor
	074012-01-000	EA	Clip - Sunvisor - Square - Pinch On
	M03110-23-Y75	EA	Cabinet Asm. - Front Overhead - Right - w/o Doors or Hardware
	M03110-21-Y75	EA	Cabinet Asm. - Front Overhead - Left - w/o Doors or Hardware
	086714-01-Y75	EA	Cabinet Asm. - Television
	089045-01-W13	EA	Pad Asm. - TV Cabinet - Vinyl
	M88304-46-Y75	EA	Door Asm. - Front Overhead Cabinet - 7" x 25.1" - w/o Hardware
H	085253-01-W36	EA	Instrument Panel Asm. - Upper - Left
	076808-05-000	EA	Dash Panel - Lower - Left
	076808-07-000	EA	Dash Panel - Lower - Left (w/Electronic Dash)

DRIVER'S COMPARTMENT GROUP (CONTINUED)

MISCELLANEOUS DRIVER'S COMPARTMENT COMPONENTS (CONT.)

Key	Part Number	U/M	Description
9	040714-01-000	EA	Mirror - Inside Rear View
	040714-01-700	EA	Rearview Mirror Kit
	079926-01-000	EA	Lamp - Flex Arm
	079926-01-700	EA	Bulb - Flex Arm Lamp
10	077108-04-000	EA	Trim Panel - Roof Front
11	077114-02-000	EA	Trim Panel - Center - Pillar
	076783-01-000	EA	Louver Asm. - A/C Adjustable
12	085252-01-W36	EA	Instrument Panel Asm. - Upper - Right
13	082286-03-U16	EA	Sunvisor Asm. - w/Mirror - Vinyl
	085709-01-000	EA	Mounting Asm. - Sunvisor Pivot - Black
	007211-01-000	EA	Hinge - Sunvisor
	074012-01-000	EA	Clip - Sunvisor Square - Pinch On
	083153-01-000	EA	Mirror - Sunvisor - 3.5" x 7"
14	093452-01-Y75	EA	Curtain Asm. w/Snap Top - Blackout - 48" x 50"
15	077112-03-000	EA	Trim - Windshield - Interior - "A" Post - Right
16	036420-02-000	EA	Defroster Fan
	077988-01-000	EA	Bracket - Fan - Right
	077988-02-000	EA	Bracket - Fan - Left
17	077113-03-000	EA	Trim Panel - Hinge Pillar
18	077115-02-000	EA	Side Panel Trim - Front
19	077111-09-000	EA	Trim Panel - Passenger Side
20	077117-03-000	EA	Side Panel Trim - Door
21	076797-01-000	EA	Instrument Panel Asm. - Upper - Right
22	076734-03-000	EA	Tray - Instrument Panel - Plastic
23	075993-01-Y75	EA	Motor Cover
	039623-01-000	EA	Seal - Engine Cover
	080544-01-000	EA	Trim - Motor Cover
24	076729-02-000	EA	Beverage Tray (Plastic)
	086752-04-000	EA	Trim Board - Beverage Tray
	077026-01-000	EA	Lens - Courtesy
	036196-01-000	EA	Bulb
	077431-06-000	EA	Beverage Tray - Woodlam.
	089294-01-000	FA	Cigarette Lighter

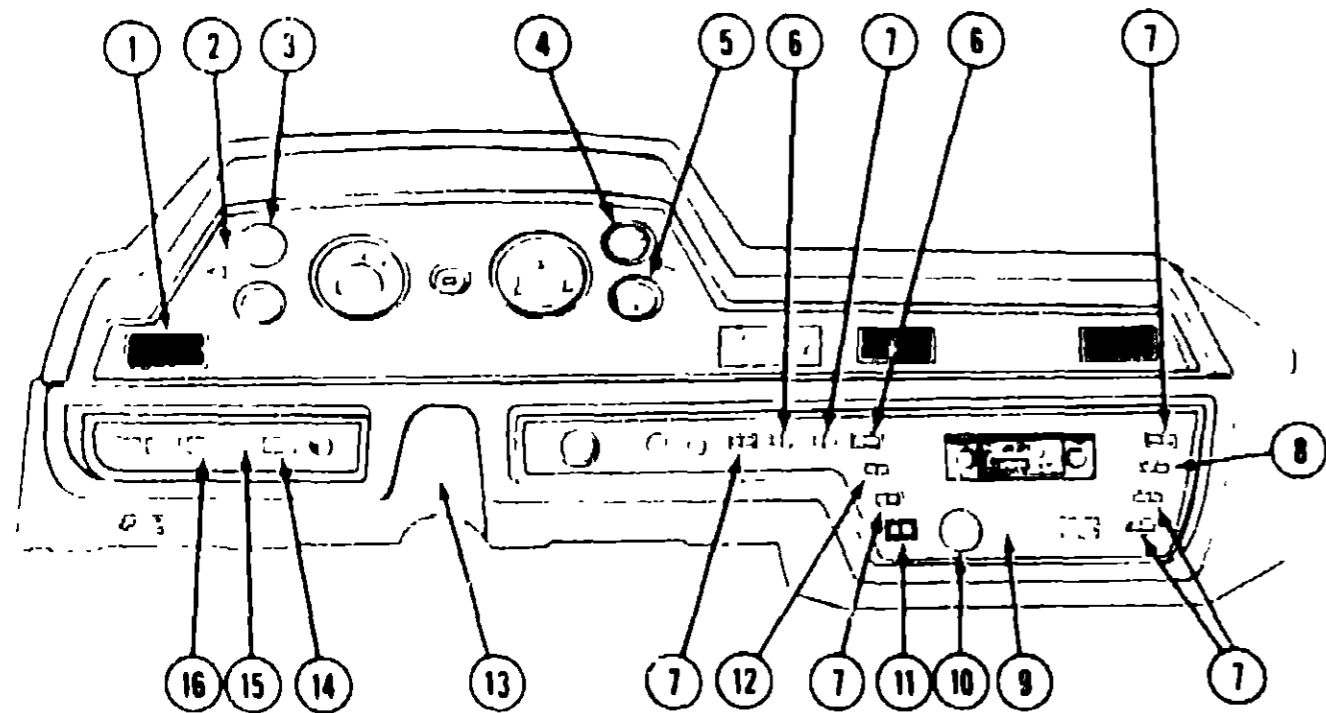
**1989 ITASCA
TABLE OF CONTENTS**

INTRODUCTION	A-01
ABBREVIATIONS	A-0
ALPHABETICAL INDEX	A-02 - A-04
ICP32DQ	A-05 - C-20
ICJP32RQ	C-21 - F-20

**1989 ICP32DQ
INDEX**

Floor Plan	A-05	A-06
Accessories Group	A-07	A-10
Bath Group	A-11	A-13
Chassis Group	A-14	A-20
Curtain, Cushion & Pad Group	A-21	B-04
Dinette Group		B-05
Driver's Compartment Group	B-06	B-09
Electrical Group	B-10	B-13
Exterior Body Group	B-14	B-19
Galley Group	B-20	B-22
Heating & Air Conditioning Group	B-23	B-24
Interior Finish Group	C-01	C-02
LP Group		C-03
Lounge Group	C-04	C-06
Water & Sewage Group		C-08
Window, Vent & Exterior Door Group	C-07	C-20

DRIVER'S COMPARTMENT GROUP (CONTINUED)



DASH SWITCHES & GAUGES

Key	Part Number	U/M	Description
1	076783 02-000	EA	Louver Asm - A/C Adjustable
2	076216-07 000	EA	Instrument Panel - Upper - Etandan
3	024460 04-000	EA	Gauge - Vacuum
4	024459-04-000	EA	Gauge - Voltmeter
5	031035-01-000	EA	Gauge - Hourmeter Generator
6	076759 04-000	EA	Switch - 3 Position
7	076759-01 000	EA	Switch - 2 Position
8	076759-09-000	EA	Switch - 3 Position
9	076217-14-000	EA	Instrument Panel - Lower Right
10	087202-02 000	EA	Switch - 4 Position
	090977-01 000	EA	Switch Knob - Rotary
11	086272 01-000	EA	Switch - 3 Position
12	076759 03-000	EA	Switch - 3 Position
13	076808-05 000	EA	Dash Panel - Lower - Left
	076808-07-000	EA	Dash Panel - Lower - Left
14	076759 07-000	EA	Switch - 2 Position
15	076218-03-000	EA	Instrument Panel - Lower Left
16	076759 05-000	EA	Switch - 3 Position
	077031 01 000	EA	Film - Black - 1" x 1.75"
	077031 02 000	EA	Film - Red - 1" x 1.75"
	081087 01 000	EA	Light Asm. - Indicator - Generator
	076788-01 000	EA	Socket - Lamp - Mini Rayonet
	076788-03 000	EA	Lamp Plate Asm.
	076788 04-000	EA	Lamp Plate Asm. - Instrument Panel - Turn Signal
	008103-01-000	EA	Bulb - Behind Lamp Plate Asm.
	087715-02-000	EA	Bezel - Electronic Dash
	087713 01-000	EA	Display Panel - w/o Aux. Fuel
	087714-02 000	EA	Computer - w/o Aux. Fuel
	081389 07 000	EA	Sender Kit - Speed - Electronic Dash

Parts used with the Electronic Dash Option

ELECTRICAL GROUP

WIRE, SWITCHES & RECEPTACLES

Key	Part Number	U/M	Description
	008208-01-000	EA	Box - Electrical - 3" x 3.5" Plastic
	008288-02-000	EA	Box - Electrical - 3.94" x 3.13" - Plastic
	008289-01-000	EA	Box - Electrical - 4" x 4" - 1/2 & 3/4 Steel - UL
	058049-01-000	EA	Box - Electrical - 2" x 3" x 2.25" - Steel
	041953-01-000	FT	Conduit - Convolute Silt - 5" I.D.
	041953-C3-000	FT	Conduit - Convolute Silt - 1" I.D.
	008353-01-000	EA	Connector - Clamping - 3/8 Cable UL & CSA
	008356-01-000	EA	Connector - Plastic - 3/8"
	058028-01-000	EA	Connector - Pigtail - Clear Nylon
	008311-01-000	EA	Connector - Wire Nut - Red
	031968-01-000	EA	Contact Plug - Brass - Tin Plated
	031967-01-000	EA	Contact - Receptacle
	008054 01-000	EA	Cord - Power - 10-3 30 Amp 25' UL
	008052-01-000	EA	Cord - Power - 10-3 30 Amp 25' CSA
	089238-01-000	EA	Cover - Electrical Box 4" x 4"
	008294-01-000	EA	Cover - Flat Blank - 4" x 4" - Steel - US
	084399-01-000	EA	Housing Asm - Trailer Pin
	084450-01-000	EA	Housing Asm - Trailer Plug
	084398-01-000	EA	Housing Asm - Trailer Receptacle
	054532-02-000	EA	Housing Pin - 4 Position
	054532-01-000	EA	Housing Pin - 8 Position
	075736-01-000	EA	Receptacle/Cover Asm - Gray (Exterior)
	084077-01-000	EA	Receptacle Cover - Ivory
	084076-01-000	EA	Receptacle - GFI - 15 Amp 125 Volt - Ivory
	058708-02-000	EA	Receptacle - Duplex - Ivory
	024924-02-000	EA	Receptacle - Power Cord
	058707-01-000	EA	Receptacle - Single - Brown
	086273-01-000	EA	Relay - Battery Disconnect
	083912-01-000	EA	Relay - Canister SPDT w/Ground
	075723-01-000	EA	Switch - Block Spacer w/o Holes
	075723-02-000	EA	Switch - Block Spacer w/Holes
	058264-01-000	EA	Switch - Leaf Actuator
	079363-03-000	EA	Switch Plate - Single - w/Switches - Brass
	079362-04-000	EA	Switch Plate - Double - Polished Brass
	079364-01-000	EA	Switch - On/Off Rocker - Brown
	081066-07 000	EA	Switch Plate - Double - Brass
	008195-01-000	EA	Switch - Push Button - 12 Volt
	079364-03-000	EA	Switch - On/Off Rocker
	076759-01-000	EA	Switch - SPST - Lock/Lock
	076759-03-000	EA	Switch - SPST Lock/Lock/Lock
	076759-04-000	EA	Switch - SPDT - Mom/Lock/Mom
	076759-05-000	EA	Switch - SPDT - Lock/Lock/Mom
	076759-06-000	EA	Switch - Dummy
	076759-07-000	EA	Switch - SPST - Mom Off/Lock (No)
	076759-09-000	EA	Switch - SPDT - Lock/Lock
	047443-02-000	EA	Terminal - 250 Receptacle - 12-10 AWG
	008348-01-000	EA	Terminal Ring - 2 - w/3/8 Stud
	008331-01-000	EA	Terminal Ring - 4 - w/3/8 Stud
	008328-01-000	EA	Terminal Ring - 12/10 Wire
	008028-01-000	FT	Wire - 18.5 Bonded - Blue/Red/Yellow/Orange/White
	008024-01-000	FT	Wire - 18.5 Bonded - Orange/White/Yellow/Blue/Brown
	008025 01-000	FT	Wire - 18.5 Bonded - Orange/White/Yellow/Blue/Green
	008026-01-000	FT	Wire w/Ground - Romex - 12/2
	008343 01 000	EA	Wire Tie - 8"

**1989 ITASCA
TABLE OF CONTENTS**

INTRODUCTION	A-01
ABBREVIATIONS	A-01
ALPHABETICAL INDEX	A-02 - A-04
ICP32DQ	A-05 - C-20
IC/JP32RC	C-21 - F-20

**1989 ICP32DQ
INDEX**

Floor Plan	A-05 - A-06
Accessories Group	A-07 - A-10
Bath Group	A-11 - A-13
Chassis Group	A-14 - A-20
Curtain, Cushion & Pad Group	A-21 - B-04
Dinette Group	B-05
Driver's Compartment Group	B-06 - B-09
Electrical Group	B-10 - B-13
Exterior Body Group	B-14 - B-19
Galley Group	B-20 - B-22
Heating & Air Conditioning Group	B-23 - B-24
Interior Finish Group	C-01 - C-02
LP Group	C-03
Lounge Group	C-04 - C-05
Water & Sewage Group	C-06
Window, Vent & Exterior Door Group	C-07 - C-20

ELECTRICAL GROUP (CONTINUED)

MISCELLANEOUS ELECTRICAL

Key	Part Number	U/M	Description
	008188-01-000	EA	Solenoid - Dual Battery - Relay
	083208-01-000	EA	Control Center - 32 Amp
	071278-01-700	EA	Door w/Catch - Brown
	071278-01-701	EA	Converter Module - 32 Amp
	071278-01-702	EA	Catch - Door
	073208-02-000	EA	Control Center - 45 Amp
	071278-02-700	EA	Converter Module - 45Amp
	083739-01-000	EA	Battery - 12 Volt - 80 Amp - Gould
	036420-02-000	EA	Fan - 6" Defroster - 2 Speed
	089294-01-000	EA	Lighter Asm - Cigarette
	087716-01-000	EA	Information Center - Uniforce
	077988-01-000	EA	Bracket - Defroster Fan - 6"

INTERIOR LIGHTS

Key	Part Number	U/M	Description
	065202-12-000	EA	Lamp - Wall Decor - Brass & Cream
	065201-05-000	EA	Shade - Wall Lamp - Bone Fabric
	067479-01-000	EA	Bulb - Wall Decor Lamp
	033508-02-000	EA	Dome Light - 1 Bulb - Ivory
	033509-02-000	EA	Dome Light - 2 Bulb - Ivory
	R77013 48 179	EA	Switch - Dome Light
	008218-01-000	EA	Bulb - Dome Light
	091937-01-000	EA	Light - Fluorescent - 12 V - Recessed
	091937-02-000	EA	Lens - Fluorescent - 12V
	091937-03-000	EA	Bulb - Fluorescent - 12V
	078424-02-000	EA	Light - Fluorescent - 12V - 18' - Almond
	078424-02-700	EA	Bulb - Fluorescent - 12V
	078424-02-701	EA	Lens - Fluorescent 12V
	061424-01-000	EA	Light - 12V - Rectangular - Aisle
	008103-01-000	EA	Bulb - Aisle
	072353-08-000	EA	Light - Reading - 360° Swivel - Tan
	008215-01-000	EA	Bulb - Reading Light
	082169-01-000	EA	Light - Make-Up - 3 Bulb
	081833-01-700	EA	Bulb - Make-Up Mirror
	087894-02-000	EA	Light - Wardrobe w/Switch
	087894-01-700	EA	Bulb - Wardrobe Light
	079926-01-000	EA	Lamp - Flexible Arm w/Bulb
	079926-01-700	EA	Bulb - Flexible Lamp
	077026-01-000	EA	Lens - Courtesy Light - Clear
	047000-01-000	EA	Socket Asm w/Pigtails
	036188-01-000	EA	Bulb - Courtesy Light
	076788-01-000	EA	Socket Lamp - Mini Bayonet
	081909-01-000	EA	Light Strip - Clear - 1.3" w/Mounting

ELECTRICAL GROUP (CONTINUED)

EXTERIOR LIGHTS

Key	Part Number	U/M	Description
	075880-01-000	EA	Lamp Asm - Side Marker - Amber
	075880-02-000	EA	Lamp Asm - Side Marker - Red
	067789-03-000	EA	Socket Asm - Lamp w/6"
	036198-01-000	EA	Bulb - Side Marker Lamp - 194
	078715-01-000	EA	Lamp - License
	067789-02-000	EA	Socket Asm - Lamp
	036198-01-000	EA	Bulb - License Lamp - 194
	087201-01-000	EA	Light - Dump Valve
	081237-01-000	EA	Lamp Asm - Cab Marker - Amber
	081237-02-000	EA	Lamp Asm - Cab Marker - Red
	008214-01-000	EA	Bulb - Cab Marker
	005069-01-000	EA	Porch Light - Recessed
	006215-01-000	EA	Bulb - Porch Light
	003089-01-700	EA	Lens - Recessed Porch Light
	091981-01-000	EA	Gasket - Porch Light
	088747-01-000	EA	Lamp Asm - Fog w/Clear Lens
	088747-01-700	EA	Cover - Fog Lamp
	077190-01-000	EA	Wire Asm - Fog Lamp
	088942-01-000	EA	Bracket - Fog Lamp Mounting
	075459-04-000	EA	Lamp Asm - Taillight - Red
	075459-05-000	EA	Lamp Asm - Taillight - Amber
	075459-08-000	EA	Lamp Asm - Back-up - Reflex
	037935-01-000	EA	Bulb - 1157
	078345-01-000	EA	Lens Asm - Park/Turn - Amber
	078345-02-000	EA	Socket Asm - Park/Turn Lamp
	008103-01-000	EA	Bulb - Park Lamp
	049185-01-000	EA	Headlamp Asm - Rectangular - High/Low Beam - Driver
	049186-01-000	EA	Headlamp Asm - Rectangular - High/Low Beam - Passenger
	049187-01-000	EA	Headlamp Asm - Rectangular - High Only - Driver
	049188-01-000	EA	Headlamp Asm - Rectangular - High Only - Passenger

WINDSHIELD WIPERS & WASHER

Key	Part Number	U/M	Description
	058000-02-000	EA	Washer Asm - Windshield
	072472-04-000	EA	Arm - Windshield Wiper - 29" - Black
	049464-03-000	EA	Blade - Windshield Wiper - 20" - Black
	049464-03-700	EA	Blade - Wiper Refill
	067190-04-000	EA	Shaft & Pivot Asm
	087191-02-700	EA	Motor Asm - Wiper
	067192-01-000	EA	Link Asm - Connection - 39"
	067193-01-000	EA	Link Asm - Connection - 7 00"
	067193-02-000	EA	Link Asm - Connection - 8 10"
	067193-03-000	EA	Link Asm - Connection - 8 80"
	067188-01-000	EA	Stud - Crank Wiper
	078388-01-000	EA	Bracket - Wiper Motor
	077048-01-000	EA	Adapter - Shaft - Pantograph Arm
	077049-01-000	EA	Acorn Nut - Aluminum

**1989 ITASCA
TABLE OF CONTENTS**

INTRODUCTION	A-01
ABBREVIATIONS	A-01
ALPHABETIC 'L INDEX	A-02 - A-04
ICP32DQ	A-05 - C-20
IC/JP32RQ	C-21 - F-20

**1989 ICP32DQ
INDEX**

Floor Plan	A-05 - A-08
Accessories Group	A-07 - A-10
Bath Group	A-11 - A-13
Chassis Group	A-14 - A-20
Curtain, Cushion & Pad Group	A-21 - B-04
Dinette Group	B-05
Driver's Compartment Group	B-06 - B-09
Electrical Group	B-10 - B-13
Exterior Body Group	B-14 - C-19
Galley Group	B-20 - B-22
Heating & Air Conditioning Group	B-23 - B-24
Interior Finish Group	C-01 - C-02
LP Group	C-03
Lounge Group	C-04 - C-05
Water & Sewage Group	C-06
Window, Vent & Exterior Door Group	C-07 - C-20

ELECTRICAL GROUP (CONTINUED)

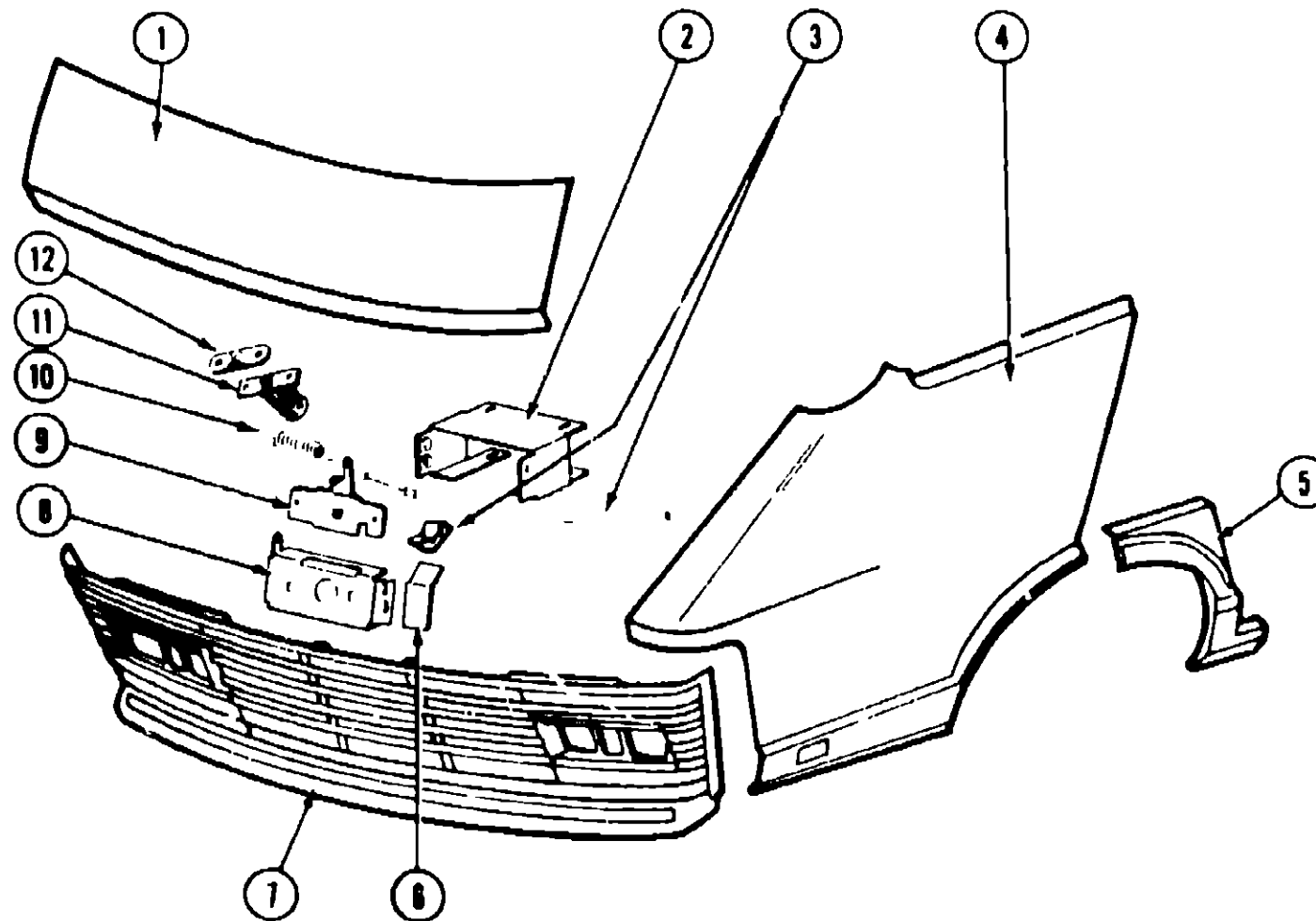
BULBS

Key	Part Number	U/M	Description
	008103-01-000	EA	Bulb - 53
	008213-01-000	EA	Bulb - 57
	008214-01-000	EA	Bulb - 67
	036196-01-000	EA	Bulb - 104
	008215-01-000	EA	Bulb - 1003
	067479-01-000	EA	Bulb - 1076
	063914-01-000	EA	Bulb - 1139
	008219-01-000	EA	Bulb - 1141
	037935-01-000	EA	Bulb - 1157
	037936-01-000	EA	Bulb - 1157A
	056266-02-000	EA	Bulb - 9431808
	061633-01-700	EA	Bulb - Make Up Light
	091937-03-000	EA	Bulb - Fluorescent - 12V
	078424-02-700	EA	Bulb - Fluorescent - 18"
	088733-01-700	EA	Bulb - Headlamp Asm

FUSES & CIRCUIT BREAKERS

Key	Part Number	U/M	Description
	008234-01-000	EA	Fuse - 10 Amp - 12 Volt
	008235-01-000	EA	Fuse - 15 Amp - 12 Volt
	062901-02-000	EA	Fuse - 5 Amp - Automotive
	062901-04-000	EA	Fuse - 10 Amp - Automotive
	062901-05-000	EA	Fuse - 15 Amp - Automotive
	062901-06-000	EA	Fuse - 20 Amp - Automotive
	062901-07-000	EA	Fuse - 25 Amp - Automotive
	062901-08-000	EA	Fuse - 30 Amp - Automotive
	008211-01-000	EA	Circuit Breaker - 6 Amp - 12 Volt
	033573-02-000	EA	Circuit Breaker - 15 Amp - 12 Volt - w/Mount
	033573-01-000	EA	Circuit Breaker - 20 Amp - 12 Volt - w/Mount
	044466-03-000	EA	Circuit Breaker - 25 Amp - 12 Volt - w/Mount
	008266-01-000	EA	Circuit Breaker - 30 Amp - 12 Volt - w/Mount
	063209-01-000	EA	Circuit Breaker - 15 Amp - 120 Volt
	063210-02-000	EA	Circuit Breaker - 15 Amp - 120 Volt (Ground Fault Interrupter)
	065720-01-000	EA	Circuit Breaker - 15 Amp
	065720-02-000	EA	Circuit Breaker - 20 Amp - 120 Volt
	065720-03-000	EA	Circuit Breaker - 25 Amp
	065720-04-000	EA	Circuit Breaker - 30 Amp - 120 Volt
	065720-05-000	EA	Circuit Breaker - 40 Amp
	063209-03-000	EA	Circuit Breaker - 15/20 Amp - 120 Volt
	063209-07-000	EA	Circuit Breaker - 20/20 Amp - 120 Volt
	063209-04-000	EA	Circuit Breaker - 30 Amp - 120 Volt
	063209-06-000	EA	Circuit Breaker - 30/15 Amp - 120 Volt
	071279-06-000	EA	Circuit Breaker - 30/15 Amp - 120 Volt
	062678-01-000	EA	Circuit Breaker - 40 Amp - 12 Volt
	082678-02-000	EA	Circuit Breaker - 20 Amp - 12 Volt

EXTERIOR BODY GROUP



EXTERIOR BODY PANELS & HARDWARE

Key	Part Number	U/M	Description
1	064759-01-W36	EA	Hood Panel
	076716-02-000	EA	Bracket Asm. - Striker - Latch
	058786-02-000	EA	Hood Latch - Adjusting
	M02680-01-U16	EA	Hinge Asm. - Hood - Passenger
	M02690-02-U16	EA	Hinge Asm. - Hood - Driver
	076767-02-000	EA	Cable Asm. - 1/16" x 16.5" - Stainless Steel
	091955-01-000	EA	Squeegee - Extended Handle
	091952-01-000	EA	Clip - 1" Gripper - Squeegee
	093527-01-000	EA	Bracket - Squeegee
2	073342-01-000	EA	Bracket Asm. - Hood Latch
3	077064-01-000	EA	Cable - Hood Release - w/Clamp
4	064751-04-W36	EA	Fender Panel - Front - Driver
	064751-03-W36	EA	Fender Panel - Front - Passenger
5	064714-04-000	EA	Fender Panel - Rear - Driver
	064714-05-000	EA	Fender Panel - Rear - Passenger
6	077407-C1-000	EA	Bracket - Hood Cable Release (Mounts under the hood)
	077406-01-000	EA	Bracket - Hood Cable Release (Mounts under the dash)
7	068440-01-700	EA	Grille - Panel Asm. - Lower
	068252-01-000	FT	Chrome Trim - 5/8" - Adhesive Back
	076739-01-000	EA	Bracket - Grille Hanger - Inner - Passenger
	076739-02-000	EA	Bracket - Grille Hanger - Inner - Driver
8	073336-02-000	EA	Bracket - Mounting - Latch
9	R77007-01-429	EA	Latch Asm. - Hood
10	R77006-38-499	EA	Spring - Hood Release
11	R77007-01-250	EA	Striker & Spring - Hood Latch
12	R77006-66-172	EA	Shim - Spacer Plate
	076772-01-000	EA	Clip - Prop Rod
	076837-01-000	EA	Prop Rod
	076764-06-000	EA	Roof Cap - Front Cab - Primed

1989 ITASCA TABLE OF CONTENTS

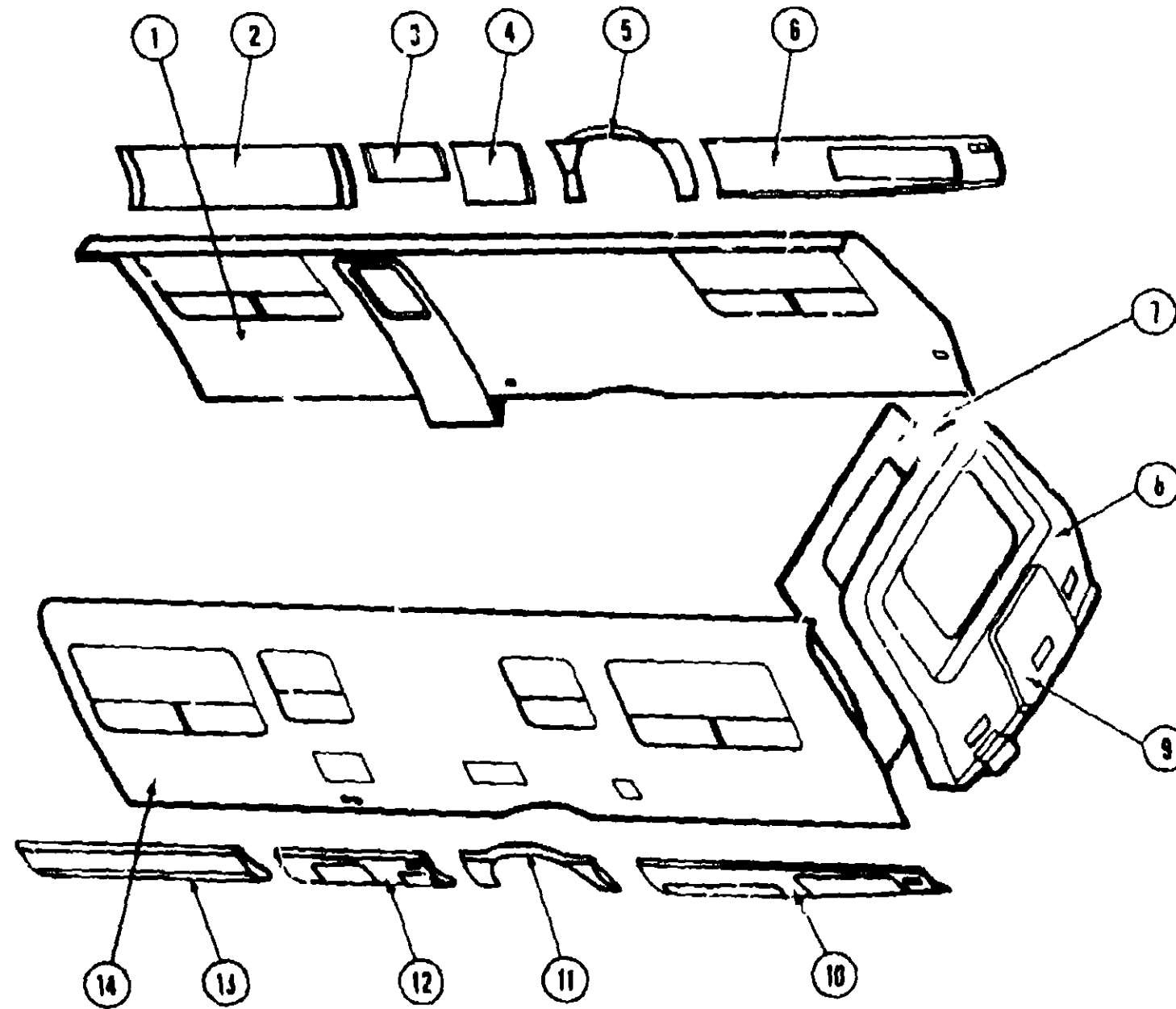
INTRODUCTION	A-01
ABBREVIATIONS	A-01
ALPHABETICAL INDEX	A-02 - A-04
ICP32DQ	A-05 - C-20
IC/JP32RQ	C-21 - F-20

1989 ICP32DQ INDEX

Floor Plan	A-05 - A-06
Accessories Group	A-07 - A-10
Bath Group	A-11 - A-13
Chassis Group	A-14 - A-20
Curtain, Cushion & Pad Group	A-21 - B-04
Dinette Group	B-05
Driver's Compartment Group	B-06 - B-09
Electrical Group	B-10 - B-13
Exterior Body Group	B-14 - B-19
Galley Group	B-20 - B-22
Heating & Air Conditioning Group	B-23 - B-24
Interior Finish Group	C-01 - C-02
LP Group	C-03
Lounge Group	C-04 - C-06
Water & Sewage Group	C-08
Window, Vent & Exterior Door Group	C-07 - C-20

EXTERIOR BODY GROUP (CONTINUED)

EXTERIOR BODY PANELS



**1989 ITASCA
TABLE OF CONTENTS**

INTRODUCTION	A-01
ABBREVIATIONS	A-01
ALPHABETICAL INDEX	A-02 A-04
ICP32DQ	A-05 C 20
IC/JP32RQ	C 21 F 20

**1989 ICP32DQ
INDEX**

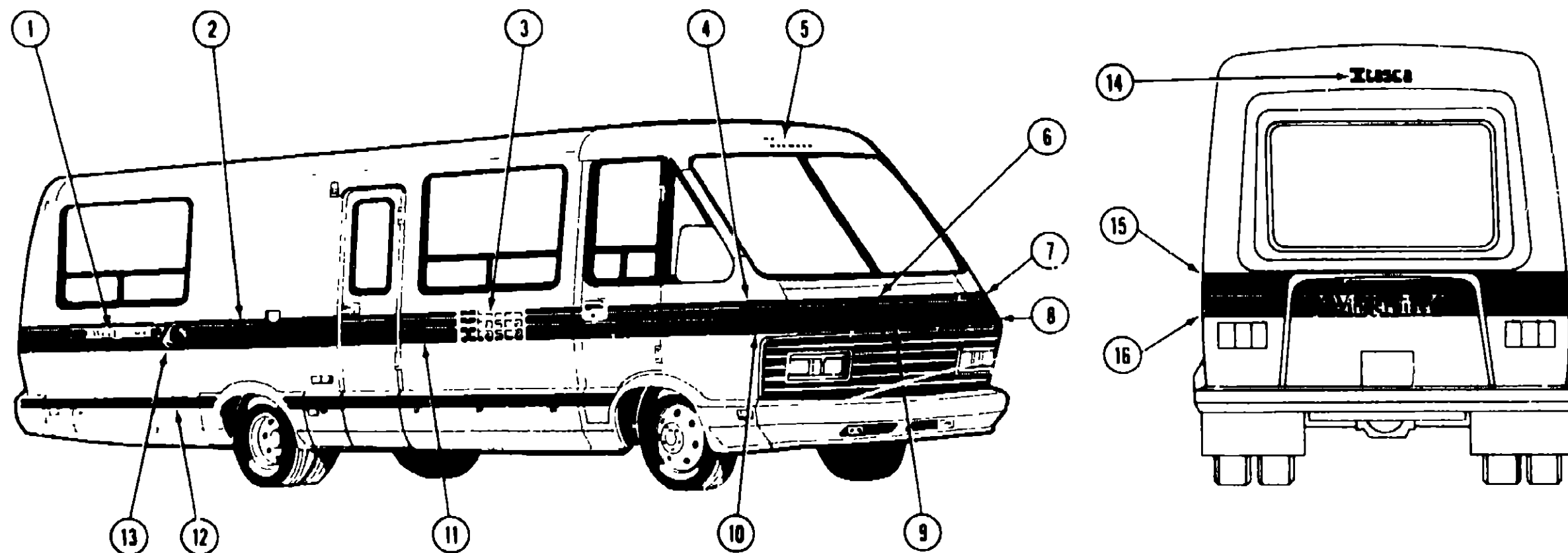
Floor Plan	A-05	A-08
Accessories Group	A 07	A 10
Bath Group	A 11	A 13
Chassis Group	A 14	A 20
Curtain, Cushion & Pad Group	A 21	B-04
Dinette Group		B-05
Driver's Compartment Group	B-06	B-09
Electrical Group	B 10	B 13
Exterior Body Group	B 14	B-19
Galley Group	B 20	B-22
Heating & Air Conditioning Group	B 23	B 24
Interior Finish Group	C-01	C-02
LP Group		C-03
Lounge Group	C-04	C-06
Water & Sewage Group		C-08
Window, Vent & Exterior Door Group	C 07	C 20

Key	Part Number	U/M	Description
1	M92114 01 Y81	EA	Sidewall Asm Right
2	085037 01 X75	EA	Panel Asm Front Valance Right
3	088684 01 X75	EA	Panel Asm Valance Entrance Door
4	088362-01 X75	EA	Panel Asm Center Valance Right
5	088358 01 X75	EA	Panel Asm Wheelwell Right
6	M02586 33 X75	EA	Valance Panel Rear Right Gray
7	085182 01 Y75	EA	Backwall Asm
8	M01616 11 W38	EA	Rear Cap Asm Gray
9	M01990 04 W38	EA	Spare Tire Cover Asm
10	M02586 J4 X75	EA	Valance Panel Rear Left Gray

Key	Part Number	U/M	Description
11	088358-02 X75	EA	Panel Asm Wheelwell Left
12	M02586-35 X75	EA	Panel Asm Center Valance Left
13	085037-02 X75	EA	Panel Asm Front Valance Left
14	M92110-01 Y81	EA	Sidewall Asm Left
	M03892-01 Y75	EA	Roof Asm 180"
	073505-08-000	EA	Roof Trim 180"
	075784-05-000	EA	Cap Asm Front Primed
	078515-01-000	EA	Inside Trim Wheelwell Rear Left/Right Steel
	086922-03-000	EA	Trim Panel Rear Right Gray
	086922-04-000	EA	Trim Panel Rear Left Gray
	073050-02-000	EA	Mounting Clip Valance Panels
	089362-03-000	EA	Brace Floor to Valance Panel 13 21"
	084349-01 U18	EA	Shroud Rearview TV Camera Gray (Kanematsu Monitor)
	093952-01-03A	EA	Shroud Rear View TV Camera Gray (Sony Monitor)

EXTERIOR BODY GROUP (CONTINUED)

LABELS & DECALS



Key	Part Number	U/M	Description
1	073362-03-000	EA	Decal - Logo - "Windcruiser" - Gray
2	093680-11-03A	FT	Multi-Stripe - 4.6" x 150' - Peach/Dark Rose
3	093715 01 03A	EA	Decal - Logo - "Itasca" - Multi-Stripe
4	093709-01-03A	EA	Decal - Upper Front Corner - Right - Peach/Dark Rose
5	069227-08-000	EA	Decal - Logo - "Itasca" - 3.7" x 15.8"
6	093714-01-03A	EA	Decal - Upper Hood - Peach/Dark Rose
7	093709-02-03A	EA	Decal - Upper Front Corner - Left - Peach/Dark Rose
8	093710-02-03A	EA	Decal - Lower Front Corner - Left - Brown
9	093713 01-03A	EA	Decal - Lower Hood - Brown
10	093710-01-03A	EA	Decal - Lower Front Corner - Right - Brown
11	093681 04-03A	FT	Film Stripe - 4" x 150' - Brown
12	093680-02-04A	FT	Film - Multistripe - 3" x 150' - Dark Rose/Peach
13	093983 01 02A	EA	Decal - 75th Anniversary
14	084075-01-000	EA	Decal - "By Winnebago Ind."
15	093711-02-03A	EA	Decal - Upper Rear Corner - Left - Peach/Dark Rose
	093711-01-03A	EA	Decal - Upper Rear Corner - Right - Peach/Dark Rose
16	093712 02-03A	EA	Decal - Lower Rear - Left - Brown
	093712-01 03A	EA	Decal - Lower Rear - Right - Brown

1989 ITASCA TABLE OF CONTENTS

INTRODUCTION	A-01
ABBREVIATIONS	A-01
ALPHABETICAL INDEX	A-02 - A-04
ICP32DQ	A-05 - C-20
IC/JP32RQ	C-21 - F-20

1989 ICP32DQ INDEX

Floor Plan	A-05 - A-06
Accessories Group	A-07 - A-10
Bath Group	A-11 - A-13
Chassis Group	A-14 - A-20
Curtain, Cushion & Pad Group	A-21 - B-04
Dinette Group	B-05
Driver's Compartment Group	B-06 - B-09
Electrical Group	B-10 - B-13
Exterior Body Group	B-14 - B-19
Galley Group	B-20 - B-22
Heating & Air Conditioning Group	B-23 - B-24
Interior Finish Group	C-01 - C-02
LP Group	C-03
Lounge Group	C-04 - C-05
Water & Sewage Group	C-06
Window, Vent & Exterior Door Group	C-07 - C-20

EXTERIOR BODY GROUP (CONTINUED)

LABELS & EXTERIOR PAINT

Key	Part Number	U/M	Description
	074983-01-000	EA	Label - Air Conditioner Selector
	087236-01-000	EA	Label - Cable - Input
	065748-01-000	EA	Label - Caution - Battery Charging
	087237-01-000	EA	Label - Certification
	068383-01-000	EA	Label - Diesel Fuel
	006195-01-000	EA	Label - Electrical Test
	047731-01-000	EA	Label - Emergency Exit
	006199-01-000	EA	Label - Exit - Escape Window
	061417-01-000	EA	Label - Fuel
	087207-02-000	EA	Label - Fuel Cap Removal
	006196-01-000	EA	Label - Gas Test
	054531-01-000	EA	Label - L.P Gas Only
	073998-01-000	EA	Label - LPG Odor Warning
	040944-01-000	EA	Label - Open - Entrance Door
	061606-01-000	EA	Label - Overlay - Vehicle Certification
	088757-01-000	EA	Label - Retail - 8 5/8" x 12 7/8"
	056259-01-000	EA	Label - Safety Check List
	006064-01-000	EA	Label - Seal - w/o Seat Belts
	006187-01-000	EA	Label - Sewage
	079966-01-000	EA	Label - Warning - Stowed Motion
	077958-01-000	EA	Label - Warning - Smoke Detector
	075221-03-000	EA	Label - Trailer Hitch Capacity
	091224-01-000	EA	Label - Trailer Lighting
	078236-02-000	EA	Label - TV Outlet
	090312-01-000	EA	Label - Vapor Relief
	075220-01-000	EA	Label - Warning - Exterior Load Limit
	050225-01-000	EA	Label - Warning - Stove Vent - US
	006168-01-000	EA	Label - Waste Water
	006197-01-000	EA	Label - Water Test
	077927-01-000	EA	Label - Warning - Wheel Nuts
	006001-01-000	EA	Nameplate - "Winnebago" - Chrome Plastic
	008062-01-000	EA	Tag - Electrical - 110 Volt Connection
	006040-01-000	EA	Tag - Gas - Refueling Warning
	006019-01-000	EA	Tag - RVI Approved - Plastic
	058637-05-000	EA	Paint - Gray Acrylic Enamel - 16 oz Aerosol (Dupont #71537)
	045681-03-000	EA	Paint - Gloss Black - Acrylic Enamel - 16 oz Aerosol (Dupont #99)
	074559-01-000	EA	Label - "LPG" 3 3/4" x 1.75" (Calif Code)

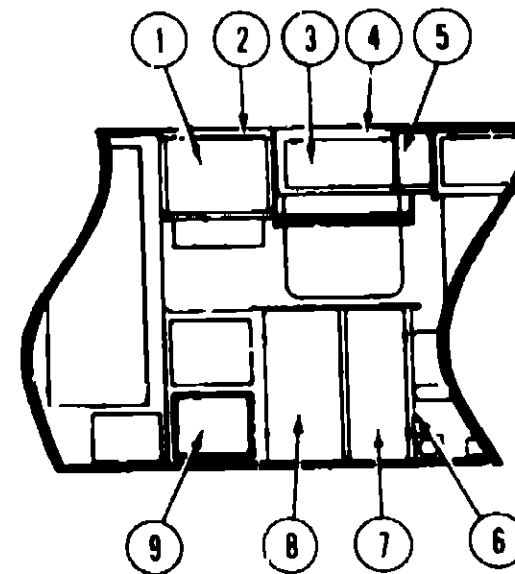
SHEET FIBERGLASS, ALUMINUM & STYROFOAM

Key	Part Number	U/M	Description
	044487-01-001	EA	Aluminum - Mill Finish - No Design (Roof) - 96" x 360"
	000868-01-000	SF	Styrofoam - 3/4" x 24" x 96"
	000870-01-000	SF	Styrofoam - 1 1/2" x 24" x 96"
	000870-03-000	SF	Styrofoam - 1.34" x 48" x 96"
	000870-04-000	SF	Styrofoam - 1.34" x 24" x 96"
	083574-01-000	SF	Styrofoam - 1 5/8" x 24" x 85 25"
	084882-02-700	EA	Fiberglass/Mende Board Sheet - Gray

MISCELLANEOUS EXTERNALLY MOUNTED PARTS

Key	Part Number	U/M	Description
	083558-01-000	EA	Plumbing Seal - Roof Vent - 1 1/2" - Covered
	087859-03-000	EA	Fill - City Water - Recessed - Gray
	087859-01-700	EA	Water Fill - Cap & Strap Only
	081240-02-000	EA	Water Fill - Lockable - Gray
	073050-02-000	EA	Mounting Clip - Valance Panel
	088362-03-000	EA	Brace - Floor to Valance - 13.21"
	085747-05-000	EA	Trim - Floor to Sidewall - 81.8"
	069728-02-000	EA	Bumper - Black - .88" x 40"

GALLEY GROUP



GALLEY CABINETRY

Key	Part Number	U/M	Description
	M88304-30-Y75	EA	Door Asm - Galley Microwave - 17 7/8" x 22 8"
1	M03110-47-Y75	EA	Cabinet Asm - Galley - Microwave - w/o Door or Hardware
2	M88304-D5-Y75	EA	Door Asm - Galley Overhead - 12" x 25 9" - w/o Hardware
3	M03110-83-Y75	EA	Cabinet Asm - Galley Overhead - w/o Doors or Hardware
4	085468-02-Y75	EA	Pad Asm - End Cap - Galley Overhead - Vinyl
5	M03479-02-Y75	EA	Cabinet Asm - Galley - w/o Doors, Countertop, or Hardware
6	093624-12-Y21	EA	Countertop Asm - Galley Cabinet
	M82184-09-Y75	EA	Drawer Asm - Galley Cabinet
7	M88304-32-Y75	EA	Door Asm - Galley - 14.3" x 33 4" - w/o Hardware
8	M88304-31-Y75	EA	Door Asm - Galley - 15 9" x 21 8" - w/o Hardware
9	M92073-01-Y75	EA	Door Asm - Furnace - 15.9" x 21 8" - w/o Hardware
	072389-34-000	EA	Mesh Insert - Furnace Door - 18 3/4" x 5 8" - Gold
	093605-01-01A	EA	Rack Asm - Towel - White Wire
	093238-01-Y75	EA	Cover - Knife Rack
	093282-01-000	EA	Knife Rack Asm - Below Counter
	092487-02-Y75	EA	Spice Rack Asm
	094893-01-Y75	EA	Panel - Refrigerator Insert - 19.6" x 18" - Top
	094893-02-Y75	EA	Panel - Refrigerator Insert - 19.6" x 39.2" - Bottom

1989 ITASCA TABLE OF CONTENTS

INTRODUCTION	A-01
ABBREVIATIONS	A-01
ALPHABETICAL INDEX	A-02 - A-04
ICP32DQ	A-05 - C-20
IC/JP32RQ	C-21 - F-20

1989 ICP32DQ INDEX

Floor Plan	A-05 - A-06
Accessories Group	A-07 - A-10
Bath Group	A-11 - A-13
Chassis Group	A-14 - A-20
Curtain, Cushion & Pad Group	A-21 - B-04
Dinette Group	B-05
Driver's Compartment Group	B-06 - B-09
Electrical Group	B-10 - B-13
Exterior Body Group	B-14 - B-19
Galley Group	B-20 - B-22
Heating & Air Conditioning Group	B-23 - B-24
Interior Finish Group	C-01 - C-02
LP Group	C-03
Lounge Group	C-04 - C-05
Water & Sewage Group	C-06
Window, Vent & Exterior Door Group	C-07 - C-20

GALLEY GROUP (CONTINUED)

GALLEY HARDWARE

Key	Part Number	U/M	Description
	088737-01-000	EA	Microwave Oven - Magic Chef
	088737-02-000	EA	Frame Kit - Microwave Oven
	088882-03-000	EA	Bracket Asm. - Microwave - Right
	088882-04-000	EA	Bracket Asm. - Microwave - Left
	093528-01-000	EA	Sink - Stainless Steel - Double
	092303-01-000	EA	Strainer - w/Basket - Sink
	064952-01-000	EA	Faucet - Swing Spout - 8"
	091254-01-000	EA	Gasket - Galley Faucet
	058334-01-000	EA	Wastebasket - 9 3/4" x 7" x 10" - White
	077409-02-000	EA	Drawer Slide - Plastic - 20 7/8"
	077404-02-000	EA	Drawer Slide - Plastic - 20" x 12 7/8"
	037688-01-000	EA	Drawer Rail - V-Guide
	093288-03-01A	EA	Tray - Silverware - Plastic
	094067-01-01A	EA	Drawer Divider - Plastic
	081646-01-000	EA	Rack - White Wire - Storage
	075451-02-000	EA	Clip - White Wire Storage Rack
	059777-02-000	EA	Hinge - Antique - Light Brass
	081376-01-000	EA	Back Plate - Door Pull - Polished Brass
	093579-01-000	EA	Pull - Door - Polished Brass & Chrome
	093153-01-000	EA	Cutting Board - Maple
	092487-02-Y75	EA	Rack Asm. - Spice
	092488-01-Y75	EA	Towel Holder - Paper
	054450-01-000	EA	Level - Refrigerator
	084466-04-000	EA	Slide Asm. - Galley Cabinet Drawer - Right
	084466-05-000	EA	Slide Asm. - Galley Cabinet Drawer - Left

GALLEY APPLIANCES

Key	Part Number	U/M	Description
	094039-02-000	EA	Refrigerator - 3 Way Large Double Door
	094039-01-700	EA	P.C. Board Asm
	094039-01-701	EA	Eye-brow Asm
	094039-01-702	EA	Upper Door Gasket - Gray
	094039-01-703	EA	Hinge Plate - Left (Brown)
	094039-01-704	EA	Hinge Plate - Left (Black)
	094039-01-705	EA	Upper Door Liner - White (Brown)
	094039-01-706	EA	Upper Door Liner - White (Black)
	094039-01-707	EA	Upper Door Handle Asm. (Brown)
	094039-01-708	EA	Upper Door Handle Asm. (Black)
	094039-01-709	EA	Hinge Plate - Bottom (Brown)
	094039-01-710	EA	Hinge Plate - Bottom (Black)
	094039-01-711	EA	Juice Rack - Gray w/Silver Trim
	094039-01-712	EA	Door Bin - Gray w/Silver Trim
	094039-01-713	EA	Lower Door Gasket - Gray
	094039-01-714	EA	Lower Door Liner - White (Brown)
	094039-01-715	EA	Lower Door Liner - White (Black)
	094039-01-716	EA	Lower Door Handle Asm. (Brown)
	094039-01-717	EA	Lower Door Handle Asm. (Black)
	094039-01-718	EA	Milk Bin - Gray w/Silver Trim
	094039-01-719	EA	Dairy Keeper - Gray w/Silver Trim
	094039-01-720	EA	Cabinet Asm. - Brown Frame w/White Liner
	094039-01-721	EA	Cabinet Asm. - Black Frame w/White Liner
	094039-01-722	EA	Hole Plug - Hinge Holes - Black
	094039-01-723	EA	Hinge Bracket - Top - Black
	094039-01-724	EA	Hinge Bracket - Top - Black

GALLEY GROUP (CONTINUED)

GALLEY APPLIANCES (CONT.)

Key	Part Number	U/M	Description
	094039-01-725	EA	Hinge Pin - Male - Black
	094039-01-726	EA	Evaporator Shelf
	094039-01-727	EA	Hinge Bracket - Center Hinge (Brown)
	094039-01-728	EA	Hinge Bracket - Center Hinge (Black)
	094039-01-729	EA	Hinge Pin - Shaft - Center Hinge (Brown)
	094039-01-730	EA	Hinge Pin - Shaft - Center Hinge (Black)
	094039-01-731	EA	Crisper - Gray w/Silver Trim
	094039-01-732	EA	Front Cover - Bottom Trim - Black
	094039-01-733	EA	Wire Shelf - Middle
	094039-01-734	EA	Wire Shelf - Top w/Riser
	094039-01-735	EA	Inside Drip Tray - White
	094039-01-736	EA	Light Switch - Black
	094039-01-737	EA	Power Supply
	094039-01-738	EA	Manual Shut-Off - Harper Wyman
	089983-02-000	EA	Baffle - Refrigerator - Back
	090195-04-000	EA	Baffle - Refrigerator - Lower
	092696-01-01A	EA	Hood - Range - w/Monitor - Almond
	092696-01-02A	EA	Hood Vent - w/Door
	092696-01-700	EA	Fastener - Plastic
	032696-01-701	EA	Knob - Plastic
	092696-01-702	EA	Register/Wire Asm
	092696-01-703	EA	Fuse Holder
	092696-01-704	EA	Switch - Lever Asm. Module
	092696-01-705	EA	Actuator - Rod/Turnbuckle
	092696-01-706	EA	Screw Cap
	092696-01-707	EA	Gasket - Vent
	092696-01-708	EA	Mounting Clip - Vent
	092696-01-709	EA	Lamp #912
	092696-01-710	EA	Holder - Lamp
	092696-01-711	EA	Lens - Lamp
	092696-01-712	EA	Filter - Mesh
	092696-01-713	EA	Chassis w/Wiring - Almond
	092696-02-01A	EA	Hood - Range w/Monitor - CSA
	092696-02-700	EA	Chassis w/Wiring - Almond
	085280-03-000	EA	Cover - Burner - Bi-Fold - Almond
	081374-03-000	EA	Range Top - 4 Burner - Almond - w/Oven
	064782-02-700	EA	Top - Main - 4 Burner - Almond
	081374-03-700	EA	Trim - Cab Top - Left
	081374-03-701	EA	Trim - Cap Top - Right
	081374-03-703	EA	Trim Top Rear
	081374-01-704	EA	Guard - Fabric

**1989 ITASCA
TABLE OF CONTENTS**

INTRODUCTION	A-01
ABBREVIATIONS	A-01
ALPHABETICAL INDEX	A-02 - A-04
ICP32DQ	A-05 - C-20
IC/JP32RQ	C-21 - F-20

**1989 ICP32DQ
INDEX**

Floor Plan	A-05 - A-06
Accessories Group	A-07 - A-10
Bath Group	A-11 - A-13
Chassis Group	A-14 - A-20
Curtain, Cushion & Pad Group	A-21 - B-04
Dinette Group	B-05
Driver's Compartment Group	B-06 - B-09
Electrical Group	B-10 - B-13
Exterior Body Group	B-14 - B-19
Galley Group	B-20 - B-22
Heating & Air Conditioning Group	B-23 - B-24
Interior Finish Group	C-01 - C-02
LP Group	C-03
Lounge Group	C-04 - C-05
Water & Sewage Group	C-06
Window, Vent & Exterior Door Group	C-07 - C-20

HEATING & AIR CONDITIONING GROUP

HEATING & AIR CONDITIONING GROUP (CONTINUED)

FURNACE & ROOF AIR CONDITIONER

Key	Part Number	U/M	Description
	075696-02-000	EA	Furnace - 34,000 BTU - w/Direct Ignition - Suburban
	075696-02-700	EA	Cabinet Asm
	075696-02-701	EA	U-Clip - Finnerman
	075696-02-702	EA	Cabinet - Front
	075696-02-703	EA	Collar - Duct
	075696-02-704	EA	Thermostat
	075696-02-705	EA	Harness - Power Supply
	075696-02-706	FA	Electrode
	075696-02-707	EA	Burn - Access Door
	075695-02-708	EA	Gasket - Electrode
	075696-02-709	EA	Glass Disc
	075696-02-710	EA	Gasket - Burner Access Door
	075696-02-711	EA	Switch - Limit
	075696-02-712	EA	Module Board
	075696-02-713	EA	Relay - Time Delay
	075696-02-714	EA	Vent Cap & Exhaust Tube Asm.
	075696-02-715	EA	Burner Asm.
	075696-02-716	EA	Orifice - Main Burner
	075696-02-717	EA	Gasket - Manifold
	075696-02-718	EA	Manifold Pipe
	075696-02-719	EA	Valve
	075696-02-720	EA	Pipe Asm - Gas Insert
	075696-02-721	EA	Gasket - Gas Inlet Pipe
	075696-02-722	EA	Elbow 90°
	075696-02-723	EA	Valve Manual - Off
	075696-02-724	EA	Wheel - Room Air
	075696-02-725	EA	Blower - Housing Asm
	075696-02-726	EA	Microswitch & Paddle Asm
	075696-02-727	EA	Bracket - Motor Mount
	075696-02-728	EA	Gasket - Crossover Tube
	075696-02-729	EA	Crossover Tube
	075696-02-730	FA	Motor Asm
	075696-02-731	EA	Gasket - Motor Mount
	075696-02-732	EA	Housing - Combustion Air Asm
	075696-02-733	EA	Wheel - Combustion Air
	075696-02-734	EA	Gasket - Combustion Air Housing
	075696-02-735	EA	Housing - Combustion Air - O/S
	084405-01-000	EA	Heater Asm. - Rear - Ducted
	084405-01-700	EA	Heater Core
	084405-01-701	EA	Fan
	084405-01-702	EA	Motor - 12 Volt
	009198-01-000	FT	Duct - Flexible - 4" I D x 25'
	056424-02-000	EA	Register - 4" Dia - Plastic - w/o Damper
	009200-01-000	EA	Tape - Furnace - 1 1/2"
	093766-01-000	EA	Shroud Asm - Ceiling - Roof Air - Cool Only
	093766-02-000	EA	Shroud Asm. - Ceiling - Roof Air - Cool Only
	093766-03-000	EA	Thermostat - Air Conditioner & Furnace
	093765-01-02A	EA	Air Conditioner - 110 Volt - Roof Mount - 13,500 - Gray
	093765-01-700	EA	Decal Package - Super Machine
	093765-01-701	EA	Overload
	093765-01-702	EA	Evaporator
	093765-01-703	EA	Switch - Selector
	093765-01-704	EA	Decal - Cool
	093765-01-705	EA	Decal - Heat & Cool
	093765-01-706	EA	Motor
	093765-01-707	EA	Spring
	093765-01-708	EA	Pinnut

AUTOMOTIVE HEATER

Key	Part Number	U/M	Description
	080426-02-000	EA	Heater/Evaporator Asm. w/Pressure Sensor Switch
	080426-02-701	EA	Hose - Liquid
	080426-02-702	EA	Hose - Suction
	080426-02-703	EA	Switch - Pressure - Fan
	080426-01-700	EA	Evaporator Coil
	072341-01-705	EA	Resistor
	072341-01-701	EA	Heater Core
	075789-01-705	EA	Expansion Valve
	072341-01-707	EA	Thermostat
	072341-01-706	EA	Blower Motor
	072341-01-707	EA	Blower Wheel
	072341-01-708	EA	Vacuum Motor
	072341-01-710	EA	Control Head
	072341-04-702	EA	Relay
	072341-01-714	EA	Heater Control Valve
	007108-01-000	FT	Hose Heater - 5/8" I D SAE
	007108-02-000	FT	Hose - Heater - 3/4" I D SAE
	031170-01-000	EA	Clamp - Cable - 3/16" DIA
	076252-01-000	EA	Plenum - Floor Heat
	076988-01-000	EA	Door Asm - Heater Air
	076783-01-000	EA	Louver Bezel - Black 2 1/2"
	076229-01-000	EA	Duct - Heater

**1989 ITASCA
TABLE OF CONTENTS**

INTRODUCTION	A-01
ABBREVIATIONS	A-01
ALPHABETICAL INDEX	A-02 - A-04
ICP32DQ	A-05 - C-20
IC/JP32RQ	C-21 - F-20

**1989 ICP32DQ
INDEX**

Floor Plan	A-05 - A-06
Accessories Group	A-07 - A-10
Bath Group	A-11 - A-13
Chassis Group	A-14 - A-20
Curtain, Cushion & Pad Group	A-21 - B-04
Dinette Group	B-05
Driver's Compartment Group	B-06 - B-09
Electrical Group	B-10 - B-13
Exterior Body Group	B-14 - B-19
Galley Group	B-20 - B-22
Heating & Air Conditioning Group	B-23 - B-24
Interior Finish Group	C-01 - C-02
L.P. Group	C-03
Lounge Group	C-04 - C-05
Water & Sewage Group	C-06
Window, Vent & Exterior Door Group	C-07 - C-20

INTERIOR FINISH GROUP

CABINETS & TABLE HARDWARE

Key	Part Number	U/M	Description
	059777-02-000	EA	Hinge - Cabinet Door - Brass
	074493-02-000	EA	Overhead Door - Support - Sprung
	041194-01-000	EA	Base - Pedestal Table - Flush Mounts - Floor
	009040-03-000	EA	Base - Pedestal Table - Raised
	009040-04-000	EA	Leg - Pedestal Table - 27 5" - Brown
	084046-01-000	EA	Clip - Pedestal Table Leg
	079789-01-000	EA	Support - Table - Pullout - Beige
	080728-01-000	EA	Handle - Recessed - Brown Plastic
	079921-01-000	EA	Roller - Nylon w/Shaft
	088254-01-000	EA	Catch - Magnetic
	093579-01-000	EA	Pull - Cabinet - Chrome/Brass
	081376-01-000	EA	Back Plate - Door Pull - Polished Brass
	093588-03-000	EA	Catch - Spring Roller
	093588-04-000	EA	Strike - Steel Spring
	074045-06-000	EA	Plug - 1/2" - Woodland Oak
	092652-01-000	EA	Guide Wheel - Top Mount - Door
	084466-02-000	EA	Slide Asm - Drawer - Right
	084466-03-000	EA	Slide Asm - Drawer - Left
	084466-04-000	EA	Slide Asm - Cabinet - Right
	084466-05-000	EA	Slide Asm - Cabinet - Left
	047744-01-000	EA	Kit Drawer Glide
	009089-01-000	EA	Clip - Mirror
	093580-01-000	EA	Glass - 75th Anniversary
	084071-02-000	EA	Decorative Rod - Brass
	084070-01-000	EA	Center Post - Decorative Rod - Brass
	084070-02-000	EA	End Post - Decorative Rod - Brass
	084451-01-000	EA	Catch - TV Shelf - Brass
	058331-10-000	EA	Mirror - Safety Glass - TV Shelf - 14" x 17"
	064781-05-000	EA	Cup Holder - Two Step

INTERIOR MOLDINGS & TRIM

Key	Part Number	U/M	Description
	069733-75-000	EA	Batt Strip - Woodland Oak
	085284-16-000	EA	Batt Strip - Moire - Adhesive
	022992-08-000	FT	Molding - Reverse Cove - Champaign White
	074044-90-000	EA	Molding - Oak Trim - w/o Groove
	077840-01-Y75	EA	Molding - Wall - Cap
	069733-75-000	EA	Roof Trim - Woodland Oak (Ceiling)
	078394-01-000	FT	Brass Insert - Oak Molding (Ceiling)
	093589-01-000	FT	Sealer Tape - Avonite Countertop
	009812-21-000	EA	F-Molding - 50" - Bleached Oak
	083620-04-000	FT	T-Molding - w/Edge Lips - Light Oak
	009778-07-000	FT	U-Channel - 1" - Light Oak
	009767-06-000	FT	Welting - Beige
	085733-01-000	EA	Trim - Roof Cap

MISCELLANEOUS

Key	Part Number	U/M	Description
	053552-02-W24	EA	Handle Asm - Assist - Vinyl
	041944-04-000	EA	Fire Extinguisher - 5BC - w/o Bracket
	084472-01-000	EA	Holder - Plastic - Fire Extinguisher
	094499-01-000	EA	Fire Extinguisher - 10 BC - w/Bracket
	054185-31-000	EA	Owner's Manual - Winnebago/Itasca - 1989
	081072-02-000	EA	Floor Mat - Front - Right - Itasca
	081074-02-000	EA	Floor Mat - Front - Left - Itasca
	081075-02-000	EA	Floor Mat - Entrance - Itasca

INTERIOR FINISH GROUP (CONTINUED)

PANELING & COUNTERTOP

Key	Part Number	U/M	Description
	074497-13-000	SF	Paneling - Wall - Woodgrain - 48" x 84"
	088272-15-000	SF	Paneling - Decor - Moire - 48" x 84"
	079066-02-000	SF	Paneling - Closet - Solid Cedar - 48" x 96"
	088272-19-000	SF	Paneling - Steel - Shower
	074498-24-000	SF	Plastic Laminate - Sterling
	085217-03-000	SF	Countertop - Avonite - Almond
	070225-22-000	FT	Edge Molding - Beige - 1 3" x 6 00"

FABRICS & CARPETS

Key	Part Number	U/M	Description
	088274-83-000	YD	Fabric - Upholstery - Cream (Sofa)
	088274-85-000	YD	Fabric - Upholstery - Dazzle (Bucket Seats)
	088273-30-000	YD	Fabric - Bedspread - Ravel (Headboard)
	088273-31-000	YD	Fabric - Bedspread - Alabaster (Valance)
	072333-84-000	YD	Fabric - Drapery - Ivory (Blackout)
	072333-87-000	YD	Fabric - Drapery - Light Brown (Speaker Cover)
	072333-83-000	YD	Fabric - Drapery - Bone (Shades)
	089351-02-000	YD	Vinyl - Headliner (Assist Strap)
	069849-03-000	YD	Vinyl - Expanded - Taupe (Sunvisor)
	072860-87-000	SY	Carpet - Raspberry
	093486-01-000	SY	Carpet - Trunk Liner (Compartments)

CURTAIN HARDWARE

Key	Part Number	U/M	Description
	029094-04-000	YD	Tape - Loop - 1" Wide - Black
	029096-03-000	YD	Tape - Hook - 1" Wide - Black
	048394-02-000	YD	Tape - Hook - 75" Wide - Beige
	088792-02-000	YD	Tape - Loop - 75" Wide - Beige - Adhesive
	048395-02-000	YD	Tape Loop - 75" Wide - Beige
	088792-01-000	YD	Tape Hook - 5/8" Non Adhesive
	058003-01-000	EA	Bracket Drapery Retainer - Right
	056003-02-000	EA	Bracket Drapery Retainer - Left
	081381-01-000	EA	Swivel Snap - Curtain Track
	075943-01-000	EA	Brace - Valance - Beige
	075477-20-000	EA	Bracket - Center Support - Blind
	082139-01-000	EA	Bracket - Hold Down - Blinds
	083170-01-000	EA	Bracket - Blind Installation - Right
	083170-02-000	EA	Bracket - Blind Installation - Left
	084434-01-000	EA	Bracket - Roller Shade - 1 375"
	087253-01-000	EA	Pull - Window Shade - Clear Plastic
	089335-01-000	EA	Track - Curtain - Brown Plastic
	086276-01-000	EA	Tape - Double Sided - 5"
	078394-01-000	FT	Trim - Brass Vinyl - 437" Wide - Window Side Panel
	077046-01-000	EA	Track - Curtain - Front Wraparound - Passenger
	077046-02-000	EA	Track - Curtain - Front Wraparound - Drivers
	077046-01-700	EA	Baton Asm - w/Snap
	077046-01-701	EA	Swivel Carrier
	077046-01-702	EA	Lock Stop
	077046-01-703	EA	Swivel Snap Pendant
	077046-01-704	EA	End Stop
	077046-01-705	EA	Master Carrier - Left
	077046-01-706	EA	Master Carrier - Right
	091313-01-000	EA	Grommet - Headrest

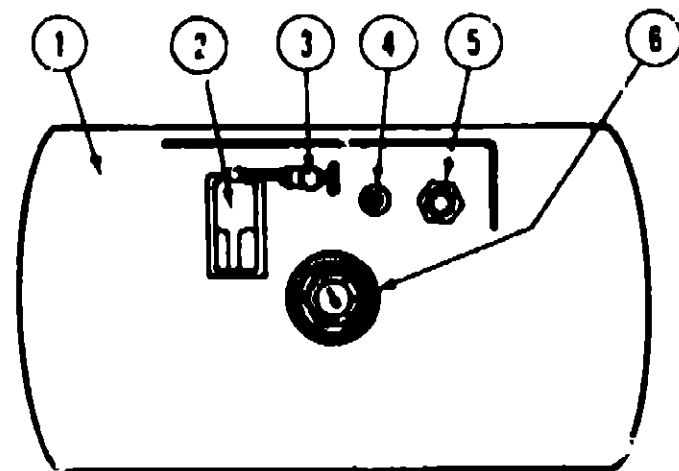
**1989 ITASCA
TABLE OF CONTENTS**

INTRODUCTION	A-01
ABBREVIATIONS	A-01
ALPHABETICAL INDEX	A-02 - A-04
ICP32DQ	A-05 - C-20
IC/JP32RQ	C-21 - F-20

**1989 ICP32DQ
INDEX**

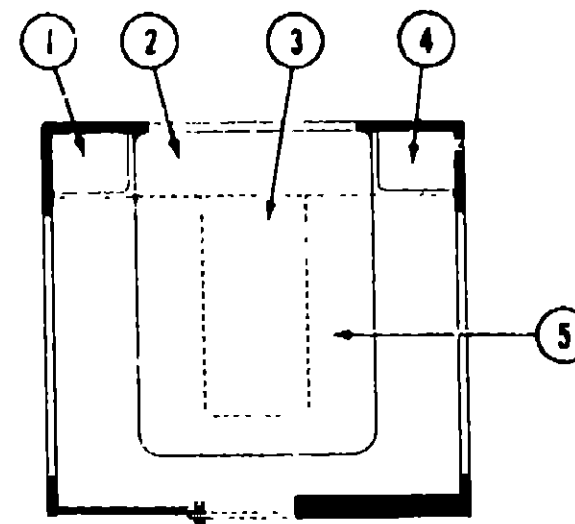
Floor Plan	A-05 - A-06
Accessories Group	A-07 - A-10
Bath Group	A-11 - A-13
Chassis Group	A-14 - A-20
Curtain, Cushion & Pad Group	A-21 - B-04
Dinette Group	B-05
Driver's Compartment Group	B-06 - B-09
Electrical Group	B-10 - B-13
Exterior Body Group	B-14 - B-19
Galley Group	B-20 - B-22
Heating & Air Conditioning Group	B-23 - B-24
Interior Finish Group	C-01 - C-02
LP Group	C-03
Lounge Group	C-04 - C-05
Water & Sewage Group	C-06
Window, Vent & Exterior Door Group	C-07 - C-20

LP GROUP



Key	Part Number	U/M	Description
1	080253-03-070	EA	Tank Asm - LP - Frame Mount - 100 Pound - 16" x 36"
2	081928-01-600	EA	Compartment - LP Regulator
	076301-02-100	EA	Regulator - Two Stage - LP Gas
3	040421-01-703	EA	Valve - Vapor Relief
4	040421-01-700	EA	Gauge - Liquid Level - 20% LP
5	040421-u1-701	EA	Valve - Filler - LP
	040421-01-7C2	EA	Cap - Plastic Fill Valve
6	042421-01-707	EA	Gaugo - Float - w/Visible Dial - 80 Pound Tank
	040421-01-705	EA	Dial - Visible Face - Float Gauge (Tank w/o Electric Transmitter)
	045703-01-000	EA	Hose Asm. - LP - 3/8" I.D. x 24" - US
	045703-02-000	EA	Hose Asm - LP - 3/8" I.D x 24" - CSA
	045703-03-000	EA	Hose Asm - LP - 3/8" I.D x 18" - US
	045703-04-000	EA	Hose Asm - LP - 3/8" I.D x 14" - CSA
	065741-01-000	EA	Gauge - Diaphragm Pressure - Test Leak
	095612-01-000	EA	Detector - LP Gas
	090976-02-000	EA	Valve - Safety - Shut Off

LOUNGE GROUP



Key	Part Number	U/M	Description
1	M85153-01-Y75	EA	Cabinetry Asm - Nightstand - w/o Countertop, Drawer or Door
	M03000-05-Y75	EA	Countertop Asm - Nightstand - Lower
	M03000-02-Y75	EA	Countertop Asm - Nightstand - Upper
	084070-01-000	EA	Center Post - Brass
	084070-02-000	EA	End Post - Brass
	084071-02-000	EA	Rod - Brass - 12 4"
2	M03110-90-Y75	EA	Cabinet Asm - Overhead - w/o Doors
	M88304-E4-Y75	EA	Door Asm - Rear Overhead Cabinet - w/o Hardware
3	M03110-92-Y75	EA	Cabinet Asm - Center Overhead - w/o Doors or Hardware
	M88304-36-Y75	EA	Door Asm - Center Overhead - 12" x 29 1" w/o Hardware
	091738-01-Y75	EA	Cap Asm - Center Overhead - w/o Mirror
	058831-18-000	EA	Mirror - Safety Glass - 11 25" x 22 4"
	084357-01-Y81	EA	TV Stand Asm
4	M89383-01-Y75	EA	Cabinet Asm - Nightstand - w/o Countertop, Drawers, or Door
	089383-15-Y75	EA	Countertop Asm - Nightstand - Upper
	089383-16-Y75	EA	Countertop Asm - Nightstand - Lower
	M88304-H1-Y75	EA	Door Asm - Nightstand - Right or Left w/Birthday Glass w/o Hardware
	093580-02-000	EA	Glass - 75th Birthday - 5 3" x 20 3"
	083204-02-000	EA	Button - Glass Retaining
	081376-01-090	EA	Backplate - Brass
	M78921-04-Y75	EA	Drawer Asm - Nightstand - Right or Left - w/o Hardware
5	M89070-01-Y75	EA	Cabinet Asm - Queen Bed
	088199-01-X11	EA	Hinge Asm. - Bed
	057460-02-000	EA	Ball - Stud - 10 mm Ball - 5/16" x 18"
	057460-03-000	EA	Safety Clip
	057460-04-000	EA	Gas Spring
	088254-01-000	EA	Catch - Magnetic (Drawer)

QUEEN BED CABINETRY

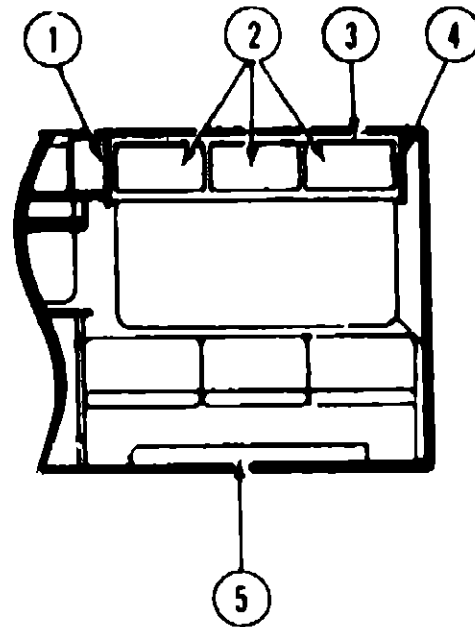
**1989 ITASCA
TABLE OF CONTENTS**

INTRODUCTION	A-01
ABBREVIATIONS	A-01
ALPHABETICAL INDEX	A-02 - A-04
ICP32DQ	A-05 - C-20
IC/JP32RQ	C 21 - F 20

**1989 ICP32DQ
INDEX**

Floor Plan	A-05 - A-06
Accessories Group	A-07 - A-10
Bath Group	A-11 - A-13
Chassis Group	A 14 - A-20
Curtain, Cushion & Pad Group	A 21 - B-04
Dinette Group	B-05
Driver's Compartment Group	B-06 - B-09
Electrical Group	B-10 - B-13
Exterior Body Group	B 14 - B-19
Galley Group	B 20 - B-22
Heating & Air Conditioning Group	B 23 - B-24
Interior Finish Group	C-01 - C-02
LP Group	C 03
Lounge Group	C-04 - C-05
Water & Sewage Group	C-06
Window, Vent & Exterior Door Group	C 07 - C-20

LOUNGE GROUP (CONTINUED)



FRONT LOUNGE

Key	Part Number	U/M	Description
1	085468 02 Y75	EA	End Cap Asm - Front Lounge - Vinyl
2	M88304-38-Y75	EA	Door Asm - Front Overhead - 12" x 18 7" - w/o Hardware
3	M03110-13 Y75	EA	Front Overhead Cabinet - w/o Doors or Hardware
4	085468-01-Y75	EA	End Cap Asm - Front Lounge - Vinyl
5	090406 01-Y75	EA	Drawer Asm - Couch
	093666-01 700	EA	Lock Box - Complete
	081298 01 Y75	EA	Table Asm - Pedestal

WATER & SEWAGE GROUP

PLUMBING & REPAIR PARTS

Key	Part Number	U/M	Description
	044927-01-000	EA	Adapter - Plastic - 1 1/4" MPT x 1 1/4" Bar
	010328-01-000	EA	Adapter - Flare - w/Cone Gasket
	082422-01-000	EA	Adapter - Hose Offset - Reducer - 3" x 1 1/2"
	052954-01-000	EA	Adapter - Hose Cone - 3/8 or 1/2 - Plastic
	J89330-01-000	EA	Adapter - Sewer Hose
	079317-01-000	EA	Adapter - Swivel - 5 Tube x 5 FPT
	082415-01-000	EA	Cap - Sewer - 3"
	087200-02-000	EA	Cartridge - Water Filter
	052959-02-000	EA	Connector - Plastic - 1/2" F x 1/2" MPT
	052959-03-000	EA	Connector - 1/2 F x 3/8 MPT - Plastic
	011091-02-000	EA	Continuous Waste - Double Sink - 11 7/8" - US
	078408-01-000	EA	Coupler Rubber - 3" x 3"
	052960-01-000	EA	Drain Valve - 1/2 F x 1/2 F - Plastic
	010008-01-000	EA	Elbow - Plastic - 1/8 BD x 1 1/2 x 45° H x H
	010008-01-000	EA	Elbow - Plastic - 1/4 BD x 1 1/2 x 90° Left
	052957-02-000	EA	Elbow - Plastic - 1/2 F x 1/2 MPT (In Tank Filter)
	035539-01-000	EA	Elbow - Plastic - 3/8" MPT x 3/8 BARB
	033761-01-000	EA	Elbow - Plastic - 1/4" BD x 1 1/2" x 90° x LT
	010051-01-000	EA	Elbow - Plastic - ST - 1/8" BD x 1 1/2" x 45
	077954-02-000	EA	Filter/Screen (In Water Tank)
	087200-01-000	EA	Filter - Water Purifier
	063641-01-000	EA	Flange - Closet - Red 4 F x 3" FPT
	010147-01-000	EA	Flange - Closet - 4" F x 3" FPT - US
	010147-02-000	EA	Flange - Closet - 4" F x 3" FPT - CSA
	079381-01-000	FT	Flexible Tubing - 1 1/4 ID x 10
	061807-01-000	EA	Grommet - Holding Tank Coupler - 1 1/2"
	061807-02-000	EA	Grommet - Holding Tank Coupler - 3"
	052981-02-000	EA	Header - 1/2 MPT x 1/2 x 1/2 x 1/2 F
	062418-01-000	EA	Hose Adapter - 3"
	052953-01-000	EA	Nut - Faucet - 1/2 Tube x 1/2 FPT
	011066-03-000	EA	P-Trap - 1 1/4" Plastic - US
	011066-02-000	EA	P-Trap - 1 1/4" Plastic - CSA
	053335-01-000	EA	P-Trap - 1 1/4" Plastic - w/Union
	049032-01-000	EA	Patch - Spinweld - Plastic - 3/8"
	045729-01-000	EA	Pump - Water - 2.8 G P M - Direct Drive - Shurflo - US
	045729-02-000	EA	Pump - Water - 2.8 G P M - Direct Drive - Shurflo - CSA
	010201-02-000	EA	Sewer Hose - 3" x 20'
	042989-03-000	EA	Spinweld Fittings - Plastic - 1/4 FPT
	042989-04-000	EA	Spinweld Fittings - Plastic - 3/8 FPT
	042989-05-000	EA	Spinweld Fittings - Plastic - 1/2 FPT
	011069-02-000	EA	Tailpiece - 1 1/2 x 1 1/4" x 4" - Brass
	010079-01-000	EA	Tee - Plastic - 1 1/2 H x 1 1/2 H x 1 1/4 H
	052955-01-000	EA	Tee - Plastic - 1/2 F x 1/2 F x 1/2 MPT
	052958-01-000	EA	Tee - Plastic - 1/2 F x 1/2 F x 1/2 F
	074463-01-000	EA	Tee - 4 Way - 1/2" Flare
	039800-01-000	FT	Tubing - Polybutyl - 1/2 O D (Water Line)
	079381-01-000	FT	Tubing - Flexible - Smooth - 1.25 I D
	074462-02-000	FT	Tubing - Vinyl - 3/8 I D
	062421-01-000	EA	Valve - 1 1/2" - w/Handle
	082696-01-000	EA	Valve - Waste - 3"
	052960-01-000	EA	Valve - Line Drain - 1/2 F x 1/2 F
	010073 01-000	EA	Wye - Plastic - 1 1/2 x 45 H x H x H
	079968-01-000	EA	Vent - Mechanical Trap Arm
**	The illustrated parts breakdown for this item is provided on the Common Items Fiche		

HOLDING TANKS & WATER HEATERS

Key	Part Number	U/M	Description
	081189-02-000	EA	Tank - Water - 48 Gallon
	076574-01-000	EA	Tank - Holding - 28 Gallon - w/o Fitting
	088384-01-000	EA	Tank - Holding - 32 Gallon - w/o Fittings
	088385-01-000	EA	Tank - Holding - 24 Gallon - w/o Fitting
C-5	**	EA	Water Heater - Direct Ignition - Atwood - GH6-3E
**	The illustrated parts breakdown for this item is provided on the Common Items Fiche		

**1989 ITASCA
TABLE OF CONTENTS**

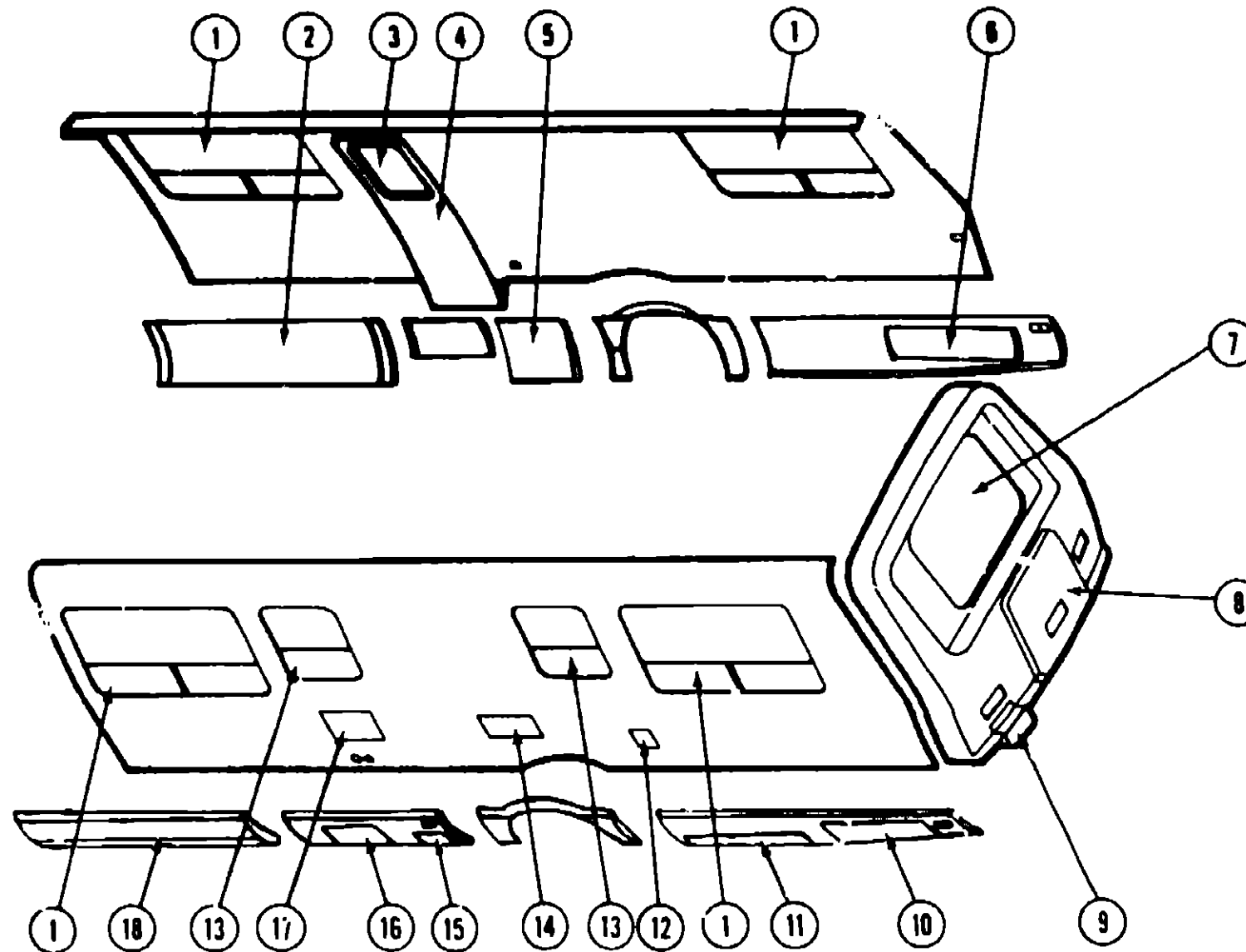
INTRODUCTION	A-01
ABBREVIATIONS	A-01
ALPHABETICAL INDEX	A-02 - A-04
ICP32DQ	A-05 - C-20
IC/JP32RQ	C-21 - F 20

**1989 ICP32DQ
INDEX**

Floor Plan	A-05 - A-06
Accessories Group	A-07 - A 10
Bath Group	A 11 - A-13
Chassis Group	A 14 - A-20
Curtain, Cushion & Pad Group	A-21 - B-04
Dinette Group	B-05
Driver's Compartment Group	B-06 - B-09
Electrical Group	B-10 - B-13
Exterior Body Group	B 14 - B-19
Galley Group	B-20 - B-22
Heating & Air Conditioning Group	B-23 - B-24
Interior Finish Group	C-01 - C-02
LP Group	C-03
Lounge Group	C-04 - C-05
Water & Sewage Group	C-06
Window, Vent & Exterior Door Group	C-07 - C-20

WINDOW, VENT & EXTERIOR DOOR GROUP

WINDOW & ACCESS DOOR



Key	Part Number	U/M	Description
1	085354-04-X11	EA	Window Asm - Double
2	085037-01-X75	EA	Door Asm - Front Valance
3	079733-04-T03	EA	Window Asm - Picture
4	M84385-02-Y81	EA	Door Asm - Entrance
	088684-01-X75	EA	Door Asm - Entrance Door Valance
5	088362-01-X75	EA	Door Asm - Center Valance
6	085034-01-W36	EA	Door Asm - Storage
7	078985-04-Y12	EA	Window Asm - Escape
8	M01990-04 X75	EA	Spare Tire Cover
9	077137-02-000	EA	Door Asm - Sewer Hose Compartment
10	085040-01-W36	EA	Door Asm - Generator
11	088369-01-X75	EA	Door Asm - Access Panel
12	078010-02-000	EA	Door Asm - Fuel Fill
13	085353-07-W07	EA	Window Asm - Vertical Slider
14	084103-02-000	EA	Door Asm - Refrigerator Access
15	088366-01-X75	EA	Door Asm - Power Cord
16	085031-01-X75	EA	Door Asm - LP
17	052009-03 000	EA	Door Asm. - Water Heater
18	085037-02-X75	EA	Door Asm. - Front Valance
	M01596-12-Y81	EA	Door Asm - Drivers - Gray - w/o Insert
	M78469-02-000	EA	Window Asm. - Driver Door
	077209-02-000	EA	Inside Frame - Driver Door - Black
	M01595-12-Y81	EA	Door Asm - Passenger - Gray - w/o Inserts
	M78469-01-000	EA	Window Asm - Passenger Door
	077209-01-000	EA	Inside Frame - Passenger Door - Black

1989 ITASCA TABLE OF CONTENTS

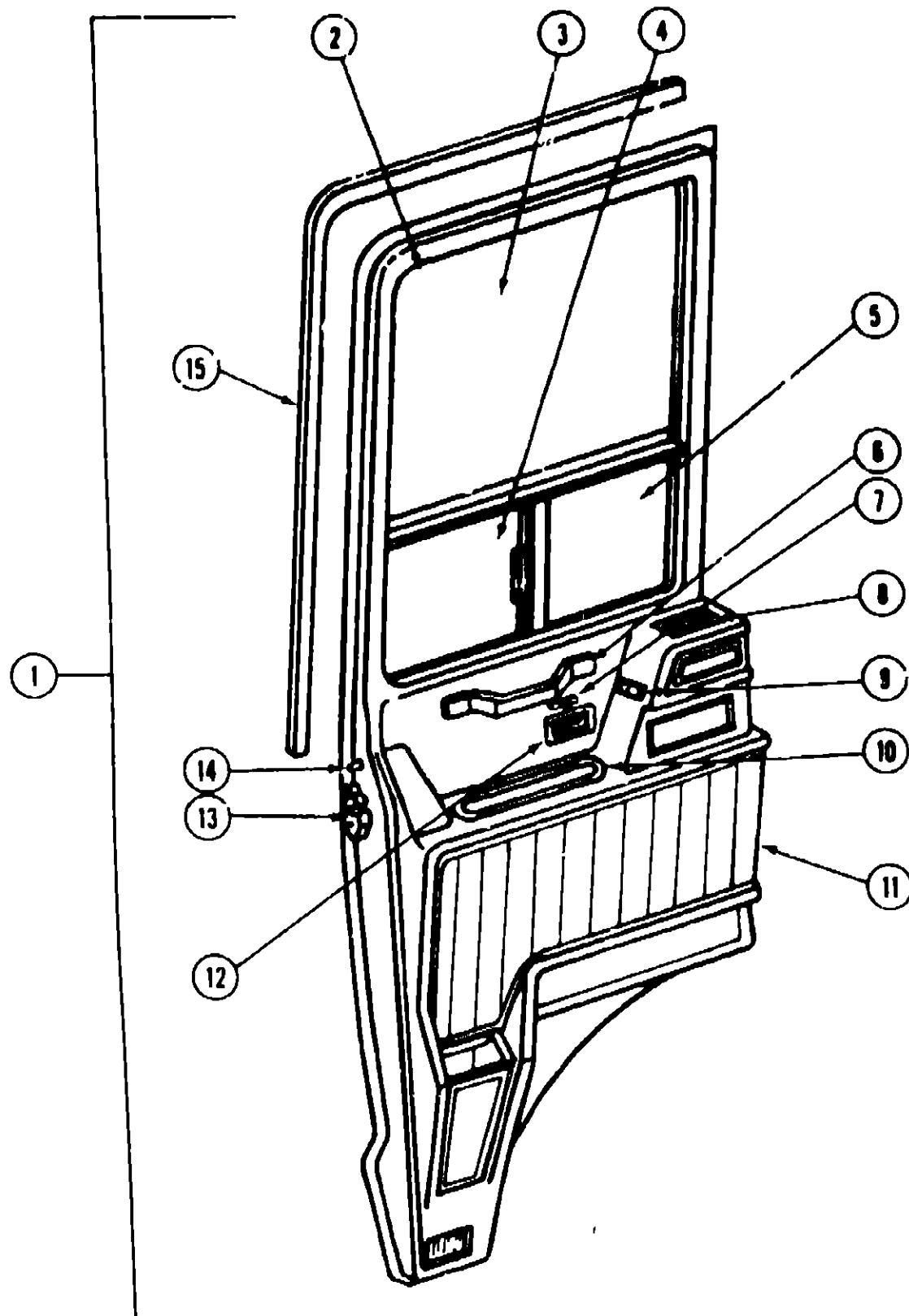
INTRODUCTION	A-01
ABBREVIATIONS	A-01
ALPHABETICAL INDEX	A-02 - A-04
ICP32DQ	A-05 - C-20
IC/JP32RQ	C-21 F 20

1989 ICP32DQ INDEX

Floor Plan	A-05 - A-06
Accessories Group	A-07 - A-10
Bath Group	A-11 - A-13
Chassis Group	A-14 - A-20
Curtain, Cushion & Pad Group	A-21 - F-04
Dinette Group	B-05
Driver's Compartment Group	B-06 - B-09
Electrical Group	B-10 - B-13
Exterior Body Group	B-14 - B-19
Galley Group	B-20 - B-22
Heating & Air Conditioning Group	B-23 - B-24
Interior Finish Group	C-01 - C-02
LP Group	C-03
Lounge Group	C-04 - C-05
Water & Sewage Group	C-06
Window, Vent & Exterior Door Group	C-07 - C-20

WINDOW, VENT & EXTERIOR DOOR GROUP (CONTINUED)

DRIVER & PASSENGER CAB DOOR



Key	Part Number	U/M	Description
1	M01596-12-Y81	EA	Door Asm. - Driver - Gray - w/o Insert
	M01595-12-Y81	EA	Door Asm. - Passenger - Gray - w/o Inserts
2	M78489-01-000	EA	Window Asm. - Passenger Door - w/Support
	M78489-02-000	EA	Window Asm. - Driver Door - w/Support
	077209-01-000	EA	Inside Frame Asm. - Window - Passenger
	077209-02-000	EA	Inside Frame Asm. - Window - Driver
3	077036-03-000	EA	Glass - .19" x 28.9" x 22" - Passenger
3	077036-02-000	EA	Glass - .19" x 28.9" x 22" - Driver
4	078379-01-000	EA	Glass - .19" x 15" x 9.3" - w/Hole
5	078378-01-000	EA	Glass - .19" x 15" x 9.3"
	077224-02-000	EA	Window Mullion - Horizontal - Passenger
	077224-04-000	EA	Window Mullion - Horizontal - Driver
	077226-01-000	EA	Window Mullion - Vertical - Driver
	077226-02-000	EA	Window Mullion - Vertical - Passenger
	M02389-53-001	EA	Seal Holder - w/Fin Seal
	042077-01-000	FT	Channel - Weatherstrip - Glass
	024096-02-000	EA	Seal - Window Channel
	050216-02-000	EA	Spline - Vinyl Glass - 19 Black
6	081400-04-000	EA	Assist Strap - 12" - w/Woodgrain
7	081905-02-000	EA	Control Knob - Slide Bolt - Driver
7	081905-01-000	EA	Control Knob - Slide Bolt - Passenger
8	076783-01-000	EA	Louver/Bezel Asm. - Black - 2"
	075671-01-000	FT	Sponge Seal - Lazy T Shape
	077167-01-000	EA	Door Prop Rod - Passenger
	077167-02-000	EA	Door Prop Rod - Driver
9	090351-01-000	EA	Switch - Door Lock
	081915-01-000	EA	Motor - Electric Door Lock
	081993-02-000	EA	Control Rod - Electric Lock Motor
10	077118-02-000	EA	Storage Tray - Door Panel - Gray
	077179-01-000	EA	Hose Adapter - 2" - Snap In
	077000-01-000	EA	Socket Asm. - w/8" Pigtail Leads
11	077117-04-000	EA	Door Panel - Front Inner - Driver - Gray
	077117-03-000	EA	Door Panel - Front Inner - Passenger - Gray
	083886-04-000	EA	Assist Handle - Gray Steel Tube
*12	R77006-50-261	EA	Door Handle - Interior - Right
*12	R77006-50-328	EA	Door Handle - Interior - Left
*13	R77007-56-701	EA	Plate - Door Lock - Right
*13	R77007-56-702	EA	Plate - Door Lock - Left
14	083676-02-000	EA	Rod - Slide Bolt - Driver
	083678-01-000	EA	Rod - Slide Bolt - Passenger
15	076813-01-000	FT	Seal - Entrance Door (Glue On)
	064580-02-000	EA	Check Strap - Front Door - 7"
	064219-01-000	EA	Retainer - Check Strap - Front Door
	075245-02-000	EA	Hinge - Cab Door - Gray

* The illustrated breakdown of these items on the following page

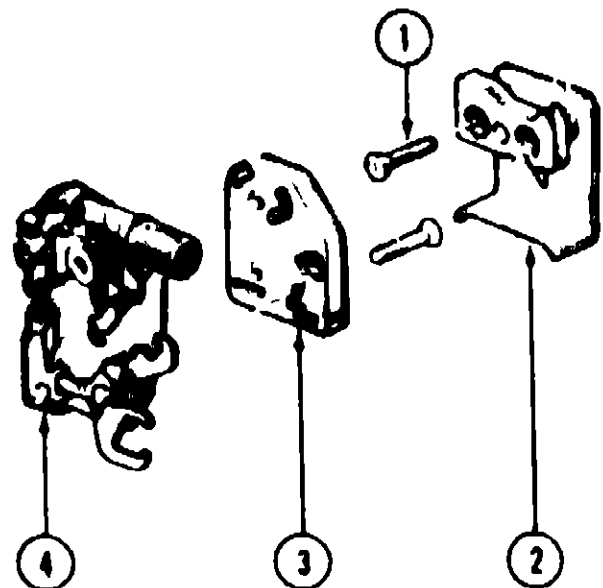
1989 ITASCA TABLE OF CONTENTS

INTRODUCTION	A-01
ABBREVIATIONS	A-01
ALPHABETICAL INDEX	A-02 - A-04
ICP32DO	A-05 - C-20
IC/JP32RO	C-21 - F-20

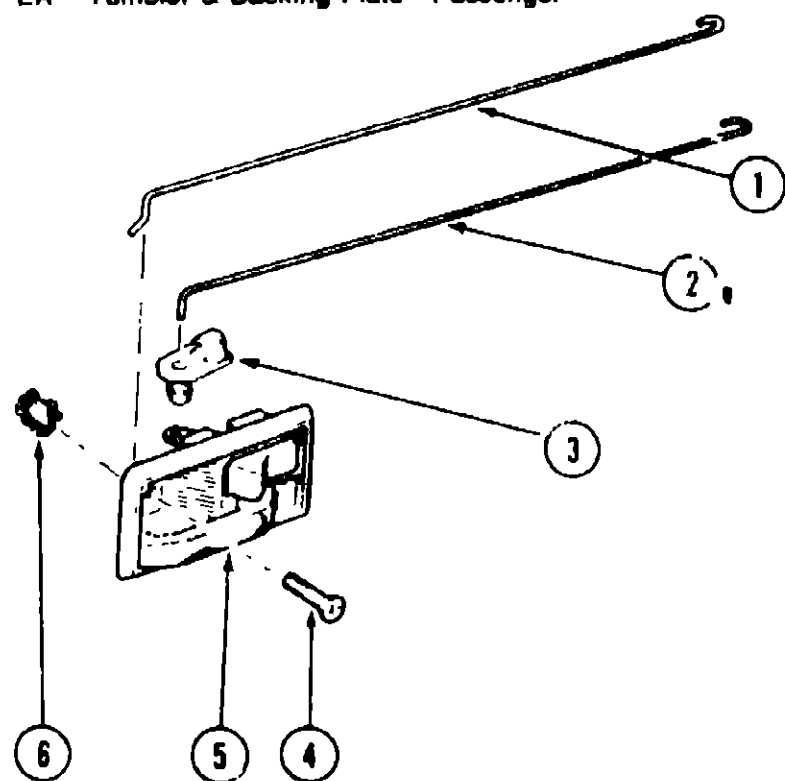
1989 ICP32DO INDEX

Floor Plan	A-05 - A-06
Accessories Group	A-07 - A-10
Bath Group	A-11 - A-13
Chassis Group	A-14 - A-20
Curtain, Cushion & Pad Group	A-21 - B-04
Dinette Group	B-05
Driver's Compartment Group	B-06 - B-09
Electrical Group	B-10 - B-13
Exterior Body Group	B-14 - B-19
Galley Group	B-20 - B-22
Heating & Air Conditioning Group	B-23 - B-24
Interior Finish Group	C-01 - C-02
LP Group	C-03
Lounge Group	C-04 - C-05
Water & Sewage Group	C-06
Window, Vent & Exterior Door Group	C-07 - C-20

WINDOW, VENT & EXTERIOR DOOR GROUP (CONTINUED)

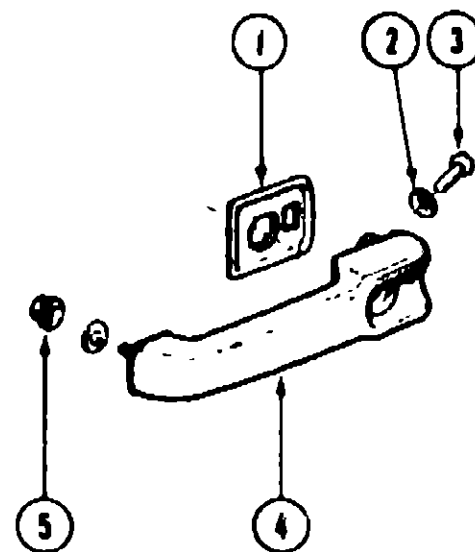


Key	Part Number	U/M	Description
1	R77030-04-082	EA	Bolt
2	R77013-48 185	EA	Strike - Driver
	R77013-48 186	EA	Strike - Passenger
3	R77007 58-702	EA	Plate - Door Lock - Driver
	R77007 58-701	EA	Plate - Door Lock - Passenger
4	R77007-62-746	EA	Tumbler & Backing Plate - Driver
	R77007-62-747	EA	Tumbler & Backing Plate - Passenger

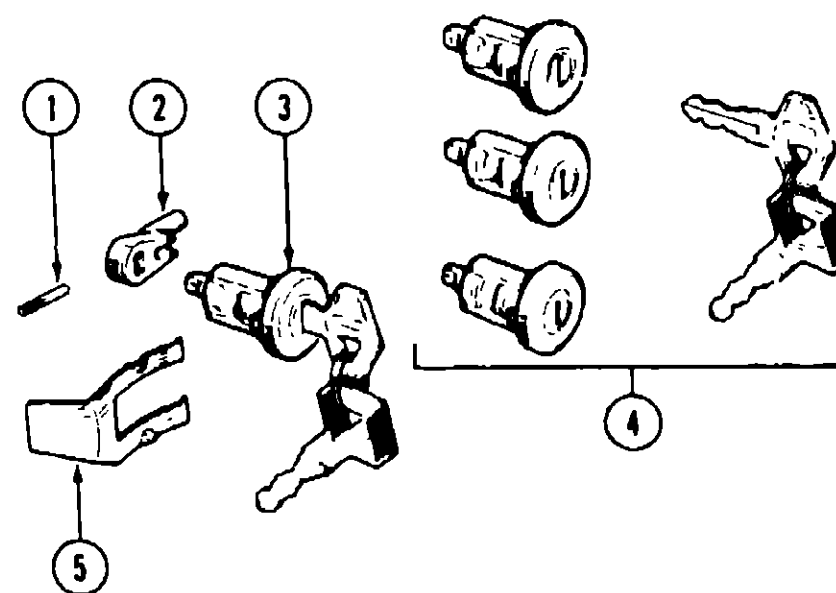


Key	Part Number	U/M	Description
1	076542-01-000	EA	Rod - Latch Control - Passenger
	076542 02-000	EA	Rod - Latch Control - Driver
2	076543-01 000	EA	Rod - Lock Control - Passenger
	076543-02-000	EA	Rod - Lock Control - Driver
3	R77006 64-355	EA	Control Link - Door Handle
4	000G39 10-12D	EA	Screw - SF/DR - #10 - 16 x 75 PPH
5	R77006 50 261	EA	Door Handle - Inner - Passenger
	R77006 50 326	EA	Door Handle - Inner - Driver
6	076327-01-000	EA	Hex Nut w/Washer - 1/4" Zinc

WINDOW, VENT & EXTERIOR DOOR GROUP (CONTINUED)



Key	Part Number	U/M	Description
1	R77007-05-374	EA	Plate - Door Handle Spacer
2	R77030-58-048	EA	Washer
3	R77030-01-855	EA	Screw - Machine
4	R77040-01-538	EA	Door Handle - Outer
5	R77030-33-009	EA	Nut w/Washer



Key	Part Number	U/M	Description
1	R77030-67-257	EA	Pin - Door Lock
2	080963-01-000	EA	Arm - Lock Control
3	R77006-85-924	EA	Key & Tumbler - w/Key Number (Single)
4	R77007-51-201	EA	Key & Tumbler (Set/3)
5	R77007-04-136	EA	Clip - Door Lock
	R77010 21-758	EA	Key Blank

**1989 ITASCA
TABLE OF CONTENTS**

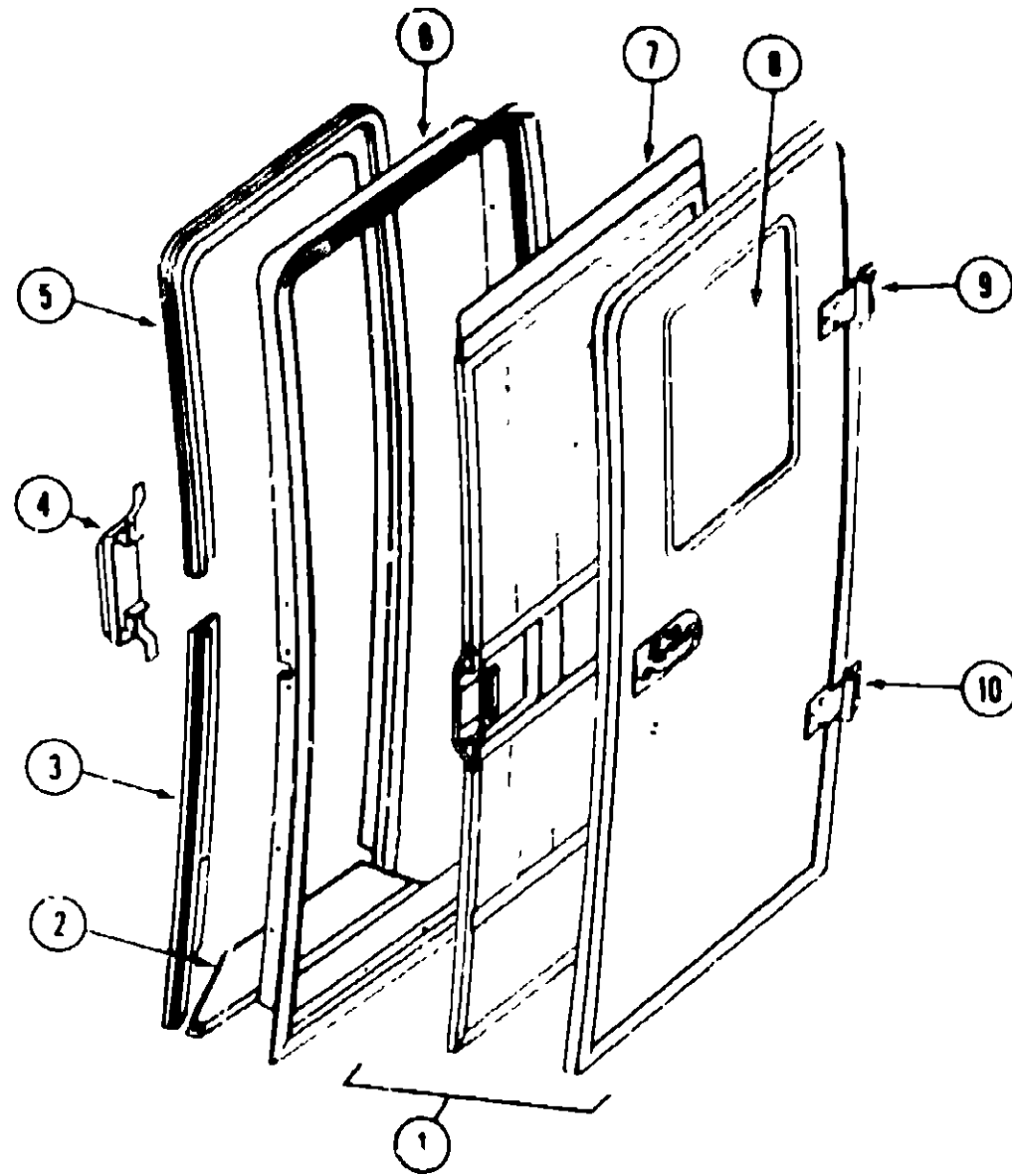
INTRODUCTION	A-01
ABBREVIATIONS	A-01
ALPHABETICAL INDEX	A-02 - A-04
ICP32DQ	A-06 C-20
IC/JP32RO	C-21 - F-20

**1989 ICP32DQ
INDEX**

Floor Plan	A 05 - A-06
Accessories Group	A-07 - A 10
Bath Group	A-11 - A-13
Chassis Group	A 14 - A 20
Curtain, Cushion & Pad Group	A-21 - B-04
Dinette Group	B-05
Driver's Compartment Group	B-06 - B-09
Electrical Group	B-10 - B-13
Exterior Body Group	B-14 - B-19
Galley Group	B 20 - B-22
Heating & Air Conditioning Group	B-23 - B-24
Interior Finish Group	C-01 - C-02
LP Group	C-03
Lounge Group	C-04 - C-05
Water & Sewage Group	C-06
Window, Vent & Exterior Door Group	C-07 - C 20

WINDOW, VENT & EXTERIOR DOOR GROUP (CONTINUED)

ENTRANCE DOOR W/POWER LOCK



Key	Part Number	U/M	Description
1	M84385-02-Y81	EA	Door Asm - Entrance - w/Power Lock
	091876-01-000	EA	Retainer Door
2	086905-01-000	EA	Trim - Entrance Door - Lower
3	M01670-03-W13	EA	Trim - Entrance Door - Upper - w/Roller Catch - Beige
4	085739-01-000	EA	Cover - Strike - Light Oak
5	M01671-03-W13	EA	Trim - Entrance Door
6	076947-04-000	EA	Jamb Asm - Entrance Door
7	084388-01-W13	EA	Screen Door - Complete
	085276-01-000	EA	Slider - Screen Door - Light Oak Plastic
	002293-02-000	SF	Screen - 26" Charcoal
	076231-01-000	EA	Spacer - Screen Door - Latch
	076856-01-000	EA	Plate - Screen Door
	002294-01-000	FT	Spline - Screen Door - Black
	084098-01-000	EA	Transition Frame - Screen Door - Beige
	009016-01-000	EA	Catch - Elbow - Spring Loaded
	009018-01-000	EA	Catch - Single Roller
	077437-01-000	EA	Strike - Roller Catch - Beige
8	079733-04-T03	EA	Window Asm - Picture (w/o inside frame)
	067609-03-000	EA	Inside Frame - Beige (not included in assembly)
	002181-06-000	EA	Glass - 115" x 18 7/8" x 24"
	087561-01-000	FT	Spline - Glass - 1/8 Material - Black
	069637-02-000	EA	Sealer - 3M EC5510
9	084097-02-000	EA	Hinge Asm. - Upper - Gray
10	084096-02-000	EA	Hinge Asm. - Lower - Gray
	076810-01-000	EA	Gasket - Door Hinge
	009128-02-000	EA	Assist Handle - Black
	073303-02-000	EA	Latch Asm - Inner
	076728-01-000	EA	Panel Trim - Light Oak Plastic
	R77007-05-374	EA	Gasket - Exterior Door Handle
	R77040-01-538	EA	Handle - Exterior Door
	R77008-50-261	EA	Handle - Interior - Right Door
	073104-04-000	EA	Escutcheon - Door Handle
	R77007-56-701	EA	Lock Bolt - Right
	R77007-51-201	EA	Cylinder & Key Set (Set of 3)
	R77006-85-924	EA	Cylinder & Key Set (Single)
	R77010-21-758	EA	Key - Blank
	083205-01-000	EA	Deadbolt - Press Fit - 5"
	045017-01-701	EA	Key - Blank - Deadbolt
	079173-01-000	EA	Gasket - Deadbolt - Exterior
	R77030-67-257	EA	Spline Pin
	080963-01-000	EA	Arm - Lock Control
	073111-01-000	EA	Rod - Latch
	073110-01-000	EA	Rod - Lock
	R77006-64-355	EA	Link - Control
	073093-03-000	EA	Support Asm - Latch - Gray
	R77007-04-136	EA	Bracket - Lock
	083729-04-000	EA	Rivnut - 10-32UNF
	076607-08-000	EA	Trim - Door - Upper
	076908-02-000	EA	Trim - Door - Lower
	R77007-56-701	EA	Plate - Door Lock - Right
	075673-01-000	EA	Seal - Pile - Adhesive Back
	081915-01-000	EA	Motor - Electric - Door Lock
	081915-02-000	EA	Bracket - Mounting - Door Lock Motor
	081993-02-000	EA	Control Rod - Lock Motor

1989 ITASCA TABLE OF CONTENTS

INTRODUCTION	A-01
ABBREVIATIONS	A-01
ALPHABETICAL INDEX	A-02 - A-04
ICP3200	A-05 - C-20
IC/JP32RQ	C-21 - F-20

1989 ICP32DQ INDEX

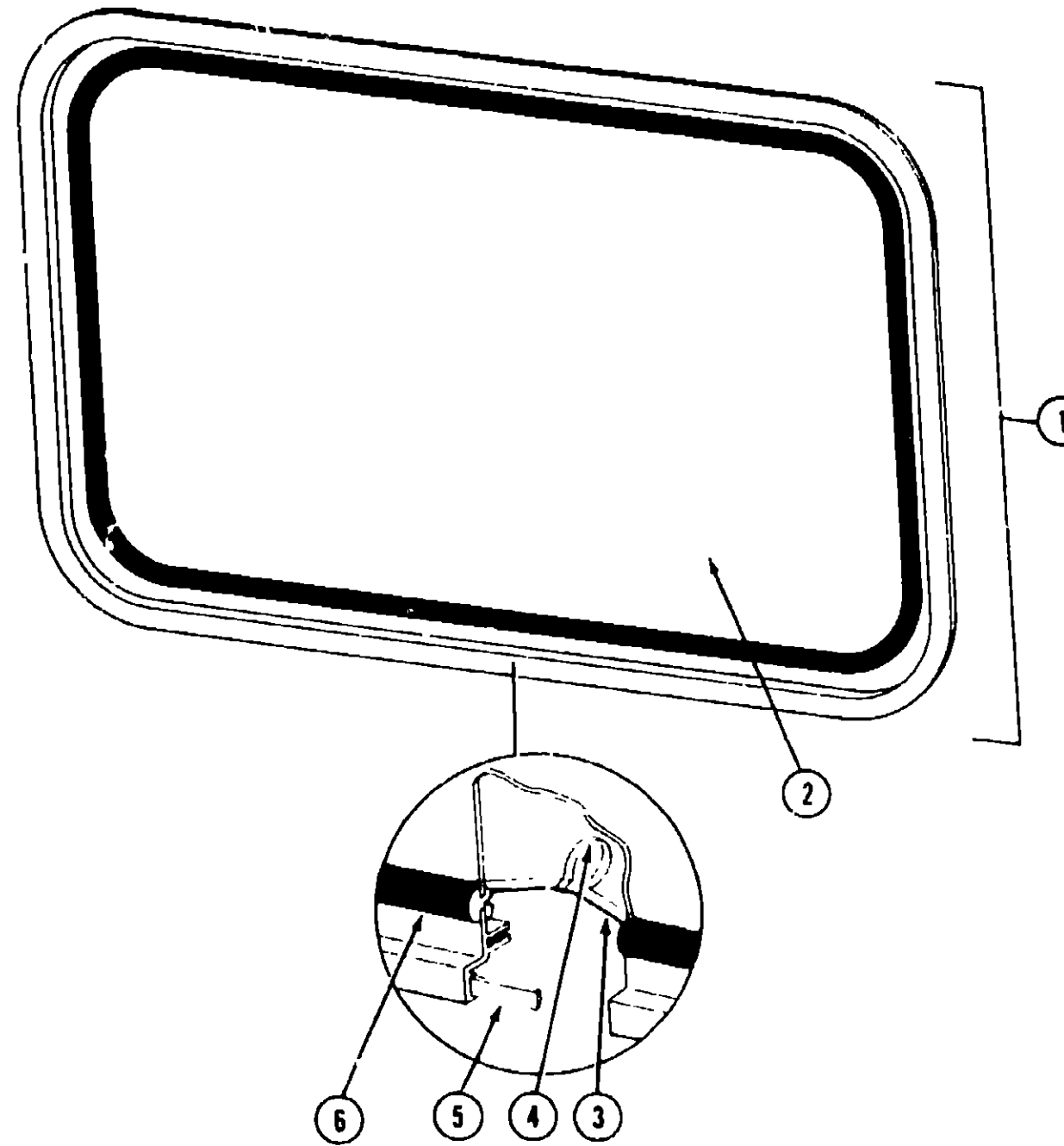
Floor Plan	A-05 - A-06
Accessories Group	A-07 - A-10
Bath Group	A-11 - A-13
Chassis Group	A-14 - A-20
Curtain, Cushion & Pad Group	A-21 - B-04
Dinette Group	B-05
Driver's Compartment Group	B-06 - B-09
Electrical Group	B-10 - B-13
Exterior Body Group	B-14 - B-19
Galley Group	B-20 - B-22
Heating & Air Conditioning Group	B-23 - B-24
Interior Finish Group	C-01 - C-02
LP Group	C-03
Lounge Group	C-04 - C-05
Water & Sewage Group	C-06
Window, Vent & Exterior Door Group	C-07 - C-20

VENTS, ACCESS DOORS AND HARDWARE

Key	Part Number	U/M	Description
	084488-09-000	EA	Vent - Powered - Roof - w/Power Lift (Jensen)
	084079-04-000	EA	Vent - Powered - Roof (Fantastic)
	092098-01-03A	EA	Vent - Range Hood w/Door - Gray
	081171-01-000	EA	Trim - Skylight - Outer
	080910-01-000	EA	Panel - Skylight - Outer
	077902-01-000	EA	Panel - Skylight - Inner
	084073-02-000	EA	Vent - Refrigerator - Roof
	084073-04-000	EA	Base - Refrigerator Roof Vent
	084103-02-000	EA	Door - Refrigerator Vent
	084104-02-000	EA	Jamb - Refrigerator - Vent Door
	083558-02-000	EA	Cover - Vent Pipe - Plastic
	078010-02-000	EA	Door Asm - Fuel Fill
	052009-03-000	EA	Door Asm - Water Heater
	088389-01-X75	EA	Door Asm - Access - Rear - Left
	095040-01-W38	EA	Door Asm - Generator/Luggage
	088388-01-X75	EA	Door Asm - Power Cord
	085031-01-X75	EA	Door Asm - LP
	077137-02-000	EA	Door Asm - Sewer Hose Compartment (Backwall)
	083524-22-000	EA	Hinge - Access Door - 2 75" - Gray
	034007-48-000	EA	Hinge - Access Door - 1 5" x 93" - Gray
	078322-02-000	FT	Foam Tape - Double Coated
	082884-01-700	EA	Key - Single
	087281-02-000	FA	Strike - Door - Gray
	085730-02-000	EA	Latch Asm - Access Door - w/Lock - Plastic Paddle
	085730-05-000	EA	Latch Asm - Access Door - w/o Lock - Plastic Paddle
	088810-06-000	EA	Bracket - Paddle Latch Retainer
	090340-01-000	FT	Seal - Foam - Closed Cell - 25" x 5" x 50'
	088727-01-000	EA	Cable Asm - w/Spring - Access Door
	076767 07-000	EA	Cable Asm - 1/16" x 7" - Access Door
	076767-02-000	EA	Cable Asm - 1/16" x 16 5" - Access Door
	077222-01-000	EA	Spring Cable Guard - Access Door
	042442-02-000	EA	Lock Asm - Twist Type - Access Door
	083615-05-000	EA	Holder - Door - Plastic

WINDSHIELD & VENT WINDOWS

Key	Part Number	U/M	Description
	074887-01-000	EA	Glass - Windshield - Passenger
	07488702-000	EA	Glass - Windshield - Driver
	076671-01-000	EA	Glass - Front Cover - Driver
	076671-02-000	EA	Glass - Front Corner - Passenger
	083179 01-000	FT	Reveal Molding - Windshield - Passenger or Driver
	083178-01-000	FT	Reveal Molding - Center Windshield or Front Corner Glass
	076844 02-000	EA	T-Cap Reveal Molding - Center Windshield
	076841-02-000	EA	Cap - Reveal Molding - Front Corner Glass - Upper
	076842-02-000	EA	Cap - Reveal Molding - Front Corner Glass - Lower



Key	Part Number	U/M	Description
1	087985-04-Y12	EA	Window Asm - Escape - (w/o Inside frame)
	076650-03-000	EA	Inside Frame - Black (not included in assembly)
2	076337-06-000	EA	Glass - 1/8" x 44 8" x 28"
3	002285-01-000	FT	Filler - Weatherstrip - Black
4	077066-01-701	EA	Tape - Poly - Escape Window - 36"
5	069640-07-000	FT	Tape - 2" Bead x 45'
6	002282-01-000	FT	Weatherstrip - Window - 125" Black

1989 ITASCA
TABLE OF CONTENTS

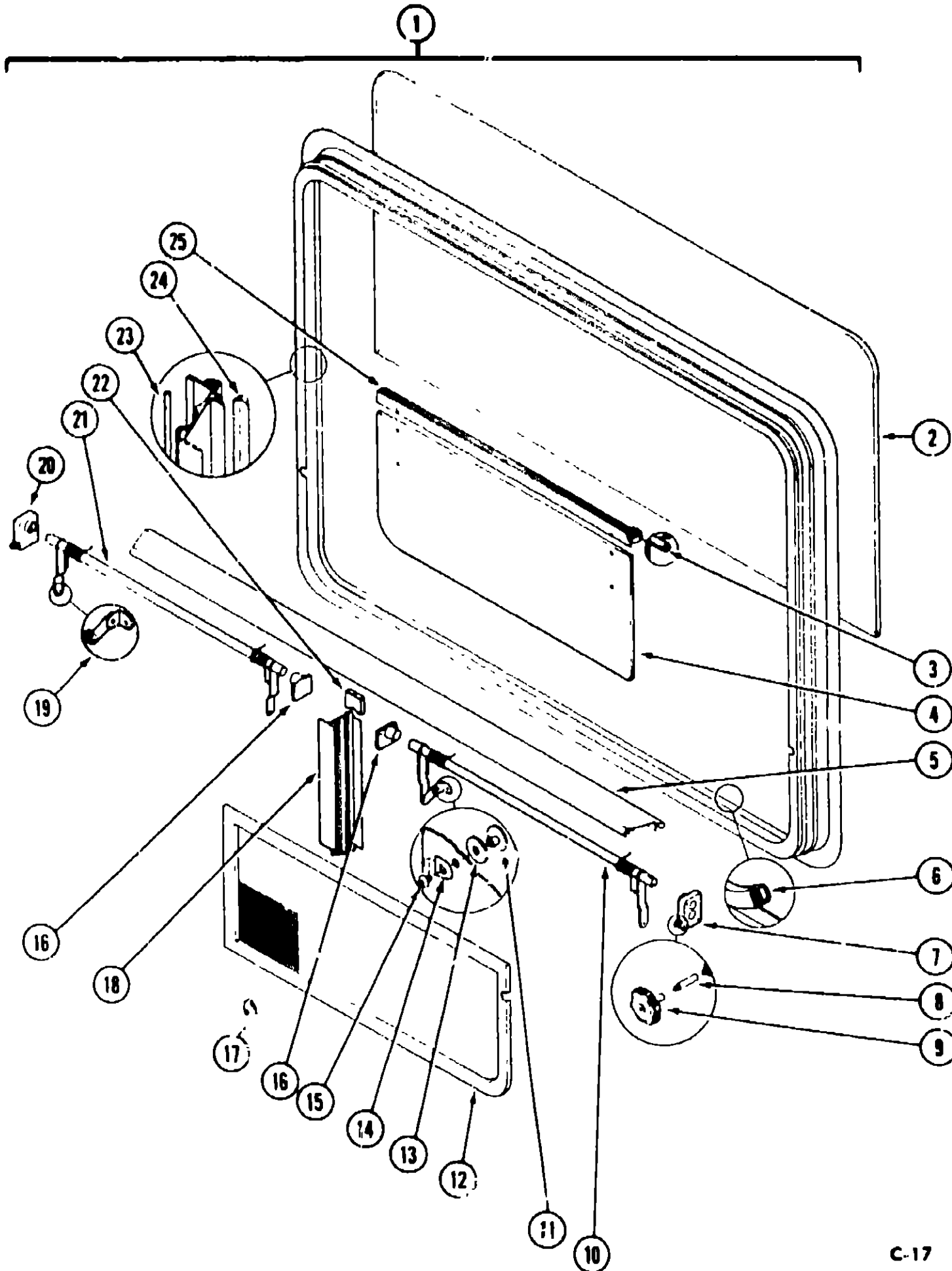
INTRODUCTION	A-01
ABBREVIATIONS	A-01
ALPHABETICAL INDEX	A-02 - A-04
ICP32DQ	A-05 - C-20
IC/JP32RO	C-21 - F 20

1989 ICP32DQ
INDEX

Floor Plan	A-05 - A-06
Accessories Group	A-07 - A-10
Bath Group	A-11 - A-13
Chassis Group	A-14 - A-20
Curtain, Cushion & Pad Group	A-21 - B-04
Dinette Group	B-05
Driver's Compartment Group	B-06 - B-09
Electrical Group	B-10 - B-13
Exterior Body Group	B-14 - B-19
Galley Group	B-20 - B-22
Heating & Air Conditioning Group	B-23 - B-24
Interior Finish Group	C-01 - C-02
LP Group	C-03
Lounge Group	C-04 - C-05
Water & Sewage Group	C-06
Window, Vent & Exterior Door Group	C-07 - C-20

WINDOW, VENT & EXTERIOR DOOR GROUP (CONTINUED)

DOUBLE TIPOUT WINDOW



Key	Part Number	U/M	Description
1	085354-04-X11	EA	Window Asm - Double Tipout - 61 24" (w/o inside frame)
	081822-11-000	EA	Inside Frame - Black (not included in assembly)
2	081239-17-000	EA	Glass - 1/8" x 61.77" x 23" - Stationary
3	081357-01-000	FT	Foam Seal - Vinyl
4	094088-08-000	EA	Glass - 1/8" x 9.24" x 30 39" - Tipout
5	082583-52-001	EA	Mullion - Horizontal - Black
	000G38-08-18T	EA	Screw - SF/DR - 6 - 20 x 1 00 PPH (Mullion - 4 Required)
	078778-03-000	EA	Rivet - Plastic - Pin Drive - Black (2 Required)
6	084087-01-000	FT	Seal - "e" - Sponge Rubber
7	035302-01-000	EA	Operator Drive - Right
8	080025-01-000	EA	Extension - Window Knob (not included in assembly)
9	087052-02-000	EA	Knob - Beige (not included in assembly)
	089371-01-000	EA	Screw - Window Knob (not included in assembly)
10	083228-03-000	EA	Torque Tube Asm - Right
11	086762-01-000	EA	T-Nut - 10-32
12	034581-01-W07	EA	Screen Asm - Tipout - Right
	084581-02-W07	EA	Screen Asm - Tipout - Left
	002293-02-000	SF	Screen - 26" - Window
	002298-02-000	FT	Spline - 130" Dia - Charcoal (Screen)
13	088927-03-000	EA	Seal - Rubber - 12" x 25" ID x 80" O D
14	084473-01-000	EA	Seal - Rubber - "D" Shaped
15	086763-01-000	EA	Screw - #10 - 32 x 1/4" PTH
16	081354-01-000	EA	Sleeve - Window Torque Tube
17	081243-01-000	EA	Clip - Plastic - Screen (4 Required)
	000G12-08-08T	EA	Screw - #6 - 20 x 50" POH - Black
18	084192-52-001	EA	Mullion - Vertical - Black
	000G39-08-08B	EA	Screw - #8 x 18 x 1/2 PPH (Mullion - 4 Required)
19	097578-01-000	EA	Connecting Rod Asm
	085316-01-000	EA	Washer - Wave - 44 O D 32 I D
	081649-01-000	EA	Snap Ring - 7/32 Shaft
20	035302-02-000	EA	Operator Drive - Left
21	083227-03-000	EA	Torque Tube Asm - Left
22	084086-01-000	FT	Buib Seal - Double - Sponge Rubber
23	089640-06-000	FT	Seal - 5/16" x 15" (not included in assembly)
24	083180-01-000	FT	Seal - Vinyl Glazing
25	084155-09-000	EA	Hinge - Tipout Window - Black

1989 ITASCA TABLE OF CONTENTS

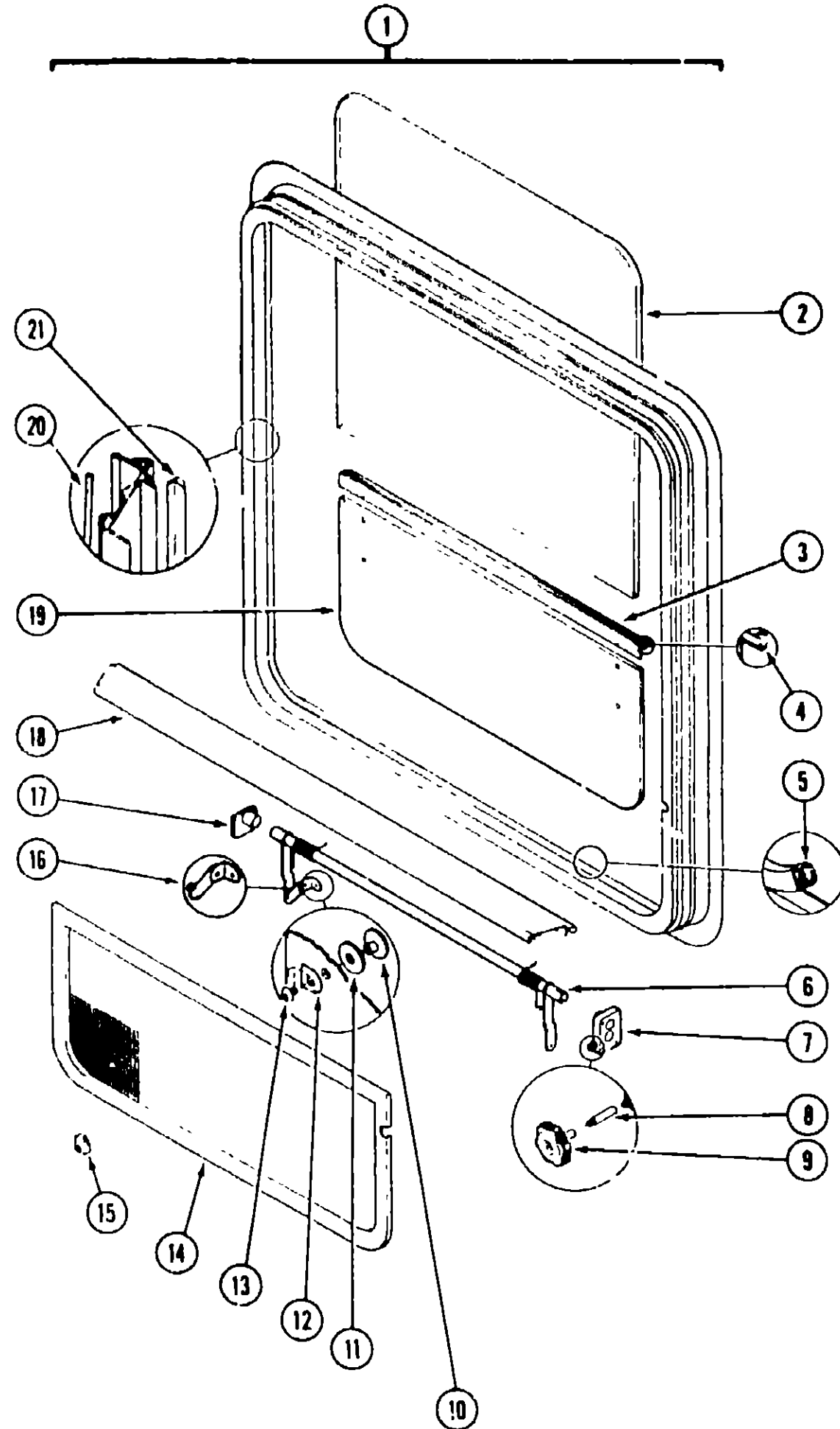
INTRODUCTION	A-01
ABBREVIATIONS	A-01
ALPHABETICAL INDEX	A-02 - A-04
ICP32DQ	A-05 - C-20
IC/JP32RQ	C-21 - F-20

1989 ICP32DQ INDEX

Floor Plan	A-05 - A-06
Accessories Group	A-07 - A-10
Bath Group	A-11 - A-13
Chassis Group	A-14 - A-20
Curtain, Cushion & Pad Group	A-21 - B-04
Dinette Group	B-05
Driver's Compartment Group	B-06 - B-09
Electrical Group	B-10 - B-13
Exterior Body Group	B-14 - B-19
Galley Group	B-20 - B-22
Heating & Air Conditioning Group	B-23 - B-24
Interior Finish Group	C-01 - C-02
LP Group	C-03
Lounge Group	C-04 - C-05
Water & Sewage Group	C-06
Window, Vent & Exterior Door Group	C-07 - C-20

WINDOW, VENT & EXTERIOR DOOR GROUP (CONTINUED)

SINGLE TIPOUT WINDOW



Key	Part Number	U/M	Description
1	085313-07-W07 081872-04-000	EA	Window Arm - Single Tipout - 24 8" x 24 9" (w/o inside frame)
2	081239-05-000	EA	Inside Frame - Black (not included in assembly)
3	088913-01-000	EA	Glass - 14 6" x 24.25" - Stationary
4	081357-01-000	EA	Hinge - Tipout Window - Black
5	084067-01-000	FT	Seal Foam - Vinyl
6	083150-05-000	EA	Seal - "e" - Sponge Rubber
7	035302-02-000	EA	Torque Tube Arm
8	009439-18-000	EA	Operator Drive - Left
9	009439-05-000 009439-07-000	EA	Extension - 200" - Black (not included in assembly)
10	088782-07-000	EA	Knob - Window Crankout - Black (not included in assembly)
11	088927-03-000	EA	Screw - 8/32" x 1 1/4" POH - Black (not included in assembly)
12	084473-01-000	EA	T-Nut - 10-32
13	088783-01-000	EA	Seal - Rubber - 12" x 25" I.D. x 80" O.D.
14	084580-04-W07 002293-02-000 002298-02-070	EA	Seal - Rubber - "D" Shaped
15	081243-01-000 000312-08-06T	EA	Screw - #10 - 32 x 1/4" PTH
16	097578-01-000 085316-01-000 081649-01-000	EA	Screen Asm. - Tipout Window - Single
17	081354-01-000	SF	Screen - Window - 28" - Charcoal
18	082563-52-001	FT	Spline - 130" Dia. - Charcoal (Screen)
19	084068-02-000	EA	Screen Clip - Plastic - Black
20	089640-08-000	EA	Screw - #8 - 20 x 50" POH - Black
21	083180-01-000	EA	Connecting Rod Asm. Washer - Wave - 44 O.D. 32 I.D. Snap Ring - 7/32 Shaft
		EA	Sleeve - Window Torque Tube
		EA	Mullion - Horizontal - Black
		EA	Glass - 9 24" x 24 13" - Tipout
		FT	Seal - 5/16" x 15" (not included in assembly)
		FT	Seal - Vinyl Glazing

1989 ITASCA TABLE OF CONTENTS

INTRODUCTION	A-01
ABBREVIATIONS	A-01
ALPHABETICAL INDEX	A-02 - A-04
ICP32DQ	A-05 - C-20
IC/JP32RQ	C-21 - F-20

1989 ICP32DQ INDEX

Floor Plan	A-05 - A-08
Accessories Group	A-07 - A-10
Bath Group	A-11 - A-13
Chassis Group	A-14 - A-20
Curtain, Cushion & Fad Group	A-21 - E-04
Dinette Group	E-05
Driver's Compartment Group	B-06 - E-09
Electrical Group	B-10 - B-13
Exterior Body Group	B-14 - B-19
Galley Group	B-20 - B-22
Heating & Air Conditioning Group	B-23 - B-24
Interior Finish Group	C-01 - C-02
LP Group	C-03
Lounge Group	C-04 - C-05
Water & Sewage Group	C-06
Window, Vent & Exterior Door Group	C-07 - C-20