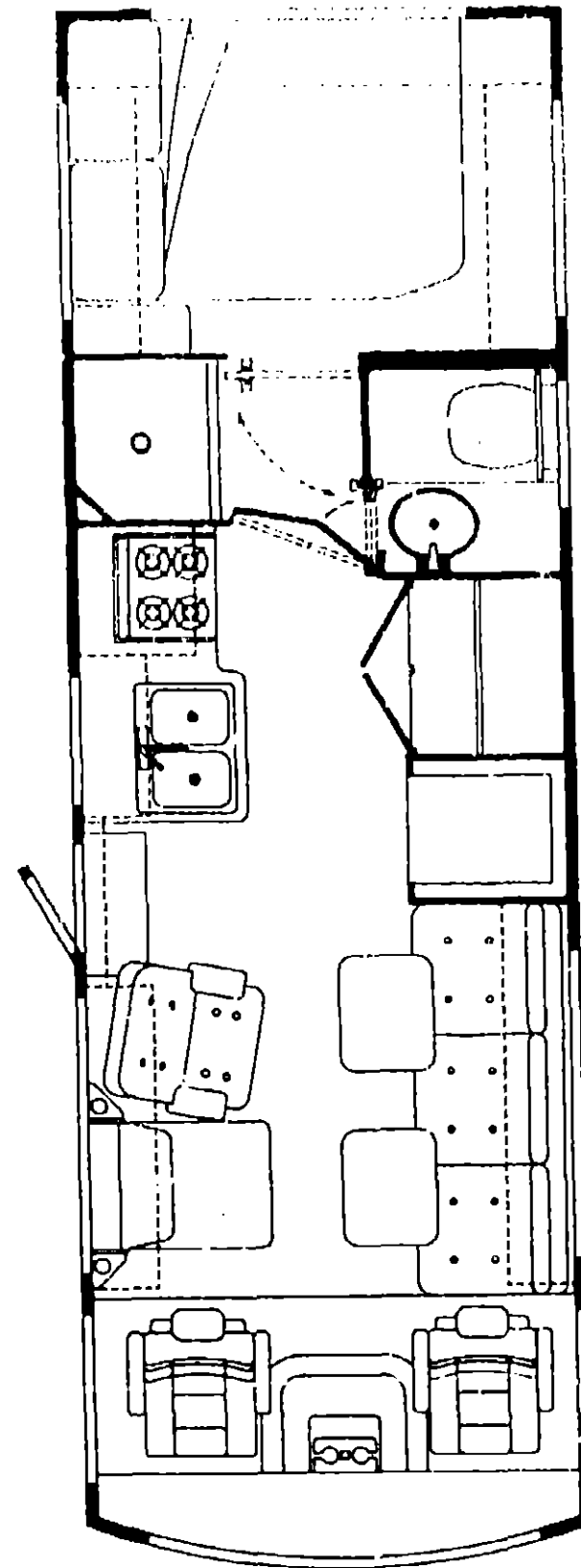


1989 ICN28RU



1989 ITASCA TABLE OF CONTENTS

ICN28RU	A-01 - D-16
ICN28RU	D-17 - H-10
ICN28RU	H-09 - K-21

1989 ICN28RU INDEX

Floor Plan	A-01 - A-02
Accessories Group	A-03 - A-05
Bath Group	A-06 - A-08
Chassis Group Group	A-09 - A-17
Curtain, Cushion & Pad Group	A-18 - B-06
Dinette Group	B-07 - B-08
Driver's Compartment Group	B-09 - B-15
Electrical Group	B-16 - B-19
Exterior Body Group	B-20 - C-03
Galley Group	C-04 - C-08
Heating & Air Conditioning Group	C-09 - C-10
Interior Finish Group	C-11 - C-13
LP Group	C-14
Lounge Group	C-15 - C-18
Water & Sewage Group	C-19 - C-21
Window, Vent & Exterior Door Group	C-22 - D-16

ACCESSORIES GROUP

RACK & LADDER COMPONENTS (OPTION 151)

Key	Part Number	U/M	Description
	092969 01 Y12	EA	Ladder Asm - Lower
	092969 01 Y15	EA	Ladder Asm - Upper
	081026 07 Y12	EA	Rack Asm - Right
	081026 10 Y12	EA	Rack Asm - Left
	081055 01 000	EA	Spring Grip - Internal
	081056 01 000	EA	Pin - Quick Release
	081152 01 000	EA	Bumper Plate - Brake Dip - Lower Ladder
	064093 01 000	EA	Luggage Box - 14" x 30" x 60" (Optional)
	038127 01 000	EA	Tape - Anti Slip - 2' x 60'

MICROWAVE/CONVECTION OVEN & COMPONENTS (OPTION 42D)

Key	Part Number	U/M	Description
	088737 01 000	EA	Microwave/Convection Oven - Magic Chef
	088737-01 700	EA	Control
	088737 01 701	EA	Frame Panel
	088737 01 702	EA	Touch Panel Asm
	088737 01 703	EA	Frame Door
	088737 01 704	EA	Glass Outside Door
	088737 01 705	EA	Trim Upper Frame Inner
	088737 01 706	EA	Cabinet
	088737 01 707	EA	Fuse
	088737 01 708	EA	Transformer H V
	088737 01-709	EA	Trim
	088737 01 710	EA	Lamp - Oven 30W
	088737 01 711	EA	Relay Completed
	088737-01 712	EA	Trim
	088737-02 000	EA	Frame Kit - Microwave Oven

CUSTOM STEERING WHEEL (OPTION 36P)

Key	Part Number	U/M	Description
1	080752 05 000	EA	Steering Wheel - Custom
	080752-17 000	EA	Steering Wheel w/2 Horn Buttons
	080752 06 000	EA	Hub Adapter - Steering Wheel
	080752 07 000	EA	Button Horn w/Wire
	080752-08 000	EA	Screw - Custom Steering Wheel
†	Parts used before 4/2/89		
	Parts used after 4/3/89		

REAR VIEW TELEVISION (SONY) (OPTION 67Z)

Key	Part Number	U/M	Description
	093040 01-000	EA	Camera & Monitor
	093040 01-700	EA	Camera Only
	093040-01-701	EA	Monitor - 6" - w/Bracket & Wire Harness
	093041 01-000	EA	Cable TV/Monitor
	093221 01-000	EA	Lens - Rear Monitor - Shroud
	093952 01 01A	EA	Shroud - TV - Off White
	092881 01-000	EA	Wire Asm - IP to Rear Monitor
	093040 03 001	EA	Wire Asm - Monitor
	094001 01 000	EA	Clamp - Camera
	094003 01 000	EA	Bracket Asm - Camera

ACCESSORIES GROUP (CONTINUED)

MISCELLANEOUS ACCESSORIES

Key	Part Number	U/M	Description
	054185 31 000	EA	Owner's Manual - 1987 Winnebago & Itasca
	092318 01 000	EA	Binder - 3 Ring - Vendor Manual
	092319 01 000	EA	Page - Plastic Packet
	040009 01 000	EA	Floor Mat - Black Rubber - 10 1/2" x 20"
	081202-02-000	EA	Floor Mat - Front - Right - Itasca (Option 03H)
	081201-02 000	EA	Floor Mat - Front - Left - Itasca (Option 03H)
	081075 01 000	EA	Floor Mat - Entrance - Itasca (Option 03H)
	017518 01 000	EA	Mud Flap - 14" x 18" - Rear - Black
	017518 02 000	EA	Mud Flap - 14" x 12" - Front - Black
	094498 01-000	EA	Fire Extinguisher - IA 10BC (UL)
	094498-02 000	EA	Fire Extinguisher - IA 10BC (CSA)
	072852-01-000	EA	Smoke Detector w/9 Volt Battery
	080208 01-000	EA	Lug Wrench
	080208 02 000	EA	Leverage Bar - Lug Wrench
	008113 01-000	EA	Jack - Hydraulic - 6 Ton - w/Handle
	091955 02 000	EA	Squeegee - Extended Handle
	091952-01-000	EA	Clip - 1" Gripper - Squeegee
	093527-01 000	EA	Bracket - Squeegee
	006269 01-000	EA	Picture - Decorative (Option 33Z)
	093552 01 01A	EA	Clock - 10" x 10" (Option 33Z)
	036420 02 000	EA	Defroster Fan - 6" - 2 Speed Fan (Option 36N)
	096447 01-000	EA	Television - 13" Digital Color (Option 43U)
	098446 01-000	EA	VCR - VHS - Table Model (Option 43W/43X)
	086757 01-000	EA	Control Center - Channel Master (Option 43W/43X)
	087200 01 000	EA	Filter - Water Purification (Option 29B)
	087200 02 000	EA	Cartridge - Water Filter - Purification (Option 29B)

WHEEL LINERS & MOUNTING HARDWARE (OPTION 63K) (CHEVROLET)

Key	Part Number	U/M	Description
	091209 01-000	EA	Wheel Liner - w/Axle & Lugnut Covers - Stainless Steel - 19.5" (Set/4)
	091209 01-700	EA	Simulator - Front Wheel
	091209 01-701	EA	Simulator - Rear Wheel
	091209 01-702	EA	Cover - Front Axle
	091209 01 703	EA	Cover - Rear Axle
	091209 01-704	EA	Cover - Lug Nut
	095012 01 000	EA	Extension - Valve Stem - Dual
	077030 02 000	EA	Extension - Valve Stem - 1.25"

FRONT RADIO & COMPONENTS

Key	Part Number	U/M	Description
	077069-01-000	EA	Antenna - Radio
	077448-01-000	EA	Bracket - Radio - Front
	077442 01-000	EA	Bracket - Radio Support - Rear
	077069 02 000	EA	Cable - Antenna Extension - 96"
	073741 04 000	EA	Grille - Speaker - Oval - 4" x 6"
	087706-01-000	EA	Mounting Kit - Radio
	090982-01-000	EA	Radio - AM/FM - w/Cassette
	073741-03-000	EA	Speaker - Oval - 4" x 6"
	074979 01-000	EA	Speaker Cover - Light Oak

**1989 ITASCA
TABLE OF CONTENTS**

ICN28RU	A 01 - D 16
IC/JN31RT	J 17 - H-10
IC/JN36TQ	H 09 - K 21

1989 ICN28RU INDEX

Floor Plan	A-01 - A-02
Accessories Group	A-03 - A-05
Bath Group	A-06 - A-08
Chassis Group Group	A-09 - A-17
Curtain, Cushion & Pad Group	A-18 - B-06
Dinette Group	B-07 - B-08
Driver's Compartment Group	B-09 - B-15
Electrical Group	B-16 - B-19
Exterior Body Group	B-20 - C-03
Galley Group	C-04 - C-08
Heating & Air Conditioning Group	C-09 - C-10
Interior Finish Group	C-11 - C-13
LP Group	C-14
Lounge Group	C-15 - C-16
Water & Sewage Group	C-19 - C-21
Window, Vent & Exterior Door Group	C-22 - D-16

ACCESSORIES GROUP (CONTINUED)

TV ANTENNA/CABLE READY W/TV STAND (OPTION 42P)

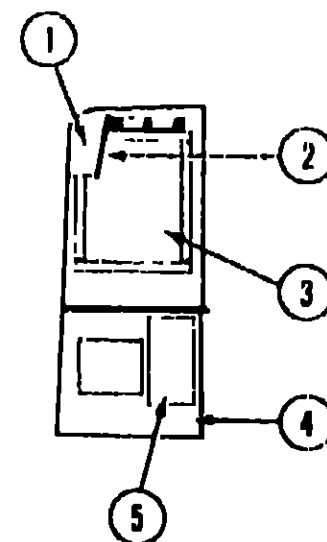
Key	Part Number	U/M	Description
	676319 01 000	EA	Antenna TV Roof Mount 44.5"
	676319 06 000	EA	Adaptor Cable Roof Plate
	076319 08 000	EA	Wallplate/Receptacle - Ivory
	076319 11 000	EA	Adaptor - Coax w/Splitter
	084357 01 W13	EA	TV Stand Arm w/o Hardware
	058331 10 000	EA	Mirror Safety Glass
	084356 03 000	EA	Insert TV Stand - Tan
	084412 01 000	EA	Support Hinged
	084451-01 000	EA	Catch - TV Shelf - Brass
	086756 01 000	FA	Splitter TV - 2 Way
	076319 03 000	FI	Cable Coaxial - 1000' - 75 OHM
	076319 12 000	EA	Connector - Coaxial
	087236 01 000	EA	Label Cable Input
	087236 02 000	EA	Label - TV Outlet
	093252 01 01A	EA	Plate - Wall Outlet

The illustrated parts breakdown of this item is provided on the Common Items Fiche

EXPORT GENERATORS (5.0KW & 3.5KW) (OPTIONS 05J & 3131A)

Key	Part Number	U/M	Description
	100974 05 000	EA	Generator - Onan 3.5KW
	081634 03-000	EA	Generator Emerald 5.0KW
	008054 01 000	EA	Power Cord - 10 3 - 30 Amp - 25' (UL)
	042615 01 000	EA	Converter - 40 Amp w/Charger
	083152-05 000	EA	Exhaust Pipe - Generator 3.5KW
	083152 03 000	EA	Exhaust Pipe Generator - 5.0KW
	093590 02-000	EA	Muffler Generator 3.5KW
	007131-01 000	EA	Hanger - Tailpiece
	093590 04 000	EA	Muffler Generator 5.0KW

BATH GROUP



BATH CABINETRY

Key	Part Number	U/M	Description
1	076073 01-000	EA	Cabinet - Medicine Almond
	076073 01 700	EA	Lock Asm - Medicine Cabinet
2	093446 06-Y15	EA	Door Asm - Mirror - Medicine Cabinet - 29.4" x 15.4" w/o Hardware
	058331 32 000	EA	Mirror - Safety Glass
	M03450 06-000	EA	Trim Asm - Oak Mirror
3	093446 03 Y15	EA	Mirror Asm - Bath Wall
	058331 08 000	EA	Mirror - Safety Glass - 24" x 30"
	M03450-03 000	EA	Trim Asm. - Oak - Mirror
4	M92859 02 Y12	EA	Cabinet Asm - Lavatory - w/Countertop - w/o Doors or Hardware
	092859 12-Y12	EA	Countertop Asm - Lavatory Cabinet
5	M88504 F6 Y12	EA	Door Asm - Lavatory Cabinet - 12" x 21 8" - w/o Hardware
	M03867-01-Y12	EA	Door Asm - Bath - w/o Hardware
	094485 01-01A	EA	Door Knob - Bright Brass - Bath Door
	M92871-01-Y12	EA	Door Asm - Bi-Fold - Bath - w/o Hardware
	093832 01 01A	EA	Door Knob - Bright Brass - Bi-Fold Door
	061504-01-000	EA	Slide Bolt Antique Brass
	093184-01 01A	EA	Plate - Striker Door Bath
	093213 01 000	EA	Catch - Roller Nylon
	092652 01 000	EA	Guide Wheel - Door - Top - Bi Fold Door
	093212-01-01A	EA	Door Bolt - Mortise - Bi-Fold Door

**1989 ITASCA
TABLE OF CONTENTS**

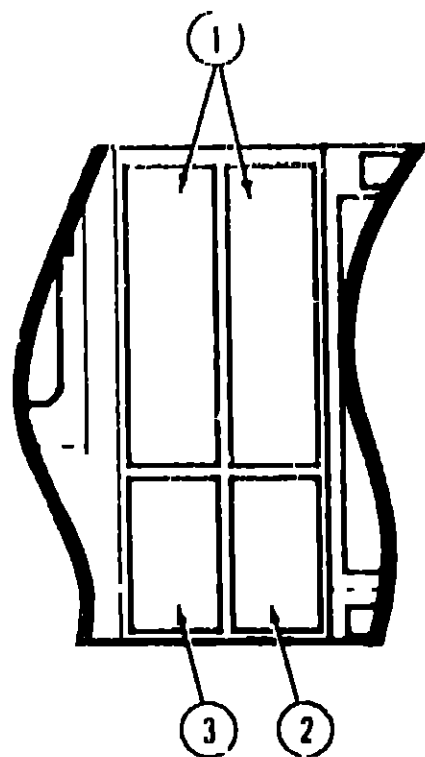
ICN28RU
IC/JN31RT
IC/JN36RQ

A 01 - D-16
D-17 H 10
H-09 - K 21

1989 ICN28RU INDEX

Floor Plan	A 01 - A-02
Accessories Group	A 03 - A 05
Bath Group	A 06 - A-08
Chassis Group Group	A 09 - A-17
Curtain, Cushion & Pad Group	A-18 - J 06
Dinette Group	B 07 - B 08
Driver's Compartment Group	B 09 - B-15
Electrical Group	B-16 - B 19
Exterior Body Group	B 20 - C-03
Galley Group	C-04 - C 08
Heating & Air Conditioning Group	C-09 - C 10
Interior Finish Group	C 11 - C 13
LP Group	C-14
Lounge Group	C-15 - C 19
Water & Sewage Group	C-19 - C-21
Window, Vent & Exterior Door Group	C 22 - D-16

BATH GROUP (CONTINUED)



WARDROBE CABINTRY

Key	Part Number	U/M	Description
1	M88304 E3 X11	EA	Door Asm - Wardrobe Cabinet - 15 3' x 19 2' - w/o Hardware
2	M88304 B4-X14	EA	Door Asm - Wardrobe Cabinet - 15 4' x 25 5' - w/o Hardware
3	M88304 B3 X14	EA	Door Asm - Wardrobe Cabinet - 15 3' x 25 5' - w/o Hardware

BATH GROUP (CONTINUED)

BATH & WARDROBE HARDWARE

Key	Part Number	U/M	Description
	074210 05 000	EA	Faucet Lavatory Brass
	011056 03 000	EA	Faucet Lavatory Chrome (CSA)
	091253 01 000	EA	Gasket - Lavatory Faucet
	075241 04 000	EA	Faucet Shower Control Brass
	031558 01 000	EA	Faucet Tub & Shower Chrome (CSA)
	011048 02 000	EA	Shower Head w/60' Hole
	011048 05 000	EA	Shower Head w/60' Hole (CSA)
	080316 01 050	EA	Door Asm - Shower Solid Gold
	009366 01 000	EA	Sink Oval Ivory Plastic
	M03868 01-000	EA	Shower Pan
	009059 01-000	EA	Hinge 1" - Brass
	009059 02 000	EA	Hinge - 2" Brass
	059777 02 000	EA	Hinge Cabinet Door - Brass
	009021 01 000	EA	Catch - Nylon Grill
	009021 02 000	EA	Strike - Spring Steel
	086440 01 000	EA	Strainer - w/Rubber Washer
	066436 01 000	EA	Slip Nut 1 5" Tail Piece Bathtub
	085278 01 000	EA	Tissue Holder - Recessed - Brass
	085278 02-000	EA	Tissue Holder - Recessed - CSA
	075680 02 000	EA	Clothes Rod - Adjustable 27' - 39"
	575453 02 000	EA	Bar Towel Rack 18"
	009133 01 000	EA	Towel Bar - 12" Chrome (CSA)
	023449 01 000	EA	Bracket - Towel Bar Chrome (CSA)
	075454 02 000	EA	Towel Ring Brass
	033580 01 000	EA	Towel Ring - Plastic (CSA)
	083204-01 000	EA	Retaining Button Glass
	067487 01 000	EA	Toilet Aqua Magic - IV - Low
	081614 02 000	EA	Soap Dish Brass w/Plastic Cover
	090027 01 000	EA	Dish Soap Chrome (CSA)
	066433 01-000	EA	Hook - Cup - Bright
	077902 01 000	EA	Collar - Skylite Inner Panel
	080910 01 000	EA	Skylite Panel - Outer
	081171 01-000	EA	Skylite Trim Outer Mill
	063641 01-000	EA	Flange - Closet 4 x 3 (UL)
	063641 02 000	EA	Flange - Closet - 4 x 3 (CSA)
	042438 02 000	EA	Wood Dowel 2" x 2"
	009112 01 000	EA	Flange - Wood Dowel

**1989 ITASCA
TABLE OF CONTENTS**

ICN28RU	A-01 - D-10
IC/JN31RT	D-17 H-10
IC/JN38RQ	H-09 K-21

1989 ICN28RU INDEX

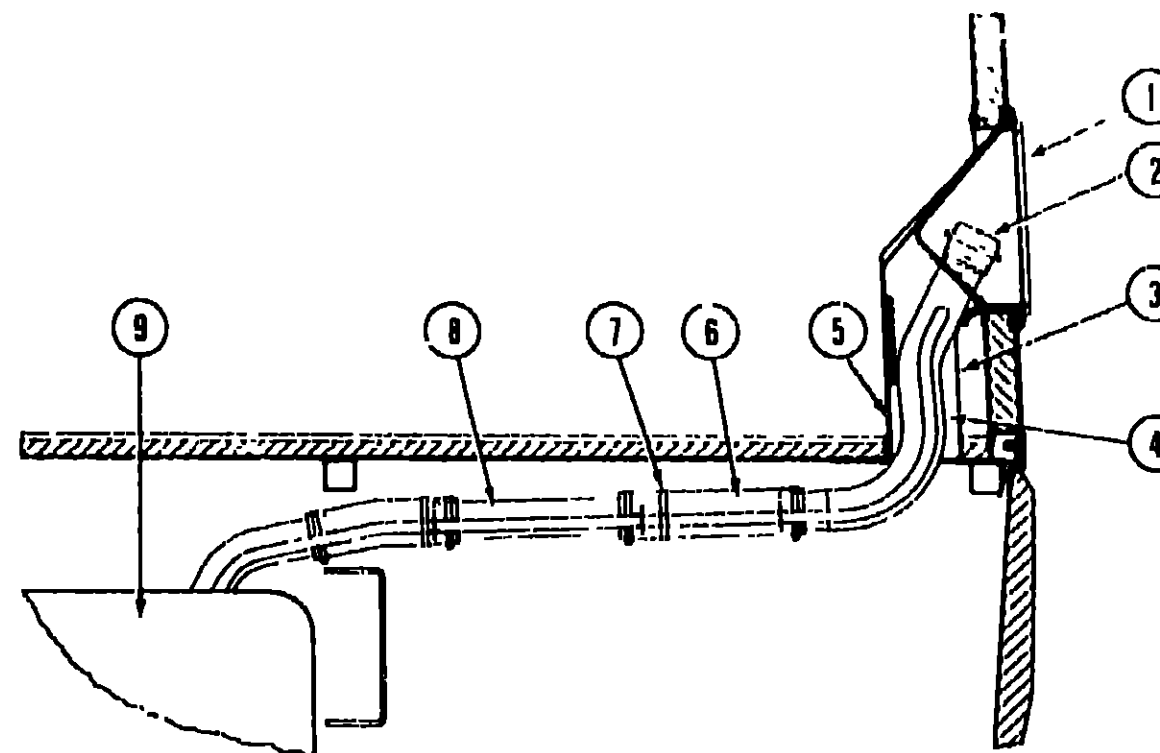
Floor Plan	A 01 - A 02
Accessories Group	A 03 - A 05
Bath Group	A 06 - A 08
Chassis Group Group	A-09 - A-17
Curtain, Cushion & Pad Group	A-18 - B-06
Dinette Group	B-07 - B-08
Driver's Compartment Group	B 09 - B-15
Electrical Group	B 16 - B 19
Exterior Body Group	B-20 - C-03
Galley Group	C-04 - C-08
Heating & Air Conditioning Group	C-09 - C-10
Interior Finish Group	C-11 - C-13
LP Group	C 14
Lounge Group	C-15 - C-18
Water & Sewage Group	C-19 - C 21
Window, Vent & Exterior Door Group	C-22 - D-16

CHASSIS GROUP

MISCELLANEOUS

Key	Part Number	U/M	Description
	084086 01 000	EA	Airspring Bellows - Rear Axle (Chevrolet)
	072359 01 000	EA	Bottle - Expansion Coolant
	063739 01 000	EA	Battery - 12V Storage
	075222 01 000	EA	Bracket - Exhaust - Upper
	075223 01 000	EA	Bracket - Exhaust - Lower
	062401 02 000	EA	Clamp - Hose - Wormgear - 1 5/8 ID - 2 5/8 ID
	062401 03 000	EA	Clamp - Hose - Wormgear - 25 ID - 1" ID
	062401 04 000	EA	Clamp - Hose - Wormgear - 69" ID - 1.25" ID
	062401-05 000	EA	Clamp - Hose - Wormgear - 2" ID - 3" ID
	062401-06 000	EA	Clamp - Hose - Wormgear - 22" ID - 62" ID
	007125 03 000	EA	Clamp Asm - Muffler - 1 5/8 Dia
	007125 07 000	EA	Clamp Asm - Muffler - 2 5/8 Dia.
	007125-11 000	EA	Clamp Asm - Muffler - 2 7/8 Dia.
	010497 01 000	EA	Clamp - Closed - 5/8 ID
	010497 03 000	EA	Clamp - Closed - 1" ID
	M03496 01-000	EA	Compartment - Furnace
	085455 01 000	EA	Hanger - Tailpiece
	095055 01 000	EA	Hanger - Universal Exhaust
	007063 01 000	FT	Hose - Gas - 1/4" ID x 1/2 OD
	024138 01 000	FT	Hose - Fuel - 5/16 ID
	017516 01 000	EA	Mud Flap - Black
	089199 01 000	EA	Shield - Air Pump - Pulley
	094707 01-01A	EA	Step Asm - Electric - Double
	087883 01 000	EA	Wheelwall - Plastic - Rear
	081918 01 000	EA	Exhaust Extension - 9 4"

CHASSIS GROUP (CONTINUED)



FUEL SYSTEMS COMPONENTS

Key	Part Number	U/M	Description
1	078010 03-000	EA	Door Asm - Fuel Fill - Off White
2	073220 02-000	EA	Cap - Fuel Fill (Gas)
2	073220-03-000	EA	Cap - Fuel Fill (Diesel)
	078200-01-000	EA	Gasket - Fuel Fill
3	083578-01-000	EA	Boot - Fuel Fill
4	075227-01-000	EA	Neck Asm - Upper Fuel Fill (Federal)
4	075227-03-000	EA	Neck Asm - Upper Fuel Fill (California)
5	072447-04-000	EA	Shroud - Fuel Fill - Inside
6	081245-01-000	EA	Hose - Fuel Fill - Formed
	062401-05-000	EA	Clamp - Hose - Wormgear - 2" - 3" (Fuel Hose)
7	075229-01-000	EA	Strap Asm
8	075228-01-000	EA	Neck Asm - Fuel Fill - Lower
9	092352-01-000	EA	Tank - Fuel - 60 Gal
	086486-02-000	EA	Strap Asm - Fuel Tank
	088740 01-000	EA	Sending Unit
	086255-01-000	EA	Gasket - Sending Unit
	079611-01-000	EA	Valve Asm - Vent - Fuel Tank
	066732-01-000	FT	Hose - Fuel - 62 ID (Vent Hose)
	062401-10-000	EA	Clamp - Hose - Wormgear - 1" - 2" (Vent Hose)
	007111 03-000	EA	Hose - Fuel - 1 7/8" - 3" (Tank To Neck)

1989 ITASCA TABLE OF CONTENTS

ICN28RU
IC/JN31R1
IC/JN30RQ

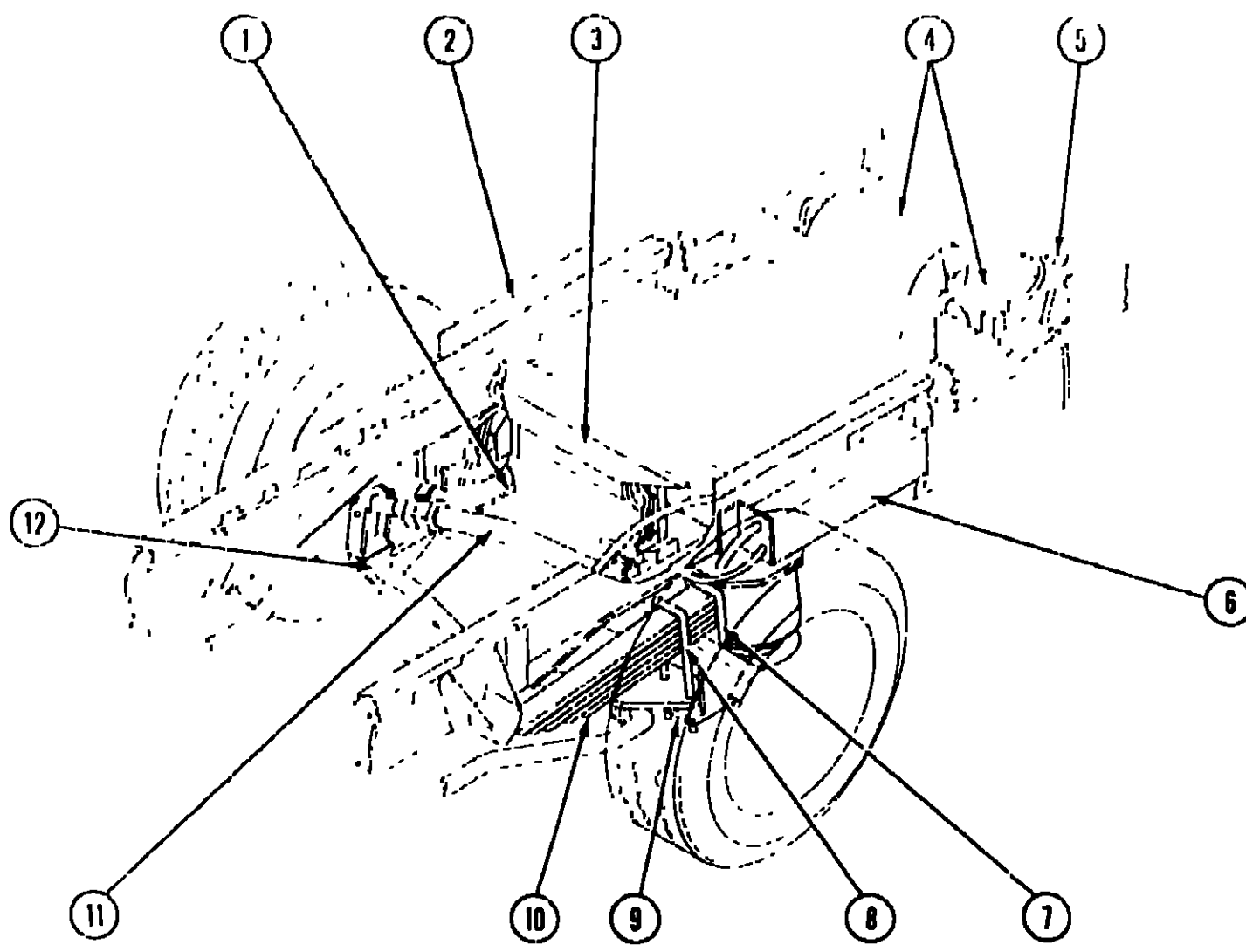
A 01 - D-18
D-17 - H-10
H 09 - K 21

1989 ICN28RU INDEX

Floor Plan	A-01 - A-02
Accessories Group	A-03 - A-05
Bath Group	A-06 - A-08
Chassis Group Group	A-09 - A-17
Curtain, Cushion & Pad Group	A-18 - B-06
Dinette Group	B-07 - B-08
Driver's Compartment Group	B-09 - B-15
Electrical Group	B-16 - B-19
Exterior Body Group	B-20 - C-03
Galley Group	C-04 - C-08
Heating & Air Conditioning Group	C-09 - C-10
Interior Finish Group	C-11 - C 13
LP Group	C 14
Lounge Group	C 15 - C 21
Water & Sewage Group	C-19 - C 18
Window, Vent & Exterior Door Group	C-22 - D-16

CHASSIS GROUP (CONTINUED)

AIR RIDE SUSPENSION (OPTION 64K & 64P)



Key	Part Number	U/M	Description
1	090436 11 000	EA	Spring Mount - Lower Axle - Driver
2	090436 07 000	EA	Mount - Airspring Asm - Upper Driver
3	090436 04 000	EA	Valve Asm - Height w/Park & Level
4	090436 05 000	EA	Valve Asm - Height w/Park & Level
5	090436 06 000	EA	Compressor Asm - w/Tank & Wiring
6	090436 08 000	EA	Mount - Airspring Asm - Upper - Passenger
7	090436 13 000	EA	U Bolt - Rearward Bent - 7/8"
8	090436-12-000	EA	U Bolt - Straight - 7/8"
9	090436-10 000	EA	Spring Mount - Lower Axle - Passenger
10	090436 03 000	EA	Leaf Spring - Semi
11	090436-14 000	EA	Track Bar - w/Pivot Bolt & Brackets
12	091250 03 000	EA	Bushing - Sway Bar - 1 1/2"
	090436 15 000	EA	Valve - Solenoid Asm - Park & Level
	090436 15-700	EA	Toggle Switch
	090436-15-701	EA	Toggle Switch - Lighted
	090436-15-702	EA	Light - Indicator
	090436-15-703	EA	Solenoid - Electric
	090436-16 000	EA	Bracket - Brake Hose/Axle
	000D14 05 00B	EA	Hex Nut - 5/16 #18
	000D34 06 00B	EA	Hex Nut - Locking - 3/8 - #16
	000E13-17-00B	EA	Washer - Flange - 3/8
	071374 03 000	EA	Fitting - Bulkhead - 1/4 x 1/4 MNPT
	007125 11-000	EA	Clamp Asm - Mullier
	016379 02-000	EA	Strap - Hanger Extension
	081910 02 000	EA	Extension - Exhaust - 2.25 OD x 7
	085433 01-000	EA	Shield - Heat Exhaust
	095190 01-000	EA	Hanger - Exhaust
	016379 02-000	EA	Strap - Hanger Extension
	096199-01-000	EA	Exhaust Pipe - Driver
	096200-01-000	EA	Exhaust Pipe - Passenger
	096087-02 000	EA	Bracket Asm - Strap - Exhaust Pipe
	091250 01-000	EA	Bushing - Sway Bar - 1.25 (Inboard)
	091250 02 000	EA	Bushing - Sway Bar - 1.25 (Outboard)
	096055 01-000	EA	Support Asm - Exhaust Pipe

1989 ITASCA TABLE OF CONTENTS

IC/N28RU
IC/JN311T
IC/JN36RQ

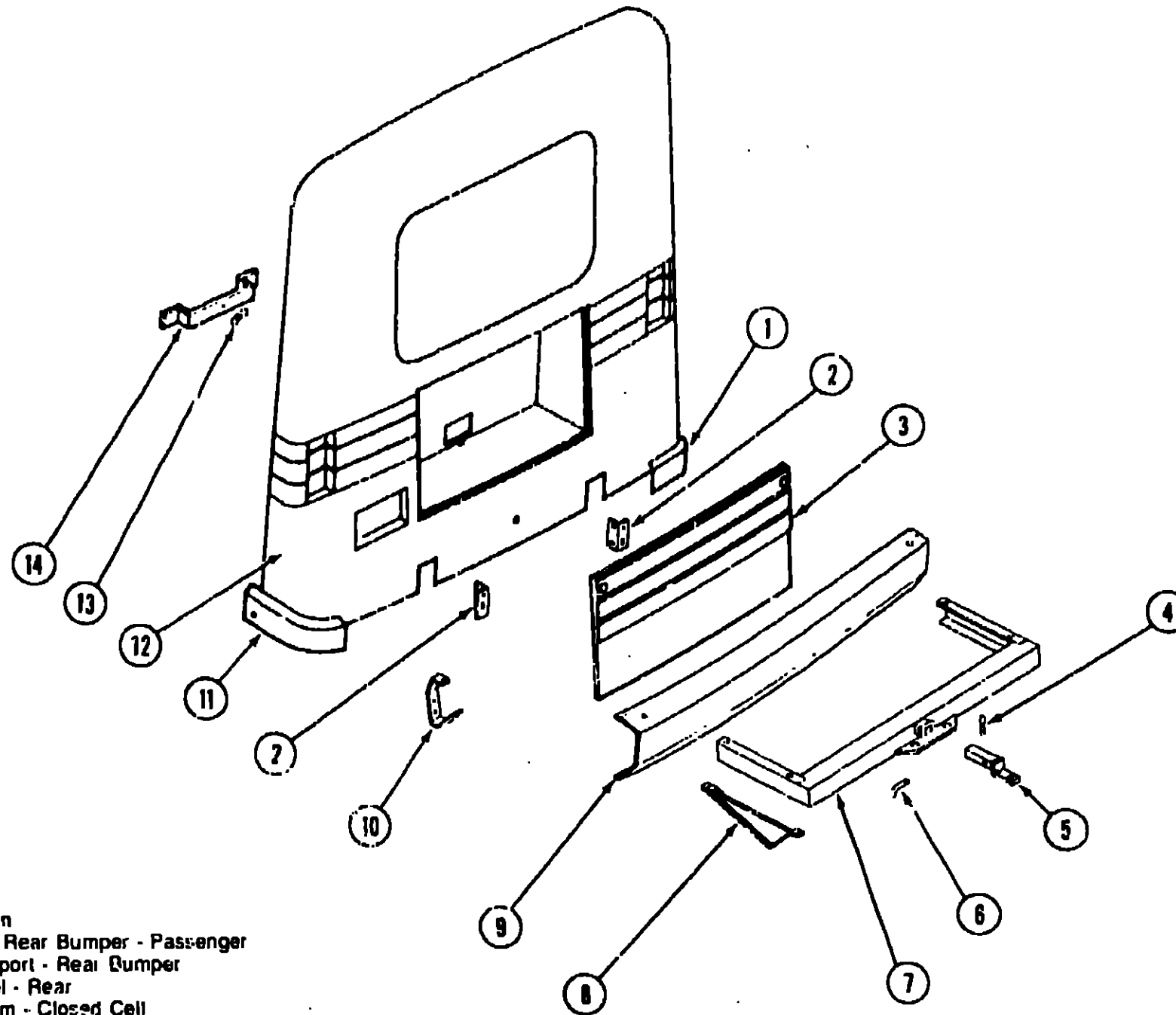
A 01 - D-16
D-17 - H-10
H 09 - K 21

1989 ICN28RU INDEX

Floor Plan	A 01 - A-02
Accessories Group	A-03 - A-05
Bath Group	A-06 - A-08
Chassis Group Group	A-09 - A-17
Curtain, Cushion & Pad Group	A-18 - B-06
Dinette Group	B-07 - B-08
Driver's Compartment Group	B-09 - B-15
Electrical Group	B-16 - B-19
Exterior Body Group	B-20 - C-03
Galley Group	C-04 - C-08
Heating & Air Conditioning Group	C-09 - C-10
Interior Finish Group	C-11 - C-13
LP Group	C-14
Lounge Group	C-15 - C-18
Water & Sewage Group	C-19 - C 21
Window, Vent & Exterior Door Group	C-22 - D-16

CHASSIS GROUP (CONTINUED)

SPARE TIRE & TRAILER HITCH



Key	Part Number	U/M	Description
1	092251-01-01A	EA	End Cap - Rear Bumper - Passenger
2	078668-01-000	EA	Angle Support - Rear Bumper
3	092983-01-Y33	EA	Door Panel - Rear
	090340-01-000	FT	Seal - Foam - Closed Cell
4	034513-01-000	EA	Hitch Pin - 3/16" Wire
5	077613-01-000	EA	Drawbar Asm.
6	034512-01-000	EA	Locking Pin - Drawbar
7	077617-04-000	EA	Hitch Asm. - w/o Drawbar
8	093048-01-000	EA	Skid Plate Asm.
9	077851-09-C00	EA	Rear Bumper - Off White
	005200-01-000	EA	Bumper Bolt - 7/16" - 14 x 1 1/4
	000D39-07-09B	EA	Hex Nut - 7/16" - 14
10	077855-01-000	EA	Bracket - Rear Bumper
11	092251-02-01A	EA	End Cap - Rear Bumper - Driver
12	M03491-01-Y33	EA	Rear Cap Asm. - Off White
13	064081-01-000	EA	Wing Nut
14	077399-01-000	EA	Retainer - Spare Tire
	007324-04-000	EA	Tire - 8" x 19.5" - Michelin
	095012-01-000	EA	Extension - Valve Stem

1989 ITASCA TABLE OF CONTENTS

ICN28RU
IC/JN31RT
IC/JN361Q

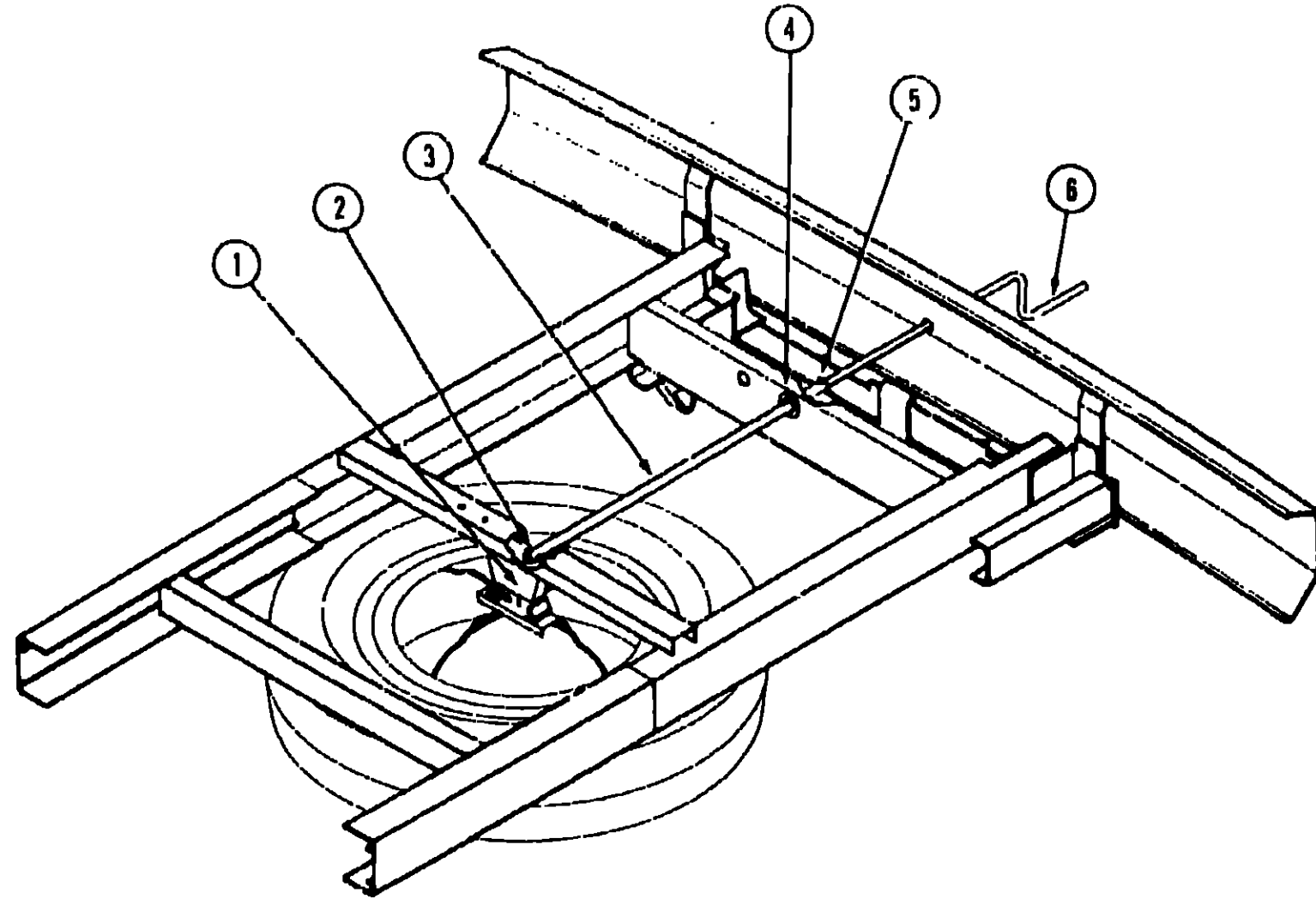
A-01 - D-10
D-17 - H-10
H-09 - K-21

1989 ICN28RU INDEX

Floor Plan	A-01 - A-02
Accessories Group	A-03 - A-05
Bath Group	A-06 - A-08
Chassis Group Group	A-09 - A-17
Curtain, Cushion & Pad Group	A-18 - B-06
Dinette Group	B-07 - B-08
Driver's Compartment Group	B-09 - B-15
Electrical Group	B-16 - B-19
Exterior Body Group	B-20 - C-03
Galley Group	C-04 - C-07
Heating & Air Conditioning Group	C-09 - C-10
Interior Finish Group	C-11 - C-13
LP Group	C-14
Lounge Group	C-15 - C-18
Water & Sewage Group	C-19 - C-21
Window, Vent & Exterior Door Group	C-22 - D-16

CHASSIS GROUP (CONTINUED)

SPARE TIRE HOIST



Key	Part Number	U/M	Description
1	093267-01-000	EA	Hoist - Spare Tire
2	000F10-04-40B	EA	Cotter Pin - 1/8" x 2 1/2"
3	093375-01-000	EA	Extension - Tire Hoist
4	071015-11-000	EA	Grommet - 1" ID
5	035776-01-000	EA	Pin - Roll - .125" Dia. x .750
6	033376-01-000	EA	Handle - Crank - Tire Hoist

1989 ITASCA TABLE OF CONTENTS

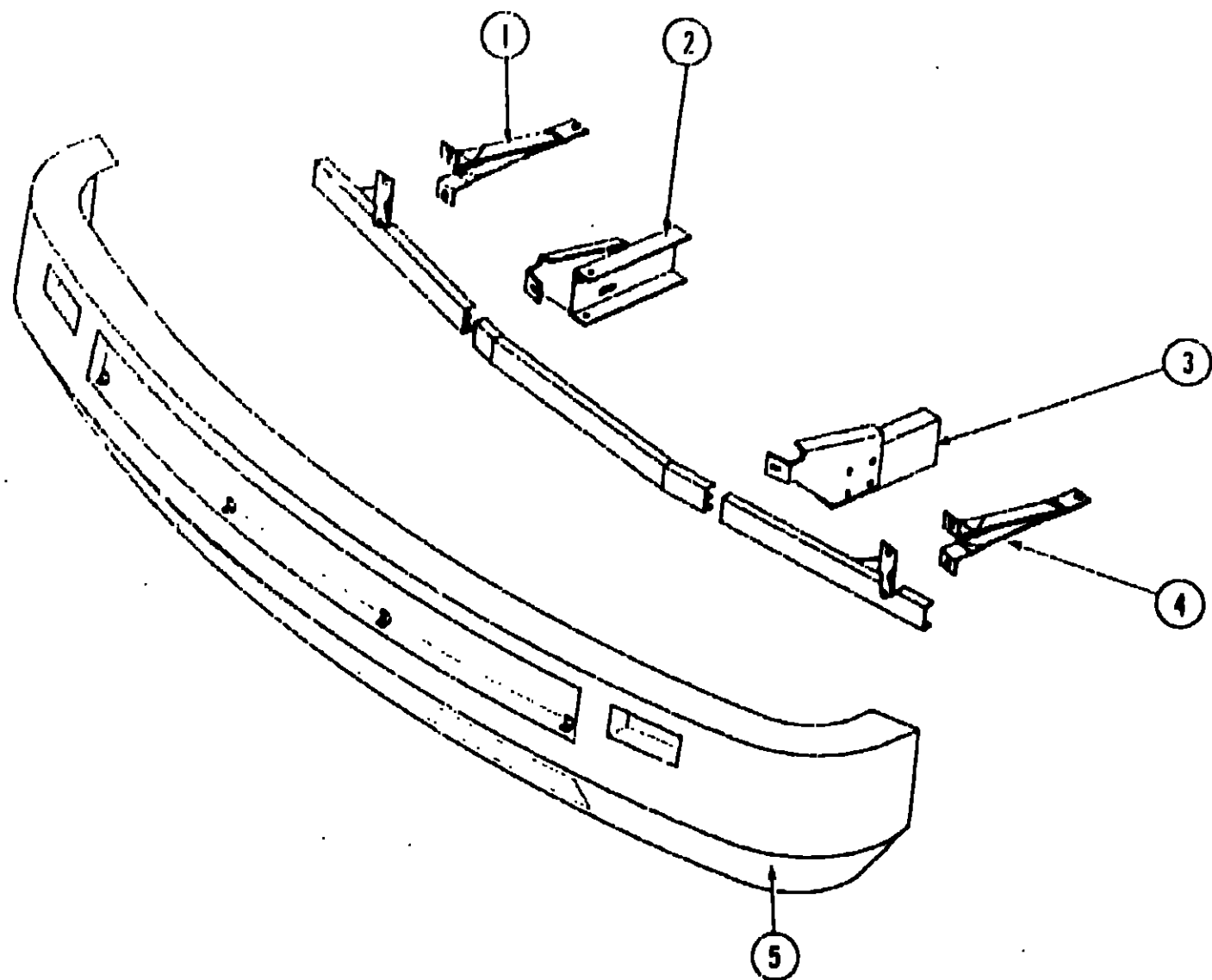
ICN28RU
IC/JN31RT
IC/JN36RQ

A-01 - D-16
D-17 - H-10
H-09 - K-21

1989 ICN28RU INDEX

Floor Plan	A-01 - A-02
Accessories Group	A-03 - A-05
Bath Group	A-06 - A-08
Chassis Group Group	A-09 - A-17
Curtain, Cushion & Pad Group	A-18 - B-06
Dinette Group	B-07 - B-08
Driver's Compartment Group	B-09 - B-15
Electrical Group	B-16 - B-19
Exterior Body Group	B-20 - C-03
Galley Group	C-04 - C-08
Heating & Air Conditioning Group	C-09 - C-10
Interior Finish Group	C-11 - C-13
LP Group	C-14
Lounge Group	C-15 - C-18
Water & Sewage Group	C-19 - C-21
Window, Vent & Exterior Door Group	C-22 - D-16

CHASSIS GROUP (CONTINUED)



FRONT BUMPER

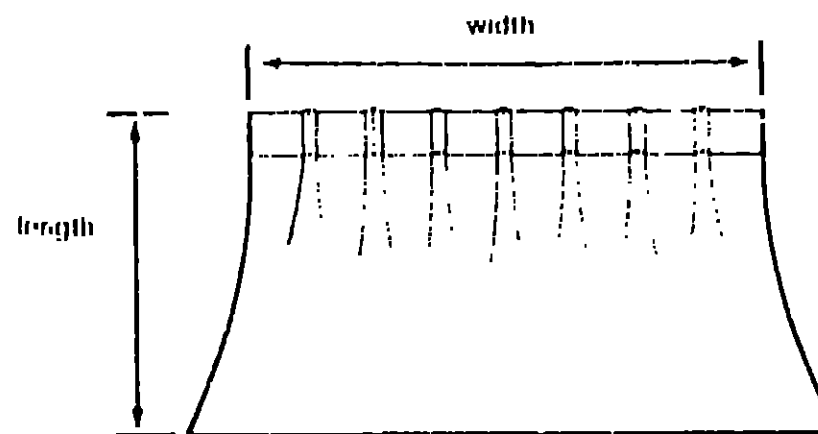
Key	Part Number	U/M	Description
1	093034-01-000	EA	Brace - Upper - Bumper (2 Required)
2	093749-01-000	EA	Support - Extension - Bumper - Passenger
3	093749-02-000	EA	Support - Extension - Bumper - Driver
4	093275-01-000	EA	Brace - Lower - Bumper (2 Required)
5	093846-01-Y35	EA	Panel Asm. - Front Bumper - Off White
	093005-01-Y33	EA	Grille Asm. - Front Bumper

CURTAIN, CUSHION & PAD GROUP

NOTICE

In order to assist our Part Sales Dept. in providing interior software items, please include the serial number and the color code number from the vehicle certification label when ordering. This label is located on the left sidewall at the end of the dash (A-Body), or on the driver's door latch plate (C-Body).

An example of a color code number is P31, which designates an overall color scheme of a particular unit. The color listed after the item description on the microfiche, indicates the overall unit color. Order the item you desire according to unit color code.



NOTE: Use this illustration when determining length and width measurements for curtains. You will note the width measurement is taken on the top of the curtain with the curtain fully extended. The length measurement is taken from top to bottom.

**1989 ITASCA
TABLE OF CONTENTS**

ICN28RU
IC/JN311T
IC/JN36RC

A-01 - D-16
D-17 - H-10
H-08 - K-21

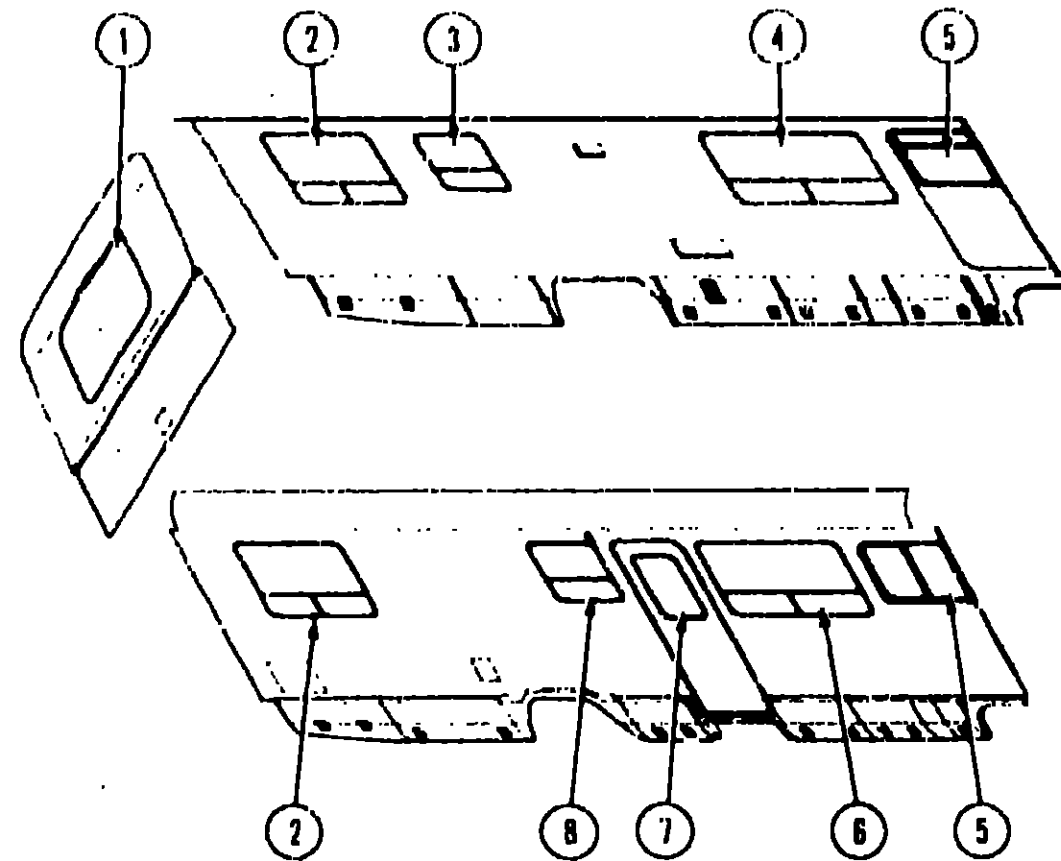
1989 ICN28RU INDEX

Floor Plan	A-01 - A-02
Accessories Group	A-03 - A-05
Bath Group	A-06 - A-08
Chassis Group Group	A-09 - A-17
Curtain, Cushion & Pad Group	A-18 - B-06
Dinette Group	B-07 - B-08
Driver's Compartment Group	B-09 - B-15
Electrical Group	B-16 - B-19
Exterior Body Group	B-20 - C-03
Galley Group	C-04 - C-08
Heating & Air Conditioning Group	C-09 - C-10
Interior Finish Group	C-11 - C-13
LP Group	C-14
Lounge Group	C-15 - C-18
Water & Sewage Group	C-19 - C-21
Window, Vent & Exterior Door Group	C-22 - D-16

PADS & TRIM

Key	Part Number	U/M	Description
	081519-01-X75	EA	Pad Asm. - Dinette - Back (Y35)
	081519-01-Y71	EA	Pad Asm. - Dinette - Back (Y36)
	081519-01-Y72	EA	Pad Asm. - Dinette - Back (Y37)
	081519-02-X75	EA	Pad Asm. - Dinette - Front (Y35)
	081519-02-Y71	EA	Pad Asm. - Dinette - Front (Y36)
	081519-02-Y72	EA	Pad Asm. - Dinette - Front (Y37)
	093195-01-Y35	EA	Pad Asm. - Door
	093195-01-Y36	EA	Pad Asm. - Door
	093195-01-Y37	EA	Pad Asm. - Door
	089045-01-W36	EA	Pad Asm. - TV Cabinet
	089045-02-Y35	EA	Pad Asm. - TV Cabinet
	092580-01-02A	EA	Cover - Map Pocket - Slate Gray
	082286-05-Y35	EA	Sunvisor Asm. - Driver
	M82286-C6-Y35	EA	Cover Asm. - Sunvisor - Driver
	083386-06-Y35	EA	Sunvisor Asm. - w/Mirror - Passenger
	M82286-07-Y35	EA	Cover Asm. - Sunvisor - Passenger
	070578-02-W41	EA	Button Asm. - Stud - #30 - Vinyl (TV Cabinet)
	070578-11-Y70	EA	Button Asm. - #30 - Vinyl (Headliner)
	Parts used after 8/29/88.		

CURTAIN, CUSHION & PAD GROUP (CONTINUED)



CURTAIN, SHADES, VALANCES & TIEBACKS

Key	Part Number	U/M	Description
1	093455-20-Y35	EA	Shade Asm. - Pull - 51.25" (Y35)
1	093455-20-Y19	EA	Shade Asm. - Pull - 51.25" (Y36)
1	093455-20-Y70	EA	Shade Asm. - Pull - 51.25" (Y37)
1	079542-20-Y35	EA	Curtain Asm. w/Dart Top - 32" x 12" (Y35)
1	073542-20-Y36	EA	Curtain Asm. w/Dart Top - 32" x 12" (Y36)
1	079542-20-Y37	EA	Curtain Asm. w/Dart Top - 32" x 12" (Y37)
2	093455-21-Y30	EA	Shade Asm. - Pull - 45.25" (Y35)
2	093455-21-Y31	EA	Shade Asm. - Pull - 45.25" (Y36)
2	093455-21-Y32	EA	Shade Asm. - Pull - 45.25" (Y37)
2	079542-20-Y35	EA	Curtain Asm. w/Dart Top - 32" x 12" (Y35)
2	079542-20-Y36	EA	Curtain Asm. w/Dart Top - 32" x 12" (Y36)
2	079542-20-Y37	EA	Curtain Asm. w/Dart Top - 32" x 12" (Y37)
3	094552-10-Y70	EA	Valance Asm. - Ruffled - w/Wood Trim (Y35)
3	094552-10-Y71	EA	Valance Asm. - Ruffled - w/Wood Trim (Y36)
3	094552-10-Y72	EA	Valance Asm. - Ruffled - w/Wood Trim (Y37)
3	093465-21-Y70	EA	Ruffled Valance - Cover Only (Y35)
3	093465-21-Y71	EA	Ruffled Valance - Cover Only (Y36)
3	093465-21-Y72	EA	Ruffled Valance - Cover Only (Y37)
3	093475-10-Y13	EA	Mini Blind - 28" x 27" Drop (Y35, Y37)
3	093475-10-05A	EA	Mini Blind - 28" x 27" Drop (Y36)
3	073304-53-Y35	EA	Curtain Asm. w/Snap Top - 28" x 10" (Y35)
3	073304-53-Y13	EA	Curtain Asm. w/Snap Top - 28" x 10" (Y36)
3	073304-53-Y76	EA	Curtain Asm. w/Snap Top - 28" x 10" (Y37)

CURTAIN, CUSHION & PAD GROUP (CONTINUED)

CURTAINS, SHADES, VALANCES & TIEBACKS (CONT.)

Key	Part Number	U/M	Description
4	093475-21-01A	EA	Mini Blind - 57.5" x 32" Drop (Y35, Y37)
4	093475-21-07A	EA	Mini Blind - 57.5" x 32" Drop (Y36)
4	089058-20-Y35	EA	Leg Asm. w/Gathers - Right Side (Y35)
4	089058-20-Y13	EA	Leg Asm. w/Gathers - Right Side (Y36)
4	089058-20-Y37	EA	Leg Asm. w/Gathers - Right Side (Y37)
14	089058-21-Y70	EA	Leg Asm. w/Gathers - Right Side (Y35)
14	089058-21-Y71	EA	Leg Asm. w/Gathers - Right Side (Y36)
14	089058-21-Y72	EA	Leg Asm. w/Gathers - Right Side (Y37)
4	089058-10-Y35	EA	Leg Asm. w/Gathers - Left Side (Y35)
4	089058-19-Y13	EA	Leg Asm. w/Gathers - Left Side (Y36)
4	089058-19-Y37	EA	Leg Asm. w/Gathers - Left Side (Y37)
14	089058-22-Y70	EA	Leg Asm. w/Gathers - Left Side (Y35)
14	089058-22-Y71	EA	Leg Asm. w/Gathers - Left Side (Y36)
14	089058-22-Y72	EA	Leg Asm. w/Gathers - Left Side (Y37)
5	093452-01-Y30	EA	Curtain Asm. w/Snap Top - 48" x 50" - Blackout - Passenger (Y35)
5	093452-01-Y31	EA	Curtain Asm. w/Snap Top - 48" x 50" - Blackout - Passenger (Y36)
5	093452-01-Y32	EA	Curtain Asm. w/Snap Top - 48" x 50" - Blackout - Passenger (Y37)
5	093452-02-Y30	EA	Curtain Asm. w/Snap Top - 48" x 50" - Blackout - Driver (Y35)
5	093452-02-Y31	EA	Curtain Asm. w/Snap Top - 48" x 50" - Blackout - Driver (Y36)
5	093452-02-Y32	EA	Curtain Asm. w/Snap Top - 48" x 50" - Blackout - Driver (Y37)
5	073304-60-Y35	EA	Curtain Asm. w/Lining - 34" x 82" - Front Wraparound (Y35)
5	073304-60-Y13	EA	Curtain Asm. w/Lining - 34" x 82" - Front Wraparound (Y36)
5	073304-60-Y37	EA	Curtain Asm. w/Lining - 34" x 82" - Front Wraparound (Y37)
1	Parts used with the Tipout Window Exchange (Option 1671)		

CURTAIN FOR THE FRONT BUNK (OPTION 81H)

Key	Part Number	U/M	Description
5	077591-09-Y35	EA	Curtain Asm. w/Velcro Top - 60" x 47.5" - Right (Y35)
5	077591-09-Y13	EA	Curtain Asm. w/Velcro Top - 60" x 47.5" - Right (Y36)
5	077591-09-Y37	EA	Curtain Asm. w/Velcro Top - 60" x 47.5" - Right (Y37)
5	071591-10-Y35	EA	Curtain Asm. w/Velcro Top - 60" x 47.5" - Left (Y35)
5	077591-10-Y13	EA	Curtain Asm. w/Velcro Top - 60" x 47.5" - Left (Y36)
5	077591-10-Y37	EA	Curtain Asm. w/Velcro Top - 60" x 47.5" - Left (Y37)
5	073304-58-Y35	EA	Curtain Asm. w/Lining - 36" x 37" - Front Wraparound (Y35)
5	073304-58-Y13	EA	Curtain Asm. w/Lining - 36" x 37" - Front Wraparound (Y36)
5	073304-58-Y37	EA	Curtain Asm. w/Lining - 36" x 37" - Front Wraparound (Y37)
5	073304-59-Y35	EA	Curtain Asm. w/Lining - 36" x 125" - Front Wraparound (Y35)
5	073304-59-Y13	EA	Curtain Asm. w/Lining - 36" x 125" - Front Wraparound (Y36)
5	073304-59-Y37	EA	Curtain Asm. w/Lining - 36" x 125" - Front Wraparound (Y37)
	073260-26-Y35	EA	Tieback Asm. - 3" x 16" (Y35)
	073260-26-Y13	EA	Tieback Asm. - 3" x 16" (Y36)
	073260-26-Y37	EA	Tieback Asm. - 3" x 16" (Y37)
	073260-28-Y35	EA	Tieback Asm. - 3" x 23" (Y35)
	073260-28-Y13	EA	Tieback Asm. - 3" x 23" (Y36)
	073260-28-Y37	EA	Tieback Asm. - 3" x 23" (Y37)

**1989 ITASCA
TABLE OF CONTENTS**

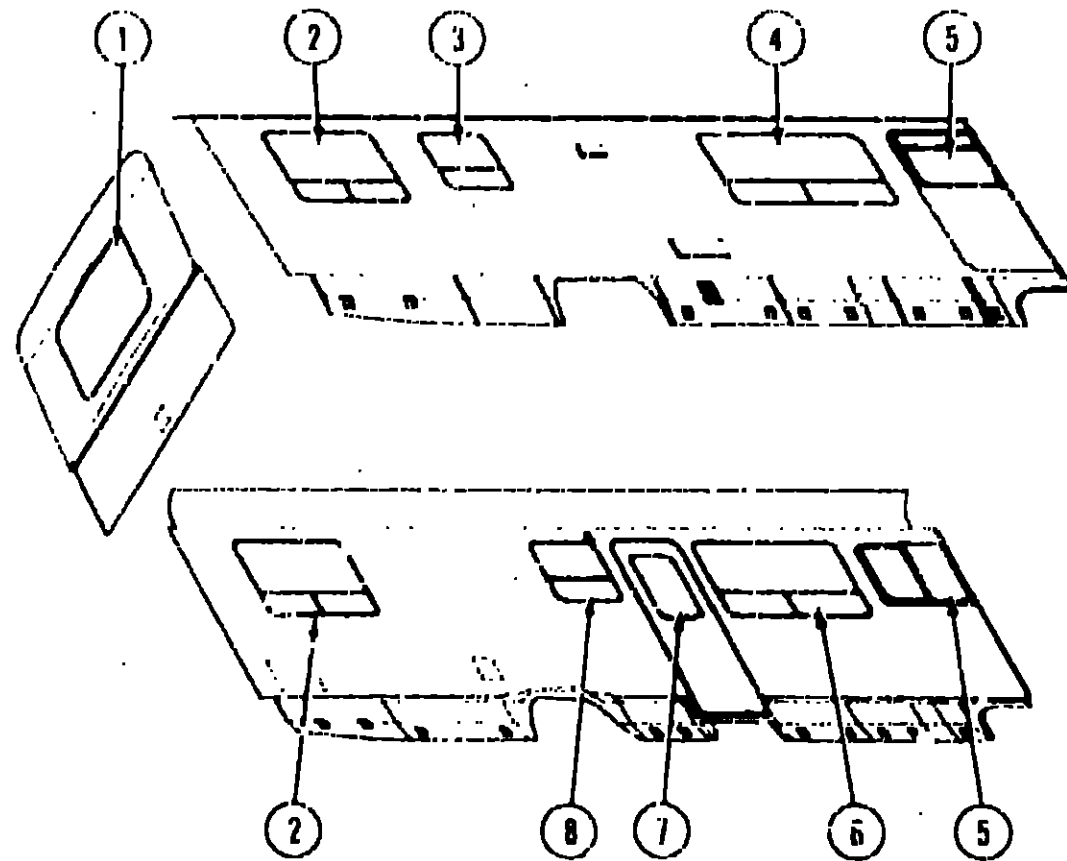
ICN28RU
IC/JN31RT
IC/JN36RO

A-01 - D-16
D-17 - H-10
H-09 - K-21

1989 ICN28RU INDEX

Floor Plan	A-01 - A-02
Accessories Group	A-03 - A-05
Bath Group	A-06 - A-08
Chassis Group Group	A-09 - A-17
Curtain, Cushion & Pad Group	A-18 - B-06
Dinette Group	B-07 - B-08
Driver's Compartment Group	B-09 - B-15
Electrical Group	B-16 - B-19
Exterior Body Group	B-20 - C-03
Galley Group	C-04 - C-08
Heating & Air Conditioning Group	C-09 - C-10
Interior Finish Group	C-11 - C-13
LP Group	C-14
Lounge Group	C-15 - C-18
Water & Sewage Group	C-19 - C-21
Window, Vent & Exterior Door Group	C-22 - D-16

CURTAIN, CUSHION & PAD GROUP (CONTINUED)



CURTAINS, SHADES, VALANCES & TIEBACKS (CONT.)

Key	Part Number	U/M	Description
6	093475-23-01A	EA	Blind - Mini - 51" x 32" (Y35, Y37)
6	093475-23-01A	EA	Blind - Mini - 51" x 32" (Y36)
6	089058-20-Y35	EA	Leg Asm. w/Gathers - Right Side (Y35)
6	089058-20-Y13	EA	Leg Asm. w/Gathers - Right Side (Y36)
6	089058-20-Y37	EA	Leg Asm. w/Gathers - Right Side (Y37)
16	089058-21-Y35	EA	Leg Asm. w/Gathers - Right Side (Y35)
16	089058-21-Y71	EA	Leg Asm. w/Gathers - Right Side (Y36)
16	089058-21-Y72	EA	Leg Asm. w/Gathers - Right Side (Y37)
6	089058-19-Y35	EA	Leg Asm. w/Gathers - Left Side (Y35)
6	089058-19-Y13	EA	Leg Asm. w/Gathers - Left Side (Y36)
6	089058-19-Y37	EA	Leg Asm. w/Gathers - Left Side (Y37)
16	089058-22-Y35	EA	Leg Asm. w/Gathers - Left Side (Y35)
16	089058-22-Y71	EA	Leg Asm. w/Gathers - Left Side (Y36)
16	089058-22-Y72	EA	Leg Asm. w/Gathers - Left Side (Y37)
7	093455-13-Y35	EA	Shade Asm. - Pull - 24.25" (Y35)
7	093455-13-Y19	EA	Shade Asm. - Pull - 24.25" (Y36)
7	093455-13-Y32	EA	Shade Asm. - Pull - 24.25" (Y37)
8	093475-16-01A	EA	Mini Blind - 28" x 25.5" Drop (Y35, Y37)
8	093475-16-02A	EA	Mini Blind - 28" x 25.5" Drop (Y36)
	073260-23-XA4	EA	Tieback Asm. - 3" x 18" (Y35)
	073260-23-Y16	EA	Tieback Asm. - 3" x 18" (Y36)
	073260-23-Y72	EA	Tieback Asm. - 3" x 18" (Y37)
	057534-01-000	EA	Tieback Asm. - 6" - Clear Plastic
	057534-08-000	EA	Tieback Asm. - 15" - Clear Plastic

CURTAIN, CUSHION & PAD GROUP (CONTINUED)

FABRIC & TRIMS

Key	Part Number	U/M	Description
	088274-63-000	YD	Fabric - Upholstery - Main - Blue (Y35)
	088274-61-000	YD	Fabric - Upholstery - Main - Ivory (Y36)
	088274-62-000	YD	Fabric - Upholstery - Main - Marburst (Y37)
	088274-33-000	YD	Fabric - Upholstery - Accent - Blue (Y35)
	088274-59-000	YD	Fabric - Upholstery - Accent - Umber (Y36)
	088274-60-000	YD	Fabric - Upholstery - Accent - Eggshell (Y37)
	088273-25-000	YD	Fabric - Bodspread - Euro (Y35)
	088273-26-000	YD	Fabric - Bodspread - Peach (Y36)
	088273-27-000	YD	Fabric - Bodspread - Pastel (Y37)
	072333-55-000	YD	Fabric - Drapery Wraparound/Blackout - Silver (Y35)
	072333-59-000	YD	Fabric - Drapery Wraparound/Blackout - Tan (Y36)
	072333-60-000	YD	Fabric - Drapery Wraparound/Blackout - Waterin (Y37)
	072333-63-000	YD	Fabric - Pull Shade - Entrance Door - Brown
	081326-01-000	YD	Backing - Quilting - Celestra
	097272-01-000	YD	Lining - Drapery - 48" Ivory
	029103-01-000	YD	Buckram - Non-Woven - 2
	075244-02-000	YD	Vinyl - Shower Curtain
	089649-03-000	YD	Vinyl - Expanded - Taupe (TV Pad)
	089351-01-000	YD	Vinyl - Headliner - Acoustical Ceiling (Roof)
	079080-01-000	YD	Vinyl - Expanded - 26 oz. Backskin (End Caps)
	072860-70-000	SY	Carpet - Glacier Blue (Y35)
	072860-71-000	SY	Carpet - Pirate's Alley (Y36)
	072860-85-000	SY	Carpet - Amethyst (Y37)
	093486-01-001	EA	Carpet - Outside Storage Compartment (1 SY)
	093486-01-000	SY	Carpet - Outside Storage Compartment
	078245-01-000	EA	Boot - Steering Column
	053552-02-W24	EA	Assist Strap - Interior
	071632-01-000	EA	Hamper Bag - w/Elastic - 49"

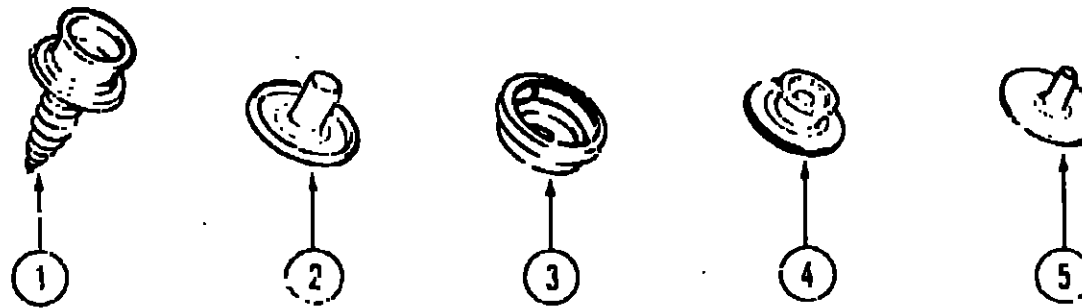
**1989 ITASCA
TABLE OF CONTENTS**

ICN28RU
IC/JN31RT
IC/JN36RQ

A-01 - D-16
D-17 - H-10
H-09 - K-21

FRONT OVERHEAD BUNK

Key	Part Number	U/M	Description
	079145-05-C90	EA	Cushion Asm. - Front Bunk - 30" x 73" x 4"
	M79145-05-000	EA	Cover Asm. - Front Bunk

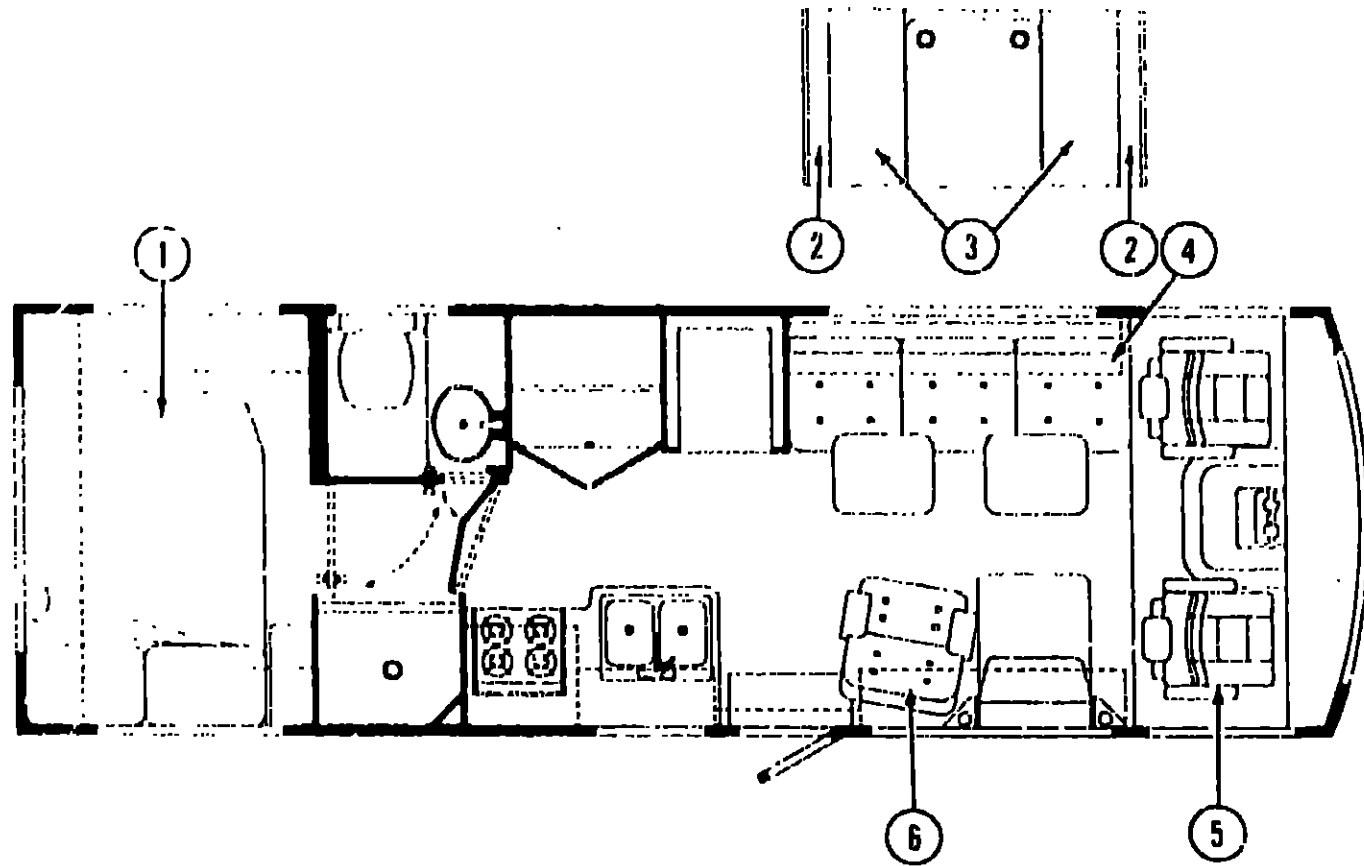


Key	Part Number	U/M	Description
1	029130-01-000	EA	Socket - Snap Fastener
2	029155-01-000	EA	Cap - Snap - .156" Dia. x 17" Barrel
3	029156-01-000	EA	Socket - Snap Fastener
4	029092-01-000	EA	Stud - Nickel Finish
5	029093-01-000	EA	Eyelet - Nickel Finish

1989 ICN28RU INDEX

Floor Plan	A-01 - A-02
Accessories Group	A-03 - A-05
Bath Group	A-06 - A-08
Chassis Group Group	A-09 - A-17
Curtain, Cushion & Pad Group	A-18 - B-06
Dinette Group	B-07 - B-08
Driver's Compartment Group	B-09 - B-15
Electrical Group	B-16 - B-19
Exterior Body Group	B-20 - C-03
Galley Group	C-04 - C-08
Heating & Air Conditioning Group	C-09 - C-10
Interior Finish Group	C-11 - C-13
LP Group	C-14
Lounge Group	C-15 - C-18
Water & Sewage Group	C-19 - C-21
Window, Vent & Exterior Door Group	C-22 - D-16

CURTAIN, CUSHION & PAD GROUP (CONTINUED)



DOUBLE BED

Key	Part Number	U/M	Description
1	093595-03-000	EA	Mattress - Innerspring - 54" x 75" (Cut Corner)
	081969-23-Y35	EA	Bedsprad Asm. - 54" w/10" Ruffle
	081969-23-Y36	EA	Bedsprad Asm. - 54" w/10" Ruffle
	081969-23-Y37	EA	Bedsprad Asm. - 54" w/10" Ruffle
	088273-25-000	YD	Fabric - Bedsprad - Ecru (Y35)
	088273-26-000	YD	Fabric - Bedsprad - Peach (Y36)
	088273-27-000	YD	Fabric - Bedsprad - Pastel (Y37)

DINETTE CUSHIONS (OPTION 34T)

Key	Part Number	U/M	Description
2	088927-20-Y30	EA	Cushion Asm. - 13" x 38" x 5" - Back (Y35)
2	088927-20-Y31	EA	Cushion Asm. - 13" x 38" x 5" - Back (Y36)
2	088927-20-Y32	EA	Cushion Asm. - 13" x 38" x 5" - Back (Y37)
	M88927-20-Y30	EA	Cover Asm. - Back - Dinette Cushion (Y35)
	M88927-20-Y31	EA	Cover Asm. - Back - Dinette Cushion (Y36)
	M88927-20-Y32	EA	Cover Asm. - Back - Dinette Cushion (Y37)
3	088927-21-Y30	EA	Cushion Asm. - 22" x 38" x 5" - Seat (Y35)
3	088927-21-Y31	EA	Cushion Asm. - 22" x 38" x 5" - Seat (Y36)
3	088927-21-Y32	EA	Cushion Asm. - 22" x 38" x 5" - Seat (Y37)
	M88927-21-Y30	EA	Cover Asm. - Seat - Dinette Cushion (Y35)
	M88927-21-Y31	EA	Cover Asm. - Seat - Dinette Cushion (Y36)
	M88927-21-Y32	EA	Cover Asm. - Seat - Dinette Cushion (Y37)
	078155-01-000	EA	Strap Asm. - Dinette Cushion
	088274-63-000	YD	Fabric - Dinette Cushions - Blue (Y35)
	088274-61-000	YD	Fabric - Dinette Cushions - Tiffany (Y36)
	088274-62-000	YD	Fabric - Dinette Cushions - Starbust (Y37)

CURTAIN, CUSHION & PAD GROUP (CONTINUED)

CELEBRITY SOFA

Key	Part Number	U/M	Description
1	089007-03-Y70	EA	Couch Asm. - Celebrity (w/o Seat & Arm Cushions) (Y35)
1	089007-03-Y71	EA	Couch Asm. - Celebrity (w/o Seat & Arm Cushions) (Y36)
1	089007-03-Y72	EA	Couch Asm. - Celebrity (w/o Seat & Arm Cushions) (Y37)
	M89007-03-Y70	EA	Cover Asm. - Celebrity Couch (Y35)
	M89007-03-Y71	EA	Cover Asm. - Celebrity Couch (Y36)
	M89007-03-Y72	EA	Cover Asm. - Celebrity Couch (Y37)
	085357-01-Y70	EA	Cushion Asm. - Celebrity - Single (3 Required) (Y35)
	085357-01-Y71	EA	Cushion Asm. - Celebrity - Single (3 Required) (Y36)
	085357-01-Y72	EA	Cushion Asm. - Celebrity - Single (3 Required) (Y37)
	M85337-01-Y70	EA	Cover Asm. - Cushion (Y35)
	M85357-01-Y71	EA	Cover Asm. - Cushion (Y36)
	M85357-01-Y72	EA	Cover Asm. - Cushion (Y37)
	085060-02-Y30	EA	Cushion Asm. - Arm - Pillow (Y35)
	085060-02-Y31	EA	Cushion Asm. - Arm - Pillow (Y36)
	085060-02-Y32	EA	Cushion Asm. - Arm - Pillow (Y37)
	M85080-02-Y30	EA	Cover Asm. - Arm Cushion Asm. (Y35)
	M85060-02-Y31	EA	Cover Asm. - Arm Cushion Asm. (Y36)
	M85080-02-Y32	EA	Cover Asm. - Arm Cushion Asm. (Y37)
	079386-01-000	EA	Frame Asm. - Celebrity Bed
	079386-02-000	EA	Hardware Kit
	088274-63-000	YD	Fabric - Sofa Bed (Y35)
	088274-61-000	YD	Fabric - Sofa Bed (Y36)
	088274-62-000	YD	Fabric - Sofa Bed (Y37)

ROYALE II BUCKET SEATS

Key	Part Number	U/M	Description
5	093456-03-Y70	EA	Seat Asm. - Royale II - w/o Skirt (Y35)
5	093456-03-Y71	EA	Seat Asm. - Royale II - w/o Skirt (Y36)
5	093456-03-Y72	EA	Seat Asm. - Royale II - w/o Skirt (Y37)
	M03445-05-Y30	EA	Cover Asm. - Royale - Seat (Y35)
	M03445-05-Y31	EA	Cover Asm. - Royale - Seat (Y36)
	M03445-05-Y32	EA	Cover Asm. - Royale - Seat (Y37)
	M03445-06-Y30	EA	Cover Asm. - Royale - Back (Y35)
	M03445-06-Y31	EA	Cover Asm. - Royale - Back (Y36)
	M03445-06-Y32	EA	Cover Asm. - Royale - Back (Y37)
	071126-24-X75	EA	Skirt Asm. - Bucket Seat (Y35)
	071126-24-Y71	EA	Skirt Asm. - Bucket Seat (Y36)
	071126-24-Y72	EA	Skirt Asm. - Bucket Seat (Y37)
	071126-26-X75	EA	Skirt Asm. - Bucket Seat (Y35)
	071126-26-Y36	EA	Skirt Asm. - Bucket Seat (Y36)
	071126-26-Y37	EA	Skirt Asm. - Bucket Seat (Y37)
	080243-32-Y30	EA	Armrest Asm. - Right (Y35)
	080243-32-Y31	EA	Armrest Asm. - Right (Y36)
	080243-32-Y32	EA	Armrest Asm. - Right (Y37)
	M80243-32-Y30	EA	Cover Asm. - Right Armrest (Y35)
	M80243-32-Y31	EA	Cover Asm. - Right Armrest (Y36)
	M80243-32-Y32	EA	Cover Asm. - Right Armrest (Y37)
	080243-33-Y30	EA	Armrest Asm. - Left (Y35)
	080243-33-Y31	EA	Armrest Asm. - Left (Y36)
	080243-33-Y32	EA	Armrest Asm. - Left (Y37)
	M80243-33-Y30	EA	Cover Asm. - Left Armrest (Y35)
	M80243-33-Y31	EA	Cover Asm. - Left Armrest (Y36)
	M80243-33-Y32	EA	Cover Asm. - Left Armrest (Y37)
	085268-01-Y24	EA	Headrest Asm. - Straton (Y35)
	085268-01-Y71	EA	Headrest Asm. - Straton (Y36)
	085268-01-Y72	EA	Headrest Asm. - Straton (Y37)
	M85268-01-Y24	EA	Cover Asm. - Headrest (Y35)
	M85268-01-Y71	EA	Cover Asm. - Headrest (Y36)
	M85268-01-Y72	EA	Cover Asm. - Headrest (Y37)
	088274-33-000	YD	Fabric - Royal Bucket - Blue (Y35)
	088274-59-000	YD	Fabric - Royal Bucket - Umber (U36)
	088274-60-000	YD	Fabric - Royal Bucket - Eggshell (Y37)

Parts used in the Power Bucket Seat (Option 63M)

**1989 ITASCA
TABLE OF CONTENTS**

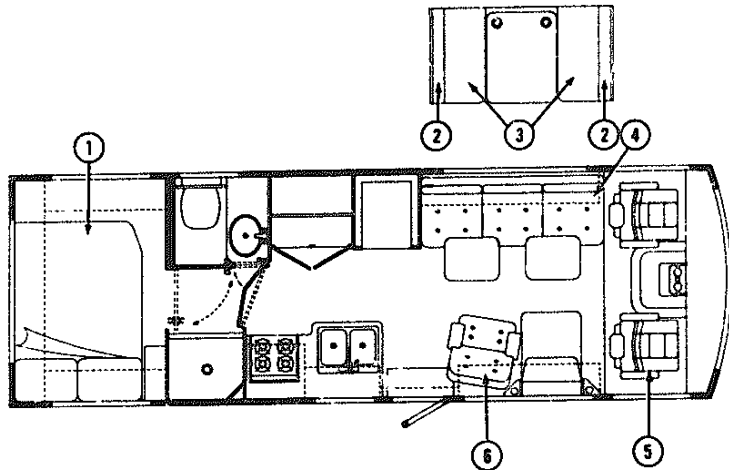
ICN28RU
ICJN311T
ICJN36RQ

A-01 - D-10
D-17 - H-10
H-09 - K-21

1989 ICN28RU INDEX

Floor Plan	A-01 - A-02
Accessories Group	A-03 - A-05
Bath Group	A-06 - A-08
Chassis Group Group	A-09 - A-17
Curtain, Cushion & Pad Group	A-18 - B-06
Dinette Group	B-07 - B-07
Driver's Compartment Group	B-09 - B-15
Electrical Group	B-16 - B-19
Exterior Body Group	B-20 - C-03
Galley Group	C-04 - C-06
Heating & Air Conditioning Group	C-09 - C-10
Interior Finish Group	C-11 - C-13
LP Group	C-14
Lounge Group	C-15 - C-18
Water & Sewage Group	C-19 - C-21
Window, Vent & Exterior Door Group	C-22 - C-16

CURTAIN, CUSHION & PAD GROUP (CONTINUED)



SWIVEL CHAIR

Key	Part Number	U/M	Description
6	085059-02-Y30	EA	Chair Asm. - Celebrity - w/o Skirt (Y35)
6	085059-02-Y31	EA	Chair Asm. - Celebrity - w/o Skirt (Y36)
6	085059-02-Y32	EA	Chair Asm. - Celebrity - w/o Skirt (Y37)
	M85059-02-Y30	EA	Cover Asm. - Celebrity Chair (Y35)
	M85059-02-Y31	EA	Cover Asm. - Celebrity Chair (Y36)
	M85059-02-Y32	EA	Cover Asm. - Celebrity Chair (Y37)
	085187-02-Y30	EA	Skirt Asm. - Celebrity Swivel Chair (Y35)
	085187-02-Y31	EA	Skirt Asm. - Celebrity Swivel Chair (Y36)
	085187-02-Y32	EA	Skirt Asm. - Celebrity Swivel Chair (Y37)
	088274-63-000	YD	Fabric - Swivel Chair - Blue (Y35)
	088274-61-000	YD	Fabric - Swivel Chair - Tiffany (Y36)
	088274-62-000	YD	Fabric - Swivel Chair - Starburst (Y37)

SWIVEL CHAIR - RECLINING (OPTION 60E)

Key	Part Number	U/M	Description
6	086516-02-Y70	EA	Chair Asm. - Reclining Celebrity - w/o Skirt (Y35)
6	086516-02-Y71	EA	Chair Asm. - Reclining Celebrity - w/o Skirt (Y36)
6	086516-02-Y72	EA	Chair Asm. - Reclining Celebrity - w/o Skirt (Y37)
	M86516-02-Y70	EA	Cover Asm. - Reclining Swivel Chair (Y35)
	M86516-02-Y71	EA	Cover Asm. - Reclining Swivel Chair (Y36)
	M86516-02-Y72	EA	Cover Asm. - Reclining Swivel Chair (Y37)
	083032-01-Y70	EA	Skirt Asm. - Reclining Swivel Chair (Y35)
	083032-01-Y71	EA	Skirt Asm. - Reclining Swivel Chair (Y36)
	083032-01-Y72	EA	Skirt Asm. - Reclining Swivel Chair (Y37)
	088273-63-000	YD	Fabric - Swivel Chair - Blue (Y35)
	088273-61-000	YD	Fabric - Swivel Chair - Tiffany (Y36)
	088273-62-000	YD	Fabric - Swivel Chair - Starburst (Y37)

CURTAIN, CUSHION & PAD GROUP (CONTINUED)

CURTAIN & BLIND HARDWARE

Key	Part Number	U/M	Description
	029094-04-000	EA	Tape - Loop - 1" Wide - Black
	028096-03-000	EA	Tape - Hook - 1" Wide - Black
	048384-02-000	EA	Tape - Hook - 75" Wide - Beige
	048385-02-000	EA	Tape - Loop - 75" Wide - Beige
	088782-01-000	EA	Tape - Hook - 5/8" - Non-Adhesive
	088782-02-000	EA	Tape - Loop - 75" - Adhesive - Beige
	056003-01-000	EA	Bracket - Drapery Retainer - Right
	056003-02-000	EA	Bracket - Drapery Retainer - Left
	081381-01-000	EA	Swivel Snap - Curtain Track
	094398-01-000	EA	Track - Curtain - Front Wraparound (Option 61H)
	079946-08-000	EA	Track - Curtain - Front Wraparound (Option 61H)
	091804-01-000	EA	Track - Curtain - Front Wraparound - Beige
	075943-01-000	EA	Brace - Beige
	084434-01-000	EA	Bracket - Roller Shade - 1.37"
	087253-01-000	EA	Roller Shade - Clear Plastic
	088276-01-000	EA	Tape - Double Sided - 5"
	084433-04-000	EA	Roller Shade - 60.25"
	084432-06-000	FT	Slat - Roller Shade - 96" - Plastic
	091313-01-000	EA	Grommet - Headrest
	052858-07-Y35	EA	Trim Asm. - Accent - Vinyl Weaving
	089916-01-000	EA	Trim - Window
	067052-02-000	EA	Knobs - Operator - Window - Beige
	090025-01-000	EA	Extension - Window Control
	083170-01-000	EA	Bracket - Installation - Blind - Right
	083170-02-000	EA	Bracket - Installation - Blind - Left
	095591-01-000	EA	Bracket - Hold Down w/Pin

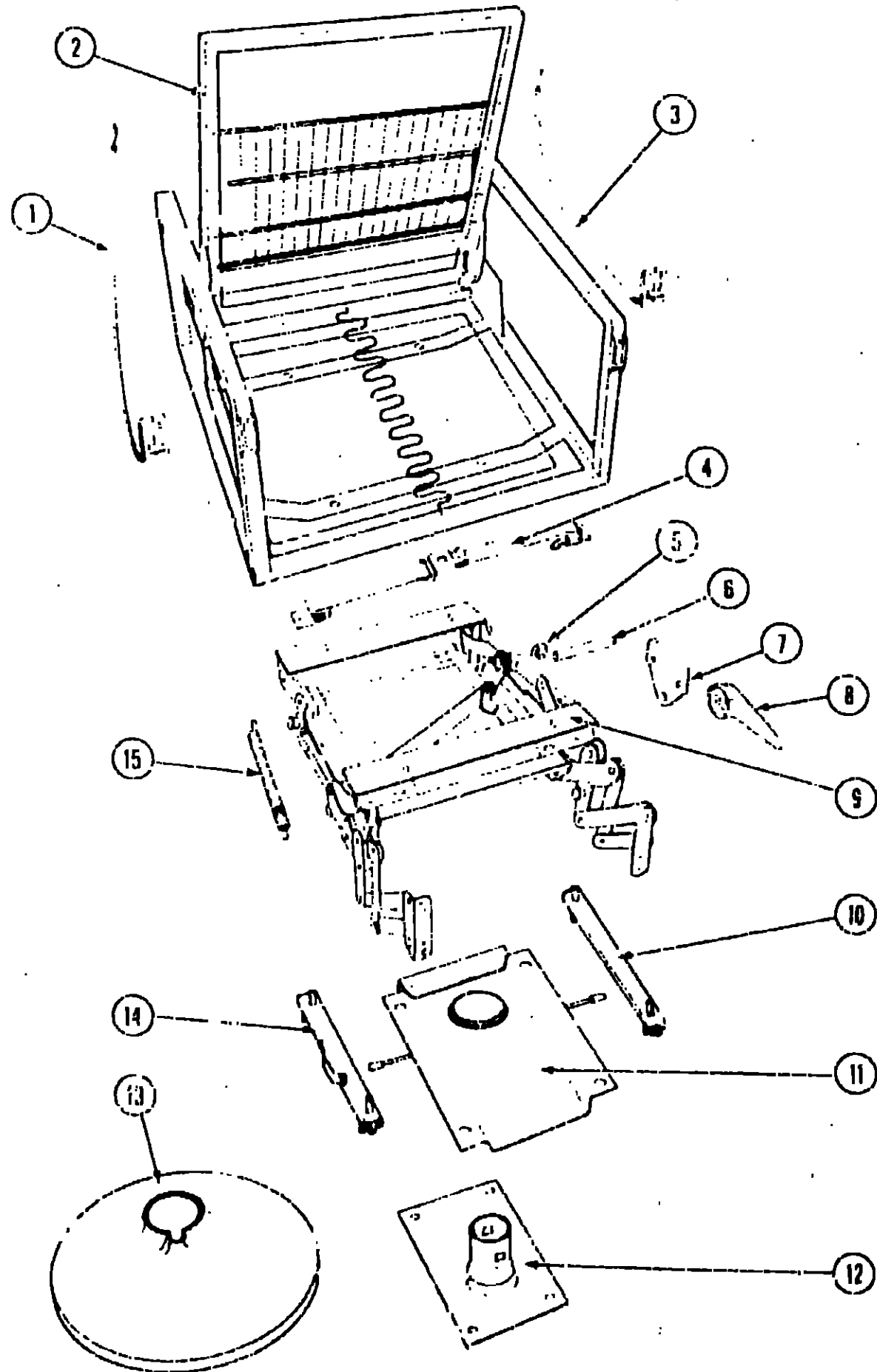
**1989 ITASCA
TABLE OF CONTENTS**

ICN28RU	A-01 - D-16
ICJN31RT	D-17 H-10
ICJN36RQ	H-09 - J-21

1989 ICN28RU INDEX

Floor Plan	A-01 - A-02
Accessories Group	A-03 - A-05
Bath Group	A-06 - A-08
Chassis Group Group	A-09 - A-17
Curtain, Cushion & Pad Group	A-18 - B-06
Dinettes Group	B-07 - B-08
Driver's Compartment Group	B-09 - B-15
Electrical Group	B-16 - B-19
Exterior Body Group	B-20 - C-03
Galley Group	C-04 - C-08
Heating & Air Conditioning Group	C-09 - C-10
Interior Finish Group	C-11 - C-13
LP Group	C-14
Lounge Group	C-15 - C-18
Water & Sewage Group	C-19 - C-21
Window, Vent & Exterior Door Group	C-22 - D-16

CURTAIN, CUSHION & PAD GROUP (CONTINUED)



CURTAIN, CUSHION & PAD GROUP (CONTINUED)

CELEBRITY CHAIR HARDWARE

Key	Part Number	U/M	Description
1	089368-03-000	EA	Remote Asm. - Recliner
2	089368-01-000	EA	Frame Asm. - Celebrity Chair
3	089368-02-000	EA	Remote Asm. - Slider
4	077021-01-000	EA	Seat Belt Asm. - 90" x 2" - Black
5	057759-01-000	EA	Bracket - Seat Belt Washer
6	093484-02-700	EA	Clamp - Torsion Rod
7	093484-02-701	EA	Torsion Bar
8	093484-02-702	EA	Support - Torsion Bar
9	093484-02-703	EA	Handle
9	093484-02-000	EA	Hardware Kit - Footrest (Includes Key 5,6,7,8 & 15)
10	093484-01-000	EA	Footrest Mechanism
10	069246-02-000	EA	Adjuster Asm. - Celebrity Chair - w/o Lock
11	093481-03-000	EA	Top Plate - Celebrity Chair - w/Lock
12	093481-01-000	EA	Pedestal - 6" - Used w/Footrest Only
12	093481-02-000	EA	Pedestal - 10" - Used w/Recliner Only
13	093482-01-000	EA	Pedestal Shroud - 13" Black Plastic
14	069246-05-000	EA	Adjuster Asm. - Celebrity Chair - w/Lock
15	087330-01-000	EA	Bracket - Stop - Slide Track
15	093484-02-704	EA	Spring

**1989 ITASCA
TABLE OF CONTENTS**

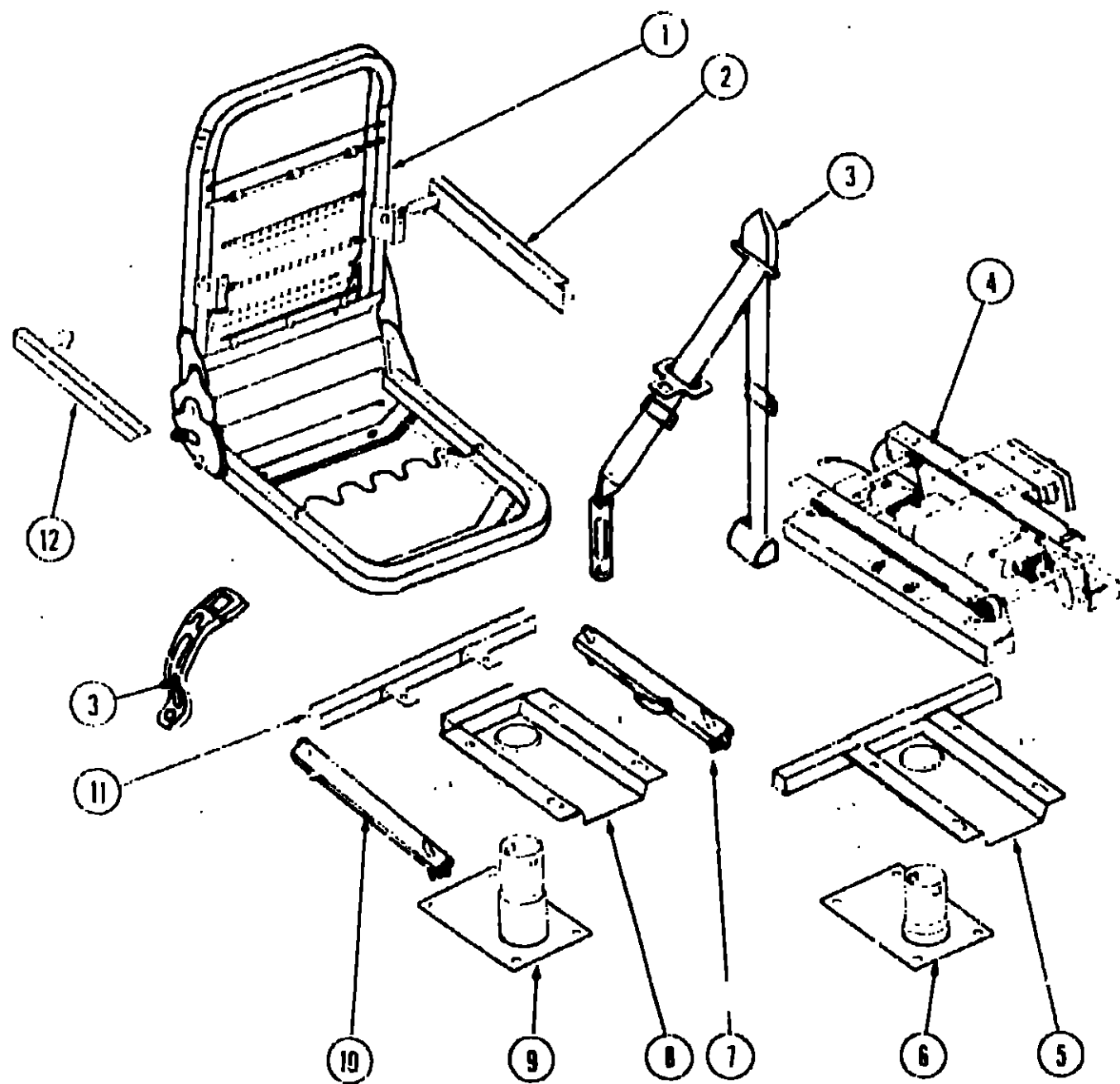
ICN28RU
IC/JN31RT
IC/JN36RQ

A-01 - D-16
D-17 - H-10
K-09 - K-21

1989 ICN28RU INDEX

Floor Plan	A-01 - A-02
Accessories Group	A-03 - A-05
Bath Group	A-06 - A-08
Chassis Group Group	A-09 - A-17
Curtain, Cushion & Pad Group	A-18 - B-06
Dinette Group	B-07 - B-08
Driver's Compartment Group	B-09 - B-15
Electrical Group	B-16 - B-19
Exterior Body Group	B-20 - C-03
Galley Group	C-04 - C-08
Heating & Air Conditioning Group	C-09 - C-10
Interior Finish Group	C-11 - C-13
LP Group	C-14
Lounge Group	C-15 - C-18
Water & Sewage Group	C-19 - C-21
Window, Vent & Exterior Door Group	C-22 - D-16

CURTAIN, CUSHION & PAD GROUP (CONTINUED)



CURTAIN, CUSHION & PAD GROUP (CONTINUED)

BUCKET SEAT HARDWARE

Key	Part Number	U/M	Description
1	1803906-01-000	EA	Frame Asm. - Bucket Seat
2	081268-02-000	EA	Frame - Armrest - Left
	081362-02-000	EA	Bracket - Armrest - Left
3	091990-02-01A	EA	Seat Bolt - Drivers - 3 Point
	091990-01-01A	EA	Seat Bolt - Passenger - 3 Point
4	081373-01-000	EA	Power Seat Asm.
	081373-02-700	EA	Switch Asm. - Power Seat
	081373-02-701	EA	Wire Harness - Drivers - Power Seat
	081373-02-702	EA	Horizontal Adjustment Package
	081373-02-703	EA	Horizontal Adjustment Package
	081373-02-704	EA	Vertical Adjustment Package
5	069585-36-000	EA	Top Plate - Power Seat
6	069585-37-000	EA	Sub Plate - 5" - Used w/Power Seat
7	069246-01-000	EA	Adjuster Asm. - Seat - w/Lock
8	069585-27-000	EA	Top Plate - Non-Powered Seat
9	069585-08-000	EA	Sub Plate - 8" - Used w/Non-Powered Seat
10	069246-02-000	EA	Adjuster Asm. - Seat w/o Lock
11	065485-29-000	EA	Seat Belt Bar - 20"
12	081268-01-000	EA	Frame - Armrest - Right
	081362-01-000	EA	Bracket - Armrest - Right
	080730-03-700	EA	Kit - Recliner Handle
	080730-05-000	EA	Shield - Recliner

**1989 ITASCA
TABLE OF CONTENTS**

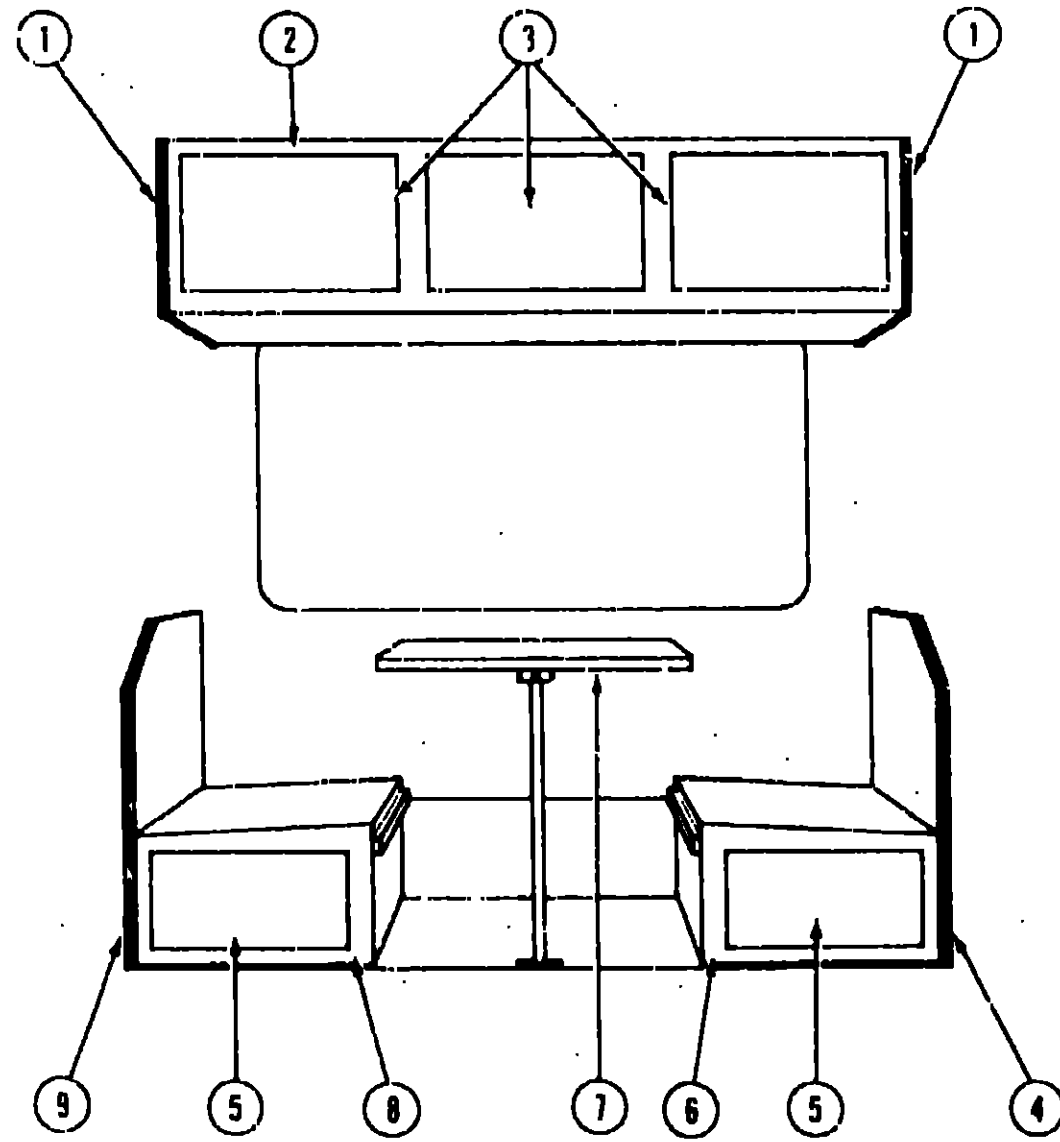
ICN28RU
IC/JN31R1
IC/JN36RO

A-01 - D-16
C-17 - H-10
H-09 - K-21

1989 ICN28RU INDEX

Floor Plan	A-01 - A-02
Accessories Group	A-03 - A-05
Bath Group	A-06 - A-08
Chairs Group Group	A-09 - A-17
Curtain, Cushion & Pad Group	A-18 - B-06
Director Group	B-07 - B-08
Driver's Compartment Group	B-09 - B-15
Electrical Group	B-16 - B-19
Exterior Body Group	B-20 - C-03
Galley Group	C-04 - C-08
Heating & Air Conditioning Group	C-09 - C-10
Interior Finish Group	C-11 - C-13
LP Group	C-14
Lounge Group	C-15 - C-18
Water & Sewage Group	C-19 - C-21
Window, Vent & Exterior Door Group	C-22 - D-16

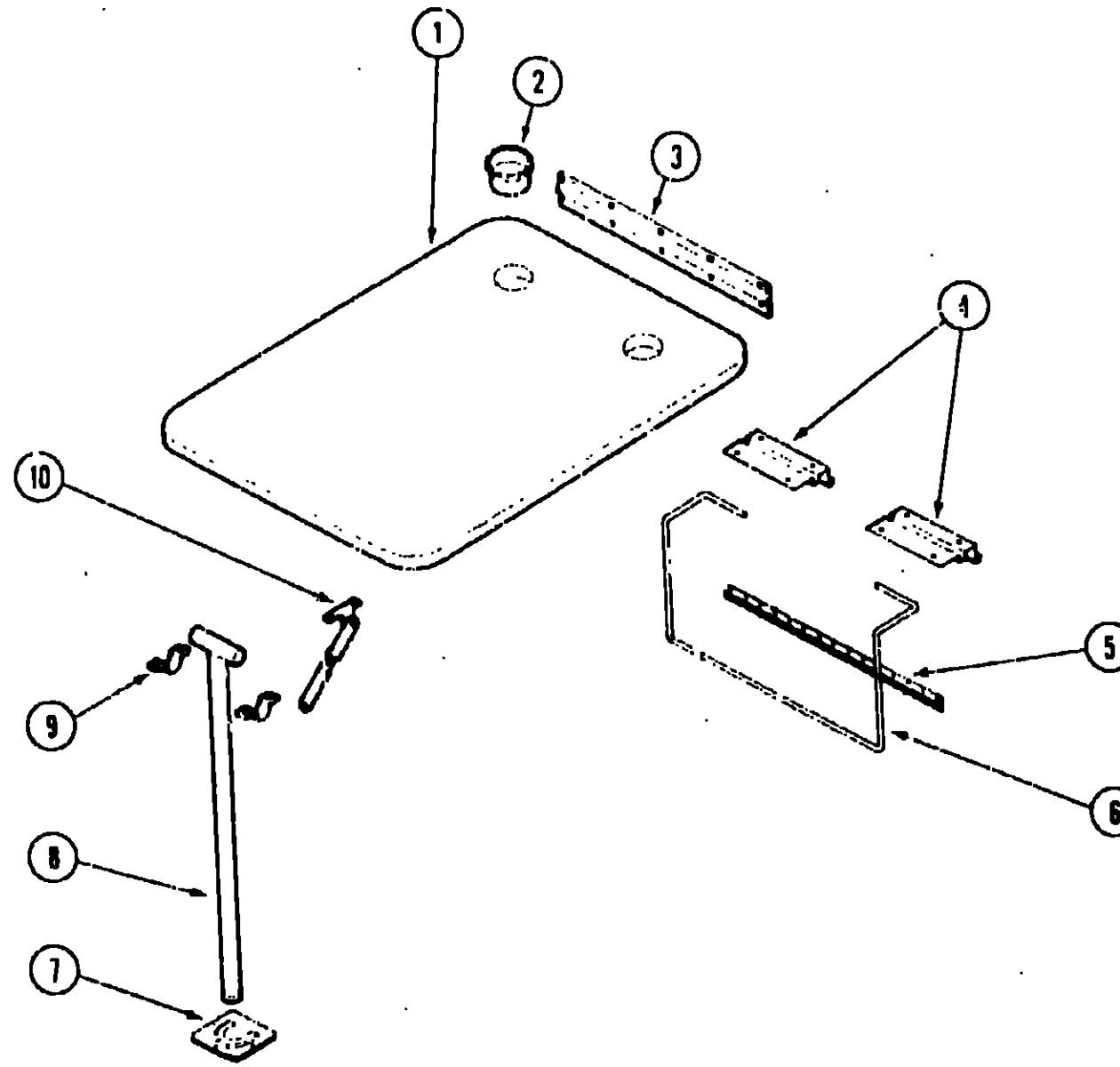
DINETTE GROUP



DINETTE & OVERHEAD CABINETRY (OPTION 347)

Key	Part Number	U/M	Description
1	092747-01-Y10	EA	End Cap Asm. - Overhead Cabinet - Vinyl
2	M92093-07-Y12	EA	Cabinet Asm. - Dinette Overhead - w/o Doors or Hardware
3	M118304-A9-X08	EA	Door Asm. - Dinette Overhead - 14.3" x 21.8" - w/o Hardware
4	M03434-01-Y10	EA	Cabinet Asm. - Dinette Back
	081519-01-X75	EA	Pad Asm. - Dinette Back (Y35)
	081519-01-Y71	EA	Pad Asm. - Dinette Back (Y36)
	081519-01-Y72	EA	Pad Asm. - Dinette Back (Y37)
5	M088304-21-X35	EA	Door Asm. - Dinette Seats - 10" x 10" - w/o Hardware
6	M03435-01-Y15	EA	Cabinet Asm. - Dinette Seat
7	M02115-09-Y30	EA	Table Asm. - Dinette - w/o Hardware
8	M03435-02-Y12	EA	Cabinet Asm. - Dinette Seat
9	M03434-02-Y12	EA	Cabinet Asm. - Dinette Back
	081519-02-X75	EA	Pad Asm. - Dinette Back (Y35)
	081519-02-Y71	EA	Pad Asm. - Dinette Back (Y36)
	081519-02-Y72	EA	Pad Asm. - Dinette Back (Y37)

DINETTE GROUP (CONTINUED)



DINETTE TABLE & HARDWARE

Key	Part Number	U/M	Description
1	M02115-09-Y30	EA	Table - Dinette - w/o Hardware
2	064781-05-000	EA	Cup Holder - Two Step - Beige
3	053200-05-000	EA	Support - Table - 23.5" - Beige
4	088410-01-000	EA	Hanger - Table - Beige
5	024281-07-000	EA	Bracket - Table Lift
6	024275-05-000	EA	Rod - Table Lift - Beige
7	049493-01-000	EA	Catch - Table Leg
8	024276-17-000	EA	Leg Asm. - Table - Tan
9	064050-02-000	EA	Hinge - Table Leg - Tan
10	024282-01-000	EA	Brace Table Leg
	024283-01-000	EA	Clip - 1" - 1.125" - OD Tube - Black

**1989 ITASCA
TABLE OF CONTENTS**

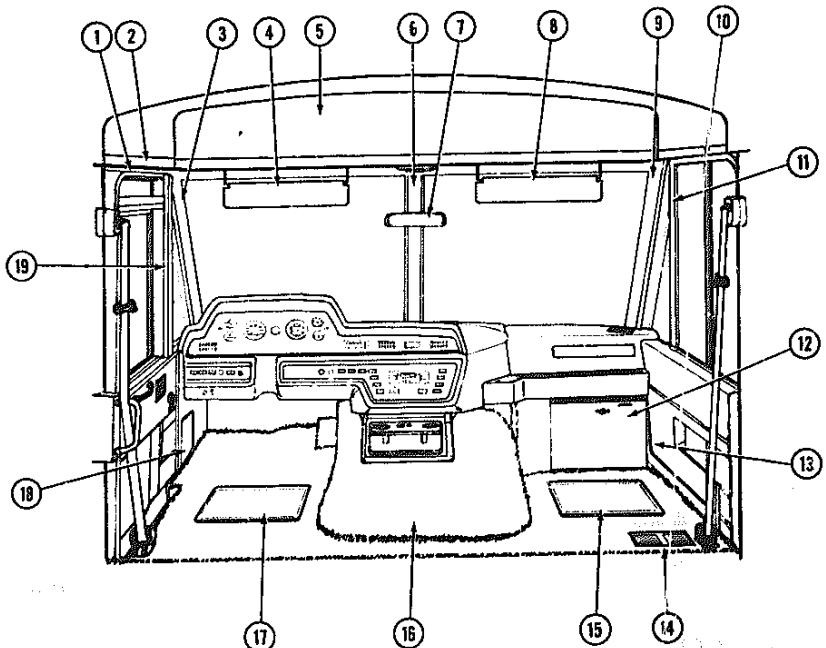
ICN28RU
IC/JN31RT
IC/JN36RO

A-01 - D-16
D-17 - H-10
H-09 - K-21

1989 ICN28RU INDEX

Floor Plan	A-01 - A-02
Accessories Group	A-03 - A-05
Bath Group	A-06 - A-08
Chassis Group Group	A-09 - A-17
Curtain, Cushion & Pad Group	A-18 - B-06
Dinette Group	B-07 - B-08
Driver's Compartment Group	B-09 - B-15
Electrical Group	B-16 - B-19
Exterior Body Group	B-20 - C-03
Galley Group	C-04 - C-08
Heating & Air Conditioning Group	C-09 - C-10
Interior Finish Group	C-11 - C-13
LP Group	C-14
Lounge Group	C-15 - C-18
Water & Sewage Group	C-19 - C-21
Window, Vent & Exterior Door Group	C-22 - D-13

DRIVER'S COMPARTMENT GROUP
MISCELLANEOUS DRIVER'S COMPARTMENT COMPONENTS



1989 ITASCA
TABLE OF CONTENTS

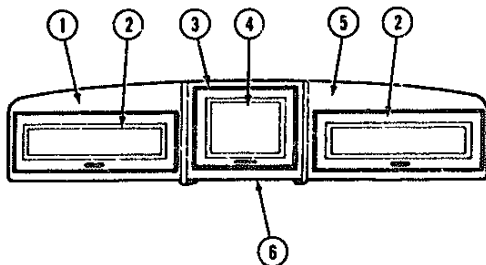
ICN28RU	A-01 - D-16
ICJN31RT	D-17 - H-10
ICJN38RO	H-09 - K-21

1989 ICN28RU INDEX

Key	Part Number	U/M	Description
1	079946-04-000	EA	Track - Front Wraparound - Left
2	092472-01-01A	EA	Trim Asm. - Lower - w/o Bunk
3	092584-02-02A	EA	Cover - "A" Pillar Trim - Left
4	082286-05-Y35	EA	Sunvisor Asm. - Driver
	007211-01-000	EA	Hinge - Sunvisor
	074012-01-000	EA	Clip - Sunvisor - Square Pinch-On
	085709-01-000	EA	Clip Asm. - Sunvisor - Black
5	093884-01-Y12	EA	Headliner Asm.
6	077114-08-000	EA	Cover - Panel Trim - Center - Beige
7	040714-01-000	EA	Mirror - Inside - Rear View
	040714-01-700	EA	Kit - Inside Rear View Mirror
8	082286-06-Y35	EA	Sunvisor Asm. - w/Mirror
	007211-01-000	EA	Hinge - Sunvisor
	074012-01-000	EA	Clip - Sunvisor - Square Pinch-On
	085709-01-000	EA	Clip Asm. - Sunvisor - Black
	083153-01-000	EA	Mirror - Sunvisor - 3.5" x 7"

Key	Part Number	U/M	Description
9	092584-01-02A	EA	Cover - "A" Pillar Trim - Right
10	079946-03-000	EA	Track - Front Wraparound - Right
11	092565-01-02A	EA	Cover - Hinge Trim - Pillar - Right
12	095757-01-Y35	EA	Cover Asm. - Heater
13	092583-01-02A	EA	Panel - Lower Kick - Right
14	093614-01-01A	EA	Grille - Return Air
15	081202-02-000	EA	Floor Mat - Right (Option 63H)
16	075939-01-000	EA	Motor Cover
	039823-01-000	FT	Shell - Motor Cover - Rubber Bulb Type - Black
	075564-01-000	EA	Mounting Bracket - Motor Cover
17	081201-02-000	EA	Floor Mat - Left (Option 63H)
18	092583-02-02A	EA	Panel - Lower Kick - Left
19	092585-02-02A	EA	Cover - Hinge Trim Pillar - Left
	089294-01-000	EA	Cigarette Lighter Asm.
	038420-02-000	EA	Fan - Defroster - 6" Dia. - 2-Speed (Option 38N)
	024890-01-000	EA	Defroster Outlet - w/Swivel
	078783-02-000	EA	Lower Asm. - Air Conditioner - Adjustable Vent - Black
	092580-01-02A	EA	Map Cover - Pocket

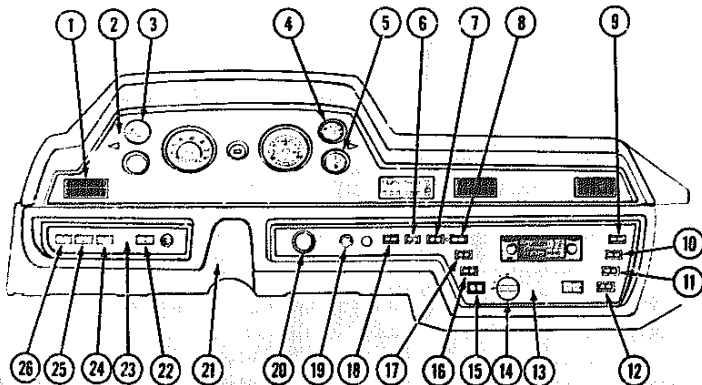
DRIVER'S COMPARTMENT GROUP (CONTINUED)



TV & VCR CABINETRY (OPTION L43)

Key	Part Number	U/M	Description
1	M93242-02-Y12	EA	Cabinet Asm. - Front Overhead - w/o Door or Hardware
2	M88304-C0-Y10	EA	Door Asm. - Front Overhead Cabinet - 7" x 25.1" - w/o Hardware
3	M93197-02-Y12	EA	Cabinet Asm. - Front - w/o Door or Hardware
4	093197-01-Y12	EA	Cabinet Asm. - Front Overhead - w/o TV Shelf
5	093268-01-000	EA	Shelf Asm. - TV
6	098447-01-000	EA	TV - 13" Color (Option 43U)
7	098446-01-000	EA	VCR-VHS - Table Model (Option 43W/43X)
8	086757-01-000	EA	Control Center - Channel Master (Option 43W/43X)
9	M88304-08-X11	EA	Door Asm. - Center Overhead - 12" x 18.7" - w/o Hardware
10	M93242-01-Y12	EA	Cabinet Asm. - Front Overhead - w/o Door or Hardware
11	089045-01-W36	EA	Pad Asm. - TV Cabinet - Vinyl
12	070578-02-W41	EA	Button Asm. - Screw Stud - #30 - Vinyl
13	093884-02-Y12	EA	Headliner Asm. - Front w/TV

* Parts used with the TV Option only.



DRIVER'S COMPARTMENT GROUP (CONTINUED)

DASH SWITCHES & GAUGES

Key	Part Number	U/M	Description
1	076783-02-000	EA	Louver Asm. - A/C Adjustable
2	078216-09-000	EA	Instrument Panel - Upper - Sunflyer
12	078216-08-000	EA	Instrument Panel - Upper
12	078216-10-000	EA	Instrument Panel - Upper
	090938-01-000	EA	Cluster Asm. - Electronic Instrument Panel
	051242-01-000	EA	Cluster Asm. - Instrument Panel (CSA)
	077353-09-000	EA	Shroud - Instrument Cluster
3	024480-04-000	EA	Gauge - Vacuum
4	024459-04-000	EA	Gauge - Voltmeter
5	031035-01-000	EA	Gauge - Hourmeter - Generator
6	076759-04-000	EA	Battery Condition Switch
7	076759-08-000	EA	Switch - Blank
8	076759-04-000	EA	Generator Switch (Option 39)
9	076759-06-000	EA	Switch - Blank
10	076759-09-000	EA	Aisle Light Switch
11	076759-01-000	EA	Map Light Switch
12	076759-01-000	EA	Beverage Tray Light Switch
13	076217-14-000	EA	Instrument Panel - Lower - Right
14	076759-06-000	EA	Switch - Blank
15	088272-01-000	EA	Battery Disconnect Switch (Option 29A)
16	076759-09-000	EA	Power - Radio Switch
17	076759-03-000	EA	Auxiliary Fan Switch (Option 36N)
18	076759-06-000	EA	Switch - Blank
19	089294-01-000	EA	Lighter Asm. - Cigarette
20	N.P.N.	EA	Ignition Switch (Crevrolet)
21	076808-02-000	EA	Dash Panel - Lower - Left (w/o Electronic Instrument Panel)
21	076808-10-000	EA	Dash Panel - Lower - Left (w/Electronic Instrument Panel)
22	076759-07-000	EA	Courtesy Blink Switch
23	076218-03-000	EA	Instrument Panel - Lower - Left
24	076759-05-000	EA	Battery Mode Switch
25	076759-06-000	EA	Switch - Blank
26	076759-06-000	EA	Switch - Blank
	076788-02-000	EA	Cardboard Cylinder - Lamp
	077031-01-000	EA	Film - Instrument Panel - Black
	077031-02-000	EA	Film - Instrument Panel - Amber
	076788-03-000	EA	Lamp Plate

† Parts used with the Electronic Instrument Cluster - w/Generator Option.
 ‡ Parts used with the Electronic Instrument Cluster - w/o Generator Option.

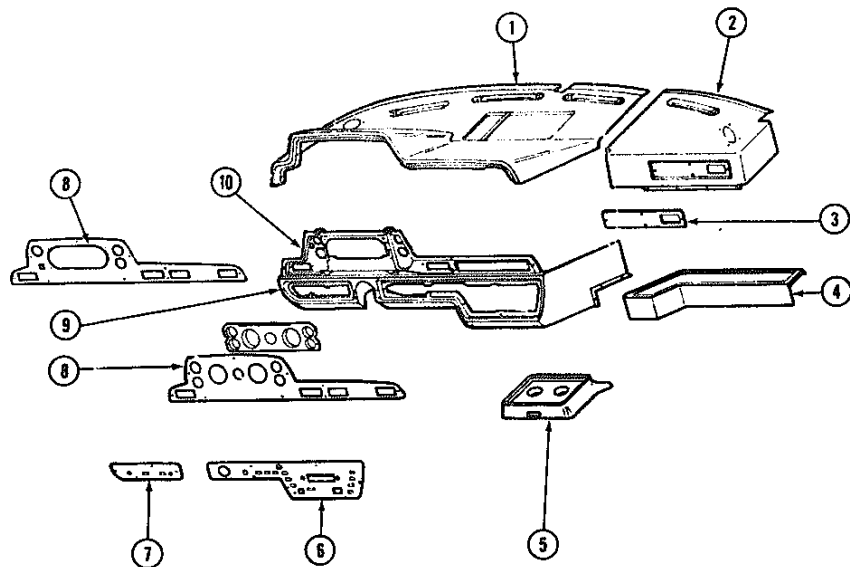
1989 ITASCA TABLE OF CONTENTS

ICN28RU	A-01 - D-18
ICJN31RT	D-17 - H-10
ICJN36RQ	H-09 - K-21

1989 ICN28RU INDEX

Floor Plan	A-01 - A-02
Accessories Group	A-03 - A-05
Bath Group	A-06 - A-08
Chassis Group Group	A-09 - A-17
Curtain, Cushion & Pad Group	A-18 - B-06
Dinette Group	B-07 - B-08
Driver's Compartment Group	B-09 - B-15
Electrical Group	B-16 - B-19
Exterior Body Group	B-20 - C-03
Galley Group	C-04 - C-08
Heating & Air Conditioning Group	C-09 - C-10
Interior Finish Group	C-11 - C-13
LP Group	C-14
Lounge Group	C-15 - C-18
Water & Sewage Group	C-19 - C-21
Window, Vent & Exterior Door Group	C-22 - D-16

DRIVER'S COMPARTMENT GROUP (CONTINUED)
DASH PANELS & BEVERAGE TRAY



1989 ITASCA
TABLE OF CONTENTS

ICN28RU
 IC/JN31RT
 IC/JN36RQ

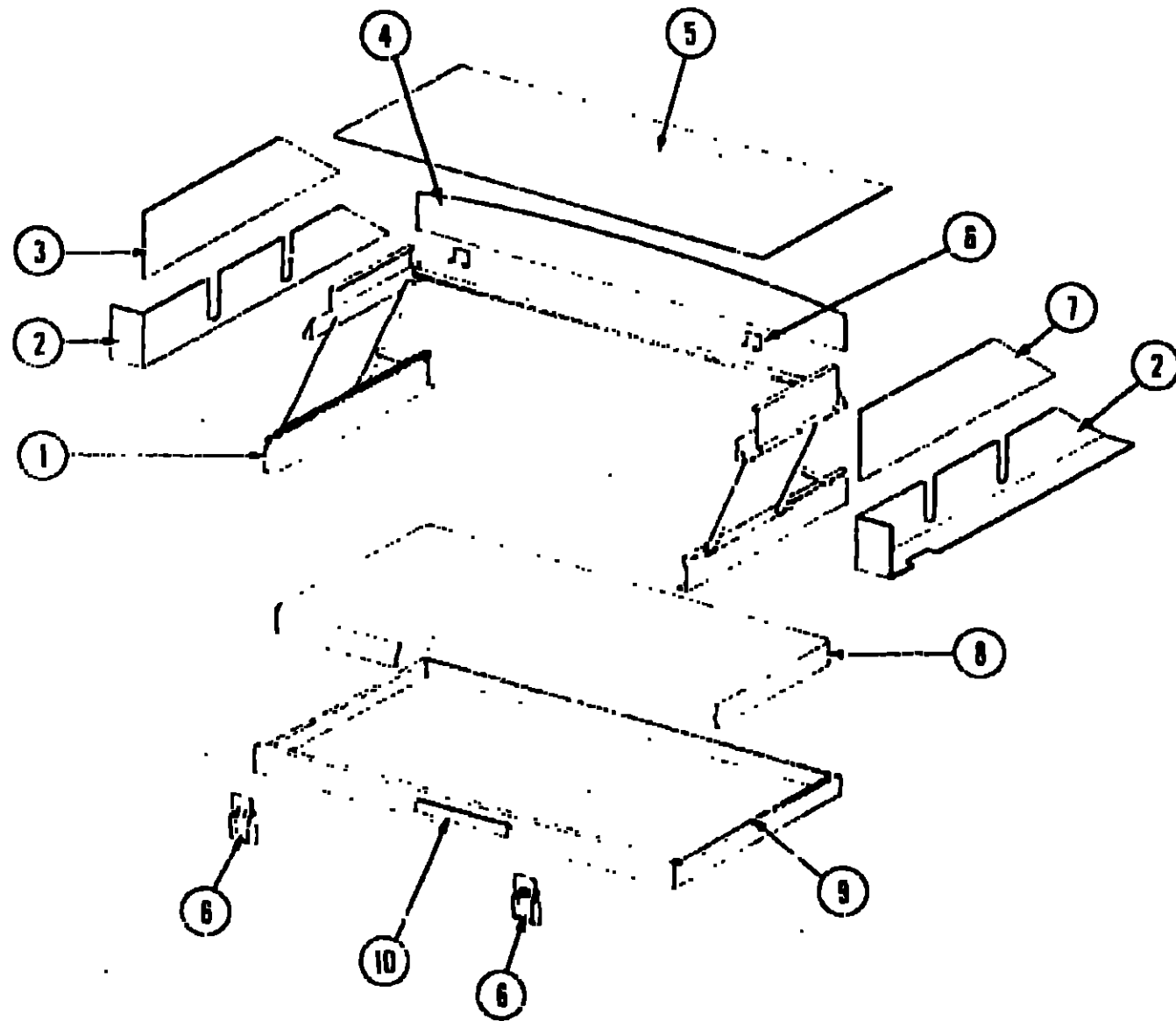
A-01 - C-16
 D-17 - H-10
 H-09 - K-21

1989 ICN28RU INDEX

Key	Part Number	U/M	Description
1	085253-02-Y35	EA	Instrument Panel - Upper - Left
	076867-01-00J	EA	Bracket - Instrument Panel - Large
	076867-02-00C	EA	Bracket - Instrument Panel - Small
2	085252-02-Y33	EA	Instrument Panel - Upper - Right
	076872-01-000	EA	Bracket - Mounting - Right Panel
3	076797-01-000	EA	Instrument Panel Insert - Right
4	076734-04-000	EA	Tray - Instrument Panel - Right
5	091654-02-000	EA	Beverage Tray - Plastic
6	076217-14-000	EA	Instrument Panel - Lower - Right
7	076218-03-000	EA	Instrument Panel - Lower - Left
8	076216-08-000	EA	Instrument Panel - Upper (Chevrolet)
*8	076216-10-000	EA	Instrument Panel - Upper (w/Generator)
*8	073216-06-000	EA	Instrument Panel - Upper (w/o Generator)
9	076808-05-000	EA	Dash Panel - Lower
10	077353-01-000	EA	Shroud - Instrument Panel - w/Voltmeter & Vacuum Gauge
10	077353-09-000	EA	Shroud - Instrument Panel - w/Generator Hour, Voltmeter & Vacuum Gauge
	073741-03-000	EA	Speaker - Oval - 4" x 6"
	073741-04-000	EA	Grille - Oval Speaker - 4" x 6"
	077406-01-000	EA	Bracket - Hood Release Cable

* Parts used with Electronic Instrument Cluster.

DRIVER'S COMPARTMENT GROUP (CONTINUED)



FRONT OVERHEAD BUNK & HARDWARE (OPTION 5231)

Key	Part Number	U/M	Description
1	076760-02-000	EA	Hardware Asm - Overhead Bunk
2	092472-02-01A	EA	Trim - Lower Side - Bunk
3	092471-01-01A	EA	Trim - Upper Side - Bunk - Right
4	093055-01-Y12	EA	Board Asm - Bunk Trim w/Vinyl
5	093084-01-Y12	EA	Headliner Asm - Front
6	042511-04-700	EA	Latch Asm. w/Strike (2 ea)
7	092471-02-01A	EA	Trim - Upper Side - Bunk - Left
8	079145-05-030	EA	Cushion Asm. - 30" x 73" x 4"
9	079144-02-Y10	EA	Strap - Bunk
10	011717-04-Y1	EA	Bed Asm - Front Bunk
	094658-01-Y12	EA	Handle - Oak
	079916-08-000	EA	Curtain Track - Front Wraparound - Right
	094396-01-000	EA	Curtain Track - Front Wraparound - Left

ELECTRICAL GROUP

INTERIOR LIGHTS & BULBS

Key	Part Number	U/M	Description
	065202-03-000	EA	Lamp Asm. - Wall Decor - Brass & Cream
	065201-02-000	EA	Shade - Wall Lamp - Parchment
	067479-01-000	EA	Bulb - Wall Lamp
	033508-02-000	EA	Dome Light - 1 Bulb - Ivory (US)
	033508-03-000	EA	Dome Light - 1 Bulb - Ivory (CSA)
	033509-02-000	EA	Dome Light - 2 Bulb - Ivory (US)
	033509-03-000	EA	Dome Light - 2 Bulb - Ivory (CSA)
	R77013-48-179	EA	Switch - Dome Light
	008218-01-000	EA	Bulb - Dome Light
	078424-02-000	EA	Light Asm. - Fluorescent - 12V - 18" - Almond (Galley)
	078424-02-701	EA	Lens - Fluorescent Light - 18"
	078424-02-700	EA	Bulb - Fluorescent Light - 12V - 18"
	061424-01-000	EA	Light Asm. - 12V - Rectangular - Aisle
	008103-01-000	EA	Bulb - Aisle Light
	088937-04-000	EA	Light Asm. - Surface - No Switch (Shower)
	008215-01-000	EA	Bulb - Light - #1003
	086280-01-000	EA	Light - Surface Mount - 12 V
	081633-01-000	EA	Light Asm. - Make Up (US)
	081633-02-000	EA	Light Asm. - Make-Up (CSA)
	081633-01-700	EA	Bulb - Make-Up Light
	087694-02-000	EA	Light Asm. - Wardrobe w/Switch
	097694-01-700	EA	Bulb - Wardrobe - Light
	037309-01-000	EA	Light - Step Well - Round - 12 V
	077026-01-000	EA	Lens - Courtesy Light (Driver's Door)
	077060-01-000	EA	Socket Asm. w/Pigtail
	036106-01-000	EA	Bulb - Courtesy Light

EXTERIOR LIGHTS & BULBS

Key	Part Number	U/M	Description
	081250-01-000	EA	Light Asm. - Clearance - Amber
	081250-01-700	EA	Lens - Clearance - Amber
	081250-02-000	EA	Light Asm. - Clearance - Red
	081250-02-700	EA	Lens - Clearance - Red
	036196-01-000	EA	Bulb - Clearance Lights
	081437-01-000	EA	Bracket - Clearance Lights
	089289-02-000	EA	Light Asm. - Side Marker - Amber (Front End)
	089291-01-000	EA	Light Asm. - Turn Signal - Red (Rear Cap)
	089292-01-000	EA	Light Asm. - Turn Signal - Amber (Rear Cap)
	084901-01-000	EA	Lamp - Park & Turn (Front End)
	076345-01-000	EA	Lens Asm. - Park/Turn - Amber
	076345-02-000	EA	Socket Asm. - Park/Turn Lamp
	089290-01-000	EA	Light Asm. - Back-Up - Red/Clear (Rear Cap)
	042405-01-000	EA	Lens - Rectangular Light w/Reflex - 1"
	042405-02-000	EA	Base - Rectangular Light
	037934-01-000	EA	Bulb - Back-Up Light
	076795-01-000	EA	Light Asm. - License
	049185-01-000	EA	Headlamp Capsule Asm. - Rectangular - Driver - High/Low Beam
	049186-01-000	EA	Headlamp Capsule Asm. - Rectangular - Passenger - High/Low Beam
	049187-01-000	EA	Headlamp Capsule Asm. - Rectangular - Driver - High Beam
	049188-01-000	EA	Headlamp Capsule Asm. - Rectangular - Passenger - High Beam
	091839-01-01A	EA	Bezel - Headlamp - Right
	091839-02-01A	EA	Bezel - Headlamp - Left
	033508-02-000	EA	Lamp Asm. - Storage Compartment - Ivory (US)
	033508-03-000	EA	Lamp Asm. - Storage Compartment - Ivory (CSA)
	008088-01-000	EA	Porch Light - Recessed (US)
	008089-02-000	EA	Porch Light - Recessed (CSA)
	008089-01-700	EA	Lens - Porch Light
	091881-01-000	EA	Gasket - Porch Light
	008215-01-000	EA	Bulb - Porch Light
	081309-01-000	EA	Light Strip - Clear - 18" - w/Mounting

**1989 ITASCA
TABLE OF CONTENTS**

ICN28RU
IC/JN31RT
IC/JN36RO

A-01 - D-16
D-17 - H-10
H-09 - K-21

1989 ICN28RU INDEX

Floor Plan	A-01 - A-02
Accessories Group	A-03 - A-05
Bath Group	A-06 - A-08
Chassis Group Group	A-09 - A-17
Curtain, Cushion & Pad Group	A-18 - B-06
Dinette Group	B-07 - B-08
Driver's Compartment Group	B-09 - B-15
Electrical Group	B-16 - B-19
Exterior Body Group	B-20 - C-03
Galley Group	C-04 - C-08
Heating & Air Conditioning Group	C-09 - C-10
Interior Finish Group	C-11 - C-13
Lighting Group	C-14
Mounting Group	C-15 - C-18
Water & Sewage Group	C-19 - C-21
Window, Vent & Exterior Door Group	C-22 - D-16

ELECTRICAL GROUP (CONTINUED)

WIRE SWITCHES & RECEPTACLES

Key	Part Number	U/M	Description
	008288-01-000	EA	Box - Electrical - 3" x 3.5" - Plastic
	008288-02-000	EA	Box - Electrical - 3.9" x 3.1" x 1.8"
	008289-01-000	EA	Box - Electrical - 4" x 4" - 1/2 & 3/4 Steel
	008289-02-000	EA	Box - Electrical - 4" x 4" - 1/2 & 3/4 Steel (CSA)
	058049-01-000	EA	Box - Electrical - 2" x 3" x 2.25" - Steel (CSA)
	041953-01-000	FT	Conduit - Convolute Slit - .5" ID
	041953-03-000	FT	Conduit - Convolute Slit - 1" ID
	041953-06-000	FT	Conduit - Convolute Slit - 3/8" ID
	008353-01-000	EA	Connector - Clamping - 3/8 Cable
	008356-01-000	EA	Connector - Plastic - 3/8" Avg.
	058028-01-000	EA	Connector - Pigtail - Clear Nylon
	008311-01-000	EA	Connector - Wire Nut - Red
	008314-01-000	EA	Connector - Wire Nut - Gray
	008054-01-000	EA	Cord - Power - 10-3 30 Amp. - 25'
	008054-02-000	EA	Cord - Power - 10-3 30 Amp. - 33'
	008052-01-000	EA	Cord - Power - 10-3 30 Amp. - 25' (CSA)
	009426-01-000	EA	Hatch - Power Cord - White
	073626-01-000	EA	Cover - Electrical - Plastic
	008288-01-000	EA	Cover Plate - Blank - Steel 4 x 4 (USA)
	008294-02-000	EA	Cover Plate - Blank - Steel 4 x 4 (CSA)
	074840-01-000	EA	Extension Ring - Electrical Box - 1 1/2"
	074017-02-000	EA	Housing Asm. - 5 Position
	097714-02-000	EA	Housing Asm. - Trailer Pin - 48"
	097746-01-000	EA	Housing Asm. - Trailer Cap
	097745-02-000	EA	Housing Asm. - Trailer Receptacle - 48"
	008473-01-000	EA	Housing - Connector
	008473-01-000	EA	Housing Pin
	008473-02-000	EA	Housing Pin - 15 Position
	008473-03-000	EA	Housing Pin - 9 Position
	008473-05-000	EA	Housing Pin - 6 Position In Line
	008473-06-000	EA	Housing Pin - 6 Position
	008473-08-000	EA	Housing Pin - 4 Position
	008473-09-000	EA	Housing Pin - 3 Position
	008473-10-000	EA	Housing Pin - 2 Position
	008474-01-000	EA	Housing Socket
	008474-02-000	EA	Housing Socket - 15 Position
	008474-03-000	EA	Housing Socket - 9 Position
	008474-06-000	EA	Housing Socket - 6 Position
	008474-08-000	EA	Housing Socket - 4 Position
	008474-09-000	EA	Housing Socket - 3 Position
	067310-01-000	EA	Housing - Relay
	008475-01-000	EA	Pin - Connector
	077716-01-000	EA	Receptacle/Cover Asm. - Grey (Exterior)
	077717-01-000	EA	Receptacle Cover - Ivory (Ground Fault Interrupter)
	077718-02-000	EA	Receptacle Cover - Brown (Ground Fault Interrupter)
	077719-01-000	EA	Receptacle - 15 Amp. 125 Volt - Ivory (Ground Fault Interrupter)
	077720-02-000	EA	Receptacle - 15 Amp. 125 Volt - Brown (Ground Fault Interrupter)
	077721-01-000	EA	Receptacle - Duplex - Brown
	077722-02-000	EA	Receptacle - Duplex - Ivory
	077723-01-000	EA	Receptacle - Power Cord
	077724-01-000	EA	Receptacle - Single - Brown
	077725-01-000	EA	Receptacle - Slide - 16 to 12 Awg.
	008273-01-000	EA	Relay - Battery Disconnect
	008476-01-000	EA	Socket - Connector
	077726-01-000	EA	Switch Plate - Single Gang - Black
	077727-02-000	EA	Switch Plate - 2 Gang - 2 Switch
	077728-04-000	EA	Switch Plate - 4 Gang - 2 Switch
	077729-03-000	EA	Switch Plate - Single w/Switch - Polished Brass

ELECTRICAL GROUP (CONTINUED)

WIRES, SWITCHES & RECEPTACLES (CONT.)

Key	Part Number	U/M	Description
	079364-01-000	EA	Switch - ON/OFF Rocker - Brown
	079364-03-000	EA	Switch - ON/OFF - Rocker
	008195-01-000	EA	Switch - Push Button - 12 Volt
	076759-01-000	EA	Switch - SPST - Lock/Lock
	076759-03-000	EA	Switch - SPST - Lock/Lock/Lock
	076759-04-000	EA	Switch - SPDT - Mom/Lock/Mom
	076759-05-000	EA	Switch - SPDT - Lock/Lock/Mom
	076759-06-000	EA	Switch - Dummy
	076759-07-000	EA	Switch - SPST - Mom/Off/Lock
	076759-09-000	EA	Switch - SPST - Lock/Lock
	073937-03-000	EA	Switch - Relay - 3 Deck - NC Select
	035416-04-000	EA	Terminal Ring - #10 Stud Fit
	008328-01-000	EA	Terminal Ring - 12/10 Wire
	008348-01-000	EA	Terminal Ring - 2 - 3/8 Stud
	008331-01-000	EA	Terminal Ring - 4 - 3/8 Stud
	062036-02-000	EA	Terminal - Pac - Con - 16/14 AWG
	086777-04-000	EA	Wallplate - Antenna Power - Brown
	076319-08-000	EA	Wallplate/Receptacle - Ivory
	008026-01-000	FT	Wire - 12/2 Romex w/Ground
	008026-01-000	FT	Wire w/Ground - Romex - 12/2
	006343-01-000	EA	Wire Tie - 6"
	009343-02-000	EA	Wire Tie - 14"

WINDSHIELD WIPER & WASHER

Key	Part Number	U/M	Description
	056000-02-000	EA	Washer Asm. - Windshield
	072472-04-000	EA	Arm - Windshield Wiper - 29" - Black
	072472-02-000	EA	Adaptor - Arm Wiper - Pantograph
	049464-03-000	EA	Blade Asm. - Windshield Wiper - 20" - Black
	049464-03-700	EA	Blade - Wiper Refill
	067190-04-000	EA	Shaft & Pivot Asm.
	077048-01-000	EA	Shaft Adaptor - Pantograph Arm
	077049-01-000	EA	Acorn Nut
	067191-02-700	EA	Drive Motor Asm. - Wiper
	067192-01-000	EA	Link Asm. - Connection - 39"
	067193-02-000	EA	Link Asm. - Connection - 8.10"
	067188-01-000	EA	Stud - Crank Wiper
	045794-01-000	FT	Hose - 5/32" ID - Black

**1989 ITASCA
TABLE OF CONTENTS**

ICN28RU	A-01 - D-16
IC/JN31RT	D-17 - H-10
IC/JN36RO	H-09 - K-21

1989 ICN28RU INDEX

Floor Plan	A-01 - A-02
Accessories Group	A-03 - A-05
Bath Group	A-06 - A-08
Chassis Group Group	A-09 - A-17
Curtain, Cushion & Pad Group	A-18 - B-00
Dinette Group	B-01 - B-08
Driver's Compartment Group	B-09 - B-15
Electrical Group	B-16 - B-19
Exterior Body Group	B-20 - C-03
Flay Group	C-04 - C-08
Heating & Air Conditioning Group	C-09 - C-10
Interior Finish Group	C-11 - C-13
LP Group	C-14
Lounge Group	C-15 - C-18
Water & Sewage Group	C-19 - C-21
Window, Vent & Exterior Door Group	C-22 - D-16

ELECTRICAL GROUP (CONTINUED)

FUSES & CIRCUIT BREAKERS

Key	Part Number	U/M	Description
	062901-02-000	EA	Fuse - 5 Amp. - Automotive
	062901-05-000	EA	Fuse - 15 Amp. - Automotive
	062811-01-000	EA	Circuit Breaker - 6 Amp. - 12 Volt
	093654-01-000	EA	Circuit Breaker - 6 Amp. - 12 Volt
	093654-02-000	EA	Circuit Breaker - 15 Amp. - 12 Volt
	088779-01-000	EA	Circuit Breaker - 15 Amp.
	083210-02-000	EA	Circuit Breaker - 15 Amp - 120 Volt (Ground Fault Interrupter)
	083209-02-000	EA	Circuit Breaker - 15/15 Amp. - 120 Volt
	083209-03-000	EA	Circuit Breaker - 15/20 Amp. - 120 Volt
	093654-03-000	EA	Circuit Breaker - 20 Amp. - 12 Volt
	083209-05-000	EA	Circuit Breaker - 20 Amp. - 120 Volt
	093655-01-000	EA	Circuit Breaker - 25 Amp. - 12 Volt
	093655-02-000	EA	Circuit Breaker - 30 Amp. - 12 Volt
	083209-06-000	EA	Circuit Breaker - 30/15 Amp. - 120 Volt
	093655-03-000	EA	Circuit Breaker - 40 Amp. - 12 Volt

MISCELLANEOUS ELECTRICAL COMPONENTS

Key	Part Number	U/M	Description
	063739-01-000	EA	Battery - 12 Volt - 80 Amp. - Gould
	C36420-02-000	EA	Fan - DeRooster - 6" - 2 Speed (Option 36N)
	089294-01-000	EA	Lighter Asm. - Cigarette
	072852-01-000	EA	Smoke Detector w/9 Volt Battery
	092615-01-000	EA	Converter - 40 Amp. w/Charger
	089326-01-000	EA	Grille Floor - Converter
	051912-01-000	EA	Transformer - Dry Control (Export)
	094809-01-000	EA	Load Center - 240 Volt - 125 Amp (Export)
	093674-01-000	EA	Plate - Push Button Circuit Breaker
	092547-01-000	EA	Label - Circuit Breaker Plate

BULBS

Key	Part Number	U/M	Description
	008103-01-000	EA	Bulb - 53 (Aisle Light)
	036196-01-000	EA	Bulb - 194 (Courtesy & Clearance Lights)
	072696-01-709	EA	Bulb - 912 (Stove Hood)
	008215-01-000	EA	Bulb - 1003 (Shower Light)
	067479-01-000	EA	Bulb - 1076 (Wall Lamp)
	063914-01-000	EA	Bulb - 1139 (Reading Light)
	008218-01-000	EA	Bulb - 1141 (Dome Light)
	037934-01-000	EA	Bulb - 1156 (Back-Up Light)
	037935-01-000	EA	Bulb - 1157 (Tail Lamp)
	081633-01-700	EA	Bulb - Make-Up Light
	084880-01-706	EA	Bulb - DC Light (Refrigerator)
	088737-01-710	EA	Bulb - 30W (Microwave Oven)
	078424-02-700	EA	Bulb - Fluorescent - 18" (Galley)
	087694-01-700	EA	Bulb - GE561 (Wardrobe Light)

EXTERIOR BODY GROUP

LABELS & EXTERIOR PAINT

Key	Part Number	U/M	Description
	091243-01-000	EA	Label - Air Conditioner Cover
	074983-01-000	EA	Label - Air Conditioner Selector
	087236-01-000	EA	Label - Cable - Input
	065748-01-000	EA	Label - Caution - Battery Changing
	087237-01-000	EA	Label - Certification
	093237-08-000	EA	Label - Circuit Breaker - Front
	068506-01-000	EA	Label - Compartment No Sealed
	065721-01-000	EA	Label - Control Center - w/Microwave Option
	095721-03-000	EA	Label - Control Center
	094874-01-000	EA	Label - Door Load
	006195-01-000	EA	Label - Electrical Test
	047731-01-000	EA	Label - Emergency Exit
	008199-01-000	EA	Label - Exit - Escape Window
	094875-01-000	EA	Label - Exterior Light Service
	061417-01-000	EA	Label - Fuel
	087207-02-000	EA	Label - Fuel Cap Removal
	094622-01-000	EA	Label - Fuel Pump - Power
	093234-01-000	EA	Label - Fuse Holder - Upper
	093235-01-000	EA	Label - Fuse Holder - Lower
	006196-01-000	EA	Label - Gas Test
	054531-01-000	EA	Label - LP Gas Only
	073996-01-000	EA	Label - LPG Odor Warning
	040944-01-000	EA	Label - Open - Entrance Door
	006031-01-000	EA	Label - Potable Water Only
	058259-01-000	EA	Label - Safety Check List
	006064-01-000	EA	Label - Seat - w/o Seat Belts
	006187-01-000	EA	Label - Sewage
	079966-01-000	EA	Label - Warning - Stowed Motion
	077956-01-000	EA	Label - Warning - Smoke Detector
	075221-01-000	EA	Label - Trailer Hitch Capacity
	075221-03-000	EA	Label - Trailer Hitch Capacity
	091224-02-000	EA	Label - Trailer Lighting
	078236-02-000	EA	Label - TV Outlet
	090342-01-007	EA	Label - Vapor Relief
	075220-01-000	EA	Label - Warning - Exterior Load Limit
	050225-01-000	EA	Label - Warning - Stove Vent - US
	006197-01-000	EA	Label - Water Test
	006062-01-000	EA	Tag - Electrical - 110 Volt Connection
	006040-01-000	EA	Tag - Gas - Refueling Warning (US)
	006040-02-000	EA	Tag - Gas - Refueling Warning (CSA)
	006019-01-000	EA	Tag - RV1 Approved - Plastic
	044486-03-000	EA	Paint - Beige Acrylic Enamel - 16 oz. Aerosol (DuPont #7633A)
	045881-03-000	EA	Paint - Gloss Black - Acrylic Enamel - 16 oz. Aerosol (DuPont #99)
	074559-01-000	EA	Label "LPG" 3.3" x 1.75" (Calif. Code)

MISCELLANEOUS EXTERNALLY MOUNTED PARTS

Key	Part Number	U/M	Description
	083558-03-000	EA	Plumbing Seal - Roof Vent - 1 1/2" - Covered
	009126-01-000	EA	Assist Handle - Chrome
	087659-04-000	EA	Fill - City Water - Recessed - Off White
	087659-01-700	EA	Water Fill - Cap & Strap Only
	069362-03-000	EA	Brace - Floor to Valance - 13.21"
	069726-02-000	EA	Bumper - Black - .88" x 40"
	083615-08-000	EA	Door Stop - Off White Plastic
	075736-02-000	EA	Receptacle/Cover Asm. - Off White
	091270-01-000	EA	Hose - Reel - 50'

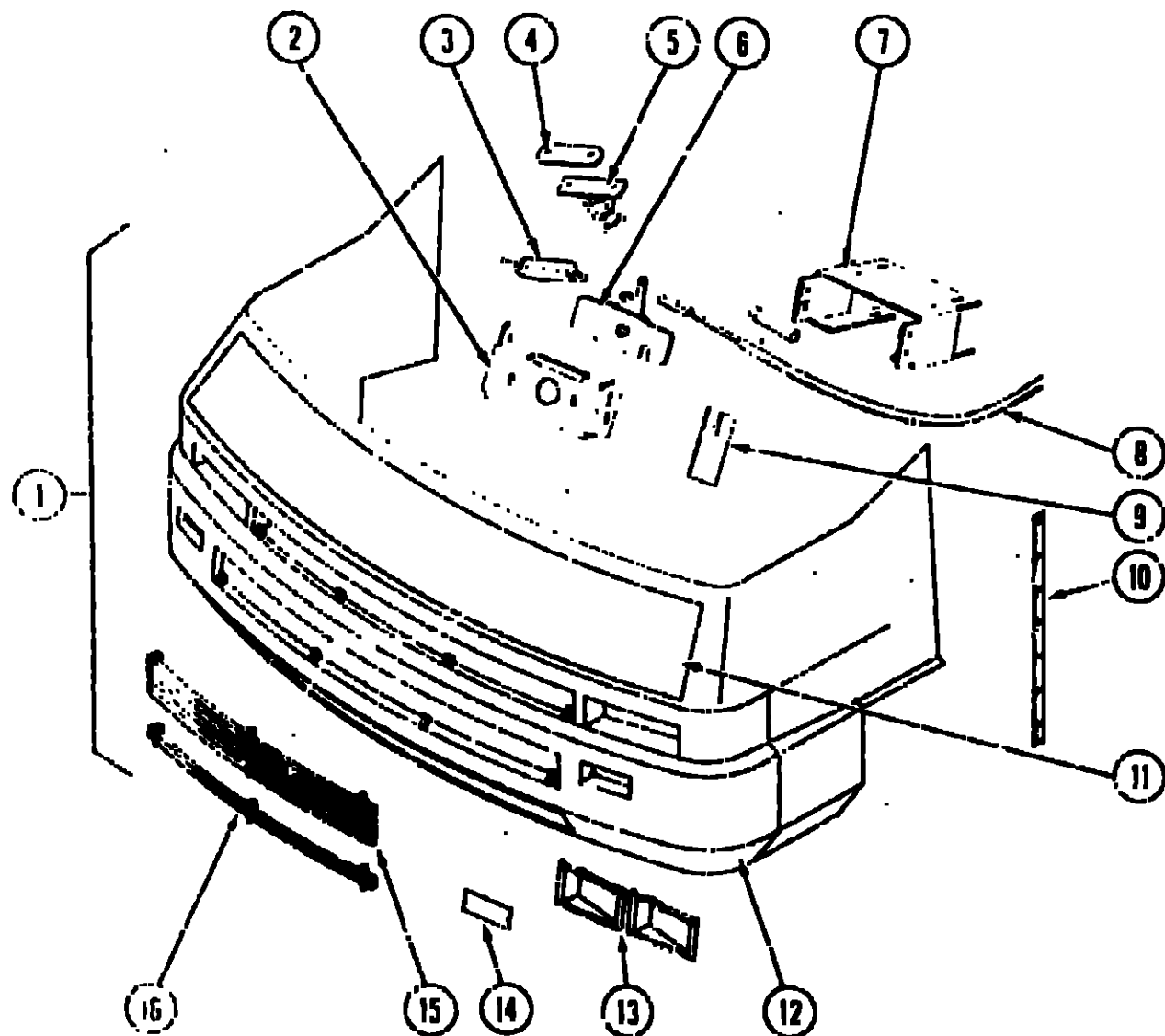
1989 ITASCA TABLE OF CONTENTS

ICN28RU	A-01 - D-16
ICJN31RT	D-17 - H-10
ICJN38RQ	H-09 - K-21

1989 ICN28RU INDEX

Floor Plan	A-01 - A-02
Accessories Group	A-03 - A-05
Bath Group	A-06 - A-08
Chassis Group Group	A-09 - A-17
Curtain, Cushion & Pad Group	A-18 - B-08
Dinette Group	B-07 - B-08
Driver's Compartment Group	B-09 - B-15
Electrical Group	B-16 - B-19
Exterior Body Group	B-20 - C-03
Galley Group	C-04 - C-08
Heating & Air Conditioning Group	C-09 - C-10
Interior Finish Group	C-11 - C-13
LP Group	C-14
Lounge Group	C-15 - C-18
Water & Sewage Group	C-19 - C-21
Window, Vent & Exterior Door Group	C-22 - D-16

EXTERIOR BODY GROUP (CONTINUED)



Key	Part Number
1	M01115-21-Y33
2	073336-02-000
3	R77008-3C-499
4	R77008-68-172
5	R77007-01-950
6	R77007-51-429
7	073342-01-000
8	077064-01-000
9	077407-01-000
	077406-01-000
	091955-01-000
	091952-01-000
	093527-01-000
10	096204-01-01A
11	092678-01-Y33
	058786-02-000
	076716-01-000
	093851-01-Y35
	093851-02-Y35
	094060-02-000
	062628-01-000
	078767-02-000
12	M93848-01-Y35
	093885-01-000
13	091839-02-01A
	091839-01-01A
	091230-02-000
	083749-02-000
14	076345-01-000
	084901-01-000
15	093004-01-Y33
16	093005-01-Y33

Key	Part Number
	044487-01-001
	000868-01-000
	000870-01-000
	000870-03-000
	000870-05-000
	083574-01-000
	084882-13-000
	077517-52-000

EXTERIOR BODY GROUP (CONTINUED)

EXTERIOR BODY PANELS & HARDWARE

U/M	Description
EA	Panel Asm. - Front Shroud (includes access panel)
EA	Bracket - Mounting Latch
EA	Spring - Hood Release
EA	Shim - Spacer Plate
EA	Striker & Spring - Hood Latch
EA	Latch Asm. - Hood
EA	Bracket Asm. - Hood Latch
EA	Cable - Hood Release - w/Clamp
EA	Bracket - Hood Cable Release (mounts under the hood)
EA	Bracket - Hood Cable Release (mounts under the dash)
EA	Squeegee - Extended Handle
EA	Clip - 1" Creeper
EA	Bracket - Squeegee
EA	Trim - "J" Molding - Beige
EA	Access Panel Asm. - Hood
EA	Hood Bolt Adjusting
EA	Bracket Asm. - Striker Latch
EA	Hinge Asm. - Hood - Passenger
EA	Hinge Asm. - Hood - Driver
EA	Rod Asm. - Prop
EA	Clip - Prop Rod
EA	Cable Asm. - 1/16" x 16.5" - Stainless Steel
EA	Bumper Asm. - Off White
EA	Bracket - License Plate
EA	Bazel - Headlamp - Driver
EA	Bazel - Headlamp - Passenger
EA	Screw - Headlamp Bazel - 8.32 x 3/4 POH
EA	Housing Asm. - Headlamp
EA	Lens Asm. - Park/Turn - Amber
EA	Lamp Asm. - Park/Turn
EA	Grille Asm. - 5 Bar
EA	Grille Asm. - 2 Bar

SHEET FIBERGLASS, ALUMINUM & STYROFOAM

U/M	Description
EA	Aluminum - Mill Finish - No Design (Roof) - 96" x 360"
SF	Styrofoam - 3/4" x 24" x 96"
SF	Styrofoam - 1 1/2" x 24" x 96"
SF	Styrofoam - 1.34" x 48" x 96"
SF	Styrofoam - .50" x 24" x 96"
SF	Styrofoam - 1.5" x 24" x 35.25"
EA	Fiberglass/Mando Board Sheet - 83.3" x 282.2"
EA	Fiberglass Sheet - 29.69" x 117.88"

**1989 ITASCA
TABLE OF CONTENTS**

ICN28R11
IC/JN31R1
IC/JN36R0

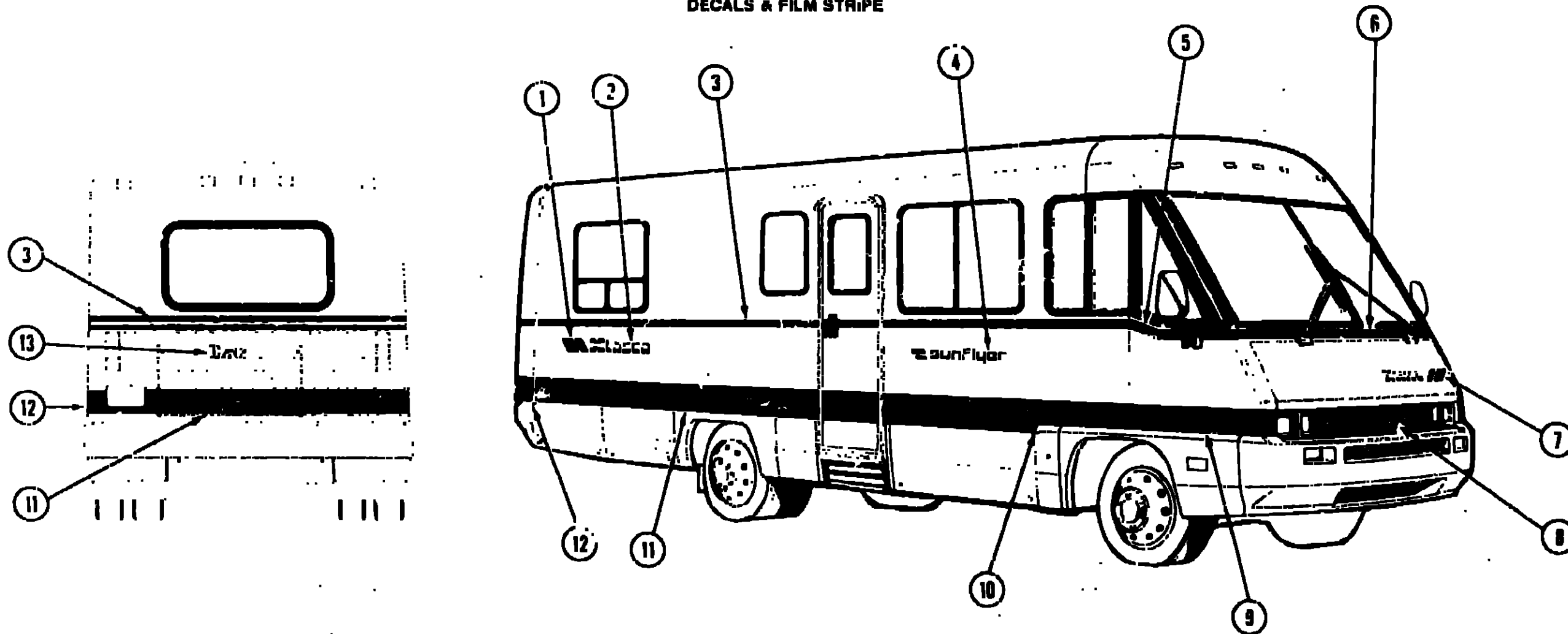
A-01 - D-16
D-17 - H-10
H-09 - K-21

1989 ICN28RU INDEX

Floor Plan	A-01 - A-02
Accessories Group	A-03 - A-05
Bath Group	A-06 - A-08
Chassis Group Group	A-09 - A-17
Curtain, Cushion & Pad Group	A-18 - B-06
Diretto Group	B-07 - B-08
Driver's Compartment Group	B-09 - B-15
Electrical Group	B-16 - B-19
Exterior Body Group	B-20 - C-03
Galley Group	C-04 - C-08
Heating & Air Conditioning Group	C-09 - C-10
Interior Finish Group	C-11 - C-13
LP Group	C-14
Lounge Group	C-15 - C-18
Water & Sewage Group	C-19 - C-21
Window, Vent & Exterior Door Group	C-22 - D-16

EXTERIOR BODY GROUP (CONTINUED)

DECALS & FILM STRIPE



**1989 ITASCA
TABLE OF CONTENT'S**

ICN28FU
IC/JN31RT
IC JN36RC

A-01 - D-16
D-17 - H-10
H-09 - K-21

1989 ICN28FU INDEX

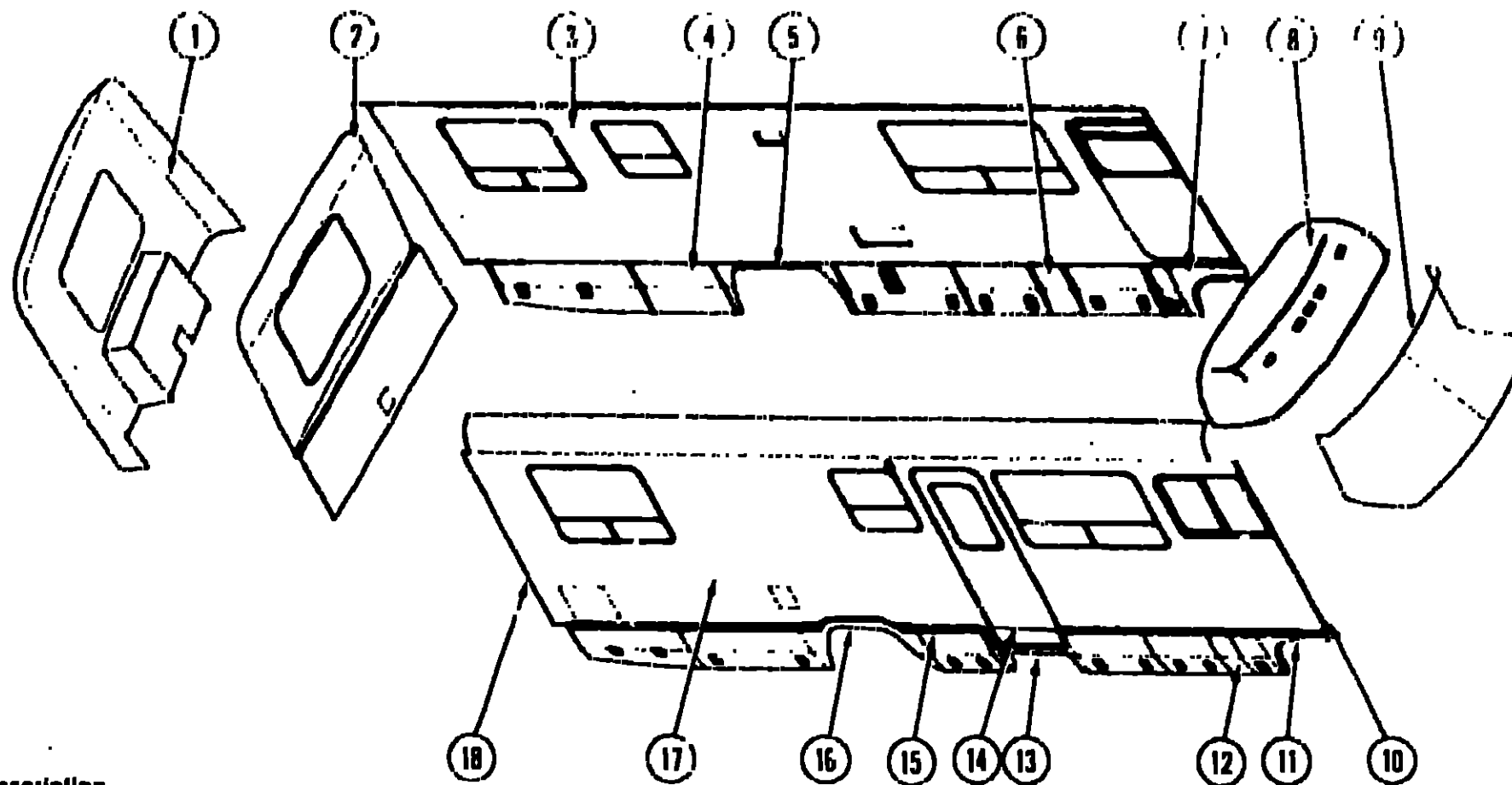
Key	Part Number	U/M	Description
1	093795-01-01A	EA	Decal - Angle - Right - Black/Blue/Peach (Y35)
1	093795-01-02A	EA	Decal - Angle - Right - Black/Brown/Green (Y36, Y37)
	093795-02-01A	EA	Decal - Angle - Left - Black/Blue/Peach (Y35)
	093795-02-02A	EA	Decal - Angle - Left - Black/Brown/Green (Y36, Y37)
2	078852-11-000	EA	Decal - Logo - "Itasca" - Blue/Black (Y35)
2	078852-12-000	FA	Decal - Logo - "Itasca" - Green/Black (Y36, Y37)
3	093689-02-01A	FT	Film - Multistripe - 150' - Blue/Peach (Y35)
3	093689-02-02A	FT	Film - Multistripe - 150' - Green/Brown (Y36, Y37)
4	093797-01-01A	EA	Decal - Logo - "Sunflyer" w/Angle - Black/Blue/Peach (Y35)
4	093797-01-02A	EA	Decal - Logo - "Sunflyer" w/Angle - Black/Brown/Green (Y36, Y37)
	093797-02-01A	EA	Decal - Logo - "Sunflyer" w/Angle - Black/Blue/Peach (Y35)
	093797-02-02A	EA	Decal - Logo - "Sunflyer" w/Angle - Black/Brown/Green (Y36, Y37)
5	093792-01-01A	EA	Decal - Right Front Corner - Blue/Peach (Y35)
5	093792-01-02A	EA	Decal - Right Front Corner - Green/Brown (Y36, Y37)
	093792-02-01A	EA	Decal - Left Front Corner - Blue/Peach (Y35)
	093792-02-02A	EA	Decal - Left Front Corner - Green/Brown (Y36, Y37)
6	093689-03-01A	FT	Film - Multistripe - Hood - Blue/Peach (Y35)
6	093689-03-02A	FT	Film - Multistripe - Hood - Green/Brown (Y36, Y37)

Key	Part Number	U/M	Description
7	093789-01-02A	EA	Decal - Logo "Itasca" w/Angle - Black/Blue/Peach/Blue (Y35)
7	093789-01-01A	EA	Decal - Logo "Itasca" w/Angle - Black/Green/Green/Brown (Y36, Y37)
8	093790-01-01A	EA	Decal - Logo - "I"
9	093689-04-01A	FT	Film - Multistripe - Peach/Blue (Y35)
9	093689-04-02A	FT	Film - Multistripe - Brown/Green (Y36, Y37)
10	093797-01-01A	EA	Decal - Transition - Right - Blue/Peach (Y35)
	093797-01-02A	EA	Decal - Transition - Right - Brown/Green (Y36, Y37)
	093797-02-01A	EA	Decal - Transition - Left - Peach/Blue (Y35)
	093797-02-02A	EA	Decal - Transition - Left - Brown/Green (Y36, Y37)
11	093689-05-01A	FT	Film - Multistripe - Peach/Blue (Y35)
11	093689-05-02A	FT	Film - Multistripe - Brown/Green (Y36, Y37)
12	093798-01-01A	EA	Decal - Right Rear Corner - Peach/Blue (Y35)
	093798-01-02A	EA	Decal - Right Rear Corner - Brown/Green (Y36, Y37)
	093798-02-01A	EA	Decal - Left Rear Corner - Peach/Blue (Y35)
	093798-02-02A	EA	Decal - Left Rear Corner - Brown/Green (Y36, Y37)
13	093791-01-01A	EA	Decal - Logo - "Itasca"

Floor Plan	A-01 - A-02
Accessories Group	A-03 - A-05
Bath Group	A-06 - A-08
Chassis Group Group	A-09 - A-17
Curtain, Cushion & Pad Group	A-18 - B-06
Dinette Group	B-07 - B-08
Driver's Compartment Group	B-09 - B-15
Electrical Group	B-16 - B-19
Exterior Body Group	B-20 - C-03
Galley Group	C-04 - C-05
Heating & Air Conditioning Group	C-09 - C-10
Interior Finish Group	C-11 - C-14
LP Group	C-15
Lounge Group	C-15 - C-17
Water & Sewage Group	C-19 - C-21
Window, Vent & Exterior Door Group	C-22 - D-11

EXTERIOR BODY GROUP (CONTINUED)

EXTERIOR BODY PANELS & TRIM



**1989 ITASCA
TABLE OF CONTENTS**

ICN28RU
ICJN3111
ICJN17602

A-01 - D-16
D-17 - H-10
H-11 - K-21

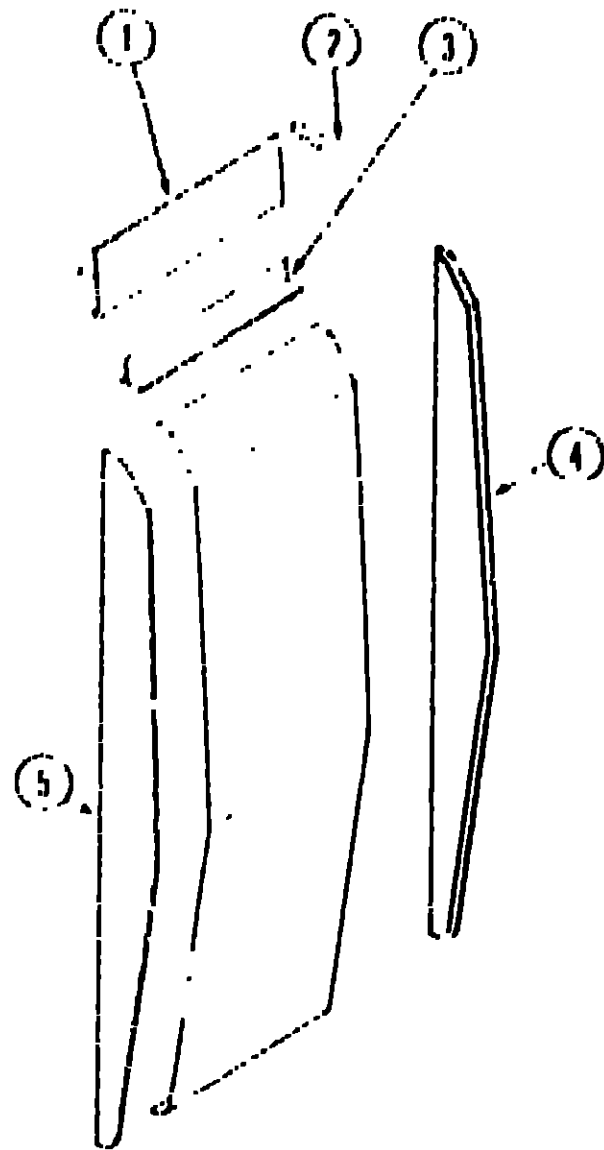
Key	Part Number	U/M	Description
1	M03496-01-Y33	EA	Rear Cap Asm. - Off White
2	092732-01-Y35	EA	Backwall Asm. - Upper
3	092526-01-Y10	EA	Backwall Asm. - Lower
4	M42619-01-Y35	EA	Sidewall Asm. - Driver
5	M42619-01-Y36	EA	Sidewall Asm. - Driver
6	M42619-01-Y37	EA	Sidewall Asm. - Driver
7	093022-04-Y35	EA	Valance Asm. - Body Panels
8	093245-06-Y35	EA	Wheel Lip Asm. - Rear - Driver
9	093022-05-Y35	EA	Valance Asm. - Body Panel
10	091589-02-01A	EA	Wheel Lip Asm. - Front - Driver
11	M02959-06-Y33	EA	Front Cap Asm.
12	091986-01-000	EA	Reveal Molding
13	090204-01-02A	EA	Trim - "J" Molding
14	092589-01-01A	EA	Wheel Lip Asm. - Front - Passenger
15	093022-03-Y35	EA	Valance Asm. - Body Panels
16	093022-08-Y35	EA	Valance Asm. - Body Panels
17	093187-01-Y33	EA	Valance Asm. - Stop
18	093673-01-02A	EA	Body Molding - Entrance Door
19	092301-01-01A	FT	Body Molding - Off White
20	094362-02-030	EA	Clip - X-Mas - Flat Head
21	093245-05-Y35	EA	Wheel Lip Asm. - Rear - Passenger
22	M02C18-01-Y35	EA	Sidewall Asm. - Passenger
23	M42618-01-Y36	EA	Sidewall Asm. - Passenger
24	M42618-01-Y37	EA	Sidewall Asm. - Passenger
25	092041-01-02A	EA	Trim - Rear Cap to Sidewall
26	091905-01-01A	EA	Trim Insert
27	M02802-02-Y35	EA	Roof Asm.
28	092251-01-01A	EA	Bumper End Cap - Rear - Passenger
29	092251-02-01A	EA	Bumper End Cap - Rear - Driver
30	083625-06-000	EA	Trim - Roof Cap - 76" - Off White

See the following page for the breakdown of this item.
Parts used before 9/30/88.

1989 ICN28RU INDEX

Floor Plan	A-01 - A-02
Accessories Group	A-03 - A-05
Bath Group	A-06 - A-08
Chassis Group Group	A-09 - A-17
Curtain, Cushion & Pad Group	A-18 - B-06
Dinette Group	B-07 - B-08
Driver's Compartment Group	B-09 - B-15
Electrical Group	B-16 - B-19
Exterior Body Group	B-20 - C-03
Galley Group	C-04 - C-08
Heating & Air Conditioning Group	C-09 - C-10
Interior Finish Group	C-11 - C-13
LP Group	C-14
Lounge Group	C-15 - C-18
Water & Sewage Group	C-19 - C-21
Window, Vent & Exterior Door Group	C-22 - D-16

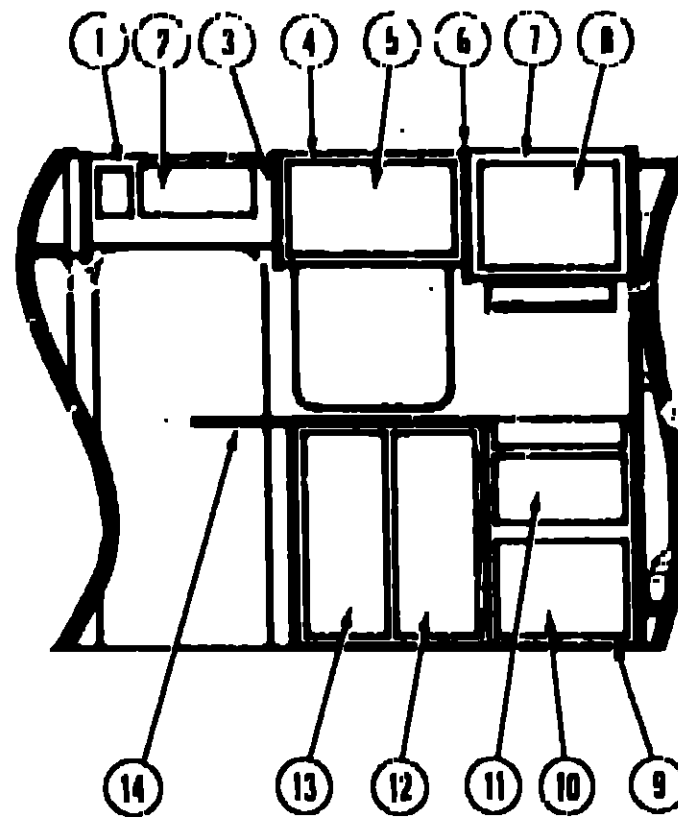
EXTERIOR BODY GROUP (CONTINUED)



VALANCE PANEL ASM.

Key	Part Number	U/M	Description
1	092251-01-01A	EA	Body Molding - Off White
2	094362-01-090	EA	Clip - X-Mas - Flat Head
3	094355-01-01A	EA	Trim - Valance to Sidewall
4	092690-01-01A	EA	End Cap - Valance Panel - Right
5	092690-02-01A	EA	End Cap - Valance Panel - Left
	095023-01-000	EA	Support Asmt. Valance

GALLEY GROUP



GALLEY CABINETRY

Key	Part Number	U/M	Description
1	M92430-01-Y10	EA	Cabinet Asm. - Entrance Overhead
2	M88304-99-X08	EA	Door Asm. - 10" x 19" - w/o Hardware
3	092747-01-Y10	EA	End Cap Asm. - Overhead
4	M92078-01-Y10	EA	Cabinet Asm. - Galley Overhead - w/o Door or Hardware
5	M88304-84-X08	EA	Door Asm. - Galley Overhead - 14.3" x 26.7" - w/o Hardware
6	092090-02-Y12	EA	End Cap Asm. - Overhead
7	M92095-02-Y12	EA	Cabinet Asm. - Microwave Overhead - w/o Doors or Hardware
7	M94767-02-Y07	EA	Cabinet Asm. - Microwave Overhead - w/o Doors or Hardware
7	092095-02-Y12	EA	Cabinet Asm. - Microwave - w/o Doors or Hardware (Option 41D)
7	094767-02-Y12	EA	Cabinet Asm. - Microwave - w/o Doors or Hardware (Options 1341 & 1361)
8	M88304-01-X08	EA	Door Asm. - 17.7" x 22.8" - w/o Hardware
8	M88304-A9-X09	EA	Door Asm. - 14.3" x 21.8" - w/o Hardware
9	M03869-01-Y10	EA	Cabinet Asm. - Galley w/Countertop - w/o Door, Drawer or Hardware
9	M03869-03-Y12	EA	Cabinet Asm. - Galley w/Countertop - w/o Door, Drawer or Hardware (Options 41D & 1361)
	092117-11-Y10	EA	Countertop - Galley Cabinet
	093238-J1-Y12	EA	Cover - Knife Holder
10	M98304-05-X23	EA	Door Asm. - 21.8" x 15.9" - w/o Hardware
11	M82184-11-X36	EA	Drawer Asm. - 12" x 21.8" - w/o Hardware
12	M88304-14-X08	EA	Door Asm. - 14.3" x 33.4" - w/o Hardware
13	M88304-13-X08	EA	Door Asm. - 14.3" x 33.4" - w/o Hardware
	079606-01-Y12	EA	Magazine Rack Asm.
14	080812-01-Y15	EA	Extension Asm. - Galley
	09049-01-000	EA	Support - Galley Countertop Extension
	075249-01-000	EA	Galley Rail Asm. - 72" - Plain
	M88304-F4-Y10	EA	Door Asm. - Refrigerator Cabinet - 6.2" x 16.1" - w/o Hardware
	092400-01-Y12	EA	Holder - Paper Towel
	074490-01-000	EA	Spice Rack - Unfinished
			Parts used with the Microwave Options.
1			Parts used before 9/19/88.

**1989 ITASCA
TABLE OF CONTENTS**

ICN28RU
ICJN311T
ICJN3W1C

A-01 - D-16
D-17 - H-10
H-09 - K-21

1989 ICN28RU INDEX

Floor Plan	A-01 - A-02
Accessories Group	A-03 - A-04
Bath Group	A-05 - A-08
Chassis Group Group	A-09 - A-17
Curtain, Cushion & Pad Group	A-18 - B-06
Dinette Group	B-07 - B-08
Driver's Compartment Group	B-09 - B-15
Electrical Group	B-16 - B-19
Exterior Body Group	B-20 - C-03
Galley Group	C-04 - C-08
Heating & Air Conditioning Group	C-09 - C-10
Interior Finish Group	C-11 - C-13
LP Group	C-14
Lounge Group	C-15 - C-18
Water & Sewage Group	C-19 - C-21
Window, Vent & Exterior Door Group	C-22 - D-16

GALLEY GROUP (CONTINUED)

REFRIGERATORS

Key	Part Number	U/M	Description	882	883	883
**	084870-01-000	EA	Refrigerator - 3-Way - Double Door - Hotcold 663			
**	084880-01-000	EA	Refrigerator - 3-Way - Double Door - Hotcold 663 (Option 3AF)			
	094038-01-000	EA	Refrigerator - 3-Way - Double Door - Hotcold 663 (Not Available/Complete)			
	094039-01-000	EA	Refrigerator - 2-Way - Double Door - Hotcold 662			
	094039-01-000	EA	Refrigerator - 3-Way - Double Door - Hotcold 663 (Option 3AF)			
				882	883	883
	084870-03-700	EA	Cooling Unit	X	X	
	084880-03-701	EA	Cooling Unit			X
	084873-03-719	EA	Fluo	X	X	
	084880-03-700	EA	Fluo			X
	080248-01-709	EA	Heater A/C	X	X	X
	075217-01-737	EA	Control Module	X	X	X
	094039-01-702	EA	Power Supply (2-Way)	X		
	094039-01-737	EA	Power Supply (3-Way)		X	X
	094039-04-701	EA	Cyebrow (2-Way)	X		
	094039-01-701	EA	Cyebrow (3-Way)		X	X
	094039-04-700	EA	P.C. Board (2-Way)	X		
	094039-01-700	EA	P.C. Board (3-Way)		X	X
	084880-01-715	EA	Shut-Off Valve - Manual	X	X	X
	084880-01-713	EA	Male Connector	X	X	X
	084473-01-702	EA	Olenco	X	X	X
	084248-01-706	EA	Burner	X	X	X
	080248-01-708	EA	Bulbo Asm	X	X	X
	084880-01-733	EA	Unry Keeper	X	X	X
	084880-01-734	EA	Hinge Bracket - Top Right/Bottom Left (Brown)	X	X	X
	094039-01-723	EA	Hinge Bracket - Top Right/Bottom Left (Black)	X	X	X
	094039-01-707	EA	Upper Door Handle Asm (Brown)	X	X	X
	094039-01-708	EA	Upper Door Handle Asm (Black)	X	X	X
	094039-01-705	EA	Upper Door Liner - White (Brown)	X	X	X
	094039-01-706	EA	Upper Door Liner - White (Black)	X	X	X
	084880-01-735	EA	Hinge Bracket - Top Left/Bottom Right (Brown)	X	X	X
	094039-01-724	EA	Hinge Bracket - Top Left/Bottom Right (Black)	X	X	X
	084880-01-722	EA	Crisper Cover	X	X	X
	094039-01-731	EA	Crisper w/Silver Trim - Grt.	X	X	X
	094039-01-705	EA	Cabinet Asm. - Frame (Brown)	X	X	
	094039-01-720	EA	Cabinet Asm. - Frame (Brown)			X
	094039-01-706	EA	Cabinet Asm. - Frame (Black)	X	X	
	094039-01-721	EA	Cabinet Asm. - Frame (Black)			X
	084830-01-746	EA	Cable	X	X	X
	084880-01-731	EA	Hinge - Pin	X	X	X
	094039-01-725	EA	Hinge Pin - Male - Black	X	X	X
	094039-01-729	EA	Hinge Pin Shaft - Center Hinge (Brown)	X	X	X
	094039-01-730	EA	Hinge Pin Shaft - Center Hinge (Black)	X	X	X
	094039-01-727	EA	Hinge Bracket - Center Hinge (Brown)	X	X	X
	094039-01-728	EA	Hinge Bracket - Center Hinge (Black)	X	X	X
	084880-01-749	EA	Hing. Pushing	X	X	X
	080248-01-707	EA	Sensor Electrode	X	X	X
	080248-01-710	EA	Heater DC - 3-Way	X	X	X
	094039-01-702	EA	Gasket - Upper - Gray	X	X	X
	094038-01-700	EA	Gasket - Lower - Gray	X	X	
	094039-01-713	EA	Gasket - Lower - Gray			X
	094039-01-705	EA	Upper Door Liner - White (Brown)	X	X	X
	094039-01-706	EA	Upper Door Liner - White (Black)	X	X	
	094038-01-701	EA	Lower Door Liner - White (Brown)	X	X	
	094039-01-714	EA	Lower Door Liner - White (Brown)			X
	094038-01-702	EA	Lower Door Liner - White (Black)	X	X	
	094039-01-715	EA	Lower Door Liner - White (Black)			X

** See the illustrated parts breakdown on the Common Items Fiche.

GALLEY GROUP (CONTINUED)

REFRIGERATOR (CONT.)

Key	Part Number	U/M	Description	882	883	883
	094038-01-703	EA	Lower Door Handle Asm (Brown)	X	X	X
	094039-01-716	EA	Lower Door Handle Asm (Brown)			X
	094038-01-704	EA	Lower Door Handle Asm (Black)	X	X	X
	094038-01-717	EA	Lower Door Handle Asm (Black)			X
	084880-01-718	EA	Gas - Valve	X	X	X
	084880-03-705	EA	Bracket - Interior Refrigerator Light	X	X	X
	084880-03-706	EA	Lamp - Bulb	X	X	X
	084880-01-736	EA	Light Switch - Brown	X	X	X
	075217-01-738	EA	Switch Hocker - 3 Position - Black	X	X	X
	084880-01-732	EA	Latch	X	X	X
	084880-02-700	EA	Lower - Flange	X	X	X
	094039-01-732	EA	Front Cover - Bottom Trim - Black	X	X	X
	094039-01-712	EA	Door Bin - w/Silver Border - Gray	X	X	X
	094039-01-718	EA	Milk Bin - w/Silver Trim - Gray	X	X	X
	084880-01-740	EA	Plug - Installation (Brown)	X	X	X
	094039-01-740	EA	Plug - Installation (Black)	X	X	X
	084880-01-747	EA	Hole Plug	X	X	X
	094039-01-732	EA	Plug Hole - Hugo Poles - Black	X	X	X
	094039-01-711	EA	Julco Rack w/Silver Trim	X	X	X
	084472-01-749	EA	Plug	X	X	X
	094039-01-726	EA	Evaporator Shell	X	X	X
	084880-03-707	EA	Cover - Lamp or Bulb	X	X	X
	094039-01-733	EA	Wire Shell - Middle	X	X	X
	094039-01-734	EA	Wire Shell w/Riser - Top	X	X	X
	094039-01-703	EA	Hinge Plate - Left (Brown)	X	X	X
	094039-01-704	EA	Hinge Plate - Left (Black)	X	X	X
	094039-01-709	EA	Hinge Plate - Top Right/Bottom Left (Brown)	X	X	X
	094039-01-710	EA	Hinge Plate - Top Right/Bottom Left (Black)	X	X	X
	094039-01-741	EA	Tray - Shelf - Plastic - Gray	X	X	X

**1989 ITABCA
TABLE OF CONTENTS**

ICN28RU	A-01 - D-10
IC/JN31R1	D-17 - H-10
IC/JN38R10	H-09 - K-21

1989 ICN28RU INDEX

Floor Plan	A-01 - A-02
Accessories Group	A-03 - A-05
Bath Group	A-06 - A-08
Chassis Group Group	A-09 - A-17
Curtain, Cushion & Pad Group	A-18 - B-06
Dinette Group	B-07 - B-08
Driver's Compartment Group	B-09 - B-15
Electrical Group	B-16 - B-19
Exterior Body Group	B-20 - C-03
Galley Group	C-04 - C-08
Heating & Air Conditioning Group	C-09 - C-10
Interior Finish Group	C-11 - C-13
LP Group	C-14
Lounge Group	C-15 - C-18
Water & Sewage Group	C-19 - C-21
Window, Vent & Exterior Door Group	C-22 - D-16

GALLEY GROUP (CONTINUED)

GALLEY APPLIANCES

Key	Part Number	U/M	Description
	091269-03-001	EA	Microwave Oven - Magic Chef
	091269-03-700	EA	Door Panel - Outer
	091269-03-701	EA	Plate - Ceramic - 9 1/2" Round
	091269-03-702	EA	Clip - White - F/Oven Shell
	091269-03-703	EA	Clip - Black - F/Oven Shell
	091745-01-01A	EA	Trim - Microwave - Black (Sides)
	091774-01-01A	EA	Trim - Microwave - Black (Bottom)
	092696-05-01A	EA	Hood - Range - w/Monitor - Almond
	092696-01-01A	EA	Hood Vent - w/Door
	092696-06-01A	EA	Hood - Range w/Monitor (CSA)
	092696-02-700	EA	Chassis w/Wiring - Almond (CSA)
	092696-01-701	EA	Knob - Plastic
	092696-01-702	EA	Register/Wire Asm.
	092696-01-703	EA	Fuse Holder
	092696-01-704	EA	Switch - Lever Asm. Module
	092696-01-705	EA	Actuator - Rod/Turnbuckle
	092696-01-707	EA	Gasket - Vent
	092696-01-708	EA	Mounting Clip - Vent
	092696-01-709	EA	Lamp #912
	092696-01-710	EA	Holder - Lamp
	092696-01-711	EA	Lens - Lamp
	092696-05-701	EA	Chassis w/Wiring - Almond (US)
	090973-01-700	EA	Motor
	092696-01-717	EA	Mesh Filter
	072351-05-700	EA	Clock Asm
	079973-01-704	EA	Circuit Board - Tanks
	092696-05-702	EA	Control Panel Asm.
	092696-05-703	EA	Panel - Face Plate
	079353-01-700	EA	Test Connector
	075470-01-702	EA	Switch - On/Off/On - Fan Motor
	075470-01-703	EA	Switch - On/Momentary
	075470-01-705	EA	Switch - On/Off/On Momentary
	081374-01-000	EA	Range Top - 4 Burner - Almond - w/o Oven (Option 1361)
	064782-02-700	EA	Top - Main - 4 Burner - Almond
	081374-01-700	EA	Trim - Cab Top - Right
	081374-01-701	EA	Trim - Cap Top - Left
	081374-01-702	EA	Panel - Manifold - Warm Black
	081374-01-03	EA	Trim Top Rear
	081374-01-704	EA	Guard - Fabric
	085209-02-000	EA	Cover - Burner - Bi-Fold - Almond (Option 1361A)
	055202-04-000	EA	Range w/Oven - 4 Burner - Almond
	085280-01-000	EA	Cover - Burner - Bi-Fold - Almond

GALLEY GROUP (CONTINUED)

GALLEY HARDWARE

Key	Part Number	U/M	Description
	090533-01-000	EA	Sink - Stainless Steel - Double
	060437-01-000	EA	Strainer - w/Backstop - Sink
	011053-04-000	EA	Faucet - Swing Spout - B'
	081530-01-V30	EA	Crown Asm - Sink
	058334-01-000	EA	Wastebasket - 9 3/4" x 7" x 10" - White
	077409-02-000	EA	Drawer Slide - Plastic - 20 7/8"
	077404-02-000	EA	Drawer Slide - Plastic - 20" x 12 1/2"
	037088-01-000	EA	Drawer Rail - V-Groove
	092696-01-01A	EA	Troy - Silverware - Plastic
	094067-01-01A	EA	Drawer Drawer - Plastic
	081646-01-020	EA	Rack - White Wire - Storage
	075451-02-000	EA	Clip - White Wire Storage Rack
	050777-02-000	EA	Hinge - Antique - Light Brass
	081376-01-000	EA	Back Plate - Door Pull - Polished Brass
	088264-01-000	EA	Pull - Door
	074490-01-000	EA	Rack Asm - Spice - Unfinished
	092488-01-Y12	EA	Towel Holder - Paper
	054450-01-000	EA	Level - Refrigerator
	084466-02-000	EA	Slide Asm - Galley Cabinet Drawer - Right
	084466-03-000	EA	Slide Asm - Galley Cabinet Drawer - Left

1989 ITASCA TABLE OF CONTENTS

ICN28RU
IC/JN31RT
IC/JN36RC

A-01 - D-16
D-17 - H-10
H-09 - K-21

1989 ICN28RU INDEX

Floor Plan	A-01 - A-02
Accessories Group	A-03 - A-05
Bath Group	A-06 - A-08
Chassis Group Group	A-09 - A-17
Curtain, Cushion & Pad Group	A-18 - B-06
Dinette Group	B-07 - B-08
Driver's Compartment Group	B-09 - B-15
Electrical Group	B-16 - B-19
Exterior Body Group	B-20 - C-03
Galley Group	C-04 - C-08
Heating & Air Conditioning Group	C-09 - C-10
Interior Finish Group	C-11 - C-13
LP Group	C-14
Lounge Group	C-15 - C-18
Water & Sewage Group	C-19 - C-21
Window, Vent & Exterior Door Group	C-22 - D-16

HEATING & AIR CONDITIONING GROUP

HEATING & AIR CONDITIONING GROUP (CONTINUED)

FURNACE & ROOF AIR CONDITIONER

AUTOMOTIVE HEATER

**1989 ITA&CA
TABLE OF CONTENTS**

Key	Part Number	U/M	Description
	092300-01-000	EA	Furnace - 24,000 BTU - Below the Floor - Suburban
	092300-01-700	EA	Cabinet
	092300-01-701	EA	Cabinet Front
	092300-01-702	EA	Thermostat
	092300-01-703	EA	Combustion Chamber Asm.
	092300-01-704	EA	Gasket - Electrode
	092300-01-705	EA	Electrode
	092300-01-706	EA	Door - Burner - Access
	092300-01-707	EA	Gasket - Burner Access Door
	092300-01-708	EA	Limit Switch
	092300-01-709	EA	Module Board
	092300-01-710	EA	Relay - Time Delay
	092300-01-711	EA	Vent Cap Asm.
	092300-01-712	EA	Burner Asm.
	092300-01-713	EA	Orifice - Main Burner
	092300-01-714	EA	Gasket - Manifold
	092300-01-715	EA	Manifold Asm.
	092300-01-716	EA	Valve
	092300-01-717	EA	Wire Asm. (Power Supply)
	092300-01-718	EA	Elbow - 90°
	092300-01-719	EA	Valve - Manual Shut-Off
	092300-01-720	EA	Wheel - Room Air
	092300-01-721	EA	Power Housing Asm.
	092300-01-722	EA	Microswitch Asm.
	092300-01-723	EA	Motor Asm.
	092300-01-724	EA	Gasket - Motor Mount
	092300-01-725	EA	Housing - Combustion Air Asm.
	092300-01-726	EA	Wheel - Combustion Air
	092300-01-727	EA	Gasket - Combustion Air Housing
	092300-01-728	EA	Housing - Combustion Air (Outside)
	094500-01-02A	EA	Register - Heat - w/o Damper
	094600-02-02A	EA	Register - Heat - w/Damper
	069198-01-000	FT	Duct - Flexible - 4" ID x 25'
	069200-01-000	EA	Tag - Furnace - 1 1/2"
	093763-01-000	EA	Ceiling Asm. - Air Conditioner - Cool Only (Option 29)
	092441-01-000	EA	Ceiling Asm. - Air Conditioner - 220 Volt (European) (Option 29)
	093763-01-04A	EA	Air Conditioner - 110 Volt - Roof Mount - 13,500 BTU - Off White (Option 29)
	093763-04-700	EA	Shroud - Ivory/Charcoal
	093763-01-701	EA	Overload
	093763-01-702	EA	Overload
	093763-01-703	EA	Impeller - 7" Dia. x 2.80" Wide
	093763-01-704	EA	Fan Capacitor
	093763-01-705	EA	Decal - Heat/Cool Thermostat
	093763-01-706	EA	Heat Element
	093763-01-708	EA	Condenser Coil
	093763-01-709	EA	Compressor
	093763-01-710	EA	Single Parts Package
	093763-01-711	EA	Gasket - Package
	093763-01-712	EA	Fan Blade - Condenser
	093763-01-713	EA	Compressor - "E" Series
	093763-01-714	EA	Compressor - Tecumseh 6759
	093763-01-715	EA	Compressor - Tecumseh 6799
	092440-01-000	EA	Air Conditioner - 220 Volt - Roof Mount - 13,500 BTU (European) (Option 29)

Key	Part Number	U/M	Description
	091500-02-000	EA	Heater & Duct Control Kit
	081072-01-700	EA	Heat/Defrost Door
	088227-01-711	EA	Crank - Heat/Defrost Door
	091902-01-701	EA	Vacuum Motor
	091902-01-702	EA	A/C - Heat Door
	091902-02-700	EA	Rod - A/C - Heat Door
	072341-01-708	EA	Vacuum Motor
	091902-02-711	EA	Transition Asm. - Hi-Temp
	072341-01-701	EA	Control Head
	072341-01-721	EA	Decal - Control Panel
	072341-01-707	EA	Vacuum Switch
	091902-01-710	EA	Harness & Socket Jumper
	091902-01-711	EA	Cable - Bowden
	091902-01-717	EA	Wire Harness
	091902-01-708	EA	Vacuum Harness
	077052-01-701	EA	Relay
	072341-08-700	EA	Reservoir - Vacuum
	091902-01-709	EA	Grille - Return Air
	091902-02-702	EA	Bracket - Plenum Mount
	091902-02-703	EA	Grille
	088227-02-000	EA	Evaporator Asm. - A/C
	091902-02-703	EA	Grille
	088227-01-700	EA	Door Asm.
	088227-01-701	EA	Crank - Mixing Door Rod
	088227-01-702	EA	Heater Core Asm.
	088227-01-703	EA	Evaporator Core Asm.
	088227-01-704	EA	Valve - Expansion Block
	072342-03-708	EA	"O" Ring - #8
	072342-03-709	EA	"O" Ring - #10
	072342-03-707	EA	"O" Ring - #6
	088227-02-700	EA	Drain Tube Asm.
	088227-02-701	EA	Bracket - Bowden Cable Mounting
	072342-03-706	EA	"O" Ring - Special
	072341-01-707	EA	Thermostat
	088227-01-707	EA	Resistor - Fused A/C
	088227-01-708	EA	Motor - Blower
	088227-01-709	EA	Wheel - Required Balancing
	088227-02-702	EA	Door Asm.
	088227-01-711	EA	Crank - Mixing Door
	072341-01-708	EA	Motor - Vacuum
	088227-02-703	EA	#10 Hose - Suction
	088227-02-704	EA	Bracket - Vacuum Motor
	088227-02-705	EA	Hose - Liquid
	072341-04-702	EA	Relay
	091930-02-000	EA	Duct Kit - Defroster w/o Side Outlet
	069636-02-000	EA	Connector - 4" Duct
	007108-01-000	FT	Hose - Heater - 5/8" ID SAE
	007281-01-000	EA	Hose - Flexible - 2.5" ID

REAR AUTO HEATER (OPTION 8111)

Key	Part Number	U/M	Description
	084405-01-000	EA	Heater Asm. - Rear - Ducted
	084405-01-700	EA	Heater Core
	084405-01-701	EA	Fan
	084405-01-702	EA	Motor - 12 Volt Asm.
	009198-01-000	FT	Duct - Flexible - 4" ID x 25'
	007108-01-000	FT	Hose - Heater - 5/8 ID
	007108-02-000	FT	Hose - Heater - .75" ID
	056464-02-000	EA	Register - 4' Plastic w/o Damper
	079059-01-000	FT	Hose - 90° - .61 x 4" x 36"
	079059-02-000	FT	Hose - 90° - .61 x 4" x 6"
	080179-01-000	EA	Bracket - Support - Heater Hose

ICN28RU
IC/JN31RT
IC/JN36RO

A-01 - D-16
D-17 - H-10
H-09 - K-21

1989 ICN28RU INDEX

Floor Plan	A-01 - A-02
Accessories Group	A-03 - A-05
Bath Group	A-06 - A-08
Chassis Group Group	A-09 - A-17
Curtain, Cushion & Pad Group	A-18 - B-08
Dinette Group	B-07 - B-08
Driver's Compartment Group	B-09 - B-15
Electrical Group	B-16 - B-19
Exterior Body Group	B-20 - C-03
Galley Group	C-04 - C-08
Heating & Air Conditioning Group	C-09 - C-10
Interior Finish Group	C-11 - C-13
LP Group	C-14
Lounge Group	C-15 - C-18
Water & Sewage Group	C-19 - C-21
Window, Vent & Exterior Door Group	C-22 - D-16

INTERIOR FINISH GROUP

PANELING & COUNTERTOP

Key	Part Number	U/M	Description
	074497-10-000	SF	Paneling - Regal Oak - 48" x 84" (Cabinets)
	088272-44-000	SF	Paneling - Decor - Charcoal - 48" x 84" (Main Wall)
	088272-35-000	SF	Paneling - Decor - Slate - 48" x 84" (Galley & Bath) (Y35)
	088272-27-000	SF	Paneling - Decor - Colonn - 48" x 84" (Galley & Bath) (Y36)
	088272-28-000	SF	Paneling - Decor - Miami - 48" x 84" (Galley/Bath) (Y37)
	074498-28-000	SF	Plastic Laminata - Tan (Galley/Dinette)
	074499-24-000	SF	Plastic Laminata - Regal Oak (Nightstand)
	076325-16-000	FT	Edge Molding - Regal Oak

INTERIOR MOLD & TRIMS

Key	Part Number	U/M	Description
	069733-10-000	EA	Ball Strip - Regal Oak - 8' (Woodgrain)
	088263-21-000	EA	Ball Strip - Charcoal - 8' (Main Wall)
	088284-13-000	FT	Ball Strip - Charcoal - Tape Adhesive
	088284-03-000	FT	Ball Strip - Regal Oak - Tape Adhesive
	088263-23-000	EA	Ball Strip - Slate (Galley/Bath) (Y35)
	088263-21-000	EA	Ball Strip - Charcoal (Galley/Bath) (Y36, Y37)
	088229-04-000	EA	Batten - 1" - Ceiling Molding - Ivory
	006909-17-000	EA	F-Molding - 1" - Regal Oak
	009113-17-000	EA	F-Molding - 1/2" - Regal Oak
	088920-01-000	FT	T-Molding - w/Edge Lips - Grady Brown
	070504-01-000	FT	U-Channel - 65" - Light Brown
	070504-06-000	FT	U-Channel - 815" - Regal Oak
	009778-07-000	FT	U-Channel - 1" - Regal Oak
	009767-06-000	FT	V-Molding - Beige
	088746-01-000	FT	J-Molding - 75" w/Lips - Grady Brown
	084700-35-000	EA	Cover - Sidewall Roll Bar - Beige (Wall/Ceiling)
	022932-08-000	FT	Molding - Reverse Cover - Champagne White
	042357-11-000	FT	Molding - Outside Corner - Light Oak
	077840-01-W30	FT	Molding - Wall Cap
	080176-02-000	EA	Corner Cap - Radius Plastic - Light Oak
	081521-02-007	EA	Molding - 64 Hole Space
	092041-01-02A	EA	Trim - Rear Cap to Sidewall - Off White

INTERIOR FINISH GROUP (CONTINUED)

CABINETS & TABLE HARDWARE

Key	Part Number	U/M	Description
	058777-02-000	EA	Hinge - Cabinet Door - Brass
	074493-02-000	EA	Overhead Door - Support - Spring
	078780-01-000	EA	Support - Table - Pullout - Bronze
	080728-01-000	EA	Handle - recessed - Brown Plastic
	078921-01-000	EA	Roller - Nylon w/Shell
	088204-01-000	EA	Pull - Cabinet - Polished Brass
	081378-01-000	EA	Back Plate - Door Pull - Polished Brass
	093586-03-000	EA	Catch - Spring Roller
	093586-04-000	EA	Strike - Steel Spring
	074045-06-000	EA	Plug - 1/2" - Oak
	084488-02-000	EA	Slide Asm. - Drawer - Right
	084488-03-000	EA	Slide Asm. - Drawer - Left
	047744-01-000	EA	Kit - Drawer Glide
	084451-01-000	EA	Catch - TV Shelf - Brass
	009059-01-000	EA	Hinge - 2" - Brass - TV Shelf
	058331-10-000	EA	Mirror - Safety Glass - TV Shelf - 14" x 17"
	084781-05-000	EA	Cup Holder - Two Step
	024281-07-000	EA	Bracket - Lower Wall Mount
	053200-05-000	EA	Bracket - Upper Wall Mount
	024275-05-000	EA	Roll - Table Lits
	049493-01-000	EA	Catch - Table Leg - Mounts on Floor
	093550-01-000	EA	Hinge - Bracket - Leg Folding
	024276-17-000	EA	Leg Asm. - Table - Tan
	024282-01-000	EA	Drace - Table Leg
	024283-01-000	EA	Clip - 1" - 1.25"
	088410-01-000	EA	Hanger - Table
	093212-01-01A	EA	Door Bolt - Mortise - Bi-Fold Door
	092652-01-000	EA	Guide Wheel - Top Mount - Bi-Fold Door
	093832-01-01A	EA	Knob - Bright Brass - Bi-Fold Door
	069059-02-000	EA	Hinge - 2" - Brass - Bi-Fold Door
	061004-01-000	EA	Slide Bolt - Antique Brass - Bath Door
	094485-01-01A	EA	Knob - Polished Brass - Bath Door

MISCELLANEOUS

Key	Part Number	U/M	Description
	053552-02-W24	EA	Handle Asm. - Assist - Vinyl
	094658-01-Y12	EA	Handle Asm. - Oak - Front Bunk
	091257-04-000	EA	Handle Asm. - Assist Railing - Dinette
	041944-03-000	EA	Fire Extinguisher - 5BC - w/o Bracket
	094499-01-000	EA	Fire Extinguisher - 10BC - w/Bracket
	094499-02-000	EA	Fire Extinguisher - 1A - 10BC (CSA)
	072852-01-000	EA	Smoke Detector w/9 Volt Battery
	054185-31-000	EA	Owner's Manual - Winnebago/Itasca - 1989
	081202-02-000	EA	Floor Mat - Front - Right - Itasca
	081201-02-000	EA	Floor Mat - Front - Left - Itasca
	081075-02-000	EA	Floor Mat - Front - Entrance - Itasca

**1989 ITASCA
TABLE OF CONTENTS**

ICN28RU
IC/JN31RT
IC/JN36HO

A-01 - D-16
D-17 - H-10
H-09 - K-21

1989 ICN28RU INDEX

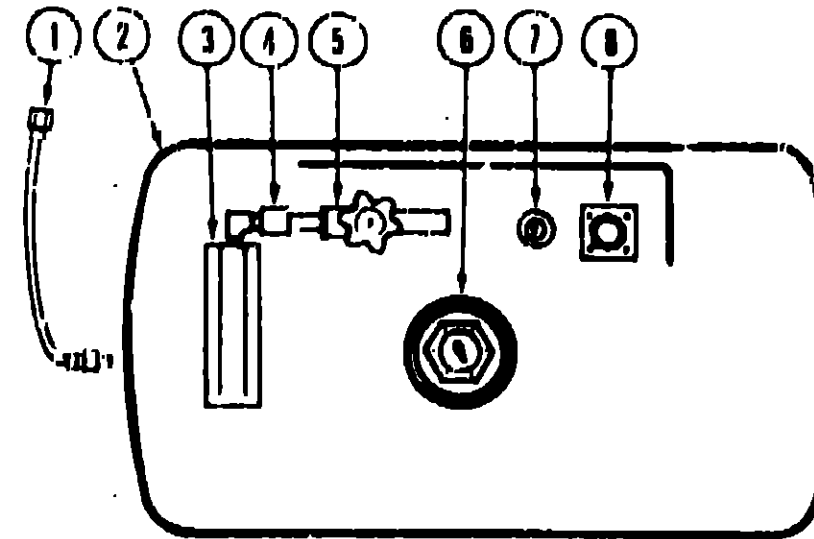
Floor Plan	A-01 - A-02
Accessories Group	A-03 - A-05
Bath Group	A-06 - A-08
Chassis Group Group	A-09 - A-17
Curtain, Cushion & Pad Group	A-18 - B-06
Dinette Group	B-07 - B-08
Driver's Compartment Group	B-09 - B-15
Electrical Group	B-13 - B-19
Exterior Body Group	B-20 - C-03
Galley Group	C-04 - C-08
Heating & Air Conditioning Group	C-09 - C-10
Interior Finish Group	C-11 - C-13
LP Group	C-14
Lounge Group	C-15 - C-18
Water & Sewage Group	C-19 - C-21
Window & Exterior Door Group	C-22 - D-16

INTERIOR FINISH GROUP (CONTINUED)

FABRIC & FLOOR COVERINGS

Key	Part Number	U/M	Description
	088274-03-000	YD	Fabric - Upholstery - Main - Blue (Y35)
	088274-01-000	YD	Fabric - Upholstery - Main - Tiffany (Y36)
	088274-02-000	YD	Fabric - Upholstery - Main - Strikburst (Y37)
	088274-33-000	YD	Fabric - Upholstery - Accent - Blue (Y35)
	088274-59-000	YD	Fabric - Upholstery - Accent - Umber (Y36)
	088274-60-000	YD	Fabric - Upholstery - Accent - Eggshell (Y37)
	088273-25-000	YD	Fabric - Bedspread - Ecru (Y35)
	088273-26-000	YD	Fabric - Bedspread - Peach (Y36)
	088273-27-000	YD	Fabric - Bedspread - Pastel (Y37)
	072333-55-000	YD	Fabric - Drapery Wraparound/Blackout - Silver (Y35)
	072333-59-000	YD	Fabric - Drapery Wraparound/Blackout - Tan (Y36)
	072333-60-000	YD	Fabric - Drapery Wraparound/Blackout - Vistaria (Y37)
	072333-63-000	YD	Fabric - Pull Shade - Entrance Door - Bone
	081926-01-000	YD	Backing - Quilting - Celestra
	082727-01-000	YD	Lining - Drapery - 48" Ivory
	029103-01-000	YD	Buckram - Non-Woven - 2
	075244-02-000	YD	Vinyl - Shower Curtain
	077484-01-000	YD	Vinyl - Expanded - Smoke (TV Pad)
	089351-01-000	YD	Vinyl - Acoustical Ceiling (Roof)
	079580-01-000	YD	Vinyl - Expanded - 26 oz. Buckskin (End Caps)
	079680-09-000	YD	Vinyl - Headliner - Off White
	072860-70-000	SY	Carpet - Glacier Blue (Y35)
	072860-71-000	SY	Carpet - Pirate's Alley (Y36)
	072860-85-000	SY	Carpet - Amethyst (Y37)
	093486-01-001	EA	Carpet - Outside Storage Compartment (1 SY)
	093486-01-000	SY	Carpet - Outside Storage Compartment

LP GROUP



Key	Part Number	U/M	Description
1	045703-01-000	EA	Hose Asm. - LP - 3/8" ID x 24" (US)
1	045703-02-000	EA	Hose Asm. - LP - 3/8" ID x 24" (CSA)
2	091970-01-000	EA	Tank Asm. - LP - Frame Mount - 80 Pound - 20" Dia. x 24"
3	081938-01-000	EA	Cover - LP Regulator
3	078301-02-000	EA	Regulator - Two Stage
4	090976-02-000	EA	Safety Valve - Electric
5	040421-01-703	EA	Valve - Vapor Relief
6	040421-01-707	EA	Gauge - Float - w/Visible Dial - 80 Pound Tank
6	040421-01-706	EA	Dial - Visible Face - Float Gauge (Tank w/o Electric Transmitter)
6	040440-01-000	EA	Dial - Visible Face - Float Gauge (Tank w/Electric Transmitter)
7	040421-01-700	EA	Gauge - Liquid Level - 20% LP
8	040421-01-701	EA	Valve - Filler - LP
8	040421-01-702	EA	Cap - Plastic Fill Valve
8	040421-01-711	EA	Inner Tank Valve - 80% Fill
	065741-01-000	EA	Gauge - Diaphragm Pressure - Test Leak
	097395-01-000	EA	LP Gas Leak Detector
	065318-02-000	EA	Elbow - 90° - 3/8" MPT x 3/8 FP1
	093280-01-000	EA	Bracket - LP

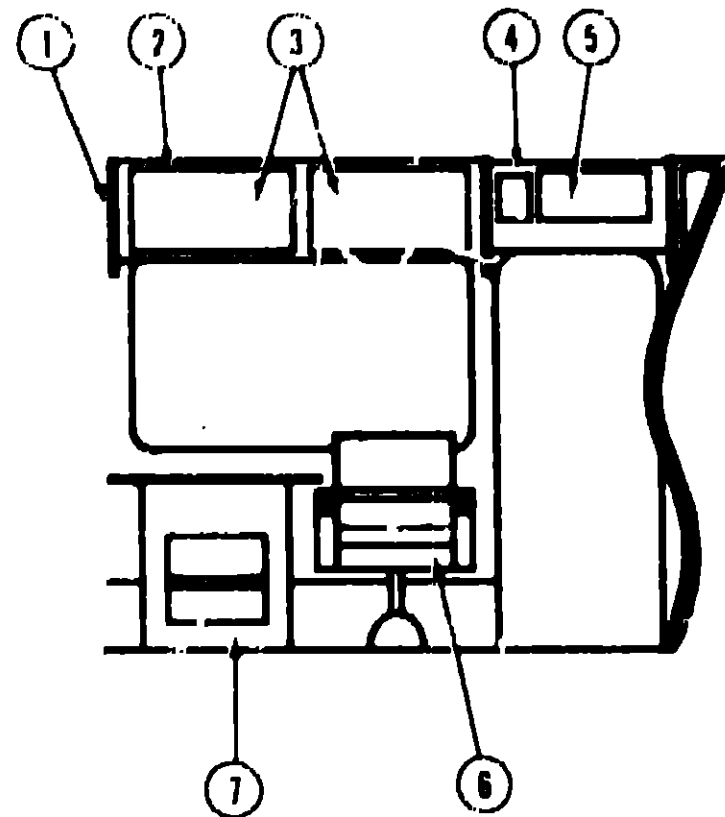
**1989 ITASCA
TABLE OF CONTENTS**

ICN28RU	A-01 - D-16
IC/JN31RT	D-17 - H-10
IC/JN36RQ	H-09 - K-21

1989 ICN28RU INDEX

Floor Plan	A-01 - A-02
Accessories Group	A-03 - A-05
Bath Group	A-06 - A-08
Chassis Group Group	A-09 - A-17
Curtain, Cushion & Pad Group	A-18 - B-06
Dinette Group	B-07 - B-08
Driver's Compartment Group	B-09 - B-15
Electrical Group	B-16 - B-19
Exterior Body Group	B-20 - C-03
Galley Group	C-04 - C-08
Heating & Air Conditioning Group	C-09 - C-10
Interior Finish Group	C-11 - C-13
LP Group	C-14
Lounge Group	C-15 - C-18
Water & Sewage Group	C-19 - C-21
Window, Vent & Exterior Door Group	C-22 - D-16

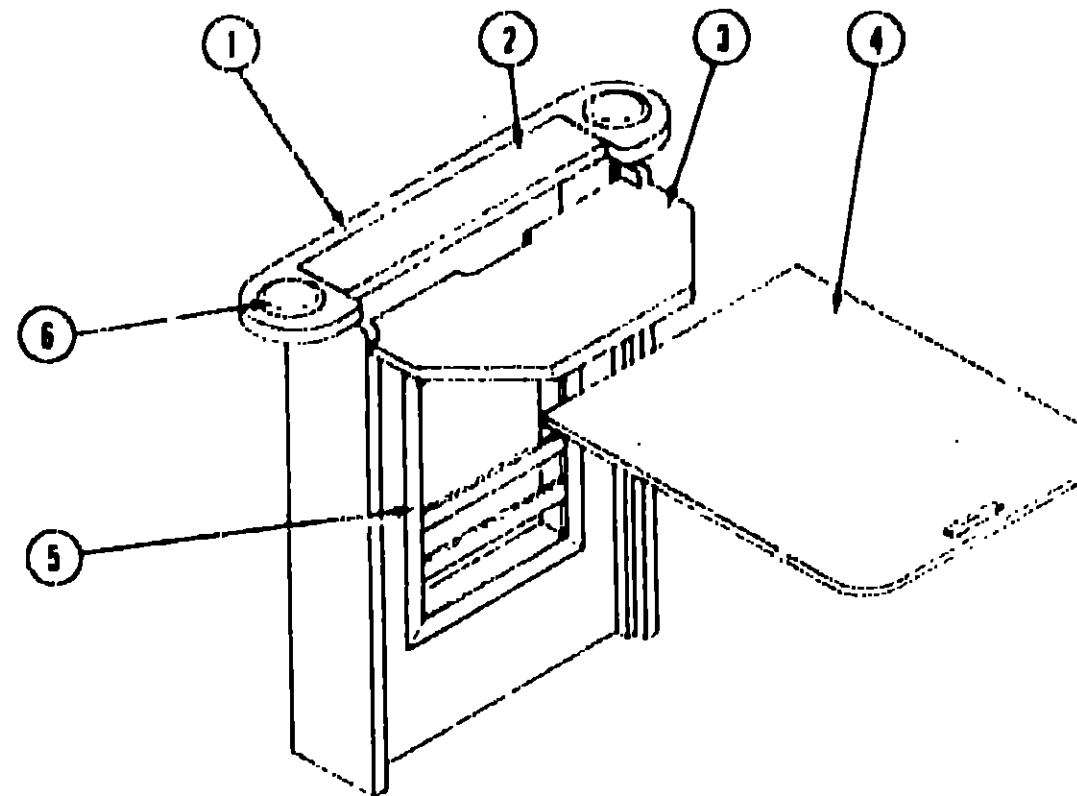
LOUNGE GROUP



FRONT LOUNGE & OVERHEAD CABINET

Key	Part Number	U/M	Description
1	092747-01-Y10	EA	End Cap Asm. - Overhead
**	M92530-01-Y12	EA	Cabinet Asm. - Front Overhead - Passenger Side - w/o Doors or Hardware
.	M92093-03-Y12	EA	Cabinet Asm. - Front Overhead - Driver Side - w/o Doors or Hardware
.	M92093-07-Y12	EA	Cabinet Asm. - Front Overhead - Driver Side - w/o Doors or Hardware
.	M99304-A9-X08	EA	Door Asm. - Driver Front Overhead - 14.3" x 21.8" - w/o Hardware
3	M110304-B4-X08	EA	Door Asm. - 14.3" x 26.7" - w/o Hardware
4	M92430-01-Y10	EA	Cabinet Asm. - Entrance Overhead - w/o Doors or Hardware
5	M88304-99-X08	EA	Door Asm. - 10" x 19" - w/o Hardware
16	085059-02-Y30	EA	Swivel Chair Asm. - Celebrity (Y35)
16	085059-02-Y31	EA	Swivel Chair Asm. - Celebrity (Y36)
16	085059-02-Y32	EA	Swivel Chair Asm. - Celebrity (Y37)
1	089007-03-Y70	EA	Couch Asm. - Teardrop Sofa w/Skirt (Y35)
1	089007-03-Y71	EA	Couch Asm. - Teardrop Sofa w/Skirt (Y36)
1	089007-03-Y72	EA	Couch Asm. - Teardrop Sofa w/Skirt (Y37)
**7	M90095-03-Y12	EA	Pullout Table Asm.
1	See Curtain & Pad Group for the breakdown of this item.		
.	Parts used after 8/29/88.		
**	See the following pages for the breakdown of this item.		

LOUNGE GROUP (CONTINUED)



PULLOUT TABLE ASM.

Key	Part Number	U/M	Description
1	090095-12-X12	EA	Countertop Asm. - Cupholder - w/o Hardware
.	009059-01-000	EA	Hinge - 2" - Brass
2	090095-14-X14	EA	Countertop Asm. - Table Cover - w/o Hardware
3	090095-11-X11	EA	Countertop Asm. - TV Asm. - w/o Hardware
4	079789-01-000	EA	Support - Pullout Table - Beige
.	079921-01-000	EA	Roller - Nylon w/Shaft
.	080728-01-000	EA	Handle - Recessed - Brown Plastic
5	079608-03-W30	EA	Rack Asm. - Magazine
6	064781-05-000	EA	Cupholder - 2 Stage - Beige

**1989 ITASCA
TABLE OF CONTENTS**

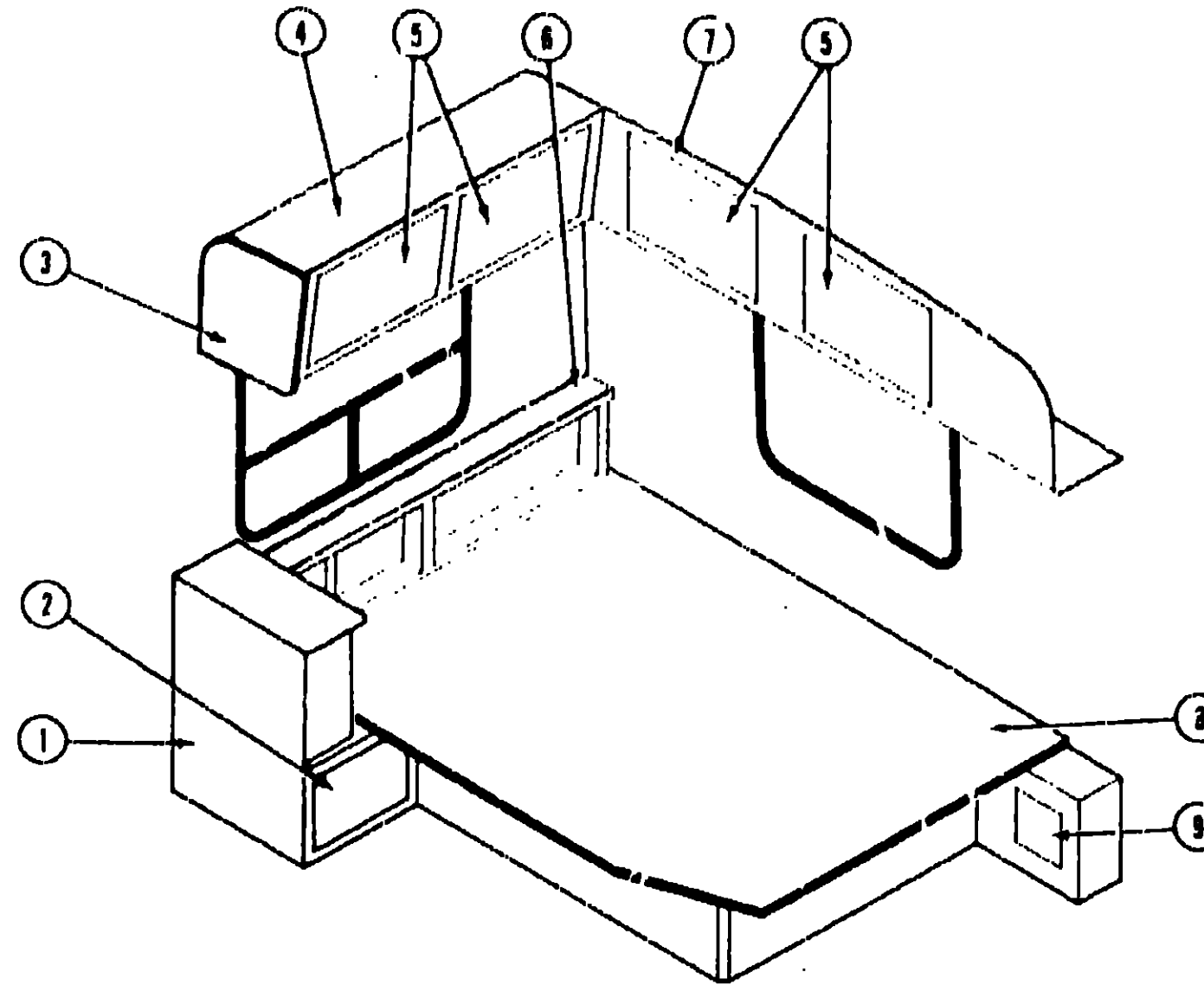
ICN28RU
IC/JN31RT
IC/JN3W10

A-01 - D-16
D-17 - H-10
H-09 - K-21

1989 ICN28RU INDEX

Floor Plan	A-01 - A-02
Accessories Group	A-03 - A-05
Bath Group	A-06 - A-08
Chassis Group Group	A-09 - A-17
Curtain, Cushion & Pad Group	A-18 - B-06
Dinette Group	B-07 - B-08
Driver's Compartment Group	B-09 - B-15
Electrical Group	B-16 - B-19
Exterior Body Group	B-20 - C-03
Galley Group	C-04 - C-08
Heating & Air Conditioning Group	C-09 - C-10
Interior Finish Group	C-11 - C-13
LP Group	C-14
Lounge Group	C-15 - C-18
Water & Sewage Group	C-19 - C-21
Window, Vent. & Exterior Door Group	C-22 - D-16

LOUNGE GROUP (CONTINUED)
DOUBLE BED & OVERHEAD CABINERY



Key	Part Number	U/M	Description
1	092466-01-Y12	EA	Cabinet Asm. - Nightstand w/CounterTop - w/c Doors or Hardware
	092466-11-Y12	EA	Countertop Asm. - Nightstand Cabinet
2	M88304-28-X11	EA	Door Asm. - 16.1" x 11.4" - w/o Hardware
3	092747-01-Y10	EA	End Cap Asm. - Overhead
4	M92531-01-Y12	EA	Cabinet Asm. - Overhead - w/o Doors or Hardware
5	M88704-A9-X08	EA	Door Asm. - 14.3" x 21.8" - w/c Hardware
6	094638-01-Y12	EA	Cabinet Asm. - Headboard - Double Bed
	094638-11-Y12	EA	Countertop Asm. - Headboard Cabinet
7	M92532-01-Y12	EA	Cabinet Asm. - Rear Overhead - w/o Doors or Hardware
	M88304-53-X23	EA	Door Asm. - Rear Overhead - 13.3" x 21.8" - w/o Hardware
8	M92465-01-Y12	EA	Cabinet Asm. - Double Bed
	089076-03-000	EA	"H" Channel Support - Bed - Beige
	057460-02-000	EA	Ball Stud - 10mm - Gas Spring
	057460-03-000	EA	Safety Clip - Wireform Type
	057460-04-000	EA	Gas Spring - Fan 22L
	089024-01-000	EA	Support - Spring - Floor
	089025-01-000	EA	Support - Spring - Bed
9	M88304-17-Y12	EA	Door Asm. - 11.4" x 16.1" - w/o Hardware
	M92531-02-Y12	EA	Cabinet Asm. - Overhead - w/o Doors or Hardware
	084357-01-W13	EA	TV Stand Asm.
	084356-03-000	EA	Insert - TV Stand - Tan
	084412-01-000	EA	Support Hinge
	084451-01-000	EA	Catch - TV Shell - Brass

1989 ITASCA
TABLE OF CONTENTS

ICN28RU
 IC/N31RT
 IC/N36RO

A-01 - D-15
 D-17 - H-16
 H-09 - K-21

1989 ICN28RU INDEX

Floor Plan	A-01 - A-02
Accessories Group	A-03 - A-05
Bath Group	A-06 - A-08
Chassis Group Group	A-09 - A-17
Curtain, Cushion & Pad Group	A-18 - B-06
Dinette Group	B-07 - B-08
Driver's Compartment Group	B-09 - B-15
Electrical Group	B-16 - B-19
Exterior Body Group	B-20 - C-03
Galley Group	C-04 - C-08
Heating & Air Conditioning Group	C-09 - C-10
Interior Finish Group	C-11 - C-13
LP Group	C-14
Lounge Group	C-15 - C-18
Water & Sewage Group	C-19 - C-21
Window, Vent & Exterior Door Group	C-22 - D-16

WATER & SEWAGE GROUP

DRAINAGE SYSTEM

Key	Part Number	U/M	Description
	090592-01-000	EA	Adapter - Plastic - Sewer Hose - 45°
	090330-01-000	EA	Adapter - Sewer Hose End
	033302-02-000	EA	Adapter Arm - SWVC Strainer - 1 1/2"
	010122-01-000	EA	Pushing - Plastic - Red - 1 1/2 S x 1 1/4 T
	010121-01-000	EA	Pushing - Plastic - Red - 1 1/2 S x 1 1/4 H
	011091-02-000	EA	Continuous Waste - Double Sink - 11 7/8" (US)
	010115-01-000	EA	Coupler - Plastic - 1 1/2 H x H
	078416-01-000	EA	Coupler - Rubber - 3" x 3"
	010009-01-000	EA	Elbow - Plastic - 1/4 BD x 1 1/2 x 90°
	010001-01-000	EA	Elbow - Plastic - 1/8 BD x 3" x 45°
	010000-01-000	EA	Elbow - Plastic - 1/8 BD x 1 1/4 x 45° x 11
	033761-01-000	EA	Elbow - Plastic - 1/4 BD x 1 1/2 x 90° XLT
	010051-01-000	EA	Elbow - Plastic - 1/8 BD x 1 1/2 x 45°
	010006-01-000	EA	Elbow - Plastic - 1/8 BD x 1 1/2 x 45° H x H
	010008-01-000	EA	Elbow - Plastic - 1/4 BD x 1 1/2 x 90° - Left
	034250-01-000	EA	Elbow - Plastic - 1/4 BD x 1 1/2 x 90° H x H
	033111-01-000	EA	Elbow - Plastic - 1/4 BD x 1 1/4 x 90°
	033761-01-000	EA	Elbow - Plastic - 1/4 BD x 1 1/2 x 90°
	075240-05-000	EA	Faucet - Lavatory - Brass (US)
	011056-03-000	EA	Faucet - Lavatory - Chrome (CSA)
	075242-03-000	EA	Faucet - Tub & Shower - Brass (US)
	031458-01-000	EA	Faucet - Tub & Shower - Chrome (CSA)
	064952-01-000	EA	Faucet - Swing Spout - 8"
	010147-01-000	EA	Flange - Closet - Red - 4" x 3" (US)
	010147-02-000	EA	Flange - Closet - Red - 4" x 3" (CSA)
	063641-01-000	EA	Flange - Closet - 4" x 3" (US)
	063641-02-000	EA	Flange - Closet - 4" x 3" (CSA)
	011254-01-000	EA	Gasket - Galley Faucet
	011253-01-000	EA	Gasket - Lavatory Faucet
	061607-01-000	EA	Grommet - Holding Tank Coupler - 1 1/2"
	061607-02-000	EA	Grommet - Holding Tank Coupler - 3"
	066435-01-000	EA	Nut - Strainer
	011066-03-000	EA	P-Trap - 1 1/4" - Plastic (US)
	011066-02-000	EA	P-Trap - 1 1/4" - Plastic (CSA) (Lavatory/Shower)
	011066-01-000	EA	P-Trap - 1 1/4" - Plastic w/Union (CSA) (Galley)
	010194-01-000	FT	Pipe - Plastic - 1 1/4" (US)
	010194-02-000	FT	Pipe - Plastic - 1 1/4" (CSA)
	010195-01-000	FT	Pipe - Plastic - 1 1/2" (US)
	010195-02-000	FT	Pipe - Plastic - 1 1/2" (CSA)
	010196-01-000	EA	Plug - Plastic - 1 1/4"
	062422-01-000	EA	Reducer Adapter - 3" x 1 1/2"
	083558-01-000	EA	Roof Vent - Covered - Vent Pipe
	010201-02-000	EA	Sewer Hose - 3" ID x 20'
	011048-02-000	EA	Shower Head w/60" Hose (US)
	011048-05-000	EA	Shower Head w/60" Hose (CSA)
	M03868-01-000	EA	Shower Pan
	098654-01-000	EA	Sink - Double - Stainless Steel
	089366-01-000	EA	Sink - Oval - Plastic - Ivory
	066436-01-000	EA	Slip Nut - 1.5 - Tailpiece
	066440-01-000	EA	Strainer w/Rubber Washer
	066437-01-000	EA	Strainer - Galley Sink
	011069-04-000	EA	Tailpiece - 1 1/2 x 1 1/4 x 4" - Brass
	092272-02-000	EA	Tank - Holding - 50 Gal.
	092271-02-000	EA	Tank - Holding - 30 Gal.
	010079-01-000	EA	Tee - Plastic - 1 1/2 H x 1 1/2 H x 1 1/4 H
	010073-01-000	EA	Tee - Plastic - Red - 1 1/2 H x 1 1/4 H x 1 1/2 H
	010071-01-000	EA	Tee - Plastic - 1 1/2 H x H x H
	067487-01-000	EA	Toilet - Aqua Magic - IV - Low
	070916-01-000	EA	Valve - Dual - 3" x 1.5"
	079968-01-000	EA	Vent - Mechanical Trap Arm
	069735-01-000	EA	Washer - Tailpiece - 1.5 - Plastic
	010073-01-000	EA	Wye - Plastic - 1 1/2 x 45 x H x H

WATER & SEWAGE GROUP (CONTINUED)

WATER LINES & HARDWARE

Key	Part Number	U/M	Description
	078317-01-000	EA	Adapter - Swivel - 5 Tube x 1 FPT
	052954-01-000	EA	Adapter - Hose Conn - 3/8" or 1/2" - Plastic
	052959-02-000	EA	Connector - Plastic - 1/2" F x 1/2" MPT
	052959-03-000	EA	Connector - Plastic - 1/2" F x 3/8" MPT
	035539-01-000	EA	Elbow - Plastic - 3/8" MPT x 3/8" GALV
	052957-04-000	EA	Elbow - Plastic - 5/8" F x 3/4" MPT
	037101-02-000	EA	Elbow - Plastic - 1/4" BD Vent 1 1/2" H
	065120-01-000	EA	Elbow - Plastic - Swivel - 50
	052957-01-000	EA	Elbow - Plastic - 1/2" F x 3/8" MPT
	052957-02-000	EA	Elbow - Plastic - 1/2" F x 1/2" MPT
	070924-01-000	EA	Elbow - Swivel - 1/2" MPT x 1/2" FPT - Plastic - Gray
	057457-01-000	EA	Elbow - Union - 1/2" x 1/2" - Flare
	091246-02-000	EA	Faucet - External Water - 90°
	075240-05-000	EA	Faucet - Lavatory - Brass
	011050-02-000	EA	Faucet - Lavatory - Chrome (CSA)
	091253-01-000	EA	Gasket - Lavatory Faucet
	011053-04-000	EA	Faucet - Swing Spout - Galley 8"
	075242-03-000	EA	Faucet - Tub/Shower - Brass
	031558-01-000	EA	Faucet - Swing Spout - Chrome (CSA)
	077954-02-000	EA	Filter/Screen (In Water Tank)
	000039-05-000	EA	Nut - Hex - 5/16 - 18 ZN
	052952-01-000	EA	Nut - Plastic - 1/2" F
	052952-02-000	EA	Nut - Plastic - 5/8 Flare
	052953-01-000	EA	Nut - Faucet - 1/2" Tube x 1/2" FPT
	049032-01-000	EA	Patch - Spinweld - Plastic - 3/8"
	045729-01-000	EA	Pump - Water - 2.8 GPM - Direct Flow (US)
	045729-02-000	EA	Pump - Water - 2.8 GPM - Direct Flow (CSA)
	045729-01-700	EA	Motor - Black
	045729-01-701	EA	Baseplate Kit
	045729-01-702	EA	Diaphragm Kit
	045729-01-703	EA	Valve Asm. - K'
	045729-01-704	EA	Upper Housing
	045729-01-705	EA	Switch Cap Kit - w/Switch
	045729-01-706	EA	Pumphead
	045729-01-707	EA	Lower - Housing
	011048-02-000	EA	Shower Head - w/60" Hose
	042989-02-000	EA	Spinweld Fitting - Plastic - 1/2" FPT (In Tank Filter)
	042989-05-000	EA	Spinweld Fitting - Plastic - 1/2" FPT
	042989-06-000	EA	Spinweld Fitting - Plastic - 3/4" FPT
	093217-01-000	EA	Tee - Plastic - Swivel - 1/2"
	052955-01-000	EA	Tee - Plastic - 1/2" F x 1/2" F x 1/2" MPT
	052958-01-000	EA	Tee - Plastic - 1/2" F x 1/2" F x 1/2" F
	052956-01-000	EA	Tee - Plastic - 1/2" F x 1/2" MPT x 1/2" F
	039800-01-000	FT	Tubing - Polybutyl - 1/2" OD x 20' (Water Line)
	039800-02-000	FT	Tubing - Polybutyl - 1/2" OD x 20'
	074462-02-000	FT	Tubing - Vinyl - 3/8" ID
	052960-01-000	EA	Valve - Line Drain - 1/2" F x 1/2" F
	096941-01-000	EA	Vacuum Breaker - 3/4" FPT x 3/4" MPT (External Faucet)
	092658-01-000	EA	Water Tank - 45 Gal.
	092658-02-000	EA	Water Tank - 45 Gal. w/Fittings
**	051391-03-000	EA	Water Heater - w/o Motoraid - Electric Tune - Atwood - G6A-3E
**	051393-01-000	EA	Water Heater - w/Motoraid - Direct Ignition - Atwood - GH6-3E
**	The illustrated parts breakdown for this item is provided on the Common Items Fiche.		

**1989 ITASCA
TABLE OF CONTENTS**

ICN28RU	A-01 - D-16
IC/JN31RT	D-17 - H-10
IC/JN3MRQ	H-09 - K-21

1989 ICN28RU' INDEX

Floor Plan	A-01 - A-02
Accessories Group	A-03 - A-05
Bath Group	A-06 - A-08
Chassis Group Group	A-09 - A-17
Curtain, Cushion & Pad Group	A-18 - B-06
Dinette Group	B-07 - B-08
Driver's Compartment Group	B-09 - B-15
Electrical Group	B-16 - B-19
Exterior Body Group	B-20 - C-03
Galley Group	C-04 - C-08
Heating & Air Conditioning Group	C-09 - C-10
Interior Finish Group	C-11 - C-13
LP Group	C-14
Lounge Group	C-15 - C-18
Water & Sewage Group	C-19 - C-21
Window, Vent & Exterior Door Group	C-22 - D-16

WATER & SEWAGE GROUP (CONTINUED)

WINDOW, VENT & EXTERIOR DOOR GROUP

WATER PURIFICATION SYSTEM (OPTION 298)

Key	Part Number	U/M	Description
	067200-02-000	EA	Cartridge - Water Filter - AC
	052659-02-000	EA	Connector - Plastic - 1/2 F x 1/2 MPT
	052957-01-000	EA	Elbow - Plastic - 1/2 F x 3/8 MPT
	065120-01-000	EA	Elbow - Plastic Swivel - .50"
	087200-01-000	EA	Filter - Water Purification
	052952-01-000	EA	Nut - Plastic - 1/2 F
	039200-01-000	FT	Tubing - Polybutyl - 1/2" OD x .20"

WATER CENTER

Key	Part Number	U/M	Description
	093207-01-01A	EA	Bracket - Water Center - Off White
	036522-02-000	EA	Cap - Brass - 1/2 Flare
	052959-02-000	EA	Connector - Plastic - 1/2 F x 1/2 MPT
	052967-02-000	EA	Elbow - Plastic - 1/2 F x 1/2 MPT
	065120-01-000	EA	Elbow - Plastic - Swivel .50"
	091246-02-000	EA	Faucet - External Water - 90°
	087859-04-000	EA	Fill - City Water - Off White
	071015-08-000	EA	Grommet - 1.75" ID
	093193-01-000	EA	Header - 1/2 F x 1/2 F x 1/2 F x 1/2 MPT
	052952-01-000	EA	Nut - Plastic - 1/2 F
	052956-01-000	EA	Tee - Plastic - 1/2 F x 1/2 MPT x 1/2 F
	039800-01-000	FT	Tubing - Polybutyl - 1/2" OD x 20'
	096941-01-000	EA	Vacuum Breaker - 3/4 FPT x 3/4 MPT
	048126-01-000	EA	Valve - Drain - Plastic - 1/2 FPT

ACCESS DOORS & HARDWARE

Key	Part Number	U/M	Description
	078010-03-000	EA	Door Asm. - Fuel Fill
	077983-01-000	EA	Gasket - Fuel Fill
	072447-04-000	EA	Shroud - Fuel Fill
	052009-01-000	EA	Door Asm. - Water Heater
	092631-05-Y35	EA	Door Asm. - Generator
	085730-14-000	EA	Latch Asm. - Paddle - w/o Key - Plastic
	092357-05-02A	EA	Hinge - Door - 39.8"
	092611-01-01A	EA	Pocket - Latch Asm. - Off White
	092482-08-Y33	EA	Door Asm. - Storage Compartment
	085730-11-000	EA	Latch Asm. - Paddle - w/Key - Plastic
	092357-07-02A	EA	Hinge - Door - 43.6"
	096670-01-01A	EA	Pocket - Winnebago Latch - Off White
	084103-03-000	EA	Door Asm. - Refrigerator Access
	086755-02-000	EA	Latch - 1/4 Turn
	093633-01-000	EA	Handle - 1/4 Turn Latch
	084104-01-000	EA	Jamb - Vent Door - Refrigerator
	093304-03-Y35	EA	Door Asm. - Battery - Passenger
	093304-02-Y35	EA	Door Asm. - Battery - Driver
	079368-04-000	EA	Lock Asm. - Key Type - w/o Keys
	090665-01-000	EA	Hinge - Door - Plain
	093759-01-Y33	EA	Door Asm. - Furnace
	085730-11-000	EA	Latch Asm. - Paddle - Plastic
	092357-02-02A	EA	Hinge - Furnace Door - 15.4"
	093670-01-01A	EA	Pocket - Latch Asm. - Off White
	092482-04-Y33	EA	Door Asm. - Storage Compartment
	085730-11-000	EA	Latch Asm. - Paddle - w/Key - Plastic
	092357-03-02A	EA	Hinge - Door - 29.29"
	093670-01-01A	EA	Pocket - Latch Asm. - Off White
	092482-05-Y35	EA	Door Asm. - Storage Compartment
	085130-14-000	EA	Latch Asm. - Paddle - w/o Key - Plastic
	092357-03-02A	EA	Hinge - Door - 29.29"
	093670-01-01A	EA	Pocket - Latch Asm. - Off White
	092631-03-Y33	EA	Door Asm. - Storage Compartment
	079927-03-000	EA	Lock Asm. - Twist Type - Double Cam
	092357-08-02A	EA	Hinge - Door - 39.8"
	093061-01-02A	EA	Striker - Access Doors - Black
	077408-02-000	EA	Lock Asm. - Key Type (Rear Cap)
	079368-01-000	FT	Seal - Access Doors
	076767-02-000	EA	Cable Asm. - 1/18" - SST

VENTS & SKYLIGHTS

Key	Part Number	U/M	Description
	090392-01-Y12	EA	Vent - Non-Powered - Roof (w/o Screen Asm.)
	076766-01-Y12	EA	Screen Asm. - Non-Powered - Roof Vent
	084079-08-000	EA	Ventilator - Roof - Powered (Fantastic)
	090393-01-Y12	EA	Vent Asm. - Roof - Powered (US) (w/o Screen Asm.)
	078785-01-Y12	EA	Screen Asm. - Powered - Roof Vent
	084489-03-000	EA	Vent Asm. - Roof-Powered (CSA)
	084073-03-000	EA	Vent - Roof - Refrigerator
	084073-04-000	EA	Base - Refrigerator Roof Vent
	082688-01-01A	EA	Vent w/Door - Range Hood - Off White
	081171-01-000	EA	Trim - Skylight - Outer
	080910-01-000	EA	Panel - Skylight - Outer
	077902-01-000	EA	Panel - Skylight - Inner

**1989 ITASCA
TABLE OF CONTENTS**

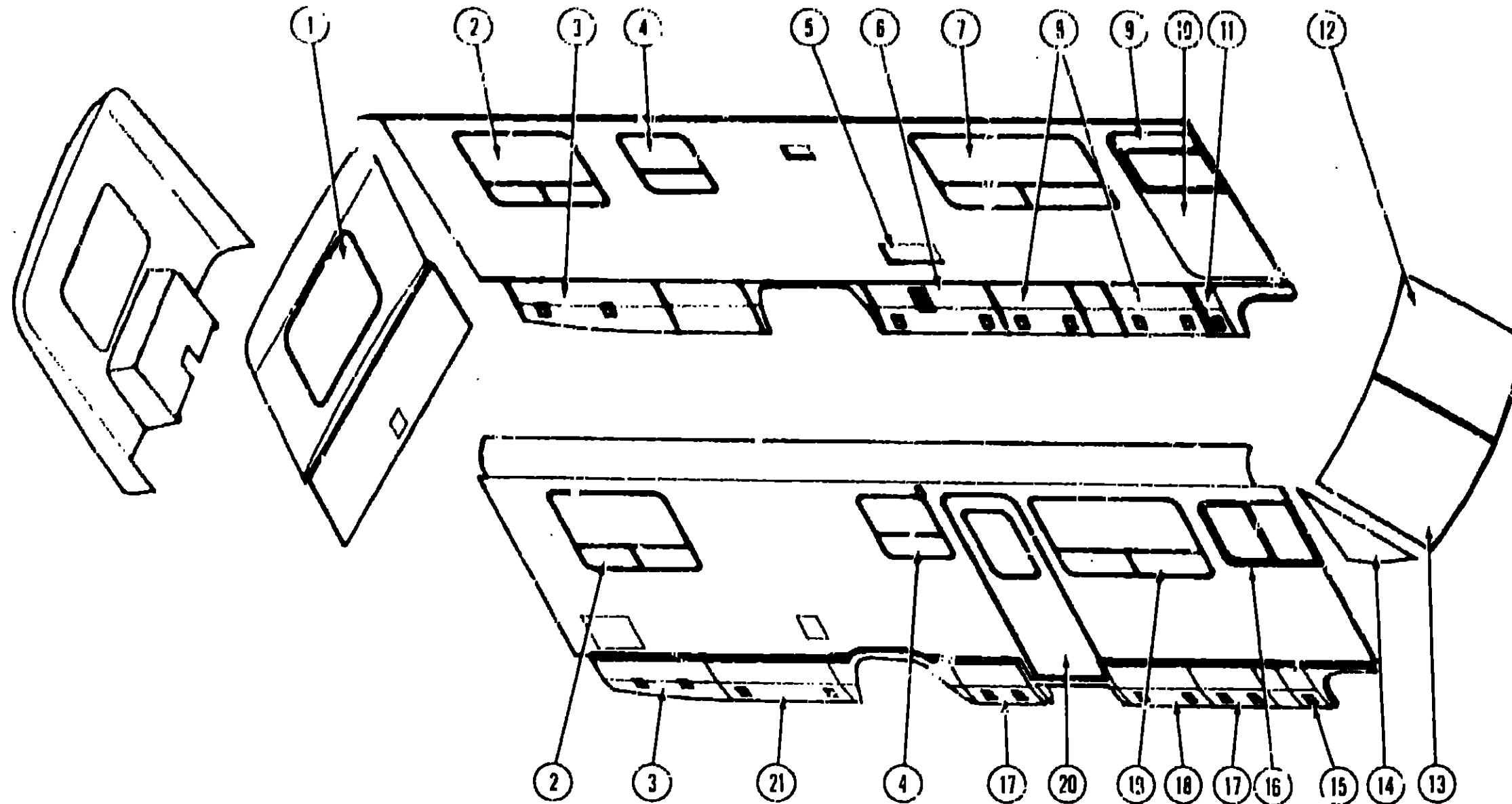
ICN28RU	A-11 - D-16
IC/JN31FT	D-17 - H-10
IC/JN36RC	H-09 - K-21

1989 ICN28RU INDEX

Floor Plan	A-01 - A-02
Accessories Group	A-03 - A-75
Bath Group	A-06 - A-08
Chassis Group	A-09 - A-17
Curtain, Cushion & Pad Group	A-18 - B-06
Dinette Group	B-07 - B-08
Driver's Compartment Group	B-09 - B-15
Electrical Group	B-16 - B-19
Exterior Body Group	B-20 - C-03
Galley Group	C-04 - C-08
Heating & Air Conditioning Group	C-09 - C-10
Interior Finish Group	C-11 - C-13
LP Group	C-14
Lounge Group	C-15 - C-18
Water & Sewage Group	C-19 - C-21
Window, Vent & Exterior Door Group	C-22 - D-16

WINDOW, VENT & EXTERIOR DOOR GROUP (CONTINUED)

WINDOWS & ACCESS DOORS



1989 ITASCA TABLE OF CONTENTS

ICN28RU
IC2JH31TT
ICJH3MRO

A-01 - D-16
D-17 - H-10
H-09 - K-21

1989 ICN28RU INDEX

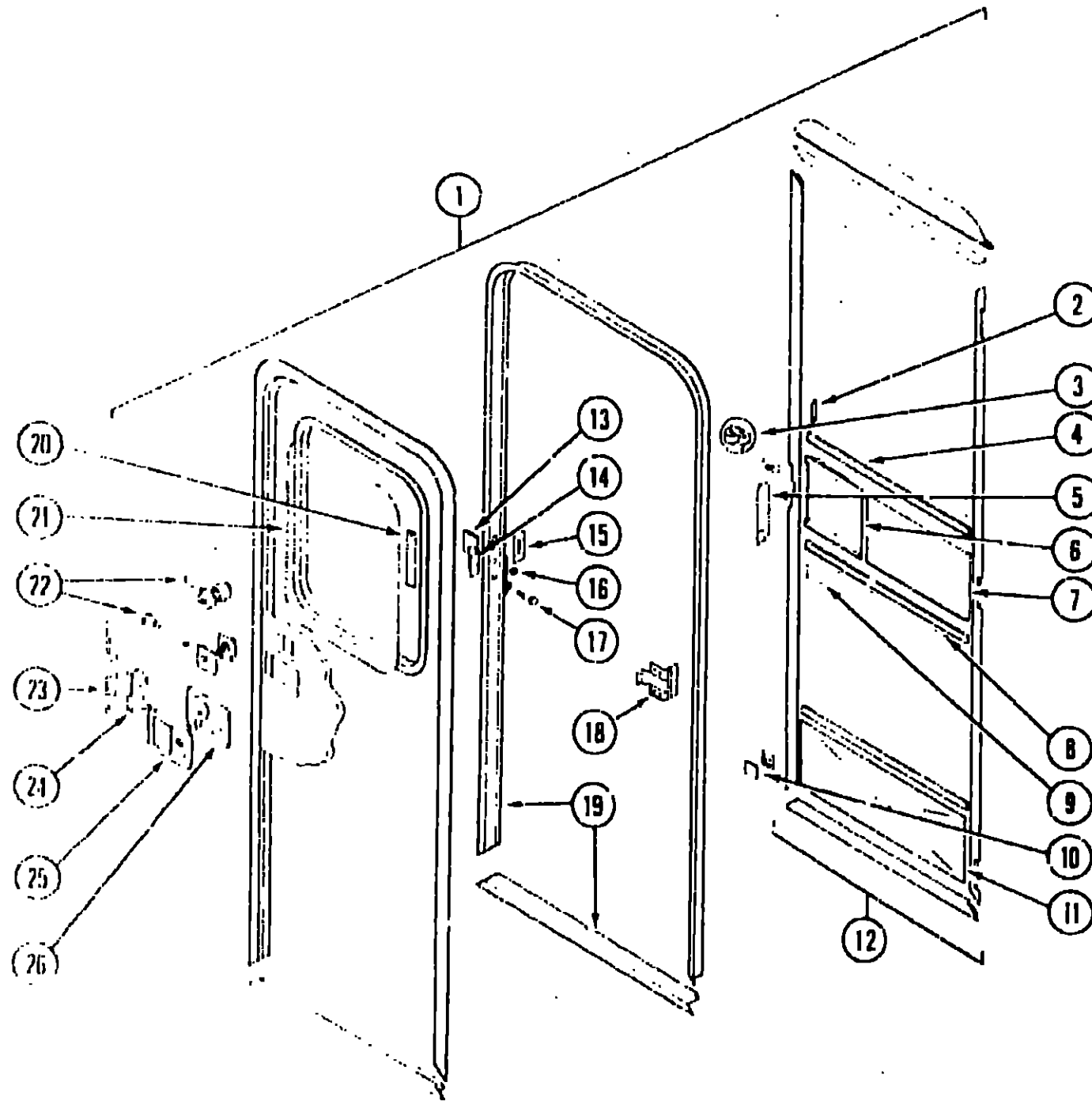
Floor Plan	A-01 - A-02
Accessories Group	A-03 - A-05
Bath Group	A-06 - A-08
Chassis Group Group	A-09 - A-17
Curtain, Cushion & Pad Group	A-18 - B-06
Dinette Group	B-07 - B-08
Driver's Compartment Group	B-09 - B-15
Electrical Group	B-16 - B-19
Exterior Body Group	B-20 - C-03
Galley Group	C-04 - C-08
Heating & Air Conditioning Group	C-09 - C-10
Interior Finish Group	C-11 - C-13
LP Group	C-14
Lounge Group	C-15 - C-18
Water & Sewage Group	C-19 - C-21
Window, Vent & Exterior Door Group	C-22 - D-16

Key	Part Number	U/M	Description
1	087985-04-Y12	EA	Window Asm. - Escape
2	085354-07-X11	EA	Window Asm. - Double Tipout
3	092631-03-Y33	EA	Door Asm. - Storage Compartment
4	085353-07-W07	EA	Window Asm. - Single
5	084103-03-000	EA	Door Asm. - Refrigerator Access
6	093759-01-Y33	EA	Door Asm. - Furnace
7	085354-05-X11	EA	Window Asm. - Double Tipout
7	078269-04-X11	EA	Window Asm. - Double Slider
8	092482-04-Y33	EA	Door Asm. - Storage Compartment (Option 1671)
9	092997-01-000	EA	Glass - Stationary
10	M93054-02-Y33	EA	Door Asm. - Driver - w/Manual Crank Window
10	M93054-07-Y35	EA	Door Asm. - Driver - w/Power Window
	092446-01-000	EA	Glass - Roll-Up Window
11	093304-02-Y35	EA	Door Asm. - Battery
12	091215-02-000	EA	Glass - Windshield - Driver

13	091215-01-000	EA	Glass - Windshield - Passenger
14	091953-03-000	EA	Glass - Vent Window - Passenger
	091953-04-000	EA	Glass - Vent Window - Driver
15	093304-03-Y35	EA	Door Asm. - Battery
16	093703-01-Y10	EA	Window Asm. - Single Slider
17	092482-06-Y33	EA	Door Asm. - Storage Compartment
18	092482-05-Y35	EA	Door Asm. - Storage Compartment
19	078269-04-X11	EA	Window Asm. - Double Slider
19	085354-05-X11	EA	Window Asm. - Double Tipout (Option 1671)
20	M01870-21-Y33	EA	Door Asm. - Entrance Door
	079733-04-T03	EA	Window Asm. - Picture - 17" x 25"
21	092631-05-Y35	EA	Door Asm. - Generator/Luggage
	092983-01-Y33	EA	Door Asm. - Panel - Rear
	052009-01-000	EA	Door Asm. - Water Heater - Off White

WINDOW, VENT & EXTERIOR DOOR GROUP (CONTINUED)

ENTRANCE DOOR



Key	Part Number	U/M	Description
1	M01070-21-Y33	EA	Door Asm - Entrance w/Screen Door
	095276-01-01A	EA	Frame Asm - Entrance Door - Off White
	089748-01-000	EA	Frame - Entrance Door - Bottom Portion
2	050712-05-000	EA	Door Handle - Screen Door
3	009018-01-000	EA	Roller Catch - Screen Door
	050925-02-000	EA	Clip - Roller Latch Catch
	009016-01-000	EA	Catch - Elbow - Spring Loaded - Screen Door
4	070592-02-000	EA	Screen Door Mullion - Upper & Lower - Slider
	078777-01-000	EA	Slider Channel (Mullion Insert)
5	079087-02-000	EA	Strike - Slider - Screen Door
6	079080-02-000	EA	Slider - Screen Door
7	016454-01-000	EA	Insert - Screen Door
8	002294-01-000	FT	Spline - Black
9	002293-02-000	SF	Screen - Window - 26" Charcoal
10	085774-01-000	FT	Fastener - Dual Lock - 1" Wide
10	085774-02-000	FT	Fastener - Dual Lock - 1" Wide
11	078552-03-000	EA	Insert - Screen Door - Lower
12	079012-01-U01	EA	Screen Door Asm.
	078595-01-000	EA	Plate - Screen Door
13	077461-03-000	EA	Strike Cover
14	041546-03-000	EA	Angle Bracket
15	079173-01-000	EA	Deadbolt - Gasket
16	058806-01-000	EA	Plug - Tapered Plastic
17	039539-01-000	EA	Strike
18	079361-08-000	EA	Hinge
19	095277-02-01A	EA	Door Jamb - Entrance Door
20	087561-01-000	FT	Window Seal
21	002181-06-000	EA	Glass - Picture Window
	079733-04-T03	EA	Window Asm. - Picture - 17" x 25" (w/o inside frame)
	069609-03-000	EA	Inside Frame - Beige (not included in assembly)
22	039738-01-000	EA	Dead Bolt Asm. - Round
22	095229-01-01A	EA	Dead Bolt Asm. - Square - Black
23	098173-01-03A	EA	Stiffener - Entrance Door
24	039540-01-000	EA	Latch Asm. - Entrance Door
25	045017-10-000	EA	Latch Asm. - Plate - Black
26	039979-03-000	EA	Cover Asm. - Latch Plate - Black
	039984-01-000	EA	Cap - Black Vinyl - Lock Grip
	075673-01-000	FT	Seal - Pile - Adhesive Back
	075671-01-000	FT	Seal - Sponge - Lazy T Shaped
	002748-01-000	EA	Cover - Key
	081067-01-000	EA	Seal - Lock - Flat w/Slit
	044502-02-000	EA	Drip Cap - Top Entrance Door Jamb - Off White

1989 ITASCA TABLE OF CONTENTS

ICN28RU
IC/JN31RT
IC/JN36RO

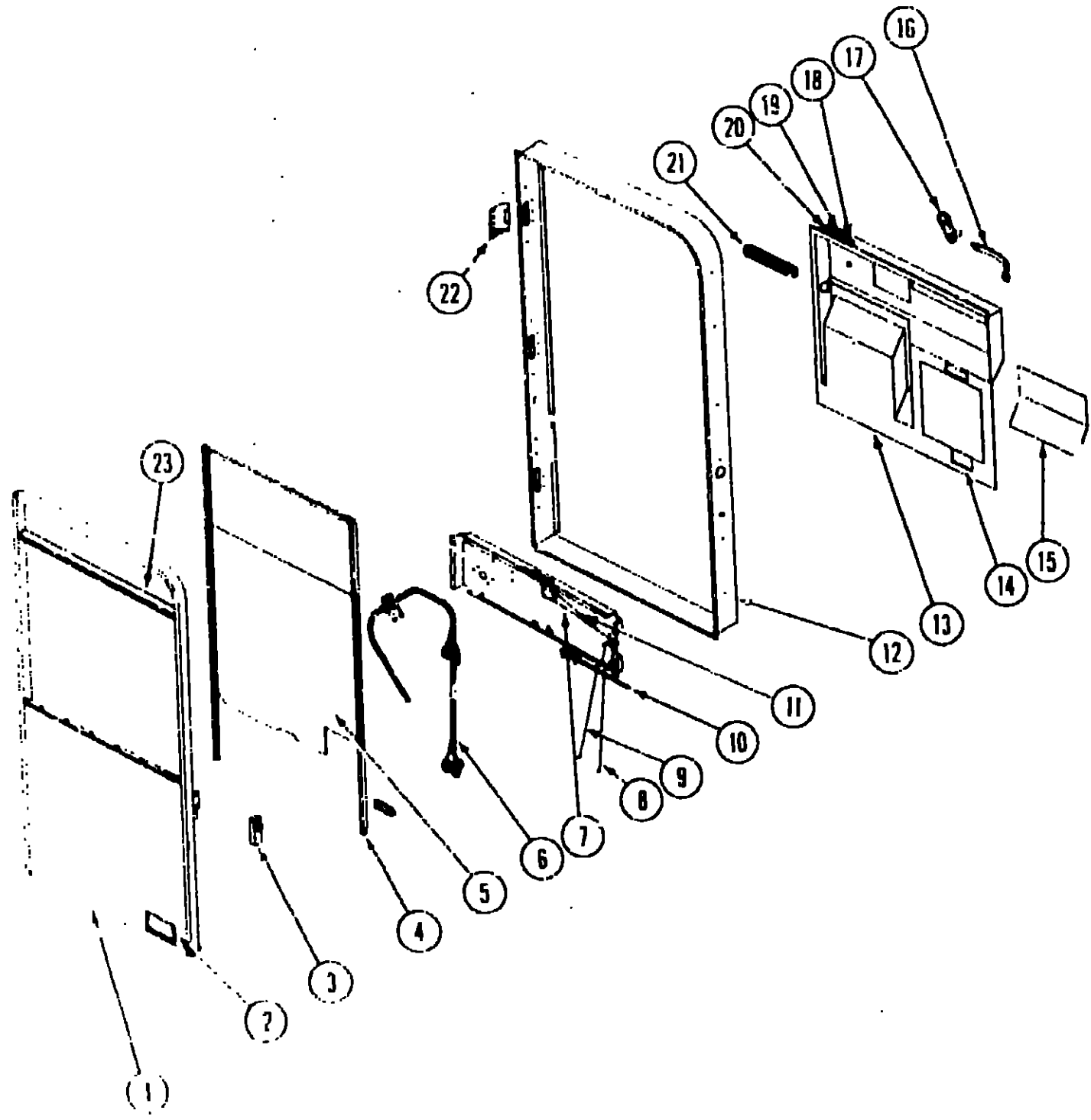
A-01 - D-16
D-17 - H-10
H-09 - K-21

1989 ICN28RU INDEX

Floor Plan	A-01 - A-02
Accessories Group	A-03 - A-05
Bath Group	A-06 - A-08
Chassis Group Group	A-09 - A-17
Curtain, Cushion & Pad Group	A-18 - B-07
Dinette Group	B-07 - B-08
Driver's Compartment Group	B-09 - B-15
Electrical Group	B-16 - B-19
Exterior Body Group	B-20 - C-03
Galley Group	C-04 - C-08
Heating & Air Conditioning Group	C-09 - C-10
Interior Finish Group	C-11 - C-13
LP Group	C-14
Lounge Group	C-15 - C-18
Water & Sewage Group	C-19 - C-21
Window, Vent & Exterior Door Group	C-22 - D-16

WINDOW, VENT & EXTERIOR DOOR GROUP (CONTINUED)

DRIVER'S DOOR & HARDWARE



Key	Part Number	U/M	Description
1	M93054-02-Y33	EA	Door Asm. - Driver Door - w/Crank Window
1	M93054-07-Y35	EA	Door Asm. - Driver Door - w/Power Window
2	092927-01-000	EA	Latch Asm. - Outside Door Handle
	092927-01-700	EA	Lock Lever - Black
	092927-01-701	EA	Lock Lever - Chrome
3	092927-04-000	EA	Latch Striker - Driver Door
4	089454-02-000	EA	Channel - Glass Run - Top
5	092416-01-000	EA	Glass - Roll-Up - Door
	081912-02-000	EA	Weatherstrip - Rigid
6	093634-01-000	EA	Regulator Asm. - Window (w/Crank Window)
6	092996-01-000	EA	Regulator Asm. - Power Window
7	092928-04-000	EA	Rod - Inside Lock
	092927-05-000	EA	Clip - Rod End - Right
8	092928-01-000	EA	Rod - Door Lock
	092927-05-000	EA	Clip - Rod End - Right
9	092928-02-000	EA	Rod - Outside Release
	092927-06-000	EA	Clip - Rod End - Left
10	081906-02-000	EA	Slide Bolt - Driver Door
	096809-01-000	EA	Bracket - Dead Bolt
	081903-01-000	EA	Knob - Mounting Shaft
11	092928-03-000	EA	Rod - Inside Release
	092927-05-000	EA	Clip - Rod End - Right
12	092800-01-Y33	EA	Jamb Asm. - Door
13	M92581-01-02A	EA	Panel - Interior - Gray
	081905-02-000	EA	Knob Control - Slide Bolt - Left
14	077026-01-000	EA	Lens - Courtesy Light - Clear
	077000-01-000	EA	Socket Asm. - w/8" Pigtail Heads
15	092580-01-02A	EA	Cover - Map Pocket - Gray
16	061400-04-000	EA	Assist Strap - 12" - Black w/Woodgrain Insert
17	094575-01-000	EA	Hand Crank - Glass Lift
18	093132-01-000	EA	Switch - Power Window
19	088246-01-000	EA	Switch - Remote Mirror
20	087695-01-000	EA	Switch - Mirror Heater
21	093144-01-000	EA	Conduit - Wire
	080734-02-000	EA	Clip - Nylon Wire
22	092937-01-02A	EA	Hinge Asm. - Front Door - Off White
23	092997-01-000	EA	Glass - Stationary
	064580-03-000	EA	Strap - Check - Door
	081243-02-000	EA	Clip - Screen - Plastic - Black

1989 ITASCA TABLE OF CONTENTS

ICN28RU
IC/JN31RT
IC/JN38RQ

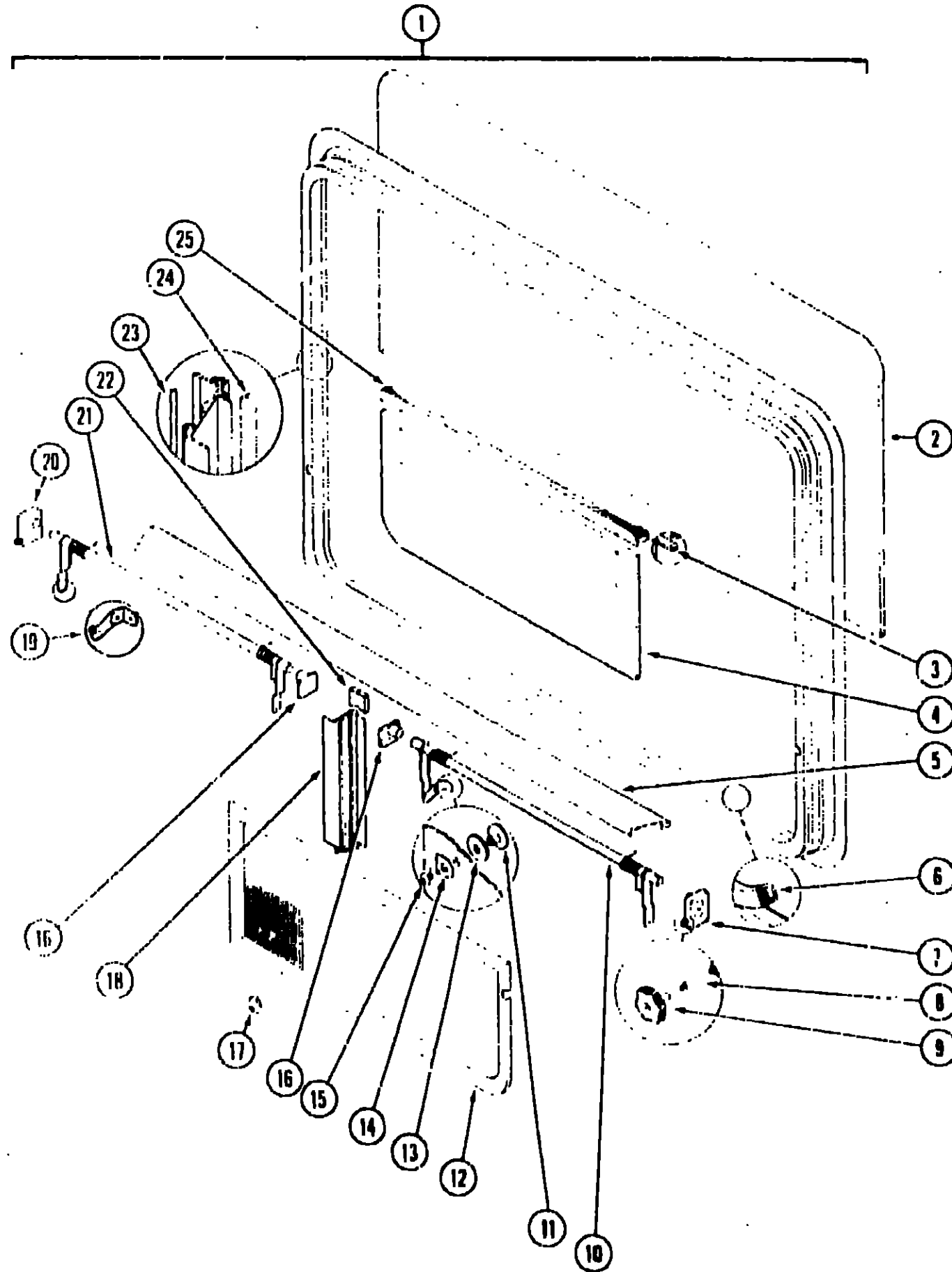
A-01 - D-16
D-17 - H-10
H-09 - K-21

1989 ICN28RU INDEX

Floor Plan	A-01 - A-02
Accessories Group	A-03 - A-05
Bath Group	A-06 - A-08
Channels Group Group	A-09 - A-17
Curtain, Cushion & Pad Group	A-18 - B-06
Dinette Group	B-07 - B-08
Driver's Compartment Group	B-09 - B-15
Electrical Group	B-16 - B-19
Exterior Body Group	B-20 - C-03
Galley Group	C-04 - C-08
Heating & Air Conditioning Group	C-09 - C-10
Interior Finish Group	C-11 - C-13
Lift Group	C-14
Lounge Group	C-15 - C-18
Water & Sewage Group	C-19 - C-21
Window, Vent & Exterior Door Group	C-22 - D-16

WINDOW, VENT & EXTERIOR DOOR GROUP (CONTINUED)

DOUBLE TIPOUT WINDOW



Key	Part Number	U/M	Description
1	085354-07-X11	EA	Window Asm. - Double Tipout - 30.8" x 42.3" (w/o inside frame)
	084153-12-000	EA	Inside Frame - Black (not included in assembly)
2	081239-23-000	EA	Glass - 1/2" x 40.7" x 20.5" - Stationary
3	081357-01-000	FT	Foam Seal - Vinyl
4	084068-13-000	EA	Glass - 1/8" x 9.2" x 20.1" - Tipout
5	082563-52-001	EA	Mullion - Horizontal - Black
	000G39-06-16T	EA	Screw - SF/DR - 6 - 20 x 1.00 PPH (Mullion - 4 Required)
	076778-03-000	CA	Rivet - Plastic - Pin Drive - Black (2 Required)
6	084067-01-000	FT	Seal - "y" - Sponge Rubber
7	035302-01-000	EA	Operator Drive - Right
8	090025-01-000	EA	Extension - Window Knob (not included in assembly)
9	067052-02-000	EA	Knob - Beige (not included in assembly)
	089371-01-000	EA	Screw - Window Knob (not included in assembly)
10	083228-03-000	EA	Torque Tube Asm. - Right
11	086762-01-000	EA	T-Nut - 10-32
12	084581-01-WJ7	EA	Screen Asm. - Tipout - Right
	084581-02-W07	EA	Screen Asm. - Tipout - Left
	002293-02-000	SF	Screen - 26" - Window
	002298-02-000	FT	Spline - .130" Dia. - Charcoal (Screen)
13	068927-03-000	EA	Seal - Rubber - .12" x 25" ID x .80" OD
14	084473-01-000	EA	Seal - Rubber - "D" Shaped
15	086783-01-000	EA	Screw - #10 - 32 x 1/4" PTH
16	081354-01-000	CA	Sleeve - Window Torque Tube
17	081243-01-000	EA	Clip - Plastic - Screen (4 Required)
	000G12-06-08T	EA	Screw - #6 - 20 x .50" POH - Black
18	084192-52-001	EA	Mullion - Vertical - Black
	000G37-08-C8B	EA	Screw - #8 x 1.8 x 1/2 PPH (Mullion - 4 Required)
19	097578-01-000	EA	Connecting Rod Asm.
	085316-01-000	EA	Washer - Wave - .34 OD 32 ID
	081649-01-000	EA	Snap Ring - 7/32 Shaft
20	035302-02-000	EA	Operator Drive - Left
21	083227-05-000	EA	Torque Tube Asm. - Left
22	084066-01-000	FT	Bulb Seal - Double - Sponge Rubber
23	069640-09-000	FT	Seal - 5/16" x 15" (not included in assembly)
24	083130-01-000	FT	Seal - Vinyl Glazing
25	084155-10-000	EA	Hinge - Tipout Window - Black

1989 ITASCA TABLE OF CONTENTS

ICN28RU
IC/JN31RT
IC/JN36RO

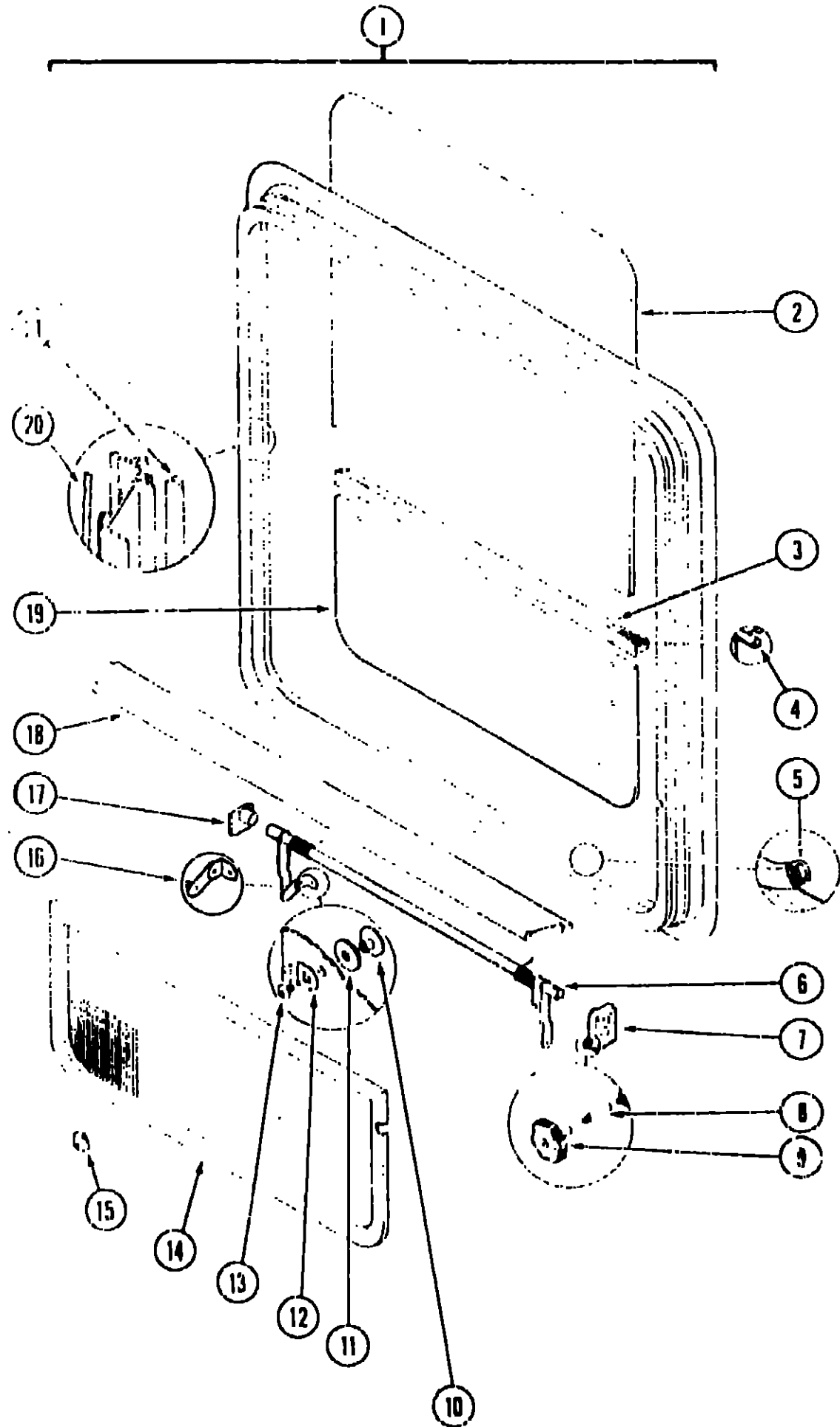
A-01 - D-16
D-17 - H-10
H-09 - K-21

1989 ICN28RU INDEX

Floor Plan	A-01 - A-02
Accessories Group	A-03 - A-05
Bath Group	A-06 - A-08
Chassis Group Group	A-09 - A-17
Curtain, Cushion & Pad Group	A-18 - B-06
Dinette Group	B-07 - B-08
Driver's Compartment Group	B-09 - B-15
Electrical Group	B-16 - B-19
Exterior Body Group	B-20 - C-03
Galley Group	C-04 - C-08
Heating & Air Conditioning Group	C-09 - C-10
Interior Finish Group	C-11 - C-13
LP Group	C-14
Lounge Group	C-15 - C-18
Water & Sewage Group	C-19 - C-21
Window, Vent & Exterior Door Group	C-22 - D-16

WINDOW, VENT & EXTERIOR DOOR GROUP (CONTINUED)

SINGLE TIPOUT WINDOW



Key	Part Number	U/M	Description
1	085353-07-W07	EA	Window Asm. - Single Tipout - 24.8" x 24.9" (w/o inside frame)
	081153-04-000	EA	Inside Frame - Black (not included in assembly)
2	081239-05-000	EA	Glass - 14.6" x 24.25" - Stationary
3	089913-01-000	EA	Hinge - Tipout Window - Black
4	061357-01-000	FT	Seal Foam - Vinyl
5	084067-01-000	FT	Seal - "o" - Sponge Rubber
6	083150-05-000	EA	Torque Tube Asm.
7	035302-02-000	EA	Operator Drive - Left
8	009439-06-000	EA	Extension - .900" - Black (not included in assembly)
9	009439-05-000	EA	KNob - Window Crankout - Black (not included in assembly)
	009439-07-000	EA	Screw - 5/32" x 1 1/4" POH - Black (not included in assembly)
10	086762-01-000	EA	T-Nut - 10-32
11	068927-03-000	EA	Seal - Rubber - .12" x 25" ID x 80" OD
12	084473-01-000	EA	Seal - Rubber - "D" Shaped
13	086763-01-000	EA	Screw - #10 - 32 x 1/4" PTH
14	084580-04-W07	EA	Screw Asm. - Tipout Window - Single
	002293-02-000	SF	Screen - Window 26" - Charcoal
	002298-02-000	FT	Spline - .130" Dia. - Charcoal (Screen)
15	081243-01-000	EA	Screen Clip - Plastic - Black
	000G12-06-08T	EA	Screw - #6 - 20 x .50" POH - Black
16	097578-01-000	EA	Connecting Rod Asm.
	085316-01-000	EA	Washer - Wave - .44 OD 32 ID
	081649-01-000	EA	Snap Ring - 7/32 Shall
17	081354-01-000	EA	Sleeve - Window Torque Tube
18	082563-52-001	EA	Mullion - Horizontal - Black
19	084068-02-000	EA	Glass - 9.24" x 24.13" - Tipout
20	069640-06-000	FT	Seal - 5/16" x 15" (not included in assembly)
21	083180-01-000	FT	Seal - Vinyl Glazing

1989 ITASCA TABLE OF CONTENTS

ICN28RU
IC/JN31FIT
IC/JN38RO

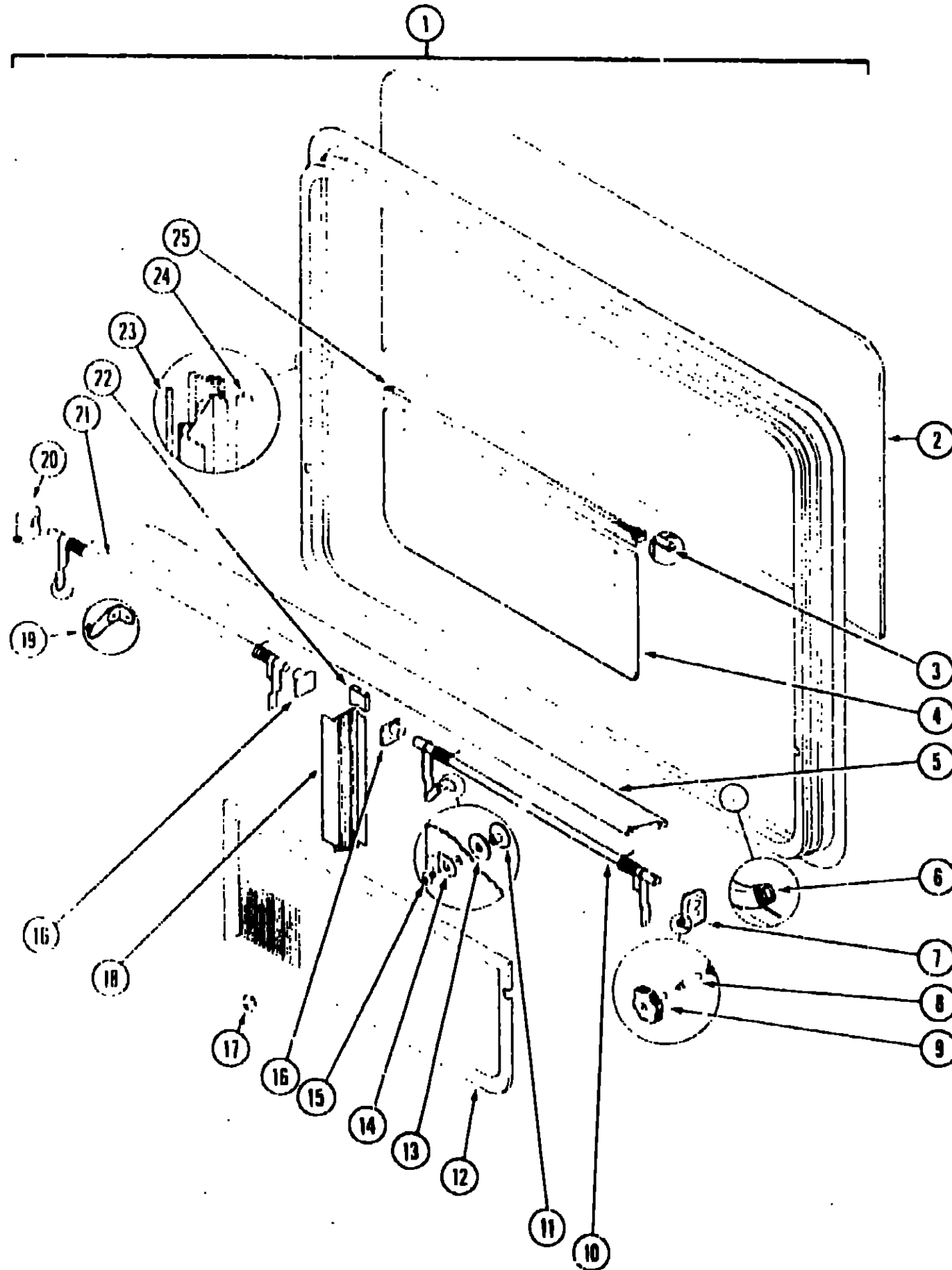
A-01 - D-16
D-17 - H-10
H-09 - K-21

1989 ICN28RU INDEX

Floor Plan	A-01 - A-02
Accessories Group	A-03 - A-05
Bath Group	A-06 - A-08
Chassis Group Group	A-09 - A-17
Curtain, Cushion & Pad Group	A-18 - B-06
Dinette Group	B-07 - B-08
Driver's Compartment Group	B-09 - B-15
Electrical Group	B-16 - B-19
Exterior Body Group	B-20 - C-03
Galley Group	C-04 - C-08
Heating & Air Conditioning Group	C-09 - C-10
Interior Finish Group	C-11 - C-13
LP Group	C-14
Lounge Group	C-15 - C-18
Water & Sewage Group	C-19 - C-21
Window, Vent & Exterior Door Group	C-22 - D-16

WINDOW, VENT & EXTERIOR DOOR GROUP (CONTINUED)

DOUBLE TIPOUT WINDOW



Key	Part Number	U/M	Description
1	085354-05-X11	EA	Window Asm. - Double Tipout (w/o inside frame)
	084153-10-000	EA	Inside Frame - Black (not included in assembly)
2	081239-16-GJ0	EA	Glass - 1/8" x 60" x 20 1/2" - Stationary
3	081357-01-000	FT	Foam Seal - Vinyl
4	084068-08-000	FA	Glass - 1/8" x 9 24" x 20.39" - Tipout
5	083119-09-000	EA	Mullion - Horizontal - Black
	000G39-C3-16T	EA	Screw - SF/DR - 6 - 20 x 1.00 PPH (Mullion - 4 Required)
	076778-03-000	EA	Rivet - Plastic - Pin Drive - Black (2 Required)
6	084067-01-000	FT	Seal - "e" - Sponge Rubber
7	035302-01-000	EA	Operator Drive - Right
8	090025-01-000	EA	Extention - Window Knob (not included in assembly)
9	067052-02-000	EA	Knob - Beige (not included in assembly)
	089371-01-000	EA	Screw - Window Knob (not included in assembly)
10	083228-03-000	EA	Torque Tube Asm. - Right
11	086762-01-000	EA	T-Nut - 10-32
12	084581-05-X11	EA	Screen Asm. - Tipout - Right
	084581-06-X11	EA	Screen Asm. - Tipout - Left
	002293-02-000	SF	Screen - 26" - Window
	002298-02-000	FT	Spline - .130" Dia. - Charcoal (Screen)
13	068927-03-000	EA	Seal - Rubber - .12" x 25" ID x 80" OD
14	084473-01-000	EA	Seal - Rubber - "D" Shaped
15	086763-01-000	EA	Screw - #10 - 32 x 1/4" PTH
16	081354-01-000	EA	Sleeve - Window Torque Tube
17	081243-01-000	EA	Clip - Plastic - Screen (4 Required)
	000G12-06-08T	EA	Screw - #8 - 20 x .50" POH - Black
18	084154-01-000	EA	Mullion - Vertical - Black
	000G39-08-08B	EA	Screw - #8 x 18 x 1/2 PPH (Mullion - 4 Required)
19	097578-01-000	EA	Connecting Rod Asm.
	085316-01-000	EA	Washer - Wave - .44 OD 32 ID
	081649-01-000	EA	Snap Ring - 7/32 Shaft
20	035302-02-000	EA	Operator Drive - Left
21	083227-03-000	EA	Torque Tube Asm. - Left
22	084066-01-000	FT	Bulb Seal - Double - Sponge Rubber
23	069640-06-000	FT	Seal - 5/16 x 15' (not included in assembly)
24	083180-01-000	FT	Seal - Vinyl Glazing
25	084155-09-000	EA	Hinge - Tipout Window - Black

1989 ITASCA TABLE OF CONTENTS

ICN28RU
IC/JN31RT
IC/JN36RO

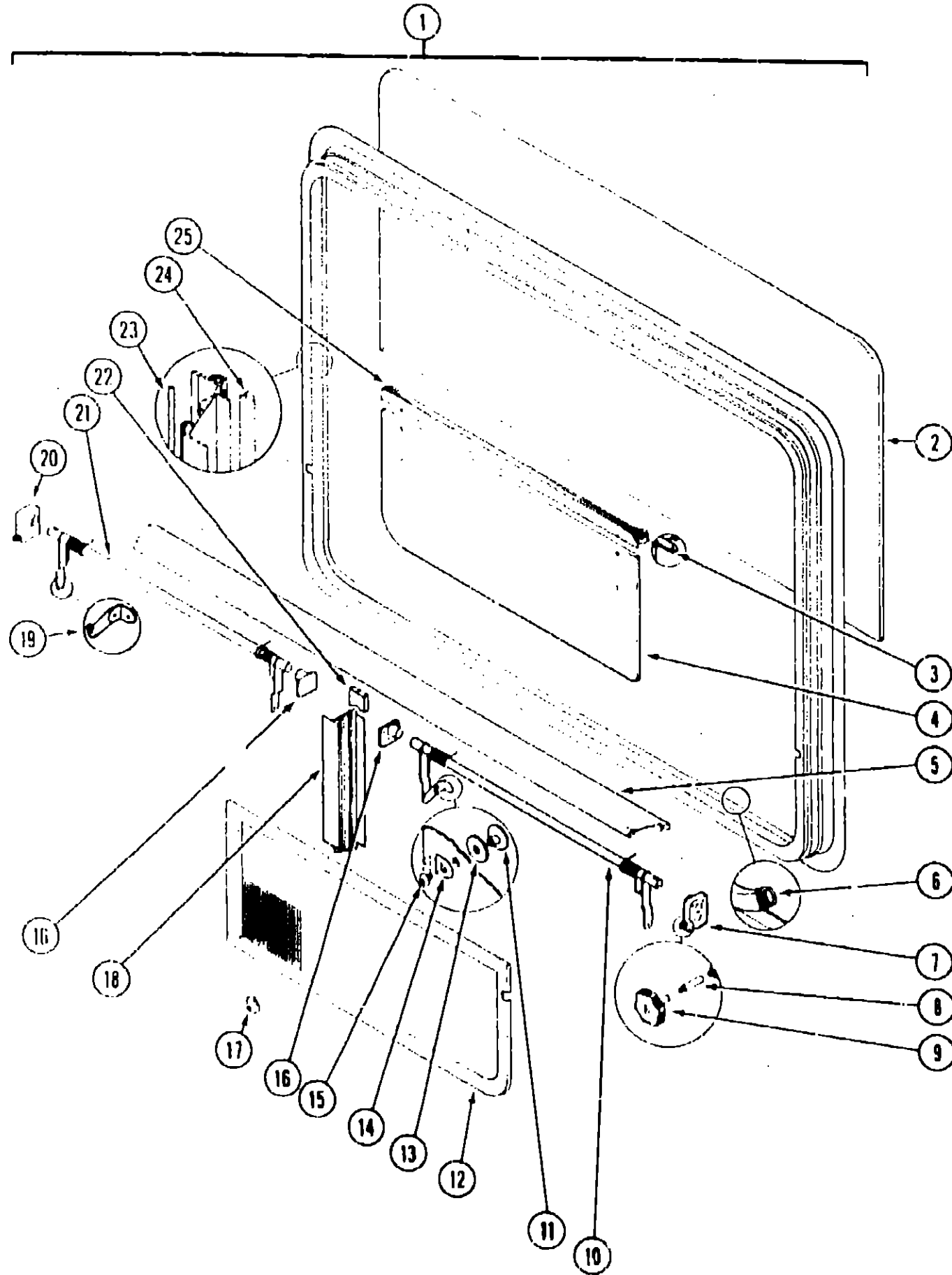
A-01 - D-16
D-17 - H-10
H-09 - K-21

1989 ICN28RU INDEX

Floor Plan	A-01 - A-02
Accessories Group	A-03 - A-05
Bath Group	A-06 - A-08
Chassis Group Group	A-09 - A-17
Curtain, Cushion & Pad Group	A-18 - B-06
Dinette Group	B-07 - B-08
Driver's Compartment Group	B-09 - B-15
Electrical Group	B-16 - B-19
Exterior Body Group	B-20 - C-03
Galley Group	C-04 - C-08
Heating & Air Conditioning Group	C-09 - C-10
Interior Finish Group	C-11 - C-13
LP Group	C-14
Lounge Group	C-15 - C-18
Water & Sewage Group	C-19 - C-21
Window, Vent & Exterior Door Group	C-22 - D-16

WINDOW, VENT & EXTERIOR DOOR GROUP (CONTINUED)

DOUBLE TIPOUT WINDOW



Key	Part Number	U/M	Description
1	065354-06-X11	EA	Window Asm. - Double Tipout (w/o inside frame)
	084153-10-000	EA	Inside Frame - Black (not included in assembly)
2	081239-19-000	EA	Glass - 1/8" x 52.9" x 20.5" - Stationary
3	081357-01-000	FT	Foam Seal - Vinyl
4	084068-09-000	EA	Glass - 1/8" x 9.2" x 26.2" - Tipout
5	082563-52-001	EA	Mullion - Horizontal - Black
	000G39-06-16T	EA	Screw - SF/DR - 6 - 20 x 1.00 PPH (Mullion - 4 Required)
	076778-03-000	EA	Rivit - Plastic - Pin Drive - Black (2 Required)
6	084067-01-000	FT	Seal - "e" - Sponge Rubber
7	035302-01-000	EA	Operator Drive - Right
8	090025-01-000	EA	Extension - Window Knob (not included in assembly)
9	067052-02-000	EA	Knob - Biege (not included in assembly)
	089371-01-000	EA	Screw - Window Knob (not included in assembly)
10	083228-03-000	EA	Torque Tube Asm. - Right
11	086762-01-000	EA	T-Nut - 10-32
12	084581-01-W07	EA	Screen Asm. - Tipout - Right
	084581-02-W07	EA	Screen Asm. - Tipout - Left
	002293-02-000	SF	Screen - 26" - Window
	002298-02-000	FT	Spline - .130" Dia. - Charcoal (Screener)
13	068927-03-000	EA	Seal - Rubber - .12" x 25" ID x 80" OD
14	084473-01-000	EA	Seal - Rubber - "D" Shaped
15	086763-01-000	EA	Screw - #10 - 32 x 1/4" PTH
16	081354-01-000	EA	Sleeve - Window Torque Tube
17	081243-01-000	EA	Clip - Plastic - Screen (4 Required)
	000G12-06-08T	EA	Screw - #6 - 20 x .50" POH - Black
18	084192-52-001	EA	Mullion - Vertical - Black
	000G37-08-08B	EA	Screw - #8 x 18 x 1/2 PPH (Mullion - 4 Required)
19	097578-01-000	EA	Connecting Rod Asm.
	085316-01-000	EA	Washer - Wave - .44 OD 32 ID
	081649-01-000	EA	Snap Ring - 7/32 Shaft
20	035302-02-000	EA	Operator Drive - Left
21	033227-04-000	EA	Torque Tube Asm. - Left
22	084066-01-000	FT	Bulb Seal - Double - Sponge Rubber
23	089840-06-000	FT	Seal - 5/16" x 15' (not included in assembly)
24	083180-01-000	FT	Seal - Vinyl Glazing
25	084155-09-000	EA	Hinge - Tipout Window - Black
	080918-01-000	EA	Spring - Torque Tube - Right
	020918-02-000	EA	Spring - Torque Tube - Left
	097578-01-000	EA	Linkage Asm. - Tipout

1989 ITASCA TABLE OF CONTENTS

ICN28RU
IC/JN31RT
IC/JN36RQ

A-01 - D-16
D-17 - H-10
H-09 - K-21

1989 ICN28RU INDEX

Floor Plan	A-01 - A-02
Accessories Group	A-03 - A-05
Bath Group	A-06 - A-08
Chassis Group Group	A-09 - A-17
Curtain, Cushlor. & Pad Group	A-18 - B-06
Dinette Group	B-07 - B-08
Driver's Compartment Group	B-09 - B-15
Electrical Group	B-16 - B-19
Exterior Body Group	B-20 - C-03
Galley Group	C-04 - C-08
Heating & Air Conditioning Group	C-09 - C-10
Interior Finish Group	C-11 - C-13
LP Group	C-14
Lounge Group	C-15 - C-18
Water & Sewage Group	C-19 - C-21
Window, Vent & Exterior Door Group	C-22 - D-16

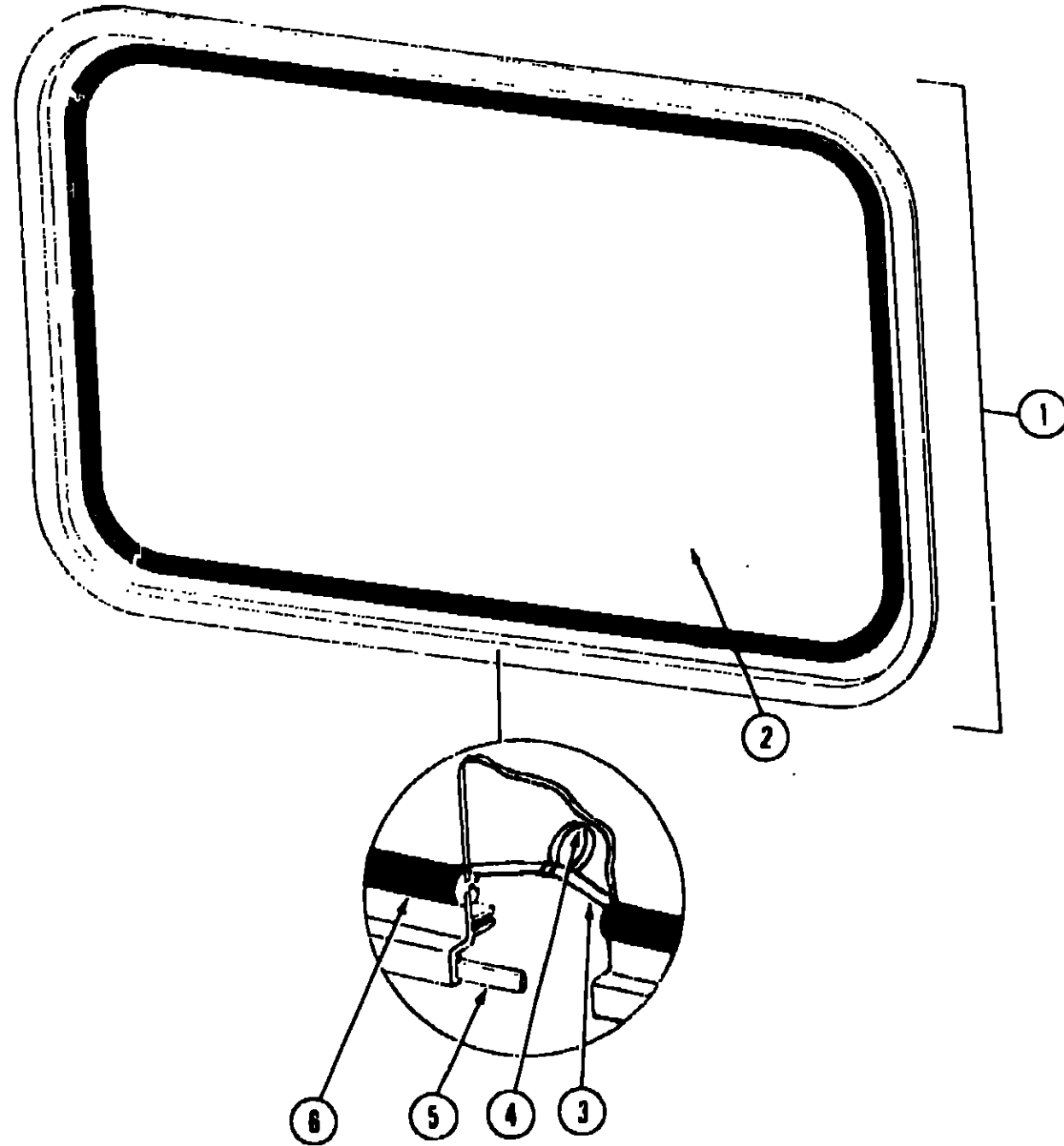
WINDOW, VENT & EXTERIOR DOOR GROUP (CONTINUED)

WINDOW, VENT & EXTERIOR DOOR GROUP (CONTINUED)

1989 ITASCA
TABLE OF CONTENTS

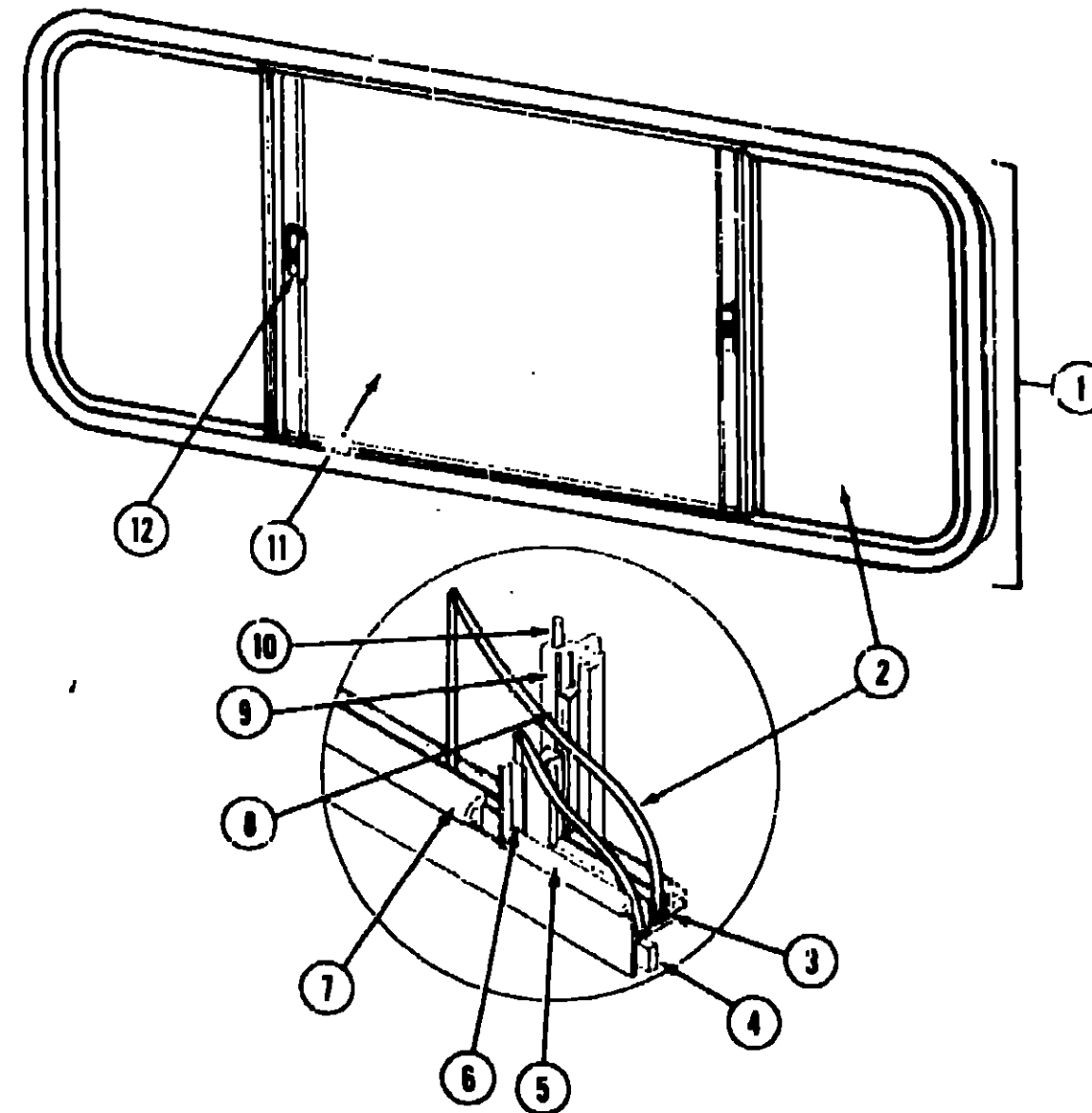
ICN28RU
IC/JN31RT
IC/JN36RQ

A-01 - D-16
D-17 - H-10
H-09 - K-21



ESCAPE WINDOW

Key	Part Number	U/M	Description
1	007985-04-Y12	EA	Window Asm. - Escape (w/o inside frame)
	076650-04-000	EA	Inside Frame - Black (not included in assembly)
2	076337-06-000	EA	Glass - 1/8" x 44.8" x 28"
3	002295-01-000	FT	Filler - Weatherstrip - Black
4	077066-01-701	EA	Tape - Ploy - Escape Window - 36"
5	069040-07-000	FT	Tape - 2" Bead x 45'
6	002282-01-000	FT	Weatherstrip - Window - .125" - Black

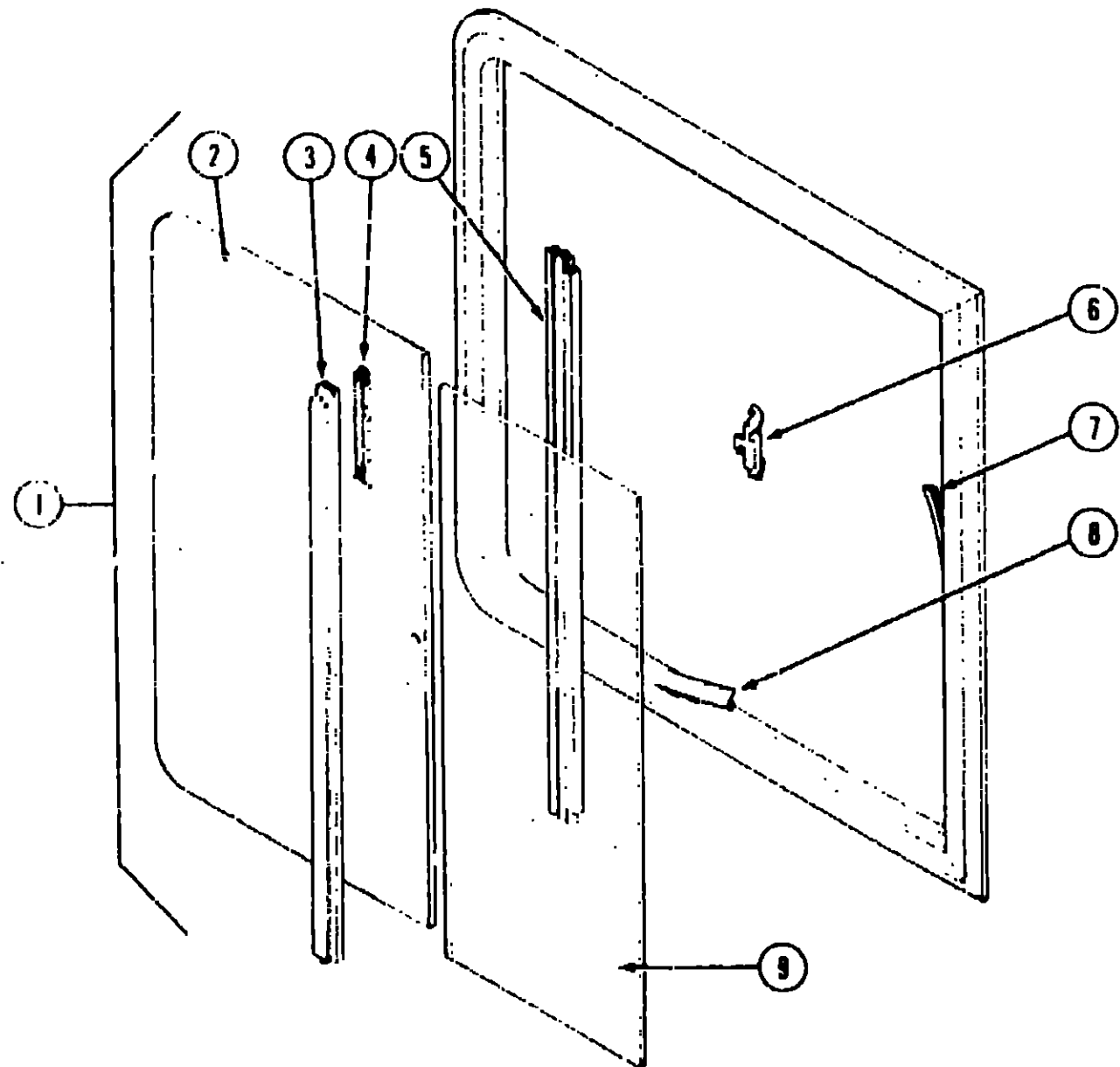


DOUBLE SLIDER WINDOW

Key	Part Number	U/M	Description
1	078269-04-X11	EA	Window Asm. - Double Slider (w/o inside frame)
	083122-26-000	EA	Inside Frame - Double Slider - Beige (not included in assembly)
2	081980-10-000	EA	Glass - Sliding - 30.7" x 19.3" x 1/8"
3	002324-02-000	FT	Channel Weatherstrip - Glass
4	069840-06-000	FT	Sealer Ribbon - 5/16" Bead x 15'
5	002309-02-000	FT	Spline - Glass - 1/8" - Black
6	089886-03-001	EA	Seal Holder - 1/8" Glass - Black
7	024096-02-000	FT	Vinyl Window Seal - Black
8	073740-01-000	FT	Fin Seal - .460 Pile
9	083926-02-001	EA	Mullion - Slider Window - Black
	002292-02-000	SF	Screen - Window - 26" Charcoal
10	002298-02-000	FT	Spline - .130" Dia. - Charcoal (Screen)
11	002788-07-000	EA	Glass - Stationary - 30.74" x 24.75" x 1/8"
12	047389-01-700	EA	Latch Kit - Window - Plastic w/Fastener
	081377-01-000	EA	Adhesive - Cyanacrylate
	002328-01-000	EA	Block - Window - 1/8" x 3/16" x 1"

1989 ICN28RU INDEX

Floor Plan	A-01 - A-02
Accessories Group	A-03 - A-05
Bath Group	A-06 - A-08
Chassis Group Group	A-09 - A-17
Curtain, Cushion & Pad Group	A-18 - B-06
Dinette Group	B-07 - B-08
Driver's Compartment Group	B-09 - B-15
Electrical Group	B-16 - B-19
Exterior Body Group	B-20 - C-03
Galley Group	C-04 - C-08
Heating & Air Conditioning Group	C-09 - C-10
Interior Finish Group	C-11 - C-13
LP Group	C-14
Lounge Group	C-15 - C-18
Water & Sewage Group	C-19 - C-21
Window, Vent & Exterior Door Group	C-22 - D-16



SINGLE SLIDER WINDOW

Key	Part Number	U/M	Description
1	093703-01-Y10	EA	Window Asm - Single Slider - 31.5" x 31" (w/o inside frame)
	092665-01-Y10	EA	Inside Frame - Black (not included in assembly)
2	081980-11-000	EA	Glass - Slider - 1/8" x 30.4" x 16.5"
3	002389-03-209	EA	Glass Holder - 29.57"
4	073740-01-000	FT	Seal - Fin - Pile - .460
5	084170-09-000	EA	Mullion - Slider Window - Black
	042077-01-000	FT	Channel - Window - Glass Run - 3/16"
	050216-02-000	FT	Spline - Vinyl Glass - .19" - Black
6	047369-01-700	EA	Latch Kit - Window - Black Plastic w/Fastener
7	002309-02-000	FT	Spline - Glass - 1/8" Material - Black
8	041928-02-000	FT	Seal - Window Channel
9	057656-12-000	EA	Glass - Stationary - 1/8" x 15.7" x 30.4"
	000C79-06-16T	EA	Screw - SF/DR - 6 x 20 x 1.00 - PPH
	002728-01-000	EA	Block - Window - 1/8" x 3/16" x 1"
	023320-01-000	EA	Pad - Felt - 3/8" Dia.
	001377-01-000	EA	Adhesive - Cyanoacrylate

1989 ITASCA
TABLE OF CONTENTS

ICN28RU
IC/JN31RT
IC/JN36RO

A-01 - D-16
D-17 - H-10
H-09 - K-21

1989 ICN28RU INDEX

Floor Plan	A-01 - A-02
Accessories Group	A-03 - A-05
Bath Group	A-06 - A-08
Chassis Group Group	A-09 - A-17
Curtain, Cushion & Pad Group	A-18 - B-06
Dinette Group	B-07 - B-08
Driver's Compartment Group	B-09 - B-15
Electrical Group	B-16 - B-19
Exterior Body Group	B-20 - C-03
Galley Group	C-04 - C-08
Heating & Air Conditioning Group	C-09 - C-10
Interior Finish Group	C-11 - C-13
LP Group	C-14
Lounge Group	C-15 - C-18
Water & Sewage Group	C-19 - C-21
Window, Vent & Exterior Door Group	C-22 - D-16