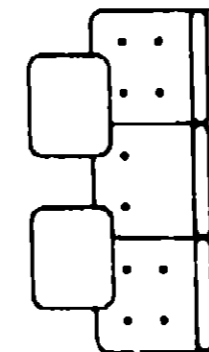
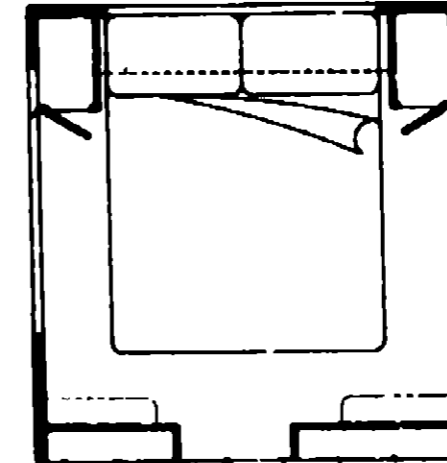
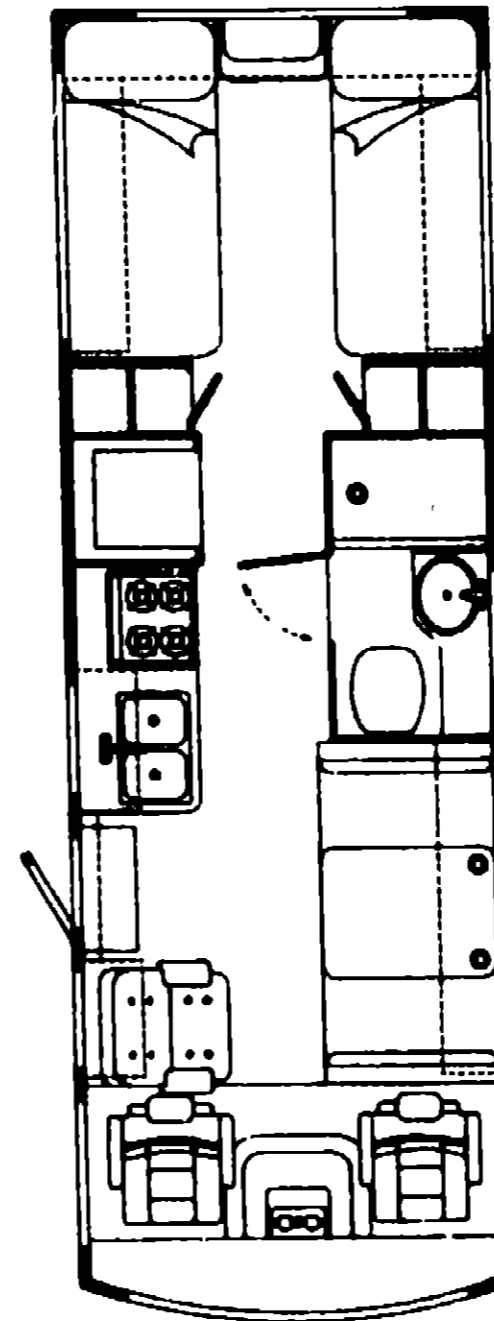


**1989 ITASCA
TABLE OF CONTENTS**

ICN23RC
ICN27RT

A-01 - D-08
D-07 - G-14

**1989
ICN27RT**



1989 ICN27RT INDEX

Floor Plan	D-07 - D-08
Accessories Group	D-09 - D-12
Bath Group	D-13
Chassis Group	D-14 - D-20
Curtain, Cushion & Pad Group	D-21 - E-08
Dinette Group	E-09 - E-10
Driver's Compartment Group	E-11 - E-17
Electrical Group	E-18 - E-21
Exterior Body Group	E-22 - F-06
Galley Group	F-07 - F-08
Heating & Air Conditioning Group	F-10 - F-11
Interior Finish Group	F-12 - F-13
LP Group	F-14
Lounge Group	F-15 - F-16
Water & Sewage Group	F-17 - F-20
Window, Vent & Exterior Door Group	F-21 - G-14

ACCESSORIES GROUP

MISCELLANEOUS ACCESSORIES

Key	Part Number	U/M	Description
	054185-31-000	EA	Owner's Manual - 1989 Winnebago & Itasca
	017518-01-000	EA	Mud Flap
	063181-03-71-0	EA	Wheel Cover - 19.5" (1)
	063181-12-000	EA	Retainer - 19.5" Wheel Cover - 4/Set
	079942-01-400	EA	Stabilizer Shock Absorber - Front
	094489-01-000	EA	Fire Extinguisher - Dry IA 10BC
	094651-01-01A	EA	Recessed Holder - Fire Extinguisher - Light Oak Plastic
	072852-01-000	EA	Smoke Detector - w/9 Volt Battery
	007038-01-000	EA	Floor Mat - Entrance Door - Black
	081075-02-000	EA	Floor Mat - Entrance Door - Tan "Itasca"
	081201-02-000	EA	Floor Mat - Drivers Step Well - Tan
	081202-02-000	EA	Floor Mat - Passenger Step Well - Tan
	080208-01-000	EA	Lug Wrench
	080208-02-000	EA	Leverage Bar - Lug Wrench
	008113-01-000	EA	Jack - Hydraulic - 6 Ton - w/handle
	091955-01-000	EA	Squeeze - Extended Handle
	091952-01-000	EA	Clip - 1" - Squeeze Holder
	093527-01-000	EA	Bracket - Squeeze Clip

WHEEL LINERS (OPTION 63K)

Key	Part Number	U/M	Description
	091209-01-000	EA	Wheel Liners - 19.5" - Set/4
	091209-01-700	EA	Wheel Liner - 19.5" - Front Wheel (1)
	091209-01-701	EA	Wheel Liner - 19.5" - Rear Wheel (1)
	091209-01-702	EA	Cover - Front Axle
	091209-01-703	EA	Cover - Rear Axle
	091209-01-704	EA	Cover - Lug Nut
	077030-02-000	EA	Valve Stem Extensions - 1.25"
	095012-01-000	EA	Valve Stem Extensions - Dual

AUXILIARY BATTERY DISCONNECT (OPTION 28A)

Key	Part Number	U/M	Description
	006037-01-000	FT	Battery Cable - 1 AWG
	006348-01-000	EA	Terminal Ring - 2 - 3/8 Stud
	081087-01-000	EA	Indicator Light
	086272-01-000	EA	Rocker Switch - 3 Position
	086273-01-000	EA	Battery Disconnect Relay
	088445-01-000	EA	Bracket - Battery Disconnect Relay

AUXILIARY DEFROSTER FANS (OPTION 36H)

Key	Part Number	U/M	Description
	097372-03-01A	EA	Switch - Rocker - SPDT - On/Off/On
	036420-02-000	EA	Defroster Fan - 6" - 2 Speed

TV ANTENNA (OPTION 43W)

Key	Part Number	U/M	Description
	078318-01-000	EA	TV Antenna - 44.5" Roof Mount
	087238-01-000	EA	Label - Cable Input
	087238-02-000	EA	Label - TV Outlet
	091809-01-000	EA	TV Shelf - Satval - Beige
	093282-01-01A	EA	Wall Plate - Cable TV
	093288-01-000	EA	TV Shelf - Black Steel

ACCESSORIES GROUP (CONTINUED)

TV, VCR & SWITCH SYSTEM (OPTIONS 43W & 43X)

Key	Part Number	U/M	Description
	086759-03-000	EA	VCR - VHS - GE - VG7520HQ
	091907-02-000	EA	VCR - VHS - Sharp VC-2208U
	088446-01-000	EA	VCR - VHS - Magnavox - VR9815AT
	086757-01-000	EA	Switch Box - Channel Master Control Center
	091256-03-000	EA	TV - 13" Color - Sharp 13RM59
	088447-01-000	EA	TV - 13" Color - Magnavox - RX4029WA
	093197-01-Y12	EA	Cabinet Arm. - TV - Center - w/o Hardware
	M93242-01-Y12	EA	Cabinet Arm. - Passengers - w/o Hardware
	M93242-02-Y12	EA	Cabinet Arm. - Drivers - w/o Hardware
	M85304-00-Y10	EA	Door Arm - Front Overhead - Passengers & Drivers - w/o Hardware
	085774-01-000	FT	Dual Lock Fastener - 1" Wide
	085774-02-000	FT	Dual Lock Fastener - 1" Wide

FRONT BUNK (OPTION 623)

Key	Part Number	U/M	Description
	M93066-01-Y12	EA	Bunk Board Trim - w/o Angle
	028012-01-000	BF	Roller Foam - 3/8"
	048394-02-000	YD	Velcro - Hook - .75" x 50 Yd. Beige
	088782-02-000	YD	Velcro - Loop - 75" Adhesive Back
	088361-01-000	YD	Vinyl - Headliner - Acoustical
	018904-03-000	EA	Brace - Seat Angle - 2" Beige
	042541-04-000	EA	Latch Arm. - w/o Strike - Brass
	042541-05-000	EA	Strike - Brass
	084218-01-000	EA	Strap Retainer
	070578-11-Y70	EA	Button Arm. - #30
	078848-02-000	EA	Brace - 14" - Beige
	078780-02-000	EA	Hardware - Front Overhead Bunk
	079144-08-Y10	EA	Bunk Strap
	094388-01-000	EA	Wraparound - Curtain Track - Straight
	079848-08-000	EA	Wraparound Curtain Track - Curved
	081717-04-Y12	EA	Bed Arm. - Front Bunk
	084858-01-Y12	EA	Oak Handle

MICROWAVE/BROWNING OVEN (OPTION 136)

Key	Part Number	U/M	Description
	091288-08-000	EA	Microwave Browning Oven - Magic Chef
	094746-01-01A	EA	Trim - Microwave - Black - Lower
	094774-01-01A	EA	Trim - Microwave - Black - Right Side
	094774-02-01A	EA	Trim - Microwave - Black - Left Side
	094787-02-Y12	EA	Cabinet Arm. - Microwave - Overhead w/o Hardware
	094780-01-000	EA	Microwave Bracket - 90° (2 Required)

RACK & LADDER (OPTION 36U)

Key	Part Number	U/M	Description
	089927-01-000	EA	Tape - Anti-Slip - 2" x 60'
	091088-08-Y12	EA	Rack Arm. - Luggage - Right
	091088-10-Y12	EA	Rack Arm. - Luggage - Left
	081114-01-000	EA	Cap - Round Insert - 1" Dia.
	089983-01-Y12	EA	Ladder Arm. - Lower
	089983-01-Y36	EA	Ladder Arm. - Upper
	078880-08-000	EA	Step Cap - Black
	080573-01-000	EA	Latch - Lower Ladder - Gray
	081118-01-000	EA	Top Cap - Rack & Ladder - 1"
	081182-01-000	EA	Bumper Plate
	087185-01-000	EA	Mounting Bracket - Rack & Ladder
	081113-01-000	EA	Bushing - Flange - White Plastic
	081118-01-000	EA	Top Side - Rack & Ladder - 1"
	081084-01-000	EA	Spring Grip - Internal Tooth
	081088-01-000	EA	Quick Release Pin

1989 ITASCA TABLE OF CONTENTS

ICN23RC
ICN27RT

A-01 - D-08
D-07 - G-14

1989 ICN27RT INDEX

Floor Plan	D-07 - D-08
Accessories Group	D-09 - D-12
Bath Group	D-13
Chassis Group	D-14 - D-20
Curtain, Cushion & Pad Group	D-21 - E-08
Dinette Group	E-09 - E-10
Driver's Compartment Group	E-11 - E-17
Electrical Group	E-18 - E-21
Exterior Body Group	E-22 - F-08
Galley Group	F-07 - F-08
Heating & Air Conditioning Group	F-10 - F-11
Interior Finish Group	F-12 - F-13
LP Group	F-14
Lounge Group	F-15 - F-16
Water & Sewage Group	F-17 - F-20
Window, Vent & Exterior Door Group	F-21 - G-14

ACCESSORIES GROUP (CONTINUED)

HITCH ASSEMBLY FOR 23RC (OPTION 240)

Key	Part Number	U/M	Description
	078221-01-000	EA	Label - Trailer Hitch Capacity
	091224-02-000	EA	Label - Trailer Lighting
	097745-02-000	EA	Receptacle - Trailer Housing - 48"
	034512-01-000	EA	Locking Pin - Drawbar
	034513-01-000	EA	Hitch Pin - 3/16" Wire
	077613-01-000	EA	Drawbar Asm.
	077617-04-000	EA	Hitch Asm. - w/o Drawbar
	093048-01-000	EA	Skid Plate

GENERATOR & COMPONENTS (ONAN) (OPTION 39E)

Key	Part Number	U/M	Description
	093545-01-000	EA	Generator - Onan - 4.0 KW
	061364-03-000	EA	Muffler - Onan Generator - 4.0 KW
	063152-06-000	EA	Exhaust Pipe - Onan Generator - 4.0 KW
	093995-01-000	EA	Generator Tray
	007131-01-000	EA	Tailpipe Hanger

GENERATOR & COMPONENTS (KOHLER) (OPTION 39D)

Key	Part Number	U/M	Description
	063740-01-000	EA	Generator - Kohler - 4.5 KW
	063590-02-000	EA	Muffler - Kohler Generator - 4.5 KW
	063152-06-000	EA	Exhaust Pipe - Kohler Generator - 4.5 KW
	007125-03-000	EA	Clamp - Muffler - 1.5"
	007125-04-000	EA	Clamp - Muffler - 1.12"

EXTERIOR MIRRORS

Key	Part Number	U/M	Description
	066260-01-000	EA	Mirror Asm. - Exterior - w/Convex - Passenger
	066260-02-000	EA	Mirror Asm. - Exterior - w/Convex - Drivers
	066260-03-000	EA	Accessory Kit - Exterior Mirror

ELECTRIC STEP

Key	Part Number	U/M	Description
↑	091201-01-000	EA	Step Asm. - Electric - Double - Kwikee
	091201-01-700	EA	Linkage Asm.
	091201-01-701	EA	Motor Asm.
	091201-01-702	EA	Frame Asm. - Double Step
↑↑	094707-01-01A	EA	Step Asm. - Electric - Double - Kwikee 3218
	094707-01-700	EA	Control Unit
	094707-01-701	EA	Switch - Door Jamb - Plastic
	094707-01-702	EA	Frame Asm. - Double Step (For 3218)
↑	Thru 8/25/88		
↑↑	From 9/26/88		

REAR VIEW TELEVISION (OPTION 67Z)

Key	Part Number	U/M	Description
	093040-01-000	EA	Sony Rear View Television System
	093040-09-000	EA	Wire Asm. - Monitor
	093041-01-000	EA	Cable - Monitor/Camera
	093221-01-000	EA	Lens - Rear Monitor Shroud
	093957-01-01A	EA	Shroud - Rear View TV - Beige
	094002-01-000	EA	Bracket Asm. - Rear View Camera

ACCESSORIES GROUP (CONTINUED)

SPEED CONTROL

Key	Part Number	U/M	Description
	094369-01-000	EA	Speed Control - Smart Stick - Dana 59L - 111298
	094369-01-700	EA	Servo & Cable Asm.
	094369-01-701	EA	Switch & Lever Asm.
	094369-01-702	EA	Electronic Regulator Asm.
	094369-01-703	EA	Wiper Control Module
	094369-01-704	EA	Headlight Dimmer Module
	094369-01-705	EA	Vacuum Reservoir
	094369-01-706	EA	Servo
	094369-03-000	EA	Speed Control - Smart Stick - Dana 59L - 111298
	083212-06-000	EA	Speed Control - A-Body Smart Stick - Dana 59L - 11268
	083212-06-700	EA	Switch Asm.
	083212-06-701	EA	Wiper Module
	083212-06-702	EA	Wire Harness - Wiper Control Output
	083212-06-703	EA	Light Relay
	094369-02-000	EA	Speed Control - Smart Stick - Diesel - Dana 59L - 111688

1989 ITASCA TABLE OF CONTENTS

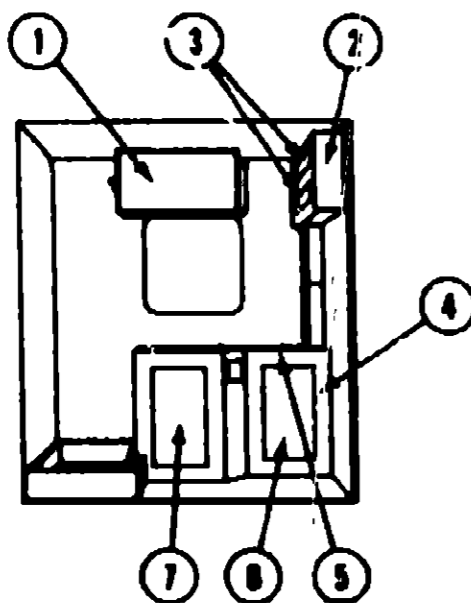
ICN23RC
ICN27RT

A-01 - D-06
D-07 - G-14

1989 ICN27RT INDEX

Floor Plan	D-07 - D-08
Accessories Group	D-09 - D-12
Bath Group	D-13
Chassis Group	D-14 - D-20
Curtain, Cushion & Pad Group	D-21 - E-08
Dinette Group	E-09 - E-10
Driver's Compartment Group	E-11 - E-17
Electrical Group	E-18 - E-21
Exterior Body Group	E-22 - F-06
Galley Group	F-07 - F-09
Heating & Air Conditioning Group	F-10 - F-11
Interior Finish Group	F-12 - F-13
LP Group	F-14
Lounge Group	F-15 - F-16
Water & Sewage Group	F-17 - F-20
Window, Vent & Exterior Door Group	F-21 - G-14

BATH GROUP



BATH CABINETRY & RELATED ITEMS

Key	Part Number	U/M	Description
1	093446-06-Y15	EA	Mirror Asm.
	066331-32-000	EA	Mirror - Safety Glass - 13.85" x 27.83"
	095986-01-01A	EA	Bracket - Mirror Asm. - Beige
	095986-02-01A	EA	Bracket - Mirror Asm. - Fudge
2	095547-01-Y12	EA	Medicine Cabinet Asm.
3	M88304-21-X08	EA	Door Asm. - 10" x 19.01" - w/o Hardware
4	M94155-01-Y12	EA	Lavatory Cabinet - w/o Door, Hardware or Countertop
5	094155-12-Y12	EA	Countertop Asm. - Lavatory Cabinet
6	079606-03-W30	EA	Magazine Rack Asm.
7	M88304-77-X11	EA	Door Asm. - Lavatory Cabinet - 14.3" x 17.9" - w/o Hardware
	M87868-01-W33	EA	Door Asm. - Bath Entrance - w/o Hardware
	094485-01-01A	EA	Lock Set - Bath Door - Polished Brass
	009069-02-000	EA	Hinge - 2" - Brass
	075240-01-000	EA	Faucet - Lavatory - Brass
	089386-01-000	EA	Sink - Oval - Ivory Plastic
	091253-01-000	EA	Gaslet - Lavatory Faucet
	096438-01-000	EA	Slip Nut - 1.8" Tailpiece - Shower
	096440-01-000	EA	Strainer w/Rubber Washer
	099735-01-000	EA	Washer - 1.8" Tailpiece - Plastic
	075241-04-000	EA	Faucet - Shower - Brass
	075680-02-000	EA	Clothes Rod - Adjustable - 27" - 38"
	075453-02-000	EA	Towel Bar - 18" - Brass
	075454-02-000	EA	Towel Ring - Brass w/Mounting Hardware
	081614-02-000	EA	Soap Dish - Brass - w/Plastic Cover
	085278-01-000	EA	Paper Holder - recessed - Brass
	064078-01-000	EA	Toilet - Ivory
	024876-01-000	EA	Flange - Closet - Red - 4 x 3
	085330-04-000	EA	Toilet - China - Shorty w/Spray
	087721-01-000	EA	Screw - Flat Head - 1/4 x 1 1/4 LG 2N (China Toilet)

CHASSIS GROUP

MISCELLANEOUS CHASSIS

Key	Part Number	U/M	Description
	084066-01-000	EA	Aspring Bellows - Rear Axle
	072358-01-000	EA	Bottle Coolant - Expansion - GM 709701
	010497-01-000	EA	Clamp - Closed - 5/8" ID
	010497-03-000	EA	Clamp - Closed - 1" ID - Cushioned
	082401-01-000	EA	Clamp - Hose - Wormgear - .22" ID - 1" ID
	082401-03-000	EA	Clamp - Hose - Wormgear - .25" ID - 1" ID
	082401-02-000	EA	Clamp - Hose - Wormgear - 1.58" ID - 2.5" ID
	082401-04-000	EA	Clamp - Hose - Wormgear - .89" ID - 1.25" ID
	082401-05-000	EA	Clamp - Hose - Wormgear - 2" ID - 3" ID
	082401-06-000	EA	Clamp - Hose - Wormgear - .22" ID - .82" ID
	082401-08-000	EA	Clamp - Hose - Wormgear - 4.06" ID - 5" ID
	023146-01-000	EA	Clamp - Screw Type - 4"
	082828-01-000	EA	Clip - Prop Rod - Hood
	041953-09-000	FT	Conduit - Convolute w/SRR - .5" ID
	041953-10-000	FT	Conduit - Convolute w/SRR - .75" ID
	089881-01-000	EA	Cover - Radiator - Rear
	020167-03-000	EA	Dirt Guard - Rear Wheel
	082522-01-000	EA	Door - Electrical Box
	083287-01-000	EA	Hoist - Spare Tire
	083378-01-000	EA	Extension - Tire Hoist
	024138-01-000	FT	Hose - Fuel - 5/16" ID SAE 30RI
	007083-01-000	FT	Hose - Gas - 1/4" ID x 1/2" OD
	089732-01-000	FT	Hose - Fuel Fill - .82" ID
	007111-02-000	EA	Hose - Fuel Fill - 2.0" ID
	007111-01-000	EA	Hose - Fuel Fill - 2.25" ID
	007108-01-000	FT	Hose - Heater - 5/8" ID SAE 20RS
	007108-02-000	FT	Hose - Heater - .75" ID SAE 20RS
	083719-01-000	EA	Hose - Oil Fill - Preformed - Dlearl
	079059-02-000	EA	Hose - 90° - .81" x 4" x 8" - Preformed
	017516-01-000	EA	Mud Flap w/Holes - 14" x 18" - Black
	088273-01-000	EA	Relay - Battery Disconnect
	081284-01-000	EA	Heat Shield - Deflector
	083322-12-000	EA	Heat Shield - Exhaust
	083631-01-000	EA	Lever - Park Brake - Foot Pedal
	079842-01-000	EA	Shock Absorber - Stabilizer - Front
	083877-08-000	EA	Step Asm. - Drivers Door
	040548-03-000	EA	Tire - 7.5" x 16" - 8 Ply - Tube - Polyester
	086000-02-000	EA	Washer Asm. - w/Nozzle
	082148-01-000	EA	Wheelwell - Plastic
	008349-01-000	EA	Wire Tie - 8"
	008349-02-000	EA	Wire Tie - 14"
	047441-01-000	EA	Battery Terminal - Horizontal Lug
	075722-01-000	EA	Block - Switch - Spacer
**	007125-06-000	EA	Clamp Asm. - Muffler - 2.25"
**	007125-07-000	EA	Clamp Asm. - Muffler - 2.5"
**	088180-01-000	EA	Exhaust Hanger
**	086222-02-000	EA	Bracket - Exhaust - Upper
**	086223-01-000	EA	Bracket - Exhaust - Lower
**	086820-01-000	EA	Bracket - Exhaust - Upper
**	086823-02-000	EA	Bracket - Exhaust - Upper
**	086189-01-000	EA	Exhaust Pipe Asm. - Right
**	086189-02-000	EA	Exhaust Pipe Asm. - Left
**	Remainder of exhaust components available from chassis service center.		

1989 ITASCA TABLE OF CONTENTS

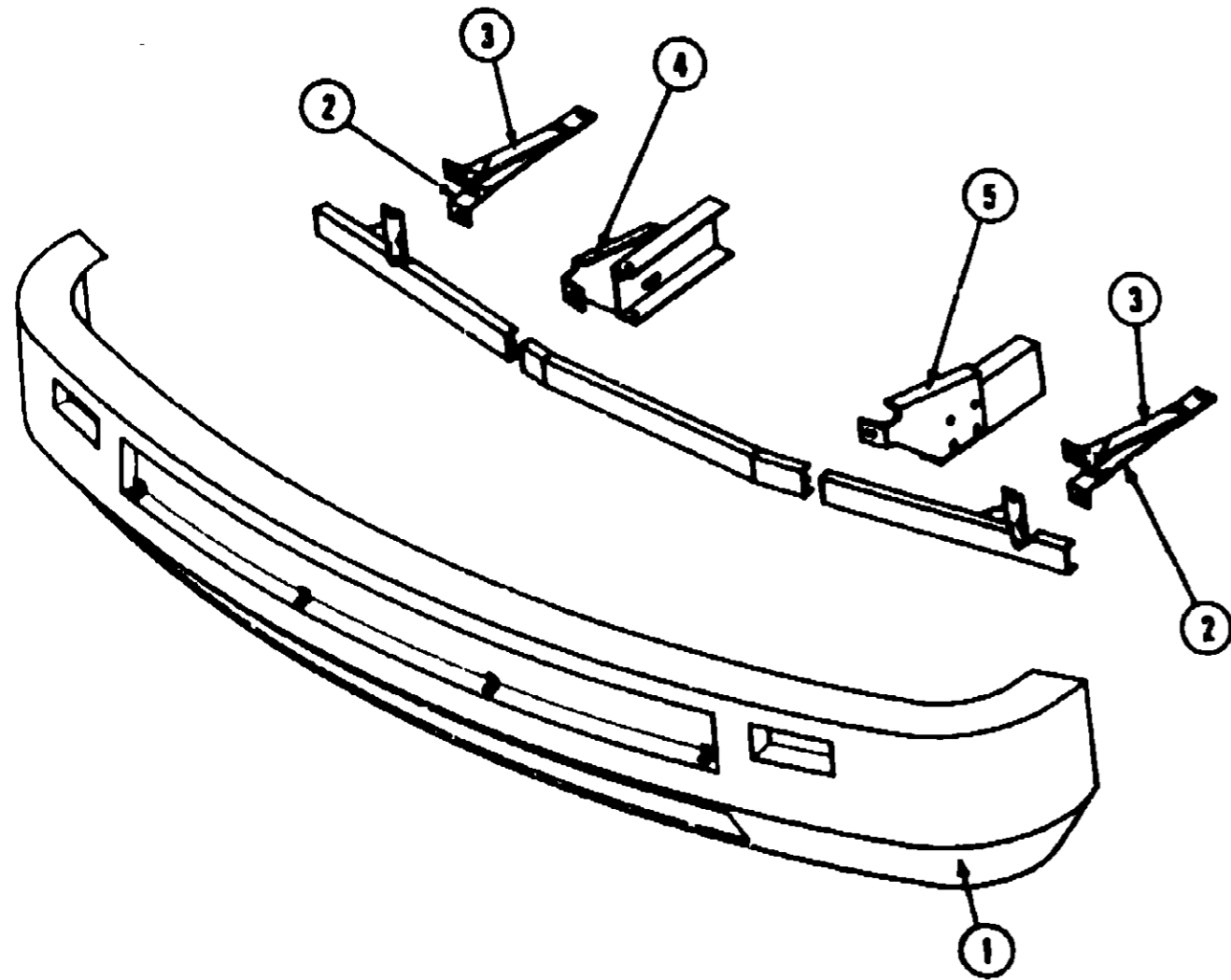
ICN23RC
ICN27RT

A-01 - D-08
D-07 - G-14

1989 ICN27RT INDEX

Floor Plan	D-07 - D-08
Accessories Group	D-09 - D-12
Bath Group	D-13
Chassis Group	D-14 - D-20
Curtain, Cushion & Pad Group	D-21 - E-08
Dinette Group	E-09 - E-10
Driver's Compartment Group	E-11 - E-17
Electrical Group	E-18 - E-21
Exterior Body Group	E-22 - F-08
Galley Group	F-07 - F-09
Heating & Air Conditioning Group	F-10 - F-11
Interior Finish Group	F-12 - F-13
LP Group	F-14
Lounge Group	F-15 - F-16
Water & Sewage Group	F-17 - F-20
Window, Vent & Exterior Door Group	F-21 - G-14

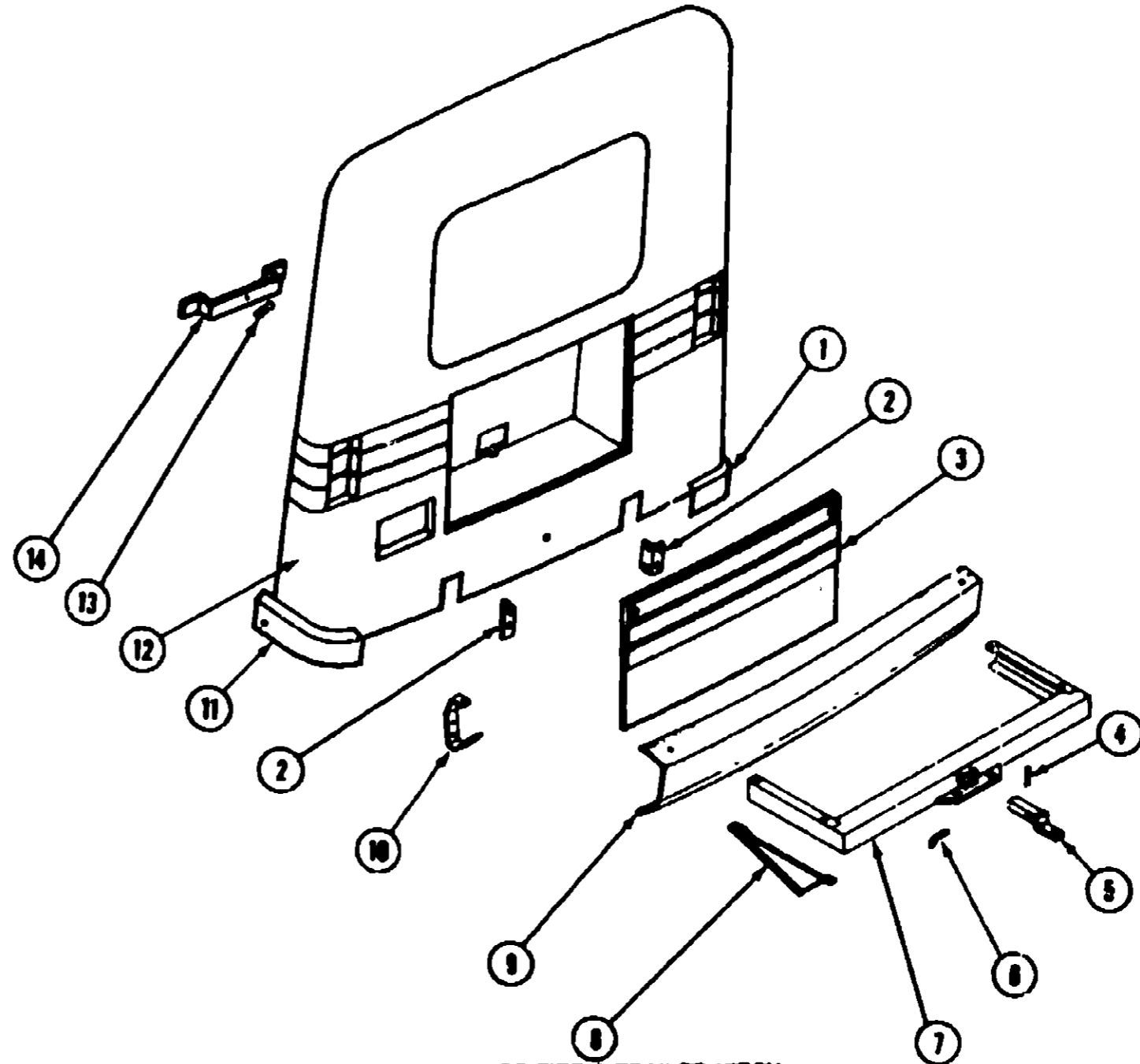
CHASSIS GROUP (CONTINUED)



FRONT BUMPER

Key	Part Number	U/M	Description
1	M00648-01-Y36	EA	Front Bumper Panel - wChannel
2	061275-01-000	EA	Brace - Bumper - Lower
3	083034-01-000	EA	Brace - Bumper - Upper
4	083748-01-000	EA	Support - Extension - Bumper - Passengers
5	083748-02-000	EA	Support - Extension - Bumper - Drivers

CHASSIS GROUP (CONTINUED)



SPARE TIRE & TRAILER HITCH

Key	Part Number	U/M	Description
1	082251-01-01A	EA	End Cap - Rear Bumper - Passenger
2	078888-01-000	EA	Angle Support - Rear Bumper
3	083883-01-000	EA	Door Panel - Rear
4	080940-01-000	FT	Seal - Foam - Closed Cell
5	084813-01-000	EA	Hitch Pin - 3/16" Wire
6	077813-01-000	EA	Drawer Arm.
7	084812-01-000	EA	Locking Pin - Drawer
8	077817-04-000	EA	Hitch Arm. - w/o Drawer
9	083048-01-000	EA	Slide Plate Arm.
10	077881-08-000	EA	Rear Bumper - Chrome
11	003800-01-000	EA	Bumper Bolt - 7/16" - 14 x 1 1/4
12	000039-07-008	EA	Hex Nut - 7/16" - 14
13	077888-01-000	EA	Bracket - Rear Bumper
14	082251-02-01A	EA	End Cap - Rear Bumper - Driver
15	M00481-01-Y38	EA	Rear Cap Arm. - Off White (Chevrolet)
16	084081-01-000	EA	Wing Nut
17	077388-01-000	EA	Retainer - Spare Tire
18	007384-04-000	EA	Tire - 8" x 18.5" - Michelin (Chevrolet)
19	088012-01-000	EA	Extension - Valve Stem (Chevrolet)

**1989 ITASCA
TABLE OF CONTENTS**

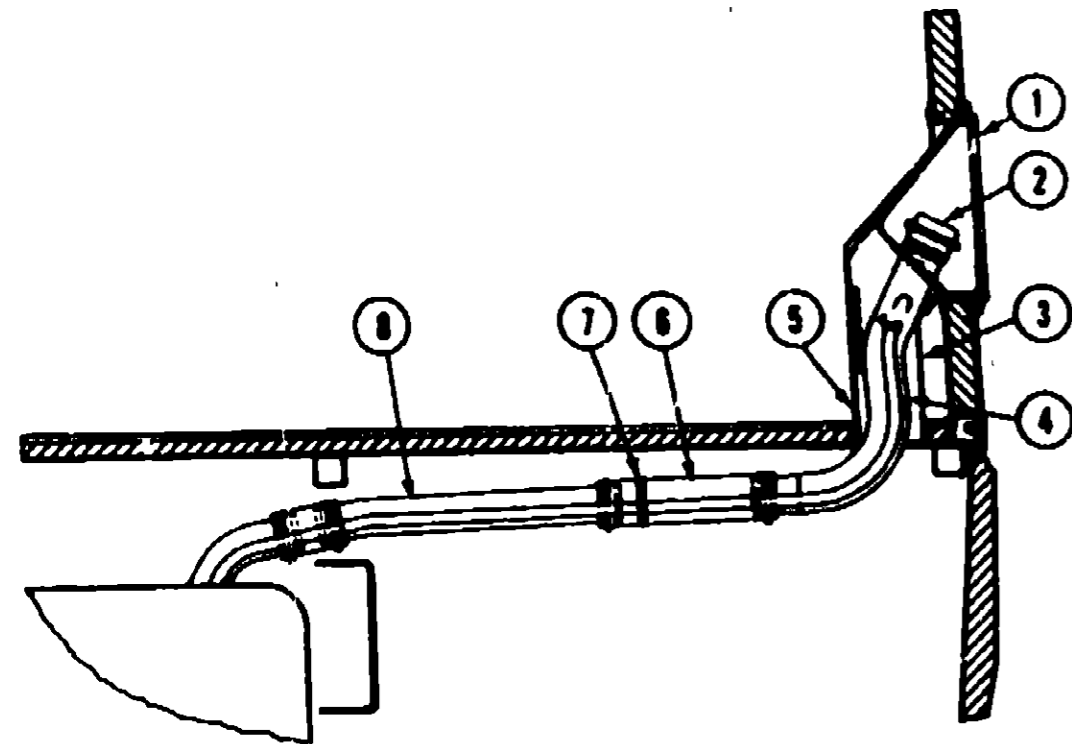
ICN23RC
ICN27RT

A-01 - D-08
D-07 - G-14

1989 ICN27RT INDEX

Floor Plan	D-07 - D-08
Accessories Group	D-08 - D-12
Bath Group	D-13
Chassis Group	D-14 - D-20
Curtain, Cushion & Pad Group	D-21 - E-08
Dinette Group	E-09 - E-10
Driver's Compartment Group	E-11 - E-17
Electrical Group	E-18 - E-21
Exterior Body Group	E-22 - F-08
Galley Group	F-07 - F-08
Heating & Air Conditioning Group	F-10 - F-11
Interior Finish Group	F-12 - F-13
LP Group	F-14
Lounge Group	F-15 - F-16
Water & Sewage Group	F-17 - F-20
Window, Vent & Exterior Door Group	F-21 - G-14

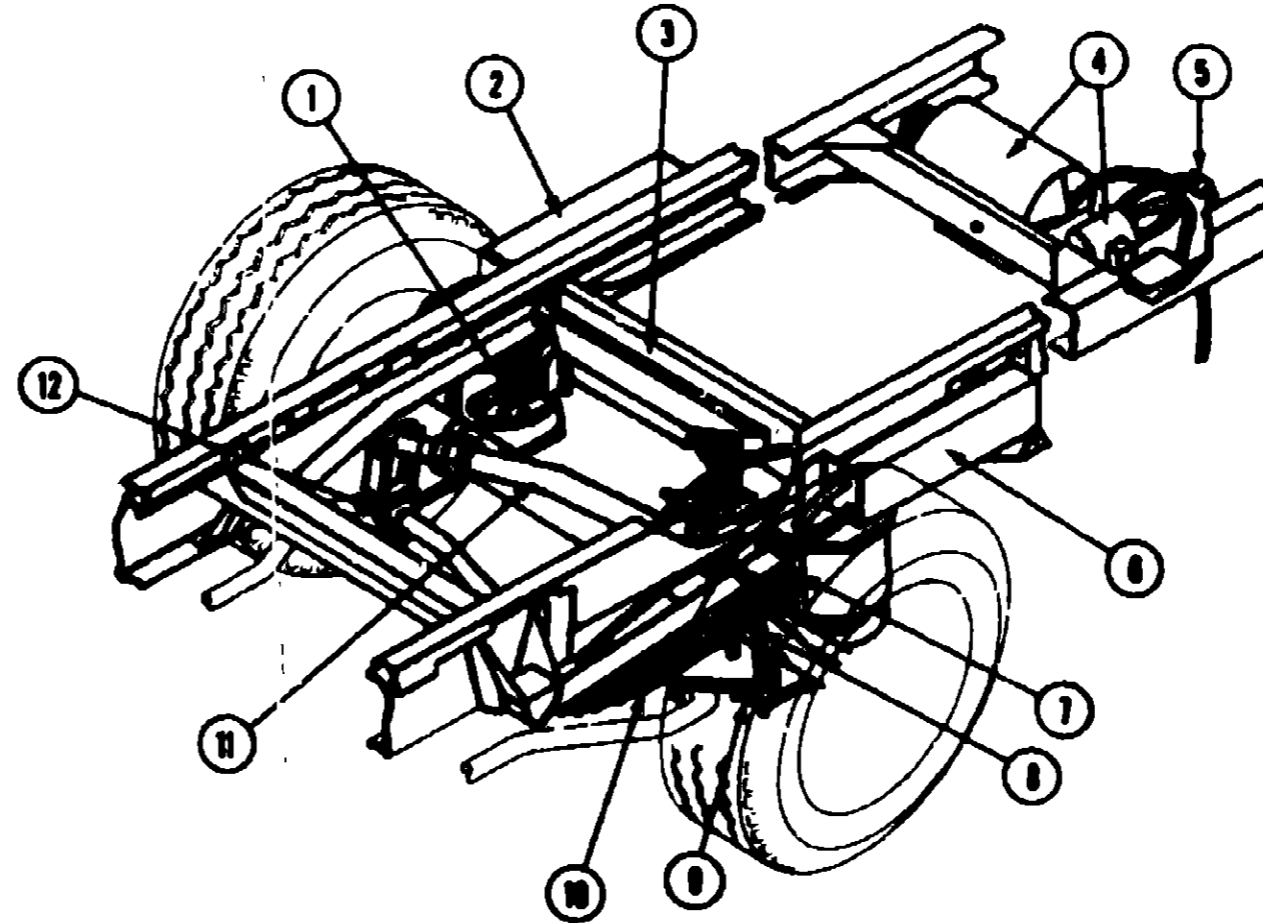
CHASSIS GROUP (CONTINUED)



FUEL SYSTEMS COMPONENTS (CHEVROLET)

Key	Part Number	U/M	Description
1	078010-03-000	EA	Door Asm. - Fuel Fill - Off White
2	073220-02-000	EA	Cap - Fuel Fill (Gas)
	078200-01-000	EA	Gasket - Fuel Fill
3	083678-01-000	EA	Boot - Fuel Fill
4	075227-01-000	EA	Neck Asm. - Upper Fuel Fill (Federal)
4	075227-03-000	EA	Neck Asm. - Upper Fuel Fill (California)
5	072447-04-000	EA	Shroud - Fuel Fill - Inside
6	081245-01-000	EA	Hose - Fuel Fill - Formed
	082401-05-000	EA	Clamp - Hose - Wormgear - 2" - 3" (Fuel Hose)
7	075228-01-000	EA	Strap Asm
8	078228-01-000	EA	Neck Asm. - Fuel Fill - Lower
	086486-02-000	EA	Strap Asm. - Fuel Tank
	088740-01-000	EA	Sending Unit
	088285-01-000	EA	Gasket - Sending Unit
	078811-01-000	EA	Valve Asm. - Vent - Fuel Tank
	088732-01-000	FT	Hose - Fuel - .82 ID (Vent Hose)
	082401-10-000	EA	Clamp - Hose - Wormgear - 1" - 2" (Vent Hose)
	007111-03-000	EA	Hose - Fuel - 1.75" - 3" (Tank To Neck)

CHASSIS GROUP (CONTINUED)



AIR RIDE SUSPENSION (OPTION 84K)

Key	Part Number	U/M	Description
1	080438-11-000	EA	Spring Mount - Lower Axle - Driver
2	080438-09-000	EA	Mount - Airspring Asm. - Upper Driver
3	080438-04-000	EA	Valve Asm. - Height - w/o Park & Level
3	080438-05-000	EA	Valve Asm. - Height - w/Park & Level
4	080438-07-000	EA	Compressor Asm. - w/Tank & Wiring
5	080438-08-000	EA	Control - Park Level w/Wiring
6	080438-08-000	EA	Mount - Airspring Asm. - Upper - Passenger
7	080438-13-000	EA	U-Bolt - Rearward Bent - 7/8"
8	080438-12-000	EA	U-Bolt - Straight - 7/8"
9	080438-10-000	EA	Spring Mount - Lower Axle - Passenger
10	080438-03-000	EA	Leaf Spring - Semi
11	080438-14-000	EA	Track Bar - w/Pivot Bolt & Brackets
12	081280-08-000	EA	Bushing - Sway Bar - 1.75"
	000D14-05-000	EA	Hex Nut - 5/16 - #18
	000D04-05-000	EA	Hex Nut - Locking - 3/8 - #18
	000E13-17-000	EA	Washer - Flange - 3/8
	071374-03-000	EA	Flange - Bulkhead - 1/4 x 1/4 MNPT
	007125-11-0-J	EA	Clamp Asm. - Muttler
	016878-02-000	EA	Strap - Hanger Extension
	081918-02-000	EA	Extension - Exhaust - 2.25 OD x 7
	088433-01-000	EA	Shield - Heat Exhaust
	088180-01-000	EA	Hanger - Exhaust
	016878-02-000	EA	Strap - Hanger Extension
	088189-01-000	EA	Exhaust Pipe - Driver
	088200-01-000	EA	Exhaust Pipe - Passenger
	088087-02-000	EA	Bracket Asm. - Strap - Exhaust Pipe
	081280-01-000	EA	Bushing - Sway Bar - 1.25 (Inboard)
	081280-02-000	EA	Bushing - Sway Bar - 1.25 (Outboard)

**1989 ITASCA
TABLE OF CONTENTS**

ICN23RC
ICN27RT

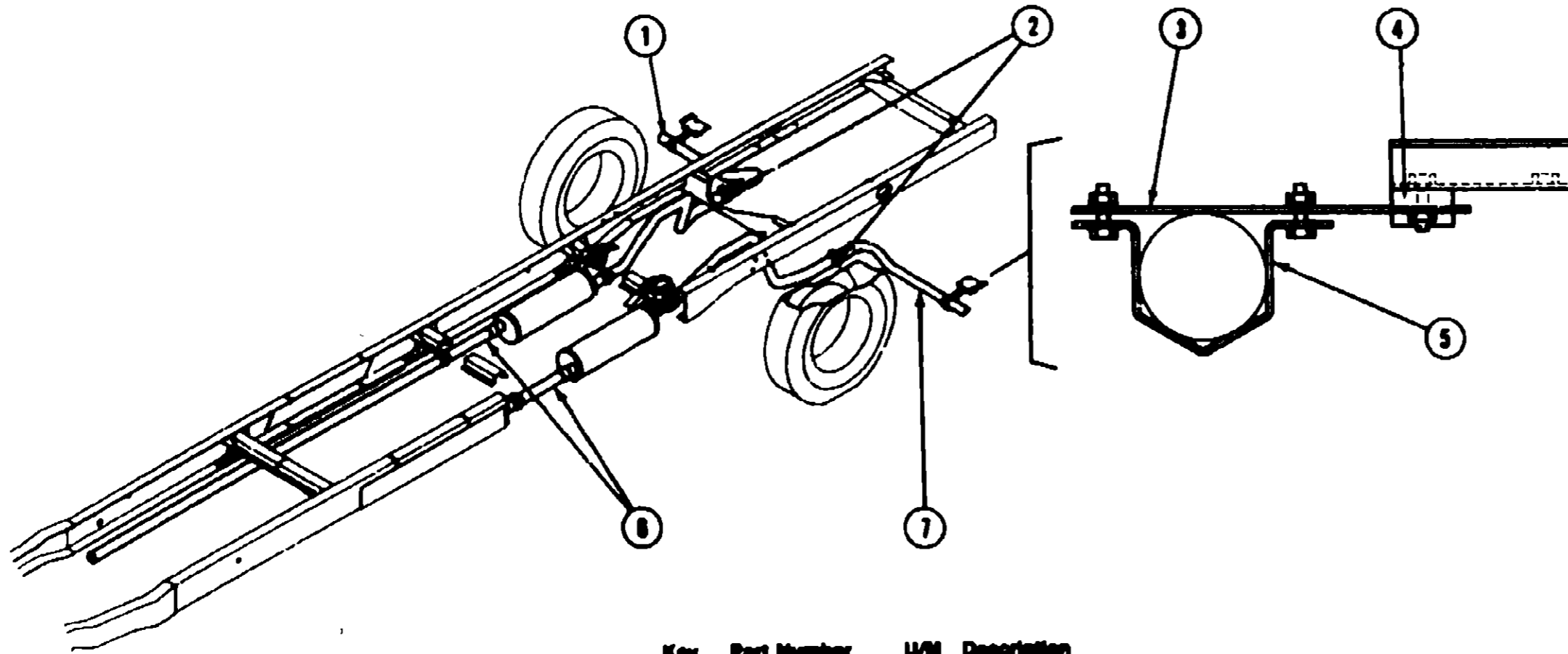
A-01 - D-08
D-07 - G-14

1989 ICN27RT INDEX

Floor Plan	D-07 - D-08
Accessories Group	D-08 - D-12
Bath Group	D-13
Chassis Group	D-14 - D-20
Curtain, Cushion & Pad Group	D-21 - E-08
Dinette Group	E-08 - E-10
Driver's Compartment Group	E-11 - E-17
Electrical Group	E-18 - E-21
Exterior Body Group	E-22 - F-08
Galley Group	F-07 - F-08
Heating & Air Conditioning Group	F-10 - F-11
Interior Finish Group	F-12 - F-13
LP Group	F-14
Lounge Group	F-15 - F-18
Water & Sewage Group	F-17 - F-20
Window, Vent & Exterior Door Group	F-21 - G-14

CHASSIS GROUP (CONTINUED)

CHEVROLET EXHAUST COMPONENTS



Key	Part Number	U/M	Description
1	006189-02-000	EA	Pipe - Exhaust - Passengers
2	007125-08-000	EA	Clamp Arm. - Muffler - 2.25"
3	006623-02-000	EA	Exhaust Bracket - Upper
4	006180-01-000	EA	Exhaust Hanger
5	006623-01-000	EA	Exhaust Bracket - Lower
6	001094-08-000	EA	Exhaust Pipe - Straight
7	006189-01-000	EA	Pipe - Exhaust - Drivers

Remainder of exhaust components are available from chassis service center.

1989 ITASCA TABLE OF CONTENTS

ICN23RC
ICN27RT

A-01 - D-08
D-07 - G-14

1989 ICN27RT INDEX

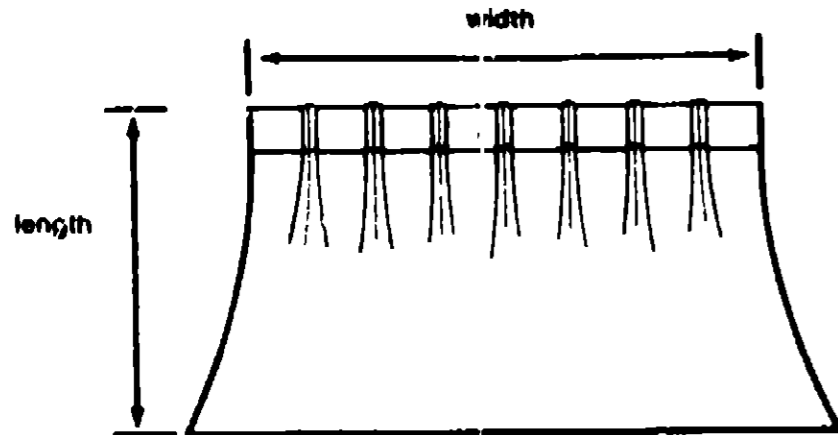
Floor Plan	D-07 - D-08
Accessories Group	D-08 - D-12
Bath Group	D-13
Chassis Group	D-14 - D-20
Curtain, Cushion & Pad Group	D-21 - E-08
Dinette Group	E-09 - E-10
Driver's Compartment Group	E-11 - E-17
Electrical Group	E-18 - E-21
Exterior Body Group	E-22 - F-06
Galley Group	F-07 - F-09
Heating & Air Conditioning Group	F-10 - F-11
Interior Finish Group	F-12 - F-13
LP Group	F-14
Lounge Group	F-15 - F-16
Water & Sewage Group	F-17 - F-20
Window, Vent & Exterior Door Group	F-21 - G-14

CURTAIN, CUSHION & PAD GROUP

NOTICE

In order to assist our Part Sales Dept. in providing interior software items, please include the serial number and the color code number from the vehicle certification label when ordering. This label is located on the left sidewall at the end of the dash (A-Body), or on the driver's door latch plate (C-Body).

An example of a color code number is P31, which designates an overall color scheme of a particular unit. The color listed after the item description on the microfiche, indicates the overall unit color. Order the item you desire according to unit color code.



NOTE Use this illustration when determining length and width measurements for curtains. You will note the width measurement is taken on the top of the curtain with the curtain fully extended. The length measurement is taken from top to bottom.

FABRIC & TRIMS

Key	Part Number	U/M	Description
	088274-83-000	YD	Fabric - Upholstery - Main - Blue (Y36)
	088274-81-000	YD	Fabric - Upholstery - Main - Tiffany (Y36)
	088274-82-000	YD	Fabric - Upholstery - Main - Starburst (Y37)
	088274-33-000	YD	Fabric - Upholstery - Accent - Blue (Y36)
	088274-69-000	YD	Fabric - Upholstery - Accent - Umber (Y36)
	088274-80-000	YD	Fabric - Upholstery - Accent - Eggshell (Y37)
	088273-25-000	YD	Fabric - Bedspread - Ecoru (Y36)
	088273-26-000	YD	Fabric - Bedspread - Peach (Y36)
	088273-27-000	YD	Fabric - Bedspread - Pastel (Y37)
	072333-66-000	YD	Fabric - Drapery Wraparound/Blackout - Silver (Y36)
	072333-69-000	YD	Fabric - Drapery Wraparound/Blackout - Tan (Y36)
	072333-60-000	YD	Fabric - Drapery Wraparound/Blackout - Wateria (Y37)
	072333-63-000	YD	Fabric - Pull Shade - Entrance Door - Bone
	081926-01-000	YD	Backing - Quilting - Celestra
	087272-01-000	YD	Lining - Drapery - 48" Ivory
	029103-01-000	YD	Buckram - Non-Woven - 2
	075244-02-000	YD	Vinyl - Shower Curtain
	088849-03-000	YD	Vinyl - Expanded - Taupe (TV Pad)
	088361-01-000	YD	Vinyl - Headliner - Acoustical Ceiling (Roof)
	079880-01-000	YD	Vinyl - Expanded - 36 oz. Buckram (End Caps)
	072880-70-000	SY	Carpet - Glacier Blue (Y36)
	072880-71-000	SY	Carpet - Pirate's Alley (Y36)
	072880-86-000	SY	Carpet - Amethyst (Y37)
	083488-01-001	EA	Carpet - Outside Storage Compartment (1 SY)
	083488-01-000	SY	Carpet - Outside Storage Compartment
	078246-01-000	EA	Boot - Steering Column
	063682-08-W24	EA	Assist Strap - Interior
	071832-01-000	EA	Hanger Bag - w/Elastic - 48"

CURTAIN, CUSHION & PAD GROUP (CONTINUED)

CURTAIN & BLIND HARDWARE

Key	Part Number	U/M	Description
	029084-04-000	EA	Tape - Loop - 1" Wide - Black
	029088-03-000	EA	Tape - Hook - 1" Wide - Black
	046384-02-000	EA	Tape - Hook - .75" Wide - Beige
	046385-02-000	EA	Tape - Loop - .75" Wide - Beige
	088782-01-000	EA	Tape - Hook - 5/8" - Non-Adhesive
	088782-02-000	EA	Tape - Loop - .75" - Adhesive - Beige
	058003-01-000	EA	Bracket - Drapery Retainer - Right
	058003-02-000	EA	Bracket - Drapery Retainer - Left
	081381-01-000	EA	Swivel Snap - Curtain Track
	084388-01-000	EA	Track - Curtain - Front Wraparound (Option 81H)
	079948-08-000	EA	Track - Curtain - Front Wraparound (Option 81H)
	081804-01-000	EA	Track - Curtain - Front Wraparound - Beige
	078843-01-000	EA	Brace - Beige
	083170-01-000	EA	Blind Installation - Right
	083170-02-000	EA	Blind Installation - Left
	084434-01-000	EA	Bracket - Roller Shade - 1.37"
	087253-01-000	EA	Pull - Window Shade - Clear Plastic
	088881-01-000	EA	Hold Down Bracket - w/Pin - Clear Plastic
	088278-01-000	EA	Tape - Double Sided - .5"
	084433-04-000	EA	Roller Shade - 60.25"
	084432-08-000	FT	Stat - Roller Shade - 66" - Plastic
	081313-01-000	EA	Grommet - Headrest
	088889-01-W30	EA	Trim Arm - Accent - Vinyl Walling
	088818-01-000	EA	Trim - Window
	087082-02-000	EA	Knobs - Operator - Window - Beige
	080025-01-000	EA	Extension - Window Control
	084887-05-000	EA	Hardware - Lift Cord - Pleated Blind
	084800-08-000	EA	Hardware - Stop Ball - White - Pleated Blind
	084800-09-000	EA	Hardware - #4 Nylon Washer - Pleated Blind
	084807-01-000	EA	Hardware - End Cap - Pleated Blind

PADS & TRIMS

Key	Part Number	U/M	Description
	081518-01-X75	EA	Pad Asm. - Dinette - Back (Y36)
	081518-01-Y71	EA	Pad Asm. - Dinette - Back (Y36)
	081518-01-Y72	EA	Pad Asm. - Dinette - Back (Y37)
	081518-02-X75	EA	Pad Asm. - Dinette - Front (Y36)
	081518-02-Y71	EA	Pad Asm. - Dinette - Front (Y36)
	081518-02-Y72	EA	Pad Asm. - Dinette - Front (Y37)
	083188-01-Y36	EA	Pad Asm. - Door
	083188-01-Y36	EA	Pad Asm. - Door
	083188-01-Y37	EA	Pad Asm. - Door
	088046-01-W38	EA	Pad Asm. - TV Cabinet
	088046-02-Y36	EA	Pad Asm. - TV Cabinet
	088288-05-Y36	EA	Survivor Asm. - Driver
	088288-06-Y36	EA	Survivor Asm. - w/Mirror - Passenger
	070878-02-W41	EA	Button Asm. - Stud - #30 - Vinyl (TV Cabinet)
	070878-11-Y16	EA	Button Asm. - #30 - Vinyl (Headliner)

• Parts used after 8/28/88.

**1989 ITASCA
TABLE OF CONTENTS**

ICN23RC
ICN27RT

A-01 - D-08
D-07 - G-14

1989 ICN27RT INDEX

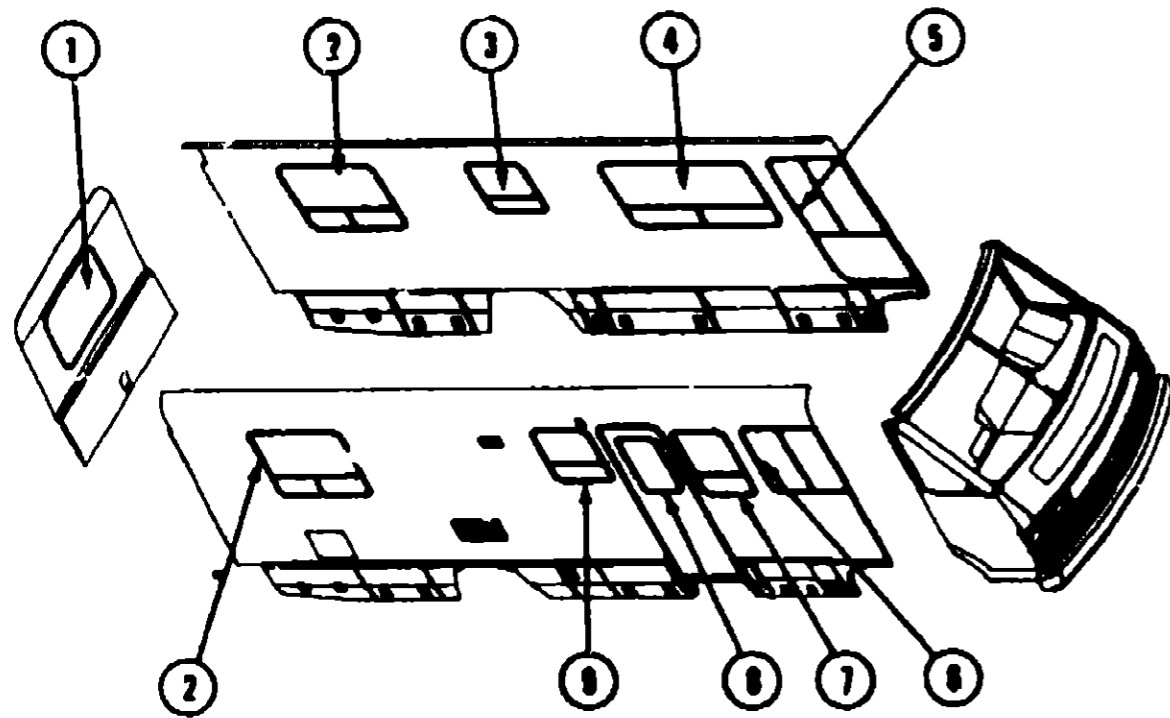
Floor Plan	D-07 - D-08
Accessories Group	D-08 - D-12
Bath Group	D-13
Chassis Group	D-14 - D-20
Curtain, Cushion & Pad Group	D-21 - E-08
Dinette Group	E-09 - E-10
Driver's Compartment Group	E-11 - E-17
Electrical Group	E-18 - E-21
Exterior Body Group	E-22 - F-06
Galley Group	F-07 - F-08
Heating & Air Conditioning Group	F-10 - F-11
Interior Finish Group	F-12 - F-13
LP Group	F-14
Lounge Group	F-15 - F-16
Water & Sewage Group	F-17 - F-20
Window, Vent & Exterior Door Group	F-21 - G-14

CURTAIN, CUSHION & PAD GROUP (CONTINUED)

CURTAIN, CUSHION & PAD GROUP (CONTINUED)

**CURTAINS, SHADES, VALANCES & TIEBACKS
(Y36) BLUE, (Y38) BROWN, (Y37) SILVER**

**1999 ITASCA
TABLE OF CONTENTS**



**CURTAINS, SHADES, VALANCES & TIEBACKS
(Y36) BLUE, (Y38) BROWN, (Y37) SILVER**

Key	Part Number	U/M	Description
1	079452-16-Y30	EA	Curtain Arm - w/Dart Top - 34" x 12" (Y36)
1	079452-16-Y31	EA	Curtain Arm - w/Dart Top - 34" x 12" (Y38)
1	079452-16-Y32	EA	Curtain Arm - w/Dart Top - 34" x 12" (Y37)
1	093455-20-Y36	EA	Shade - Double Hem - 51.25" (Y36)
1	093455-20-Y38	EA	Shade - Double Hem - 51.25" (Y38)
1	093455-20-Y37	EA	Shade - Double Hem - 51.25" (Y37)
2	079452-16-Y30	EA	Curtain Arm - w/Dart Top - 34" x 12" (Y36)
2	079452-16-Y31	EA	Curtain Arm - w/Dart Top - 34" x 12" (Y38)
2	079452-16-Y32	EA	Curtain Arm - w/Dart Top - 34" x 12" (Y37)
2	093455-21-Y36	EA	Shade - Double Hem - 45.25" (Y36)
2	093455-21-Y38	EA	Shade - Double Hem - 45.25" (Y38)
2	093455-21-Y37	EA	Shade - Double Hem - 45.25" (Y37)
3	073304-63-Y36	EA	Curtain Arm - Snap Top - 28" x 10" (Y36)
3	073304-63-Y13	EA	Curtain Arm - Snap Top - 28" x 10" (Y38)
3	073304-63-Y78	EA	Curtain Arm - Snap Top - 28" x 10" (Y37)
3	093455-39-Y36	EA	Shade - Double Hem - 28.25"
3	093455-39-Y38	EA	Shade - Double Hem - 28.25"
3	093455-39-Y37	EA	Shade - Double Hem - 28.25"
4	099056-19-Y36	EA	Padded - Window Leg - Right - Gathered w/Wood Trim (Y36)
4	099056-19-Y38	EA	Padded - Window Leg - Right - Gathered w/Wood Trim (Y38)
4	099056-19-Y37	EA	Padded - Window Leg - Right - Gathered w/Wood Trim (Y37)
4	099056-20-Y36	EA	Padded - Window Leg - Left - Gathered w/Wood Trim (Y36)
4	099056-20-Y13	EA	Padded - Window Leg - Left - Gathered w/Wood Trim (Y38)
4	099056-20-Y37	EA	Padded - Window Leg - Left - Gathered w/Wood Trim (Y37)

Key	Part Number	U/M	Description
4	093475-21-01A	EA	Blind - Mini - 57.5" x 32" Drop (Y36, Y37)
4	093475-21-02A	EA	Blind - Mini - 57.5" x 32" Drop (Y38)
5	093452-02-Y30	EA	Blackout Curtain - w/Snaps Top - Drivers - 48" x 50" (Y36)
5	093452-02-Y31	EA	Blackout Curtain - w/Snaps Top - Drivers - 48" x 50" (Y38)
5	093452-02-Y32	EA	Blackout Curtain - w/Snaps Top - Drivers - 48" x 50" (Y37)
5	077891-10-Y36	EA	Blackout Curtain - w/Velcro Top - Drivers - 60" x 47.5" (w/Bunk) (Y36)
5	077891-10-Y13	EA	Blackout Curtain - w/Velcro Top - Drivers - 60" x 47.5" (w/Bunk) (Y38)
5	077891-10-Y37	EA	Blackout Curtain - w/Velcro Top - Drivers - 60" x 47.5" (w/Bunk) (Y37)
5	073304-60-Y36	EA	Front Wraparound - 34" x 82" - Drivers or Passengers (Y36)
5	073304-60-Y13	EA	Front Wraparound - 34" x 82" - Drivers or Passengers (Y38)
5	073304-60-Y37	EA	Front Wraparound - 34" x 82" - Drivers or Passengers (Y37)
5	073304-68-Y36	EA	Front Wraparound - 38" x 30" - Drivers (w/Bunk) (Y36)
5	073304-68-Y13	EA	Front Wraparound - 38" x 30" - Drivers (w/Bunk) (Y38)
5	073304-68-Y37	EA	Front Wraparound - 38" x 30" - Drivers (w/Bunk) (Y37)
6	093452-01-Y30	EA	Blackout Curtain - w/Snaps Top - Passengers - 48" x 60" (Y36)
6	093452-01-Y31	EA	Blackout Curtain - w/Snaps Top - Passengers - 48" x 60" (Y38)
6	093452-01-Y32	EA	Blackout Curtain - w/Snaps Top - Passengers - 48" x 60" (Y37)
6	077891-09-Y36	EA	Blackout Curtain - w/Velcro Top - Passengers - 60" x 47.5" (Y36)
6	077891-09-Y13	EA	Blackout Curtain - w/Velcro Top - Passengers - 60" x 47.5" (Y38)
6	077891-09-Y37	EA	Blackout Curtain - w/Velcro Top - Passengers - 60" x 47.5" (Y37)
6	073304-60-Y36	EA	Front Wraparound - 34" x 82" - Passengers or Drivers (Y36)
6	073304-60-Y13	EA	Front Wraparound - 34" x 82" - Passengers or Drivers (Y38)
6	073304-60-Y37	EA	Front Wraparound - 34" x 82" - Passengers or Drivers (Y37)
6	073304-69-Y36	EA	Front Wraparound - 38" x 125" - Passengers (Y36)
6	073304-69-Y13	EA	Front Wraparound - 38" x 125" - Passengers (Y38)
6	073304-69-Y37	EA	Front Wraparound - 38" x 125" - Passengers (Y37)
7	078542-16-Y30	EA	Curtain Arm - 34" x 12" - w/Snaps Top (Y36)
7	078542-16-Y31	EA	Curtain Arm - 34" x 12" - w/Snaps Top (Y38)
7	078542-16-Y32	EA	Curtain Arm - 34" x 12" - w/Snaps Top (Y37)
7	093475-13-01A	EA	Blinds - Pleated - 21" x 32" Drop (Y36, Y37)
7	093475-13-02A	EA	Blinds - Pleated - 21" x 32" Drop (Y38)
8	093455-13-Y36	EA	Shade Arm - 24.25" - Entrance Door (Y36)
8	093455-13-Y19	EA	Shade Arm - 24.25" - Entrance Door (Y38)
8	093455-13-Y32	EA	Shade Arm - 24.25" - Entrance Door (Y37)
8	093475-16-01A	EA	Blinds - Pleated - 28" x 25.5" Drop (Y36, Y37)
8	093475-16-02A	EA	Blinds - Pleated - 28" x 25.5" Drop (Y38)
9	073280-23-XA4	EA	Tieback - 3" x 18" (Y36)
9	073280-23-Y16	EA	Tieback - 3" x 18" (Y38)
9	073280-23-Y72	EA	Tieback - 3" x 18" (Y37)
9	073280-28-Y36	EA	Tieback - 3" x 18" (Y36)
9	073280-28-Y13	EA	Tieback - 3" x 18" (Y38)
9	073280-28-Y37	EA	Tieback - 3" x 18" (Y37)
9	073280-28-Y36	EA	Tieback - 3" x 23" (Y36)
9	073280-28-Y13	EA	Tieback - 3" x 23" (Y38)
9	073280-28-Y37	EA	Tieback - 3" x 23" (Y37)
9	084481-09-000	EA	Shower Liner Curtain - 71" x 34"

ICN23RC
ICN27RT

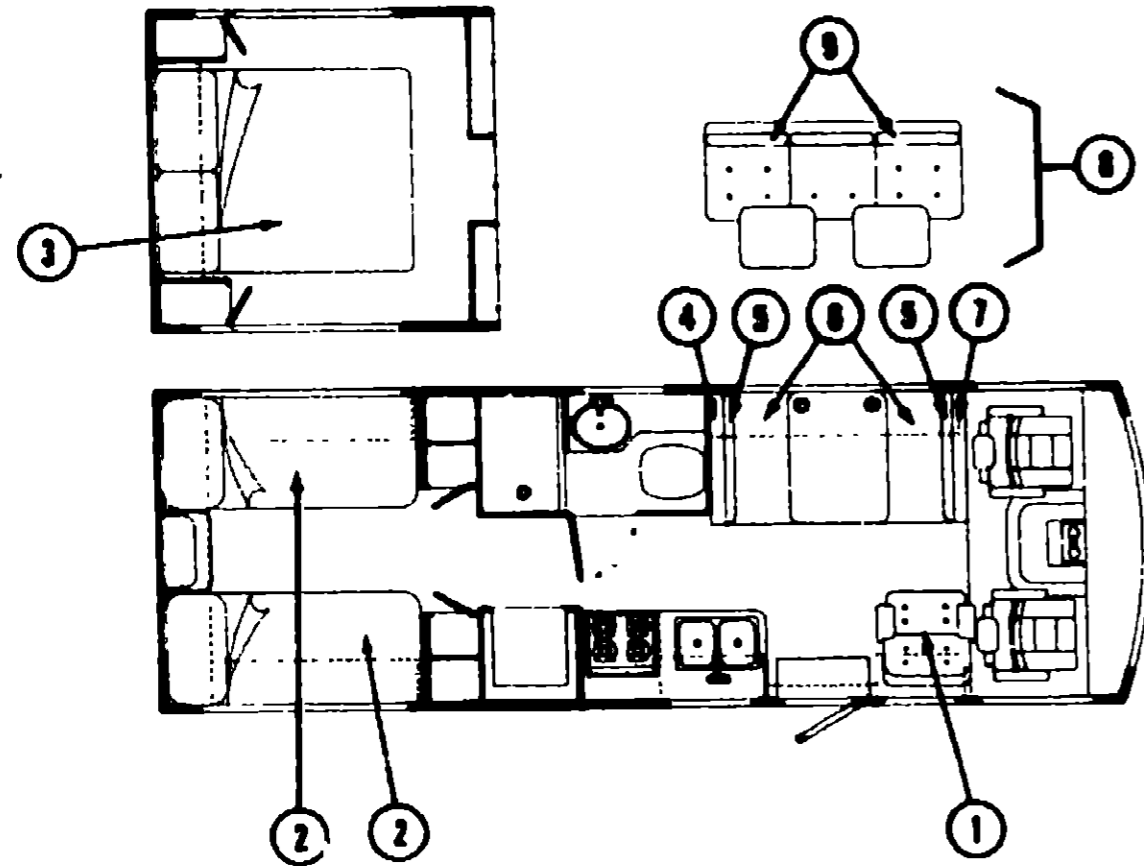
A-01 - D-08
D-07 - G-14

1999 ICN27RT INDEX

Floor Plan	D-07 - D-08
Accessories Group	D-09 - D-12
Bath Group	D-13
Chassis Group	D-14 - D-30
Curtain, Cushion & Pad Group	D-31 - E-08
Dinette Group	E-09 - E-10
Driver's Compartment Group	E-11 - E-17
Electrical Group	E-18 - F-21
Exterior Body Group	F-22 - F-68
Galley Group	F-67 - F-69
Heating & Air Conditioning Group	F-10 - F-11
Interior Finish Group	F-12 - F-13
LP Group	F-14
Lounge Group	F-16 - F-18
Water & Sewage Group	F-17 - F-20
Window, Vent & Exterior Door Group	F-21 - G-14

CURTAIN, CUSHION & PAD GROUP (CONTINUED)

CUSHIONS & PADS
(Y36) BLUE, (Y38) BROWN, (Y37) SILVER



Key	Part Number	U/S	Description
1	080000-02-Y30	EA	Chair Arm - Celebrity (Y36)
1	080000-02-Y31	EA	Chair Arm - Celebrity (Y38)
1	080000-02-Y32	EA	Chair Arm - Celebrity (Y37)
2	080000-01-000	EA	Innerspring Mattress - 30" x 76" x 7.5" Sealy
2	081000-19-Y36	EA	Bedspread - Fitted - Passengers w/8" Drop - 33" x 75" (Y36)
2	081000-19-Y38	EA	Bedspread - Fitted - Passengers w/8" Drop - 33" x 75" (Y38)
2	081000-19-Y37	EA	Bedspread - Fitted - Passengers w/8" Drop - 33" x 75" (Y37)
3	081000-20-Y36	EA	Bedspread - Queen Bed - w/10" Ruffle - 60" x 75" (Y36)
3	081000-20-Y38	EA	Bedspread - Queen Bed - w/10" Ruffle - 60" x 75" (Y38)
3	081000-20-Y37	EA	Bedspread - Queen Bed - w/10" Ruffle - 60" x 75" (Y37)
3	080000-04-000	EA	Innerspring Mattress - 60" x 75" - Sealy
4	081519-02-Y75	EA	Pad Arm - Dinetto Back - Rear (Y36)
4	081519-02-Y71	EA	Pad Arm - Dinetto Back - Rear (Y38)
4	081519-02-Y72	EA	Pad Arm - Dinetto Back - Rear (Y37)
5	080027-20-Y30	EA	Cushion Arm - Angled Back - 13" x 38" x 5" (Y36)
5	080027-20-Y31	EA	Cushion Arm - Angled Back - 13" x 38" x 5" (Y38)
5	080027-20-Y32	EA	Cushion Arm - Angled Back - 13" x 38" x 5" (Y37)
5	M88827-20-Y30	EA	Cover Arm - Dinetto Angled Back Cushion - 13" x 38" x 5" (Y36)
5	M88827-20-Y31	EA	Cover Arm - Dinetto Angled Back Cushion - 13" x 38" x 5" (Y38)
5	M88827-20-Y32	EA	Cover Arm - Dinetto Angled Back Cushion - 13" x 38" x 5" (Y37)
6	080027-21-Y30	EA	Cushion Arm - Dinetto Bottom - 22" x 38" x 5" (Y36)
6	080027-21-Y31	EA	Cushion Arm - Dinetto Bottom - 22" x 38" x 5" (Y38)
6	080027-21-Y32	EA	Cushion Arm - Dinetto Bottom - 22" x 38" x 5" (Y37)
6	M88827-21-Y30	EA	Cover Arm - Dinetto Bottom - 22" x 38" x 5" (Y36)
6	M88827-21-Y31	EA	Cover Arm - Dinetto Bottom - 22" x 38" x 5" (Y38)
6	M88827-21-Y32	EA	Cover Arm - Dinetto Bottom - 22" x 38" x 5" (Y37)
7	081519-01-Y75	EA	Pad Arm - Dinetto Back - Front (Y36)
7	081519-01-Y71	EA	Pad Arm - Dinetto Back - Front (Y38)
7	081519-01-Y72	EA	Pad Arm - Dinetto Back - Front (Y37)
8	080007-03-Y70	EA	Bed - Celebrity - w/Wood Slat (Y36)
8	080007-03-Y71	EA	Bed - Celebrity - w/Wood Slat (Y38)
8	080007-03-Y72	EA	Bed - Celebrity - w/Wood Slat (Y37)
9	080357-01-Y70	EA	Cushion Arm - Gathered - Back Pillow (3 Required) (Y36)
9	080357-01-Y71	EA	Cushion Arm - Gathered - Back Pillow (3 Required) (Y38)
9	080357-01-Y72	EA	Cushion Arm - Gathered - Back Pillow (3 Required) (Y37)
	079145-05-000	EA	Bunk Cushion - 30" x 73" x 4"
	M79145-05-000	EA	Cover Arm - Bunk Cushion - 30" x 73" x 4"
	053552-02-W04	EA	Assist Handle - Vinyl Strap

1999 ITASCA TABLE OF CONTENTS

ICN27RC
ICN27WT

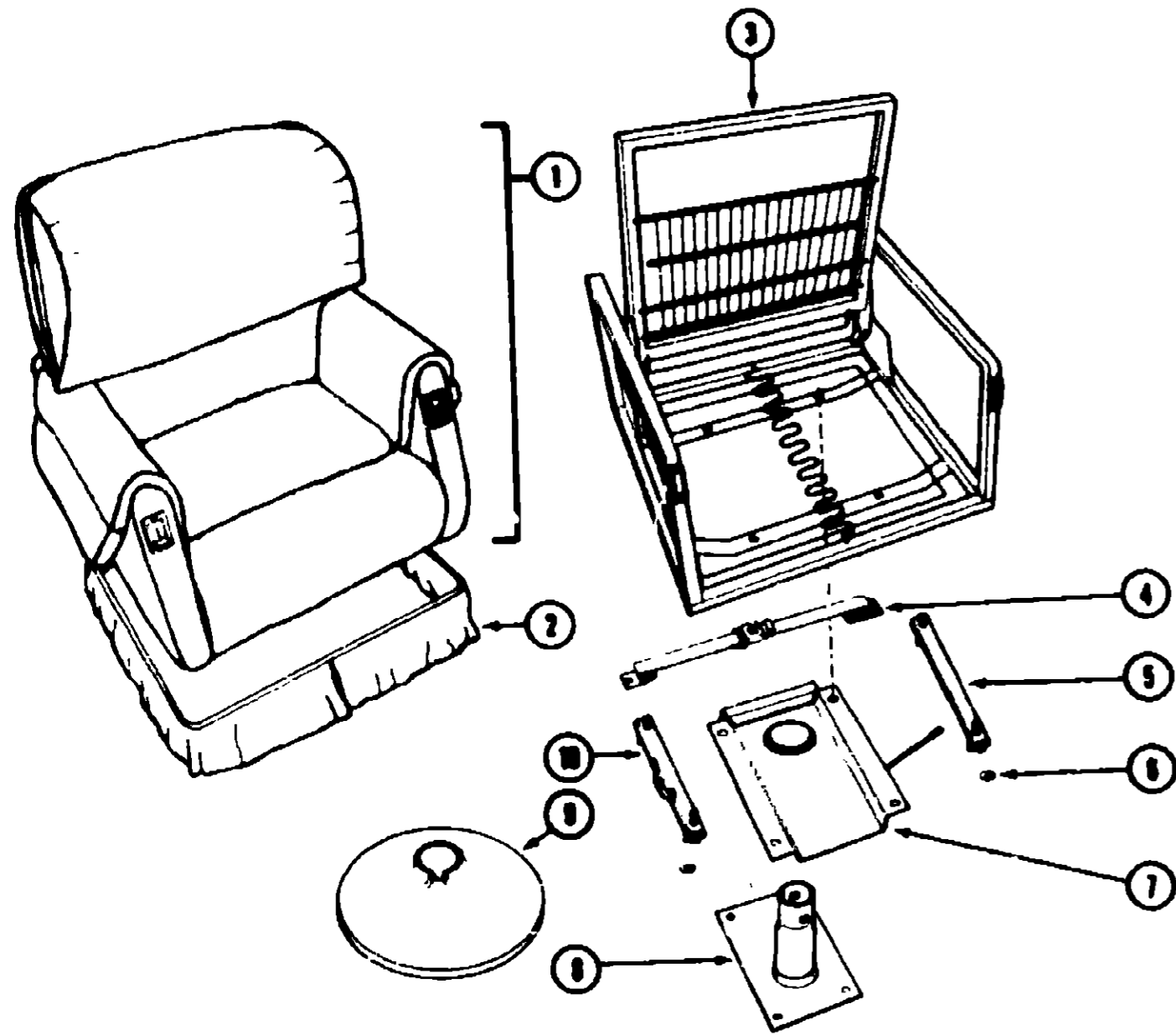
A-01 - D-08
D-07 - G-14

1999 ICN27WT INDEX

Floor Plan	D-07 - D-08
Accessories Group	D-09 - D-12
Bath Group	D-13
Chassis Group	D-14 - D-20
Curtain, Cushion & Pad Group	D-21 - E-08
Dinetto Group	E-09 - E-10
Driver's Compartment Group	E-11 - E-17
Electrical Group	E-18 - E-21
Liner Body Group	E-22 - F-08
Galley Group	F-07 - F-08
Heating & Air Conditioning Group	F-10 - F-11
Interior Finish Group	F-12 - F-13
LP Group	F-14
Lounge Group	F-15 - F-16
Water & Sewage Group	F-17 - F-20
Window, Vent & Exterior Door Group	F-21 - G-14

CURTAIN, CUSHION & PAD GROUP (CONTINUED)

SWIVEL CHAIR
 (Y35) BLUE, (Y36) BROWN, (Y37) SILVER



Qty	Part Number	U/M	Description
1	086089-02-Y30	EA	Chair Arm. - Celebrity (Y35)
1	086089-02-Y31	EA	Chair Arm. - Celebrity (Y36)
1	086089-02-Y32	EA	Chair Arm. - Celebrity (Y37)
1	M86089-02-Y30	EA	Cover Arm. - Celebrity (Y35)
1	M86089-02-Y31	EA	Cover Arm. - Celebrity (Y36)
1	M86089-02-Y32	EA	Cover Arm. - Celebrity (Y37)
2	086187-02-Y30	EA	Skirt Arm. - Celebrity (Y35)
2	086187-02-Y31	EA	Skirt Arm. - Celebrity (Y36)
2	086187-02-Y32	EA	Skirt Arm. - Celebrity (Y37)
2	M86187-02-Y30	EA	Cover Arm. - Celebrity Skirt (Y35)
2	M86187-02-Y31	EA	Cover Arm. - Celebrity Skirt (Y36)
2	M86187-02-Y32	EA	Cover Arm. - Celebrity Skirt (Y37)
3	080854-01-000	EA	Frame Arm. - Chair
4	007021-01-000	EA	Seat Bolt Arm.
8	080946-02-000	EA	Slide Arm. - w/o Lock
6	007221-01-000	EA	Washer - Coned
7	080481-03-000	EA	Seat Top Plate
9	080481-02-000	EA	Seat Base
9	080482-01-000	EA	Cover - Seat Base - Black Plastic
10	080246-01-000	EA	Slide Arm. - w/Lock
	087330-01-000	EA	Stop Bracket - Slide Track

1989 ITASCA
TABLE OF CONTENTS

ICN239C
 ICN27RT

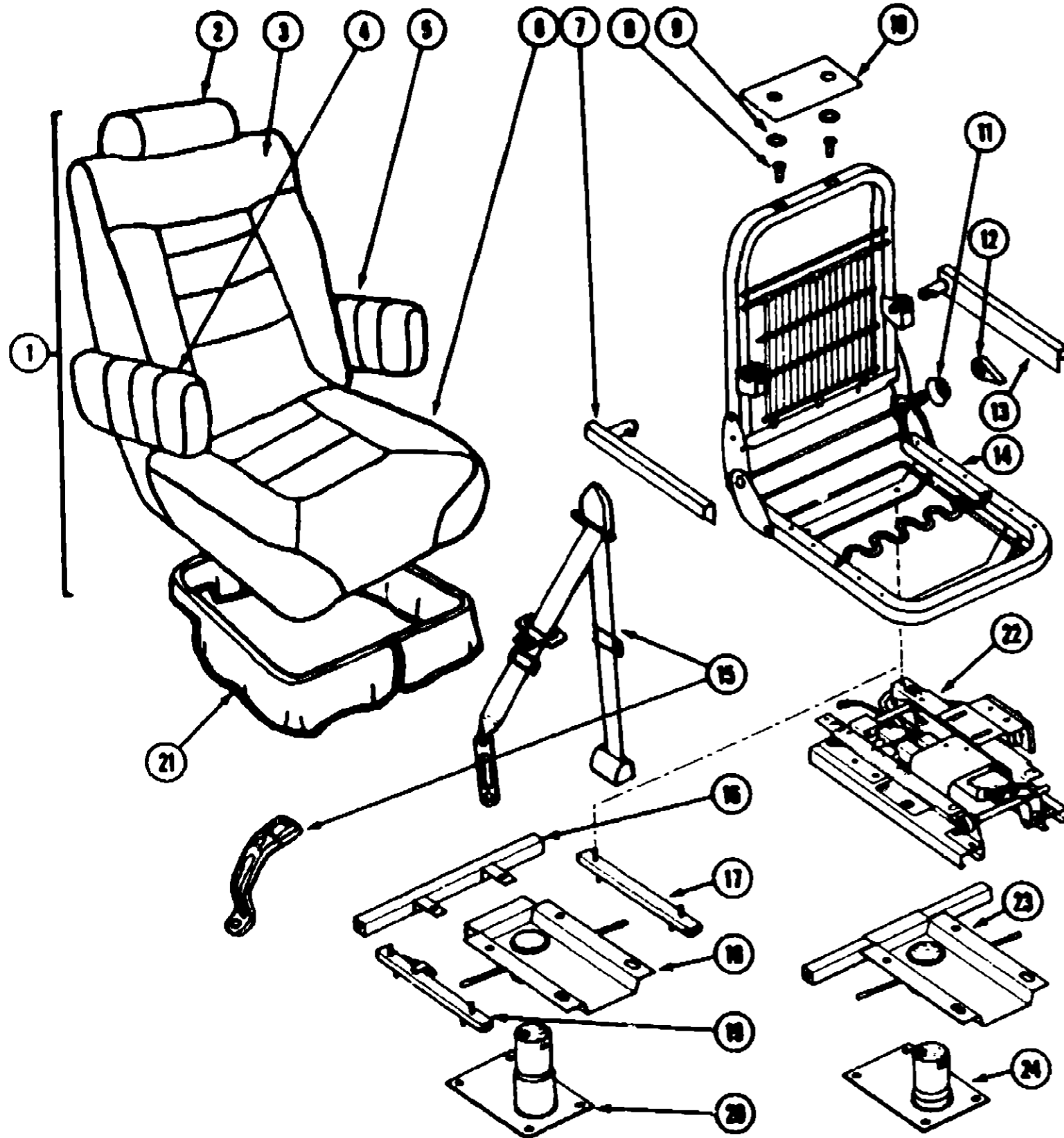
A-01 - D-08
 D-07 - G-14

1989 ICN27RT INDEX

Floor Plan	D-07 - D-08
Accessories Group	D-09 - D-12
Bath Group	D-13
Chassis Group	D-14 - D-20
Curtain, Cushion & Pad Group	D-21 - E-08
Dinette Group	E-09 - E-10
Driver's Compartment Group	E-11 - E-17
Electrical Group	E-18 - E-21
Exterior Body Group	E-22 - F-08
Galley Group	F-07 - F-08
Heating & Air Conditioning Group	F-10 - F-11
Interior Finish Group	F-12 - F-13
LP Group	F-14
Lounge Group	F-15 - F-16
Water & Sewage Group	F-17 - F-20
Window, Vent & Exterior Door Group	F-21 - G-14

CURTAIN, CUSHION & PAD GROUP (CONTINUED)

BUCKET SEAT ASM.
(Y35) BLUE, (Y36) BROWN, (Y37) SILVER



Key	Part Number	U/M	Description
1	083458-03-Y70	EA	Seat Arm. w/Arm & Headrest - w/o Skirt (Driver or Passenger) (Y35)
1	083458-03-Y71	EA	Seat Arm. w/Arm & Headrest - w/o Skirt (Driver or Passenger) (Y36)
1	083458-03-Y72	EA	Seat Arm. w/Arm & Headrest - w/o Skirt (Driver or Passenger) (Y37)
2	086288-01-Y24	EA	Headrest Arm. (Y35)
2	086288-01-Y71	EA	Headrest Arm. (Y36)
2	086288-01-Y72	EA	Headrest Arm. (Y37)
2	M86888-01-Y24	EA	Headrest Cover (Y35)
2	M86888-01-Y71	EA	Headrest Cover (Y36)
2	M86888-01-Y72	EA	Headrest Cover (Y37)
3	M03445-05-Y30	EA	Cover Arm. - Seat Back (Y35)
3	M03445-05-Y31	EA	Cover Arm. - Seat Back (Y36)
3	M03445-05-Y32	EA	Cover Arm. - Seat Back (Y37)
4	080843-32-Y30	EA	Armrest Arm. - Right Hand (Y35)
4	080843-32-Y31	EA	Armrest Arm. - Right Hand (Y36)
4	080843-32-Y32	EA	Armrest Arm. - Right Hand (Y37)
4	M80843-32-Y30	EA	Armrest Cover - Right Hand (Y35)
4	M80843-32-Y31	EA	Armrest Cover - Right Hand (Y36)
4	M80843-32-Y32	EA	Armrest Cover - Right Hand (Y37)
5	080843-33-Y30	EA	Armrest Arm. - Left Hand (Y35)
5	080843-33-Y31	EA	Armrest Arm. - Left Hand (Y36)
5	080843-33-Y32	EA	Armrest Arm. - Left Hand (Y37)
5	M80843-33-Y30	EA	Armrest Cover - Left Hand (Y35)
5	M80843-33-Y31	EA	Armrest Cover - Left Hand (Y36)
5	M80843-33-Y32	EA	Armrest Cover - Left Hand (Y37)
6	M03445-05-Y30	EA	Cover Arm. - Seat Bottom (Y35)
6	M03445-05-Y31	EA	Cover Arm. - Seat Bottom (Y36)
6	M03445-05-Y32	EA	Cover Arm. - Seat Bottom (Y37)
7	081288-01-000	EA	Armrest Frame Arm. - Right Hand
8	081313-01-000	EA	Headrest Bushing
9	083183-01-000	EA	Push Nut - 7/16"
10	081172-01-000	EA	Trim Plate
11	080730-05-000	EA	Shield - Recliner Lever
12	080730-03-000	EA	Recliner Lever
13	081288-02-000	EA	Armrest Frame Arm. - Left Hand
14	M80888-01-000	EA	Seat Frame Arm.
15	081888-01-01A	EA	Seat Bolt
16	088825-28-000	EA	Seat Bolt Bar
17	088248-02-000	EA	Seat Slide w/o Lock
18	088885-27-000	EA	Top Plate
19	088248-01-000	EA	Seat Slide w/lock
20	088885-08-000	EA	Seat Base
21	071128-24-X75	EA	Skirt Arm. (Y35)
21	071128-24-Y71	EA	Skirt Arm. (Y36)
21	071128-24-Y72	EA	Skirt Arm. (Y37)
	088274-33-000	YD	Bucket Seat Fabric (Y35)
	077488-28-000	YD	Bucket Seat Fabric (Y36)
	088274-80-000	YD	Bucket Seat Fabric (Y37)

POWER SEAT OPTION (8368)

Key	Part Number	U/M	Description
21	071128-28-X75	EA	Skirt Arm. - Power Seat (Y35)
21	071128-28-Y36	EA	Skirt Arm. - Power Seat (Y36)
21	071128-28-Y37	EA	Skirt Arm. - Power Seat (Y37)
22	081373-01-000	EA	Power Control - 6 Way
23	088885-36-000	EA	Top Plate (6 Way Power Seat)
24	088885-37-000	EA	Seat Base
	081981-04-000	EA	Wire Arm. (6 Way Power Seat)

1988 ITASCA TABLE OF CONTENTS

ICN23RC
ICN27RT

A-01 - D-08
D-07 - G-14

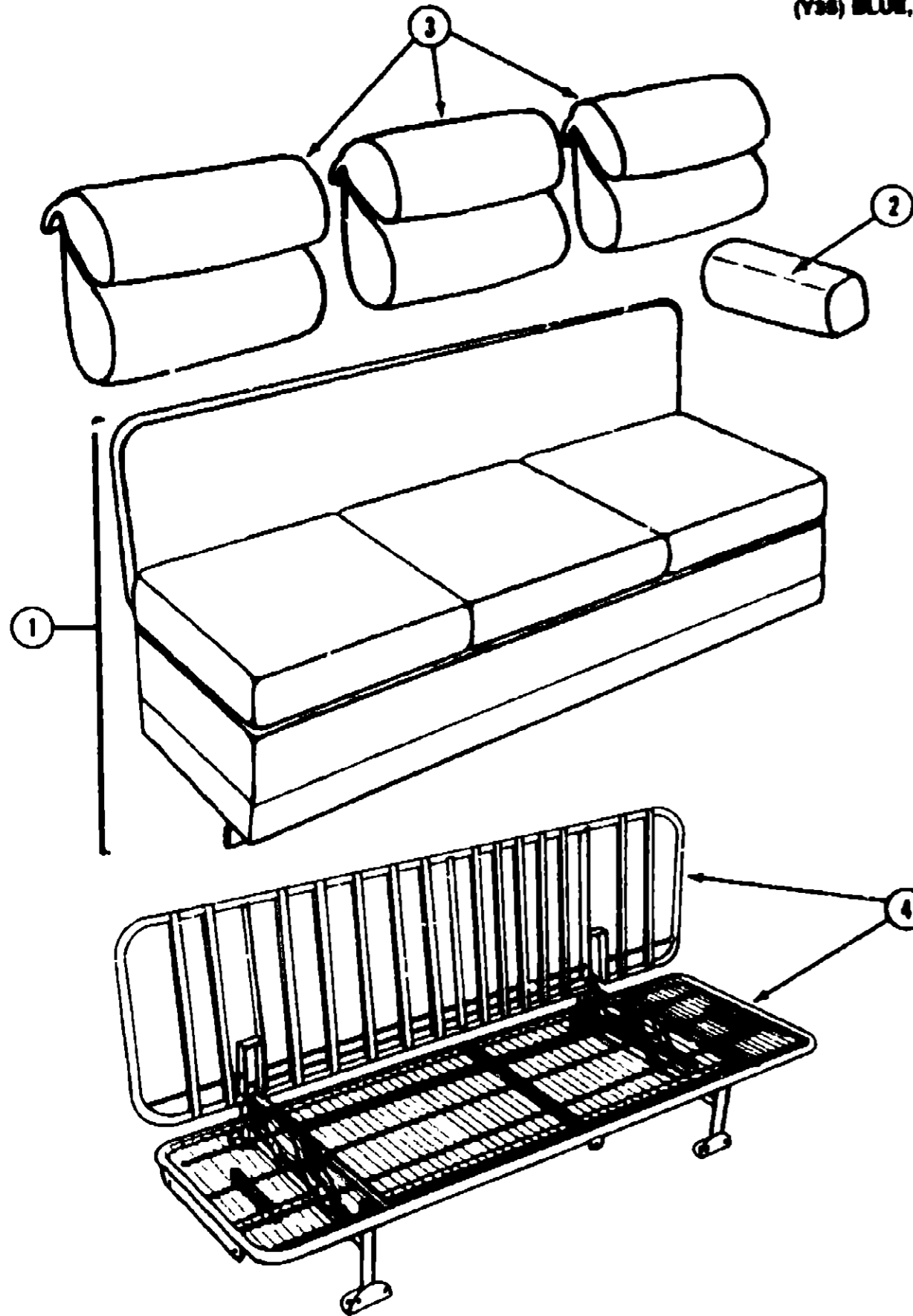
1988 ICN27RT INDEX

Floor Plan	D-07 - D-08
Accessories Group	D-09 - D-12
Bath Group	D-13
Chassis Group	D-14 - D-20
Curtain, Cushion & Pad Group	D-21 - E-08
Dinette Group	E-09 - E-10
Driver's Compartment Group	E-11 - E-17
Electrical Group	E-18 - E-21
Exterior Body Group	E-22 - F-08
Galley Group	F-07 - F-08
Heating & Air Conditioning Group	F-10 - F-11
Interior Finish Group	F-12 - F-13
LP Group	F-14
Lounge Group	F-15 - F-16
Water & Sewage Group	F-17 - F-20
Window, Vent & Exterior Door Group	F-21 - G-14

CURTAIN, CUSHION & PAD GROUP (CONTINUED)

CELEBRITY COUCH (Y35) BLUE, (Y36) BROWN, (Y37) SILVER

Key	Part Number	U/M	Description
1	088007-09-Y70	EA	Sofa Bed - Celebrity (Y35)
1	088007-09-Y71	EA	Sofa Bed - Celebrity (Y36)
1	088007-09-Y72	EA	Sofa Bed - Celebrity (Y37)
1	M88007-09-Y70	EA	Cover - Sofa Bed - Celebrity (Y35)
1	M88007-09-Y71	EA	Cover - Sofa Bed - Celebrity (Y36)
1	M88007-09-Y72	EA	Cover - Sofa Bed - Celebrity (Y37)
2	088080-02-Y30	EA	Arm Pillow (Y35)
2	088080-02-Y31	EA	Arm Pillow (Y36)
2	088080-02-Y32	EA	Arm Pillow (Y37)
2	M88080-02-Y30	EA	Cover - Arm Pillow (Y35)
2	M88080-02-Y31	EA	Cover - Arm Pillow (Y36)
2	M88080-02-Y32	EA	Cover - Arm Pillow (Y37)
3	086367-01-Y70	EA	Pillow Cushion - Back - 3 Required (Y35)
3	086367-01-Y71	EA	Pillow Cushion - Back - 3 Required (Y36)
3	086367-01-Y72	EA	Pillow Cushion - Back - 3 Required (Y37)
3	M86367-01-Y70	EA	Cover - Pillow Cushion - 3 Required (Y35)
3	M86367-01-Y71	EA	Cover - Pillow Cushion - 3 Required (Y36)
3	M86367-01-Y72	EA	Cover - Pillow Cushion - 3 Required (Y37)
4	078388-01-000	EA	Frame Arm - Sofa Bed
	078388-02-000	EA	Mounting Hardware - Sofa Bed
	088274-83-000	YD	Sofa Fabric (Y35)
	088274-81-000	YD	Sofa Fabric (Y36)
	088274-82-000	YD	Sofa Fabric (Y37)



1988 ITASCA TABLE OF CONTENTS

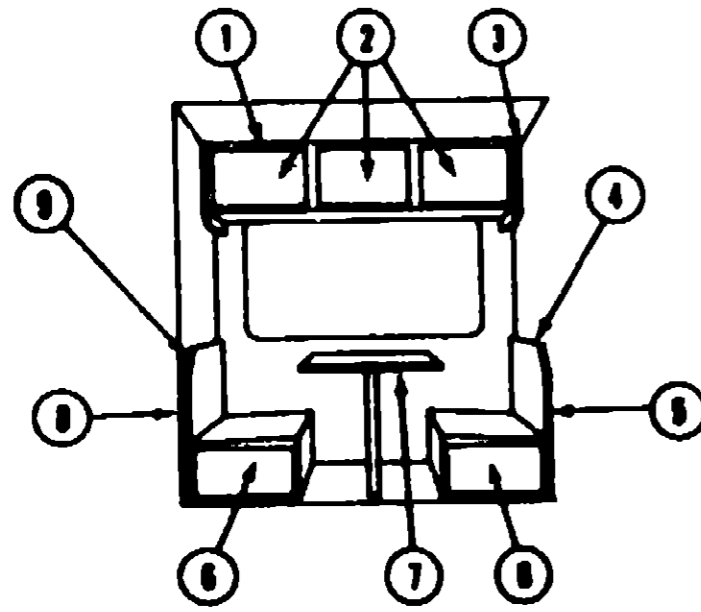
ICN23RC
ICN27RT

A-01 - D-08
D-07 - G-14

1988 ICN27RT INDEX

Floor Plan	D-07 - D-08
Accessories Group	D-09 - D-12
Bath Group	D-13
Chassis Group	D-14 - D-20
Curtain, Cushion & Pad Group	D-21 - E-08
Dinette Group	E-09 - E-10
Driver's Compartment Group	E-11 - E-17
Electrical Group	E-18 - E-21
Exterior Body Group	E-22 - F-08
Galley Group	F-07 - F-08
Heating & Air Conditioning Group	F-10 - F-11
Interior Finish Group	F-12 - F-13
LP Group	F-14
Lounge Group	F-15 - F-16
Water & Sewage Group	F-17 - F-20
Window, Vent & Exterior Door Group	F-21 - G-14

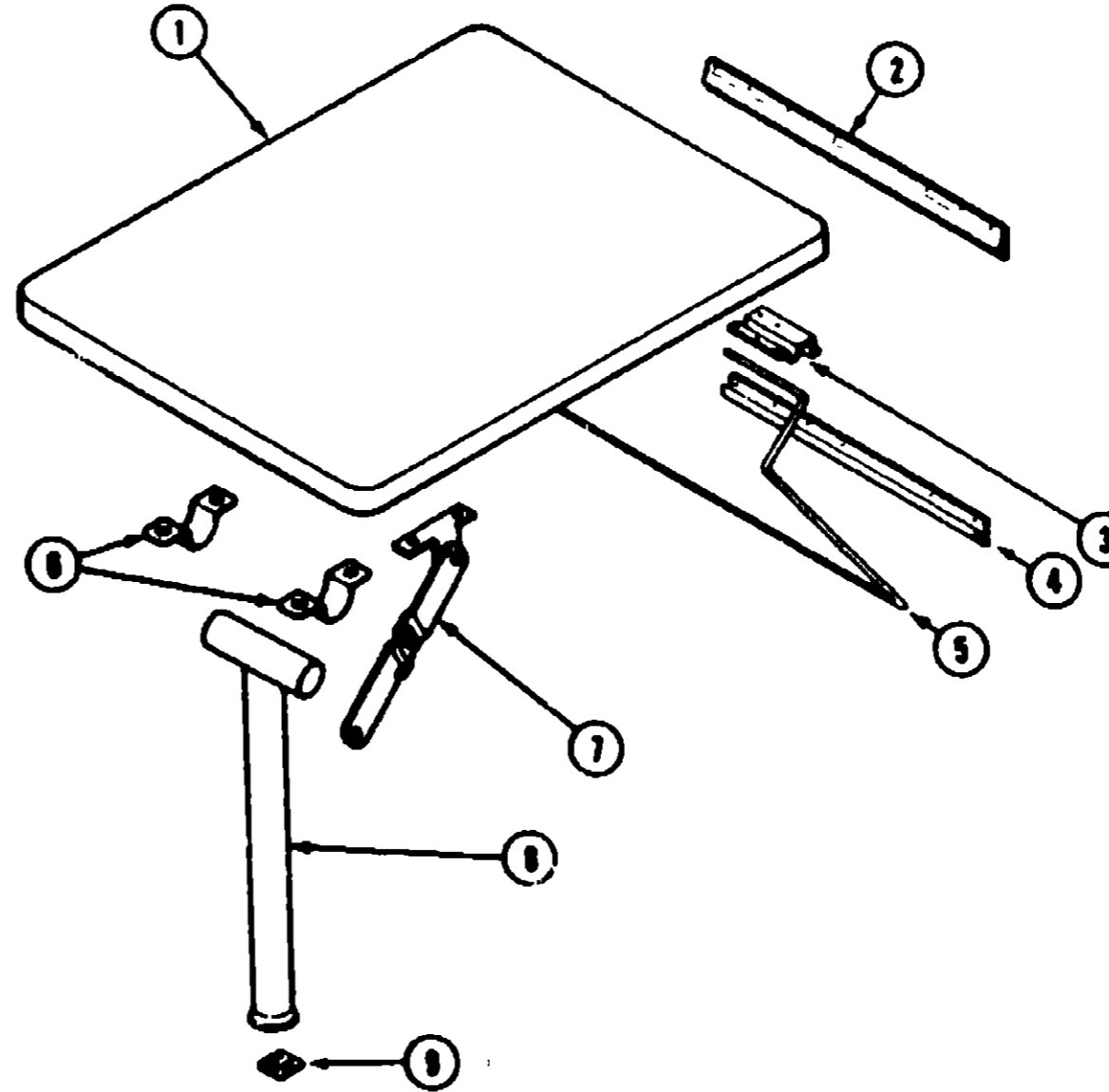
DINETTE GROUP



DINETTE OVERHEAD & CABINETRY

Key	Part Number	U/M	Description
1	M92093-07-Y12	EA	Dinette Overhead Asm. - w/o Doors or Hardware
2	M88304-A9-X08	EA	Door Asm. - Dinette Overhead - w/o Hardware - 14.37" x 21.85"
3	082747-01-Y10	EA	End Cap Asm.
4	M03434-01-Y10	EA	Dinette Cabinet Back - Forward Seat
4	081519-01-Y75	EA	Pad Asm. - Dinette Seat Back - Forward Seat (Y36)
4	081519-01-W71	EA	Pad Asm. - Dinette Seat Back - Forward Seat (Y38)
4	081519-01-Y72	EA	Pad Asm. - Dinette Seat Back - Forward Seat (Y37)
5	M03435-01-Y35	EA	Dinette Cabinet Seat - Forward Seat - w/o Door or Hardware
6	M88304-21-X08	EA	Door Asm. - Dinette Seat
7	M02115-08-Y30	EA	Table Asm. - Dinette - w/o Hardware
8	M03436-05-Y35	EA	Dinette Cabinet Seat - Rearward Seat - w/o Door or Hardware
9	M03434-05-Y12	EA	Dinette Cabinet Back - Rearward Seat
9	081519-02-Y75	EA	Pad Asm. - Dinette Seat Back - Rearward Seat (Y35)
9	081519-02-W71	EA	Pad Asm. - Dinette Seat Back - Rearward Seat (Y39)
9	081519-02-Y72	EA	Pad Asm. - Dinette Seat Back - Rearward Seat (Y37)

DINETTE GROUP (CONTINUED)



DINETTE TABLE ASM.

Key	Part Number	U/M	Description
1	M02115-08-Y30	EA	Table Asm. - Dinette - w/o Hardware
2	083800-08-000	EA	Bracket - Upper Wall Mount - 23" - Beige
3	088450-01-000	EA	Bracket - Table Mount Hanger
4	084201-07-000	EA	Bracket - Lower Wall Mount - 22.12" - Beige
5	084275-08-000	EA	Rod - Table L/R - Beige
6	084000-08-000	EA	Hinge - Folding Leg - Tan
6	084000-09-000	EA	Hinge - Folding Leg - Beige
7	084282-01-000	EA	Brace - Table Leg
8	084276-17-000	EA	Leg Asm. - Table - Tan
8	084276-21-000	EA	Leg Asm. - Table - Beige
9	048483-05-000	EA	Catch - Table Leg - Mounts on Floor - Tan
9	048483-10-000	EA	Catch - Table Leg - Mounts on Floor - Beige
	004283-01-000	EA	Clip - Table Leg
	004354-01-000	EA	Bumper - .5" Dia. - White

PEDESTAL TABLE - CONTINENTAL COUCH

Key	Part Number	U/M	Description
	081288-01-X11	EA	Table Asm. - Pedestal
	008040-04-000	EA	Leg - Pedestal - 27.5" - Brown
	041184-01-000	EA	Base - Flush Mount - Floor
	008040-03-000	EA	Base - Raised - Table

1989 ITASCA TABLE OF CONTENTS

ICN23PC
ICN27RT

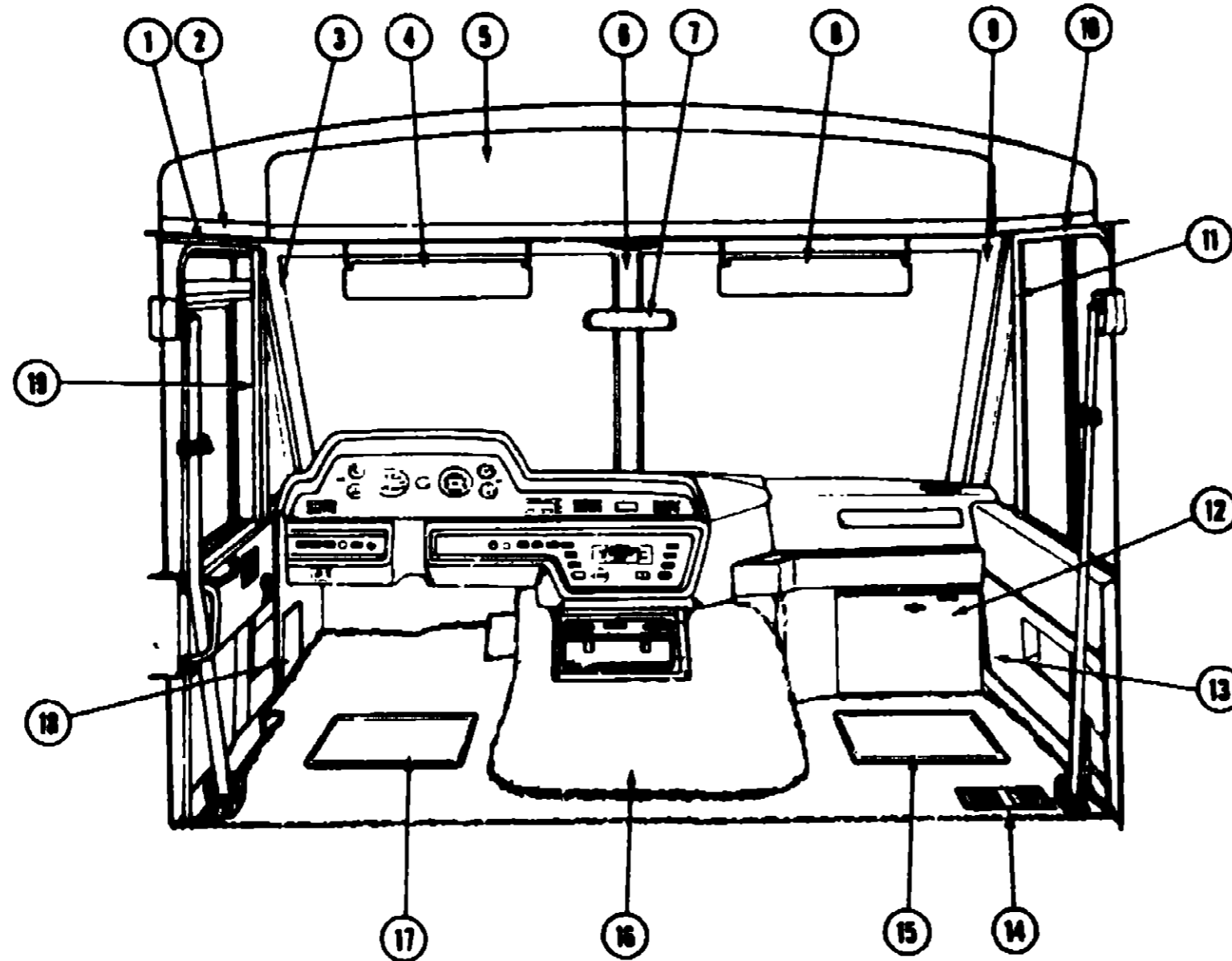
A-01 - D-08
2-07 - G-14

1989 ICN27RT INDEX

Floor Plan	D-07 - D-08
Accessories Group	D-09 - D-12
Bath Group	D-13
Chassis Group	D-14 - D-20
Curtain, Cushion & Pad Group	D-21 - E-08
Dinette Group	E-09 - E-10
Driver's Compartment Group	E-11 - E-17
Electrical Group	E-18 - E-21
Exterior Body Group	E-22 - F-08
Galley Group	F-07 - F-09
Heating & Air Conditioning Group	F-10 - F-11
Interior Finish Group	F-12 - F-13
LP Group	F-14
Lounge Group	F-15 - F-16
Water & Sewage Group	F-17 - F-20
Window, Vent & Exterior Door Group	F-21 - G-14

DRIVER'S COMPARTMENT GROUP

MISCELLANEOUS DRIVER'S COMPARTMENT COMPONENTS



1989 ITASCA TABLE OF CONTENTS

ICN25RC
ICN27RT

A-01 - D-08
D-07 - G-14

1989 ICN27RT INDEX

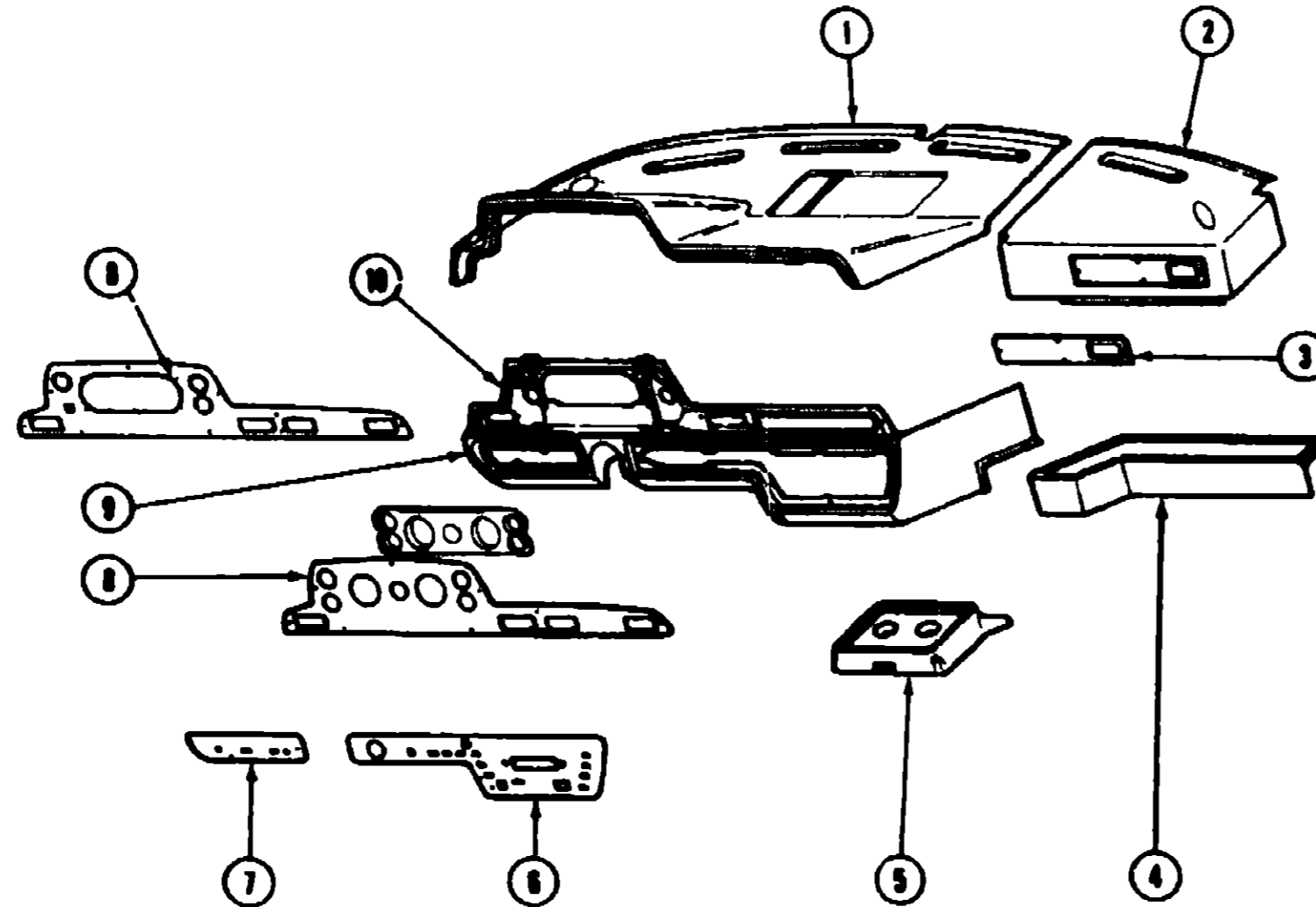
Floor Plan	D-07 - D-08
Accessories Group	D-09 - D-12
Bath Group	D-13
Chassis Group	D-14 - D-20
Curtain, Cushion & Pad Group	D-21 - E-08
Dinette Group	E-09 - E-10
Driver's Compartment Group	E-11 - E-17
Electrical Group	E-18 - E-21
Exterior Body Group	E-22 - F-06
Galley Group	F-07 - F-09
Heating & Air Conditioning Group	F-10 - F-11
Interior Finish Group	F-12 - F-13
LP Group	F-14
Lounge Group	F-15 - F-16
Water & Sewage Group	F-17 - F-20
Window, Vent & Exterior Door Group	F-21 - G-14

Key	Part Number	U/M	Description
1	097919-03-01A	EA	Track - Front Wraparound - Left
2	092472-01-01A	EA	Trim Asm. - Lower - w/o Bunk
3	092584-02-02A	EA	Cover - "A" Pillar Trim - Left - Gray
4	082286-05-Y35	EA	Survivor Asm. - Driver
	007211-01-000	EA	Hinge - Survivor
	074012-01-000	EA	Clip - Survivor - Square Pinch-On
	085709-01-000	EA	Clip Asm. - Survivor - Black
5	093884-01-Y12	EA	Headliner Asm.
6	077114-06-000	EA	Cover - Panel Trim - Center - State
7	040714-01-000	EA	Mirror - Inside - Rear View
	040714-01-700	EA	Kit - Inside Rear View Mirror
8	082286-06-Y35	EA	Survivor Asm. - w/Mirror
	007211-01-000	EA	Hinge - Survivor
	074012-01-000	EA	Clip - Survivor - Square Pinch-On
	085709-01-000	EA	Clip Asm. - Survivor - Black
	083153-01-000	EA	Mirror - Survivor - 3.5" x 7"

Key	Part Number	U/M	Description
9	092584-01-02A	EA	Cover - "A" Pillar Trim - Right - Gray
10	097919-04-01A	EA	Track - Front Wraparound - Right
11	082585-01-02A	EA	Cover - Hinge Trim - Pillar - Right
12	085757-01-Y35	EA	Cover Asm. - Heater
13	082583-01-02A	EA	Panel - Lower Kick - Gray
14	083814-01-01A	EA	Grille - Return Air - Brown
15	081202-02-000	E/	Floor Mat - Right (Option 63H)
16	075839-01-000	EA	Motor Cover
	075564-01-000	EA	Mounting Bracket - Motor Cover
17	081201-02-000	EA	Floor Mat - Left - "Itasca" (Option 63H)
18	082583-02-02A	EA	Panel - Lower Kick - Gray
19	082585-02-02A	EA	Cover - Hinge Trim Pillar - Left
	088294-01-000	EA	Cigarette Lighter Asm.
	038430-02-000	EA	Fan - Defroster - 6" Dia. - 2-Speed (Option 38H)
	024890-01-000	EA	Defroster Outlet - w/Swivel
	076763-02-000	EA	Louver Asm. - Air Conditioner - Adjustable Vent - Black

DRIVER'S COMPARTMENT GROUP (CONTINUED)

DASH PANELS & BEVERAGE TRAY



Key	Part Number	U/M	Description
1	085253-02-Y33	EA	Instrument Panel - Upper - Left
	078867-01-000	EA	Bracket - Instrument Panel - Large
	078867-02-000	EA	Bracket - Instrument Panel - Small
2	085252-02-Y33	EA	Instrument Panel - Upper - Right
	078872-01-000	EA	Bracket - Mounting - Right Panel
3	078797-01-000	EA	Instrument Panel Insert - Right
4	078734-04-000	EA	Tray - Instrument Panel - Right
5	081654-02-000	EA	Beverage Tray - Plastic - Gray
6	078217-14-000	EA	Instrument Panel - Lower - Right
6	078217-15-000	EA	Instrument Panel - Lower - Right - w/Low Air Indicator
7	078218-03-000	EA	Instrument Panel - Lower - Left
8	078216-09-000	EA	Instrument Panel - Upper
8	078216-10-000	EA	Instrument Panel - Upper (w/Generator)
8	078216-08-000	EA	Instrument Panel - Upper (w/o Generator)
9	078808-02-000	EA	Dash Panel - Lower
9	078808-08-000	EA	Dash Panel - Lower - Gray
10	077353-01-000	EA	Shroud - Instrument Panel - w/Voltmeter & Vacuum Gauge
10	077353-09-000	EA	Shroud - Instrument Panel - w/Generator Hour, Voltmeter & Vacuum Gauge
	073741-03-000	EA	Speaker - Oval - 4" x 6"
	073741-04-000	EA	Grille - Oval Speaker - 4" x 6"
	077406-01-000	EA	Bracket - Hood Release Cable

* Parts used with Electronic Instrument Cluster

1989 ITASCA TABLE OF CONTENTS

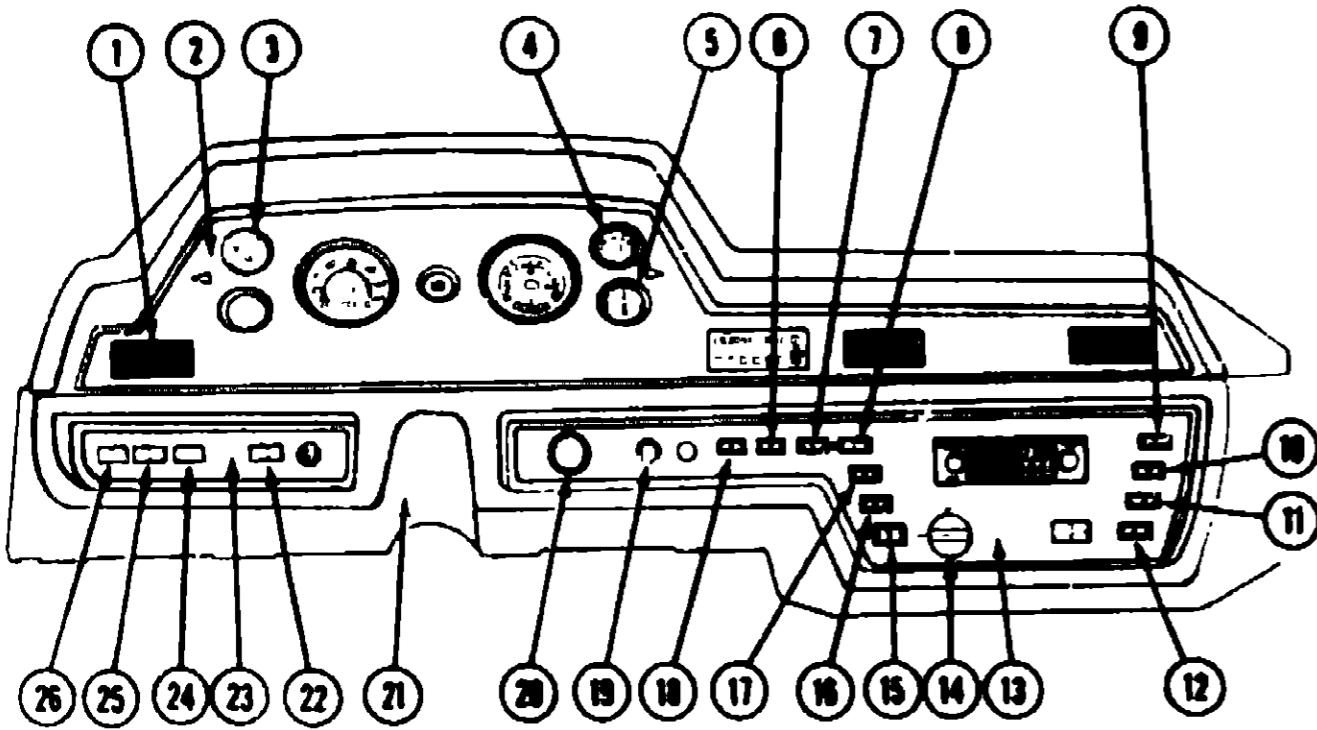
ICN23RC
ICN27RT

A-01 - D-08
D-07 - G-14

1989 ICN27RT INDEX

Floor Plan	D-07 - D-08
Accessories Group	D-09 - D-12
Bath Group	D-13
Chassis Group	D-14 - D-20
Curtain, Cushion & Pad Group	D-21 - E-08
Dinette Group	E-09 - E-10
Driver's Compartment Group	E-11 - E-17
Electrical Group	E-18 - E-21
Exterior Body Group	E-22 - F-06
Galley Group	F-07 - F-09
Heating & Air Conditioning Group	F-10 - F-11
Interior Finish Group	F-12 - F-13
LP Group	F-14
Lounge Group	F-15 - F-16
Water & Sewage Group	F-17 - F-20
Window, Vent & Exterior Door Group	F-21 - G-14

DRIVER'S COMPARTMENT GROUP (CONTINUED)

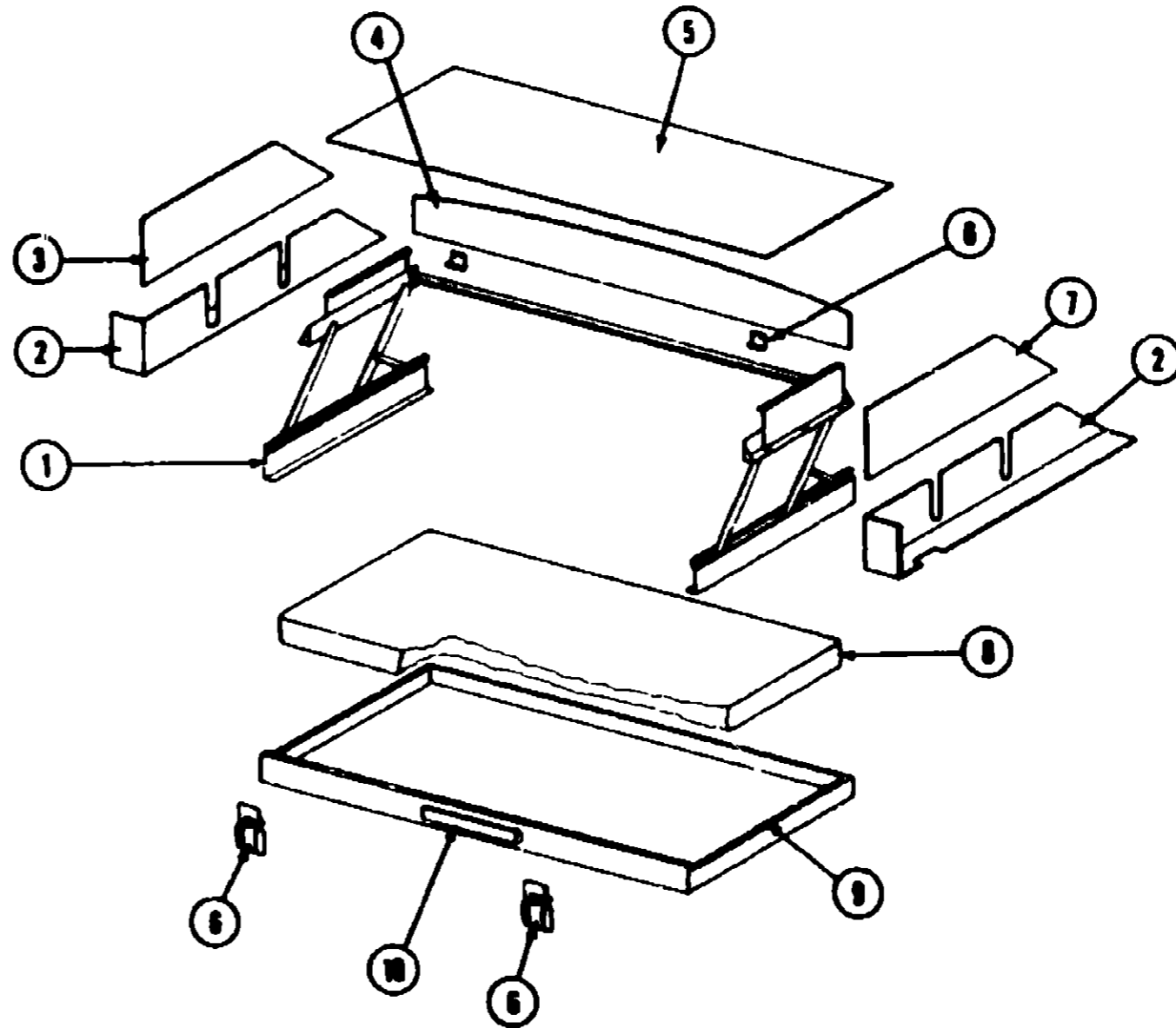


DASH SWITCHES & GAUGES

Key	Part Number	U/M	Description
1	076783-02-000	EA	Louver Arm. - A/C Adjustable
2	076216-09-000	EA	Instrument Panel - Upper - Itasca
*2	076216-06-000	EA	Instrument Panel - Upper
†2	076216-10-000	EA	Instrument Panel - Upper
	088745-01-000	EA	Cluster Arm - Electronic Instrument Panel
	077353-01-000	E	Shroud - Instrument Cluster
3	024480-04-000	EA	Gauge - Vacuum
4	024459-04-000	EA	Gauge - Voltmeter
5	031035-01-000	EA	Gauge - Hourmeter - Generator
6	076759-04-000	EA	Battery Condition Switch
7	076759-01-000	EA	Fog Light Switch (Option 57M)
8	076759-34-000	EA	Generator Switch (Option 39)
9	076759-06-000	EA	Switch - Blank
10	076759-09-000	EA	Alarm Light Switch
11	076759-01-000	EA	Map Light Switch
12	076759-01-000	EA	Beverage Tray Light Switch
13	076217-14-000	EA	Instrument Panel - Lower - Right
14	087202-02-000	EA	Auxiliary Heater Switch (Option 61)
14	080877-01-000	EA	Knob - Auxiliary Heater Switch (Option 61)
15	088272-01-000	EA	Battery Disconnect Switch
16	076759-09-000	EA	Power - Radio Switch
17	076759-03-000	EA	Auxiliary Fan Switch (Option 38N)
18	076759-01-000	EA	Air Horn Switch (Option 38F)
19	088294-01-000	EA	Lighter Arm. - Cigarette
20	N P N	EA	Ignition Switch (Chevrolet)
21	076808-02-000	EA	Dash Panel - Lower - Left (w/ Electronic Instrument Panel)
21	076808-08-000	EA	Dash Panel - Lower - Left (w/ Electronic Instrument Panel)
22	076759-07-000	EA	Courtesy Bunk Switch
23	076216-03-000	EA	Instrument Panel - Lower - Left
24	076759-05-000	EA	Battery Mode Switch
25	076759-05-000	EA	Rear Washer Switch (Option 58F)
26	076759-01-000	EA	Rear Wiper Switch (Option 58F)
	076788-02-000	EA	Cardboard Cylinder - Lamp
	077031-01-000	EA	Film - Instrument Panel - Black
	077031-02-000	EA	Film - Instrument Panel - Amber
	076788-03-000	EA	Lamp Plate

† Parts used with the Electronic Instrument Cluster - w/Generator Option.
 * Parts used with the Electronic Instrument Cluster - w/o Generator Option.

DRIVER'S COMPARTMENT GROUP (CONTINUED)



FRONT OVERHEAD BUNK & HARDWARE (OPTION 61H)

Key	Part Number	U/M	Description
1	076780-02-000	EA	Hardware Arm. - Overhead Bunk
2	082472-02-01A	EA	Trim - Lower Side - Bunk
3	082471-01-01A	EA	Trim - Upper Side - Bunk - Right
4	M83065-01-Y12	EA	Board Arm. - Bunk Trim w/Vinyl
5	083884-01-Y12	EA	Headliner Arm. - Front
6	042541-04-700	EA	Latch Arm. w/Strips (2 ea.)
7	088471-02-01A	EA	Trim - Upper Side - Bunk - Left
8	078145-05-000	EA	Cushion Arm. - 30" x 73" x 4"
9	081717-04-Y12	EA	Bed Arm. - Front Bunk
10	084858-01-Y12	EA	Handle - Oak
	078848-08-000	EA	Curtain Track - Front Wraparound - Right
	084388-01-000	EA	Curtain Track - Front Wraparound - Left

**1989 ITASCA
TABLE OF CONTENTS**

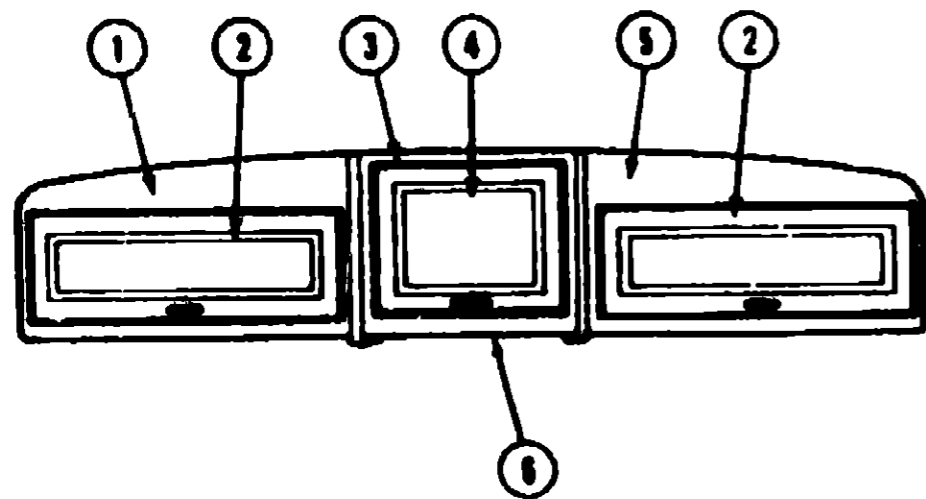
ICN23RC
ICN27RT

A-01 - D-08
D-07 - G-14

1989 ICN27RT INDEX

Floor Plan	D-07 - D-08
Accessories Group	D-09 - D-12
Bath Group	D-13
Chassis Group	D-14 - D-20
Curtain, Cushion & Pad Group	D-21 - E-08
Drivette Group	E-09 - E-10
Driver's Compartment Group	E-11 - E-17
Electrical Group	E-18 - E-21
Exterior Body Group	E-22 - F-06
Galley Group	F-07 - F-08
Heating & Air Conditioning Group	F-10 - F-11
Interior Finish Group	F-12 - F-13
LP Group	F-14
Lounge Group	F-15 - F-16
Water & Sewage Group	F-17 - F-20
Window, Vent & Exterior Door Group	F-21 - G-14

DRIVER'S COMPARTMENT GROUP (CONTINUED)



TV & VCR CABINETRY (OPTION L43)

Key	Part Number	U/M	Description
1	M83242-02-Y12	EA	Cabinet Asm. - Front Overhead - w/o Door or Hardware
2	M88304-C0-Y10	EA	Door Asm. - Front Overhead Cabinet - 7" x 25.1" - w/o Hardware
3	M83197-02-Y12	EA	Cabinet Asm. - Front - w/o Door or Hardware
3	083197-01-Y12	EA	Cabinet Asm. - Front Overhead - w/o TV Shelf
	083288-01-000	EA	Shelf Asm. - TV
	011258-03-000	EA	TV - 13" Color - Sharp
	088447-01-000	EA	TV - 13" Color - Magnavox
	088448-01-000	EA	VCR - VHS - Cable Ready - Remote - Magnavox
	091907-02-000	EA	VCR-VHS - Table Model - Sharp
	091998-01-000	EA	Separator - VHF/UHF Band
4	M88304-08-X11	EA	Door Asm. - Center Overhead - 12" x 18.7" - w/o Hardware
5	M83242-01-Y12	EA	Cabinet Asm. - Front Overhead - w/o Door or Hardware
6	088045-01-W38	EA	Pad Asm. - TV Cabinet - Vinyl
	070578-02-W41	EA	Button Asm. - Screw Stud - #30 - Vinyl

* Parts used with the TV Option only.

ELECTRICAL GROUP

WIRE SWITCHES & RECEPTACLES

Key	Part Number	U/M	Description
	008288-01-001	EA	Box - Electrical - 3" x 3.5" - Plastic
	008288-01-001	EA	Box - Electrical - 4" x 4" - 1/2 & 3/4 Steel
	008288-02-001	EA	Box - Electrical - 4" x 4" - 1/2 & 3/4 Steel (CSA)
	088048-01-001	EA	Box - Electrical - 2" x 3" x 2.25" - Steel (CSA)
	041863-01-000	FT	Conduit - Corvolute SBR - .5" ID
	041863-03-000	FT	Conduit - Corvolute SBR - 1" ID
	041863-08-000	FT	Conduit - Corvolute SBR - .375" ID
	008363-01-001	EA	Connector - Clamping - 3/8 Cable
	008366-01-010	EA	Connector - Plastic - 3/8" Avg.
	088029-01-010	EA	Connector - Pigtail - Clear Nylon
	008311-01-010	EA	Connector - Wire Nut - Red
	008314-01-000	EA	Connector - Wire Nut - Gray
	008054-01-000	EA	Cord - Power - 10-3 30 Amp. - 25'
	008054-02-000	EA	Cord - Power - 10-3 30 Amp. - 33'
	008052-01-000	EA	Cord - Power - 10-3 30 Amp. - 25' (CSA)
	008428-01-000	EA	Hatch - Power Cord - White
	008294-01-000	EA	Cover Plate - Blank - Steel 4 x 4 (USA)
	008294-02-000	EA	Cover Plate - Blank - Steel 4 x 4 (CSA)
	074880-01-000	EA	Extension Ring - Electrical Box - 1 1/2
	074017-02-000	EA	Housing Asm. - 8 Position
	087744-02-000	EA	Housing Asm. - Trailer Pin - 48"
	087748-01-000	EA	Housing Asm. - Trailer Cap
	087745-02-000	EA	Housing Asm. - Trailer Receptacle - 48"
	082108-01-000	EA	Housing - Connector
	088473-01-000	EA	Housing Pin
	088473-01-000	EA	Housing Pin - 15 Position
	088473-03-000	EA	Housing Pin - 9 Position
	088473-05-000	EA	Housing Pin - 6 Position In Line
	088473-06-000	EA	Housing Pin - 6 Position
	088473-08-000	EA	Housing Pin - 4 Position
	088473-10-000	EA	Housing Pin - 3 Position
	088473-10-000	EA	Housing Pin - 2 Position
	088474-01-000	EA	Housing Socket
	088474-02-000	EA	Housing Socket - 15 Position
	088474-03-000	EA	Housing Socket - 9 Position
	088474-08-000	EA	Housing Socket - 6 Position
	088474-08-000	EA	Housing Socket - 4 Position
	088474-08-000	EA	Housing Socket - 3 Position
	083911-01-000	EA	Housing - Relay
	088475-01-000	EA	Pin - Connector
	088475-01-000	EA	Socket Connector
	075738-03-000	EA	Receptacle Cover Asm. - Beige (Exterior)
	084077-01-000	EA	Receptacle Cover - Ivory (Ground Fault Interrupter)
	084077-08-000	EA	Receptacle Cover - Brown (Ground Fault Interrupter)
	084078-01-000	EA	Receptacle - 15 Amp - 125 Volt - Ivory (Ground Fault Interrupter)
	088708-02-000	EA	Receptacle - Duplex - Ivory
	024124-02-000	EA	Receptacle - Power Cord
	095707-01-000	EA	Receptacle - Single - Brown
	007340-01-000	EA	Receptacle - Slide - 16 to 12 Awg.
	088273-01-000	EA	Relay - Battery Disconnect
	087788-02-000	EA	Socket Asm. - Lamp
	081478-01-000	EA	Socket - Connector
	081088-01-01A	EA	Switch Plate - Single Gang - Black
	081088-02-000	EA	Switch Plate - 2 Gang - 2 Switch
	078882-04-000	EA	Switch Plate - 4 Gang - 2 Switch
	078883-03-000	EA	Switch Plate - Single w/Switch - Polished Brass
	078884-01-000	EA	Switch - ON/OFF Rocker - Brown
	078884-02-000	EA	Switch - ON/OFF - Rocker
	C38186-01-000	EA	Switch - Push Button - 12 Volt
	176789-01-000	EA	Switch - SPST - Lock/Unlock
	176789-02-000	EA	Switch - SPST - Lock/Unlock/Lock
	176789-04-000	EA	Switch - SPDT - Momentary/Make

**1989 ITASCA
TABLE OF CONTENTS**

ICN23RC
ICN27RT

A-01 - D-08
D-07 - G-14

1989 ICN27RT INDEX

Floor Plan	D-07 - D-08
Accessories Group	D-08 - D-12
Bath Group	D-13
Cheese Group	D-14 - D-20
Curtain, Cushion & Pad Group	D-21 - E-08
Dinette Group	E-09 - E-10
Driver's Compartment Group	E-11 - E-17
Electrical Group	E-18 - E-21
Exterior Body Group	E-22 - F-08
Galley Group	F-07 - F-08
Heating & Air Conditioning Group	F-10 - F-11
Interior Finish Group	F-12 - F-13
LP Group	F-14
Lounge Group	F-15 - F-16
Water & Sewage Group	F-17 - F-20
Window, Vent & Exterior Door Group	F-21 - G-14

ELECTRICAL GROUP (CONTINUED)

WIRE SWITCHES & RECEPTACLES (CONT.)

Key	Part Number	U/M	Description
	078788-06-000	EA	Switch - SPDT - Lock/Lock/Mom
	078788-08-000	EA	Switch - Dummy
	078788-07-000	EA	Switch - SPST - Mom/OFF/Lock
	078788-09-000	EA	Switch - SPDT - Lock/Lock
	073937-03-000	EA	Switch - Rotary - 3 Deck - A/C Select
	036416-04-000	EA	Terminal Ring - #10 Stud Fr
	008328-01-000	EA	Terminal Ring - 12/10 Wire
	008348-01-000	EA	Terminal Ring - 2 - 3/8 Stud
	008331-01-000	EA	Terminal Ring - 4 - 3/8 Stud
	082038-02-000	EA	Terminal - Pack - Con - 18/14 ANG
	008028-01-000	FT	Wire w/Ground - Romex - 12/2
	008343-01-000	EA	Wire Tie - 8"
	008343-02-000	EA	Wire Tie - 14"

FUSES & CIRCUIT BREAKERS

Key	Part Number	U/M	Description
	082901-02-000	EA	Fuse - 5 Amp. - Automotive
	082901-05-000	EA	Fuse - 15 Amp - Automotive
	008211-01-000	EA	Circuit Breaker - 6 Amp. - 12 Volt
	083854-01-000	EA	Circuit Breaker - 6 Amp. - 12 Volt
	083854-02-000	EA	Circuit Breaker - 15 Amp. - 12 Volt
	083210-02-000	EA	Circuit Breaker - 15 Amp - 120 Volt (Ground Fault Interrupter)
	083209-02-000	EA	Circuit Breaker - 15/15 Amp. - 120 Volt
	083209-03-000	EA	Circuit Breaker - 15/20 Amp. - 120 Volt
	083854-03-000	EA	Circuit Breaker - 20 Amp. - 12 Volt
	083209-05-000	EA	Circuit Breaker - 20 Amp - 120 Volt
	083855-01-000	EA	Circuit Breaker - 25 Amp. - 12 Volt
	083855-02-000	EA	Circuit Breaker - 30 Amp. - 12 Volt
	083209-06-000	EA	Circuit Breaker - 30/15 Amp. - 120 Volt
	083855-03-000	EA	Circuit Breaker - 40 Amp. - 12 Volt

MISCELLANEOUS ELECTRICAL COMPONENTS

Key	Part Number	U/M	Description
	083739-01-000	EA	Battery - 12 Volt - 80 Amp. - Gould
	038420-02-000	EA	Fan - Destroyer - 6" - 2 Speed (Option 38H)
	088294-01-000	EA	Lighter Asm. - Cigarette
	072852-01-000	EA	Smoke Detector w/9 Volt Battery
	067782-01-000	EA	Converter - 40 Amp. w/Charger (UL)
	067782-02-000	EA	Converter - 40 Amp. w/Charger (CSA)
	082815-01-000	EA	Converter - 40 Amp. w/Charger (Export)
	051912-01-000	EA	Transformer - Dry Control (Export)
	083874-01-000	EA	Plate - Push Button Circuit Breaker
	082547-01-000	EA	Label - Circuit Breaker Plate

BULBS

Key	Part Number	U/M	Description
	008103-01-000	EA	Bulb - S3 (Aisle Light)
	038188-01-000	EA	Bulb - 184 (Courtesy & Clearance Lights)
	072888-01-709	EA	Bulb - 912 (Stove Hood)
	008215-01-000	EA	Bulb - 1008 (Shower Light)
	067479-01-000	EA	Bulb - 1078 (Wall Lamp)
	063914-01-000	EA	Bulb - 1138 (Reading Light)
	008218-01-000	EA	Bulb - 1141 (Dome Light)
	037834-01-000	EA	Bulb - 1188 (Back-Up Light)
	081833-01-700	EA	Bulb - Make-Up Light
	084880-01-708	EA	Bulb - DC Light (Refrigerator)
	088737-01-710	EA	Bulb - 30W (Microwave Oven)
	078424-02-700	EA	Bulb - Fluorescent - 18" (Galley)
	081837-03-600	EA	Bulb - Fluorescent - 18" (Ceiling)

ELECTRICAL GROUP (CONTINUED)

INTERIOR LIGHTS & BULBS

Key	Part Number	U/M	Description
	088202-03-000	EA	Lamp Asm. - Wall Decor - Brass & Cream
	088201-02-000	EA	Shade - Wall Lamp - Parchment
	067479-01-000	EA	Bulb - Wall Lamp
	088888-01-000	EA	Lamp Asm - Table Decor - Brass/Wood
	088888-08-000	EA	Shade - Table Lamp
	088024-01-01A	EA	Dome Light - 1 Bulb
	088024-02-01A	FA	Dome Light - 1 Bulb - CSA
	088880-01-000	EA	Light - Surface Mount - Jensen
	033808-02-000	EA	Dome Light - 1 Bulb - Ivory (US)
	033808-03-000	EA	Dome Light - 1 Bulb - Ivory (CSA)
	033808-04-000	EA	Lowe Light - 2 Bulb - Ivory (US)
	033808-05-000	EA	Dome Light - 2 Bulb - Ivory (CSA)
	R77013-48-179	EA	Switch - Dome Light
	008218-01-000	EA	Bulb - Dome Light
	078424-02-000	EA	Light Asm. - Fluorescent - 12V - 18" - Almond (Galley)
	078424-02-701	EA	Lens - Fluorescent Light - 18"
	078424-02-700	EA	Bulb - Fluorescent Light - 12V - 18"
	081837-01-000	EA	Light Asm. - Fluorescent - 12V - 18" - Almond (Ceiling)
	081837-02-000	EA	Lens - Fluorescent Light - 18"
	081837-03-000	EA	Bulb - Fluorescent Light - 18"
	072353-02-000	EA	Light Asm. - Reading - 300° Swivel - Brass/Tan Switch
	063914-01-000	EA	Bulb - Reading Light
	061424-01-000	EA	Light Asm. - 12V - Rectangular - Aisle
	008103-01-000	EA	Bulb - Aisle Light
	088837-04-000	EA	Light Asm. - Surface - No Switch (Shower)
	008215-01-000	EA	Bulb - Light - #1008
	087884-02-000	EA	Light Asm. - Wardrobe w/Switch
	087884-01-700	EA	Bulb - Wardrobe - Light
	080953-05-000	EA	Light Asm. - Map - Double
	077028-01-000	EA	Lens - Courtesy Light (Beverage Tray)
	077000-01-000	EA	Socket Asm. w/Pigtail
	038188-01-000	EA	Bulb - Courtesy Light
	078788-01-000	EA	Socket - Lamp - Mini - Bayonet (Dash)
	082188-01-000	EA	Light - Make Up - 3 Bulb
	007308-01-000	EA	Light - Step Well

**1988 ITASCA
TABLE OF CONTENTS**

ICN23RC
ICN27RT

A-01 - D-06
D-07 - G-14

1988 ICN27RT INDEX

Floor Plan	D-07 - D-08
Accessories Group	D-09 - D-12
Bath Group	D-13
Chassis Group	D-14 - D-20
Curtain, Cushion & Pad Group	D-21 - E-08
Dinette Group	E-09 - E-10
Driver's Compartment Group	E-11 - E-17
Electrical Group	E-18 - E-21
Exterior Body Group	E-22 - F-08
Galley Group	F-07 - F-08
Heating & Air Conditioning Group	F-10 - F-11
Interior Finish Group	F-12 - F-13
LP Group	F-14
Lounge Group	F-15 - F-16
Water & Sewage Group	F-17 - F-20
Window, Vent & Exterior Door Group	F-21 - G-14

ELECTRICAL GROUP (CONTINUED)

EXTERIOR LIGHTS & BULBS

Key	Part Number	U/M	Description
	081280-01-000	EA	Light Asm. - Clearance - Amber
	081280-01-700	EA	Lens - Clearance - Amber
	081280-02-000	EA	Light Asm. - Clearance - Red
	081280-02-700	EA	Lens - Clearance - Red
	038188-01-000	EA	Bulb - Clearance Lights
	081437-01-000	EA	Bracket - Clearance Lights
	088288-01-000	EA	Light Asm. - Side Marker - Red
	088288-02-000	EA	Light Asm. - Side Marker - Amber
	088291-01-000	EA	Light Asm. - Turn Signal - Red
	088292-01-000	EA	Light Asm. - Turn Signal - Amber
	088290-01-000	EA	Light Asm. - Back-Up - Red/Clear
	037834-01-000	EA	Bulb - Back-Up Light
	076785-01-000	EA	Light Asm. - License
	070907-01-000	EA	Headlamp Capsule Asm. - Rectangular
	081838-01-01A	EA	Bowl - Headlamp - Right
	081838-02-01A	EA	Bowl - Headlamp - Left
	033508-02-000	EA	Lamp Asm. - Storage Compartment - Ivory (US)
	033508-03-000	EA	Lamp Asm. - Storage Compartment - Ivory (CSA)
	008088-01-000	EA	Porch Light - Recessed (US)
	008089-02-000	EA	Porch Light - Recessed (CSA)
	008089-01-700	EA	Lens - Porch Light
	081881-01-000	EA	Gasket - Porch Light
	008215-01-000	EA	Bulb - Porch Light
	088747-01-000	EA	Light Asm. - Fog Light - Clear Lens (Option 57M)
	088747-01-700	EA	Lens - Fog Light
	070907-01-000	EA	Headlamp Capsule Asm. - Rectangular

WINDSHIELD WIPER & WASHER

Key	Part Number	U/M	Description
	058000-02-000	EA	Washer Asm. - Windshield
	072472-04-000	EA	Arm - Windshield Wiper - 29" - Black
	049464-03-000	EA	Blade Asm. - Windshield Wiper - 20" - Black
	049464-03-700	EA	Blade - Wiper Refill
	087190-04-000	EA	Shaft & Pivot Asm.
	077048-01-000	EA	Shaft Adapter - Pantograph Arm
	087191-02-700	EA	Drive Motor Asm. - Wiper
	087192-01-000	EA	Link Asm. - Connection - 39"
	087193-02-000	EA	Link Asm. - Connection - 8.10"
	087188-01-000	EA	Stud - Crank Wiper
	081208-02-000	EA	Control - Wiper
	045794-01-000	FT	Hose - 5/32" ID - Black
	086235-01-000	EA	Bearing - Snap-In - 3/8" ID - Plastic

EXTERIOR BODY GROUP

LABELS & TAPS

Key	Part Number	U/M	Description
	081243-01-000	EA	Label - Air Conditioner Cover
	074888-01-000	EA	Label - Air Conditioner Selector Switch
	087238-01-000	EA	Label - TV Cable Input
	086721-08-000	EA	Label - Control Center - w/o Microwave
	083238-01-000	EA	Label - Circuit Breaker Main
	083237-01-000	EA	Label - Circuit Breaker - Front - Battery Condition/Radio
	083237-02-000	EA	Label - Circuit Breaker - Front - Power Seat
	082547-01-000	EA	Label - Circuit Breaker
	088808-01-000	EA	Label - Compartment Net Sealed
	085748-01-000	EA	Label - Caution - Battery Charging
	008188-01-000	EA	Label - Electrical Test
	047731-01-000	EA	Label - Emergency Exit
	008188-01-000	EA	Label - Exit - Escape Window
	084875-01-000	EA	Label - Exterior Light Service
	081417-01-000	EA	Label - Fuel
	087207-02-000	EA	Label - Fuel Cap Removal
	084822-01-000	EA	Label - Fuel Pump - Power
	008188-01-000	EA	Label - Gas Test
	077510-01-000	EA	Label - Generator Prep
	084831-01-000	EA	Label - LP Gas Only
	073888-01-000	EA	Label - LP Order Warning
	081808-01-000	EA	Label - Overlay, Vehicle Certification
	088737-01-000	EA	Label - Retail - 8 1/2" x 12 7/8"
	088288-01-000	EA	Label - Safety Check List
	008084-01-000	EA	Label - Seat - w/o Seatbelts - USA
	008084-02-000	EA	Label - Seat - w/o Seatbelts - CSA
	008187-01-000	EA	Label - Sewage
	081234-02-000	EA	Label - Trailer Lighting
	078221-01-000	EA	Label - Trailer Hitch Capacity
	078221-02-000	EA	Label - Trailer Hitch
	080342-01-000	EA	Label - Vapor Relief
	082828-01-000	EA	Label - Warning - Stove Vent - US
	078220-01-000	EA	Label - Warning - Exterior Load
	077888-01-000	EA	Label - Warning - Smoke Detector
	078888-01-000	EA	Label - Warning - Stowed Motion
	008188-01-000	EA	Label - Waste Water
	008197-01-000	EA	Label - Water Test
	008082-01-000	EA	Tag - Electrical - 110 Volt Connection
	00C040-01-000	EA	Tag - Refueling Warning
	008040-02-000	EA	Tag - Refueling Warning - CSA
	008019-01-000	EA	Tag - FMV Approved - Plastic
	088410-02-000	EA	Decal - Rear Auto Heater

MISCELLANEOUS EXTERNALLY MOUNTED PARTS

Key	Part Number	U/M	Description
	083558-03-000	EA	Plumbing Seal - Roof Vent - 1.5" - Covered
	081240-03-000	EA	Water Fill - Lockable - Off White
	080844-01-000	EA	Antenna - Radio - 16" Rubber
	088888-01-01A	EA	Vent w/Door - Range Hood
	083615-06-000	EA	Door Holder - Off White Plastic
	088877-08-000	EA	Step Asm. - Drivers Door - Black
	084073-03-000	EA	Roof Vent Refrigerator - Off White
	084073-04-000	EA	Base - Roof Vent Refrigerator
	038327-01-000	EA	Tape - Anti-Slip - 2" x 60"

**1988 ITASCA
TABLE OF CONTENTS**

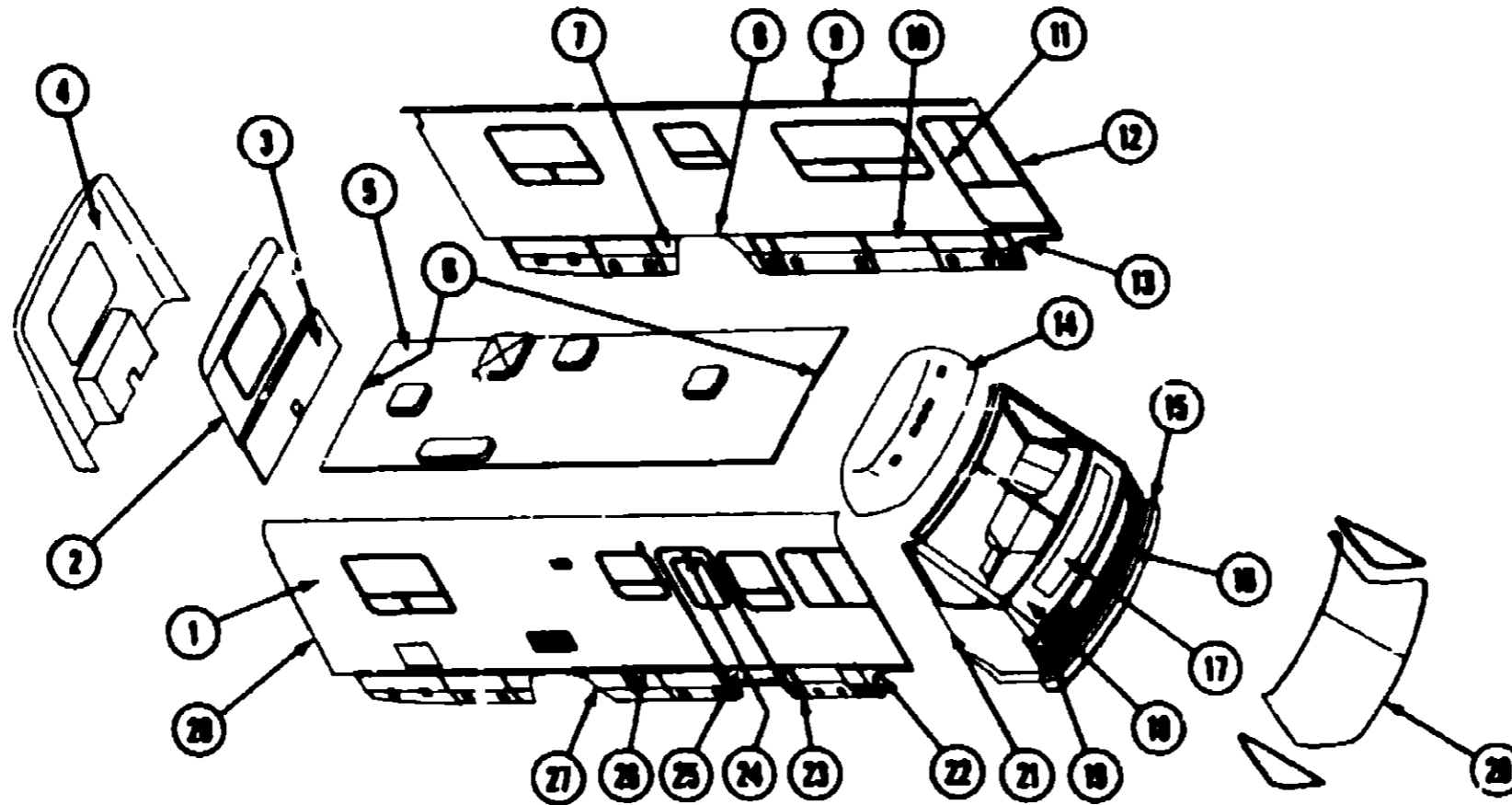
ICN28PC	A-01 - D-08
ICN27RT	D-07 - G-14

1988 ICN27RT INDEX

Floor Plan	D-07 - D-08
Accessories Group	D-08 - D-12
Bath Group	D-13
Chassis Group	D-14 - D-20
Curtain, Cushion & Pad Group	D-21 - E-08
Dinette Group	E-09 - E-10
Driver's Compartment Group	E-11 - E-17
Electrical Group	E-18 - E-21
Exterior Body Group	E-22 - F-08
Galley Group	F-07 - F-08
Heating & Air Conditioning Group	F-10 - F-11
Interior Finish Group	F-12 - F-13
LP Group	F-14
Lounge Group	F-15 - F-16
Water & Sewage Group	F-17 - F-20
Window, Vent & Exterior Door Group	F-21 - G-14

EXTERIOR BODY GROUP (CONTINUED)

EXTERIOR BODY PANELS & TRIM



**1989 ITASCA
TABLE OF CONTENTS**

ICN27RT
ICN27RT

A-01 - D-08
D-07 - G-14

1989 ICN27RT INDEX

Key	Part Number	U/B	Description
1	M94148-01-Y36	EA	Sidewall Asm. - Passenger
1	M94148-01-Y36	EA	Sidewall Asm. - Passenger
1	M94148-01-Y37	EA	Sidewall Asm. - Passenger
2	M03911-01-Y35	EA	Backwall Asm. - Twin Bed - Upper
3	M03912-01-Y12	EA	Backwall Asm. - Twin Bed - Lower
4	M03491-01-Y33	EA	Rear Cap Asm. - Backwall
5	M94150-02-Y35	EA	Roof Asm.
6	083905-14-000	EA	Trim - Front & Rear Caps to Roof
7	083245-04-Y35	EA	Wheel Well Panel - Drivers Rear - Plastic
8	084345-01-01A	EA	Trim - Rear Wheel Well - Drivers or Passenger
9	M94147-01-Y35	EA	Sidewall Asm. - Drivers
9	M94147-01-Y38	EA	Sidewall Asm. - Drivers
9	M94147-01-Y37	EA	Sidewall Asm. - Drivers
10	083022-08-Y35	EA	Valance Panel - 30.39" - Off White
	082888-01-02A	EA	End Cap - Valance Panel - Left - Off White
	082888-02-02A	EA	End Cap - Valance Panel - Right - Off White
11	082848-01-02A	EA	Garnish Trim - Drivers Door - Rear - Off White
12	082847-01-02A	EA	Garnish Trim - Drivers Door - Front & Top - Off White
	082861-01-01A	EA	Threshold - Drivers Door
13	082888-02-01A	EA	Wheel Well Panel - Front Drivers
14	M02958-01-W07	EA	Front Cap - Over Windshield
15	M83948-01-Y35	EA	Bumper Panel Asm. - Front
16	083004-01-Y33	EA	Grille Asm. - 1 Bar
	083006-01-Y33	FT	Grille Asm. - 2 Bar

Key	Part Number	U/B	Description
17	088578-01-Y33	EA	Hood Asm. - Off White
	088851-01-Y35	EA	Hinge Asm. - Hood - Passengers
	088851-02-Y35	EA	Hinge Asm. - Hood - Drivers
18	M01115-21-Y33	EA	Front Shroud Panel
19	081859-01-01A	EA	Headlamp Bezel - Passenger - Black
	081859-02-01A	EA	Headlamp Bezel - Drivers - Black
20	081888-01-000	EA	Reveal Molding - Windshield
21	088804-01-02A	EA	J-Trim - Fiberboard Trim - Off White
22	082888-01-01A	EA	Wheel Well Panel - Front - Passenger
23	083022-08-Y35	EA	Valance Panel - 4.05" - Off White
	088888-01-02A	EA	End Cap - Valance Panel - Left - Off White
	088888-02-02A	EA	End Cap - Valance Panel - Right - Off White
24	044882-02-000	EA	Drip - Molding - Entrance Door - Off White
25	083873-01-01A	FT	Body Molding - Entrance Door - Off White Vinyl
26	082301-01-01A	FT	Body Molding - Off White Vinyl
27	083875-03-Y35	EA	Wheel Well Panel - Passengers
28	088041-01-02A	EA	Trim - Rear Cap to Sidewall - Off White
28	081888-01-01A	FT	Trim Insert - Cap to Sidewall - Off White
	078322-02-000	FT	Tape - Double Coated Foam - .045" x 1"
	078322-03-000	FT	Tape - Double Coated Foam - .045" x .5"
	078322-01-000	FT	Bull Seal - Drivers & Access Doors
	080340-01-000	FT	Seal - Closed Cell Foam - .25" x .5" x 50' - Access Doors
	084386-01-01A	EA	Trim - Valance Panel to Sidewall - 8.3" - Hinge Lock-a-Like

Floor Plan	D-07 - D-08
Accessories Group	D-08 - D-12
Bath Group	D-13
Chassis Group	D-14 - D-20
Curtain, Cushion & Pad Group	D-21 - E-08
Dinette Group	E-09 - E-10
Driver's Compartment Group	E-11 - E-17
Electrical Group	E-18 - E-21
Exterior Body Group	E-22 - F-08
Galley Group	F-07 - F-09
Heating & Air Conditioning Group	F-10 - F-11
Interior Finish Group	F-12 - F-13
LP Group	F-14
Lounge Group	F-15 - F-16
Water & Sewage Group	F-17 - F-20
Window, Vent & Exterior Door Group	F-21 - G-14

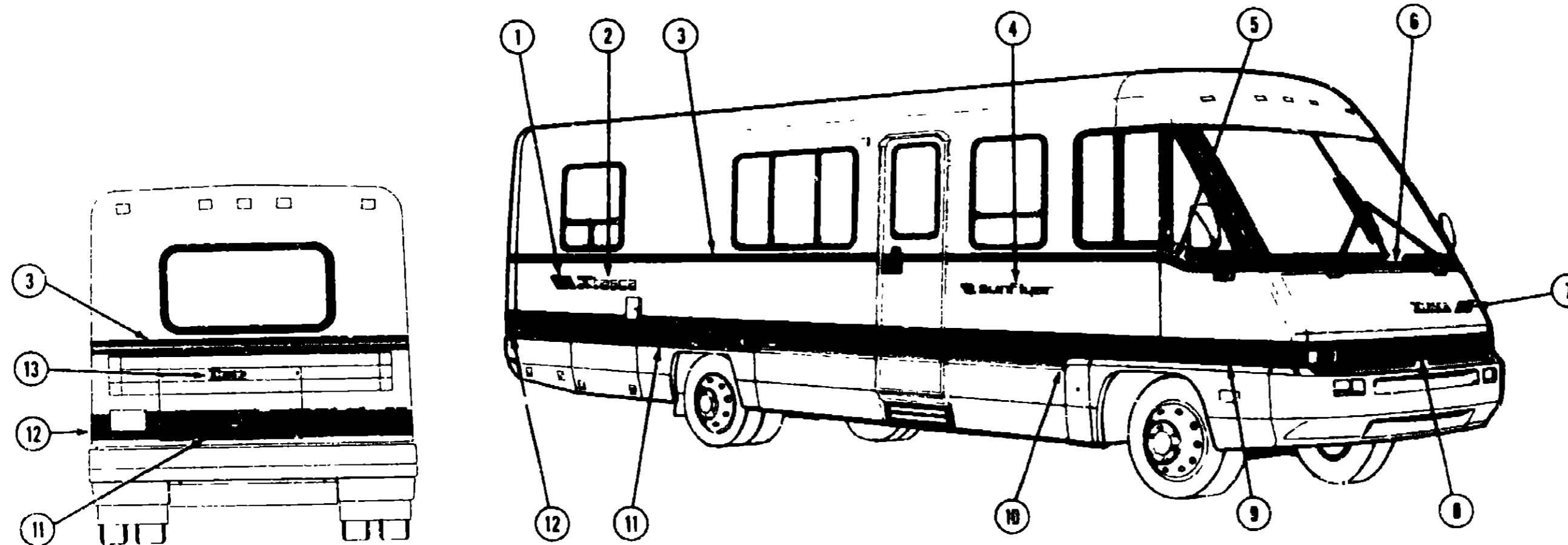
EXTERIOR BODY GROUP (CONTINUED)

DECALS & FILM STRIPE

1989 ITASCA TABLE OF CONTENTS

ICN23RC
ICN27RT

A-01 - D-06
D-07 - G-14



Key	Part Number	U/M	Description
1	093795-01-01A	EA	Decal - Angle - Right - Black/Blue/Peach (Y35)
1	093795-01-02A	EA	Decal - Angle - Right - Black/Brown/Green (Y36, Y37)
	093795-02-01A	EA	Decal - Angle - Left - Black/Blue/Peach (Y35)
	093795-02-02A	EA	Decal - Angle - Left - Black/Brown/Green (Y36, Y37)
2	078852-11-000	EA	Decal - Logo - "Itasca" - Blue/Black (Y35)
2	078852-12-000	EA	Decal - Logo - "Itasca" - Green/Black (Y36, Y37)
3	093689-02-01A	FT	Film - Multistripe - 150' - Blue/Peach (Y35)
3	093689-02-02A	FT	Film - Multistripe - 150' - Green/Brown (Y36, Y37)
4	093793-01-01A	EA	Decal - Right - "Sunflyer" w/Angle - Black/Blue/Peach (Y35)
4	093793-01-02A	EA	Decal - Right - "Sunflyer" w/Angle - Black/Green/Brown (Y36, Y37)
	093793-02-01A	EA	Decal - Left - "Sunflyer" w/Angle - Black/Blue/Peach (Y35)
	093793-02-02A	EA	Decal - Left - "Sunflyer" w/Angle - Black/Green/Brown (Y36, Y37)
5	093792-01-01A	EA	Decal - Right Front Corner - Blue/Peach (Y35)
5	093792-01-02A	EA	Decal - Right Front Corner - Green/Brown (Y36, Y37)
	093792-02-01A	EA	Decal - Left Front Corner - Blue/Peach (Y35)
	093792-02-02A	EA	Decal - Left Front Corner - Green/Brown (Y36, Y37)
6	093689-03-01A	FT	Film - Multistripe - Hood - Blue/Peach (Y35)
6	093689-03-02A	FT	Film - Multistripe - Hood - Green/Brown (Y36, Y37)

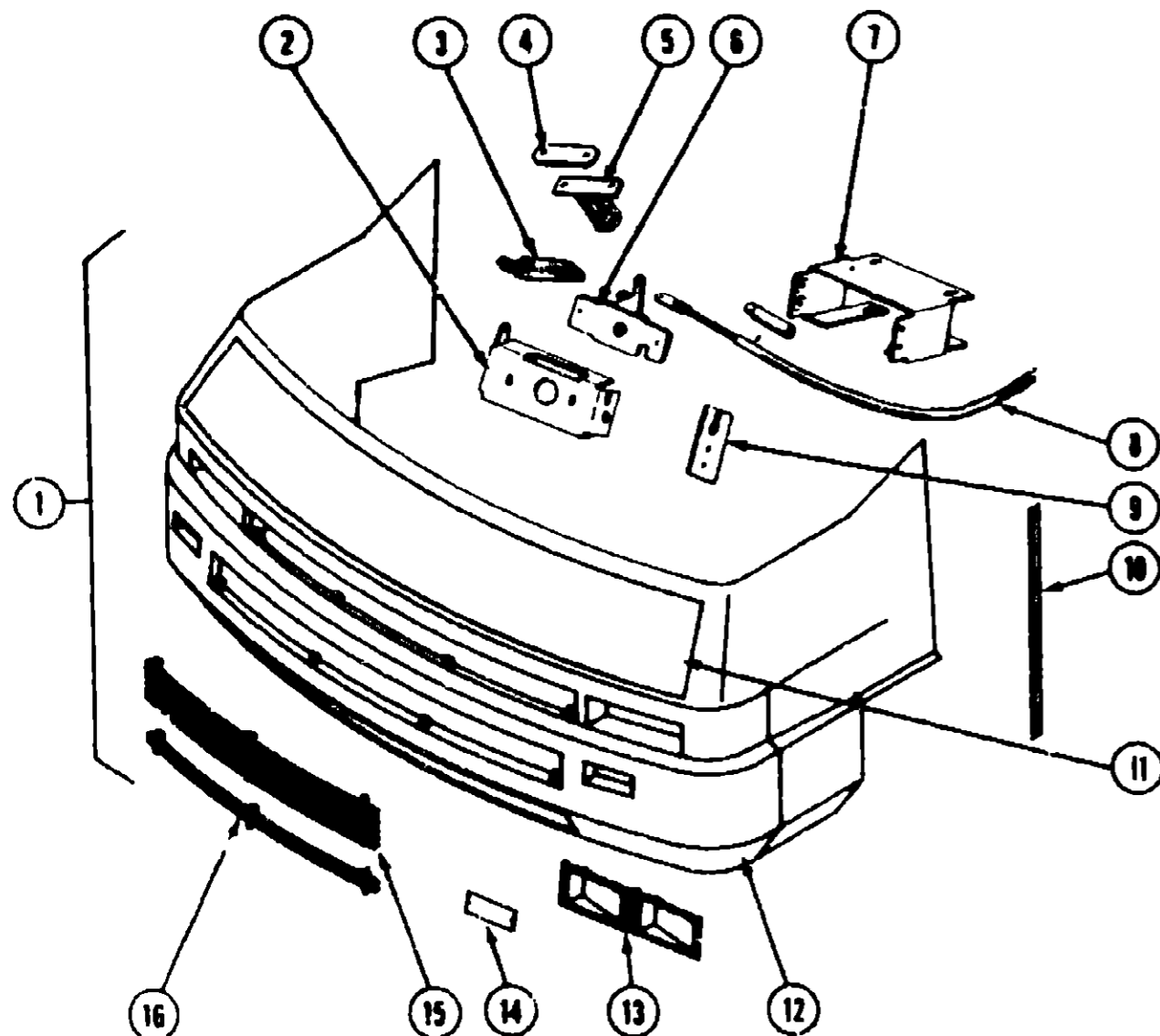
Key	Part Number	U/M	Description
7	093789-01-02A	E/A	Decal - Logo "Itasca" w/Angle - Black/Blue/Peach/Blue (Y35)
7	093789-01-01A	E/A	Decal - Logo "Itasca" w/Angle - Black/Green/Green/Brown (Y36, Y37)
8	093790-01-01A	E/A	Decal - Logo - "I"
9	093689-04-01A	FT	Film - Multistripe - Peach/Blue (Y35)
9	093689-04-02A	FT	Film - Multistripe - Brown/Green (Y36, Y37)
10	093797-01-01A	EA	Decal - Transition - Right - Blue/Peach (Y35)
10	093797-01-02A	EA	Decal - Transition - Right - Brown/Green (Y36, Y37)
	093797-02-01A	EA	Decal - Transition - Left - Peach/Blue (Y35)
	093797-02-02A	EA	Decal - Transition - Left - Brown/Green (Y36, Y37)
11	093689-05-01A	FT	Film - Multistripe - Peach/Blue (Y35)
11	093689-05-02A	FT	Film - Multistripe - Brown/Green (Y36, Y37)
12	093798-01-01A	EA	Decal - Right Rear Corner - Peach/Blue (Y35)
12	093798-01-02A	EA	Decal - Right Rear Corner - Brown/Green (Y36, Y37)
	093798-02-01A	EA	Decal - Left Rear Corner - Peach/Blue (Y35)
	093798-02-02A	EA	Decal - Left Rear Corner - Brown/Green (Y36, Y37)
13	093791-01-01A	EA	Decal - Logo - "Itasca"

1989 ICN27RT INDEX

Floor Plan	D-07 - D-08
Accessories Group	D-09 - D-12
Bath Group	D-13
Chassis Group	D-14 - D-20
Curtain, Cushion & Pad Group	D-21 - E-08
Dinette Group	E-09 - E-10
Driver's Compartment Group	E-11 - E-17
Electrical Group	E-18 - E-21
Exterior Body Group	F-22 - F-08
Galley Group	F-07 - F-09
Heating & Air Conditioning Group	F-10 - F-11
Interior Finish Group	F-12 - F-13
LP Group	F-14
Lounge Group	F-15 - F-16
Water & Sewage Group	F-17 - F-20
Window, Vent & Exterior Door Group	F-21 - G-14

EXTERIOR BODY GROUP (CONTINUED)

EXTERIOR BODY PANELS & HARDWARE



Key	Part Number	U/M	Description
1	M01115-21-Y33	EA	Panel Asm - Front Shroud (includes access panel)
2	073338-02-000	EA	Bracket - Mounting Latch
3	R77008-38-489	EA	Spring - Hood Release
4	R77008-68-172	EA	Shim - Spacer Plate
5	R77007-01-860	EA	Striker & Spring - Hood Latch
6	R77007-51-429	EA	Latch Asm - Hood
7	073342-01-000	EA	Bracket Asm - Hood Latch
8	077084-01-000	EA	Cable - Hood Release - w/Clamp
9	077407-01-000	EA	Bracket - Hood Cable Release (mounts under the hood)
	077406-01-000	EA	Bracket - Hood Cable Release (mounts under the dash)
	091955-01-000	EA	Squeegie - Extended Handle
	091952-01-000	EA	Clip - 1" Gripper
	093527-01-000	EA	Bracket - Squeegie
10	088204-01-02A	EA	Trim - "J" Molding - Off White
11	082678-01-Y33	EA	Access Panel Asm - Hood
	058788-01-000	EA	Hood Bolt Adjusting
	076718-01-000	EA	Bracket Asm - Striker Latch
	093851-01-Y35	EA	Hinge Asm. - Hood - Passenger
	093851-02-Y35	EA	Hinge Asm - Hood - Driver
	076767-02-000	EA	Cable Asm - 1/16" x 16 5" - Stainless Steel
12	083848-01-Y35	EA	Bumper Asm - Off White
	083385-01-000	EA	Bracket - License Plate
13	091839-01-01A	EA	Bezel - Headlamp - Passenger
	091839-02-01A	EA	Bezel - Headlamp - Driver
	091230-02-000	EA	Screw - Headlamp Bezel - 8 32 x 3/4 POH
	049185-01-000	EA	Headlamp Capsule Asm. - Rectangular - Left - High/Low Beam
	049186-01-000	EA	Headlamp Capsule Asm - Rectangular - Right - High/Low Beam
	049187-01-000	EA	Headlamp Capsule Asm - Rectangular - Left - High Beam
	049188-01-000	EA	Headlamp Capsule Asm - Rectangular - Right - High Beam
	048359-01-000	EA	Spring - Headlamp
	073308-01-000	EA	Retainer - Headlight Adjusting Screw
14	076345-01-000	EA	Lens Asm - Park/Turn - Amber
	084901-01-000	EA	Lamp Asm - Park/Turn
15	093004-01-Y33	EA	Grille Asm - 5 Bar
16	093005-01-Y33	EA	Grille Asm - 2 Bar

1989 ITASCA TABLE OF CONTENTS

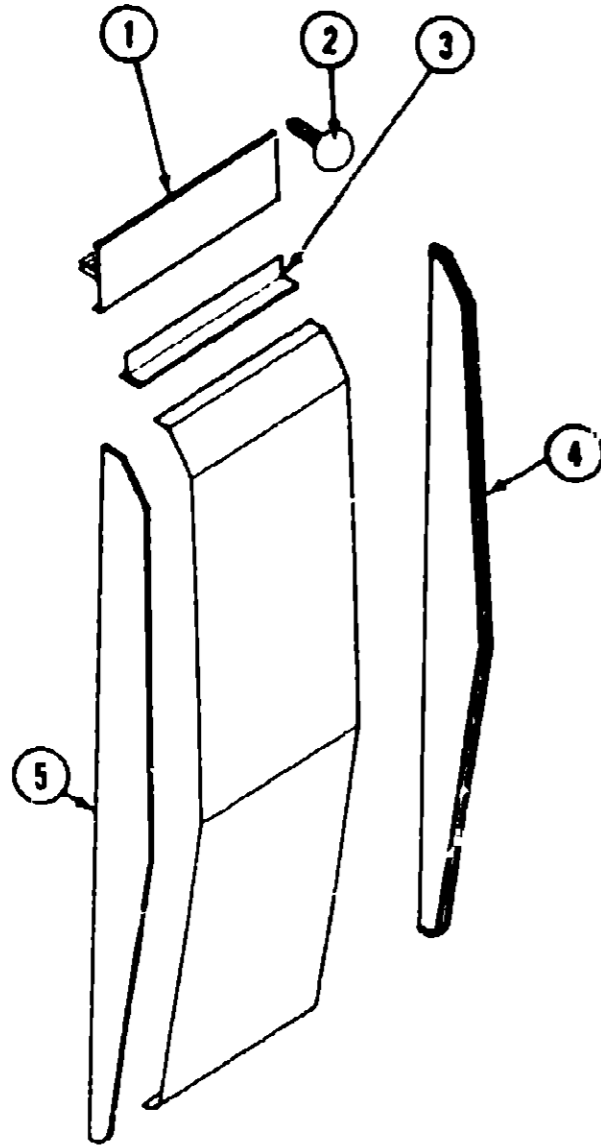
ICN23RC
ICN27RT

A-01 - D-08
D-07 - G-14

1989 ICN27RT INDEX

Floor Plan	D-07 - D-08
Accessories Group	D-09 - D-12
Bath Group	D-13
Chassis Group	D-14 - D-20
Curtain, Cushion & Pad Group	D-21 - E-08
Dinette Group	E-09 - E-10
Driver's Compartment Group	E-11 - E-17
Electrical Group	E-18 - E-21
Exterior Body Group	E-22 - F-08
Galley Group	F-07 - F-09
Heating & Air Conditioning Group	F-10 - F-11
Interior Finish Group	F-12 - F-13
LP Group	F-14
Lounge Group	F-15 - F-16
Water & Sewage Group	F-17 - F-20
Window, Vent & Exterior Door Group	F-21 - G-14

EXTERIOR BODY GROUP (CONTINUED)



VALANCE PANEL ASM.

Key	Part Number	U/M	Description
1	092301-01-01A	EA	Body Molding - Off White
2	094362-02-000	EA	Clip - X-Mas - Flat Head
3	094355-01-01A	EA	Trim - Valance to Sidewall
4	092689-01-02A	EA	End Cap - Valance Panel - Right
5	092689-02-02A	EA	End Cap - Valance Panel - Left

EXTERIOR BODY GROUP (CONTINUED)

SEALANTS & ADHESIVES

Key	Part Number	U/M	Description
	002337-01-000	EA	Adhesive - 1300 Tube - 3M (Window)
	004006-02-000	EA	Adhesive - Swifts - 1 Gallon (Sidewall)
	004006-04-700	EA	Adhesive - Pierce - 1 Gallon (Sidewall)
	075672-02-000	EA	Adhesive - Scotch Rubber Gripper (Rear Cap)
	081377-01-000	EA	Adhesive - Cyanoacrylate (Window & Door)
	053766-02-000	EA	Bedding Compound - Tube - White (Exterior)
	053766-07-000	EA	Bedding Compound - Tube - Clear (Window)
	053766-07-000	EA	Bedding Compound - Tube - Beige (Exterior)
	011129-01-000	EA	Seal - Plumbing Pipe - Roof - For 1 1/2" OD Pipe
	077967-01-000	EA	Sealant - Acrylic Latex - Tube (Interior)
	034552-02-000	EA	Sealant - Silicone - Clear (Exterior)
	034552-04-000	EA	Sealant - Silicone - Beige (Exterior)
	053752-04-000	EA	Sealer - Seam - Tube - Aluminum (Roof)
	089837-01-000	EA	Sealer - 3M EC5510 - White (Door)
	089840-01-000	FT	Sealer - Ribbon - 1/4" Dia. x 20' (Cabinet)
	089840-02-000	FT	Sealer - Ribbon - 1/2" x 1/8" x 30' (Sidewalls)
	089840-03-000	FT	Sealer - Ribbon - 3/4" x 1/8" x 30' (Body Panels)
	089840-05-000	FT	Sealer - Ribbon - 2 1/2" x 3/32" x 30' (Body Panels)
	089840-06-000	FT	Sealer - Ribbon - 5/16" Dia x 15' (Window)
	089840-07-000	FT	Sealer - Ribbon - 2" x 3/32" x 30' (Interior)
	081359-01-000	FT	Sealer - Vinyl Glazing (Window)
	081380-01-000	FT	Sealer - Vinyl Glazing - Black (Window)
	089363-01-701	EA	Sealer - Body Seam - Flexible - Fawn (Exterior)
	090340-01-000	FT	Sealer - Foam Seal - Closed Cell - 1/4" x 1/2" (Exterior)
	090340-02-000	FT	Sealer - Foam Seal - Closed Cell - 3/8" x 1/2" (Exterior)
	701674-05-000	EA	Service Manual - Sealants
	004363-01-000	FT	Tape - Foam - 3/16" x 1/2" - Gray - 1 Side (Sidewall)
	009200-01-000	EA	Tape - Furnace - 1 1/2"
	083642-01-000	FT	Tape - Adhesive - 10 Mil x 1.5" (Exterior)
	076322-02-000	FT	Tape - Foam - Double Coated - .45" x 1" (Fiberglass Seams)
	076322-03-000	FT	Tape - Foam - Double Coated - .045" x 5" (Fiberglass Seams)
	076322-04-000	FT	Tape - Foam - Double Coated - .045" x 75" (Fiberglass Seams)
	077959-01-000	FT	Tape - Foam - 1/2" Black - 2 Sided (Interior)
	070967-02-000	FT	Tape - Plastic Film - .375" (Window)
	088244-01-000	FT	Tape - Foam - Vinyl Coated - 2" (Chassis)
	091968-03-000	FT	Tape - Adhesive - .04" x 1" (Entrance Door)
	002281-01-000	FT	Weatherstrip - Self-Seal - .06" Panel x 3/16" (Window)
	058903-01-000	FT	Weatherseal - Upper Front Cap

MENDE BOARD, ALUMINUM & STYROFOAM

Key	Part Number	U/M	Description
	084882-15-000	EA	Panel - Fiberglass - Mende Board - Off White - 83.34" x 20.5'
	044487-01-001	EA	Aluminum - Mill Finish - No Design (Roof) - 98" x 380"
	000868-01-000	SF	Styrofoam - 3/4" x 24" x 96"
	000870-02-000	SF	Styrofoam - 1.5" x 48" x 96"
	000870-03-000	SF	Styrofoam - 1.34" x 48" x 96"
	083574-01-000	SF	Styrofoam - 1.5" x 24" x 85.25"

**1989 ITASCA
TABLE OF CONTENTS**

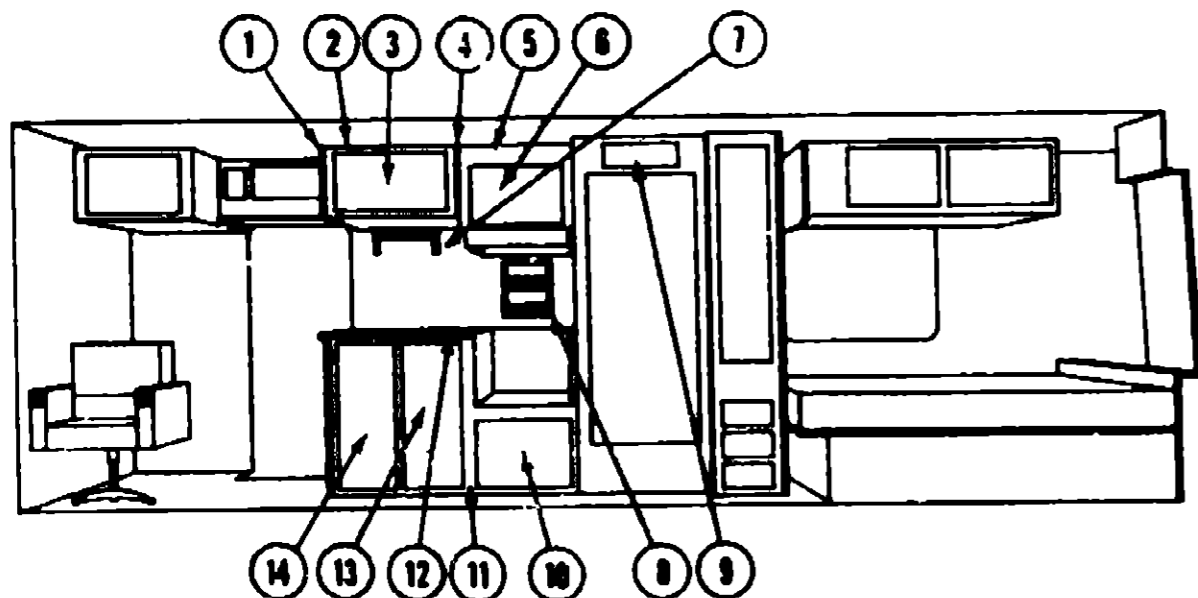
ICN23FC
ICN27RT

A-01 - D-08
D-07 - G-14

1989 ICN27RT INDEX

Floor Plan	D-07 - D-08
Accessories Group	D-09 - D-12
Bath Group	D-13
Chassis Group	D-14 - D-20
Curtain, Cushion & Pad Group	D-21 - E-08
Dinette Group	E-09 - E-16
Driver's Compartment Group	E-11 - E-17
Electrical Group	E-18 - E-21
Exterior Body Group	E-22 - F-08
Galley Group	F-07 - F-09
Heating & Air Conditioning Group	F-10 - F-11
Interior Finish Group	F-12 - F-13
LP Group	F-14
Lounge Group	F-15 - F-18
Water & Sewage Group	F-17 - F-20
Window, Vent & Exterior Door Group	F-21 - G-14

GALLEY GROUP



GALLEY CABINETRY & RELATED ITEMS

Key	Part Number	U/M	Description
1	092747-01-Y10	EA	End Cap Asm - Galley Overhead
2	M92078-01-Y10	EA	Cabinet Asm - Galley Overhead - w/o Door or Hardware
3	M88304-84-X08	EA	Door Asm - Galley Overhead - w/o Hardware
4	092090-02-Y12	EA	End Cap Asm - Range Overhead
5	M94767-02-Y07	EA	Cabinet Asm - Range Overhead - w/o Door or Hardware
*	094767-02-Y12	EA	Cabinet Asm - Range Overhead - Used w/Microwave
6	M88304-A9-X08	EA	Door Asm - Range Overhead - w/o Hardware
7	092488-01-Y12	EA	Paper Towel Holder - Oak
8	074490-02-W24	EA	Spice Rack - Oak
9	M88304-F4-Y10	EA	Door Asm - Refrigerator Cabinet - w/o Hardware
10	M88304-05-Y23	EA	Door Asm - Galley Cabinet - w/o Hardware
11	M03889-01-Y10	EA	Cabinet Asm - Galley - w/o Doors, Drawers, Countertop or Hardware
*	M03889-03-Y12	EA	Cabinet Asm - Galley - w/o Oven Cut Out - w/o Doors, Drawers, Countertop or Hardware
*	M82184-11-X36	EA	Drawer Asm - Galley Cabinet - w/o Hardware - Used w/o Oven
12	092117-11-Y10	EA	Countertop Asm - Galley Cabinet
*	092117-11-Y10	EA	Countertop Asm - Galley Cabinet - Used w/o Oven
13	M88304-14-X08	EA	Door Asm - Galley Cabinet - w/o Hardware
14	M88304-13-X08	EA	Door Asm - Galley Cabinet - w/o Hardware
	093288-01-01A	EA	Silverware Tray - Drawer
	094067-01-01A	EA	Drawer Dividers - Light Oak
	077409-02-000	EA	Drawer Slide - 20 75" Plastic
	011053-03-000	EA	Faucet - Galley - Swing Spout
	091253-01-000	EA	Gasket - Galley Faucet
	093238-01-Y12	EA	Cover - Knife Holder
	093282-01-000	EA	Bonnet Asm - Knife Rack
	093303-01-000	EA	Sink Strainer
	098654-01-000	EA	Sink - Stainless Steel - Double Sink

GALLEY GROUP (CONTINUED)

GALLEY APPLIANCES

Key	Part Number	U/M	Description
	091289-03-000	EA	Microwave Browning Oven - Magic Chef
	094745-01-01A	EA	Trim - Bottom - Microwave - Black
	094774-01-01A	EA	Trim - Sides - Microwave - Black
	091289-03-700	EA	Panel - Outer Door - Microwave
	091289-03-701	EA	Plate - Ceramic - 9.5" Round
	081374-03-000	EA	Range Top - 4 Burner - Almond - w/o Oven
	081374-03-700	EA	Trim - Cabinet - Left - Almond
	081374-03-701	EA	Trim - Cabinet - Right - Almond
	081374-03-703	EA	Trim - Cabinet - Rear
	085280-03-000	EA	Cover - Range Top - Bi-Fold - Almond
	055282-04-000	EA	Range - 4 Burner Small Oven - Almond
	055282-04-700	EA	Oven Door Panel - Almond
	085280-02-000	EA	Cover - Range Top - Bi-Fold - Almond
	092898-05-01A	EA	Range Hood - w/Monitor Panel - Almond
	090973-01-702	EA	Fan Blade
	092898-01-709	EA	Lamp #812
	092898-01-710	EA	Lamp Holder
	092898-01-711	EA	Lamp Lens
	092898-01-717	EA	Mesh Filter
	092898-05-700	EA	Clock - Mini L C D.
	079353-01-704	EA	Circuit Boards - Tanks
	092898-05-702	EA	Control Panel Asm
	092898-05-703	EA	Control Panel Face Plate
	092898-05-701	EA	Chassis w/Wiring
	075470-01-702	EA	Switch - On/Off
	075470-01-703	EA	Switch
	075470-01-705	EA	Switch - On/Off/On Momentary
	092898-01-701	EA	Knob - Plastic - F/Cable
	092898-01-704	EA	Switch Lever Asm - Module
	092898-01-705	EA	Actuator Rod/Turn Buckle
	092898-01-707	EA	Vent Gasket
	092898-01-708	EA	Vent Mounting Clip
	092898-01-702	EA	Resistor Wire Asm
	092898-01-703	EA	Fuse Holder
	079353-01-700	EA	Test Connector
	094038-01-000	EA	Refrigerator - 8' - Small Double Door - Norcold 883
	094038-01-700	EA	Gasket - Lower - Gray
	094038-01-701	EA	Liner - Lower Door - Brown/White
	094038-01-702	EA	Liner - Lower Door - Black/White
	094038-01-703	EA	Door Handle - Lower Door - Brown
	094038-01-704	EA	Door Handle - Lower Door - Black
	094038-01-705	EA	Cabinet Asm - Brown Frame - White Liner
	094038-01-706	EA	Cabinet Asm - Black Frame - White Liner
	094038-01-000	EA	Refrigerator - 10' Large Double Door - Norcold 883
	094038-01-700	EA	PC Board - 3 Way Asm
	094038-01-701	EA	Eye-brow - 3 Way Shell

1989 ITASCA TABLE OF CONTENTS

ICN23RC
ICN27RT

A-01 - D-06
D-07 - G-14

1989 ICN27RT INDEX

Floor Plan	D-07 - D-08
Accessories Group	D-09 - D-12
Bath Group	D-13
Chassis Group	D-14 - D-20
Curtain, Cushion & Pad Group	D-21 - E-08
Dinette Group	E-09 - E-10
Driver's Compartment Group	E-11 - E-17
Electrical Group	E-18 - E-21
Exterior Body Group	E-22 - F-08
Galley Group	F-07 - F-09
Heating & Air Conditioning Group	F-10 - F-11
Interior Finish Group	F-12 - F-13
LP Group	F-14
Lounge Group	F-15 - F-18
Water & Sewage Group	F-17 - F-20
Window, Vent & Exterior Door Group	F-21 - G-14

GALLEY GROUP (CONTINUED)

GALLEY APPLIANCES (CONT.)

Key	Part Number	U/M	Description
	094039-01-702	EA	Gasket - Upper - Gray
	094039-01-703	EA	Hinge Plate - Brown - Left Hand
	094039-01-704	EA	Hinge Plate - Black - Left Hand
	094039-01-705	EA	Door Liner - White - Upper Door - Brown Frame
	094039-01-706	EA	Door Liner - White - Upper Door - Black Frame
	094039-01-707	EA	Door Handle - Upper - Brown Frame
	094039-01-708	EA	Door Handle - Upper - Black Frame
	094039-01-709	EA	Hinge Plate - Brown Frame - Right Top/Left Bottom
	094039-01-710	EA	Hinge Plate - Black Frame - Right Top/Left Bottom
	094039-01-711	EA	Juice Rack - w/Silver Trim - Gray
	094039-01-712	EA	Door Bin - Silver Border - Gray
	094039-01-713	EA	Lower Door Gasket - Gray
	094039-01-714	EA	Lower Door Liner - White - Brown Frame
	094039-01-715	EA	Lower Door Liner - White - Black Frame
	094039-01-716	EA	Lower Door Handle - Brown Frame
	094039-01-717	EA	Lower Door Handle - Black Frame
	094039-01-718	EA	Milk Bin - w/Silver Trim - Gray
	094039-01-719	EA	Dairy Keeper - w/Silver Trim - Gray
	094039-01-720	EA	Cabinet Asm - White Liner - Brown Frame
	094039-01-721	EA	Cabinet Asm - White Liner - Black Frame
	094039-01-722	EA	Hole Plug - Black - Hinge Holes
	094039-01-723	EA	Hinge Bracket - Black - Right Bottom/Left Top
	094039-01-724	EA	Hinge Bracket - Black - Left Bottom/Right Top
	094039-01-725	EA	Hinge Pin - Black - Male
	094039-01-726	EA	Evaporator Shelf
	094039-01-727	EA	Hinge Bracket - Center Hinge - Brown Frame
	094039-01-728	EA	Hinge Bracket - Center Hinge - Black Frame
	094039-01-729	EA	Hinge Pin Shaft - Center Hinge - Brown Frame
	094039-01-730	EA	Hinge Pin Shaft - Center Hinge - Black Frame
	094039-01-731	EA	Crisper - Silver Trim - Gray
	094039-01-732	EA	Front Cover - Bottom Trim - Black
	094039-01-733	EA	Wire Shelf - Middle
	094039-01-734	EA	Wire Shelf - Top - w/Riser
	094039-01-735	EA	Inside Drip Tray - White
	094039-01-736	EA	Light Switch - Black
	094039-01-737	EA	Power Supply - 3 Way
	094039-01-738	EA	Manual Shut-Off
	094039-01-739	EA	Shelf - Cutout
	087200-01-000	EA	Filter - Water Purification
	087200-02-000	EA	Cartridge - Water Filter

HEATING & AIR CONDITIONING GROUP

FURNACE

Key	Part Number	U/M	Description
	082300-01-000	EA	Furnace - 24,000 BTU - Sub Floor Suburban NT 24B
	082300-01-700	EA	Cabinet
	082300-01-701	EA	Cabinet
	082300-01-702	EA	Thermostat
	082300-01-703	EA	Combustion Chamber - 24BW
	082300-01-704	EA	Gasket - Electrode
	082300-01-705	EA	Electrode
	082300-01-706	EA	Door - Burner - Access
	082300-01-707	EA	Gasket - Burner Access Burner
	082300-01-708	EA	Limit Switch
	082300-01-709	EA	Board - Module
	082300-01-710	EA	Relay Time Delay
	082300-01-711	EA	Vent Cap Asm
	082300-01-712	EA	Burner Asm
	082300-01-713	EA	Orifice - Main Burner
	082300-01-714	EA	Gasket - Manifold
	082300-01-715	EA	Manifold Asm
	082300-01-716	EA	Valve
	082300-01-717	EA	Wire Asm - Power Supply
	082300-01-718	EA	Elbow - 90°
	082300-01-719	EA	Valve - Manual Shut Off
	082300-01-720	EA	Wheel - Room Air
	082300-01-721	EA	Blower Housing Asm
	082300-01-722	EA	Microswitch Asm
	082300-01-723	EA	Motor Asm.
	082300-01-724	EA	Gasket - Motor Mount
	082300-01-725	EA	Housing Air Asm
	082300-01-726	EA	Wheel - Combustion Air
	082300-01-727	EA	Gasket - Combustion Air Housing
	082300-01-728	EA	Housing - Outside - Combustion Air
	082300-03-000	EA	Furnace - 34,000 BTU - Sub Floor - Suburban 34B
	082300-03-700	EA	Orifice - Main Burner
	082300-03-701	EA	Motor Asm
	082300-03-702	EA	Housing Asm - Combustion Air - 34 BW
	008200-01-000	EA	Tape - Furnace - 1 5"
	091961-01-000	EA	Heat Register - w/o Damper - 4" x 8" - Brown Steel
	091961-02-000	EA	Heat Register - w/Damper - 4" x 8" - Brown Steel
	094600-01-02A	EA	Heat Register - w/o Damper - 3 6" x 11 2" - Brown Steel
	094600-02-02A	EA	Heat Register - w/Damper - 3 6" x 11 2" - Brown Steel
	093814-01-01A	EA	Grill - Return Air - Brown
	092321-01-000	FT	Insulation - Fiberglass w/Foil - Heat Runs

1989 ITASCA TABLE OF CONTENTS

ICN23RC
ICN27RT

A-01 - D-06
D-07 - G-14

1989 ICN27RT INDEX

Floor Plan	D-07 - D-08
Accessories Group	D-09 - D-12
Bath Group	D-13
Chassis Group	D-14 - D-20
Curtain, Cushion & Pad Group	D-21 - E-08
Dinette Group	E-09 - E-10
Driver's Compartment Group	E-11 - E-17
Electrical Group	E-18 - E-21
Exterior Body Group	E-22 - F-06
Galley Group	F-07 - F-09
Heating & Air Conditioning Group	F-10 - F-11
Interior Finish Group	F-12 - F-13
LP Group	F-14
Lounge Group	F-15 - F-16
Water & Sewage Group	F-17 - F-20
Window, Vent & Exterior Door Group	F-21 - G-14

HEATING & AIR CONDITIONING GROUP (CONTINUED)

ROOF AIR CONDITIONER

Key	Part Number	U/M	Description
	083784-01-000	EA	Ceiling Asm - A/C Cool - w/Controls - TSR - Coleman 6759D714
	083783-01-04A	EA	Air Conditioner - 110 Volt - Roof Mount - TSR - 13,500 BTU Coleman 6759D.08
	083783-01-700	EA	Shroud - Ivory/Charcoal
	083783-01-701	EA	Overload
	083783-01-702	EA	Overload
	083783-01-703	EA	Impeller - 7" Dia. x 2 80" Wide
	083783-01-704	EA	Fan Capacitor
	083783-01-705	EA	Decal - HT/Cool Thermostat
	083783-01-706	EA	Heat Element
	083783-01-708	EA	Condenser Coil
	083783-01-709	EA	Compressor
	083783-01-710	EA	Single Parts Package

REAR AUTO HEATER

Key	Part Number	U/M	Description
	084405-01-000	EA	Heater Asm - Rear - Ducted
	084405-01-700	EA	Heater Core
	084405-01-701	EA	Fan
	084405-01-702	EA	Motor - 12V
	007108-01-000	FT	Hose - Heater - 5/8" ID SAE 20R3
	007108-02-000	FT	Hose - Heater - 7/8" ID SAE 20R3
	087202-02-000	EA	Switch - w/o Knob - 4 Position
	090977-01-000	EA	Knob - Rotary Switch
	084410-02-000	EA	Decal - Rear Auto Heater

AUTOMOTIVE HEATER & A/C

Key	Part Number	U/M	Description
	088227-02-000	EA	Evaporator Asm - A/C
	088227-02-700	EA	Drain Tube Asm
	088227-02-701	EA	Bracket - Bowden Cable Mounting
	088227-02-702	EA	Door Asm - F.A./Recircling
	088227-02-703	EA	Suction Hose #10
	088227-02-704	EA	Bracket - Vacuum Motor
	088227-02-705	EA	Hose - Liquid
	091902-01-000	EA	Control/Pleum Set
	091902-01-700	EA	Door - Defrost/Heat
	091902-01-701	EA	Motor - Vacuum
	091902-01-702	EA	Door - A/C - Heat
	091902-01-703	EA	Rod - A/C - Heat Door
	091902-01-704	EA	Transition Asm. - Hi Temp
	091902-01-705	EA	Harness & Socket Jumper
	091902-01-706	EA	Cable - Bowden
	091902-01-707	EA	Harness Wire
	091902-01-708	EA	Harness Vacuum
	091902-01-709	EA	Grille - Return Air

INTERIOR FINISH GROUP

PANELING & COUNTERTOP

Key	Part Number	U/M	Description
	074497-10-000	SF	Paneling - Regal Oak - 48" x 84" (Cabinets)
	088272-44-000	SF	Paneling - Decor - Charcoal - 48" x 84" (Main Wall)
	088272-36-000	SF	Paneling - Decor - Slate - 48" x 84" (Galley & Bath) (Y35)
	088272-27-000	SF	Paneling - Decor - Cocoa - 48" x 84" (Galley & Bath) (Y36)
	088272-28-000	SF	Paneling - Decor - Miami - 48" x 84" (Galley/Bath) (Y37)
	074498-28-000	SF	Plastic Laminate - Tan (Galley/Dinette)
	074498-24-000	SF	Plastic Laminate - Regal Oak (Nightstand)
	076325-16-000	FT	Edge Molding - Regal Oak

INTERIOR MOLD & TRIMS

Key	Part Number	U/M	Description
	088733-70-000	EA	Batt Strip - Regal Oak - 8" (Woodgrain)
	088283-21-000	EA	Batt Strip - Charcoal - 8" (Main Wall)
	088284-13-000	FT	Batt Strip - Charcoal - Tape Adhesive
	088284-03-000	FT	Batt Strip - Regal Oak - Tape Adhesive
	088283-23-000	EA	Batt Strip - Slate (Galley/Bath) (Y35)
	088283-21-000	EA	Batt Strip - Charcoal (Galley/Bath) (Y36, Y37)
	088229-04-000	EA	Batten - 1" - Ceiling Molding - Ivory
	008808-17-000	EA	F-Molding - 1" - Regal Oak
	008812-17-000	EA	F-Molding - 1/2" - Regal Oak
	083820-01-000	FT	T-Molding - w/Edge Lips - Grady Brown
	070504-01-000	FT	U-Channel - 85" - Light Brown
	070604-08-000	FT	U-Channel - 815" - Regal Oak
	008778-07-000	FT	U-Channel - 1" - Regal Oak
	008787-08-000	FT	Wetling - Beige
	085748-01-000	FT	J-Molding - .75" w/Lips - Grady Brown
	024700-35-000	EA	Cover - Sidewall Roll Bar - Beige (Wall/Ceiling)
	022882-08-000	FT	Molding - Reverse Cover - Champagne White
	042357-11-000	FT	Molding - Outside Corner - Light Oak
	077840-01-W30	FT	Molding - Wall Cap
	080178-02-000	EA	Corner Cap - Radius Plastic - Light Oak
	081521-02-007	EA	Molding - 84 Hole Space
	082041-01-02A	EA	Trim - Rear Cap to Sidewall - Off White

FABRIC & FLOOR COVERINGS

Key	Part Number	U/M	Description
	088274-83-000	YD	Fabric - Upholstery - Main - Blue (Y35)
	088274-81-000	YD	Fabric - Upholstery - Main - Tiffany (Y36)
	088274-82-000	YD	Fabric - Upholstery - Main - Starburst (Y37)
	088274-33-000	YD	Fabric - Upholstery - Accent - Blue (Y35)
	088274-59-000	YD	Fabric - Upholstery - Accent - Umber (Y36)
	088274-80-000	YD	Fabric - Upholstery - Accent - Eggshell (Y37)
	072333-55-000	YD	Fabric - Drapery - Blackout/Wrapperound - Silver (Y35)
	072333-58-000	YD	Fabric - Drapery - Blackout/Wrapperound - Tan (Y36)
	072333-60-000	YD	Fabric - Drapery - Blackout/Wrapperound - Wistona (Y37)
	087272-01-000	YD	Lining - Drapery - 48" - Ivory
	088273-25-000	YD	Fabric - Bedspread - Ecru (Y35)
	088273-28-000	YD	Fabric - Bedspread - Peach (Y36)
	088273-27-000	YD	Fabric - Bedspread - Pastel (Y37)
	075244-02-000	YD	Vinyl - Shower Curtain
	079880-01-000	YD	Vinyl - Expanded - 28 oz. Buckskin (End Cap)
	088351-01-000	YD	Vinyl - Headliner - Acoustical (Ceiling)
	080848-03-000	YD	Vinyl - Expanded - Taupe (Door Pads)
	072333-83-000	YD	Fabric - Pull Shade - Entrance Door - Bone (Y13, Y14)
	083488-01-000	SY	Carpet - Outside Storage Compartment
	083488-01-001	EA	Carpet - Outside Storage Compartment (1SY)
	072880-70-000	SY	Carpet - Glacier Blue (Y37)
	072880-71-000	SY	Carpet - Piliates Alley (Y36)
	072880-85-000	SY	Carpet - Amethyst (Y37)

1989 ITASCA TABLE OF CONTENTS

ICN23RC
ICN27RT

A-01 - D-08
D-07 - G-14

1989 ICN27RT INDEX

Floor Plan	D-07 - D-08
Accessories Group	D-09 - D-12
Bath Group	D-13
Chassis Group	D-14 - D-20
Curtain, Cushion & Pad Group	D-21 - E-08
Dinette Group	E-09 - E-10
Driver's Compartment Group	E-11 - E-17
Electrical Group	E-18 - E-21
Exterior Body Group	E-22 - F-06
Galley Group	F-07 - F-09
Heating & Air Conditioning Group	F-10 - F-11
Interior Finish Group	F-12 - F-13
LP Group	F-14
Lounge Group	F-15 - F-16
Water & Sewage Group	F-17 - F-20
Window, Vent & Exterior Door Group	F-21 - G-14

INTERIOR FINISH GROUP (CONTINUED)

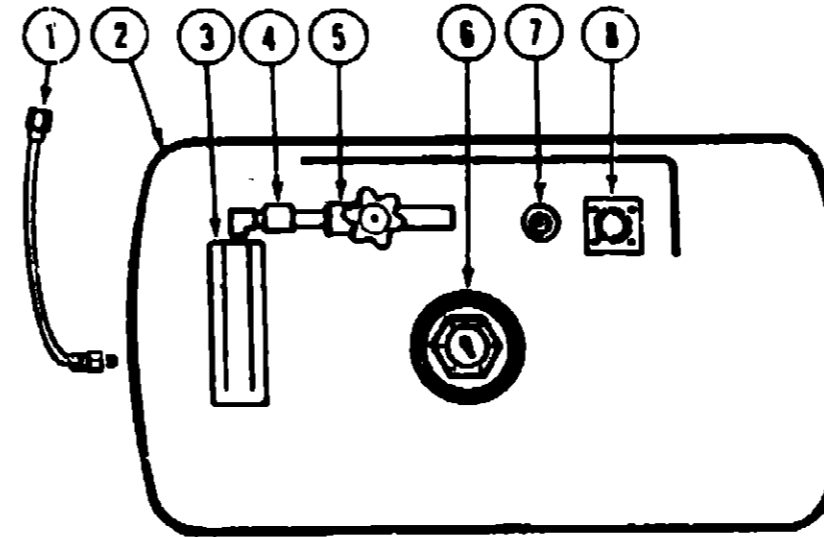
CABINETRY & TABLE HARDWARE

Key	Part Number	U/M	Description
	059777-02-000	EA	Hinge - Cabinet Door - Brass
	074493-02-000	EA	Overhead Door - Support - Sprung
	079789-01-000	EA	Support - Table - Pullout - Beige
	080728-01-000	EA	Handle - Recessed - Brown Plastic
	079921-01-000	EA	Roller - Nylon w/Shaft
	088284-01-000	EA	Pull - Cabinet - Polished Brass
	081378-01-000	EA	Back Plate - Door Pull - Polished Brass
	083588-03-000	EA	Catch - Spring Roller
	083588-04-000	EA	Strike - Steel Spring
	074045-06-000	EA	Plug - 1/2" - Oak
	084488-02-000	EA	Slide Asm. - Drawer - Right
	084488-03-000	EA	Slide Asm. - Drawer - Left
	084488-04-000	EA	Slide Asm. - Cabinet - Right
	084488-05-000	EA	Slide Asm. - Cabinet - Left
	047744-01-000	EA	Kit - Drawer Glide
	009089-01-000	EA	Clip - Mirror
	084451-01-000	EA	Catch - TV Shelf - Brass
	009059-01-000	EA	Hinge - 2" - Brass - TV Shelf
	058331-10-000	EA	Mirror - Safety Glass - TV Shelf - 14" x 17"
	084781-05-000	EA	Cup Holder - Two Step
	024281-11-000	EA	Bracket - Lower Wall Mount
	053200-09-000	EA	Bracket - Upper Wall Mount
	024275-11-000	EA	Rod - Table Lift
	082593-01-02A	EA	Catch - Table Leg
	049493-08-000	EA	Catch - Table Leg - Mounts on Floor
	093550-01-000	EA	Hinge - Bracket - Leg Folding
	092708-01-Y15	EA	Leg Asm. - Table - Regal Oak
	088410-01-000	EA	Hanger - Table
	093212-01-01A	EA	Door Bolt - Mortise - Bi-Fold Door
	092652-01-000	EA	Guide Wheel - Top Mount - Bi-Fold Door
	093832-01-01A	EA	Knob - Bright Brass - Bi-Fold Door
	009059-02-000	EA	Hinge - 2" - Brass - Bi-Fold Door
	081604-01-000	EA	Slide Bolt - Antique Brass - Bath Door
	094485-01-01A	EA	Knob - Polished Brass - Bath Door

MISCELLANEOUS

Key	Part Number	U/M	Description
	053552-02-W24	EA	Handle Asm. - Assist - Vinyl
	094858-01-Y12	EA	Handle Asm. - Oak - Front Bunk
	091257-04-000	EA	Handle Asm. - Assist Railing - Dinette
	041944-04-000	EA	Fire Extinguisher - 5BC - w/o Bracket
	084472-01-000	EA	Holder - Plastic - Fire Extinguisher
	094499-01-000	EA	Fire Extinguisher - 10BC - w/Bracket
	094499-02-000	EA	Fire Extinguisher - 1A - 10BC (CSA)
	094851-01-01A	EA	Holder - Recessed - Fire Extinguisher
	072852-01-000	EA	Smoke Detector w/9 Volt Battery
	054185-31-000	EA	Owner's Manual - Winnebago/Itasca - 1989
	081202-02-000	EA	Floor Mat - Front - Right - Itasca
	081201-02-000	EA	Floor Mat - Front - Left - Itasca
	081075-02-000	EA	Floor Mat - Front - Entrance - Itasca

LP GROUP



LP TANK & HARDWARE

Key	Part Number	U/M	Description
1	045703-01-000	EA	Hose Asm. - LP - 3/8 x 24 (US)
1	045703-02-000	EA	Hose Asm. - LP - 3/8 x 24 (CSA)
2	091970-01-000	EA	Tank Asm. - LP - Frame Mount - 80 Pound - 20" x 24"
3	081938-01-000	EA	Cover - LP Regulator
3	078301-02-000	EA	Regulator - LP - Two-Stage
4	090976-02-000	EA	Safety Valve - LP - Electric
5	040421-01-703	EA	Valve - Vapor Relief
6	040421-01-707	EA	Gauge - Float - w/Visible Dial
6	040421-01-708	EA	Dial - Visible Face - Float Gauge
6	040440-01-000	EA	Dial - Visible Face - Float Gauge (w/Electric Transmitter)
7	040421-01-700	EA	Gauge - Liquid Level
8	040421-01-701	EA	Valve - Filler
8	040421-01-702	EA	Cap - Filler Valve
8	040421-01-711	EA	Inner Tank Valve - 80% F/W
	085741-01-000	EA	Gauge - Diaphragm Pressure - Test Leak
	097395-01-000	EA	LP Leak Detector

**1989 ITASCA
TABLE OF CONTENTS**

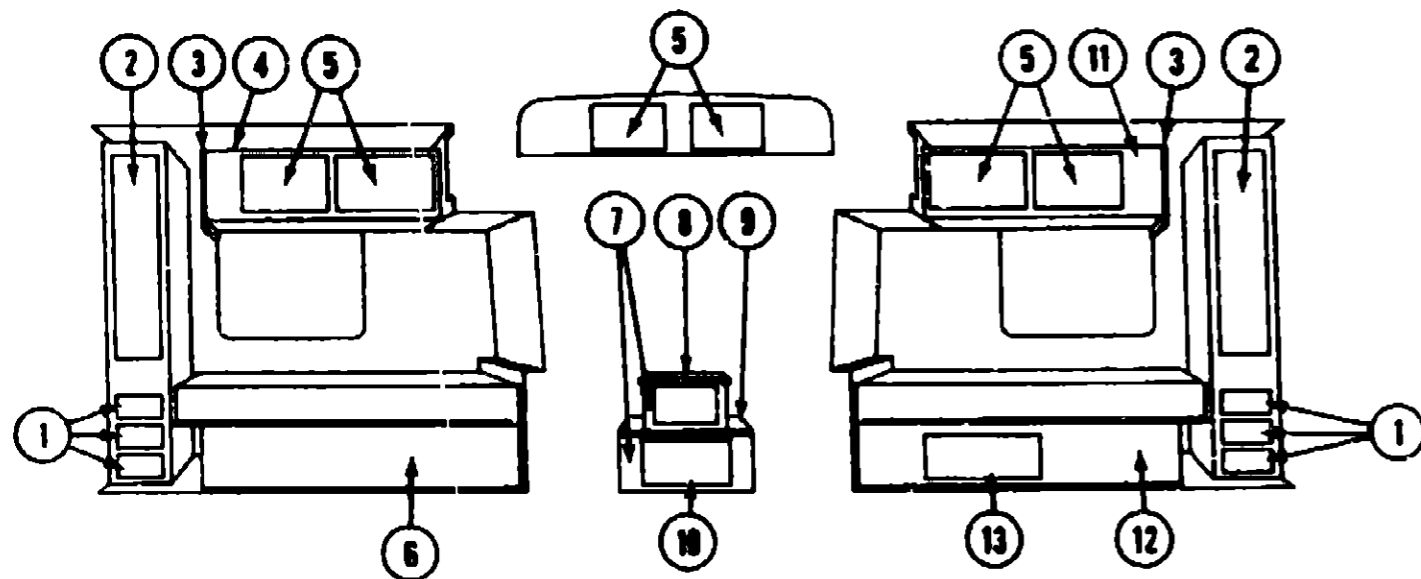
ICN23RC
ICN27RT

A-01 - D-08
D-07 - G-14

1989 ICN27RT INDEX

Floor Plan	D-07 - D-08
Accessories Group	D-09 - D-12
Bath Group	D-13
Chassis Group	D-14 - D-20
Curtain, Cushion & Pad Group	D-21 - E-08
Dinette Group	E-09 - E-10
Driver's Compartment Group	E-11 - E-17
Electrical Group	E-18 - E-21
Exterior Body Group	E-22 - F-06
Galley Group	F-07 - F-09
Heating & Air Conditioning Group	F-10 - F-11
Interior Finish Group	F-12 - F-13
LP Group	F-14
Lounge Group	F-15 - F-16
Water & Sewage Group	F-17 - F-20
Window, Vent & Exterior Door Group	F-21 - G-14

LOUNGE GROUP



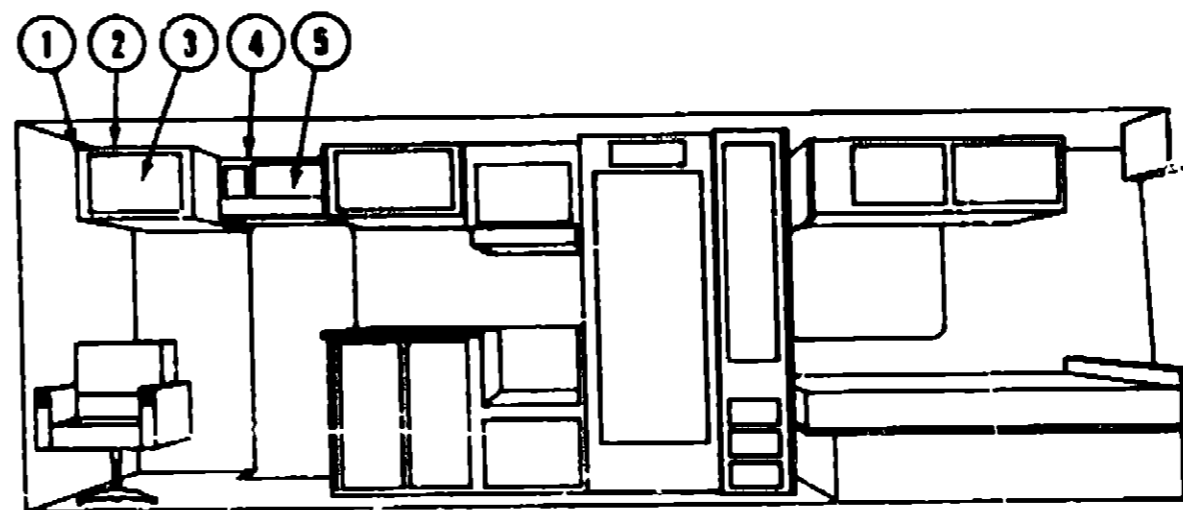
TWIN BED CABINERY

Key	Part Number	U/M	Description
1	M78921-11-X14	EA	Drawer Asm. - Wardrobe Cabinets
2	M88304-H4-Y12	EA	Door Asm. - Wardrobe - 12" x 48"
3	092747-01-Y10	EA	End Cap Asm. - Passengers Twin Bed Overhead
4	M92530-03-Y12	EA	Cabinet Asm. - Passengers Twin Bed Overhead - w/o Door or Hardware
5	M88304-84-X08	EA	Door Asm. - Rear Overheads - 14 37" x 26.77" - w/o Hardware
6	M92863-01-Y12	EA	Cabinet Asm. - Twin Bed - Passengers - w/o Doors or Hardware
7	M92860-01-Y12	EA	Cabinet Asm. - Nightstand - w/o Door or Hardware
8	092860-12-Y12	EA	Countertop Asm. - Nightstand - Upper
9	092860-11-Y12	EA	Countertop Asm. - Nightstand - Lower
10	M88304-02-X23	EA	Door Asm. - Nightstand
11	M92530-04-Y12	EA	Cabinet Asm. - Drivers Twin Bed Overhead - w/o Doors or Hardware
12	M93231-01-Y12	EA	Cabinet Asm. - Drivers - Twin Bed - w/o Door or Hardware
13	M88304-H3-Y12	EA	Door Asm. - Drivers Twin Bed - 12 79" x 17.71" - w/o Hardware
	082686-01-000	EA	Lamp - Table - Brass w/Wood
	082686-06-000	EA	Shade - Table Lamp
	088199-02-Y12	EA	Hinge - Twin Bed Top
	084357-01-W13	EA	TV Stand - Fold Down
	058331-10-000	EA	Mirror - Safety Glass
	084356-03-000	EA	Insert - TV Stand Fold-Down - Tan
	084356-07-000	EA	Insert - TV Stand Fold-Down - Off White
	084412-01-000	EA	Hinged Support - TV Stand - Fold-Down
	084451-01-000	EA	Catch - TV Shell - Brass
	084412-01-000	EA	Hinge - 1" x 77" - w/Holes
	042488-06-000	EA	Folding Door - Oak - 27.5" x 75"
	094856-02-01A	EA	Track - Folding Door - 27.5"
	042488-04-700	EA	Catch Asm. - Folding Door - Leading Edge
	057460-02-000	EA	Ball Stud - 10 mm Ball - Gas Spring
	057460-03-000	EA	Safety Chp - Gas Spring - Wireformed Type
	057460-04-000	EA	Gas Spring

LOUNGE GROUP (CONTINUED)

QUEEN BED CABINERY

Key	Part Number	U/M	Description
	M78921-16-Y12	EA	Drawer Asm. - Wardrobe Cabinet
	M88304-F7-Y12	EA	Door Asm. - Wardrobe Cabinet - Upper - 9.84" x 33.46" w/o Hardware
	M92712-02-Y35	EA	Cabinet Asm. - Backwall Overhead - w/o Doors or Hardware
	M88304-53-X23	EA	Door Asm. - Backwall Overhead - w/o Hardware - 13 38" x 21 85"
	M92734-01-Y12	EA	Cabinet Asm. - Queen Bed
	052859-01-W30	FT	Trim - Accent - Buckleton Vinyl
	M88304-17-X73	EA	Door Asm. - Wardrobe - Lower - 11 4" x 18 14" - w/o Hardware



LOUNGE CHAIR & ENTRANCE DOOR CABINERY

Key	Part Number	U/M	Description
1	092747-01-Y10	EA	End Cap Asm. - Chair Overhead
2	M92945-01-Y10	EA	Cabinet Asm. - Chair Overhead - w/o Door or Hardware
3	M88304-A8-X08	EA	Door Asm. - Chair Overhead - w/o Hardware - 14 37" x 21 85"
4	M92430-01-Y10	EA	Cabinet Asm. - Entrance Door
5	M88304-99-X08	EA	Door Asm. - Entrance Door Cabinet - w/o Hardware - 10" x 19.1"

1989 ITASCA TABLE OF CONTENTS

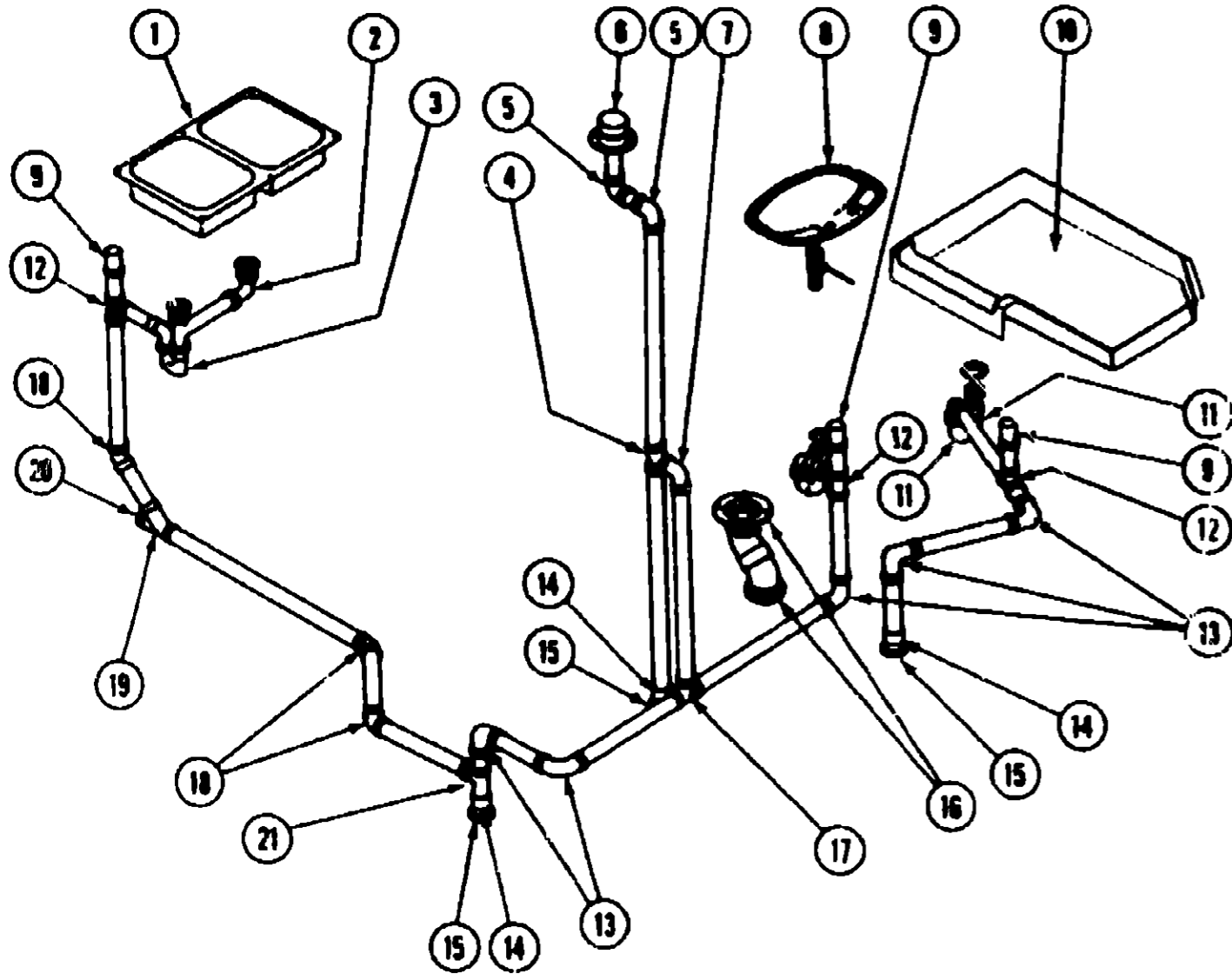
ICN23RC
ICN27FT

A-01 - D-08
D-07 - G-14

1989 ICN27RT INDEX

Floor Plan	D-07 - D-08
Accessories Group	D-09 - D-12
Bath Group	D-13
Cheese Group	D-14 - D-20
Curtain, Cushion & Pad Group	D-21 - E-08
Dinette Group	E-09 - E-10
Driver's Compartment Group	E-11 - E-17
Electrical Group	E-18 - E-21
Exterior Body Group	E-22 - F-08
Galley Group	F-07 - F-09
Heating & Air Conditioning Group	F-10 - F-11
Interior Finish Group	F-12 - F-13
LP Group	F-14
Lounge Group	F-15 - F-16
Water & Sewage Group	F-17 - F-20
Window, Vent & Exterior Door Group	F-21 - G-14

WATER & SEWAGE GROUP



Key	Part Number	U/M	Description
1	093526-01-000	EA	Sink - SST - Double - 25" x 19"
2	011091-02-000	EA	Continuous Waste - Double Sink
2	053674-01-000	EA	Continuous Waste - Double Sink - CSA
3	011066-01-000	EA	P-Trap - 1 1/4"
3	053335-01-000	EA	P-Trap - 1 1/4" - CSA
4	010073-01-000	EA	Wye - Plastic - 1 1/2" x 45° H x H x H
5	034250-01-000	EA	Elbow - Plastic - 1 1/2" x 90° H x H
6	083568-01-000	EA	Roof Vent - Covered - Plastic
7	010008-01-000	EA	Elbow - Plastic - 1 1/2" x 45° H x H
8	088368-01-000	EA	Sink - Oval - Plastic - Ivory
9	079988-01-000	EA	Vent - Mechanical Trap Arm
10	084715-01-000	EA	Shower Pan - Off White
	088729-01-000	EA	Strainer - Shower Drain
	088435-01-000	EA	Nut - Strainer
	087735-01-000	EA	Washer - Tailpiece - 1.5" Plastic
	011069-02-000	EA	Tailpiece - 1.5" x 1.25" x 4" Brass
	088435-01-000	EA	Nut - Slip - 1.5" Tailpiece
11	011066-03-000	EA	P-Trap - Plastic - 1.25" x 1.5" (US)
11	053335-01-000	EA	P-Trap - Plastic - 1.25" - H x H (CSA)
12	010072-01-000	EA	Tee - Plastic - 1.5" x 1.25" x 1.5" - H x H x H
	010121-01-000	EA	Bushing
13	010008-01-000	EA	Elbow - Plastic - 1.25" BD 15° x 90° XLT
14	010115-01-000	EA	Coupling - Plastic - 1.5" H x H
15	081607-01-000	EA	Grommet - Holding Tank - 1.5" NPS
16	024676-01-000	EA	Flange
16	024676-02-000	EA	Flange
17	010071-01-000	EA	Tee
18	010008-01-000	EA	Elbow
19	010073-01-000	EA	Wye
	010166-01-000	EA	Bushing
	010166-02-000	EA	Bushing
20	010122-01-000	EA	Adapter
20	010166-01-000	EA	Bushing
	010166-02-000	EA	Bushing
21	038342-01-000	EA	Tee - Plastic - 1.5" SP x H x H

WATER & SEWAGE GROUP (CONTINUED)

DRAINAGE SYSTEM

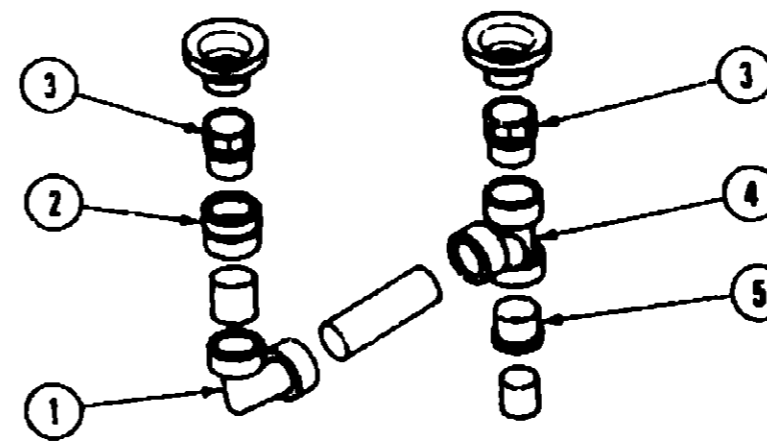
**1989 ITASCA
TABLE OF CONTENTS**

ICN23RC
ICN27RT

A-01 - D-08
D-07 - G-14

1989 ICN27RT INDEX

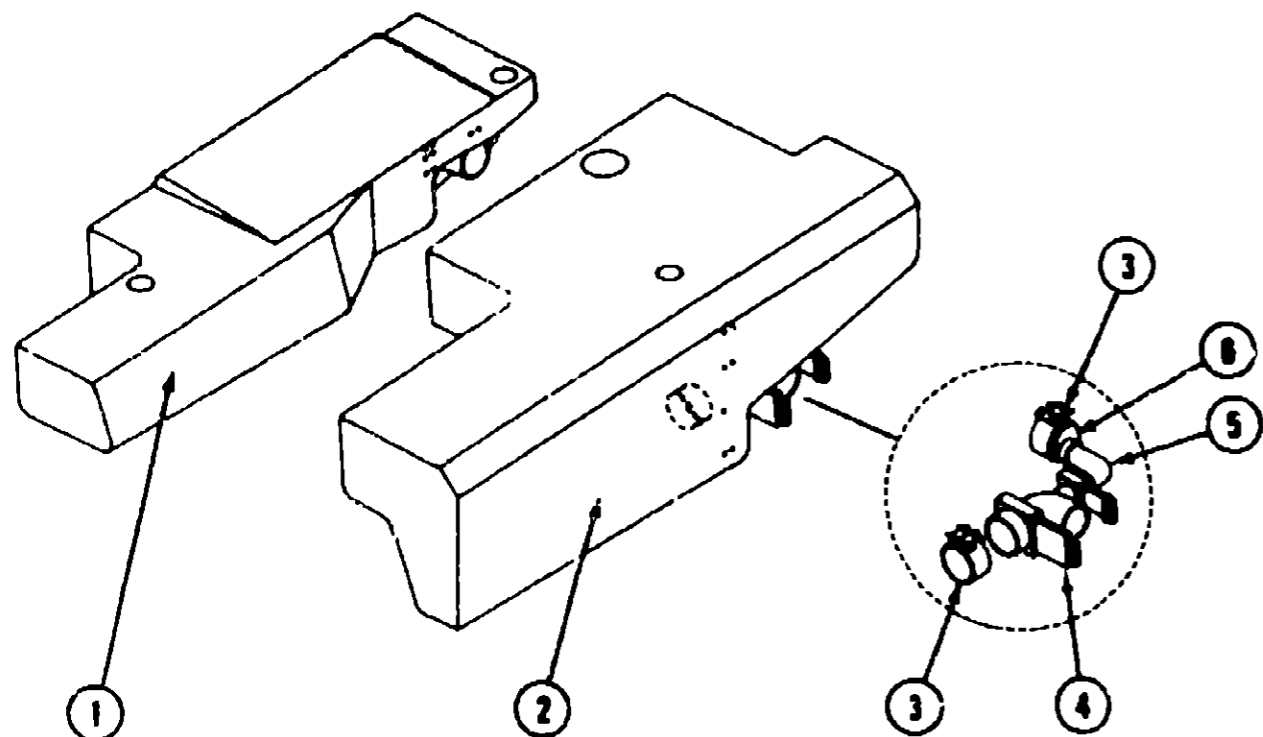
Floor Plan	D-07 - D-08
Accessories Group	D-09 - D-12
Bath Group	D-13
Chassis Group	D-14 - D-20
Curtain, Cushion & Pad Group	D-21 - E-08
Dinette Group	E-09 - E-10
Driver's Compartment Group	E-11 - E-17
Electrical Group	E-18 - E-21
Exterior Body Group	E-22 - F-06
Galley Group	F-07 - F-09
Heating & Air Conditioning Group	F-10 - F-11
Interior Finish Group	F-12 - F-13
LP Group	F-14
Lounge Group	F-15 - F-18
Water & Sewage Group	F-17 - F-20
Window, Vent & Exterior Door Group	F-21 - G-14



CONTINUOUS WASTE (CANADA)

Key	Part Number	U/M	Description
1	037101-02-000	EA	Elbow - 1.5" H x 1.5" H x 90°
2	010115-01-000	EA	Coupling - 1.5" H x 1.5" H
3	033302-02-000	EA	Adapter
4	010071-01-000	EA	Tee - 1.5" H x 1.5" H x 1.5" H
5	010121-01-000	EA	Bushing Adapter - 1.5" x 1.25" H x H

WATER & SEWAGE GROUP (CONTINUED)



HOLDING TANK

Key	Part Number	U/M	Description
1	092271-01-000	EA	Holding Tank - Aux. - 30 Gal
2	092272-01-000	EA	Holding Tank - Main - 50 Gal
3	078406-01-000	EA	Rubber Coupler - 3" x 3"
4	070916-01-000	EA	Dual Dump Valve - 3" & 1 1/2"
5	033761-01-000	EA	Elbow - Plastic - 1 1/2" x 90° XLT
6	062422-01-000	EA	Adapter - Offset Reducer - 3" x 1 1/2"

WATER & SEWAGE GROUP (CONTINUED)

WATER SYSTEM

Key	Part Number	U/M	Description
	081240-01-000	EA	Water Fill - Lockable - Beige
	088637-01-000	EA	Sealer - 3/4"
	078381-01-000	FT	Tubing - Flex/Smooth - 1.25" ID
	062401-01-000	EA	Clamp - Wormgear - .81" x 1.75"
	074462-02-000	FT	Tubing - Vinyl - 3/8" ID
	007161-01-000	EA	Clamp - Hose - Spring Type
	054280-02-000	EA	Support - Water Fill
	010224-01-000	EA	Adapter - Plastic - 3/8" MPT x 3/8" BARB - Fill to Tank
	044827-01-000	EA	Adapter - Plastic - 1.25" MPT x 1.25" BARB - Fill to Tank
	052958-01-000	EA	Tee - Plastic - .5" F x .5" MPT x 5" F
	077954-02-000	EA	Water Filter/Screen - In Tank
	075186-05-000	EA	Water Tank - 45 Gal w/Fittings
	042989-03-000	EA	Fitting - Spinweld Plastic - 1.25" NPT
	042989-04-000	EA	Fitting - Spinweld Plastic - 3/8" FPT
	049032-01-000	EA	Patch - Spinweld Plastic - 3/8"
	075186-01-000	EA	Water Tank - 45 Gal - w/o Fittings
	035416-04-000	EA	Terminal Ring - #10 Stud Fit
	088474-08-000	EA	Socket Housing
	088476-01-000	EA	Socket Connector
	045729-01-000	EA	Water Pump - 2.8 GPM Shur Flow
	045729-02-000	EA	Water Pump - 2.8 GPM Shur Flow - CSA
	085120-01-000	EA	Elbow - Plastic - Swivel - 5"
	052952-01-000	EA	Nut - Plastic - .5" F
	039800-01-000	EA	Tubing - 5" OD x 20'
	052980-01-000	EA	Drain Valve - In Line - .5" F x .5" F
	038522-02-000	EA	Cap - Brass - .5" Flare
	011053-01-000	EA	Faucet - 8" w/Swing Spout (Thru 10/23/88)
	011053-03-000	EA	Faucet - 8" w/Swing Spout (From 10/24/88)
	084962-01-000	EA	Faucet - 8" w/Swing Spout - CSA
	091253-01-000	EA	Gasket - Faucet
	078317-01-000	EA	Adapter - Swivel - 5" Tube x .5" FPT
	075240-03-000	EA	Faucet - Lavatory - Brass (Thru 10/9/88)
	075240-05-000	EA	Faucet - Lavatory - Brass (From 10/10/88)
	011056-02-000	EA	Faucet - Lavatory - Chrome - CSA
	091253-01-000	EA	Gasket - Faucet
	052954-01-000	EA	Adapter - Nose Cone - 3/8" or 1/2"
	091208-01-000	EA	Washer - Rubber - .75" x .50"
	087859-01-000	EA	Waterfill - City Water - Beige
	052955-01-000	EA	Tee - Plastic - 5" F x .5" F x .5" MPT
	052959-03-000	EA	Connector - Plastic - 5" F x 3/8" MPT - Toilet to Water
	052953-01-000	EA	Nut - Faucet - 5" Tube x .5" FPT
	052958-01-000	EA	Tee - Plastic - .5" F x 5" F x .5" F
	052957-02-000	EA	Elbow - Plastic - 5" F x .5" MPT
	075241-03-000	EA	Faucet - Shower - Brass
	075241-04-000	EA	Faucet - Shower - Brass
	075806-01-000	EA	Faucet Panel - Plastic
	031558-01-000	EA	Faucet - Shower - Chrome - CSA
	011048-02-000	EA	Shower Head - w/80" Hose
	010046-05-000	EA	Shower Head - w/80" - CSA
	051391-02-000	EA	Water Heater - w/o Motor Aid - 4 Gal - Atwood
	051393-01-000	EA	Water Heater - w/Motor Aid
	052009-01-000	EA	Door - Water Heater - Off White

**1989 ITASCA
TABLE OF CONTENTS**

ICN23RC
ICN27RT

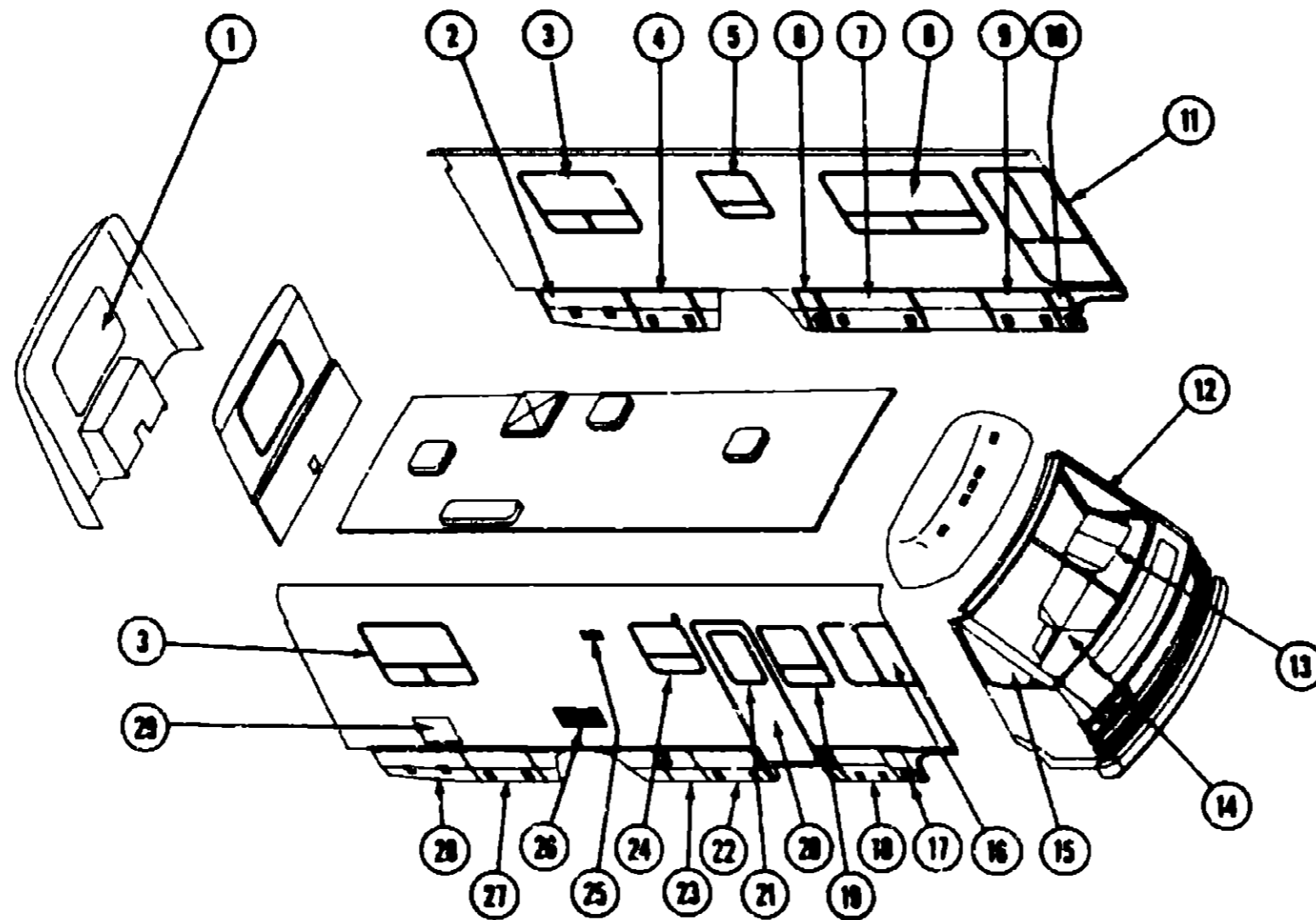
A-01 - D-08
D-07 - G-14

1989 ICN27RT INDEX

Floor Plan	D-07 - D-08
Accessories Group	D-09 - D-12
Bath Group	D-13
Chassis Group	D-14 - D-20
Curtain, Cushion & Pad Group	D-21 - E-08
Director Group	E-09 - E-10
Driver's Compartment Group	E-11 - E-17
Electrical Group	E-18 - E-21
Exterior Body Group	E-22 - F-06
Galley Group	F-07 - F-09
Heating & Air Conditioning Group	F-10 - F-11
Interior Finish Group	F-12 - F-13
LP Group	F-14
Lounge Group	F-15 - F-16
Water & Sewage Group	F-17 - F-20
Window, Vent & Exterior Door Group	F-21 - G-14

WINDOW, VENT & EXTERIOR DOOR GROUP

WINDOWS & ACCESS DOOR



1969 ITASCA TABLE OF CONTENTS

ICN23RC
ICN27RT

A-01 - D-08
D-07 - G-14

1969 ICN27RT INDEX

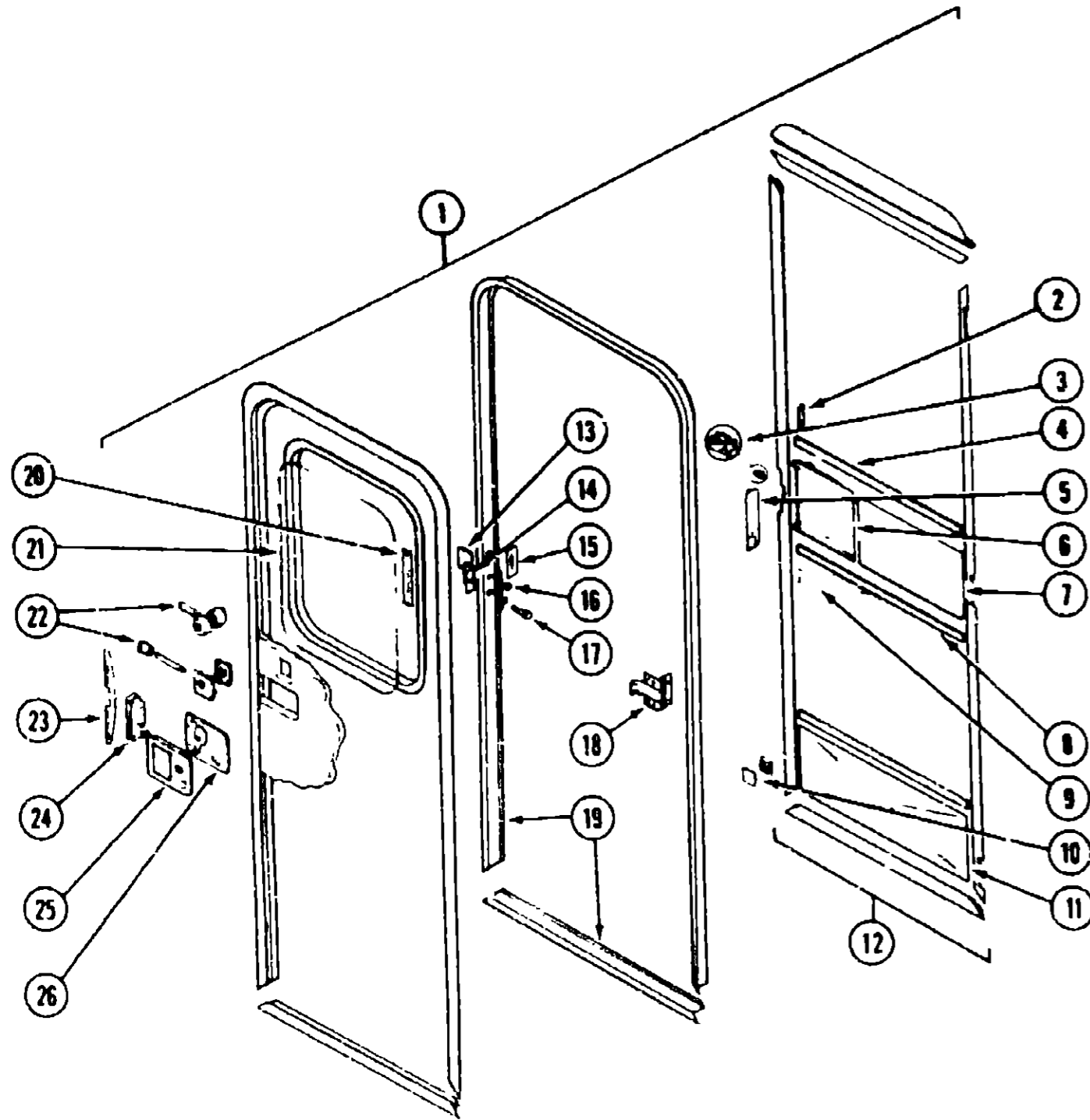
Floor Plan	D-07 - D-08
Accessories Group	D-09 - D-12
Bath Group	D-13
Chassis Group	D-14 - D-20
Curtain, Cushion & Pad Group	D-21 - E-08
Dinette Group	E-09 - E-10
Driver's Compartment Group	E-11 - E-17
Electrical Group	E-18 - E-21
Exterior Body Group	E-22 - F-06
Galley Group	F-07 - F-09
Heating & Air Conditioning Group	F-10 - F-11
Interior Finish Group	F-12 - F-13
LP Group	F-14
Lounge Group	F-15 - F-16
Water & Sewage Group	F-17 - F-20
Window, Vent & Exterior Door Group	F-21 - G-14

Key	Part Number	U/M	Description
1	087985-04-Y12	EA	Window Asm - Escape - w/o Inside Frame
	078850-04-000	EA	Inside Frame - Escape Window - Black
2	082631-02-Y35	EA	Door Asm - Valance - Drivers Rear
3	085354-07-X11	EA	Window Asm - Double Tipout - w/o Inside Retainer
	094153-12-000	EA	Inside Retainer - Double Tipout - Black
4	082482-04-Y33	EA	Door Asm - Valance - Drivers Side
5	085353-07-W07	EA	Window Asm - Single Tipout - w/o Inside Retainer
	084153-04-000	EA	Inside Retainer - Single Tipout - Black
6	082482-03-Y33	EA	Door Asm - Valance - Center Rear - Off White
7	082482-02-Y33	EA	Door Asm - Valance - Center Front - Off White
8	085354-05-X11	EA	Window Asm - Double Tipout - w/o Inside Retainer - 31.1" x 21.2"
	084153-10-000	EA	Inside Retainer - Double Tipout - Black
9	082482-04-Y33	EA	Door Asm - Valance - Front Rear - Off White
10	083304-02-Y35	EA	Door Asm - Valance - Front - Off White
11	M93054-02-Y33	EA	Door Asm - Drivers Door - Manual Window
11	M93054-07-Y35	EA	Door Asm - Drivers Door - Electric Window
12	091953-04-000	EA	Glass - Corner Vent - Drivers
13	091215-02-000	EA	Glass - Windshield - Drivers
14	091215-01-000	EA	Glass - Windshield - Passengers
15	091953-03-000	EA	Glass - Corner Vent - Passengers
16	083703-01-Y10	EA	Window Asm - Passengers Slider - w/o Inside Frame
	082685-01-Y10	EA	Inside Frame - w/Screen - Passenger Slider
	082538-01-Y10	EA	Inside Frame - w/o Screen or Trim - Passengers Slider
	082684-01-Y10	EA	Screen Asm - Passengers Slider

Key	Part Number	U/M	Description
	078384-01-000	EA	Screen Retainer Top - Passengers Slider
	078385-01-000	EA	Screen Retainer Bottom - Passengers Slider
17	083304-03-Y35	EA	Door Asm - Valance - Passengers Front - Off White
18	082482-07-Y33	EA	Door Asm - Valance - Passengers Front Rear - Off White
19	085353-12-X11	EA	Window Asm - Single Tipout - w/o Inside Retainer
	084153-14-000	EA	Inside Retainer - Single Tipout - Black
20	M01870-21-Y33	EA	Door Asm - Entrance - Off White
21	079733-04-T03	EA	Window Asm - Picture - Entrance Door - 17 x 25 - w/o Inside Frame
	067609-03-000	EA	Inside Frame - Entrance Door Window - Beige
22	082482-04-Y33	EA	Door Asm - Valance - Passengers - Center Front - Off White
23	083029-03-Y35	EA	Door Asm - Furnace - Passengers Center Rear - Off White
24	085353-07-W07	EA	Window Asm - Single Tipout - w/o Inside Retainer
	084153-04-000	EA	Inside Retainer - Single Tipout - Black
25	092888-01-01A	EA	Vent - Fridge Hood - w/Door - Off White
26	084104-03-000	EA	Jamb - Refrigerator Vent Door
26	084103-03-000	EA	Door - Refrigerator Vent
27	082482-04-Y33	EA	Door Asm - Valance - Passengers Rear Front - Off White
28	082631-01-Y33	EA	Door Asm - Valance - Passengers - Rear - Off White
29	052008-01-000	EA	Door Asm - Water Heater - Off White
	078010-03-000	EA	Door Asm - Fuel Fill - Off White
	077983-01-000	EA	Gasket - Fuel Fill Door
	082683-01-Y33	EA	Panel Asm - Door - Rear Cap - Passengers - Off White

WINDOW, VENT & EXTERIOR DOOR GROUP (CONTINUED)

ENTRANCE DOOR



Key	Part Number	U/E	Description
1	MD1870-21-Y33	EA	Door Asm - Entrance w/Screen Door
	085278-01-01A	EA	Frame Asm. - Entrance Door - Off White
	089748-01-000	EA	Frame - Entrance Door - Bottom Portion
2	050712-05-000	EA	Door Handle - Screen Door
3	008018-01-000	EA	Roller Catch - Screen Door
	058025-01-000	EA	Clip - Roller Latch Catch
	008018-01-000	EA	Catch - Elbow - Spring Loaded - Screen Door
4	078882-01-000	EA	Screen Door Mullion - Upper & Lower - Slider
	078777-01-000	EA	Slider Channel (Mullion Insert)
5	078087-02-000	EA	Strike - Slider - Screen Door
6	078088-02-000	EA	Slider - Screen Door
7	018454-01-000	EA	Insert - Screen Door
8	002284-01-000	FT	Spline - Black
9	002283-02-000	SF	Screen - Window - 28" Charcoal
10	085774-01-000	FT	Fastener - Dual Lock - 1" Wide
10	085774-02-000	FT	Fastener - Dual Lock - 1" Wide
11	078552-03-000	EA	Insert - Screen Door - Lower
12	079012-01-U01	EA	Screen Door Asm.
	078585-01-000	EA	Plate - Screen Door
13	077461-01-000	EA	Strike Cover
14	041548-03-000	EA	Angle Bracket
15	079173-01-000	EA	Deadbolt - Gasket
16	058808-01-000	EA	Plug - Tapered Plastic
17	038538-01-000	EA	Strike
18	079381-08-000	EA	Hinge
19	085277-01-01A	EA	Door Jamb - Entrance Door
20	087581-01-000	FI	Window Seal
21	002181-01-000	EA	Glass - Picture Window
	079733-04-T03	EA	Window Asm - Picture - 17" x 25" (w/o inside frame)
	089809-03-000	EA	Inside Frame - Beige (not included in assembly)
22	039738-01-000	EA	Dead Bolt Asm - Round
22	085229-01-01A	EA	Dead Bolt Asm - Square - Black
23	088173-01-03A	EA	Stiffener - Entrance Door
24	038540-01-000	EA	Latch Asm. - Entrance Door
25	045017-10-000	EA	Latch Asm - Plate - Black
26	038879-03-000	EA	Cover Asm - Latch Plate - Black
	038884-01-000	EA	Cap - Black Vinyl - Lock Grip
	075873-01-000	FT	Seal - Pile - Adhesive Back
	075871-01-000	FT	Seal - Sponge - Lazy T Shaped
	002748-01-000	EA	Cover - Key
	081087-01-000	EA	Seal - Lock - Flat w/Soft

1989 ITASCA TABLE OF CONTENTS

ICN23PC
ICN27RT

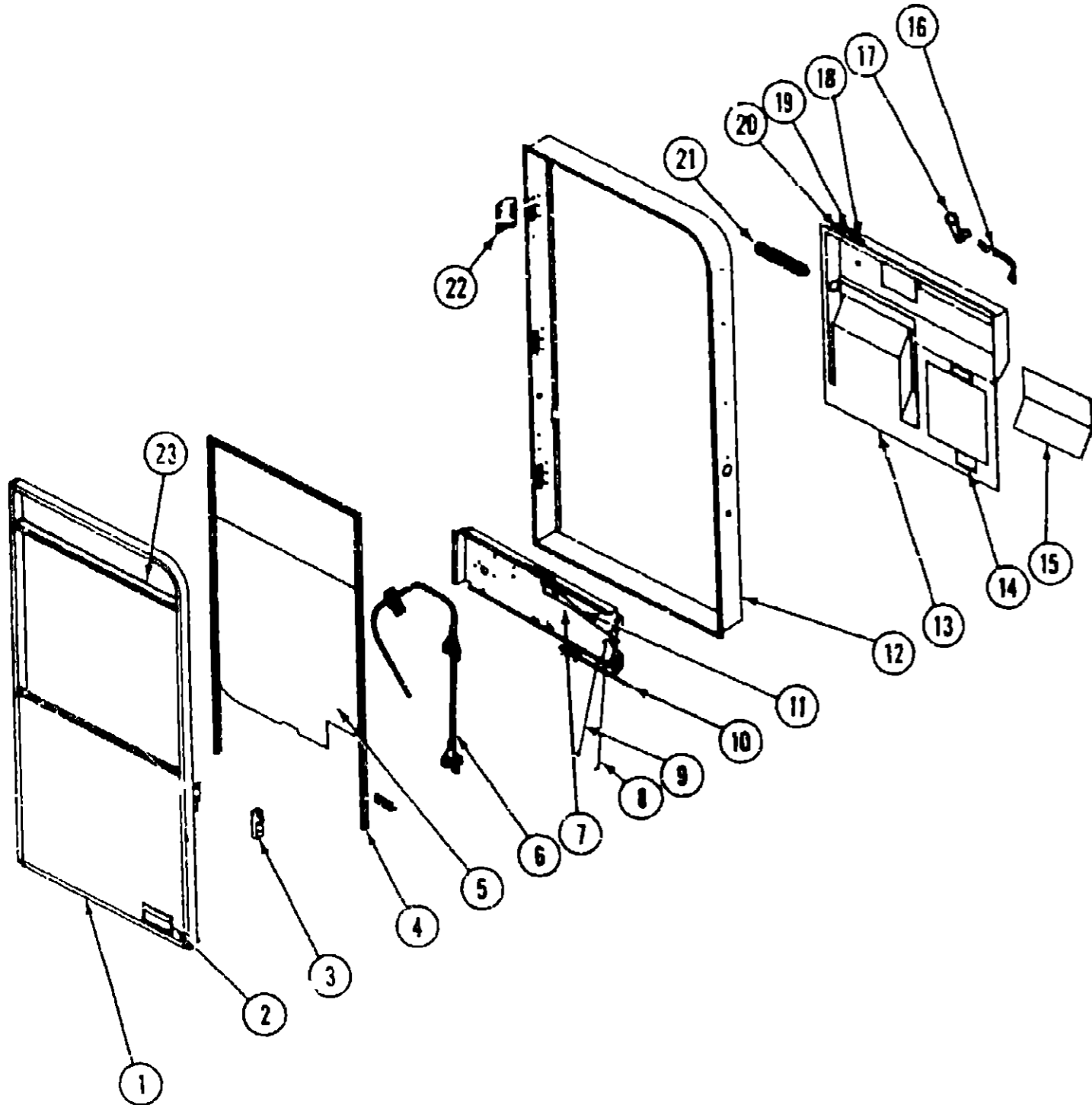
A-01 - D-08
D-07 - G-14

1989 ICN27RT INDEX

Floor Plan	D-07 - D-08
Accessories Group	D-09 - D-12
Bath Group	D-13
Chassis Group	D-14 - D-20
Curtain, Cushion & Pad Group	D-21 - E-08
Dinette Group	E-09 - E-10
Driver's Compartment Group	E-11 - E-17
Electrical Group	E-18 - E-21
Exterior Body Group	E-22 - F-06
Galley Group	F-07 - F-09
Heating & Air Conditioning Group	F-10 - F-11
Interior Finish Group	F-12 - F-13
LP Group	F-14
Lounge Group	F-15 - F-18
Water & Sewage Group	F-17 - F-20
Window, Vent & Exterior Door Group	F-21 - G-14

WINDOW, VENT & EXTERIOR DOOR GROUP (CONTINUED)

DRIVER'S DOOR & HARDWARE



Key	Part Number	U/M	Description
1	M93054-02-Y33	EA	Door Arm - Driver Door - w/Crank Window
1	M93054-04-Y33	EA	Door Arm - Driver Door - w/Power Window
2	092927-01-000	EA	Latch Asm. - Outside Door Handle
	092927-01-700	EA	Lock Lever - Black
	092927-01-701	EA	Lock Lever - Chrome
3	092927-04-000	EA	Latch Striker - Driver Door
4	089454-02-000	EA	Channel Glass Run - Top
5	092446-01-000	EA	Glass Roll-Up - Door
	081812-02-000	EA	Weatherstrip - Rigid
6	093634-01-000	EA	Regulator Arm - Window (w/Crank Window)
6	062996-01-000	EA	Regulator Arm - Power Window
7	092928-04-000	EA	Rod - Inside Lock
	092927-05-000	EA	Clip - Rod End - Right
8	092628-01-000	EA	Rod - Door Lock
	092927-05-000	EA	Clip - Rod End - Right
9	092928-02-000	EA	Rod - Outside Release
	092927-06-000	EA	Clip - Rod End - Left
10	081906-02-000	EA	Slide Bolt - Driver Door
	092594-01-000	EA	Bracket - Dead Bolt
	081903-01-000	EA	Knob - Mounting Shaft
11	092628-03-000	EA	Rod - Inside Release
	092927-05-000	EA	Clip - Rod End - Right
12	092600-01-000	EA	Jamb Asm. - Door
13	M92581-01-02A	EA	Panel - Interior - Gray
	081905-02-000	EA	Knob Control - Strike Bolt - Left
14	077025-01-000	EA	Lens - Courtesy Light - Clear
	077000-01-000	EA	Socket Asm. - w/8" Pigtail Head
15	092580-01-02A	EA	Cover - Map Pocket - Gray
16	081400-04-000	EA	Assist Strap - 12" - Black w/Woodgrain Insert
17	094575-01-000	EA	Hand Crank - Glass Lift
18	093132-01-000	EA	Switch - Power Window
19	089246-01-000	EA	Switch - Remote Mirror
20	087695-01-000	EA	Switch - Mirror Heater
21	093144-01-000	EA	Conduit - Wire
	080734-02-000	EA	Clip - Nylon Wire
22	092837-01-02A	EA	Hinge Asm. - Front Door - Off White
23	092997-01-000	EA	Glass - Stationary
	084580-03-000	EA	Strap - Check - Door

1989 ITASCA TABLE OF CONTENTS

ICN23RC
ICN27RT

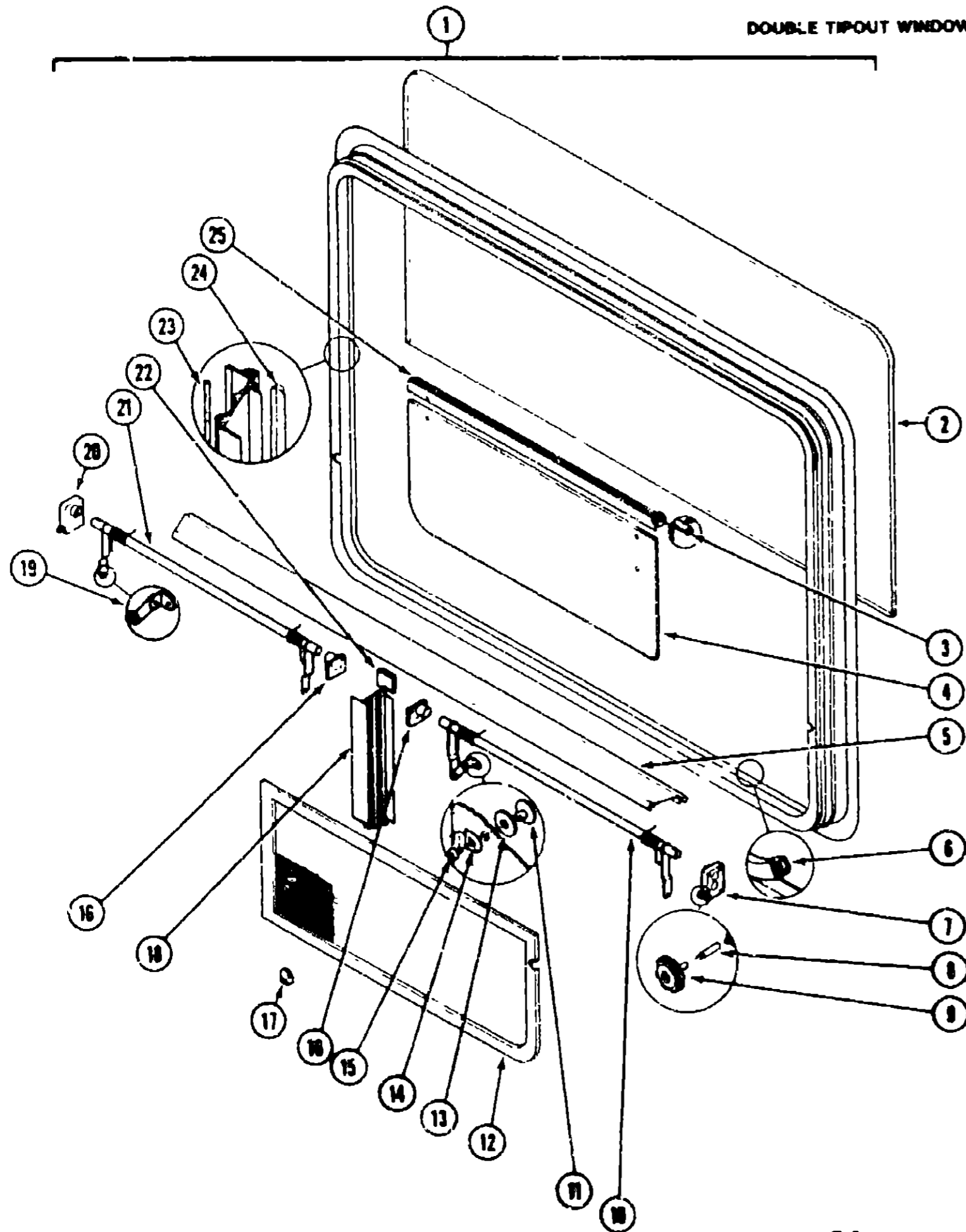
A-01 - D-08
D-07 - G-14

1989 ICN27RT INDEX

Flour Plan	D-07 - D-08
Accessories Group	D-09 - D-12
Bath Group	D-13
Chassis Group	D-14 - D-20
Curtain, Cushion & Pad Group	D-21 - E-08
Dinette Group	E-09 - E-10
Driver's Compartment Group	E-11 - E-17
Electrical Group	E-18 - E-21
Exterior Body Group	E-22 - F-06
Galley Group	F-07 - F-09
Heating & Air Conditioning Group	F-10 - F-11
Interior Finish Group	F-12 - F-13
LP Group	F-14
Lounge Group	F-15 - F-16
Water & Sewage Group	F-17 - F-20
Window, Vent & Exterior Door Group	F-21 - G-14

WINDOW, VENT & EXTERIOR DOOR GROUP (CONTINUED)

DOUBLE TIPOUT WINDOW



Key	Part Number	U/M	Description
1	085354-05-X11	EA	Window Arm - Double Tipout (w/o inside retainer)
	084153-10-000	EA	Window - Retainer - Double Tipout (not included in assembly)
2	081239-18-000	EA	Glass - 1/8" x 59 8" x 20 55" - Stationary
3	081357-01-000	FT	Foam Seal - Vinyl
4	084081-08-000	EA	Glass - 1/8" x 9 24" x 29 8"
5	082565-52-001	EA	Multion - Horizontal - Black
	000339-08-18T	EA	Screw - SF/DR - 8 - 20 x 1 00 PPH (Multion - 4 Required)
	076778-03-000	EA	Rivet - Plastic - Pin Drive - Black (2 required)
6	084087-01-000	FT	Seal - "e" - Sponge Rubber
7	036302-01-000	EA	Operator Drive - Right
8	080025-01-000	EA	Extension - Window Knob (not included in assembly)
8	009439-06-000	EA	Extension - Black - Window Knob (not included in assembly)
9	087052-02-000	EA	Knob - Beige (not included in assembly)
9	009439-05-000	EA	Knob - Black (not included in assembly)
	088371-01-000	EA	Screw - Window Knob (not included in assembly)
	009439-07-000	EA	Screw - Window Knob - Black (not included in assembly)
10	083228-03-000	EA	Torque Tube Arm - Right
11	086782-01-000	EA	T-Nut - 10-32
12	084581-05-X11	EA	Screen Arm - Tipout - Right
	084581-06-X11	EA	Screen Arm - Tipout - Left
	002293-02-000	SF	Screen - 26" - Window - Charcoal
	002298-02-000	FT	Spline - 130" Dia - Charcoal (Screen)
13	088927-03-000	EA	Seal - Rubber - 12" x 25" ID x 80" OD
14	084473-01-000	EA	Seal - Rubber - "D" Shaped
15	086783-01-000	EA	Screw - #10 - 32 x 1/4" PTH
16	081354-01-000	EA	Sleeve - Window Torque Tube
17	081243-01-000	EA	Clip - Plastic - Screen (4 required)
	000G12-08-08T	EA	Screw - #6 - 20 x .50" POH - Black
18	084182-52-001	EA	Multion - Vertical - Black
	000G39-08-088	EA	Screw - #6 x 18 x 1/2 PPH (Multion - 4 Required)
19	087578-01-000	EA	Connecting Rod Arm
	085316-01-000	EA	Washer - Wave - 44 OD 32 ID
	081848-01-000	EA	Snap Ring - 7/32 Shaft
20	036302-02-000	EA	Operator Drive - Left
21	083227-03-000	EA	Torque Tube Arm - Left
22	084088-01-000	FT	Bulb Seal - Double - Sponge Rubber
23	088640-08-000	FT	Seal - 5/16" x 15" (not included in assembly)
24	083180-01-000	FT	Seal - Vinyl Glazing
25	084155-09-000	EA	Hinge - Tipout Window - Black

1989 ITASCA TABLE OF CONTENTS

ICN23RC
ICN27RT

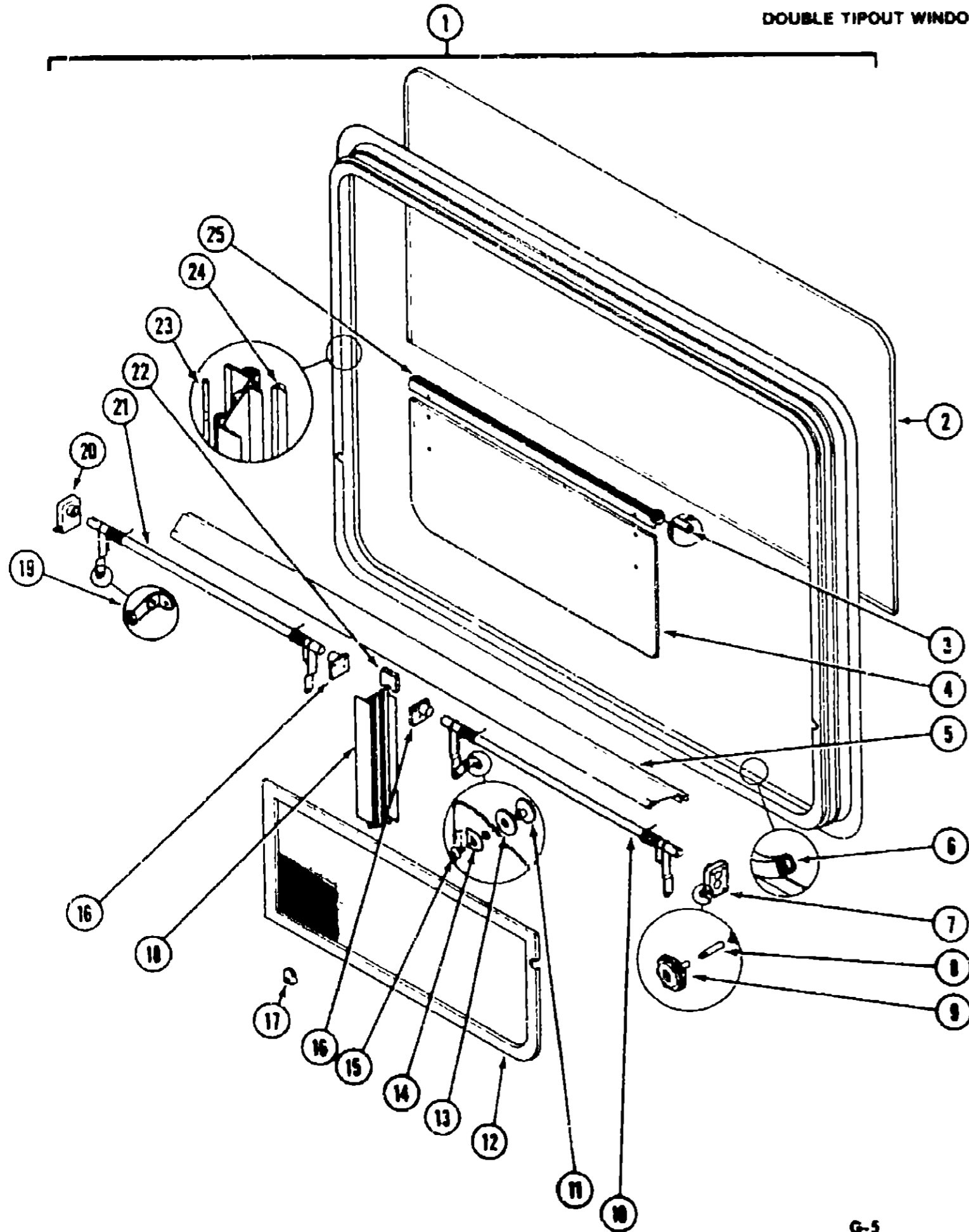
A-01 - D-08
D-07 - G-14

1989 ICN27RT INDEX

Floor Plan	D-07 - D-08
Accessories Group	D-09 - D-12
Bath Group	D-13
Chassis Group	D-14 - D-20
Curtain, Cushion & Pad Group	D-21 - E-08
Dinette Group	E-09 - E-10
Driver's Compartment Group	E-11 - E-17
Electrical Group	E-18 - E-21
Exterior Body Group	E-22 - F-06
Galley Group	F-07 - F-09
Heating & Air Conditioning Group	F-10 - F-11
Interior Finish Group	F-12 - F-13
LP Group	F-14
Lounge Group	F-15 - F-16
Water & Sewage Group	F-17 - F-20
Window, Vent & Exterior Door Group	F-21 - G-14

WINDOW, VENT & EXTERIOR DOOR GROUP (CONTINUED)

DOUBLE TIPOUT WINDOW



Key	Part Number	U/M	Description
1	035354-07-X11	EA	Window Asm - Double Tipout (w/o inside retainer)
	084153-12-000	EA	Window Retainer - Double Tipout (not included in assembly)
2	081239-23-000	EA	Glass - 1/8" x 40.78" x 20 55" - Stationary
3	081357-01-000	FT	Foam Seal - Vinyl
4	084068-13-000	EA	Glass - 1/8" x 9 21" x 20 15"
5	082583-52-001	EA	Mullion - Horizontal - Black
	000G39-08-16T	EA	Screw - SF/DR - 8 - 20 x 1 00 PPH (Mullion - 4 Required)
	076778-03-000	EA	Rivet - Plastic - Pin Drive - Black (2 Required)
6	084067-01-000	FT	Seal - "e" - Sponge Rubber
7	035302-01-000	EA	Operator Drive - Right
8	090025-01-000	EA	Extension - Window Knob (not included in assembly)
9	067052-02-000	EA	Knob - Beige (not included in assembly)
	089371-01-000	EA	Screw - Window Knob (not included in assembly)
10	083228-05-000	EA	Torque Tube Asm - Right
11	086782-01-000	EA	T-Nut - 10-32
12	084581-09-X11	EA	Screen Asm - Tipout - Right
	084581-08-X11	EA	Screen Asm - Tipout - Left
	002293-02-000	SF	Screen - 26" - Window
	002298-02-000	FT	Spine - .130" Dia - Charcoal (Screen)
13	088927-03-000	EA	Seal - Rubber - 12" x 25" ID x 80" OD
14	084473-01-000	EA	Seal - Rubber - "D" Shaped
15	086783-01-000	EA	Screw - #10 - 32 x 1/4" PTH
16	081354-01-000	EA	Sleeve - Window Torque Tube
17	081243-01-000	EA	Clip - Plastic - Screen (4 required)
	000G12-08-08T	EA	Screw - #8 - 20 x 50" POH - Black
18	084192-52-001	EA	Mullion - Vertical - Black
	000G39-08-088	EA	Screw - #8 x 18 x 1/2 PPH (Mullion - 4 Required)
19	097578-01-000	EA	Connecting Rod Asm
	085318-01-000	EA	Washer - Wave - 44 OD 32 ID
	081648-01-000	EA	Snap Ring - 7/32 Shaft
20	035302-02-000	EA	Operator Drive - Left
21	083227-03-000	EA	Torque Tube Asm - Left
22	084066-01-000	FT	Bulb Seal - Double - Sponge Rubber
23	089840-08-000	FT	Seal - 5/16" x 15" (not included in assembly)
24	083180-01-000	FT	Seal - Vinyl Glazing
25	084155-09-000	EA	Hinge - Tipout Window - Black

1989 ITASCA TABLE OF CONTENTS

ICN23RC
ICN27RT

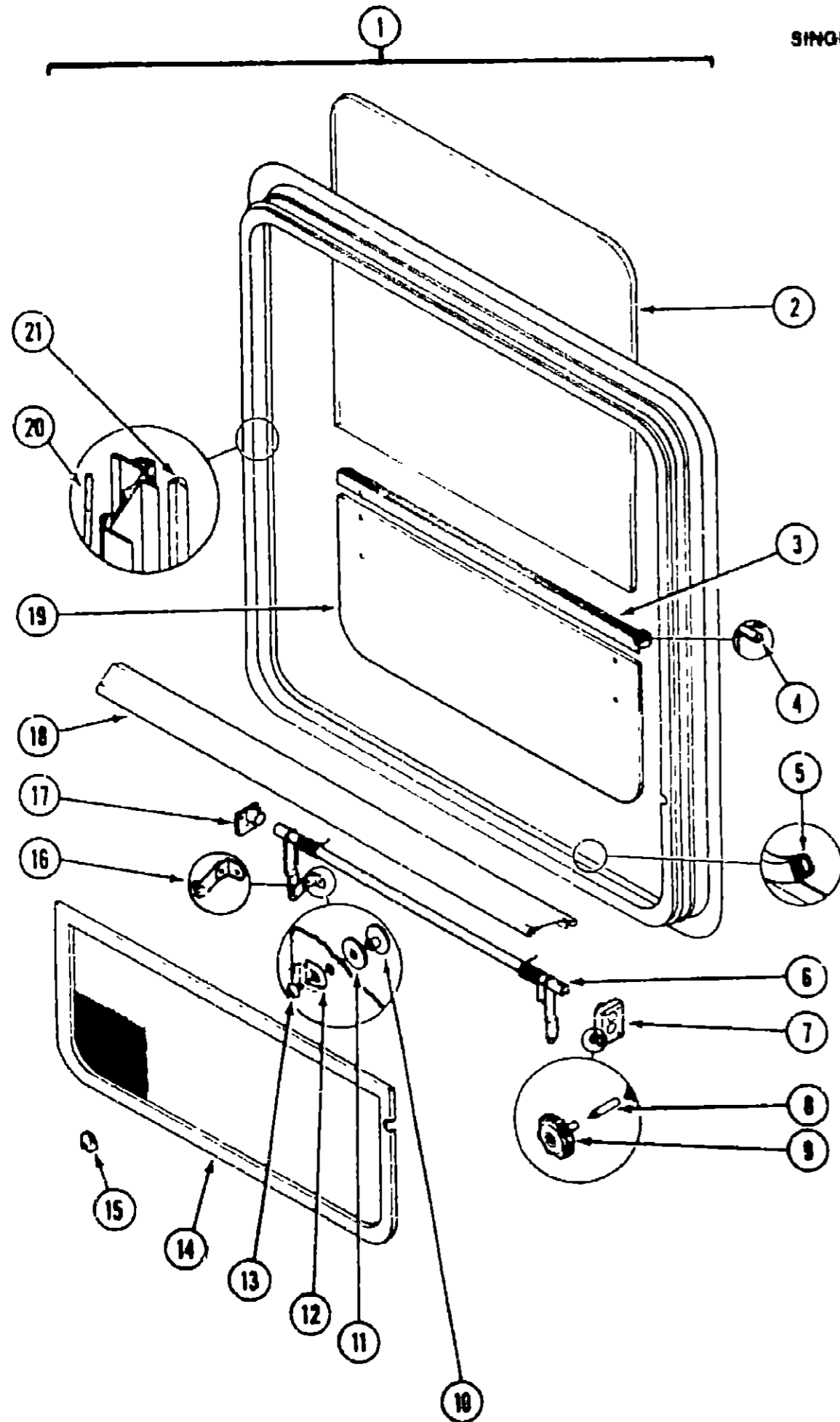
A-01 - D-06
D-07 - G-14

1989 ICN27RT INDEX

Floor Plan	D-07 - D-08
Accessories Group	D-09 - D-12
Bath Group	D-13
Chassis Group	D-14 - D-20
Curtain, Cushion & Pad Group	D-21 - E-08
Dinette Group	E-09 - E-10
Driver's Compartment Group	E-11 - E-17
Electrical Group	E-18 - E-21
Exterior Body Group	E-22 - F-06
Galley Group	F-07 - F-09
Heating & Air Conditioning Group	F-10 - F-11
Interior Finish Group	F-12 - F-13
LP Group	F-14
Lounge Group	F-15 - F-18
Water & Sewage Group	F-17 - F-20
Window, Vent & Exterior Door Group	F-21 - G-14

WINDOW, VENT & EXTERIOR DOOR GROUP (CONTINUED)

SINGLE TIPOUT WINDOW



Key	Part Number	U/M	Description
1	085353-12-X11 084153-14-000	EA	Window Arm - Single Tipout (w/o inside retainer)
2	081239-22-000	EA	Window Retainer (not included in assembly)
3	089913-01-000	EA	Glass - 21 7" x 20 66" - Stationary
4	081357-01-000	EA	Hinge - Tipout Window - Black
5	084087-01-000	FT	Seal Foam - Vinyl
6	083150-08-000	FT	Seal - "e" - Sponge Rubber
7	035302-02-000	EA	Torque Tube Asm
8	009439-06-000	EA	Operator Drive - Left
9	009439-05-000 009439-07-000	EA	Extension - 900" - Black (not included in assembly)
10	086762-01-000	EA	Knob - Window
11	068927-03-000	EA	Screw - 8/32" x 1 1/4" POH - Black (not included in assembly)
12	064473-01-000	EA	T-Nut 10-32
13	086763-01-000	EA	Seal - Rubber - .12" x 25" ID x 80" OD
14	084580-04-W07 002293-02-000 002298-02-000	EA	Seal - Rubber - "D" Shaped
15	081243-01-000	EA	Screw - #10 - 32 x 1/4" PTH
16	000G12-08-08T 097578-01-000 085316-01-000 081649-01-000	EA	Screw Asm - Tipout Window - Single
17	081354-01-000	SF	Screen - Window - 28" - Charcoal
18	082563-52-001	FT	Spline - .130" Dia - Charcoal
19	034068-12-000	EA	Screen Clip - Black Plastic
20	089840-06-000	EA	Screw - #6 - 20 x .50" POH - Black
21	083180-01-000	EA	Connecting Rod Asm
		EA	Washer - Wave - .44 OD 32 ID
		EA	Snap Ring - 7/32 Shaft
		EA	Sleeve - Window Torque Tube
		EA	Mullion - Horizontal - Black
		EA	Glass - 9 21" x 21 59" - Tipout
		FT	Seal - 5/16" x 15" (not included in assembly)
		FT	Seal - Vinyl Glazing

1989 ITASCA TABLE OF CONTENTS

ICN23RC
ICN27RT

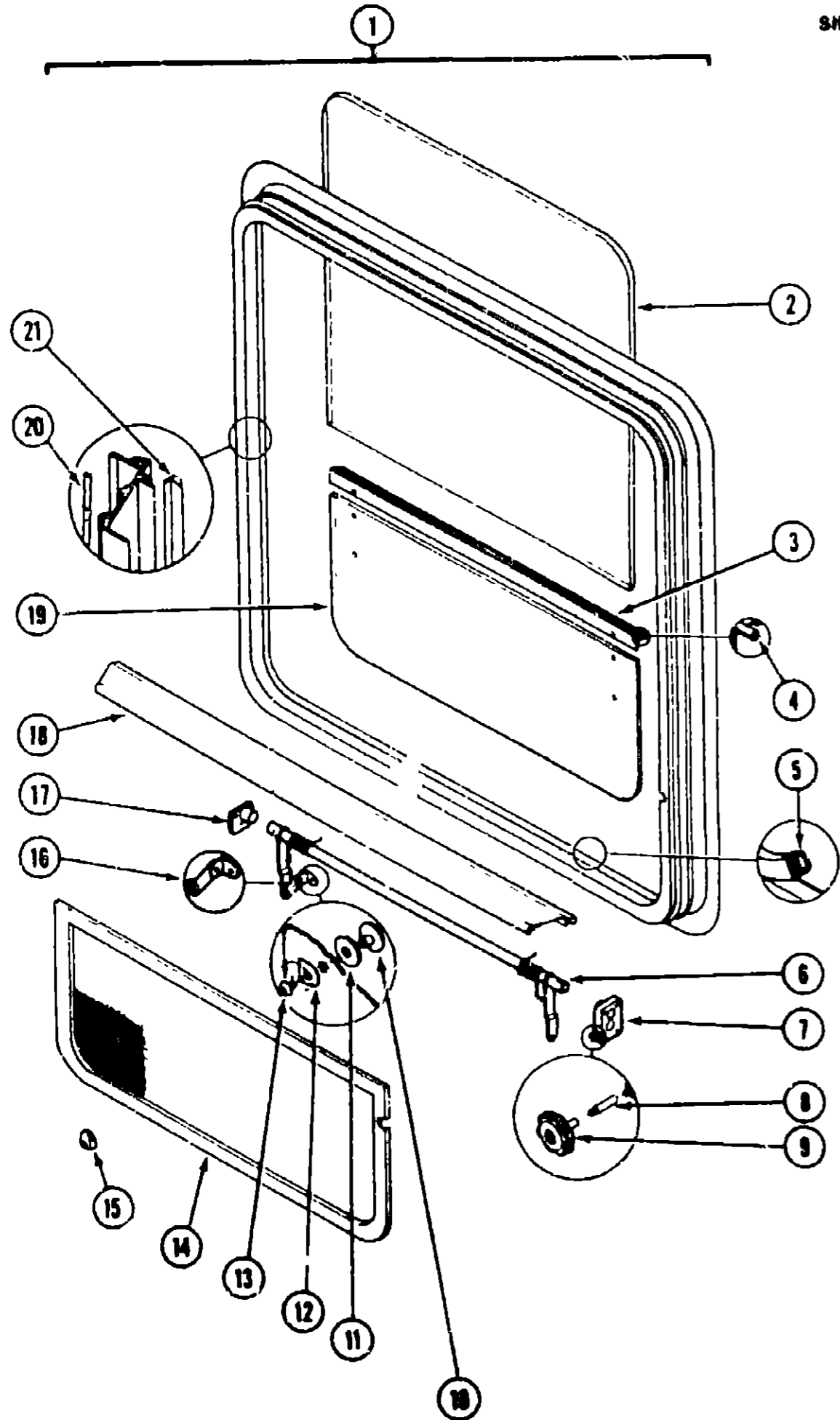
A-01 - D-06
D-07 - G-14

1989 ICN27RT INDEX

Floor Plan	D-07 - D-08
Accessories Group	D-09 - D-12
Bath Group	D-13
Chassis Group	D-14 - D-20
Curtain, Cushion & Pad Group	D-21 - E-08
Dinette Group	E-09 - E-10
Driver's Compartment Group	E-11 - E-17
Electrical Group	E-18 - E-21
Exterior Body Group	E-22 - F-06
Galley Group	F-07 - F-08
Heating & Air Conditioning Group	F-10 - F-11
Interior Finish Group	F-12 - F-13
I/P Group	F-14
Lounge Group	F-15 - F-16
Water & Sewage Group	F-17 - F-20
Window, Vent & Exterior Door Group	F-21 - G-14

WINDOW, VENT & EXTERIOR DOOR GROUP (CONTINUED)

SINGLE TIPOUT WINDOW



Key	Part Number	U/M	Description
1	085353-07-W07	EA	Window Asm. - Single Tipout - 24 8" x 24 9" (w/o inside frame)
	084153-04-000	EA	Inside Frame - Black (not included in assembly)
2	081239-05-000	EA	Glass - 14 6" x 24 25" - Stationary
3	089913-01-000	EA	Hinge - Tipout Window - Black
4	081357-01-000	FT	Seal Foam - Vinyl
5	084067-01-000	FT	Seal - "e" - Sponge Rubber
6	083150-05-000	EA	Torque Tube Asm
7	035302-02-000	EA	Operator Drive - Left
8	009439-08-000	EA	Extension - .000" - Black (not included in assembly)
9	009439-05-000	EA	Knob - Window Crankout - Black (not included in assembly)
	009439-07-000	EA	Screw - 8/32" x 1 1/4" POH - Black (not included in assembly)
10	086782-01-000	EA	T-Nut - 10-32
11	088927-03-000	FA	Seal - Rubber - 12" x 25" ID x 80" OD
12	084473-01-000	EA	Seal - Rubber - "D" Shaped
13	086783-01-000	EA	Screw - #10 - 32 x 1/4" PTH
14	084580-04-W07	EA	Screw Asm - Tipout Window - Single
	002293-02-000	SF	Screen - Window - 26" - Charcoal
	002298-02-000	FT	Spline - 130" Dia. - Charcoal (Screen)
15	081243-01-000	EA	Screen Clip - Plastic - Black
	000G12-06-08T	EA	Screw - #8 - 20 x .50" POH - Black
16	097578-01-000	EA	Connecting Rod Asm
	085316-01-000	EA	Washer - Wave - 44 OD 32 ID
	081849-01-000	EA	Snap Ring - 7/32 Shaft
17	081354-01-000	EA	Sleeve - Window Torque Tube
18	082583-52-001	EA	Multion - Horizontal - Black
19	084088-02-000	EA	Glass - 9 24" x 24 13" - Tipout
20	069640-08-000	FT	Seal - 5/16" x 15" (not included in assembly)
21	083180-01-00	FT	Seal - Vinyl Glazing

1989 ITASCA TABLE OF CONTENTS

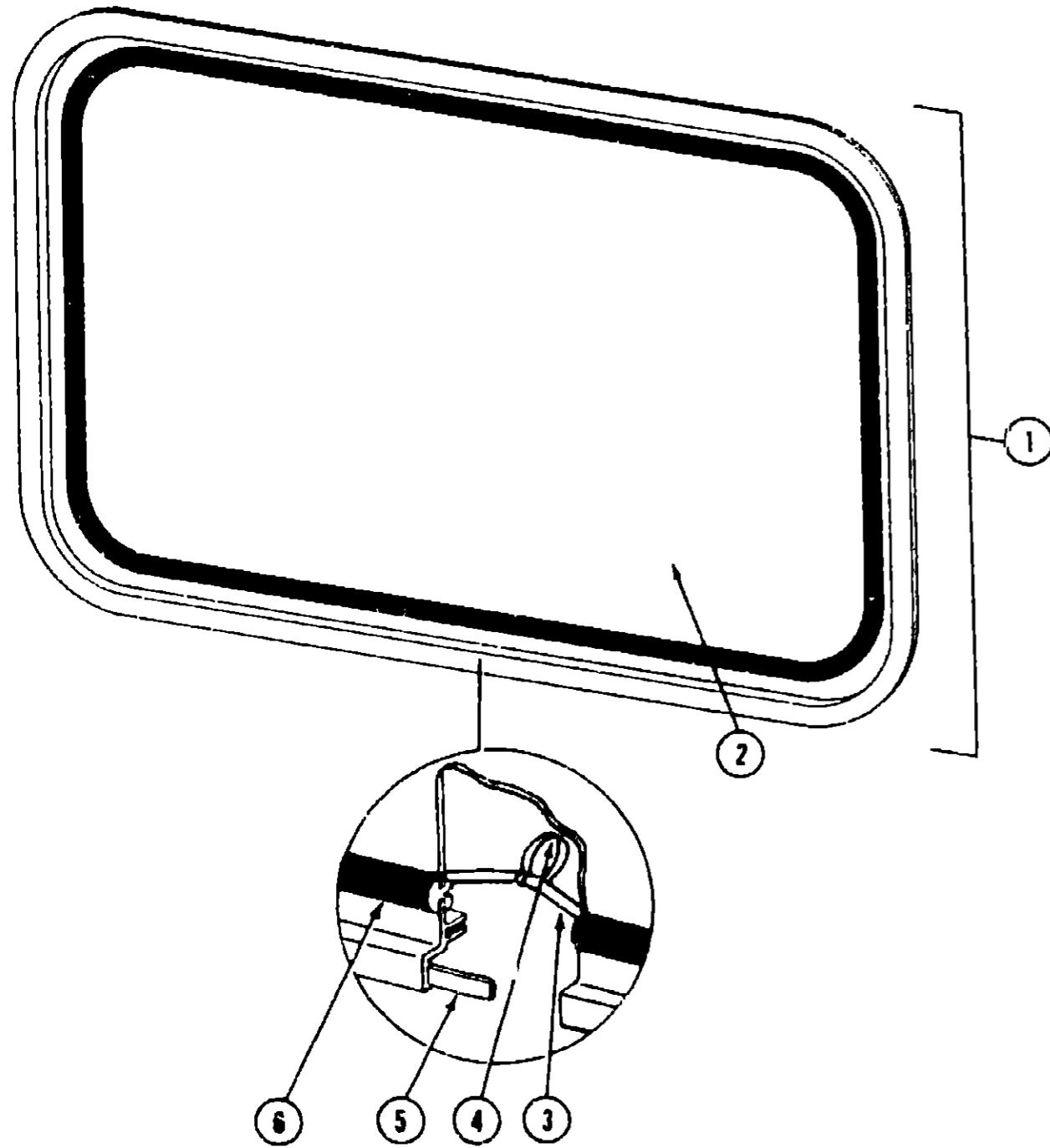
ICN23RC
ICN27RT

A-01 - D-06
D-07 - G-14

1989 ICN27RT INDEX

Floor Plan	D-07 - D-08
Accessories Group	D-09 - D-12
Bath Group	D-13
Chassis Group	D-14 - D-20
Curtain, Cushion & Pad Group	D-21 - E-08
Dinette Group	E-09 - E-10
Driver's Compartment Group	E-11 - E-17
Electrical Group	E-18 - E-21
Exterior Body Group	E-22 - F-08
Galley Group	F-07 - F-09
Heating & Air Conditioning Group	F-10 - F-11
Interior Finish Group	F-12 - F-13
LP Group	F-14
Lounge Group	F-15 - F-16
Water & Sewage Group	F-17 - F-20
Window, Vent & Exterior Door Group	F-21 - G-14

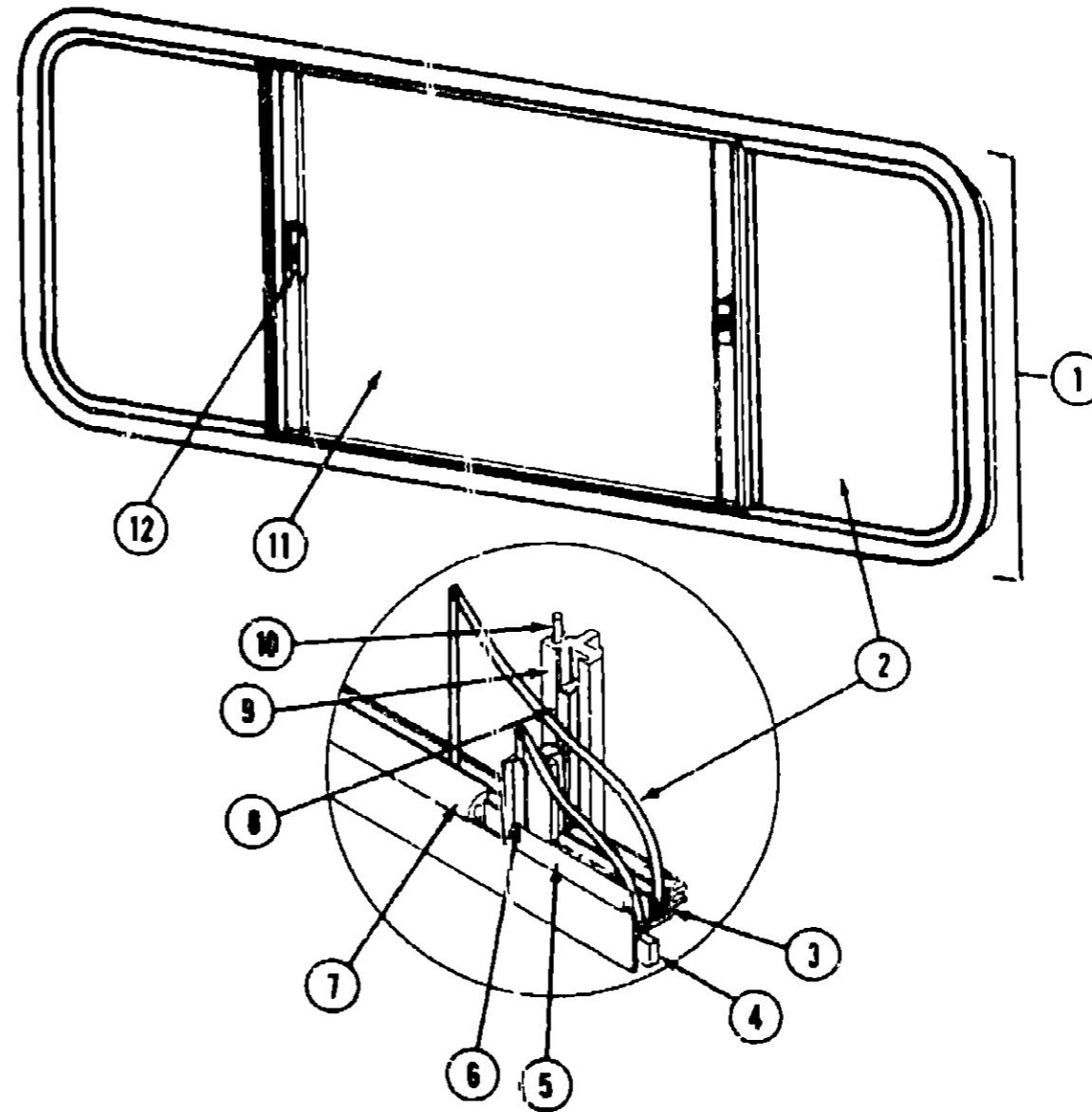
WINDOW, VENT & EXTERIOR DOOR GROUP (CONTINUED)



ESCAPE WINDOW

Key	Part Number	U/M	Description
1	087985-04-Y12	EA	Window Arm - Escape (w/o inside frame)
	078650-04-000	EA	Inside Frame - Escape Window - Black (not included in assembly)
2	078337-06-000	EA	Glass - 1/8" x 44 8" x 28 1/4"
3	002285-01-000	FT	Filter - Weatherstrip - Black
4	068640-07-000	FT	Tape - 2" Bead x 3/32" x 30"
5	002282-01-000	FT	Weatherstrip - Window - .125" Black
6	077086-01-701	EA	Tape - Poly - Red - 36"

WINDOW, VENT & EXTERIOR DOOR GROUP (CONTINUED)



DOUBLE SLIDER WINDOW

Key	Part Number	U/M	Description
1	078269-04-X11	EA	Window Arm - Double Slider (w/o inside frame)
	083122-26-000	EA	Inside Frame - Double Slider - Beige (not included in assembly)
2	081980-10-000	EA	Glass - Sliding - 1/8" x 30 6" x 19 31" - Gray
3	002324-02-000	FT	Channel - Weatherstrip - Glass
4	066340-08-000	FT	Sealer Ribbon - 3/16" Bead x 15'
5	002309-02-000	FT	Spline - Glass - 1/8" - Black
6	068888-03-001	EA	Seal Holder - 1/8" Glass - Black
7	024096-02-000	FT	Vinyl Window Seal - Black
8	073740-01-000	FT	Fin Seal - 450" Pile
9	083826-02-001	EA	Mullion - Slider Window - Black
	002293-02-000	SF	Screen - Window - 26" - Charcoal
10	002298-02-000	FT	Spline - 130" Dia. - Charcoal (Screen)
11	002188-07-000	EA	Glass - Stationary - 1/16" x 30 7" x 24 75"
12	047369-01-700	EA	Latch Kit - Window - Plastic w/Fastener

1989 ITASCA
TABLE OF CONTENTS

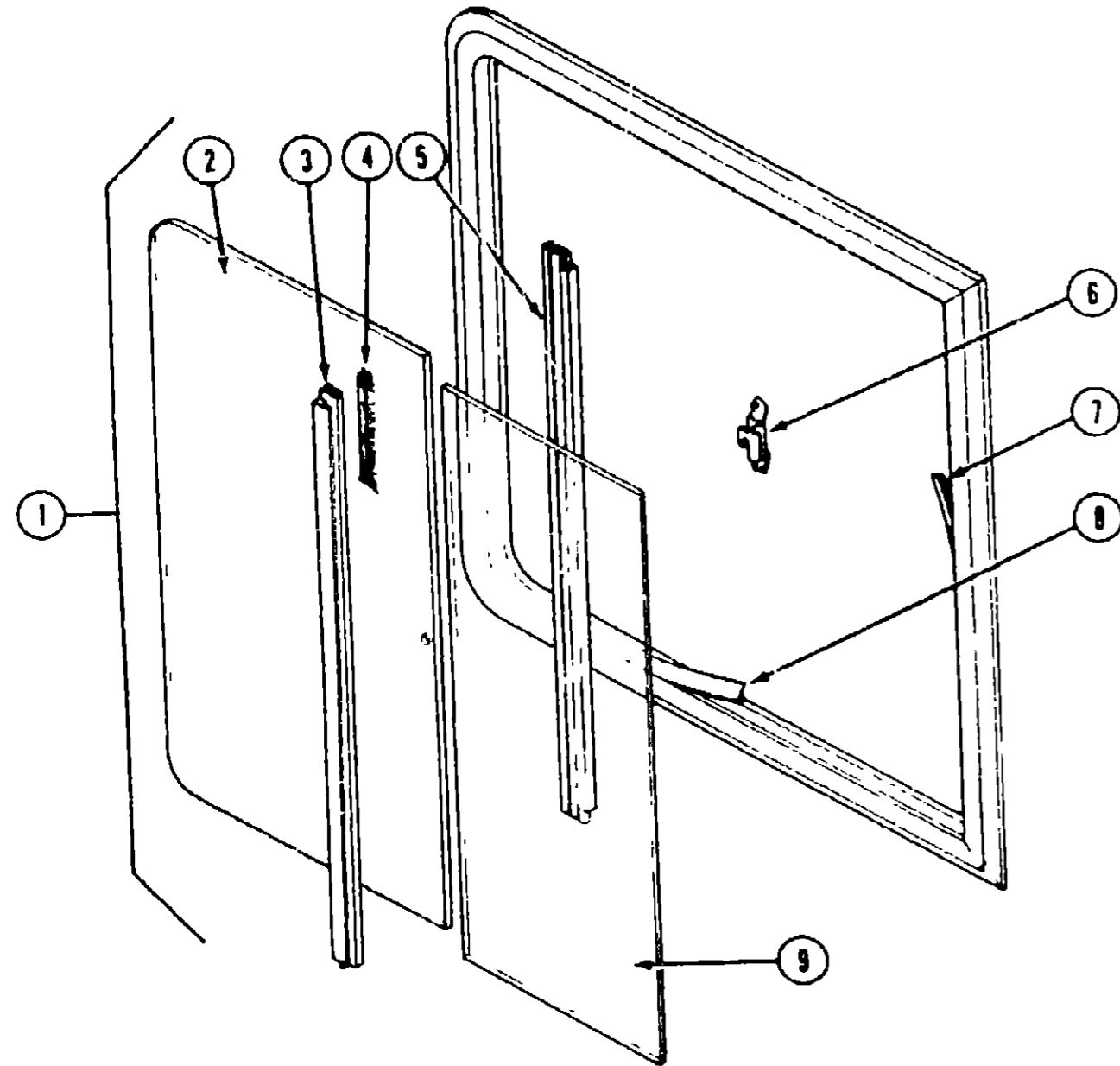
ICN23RC
ICN27RT

A-01 - D-08
D-07 - G-14

1989 ICN27RT INDEX

Floor Plan	D-07 - D-08
Accessories Group	D-09 - D-12
Bath Group	D-13
Chassis Group	D-14 - D-20
Curtain, Cushion & Pad Group	D-21 - E-08
Dinette Group	E-09 - E-10
Driver's Compartment Group	E-11 - E-17
Electrical Group	E-18 - E-21
Exterior Body Group	E-22 - F-06
Galley Group	F-07 - F-08
Heating & Air Conditioning Group	F-10 - F-11
Interior Finish Group	F-12 - F-13
LP Group	F-14
Lounge Group	F-15 - F-16
Water & Sewage Group	F-17 - F-20
Window, Vent & Exterior Door Group	F-21 - G-14

WINDOW, VENT & EXTERIOR DOOR GROUP (CONTINUED)



PASSENGERS FRONT SLIDER

Key	Part Number	U/M	Description
1	093703-01-Y10	EA	Window Asm - Single Slider - 31 5" x 31" (w/o inside frame)
	092665-01-Y10	EA	Inside Frame - Black (not included in assembly)
2	081980-11-000	EA	Glass - Slider - 1/8" x 30 4" x 16 5"
3	002389-03-209	EA	Glass Holder - 29 57"
4	073740-01-000	FT	Seal - Fin - Pile - 460
5	084170-09-000	EA	Mullion - Slider Window - Black
	042077-01-000	FT	Channel - Window - Glass Run - 3/16"
	050216-02-000	FT	Spline - Vinyl Glass - .19" - Black
6	047369-01-700	EA	Latch Kit - Window - Black Plastic w/Fastener
7	002309-02-000	FT	Spline - Glass - 1/8" Material - Black
8	041028-02-000	FT	Seal - Window Channel
9	057856-12-000	EA	Glass - Stationary - 1/8" x 15 7" x 30 4"
	000G39-08-16T	EA	Screw - SF/DR - 6 x 20 x 1.00 - PPH
	002328-01-000	EA	Black - Window - 1/8" x 3/16" x 1"
	023320-01-000	EA	Pad - Felt - 3/8" Dia
	081377-01-000	EA	Adhesive - Cyanoacrylate

WINDOW, VENT & EXTERIOR DOOR GROUP (CONTINUED)

VENTS, ACCESS DOOR HARDWARE

Key	Part Number	U/M	Description
	009439-01-000	EA	Crank - Roof Vent
	009439-03-000	EA	Extension - .9" - Roof Vent
	009439-05-000	EA	Knob - Roof Vent - Black
	009439-06-000	EA	Extension - Roof Vent - Black
	009439-07-000	EA	Screw - Roof Vent Crank - Black
	090392-01-Y12	EA	Vent - Non Powered - Roof - Berge
	078786-01-Y12	EA	Screen Asm - Non-Powered - Roof Vent
	090393-01-Y12	EA	Vent - Powered - Roof
	078785-01-Y12	EA	Screen Asm - Powered Roof Vent
	092698-01-01A	EA	Vent - Range - w/Door - Outside
	092731-01-000	EA	Extension - Duct - Range Hood
	084073-03-000	EA	Vent - Refrigerator Roof Vent
	084073-04-000	EA	Base - Refrigerator Roof Vent
	084103-03-000	EA	Door - Refrigerator Vent - Sidewall
	084104-03-000	EA	Jamb - Refrigerator Vent - Sidewall
	084104-01-700	EA	Lock - Male - Refrigerator Door - Exterior
	084104-01-701	EA	Lock - Female - Refrigerator Door - Exterior
	083558-03-000	EA	Cover - Vent Pipe - Plastic
	078010-03-000	EA	Door Asm. - Fuel Fill - Off White
	077963-01-000	EA	Gasket - Gas Fill Door
	078200-01-000	EA	Gasket - Fuel Fill
	052009-01-000	EA	Door Asm - Water Heater - Off White
	079368-01-000	EA	Seal - Access Door
	093061-01-02A	EA	Striker - Luggage Door - Black
	093882-01-000	EA	Strike - Door
	083615-06-000	EA	Door Stop - Off White Plastic
	094362-01-000	EA	Clip - Flat Head Plastic - Valance Panel - 4"
	094362-02-000	EA	Clip - Flat Head Plastic - Valance Panel - 95"
	093668-01-02A	EA	Pocket Latch - Off White
	085730-11-000	EA	Latch Asm - Paddle - Plastic - w/Key Lock
	004363-01-000	FT	Tape - Foam - 3/16" x 1/2"
	085730-14-000	EA	Latch Asm - Paddle - Plastic - w/o Key Lock
	042442-02-000	EA	Lock Asm - Twist Type - Access Door
	093756-01-01A	EA	Shroud - Furnace

WINDSHIELD & CORNER GLASS

Key	Part Number	U/M	Description
	091953-04-000	EA	Glass - Corner Vent - Drivers
	091953-03-000	EA	Glass - Corner Vent - Passengers
	091215-02-000	EA	Glass - Windshield - Drivers
	091215-01-000	EA	Glass - Windshield - Passengers
	091986-01-000	EA	Reveal Molding - w/s Black Rubber

**1989 ITASCA
TABLE OF CONTENTS**

ICN23RC
ICN27RT

A-01 - D-06
D-07 - G-14

1989 ICN27RT INDEX

Floor Plan	D-07 - D-08
Accessories Group	D-09 - D-12
Bath Group	D-13
Chassis Group	D-14 - D-20
Curtain, Cushion & Pad Group	D-21 - E-08
Dinette Group	E-09 - E-10
Driver's Compartment Group	E-11 - E-17
Electrical Group	E-10 - E-21
Exterior Body Group	E-22 - F-06
Galley Group	F-07 - F-09
Heating & Air Conditioning Group	F-10 - F-11
Interior Finish Group	F-12 - F-13
LP Group	F-14
Lounge Group	F-15 - F-16
Water & Sewage Group	F-17 - F-20
Window, Vent & Exterior Door Group	F-21 - G-14