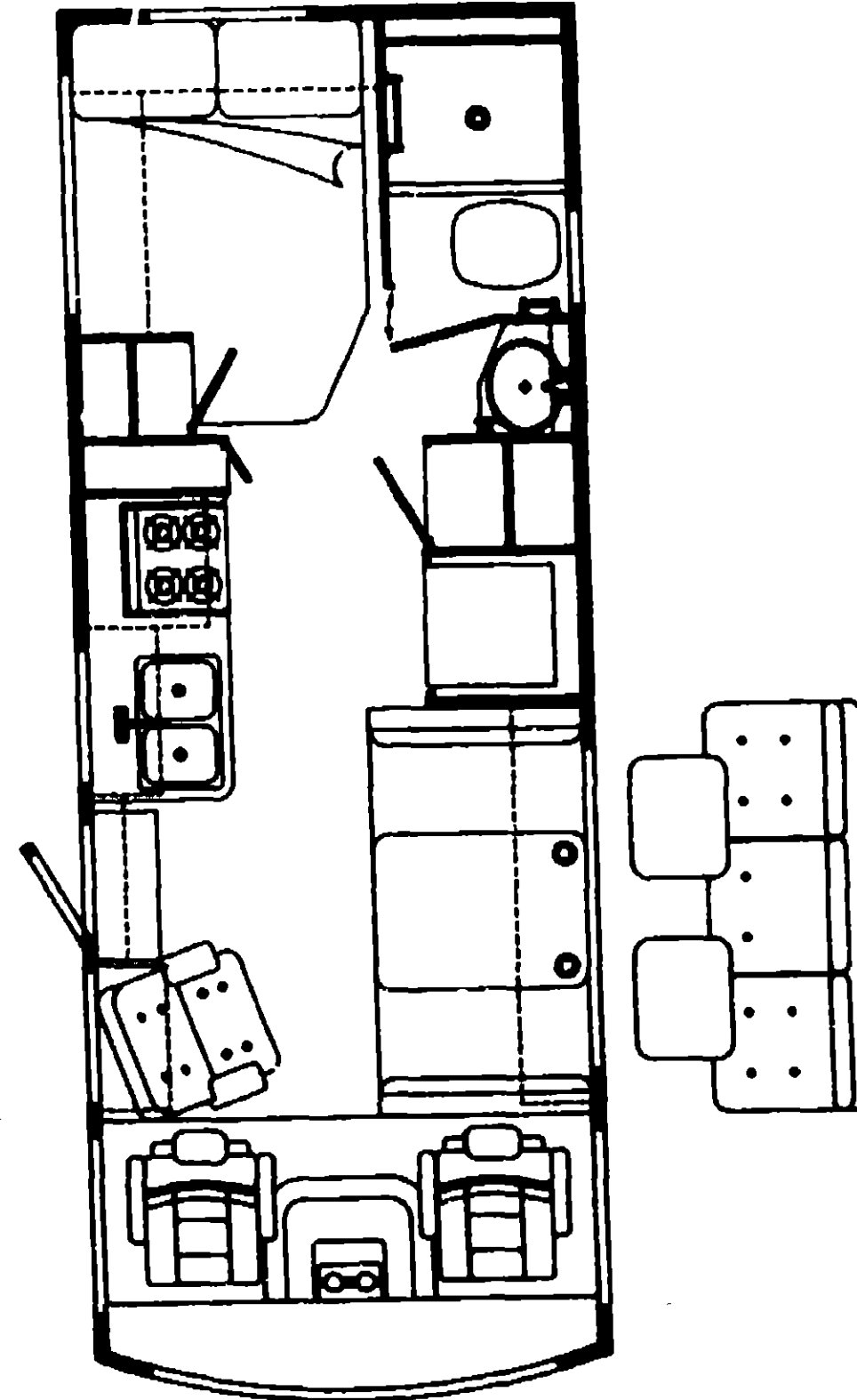


1989 ICN23RC



1989 ITASCA TABLE OF CONTENTS

ICN23RC
ICN27RT

A-01 - D-08
D-07 - G-14

1989 ICN23RC INDEX

Floor Plan	A-01 - A-02
Accessories Group	A-03 - A-08
Bath Group	A-07 - A-08
Chassis Group	A-09 - A-14
Curtain, Cushion & Pad Group	A-15 - B-02
Dinette Group	B-03 - B-04
Driver's Compartment Group	B-05 - B-10
Electrical Group	B-11 - B-14
Exterior Body Group	B-15 - B-23
Galley Group	B-24 - C-01
Heating & Air Conditioning Group	C-02 - C-03
Interior Finish Group	C-04 - C-06
LP Group	C-08
Lounge Group	C-07
Water & Sewage Group	C-05 - C-11
Window, Vent & Exterior Door Group	C-12 - D-08

ACCESSORIES GROUP

MISCELLANEOUS ACCESSORIES

Key	Part Number	U/M	Description
	054186-31-000	EA	Owner's Manual - 1989 Winnebago & Itasca
	017516-01-000	EA	Mud Flap
	063181-01-700	EA	Wheel Cover - 18" (1)
	079942-01-000	EA	Stabilizer Shock Absorber - Front
	084489-01-000	EA	Fire Extinguisher - Dry IA 10BC
	084851-01-01A	EA	Recessed Holder - Fire Extinguisher - Light Oak Plastic
	072852-01-000	EA	Smoke Detector - w/9 Volt Battery
	040089-01-000	EA	Floor Mat - Entrance Door - Black
	081075-02-000	EA	Floor Mat - Entrance Door - Tan "Itasca"
	081201-02-000	EA	Floor Mat - Drivers Stepwell - Tan
	081202-02-000	EA	Floor Mat - Passenger Step Well - Tan
	080208-01-000	EA	Lug Wrench
	080208-02-000	EA	Leverage Bar - Lug Wrench
	008113-01-000	EA	Jack - Hydraulic - 6 Ton - w/Handle
	091955-01-000	EA	Squeeze - Extended Handle
	091952-01-000	EA	Clip - 1" - Squeeze Holder
	093527-01-000	EA	Bracket - Squeeze Clip

WHEEL LINERS

Key	Part Number	U/M	Description
	091209-05-000	EA	Wheel Liner - 18" - Set/4
	091209-05-700	EA	Wheel Liner - 18" - Front Wheel (1)
	091209-05-701	EA	Wheel Liner - 18" - Rear Wheel (1)
	091209-03-702	EA	Cover - Front Axle
	091209-03-703	EA	Cover - Rear Axle
	091209-03-704	EA	Snap Ring
	091209-03-735	EA	Axle Cover - Set/4

AUXILIARY BATTERY DISCONNECT (OPTION 28A)

Key	Part Number	U/M	Description
	008037-01-000	FT	Battery Cable - 1 AWG
	008348-01-000	EA	Terminal Ring - 2 - 3/8 Stud
	081087-01-000	EA	Indicator Light
	088272-01-000	EA	Rocker Switch - 3 Position
	088273-01-000	EA	Battery Disconnect Relay
	088445-01-000	EA	Bracket - Battery Disconnect Relay

AUXILIARY DEFROSTER FANS (OPTION 389)

Key	Part Number	U/M	Description
	087372-03-01A	EA	Switch - Rocker - SPDT - On/Off/On
	036420-02-000	EA	Defroster Fan - 6" - 2 Speed

TV ANTENNA (OPTION 439)

Key	Part Number	U/M	Description
	076319-01-000	EA	TV Antenna - 44.5" Roof Mount
	087236-01-000	EA	Label - Cable Input
	087236-02-000	EA	Label - TV Outlet
	081908-01-000	EA	TV Shell - Silver - Beige
	083252-01-01A	EA	Wall Plate - Cable TV
	083286-01-000	EA	TV Shell - Black Steel

ACCESSORIES GROUP (CONTINUED)

TV, VCR & SWITCH SYSTEM (OPTIONS 43W & 43X)

Key	Part Number	U/M	Description
	086759-03-000	EA	VCR - VHS - GE - VG7520HQ
	091907-02-000	EA	VCR - VHS - Sharp VC-2208U
	088446-01-000	EA	VCR - VHS - Magnavox - VR9815AT
	088757-01-000	EA	Switch Box - Channel Master Control Center
	091258-03-000	EA	TV - 13" Color - Sharp 13FM59
	088447-01-000	EA	TV - 13" Color - Magnavox RX4029WA
	083197-01-Y12	EA	Cabinet Arm. - TV - Center - w/o Hardware
	M83242-01-Y12	EA	Cabinet Arm. - Passengers - w/o Hardware
	M83242-02-Y12	EA	Cabinet Arm. - Drivers - w/o Hardware
	M88304-C0-Y10	EA	Door Arm - Front Overhead - Passengers & Drivers - w/o Hardware
	085774-01-000	FT	Dual Lock Fastener - 1" Wide
	085774-02-000	FT	Dual Lock Fastener - 1" Wide

FRONT BUNK (OPTION 523)

Key	Part Number	U/M	Description
	M83066-01-Y12	EA	Bunk Board Trim - w/o Angle
	028012-01-000	BF	Rolled Foam - 3/8"
	048384-02-000	YD	Velcro - Hook - 75" x 50 Yd - Beige
	088782-02-000	YD	Velcro - Loop - .75" Adhesive Back
	088351-01-000	YD	Vinyl - Headliner - Acoustical
	018904-03-000	EA	Brace - Seat Angle - 2" Beige
	042541-04-000	EA	Latch Arm. - w/o Strike - Brass
	042541-05-000	EA	Strike - Brass
	084219-01-000	EA	Strap Retainer
	070878-11-Y70	EA	Button Arm. - #30
	075843-02-000	EA	Brace - 14" - Beige
	078780-02-000	EA	Hardware - Front Overhead Bunk
	078144-02-Y10	EA	Bunk Strap
	084386-01-000	EA	Wraparound - Curtain Track - Straight
	078948-08-000	EA	Wraparound Curtain Track - Curved
	081717-04-Y12	EA	Bed Arm. - Front Bunk
	084858-01-Y12	EA	Oak Handle

MICROWAVE/BROWNING OVEN (OPTION 136)

Key	Part Number	U/M	Description
	081289-03-000	EA	Microwave Browning Oven - Magic Chef
	084745-01-01A	EA	Trim - Microwave - Black - Lower
	084774-01-01A	EA	Trim - Microwave - Black - Right Side
	084774-02-01A	EA	Trim - Microwave - Black - Left Side
	084787-09-Y12	EA	Cabinet Arm. - Microwave - Overhead w/o Hardware
	084750-01-000	EA	Microwave Bracket - 90° (2 Required)

RACK & LADDER (OPTION 38U)

Key	Part Number	U/M	Description
	088927-01-000	EA	Tape - Anti-Slip - 2" x 63'
	081088-08-Y12	EA	Rack Arm. - Luggage - Right
	081088-10-Y12	EA	Rack Arm. - Luggage - Left
	081114-01-000	EA	Cap - Round Insert - 1" Dia.
	088989-01-Y12	EA	Ladder Arm. - Lower
	088989-01-Y35	EA	Ladder Arm. - Upper
	078889-02-000	EA	Step Cap - Black
	088873-01-000	EA	Latch - Lower Ladder - Gray
	081115-01-000	EA	Top Cap - Rack & Ladder - 1"
	081182-01-000	EA	Stumper Plate
	087166-01-000	EA	Mounting Bracket - Rack & Ladder
	081113-01-000	EA	Bushing - Flange - White Plastic
	081116-01-000	EA	Top Side - Rack & Ladder - 1"
	081086-01-000	EA	Spring Grip - Internal Tooth
	081088-01-000	EA	Quick Release Pin

1989 ITASCA TABLE OF CONTENTS

ICN23RC	A-01 - D-08
ICN27RT	D-07 - G-14

1989 ICN23RC INDEX

Floor Plan	A-01 - A-02
Accessories Group	A-03 - A-08
Bath Group	A-07 - A-08
Chassis Group	A-09 - A-14
Curtain, Cushion & Pad Group	A-15 - B-02
Dinette Group	B-03 - B-04
Driver's Compartment Group	B-05 - B-10
Electrical Group	B-11 - B-14
Exterior Body Group	B-15 - B-23
Galley Group	B-24 - C-01
Heating & Air Conditioning Group	C-02 - C-09
Interior Finish Group	C-04 - C-06
LP Group	C-06
Lounge Group	C-07
Water & Sewage Group	C-08 - C-11
Window, Vent & Exterior Door Group	C-12 - D-08

ACCESSORIES GROUP (CONTINUED)

EXTERIOR MIRRORS

Key	Part Number	U/M	Description
	088280-01-000	EA	Mirror Asm. - Exterior - w/Convex - Passenger
	088280-02-000	EA	Mirror Asm. - Exterior - w/Convex - Drivers
	088280-03-000	EA	Accessory Kit - Exterior Mirror

ELECTRIC STEP

Key	Part Number	U/M	Description
↑	091201-01-000	EA	Step Asm. - Electric - Double - Kwiksee
	091201-01-700	EA	Linkage Asm.
	091201-01-701	EA	Motor Asm.
	091201-01-702	EA	Frame Asm. - Double Step
↑↑	094707-01-01A	EA	Step Asm. - Electric - Double - Kwiksee 3218
	094707-01-700	EA	Control Unit
	094707-01-701	EA	Switch - Door Jamb - Plastic
	094707-01-702	EA	Frame Asm. - Double Step (For 3218)
↑	Thru 9/25/88		
↑↑	From 9/28/88		

HITCH ASSEMBLY FOR 23RC (OPTION 240)

Key	Part Number	U/M	Description
	075221-01-000	EA	Label - Trailer Hitch Capacity
	091224-02-000	EA	Label - Trailer Lighting
	097745-02-000	EA	Receptacle - Trailer Housing - 48"
	034512-01-000	EA	Locking Pin - Drawbar
	034513-01-000	EA	Hitch Pin - 3/16" Wire
	077613-01-000	EA	Drawbar Asm.
	077617-04-000	EA	Hitch Asm. - w/o Drawbar
	093048-01-000	EA	Skid Plate

GENERATOR & COMPONENTS (ONAN) (OPTION 32T)

Key	Part Number	U/M	Description
	093545-01-000	EA	Generator - Onan - 4.0 KW
	081364-03-000	EA	Muffler - Onan Generator - 4.0 KW
	083152-04-000	EA	Exhaust Pipe - Onan Generator - 4.0 KW (Used w/081364-03-000)
	094857-01-000	EA	Generator Tray

GENERATOR & COMPONENTS (KOHLER) (OPTION 350)

Key	Part Number	U/M	Description
	093740-01-000	EA	Generator - Kohler - 4.5 KW
	093590-02-000	EA	Muffler - Kohler Generator - 4.5 KW
	083152-06-000	EA	Exhaust Pipe - Kohler Generator - 4.5 KW
	007125-03-000	EA	Clamp - Muffler - 1.5"
	007125-04-000	EA	Clamp - Muffler - 1.12"

ACCESSORIES GROUP (CONTINUED)

SPEED CONTROL

Key	Part Number	U/M	Description
	094389-01-000	EA	Speed Control - Smart Stick - Dana 59L - 11128B
	094389-01-700	EA	Servo & Cable Asm.
	094389-01-701	EA	Switch & Lever Asm.
	094389-01-702	EA	Electronic Regulator Asm.
	094389-01-703	EA	Wiper Control Module
	094389-01-704	EA	Headlight Dimmer Module
	094389-01-705	EA	Vacuum Reservoir
	094389-01-706	EA	Servo
	094389-03-000	EA	Speed Control - Smart Stick - Dana 59L - 11129B
	083212-08-000	EA	Speed Control - A-Body Smart Stick - Dana 59L - 1126B
	083212-08-700	EA	Switch Asm
	083212-08-701	EA	Wiper Module
	083212-08-702	EA	Wire Harness - Wiper Control Output
	083212-08-703	EA	Light Relay
	094389-02-000	EA	Speed Control - Smart Stick - Diesel - Dana 59L - 11168B

**1989 ITASCA
TABLE OF CONTENTS**

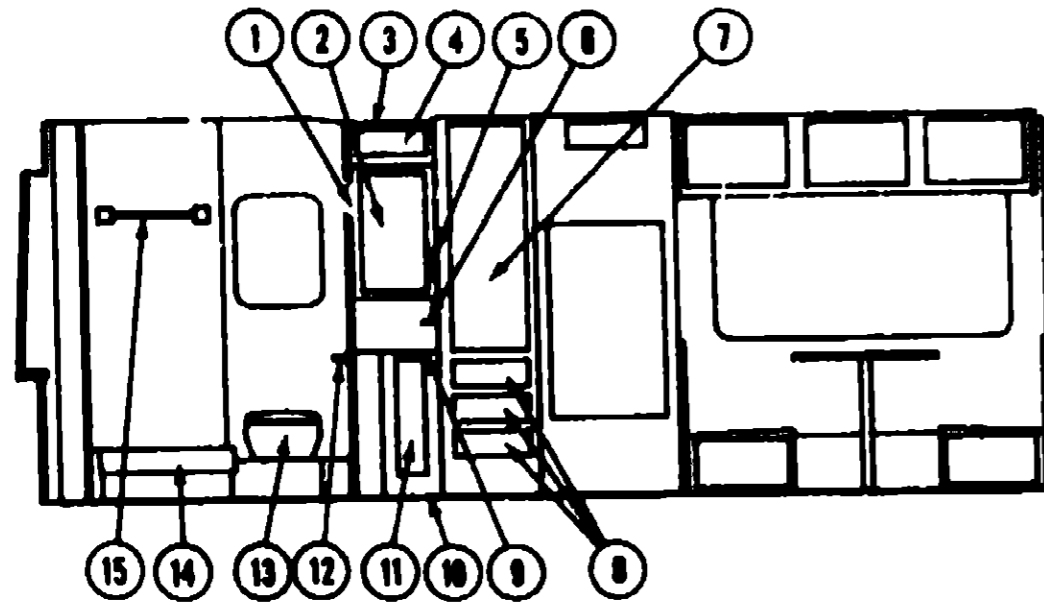
ICN23RC
ICN27T

A-01 - D-08
D-07 - G-14

1989 ICN23RC INDEX

Floor Plan	A-01 - A-02
Accessories Group	A-03 - A-08
Bath Group	A-07 - A-08
Cheese Group	A-09 - A-14
Curtain, Cushion & Pad Group	A-15 - B-02
Dinette Group	B-03 - B-04
Driver's Compartment Group	B-05 - B-10
Electrical Group	B-11 - B-14
Exterior Body Group	B-15 - B-23
Galley Group	B-24 - C-01
Heating & Air Conditioning Group	C-02 - C-03
Interior Finish Group	C-04 - C-06
LP Group	C-07
Lounge Group	C-08
Water & Sewage Group	C-09 - C-11
Window, Vent & Exterior Door Group	C-12 - D-08

BATH GROUP



BATH CABINETS

Key	Part Number	U/M	Description
1	M92797-01-Y10	EA	Medicine Cabinet - Lower
2	M88304-G2-Y12 058331-30-000	EA	Door Asm. - Lower Medicine Cabinet - 15 3" x 25.6" Mirror - Safety Glass - 11 8" x 22.08"
3	M92827-01-Y10	EA	Medicine Cabinet - Upper
4	M88304-F4-Y10	EA	Door Asm. - Upper Medicine Cabinet - 6.2" x 16 14"
5	075454-02-000	EA	Towel Ring - Brass
6	081614-01-000	EA	Soap Dish - Brass (Thru 8/7/5/88)
7	081614-02-000	EA	Soap Dish - Brass w/Plastic Cover (From 8/16/88)
8	M88304-22-X11 058331-20-000	EA	Door Asm. - Wardrobe - 16.7" x 48" Mirror - Safety Glass - 13 2" x 44 5"
9	M78921-15-Y10	EA	Drawer Asm. - Wardrobe
	037688-03-000	EA	Glide - Center Drawer Guide - Mounts on Drawer
	037688-01-000	FT	Rail - Drawer Guide - "V"
	037688-02-000	EA	Glide - Sides - Corner "L"
	037688-04-000	EA	Bracket - Rail Mounting - Front
	037688-05-000	EA	Bracket - Rail Mounting - Rear
10	092478-11-Y10	EA	Countertop - Lavatory Cabinet
	089368-01-000	EA	Sink - Oval - Ivory Plastic
	075240-05-000	EA	Faucet - Lavatory - Brass
	091253-01-000	EA	Gasket - Lavatory Faucet
11	M92478-01-Y13	EA	Lavatory Cabinet - w/o Door or Countertop
	M87888-01-W33	EA	Bath Door - w/o Lockset
	075887-01-000	EA	Lockset - Bath Door - Bronzestone
12	075452-02-000	EA	Toilet Tissue Holder
13	084078-01-000	EA	Toilet - Ivory
	063841-01-000	EA	Red Closet Flange - 4 x 3 FPT
14	M02630-09-Y10	EA	Shower Pan Asm.
	075241-04-000	EA	Faucet - Shower - Brass
	075806-01-000	EA	Faucet Panel - Shower - Plastic
	011048-02-000	EA	Shower Head - w/60" Hose
15	075453-02-000	EA	Towel Bar - 18" Brass
	009112-01-000	EA	Flange - 1" - Off White Plastic
	075880-02-000	EA	Clothes Rod - Adjustable - 27" - 38"

BATH GROUP (CONTINUED)

BATH HARDWARE

Key	Part Number	U/M	Description
	059777-02-000	EA	Hinge - Antique Light Brass
	083686-03-000	EA	Door Latch - Friction Catch
	093588-04-000	EA	Door Strike - Friction Catch
	088284-01-000	EA	Door Pull - Polished Brass
	011089-02-000	EA	Tailpiece - 1.5" x 1.25" x 4"
	089735-01-000	EA	Washer - Tailpiece - 1.5" Plastic
	088437-01-000	EA	Strainer w/Basket - Sink
	011048-02-000	EA	Shower Head - w/60" Hose
	011089-03-000	EA	Tailpiece - 1.5" x 1.75" Plastic (Tub)
	088438-01-000	EA	Nut - Strainer
	088438-01-000	EA	Nut - Slip - 1.5" Tailpiece
	088440-01-000	EA	Strainer w/Rubber Washer
	088729-01-000	EA	Strainer - Shower Tub - Drain
	089735-01-000	EA	Washer - Tailpiece - 1.5" Plastic

1989 ITABCA TABLE OF CONTENTS

ICN23RC
ICN27RT

A-01 - D-08
D-07 - G-14

1989 ICN23RC INDEX

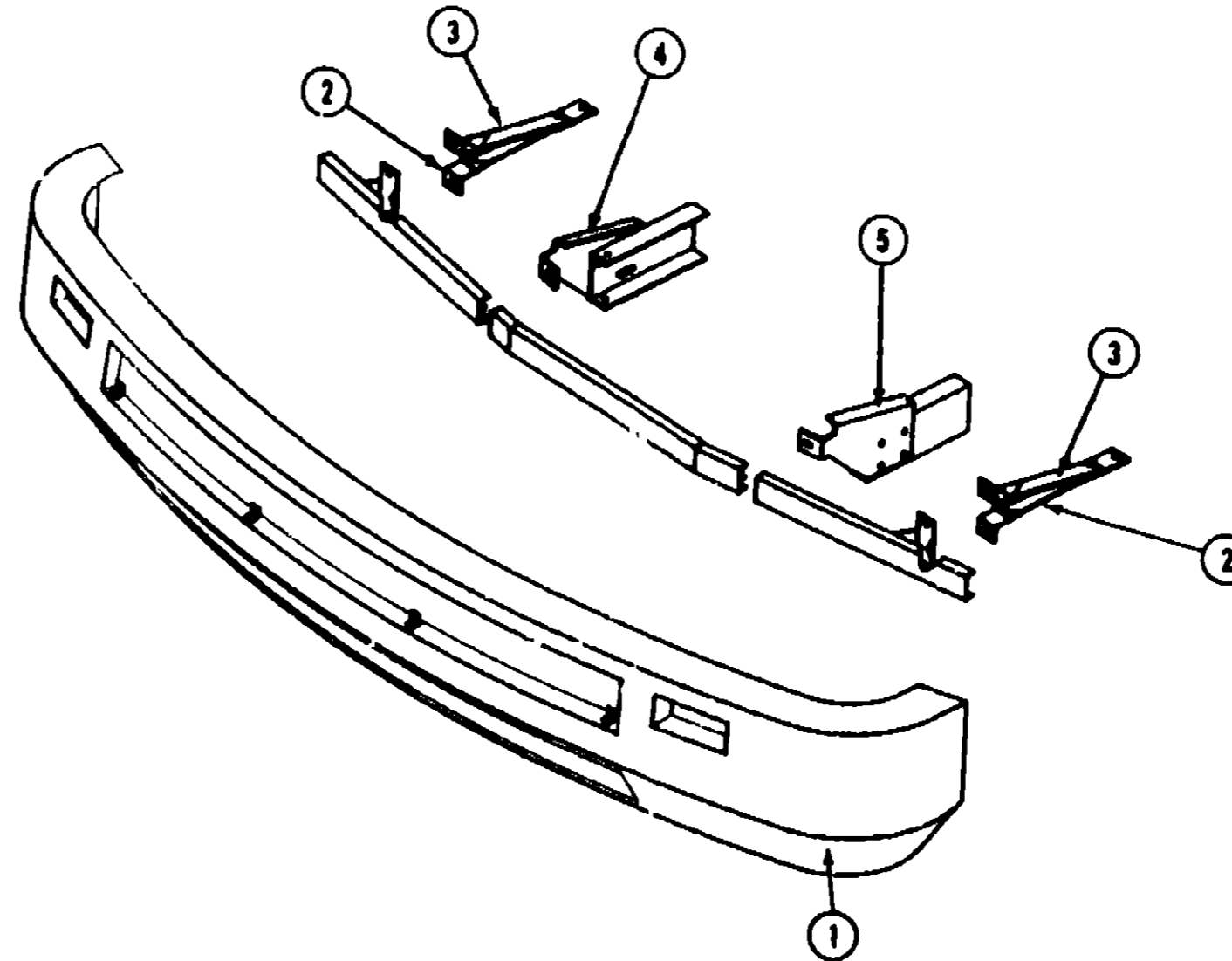
Floor Plan	A-01 - A-02
Accessories Group	A-03 - A-06
Bath Group	A-07 - A-08
Chassis Group	A-09 - A-14
Curtain, Cushion & Pad Group	A-15 - B-02
Dinette Group	B-03 - B-04
Driver's Compartment Group	B-05 - B-10
Electrical Group	B-11 - B-14
Exterior Body Group	B-15 - B-23
Galley Group	B-24 - C-01
Heating & Air Conditioning Group	C-02 - C-03
Interior Finish Group	C-04 - C-05
LP Group	C-06
Lounge Group	C-07
Water & Sewage Group	C-08 - C-11
Window, Vent & Exterior Door Group	C-12 - D-08

CHASSIS GROUP

MISCELLANEOUS CHASSIS

Key	Part Number	U/M	Description
	072358-01-000	EA	Bottle Coolant - Expansion - GM 709701
	010497-01-000	EA	Clamp - Closed - 5/8" ID
	010497-03-000	EA	Clamp - Closed - 1" ID - Cushioned
	062401-01-000	EA	Clamp - Hose - Wormgear - .22" ID - 1" ID
	062401-03-000	EA	Clamp - Hose - Wormgear - .25" ID - 1" ID
	062401-02-000	EA	Clamp - Hose - Wormgear - 1.56" ID - 2.5" ID
	062401-04-000	EA	Clamp - Hose - Wormgear - .89" ID - 1.25" ID
	062401-05-000	EA	Clamp - Hose - Wormgear - 2" ID - 3" ID
	062401-06-000	EA	Clamp - Hose - Wormgear - .22" ID - .82" ID
	062401-08-000	EA	Clamp - Hose - Wormgear - 4.06" ID - 5" ID
	023146-01-000	EA	Clamp - Screw Type - 4"
	062628-01-000	EA	Clip - Prop Rod - Hood
	041953-09-000	FT	Conduit - Convoluted w/Skt - 6" ID
	041953-10-000	FT	Conduit - Convoluted w/Skt - .75" ID
	068861-01-000	EA	Cover - Radiator - Rear
	020167-03-000	EA	Dirt Guard - Rear Wheel
	092522-01-000	EA	Door - Electrical Box
	093267-01-000	EA	Holet - Spare Tire
	093375-01-000	EA	Extension - Tire Holet
	024138-01-000	FT	Hose - Fuel - 5/16" ID SAE 30R1
	007063-01-000	FT	Hose - Gas - 1/4" ID x 1/2" OD
	066732-01-000	FT	Hose - Fuel Fill - .62" ID
	007111-02-000	EA	Hose - Fuel Fill - 2.0" ID
	007111-01-000	EA	Hose - Fuel Fill - 2.25" ID
	007108-01-000	FT	Hose - Heater - 5/8" ID SAE 20R3
	007108-02-000	FT	Hose - Heater - 7/8" ID SAE 20R3
	093719-01-000	EA	Hose - Oil Fill - Preformed - Diesel
	079059-02-000	EA	Hose - 90° - .61" x 4" x 6" - Preformed
	017518-01-000	EA	Mud Flap w/Holes - 14" x 18" - Black
	069359-02-000	EA	Rim - Wheel - 16" x 6"
	066273-01-000	EA	Relay - Battery Disconnect
	061284-01-000	EA	Heat Shield - Deflector
	053322-12-000	EA	Heat Shield - Exhaust
	079942-01-000	EA	Shock Absorber - Stabilizer - Front
	063977-06-000	EA	Step Arm - Drivers Door
	040546-03-000	EA	Tire - 7.5" x 16" - 8 Ply - Tube - Polyester
	056000-02-000	EA	Washer Arm - w/o Nozzles
	092148-01-000	EA	Wheelwell - Plastic
	008343-01-000	EA	Wire Tie - 6"
	008343-02-000	EA	Wire Tie - 14"
	047441-01-000	EA	Battery Terminal - Horizontal Lug
	075722-01-000	EA	Block - Switch - Spacer
..	007125-06-000	EA	Clamp Arm - Muffler - 2.25"
..	007125-07-000	EA	Clamp Arm - Muffler - 2.5"
..	095190-01-000	EA	Exhaust Hanger
..	095222-02-000	EA	Bracket - Exhaust - Upper
..	095223-01-000	EA	Bracket - Exhaust - Lower
..	095523-01-000	EA	Bracket - Exhaust - Upper
..	095523-02-000	EA	Bracket - Exhaust - Upper
..	095189-01-000	EA	Exhaust Pipe Arm - Right
..	095189-02-000	EA	Exhaust Pipe Arm - Left
..	Remainder of exhaust components available from chassis service center		

CHASSIS GROUP (CONTINUED)



FRONT BUMPER

Key	Part Number	U/M	Description
1	093846-01-Y36	EA	Front Bumper Panel - w/Channel
2	093275-01-000	EA	Brace - Bumper - Lower
3	093094-01-000	EA	Brace - Bumper - Upper
4	093749-01-000	EA	Support - Extension - Bumper - Passengers
5	093749-02-000	EA	Support - Extension - Bumper - Drivers

1989 ITASCA TABLE OF CONTENTS

ICN23RC
ICN27RT

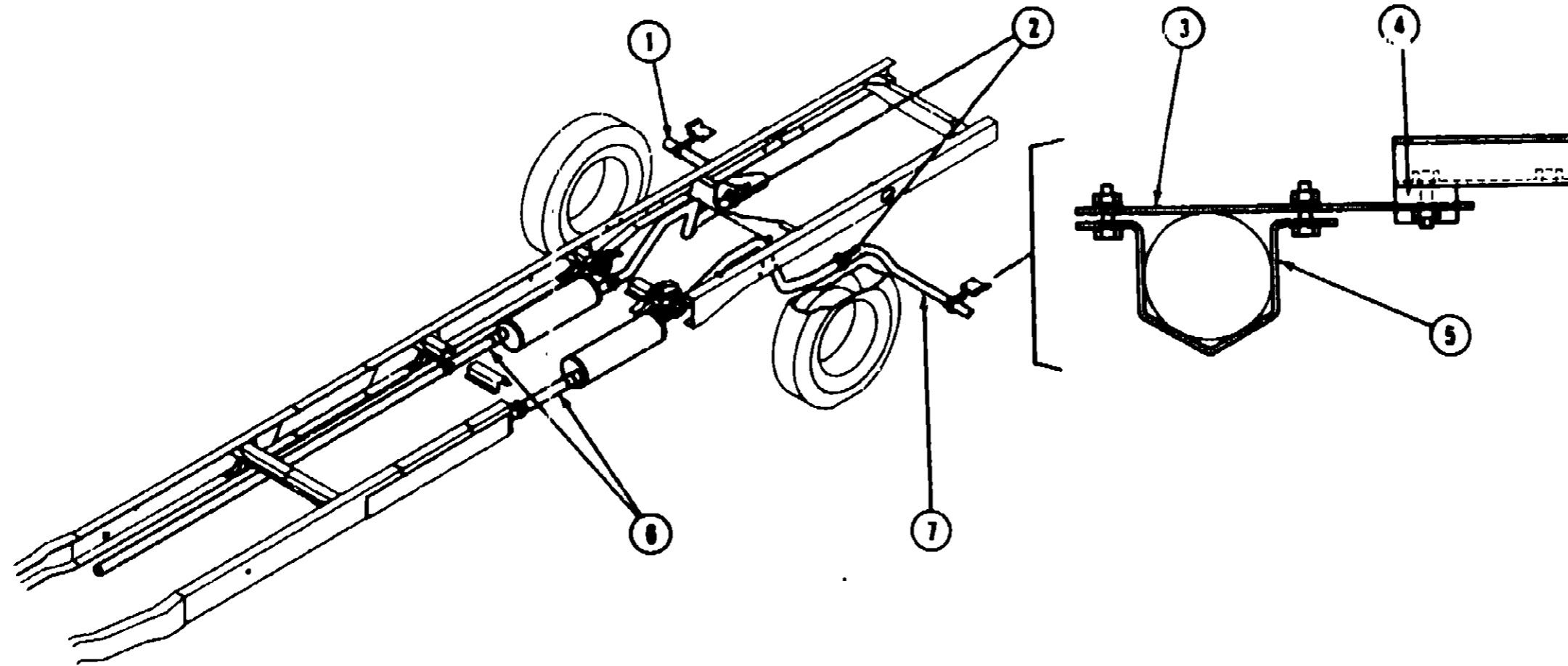
A-01 - D-06
D-07 - G-14

1989 ICN23RC INDEX

Floor Plan	A-01 - A-02
Accessories Group	A-03 - A-06
Bath Group	A-07 - A-08
Chassis Group	A-09 - A-14
Curtain, Cushion & Pad Group	A-15 - B-02
Dinette Group	B-03 - B-04
Driver's Compartment Group	B-05 - B-10
Electrical Group	B-11 - B-14
Exterior Body Group	B-15 - B-23
Gallery Group	B-24 - C-01
Heating & Air Conditioning Group	C-02 - C-03
Interior Finish Group	C-04 - C-05
LP Group	C-06
Lounge Group	C-07
Water & Sewage Group	C-08 - C-11
Window, Vent & Exterior Door Group	C-12 - D-08

CHASSIS GROUP (CONTINUED)

CHEVROLET EXHAUST COMPONENTS



Key	Part Number	U/M	Description
1	095189-02-000	EA	Pipe - Exhaust - Passengers
2	007125-06-000	EA	Clamp Ass. - Muffler - 2.25"
3	095523-02-000	EA	Exhaust Bracket - Upper
4	095180-01-000	EA	Exhaust Hanger
5	095223-01-000	EA	Exhaust Bracket - Lower
6	081084-06-000	EA	Exhaust Pipe - Straight
7	095189-01-000	EA	Pipe - Exhaust - Drivers

Remainder of exhaust components are available from chassis service center

1989 ITASCA TABLE OF CONTENTS

ICN23RC
ICN27RT

A-01 - D-06
D-07 - G-14

1989 ICN23RC INDEX

Floor Plan	A-01 - A-02
Accessories Group	A-03 - A-06
Bath Group	A-07 - A-08
Chassis Group	A-09 - A-14
Curtain, Cushion & Pad Group	A-15 - B-02
Dinette Group	B-03 - B-04
Driver's Compartment Group	B-05 - B-10
Electrical Group	B-11 - B-14
Exterior Body Group	B-15 - B-23
Galley Group	B-24 - C-01
Heating & Air Conditioning Group	C-02 - C-03
Interior Finish Group	C-04 - C-06
LP Group	C-06
Lounge Group	C-07
Water & Sewage Group	C-08 - C-11
Window, Vent & Exterior Door Group	C-12 - D-06

CHASSIS GROUP (CONTINUED)

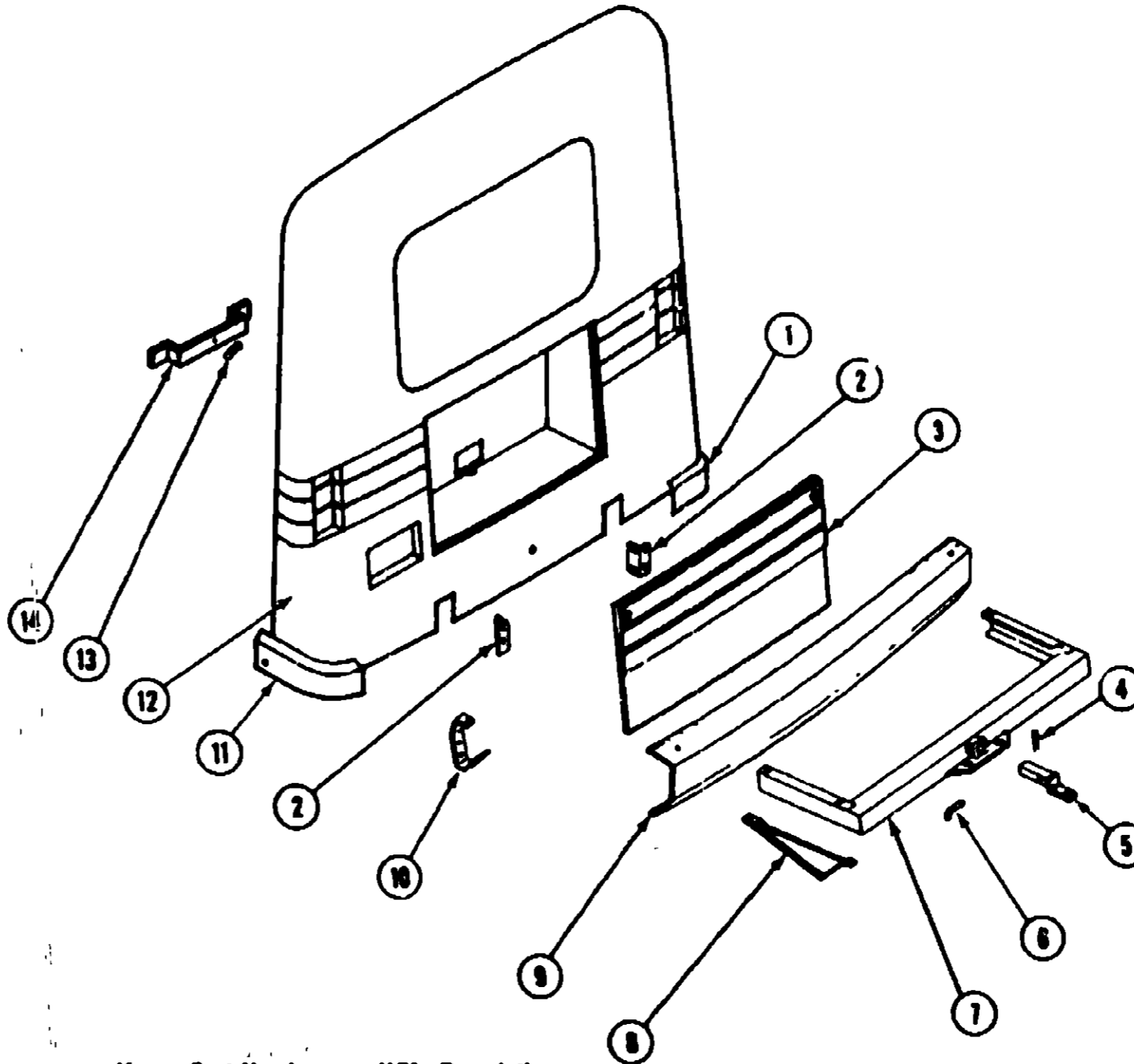
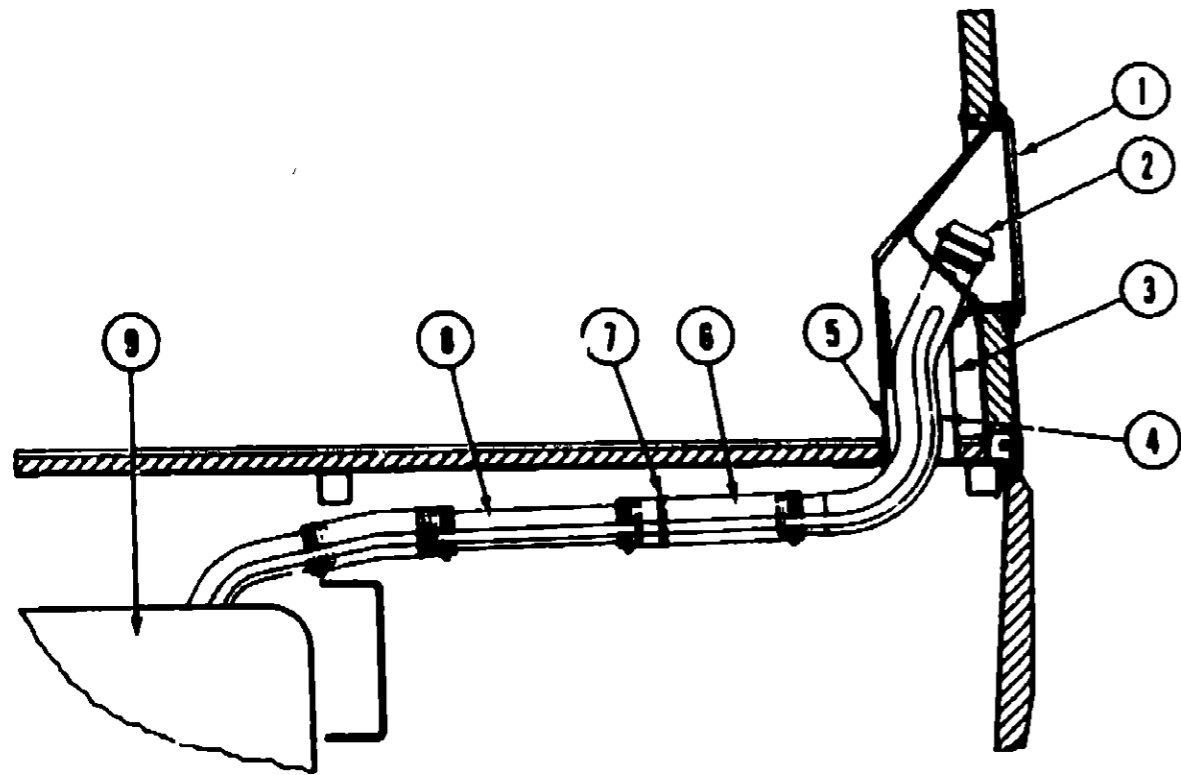
CHASSIS GROUP (CONTINUED)

SPARE TIRE & TRAILER HITCH

**1989 ITASCA
TABLE OF CONTENTS**

ICN23RC
ICN27RT

A-01 - D-08
D-07 - G-14



FUEL SYSTEMS COMPONENTS (CHEVROLET)

Key	Part Number	U/M	Description
1	078010-03-000	EA	Door Asm. - Fuel Fill - Off White
2	073220-02-000	EA	Cap - Fuel Fill (Gas)
2	073220-03-000	EA	Cap - Fuel Fill (Diesel)
	078200-01-000	EA	Gasket - Fuel Fill
3	063578-01-000	EA	Boot - Fuel Fill
4	075227-01-000	EA	Neck Asm. - Upper Fuel Fill (Federal)
4	075227-03-000	EA	Neck Asm. - Upper Fuel Fill (California)
5	072447-04-000	EA	Shroud - Fuel Fill - Inside
6	061245-01-000	EA	Hose - Fuel Fill - Formed
	062401-05-000	EA	Clamp - Hose - Wormgear - 2" - 3" (Fuel Hose)
7	075229-01-000	EA	Strap Asm.
8	075228-01-000	EA	Neck Asm. - Fuel Fill - Lower
9	063721-01-000	EA	Tank - Fuel - 80 Gal.
	066485-02-000	EA	Strap Asm. - Fuel Tank
	066740-01-000	EA	Sending Unit
	066255-01-000	EA	Gasket - Sending Unit
	079811-01-000	EA	Valve Asm. - Vent - Fuel Tank
	066732-01-000	FT	Hose - Fuel - 62 ID (Vent Hose)
	062401-10-000	EA	Clamp - Hose - Wormgear - 1" - 2" (Vent Hose)
	007111-03-000	EA	Hose - Fuel - 1.75" - 3' (Tank To Neck)

Key	Part Number	U/M	Description
1	062251-01-01A	EA	End Cap - Rear Bumper - Passenger
2	078888-01-000	EA	Angle Support - Rear Bumper
3	062983-01-Y33	EA	Door Panel - Rear
	060340-01-000	FT	Seal - Foam - Closed Cell
4	034513-01-000	EA	Hitch Pin - 3/16" Wire
5	077813-01-000	EA	Drawbar Asm.
6	034512-01-000	EA	Locking Pin - Drawbar
7	077817-04-000	EA	Hitch Asm. - w/o Drawbar
8	063048-01-000	EA	Skid Plate Asm.
9	077851-08-000	EA	Rear Bumper - Chrome
	005300-01-000	EA	Bumper Bolt - 7/16" - 14 x 1 1/4
	000039-07-008	EA	Hex Nut - 7/16" - 14
10	077855-01-000	EA	Bracket - Rear Bumper
11	062251-02-01A	EA	End Cap - Rear Bumper - Driver
12	M03491-01-Y33	EA	Rear Cap Asm. - Off White (Chevrolet)
13	064081-01-000	EA	Wing Nut
14	077388-01-000	EA	Retainer - Spare Tire
	007324-04-000	EA	Tire - 8" x 19.5" - Michelin (Chevrolet)
	065012-01-000	EA	Extension - Valve Stem (Chevrolet)

1989 ICN23RC INDEX

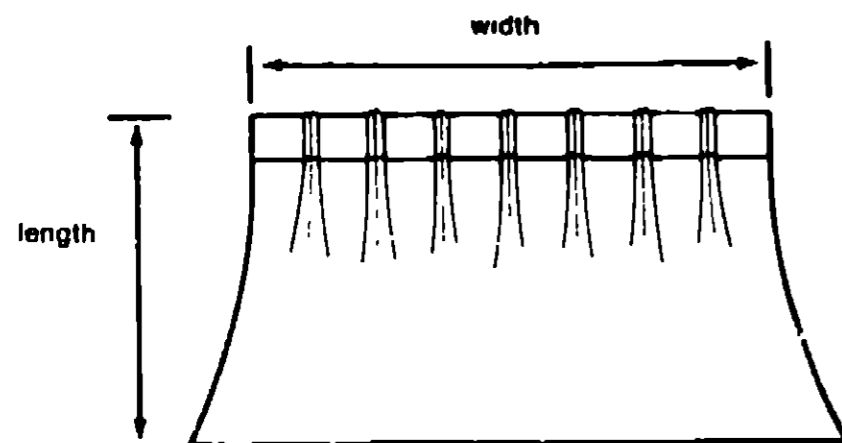
Floor Plan	A-01 - A-02
Accessories Group	A-03 - A-06
Bu'n Group	A-07 - A-08
Chassis Group	A-09 - A-14
Curtain, Cushion & Pad Group	A-15 - B-02
Dinette Group	B-03 - B-04
Driver's Compartment Group	B-05 - B-10
Electrical Group	B-11 - B-14
Exterior Body Group	B-15 - B-23
Galley Group	B-24 - C-01
Heating & Air Conditioning Group	C-02 - C-03
Interior Finish Group	C-04 - C-05
LP Group	C-06
Lounge Group	C-07
Water & Sewage Group	C-08 - C-11
Window, Vent & Exterior Door Group	C-12 - D-08

CURTAIN, CUSHION & PAD GROUP

NOTICE

In order to assist our Part Sales Dept in providing interior software items, please include the serial number and the color code number from the vehicle certification label when ordering. This label is located on the left sidewall at the end of the dash (A Body), or on the driver's door latch plate (C-Body).

An example of a color code number is P31, which designates an overall color scheme of a particular unit. The color listed after the item description on the microfiche, indicates the overall unit color. Order the item you desire according to unit color code.



NOTE Use this illustration when determining length and width measurements for curtains. You will note the width measurement is taken on the top of the curtain with the curtain fully extended. The length measurement is taken from top to bottom.

PADS & TRIM

Key	Part Number	U/M	Description
	081519-01-X75	EA	Pad Arm. - Dinette - Back (Y36)
	081519-01-Y71	EA	Pad Arm. - Dinette - Back (Y36)
	081519-01-Y72	EA	Pad Arm. - Dinette - Back (Y37)
	081519-02-X75	EA	Pad Arm. - Dinette - Front (Y36)
	081519-02-Y71	EA	Pad Arm. - Dinette - Front (Y36)
	081519-02-Y72	EA	Pad Arm. - Dinette - Front (Y37)
	083195-01-Y36	EA	Pad Arm. - Door
	083195-01-Y38	EA	Pad Arm. - Door
	083195-01-Y37	EA	Pad Arm. - Door
	089045-01-W38	EA	Pad Arm. - TV Cabinet
	089045-02-Y36	EA	Pad Arm. - TV Cabinet
	082288-05-Y36	EA	Survivor Arm. - Driver
	083388-06-Y36	EA	Survivor Arm. - w/Minor - Passenger
	070578-02-W41	EA	Button Arm. - Stud - #30 - Vinyl (TV Cabinet)
	070578-11-Y15	EA	Button Arm. - #30 - Vinyl (Headliner)

Parts used after 8/29/88

CURTAIN, CUSHION & PAD GROUP (CONTINUED)

FABRIC & TRIMS

Key	Part Number	U/M	Description
	088274-83-000	YD	Fabric - Upholstery - Main - Blue (Y36)
	088274-81-000	YD	Fabric - Upholstery - Main - Tiffany (Y36)
	088274-82-000	YD	Fabric - Upholstery - Main - Starburst (Y37)
	088274-33-000	YD	Fabric - Upholstery - Accent - Blue (Y36)
	088274-89-000	YD	Fabric - Upholstery - Accent - Umber (Y36)
	088274-80-000	YD	Fabric - Upholstery - Accent - Eggshell (Y37)
	088273-25-000	YD	Fabric - Bedspread - Ecru (Y36)
	088273-26-000	YD	Fabric - Bedspread - Peach (Y36)
	088273-27-000	YD	Fabric - Bedspread - Pastel (Y37)
	072333-55-000	YD	Fabric - Drapery Wraparound/Blackout - Silver (Y36)
	072333-56-000	YD	Fabric - Drapery Wraparound/Blackout - Tan (Y36)
	072333-80-000	YD	Fabric - Drapery Wraparound/Blackout - Wisteria (Y37)
	072333-63-000	YD	Fabric - Pull Shade - Entrance Door - Bone
	181828-01-000	YD	Backing - Quilting - Celestra
	187272-01-000	YD	Lining - Drapery - 48" Ivory
	129103-01-000	YD	Buckram - Non-Woven - 2
	076244-02-000	YD	Vinyl - Shower Curtain
	088648-03-000	YD	Vinyl - Expanded - Taupe (TV Pad)
	089351-01-000	YD	Vinyl - Headliner - Acoustical Ceiling (Roof)
	079880-01-000	YD	Vinyl - Expanded - 28 oz. Buckskin (End Cape)
	072860-70-000	SY	Carpet - Glacier Blue (Y36)
	072880-71-000	SY	Carpet - Pirate's Alley (Y36)
	072880-85-000	SY	Carpet - Amethyst (Y37)
	083488-01-001	EA	Carpet - Outside Storage Compartment (1 SY)
	083488-01-000	SY	Carpet - Outside Storage Compartment
	078245-01-000	EA	Boot - Steering Column
	063552-02-W24	EA	Assist Strap - Interior
	071832-01-000	EA	Hamper Bag - w/Elastic - 48"

CURTAIN HARDWARE

Key	Part Number	U/M	Description
	009701-01-000	EA	Curtain Carrier - L Rod
	009702-01-000	EA	End Stop - L Rod
	018031-80-000	EA	Curtain Track - L Rod - 22" - Off White
	058003-01-000	EA	Bracket - Drapery Retainer - Right
	058003-02-000	EA	Bracket - Drapery Retainer - Left
	075943-01-000	EA	Brace - Valance - Beige
	091904-01-000	FT	Curtain Track - Beige
	081381-01-000	EA	Swivel Snap - Curtain Track
	083170-01-000	EA	Bracket - Blind - Right
	083170-02-000	EA	Bracket - Blind - Left
	086591-01-000	EA	Hold Down Bracket - Blinds w/Pin
	084434-01-000	EA	Roller Shade Bracket
	087283-01-000	EA	Shade Pin - Clear Plastic
	029094-05-000	YD	Velcro Tape - Loop - .5" Wide - Beige
	048384-02-000	YD	Velcro Tape - Hook - .75" Wide - Beige
	079816-08-000	EA	Curtain Track - Wraparound - Used w/Bunk - Passengers
	084386-01-000	EA	Curtain Track - Wraparound - Used w/Bunk - Drivers
	078846-03-000	EA	Curtain Track - Wraparound - Passengers
	078846-04-000	EA	Curtain Track - Wraparound - Drivers
	070578-11-Y70	EA	Button Arm. - #30

1989 ITASCA TABLE OF CONTENTS

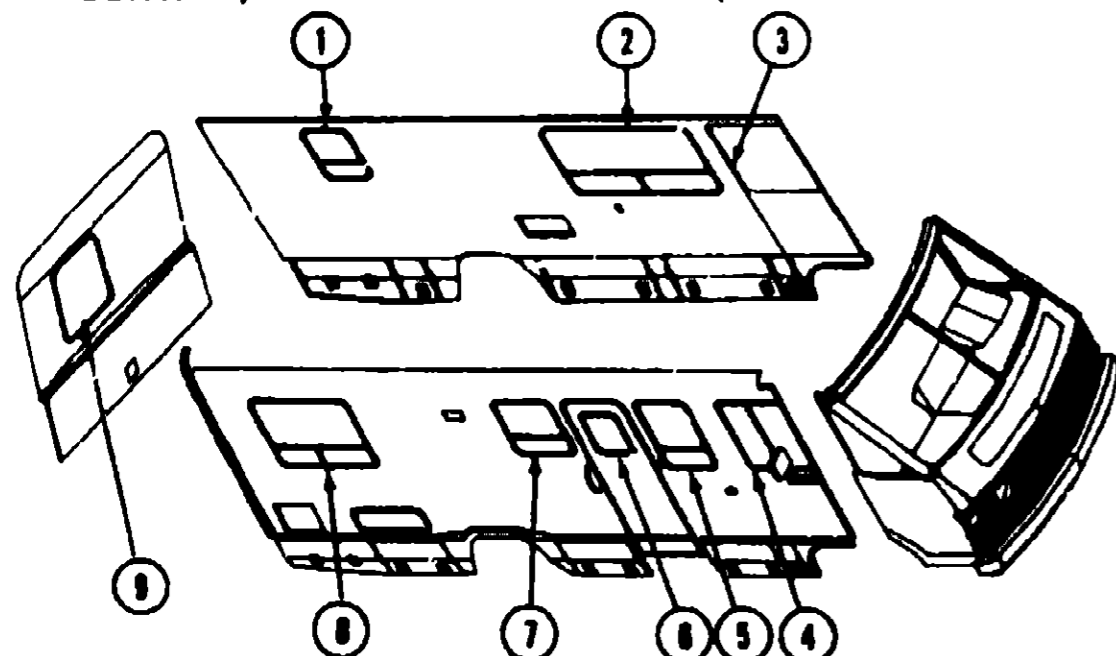
ICN23RC
ICN27RT

A-01 - D-08
D-07 - G-14

1989 ICN23RC INDEX

Floor Plan	A-01 - A-02
Accessories Group	A-03 - A-08
Bath Group	A-07 - A-08
Chassis Group	A-09 - A-14
Curtain, Cushion & Pad Group	A-15 - B-02
Dinette Group	B-03 - B-04
Driver's Compartment Group	B-05 - B-10
Electrical Group	B-11 - B-14
Exterior Body Group	B-15 - B-23
Galley Group	B-24 - C-01
Heating & Air Conditioning Group	C-02 - C-03
Interior Finish Group	C-04 - C-06
LP Group	C-06 - C-08
Lounge Group	C-07
Water & Sewage Group	C-08 - C-11
Window, Vent & Exterior Door Group	C-12 - D-08

CURTAIN, CUSHION & PAD GROUP (CONTINUED)



**CURTAINS, SHADES, VALANCES & TIEBACKS
(Y35 - BLUE) (Y36 - BROWN) (Y37 - SILVER)**

Key	Part Number	U/M	Description
1	M81977-34-Y73	EA	Valance Asm. - Gathered w/Wood Trim - 23.5" (Y35)
1	M81977-34-Y74	EA	Valance Asm. - Gathered w/Wood Trim - 23.5" (Y36)
1	M81977-34-Y76	EA	Valance Asm. - Gathered w/Wood Trim - 23.5" (Y37)
1	073304-53-Y35	EA	Curtain w/Snaps Top - 28" x 10" (Y35)
1	073304-53-Y13	EA	Curtain w/Snaps Top - 28" x 10" (Y36)
1	073304-53-Y78	EA	Curtain w/Snaps Top - 28" x 10" (Y37)
1	093475-17-01A	EA	Pleated Blind - 21" x 27" Drop (Y35, Y37)
1	093475-17-02A	EA	Pleated Blind - 21" x 27" Drop (Y36)
2	089058-20-Y35	EA	Leg Asm. - Front - Used w/Slider Window (Y35)
2	089058-20-Y13	EA	Leg Asm. - Front - Used w/Slider Window (Y36)
2	089058-20-Y37	EA	Leg Asm. - Front - Used w/Slider Window (Y37)
2	089058-21-Y70	EA	Leg Asm. - Front - w/Wood Trim - Used w/Tipout Window (Y35)
2	089058-21-Y71	EA	Leg Asm. - Front - w/Wood Trim - Used w/Tipout Window (Y36)
2	089058-21-Y37	EA	Leg Asm. - Front - w/Wood Trim - Used w/Tipout Window (Y37)
2	089058-19-Y35	EA	Leg Asm. - Rear - w/Wood Trim - Used w/Slider Window (Y35)
2	089058-19-Y13	EA	Leg Asm. - Rear - w/Wood Trim - Used w/Slider Window (Y36)
2	089058-19-Y37	EA	Leg Asm. - Rear - w/Wood Trim - Used w/Slider Window (Y37)
2	089058-22-Y70	EA	Leg Asm. - Rear - w/Wood Trim - Used w/Tipout Window (Y35)
2	089058-22-Y71	EA	Leg Asm. - Rear - w/Wood Trim - Used w/Tipout Window (Y36)
2	089058-22-Y72	EA	Leg Asm. - Rear - w/Wood Trim - Used w/Tipout Window (Y37)
2	093475-21-01A	EA	Pleated Blinds - 57.5" x 32" Drop (Y35, Y37)
2	093475-21-02A	EA	Pleated Blinds - 57.5" x 32" Drop (Y36)
3	073304-60-Y35	EA	Wraparound Curtain - w/Snaps Top - 34" x 82" (Y35)
3	073304-60-Y13	EA	Wraparound Curtain - w/Snaps Top - 34" x 82" (Y36)
3	073304-60-Y37	EA	Wraparound Curtain - w/Snaps Top - 34" x 82" (Y37)
3	073304-58-Y35	EA	Wraparound Curtain (w/Bunk Option) w/Snaps Top - 36" x 37" (Y35)
3	073304-58-Y13	EA	Wraparound Curtain (w/Bunk Option) w/Snaps Top - 36" x 37" (Y36)
3	073304-58-Y37	EA	Wraparound Curtain (w/Bunk Option) w/Snaps Top - 36" x 37" (Y37)
3	093452-02-Y30	EA	Blackout Curtain - w/Snaps Top - Drivers - 48" x 50" (Y35)
3	093452-02-Y31	EA	Blackout Curtain - w/Snaps Top - Drivers - 48" x 50" (Y36)
3	093452-02-Y32	EA	Blackout Curtain - w/Snaps Top - Drivers - 48" x 50" (Y37)
3	077591-10-Y35	EA	Blackout Curtain - w/Velcro Top - Drivers - Used w/Bunk - 60" x 47.5" (Y35)
3	077591-10-Y13	EA	Blackout Curtain - w/Velcro Top - Drivers - Used w/Bunk - 60" x 47.5" (Y36)
3	077591-10-Y37	EA	Blackout Curtain - w/Velcro Top - Drivers - Used w/Bunk - 60" x 47.5" (Y37)
4	073304-60-Y35	EA	Wraparound Curtain - w/Snaps Top - 34" x 82" (Y35)
4	073304-60-Y13	EA	Wraparound Curtain - w/Snaps Top - 34" x 82" (Y36)
4	073304-60-Y37	EA	Wraparound Curtain - w/Snaps Top - 34" x 82" (Y37)
4	073304-59-Y35	EA	Wraparound Curtain (w/Bunk Option) w/Snaps Top - 36" x 125" (Y35)
4	073304-59-Y13	EA	Wraparound Curtain (w/Bunk Option) w/Snaps Top - 36" x 125" (Y36)
4	073304-59-Y37	EA	Wraparound Curtain (w/Bunk Option) w/Snaps Top - 36" x 125" (Y37)

A-17

CURTAIN, CUSHION & PAD GROUP (CONTINUED)

**CURTAINS, SHADES, VALANCES & TIEBACKS (CONT.)
(Y35 - BLUE) (Y36 - BROWN) (Y37 - SILVER)**

Key	Part Number	U/M	Description
4	093452-01-Y30	EA	Blackout Curtain - w/Snaps Top - Passengers - 48" x 50" (Y35)
4	093452-01-Y31	EA	Blackout Curtain - w/Snaps Top - Passengers - 48" x 50" (Y36)
4	093452-01-Y32	EA	Blackout Curtain - w/Snaps Top - Passengers - 48" x 50" (Y37)
4	077591-09-Y35	EA	Blackout Curtain - w/Velcro Top - Passenger - Used w/Bunk - 60" x 47.5" (Y35)
4	077591-09-Y13	EA	Blackout Curtain - w/Velcro Top - Passenger - Used w/Bunk - 60" x 47.5" (Y36)
4	077591-09-Y37	EA	Blackout Curtain - w/Velcro Top - Passenger - Used w/Bunk - 60" x 47.5" (Y37)
5	079542-16-Y30	EA	Curtain w/Dart & Snap Top - 34" x 12" (Y35)
5	079542-16-Y31	EA	Curtain w/Dart & Snap Top - 34" x 12" (Y36)
5	079542-16-Y32	EA	Curtain w/Dart & Snap Top - 34" x 12" (Y37)
5	063475-13-01A	EA	Pleated Blind - 21" x 32" Drop (Y35, Y37)
5	063475-13-02A	EA	Pleated Blind - 21" x 32" Drop (Y36)
6	093455-13-Y35	EA	Shade - 24.25" (Y35)
6	093455-13-Y19	EA	Shade - 24.25" (Y36)
6	093455-13-Y32	EA	Shade - 24.25" (Y37)
7	093475-16-01A	EA	Pleated Blind - 28" x 25.5" Drop (Y35, Y37)
7	093475-16-02A	EA	Pleated Blind - 28" x 25.5" Drop (Y36)
8	079542-16-Y30	EA	Curtain Asm. - w/Dart & Snap Top - 34" x 12" (Y35)
8	079542-16-Y31	EA	Curtain Asm. - w/Dart & Snap Top - 34" x 12" (Y36)
8	079542-16-Y32	EA	Curtain Asm. - w/Dart & Snap Top - 34" x 12" (Y37)
8	093455-35-Y30	EA	Shade - 43.25" (Y35)
8	093455-35-Y31	EA	Shade - 43.25" (Y36)
8	093455-35-Y32	EA	Shade - 43.25" (Y37)
9	079542-16-Y30	EA	Curtain Asm. - w/Dart & Snap Top - 34" x 12" (Y35)
9	079542-16-Y31	EA	Curtain Asm. - w/Dart & Snap Top - 34" x 12" (Y36)
9	079542-16-Y32	EA	Curtain Asm. - w/Dart & Snap Top - 34" x 12" (Y37)
9	093455-32-Y35	EA	Shade - 34.25" (Y35)
9	093455-32-Y36	EA	Shade - 34.25" (Y36)
9	093455-32-Y37	EA	Shade - 34.25" (Y37)
9	084481-08-000	EA	Shower Curtain - 71" x 34"
9	073280-23-XA4	EA	Tieback Asm. - 3" x 18" (Y35)
9	073280-23-Y16	EA	Tieback Asm. - 3" x 18" (Y36)
9	073280-23-Y72	EA	Tieback Asm. - 3" x 18" (Y37)
9	073280-26-Y35	EA	Tieback Asm. - 3" x 26" - Wraparound & Blackout
9	073280-26-Y13	EA	Tieback Asm. - 3" x 26" - Wraparound & Blackout
9	073280-26-Y37	EA	Tieback Asm. - 3" x 26" - Wraparound & Blackout
9	073280-28-Y35	EA	Tieback Asm. - 3" x 23" (Y35)
9	073280-28-Y13	EA	Tieback Asm. - 3" x 23" (Y36)
9	073280-28-Y37	EA	Tieback Asm. - 3" x 23" (Y37)
9	057534-01-000	EA	Tieback - Clear Plastic - 6"
9	057534-04-000	EA	Tieback - Clear Plastic - 20"

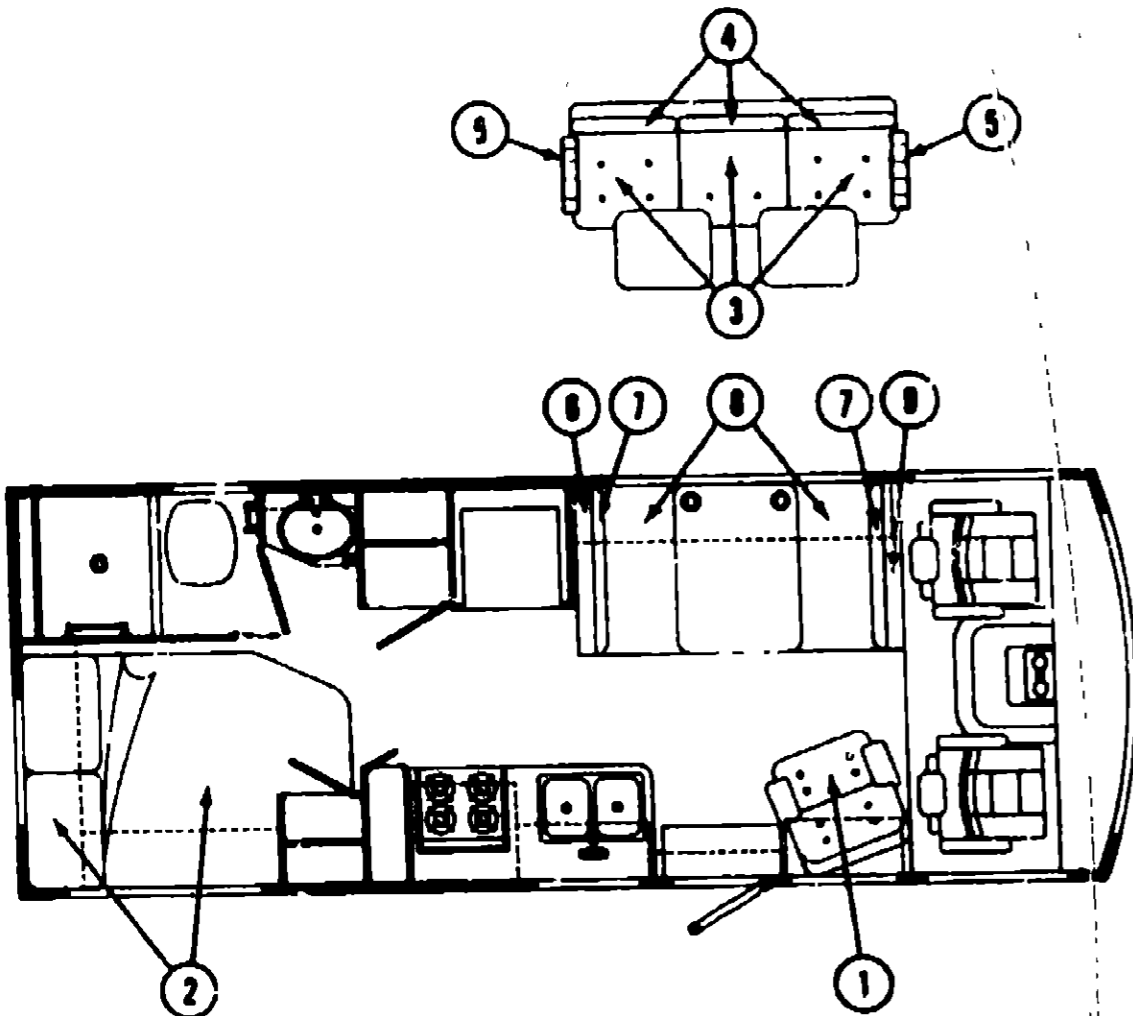
**1989 ITASCA
TABLE OF CONTENTS**

ICN23RC	A-01 - D-08
ICN27RT	D-07 - G-14

1989 ICN23RC INDEX

Floor Plan	A-01 - A-02
Accessories Group	A-03 - A-08
Bath Group	A-07 - A-08
Chassis Group	A-08 - A-14
Curtain, Cushion & Pad Group	A-15 - B-02
Dinette Group	B-03 - B-04
Driver's Compartment Group	B-05 - B-10
Electrical Group	B-11 - B-14
Exterior Body Group	B-15 - B-23
Galley Group	B-24 - C-01
Heating & Air Conditioning Group	C-02 - C-03
Interior Finish Group	C-04 - C-05
LP Group	C-06
Lounge Group	C-07
Water & Sewage Group	C-08 - C-11
Window, Vent & Exterior Door Group	C-12 - D-08

CURTAIN, CUSHION & PAD GROUP (CONTINUED)



CELEBRITY SWIVEL CHAIR
(Y35 - BLUE) (Y36 - BROWN) (Y37 - SILVER)

Key	Part Number	U/M	Description
1	065069-02-Y30	EA	Chair Arm. - Celebrity (Y35)
1	065069-02-Y31	EA	Chair Arm. - Celebrity (Y36)
1	065069-02-Y32	EA	Chair Arm. - Celebrity (Y37)
	M85069-02-Y31	EA	Cover Arm. - Celebrity Chair (Y35)
	M85069-02-Y31	EA	Cover Arm. - Celebrity Chair (Y36)
	M85069-02-Y32	EA	Cover Arm. - Celebrity Chair (Y37)
	065187-02-Y30	EA	Skirt Arm. - Swivel Chair (Y35)
	065187-02-Y31	EA	Skirt Arm. - Swivel Chair (Y36)
	065187-02-Y32	EA	Skirt Arm. - Swivel Chair (Y37)
	M85187-02-Y30	EA	Cover Arm. - Swivel Chair Skirt (Y35)
	M85187-02-Y31	EA	Cover Arm. - Swivel Chair Skirt (Y36)
	M85187-02-Y32	EA	Cover Arm. - Swivel Chair Skirt (Y37)
	066245-01-000	EA	Base - Swivel Chair - w/Legs
	066245-03-000	EA	Swivel - Swivel Chair - Non TR
	066245-06-000	EA	7" Extension
	066706-02-000	EA	Bars - 2.5" x 12.75"
	066245-01-000	EA	Chair Base - w/Legs

DOUBLE BED MATTRESSES
(Y35 - BLUE) (Y36 - BROWN) (Y37 - SILVER)

Key	Part Number	U/M	Description
2	063462-01-000	EA	Mattress - Foam - 64" x 76" w/Cut Corner
2	061868-22-Y35	EA	Bedspread - w/o Ruffle - w/Cut Corner - 64" (Y12)
2	061868-22-Y36	EA	Bedspread - w/o Ruffle - w/Cut Corner - 64" (Y13)
2	061868-22-Y37	EA	Bedspread - w/o Ruffle - w/Cut Corner - 64" (Y14)

CURTAIN, CUSHION & PAD GROUP (CONTINUED)

TEARDROP SOFA
(Y35 - BLUE) (Y36 - BROWN) (Y37 - SILVER)

Key	Part Number	U/M	Description
3	069007-03-Y70	EA	Celebrity Sofa - w/o Pillow Back (Y35)
3	069007-03-Y71	EA	Celebrity Sofa - w/o Pillow Back (Y36)
3	069007-03-Y72	EA	Celebrity Sofa - w/o Pillow Back (Y37)
	M89007-03-Y70	EA	Cover Arm - Celebrity Sofa (Y12)
	M89007-03-Y71	EA	Cover Arm - Celebrity Sofa (Y13)
	M89007-03-Y72	EA	Cover Arm. - Celebrity Sofa (Y14)
4	065367-01-Y70	EA	Pillow Cushion - Celebrity Couch (3 Per Couch) (Y35)
4	065367-01-Y71	EA	Pillow Cushion - Celebrity Couch (3 Per Couch) (Y36)
4	065367-01-Y72	EA	Pillow Cushion - Celebrity Couch (3 Per Couch) (Y37)
	M85367-01-Y70	EA	Cover - Pillow Cushion - Celebrity Sofa Back (Y35)
	M85367-01-Y71	EA	Cover - Pillow Cushion - Celebrity Sofa Back (Y36)
	M85367-01-Y72	EA	Cover - Pillow Cushion - Celebrity Sofa Back (Y37)
5	065080-02-Y30	EA	Armrest Pillow (Y35)
5	065080-02-Y31	EA	Armrest Pillow (Y36)
5	065080-02-Y32	EA	Armrest Pillow (Y37)
	M85080-02-Y30	EA	Cover - Armrest - Pillow (Y35)
	M85080-02-Y31	EA	Cover - Armrest - Pillow (Y36)
	M85080-02-Y32	EA	Cover - Armrest - Pillow (Y37)
	078388-01-000	EA	Frame Arm. - Celebrity Couch
	078388-02-000	EA	Hardware Kit - Celebrity Couch
	077044-90-000	EA	Trim - Oak - Celebrity Sofa Skirt

DINETTE CUSHION & PAD
(Y35 - BLUE) (Y36 - BROWN) (Y37 - SILVER)

Key	Part Number	U/M	Description
5	061519-02-X75	EA	Dinette Pad - Rear (Y35)
6	061519-02-Y71	EA	Dinette Pad - Rear (Y36)
6	061519-02-Y72	EA	Dinette Pad - Rear (Y37)
7	060927-20-Y30	EA	Dinette Cushion - Back - Angled - 13" x 38" x 5" (Y35)
7	060927-20-Y31	EA	Dinette Cushion - Back - Angled - 13" x 38" x 5" (Y36)
7	060927-20-Y32	EA	Dinette Cushion - Back - Angled - 13" x 38" x 5" (Y37)
	M80927-20-Y30	EA	Cover - Dinette Cushion Back - Angled (Y35)
	M80927-20-Y31	EA	Cover - Dinette Cushion Back - Angled (Y36)
	M80927-20-Y32	EA	Cover - Dinette Cushion Back - Angled (Y37)
8	060927-21-Y30	EA	Dinette Cushion - Bottom - 22" x 38" x 5" (Y35)
8	060927-21-Y31	EA	Dinette Cushion - Bottom - 22" x 38" x 5" (Y36)
8	060927-21-Y32	EA	Dinette Cushion - Bottom - 22" x 38" x 5" (Y37)
	M80927-21-Y30	EA	Cover - Dinette Cushion - Bottom (Y35)
	M80927-21-Y31	EA	Cover - Dinette Cushion - Bottom (Y36)
	M80927-21-Y32	EA	Cover - Dinette Cushion - Bottom (Y37)
9	061519-01-X75	EA	Dinette Pad - Front (Y35)
9	061519-01-Y71	EA	Dinette Pad - Front (Y36)
9	061519-01-Y72	EA	Dinette Pad - Front (Y37)

FRONT BUNK

Key	Part Number	U/M	Description
	079145-06-000	EA	Front Bunk Cushion
	M79145-06-000	EA	Cover - Front Bunk Cushion

1989 ITASCA
TABLE OF CONTENTS

ICN23RC
ICN27RT

A-01 - D-06
D-07 - G-14

1989 ICN23RC INDEX

Floor Plan	A-01 - A-02
Accessories Group	A-03 - A-06
Bath Group	A-07 - A-08
Cheese Group	A-09 - A-14
Curtain, Cushion & Pad Group	A-15 - B-02
Dinette Group	B-03 - B-04
Driver's Compartment Group	B-05 - B-10
Electrical Group	B-11 - B-14
Exterior Body Group	B-15 - B-23
Galley Group	B-24 - C-01
Heating & Air Conditioning Group	C-02 - C-03
Interior Finish Group	C-04 - C-05
LP Group	C-06
Lounge Group	C-07
Water & Sewage Group	C-08 - C-11
Window, Vent & Exterior Door Group	C-12 - D-08

CURTAIN, CUSHION & PAD GROUP (CONTINUED)

**BUCKET SEAT - ROYALE II
(Y36 - BLUE) (Y36 - BROWN) (Y37 - SILVER)**

Key	Part Number	U/M	Description
	093456-04-Y36	EA	Bucket Seat - Royale II - w/o Headrest (Y36)
	093456-04-Y36	EA	Bucket Seat - Royale II - w/o Headrest (Y36)
	093456-04-Y37	EA	Bucket Seat - Royale II - w/o Headrest (Y37)
	M03445-05-Y36	EA	Cover Asm. - Royale II Seat (Y36)
	M03445-05-Y36	EA	Cover Asm. - Royale II Seat (Y36)
	M03445-05-Y37	EA	Cover Asm. - Royale II Seat (Y37)
	M03445-06-Y36	EA	Cover Asm. - Royale II Back (Y36)
	M03445-06-Y36	EA	Cover Asm. - Royale II Back (Y36)
	M03445-06-Y37	EA	Cover Asm. - Royale II Back (Y37)
	080243-32-Y30	EA	Armrest Asm. - Right (Y36)
	080243-32-Y31	EA	Armrest Asm. - Right (Y36)
	080243-32-Y32	EA	Armrest Asm. - Right (Y37)
	M80243-32-Y30	EA	Cover - Armrest Asm. - Right (Y36)
	M80243-32-Y31	EA	Cover - Armrest Asm. - Right (Y36)
	M80243-32-Y32	EA	Cover - Armrest Asm. - Right (Y37)
	080243-33-Y30	EA	Armrest Asm. - Left (Y36)
	080243-33-Y31	EA	Armrest Asm. - Left (Y36)
	080243-33-Y32	EA	Armrest Asm. - Left (Y37)
	M80243-33-Y30	EA	Cover - Armrest Asm. - Left (Y36)
	M80243-33-Y31	EA	Cover - Armrest Asm. - Left (Y36)
	M80243-33-Y32	EA	Cover - Armrest Asm. - Left (Y37)
	M80908-01-000	EA	Frame Asm. - Seat, Back & Spring
	080730-02-000	EA	Recliner Hinge - Bucket Seat
	080731-02-000	EA	Slave Hinge - Bucket Seat
	081362-01-000	EA	Bracket - Right Armrest
	081362-02-000	EA	Bracket - Left Armrest
	081269-01-000	EA	Metal Frame - Right Armrest
	081269-02-000	EA	Metal Frame - Left Armrest
	080730-03-000	EA	Handle - Recliner
	080730-04-000	EA	Screw - Recliner Handle
	080730-05-000	EA	Shield - Recliner
	089246-01-000	EA	Seat Adjuster - w/lock
	089246-02-000	EA	Seat Adjuster - w/o Lock
	089585-27-000	EA	Top Plate - Pedestal
	089585-28-000	EA	Bar - Seat Belt - 20"
	071126-24-X75	EA	Skirt Asm. - Bucket (Y36)
	071126-24-Y71	EA	Skirt Asm. - Bucket (Y36)
	071126-24-Y72	EA	Skirt Asm. - Bucket (Y37)

**DOOR PADS
(Y36 - BLUE) (Y36 - BROWN) (Y37 - SILVER)**

Key	Part Number	U/M	Description
	083181-01-Y36	EA	Door Pad - Drivers (Y36)
	083181-01-Y36	EA	Door Pad - Drivers (Y36)
	083181-01-Y37	EA	Door Pad - Drivers (Y37)

CURTAIN, CUSHION & PAD GROUP (CONTINUED)

CURTAIN & BLIND HARDWARE

Key	Part Number	U/M	Description
	029094-04-000	EA	Tape - Loop - 1" Wide - Black
	029094-03-000	EA	Tape - Hook - 1" Wide - Black
	048094-02-000	EA	Tape - Hook - .75" Wide - Beige
	048385-02-000	EA	Tape - Loop - .75" Wide - Beige
	086782-01-000	EA	Tape - Hook - 5/8" - Non-Adhesive
	086782-02-000	EA	Tape - Loop - .75" - Adhesive - Beige
	086003-01-000	EA	Bracket - Drapery Retainer - Right
	086003-02-000	EA	Bracket - Drapery Retainer - Left
	081361-01-000	EA	Swivel Snap - Curtain Track
	084398-01-000	EA	Track - Curtain - Front Wraparound (Option 61H)
	079946-08-000	EA	Track - Curtain - Front Wraparound (Option 61H)
	091904-01-000	EA	Track - Curtain - Front Wraparound - Beige
	075943-01-000	EA	Brace Valance - Beige
	084434-01-000	EA	Bracket - Roller Shade - 1.37"
	085681-01-000	EA	Hold Down Bracket - w/Plr. - Clear Plastic
	087253-01-000	EA	Pull - Window Shade - Clear Plastic
	088276-01-000	EA	Tape - Double Sided - .5"
	084433-04-000	EA	Roller Shade - 60.25"
	084432-08-000	FT	Slat - Roller Shade - 98" - Plastic
	091313-01-000	EA	Grommet - Headrest
	052859-01-W30	EA	Trim Asm. - Accent - Vinyl Weaving
	088916-01-000	EA	Trim - Window
	087062-02-000	EA	Knobs - Operator - Window - Beige
	090025-01-000	EA	Extension - Window Control

**1989 ITASCA
TABLE OF CONTENTS**

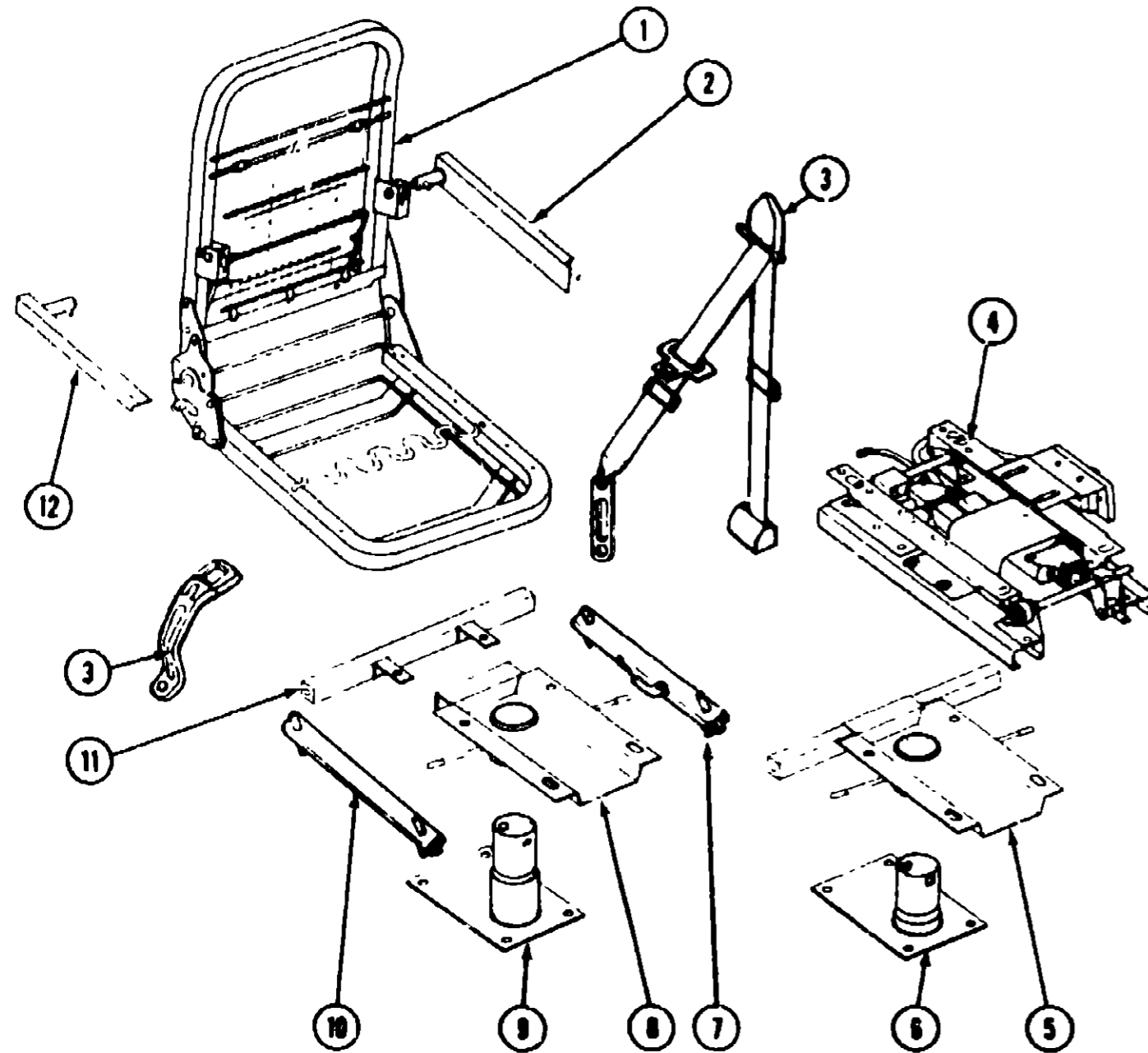
ICN23RC	A-01 - D-06
ICN27RT	D-07 - G-14

1989 ICN23RC INDEX

Floor Plan	A-01 - A-02
Accessories Group	A-03 - A-06
Bath Group	A-07 - A-08
Chassis Group	A-09 - A-14
Curtain, Cushion & Pad Group	A-15 - B-02
Dinette Group	B-03 - B-04
Driver's Compartment Group	B-05 - B-10
Electrical Group	B-11 - B-14
Exterior Body Group	B-15 - B-23
Galley Group	B-24 - C-01
Heating & Air Conditioning Group	C-02 - C-03
Interior Finish Group	C-04 - C-06
LP Group	C-08
Lounge Group	C-07
Water & Sewage Group	C-09 - C-11
Window, Vent & Exterior Door Group	C-12 - D-08

CURTAIN, CUSHION & PAD GROUP (CONTINUED)

BUCKET SEAT HARDWARE



Key	Part Number	U/M	Description
1	M80908-01-000	EA	Frame Asm - Bucket Seat
2	081268-02-000	EA	Frame - Armrest - Left
3	091960-02-01A	EA	Seat Belt - Drivers - 3 Point
	091990-01-01A	EA	Seat Belt - Passenger - 3 Point
4	081373-01-000	EA	Power Seat Asm.
	081373-02-700	EA	Switch Asm. - Power Seat
	081373-02-701	EA	Wire Harness - Drivers - Power Seat
	081373-02-701	EA	Wire Harness - Left Side - Power Seat
	081373-02-702	EA	Wire Harness - Right Side - Power Seat
	081373-02-704	EA	Vertical Adjustment Package
5	089585-36-000	EA	Top Plate - Power Seat
6	089585-37-000	EA	Sub Plate - 5" - Used w/Power Seat
7	089248-01-000	EA	Adjuster Asm. - Seat - w/Lock
8	089585-27-000	EA	Top Plate - Non-Powered Seat
9	089585-08-000	EA	Sub Plate - 8" - Used w/Non-Powered Seat
10	089248-02-000	EA	Adjuster Asm. - Seat w/o Lock
11	085485-29-000	EA	Seat Belt Bar - 20"
11	092760-01-000	EA	Seat Belt Bar - 18" (Used w/Telescoping Seat)
12	081268-01-000	EA	Frame - Armrest - Right
	092759-01-000	EA	Pedestal Asm. - Telescoping (Passenger Seat)
	080730-03-700	EA	Kit - Recliner Handle
	080730-05-000	EA	Shield - Recliner

1989 ITASCA TABLE OF CONTENTS

ICN23RC
ICN27RT

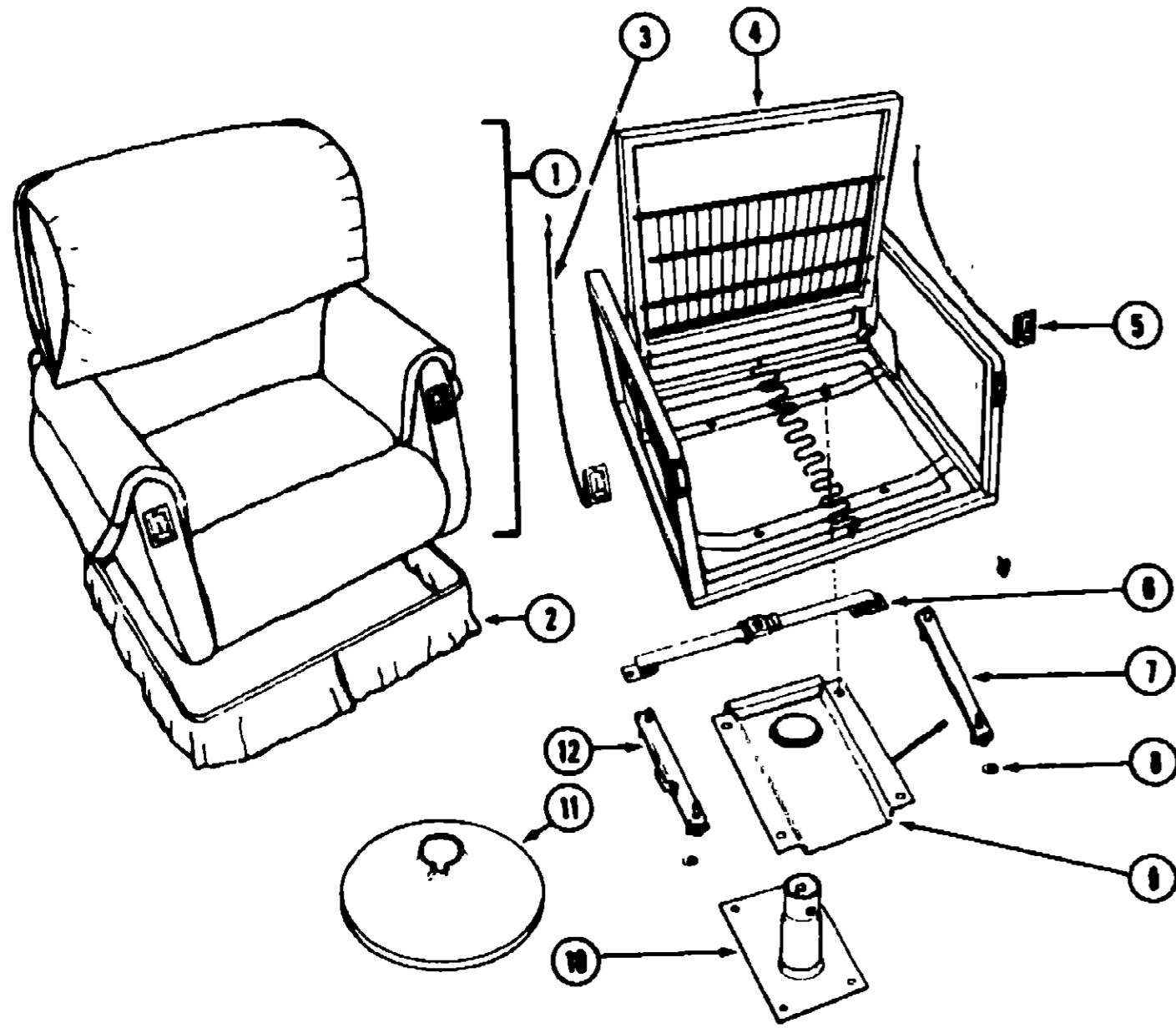
A-31 - D-08
D-07 - G-14

1989 ICN23RC INDEX

Floor Plan	A-01 - A-02
Accessories Group	A-03 - A-06
Bath Group	A-07 - A-08
Chassis Group	A-09 - A-14
Curtain, Cushion & Pad Group	A-15 - B-02
Dinette Group	B-03 - B-04
Driver's Compartment Group	B-05 - B-10
Electrical Group	B-11 - B-14
Exterior Body Group	B-15 - B-23
Galley Group	B-24 - C-01
Heating & Air Conditioning Group	C-02 - C-03
Interior Finish Group	C-04 - C-05
LP Group	C-06
Lounge Group	C-07
Water & Sewage Group	C-08 - C-11
Window, Vent & Exterior Door Group	C-12 - D-08

CURTAIN, CUSHION & PAD GROUP (CONTINUED)

SWIVEL CHAIR
(Y12) BLUE, (Y13) COCOA, (Y14) MAUVE



Key	Part Number	U/M	Description
1	088516-03-Y15	EA	Chair Arm. - Teardrop - Recliner (Y12)
1	088516-03-Y16	EA	Chair Arm. - Teardrop - Recliner (Y13)
1	088516-03-Y17	EA	Chair Arm. - Teardrop - Recliner (Y14)
1	M88516-03-Y15	EA	Cover Arm. - Teardrop Recliner (Y12)
1	M88516-03-Y16	EA	Cover Arm. - Teardrop Recliner (Y13)
1	M88516-03-Y17	EA	Cover Arm. - Teardrop Recliner (Y14)
2	088032-02-Y15	EA	Slidr Arm. - Teardrop Recliner (Y12)
2	088032-02-Y16	EA	Slidr Arm. - Teardrop Recliner (Y13)
2	088032-02-Y17	EA	Slidr Arm. - Teardrop Recliner (Y14)
2	M88032-02-Y15	EA	Cover Arm. - Teardrop Slidr (Y12)
2	M88032-02-Y16	EA	Cover Arm. - Teardrop Slidr (Y13)
2	M88032-02-Y17	EA	Cover Arm. - Teardrop Slidr (Y14)
3	088386-02-000	EA	Cable - Remote Recliner
4	088386-01-000	EA	Frame Arm. - Remote Recliner Chair
5	088386-03-000	EA	Cable - Remote Slide
6	007021-01-000	EA	Seat Belt Arm.
7	088246-02-000	EA	Slidr Arm. - w/o Lock
8	007221-01-000	EA	Washer - Coned
9	083481-03-000	EA	Seat Top Plate
10	083481-02-000	EA	Seat Base
11	083482-01-000	EA	Cover - Seat Base - Black Plastic
12	088246-05-000	EA	Slidr Arm. - w/Lock
	087330-01-000	EA	Stop Bracket - Slidr Track

1989 ITASCA TABLE OF CONTENTS

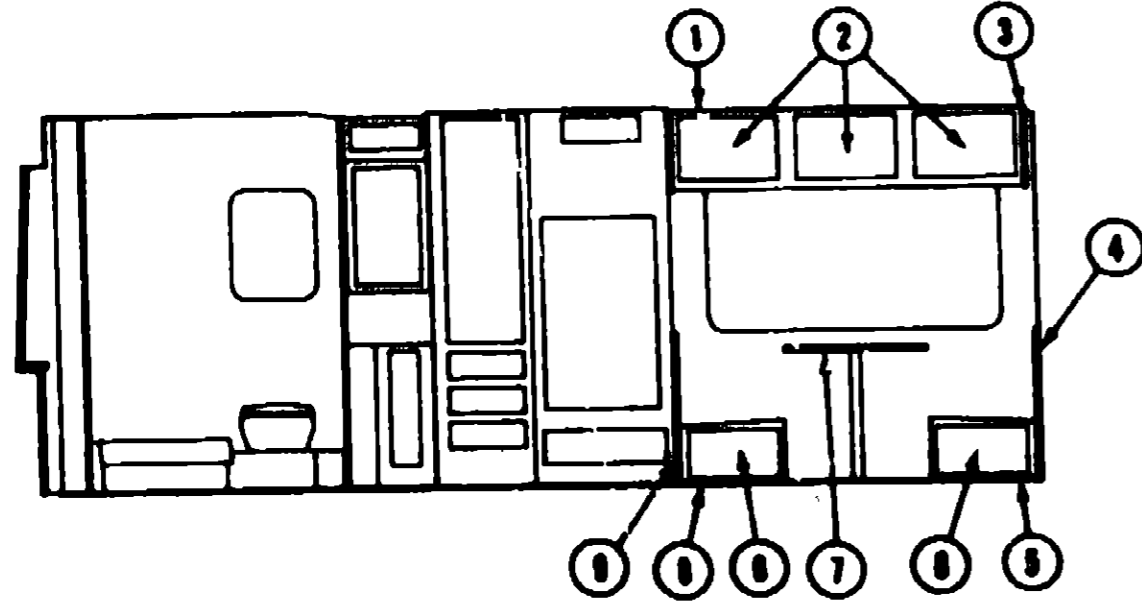
ICN23RC
ICN27RT

A-01 - D-08
C-07 - G-14

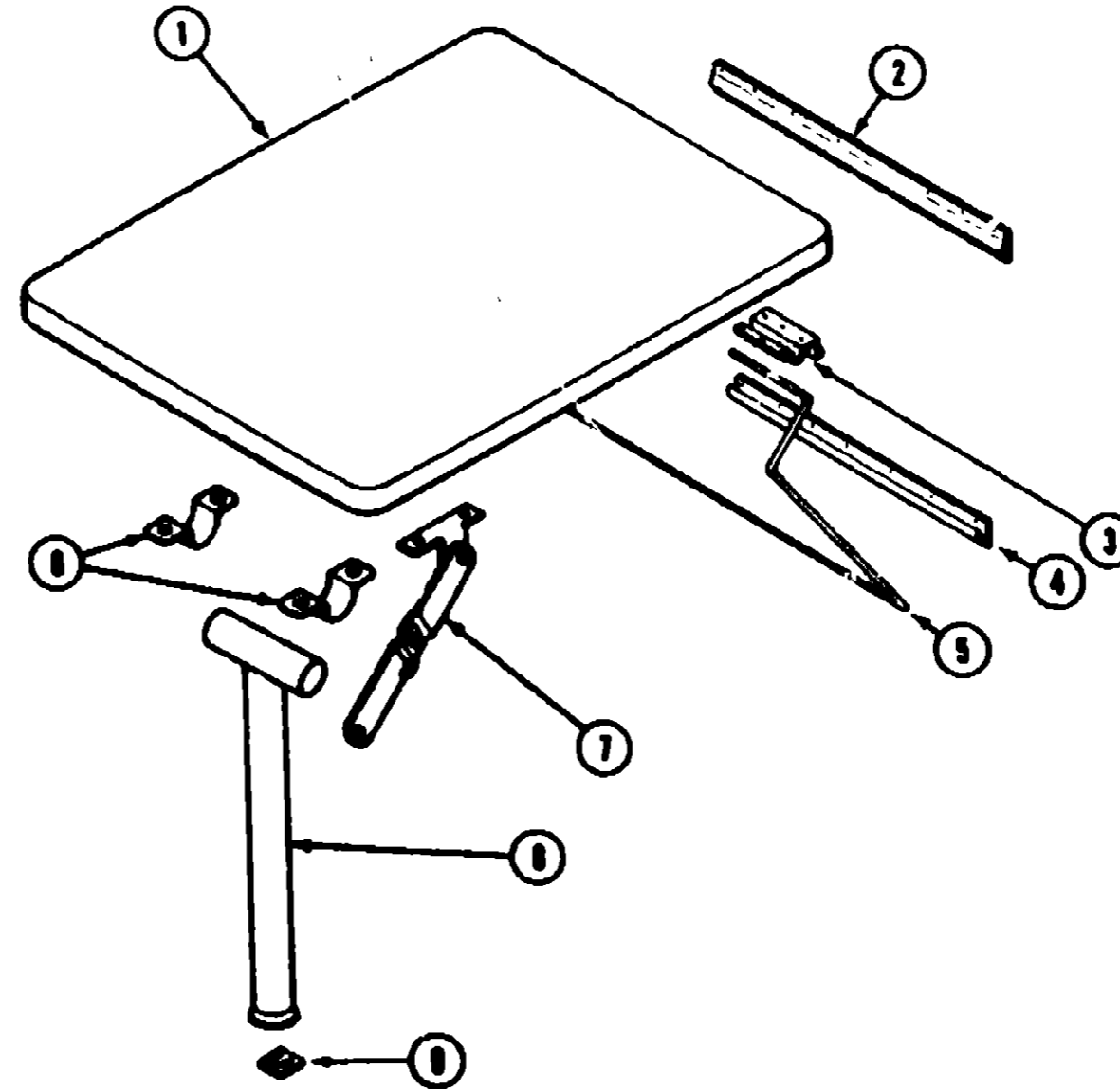
1989 ICN23RC INDEX

Floor Plan	A-01 - A-02
Accessories Group	A-03 - A-06
Bath Group	A-07 - A-08
Chassis Group	A-09 - A-14
Curtain, Cushion & Pad Group	A-15 - B-02
Dinette Group	B-03 - B-04
Driver's Compartment Group	B-05 - B-10
Electrical Group	B-11 - B-14
Exterior Body Group	B-15 - B-29
Galley Group	C-01 - C-01
Heating & Air Conditioning Group	C-02 - C-03
Interior Finish Group	C-04 - C-05
I.P. Group	C-06
Lounge Group	C-07
Water & Sewage Group	C-08 - C-11
Window, Vent & Exterior Door Group	C-12 - D-08

DINETTE GROUP



DINETTE GROUP (CONTINUED)



**1989 ITASCA
TABLE OF CONTENTS**

ICN23RC
ICN27RT

A-01 - D-08
D-07 - G-14

CONVENTIONAL DINETTE & OVERHEAD CABINETRY

Key	Part Number	U/M	Description
1	M92093-01-Y10	EA	Cabinet Asm. - Dinette Overhead - w/o Doors or Hardware
2	M88304-A9-X08	EA	Door Asm. - Dinette Overhead - w/o Hardware - 14.37" x 21.88"
3	082747-01-Y10	EA	End Cap - Dinette Overhead
4	M03434-01-Y10	EA	Cabinet Asm. - Dinette Back - Right
5	M03435-01-Y36	EA	Cabinet Asm. - Dinette Seat - Right - w/o Hardware
6	M88304-21-X08	EA	Door Asm. - Dinette Seat - w/o Hardware - 10" x 19"
7	M02115-06-Y30	EA	Table Asm. - Dinette - w/o Hardware
8	M03435-03-Y36	EA	Cabinet Asm. - Dinette Seat - Left - w/o Door or Hardware
9	M03434-03-Y10	EA	Cabinet Asm. - Dinette Back - Left

DINETTE PADS

Key	Part Number	U/M	Description
	081519-01-X75	EA	Dinette Pad Asm. - Right (Y35)
	081519-01-Y71	EA	Dinette Pad Asm. - Right (Y36)
	081519-01-Y72	EA	Dinette Pad Asm. - Right (Y37)
	081519-02-X75	EA	Dinette Pad Asm. - Left (Y35)
	081519-02-Y71	EA	Dinette Pad Asm. - Left (Y36)
	081519-02-Y72	EA	Dinette Pad Asm. - Left (Y37)

1989 ICN23RC INDEX

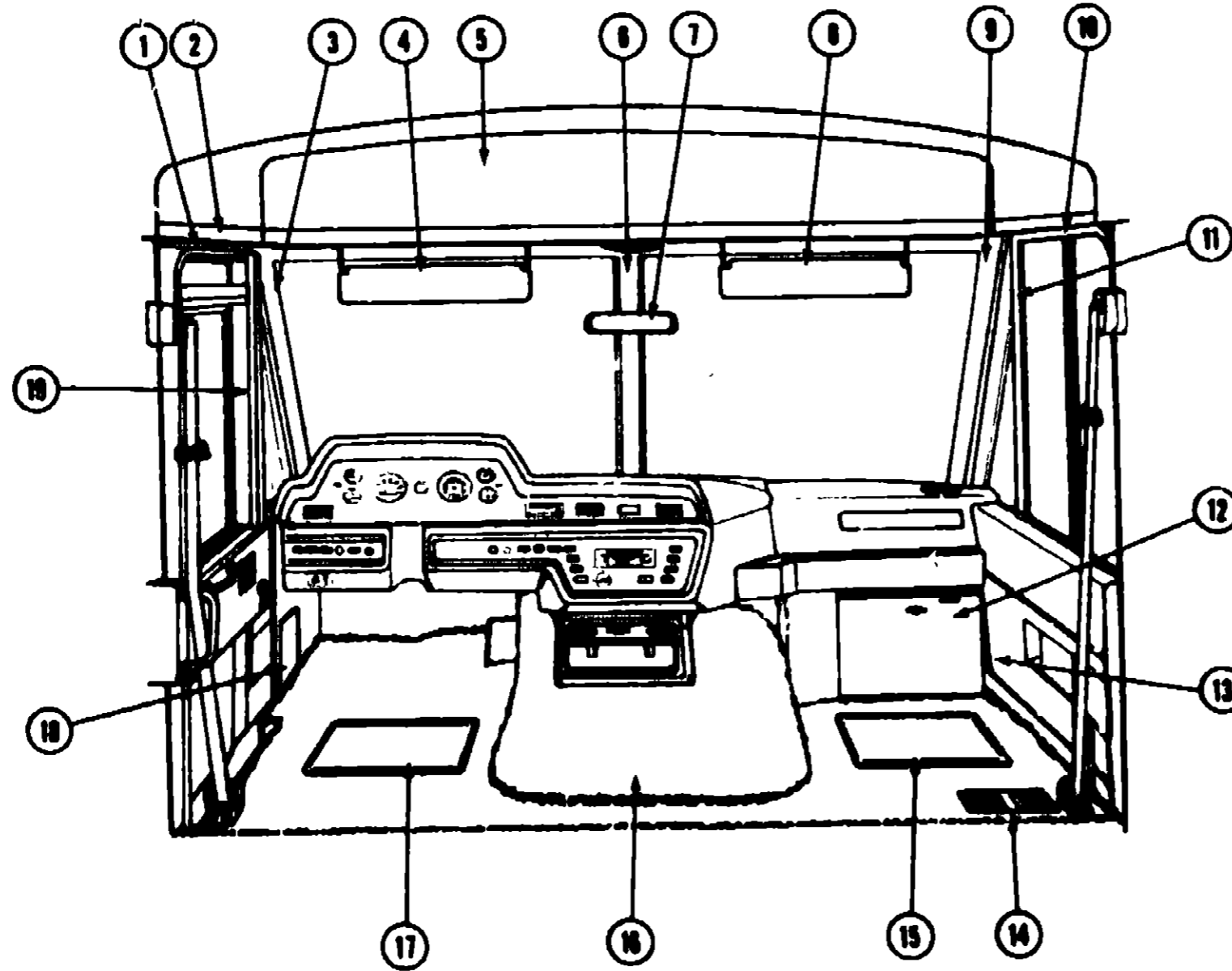
Floor Plan	A-01 - A-02
Accessories Group	A-03 - A-08
Bath Group	A-07 - A-08
Chassis Group	A-09 - A-14
Curtain, Cushion & Pad Group	A-15 - B-02
Dinette Group	B-03 - B-04
Driver's Compartment Group	B-05 - B-10
Electrical Group	B-11 - B-14
Exterior Body Group	B-15 - B-23
Galley Group	B-24 - C-01
Heating & Air Conditioning Group	C-02 - C-08
Interior Finish Group	C-04 - C-05
LP Group	C-08
Lounge Group	C-07
Water & Sewage Group	C-08 - C-11
Window, Vent & Exterior Door Group	C-12 - D-08

DINETTE TABLE ASS.

Key	Part Number	U/M	Description
1	M02115-06-Y30	EA	Table Asm. - Dinette - w/o Hardware
2	052971-06-000	EA	Bracket - Upper Wall Mount - 23" - Beige
3	089410-01-000	EA	Bracket - Table Mount Hanger
4	084381-07-000	EA	Bracket - Lower Wall Mount - 22.12" - Beige
5	084276-05-000	EA	Rod - Table Left - Beige
6	084050-08-000	EA	Hinge - Folding Leg - Tan
6	084080-08-000	EA	Hinge - Folding Leg - Beige
7	084288-01-000	EA	Brace - Table Leg
8	084276-17-000	EA	Leg Asm. - Table - Tan
8	084276-21-000	EA	Leg Asm. - Table - Beige
9	048483-06-000	EA	Catch - Table Leg - Mounts on Floor - Tan
9	048483-10-000	EA	Catch - Table Leg - Mounts on Floor - Beige
	084283-01-000	EA	Clip - Table Leg
	004384-01-000	EA	Bumper - .5' Dia. - White

DRIVER'S COMPARTMENT GROUP

MISCELLANEOUS DRIVER'S COMPARTMENT COMPONENTS



Key	Part Number	U/M	Description
1	097919-03-01A	EA	Track - Front Wraparound - Left
2	082472-01-01A	EA	Trim Asm. - Lower - w/o Bunk
3	082584-02-02A	EA	Cover - "A" Pillar Trim - Left - Gray
4	082288-05-Y35	EA	Sunvisor Asm. - Driver
	007211-01-000	EA	Hinge - Sunvisor
	074012-01-000	EA	Clip - Sunvisor - Square Pinch-On
	085708-01-000	EA	Clip Asm. - Sunvisor - Black
5	083884-01-Y12	EA	Headliner Asm.
6	077114-08-000	EA	Cover - Panel Trim - Center - Black
7	040714-01-000	EA	Mirror - Inside - Rear View
	040714-01-700	EA	Kit - Inside Rear View Mirror
8	082288-05-Y35	EA	Sunvisor Asm. - w/Mirror
	007211-01-000	EA	Hinge - Sunvisor
	074012-01-000	EA	Clip - Sunvisor - Square Pinch-On
	085708-01-000	EA	Clip Asm. - Sunvisor - Black
	083153-01-000	EA	Mirror - Sunvisor - 3.5" x 7"

Key	Part Number	U/M	Description
9	082584-01-02A	EA	Cover - "A" Pillar Trim - Right - Gray
10	097919-04-01A	EA	Track - Front Wraparound - Right
11	082585-01-02A	EA	Cover - Hinge Trim - Pillar - Right
12	085757-01-Y35	EA	Cover Asm. - Heater
13	082583-01-02A	EA	Panel - Lower Kick - Gray
14	083814-01-01A	EA	Grille - Return Air - Brown
15	081202-02-000	EA	Floor Mat - Right (Option 63H)
16	076838-01-000	EA	Motor Cover
	076884-01-000	EA	Mounting Bracket - Motor Cover
17	081201-02-000	EA	Floor Mat - Left - "Itasca" (Option 63H)
18	082583-02-02A	EA	Panel - Lower Kick - Gray
19	082585-02-02A	EA	Cover - Hinge Trim Pillar - Left
	088284-01-000	EA	Cigarette Lighter Asm.
	038420-02-000	EA	Fan - Defroster - 8" Dia. - 2-Speed (Option 38H)
	084880-01-000	EA	Defr. Air Outlet - w/Swivel
	076783-02-000	EA	Louver Asm. - Air Conditioner - Adjustable Vent - Black

1989 ITASCA TABLE OF CONTENTS

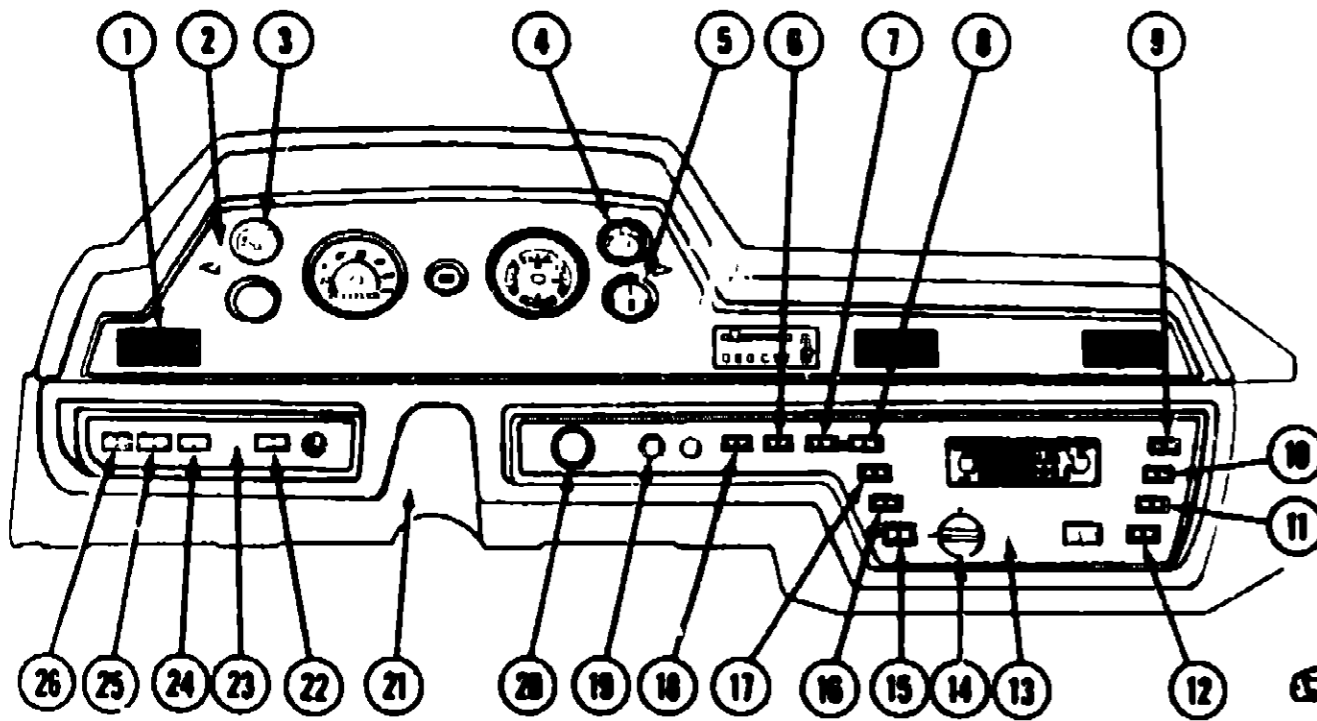
ICN23RC
ICN27RT

A-01 - D-08
D-07 - G-14

1989 ICN23RC INDEX

Floor Plan	A-01 - A-02
Accessories Group	A-03 - A-08
Bath Group	A-07 - A-08
Chassis Group	A-09 - A-14
Curtain, Cushion & Pad Group	A-15 - B-02
Dinette Group	B-03 - B-04
Driver's Compartment Group	B-05 - B-10
Electrical Group	B-11 - B-14
Exterior Body Group	B-15 - B-23
Galley Group	B-24 - C-01
Heating & Air Conditioning Group	C-02 - C-08
Interior Finish Group	C-04 - C-05
LP Group	C-06
Lounge Group	C-07
Water & Sewage Group	C-08 - C-11
Window, Vent & Exterior Door Group	C-12 - D-08

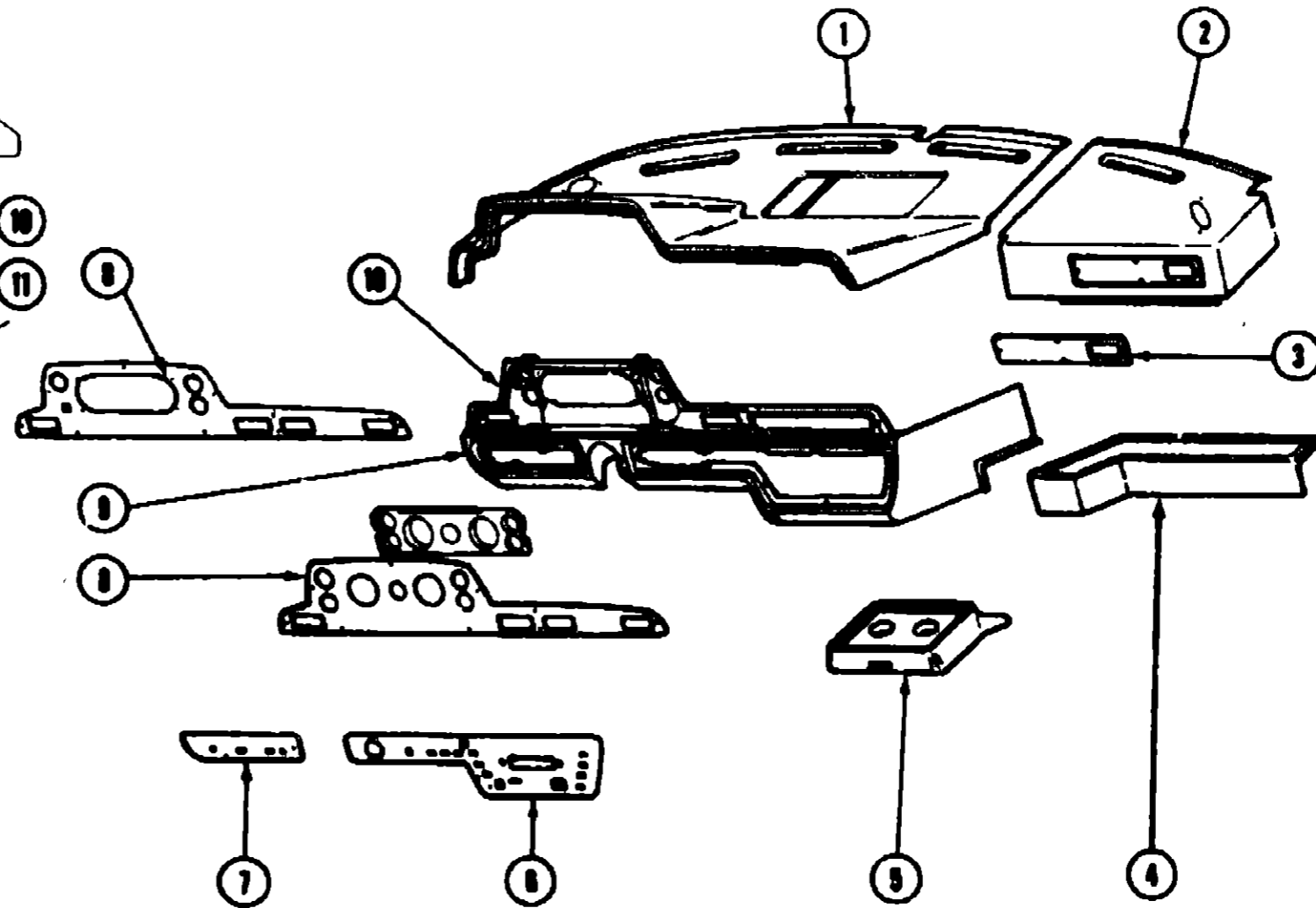
DRIVER'S COMPARTMENT GROUP (CONTINUED)



DASH SWITCHES & GAUGES

Key	Part Number	U/M	Description
1	076763-02-000	EA	Lower Arm. - A/C Adjustable
2	076216-08-000	EA	Instrument Panel - Upper - Itasca (Chevrolet)
	081242-01-000	EA	Cluster Arm. - Instrument Panel (CSA)
	077363-01-000	EA	Shroud - Instrument Cluster
3	024480-04-000	EA	Gauge - Vacuum
4	031458-04-000	EA	Gauge - Voltmeter
5	031035-01-000	EA	Gauge - Hourmeter - Generator
6	076759-04-000	EA	Battery Condition Switch
7	076759-01-000	EA	Fog Light Switch (Option 57M)
8	076759-04-000	EA	Generator Switch (Option 38)
9	076759-08-000	EA	Switch - Blank
10	076759-09-000	EA	Aisle Light Switch
11	076759-01-000	EA	Map Light Switch
12	076759-01-030	EA	Beverage Tray Light Switch
13	076217-14-000	EA	Instrument Panel - Lower - Right (Chevrolet)
14	087208-02-000	EA	Auxiliary Heater Switch (Option 61)
14	080977-01-000	EA	Knob - Auxiliary Heater Switch (Option 61)
15	088272-01-000	EA	Battery Disconnect Switch
16	076759-08-000	EA	Power - Radio Switch
17	076759-03-000	EA	Auxiliary Fan Switch (Option 38N)
18	076759-01-000	EA	Air Horn Switch (Option 38F)
19	088284-01-000	EA	Lighter Arm. - Cigarette
20	N.P.N.	EA	Ignition Switch (Chevrolet)
21	076808-02-000	EA	Dash Panel - Lower - Left
22	076759-07-000	EA	Courtesy Bunk Switch
23	076216-03-000	EA	Instrument Panel - Lower - Left
24	076759-05-000	EA	Battery Mute Switch
25	076759-05-000	EA	Rear Washer Switch (Option 58F)
26	076759-01-000	EA	Rear Wiper Switch (Option 58F)
	076759-02-000	EA	Cardboard Cylinder - Lamp
	077031-01-000	EA	Film - Instrument Panel - Black
	077031-02-000	EA	Film - Instrument Panel - Amber
	076759-03-000	EA	Lamp Plate

DRIVER'S COMPARTMENT GROUP (CONTINUED)



DASH PANELS & BEVERAGE TRAY

Key	Part Number	U/M	Description
1	086253-02-Y33	EA	Instrument Panel - Upper - Left
	076867-01-000	EA	Bracket - Instrument Panel - Large
	076867-02-000	EA	Bracket - Instrument Panel - Small
2	086882-02-Y33	EA	Instrument Panel - Upper - Right
	076873-01-000	EA	Bracket - Mounting - Right Panel
3	076757-01-000	EA	Instrument Panel Insert - Right
4	076734-04-000	EA	Tray - Instrument Panel - Right
5	081684-02-000	EA	Beverage Tray - Plastic - Gray
6	076217-14-000	EA	Instrument Panel - Lower - Right
6	076217-16-000	EA	Instrument Panel - Lower - Right - w/Low Air Indicator
7	076216-03-000	EA	Instrument Panel - Lower - Left
8	076216-08-000	EA	Instrument Panel - Upper (Chevrolet)
9	076808-02-000	EA	Dash Panel - Lower (Chevrolet)
10	077363-01-000	EA	Shroud - Instrument Panel - w/Voltmeter & Vacuum Gauge
10	077363-02-000	EA	Shroud - Instrument Panel - w/Generator Hour, Voltmeter & Vacuum Gauge
	073741-02-000	EA	Speaker - Oval - 4" x 6"
	073741-04-000	EA	Grille - Oval Speaker - 4" x 6"
	077408-01-000	EA	Bracket - Hood Release Cable

**1989 ITASCA
TABLE OF CONTENTS**

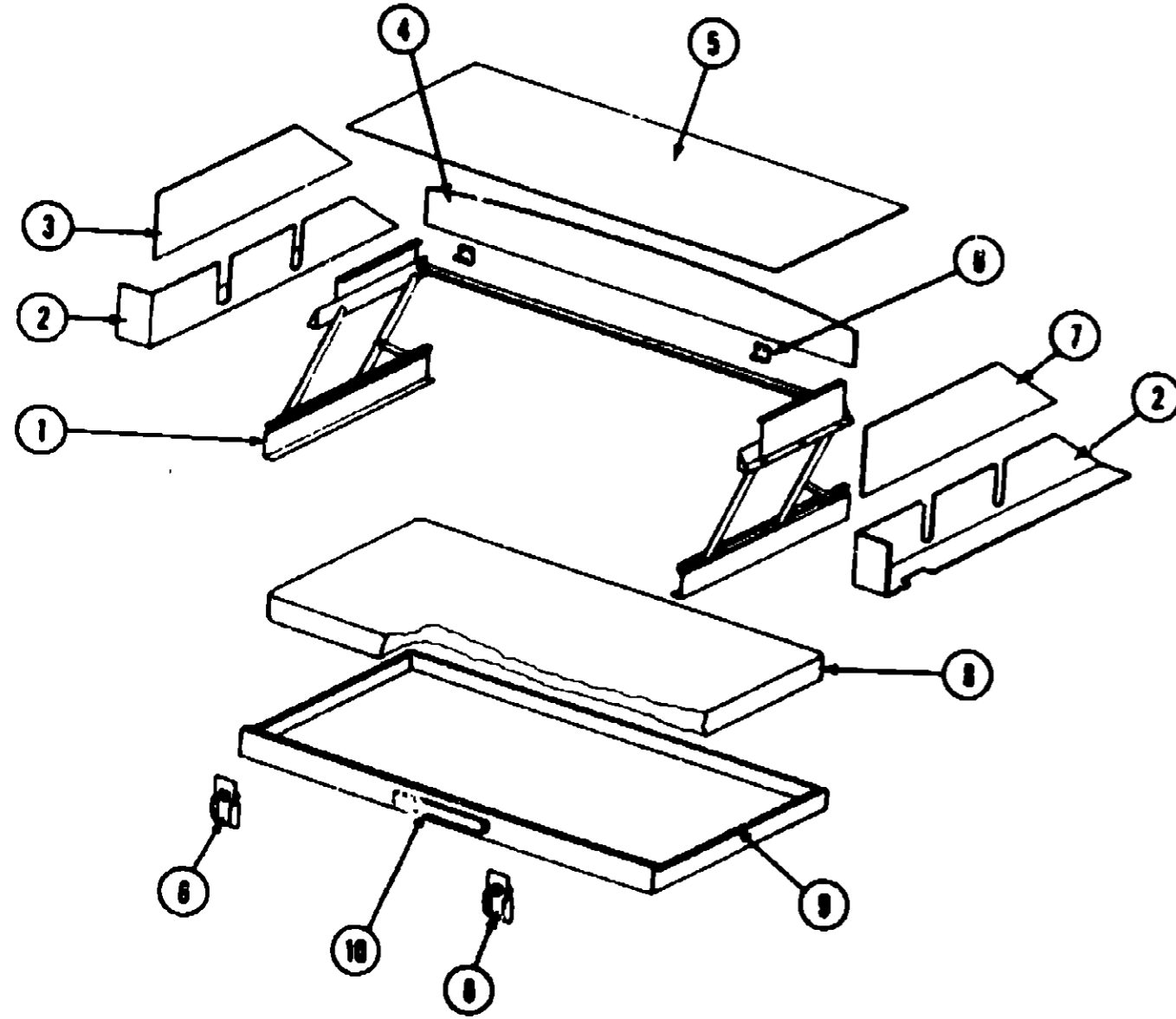
ICN23RC
ICN27RT

A-01 - D-08
D-07 - G-14

1989 ICN23RC INDEX

Floor Plan	A-01 - A-02
Accessories Group	A-03 - A-06
Bath Group	A-07 - A-08
Chassis Group	A-09 - A-14
Curtain, Cushion & Pad Group	A-15 - B-02
Dinette Group	B-03 - B-04
Driver's Compartment Group	B-05 - B-10
Electrical Group	B-11 - B-14
Exterior Body Group	B-15 - B-23
Galley Group	B-24 - C-01
Heating & Air Conditioning Group	C-02 - C-03
Interior Finish Group	C-04 - C-05
LP Group	C-06
Lounge Group	C-07
Water & Sewage Group	C-08 - C-11
Window, Vent & Exterior Door Group	C-12 - D-08

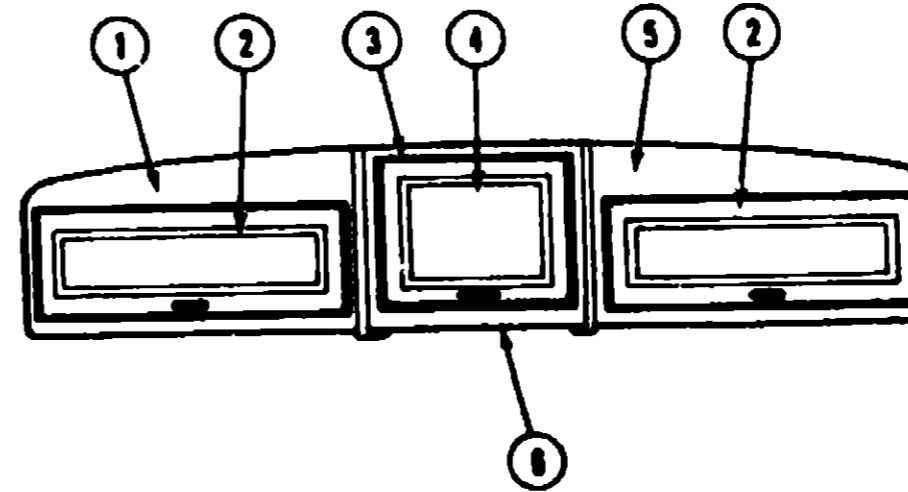
DRIVER'S COMPARTMENT GROUP (CONTINUED)



FRONT OVERHEAD BUNK & HARDWARE (OPTION 61H)

Key	Part Number	U/M	Description
1	076780-02-000	EA	Hardware Arm. - Overhead Bunk
2	092472-02-01A	EA	Trim - Lower Side - Bunk
3	092471-01-01A	EA	Trim - Upper Side - Bunk - Right
4	M93055-01-Y12	EA	Board Arm. - Bunk Trim w/Vinyl
5	093884-01-Y12	EA	Headliner Arm. - Front
6	042541-04-700	EA	Latch Arm. w/Strikes (2 ea.)
7	092471-02-01A	EA	Trim - Upper Side - Bunk - Left
8	079145-05-000	EA	Cushion Arm. - 30" x 73" x 4"
9	081717-04-Y12	EA	Bed Arm. - Front Bunk
10	094658-01-Y12	EA	Handle - Oak
	079946-08-000	EA	Curtain Track - Front Wraparound - Right
	094396-01-000	EA	Curtain Track - Front Wraparound - Left

DRIVER'S COMPARTMENT GROUP (CONTINUED)



TV & VCR CABINETS (OPTION L42)

Key	Part Number	U/M	Description
1	M93242-02-Y12	EA	Cabinet Arm. - Front Overhead - w/o Door or Hardware
2	M93304-C0-Y10	EA	Door Arm. - Front Overhead Cabinet - 7" x 25 1" - w/o Hardware
3	M93197-02-Y12	EA	Cabinet Arm. - Front - w/o Door or Hardware
4	093197-01-Y12	EA	Cabinet Arm. - Front Overhead - w/o TV Shelf
5	093299-01-000	EA	Shell Arm. - TV
6	091259-03-000	EA	TV - 13" Color - Sharp
7	099447-01-000	EA	TV - 13" Color - Magnavox
8	099448-01-000	EA	VCR-VHS - Cable Ready - Remote - Magnavox
9	091907-02-000	EA	VCR-VHS - Table Model - Sharp
10	091996-01-000	EA	Separator - VHF/UHF Band
11	M93304-08-X11	EA	Door Arm. - Center Overhead - 12" x 18 7" - w/o Hardware
12	M93242-01-Y12	EA	Cabinet Arm. - Front Overhead - w/o Door or Hardware
13	099045-01-W36	EA	Pad Arm - TV Cabinet - Vinyl
14	070578-02-W41	EA	Button Arm - Screw Stud - #30 - Vinyl
* Parts used with the TV Option only			

**1989 ITASCA
TABLE OF CONTENTS**

ICN23RC
ICN27RT

A-01 - D-08
D-07 - G-14

1989 ICN23RC INDEX

Floor Plan	A-01 - A-02
Accessories Group	A-03 - A-06
Bath Group	A-07 - A-08
Chassis Group	A-09 - A-14
Curtain, Cushion & Pad Group	A-15 - B-02
Dinette Group	B-03 - B-04
Driver's Compartment Group	B-05 - B-10
Electrical Group	B-11 - B-14
Exterior Body Group	B-15 - B-23
Galley Group	B-24 - C-01
Heating & Air Conditioning Group	C-02 - C-03
Interior Finish Group	C-04 - C-06
LP Group	C-08
Lounge Group	C-07
Water & Sewage Group	C-09 - C-11
Window, Vent & Exterior Door Group	C-12 - D-08

ELECTRICAL GROUP

WIRE SWITCHES & RECEPTACLES

Key	Part Number	U/M	Description
	008288-01-000	EA	Box - Electrical - 3" x 3.5" - Plastic
	008288-01-000	EA	Box - Electrical - 4" x 4" - 1/2 & 3/4 Steel
	008288-02-000	EA	Box - Electrical - 4" x 4" - 1/2 & 3/4 Steel (CSA)
	058048-01-000	EA	Box - Electrical - 2" x 3" x 2.25" - Steel (CSA)
	041953-01-000	FT	Conduit - Convolute 8ft - 1" ID
	041953-03-000	FT	Conduit - Convolute 8ft - 1" ID
	041953-06-000	FT	Conduit - Convolute 8ft - 3/8" ID
	008353-01-000	EA	Connector - Clamping - 3/8 Cable
	008356-01-000	EA	Connector - Plastic - 3/8" Avg.
	058028-01-000	EA	Connector - Pigtail - Clear Nylon
	008311-01-000	EA	Connector - Wire Nut - Red
	008314-01-000	EA	Connector - Wire Nut - Gray
	008054-01-000	EA	Cord - Power - 10-3 20 Amp. - 25'
	008054-02-000	EA	Cord - Power - 10-3 30 Amp. - 33'
	008052-01-000	EA	Cord - Power - 10-3 30 Amp. - 25' (CSA)
	008428-01-000	EA	Hatch - Power Cord - White
	008294-01-000	EA	Cover Plate - Blank - Steel 4 x 4 (USA)
	008294-02-000	EA	Cover Plate - Blank - Steel 4 x 4 (CSA)
	074890-01-000	EA	Extension Ring - Electrical Box - 1 1/2
	074017-02-000	EA	Housing Arm - 5 Position
	097744-02-000	EA	Housing Arm - Trailer Pin - 48"
	097746-01-000	EA	Housing Arm - Trailer Cap
	097745-02-000	EA	Housing Arm - Trailer Receptacle - 48"
	052109-01-000	EA	Housing - Connector
	088473-01-000	EA	Housing Pin
	088473-02-000	EA	Housing Pin - 15 Position
	088473-03-000	EA	Housing Pin - 9 Position
	088473-05-000	EA	Housing Pin - 6 Position In Line
	088473-06-000	EA	Housing Pin - 6 Position
	088473-08-000	EA	Housing Pin - 4 Position
	088473-09-000	EA	Housing Pin - 3 Position
	088473-10-000	EA	Housing Pin - 2 Position
	088474-01-000	EA	Housing Socket
	088474-02-000	EA	Housing Socket - 15 Position
	088474-03-000	EA	Housing Socket - 9 Position
	088474-06-000	EA	Housing Socket - 6 Position
	088474-08-000	EA	Housing Socket - 4 Position
	088474-09-000	EA	Housing Socket - 3 Position
	063910-01-000	EA	Housing - Relay
	088475-01-000	EA	Pin - Connector
	088476-01-000	EA	Socket Connector
	075738-03-000	EA	Receptacle/Cover Asm. - Beige (Exterior)
	084077-01-000	EA	Receptacle Cover - Ivory (Ground Fault Interrupter)
	084077-02-000	EA	Receptacle Cover - Brown (Ground Fault Interrupter)
	084078-01-000	EA	Receptacle - 15 Amp - 125 Volt - Ivory (Ground Fault Interrupter)
	058708-02-000	EA	Receptacle - Duplex - Ivory
	024884-02-000	EA	Receptacle - Power Cord
	058707-01-000	EA	Receptacle - Single - Brown
	007940-01-000	EA	Receptacle - Slide - 16 to 12 Awg.
	088273-01-000	EA	Relay - Battery Disconnect
	067789-02-000	EA	Socket Asm. - Lamp
	088479-01-000	EA	Socket - Connector
	084086-01-01A	EA	Switch Plate - Single Gang - Black
	081086-02-000	EA	Switch Plate - 2 Gang - 2 Switch
	079382-04-000	EA	Switch Plate - 4 Gang - 2 Switch
	079383-03-000	EA	Switch Plate - Single w/switch - Polished Brass
	079384-01-000	EA	Switch - ON/OFF Rocker - Brown
	079384-03-000	EA	Switch - ON/OFF - Rocker
	008196-01-000	EA	Switch - Push Button - 12 Volt
	078759-01-000	EA	Switch - SPST - Lock/Lock
	078759-03-000	EA	Switch - SPST - Lock/Lock/Lock
	078759-04-000	EA	Switch - SPDT - Mom/Lock/Mom
	078759-05-000	EA	Switch - SPDT - Lock/Lock/Mom

ELECTRICAL GROUP (CONTINUED)

WIRE SWITCHES & RECEPTACLES

Key	Part Number	U/M	Description
	078759-06-000	EA	Switch - Dummy
	078759-07-000	EA	Switch - SPST - Mom/Off/Lock
	078759-09-000	EA	Switch - SPDT - Lock/Lock
	079837-03-000	EA	Switch - Rotary - 3 Deck - A/C Select
	036416-04-000	EA	Terminal Ring - #10 Stud Fit
	008328-01-000	EA	Terminal Ring - 12/10 Wire
	008348-01-000	EA	Terminal Ring - 2 - 3/8 Stud
	008331-01-000	EA	Terminal Ring - 4 - 3/8 Stud
	082036-02-000	EA	Terminal - Pack - Con - 16/14 ANG
	008028-01-000	FT	Wire w/Ground - Romex - 12/2
	008343-01-000	EA	Wire Tie - 6"
	008343-02-000	EA	Wire Tie - 14"

FUSES & CIRCUIT BREAKERS

Key	Part Number	U/M	Description
	062901-02-000	EA	Fuse - 5 Amp. - Automotive
	062901-06-000	EA	Fuse - 15 Amp. - Automotive
	008211-01-000	EA	Circuit Breaker - 6 Amp - 12 Volt
	093854-01-000	EA	Circuit Breaker - 6 Amp. - 12 Volt
	093854-02-000	EA	Circuit Breaker - 15 Amp. - 12 Volt
	083210-02-000	EA	Circuit Breaker - 15 Amp - 120 Volt (Ground Fault Interrupter)
	083209-02-000	EA	Circuit Breaker - 15/15 Amp. - 120 Volt
	083209-03-000	EA	Circuit Breaker - 15/20 Amp - 120 Volt
	093854-03-000	EA	Circuit Breaker - 20 Amp - 12 Volt
	063209-05-000	EA	Circuit Breaker - 20 Amp - 120 Volt
	093855-01-000	EA	Circuit Breaker - 25 Amp. - 12 Volt
	093855-02-000	EA	Circuit Breaker - 30 Amp. - 12 Volt
	083209-06-000	EA	Circuit Breaker - 30/15 Amp. - 120 Volt
	093855-03-000	EA	Circuit Breaker - 40 Amp. - 12 Volt

MISCELLANEOUS ELECTRICAL COMPONENTS

Key	Part Number	U/M	Description
	063739-01-000	EA	Battery - 12 Volt - 80 Amp. - Gould
	038420-02-000	EA	Fan - Defroster - 6" - 2 Speed (Option 38N)
	088294-01-000	EA	Lighter Asm. - Cigarette
	072852-01-000	EA	Smoke Detector w/9 Volt Battery
	067782-01-000	EA	Converter - 40 Amp. w/Charger (UL)
	067782-02-000	EA	Converter - 40 Amp. w/Charger (CSA)
	088215-01-000	EA	Converter - 40 Amp w/Charger (Export)
	061812-01-000	EA	Transformer - Dry Control (Export)
	068674-01-000	EA	Plate - Push Button Circuit Breaker
	082547-01-000	EA	Label - Circuit Breaker Plate

BULBS

Key	Part Number	U/M	Description
	008103-01-000	EA	Bulb - 55 (Aisle Light)
	038198-01-000	EA	Bulb - 184 (Courtesy & Clearance Lights)
	072888-01-708	EA	Bulb - 912 (Stove Hood)
	008215-01-000	EA	Bulb - 1003 (Shower Light)
	067479-01-000	EA	Bulb - 1076 (Wall Lamp)
	069814-01-000	EA	Bulb - 1139 (Reading Light)
	008218-01-000	EA	Bulb - 1141 (Dome Light)
	037834-01-000	EA	Bulb - 1186 (Back-Up Light)
	081833-01-700	EA	Bulb - Make-Up Light
	084880-01-708	EA	Bulb - DC Light (Refrigerator)
	088787-01-710	EA	Bulb - 30W (Microwave Oven)
	078424-02-700	EA	Bulb - Fluorescent - 18" (Galley)
	081837-03-000	EA	Bulb - Fluorescent - 18" (Ceiling)

1989 ITASCA TABLE OF CONTENTS

ICN23RC	A-01 - D-08
ICN27RT	D-07 - G-14

1989 ICN23RC INDEX

Floor Plan	A-01 - A-02
Accessories Group	A-03 - A-08
Bath Group	A-07 - A-08
Chassis Group	A-09 - A-14
Curtain, Cushion & Pad Group	A-15 - B-02
Dinette Group	B-03 - B-04
Driver's Compartment Group	B-05 - B-10
Electrical Group	B-11 - B-14
Exterior Body Group	B-15 - B-23
Galley Group	B-24 - C-01
Heating & Air Conditioning Group	C-02 - C-03
Interior Finish Group	C-04 - C-06
LP Group	C-08
Lounge Group	C-07
Water & Sewage Group	C-08 - C-11
Window, Vent & Exterior Door Group	C-12 - D-08

ELECTRICAL GROUP (CONTINUED)

INTERIOR LIGHTS & BULBS

Key	Part Number	U/M	Description
	088280-01-000	EA	Dome Light - Surface Mount - Jensen
	033508-02-000	EA	Dome Light - 1 Bulb - Ivory (US)
	033508-03-000	EA	Dome Light - 1 Bulb - Ivory (CSA)
	R77013-48-779	EA	Switch - Dome Light
	009218-01-000	EA	Bulb - Dome Light
	088024-01-01A	EA	Dome Light - 1 Bulb
	088024-02-01A	EA	Dome Light - 1 Bulb - CSA
	072353-08-000	EA	Light Arm. - Reading - 360° Swivel - Brass - Tan Switch
	063914-01-000	EA	Bulb - Reading Light
	061424-01-000	EA	Light Arm. - 12V - Rectangular - Aisle
	008103-01-000	EA	Bulb - Aisle Light
	068837-04-000	EA	Light Arm. - Surface - No Switch (Shower)
	008216-01-000	EA	Bulb - Light - #1003
	087894-02-000	EA	Light Arm. - Wardrobe w/Switch
	087894-01-700	EA	Bulb - Wardrobe - Light
	080353-05-000	EA	Light Arm. - Map - Double
	077028-01-000	EA	Lens - Courtesy Light (Beverage Tray)
	077000-01-000	EA	Socket Arm w/Pigtail
	038186-01-000	EA	Bulb - Courtesy Light
	078788-01-000	EA	Socket - Lamp - Mini - Bayonet (Dash)
	007308-01-000	EA	Light - Step Well

EXTERIOR LIGHTS & BULBS

Key	Part Number	U/M	Description
	081250-01-000	EA	Light Arm - Clearance - Amber - Front
	081250-01-700	EA	Lens - Clearance - Amber
	081250-02-000	EA	Light Arm. - Clearance - Red - Rear
	081250-02-700	EA	Lens - Clearance - Red
	038186-01-000	EA	Bulb - Clearance Lights
	081437-01-000	EA	Bracket - Clearance Lights
	042405-01-000	EA	Light Arm. - Side Marker - Red - Rear
	042405-03-000	EA	Base - Side Marker - Rear
	091983-01-000	EA	Gasket - Side Marker Light
	089382-01-000	EA	Light Arm. - Side Marker - Amber - Front
	084801-01-000	EA	Lamp Arm. - Park/Turn
	049185-01-000	EA	Headlamp Capsule - Rectangular - Left - High/Low
	041988-01-000	EA	Headlamp Capsule - Rectangular - Right - High/Low
	041987-01-000	EA	Headlamp Capsule - Rectangular - Left - High
	041988-01-000	EA	Headlamp Capsule - Rectangular - Right - High
	088291-01-000	EA	Light Arm. - Turn Signal - Red - Rear
	088292-01-000	EA	Light Arm. - Turn Signal - Amber - Rear
	088290-01-000	EA	Light Arm. - Back-Up - Red/Clear - Rear
	037934-01-000	EA	Bulb - Back-Up Light
	007308-01-000	EA	Light Arm. - License
	091838-01-01A	EA	Bezel - Headlamp - Right
	091838-02-01A	EA	Bezel - Headlamp - Left
	033508-02-000	EA	Lamp Arm. - Storage Compartment - Ivory (US)
	033508-03-000	EA	Lamp Arm. - Storage Compartment - Ivory (CSA)
	008088-01-000	EA	Porch Light - Recessed (US)
	008088-02-000	EA	Porch Light - Recessed (CSA)
	008089-01-700	EA	Lens - Porch Light
	091981-01-000	EA	Gasket - Porch Light
	008216-01-000	EA	Bulb - Porch Light
	088747-01-000	EA	Light Arm. - Fog Light - Clear Lens (Option 87M)
	088747-01-700	EA	Lens - Fog Light
	087201-01-000	EA	Lamp Arm. - Dump Valve

ELECTRICAL GROUP (CONTINUED)

WINDSHIELD WIPER & WASHER

Key	Part Number	U/M	Description
	058000-02-000	EA	Washer Arm. - Windshield
	072472-04-000	EA	Arm - Windshield Wiper - 29" - Black
	049484-03-000	EA	Blade Arm. - Windshield Wiper - 20" - Black
	049484-03-700	EA	Blade - Wiper Refill
	067190-04-000	EA	Shaft & Pivot Arm.
	077048-01-000	EA	Shaft Adapter - Pantograph Arm
	087191-02-700	EA	Drive Motor Arm - Wiper
	087192-01-000	EA	Link Arm. - Connection - 39"
	087193-02-000	EA	Link Arm. - Connection - 8.10"
	087188-01-000	EA	Stud - Crank Wiper
	091208-02-000	EA	Control - Wiper
	046794-01-000	FT	Hose - 5/32" ID - Black
	088235-01-000	EA	Bearing - Snap In - 3/8" ID - Plastic

1989 ITASCA TABLE OF CONTENTS

ICN23RC
ICN27RT

A-01 - D-08
D-07 - G-14

1989 ICN23RC INDEX

Floor Plan	A-01 - A-02
Accessories Group	A-03 - A-08
Bath Group	A-07 - A-08
Chassis Group	A-09 - A-14
Curtain, Cushion & Pad Group	A-15 - B-02
Dinette Group	B-03 - B-04
Driver's Compartment Group	B-05 - B-10
Electrical Group	B-11 - B-14
Exterior Body Group	B-15 - B-23
Galley Group	B-24 - C-01
Heating & Air Conditioning Group	C-02 - C-03
Interior Finish Group	C-04 - C-08
LP Group	C-08
Lounge Group	C-07
Water & Sewage Group	C-09 - C-11
Window, Vent & Exterior Door Group	C-12 - D-08

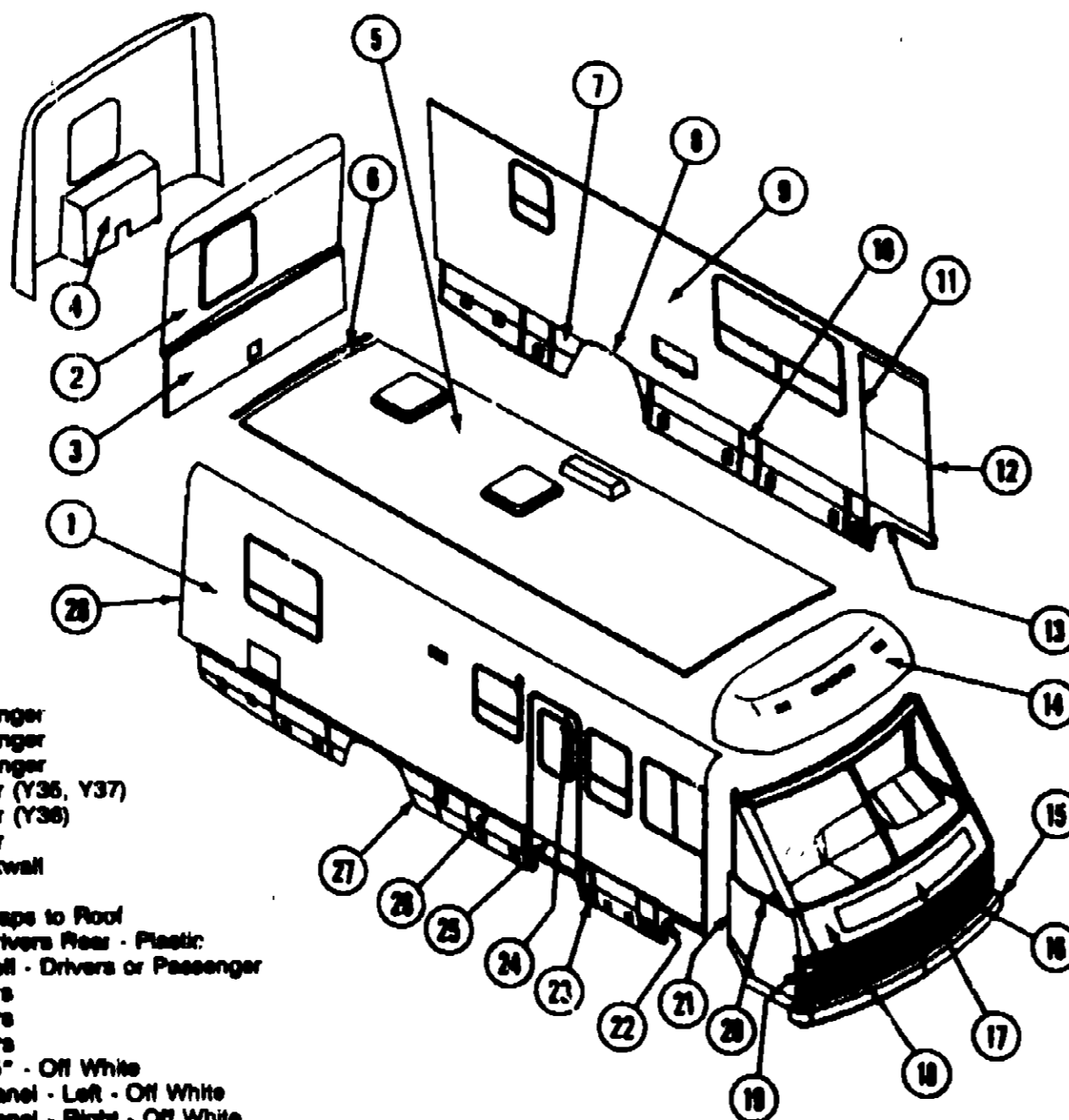
EXTERIOR BODY GROUP

EXTERIOR BODY PANELS & TRIM

1989 ITASCA TABLE OF CONTENTS

ICN23RC
ICN27RT

A-01 - D-08
D-07 - G-14



Key	Part Number	U/M	Description
1	M93408-01-Y33	EA	Sidewall Asm. - Passenger
1	M93408-01-Y36	EA	Sidewall Asm. - Passenger
1	M93408-01-Y37	EA	Sidewall Asm. - Passenger
2	M03911-03-Y35	EA	Backwall Asm. - Upper (Y35, Y37)
2	M03911-03-Y12	EA	Backwall Asm. - Upper (Y36)
3	M03912-03-Y12	EA	Backwall Asm. - Lower
4	M03491-01-Y33	EA	Rear Cap Asm. - Backwall
5	092613-02-Y35	EA	Roof Asm.
6	083005-14-000	EA	Trim - Front & Rear Caps to Roof
7	093245-02-Y33	EA	Wheel Well Panel - Drivers Rear - Plastic
8	094345-01-01A	EA	Trim - Rear Wheel Well - Drivers or Passenger
9	M92367-01-Y33	EA	Sidewall Asm. - Drivers
9	M92367-01-Y36	EA	Sidewall Asm. - Drivers
9	M92367-01-Y37	EA	Sidewall Asm. - Drivers
10	093022-01-Y33	EA	Valance Panel - 10.36" - Off White
	092689-01-02A	EA	End Cap - Valance Panel - Left - Off White
	092689-02-02A	EA	End Cap - Valance Panel - Right - Off White
11	092646-01-02A	EA	Garnish Trim - Drivers Door - Rear - Off White
12	092647-01-02A	EA	Garnish Trim - Drivers Door - Front & Top - Off White
	092661-01-01A	EA	Threshold - Drivers Door
13	092589-02-01A	EA	Wheel Well Panel - Front Driver's
14	M02969-06-Y33	EA	Front Cap - Over Windshield
15	M93846-01-Y35	EA	Bumper Panel Asm. - Front)
16	093004-01-Y33	EA	Grille Asm. - 5 Bar
16	093005-01-Y33	EA	Grille Asm. - 2 Bar
17	092678-01-Y33	EA	Hood Asm. - Off White
	093851-01-Y35	EA	Hinge Asm. - Hood - Passengers
	093851-02-Y35	EA	Hinge Asm. - Hood - Drivers
18	M01115-21-Y33	EA	Front Shroud Panel
19	091839-01-01A	EA	Headlamp Bezel - Passenger - Black
	091839-02-01A	EA	Headlamp Bezel - Drivers - Black
20	091986-01-000	EA	Reveal Molding - Windshield
21	096204-01-02A	EA	J-Trim - Fiberboard Trim - Off White
22	092589-01-01A	EA	Wheel Well Panel - Front - Passenger
23	093022-02-Y33	EA	Valance Panel - 4.05" - Off White
	092689-01-02A	EA	End Cap - Valance Panel - left - Off White

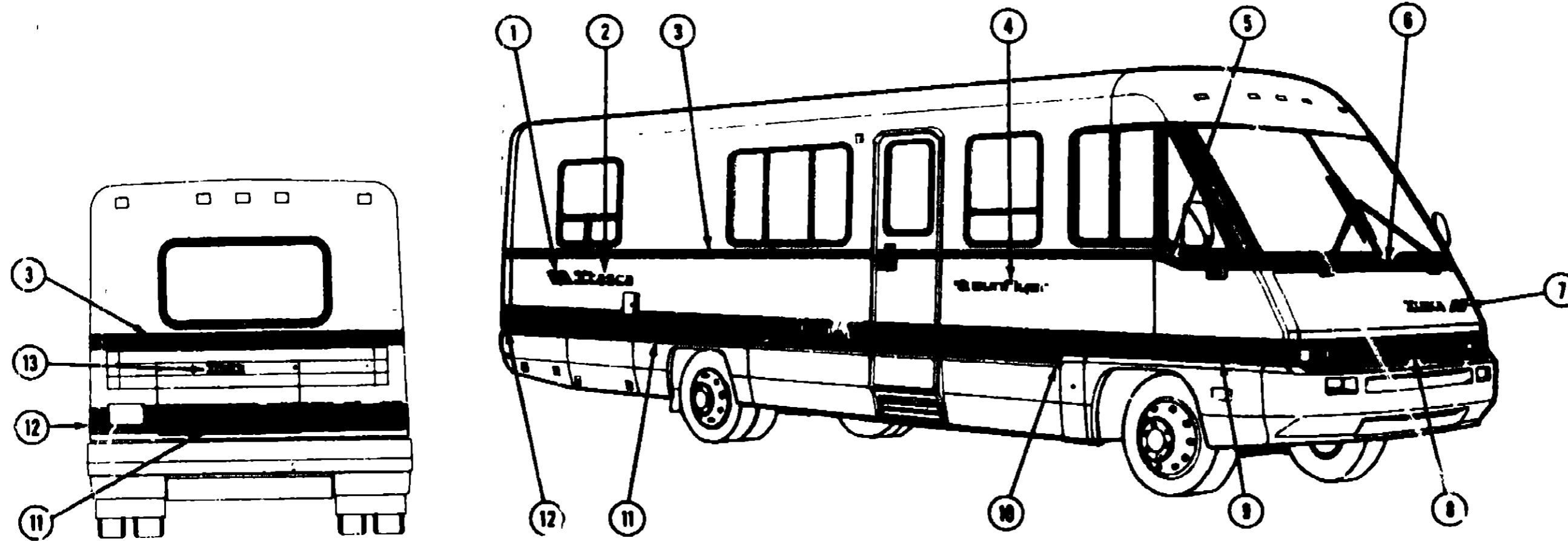
Key	Part Number	U/M	Description
	092689-02-02A	EA	End Cap - Valance Panel - Right - Off White
24	044582-02-000	EA	Drip - Molding - Entrance Door - Off White
25	093873-01-01A	FT	Body Molding - Entrance Door - Off White Vinyl
26	092301-01-01A	FT	Body Molding - Off White Vinyl
27	093245-01-Y33	EA	Wheel Well Panel - Passengers
28	092041-01-02A	EA	Trim - Rear Cap to Sidewall - Off White
	091986-01-01A	FT	Trim Insert - Cap to Sidewall - Off White
	076322-02-000	FT	Tape - Double Coated Foam - .045" x 1"
	076322-03-000	FT	Tape - Double Coated Foam - .045" x .5"
	076366-01-000	FT	Bulb Seal - Drivers & Access Doors
	090340-01-000	FT	Seal - Closed Cell Foam - .25" x 5" x 50' - Access Doors
	094355-01-01A	EA	Trim - Valance Panel to Sidewall - 6.3' - Hinge Look-a-Like

1989 ICN23RC INDEX

Floor Plan	A-01 - A-02
Accessories Group	A-03 - A-06
Bath Group	A-07 - A-08
Chassis Group	A-09 - A-14
Curtain, Cushion & Pad Group	A-15 - B-02
Dinette Group	B-03 - B-04
Driver's Compartment Group	B-05 - B-10
Electrical Group	B-11 - B-14
Exterior Body Group	B-15 - B-23
Galley Group	B-24 - C-01
Heating & Air Conditioning Group	C-02 - C-03
Interior Finish Group	C-04 - C-05
LP Group	C-06
Lounge Group	C-07
Water & Sewage Group	C-08 - C-11
Window, Vent & Exterior Door Group	C-12 - D-08

EXTERIOR BODY GROUP (CONTINUED)

DECALS & FILM STRIPE



**1989 ITASCA
TABLE OF CONTENTS**

ICN23RC
ICN27RT

A-01 - D-08
D-07 - G-14

Key	Part Number	U/M	Description
1	093795-01-01A	EA	Decal - Angle - Right - Black/Blue/Peach (Y35)
1	093795-01-02A	EA	Decal - Angle - Right - Black/Brown/Green (Y36, Y37)
	093795-02-01A	EA	Decal - Angle - Left - Black/Blue/Peach (Y35)
	093795-02-02A	EA	Decal - Angle - Left - Black/Brown/Green (Y36, Y37)
2	(178852-11-000	EA	Decal - Logo - "Itasca" - Blue/Black (Y36)
2	(178852-12-000	EA	Decal - Logo - "Itasca" - Green/Black (Y36, Y37)
3	093889-02-01A	FT	Film - Multistripe - 150' - Blue/Peach (Y36)
3	093889-02-02A	FT	Film - Multistripe - 150' - Green/Brown (Y36, Y37)
4	093793-01-01A	EA	Decal - Logo - "Sunflyer" w/Angle - Black/Blue/Peach (Y35)
4	093793-01-02A	EA	Decal - Logo - "Sunflyer" w/Angle - Black/Green/Brown (Y36, Y37)
	093793-02-01A	EA	Decal - Logo - "Sunflyer" w/Angle - Black/Blue/Peach (Y35)
	093793-02-02A	EA	Decal - Logo - "Sunflyer" w/Angle - Black/Green/Brown (Y36, Y37)
5	093792-01-01A	EA	Decal - Right Front Corner - Blue/Peach (Y36)
5	093792-01-02A	EA	Decal - Right Front Corner - Green/Brown (Y36, Y37)
	093792-02-01A	EA	Decal - Left Front Corner - Blue/Peach (Y36)
	093792-02-02A	EA	Decal - Left Front Corner - Green/Brown (Y36, Y37)
6	093889-03-01A	FT	Film - Multistripe - Hood - Blue/Peach (Y36)
6	093889-03-02A	FT	Film - Multistripe - Hood - Green/Brown (Y36, Y37)

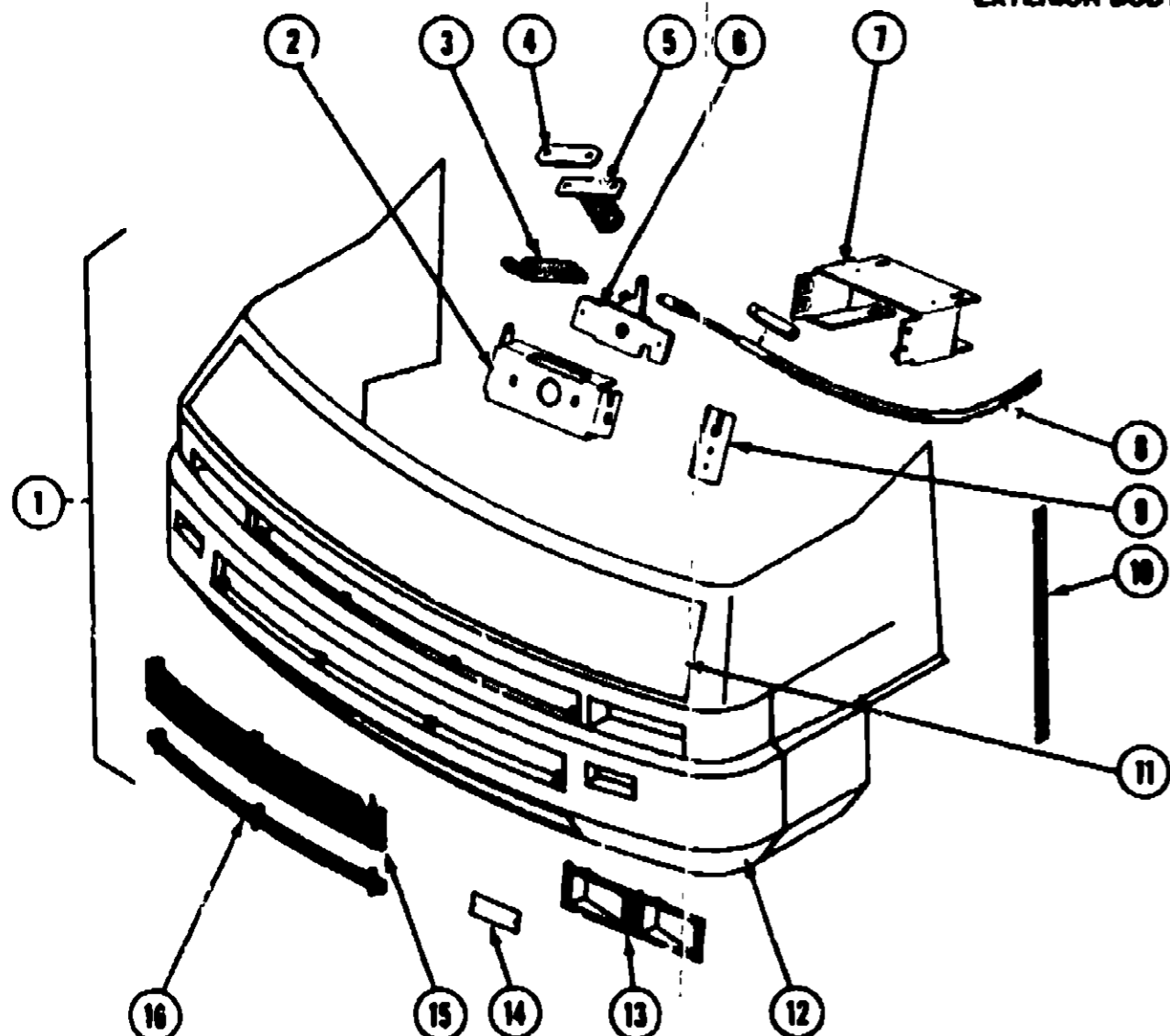
Key	Part Number	U/M	Description
7	093799-01-02A	EA	Decal - Logo "Itasca" w/Angle - Black/Blue/Peach/Blue (Y35)
7	093799-01-01A	EA	Decal - Logo "Itasca" w/Angle - Black/Green/Green/Brown (Y36, Y37)
8	093790-01-01A	EA	Decal - Logo - "I"
9	093889-04-01A	FT	Film - Multistripe - Peach/Blue (Y36)
9	093889-04-02A	FT	Film - Multistripe - Brown/Green (Y36, Y37)
10	093797-01-01A	EA	Decal - Transition - Right - Blue/Peach (Y36)
10	093797-01-02A	EA	Decal - Transition - Right - Brown/Green (Y36, Y37)
	093797-02-01A	EA	Decal - Transition - Left - Peach/Blue (Y36)
	093797-02-02A	EA	Decal - Transition - Left - Brown/Green (Y36, Y37)
11	093889-05-01A	FT	Film - Multistripe - Peach/Blue (Y36)
11	093889-05-02A	FT	Film - Multistripe - Brown/Green (Y36, Y37)
12	093798-01-01A	EA	Decal - Right Rear Corner - Peach/Blue (Y36)
12	093798-01-02A	EA	Decal - Right Rear Corner - Brown/Green (Y36, Y37)
	093798-02-01A	EA	Decal - Left Rear Corner - Peach/Blue (Y36)
	093798-02-02A	EA	Decal - Left Rear Corner - Brown/Green (Y36, Y37)
13	093791-01-01A	EA	Decal - Logo - "Itasca"

1989 ICN23RC INDEX

Floor Plan	A-01 - A-02
Accessories Group	A-03 - A-06
Bath Group	A-07 - A-08
Chests Group	A-09 - A-14
Curtain, Cushion & Pad Group	A-15 - B-02
Dinette Group	B-03 - B-04
Driver's Compartment Group	B-05 - B-10
Electrical Group	B-11 - B-14
Exterior Body Group	B-15 - B-23
Galley Group	B-24 - C-01
Heating & Air Conditioning Group	C-02 - C-03
Interior Finish Group	C-04 - C-05
LP Group	C-06
Lounge Group	C-07
Water & Sewage Group	C-08 - C-11
Window, Vent & Exterior Door Group	C-12 - D-08

EXTERIOR BODY GROUP (CONTINUED)

EXTERIOR BODY PANELS & HARDWARE



Key	Part Number	U/M	Description
1	M01116-21-Y33	EA	Panel Arm. - Front Shroud (includes access panel)
2	073336-02-030	EA	Bracket - Mounting Latch
3	R77006-38-489	EA	Spring - Hood Release
4	R77006-08-172	EA	Shim - Spacer Plate
5	R77007-01-850	EA	Striker & Spring - Hood Latch
6	R77007-51-429	EA	Latch Arm - Hood
7	073342-01-000	EA	Bracket Arm. - Hood Latch
8	077084-01-000	EA	Cable - Hood Release - w/Clamp
9	077407-01-000	EA	Bracket - Hood Cable Release (mounts under the hood)
	077408-01-000	EA	Bracket - Hood Cable Release (mounts under the dash)
	091955-01-000	EA	Squeegee - Extended Handle
	091952-01-000	EA	Clip - 1" Clipper
	093627-01-000	EA	Bracket - Squeegee
10	093204-01-02A	EA	Trim - "J" Molding - Off White
11	093678-01-Y33	EA	Access Panel Arm. - Hood
	093786-01-000	EA	Hood Bolt Adjusting
	078716-01-000	EA	Bracket Arm. - Striker Latch
	093851-01-Y35	EA	Hinge Arm. - Hood - Passenger
	093851-02-Y35	EA	Hinge Arm. - Hood - Driver
12	M93246-31-Y35	EA	Cable Arm - 1/16" x 16.5" - Stainless Steel
	093385-01-000	EA	Bumper Arm. - Off White
13	091839-01-01A	EA	Bracket - License Plate
	091839-02-01A	EA	Bazel - Headlamp - Passenger
	091230-02-000	EA	Bazel - Headlamp - Driver
	049185-01-000	EA	Screw - Headlamp Bazel - 8.32 x 3/4 POH
	049186-01-000	EA	Headlamp Capsule Arm. - Rectangular - Left - High/Low Beam
	049188-01-000	EA	Headlamp Capsule Arm. - Rectangular - Right - High/Low Beam
	049187-01-000	EA	Headlamp Capsule Arm. - Rectangular - Left - High Beam
	049189-01-000	EA	Headlamp Capsule Arm. - Rectangular - Right - High Beam
	049359-01-000	EA	Spring - Headlamp
	073308-01-000	EA	Retainer - Headlight Adjusting Screw
14	078345-01-000	EA	Lens Arm. - Part/Turn - Amber
	084901-01-000	EA	Lamp Arm. - Part/Turn
15	083004-01-Y33	EA	Grille Arm. - 5 Bar
16	083005-01-Y33	EA	Grille Arm. - 2 Bar

1989 ITASCA TABLE OF CONTENTS

ICN23RC
ICN27RT

A-01 - D-08
D-07 - G-14

1989 ICN23RC INDEX

Floor Plan	A-01 - A-02
Accessories Group	A-03 - A-08
Bath Group	A-07 - A-08
Chassis Group	A-09 - A-14
Curtain, Cushion & Pad Group	A-15 - B-02
Dinette Group	B-03 - B-04
Driver's Compartment Group	B-05 - B-10
Electrical Group	B-11 - B-14
Exterior Body Group	B-15 - B-23
Galley Group	B-24 - C-01
Heating & Air Conditioning Group	C-02 - C-03
Interior Finish Group	C-04 - C-05
LP Group	C-06
Lounge Group	C-07
Water & Sewage Group	C-08 - C-11
Window, Vent & Exterior Door Group	D-12 - D-08

EXTERIOR BODY GROUP (CONTINUED)

LABELS & TAGS

Key	Part Number	U/M	Description
	081243-01-000	EA	Label - Air Conditioner Cover
	074989-01-000	EA	Label - Air Conditioner Selector Switch
	087236-01-000	EA	Label - TV Cable Input
	085721-06-000	EA	Label - Control Center - w/o Microwave
	083239-01-000	EA	Label - Circuit Breaker Main
	083237-01-000	EA	Label - Circuit Breaker - Front - Battery Condition/Radio
	083257-02-000	EA	Label - Circuit Breaker - Front - Power Seat
	082547-01-000	EA	Label - Circuit Breaker
	088508-01-000	EA	Label - Compartment Not Sealed
	085748-01-000	EA	Label - Caution - Battery Charging
	008196-01-000	EA	Label - Electrical Test
	047731-01-000	EA	Label - Emergency Exit
	08199-01-000	EA	Label - Ext - Escape Window
	084675-01-000	EA	Label - Exterior Light Service
	081417-01-000	EA	Label - Fuel
	087207-02-000	EA	Label - Fuel Cap Removal
	084822-01-000	EA	Label - Fuel Pump - Power
	008196-01-000	EA	Label - Gas Test
	077510-01-000	EA	Label - Generator Prep
	054531-01-000	EA	Label - LP Gas Only
	073998-01-000	EA	Label - LP Odor Warning
	081806-01-000	EA	Label - Overlay, Vehicle Certification
	088757-01-000	EA	Label - Retail - 8 5/8" x 12 7/8"
	058259-01-000	EA	Label - Safety Check List
	009084-01-000	EA	Label - Seat - w/o Seatbelts - USA
	008084-02-000	EA	Label - Seat - w/o Seatbelts - CSA
	008187-01-000	EA	Label - Sewage
	091224-02-000	EA	Label - Trailer Lighting
	075221-01-000	EA	Label - Trailer Hitch Capacity
	075221-03-000	EA	Label - Trailer Hitch
	080342-01-000	EA	Label - Vapor Relief
	050225-01-000	EA	Label - Warning - Stove Vent - US
	075220-01-000	EA	Label - Warning - Exterior Load
	077966-01-000	EA	Label - Warning - Smoke Detector
	079086-01-000	EA	Label - Warning - Stowed Motion
	008188-01-000	EA	Label - Waste Water
	008197-01-000	EA	Label - Water Test
	008082-01-000	EA	Tag - Electrical - 110 Volt Connection
	008040-01-000	EA	Tag - Refueling Warning
	008040-02-000	EA	Tag - Refueling Warning - CSA
	008019-01-000	EA	Tag - RVI Approved - Plastic
	086410-02-000	EA	Decal - Rear Auto Heater

MISCELLANEOUS EXTERNALLY MOUNTED PARTS

Key	Part Number	U/M	Description
	083658-03-000	EA	Plumbing Seal - Roof Vent - 1.5" - Covered
	081240-03-000	EA	Water Fill - Lockable - Off White
	090844-01-000	EA	Antenna - Radio - 18" Rubber
	082898-01-01A	EA	Vent w/Door - Range Hood
	083815-08-000	EA	Door Holder - Off White Plastic
	083977-08-000	EA	Step Arm - Drivers Door - Black
	084073-03-000	EA	Roof Vent Refrigerator - Off White
	084073-04-000	EA	Base - Roof Vent Refrigerator
	038327-01-000	EA	Tape - Anti-Slip - 2" x 80'

EXTERIOR BODY GROUP (CONTINUED)

SEALANTS & ADHESIVES

Key	Part Number	U/M	Description
	002337-01-000	EA	Adhesive - 1300 Tube - 3M (Window)
	004005-02-000	EA	Adhesive - Swifts - 1 Gallon (Sidewall)
	004008-04-700	EA	Adhesive - Pierce - 1 Gallon (Sidewall)
	075672-02-000	EA	Adhesive - Scoton Rubber Gripper (Rear Cap)
	081377-01-000	EA	Adhesive - Cyanoacrylate (Window & Door)
	083788-02-000	EA	Bedding Compound - Tube - White (Exterior)
	083788-07-000	EA	Bedding Compound - Tube - Clear (Window)
	083788-07-000	EA	Bedding Compound - Tube - Beige (Exterior)
	011129-01-000	EA	Seal - Plumbing Pipe - Roof - For 1 1/2" OD Pipe
	077987-01-000	EA	Sealant - Acrylic Latex - Tube (Interior)
	034653-02-000	EA	Sealant - Silicone - Clear (Exterior)
	034653-04-000	EA	Sealant - Silicone - Beige (Exterior)
	063752-04-000	EA	Sealer - Seam - Tube - Aluminum (Roof)
	088937-01-000	FA	Sealer - 3M EC8610 - White (Door)
	088840-01-000	FT	Sealer - Ribbon - 1/4" Dia. x 20' (Cabinet)
	088840-02-000	FT	Sealer - Ribbon - 1/2" x 1/8" x 30' (Sidewalls)
	088840-03-000	FT	Sealer - Ribbon - 3/4" x 1/8" x 30' (Body Panels)
	088840-05-000	FT	Sealer - Ribbon - 2 1/2" x 3/32" x 30' (Tray Panels)
	088840-06-000	FT	Sealer - Ribbon - 5/16" Dia. x 18' (Window)
	088840-07-000	FT	Sealer - Ribbon - 2" x 3/32" x 30' (Interior)
	081389-01-000	FT	Sealer - Vinyl Glazing (Window)
	081380-01-000	FT	Sealer - Vinyl Glazing - Black (Window)
	088953-01-701	EA	Sealer - Body Seam - Flexible - Fawn (Exterior)
	080340-01-000	FT	Sealer - Foam Seal - Closed Cell - 1/4" x 1/2" (Exterior)
	080340-02-000	FT	Sealer - Foam Seal - Closed Cell - 3/8" x 1/2" (Exterior)
	701874-05-000	EA	Service Manual - Sealants
	004383-01-000	FT	Tape - Foam - 3/16" x 1/2" - Gray - 1 Side (Sidewall)
	008200-01-000	EA	Tape - Furnace - 1 1/2"
	083842-01-000	FT	Tape - Adhesive - 10 Mil x 1.5" (Exterior)
	076322-02-000	FT	Tape - Foam - Double Coated - .48" x 1" (Fiberglass Seams)
	076322-03-000	FT	Tape - Foam - Double Coated - .045" x .5" (Fiberglass Seams)
	076322-04-000	FT	Tape - Foam - Double Coated - .045" x .75" (Fiberglass Seams)
	077989-01-000	FT	Tape - Foam - 1/2" Black - 2 Sided (Interior)
	079967-02-000	FT	Tape - Plastic Film - .375" (Window)
	088244-01-000	FT	Tape - Foam - Vinyl Coated - 2" (Chassis)
	091889-03-000	FT	Tape - Adhesive - .04" x 1" (Entrance Door)
	002281-01-000	FT	Weatherstrip - Self-Seal - .08" Panel x 3/16" (Window)
	061803-01-000	FT	Weatherseal - Upper Front Cap

MENDE BOARD, ALUMINUM & STYROFOAM

Key	Part Number	U/M	Description
	084882-15-000	EA	Panel - Fiberglass - Mende Board - Off White - 83 3/4" x 20.5"
	044487-01-001	EA	Aluminum - Mill Finish - No Design (Roof) - 98" x 380"
	003888-01-000	SF	Styrofoam - 3/4" x 24" x 96"
	003870-02-000	SF	Styrofoam - 1.5" x 48" x 96"
	003870-03-000	SF	Styrofoam - 1 3/4" x 48" x 96"
	083674-01-000	SF	Styrofoam - 1.5" x 24" x 85 25"

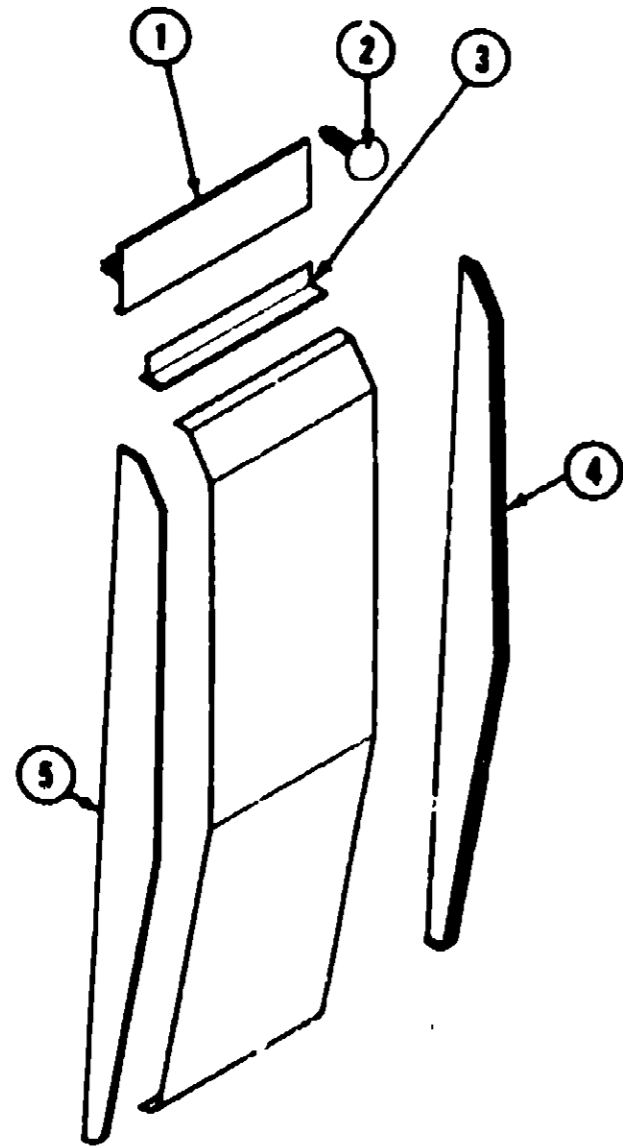
**1989 ITASCA
TABLE OF CONTENTS**

ICN23RC	A-01 - D-08
ICN27RT	D-07 - G-14

1989 ICN23RC INDEX

Floor Plan	A-01 - A-02
Accessories Group	A-03 - A-08
Bath Group	A-07 - A-08
Chassis Group	A-09 - A-14
Curtain, Cushion & Pad Group	A-15 - B-02
Dinette Group	B-03 - B-04
Driver's Compartment Group	B-05 - B-10
Electrical Group	B-11 - B-14
Exterior Body Group	B-15 - B-23
Galley Group	B-24 - C-01
Heating & Air Conditioning Group	C-02 - C-03
Interior Finish Group	C-04 - C-05
LP Group	C-06
Lounge Group	C-07
Water & Sewage Group	C-08 - C-11
Window, Vent & Exterior Door Group	C-12 - D-08

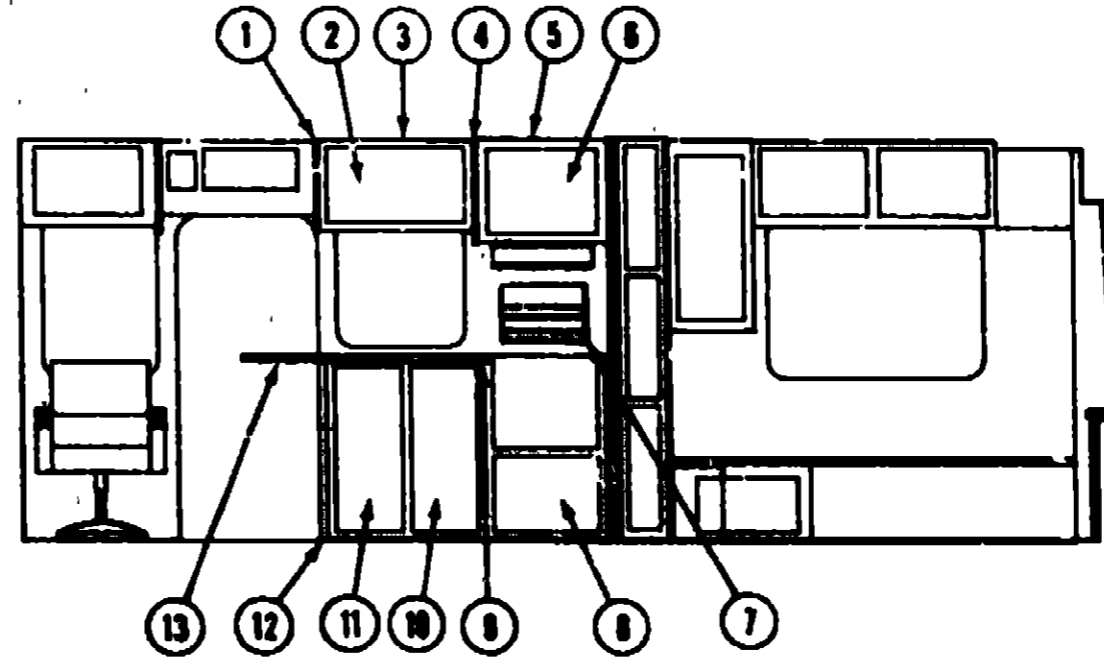
EXTERIOR BODY GROUP (CONTINUED)



VALANCE PANEL ASSM.

Key	Part Number	U/M	Description
1	082301-01-01A	EA	Body Molding - Off White
2	084362-02-000	EA	Clip - X-Mas - Flat Head
3	084365-01-01A	EA	Trim - Valance to Sidewall
4	082688-01-02A	EA	End Cap - Valance Panel - Right
5	082688-02-02A	EA	End Cap - Valance Panel - Left

GALLEY GROUP



GALLEY CABINETRY

Key	Part Number	U/M	Description
1	082747-01-Y10	EA	Pad Asm. - End Cap - Galley Overhead
2	M88304-84-X08	EA	Door Asm. - Galley Overhead - w/o Hardware - 14.37" x 26.77"
3	1492078-01-Y10	EA	Cabinet Asm. - Galley Overhead - w/o Doors or Hardware
4	U02080-02-Y12	EA	Cap Asm. - Galley Overhead
5	M84767-02-Y07	EA	Cabinet Asm. - Galley Overhead - w/o Doors or Hardware
5	084767-02-Y12	EA	Cabinet Asm. - Microwave Overhead
6	M88304-A8-X08	EA	Door Asm. - Galley Overhead - 14.37" x 21.85" - w/o Hardware
	M88304-F4-Y10	EA	Door Asm. - Refrigerator Cabinet - 8.28" x 18.4" - w/o Hardware
7	082467-02-Y12	EA	Spice Rack
8	M88304-06-X23	EA	Door Asm. - Galley Cabinet - 15.94" x 21.8" - w/o Hardware
9	082117-11-Y10	EA	Countertop Asm. - Galley
10	M88304-14-X08	EA	Door Asm. - Galley Cabinet - 14.37" x 33.48" - w/o Hardware
11	M88304-13-X08	EA	Door Asm. - Galley Cabinet - 14.37" x 33.48" - w/o Hardware
12	M03888-03-Y12	EA	Galley Cabinet (Microwave Option) w/o Countertop, Doors, Drawers or Hardware
12	M03888-01-Y10	EA	Galley Cabinet - w/o Countertop, Doors, Drawers or Hardware
13	080812-02-Y18	EA	Galley Extension Asm.
	077404-02-000	EA	Drawer - Plastic - 20" x 12.7"
	083288-01-01A	EA	Tray - Silverware Drawer - Beige Plastic

**1989 ITASCA
TABLE OF CONTENTS**

ICN23RC
ICN27RT

A-31 - D-08
D-07 - G-14

1989 ICN23HC INDEX

Floor Plan	A-01 - A-02
Accessories Group	A-03 - A-06
Bath Group	A-07 - A-08
Chassis Group	A-09 - A-14
Curtain, Cushion & Pad Group	A-15 - B-02
Dinette Group	B-03 - B-04
Driver's Compartment Group	B-05 - B-10
Electrical Group	B-11 - B-14
Exterior Body Group	B-15 - B-23
Galley Group	B-24 - C-01
Heating & Air Conditioning Group	C-02 - C-08
Interior Finish Group	C-04 - C-05
LP Group	C-09
Lounge Group	C-07
Water & Sewage Group	C-08 - C-11
Window, Vent & Exterior Door Group	C-12 - D-08

GALLEY GROUP (CONTINUED)

GALLEY APPLIANCES

Key	Part Number	U/M	Description
	084878-01-000	EA	Refrigerator - 3 Way - Large Double Door - Norcold 8663
	084878-01-700	EA	Cooling Unit
	084878-01-701	EA	Lower Door Gasket
	084878-01-702	EA	Lower Door Handle
	084878-01-703	EA	Foamed Cabinet Asm.
	084878-01-704	EA	Foamed Lower Door w/Frame
	084878-01-705	EA	Panel Holder - Lower Door
	094038-01-000	EA	Refrigerator - 3 Way - Small Double Door - Right - Norcold 863
	094038-02-000	EA	Refrigerator - 3 Way - Small Double Door - Left - Norcold 863
	094038-01-700	EA	Gasket Lower
	094038-01-701	EA	Lower Door Liner - Brown/White
	094038-01-702	EA	Lower Door Liner - Black/White
	094038-01-703	EA	Lower Door Handle Asm. - Brown
	094038-01-704	EA	Lower Door Handle Asm. - Black
	094038-01-705	EA	Cabinet Asm. - Brown Frame - White Liner
	094038-01-706	EA	Cabinet Asm. - Black Frame - White Liner
	054450-01-000	EA	Level - Refrigerator
	055282-04-000	EA	Range - 4 Burner Small Oven - Almond
	055282-04-700	EA	Oven Door Panel - Almond
	081374-01-000	EA	Range - 4 Burner - w/o Oven - Almond
	081374-01-700	EA	Cabinet Trim - Top Right
	081374-01-701	EA	Cabinet Trim - Top Left
	081374-01-702	EA	Panel - Manifold - Warm - Black
	081374-01-703	EA	Trim - Top Rear
	081374-01-704	EA	Guard - Fabric
	092696-05-01A	EA	Range Hood - w/Monitor Panel - Almond
	092696-05-700	EA	Clock - Mini - L C D
	092696-05-701	EA	Chassis - w/Wiring - Almond
	092696-05-702	EA	Control Panel Asm
	092696-05-703	EA	Face Plate - Control Panel
	092696-01-01A	EA	Vent w/Door - Range Hood - Off White
	092731-01-000	EA	Vent Extension - Range Hood to Vent - 5'37"
	085280-04-000	EA	BI-Fold Cover - 4 Burner Range - Almond
	085280-03-000	EA	BI-Fold Cover - 4 Burner Range Top - Almond
	091269-03-000	EA	Microwave Oven - Magic Chef
	094745-01-01A	EA	Trim - Microwave - Bottom - Black
	094774-02-01A	EA	Trim - Microwave - Left Side - Black
	094774-01-01A	EA	Trim - Microwave - Right Side - Black
	083209-03-000	EA	Circuit Breaker - 15/20 Amp - 120 Volt
	091269-02-000	EA	Frame Kit - Microwave

GALLEY HARDWARE

Key	Part Number	U/M	Description
	081530-01-Y30	EA	Sink Cover
	074981-01-000	EA	Cutting Board - Maple
	068615-01-000	EA	Sink - Stainless Steel - Double
	066437-01-000	EA	Strainer - w/Basket - Sink
	091253-01-000	EA	Gasket - Galley Faucet
	011053-03-000	EA	Faucet - 8" - Swing Spout
	058334-01-000	EA	Wastebasket - 9 7/8" x 7" x 10" - White
	077409-02-000	EA	Drawer Slide - Plastic - 20 7/8"
	077404-02-000	EA	Drawer - Plastic - 20" x 12 7/8"
	037688-01-000	EA	Drawer Rail - V Guide
	059777-02-000	EA	Hinge - Antique - Light Brass
	088264-01-000	EA	Door Pull - Polished Brass
	083238-01-Y77	EA	Cover - Oak Knife Holder - Above Countertop
	083282-01-000	EA	Bonnet Asm. - Knife Holder - Below Countertop

HEATING & AIR CONDITIONING GROUP

FURNACE

Key	Part Number	U/M	Description
	082300-01-000	EA	Furnace - 24,000 BTU - Bub Floor Suburban NT 24B
	082300-01-700	EA	Cabinet
	082300-01-701	EA	Cabinet
	082300-01-702	EA	Thermostat
	082300-01-703	EA	Combustion Chamber - 24BW
	082300-01-704	EA	Gasket - Electrode
	082300-01-705	EA	Electrode
	082300-01-706	EA	Door - Burner - Access
	082300-01-707	EA	Gasket - Burner Access Burner
	082300-01-708	EA	Limit Switch
	082300-01-709	EA	Board - Module
	082300-01-710	EA	Relay Time Delay
	082300-01-711	EA	Vent Cap Asm
	082300-01-712	EA	Burner Asm.
	082300-01-713	EA	Orifice - Main Burner
	082300-01-714	EA	Gasket - Manifold
	082300-01-715	EA	Manifold Asm
	082300-01-716	EA	Valve
	082300-01-717	EA	Wire Asm. - Power Supply
	082300-01-718	EA	Elbow - 90°
	082300-01-719	EA	Valve - Manual Shut Off
	082300-01-720	EA	Wheel - Room Air
	082300-01-721	EA	Blower Housing Asm
	082300-01-722	EA	Microswitch Asm.
	082300-01-723	EA	Motor Asm.
	082300-01-724	EA	Gasket - Motor Mount
	082300-01-725	EA	Housing Air Asm
	082300-01-726	EA	Wheel - Combustion Air
	082300-01-727	EA	Gasket - Combustion Air Housing
	082300-01-728	EA	Housing - Outside - Combustion Air
	082300-03-000	EA	Furnace - 34,000 BTU - Sub Floor - Suburban 34B
	082300-03-700	EA	Orifice - Main Burner
	082300-03-701	EA	Motor Asm
	082300-03-702	EA	Housing Asm. - Combustion Air - 34 BW
	08200-01-000	EA	Tape - Furnace - 1.5"
	091961-01-000	EA	Heat Register - w/o Damper - 4" x 8" - Brown Steel
	091961-02-000	EA	Heat Register - w/Damper - 4" x 8" - Brown Steel
	094600-01-02A	EA	Heat Register - w/o Damper - 3 6" x 11 2" - Brown Steel
	094600-02-02A	EA	Heat Register - w/Damper - 3 6" x 11 2" - Brown Steel
	093814-01-01A	EA	Grill - Return Air - Brown
	092321-01-000	FT	Insulation - Fiberglass w/Foil - Heat Runs

ROOF AIR CONDITIONER

Key	Part Number	U/M	Description
	083764-01-000	EA	Ceiling Asm - A/C Cool - w/Controls - TSR - Coleman 6759D714
	083763-01-04A	EA	Air Conditioner - 110 Volt - Roof Mount - TSR - 13,500 BTU Coleman 6759D708
	083763-01-700	EA	Shroud - Ivory/Charcoal
	083763-01-701	EA	Overload
	083763-01-702	EA	Overload
	083763-01-703	EA	Impeller - 7" Dia x 2 80" Wide
	083763-01-704	EA	Fan Capacitor
	083763-01-705	EA	Decal - HT/Cool Thermostat
	083763-01-706	EA	Heat Element
	083763-01-708	EA	Condenser Coil
	083763-01-709	EA	Compressor
	083763-01-710	EA	Single Parts Package

1989 ITASCA TABLE OF CONTENTS

ICN23RC
ICN27RT

A-01 - D-08
D-07 - G-14

1989 ICN23RC INDEX

Floor Plan	A-01 - A-02
Accessories Group	A-03 - A-06
Bath Group	A-07 - A-08
Chassis Group	A-09 - A-14
Curtain, Cushion & Pad Group	A-15 - B-02
Dinette Group	B-03 - B-04
Driver's Compartment Group	B-05 - B-10
Electrical Group	B-11 - B-14
Exterior Body Group	B-15 - B-23
Galley Group	B-24 - C-01
Heating & Air Conditioning Group	C-02 - C-03
Interior Finish Group	C-04 - C-05
LP Group	C-06
Lounge Group	C-07
Water & Sewage Group	C-08 - C-11
Window, Vent & Exterior Door Group	C-12 - D-08

HEATING & AIR CONDITIONING GROUP (CONTINUED)

REAR AUTO HEATER

Key	Part Number	U/M	Description
	084405-01-000	EA	Heater Asm - Rear - Ducted
	084405-01-700	EA	Heater Core
	084405-01-701	EA	Fan
	084405-01-702	EA	Motor - 12V
	007108-01-000	FT	Hose - Heater - 5/8" ID SAE 20R3
	007108-02-000	FT	Hose - Heater - .75" ID SAE 20R3
	087202-02-000	EA	Switch - w/o Knob - 4 Position
	080877-01-000	EA	Knob - Rotary Switch
	084410-02-000	EA	Decal - Rear Auto Heater

AUTOMOTIVE HEATER & A/C

Key	Part Number	U/M	Description
	088227-02-000	EA	Evaporator Asm - A/C
	088227-02-700	EA	Drain Tube Asm
	088227-02-701	EA	Bracket - Bowden Cable Mounting
	088227-02-702	EA	Door Asm. - F.A./Recycling
	088227-02-703	EA	Suction Hose #10
	088227-02-704	EA	Bracket - Vacuum Motor
	088227-02-705	EA	Hose - Liquid
	091902-01-000	EA	Control/Pleum Set
	091902-01-700	EA	Door - Defrost/Heat
	091902-01-701	EA	Motor - Vacuum
	091902-01-702	EA	Door - A/C - Heat
	091902-01-703	EA	Rod - A/C - Heat Door
	091902-01-704	EA	Transition Asm - Hi Temp
	091902-01-705	EA	Harness & Socket Jumpers
	091902-01-706	EA	Cable - Bowden
	091902-01-707	EA	Harness Wire
	091902-C1-708	EA	Harness Vacuum
	091902-01-709	EA	Grits - Return Air

INTERIOR FINISH GROUP

PANELING & COUNTERTOP

Key	Part Number	U/M	Description
	074487-10-000	SF	Paneling - Regal Oak - 48" x 84" (Cabinets)
	088272-44-000	SF	Paneling - Decor - Charcoal - 48" x 84" (Main Wall)
	088272-35-000	SF	Paneling - Decor - Slate - 48" x 84" (Galley & Bath) (Y3C)
	088272-27-000	SF	Paneling - Decor - Cocoa - 48" x 84" (Galley & Bath) (Y3B)
	088272-28-000	SF	Paneling - Decor - Miami - 48" x 84" (Galley/Bath) (Y37)
	074488-28-000	SF	Plastic Laminate - Tan (Galley/Dinette)
	074488-24-000	SF	Plastic Laminate - Regal Oak (Nightstand)
	078325-18-000	F1	Edge Molding - Regal Oak

INTERIOR MOLD & TRIMS

Key	Part Number	U/M	Description
	088733-70-000	EA	Beit Strip - Regal Oak - 8' (Woodgrain)
	088263-21-000	EA	Beit Strip - Charcoal - 8' (Main Wall)
	088284-13-000	FT	Beit Strip - Charcoal - Tape Adhesive
	088284-03-000	FT	Beit Strip - Regal Oak - Tape Adhesive
	088263-23-000	EA	Beit Strip - Slate (Galley/Bath) (Y3B)
	088263-21-000	EA	Beit Strip - Charcoal (Galley/Bath) (Y3B, Y37)
	088229-04-000	EA	Beit - 1" - Ceiling Molding - Ivory
	008808-17-000	EA	F-Molding - 1" - Regal Oak
	008812-17-000	EA	F-Molding - 1/2" - Regal Oak
	083820-01-000	FT	T-Molding - w/Edge Lips - Grady Brown
	070504-01-000	FT	U-Channel - .85" - Light Brown
	070504-08-000	FT	U-Channel - .815" - Regal Oak
	009778-07-000	FT	U-Channel - 1" - Regal Oak
	009787-08-000	FT	Wetling - Deigo
	085743-01-000	FT	J-Molding - 7/8" w/Lips - Grady Brown
	024700-35-000	EA	Cover - Sidewall Foli Bar - Beige (Wall/Ceiling)
	022982-08-000	FT	Molding - Reverse Cover - Champagne White
	042357-11-000	FT	Molding - Outside Corner - Light Oak
	077840-01-W20	FT	Molding - Wall Cap
	080178-02-000	EA	Corner Cap - Radius Plastic - Light Oak
	081521-02-007	EA	Molding - 84 Hole Space
	092041-01-02A	EA	Trim - Rear Cap to Sidewall - Off White

MISCELLANEOUS

Key	Part Number	U/M	Description
	053552-02-W24	EA	Handle Asm - Assist - Vinyl
	094958-01-Y12	EA	Handle Asm - Oak - Front Bunk
	091257-04-000	EA	Handle Asm - Assist Railing - Dinette
	041944-04-000	EA	Fire Extinguisher - 5BC - w/o Bracket
	084472-01-000	EA	holder - Plastic - Fire Extinguisher
	094489-01-000	EA	Fire Extinguisher - 10BC - w/Bracket
	094489-02-000	EA	Fire Extinguisher - 1A - 10BC (CSA)
	094851-01-01A	EA	Holder - Recessed - Fire Extinguisher
	072852-01-000	EA	Smoke Detector w/9 Volt Battery
	054185-31-000	EA	Owner's Manual - Winnebago/Itasca - 1989
	081202-02-000	EA	Floor Mat - Front - Right - Itasca
	081201-02-000	EA	Floor Mat - Front - Left - Itasca
	081075-02-000	EA	Floor Mat - Front - Entrance - Itasca

1989 ITASCA TABLE OF CONTENTS

ICN23RC
ICN27RT

A-01 - D-06
D-07 - G-14

1989 ICN23RC INDEX

Floor Plan	A-01 - A-02
Accessories Group	A-03 - A-06
Bath Group	A-07 - A-08
Chassis Group	A-09 - A-14
Curtain, Cushion & Pad Group	A-15 - B-02
Dinette Group	B-03 - B-04
Driver's Compartment Group	B-05 - B-10
Electrical Group	B-11 - B-14
Exterior Body Group	B-15 - B-23
Galley Group	B-24 - C-01
Heating & Air Conditioning Group	C-02 - C-03
Interior Finish Group	C-04 - C-05
LP Group	C-06
Lounge Group	C-07
Water & Sewage Group	C-08 - C-11
Window, Vent & Exterior Door Group	C-12 - D-08

INTERIOR FINISH GROUP (CONTINUED)

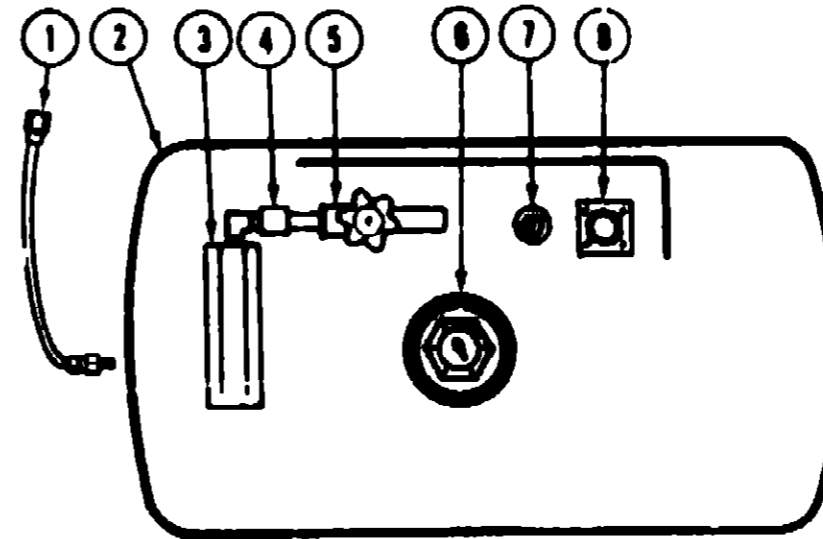
FABRIC & FLOOR COVERINGS

Key	Part Number	U/M	Description
	088274-83-000	YD	Fabric - Upholstery - Main - Blue (Y36)
	088274-81-000	YD	Fabric - Upholstery - Main - Tiffany (Y36)
	088274-82-000	YD	Fabric - Upholstery - Main - Starburst (Y37)
	088274-33-000	YD	Fabric - Upholstery - Accent - Blue (Y36)
	088274-88-000	YD	Fabric - Upholstery - Accent - Umber (Y36)
	088274-80-000	YD	Fabric - Upholstery - Accent - Eggshell (Y37)
	072333-85-000	YD	Fabric - Drapery - Blackout/Wraparound - Silver (Y36)
	072333-89-000	YD	Fabric - Drapery - Blackout/Wraparound - Tan (Y36)
	072333-80-000	YD	Fabric - Drapery - Blackout/Wraparound - Wisteria (Y37)
	087272-01-000	YD	Lining - Drapery - 48" - Ivory
	088273-25-000	YD	Fabric - Bedspread - Ecru (Y36)
	088273-26-000	YD	Fabric - Bedspread - Peach (Y36)
	088273-27-000	YD	Fabric - Bedspread - Pastel (Y37)
	076244-02-000	YD	Vinyl - Shower Curtain
	079880-01-000	YD	Vinyl - Expanded - 28 oz. Buckskin (End Cap)
	088351-01-000	YD	Vinyl - Headliner - Acoustical (Ceiling)
	088648-03-000	YD	Vinyl - Expanded - Taupe (Door Panel)
	072333-83-000	YD	Fabric - Pull Shade - Entrance Door - Bone (Y13, Y14)
	083488-01-000	SY	Carpet - Outside Storage Compartment
	083488-01-001	EA	Carpet - Outside Storage Compartment (1SY)
	072880-70-000	SY	Carpet - Glacier Blue (Y37)
	072880-71-000	SY	Carpet - Pirates Alley (Y36)
	072880-85-000	SY	Carpet - Amethyst (Y37)

CABINETS & TABLE HARDWARE

Key	Part Number	U/M	Description
	059777-02-000	EA	Hinge - Cabinet Door - Brass
	074483-02-000	EA	Overhead Door - Support - Sprung
	079789-01-000	EA	Support - Table - Pullout - Beige
	080728-01-000	EA	Handle - Recessed - Brown Plastic
	079921-01-000	EA	Roller - Nylon w/Shaft
	088264-01-000	EA	Pull - Cabinet - Polished Brass
	081378-01-000	EA	Back Plate - Door Pull - Polished Brass
	093588-03-000	EA	Catch - Spring Roller
	093588-04-000	EA	Strike - Steel Spring
	074045-08-000	EA	Plug - 1/2" - Oak
	084488-02-000	EA	Slide Asm. - Drawer - Right
	084488-03-000	EA	Slide Asm. - Drawer - Left
	084488-04-000	EA	Slide Asm. - Cabinet - Right
	084488-05-000	EA	Slide Asm. - Cabinet - Left
	047744-01-000	EA	Kit - Drawer Glide
	009089-01-000	EA	Clip - Mirror
	084451-01-000	EA	Catch - TV Shelf - Brass
	009059-01-000	EA	Hinge - 2" - Brass - TV Shelf
	058331-10-000	EA	Mirror - Safety Glass - TV Shelf - 14" x 17"
	064781-05-000	EA	Cup Holder - Two Step
	024281-11-000	EA	Bracket - Lower Wall Mount
	053200-09-000	EA	Bracket - Upper Wall Mount
	024275-11-000	EA	Rod - Table Lift
	082593-01-02A	EA	Catch - Table Leg
	049493-08-000	EA	Catch - Table Leg - Mounts on Floor
	083550-01-000	EA	Hinge - Bracket - Leg Folding
	082708-01-Y15	EA	Leg Asm. - Table - Regal Oak
	088410-01-000	EA	Hanger - Table
	083212-01-01A	EA	Door Bolt - Mortise - Bi-Fold Door
	082652-01-000	EA	Guide Wheel - Top Mount - Bi-Fold Door
	083832-01-01A	EA	Knob - Bright Brass - Bi-Fold Door
	009069-02-000	EA	Hinge - 2" - Brass - Bi-Fold Door
	081804-01-000	EA	Slide Bolt - Antique Brass - Bath Door
	094486-01-01A	EA	Knob - Polished Brass - Bath Door

LP GROUP



LP TANK & HARDWARE

Key	Part Number	U/M	Description
1	045703-01-000	EA	Hose Arm - LP - 3/8 x 24 (US)
1	045703-02-000	EA	Hose Arm - LP - 3/8 x 24 (CSA)
2	081970-01-000	EA	Tank Arm - LP - Frame Mount - 80 Pound - 20" x 24"
3	081938-01-000	EA	Cover - LP Regulator
3	076301-02-000	EA	Regulator - LP - Two-Stage
4	080875-02-000	EA	Safety Valve - LP - Electric
5	040421-01-703	EA	Valve - Vapor Relief
6	040421-01-707	EA	Gauge - Float - w/Visible Dial
6	040421-01-708	EA	Dial - Visible Face - Float Gauge
6	040440-01-000	EA	Dial - Visible Face - Float Gauge (w/Electric Transmitter)
7	040421-01-700	EA	Gauge - Liquid Level
8	040421-01-701	EA	Valve - Filler
8	040421-01-702	EA	Cap - Filler Valve
8	040421-01-711	EA	Inner Tank Valve - 80% Fill
	085741-01-000	EA	Gauge - Diaphragm Pressure - Test Leak

1989 ITASCA TABLE OF CONTENTS

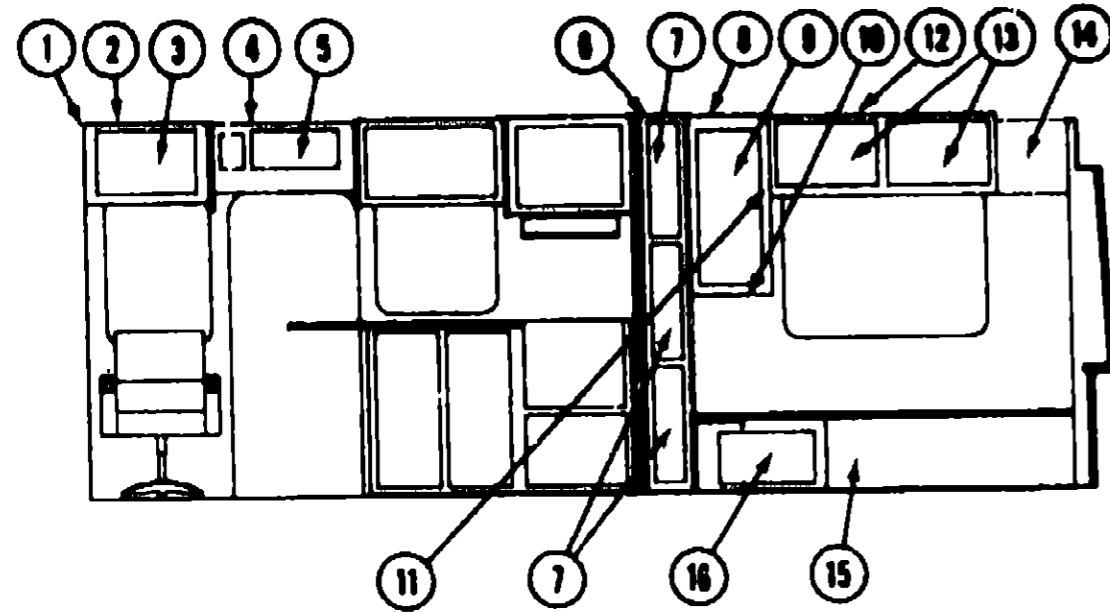
ICN23RC
ICN27RT

A-01 - D-08
D-07 - G-14

1989 ICN23RC INDEX

Floor Plan	A-01 - A-02
Accessories Group	A-03 - A-06
Bath Group	A-07 - A-08
Chassis Group	A-09 - A-14
Curtain, Cushion & Pad Group	A-15 - B-02
Dinette Group	B-03 - B-04
Driver's Compartment Group	B-05 - B-10
Electrical Group	B-11 - B-14
Exterior Body Group	B-15 - B-23
Galley Group	B-24 - C-01
Heating & Air Conditioning Group	C-02 - C-03
Interior Finish Group	C-04 - C-05
LP Group	C-06
Lounge Group	C-07
Water & Sewage Group	C-08 - C-11
Window, Vent & Exterior Door Group	C-12 - D-08

LOUNGE GROUP



LOUNGE CABINETRY

Key	Part Number	U/M	Description
1	092747-01-Y10	EA	End Cap Asm. - Chair Overhead
2	M92945-01-Y10	EA	Cabinet Asm - Chair Overhead - w/o Door or Hardware
3	M88304-A9-X08	EA	Door Asm. - Chair Overhead - w/o Hardware - 14.37" x 21.85"
4	M92430-01-Y10	EA	Cabinet Asm - Entrance Overhead - w/o Door or Hardware
5	M88304-99-X08	EA	Door Asm - Entrance Overhead - w/o Hardware - 10" x 19"
6	092032-01-Y33	EA	Cabinet Asm. - Pantry - w/o Doors or Hardware
7	M88304-C0-Y10	EA	Door Asm - Pantry - w/o Hardware - 7" x 25.19"
8	M92178-01-Y10	EA	Cabinet Asm. - Shirt Closet - w/o Doors or Hardware
9	M88304-13-X08	EA	Door Asm. - Shirt Closet - w/o Hardware - 14.37" x 33.48"
10	081280-23-Y10	EA	Bottom Cap Asm - Skirt Closet
11	092747-01-Y10	EA	Cap Asm - Passengers Overhead - Rear
12	M93808-01-Y10	EA	Cabinet Asm - Passenger Overhead - Rear - w/o Doors or Hardware
13	M88304-G1-Y10	EA	Door Asm. - Passenger Overhead - Rear - w/o Hardware - 14.37" x 17.9"
14	M93523-01-Y10	EA	Cabinet Asm. - Backwall Overhead - w/o Doors or Hardware
15	M88304-F5-Y10	EA	Door Asm. - Backwall Overhead - w/o hardware - 14.37" x 33.48"
16	M93443-01-Y10	EA	Cabinet Asm. - Double Bed - w/o Doors or Hardware
16	M88304-04-X08	EA	Door Asm - Double Bed - w/o Hardware - 12" x 29.13"

WATER & SEWAGE GROUP

WATER SYSTEM

Key	Part Number	U/M	Description
	081940-03-000	EA	Water Fill - Lockable - Off White
	088897-01-000	EA	Sealer - 3M
	078381-01-000	FT	Tubing - Flex/Smooth - 1.25" ID
	088401-01-000	EA	Clamp - Wormgear - .81" x 1.75"
	074488-02-000	FT	Tubing - Vinyl - 3/8" ID
	007181-01-000	EA	Clamp - Hose - Spring Type
	084250-02-000	EA	Support - Water Fill
	010224-01-000	EA	Adapter - Plastic - 3/8" MPT x 3/8" BARB - Fill to Tank
	044827-01-000	EA	Adapter - Plastic - 1.25" MPT x 1.25" BARB - Fill to Tank
	052956-1-000	EA	Tee - Plastic - .5" F x .5" MPT x 5" F
	077954-02-000	EA	Water Filter/Screen - In Tank
	075188-05-000	EA	Water Tank - 45 Gal. w/Fittings
	042989-03-000	EA	Fitting - Spinweld Plastic - 1.25" NPT
	042989-04-000	EA	Fitting - Spinweld Plastic - 3/8" FPT
	048032-01-000	EA	Patch - Spinweld Plastic - 3/8"
	075188-01-000	EA	Water Tank - 45 Gal. - w/o Fittings
	035416-04-000	EA	Terminal Ring - #10 Stud Fit
	088474-08-000	EA	Socket Housing)
	088478-01-000	EA	Socket Connector
	045729-01-000	EA	Water Pump - 2.8 GPM Shur Flow
	045729-02-000	EA	Water - Pump - 2.8 GPM Shur Flow - CSA
	065120-01-000	EA	Elbow - Plastic - Swivel - 5"
	052952-01-000	EA	Nut - Plastic - .5" F
	038800-01-000	EA	Tubing - .5" OD x 20'
	052980-01-000	EA	Drain Valve - In Line - .5" F x .5" F
	038522-02-000	EA	Cap - Brass - .5" Flare
	011053-01-000	EA	Faucet - 8" w/Swing Spout (Thru 10/23/88)
	011053-03-000	EA	Faucet - 8" w/Swing Spout (From 10/24/88)
	064852-01-000	EA	Faucet - 8" w/Swing Spout - CSA
	091253-01-000	EA	Gasket - Faucet
	078317-01-000	EA	Adapter - Swivel - 5" Tube x 5" FPT
	075240-03-000	EA	Faucet - Lavatory - Brass (Thru 10/9/88)
	075240-05-000	EA	Faucet - Lavatory - Brass (From 10/10/88)
	011058-02-000	EA	Faucet - Lavatory - Chrome - CSA
	091253-01-000	EA	Gasket - Faucet
	052954-01-000	EA	Adapter - Nose Cone - 3/8" or 1/2"
	091208-01-000	EA	Washer - Rubber - .75" x 50"
	087859-01-000	EA	Waterfill - City Water - Beige
	052955-01-000	EA	Tee - Plastic - .5" F x .5" F x .5" MPT
	052959-03-000	EA	Connector - Plastic - .5" F x 3/8" MPT - Toilet to Water
	052953-01-000	EA	Nut - Faucet - .5" Tube x .5" FPT
	052958-01-000	EA	Tee - Plastic - .5" F x .5" F x 5" F
	052957-02-000	EA	Elbow - Plastic - .5" F x .5" MPT
	075241-03-000	EA	Faucet - Shower - Brass
	075241-04-000	EA	Faucet - Shower - Brass
	075606-01-000	EA	Faucet Panel - Plastic
	031558-01-000	EA	Faucet - Shower - Chrome - CSA
	011048-02-000	EA	Shower Head - w/80" Hose
	010048-05-000	EA	Shower Head - w/80" - CSA
	051391-02-000	EA	Water Heater - w/o Motor Aid - 4 Gal. - Atwood
	051393-01-000	EA	Water Heater - w/Motor Aid
	052009-01-000	EA	Door - Water Heater - Off White

1989 ITASCA TABLE OF CONTENTS

ICN23RC
ICN27RT

A-01 - D-08
D-07 - G-14

1989 ICN23RC INDEX

Floor Plan	A-01 - A-02
Accessories Group	A-03 - A-06
Bath Group	A-07 - A-08
Cheats Group	A-09 - A-14
Curtain, Cushion & Pad Group	A-15 - B-02
Director Group	B-03 - B-04
Driver's Compartment Group	B-05 - B-10
Electrical Group	B-11 - B-14
Exterior Body Group	B-15 - B-23
Galley Group	B-24 - C-01
Heating & Air Conditioning Group	C-02 - C-03
Interior Finish Group	C-04 - C-05
LP Group	C-06
Lounge Group	C-07
Water & Sewage Group	C-08 - C-11
Window, Vent & Exterior Door Group	C-12 - D-08

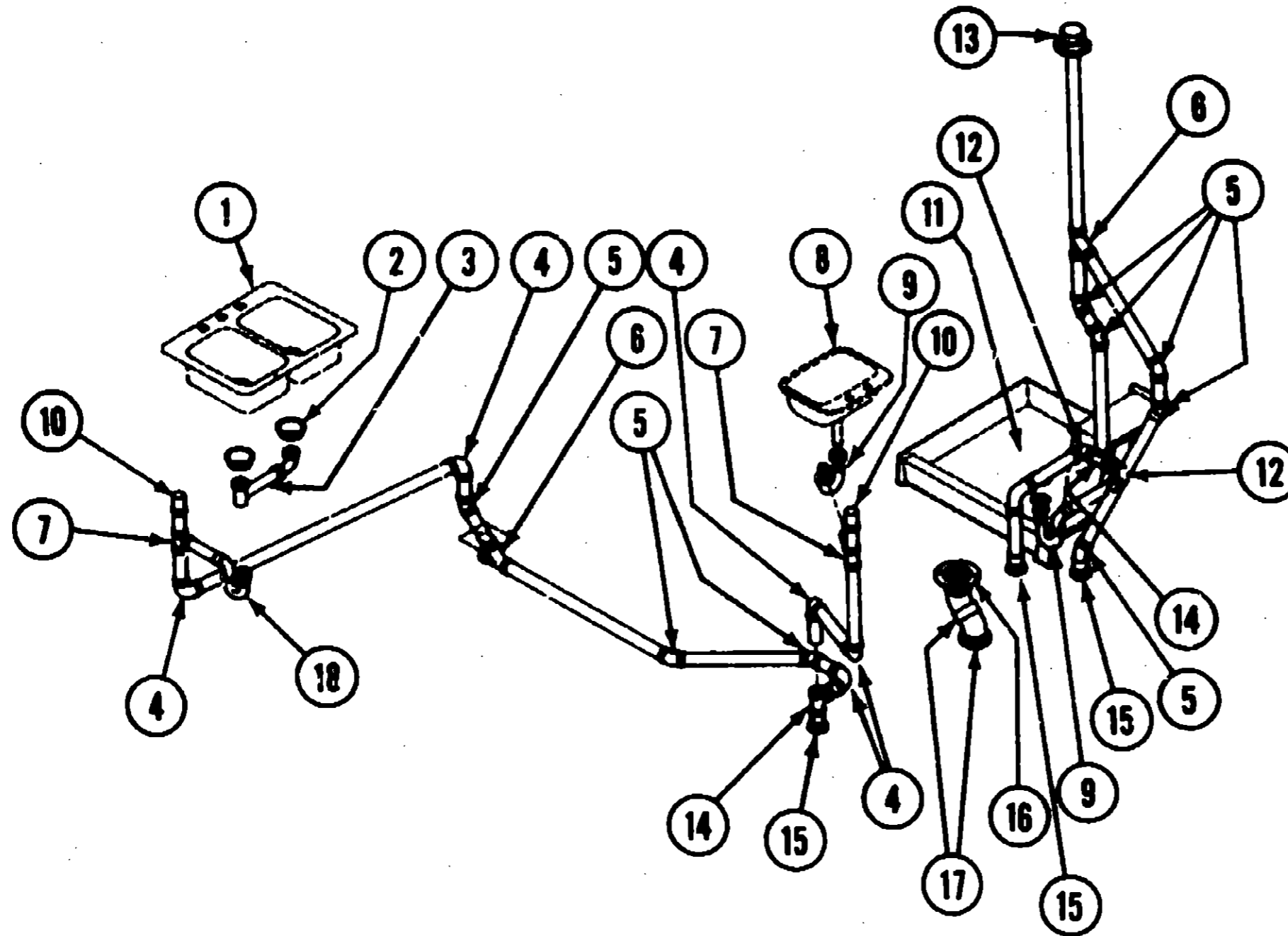
WATER & SEWAGE GROUP (CONTINUED)

DRAINAGE SYSTEM

**1989 ITASCA
TABLE OF CONTENTS**

ICN23RC
ICN27RT

A-01 - D-08
C-07 - G-14



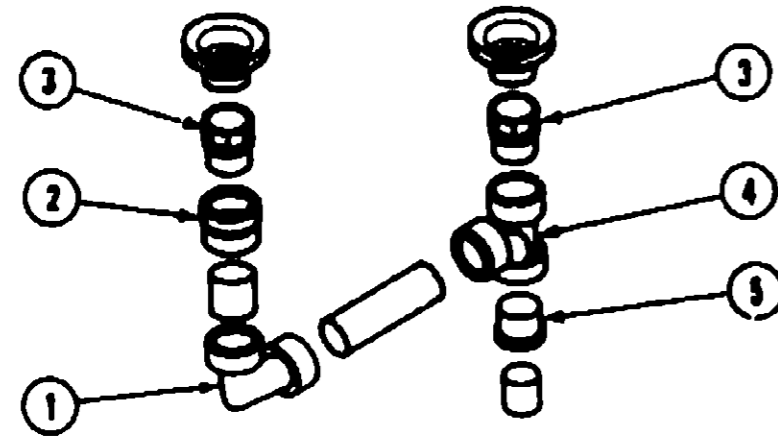
1989 ICN23RC INDEX

Floor Plan	A-01 - A-02
Accessories Group	A-03 - A-06
Bath Group	A-07 - A-08
Chassis Group	A-09 - A-14
Curtain, Cushion & Pad Group	A-15 - B-02
Dinette Group	B-03 - B-04
Driver's Compartment Group	B-05 - B-10
Electrical Group	B-11 - B-14
Exterior Body Group	B-15 - B-23
Galley Group	B-24 - C-01
Heating & Air Conditioning Group	C-02 - C-03
Interior Finish Group	C-04 - C-05
LP Group	C-06
Lounge Group	C-07
Water & Sewage Group	C-08 - C-11
Window, Vent & Exterior Door Group	C-12 - D-06

Key	Part Number	U/M	Description
1	066815-01-000	EA	Sink - 3ST - Double - w/Mounting Hardware
2	066437-01-000	EA	Strainer - w/Basket
	069640-01-000	EA	Sealer Ribbon - .25" x 20'
3	011091-02-000	EA	Continuous Waste - Double Sink
	010071-01-000	EA	Tee - Plastic - 1.5" H x H x H - CSA
	010121-01-000	EA	Bushing - Plastic - 1.5" S x 1.25" H - CSA
	033302-02-000	EA	Adapter Arm - SWVC - 1.5" Strainer to Continuous Waste
	037101-02-000	EA	Elbow - Plastic - 1/4 BD Vent 1.5" Hub
4	010006-01-000	EA	Elbow - Plastic - 1.5" x 90° XLT
	010006-01-000	EA	Elbow - Plastic - 1.5" x 45° H x H
6	010073-01-000	EA	Wye - Plastic - 1.5" x 45° H x H x H
	010166-01-000	EA	Plug - Plastic - 1.25" NPT
	010122-01-000	EA	Bushing - Plastic - Red - 1.5" S x 1.25" T
	010079-01-000	EA	Tee - Plastic - Red - 1.5" x 1.5" x 1.25"
8	066713-01-000	EA	Sink - Oval - Plastic - Ivory
9	011066-03-000	EA	P-Trap - 1.25" x 1.5"
9	011066-02-000	EA	P-Trap - 1.25" x 1.5" CSA
10	079866-01-000	EA	Vent - Mechanical Trap Arm

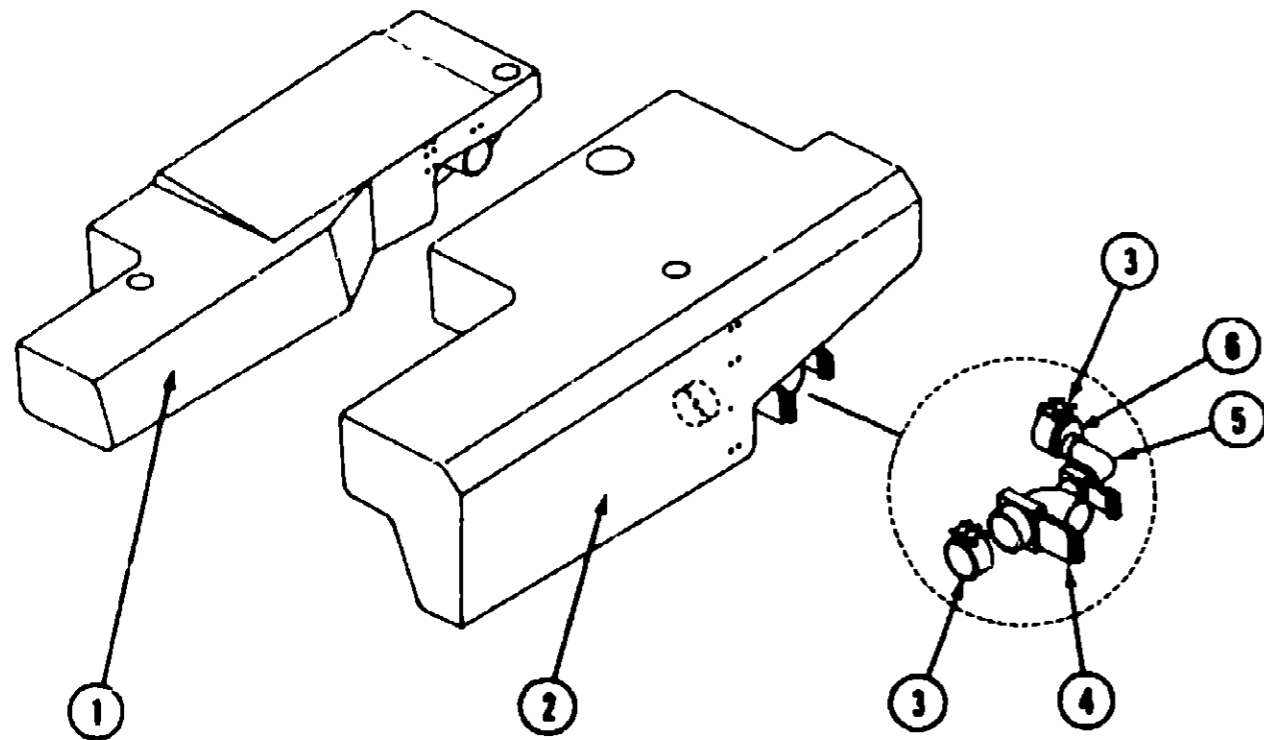
Key	Part Number	U/M	Description
11	M02630-09-Y10	EA	Shower Pan
12	010009-01-000	EA	Elbow - Plastic - 1.25" BD x 1.5" x 90°
13	063556-01-000	EA	Roof Vent - Covered - Plastic
	069640-03-000	FT	Sealer Ribbon - .75" x 30'
14	010071-01-000	EA	Tee - Plastic - 1.5" H x H x H
15	010116-01-000	EA	Coupling - Plastic - 1.5" H x H
15	061607-01-000	EA	Grommet - Holding Tank - 1.5" NPS
16	063641-01-000	EA	Closet Flange - Red - 4 x 3
16	063641-02-000	EA	Closet Flange - Red - 4 x 3 - CSA
17	010024-01-000	EA	Elbow - Plastic - 3" x 45° H x H
17	061607-02-000	EA	Grommet - Holding Tank - 3" NPS
18	011066-03-000	EA	P-Trap - Plastic - 1.25" x 1.5"
18	053335-01-000	EA	P-Trap - Plastic - 1.25" x 1.5" H x H w/Union - CSA
	010191-01-000	FT	Pipe - Black Plastic - 1.25" ID x 240"
	010194-02-000	FT	Pipe - Black Plastic - 1.25" ID - CSA
	010195-01-000	FT	Pipe - Black Plastic - 1.5" ID x 240"
	010195-02-000	FT	Pipe - Black Plastic - 1.5" ID - CSA

WATER & SEWAGE GROUP (CONTINUED)



CONTINUOUS WASTE (CANADA)

Key	Part Number	U/M	Description
1	037101-02-000	EA	Elbow - 1.5" H x 1.5" H x 90°
2	010115-01-000	EA	Coupling - 1.5" H x 1.5" H
3	033302-02-000	EA	Adapter
4	010071-01-000	EA	Tee - 1.5" H x 1.5" H x 1.5" H
5	010121-01-000	EA	Rushing Adapter - 1.5" x 1.25" H x H



HOLDING TANK

Key	Part Number	U/M	Description
1	082271-01-000	EA	Holding Tank - Aux. - 30 Gal.
2	082272-01-000	EA	Holding Tank - Main - 50 Gal.
3	078408-01-050	EA	Rubber Coupler - 3" x 3"
4	070918-01-000	EA	Dual Dump Valve - 3" & 1.5"
5	033781-01-000	EA	Elbow - Plastic - 1.5" x 90° XLT
6	082422-01-000	EA	Adapter - Offset Reducer - 3" x 1.5"

WINDOW GROUP

VENTS, ACCESS DO/ OR HARDWARE

Key	Part Number	U/M	Description
	008438-01-000	EA	Crank - Roof Vent
	008438-03-000	EA	Extension - .8" - Roof Vent
	008438-05-000	EA	Knob - Roof Vent - Black
	008438-06-000	EA	Extension - Roof Vent - Black
	008438-07-000	EA	Screw - Roof Vent Crank - Black
	080382-01-Y12	EA	Vent - Non-Powered - Roof - Beige
	078788-01-Y12	EA	Screen As.m. - Non-Powered - Roof Vent
	080383-01-Y12	EA	Vent - Powered - Roof
	078788-01-Y12	EA	Screen As.m. - Powered Roof Vent
	082888-01-01A	EA	Vent - Range - w/Door - Outside
	082731-01-000	EA	Extension - Duct - Range Hood
	084073-03-000	EA	Vent - Refrigerator Roof Vent
	084073-04-000	EA	Base - Refrigerator Roof Vent
	084103-03-000	EA	Door - Refrigerator Vent - Sidewall
	084104-03-000	EA	Jamb - Refrigerator Vent - Sidewall
	084104-01-700	EA	Lock - Male - Refrigerator Door - Exterior
	084104-01-701	EA	Lock - Female - Refrigerator Door - Exterior
	083558-03-000	EA	Cover - Vent Pipe - Plastic
	078010-03-000	EA	Door Arm - Fuel Fill - Off White
	077983-01-000	EA	Gasket - Gas Fill Door
	078200-01-000	EA	Gasket - Fuel Fill
	052009-01-000	EA	Door Arm - Water Heater - Off White
	078388-01-000	EA	Seal - Access Door
	083081-01-02A	EA	Striker - Luggage Door - Black
	083882-01-000	EA	Strike - Door
	083815-08-000	EA	Door Stop - Off White Plastic
	084382-01-000	EA	Clip - Flat Head Plastic - Valance Panel - .4"
	084382-02-000	EA	Clip - Flat Head Plastic - Valance Panel - .95"
	083888-01-02A	EA	Pocket Latch - Off White
	086730-11-000	EA	Latch As.m. - Paddle - Plastic - w/Key Lock
	004363-01-000	FT	Tape - Foam - 3/16" x 1/2"
	086730-14-000	EA	Latch As.m. - Paddle - Plastic - w/o Key Lock
	042442-02-000	EA	Lock As.m. - Twist Type - Access Door
	083758-01-01A	EA	Shroud - Furnace

WINDSHIELD & CORNER GLASS

Key	Part Number	U/M	Description
	091853-04-000	EA	Glass - Corner Vent - Drivers
	091853-03-000	EA	Glass - Corner Vent - Passengers
	091215-02-000	EA	Glass - Windshield - Drivers
	091215-01-000	EA	Glass - Windshield - Passengers
	091888-01-000	EA	Reveal Molding - w/s Black Rubber

1989 ITASCA TABLE OF CONTENTS

ICN23RC
ICN27RT

A-01 - D-08
D-07 - G-14

1989 ICN23RC INDEX

Floor Plan	A-01 - A-02
Accessories Group	A-03 - A-08
Bath Group	A-07 - A-08
Chassis Group	A-09 - A-14
Curtain, Cushion & Pad Group	A-15 - B-02
Frontette Group	B-03 - B-04
Driver's Compartment Group	B-05 - B-10
Electrical Group	B-11 - B-14
Exterior Body Group	B-15 - B-23
Galley Group	B-24 - C-01
Heating & Air Conditioning Group	C-02 - C-03
Interior Finish Group	C-04 - C-05
LP Group	C-06
Lounges Group	C-07
Water & Sewage Group	C-08 - C-11
Window, Vent & Exterior Door Group	C-12 - D-08

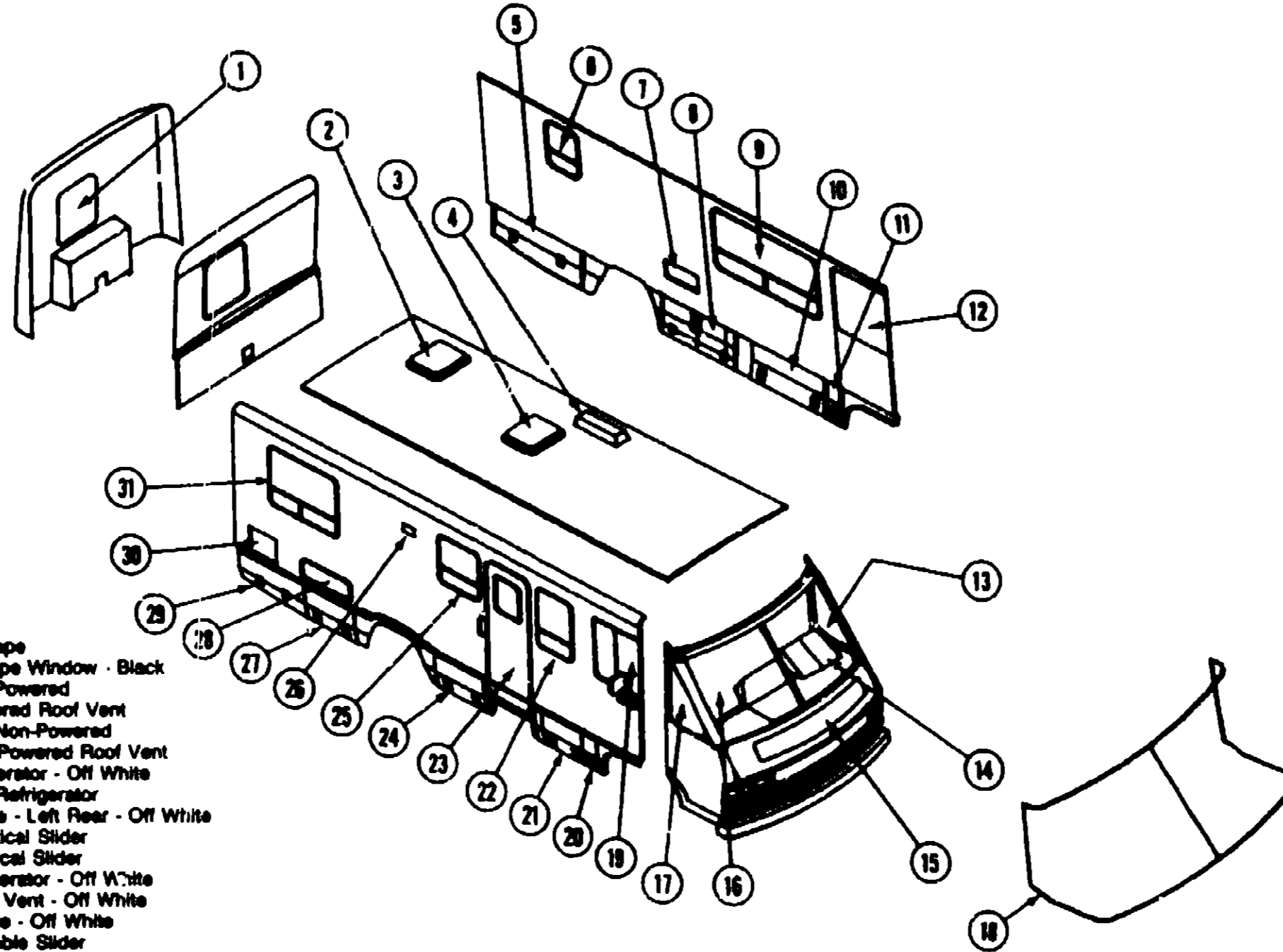
WINDOW, VENT & EXTERIOR DOOR GROUP (CONTINUED)

WINDOWS, VENTS & ACCESS DOOR

1989 ITABCA TABLE OF CONTENTS

ICN23RC
ICN27RT

A-01 - D-06
D-07 - G-14



Key	Part Number	U/M	Description
1	087285-05-Y10	EA	Window Asm. - Escape
	078850-05-000	EA	Inside Frame - Escape Window - Black
2	U90393-01-Y12	EA	Vent Asm. - Roof - Powered
	078785-01-Y12	EA	Screen Asm. - Powered Roof Vent
3	090392-01-Y12	EA	Vent Asm. - Roof - Non-Powered
	078786-01-Y12	EA	Screen Asm. - Non-Powered Roof Vent
4	084073-03-000	EA	Vent - Roof - Refrigerator - Off White
	084073-04-000	EA	Base - Roof Vent - Refrigerator
5	092630-03-Y31	EA	Door Asm. - Valance - Left Rear - Off White
6	078453-02-U25	EA	Window Asm. - Vertical Slider
	083122-13-000	EA	Inside Frame - Vertical Slider
7	084103-03-000	EA	Door - Vent - Refrigerator - Off White
	084104-03-000	EA	Jamb - Refrigerator Vent - Off White
8	093759-01-Y33	EA	Door Asm. - Furnace - Off White
9	078289-04-X11	EA	Window Asm. - Double Slider
	083122-26-000	EA	Inside Frame - Double Slider - Beige
9	085354-05-X11	EA	Window Asm. - Double Tipout
	084153-10-000	EA	Window Retainer - Double Tipout
10	092482-04-Y33	EA	Door Asm. - Valance - Off White
11	092482-03-Y33	EA	Door Asm. - Valance - Front Left - Off White
12	M93054-02-Y33	EA	Door Asm. - Drivers Door
13	091953-04-000	EA	Corner Vent Glass - Drivers
14	091215-02-000	EA	Windshield - Drivers
15	092678-01-Y33	EA	Hood Panel - Front Shroud
16	091215-01-000	EA	Windshield - Passengers
17	091953-03-000	EA	Corner Vent Glass - Passengers
18	091986-01-000	EA	Reveal Molding - wfs - Black Rubber
19	093703-01-Y10	EA	Window Asm. - Single Slider - Passengers
	092665-01-Y10	EA	Inside Frame - Single Slider - Passengers
20	092482-03-Y33	EA	Door Asm. - Right Front - Off White
21	092482-07-Y33	EA	Door Asm. - Right Front Storage - Off White
22	085353-12-X11	EA	Window Asm. - Single Tipout
	084153-14-000	EA	Window Retainer

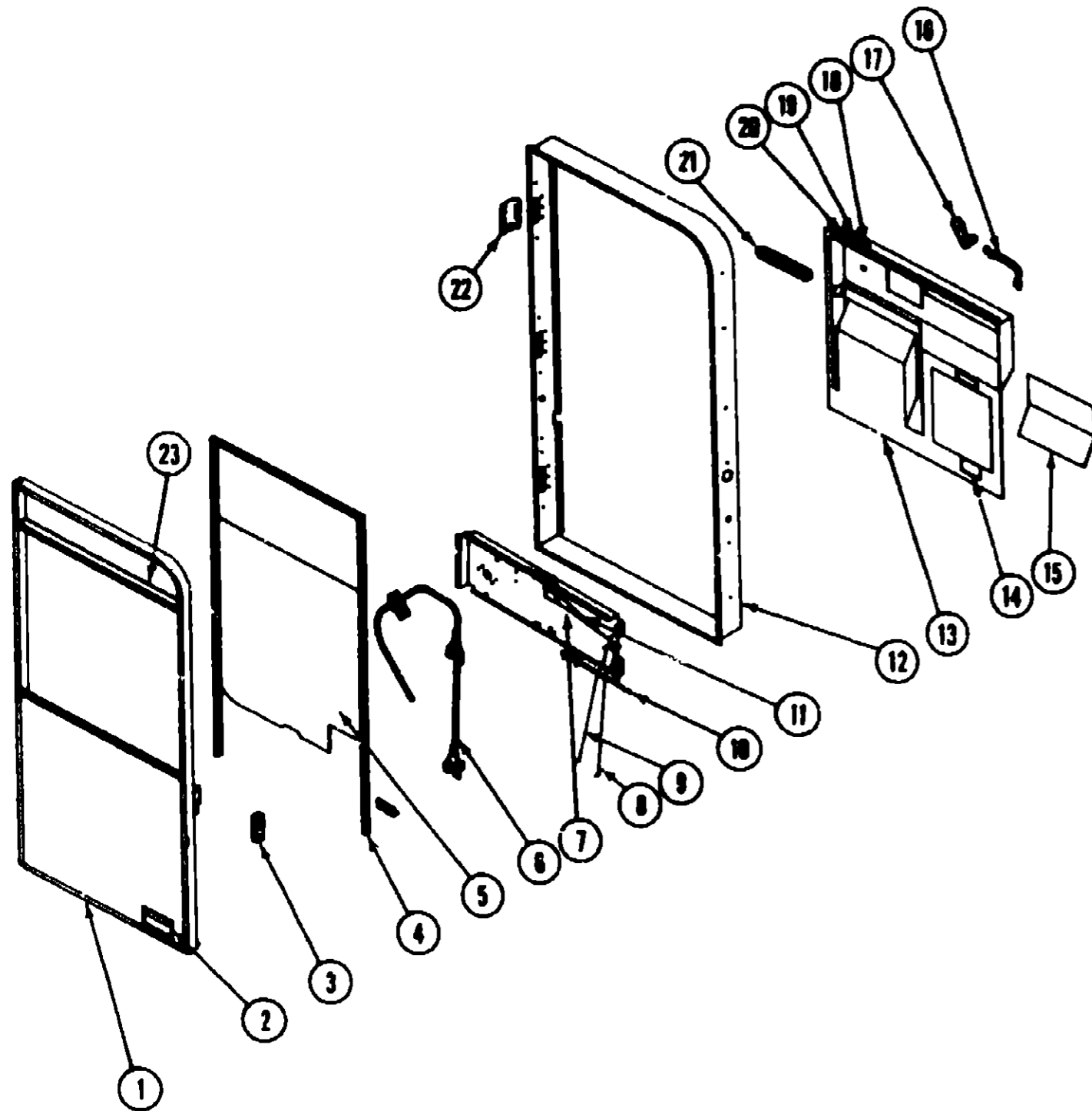
Key	Part Number	U/M	Description
23	M01870-21-Y33	EA	Entrance Door - Radius Entry w/Screen Door
24	092482-06-Y33	EA	Door Asm. - Valance - Right Center - Off White
25	085353-07-W07	EA	Window Asm. - Single Tipout
	084153-04-000	EA	Window Retainer - Single Tipout
26	092688-01-01A	EA	Vent w/Door - Stove Hood - Off White
27	092482-04-Y33	EA	Door Asm. - Valance - Off White
28	079678-01-T33	EA	Door Asm. - Storage - Off White
29	092631-06-Y36	EA	Door Asm. - Valance - Right Rear - Off White
30	052009-01-000	EA	Door - Water Heater - Off White
31	085354-07-X11	EA	Window Asm. - Double Tipout
	084153-12-000	EA	Window Retainer - Double Tipout
	078010-03-000	EA	Door Asm. - Fuel Fill - Off White
	078200-01-000	EA	Gaslet - Fuel Fill Door
	081240-03-000	EA	Water Fill - Lockable - Off White
	092683-01-Y33	EA	Panel Asm. - Spare Tire Door - Off White
	093387-01-Y33	EA	Step Asm. - Valance - Off White

1989 ICN23RC INDEX

Floor Plan	A-01 - A-02
Accessories Group	A-03 - A-06
Bath Group	A-07 - A-08
Chassis Group	A-09 - A-14
Curtain, Cushion & Pad Group	A-15 - B-02
Dinette Group	B-03 - B-04
Driver's Compartment Group	B-05 - B-10
Electrical Group	B-11 - B-14
Exterior Body Group	B-15 - B-23
Galley Group	B-24 - C-01
Heating & Air Conditioning Group	C-02 - C-03
Interior Finish Group	C-04 - C-06
LP Group	C-06
Lounge Group	C-07
Water & Sewage Group	C-08 - C-11
Window, Vent & Exterior Door Group	C-12 - D-06

WINDOW, VENT & EXTERIOR DOOR GROUP (CONTINUED)

DRIVER'S DOOR & HARDWARE



Key	Part Number	U/M	Description
1	M83084-02-Y33	EA	Door Asm. - Driver Door - w/Crank Window
1	M83084-04-Y35	EA	Door Asm. - Driver Door - w/Power Window
2	082927-01-000	EA	Latch Asm. - Outside Door Handle
	082927-01-700	EA	Lock Lever - Black
	082927-01-701	EA	Lock Lever - Chrome
3	082927-04-000	EA	Latch Striker - Driver Door
4	089454-02-000	EA	Channel - Glass Run - Top
5	082446-01-000	EA	Glass - Roll-Up - Door
	081812-02-000	EA	Weatherstrip - Rigid
6	083834-01-000	EA	Regulator Asm. - Window (w/Crank Window)
6	082906-01-000	EA	Regulator Asm. - Power Window
7	082928-04-000	EA	Rod - Inside Lock
	082927-06-000	EA	Clip - Rod End - Right
8	082928-01-000	EA	Rod - Door Lock
	082927-05-000	EA	Clip - Rod End - Right
9	082928-02-000	EA	Rod - Outside Release
	082927-08-000	EA	Clip - Rod End - Left
10	081906-02-000	EA	Slide Bolt - Driver Door
	088809-01-000	EA	Bracket - Dead Bolt
	081903-01-000	EA	Knob - Mounting Shaft
11	082928-03-000	EA	Rod - Inside Release
	082927-05-001	EA	Clip - Rod End - Right
12	082800-01-Y33	EA	Jamb Asm. - Door
13	M82581-01-02A	EA	Panel - Interior
	081905-02-000	EA	Knob Control - Slide Bolt - Left
14	077026-01-000	EA	Lens - Courtesy Light - Clear
	077000-01-000	EA	Socket Asm. - w/8" Pigtail Heads
15	082580-01-02A	EA	Cover - Map Pocket
16	081400-04-000	EA	Assist Strap - 12" - Black w/Woodgrain Insert
17	094575-01-000	EA	Hand Crank - Glass Lift
18	083132-01-000	EA	Switch - Power Window
19	088246-01-000	EA	Switch - Remote Mirror
20	087885-01-000	EA	Switch - Mirror Heater
21	083144-01-000	EA	Conduit - Wire
	080734-02-000	EA	Clip - Nylon Wire
22	082937-01-02A	EA	Hinge Asm. - Front Door
23	082997-01-000	EA	Glass - Stationary
	088030-01-000	EA	Strap - Check - Door
	081243-02-000	EA	Clip - Screen - Plastic - Black

1989 ITASCA TABLE OF CONTENTS

ICN23RC
ICN27RT

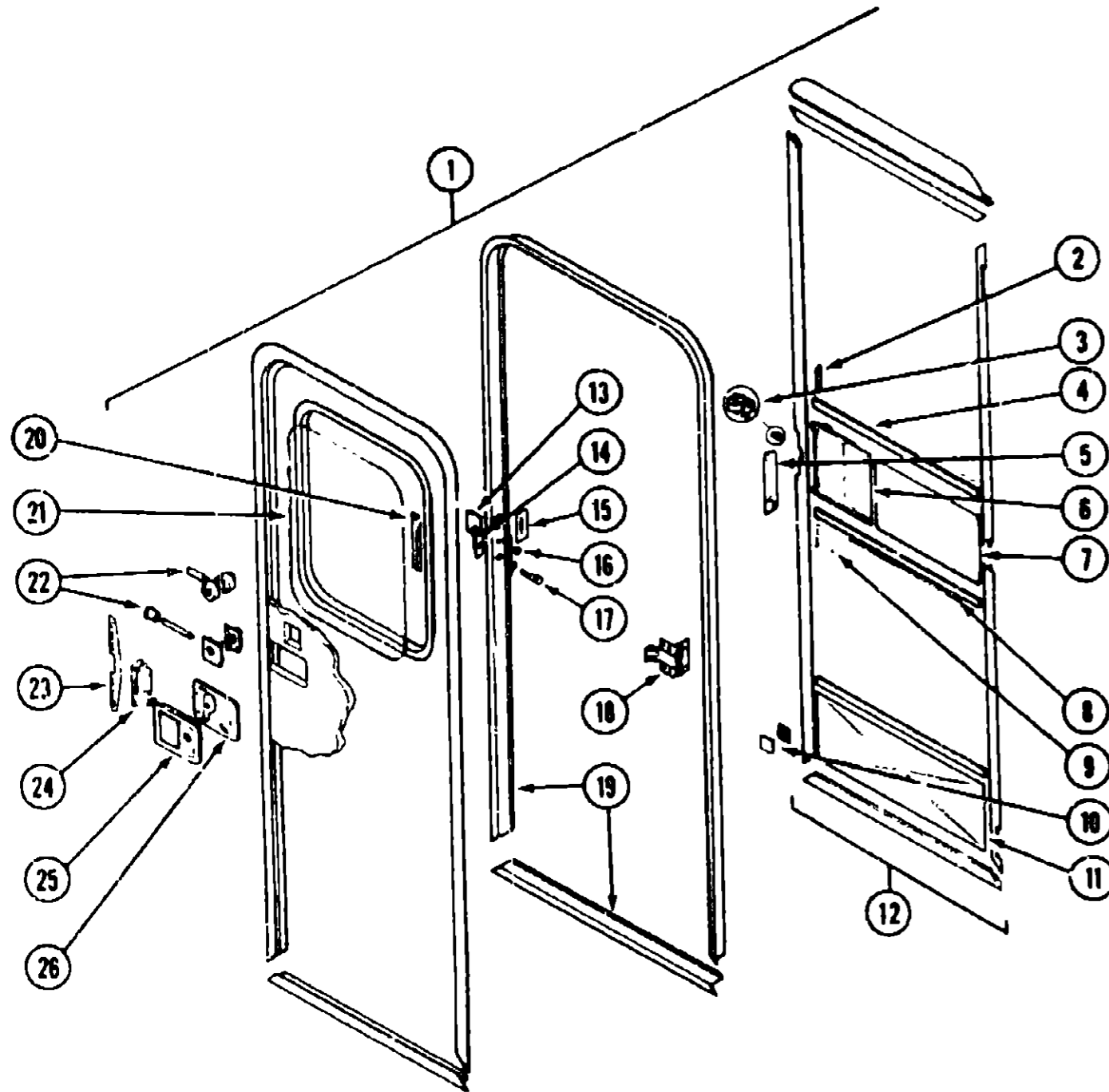
A-01 - D-08
D-07 - G-14

1989 ICN23RC INDEX

Floor Plan	A-01 - A-02
Accessories Group	A-03 - A-06
Bath Group	A-07 - A-08
Chassis Group	A-09 - A-14
Curtain, Cushion & Pad Group	A-15 - B-02
Dinette Group	B-03 - B-04
Driver's Compartment Group	B-05 - B-10
Electrical Group	B-11 - B-14
Exterior Body Group	B-15 - B-23
Galley Group	B-24 - C-01
Heating & Air Conditioning Group	C-02 - C-03
Interior Finish Group	C-04 - C-05
LP Group	C-06
Lounge Group	C-07
Water & Sewage Group	C-08 - C-11
Window, Vent & Exterior Door Group	C-12 - D-08

WINDOW, VENT & EXTERIOR DOOR GROUP (CONTINUED)

ENTRANCE DOOR



Key	Part Number	U/M	Description
1	M01870-21-Y33	EA	Door Ass. - Entrance w/Screen Door
	086278-01-01A	EA	Frame Ass. - Entrance Door - Off White
	089748-01-000	EA	Frame - Entrance Door - Bottom Portion
2	060712-06-000	EA	Door Handle - Screen Door
3	008018-01-000	EA	Roller Catch - Screen Door
	038028-02-000	EA	Clip - Roller Latch Catch
	008018-01-000	EA	Catch - Elbow - Spring Loaded - Screen Door
4	078682-02-000	EA	Screen Door Mullion - Upper & Lower - Slider
	078777-01-000	EA	Slider Channel (Mullion Insert)
6	078007-02-000	EA	Strike - Slider - Screen Door
8	078086-02-000	EA	Slider - Screen Door
7	018454-01-000	EA	Insert - Screen Door
8	002294-01-000	FT	Spline - Black
9	002293-02-000	SF	Screen - Window - 28" Charcoal
10	085774-01-000	FT	Fastener - Dual Lock - 1" Wide
10	085774-02-000	FT	Fastener - Dual Lock - 1" Wide
11	078552-03-000	EA	Insert - Screen Door - Lower
12	078012-01-U01	EA	Screen Door Ass.
	078595-01-000	EA	Plate - Screen Door
13	077481-01-000	EA	Strike Cover
14	041548-03-000	EA	Angle Bracket
15	079173-01-000	EA	Deadbolt - Gasket
16	058806-01-000	EA	Plug - Tapered Plastic
17	038638-01-000	EA	Strike
18	078381-08-000	EA	Hinge
19	085277-01-01A	EA	Door Jamb - Entrance Door
20	067561-01-000	FT	Window Seal
21	002181-08-000	EA	Glass - Picture Window
	078733-04-T03	EA	Window Ass. - Picture - 17" x 25" (w/o inside frame)
	067809-03-000	EA	Inside Frame - Beige (not included in assembly)
22	031738-01-000	EA	Dead Bolt Ass. - Round
22	085228-01-01A	EA	Dead Bolt Ass. - Square - Black
23	088173-01-03A	EA	Stiffener - Entrance Door
24	038140-01-000	EA	Latch Ass. - Entrance Door
25	045017-10-000	EA	Latch Ass. - Plate - Black
26	038819-03-000	EA	Cover Ass. - Latch Plate - Black
	038881-01-000	EA	Cap - Black Vinyl - Lock Grip
	075873-01-000	FT	Seal - Pile - Adhesive Back
	075871-01-000	FT	Seal - Sponge - Lazy T Shaped
	002748-01-000	EA	Cover - Key
	081067-01-000	EA	Seal - Lock - Flat w/SHt

1980 ITASCA TABLE OF CONTENTS

ICN23RC
ICN27RT

A-01 - D-08
D-07 - G-14

1989 ICN23RC INDEX

Floor Plan	A-01 - A-02
Accessories Group	A-03 - A-08
Bath Group	A-07 - A-08
Chassis Group	A-09 - A-14
Curtain, Cushion & Pad Group	A-15 - B-02
Dinette Group	B-03 - B-04
Driver's Compartment Group	B-05 - B-10
Electrical Group	B-11 - B-14
Exterior Body Group	B-15 - B-23
Galley Group	B-24 - C-01
Heating & Air Conditioning Group	C-02 - C-03
Interior Finish Group	C-04 - C-06
LP Group	C-08
Lounge Group	C-07
Water & Sewage Group	C-05 - C-11
Window, Vent & Exterior Door Group	C-12 - D-08

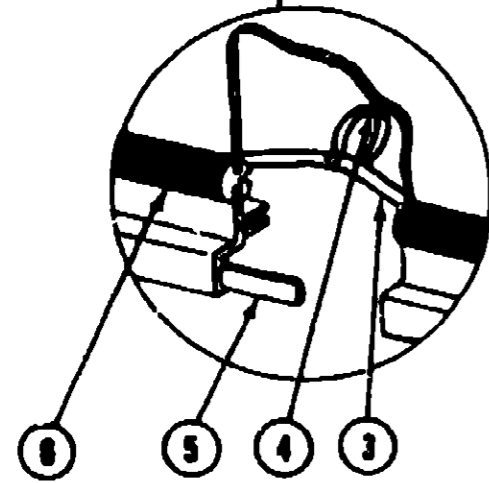
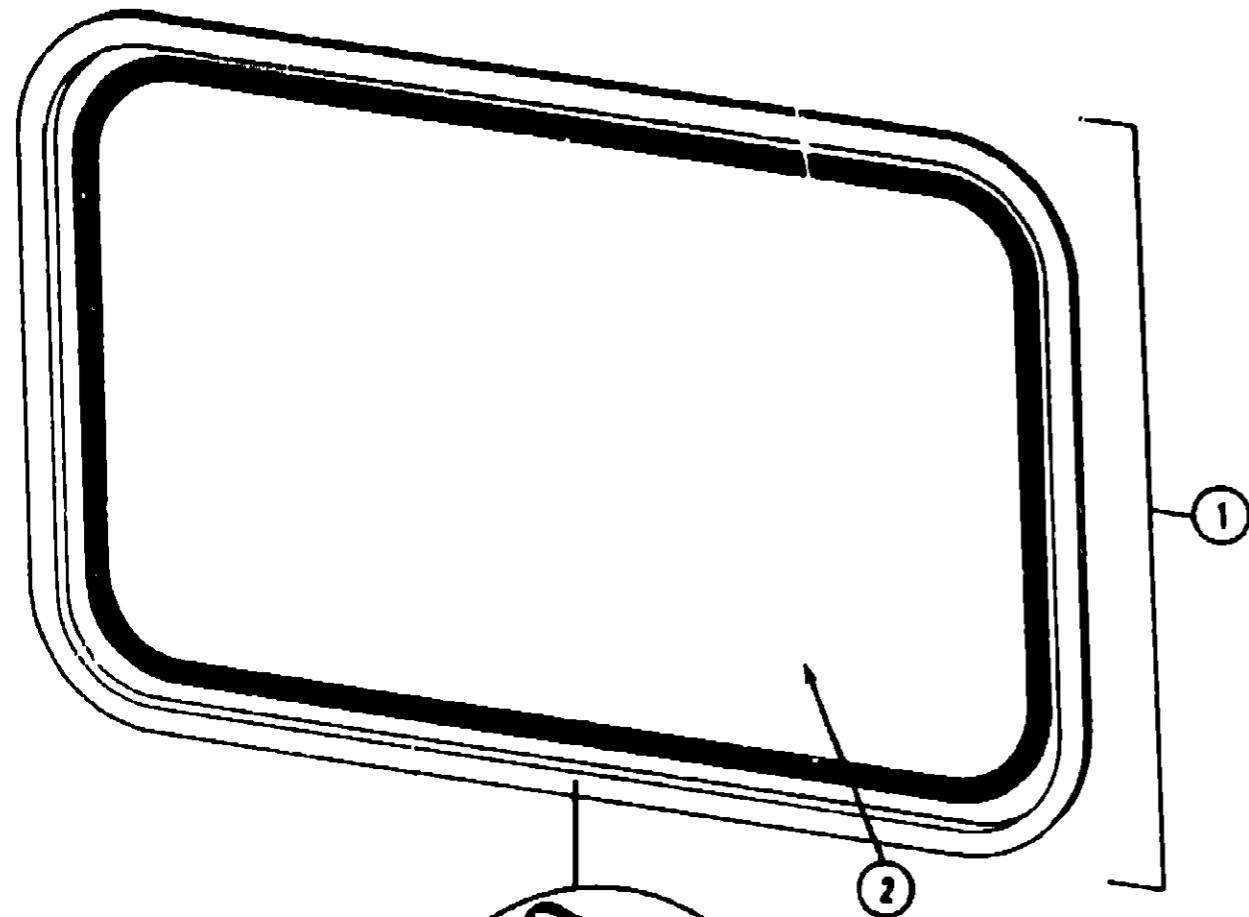
WINDOW, VENT & EXTERIOR DOOR GROUP (CONTINUED)

WINDOW, VENT & EXTERIOR DOOR GROUP (CONTINUED)

1989 ITASCA
TABLE OF CONTENTS

ICN23RC
ICN27RT

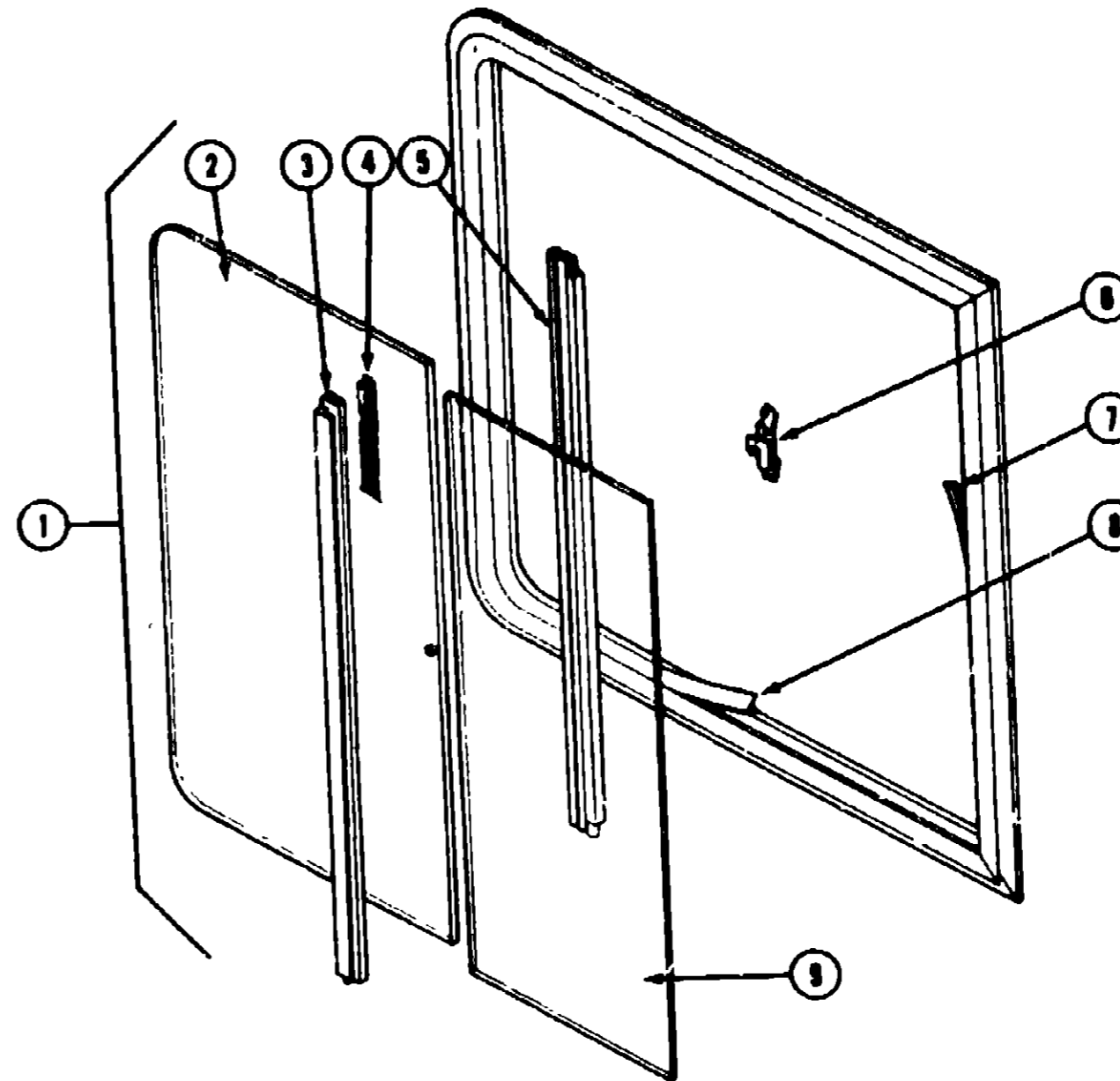
A-01 - D-08
D-07 - G-14



ESCAPE WINDOW

Key	Part Number	U/M	Description
1	087985-05-Y10	EA	Window Asm - Escape (w/o inside frame)
	078650-05-000	EA	Inside Frame - Escape Window - Black (not included in assembly)
2	078337-07-000	EA	Glass - 1/8" x 28 1/4" x 28 1/4"
3	002285-01-000	FT	Filler - Weatherstrip - Black
4	069840-07-000	FT	Tape - 2" Bead x 3/32" x 3/16"
5	002282-01-000	FT	Weatherstrip - Window - .1/5" Black
6	077066-01-701	EA	Tape - Poly - Red - 36"

Key	Part Number	U/M	Description
1	093703-01-Y10	EA	Window Asm. - Single Slider - 31 5/8" x 31" (w/o inside frame)
	092885-01-Y10	EA	Inside Frame - Black (not included in assembly)
2	081980-11-000	EA	Glass - Slider - 1/8" x 30 4/8" x 18.5"
3	002389-03-209	EA	Glass Holder - 29 5/8"
4	073740-01-000	FT	Seal - Fin - Pile - .480
5	084170-09-000	EA	Mullion - Slider Window - Black
	042977-01-000	FT	Channel - Window - Glass Run - 3/16"
	050216-02-000	FT	Spline - Vinyl Glass - .19" - Black
6	047389-01-700	EA	Latch Kit - Window - Black Plastic w/Fastener
7	002309-02-000	FT	Spline - Glass - 1/8" Material - Black
8	041928-02-000	FT	Seal - Window Channel
9	057856-12-000	EA	Glass - Stationary - 1/8" x 15.7" x 30.4"
	000339-08-16T	EA	Screw - SF/DR - 8 x 20 x 1.00 - 5PH
	002329-01-000	EA	Black - Window - 1/8" x 3/16" x 1"
	023320-01-000	EA	Pad - Felt - 3/8" Dia.
	081377-01-000	EA	Adhesive - Cyanocrylate



1989 ICN23RC INDEX

Floor Plan	A-01 - A-02
Accessories Group	A-03 - A-06
Bath Group	A-07 - A-08
Chassis Group	A-09 - A-14
Curtain, Cushion & Pad Group	A-15 - B-02
Dinette Group	B-03 - B-04
Driver's Compartment Group	B-05 - B-10
Electrical Group	B-11 - B-14
Exterior Body Group	B-15 - B-23
Galley Group	B-24 - C-01
Heating & Air Conditioning Group	C-02 - C-03
Interior Finish Group	C-04 - C-05
LP Group	C-06
Lounge Group	C-07
Water & Sewage Group	C-08 - C-11
Window, Vent & Exterior Door Group	C-12 - D-08

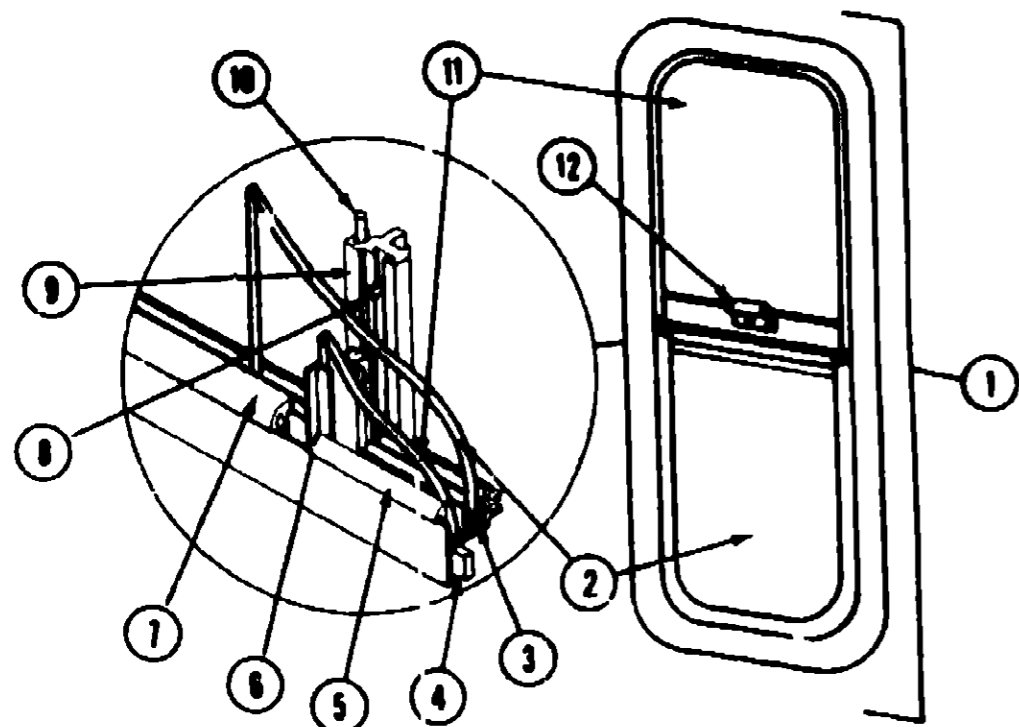
WINDOW, VENT & EXTERIOR DOOR GROUP (CONTINUED)

WINDOW, VENT & EXTERIOR DOOR GROUP (CONTINUED)

**1988 ITASCA
TABLE OF CONTENTS**

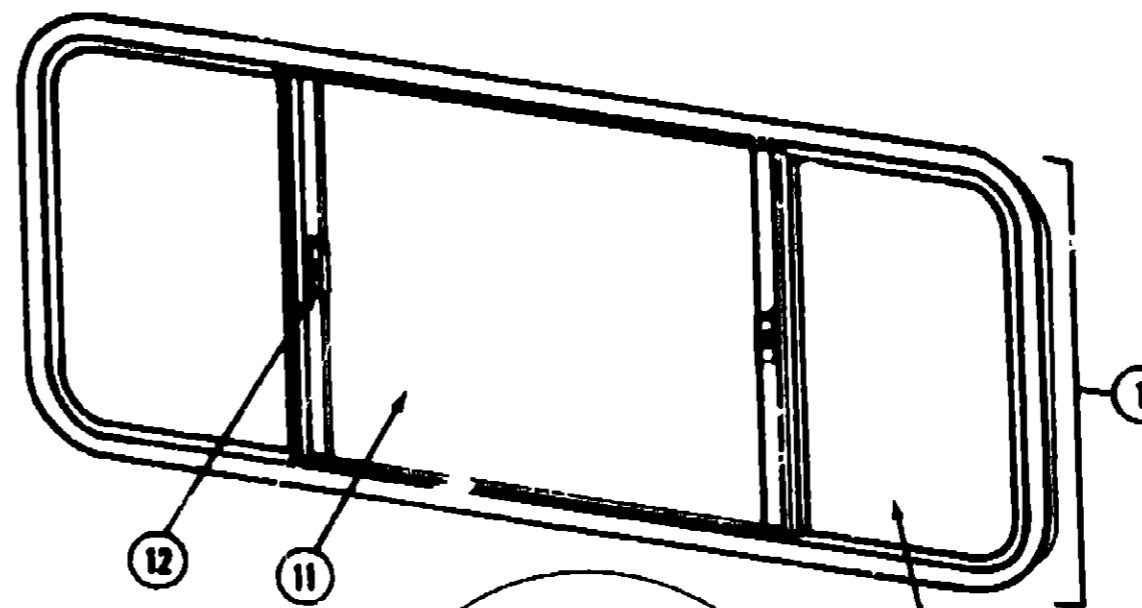
ICN23RC
ICN27RT

A-01 - D-06
D-07 - G-14



VERTICAL SLIDER

Key	Part Number	U/M	Description
1	078453-02-U25	EA	Window Asm - Vertical Slider (w/o inside frame)
	083122-13-000	EA	Inside Frame - Vertical Slider - Beige (not included in assembly)
2	081981-01-000	EA	Glass - Slider
3	002324-02-000	FT	Channel - Weatherstrip - Glass Run - 1/8" Glass
4	089840-08-000	FT	Sealer Ribbon - 5/16" Bead x 15'
5	002309-02-000	FT	Spline - Glass - 1/8" - Black
6	088886-03-001	EA	Seal Holder - Black - 192"
7	024098-02-000	FT	Seal - Window - Channel - Black
8	073740-01-000	FT	Fin Seal - .460 Pile
9	084170-08-000	EA	Mullion - Slider Window - Black
10	002298-02-000	FT	Spline - .130" Dia - Charcoal (Screen)
11	081984-04-000	EA	Glass - Stationary - 1/8" x 17.5" x 11.5"
12	047369-01-700	EA	Latch Kit - Window - Plastic w/Fastener
	002292-02-000	SF	Screen - Window - 20" - Charcoal



DOUBLE SLIDER WINDOW

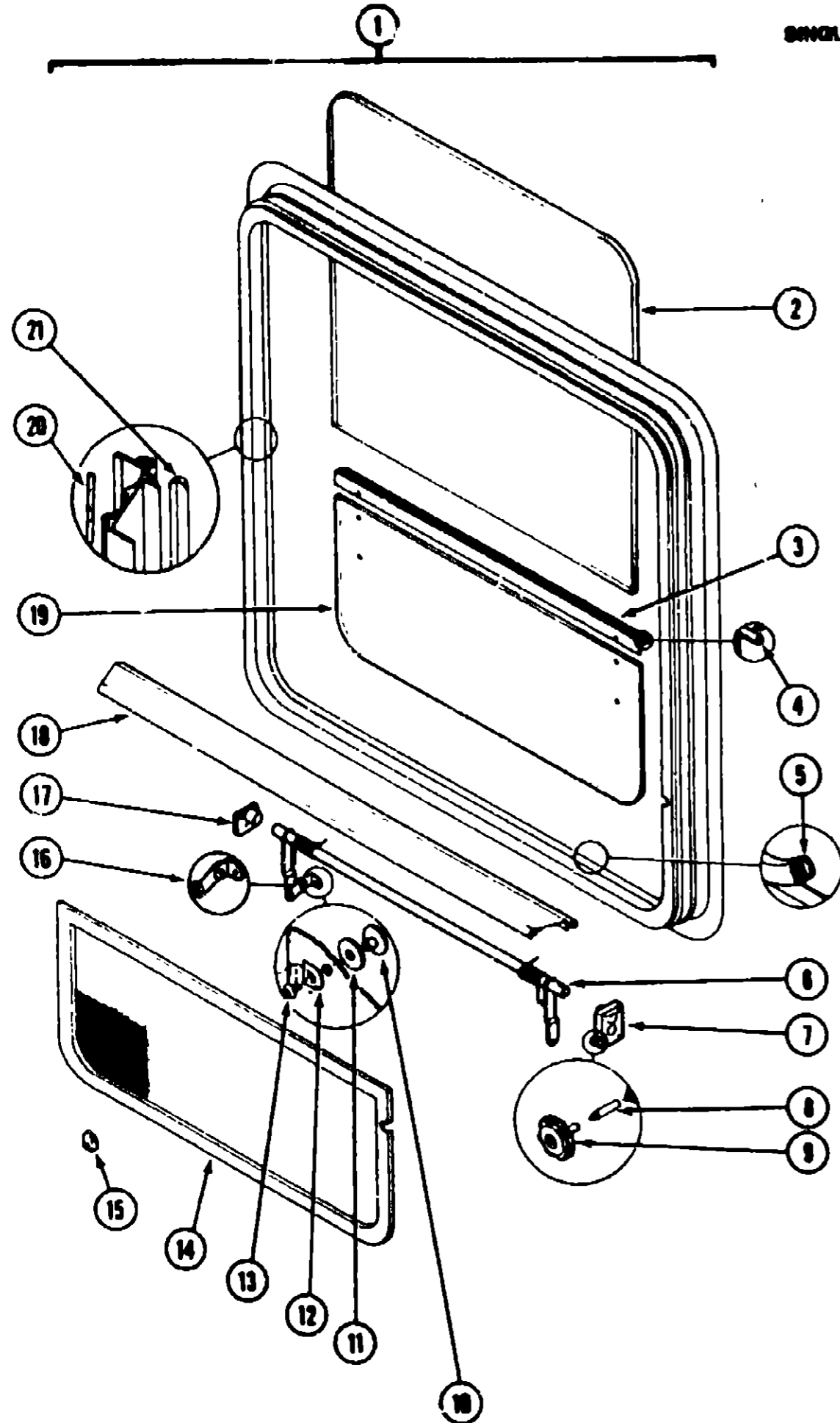
Key	Part Number	U/M	Description
1	078269-04-X11	EA	Window Asm - Double Slider (w/o inside frame)
	083122-26-000	EA	Inside Frame - Double Slider - Beige (not included in assembly)
2	081980-10-000	EA	Glass - Sliding - 1/8" x 30.6" x 19.71" - Gray
3	002324-02-000	FT	Channel - Weatherstrip - Glass
4	089840-08-000	FT	Sealer Ribbon - 5/16" Bead x 15'
5	002309-02-000	FT	Spline - Glass - 1/8" - Black
6	088886-03-001	EA	Seal Holder - 1/8" Glass - Black
7	024098-02-000	FT	Vinyl Window Seal - Black
8	073740-01-000	FT	Fin Seal - .460" Pile
9	083826-02-001	EA	Mullion - Slider Window - Black
	002293-02-000	SF	Screen - Window - 28" - Charcoal
10	002298-02-000	FT	Spline - .130" Dia - Charcoal (Screen)
11	002188-07-000	EA	Glass - Stationary - 1/8" x 30.7" x 24.75"
12	047369-01-700	EA	Latch Kit - Window - Plastic w/Fastener

1988 ICN23RC INDEX

Floor Plan	A-01 - A-02
Accessories Group	A-03 - A-06
Bath Group	A-07 - A-08
Chassis Group	A-09 - A-14
Curtain, Cushion & Pad Group	A-15 - B-02
Drivette Group	B-03 - B-04
Driver's Compartment Group	B-05 - B-10
Electrical Group	B-11 - B-14
Exterior Body Group	B-15 - B-23
Galley Group	C-24 - C-01
Heating & Air Conditioning Group	C-02 - C-03
Interior Finish Group	C-04 - C-05
LP Group	C-06
Lounge Group	C-07
Water & Sewage Group	C-08 - C-11
Window, Vent & Exterior Door Group	C-12 - D-06

WINDOW, VENT & EXTERIOR DOOR GROUP (CONTINUED)

SINGLE TIPOUT WINDOW



Key	Part Number	U/M	Description
1	085353-07-W07	EA	Window Asm. - Single Tipout - 24.8" x 24.9" (w/o inside retainer)
	084153-04-000	EA	Inside Retainer - Black (not included in assembly)
2	081239-06-000	EA	Glass - 14.6" x 24.25" - Stationary
3	089913-01-000	EA	Hinge - Tipout Window - Black
4	081367-01-000	FT	Seal Foam - Vinyl
5	084087-01-000	FT	Seal - "e" - Sponge Hubber
6	083180-06-000	EA	Torque Tube Asm.
7	036302-02-000	EA	Operator Drive - Left
8	009439-08-000	EA	Extension - .800" - Black (not included in assembly)
9	009439-08-000	EA	Knob - Window Crankout - Black (not included in assembly)
	009439-07-000	EA	Screw - 8/32" x 1 1/4" POH - Black (not included in assembly)
10	086762-01-000	EA	T-Nut - 10-32
11	088927-03-000	EA	Seal - Rubber - .12" x 25" ID x 80" OD
12	084473-01-000	EA	Seal - Rubber - "D" Shaped
13	086763-01-000	EA	Screw - #10 - 32 x 1/4" PTH
14	084574-04-W07	EA	Screw Asm - Tipout Window - Single
	002293-02-000	SF	Screen - Window - 26" - Charcoal
	002298-02-000	FT	Spline - 130" Dia - Charcoal (Screen)
15	081243-01-000	EA	Screen Clip - Plastic - Black
	000G12-08-08T	EA	Screw - #6 - 20 x .50" POH - Black
16	087678-01-000	EA	Connecting Rod Asm.
	086318-01-000	EA	Washer - Wave - .44 OD 32ID
	081849-01-000	EA	Snap Ring - 7/32 Shaft
17	081354-01-000	EA	Sleeve - Window Torque Tube
18	082563-52-001	EA	Multifit - Horizontal - Black
19	084088-02-000	EA	Glass - 9 24" x 24 13" - Tipout
20	089840-08-000	FT	Seal - 5/16" x 15" (not included in assembly)
21	083180-01-00	FT	Seal - Vinyl Glazing

1988 ITASCA TABLE OF CONTENTS

ICN23RC
ICN27RT

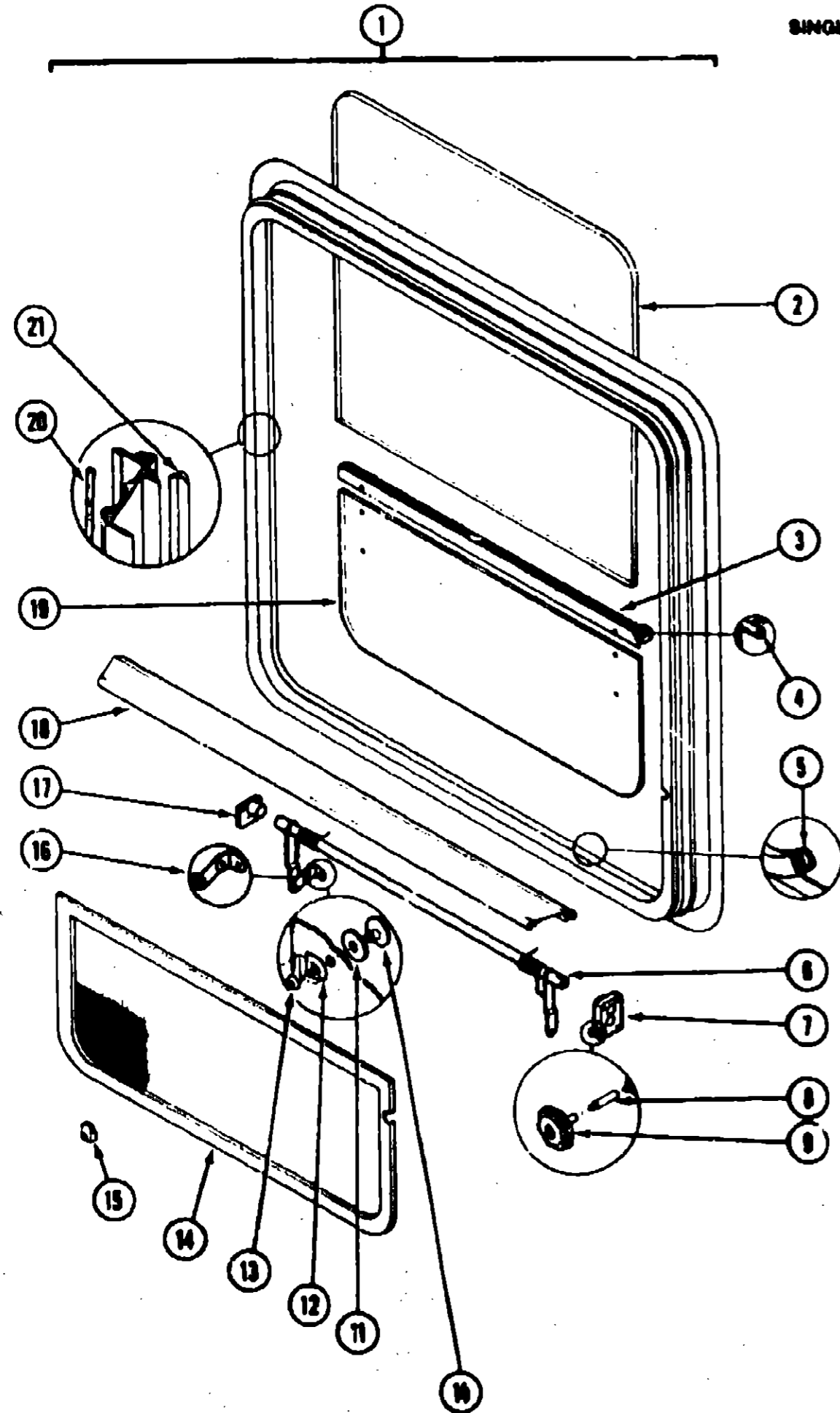
A-01 - L-08
D-07 - G-14

1989 ICN23RC INDEX

Floor Plan	A-01 - A-02
Accessories Group	A-03 - A-06
Bath Group	A-07 - A-08
Chassis Group	A-09 - A-14
Curtain, Cushion & Pad Group	A-15 - B-02
Dinette Group	B-03 - B-04
Driver's Compartment Group	B-05 - B-10
Electrical Group	B-11 - B-14
Exterior Body Group	B-15 - B-23
Galley Group	B-24 - C-01
Heating & Air Conditioning Group	C-02 - C-03
Interior Finish Group	C-04 - C-05
LP Group	C-06
Lounge Group	C-07
Water & Sewage Group	C-08 - C-11
Window, Vent & Exterior Door Group	C-12 - D-08

WINDOW, VENT & EXTERIOR DOOR GROUP (CONTINUED)

SINGLE TIPOUT WINDOW



Key	Part Number	U/M	Description
1	085353-12-X11	EA	Window Asm. - Single Tipout (w/o inside retainer)
	084153-14-000	EA	Window Retainer (not included in assembly)
2	081239-22-000	EA	Glass - 21.7" x 20.88" - Stationary
3	089913-01-000	EA	Hinge - Tipout Window - Black
4	081357-01-000	FT	Seal Foam - Vinyl
5	084057-01-000	FT	Seal - "e" - Sponge Rubber
6	083150-08-000	EA	Torque Tube Asm.
7	035302-02-000	EA	Operator Drive - Left
8	009438-08-000	EA	Extension - .900" - Black (not included in assembly)
9	009438-08-000	EA	Knob - Window
	009438-07-000	EA	Screw - 8/32" x 1 1/4" POH - Black (not included in assembly)
10	088782-01-000	EA	T-Nut 10-32
11	088927-03-000	EA	Seal - Rubber - .12" x .25" ID x .80" OD
12	084473-01-000	EA	Seal - Rubber - "D" Shaped
13	088783-01-000	EA	Screw - #10 - 32 x 1/4" PTH
14	084580-04-W07	EA	Screw Asm. - Tipout Window - Single
	002283-02-000	SF	Screen - Window - 28" - Charcoal
	002288-02-000	FT	Spine - .130" Dia. - Charcoal
15	081243-01-000	EA	Screen Clip - Black Plastic
	000G12-08-08T	EA	Screw - #8 - 20 x .90" POH - Black
16	087878-01-000	EA	Connecting Rod Asm.
	088316-01-000	EA	Washer - Wave - .44 OD 32 ID
	081649-01-000	EA	Snap Ring - 7/32 Shaft
17	081354-01-000	EA	Sleeve - Window Torque Tube
18	082583-82-001	EA	Mullion - Horizontal - Black
19	084088-12-000	EA	Glass - 9.21" x 21.89" - Tipout
20	088840-08-000	FT	Seal - 5/16" x 18" (not included in assembly)
21	083180-01-000	FT	Seal - Vinyl Glazing

1989 ITASCA TABLE OF CONTENTS

ICN23RC
ICN27RT

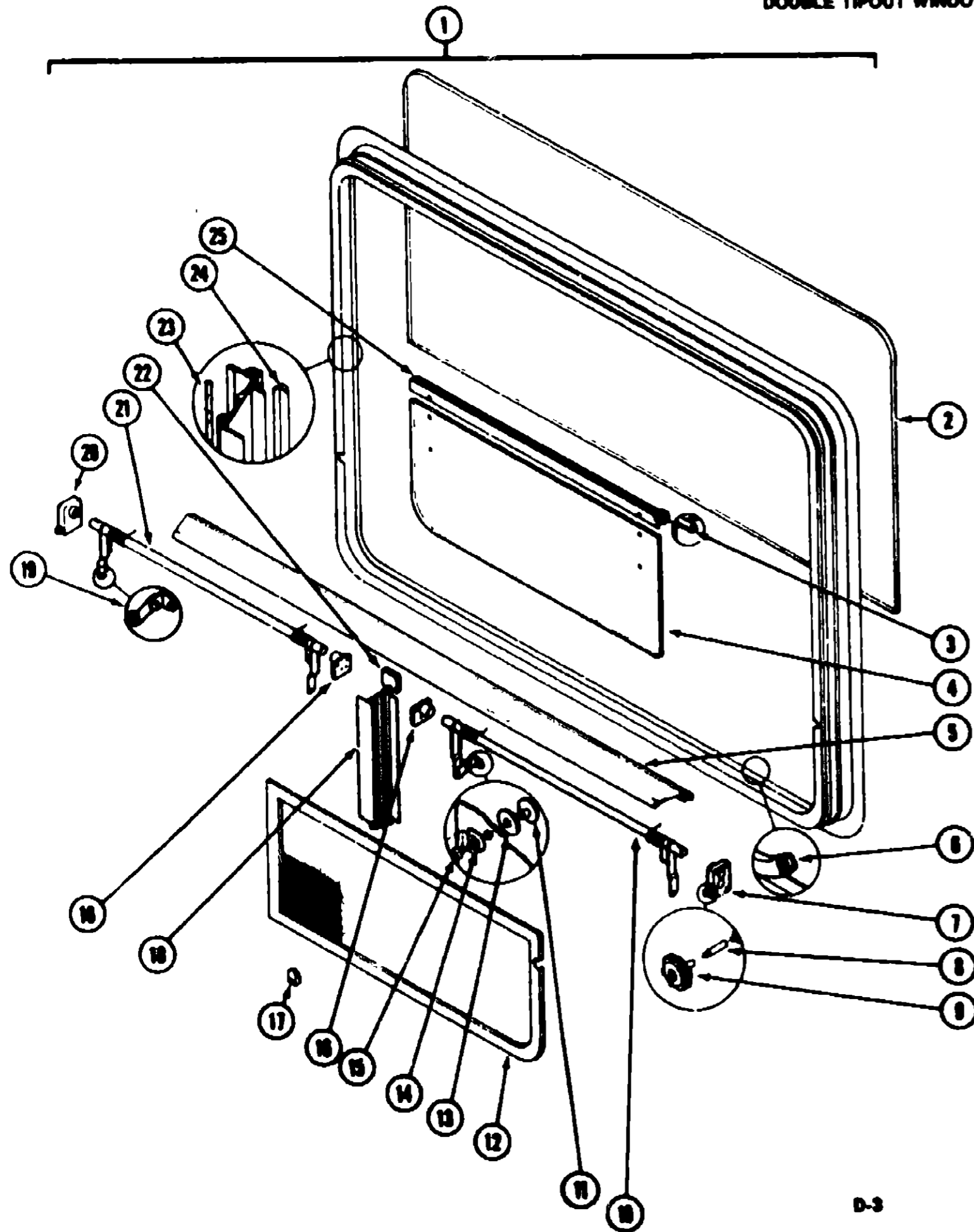
A-01 - D-08
D-07 - G-14

1989 ICN23RC INDEX

Floor Plan	A-01 - A-02
Accessories Group	A-03 - A-08
Bath Group	A-07 - A-08
Chassis Group	A-09 - A-14
Curtain, Cushion & Pad Group	A-15 - B-02
Dinette Group	B-03 - B-04
Driver's Compartment Group	B-05 - B-10
Electric Group	B-11 - B-14
Exterior Body Group	B-15 - B-23
Galley Group	B-24 - C-01
Heating & Air Conditioning Group	C-02 - C-03
Interior Finish Group	C-04 - C-05
LP Group	C-06
Lounge Group	C-07
Water & Sewage Group	C-08 - C-11
Window, Vent & Exterior Door Group	C-12 - D-08

WINDOW, VENT & EXTERIOR DOOR GROUP (CONTINUED)

DOUBLE TIPOUT WINDOW



Key	Part Number	U/M	Description
1	085364-06-X11	EA	Window Asm. - Double Tipout (w/o inside retainer)
	084153-10-000	EA	Window - Retainer - Double Tipout (not included in assembly)
2	081239-18-000	EA	Glass - 1/8" x 59.8" x 20.55" - Stationary
3	081357-01-000	FT	Foam Seal - Vinyl
4	084088-08-000	EA	Glass - 1/8" x 9.24" x 29.8"
5	082563-62-001	EA	Mullion - Horizontal - Black
	000G39-08-18T	EA	Screw - SF/DF - 8 - 20 x 1.00 PPH (Mullion - 4 Required)
	078778-03-000	EA	Rivt - Plastic - Pin Drive - Black (2 required)
6	084087-01-000	FT	Seal - "e" - Sponge Rubber
7	035302-01-000	EA	Operator Drive - Right
8	080025-01-000	EA	Extension - window Knob (not included in assembly)
8	008438-08-000	EA	Extension - Black - Window Knob (not included in assembly)
9	087052-02-000	EA	Knob - Beige (not included in assembly)
9	008439-05-000	EA	Knob - Black (not included in assembly)
	088371-01-000	EA	Screw - Window Knob (not included in assembly)
	008439-07-000	EA	Screw - Window Knob - Black (not included in assembly)
10	063228-03-000	EA	Torque Tube Asm - Right
11	086782-01-000	EA	T-Nut - 10-32
12	084681-05-X11	EA	Screen Asm. - Tipout - Right
	084681-06-X11	EA	Screen Asm. - Tipout - Left
	002299-02-000	SF	Screen - 28" - Window - Charcoal
	002298-02-000	FT	Spline - .130" Dia. - Charcoal (Screen)
13	088827-03-000	EA	Seal - Rubber - .12" x 25" ID x 80" OD
14	084473-01-000	EA	Seal - Rubber - "D" Shaped
15	088763-01-000	EA	Screw - #10 - 32 x 1/4" PTH
16	081364-01-000	EA	Slave - Window Torque Tube
17	081243-01-000	EA	Clip - Plastic - Screen (4 required)
	000G12-06-08T	EA	Screw - #8 - 20 x .50" POH - Black
18	084182-62-001	EA	Mullion - Vertical - Black
	000G39-08-088	EA	Screw - #8 x 18 x 1/2 PPH (Mullion - 4 Required)
19	087878-01-000	EA	Connecting Rod Asm.
	085316-01-000	EA	Washer - Wave - .44 OD 32 ID
	081648-01-000	EA	Snap Ring - 7/32 Shaft
20	035302-02-000	EA	Operator Drive - Left
21	083227-03-000	EA	Torque Tube Asm. - Left
22	084088-01-000	FT	Bulb Seal - Double - Sponge Rubber
23	088840-08-000	FT	Seal - 5/16" x 15' (not included in assembly)
24	083180-01-000	FT	Seal - Vinyl Glazing
25	084185-08-000	EA	Hinge - Tipout Window - Black

1989 ITASCA TABLE OF CONTENTS

ICN23RC
ICN27RT

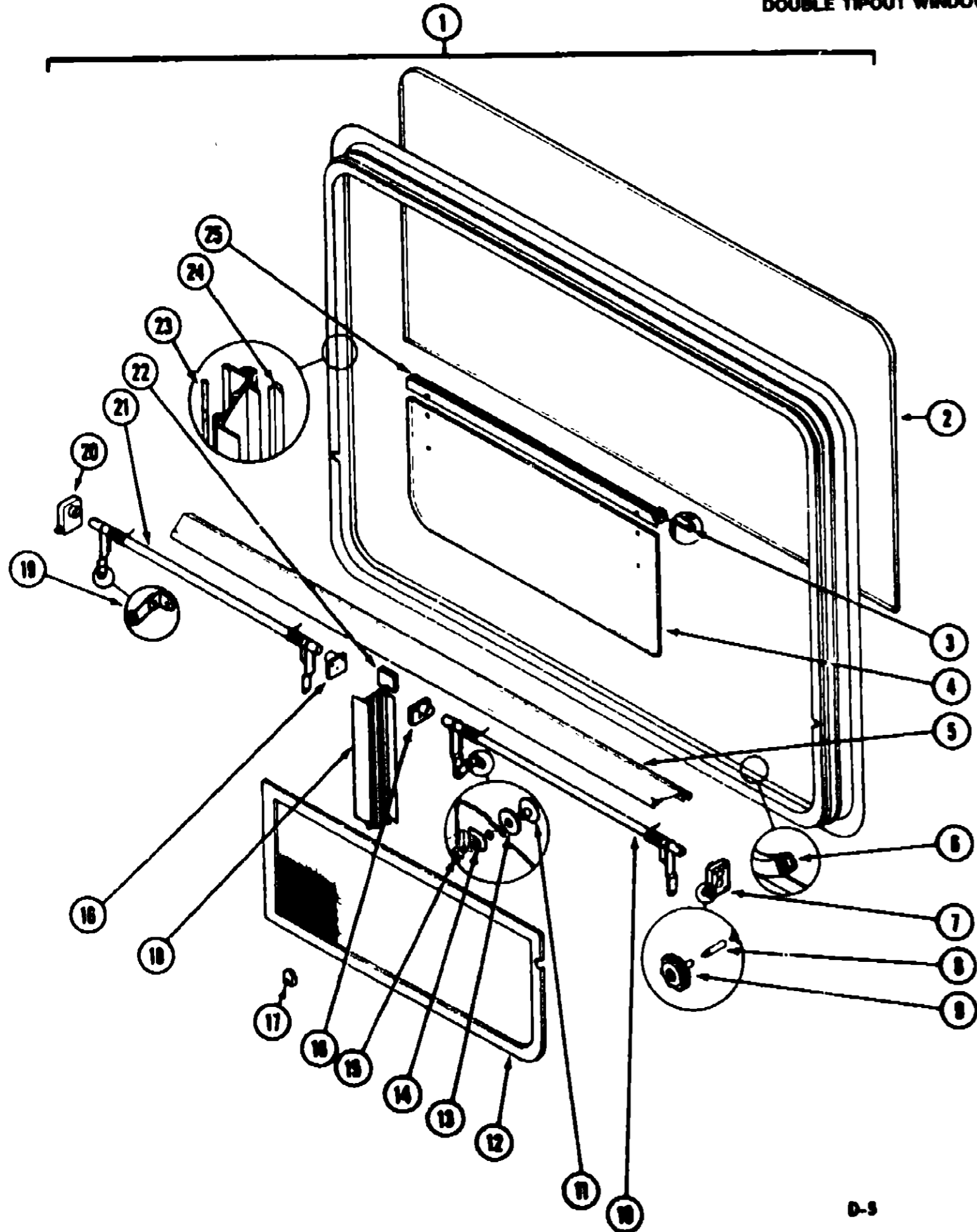
A-01 - D-08
D-07 - G-14

1989 ICN23RC INDEX

Floor Plan	A-01 - A-02
Accessories Group	A-03 - A-06
Bath Group	A-07 - A-08
Chassis Group	A-09 - A-14
Curtain, Cushion & Pad Group	A-15 - B-02
Dinette Group	B-03 - B-04
Driver's Compartment Group	B-05 - B-10
Electrical Group	B-11 - B-14
Exterior Body Group	B-15 - B-23
Galley Group	B-24 - C-01
Heating & Air Conditioning Group	C-02 - C-03
Interior Finish Group	C-04 - C-05
LP Group	C-06
Lounge Group	C-07
Water & Sewage Group	C-08 - C-11
Window, Vent & Exterior Door Group	C-12 - D-08

WINDOW, VENT & EXTERIOR DOOR GROUP (CONTINUED)

DOUBLE TIPOUT WINDOW



Key	Part Number	U/M	Description
1	083364-07-X11	EA	Window Arm. - Double Tipout (w/o inside retainer)
	084153-12-000	EA	Window Retainer - Double Tipout (not included in assembly)
2	081238-23-000	EA	Glass - 1/8" x 40 7/8" x 20.56" - Stationary
3	081367-01-000	FT	Foam Seal - Vinyl
4	084088-13-000	EA	Glass - 1/8" x 9.21" x 20.15"
5	082563-62-001	EA	Mullion - Horizontal - Black
	000G39-08-16T	EA	Screw - SF/DR - 6 - 20 x 1.00 PPH (Mullion - 4 Required)
	076778-03-000	EA	Rivet - Plastic - Pin Drive - Black (2 Required)
6	084067-01-000	FT	Seal - "e" - Sponge Rubber
7	038302-01-000	EA	Operator Drive - Right
8	080025-01-000	EA	Extension - Window Knob (not included in assembly)
9	087062-02-000	EA	Knob - Beige (not included in assembly)
	088371-01-000	EA	Screw - Window Knob (not included in assembly)
10	083228-08-000	EA	Torque Tube Arm. - Right
11	085762-01-000	EA	T-Nut - 10-32
12	084581-08-X11	EA	Screen Arm. - Tipout - Right
	084581-08-X11	EA	Screen Arm. - Tipout - Left
	002299-02-000	SF	Screen - 28" - Window
13	088827-03-000	EA	Spline - .130" Dia. - Charcoal (Screen)
14	084473-01-000	EA	Seal - Rubber - .12" x 25" ID x 80" OD
15	085783-01-000	EA	Seal - Rubber - "D" Shaped
16	081354-01-000	EA	Screw - #10 - 32 x 1/4" PTH
17	081243-01-000	EA	Sleeve - Window Torque Tube
	000G12-08-08T	EA	Clip - Plastic - Screen (4 required)
	084182-32-001	EA	Screw - #8 - 20 x .80" POH - Black
18	084182-32-001	EA	Mullion - Vertical - Black
	000G39-08-088	EA	Screw - #8 x 18 x 1/2 PPH (Mullion - 4 Required)
19	087578-01-000	EA	Connecting Rod Arm.
	088316-01-000	EA	Washer - Wave - .44 OD 32 ID
	081848-01-000	EA	Snap Ring - 7/32 Shaft
20	038302-02-000	EA	Operator Drive - Left
21	083227-03-000	EA	Torque Tube Arm. - Left
22	084088-01-000	FT	Bulb Seal - Double - Sponge Rubber
23	088840-08-000	FT	Seal - 5/16" x 15" (not included in assembly)
24	083180-01-000	FT	Seal - Vinyl Glazing
25	084156-08-000	EA	Hinge - Tipout Window - Black

1989 ITASCA TABLE OF CONTENTS

ICN23RC
ICN27RT

A-01 - D-08
D-07 - G-14

1989 ICN23RC INDEX

Floor Plan	A-01 - A-02
Accessories Group	A-03 - A-08
Bath Group	A-07 - A-08
Chassis Group	A-08 - A-14
Curtain, Cushion & Pad Group	A-15 - B-02
Dinette Group	B-03 - B-04
Driver's Compartment Group	B-05 - B-10
Electrical Group	B-11 - B-14
Exterior Body Group	B-15 - B-23
Galley Group	B-24 - C-01
Heating & Air Conditioning Group	C-02 - C-05
Interior Finish Group	C-04 - C-06
LP Group	C-08
Lounge Group	C-07
Water & Sewage Group	C-09 - C-11
Window, Vent & Exterior Door Group	C-12 - D-08