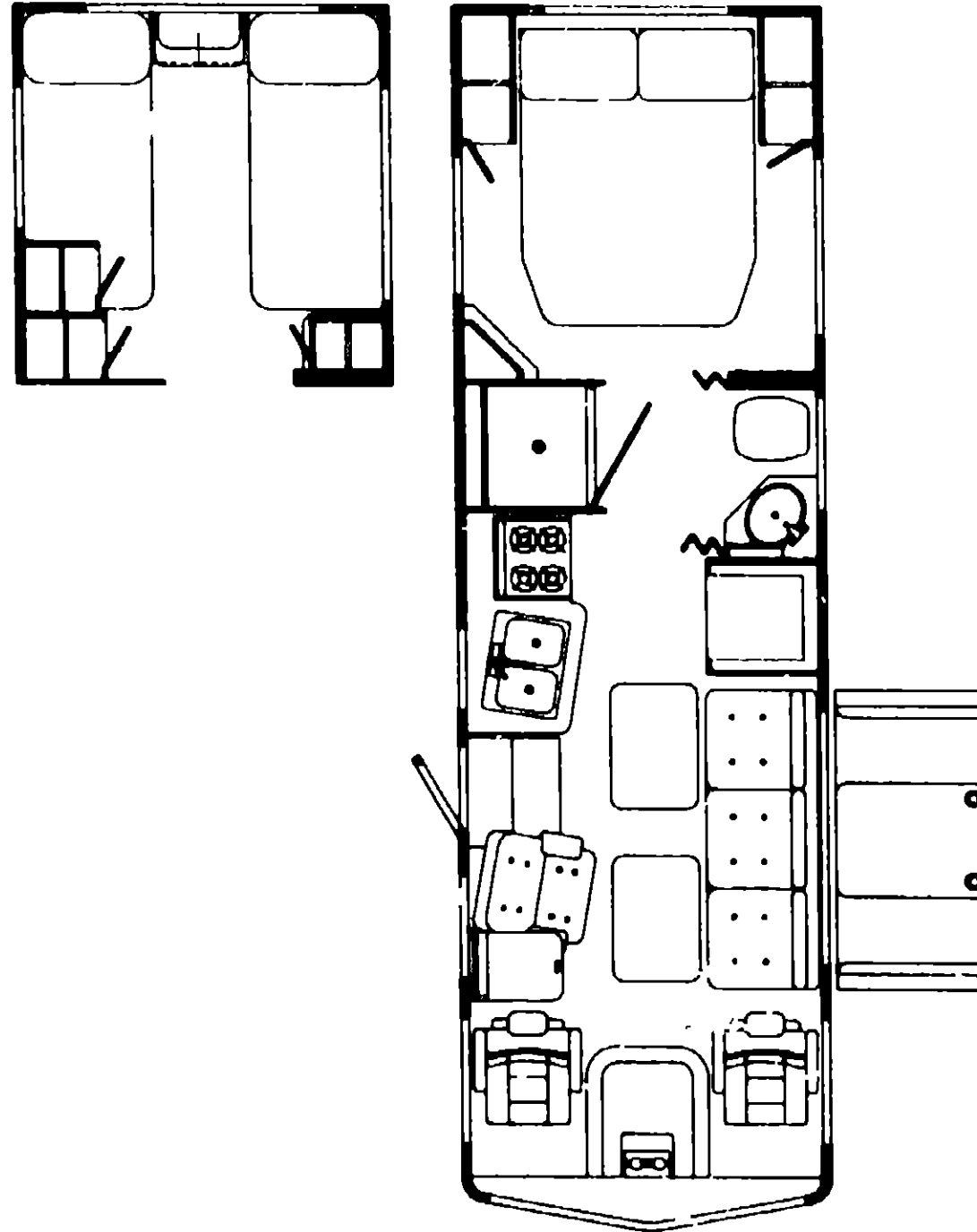


1989 ICM27RQ



1989 ITASCA TABLE OF CONTENTS

INTRODUCTION	A 01
ABBREVIATIONS	A-01
ALPHABETICAL INDEX	A-02 - A-04
ICM27RQ	A-05 - D 20
IC/JM31RQ	D-21 - H 16

1989 ICM27RQ INDEX

Floor Plan	A-05 - A-06
Accessories Group	A 07 - A-12
Bath Group	A 13 - A-14
Chassis Group	A-15 - A-20
Curtain, Cushion & Pad Group	A-21 - B-12
Dinette Group	B-13 - B-14
Driver's Compartment Group	B-15 - B-19
Electrical Group	B-20 - B-22
Exterior Body Group	B-23 - C-04
Galley Group	C-05 - C-08
Heating & Air Conditioning Group	C-09
Interior Finish Group	C-10 - C-11
LP Group	C-12
Lounge Group	C-13 - C-18
Water & Sewage Group	C-19 - C-20
Window, Vert & Exterior Door Group	C-21 - D-20

ACCESSORIES GROUP

RACK & LADDER COMPONENTS (OPTION 15U)

Key	Part Number	U/M	Description
	081026-02-T03	EA	Rack Asm - Driver
	081026-01-T03	EA	Rack Asm. - Passenger
	080999-02-T03	EA	Ladder Asm - Upper
	080997-04-X14	EA	Ladder Asm - Lower
	087166-01-000	EA	Mounting Bracket
	078886-03-001	EA	Bright Dipped Step
	078880-02-000	EA	Step Cap - Black
	080873-01-000	EA	Latch - Lower Ladder - Gray
	081056-01-000	EA	Springgrip - Internal Tooth
	081056-01-000	EA	Pin - Quick Release
	081107-01-000	EA	Bracket - Bumper Pin
	081113-01-000	EA	Bushing - Plastic Flange - White
	081114-01-000	EA	Cap Insert - Round - 1" Dia
	081115-01-000	EA	Top Cap - 1"
	081116-01-000	EA	Top Slide - 1"
	081152-01-000	EA	Bumper Plate - Brite
	038327-01-000	EA	Tape - Anti-Slip - 2" x 60'

POWER SEARCHLIGHT & COMPONENTS (OPTION 63E)

Key	Part Number	U/M	Description
	051057-02-000	EA	Spotlight - Power Driven - w/o Switch
	051057-03-000	EA	Switch Asm - Spotlight
	051057-01-700	EA	Switch - Panel Asm - Auxiliary
	051057-01-701	EA	Switch - Panel Asm - Main
	051057-01-702	EA	Jny Switch & Housing
	051057-01-703	EA	Toggle Switch - On/Off
	051057-01-704	EA	Micro Switch
	051057-01-705	EA	Bulb - Spotlight
	035416-04-000	EA	Terminal - Ring - #10 Stud Fit
	044488-03-000	EA	Circuit Breaker - w/Mounting Brackets
	077368-03-000	EA	Panel - Instrument Panel Cover - Lower Driver (Chevrolet)
	087949-01-000	EA	Bus Bar - 2 Position

WHEEL COVER & MOUNTING HARDWARE

Key	Part Number	U/M	Description
	083181-03-000	EA	Wheel Cover - 19.5" (Set/4)
	083181-03-700	EA	Wheel Cover - 19.5" (1)
	083181-04-000	EA	Retainer Kit - 19.5" Wheel Cover (Set/4) (Chevrolet)
	083181-04-700	EA	Retainer Kit - 19.5" Wheel Cover - Front (1) (Chevrolet)
	083181-04-701	EA	Retainer Kit - 19.5" Wheel Cover - Rear (1) (Chevrolet)
	083181-04-702	EA	Nut Cover - 19.5" Wheel
	083181-04-703	EA	Center Cap - Chrome

CHROME WHEEL LINERS (OPTION 63K)

Key	Part Number	U/M	Description
	091209-01-000	EA	Wheel Liner - Chrome - 19.5" (Set/4) (Chevrolet)
	091209-01-700	EA	Wheel Liner - Chrome - 19.5" - Front
	091209-01-701	EA	Wheel Liner - Chrome - 19.5" - Rear
	091209-01-702	EA	Axle Cover - 10 Lug - 19.5" - Front
	091209-01-703	EA	Axle Cover - 10 Lug - 19.5" - Rear
	091209-01-704	EA	Cover - Lug Nut - 19.5"
	077030-02-000	EA	Valve Stem Extension - 1.25"
	086012-01-000	EA	Valve Stem Extension - Dual Wheel

ACCESSORIES GROUP (CONTINUED)

EXTERIOR MIRRORS

Key	Part Number	U/M	Description
	086260-01-000	EA	Mirror Asm. - w/Convex - Right
	086260-02-000	EA	Mirror Asm. - w/Convex - Left
	086260-03-000	EA	Accessory Kit - Mirror, Ext

CUSTOM STEERING WHEEL (CHEVROLET - OPTION 38P)

Key	Part Number	U/M	Description
	080752-17-000	EA	Steering Wheel - Custom - w/2 Horn Buttons
	080752-06-000	EA	Steering Wheel - Custom
	080752-08-000	EA	Adapter Hub
	080752-07-000	EA	Horn Button - w/Wire
	080752-08-000	EA	Screw - Custom Steering Wheel

REAR MONITOR SYSTEM (OPTION 67Z)

Key	Part Number	U/M	Description
	083040-02-000	EA	Television System - Rear View
	083207-02-000	EA	Cable - Television System - Rear View
	080008-01-000	EA	Wire Asm - Fuse Block
	084428-01-000	EA	Insert - Press-In - 3/16" - 18 Thread
	082037-01-000	EA	Housing - Auto Fuse - Natural
	083040-01-000	EA	Television System - Rear View
	083040-01-700	EA	Camera - Television System - Rear View
	083040-01-701	EA	6" Monitor w/Bracket & Fire Harness
	083221-01-000	EA	Lens - Rear Monitor (Shroud)
	083857-01-02A	EA	TV Shroud - Gray
	083041-01-000	EA	Cable - Monitor/Camera
	084002-01-000	EA	Bracket Asm - Camera
	084001-01-000	EA	Clamp - Camera
	031770-01-000	EA	Clamp - Cable - 3/16" Dia
	080008-01-000	EA	Wire Asm - Fuse Block
	082037-01-000	EA	Housing - Auto Fuse - Natural
	083040-03-000	EA	Wire Asm - Monitor

REAR WINDOW WIPER/WASHER (OPTION 68F)

Key	Part Number	U/M	Description
	087248-01-000	EA	Motor Asm - Wiper - 68" Wipe
	087251-01-000	EA	Wiper Blade - 16" Black
	087252-01-000	EA	Arm Asm. - Wiper - 20" Black
	087987-01-000	EA	Cover - Wiper Motor - Light Oak
	087337-01-000	EA	Bracket - Wiper Motor
	087286-01-000	EA	Switch - Rear Wiper
	058000-03-000	EA	Washer Asm - Rear Window

FRONT RADIO

Key	Part Number	U/M	Description
	080982-01-000	EA	Radio - AM/FM Stereo/Cassette - Electronic Tune - #HCC1035
	082311-01-000	EA	Radio - AM/FM Stereo/Cassette - Deluxe Tune - Digital Clock - #HCC1170 (Option 57E)
	073741-04-000	EA	Grille - Speaker - 4" x 6" Oval - Audiovox 138-1157
	073431-01-000	EA	Speaker - 3 Way w/Cover - 5.25" Dia (Deluxe Tune) (Option 57E)
	084097-01-000	EA	Speaker - 5.25" Dia. w/o Grille (Deluxe Tune) (Option 57E)
	088340-01-000	EA	Grille - Speaker - 6 1/2" Square
	074979-01-000	EA	Cover - Speaker - Light Oak
	031106-02-000	EA	Antenna - Side Mount - 12" Ground
	031106-01-700	EA	Antenna Holder - Upper
	087701-01-000	EA	Wire Asm - 9 Pin Adapter

1989 ITASCA TABLE OF CONTENTS

INTRODUCTION	A 01
ABBREVIATIONS	A-01
ALPHABETICAL INDEX	A-02 - A-04
ICM27RQ	A-05 - D-20
IC/JM31RQ	D 21 - H 18

1989 ICM27RQ INDEX

Floor Plan	A-05 - A-06
Accessories Group	A-07 - A-12
Bath Group	A-13 - A-14
Chassis Group	A-15 - A-20
Curtain, Cushion & Pad Group	A-21 - B-12
Dinette Group	B-13 - B-14
Driver's Compartment Group	B-15 - B-19
Electrical Group	B-20 - B-22
Exterior Body Group	B-23 - C-04
Galley Group	C-05 - C-08
Heating & Air Conditioning Group	C-09
Interior Finish Group	C-10 - C-11
LP Group	C-12
Lounge Group	C-13 - C-18
Water & Sewage Group	C-19 - C-20
Window, Vent & Exterior Door Group	C-21 - D-20

ACCESSORIES GROUP (CONTINUED)

4.5KW GENERATOR & COMPONENTS (OPTION 350)

Key	Part Number	U/M	Description
	093740-01-000	EA	Generator - Kohler - 4.5KW
	093590-01-000	EA	Muffler
	007125-02-000	EA	Clamp Asm - Muffler - 1.25" Dia
	007125-03-000	EA	Clamp Asm - Muffler - 1.50" Dia
	093591-01-000	EA	Exhaust Pipe
	008054-01-000	EA	Power Cord - 10/3 - 30 Amp - 25' - USA
	008052-01-000	EA	Power Cord - 10/3 - 30 Amp - 25' - CSA
	024924-02-000	EA	Receptacle - Power Cord
	099238-01-000	EA	Cover - Receptacle Box - Power Cord - 4" x 4"
	008026-01-000	EA	Wire - 12/2 Romex w/Ground
	008289-01-000	EA	Electrical Box - Steel - 4" x 4" - 1/2 & 3/4 - USA
	008294-01-000	EA	Cover Plate - Blank Steel - 4" x 4" - USA
	008289-02-000	EA	Electrical Box - Steel - 4" x 4" - 1/2 & 3/4 - CSA
	008294-02-000	EA	Cover Plate - Blank Steel - 4" x 4" - CSA
	008037-01-000	EA	Battery Cable - 1 AWG Strand
	010495-01-000	EA	Clamp - Cable - 9/16"
	010497-01-000	EA	Clamp - Closed - 5/8" ID
	082401-03-000	EA	Clamp - Hose - Wormgear - 22" to 1" ID
	082401-08-000	EA	Clamp - Hose - Wormgear - 22" to 62" ID
	041963-01-000	EA	Conduit - Plastic Convolute SHT - 50" ID
	008401-01-000	EA	Conduit Strap - .75"
	008311-01-000	EA	Connector - Wire Nut - Red
	008312-01-000	EA	Connector - Wire Nut - Blue
	008314-01-000	EA	Connector - Wire Nut - Gray
	008356-01-000	EA	Connector - Plastic - 3/8"
	008353-01-000	EA	Connector - Cable Clamping - 3/8"
	023942-01-000	EA	Grommet - Rubber - 2" O D
	071015-07-000	EA	Grommet - Rubber - 1" ID
	071015-08-000	EA	Grommet - Rubber - 1.75" ID
	071015-13-000	EA	Grommet - Rubber - 62" ID
	007063-01-000	FT	Hose - Geoline - 1/4" ID x 1/2" O D
	008328-01-000	EA	Terminal - Ring - 12/10 Wire
	008348-01-000	EA	Terminal - Ring - 2, 3/8" Stud
	008343-01-000	EA	Wire Tie - 6"
	024978-01-000	EA	Generator Switch - w/o Circuit Board
	031035-01-000	EA	Gauge Asm - Hourmeter
	078008-24-000	EA	Bezel - Entertainment Center (Chevrolet)

ACCESSORIES GROUP (CONTINUED)

4.0KW GENERATOR & COMPONENTS (OPTION 39E)

Key	Part Number	U/M	Description
	093545-01-000	EA	Generator - Onan Emerald - 4.0KW
	094657-02-000	EA	Tray Asm - Generator
	083151-01-000	EA	Muffler
	007125-02-000	EA	Clamp Asm - Muffler - 1.25" Dia
	007125-03-000	EA	Clamp Asm - Muffler - 1.50" Dia
	083152-08-000	EA	Exhaust Pipe - Generator
	008054-01-000	EA	Power Cord - 10/3 - 30 Amp - 25' - USA
	008052-01-000	EA	Power Cord - 10/3 - 30 Amp - 25' - CSA
	024924-02-000	EA	Receptacle - Power Cord
	099238-01-000	EA	Cover - Receptacle Box - Power Cord - 4" x 4"
	008026-01-000	EA	Wire - 12/2 Romex w/Ground
	008289-01-000	EA	Electrical Box - Steel - 4" x 4" - 1/2 & 3/4 - USA
	008294-01-000	EA	Cover Plate - Blank Steel - 4" x 4" - USA
	008289-02-000	EA	Electrical Box - Steel - 4" x 4" - 1/2 & 3/4 - CSA
	008294-02-000	EA	Cover Plate - Blank Steel - 4" x 4" - CSA
	008037-01-000	EA	Battery Cable - 1 AWG Strand
	010495-01-000	EA	Clamp - Cable - 9/16"
	010497-01-000	EA	Clamp - Closed - 5/8"
	082401-03-000	EA	Clamp - Hose - Wormgear - 22" to 1" ID
	082401-08-000	EA	Clamp - Hose - Wormgear - 22" to 62" ID
	041963-01-000	EA	Conduit - Plastic Convolute SHT - 1/2" ID
	008401-01-000	EA	Conduit - Strap - 3/4"
	008311-01-000	EA	Connector - Wire Nut - Red
	008312-01-000	EA	Connector - Wire Nut - Blue
	008314-01-000	EA	Connector - Wire Nut - Gray
	008356-01-000	EA	Connector - Plastic - 3/8"
	008353-01-000	EA	Connector - Cable Clamping - 3/8"
	041480-01-000	EA	Connector - Straight - Flex Conduit
	023942-01-000	EA	Grommet - Rubber - 2" O D
	071015-07-000	EA	Grommet - Rubber - 1" ID
	071015-08-000	EA	Grommet - Rubber - 1.75" ID
	071015-13-000	EA	Grommet - Rubber - 62" ID
	007063-01-000	FT	Hose - Geoline - 1/4" ID x 1/2" O D.
	084058-01-000	EA	Spacer
	008328-01-000	EA	Terminal - Ring - 12/10 Wire
	008348-01-000	EA	Terminal - Ring - 2, 3/8" Stud
	008343-01-000	EA	Wire Tie - 6"
	024978-01-000	EA	Generator Switch - w/o Circuit Board
	031035-01-000	EA	Gauge Asm - Hourmeter
	078008-24-000	EA	Bezel - Entertainment Center (Chevrolet)

**1989 ITASCA
TABLE OF CONTENTS**

INTRODUCTION	A-01
ABBREVIATIONS	A-01
ALPHABETICAL INDEX	A-02 - A-04
ICM27RQ	A-05 - D-20
IC/JM31RQ	D-21 - H-18

1989 ICM27RQ INDEX

Floor Plan	A-05 - A-08
Accessories Group	A-07 - A-12
Bath Group	A-13 - A-14
Chassis Group	A-15 - A-20
Curtain, Cushion & Pad Group	A-21 - B-12
Dinette Group	B-13 - B-14
Driver's Compartment Group	B-15 - B-19
Electrical Group	B-20 - B-22
Exterior Body Group	B-23 - C-04
Galley Group	C-05 - C-08
Heating & Air Conditioning Group	C-09
Interior Finish Group	C-10 - C-11
LP Group	C-12
Lounge Group	C-13 - C-18
Water & Sewage Group	C-19 - C-20
Window, Vent & Exterior Door Group	C-21 - D-20

ACCESSORIES GROUP (CONTINUED)

AUXILIARY BATTERY DISCONNECT (OPTION 28A)

Key	Part Number	U/M	Description
	008037-01-000	EA	Battery Cable - 1 AWG Strand
	082901-02-000	EA	Fuse - 5 Amp - Automotive
	085883-04-000	EA	Switch - Auxiliary Battery - DPDT
	088070-01-000	EA	Terminal - 1/0 AWG - 3/8" Ring
	081087-01-000	EA	Light Arm - Indicator
	088273-01-000	EA	Relay - Battery Disconnect
	088751-01-000	FT	Cable - Electrical - Stranded
	089445-01-000	EA	Bracket

WATER PURIFICATION SYSTEM (OPTION 28B)

Key	Part Number	U/M	Description
	087200-01-000	EA	Filter - Water Purification
	087200-02-000	EA	Cartridge - Water Filter
	038800-01-000	FT	Tubing - Polybutyl - 1/2" O.D. x 20'
	052957-01-000	EA	Elbow - Plastic - 1/2" F x 3/8" MPT
	065120-01-000	EA	Elbow - Plastic - Swivel - 1/2"
	052959-01-000	EA	Connector - Plastic - 1/2" F x 1/4" MPT
	052959-02-000	EA	Connector - Plastic - 1/2" F x 1/2" MPT
	052962-01-000	EA	Nut - Plastic - 1/2" F
	081208-01-000	EA	Washer - Rubber - .06" x 75" x 50"

TV SYSTEM COMPONENTS (OPTION 42C, 42V, 42Y)

Key	Part Number	U/M	Description
	091258-02-000	EA	TV - 13" Color - Remote - Sharp 13NM48
	091258-02-700	EA	Remote Control - Color TV - Sharp
	091907-02-000	EA	VCR - VHS - Sharp VC2208U
	091907-01-700	EA	Remote Control - VCR - Sharp
	088757-01-000	EA	Control Center - Switching - Channel Master
	091998-01-000	EA	Separator - VHF/UHF
	088756-01-000	EA	Splitter - 2 Way - TV
	085774-01-000	FT	Fastener - Dual Lock - 1"
	085774-02-000	FT	Fastener - Dual Lock - 1"
	058708-01-000	EA	Receptacle - Duplex - Brown T & B
	088777-01-000	EA	Wall Plate - Antenna/Cable - Ivory
	088777-03-000	EA	Wall Plate - Antenna/Power - Ivory
	088777-04-000	EA	Wall Plate - Antenna/Cable - Brown
	088778-03-000	EA	Receptacle - Cable Television - Exterior
	088778-04-000	EA	Gasket - Receptacle - Cable Television - Exterior
	080864-01-000	EA	Cover - Receptacle - Cable Television - Exterior
	076319-01-000	EA	Antenna - Roof Mount - 44 5" Mast
	076319-03-000	EA	Coaxial Cable - 1000' 75 Ohm
	076319-06-000	EA	Adaptor - Cable Roof Plate
	076319-08-000	EA	Wallplate/Receptacle - Ivory
	076319-11-000	EA	Adaptor - Coax w/Splitter
	076319-12-000	EA	Connector - Coaxial Cable - 1 PC

ACCESSORIES GROUP (CONTINUED)

AUXILIARY DEFROSTER FANS (OPTION 36N)

Key	Part Number	U/M	Description
	038420-02-000	EA	Defroster Fan - 6" Dia - 2 Speed
	088308-01-000	EA	Switch - Defroster Fans
	089579-01-000	EA	Wire Arm - Defroster Fans
	082036-02-000	EA	Terminal - Pack - Con. 16/14 AWG

MISCELLANEOUS ACCESSORIES

Key	Part Number	U/M	Description
	054185-31-000	EA	Owner's Manual - 1989 - Itasca
	081202-02-000	EA	Floor Mat - Front - Right - Itasca (Option 63H)
	081201-02-000	EA	Floor Mat - Front - Left - Itasca (Option 63H)
	081075-02-000	EA	Floor Mat - Entrance - Itasca (Option 63H)
	017516-01-000	EA	Mud Flap - 14" x 18" - Rear - Black
	084470-01-000	EA	Holder - Fire Extinguisher - Recessed - Light Brown
	041944-03-000	EA	Fire Extinguisher - 5 B C - w/Bracket
	041944-04-000	EA	Fire Extinguisher - 5 B C w/o Bracket
	094851-01-01A	EA	Holder - Fire Extinguisher
	094499-01-000	EA	Fire Extinguisher - Dry 1A 10 B C - USA
	094499-02-000	EA	Fire Extinguisher - Dry 1A 10 B C - CSA
	072862-01-000	EA	Smoke Detector - w/9 Volt Battery
	080208-01-000	EA	Lug Wrench - 1.06 x 1.00
	080208-02-000	EA	Leverage Bar - Lug Wrench
	051377-01-000	EA	Valve Stem Arm - TR500
	077030-02-000	EA	Valve Stem Extension - 1.25"
	085012-01-000	EA	Valve Stem Extension - Dual Wheel
	085741-01-700	EA	Valve Stem Extension - Stainless Steel (Set/4)
	091955-01-000	EA	Squeeze - Telescoping Handle
	091952-01-000	EA	Clip - 1" Squeeze Retainer
	083627-01-000	EA	Bracket - Squeeze Clip
	082884-01-000	EA	Key Set
	094389-01-000	EA	Speed Control - w/Smart Stick
	094707-01-01A	EA	Step Arm - Electric (Kwikkee) - Double
	088778-01-000	EA	Vacuum Cleaner - Hand Held (Option 22R)
	088778-01-700	EA	Bag - Disposable - Hand Held Vacuum - 4 Pack
	083883-C1-000	EA	Drawer Arm - Lockbox
	083886-01-000	EA	Lockbox Arm - Outer
	083801-01-000	EA	Lock - Security Lock Box

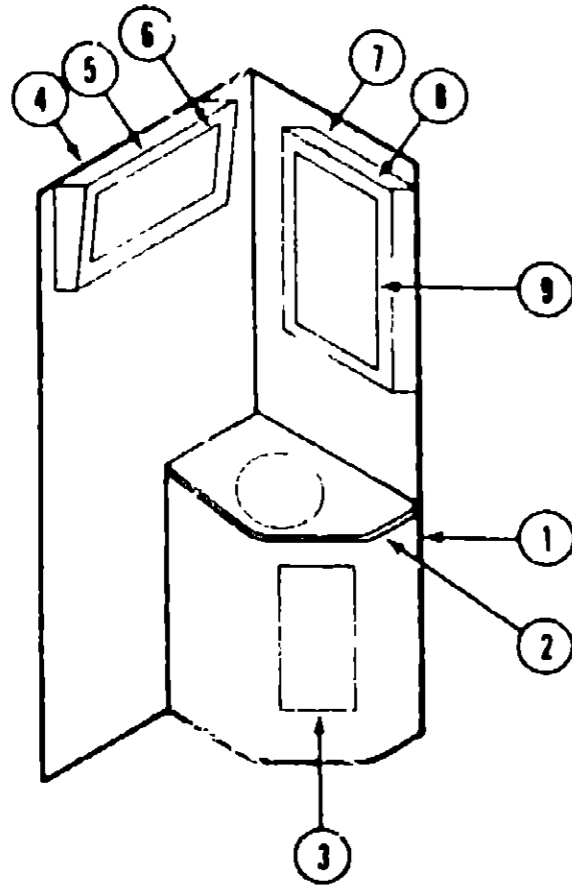
**1989 ITASCA
TABLE OF CONTENTS**

INTRODUCTION	A-01
ABBREVIATIONS	A 01
ALPHABETICAL INDEX	A-02 - A 04
ICM27RQ	A-05 - D 20
IC/JM31RQ	D 21 - H-16

1989 ICM27RQ INDEX

Floor Plan	A-05 - A-06
Accessories Group	A-07 - A 12
Bath Group	A-13 - A 14
Chassis Group	A-15 - A-20
Curtain, Cushion & Pad Group	A-21 - B-12
Dinette Group	B-13 - B-14
Driver's Compartment Group	B-15 - B-19
Electrical Group	B-20 - B-22
Exterior Body Group	B-23 - C-04
Galley Group	C-05 - C-08
Heating & Air Conditioning Group	C-09
Interior Finish Group	C-10 - C-11
LP Group	C-12
Lounge Group	C-13 - C-18
Water & Sewage Group	C-19 - C 20
Window, Vent & Exterior Door Group	C 21 - D-20

BATH GROUP



LAVATORY CABINET

Key	Part Number	U/M	Description
1	M89180-01-Y15	EA	Cabinet Arm - w/o Countertop, Doors or Hardware
2	089180-11-Y15	EA	Countertop Arm - Lavatory - No Cutouts
	079325-16-000	FT	Molding - Edge Band - Regal Oak
3	M88304-08-X14	EA	Door Arm - Lavatory Cabinet - w/o Hardware
	000G13-06-10C	EA	Screw - 6 - 20 x 5/8" PFH - Antique Brass
	059777-02-000	EA	Hinge - Antique Light Brass
	088264-01-000	EA	Door Pull - Polished Brass
	009021-01-000	EA	Catch - Nylon - 3/16"
	009021-02-000	EA	Strike - Spring Steel
	093586-03-000	EA	Catch - Spring, Roller
	093586-04-000	EA	Strike - Spring Steel
	022992-08-000	FT	Molding - Reverse Cove
	009787-08-000	EA	Wetling - Beige
4	078073-01-000	EA	Cabinet Arm - Medicine - Almond - w/Door
5	088303-52-X08	EA	Door Arm - Medicine Cabinet - w/Mirror
6	058331-05-000	EA	Mirror - Medicine Cabinet Door - 12" x 26"
7	M89723-01-X14	EA	Cabinet Arm - Bath Wall - Medicine - w/o Door or Hardware
8	M88304-E1-W24	EA	Door Arm - Medicine Cabinet - w/o Hardware
9	058331-05-000	EA	Mirror - Medicine Cabinet - 12" x 26"
	009059-01-000	EA	Hinge - Brass

BATH GROUP (CONTINUED)

BATH HARDWARE

Key	Part Number	U/M	Description
	075240-05-000	EA	Lavatory Faucet - Brass - USA
	011056-03-000	EA	Lavatory Faucet - Chrome - CSA
	001253-01-000	EA	Casket - Lavatory Faucet
	089366-01-000	EA	Sink - Oval - Ivory Plastic
	011089-03-000	EA	Tailpiece - Plastic - USA
	011089-02-000	EA	Tailpiece - Brass - CSA
	075241-04-000	EA	Faucet - Shower - Brass - USA
	011048-02-000	EA	Shower Head - w/90" Hose - USA
	011059-03-000	EA	Faucet - Shower - Chrome - CSA
	011048-05-000	EA	Shower Head - w/80" Hose - CSA
	075806-01-000	EA	Faucet Panel - Shower
	M02429-02-000	EA	Shower Pan Arm - w/Strainer
	086436-01-000	EA	Stopnut - Tailpiece
	008440-01-000	EA	Strainer - w/Rubber Washer
	086435-01-000	EA	Nut - Strainer - Plastic
	075452-02-000	EA	Tissue Holder - Brass
	009134-01-000	EA	Tissue Holder - Chrome
	075454-02-000	EA	Towel Ring - Brass - w/Mounting Hardware
	033580-01-000	EA	Towel Ring - Chrome
	009112-01-000	EA	Flange - 1" Closet Rod - USA
	024678-02-000	EA	Flange - 1" Closet Rod - CSA
	075680-01-000	EA	Clothes Rod - Adjustable - 27" to 36"
	081614-02-000	EA	Soap Dish - Brass w/Plastic Cover (USA)
	000027-01-000	EA	Soap Dish - Chrome (CSA)
**	067487-01-000	EA	Toilet - Aqua Magic IV - Low
**	The illustrated parts breakdown for this item is provided on the Common Items Fiche		

SHOWER CABINET

Key	Part Number	U/M	Description
	088318-02-000	EA	Jamb - Shower Door - Gold - USA
	088318-04-000	EA	Jamb - Shower Door - Chrome - CSA
	088318-01-000	EA	Shower Door - Gold - USA
	088318-03-000	EA	Shower Door - Chrome - CSA
	088318-01-700	EA	Strap for Shower Door
	088318-01-701	EA	Vinyl Sweep
	078323-06-X14	EA	Cap Molding - Wall
	009787-08-000	FT	Wetling - Beige
	018804-03-000	EA	Seat Brace - Angle - 2 5/8" - Beige
	000G67-10-08R	EA	Screw - 10 - 12 x 1/2" PPH - Beige

MISCELLANEOUS

Key	Part Number	U/M	Description
	080224-25-000	EA	Track - Folding Door - Rear - 29 5/8" - Beige
	080224-30-000	EA	Folding Door - Rear - 36" x 75" - Regal Oak
	080224-22-000	EA	Track - Folding Door - Front - S Curve - Beige
	080224-29-000	EA	Folding Door - Front - 36" x 75" - Regal Oak
	080224-01-700	EA	Latch & Catch Arm - Folding Door
	057534-04-000	EA	Tieback - Folding Door - Clear Plastic - 6"

**1989 ITASCA
TABLE OF CONTENTS**

INTRODUCTION	A 01
ABBREVIATIONS	A 01
ALPHABETICAL INDEX	A-02 - A 04
ICM27RQ	A 05 - D 20
IC/JM31RQ	D 21 - H-16

1989 ICM27RQ INDEX

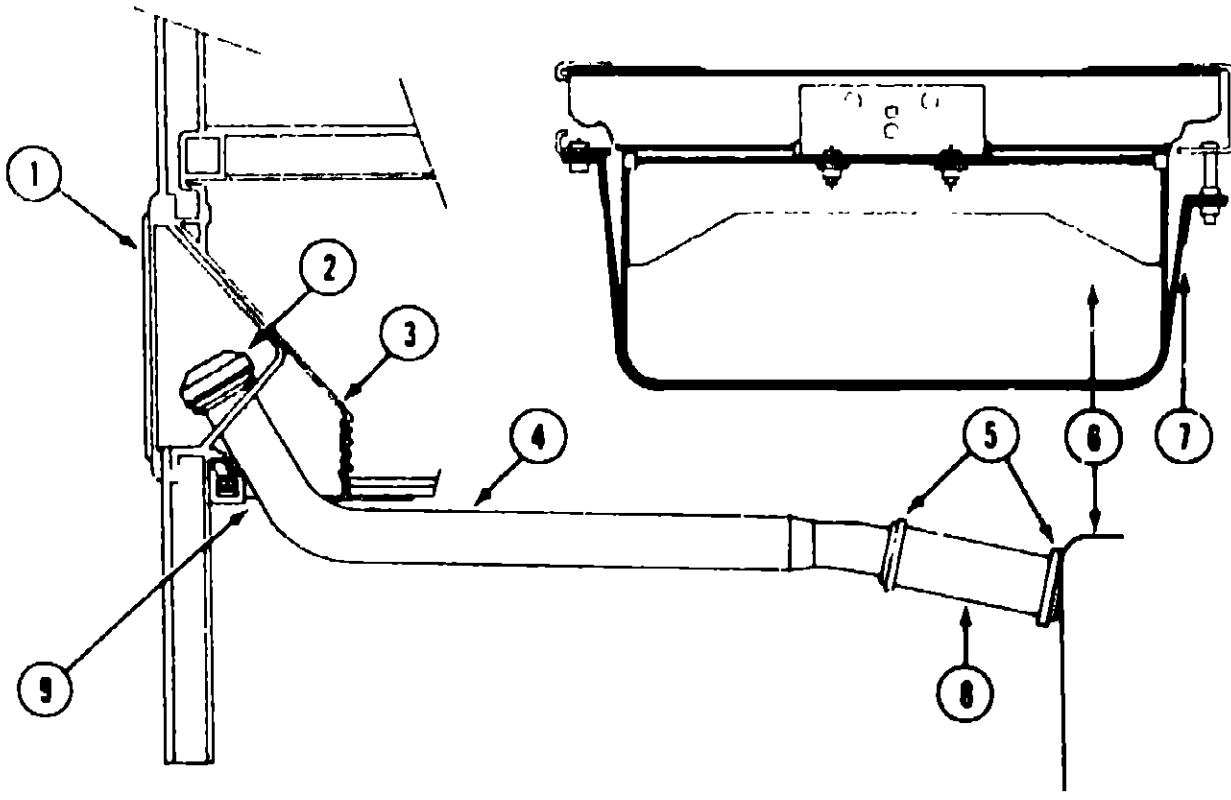
Floor Plan	A-05 - A-08
Accessories Group	A-07 - A-12
Bath Group	A-13 - A-14
Chassis Group	A-15 - A-20
Curtain, Cushion & Pad Group	A-21 - B-12
Dinette Group	B-13 - B-14
Driver's Compartment Group	B-15 - B-19
Electrical Group	B-20 - B-22
Exterior Body Group	B-23 - C-04
Galley Group	C-05 - C-08
Heating & Air Conditioning Group	C-09
Interior Finish Group	C-10 - C-11
LP Group	C-12
Lounge Group	C-13 - C-18
Water & Sewage Group	C-19 - C-20
Window, Vent & Exterior Door Group	C-21 - D-20

CHASSIS GROUP

CHASSIS GROUP (CONTINUED)

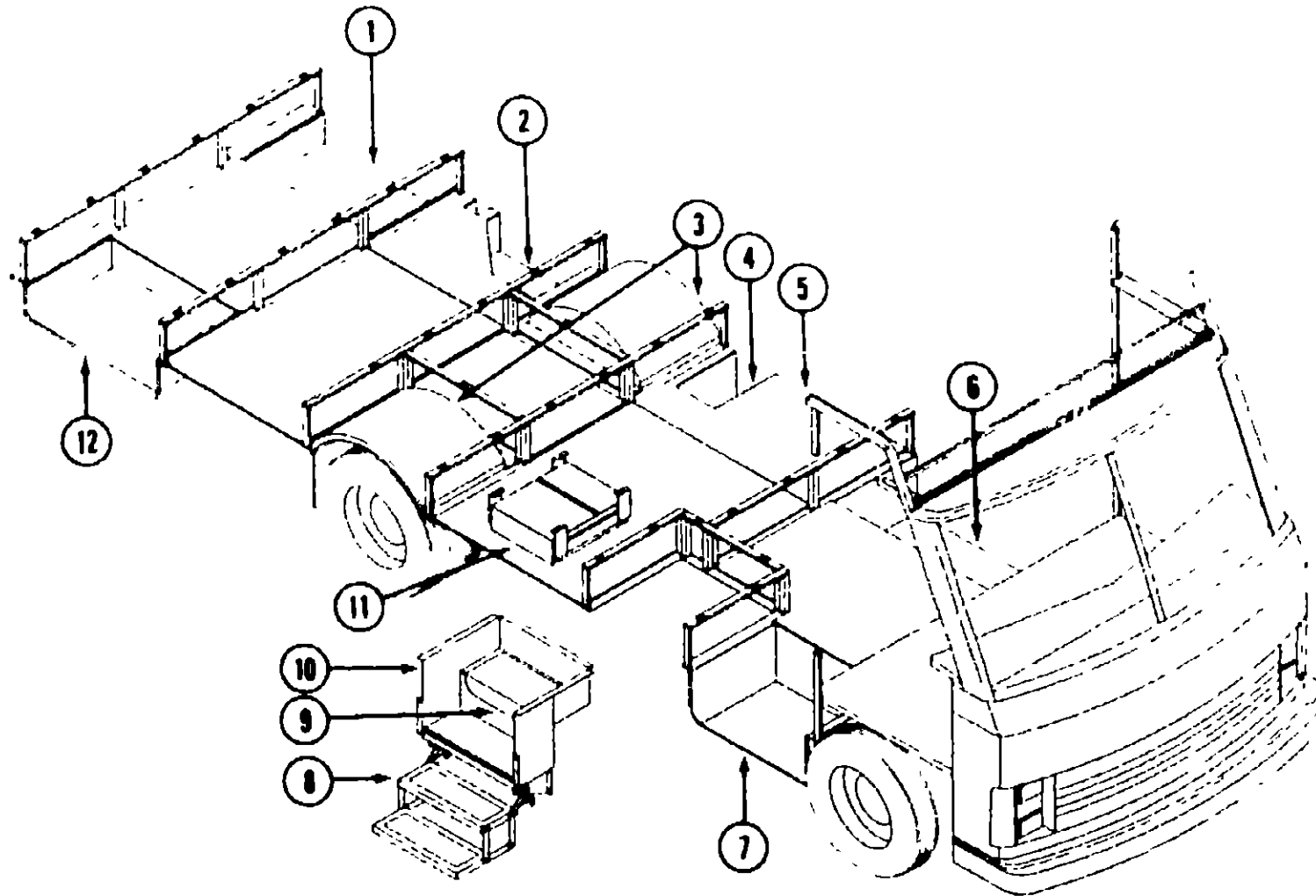
**1989 ITASCA
TABLE OF CONTENTS**

INTRODUCTION	A-01
ABBREVIATIONS	A-01
ALPHABETICAL INDEX	A-02 - A-04
ICM27RQ	A-05 - D-20
IC/JM31RQ	D-21 - H-16



FUEL SYSTEM COMPONENTS

Key	Part Number	U/M	Description
1	078010-05-000	EA	Door Arm - Fuel Fill - Gray
2	073220-02-000	EA	Cap Arm - Fuel Fill - Non Locking (GM22525302)
3	083578-01-000	EA	Boot - Fuel Fill
4	089029-01-000	EA	Neck Arm - Fuel Fill
5	082401-05-000	EA	Hose Clamp - Wormgear - 2" to 3" ID
6	080082-01-000	EA	Tank - Fuel - 87 Gallon
7	086486-02-000	EA	Strap Arm - Fuel Tank
8	007111-03-000	EA	Lower Fuel Fill Hose - 1.75" ID x 3'
9	084235-01-000	EA	Support Flange - Fuel Fill Boot
	079661-01-000	EA	Valve Arm - Vent - Fuel Tank
	079660-01-000	EA	Grommet Seal - Valve Arm - Fuel Tank
	007063-01-023	EA	Extension Tube - Vent - Fuel Tank
	082401-10-000	EA	Hose Clamp - Wormgear - 1" to 2" - Fuel Vent
	024136-01-000	FT	Fuel Hose - 5/16" ID
	079929-01-000	EA	Canister Arm - Vapor - 1500cc (GM17075836)
	088740-01-000	EA	Sending Unit - Fuel Pump
	086255-01-000	EA	Gasket - Sending Unit - Fuel Pump
	089254-01-000	EA	Retainer - Sending Unit - Fuel Pump
	082401-03-000	EA	Hose Clamp - Wormgear - 22" to 1" ID
	010495-01-000	EA	Clamp - Cable - 9/16" ID
	010497-01-000	EA	Clamp - Cable - 5/8" ID
	071016-07-000	EA	Grommet - 1" ID
	008401-01-000	EA	Conduit Strap - 3/4" - 1 Hole



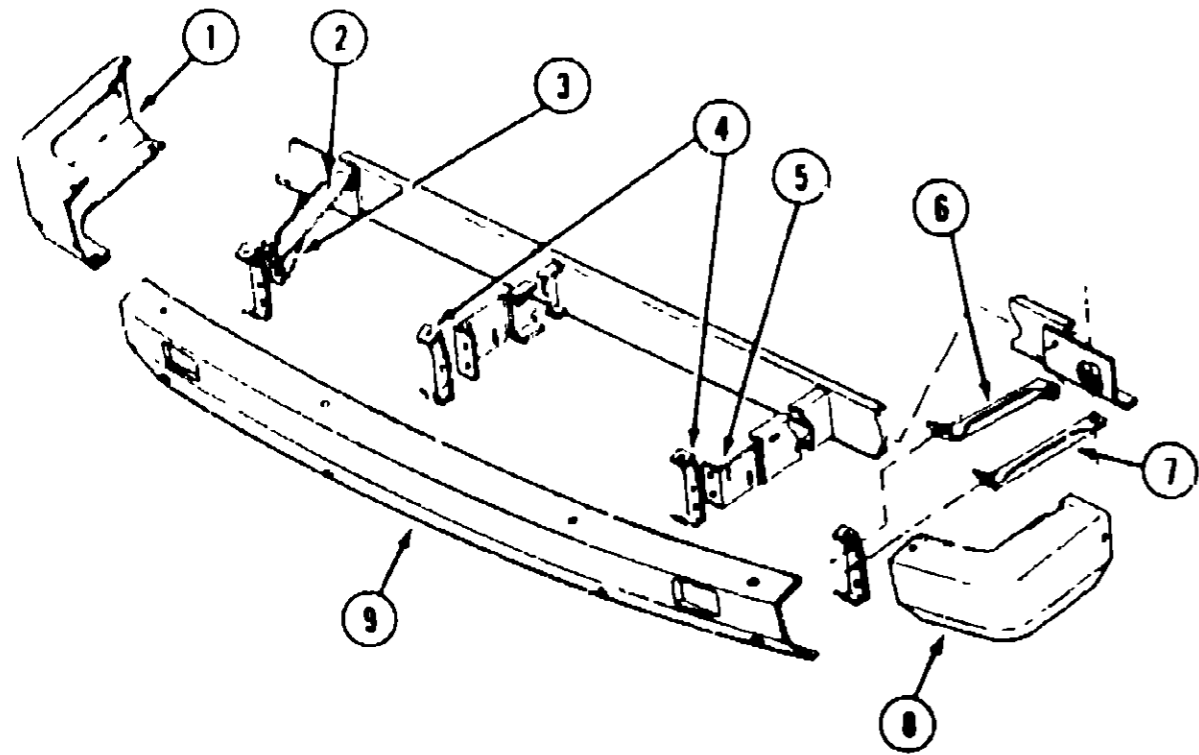
WHEELWELLS & LUGGAGE COMPARTMENTS

Key	Part Number	U/M	Description
1	088015-04-000	EA	Compartment Arm
2	030592-01-X14	EA	Compartment Arm - Sewer Hoca
3	087883-01-000	EA	Wheelwell - Plastic
4	090811-01-X14	EA	Compartment Arm - Power Cord
5	094102-01-000	EA	Compartment Panel
	084391-02-000	EA	Luggage Tray Arm
6	081252-22-000	EA	Compartment Arm
7	081252-21-000	EA	Compartment Arm
8	094707-01-01A	EA	Step Arm - Electric - Double
9	084693-02-000	EA	Battery Door
10	089103-01-000	EA	Support Arm - Entrance Step
11	M92488-01-000	EA	Compartment - Drawer
	082914-01-000	EA	Drawer Glide
	083085-02-000	EA	Drawer Hinge
	074762-01-000	EA	Drawer Pull
	042442-01-000	EA	Twist Lock Arm
12	088015-03-000	EA	Compartment Arm
	079368-01-000	FT	Bulb Seal
	061420-01-000	EA	Plug - Plastic - 1.75" Dia.
	033508-02-000	EA	Light - Dome - Ivory - Single - USA
	033508-03-000	EA	Light - Dome - Ivory - Single - CSA
	033508-02-700	EA	Lens - Dome Light
	008216-01-000	EA	Bulb - 12 Volt - #1141 - Dome Light

1989 ICM27RQ INDEX

Floor Finish	A-05 - A-06
Accessories Group	A-07 - A-12
Bath Group	A-13 - A-14
Chassis Group	A-15 - A-20
Curtain, Cushion & Pad Group	A-21 - B-12
Dinette Group	B-13 - B-14
Driver's Compartment Group	B-15 - B-19
Electrical Group	B-20 - B-22
Exterior Body Group	B-23 - C-03
Galley Group	C-05 - C-08
Heating & Air Conditioning Group	C-09
Interior Finish Group	C-10 - C-11
LP Group	C-12
Lounge Group	C-13 - C-18
Water & Sewage Group	C-19 - C-20
Window, Vent & Exterior Door Group	C-21 - D-20

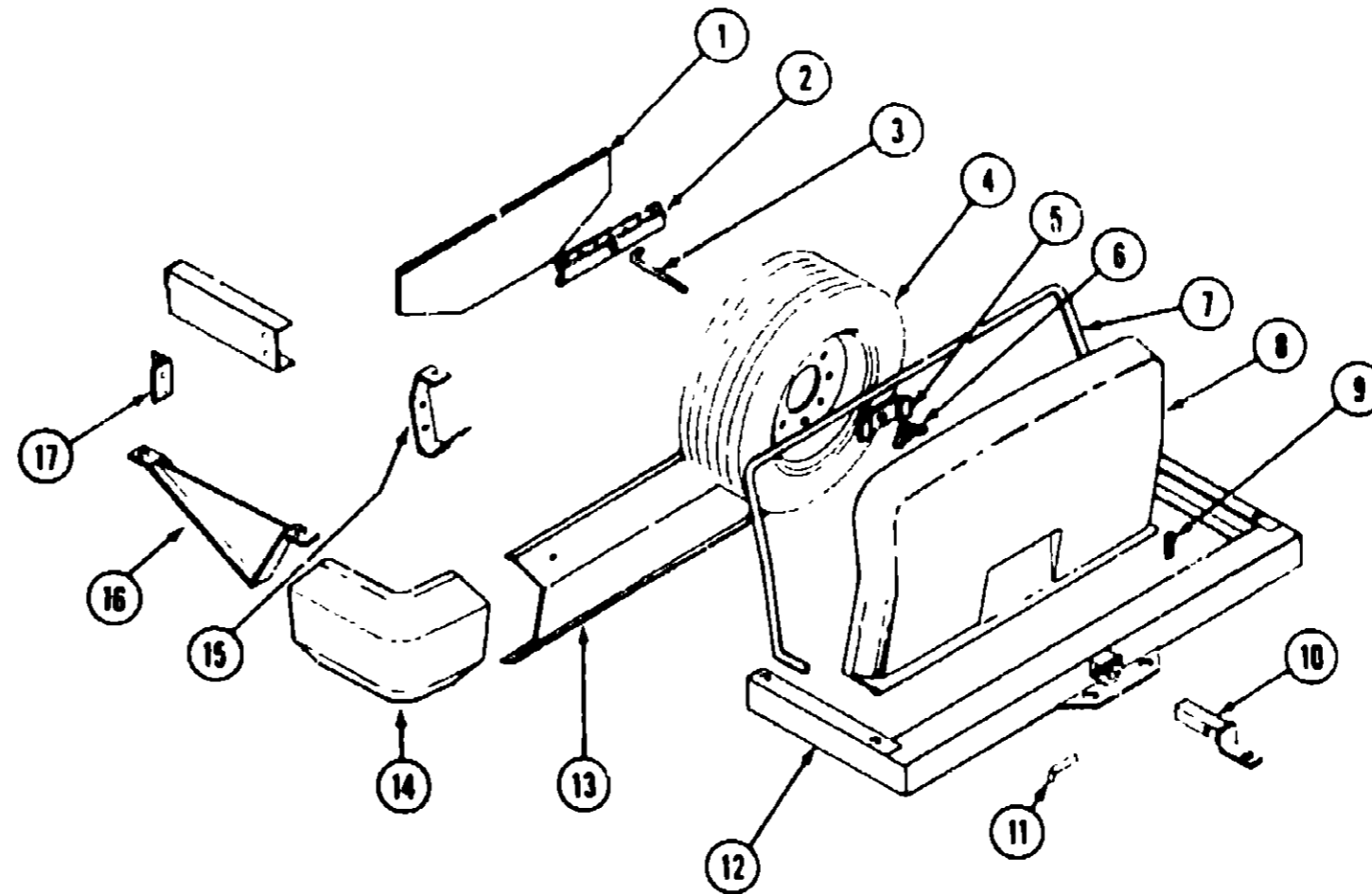
CHASSIS GROUP (CONTINUED)



FRONT BUMPER

Key	Part Number	U/M	Description
1	078577-03-000	EA	Bumper End Cap - Gray - Passenger
2	078002-21-000	EA	Brace - Upper Right - Front Bumper
3	078003-01-000	EA	Brace - Lower Right - Front Bumper
4	077852-01-000	EA	Bracket to Bumper - Front
5	078527-01-000	EA	Bracket to Frame - Front Bumper
6	078002-02-000	EA	Brace - Upper Left - Front Bumper
7	078003-02-000	EA	Brace - Lower Left - Front Bumper
8	078577-04-000	EA	Bumper End Cap - Gray - Driver
9	077850-09-000	EA	Bumper - Front - Chrome
	005200-01-000	EA	Carriage Bolt - 7/16" - 14 x 1 1/4" SST Head

CHASSIS GROUP (CONTINUED)



SPARE TIRE, HITCH & REAR BUMPER

Key	Part Number	U/M	Description
1	077395-01-000	EA	Dust Shield - Spare Tire
2	077403-01-000	EA	Rod Support - Spare Tire
3	077411-01-000	EA	Retaining Rod
4	007324-04-000	EA	Tire - 8 00 x 19 5 - XZA - Tubeless Michelin
5	077400-01-000	EA	Support - Spare Tire
6	077399-01-000	EA	Spare Tire Retainer
7	064081-01-000	EA	Wing Nut
8	058027-01-000	FT	Tire Cover Seal
9	068425-01-X70	EA	Tire Cover Asm. - Gray
10	077408-01-000	EA	Lock Arm - Tire Cover
11	077392-01-000	EA	Strike - Latch - Tire Cover
12	077394-02-000	EA	Support - Strike - Latch - Cover
13	060374-01-000	EA	Plate - Tire Cover Holder
14	077759-01-000	EA	Support Spacer - Spare Tire
15	077400-01-000	EA	Support - Spare Tire
16	034513-01-000	EA	Pin - Hitch - 3/16" Wire (Option 240)
17	077613-01-000	EA	Drawbar - Ball Mount (Option 240)
18	034512-01-000	EA	Locking Pin - Drawbar (Option 240)
19	077617-01-000	EA	Hitch Arm. - w/o Drawbar (Option 240)
20	078584-08-000	EA	Bumper - Rear - Chromed
21	078780-02-000	EA	Mounting Plate - Bumper - RH
22	078780-03-000	EA	Mounting Plate - Bumper - LH
23	078578-07-000	EA	Bumper End Cap - Gray - Passenger
24	078578-08-000	EA	Bumper End Cap - Gray - Driver
25	078670-02-000	EA	Bracket to Bumper - Rear
26	063376-01-000	EA	Skid Plate Asm
27	078668-01-000	EA	Support Angle - Bumper Bracket to Frame
28	005200-01-000	EA	Carriage Bolt - 7/16" - 14 x 1 1/4" SST Head

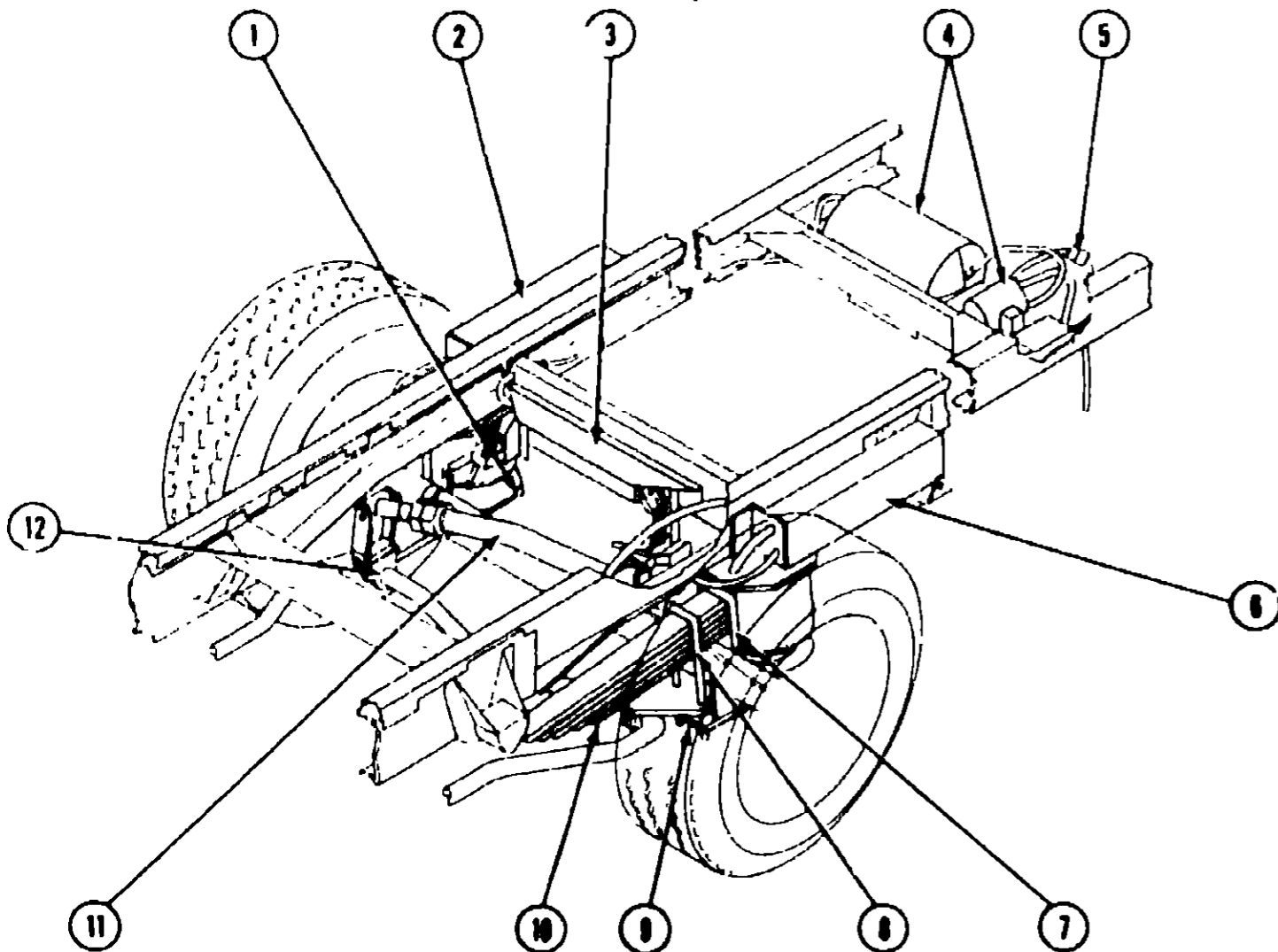
**1989 ITASCA
TABLE OF CONTENTS**

INTRODUCTION	A 01
ABBREVIATIONS	A-01
ALPHABETICAL INDEX	A 02 - A-04
ICM27RQ	A-05 - D 20
IC/JM31RQ	D 21 - I 16

1989 ICM27RQ INDEX

Floor Plan	A-05 - A-06
Accessories Group	A-07 - A-12
Bath Group	A-13 - A-14
Chassis Group	A-15 - A-20
Curtain, Cushion & Pad Group	A 21 - B-12
Dinette Group	B-13 - B-14
Driver's Compartment Group	B-15 - B-19
Electrical Group	B-20 - B-22
Exterior Body Group	B-23 - C-04
Galley Group	C-05 - C-08
Heating & Air Conditioning Group	C-09
Interior Finish Group	C-10 - C-11
LP Group	C-12
Lounge Group	C-13 - C-18
Water & Sewage Group	C-19 - C-20
Window, Vent & Exterior Door Group	C-21 D 20

CHASSIS GROUP (CONTINUED)



AIR RIDE SUSPENSION (OPTION 64K, 64P)

Key	Part Number	U/M	Description
1	090436-11-000	EA	Spring Mount - Lower Axle - Driver
2	090436-09-000	EA	Mount - Airspring Asm - Upper - Driver
3	090436-04-000	EA	Valve Asm - Height - w/o Park & Level
3	090436-05-000	EA	Valve Asm - Height - w/Park & Level
4	090436-07-000	EA	Compressor Asm - w/Tank & Wiring
5	090436-08-000	EA	Control - Park & Level w/Wiring
6	090436-08-000	EA	Mount - Airspring Asm - Upper - Passenger
7	090436-13-000	EA	U-Bolt - Rearward Bent - 7/8"
8	090436-12-000	EA	U-Bolt - Forward Straight - 7/8"
9	090436-10-000	EA	Spring Mount - Lower Axle - Passenger
10	090436-03-000	EA	Leaf Spring - Semi
11	090436-14-000	EA	Track Bar - w/Pivot Bolt & Brackets
12	091250-03-000	EA	Bushing - Sway Bar - 1.75"
	090436-15-000	EA	Valve - Solenoid Asm - Park & Level
	090436-16-000	EA	Bracket - Brake Hose/Axle
	000C12-06-168	EA	Hex Bolt - 5/16" - 18 x 1"
	000D14-05-000	EA	Hex Nut - 5/16" - #18
	000D34-08-008	EA	Hex Nut - Locking - 3/8" - #18
	000E13-17-008	EA	Washer - Flange - 3/8"
	071374-03-000	EA	Fitting - Bulkhead - 1/4" x 1/4" MNPT
	007125-07-000	EA	Clamp Asm - Muffler
	016379-02-000	EA	Strap - Hanger Extension
	081918-02-000	EA	Extension - Exhaust - 2.25" OD x 7"
	085430-01-000	EA	Shield - Heat Exhaust
	095190-01-000	EA	Hanger - Exhaust
	091250-01-000	EA	Bushing - Sway Bar - 1.25" Cut
	091250-02-000	EA	Bushing - Sway Bar - 1.25" Uncut
	091250-03-000	EA	Bushing - Sway Bar - 1.75" Cut

CHASSIS GROUP (CONTINUED)

MISCELLANEOUS

Key	Part Number	U/M	Description
	062401-01-000	EA	Clamp - Hose - Wormgear - 25" ID to 1" ID
	062401-02-000	EA	Clamp - Hose - Wormgear - 1.56" ID to 2.5" ID
	062401-03-000	EA	Clamp - Hose - Wormgear - 22" ID to 1" ID
	062401-04-000	FA	Clamp - Hose - Wormgear - .69" ID to 1.25" ID
	062401-05-000	EA	Clamp - Hose - Wormgear - 2" ID to 3" ID
	062401-06-000	EA	Clamp - Hose - Wormgear - 22" ID - 62" ID
	010497-01-000	EA	Clamp - Close - 5/8" ID
	010499-01-000	EA	Clamp - Close - 3/8" ID
	007181-01-000	FA	Clamp - Hose - Spring Type 112
	010495-01-000	EA	Clamp - Cable - 9/16" ID
	023146-01-000	EA	Clamp - Screw Type - 4"
	007125-03-000	EA	Clamp Asm - Muffler - 1.5" Dia
	007125-06-000	EA	Clamp Asm - Muffler - 2.25" Dia
	007125-07-000	EA	Clamp Asm - Muffler - 2.50" Dia
	081918-01-000	EA	Exhaust Extension - 2.25" OD - Stainless Steel
	081918-02-000	EA	Exhaust Extension - 2.25" x 7" - Stainless Steel
	081064-03-000	EA	Pipe Asm - Exhaust
	053522-04-000	EA	Heat Shield - Exhaust
	079942-01-000	EA	Shock Absorber - Stabilizer - Front (Chevrolet) (Option 64A & 64C)
	064086-01-000	EA	Airspring - Bellows - Rear Axle (Chevrolet) (Option 64C)
	064086-01-700	EA	Bellows Only (Air Bag)
	064086-01-701	EA	Tubing - 1/4" x 18"
	064086-01-702	EA	Bolt - Ribbed Neck - 3/8" - 24 x 2 1/2"
	064086-01-703	EA	Inflating Valve - 1/4" Tubing
	064086-01-704	EA	Elbow Connector
	064086-01-705	EA	Tubing Protectors
	071656-01-000	EA	Cover - Radiator - Rear
	080722-01-000	EA	Cover - Radiator - Rear Back (Fan Shroud)
	017516-01-000	EA	Mud Flaps w/Holes - 14" x 18" - Black
	087683-01-000	EA	Wheelwell - Plastic
	0M4707-01-01A	EA	Step Asm - Entry Door - Electric (Kwikkee) - Double
	063977-08-000	EA	Step Asm - Driver Door
	007324-04-000	EA	Tire - 8.0" x 19.5" - Tubeless - Michelin
	051377-01-000	EA	Valve Stem Asm - TR500
	095012-01-000	EA	Extension - Valve Stem - Dual Wheels
	089273-01-000	EA	Relay - Battery Disconnect
	072342-07-000	EA	Condenser Asm. (John Deere)
	072363-01-000	EA	Bottle - Coolant Expansion
	079926-01-000	EA	Canister Asm - Vapor - 1500cc

1989 ITASCA TABLE OF CONTENTS

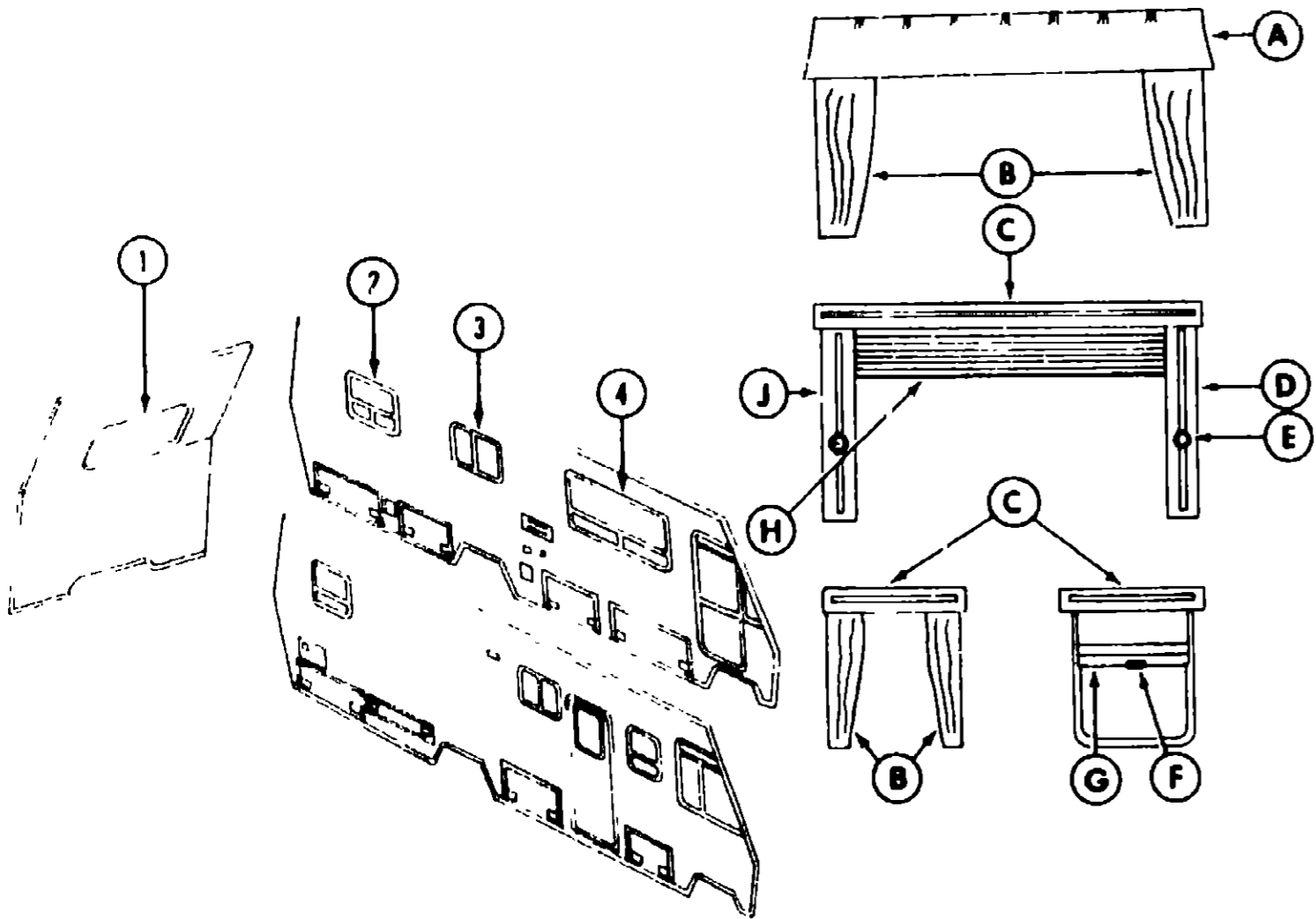
INTRODUCTION	A-01
ABBREVIATIONS	A-01
ALPHABETICAL INDEX	A-02 - A-04
ICM27RQ	A-05 - D-20
IC/JM31RQ	D-21 - H-16

1989 ICM27RQ INDEX

Floor Plan	A-05 - A-06
Accessories Group	A-07 - A-12
Bath Group	A-13 - A-14
Chassis Group	A-15 - A-20
Curtain, Cushion & Pad Group	A-21 - B-12
Dinette Group	B-13 - B-14
Driver's Compartment Group	B-15 - B-19
Electrical Group	B-20 - B-22
Exterior Body Group	B-23 - C-04
Galley Group	C-05 - C-08
Heating & Air Conditioning Group	C-09
Interior Finish Group	C-10 - C-11
LP Group	C-12
Lounge Group	C-13 - C-18
Water & Sewage Group	C-19 - C-20
Window, Vent & Exterior Door Group	C-21 - D-20

CURTAIN, CUSHION & PAD GROUP

WINDOW TREATMENT



Key	Part Number	U/M	Description
1A	093465-16-Y15	EA	Curtain Valance - w/Welting - 7" x 63" (Y70)
1A	093465-08-Y16	EA	Curtain Valance - w/Welting - 7" x 63" (Y71)
1A	093465-06-Y17	EA	Curtain Valance - w/Welting - 7" x 63" (Y72)
1A	093465-18-Y70	EA	Curtain Valance - w/Welting - 9" x 62"
1A	093465-18-Y71	EA	Curtain Valance - w/Welting - 9" x 62"
1A	093465-18-Y72	EA	Curtain Valance - w/Welting - 9" x 62"
1B	079542-19-Y70	EA	Curtain Asm. - Flat Dart Top w/Snaps - 12" x 28 1/2" Drop
1B	079542-19-Y71	EA	Curtain Asm. - Flat Dart Top w/Snaps - 12" x 28 1/2" Drop
1B	079542-19-Y72	EA	Curtain Asm. - Flat Dart Top w/Snaps - 12" x 28 1/2" Drop
1F	067253-01-000	EA	Shade Pull - Clear Plastic
1G	093455-20-Y35	EA	Shade Asm. - 51.25" (Y70)
1G	093455-20-Y19	EA	Shade Asm. - 51.25" (Y71)
1G	093455-20-Y76	EA	Shade Asm. - 51.25" (Y72)
1	084434-01-000	EA	Pull Shade Bracket - Left or Right Side
1	056003-01-000	EA	Curtain Retainer Bracket - Right
1	056003-02-000	EA	Curtain Retainer Bracket - Left
1	089335-01-000	FT	Curtain Track - Plastic - Brown
1	029092-01-000	EA	Stud - Nickel Finish
1	029093-01-000	EA	Eyelet - Nickel Finish
2A	093465-07-Y15	EA	Curtain Valance - w/Welting - 7" x 56 1/2" (Y70)
2A	093465-07-Y16	EA	Curtain Valance - w/Welting - 7" x 56 1/2" (Y71)
2A	093465-07-Y17	EA	Curtain Valance - w/Welting - 7" x 56 1/2" (Y72)
2A	093465-19-Y70	EA	Curtain Valance - w/Welting - 9" x 55 1/2"
2A	093465-19-Y71	EA	Curtain Valance - w/Welting - 9" x 55 1/2"
2A	093465-19-Y72	EA	Curtain Valance - w/Welting - 9" x 55 1/2"

Key	Part Number
2B	079542-16-Y30
2B	079542-16-Y31
2B	079542-16-Y32
2F	067253-01-000
2G	093455-21-Y30
2G	093455-21-Y31
2G	093455-21-Y32
2	084434-01-000
2	056003-01-000
2	056003-02-000
2	089335-01-000
2	029092-01-000
2	029093-01-000
3A	093465-05-Y15
3A	093465-05-Y16
3A	093465-05-Y17
3A	093465-17-Y70
3A	093465-17-Y71
3A	093465-17-Y72
3B	073304-39-XA4
3B	073304-39-Y16
3B	073304-39-Y32
3H	093475-04-01A
3H	093475-04-02A
3	083170-01-000
3	083170-02-000
3	082139-01-000
3	095991-01-000
3	050003-01-000
3	056003-02-000
3	089335-01-000
3	029092-01-000
3	029093-01-000
4C	093453-12-Y70
4C	093453-12-Y06
4C	093453-12-Y72
4B	079542-16-Y30
4B	079542-16-Y31
4B	079542-16-Y32
4D	089058-09-Y70
4D	089058-09-Y16
4D	089058-09-Y72
4J	089058-10-Y70
4J	089058-10-Y16
4J	089058-10-Y72
4H	093475-11-01A
4H	093475-11-02A
4E	067052-02-000
4	060025-01-000
4	089371-01-000
4	083170-01-000
4	083170-02-000
4	082139-01-000
4	095991-01-000
4	056003-01-000
4	056003-02-000
4	089335-01-000
4	029092-01-000
4	029093-01-000

U/M	Description
EA	Curtain Asm. - Flat Dart Top w/Snaps - 12" x 34" Drop (Y70)
EA	Curtain Asm. - Flat Dart Top w/Snaps - 12" x 34" Drop (Y71)
EA	Curtain Asm. - Flat Dart Top w/Snaps - 12" x 34" Drop (Y72)
EA	Shade Pull - Clear Plastic
EA	Shade Asm. - 45 1/4" (Y70)
EA	Shade Asm. - 45 1/4" (Y71)
EA	Shade Asm. - 45 1/4" (Y72)
EA	Pull Shade Bracket - Left or Right
EA	Curtain Retainer Bracket - Right
EA	Curtain Retainer Bracket - Left
FT	Curtain Track - Plastic - Brown
EA	Stud - Nickel Finish
EA	Eyelet - Nickel Finish
EA	Curtain Valance - w/Welting - 7" x 42" (Y70)
EA	Curtain Valance - w/Welting - 7" x 42" (Y71)
EA	Curtain Valance - w/Welting - 7" x 42" (Y72)
EA	Curtain Valance - w/Welting - 9" x 41"
EA	Curtain Valance - w/Welting - 9" x 41"
EA	Curtain Valance - w/Welting - 9" x 41"
EA	Curtain Asm. - 10" x 27.5" Drop - Snap Top (Y70)
EA	Curtain Asm. - 10" x 27.5" Drop - Snap Top (Y71)
EA	Curtain Asm. - 10" x 27.5" Drop - Snap Top (Y72)
EA	Mini Blind - Aluminum - 32" x 26" Drop (Y70) (Y72)
EA	Mini Blind - Aluminum - 32" x 26" Drop (Y71)
EA	Upper Bracket - Mini Blind - Right
EA	Upper Bracket - Mini Blind - Left
EA	Hold Down Bracket - Mini Blind - Steel
EA	Hold Down Bracket - Mini Blind - Clear Plastic
EA	Curtain Retainer Bracket - Right
EA	Curtain Retainer Bracket - Left
FT	Curtain Track - Plastic - Brown
EA	Stud - Nickel Finish
EA	Eyelet - Nickel Finish
EA	Valance - Gathered - w/Wood Trim - 65 5"
EA	Valance - Gathered - w/Wood Trim - 65 5" (Y71)
EA	Valance - Gathered - w/Wood Trim - 65 5"
EA	Curtain Asm. - Flat Dart Top w/Snaps - 12" x 34" Drop (Y70)
EA	Curtain Asm. - Flat Dart Top w/Snaps - 12" x 34" Drop (Y71)
EA	Curtain Asm. - Flat Dart Top w/Snaps - 12" x 34" Drop (Y72)
EA	Leg - Right - Gathered - w/Wood Trim - Hole
EA	Leg - Right - Gathered - w/Wood Trim - Hole (Y71)
EA	Leg - Right - Gathered - w/Wood Trim - Hole
EA	Leg - Left - Gathered - w/Wood Trim - Hole
EA	Leg - Left - Gathered - w/Wood Trim - Hole (Y71)
EA	Leg - Left - Gathered - w/Wood Trim - Hole
EA	Mini Blind - Aluminum - 57 5" x 33" Drop (Y70) (Y72)
EA	Mini Blind - Aluminum - 57 5" x 33" Drop (Y71)
EA	Window Knob - Beige
EA	Extension - Window Knob
EA	Screw - Window Knob
EA	Upper Bracket - Mini Blind - Right
EA	Upper Bracket - Mini Blind - Left
EA	Hold Down Bracket - Mini Blind - Steel
EA	Hold Down Bracket - Mini Blind - Clear Plastic
EA	Curtain Retainer Bracket - Right
EA	Curtain Retainer Bracket - Left
FT	Curtain Track - Plastic - Brown
EA	Stud - Nickel Finish
EA	Eyelet - Nickel Finish

1989 ITASCA TABLE OF CONTENTS

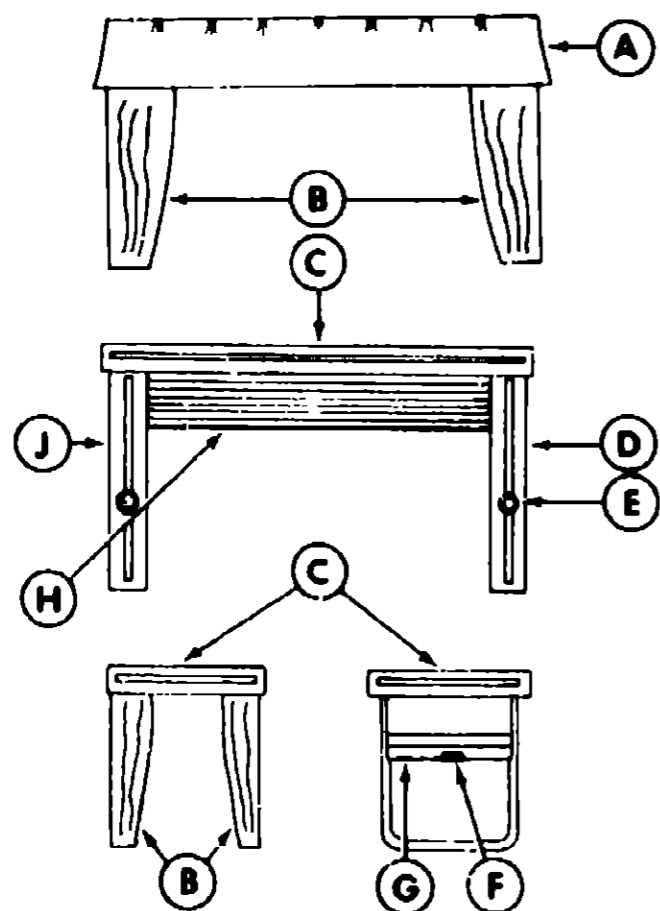
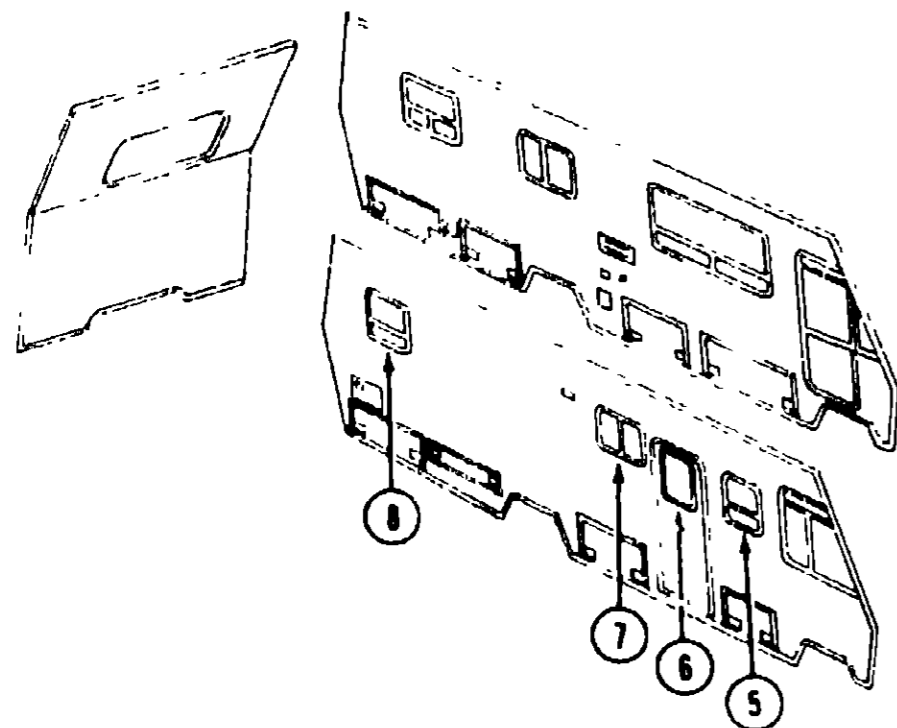
INTRODUCTION	A-01
ABBREVIATIONS	A-01
ALPHABETICAL INDEX	A-02 - A-04
ICM27RQ	A-05 - D-20
IC/JM31RQ	D-21 - H-16

1989 ICM27RQ INDEX

Floor Plan	A-05 - A-06
Accessories Group	A-07 - A-12
Bath Group	A-13 - A-14
Chassis Group	A-15 - A-20
Curtain, Cushion & Pad Group	A-21 - B-12
Dinette Group	B-13 - B-14
Driver's Compartment Group	B-15 - B-19
Electrical Group	B-20 - B-22
Exterior Body Group	B-23 - C-04
Galley Group	C-05 - C-08
Heating & Air Conditioning Group	C-09
Interior Finish Group	C-10 - C-11
LP Group	C-12
Lounge Group	C-13 - C-18
Water & Sewage Group	C-19 - C-20
Window, Vent & Exterior Door Group	C-21 - D-20

CURTAIN, CUSHION & PAD GROUP (CONTINUED)

WINDOW TREATMENT (CONT.)



Key	Part Number	U/M	Description
5B	079542-18-Y30	EA	Curtain Asm - Flat Dart Top w/Snaps - 12" x 34" Drop (Y70)
5B	079542-18-Y31	EA	Curtain Asm - Flat Dart Top w/Snaps - 12" x 34" Drop (Y71)
5B	079542-18-Y32	EA	Curtain Asm - Flat Dart Top w/Snaps - 12" x 34" Drop (Y72)
5C	093453-03-Y70	EA	Valance - Gathered - w/Wood Trim - 27.4"
5C	093453-03-Y19	EA	Valance - Gathered - w/Wood Trim - 27.4" (Y71)
5C	093453-03-Y72	EA	Valance - Gathered - w/Wood Trim - 27.4"
5H	093475-12-01A	EA	Mini Blind - Aluminum - 21" x 33" Drop (Y70) (Y72)
5H	093475-12-02A	EA	Mini Blind - Aluminum - 21" x 33" Drop (Y71)
5	083170-01-000	EA	Upper Bracket - Mini Blind - Right
5	083170-02-000	EA	Upper Bracket - Mini Blind - Left
5	082139-01-000	EA	Hold Down Bracket - Mini Blind - Steel
5	095591-01-000	EA	Hold Down Bracket - Mini Blind - Clear Plastic
5	056003-01-000	EA	Curtain Retainer Bracket - Right
5	056003-02-000	EA	Curtain Retainer Bracket - Left
5	089335-01-000	FT	Curtain Track - Plastic - Brown
5	029092-01-000	EA	Stud - Nickel Finish
5	029093-01-000	EA	Eyelet - Nickel Finish
6C	093453-03-Y70	EA	Valance - Gathered - w/Wood Trim - 27.4"
6C	093453-03-Y19	EA	Valance - Gathered - w/Wood Trim - 27.4" (Y71)
6C	093453-03-Y72	EA	Valance - Gathered - w/Wood Trim - 27.4"
6F	087253-01-000	EA	Shade Pull - Clear Plastic
6G	093455-13-Y30	EA	Shade Asm - 24.25" (Y70)
6G	093455-13-Y71	EA	Shade Asm - 24.25"
6G	093455-13-Y32	EA	Shade Asm - 24.25" (Y72)
6	084434-01-000	EA	Pull Shade Bracket - Left or Right
6	048394-02-000	YD	Velcro - Hook Tape
6	088792-02-000	YD	Velcro - Loop Tape
7C	093453-20-Y70	EA	Valance - Gathered - w/Wood Trim - 29.5"
7C	093453-20-Y16	EA	Valance - Gathered - w/Wood Trim - 29.5" (Y71)
7C	093453-20-Y72	EA	Valance - Gathered - w/Wood Trim - 29.5"
7H	093475-02-01A	EA	Mini Blind - Aluminum - 27" x 22.5" Drop (Y70) (Y72)
7H	093475-02-02A	EA	Mini Blind - Aluminum - 27" x 22.5" Drop (Y71)
7	083170-01-000	EA	Upper Bracket - Mini Blind - Right
7	083170-02-000	EA	Upper Bracket - Mini Blind - Left
7	082139-01-000	EA	Hold Down Bracket - Mini Blind - Steel
7	095591-01-000	EA	Hold Down Bracket - Mini Blind - Clear Plastic
8A	093465-09-Y15	EA	Curtain Valance - w/Wetting - 7" x 44.5" (Y70)
8A	093465-09-Y16	EA	Curtain Valance - w/Wetting - 7" x 44.5" (Y71)
8A	093465-09-Y17	EA	Curtain Valance - w/Wetting - 7" x 44.5" (Y72)
8A	093465-22-Y70	EA	Curtain Valance - w/Wetting - 9" x 44"
8A	093465-22-Y71	EA	Curtain Valance - w/Wetting - 9" x 44"
8A	093465-22-Y72	EA	Curtain Valance - w/Wetting - 9" x 44"
8B	079542-16-Y30	EA	Curtain Asm - Flat Dart Top w/Snaps - 12" x 34" Drop (Y70)
8B	079542-16-Y31	EA	Curtain Asm - Flat Dart Top w/Snaps - 12" x 34" Drop (Y71)
8B	079542-16-Y32	EA	Curtain Asm - Flat Dart Top w/Snaps - 12" x 34" Drop (Y72)
8F	067253-01-000	EA	Shade Pull - Clear Plastic
8G	093455-34-Y70	EA	Shade Asm - 32.25"
8G	093455-34-Y71	EA	Shade Asm - 32.25"
8G	093455-34-Y72	EA	Shade Asm - 32.25"
8	084434-01-000	EA	Pull Shade Bracket - Left or Right Side
8	056003-01-000	EA	Curtain Retainer Bracket - Right
8	056003-02-000	EA	Curtain Retainer Bracket - Left
8	089335-01-000	FT	Curtain Track - Plastic - Brown
8	029092-01-000	EA	Stud - Nickel Finish
8	029093-01-000	EA	Eyelet - Nickel Finish
	072333-55-000	EA	Valance, Curtain & Leg Fabric (Y70)
	072333-59-000	EA	Valance, Curtain & Leg Fabric (Y71)
	072333-60-000	EA	Valance, Curtain & Leg Fabric (Y72)
	086522-02-000	EA	Trim - Leg to Window Mount
	088915-01-000	EA	Trim - Window to Leg Mount
	075943-01-000	EA	Valance Brace - Beige

1989 ITASCA TABLE OF CONTENTS

INTRODUCTION	A 01
ABBREVIATIONS	A J1
ALPHABETICAL INDEX	A-02 - A-04
ICM27RQ	A-05 - D-20
IC/JM31RQ	D 21 - H-16

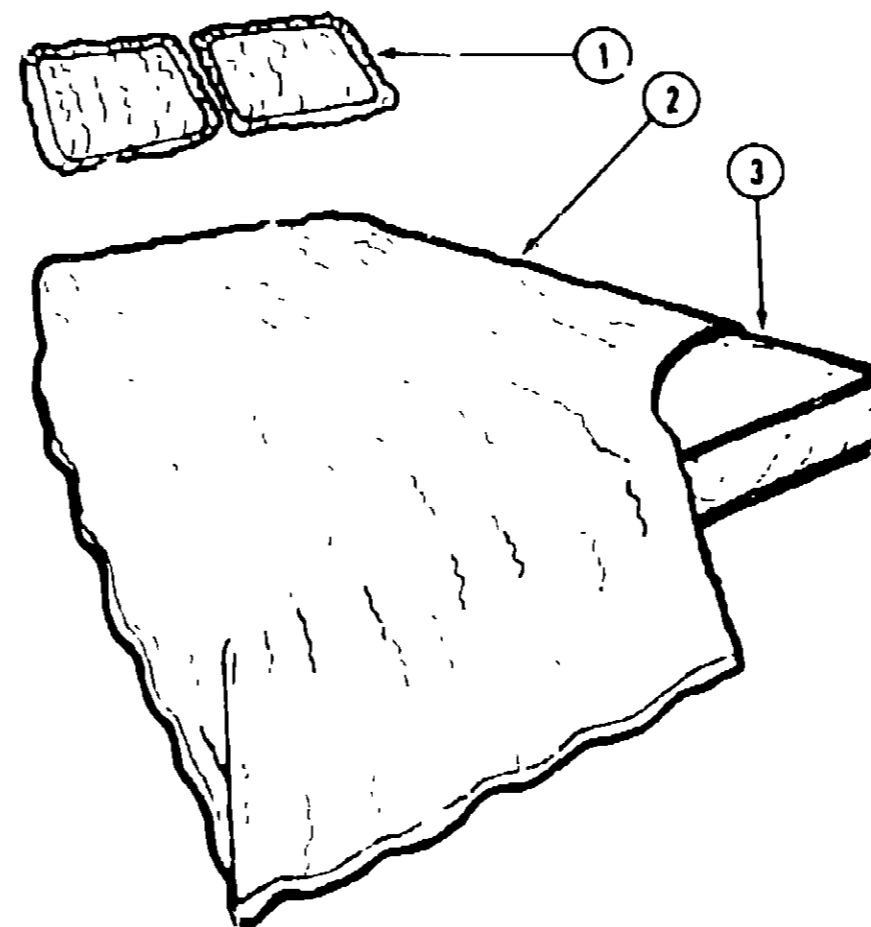
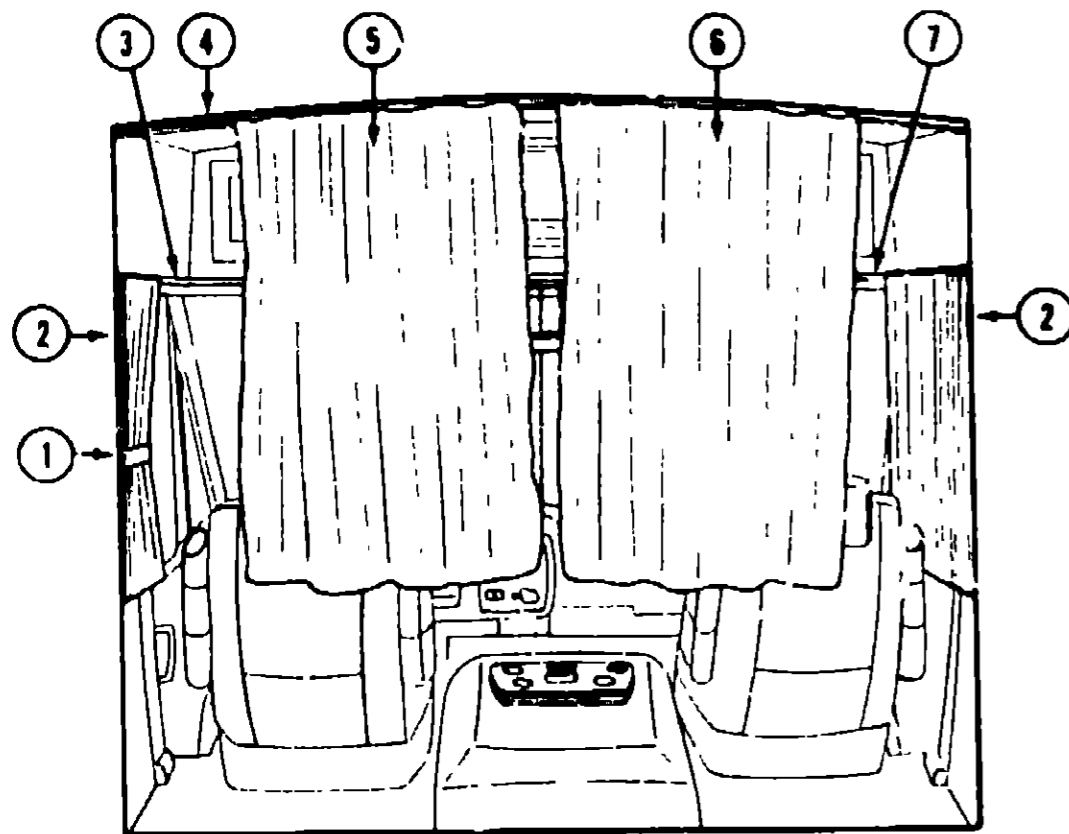
1989 ICM27RQ INDEX

Floor Plan	A-05 - A-08
Accessories Group	A-07 - A-12
Bath Group	A-13 - A-14
Chassis Group	A-15 - A-20
Curtain, Cushion & Pad Group	A-21 - B-12
Dinette Group	B-13 - B-14
Driver's Compartment Group	B-15 - B-19
Electrical Group	B-20 - B-22
Exterior Body Group	B-23 - C-04
Galley Group	C-05 - C-08
Heating & Air Conditioning Group	C-09
Interior Finish Group	C-10 - C-11
LP Group	C-12
Lounge Group	C-13 - C-18
Water & Sewage Group	C-19 - C-20
Window, Vent & Exterior Door Group	C-21 - D-20

CURTAIN, CUSHION & PAD GROUP (CONTINUED)

CURTAIN, CUSHION & PAD GROUP (CONTINUED)

**1989 ITASCA
TABLE OF CONTENTS**



INTRODUCTION
ABBREVIATIONS
ALPHABETICAL INDEX
ICM27RQ
IC/JM31RQ

A-01
A-01
A-02 - A-04
A-05 - D-20
D-21 - H-16

FRONT CURTAINS & ACCESSORIES

Key	Part Number	U/M	Description
1	073260-23-XA4	EA	Tieback Arm. - 3" x 18" - Left or Right Side (Y70)
1	073260-23-Y16	EA	Tieback Arm. - 3" x 18" - Left or Right Side (Y71)
1	073260-23-Y72	EA	Tieback Arm. - 3" x 18" - Left or Right Side
2	073304-51-XA4	EA	Curtain - Front Wraparound - 36" x 86" (Y70)
2	073304-51-Y16	EA	Curtain - Front Wraparound - 36" x 86" (Y71)
2	073304-51-Y72	EA	Curtain - Front Wraparound - 36" x 86"
3	079946-02-000	EA	Front Wraparound Track - Driver Side
4	091904-01-000	EA	Track - Blackout Curtain - Light Beige
5	093452-02-Y30	EA	Curtain Arm. - Blackout - Driver Side - 48" x 50" (Y70)
5	093452-02-Y31	EA	Curtain Arm. - Blackout - Driver Side - 48" x 50" (Y71)
5	093452-02-Y32	EA	Curtain Arm. - Blackout - Driver Side - 48" x 50" (Y72)
6	093452-01-Y30	EA	Curtain Arm. - Blackout - Passenger Side - 48" x 50" (Y70)
6	093452-01-Y31	EA	Curtain Arm. - Blackout - Passenger Side - 48" x 50" (Y71)
6	093452-01-Y32	EA	Curtain Arm. - Blackout - Passenger Side - 48" x 50" (Y72)
7	079946-01-000	EA	Front Wraparound Track - Passenger Side
	081351-01-000	EA	Curtain Glides - Plastic - Wraparound & Blackout
	088792-01-000	EA	Velcro - 5/8" Hook - Non-Adhesive (Blackout Curtain)
	088792-02-000	EA	Velcro - 3/4" Loop - Adhesive (Blackout Curtain)
	072333-55-000	EA	Fabric - Blackout, Wraparound & Tieback (Y70)
	072333-55-000	EA	Fabric - Blackout, Wraparound & Tieback (Y71)
	072333-60-000	EA	Fabric - Blackout, Wraparound & Tieback (Y72)

QUEEN BED

Key	Part Number	U/M	Description
1	081997-03-Y70	EA	Pillow Sham - Quilted - Open Back
1	081997-03-Y71	EA	Pillow Sham - Quilted - Open Back
1	081997-03-Y72	EA	Pillow Sham - Quilted - Open Back
2	081999-18-Y70	EA	Bedspread Arm. - Fitted - w/2 Cut Corners - 60" x 75"
2	081999-18-Y71	EA	Bedspread Arm. - Fitted - w/2 Cut Corners - 60" x 75"
2	081999-18-Y72	EA	Bedspread Arm. - Fitted - w/2 Cut Corners - 60" x 75"
3	079399-03-000	EA	Mattress - Innerspring - 60" x 75" x 7.75"
	088273-25-000	YD	Bedspread Fabric (Y70)
	088273-26-000	YD	Bedspread Fabric (Y71)
	088273-27-000	YD	Bedspread Fabric (Y72)

TWIN BEDS (OPTION 44R)

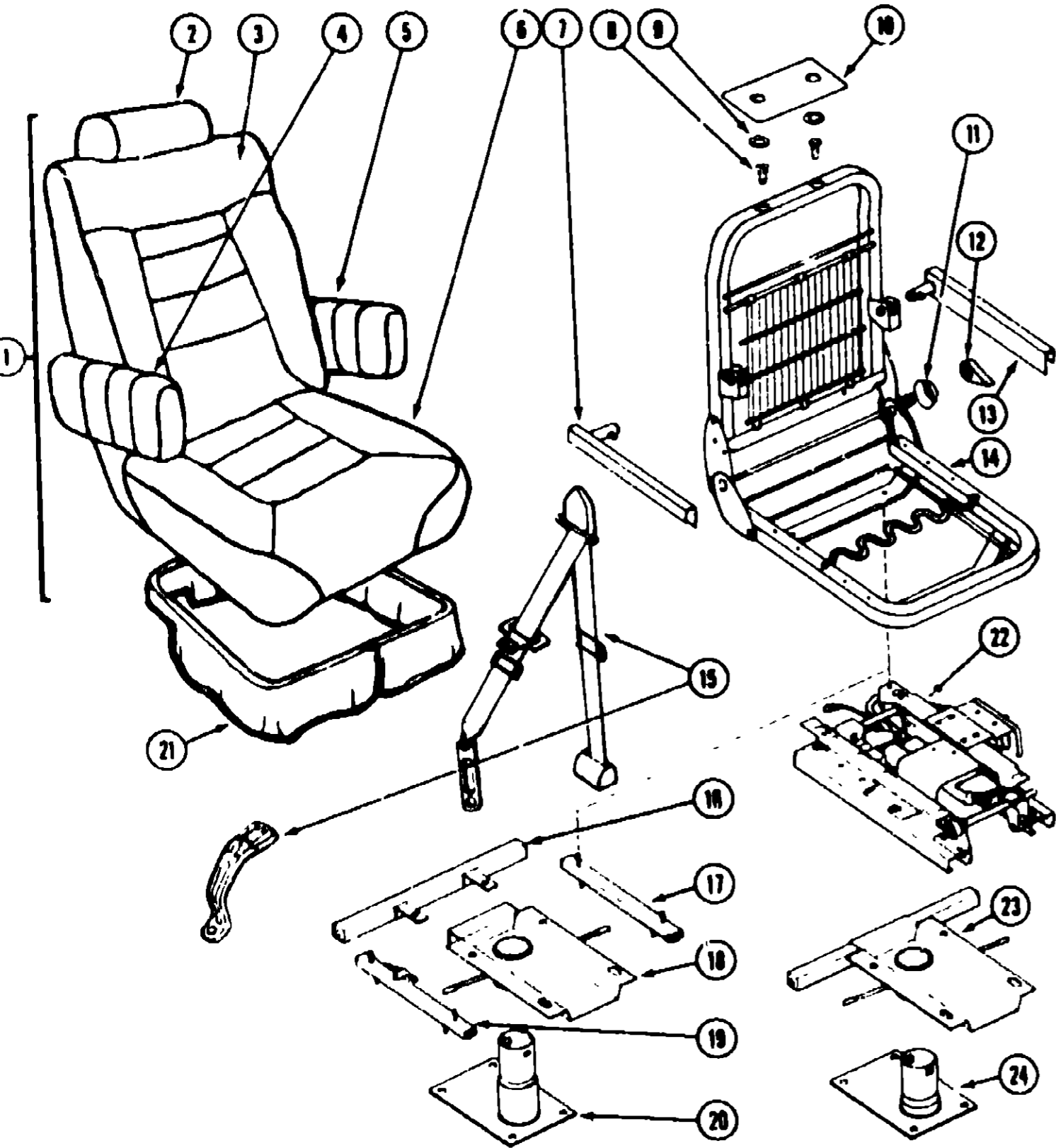
Key	Part Number	U/M	Description
1	081997-03-Y70	EA	Pillow Sham - Quilted - Open Back
1	081997-03-Y71	EA	Pillow Sham - Quilted - Open Back
1	081997-03-Y72	EA	Pillow Sham - Quilted - Open Back
2	081963-04-Y70	EA	Bedspread Arm. - Fitted w/Ruffle - 33" x 75"
2	081963-04-Y71	EA	Bedspread Arm. - Fitted w/Ruffle - 33" x 75"
2	081963-04-Y72	EA	Bedspread Arm. - Fitted w/Ruffle - 33" x 75"
3	077478-04-000	EA	Mattress - Innerspring - 33" x 75" x 7.75"

1989 ICM27RQ INDEX

Floor Plan	A-05 - A-06
Accessories Group	A-07 - A-12
Bath Group	A-13 - A-14
Chassis Group	A-15 - A-20
Curtain, Cushion & Pad Group	A-21 - B-12
Dinette Group	B-13 - B-14
Driver's Compartment Group	B-15 - B-19
Electrical Group	B-20 - B-22
Exterior Body Group	B-23 - C-04
Galley Group	C-05 - C-08
Heating & Air Conditioning Group	C-09
Interior Finish Group	C-10 - C-11
LP Group	C-12
Lounge Group	C-13 - C-18
Water & Sewage Group	C-19 - C-20
Window, Vent & Exterior Door Group	C-21 - D-20

CURTAIN, CUSHION & PAD GROUP (CONTINUED)

BUCKET SEAT ASM.



Key	Part Number	U/M	Description
1	093456-03-Y70	EA	Seat Arm - w/Arm & Headrest - w/o Skirt (Driver or Passenger)
1	093445-03-Y71	EA	Seat Arm - w/Arm & Headrest - w/o Skirt (Driver or Passenger)
1	093456-03-Y72	EA	Seat Arm - w/Arm & Headrest - w/o Skirt (Driver or Passenger)
2	085268-01-Y24	EA	Headrest Ass. (Y71)
2	085268-01-Y71	EA	Headrest Ass.
2	056268-01-Y72	EA	Headrest Ass.
2	M85268-01-Y24	EA	Cover Arm - Headrest (Y70)
2	M85268-01-Y71	EA	Cover Arm - Headrest
2	M85268-01-Y72	EA	Cover Arm - Headrest
3	M03445-06-Y30	EA	Cover Arm - Seat Back (Y70)
3	M03445-03-Y31	EA	Cover Arm - Seat Back (Y71)
3	M03445-06-Y32	EA	Cover Arm - Seat Back (Y72)
4	080243-32-Y30	EA	Armrest Ass - Right Hand (Y70)
4	080243-32-Y31	EA	Armrest Ass - Right Hand (Y71)
4	080243-32-Y32	EA	Armrest Ass - Right Hand (Y72)
4	M80243-32-Y30	EA	Armrest Cover - Right Hand (Y70)
4	M80243-32-Y31	EA	Armrest Cover - Right Hand (Y71)
4	M80243-32-Y32	EA	Armrest Cover - Right Hand (Y72)
5	080243-33-Y30	EA	Armrest Ass - Left Hand (Y70)
5	080243-33-Y31	EA	Armrest Ass - Left Hand (Y71)
5	080243-33-Y32	EA	Armrest Ass - Left Hand (Y72)
5	M80243-33-Y30	EA	Armrest - Cover - Left Hand (Y70)
5	M80243-33-Y31	EA	Armrest - Cover - Left Hand (Y71)
5	M80243-33-Y32	EA	Armrest - Cover - Left Hand (Y72)
6	M03445-05-Y30	EA	Cover Arm - Seat Bottom (Y70)
6	M03445-05-Y31	EA	Cover Arm - Seat Bottom (Y71)
6	M03445-15-Y32	EA	Cover Arm - Seat Bottom (Y72)
7	081268-01-000	EA	Armrest Frame Ass. - Right Hand
8	081313-01-000	EA	Headrest - Bushings
9	083163-01-000	EA	Pushnut - 7/16"
10	081172-01-000	EA	Trim Plate
11	080730-05-000	EA	Shield - Recliner Lever
12	080730-03-000	EA	Recliner Lever
13	081268-02-000	EA	Armrest Frame Ass. - Left Hand
14	M80906-01-000	EA	Seat Frame Ass.
15	081980-01-01A	EA	Seat Belt
16	089525-28-000	EA	Seat Belt Bar
17	089246-02-000	EA	Seat Slide w/o Lock
18	089585-27-000	EA	Top Plate
19	089246-01-000	EA	Seat Slide w/Lock
20	089585-08-000	EA	Seat Base
21	071126-24-X75	EA	Skirt Ass. (Y70)
21	071126-24-Y71	EA	Skirt Ass.
21	071126-24-Y72	EA	Skirt Ass.
	089274-33-000	YD	Bucket Seat Fabric (Y70)
	089274-89-000	YD	Bucket Seat Fabric (Y71)
	089274-60-000	YD	Bucket Seat Fabric (Y72)

POWER SEAT OPTION (6385)

Key	Part Number	U/M	Description
21	071126-26-X75	EA	Skirt Ass. - Power Seat (Y70)
21	071126-26-Y36	EA	Skirt Ass. - Power Seat (Y71)
21	071126-26-Y37	EA	Skirt Ass. - Power Seat (Y72)
22	081373-01-000	EA	Power Control - 6 Way
23	089585-36-000	EA	Top Plate (6 Way Power Seat)
24	089585-37-000	EA	Seat Base (6 Way Power Seat)
	081591-04-000	EA	Wire Ass. - 6 Way Power Seat

1989 ITASCA TABLE OF CONTENTS

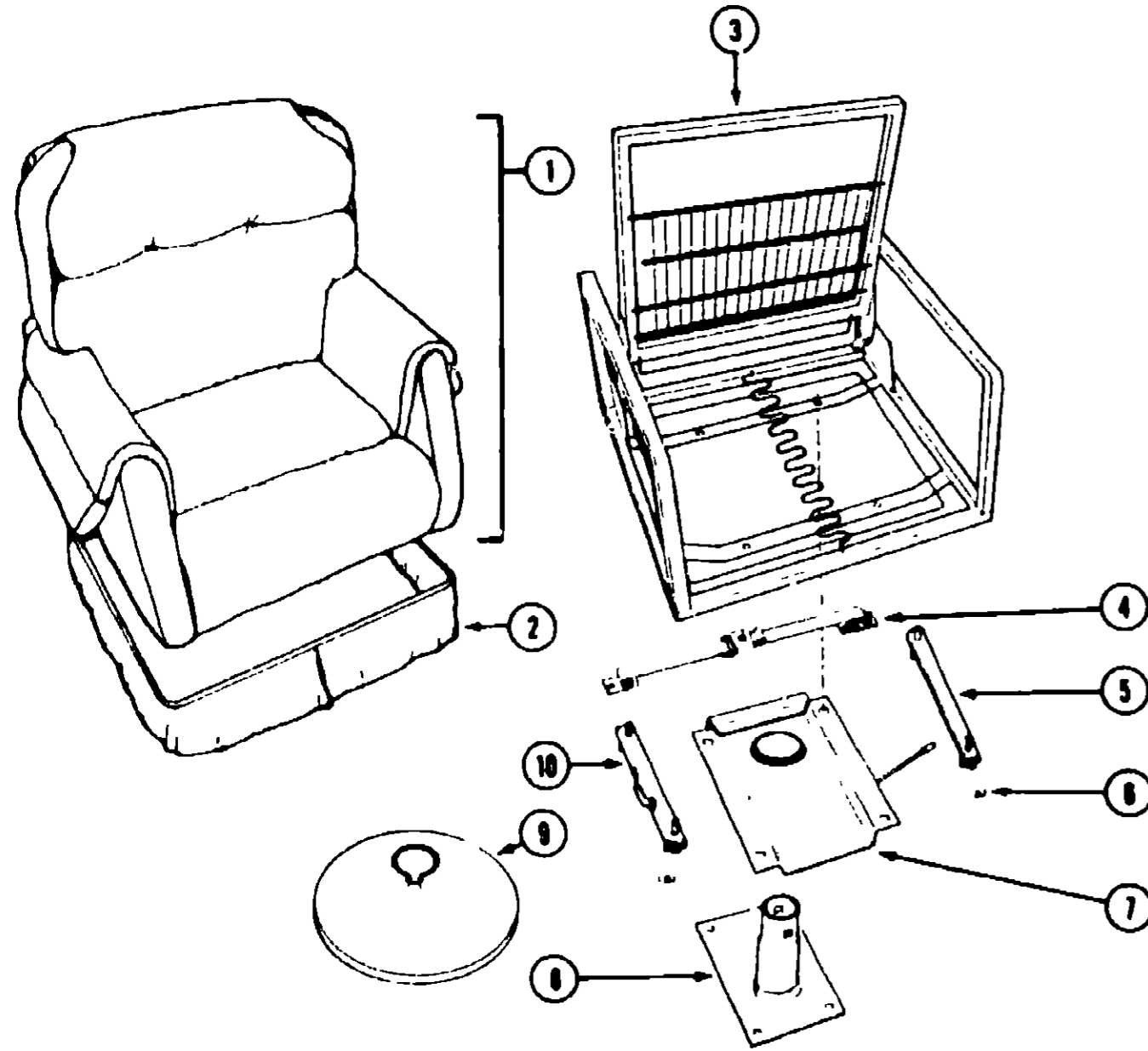
INTRODUCTION	A-01
ABBREVIATIONS	A-01
ALPHABETICAL INDEX	A-02 - A-04
ICM27RQ	A-05 - D-20
IC/JM31RQ	D-21 - H-16

1989 ICM27RQ INDEX

Floor Plan	A-05 - A-06
Accessories Group	A-07 - A-12
Bath Group	A-13 - A-14
Chassis Group	A-15 - A-20
Curtain, Cushion & Pad Group	A-21 - B-12
Dinette Group	B-13 - B-14
Driver's Compartment Group	B-15 - B-19
Electrical Group	B-20 - B-22
Exterior Body Group	B-23 - C-04
Galley Group	C-05 - C-08
Heating & Air Conditioning Group	C-09
Interior Finish Group	C-10 - C-11
LP Group	C-12
Lounge Group	C-13 - C-18
Water & Sewage Group	C-19 - C-20
Window, Vent & Exterior Door Group	C-21 - D-20

CURTAIN, CUSHION & PAD GROUP (CONTINUED)

SWIVEL CHAIR



Key	Part Number	U/M	Description
1	085059-02-Y30	EA	Chair Asm. - Celebrity 3 (Y70)
1	085059-02-Y31	EA	Chair Asm. - Celebrity 3 (Y71)
1	085059-02-Y32	EA	Chair Asm. - Celebrity 3 (Y72)
1	M85056-02-Y30	EA	Cover Asm. - Celebrity 3 Chair (Y70)
1	M85056-02-Y31	EA	Cover Asm. - Celebrity 3 Chair (Y71)
1	M85056-02-Y32	EA	Cover Asm. - Celebrity 3 Chair (Y72)
2	085187-02-Y30	EA	Skirt Asm. - Celebrity 3 Chair (Y70)
2	085187-02-Y31	EA	Skirt Asm. - Celebrity 3 Chair (Y71)
2	085187-02-Y32	EA	Skirt Asm. - Celebrity 3 Chair (Y72)
3	090354-01-000	EA	Frame - Non-Reclining Chair
4	007021-01-000	EA	Seat Belt Arm
5	089246-02-000	EA	Seat Slide Arm - w/o Lock
6	007221-01-000	EA	Washer - Coned
7	093481-03-000	EA	Seat Top Plate
8	093481-02-000	EA	Seat Base
9	093482-01-000	EA	Seat Base Cover
10	089246-01-000	EA	Seat Slide Arm - w/Lock
	055887-08-000	LB	Film - Cushion - 28" x 18" Bags
	087330-01-000	EA	Stop Bracket - Slide Track
	088274-63-000	YD	Chair Fabric (Y70)
	088274-61-000	YD	Chair Fabric (Y71)
	088274-62-000	YD	Chair Fabric (Y72)

1989 ITASCA TABLE OF CONTENTS

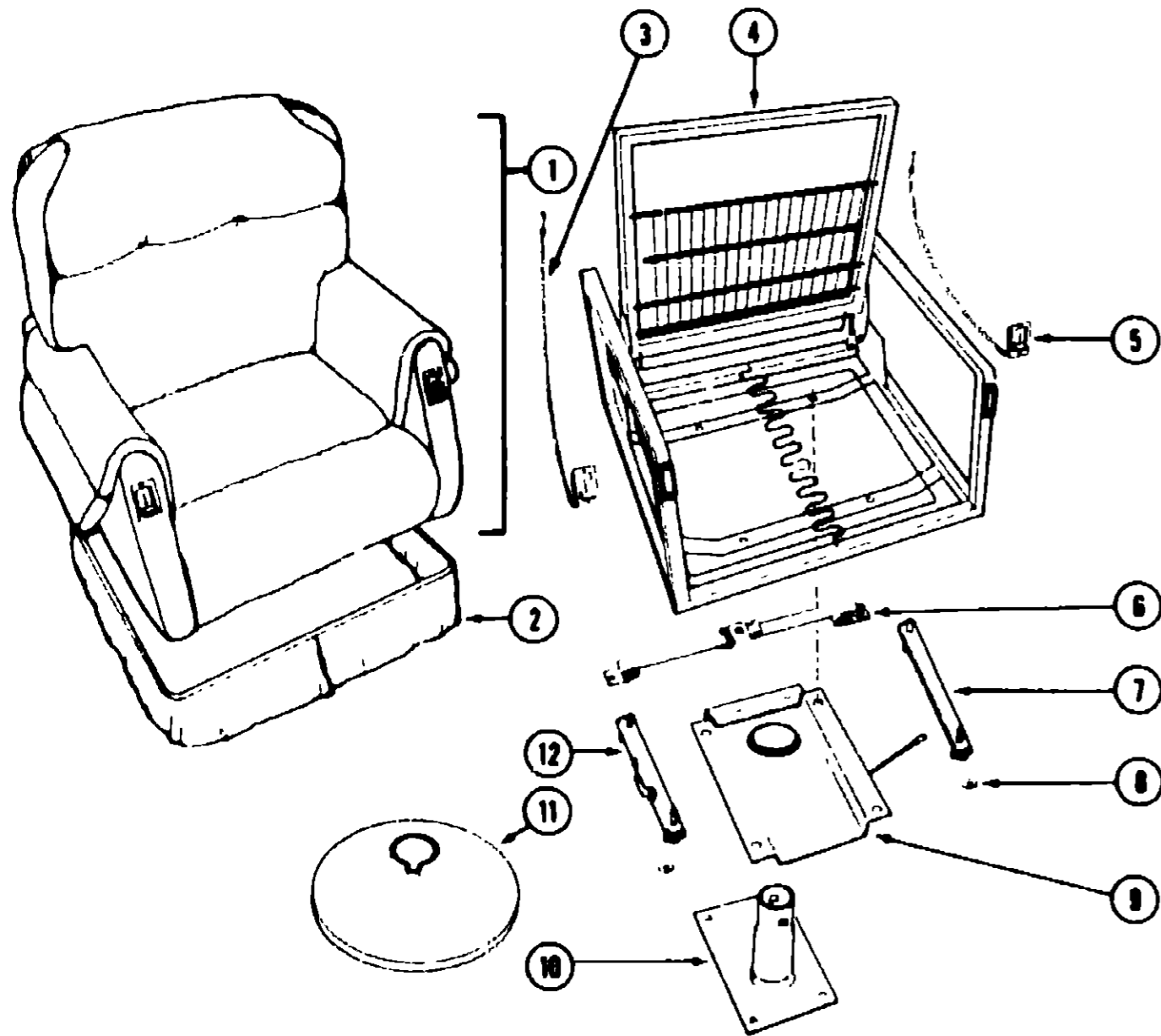
INTRODUCTION	A-01
ABBREVIATIONS	A-01
ALPHABETICAL INDEX	A-02 - A-04
ICM27RQ	A-05 - D-20
IC/JM31RQ	D-21 - H-16

1989 ICM27RQ INDEX

Floor Plan	A-05 - A-06
Accessories Group	A-07 - A-12
Bath Group	A-13 - A-14
Chassis Group	A-15 - A-20
Curtain, Cushion & Pad Group	A-21 - B-12
Diner's Group	B-13 - B-14
Driver's Compartment Group	B-15 - B-19
Electrical Group	B-20 - B-22
Exterior Body Group	B-23 - C-04
Galley Group	C-05 - C-08
Heating & Air Conditioning Group	C-09
Interior Finish Group	C-10 - C-11
LP Group	C-12
Lounge Group	C-13 - C-18
Water & Sewage Group	C-19 - C-20
Window, Vent & Exterior Door Group	C-21 - D-20

CURTAIN, CUSHION & PAD GROUP (CONTINUED)

RECLINING SWIVEL CHAIR (OPTION 80F)



Key	Part Number	U/M	Description
1	088516-02-Y70	EA	Chair Asm - Celebrity 3 Recliner
1	088516-02-Y71	EA	Chair Asm - Celebrity 3 Recliner
1	088516-02-Y72	EA	Chair Asm - Celebrity 3 Recliner
1	M88516-02-Y70	EA	Cover Asm - Celebrity 3 Recliner
1	M88516-02-Y71	EA	Cover Asm - Celebrity 3 Recliner
1	M88516-02-Y72	EA	Cover Asm - Celebrity 3 Recliner
2	089032-01-Y70	EA	Skirt Asm - Celebrity 3 Recliner
2	089032-01-Y71	EA	Skirt Asm - Celebrity 3 Recliner
2	089032-01-Y72	EA	Skirt Asm - Celebrity 3 Recliner
3	009368-02-000	EA	Cable - Remote Recliner
4	089368-01-000	EA	Frame - Tear Drop Recliner
5	089368-03-000	EA	Cable - Remote Slide
6	007021-01-000	EA	Seat Belt Asm
7	089246-02-000	EA	Seat Slide Asm - w/o Lock
8	007221-01-000	EA	Washer - Coned
9	083481-03-000	EA	Seat Top Plate
10	083481-02-000	EA	Seat Base
11	083482-01-000	EA	Seat Base Cover
12	089246-05-000	EA	Seat Slide Asm - w/Lock
	555887-06-000	LB	Film - Cushion - 28" x 18" Bags
	087330-01-000	EA	Stop Bracket - Slide Track
	088274-83-000	YD	Chair Fabric (Y70)
	088274-81-000	YD	Chair Fabric (Y71)
	088274-82-000	YD	Chair Fabric (Y72)

1989 ITASCA TABLE OF CONTENTS

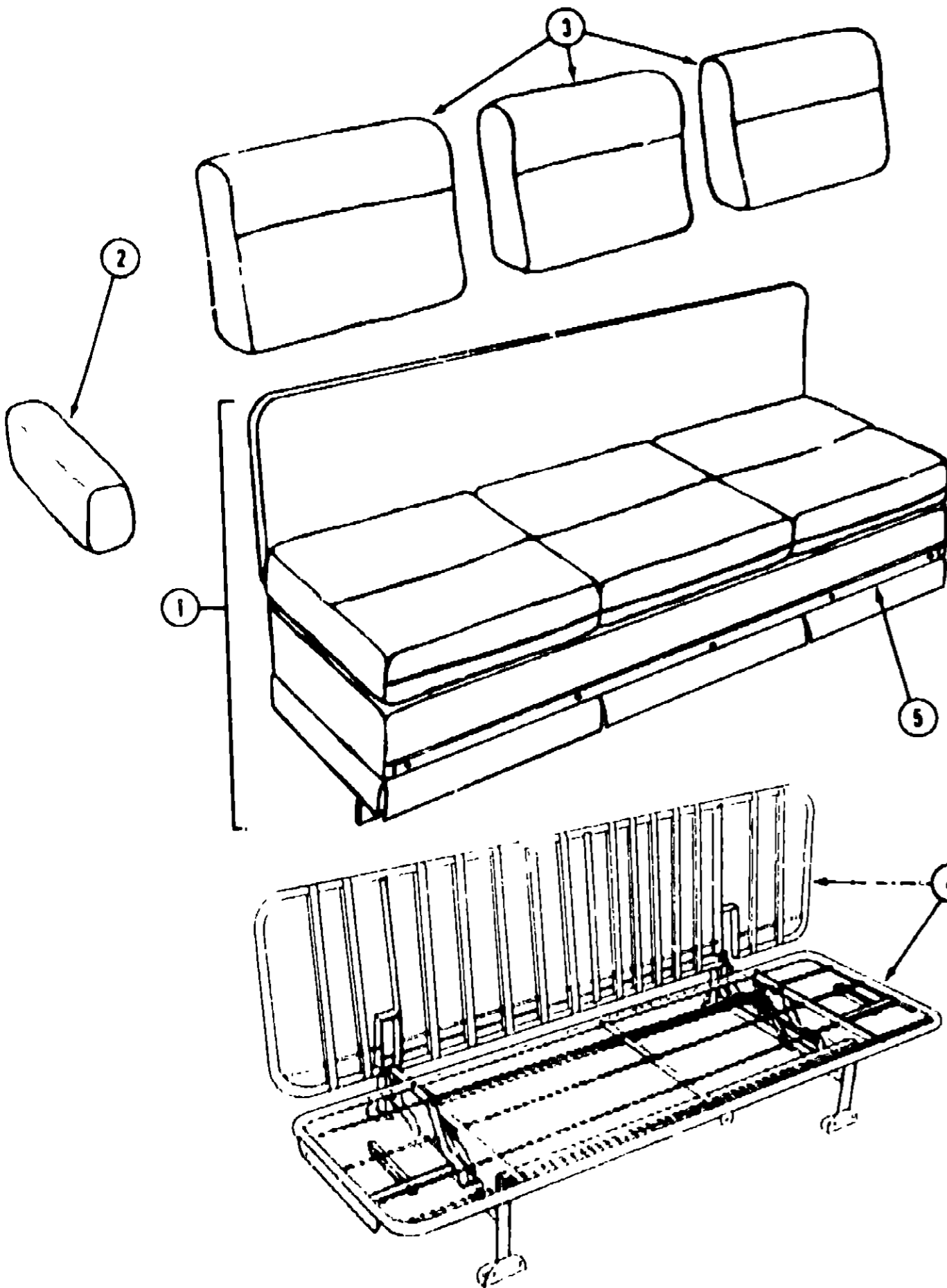
INTRODUCTION	A-01
ABBREVIATIONS	A-01
ALPHABETICAL INDEX	A-02 - A-04
ICM27RQ	A-05 - D-20
IC/JM31RQ	D-21 - H-16

1989 ICM27RQ INDEX

Floor Plan	A-05 - A-06
Accessories Group	A-07 - A-12
Bath Group	A-13 - A-14
Chassis Group	A-15 - A-20
Curtain, Cushion & Pad Group	A-21 - B-12
Dinette Group	B-13 - B-14
Driver's Compartment Group	B-15 - B-19
Electrical Group	B-20 - B-22
Exterior Body Group	B-23 - C-04
Galley Group	C-05 - C-06
Heating & Air Conditioning Group	C-09
Interior Finish Group	C-10 - C-11
LP Group	C-12
Lounge Group	C-13 - C-18
Water & Sewage Group	C-19 - C-20
Window, Vent & Exterior Door Group	C-21 - D-20

CURTAIN, CUSHION & PAD GROUP (CONTINUED)

SOFA BED



Key	Part Number	U/M	Description
1	088007-03-Y70	EA	Bed - Celebrity
1	088007-03-Y71	EA	Bed - Celebrity
1	088007-03-Y72	EA	Bed - Celebrity
1	M88007-03-Y70	EA	Cover - Celebrity
1	M88007-03-Y71	EA	Cover - Celebrity
1	M88007-03-Y72	EA	Cover - Celebrity
2	085357-01-Y70	EA	Cushion Asm - Celebrity Back Cushion
2	085357-01-Y71	EA	Cushion Asm - Celebrity Back Cushion
2	085357-01-Y72	EA	Cushion Asm - Celebrity Back Cushion
2	M85357-01-Y70	EA	Cover Asm - Celebrity Back Cushion
2	M85357-01-Y71	EA	Cover Asm - Celebrity Back Cushion
2	M85357-01-Y72	EA	Cover Asm - Celebrity Back Cushion
3	085080-02-Y30	EA	Cushion Asm - Arm Pillow (Y70)
3	085080-02-Y31	EA	Cushion Asm - Arm Pillow (Y71)
3	085080-02-Y32	EA	Cushion Asm - Arm Pillow (Y72)
3	M85080-02-Y30	EA	Cover Asm - Arm Pillow (Y70)
3	M85080-02-Y31	EA	Cover Asm - Arm Pillow (Y71)
3	M85080-02-Y32	EA	Cover Asm - Arm Pillow (Y72)
4	079388-01-000	EA	Frame Asm - Bed - Continental
	076758-02-000	EA	Mounting Hardware - Pullout Bed - Kit
	007021-01-000	EA	Seat Belt Asm
	088274-83-000	YD	Sofa Fabric (Y70)
	088274-81-000	YD	Sofa Fabric (Y71)
	088274-82-000	YD	Sofa Fabric (Y72)
5	074404-90-000	EA	Oak Trim
	074045-01-000	EA	Oak Plug - 1/2" Dia

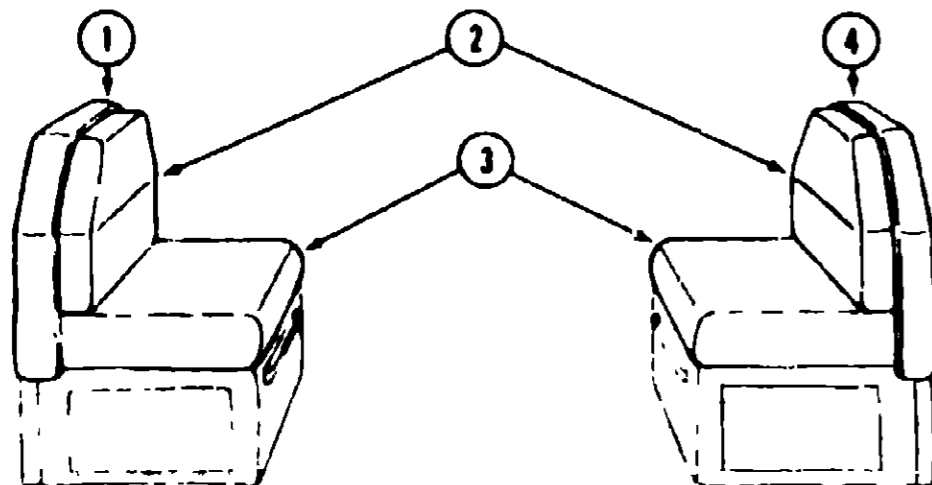
1989 ITASCA TABLE OF CONTENTS

INTRODUCTION	A-01
ABBREVIATIONS	A-01
ALPHABETICAL INDEX	A-02 - A-04
ICM27RQ	A-05 - D-20
IC/JM31RQ	D-21 - H-16

1989 ICM27RQ INDEX

Floor Plan	A-05 - A-08
Accessories Group	A-07 - A-12
Bath Group	A-13 - A-14
Chassis Group	A-15 - A-20
Curtain, Cushion & Pad Group	A-21 - B-12
Dinette Group	B-13 - B-14
Driver's Compartment Group	B-15 - B-19
Electrical Group	B-20 - B-22
Exterior Body Group	B-23 - C-04
Galley Group	C-05 - C-08
Heating & Air Conditioning Group	C-09
Interior Finish Group	C-10 - C-11
LP Group	C-12
Lounge Group	C-13 - C-18
Water & Sewage Group	C-19 - C-20
Window, Vent & Exterior Door Group	C-21 - D-20

CURTAIN, CUSHION & PAD GROUP (CONTINUED)



DINETTE

Key	Part Number	U/M	Description
1	081519-02-X75	EA	Pad Arm - Dinette - Left (Y70)
1	081519-02-Y71	EA	Pad Arm - Dinette - Left
1	081519-02-Y72	EA	Pad Arm - Dinette - Left
2	08027-20-Y30	EA	Cushion Arm - Dinette - Seat Back (Y70)
2	08027-20-Y31	EA	Cushion Arm - Dinette - Seat Back (Y71)
2	08027-20-Y32	EA	Cushion Arm - Dinette - Seat Back (Y72)
2	M8827-20-Y30	EA	Cover Arm - Dinette Cushion - Seat Back (Y70)
2	M8827-20-Y31	EA	Cover Arm - Dinette Cushion - Seat Back (Y71)
2	M8827-20-Y32	EA	Cover Arm - Dinette Cushion - Seat Back (Y72)
3	08027-21-Y30	EA	Cushion Arm - Dinette - Seat (Y70)
3	08027-21-Y31	EA	Cushion Arm - Dinette - Seat (Y71)
3	08027-21-Y32	EA	Cushion Arm - Dinette - Seat (Y72)
3	M8827-21-Y30	EA	Cover Arm - Dinette Cushion - Seat (Y70)
3	M8827-21-Y31	EA	Cover Arm - Dinette Cushion - Seat (Y71)
3	M8827-21-Y32	EA	Cover Arm - Dinette Cushion - Seat (Y72)
4	081519-01-X75	EA	Pad Arm - Dinette - Right (Y70)
4	081519-01-Y71	EA	Pad Arm - Dinette - Right
4	081519-01-Y72	EA	Pad Arm - Dinette - Right
	08274-83-000	YD	Dinette Fabric (Y70)
	08274-81-000	YD	Dinette Fabric (Y71)
	08274-82-000	YD	Dinette Fabric (Y72)

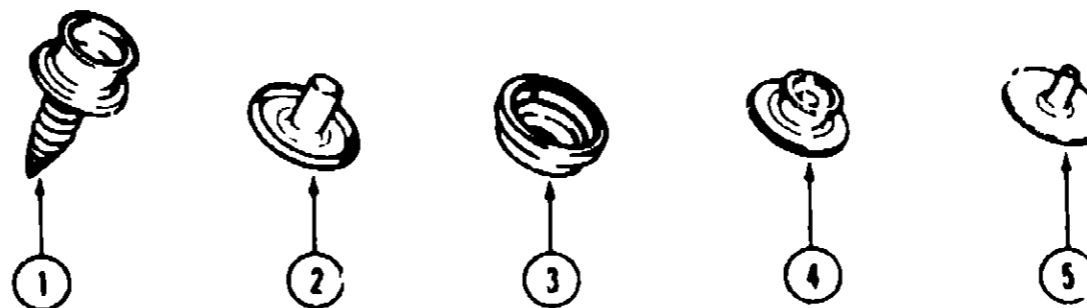
PADS

Key	Part Number	U/M	Description
	090383-02-Y70	EA	Pad Arm - End Cap - Driver - w/o Bunk
	090383-01-Y70	EA	Pad Arm - End Cap - Passenger - w/o Bunk
	090077-02-Y70	EA	Pad Arm - Lower End Cap - Driver - w/Bunk
	090076-02-Y70	EA	Pad Arm - Upper End Cap - Driver - w/Bunk
	090077-01-Y70	EA	Pad Arm - Lower End Cap - Passenger - w/Bunk
	090076-01-Y70	EA	Pad Arm - Upper End Cap - Passenger - w/Bunk
	089987-01-Y70	EA	Pad Arm - Trim - Header - Upper
	078811-04-X14	EA	Pad Arm - Trim - Header - Lower
	059414-06-000	EA	Pad Arm - Passenger Sidewall - 3 Button
	081519-02-X75	EA	Pad Arm - Dinette - Left (Y70)
	081519-02-Y71	EA	Pad Arm - Dinette - Left
	081519-02-Y72	EA	Pad Arm - Dinette - Left
	081519-01-X75	EA	Pad Arm - Dinette - Right (Y70)
	081519-01-Y71	EA	Pad Arm - Dinette - Right
	081519-01-Y72	EA	Pad Arm - Dinette - Right

CURTAIN, CUSHION & PAD GROUP (CONTINUED)

FRONT BUNK CUSHION

Key	Part Number	U/M	Description
	079145-06-000	EA	Cushion Arm - Front Bunk - 30" x 78"
	M79145-06-000	EA	Cover Arm - Front Bunk
	079970-01-000	YD	Mattress Tape 5/8"



MISCELLANEOUS

Key	Part Number	U/M	Description
1	029130-01-000	EA	Socket - Snap Fastener - 7 x 5/8"
2	029155-01-000	EA	Cap - Snap
3	029156-01-000	EA	Socket - Snap Fastener
4	029082-01-000	EA	Stud - Nickel Finish
5	029093-01-000	EA	Eyebolt - Nickel Finish
	075943-01-000	EA	Valance Brace - Beige
	063652-02-W24	EA	Asial Strap - Interior
	078245-01-000	EA	Boot - Steering Column
	029094-04-000	YD	Velcro Tape - Loop - 1" - Black
	029096-03-000	YD	Velcro Tape - Hook - 1" - Black

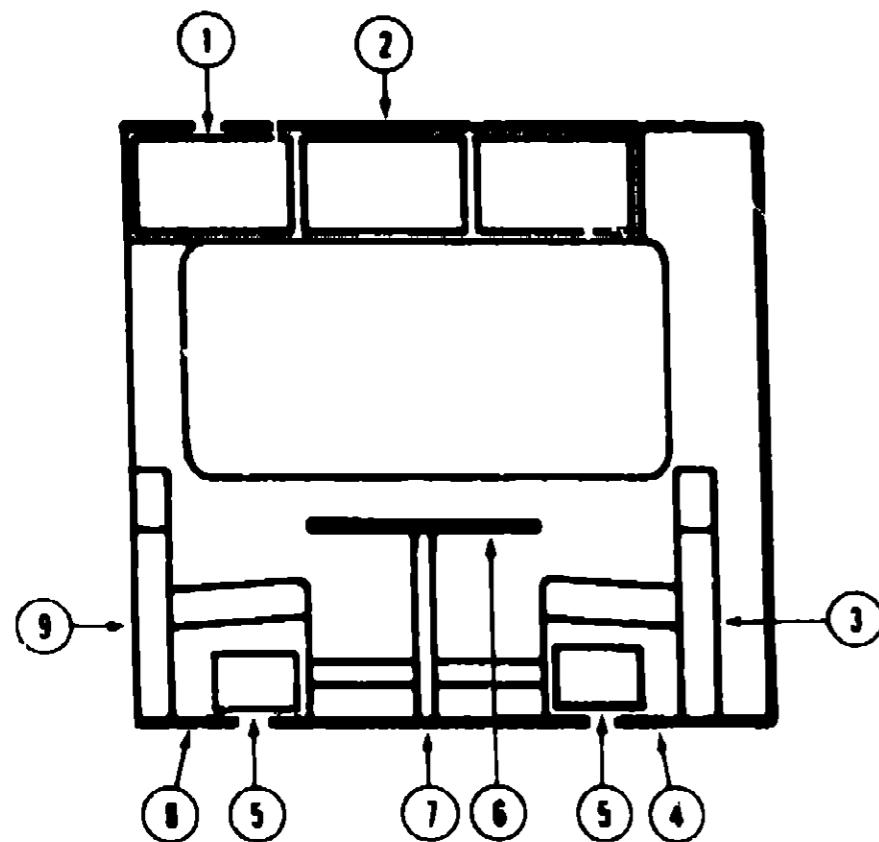
**1989 ITASCA
TABLE OF CONTENTS**

INTRODUCTION	A-01
ABBREVIATIONS	A-01
ALPHABETICAL INDEX	A-02 - A-04
ICM27RQ	A-05 - D-20
IC/JM31RQ	D-21 - H-16

1989 ICM27RQ INDEX

Floor Plan	A-05 - A-06
Accessories Group	A-07 - A-12
Bath Group	A-13 - A-14
Chassis Group	A-15 - A-20
Curtain, Cushion & Pad Group	A-21 - B-12
Dinette Group	B-13 - B-14
Driver's Compartment Group	B-15 - B-19
Electrical Group	B-20 - B-22
Exterior Body Group	B-23 - C-04
Galley Group	C-05 - C-08
Heating & Air Conditioning Group	C-09
Interior Finish Group	C-10 - C-11
LP Group	C-12
Lounge Group	C-13 - C-18
Water & Sewage Group	C-19 - C-20
Window, Vent & Exterior Door Group	C-21 - D-29

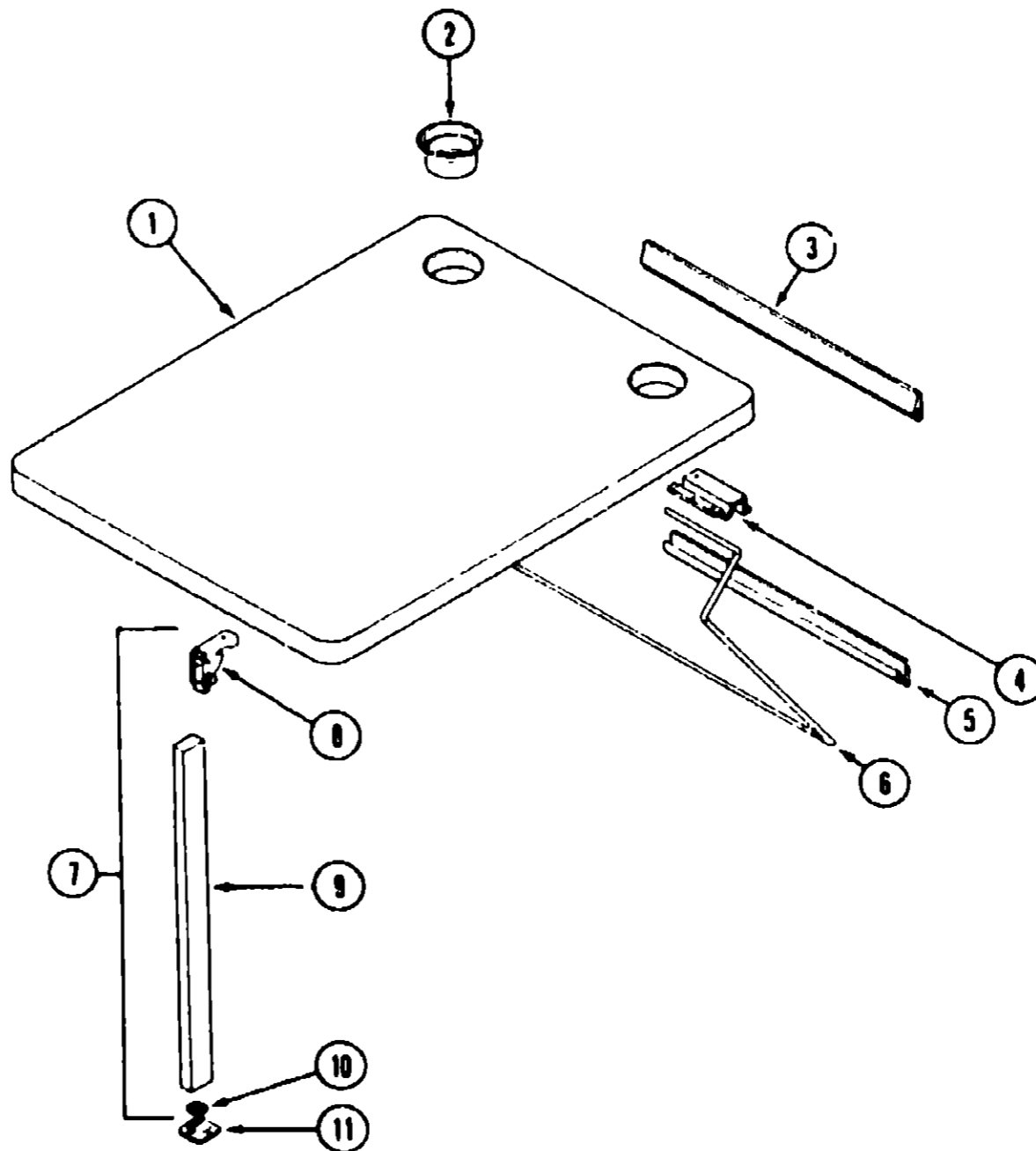
DINETTE GROUP



DINETTE & OVERHEAD CABINETRY (OPTION 34T)

Key	Part Number	U/M	Description
1	M88304-16-X23	EA	Door Asm. - Dinette Overhead - w/o Hardware
2	M81550-01-X70	EA	Cabinet Asm. - Dinette Overhead - w/o Doors
3	M02174-01-W30	EA	Cabinet Asm. - Seat Back - Right - w/o Pad
4	M02175-02-W30	EA	Cabinet Asm. - Seat Base - Right - w/o Door
5	M88304-21-X08	EA	Door Asm. - Dinette Seat - w/o Hardware
6	M02115-09-Y30	EA	Table Top - Dinette
7	092708-01-Y15	EA	Leg Asm. - Table
8	M02175-04-W24	EA	Cabinet Asm. - Seat Base - Left - w/o Door
9	M02174-03-W30	EA	Cabinet Asm. - Seat Back - Left - w/o Pad
	081325-03-W30	EA	End Cap Asm. (Overhead)
	083620-01-000	FT	T-Molding - 3/4" - w/Edge Lips (Overhead)
	000G13-08-10G	EA	Screw - 8 - 20 x 5/8" PFH - Antique Brass (Doors)
	059777-02-000	EA	Hinge - Antique Light Brass (Doors)
	088264-01-000	EA	Door Pull - Polished Brass (Doors)
	000G68-08-10G	EA	Screw - 8 - 18 x 5/8" POH - Antique Brass (Doors)
	074493-02-000	EA	Support - Door, Sprung (Overhead Doors)
	009021-01-000	EA	Catch - Nylon - Grill
	009021-02-000	EA	Strike - Spring Steel
	093586-03-000	EA	Catch - Spring, Roller (Doors)
	093586-04-000	EA	Strike - Spring Steel (Doors)
	052859-01-000	FT	Trim Asm. - Accent (Seat Back Cabinets)
	081521-02-007	EA	Molding - 64 Hold Space (Seat & Overhead Cabinets)
	042357-11-000	EA	Corner Molding - Radius Plastic - Light Oak (Seat Base & Overhead Cabinets)
	009787-06-000	EA	Welding - Beige (Seat Back & Overhead Cabinets)
	070604-01-000	FT	Extrusion - U-Channel - Light Brown (Seat Back Cabinets)
	080176-02-000	EA	Corner Tap - Radius - Light Oak (Seat Base & Overhead Cabinets)

DINETTE GROUP (CONTINUED)



DINETTE TABLE

Key	Part Number	U/M	Description
1	M02115-09-Y30	EA	Table Top - Dinette
	004384-01-000	EA	Bumper - 1/8" x 1/2" - White
	078325-16-000	EA	Molding - Edge Band - Regal Oak
2	084781-06-000	EA	Cup Holder - Beige
3	053200-05-000	EA	Bracket - Upper Wall Mount - 23.5" - Beige
4	088410-01-000	EA	Bracket - Table Mount - 23" - Beige
5	024281-07-000	EA	Bracket - Lower Wall Mount - 22.12" - Beige
6	024275-05-000	EA	Rod - Table Lift - 8" x 23.5" - Beige
7	092708-01-Y15	EA	Leg Asm. - Table
8	083530-01-000	EA	Bracket - Table Leg - Folding
9	082707-01-01A	EA	Table Leg - Regal Oak
10	082693-01-02A	EA	Catch - Table Leg - Tan
11	048483-08-000	EA	Floor Catch - Table Leg - Tan
	000G11-10-12R	EA	Screw - 10 - 16 x 3/4" PFH - Beige

**1989 ITASCA
TABLE OF CONTENTS**

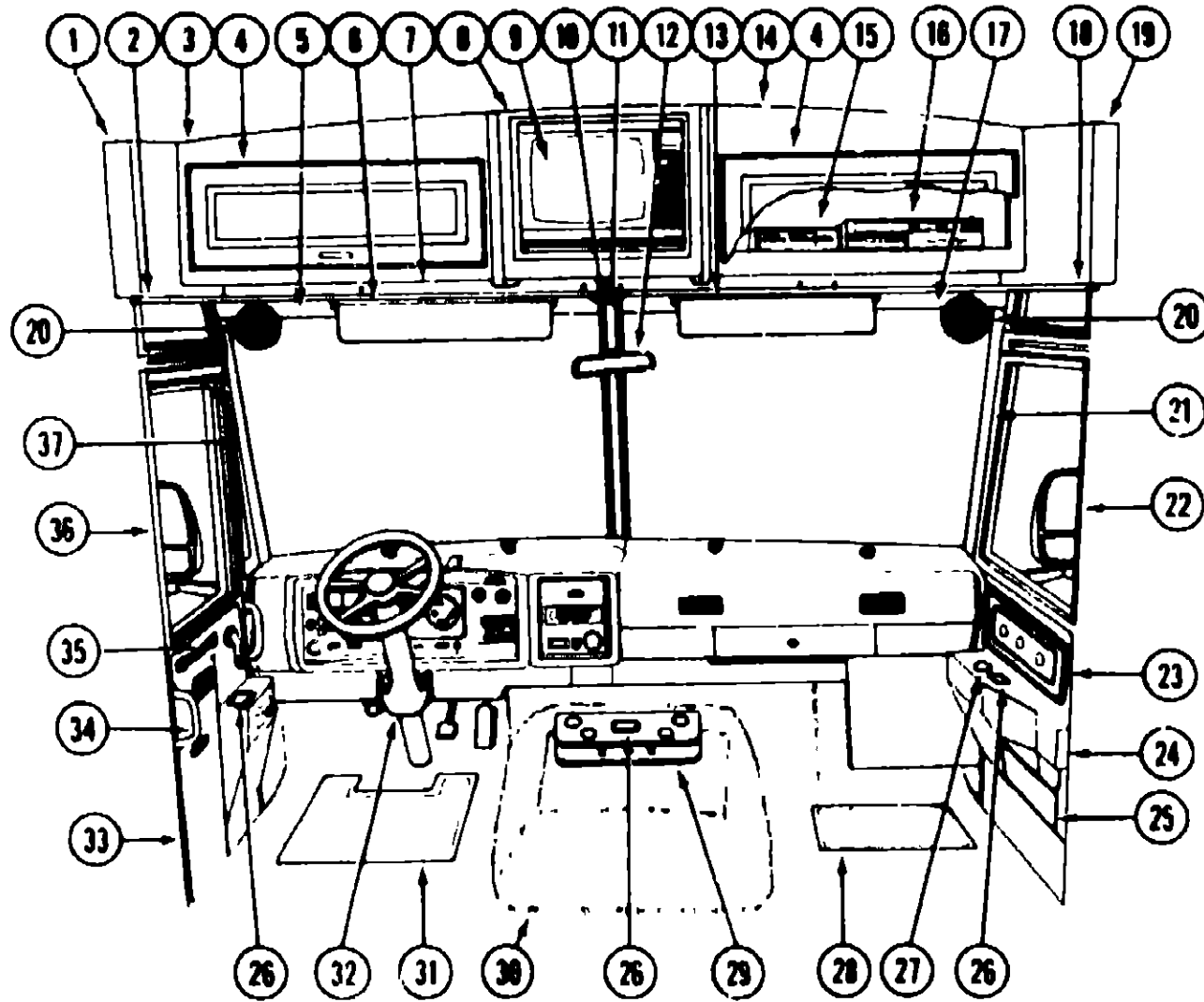
INTRODUCTION	A-01
ABBREVIATIONS	A-01
ALPHABETICAL INDEX	A-02 - A-04
ICM27RQ	A-05 - D-20
IC/JM31RQ	D 21 - H-16

1989 ICM27RQ INDEX

Floor Plan	A-05 - A-08
Accessories Group	A-07 - A-12
Bath Group	A-15 - A-14
Chassis Group	A-15 - A-20
Curtain, Cushion & Pad Group	A 21 - B-12
Dinette Group	B 13 - B-14
Driver's Compartment Group	B 15 - B-19
Electrical Group	B-20 - B-22
Exterior Body Group	B 23 - C-04
Galley Group	C-05 - C-08
Heating & Air Conditioning Group	C 09
Interior Finish Group	C-10 - C-11
LP Group	C-12
Lounge Group	C-13 - C 18
Water & Sewage Group	C-19 - C-20
Window, Vent & Exterior Door Group	C-21 - D 20

DRIVER'S COMPARTMENT GROUP

DRIVER'S COMPARTMENT COMPONENTS



Key	P. Number	U/M	Description
1	0903R-02-Y70	EA	Pad Asm - End Cap - Driver - w/o Bunk
2	07946-01-000	EA	Track - Front Wraparound Curtain - Driver
3	M80985-01-X14	EA	Cabinet Asm - Front Overhead - Driver - w/o Bunk
4	M88304-30-X78	EA	Door Asm - Front Overhead - Driver & Passenger - w/o Hardware
	000G13-08-10G	EA	Screw - 8 - 20 x .625" PFH - Antique Brass
	000G68-08-10G	EA	Screw - 8 - 20 x .625" POH - Antique Brass
	069777-02-000	EA	Hinge - Antique - Light Brass
	066264-01-000	EA	Door Pull - Polished Brass
	009021-01-000	EA	Catch - Nylon - Grill
	009021-02-000	EA	Strike - Spring Steel
	083586-03-000	EA	Catch - Roller - Spring
	083586-04-000	EA	Strike - Spring Steel
	074493-02-000	EA	Support - Sprung - Door
5	078679-02-000	EA	Windshield Trim - Upper Driver - Light Oak - Inner
6	062286-05-X14	EA	Sunvisor Asm - Driver
	007211-01-000	EA	Hinge - Sunvisor
	074012-01-000	EA	Clip - Sunvisor - Square Pinch On
7	069987-01-Y70	EA	Pad Asm - Trim - Header - Upper
	078811-04-X14	EA	Pad Asm - Trim - Header - Lower
8	M89986-01-X14	EA	Cabinet Asm. - Center Front Overhead - w/o Bunk
	M88304-08-X11	EA	Door Asm - Center Front Overhead - w/o Hardware
9	091258-03-000	EA	TV - 13" Color - Remote - Sharp 13RM59
10	088280-01-000	EA	Light - 12 Volt - Surface Mount
	088280-01-700	EA	Bulb - 12 Volt - 8 Watt
11	079785-02-000	EA	Windshield Trim - Center - Light Oak - Inner
12	040714-01-000	EA	Mirror - Inside Rear View
13	062286-06-X14	EA	Sunvisor Asm. - Passenger - w/Mirror
	063153-01-000	EA	Mirror - Sunvisor - 3 1/2" x 7"
	065709-01-000	EA	Clip Asm. - Sunvisor - Black
14	M89984-01-X14	EA	Cabinet Asm - Front Overhead - Passenger - w/o Bunk
15	066757-01-000	EA	Control Center - Switch - Criminal Master
16	091807-02-000	EA	VCR - VHS - Sharp VC2208U
17	078579-01-000	EA	Windshield Trim - Upper Passenger - Light Oak - Inner
18	079946-01-000	EA	Track - Front Wraparound Curtain - Passenger
19	090383-01-Y70	EA	Pad Asm. - End Cap - Passenger - w/o Bunk
20	038420-02-000	EA	Defroster Fan - 6" Dia. - 2 Speed (Option 38N)
21	079208-03-000	EA	Windshield Trim - Passenger - Beige - Inner
22	066280-01-000	EA	Mirror Asm. - w/Convex - Passenger
23	059414-06-000	EA	Pad Asm. - Passenger Sidewall - 3 Button
24	072811-01-000	EA	Side Panel - Passenger Sidewall - Plastic
25	069467-04-T03	EA	Pad Asm. - Map Pocket - Passenger Sidewall
26	048886-03-000	EA	Ash Tray - Chrome
27	064781-01-000	EA	Cup Holder - Chrome - Plastic
28	081202-02-000	EA	Floor Mat - Passenger - Itasca
29	066157-01-X36	EA	Beverage Tray - Plastic - Light Oak - w/Tape Pockets
30	075839-01-000	EA	Motor Cover - w/o Carpet
	075564-01-000	EA	Mounting Bracket - Motor Cover
	038623-01-000	FT	Seal - Motor Cover
31	081201-02-000	EA	Floor Mat - Driver - Itasca
32	078245-01-000	EA	Boot - Steering Column
33	082471-02-000	EA	Panel - Driver Door - Plastic
34	083886-07-000	EA	Assist Handle - Driver Entrance - Gray
35	081400-06-000	EA	Assist Strap - Driver Door - Sandstone 1600
36	066280-02-000	EA	Mirror Asm. - w/Convex - Left
37	079208-04-000	EA	Windshield Trim - Driver - Beige - Inner

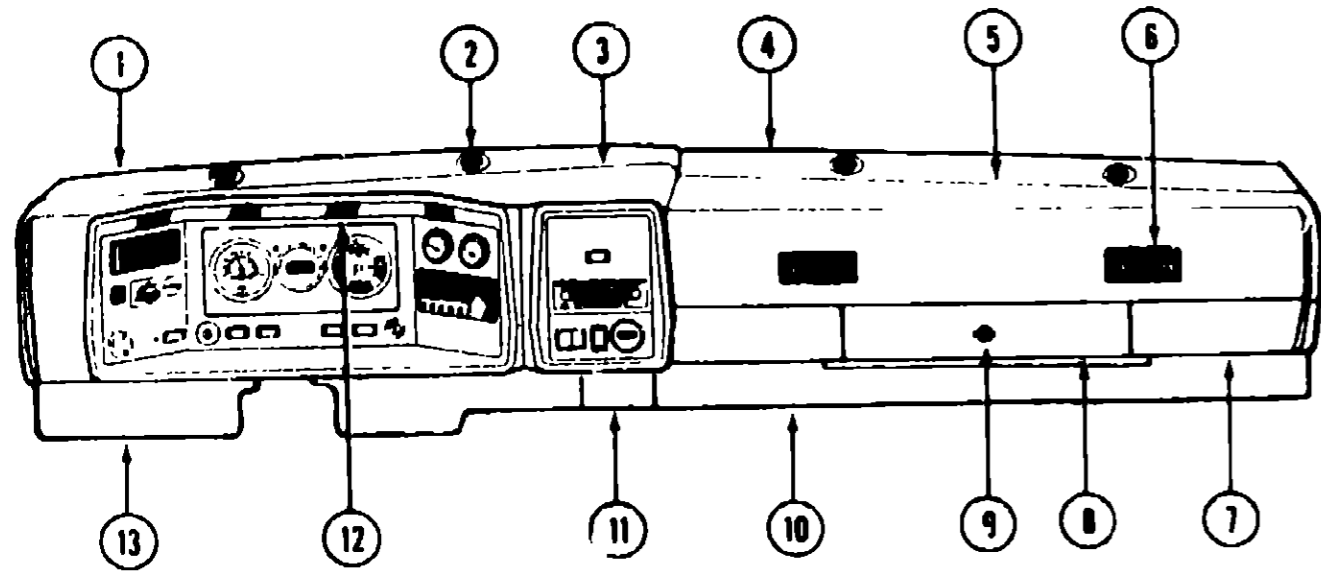
1989 ITASCA TABLE OF CONTENTS

INTRODUCTION	A-01
ABBREVIATIONS	A-01
ALPHABETICAL INDEX	A-02 - A-04
ICM27RQ	A-05 - D-20
IC/JM31RQ	D-21 - H-16

1989 ICM27RQ INDEX

Floor Plan	A-05 - A-06
Accessories Group	A-07 - A-12
Bath Group	A-13 - A-14
Chassis Group	A-15 - A-20
Curtain, Cushion & Pad Group	A-21 - B-12
Dinette Group	B-13 - B-14
Driver's Compartment Group	B-15 - B-19
Electrical Group	B-20 - B-22
Exterior Body Group	B-23 - C-04
Galley Group	C-05 - C-08
Heating & Air Conditioning Group	C-09
Interior Finish Group	C-10 - C-11
LP Group	C-12
Lounge Group	C-13 - C-16
Water & Sewage Group	C-19 - C-20
Window, Vent & Exterior Door Group	C-21 - D-20

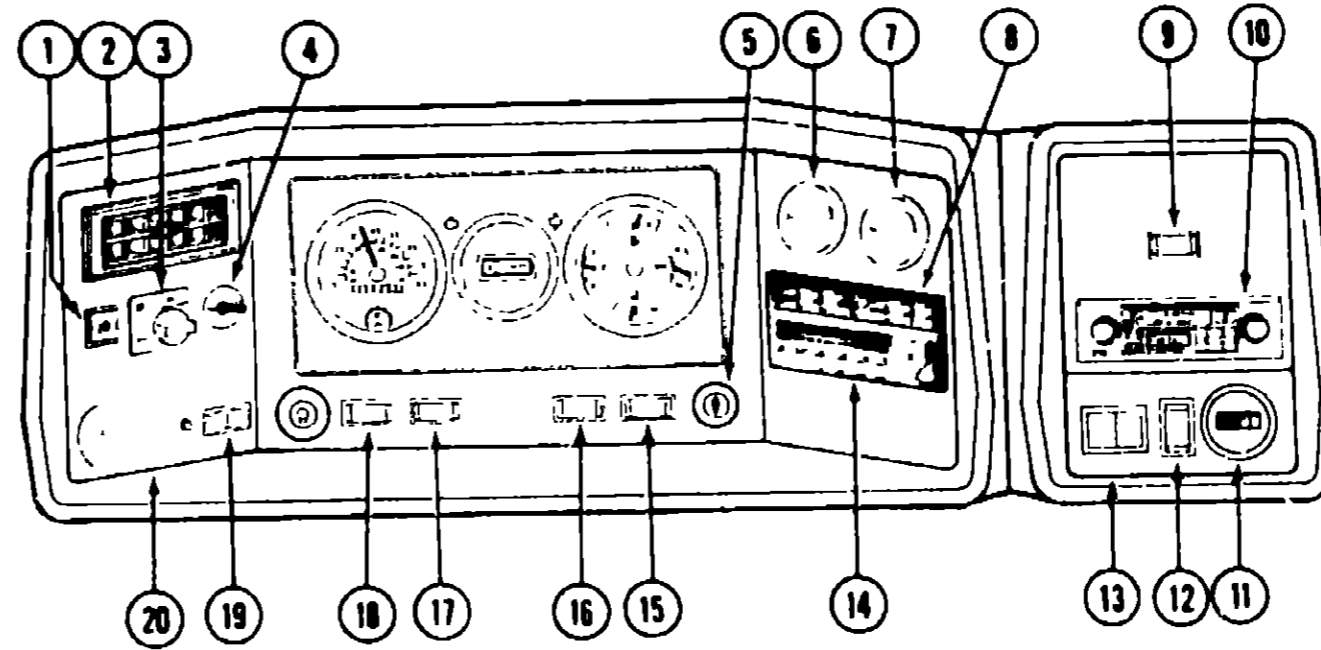
DRIVER'S COMPARTMENT GROUP (CONTINUED)



DASH PANEL COMPONENTS

Key	Part Number	U/M	Description
1	078582-02-000	EA	Pad Asm - Dash - Front Driver - w/o Defroster Vent
2	024990-01-000	EA	Defroster Outlet - w/Swivel - 2" Tan
3	079088-01-000	EA	Pad Asm - Dash - Instrument - Panel - Driver
4	078581-02-000	EA	Pad Asm - Dash - Front Passenger - w/o Defroster Vent
5	079089-01-000	EA	Pad Asm - Dash - Instrument Panel - Passenger
6	039044-01-000	EA	Louver Asm - Air Conditioner - Adjustable Vent
7	023834-01-000	EA	Knee Kick
8	022219-01-000	EA	Glove Compartment Door
9	009188-01-000	EA	Twist Lock - Glove Compartment
10	023892-01-000	EA	Glove Compartment Box - Black Fiberboard
	024588-01-000	EA	Glove Compartment Hinge
10	077367-02-000	EA	Instrument Panel Cover - Lower Right - Black
	081211-02-000	EA	Plug - Plastic - 3/8" Dia. - Black
11	077388-01-000	EA	Access Panel - Lower Instrument Panel - Black
12	081424-01-000	EA	Light - 12 Volt - Rectangular
13	077368-01-000	EA	Instrument Panel Cover - Lower Left - Black
13	077368-03-000	EA	Instrument Panel Cover - Lower Left - Black - w/Searchlight

DRIVER'S COMPARTMENT GROUP (CONTINUED)



INSTRUMENT CLUSTER (CHEVROLET)

Key	Part Number	U/M	Description
1	089305-01-000	EA	Fog Light Switch (Option 57M)
2	039044-01-000	EA	Vent/Air Conditioner Register
3	067202-02-000	EA	Rear Auto Heater Switch - w/o Knob (Option 811)
	090977-01-000	EA	Knob - Rear Auto Heater Switch - Rotary (Option 811)
4	077497-01-702	EA	Air Horn Switch (Option 38R)
5	089294-01-000	EA	Cigarette Lighter
6	024459-04-000	EA	Battery Condition Meter
7	024480-04-000	EA	Vacuum/Fuel Economy Gauge
8	094381-01-741	EA	Dash Louver/Control Panel Trim
9	093381-01-000	EA	Radio Power Source Switch
10	090882-01-000	EA	Audio Entertainment System
11	031035-01-000	EA	Auxiliary Electric Generator Hourmeter (Options 39E, 350)
12	024978-01-000	EA	Auxiliary Electric Generator Start/Stop Switch (Options 39E, 350)
13	078008-23-000	EA	Bezel - Entertainment Center
14	094381-01-732	EA	Heater/Air Conditioner Controls
15	024481-01-000	EA	Battery Mode Switch
16	024482-01-000	EA	Battery Condition Switch
17	087288-01-000	EA	Rear Wiper Switch (Option 59F)
18	089308-01-000	EA	Switch - Auxiliary Defroster Fans (Option 38N)
19	085983-04-000	EA	Auxiliary Battery Disconnect Switch (Option 29A)
20	088298-13-000	EA	Bezel - Instrument Panel
	088745-01-000	EA	Instrument Cluster - Electronic (Option 42N)

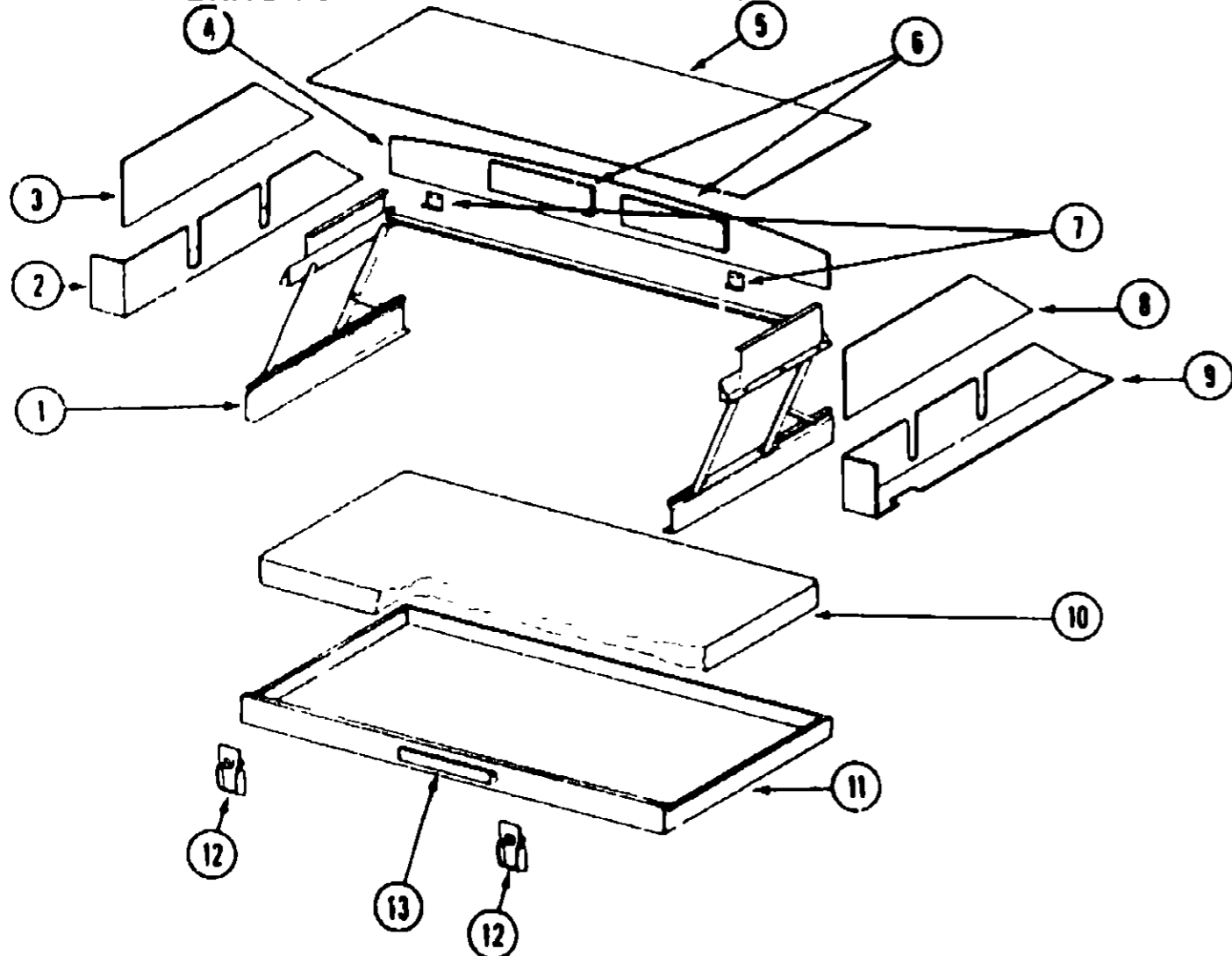
**1989 ITASCA
TABLE OF CONTENTS**

INTRODUCTION	A-01
ABBREVIATIONS	A-01
ALPHABETICAL INDEX	A-02 - A-04
ICM27RQ	A-05 - D-20
IC/JM31RQ	D 21 - H 18

1989 ICM27RQ INDEX

Floor Plan	A-05 - A-08
Accessories Group	A-07 - A-12
Bath Group	A-13 - A-14
Chassis Group	A-15 - A-20
Curtain, Cushion & Pad Group	A-21 - B-12
Dinette Group	B-13 - B-14
Driver's Compartment Group	B-15 - B-19
Electrical Group	B-20 - B-22
Exterior Body Group	B-23 - C-04
Galley Group	C-05 - C-08
Heating & Air Conditioning Group	C-09
Interior Finish Group	C-10 - C-11
LP Group	C-12
Lounge Group	C-13 - C-18
Water & Sewage Group	C-19 - C-20
Window, Vent & Exterior Door Group	C-21 - D-20

DRIVER'S COMPARTMENT GROUP (CONTINUED)



FRONT PULLDOWN BUNK (OPTION 61H)

Key	Part Number	U/M	Description
1	078760-02-000	EA	Hardware Asm. - Overhead Bunk
2	090077-02-Y70	EA	Pad Asm. - Lower End Cap - Driver
3	030076-02-Y70	EA	Pad Asm. - Upper - End Cap - Driver
4	M90075-01-X14	EA	Cabinet Asm. - Front Face - Overhead w/Doors
5	090079-01-X14	EA	Cabinet Asm. - Lower Base - Overhead
6	M88304-03-X78	EA	Door Asm. - w/o Hardware
	000G13-06-10G	EA	Screw - 6 - 20 x 5/8" - PFH - Antique Brass
	059777-02-000	EA	Hinge - Antique Brass
	088264-01-000	EA	Pull Hardware - Polished Brass
	000G68-06-10G	EA	Screw - 6 - 18 x 5/8" PDH - Antique Brass
	074493-02-000	EA	Support - Sprung Door
	009021-01-000	EA	Catch - Nylon - GrtH
	009021-02-000	EA	Strike - Spring Steel
	093586-03-000	EA	Catch - Roller Spring
	093586-04-000	EA	Strike - Spring Steel
7	042541-05-000	EA	Strike - Brass
8	090076-01-Y70	EA	Pad Asm. - Upper End Cap - Passenger
9	090077-01-Y70	EA	Pad Asm. - Lower - End Cap - Passenger
10	079145-06-000	EA	Cushion Asm. - Bunk
	M79145-06-000	EA	Cover Asm. - Bunk - 30" x 78"
	079970-01-000	YD	Mattress Tape - 5/8"
	081717-03-Y15	EA	Bed Asm. - Front Bunk
11	042541-04-000	EA	Latch Asm. - w/o Strike - Brass
12	094658-01-Y12	EA	Handle - Front Bunk - Oak
13	009787-06-000	FT	Wetling - Beige
	089351-01-000	YD	Vinyl - Headliner
	009778-07-000	FT	U Channel - 1" - Light Oak
	075943-02-000	EA	Brace - Seat Angle - 2.5" - Beige
	018804-03-000	EA	Brace - Valance - Beige
	028130-01-000	EA	Socket - Snap Fastener - 7 x 5/8"

ELECTRICAL GROUP

BULBS

Key	Part Number	U/M	Description
	008216-01-000	EA	Bulb - #1141 - Dome Light
	067479-01-000	EA	Bulb - #1076 - Table & Wall Lamps
	091937-03-000	EA	Bulb - Fluorescent Light - Recessed
	078424-02-700	EA	Bulb - Fluorescent Light - Galley
	081633-01-700	EA	Bulb - Makeup Light
	087894-01-700	EA	Bulb - Wardrobe Light
	088280-01-700	FA	Bulb - Surface Mount Light (Cab)
	088737-01-710	EA	Bulb - Microwave Oven
	092686-01-709	EA	Bulb - Range Hood
	084880-01-708	EA	Bulb - Refrigerator
	037935-01-000	EA	Bulb - #1157 - Tail Lamp Asm
	036196-01-000	EA	Bulb - #1194 - Clearance & License Plate Lights
	008215-01-000	EA	Bulb - #1003 - Porch Light
	051057-01-705	EA	Bulb - Spotlight (Option 63E)

FUSES & CIRCUIT BREAKERS

Key	Part Number	U/M	Description
	082901-02-000	EA	Fuse - Automotive - 5 Amp
	082901-05-000	EA	Fuse - Automotive - 15 Amp
	083209-01-000	EA	Circuit Breaker - 15 Amp - 120 Volt
	083209-04-000	EA	Circuit Breaker - 30 Amp - 120 Volt
	083209-06-000	EA	Circuit Breaker - 30/15 Amp - 120 Volt - CSA
	083209-07-000	EA	Circuit Breaker - 20/20 Amp - 120 Volt - w/Microwave
	083210-02-000	EA	Circuit Breaker - 15 Amp - 120 Volt - CSA
	082678-01-000	EA	Circuit Breaker - 40 Amp - 12 Volts - CSA
	082678-02-000	EA	Circuit Breaker - 20 Amp - 12 Volt - CSA
	085720-06-000	EA	Circuit Breaker - 6 Amp - 12 Volt
	088079-04-000	EA	Circuit Breaker - 30 Amp - 12 Volt
	093854-02-000	EA	Circuit Breaker - 15 Amp - 12 Volts

INTERIOR LIGHTS & BULBS

Key	Part Number	U/M	Description
	033508-02-000	EA	Light - Dome - Ivory - Single - USA
	033508-03-000	EA	Light - Dome - Ivory - Single - CSA
	033508-02-000	EA	Light - Dome - Ivory - Double - USA
	033508-03-000	EA	Light - Dome - Ivory - Double - CSA
	033508-02-700	EA	Lens - Dome Light
	088424-04-000	EA	Shroud - Dome Light - Double - Off White
	008216-01-000	EA	Bulb - 12 Volt - #1141 - Used For All Above
	065202-03-000	EA	Wall Lamp - Bright Brass
	065201-02-000	EA	Lamp Shade - Wall Lamp - Parchment
	082686-01-000	EA	Table Lamp - Brass w/Wood - USA (Option 44W)
	082686-03-000	EA	Table Lamp - Brass w/Wood - CSA (Option 44W)
	082686-02-000	EA	Shade - Table Lamp - Thru 11/6/88
	082686-06-000	EA	Shade - Table Lamp - From 11/7/88
	087476-01-000	EA	Bulb - 12 Volt - #1076 - Used For Table & Wall Lamps
	091937-01-000	EA	Fluorescent Light - 12 Vol. - Recessed (Ceiling) (Options 48R & 48V)
	091937-02-000	EA	Lens - Recessed - Fluorescent Light
	091937-03-000	EA	Bulb - Recessed - Fluorescent Light
	078424-02-000	EA	Fluorescent Light - 18" - Almond (Galley)
	078424-02-701	EA	Lens - Fluorescent Light - 18" - Almond
	078424-02-700	EA	Bulb - Fluorescent Light - 18" - Almond
	082169-01-000	EA	Makeup Light - 24"
	081633-01-700	EA	Bulb - Makeup Light
	087894-02-000	EA	Wardrobe Light - w/Switch
	087894-01-700	EA	Bulb - Wardrobe Light
	088280-01-000	EA	Surface - Mount Light - 12 Volt - Jensen 1236 (Cab)
	088280-01-700	EA	Bulb - Surface Mount Light
	081424-01-000	EA	Rectangular Light - Aisle & Instrument Panel
	092686-01-709	EA	Bulb - Range Hood
	084880-01-708	EA	Bulb - Refrigerator
	088737-01-710	EA	Bulb - Microwave Oven

**1989 ITASCA
TABLE OF CONTENTS**

INTRODUCTION	A-01
ABBREVIATIONS	A-01
ALPHABETICAL INDEX	A-02 - A-04
ICM27RQ	A-05 - D-20
IC/JM31RQ	D-21 - H-16

1989 ICM27RQ INDEX

Floor Plan	A-05 - A-06
Accessories Group	A-07 - A-12
Bath Group	A-13 - A-14
Chassis Group	A-15 - A-20
Curtain, Cushion & Pad Group	A-21 - B-12
Dinette Group	B-13 - B-14
Driver's Compartment Group	B-15 - B-19
Electrical Group	B-20 - B-22
Exterior Body Group	B-23 - C-04
Galley Group	C-05 - C-06
Heating & Air Conditioning Group	C-09
Interior Finish Group	C-10 - C-11
LP Group	C-12
Lounge Group	C-13 - C-18
Water & Sewage Group	C-19 - C-20
Window, Vent & Exterior Door Group	C-21 - D-20

ELECTRICAL GROUP (CONTINUED)

EXTERIOR LIGHTS & BULBS

Key	Part Number	U/M	Description
	075459-04-000	EA	Lamp Asm - Tail/Brake - Red
	075459-05-000	EA	Lamp Asm - Turn - Amber
	075459-06-000	EA	Lamp Asm. - Backup/Reflector - Clear/Red
	037935-01-000	EA	Bulb - 12 Volt - #1157 - Used For Tail Lamp Asm
	081250-02-000	EA	Light - Clearance - Rear
	081250-02-700	EA	Lens - Clearance Light - Red
	081250-01-000	EA	Light - Clearance - Front
	081250-01-700	EA	Lens - Clearance Light - Amber
	081437-01-000	EA	Bracket - Clearance Light
	076795-01-000	EA	Light Asm. - License Plate
	036186-01-000	EA	Bulb - 12 Volt #194 - Used For Clearance & License Plate
	042405-03-000	EA	Base - Side Marker Light - w/Bulb (8GE 1895)
	042405-02-000	EA	Lens - Side Marker Light - Amber
	042405-01-000	EA	Lens - Side Marker Light - Red
	008089-01-000	EA	Porch Light - Recessed - USA
	008089-02-000	EA	Porch Light - Recessed - CSA
	008089-01-700	EA	Lens - Porch Light - Recessed
	008215-01-000	EA	Bulb - 12 Volt - #1003 - Porch Light
	051057-02-000	EA	Spotlight - Power Driven (Option 63E)
	051057-01-705	EA	Bulb - Spotlight (Option 63E)
	084901-01-000	EA	Lamp Asm - Park/Turn
	049185-01-000	EA	Headlight Capsule Asm - Driver - High/Low Beam
	049186-01-000	EA	Headlight Capsule Asm. - Passenger - High/Low Beam
	049187-01-000	EA	Headlight Capsule Asm - Driver - High Beam
	049188-01-000	EA	Headlight Capsule Asm - Passenger - High Beam
	049359-01-000	EA	Spring - Headlight Retainer
	082207-01-000	EA	Headlight Guard
	090202-01-000	EA	Headlight Bezel - Passenger - Black
	090202-02-000	EA	Headlight Bezel - Driver - Black
	033508-02-000	EA	Light - Dome - Ivory - Storage Compartment - USA
	033508-03-000	EA	Light - Dome - Ivory - Storage Compartment - CSA
	033508-02-700	EA	Lens - Dome Light
	002218-01-000	EA	Bulb - 12 Volt - Dome Light

WINDSHIELD WIPERS & WASHER

Key	Part Number	U/M	Description
	057474-02-000	EA	Windshield Wiper Asm
	087191-02-000	EA	Motor Asm. - w/Lead
	087191-02-701	EA	Pivot - Wiper Motor
	087190-01-700	EA	Shaft & Pivot Asm. - Passenger
	087193-01-000	EA	Link Asm. - Connecting - Passenger - 7"
	057474-02-700	EA	Shaft & Pivot Asm. - Driver
	087192-01-000	EA	Link Asm. - Connecting - Driver - 39"
	057653-01-000	EA	Arm - Windshield Wiper - 18" - Black
	049464-01-000	EA	Blade Asm. - Windshield Wiper - 20"
	049464-03-700	EA	Blade Asm. - Windshield Wiper - 20" - Refill
	083971-01-000	EA	Support - Windshield Wiper Asm
	058000-02-000	EA	Windshield Washer Asm. - w/o Nozzles
	087188-01-000	EA	Stud & Crank
	045794-01-000	FT	Hose - 5/32" I.D. - Black

MISCELLANEOUS ELECTRICAL COMPONENTS

Key	Part Number	U/M	Description
	008186-01-000	EA	Solenoid - Dual Battery - Relay
	083208-02-000	EA	Control Center - 45 Amp. - BW6746A
	036420-02-000	EA	Fan - 8" Defroster - 2 Speed (Option 38N)
	089294-01-000	EA	Lighter Asm. - Cigarette
	072852-01-000	EA	Smoke Detector
	023111-01-000	EA	Food Center - Built-in (Option 67F)

ELECTRICAL GROUP (CONTINUED)

WIRE, SWITCHES, RECEPTACLES

Key	Part Number	U/M	Description
	008288-01-000	EA	Box - Electrical - 3" x 3 5/8" - Plastic
	008289-01-000	EA	Box - Electrical - 4" x 4" - 1/2 & 3/4 - Steel - USA
	008289-02-000	EA	Box - Electrical - 4" x 4" - 1/2 & 3/4 - Steel - CSA
	058049-01-000	EA	Box - Electrical - 2" x 3" x 2 25/32" - Steel
	041953-01-000	FT	Conduit - Convolute Slit - 50" I.D.
	041953-02-000	FT	Conduit - Convolute Slit - 825" I.D.
	041953-03-000	FT	Conduit - Convolute Slit - 1" I.D.
	041953-05-000	FT	Conduit - Convolute Solid - .625" I.D.
	041953-06-000	FT	Conduit - Convolute Slit - .375" I.D.
	041953-07-000	FT	Conduit - Convolute Slit - 375" I.D.
	041953-09-000	FT	Conduit - Convolute Slit - 50" I.D.
	041953-10-000	FT	Conduit - Convolute Slit - 75" I.D.
	041953-11-000	FT	Conduit - Convolute Slit - 1 083" I.D.
	008353-01-000	EA	Connector - 3/8" - Cable Clamping
	008355-01-000	EA	Connector - 3/4" - Cable Clamping
	008356-01-000	EA	Connector - 3/8" - Plastic
	008311-01-000	EA	Connector - Wire Nut - Red
	008312-01-000	EA	Connector - Wire Nut - Blue
	008313-01-000	EA	Connector - Wire Nut - Yellow
	008314-01-000	EA	Connector - Wire Nut - Gray
	031288-01-000	EA	Contact Plug - Brass - Tin Plated
	031987-01-000	EA	Contact - Receptacle
	008052-01-000	EA	Cord - Power - 10/3 - 30 Amp. - 25' - CSA
	008054-01-000	EA	Cord - Power - 10/3 - 30 Amp - 25' - USA
	008294-01-000	EA	Cover - Electrical Box - Flat Blank - 1" x 4" - Steel - USA
	008294-02-000	EA	Cover - Electrical Box - Flat Blank - 4" x 4" - Steel - CSA
	089238-01-000	EA	Cover - Electrical Box - 4" x 4"
	078319-09-000	EA	Cover - Receptacle - Brown
	084077-01-000	EA	Cover - Receptacle - Ivory - GFI
	084077-03-000	EA	Cover - Blank A/C - Ivory
	090984-01-000	EA	Cover - Exterior Receptacle
	092633-02-02A	EA	Cover - A/C - Plate - Off White
	084399-01-000	EA	Housing Asm - Trailer Pin
	084398-01-000	EA	Housing Asm. - Trailer Pin - Receptacle
	084450-01-000	EA	Housing Asm. - Trailer Plug
	054532-01-000	EA	Housing Pin - 6 Position
	054532-02-000	EA	Housing Pin - 4 Position
	054532-10-000	EA	Housing Pin - 10 Position
	054532-11-000	EA	Housing Socket - 10 Position
	024924-02-000	EA	Receptacle - Power Cord
	058707-01-000	EA	Receptacle - Single - Brown - T & B
	058708-01-000	EA	Receptacle - Duplex - Brown - T & B
	058708-02-000	EA	Receptacle - Duplex - Ivory - T & B
	084076-01-000	EA	Receptacle - Duplex - Ivory - GFI
	090961-01-000	EA	Receptacle - Duplex - Exterior
	086273-01-000	EA	Relay - Battery Disconnect
	008195-01-000	EA	Switch - Push Button - 12 Volt
	058264-01-000	EA	Switch - Leaf Actuator
	079382-04-000	EA	Switch - Plate - 4 Gang/2 Switch
	079383-01-000	EA	Switch - Plate - Single - w/Switch
	079383-01-700	EA	Switch Only
	079383-03-000	EA	Switch Plate - Single - w/Switch - Polished Brass
	079384-01-000	EA	Switch - On/Off Rocker - Brown
	081086-02-000	EA	Switch Plate - 2 Gang/2 Switch
	008328-01-000	EA	Terminal - Ring - 12/10 Wire
	008331-01-000	EA	Terminal - Ring - 4 - w/3/8" Stud
	008348-01-000	EA	Terminal - Ring - 2 - w/3/8" Stud
	047443-01-000	EA	Terminal - .250 Receptacle 16-14
	047443-03-000	EA	Terminal - .187 Receptacle 16-14
	008024-01-000	FT	Wire - 18.5 Bonded - Orange/White/Yellow/Blue/Brown
	008025-01-000	FT	Wire - 18.5 Bonded - Orange/White/Yellow/Blue/Green
	008026-01-000	FT	Wire w/Ground - Romex - 12/2
	008027-01-000	FT	Wire w/Ground - Romex - 14/2
	008343-01-000	EA	Wire Tie - 6"

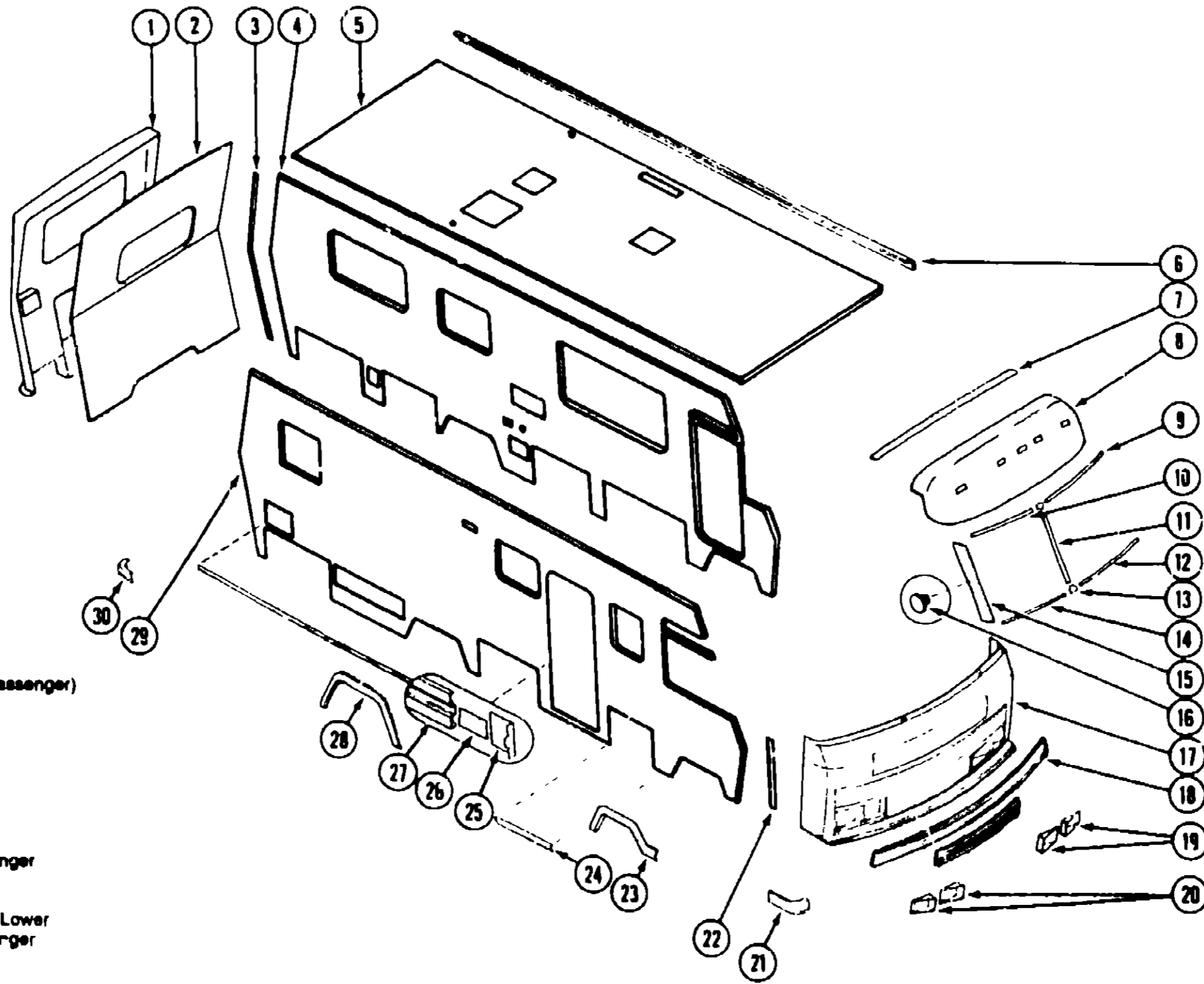
**1989 ITASCA
TABLE OF CONTENTS**

INTRODUCTION	A-01
ABBREVIATIONS	A-01
ALPHABETICAL INDEX	A-02 - A-04
ICM27RQ	A-05 - D-20
IC/JM31RQ	D-21 - H-16

1989 ICM27RQ INDEX

Floor Plan	A-05 - A-06
Accessories Group	A-07 - A-12
Bath Group	A-13 - A-14
Chassis Group	A-15 - A-20
Curtain, Cushion & Pad Group	A-21 - B-12
Dinette Group	B-13 - B-14
Driver's Compartment Group	B-15 - B-19
Electrical Group	B-20 - B-22
Exterior Body Group	B-23 - C-04
Galley Group	C-05 - C-08
Heating & Air Conditioning Group	C-09
Interior Finish Group	C-10 - C-11
LP Group	C-12
Lounge Group	C-13 - C-18
Water & Sewage Group	C-19 - C-20
Window, Vent & Exterior Door Group	C-21 - D-20

**EXTERIOR BODY GROUP
EXTERIOR BODY PANELS & TRIM**



Key	Part Number	U/M	Description
1	088402-02-000	EA	Rear Cap Panel
2	089558-01-Y70	EA	Rear Backwall Asm.
2	089558-01-Y71	EA	Rear Backwall Asm.
2	089558-01-Y72	EA	Rear Backwall Asm.
3	073502-26-000	EA	Trim Rear Backwall (Driver or Passenger)
4	M93418-01-Y70	EA	Sidewall Asm - Driver
4	M93418-01-Y71	EA	Sidewall Asm - Driver
4	M93418-01-Y72	EA	Sidewall Asm - Driver
5	092750-02-Y70	EA	Roof Asm.
6	078600-22-000	EA	Roof Cove - 130.3"
7	078580-01-000	EA	Roof Trim - Front Cap
8	089923-03-000	EA	Roof Cap - Primed
9	077944-02-000	EA	Reveal Molding - Upper - Driver
10	077944-01-000	EA	Reveal Molding - Upper - Passenger
11	078675-06-000	FA	Reveal Molding - Center
12	077945-02-000	EA	Reveal Molding - Lower - Driver
13	077952-02-000	EA	Reveal Molding Cap - Upper or Lower
14	077945-01-000	EA	Reveal Molding - Lower - Passenger
15	079225-03-000	EA	Trim Post - Passenger
	079225-04-000	EA	Trim Post - Driver
16	034141-02-000	EA	Nylon Hole Plug - 3/8"
17	M01115-27-Y70	EA	Front End Asm. w/Hood Panel
18	090411-01-X70	EA	Grille Asm. - Upper
	090412-01-X70	EA	Grille Asm. - Lower
	088252-02-000	FT	Chrome Trim - 1" Plastic
	088252-03-000	FT	Chrome Trim - 2" Plastic
19	090202-02-000	EA	Headlight Bezel - Driver
20	090202-01-000	EA	Headlight Bezel - Passenger
21	078577-03-000	EA	Bumper End Cap - Passenger
	078577-04-000	EA	Bumper End Cap - Driver
22	089922-02-000	EA	Trim - Front End Asm. - Driver or Passenger
23	078556-13-000	EA	Trim - Front Wheelwell - Passenger
	078556-14-000	FA	Trim - Front Wheelwell - Driver
	089909-01-000	EA	Trim - Front Wheelwell - U Channel - Driver or Passenger
24	091161-56-004	EA	Rocker Panel

Key	Part Number	U/M	Description
25	009731-01-000	EA	End Cap Feature Strip
26	001030-11-100	EA	Insert Feature Strip - 17"
27	059676-11-000	EA	Feature Strip
28	075070-02-000	EA	Trim - Rear Wheelwell - Passenger
	075070-04-000	EA	Trim - Rear Wheelwell - Driver
	089749-01-000	EA	Trim - Rear Wheelwell - U Channel - Driver or Passenger
29	M93418-01-Y70	EA	Sidewall Asm. - Passenger
29	M93418-01-Y71	EA	Sidewall Asm. - Passenger
29	M93418-01-Y72	EA	Sidewall Asm. - Passenger
30	078578-07-000	EA	Bumper End Cap - Passenger
	078578-08-000	EA	Bumper End Cap - Driver

**1989 ITASCA
TABLE OF CONTENTS**

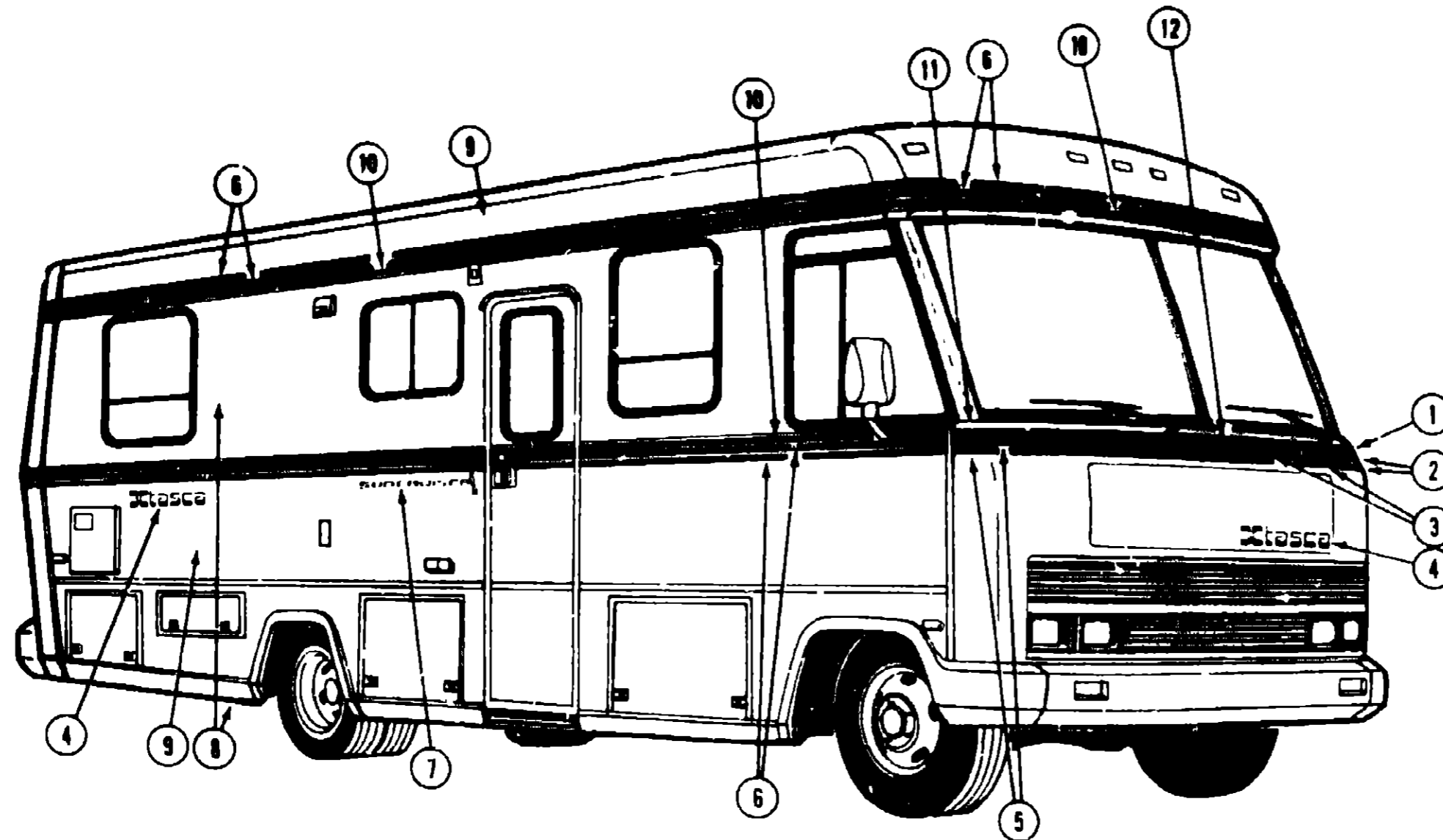
INTRODUCTION	A-01
ABBREVIATIONS	A-01
ALPHABETICAL INDEX	A-02 - A-04
ICM27RQ	A-05 - D-20
IC/JM31RQ	D-21 - H-16

1989 ICM27RQ INDEX

Floor Plan	A-05 - A-06
Accessories Group	A-07 - A-12
Bath Group	A-13 - A-14
Chassis Group	A-15 - A-20
Curtain, Cushion & Pad Group	A-21 - B-12
Dinette Group	B-13 - B-14
Driver's Compartment Group	B-15 - B-19
Electrical Group	B-20 - B-22
Exterior Body Group	B-23 - C-04
Galley Group	C-05 - C-06
Heating & Air Conditioning Group	C-09
Interior Finish Group	C-10 - C-11
LP Group	C-12
Lounge Group	C-13 - C-16
Water & Sewage Group	C-19 - C-20
Window, Vent & Exterior Door Group	C-21 - D-20

EXTERIOR BODY GROUP (CONTINUED)
DECALS, FILM STRIPE & PAINT

1989 ITASCA
TABLE OF CONTENTS



INTRODUCTION	A-01
ABBREVIATIONS	A-01
ALPHABETICAL INDEX	A-02 - A-04
ICM27RQ	A-05 - D-20
IC/JM31RQ	D-21 - H-16

Key	Part Number	U/M	Description
1	090984-02-000	EA	Decal - Driver Side - Upper - Gray (Paint - DuPont 44489U)
2	090985-09-000	EA	Decal - Driver Side - Lower - Blue/Peach (Paint - DuPont B8734/B8227) (Y70)
2	090985-10-000	EA	Decal - Driver Side - Lower - Green/Peach (Paint - DuPont B8221/B8227) (Y71, Y72)
3	065217-M1-000	FT	Film Stripe - Blue/Peach (Paint - DuPont B8734/B8227) (Y70)
3	065217-M2-000	FT	Film Stripe - Green/Peach (Paint - DuPont B8221/B8227) (Y71, Y72)
4	078191-01-000	EA	Decal Logo "Itasca"
5	090985-07-000	EA	Decal - Passenger Side - Lower - Blue/Peach (Paint - DuPont B8734/B8227) (Y70)
5	090985-08-000	EA	Decal - Passenger Side - Lower - Green/Peach (Paint - DuPont B8221/B8227) (Y71, Y72)
6	065218-M3-000	FT	Film Stripe - Blue/Peach (Paint - DuPont B8734/B8227) (Y70)
6	065217-K8-000	FT	Film Stripe - Green/Peach (Paint - DuPont B8221/B8227) (Y71, Y72)
7	073705-01-000	EA	Decal Logo "Suncruiser"
8	089363-01-700	EA	Paint Kit - Aegean Poly (Gray) (Paint - DuPont 44489U)
9	050637-05-000	EA	Paint - Gray Acrylic Enamel - 16 Oz. Aerosol (Paint - DuPont 61537)
9	050637-05-700	EA	Paint - Gray Acrylic Enamel - 6 Oz. Touch Up
10	078831-62-000	FT	Film Stripe - Gray (Paint - DuPont 44489U)
11	090984-01-000	EA	Decal - Passenger Side - Upper - Gray (Paint - DuPont 44489U)
12	078831-61-000	FT	Film Stripe - Gray (Paint - DuPont 44489U)

1989 ICM27RQ INDEX

Floor Plan	A-05 - A-06
Accessories Group	A-07 - A-12
Bath Group	A-13 - A-14
Chassis Group	A-15 - A-20
Curtain, Cushion & Pad Group	A-21 - B-12
Dinette Group	B-13 - B-14
Driver's Compartment Group	B-15 - B-19
Electrical Group	B-20 - B-22
Exterior Body Group	B-23 - C-04
Galley Group	C-05 - C-08
Heating & Air Conditioning Group	C-09
Interior Finish Group	C-10 - C-11
LP Group	C-12
Lounge Group	C-13 - C-18
Water & Sewage Group	C-19 - C-20
Window, Vent & Exterior Door Group	C-21 - D-20

EXTERIOR BODY GROUP (CONTINUED)

FRONT HOOD PANEL & HARDWARE

Key	Part Number	U/M	Description
	089788-01-X14	EA	Panel Arm - Hood
	073338-01-001	EA	Bracket - Striker Latch
	073811-01-000	EA	Striker Pin Arm
	073810-01-000	EA	Spring - Striker Pin
	R77008-80-172	EA	Shim Plate
	068753-01-000	EA	Bracket - Hinge Pivot - Left or Right Side
	073338-02-000	EA	Hood Arm. - Left or Right Side
	R77008-88-721	EA	Hood Release Cable
	R77008-18-785	EA	Hood Release Sleeve
	R77008-38-499	EA	Spring
	072817-03-000	EA	Prop Rod

SEALANTS & ADHESIVES

Key	Part Number	U/M	Description
	002337-01-000	EA	Adhesive - 1300 Tube - 3M (Window)
	004005-02-000	EA	Adhesive - Swifts - 1 Gallon (Sidewall)
	004006-04-700	EA	Adhesive - Pierce - 1 Gallon (Sidewall)
	075672-02-000	EA	Adhesive - Scotch Rubber Gripper (Rear Cap)
	081377-01-000	EA	Adhesive - Cyanoacrylate (Window & Door)
	053778-02-000	EA	Bedding Compound - Tube - White (Exterior)
	053778-08-000	EA	Bedding Compound - Tube - Clear (Window)
	053778-09-000	EA	Bedding Compound - Tube - Gray (Exterior)
	011126-01-000	EA	Seal - Plumbing Pipe - Roof - For 1 1/2" O D Pipe
	077987-01-000	EA	Sealant - Acrylic Latex - Tube (Interior)
	034552-02-000	EA	Sealant - Silicone - Clear (Exterior)
	034552-07-000	EA	Sealant - Silicone - Gray (Exterior)
	034552-09-000	EA	Sealant - Silicone - Smoke Gray (Exterior)
	053752-04-000	EA	Sealer - Seam - Tube - Aluminum (Roof)
	069637-01-000	EA	Sealer - 3M EC5510 - White (Door)
	069640-01-000	FT	Sealer - Ribbon - 1/4" Dia x 20' (Cabinet)
	069640-02-000	FT	Sealer - Ribbon - 1/2" x 1/8" x 30' (Sidewall)
	069640-03-000	FT	Sealer - Ribbon - 3/4" x 1/8" x 30' (Body Panels)
	069640-05-000	FT	Sealer - Ribbon - 2 1/2" x 3/32" x 30' (Body Panels)
	069640-06-000	FT	Sealer - Ribbon - 5/16" Dia x 15' (Window)
	069640-07-000	FT	Sealer - Ribbon - 2" x 3/32" x 30' (Interior)
	061359-01-000	FT	Sealer - Vinyl Glazing (Window)
	061380-01-000	FT	Sealer - Vinyl Glazing - Black (Window)
	089383-01-701	EA	Sealer - Body Seam - Flexible - Gray (Exterior)
	090370-01-000	FT	Sealer - Foam Seal - Closed Cell - 1/4" x 1/2" (Exterior)
	090340-02-000	FT	Sealer - Foam Seal - Closed Cell - 3/8" x 1/2" (Exterior)
	701674-05-000	EA	Service Manual - Sealants
	004363-01-000	FT	Tape - Foam - 3/16" x 1/2" - Gray - 1 Side (Sidewall)
	008200-01-000	EA	Tape - Furnace - 1 1/2"
	063842-01-000	FT	Tape - Adhesive - 10 Mil x 1.5" (Exterior)
	076322-02-000	FT	Tape - Foam - Double Coated - 045" x 1" (Fiberglass Seams)
	076322-03-000	FT	Tape - Foam - Double Coated - 045" x 5" (Fiberglass Seams)
	076322-04-000	FT	Tape - Foam - Double Coated - 045" x 75" (Fiberglass Seams)
	077959-01-000	FT	Tape - Foam - 1/2" Black - 2 Sides (Interior)
	079967-02-000	FT	Tape - Plastic Film - 375" (Window)
	088244-01-000	FT	Tape - Foam - Vinyl Coated - 2" (Chassis)
	091968-03-000	FT	Tape - Adhesive - 04" x 1" (Entrance Door)
	002281-01-000	FT	Weatherstrip - Self-Seal - 08" Panel x 3/16" (Window)
	056903-01-000	FT	Weatherseal - Upper Front Cap

EXTERIOR BODY GROUP (CONTINUED)

SHEET FIBERGLASS PANEL, ALUMINUM & STYROFOAM

Key	Part Number	U/M	Description
	000888-01-000	SF	Styrofoam - .75" x 24" x 96"
	000870-03-000	SF	Styrofoam - 1.34" x 48" x 96"
	000870-05-000	SF	Styrofoam - 50" x 24" x 96"
	083674-01-000	SF	Styrofoam - 1.50" x 24" x 85.25"
	081395-22-000	EA	Panel - Fiberglass - Mende Board - Gray - 78.75" x 32.25"
	081395-24-000	EA	Panel - Fiberglass - Mende Board - Gray - 23.82" x 120"
	081395-08-000	EA	Panel - Fiberglass - Mende Board - Gray - 48" x 96"
	044487-01-001	EA	Aluminum - Mill Finish - Roof - 96" x 360"

MISCELLANEOUS EXTERNALLY MOUNTED PARTS

Key	Part Number	U/M	Description
	009128-01-000	EA	Assist Handle - Chrome
	087859-03-000	EA	Fill - City Water - Gray - Brass Fittings
	088260-01-000	EA	Mirror Asm - Rear View - Exterior - w/Convex - Passenger
	088260-02-000	EA	Mirror Asm - Rear View - Exterior - w/Convex - Driver
	088260-03-000	EA	Accessory Kit - Rear View Mirror - Exterior
	090983-01-000	EA	Receptacle - Outside - Cable TV
	090981-01-000	EA	Receptacle - Outside - Electric
	083815-03-000	EA	Door Stop - Plastic - Gray

LABELS & TAGS

Key	Part Number	U/M	Description
	091243-01-000	EA	Label - Air Conditioner Cover
	074963-01-000	EA	Label - Air Conditioner Selector Switch
	087235-01-000	EA	Label - Cable Input
	006195-01-000	EA	Label - Electrical Test
	047731-01-000	EA	Label - Emergency Exit
	006199-01-000	EA	Label - Exit - Escape Window
	061417-01-000	EA	Label - Fuel
	087207-02-000	EA	Label - Fuel Cap Removal
	006196-01-000	EA	Label - Gas Test
	077510-01-000	EA	Label - Generator Prep
	054531-01-000	EA	Label - LP Gas Only
	061608-01-000	EA	Label - Overlay, Vehicle Certification
	058259-01-000	EA	Label - Safety Check List
	006084-01-000	EA	Label - Seat - w/o Seatbelts - USA
	006084-02-000	EA	Label - Seat - w/o Seatbelts - CSA
	006187-01-000	EA	Label - Sewage
	091224-01-000	EA	Label - Trailer Lighting
	087238-02-000	EA	Label - TV Outlet
	080342-01-000	EA	Label - Vapor Relief
	035709-01-000	EA	Label - Warning - No Storage
	050225-01-000	EA	Label - Warning - Stove Vent - US
	075220-01-000	EA	Label - Warning - Exterior Load
	077956-01-000	EA	Label - Warning - Smoke Detector
	006188-01-000	EA	Label - Waste Water
	006197-01-000	EA	Label - Water Test
	006032-01-000	EA	Tag - Electrical - 110 Volt Connection
	006040-01-000	EA	Tag - Refueling Warning
	006040-02-000	EA	Tag - Refueling Warning - CSA
	006019-01-000	EA	Tag - RVI Approved - Plastic

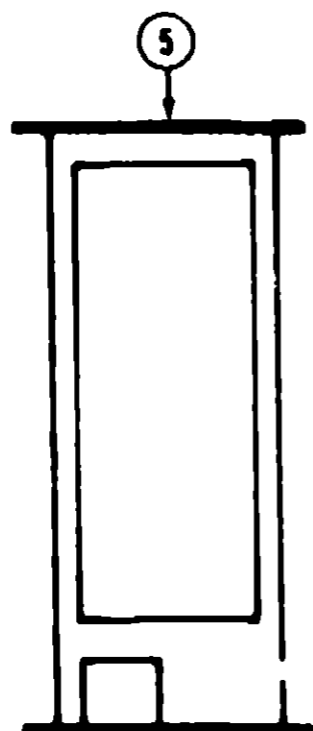
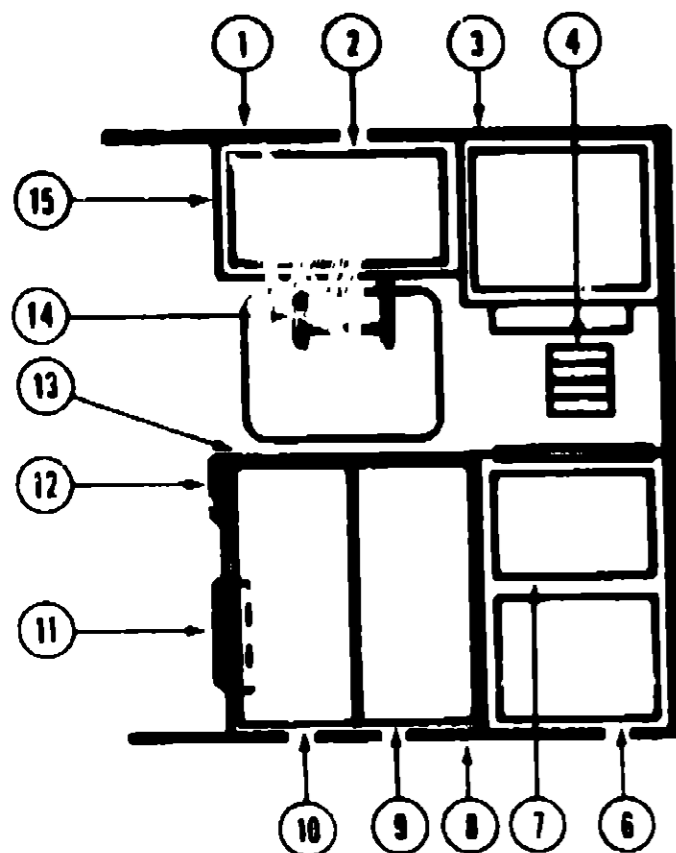
**1989 ITASCA
TABLE OF CONTENTS**

INTRODUCTION	A-01
ABBREVIATIONS	A-01
ALPHABETICAL INDEX	A-02 - A-04
ICM27RQ	A-05 - D-20
IC/JM31RQ	D-21 - H-16

1989 ICM27RQ INDEX

Floor Plan	A-05 - A-08
Accessories Group	A-07 - A-12
Bath Group	A-13 - A-14
Chassis Group	A-15 - A-20
Curtain, Cushion & Pad Group	A-21 - B-12
Drivette Group	B-13 - B-14
Driver's Compartment Group	B-15 - B-19
Electrical Group	B-20 - B-22
Exterior Body Group	B-23 - C-04
Galley Group	C-05 - C-08
Heating & Air Conditioning Group	C-09
Interior Finish Group	C-10 - C-11
LP Group	C-12
Lounge Group	C-13 - C-18
Water & Sewage Group	C-19 - C-20
Window, Vent & Exterior Door Group	C-21 - D-27

**GALLEY GROUP
GALLEY CABINETS**



Key	Part Number	U/B	Description
1	M89161-01-X14	EA	Cabinet Asm. - Galley Overhead - w/o Door
2	M89304-B7-X14	EA	Door Asm. - Galley Overhead - w/o Hardware
3	M84767-04-Y07 M89304-A8-X08	EA	Cabinet Asm. - Microwave - No Microwave - w/o Door
3	084767-04-Y07	EA	Door Asm. - Microwave - w/o Hardware
4	074480-01-000	EA	Cabinet Asm. - Microwave - w/Microwave (Options 134 & 138)
5	M89165-01-Y70	EA	Spice Rack - Unfinished
5	M89165-01-Y71	EA	Cabinet Asm. - Refrigerator - 8'
5	M89165-01-Y72	EA	Cabinet Asm. - Refrigerator - 8'
5	M89165-02-Y70	EA	Cabinet Asm. - Refrigerator - 8'
5	M89165-02-Y71	EA	Cabinet Asm. - Refrigerator - 10' (Option 34F)
5	M89165-02-Y72	EA	Cabinet Asm. - Refrigerator - 10' (Option 34F)
6	M82073-01-X11	EA	Cabinet Asm. - Refrigerator - 10' (Option 34F)
7	M89304-B0-X08	EA	Door Asm. - Furnace - w/Mesh Insert - w/o Hardware
8	M03457-03-Y70	EA	Drawer Face Asm. - Galley Cabinet - w/o Hardware
8	M03457-04-Y70	EA	Cabinet Asm. - Galley w/Small Oven
9	M89304-A4-X08	EA	Cabinet Asm. - Galley w/Range Top (Option 136)
10	M89304-13-X08	EA	Door Asm. - Galley Cabinet - w/o Hardware
11	074491-01-000	EA	Door Asm. - Galley Cabinet - w/o Hardware
12	080812-02-Y15	EA	Magazine Rack - Unfinished
13	083825-11-Y15	EA	Extension Asm. - Galley
14	082488-01-Y12	EA	Countertop Asm. - Galley
15	081320-04-W30	EA	Paper Towel Holder
	000G13-08-10G	EA	End Cap Asm
	069777-02-000	EA	Screw - 8 - 20 x 5/8" PFH - Antique Brass (Doors)
	088284-01-000	EA	Hinge - Antique Light Brass (Doors)
	000G68-08-10G	EA	Door Pull - Polished Brass (Doors)
	003021-01-000	EA	Screw - 8 - 18 x 5/8" POH - Antique Brass (Doors)
	008021-02-000	EA	Catch - Nylon - Grill (Door)
	083588-03-000	EA	Strike - Spring Steel (Doors)
	083588-04-000	EA	Catch - Spring, Roller (Doors)
	074493-02-000	EA	Strike - Spring Steel (Doors)
	083049-01-000	EA	Support - Door, Spring (Overhead Door)
	009058-01-000	EA	Support - Dropleaf Table (Galley Extension)
	083238-01-Y12	EA	Hinge - Brass (Galley Extension)
	083282-01-000	EA	Cover - Knife Holder (Countertop Asm)
	M82183-01-000	EA	Bonnet - Knife Holder (Countertop Asm)
	072389-34-000	EA	Door Rail Asm (Furnace Door)
	M82184-11-X38	EA	Mesh Insert - Bronze (Furnace Door)
	084486-05-000	EA	Drawer Asm. - Galley Cabinet (Pots & Pans Drawer)
	084486-03-000	EA	Slide Asm. - Left (Galley Cabinet)
	084486-02-000	EA	Slide Asm. - Left (Pots & Pans Drawer)
	084486-04-000	EA	Slide Asm. - Right (Pots & Pans Drawer)
	077409-02-000	EA	Slide Asm. - Right - Galley Cabinet
	009767-08-000	EA	Drawer Slide - Plastic - 20 75" (Galley Cabinet)
	009767-10-000	EA	Wetling - Beige (Cabinets)
	083620-01-000	EA	Wetling - Mahogany (Cabinets)
	076325-10-000	FT	T-Molding - 3/4" w/Edge Lips - Brown (Overhead Cabinet)
	081521-02-007	FT	Edge Band - Regal Oak (Countertop & Galley Extension)
	042357-11-000	EA	Molding - 64 Hole Space (Cabinets)
	080178-02-000	EA	Corner Molding - Radius Plastic - Light Oak
	022992-08-000	EA	Corner Cap - Radius - Light Oak (Overhead & Refrigerator Cabinets)
		EA	Molding - Reverse Cove (Galley Cabinet)

**1989 ITASCA
TABLE OF CONTENTS**

INTRODUCTION	A-01
ABBREVIATIONS	A-01
ALPHABETICAL INDEX	A-02 - A-04
ICM27RQ	A-05 - D-20
IC/JM31RQ	D-21 - H-16

1989 ICM27RQ INDEX

Floor Plan	A-05 - A-06
Accessories Group	A-07 - A-12
Bath Group	A-13 - A-14
Chassis Group	A-15 - A-20
Curtain, Cushion & Pad Group	A-21 - B-12
Dinette Group	B-13 - B-14
Driver's Compartment Group	B-15 - B-19
Electrical Group	B-20 - B-22
Exterior Body Group	B-23 - C-04
Galley Group	C-05 - C-08
Heating & Air Conditioning Group	C-09
Interior Finish Group	C-10 - C-11
LP Group	C-12
Lounge Group	C-13 - C-18
Water & Sewage Group	C-19 - C-20
Window, Vent & Exterior Door Group	C-21 - D-20

GALLEY GROUP (CONTINUED)

GALLEY APPLIANCES

Key	Part Number	UM	Description
	034039-02-000	EA	Refrigerator - w/Str. w/ Double Door - Norcold 663
	034039-02-000	EA	Refrigerator - w/Large Double Door - Norcold 663
	084039-01-700	EA	PC Board Asm. - 3-Way (663, 663)
	084039-01-701	EA	Eyebrow Switch - 3-Way (663, 663)
	084039-01-702	EA	Gasket - Upper - Gray (663, 663)
	084039-01-703	EA	Hinge Plate - Left Hand (663, 663)
	084039-01-706	EA	Upper Door Liner - White (663, 663)
	084039-01-708	EA	Upper Door Handle Asm. (663, 663)
	084039-01-709	EA	Hinge Plate - Right Hand (Top) - Left Hand (Bottom) (663, 663)
	084039-01-711	EA	Juice Rack - Gray w/Silver Trim (663, 663)
	084039-01-712	EA	Door Bin - Gray w/Silver Border (663, 663)
	084039-01-700	EA	Door Gasket - Lower - Gray (663)
	084039-01-713	EA	Door Gasket - Lower - Gray (663)
	084039-01-701	EA	Lower Door Liner - Brown/White (663)
	084039-01-714	EA	Lower Door Liner - Brown/White (663)
	084039-01-703	EA	Lower Door Handle Asm. (663)
	084039-01-717	EA	Lower Door Handle Asm (663)
	084039-01-718	EA	Milk Bin - Gray w/Silver Trim (663, 663)
	084039-01-719	EA	Dairy Keeper - Gray w/Silver Trim (663, 663)
	084039-01-705	EA	Cab Asm. - Brown Frame/White Liner (663)
	084039-01-720	EA	Cab Asm. - Brown Frame/White Liner (663)
	084890-01-747	EA	Hot Plug - Hinge Holes (663, 663)
	084890-01-734	EA	Hinge Bracket - Right Hand (Top) - Left Hand (Bottom) (663, 663)
	084890-01-735	EA	Hinge Bracket - Left Hand (Top) - Right Hand (Bottom) (663, 663)
	084890-01-731	EA	Hinge Pin - Male (663, 663)
	084039-01-728	EA	Evaporator Shelf (663, 663)
	084039-01-727	EA	Hinge Bracket - Center Hinge (663, 663)
	084039-01-729	EA	Hinge Pin Shaft - Center Hinge (663, 663)
	084039-01-731	EA	Crisper - Gray w/Silver Trim (663, 663)
	084039-01-732	EA	Front Cover - Black Bottom Trim (663, 663)
	084039-01-733	EA	Wire Shelf - Middle (663, 663)
	084039-01-734	EA	Wire Shelf - Top w/Placer (663, 663)
	084039-01-735	EA	Inside Drip Tray - White (663, 663)
	084039-01-736	EA	Light Switch - Black (663, 663)
	084039-01-737	EA	Power Supply - 3-Way (663, 663)
	084039-01-738	EA	Manual Shut-Off - Harper Wyman (663, 663)
	084039-01-739	EA	Shelf - Cutout (663, 663)
	089983-02-000	EA	Baffle - Refrigerator - Back
	090195-02-000	EA	Baffle - Refrigerator - Lower
	054450-01-000	EA	Level - Refrigerator
	065225-01-000	EA	Tiedown Plate - Refrigerator
	087544-01-000	EA	Bracket Asm - Tiedown - Refrigerator - Right
	087544-02-000	EA	Bracket Asm - Tiedown - Refrigerator - Left
	055282-04-000	EA	Range w/Small Oven - 4 Burner - Almond - Magic Chef BT18NA-4-50
	055282-04-700	EA	Panel - Oven Door - Almond
	055282-01-701	EA	Door Frame - Lower
	055282-01-702	EA	Door Front - Glass
	055282-03-700	EA	Thermostat
	055282-03-702	EA	Knob - Thermostat
	055282-03-704	EA	Inlet Fitting - Thermostat
	055282-03-705	EA	Cabinet Trim - Black - Left
	055282-03-707	EA	Cabinet Trim - Black - Right
	055282-03-706	EA	Vertical Trim - Black
	055282-03-708	EA	Plug - Plastic
	064782-02-710	EA	Clip - Glass Holder
	064782-02-711	EA	Main Top - Almond - 4 Burner - Square
	064782-02-712	EA	Grate - Top Burner - Square
	064782-02-713	EA	Gas Regulator
	064782-02-714	EA	Nipple - 1/8"
	064782-02-715	EA	Clip - Grate
	065280-04-000	EA	Cover - Range w/Small Oven - Bi-Fold - Almond
	055516-01-000	EA	Tiedown Bracket - Range w/Small Oven - Left
	055516-02-000	EA	Tiedown Bracket - Range w/Small Oven - Right

Key	Part Number	UM	Description
	081374-01-000	EA	Range Top - 4 Burner - Almond - Magic Chef BT86NA-4 (Option 136)
	081374-01-700	EA	Range Top - Cabinet Trim - Right (Option 136)
	081374-01-701	EA	Range Top - Cabinet Trim - Left (Option 136)
	081374-01-702	EA	Range Top - Manifold Panel - Warm Black (Option 136)
	081374-01-703	EA	Range Top - Trim - Top Rear (Option 136)
	081374-01-704	EA	Range Top - Fabric Guard (Option 136)
	085286-03-000	EA	Cover - Range Top - Bi-Fold - Almond (Option 136)
	081867-01-000	EA	Tiedown Bracket - Range Top - Right (Option 136)
	081867-01-000	EA	Tiedown Bracket - Range Top - Left (Option 136)
	082888-03-01A	EA	Range Hood w/Monitor Panel - Ventline - USA
	082888-04-01A	EA	Range Hood w/Monitor Panel - Ventline - CSA
	082888-03-700	EA	Range Hood - Chassis w/Wiring - Almond - USA
	082888-04-700	EA	Range Hood - Chassis w/Wiring - Almond - CSA
	082888-03-701	EA	Range Hood - Control Panel Asm
	082888-03-702	EA	Range Hood - Control Panel Face Plate
	082897-01-000	EA	Range Hood - Cable Asm. - 314MM - w/Nut
	081289-03-000	EA	Microwave Oven - Magic Chef - M16-10PB (Options 134 & 136)
	084730-01-000	EA	Microwave Oven - Tiedown Bracket (Option 134 & 136)
	084774-01-01A	EA	Microwave Oven Trim - Black (Options 134 & 136)
	084745-01-01A	EA	Microwave Oven Trim - Black (Options 134 & 136)
	088737-01-000	EA	Microwave/Convection Oven - Magic Chef M71C-10 (Option 42D)
	088737-01-700	EA	Microwave/Convection Oven - Control (Option 42D)
	088737-01-701	EA	Microwave/Convection Oven - Frame Panel (Option 42D)
	088737-01-702	EA	Microwave/Convection Oven - Touch Panel Asm (Option 42D)
	088737-01-703	EA	Microwave/Convection Oven - Frame Door (Option 42D)
	088737-01-704	EA	Microwave/Convection Oven - Glass - Outside Door (Option 42D)
	088737-01-706	EA	Microwave/Convection Oven - Trim - Upper Frame - Inner (Option 42D)
	088737-01-708	EA	Microwave/Convection Oven - Cabinet (Option 42D)
	088737-01-707	EA	Microwave/Convection Oven - Fuse (Option 42D)
	088737-01-708	EA	Microwave/Convection Oven - Transformer (Option 42D)
	088737-01-709	EA	Microwave/Convection Oven - Trim (Option 42D)
	088737-01-710	EA	Microwave/Convection Oven - Bulb - Oven - 30 Wat. (Option 42D)
	088737-01-711	EA	Microwave/Convection Oven - Relay - Complete (Option 42D)
	088737-01-712	EA	Microwave/Convection Oven - Trim (Option 42D)
	088737-02-000	EA	Microwave/Convection Oven - Frame Kit - Magic Chef BKM71-B (Option 42D)
	088882-01-000	EA	Microwave/Convection Oven - Tiedown Bracket - Right (Option 42D)
	088882-02-000	EA	Microwave/Convection Oven - Tiedown Bracket - Left (Option 42D)
	093526-01-000	EA	Sink - Double Bowl - Stainless Steel - 25" x 19" - Kevco D22519-3
	092303-01-000	EA	Strainer - Sink - Kevco 48866
	064952-01-000	EA	Faucet - Galley - Single Control
	081530-01-Y30	EA	Cover Asm - Sink
	083153-01-000	EA	Cutting Board - Maple
	058334-01-000	EA	Wastebasket - White
	093805-01-01A	EA	Towel Rack - Galley Cabinet
	097395-01-000	EA	Leak Detector - LP Gas
	072852-01-000	EA	Smoke Detector

1989 ITASCA TABLE OF CONTENTS

INTRODUCTION	A-01
ABBREVIATIONS	A-01
ALPHABETICAL INDEX	A-02 - A-04
ICM27RQ	A-05 - D-20
IC/JM31RQ	D-21 - H-16

1989 ICM27RQ INDEX

Floor Plan	A-05 - A-06
Accessories Group	A-07 - A-12
Bath Group	A-13 - A-14
Chassis Group	A-15 - A-20
Curtain, Cushion & Pad Group	A-21 - B-12
Dinette Group	B-13 - B-14
Driver's Compartment Group	B-15 - B-19
Electrical Group	B-20 - B-22
Exterior Body Group	B-23 - C-04
Galley Group	C-05 - C-06
Heating & Air Conditioning Group	C-09
Interior Finish Group	C-10 - C-11
LP Group	C-12
Lounge Group	C-13 - C-18
Water & Sewage Group	C-19 - C-20
Window, Vent & Exterior Door Group	C-21 - D-20

HEATING & AIR CONDITIONING GROUP
FURNACE & ROOF AIR CONDITIONING (OPTIONS 29D & 33A)

Key	Part Number	U/M	Description
**	075885-01-000	EA	Furnace - 34,000 BTU - w/Direct Ignition - Suburban
	075885-01-700	FA	Thermostat - Wall
**	075885-02-000	EA	Furnace - 34,000 BTU - w/Direct Ignition - Suburban (Option 33A)
	083385-01-000	EA	Thermostat - Wall (Option 33A)
	009198-01-000	FT	Duct - Flexible - 4" ID x 25"
	007200-01-000	EA	Tape - Furnace - 1 1/2"
	023146-01-000	EA	Clamp - Screw Type - 4"
	088638-02-000	EA	Connector - 4" Duct
	088387-01-000	EA	Tee - 4"
	058484-01-000	EA	Register - 4" Dia. - Plastic - w/Damper
	058484-02-000	EA	Register - 4" Dia. Plastic - w/o Damper
	083741-01-000	EA	Boot - Floor Register
	084800-01-02A	EA	Grill - Floor Register
**	073742-02-000	EA	Air Conditioner - Roof Mount - Rotary TSR (Option 29D)
	073743-01-000	EA	Shroud Arm - Ceiling - Cool Only
**	083783-01-02A	EA	Air Conditioner - Roof Mount - Gray TSR Low Profile (Option 29D)
	083784-01-000	EA	Shroud Arm - Ceiling - Cool Only
**	073937-01-000	EA	Switch - Air Conditioner Selector

** The illustrated parts breakdown for this item is provided on the Common Items Fiche

AUTOMOTIVE HEATER/AIR CONDITIONER

Key	Part Number	U/M	Description
	038044-01-000	EA	Louver Arm - A/C - Adjustable
	007108-01-000	FT	Hose - Heater - 5/8" I.D. - SAE 20RE
	007281-01-000	EA	Hose - Flexible - 2 1/2" I.D.
	008200-01-000	EA	Tape - Furnace - 1 1/2"
	024980-01-000	EA	Outlet - Defroster - w/Swivel - 2" Tan
	085000-01-000	EA	Air Conditioner - Shield
	072341-07-000	EA	Heater/Evaporator Arm - w/o Duct/Control
	072341-07-700	EA	Resistor - Jumper Harness
	072341-07-701	EA	Thermostat
	072341-07-702	EA	Liquid Hose - w/Special Tap
	072341-08-000	EA	Duct/Control Kit
	072341-08-700	EA	Reservoir Vacuum
	072341-08-701	EA	Heat Plenum - Passenger
**	094831-01-000	EA	Heater/Evaporator Arm - Complete

** The illustrated parts breakdown for this item is provided on the Common Items Fiche

WATER HEATER W/MOTOR/ID & AUXILIARY REAR HEATER (OPTION 611)

Key	Part Number	U/M	Description
**	071393-01-000	EA	Water Heater - w/Motor/ID - Direct Ignition
	007108-01-000	FT	Heater Hose - 5/8" I.D. - SAE 20R3
	008042-01-000	EA	Vinyl Tubing - 65"
	010227-01-000	EA	Tee - Plastic BARB - 5/8" or 3/4" Hose
	010513-01-000	EA	Elbow - Black Steel - 3/8" x 90°
	081673-01-000	EA	Clamp - Motor/ID
	082401-04-000	EA	Hose Clamp - Wormgear - 69" to 1 25"
	082401-10-000	EA	Hose Clamp - Wormgear - 1 08" to 2 03"
	080179-01-000	EA	Support Bracket - Heater Hose
	084405-01-000	EA	Rear Heater Arm - Ducted
	084405-01-700	EA	Heater Core
	084405-01-701	EA	Fan
	084405-01-702	EA	Motor - 12 Volt
	089353-01-000	EA	Union - Tube to Tube - 5/8"
	009200-01-000	EA	Tape - Furnace - 1 1/2"
	009198-01-000	FT	Duct - Flexible - 4" I.D. x 25"
	089638-02-000	EA	Connector - 4" Duct
	023146-01-000	EA	Clamp - Screw Type - 4"
	058484-01-000	EA	Register - 4" Dia. - Plastic - w/Damper
	058484-02-000	EA	Register - 4" Dia. - Plastic - w/o Damper
	087202-02-000	EA	Switch - 4 Position - w/o Knob
	090977-01-000	EA	Switch - Rotary Knob

** The illustrated parts breakdown for this item is provided on the Common Items Fiche

INTERIOR FINISH GROUP
MOLDINGS & TRIMS

Key	Part Number	U/M	Description
	089733-70-000	EA	Batt Strip - Regal Oak
	085284-03-000	FT	Batt Strip - Regal Oak - Tape Adhesive
	085284-13-000	FT	Batt Strip - Charcoal - Tape Adhesive (Main Wall)
	088283-23-000	EA	Batt Strip - Slate (Galley & Bath) (Y70)
	088283-21-000	EA	Batt Strip - Charcoal (Galley & Bath) (Y71) (Y72)
	088283-21-000	EA	Batt Strip - Charcoal (Main V'all)
	088283-19-000	EA	Batt Strip - Bone - (Wet Bath)
	088283-30-000	EA	Batt Strip - Beige Spatter (Ceiling)
	008787-08-000	FT	Wetling - Beige
	008787-10-000	FT	Wetling - Mahogany
	024700-17-000	EA	Cover - Sidewall Roll Bar - Beige - 110"
	024700-24-000	EA	Cover - Sidewall Roll Bar - Beige - 83 8"
	024700-28-000	EA	Cover - Sidewall Roll Bar - Beige - 40"
	008778-07-000	FT	U-Channel - Light Oak - 1"
	070504-01-000	FT	U-Channel - Light Brown - .65"
	070504-08-000	FT	U-Channel - Light Oak - .815"
	008088-17-000	EA	F Molding - Plastic Corner - Outside - 1" - Light Oak
	008812-17-000	EA	F Molding - Plastic Corner - Outside - .5" - Light Oak
	022882-08-000	FT	Molding - Reverse Cove - Champagne White
	042357-11-000	FT	Corner Molding - Radius Plastic - Light Oak
	078325-18-000	FT	Molding - Edge Band - Regal Oak
	078323-08-X14	FT	Cap Molding - Wall
	081078-02-000	FT	Corner Cap - Radius Plastic - Light Oak
	081521-02-007	FT	Molding - 64 Hole Space
	083820-01-000	FT	T Molding - 75" w/Lips - Brown
	082707-01-01A	EA	Molding - Regal Oak - Table Leg
	085746-01-000	FT	J Trim - Carpet - Beige - PVC

PANELING & COUNTERTOP

Key	Part Number	U/M	Description
	074497-10-000	SF	Paneling - Regal Oak (Wall & Cabinets) - 48" x 84"
	088272-44-000	SF	Paneling - Charcoal (Main Wall) - 48" x 84"
	088272-35-000	SF	Paneling - Slate (Galley & Dry Bath) - 48" x 84" (Y70)
	088272-27-000	SF	Paneling - Cocoa (Galley & Dry Bath) - 48" x 84" (Y71)
	088272-28-000	SF	Paneling - Miami (Galley & Dry Bath) - 48" x 84" (Y72)
	088272-38-000	SF	Paneling - Bone (Wet Bath) - 48" x 84"
	074497-14-000	SF	Paneling - Beige Spatter (Ceiling)
	074498-24-000	SF	Laminate - Plastic - Regal Oak
	074498-28-000	SF	Laminate - Plastic - Brittany Tan
	000821-01-000	SF	Veneer - Flat Luana - 48" x 96"
	089297-01-000	SF	Plywood - Luana - Overlay Grade - 48" x 96"
	000885-34-000	SF	Particle Board - 3/8" One Sided - Regal Oak - 49" x 97"
	000885-35-000	SF	Particle Board - 3/4" One Sided - Regal Oak - 49" x 97"
	000885-36-000	SF	Particle Board - 3/4" Two Sided - Regal Oak - 49" x 97"

1989 ITASCA
TABLE OF CONTENTS

INTRODUCTION	A-01
ABBREVIATIONS	A-01
ALPHABETICAL INDEX	A-02 - A-04
ICM27RQ	A-05 - D-20
IC/JM31RQ	D-21 - H-18

1989 ICM27RQ INDEX

Floor Plan	A-05 - A-08
Accessories Group	A-07 - A-12
Bath Group	A-13 - A-14
Chassis Group	A-15 - A-20
Curtain, Cushion & Pad Group	A-21 - B-12
Dinette Group	B-13 - B-14
Driver's Compartment Group	B-15 - B-19
Electrical Group	B-20 - B-22
Exterior Body Group	B-23 - C-04
Galley Group	C-05 - C-08
Heating & Air Conditioning Group	C-09
Interior Finish Group	C-10 - C-11
LP Group	C-12
Lounge Group	C-13 - C-18
Water & Sewage Group	C-19 - C-20
Window, Vent & Exterior Door Group	C-21 - D-20

INTERIOR FINISH GROUP (CONTINUED)

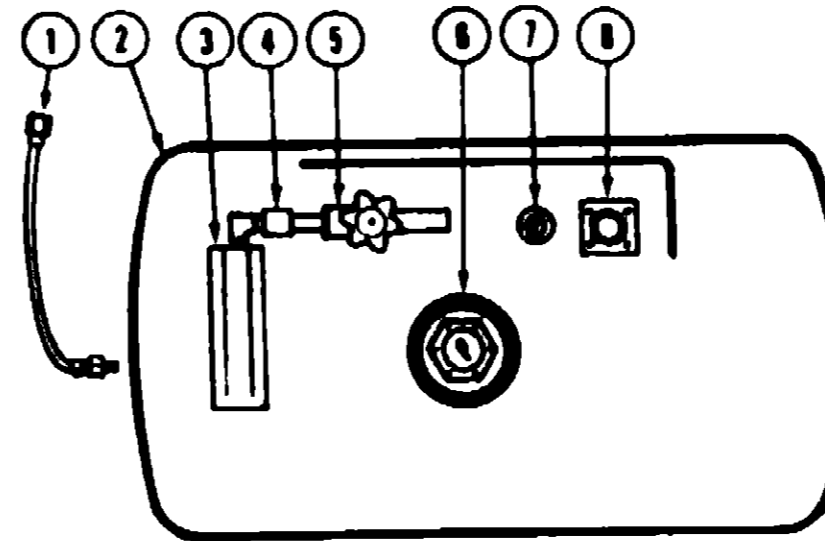
FABRIC & CARPET

Key	Part Number	U/M	Description
	088274-83-000	YD	Fabric - Upholstery - Main - Blue (Y70)
	088274-81-000	YD	Fabric - Upholstery - Main - Oakwood (Y71)
	088274-82-000	YD	Fabric - Upholstery - Main - Starburst (Y72)
	088274-33-000	YD	Fabric - Upholstery - Accent - Blue (Y70)
	088274-89-000	YD	Fabric - Upholstery - Accent - Umber (Y71)
	088274-80-000	YD	Fabric - Upholstery - Accent - Eggshell (Y72)
	072333-85-000	YD	Fabric - Drapery - Silver (Y70)
	072333-89-000	YD	Fabric - Drapery - Tan (Y71)
	072333-80-000	YD	Fabric - Drapery - Water's (Y72)
	088273-25-000	YD	Fabric - Bedspread - Eoru (Y70)
	088273-26-000	YD	Fabric - Bedspread - Peach (Y71)
	088880-27-000	YD	Fabric - Bedspread - Pastel (Y72)
	072880-70-000	SY	Carpet - Glacier Blue (Y70)
	072880-71-000	SY	Carpet - Pirates Alley (Y71)
	072880-85-000	SY	Carpet - Amethyst (Y72)
	083488-01-000	SY	Carpet - Charcoal - Outside Storage Compartments
	075233-01-030	SY	Pad - Carpet - 3/8"
	038421-06-000	YD	Fabric - Mattress Ticking - Gray/White
	078880-01-000	YD	Vinyl - 28 oz. - Buckskin

MISCELLANEOUS

Key	Part Number	U/M	Description
	041944-03-000	EA	Fire Extinguisher - 5 B C - w/Bracket
	041944-04-000	EA	Fire Extinguisher - 5 B C - w/o Bracket
	084472-01-000	EA	Holder - Fire Extinguisher - Recessed - Light Brown
	084488-01-000	EA	Fire Extinguisher - 1A10 B C - USA
	084488-02-000	EA	Fire Extinguisher - 1A10 B C - CSA
	084851-01-01A	EA	Holder - Fire Extinguisher - Recessed - Light Oak
	040088-01-100	EA	Floor Mat - Entrance - Black
	081075-02-000	EA	Floor Mat - Entrance - Brown (Option 63H)
	081201-02-000	EA	Floor Mat - Driver - Brown (Option 63H)
	081202-02-000	EA	Floor Mat - Passenger - Brown (Option 63H)
	053552-02-W24	EA	Handle Arm - Interior Assiet - Vinyl - Buckskin
	054185-31-000	EA	Owners Manual - 1989
	085201-02-000	EA	Lamp Shade - Parchment - Wall lamp
	072852-01-000	EA	Smoke Detector - w/9 Volt Battery
	097395-01-000	EA	Leak Detector - LP Gas
	093886-01-000	EA	Lockbox Arm - Outer
	093883-01-000	EA	Drawer Arm - Lockbox
	093801-01-000	EA	Lock - Security Lockbox
	M03112-02-000	EA	Door Arm - Battery - w/o Carpet
	082487-01-Y15	EA	Spice Rack
	079806-03-W30	EA	Magazine Rack
	082488-01-Y12	EA	Paper Towel Holder

LP GROUP



Key	Part Number	U/M	Description
1	045703-01-000	EA	Hose Arm - LP - 3/8" I.D. x 24" (US)
1	045703-02-000	EA	Hose Arm - LP - 3/8" I.D. x 24" (CSA)
2	088253-01-000	EA	LP Tank - 80 Pound - 16" Dia x 30"
3	081838-01-000	EA	Cover - LP Regulator
3	076301-01-000	EA	Regulator - Two Stage
4	080978-02-000	EA	Safety Valve - Electric
5	040421-01-703	EA	Valve - Vapor Relief
6	040421-01-707	EA	Gauge - Float - w/Visible Dial
6	040421-01-708	EA	Dial - Visible Face - Float Gauge
6	040440-01-000	EA	Dial - Visible Face - Float Gauge (w/Electric Transmitter)
7	040421-01-700	EA	Gauge - Liquid Level
8	040421-01-701	EA	Valve - Filler
8	040421-01-702	EA	Cap - Filler Valve
8	040421-01-711	EA	Inner Tank Valve - 80% Fill
	085741-01-000	EA	Gauge - Diaphragm Pressure - Test Leak
	087395-01-000	EA	LP Gas Leak Detector

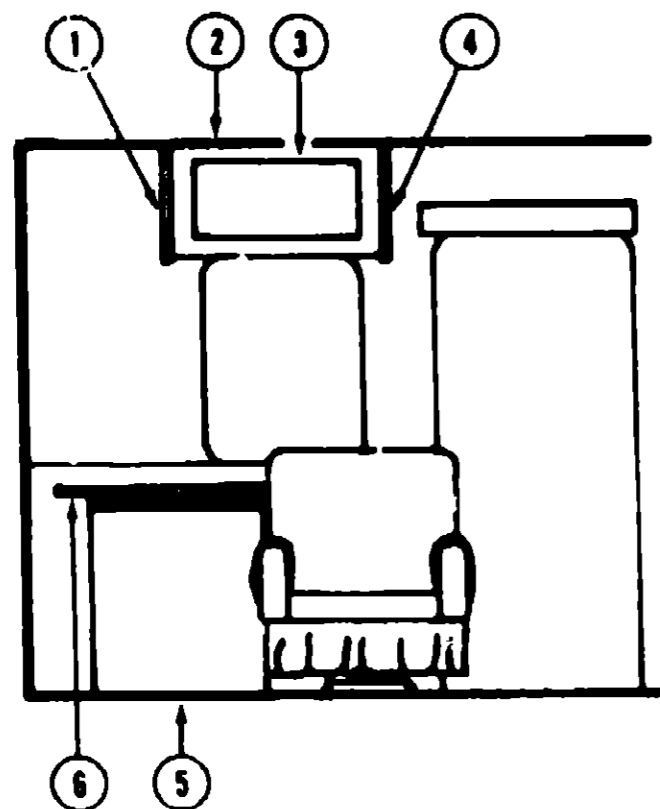
**1989 ITASCA
TABLE OF CONTENTS**

INTRODUCTION	A-01
ABBREVIATIONS	A-01
ALPHABETICAL INDEX	A-02 - A-04
ICM27RQ	A-05 - D-20
IC/JM31RQ	D-21 - H-18

1989 ICM27RQ INDEX

Floor Plan	A-05 - A-06
Accessories Group	A-07 - A-12
Bath Group	A-13 - A-14
Chassis Group	A-15 - A-20
Curtain, Cushion & Pad Group	A-21 - B-12
Dinette Group	B-13 - B-14
Driver's Compartment Group	B-15 - B-19
Electrical Group	B-20 - B-22
Exterior Body Group	B-23 - C-04
Galley Group	C-05 - C-08
Heating & Air Conditioning Group	C-09
Interior Finish Group	C-10 - C-11
LP Group	C-12
Lounge Group	C-13 - C-18
Water & Sewage Group	C-19 - C-20
Window, Vent & Exterior Door Group	C-21 - D-20

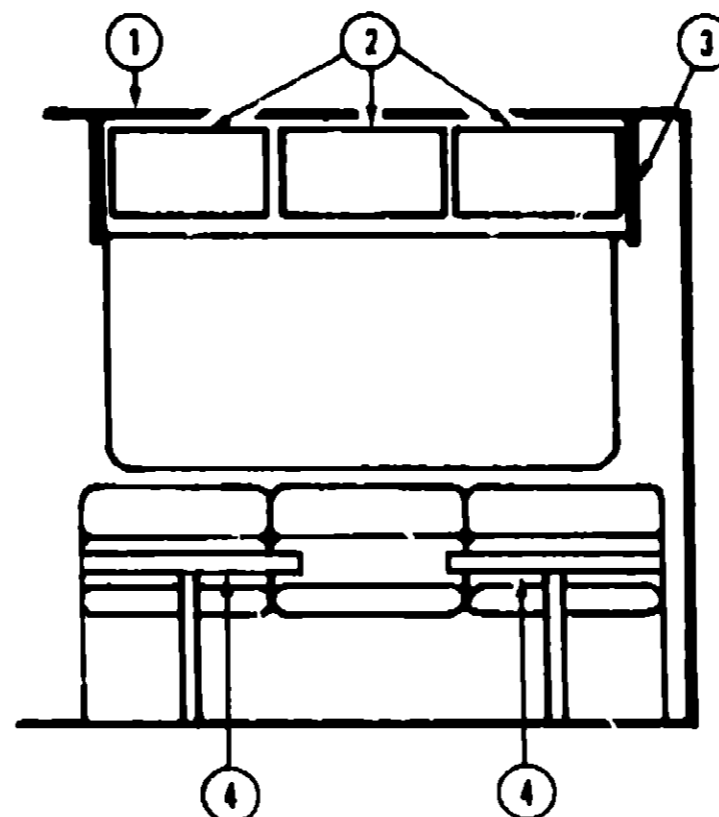
LOUNGE GROUP



OVERHEAD CABINETRY & PULLOUT TABLE - PASSENGER LOUNGE

Key	Part Number	U/M	Description
1	081325-02-X36	EA	End Cap Asm. - Overhead Cabinet - Left
2	M89171-01-X14	EA	Cabinet Asm. - Overhead - w/o Door or Hardware
3	M88304-16-X23	EA	Door Asm. - Overhead Cabinet - w/o Hardware
4	081325-01-W30	EA	End Cap Asm. - Overhead Cabinet - Right
	000G13-08-10G	EA	Screw - 6 - 20 x 5/8" PFH - Antique Brass
	059777-02-000	EA	Hinge - Antique Light Brass
	088264-01-000	EA	Door Pull - Polished Brass
	000G88-08-10G	EA	Screw - 6 - 18 x 5/8" POH - Antique Brass
	074493-02-007	EA	Support - Sprung Door
	009021-01-000	EA	Catch - Nylon Grill
	009021-02-000	EA	Strike - Spring Steel
	093586-03-000	EA	Catch - Spring Roller
	093586-04-000	EA	Strike - Spring Steel
	009787-08-000	FT	Wetling - Beige
	042357-11-000	EA	Corner Molding - Radius Plastic - Light Oak
	083620-01-000	FT	T-Molding - 3/4" w/Edge Lips
	081521-02-007	EA	Molding - 64 Hole Space
5	M91180-01-X14	EA	Cabinet Asm. - Pullout Table
	076325-16-000	FT	Molding - Edge Band - Regal Oak
6	091180-11-X14	EA	Pullout Table
	004354-01-000	EA	Bumper - 1/8" x 1/2" Dia - White
	079921-01-000	EA	Nylon Roller w/Shaft
	080736-01-000	EA	Handle - Plastic - Brown

LOUNGE GROUP (CONTINUED)



CABINETRY - DRIVER LOUNGE

Key	Part Number	U/M	Description
1	M81550-31-X70	EA	Cabinet Asm. - Overhead - w/o Doors or Hardware
2	M88304-16-X23	EA	Door Asm. - Overhead Cabinet - w/o Hardware
3	081325-03-W30	EA	End Cap Asm. - Overhead Cabinet - Right
	000G13-08-10G	EA	Screw - 6 - 20 x 5/8" PFH - Antique Brass
	059777-02-000	EA	Hinge - Antique Light Brass
	088264-01-000	EA	Door Pull - Polished Brass
	000G88-08-10G	EA	Screw - 6 - 18 x 5/8" POH - Antique Brass
	074493-02-000	EA	Support - Sprung Door
	009021-01-000	EA	Catch - Nylon Grill
	009021-02-000	EA	Strike - Spring Steel
	093586-03-000	EA	Catch - Spring Roller
	093586-04-000	EA	Strike - Spring Steel
	009787-08-000	FT	Wetling - Beige
	042357-11-000	EA	Corner Molding - Radius Plastic - Light Oak
	080176-02-000	EA	Corner Cap - Radius - Light Oak
	083620-01-000	FT	T-Molding - 3/4" w/Edge Lips
	081521-02-007	EA	Molding - 64 Hole Space
4	081298-01-X11	EA	Table Asm. - Pedestal
	009C40-03-000	EA	Table Base - Raised

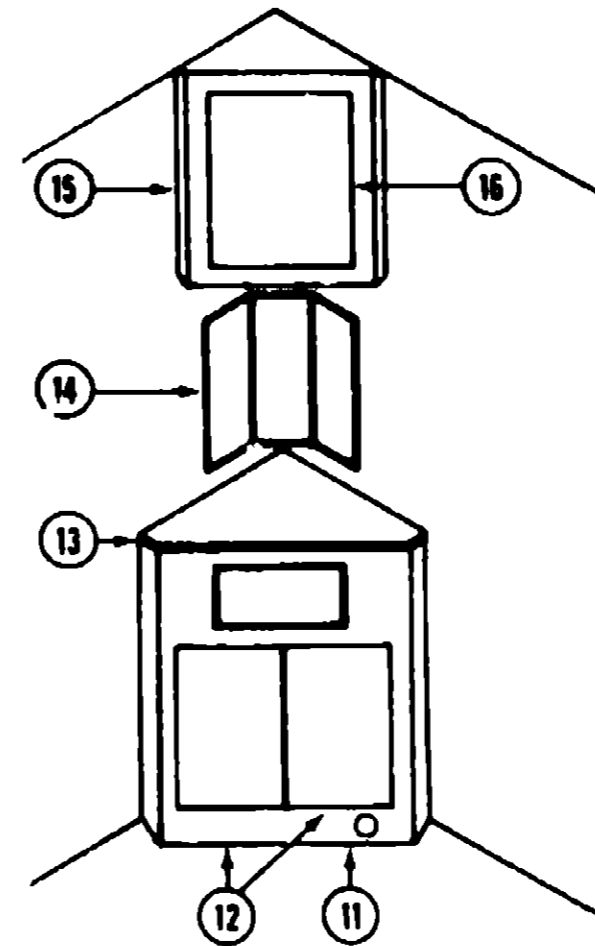
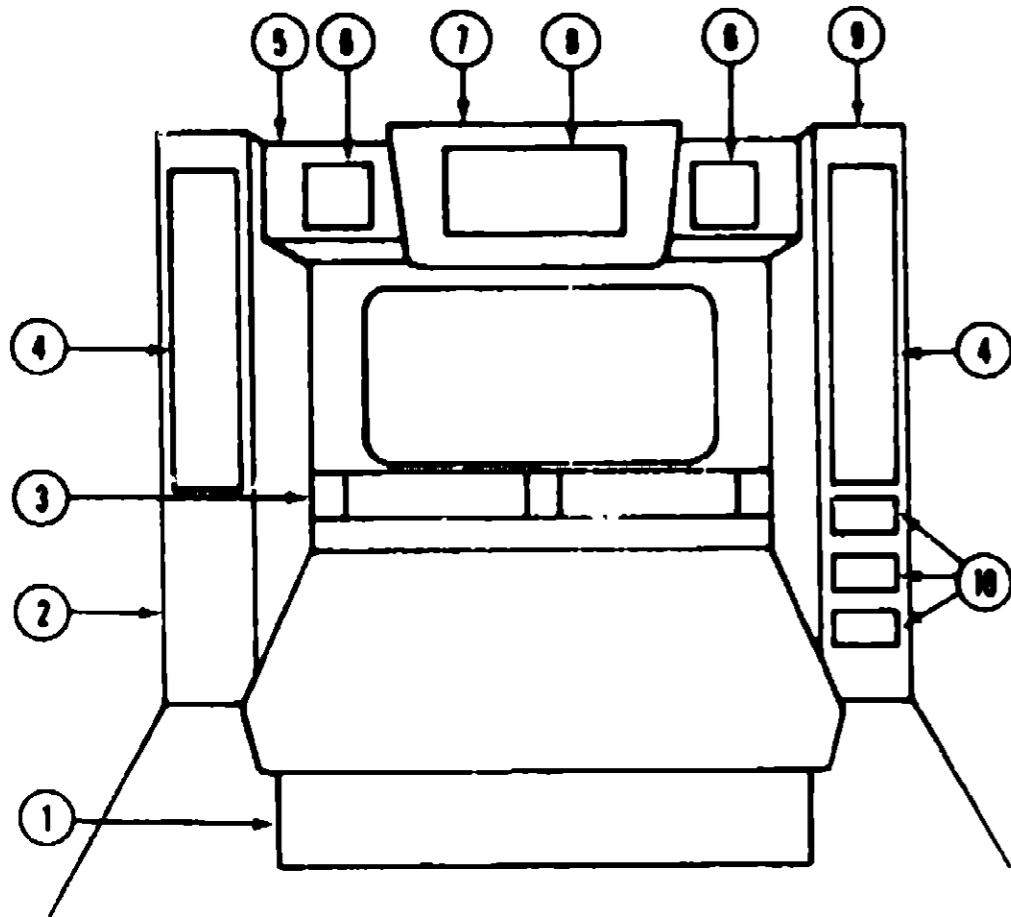
1989 ITASCA TABLE OF CONTENTS

INTRODUCTION	A-01
ABBREVIATIONS	A-01
ALPHABETICAL INDEX	A-02 - A-04
ICM27RQ	A-05 - D-20
IC/JM31RQ	D-21 - H-18

1989 ICM27RQ INDEX

Floor Plan	A-05 - A-08
Accessories Group	A-07 - A-12
Bath Group	A-13 - A-14
Chassis Group	A-15 - A-20
Curtain, Cushion & Pad Group	A-21 - B-12
Dinette Group	B-13 - B-14
Driver's Compartment Group	B-15 - B-19
Electrical Group	B-20 - B-22
Exterior Body Group	B-23 - C-04
Galley Group	C-05 - C-08
Heating & Air Conditioning Group	C-09
Interior Finish Group	C-10 - C-11
LP Group	C-12
Lounge Group	C-13 - C-18
Water & Sewage Group	C-19 - C-20
Window, Vent & Exterior Door Group	C-21 - D-20

LOUNGE GROUP (CONTINUED)
QUEEN BED CABINETS



1989 ITASCA
TABLE OF CONTENTS

INTRODUCTION
 ABBREVIATIONS
 ALPHABETICAL INDEX
 ICM27RQ
 IC/JM31RQ

A-01
 A-01
 A-02 - A-04
 A-05 - D-20
 D-21 - H-18

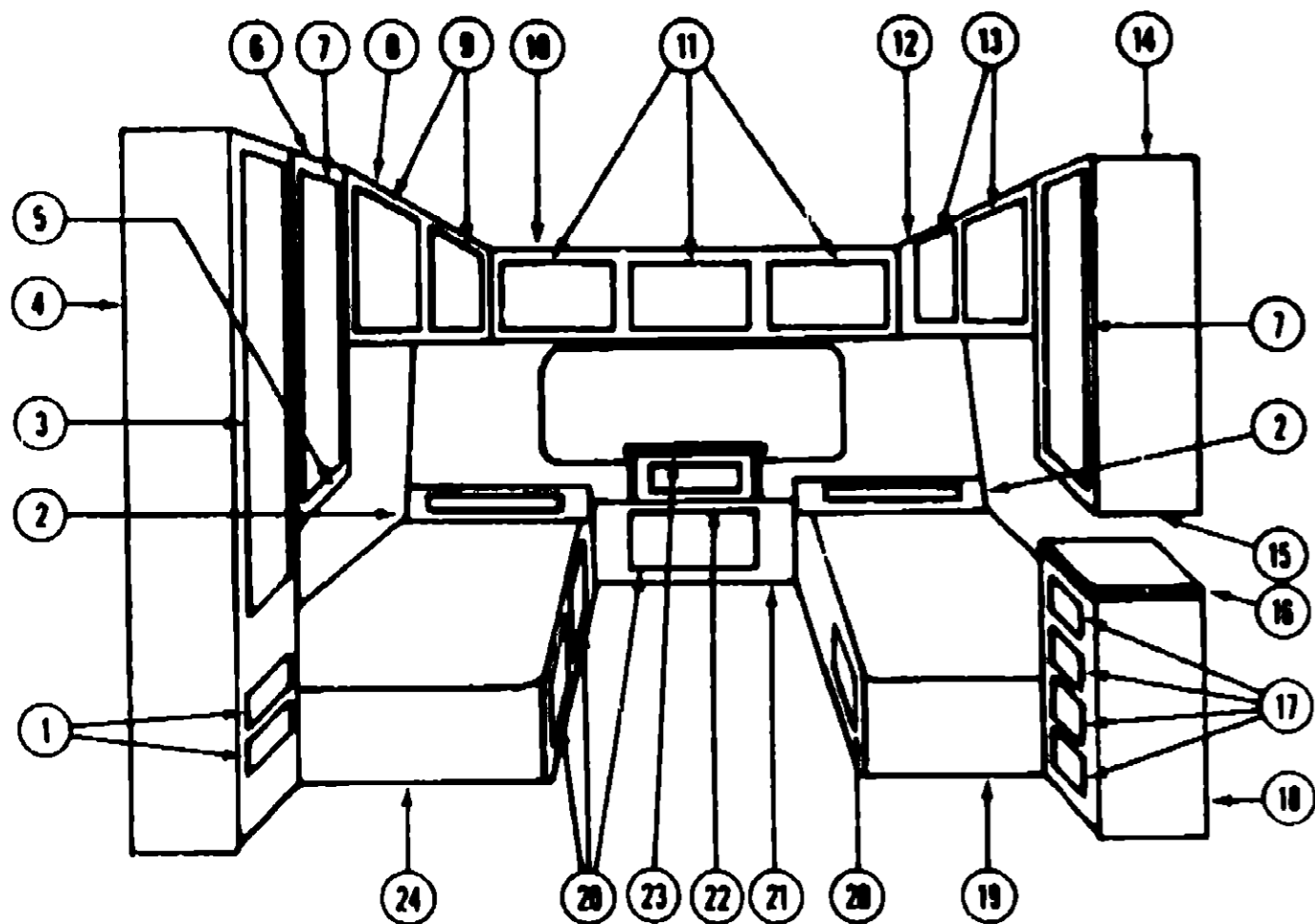
Key	Part Number	U/M	Description
1	M89164-01-X14	EA	Cabinet Asm - Queen Bed
2	089170-01-X14	EA	Cabinet Asm. - Wardrobe - Passenger - w/o Door
3	089577-01-X14	EA	Headboard Asm - Queen Bed
4	M88304-09-X08	EA	Door Asm - Wardrobe - w/o Hardware
5	M89156-01-X14	EA	Cabinet Asm - Rear Overhead - w/o Doors
6	M88304-08-X14	EA	Door Asm - Rear Overhead - w/o Hardware
7	089599-01-X14	EA	End Cap Asm. - Center Overhead
	M89155-01-X14	EA	Cabinet Asm. - Center Overhead - w/o Doors
	M88304-06-X11	EA	Door Asm. - Center Overhead - w/o Hardware
8	058331-18-000	EA	Mirror - Safety Glass
9	089189-01-X14	EA	Cabinet Asm - Wardrobe - Driver - w/o Door or Drawers
10	M78921-11-X14	EA	Drawer Asm - Wardrobe - Driver - w/Glides
	078922-08-X14	EA	Drawer Face - Wardrobe - Driver
	037888-01-000	EA	Rail - Drawer Guide - V
	037888-02-000	EA	Slide - Side Corner - L
	037888-03-000	EA	Slide - Center
	037888-04-000	EA	Bracket - Rail Mount - Front
	037888-05-000	EA	Bracket - Rail Mount - Rear
11	089187-01-Y15	EA	Cabinet Asm. - Lower Vanity - w/o Doors
12	M88304-21-X08	EA	Door Asm - Lower Vanity - w/o Hardware
13	089187-11-X14	EA	Countertop Asm - Lower Vanity
14	090588-01-X14	EA	Mirror Asm - Vanity - w/Glass
	058331-26-000	EA	Mirror - Safety Glass
15	089188-01-Y15	EA	Cabinet Asm - Upper Vanity - w/o Door
16	M88304-06-X11	EA	Door Asm. - Upper Vanity - w/o Hardware
	000G13-06-10G	EA	Screw - 6 - 20 x 5/8" PFH - Antique Brass (Doors)
	059777-02-000	EA	Hinge - Antique Light Brass (Doors)
	088264-01-000	EA	Door Pull - Polished Brass (Doors)
	000G68-06-10G	EA	Screw - 6 - 18 x 5/8" POH - Antique Brass (Doors)

Key	Part Number	U/M	Description
	009021-01-000	EA	Catch - Nylon Grill (Doors & Drawers)
	009021-02-000	EA	Strike - Spring Steel (Doors & Drawers)
	093588-04-000	EA	Catch - Spring, Roller (Doors & Drawers)
	083588-04-000	EA	Strike - Spring Steel (Doors & Drawers)
	074493-02-000	EA	Support - Sprung Door (Doors)
	084357-02-W24	EA	TV Stand Asm - Foldout
	000G13-06-10G	EA	Screw - 6 - 20 x 5/8" PFH - Antique Brass
	023320-01-000	EA	Felt Pad - 3/8" Dia
	058331-14-000	EA	Mirror - TV Stand - Safety Glass
	084358-04-000	EA	Insert - TV Stand - Tan
	084412-01-000	EA	Support - TV Stand - Hinged
	084451-01-000	EA	Catch - TV Stand - Brass
	084624-02-000	EA	Hinge - TV Stand - Aluminum w/Holes - Tan
	081521-02-007	EA	Molding - 64 Hole Space (Cabinets)
	042357-11-000	EA	Corner Molding - Radius - Plastic - Light Oak (Cabinets)
	080178-02-000	EA	Corner Cap - Radius - Light Oak (Overhead Cabinet)
	083820-01-000	EA	T-Molding - 3/4" w/Edge Lips (Overhead Cabinets)
	054856-01-000	EA	Rail - Bed
	009767-08-000	FT	Welting - Beige (Cabinets)
	009767-10-000	FT	Welting - Mahogany (Cabinets)
	052859-01-W30	FT	Trim Asm. - Accent (Beds)
	076325-16-000	FT	Molding - Edge Band - Regal Oak (Lower Vanity)
	079853-04-000	EA	Molding - Batt Strip - Kerfed (Vanties)
	009812-17-000	EA	Molding - Plastic - O/S Corner - 5" - Light Oak (Wardrobe Cabinets)
	057480-04-000	EA	Gas Spring Rod (Bed)
	057480-02-000	EA	Gas Spring - Ball Stud (Bed)
	052480-03-000	EA	Gas Spring - Safety Clip (Bed)
	088024-01-000	EA	Support - Gas Spring - Floor (Bed)
	089025-01-000	EA	Support - Gas Spring - Bed
	089189-01-X11	EA	Hinge Asm - Bed
	016804-03-000	EA	Brace - Angle - 2 5" - Beige

1989 ICM27RQ INDEX

Floor Plan	A-05 - A-06
Accessories Group	A-07 - A-12
Bath Group	A-13 - A-14
Chassis Group	A-15 - A-20
Curtain, Cushion & Pad Group	A-21 - B-12
Dinette Group	B-13 - B-14
Driver's Compartment Group	B-15 - B-16
Electrical Group	B-20 - B-22
Exterior Body Group	B-23 - C-04
Galley Group	C-05 - C-08
Heating & Air Conditioning Group	C-09
Interior Finish Group	C-10 - C-11
LP Group	C-12
Lounge Group	C-13 - C-18
Water & Sewage Group	C-19 - C-20
Window, Vent & Exterior Door Group	C-21 - D-20

LOUNGE GROUP (CONTINUED)
TWIN BED CABINETS (OPTION 447)



Key	Part Number	UMI	Description
1	M78821-11-X14	EA	Drawer Arm. - Wardrobe - w/o Hardware
	078822-08-X14	EA	Drawer Face - Wardrobe
	037888-03-000	EA	Center Glide for Drawer
2	080883-01-X14	EA	Headboard Arm - Twin Bed
3	M88304-08-X08	EA	Door Arm. - Wardrobe - w/o Hardware
4	M808820-01-Y18	EA	Cabinet Arm. - Wardrobe - w/o Door or Drawers
5	081280-13-W24	EA	End Cap Arm. - Shirt Closet - Passenger
6	M88883-01-X14	EA	Cabinet Arm. - Shirt Closet - Passenger - w/o Door
7	M88304-08-X08	EA	Door Arm. - Shirt Closet - w/o Hardware
8	M81813-08-X14	EA	Cabinet Arm. - Passenger Overhead - w/o Doors
9	M88304-08-X11	EA	Door Arm. - Passenger Overhead - w/o Hardware
	081325-04-W30	EA	End Cap Arm. - Passenger Overhead
10	M81308-25-X14	EA	Cabinet Arm. - Rear Overhead - w/o Doors
11	M88304-08-X11	EA	Door Arm. - Rear Overhead - w/o Hardware
12	M88800-02-X14	EA	Cabinet Arm. - Driver Overhead - w/o Doors
13	M88304-16-X23	EA	Door Arm. - Driver Overhead - w/o Hardware
	081325-04-W30	EA	End Cap Arm. - Driver Overhead
14	M88884-01-X14	EA	Cabinet Arm. - Shirt Closet - Driver - w/o Door
15	081280-16-W24	EA	End Cap Arm. - Shirt Closet - Driver
16	088534-11-X14	EA	Countertop Arm. - Nightstand - Driver
17	M78821-02-W13	EA	Drawer Arm. - Nightstand - Driver
	037888-03-000	EA	Center Slide for Drawer
18	088534-01-Y15	EA	Cabinet Arm. - Nightstand - Driver - w/o Drawers
	037888-01-000	FT	Rail - Drawer Guide V
	037888-02-000	EA	Glide - Side Corner L
	037888-04-000	EA	Bracket - Rail Mounting - Front
	037888-05-000	EA	Bracket - Rail Mounting - Rear
19	M88517-01-X14	EA	Cabinet Arm. - Twin Bed - Driver - w/o Door
20	M88304-02-X23	EA	Door Arm. - Twin Beds & Center Nightstand - w/o Hardware
21	M83441-01-X19	EA	Cabinet Arm. - Nightstand - Center - w/o Door
22	M02808-01-X19	EA	Countertop Arm. - Center Nightstand - Lower
23	M02808-01-X19	EA	Countertop Arm. - Center Nightstand - Upper
24	M88518-01-X14	EA	Cabinet Arm. - Twin Bed - Passenger - w/o Doors
	000088-08-10G	EA	Screw - 8 - 18 x 5/8" POH - Antique Brass (Doors)
	000013-08-10G	EA	Screw - 6 - 20 x 5/8" PIH - Antique Brass (Doors)
	05877-02-000	EA	Hinge - Antique Light Brass (Doors)
	088284-01-000	EA	Door Pull - Polished Brass (Doors)
	008021-01-000	EA	Catch - Nylon Grill (Doors & Drawers)
	008021-02-000	EA	Strike - Spring Steel (Doors & Drawers)
	083588-04-000	EA	Catch - Spring, Roller (Doors & Drawers)
	083588-04-000	EA	Strike - Spring Steel (Doors & Drawers)
	074483-02-000	EA	Support - Sprung Door (Doors)
	081521-02-007	EA	Molding - 64 Hole Space (Cabinets)
	042357-11-000	EA	Corner Molding - Radius - Plastic - Light Oak (Cabinets)
	080178-02-000	EA	Corner Cap - Radius - Light Oak (Overhead Cabinet)
	083620-01-000	FT	T-Molding - 3/4" w/Edge Lips (Overhead Cabinets)
	054858-01-000	EA	Rail - Bed
	008787-08-000	FT	Wetling - Beige (Cabinets)
	008787-10-000	FT	Wetling - Mahogany (Cabinets)
	052858-01-W30	FT	Trim Arm - Accent (Bed)
	076325-16-000	FT	Molding - Edge Band - Regal Oak (Nightstands)
	077840-01-W30	EA	Cap Molding - Wall (Nightstand)
	074488-24-000	SI	Countertop - Plastic (Nightstands)
	077408-02-000	EA	Slide - Plastic Drawer - 20 7/8" (Center Nightstand)
	077404-02-000	EA	Drawer - Plastic - 20" x 12.7" (Center Nightstand)
	008812-17-000	EA	Molding - Plastic - Outside Corner - 5" (Wardrobe Cabinet)

1989 ITASCA
TABLE OF CONTENTS

INTRODUCTION	A-01
ABBREVIATIONS	A-01
ALPHABETICAL INDEX	A-02 - A-04
ICM27RQ	A-05 - D-20
IC/JM31RQ	D-21 - H-18

1989 ICM27RQ INDEX

Floor Plan	A-05 - A-06
Accessories Group	A-07 - A-12
Bath Group	A-13 - A-14
Chassis Group	A-15 - A-20
Curtain, Cushion & Pad Group	A-21 - B-12
Dinette Group	B-13 - B-14
Driver's Compartment Group	B-15 - B-19
Electrical Group	B-20 - B-22
Exterior Body Group	B-23 - C-04
Galley Group	C-05 - C-08
Heating & Air Conditioning Group	C-09
Interior Finish Group	C-10 - C-11
LP Group	C-12
Lounge Group	C-13 - C-18
Water & Sewage Group	C-19 - C-20
Window, Vent & Exterior Door Group	C-21 - D-20

WATER & SEWAGE GROUP

DRAINAGE SYSTEM

Key	Part Number	U/M	Description
	082422-01-000	EA	Adapter - Reducer - 3" x 1 1/2"
	010121-01-000	EA	Bushing - 1 1/2" x 1 1/4" H
	083641-01-000	EA	Close Flange - USA
	083641-02-000	EA	Close Flange - CSA
	011091-02-000	EA	Continuous Waste - USA
	010118-01-000	EA	Coupler - Plastic - 1 1/2" H x H
	079408-01-000	EA	Coupler - Rubber - 3" x 3"
	010008-01-000	EA	Elbow - 1 1/2" H x 1 1/2" H x 90°
	010061-01-000	EA	Elbow - Street - 1 1/2" H x 45°
	010061-01-000	EA	Elbow - Street - 3" x 45° B x H
	031111-01-000	EA	Elbow - 1 1/4" x 90° XLT
	033781-01-000	EA	Elbow - Street - 1 1/2" H x 90°
	081807-01-000	EA	Grommet - Holding Tank - 1 1/2" NPS
	081807-02-000	EA	Grommet - Holding Tank - 3" NPS
	011088-03-000	EA	P-Trap - USA
	011088-02-000	EA	P-Trap - CSA
	053335-01-000	EA	P-Trap - CSA (Galley Sink Only)
	010194-01-000	FT	Plastic Pipe - 1 1/4" - USA
	010194-02-000	FT	Plastic Pipe - 1 1/4" - CSA
	010195-01-000	FT	Plastic Pipe - 1 1/2" - USA
	010195-02-000	FT	Plastic Pipe - 1 1/2" - CSA
	010197-01-000	FT	Plastic Pipe - 3" - USA
	010197-02-000	FT	Plastic Pipe - 3" - CSA
	086729-01-000	EA	Strainer - Shower
	082303-01-000	EA	Strainer - Galley Sink
	011099-03-000	EA	Tailpiece - Plastic - USA
	011099-02-000	EA	Tailpiece - Brass - CSA
	089086-01-000	EA	Tank - Holding
	089087-01-000	EA	Tank - Holding
	010071-01-000	EA	Tee - 1 1/2" H x 1 1/2" H x 1 1/2" H
	010079-01-000	EA	Tee - 1 1/2" H x 1 1/2" H x 1 1/4" H
	070916-01-000	EA	Valve - Dual - 3" x 1 1/2"
	079668-01-000	EA	Vent - Mechanical - Trap Arm
	083558-01-000	EA	Vent - Roof Cap
	010073-01-000	EA	Wye - Plastic - 1 1/2" x 45° - H x H x H
	010201-01-000	EA	Sewer Hose - 3" ID x 8' - w/o Twist Lock Adapter & Hose Clamp
	062416-01-000	EA	Twist Lock Adapter - 3" - Sewer Hose
	062401-09-000	EA	Hose Clamp - Wormgear - 2.8" to 3.75"
	062415-01-000	EA	Sewer Cap - Twist Lock - 3"

CONTINUOUS WASTE (CANADA)

Key	Part Number	U/M	Description
	033302-02-000	EA	Adapter
	010121-01-000	EA	Bushing - 1 1/2" x 1 1/4" H
	037101-02-000	EA	Elbow - 1 1/2" H x 1 1/2" H x 90°
	010194-02-000	FT	Plastic Pipe - 1 1/4"
	010195-02-000	FT	Plastic Pipe - 1 1/2"
	010071-01-000	EA	Tee - 1 1/2" H x 1 1/2" H x 1 1/2" H

WATER & SEWAGE GROUP (CONTINUED)

WATER LINES & HARDWARE

Key	Part Number	U/M	Description
	078240-06-000	EA	Lavatory Faucet - Brass - USA
	011068-03-000	EA	Lavatory Faucet - Chrome - CSA
	078241-04-000	EA	Faucet - Shower - Brass - USA
	011060-03-000	EA	Faucet - Shower - Chrome - CSA
	011048-02-000	EA	Shower Head - w/80" Hose - USA
	011048-05-000	EA	Shower Head - w/80" Hose - CSA
	084862-01-000	EA	Faucet - Galley - Single Control
**	061391-03-000	EA	Water Heater - w/Electronic Ignition
**	061393-01-000	EA	Water Heater - w/Direct Ignition - Motor Aid (Option 611)
	046729-01-000	EA	Water Pump - 2.8 GPM Flow - w/1/2" MPT Fitting - USA
	046729-02-000	EA	Water Pump - 2.8 GPM Flow - w/1/2" MPT Fitting - CSA
	046729-01-700	EA	Motor
	046729-01-701	EA	Base Plate Kit
	046729-01-702	EA	Diaphragm
	046729-01-703	EA	Valve Arm
	046729-01-704	EA	Upper Housing
	046729-01-705	EA	Switch Cap Kit - w/Switch
	046729-01-708	EA	Pumphead
	046729-01-707	EA	Lower Housing
	089198-02-000	EA	Water Tank - 44 Gallon
	077964-02-000	EA	Water Filter/Screen - In Tank
	087200-01-000	EA	Filter - Water Purification (Option 29B)
	087200-02-000	EA	Cartridge - Filter - Water Purification (Option 29B)
	081240-02-000	EA	Water Fill - Lockable - Gray
	079381-01-000	EA	Flexible Tubing - Smooth - 1.25" I.D.
	062401-01-000	EA	Hose Clamp - Wormgear - 2.5" to 1" I.D.
	087869-03-000	EA	Water Fill - City - Gray
	091248-02-000	EA	Faucet - External Water
	092805-01-000	EA	Br. Outlet - External Water Faucet
	052980-01-000	EA	Valve - Line Drain - 1/2" F x 1/2" F - 2.75"
	052980-02-000	EA	Valve - Line Drain - 1/2" F x 1/2" F - 1.6"
	052954-01-000	EA	Adapter - Nose Cone - 3/8" or 1/2"
	079317-01-000	EA	Adapter - Swivel - 1/2" Tube x 1/2" FPT
	052959-03-000	EA	Connector - Plastic - 1/2" F x 3/8" MPT
	052959-02-000	EA	Connector - Plastic - 1/2" F x 1/2" MPT
	052957-01-000	EA	Elbow - Plastic - 1/2" F x 3/8" MPT
	036538-01-000	EA	Elbow - Plastic - 3/8" MPT x 3/8" BARB
	052957-02-000	EA	Elbow - Plastic - 1/2" F x 1/2" MPT
	057457-01-000	EA	Elbow - Plastic - Union - 1/2" x 1/2" Flare
	065120-01-000	EA	Elbow - Plastic - Swivel - 1/2" I.D.
	010219-01-000	EA	Elbow - Plastic - 1 1/4" MPT x 1 1/4" BARB
	052952-01-000	EA	Nut - Plastic - 1/2" F
	052953-01-000	EA	Nut - Faucet - 1/2" Tube x 1/2" FPT
	042989-02-000	EA	Spinweld Fitting - Plastic - 1/2" NPT
	042989-03-000	EA	Spinweld Fitting - Plastic - 1 1/4" NPT
	042989-04-000	EA	Spinweld Fitting - Plastic - 3/8" FPT
	042989-05-000	EA	Spinweld Fitting - Plastic - 1/2" FPT
	074483-01-000	EA	Tee - Plastic - 4 Way - 1/2" Flare
	052956-01-000	EA	Tee - Plastic - 1/2" F x 1/2" F x 1/2" MPT
	052958-01-000	EA	Tee - Plastic - 1/2" F x 1/2" F x 1/2" F
	039800-01-000	FT	Tubing - Polybutyl - 1/2" O.D. x 20'
	044928-01-000	FT	Tubing - Flexible - 1 1/4" ID x 10'
	074482-02-000	FT	Tubing - Vinyl - 3/8" I.D.
	088941-01-000	EA	Vacuum Breaker - 3/3" FPT x 3/4" MPT
	081208-01-000	EA	Washer - Rubber - 06" x 75" x 50"

** The illustrated parts breakdown for this item is provided on the Common Items Fiche

1989 ITASCA TABLE OF CONTENTS

INTRODUCTION	A-01
ABBREVIATIONS	A-01
ALPHABETICAL INDEX	A-02 - A-04
ICM27RQ	A-05 - D-20
IC/JM31RQ	D-21 - H-16

1989 ICM27RQ INDEX

Floor Plan	A-05 - A-06
Accessories Group	A-07 - A-12
Bath Group	A-13 - A-14
Chassis Group	A-15 - A-20
Curtain, Cushion & Pad Group	A-21 - B-12
Dinettes Group	B-13 - B-14
Driver's Compartment Group	B-15 - B-19
Electrical Group	B-20 - B-22
Exterior Body Group	B-23 - C-04
Galley Group	C-05 - C-08
Heating & Air Conditioning Group	C-09
Interior Finish Group	C-10 - C-11
LP Group	C-12
Lounge Group	C-13 - C-18
Water & Sewage Group	C-19 - C-20
Window, Vent & Exterior Door Group	C-21 - D-20

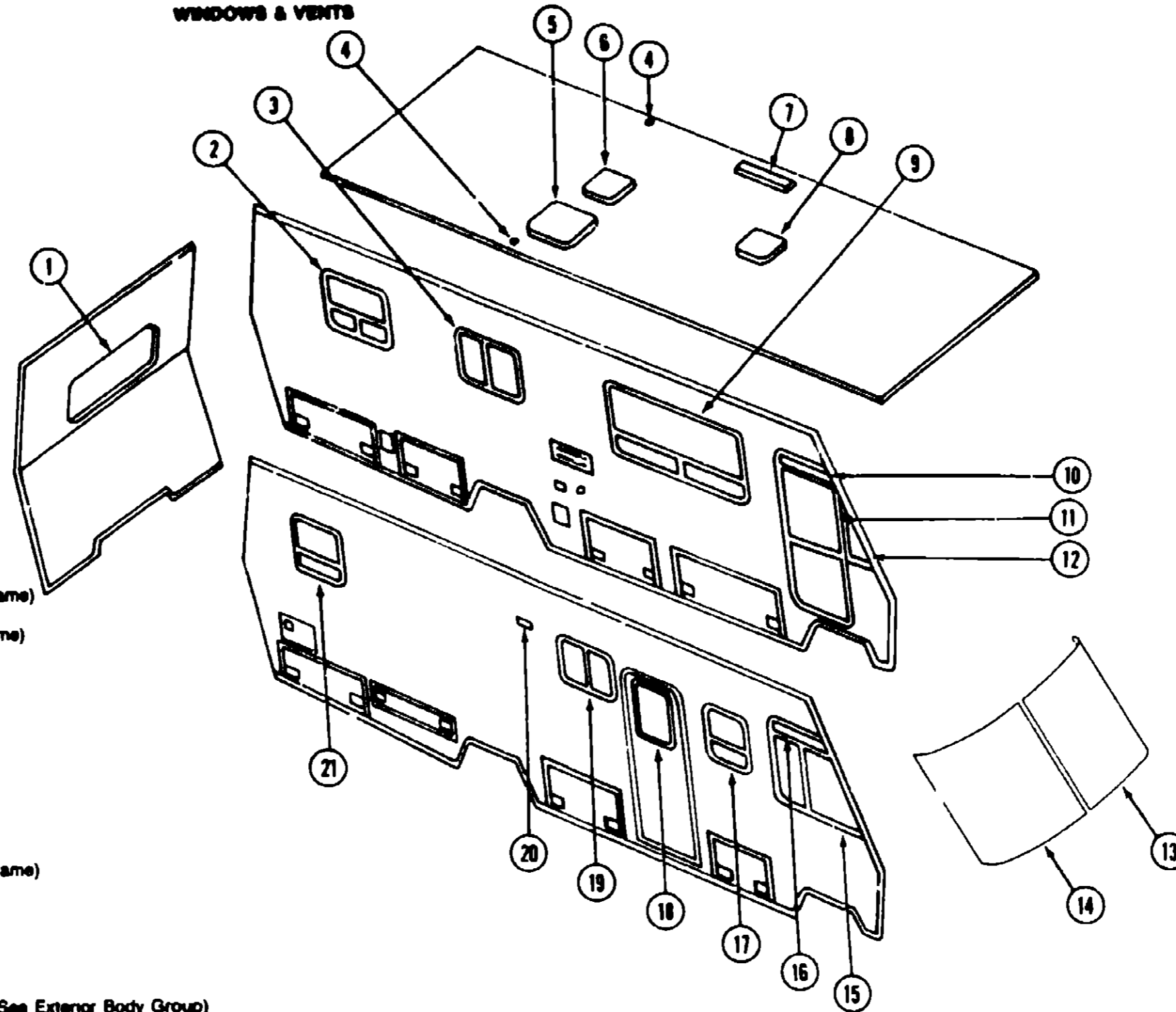
WINDOW, VENT & EXTERIOR DOOR GROUP

WINDOWS & VENTS

1989 ITASCA TABLE OF CONTENTS

INTRODUCTION
 ABBREVIATIONS
 ALPHABETICAL INDEX
 ICM27RQ
 IC/JM31RQ

A-01
 A-01
 A-02 - A-04
 A-05 - D-20
 D-21 - H-18



Key	Part Number	U/M	Description
1	078528-01-T03	EA	Window Asm. - Escape (w/o Inside Frame)
1	074818-01-000	EA	Inside Frame
2	085354-07-X11	EA	Window Asm. - Double Tipout (w/o Inside Frame)
2	084153-12-000	EA	Inside Frame
3	078288-04-T03	EA	Window Asm. - Single Slider (w/o Inside Frame)
3	083122-05-000	EA	Inside Frame
4	083558-01-000	EA	Roof Vent Pipe Cap
5	080507-01-000	EA	Skylight Panel - Outer
5	080508-01-000	EA	Skylight Panel - Inner
5	080258-01-000	EA	Skylight Trim
**6	090393-01-Y12	EA	Roof Vent - Powered - USA
**6	064488-08-000	EA	Roof Vent - Powered - CSA
7	084073-02-000	EA	Roof Vent Top - Styled - Refrigerator
7	084073-04-000	EA	Roof Vent Base - Refrigerator
**8	090392-01-Y12	EA	Roof Vent - Non Powered
**9	084079-04-000	EA	Roof Vent - Powered (Option 41M)
9	085354-05-X11	EA	Window Asm. - Double Tipout (w/o Inside Frame)
9	084153-10-000	EA	Inside Frame
10	089619-02-X14	EA	Window Asm. - Vista (w/o Inside Frame)
10	089727-02-000	EA	Inside Frame
11	081488-02-000	EA	Door Glass Only - Rollup
12	079421-02-T03	EA	Window Asm. - Slant (w/o Inside Frame)
12	079215-03-000	EA	Inside Frame
13	088793-02-000	EA	Glass - Windshield - Driver (Molding Trim - See Exterior Body Group)
14	088793-01-000	EA	Glass - Windshield - Passenger (Molding Trim - See Exterior Body Group)
15	089807-01-X14	EA	Window Asm. - Slant Slider (w/o Inside Frame)
15	089803-01-X14	EA	Inside Frame
16	089619-01-X14	EA	Window Asm. - Vista (w/o Inside Frame)
16	089727-01-000	EA	Inside Frame
17	085353-12-X11	EA	Window Asm. - Single Tipout (w/o Inside Frame)
17	084153-14-000	EA	Inside Frame
18	079733-04-T03	EA	Window Asm. - Entrance Door (w/o Inside Frame)
18	087809-03-000	EA	Inside Frame
19	092898-01-03A	EA	Vent w/Door - Range Hood
20	078288-02-T03	EA	Window Asm. - Single Slider (w/o Inside Frame)
20	083122-03-000	EA	Inside Frame
21	085353-11-X11	EA	Window Asm. - Single Tipout (w/o Inside Frame)
21	083153-12-000	EA	Inside Frame

C-21

** The illustrated parts breakdown for this item is provided on the Common Items Fiche

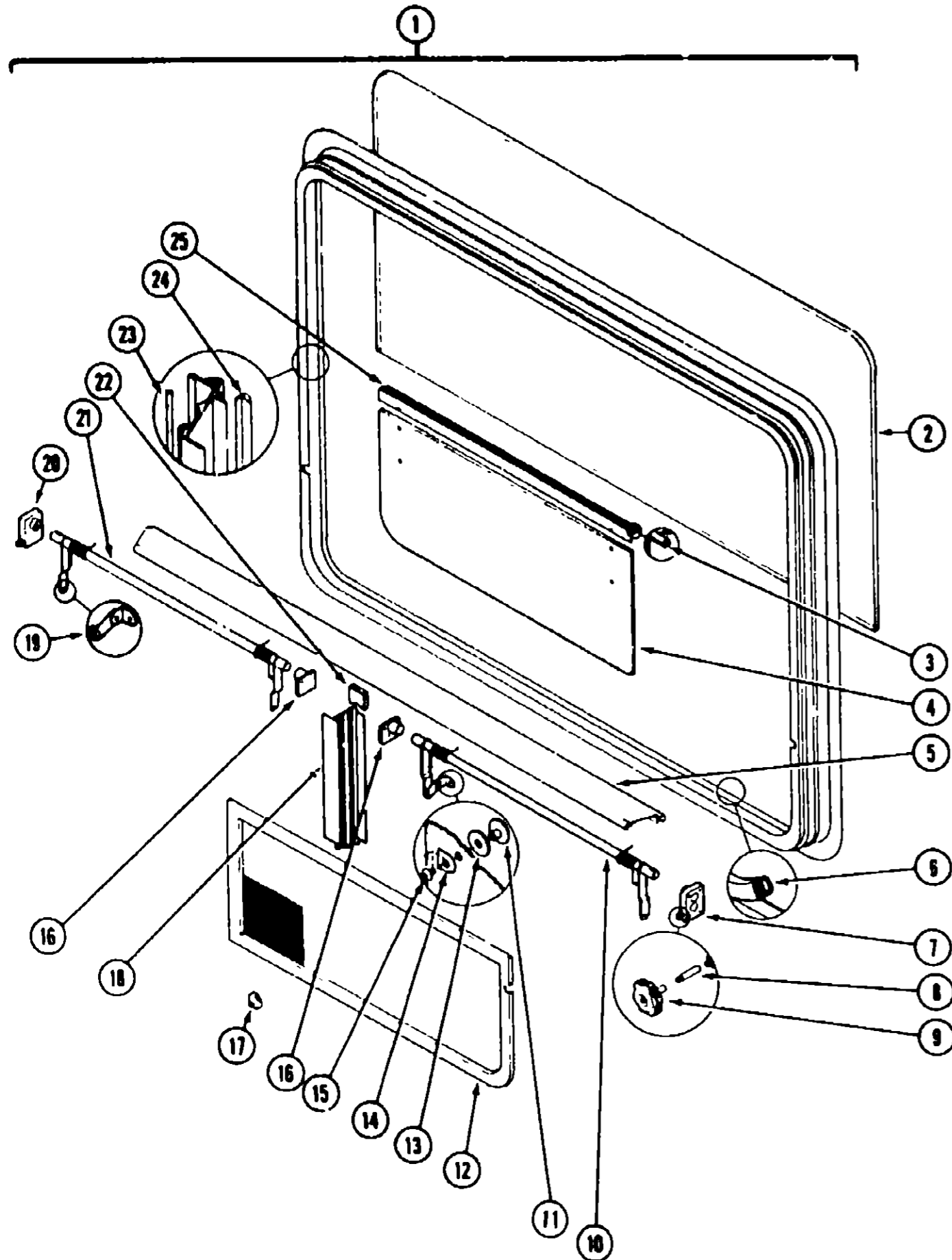
1989 ICM27RQ INDEX

Floor Plan	A-05 - A-06
Accessories Group	A-07 - A-12
Bath Group	A-13 - A-14
Chassis Group	A-15 - A-20
Curtain, Cushion & Pad Group	A-21 - B-12
Dinette Group	B-13 - B-14
Driver's Compartment Group	B-15 - B-19
Electrical Group	B-20 - B-22
Exterior Body Group	B-23 - C-04
Galley Group	C-05 - C-08
Heating & Air Conditioning Group	C-09
Interior Finish Group	C-10 - C-11
LP Group	C-12
Lounge Group	C-13 - C-18
Water & Sewage Group	C-19 - C-20
Window, Vent & Exterior Door Group	C-21 - D-20

C-22

WINDOW, VENT & EXTERIOR DOOR GROUP (CONTINUED)

BEDROOM WINDOW



Key	Part Number	U/M	Description
1	085354-07-X11	EA	Window Asm. - Double Tipout
	084153-12-000	EA	Inside Frame (not included in assembly)
2	081238-23-000	EA	Glass - 1/8" x 40 3/4" x 20 1/2"
3	081357-01-000	FT	Seal
4	084088-13-000	EA	Glass - 1/8" x 9 1/4" x 70.15" (Left or Right Side)
5	083112-13-000	EA	Mullion - Black
	000338-08-18T	EA	Screw - Mullion (4)
	078778-03-000	EA	Plastic Rivt - Pin Drive - Black (2)
6	084087-01-000	FT	Seal - Sponge Rubber
7	035302-01-000	EA	Operator Drive - Right Side
8	008438-08-000	EA	Extension - Window Knob (not included w/Window Assembly)
9	008438-07-000	EA	Window Knob - Black (not included w/Window Assembly)
	008438-05-000	EA	Screw - Window Knob - Black (not included w/Window Assembly)
10	083228-04-000	EA	Torque Tube Asm. - Right Side
11	086782-01-000	EA	Window T Nut
12	084581-08-X11	EA	Screen Asm. - Right Side
	084581-10-X11	EA	Screen Asm. - Left Side
	002283-02-000	SF	Window Screen - 26" - Charcoal
	002288-02-000	FT	Window Screen Spline
13	088977-03-000	EA	Seal - Rubber
14	084473-01-000	EA	Seal - Rubber
15	086783-01-000	EA	Screw - #10 - 32 x 1/4"
16	081354-01-000	EA	Torque Tube Sleeve
17	081243-01-000	EA	Plastic Screen Clip
	000G12-08-08T	EA	Screw - Screen Clip
18	084154-C1-000	EA	Mullion - Black
	000G37-08-08B	EA	Screw - Mullion (4)
19	097578-01-000	EA	Connecting Rod Asm
	085318-01-000	EA	Wave Washer
	081849-01-000	EA	Snap Ring Clip
20	035302-02-000	EA	Operator Drive - Left Side
21	083227-04-000	EA	Torque Tube Asm. - Left Side
22	084088-01-000	FT	Seal - Double Bulb - Sponge Rubber
23	089840-08-000	FT	Seal (not included w/Window Assembly)
24	083180-01-000	FT	Seal - Vinyl
25	084155-09-000	EA	Hinge - Tipout Window - Left or Right Side

1989 ITASCA TABLE OF CONTENTS

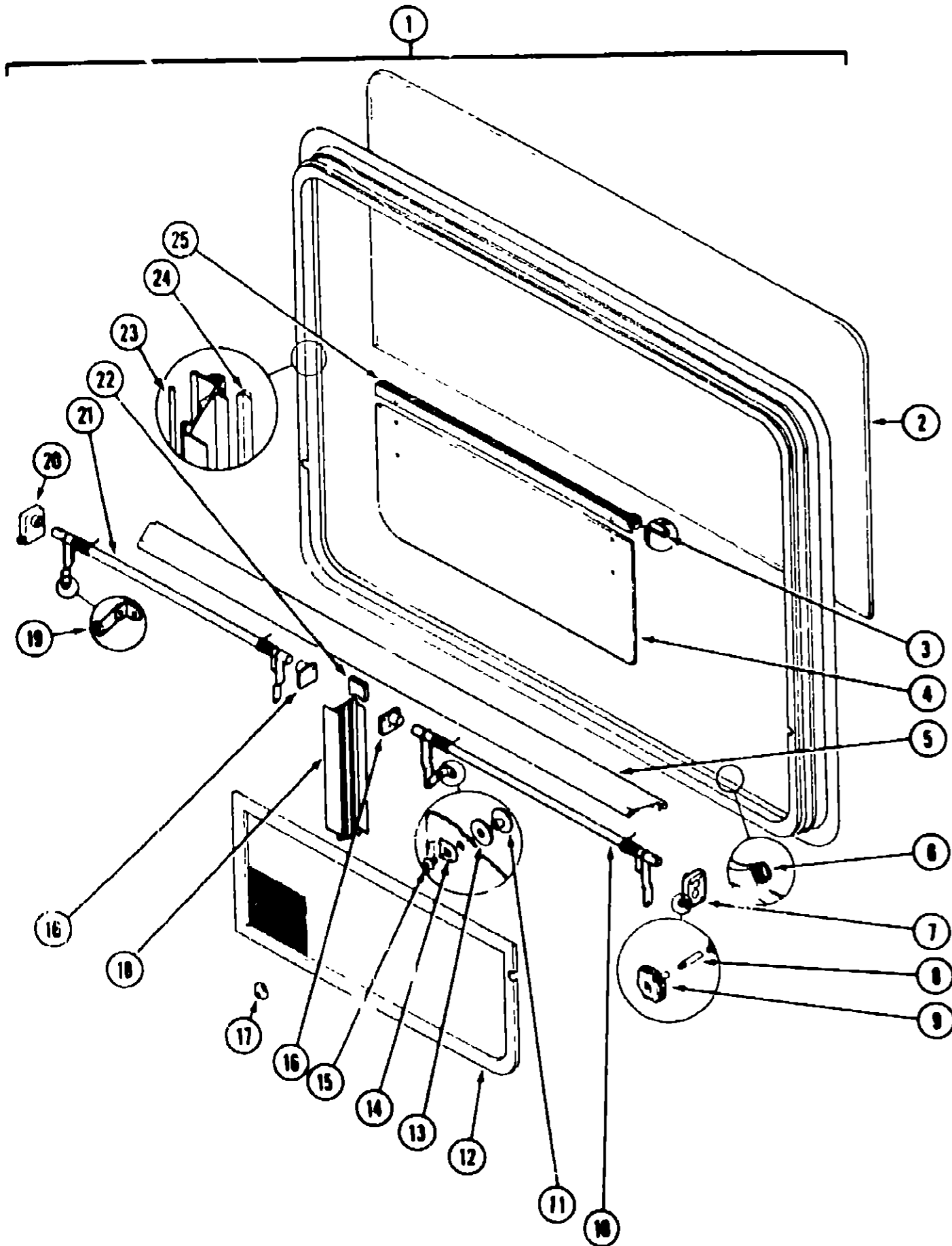
INTRODUCTION	A-01
ABBREVIATIONS	A-01
ALPHABETICAL INDEX	A-02 - A-04
ICM27RQ	A-05 - D-20
IC/JM31RQ	D-21 - H-16

1989 ICM27RQ INDEX

Floor Plan	A-05 - A-06
Accessories Group	A-07 - A-12
Bath Group	A-13 - A-14
Chassis Group	A-15 - A-20
Curtain, Cushion & Pad Group	A-21 - B-12
Dinette Group	B-13 - B-14
Driver's Compartment Group	B-15 - B-19
Electrical Group	B-20 - B-22
Exterior Body Group	B-23 - C-04
Galley Group	C-05 - C-08
Heating & Air Conditioning Group	C-09
Interior Finish Group	C-10 - C-11
L.P. Group	C-12
Lounge Group	C-13 - C-18
Water & Sewage Group	C-19 - C-20
Window, Vent & Exterior Door Group	C-21 - D-20

WINDOW, VENT & EXTERIOR DOOR GROUP (CONTINUED)

LOUNGE & DINETTE WINDOW



Key	Part Number	U/M	Description
1	085354-05-X11	EA	Window Assembly - Double Tipout
	084153-10-000	EA	Inside Frame - (not included w/Window Assembly)
2	081239-18-000	EA	Glass - 1/8" x 20" x 20 1/2"
3	081357-01-000	FT	Seal
4	084088-08-000	EA	Glass - 1/8" x 9 1/4" x 30" (Left or Right Side)
5	083112-09-000	EA	Mullion - Black
	000G39-08-16T	EA	Screw - Mullion (4)
	076778-03-000	EA	Plastic Rivet - Pin Drive - Black (2)
6	084087-01-000	FT	Seal - Sponge Rubber
7	035302-01-000	EA	Operator Drive - Right Side
8	090025-01-000	EA	Extension - Window Knob (not included w/Window Assembly)
9	087052-02-000	EA	Window Knob - Beige (not included w/Window Assembly)
	089371-01-000	EA	Screw - Window Knob (not included w/Window Assembly)
10	083228-03-000	EA	Torque Tube Arm - Right Side
11	086762-01-000	EA	Window T Nut
12	084581-05-X11	EA	Screen Arm - Right Side
	084581-06-X11	EA	Screen Arm - Left Side
	002293-02-000	SF	Window Screen - 26" - Charcoal
	002298-02-000	FT	Window Screen Spline
13	088927-03-000	EA	Seal - Rubber
14	084473-01-000	EA	Seal - Rubber
15	086773-01-000	EA	Screw - #10 - 32 x 1/4"
16	081354-01-000	EA	Torque Tube Sleeve
17	081243-01-000	EA	Plastic Screen Clip
	000G12-08-08T	EA	Screw - Screen Clip
18	084154-01-000	EA	Mullion - Black
	000G37-08-08B	EA	Screw - Mullion (4)
19	087578-01-000	EA	Connecting Rod Asm
	085318-01-000	EA	Wave Washer
	081849-01-000	EA	Snap Ring Clip
20	035302-02-000	EA	Operator Drive - Left Side
21	083227-03-000	EA	Torque Tube Arm - Left Side
22	084088-01-000	FT	Seal - Double Bulb - Sponge Rubber
23	088840-08-000	FT	Seal (not included w/Window Assembly)
24	083180-01-000	FT	Seal - Vinyl
25	084155-09-000	EA	Hinge - Tipout Window - Left or Right Side

1989 ITASCA TABLE OF CONTENTS

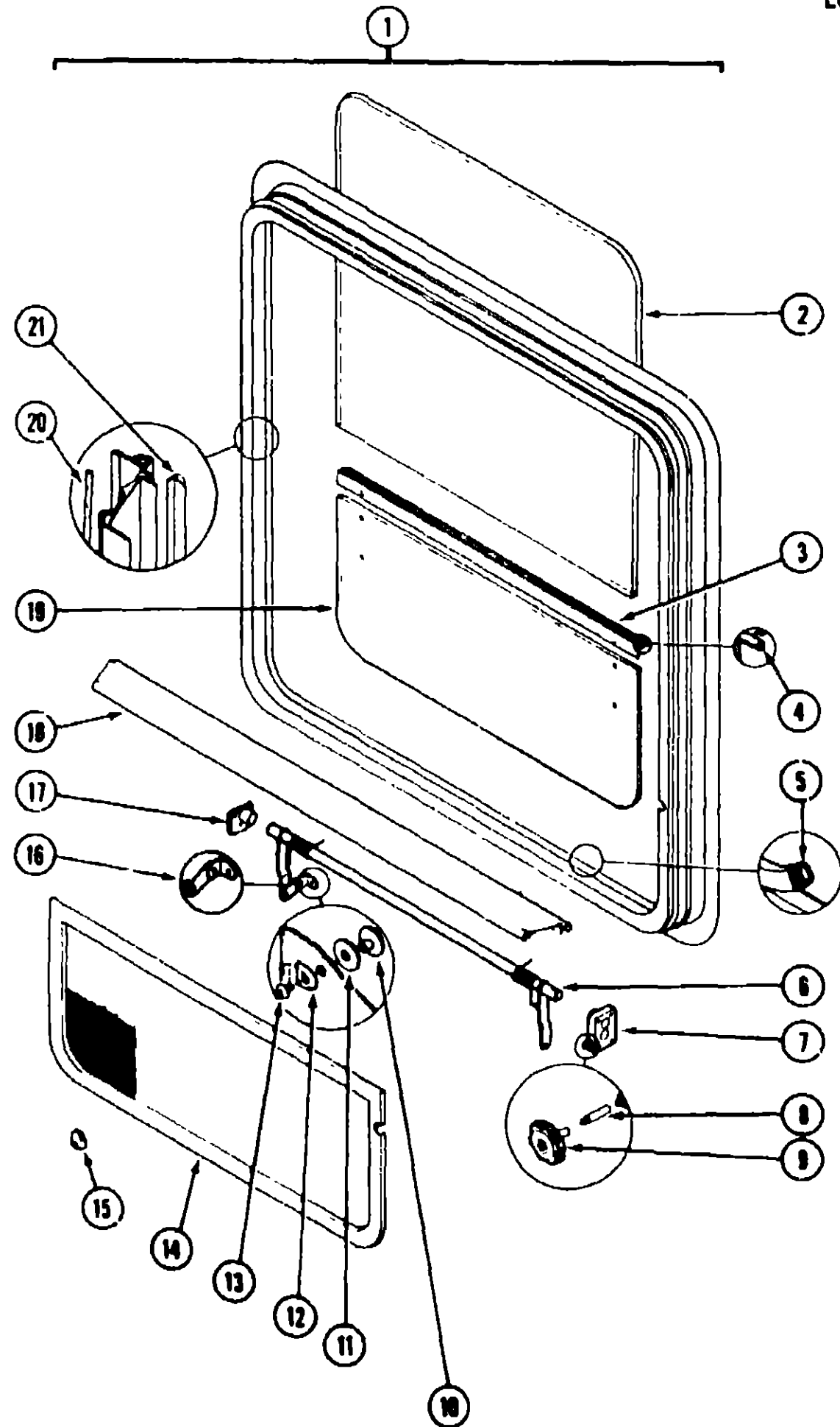
INTRODUCTION	A-01
ABBREVIATIONS	A-01
ALPHABETICAL INDEX	A-02 - A-04
ICM27RQ	A-05 - D-20
IC/JM31RQ	D-21 - H-16

1989 ICM27RQ INDEX

Floor Plan	A-05 - A-06
Accessories Group	A-07 - A-12
Bath Group	A-13 - A-14
Chassis Group	A-15 - A-20
Curtain, Cushion & Pad Group	A-21 - B-12
Dinette Group	B-13 - B-14
Driver's Compartment Group	B-15 - B-19
Electrical Group	B-20 - B-22
Exterior Body Group	B-23 - C-04
Galley Group	C-05 - C-08
Heating & Air Conditioning Group	C-09
Interior Finish Group	C-10 - C-11
LP Group	C-12
Lounge Group	C-13 - C-18
Water & Sewage Group	C-19 - C-20
Window, Vent & Exterior Door Group	C-21 - D-20

WINDOW, VENT & EXTERIOR DOOR GROUP (CONTINUED)

LOUNGE WINDOW



Key	Part Number	U/M	Description
1	085353-12-X11	EA	Window Asm. - Single Tipout
	084153-14-000	EA	Inside Frame (not included w/Window Assembly)
2	081239-22-000	EA	Glass - 1/8" x 21 3/4" x 20 2/3"
3	089913-01-000	EA	Hinge - Tipout Window - Left or Right Side
4	081357-01-000	FT	Seal
5	084087-01-000	FT	Seal - Sponge Rubber
6	083150-08-000	EA	Torque Tube Asm
	080918-01-000	EA	Spring - Torque Tube Asm - Right
	080918-02-000	EA	Spring - Torque Tube Asm - Left
7	036302-02-000	EA	Operator Drive
8	009439-06-000	EA	Extension - Window Knob (not included w/Window Assembly)
9	009439-05-000	EA	Window Knob - Black (not included w/Window Assembly)
	009439-07-000	EA	Screw - Window Knob - Black (not included w/Window Assembly)
10	086762-01-000	EA	T-Nut
11	088927-03-000	EA	Seal - Rubber
12	084473-01-000	EA	Seal - Rubber
13	086763-01-000	EA	Screw - #10 - 32 x 1/4"
14	084580-11-X11	EA	Screen Asm
	002293-02-000	SF	Window Screen - 26" - Charcoal
	002298-02-000	FT	Window Screen Spline
15	081243-01-000	EA	Plastic Screen Clip
	000G12-08-08T	EA	Screw - Screen Clip
16	081428-01-000	EA	Connecting Rod Asm
	085318-01-000	EA	Wave Washer
	081849-01-000	EA	Snap Ring Clip
17	081354-01-000	EA	Torque Tube Sleeve
18	083112-12-000	EA	Mullion - Black
	000G39-06-18T	EA	Screw - Mullion (4)
	076778-03-000	EA	Plastic Rivet - Pin Drive - Black (2)
19	084088-12-000	EA	Glass - 1/8" x 9 1/4" x 21 8/10"
20	089840-06-000	FT	Seal (not included w/Window Assembly)
21	083180-01-000	FT	Seal - Vinyl

1989 ITASCA TABLE OF CONTENTS

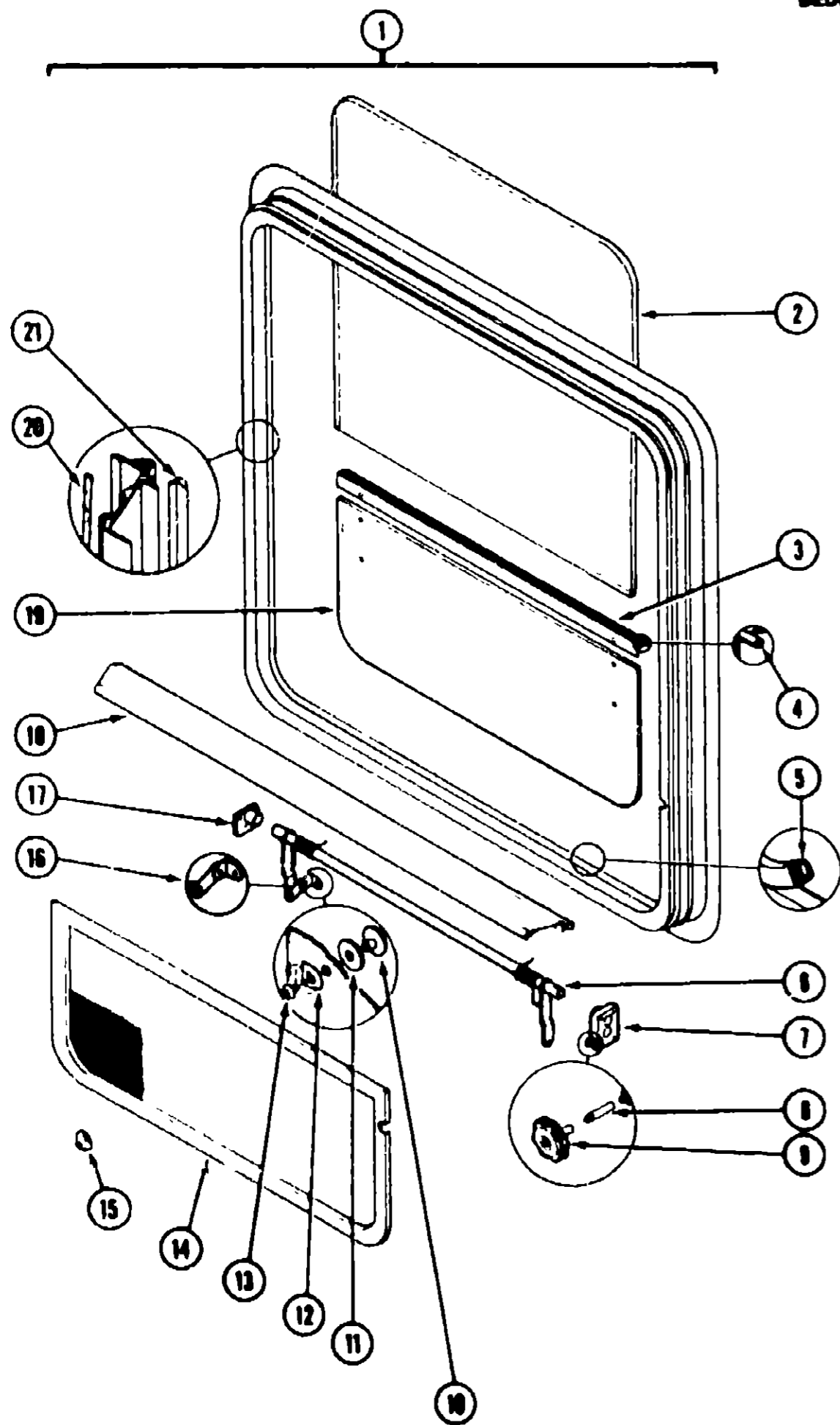
INTRODUCTION	A-01
ABBREVIATIONS	A-01
ALPHABETICAL INDEX	A-02 - A-04
ICM27RQ	A-05 - D-20
IC/JM31RQ	D-21 - H-16

1989 ICM27RQ INDEX

Floor Plan	A-05 - A-08
Accessories Group	A-07 - A-12
Bath Group	A-13 - A-14
Chassis Group	A-15 - A-20
Curtain, Cushion & Pad Group	A-21 - B-12
Dinette Group	B-13 - B-14
Driver's Compartment Group	B-15 - B-19
Electrical Group	B-20 - B-22
Exterior Body Group	B-23 - C-04
Galley Group	C-05 - C-06
Heating & Air Conditioning Group	C-09
Interior Finish Group	C-10 - C-11
LP Group	C-12
Lounge Group	C-13 - C-18
Water & Sewage Group	C-19 - C-20
Window, Vent & Exterior Door Group	C-21 - D-20

WINDOW, VENT & EXTERIOR DOOR GROUP (CONTINUED)

BEDROOM WINDOW



Key	Part Number	U/M	Description
1	085353-11-X11	EA	Window Assn. - Single Tipout
	084153-12-000	EA	Int'l'de Frame (not included w/Window Assembly)
2	081238-21-000	EA	Glass - 1/8" x 28 1/4" x 20 2/3"
3	089913-01-000	EA	Hinge - Tipout Window - Left or Right Side
4	081367-01-000	FT	Seal
5	084087-01-000	FT	Seal - Sponge Rubber
6	083150-08-000	EA	Torque Tube Assn.
	080918-01-000	EA	Spring - Torque Tube Assn. - Right
	080918-02-000	EA	Spring - Torque Tube Assn. - Left
7	035302-02-000	EA	Operator Drive
8	009438-08-000	EA	Extension - Window Knob (not included w/Window Assembly)
9	009439-05-000	EA	Window Knob - Black (not included w/Window Assembly)
	009439-07-000	EA	Screw - Window Knob - Black (not included w/Window Assembly)
10	086762-01-000	EA	T-Nut
11	089927-03-000	EA	Seal - Rubber
12	084473-01-000	EA	Seal - Rubber
13	086763-01-000	EA	Screw - #10 - 32 x 1/4"
14	084580-11-X11	EA	Screen Assn
	002293-02-000	SF	Window Screen - 26" - Charcoal
	002298-02-000	FT	Window Screen Spline
15	081243-01-000	EA	Plastic Screen Clip
	000G12-08-08T	EA	Screw - Screen Clip
16	081428-01-000	EA	Connecting Rod Assn
	085318-01-000	EA	Wave Washer
	081849-01-000	EA	Snap Ring Clip
17	081354-01-000	EA	Torque Tube Sleeve
18	083112-04-000	EA	Mullion - Black
	000G38-08-16T	EA	Screw - Mullion (4)
	076778-03-000	EA	Plastic Rivet - Pin Drive - Black (2)
19	084088-11-000	EA	Glass - 1/8" x 9 1/4" x 28 1/8"
20	089840-08-000	FT	Seal (not included w/Window Assembly)
21	083180-01-000	FT	Seal - Vinyl

1989 ITASCA TABLE OF CONTENTS

INTRODUCTION	A-01
ABBREVIATIONS	A-31
ALPHABETICAL INDEX	A-02 - A-14
ICM27RQ	A-05 - D-20
IC/JM31RQ	D-21 - H-18

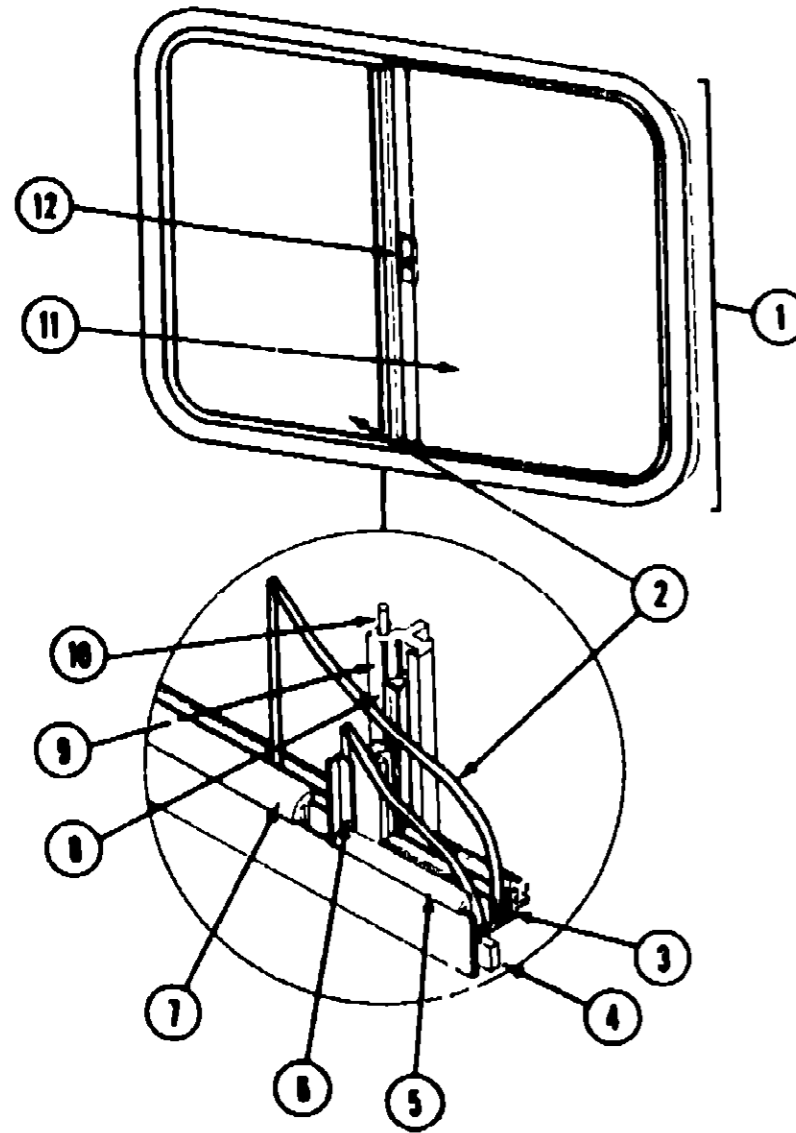
1989 ICM27RQ INDEX

Floor Plan	A-05 - A-06
Accessories Group	A-07 - A-12
Bath Group	A-13 - A-14
Chassis Group	A-15 - A-20
Curtain, Cushion & Pad Group	A-21 - B-12
Dinette Group	B-13 - B-14
Driver's Compartment Group	B-15 - B-19
Electrical Group	B-20 - B-22
Exterior Body Group	B-23 - C-04
Galley Group	C-05 - C-08
Heating & Air Conditioning Group	C-09
Interior Finish Group	C-10 - C-11
LP Group	C-12
Lounge Group	C-13 - C-18
Water & Sewage Group	C-19 - C-20
Window, Vent & Exterior Door Group	C-21 - D-20

WINDOW, VENT & EXTERIOR DOOR GROUP (CONTINUED)

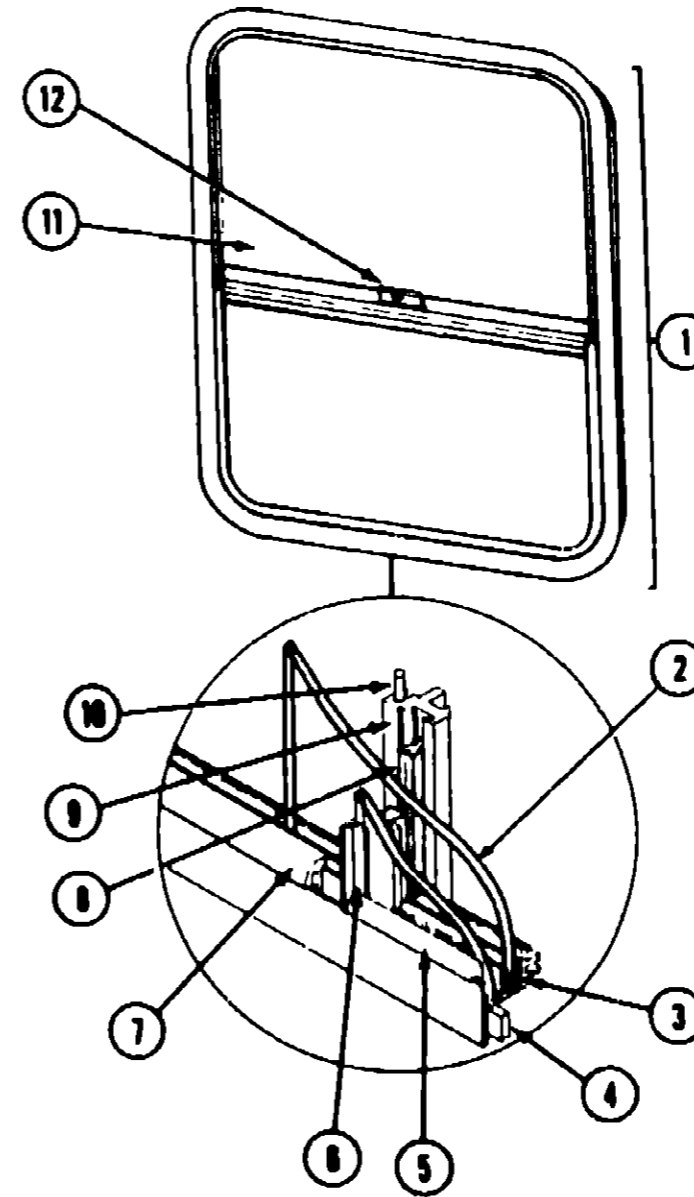
1989 ITASCA
TABLE OF CONTENTS:

INTRODUCTION	A-01
ABBREVIATIONS	A-01
ALPHABETICAL INDEX	A-02 - A-04
ICM27RQ	A-05 - D-20
IC/JM31RQ	D-21 - H-18



GALLEY SLIDER WINDOW

Key	Part Number	U/M	Description
1	078266-02-T03	EA	Window Asm. - Single Slider - Black (w/o Inside Frame)
	083122-03-000	EA	Inside Frame - Beige (not included in assembly)
2	081980-05-000	EA	Glass - Sliding - 1/8" x 19" x 13.68"
3	002324-02-000	FT	Channel - Weatherstrip - Glass Run
4	089840-08-000	FT	Ribbon Seal - 5/16" Bead (not included in assembly)
5	002308-02-000	EA	Spline - Glass - 1/8" - Black
6	M89886-03-011	EA	Seal - Holder w/Fin Seal - Black
7	024098-02-000	FT	Seal - Window Channel - Black
8	073740-01-000	FT	Fin Seal - .460 Pile
9	084170-02-000	EA	Mullion - Slider Window - Black
10	002298-02-000	FT	Spline - .130" Dia - Charcoal (Black)
11	081984-03-000	EA	Glass - Stationary - 1/8" x 19" x 12.3"
12	047389-01-000	EA	Latch Kit - Window - Plastic
	002292-02-000	SF	Screen - Window - 20" Charcoal
	002328-01-000	EA	Window Block - 1/8" x 3/16" x 1"
	023320-01-000	EA	Felt Pad - 3/8" Dia.



BATH SLIDER WINDOW

Key	Part Number	U/M	Description
1	078266-04-T03	EA	Window Asm. - Single Slider - Black (w/o Inside Frame)
	083122-05-000	EA	Inside Frame - Beige (not included in assembly)
2	081980-02-000	EA	Glass - Sliding - 1/8" x 22" x 13.68"
3	002324-02-000	FT	Channel - Weatherstrip - Glass Run
4	089840-08-000	FT	Ribbon Seal - 5/16" Bead (not included in assembly)
5	002308-02-000	FT	Spline - Glass - 1/8" - Black
6	M18025-03-000	EA	Seal - Holder w/Fin Seal - Black
7	024098-02-000	FT	Seal - Window Channel - Black
8	073740-01-000	EA	Fin Seal - .460 Pile
9	084170-03-000	EA	Mullion - Slider Window - Black
10	002298-02-000	FT	Spline - .130" Dia - Charcoal (Black)
11	081984-01-000	EA	Glass - Stationary - 1/8" x 22" x 16.53"
12	047389-01-000	EA	Latch Kit - Window - Plastic
	002292-02-000	SF	Screen - Window - 20" Charcoal
	002328-01-000	EA	Window Block - 1/8" x 3/16" x 1"
	023320-01-000	EA	Felt Pad - 3/8" Dia.

1989 ICM27RQ INDEX

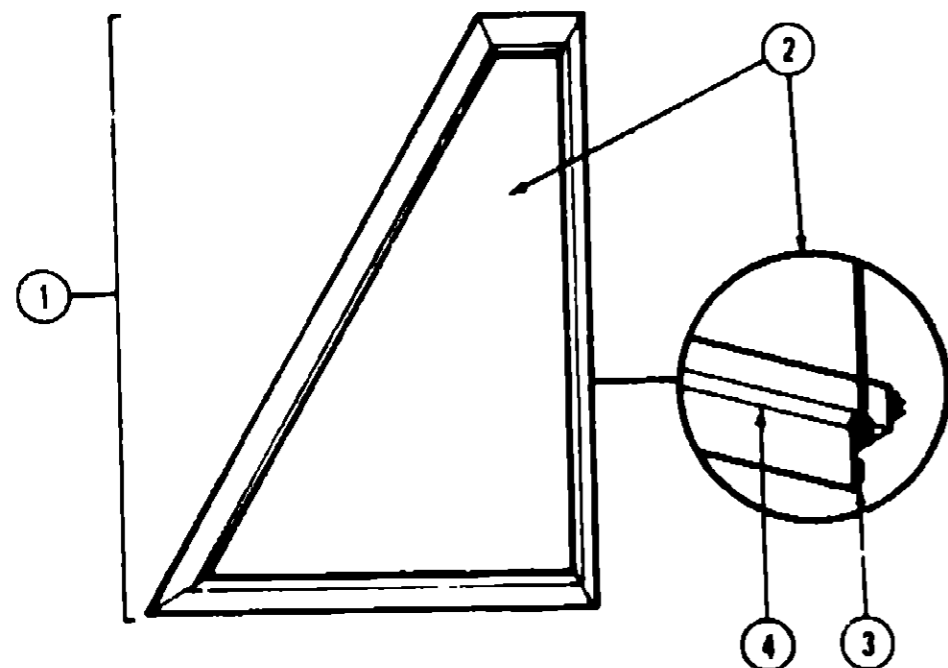
Floor Plan	A-05 - A-06
Accessories Group	A-07 - A-12
Bath Group	A-13 - A-14
Chassis Group	A-15 - A-20
Curtain, Cushion & Pad Group	A-21 - B-12
Dinette Group	B-13 - B-14
Driver's Compartment Group	B-15 - B-19
Electrical Group	B-20 - B-22
Exterior Body Group	B-23 - C-04
Galley Group	C-05 - C-08
Heating & Air Conditioning Group	C-09
Interior Finish Group	C-10 - C-11
LP Group	C-12
Lounge Group	C-13 - C-18
Water & Sewage Group	C-19 - C-20
Window, Vent & Exterior Door Group	C-21 - D-20

WINDOW, VENT & EXTERIOR DOOR GROUP (CONTINUED)

WINDOW, VENT & EXTERIOR DOOR GROUP (CONTINUED)

1989 ITASCA
TABLE OF CONTENTS

INTRODUCTION	A-01
ABBREVIATIONS	A-01
ALPHABETICAL INDEX	A-02 - A-04
ICM27RQ	A-05 - D-20
IC/JM31RQ	D-21 - H-16



SLANT WINDOW - DRIVER

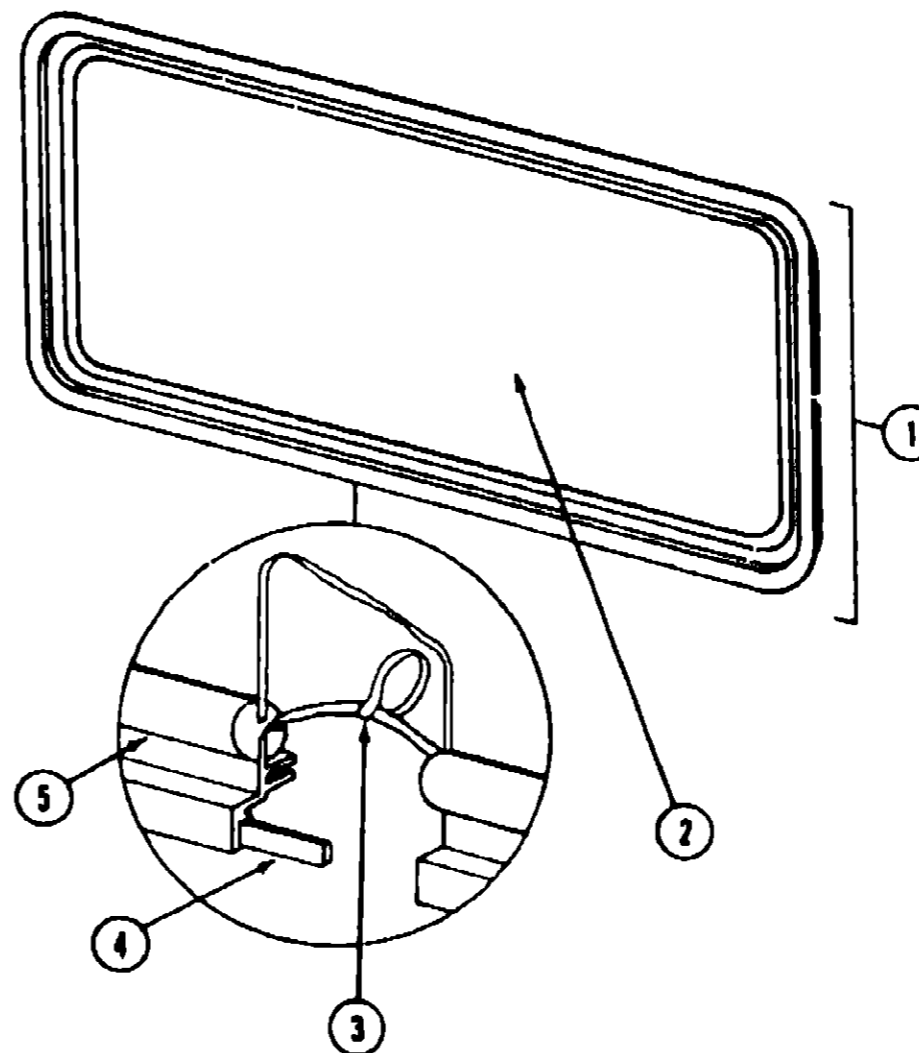
Key	Part Number	U/M	Description
1	079421-02-T03	EA	Window Arm - Slant (w/o Inside Frame)
	079216-03-000	EA	Inside Frame - Beige (not included in assembly)
2	057858-06-000	EA	Glass - Slant - .19" x 28 11" x 13.98"
3	089840-06-000	FT	Ribbon Seal - 5/16" Bead (not included in assembly)
4	050216-02-000	EA	Spline - Glass - .19" - Black
	002328-01-000	EA	Window Block - 1/8" x 3/16" x 1"

VISTA WINDOW - DRIVER

Key	Part Number	U/M	Description
	089819-02-X14	EA	Window Arm - Vista (w/o Inside Frame)
	089727-02-000	EA	Inside Frame - Beige (not included in assembly)
	089301-01-000	EA	Glass - Vista Window - Driver Side
	050216-02-000	FT	Spline - Glass - 1/8" - Black
	002328-01-000	EA	Window Block - 1/8" x 3/16" x 1"
	089840-06-000	FT	Ribbon Seal - 5/16" Bead (not included in assembly)

VISTA WINDOW - PASSENGER

Key	Part Number	U/M	Description
	089819-01-X14	EA	Window Arm - Vista (w/o Inside Frame)
	089727-01-000	EA	Inside Frame - Beige (not included in assembly)
	089301-01-000	EA	Glass - Vista Window - Passenger Side
	050216-02-000	FT	Spline - Glass - .19" - Black
	002328-01-000	EA	Window Block - 1/8" x 3/16" x 1"
	089840-06-000	FT	Ribbon Seal - 5/16" Bead (not included in assembly)



ESCAPE WINDOW

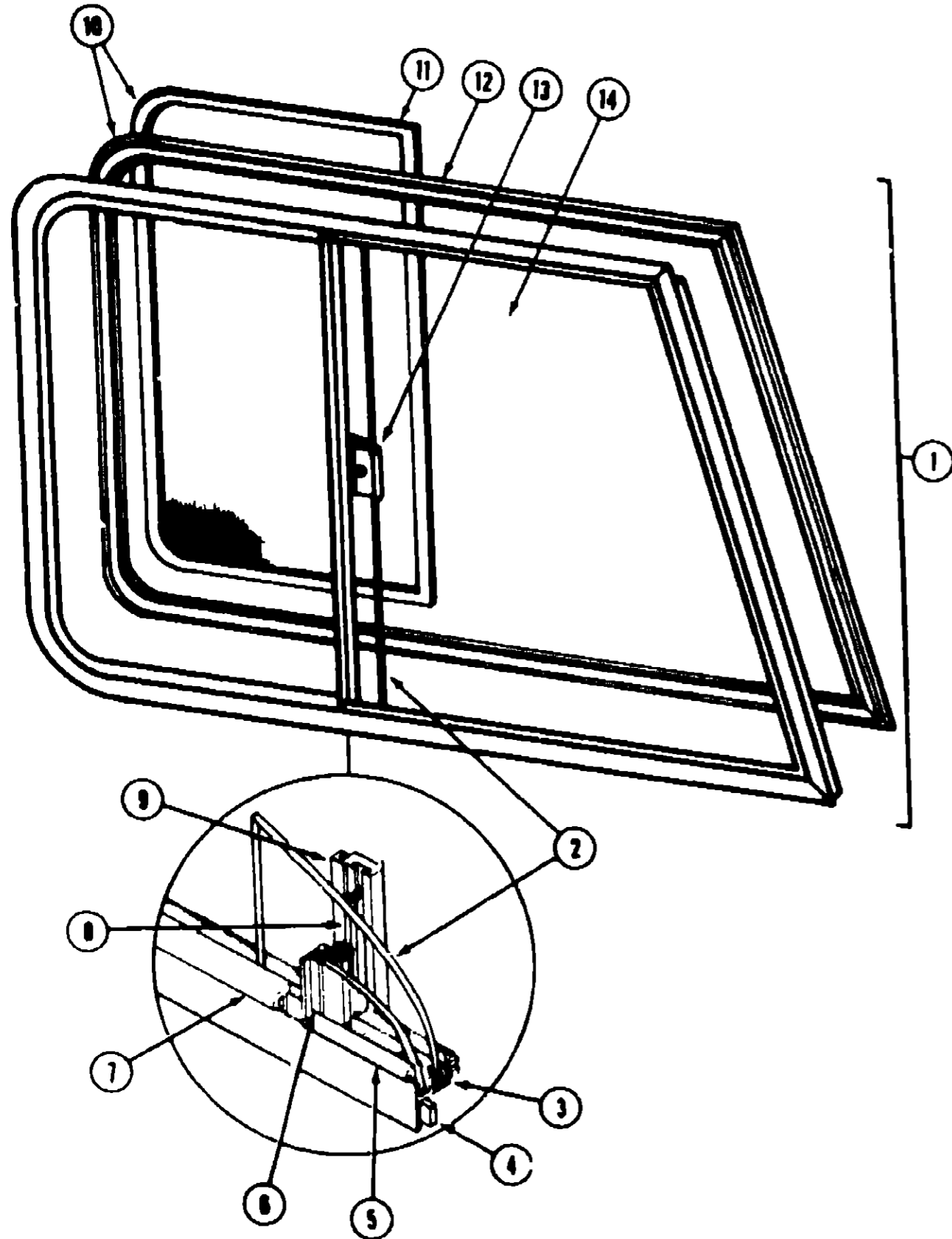
Key	Part Number	U/M	Description
1	078628-01-T03	EA	Window Arm - Escape - Black (w/o Inside Frame)
	074816-01-000	EA	Inside Frame - Escape Window - Beige (not included in assembly)
2	002174-02-000	EA	Glass - 1/8" x 19 81" x 44 82"
3	002285-01-000	FT	Filter - Weatherstrip - Black
4	089840-06-000	FT	Sealer Ribbon - 5/16" Bead (not included in assembly)
5	002282-01-000	FT	Weatherstrip - 125" Black
	008198-01-000	EA	Label - Exit - Escape Window

1989 ICM27RQ INDEX

Floor Plan	A-05 - A-06
Accessories Group	A-07 - A-12
Bath Group	A-13 - A-14
Chassis Group	A-15 - A-20
Curtain, Cushion & Pad Group	A-21 - B-12
Dinette Group	B-13 - B-14
Driver's Compartment Group	B-15 - B-19
Electrical Group	B-20 - B-22
Exterior Body Group	B-23 - C-04
Galley Group	C-05 - C-08
Heating & Air Conditioning Group	C-09
Interior Finish Group	C-10 - C-11
LP Group	C-12
Lounge Group	C-13 - C-18
Water & Sewage Group	C-19 - C-20
Window, Vent & Exterior Door Group	C-21 - D-20

WINDOW, VENT & EXTERIOR DOOR GROUP (CONTINUED)

SLANT SLIDER WINDOW - PASSENGER



Key	Part Number	U/M	Description
1	089807-01-X14	EA	Window Arm - Front Slant (w/o inside frame or screen)
2	089298-01-000	EA	Glass - Slider
3	042077-01-000	FT	Channel - Weatherstrip - Glass Run - 1/8" Glass
4	089840-08-000	FT	Seal (not included in Window Arm)
5	050218-02-000	FT	Spline - Glass Seal - Black
6	002389-03-203	EA	Seal Holder - w/Fin Seal
7	041928-02-000	FT	Glass Seal - Black Vinyl
8	073740-01-000	FT	Fin Seal - 48" Pile Height
9	084170-07-000	EA	Inside Mullion - Slider Window - Black - w/Fin Seal
10	089803-01-X14	EA	Inside Frame Arm - w/Slider Screen
11	089802-01-X14	EA	Slider Screen Arm
	002291-02-000	SF	Screen - 18" Charcoal
	002298-02-000	FT	Spline - Charcoal
12	089474-01-000	EA	Inside Frame - w/o Slider Screen
13	047389-01-700	EA	Latch Kit - Plastic w/Fastener
14	057658-11-000	EA	Glass - Stationary

1989 ITASCA TABLE OF CONTENTS

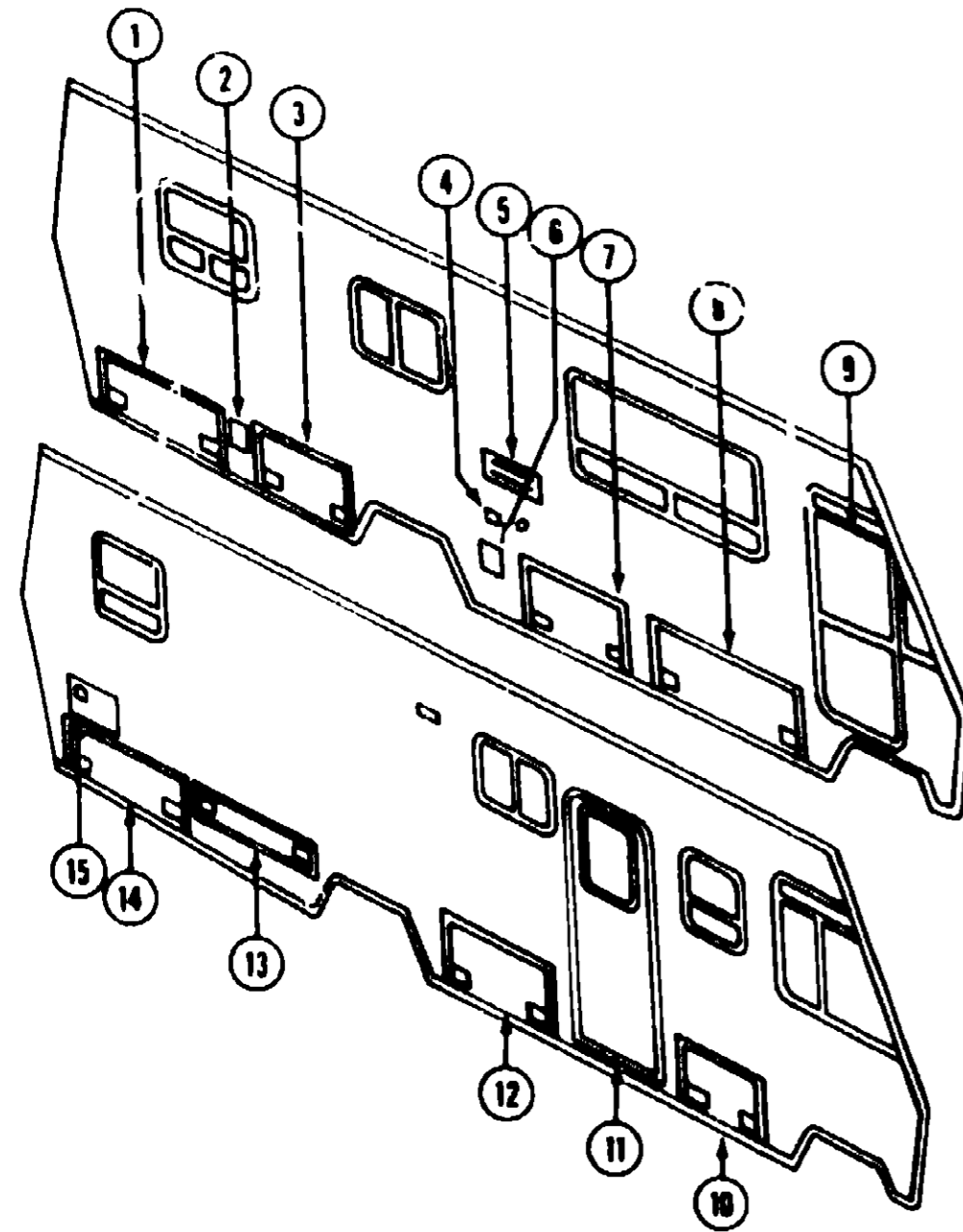
INTRODUCTION	A-01
ABBREVIATIONS	A-01
ALPHABETICAL INDEX	A-02 - A-04
ICM27RQ	A-05 - D-20
IC/JM31RQ	D-21 - H-16

1989 ICM27RQ INDEX

Floor Plan	A-05 - A-06
Accessories Group	A-07 - A-12
Bath Group	A-13 - A-14
Chassis Group	A-15 - A-20
Curtain, Cushion & Pad Group	A-21 - B-12
Dinette Group	B-13 - B-14
Driver's Compartment Group	B-15 - B-19
Electrical Group	B-20 - B-22
Exterior Body Group	B-23 - C-04
Galley Group	C-05 - C-08
Heating & Air Conditioning Group	C-09
Interior Finish Group	C-10 - C-11
LP Group	C-12
Lounge Group	C-13 - C-18
Water & Sewage Group	C-19 - C-20
Window, Vent & Exterior Door Group	C-21 - D-20

WINDOW, VENT & EXTERIOR DOOR GROUP (CONTINUED)

EXTERIOR DOORS



Key	Part Number	U/M	Description
1	087472-15-X70	EA	Door Asm - Luggage
2	078010-05-000	EA	Door Asm - Fuel Fill
	042441-01-000	EA	Key Lock Asm (w/o Keys)
	082684-01-000	EA	Key
3	087472-06-X70	EA	Door Asm - Sewer
4	081240-02-000	EA	Door Asm - Water Fill
	042441-01-000	EA	Key Lock Asm (w/o Keys)
	082684-01-000	EA	Key
5	084103-02-000	EA	Door - Vent - Refrigerator
5	084104-02-000	EA	Jamb - Vent - Refrigerator
6	088794-03-000	EA	Door Asm - Power Cord (w/Hatch)
7	087448-11-Y70	EA	Door Asm - Generator
8	087448-04-X70	EA	Door Asm - Luggage
9	M89487-02-X70	EA	Door Asm - Driver
10	087448-01-W84	EA	Door Asm - Luggage
11	M01870-18-X70	EA	Door Asm - Entrance
12	087485-01-W84	EA	Door Asm - LP
13	087448-02-X70	EA	Door Asm - Luggage
14	087472-14-X70	EA	Door Asm - Luggage
15	052009-03-000	EA	Door Asm - Water Heater

1989 ITASCA TABLE OF CONTENTS

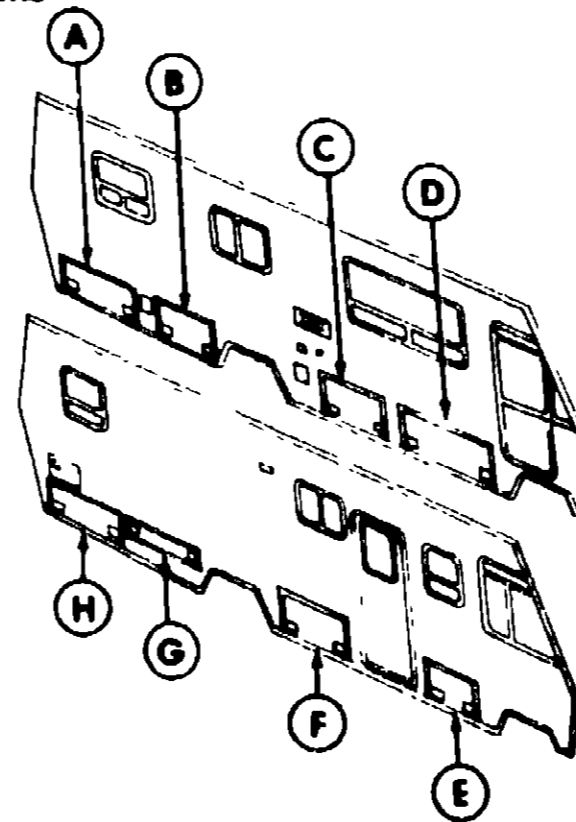
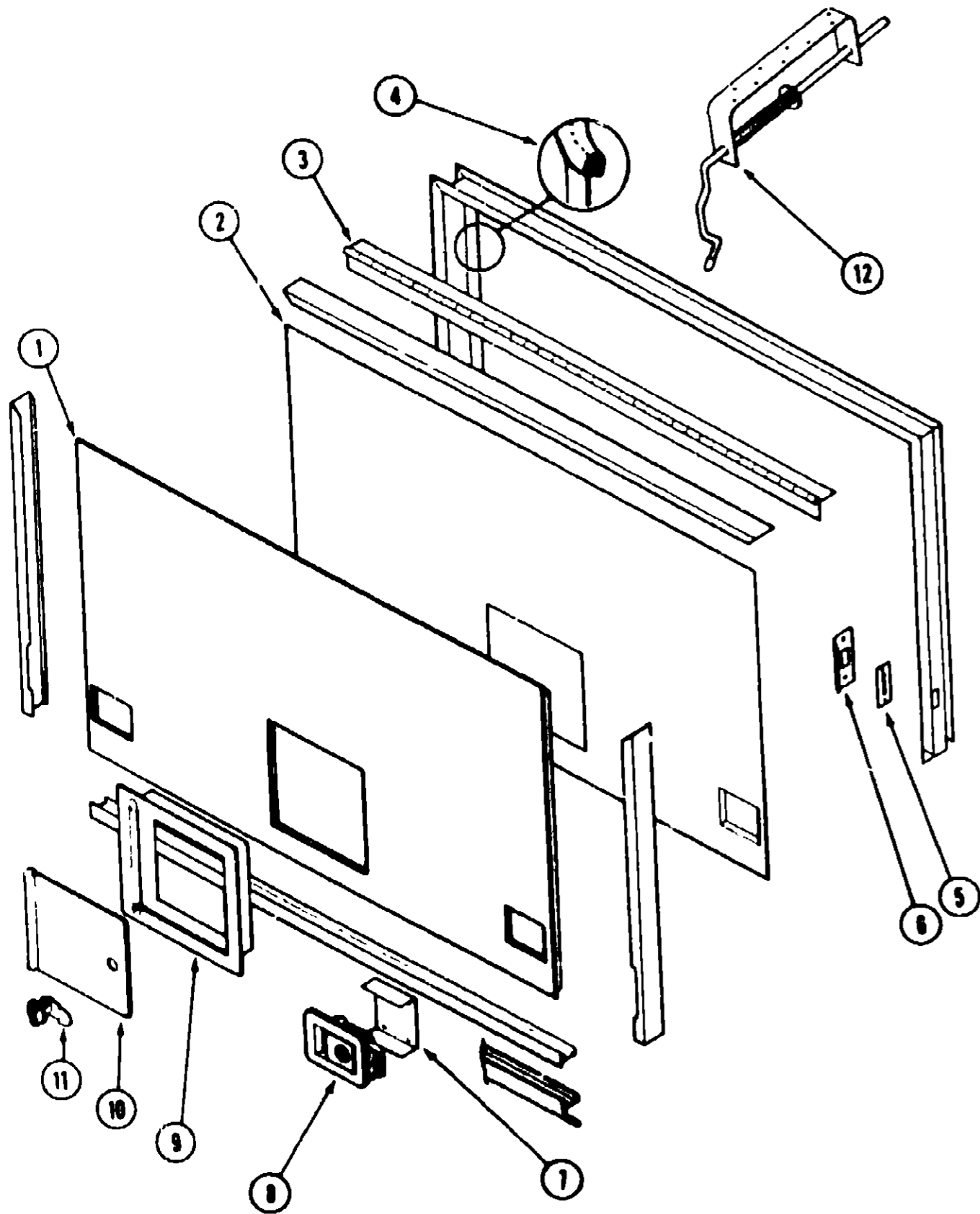
INTRODUCTION	A-01
ABBREVIATIONS	A-01
ALPHABETICAL INDEX	A-02 - A-04
ICM27RQ	A-05 - D-20
IC/JM31RQ	D-21 - H-16

1989 ICM27RQ INDEX

Floor Plan	A-05 - A-06
Accessories Group	A-07 - A-12
Bath Group	A-13 - A-14
Chassis Group	A-15 - A-20
Curtain, Cushion & Pad Group	A-21 - B-12
Dinette Group	B-13 - B-14
Driver's Compartment Group	B-15 - B-19
Electrical Group	B-20 - B-22
Exterior Body Group	B-23 - C-04
Galley Group	C-05 - C-08
Heating & Air Conditioning Group	C-09
Interior Finish Group	C-10 - C-11
LP Group	C-12
Lounge Group	C-13 - C-18
Water & Sewage Group	C-19 - C-20
Window, Vent & Exterior Door Group	C-21 - D-20

WINDOW, VENT & EXTERIOR DOOR GROUP (CONTINUED)

LUGGAGE & GENERATOR DOORS



Key	Part Number	U/M	Description
1	081395-08-000	EA	Mende Board - 4' x 8' - Gray
1	083574-01-000	SF	Styrofoam - 1 1/2" x 24" x 85 1/4"
A2	089094-14-000	EA	Door Liner
B2	089094-08-000	EA	Door Liner
C2	072888-02-120	EA	Door Liner - Metal - Generator
D2	089095-08-000	EA	Door Liner
E2	089095-02-000	EA	Door Liner
F2	089097-02-000	EA	Door Liner - LP
G2	089098-04-000	EA	Door Liner
H2	089094-12-000	EA	Door Liner
3	081801-03-000	EA	Hinge - 2" x 98" - Gray
4	084075-04-000	EA	Bulb Seal
5	081087-02-000	EA	Seal
6	088808-01-000	EA	Strike
7	088810-02-000	EA	Bracket
	000G11-08-12T	EA	Screw - #8 - 18 x 3/4" Black
8	085730-02-000	EA	Paddle Latch Arm w/Lock
9	052424-03-00	EA	Door Jamb
10	052423-03-000	EA	Door - LP
11	042442-01-000	EA	Lock Arm - Twist Type
12	082644-01-Y15	EA	Prop Rod Arm

1989 ITASCA TABLE OF CONTENTS

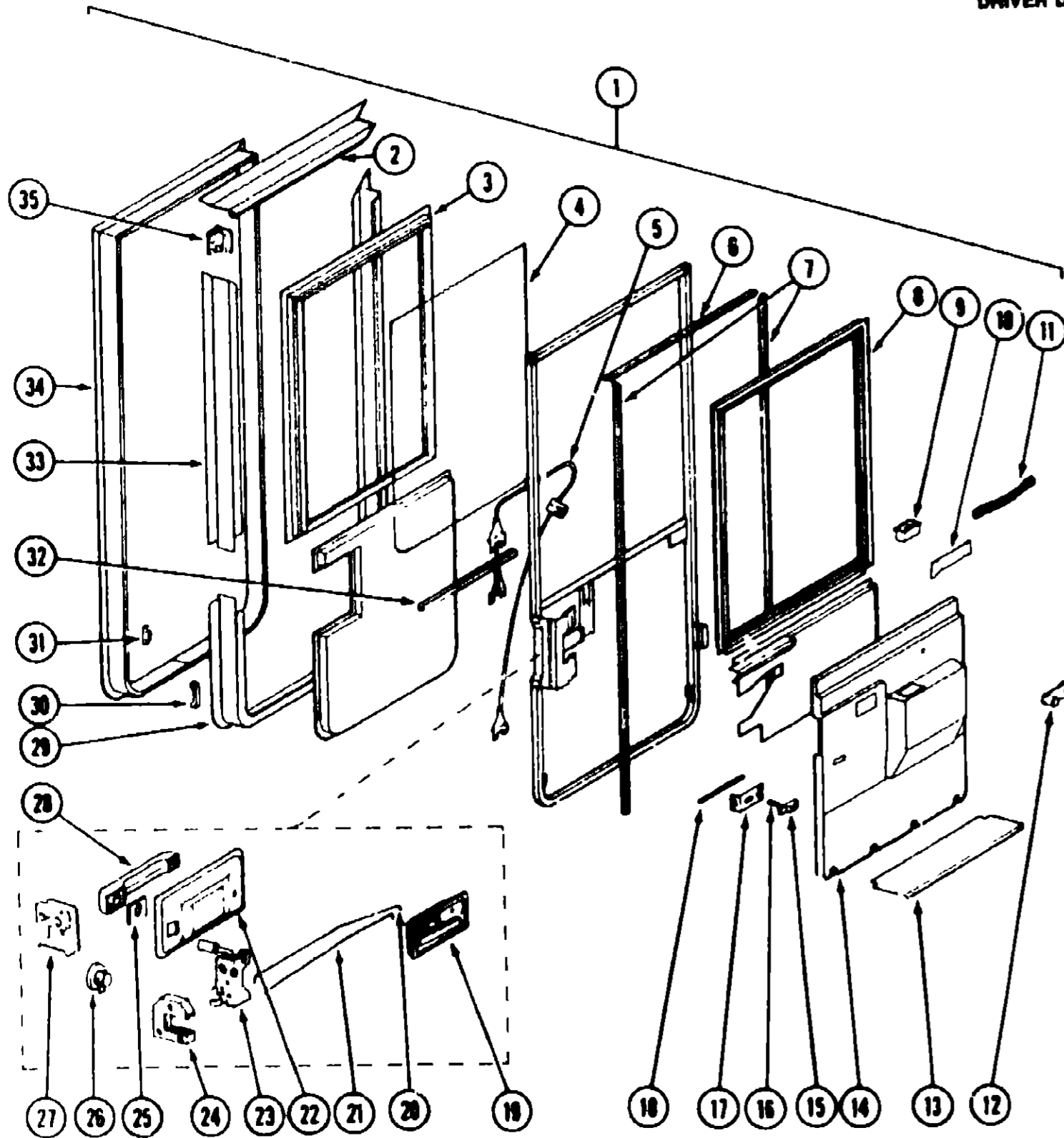
INTRODUCTION	A-01
ABBREVIATIONS	A-01
ALPHABETICAL INDEX	A-02 - A-04
ICM27RQ	A-05 - D-20
IC/JM31RQ	D-21 - H-16

1989 ICM27RQ INDEX

Floor Plan	A-05 - A-08
Accessories Group	A-07 - A-12
Bath Group	A-13 - A-14
Chassis Group	A-15 - A-20
Curtain, Cushion & Pad Group	A-21 - B-12
Dinette Group	B-13 - B-14
Driver's Compartment Group	B-15 - B-19
Electrical Group	B-20 - B-22
Exterior Body Group	B-23 - C-04
Galley Group	C-05 - C-08
Heating & Air Conditioning Group	C-09
Interior Finish Group	C-10 - C-11
LP Group	C-12
Lounge Group	C-13 - C-18
Water & Sewage Group	C-19 - C-20
Window, Vent & Exterior Door Group	C-21 - D-20

WINDOW, VENT & EXTERIOR DOOR GROUP (CONTINUED)

DRIVER DOOR



Key	Part Number	U/M	Description
1	M89487-02-X70	EA	Door Arm - Complete
2	089458-02-000	EA	Door Frame - Upper
3	089459-01-000	EA	Window Frame - Outer
4	081488-02-000	EA	Glass
	081911-01-000	EA	Glass Setting Tape
5	081807-02-000	EA	Regulator Arm
6	089454-01-000	EA	Glass Run Channel - Aluminum - Black
7	082240-02-000	EA	Glass Run Channel - Aluminum - Black
	081910-02-000	EA	Glass Run Channel - Seal - 10'
8	089461-01-000	EA	Window Frame - Inner
	079370-01-000	FT	Vinyl Screw Cover - Beige
9	048888-03-000	EA	Ashtray
10	084680-03-000	EA	Check Strap
11	081400-08-000	EA	Assist Strap
12	084575-01-000	EA	Window Crank
13	082229-02-000	EA	Door Threshold (not included in Door Arm)
14	082471-02-000	EA	Trim Panel
15	081905-02-000	EA	Control Knob - Slide Bolt
16	081903-01-000	EA	Knob Shaft
17	081487-01-000	EA	Slide Bolt Housing
18	081906-01-000	EA	Slide Bolt
19	R77006-50-328	EA	Interior Door Handle
20	078542-04-000	EA	Control Rod - Latch
21	073110-03-000	EA	Control Link Rod - Lock
22	082107-03-000	EA	Door Handle Escutcheon
23	R77007-82-748	EA	Latch Arm
24	R77007-58-702	EA	Lock Arm
25	R77007-05-374	EA	Seal
26	083223-01-000	EA	Key Lock Arm
27	R77013-48-185	EA	Door Lock Catch
28	R77040-01-838	EA	Door Handle
29	085007-10-000	EA	Door Frame - Lower
30	084485-01-000	EA	Door Stop Block - Jamb
31	084485-02-000	EA	Door Stop Block - Door
32	082472-01-000	EA	Glass Retainer Channel
33	089455-04-000	EA	Door Frame - Upper Rear
34	089463-02-000	EA	Door Jamb Arm
35	083983-03-000	EA	Hinge
	082180-02-000	FT	Door Sponge Seal
	083851-01-000	EA	Jamb Sponge Seal - Lazy T Shape

1989 ITASCA TABLE OF CONTENTS

INTRODUCTION:
ABBREVIATIONS
ALPHABETICAL INDEX
ICM27RQ
IC/JM31RQ

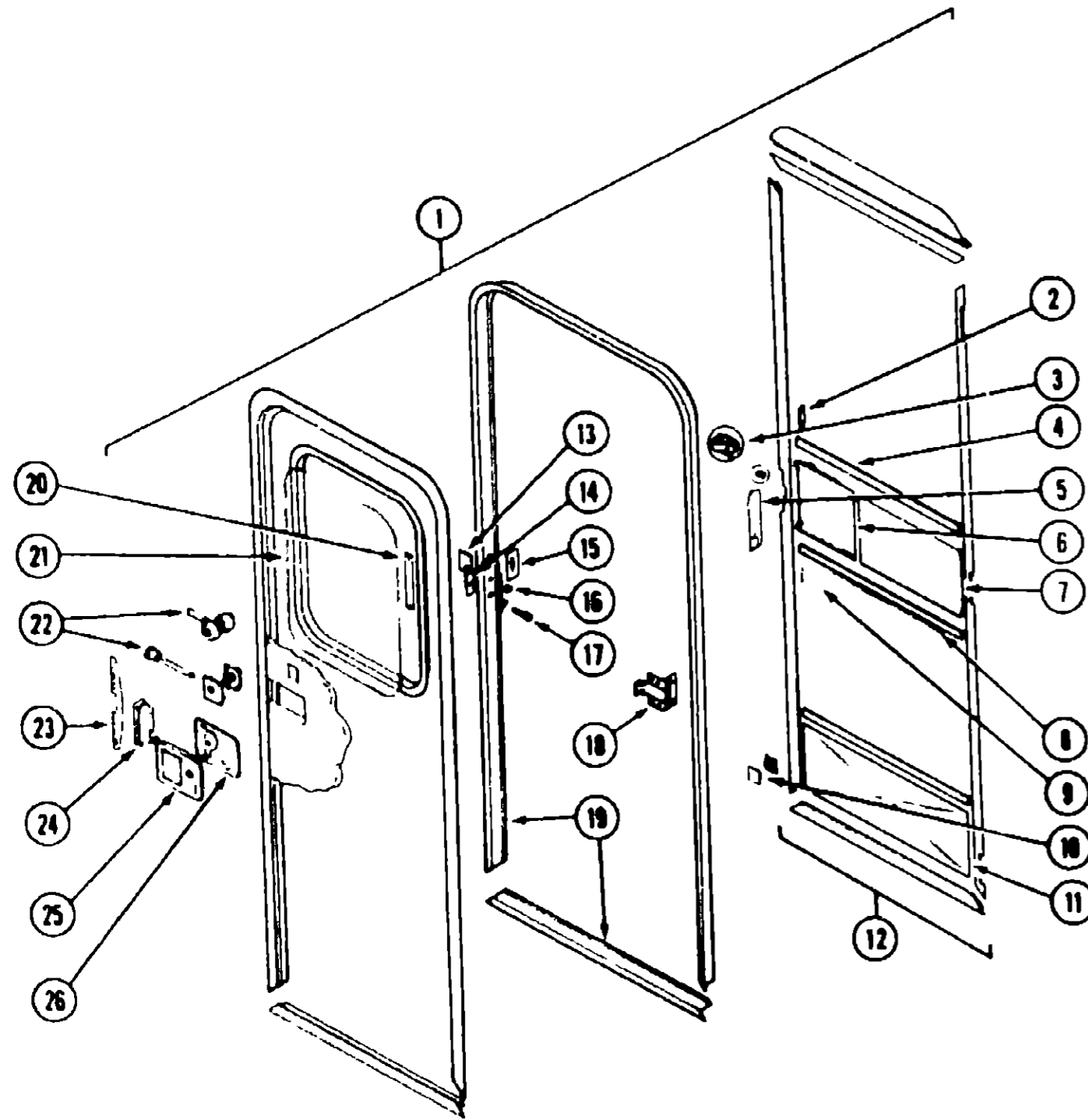
A-01
A-01
A-02 - A-04
A-05 - D-20
D-21 - H-16

1989 ICM27RQ INDEX

Floor Plan	A-05 - A-06
Accessories Group	A-07 - A-12
Bath Group	A-13 - A-14
Chassis Group	A-15 - A-20
Curtain, Cushion & Pad Group	A-21 - B-12
Dinette Group	B-13 - B-14
Driver's Compartment Group	B-15 - B-19
Electrical Group	B-20 - B-22
Exterior Body Group	B-23 - C-04
Galley Group	C-05 - C-08
Heating & Air Conditioning Group	C-09
Interior Finish Group	C-10 - C-11
LP Group	C-12
Lounge Group	C-13 - C-18
Water & Sewage Group	C-19 - C-20
Window, Vent & Exterior Door Group	C-21 - D-20

WINDOW, VENT & EXTERIOR DOOR GROUP (CONTINUED)

ENTRANCE DOOR



Key	Part Number	U/M	Description
1	M01870-18-X70	EA	Door Asm w/Screen Door
2	050712-05-000	EA	Door Handle - Screen Door
3	009018-01-000	EA	Roller Catch
4	078592-01-000	EA	Screen Door Mullion - Upper & Lower Slider
	078777-01-000	EA	Slider Channel (Mullion Insert)
5	079087-01-000	EA	Screen Door Slider Strike
6	079088-01-000	EA	Screen Door Slider
7	018454-01-000	EA	Screen Door Insert
8	002294-01-000	FT	Spline - Black
9	002293-02-000	SF	Window Screen - 26" Charcoal
10	085774-01-000	FT	Dual Lock Fastener - 1" Wide - Black
10	085774-02-000	FT	Dual Lock Fastener - 1" Wide - Black
11	078652-03-000	EA	Screen Door Insert - Lower
12	079012-01-T03	EA	Screen Door Asm
13	077481-01-000	EA	Strike Cover
14	041548-03-000	EA	Angle Bracket
15	079173-01-000	EA	Deadbolt Gasket
16	058906-01-000	EA	Plug - Tapered Plastic
17	039539-01-000	EA	Strike
18	079381-07-000	EA	Hinges
19	085277-01-03A	EA	Door Jamb
20	087581-01-000	FT	Window Seal
21	002181-08-000	EA	Glass
	079733-04-000	EA	Window Asm. w/o Inside Frame
	067808-03-000	EA	Inside Frame - Window Asm
22	039738-01-000	EA	Deadbolt Asm - Round
22	085228-01-01A	EA	Deadbolt Asm. - Square - Black
23	075738-03-000	EA	Stiffener
24	039640-01-000	EA	Latch Asm - Hook
25	045017-05-000	EA	Latch Asm - Plate
25	045017-10-000	EA	Latch Asm - Plate - Black
26	039979-01-000	EA	Cover Asm - Latch Plate
26	039979-03-000	EA	Cover Asm. - Latch Plate - Black
	039981-C1-000	EA	Cap - Black Vinyl - Lock Grip
	075673-01-000	FT	Seal - Pile - Adhesive Back
	075671-01-000	FT	Seal - Sponge - Lazy T Shape

1989 ITASCA TABLE OF CONTENTS

INTRODUCTION	A-01
ABBREVIATIONS	A-01
ALPHABETICAL INDEX	A-02 - A-04
ICM27RQ	A-05 - D-20
IC/JM31RQ	D-21 - H-16

1989 ICM27RQ INDEX

Floor Plan	A-05 - A-06
Accessories Group	A-07 - A-12
Bath Group	A-13 - A-14
Chassis Group	A-15 - A-20
Curtain, Cushion & Pad Group	A-21 - B-12
Dinette Group	B-13 - B-14
Driver's Compartment Group	B-15 - B-19
Electrical Group	B-20 - B-22
Exterior Body Group	B-23 - C-04
Galley Group	C-05 - C-08
Heating & Air Conditioning Group	C-09
Interior Finish Group	C-10 - C-11
LP Group	C-12
Lounge Group	C-13 - C-18
Water & Sewage Group	C-19 - C-20
Window, Vent & Exterior Door Group	C-21 - D-20