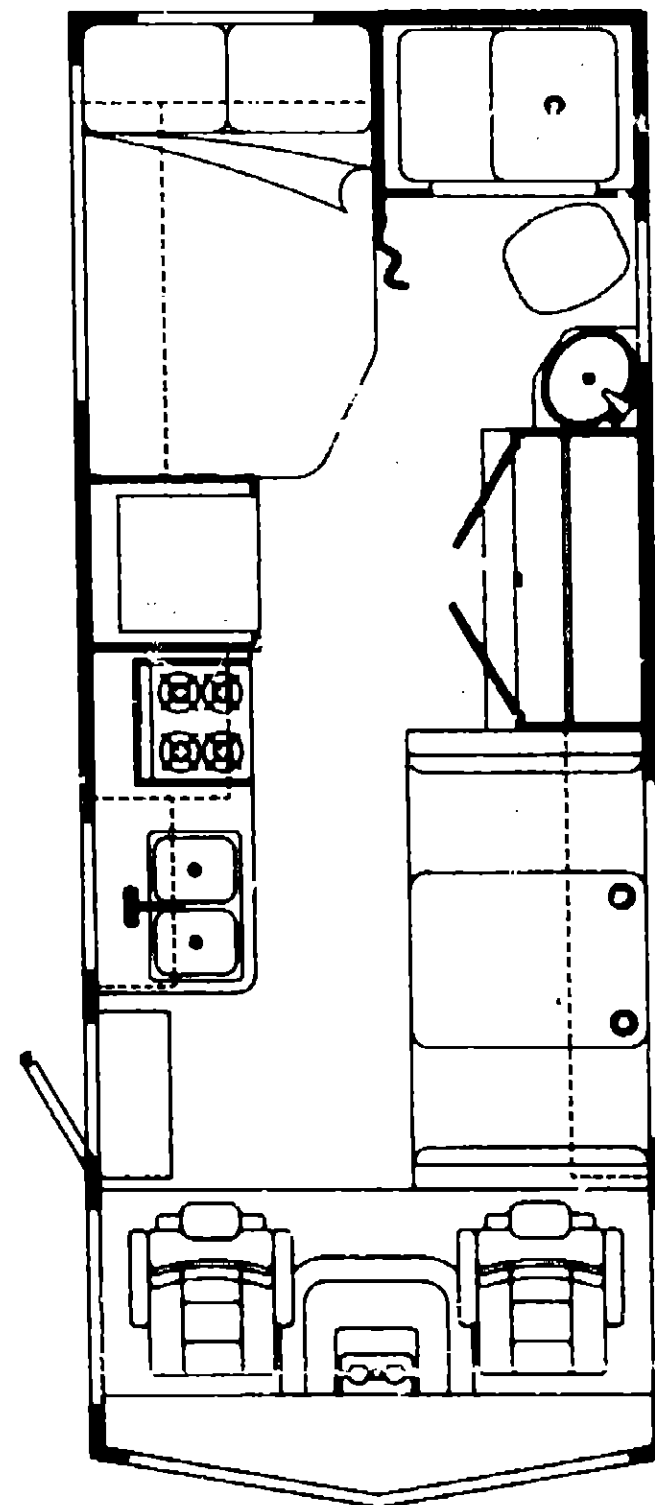


# 1989 ICF22EC



## 1989 ITASCA TABLE OF CONTENTS

ICF22EC  
ICF27EU

A-01 - C-08  
C-09 - E-23

## 1989 ICF22EC INDEX

Floor Plan	A-01 - A-02
Accessories Group	A-03 - A-04
Bath Group	A-05
Chassis Group Group	A-06 - A-07
Curtain, Cushion & Pad Group	A-08 - A-15
Dinette Group	A-16
Driver's Compartment Group	A-17 - A-20
Electrical Group	A-21 - A-23
Exterior Body Group	A-24 - B-08
Galley Group	B-09 - B-10
Heating & Air Conditioning Group	B-11 - B-12
Interior Finish Group	B-13 - B-15
LP Group	B-16
Lounge Group	B-17
Water & Sewage Group	B-18 - B-20
Window, Vent & Exterior Door Group	B-21 - C-08

## ACCESSORIES GROUP

### MISCELLANEOUS ACCESSORIES

Key	Part Number	U/M	Description
	054185-31-000	EA	Owner's Manual - 1989 Winnebago & Itasca
	017516-01-000	EA	Mud Flap
	082181-01-700	EA	Wheel Cover - 16" (1)
	079242-01-000	EA	Stabilizer Shock Absorber - Front
	094499-01-000	EA	Fire Extinguisher - Dry IA, 10BC
	072852-01-000	EA	Smoke Detector - w/9 Volt Battery
	007038-01-000	EA	Floor Mat - Entrance Door - Black
	081075-02-000	EA	Floor Mat - Entrance Door - Brown "Itasca"
	081201-02-000	EA	Floor Mat - Drivers Stepwell - Brown
	081202-02-000	EA	Floor Mat - Passenger Step Well - Brown
	080208-01-000	EA	Lug Wrench
	080208-02-000	EA	Leverage Bar - Lug Wrench
	006113-01-000	EA	Jack - Hydraulic - 6 Ton - w/Handle

### TV ANTENNA (OPTION 193)

Key	Part Number	U/M	Description
	076319-13-000	EA	TV Antenna - 44.5" Roof Mount
	093252-01-01A	EA	Wall Plate - Cable TV

### FRONT BUNK

Key	Part Number	U/M	Description
	192055-01-Y12	EA	Bunk Board Trim - w/o Angle
	029012-01-000	BF	Roller Foam - 3/8"
	048394-02-000	YD	Velcro - Hook - .75" x 50 Yd. - Beige
	088792-02-000	YD	Velcro - Loop - .75" Adhesive Back
	089351-01-000	YD	Vinyl - Headliner - Acoustical
	016604-03-000	EA	Brace - Seat Angle - 2" Beige
	042541-04-000	EA	Latch Asm. - w/o Strike - Brass
	042541-05-000	EA	Strike - Brass
	064219-01-000	EA	Strap Retainer
	070576-11-Y70	EA	Button Asm. - #30
	075943-02-000	EA	Brace - 14" - Beige
	076760-03-000	EA	Hardware - Front Overhead Bunk
	079143-02-Y10	EA	Bunk Strap
	081717-01-Y10	EA	Bed Asm. - Front Bunk
	094658-01-Y12	EA	Oak Handle

### MICROWAVE OVEN (OPTION 133)

Key	Part Number	U/M	Description
	091269-01-000	EA	Microwave Browning Oven - Magic Chef
	091269-02-000	EA	Frame Kit - Microwave
	194519-01-Y10	EA	Cabinet Asm. - Microwave - Overhead w/o Hardware
	085682-10-000	EA	Microwave Bracket - Left
	085682-12-000	EA	Microwave Bracket - Right

## ACCESSORIES GROUP (CONTINUED)

### GENERATOR & COMPONENTS (ONAN) (OPTION 39E)

Key	Part Number	U/M	Description
	100974-03-000	EA	Generator - Onan - 4.0 KW - Emerald
	078045-01-000	EA	Plate - Support - Generator
	084365-01-000	EA	Plate - Support - Generator
	081364-01-000	EA	Muffler - Onan Generator - 4.0 KW
	079654-05-000	EA	Exhaust Pipe - Onan Generator - 4.0 KW (Used w/081364-01-000)
	079654-06-000	EA	hinge Kit - Emerald

### SPEED CONTROL

Key	Part Number	U/M	Description
	094369-03-000	EA	Speed Control - Smart Stick - Dana 59L - 11129B
	094369-01-700	EA	Servo & Cable Asm.
	094369-01-701	EA	Switch & Lever Asm.
	094369-01-702	EA	Electronic Regulator Asm.
	094369-01-703	EA	Wiper Control Module
	094369-01-704	EA	Headlight Dimmer Module
	094369-01-705	EA	Vacuum Reservoir
	094369-01-706	EA	Servo
	094369-03-000	EA	Speed Control - Smart Stick - Dana 59L - 11129B
	083212-06-000	EA	Speed Control - A-Body Smart Stick - Dana 59L - 1126B
	083212-06-700	EA	Switch Asm
	083212-06-701	EA	Wiper Module
	083212-06-702	EA	Wire Harness - Wiper Control Output
	083212-06-703	EA	Light Relay
	094369-02-000	EA	Speed Control - Smart Stick - Diesel - Dana 59L - 11168B

### EXTERIOR MIRRORS

Key	Part Number	U/M	Description
	006043-01-000	EA	Mirror Convex - Adhesive Back
	049347-01-000	EA	Mirror Head - 7.5" x 10.5" SST
	049348-03-000	EA	Mirror Arm - Low Mount

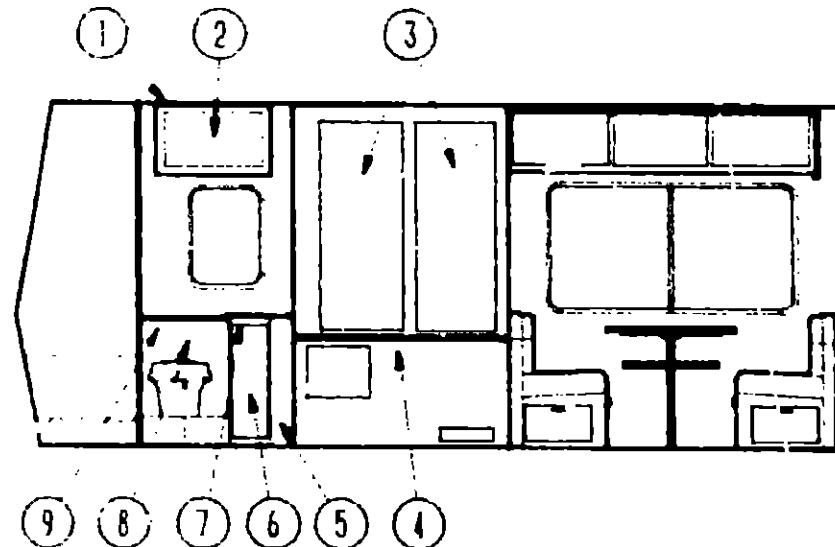
## 1989 ITASCA TABLE OF CONTENTS

ICF22EC	A-01 - C-08
ICF27EU	C-09 - E-23

## 1989 ICF22EC INDEX

Floor Plan	A-01 - A-02
Accessories Group	A-03 - A-04
Bath Group	A-05
Chassis Group Group	A-06 - A-07
Curtain, Cushion & Pad Group	A-08 - A-15
Dining Group	A-16
Driver's Compartment Group	A-17 - A-20
Electrical Group	A-21 - A-23
Exterior Body Group	A-24 - B-08
Galley Group	B-09 - B-10
Heating & Air Conditioning Group	B-11 - B-12
Interior Finish Group	B-13 - B-15
LP Group	B-16
Lounge Group	B-17
Water & Sewage Group	B-18 - B-20
Window, Vent & Exterior Door Group	B-21 - C-06

## BATH GROUP



### BATH CABINETRY

Key	Part Number	U/M	Description
1	M88174-01-X73	EA	Medicine Cabinet Asm. - w/Door
2	M88304-1B-W24	EA	Door Asm. - Medicine Cabinet - w/o Hardware - 15.5" x 29.5"
	058331-05-000	EA	Mirror - Safety Glass - 12" x 26"
	093586-03-000	EA	Catch - Spring Roller
	093586-04-000	EA	Strike - Spring Steel
	009059-01-000	EA	Hinge - Brass
3	M88304-64-X11	EA	Door Asm. - Wardrobe Cabinet - 20.6" x 48" - w/o Hardware
4	M03000-18-X73	EA	Countertop Asm. - Wardrobe
5	M03046-01-Y33	EA	Cabinet Asm. - Lavatory - w/o Countertop or Doors
6	M88304-19-X08	EA	Door Asm. - Lavatory - 12.0" x 26"
7	M02406-01-Y30	EA	Countertop Asm. - Lavatory
	011056-03-000	EA	Faucet - Lavatory
	089366-01-000	EA	Sink - Oval - Ivory Plastic
8	089171-01-Y33	EA	Cabinet Asm. - Pipe Cover
9	M03000-17-Y33	EA	Countertop Asm. - Pipe Cover
	009134-01-000	EA	Toilet Tissue - Holder
	033580-01-000	EA	Towel Ring - Chrome w/Plastic Ring
	009112-01-000	EA	Flange - 1" Rod - Off White Plastic
	075680-02-000	EA	Clothes Rod - Adjustable - 27"/38"
	057671-01-000	EA	Cover - Screw - #11

### BATH HARDWARE

Key	Part Number	U/M	Description
	059777-02-000	EA	Hinge - Antique Light Brass
	093586-01-000	EA	Door Latch - Friction Catch
	093586-02-000	EA	Door Strike - Friction Catch
	082264-01-000	EA	Door Pull - Polished Brass
	011069-02-000	EA	Tailpiece - 1.5" x 1.25" x 4"
	069735-01-000	EA	Washer - Tailpiece - 1.5" Plastic
	066437-01-000	EA	Steiner w/Basket - Sink
	011048-02-000	EA	Shower Head - w/60" Hose
	011069-03-000	EA	Tailpiece - 1.5" x 1.75" Plastic (Tub)
	066435-01-000	EA	Nut - Strainer
	066436-01-000	EA	Nut - Slip - 1.5" Tailpiece
	066440-01-000	EA	Strainer w/Rubber Washer
	066729-01-000	EA	Strainer - Shower Tub - Drain
	069735-01-000	EA	Washer - Tailpiece - 1.5" Plastic
	063740-01-000	EA	Toilet - Aqua Magic IV - High
	075606-01-000	EA	Shower Panel - w/o Faucet - Off White Plastic
	011059-04-000	EA	Faucet - Shower
	M02630-05-W89	EA	Bathtub Asm.
	042488-05-000	EA	Folding Door - Bath - 50" x 75" - Walnut
	086924-01-000	EA	Track - Folding Door

## CHASSIS GROUP

### MISCELLANEOUS CHASSIS

Key	Part Number	U/M	Description
	072359-01-000	EA	Bottle Coolant - Expansion
	010497-01-000	EA	Clamp - Closed - 3/8" ID
	010497-03-000	EA	Clamp - Closed - 1" ID - Cushioned
	062401-01-000	EA	Clamp - Hose - Wormgear - .22" ID - 1" ID
	062401-03-000	EA	Clamp - Hose - Wormgear - .25" ID - 1" ID
	062401-02-000	EA	Clamp - Hose - Wormgear - 1.56" ID - 2.5" ID
	062401-04-000	EA	Clamp - Hose - Wormgear - .69" ID - 1.25" ID
	062401-05-000	EA	Clamp - Hose - Wormgear - 2" ID - 3" ID
	062401-06-000	EA	Clamp - Hose - Wormgear - .32" ID - .62" ID
	062401-08-000	EA	Clamp - Hose - Wormgear - 4.06" ID - 5" ID
	023146-01-000	EA	Clamp - Screw Type - 4"
	062628-01-000	EA	Clip - Prop Rod - Hold
	041953-09-000	FT	Conduit - Convolute w/Slit - .5" ID
	041953-11-000	FT	Conduit - Convolute w/Slit - 1.063" ID
	041953-02-000	EA	Conduit - Convolute w/Slit - .625" ID
	020167-03-000	EA	Dirt Guard - Rear Wheel
	092522-01-000	EA	Door - Electrical Box
	G24138-01-000	FT	Hose - Fuel - 5/16" ID SAE 30RI
	066732-01-000	FT	Hose - Fuel Fill - .62" ID
	007111-02-000	EA	Hose - Fuel Fill - 2.0" ID
	007111-01-000	EA	Hose - Fuel Fill - 2.25" ID
	007108-01-000	FT	Hose - Heater - 5/8" ID SAE 20R3
	007108-02-000	FT	Hose - Heater - .75" ID SAE 20R3
	093719-01-000	EA	Hose - Oil Fill - Preformed - 2.5" ID
	079059-02-000	EA	Hose - 90° - 61" x 4" x 6" - Preformed
	017516-01-000	EA	Mud Flap w/Holes - 14" x 18" - Black
	079359-02-000	EA	Rim - Wheel - 16" x 6"
	086273-01-000	EA	Relay - Battery Disconnect
	081264-01-000	EA	Heat Shield - Deflector
	053322-08-000	EA	Heat Shield - Exhaust
	079942-01-000	EA	Shock Absorber - Stabilizer - Front
	063977-08-000	EA	Step Asm. - Drivers Door
	040546-03-000	EA	Tire - 7.5" x 16" - 8 Ply - Tube - Polyester
	055080-01-000	EA	Wheelwell - Plastic
	008343-01-000	EA	Wire Tie - 6"
	008343-02-000	EA	Wire Tie - 14"
	047441-01-000	EA	Battery Terminal - Horizontal Lug
	075722-01-000	EA	Block - Switch - Spacer
**	007125-06-000	EA	Clamp Asm. - Muffler - 2.25"
**	007125-07-000	EA	Clamp Asm. - Muffler - 2.5"
**	081918-01-000	EA	Exhaust Pipe Extension
**	061411-03-000	EA	Exhaust Pipe Extension - Calif. - 2.25" x 10.5"
**	Remainder of exhaust components available from chassis service center.		

## 1989 ITASCA TABLE OF CONTENTS

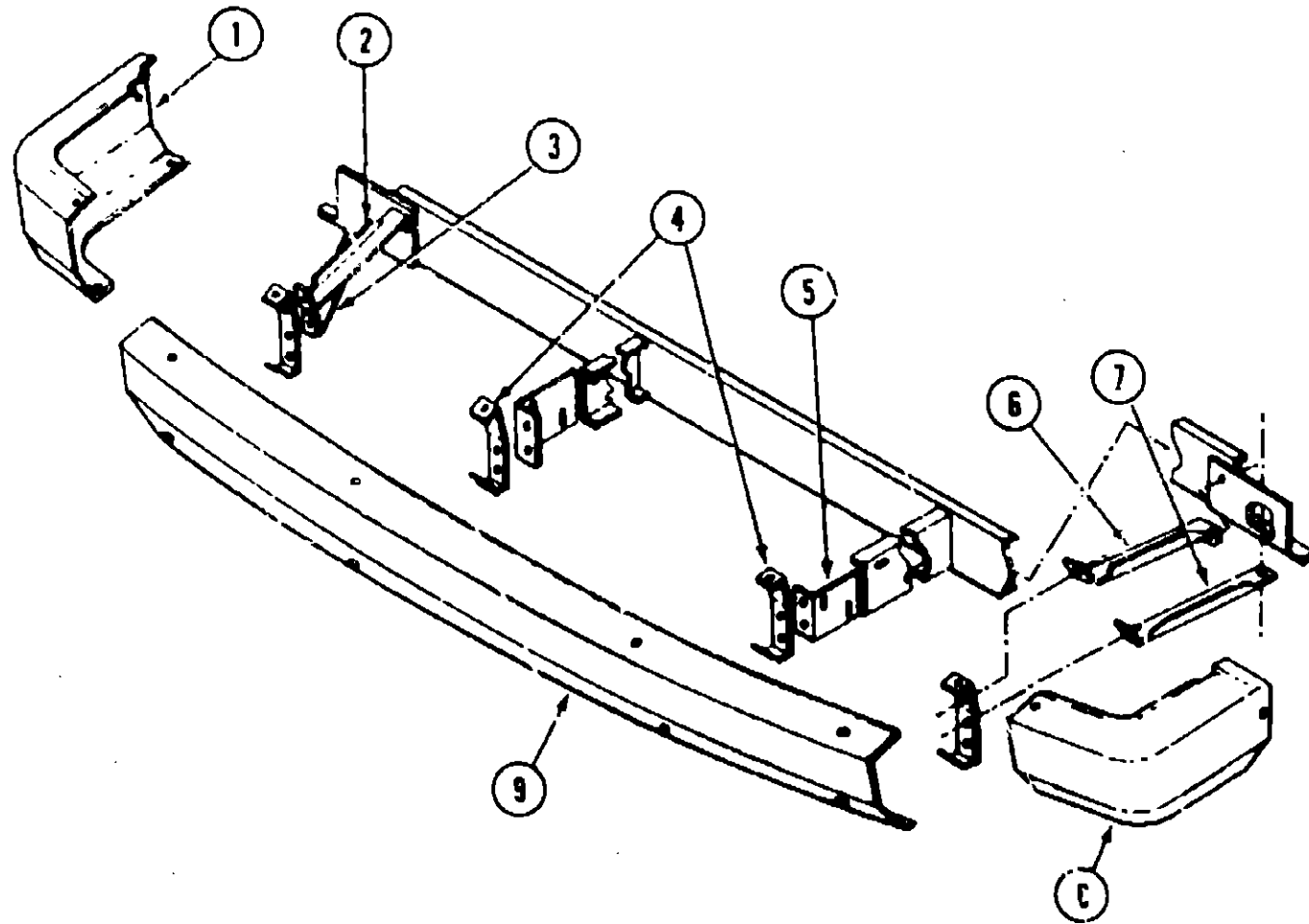
ICF22EC  
ICF27EU

A-01 - C-08  
C-09 - E-23

### 1989 ICF22EC INDEX

Floor Plan	A-01 - A-02
Accessories Group	A-03 - A-04
Bath Group	A-05
Chassis Group Group	A-06 - A-07
Curtain, Cushion & Pad Group	A-08 - A-15
Dinette Group	A-16
Driver's Compartment Group	A-17 - A-20
Electrical Group	A-21 - A-23
Exterior Body Group	A-24 - B-08
Galley Group	B-09 - B-10
Heating & Air Conditioning Group	B-11 - B-12
Interior Finish Group	B-13 - B-15
LP Group	B-16
Lounge Group	B-17
Water & Sewage Group	B-18 - B-20
Window, Vent & Exterior Door Group	B-21 - C-08

## CHASSIS GROUP (CONTINUED)



**FRONT BUMPER**

Key	Part Number	U/M	Description
1	091840-01-01A	EA	Bumper End - Beige - Right Front
2	092808-01-000	EA	Brace - Upper Right - Front Bumper
3	092809-01-000	EA	Brace - Lower Right - Front Bumper
4	077852-01-000	EA	Bracket to Bumper - Front
5	093514-01-000	EA	Bracket to Frame - Front Bumper
6	092808-02-000	EA	Brace - Upper Left - Front Bumper
7	092809-02-000	EA	Brace - Lower Left - Front Bumper
8	091840-02-01A	EA	Bumper End - Beige - Left Front
9	077850-01-000	EA	Bumper - Front - Primed
9	077851-11-000	EA	Bumper - Front - Gray
	005200-01-000	EA	Carriage Bolt - Chrome - 7/16" x 14 x 1 1/4
	070D39-07-00B	EA	Nut - Hex - 7/16" - 14

**BUMPER & TRAILER HITCH**

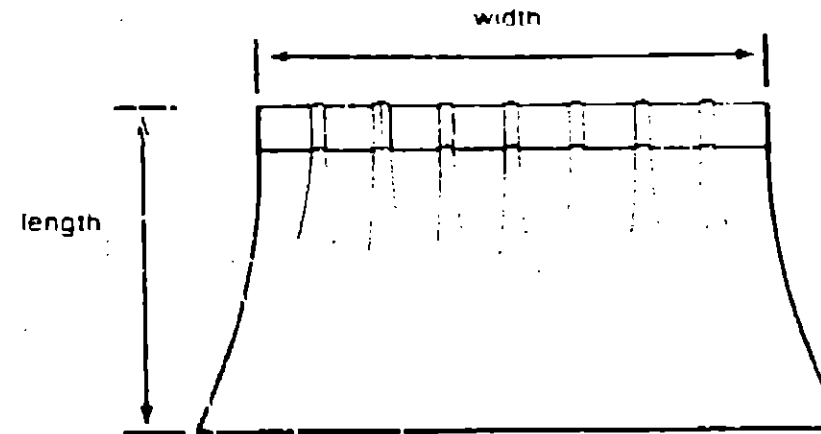
Key	Part Number	U/M	Description
	064602-06-000	EA	Bumper Asm. - Square - 92" - Gray
	064601-02-000	EA	Bracket Asm. - Bumper
	079027-01-000	EA	Bracket Asm. - Tire Carrier
	064833-01-000	EA	Trailer Hitch Asm.
	064824-02-000	EA	Support - Trailer Hitch
	039779-01-000	EA	Cap - Rubber - Fits 4" x 4" Square Bumper
	073322-04-W27	EA	Cover - Tire - 32" Plain

## CURTAIN, CUSHION & PAD GROUP

### NOTICE

In order to assist our Part Sales Dept. in providing interior software items, please include the serial number and the color code number from the vehicle certification label when ordering. This label is located on the left sidewall at the end of the dash (A-Body), or on the driver's door latch plate (C-Body).

An example of a color code number is P31, which designates an overall color scheme of a particular unit. The color listed after the item description on the microfiche, indicates the overall unit color. Order the item you desire according to unit color code.



NOTE: Use this illustration when determining length and width measurements for curtains. You will note the width measurement is taken on the top of the curtain with the curtain fully extended. The length measurement is taken from top to bottom.

### CURTAIN HARDWARE

Key	Part Number	U/M	Description
	009701-01-000	EA	Curtain Carrier - L Rod
	009702-01-000	EA	End Stop - L Rod
	052327-01-001	EA	Curtain Track - 192" - Beige
	078551-03-000	EA	Curtain Track - 42" - Beige
	056003-01-000	EA	Bracket - Drapery Retainer - Right
	056003-02-000	EA	Bracket - Drapery Retainer - Left
	091904-01-000	FT	Curtain Track - Beige
	081381-01-000	EA	Swivel Snap - Curtain Track
	084434-01-000	EA	Roller Shade Bracket
	087253-01-000	EA	Shade Pull - Clear Plastic
	029094-05-000	YD	Velcro Tape - Loop - .5" Wide - Beige
	048394-02-000	YD	Velcro Tape - Hook - .75" Wide - Beige
	029094-04-000	EA	Tape - Loop - 1" Wide - Black
	029096-03-000	EA	Tape - Hook - 1" Wide - Black
	048394-02-000	EA	Tape - Hook - .75" Wide - Beige
	048395-02-000	EA	Tape - Loop - .75" Wide - Beige
	088792-01-000	EA	Tape - Hook - 5/8" - Non-Adhesive
	088792-02-000	EA	Tape - Loop - .75" - Adhesive - Beige

## 1989 ITASCA TABLE OF CONTENTS

ICF22EC  
ICF27EU

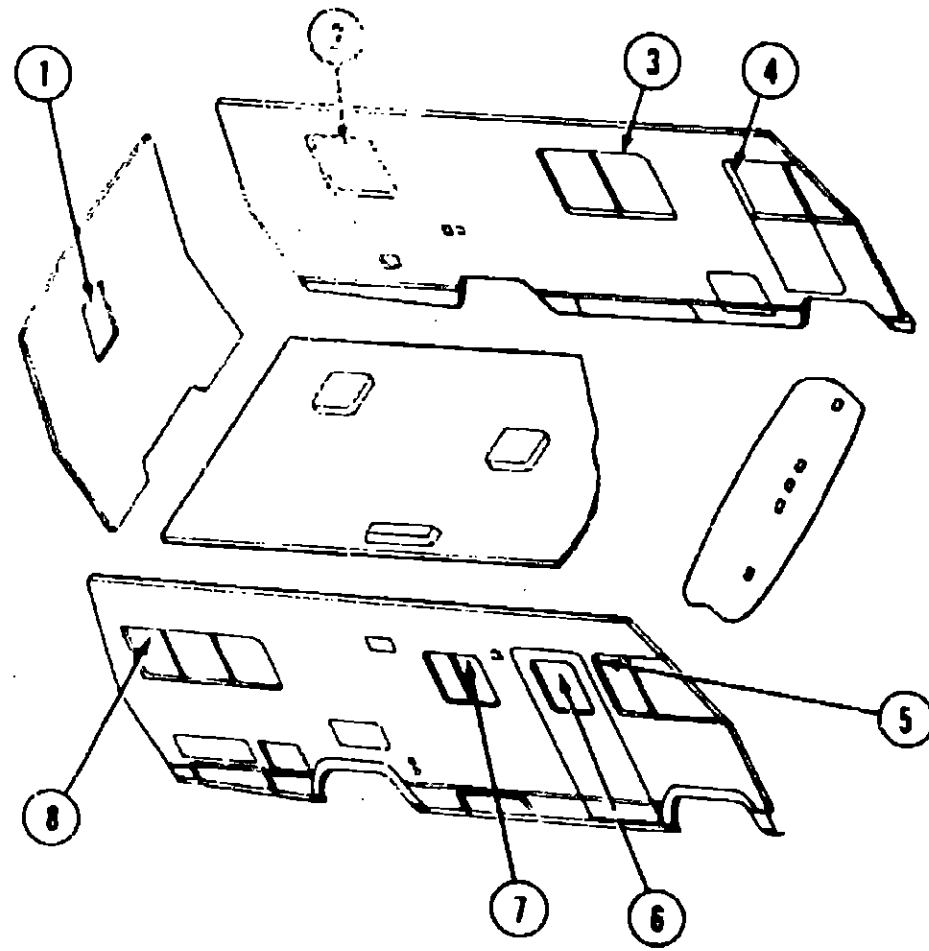
A-01 - C-06  
C-09 - E-23

### 1989 ICF22EC INDEX

Floor Plan	A-01 - A-02
Accessories Group	A-03 - A-04
Bath Group	A-05
Chassis Group Group	A-06 - A-07
Curtain, Cushion & Pad Group	A-08 - A-15
Dinette Group	A-16
Driver's Compartment Group	A-17 - A-20
Electrical Group	A-21 - A-23
Exterior Body Group	A-24 - B-03
Galley Group	B-09 - B-10
Heating & Air Conditioning Group	B-11 - B-12
Interior Finish Group	B-13 - B-15
LP Group	B-16
Lounge Group	B-17
Water & Sewage Group	B-18 - B-20
Window, Vent & Exterior Door Group	B-21 - C-06

# CURTAIN, CUSHION & PAD GROUP (CONTINUED)

CURTAINS, SHADES, VALANCES & TIEBACKS  
(Y33 - BLUE) (Y34 - SALMON) (Y83 - ROSE)



Key	Part Number	U/M	Description
1	M81977-28-Y10	EA	Valance Asm. - Padded - 24.5" - w/Oak Trim (Y33)
1	M81977-28-Y11	EA	Valance Asm. - Padded - 24.5" - w/Oak Trim (Y34)
1	M81977-41-Y83	EA	Valance Asm. - Padded - 24.5" - w/Oak Trim (Y83)
1	093454-06-Y07	EA	Curtain Asm. - Gathered Snap Top - 29.5" x 15" (Y33)
1	093454-06-Y06	EA	Curtain Asm. - Gathered Snap Top - 29.5" x 15" (Y34)
1	093454-14-Y83	EA	Curtain Asm. - Gathered Snap Top - 29.5" x 15" (Y83)
1	093455-08-Y28	EA	Shade Asm. - Double Hem - 21.25" (Y33)
1	093455-08-Y06	EA	Shade Asm. - Double Hem - 21.25" (Y34)
1	093455-27-Y83	EA	Shade Asm. - Double Hem - 21.25" (Y83)
2	M81977-35-Y05	EA	Valance Asm. - Padded - 30.5" - w/Oak Trim (Y33)
2	M81977-35-Y06	EA	Valance Asm. - Padded - 30.5" - w/Oak Trim (Y34)
2	M81977-35-Y83	EA	Valance Asm. - Padded - 30.5" - w/Oak Trim (Y83)
2	073304-43-Y05	EA	Curtain Asm. - Snap Top - 25.5" x 10" (Y33)
2	073304-43-Y06	EA	Curtain Asm. - Snap Top - 25.5" x 10" (Y34)
2	073304-43-Y83	EA	Curtain Asm. - Snap Top - 25.5" x 10" (Y83)
2	093455-04-Y53	EA	Shade Asm. - Double Hem - 28.25" (Y33)
2	093455-04-Y34	EA	Shade Asm. - Double Hem - 28.25" (Y34)
2	093455-17-Y83	EA	Shade Asm. - Double Hem - 28.25" (Y83)
3	M81977-43-Y10	EA	Valance Asm. - Padded - 67.5" - w/Oak Trim (Y33)
3	M81977-43-Y11	EA	Valance Asm. - Padded - 67.5" - w/Oak Trim (Y34)
3	M81977-43-Y83	EA	Valance Asm. - Padded - 67.5" - w/Oak Trim (Y83)
3	093454-01-Y73	EA	Curtain Asm. - Gathered Snap Top - 33.5" x 15" (Y33)
3	093454-01-Y06	EA	Curtain Asm. - Gathered Snap Top - 33.5" x 15" (Y34)
3	093454-01-Y83	EA	Curtain Asm. - Gathered Snap Top - 33.5" x 15" (Y83)
3	093455-22-Y10	EA	Shade Asm. - Double Hem - 64.25" (Y33)
3	093455-22-Y34	EA	Shade Asm. - Double Hem - 64.25" (Y34)
3	093455-36-Y83	EA	Shade Asm. - Double Hem - 64.25" (Y83)
4	077591-08-Y10	EA	Curtain Asm. - Wraparound - Drivers - Velcro Top - 32.5" x 86" (Y33)
4	077591-08-Y11	EA	Curtain Asm. - Wraparound - Drivers - Velcro Top - 32.5" x 86" (Y34)
4	077591-08-Y83	EA	Curtain Asm. - Wraparound - Drivers - Velcro Top - 32.5" x 86" (Y83)
5	077591-07-Y10	EA	Curtain Asm. - Wraparound - Passenger - Velcro Top - 32.5" x 86" (Y33)
5	077591-07-Y11	EA	Curtain Asm. - Wraparound - Passenger - Velcro Top - 32.5" x 86" (Y34)
5	077591-07-Y83	EA	Curtain Asm. - Wraparound - Passenger - Velcro Top - 32.5" x 86" (Y83)
6	073304-30-Y10	EA	Curtain Asm. - Snap Top - 34" x 37" (Y33)
6	073304-30-Y11	EA	Curtain Asm. - Snap Top - 34" x 37" (Y34)
6	073304-30-Y83	EA	Curtain Asm. - Snap Top - 34" x 37" (Y83)
7	M81977-35-Y05	EA	Valance Asm. - Padded - 30.5" w/Oak Trim (Y33)
7	M81977-35-Y06	EA	Valance Asm. - Padded - 30.5" w/Oak Trim (Y34)
7	M81977-35-Y83	EA	Valance Asm. - Padded - 30.5" w/Oak Trim (Y83)
7	093454-13-Y10	EA	Curtain Asm. - Gathered Snap Top - 22.5" x 10" (Y33)
7	093454-13-Y11	EA	Curtain Asm. - Gathered Snap Top - 22.5" x 10" (Y34)
7	093454-13-Y83	EA	Curtain Asm. - Gathered Snap Top - 22.5" x 10"
7	093455-04-Y33	EA	Shade Asm. - Double Hem - 28.25" (Y33)
7	093455-04-Y34	EA	Shade Asm. - Double Hem - 28.25" (Y34)
7	093455-17-Y83	EA	Shade Asm. - Double Hem - 28.25" (Y83)
8	M81977-29-Y05	EA	Valance Asm. - Padded - 61" - w/Oak Trim (Y33)
8	M81977-29-Y06	EA	Valance Asm. - Padded - 61" - w/Oak Trim (Y34)
8	M81977-42-Y83	EA	Valance Asm. - Padded - 61.5" - w/Oak Trim (Y83)
8	093454-06-Y07	EA	Curtain Asm. - Gathered Snap Top - 29.5" x 15" (Y33)
8	093454-06-Y06	EA	Curtain Asm. - Gathered Snap Top - 29.5" x 15" (Y34)
8	093454-14-Y83	EA	Curtain Asm. - Gathered Snap Top - 29.5" x 15" (Y83)
	073304-04-Y10	EA	Curtain Asm. - Room Divider - 64" x 53" - Snap Top (Y33)
	073304-04-Y11	EA	Curtain Asm. - Room Divider - 64" x 53" - Snap Top (Y34)
	073304-04-Y83	EA	Curtain Asm. - Room Divider - 64" x 53" - Snap Top (Y83)
	066121-03-000	EA	Curtain Asm. - Shower Liner - 62" x 40"
	073260-23-Y23	EA	Tieback Asm. - 3" x 18" (Y33)
	073260-23-Y06	EA	Tieback Asm. - 3" x 18" (Y34)
	073260-23-W06	EA	Tieback Asm. - 3" x 18" (Y83)
	057534-01-000	EA	Tieback - Clear Plastic - 6"
	057534-04-000	EA	Tieback - Clear Plastic - 20"

## 1989 ITASCA TABLE OF CONTENTS

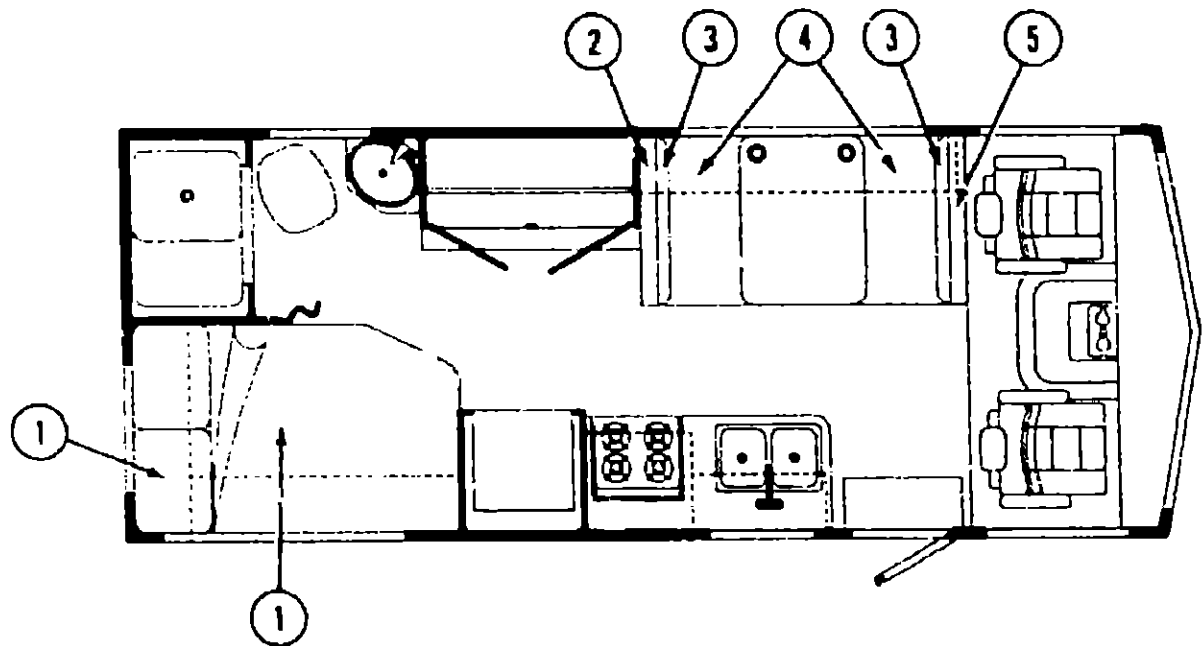
ICF22EC  
ICF27EU

A-01 - C-08  
C-09 - E-23

## 1989 ICF22EC INDEX

Floor Plan	A-01 - A-02
Accessories Group	A-03 - A-04
Bath Group	A-05
Chassis Group Group	A-06 - A-07
Curtain, Cushion & Pad Group	A-08 - A-15
Dinette Group	A-16
Driver's Compartment Group	A-17 - A-20
Electrical Group	A-21 - A-23
Exterior Body Group	A-24 - B-08
Galley Group	B-09 - B-10
Heating & Air Conditioning Group	B-11 - B-12
Interior Finish Group	B-13 - B-15
LP Group	B-16
Lounge Group	B-17
Water & Sewage Group	B-18 - B-20
Window, Vent & Exterior Door Group	B-21 - C-03

**CURTAIN, CUSHION & PAD GROUP (CONTINUED)**



DOUBLE BED MATTRESS (Y33 - BLUE) (Y34 - SALMON) (Y83 - ROSE)		
Key	Part Number	U/M Description
1	093462-04-000	EA Mattress - Foam - 48" x 75"
1	081969-06-Y30	EA Bedspread - Fitted - 48" (Y33)
1	081969-06-Y31	EA Bedspread - Fitted - 48" (Y34)
1	081969-06-Y83	EA Bedspread - Fitted - 48" (Y83)
1	081997-03-Y30	EA Pillow Sham - Quilted (Y33)
1	081997-03-Y31	EA Pillow Sham - Quilted (Y34)
1	081997-03-Y83	EA Pillow Sham - Quilted (Y83)

DINETTE CUSHION & PAD (Y33 - BLUE) (Y34 - SALMON) (Y83 - ROSE)		
Key	Part Number	U/M Description
2	081519-02-Y07	EA Dinette Pad - Rear (Y33)
2	081519-02-Y09	EA Dinette Pad - Rear (Y34)
2	081519-02-Y83	EA Dinette Pad - Rear (Y83)
3	088927-18-Y07	EA Dinette Cushion - Back - Angled - 13" x 38" x 5" (Y33)
3	088927-18-Y29	EA Dinette Cushion - Back - Angled - 13" x 38" x 5" (Y34)
3	088927-18-Y83	EA Dinette Cushion - Back - Angled - 13" x 38" x 5" (Y83)
	M88927-18-Y07	EA Cover - Dinette Cushion Back - Angled (Y33)
	M88927-18-Y29	EA Cover - Dinette Cushion Back - Angled (Y34)
	M88927-18-Y83	EA Cover - Dinette Cushion Back - Angled (Y83)
4	088927-19-Y07	EA Dinette Cushion - Bottom - 22" x 38" x 5" (Y33)
4	088927-19-Y29	EA Dinette Cushion - Bottom - 22" x 38" x 5" (Y34)
4	088927-19-Y83	EA Dinette Cushion - Bottom - 22" x 38" x 5" (Y83)
	M88927-19-Y07	EA Cover - Dinette Cushion - Bottom (Y33)
	M88927-19-Y29	EA Cover - Dinette Cushion - Bottom (Y34)
	M88927-19-Y83	EA Cover - Dinette Cushion - Bottom (Y83)
5	081519-01-Y07	EA Dinette Pad - Front (Y33)
5	081519-01-Y09	EA Dinette Pad - Front (Y34)
5	081519-01-Y83	EA Dinette Pad - Front (Y83)

FRONT BUNK		
Key	Part Number	U/M Description
	079145-04-000	EA Front Bunk Cushion
	M79145-04-000	EA Cover - Front Bunk Cushion

**1989 ITASCA  
TABLE OF CONTENTS**

ICF22EC  
ICF27EU

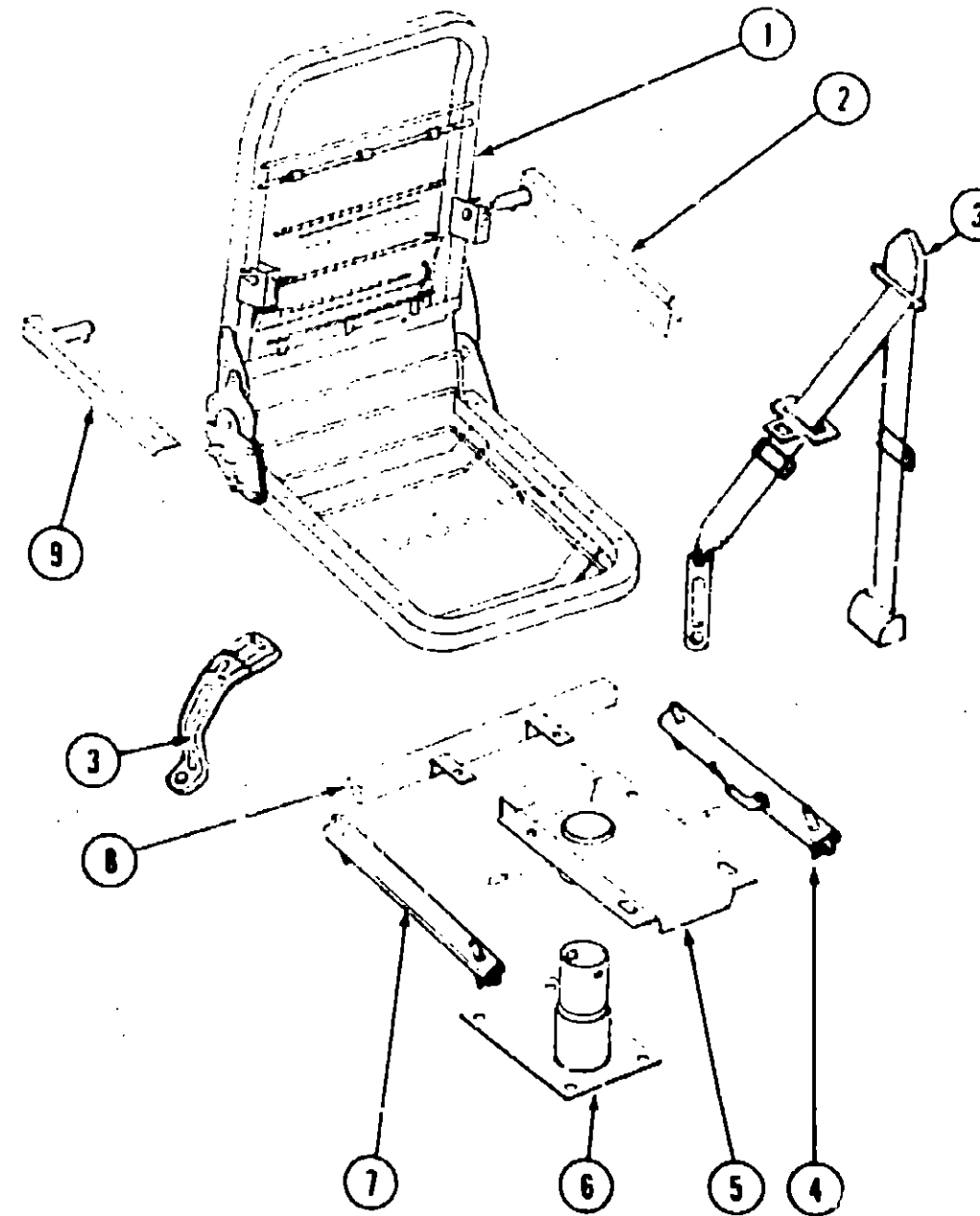
A-01 - C-08  
C-09 - E-23

**1989 ICF22EC INDEX**

Floor Plan	A-01 - A-02
Accessories Group	A-03 - A-04
Bath Group	A-05
Chassis Group Group	A-06 - A-07
Curtain, Cushion & Pad Group	A-08 - A-15
Dinette Group	A-16
Driver's Compartment Group	A-17 - A-20
Electrical Group	A-21 - A-23
Exterior Body Group	A-24 - B-08
Galley Group	B-09 - B-10
Heating & Air Conditioning Group	B-11 - B-12
Interior Finish Group	B-13 - B-15
LP Group	B-16
Lounge Group	B-17
Water & Sewage Group	B-18 - B-20
Window, Vent & Exterior Door Group	B-21 - C-08

**BUCKET SEAT - STRATON**  
(Y33 - BLUE) (Y34 - SALMON) (Y83 - ROSE)

Key	Part Number	U/M	Description
	093456-04-Y33	EA	Bucket Seat - Royale - w/o Headrest (Y33)
	093456-04-Y34	EA	Bucket Seat - Royale - w/o Headrest (Y34)
	093450-02-Y83	EA	Bucket Seat - Royale - w/o Headrest (Y83)
	M03445-05-Y33	EA	Cover Asm. - Royale Seat (Y33)
	M03445-05-Y34	EA	Cover Asm. - Royale Seat (Y34)
	M03445-03-Y83	EA	Cover Asm. - Royale Seat (Y83)
	M03445-06-Y33	EA	Cover Asm. - Royale Back (Y33)
	M03445-06-Y34	EA	Cover Asm. - Royale Back (Y34)
	M03445-04-Y83	EA	Cover Asm. - Royale Back (Y83)
	080243-32-Y33	EA	Armrest Asm. - Right (Y33)
	080243-32-Y34	EA	Armrest Asm. - Right (Y34)
	080243-32-Y83	EA	Armrest Asm. - Right (Y83)
	M80243-32-Y33	EA	Cover - Armrest Asm. - Right (Y33)
	M80243-32-Y34	EA	Cover - Armrest Asm. - Right (Y34)
	M80243-32-Y83	EA	Cover - Armrest Asm. - Right (Y83)
	080243-33-Y33	EA	Armrest Asm. - Left (Y33)
	080243-33-Y34	EA	Armrest Asm. - Left (Y34)
	080243-33-Y83	EA	Armrest Asm. - Left (Y83)
	M80243-33-Y33	EA	Cover - Armrest Asm. - Left (Y33)
	M80243-33-Y34	EA	Cover - Armrest Asm. - Left (Y34)
	M80243-33-Y83	EA	Cover - Armrest Asm. - Left (Y83)
	M80906-01-000	EA	Frame Asm. - Seat, Back & Spring
	080730-02-000	EA	Recliner Hinge - Bucket Seat
	080731-02-000	EA	Slave Hinge - Bucket Seat
	081362-01-000	EA	Bracket - Right Armrest
	081362-02-000	EA	Bracket - Left Armrest
	081268-01-000	EA	Metal Frame - Right Armrest
	081268-02-000	EA	Metal Frame - Left Armrest
	060730-03-000	EA	Handle - Recliner
	080730-04-000	EA	Screw - Recliner Handle
	080730-05-000	EA	Shield - Recliner
	069246-01-000	EA	Seat Adjuster - w/lock
	069246-02-000	EA	Seat Adjuster - w/o Lock
	069585-27-000	EA	Top Plate - Pedestal
	069585-29-000	EA	Bar - Seat Belt - 20"
	071126-24-Y15	EA	Skirt Asm. - Bucket (Y33)
	071126-24-Y25	EA	Skirt Asm. - Bucket (Y34)
	071126-24-Y83	EA	Skirt Asm. - Bucket (Y83)



**BUCKET SEAT HARDWARE**

Key	Part Number	U/M	Description
1	M80906-01-000	EA	Frame Asm. - Bucket Seat
2	081268-02-000	EA	Frame - Armrest - Left
3	091990-02-01A	EA	Seat Belt - Drivers - 3 Point
	091990-01-01A	EA	Seat Belt - Passenger - 3 Point
4	069246-01-000	EA	Adjuster Asm. - Seat - w/lock
5	069585-27-000	EA	Top Plate - Non-Powered Seat
6	069585-08-000	EA	Sub Plate - 8" - Used w/Non-Powered Seat
7	069246-02-000	EA	Adjuster Asm. - Seat w/o Lock
8	065485-29-000	EA	Seat Belt Bar - 20"
8	092760-01-000	EA	Seat Belt Bar - 18" (Used w/Telescoping Seat)
9	081268-01-000	EA	Frame - Armrest - Right
	092759-01-000	EA	Podestal Asm. - Telescoping (Passenger Seat)
	080730-03-700	EA	Kit - Recliner Handle
	080730-05-000	EA	Shield - Recliner

**1989 ITAS**  
**TABLE OF CONTENTS**

ICF22EC  
ICF27EU

A-01 - C-08  
C-09 - E-23

**1989 ICF22EC INDEX**

Floor Plan	A-01 - A-02
Accessories Group	A-03 - A-04
Bath Group	A-05
Chassis Group Group	A-06 - A-07
Curtain, Cushion & Pad Group	A-08 - A-15
Dinette Group	A-16
Driver's Compartment Group	A-17 - A-20
Electrical Group	A-21 - A-23
Exterior Body Group	A-24 - B-08
Galley Group	B-09 - B-10
Heating & Air Conditioning Group	B-11 - B-12
Interior Finish Group	B-13 - B-15
LP Group	B-16
Lounge Group	B-17
Water & Sewage Group	B-18 - B-20
Window, Vent & Exterior Door Group	B-21 - C-08

**CURTAIN, CUSHION & PAD GROUP (CONTINUED)**

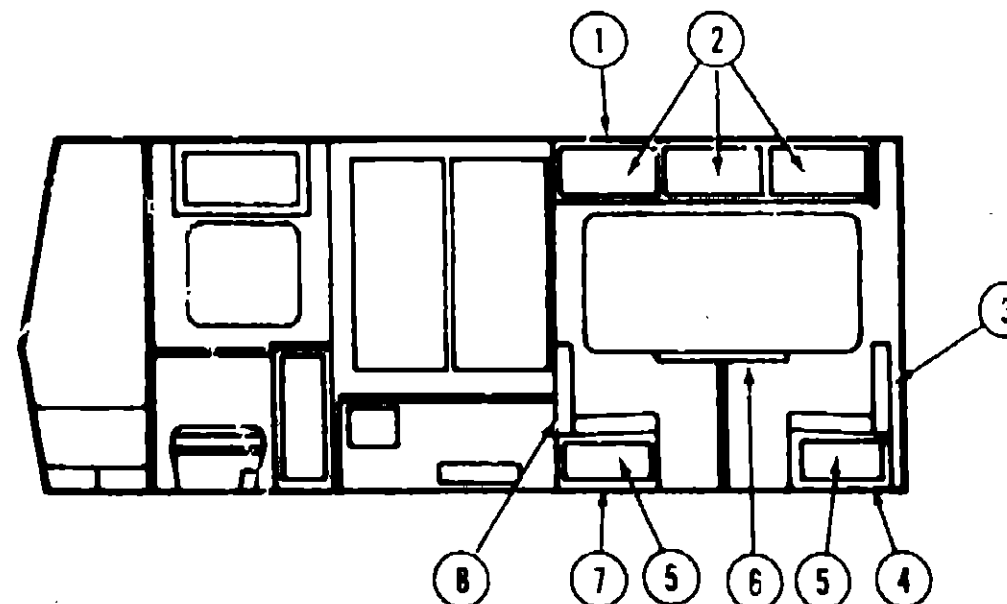
**PADS & TRIM**

Key	Part Number	U/M	Description
	081519-01-Y07	EA	Pad Asm. - Dinette - Back (Y33)
	081519-01-Y09	EA	Pad Asm. - Dinette - Back (Y34)
	081519-01-Y83	EA	Pad Asm. - Dinette - Back (Y83)
	081519-02-Y07	EA	Pad Asm. - Dinette - Front (Y33)
	081519-02-Y09	EA	Pad Asm. - Dinette - Front (Y34)
	081519-02-Y83	EA	Pad Asm. - Dinette - Front (Y83)
	082286-01-U04	EA	Sunvisor Asm. - Driver
	083386-03-U04	EA	Sunvisor Asm. - w/Mirror - Passenger
	070578-06-T03	EA	Button Asm. - #30 - Buckskin Vinyl

**FABRIC & TRIM**

Key	Part Number	U/M	Description
	088274-52-000	YD	Fabric - Upholstery - Main (Y33)
	088274-53-000	YD	Fabric - Upholstery - Main (Y34)
	088274-23-000	YD	Fabric - Upholstery - Main (Y83)
	088274-79-000	YD	Fabric - Upholstery - Accent (Y33)
	088274-78-000	YD	Fabric - Upholstery - Accent (Y34)
	088274-26-000	YD	Fabric - Upholstery - Accent (Y83)
	088273-25-000	YD	Fabric - Bedspread (Y33)
	088273-26-000	YD	Fabric - Bedspread (Y34)
	088273-02-000	YD	Fabric - Bedspread (Y83)
	072333-38-000	YD	Fabric - Drapery Wraparound/Blackout - Carnival (Y83)
	072333-61-000	YD	Fabric - Drapery Wraparound/Blackout - Pacific (Y33)
	072333-62-000	YD	Fabric - Drapery Wraparound/Blackout - Rose Beige (Y34)
	088273-02-000	YD	Fabric - Drapery - Slate (Y83)
	072333-25-000	YD	Fabric - Drapery - Pacific (Y33)
	072333-26-000	YD	Fabric - Drapery - Rose Beige (Y34)
	081926-01-000	YD	Backing - Quilting - Celestra
	029103-01-000	YD	Buckram - Non-Woven - 2
	079680-09-000	YD	Vinyl - Off White
	075244-02-000	YD	Vinyl - Shower Curtain - 72" Wide
	079680-01-000	YD	Vinyl - Expanded - 26 oz. Buckskin (End Caps)
	072860-58-000	YD	Carpet - Champagne (Y83)
	072860-84-000	YD	Carpet - Graphite (Y33)
	072860-69-000	YD	Carpet - Rose Mist (Y34)
	078245-01-000	EA	Boot - Steering Column
	053552-02-W24	EA	Assist Strap - Interior

**DINETTE GROUP**



**CONVENTIONAL DINETTE & OVERHEAD CABINERY**

Key	Part Number	U/M	Description
1	M94604-01-Y10	EA	Cabinet Asm. - Dinette Overhead - w/o Doors or Hardware
2	M88304-16-W89	EA	Door Asm. - Dinette Overhead - w/o Hardware - 14.37" x 21.85"
3	M03079-01-W89	EA	Cabinet Asm. - Dinette Back - Right
4	M03078-01-W89	EA	Cabinet Asm. - Dinette Seat - Right - w/o Hardware
5	M88304-21-X08	EA	Door Asm. - Dinette Seat - w/o Hardware - 10" x 19"
6	M02115-09-Y30	EA	Table Asm. - Dinette - w/o Hardware
7	M03078-02-W89	EA	Cabinet Asm. - Dinette Seat - Left - w/o Door or Hardware
8	M03079-02-W89	EA	Cabinet Asm. - Dinette Back - Left

**DINETTE PADS**

Key	Part Number	U/M	Description
	081519-01-Y07	EA	Dinette Pad Asm. - Right (Y33)
	081519-01-Y09	EA	Dinette Pad Asm. - Right (Y34)
	081519-01-Y83	EA	Dinette Pad Asm. - Right (Y83)
	081519-02-Y07	EA	Dinette Pad Asm. - Left (Y33)
	081519-02-Y09	EA	Dinette Pad Asm. - Left (Y34)
	081519-02-Y83	EA	Dinette Pad Asm. - Left (Y83)

**1989 ITASCA  
TABLE OF CONTENTS**

ICF22EC  
ICF27EU

A-01 - C-08  
C-09 - E-23

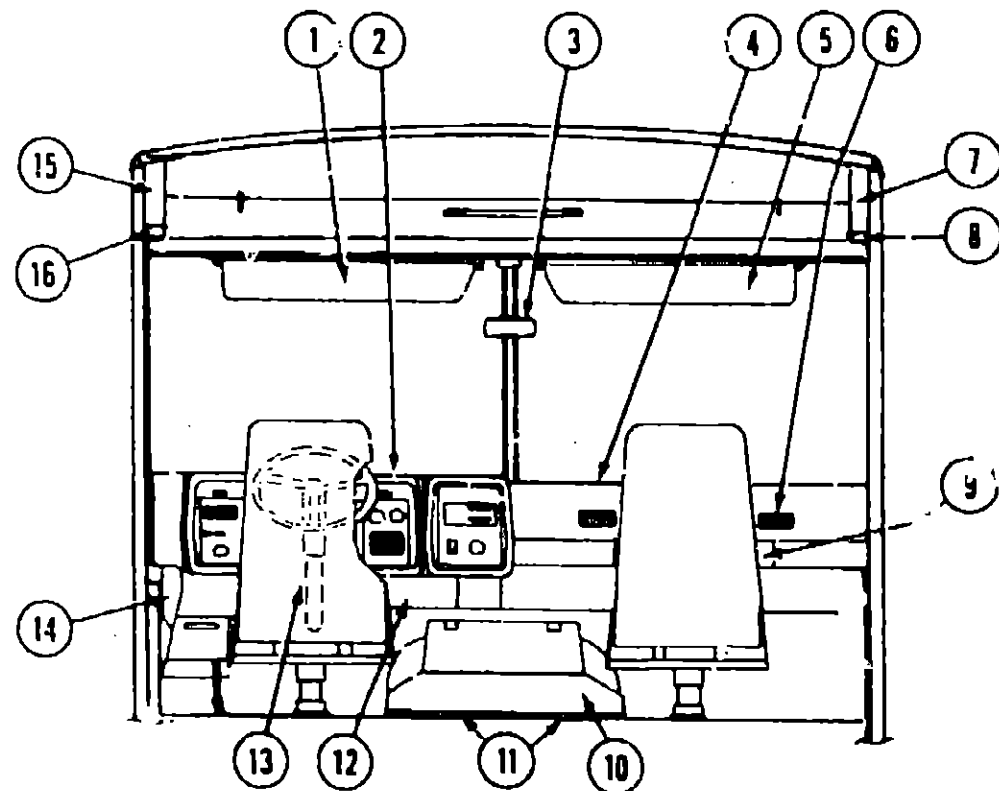
**1989 ICF22EC INDEX**

Floor Plan	A-01 - A-02
Accessories Group	A-03 - A-04
Bath Group	A-05
Chassis Group Group	A-06 - A-07
Curtain, Cushion & Pad Group	A-08 - A-15
Dinette Group	A-16
Driver's Compartment Group	A-17 - A-20
Electrical Group	A-21 - A-23
Exterior Body Group	A-24 - B-08
Galley Group	B-09 - B-10
Heating & Air Conditioning Group	B-11 - B-12
Interior Finish Group	B-13 - B-15
LP Group	B-16
Lounge Group	B-17
Water & Sewage Group	B-18 - B-20
Window, Vent & Exterior Door Group	B-21 - C-08



## DRIVER'S COMPARTMENT GROUP

### MISCELLANEOUS DRIVER'S COMPARTMENT COMPONENTS



Key	Part Number	U/M	Description
1	082256-01-U04	EA	Sunvisor Asm. - Drivers
2	079088-01-000	EA	Dash Pad - Instrument Panel - Drivers
2	078582-02-000	EA	Dash Panel - Front Drivers - w/o Defroster Vents
3	040714-01-700	EA	Mirror - Inside Rear View - w/Button Support
4	079089-01-000	EA	Dash Pad - Instrument Panel - Passenger
5	082286-03-U04	EA	Sunvisor Asm. - Passenger - w/Mirror
6	039044-01-000	EA	Louver Asm. - Air Conditioner - Adjustable Vent
7	080855-05-000	EA	Side Trim - Passengers Front Upper - w/Bunk
8	080856-05-000	EA	Side Trim - Passenger Front Lower - w/Bunk
	059467-04-T03	EA	Pad - Map Pocket - Passenger - Vinyl
9	022219-01-000	EA	Glove Compartment Door
	023892-01-000	EA	Glove Compartment Box - Black Fiberboard
	009118-01-000	EA	Glove Compartment Twist Lock
	024598-01-000	EA	Hinge - Glove Compartment
10	075939-01-000	EA	Motor Cover - Fiberglass
	075564-01-000	EA	Mounting Bracket - Motor Cover
11	039823-01-000	FT	Seal - Engine Cover - Neoprene
12	025234-01-000	EA	Panel - Knee Kick - Bottom of Dash
	078245-01-000	EA	Steering Column Boot - Vinyl
13	040594-01-000	EA	Cover - Steering Column - Black Plastic
14	082471-02-000	EA	Panel - Drivers Door - Inner - Plastic
	046886-03-000	EA	Ash Tray - Chrome
	089294-01-000	EA	Cigarette Lighter Asm. - 12 Volt
	061424-01-000	EA	Lamp Asm. - Map/Gauge
	061400-06-000	EA	Assist Strap - 12" - Sandstone
15	080855-06-000	EA	Side Trim - Drivers Front Upper - w/Bunk
16	080855-06-000	EA	Side Trim - Drivers Front Lower - w/Bunk
	054250-01-000	EA	Support - Dimmer Switch - w/o Hole

### FRONT BUNK

Key	Part Number	U/M	Description
	076760-03-000	EA	Overhead Bunk Hardware (Chieftain & Sunflyer)
	081717-01-Y10	EA	Bed Asm. - Front Bunk
	079144-02-T03	EA	Bunk Strap
	042541-04-000	EA	Latch Asm. - w/o Strike - Brass
	042541-05-000	EA	Latch Strike - Brass
	080855-05-000	EA	Side Trim - Passengers Front Upper
	080856-05-000	EA	Side Trim - Passengers Front Lower
	080855-06-000	EA	Side Trim - Drivers Front Upper
	080856-06-000	EA	Side Trim - Drivers - Front Lower

## 1989 ITASCA TABLE OF CONTENTS

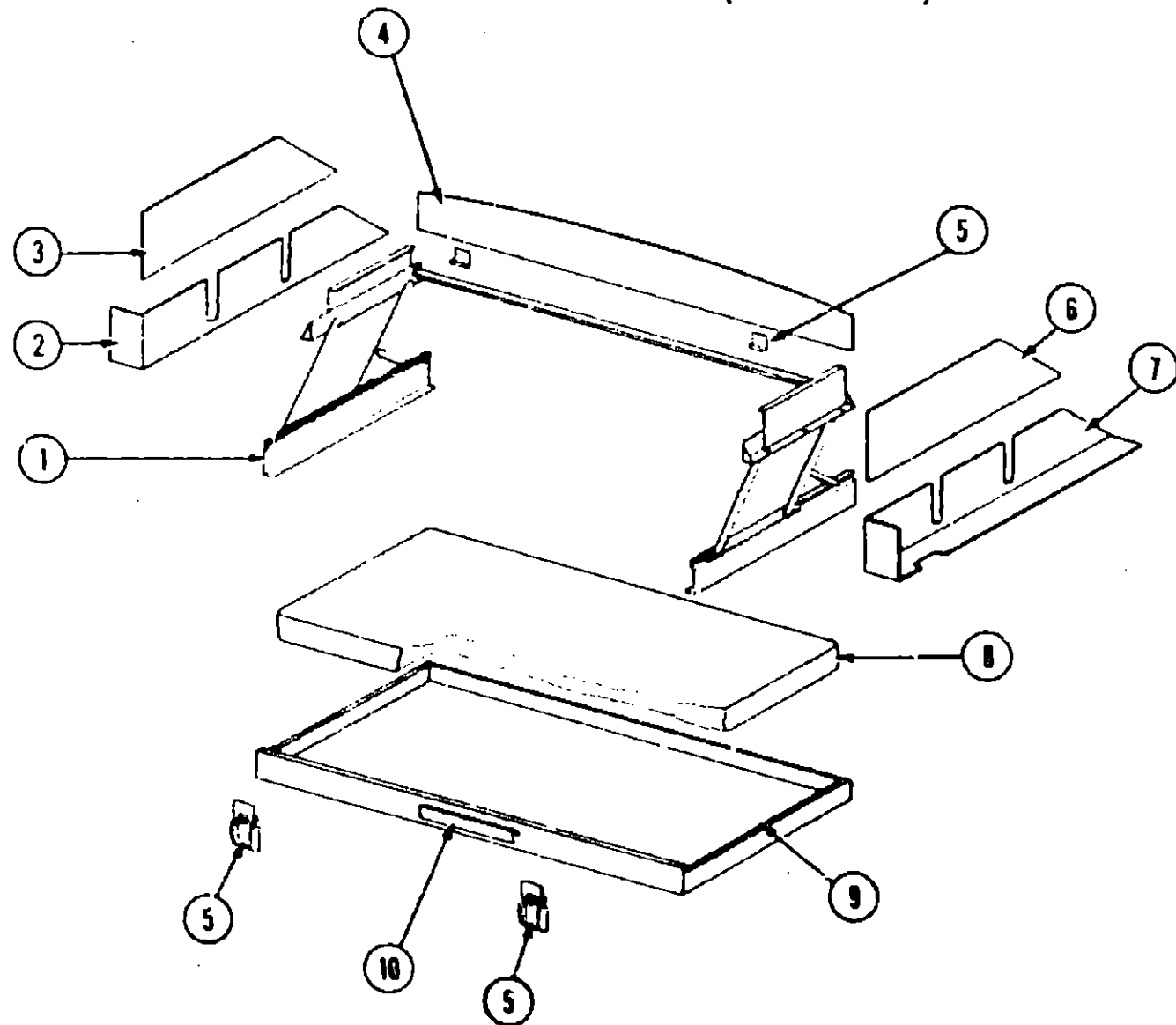
ICF22EC  
ICF27EU

A-01 - C-08  
C-09 - E-23

### 1989 ICF22EC INDEX

Floor Plan	A-01 - A-02
Accessories Group	A-03 - A-04
Bath Group	A-05
Chassis Group Group	A-06 - A-07
Curtain, Cushion & Pad Group	A-08 - A-15
Dinette Group	A-16
Driver's Compartment Group	A-17 - A-20
Electrical Group	A-21 - A-23
Exterior Body Group	A-24 - B-08
Galley Group	B-09 - B-10
Heating & Air Conditioning Group	B-11 - B-12
Interior Finish Group	B-13 - B-15
LP Group	B-16
Lounge Group	B-17
Water & Sewage Group	B-18 - B-20
Window, Vent & Exterior Door Group	B-21 - C-08

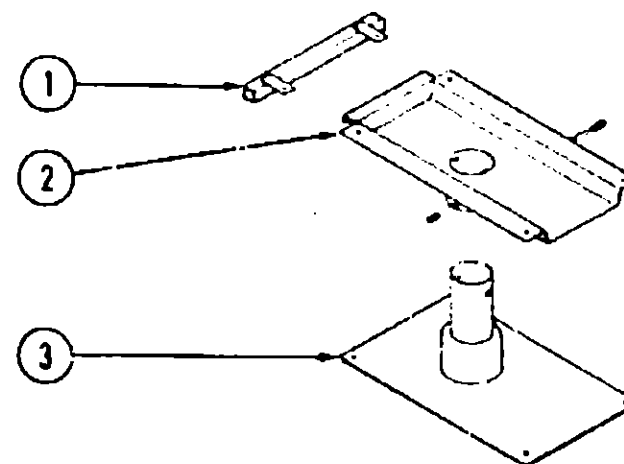
**DRIVER'S COMPARTMENT GROUP (CONTINUED)**



**FRONT OVERHEAD BUNK & HARDWARE (OPTION 91H)**

Key	Part Number	U/M	Description
1	076760-03-000	EA	Hardware Asm. - Overhead Bunk
2	080856-06-000	EA	Trim - Lower Side - Bunk - Drivers
3	080855-06-000	EA	Trim - Upper Side - Bunk - Drivers
4	081715-01-Y70	EA	Board Asm. - Bunk Trim w/Vinyl
5	042541-04-700	EA	Latch Asm. w/Strike (2 ea.)
6	080855-05-000	EA	Trim - Upper Side - Bunk - Passengers
7	080856-05-000	EA	Trim - Lower Side - Bunk - Passenger
8	079145-04-000	EA	Cushion Asm. - 34" x 78"
9	081717-01-Y10	EA	Bed Asm. - Front Bunk
10	094658-01-Y12	EA	Handle - Oak

**DRIVER'S COMPARTMENT GROUP (CONTINUED)**



**BUCKET SEAT PEDESTAL & SEAT BELTS**

Key	Part Number	U/M	Description
1	069585-29-000	EA	Bar - Seat Belt - 20"
2	069585-27-000	EA	Plate - Top - Pedestal Asm. - Single Bucket Seat
3	069585-08-000	EA	Plate - Sub - Pedestal Asm. - Bucket Seat
	007019-01-000	EA	Belt Asm. - Seat - 2" x 84" - Black
	007021-01-000	EA	Belt Asm. - Seat - 2" x 90" - Black
	056271-02-000	EA	Belt Asm. - Seat - 2" x 72" - Black
	057759-01-000	EA	Bracket - Seat Belt Washer
	069246-01-000	EA	Adjuster Asm. - Seat - w/Lock
	069246-02-000	EA	Adjuster Asm. - Seat - w/o Lock

**DASH SWITCHES & GAUGES**

Key	Part Number	U/M	Description
	024461-01-000	EA	Switch - Battery
	024462-01-000	EA	Switch - Battery Condition
	065963-04-000	EA	Switch - Battery - Dual Boost
	024978-01-000	EA	Switch - Generator w/o Circuit Board
	024459-04-000	EA	Gauge - Voltmeter
	024460-04-000	EA	Gauge - Vacuum
	031035-01-000	EA	Gauge - Generator Hourmeter
	065963-04-000	EA	Switch - Aux. Battery - DPDT

**1989 ITASCA  
TABLE OF CONTENTS**

ICF22EC  
ICF27EU

A-01 - C-08  
C-09 - E-23

**1989 ICF22EC INDEX**

Floor Plan	A-01 - A-02
Accessories Group	A-03 - A-04
Bath Group	A-05
Chassis Group Group	A-06 - A-07
Curtain, Cushion & Pad Group	A-08 - A-15
Dinette Group	A-16
Driver's Compartment Group	A-17 - A-20
Electrical Group	A-21 - A-23
Exterior Body Group	A-24 - B-08
Galley Group	B-09 - B-10
Heating & Air Conditioning Group	B-11 - B-12
Interior Finish Group	B-13 - B-15
LP Group	B-16
Lounge Group	B-17
Water & Sewage Group	B-18 - B-20
Window, Vent & Exterior Door Group	B-21 - C-08

## ELECTRICAL GROUP

### WIRE SWITCHES & RECEPTACLES

Key	Part Number	U/M	Description
	008288-01-000	EA	Box - Electrical - 3" x 3.5" - Plastic
	008289-01-000	EA	Box - Electrical - 4" x 4" - 1/2 & 3/4 Steel
	008289-02-000	EA	Box - Electrical - 4" x 4" - 1/2 & 3/4 Steel (CSA)
	058049-01-000	EA	Box - Electrical - 2" x 3" x 2.25" - Steel (CSA)
	041953-01-000	FT	Conduit - Convolute Slit - .5" ID
	041953-03-000	FT	Conduit - Convolute Slit - 1" ID
	041953-05-000	FT	Conduit - Convolute Slit - .375" ID
	008353-01-000	EA	Connector - Clamping - 3/8 Cable
	008356-01-000	EA	Connector - Plastic - 3/8" Avg.
	058026-01-000	EA	Connector - Pigtail - Clear Nylon
	005311-01-000	EA	Connector - Wire Nut - Red
	008314-01-000	EA	Connector - Wire Nut - Gray
	008054-01-000	EA	Cord - Power - 10-3 30 Amp. - 25'
	008054-02-000	EA	Cord - Power - 10-3 30 Amp. - 33'
	008052-01-000	EA	Cord - Power - 10-3 30 Amp. - 25' (CSA)
	009426-01-000	EA	Hatch - Power Cord - White
	008294-01-000	EA	Cover Plate - Blank - Steel 4 x 4 (USA)
	008294-02-000	EA	Cover Plate - Blank - Steel 4 x 4 (CSA)
	074890-01-000	EA	Extension Ring - Electrical Box - 1 1/2
	074017-02-000	EA	Housing Asm. - 5 Position
	097744-02-000	EA	Housing Asm. - Trailer Pin - 48"
	097746-01-000	EA	Housing Asm. - Trailer Cap
	097745-02-000	EA	Housing Asm. - Trailer Receptacle - 48"
	082109-01-000	EA	Housing - Connector
	088473-01-000	EA	Housing Pin
	088473-02-000	EA	Housing Pin - 15 Position
	088473-03-000	EA	Housing Pin - 9 Position
	088473-05-000	EA	Housing Pin - 6 Position In Line
	088473-06-000	EA	Housing Pin - 6 Position
	088473-08-000	EA	Housing Pin - 4 Position
	088473-09-000	EA	Housing Pin - 3 Position
	088473-10-000	EA	Housing Pin - 2 Position
	088474-01-000	EA	Housing Socket
	088474-02-000	EA	Housing Socket - 15 Position
	088474-03-000	EA	Housing Socket - 9 Position
	088474-06-000	EA	Housing Socket - 6 Position
	088474-08-000	EA	Housing Socket - 4 Position
	088474-09-000	EA	Housing Socket - 3 Position
	063910-01-000	EA	Housing - Relay
	088475-01-000	EA	Pin - Connector
	075736-03-000	EA	Receptacle/Cover Asm. - Beige (Exterior)
	084077-01-000	EA	Receptacle Cover - Ivory (Ground Fault Interrupter)
	084077-02-000	EA	Receptacle Cover - Brown (Ground Fault Interrupter)
	064076-01-000	EA	Receptacle - 15 Amp - 125 Volt - Ivory (Ground Fault Interrupter)
	058708-02-000	EA	Receptacle - Duplex - Ivory
	024324-02-000	EA	Receptacle - Power Cord
	058707-01-000	EA	Receptacle - Single - Brown
	007940-01-000	EA	Receptacle - Slide - 16 to 12 Awg.
	086273-01-000	EA	Relay - Battery Disconnect
	067789-02-000	EA	Socket Asm. - Lamp
	088476-01-000	EA	Socket - Connector
	094086-01-01A	EA	Switch Plate - Single Gang - Black
	081066-02-000	EA	Switch Plate - 2 Gang - 2 Switch
	079362-04-000	EA	Switch Plate - 4 Gang - 2 Switch
	079363-03-000	EA	Switch Plate - Single w/Switch - Polished Brass
	079364-01-000	EA	Switch - ON/OFF Rocker - Brown
	079364-03-000	EA	Switch - ON/OFF - Rocker
	008195-01-000	EA	Switch - Push Button - 12 Volt
	076759-01-000	EA	Switch - SPST - Lock/Lock
	076759-03-000	EA	Switch - SPST - Lock/Lock/Lock
	076759-04-000	EA	Switch - SPDT - Mom/Lock/Mom
	076759-05-000	EA	Switch - SPDT - Lock/Lock/Mom

## ELECTRICAL GROUP (CONTINUED)

### WIRE, SWITCHES & RECEPTACLES (CONT.)

Key	Part Number	U/M	Description
	076759-06-000	EA	Switch - Dummy
	076759-07-000	EA	Switch - SPST - Mom/Off/Lock
	076759-09-000	EA	Switch - SPDT - Lock/Lock
	073937-03-000	EA	Switch - Rotary - 3 Deck - A/C Select
	035416-04-000	EA	Terminal Ring - #10 Stud Fit
	008328-01-000	EA	Terminal Ring - 12/10 Wire
	00E348-01-000	EA	Terminal Ring - 2 - 3/8 Stud
	008331-01-000	EA	Terminal Ring - 4 - 3/8 Stud
	G62036-02-000	EA	Terminal - Pack - Con - 1F/14 ANG
	008026-01-000	FT	Wire w/Ground - Romex - 12/2
	008343-01-000	EA	Wire Tie - 6"
	008343-02-000	EA	Wire Tie - 14"

### FUSES & CIRCUIT BREAKERS

Key	Part Number	U/M	Description
	062901-02-000	EA	Fuse - 5 Amp. - Automotive
	062901-05-000	EA	Fuse - 15 Amp. - Automotive
	008211-01-000	EA	Circuit Breaker - 6 Amp. - 12 Volt
	093654-01-000	EA	Circuit Breaker - 6 Amp. - 12 Volt
	093654-02-000	EA	Circuit Breaker - 15 Amp. - 12 Volt
	083210-02-000	EA	Circuit Breaker - 15 Amp - 120 Volt (Ground Fault Interrupter)
	083209-02-000	EA	Circuit Breaker - 15/15 Amp. - 120 Volt
	083209-03-000	EA	Circuit Breaker - 15/20 Amp. - 120 Volt
	093654-03-000	EA	Circuit Breaker - 20 Amp. - 12 Volt
	083209-05-000	EA	Circuit Breaker - 20 Amp. - 120 Volt
	093655-01-000	EA	Circuit Breaker - 25 Amp. - 12 Volt
	093655-02-000	EA	Circuit Breaker - 30 Amp. - 12 Volt
	083209-06-000	EA	Circuit Breaker - 30/15 Amp. - 120 Volt
	093655-03-000	EA	Circuit Breaker - 40 Amp. - 12 Volt

### MISCELLANEOUS ELECTRICAL COMPONENTS

Key	Part Number	U/M	Description
	063739-01-000	EA	Battery - 12 Volt - 80 Amp. - Gould
	089294-01-000	EA	Lighter Asm. - Cigarette
	072852-01-000	EA	Smoke Detector w/9 Volt Battery
	083208-01-000	EA	Control Center - 32A - 120 V/12 V
	094809-01-000	EA	Load Center - 240 V - 125 Amp. (Export)
	051912-01-000	EA	Transformer - Dry Control (Export)

### BULBS

Key	Part Number	U/M	Description
	008103-01-000	EA	Bulb - 53 (Aisle Light)
	036196-01-000	EA	Bulb - 194 (Courtesy & Clearance Lights)
	072696-01-709	EA	Bulb - 912 (Stove Hood)
	008215-01-000	EA	Bulb - 1003 (Shower Light)
	067479-01-000	EA	Bulb - 1076 (Wall Lamp)
	063914-01-000	EA	Bulb - 1139 (Reading Light)
	008218-01-000	EA	Bulb - 1141 (Dome Light)
	037934-01-000	EA	Bulb - 1156 (Back-Up Light)
	081633-01-700	EA	Bulb - Make-Up Light
	084880-01-706	EA	Bulb - DC Light (Refrigerator)
	088737-01-710	EA	Bulb - 30W (Microwave Oven)
	078424-02-700	EA	Bulb - Fluorescent - 18" (Galley)
	091937-03-000	EA	Bulb - Fluorescent - 18" (Ceiling)

## 1989 ITASCA TABLE OF CONTENTS

ICF22EC	A-01 - C-08
ICF27EU	C-09 - E-23

## 1989 ICF22EC INDEX

Floor Plan	A-01 - A-02
Accessories Group	A-03 - A-04
Bath Group	A-05
Chassis Group Group	A-06 - A-07
Curtain, Cushion & Pad Group	A-08 - A-15
Dinette Group	A-16
Driver's Compartment Group	A-17 - A-20
Electrical Group	A-21 - A-23
Exterior Body Group	A-24 - B-08
Galley Group	B-09 - B-10
Heating & Air Conditioning Group	B-11 - B-12
Interior Finish Group	B-13 - B-15
LP Group	B-16
Lounge Group	B-17
Water & Sewage Group	B-18 - B-20
Window, Vent & Exterior Door Group	B-21 - C-08

# ELECTRICAL GROUP (CONTINUED)

## INTERIOR LIGHTS & BULBS

Key	Part Number	U/M	Description
	098024-01-01A	EA	Dome Light - 1 Bulb - Ivory (US)
	098024-02-01A	EA	Dome Light - 1 Bulb - Ivory (CSA)
	033508-02-000	EA	Dome Light - 1 Bulb - Ivory (US)
	033508-03-000	EA	Dome Light - 1 Bulb - Ivory (CSA)
	033509-02-000	EA	Dome Light - 2 Bulb - Ivory (US)
	033509-03-000	EA	Dome Light - 2 Bulb - Ivory (CSA)
	086280-01-000	EA	Surface Mount - 12 V - Jensen
	R77013-48-179	EA	Switch - Dome Light
	098218-01-000	EA	Bulb - Dome Light
	072353-08-000	EA	Light Asm. - Reading - 350° Swivel - Tan
	063914-01-000	EA	Bulb - Reading Light
	061474-01-000	EA	Light Asm. - 12V - Rectangular - Aisle
	008103-01-000	EA	Bulb - Aisle Light
	087694-01-000	EA	Light Asm. - Wardrobe w/Switch
	087694-01-700	EA	Bulb - Wardrobe - Light
	076788-01-000	EA	Socket - Lamp - Mini - Bayonet (Dash)

## EXTERIOR LIGHTS & BULBS

Key	Part Number	U/M	Description
	042405-03-000	EA	Base - Clearance Light/Side Marker
	042405-01-000	EA	Lens - Red w/Reflex
	042405-02-000	EA	Lens - Amber - w/Reflex
	081250-01-000	EA	Light Asm. - Clearance - Amber
	081250-01-700	EA	Lens - Clearance - Amber
	081250-02-000	EA	Light Asm. - Clearance - Red
	081250-02-700	EA	Lens - Clearance - Red
	036196-01-000	EA	Bulb - Clearance Lights
	081437-01-000	EA	Bracket - Clearance Lights
	058032-02-000	EA	Light Asm. - Taillight
	062740-07-000	EA	Wedge - Taillight - Passengers
	062742-05-000	EA	Wedge - Taillight - Drivers
	037934-01-000	EA	Bulb - Back-Up Light
	007309-01-000	EA	Light Asm. - License
	049185-01-000	EA	Headlamp Capsule - Drivers - High/Low
	049186-01-000	EA	Headlamp Capsule - Passengers - High/Low
	049187-01-000	EA	Headlamp Capsule - Drivers - Low
	049188-01-000	EA	Headlamp Capsule - Passengers - Low
	090202-01-000	EA	Bezel - Headlamp - Right
	090202-02-000	EA	Bezel - Headlamp - Left
	033508-02-000	EA	Lamp Asm. - Storage Compartment - Ivory (US)
	033508-03-000	EA	Lamp Asm. - Storage Compartment - Ivory (CSA)
	008089-01-000	EA	Porch Light - Recessed (US)
	008089-02-000	EA	Porch Light - Recessed (CSA)
	008089-01-700	EA	Lens - Porch Light
	091981-01-000	EA	Gasket - Porch Light
	008215-01-000	EA	Bulb - Porch Light
	088747-01-000	EA	Light Asm. - Fog Light - Clear Lens (Option 57M)
	088747-01-700	EA	Lens - Fog Light

## WINDSHIELD WIPER & WASHER

Key	Part Number	U/M	Description
	056000-02-000	EA	Washer Asm. - Windshield
	057653-01-000	EA	Arm - Windshield Wiper - 18" - Black
	049464-03-000	EA	Blade Asm. - Windshield Wiper - 20" - Black
	049464-03-700	EA	Blade - Wiper Refill
	067190-04-000	EA	Shaft & Pivot Asm.
	077048-01-000	EA	Shaft Adapter - Pantograph Arm
	067191-02-700	EA	Drive Motor Asm. - Wiper
	067192-01-000	EA	Link Asm. - Connection - 39"
	067193-02-000	EA	Link Asm. - Connection - 8.10"
	067188-01-000	EA	Stud - Crank Wiper
	091206-02-000	EA	Control - Wiper
	045794-01-000	FT	Hose - 5/32" ID - Black

# EXTERIOR BODY GROUP

## LABELS & TAGS

Key	Part Number	U/M	Description
	091243-01-000	EA	Label - Air Conditioner Cover
	074983-01-000	EA	Label - Air Conditioner Selector Switch
	087236-01-000	EA	Label - TV Cable Input
	095721-06-000	EA	Label - Control Center - w/o Microwave
	093236-01-000	EA	Label - Circuit Breaker Main
	093237-01-000	EA	Label - Circuit Breaker - Front - Battery Condition/Radio
	093237-02-000	EA	Label - Circuit Breaker - Front - Power Seat
	092547-01-000	EA	Label - Circuit Breaker
	096506-01-000	EA	Label - Compartment Not Sealed
	065749-01-000	EA	Label - Caution - Battery Charging
	068383-01-000	EA	Label - Diesel Fuel
	006195-01-000	EA	Label - Electrical Test
	047731-01-000	EA	Label - Emergency Exit
	006199-01-000	EA	Label - Exit - Escape Window
	094675-01-000	EA	Label - Exterior Light Service
	061417-01-000	EA	Label - Fuel
	067207-02-000	EA	Label - Fuel Cap Removal
	094622-01-000	EA	Label - Fuel Pump - Power
	098641-01-000	EA	Label - Fuel - Unleaded - I.P.
	006196-01-000	EA	Label - Gas Test
	077510-01-000	EA	Label - Generator Prep
	054531-01-000	EA	Label - LP Gas Only
	073998-01-000	EA	Label - LP Odor Warning
	040944-01-000	EA	Label - Open Entrance Door
	061606-01-000	EA	Label - Overlap, Vehicle Certification
	088757-01-000	EA	Label - Retail - 8 5/8" x 12 7/8"
	056259-01-000	EA	Label - Safety Check List
	006064-01-000	EA	Label - Seat - w/o Seatbelts - USA
	006064-02-000	EA	Label - Seat - w/o Seatbelts - CSA
	001197-01-000	EA	Label - Sewage
	091224-02-000	EA	Label - Trailer Lighting
	075221-01-000	EA	Label - Trailer Hitch Capacity
	075221-03-000	EA	Label - Trailer Hitch
	090342-01-000	EA	Label - Vapor Relief
	050225-01-000	EA	Label - Warning - Stove Vent - US
	075220-01-000	EA	Label - Warning - Exterior Load
	077956-01-000	EA	Label - Warning - Smoke Detector
	079968-01-000	EA	Label - Warning - Stowed Motion
	006188-01-000	EA	Label - Waste Water
	006197-01-000	EA	Label - Water Test
	006062-01-000	EA	Tag - Electrical - 110 Volt Connection
	006040-01-000	EA	Tag - Refueling Warning
	006040-02-000	EA	Tag - Refueling Warning - CSA
	006019-01-000	EA	Tag - RVI Approved - Plastic
	088410-02-000	EA	Decal - Rear Auto Heater

## MISCELLANEOUS EXTERNALLY MOUNTED PARTS

Key	Part Number	U/M	Description
	083558-02-000	EA	Plumbing Seal - Roof Vent - 1.5" - Covered
	081240-02-000	EA	Water Fill - Lockable - Gray
	090944-01-000	EA	Antenna - Radio - 16" Rubber
	092698-01-03A	EA	Vent w/Door - Range Hood
	083615-05-000	EA	Door Holder - Gray Plastic
	063977-08-000	EA	Step Asm. - Drivers Door - Black
	084073-02-000	EA	Roof Vent Refrigerator - Gray
	084073-02-000	EA	Base - Roof Vent Refrigerator

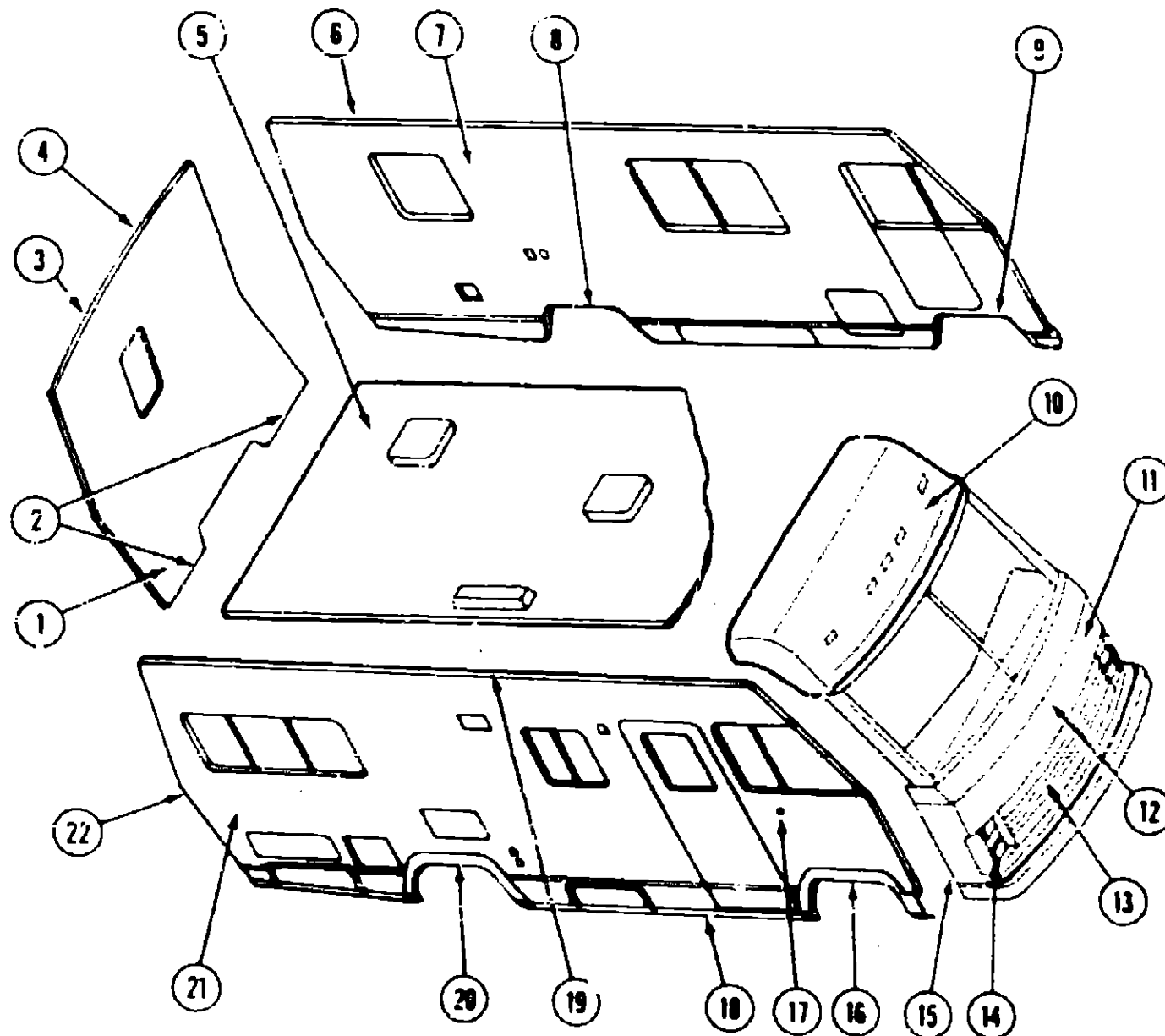
## 1989 ITASCA TABLE OF CONTENTS

ICF22EC	A-01 - C-08
ICF27EU	C-09 - E-23

## 1989 ICF22EC INDEX

Floor Plan	A-01 - A-02
Accessories Group	A-03 - A-04
Bath Group	A-05
Chassis Group Group	A-06 - A-07
Curtain, Cushion & Pad Group	A-08 - A-15
Dinette Group	A-16
Driver's Compartment Group	A-17 - A-20
Electrical Group	A-21 - A-23
Exterior Body Group	A-24 - B-08
Galley Group	B-09 - B-10
Heating & Air Conditioning Group	B-11 - B-12
Interior Finish Group	B-13 - B-15
LP Group	B-16
Lounge Group	B-17
Water & Sewage Group	B-18 - B-20
Window, Vent & Exterior Door Group	B-21 - C-08

**EXTERIOR BODY GROUP (CONTINUED)**  
EXTERIOR BODY PANELS & TRIM



**1989 ITASCA**  
**TABLE OF CONTENTS**

ICF22EC  
ICF27EU

A-01 - C-08  
C-09 - E-23

**1989 ICF22EC INDEX**

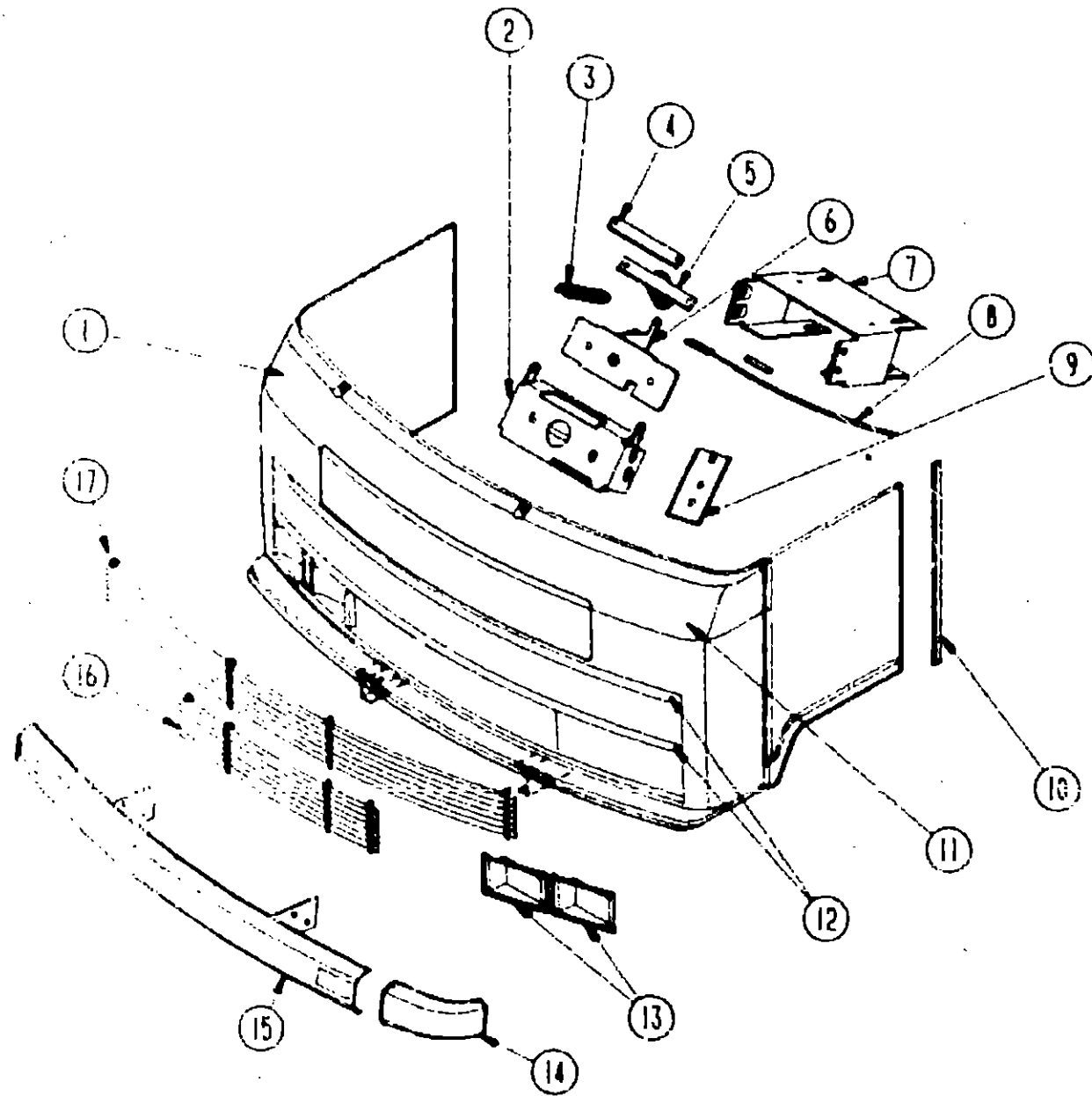
Floor Plan	A-01 - A-02
Accessories Group	A-03 - A-04
Bath Group	A-05
Chassis Group Group	A-06 - A-07
Curtain, Cushion & Pad Group	A-08 - A-15
Dinette Group	A-16
Driver's Compartment Group	A-17 - A-20
Electrical Group	A-21 - A-23
Exterior Body Group	A-24 - B-08
Galley Group	B-09 - B-10
Heating & Air Conditioning Group	B-11 - B-12
Interior Finish Group	B-13 - B-15
LP Group	B-16
Lounge Group	B-17
Water & Sewage Group	B-18 - B-20
Window, Vent & Exterior Door Group	B-21 - C-08

Key	Part Number	U/M	Description
1	M88142-01-Y33	EA	Backwall Asm.
1	M88142-01-Y34	EA	Backwall Asm.
2	050406-05-000	EA	Trim - Backwall - Lower - Gray (2 Required)
3	086906-05-000	EA	Trim - Front Upper Passengers - Gray Plastic
4	086905-06-000	EA	Trim - Front Upper Drivers - Gray Plastic
5	089672-01-Y10	EA	Roof Asm.
6	078967-08-000	EA	Trim - Sidewall Top - Joint Molding - 156.5"
7	M93510-01-Y33	EA	Sidewall Asm. - Drivers
7	M93510-01-Y34	EA	Sidewall Asm. - Drivers
8	089749-01-000	EA	Trim - Sidewall - Wheelwell - Rear - Drivers/Passengers - Mill
9	089909-01-000	EA	Trim - Sidewall - Wheelwell - Front - Drivers/Passengers - Mill
10	078772-03-000	EA	Front Cap - Over Windshield - Primed
11	M101115-19-X70	EA	Front Shroud Panel
12	089768-01-X70	EA	Hood Asm. - Gray
13	090412-01-X70	EA	Grille Asm. - 5 Bar - Top
13	090411-01-X70	EA	Grille Asm. - 5 Bar - Bottom

Key	Part Number	U/M	Description
	088252-02-000	FT	Trim - Chrome - 1" - Plastic
	098252-03-000	FT	Trim - Chrome - 2" - Plastic
14	090202-01-000	EA	Bezel - Headlamp - Passenger - Black
	090202-02-000	EA	Bezel - Headlamp - Drivers - Black
15	089922-02-000	EA	Trim - Fiberglass Trim - Gray
16	078556-13-000	EA	Wheelwell Panel - Front - Passengers
	078556-14-000	EA	Wheelwell Panel - Front Drivers
17	089726-02-000	EA	Bumper - 88" - Black
18	088526-55-002	EA	Rocker Panel - Gray - 16"
19	078600-12-000	EA	Cove - Sidewall Trim - 156.3" Gray
20	075070-02-000	EA	Wheel Well Panel - Passengers - Gray - Plastic
	075070-04-000	EA	Wheel Well Panel - Drivers - Gray - Plastic
21	M93509-01-Y33	EA	Sidewall Asm. - Passenger
21	M93509-01-Y34	EA	Sidewall Asm. - Passenger
22	090203-02-000	EA	Trim - Contour - Passenger Rear - Gray
	090203-04-000	EA	Trim - Contour - Drivers Rear - Gray

# EXTERIOR BODY GROUP (CONTINUED)

## EXTERIOR BODY PANELS & HARDWARE



Key	Part Number	U/M	Description
1	M01115-19-X70	EA	Panel Asm. - Front Shroud (includes access panel)
2	073336-01-000	EA	Bracket - Mounting Latch
3	072013-01-000	EA	Spring - Hood Release
4	R77006-69-172	EA	Shim - Spacer Plate - 1 mm
4	R77006-68-171	EA	Shim - Spacer Plate - 2 mm
5	R77007-01-950	EA	Striker & Spring - Hood Latch
6	R77007-51-429	EA	Latch Asm. - Hood
7	073342-01-000	EA	Bracket Asm. - Hood Latch
	090086-01-000	EA	Crossmember - Hood Latch
8	072010-01-000	EA	Cable - Hood Release - w/Clamp
	072011-01-000	EA	Sheath - Cable End - Hood Release
9	077407-01-000	EA	Bracket - Hood Cable Release (mounts under the hood)
	074178-01-000	EA	Bracket - Hood Cable Release (mounts under the dash)
10	089922-01-000	EA	Trim - Fiberglass Panel
11	089788-01-X70	EA	Access Panel Asm. - Hood
	058786-02-000	EA	Hood Bolt Adjusting
	076716-01-000	EA	Bracket Asm. - Striker Latch
	063926-01-000	EA	Hinge Asm. - Hood - Passenger
	069926-02-000	EA	Hinge Asm. - Hood - Driver
12	088252-02-000	FT	Trim - Chrome - 1"
12	088252-03-000	FT	Trim - Chrome - 2"
13	090202-02-000	EA	Bezel - Headlamp - Driver
	090202-01-000	EA	Bezel - Headlamp - Passenger
	049185-01-000	EA	Headlamp Capsule - High Low/Driver
	049186-01-000	EA	Headlamp Capsule - High Low/Passenger
	049187-01-000	EA	Headlamp Capsule - High/Driver
	049188-01-000	EA	Headlamp Capsule - High/Passenger
	048359-01-000	EA	Headlamp Retainer
	073300-01-000	EA	Screw - Headlamp Adjusting
	091230-02-000	EA	Screw - Headlamp Bezel - 8.32 x 3/4 POH
14	078577-06-000	EA	End Cap - Bumper - Drivers
	078577-05-000	EA	End Cap - Bumper - Passengers
15	077850-11-000	EA	Bumper Asm. - Gray
16	090411-01-X70	EA	Grille Asm. - 5 Bar - Bottom
17	090412-01-X70	EA	Grille Asm. - 5 Bar - Top
	090119-01-000	EA	Bracket - Grille

## 1989 ITASCA TABLE OF CONTENTS

ICF22EC  
ICF27EU

A-01 - C-08  
C-09 - E-23

## 1989 ICF22EC INDEX

Floor Plan	A-01 - A-02
Accessories Group	A-03 - A-04
Bath Group	A-05
Chassis Group Group	A-06 - A-07
Curtain, Cushion & Pad Group	A-08 - A-15
Dinette Group	A-16
Driver's Compartment Group	A-17 - A-20
Electrical Group	A-21 - A-23
Exterior Body Group	A-24 - B-08
Galley Group	B-09 - B-10
Heating & Air Conditioning Group	B-11 - B-12
Interior Finish Group	B-13 - B-15
LP Group	B-16
Lounge Group	B-17
Water & Sewage Group	B-18 - B-20
Window, Vent & Exterior Door Group	B-21 - C-08

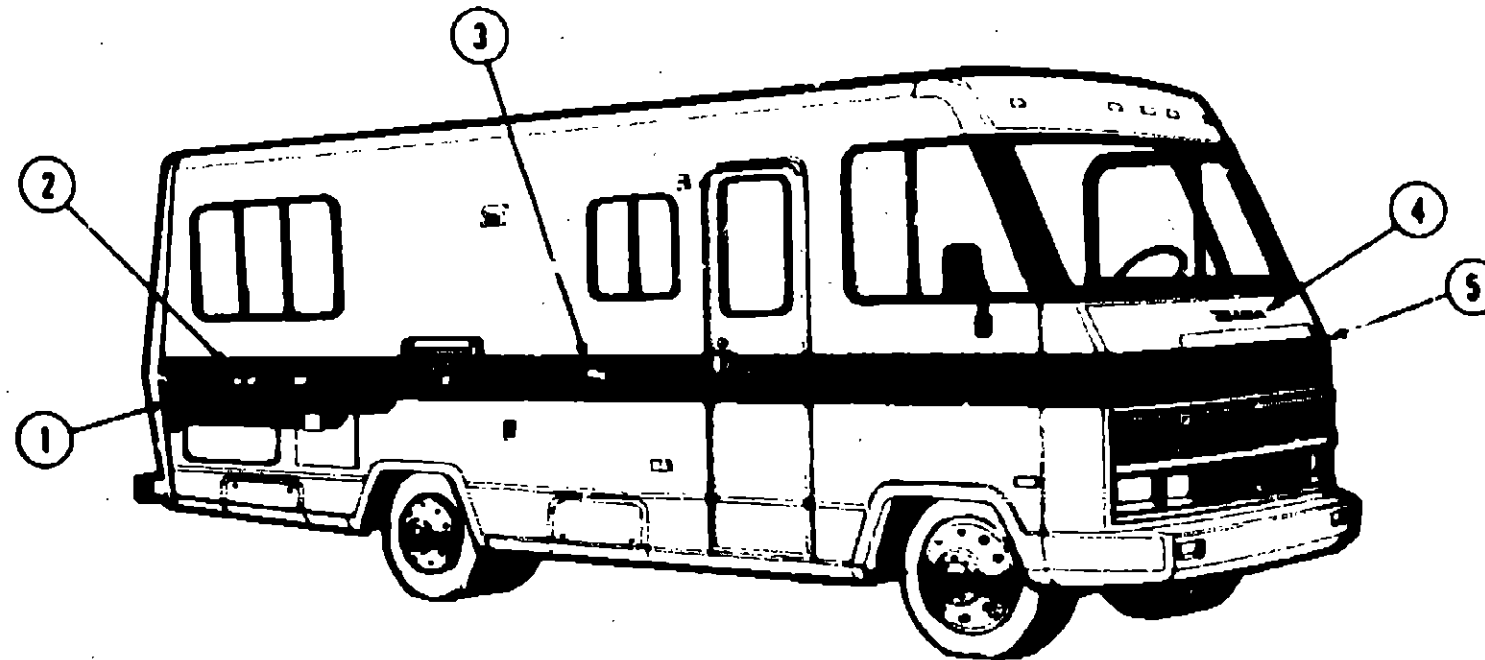
**EXTERIOR BODY GROUP (CONTINUED)**

**DECALS & FILM STRIPE**

**1989 ITASCA  
TABLE OF CONTENTS**

ICF22EC  
ICF27EU

A-01 - C-08  
C-09 - E-23



**1989 ICF22EC INDEX**

Floor Plan	A-01 - A-02
Accessories Group	A-03 - A-04
Bath Group	A-05
Chassis Group Group	A-06 - A-07
Curtain, Cushion & Pad Group	A-08 - A-15
Dinette Group	A-16
Driver's Compartment Group	A-17 - A-20
Electrical Group	A-21 - A-23
Exterior Body Group	A-24 - B-08
Galley Group	B-09 - B-10
Heating & Air Conditioning Group	B-11 - B-12
Interior Finish Group	B-13 - B-15
LP Group	B-16
Lounge Group	B-17
Water & Sewage Group	B-18 - B-20
Window, Vent & Exterior Door Group	B-21 - C-08

Key	Part Number	U/M	Description
1	069245-F5-000	FT	Film Multistripe - 4.21" x 150' - Dark Rose/Rose
2	078852-08-000	EA	Decal - Logo "Itasca" - 6.5" Black - Sidewall
3	093565-01-02A	EA	Decal - Logo "Spirit" - Black/Light Gray
4	087257-01-000	EA	Decal - Logo "Itasca" - Black - Front
5	078831-68-000	FT	Film Striping - 3.5" x 150' - Blue
	078191-01-000	EA	Decal - Logo "Itasca" - Black - Backwall

**EXTERIOR BODY GROUP (CONTINUED)**

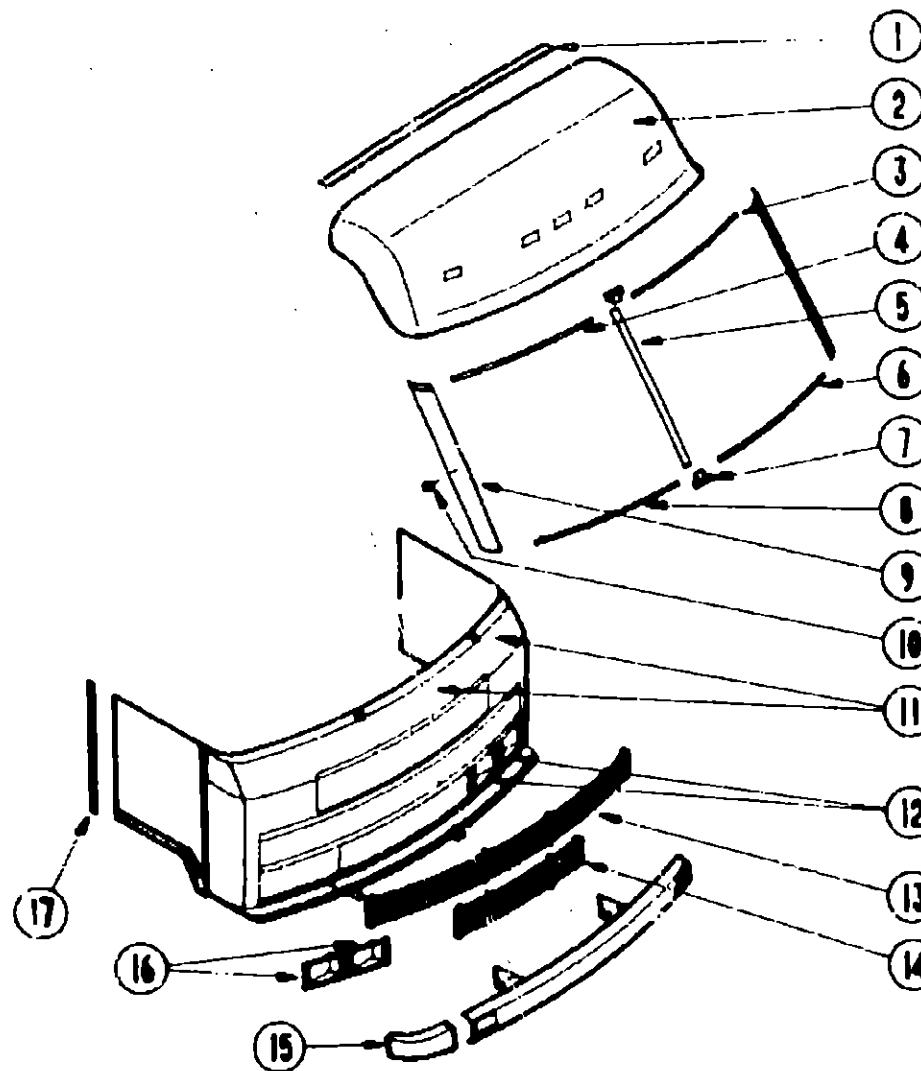
**SEALANTS & ADHESIVES**

Key	Part Number	U/M	Description
	002337-01-000	EA	Adhesive - 1000 Tube - 3M (Window)
	004005-02-000	EA	Adhesive - Swifts - 1 Gallon (Sidewall)
	004006-04-700	EA	Adhesive - Pierce - 1 Gallon (Sidewall)
	075672-02-000	EA	Adhesive - Scotch Rubber Gripper (Rear Cap)
	081377-01-000	EA	Adhesive - Cyanoacrylate (Window & Door)
	053766-02-000	EA	Bedding Compound - Tube - White (Exterior)
	053766-07-000	EA	Bedding Compound - Tube - Clear (Window)
	053766-07-000	EA	Bedding Compound - Tube - Beige (Exterior)
	011129-01-000	EA	Seal - Plumbing Pipe - Roof - For 1 1/2" OD Pipe
	077967-01-000	EA	Sealant - Acrylic Latex - Tube (Interior)
	034552-02-000	EA	Sealant - Silicone - Clear (Exterior)
	034552-04-000	EA	Sealant - Silicone - Beige (Exterior)
	053752-04-000	EA	Sealer - Seam - Tube - Aluminum (Roof)
	066637-01-000	EA	Sealer - 3M EC5510 - White (Door)
	069640-01-000	FT	Sealer - Ribbon - 1/4" Dia. x 20' (Cabinet)
	069640-02-000	FT	Sealer - Ribbon - 1/2" x 1/8" x 30' (Sidewalls)
	069640-03-000	FT	Sealer - Ribbon - 3/4" x 1/8" x 30' (Body Panels)
	069640-05-000	FT	Sealer - Ribbon - 2 1/2" x 3/32" x 30' (Body Panels)
	069640-06-000	FT	Sealer - Ribbon - 5/16" Dia. x 15' (Window)
	069640-07-000	FT	Sealer - Ribbon - 2" x 3/32" x 30' (Interior)
	081359-01-000	FT	Sealer - Vinyl Glazing (Window)
	081380-01-000	FT	Sealer - Vinyl Glazing - Black (Window)
	089363-01-701	EA	Sealer - Body Seam - Flexible - Fawn (Exterior)
	090340-01-000	FT	Sealer - Foam Seal - Closed Cell - 1/4" x 1/2" (Exterior)
	090340-02-000	FT	Sealer - Foam Seal - Closed Cell - 3/8" x 1/2" (Exterior)
	701674-05-000	EA	Service Manual - Sealants
	004363-01-000	FT	Tape - Foam - 3/16" x 1/2" - Gray - 1 Side (Sidewall)
	009200-01-000	EA	Tape - Furnace - 1 1/2"
	053642-01-000	FT	Tape - Adhesive - 10 Mil x 1.5" (Exterior)
	076322-02-000	FT	Tape - Foam - Double Coated - .45" x 1" (Fiberglass Seams)
	076322-03-000	FT	Tape - Foam - Double Coated - .045" x .5" (Fiberglass Seams)
	076322-04-000	FT	Tape - Foam - Double Coated - .045" x .75" (Fiberglass Seams)
	077959-01-000	FT	Tape - Foam - 1/2" Black - 2 Sided (Interior)
	079967-02-000	FT	Tape - Plastic Film - .375" (Window)
	089214-01-000	FT	Tape - Foam - Vinyl Coated - 2" (Chassis)
	091966-03-000	FT	Tape - Adhesive - .04" x 1" (Entrance Door)
	002281-01-000	FT	Weatherstrip - Self-Seal - .06" Panel x 3/16" (Window)
	056903-01-000	FT	Weatherseal - Upper Front Cap

**FIBERGLASS, ALUMINUM & STYROFOAM**

Key	Part Number	U/M	Description
	076054-26-000	EA	Fiberglass - Sheet - 46.12" x 21.3"
	001054-03-003	EA	Aluminum - Gray - 48" x 96"
	001054-01-011	EA	Aluminum - Off White - 48" x 96"
	001054-01-041	EA	Aluminum - Off White - 48" x 30"
	044487-01-001	EA	Aluminum - Mill Finish - No Design (Roof) - 96" x 30"
	000868-01-000	SF	Styrofoam - 3/4" x 24" x 96"
	000870-02-000	SF	Styrofoam - 1.5" x 48" x 96"
	000870-03-000	SF	Styrofoam - 1.34" x 48" x 96"
	083574-01-000	SF	Styrofoam - 1.5" x 24" x 85.25"

**EXTERIOR BODY GROUP (CONTINUED)**



**FRONT BODY PANELS & TRIM**

Key	Part Number	U/M	Description
	1 078580-01-000	EA	Roof Trim - Front Cap
	2 078572-03-000	EA	Roof Cap - Primed
	3 077944-02-000	EA	Reveal Molding - Upper - Driver
	4 077944-01-000	EA	Reveal Molding - Upper - Passenger
	5 076676-02-000	EA	Reveal Molding - Center
	6 077945-02-000	EA	Reveal Molding - Lower - Driver
	7 077952-02-000	EA	Reveal Molding Cap - Upper or Lower
	8 077945-01-000	EA	Reveal Molding - Lower - Passenger
	9 079225-01-000	EA	Trim Post - Passenger
	079225-02-000	EA	Trim Post - Driver
	10 034141-02-000	EA	Nylon Hole Plug - 3/8"
	11 M01115-19-X70	EA	Front End Asm. - w/Hood Panel (Chevrolet)
	12 090412-01-X70	EA	Grille Asm. - 5 Bar - Top
	13 090411-01-X70	EA	Grille Asm. - 5 Bar - Bottom
	088252-02-000	FT	Chrome Trim - 1" Plastic
	088252-03-000	FT	Chrome Trim - 2" Plastic
	14 090202-02-000	EA	Headlight Bezel - Driver
	15 090202-01-000	EA	Headlight Bezel - Passenger
	16 078577-07-000	EA	Bumper End Cap - Passenger
	078577-08-000	EA	Bumper End Cap - Driver
	17 089922-02-000	EA	Trim - Front End Asm. - Driver or Passenger

**1989 ITASCA  
TABLE OF CONTENTS**

ICF22EC  
ICF27EU

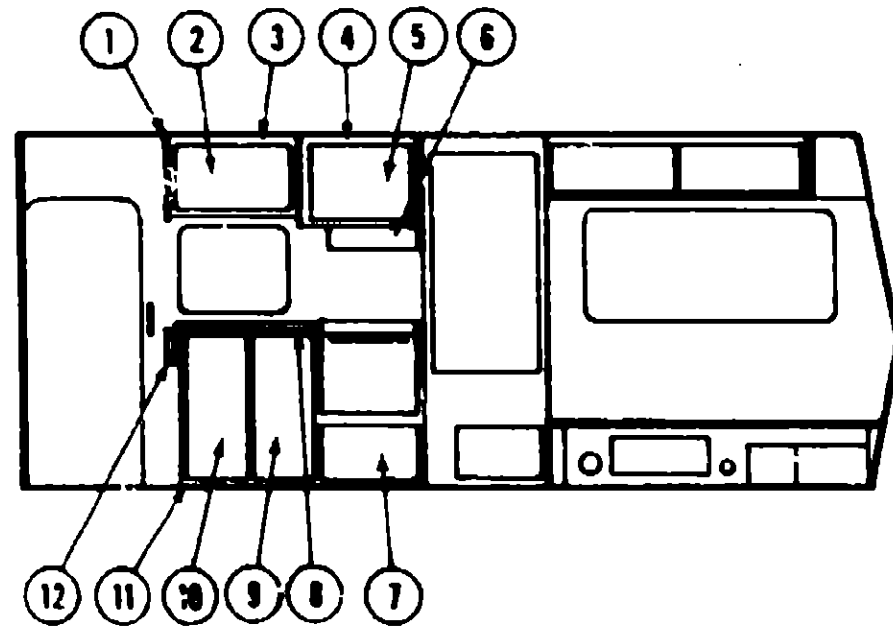
A-01 - C-08  
C-09 - E-23

**1989 ICF22EC INDEX**

Floor Plan	A-01 - A-02
Accessories Group	A-03 - A-04
Bath Group	A-05
Chassis Group Group	A-06 - A-07
Curtain, Cushion & Pad Group	A-08 - A-15
Dirette Group	A-16
Driver's Compartment Group	A-17 - A-20
Electrical Group	A-21 - A-23
Exterior Body Group	A-24 - B-08
Galley Group	B-09 - B-10
Heating & Air Conditioning Group	B-11 - B-12
Interior Finish Group	B-13 - B-15
LP Group	B-16
Loungs Group	B-17
Water & Sewage Group	B-18 - B-20
Window, Vent & Exterior Door Group	B-21 - C-08



## GALLEY GROUP



### GALLEY CABINETRY

Key	Part Number	U/M	Description
1	081320-02-W30	EA	Pad Asm. - End Cap - Galley Overhead
2	M88304-62-X23	EA	Door Asm. - Galley Overhead - w/o Hardware - 14.37" x 26.77"
3	M94589-01-Y10	EA	Cabinet Asm. - Galley Overhead - w/o Doors or Hardware
4	M94519-01-Y10	EA	Cabinet Asm. - Galley Overhead - w/o Doors or Hardware
5	M88304-01-X08	EA	Door Asm. - Galley Overhead - 17.7" x 22.83" - w/o Hardware
6	092696-05-01A	EA	Hood - Range - w/Monitor Panel - Almond
7	M92073-01-X11	EA	Door Asm. - Galley Cabinet - Furnace - 15.94" x 21.8" - w/o Hardware
8	MCS000-16-Y23	EA	Countertop Asm. - Galley
9	M88304-14-X08	EA	Door Asm. - Galley Cabinet - 14.37" x 33.46" - w/o Hardware
10	M88304-13-X08	EA	Door Asm. - Galley Cabinet - 14.37" x 33.46" - w/o Hardware
11	M88153-01-Y33	EA	Galley Cabinet - w/o Countertop, Doors, Drawers or Hardware
12	080012-02-Y15	EA	Galley Extension Asm.
	077404-02-000	EA	Drawer - Plastic - 20" x 12.7"
	093288-03-01A	EA	Tray - Silverware Drawer - Beige Plastic
	094067-01-01A	EA	Dividers - Drawer - Light Oak
	081530-01-Y30	EA	Cover - Sink

### GALLEY HARDWARE

Key	Part Number	U/M	Description
	081530-01-Y30	EA	Sink Cover
	074981-01-000	EA	Cutting Board - Maple
	068615-01-000	EA	Sink - Stainless Steel - Double
	066437-01-000	EA	Stainer - w/Basket - Sink
	031253-01-000	EA	Gasket - Galley Faucet
	011053-03-000	EA	Faucet - 8" - Swing Spout
	058334-01-000	EA	Wash Bracket - 9.75" x 7" x 10" - White
	077409-02-000	EA	Drawer Slide - Plastic - 20.75"
	077404-02-000	EA	Drawer - Plastic - 20" x 12.7"
	037688-01-000	EA	Drawer Rail - V Guide
	059777-02-000	EA	Hinge - Antique - Light Brass
	088264-01-000	EA	Door Pull - Polished Brass
	098654-01-000	EA	Sink - Stainless Steel - Double - w/Mounting Hardware

Used after 10/19/90.

## GALLEY GROUP (CONTINUED)

### GALLEY APPLIANCES

Key	Part Number	U/M	Description
	088248-01-000	EA	Refrigerator - 3-Way - Norcold R76EG3
	068248-01-700	EA	P/C Board (3-Way)
	088248-01-701	EA	Control Panel Insert (3-Way)
	088248-01-702	EA	Latch - Middle Travel
	088248-01-703	EA	Door Trim - Decorative
	088248-01-704	EA	Latch Asm. - Travel
	088248-01-705	EA	Trim - Door - Decorative - w/o Slot
	088248-01-706	EA	Burner - Horizontal
	088248-01-707	EA	Sensor - Electrode - Horizontal
	088248-01-708	EA	Spark Electrode - Horizontal
	088248-01-709	EA	Heater - AC - Horizontal
	088248-01-710	EA	Heater - DC - Horizontal
	088248-01-711	EA	Door Frame - Upper - Brown
	088248-01-712	EA	Door Frame - Lower - Brown
	088248-01-713	EA	Panel
	088248-01-714	EA	Cabinet Asm. - Foamed - Almond
	088248-01-715	EA	Tray - Drip - Almond
	092696-05-01A	EA	Range Hood - w/Monitor Panel - Almond
	092696-05-700	EA	Clock - Mini - L.C.D.
	092696-05-701	EA	Chassis - w/Wiring - Almond
	092696-05-702	EA	Control Panel Asm.
	092696-05-703	EA	Face Plate - Control Panel
	092696-01-02A	EA	Vent w/Door - Range Hood - Beige
	092731-01-000	EA	Vent Extension - Range Hood to Vent - 6.37"
	085200-04-000	EA	Bi-Fold Cover - 4 Burner Range - Almond
	085280-03-000	EA	Bi-Fold Cover - 4 Burner Range Top - Almond
	091269-01-000	EA	Microwave Oven - Magic Chef

## 1989 ITASCA TABLE OF CONTENTS

ICF22EC  
ICF27EU

A-01 - C-08  
C-09 - E-23

## 1989 ICF22EC INDEX

Floor Plan	A-01 - A-02
Accessories Group	A-03 - A-04
Bath Group	A-05
Chassis Group Group	A-06 - A-07
Curtain, Cushion & Pad Group	A-08 - A-15
Dinette Group	A-16
Driver's Compartment Group	A-17 - A-20
Electrical Group	A-21 - A-23
Exterior Body Group	A-24 - B-08
Galley Group	B-09 - B-10
Heating & Air Conditioning Group	B-11 - B-12
Interior Finish Group	B-13 - B-15
LP Group	B-16
Lounge Group	B-17
Water & Sewage Group	B-18 - B-20
Window, Vent & Exterior Door Group	B-21 - C-08

## HEATING & AIR CONDITIONING GROUP

### FURNACE

Key	Part Number	U/M	Description
	075695-01-000	EA	Furnace - 24,000 BTU - Suburban NT 24S
	009200-01-000	EA	Tap - Furnace - 1.5"

Breakdown of piece part in Common Items Fiche.

### ROOF AIR CONDITIONER

Key	Part Number	U/M	Description
	093764-01-000	EA	Ceiling Asm. - A/C Cool - w/Controls - TSR - Coleman G759D714
	093763-01-03A	EA	Air Conditioner - 110 Volt - Roof Mount - TSR - 13,500 BTU Coleman 6759D708
	093763-03-700	EA	Shroud - Beige/Charcoal
	093763-01-701	EA	Overload
	093763-01-702	EA	Overload
	093763-01-703	EA	Impellor - 7" Dia. x 2 80" Wide
	093763-01-704	EA	Fan Capacitor
	093763-01-705	EA	Decal - HT/Cool Thermostat
	093763-01-706	EA	Heat Element
	093763-01-708	EA	Condenser Coil
	093763-01-709	EA	Compressor
	093763-01-710	EA	Single Parts Package

### REAR AUTO HEATER

Key	Part Number	U/M	Description
	084405-01-000	EA	Heater Asm. - Rear - Ducted
	064405-01-700	EA	Heater Core
	084405-01-701	EA	Fan
	084405-01-702	EA	Motor - 12V
	067108-01-000	FT	Hose - Heater - 5/8" ID SAE 20R3
	067108-03-000	FT	Hose - Heater - .75" ID SAE 20R3
	087202-02-000	EA	Switch - w/o Knob - 4 Position
	090977-01-000	EA	Knob - Rotary Switch
	084410-02-000	EA	Decal - Rear Auto Heater
	009198-01-000	FT	Duct - Flexible - 4" ID x 25'
	031045-01-000	EA	Adapter - 5/8" ID Barb x 3/8" MPT
	056464-05-000	EA	Register - 4" Dia. - Plastic - w/o Damper
	062401-04-000	EA	Clamp - Hose - Wormgear - 1.25"
	083031-01-000	EA	Hose - Formed
	051313-01-000	EA	Water Heater - w/Motor Aid - Direct Ignition
	062401-10-000	EA	Hose - Wormgear - 2"
	071015-13-000	EA	Grommet - .62 ID - Fits 09
	088753-01-000	FT	Tube - Aluminized Steel - 5/8" - 18 Ga.

## HEATING & AIR CONDITIONING GROUP (CONTINUED)

### AUTOMOTIVE HEATER & A/C

Key	Part Number	U/M	Description
	094831-01-000	EA	Heater/Evaporator Asm.
	094831-01-700	EA	Door - Fresh Air
	094831-01-701	EA	Rod - Fresh Air Door
	094831-01-702	EA	Drain Pan - Plastic
	094831-01-703	EA	Motor - Blower
	094831-01-704	EA	Wheel - Blower
	094831-01-705	EA	Motor - Vacuum - 2" OD
	094831-01-706	EA	Resistor - 4 Speed
	094831-01-707	EA	Wiring Harness - Unit
	094831-01-708	EA	Vacuum Harness - Unit
	094831-01-709	EA	Rod Clamps - 3/16"
	094831-01-710	EA	Rings - Rod Retainer
	094831-01-711	EA	Keeps Nut - #10 - 32
	094831-01-712	EA	"J" Nut - Timmerman - #10 - 24
	094831-01-713	EA	Evaporator Coil
	094831-01-714	EA	Expansion Valve
	094831-01-715	EA	Thermostat
	094831-01-716	EA	Trinary Switch
	094831-01-717	EA	Hose Asm. - #6
	094831-01-718	EA	Hose Asm. - #10
	094831-01-719	EA	Coupling - w/o Ring - Self-Sealing - #4
	094831-01-720	EA	Service Valve - #10
	094831-01-721	EA	O'Ring - #10
	094831-01-722	EA	O'Ring - #8
	094831-01-723	EA	O'Ring - #6
	094831-01-724	EA	O'Ring - #4
	094831-01-725	EA	Door - Air Blend
	094831-01-726	EA	Rod - Door - Air Blend
	094831-01-727	EA	Heat Coil
	094831-01-728	EA	Door - Damper
	094831-01-729	EA	Rod - Damper Door
	094831-01-730	EA	Motor - Vacuum
	094831-01-731	EA	Hose Adapters - 2"
	094831-01-732	EA	Housing - Control
	094831-01-733	EA	Wiring Harness - Control
	094831-01-734	EA	Wiring Harness - Light
	094831-01-735	EA	Control - Vacuum - Harness
	094831-01-736	EA	Switch - Vacuum
	094831-01-737	EA	Cable - 62" - Air Blend
	094831-01-738	EA	Clip - Cable
	094831-01-739	EA	Clip - Cable Unit
	094831-01-740	EA	Relay - Auto
	094831-01-741	EA	Door Lower/Control Panel Trim
	094831-01-742	EA	Condenser - Wiring Harness
	094831-01-743	EA	Vacuum Canister
	094831-01-744	EA	Water Valve
	094831-01-745	EA	Kazoo Drain Tube
	094831-01-746	EA	Clamp - Blend Cable
	094831-01-747	EA	Fix Kit - Door - Air Blend
	072341-07-000	EA	Heater/Evaporator - w/o Duct Control
	072341-07-700	EA	Resistor - Jumper Harness
	072341-07-701	EA	Thermostat
	072341-07-702	EA	Liquid Hose - w/Special Tap
	072341-07-703	EA	Suction Hose
	072341-08-000	EA	Duct & Control Kit
	072341-08-700	EA	Reservoir Vacuum
	072341-08-701	EA	Passenger Heat Plenum

## 1989 ITASCA TABLE OF CONTENTS

ICF22EC	A-01 - C-08
ICF27EU	C-09 - E-23

## 1989 ICF22EC INDEX

Floor Plan	A-01 - A-02
Accessories Group	A-03 - A-04
Bath Group	A-05
Chassis Group Group	A-06 - A-07
Curtain, Cushion & Pad Group	A-08 - A-15
Dinette Group	A-16
Driver's Compartment Group	A-17 - A-20
Electrical Group	A-21 - A-23
Exterior Body Group	A-24 - B-08
Galley Group	B-09 - B-10
Heating & Air Conditioning Group	B-11 - B-12
Interior Finish Group	B-13 - B-15
LP Group	B-16
Lounge Group	B-17
Water & Sewage Group	B-18 - B-20
Window, Vent & Exterior Door Group	B-21 - C-08

**INTERIOR FINISH GROUP**

**PANELING & COUNTERTOP**

Key	Part Number	U/M	Description
	074497-10-000	SF	Paneling - Regal Oak - 48" x 84" (Cabinets)
	088272-12-000	SF	Paneling - Decor - Neutral - 48" x 84" (Main Wall) (Y33, Y34, Y83)
	088272-38-000	SF	Paneling - Decor - Bone - 48" x 84" (Wet Bath)
	088272-72-000	SF	Paneling - Decor - Travertine White - 48" x 84" (Wet Bath)
	068272-44-000	SF	Paneling - Decor - Charcoal - 48" x 84"
	074493-28-000	SF	Plastic Laminate - Tan (Galley/Dinette)
	074498-24-000	SF	Plastic Laminate - Regal Oak (Nightstand)
	074498-13-000	SF	Plastic Laminate - Sand (Bath)
	076325-16-000	FT	Edge Molding - Regal Oak
	074497-14-000	SF	Paneling - Decor - Beige (Ceiling) (Y10, Y11)
	000885-34-000	SF	Particle Board - 3/8" x 49" x 97" - Light Oak - Vinyl 1 Side
	000885-36-000	SF	Particle Board - 3/4" x 60" x 96" - Light Oak - Vinyl 2 Sides
	000621-01-000	SF	Veneer - Flat Luan - 48" x 96"

**INTERIOR MOLD & TRIMS**

Key	Part Number	U/M	Description
	092331-F2-134	EA	Molding - Overhead - 84"
	088263-30-000	EA	Batt Strip - Beige - 8' (Ceiling)
	069733-70-000	EA	Batt Strip - Regal Oak - 8' (Woodgrain)
	088263-18-000	EA	Batt Strip - Neutral - 8' (Main Wall)
	085284-10-000	EA	Batt Strip - Rainbow - Tape Adhesive (Main Wall)
	085284-09-000	FT	Batt Strip - Neutral - Tape Adhesive (Main Wall)
	085284-13-000	EA	Batt Strip - Charcoal - Tape Adhesive (Main Wall) (Y33)
	079653-07-000	EA	Batt Strip - Bone (Galley/Bath)
	083620-01-000	FT	Molding - T - 3/4" - Brown
	083620-04-000	FT	Molding - T - 3/4" - Light Oak
	009809-17-000	EA	F-Molding - 1" - Regal Oak
	009812-17-000	EA	F-Molding - 1/2" - Regal Oak
	083620-01-000	FT	T-Molding - w/Edge Lips - Grady Brown
	070504-01-000	FT	U-Channel - .65" - Light Brown
	070504-06-000	FT	U-Channel - .815" - Regal Oak
	009778-07-000	FT	U-Channel - 1" - Regal Oak
	009767-06-000	FT	Wetting - Beige
	009767-10-000	FT	Wetting - Mahogany
	085746-01-000	FT	J-Molding - .75" w/Lips - Beige
	024706-17-000	EA	Cover - Sidewall Roll Bar - Beige (Wall/Ceiling)
	022952-08-000	FT	Molding - Reverse Cover - Champagne White
	042357-11-000	FT	Molding - Outside Corner - Light Oak
	077840-01-W30	FT	Molding - Wall Cap
	080176-02-000	EA	Corner Cap - Radius Plastic - Light Oak
	081521-02-007	EA	Molding Retainer - 64 Hole Space
	101667-01-000	EA	Trim - Valance - 8' - Oak
	029012-01-000	BF	Foam - 3/8" Rolled

**PADS & TRIM**

Key	Part Number	U/M	Description
	081519-01-Y07	EA	Pad Asm. - Dinette - Back (Y33)
	081519-01-Y09	EA	Pad Asm. - Dinette - Back (Y34)
	081519-01-Y83	EA	Pad Asm. - Dinette - Back (Y83)
	081519-02-Y07	EA	Pad Asm. - Dinette - Front (Y33)
	081519-02-Y09	EA	Pad Asm. - Dinette - Front (Y34)
	081519-02-Y83	EA	Pad Asm. - Dinette - Front (Y83)
	082286-01-U04	EA	Sunvisor Asm. - Driver
	083386-03-U04	EA	Sunvisor Asm. - w/Mirror - Passenger
	070578-06-T33	EA	Button Asm. - #30 - Buckskin Vinyl

**INTERIOR FINISH GROUP (CONTINUED)**

**FABRIC & FLOOR COVERINGS**

Key	Part Number	U/M	Description
	088274-52-000	YD	Fabric - Upholstery - Main (Y33)
	088274-53-000	YD	Fabric - Upholstery - Main (Y34)
	088274-23-000	YD	Fabric - Upholstery - Main (Y83)
	088274-79-000	YD	Fabric - Upholstery - Accent (Y33)
	088274-78-000	YD	Fabric - Upholstery - Accent (Y34)
	088274-26-000	YD	Fabric - Upholstery - Accent (Y83)
	088273-25-000	YD	Fabric - Bedspread (Y33)
	088273-26-000	YD	Fabric - Bedspread (Y34)
	088273-02-000	YD	Fabric - Bedspread (Y83)
	072333-38-000	YD	Fabric - Drapery Wraparound/Blackout - Carnival (Y83)
	072333-61-000	YD	Fabric - Drapery Wraparound/Blackout - Pacific (Y33)
	072333-62-000	YD	Fabric - Drapery Wraparound/Blackout - Rose Beige (Y34)
	088273-02-000	YD	Fabric - Drapery - Slate (Y83)
	072333-25-000	YD	Fabric - Drapery - Pacific (Y33)
	072333-26-000	YD	Fabric - Drapery - Rose Beige (Y34)
	081926-01-000	YD	Backing - Quilting - Celestra
	029103-01-000	YD	Buckram - Non-Woven - 2
	079680-09-000	YD	Vinyl - Off White
	075244-02-000	YD	Vinyl - Shower Curtain - 72" Wide
	079680-01-000	YD	Vinyl - Expanded - 26 oz. Buckskin (End Caps)
	072860-58-000	YD	Carpet - Champagne (Y83)
	072860-84-000	YD	Carpet - Graphite (Y33)
	072860-69-000	YD	Carpet - Rose Mist (Y34)
	078245-01-000	EA	Boot - Steering Column
	053552-02-W24	EA	Assist Strap - Interior
	075233-01-000	EA	Pad - Carpet - 3/8" Thick

**CABINETRY & TABLE HARDWARE**

Key	Part Number	U/M	Description
	059777-02-000	EA	Hinge - Cabinet Door - Brass
	074493-02-000	EA	Overhead Door - Support - Sprung
	088264-01-000	EA	Pull - Cabinet - Polished Brass
	084466-02-000	EA	Slide Asm. - Drawer - Right
	084466-03-000	EA	Slide Asm. - Drawer - Left
	084466-04-01-0	EA	Slide Asm. - Cabinet - Right
	084466-05-000	EA	Slide Asm. - Cabinet - Left
	047744-01-000	EA	Kit - Drawer Glide
	009089-01-000	EA	Clip - Mirror
	009049-01-000	EA	Support - Drop Leaf Table
	033580-01-000	EA	Towel Ring - Plastic - CSA
	009134-01-000	EA	Toilet Tissue Holder - Chrome - CSA
	077409-02-000	EA	Slide - Drawer - 20.75"
	065740-01-000	EA	Brace - Corner - Brown Plastic
	058331-05-000	EA	Mirror - 12" x 26"
	058331-22-000	EA	Mirror - 17.16" x 45.5"
	058331-10-000	EA	Mirror - Safety Glass - TV Shelf - 14" x 17"
	064781-05-000	EA	Cup Holder - Two Step
	024281-07-000	EA	Bracket - Lower Wall Mount
	053200-05-000	EA	Bracket - Upper Wall Mount
	024275-05-000	EA	Rod - Table Lift - Beige
	092593-01-02A	EA	Catch - Table Leg
	049493-10-000	EA	Catch - Table Leg - Mounts on Floor
	049493-08-000	EA	Catch - Table Leg - Mounts on Floor - Tan
	064050-03-000	EA	Hinge - Bracket - Leg Folding - Beige
	064050-02-000	EA	Hinge - Bracket - Leg Folding - Tan
	024276-21-000	EA	Leg Asm. - Table - Beige
	024283-01-000	EA	Clip - 1" Table Leg
	088410-01-000	EA	Hanger - Table
	093586-01-000	EA	Catch - Used w/093586-02-000
	093586-02-000	EA	Strike - Has Screw Hole - Used w/093586-01-000
	093586-03-000	EA	Catch - Used w/093586-04-000
	093586-04-000	EA	Strike - Has Screw Slot - Used w/093586-03-000

**1989 ITASCA  
TABLE OF CONTENTS**

ICF22EC	A-01 - C-08
ICF27EU	C-09 - E-23

**1989 ICF22EC INDEX**

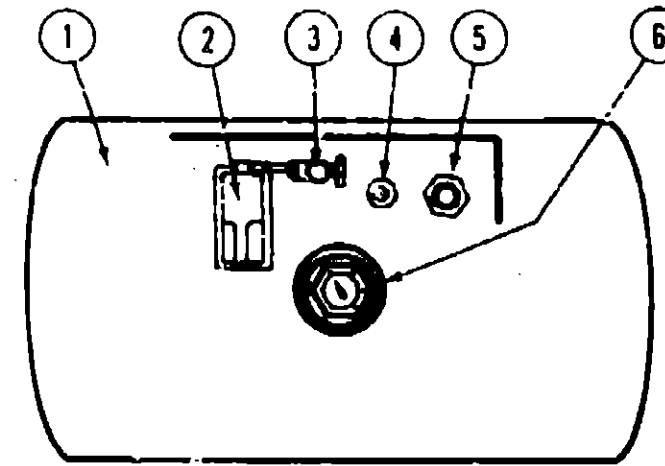
Floor Plan	A-01 - A-02
Accessories Group	A-03 - A-04
Bath Group	A-05
Chassis Group Group	A-06 - A-07
Curtain, Cushion & Pad Group	A-08 - A-15
Dinette Group	A-16
Driver's Compartment Group	A-17 - A-20
Electrical Group	A-21 - A-23
Exterior Body Group	A-24 - B-08
Galley Group	B-09 - B-10
Heating & Air Conditioning Group	B-11 - B-12
Interior Finish Group	B-13 - B-15
LP Group	B-16
Lounge Group	B-17
Water & Sewage Group	B-18 - B-20
Window, Vent & Exterior Door Group	B-21 - C-08

**INTERIOR FINISH GROUP (CONTINUED)**

**MISCELLANEOUS**

Key	Part Number	U/M	Description
	053552-02-W24	EA	Handle Asm. - Assist - Vinyl
	094656-01-Y12	EA	Handle Asm. - Oak - Front Bunk
	041944-03-000	EA	Fire Extinguisher - 5BC - w/o Bracket
	084472-01-000	EA	Holder - Plastic - Fire Extinguisher
	094499-01-000	EA	Fire Extinguisher - 10BC - w/Bracket
	094499-02-000	EA	Fire Extinguisher - 1A - 10BC (CSA)
	094651-01-01A	EA	Holder - Recessed - Fire Extinguisher
	072852-01-000	EA	Smoke Detector w/9 Volt Battery
	054185-31-000	EA	Owner's Manual - Winnebago/Itasca - 1989
	081072-02-000	EA	Floor Mat - Front - Right - Itasca
	081074-02-000	EA	Floor Mat - Front - Left - Itasca
	081075-02-000	EA	Floor Mat - Front - Entrance - Itasca
	004354-01-000	EA	Bumper - Rubber - Brown
	029012-01-000	BF	Foam - Rolled - 3/8"
	042438-01-000	EA	Dowel - Wood - 1" x 4"
	081530-01-Y30	EA	Sink Cover (Y33)
	075680-02-000	EA	Clothes Rod - Adjustable - 27" - 36"

**LP GROUP**



**LP TANK & HARDWARE**

Key	Part Number	U/M	Description
1	074142-01-000	EA	Tank Asm. - LP - Frame Mount - 80 Pound - 13" x 44"
2	081938-01-000	EA	Compartment - LP Regulator
	076301-01-000	EA	Regulator - Two Stage - LP Gas
3	040421-01-703	EA	Valve - Vapor Relief
4	040421-01-700	EA	Gauge - Liquid Level - 20% LP
5	040421-01-701	EA	Valve - Filler - LP
	040421-01-702	EA	Cap - Plastic Fill Valve
6	042421-01-707	EA	Gauge - Float - w/Visible Dial - 80 Pound Tank
	040421-01-706	EA	Dial - Visible Face - Float Gauge (Tank w/o Electric Transmitter)
	045703-01-000	EA	Hose Asm. - LP - 3/8" ID x 24" - US
	045703-02-000	EA	Hose Asm. - LP - 3/8" ID x 24" - CSA
	055741-01-000	EA	Gauge - Diaphragm Pressure - Test Leak

**1989 ITASCA  
TABLE OF CONTENTS**

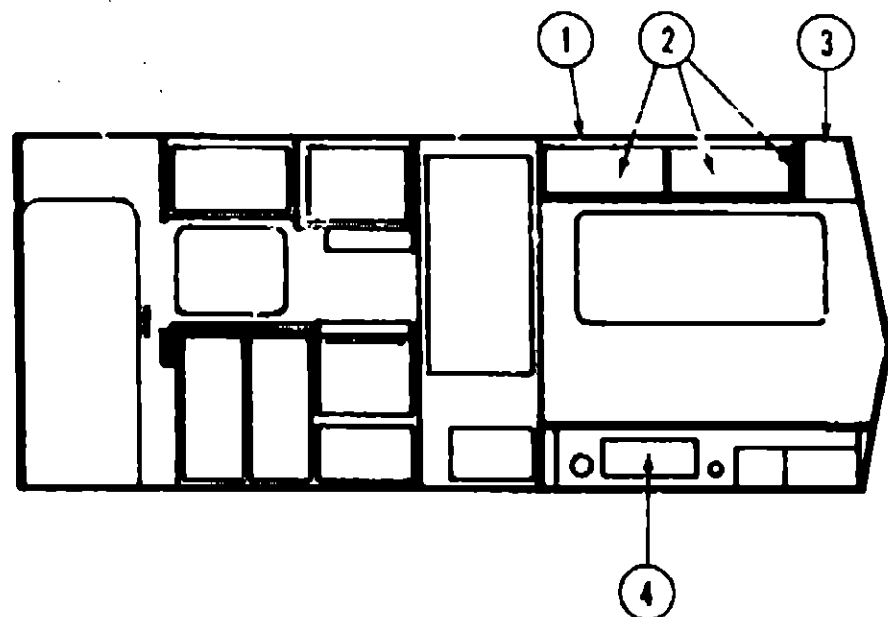
ICF22EC  
ICF7EU

A-01 - C-08  
C-09 - E-23

**1989 ICF22EC INDEX**

Floor Plan	A-01 - A-02
Accessories Group	A-03 - A-04
Bath Group	A-05
Chassis Group Group	A-06 - A-07
Curtain, Cushion & Pad Group	A-08 - A-15
Dinette Group	A-16
Driver's Compartment Group	A-17 - A-20
Electrical Group	A-21 - A-23
Exterior Body Group	A-24 - B-08
Galley Group	B-09 - B-10
Heating & Air Conditioning Group	B-11 - B-12
Interior Finish Group	B-13 - B-15
LP Group	B-16
Lounge Group	B-17
Water & Sewage Group	B-18 - B-20
Window, Vent & Exterior Door Group	B-21 - C-08

**LOUNGE GROUP**



**LOUNGE CABINERY**

Key	Part Number	U/M	Description
1	M94502-01-Y10	EA	Cabinet Asm. - Passenger Overhead - Rear - w/o Doors or Hardware
2	M88304-16-X23	EA	Door Asm. - Passenger Overhead - Rear - w/o Hardware - 12" x 21.9"
3	M94603-01-Y10	EA	Cabinet Asm. - Backwall Overhead - w/o Doors or Hardware
	M88304-16-X23	EA	Door Asm. - Backwall Overhead - w/o Hardware - 12" x 21.9"
4	M88304-17-X73	EA	Door Asm. - Double Bed - w/o Hardware - 11.41" x 16.14"

**WATER & SEWAGE GROUP**

**DRAINAGE SYSTEM**

Key	Part Number	U/M	Description
	068615-01-000	EA	Sink - SST - Double - w/Mounting Hardware
	066437-01-000	EA	Strainer - w/Basket
	069640-01-000	EA	Sealer Ribbon - .25" x 20'
	011091-02-000	EA	Continuous Waste - Double Sink
	010071-01-000	EA	Tee - Plastic - 1.5" H x H x H - CSA
	010121-01-000	EA	Bushing - Plastic - 1.5" S x 1.25" H - CSA
	033302-02-000	EA	Adapter Asm. - SWVC - 1.5" Strainer to Continuous Waste
	037101-02-000	EA	Elbow - Plastic - 1/4 BD Vent 1.5" Hub
	010008-01-000	EA	Elbow - Plastic - 1.5" x 90° XLT
	010006-01-000	EA	Elbow - Plastic - 1.5" x 45° H x H
	010073-01-000	EA	Wye - Plastic - 1.5" x 45° H x H x H
	010166-01-000	EA	Plug - Plastic - 1.25" MPT
	010122-01-000	EA	Bushing - Plastic - Red - 1.5" S x 1.25" T
	010079-01-000	EA	Tee - Plastic - Red - 1.5" x 1.5" x 1.25"
	058713-01-000	EA	Sink - Oval - Plastic - Ivory
	011066-02-000	EA	P-Trap - 1.25" x 1.5"
	011066-02-000	EA	P-Trap - 1.25" x 1.5" CSA
	079968-01-000	EA	Vent - Mechanical Trap Arm
	M0263C-05-W89	EA	Shower Pan
	010009-01-000	EA	Elbow - Plastic - 1.25" BD x 1.5" x 90°
	083558-01-000	EA	Roof Vent - Covered - Plastic
	069640-03-000	FT	Sealer Ribbon - .75" x 30'
	010071-01-000	EA	Tee - Plastic - 1.5" H x H x H
	010115-01-000	EA	Coupling - Plastic - 1.5" H x H
	061607-01-000	EA	Grommet - Holding Tank - 1.5" NPS
	010147-01-000	EA	Closet Flange - Red - 4 x 3
	063641-02-000	EA	Closet Flange - Red - 4 x 3 - CSA
	010129-03-000	EA	Nipple - Plastic - 3" x 3"
	061607-02-000	EA	Grommet - Holding Tank - 3" NPS
	011066-03-000	EA	P-Trap - Plastic - 1.25" x 1.5"
	053335-01-000	EA	P-Trap - Plastic - 1.25" x 1.5" H x H w/Union - CSA
	010195-01-000	FT	Pipe - Black Plastic - 1.5" x 240
	010195-02-000	FT	Pipe - Black Plastic - 1.5" - CSA

**HOLDING TANK**

Key	Part Number	U/M	Description
	054592-01-000	EA	Holding Tank - Aux.
	072388-01-000	EA	Holding Tank - Main - 32 Gal.
	078401-01-000	EA	Rubber Coupler - 3" x 3"
	070916-01-000	EA	Dual Dump Valve - 3" & 1.5"
	033761-01-000	EA	Elbow - Plastic - 1.5" x 90° XLT
	062422-01-000	EA	Adapter - Offset Reducer - 3" x 1.5"

**1989 ITASCA  
TABLE OF CONTENTS**

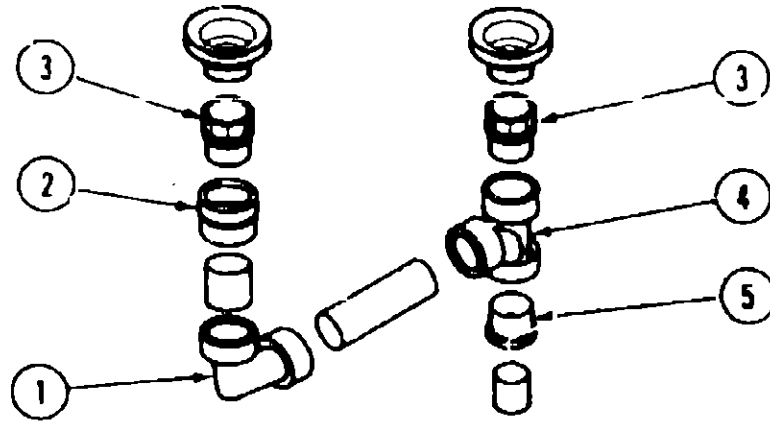
ICF22EC  
ICF27EU

A-01 - C-08  
C-09 - E-23

**1989 ICF22EC INDEX**

Floor Plan	A-01 - A-02
Accessories Group	A-03 - A-04
Bath Group	A-05
Chassis Group Group	A-06 - A-07
Curtain, Cushion & Pad Group	A-09 - A-15
Dimette Group	A-16
Driver's Compartment Group	A-17 - A-20
Electrical Group	A-21 - A-23
Exterior Body Group	A-24 - B-08
Galley Group	B-09 - B-10
Heating & Air Conditioning Group	B-11 - B-12
Interior Finish Group	B-13 - B-15
LP Group	B-16
Lounge Group	B-17
Water & Sewage Group	B-18 - B-20
Window, Vent & Exterior Door Group	B-21 - C-08

**WATER & SEWAGE GROUP (CONTINUED)**



**CONTINUOUS WASTE (CANADA)**

Key	Part Number	U/M	Description
1	037101-02-000	EA	Elbow - 1.5" H x 1.5" H x 90°
2	010115-01-000	EA	Coupling - 1.5" H x 1.5" H
3	033302-02-000	EA	Adapter
4	010071-01-000	EA	Tee - 1.5" H x 1.5" H x 1.5" H
5	010121-01-000	EA	Bushing Adapter - 1.5" x 1.25" H x H

**WATER & SEWAGE GROUP (CONTINUED)**

**WATER SYSTEM**

Key	Part Number	U/M	Description
	081240-01-000	EA	Water Fill - Lockable - Beige
	069637-01-000	EA	Sealer - 3M
	079381-01-000	FT	Tubing - Flex/Smooth - 1.25" ID
	062401-01-000	EA	Clamp - Wormgear - .81" x 1.75"
	074462-02-000	FT	Tubing - Vinyl - 3/8" ID
	007181-01-000	EA	Clamp - Hose - Spring Type
	054250-02-000	EA	Support - Water Fill
	010224-01-000	EA	Adapter - Plastic - 3/8" MPT x 3/8" BARB - Fill to Tank
	044927-01-000	EA	Adapter - Plastic - 1.25" MPT x 1.25" BARB - Fill to Tank
	052956-01-000	EA	Tee - Plastic - .5" F x .5" MPT x .5" F
	077954-02-000	EA	Water Filter/Screen - In Tank
	072444-02-000	EA	Water Tank - 47 Gal. w/Fittings
	042989-03-000	EA	Fitting - Spinweld Plastic - 1.25" NPT
	042989-04-000	EA	Fitting - Spinweld Plastic - 3/8" FPT
	049032-01-000	EA	Patch - Spinweld Plastic - 3/8"
	035416-04-000	EA	Terminal Ring - #10 Stud Fit
	088474-06-000	EA	Socket Housing)
	088476-01-000	EA	Socket Connector
	045729-01-000	EA	Water Pump - 2.8 GPM Shur Flow
	045729-02-000	EA	Water - Pump - 2.8 GPM Shur Flow - CSA
	065120-01-000	EA	Elbow - Plastic - Swivel - .5"
	052952-01-000	EA	Nut - Plastic - .5" F
	039800-01-000	EA	Tubing - .5" OD x 20'
	052960-01-000	EA	Drain Valve - In Line - .5" F x .5" F
	038522-02-000	EA	Cap - Brass - .5" Flare
	011053-03-000	EA	Faucet - 8" w/Swing Spout
	091253-01-000	EA	Gasket - Faucet
	079317-01-000	EA	Adapter - Swivel - .5" Tube x .5" FPT
	011056-03-000	EA	Faucet - Lavatory - Chrome
	091253-01-000	EA	Gasket - Faucet
	052954-01-000	EA	Adapter - Nose Cone - 3/8" or 1/2"
	091208-01-000	EA	Washer - Rubber - .75" x .50"
	087859-01-000	EA	Waterfill - City Water - Beige
	052955-01-000	EA	Tee - Plastic - .5" F x .5" F x .5" MPT
	052959-03-000	EA	Connector - Plastic - .5" F x 3/8" MPT - Toilet to Water
	052953-01-000	EA	Nut - Faucet - .5" Tube x .5" FPT
	052958-01-000	EA	Tee - Plastic - .5" F x .5" F x .5" F
	052957-02-000	EA	Elbow - Plastic - .5" F x .5" MPT
	075606-01-000	EA	Faucet Panel - Plastic
	011059-04-000	EA	Faucet - Shower - Chrome
	011048-02-000	EA	Shower Head - w/60" Hose
	U10048-05-000	EA	Shower Head - w/60" - CSA
	051391-02-000	EA	Water Heater - w/o Motor Aid - 4 Gal. - Atwood
	051393-01-000	EA	Water Heater - w/Motor Aid
	052009-01-000	EA	Door - Water Heater - Beige

ICF22EC  
ICF27EU

A-01 - C-06  
C-09 - E-23

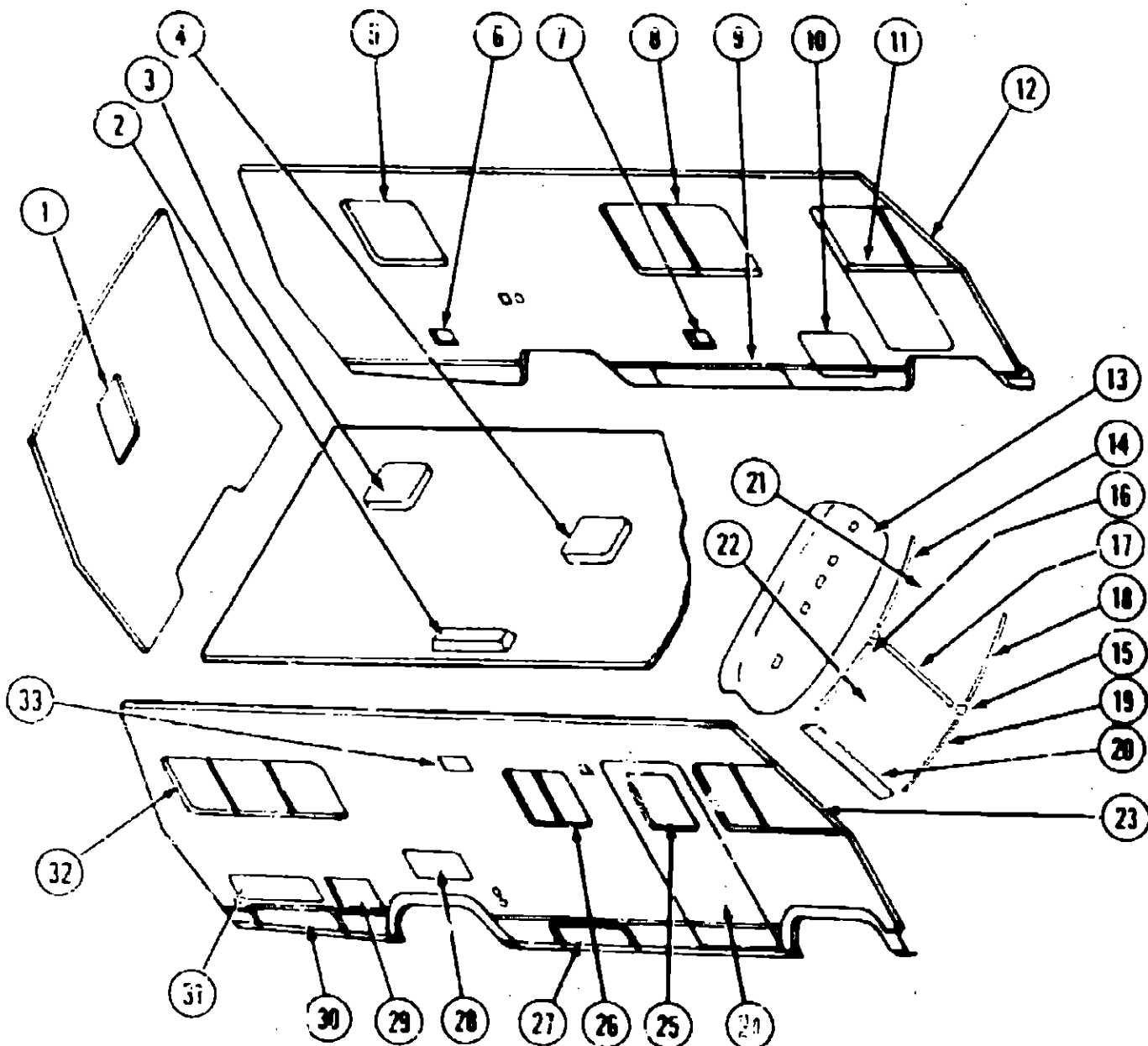
**1989 ITASCA  
TABLE OF CONTENTS**

**1989 ICF22EC INDEX**

Floor Plan	A-01 - A-02
Accessories Group	A-03 - A-04
Bath Group	A-05
Chassis Group Group	A-06 - A-07
Curtain, Cushion & Pad Group	A-08 - A-15
Dinette Group	A-16
Driver's Compartment Group	A-17 - A-20
Electrical Group	A-21 - A-23
Exterior Body Group	A-24 - B-08
Galley Group	B-09 - B-10
Heating & Air Conditioning Group	B-11 - B-12
Interior Finish Group	B-13 - B-15
LP Group	B-16
Lounge Group	B-17
Water & Sewage Group	B-18 - B-20
Window, Vent & Exterior Door Group	B-21 - C-08

# WINDOW GROUP

## WINDOWS, VENTS & ACCESS DOOR



Key	Part Number	U/M	Description
1	079733-04-T03	EA	Window Asm. - Picture - 17" x 25" - w/o Inside Frame
	067609-03-000	EA	Inside Frame - Picture Window - Beige
2	084073-02-000	EA	Vent - Roof - Refrigerator - Gray
	084073-04-000	EA	Base - Roof Vent - Refrigerator
3	090392-01-Y12	EA	Vent Asm. - Roof - Non-Powered
	078786-01-Y12	EA	Screen Asm. - Non-Powered Roof Vent
4	090393-01-Y12	EA	Vent Asm. - Roof - Powered
	078785-01-Y12	EA	Screen Asm. - Powered Roof Vent
5	079729-02-T33	EA	Window Asm. - Escape - 22" x 24"
	079771-01-000	EA	Inside Frame - Escape - Beige
6	078010-05-000	EA	Door Asm. - Fuel Fill - Gray
7	088794-03-000	EA	Door Asm. - Power Cord - w/Hatch - Gray
8	078269-04-X11	EA	Window Asm. - Double Slider
	083122-26-000	EA	Inside Frame - Double Slider - Beige
9	086531-06-Y33	EA	Door Asm. - Storage - Center Lower - Drivers
10	079578-05-W89	EA	Door Asm. - Storage - 22.6" x 19.68" - Gray
11	M82202-02-U13	EA	Door Asm. - Drivers Door - w/Crank-Up Window
12	078421-02-T03	EA	Corner Vent Glass - Drivers
13	078572-03-000	EA	Roof Cap - Primed
14	077944-02-000	EA	Reveal Molding - Upper - Drivers
15	077952-02-000	EA	Reveal Molding Cap - Upper & Lower
16	077944-01-000	EA	Reveal Molding - Upper - Passengers
17	078676-32-000	EA	Reveal Molding - Center
18	077945-02-000	EA	Reveal Molding - Lower - Drivers
19	077945-01-000	EA	Reveal Molding - Lower - Passengers
20	079225-C1-000	EA	Trim - Windshield Post - Passengers
	079225-02-000	EA	Trim - Windshield Post - Drivers
	077675-02-000	EA	Windshield - Drivers
	077675-01-000	EA	Windshield - Passengers
23	082057-01-U04	EA	Window Asm. - Slant Slider - Passengers
	082056-01-U04	EA	Frame Asm. - Slant Slider Window - w/Screen - Passengers - Beige
	082467-01-000	EA	Frame - Slant Slider Window - Beige - Passenger
	078364-01-000	EA	Trim - Screen Slider - Top
	078365-01-000	EA	Trim - Screen Slider - Bottom
	079574-01-T03	EA	Frame Asm. - Screen
24	M01870-12-X36	EA	Entrance Door - Radius Entry w/Screen Door
25	079733-04-T03	EA	Window Asm. - Picture - 17" x 25" - w/o Inside Frame
	067609-03-000	EA	Inside Frame - Picture Window - Beige
26	078266-02-T03	EA	Window Asm. - Single Slider - w/o Inside Frame
	083122-03-000	EA	Inside Frame - Single Slider Window - Beige
	086517-05-Y33	EA	Door Asm. - Center Lower - Passengers
27	084104-02-000	EA	Jamb - Refrigerator Vent Door - Gray
28	084103-02-000	EA	Door - Refrigerator Vent - Gray
29	052709-03-000	EA	Door - Water Heater - Gray
30	090108-01-Y33	EA	Door Asm. - Lower Rear - Passengers - Generator
31	079578-01-T09	EA	Door Asm. - Storage - Upper Rear Passengers - 10.75" x 30.3"
32	078271-01-T03	EA	Window Asm. - Center Slider - w/o Inside Frame
	083122-11-000	EA	Inside Frame - Center Slider Window - Beige
33	092698-01-03A	EA	Vent w/Door - Stove Hood - Gray

# 1989 ITASCA TABLE OF CONTENTS

ICF22EC  
ICF27EU

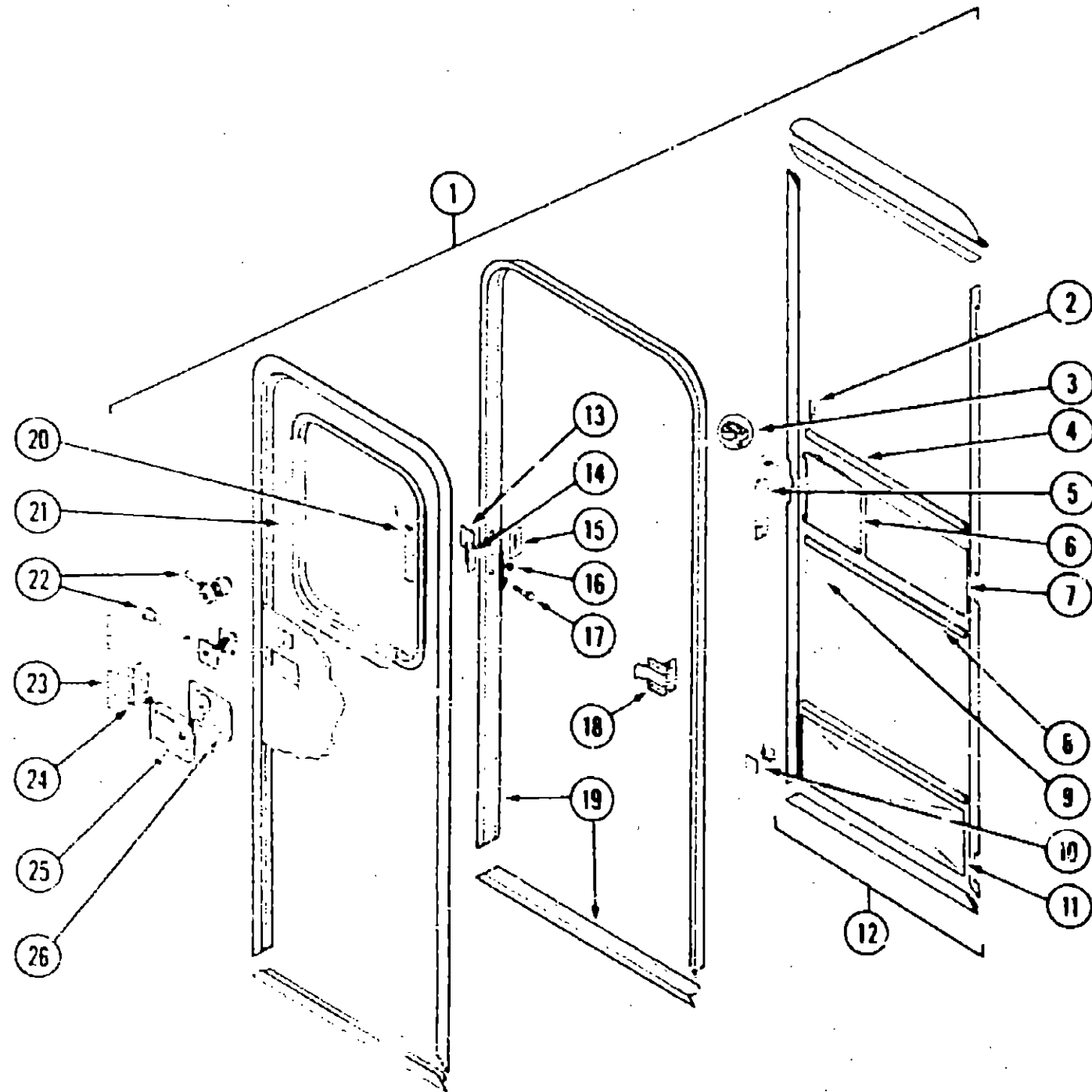
A-01 - C-08  
C-09 - E-23

## 1989 ICF22EC INDEX

Floor Plan	A-01 - A-02
Accessories Group	A-03 - A-04
Bath Group	A-05
Chassis Group Group	A-06 - A-07
Curtain, Cushion & Fad Group	A-08 - A-15
Dinette Group	A-16
Driver's Compartment Group	A-17 - A-20
Electrical Group	A-21 - A-23
Interior Body Group	A-24 - B-08
Isle Group	B-09 - B-10
Heating & Air Conditioning Group	B-11 - B-12
Interior Finish Group	B-13 - B-15
LP Group	B-16
Lounge Group	B-17
Water & Sewage Group	B-18 - B-20
Window, Vent & Exterior Door Group	B-21 - C-08

# WINDOW, VENT & EXTERIOR DOOR GROUP (CONTINUED)

## ENTRANCE & SCREEN DOOR



Key	Part Number	U/M	Description
1	M01870-12-Y33	EA	Door Asm. - Entrance w/Screen Door
	095276-01-02A	EA	Frame Asm. - Entrance Door - Beige
	089748-03-000	EA	Frame - Entrance Door - Bottom Portion
2	050712-05-000	EA	Door Handle - Screen Door
3	009018-01-000	EA	Roller Catch - Screen Door
	058025-01-000	EA	Clip - Roller Latch Catch
	009016-01-000	EA	Catch - Elbow - Spring Loaded - Screen Door
4	078592-01-000	EA	Screen Door Mullion - Upper & Lower - Slider
	078777-01-000	EA	Slider Channel (Mullion Insert)
5	079087-01-000	EA	Strike - Slider - Screen Door
6	079086-01-000	EA	Slider - Screen Door
7	016454-01-000	EA	Insert - Screen Door
8	002294-01-000	FT	Spline - Black
9	002293-02-000	SF	Screen - Window - 26" Charcoal
10	085774-01-000	FT	Fastener - Dual Lock - 1" Wide
10	085774-02-000	FT	Fastener - Dual Lock - 1" Wide
11	078532-03-000	EA	Insert - Screen Door - Lower
12	079012-01-T03	EA	Screen Door Asm.
	078595-01-000	EA	Plate - Screen Door
13	077461-01-000	EA	Strike Cover
14	041546-03-000	EA	Angle Bracket
15	079173-01-000	EA	Deadbolt - Gasket
16	058806-01-000	EA	Plug - Tapered Plastic
17	039539-01-000	EA	Strike
18	079381-07-000	EA	Hinge
19	095277-01-02A	EA	Door Jamb - Entrance Door
20	087561-01-000	FT	Window Seal
21	002181-06-000	EA	Glass - Picture Window
	079733-04-T03	EA	Window Asm. - Picture - 17" x 25" (w/o inside frame)
	069609-03-000	EA	Inside Frame - Beige (not included in assembly)
22	039738-01-000	EA	Dead Bolt Asm. - Round
22	095229-01-01A	EA	Dead Bolt Asm. - Square - Black
23	098173-01-02A	EA	Stiffener - Entrance Door
24	039540-01-000	EA	Latch Asm. - Entrance Door
25	045017-10-000	EA	Latch Asm. - Plate - Black
26	039979-03-000	EA	Cover Asm. - Latch Plate - Black
	039984-01-000	EA	Cap - Black Vinyl - Lock Grip
	075673-01-000	FT	Seal - Pile - Adhesive Back
	075671-01-000	FT	Seal - Sponge - Lazy T Shaped
	002748-01-000	EA	Cover - Key
	081067-01-000	EA	Seal - Lock - Flat w/Slit

## 1989 ITASCA TABLE OF CONTENTS

ICF22EC  
ICF27EU

A-01 - C-08  
C-09 - E-23

## 1989 ICF22EC INDEX

Floor Plan	A-01 - A-02
Accessories Group	A-03 - A-04
Bath Group	A-05
Chassis Group Group	A-06 - A-07
Curtain, Cushion & Pad Group	A-08 - A-15
Dinette Group	A-16
Driver's Compartment Group	A-17 - A-20
Electrical Group	A-21 - A-23
Exterior Body Group	A-24 - B-08
Galley Group	B-09 - B-10
Heating & Air Conditioning Group	B-11 - B-12
Interior Finish Group	B-13 - B-15
LP Group	B-16
Lounge Group	B-17
Water & Sewage Group	B-18 - B-20
Window, Vent & Exterior Door Group	B-21 - C-08



**WINDOW, VENT & EXTERIOR DOOR GROUP (CONTINUED)**

**WINDOW, VENT & EXTERIOR DOOR GROUP (CONTINUED)**

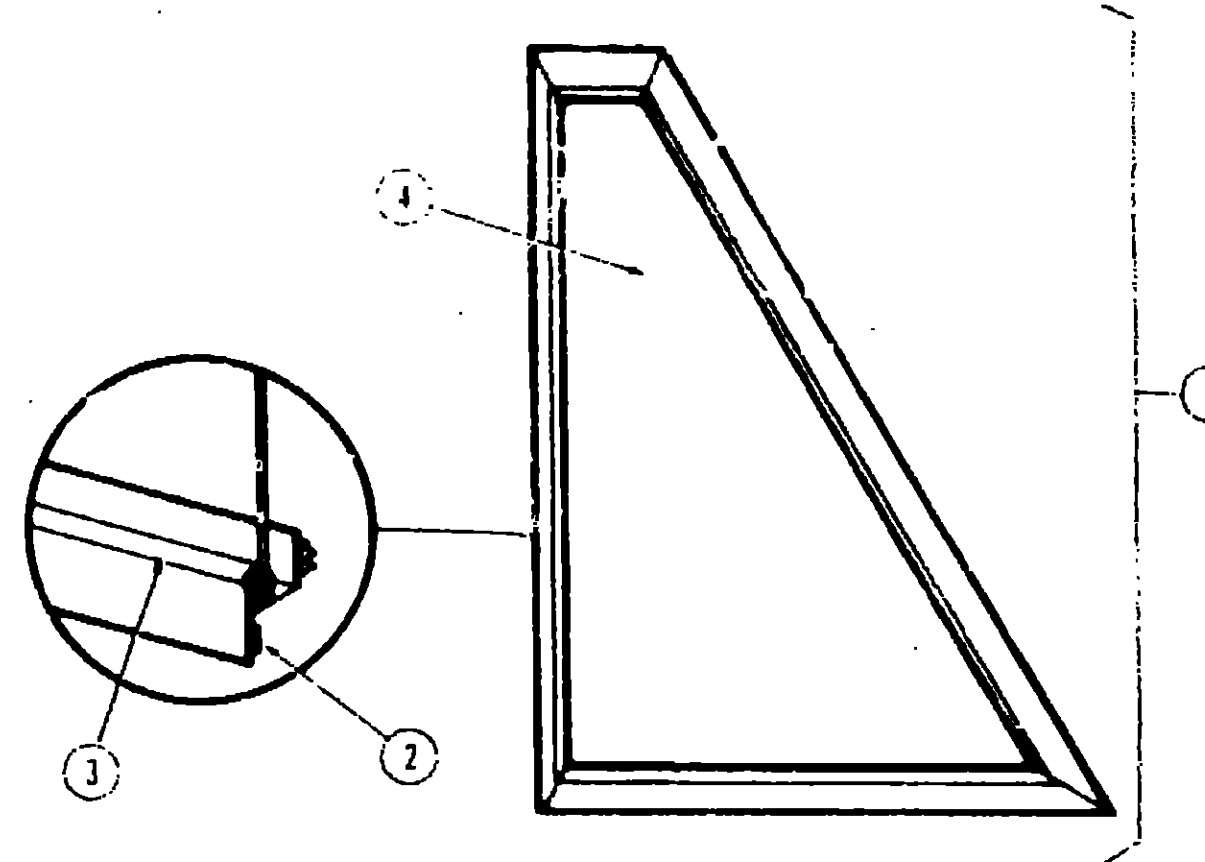
**DRIVERS DOOR**

Key	Part Number	U/M	Description
	082202-02-013	EA	Door Asm - Drivers Door - w/Crank Window
	061400-06-070	EA	Assist Strap - Sandstone
	063993-03-000	EA	Hinge Asm - Drivers Door - Gray
	063731-01-000	EA	Cap - Push On
	063732-02-000	EA	Hinge Pin
	080204-03-000	EA	Bearing - Snap In - 5/16 ID x F16
	064219-01-000	EA	Retainer - Strap - Drivers Door
	064580-03-000	EA	Check Strap - Drivers Door
	065958-03-000	EA	Bearing - 3/8 ID - Snap In
	073110-03-000	EA	Rod - Lock - Drivers Door
	073303-03-000	EA	Latch Asm - Inner - Drivers Door
	074327-02-000	FT	Tape - Double Sided Foam - 045 x 1
	076542-04-000	EA	Rod - Latch Control - Drivers Door
	079370-01-000	FT	Vinyl - Screw Cover - Beige
	081487-01-000	EA	Housing - Side Bolt
	081489-01-000	EA	Glass - Roll-Up - Drivers Door
	081503-02-000	EA	Frame Asm - Front - Drivers Door
	081903-01-000	EA	Shaft - Knob Mounting
	081905-02-000	EA	Knob - Control - Side Bolt - Drivers Door
	081906-01-000	EA	Bolt - Slide
	081907-02-000	EA	Regulator Asm - Window - Drivers Door
	081908-01-000	EA	Screw - Mach - 6 - 32 x .62 - w/Non Lock
	081910-01-000	EA	Channel - Window Slide
	081911-01-000	EA	Tape - Glass Setting 06
	081912-01-000	EA	Weatherstrip - Rigid
	082107-03-000	EA	Handle - Door - Gray
	082107-01-000	EA	Handle - Door - Plain
	082153-02-000	EA	Seal - Sponge - EA = 15 Ft
	082204-02-000	EA	Inside Frame - Drivers Door Window - Beige
	082243-04-000	EA	Frame - Upper Rear - Drivers Door - Gray
	082471-02-000	EA	Trim Panel - Inner Drivers Door - Light Oak
	082472-01-000	EA	Channel - Glass Retainer - Mill
	083321-01-000	EA	Lock Asm - Key Type
	083321-01-000	EA	Cam Lock - Drivers Side
	084162-02-000	EA	Bracket - Door Stop - Gray
	084465-01-000	EA	Block - Door Stop - Jamb
	085007-04-000	EA	Frame - Front Lower - Drivers Door - Gray
	086284-01-000	EA	Spring - .44 x 35 OD
	081964-03-000	FT	Tape - Adhesive - 04" x 1"
	084575-01-000	EA	Hand Crank - Glass Lift
	087064-01-000	EA	Screw - SF/DF 8 18 x 1/2 PPH ZN
	085020-01-000	EA	Check Strap - Cab Door
	080654-02-000	EA	Jamb - Drivers Door
	063993-03-000	EA	Hinge Asm. - Drivers Door
	064075-07-000	FT	Seal - Bulb - Door
	072019-02-000	EA	Strike - Drivers Door
	080319-02-000	EA	Threshold - Drivers Door - Gray

**1989 ITASCA  
TABLE OF CONTENTS**

ICF22EC  
ICF27EU

A-01 - C-08  
L-09 - E-23



**FRONT SLANT**

Key	Part Number	U/M	Description
1	079421-02-T03	EA	Window Asm - Front Slant - Drivers (w/inside frame)
	079215-02-000	EA	Inside Frame - Front Slant - Drivers - Beige (not included in assembly)
2	059644-01-000	FT	Tape - 1/4" Bead x 20'
3	002309-02-000	FT	Spline - Glass - 1/8" - Black
4	057656-04-000	EA	Glass - 19" x 28 11" x 13 98'

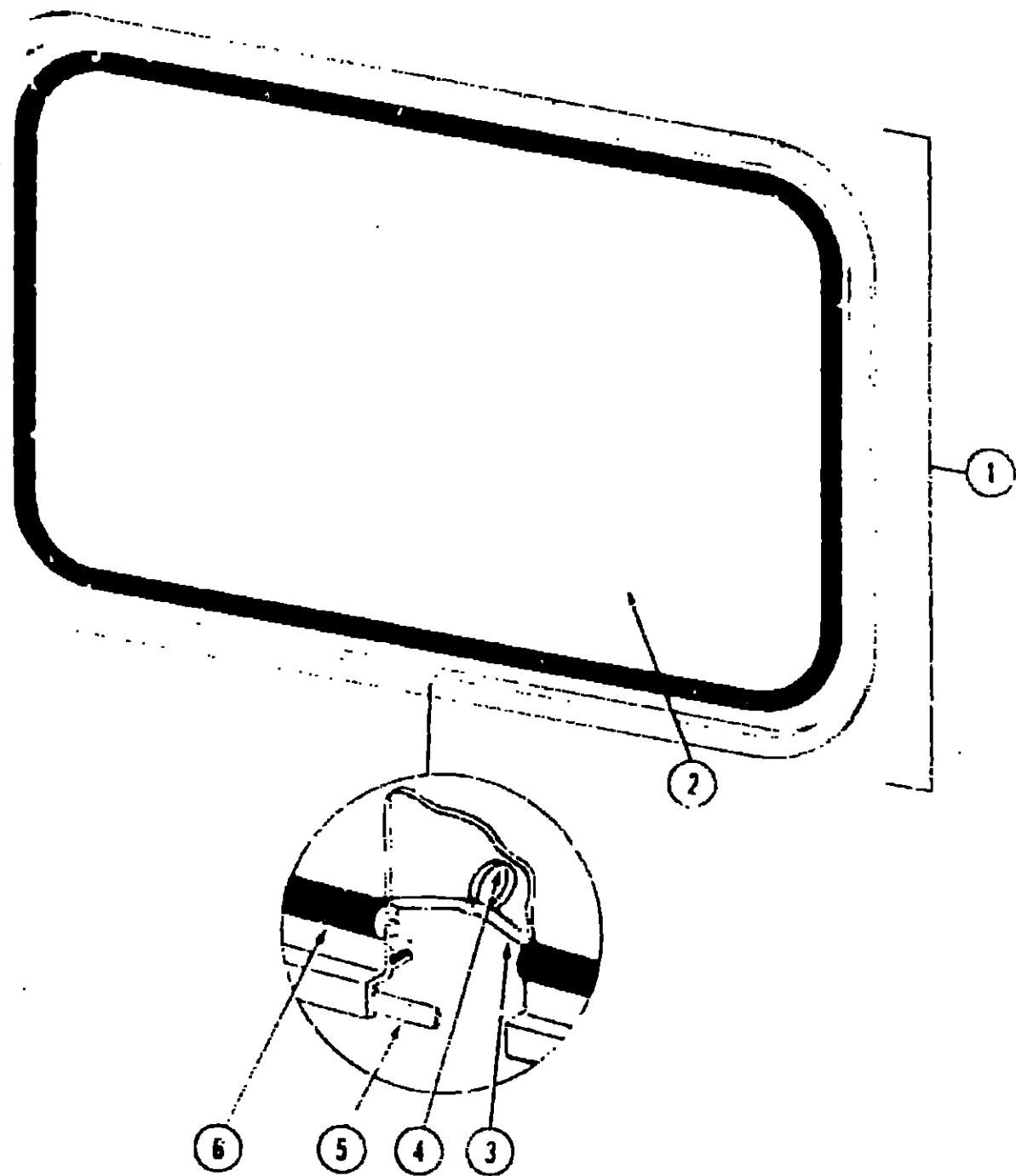
**1989 ICF22EC INDEX**

Floor Plan	A-01 - A-02
Accessories Group	A-03 - A-04
Bath Group	A-05
Chassis Group Group	A-06 - A-07
Curtain, Cushion & Pad Group	A-08 - A-12
Dinette Group	A-13
Driver's Compartment Group	A-17 - A-20
Electrical Group	A-21 - A-23
Exterior Body Group	A-24 - B-08
Galley Group	B-09 - B-10
Heating & Air Conditioning Group	B-11 - B-12
Interior Finish Group	B-13 - B-15
LP Group	B-16
Lounge Group	B-17
Water & Sewage Group	B-15 - B-20
Window, Vent & Exterior Door Group	B-21 - C-08

1989 ITASCA  
TABLE OF CONTENTS

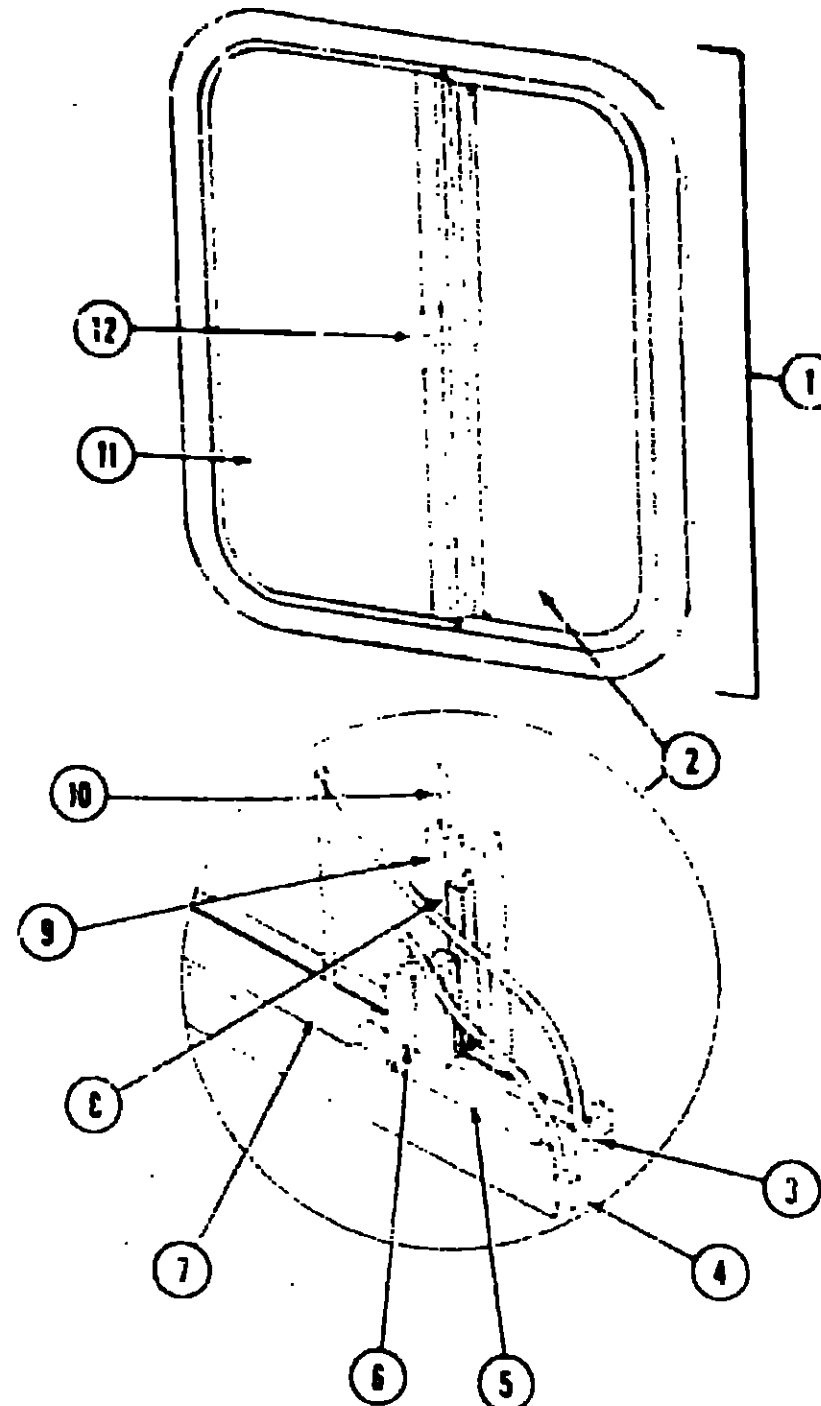
ICF22EC  
ICF27EU

A-01 - C-08  
C-09 - E-23



ESCAPE WINDOW

Key	Part Number	U/M	Description
1	079722-02-T03	EA	Window Asm. - Sidewall Escape (w/o inside frame)
	079771-01-000	EA	Inside Frame - Escape Window - Beige
2	041392-03-000	EA	Glass - 21.65" x 19.61"
3	002285-01-000	FT	Filler - Weatherstrip - Black
4	077066-01-701	EA	Tape - Poly - Red - 36"
5	002282-01-000	FT	Weatherstrip - Window - .125" Black
6	069640-07-000	EA	Tape - 2" Bead x 3'32" x 30"



SINGLE SLIDER WINDOW

Key	Part Number	U/M	Description
1	078266-02-T03	EA	Window Asm. - Single Slider (w/o inside frame)
	083122-03-000	EA	Inside Frame - Beige (not included in assembly)
2	081980-05-000	EA	Glass - Sliding - 1/8" x 19" x 13.7"
3	002324-02-000	FT	Channel - Weatherstrip - Glass Run - 1/8" Glass
4	069640-06-000	FT	Ribbon Seal - 5/16" Bead x 15"
5	002309-02-000	FT	Spline - Glass - 1.8" Material - Black
6	M69666-03-011	EA	Seal Holder w/Fin Seal - Black
7	024096-02-000	FT	Extr Rubber - Window Seal - Black
8	073740-01-000	FT	Seal - Fin - Pile - .460"
9	078562-04-000	EA	Mullion - Slider Window - Black
10	002298-02-000	FT	Spline - .130" Dia. - Charcoal (Screen)
11	981984-03-000	EA	Glass - Stationary - 1/8" x 19" x 12.3"
12	047369-01-700	EA	Latch Kit - Window - Plastic w/Fastener
	079204-01-000	EA	Bracket - Mullion - Black
	002292-02-000	SF	Screen - Window - 20" - Charcoal (Screen)

1989 ICF22EC INDEX

Floor Plan	A-01 - A-02
Accessories Group	A-03 - A-04
Bath Group	A-05
Chassis Group Group	A-06 - A-07
Curtain, Cushion & Pad Group	A-08 - A-15
Dinette Group	A-16
Driver's Compartment Group	A-17 - A-20
Electrical Group	A-21 - A-23
Exterior Body Group	A-24 - B-06
Galley Group	B-09 - B-10
Heating & Air Conditioning Group	B-11 - B-12
Interior Finish Group	B-13 - B-15
LP Group	B-16
Lounge Group	B-17
Water & Sewage Group	B-18 - B-20
Window, Vent & Exterior Door Group	B-21 - C-08

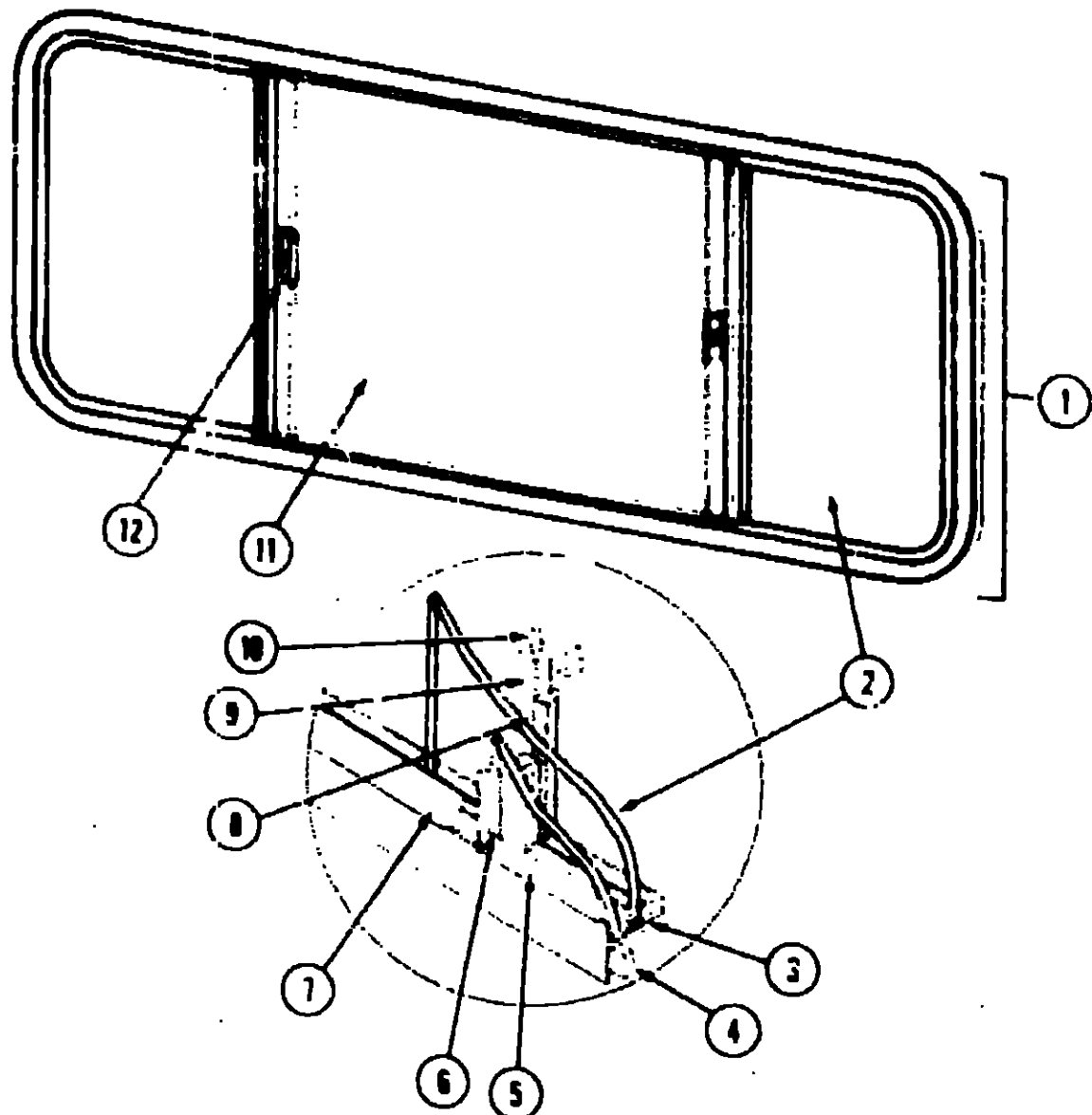
**WINDOW, VENT & EXTERIOR DOOR GROUP (CONTINUED)**

**WINDOW, VENT & EXTERIOR DOOR GROUP (CONTINUED)**

**1989 ITASCA  
TABLE OF CONTENTS**

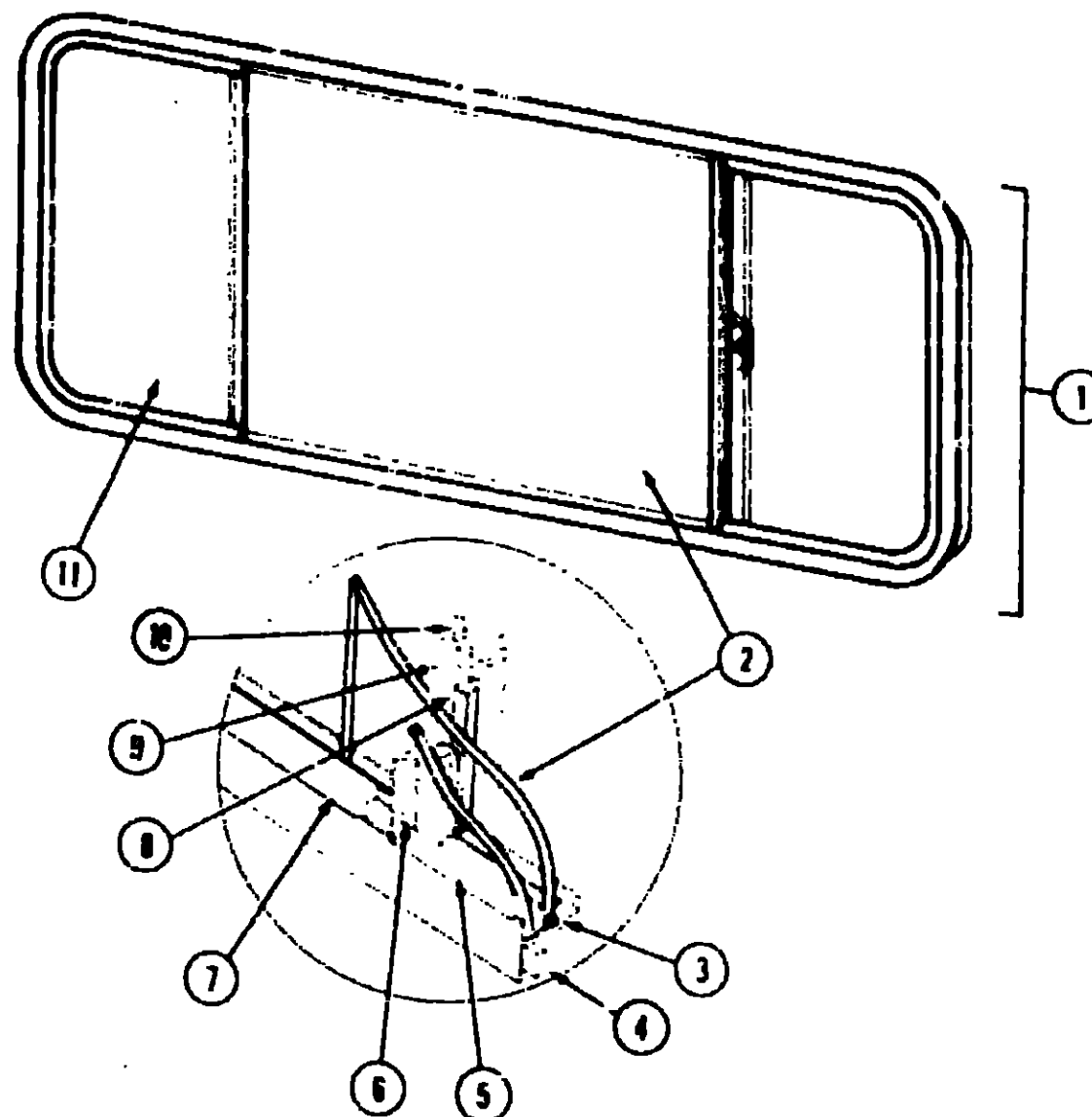
ICF22EC  
ICF27EU

A-01 - C-08  
C-08 - E-23



**DOUBLE SLIDER WINDOW**

Key	Part Number	U/M	Description
1	078289-04-X11	EA	Window Asm. - Double Slider (w/o inside frame)
	083122-26-000	EA	Inside Frame - Double Slider - Beige
2	081980-10-000	EA	Glass - Sliding - 1/8" x 30.6" x 19.31" - Gray
3	022321-02-000	FT	Channel - Weatherstrip - Glass
4	069640-06-000	FT	Sealer Ribbon - 5/16" Bead x 15'
5	002309-02-000	FT	Spline - Glass - 1/8" - Black
6	069886-03-001	EA	Seal Holder - 1/8" Glass - Black
7	024026-02-000	FT	Vinyl Window Seal - Black
8	073740-01-000	FT	Fin Seal - .60" Pile
9	083926-02-001	EA	Mullion - Slider Window - Black
	002292-02-000	SF	Screen - Window - 20" - Charcoal
10	002298-02-000	FT	Spline - .130" Dia. - Charcoal (Screen)
11	002166-07-000	EA	Glass - Stationary - 1/8" x 30.7" x 24.75"
12	047369-01-700	EA	Latch Kit - Window - Plastic w/Fastener



Key	Part Number	U/M	Description
1	078271-01-T03	EA	Window Asm. - Center Slider - 25" x 56" - Black (w/o inside frame)
	083122-11-000	EA	Inside Frame - Beige (not included in assembly)
2	066727-02-000	EA	Glass - Sliding - 1/8" x 25.5" x 24"
3	022324-02-000	FT	Channel - Weatherstrip - Glass
4	069640-06-000	FT	Tap - 1/4" Bead x 15'
5	002309-02-000	FT	Spline - Glass - 1/8" Material - Black
6	M69886-03-003	EA	Seal Holder w/Fin Seal - Fin Pile - 23.19"
7	057374-02-000	FT	Extr. Vinyl - Window Seal - Black
8	073740-01-000	FT	Fin Seal - .460" Pile
9	08417J-04-000	EA	Mullion - Slider Window - Black
10	002298-02-000	FT	Spline - .130" Dia. - Charcoal (Screen)
11	081984-07-000	EA	Glass - Stationary - 1/8" x 24" x 16.53"
	002293-02-000	SF	Screen - Window - 26" - Charcoal
	047369-01-700	EA	Latch Kit - Window - 26" - Charcoal

**1989 ICF22EC INDEX**

Floor Plan	A-01 - A-02
Accessories Group	A-03 - A-04
Bath Group	A-05
Chassis Group Group	A-06 - A-07
Curtain, Cushion & Pad Group	A-08 - A-15
Dinette Group	A-16
Driver's Compartment Group	A-17 - A-20
Electrical Group	A-21 - A-23
Exterior Body Group	A-24 - B-08
Galley Group	B-09 - B-10
Heating & Air Conditioning Group	B-11 - B-12
Interior Finish Group	B-13 - B-15
LP Group	B-16
Lounge Group	B-17
Water & Sewage Group	B-18 - B-20
Window, Vent & Exterior Door Group	B-21 - C-08

**WINDOW, VENT & EXTERIOR DOOR GROUP (CONTINUED)**

**DOOR ASM. - 026631-06-Y33 - PARTS**

Key	Part Number	U/M	Description
	002748-01-000	EA	Corner Key
	076767-05-000	EA	Cable Asm - 15 5" - SST
	081067-02-000	EA	Seal - Lock - Flat w/Slit
	065730-02-000	EA	Latch Asm - Paddle - Gray Plastic - w/Key Lock
	086551-55-004	EA	Rocker Panel - Door Bottom - 16"
	086809-02-000	EA	Striker - Door Latch - Gray Plastic
	086810-02-000	EA	Bracket - Lock - Primed

**DOOR ASM. - 079578-05-W00 - PARTS**

Key	Part Number	U/M	Description
	064575-04-000	FT	Bulb Seal - Door
	079366-04-000	EA	Lock Asm - Key Type - w/o Keys
	081801-03-000	EA	Hinge - 2" x 96" - Gray

**DOOR ASM. - 090198-01-Y33 - PARTS**

Key	Part Number	U/M	Description
	002748-01-000	EA	Corner Key
	053752-05-000	EA	Seam Sealer - 5 Gal - Clear
	079927-03-000	EA	Lock Asm - Twist Type - Double Cam
	081801-03-000	EA	Hinge - 2" x 96" - Gray
	084491-55-002	EA	Rocker Panel - Door - 16"

**DOOR ASM. - 086517-05-Y33 - PARTS**

Key	Part Number	U/M	Description
	002748-01-000	EA	Corner Key
	076767-05-000	EA	Cable Asm - 15 5" SST
	081067-02-000	EA	Seal - Lock - Flat w/Slit
	065730-05-000	EA	Latch Asm - Paddle - Gray Plastic - w/o Key Lock
	086809-02-000	EA	Striker - Door Latch - Gray Plastic
	086810-02-000	EA	Bracket - Lock - Primed
	086551-55-004	EA	Rocker Panel - Door Bottom - 16"

**DOOR ASM. - 079578-01-T09 - PARTS**

Key	Part Number	U/M	Description
	064575-04-000	FT	Bulb Seal - Door
	079366-04-000	EA	Lock Asm - Key Type - w/o Keys
	081801-03-000	EA	Hinge - 2" x 96" - Gray

**WINDSHIELD & CORNER GLASS**

Key	Part Number	U/M	Description
	057656-06-000	EA	Glass - Corner Vent - Drivers
	077675-02-000	EA	Glass - Windshield - Drivers
	077675-01-000	EA	Glass - Windshield - Passengers

**WINDOW, VENT & EXTERIOR DOOR GROUP (CONTINUED)**

**VENTS, ACCESS DOOR HARDWARE**

Key	Part Number	U/M	Description
	009439-01-000	EA	Crank - Roof Vent
	009439-03-000	EA	Extension - 9" - Roof Vent
	009439-05-000	EA	Knob - Roof Vent - Black
	009439-06-000	EA	Extension - Roof Vent - Black
	009439-07-000	EA	Screw - Roof Vent Crank
	090392-01-Y12	EA	Vent - Non Powered - Roof
	078788-01-Y12	EA	Screen Asm - Non-Powered - Roof Vent
	090393-01-Y12	EA	Vent - Powered - Roof
	078785-01-Y12	EA	Screen Asm - Powered Roof Vent
	092698-01-03A	EA	Vent - Range - w/Door - Outside
	082731-01-000	EA	Extension - Duct - Range Hood
	084073-02-000	EA	Vent - Refrigerator Roof Vent
	084073-04-000	EA	Base - Refrigerator Roof Vent
	084103-02-000	EA	Door - Refrigerator Vent - Sidewall
	084104-02-000	EA	Jamb - Refrigerator Vent - Sidewall
	084104-01-700	EA	Lock - Male - Refrigerator Door - Exterior
	084104-01-701	EA	Lock - Female - Refrigerator Door - Exterior
	083558-02-000	EA	Cover - Vent Pipe - Plastic
	078010-05-000	EA	Door Asm - Fuel Fill - Gray
	077963-01-000	EA	Gasket - Gas Fill Door
	078200-01-000	EA	Gasket - Fuel Fill
	052009-03-000	EA	Door Asm - Water Heater - Gray
	079368-01-010	EA	Seal - Access Door
	083015-03-000	EA	Door Stop - Gray
	004363-01-100	FT	Tape - Foam - 3/16" x 1/2"

**1988 ITASCA  
TABLE OF CONTENTS**

ICF22EC	A-01 - C-08
ICF27EU	C-09 - E-23

**1989 ICF22EC INDEX**

Floor Plan	A-01 - A-02
Accessories Group	A-03 - A-04
Bath Group	A-05
Chassis Group Group	A-06 - A-07
Curtain, Cushion & Pad Group	A-08 - A-15
Dinette Group	A-16
Driver's Compartment Group	A-17 - A-20
Electrical Group	A-21 - A-23
Exterior Body Group	A-24 - B-08
Galley Group	B-09 - B-10
Heating & Air Conditioning Group	B-11 - B-12
Interior Finish Group	B-13 - B-15
LP Group	B-16
Lounge Group	B-17
Water & Sewage Group	B-18 - B-20
Window, Vent & Exterior Door Group	B-21 - C-08